



California

OBD II CATALYTIC CONVERTERS



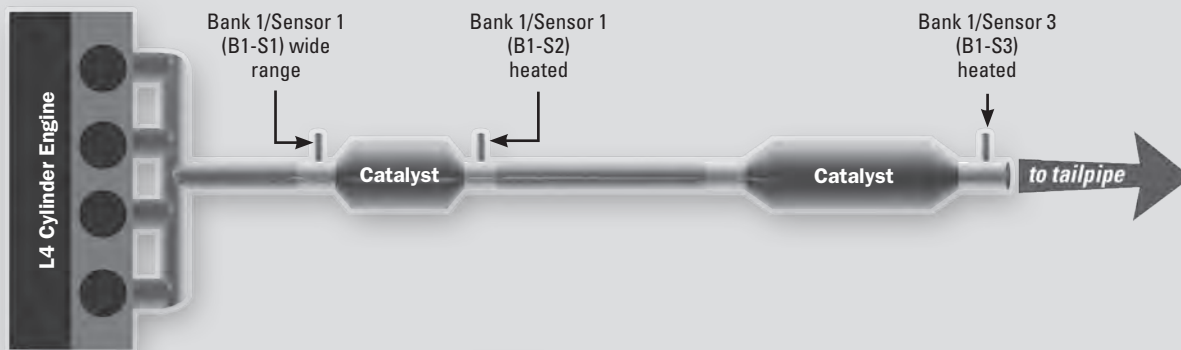
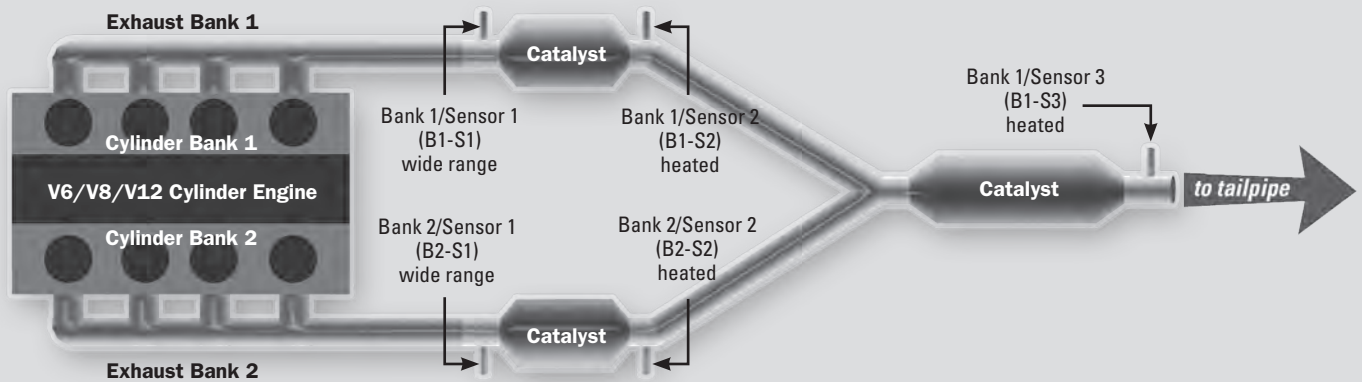
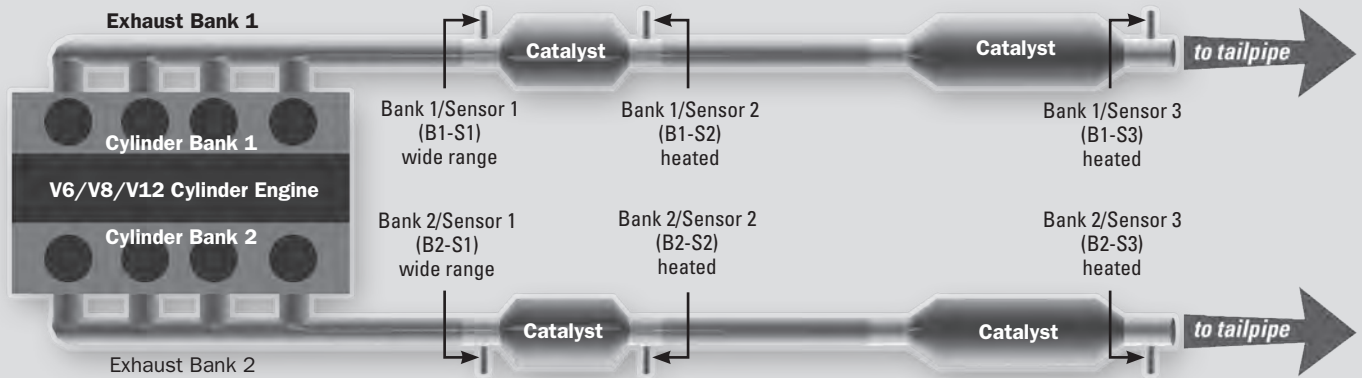
**CATALYTIC
CONVERTER
CATALOG**

**CARB
COMPLIANT
STATES**

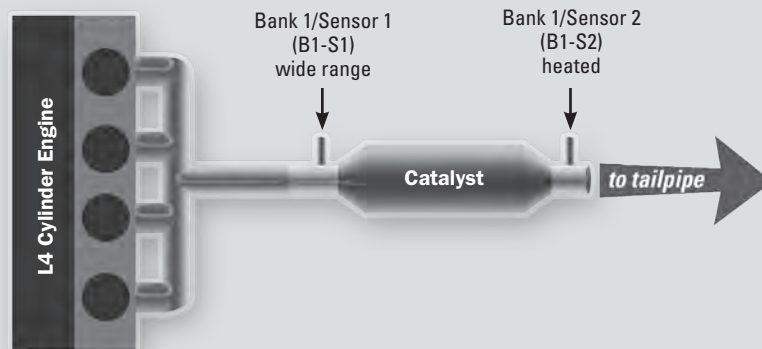
Direct Fit | Consolidated | OBDII

DIAGRAM: OBD II Oxygen Sensor Locations

** This is just an example of Cylinder Bank 1 location



** Not all vehicles will have Cylinder Bank 1 on the passenger side. Consult your specific vehicle application for Cylinder Bank 1 location.



APPLICATION GUIDE



OBD II

APPLICATION

Year	Eng. Size	Test Group/ Engine Family	Certification Level	Application	Location	Direct Fit Number	Exec. Order	Consol. Number	Exec. Order
Acura									
CL									
L4									
1997	2.2L	VHN2.2VJGKEK	TIER1	All	Underbody	942355	D-280-100	--	--
1997	2.2L	VHN2.2VJGKEK	TIER1	All	Underbody	--	--	942575	D-280-100
1999	2.3L	XHNXV02.3RA1	TIER1	All	Underbody	942355	D-280-100	--	--
1999	2.3L	XHNXV02.3RA1	TIER1	All	Underbody	--	--	942575	D-280-100
1998	2.3L	WHNXV02.3RA1	TIER1	All	Underbody	942355	D-280-100	--	--
1998	2.3L	WHNXV02.3RA1	TIER1	All	Underbody	--	--	942575	D-280-100
V6									
1999	3.0L	XHNXV03.0ZL2	TLEV	All	Underbody	942233	D-280-100	--	--
1999	3.0L	XHNXV03.0ZL2	TLEV	All	Underbody	--	--	942575	D-280-100
1998	3.0L	WHNXV03.0ZL2	TLEV	All	Underbody	942233	D-280-100	--	--
1998	3.0L	WHNXV03.0ZL2	TLEV	All	Underbody	--	--	942575	D-280-100
1997	3.0L	VHN3.0VJG2EK	TLEV	All	Underbody	942233	D-280-100	--	--
1997	3.0L	VHN3.0VJG2EK	TLEV	All	Underbody	--	--	942575	D-280-100
1997	3.0L	VHN3.0VJGKEK	TLEV	All	Underbody	942233	D-280-100	--	--
1997	3.0L	VHN3.0VJGKEK	TLEV	All	Underbody	--	--	942575	D-280-100
2003	3.2L	3HNXV03.2AYC	LEV1 LEV	All	Underbody	942209	D-280-100	--	--
2003	3.2L	3HNXV03.2AYC	LEV1 LEV	All	Underbody	764209	D-280-105	--	--
2003	3.2L	3HNXV03.2AYC	LEV1 LEV	All	Underbody	--	--	942565	D-280-100
2003	3.2L	3HNXV03.2BYT	LEV1 ULEV	All	Underbody	764209	D-280-105	--	--
2003	3.2L	3HNXV03.2BYT	LEV1 ULEV	All	Underbody	--	--	760025	D-280-105
2003	3.2L	3HNXV03.2CYC	LEV1 LEV	All	Underbody	942209	D-280-100	--	--
2003	3.2L	3HNXV03.2CYC	LEV1 LEV	All	Underbody	764209	D-280-105	--	--
2003	3.2L	3HNXV03.2CYC	LEV1 LEV	All	Underbody	--	--	942565	D-280-100
2002	3.2L	2HNXV03.2HYT	LEV1 ULEV	All	Underbody	764209	D-280-105	--	--
2002	3.2L	2HNXV03.2HYT	LEV1 ULEV	All	Underbody	--	--	760025	D-280-105
2002	3.2L	2HNXV03.2HYT	LEV1 ULEV	All	Underbody	--	--	760015	D-280-105
2002	3.2L	2HNXV03.2JYC	LEV1 LEV	All	Underbody	942209	D-280-100	--	--
2002	3.2L	2HNXV03.2JYC	LEV1 LEV	All	Underbody	764209	D-280-105	--	--
2002	3.2L	2HNXV03.2JYC	LEV1 LEV	All	Underbody	--	--	942565	D-280-100
2002	3.2L	2HNXV03.2X21	LEV1 LEV	All	Underbody	942209	D-280-100	--	--
2002	3.2L	2HNXV03.2X21	LEV1 LEV	All	Underbody	764209	D-280-105	--	--
2002	3.2L	2HNXV03.2X21	LEV1 LEV	All	Underbody	--	--	942565	D-280-100
2001	3.2L	1HNXV03.2K5U	LEV1 LEV	All	Underbody	942209	D-280-100	--	--
2001	3.2L	1HNXV03.2K5U	LEV1 LEV	All	Underbody	764209	D-280-105	--	--
2001	3.2L	1HNXV03.2K5U	LEV1 LEV	All	Underbody	--	--	942565	D-280-100
2001	3.2L	1HNXV03.2K88	LEV1 ULEV	All	Underbody	764209	D-280-105	--	--
2001	3.2L	1HNXV03.2K88	LEV1 ULEV	All	Underbody	--	--	760015	D-280-105
Integra									
L4									
2001	1.8L	1HNXV01.833E	TLEV	All	Underbody	942361	D-280-100	--	--
2001	1.8L	1HNXV01.833E	TLEV	All	Underbody	--	--	942575	D-280-100
2001	1.8L	1HNXV01.843E	TLEV	All	Underbody	942974	D-280-100	--	--
2001	1.8L	1HNXV01.843E	TLEV	All	Underbody	--	--	942575	D-280-100
2001	1.8L	1HNXV01.8512	TIER1	All	Underbody	942974	D-280-100	--	--
2001	1.8L	1HNXV01.8512	TIER1	All	Underbody	--	--	942575	D-280-100
2000	1.8L	YHNXV01.8WA2	TLEV	All	Underbody	942361	D-280-100	--	--
2000	1.8L	YHNXV01.8WA2	TLEV	All	Underbody	--	--	942575	D-280-100
2000	1.8L	YHNXV01.8XA1	TIER1	All	Underbody	942974	D-280-100	--	--
2000	1.8L	YHNXV01.8XA1	TIER1	All	Underbody	--	--	942575	D-280-100
2000	1.8L	YHNXV01.8XA2	TLEV	All	Underbody	942974	D-280-100	--	--
2000	1.8L	YHNXV01.8XA2	TLEV	All	Underbody	--	--	942575	D-280-100
1999	1.8L	XHNXV01.8WA1	TIER1	All	Underbody	942361	D-280-100	--	--
1999	1.8L	XHNXV01.8WA1	TIER1	All	Underbody	--	--	942575	D-280-100
1999	1.8L	XHNXV01.8XA1	TIER1	All	Underbody	942974	D-280-100	--	--
1999	1.8L	XHNXV01.8XA1	TIER1	All	Underbody	--	--	942575	D-280-100
1998	1.8L	WHNXV01.8WA1	TIER1	All	Underbody	942361	D-280-100	--	--
1998	1.8L	WHNXV01.8WA1	TIER1	All	Underbody	--	--	942575	D-280-100

Legal Note: In Compliance with California Emissions Requirements



CATCO
CATALYTIC CONVERTERS

EASTERN CATALYTIC

APPLICATION GUIDE

OBD II

APPLICATION

Year	Eng. Size	Test Group/ Engine Family	Certification Level	Application	Location	Direct Fit Number	Exec. Order	Consol. Number	Exec. Order
Acura (Cont.)									
Integra (Cont.)									
L4 (Cont.)									
1998	1.8L	WHNXV01.8XA1	TIER1	All	Underbody	942974	D-280-100	--	--
1998	1.8L	WHNXV01.8XA1	TIER1	All	Underbody	--	--	942575	D-280-100
1997	1.8L	VHN1.8VJGKEK	TIER1	All	Underbody	942974	D-280-100	--	--
1997	1.8L	VHN1.8VJGKEK	TIER1	All	Underbody	--	--	942575	D-280-100
1997	1.8L	VHN1.8VJGFK	TIER1	All	Underbody	942361	D-280-100	--	--
1997	1.8L	VHN1.8VJGFK	TIER1	All	Underbody	--	--	942575	D-280-100
1996	1.8L	THN1.8VJGFEK	TIER1	All	Underbody	942974	D-280-100	--	--
1996	1.8L	THN1.8VJGFEK	TIER1	All	Underbody	--	--	942575	D-280-100
1996	1.8L	THN1.8VJGFFK	TIER1	All	Underbody	942361	D-280-100	--	--
1996	1.8L	THN1.8VJGFFK	TIER1	All	Underbody	--	--	942575	D-280-100
MDX									
V6									
2006	3.5L	6HNXT03.5RKR	LEV2 ULEV	All	Front Left	741250	D-798	--	--
2006	3.5L	6HNXT03.5RKR	LEV2 ULEV	All	Front Right	741251	D-798	--	--
2006	3.5L	6HNXT03.5RKR	LEV2 ULEV	All	Rear	--	--	747015	D-798
2006	3.5L	6HNXT03.5RKR	LEV2 ULEV	All	Underbody	744533	D-798	--	--
2005	3.5L	5HNXT03.55B4	LEV2 ULEV	All	Front Left	741250	D-798	--	--
2005	3.5L	5HNXT03.55B4	LEV2 ULEV	All	Front Right	741251	D-798	--	--
2005	3.5L	5HNXT03.55B4	LEV2 ULEV	All	Rear	--	--	747015	D-798
2005	3.5L	5HNXT03.55B4	LEV2 ULEV	All	Underbody	744533	D-798	--	--
2004	3.5L	4HNXT03.5TKR	LEV2 ULEV	All	Front Left	741250	D-798	--	--
2004	3.5L	4HNXT03.5TKR	LEV2 ULEV	All	Front Right	741251	D-798	--	--
2004	3.5L	4HNXT03.5TKR	LEV2 ULEV	All	Rear	--	--	747015	D-798
2004	3.5L	4HNXT03.5TKR	LEV2 ULEV	All	Underbody	744533	D-798	--	--
2003	3.5L	3HNXT03.5TKR	LEV2 ULEV	All	Front Left	741250	D-798	--	--
2003	3.5L	3HNXT03.5TKR	LEV2 ULEV	All	Front Right	741251	D-798	--	--
2003	3.5L	3HNXT03.5TKR	LEV2 ULEV	All	Rear	--	--	747015	D-798
2003	3.5L	3HNXT03.5TKR	LEV2 ULEV	All	Underbody	744533	D-798	--	--
2002	3.5L	2HNXT03.5KYT	LEV1 ULEV	All	Underbody	744449	D-798	--	--
2002	3.5L	2HNXT03.5KYT	LEV1 ULEV	All	Underbody	--	--	740665	D-798
2001	3.5L	1HNXT03.5K86	LEV1 ULEV	All	Underbody	744449	D-798	--	--
2001	3.5L	1HNXT03.5K86	LEV1 ULEV	All	Underbody	--	--	740665	D-798
2011	3.7L	BHNXT03.7M19	LEV2 ULEV	All	Front Left	741222	D-798	--	--
2011	3.7L	BHNXT03.7M19	LEV2 ULEV	All	Front Right	741310	D-798	--	--
2011	3.7L	BHNXT03.7M19	LEV2 ULEV	All	Rear	--	--	747015	D-798
2011	3.7L	BHNXT03.7M19	LEV2 ULEV	All	Underbody	744010	D-798	--	--
2010	3.7L	AHNXT03.7W19	LEV2 ULEV	All	Front Left	741222	D-798	--	--
2010	3.7L	AHNXT03.7W19	LEV2 ULEV	All	Front Right	741310	D-798	--	--
2010	3.7L	AHNXT03.7W19	LEV2 ULEV	All	Rear	--	--	747015	D-798
2010	3.7L	AHNXT03.7W19	LEV2 ULEV	All	Underbody	744010	D-798	--	--
2009	3.7L	9HNXT03.7H29	LEV2 ULEV	All	Front Left	741250	D-798	--	--
2009	3.7L	9HNXT03.7H29	LEV2 ULEV	All	Front Right	741251	D-798	--	--
2009	3.7L	9HNXT03.7H29	LEV2 ULEV	All	Rear	--	--	747015	D-798
2008	3.7L	8HNXT03.7PKR	LEV2 ULEV	All	Front Left	741250	D-798	--	--
2008	3.7L	8HNXT03.7PKR	LEV2 ULEV	All	Front Right	741251	D-798	--	--
2008	3.7L	8HNXT03.7PKR	LEV2 ULEV	All	Rear	--	--	747015	D-798
2007	3.7L	7HNXT03.7XKR	LEV2 ULEV	All	Front Left	741250	D-798	--	--
2007	3.7L	7HNXT03.7XKR	LEV2 ULEV	All	Front Right	741251	D-798	--	--
2007	3.7L	7HNXT03.7XKR	LEV2 ULEV	All	Rear	--	--	747015	D-798
NSX									
V6									
2005	3.0L	5HNXV03.2CJE	LEV1 LEV	All	Underbody Left	--	--	940105	D-280-100
2005	3.0L	5HNXV03.2CJE	LEV1 LEV	All	Underbody Right	--	--	940105	D-280-100
2004	3.0L	4HNXV03.2MJE	LEV1 LEV	All	Underbody Left	--	--	940105	D-280-100
2004	3.0L	4HNXV03.2MJE	LEV1 LEV	All	Underbody Right	--	--	940105	D-280-100
2003	3.0L	3HNXV03.2MYC	LEV1 LEV	All	Underbody Left	--	--	940105	D-280-100
2003	3.0L	3HNXV03.2MYC	LEV1 LEV	All	Underbody Right	--	--	940105	D-280-100

APPLICATION GUIDE



OBD II

APPLICATION

Year	Eng. Size	Test Group/ Engine Family	Certification Level	Application	Location	Direct Fit Number	Exec. Order	Consol. Number	Exec. Order
Acura (Cont.)									
NSX (Cont.)									
V6 (Cont.)									
2002	3.0L	2HNXV03.2AYC	LEV1 LEV	All	Underbody Left	--	--	940105	D-280-100
2002	3.0L	2HNXV03.2AYC	LEV1 LEV	All	Underbody Right	--	--	940105	D-280-100
2001	3.0L	1HNXV03.215U	LEV1 LEV	All	Underbody Left	--	--	940105	D-280-100
2001	3.0L	1HNXV03.215U	LEV1 LEV	All	Underbody Right	--	--	940105	D-280-100
2000	3.0L	YHNXV03.2AA3	LEV1 LEV	All	Underbody Left	--	--	940105	D-280-100
2000	3.0L	YHNXV03.2AA3	LEV1 LEV	All	Underbody Right	--	--	940105	D-280-100
1999	3.0L	XHNXV03.0AA1	LEV1 LEV	All	Underbody Left	--	--	940105	D-280-100
1999	3.0L	XHNXV03.0AA1	LEV1 LEV	All	Underbody Right	--	--	940105	D-280-100
1998	3.0L	WHNXV03.0AA1	LEV1 LEV	All	Underbody Left	--	--	940105	D-280-100
1998	3.0L	WHNXV03.0AA1	LEV1 LEV	All	Underbody Right	--	--	940105	D-280-100
1997	3.0L	VHN3.0VJGKFK	LEV1 LEV	All	Underbody Left	--	--	940105	D-280-100
1997	3.0L	VHN3.0VJGKFK	LEV1 LEV	All	Underbody Right	--	--	940105	D-280-100
1996	3.0L	THN3.0VJGKEK	TIER1	All	Underbody Left	--	--	940105	D-280-100
1996	3.0L	THN3.0VJGKEK	TIER1	All	Underbody Right	--	--	940105	D-280-100
1995	3.0L	SHN3.0VJGKEK	TIER1	All	Underbody Left	--	--	940105	D-280-100
1995	3.0L	SHN3.0VJGKEK	TIER1	All	Underbody Right	--	--	940105	D-280-100
2005	3.2L	5HNXV03.2CJE	LEV1 LEV	All	Underbody Left	--	--	940105	D-280-100
2005	3.2L	5HNXV03.2CJE	LEV1 LEV	All	Underbody Right	--	--	940105	D-280-100
2004	3.2L	4HNXV03.2MJE	LEV1 LEV	All	Underbody Left	--	--	940105	D-280-100
2004	3.2L	4HNXV03.2MJE	LEV1 LEV	All	Underbody Right	--	--	940105	D-280-100
2003	3.2L	3HNXV03.2MYC	LEV1 LEV	All	Underbody Left	--	--	940105	D-280-100
2003	3.2L	3HNXV03.2MYC	LEV1 LEV	All	Underbody Right	--	--	940105	D-280-100
2002	3.2L	2HNXV03.2AYC	LEV1 LEV	All	Underbody Left	--	--	940105	D-280-100
2002	3.2L	2HNXV03.2AYC	LEV1 LEV	All	Underbody Right	--	--	940105	D-280-100
2001	3.2L	1HNXV03.215U	LEV1 LEV	All	Underbody Left	--	--	940105	D-280-100
2001	3.2L	1HNXV03.215U	LEV1 LEV	All	Underbody Right	--	--	940105	D-280-100
2000	3.2L	YHNXV03.2AA3	LEV1 LEV	All	Underbody Left	--	--	940105	D-280-100
2000	3.2L	YHNXV03.2AA3	LEV1 LEV	All	Underbody Right	--	--	940105	D-280-100
1999	3.2L	XHNXV03.2AA1	LEV1 LEV	All	Underbody Left	--	--	940105	D-280-100
1999	3.2L	XHNXV03.2AA1	LEV1 LEV	All	Underbody Right	--	--	940105	D-280-100
1998	3.2L	WHNXV03.2AA1	LEV1 LEV	All	Underbody Left	--	--	940105	D-280-100
1998	3.2L	WHNXV03.2AA1	LEV1 LEV	All	Underbody Right	--	--	940105	D-280-100
1997	3.2L	VHN3.2VJGKFK	LEV1 LEV	All	Underbody Left	--	--	940105	D-280-100
1997	3.2L	VHN3.2VJGKFK	LEV1 LEV	All	Underbody Right	--	--	940105	D-280-100
RDX									
L4									
2012	2.3L	CHNXT02.3Y19	LEV2 ULEV	All	Front	--	--	740025	D-798
2012	2.3L	CHNXT02.3Y19	LEV2 ULEV	All	Rear	--	--	747335	D-798
2011	2.3L	BHNXT02.3X19	LEV2 ULEV	All	Front	--	--	740025	D-798
2011	2.3L	BHNXT02.3X19	LEV2 ULEV	All	Rear	--	--	747335	D-798
2010	2.3L	AHNXT02.3Y19	LEV2 ULEV	All	Front	--	--	740025	D-798
2010	2.3L	AHNXT02.3Y19	LEV2 ULEV	All	Rear	--	--	747335	D-798
2009	2.3L	9HNXT02.3R29	LEV2 ULEV	All	Front	--	--	740025	D-798
2009	2.3L	9HNXT02.3R29	LEV2 ULEV	All	Rear	--	--	747335	D-798
2008	2.3L	8HNXT02.3DKR	LEV2 ULEV	All	Front	--	--	740025	D-798
2008	2.3L	8HNXT02.3DKR	LEV2 ULEV	All	Rear	--	--	747335	D-798
2007	2.3L	7HNXT02.3DKC	LEV2 ULEV	All	Front	--	--	740025	D-798
2007	2.3L	7HNXT02.3DKC	LEV2 ULEV	All	Rear	--	--	747335	D-798
V6									
2013	3.5L	DHNXT03.5H13	LEV2 ULEV	All	Front Left	741222	D-798	--	--
2013	3.5L	DHNXT03.5H13	LEV2 ULEV	All	Front Right	741310	D-798	--	--
2013	3.5L	DHNXT03.5H13	LEV2 ULEV	All	Rear	--	--	747025	D-798
2013	3.5L	DHNXT03.5H13	LEV2 ULEV	All	Underbody	744010	D-798	--	--

Legal Note: In Compliance with California Emissions Requirements



CATCO
CATALYTIC CONVERTERS

EASTERN CATALYTIC

APPLICATION GUIDE

OBD II

APPLICATION

Year	Eng. Size	Test Group/ Engine Family	Certification Level	Application	Location	Direct Fit Number	Exec. Order	Consol. Number	Exec. Order
RL									
V6									
2007	3.5L	7HNXV03.5NKR	LEV2 ULEV	All	Front	751250	D-280-102	--	--
2007	3.5L	7HNXV03.5NKR	LEV2 ULEV	All	Rear	751251	D-280-102	--	--
2007	3.5L	7HNXV03.5NKR	LEV2 ULEV	All	Underbody	754533	D-280-102	--	--
2007	3.5L	7HNXV03.5NKR	LEV2 ULEV	All	Underbody	--	--	755006	D-280-102
2006	3.5L	6HNXV03.5MKR	LEV2 ULEV	All	Front	751250	D-280-102	--	--
2006	3.5L	6HNXV03.5MKR	LEV2 ULEV	All	Rear	751251	D-280-102	--	--
2006	3.5L	6HNXV03.5MKR	LEV2 ULEV	All	Underbody	754533	D-280-102	--	--
2006	3.5L	6HNXV03.5MKR	LEV2 ULEV	All	Underbody	--	--	755006	D-280-102
2005	3.5L	5HNXV03.5PB4	LEV2 ULEV	All	Front	751250	D-280-102	--	--
2005	3.5L	5HNXV03.5PB4	LEV2 ULEV	All	Rear	751251	D-280-102	--	--
2005	3.5L	5HNXV03.5PB4	LEV2 ULEV	All	Underbody	754533	D-280-102	--	--
2005	3.5L	5HNXV03.5PB4	LEV2 ULEV	All	Underbody	--	--	755006	D-280-102
2004	3.5L	4HNXV03.5BJE	LEV1 LEV	All	Underbody	944130	D-280-100	--	--
2004	3.5L	4HNXV03.5BJE	LEV1 LEV	All	Underbody	--	--	942575	D-280-100
2003	3.5L	3HNXV03.5NYC	LEV1 LEV	All	Underbody	944130	D-280-100	--	--
2003	3.5L	3HNXV03.5NYC	LEV1 LEV	All	Underbody	--	--	942575	D-280-100
2002	3.5L	2HNXV03.5BYC	LEV1 LEV	All	Underbody	944130	D-280-100	--	--
2002	3.5L	2HNXV03.5BYC	LEV1 LEV	All	Underbody	--	--	942575	D-280-100
2001	3.5L	1HNXV03.5A5U	LEV1 LEV	All	Underbody	944130	D-280-100	--	--
2001	3.5L	1HNXV03.5A5U	LEV1 LEV	All	Underbody	--	--	942575	D-280-100
2000	3.5L	YHNXV03.5YA3	LEV1 LEV	All	Underbody	944130	D-280-100	--	--
2000	3.5L	YHNXV03.5YA3	LEV1 LEV	All	Underbody	--	--	942575	D-280-100
1999	3.5L	XHNXV03.5YA1	TIER1	All	Underbody	944130	D-280-100	--	--
1999	3.5L	XHNXV03.5YA1	TIER1	All	Underbody	--	--	942575	D-280-100
1998	3.5L	WHNXV03.5YA1	TIER1	All	Underbody	944130	D-280-100	--	--
1998	3.5L	WHNXV03.5YA1	TIER1	All	Underbody	--	--	942575	D-280-100
1997	3.5L	VHN3.5VJGKEK	TIER1	All	Underbody	944130	D-280-100	--	--
1997	3.5L	VHN3.5VJGKEK	TIER1	All	Underbody	--	--	942575	D-280-100
1996	3.5L	THN3.5VJGKEK	TIER1	All	Underbody	944130	D-280-100	--	--
1996	3.5L	THN3.5VJGKEK	TIER1	All	Underbody	--	--	942575	D-280-100
SLX									
V6									
1997	3.2L	VSZ3.22JGKEK	TIER1	A/T	Underbody Left	912969	D-280-101	--	--
1997	3.2L	VSZ3.22JGKEK	TIER1	A/T	Underbody Left	--	--	912004R	D-280-101
1997	3.2L	VSZ3.22JGKEK	TIER1	A/T	Underbody Right	912968	D-280-101	--	--
1997	3.2L	VSZ3.22JGKEK	TIER1	A/T	Underbody Right	--	--	912004R	D-280-101
1996	3.2L	TSZ3.22JGKEK	TIER1	A/T	Underbody Left	912969	D-280-101	--	--
1996	3.2L	TSZ3.22JGKEK	TIER1	A/T	Underbody Left	--	--	912004R	D-280-101
1996	3.2L	TSZ3.22JGKEK	TIER1	A/T	Underbody Right	912968	D-280-101	--	--
1996	3.2L	TSZ3.22JGKEK	TIER1	A/T	Underbody Right	--	--	912004R	D-280-101
1996	3.2L	TSZ3.22JGKFK	TIER1	M/T	Underbody	--	--	912004R	D-280-101
1999	3.5L	XSZXT03.52GK	TLEV	All	Underbody	--	--	912004R	D-280-101
1999	3.5L	XSZXT03.52GK	TLEV	All	Underbody Left	915010	D-280-101	--	--
1998	3.5L	WSZXT03.52GK	TLEV	All	Underbody Left	915010	D-280-101	--	--
1998	3.5L	WSZXT03.52GK	TLEV	All	Underbody Left	--	--	912004R	D-280-101
1998	3.5L	WSZXT03.52GK	TLEV	All	Underbody Right	915011	D-280-101	--	--
1998	3.5L	WSZXT03.52GK	TLEV	All	Underbody Right	--	--	912004R	D-280-101
TL									
L5									
1998	2.5L	WHNXV02.5GA1	TIER1	All	Front	808561	D-665-23	--	--
1998	2.5L	WHNXV02.5GA1	TIER1	All	Underbody	944504	D-280-100	--	--
1998	2.5L	WHNXV02.5GA1	TIER1	All	Underbody	--	--	940105	D-280-100
1997	2.5L	VHN2.5VJGKEK	TIER1	All	Front	808561	D-665-23	--	--
1997	2.5L	VHN2.5VJGKEK	TIER1	All	Underbody	944504	D-280-100	--	--
1997	2.5L	VHN2.5VJGKEK	TIER1	All	Underbody	--	--	940105	D-280-100
1996	2.5L	THN2.5VJGKEK	TIER1	All	Front	808561	D-665-23	--	--
1996	2.5L	THN2.5VJGKEK	TIER1	All	Underbody	944504	D-280-100	--	--
1996	2.5L	THN2.5VJGKEK	TIER1	All	Underbody	--	--	940105	D-280-100

Legal Note: In Compliance with California Emissions Requirements

APPLICATION GUIDE



OBD II

APPLICATION

Year	Eng. Size	Test Group/ Engine Family	Certification Level	Application	Location	Direct Fit Number	Exec. Order	Consol. Number	Exec. Order
Acura (Cont.)									
TL (Cont.)									
V6									
2007	3.2L	7HNXV03.5NKR	LEV2 ULEV	All	Front	751250	D-280-102	--	--
2007	3.2L	7HNXV03.5NKR	LEV2 ULEV	All	Rear	751251	D-280-102	--	--
2007	3.2L	7HNXV03.5NKR	LEV2 ULEV	All	Underbody	754533	D-280-102	--	--
2007	3.2L	7HNXV03.5NKR	LEV2 ULEV	All	Underbody	--	--	755005	D-280-102
2006	3.2L	6HNXV03.2NKR	LEV2 ULEV	All	Front	751250	D-280-102	--	--
2006	3.2L	6HNXV03.2NKR	LEV2 ULEV	All	Rear	751251	D-280-102	--	--
2006	3.2L	6HNXV03.2NKR	LEV2 ULEV	All	Underbody	754533	D-280-102	--	--
2006	3.2L	6HNXV03.2NKR	LEV2 ULEV	All	Underbody	--	--	755005	D-280-102
2005	3.2L	5HNXV03.24B4	LEV2 ULEV	All	Front	751250	D-280-102	--	--
2005	3.2L	5HNXV03.24B4	LEV2 ULEV	All	Rear	751251	D-280-102	--	--
2005	3.2L	5HNXV03.24B4	LEV2 ULEV	All	Underbody	754533	D-280-102	--	--
2005	3.2L	5HNXV03.24B4	LEV2 ULEV	All	Underbody	--	--	755005	D-280-102
2004	3.2L	4HNXV03.2CKR	LEV2 ULEV	All	Front	751250	D-280-102	--	--
2004	3.2L	4HNXV03.2CKR	LEV2 ULEV	All	Rear	751251	D-280-102	--	--
2004	3.2L	4HNXV03.2CKR	LEV2 ULEV	All	Underbody	754533	D-280-102	--	--
2004	3.2L	4HNXV03.2CKR	LEV2 ULEV	All	Underbody	--	--	755005	D-280-102
2003	3.2L	3HNXV03.2AYC	LEV1 LEV	All	Underbody	942209	D-280-100	--	--
2003	3.2L	3HNXV03.2AYC	LEV1 LEV	All	Underbody	764209	D-280-105	--	--
2003	3.2L	3HNXV03.2AYC	LEV1 LEV	All	Underbody	--	--	942565	D-280-100
2003	3.2L	3HNXV03.2BYT	LEV1 ULEV	All	Underbody	764209	D-280-105	--	--
2003	3.2L	3HNXV03.2BYT	LEV1 ULEV	All	Underbody	--	--	760025	D-280-105
2003	3.2L	3HNXV03.2CYC	LEV1 LEV	All	Underbody	764209	D-280-105	--	--
2003	3.2L	3HNXV03.2CYC	LEV1 LEV	All	Underbody	--	--	942565	D-280-100
2002	3.2L	2HNXV03.2HYT	LEV1 ULEV	All	Underbody	764209	D-280-105	--	--
2002	3.2L	2HNXV03.2HYT	LEV1 ULEV	All	Underbody	--	--	760015	D-280-105
2002	3.2L	2HNXV03.2JYC	LEV1 LEV	All	Underbody	942209	D-280-100	--	--
2002	3.2L	2HNXV03.2JYC	LEV1 LEV	All	Underbody	764209	D-280-105	--	--
2002	3.2L	2HNXV03.2JYC	LEV1 LEV	All	Underbody	--	--	942565	D-280-100
2002	3.2L	2HNXV03.2X21	LEV1 LEV	All	Underbody	942209	D-280-100	--	--
2002	3.2L	2HNXV03.2X21	LEV1 LEV	All	Underbody	764209	D-280-105	--	--
2002	3.2L	2HNXV03.2X21	LEV1 LEV	All	Underbody	--	--	942565	D-280-100
2001	3.2L	1HNXV03.2K88	LEV1 ULEV	All	Underbody	764209	D-280-105	--	--
2001	3.2L	1HNXV03.2K88	LEV1 ULEV	All	Underbody	--	--	760015	D-280-105
1999	3.2L	XHNXV03.2GL2	TIER1	All	Underbody	942233	D-280-100	--	--
1999	3.2L	XHNXV03.2GL2	TIER1	All	Underbody	--	--	942575	D-280-100
1998	3.2L	WHNXV03.2HA1	TIER1	All	Underbody	944130	D-280-100	--	--
1998	3.2L	WHNXV03.2HA1	TIER1	All	Underbody	--	--	942575	D-280-100
1997	3.2L	VHN3.2VJGKEK	TIER1	All	Underbody	944130	D-280-100	--	--
1997	3.2L	VHN3.2VJGKEK	TIER1	All	Underbody	--	--	942575	D-280-100
1996	3.2L	THN3.2VJGKEK	TIER1	All	Underbody	944130	D-280-100	--	--
1996	3.2L	THN3.2VJGKEK	TIER1	All	Underbody	--	--	942575	D-280-100
2007	3.5L	7HNXV03.5PKR	LEV2 ULEV	All	Front	751250	D-280-102	--	--
2007	3.5L	7HNXV03.5PKR	LEV2 ULEV	All	Rear	751251	D-280-102	--	--
2007	3.5L	7HNXV03.5PKR	LEV2 ULEV	All	Underbody	754533	D-280-102	--	--
2007	3.5L	7HNXV03.5PKR	LEV2 ULEV	All	Underbody	--	--	755005	D-280-102
Audi									
100									
V6									
1994	2.8L	RAD2.8V8GFEM	TIER1	All	Underbody Left	--	--	940334	D-280-100
1994	2.8L	RAD2.8V8GFEM	TIER1	All	Underbody Right	--	--	940334	D-280-100
100 Quattro									
V6									
1994	2.8L	RAD2.8V8GFEM	TIER1	All	Underbody Left	--	--	940334	D-280-100
1994	2.8L	RAD2.8V8GFEM	TIER1	All	Underbody Right	--	--	940334	D-280-100

Legal Note: In Compliance with California Emissions Requirements



CATCO
CATALYTIC CONVERTERS

EASTERN CATALYTIC

APPLICATION GUIDE

OBD II

APPLICATION

Year	Eng. Size	Test Group/ Engine Family	Certification Level	Application	Location	Direct Fit Number	Exec. Order	Consol. Number	Exec. Order
A4									
L4									
2006	1.8L	6ADXV01.8342	LEV1 ULEV	All	Underbody	764186	D-280-105	--	--
2006	1.8L	6ADXV01.8342	LEV1 ULEV	All	Underbody	--	--	760004	D-280-105
2005	1.8L	5ADXV01.8342	LEV1 ULEV	All	Underbody	764186	D-280-105	--	--
2005	1.8L	5ADXV01.8342	LEV1 ULEV	All	Underbody	--	--	760004	D-280-105
2004	1.8L	4ADXV01.8342	LEV1 ULEV	All	Underbody	764186	D-280-105	--	--
2004	1.8L	4ADXV01.8342	LEV1 ULEV	All	Underbody	--	--	760004	D-280-105
2003	1.8L	3ADXV01.8342	LEV1 ULEV	All	Underbody	764186	D-280-105	--	--
2003	1.8L	3ADXV01.8342	LEV1 ULEV	All	Underbody	--	--	760004	D-280-105
2002	1.8L	2ADXV01.8342	LEV1 ULEV	All	Underbody	764186	D-280-105	--	--
2002	1.8L	2ADXV01.8342	LEV1 ULEV	All	Underbody	--	--	760024	D-280-105
2001	1.8L	1ADXV01.8342	LEV1 ULEV	All	Underbody	764186	D-280-105	--	--
2001	1.8L	1ADXV01.8342	LEV1 ULEV	All	Underbody	--	--	760024	D-280-105
2000	1.8L	YADXV01.8332	TLEV	All	Underbody	942186	D-280-100	--	--
2000	1.8L	YADXV01.8332	TLEV	All	Underbody	--	--	940104	D-280-100
1999	1.8L	XADXV01.8322	TLEV	All	Underbody	942186	D-280-100	--	--
1999	1.8L	XADXV01.8322	TLEV	All	Underbody	--	--	940104	D-280-100
1998	1.8L	WADXV01.8322	TLEV	All	Underbody	942186	D-280-100	--	--
1998	1.8L	WADXV01.8322	TLEV	All	Underbody	--	--	940104	D-280-100
1997	1.8L	VAD1.8VJGKEM	TLEV	All	Underbody	942186	D-280-100	--	--
1997	1.8L	VAD1.8VJGKEM	TLEV	All	Underbody	--	--	940104	D-280-100
2009	2.0L	9ADXV02.0352	LEV2 ULEV	All	Underbody	764645	D-280-105	--	--
2009	2.0L	9ADXV02.0352	LEV2 ULEV	All	Underbody	--	--	760024	D-280-105
2008	2.0L	8ADXV02.0352	LEV2 ULEV	All	Underbody	764645	D-280-105	--	--
2008	2.0L	8ADXV02.0352	LEV2 ULEV	All	Underbody	--	--	760024	D-280-105
2007	2.0L	7ADXV02.0352	LEV2 ULEV	All	Underbody	764645	D-280-105	--	--
2007	2.0L	7ADXV02.0352	LEV2 ULEV	All	Underbody	--	--	760024	D-280-105
2006	2.0L	6ADXV02.0352	LEV2 ULEV	All	Underbody	764645	D-280-105	--	--
2006	2.0L	6ADXV02.0352	LEV2 ULEV	All	Underbody	--	--	760024	D-280-105
2005	2.0L	5ADXV02.0352	LEV2 ULEV	All	Underbody	764645	D-280-105	--	--
2005	2.0L	5ADXV02.0352	LEV2 ULEV	All	Underbody	--	--	760024	D-280-105
V6									
1999	2.8L	XADXV02.8324	TLEV	All	Underbody Left	944375	D-280-100	--	--
1999	2.8L	XADXV02.8324	TLEV	All	Underbody Left	--	--	942564	D-280-100
1999	2.8L	XADXV02.8324	TLEV	All	Underbody Right	944374	D-280-100	--	--
1999	2.8L	XADXV02.8324	TLEV	All	Underbody Right	--	--	942564	D-280-100
1998	2.8L	WADXV02.8324	TLEV	All	Underbody Left	944375	D-280-100	--	--
1998	2.8L	WADXV02.8324	TLEV	All	Underbody Left	--	--	942564	D-280-100
1998	2.8L	WADXV02.8324	TLEV	All	Underbody Right	944374	D-280-100	--	--
1998	2.8L	WADXV02.8324	TLEV	All	Underbody Right	--	--	942564	D-280-100
1997	2.8L	VAD2.8V8GKFM	TIER1	All	Underbody Left	--	--	942564	D-280-100
1997	2.8L	VAD2.8V8GKFM	TIER1	All	Underbody Right	--	--	942564	D-280-100
1996	2.8L	TAD2.8V8GFFM	TIER1	All	Underbody Left	944375	D-280-100	--	--
1996	2.8L	TAD2.8V8GFFM	TIER1	All	Underbody Left	--	--	942564	D-280-100
1996	2.8L	TAD2.8V8GFFM	TIER1	All	Underbody Right	944374	D-280-100	--	--
1996	2.8L	TAD2.8V8GFFM	TIER1	All	Underbody Right	--	--	942564	D-280-100
2002	3.0L	2ADXV03.0344	LEV1 ULEV	All	Front Left	--	--	760024	D-280-105
2002	3.0L	2ADXV03.0344	LEV1 ULEV	All	Front Right	--	--	760024	D-280-105
2002	3.0L	2ADXV03.0344	LEV1 ULEV	All	Rear Left	--	--	760024	D-280-105
2002	3.0L	2ADXV03.0344	LEV1 ULEV	All	Rear Right	--	--	760024	D-280-105
A4 Quattro									
L4									
2005	1.8L	5ADXV01.8342	LEV1 ULEV	All	Underbody	764186	D-280-105	--	--
2005	1.8L	5ADXV01.8342	LEV1 ULEV	All	Underbody	--	--	760024	D-280-105
2004	1.8L	4ADXV01.8342	LEV1 ULEV	All	Underbody	764186	D-280-105	--	--
2004	1.8L	4ADXV01.8342	LEV1 ULEV	All	Underbody	--	--	760024	D-280-105
2003	1.8L	3ADXV01.8342	LEV1 ULEV	All	Underbody	764186	D-280-105	--	--
2003	1.8L	3ADXV01.8342	LEV1 ULEV	All	Underbody	--	--	760024	D-280-105
2002	1.8L	2ADXV01.8342	LEV1 ULEV	All	Underbody	764186	D-280-105	--	--
2002	1.8L	2ADXV01.8342	LEV1 ULEV	All	Underbody	--	--	760024	D-280-105

APPLICATION GUIDE



OBD II

APPLICATION

Year	Eng. Size	Test Group/ Engine Family	Certification Level	Application	Location	Direct Fit Number	Exec. Order	Consol. Number	Exec. Order
Audi (Cont.)									
A4 Quattro (Cont.)									
L4 (Cont.)									
2001	1.8L	1AD XV01.8342	LEV1 ULEV	All	Underbody	764186	D-280-105	--	--
2001	1.8L	1AD XV01.8342	LEV1 ULEV	All	Underbody	--	--	760024	D-280-105
2000	1.8L	YAD XV01.8332	TLEV	All	Underbody	942186	D-280-100	--	--
2000	1.8L	YAD XV01.8332	TLEV	All	Underbody	--	--	940104	D-280-100
1999	1.8L	XAD XV01.8322	TLEV	All	Underbody	942186	D-280-100	--	--
1999	1.8L	XAD XV01.8322	TLEV	All	Underbody	--	--	940104	D-280-100
1998	1.8L	WAD XV01.8322	TLEV	All	Underbody	942186	D-280-100	--	--
1998	1.8L	WAD XV01.8322	TLEV	All	Underbody	--	--	940104	D-280-100
1997	1.8L	VAD1.8VJGKEM	TLEV	All	Underbody	942186	D-280-100	--	--
1997	1.8L	VAD1.8VJGKEM	TLEV	All	Underbody	--	--	940104	D-280-100
2009	2.0L	9AD XV02.0352	LEV2 ULEV	All	Underbody	764645	D-280-105	--	--
2009	2.0L	9AD XV02.0352	LEV2 ULEV	All	Underbody	--	--	760024	D-280-105
2008	2.0L	8AD XV02.0352	LEV2 ULEV	All	Underbody	764645	D-280-105	--	--
2008	2.0L	8AD XV02.0352	LEV2 ULEV	All	Underbody	--	--	760024	D-280-105
2007	2.0L	7AD XV02.0352	LEV2 ULEV	All	Underbody	764645	D-280-105	--	--
2007	2.0L	7AD XV02.0352	LEV2 ULEV	All	Underbody	--	--	760024	D-280-105
2006	2.0L	6AD XV02.0352	LEV2 ULEV	All	Underbody	764645	D-280-105	--	--
2006	2.0L	6AD XV02.0352	LEV2 ULEV	All	Underbody	--	--	760024	D-280-105
2005	2.0L	5AD XV02.0352	LEV2 ULEV	All	Underbody	764645	D-280-105	--	--
2005	2.0L	5AD XV02.0352	LEV2 ULEV	All	Underbody	--	--	760024	D-280-105
V6									
1999	2.8L	XAD XV02.8324	TLEV	All	Underbody Left	630584	D-665-17	--	--
1999	2.8L	XAD XV02.8324	TLEV	All	Underbody Left	--	--	942564	D-280-100
1999	2.8L	XAD XV02.8324	TLEV	All	Underbody Right	630585	D-665-17	--	--
1999	2.8L	XAD XV02.8324	TLEV	All	Underbody Right	--	--	942564	D-280-100
1998	2.8L	WAD XV02.8324	TLEV	All	Underbody Left	944375	D-280-100	--	--
1998	2.8L	WAD XV02.8324	TLEV	All	Underbody Left	--	--	942564	D-280-100
1998	2.8L	WAD XV02.8324	TLEV	All	Underbody Right	944374	D-280-100	--	--
1998	2.8L	WAD XV02.8324	TLEV	All	Underbody Right	--	--	942564	D-280-100
1997	2.8L	VAD2.8V8GKFM	TIER1	All	Underbody Left	944375	D-280-100	--	--
1997	2.8L	VAD2.8V8GKFM	TIER1	All	Underbody Left	--	--	942564	D-280-100
1997	2.8L	VAD2.8V8GKFM	TIER1	All	Underbody Right	944374	D-280-100	--	--
1997	2.8L	VAD2.8V8GKFM	TIER1	All	Underbody Right	--	--	942564	D-280-100
1996	2.8L	TAD2.8V8GFFM	TIER1	All	Underbody Left	944375	D-280-100	--	--
1996	2.8L	TAD2.8V8GFFM	TIER1	All	Underbody Left	--	--	942564	D-280-100
1996	2.8L	TAD2.8V8GFFM	TIER1	All	Underbody Right	944374	D-280-100	--	--
1996	2.8L	TAD2.8V8GFFM	TIER1	All	Underbody Right	--	--	942564	D-280-100
A6									
V6									
2001	2.8L	1AD XV02.8334	LEV1 LEV	A/T	Underbody Left	944241	D-280-100	--	--
2001	2.8L	1AD XV02.8334	LEV1 LEV	A/T	Underbody Right	944240	D-280-100	--	--
2001	2.8L	1AD XV02.8334	LEV1 LEV	All	Front Left	--	--	940105	D-280-100
2001	2.8L	1AD XV02.8334	LEV1 LEV	All	Front Right	--	--	940105	D-280-100
2001	2.8L	1AD XV02.8334	LEV1 LEV	All	Rear Left	--	--	940335	D-280-100
2001	2.8L	1AD XV02.8334	LEV1 LEV	All	Rear Right	--	--	940335	D-280-100
2000	2.8L	YAD XV02.8324	TLEV	All	Underbody Left	944439	D-280-100	--	--
2000	2.8L	YAD XV02.8324	TLEV	All	Underbody Left	--	--	942564	D-280-100
2000	2.8L	YAD XV02.8324	TLEV	All	Underbody Right	944374	D-280-100	--	--
2000	2.8L	YAD XV02.8324	TLEV	All	Underbody Right	--	--	942564	D-280-100
2000	2.8L	YAD XV02.8334	LEV1 LEV	A/T	Underbody Left	944241	D-280-100	--	--
2000	2.8L	YAD XV02.8334	LEV1 LEV	A/T	Underbody Right	944240	D-280-100	--	--
2000	2.8L	YAD XV02.8334	LEV1 LEV	All	Front Left	--	--	940105	D-280-100
2000	2.8L	YAD XV02.8334	LEV1 LEV	All	Front Right	--	--	940105	D-280-100
2000	2.8L	YAD XV02.8334	LEV1 LEV	All	Rear Left	--	--	940335	D-280-100
2000	2.8L	YAD XV02.8334	LEV1 LEV	All	Rear Right	--	--	940335	D-280-100

Legal Note: In Compliance with California Emissions Requirements



CATCO
CATALYTIC CONVERTERS

EASTERN CATALYTIC

APPLICATION GUIDE

OBD II

APPLICATION

Year	Eng. Size	Test Group/ Engine Family	Certification Level	Application	Location	Direct Fit Number	Exec. Order	Consol. Number	Exec. Order
Audi (Cont.)									
A6 (Cont.)									
V6 (Cont.)									
1999	2.8L	XAD XV02.8324	TLEV	All	Underbody Left	944439	D-280-100	--	--
1999	2.8L	XAD XV02.8324	TLEV	All	Underbody Left	--	--	942564	D-280-100
1999	2.8L	XAD XV02.8324	TLEV	All	Underbody Right	944374	D-280-100	--	--
1999	2.8L	XAD XV02.8324	TLEV	All	Underbody Right	--	--	942564	D-280-100
1998	2.8L	WAD XV02.8324	TLEV	All	Underbody Left	944439	D-280-100	--	--
1998	2.8L	WAD XV02.8324	TLEV	All	Underbody Left	--	--	942564	D-280-100
1998	2.8L	WAD XV02.8324	TLEV	All	Underbody Right	944374	D-280-100	--	--
1998	2.8L	WAD XV02.8324	TLEV	All	Underbody Right	--	--	942564	D-280-100
1998	2.8L	WAD XV02.8327	TLEV	All	Underbody Left	--	--	942564	D-280-100
1998	2.8L	WAD XV02.8327	TLEV	All	Underbody Right	--	--	942564	D-280-100
1997	2.8L	VAD2.8V8G2EM	TLEV	All	Underbody Left	--	--	942013	D-280-100
1997	2.8L	VAD2.8V8G2EM	TLEV	All	Underbody Right	--	--	942013	D-280-100
1997	2.8L	VAD2.8V8GKEM	TIER1	All	Underbody Left	--	--	942013	D-280-100
1997	2.8L	VAD2.8V8GKEM	TIER1	All	Underbody Right	--	--	942013	D-280-100
1996	2.8L	TAD2.8V8G2EM	TLEV	All	Underbody Left	--	--	942013	D-280-100
1996	2.8L	TAD2.8V8G2EM	TLEV	All	Underbody Right	--	--	942013	D-280-100
1996	2.8L	TAD2.8V8GFEM	TIER1	All	Underbody Left	--	--	942013	D-280-100
1996	2.8L	TAD2.8V8GFEM	TIER1	All	Underbody Right	--	--	942013	D-280-100
1995	2.8L	SAD2.8V8GFEM	TIER1	All	Underbody Left	--	--	942013	D-280-100
1995	2.8L	SAD2.8V8GFEM	TIER1	All	Underbody Right	--	--	942013	D-280-100
2004	3.0L	4AD XV03.0344	LEV1 ULEV	All	Underbody Left	809628	D-665-23	--	--
2004	3.0L	4AD XV03.0344	LEV1 ULEV	All	Underbody Right	809629	D-665-23	--	--
2003	3.0L	3AD XV03.0344	LEV1 ULEV	All	Underbody Left	809628	D-665-23	--	--
2003	3.0L	3AD XV03.0344	LEV1 ULEV	All	Underbody Right	809629	D-665-23	--	--
2002	3.0L	2AD XV03.0344	LEV1 ULEV	All	Front Left	--	--	760024	D-280-105
2002	3.0L	2AD XV03.0344	LEV1 ULEV	All	Front Right	--	--	760024	D-280-105
2002	3.0L	2AD XV03.0344	LEV1 ULEV	All	Rear Left	--	--	760024	D-280-105
2002	3.0L	2AD XV03.0344	LEV1 ULEV	All	Rear Right	--	--	760024	D-280-105
2002	3.0L	2AD XV03.0344	LEV1 ULEV	All	Underbody Left	809628	D-665-23	--	--
2002	3.0L	2AD XV03.0344	LEV1 ULEV	All	Underbody Right	809629	D-665-23	--	--
A6 Quattro									
V6									
2004	2.7L	4AD XV02.7343	LEV1 LEV	A/T	Underbody Left	945198	D-280-100	--	--
2004	2.7L	4AD XV02.7343	LEV1 LEV	A/T	Underbody Right	945199	D-280-100	--	--
2004	2.7L	4AD XV02.7343	LEV1 LEV	M/T	Underbody Left	945183	D-280-100	--	--
2004	2.7L	4AD XV02.7343	LEV1 LEV	M/T	Underbody Right	945184	D-280-100	--	--
2004	2.7L	4AD XV02.7343	LEV1 LEV	All	Front Left	--	--	940104	D-280-100
2004	2.7L	4AD XV02.7343	LEV1 LEV	All	Front Right	--	--	940104	D-280-100
2004	2.7L	4AD XV02.7343	LEV1 LEV	All	Rear Left	--	--	940334	D-280-100
2004	2.7L	4AD XV02.7343	LEV1 LEV	All	Rear Right	--	--	940334	D-280-100
2003	2.7L	3AD XV02.7333	LEV1 LEV	A/T	Underbody Left	945198	D-280-100	--	--
2003	2.7L	3AD XV02.7333	LEV1 LEV	A/T	Underbody Right	945199	D-280-100	--	--
2003	2.7L	3AD XV02.7333	LEV1 LEV	M/T	Underbody Left	945183	D-280-100	--	--
2003	2.7L	3AD XV02.7333	LEV1 LEV	M/T	Underbody Right	945184	D-280-100	--	--
2003	2.7L	3AD XV02.7333	LEV1 LEV	All	Front Left	--	--	940104	D-280-100
2003	2.7L	3AD XV02.7333	LEV1 LEV	All	Front Right	--	--	940104	D-280-100
2003	2.7L	3AD XV02.7333	LEV1 LEV	All	Rear Left	--	--	940334	D-280-100
2003	2.7L	3AD XV02.7333	LEV1 LEV	All	Rear Right	--	--	940334	D-280-100
2002	2.7L	2AD XV02.7333	TLEV	M/T	Underbody Left	945183	D-280-100	--	--
2002	2.7L	2AD XV02.7333	TLEV	M/T	Underbody Right	945184	D-280-100	--	--
2002	2.7L	2AD XV02.7333	TLEV	A/T	Underbody Left	944207	D-280-100	--	--
2002	2.7L	2AD XV02.7333	TLEV	A/T	Underbody Right	944206	D-280-100	--	--
2002	2.7L	2AD XV02.7333	TLEV	All	Rear	--	--	940334	D-280-100
2002	2.7L	2AD XV02.7333	TLEV	All	Rear Left	--	--	940334	D-280-100
2002	2.7L	2AD XV02.7333	TLEV	All	Rear Right	--	--	940334	D-280-100
2001	2.7L	1AD XV02.7333	TLEV	M/T	Underbody Left	945183	D-280-100	--	--
2001	2.7L	1AD XV02.7333	TLEV	M/T	Underbody Right	945184	D-280-100	--	--

Legal Note: In Compliance with California Emissions Requirements

APPLICATION GUIDE



OBD II

APPLICATION

Year	Eng. Size	Test Group/ Engine Family	Certification Level	Application	Location	Direct Fit Number	Exec. Order	Consol. Number	Exec. Order
Audi (Cont.)									
A6 Quattro (Cont.)									
V6 (Cont.)									
2001	2.7L	1AD XV02.7333	TLEV	A/T	Underbody Left	944207	D-280-100	--	--
2001	2.7L	1AD XV02.7333	TLEV	A/T	Underbody Right	944206	D-280-100	--	--
2001	2.7L	1AD XV02.7333	TLEV	All	Rear Left	--	--	940334	D-280-100
2001	2.7L	1AD XV02.7333	TLEV	All	Rear Right	--	--	940334	D-280-100
2000	2.7L	YAD XV02.7333	TLEV	M/T	Underbody Left	945183	D-280-100	--	--
2000	2.7L	YAD XV02.7333	TLEV	M/T	Underbody Right	945184	D-280-100	--	--
2000	2.7L	YAD XV02.7333	TLEV	A/T	Underbody Left	944207	D-280-100	--	--
2000	2.7L	YAD XV02.7333	TLEV	A/T	Underbody Right	944206	D-280-100	--	--
2000	2.7L	YAD XV02.7333	TLEV	All	Rear Left	--	--	940334	D-280-100
2000	2.7L	YAD XV02.7333	TLEV	All	Rear Right	--	--	940334	D-280-100
2001	2.8L	1AD XV02.8334	LEV1 LEV	A/T	Underbody Left	944241	D-280-100	--	--
2001	2.8L	1AD XV02.8334	LEV1 LEV	A/T	Underbody Right	944240	D-280-100	--	--
2001	2.8L	1AD XV02.8334	LEV1 LEV	All	Front Left	--	--	940105	D-280-100
2001	2.8L	1AD XV02.8334	LEV1 LEV	All	Front Right	--	--	940105	D-280-100
2001	2.8L	1AD XV02.8334	LEV1 LEV	All	Rear Left	--	--	940335	D-280-100
2001	2.8L	1AD XV02.8334	LEV1 LEV	All	Rear Right	--	--	940335	D-280-100
2000	2.8L	YAD XV02.8324	TLEV	All	Underbody Left	944439	D-280-100	--	--
2000	2.8L	YAD XV02.8324	TLEV	All	Underbody Left	--	--	942564	D-280-100
2000	2.8L	YAD XV02.8324	TLEV	All	Underbody Right	944374	D-280-100	--	--
2000	2.8L	YAD XV02.8324	TLEV	All	Underbody Right	--	--	942564	D-280-100
2000	2.8L	YAD XV02.8334	LEV1 LEV	A/T	Underbody Left	944241	D-280-100	--	--
2000	2.8L	YAD XV02.8334	LEV1 LEV	A/T	Underbody Right	944240	D-280-100	--	--
2000	2.8L	YAD XV02.8334	LEV1 LEV	All	Front Left	--	--	940105	D-280-100
2000	2.8L	YAD XV02.8334	LEV1 LEV	All	Front Right	--	--	940105	D-280-100
2000	2.8L	YAD XV02.8334	LEV1 LEV	All	Rear Left	--	--	940335	D-280-100
2000	2.8L	YAD XV02.8334	LEV1 LEV	All	Rear Right	--	--	940335	D-280-100
1999	2.8L	XAD XV02.8324	TLEV	All	Underbody Left	944439	D-280-100	--	--
1999	2.8L	XAD XV02.8324	TLEV	All	Underbody Left	--	--	942564	D-280-100
1999	2.8L	XAD XV02.8324	TLEV	All	Underbody Right	944374	D-280-100	--	--
1999	2.8L	XAD XV02.8324	TLEV	All	Underbody Right	--	--	942564	D-280-100
1998	2.8L	WAD XV02.8324	TLEV	All	Underbody Left	944439	D-280-100	--	--
1998	2.8L	WAD XV02.8324	TLEV	All	Underbody Left	--	--	942564	D-280-100
1998	2.8L	WAD XV02.8324	TLEV	All	Underbody Right	944374	D-280-100	--	--
1998	2.8L	WAD XV02.8324	TLEV	All	Underbody Right	--	--	942564	D-280-100
1998	2.8L	WAD XV02.8327	TLEV	All	Underbody Left	--	--	942564	D-280-100
1998	2.8L	WAD XV02.8327	TLEV	All	Underbody Right	--	--	942564	D-280-100
1997	2.8L	VAD2.8V8G2EM	TLEV	All	Underbody Left	--	--	942013	D-280-100
1997	2.8L	VAD2.8V8G2EM	TLEV	All	Underbody Right	--	--	942013	D-280-100
1997	2.8L	VAD2.8V8GKEM	TIER1	All	Underbody Left	--	--	942013	D-280-100
1997	2.8L	VAD2.8V8GKEM	TIER1	All	Underbody Right	--	--	942013	D-280-100
1996	2.8L	TAD2.8V8G2EM	TLEV	All	Underbody Left	--	--	942013	D-280-100
1996	2.8L	TAD2.8V8G2EM	TLEV	All	Underbody Right	--	--	942013	D-280-100
1996	2.8L	TAD2.8V8GFEM	TIER1	All	Underbody Left	--	--	942013	D-280-100
1996	2.8L	TAD2.8V8GFEM	TIER1	All	Underbody Right	--	--	942013	D-280-100
1995	2.8L	SAD2.8V8GFEM	TIER1	All	Underbody Left	--	--	942013	D-280-100
1995	2.8L	SAD2.8V8GFEM	TIER1	All	Underbody Right	--	--	942013	D-280-100
2004	3.0L	4AD XV03.0344	LEV1 ULEV	All	Underbody Left	809628	D-665-23	--	--
2004	3.0L	4AD XV03.0344	LEV1 ULEV	All	Underbody Right	809629	D-665-23	--	--
2002	3.0L	2AD XV03.0344	LEV1 ULEV	All	Underbody Left	809628	D-665-23	--	--
2002	3.0L	2AD XV03.0344	LEV1 ULEV	All	Underbody Right	809629	D-665-23	--	--
V8									
2004	4.2L	4AD XV04.2345	LEV1 LEV	A/T	Underbody Left	944241	D-280-100	--	--
2004	4.2L	4AD XV04.2345	LEV1 LEV	A/T	Underbody Right	944240	D-280-100	--	--
2004	4.2L	4AD XV04.2345	LEV1 LEV	All	Rear Left	--	--	940335	D-280-100
2004	4.2L	4AD XV04.2345	LEV1 LEV	All	Rear Right	--	--	940335	D-280-100
2003	4.2L	3AD XV04.2345	LEV1 LEV	A/T	Underbody Left	944241	D-280-100	--	--
2003	4.2L	3AD XV04.2345	LEV1 LEV	A/T	Underbody Right	944240	D-280-100	--	--
2003	4.2L	3AD XV04.2345	LEV1 LEV	All	Rear Left	--	--	940335	D-280-100
2003	4.2L	3AD XV04.2345	LEV1 LEV	All	Rear Right	--	--	940335	D-280-100

Legal Note: In Compliance with California Emissions Requirements

**CATCO**
CATALYTIC CONVERTERS**EASTERN**
CATALYTIC

APPLICATION GUIDE

OBD II**APPLICATION**

Year	Eng. Size	Test Group/ Engine Family	Certification Level	Application	Location	Direct Fit Number	Exec. Order	Consol. Number	Exec. Order
Audi (Cont.)									
A6 Quattro (Cont.)									
V8 (Cont.)									
2002	4.2L	2AD XV04.2345	LEV1 LEV	A/T	Underbody Left	944241	D-280-100	--	--
2002	4.2L	2AD XV04.2345	LEV1 LEV	A/T	Underbody Right	944240	D-280-100	--	--
2002	4.2L	2AD XV04.2345	LEV1 LEV	All	Rear	--	--	940335	D-280-100
2002	4.2L	2AD XV04.2345	LEV1 LEV	All	Rear Left	--	--	940335	D-280-100
2002	4.2L	2AD XV04.2345	LEV1 LEV	All	Rear Right	--	--	940335	D-280-100
2001	4.2L	1AD XV04.2345	LEV1 LEV	A/T	Underbody Left	944241	D-280-100	--	--
2001	4.2L	1AD XV04.2345	LEV1 LEV	A/T	Underbody Right	944240	D-280-100	--	--
2001	4.2L	1AD XV04.2345	LEV1 LEV	All	Rear Left	--	--	940335	D-280-100
2001	4.2L	1AD XV04.2345	LEV1 LEV	All	Rear Right	--	--	940335	D-280-100
A8									
V8									
1999	3.7L	XAD XV04.2325	TIER1	All	Underbody Left	--	--	942013	D-280-100
1999	3.7L	XAD XV04.2325	TIER1	All	Underbody Right	--	--	942013	D-280-100
1998	3.7L	WAD XV04.2325	TIER1	All	Underbody Left	--	--	942013	D-280-100
1998	3.7L	WAD XV04.2325	TIER1	All	Underbody Right	--	--	942013	D-280-100
1997	3.7L	VAD4.2VJGKEM	TIER1	All	Underbody Left	--	--	942013	D-280-100
1997	3.7L	VAD4.2VJGKEM	TIER1	All	Underbody Right	--	--	942013	D-280-100
A8 Quattro									
V8									
2006	4.2L	6AD XV04.2345	LEV1 LEV	All	Underbody Left	--	--	942013	D-280-100
2006	4.2L	6AD XV04.2345	LEV1 LEV	All	Underbody Right	--	--	942013	D-280-100
2005	4.2L	5AD VX04.2345	LEV1 LEV	All	Underbody Left	--	--	942013	D-280-100
2005	4.2L	5AD VX04.2345	LEV1 LEV	All	Underbody Right	--	--	942013	D-280-100
2004	4.2L	4AD XV04.2345	LEV1 LEV	All	Underbody Left	--	--	942013	D-280-100
2004	4.2L	4AD XV04.2345	LEV1 LEV	All	Underbody Right	--	--	942013	D-280-100
2003	4.2L	3AD XV04.2345	LEV1 LEV	All	Front Left	--	--	942013	D-280-100
2003	4.2L	3AD XV04.2345	LEV1 LEV	All	Front Right	--	--	942013	D-280-100
2003	4.2L	3AD XV04.2345	LEV1 LEV	All	Rear Left	--	--	940105	D-280-100
2003	4.2L	3AD XV04.2345	LEV1 LEV	All	Rear Right	--	--	940105	D-280-100
2002	4.2L	2AD XV04.2345	LEV1 LEV	All	Rear Left	--	--	940105	D-280-100
2002	4.2L	2AD XV04.2345	LEV1 LEV	All	Rear Right	--	--	940105	D-280-100
2001	4.2L	1AD XV04.2345	LEV1 LEV	All	Front Left	--	--	942013	D-280-100
2001	4.2L	1AD XV04.2345	LEV1 LEV	All	Front Right	--	--	942013	D-280-100
2001	4.2L	1AD XV04.2345	LEV1 LEV	All	Rear Left	--	--	940105	D-280-100
2001	4.2L	1AD XV04.2345	LEV1 LEV	All	Rear Right	--	--	940105	D-280-100
2000	4.2L	YAD XV04.2335	TLEV	All	Underbody Left	--	--	942013	D-280-100
2000	4.2L	YAD XV04.2335	TLEV	All	Underbody Right	--	--	942013	D-280-100
1999	4.2L	XAD XV04.2325	TIER1	All	Underbody Left	--	--	942013	D-280-100
1999	4.2L	XAD XV04.2325	TIER1	All	Underbody Right	--	--	942013	D-280-100
1998	4.2L	WAD XV04.2325	TIER1	All	Underbody Left	--	--	942013	D-280-100
1998	4.2L	WAD XV04.2325	TIER1	All	Underbody Right	--	--	942013	D-280-100
1997	4.2L	VAD4.2VJGKEM	TIER1	All	Underbody Left	--	--	942013	D-280-100
1997	4.2L	VAD4.2VJGKEM	TIER1	All	Underbody Right	--	--	942013	D-280-100
Allroad Quattro									
V6									
2005	2.7L	5AD XV02.7343	LEV1 LEV	A/T	Underbody Left	945198	D-280-100	--	--
2005	2.7L	5AD XV02.7343	LEV1 LEV	A/T	Underbody Right	945199	D-280-100	--	--
2005	2.7L	5AD XV02.7343	LEV1 LEV	M/T	Underbody Left	945183	D-280-100	--	--
2005	2.7L	5AD XV02.7343	LEV1 LEV	M/T	Underbody Right	945184	D-280-100	--	--
2005	2.7L	5AD XV02.7343	LEV1 LEV	All	Rear Left	--	--	940334	D-280-100
2005	2.7L	5AD XV02.7343	LEV1 LEV	All	Rear Right	--	--	940334	D-280-100
2004	2.7L	4AD XV02.7343	LEV1 LEV	A/T	Underbody Left	945198	D-280-100	--	--
2004	2.7L	4AD XV02.7343	LEV1 LEV	A/T	Underbody Right	945199	D-280-100	--	--
2004	2.7L	4AD XV02.7343	LEV1 LEV	M/T	Underbody Left	945183	D-280-100	--	--
2004	2.7L	4AD XV02.7343	LEV1 LEV	M/T	Underbody Right	945184	D-280-100	--	--
2004	2.7L	4AD XV02.7343	LEV1 LEV	All	Rear Left	--	--	940334	D-280-100
2004	2.7L	4AD XV02.7343	LEV1 LEV	All	Rear Right	--	--	940334	D-280-100

APPLICATION GUIDE



OBD II

APPLICATION

Year	Eng. Size	Test Group/ Engine Family	Certification Level	Application	Location	Direct Fit Number	Exec. Order	Consol. Number	Exec. Order
Audi (Cont.)									
Allroad Quattro (Cont.)									
V6 (Cont.)									
2003	2.7L	3AD XV02.7343	LEV1 LEV	A/T	Underbody Left	945198	D-280-100	--	--
2003	2.7L	3AD XV02.7343	LEV1 LEV	A/T	Underbody Right	945199	D-280-100	--	--
2003	2.7L	3AD XV02.7343	LEV1 LEV	M/T	Underbody Left	945183	D-280-100	--	--
2003	2.7L	3AD XV02.7343	LEV1 LEV	M/T	Underbody Right	945184	D-280-100	--	--
2003	2.7L	3AD XV02.7343	LEV1 LEV	All	Rear Left	--	--	940334	D-280-100
2003	2.7L	3AD XV02.7343	LEV1 LEV	All	Rear Right	--	--	940334	D-280-100
2002	2.7L	2AD XV02.7333	TLEV	M/T	Underbody Left	945183	D-280-100	--	--
2002	2.7L	2AD XV02.7333	TLEV	M/T	Underbody Right	945184	D-280-100	--	--
2002	2.7L	2AD XV02.7333	TLEV	A/T	Underbody Left	944207	D-280-100	--	--
2002	2.7L	2AD XV02.7333	TLEV	A/T	Underbody Right	944206	D-280-100	--	--
2002	2.7L	2AD XV02.7333	TLEV	All	Rear Left	--	--	940334	D-280-100
2002	2.7L	2AD XV02.7333	TLEV	All	Rear Right	--	--	940334	D-280-100
2001	2.7L	1AD XV02.7333	TLEV	M/T	Underbody Left	945183	D-280-100	--	--
2001	2.7L	1AD XV02.7333	TLEV	M/T	Underbody Right	945184	D-280-100	--	--
2001	2.7L	1AD XV02.7333	TLEV	A/T	Underbody Left	944207	D-280-100	--	--
2001	2.7L	1AD XV02.7333	TLEV	A/T	Underbody Right	944206	D-280-100	--	--
2001	2.7L	1AD XV02.7333	TLEV	All	Rear Left	--	--	940334	D-280-100
2001	2.7L	1AD XV02.7333	TLEV	All	Rear Right	--	--	940334	D-280-100
V8									
2005	4.2L	5AD XV04.2345	LEV1 LEV	A/T	Front Left	--	--	940106	D-280-100
2005	4.2L	5AD XV04.2345	LEV1 LEV	A/T	Front Right	--	--	940106	D-280-100
2005	4.2L	5AD XV04.2345	LEV1 LEV	A/T	Rear Left	--	--	940104	D-280-100
2005	4.2L	5AD XV04.2345	LEV1 LEV	A/T	Rear Right	--	--	940104	D-280-100
2005	4.2L	5AD XV04.2345	LEV1 LEV	A/T	Underbody Left	945062	D-280-100	--	--
2005	4.2L	5AD XV04.2345	LEV1 LEV	A/T	Underbody Right	945063	D-280-100	--	--
2004	4.2L	4AD XV04.2345	LEV1 LEV	A/T	Front Left	--	--	940106	D-280-100
2004	4.2L	4AD XV04.2345	LEV1 LEV	A/T	Front Right	--	--	940106	D-280-100
2004	4.2L	4AD XV04.2345	LEV1 LEV	A/T	Rear Left	--	--	940104	D-280-100
2004	4.2L	4AD XV04.2345	LEV1 LEV	A/T	Rear Right	--	--	940104	D-280-100
2004	4.2L	4AD XV04.2345	LEV1 LEV	A/T	Underbody Left	945062	D-280-100	--	--
2004	4.2L	4AD XV04.2345	LEV1 LEV	A/T	Underbody Right	945063	D-280-100	--	--
Cabriolet									
V6									
1997	2.8L	VAD2.8V8GKGM	TIER1	All	Underbody Left	--	--	940105	D-280-100
1997	2.8L	VAD2.8V8GKGM	TIER1	All	Underbody Right	--	--	940105	D-280-100
1996	2.8L	TAD2.8V8GFGM	TIER1	All	Underbody Left	--	--	940105	D-280-100
1996	2.8L	TAD2.8V8GFGM	TIER1	All	Underbody Right	--	--	940105	D-280-100
RS6									
V8									
2003	4.2L	3AD XV04.2335	TLEV	All	Rear Left	--	--	940105	D-280-100
2003	4.2L	3AD XV04.2335	TLEV	All	Rear Right	--	--	940105	D-280-100
S4									
V6									
2002	2.7L	2AD XV02.7333	TLEV	All	Rear Left	--	--	940334	D-280-100
2002	2.7L	2AD XV02.7333	TLEV	All	Rear Right	--	--	940334	D-280-100
2001	2.7L	1AD XV02.7333	TLEV	All	Rear Left	--	--	940334	D-280-100
2001	2.7L	1AD XV02.7333	TLEV	All	Rear Right	--	--	940334	D-280-100
2000	2.7L	YAD XV02.7339	TLEV	All	Rear Left	--	--	940334	D-280-100
2000	2.7L	YAD XV02.7339	TLEV	All	Rear Right	--	--	940334	D-280-100
V8									
2006	4.2L	6AD XV04.2345	LEV1 LEV	M/T	Underbody Left	945191	D-280-100	--	--
2006	4.2L	6AD XV04.2345	LEV1 LEV	M/T	Underbody Right	945192	D-280-100	--	--
2006	4.2L	6AD XV04.2345	LEV1 LEV	All	Front Left	--	--	940105	D-280-100
2006	4.2L	6AD XV04.2345	LEV1 LEV	All	Front Right	--	--	940105	D-280-100
2006	4.2L	6AD XV04.2345	LEV1 LEV	All	Rear Left	--	--	940105	D-280-100
2006	4.2L	6AD XV04.2345	LEV1 LEV	All	Rear Right	--	--	940105	D-280-100

Legal Note: In Compliance with California Emissions Requirements



CATCO
CATALYTIC CONVERTERS

EASTERN CATALYTIC

APPLICATION GUIDE

OBD II

APPLICATION

Year	Eng. Size	Test Group/ Engine Family	Certification Level	Application	Location	Direct Fit Number	Exec. Order	Consol. Number	Exec. Order
Audi (Cont.)									
S4 (Cont.)									
V8 (Cont.)									
2005	4.2L	5ADXV04.2345	LEV1 LEV	M/T	Underbody Left	945191	D-280-100	--	--
2005	4.2L	5ADXV04.2345	LEV1 LEV	M/T	Underbody Right	945192	D-280-100	--	--
2005	4.2L	5ADXV04.2345	LEV1 LEV	All	Front Left	--	--	940105	D-280-100
2005	4.2L	5ADXV04.2345	LEV1 LEV	All	Front Right	--	--	940105	D-280-100
2005	4.2L	5ADXV04.2345	LEV1 LEV	All	Rear Left	--	--	940105	D-280-100
2005	4.2L	5ADXV04.2345	LEV1 LEV	All	Rear Right	--	--	940105	D-280-100
2004	4.2L	4ADXV04.2345	LEV1 LEV	M/T	Underbody Left	945191	D-280-100	--	--
2004	4.2L	4ADXV04.2345	LEV1 LEV	M/T	Underbody Right	945192	D-280-100	--	--
2004	4.2L	4ADXV04.2345	LEV1 LEV	All	Front Left	--	--	940105	D-280-100
2004	4.2L	4ADXV04.2345	LEV1 LEV	All	Front Right	--	--	940105	D-280-100
2004	4.2L	4ADXV04.2345	LEV1 LEV	All	Rear Left	--	--	940105	D-280-100
2004	4.2L	4ADXV04.2345	LEV1 LEV	All	Rear Right	--	--	940105	D-280-100
TT									
L4									
2005	1.8L	5ADXV01.8346	LEV1 LEV	All	Underbody	942158	D-280-100	--	--
2005	1.8L	5ADXV01.8346	LEV1 LEV	All	Underbody	--	--	940105	D-280-100
2004	1.8L	4ADXV01.8346	LEV1 LEV	All	Underbody	942158	D-280-100	--	--
2004	1.8L	4ADXV01.8346	LEV1 LEV	All	Underbody	--	--	940105	D-280-100
2003	1.8L	3ADXV01.8346	LEV1 LEV	All	Underbody	942158	D-280-100	--	--
2003	1.8L	3ADXV01.8346	LEV1 LEV	All	Underbody	--	--	940105	D-280-100
2002	1.8L	2ADXV01.8346	LEV1 LEV	All	Underbody	942158	D-280-100	--	--
2002	1.8L	2ADXV01.8346	LEV1 LEV	All	Underbody	--	--	940105	D-280-100
2001	1.8L	1ADXV01.8336	TLEV	All	Underbody	942158	D-280-100	--	--
2001	1.8L	1ADXV01.8336	TLEV	All	Underbody	--	--	940105	D-280-100
2001	1.8L	1ADXV01.8346	LEV1 LEV	All	Underbody	942158	D-280-100	--	--
2001	1.8L	1ADXV01.8346	LEV1 LEV	All	Underbody	--	--	940105	D-280-100
2000	1.8L	YADXV01.8336	TLEV	All	Underbody	942158	D-280-100	--	--
2000	1.8L	YADXV01.8336	TLEV	All	Underbody	--	--	940105	D-280-100
TT Quattro									
L4									
2005	1.8L	5ADXV01.8346	LEV1 LEV	All	Underbody	944258	D-280-100	--	--
2005	1.8L	5ADXV01.8346	LEV1 LEV	All	Underbody	--	--	940105	D-280-100
2004	1.8L	4ADXV01.8346	LEV1 LEV	All	Underbody	944258	D-280-100	--	--
2004	1.8L	4ADXV01.8346	LEV1 LEV	All	Underbody	--	--	940335	D-280-100
2004	1.8L	4ADXV01.8346	LEV1 LEV	All	Underbody	--	--	940105	D-280-100
2003	1.8L	3ADXV01.8346	LEV1 LEV	All	Underbody	944258	D-280-100	--	--
2003	1.8L	3ADXV01.8346	LEV1 LEV	All	Underbody	--	--	940335	D-280-100
2003	1.8L	3ADXV01.8346	LEV1 LEV	All	Underbody	--	--	940105	D-280-100
2002	1.8L	2ADXV01.8347	LEV1 LEV	Eng. Code AMU	Underbody	944258	D-280-100	--	--
2002	1.8L	2ADXV01.8347	LEV1 LEV	All	Underbody	--	--	940105	D-280-100
2001	1.8L	1ADXV01.8347	LEV1 LEV	Eng. Code AMU	Underbody	944258	D-280-100	--	--
2001	1.8L	1ADXV01.8347	LEV1 LEV	All	Underbody	--	--	940335	D-280-100
2001	1.8L	1ADXV01.8347	LEV1 LEV	All	Underbody	--	--	940105	D-280-100
V6									
2005	3.2L	5VWXV03.2220	LEV1 LEV	All	Underbody	945164	D-280-100	--	--
2005	3.2L	5VWXV03.2220	LEV1 LEV	All	Underbody Left	--	--	940104	D-280-100
2005	3.2L	5VWXV03.2220	LEV1 LEV	All	Underbody Right	--	--	940104	D-280-100
2004	3.2L	4VWXV03.2220	LEV1 LEV	All	Underbody	945164	D-280-100	--	--
2004	3.2L	4VWXV03.2220	LEV1 LEV	All	Underbody Left	--	--	940104	D-280-100
2004	3.2L	4VWXV03.2220	LEV1 LEV	All	Underbody Right	--	--	940104	D-280-100

Legal Note: In Compliance with California Emissions Requirements

APPLICATION GUIDE



OBD II

APPLICATION

Year	Eng. Size	Test Group/ Engine Family	Certification Level	Application	Location	Direct Fit Number	Exec. Order	Consol. Number	Exec. Order
BMW									
318i									
L4									
1998	1.9L	WBMXV01.9M44	TLEV	All	Underbody	942078	D-280-100	--	--
1998	1.9L	WBMXV01.9M44	TLEV	All	Underbody	--	--	940105	D-280-100
1997	1.9L	VBM1.9VJGFEK	TIER1	All	Underbody	942078	D-280-100	--	--
1997	1.9L	VBM1.9VJGFEK	TIER1	All	Underbody	--	--	940105	D-280-100
1997	1.9L	VBM1.9VJGKFK	TLEV	All	Underbody	942078	D-280-100	--	--
1997	1.9L	VBM1.9VJGKFK	TLEV	All	Underbody	--	--	940105	D-280-100
1996	1.9L	TBM1.9VJGKEK	TIER1	All	Underbody	942078	D-280-100	--	--
1996	1.9L	TBM1.9VJGKEK	TIER1	All	Underbody	--	--	940105	D-280-100
318is									
L4									
1997	1.9L	VBM1.9VJGFEK	TIER1	All	Underbody	942078	D-280-100	--	--
1997	1.9L	VBM1.9VJGFEK	TIER1	All	Underbody	--	--	940105	D-280-100
1997	1.9L	VBM1.9VJGKFK	TLEV	All	Underbody	942078	D-280-100	--	--
1997	1.9L	VBM1.9VJGKFK	TLEV	All	Underbody	--	--	940105	D-280-100
1996	1.9L	TBM1.9VJGKEK	TIER1	All	Underbody	942078	D-280-100	--	--
1996	1.9L	TBM1.9VJGKEK	TIER1	All	Underbody	--	--	940105	D-280-100
318ti									
L4									
1999	1.9L	XBMXV01.9M44	TLEV	All	Underbody	942078	D-280-100	--	--
1999	1.9L	XBMXV01.9M44	TLEV	All	Underbody	--	--	940105	D-280-100
1998	1.9L	WBMXV01.9M44	TLEV	All	Underbody	942078	D-280-100	--	--
1998	1.9L	WBMXV01.9M44	TLEV	All	Underbody	--	--	940105	D-280-100
1997	1.9L	VBM1.9VJGFEK	TIER1	All	Underbody	942078	D-280-100	--	--
1997	1.9L	VBM1.9VJGFEK	TIER1	All	Underbody	--	--	940105	D-280-100
1997	1.9L	VBM1.9VJGKFK	TLEV	All	Underbody	942078	D-280-100	--	--
1997	1.9L	VBM1.9VJGKFK	TLEV	All	Underbody	--	--	940105	D-280-100
1996	1.9L	TBM1.9VJGKEK	TIER1	All	Underbody	942078	D-280-100	--	--
1996	1.9L	TBM1.9VJGKEK	TIER1	All	Underbody	--	--	940105	D-280-100
323Ci									
L6									
2000	2.5L	YBMXV02.8LEV	LEV1 LEV	All	Front	944801	D-280-100	--	--
2000	2.5L	YBMXV02.8LEV	LEV1 LEV	All	Rear	944800	D-280-100	--	--
323i									
L6									
2000	2.5L	YBMXV02.8LEV	LEV1 LEV	All	Front	944801	D-280-100	--	--
2000	2.5L	YBMXV02.8LEV	LEV1 LEV	All	Rear	944800	D-280-100	--	--
1999	2.5L	XBMXV02.5M52	TLEV	All	Underbody	--	--	940105	D-280-100
1999	2.5L	XBMXV02.8LEV	LEV1 LEV	All	Front	944801	D-280-100	--	--
1999	2.5L	XBMXV02.8LEV	LEV1 LEV	All	Rear	944800	D-280-100	--	--
1998	2.5L	WBMXV02.8Z35	TLEV	All	Underbody	630559	D-665-17	--	--
1998	2.5L	WBMXV02.8Z35	TLEV	All	Underbody	--	--	940105	D-280-100
323is									
L6									
1999	2.5L	XBMXV02.5M52	TLEV	All	Underbody	630559	D-665-17	--	--
1999	2.5L	XBMXV02.5M52	TLEV	All	Underbody	--	--	940105	D-280-100
1998	2.5L	WBMXV02.8Z35	TLEV	All	Underbody	630559	D-665-17	--	--
1998	2.5L	WBMXV02.8Z35	TLEV	All	Underbody	--	--	940105	D-280-100
325Ci									
L6									
2003	2.5L	3BMXV03.0LER	LEV1 LEV	All	Front	944386	D-280-100	--	--
2003	2.5L	3BMXV03.0LER	LEV1 LEV	All	Rear	944387	D-280-100	--	--
2002	2.5L	2BMXV03.0LER	LEV1 LEV	All	Front	944386	D-280-100	--	--
2002	2.5L	2BMXV03.0LER	LEV1 LEV	All	Rear	944387	D-280-100	--	--
2001	2.5L	1BMXV02.5M54	LEV1 LEV	All	Front	944386	D-280-100	--	--
2001	2.5L	1BMXV02.5M54	LEV1 LEV	All	Rear	944387	D-280-100	--	--

Legal Note: In Compliance with California Emissions Requirements



CATCO
CATALYTIC CONVERTERS

EASTERN CATALYTIC

APPLICATION GUIDE

OBD II

APPLICATION

Year	Eng. Size	Test Group/ Engine Family	Certification Level	Application	Location	Direct Fit Number	Exec. Order	Consol. Number	Exec. Order
BMW (Cont.)									
325Ci (Cont.)									
L6 (Cont.)									
2001	2.5L	1BMXV03.0LER	LEV1 LEV	All	Front	944386	D-280-100	--	--
2001	2.5L	1BMXV03.0LER	LEV1 LEV	All	Rear	944387	D-280-100	--	--
325i									
L6									
2003	2.5L	3BMXV03.0LER	LEV1 LEV	All	Front	944386	D-280-100	--	--
2003	2.5L	3BMXV03.0LER	LEV1 LEV	All	Rear	944387	D-280-100	--	--
2002	2.5L	2BMXV03.0LER	LEV1 LEV	All	Front	944386	D-280-100	--	--
2002	2.5L	2BMXV03.0LER	LEV1 LEV	All	Rear	944387	D-280-100	--	--
2001	2.5L	1BMXV02.5M54	LEV1 LEV	All	Front	944386	D-280-100	--	--
2001	2.5L	1BMXV02.5M54	LEV1 LEV	All	Rear	944387	D-280-100	--	--
2001	2.5L	1BMXV03.0LER	LEV1 LEV	All	Front	944386	D-280-100	--	--
2001	2.5L	1BMXV03.0LER	LEV1 LEV	All	Rear	944387	D-280-100	--	--
325xi									
L6									
2004	2.5L	4BMXV03.0LER	LEV1 LEV	All	Front	944386	D-280-100	--	--
2004	2.5L	4BMXV03.0LER	LEV1 LEV	All	Rear	944387	D-280-100	--	--
2003	2.5L	3BMXV03.0LER	LEV1 LEV	All	Front	944386	D-280-100	--	--
2003	2.5L	3BMXV03.0LER	LEV1 LEV	All	Rear	944387	D-280-100	--	--
2002	2.5L	2BMXV03.0LER	LEV1 LEV	All	Front	944386	D-280-100	--	--
2002	2.5L	2BMXV03.0LER	LEV1 LEV	All	Rear	944387	D-280-100	--	--
2001	2.5L	1BMXV02.5M54	LEV1 LEV	All	Front	944386	D-280-100	--	--
2001	2.5L	1BMXV02.5M54	LEV1 LEV	All	Rear	944387	D-280-100	--	--
2001	2.5L	1BMXV03.0LER	LEV1 LEV	All	Front	944386	D-280-100	--	--
2001	2.5L	1BMXV03.0LER	LEV1 LEV	All	Rear	944387	D-280-100	--	--
328Ci									
L6									
2000	2.8L	YBMXV02.8LEV	LEV1 LEV	All	Front	944801	D-280-100	--	--
2000	2.8L	YBMXV02.8LEV	LEV1 LEV	All	Rear	944800	D-280-100	--	--
328i									
L6									
2000	2.8L	YBMXV02.8LEV	LEV1 LEV	All	Front	944801	D-280-100	--	--
2000	2.8L	YBMXV02.8LEV	LEV1 LEV	All	Rear	944800	D-280-100	--	--
1999	2.8L	XBMXV02.8LEV	LEV1 LEV	All	Front	944801	D-280-100	--	--
1999	2.8L	XBMXV02.8LEV	LEV1 LEV	All	Rear	944800	D-280-100	--	--
1999	2.8L	XBMXV02.8M52	TLEV	All	Front	944801	D-280-100	--	--
1999	2.8L	XBMXV02.8M52	TLEV	All	Rear	944800	D-280-100	--	--
1998	2.8L	WBMXV02.8M52	TLEV	All	Underbody	630568	D-665-17	--	--
1998	2.8L	WBMXV02.8M52	TLEV	All	Underbody	--	--	940104	D-280-100
1997	2.8L	VBM2.8VJGKEK	TLEV	All	Underbody	630568	D-665-17	--	--
1997	2.8L	VBM2.8VJGKEK	TLEV	All	Underbody	--	--	940104	D-280-100
1996	2.8L	TBM2.8VJGKEK	TLEV	All	Underbody Left	630568	D-665-17	--	--
1996	2.8L	TBM2.8VJGKEK	TLEV	All	Underbody Left	--	--	940334	D-280-100
1996	2.8L	TBM2.8VJGKEK	TLEV	All	Underbody Right	--	--	940334	D-280-100
328is									
L6									
1999	2.8L	XBMXV02.8M52	TLEV	All	Underbody	--	--	940104	D-280-100
1998	2.8L	WBMXV02.8M52	TLEV	All	Underbody	630568	D-665-17	--	--
1998	2.8L	WBMXV02.8M52	TLEV	All	Underbody	--	--	940104	D-280-100
1997	2.8L	VBM2.8VJGKEK	TLEV	All	Underbody	630568	D-665-17	--	--
1997	2.8L	VBM2.8VJGKEK	TLEV	All	Underbody	--	--	940104	D-280-100
1996	2.8L	TBM2.8VJGKEK	TLEV	All	Underbody	--	--	940104	D-280-100
1996	2.8L	TBM2.8VJGKEK	TLEV	All	Underbody Left	630568	D-665-17	--	--
1996	2.8L	TBM2.8VJGKEK	TLEV	All	Underbody Left	--	--	940334	D-280-100
1996	2.8L	TBM2.8VJGKEK	TLEV	All	Underbody Right	--	--	940334	D-280-100

Legal Note: In Compliance with California Emissions Requirements

APPLICATION GUIDE



OBD II

APPLICATION

Year	Eng. Size	Test Group/ Engine Family	Certification Level	Application	Location	Direct Fit Number	Exec. Order	Consol. Number	Exec. Order
330Ci									
L6									
2001	3.0L	1BMXV03.0M54	LEV1 ULEV	All	Front	764386	D-280-105	--	--
2001	3.0L	1BMXV03.0M54	LEV1 ULEV	All	Rear	764387	D-280-105	--	--
330xi									
L6									
2004	3.0L	4BMXV03.0LER	LEV1 LEV	All	Front	944386	D-280-100	--	--
2004	3.0L	4BMXV03.0LER	LEV1 LEV	All	Rear	944387	D-280-100	--	--
2003	3.0L	3BMXV03.0LER	LEV1 LEV	All	Underbody Left	--	--	760005	D-280-105
2003	3.0L	3BMXV03.0LER	LEV1 LEV	All	Underbody Right	--	--	760005	D-280-105
2002	3.0L	2BMXV03.0LER	LEV1 LEV	All	Front	944386	D-280-100	--	--
2002	3.0L	2BMXV03.0LER	LEV1 LEV	All	Rear	944387	D-280-100	--	--
2001	3.0L	1BMXV03.0LER	LEV1 LEV	All	Underbody Left	--	--	760005	D-280-105
2001	3.0L	1BMXV03.0LER	LEV1 LEV	All	Underbody Right	--	--	760005	D-280-105
2001	3.0L	1BMXV03.0LEV	LEV1 LEV	All	Front	944386	D-280-100	--	--
2001	3.0L	1BMXV03.0LEV	LEV1 LEV	All	Rear	944387	D-280-100	--	--
525i									
L6									
2003	2.5L	3BMXV03.0LER	LEV1 LEV	All	Underbody Left	--	--	760005	D-280-105
2003	2.5L	3BMXV03.0LER	LEV1 LEV	All	Underbody Right	--	--	760005	D-280-105
2002	2.5L	2BMXV03.0LER	LEV1 LEV	All	Front	940386	D-280-100	--	--
2002	2.5L	2BMXV03.0LER	LEV1 LEV	All	Rear	940387	D-280-100	--	--
2001	2.5L	1BMXV02.5M54	LEV1 LEV	All	Front	944386	D-280-100	--	--
2001	2.5L	1BMXV02.5M54	LEV1 LEV	All	Rear	944387	D-280-100	--	--
2001	2.5L	1BMXV03.0LER	LEV1 LEV	All	Front	944386	D-280-100	--	--
2001	2.5L	1BMXV03.0LER	LEV1 LEV	All	Rear	944387	D-280-100	--	--
528i									
L6									
1998	2.8L	WBMXV02.8M52	TLEV	All	Underbody	--	--	940104	D-280-100
1997	2.8L	VBM2.8VJGKEK	TLEV	All	Underbody	--	--	940104	D-280-100
530i									
L6									
2001	3.0L	1BMXV03.0M54	LEV1 ULEV	All	Front	--	--	760034	D-280-105
2001	3.0L	1BMXV03.0M54	LEV1 ULEV	All	Rear	--	--	760034	D-280-105
2001	3.0L	1BMXV03.0M5R	LEV1 ULEV	All	Front	--	--	760034	D-280-105
2001	3.0L	1BMXV03.0M5R	LEV1 ULEV	All	Rear	--	--	760034	D-280-105
540i									
V8									
1999	4.4L	XBMXV04.4LEV	LEV1 LEV	All	Underbody Left	--	--	940335	D-280-100
1999	4.4L	XBMXV04.4LEV	LEV1 LEV	All	Underbody Right	--	--	940335	D-280-100
545i									
V8									
2004	4.4L	4BMXV04.4LEV	LEV1 LEV	All	Underbody Left	--	--	760005	D-280-105
2004	4.4L	4BMXV04.4LEV	LEV1 LEV	All	Underbody Right	--	--	760005	D-280-105
645Ci									
V8									
2004	4.4L	4BMXV04.4LEV	LEV1 LEV	All	Underbody Left	--	--	760005	D-280-105
2004	4.4L	4BMXV04.4LEV	LEV1 LEV	All	Underbody Right	--	--	760005	D-280-105
740i									
V8									
1997	4.4L	VBM4.4VJGKEK	TIER1	All	Underbody Left	944407	D-280-100	--	--
1997	4.4L	VBM4.4VJGKEK	TIER1	All	Underbody Right	944406	D-280-100	--	--
740iL									
V8									
1997	4.4L	VBM4.4VJGKEK	TIER1	All	Underbody Left	944407	D-280-100	--	--
1997	4.4L	VBM4.4VJGKEK	TIER1	All	Underbody Right	944406	D-280-100	--	--
1996	4.4L	TBM4.4VJGFEK	TIER1	All	Underbody Left	944407	D-280-100	--	--
1996	4.4L	TBM4.4VJGFEK	TIER1	All	Underbody Right	944406	D-280-100	--	--

Legal Note: In Compliance with California Emissions Requirements



CATCO
CATALYTIC CONVERTERS

EASTERN CATALYTIC

APPLICATION GUIDE

OBD II

APPLICATION

Year	Eng. Size	Test Group/ Engine Family	Certification Level	Application	Location	Direct Fit Number	Exec. Order	Consol. Number	Exec. Order
BMW (Cont.)									
745i									
V8									
2004	4.4L	4BMXV04.4LEV	LEV1 LEV	All	Underbody Left	--	--	760005	D-280-105
2004	4.4L	4BMXV04.4LEV	LEV1 LEV	All	Underbody Right	--	--	760005	D-280-105
2003	4.4L	3BMXV04.4LEV	LEV1 LEV	All	Underbody Left	--	--	760005	D-280-105
2003	4.4L	3BMXV04.4LEV	LEV1 LEV	All	Underbody Right	--	--	760005	D-280-105
2002	4.4L	2BMXV04.4LEV	LEV1 LEV	All	Underbody Left	--	--	760005	D-280-105
745Li									
V8									
2004	4.4L	4BMXV04.4LEV	LEV1 LEV	All	Underbody Left	--	--	760005	D-280-105
2004	4.4L	4BMXV04.4LEV	LEV1 LEV	All	Underbody Right	--	--	760005	D-280-105
2003	4.4L	3BMXV04.4LEV	LEV1 LEV	All	Underbody Left	--	--	760005	D-280-105
2003	4.4L	3BMXV04.4LEV	LEV1 LEV	All	Underbody Right	--	--	760005	D-280-105
2002	4.4L	2BMXV04.4LEV	LEV1 LEV	All	Underbody Right	--	--	760005	D-280-105
750iL									
V12									
1996	5.4L	TBM5.4V8GFEK	TIER1	All	Underbody Left	--	--	940335	D-280-100
1996	5.4L	TBM5.4V8GFEK	TIER1	All	Underbody Right	--	--	940335	D-280-100
1995	5.4L	SBM5.4V8GAEK	TIER1	All	Underbody Left	--	--	940335	D-280-100
1995	5.4L	SBM5.4V8GAEK	TIER1	All	Underbody Right	--	--	940335	D-280-100
760Li									
V12									
2004	6.0L	4BMXV06.0N73	LEV1 LEV	All	Underbody Left	--	--	760005	D-280-105
2004	6.0L	4BMXV06.0N73	LEV1 LEV	All	Underbody Right	--	--	760005	D-280-105
2003	6.0L	3BMXV06.0N73	LEV1 LEV	All	Underbody Left	--	--	760005	D-280-105
2003	6.0L	3BMXV06.0N73	LEV1 LEV	All	Underbody Right	--	--	760005	D-280-105
760i									
V12									
2004	6.0L	4BMXV06.0N73	LEV1 LEV	All	Underbody Left	--	--	760005	D-280-105
2004	6.0L	4BMXV06.0N73	LEV1 LEV	All	Underbody Right	--	--	760005	D-280-105
850CSi									
V12									
1995	5.6L	SBM5.4V8GAEK	TIER1	All	Underbody Left	--	--	940335	D-280-100
1995	5.6L	SBM5.4V8GAEK	TIER1	All	Underbody Right	--	--	940335	D-280-100
850Ci									
V12									
1996	5.4L	TBM5.4V8GFEK	TIER1	All	Underbody Left	--	--	940335	D-280-100
1996	5.4L	TBM5.4V8GFEK	TIER1	All	Underbody Right	--	--	940335	D-280-100
1995	5.4L	SBM5.4V8GAEK	TIER1	All	Underbody Left	--	--	940335	D-280-100
1995	5.4L	SBM5.4V8GAEK	TIER1	All	Underbody Right	--	--	940335	D-280-100
M3									
L6									
2004	3.2L	4BMXV03.2S54	LEV1 LEV	All	Underbody Left	--	--	760005	D-280-105
2004	3.2L	4BMXV03.2S54	LEV1 LEV	All	Underbody Right	--	--	760005	D-280-105
2003	3.2L	3BMXV03.2S54	LEV1 LEV	All	Underbody Left	--	--	760005	D-280-105
2003	3.2L	3BMXV03.2S54	LEV1 LEV	All	Underbody Right	--	--	760005	D-280-105
2002	3.2L	2BMXV03.2S54	LEV1 LEV	All	Underbody Left	--	--	760005	D-280-105
2002	3.2L	2BMXV03.2S54	LEV1 LEV	All	Underbody Right	--	--	760005	D-280-105
2001	3.2L	1BMXV03.2S54	LEV1 LEV	All	Underbody Left	--	--	760005	D-280-105
2001	3.2L	1BMXV03.2S54	LEV1 LEV	All	Underbody Right	--	--	760005	D-280-105
1999	3.2L	XBMXV02.8M52	TLEV	All	Underbody	630568	D-665-17	--	--
M5									
V8									
2003	5.0L	3BMXV04.9S62	TLEV	All	Underbody Left	--	--	940335	D-280-100
2003	5.0L	3BMXV04.9S62	TLEV	All	Underbody Right	--	--	940335	D-280-100
2002	5.0L	2BMXV04.9S62	TLEV	All	Underbody Left	--	--	940335	D-280-100
2002	5.0L	2BMXV04.9S62	TLEV	All	Underbody Right	--	--	940335	D-280-100

Legal Note: In Compliance with California Emissions Requirements

APPLICATION GUIDE



OBD II

APPLICATION

Year	Eng. Size	Test Group/ Engine Family	Certification Level	Application	Location	Direct Fit Number	Exec. Order	Consol. Number	Exec. Order
BMW (Cont.)									
M5 (Cont.)									
V8 (Cont.)									
2001	5.0L	1BMXV04.9S62	TLEV	All	Underbody Left	--	--	940335	D-280-100
2001	5.0L	1BMXV04.9S62	TLEV	All	Underbody Right	--	--	940335	D-280-100
X3									
L6									
2005	2.5L	5BMXT03.0E83	LEV1 LEV	All	Front	914386	D-280-101	--	--
2005	2.5L	5BMXT03.0E83	LEV1 LEV	All	Rear	914387	D-280-101	--	--
2004	2.5L	4BMXT03.0E83	LEV1 LEV	All	Front	914386	D-280-101	--	--
2004	2.5L	4BMXT03.0E83	LEV1 LEV	All	Rear	914387	D-280-101	--	--
2004	2.5L	4BMXT03.0E83	LEV1 LEV	All	Underbody Left	--	--	910005R	D-280-101
2004	2.5L	4BMXT03.0E83	LEV1 LEV	All	Underbody Right	--	--	910005R	D-280-101
2006	3.0L	6BMXT03.0E83	LEV1 LEV	All	Front	914386	D-280-101	--	--
2006	3.0L	6BMXT03.0E83	LEV1 LEV	All	Rear	914387	D-280-101	--	--
2005	3.0L	5BMXT03.0E83	LEV1 LEV	All	Front	914386	D-280-101	--	--
2005	3.0L	5BMXT03.0E83	LEV1 LEV	All	Rear	914387	D-280-101	--	--
2004	3.0L	4BMXT03.0E83	LEV1 LEV	All	Front	914386	D-280-101	--	--
2004	3.0L	4BMXT03.0E83	LEV1 LEV	All	Rear	914387	D-280-101	--	--
2004	3.0L	4BMXT03.0E83	LEV1 LEV	All	Underbody Left	--	--	910005R	D-280-101
2004	3.0L	4BMXT03.0E83	LEV1 LEV	All	Underbody Right	--	--	910005R	D-280-101
X5									
V8									
2004	4.4L	4BMXT04.4N62	LEV1 LEV	All	Underbody	--	--	910005R	D-280-101
2004	4.4L	4BMXT04.4N62	LEV1 LEV	All	Underbody Left	--	--	910005R	D-280-101
2004	4.4L	4BMXT04.4N62	LEV1 LEV	All	Underbody Right	--	--	910005R	D-280-101
2003	4.4L	3BMXT04.4E53	LEV1 LEV	All	Underbody	--	--	910005R	D-280-101
2003	4.4L	3BMXT04.4E53	LEV1 LEV	All	Underbody Left	914475	D-280-101	--	--
2003	4.4L	3BMXT04.4E53	LEV1 LEV	All	Underbody Right	914474	D-280-101	--	--
2002	4.4L	2BMXT04.4E53	LEV1 LEV	All	Underbody	--	--	910005R	D-280-101
2002	4.4L	2BMXT04.4E53	LEV1 LEV	All	Underbody Left	914475	D-280-101	--	--
2002	4.4L	2BMXT04.4E53	LEV1 LEV	All	Underbody Right	914474	D-280-101	--	--
2001	4.4L	1BMXT04.4E53	LEV1 LEV	All	Underbody	--	--	910005R	D-280-101
2001	4.4L	1BMXT04.4E53	LEV1 LEV	All	Underbody Left	914475	D-280-101	--	--
2001	4.4L	1BMXT04.4E53	LEV1 LEV	All	Underbody Right	914474	D-280-101	--	--
2000	4.4L	YBMXT04.453M	LEV1 LEV	All	Underbody	--	--	910005R	D-280-101
2000	4.4L	YBMXT04.453M	LEV1 LEV	All	Underbody Left	914475	D-280-101	--	--
2000	4.4L	YBMXT04.453M	LEV1 LEV	All	Underbody Right	914474	D-280-101	--	--
2000	4.4L	YBMXT04.4E53	LEV1 LEV	All	Underbody	--	--	910005R	D-280-101
2000	4.4L	YBMXT04.4E53	LEV1 LEV	All	Underbody Left	914475	D-280-101	--	--
2000	4.4L	YBMXT04.4E53	LEV1 LEV	All	Underbody Right	914474	D-280-101	--	--
2003	4.6L	3BMXT04.6XHP	LEV1 LEV	All	Underbody	--	--	910005R	D-280-101
2003	4.6L	3BMXT04.6XHP	LEV1 LEV	All	Underbody Right	914474	D-280-101	--	--
2002	4.6L	2BMXT04.6XHP	LEV1 LEV	All	Underbody	--	--	910005R	D-280-101
2002	4.6L	2BMXT04.6XHP	LEV1 LEV	All	Underbody Left	914475	D-280-101	--	--
2002	4.6L	2BMXT04.6XHP	LEV1 LEV	All	Underbody Right	914474	D-280-101	--	--
2004	4.8L	4BMXT04.4N62	LEV1 LEV	All	Underbody	--	--	910005R	D-280-101
2004	4.8L	4BMXT04.4N62	LEV1 LEV	All	Underbody Left	--	--	910005R	D-280-101
2004	4.8L	4BMXT04.4N62	LEV1 LEV	All	Underbody Right	--	--	910005R	D-280-101
Z3									
L4									
1998	1.9L	WBMXV01.9M44	TLEV	All	Underbody	--	--	940105	D-280-100
1996	1.9L	TBM1.9VJGKEK	TIER1	All	Underbody	--	--	940105	D-280-100
L6									
2001	2.5L	1BMXV02.5M54	LEV1 LEV	All	Front	944386	D-280-100	--	--
2001	2.5L	1BMXV02.5M54	LEV1 LEV	All	Rear	944387	D-280-100	--	--
2001	2.5L	1BMXV03.0LER	LEV1 LEV	All	Front	944386	D-280-100	--	--
2001	2.5L	1BMXV03.0LER	LEV1 LEV	All	Rear	944387	D-280-100	--	--
2000	2.5L	YBMXV02.8LEV	LEV1 LEV	All	Underbody	--	--	940104	D-280-100
1998	2.8L	WBMXV02.8Z35	TLEV	All	Underbody	--	--	940105	D-280-100

Legal Note: In Compliance with California Emissions Requirements



CATCO
CATALYTIC CONVERTERS

EASTERN CATALYTIC

APPLICATION GUIDE

OBD II

APPLICATION

Year	Eng. Size	Test Group/ Engine Family	Certification Level	Application	Location	Direct Fit Number	Exec. Order	Consol. Number	Exec. Order
BMW (Cont.)									
Z3 (Cont.)									
L6 (Cont.)									
1997	2.8L	VBM2.8VLGKFK	TLEV	All	Underbody	--	--	940105	D-280-100
2000	3.2L	YBMXV03.2S52	TLEV	All	Underbody Left	--	--	942015	D-280-100
2000	3.2L	YBMXV03.2S52	TLEV	All	Underbody Right	--	--	942015	D-280-100
Z4									
L6									
2004	2.5L	4BMXV03.0LER	LEV1 LEV	All	Underbody Left	--	--	760005	D-280-105
2004	2.5L	4BMXV03.0LER	LEV1 LEV	All	Underbody Right	--	--	760005	D-280-105
2003	2.5L	3BMXV03.0LER	LEV1 LEV	All	Underbody Left	--	--	760005	D-280-105
2003	2.5L	3BMXV03.0LER	LEV1 LEV	All	Underbody Right	--	--	760005	D-280-105
Z8									
V8									
2003	4.8L	3ABBV04.8F51	TLEV	All	Underbody Left	--	--	942015	D-280-100
2003	4.8L	3ABBV04.8F51	TLEV	All	Underbody Right	--	--	942015	D-280-100
2003	4.8L	3BMXV04.9S62	TLEV	All	Underbody Left	--	--	760025	D-280-105
2003	4.8L	3BMXV04.9S62	TLEV	All	Underbody Right	--	--	760025	D-280-105
2003	5.0L	3BMXV04.9S62	TLEV	All	Underbody Left	--	--	942015	D-280-100
2003	5.0L	3BMXV04.9S62	TLEV	All	Underbody Right	--	--	942015	D-280-100
2002	5.0L	2BMXV04.9S62	TLEV	All	Underbody Left	--	--	940335	D-280-100
2002	5.0L	2BMXV04.9S62	TLEV	All	Underbody Right	--	--	940335	D-280-100
2001	5.0L	1BMXV04.9S62	TLEV	All	Underbody Left	--	--	940335	D-280-100
2001	5.0L	1BMXV04.9S62	TLEV	All	Underbody Right	--	--	940335	D-280-100
2000	5.0L	YBMXV04.9S62	TLEV	All	Underbody Left	--	--	942015	D-280-100
2000	5.0L	YBMXV04.9S62	TLEV	All	Underbody Right	--	--	942015	D-280-100
Buick Century									
L4									
1996	2.2L	TGM2.2V8GKEK	TIER1	All	Underbody	942260	D-280-100	--	--
1996	2.2L	TGM2.2V8GKEK	TIER1	All	Underbody	--	--	940104	D-280-100
V6									
2005	3.1L	5GMXV03.8041	LEV1 ULEV	All	Underbody	764850	D-280-105	--	--
2005	3.1L	5GMXV03.8041	LEV1 ULEV	All	Underbody	--	--	760005	D-280-105
2004	3.1L	4GMXV03.8041	LEV1 ULEV	All	Underbody	764850	D-280-105	--	--
2004	3.1L	4GMXV03.8041	LEV1 ULEV	All	Underbody	--	--	760005	D-280-105
2003	3.1L	3GMXV03.8043	LEV1 LEV	All	Underbody	942850	D-280-100	--	--
2003	3.1L	3GMXV03.8043	LEV1 LEV	All	Underbody	--	--	940105	D-280-100
2002	3.1L	2GMXV03.8043	LEV1 LEV	All	Underbody	942850	D-280-100	--	--
2002	3.1L	2GMXV03.8043	LEV1 LEV	All	Underbody	--	--	940105	D-280-100
2000	3.1L	YGMXV03.8043	LEV1 LEV	All	Underbody	942850	D-280-100	--	--
2000	3.1L	YGMXV03.8043	LEV1 LEV	All	Underbody	--	--	940105	D-280-100
1999	3.1L	XGMXV03.4042	TLEV	All	Underbody	942850	D-280-100	--	--
1999	3.1L	XGMXV03.4042	TLEV	All	Underbody	--	--	940105	D-280-100
1998	3.1L	WGMXV03.1043	TIER1	All	Underbody	942850	D-280-100	--	--
1998	3.1L	WGMXV03.1044	TLEV	All	Underbody	942850	D-280-100	--	--
1998	3.1L	WGMXV03.1044	TLEV	All	Underbody	--	--	940105	D-280-100
1997	3.1L	VGM3.1V8G1EK	TIER1	All	Underbody	630626	D-665-17	--	--
1997	3.1L	VGM3.1V8G1EK	TIER1	All	Underbody	--	--	940335	D-280-100
1996	3.1L	TGM3.1V8GFKEK	TIER1	All	Underbody	944229	D-280-100	--	--
1996	3.1L	TGM3.1V8GFKEK	TIER1	All	Underbody	--	--	940334	D-280-100
Enclave									
V6									
2013	3.6L	DGMXT03.6151	LEV2 ULEV	AWD	Front Left	745240	D-798	--	--
2013	3.6L	DGMXT03.6151	LEV2 ULEV	AWD	Front Right	745241	D-798	--	--
2013	3.6L	DGMXT03.6151	LEV2 ULEV	AWD	Underbody	744695	D-798	--	--

Legal Note: In Compliance with California Emissions Requirements

APPLICATION GUIDE



OBD II

APPLICATION

Year	Eng. Size	Test Group/ Engine Family	Certification Level	Application	Location	Direct Fit Number	Exec. Order	Consol. Number	Exec. Order
Buick (Cont.)									
Enclave (Cont.)									
V6 (Cont.)									
2013	3.6L	DGMXT03.6151	LEV2 ULEV	FWD	Front Left	745240	D-798	--	--
2013	3.6L	DGMXT03.6151	LEV2 ULEV	FWD	Front Right	745241	D-798	--	--
2013	3.6L	DGMXT03.6151	LEV2 ULEV	FWD	Rear	--	--	747055	D-798
2013	3.6L	DGMXT03.6151	LEV2 ULEV	FWD	Underbody	744695	D-798	--	--
2012	3.6L	CGMXT03.6151	LEV2 ULEV	All	Front Left	745240	D-798	--	--
2012	3.6L	CGMXT03.6151	LEV2 ULEV	All	Front Right	745241	D-798	--	--
2012	3.6L	CGMXT03.6151	LEV2 ULEV	All	Rear	--	--	747055	D-798
2012	3.6L	CGMXT03.6151	LEV2 ULEV	All	Underbody	744695	D-798	--	--
2011	3.6L	BGMXJ03.6151	LEV2 ULEV	All	Front Left	745240	D-798	--	--
2011	3.6L	BGMXJ03.6151	LEV2 ULEV	All	Front Right	745241	D-798	--	--
2011	3.6L	BGMXJ03.6151	LEV2 ULEV	All	Rear	--	--	747055	D-798
2011	3.6L	BGMXJ03.6151	LEV2 ULEV	All	Underbody	744695	D-798	--	--
2010	3.6L	AGMXJ03.6151	LEV2 ULEV	All	Front Left	745240	D-798	--	--
2010	3.6L	AGMXJ03.6151	LEV2 ULEV	All	Front Right	745241	D-798	--	--
2010	3.6L	AGMXJ03.6151	LEV2 ULEV	All	Rear	--	--	747055	D-798
2010	3.6L	AGMXJ03.6151	LEV2 ULEV	All	Underbody	744695	D-798	--	--
2009	3.6L	9GMXT03.6151	LEV2 ULEV	All	Front Left	745240	D-798	--	--
2009	3.6L	9GMXT03.6151	LEV2 ULEV	All	Front Right	745241	D-798	--	--
2009	3.6L	9GMXT03.6151	LEV2 ULEV	All	Rear	--	--	747055	D-798
2009	3.6L	9GMXT03.6151	LEV2 ULEV	All	Underbody	744695	D-798	--	--
2008	3.6L	8GMXT03.6151	LEV2 LEV	All	Front Left	745240	D-798	--	--
2008	3.6L	8GMXT03.6151	LEV2 LEV	All	Front Right	745241	D-798	--	--
LaCrosse									
V6									
2008	3.6L	8GMXV03.6041	LEV2 LEV	All	Underbody	--	--	760006	D-280-105
2007	3.6L	7GMXV03.6041	LEV2 LEV	All	Underbody	--	--	760006	D-280-105
2006	3.6L	6GMXV03.9041	LEV1 ULEV	All	Underbody	--	--	760006	D-280-105
2005	3.6L	5GMXV03.8041	LEV1 ULEV	All	Underbody	--	--	760005	D-280-105
2009	3.8L	9GMXV03.8047	LEV2 LEV	All	Underbody	764341	D-280-105	--	--
2009	3.8L	9GMXV03.8047	LEV2 LEV	All	Underbody	--	--	760005	D-280-105
2006	3.8L	6GMXV03.9041	LEV1 ULEV	All	Underbody	764341	D-280-105	--	--
2006	3.8L	6GMXV03.9041	LEV1 ULEV	All	Underbody	--	--	760005	D-280-105
2006	3.8L	6GMXV03.9048	LEV2 LEV	All	Underbody	764341	D-280-105	--	--
2006	3.8L	6GMXV03.9048	LEV2 LEV	All	Underbody	--	--	760005	D-280-105
2005	3.8L	5GMXV03.8148	LEV2 LEV	All	Underbody	764341	D-280-105	--	--
2005	3.8L	5GMXV03.8148	LEV2 LEV	All	Underbody	--	--	760005	D-280-105
LeSabre									
V6									
2005	3.8L	5GMXX03.8148	LEV2 LEV	All	Underbody	769035	D-280-105	--	--
2004	3.8L	4GMXV03.8042	LEV2 LEV	All	Underbody	769035	D-280-105	--	--
2004	3.8L	4GMXV03.8042	LEV2 LEV	All	Underbody	--	--	760006	D-280-105
2003	3.8L	3GMXV03.8044	LEV1 ULEV	All	Underbody	769035	D-280-105	--	--
2003	3.8L	3GMXV03.8044	LEV1 ULEV	All	Underbody	--	--	760006	D-280-105
2002	3.8L	2GMXV03.8044	LEV1 ULEV	All	Underbody	769035	D-280-105	--	--
2002	3.8L	2GMXV03.8044	LEV1 ULEV	All	Underbody	--	--	760006	D-280-105
2001	3.8L	1GMXV03.8044	LEV1 ULEV	All	Underbody	769035	D-280-105	--	--
2001	3.8L	1GMXV03.8044	LEV1 ULEV	All	Underbody	--	--	763037	D-280-105
2000	3.8L	YGMXV03.8051	LEV1 LEV	All	Underbody	--	--	940336	D-280-100
1999	3.8L	XGMXV03.8048	TLEV	All	Underbody	942890	D-280-100	--	--
1999	3.8L	XGMXV03.8048	TLEV	All	Underbody	--	--	940106	D-280-100
1999	3.8L	XGMXV03.8049	LEV1 LEV	All	Underbody	942890	D-280-100	--	--
1999	3.8L	XGMXV03.8049	LEV1 LEV	All	Underbody	--	--	940106	D-280-100
1998	3.8L	WGMXV03.8048	TLEV	All	Underbody	942890	D-280-100	--	--
1998	3.8L	WGMXV03.8048	TLEV	All	Underbody	--	--	940106	D-280-100
1997	3.8L	VGM3.8V8G2EK	TLEV	All	Underbody	--	--	940336	D-280-100
1997	3.8L	VGM3.8V8GKEK	TIER1	All	Underbody	--	--	940106	D-280-100
1996	3.8L	TGM3.8V8G2EK	TLEV	All	Underbody	942975	D-280-100	--	--
1996	3.8L	TGM3.8V8G2EK	TLEV	All	Underbody	--	--	940106	D-280-100

Legal Note: In Compliance with California Emissions Requirements

**CATCO**
CATALYTIC CONVERTERS**EASTERN
CATALYTIC**

APPLICATION GUIDE

OBD II**APPLICATION**

Year	Eng. Size	Test Group/ Engine Family	Certification Level	Application	Location	Direct Fit Number	Exec. Order	Consol. Number	Exec. Order
Buick (Cont.)									
LeSabre (Cont.)									
V6 (Cont.)									
1996	3.8L	TGM3.8V8GKEK	TIER1	All	Underbody	942975	D-280-100	--	--
1996	3.8L	TGM3.8V8GKEK	TIER1	All	Underbody	--	--	940106	D-280-100
Lucerne									
V6									
2006	3.8L	6GMXV03.9048	LEV2 LEV	All	Underbody	--	--	760006	D-280-105
Park Avenue									
V6									
2005	3.8L	5GMXV03.8041	LEV1 ULEV	All	Underbody	--	--	763037	D-280-105
2005	3.8L	5GMXX03.8148	LEV2 LEV	All	Underbody	769035	D-280-105	--	--
2004	3.8L	4GMXV03.8041	LEV1 ULEV	All	Underbody	--	--	763037	D-280-105
2004	3.8L	4GMXV03.8042	LEV2 LEV	All	Underbody	769035	D-280-105	--	--
2004	3.8L	4GMXV03.8042	LEV2 LEV	All	Underbody	--	--	763037	D-280-105
2003	3.8L	3GMXV03.8044	LEV1 ULEV	All	Underbody	769035	D-280-105	--	--
2003	3.8L	3GMXV03.8044	LEV1 ULEV	All	Underbody	--	--	763037	D-280-105
2002	3.8L	2GMXV03.8043	LEV1 LEV	All	Underbody	--	--	940106	D-280-100
2002	3.8L	2GMXV03.8044	LEV1 ULEV	All	Underbody	769035	D-280-105	--	--
2002	3.8L	2GMXV03.8044	LEV1 ULEV	All	Underbody	--	--	763037	D-280-105
2001	3.8L	1GMXV03.8043	LEV1 LEV	All	Underbody	--	--	940106	D-280-100
2001	3.8L	1GMXV03.8044	LEV1 ULEV	All	Underbody	769035	D-280-105	--	--
2001	3.8L	1GMXV03.8044	LEV1 ULEV	All	Underbody	--	--	763037	D-280-105
2000	3.8L	YGMXV03.8043	LEV1 LEV	All	Underbody	--	--	940106	D-280-100
1999	3.8L	XGMXV03.8048	TLEV	All	Underbody	942890	D-280-100	--	--
1999	3.8L	XGMXV03.8048	TLEV	All	Underbody	--	--	940106	D-280-100
1999	3.8L	XGMXV03.8049	LEV1 LEV	All	Underbody	942890	D-280-100	--	--
1999	3.8L	XGMXV03.8049	LEV1 LEV	All	Underbody	--	--	940106	D-280-100
1999	3.8L	XGMXV03.8051	TLEV	All	Underbody	940890	D-280-100	--	--
1999	3.8L	XGMXV03.8051	TLEV	All	Underbody	--	--	940336	D-280-100
1999	3.8L	XGMXV03.8053	LEV1 LEV	All	Underbody	--	--	940106	D-280-100
1999	3.8L	XGMXV03.8053	LEV1 LEV	Supercharged	Underbody	942197	D-280-100	--	--
1998	3.8L	WGMXV03.8048	TLEV	All	Underbody	940267	D-280-100	--	--
1998	3.8L	WGMXV03.8048	TLEV	All	Underbody	--	--	940336	D-280-100
1998	3.8L	WGMXV03.8051	TIER1	All	Underbody	940267	D-280-100	--	--
1998	3.8L	WGMXV03.8051	TIER1	All	Underbody	--	--	940336	D-280-100
1997	3.8L	VGM3.8V8G1FK	TIER1	All	Underbody	940267	D-280-100	--	--
1997	3.8L	VGM3.8V8G1FK	TIER1	All	Underbody	--	--	940336	D-280-100
1997	3.8L	VGM3.8V8G2EK	TLEV	All	Underbody	942267	D-280-100	--	--
1997	3.8L	VGM3.8V8G2EK	TLEV	All	Underbody	--	--	940106	D-280-100
1996	3.8L	TGM3.8V8G2EK	TLEV	All	Underbody	--	--	940106	D-280-100
1996	3.8L	TGM3.8V8G2EK	TLEV	Supercharged	Underbody	942975	D-280-100	--	--
1996	3.8L	TGM3.8V8GFFK	TIER1	All	Underbody	630629	D-665-17	--	--
1996	3.8L	TGM3.8V8GKEK	TIER1	All	Underbody	630629	D-665-17	--	--
Rainier									
L6									
2007	4.2L	7GMXT04.2186	LEV2 ULEV	All	Underbody	749171	D-798	--	--
2007	4.2L	7GMXT04.2186	LEV2 ULEV	All	Underbody	--	--	740336	D-798
2006	4.2L	6GMXT04.2186	LEV2 ULEV	All	Underbody	749171	D-798	--	--
2006	4.2L	6GMXT04.2186	LEV2 ULEV	All	Underbody	--	--	740336	D-798
2005	4.2L	5GMXT04.2185	LEV2 LEV	All	Underbody	749154	D-798	--	--
2005	4.2L	5GMXT04.2185	LEV2 LEV	All	Underbody	--	--	740336	D-798
2004	4.2L	4GMXT04.2185	LEV2 LEV	All	Underbody	749154	D-798	--	--
2004	4.2L	4GMXT04.2185	LEV2 LEV	All	Underbody	--	--	740336	D-798
V8									
2007	5.3L	7GMXT06.0387	LEV2 LEV	All	Front Left	--	--	740776	D-798
2007	5.3L	7GMXT06.0387	LEV2 LEV	All	Front Right	--	--	740776	D-798
2007	5.3L	7GMXT06.0387	LEV2 LEV	All	Underbody	749544	D-798	--	--
2004	5.3L	4GMXT05.3170	LEV1 LEV	All	Underbody	919879	D-280-101	--	--
2004	5.3L	4GMXT05.3170	LEV1 LEV	All	Underbody	--	--	912005	D-280-101

Legal Note: In Compliance with California Emissions Requirements

APPLICATION GUIDE



OBD II

APPLICATION

Year	Eng. Size	Test Group/ Engine Family	Certification Level	Application	Location	Direct Fit Number	Exec. Order	Consol. Number	Exec. Order
Buick (Cont.)									
Regal									
V6									
1996	3.1L	TGM3.1V8GFEK	TIER1	All	Underbody	944838	D-280-100	--	--
1996	3.1L	TGM3.1V8GFEK	TIER1	All	Underbody	--	--	940335	D-280-100
2004	3.8L	4GMXV03.8041	LEV1 ULEV	All	Underbody	764876	D-280-105	--	--
2004	3.8L	4GMXV03.8041	LEV1 ULEV	All	Underbody	--	--	760005	D-280-105
2004	3.8L	4GMXV03.8042	LEV2 LEV	All	Underbody	764876	D-280-105	--	--
2004	3.8L	4GMXV03.8042	LEV2 LEV	All	Underbody	--	--	760005	D-280-105
2003	3.8L	3GMXV03.8044	LEV1 ULEV	All	Underbody	764876	D-280-105	--	--
2003	3.8L	3GMXV03.8044	LEV1 ULEV	All	Underbody	--	--	760005	D-280-105
2002	3.8L	2GMXV03.8043	LEV1 LEV	All	Underbody	942876	D-280-100	--	--
2002	3.8L	2GMXV03.8043	LEV1 LEV	All	Underbody	--	--	940106	D-280-100
2002	3.8L	2GMXV03.8044	LEV1 ULEV	All	Underbody	--	--	760006	D-280-105
2001	3.8L	1GMXV03.8043	LEV1 LEV	All	Underbody	942876	D-280-100	--	--
2001	3.8L	1GMXV03.8043	LEV1 LEV	All	Underbody	--	--	940106	D-280-100
2001	3.8L	1GMXV03.8044	LEV1 ULEV	All	Underbody	--	--	760006	D-280-105
1999	3.8L	XGMXV03.8048	TLEV	All	Underbody	942876	D-280-100	--	--
1999	3.8L	XGMXV03.8048	TLEV	All	Underbody	--	--	940105	D-280-100
1999	3.8L	XGMXV03.8049	LEV1 LEV	All	Underbody	942876	D-280-100	--	--
1999	3.8L	XGMXV03.8049	LEV1 LEV	All	Underbody	--	--	940106	D-280-100
1999	3.8L	XGMXV03.8051	TLEV	All	Underbody	--	--	940336	D-280-100
1999	3.8L	XGMXV03.8053	LEV1 LEV	All	Underbody	942876	D-280-100	--	--
1999	3.8L	XGMXV03.8053	LEV1 LEV	All	Underbody	--	--	940106	D-280-100
1998	3.8L	WGMXV03.8048	TLEV	All	Underbody	942876	D-280-100	--	--
1998	3.8L	WGMXV03.8048	TLEV	All	Underbody	--	--	940106	D-280-100
1998	3.8L	WGMXV03.8051	TIER1	All	Underbody	--	--	940336	D-280-100
1997	3.8L	VGM3.8V8G1FK	TIER1	All	Underbody	942876	D-280-100	--	--
1997	3.8L	VGM3.8V8G1FK	TIER1	All	Underbody	--	--	940336	D-280-100
1997	3.8L	VGM3.8V8G2EK	TLEV	All	Underbody	942876	D-280-100	--	--
1997	3.8L	VGM3.8V8G2EK	TLEV	All	Underbody	--	--	940106	D-280-100
1996	3.8L	TGM3.8V8GKEK	TIER1	w/ Resonator	Underbody	942898	D-280-100	--	--
1996	3.8L	TGM3.8V8GKEK	TIER1	All	Underbody	--	--	940105	D-280-100
Rendezvous									
V6									
2005	3.4L	5GMXT03.6143	LEV1 ULEV	AWD	Underbody	744246	D-798	--	--
2005	3.4L	5GMXT03.6143	LEV1 ULEV	AWD	Underbody	--	--	740336	D-798
2005	3.4L	5GMXT03.6143	LEV1 ULEV	FWD	Underbody	744760	D-798	--	--
2005	3.4L	5GMXT03.6143	LEV1 ULEV	FWD	Underbody	--	--	740336	D-798
2004	3.4L	4GMXT03.6143	LEV1 ULEV	AWD	Underbody	744246	D-798	--	--
2004	3.4L	4GMXT03.6143	LEV1 ULEV	AWD	Underbody	--	--	740336	D-798
2004	3.4L	4GMXT03.6143	LEV1 ULEV	FWD	Underbody	744760	D-798	--	--
2004	3.4L	4GMXT03.6143	LEV1 ULEV	FWD	Underbody	--	--	740336	D-798
2003	3.4L	3GMXT03.4141	LEV1 LEV	All	Underbody	--	--	912006	D-280-101
2003	3.4L	3GMXT03.4141	LEV1 LEV	AWD	Underbody	912246	D-280-101	--	--
2003	3.4L	3GMXT03.4141	LEV1 LEV	FWD	Underbody	914760	D-280-101	--	--
2003	3.4L	3GMXT03.4141	LEV1 LEV	AWD	Underbody	744246	D-798	--	--
2003	3.4L	3GMXT03.4141	LEV1 LEV	AWD	Underbody	--	--	740336	D-798
2003	3.4L	3GMXT03.4141	LEV1 LEV	FWD	Underbody	744760	D-798	--	--
2003	3.4L	3GMXT03.4141	LEV1 LEV	FWD	Underbody	--	--	740336	D-798
2002	3.4L	2GMXT03.4142	LEV1 ULEV	AWD	Underbody	744246	D-798	--	--
2002	3.4L	2GMXT03.4142	LEV1 ULEV	AWD	Underbody	--	--	740336	D-798
2002	3.4L	2GMXT03.4142	LEV1 ULEV	FWD	Underbody	744760	D-798	--	--
2002	3.4L	2GMXT03.4142	LEV1 ULEV	FWD	Underbody	--	--	740336	D-798
2007	3.5L	7GMXB03.9142	LEV2 LEV	FWD	Underbody	744760	D-798	--	--
2007	3.5L	7GMXB03.9142	LEV2 LEV	FWD	Underbody	--	--	740336	D-798
2006	3.5L	6GMXB03.9146	LEV2 LEV	FWD	Underbody	744760	D-798	--	--
2006	3.5L	6GMXB03.9146	LEV2 LEV	FWD	Underbody	--	--	740336	D-798
2005	3.6L	5GMXT03.6143	LEV1 ULEV	AWD	Underbody	--	--	740336	D-798
2005	3.6L	5GMXT03.6143	LEV1 ULEV	FWD	Underbody	--	--	740036	D-798
2004	3.6L	4GMXT03.6143	LEV1 ULEV	AWD	Underbody	--	--	740336	D-798

Legal Note: In Compliance with California Emissions Requirements



CATCO
CATALYTIC CONVERTERS

EASTERN CATALYTIC

APPLICATION GUIDE

OBD II

APPLICATION

Year	Eng. Size	Test Group/ Engine Family	Certification Level	Application	Location	Direct Fit Number	Exec. Order	Consol. Number	Exec. Order
Buick (Cont.)									
Riviera									
V6									
1999	3.8L	XGMXV03.8051	TLEV	All	Underbody	--	--	940336	D-280-100
1999	3.8L	XGMXV03.8051	TLEV	Supercharged	Underbody	942197	D-280-100	--	--
1999	3.8L	XGMXV03.8053	LEV1 LEV	All	Underbody	--	--	940106	D-280-100
1999	3.8L	XGMXV03.8053	LEV1 LEV	Supercharged	Underbody	942197	D-280-100	--	--
1998	3.8L	WGMXV03.8051	TIER1	All	Underbody	--	--	940642	D-280-100
1998	3.8L	WGMXV03.8051	TIER1	Supercharged	Underbody	942197	D-280-100	--	--
1997	3.8L	VGM3.8V8G1FK	TIER1	All	Underbody	--	--	940336	D-280-100
1997	3.8L	VGM3.8V8G2EK	TLEV	All	Underbody	942890	D-280-100	--	--
1997	3.8L	VGM3.8V8G2EK	TLEV	All	Underbody	--	--	940336	D-280-100
1996	3.8L	TGM3.8V8GFFK	TIER1	All	Underbody	--	--	940105	D-280-100
1996	3.8L	TGM3.8V8GKEK	TIER1	All	Underbody	942261	D-280-100	--	--
1996	3.8L	TGM3.8V8GKEK	TIER1	All	Underbody	--	--	940105	D-280-100
Roadmaster									
V8									
1996	5.7L	TGM5.7V8GFKE	TIER1	All	Underbody	--	--	940635	D-280-100
1996	5.7L	TGM5.7V8GFKE	TIER1	All	Underbody Left	942404LB •	D-280-100	--	--
1996	5.7L	TGM5.7V8GFKE	TIER1	All	Underbody Right	942403LB •	D-280-100	--	--
1995	5.7L	S1G5.7V8G1EA	TIER1	All	Underbody	--	--	940105	D-280-100
1995	5.7L	S1G5.7V8G1EA	TIER1	All	Underbody Left	942404LB •	D-280-100	--	--
1995	5.7L	S1G5.7V8G1EA	TIER1	All	Underbody Left	942404	D-280-100	--	--
1995	5.7L	S1G5.7V8G1EA	TIER1	All	Underbody Right	942403LB •	D-280-100	--	--
1995	5.7L	S1G5.7V8G1EA	TIER1	All	Underbody Right	942403	D-280-100	--	--
Skylark									
L4									
1998	2.4L	WGMXV02.4026	TLEV	A/T	Underbody	942823	D-280-100	--	--
1998	2.4L	WGMXV02.4026	TLEV	M/T	Underbody	942220	D-280-100	--	--
1998	2.4L	WGMXV02.4026	TLEV	All	Underbody	--	--	940105	D-280-100
1997	2.4L	VGM2.4VJG2EK	TLEV	A/T	Underbody	942823	D-280-100	--	--
1997	2.4L	VGM2.4VJG2EK	TLEV	M/T	Underbody	942220	D-280-100	--	--
1997	2.4L	VGM2.4VJG2EK	TLEV	All	Underbody	--	--	940104	D-280-100
1996	2.4L	TGM2.4VJG2EK	TLEV	A/T	Underbody	942823	D-280-100	--	--
1996	2.4L	TGM2.4VJG2EK	TLEV	M/T	Underbody	942220	D-280-100	--	--
1996	2.4L	TGM2.4VJG2EK	TLEV	All	Underbody	--	--	940104	D-280-100
V6									
1998	3.1L	WGMXV03.1042	TIER1	All	Underbody	942849	D-280-100	--	--
1998	3.1L	WGMXV03.1042	TIER1	All	Underbody	--	--	940104	D-280-100
1997	3.1L	VGM3.1V8G1EK	TIER1	All	Underbody	942849	D-280-100	--	--
1997	3.1L	VGM3.1V8G1EK	TIER1	All	Underbody	--	--	940335	D-280-100
1996	3.1L	TGM3.1V8GFKE	TIER1	All	Underbody	944862	D-280-100	--	--
1996	3.1L	TGM3.1V8GFKE	TIER1	All	Underbody	--	--	940335	D-280-100
Terraza									
V6									
2006	3.5L	6GMXB03.9146	LEV2 LEV	FWD	Underbody	744429	D-798	--	--
2006	3.5L	6GMXB03.9146	LEV2 LEV	FWD	Underbody	--	--	740046	D-798
2005	3.5L	5GMXX03.8148	LEV2 LEV	FWD	Underbody	744429	D-798	--	--
2005	3.5L	5GMXX03.8148	LEV2 LEV	FWD	Underbody	--	--	740046	D-798
2007	3.9L	7GMXB03.9142	LEV2 LEV	All	Underbody	744464	D-798	--	--
2007	3.9L	7GMXB03.9142	LEV2 LEV	All	Underbody	--	--	740046	D-798
2007	3.9L	7GMXT03.9140	LEV2 LEV	All	Underbody	744464	D-798	--	--
2006	3.9L	6GMXB03.9146	LEV2 LEV	All	Underbody	--	--	740046	D-798

- Large Oval Converter
Legal Note: In Compliance with California Emissions Requirements

APPLICATION GUIDE



OBD II

APPLICATION

Year	Eng. Size	Test Group/ Engine Family	Certification Level	Application	Location	Direct Fit Number	Exec. Order	Consol. Number	Exec. Order
Cadillac									
Catera									
V6									
2001	3.0L	1GMXV03.0061	LEV1 LEV	All	Underbody Left	944257	D-280-100	--	--
2001	3.0L	1GMXV03.0061	LEV1 LEV	All	Underbody Left	942257	D-280-100	--	--
2001	3.0L	1GMXV03.0061	LEV1 LEV	All	Underbody Left	940257	D-280-100	--	--
2001	3.0L	1GMXV03.0061	LEV1 LEV	All	Underbody Left	--	--	940085	D-280-100
2001	3.0L	1GMXV03.0061	LEV1 LEV	All	Underbody Right	944256	D-280-100	--	--
2001	3.0L	1GMXV03.0061	LEV1 LEV	All	Underbody Right	942256	D-280-100	--	--
2001	3.0L	1GMXV03.0061	LEV1 LEV	All	Underbody Right	940256	D-280-100	--	--
2001	3.0L	1GMXV03.0061	LEV1 LEV	All	Underbody Right	--	--	940085	D-280-100
2000	3.0L	YGMXV03.0061	LEV1 LEV	All	Underbody Left	--	--	940085	D-280-100
2000	3.0L	YGMXV03.0061	LEV1 LEV	All	Underbody Right	--	--	940085	D-280-100
1999	3.0L	XGMXV03.0061	LEV1 LEV	All	Underbody Left	944257	D-280-100	--	--
1999	3.0L	XGMXV03.0061	LEV1 LEV	All	Underbody Left	940257	D-280-100	--	--
1999	3.0L	XGMXV03.0061	LEV1 LEV	All	Underbody Left	--	--	940085	D-280-100
1999	3.0L	XGMXV03.0061	LEV1 LEV	All	Underbody Right	944256	D-280-100	--	--
1999	3.0L	XGMXV03.0061	LEV1 LEV	All	Underbody Right	940256	D-280-100	--	--
1999	3.0L	XGMXV03.0061	LEV1 LEV	All	Underbody Right	--	--	940085	D-280-100
1998	3.0L	WGMXV03.0061	TIER1	All	Underbody Left	944257	D-280-100	--	--
1998	3.0L	WGMXV03.0061	TIER1	All	Underbody Left	--	--	940086	D-280-100
1998	3.0L	WGMXV03.0061	TIER1	All	Underbody Right	944256	D-280-100	--	--
1998	3.0L	WGMXV03.0061	TIER1	All	Underbody Right	--	--	940086	D-280-100
1997	3.0L	VGM3.0VJGFEK	TIER1	All	Underbody Left	944257	D-280-100	--	--
1997	3.0L	VGM3.0VJGFEK	TIER1	All	Underbody Left	--	--	940086	D-280-100
1997	3.0L	VGM3.0VJGFEK	TIER1	All	Underbody Right	944256	D-280-100	--	--
1997	3.0L	VGM3.0VJGFEK	TIER1	All	Underbody Right	--	--	940086	D-280-100
Commercial Chassis									
V8									
1996	5.7L	TGM5.7V8GFEK	TIER1	All	Underbody	--	--	940086	D-280-100
CTS									
V6									
2007	2.8L	7GMXV03.6149	LEV2 LEV	All	Front Left	764547	D-280-105	--	--
2007	2.8L	7GMXV03.6149	LEV2 LEV	All	Front Left	--	--	760005	D-280-105
2007	2.8L	7GMXV03.6149	LEV2 LEV	All	Front Right	764546	D-280-105	--	--
2007	2.8L	7GMXV03.6149	LEV2 LEV	All	Front Right	--	--	760005	D-280-105
2006	2.8L	6GMXV03.6149	LEV2 LEV	All	Front Left	764547	D-280-105	--	--
2006	2.8L	6GMXV03.6149	LEV2 LEV	All	Front Left	--	--	760005	D-280-105
2006	2.8L	6GMXV03.6149	LEV2 LEV	All	Front Right	764546	D-280-105	--	--
2006	2.8L	6GMXV03.6149	LEV2 LEV	All	Front Right	--	--	760005	D-280-105
2005	2.8L	5GMXV03.6149	LEV2 LEV	All	Front Left	764547	D-280-105	--	--
2005	2.8L	5GMXV03.6149	LEV2 LEV	All	Front Left	--	--	760005	D-280-105
2005	2.8L	5GMXV03.6149	LEV2 LEV	All	Front Right	764546	D-280-105	--	--
2005	2.8L	5GMXV03.6149	LEV2 LEV	All	Front Right	--	--	760005	D-280-105
2003	3.2L	3GMXV03.2061	LEV1 LEV	All	Underbody Left	--	--	940085	D-280-100
2003	3.2L	3GMXV03.2061	LEV1 LEV	All	Underbody Right	--	--	940085	D-280-100
2003	3.2L	3GMXV03.2061	LEV1 LEV	Exc. Towing Pkg.	Underbody Left	944767	D-280-100	--	--
2003	3.2L	3GMXV03.2061	LEV1 LEV	Exc. Towing Pkg.	Underbody Right	944766	D-280-100	--	--
2011	3.6L	BGMXV03.6053	LEV2 LEV	All	Front Left	764585	D-280-105	--	--
2011	3.6L	BGMXV03.6053	LEV2 LEV	All	Front Right	764584	D-280-105	--	--
2010	3.6L	AGMXV03.6053	LEV2 LEV	All	Front Left	764585	D-280-105	--	--
2010	3.6L	AGMXV03.6053	LEV2 LEV	All	Front Right	764584	D-280-105	--	--
2009	3.6L	9GMXV03.6053	LEV2 LEV	All	Front Left	764585	D-280-105	--	--
2009	3.6L	9GMXV03.6053	LEV2 LEV	All	Front Right	764584	D-280-105	--	--
2009	3.6L	9GMXV03.9148	LEV2 LEV	All	Front Left	764585	D-280-105	--	--
2009	3.6L	9GMXV03.9148	LEV2 LEV	All	Front Right	764584	D-280-105	--	--
2008	3.6L	8GMXV03.6053	LEV2 LEV	All	Front Left	764585	D-280-105	--	--
2008	3.6L	8GMXV03.6053	LEV2 LEV	All	Front Right	764584	D-280-105	--	--

Legal Note: In Compliance with California Emissions Requirements



CATCO
CATALYTIC CONVERTERS

EASTERN CATALYTIC

APPLICATION GUIDE

OBD II

APPLICATION

Year	Eng. Size	Test Group/ Engine Family	Certification Level	Application	Location	Direct Fit Number	Exec. Order	Consol. Number	Exec. Order
Cadillac (Cont.)									
CTS (Cont.)									
V6 (Cont.)									
2007	3.6L	7GMXV03.6149	LEV2 LEV	All	Front Left	764547	D-280-105	--	--
2007	3.6L	7GMXV03.6149	LEV2 LEV	All	Front Left	--	--	760005	D-280-105
2007	3.6L	7GMXV03.6149	LEV2 LEV	All	Front Right	764546	D-280-105	--	--
2007	3.6L	7GMXV03.6149	LEV2 LEV	All	Front Right	--	--	760005	D-280-105
2006	3.6L	6GMXV03.6149	LEV2 LEV	All	Front Left	764547	D-280-105	--	--
2006	3.6L	6GMXV03.6149	LEV2 LEV	All	Front Left	--	--	760005	D-280-105
2006	3.6L	6GMXV03.6149	LEV2 LEV	All	Front Right	764546	D-280-105	--	--
2006	3.6L	6GMXV03.6149	LEV2 LEV	All	Front Right	--	--	760005	D-280-105
2005	3.6L	5GMXV03.6149	LEV2 LEV	All	Front Left	764547	D-280-105	--	--
2005	3.6L	5GMXV03.6149	LEV2 LEV	All	Front Left	--	--	760005	D-280-105
2005	3.6L	5GMXV03.6149	LEV2 LEV	All	Front Right	764546	D-280-105	--	--
2005	3.6L	5GMXV03.6149	LEV2 LEV	All	Front Right	--	--	760005	D-280-105
2004	3.6L	4GMXV03.8042	LEV2 LEV	All	Front Left	764547	D-280-105	--	--
2004	3.6L	4GMXV03.8042	LEV2 LEV	All	Front Left	--	--	760005	D-280-105
2004	3.6L	4GMXV03.8042	LEV2 LEV	All	Front Right	764546	D-280-105	--	--
2004	3.6L	4GMXV03.8042	LEV2 LEV	All	Front Right	--	--	760005	D-280-105
DeVille									
V8									
2005	4.6L	5GMXV04.6065	LEV1 ULEV	All	Underbody	769035	D-280-105	--	--
2005	4.6L	5GMXV04.6065	LEV1 ULEV	All	Underbody	--	--	762017	D-280-105
2004	4.6L	4GMXV04.6065	LEV1 ULEV	All	Underbody	769035	D-280-105	--	--
2004	4.6L	4GMXV04.6065	LEV1 ULEV	All	Underbody	--	--	762017	D-280-105
2003	4.6L	3GMXV04.6065	LEV1 LEV	All	Underbody	949035	D-280-100	--	--
2003	4.6L	3GMXV04.6065	LEV1 LEV	All	Underbody	769035	D-280-105	--	--
2003	4.6L	3GMXV04.6065	LEV1 LEV	All	Underbody	--	--	940106	D-280-100
2002	4.6L	2GMXV04.6065	LEV1 LEV	All	Underbody	949035	D-280-100	--	--
2002	4.6L	2GMXV04.6065	LEV1 LEV	All	Underbody	--	--	940106	D-280-100
2001	4.6L	1GMXV04.6065	LEV1 LEV	All	Underbody	949035	D-280-100	--	--
2001	4.6L	1GMXV04.6065	LEV1 LEV	All	Underbody	--	--	940106	D-280-100
2000	4.6L	YGMXV04.6065	TIER1	All	Underbody	949035	D-280-100	--	--
2000	4.6L	YGMXV04.6065	TIER1	All	Underbody	--	--	940106	D-280-100
2000	4.6L	YGMXV04.6066	LEV1 LEV	All	Front	--	--	940106	D-280-100
2000	4.6L	YGMXV04.6066	LEV1 LEV	All	Underbody	949039	D-280-100	--	--
1999	4.6L	XGMXV04.6067	TIER1	FWD	Underbody	940840	D-280-100	--	--
1999	4.6L	XGMXV04.6067	TIER1	FWD	Underbody	--	--	940086	D-280-100
1999	4.6L	XGMXV04.6068	TIER1	All	Underbody	944840	D-280-100	--	--
1999	4.6L	XGMXV04.6068	TIER1	FWD	Front	--	--	940086	D-280-100
1999	4.6L	XGMXV04.6068	TIER1	FWD	Underbody	940840	D-280-100	--	--
1999	4.6L	XGMXV04.6068	TIER1	FWD	Underbody	--	--	940086	D-280-100
1998	4.6L	WGMXV04.6066	TIER1	All	Underbody	944840	D-280-100	--	--
1998	4.6L	WGMXV04.6066	TIER1	FWD	Underbody	940840	D-280-100	--	--
1998	4.6L	WGMXV04.6066	TIER1	FWD	Underbody	--	--	940085	D-280-100
1997	4.6L	VGM4.6VJG1EK	TIER1	All	Underbody	944840	D-280-100	--	--
1997	4.6L	VGM4.6VJG1EK	TIER1	All	Underbody	--	--	940086	D-280-100
1997	4.6L	VGM4.6VJG1EK	TIER1	FWD	Front	--	--	940086	D-280-100
1997	4.6L	VGM4.6VJGFEL	TIER1	All	Underbody	944840	D-280-100	--	--
1996	4.6L	TGM4.6VJGFEL	TIER1	All	Underbody	944840	D-280-100	--	--
1996	4.6L	TGM4.6VJGFEL	TIER1	FWD	Front	--	--	940086	D-280-100
1996	4.6L	TGM4.6VJGFEL	TIER1	FWD	Underbody	940840	D-280-100	--	--
1996	4.6L	TGM4.6VJGFEL	TIER1	FWD	Underbody	--	--	940086	D-280-100
1995	4.9L	S1G4.9V8G1EA	TIER1	All	Underbody	630605	D-665-17	--	--
1995	4.9L	S1G4.9V8G1EA	TIER1	All	Underbody	--	--	940086	D-280-100
DTS									
V8									
2011	4.6L	BGMXV04.6066	LEV2 ULEV	All	Underbody	769035 ③	D-280-105	--	--
2011	4.6L	BGMXV04.6066	LEV2 ULEV	All	Underbody	--	--	762017	D-280-105
2010	4.6L	AGMXV04.6066	LEV2 ULEV	All	Underbody	769035 ③	D-280-105	--	--
2010	4.6L	AGMXV04.6066	LEV2 ULEV	All	Underbody	--	--	762017	D-280-105

③ The O.E. system must be cut off 16" behind the rear resonator weld.
Legal Note: In Compliance with California Emissions Requirements

APPLICATION GUIDE



OBD II

APPLICATION

Year	Eng. Size	Test Group/ Engine Family	Certification Level	Application	Location	Direct Fit Number	Exec. Order	Consol. Number	Exec. Order
Cadillac (Cont.)									
DTS (Cont.)									
V8 (Cont.)									
2009	4.6L	9GMXV04.6066	LEV2 ULEV	All	Underbody	769035 ③	D-280-105	--	--
2009	4.6L	9GMXV04.6066	LEV2 ULEV	All	Underbody	--	--	762017	D-280-105
2008	4.6L	8GMXV04.6066	LEV2 ULEV	All	Underbody	769035 ③	D-280-105	--	--
2008	4.6L	8GMXV04.6066	LEV2 ULEV	All	Underbody	--	--	762017	D-280-105
2007	4.6L	7GMXV04.6066	LEV2 ULEV	All	Underbody	769035 ③	D-280-105	--	--
2007	4.6L	7GMXV04.6066	LEV2 ULEV	All	Underbody	--	--	762017	D-280-105
2006	4.6L	6GMXV04.6066	LEV2 ULEV	All	Underbody	769035 ③	D-280-105	--	--
2006	4.6L	6GMXV04.6066	LEV2 ULEV	All	Underbody	--	--	762017	D-280-105
Eldorado									
V8									
2002	4.6L	2GMXV04.6065	LEV1 LEV	All	Underbody	--	--	940336	D-280-100
2001	4.6L	1GMXV04.6065	LEV1 LEV	All	Underbody	--	--	940336	D-280-100
2000	4.6L	YGMXV04.6065	TIER1	All	Underbody	--	--	940336	D-280-100
1999	4.6L	XGMXV04.6068	TIER1	All	Underbody	944840	D-280-100	--	--
1999	4.6L	XGMXV04.6068	TIER1	All	Underbody	--	--	940336	D-280-100
1998	4.6L	WGMXV04.6066	TIER1	All	Underbody	944840	D-280-100	--	--
1998	4.6L	WGMXV04.6066	TIER1	All	Underbody	--	--	940335	D-280-100
1997	4.6L	VGM4.6VJG1EK	TIER1	All	Underbody	944840	D-280-100	--	--
1997	4.6L	VGM4.6VJG1EK	TIER1	All	Underbody	--	--	940336	D-280-100
1996	4.6L	TGM4.6VJGFEL	TIER1	All	Underbody	944840	D-280-100	--	--
1996	4.6L	TGM4.6VJGFEL	TIER1	All	Underbody	--	--	940336	D-280-100
Escalade									
V8									
2005	5.3L	5GMXT05.3175	LEV1 ULEV	All	Underbody	739083	D-280-107	--	--
2005	5.3L	5GMXT05.3175	LEV1 ULEV	2WD	Front Left	--	--	732006	D-280-107
2005	5.3L	5GMXT05.3175	LEV1 ULEV	2WD	Front Right	--	--	732006	D-280-107
2003	5.3L	3GMXT05.3185	LEV1 ULEV	2WD	Underbody Left	--	--	732006	D-280-107
2003	5.3L	3GMXT05.3185	LEV1 ULEV	2WD	Underbody Right	--	--	732006	D-280-107
2003	5.3L	3GMXT05.3185	LEV1 ULEV	All	Underbody	739083	D-280-107	--	--
2000	5.7L	YGMXA05.7185	LEV1 LEV	All	Underbody	912333	D-280-101	--	--
2000	5.7L	YGMXA05.7185	LEV1 LEV	All	Underbody Left	--	--	912005	D-280-101
2000	5.7L	YGMXA05.7185	LEV1 LEV	All	Underbody Right	--	--	912005	D-280-101
2000	5.7L	YGMXT05.7189	TIER1	All	Underbody	912333	D-280-101	--	--
2000	5.7L	YGMXT05.7189	TIER1	All	Underbody Left	--	--	912005	D-280-101
2000	5.7L	YGMXT05.7189	TIER1	All	Underbody Right	--	--	912005	D-280-101
1999	5.7L	XGMXA05.7186	LEV1 LEV	All	Underbody	912333	D-280-101	--	--
1999	5.7L	XGMXA05.7186	LEV1 LEV	All	Underbody	--	--	912005	D-280-101
2012	6.0L	CGMXT06.0372	LEV2 ULEV	All	Front Left	--	--	740566	D-798
2012	6.0L	CGMXT06.0372	LEV2 ULEV	All	Front Right	--	--	740566	D-798
2012	6.0L	CGMXT06.0372	LEV2 ULEV	All	Rear	--	--	747337	D-798
2012	6.0L	CGMXT06.0372	LEV2 ULEV	All	Underbody	749912	D-798	--	--
2011	6.0L	BGMXT06.0372	LEV2 ULEV	All	Front Left	--	--	740566	D-798
2011	6.0L	BGMXT06.0372	LEV2 ULEV	All	Front Right	--	--	740566	D-798
2011	6.0L	BGMXT06.0372	LEV2 ULEV	All	Rear	--	--	747337	D-798
2011	6.0L	BGMXT06.0372	LEV2 ULEV	All	Underbody	749912	D-798	--	--
2010	6.0L	AGMXT06.0372	LEV2 ULEV	All	Front Left	--	--	740566	D-798
2010	6.0L	AGMXT06.0372	LEV2 ULEV	All	Front Right	--	--	740566	D-798
2010	6.0L	AGMXT06.0372	LEV2 ULEV	All	Rear	--	--	747337	D-798
2010	6.0L	AGMXT06.0372	LEV2 ULEV	All	Underbody	749912	D-798	--	--
2009	6.0L	9GMXT06.0392	LEV2 LEV	All	Front Left	--	--	740566	D-798
2009	6.0L	9GMXT06.0392	LEV2 LEV	All	Front Right	--	--	740566	D-798
2009	6.0L	9GMXT06.0392	LEV2 LEV	All	Underbody	749233	D-798	--	--
2003	6.0L	3GMXT06.0187	LEV1 LEV	All	Underbody Left	912267	D-280-101	--	--
2003	6.0L	3GMXT06.0187	LEV1 LEV	All	Underbody Left	--	--	912006	D-280-101
2003	6.0L	3GMXT06.0187	LEV1 LEV	All	Underbody Right	912266	D-280-101	--	--
2003	6.0L	3GMXT06.0187	LEV1 LEV	All	Underbody Right	--	--	912006	D-280-101

③ The O.E. system must be cut off 16" behind the rear resonator weld.
Legal Note: In Compliance with California Emissions Requirements



CATCO
CATALYTIC CONVERTERS

EASTERN CATALYTIC

APPLICATION GUIDE

OBD II

APPLICATION

Year	Eng. Size	Test Group/ Engine Family	Certification Level	Application	Location	Direct Fit Number	Exec. Order	Consol. Number	Exec. Order
Cadillac (Cont.)									
Escalade (Cont.)									
V8 (Cont.)									
2002	6.0L	2GMXA06.0194	LEV1 LEV	All	Underbody	--	--	912005	D-280-101
2002	6.0L	2GMXA06.0194	LEV1 LEV	All	Underbody Left	912267	D-280-101	--	--
2002	6.0L	2GMXA06.0194	LEV1 LEV	All	Underbody Left	--	--	912006	D-280-101
2002	6.0L	2GMXA06.0194	LEV1 LEV	All	Underbody Right	912266	D-280-101	--	--
2002	6.0L	2GMXA06.0194	LEV1 LEV	All	Underbody Right	--	--	912005	D-280-101
2010	6.2L	AGMXT06.2374	LEV2 ULEV	All	Front Left	--	--	740566	D-798
2010	6.2L	AGMXT06.2374	LEV2 ULEV	All	Front Right	--	--	740566	D-798
2010	6.2L	AGMXT06.2374	LEV2 ULEV	All	Underbody	749642	D-798	--	--
2009	6.2L	9GMXT06.2374	LEV2 ULEV	All	Front Left	--	--	740566	D-798
2009	6.2L	9GMXT06.2374	LEV2 ULEV	All	Front Right	--	--	740566	D-798
2009	6.2L	9GMXT06.2374	LEV2 ULEV	All	Underbody	749642	D-798	--	--
2008	6.2L	8GMXT06.2382	LEV2 LEV	All	Front Left	--	--	740566	D-798
2008	6.2L	8GMXT06.2382	LEV2 LEV	All	Front Right	--	--	740566	D-798
2008	6.2L	8GMXT06.2382	LEV2 LEV	All	Underbody	749642	D-798	--	--
2007	6.2L	7GMXT06.2382	LEV2 LEV	All	Front Left	--	--	740566	D-798
2007	6.2L	7GMXT06.2382	LEV2 LEV	All	Front Right	--	--	740566	D-798
2007	6.2L	7GMXT06.2382	LEV2 LEV	All	Underbody	749642	D-798	--	--
Escalade ESV									
V8									
2010	6.2L	AGMXT06.2374	LEV2 ULEV	All	Front Left	--	--	740566	D-798
2010	6.2L	AGMXT06.2374	LEV2 ULEV	All	Front Right	--	--	740566	D-798
2010	6.2L	AGMXT06.2374	LEV2 ULEV	All	Underbody	749642	D-798	--	--
2009	6.2L	9GMXT06.2374	LEV2 ULEV	All	Front Left	--	--	740566	D-798
2009	6.2L	9GMXT06.2374	LEV2 ULEV	All	Front Right	--	--	740566	D-798
2009	6.2L	9GMXT06.2374	LEV2 ULEV	All	Underbody	749642	D-798	--	--
2008	6.2L	8GMXT06.2382	LEV2 LEV	All	Front Left	--	--	740566	D-798
2008	6.2L	8GMXT06.2382	LEV2 LEV	All	Front Right	--	--	740566	D-798
2008	6.2L	8GMXT06.2382	LEV2 LEV	All	Underbody	749642	D-798	--	--
2007	6.2L	7GMXT06.2382	LEV2 LEV	All	Front Left	--	--	740566	D-798
2007	6.2L	7GMXT06.2382	LEV2 LEV	All	Front Right	--	--	740566	D-798
2007	6.2L	7GMXT06.2382	LEV2 LEV	All	Underbody	749642	D-798	--	--
Escalade EXT									
V8									
2010	6.2L	AGMXT06.2374	LEV2 ULEV	All	Front Left	--	--	740566	D-798
2010	6.2L	AGMXT06.2374	LEV2 ULEV	All	Front Right	--	--	740566	D-798
2010	6.2L	AGMXT06.2374	LEV2 ULEV	All	Underbody	749642	D-798	--	--
2009	6.2L	9GMXT06.2374	LEV2 ULEV	All	Front Left	--	--	740566	D-798
2009	6.2L	9GMXT06.2374	LEV2 ULEV	All	Front Right	--	--	740566	D-798
2009	6.2L	9GMXT06.2374	LEV2 ULEV	All	Underbody	749642	D-798	--	--
2008	6.2L	8GMXT06.2382	LEV2 LEV	All	Front Left	--	--	740566	D-798
2008	6.2L	8GMXT06.2382	LEV2 LEV	All	Front Right	--	--	740566	D-798
2008	6.2L	8GMXT06.2382	LEV2 LEV	All	Underbody	749642	D-798	--	--
2007	6.2L	7GMXT06.2382	LEV2 LEV	All	Front Left	--	--	740566	D-798
2007	6.2L	7GMXT06.2382	LEV2 LEV	All	Front Right	--	--	740566	D-798
2007	6.2L	7GMXT06.2382	LEV2 LEV	All	Underbody	749642	D-798	--	--
Fleetwood									
V8									
1996	5.7L	TGM5.7V8GFKEK	TIER1	All	Underbody	--	--	940635	D-280-100
1996	5.7L	TGM5.7V8GFKEK	TIER1	All	Underbody Left	942404	D-280-100	--	--
1996	5.7L	TGM5.7V8GFKEK	TIER1	All	Underbody Right	942403	D-280-100	--	--
1996	5.7L	TMG5.7V8GFKEK	TIER1	All	Underbody	942404LB •	D-280-100	--	--
1996	5.7L	TMG5.7V8GFKEK	TIER1	All	Underbody	942403LB •	D-280-100	--	--
1995	5.7L	S1G5.7V8G1EA	TIER1	All	Underbody	--	--	940635	D-280-100
1995	5.7L	S1G5.7V8G1EA	TIER1	All	Underbody Left	942404LB •	D-280-100	--	--
1995	5.7L	S1G5.7V8G1EA	TIER1	All	Underbody Left	942404	D-280-100	--	--
1995	5.7L	S1G5.7V8G1EA	TIER1	All	Underbody Right	942403LB •	D-280-100	--	--
1995	5.7L	S1G5.7V8G1EA	TIER1	All	Underbody Right	942403	D-280-100	--	--

- Large Oval Converter
Legal Note: In Compliance with California Emissions Requirements

APPLICATION GUIDE



OBD II

APPLICATION

Year	Eng. Size	Test Group/ Engine Family	Certification Level	Application	Location	Direct Fit Number	Exec. Order	Consol. Number	Exec. Order
Cadillac (Cont.)									
Seville									
V8									
2003	4.6L	3GMXV04.6065	LEV1 LEV	All	Underbody	949027	D-280-100	--	--
2003	4.6L	3GMXV04.6065	LEV1 LEV	All	Underbody	--	--	940336	D-280-100
2002	4.6L	2GMXV04.6065	LEV1 LEV	All	Underbody	949027	D-280-100	--	--
2002	4.6L	2GMXV04.6065	LEV1 LEV	All	Underbody	--	--	940336	D-280-100
2001	4.6L	1GMXV04.6065	LEV1 LEV	All	Underbody	949027	D-280-100	--	--
2001	4.6L	1GMXV04.6065	LEV1 LEV	All	Underbody	--	--	940336	D-280-100
2000	4.6L	YGMXV04.6065	TIER1	All	Underbody	949027	D-280-100	--	--
2000	4.6L	YGMXV04.6065	TIER1	All	Underbody	--	--	940336	D-280-100
2000	4.6L	YGMXV04.6066	LEV1 LEV	All	Underbody	949027	D-280-100	--	--
2000	4.6L	YGMXV04.6066	LEV1 LEV	All	Underbody	--	--	940336	D-280-100
1999	4.6L	XGMXV04.6068	TIER1	All	Underbody	949027	D-280-100	--	--
1999	4.6L	XGMXV04.6068	TIER1	All	Underbody	--	--	940336	D-280-100
1998	4.6L	WGMXV04.6066	TIER1	All	Underbody	949027	D-280-100	--	--
1998	4.6L	WGMXV04.6066	TIER1	All	Underbody	--	--	940336	D-280-100
1997	4.6L	VGM4.6VJG1EK	TIER1	All	Underbody	944840	D-280-100	--	--
1997	4.6L	VGM4.6VJG1EK	TIER1	All	Underbody	--	--	940336	D-280-100
1996	4.6L	TGM4.6VJGFEL	TIER1	All	Underbody	944840	D-280-100	--	--
1996	4.6L	TGM4.6VJGFEL	TIER1	All	Underbody	--	--	940336	D-280-100
1996	4.6L	TGM4.6VJGFEL	TIER1	All	Underbody	--	--	940086	D-280-100
SRX									
V6									
2011	3.0L	BGMXJ03.0157	LEV2 ULEV	All	Front Left	745263	D-798	--	--
2011	3.0L	BGMXJ03.0157	LEV2 ULEV	All	Front Right	741385	D-798	--	--
2011	3.0L	BGMXJ03.0157	LEV2 ULEV	All	Rear	--	--	747006	D-798
2011	3.0L	BGMXJ03.0157	LEV2 ULEV	All	Underbody	744958	D-798	--	--
2010	3.0L	AGMXJ03.0157	LEV2 ULEV	All	Front Left	745263	D-798	--	--
2010	3.0L	AGMXJ03.0157	LEV2 ULEV	All	Front Right	741385	D-798	--	--
2010	3.0L	AGMXJ03.0157	LEV2 ULEV	All	Rear	--	--	747006	D-798
2010	3.0L	AGMXJ03.0157	LEV2 ULEV	All	Underbody	744958	D-798	--	--
2009	3.6L	9GMXJ03.9148	LEV2 LEV	All	Front Left	744585	D-798	--	--
2009	3.6L	9GMXJ03.9148	LEV2 LEV	All	Front Right	744584	D-798	--	--
2008	3.6L	8GMXB03.6148	LEV2 LEV	All	Front Left	744585	D-798	--	--
2008	3.6L	8GMXB03.6148	LEV2 LEV	All	Front Right	744584	D-798	--	--
2007	3.6L	7GMXB03.6149	LEV2 LEV	All	Front Left	744619	D-798	--	--
2007	3.6L	7GMXB03.6149	LEV2 LEV	All	Front Right	744618	D-798	--	--
2006	3.6L	6GMXB03.6149	LEV2 LEV	All	Front Left	744619	D-798	--	--
2006	3.6L	6GMXB03.6149	LEV2 LEV	All	Front Right	744618	D-798	--	--
2005	3.6L	5GMXX03.6149	LEV2 LEV	All	Front Left	744619	D-798	--	--
2005	3.6L	5GMXX03.6149	LEV2 LEV	All	Front Right	744618	D-798	--	--
2004	3.6L	4GMXT03.6144	LEV2 LEV	All	Front Left	744619	D-798	--	--
2004	3.6L	4GMXT03.6144	LEV2 LEV	All	Front Right	744618	D-798	--	--
V8									
2009	4.6L	9GMXJ04.6167	LEV2 LEV	All	Front Left	741342	D-798	--	--
2009	4.6L	9GMXJ04.6167	LEV2 LEV	All	Front Right	741343	D-798	--	--
2008	4.6L	8GMXB04.6167	LEV2 LEV	All	Front Left	741342	D-798	--	--
2008	4.6L	8GMXB04.6167	LEV2 LEV	All	Front Right	741343	D-798	--	--
2007	4.6L	7GMXB04.6167	LEV2 LEV	All	Front Left	741342	D-798	--	--
2007	4.6L	7GMXB04.6167	LEV2 LEV	All	Front Right	741343	D-798	--	--
2006	4.6L	6GMXT04.6161	LEV1 ULEV	All	Front Left	741342	D-798	--	--
2006	4.6L	6GMXT04.6161	LEV1 ULEV	All	Front Right	741343	D-798	--	--
2005	4.6L	5GMXT04.6161	LEV1 ULEV	All	Front Left	741342	D-798	--	--
2005	4.6L	5GMXT04.6161	LEV1 ULEV	All	Front Right	741343	D-798	--	--
2004	4.6L	4GMXT04.6161	LEV1 ULEV	All	Front Left	741342	D-798	--	--
2004	4.6L	4GMXT04.6161	LEV1 ULEV	All	Front Right	741343	D-798	--	--

Legal Note: In Compliance with California Emissions Requirements



CATCO
CATALYTIC CONVERTERS

EASTERN CATALYTIC

APPLICATION GUIDE

OBD II

APPLICATION

Year	Eng. Size	Test Group/ Engine Family	Certification Level	Application	Location	Direct Fit Number	Exec. Order	Consol. Number	Exec. Order
STS									
V6									
2011	3.6L	BGMXV03.6053	LEV2 LEV	All	Front Left	764585	D-280-105	--	--
2011	3.6L	BGMXV03.6053	LEV2 LEV	All	Front Right	764584	D-280-105	--	--
2010	3.6L	AGMXV03.6053	LEV2 LEV	All	Front Left	764585	D-280-105	--	--
2010	3.6L	AGMXV03.6053	LEV2 LEV	All	Front Right	764584	D-280-105	--	--
2009	3.6L	9GMXV03.6053	LEV2 LEV	All	Front Left	764585	D-280-105	--	--
2009	3.6L	9GMXV03.6053	LEV2 LEV	All	Front Right	764584	D-280-105	--	--
2008	3.6L	8GMXV03.6053	LEV2 LEV	All	Front Left	764585	D-280-105	--	--
2008	3.6L	8GMXV03.6053	LEV2 LEV	All	Front Right	764584	D-280-105	--	--
2007	3.6L	7GMXV03.6149	LEV2 LEV	All	Front Left	764619	D-280-105	--	--
2007	3.6L	7GMXV03.6149	LEV2 LEV	All	Front Right	764618	D-280-105	--	--
2006	3.6L	6GMXV03.6149	LEV2 LEV	All	Front Left	764619	D-280-105	--	--
2006	3.6L	6GMXV03.6149	LEV2 LEV	All	Front Right	764618	D-280-105	--	--
V8									
2009	4.4L	9GMXJ04.6167	LEV2 LEV	All	Front Left	--	--	761015	D-280-105
2009	4.4L	9GMXJ04.6167	LEV2 LEV	All	Front Right	--	--	761015	D-280-105
2008	4.4L	8GMXB04.6167	LEV2 LEV	All	Front Left	--	--	761015	D-280-105
2008	4.4L	8GMXB04.6167	LEV2 LEV	All	Front Right	--	--	761015	D-280-105
2007	4.4L	7GMXB04.6167	LEV2 LEV	All	Front Left	--	--	761015	D-280-105
2007	4.4L	7GMXB04.6167	LEV2 LEV	All	Front Right	--	--	761015	D-280-105
2006	4.4L	6GMXV04.6067	LEV1 LEV	All	Front Left	--	--	761015	D-280-105
2006	4.4L	6GMXV04.6067	LEV1 LEV	All	Front Right	--	--	761015	D-280-105
2010	4.6L	AGMXV04.6167	LEV2 LEV	All	Front Left	--	--	761015	D-280-105
2010	4.6L	AGMXV04.6167	LEV2 LEV	All	Front Right	--	--	761015	D-280-105
2010	4.6L	AGMXV04.6167	LEV2 LEV	All	Left	761342	D-280-105	--	--
2010	4.6L	AGMXV04.6167	LEV2 LEV	All	Right	761343	D-280-105	--	--
2009	4.6L	9GMXJ04.6167	LEV2 LEV	All	Front Left	--	--	761015	D-280-105
2009	4.6L	9GMXJ04.6167	LEV2 LEV	All	Front Right	--	--	761015	D-280-105
2009	4.6L	9GMXJ04.6167	LEV2 LEV	All	Left	761342	D-280-105	--	--
2009	4.6L	9GMXJ04.6167	LEV2 LEV	All	Right	761343	D-280-105	--	--
2008	4.6L	8GMXB04.6167	LEV2 LEV	All	Front Left	--	--	761015	D-280-105
2008	4.6L	8GMXB04.6167	LEV2 LEV	All	Front Right	--	--	761015	D-280-105
2008	4.6L	8GMXB04.6167	LEV2 LEV	All	Left	761342	D-280-105	--	--
2008	4.6L	8GMXB04.6167	LEV2 LEV	All	Right	761343	D-280-105	--	--
2007	4.6L	7GMXB04.6167	LEV2 LEV	All	Front Left	--	--	761015	D-280-105
2007	4.6L	7GMXB04.6167	LEV2 LEV	All	Front Right	--	--	761015	D-280-105
2007	4.6L	7GMXB04.6167	LEV2 LEV	All	Left	761342	D-280-105	--	--
2007	4.6L	7GMXB04.6167	LEV2 LEV	All	Right	761343	D-280-105	--	--
2006	4.6L	6GMXV04.6067	LEV1 LEV	All	Front Left	--	--	940335	D-280-100
2006	4.6L	6GMXV04.6067	LEV1 LEV	All	Front Right	--	--	940335	D-280-100
2006	4.6L	6GMXV04.6067	LEV1 LEV	All	Left	941342	D-280-100	--	--
2006	4.6L	6GMXV04.6067	LEV1 LEV	All	Left	761342	D-280-105	--	--
2006	4.6L	6GMXV04.6067	LEV1 LEV	All	Right	941343	D-280-100	--	--
2006	4.6L	6GMXV04.6067	LEV1 LEV	All	Right	761343	D-280-105	--	--
2005	4.6L	5GMXV04.6067	LEV1 LEV	All	Front Left	--	--	940335	D-280-100
2005	4.6L	5GMXV04.6067	LEV1 LEV	All	Front Right	--	--	940335	D-280-100
2005	4.6L	5GMXV04.6067	LEV1 LEV	All	Left	941342	D-280-100	--	--
2005	4.6L	5GMXV04.6067	LEV1 LEV	All	Left	761342	D-280-105	--	--
2005	4.6L	5GMXV04.6067	LEV1 LEV	All	Right	941343	D-280-100	--	--
2005	4.6L	5GMXV04.6067	LEV1 LEV	All	Right	761343	D-280-105	--	--
XLR									
V8									
2009	4.4L	9GMXJ04.6167	LEV2 LEV	All	Front Left	--	--	761015	D-280-105
2009	4.4L	9GMXJ04.6167	LEV2 LEV	All	Front Right	--	--	761015	D-280-105
2008	4.4L	8GMXB04.6167	LEV2 LEV	All	Front Left	--	--	761015	D-280-105
2008	4.4L	8GMXB04.6167	LEV2 LEV	All	Front Right	--	--	761015	D-280-105
2007	4.4L	7GMXB04.6167	LEV2 LEV	All	Front Left	--	--	761015	D-280-105
2007	4.4L	7GMXB04.6167	LEV2 LEV	All	Front Right	--	--	761015	D-280-105
2006	4.4L	6GMXV04.6067	LEV1 LEV	All	Front Left	--	--	761015	D-280-105
2006	4.4L	6GMXV04.6067	LEV1 LEV	All	Front Right	--	--	761015	D-280-105

APPLICATION GUIDE



OBD II

APPLICATION

Year	Eng. Size	Test Group/ Engine Family	Certification Level	Application	Location	Direct Fit Number	Exec. Order	Consol. Number	Exec. Order
Cadillac (Cont.)									
XLR (Cont.)									
V8 (Cont.)									
2009	4.6L	9GMXJ04.6167	LEV2 LEV	All	Front Left	--	--	761015	D-280-105
2009	4.6L	9GMXJ04.6167	LEV2 LEV	All	Front Right	--	--	761015	D-280-105
2008	4.6L	8GMXB04.6167	LEV2 LEV	All	Front Left	--	--	761015	D-280-105
2008	4.6L	8GMXB04.6167	LEV2 LEV	All	Front Right	--	--	761015	D-280-105
2007	4.6L	7GMXB04.6167	LEV2 LEV	All	Front Left	--	--	761015	D-280-105
2007	4.6L	7GMXB04.6167	LEV2 LEV	All	Front Right	--	--	761015	D-280-105
2006	4.6L	6GMXV04.6067	LEV1 LEV	All	Front Left	--	--	940335	D-280-100
2006	4.6L	6GMXV04.6067	LEV1 LEV	All	Front Right	--	--	940335	D-280-100
2005	4.6L	5GMXV04.6067	LEV1 LEV	All	Front Left	--	--	940335	D-280-100
2005	4.6L	5GMXV04.6067	LEV1 LEV	All	Front Right	--	--	940335	D-280-100
2004	4.6L	4GMXV04.6067	LEV1 LEV	All	Front Left	--	--	761015	D-280-105
2004	4.6L	4GMXV04.6067	LEV1 LEV	All	Front Right	--	--	761015	D-280-105
2004	4.6L	4GMXV04.6067	LEV1 LEV	All	Underbody Left	--	--	940335	D-280-100
2004	4.6L	4GMXV04.6067	LEV1 LEV	All	Underbody Right	--	--	940335	D-280-100
Chevrolet									
Astro									
V6									
2005	4.3L	5GMXT04.3181	LEV1 LEV	AWD	Front	--	--	733016	D-280-107
2005	4.3L	5GMXT04.3181	LEV1 LEV	AWD	Rear	--	--	732006	D-280-107
2005	4.3L	5GMXT04.3181	LEV1 LEV	AWD	Underbody	919148	D-280-101	--	--
2005	4.3L	5GMXT04.3181	LEV1 LEV	AWD	Underbody	739148	D-280-107	--	--
2005	4.3L	5GMXT04.3187	LEV1 ULEV	All	Front	749148	D-798	--	--
2005	4.3L	5GMXT04.3187	LEV1 ULEV	All	Front	--	--	740726	D-798
2005	4.3L	5GMXT04.3187	LEV1 ULEV	All	Rear	--	--	747337	D-798
2004	4.3L	4GMXT04.3181	LEV1 LEV	AWD	Front	--	--	733016	D-280-107
2004	4.3L	4GMXT04.3181	LEV1 LEV	AWD	Rear	--	--	732006	D-280-107
2004	4.3L	4GMXT04.3181	LEV1 LEV	AWD	Underbody	739148	D-280-107	--	--
2004	4.3L	4GMXT04.3181	LEV1 LEV	All	Underbody	919148	D-280-101	--	--
2004	4.3L	4GMXT04.3181	LEV1 LEV	All	Underbody	--	--	912006	D-280-101
2004	4.3L	4GMXT04.3187	LEV1 ULEV	All	Front	749148	D-798	--	--
2004	4.3L	4GMXT04.3187	LEV1 ULEV	All	Front	--	--	740726	D-798
2004	4.3L	4GMXT04.3187	LEV1 ULEV	All	Rear	--	--	747337	D-798
2003	4.3L	3GMXT04.3181	LEV1 ULEV	AWD	Front	--	--	733016	D-280-107
2003	4.3L	3GMXT04.3181	LEV1 ULEV	AWD	Rear	--	--	732006	D-280-107
2003	4.3L	3GMXT04.3181	LEV1 ULEV	AWD	Underbody	739148	D-280-107	--	--
2003	4.3L	3GMXT04.3187	LEV1 ULEV	All	Front	749148	D-798	--	--
2003	4.3L	3GMXT04.3187	LEV1 ULEV	All	Front	--	--	740726	D-798
2003	4.3L	3GMXT04.3187	LEV1 ULEV	All	Rear	--	--	747337	D-798
2002	4.3L	2GMXA04.3189	LEV1 ULEV	AWD	Front	--	--	733016	D-280-107
2002	4.3L	2GMXA04.3189	LEV1 ULEV	AWD	Rear	--	--	732006	D-280-107
2002	4.3L	2GMXA04.3189	LEV1 ULEV	AWD	Underbody	739148	D-280-107	--	--
2002	4.3L	2GMXT04.3188	LEV1 LEV	All	Rear	--	--	912007	D-280-101
2002	4.3L	2GMXT04.3188	LEV1 LEV	All	Underbody	919148	D-280-101	--	--
2002	4.3L	2GMXT04.3188	LEV1 LEV	All	Underbody	--	--	912006	D-280-101
2002	4.3L	2GMXT04.3188	LEV1 LEV	All	Front	749148	D-798	--	--
2002	4.3L	2GMXT04.3188	LEV1 LEV	All	Front	--	--	740726	D-798
2001	4.3L	1GMXA04.3189	LEV1 ULEV	AWD	Front	--	--	733016	D-280-107
2001	4.3L	1GMXA04.3189	LEV1 ULEV	AWD	Rear	--	--	732006	D-280-107
2001	4.3L	1GMXA04.3189	LEV1 ULEV	AWD	Underbody	739148	D-280-107	--	--
2001	4.3L	1GMXT04.3187	LEV1 LEV	All	Underbody	919148	D-280-101	--	--
2001	4.3L	1GMXT04.3187	LEV1 LEV	All	Front	749148	D-798	--	--
2001	4.3L	1GMXT04.3187	LEV1 LEV	All	Front	--	--	740726	D-798
2001	4.3L	1GMXT04.3187	LEV1 LEV	All	Rear	--	--	747337	D-798
2000	4.3L	YGMXA04.3189	LEV1 ULEV	AWD	Front	--	--	733016	D-280-107
2000	4.3L	YGMXA04.3189	LEV1 ULEV	AWD	Rear	--	--	732006	D-280-107
2000	4.3L	YGMXA04.3189	LEV1 ULEV	AWD	Underbody	739148	D-280-107	--	--

Legal Note: In Compliance with California Emissions Requirements

**CATCO**
CATALYTIC CONVERTERS**EASTERN CATALYTIC**

APPLICATION GUIDE

OBD II**APPLICATION**

Year	Eng. Size	Test Group/ Engine Family	Certification Level	Application	Location	Direct Fit Number	Exec. Order	Consol. Number	Exec. Order
Chevrolet (Cont.)									
Astro (Cont.)									
V6 (Cont.)									
2000	4.3L	YGMXT04.3188	LEV1 LEV	All	Front	--	--	912006R	D-280-101
2000	4.3L	YGMXT04.3188	LEV1 LEV	All	Rear	--	--	912007	D-280-101
2000	4.3L	YGMXT04.3188	LEV1 LEV	All	Underbody	919148	D-280-101	--	--
2000	4.3L	YGMXT04.3188	LEV1 LEV	All	Front	749148	D-798	--	--
1999	4.3L	XGMXA04.3188	LEV1 LEV	All	Underbody	912075	D-280-101	--	--
1999	4.3L	XGMXA04.3188	LEV1 LEV	All	Underbody	--	--	912007	D-280-101
1999	4.3L	XGMXT04.3187	TLEV	All	Underbody	912075	D-280-101	--	--
1999	4.3L	XGMXT04.3187	TLEV	All	Underbody	--	--	912007	D-280-101
1998	4.3L	WGMXA04.3188	LEV1 LEV	All	Underbody	912075	D-280-101	--	--
1998	4.3L	WGMXA04.3188	LEV1 LEV	All	Underbody	--	--	912006	D-280-101
1998	4.3L	WGMXT04.3187	TLEV	All	Underbody	912075	D-280-101	--	--
1998	4.3L	WGMXT04.3187	TLEV	All	Underbody	--	--	912007	D-280-101
1997	4.3L	VGM4.32PG2EK	TLEV	All	Underbody	912075	D-280-101	--	--
1997	4.3L	VGM4.32PG2EK	TLEV	All	Underbody	--	--	912007	D-280-101
1997	4.3L	VGM4.3HPG3EK	LEV1 LEV	All	Underbody	912075	D-280-101	--	--
1997	4.3L	VGM4.3HPG3EK	LEV1 LEV	All	Underbody	--	--	912006	D-280-101
1996	4.3L	TGM4.32PGKEL	TIER1	All	Underbody	912075	D-280-101	--	--
1996	4.3L	TGM4.32PGKEL	TIER1	All	Underbody	--	--	912007	D-280-101
1996	4.3L	TGM4.35PGFEK	TIER1	All	Underbody	912075	D-280-101	--	--
1996	4.3L	TGM4.35PGFEK	TIER1	All	Underbody	--	--	912007	D-280-101
Avalanche									
V8									
2013	5.3L	DGMXT05.3381	LEV2 ULEV	All	Front Left	--	--	740566	D-798
2013	5.3L	DGMXT05.3381	LEV2 ULEV	All	Front Right	--	--	740566	D-798
2013	5.3L	DGMXT05.3381	LEV2 ULEV	All	Rear	--	--	747336	D-798
2013	5.3L	DGMXT05.3381	LEV2 ULEV	All	Underbody	749912	D-798	--	--
2012	5.3L	CGMXT05.3381	LEV2 ULEV	All	Front Left	--	--	740566	D-798
2012	5.3L	CGMXT05.3381	LEV2 ULEV	All	Front Right	--	--	740566	D-798
2012	5.3L	CGMXT05.3381	LEV2 ULEV	All	Rear	--	--	747336	D-798
2012	5.3L	CGMXT05.3381	LEV2 ULEV	All	Underbody	749912	D-798	--	--
2011	5.3L	BGMXT05.3381	LEV2 ULEV	All	Front Left	--	--	740566	D-798
2011	5.3L	BGMXT05.3381	LEV2 ULEV	All	Front Right	--	--	740566	D-798
2011	5.3L	BGMXT05.3381	LEV2 ULEV	All	Rear	--	--	747336	D-798
2011	5.3L	BGMXT05.3381	LEV2 ULEV	All	Underbody	749912	D-798	--	--
2010	5.3L	AGMXT05.3381	LEV2 ULEV	All	Front Left	--	--	740566	D-798
2010	5.3L	AGMXT05.3381	LEV2 ULEV	All	Front Right	--	--	740566	D-798
2010	5.3L	AGMXT05.3381	LEV2 ULEV	All	Rear	--	--	747336	D-798
2010	5.3L	AGMXT05.3381	LEV2 ULEV	All	Underbody	749912	D-798	--	--
2009	5.3L	9GMXT05.3380	LEV2 ULEV	2WD	Front Left	--	--	740566	D-798
2009	5.3L	9GMXT05.3380	LEV2 ULEV	2WD	Front Right	--	--	740566	D-798
2009	5.3L	9GMXT05.3380	LEV2 ULEV	2WD	Rear	--	--	747336	D-798
2009	5.3L	9GMXT05.3380	LEV2 ULEV	2WD	Underbody	749912	D-798	--	--
2009	5.3L	9GMXT05.3381	LEV2 ULEV	All	Front Left	--	--	740566	D-798
2009	5.3L	9GMXT05.3381	LEV2 ULEV	All	Front Right	--	--	740566	D-798
2009	5.3L	9GMXT05.3381	LEV2 ULEV	All	Rear	--	--	747336	D-798
2009	5.3L	9GMXT05.3381	LEV2 ULEV	All	Underbody	749912	D-798	--	--
2008	5.3L	8GMXT05.3380	LEV2 ULEV	All	Front Left	--	--	740566	D-798
2008	5.3L	8GMXT05.3380	LEV2 ULEV	All	Front Right	--	--	740566	D-798
2008	5.3L	8GMXT05.3380	LEV2 ULEV	All	Underbody	749233	D-798	--	--
2008	5.3L	8GMXT05.3381	LEV2 ULEV	All	Front Left	--	--	740566	D-798
2008	5.3L	8GMXT05.3381	LEV2 ULEV	All	Front Right	--	--	740566	D-798
2008	5.3L	8GMXT05.3381	LEV2 ULEV	All	Underbody	749233	D-798	--	--
2007	5.3L	7GMXT05.3380	LEV2 ULEV	All	Front Left	--	--	740566	D-798
2007	5.3L	7GMXT05.3380	LEV2 ULEV	All	Front Right	--	--	740566	D-798
2007	5.3L	7GMXT05.3380	LEV2 ULEV	All	Underbody	749233	D-798	--	--
2007	5.3L	7GMXT05.3381	LEV2 ULEV	All	Front Left	--	--	740566	D-798
2007	5.3L	7GMXT05.3381	LEV2 ULEV	All	Front Right	--	--	740566	D-798
2007	5.3L	7GMXT05.3381	LEV2 ULEV	All	Underbody	749233	D-798	--	--

APPLICATION GUIDE



OBD II

APPLICATION

Year	Eng. Size	Test Group/ Engine Family	Certification Level	Application	Location	Direct Fit Number	Exec. Order	Consol. Number	Exec. Order
Chevrolet (Cont.)									
Avalanche (Cont.)									
V8 (Cont.)									
2009	6.0L	9GMXT06.0382	LEV2 LEV	All	Front Left	--	--	740566	D-798
2009	6.0L	9GMXT06.0382	LEV2 LEV	All	Front Right	--	--	740566	D-798
2009	6.0L	9GMXT06.0382	LEV2 LEV	All	Rear	--	--	747337	D-798
2009	6.0L	9GMXT06.0382	LEV2 LEV	All	Underbody	749912	D-798	--	--
2008	6.0L	8GMXT06.0383	LEV2 ULEV	All	Front Left	--	--	740566	D-798
2008	6.0L	8GMXT06.0383	LEV2 ULEV	All	Front Right	--	--	740566	D-798
2008	6.0L	8GMXT06.0383	LEV2 ULEV	All	Underbody	749233	D-798	--	--
2007	6.0L	7GMXT06.0383	LEV2 ULEV	All	Front Left	--	--	740566	D-798
2007	6.0L	7GMXT06.0383	LEV2 ULEV	All	Front Right	--	--	740566	D-798
2007	6.0L	7GMXT06.0383	LEV2 ULEV	All	Underbody	749233	D-798	--	--
Avalanche 1500									
V8									
2005	5.3L	5GMXT05.3175	LEV1 ULEV	All	Front Left	--	--	732006	D-280-107
2005	5.3L	5GMXT05.3175	LEV1 ULEV	All	Front Right	--	--	732006	D-280-107
2005	5.3L	5GMXT05.3175	LEV1 ULEV	All	Underbody	739083	D-280-107	--	--
2003	5.3L	3GMXT05.3185	LEV1 ULEV	All	Front Left	--	--	732006	D-280-107
2003	5.3L	3GMXT05.3185	LEV1 ULEV	All	Front Right	--	--	732006	D-280-107
2003	5.3L	3GMXT05.3185	LEV1 ULEV	All	Underbody	739083	D-280-107	--	--
2002	5.3L	2GMXA05.3185	LEV1 ULEV	All	Rear Left	--	--	737006	D-280-107
2002	5.3L	2GMXA05.3185	LEV1 ULEV	All	Rear Right	--	--	737006	D-280-107
Avalanche 2500									
V8									
2004	8.1L	4GMXT08.1201	LEV1 LEV	All	Underbody	--	--	910005R	D-280-101
2003	8.1L	3GMXA08.1201	LEV1 LEV	All	Rear Left	--	--	912007	D-280-101
2003	8.1L	3GMXA08.1201	LEV1 LEV	All	Rear Right	--	--	912007	D-280-101
2002	8.1L	2GMXA08.1201	LEV1 LEV	All	Rear Left	--	--	912007	D-280-101
2002	8.1L	2GMXA08.1201	LEV1 LEV	All	Rear Right	--	--	912007	D-280-101
Aveo									
L4									
2007	1.6L	7GD XV01.6D04	LEV2 ULEV	All	Front	754405	D-280-102	--	--
2006	1.6L	6GD XV01.6D04	LEV2 ULEV	All	Front	754405	D-280-102	--	--
2005	1.6L	5GD XV01.6D02	LEV1 ULEV	All	Front	754405	D-280-102	--	--
2004	1.6L	4GD XV01.6D02	LEV1 ULEV	All	Front	754405	D-280-102	--	--
2004	1.6L	4GD XV01.6D02	LEV1 ULEV	All	Underbody	--	--	755005	D-280-102
Beretta									
L4									
1996	2.2L	TGM2.2V8G2EK	TLEV	All	Underbody	942817	D-280-100	--	--
1996	2.2L	TGM2.2V8G2EK	TLEV	All	Underbody	--	--	940104	D-280-100
1996	2.2L	TGM2.2V8GKEK	TIER1	All	Underbody	942817	D-280-100	--	--
1996	2.2L	TGM2.2V8GKEK	TIER1	All	Underbody	--	--	940105	D-280-100
V6									
1996	3.1L	TGM3.1V8GFEK	TIER1	All	Underbody	944862	D-280-100	--	--
1996	3.1L	TGM3.1V8GFEK	TIER1	All	Underbody	--	--	940335	D-280-100
Blazer									
V6									
2005	4.3L	5GMXT04.3187	LEV1 ULEV	All	Front	--	--	740726	D-798
2005	4.3L	5GMXT04.3187	LEV1 ULEV	All	Rear	--	--	747035	D-798
2005	4.3L	5GMXT04.3187	LEV1 ULEV	2WD, 4 Dr.	Underbody	749214	D-798	--	--
2005	4.3L	5GMXT04.3187	LEV1 ULEV	2WD, 2 Dr. Auto. Trans.	Underbody	749209	D-798	--	--
2004	4.3L	4GMXT04.3187	LEV1 ULEV	All	Front	--	--	740726	D-798
2004	4.3L	4GMXT04.3187	LEV1 ULEV	All	Rear	--	--	747035	D-798
2004	4.3L	4GMXT04.3187	LEV1 ULEV	4WD, 4 Dr., A/T	Underbody	749109	D-798	--	--
2004	4.3L	4GMXT04.3187	LEV1 ULEV	4WD, 2 Dr., A/T	Underbody	749210	D-798	--	--
2003	4.3L	3GMXT04.3187	LEV1 ULEV	All	Front	--	--	740726	D-798
2003	4.3L	3GMXT04.3187	LEV1 ULEV	All	Rear	--	--	747035	D-798
2003	4.3L	3GMXT04.3187	LEV1 ULEV	4WD, 4 Dr., A/T	Underbody	749109	D-798	--	--

Legal Note: In Compliance with California Emissions Requirements



CATCO
CATALYTIC CONVERTERS

EASTERN CATALYTIC

APPLICATION GUIDE

OBD II

APPLICATION

Year	Eng. Size	Test Group/ Engine Family	Certification Level	Application	Location	Direct Fit Number	Exec. Order	Consol. Number	Exec. Order
Chevrolet (Cont.)									
Blazer (Cont.)									
V6 (Cont.)									
2003	4.3L	3GMXT04.3187	LEV1 ULEV	4WD, 2 Dr.	Underbody	749210	D-798	--	--
2002	4.3L	2GMXT04.3187	LEV1 LEV	2WD	Rear	--	--	912005R	D-280-101
2002	4.3L	2GMXT04.3187	LEV1 LEV	2WD	Rear	--	--	912005	D-280-101
2002	4.3L	2GMXT04.3187	LEV1 LEV	2WD	Rear	--	--	910005R	D-280-101
2002	4.3L	2GMXT04.3187	LEV1 LEV	4WD	Rear	--	--	912036R	D-280-101
2002	4.3L	2GMXT04.3187	LEV1 LEV	4WD	Rear	--	--	912006R	D-280-101
2002	4.3L	2GMXT04.3187	LEV1 LEV	4WD	Rear	--	--	912006	D-280-101
2001	4.3L	1GMXT04.3187	LEV1 LEV	All	Rear	--	--	912036R	D-280-101
2001	4.3L	1GMXT04.3187	LEV1 LEV	All	Rear	--	--	912006R	D-280-101
2001	4.3L	1GMXT04.3187	LEV1 LEV	All	Rear	--	--	912006	D-280-101
2001	4.3L	1GMXT04.3187	LEV1 LEV	All	Rear	--	--	912005R	D-280-101
2001	4.3L	1GMXT04.3187	LEV1 LEV	All	Rear	--	--	912005	D-280-101
2001	4.3L	1GMXT04.3187	LEV1 LEV	All	Rear	--	--	910005R	D-280-101
2001	4.3L	1GMXT04.3187	LEV1 LEV	All	Rear	--	--	747006	D-798
2001	4.3L	1GMXT04.3187	LEV1 LEV	4WD	Underbody	749109	D-798	--	--
2001	4.3L	1GMXT04.3187	LEV1 LEV	4WD, 4 Dr., A/T	Underbody	919109	D-280-101	--	--
2001	4.3L	1GMXT04.3187	LEV1 LEV	4WD, 2 Dr., A/T	Underbody	749210	D-798	--	--
2001	4.3L	1GMXT04.3187	LEV1 LEV	2WD, 4 Dr.	Underbody	749214	D-798	--	--
2001	4.3L	1GMXT04.3187	LEV1 LEV	2WD, 2 Dr., A/T	Underbody	749209	D-798	--	--
2000	4.3L	YGMXT04.3188	LEV1 LEV	All	Front	--	--	912006R	D-280-101
2000	4.3L	YGMXT04.3188	LEV1 LEV	All	Rear	--	--	912007	D-280-101
2000	4.3L	YGMXT04.3188	LEV1 LEV	All	Rear	--	--	912006	D-280-101
2000	4.3L	YGMXT04.3188	LEV1 LEV	All	Rear	--	--	912005	D-280-101
2000	4.3L	YGMXT04.3188	LEV1 LEV	2WD, 4 Dr.	Underbody	749214	D-798	--	--
2000	4.3L	YGMXT04.3188	LEV1 LEV	4WD, 4 Dr., A/T	Underbody	919109	D-280-101	--	--
1999	4.3L	XGMXT04.3184	TLEV	All	Front	911192	D-280-101	--	--
1999	4.3L	XGMXT04.3184	TLEV	All	Front	--	--	912005R	D-280-101
1999	4.3L	XGMXT04.3184	TLEV	All	Rear	912792	D-280-101	--	--
1999	4.3L	XGMXT04.3184	TLEV	All	Rear	--	--	912006	D-280-101
1999	4.3L	XGMXT04.3185	LEV1 LEV	All	Front	911192	D-280-101	--	--
1999	4.3L	XGMXT04.3185	LEV1 LEV	All	Front	--	--	912005R	D-280-101
1999	4.3L	XGMXT04.3185	LEV1 LEV	All	Rear	912792	D-280-101	--	--
1999	4.3L	XGMXT04.3185	LEV1 LEV	All	Rear	--	--	912006	D-280-101
1998	4.3L	WGMXT04.3184	TIER1	All	Front	911192	D-280-101	--	--
1998	4.3L	WGMXT04.3184	TIER1	All	Rear	912792	D-280-101	--	--
1998	4.3L	WGMXT04.3184	TIER1	All	Underbody	--	--	912006	D-280-101
1998	4.3L	WGMXT04.3185	TLEV	All	Front	911192	D-280-101	--	--
1998	4.3L	WGMXT04.3185	TLEV	All	Front	--	--	912005R	D-280-101
1998	4.3L	WGMXT04.3185	TLEV	All	Rear	912792	D-280-101	--	--
1998	4.3L	WGMXT04.3185	TLEV	All	Rear	--	--	912006	D-280-101
1997	4.3L	VGM4.32PG1EK	TIER1	All	Underbody	912792	D-280-101	--	--
1997	4.3L	VGM4.32PG1EK	TIER1	All	Underbody	--	--	912006	D-280-101
1996	4.3L	TGM4.32PGKEK	TIER1	All	Underbody	912792	D-280-101	--	--
1996	4.3L	TGM4.32PGKEK	TIER1	All	Underbody	--	--	912006	D-280-101
1995	4.3L	S3G4.329GFGJ	TIER1	All	Underbody	--	--	912006	D-280-101
1995	4.3L	S3G4.329GFGJ	TIER1	4WD, 2 Dr.	Underbody	914682	D-280-101	--	--
1995	4.3L	S3G4.329GFGJ	TIER1	4WD, 4 Dr.	Underbody	914482	D-280-101	--	--
C1500									
V6									
1998	4.3L	WGMXA04.3190	TIER1	All	Underbody	912720	D-280-101	--	--
1998	4.3L	WGMXA04.3190	TIER1	All	Underbody	--	--	912007	D-280-101
1997	4.3L	VGM4.3HPG1EK	TIER1	All	Underbody	912720	D-280-101	--	--
1997	4.3L	VGM4.3HPG1EK	TIER1	All	Underbody	--	--	912006	D-280-101
1996	4.3L	TGM4.35PGFEK	TIER1	All	Underbody	912720	D-280-101	--	--
1996	4.3L	TGM4.35PGFEK	TIER1	All	Underbody	--	--	912007	D-280-101
1996	4.3L	TGM4.38PGBEK	TIER1	All	Underbody	640547	D-665-18	--	--

Legal Note: In Compliance with California Emissions Requirements

APPLICATION GUIDE



OBD II

APPLICATION

Year	Eng. Size	Test Group/ Engine Family	Certification Level	Application	Location	Direct Fit Number	Exec. Order	Consol. Number	Exec. Order
Chevrolet (Cont.)									
C1500 (Cont.)									
V8									
1999	5.0L	XGMXA05.0182	TIER1	All	Underbody	912720	D-280-101	--	--
1999	5.0L	XGMXA05.0182	TIER1	All	Underbody	--	--	912007	D-280-101
1998	5.0L	WGMXA05.0182	TIER1	All	Underbody	912720	D-280-101	--	--
1998	5.0L	WGMXA05.0182	TIER1	All	Underbody	--	--	912007	D-280-101
1997	5.0L	VGM5.0HPG1EK	TIER1	All	Underbody	912720	D-280-101	--	--
1997	5.0L	VGM5.0HPG1EK	TIER1	All	Underbody	--	--	912007	D-280-101
1996	5.0L	TGM5.0HPG1EK	TIER1	All	Underbody	912720	D-280-101	--	--
1996	5.0L	TGM5.0HPG1EK	TIER1	All	Underbody	--	--	912007	D-280-101
1999	5.7L	XGMXA05.7182	TIER1	All	Underbody	912333	D-280-101	--	--
1999	5.7L	XGMXA05.7182	TIER1	All	Underbody Left	--	--	912005	D-280-101
1999	5.7L	XGMXA05.7182	TIER1	All	Underbody Right	--	--	912005	D-280-101
1998	5.7L	WGMXA05.7182	TIER1	All	Underbody	912333	D-280-101	--	--
1998	5.7L	WGMXA05.7182	TIER1	All	Underbody Left	--	--	912005	D-280-101
1998	5.7L	WGMXA05.7182	TIER1	All	Underbody Right	--	--	912005	D-280-101
1997	5.7L	VGM5.7HPG1EK	TIER1	All	Underbody	912333	D-280-101	--	--
1997	5.7L	VGM5.7HPG1EK	TIER1	All	Underbody Left	--	--	912005	D-280-101
1997	5.7L	VGM5.7HPG1EK	TIER1	All	Underbody Right	--	--	912005	D-280-101
1996	5.7L	TGM5.75PGFEK	TIER1	All	Underbody	912333	D-280-101	--	--
1996	5.7L	TGM5.75PGFEK	TIER1	All	Underbody Left	--	--	912005	D-280-101
1996	5.7L	TGM5.75PGFEK	TIER1	All	Underbody Right	--	--	912005	D-280-101
C1500 Suburban									
V8									
1999	5.7L	XGMXA05.7185	LEV1 LEV	All	Underbody	640542	D-665-18	--	--
1999	5.7L	XGMXA05.7186	LEV1 LEV	All	Underbody	912333	D-280-101	--	--
1999	5.7L	XGMXA05.7186	LEV1 LEV	All	Underbody Left	--	--	912005	D-280-101
1999	5.7L	XGMXA05.7186	LEV1 LEV	All	Underbody Right	--	--	912005	D-280-101
1998	5.7L	WGMXA05.7186	LEV1 LEV	All	Underbody	912333	D-280-101	--	--
1998	5.7L	WGMXA05.7186	LEV1 LEV	All	Underbody Left	--	--	912005	D-280-101
1998	5.7L	WGMXA05.7186	LEV1 LEV	All	Underbody Right	--	--	912005	D-280-101
1997	5.7L	VGM5.7JPG1GK	TIER1	All	Underbody	912333	D-280-101	--	--
1997	5.7L	VGM5.7JPG1GK	TIER1	All	Underbody Left	--	--	912005	D-280-101
1997	5.7L	VGM5.7JPG1GK	TIER1	All	Underbody Right	--	--	912005	D-280-101
1996	5.7L	TGM5.76PGFEK	TIER1	All	Underbody	912333	D-280-101	--	--
1996	5.7L	TGM5.76PGFEK	TIER1	All	Underbody Left	--	--	912005	D-280-101
1996	5.7L	TGM5.76PGFEK	TIER1	All	Underbody Right	--	--	912005	D-280-101
C2500									
V8									
1998	5.0L	WGMXA05.0182	TIER1	All	Underbody	640547	D-665-18	--	--
1998	5.0L	WGMXA05.0184	TIER1	All	Underbody	912720	D-280-101	--	--
1998	5.0L	WGMXA05.0184	TIER1	All	Underbody	--	--	912007	D-280-101
1997	5.0L	VGM5.0JPG1EK	TIER1	All	Underbody	912720	D-280-101	--	--
1997	5.0L	VGM5.0JPG1EK	TIER1	All	Underbody	--	--	912006	D-280-101
1996	5.0L	TGM5.0HPG1EK	TIER1	All	Underbody	912720	D-280-101	--	--
1996	5.0L	TGM5.0HPG1EK	TIER1	All	Underbody	--	--	912007	D-280-101
1996	5.0L	TGM5.0JPG1EK	TIER1	All	Underbody	912720	D-280-101	--	--
1996	5.0L	TGM5.0JPG1EK	TIER1	All	Underbody	--	--	912007	D-280-101
2000	5.7L	YGMXA05.7191	TIER1	All	Underbody Left	--	--	912005	D-280-101
2000	5.7L	YGMXA05.7191	TIER1	All	Underbody Right	--	--	912005	D-280-101
2000	5.7L	YGMXA05.7191	TIER1	2WD	Front	919092	D-280-101	--	--
2000	5.7L	YGMXA05.7191	TIER1	2WD	Rear	919293	D-280-101	--	--
2000	5.7L	YGMXA05.7194	TIER1	All	Underbody	640542	D-665-18	--	--
1999	5.7L	XGMXA05.7182	TIER1	All	Underbody	640542	D-665-18	--	--
1999	5.7L	XGMXA05.7187	TIER1	All	Underbody Left	919092	D-280-101	--	--
1999	5.7L	XGMXA05.7187	TIER1	All	Underbody Left	--	--	912005	D-280-101
1999	5.7L	XGMXA05.7187	TIER1	All	Underbody Right	919293	D-280-101	--	--
1999	5.7L	XGMXA05.7187	TIER1	All	Underbody Right	--	--	912005	D-280-101
1998	5.7L	WGMXA05.7184	TIER1	All	Underbody Left	--	--	912005	D-280-101
1998	5.7L	WGMXA05.7184	TIER1	All	Underbody Right	--	--	912005	D-280-101

Legal Note: In Compliance with California Emissions Requirements



CATCO
CATALYTIC CONVERTERS

EASTERN CATALYTIC

APPLICATION GUIDE

OBD II

APPLICATION

Year	Eng. Size	Test Group/ Engine Family	Certification Level	Application	Location	Direct Fit Number	Exec. Order	Consol. Number	Exec. Order
Chevrolet (Cont.)									
C2500 (Cont.)									
V8 (Cont.)									
1998	5.7L	WGMXA05.7187	TIER1	All	Underbody	912333	D-280-101	--	--
1998	5.7L	WGMXA05.7187	TIER1	All	Underbody Left	--	--	912005	D-280-101
1998	5.7L	WGMXA05.7187	TIER1	All	Underbody Right	--	--	912005	D-280-101
1997	5.7L	VGM5.7JPG1EK	TIER1	All	Underbody Left	--	--	912005	D-280-101
1997	5.7L	VGM5.7JPG1EK	TIER1	All	Underbody Right	--	--	912005	D-280-101
1997	5.7L	VGM5.7JPG1GK	TIER1	All	Underbody	912333	D-280-101	--	--
1997	5.7L	VGM5.7JPG1GK	TIER1	All	Underbody Left	--	--	912005	D-280-101
1997	5.7L	VGM5.7JPG1GK	TIER1	All	Underbody Right	--	--	912005	D-280-101
1996	5.7L	TGM5.76PGFEK	TIER1	All	Underbody Left	--	--	912005	D-280-101
1996	5.7L	TGM5.76PGFEK	TIER1	All	Underbody Right	--	--	912005	D-280-101
1996	5.7L	TGM5.7JPG1EK	TIER1	All	Underbody	912333	D-280-101	--	--
1996	5.7L	TGM5.7JPG1EK	TIER1	All	Underbody Left	919092	D-280-101	--	--
1996	5.7L	TGM5.7JPG1EK	TIER1	All	Underbody Left	--	--	912005	D-280-101
1996	5.7L	TGM5.7JPG1EK	TIER1	All	Underbody Right	--	--	912005	D-280-101
2000	7.4L	YGMXA07.4201	TIER1	All	Front	640578	D-665-18	--	--
2000	7.4L	YGMXA07.4201	TIER1	All	Front	--	--	912006	D-280-101
2000	7.4L	YGMXA07.4201	TIER1	All	Rear	--	--	912006	D-280-101
1999	7.4L	XGMXA07.4201	TIER1	All	Front	912703	D-280-101	--	--
1999	7.4L	XGMXA07.4201	TIER1	All	Front	--	--	912006	D-280-101
1999	7.4L	XGMXA07.4201	TIER1	All	Rear	912293	D-280-101	--	--
1999	7.4L	XGMXA07.4201	TIER1	All	Rear	--	--	912006	D-280-101
1998	7.4L	WGMXA07.4201	TIER1	All	Front	912703	D-280-101	--	--
1998	7.4L	WGMXA07.4201	TIER1	All	Front	--	--	912006	D-280-101
1998	7.4L	WGMXA07.4201	TIER1	All	Rear	912293	D-280-101	--	--
1998	7.4L	WGMXA07.4201	TIER1	All	Rear	--	--	912006	D-280-101
1997	7.4L	VGM7.4J8G1EK	TIER1	All	Front	912703	D-280-101	--	--
1997	7.4L	VGM7.4J8G1EK	TIER1	All	Front	--	--	912006	D-280-101
1997	7.4L	VGM7.4J8G1EK	TIER1	All	Rear	--	--	912006	D-280-101
1996	7.4L	TGM7.4J8G1EK	TIER1	All	Front	912703	D-280-101	--	--
1996	7.4L	TGM7.4J8G1EK	TIER1	All	Front	--	--	912006	D-280-101
1996	7.4L	TGM7.4J8G1EK	TIER1	All	Rear	--	--	912007	D-280-101
C2500 Suburban									
V8									
1999	5.7L	XGMXA05.7187	TIER1	All	Underbody Left	919092	D-280-101	--	--
1999	5.7L	XGMXA05.7187	TIER1	All	Underbody Left	--	--	912005	D-280-101
1999	5.7L	XGMXA05.7187	TIER1	All	Underbody Right	919293	D-280-101	--	--
1999	5.7L	XGMXA05.7187	TIER1	All	Underbody Right	--	--	912005	D-280-101
1998	5.7L	WGMXA05.7187	TIER1	All	Underbody	912333	D-280-101	--	--
1998	5.7L	WGMXA05.7187	TIER1	All	Underbody Left	--	--	912005	D-280-101
1998	5.7L	WGMXA05.7187	TIER1	All	Underbody Right	--	--	912005	D-280-101
1997	5.7L	VGM5.7JPG1EK	TIER1	All	Underbody	912333	D-280-101	--	--
1997	5.7L	VGM5.7JPG1EK	TIER1	All	Underbody Left	--	--	912005	D-280-101
1997	5.7L	VGM5.7JPG1EK	TIER1	All	Underbody Right	--	--	912005	D-280-101
1997	5.7L	VGM5.7JPG1GK	TIER1	All	Underbody	640542	D-665-18	--	--
1996	5.7L	TGM5.7JPG1EK	TIER1	All	Underbody	912333	D-280-101	--	--
1996	5.7L	TGM5.7JPG1EK	TIER1	All	Underbody Left	912703	D-280-101	--	--
1996	5.7L	TGM5.7JPG1EK	TIER1	All	Underbody Left	--	--	912005	D-280-101
1996	5.7L	TGM5.7JPG1EK	TIER1	All	Underbody Right	--	--	912005	D-280-101
1999	7.4L	XGMXA07.4201	TIER1	All	Front	912703	D-280-101	--	--
1999	7.4L	XGMXA07.4201	TIER1	All	Front	--	--	912006	D-280-101
1999	7.4L	XGMXA07.4201	TIER1	All	Rear	912293	D-280-101	--	--
1999	7.4L	XGMXA07.4201	TIER1	All	Rear	--	--	912006	D-280-101
1998	7.4L	WGMXA07.4201	TIER1	All	Front	912703	D-280-101	--	--
1998	7.4L	WGMXA07.4201	TIER1	All	Front	--	--	912006	D-280-101
1998	7.4L	WGMXA07.4201	TIER1	All	Rear	912293	D-280-101	--	--
1998	7.4L	WGMXA07.4201	TIER1	All	Rear	--	--	912006	D-280-101

Legal Note: In Compliance with California Emissions Requirements

APPLICATION GUIDE



OBD II

APPLICATION

Year	Eng. Size	Test Group/ Engine Family	Certification Level	Application	Location	Direct Fit Number	Exec. Order	Consol. Number	Exec. Order
Chevrolet (Cont.)									
C2500 Suburban (Cont.)									
V8 (Cont.)									
1997	7.4L	VGM7.4J8G1EK	TIER1	All	Front	912703	D-280-101	--	--
1997	7.4L	VGM7.4J8G1EK	TIER1	All	Front	--	--	912006	D-280-101
1997	7.4L	VGM7.4J8G1EK	TIER1	All	Rear	--	--	912006	D-280-101
1996	7.4L	TGM7.4J8G1EK	TIER1	All	Front	912703	D-280-101	--	--
1996	7.4L	TGM7.4J8G1EK	TIER1	All	Front	--	--	912006	D-280-101
1996	7.4L	TGM7.4J8G1EK	TIER1	All	Rear	--	--	912006	D-280-101
C3500									
V8									
2000	5.7L	YGMXA05.7191	TIER1	All	Underbody Left	--	--	912005	D-280-101
2000	5.7L	YGMXA05.7191	TIER1	All	Underbody Right	--	--	912005	D-280-101
2000	5.7L	YGMXA05.7191	TIER1	2WD	Front	919092	D-280-101	--	--
2000	5.7L	YGMXA05.7191	TIER1	2WD	Rear	919293	D-280-101	--	--
1999	5.7L	XGMXA05.7187	TIER1	All	Underbody Left	919092	D-280-101	--	--
1999	5.7L	XGMXA05.7187	TIER1	All	Underbody Left	--	--	912005	D-280-101
1999	5.7L	XGMXA05.7187	TIER1	All	Underbody Right	919293	D-280-101	--	--
1999	5.7L	XGMXA05.7187	TIER1	All	Underbody Right	--	--	912005	D-280-101
1998	5.7L	WGMXA05.7187	TIER1	All	Underbody Left	--	--	912005	D-280-101
1998	5.7L	WGMXA05.7187	TIER1	All	Underbody Right	--	--	912005	D-280-101
1997	5.7L	VGM5.7JPG1EK	TIER1	All	Underbody Left	--	--	912005	D-280-101
1997	5.7L	VGM5.7JPG1EK	TIER1	All	Underbody Right	--	--	912005	D-280-101
1996	5.7L	TGM5.7JPG1EK	TIER1	All	Front	919092	D-280-101	--	--
1996	5.7L	TGM5.7JPG1EK	TIER1	All	Rear	919293	D-280-101	--	--
1996	5.7L	TGM5.7JPG1EK	TIER1	All	Underbody Left	--	--	912005	D-280-101
1996	5.7L	TGM5.7JPG1EK	TIER1	All	Underbody Right	--	--	912005	D-280-101
2000	7.4L	YGMXA07.4201	TIER1	All	Front	640578	D-665-18	--	--
2000	7.4L	YGMXA07.4201	TIER1	All	Front	--	--	912006	D-280-101
2000	7.4L	YGMXA07.4201	TIER1	All	Rear	640579	D-665-18	--	--
2000	7.4L	YGMXA07.4201	TIER1	All	Rear	--	--	912006	D-280-101
1999	7.4L	XGMXA07.4201	TIER1	All	Front	912703	D-280-101	--	--
1999	7.4L	XGMXA07.4201	TIER1	All	Front	--	--	912006	D-280-101
1999	7.4L	XGMXA07.4201	TIER1	All	Rear	912293	D-280-101	--	--
1999	7.4L	XGMXA07.4201	TIER1	All	Rear	--	--	912006	D-280-101
1998	7.4L	WGMXA07.4201	TIER1	All	Front	912703	D-280-101	--	--
1998	7.4L	WGMXA07.4201	TIER1	All	Front	--	--	912006	D-280-101
1998	7.4L	WGMXA07.4201	TIER1	All	Rear	--	--	912006	D-280-101
1998	7.4L	WGMXA07.4201	TIER1	159.5" W.B., 15000 lbs G	Rear	919543	D-280-101	--	--
1997	7.4L	VGM7.4J8G1EK	TIER1	All	Front	912703	D-280-101	--	--
1997	7.4L	VGM7.4J8G1EK	TIER1	All	Front	--	--	912006	D-280-101
1997	7.4L	VGM7.4J8G1EK	TIER1	All	Rear	640579	D-665-18	--	--
1997	7.4L	VGM7.4J8G1EK	TIER1	All	Rear	--	--	912006	D-280-101
1996	7.4L	TGM7.4J8G1EK	TIER1	All	Front	912703	D-280-101	--	--
1996	7.4L	TGM7.4J8G1EK	TIER1	All	Front	--	--	912006	D-280-101
1996	7.4L	TGM7.4J8G1EK	TIER1	All	Rear	--	--	912006	D-280-101
1996	7.4L	TGM7.4J8G1EK	TIER1	159.5" W.B., 15000 lbs G	Rear	919543	D-280-101	--	--
Camaro									
V6									
2011	3.6L	BGMXJ03.6151	LEV2 ULEV	All	Front Left	--	--	760005	D-280-105
2011	3.6L	BGMXJ03.6151	LEV2 ULEV	All	Front Right	--	--	760005	D-280-105
2011	3.6L	BGMXJ03.6151	LEV2 ULEV	All	Rear Left	--	--	760005	D-280-105
2011	3.6L	BGMXJ03.6151	LEV2 ULEV	All	Rear Right	--	--	760005	D-280-105
2011	3.6L	BGMXJ03.6151	LEV2 ULEV	All	Underbody Left	765224	D-280-105	--	--
2011	3.6L	BGMXJ03.6151	LEV2 ULEV	All	Underbody Right	765225	D-280-105	--	--
2010	3.6L	AGMXJ03.6151	LEV2 ULEV	All	Front Left	--	--	760005	D-280-105
2010	3.6L	AGMXJ03.6151	LEV2 ULEV	All	Front Right	--	--	760005	D-280-105
2010	3.6L	AGMXJ03.6151	LEV2 ULEV	All	Rear Left	--	--	760005	D-280-105
2010	3.6L	AGMXJ03.6151	LEV2 ULEV	All	Rear Right	--	--	760005	D-280-105
2010	3.6L	AGMXJ03.6151	LEV2 ULEV	All	Underbody Left	765224	D-280-105	--	--
2010	3.6L	AGMXJ03.6151	LEV2 ULEV	All	Underbody Right	765225	D-280-105	--	--

Legal Note: In Compliance with California Emissions Requirements



CATCO
CATALYTIC CONVERTERS

EASTERN CATALYTIC

APPLICATION GUIDE

OBD II

APPLICATION

Year	Eng. Size	Test Group/ Engine Family	Certification Level	Application	Location	Direct Fit Number	Exec. Order	Consol. Number	Exec. Order
Chevrolet (Cont.)									
Camaro (Cont.)									
V6 (Cont.)									
2002	3.8L	2GMXV03.8043	LEV1 LEV	All	Underbody	944278	D-280-100	--	--
2002	3.8L	2GMXV03.8043	LEV1 LEV	All	Underbody	--	--	940105	D-280-100
2001	3.8L	1GMXV03.8043	LEV1 LEV	All	Underbody	944278	D-280-100	--	--
2001	3.8L	1GMXV03.8043	LEV1 LEV	All	Underbody	--	--	940105	D-280-100
2000	3.8L	YGMXV03.8043	LEV1 LEV	All	Underbody	944278	D-280-100	--	--
2000	3.8L	YGMXV03.8043	LEV1 LEV	All	Underbody	--	--	940105	D-280-100
1999	3.8L	XGMXV03.8048	TLEV	All	Underbody	942884	D-280-100	--	--
1999	3.8L	XGMXV03.8048	TLEV	All	Underbody	--	--	940105	D-280-100
1999	3.8L	XGMXV03.8049	LEV1 LEV	All	Underbody	942884	D-280-100	--	--
1999	3.8L	XGMXV03.8049	LEV1 LEV	All	Underbody	--	--	940105	D-280-100
1999	3.8L	XGMXV03.8051	TLEV	All	Underbody	630639	D-665-17	--	--
1998	3.8L	WGMXV03.8049	TIER1	All	Underbody	942884	D-280-100	--	--
1998	3.8L	WGMXV03.8049	TIER1	All	Underbody	--	--	940105	D-280-100
1997	3.8L	VGM3.8V8GKEK	TIER1	All	Underbody	942884	D-280-100	--	--
1997	3.8L	VGM3.8V8GKEK	TIER1	All	Underbody	--	--	940336	D-280-100
1996	3.8L	TGM3.8V8GKEK	TIER1	All	Underbody	942884	D-280-100	--	--
1996	3.8L	TGM3.8V8GKEK	TIER1	All	Underbody	--	--	940336	D-280-100
1995	3.8L	S1G3.8V8G1EK	TIER1	All	Underbody	942884	D-280-100	--	--
1995	3.8L	S1G3.8V8G1EK	TIER1	All	Underbody	--	--	940336	D-280-100
V8									
2002	5.7L	2GMXV05.7081	LEV1 LEV	All	Left	942107LB •	D-280-100	--	--
2002	5.7L	2GMXV05.7081	LEV1 LEV	All	Left	942107 ♦	D-280-100	--	--
2002	5.7L	2GMXV05.7081	LEV1 LEV	All	Right	942106LB •	D-280-100	--	--
2002	5.7L	2GMXV05.7081	LEV1 LEV	All	Right	942106 ♦	D-280-100	--	--
2002	5.7L	2GMXV05.7081	LEV1 LEV	All	Underbody	--	--	940635	D-280-100
2001	5.7L	1GMXV05.7081	LEV1 LEV	All	Left	942107LB •	D-280-100	--	--
2001	5.7L	1GMXV05.7081	LEV1 LEV	All	Left	942107 ♦	D-280-100	--	--
2001	5.7L	1GMXV05.7081	LEV1 LEV	All	Right	942106LB •	D-280-100	--	--
2001	5.7L	1GMXV05.7081	LEV1 LEV	All	Right	942106 ♦	D-280-100	--	--
2001	5.7L	1GMXV05.7081	LEV1 LEV	All	Underbody	--	--	940085	D-280-100
2000	5.7L	YGMXV05.7083	LEV1 LEV	All	Left	942107LB •	D-280-100	--	--
2000	5.7L	YGMXV05.7083	LEV1 LEV	All	Left	942107 ♦	D-280-100	--	--
2000	5.7L	YGMXV05.7083	LEV1 LEV	All	Right	942106LB •	D-280-100	--	--
2000	5.7L	YGMXV05.7083	LEV1 LEV	All	Right	942106 ♦	D-280-100	--	--
2000	5.7L	YGMXV05.7083	LEV1 LEV	All	Underbody	--	--	940105	D-280-100
1999	5.7L	XGMXV05.7082	TLEV	All	Underbody	--	--	940105	D-280-100
1999	5.7L	XGMXV05.7082	TLEV	All	Underbody Left	942107 ♦	D-280-100	--	--
1999	5.7L	XGMXV05.7082	TLEV	All	Underbody Right	942033 ♦	D-280-100	--	--
1998	5.7L	WGMXV05.7082	TIER1	All	Left	942107LB •	D-280-100	--	--
1998	5.7L	WGMXV05.7082	TIER1	All	Left	942107 ♦	D-280-100	--	--
1998	5.7L	WGMXV05.7082	TIER1	All	Right	942033LB •	D-280-100	--	--
1998	5.7L	WGMXV05.7082	TIER1	All	Right	942033 ♦	D-280-100	--	--
1998	5.7L	WGMXV05.7082	TIER1	All	Underbody	--	--	940105	D-280-100
1997	5.7L	VGM5.7V8G1EK	TIER1	All	Right	942062 ♦	D-280-100	--	--
1997	5.7L	VGM5.7V8G1EK	TIER1	All	Underbody	--	--	940106	D-280-100
1997	5.7L	VGM5.7V8G1EK	TIER1	All	Underbody Left	942162LB •	D-280-100	--	--
1997	5.7L	VGM5.7V8G1EK	TIER1	All	Underbody Left	942162 ♦	D-280-100	--	--
1997	5.7L	VGM5.7V8G1EK	TIER1	All	Underbody Right	942062LB •	D-280-100	--	--
1996	5.7L	TGM5.7V8GFKEK	TIER1	All	Left	942162LB •	D-280-100	--	--
1996	5.7L	TGM5.7V8GFKEK	TIER1	All	Left	942162 ♦	D-280-100	--	--
1996	5.7L	TGM5.7V8GFKEK	TIER1	All	Right	942062LB •	D-280-100	--	--
1996	5.7L	TGM5.7V8GFKEK	TIER1	All	Right	942062 ♦	D-280-100	--	--
1996	5.7L	TGM5.7V8GFKEK	TIER1	All	Underbody	--	--	940106	D-280-100
1995	5.7L	S1G5.7V8G1EA	TIER1	All	Left	942162LB •	D-280-100	--	--
1995	5.7L	S1G5.7V8G1EA	TIER1	All	Left	942162 ♦	D-280-100	--	--
1995	5.7L	S1G5.7V8G1EA	TIER1	All	Right	942062LB •	D-280-100	--	--
1995	5.7L	S1G5.7V8G1EA	TIER1	All	Right	942062 ♦	D-280-100	--	--
1995	5.7L	S1G5.7V8G1EA	TIER1	All	Underbody	--	--	940106	D-280-100

- Standard Oval Converter
- Large Oval Converter

Legal Note: In Compliance with California Emissions Requirements

APPLICATION GUIDE



OBD II

APPLICATION

Year	Eng. Size	Test Group/ Engine Family	Certification Level	Application	Location	Direct Fit Number	Exec. Order	Consol. Number	Exec. Order
Chevrolet (Cont.)									
Caprice									
V8									
1996	4.3L	TGM4.3V8GFEK	TIER1	All	Underbody	942404LB •	D-280-100	--	--
1996	4.3L	TGM4.3V8GFEK	TIER1	All	Underbody	942404	D-280-100	--	--
1996	4.3L	TGM4.3V8GFEK	TIER1	All	Underbody	942403LB •	D-280-100	--	--
1996	4.3L	TGM4.3V8GFEK	TIER1	All	Underbody	942403	D-280-100	--	--
1996	4.3L	TGM4.3V8GFEK	TIER1	All	Underbody	--	--	940635	D-280-100
1995	4.3L	S1G4.3V8G1EA	TIER1	All	Underbody	942404LB •	D-280-100	--	--
1995	4.3L	S1G4.3V8G1EA	TIER1	All	Underbody	942404	D-280-100	--	--
1995	4.3L	S1G4.3V8G1EA	TIER1	All	Underbody	942403LB •	D-280-100	--	--
1995	4.3L	S1G4.3V8G1EA	TIER1	All	Underbody	942403	D-280-100	--	--
1995	4.3L	S1G4.3V8G1EA	TIER1	All	Underbody	--	--	940635	D-280-100
1996	5.7L	TGM5.7V8GFEK	TIER1	All	Underbody	942404LB •	D-280-100	--	--
1996	5.7L	TGM5.7V8GFEK	TIER1	All	Underbody	942404	D-280-100	--	--
1996	5.7L	TGM5.7V8GFEK	TIER1	All	Underbody	942403LB •	D-280-100	--	--
1996	5.7L	TGM5.7V8GFEK	TIER1	All	Underbody	942403	D-280-100	--	--
1996	5.7L	TGM5.7V8GFEK	TIER1	All	Underbody	--	--	940635	D-280-100
1995	5.7L	S1G5.7V8G1EA	TIER1	All	Underbody	942404LB •	D-280-100	--	--
1995	5.7L	S1G5.7V8G1EA	TIER1	All	Underbody	942404	D-280-100	--	--
1995	5.7L	S1G5.7V8G1EA	TIER1	All	Underbody	942403LB •	D-280-100	--	--
1995	5.7L	S1G5.7V8G1EA	TIER1	All	Underbody	942403	D-280-100	--	--
1995	5.7L	S1G5.7V8G1EA	TIER1	All	Underbody	--	--	940635	D-280-100
Captiva Sport									
L4									
2012	2.4L	CGMXJ02.4199	LEV2 ULEV	All	Front	741447	D-798	--	--
2012	2.4L	CGMXJ02.4199	LEV2 ULEV	All	Rear	744956	D-798	--	--
2012	2.4L	CGMXJ02.4199	LEV2 ULEV	All	Rear	--	--	747005	D-798
V6									
2012	3.0L	CGMXT03.0157	LEV2 ULEV	All	Front Left	741446	D-798	--	--
2012	3.0L	CGMXT03.0157	LEV2 ULEV	All	Front Right	741445	D-798	--	--
2012	3.0L	CGMXT03.0157	LEV2 ULEV	All	Rear	744957	D-798	--	--
2012	3.0L	CGMXT03.0157	LEV2 ULEV	All	Rear	--	--	747006	D-798
Cavalier									
L4									
2003	2.2L	3GMXV02.2025	LEV1 LEV	All	Underbody	944205	D-280-100	--	--
2003	2.2L	3GMXV02.2025	LEV1 LEV	All	Underbody	--	--	940104	D-280-100
2002	2.2L	2GMXV02.2024	TLEV	Eng. VIN Code F	Underbody	944205	D-280-100	--	--
2002	2.2L	2GMXV02.2024	TLEV	Eng. VIN Code F	Underbody	--	--	940104	D-280-100
2002	2.2L	2GMXV02.2024	TLEV	Eng. VIN Code 4	Underbody	942864	D-280-100	--	--
2002	2.2L	2GMXV02.2024	TLEV	Eng. VIN Code 4	Underbody	--	--	940104	D-280-100
2002	2.2L	2GMXV02.4022	LEV1 LEV	Eng. VIN Code F	Underbody	944205	D-280-100	--	--
2002	2.2L	2GMXV02.4022	LEV1 LEV	Eng. VIN Code F	Underbody	--	--	940104	D-280-100
2002	2.2L	2GMXV02.4022	LEV1 LEV	Eng. VIN Code 4	Underbody	942864	D-280-100	--	--
2002	2.2L	2GMXV02.4022	LEV1 LEV	Eng. VIN Code 4	Underbody	--	--	940104	D-280-100
2001	2.2L	1GMXV02.2024	TLEV	All	Underbody	942864	D-280-100	--	--
2001	2.2L	1GMXV02.2024	TLEV	All	Underbody	--	--	940104	D-280-100
2001	2.2L	1GMXV02.4022	LEV1 LEV	All	Underbody	942864	D-280-100	--	--
2001	2.2L	1GMXV02.4022	LEV1 LEV	All	Underbody	--	--	940104	D-280-100
2000	2.2L	YGMXV02.4022	LEV1 LEV	All	Underbody	942864	D-280-100	--	--
2000	2.2L	YGMXV02.4022	LEV1 LEV	All	Underbody	--	--	940104	D-280-100
2000	2.2L	YGMXX02.2023	TLEV	All	Underbody	942864	D-280-100	--	--
2000	2.2L	YGMXX02.2023	TLEV	All	Underbody	--	--	940104	D-280-100
1999	2.2L	XGMXV02.2022	TLEV	All	Underbody	942864	D-280-100	--	--
1999	2.2L	XGMXV02.2022	TLEV	All	Underbody	--	--	940104	D-280-100
1999	2.2L	XGMXV02.2023	LEV1 LEV	All	Underbody	942864	D-280-100	--	--
1999	2.2L	XGMXV02.2023	LEV1 LEV	All	Underbody	--	--	940104	D-280-100
1998	2.2L	WGMXV02.2022	TIER1	All	Underbody	942648	D-280-100	--	--
1998	2.2L	WGMXV02.2022	TIER1	All	Underbody	--	--	940104	D-280-100
1998	2.2L	WGMXV02.2023	TLEV	All	Underbody	942648	D-280-100	--	--
1998	2.2L	WGMXV02.2023	TLEV	All	Underbody	--	--	940104	D-280-100

- Large Oval Converter

Legal Note: In Compliance with California Emissions Requirements



CATCO
CATALYTIC CONVERTERS

EASTERN CATALYTIC

APPLICATION GUIDE

OBD II

APPLICATION

Year	Eng. Size	Test Group/ Engine Family	Certification Level	Application	Location	Direct Fit Number	Exec. Order	Consol. Number	Exec. Order
Chevrolet (Cont.)									
Cavalier (Cont.)									
L4 (Cont.)									
1997	2.2L	VGM2.2V8G1EK	TIER1	All	Underbody	942648	D-280-100	--	--
1997	2.2L	VGM2.2V8G1EK	TIER1	All	Underbody	--	--	940104	D-280-100
1997	2.2L	VGM2.2V8G1FK	TIER1	All	Underbody	850652	D-665-12	--	--
1997	2.2L	VGM2.2V8G2EK	TLEV	All	Underbody	942648	D-280-100	--	--
1997	2.2L	VGM2.2V8G2EK	TLEV	All	Underbody	--	--	940104	D-280-100
1996	2.2L	TGM2.2V8G2EK	TLEV	All	Underbody	942648	D-280-100	--	--
1996	2.2L	TGM2.2V8G2EK	TLEV	All	Underbody	--	--	940104	D-280-100
1996	2.2L	TGM2.2V8GKEK	TIER1	All	Underbody	942648	D-280-100	--	--
1996	2.2L	TGM2.2V8GKEK	TIER1	All	Underbody	--	--	940105	D-280-100
1995	2.2L	S1G2.2V7G2EA	TLEV	All	Underbody	--	--	940334	D-280-100
1995	2.2L	S1G2.2V7GFEA	TIER1	All	Underbody	--	--	940334	D-280-100
1995	2.3L	S1G2.3VJGFEA	TIER1	All	Underbody	--	--	940334	D-280-100
2002	2.4L	2GMXV02.4022	LEV1 LEV	All	Underbody	942877	D-280-100	--	--
2002	2.4L	2GMXV02.4022	LEV1 LEV	All	Underbody	--	--	940104	D-280-100
2001	2.4L	1GMXV02.4022	LEV1 LEV	All	Underbody	942877	D-280-100	--	--
2001	2.4L	1GMXV02.4022	LEV1 LEV	All	Underbody	--	--	940104	D-280-100
2000	2.4L	YGMXV02.4022	LEV1 LEV	All	Underbody	942877	D-280-100	--	--
2000	2.4L	YGMXV02.4022	LEV1 LEV	All	Underbody	--	--	940104	D-280-100
1999	2.4L	XGMXV02.4027	LEV1 LEV	All	Underbody	942877	D-280-100	--	--
1999	2.4L	XGMXV02.4027	LEV1 LEV	All	Underbody	--	--	940104	D-280-100
1998	2.4L	WGMXV02.4025	TIER1	All	Underbody	940107	D-280-100	--	--
1998	2.4L	WGMXV02.4025	TIER1	All	Underbody	--	--	940334	D-280-100
1998	2.4L	WGMXV02.4026	TLEV	All	Underbody	942107 ♦	D-280-100	--	--
1998	2.4L	WGMXV02.4026	TLEV	All	Underbody	--	--	940104	D-280-100
1997	2.4L	VGM2.4VJG1EK	TIER1	All	Underbody	940107	D-280-100	--	--
1997	2.4L	VGM2.4VJG1EK	TIER1	All	Underbody	--	--	940334	D-280-100
1997	2.4L	VGM2.4VJG2EK	TLEV	All	Underbody	942107 ♦	D-280-100	--	--
1997	2.4L	VGM2.4VJG2EK	TLEV	All	Underbody	--	--	940104	D-280-100
1996	2.4L	TGM2.4VJG2EK	TLEV	All	Underbody	942107 ♦	D-280-100	--	--
1996	2.4L	TGM2.4VJG2EK	TLEV	All	Underbody	--	--	940104	D-280-100
1996	2.4L	TGM2.4VJGKEK	TIER1	All	Underbody	942107 ♦	D-280-100	--	--
1996	2.4L	TGM2.4VJGKEK	TIER1	All	Underbody	--	--	940104	D-280-100
Classic									
L4									
2005	2.2L	5GMXV02.2027	LEV1 LEV	All	Front	944539	D-280-100	--	--
2004	2.2L	4GMXV02.2027	LEV1 LEV	All	Front	944539	D-280-100	--	--
2004	2.2L	4GMXV02.2027	LEV1 LEV	All	Underbody	--	--	940004	D-280-100
Cobalt									
L4									
2010	2.0L	9GMXV02.0021	LEV2 LEV	All	Front	--	--	760005	D-280-105
2010	2.0L	9GMXV02.0021	LEV2 LEV	All	Rear	--	--	760005	D-280-105
2009	2.0L	9GMXV02.0021	LEV2 LEV	All	Front	--	--	760005	D-280-105
2009	2.0L	9GMXV02.0021	LEV2 LEV	All	Rear	--	--	760005	D-280-105
2008	2.0L	8GMXV02.0021	LEV2 LEV	All	Front	--	--	760005	D-280-105
2008	2.0L	8GMXV02.0021	LEV2 LEV	All	Rear	--	--	760005	D-280-105
2007	2.0L	7GMXV02.0018	LEV2 LEV	M/T	Underbody	764705	D-280-105	--	--
2007	2.0L	7GMXV02.0018	LEV2 LEV	All	Underbody	--	--	760005	D-280-105
2006	2.0L	6GMXV02.0018	LEV1 ULEV	M/T	Underbody	764705	D-280-105	--	--
2006	2.0L	6GMXV02.0018	LEV1 ULEV	All	Underbody	--	--	760005	D-280-105
2005	2.0L	5GMXV02.0018	LEV1 ULEV	M/T	Underbody	764705	D-280-105	--	--
2005	2.0L	5GMXV02.0018	LEV1 ULEV	All	Underbody	--	--	760005	D-280-105
2010	2.2L	AGMXV02.4027	LEV2 LEV	A/T	Underbody	764284	D-280-105	--	--
2010	2.2L	AGMXV02.4027	LEV2 LEV	All	Front	--	--	760005	D-280-105
2010	2.2L	AGMXV02.4027	LEV2 LEV	All	Rear	--	--	760005	D-280-105
2009	2.2L	9GMXV02.4027	LEV2 LEV	A/T	Underbody	764284	D-280-105	--	--
2009	2.2L	9GMXV02.4027	LEV2 LEV	All	Front	--	--	760004	D-280-105
2009	2.2L	9GMXV02.4027	LEV2 LEV	All	Rear	--	--	760004	D-280-105
2008	2.2L	8GMXV02.4025	LEV2 LEV	A/T	Underbody	764284	D-280-105	--	--

- ♦ Standard Oval Converter
- Legal Note: In Compliance with California Emissions Requirements

APPLICATION GUIDE



OBD II

APPLICATION

Year	Eng. Size	Test Group/ Engine Family	Certification Level	Application	Location	Direct Fit Number	Exec. Order	Consol. Number	Exec. Order
Chevrolet (Cont.)									
Cobalt (Cont.)									
L4 (Cont.)									
2008	2.2L	8GMXV02.4025	LEV2 LEV	All	Front	--	--	760005	D-280-105
2008	2.2L	8GMXV02.4025	LEV2 LEV	All	Rear	--	--	760005	D-280-105
2005	2.2L	5GMXV02.2026	LEV2 LEV	All	Underbody	--	--	760005	D-280-105
2005	2.2L	5GMXV02.2026	LEV2 LEV	A/T	Underbody	764015	D-280-105	--	--
2008	2.4L	8GMXV02.4025	LEV2 LEV	All	Front	--	--	760005	D-280-105
2008	2.4L	8GMXV02.4025	LEV2 LEV	All	Rear	--	--	760005	D-280-105
2008	2.4L	8GMXV02.4025	LEV2 LEV	A/T	Underbody	764284	D-280-105	--	--
2007	2.4L	7GMXV02.4029	LEV2 LEV	All	Underbody	--	--	760005	D-280-105
2007	2.4L	7GMXV02.4029	LEV2 LEV	A/T	Underbody	764015	D-280-105	--	--
2006	2.4L	6GMXV02.4029	LEV2 LEV	All	Underbody	--	--	760005	D-280-105
2006	2.4L	6GMXV02.4029	LEV2 LEV	A/T	Underbody	764015	D-280-105	--	--
Colorado									
L4									
2006	2.8L	6GMXT02.8189	LEV2 LEV	All	Front	741216	D-798	--	--
2006	2.8L	6GMXT02.8189	LEV2 LEV	All	Rear	--	--	747335	D-798
2006	2.8L	6GMXT02.8189	LEV2 LEV	All	Underbody	749216	D-798	--	--
2005	2.8L	5GMXT02.8189	LEV1 ULEV	All	Front	741216	D-798	--	--
2005	2.8L	5GMXT02.8189	LEV1 ULEV	All	Rear	--	--	747335	D-798
2005	2.8L	5GMXT02.8189	LEV1 ULEV	All	Underbody	749216	D-798	--	--
2004	2.8L	4GMXT02.8189	LEV1 ULEV	All	Front	741216	D-798	--	--
2004	2.8L	4GMXT02.8189	LEV1 ULEV	All	Rear	--	--	747335	D-798
2004	2.8L	4GMXT02.8189	LEV1 ULEV	All	Underbody	749216	D-798	--	--
2012	2.9L	CGMXT02.9190	LEV2 ULEV	All	Front	741227	D-798	--	--
2012	2.9L	CGMXT02.9190	LEV2 ULEV	All	Rear	--	--	747335	D-798
2012	2.9L	CGMXT02.9190	LEV2 ULEV	All	Underbody	749216	D-798	--	--
2011	2.9L	BGMXT02.9190	LEV2 ULEV	All	Front	741227	D-798	--	--
2011	2.9L	BGMXT02.9190	LEV2 ULEV	All	Rear	--	--	747335	D-798
2011	2.9L	BGMXT02.9190	LEV2 ULEV	All	Underbody	749216	D-798	--	--
2010	2.9L	AGMXT02.9190	LEV2 ULEV	All	Front	741227	D-798	--	--
2010	2.9L	AGMXT02.9190	LEV2 ULEV	All	Rear	--	--	747335	D-798
2010	2.9L	AGMXT02.9190	LEV2 ULEV	All	Underbody	749216	D-798	--	--
2009	2.9L	9GMXT02.9190	LEV2 ULEV	All	Front	741227	D-798	--	--
2009	2.9L	9GMXT02.9190	LEV2 ULEV	All	Rear	--	--	747335	D-798
2009	2.9L	9GMXT02.9190	LEV2 ULEV	All	Underbody	749216	D-798	--	--
2008	2.9L	8GMXT02.9190	LEV2 ULEV	All	Front	741227	D-798	--	--
2008	2.9L	8GMXT02.9190	LEV2 ULEV	All	Rear	--	--	747335	D-798
2008	2.9L	8GMXT02.9190	LEV2 ULEV	All	Underbody	749216	D-798	--	--
2007	2.9L	7GMXT02.9189	LEV2 LEV	All	Front	741227	D-798	--	--
2007	2.9L	7GMXT02.9189	LEV2 LEV	All	Rear	--	--	747335	D-798
2007	2.9L	7GMXT02.9189	LEV2 LEV	All	Underbody	749216	D-798	--	--
L5									
2006	3.5L	6GMXT03.5187	LEV1 ULEV	All	Front	744487	D-798	--	--
2006	3.5L	6GMXT03.5187	LEV1 ULEV	All	Rear	--	--	747335	D-798
2006	3.5L	6GMXT03.5187	LEV1 ULEV	All	Underbody	749216	D-798	--	--
2005	3.5L	5GMXT03.5188	LEV1 ULEV	All	Front	744487	D-798	--	--
2005	3.5L	5GMXT03.5188	LEV1 ULEV	All	Rear	--	--	747335	D-798
2005	3.5L	5GMXT03.5188	LEV1 ULEV	All	Underbody	749216	D-798	--	--
2004	3.5L	4GMXT03.5188	LEV1 ULEV	All	Front	744487	D-798	--	--
2004	3.5L	4GMXT03.5188	LEV1 ULEV	All	Rear	--	--	747335	D-798
2004	3.5L	4GMXT03.5188	LEV1 ULEV	All	Underbody	749216	D-798	--	--
2012	3.7L	CGMXT03.7188	LEV2 ULEV	All	Front	741226	D-798	--	--
2012	3.7L	CGMXT03.7188	LEV2 ULEV	All	Rear	--	--	747335	D-798
2012	3.7L	CGMXT03.7188	LEV2 ULEV	All	Underbody	749216	D-798	--	--
2011	3.7L	BGMXT03.7188	LEV2 ULEV	All	Front	741226	D-798	--	--
2011	3.7L	BGMXT03.7188	LEV2 ULEV	All	Rear	--	--	747335	D-798
2011	3.7L	BGMXT03.7188	LEV2 ULEV	All	Underbody	749216	D-798	--	--

Legal Note: In Compliance with California Emissions Requirements



CATCO
CATALYTIC CONVERTERS

EASTERN CATALYTIC

APPLICATION GUIDE

OBD II

APPLICATION

Year	Eng. Size	Test Group/ Engine Family	Certification Level	Application	Location	Direct Fit Number	Exec. Order	Consol. Number	Exec. Order
Chevrolet (Cont.)									
Colorado (Cont.)									
L5 (Cont.)									
2010	3.7L	AGMXT03.7188	LEV2 ULEV	All	Front	741226	D-798	--	--
2010	3.7L	AGMXT03.7188	LEV2 ULEV	All	Rear	--	--	747335	D-798
2010	3.7L	AGMXT03.7188	LEV2 ULEV	All	Underbody	749216	D-798	--	--
2009	3.7L	9GMXT03.7188	LEV2 ULEV	All	Front	741226	D-798	--	--
2009	3.7L	9GMXT03.7188	LEV2 ULEV	All	Rear	--	--	747335	D-798
2009	3.7L	9GMXT03.7188	LEV2 ULEV	All	Underbody	749216	D-798	--	--
2008	3.7L	8GMXT03.7188	LEV2 ULEV	All	Front	741226	D-798	--	--
2008	3.7L	8GMXT03.7188	LEV2 ULEV	All	Rear	--	--	747035	D-798
2008	3.7L	8GMXT03.7188	LEV2 ULEV	All	Underbody	749216	D-798	--	--
2007	3.7L	7GMXT03.7187	LEV2 LEV	All	Front	741226	D-798	--	--
2007	3.7L	7GMXT03.7187	LEV2 LEV	All	Rear	--	--	747335	D-798
2007	3.7L	7GMXT03.7187	LEV2 LEV	All	Underbody	749216	D-798	--	--
V8									
2012	5.3L	CGMXT05.3377	LEV2 ULEV	All	Front Left	749549	D-798	--	--
2012	5.3L	CGMXT05.3377	LEV2 ULEV	All	Front Left	--	--	740725	D-798
2012	5.3L	CGMXT05.3377	LEV2 ULEV	All	Front Right	749550	D-798	--	--
2012	5.3L	CGMXT05.3377	LEV2 ULEV	All	Front Right	--	--	740725	D-798
2012	5.3L	CGMXT05.3377	LEV2 ULEV	All	Rear Left	--	--	747335	D-798
2012	5.3L	CGMXT05.3377	LEV2 ULEV	All	Rear Right	--	--	747335	D-798
2011	5.3L	BGMXT05.3377	LEV2 ULEV	All	Front Left	749549	D-798	--	--
2011	5.3L	BGMXT05.3377	LEV2 ULEV	All	Front Left	--	--	740725	D-798
2011	5.3L	BGMXT05.3377	LEV2 ULEV	All	Front Right	749550	D-798	--	--
2011	5.3L	BGMXT05.3377	LEV2 ULEV	All	Front Right	--	--	740725	D-798
2011	5.3L	BGMXT05.3377	LEV2 ULEV	All	Rear Left	--	--	747335	D-798
2011	5.3L	BGMXT05.3377	LEV2 ULEV	All	Rear Right	--	--	747335	D-798
2010	5.3L	AGMXT05.3377	LEV2 ULEV	All	Front Left	749549	D-798	--	--
2010	5.3L	AGMXT05.3377	LEV2 ULEV	All	Front Left	--	--	740725	D-798
2010	5.3L	AGMXT05.3377	LEV2 ULEV	All	Front Right	749550	D-798	--	--
2010	5.3L	AGMXT05.3377	LEV2 ULEV	All	Front Right	--	--	740725	D-798
2010	5.3L	AGMXT05.3377	LEV2 ULEV	All	Rear Left	--	--	747335	D-798
2010	5.3L	AGMXT05.3377	LEV2 ULEV	All	Rear Right	--	--	747335	D-798
2009	5.3L	9GMXT05.3377	LEV2 ULEV	All	Front Left	749549	D-798	--	--
2009	5.3L	9GMXT05.3377	LEV2 ULEV	All	Front Left	--	--	740725	D-798
2009	5.3L	9GMXT05.3377	LEV2 ULEV	All	Front Right	749550	D-798	--	--
2009	5.3L	9GMXT05.3377	LEV2 ULEV	All	Front Right	--	--	740725	D-798
2009	5.3L	9GMXT05.3377	LEV2 ULEV	All	Rear Left	--	--	747335	D-798
2009	5.3L	9GMXT05.3377	LEV2 ULEV	All	Rear Right	--	--	747335	D-798
Corsica									
L4									
1996	2.2L	TGM2.2V8G2EK	TLEV	All	Underbody	942817	D-280-100	--	--
1996	2.2L	TGM2.2V8G2EK	TLEV	All	Underbody	--	--	940104	D-280-100
1996	2.2L	TGM2.2V8GKEK	TIER1	All	Underbody	942817	D-280-100	--	--
1996	2.2L	TGM2.2V8GKEK	TIER1	All	Underbody	--	--	940104	D-280-100
V6									
1996	3.1L	TGM3.1V8GFEK	TIER1	All	Underbody	944862	D-280-100	--	--
1996	3.1L	TGM3.1V8GFEK	TIER1	All	Underbody	--	--	940335	D-280-100
Corvette									
V8									
2004	5.7L	4GMXV05.7081	LEV1 LEV	All	Front Left	--	--	940106	D-280-100
2004	5.7L	4GMXV05.7081	LEV1 LEV	All	Front Right	--	--	940106	D-280-100
2004	5.7L	4GMXV05.7081	LEV1 LEV	All	Rear Left	--	--	940636	D-280-100
2004	5.7L	4GMXV05.7081	LEV1 LEV	All	Rear Right	--	--	940636	D-280-100
2004	5.7L	4GMXV05.7081	LEV1 LEV	All	Underbody	949203	D-280-100	--	--
2004	5.7L	4GMXV05.7081	LEV1 LEV	All	Underbody	759203	D-280-102	--	--
2004	5.7L	4GMXV05.7081	LEV1 LEV	All	Underbody	--	--	755006	D-280-102
2004	5.7L	4GMXV05.7082	LEV1 LEV	All	Underbody	942187LB •	D-280-100	--	--
2004	5.7L	4GMXV05.7082	LEV1 LEV	All	Underbody	--	--	940636	D-280-100

• Large Oval Converter
Legal Note: In Compliance with California Emissions Requirements

APPLICATION GUIDE



OBD II

APPLICATION

Year	Eng. Size	Test Group/ Engine Family	Certification Level	Application	Location	Direct Fit Number	Exec. Order	Consol. Number	Exec. Order
Chevrolet (Cont.)									
Corvette (Cont.)									
V8 (Cont.)									
2003	5.7L	3GMXV05.7081	LEV1 LEV	All	Front Left	--	--	940106	D-280-100
2003	5.7L	3GMXV05.7081	LEV1 LEV	All	Front Right	--	--	940106	D-280-100
2003	5.7L	3GMXV05.7081	LEV1 LEV	All	Rear Left	--	--	940636	D-280-100
2003	5.7L	3GMXV05.7081	LEV1 LEV	All	Rear Right	--	--	940636	D-280-100
2003	5.7L	3GMXV05.7081	LEV1 LEV	All	Underbody	949203	D-280-100	--	--
2003	5.7L	3GMXV05.7082	LEV1 LEV	All	Underbody	942187LB •	D-280-100	--	--
2003	5.7L	3GMXV05.7082	LEV1 LEV	All	Underbody	--	--	940636	D-280-100
2002	5.7L	2GMXV05.7081	LEV1 LEV	All	Front Left	--	--	940106	D-280-100
2002	5.7L	2GMXV05.7081	LEV1 LEV	All	Front Right	--	--	940106	D-280-100
2002	5.7L	2GMXV05.7081	LEV1 LEV	All	Rear Left	--	--	940636	D-280-100
2002	5.7L	2GMXV05.7081	LEV1 LEV	All	Rear Right	--	--	940636	D-280-100
2002	5.7L	2GMXV05.7081	LEV1 LEV	All	Underbody	949203	D-280-100	--	--
2002	5.7L	2GMXV05.7082	LEV1 LEV	All	Underbody	942187LB •	D-280-100	--	--
2002	5.7L	2GMXV05.7082	LEV1 LEV	All	Underbody	--	--	940636	D-280-100
2001	5.7L	1GMXV05.7081	LEV1 LEV	All	Front Left	--	--	940106	D-280-100
2001	5.7L	1GMXV05.7081	LEV1 LEV	All	Front Right	--	--	940106	D-280-100
2001	5.7L	1GMXV05.7081	LEV1 LEV	All	Rear Left	--	--	940636	D-280-100
2001	5.7L	1GMXV05.7081	LEV1 LEV	All	Rear Right	--	--	940636	D-280-100
2001	5.7L	1GMXV05.7081	LEV1 LEV	All	Underbody	949203	D-280-100	--	--
2000	5.7L	YGMXV05.7084	LEV1 LEV	All	Front Left	--	--	940106	D-280-100
2000	5.7L	YGMXV05.7084	LEV1 LEV	All	Front Right	--	--	940106	D-280-100
2000	5.7L	YGMXV05.7084	LEV1 LEV	All	Rear Left	--	--	940636	D-280-100
2000	5.7L	YGMXV05.7084	LEV1 LEV	All	Rear Right	--	--	940636	D-280-100
2000	5.7L	YGMXV05.7084	LEV1 LEV	All	Underbody	949203	D-280-100	--	--
1999	5.7L	XGMXV05.7084	TIER1	All	Underbody	942032	D-280-100	--	--
1999	5.7L	XGMXV05.7084	TIER1	All	Underbody	--	--	940106	D-280-100
1998	5.7L	WGMXV05.7081	TIER1	All	Underbody	942032	D-280-100	--	--
1998	5.7L	WGMXV05.7081	TIER1	All	Underbody	--	--	940106	D-280-100
1997	5.7L	VGM5.7V8G1EK	TIER1	All	Underbody	942032	D-280-100	--	--
1997	5.7L	VGM5.7V8G1EK	TIER1	All	Underbody	--	--	940106	D-280-100
1996	5.7L	TGM5.7V8GFGK	TIER1	Eng. Code P	Underbody Left	942131	D-280-100	--	--
1996	5.7L	TGM5.7V8GFGK	TIER1	Eng. Code P	Underbody Right	942130	D-280-100	--	--
1995	5.7L	S1G5.7V8G1GA	TIER1	Eng. Code P	Underbody Left	942131	D-280-100	--	--
1995	5.7L	S1G5.7V8G1GA	TIER1	Eng. Code P	Underbody Right	942130	D-280-100	--	--
Equinox									
L4									
2013	2.4L	DGMXJ02.4199	LEV2 ULEV	All	Front	745221	D-798	--	--
2013	2.4L	DGMXJ02.4199	LEV2 ULEV	All	Front	--	--	740725	D-798
2013	2.4L	DGMXJ02.4199	LEV2 ULEV	All	Rear	744012	D-798	--	--
2013	2.4L	DGMXJ02.4199	LEV2 ULEV	All	Rear	--	--	747336	D-798
2012	2.4L	CGMXJ02.4151	LEV2 ULEV	All	Front	745221	D-798	--	--
2012	2.4L	CGMXJ02.4151	LEV2 ULEV	All	Front	--	--	740725	D-798
2012	2.4L	CGMXJ02.4151	LEV2 ULEV	All	Rear	744012	D-798	--	--
2012	2.4L	CGMXJ02.4151	LEV2 ULEV	All	Rear	--	--	747336	D-798
2012	2.4L	CGMXJ02.4199	LEV2 ULEV	All	Front	745221	D-798	--	--
2012	2.4L	CGMXJ02.4199	LEV2 ULEV	All	Front	--	--	740725	D-798
2012	2.4L	CGMXJ02.4199	LEV2 ULEV	All	Rear	744012	D-798	--	--
2012	2.4L	CGMXJ02.4199	LEV2 ULEV	All	Rear	--	--	747336	D-798
2011	2.4L	BGMXJ02.4151	LEV2 ULEV	All	Front	745221	D-798	--	--
2011	2.4L	BGMXJ02.4151	LEV2 ULEV	All	Front	--	--	740725	D-798
2011	2.4L	BGMXJ02.4151	LEV2 ULEV	All	Rear	744012	D-798	--	--
2011	2.4L	BGMXJ02.4151	LEV2 ULEV	All	Rear	--	--	747336	D-798
2010	2.4L	AGMXJ02.4151	LEV2 ULEV	All	Front	745221	D-798	--	--
2010	2.4L	AGMXJ02.4151	LEV2 ULEV	All	Front	--	--	740725	D-798
2010	2.4L	AGMXJ02.4151	LEV2 ULEV	All	Rear	744012	D-798	--	--
2010	2.4L	AGMXJ02.4151	LEV2 ULEV	All	Rear	--	--	747336	D-798

- Large Oval Converter
Legal Note: In Compliance with California Emissions Requirements



CATCO
CATALYTIC CONVERTERS

EASTERN CATALYTIC

APPLICATION GUIDE

OBD II

APPLICATION

Year	Eng. Size	Test Group/ Engine Family	Certification Level	Application	Location	Direct Fit Number	Exec. Order	Consol. Number	Exec. Order
Chevrolet (Cont.)									
Equinox (Cont.)									
V6									
2012	3.0L	CGMXT03.0157	LEV2 ULEV	All	Front Left	741350	D-798	--	--
2012	3.0L	CGMXT03.0157	LEV2 ULEV	All	Front Right	741207	D-798	--	--
2012	3.0L	CGMXT03.0157	LEV2 ULEV	All	Rear	--	--	747336	D-798
2012	3.0L	CGMXT03.0157	LEV2 ULEV	All	Underbody	744692	D-798	--	--
2012	3.0L	CGMXT03.0159	LEV2 ULEV	All	Front Left	741350	D-798	--	--
2012	3.0L	CGMXT03.0159	LEV2 ULEV	All	Front Right	741207	D-798	--	--
2012	3.0L	CGMXT03.0159	LEV2 ULEV	All	Rear	--	--	747336	D-798
2012	3.0L	CGMXT03.0159	LEV2 ULEV	All	Underbody	744692	D-798	--	--
2011	3.0L	BGMXJ03.0157	LEV2 ULEV	All	Front Left	741206	D-798	--	--
2011	3.0L	BGMXJ03.0157	LEV2 ULEV	All	Front Right	741207	D-798	--	--
2011	3.0L	BGMXJ03.0157	LEV2 ULEV	All	Rear	--	--	747336	D-798
2011	3.0L	BGMXJ03.0157	LEV2 ULEV	All	Underbody	744692	D-798	--	--
2010	3.0L	AGMXJ03.0157	LEV2 ULEV	All	Front Left	741206	D-798	--	--
2010	3.0L	AGMXJ03.0157	LEV2 ULEV	All	Front Right	741207	D-798	--	--
2010	3.0L	AGMXJ03.0157	LEV2 ULEV	All	Rear	--	--	747336	D-798
2010	3.0L	AGMXJ03.0157	LEV2 ULEV	All	Underbody	744692	D-798	--	--
2009	3.4L	9GMXT03.4146	LEV2 ULEV	All	Underbody	744357	D-798	--	--
2009	3.4L	9GMXT03.4146	LEV2 ULEV	All	Underbody	--	--	740776	D-798
2008	3.4L	8GMXB03.8146	LEV2 ULEV	All	Underbody	744357	D-798	--	--
2008	3.4L	8GMXB03.8146	LEV2 ULEV	All	Underbody	--	--	740776	D-798
2007	3.4L	7GMXB03.5048	LEV2 ULEV	All	Underbody	744357	D-798	--	--
2007	3.4L	7GMXB03.5048	LEV2 ULEV	All	Underbody	--	--	740776	D-798
2006	3.4L	6GMXB03.9146	LEV2 LEV	All	Underbody	744357	D-798	--	--
2006	3.4L	6GMXB03.9146	LEV2 LEV	All	Underbody	--	--	740776	D-798
2005	3.4L	5GMXX03.8148	LEV2 LEV	All	Underbody	744357	D-798	--	--
2005	3.4L	5GMXX03.8148	LEV2 LEV	All	Underbody	--	--	740776	D-798
2013	3.6L	DGMXJ03.6165	LEV2 ULEV	All	Front Left	741350	D-798	--	--
2013	3.6L	DGMXJ03.6165	LEV2 ULEV	All	Front Right	741207	D-798	--	--
2013	3.6L	DGMXJ03.6165	LEV2 ULEV	All	Rear	--	--	747336	D-798
2009	3.6L	9GMXJ03.9142	LEV2 LEV	All	Front Left	744444	D-798	--	--
2009	3.6L	9GMXJ03.9142	LEV2 LEV	All	Front Right	744445	D-798	--	--
2008	3.6L	8GMXB03.6148	LEV2 LEV	All	Front Left	744444	D-798	--	--
2008	3.6L	8GMXB03.6148	LEV2 LEV	All	Front Right	744445	D-798	--	--
Express 1500									
V6									
2013	4.3L	DGMXT04.3186	LEV2 LEV	2WD	Front Left	--	--	740006	D-798
2013	4.3L	DGMXT04.3186	LEV2 LEV	2WD	Front Right	--	--	740006	D-798
2013	4.3L	DGMXT04.3186	LEV2 LEV	2WD	Rear	--	--	747336	D-798
2013	4.3L	DGMXT04.3186	LEV2 LEV	2WD	Underbody	749872	D-798	--	--
2012	4.3L	CGMXT04.3186	LEV2 LEV	2WD	Front Left	--	--	740036	D-798
2012	4.3L	CGMXT04.3186	LEV2 LEV	2WD	Front Right	--	--	740036	D-798
2012	4.3L	CGMXT04.3186	LEV2 LEV	2WD	Rear	--	--	747336	D-798
2012	4.3L	CGMXT04.3186	LEV2 LEV	2WD	Underbody	749872	D-798	--	--
2011	4.3L	BGMXT04.3186	LEV2 LEV	2WD	Front Left	--	--	740036	D-798
2011	4.3L	BGMXT04.3186	LEV2 LEV	2WD	Front Right	--	--	740036	D-798
2011	4.3L	BGMXT04.3186	LEV2 LEV	2WD	Rear	--	--	747336	D-798
2011	4.3L	BGMXT04.3186	LEV2 LEV	2WD	Underbody	749872	D-798	--	--
2010	4.3L	AGMXT04.3186	LEV2 LEV	2WD	Front Left	--	--	740036	D-798
2010	4.3L	AGMXT04.3186	LEV2 LEV	2WD	Front Right	--	--	740036	D-798
2010	4.3L	AGMXT04.3186	LEV2 LEV	2WD	Rear	--	--	747336	D-798
2010	4.3L	AGMXT04.3186	LEV2 LEV	2WD	Underbody	749872	D-798	--	--
2009	4.3L	9GMXT04.3186	LEV2 LEV	2WD	Front Left	--	--	740036	D-798
2009	4.3L	9GMXT04.3186	LEV2 LEV	2WD	Front Right	--	--	740036	D-798
2009	4.3L	9GMXT04.3186	LEV2 LEV	2WD	Rear	--	--	747336	D-798
2009	4.3L	9GMXT04.3186	LEV2 LEV	2WD	Underbody	749872	D-798	--	--
2008	4.3L	8GMXT04.3186	LEV2 LEV	All	Front Left	--	--	740036	D-798
2008	4.3L	8GMXT04.3186	LEV2 LEV	All	Front Right	--	--	740036	D-798
2008	4.3L	8GMXT04.3186	LEV2 LEV	All	Underbody	749991	D-798	--	--

Legal Note: In Compliance with California Emissions Requirements

APPLICATION GUIDE



OBD II

APPLICATION

Year	Eng. Size	Test Group/ Engine Family	Certification Level	Application	Location	Direct Fit Number	Exec. Order	Consol. Number	Exec. Order
Chevrolet (Cont.)									
Express 1500 (Cont.)									
V6 (Cont.)									
2007	4.3L	7GMXT04.3186	LEV2 LEV	All	Front Left	--	--	740036	D-798
2007	4.3L	7GMXT04.3186	LEV2 LEV	All	Front Right	--	--	740036	D-798
2007	4.3L	7GMXT04.3186	LEV2 LEV	All	Underbody	749991	D-798	--	--
2006	4.3L	6GMXT04.3181	LEV1 LEV	All	Underbody	640571	D-665-18	--	--
2006	4.3L	6GMXT04.3184	LEV1 LEV	2WD	Underbody	919991	D-280-101	--	--
2005	4.3L	5GMXT04.3184	LEV1 LEV	2WD	Underbody	919991	D-280-101	--	--
2004	4.3L	4GMXT04.3184	LEV1 LEV	All	Underbody	919991	D-280-101	--	--
2004	4.3L	4GMXT04.3184	LEV1 LEV	All	Underbody	--	--	912005	D-280-101
2003	4.3L	3GMXT04.3184	LEV1 LEV	All	Underbody	919991	D-280-101	--	--
2003	4.3L	3GMXT04.3184	LEV1 LEV	All	Underbody Left	--	--	912006	D-280-101
2003	4.3L	3GMXT04.3184	LEV1 LEV	All	Underbody Right	--	--	912006	D-280-101
2002	4.3L	2GMXA04.3192	LEV1 LEV	All	Underbody	912019	D-280-101	--	--
2002	4.3L	2GMXA04.3192	LEV1 LEV	All	Underbody	--	--	912013	D-280-101
2001	4.3L	1GMXA04.3192	LEV1 LEV	All	Underbody	912019	D-280-101	--	--
2001	4.3L	1GMXA04.3192	LEV1 LEV	All	Underbody	--	--	912013	D-280-101
2000	4.3L	YGMXA04.3192	LEV1 LEV	All	Underbody	912019	D-280-101	--	--
2000	4.3L	YGMXA04.3192	LEV1 LEV	All	Underbody	--	--	912013	D-280-101
1999	4.3L	XGMXA04.3190	TIER1	All	Underbody	912649	D-280-101	--	--
1999	4.3L	XGMXA04.3190	TIER1	All	Underbody	--	--	912007	D-280-101
1999	4.3L	XGMXA04.3192	TIER1	All	Underbody	912649	D-280-101	--	--
1999	4.3L	XGMXA04.3192	TIER1	All	Underbody	--	--	912007	D-280-101
1998	4.3L	WGMXA04.3190	TIER1	All	Underbody	912649	D-280-101	--	--
1998	4.3L	WGMXA04.3190	TIER1	All	Underbody	--	--	912007	D-280-101
1998	4.3L	WGMXA04.3192	TIER1	All	Underbody	912649	D-280-101	--	--
1998	4.3L	WGMXA04.3192	TIER1	All	Underbody	--	--	912007	D-280-101
1997	4.3L	VGM4.3HPG1EK	TIER1	Under 8500 lbs GVW	Underbody	640544	D-665-18	--	--
1997	4.3L	VGM4.3JPG1EK	TIER1	All	Underbody	912649	D-280-101	--	--
1997	4.3L	VGM4.3JPG1EK	TIER1	All	Underbody	--	--	912006	D-280-101
1996	4.3L	TGM4.35PGFEK	TIER1	All	Underbody	912649	D-280-101	--	--
1996	4.3L	TGM4.35PGFEK	TIER1	All	Underbody	--	--	912013	D-280-101
1996	4.3L	TGM4.38PGBEK	TIER1	All	Underbody	912649	D-280-101	--	--
1996	4.3L	TGM4.38PGBEK	TIER1	All	Underbody	--	--	912007	D-280-101
V8									
2002	5.0L	2GMXT05.0181	TIER1	All	Underbody	912019	D-280-101	--	--
2002	5.0L	2GMXT05.0181	TIER1	All	Underbody	--	--	912013	D-280-101
2002	5.0L	2GMXT05.0182	TIER1	All	Underbody	912019	D-280-101	--	--
2002	5.0L	2GMXT05.0182	TIER1	All	Underbody	--	--	912013	D-280-101
2001	5.0L	1GMXA05.0181	TIER1	RWD	Underbody	865522	D-665-14	--	--
2001	5.0L	1GMXA05.0182	TIER1	RWD	Underbody	865522	D-665-14	--	--
2001	5.0L	1GMXT05.0181	TIER1	All	Underbody	912019	D-280-101	--	--
2001	5.0L	1GMXT05.0181	TIER1	All	Underbody	--	--	912013	D-280-101
2001	5.0L	1GMXT05.0182	TIER1	All	Underbody	912019	D-280-101	--	--
2001	5.0L	1GMXT05.0182	TIER1	All	Underbody	--	--	912013	D-280-101
2000	5.0L	YGMXT05.7188	TIER1	All	Underbody	912019	D-280-101	--	--
2000	5.0L	YGMXT05.7188	TIER1	All	Underbody	--	--	912013	D-280-101
2000	5.0L	YGMXT05.7189	TIER1	All	Underbody	912019	D-280-101	--	--
2000	5.0L	YGMXT05.7189	TIER1	All	Underbody	--	--	912013	D-280-101
1999	5.0L	XGMXA05.0182	TIER1	All	Underbody	912649	D-280-101	--	--
1999	5.0L	XGMXA05.0182	TIER1	All	Underbody	--	--	912007	D-280-101
1999	5.0L	XGMXA05.0184	TIER1	All	Underbody	912649	D-280-101	--	--
1999	5.0L	XGMXA05.0184	TIER1	All	Underbody	--	--	912007	D-280-101
1998	5.0L	WGMXA05.0182	TIER1	All	Underbody	912649	D-280-101	--	--
1998	5.0L	WGMXA05.0182	TIER1	All	Underbody	--	--	912007	D-280-101
1998	5.0L	WGMXA05.0184	TIER1	All	Underbody	912649	D-280-101	--	--
1998	5.0L	WGMXA05.0184	TIER1	All	Underbody	--	--	912007	D-280-101
1997	5.0L	VGM5.0HPG1EK	TIER1	All	Underbody	912649	D-280-101	--	--
1997	5.0L	VGM5.0HPG1EK	TIER1	All	Underbody	--	--	912006	D-280-101
1997	5.0L	VGM5.0JPG1EK	TIER1	All	Underbody	912649	D-280-101	--	--
1997	5.0L	VGM5.0JPG1EK	TIER1	All	Underbody	--	--	912006	D-280-101

Legal Note: In Compliance with California Emissions Requirements



CATCO
CATALYTIC CONVERTERS

EASTERN CATALYTIC

APPLICATION GUIDE

OBD II

APPLICATION

Year	Eng. Size	Test Group/ Engine Family	Certification Level	Application	Location	Direct Fit Number	Exec. Order	Consol. Number	Exec. Order
Chevrolet (Cont.)									
Express 1500 (Cont.)									
V8 (Cont.)									
1996	5.0L	TGM5.0HPG1EK	TIER1	All	Underbody	912649	D-280-101	--	--
1996	5.0L	TGM5.0HPG1EK	TIER1	All	Underbody	--	--	912013	D-280-101
1996	5.0L	TGM5.0JPG1EK	TIER1	All	Underbody	912649	D-280-101	--	--
1996	5.0L	TGM5.0JPG1EK	TIER1	All	Underbody	--	--	912013	D-280-101
2013	5.3L	DGMXT05.3381	LEV2 ULEV	2WD	Front Left	--	--	740006	D-798
2013	5.3L	DGMXT05.3381	LEV2 ULEV	2WD	Front Right	--	--	740006	D-798
2013	5.3L	DGMXT05.3381	LEV2 ULEV	2WD	Rear	--	--	747336	D-798
2013	5.3L	DGMXT05.3381	LEV2 ULEV	2WD	Underbody	749872	D-798	--	--
2012	5.3L	CGMXT05.3381	LEV2 ULEV	All	Front Left	--	--	740006	D-798
2012	5.3L	CGMXT05.3381	LEV2 ULEV	All	Front Right	--	--	740006	D-798
2012	5.3L	CGMXT05.3381	LEV2 ULEV	All	Rear	--	--	747336	D-798
2012	5.3L	CGMXT05.3381	LEV2 ULEV	All	Underbody	749872	D-798	--	--
2011	5.3L	BGMXT05.3381	LEV2 ULEV	All	Front Left	--	--	740006	D-798
2011	5.3L	BGMXT05.3381	LEV2 ULEV	All	Front Right	--	--	740006	D-798
2011	5.3L	BGMXT05.3381	LEV2 ULEV	All	Rear	--	--	747336	D-798
2011	5.3L	BGMXT05.3381	LEV2 ULEV	All	Underbody	749872	D-798	--	--
2010	5.3L	AGMXT05.3381	LEV2 ULEV	All	Front Left	--	--	740006	D-798
2010	5.3L	AGMXT05.3381	LEV2 ULEV	All	Front Right	--	--	740006	D-798
2010	5.3L	AGMXT05.3381	LEV2 ULEV	All	Rear	--	--	747336	D-798
2010	5.3L	AGMXT05.3381	LEV2 ULEV	All	Underbody	749872	D-798	--	--
2009	5.3L	9GMXT05.3380	LEV2 ULEV	All	Front Left	--	--	740006	D-798
2009	5.3L	9GMXT05.3380	LEV2 ULEV	All	Front Right	--	--	740006	D-798
2009	5.3L	9GMXT05.3380	LEV2 ULEV	All	Rear	--	--	747336	D-798
2009	5.3L	9GMXT05.3380	LEV2 ULEV	All	Underbody	749872	D-798	--	--
2009	5.3L	9GMXT05.3381	LEV2 ULEV	All	Front Left	--	--	740006	D-798
2009	5.3L	9GMXT05.3381	LEV2 ULEV	All	Front Right	--	--	740006	D-798
2009	5.3L	9GMXT05.3381	LEV2 ULEV	All	Rear	--	--	747336	D-798
2009	5.3L	9GMXT05.3381	LEV2 ULEV	All	Underbody	749872	D-798	--	--
2008	5.3L	8GMXT05.3384	LEV2 LEV	All	Front Left	--	--	740006	D-798
2008	5.3L	8GMXT05.3384	LEV2 LEV	All	Front Right	--	--	740006	D-798
2008	5.3L	8GMXT05.3384	LEV2 LEV	All	Underbody	749991	D-798	--	--
2007	5.3L	7GMXT05.3373	LEV2 LEV	All	Front Left	--	--	740006	D-798
2007	5.3L	7GMXT05.3373	LEV2 LEV	All	Front Right	--	--	740006	D-798
2007	5.3L	7GMXT05.3373	LEV2 LEV	All	Underbody	749991	D-798	--	--
2007	5.3L	7GMXT05.3384	LEV2 LEV	All	Front Left	--	--	740006	D-798
2007	5.3L	7GMXT05.3384	LEV2 LEV	All	Front Right	--	--	740006	D-798
2007	5.3L	7GMXT05.3384	LEV2 LEV	All	Underbody	749991	D-798	--	--
2005	5.3L	5GMXT05.3170	LEV1 LEV	2WD	Underbody	919991	D-280-101	--	--
2005	5.3L	5GMXT05.3174	LEV1 ULEV	All	Front Left	--	--	732006	D-280-107
2005	5.3L	5GMXT05.3174	LEV1 ULEV	All	Front Right	--	--	732006	D-280-107
2005	5.3L	5GMXT05.3174	LEV1 ULEV	All	Underbody	739991	D-280-107	--	--
2004	5.3L	4GMXT05.3170	LEV1 LEV	All	Underbody	919991	D-280-101	--	--
2004	5.3L	4GMXT05.3170	LEV1 LEV	All	Underbody	--	--	912005	D-280-101
2004	5.3L	4GMXT05.3174	LEV1 ULEV	All	Front Left	--	--	732006	D-280-107
2004	5.3L	4GMXT05.3174	LEV1 ULEV	All	Front Right	--	--	732006	D-280-107
2004	5.3L	4GMXT05.3174	LEV1 ULEV	All	Underbody	739991	D-280-107	--	--
2003	5.3L	3GMXT05.3183	LEV1 LEV	All	Underbody	919991	D-280-101	--	--
2003	5.3L	3GMXT05.3183	LEV1 LEV	All	Underbody Left	--	--	912006	D-280-101
2003	5.3L	3GMXT05.3183	LEV1 LEV	All	Underbody Right	--	--	912006	D-280-101
2003	5.3L	3GMXT05.3184	LEV1 LEV	All	Underbody	919991	D-280-101	--	--
2003	5.3L	3GMXT05.3184	LEV1 LEV	All	Underbody	--	--	912005	D-280-101
2003	5.3L	3GMXT05.3184	LEV1 LEV	All	Underbody Left	--	--	912006	D-280-101
2003	5.3L	3GMXT05.3184	LEV1 LEV	All	Underbody Right	--	--	912006	D-280-101
2002	5.7L	2GMXA06.0188	LEV1 LEV	All	Front Left	--	--	912006	D-280-101
2002	5.7L	2GMXA06.0188	LEV1 LEV	All	Front Right	--	--	912006	D-280-101
2002	5.7L	2GMXA06.0188	LEV1 LEV	All	Rear Left	--	--	912006	D-280-101
2002	5.7L	2GMXA06.0188	LEV1 LEV	All	Rear Right	--	--	912006	D-280-101

Legal Note: In Compliance with California Emissions Requirements

APPLICATION GUIDE



OBD II

APPLICATION

Year	Eng. Size	Test Group/ Engine Family	Certification Level	Application	Location	Direct Fit Number	Exec. Order	Consol. Number	Exec. Order
Chevrolet (Cont.)									
Express 1500 (Cont.)									
V8 (Cont.)									
2002	5.7L	2GMXA06.0194	LEV1 LEV	All	Underbody	919278	D-280-101	--	--
2002	5.7L	2GMXA06.0194	LEV1 LEV	All	Underbody	--	--	912007	D-280-101
2002	5.7L	2GMXA06.0194	LEV1 LEV	All	Underbody Left	--	--	912006	D-280-101
2002	5.7L	2GMXA06.0194	LEV1 LEV	All	Underbody Right	--	--	912006	D-280-101
2001	5.7L	1GMXA06.0188	LEV1 LEV	All	Front Left	--	--	912006	D-280-101
2001	5.7L	1GMXA06.0188	LEV1 LEV	All	Front Right	--	--	912006	D-280-101
2001	5.7L	1GMXA06.0188	LEV1 LEV	All	Rear Left	--	--	912006	D-280-101
2001	5.7L	1GMXA06.0188	LEV1 LEV	All	Rear Right	--	--	912006	D-280-101
2001	5.7L	1GMXA06.0188	LEV1 LEV	All	Underbody Left	919916	D-280-101	--	--
2001	5.7L	1GMXA06.0188	LEV1 LEV	All	Underbody Right	919917	D-280-101	--	--
2001	5.7L	1GMXA06.0194	LEV1 LEV	All	Underbody Left	919916	D-280-101	--	--
2001	5.7L	1GMXA06.0194	LEV1 LEV	All	Underbody Left	--	--	912006	D-280-101
2001	5.7L	1GMXA06.0194	LEV1 LEV	All	Underbody Right	919917	D-280-101	--	--
2001	5.7L	1GMXA06.0194	LEV1 LEV	All	Underbody Right	--	--	912006	D-280-101
2000	5.7L	YGMXA05.7185	LEV1 LEV	All	Underbody	919880	D-280-101	--	--
2000	5.7L	YGMXA05.7185	LEV1 LEV	All	Underbody Left	--	--	912005R	D-280-101
2000	5.7L	YGMXA05.7185	LEV1 LEV	All	Underbody Right	--	--	912005R	D-280-101
2000	5.7L	YGMXA05.7191	TIER1	All	Underbody	919880	D-280-101	--	--
2000	5.7L	YGMXA05.7191	TIER1	All	Underbody Left	--	--	912006	D-280-101
2000	5.7L	YGMXA05.7191	TIER1	All	Underbody Right	--	--	912006	D-280-101
1999	5.7L	XGMXA05.7184	TIER1	All	Underbody Left	912043	D-280-101	--	--
1999	5.7L	XGMXA05.7184	TIER1	All	Underbody Left	--	--	912006	D-280-101
1999	5.7L	XGMXA05.7184	TIER1	All	Underbody Right	912042	D-280-101	--	--
1999	5.7L	XGMXA05.7184	TIER1	All	Underbody Right	--	--	912006	D-280-101
1999	5.7L	XGMXA05.7187	TIER1	All	Underbody Left	912043	D-280-101	--	--
1999	5.7L	XGMXA05.7187	TIER1	All	Underbody Left	--	--	912007	D-280-101
1999	5.7L	XGMXA05.7187	TIER1	All	Underbody Right	912042	D-280-101	--	--
1999	5.7L	XGMXA05.7187	TIER1	All	Underbody Right	--	--	912007	D-280-101
1998	5.7L	WGMXA05.7184	TIER1	All	Underbody Left	912043	D-280-101	--	--
1998	5.7L	WGMXA05.7184	TIER1	All	Underbody Left	--	--	912007	D-280-101
1998	5.7L	WGMXA05.7184	TIER1	All	Underbody Right	912042	D-280-101	--	--
1998	5.7L	WGMXA05.7184	TIER1	All	Underbody Right	--	--	912007	D-280-101
1998	5.7L	WGMXA05.7187	TIER1	All	Underbody Left	912081	D-280-101	--	--
1998	5.7L	WGMXA05.7187	TIER1	All	Underbody Left	--	--	912007	D-280-101
1998	5.7L	WGMXA05.7187	TIER1	All	Underbody Right	912080	D-280-101	--	--
1998	5.7L	WGMXA05.7187	TIER1	All	Underbody Right	--	--	912007	D-280-101
1997	5.7L	VGM5.7JPG1EK	TIER1	All	Underbody Left	912043	D-280-101	--	--
1997	5.7L	VGM5.7JPG1EK	TIER1	All	Underbody Left	--	--	912007	D-280-101
1997	5.7L	VGM5.7JPG1EK	TIER1	All	Underbody Right	912042	D-280-101	--	--
1997	5.7L	VGM5.7JPG1EK	TIER1	All	Underbody Right	--	--	912007	D-280-101
1997	5.7L	VGM5.7JPG1GK	TIER1	All	Underbody Left	912043	D-280-101	--	--
1997	5.7L	VGM5.7JPG1GK	TIER1	All	Underbody Left	--	--	912005	D-280-101
1997	5.7L	VGM5.7JPG1GK	TIER1	All	Underbody Right	912042	D-280-101	--	--
1997	5.7L	VGM5.7JPG1GK	TIER1	All	Underbody Right	--	--	912005	D-280-101
1996	5.7L	TGM5.76PGFEK	TIER1	All	Underbody Left	912043	D-280-101	--	--
1996	5.7L	TGM5.76PGFEK	TIER1	All	Underbody Left	--	--	912006	D-280-101
1996	5.7L	TGM5.76PGFEK	TIER1	All	Underbody Right	912042	D-280-101	--	--
1996	5.7L	TGM5.76PGFEK	TIER1	All	Underbody Right	--	--	912006	D-280-101
Express 2500									
V6									
2005	4.3L	5GMXT04.3184	LEV1 LEV	2WD	Underbody	919991	D-280-101	--	--
2004	4.3L	4GMXT04.3184	LEV1 LEV	All	Underbody	919991	D-280-101	--	--
2004	4.3L	4GMXT04.3184	LEV1 LEV	All	Underbody	--	--	912005	D-280-101
2003	4.3L	3GMXT04.3184	LEV1 LEV	All	Underbody	919991	D-280-101	--	--
2003	4.3L	3GMXT04.3184	LEV1 LEV	All	Underbody Left	--	--	912006	D-280-101
2003	4.3L	3GMXT04.3184	LEV1 LEV	All	Underbody Right	--	--	912006	D-280-101
2002	4.3L	2GMXA04.3192	LEV1 LEV	All	Underbody	912019	D-280-101	--	--
2002	4.3L	2GMXA04.3192	LEV1 LEV	All	Underbody	--	--	912013	D-280-101

Legal Note: In Compliance with California Emissions Requirements



CATCO
CATALYTIC CONVERTERS

EASTERN CATALYTIC

APPLICATION GUIDE

OBD II

APPLICATION

Year	Eng. Size	Test Group/ Engine Family	Certification Level	Application	Location	Direct Fit Number	Exec. Order	Consol. Number	Exec. Order
Chevrolet (Cont.)									
Express 2500 (Cont.)									
V6 (Cont.)									
2001	4.3L	1GMXA04.3192	LEV1 LEV	All	Underbody	912019	D-280-101	--	--
2001	4.3L	1GMXA04.3192	LEV1 LEV	All	Underbody	--	--	912013	D-280-101
2000	4.3L	YGMXA04.3192	LEV1 LEV	All	Underbody	912019	D-280-101	--	--
2000	4.3L	YGMXA04.3192	LEV1 LEV	All	Underbody	--	--	912013	D-280-101
1999	4.3L	XGMXA04.3192	TIER1	All	Underbody	912649	D-280-101	--	--
1999	4.3L	XGMXA04.3192	TIER1	All	Underbody	--	--	912007	D-280-101
1998	4.3L	WGMXA04.3192	TIER1	All	Underbody	912649	D-280-101	--	--
1998	4.3L	WGMXA04.3192	TIER1	All	Underbody	--	--	912007	D-280-101
1997	4.3L	VGM4.3HPG1EK	TIER1	Under 8500 lbs GVW	Underbody	640544	D-665-18	--	--
1997	4.3L	VGM4.3HPG1EK	TIER1	Over 8500 lbs GVW	Underbody	640557	D-665-18	--	--
1997	4.3L	VGM4.3JPG1EK	TIER1	All	Underbody	912649	D-280-101	--	--
1997	4.3L	VGM4.3JPG1EK	TIER1	All	Underbody	--	--	912006	D-280-101
1996	4.3L	TGM4.35PGFEK	TIER1	All	Underbody	912649	D-280-101	--	--
1996	4.3L	TGM4.35PGFEK	TIER1	All	Underbody	--	--	912013	D-280-101
1996	4.3L	TGM4.38PGBEK	TIER1	All	Underbody	912649	D-280-101	--	--
1996	4.3L	TGM4.38PGBEK	TIER1	All	Underbody	--	--	912007	D-280-101
V8									
2006	4.8L	6GMXT04.8372	LEV2 LEV	All	Front Left	--	--	736006	D-280-107
2006	4.8L	6GMXT04.8372	LEV2 LEV	All	Front Right	--	--	736006	D-280-107
2006	4.8L	6GMXT04.8372	LEV2 LEV	All	Rear Left	733001	D-280-107	--	--
2006	4.8L	6GMXT04.8372	LEV2 LEV	All	Rear Left	--	--	733016	D-280-107
2006	4.8L	6GMXT04.8372	LEV2 LEV	All	Rear Right	733002	D-280-107	--	--
2006	4.8L	6GMXT04.8372	LEV2 LEV	All	Rear Right	--	--	733016	D-280-107
2005	4.8L	5GMXA04.8172	LEV1 LEV	2WD	Underbody Left	919992	D-280-101	--	--
2005	4.8L	5GMXA04.8172	LEV1 LEV	2WD	Underbody Right	919993	D-280-101	--	--
2005	4.8L	5GMXT06.0191	LEV1 LEV	All	Underbody Left	919992	D-280-101	--	--
2005	4.8L	5GMXT06.0191	LEV1 LEV	All	Underbody Right	919993	D-280-101	--	--
2004	4.8L	4GMXA04.8172	LEV1 LEV	All	Underbody	--	--	910005R	D-280-101
2004	4.8L	4GMXA04.8172	LEV1 LEV	All	Underbody Left	919992	D-280-101	--	--
2004	4.8L	4GMXA04.8172	LEV1 LEV	All	Underbody Right	919993	D-280-101	--	--
2003	4.8L	3GMXA04.8172	LEV1 LEV	All	Front Left	--	--	912006	D-280-101
2003	4.8L	3GMXA04.8172	LEV1 LEV	All	Front Right	--	--	912006	D-280-101
2003	4.8L	3GMXA04.8172	LEV1 LEV	All	Rear Left	--	--	912006	D-280-101
2003	4.8L	3GMXA04.8172	LEV1 LEV	All	Rear Right	--	--	912006	D-280-101
2003	4.8L	3GMXA04.8172	LEV1 LEV	All	Underbody Left	919992	D-280-101	--	--
2003	4.8L	3GMXA04.8172	LEV1 LEV	All	Underbody Right	919993	D-280-101	--	--
2002	5.0L	2GMXT05.0181	TIER1	All	Underbody	912019	D-280-101	--	--
2002	5.0L	2GMXT05.0181	TIER1	All	Underbody	--	--	912013	D-280-101
2002	5.0L	2GMXT05.0182	TIER1	All	Underbody	912019	D-280-101	--	--
2001	5.0L	1GMXA05.0181	TIER1	RWD	Underbody	865522	D-665-14	--	--
2001	5.0L	1GMXA05.0182	TIER1	RWD	Underbody	865522	D-665-14	--	--
2001	5.0L	1GMXT05.0181	TIER1	All	Underbody	912019	D-280-101	--	--
2001	5.0L	1GMXT05.0181	TIER1	All	Underbody	--	--	912013	D-280-101
2001	5.0L	1GMXT05.0182	TIER1	All	Underbody	912019	D-280-101	--	--
2001	5.0L	1GMXT05.0182	TIER1	All	Underbody	--	--	912013	D-280-101
2000	5.0L	YGMXT05.7189	TIER1	All	Underbody	912019	D-280-101	--	--
2000	5.0L	YGMXT05.7189	TIER1	All	Underbody	--	--	912013	D-280-101
1999	5.0L	XGMXA05.0182	TIER1	All	Underbody	912649	D-280-101	--	--
1999	5.0L	XGMXA05.0182	TIER1	All	Underbody	--	--	912007	D-280-101
1999	5.0L	XGMXA05.0184	TIER1	All	Underbody	912649	D-280-101	--	--
1999	5.0L	XGMXA05.0184	TIER1	All	Underbody	--	--	912007	D-280-101
1998	5.0L	WGMXA05.0182	TIER1	All	Underbody	912649	D-280-101	--	--
1998	5.0L	WGMXA05.0182	TIER1	All	Underbody	--	--	912007	D-280-101
1998	5.0L	WGMXA05.0184	TIER1	All	Underbody	912649	D-280-101	--	--
1998	5.0L	WGMXA05.0184	TIER1	All	Underbody	--	--	912007	D-280-101
1997	5.0L	VGM5.0JPG1EK	TIER1	All	Underbody	912649	D-280-101	--	--
1997	5.0L	VGM5.0JPG1EK	TIER1	All	Underbody	--	--	912006	D-280-101
1996	5.0L	TGM5.0JPG1EK	TIER1	All	Underbody	912649	D-280-101	--	--
2005	5.3L	5GMXT05.3170	LEV1 LEV	2WD	Underbody	919991	D-280-101	--	--

Legal Note: In Compliance with California Emissions Requirements

APPLICATION GUIDE



OBD II

APPLICATION

Year	Eng. Size	Test Group/ Engine Family	Certification Level	Application	Location	Direct Fit Number	Exec. Order	Consol. Number	Exec. Order
Chevrolet (Cont.)									
Express 2500 (Cont.)									
V8 (Cont.)									
2005	5.3L	5GMXT05.3174	LEV1 ULEV	All	Front Left	--	--	732006	D-280-107
2005	5.3L	5GMXT05.3174	LEV1 ULEV	All	Front Right	--	--	732006	D-280-107
2004	5.3L	4GMXT05.3170	LEV1 LEV	All	Underbody	919991	D-280-101	--	--
2004	5.3L	4GMXT05.3170	LEV1 LEV	All	Underbody	--	--	912005	D-280-101
2004	5.3L	4GMXT05.3174	LEV1 ULEV	All	Front Left	--	--	732006	D-280-107
2004	5.3L	4GMXT05.3174	LEV1 ULEV	All	Front Right	--	--	732006	D-280-107
2003	5.3L	3GMXT05.3183	LEV1 LEV	All	Front Left	--	--	912006	D-280-101
2003	5.3L	3GMXT05.3183	LEV1 LEV	All	Front Right	--	--	912006	D-280-101
2003	5.3L	3GMXT05.3183	LEV1 LEV	All	Underbody	919991	D-280-101	--	--
2003	5.3L	3GMXT05.3183	LEV1 LEV	All	Underbody Right	--	--	910005R	D-280-101
2003	5.3L	3GMXT05.3184	LEV1 LEV	All	Underbody	919991	D-280-101	--	--
2003	5.3L	3GMXT05.3184	LEV1 LEV	All	Underbody	--	--	912005	D-280-101
2003	5.3L	3GMXT05.3184	LEV1 LEV	All	Underbody Left	--	--	912006	D-280-101
2003	5.3L	3GMXT05.3184	LEV1 LEV	All	Underbody Right	--	--	912006	D-280-101
2002	5.7L	2GMXA06.0188	LEV1 LEV	All	Front Left	--	--	912006	D-280-101
2002	5.7L	2GMXA06.0188	LEV1 LEV	All	Front Right	--	--	912006	D-280-101
2002	5.7L	2GMXA06.0188	LEV1 LEV	All	Rear Left	--	--	912006	D-280-101
2002	5.7L	2GMXA06.0188	LEV1 LEV	All	Rear Right	--	--	912006	D-280-101
2002	5.7L	2GMXA06.0194	LEV1 LEV	All	Underbody	919880	D-280-101	--	--
2002	5.7L	2GMXA06.0194	LEV1 LEV	All	Underbody	--	--	912007	D-280-101
2002	5.7L	2GMXA06.0194	LEV1 LEV	All	Underbody Left	--	--	912006	D-280-101
2002	5.7L	2GMXA06.0194	LEV1 LEV	All	Underbody Right	--	--	912006	D-280-101
2001	5.7L	1GMXA06.0188	LEV1 LEV	All	Front Left	--	--	912006	D-280-101
2001	5.7L	1GMXA06.0188	LEV1 LEV	All	Front Right	--	--	912006	D-280-101
2001	5.7L	1GMXA06.0188	LEV1 LEV	All	Rear Left	--	--	912006	D-280-101
2001	5.7L	1GMXA06.0188	LEV1 LEV	All	Rear Right	--	--	912006	D-280-101
2001	5.7L	1GMXA06.0188	LEV1 LEV	All	Underbody Left	919916	D-280-101	--	--
2001	5.7L	1GMXA06.0188	LEV1 LEV	All	Underbody Right	919917	D-280-101	--	--
2001	5.7L	1GMXA06.0194	LEV1 LEV	All	Underbody Left	919916	D-280-101	--	--
2001	5.7L	1GMXA06.0194	LEV1 LEV	All	Underbody Left	--	--	912006	D-280-101
2001	5.7L	1GMXA06.0194	LEV1 LEV	All	Underbody Right	919917	D-280-101	--	--
2001	5.7L	1GMXA06.0194	LEV1 LEV	All	Underbody Right	--	--	912006	D-280-101
2000	5.7L	YGMXA05.7185	LEV1 LEV	All	Underbody	919880	D-280-101	--	--
2000	5.7L	YGMXA05.7185	LEV1 LEV	All	Underbody Left	--	--	912006	D-280-101
2000	5.7L	YGMXA05.7185	LEV1 LEV	All	Underbody Right	--	--	912006	D-280-101
2000	5.7L	YGMXA05.7191	TIER1	All	Underbody	919880	D-280-101	--	--
2000	5.7L	YGMXA05.7191	TIER1	All	Underbody Left	--	--	912006	D-280-101
2000	5.7L	YGMXA05.7191	TIER1	All	Underbody Right	--	--	912006	D-280-101
2000	5.7L	YGMXT05.7188	TIER1	All	Underbody	640568	D-665-18	--	--
1999	5.7L	XGMXA05.7184	TIER1	All	Underbody Left	--	--	912006	D-280-101
1999	5.7L	XGMXA05.7184	TIER1	All	Underbody Right	--	--	912006	D-280-101
1999	5.7L	XGMXA05.7187	TIER1	All	Underbody Left	--	--	912007	D-280-101
1999	5.7L	XGMXA05.7187	TIER1	All	Underbody Right	--	--	912007	D-280-101
1998	5.7L	WGMXA05.7184	TIER1	All	Underbody Left	--	--	912007	D-280-101
1998	5.7L	WGMXA05.7184	TIER1	All	Underbody Right	--	--	912007	D-280-101
1998	5.7L	WGMXA05.7184	TIER1	Under 8500 lbs GVW	Underbody Left	912043	D-280-101	--	--
1998	5.7L	WGMXA05.7184	TIER1	Under 8500 lbs GVW	Underbody Right	912042	D-280-101	--	--
1998	5.7L	WGMXA05.7187	TIER1	All	Underbody Left	--	--	912007	D-280-101
1998	5.7L	WGMXA05.7187	TIER1	All	Underbody Right	--	--	912007	D-280-101
1998	5.7L	WGMXA05.7187	TIER1	Over 8500 lbs GVW	Underbody Left	912081	D-280-101	--	--
1998	5.7L	WGMXA05.7187	TIER1	Over 8500 lbs GVW	Underbody Right	912080	D-280-101	--	--
1997	5.7L	VGM5.7JPG1EK	TIER1	All	Underbody Left	--	--	912007	D-280-101
1997	5.7L	VGM5.7JPG1EK	TIER1	All	Underbody Right	--	--	912007	D-280-101
1997	5.7L	VGM5.7JPG1EK	TIER1	Over 8500 lbs GVW	Underbody Left	912081	D-280-101	--	--
1997	5.7L	VGM5.7JPG1EK	TIER1	Over 8500 lbs GVW	Underbody Right	912080	D-280-101	--	--

Legal Note: In Compliance with California Emissions Requirements



CATCO
CATALYTIC CONVERTERS

EASTERN CATALYTIC

APPLICATION GUIDE

OBD II

APPLICATION

Year	Eng. Size	Test Group/ Engine Family	Certification Level	Application	Location	Direct Fit Number	Exec. Order	Consol. Number	Exec. Order
Chevrolet (Cont.)									
Express 2500 (Cont.)									
V8 (Cont.)									
1997	5.7L	VGM5.7JPG1GK	TIER1	All	Underbody Left	912043	D-280-101	--	--
1997	5.7L	VGM5.7JPG1GK	TIER1	All	Underbody Left	--	--	912005	D-280-101
1997	5.7L	VGM5.7JPG1GK	TIER1	All	Underbody Right	912042	D-280-101	--	--
1997	5.7L	VGM5.7JPG1GK	TIER1	All	Underbody Right	--	--	912005R	D-280-101
1997	5.7L	VGM5.7JPG1GK	TIER1	All	Underbody Right	--	--	912005	D-280-101
1996	5.7L	TGM5.76PGFEK	TIER1	All	Underbody Left	912043	D-280-101	--	--
1996	5.7L	TGM5.76PGFEK	TIER1	All	Underbody Left	--	--	912006	D-280-101
1996	5.7L	TGM5.76PGFEK	TIER1	All	Underbody Right	912042	D-280-101	--	--
1996	5.7L	TGM5.76PGFEK	TIER1	All	Underbody Right	--	--	912006	D-280-101
1996	5.7L	TGM5.7JPG1EK	TIER1	All	Underbody Left	--	--	912007	D-280-101
1996	5.7L	TGM5.7JPG1EK	TIER1	All	Underbody Right	--	--	912007	D-280-101
2008	6.0L	8GMXT06.2394	LEV2 LEV	All	Front Left	744959	D-798	--	--
2008	6.0L	8GMXT06.2394	LEV2 LEV	All	Front Left	--	--	740006	D-798
2008	6.0L	8GMXT06.2394	LEV2 LEV	All	Front Right	744960	D-798	--	--
2008	6.0L	8GMXT06.2394	LEV2 LEV	All	Front Right	--	--	740006	D-798
2006	6.0L	6GMXT06.0389	LEV2 ULEV	All	Front Left	--	--	736006	D-280-107
2006	6.0L	6GMXT06.0389	LEV2 ULEV	All	Front Right	--	--	736006	D-280-107
2006	6.0L	6GMXT06.0389	LEV2 ULEV	All	Rear Left	--	--	733016	D-280-107
2006	6.0L	6GMXT06.0389	LEV2 ULEV	All	Rear Right	--	--	733016	D-280-107
2005	6.0L	5GMXA06.0189	LEV2 ULEV	All	Front Left	--	--	736006	D-280-107
2005	6.0L	5GMXA06.0189	LEV2 ULEV	All	Front Right	--	--	736006	D-280-107
2005	6.0L	5GMXA06.0189	LEV2 ULEV	All	Rear Left	--	--	733016	D-280-107
2005	6.0L	5GMXA06.0189	LEV2 ULEV	All	Rear Right	--	--	733016	D-280-107
2005	6.0L	5GMXA06.0189	LEV2 ULEV	All	Underbody Left	733001	D-280-107	--	--
2005	6.0L	5GMXA06.0189	LEV2 ULEV	All	Underbody Right	733002	D-280-107	--	--
2005	6.0L	5GMXT06.0191	LEV1 LEV	All	Underbody Left	919992	D-280-101	--	--
2005	6.0L	5GMXT06.0191	LEV1 LEV	All	Underbody Right	919993	D-280-101	--	--
2004	6.0L	4GMXA06.0189	LEV2 LEV	All	Front Left	--	--	736006	D-280-107
2004	6.0L	4GMXA06.0189	LEV2 LEV	All	Front Right	--	--	736006	D-280-107
2004	6.0L	4GMXA06.0189	LEV2 LEV	All	Rear Left	--	--	733016	D-280-107
2004	6.0L	4GMXA06.0189	LEV2 LEV	All	Rear Right	--	--	733016	D-280-107
2004	6.0L	4GMXA06.0189	LEV2 LEV	All	Underbody Left	733001	D-280-107	--	--
2004	6.0L	4GMXA06.0189	LEV2 LEV	All	Underbody Right	733002	D-280-107	--	--
2003	6.0L	3GMXA06.0189	LEV1 LEV	All	Rear Left	--	--	912007	D-280-101
2003	6.0L	3GMXA06.0189	LEV1 LEV	All	Rear Right	--	--	912007	D-280-101
2003	6.0L	3GMXA06.0189	LEV1 LEV	All	Underbody	--	--	910005R	D-280-101
2003	6.0L	3GMXA06.0189	LEV1 LEV	All	Underbody Left	919992	D-280-101	--	--
2003	6.0L	3GMXA06.0189	LEV1 LEV	All	Underbody Right	919993	D-280-101	--	--
Express 3500									
V8									
2006	4.8L	6GMXT04.8372	LEV2 LEV	All	Front Left	--	--	736006	D-280-107
2006	4.8L	6GMXT04.8372	LEV2 LEV	All	Front Right	--	--	736006	D-280-107
2006	4.8L	6GMXT04.8372	LEV2 LEV	All	Rear Left	--	--	733016	D-280-107
2006	4.8L	6GMXT04.8372	LEV2 LEV	All	Rear Right	--	--	733016	D-280-107
2005	4.8L	5GMXA04.8172	LEV1 LEV	All	Underbody Left	651594	D-665-20	--	--
2005	4.8L	5GMXA04.8172	LEV1 LEV	All	Underbody Right	651595	D-665-20	--	--
2005	4.8L	5GMXT06.0191	LEV1 LEV	All	Underbody Left	651594	D-665-20	--	--
2005	4.8L	5GMXT06.0191	LEV1 LEV	All	Underbody Right	651595	D-665-20	--	--
2002	5.7L	2GMXA06.0188	LEV1 LEV	All	Front Left	--	--	912006	D-280-101
2002	5.7L	2GMXA06.0188	LEV1 LEV	All	Front Right	--	--	912006	D-280-101
2002	5.7L	2GMXA06.0188	LEV1 LEV	All	Rear Left	--	--	912006	D-280-101
2002	5.7L	2GMXA06.0188	LEV1 LEV	All	Rear Right	--	--	912006	D-280-101
2000	5.7L	YGMXA05.7191	TIER1	All	Underbody Left	--	--	912007	D-280-101
2000	5.7L	YGMXA05.7191	TIER1	All	Underbody Right	--	--	912007	D-280-101
1999	5.7L	XGMXA05.7187	TIER1	All	Underbody Left	--	--	912006	D-280-101
1999	5.7L	XGMXA05.7187	TIER1	All	Underbody Right	--	--	912006	D-280-101
1998	5.7L	WGMXA05.7187	TIER1	All	Underbody Left	--	--	912007	D-280-101
1998	5.7L	WGMXA05.7187	TIER1	All	Underbody Right	--	--	912007	D-280-101

APPLICATION GUIDE



OBD II

APPLICATION

Year	Eng. Size	Test Group/ Engine Family	Certification Level	Application	Location	Direct Fit Number	Exec. Order	Consol. Number	Exec. Order
Chevrolet (Cont.)									
Express 3500 (Cont.)									
V8 (Cont.)									
1998	5.7L	WGMXA05.7187	TIER1	Over 8500 lbs GVW	Underbody Left	912081	D-280-101	--	--
1998	5.7L	WGMXA05.7187	TIER1	Over 8500 lbs GVW	Underbody Right	912080	D-280-101	--	--
1997	5.7L	VGM5.7JPG1EK	TIER1	All	Underbody Left	--	--	912007	D-280-101
1997	5.7L	VGM5.7JPG1EK	TIER1	All	Underbody Right	--	--	912007	D-280-101
1997	5.7L	VGM5.7JPG1EK	TIER1	Under 8500 lbs GVW	Underbody Left	912081	D-280-101	--	--
1997	5.7L	VGM5.7JPG1EK	TIER1	Under 8500 lbs GVW	Underbody Right	912080	D-280-101	--	--
1997	5.7L	VGM5.7JPG1GK	TIER1	All	Underbody Left	640555	D-665-18	--	--
1997	5.7L	VGM5.7JPG1GK	TIER1	All	Underbody Right	640554	D-665-18	--	--
1996	5.7L	TGM5.7JPG1EK	TIER1	All	Underbody Left	--	--	912007	D-280-101
1996	5.7L	TGM5.7JPG1EK	TIER1	All	Underbody Right	--	--	912007	D-280-101
2008	6.0L	8GMXT06.2394	LEV2 LEV	All	Front Left	744959	D-798	--	--
2008	6.0L	8GMXT06.2394	LEV2 LEV	All	Front Left	--	--	740006	D-798
2008	6.0L	8GMXT06.2394	LEV2 LEV	All	Front Right	744960	D-798	--	--
2008	6.0L	8GMXT06.2394	LEV2 LEV	All	Front Right	--	--	740006	D-798
2006	6.0L	6GMXT06.0389	LEV2 ULEV	All	Front Left	--	--	736006	D-280-107
2006	6.0L	6GMXT06.0389	LEV2 ULEV	All	Front Right	--	--	736006	D-280-107
2006	6.0L	6GMXT06.0389	LEV2 ULEV	All	Rear Left	--	--	733016	D-280-107
2006	6.0L	6GMXT06.0389	LEV2 ULEV	All	Rear Right	--	--	733016	D-280-107
2005	6.0L	5GMXA06.0189	LEV2 ULEV	All	Front Left	--	--	736006	D-280-107
2005	6.0L	5GMXA06.0189	LEV2 ULEV	All	Front Right	--	--	736006	D-280-107
2005	6.0L	5GMXA06.0189	LEV2 ULEV	All	Rear Left	--	--	733016	D-280-107
2005	6.0L	5GMXA06.0189	LEV2 ULEV	All	Rear Right	--	--	733016	D-280-107
2005	6.0L	5GMXA06.0189	LEV2 ULEV	All	Underbody Left	733001	D-280-107	--	--
2005	6.0L	5GMXA06.0189	LEV2 ULEV	All	Underbody Right	733002	D-280-107	--	--
2005	6.0L	5GMXT06.0191	LEV1 LEV	All	Underbody Left	919992	D-280-101	--	--
2005	6.0L	5GMXT06.0191	LEV1 LEV	All	Underbody Right	919993	D-280-101	--	--
2004	6.0L	4GMXA06.0189	LEV2 LEV	All	Front Left	--	--	736006	D-280-107
2004	6.0L	4GMXA06.0189	LEV2 LEV	All	Front Right	--	--	736006	D-280-107
2004	6.0L	4GMXA06.0189	LEV2 LEV	All	Rear Left	--	--	733016	D-280-107
2004	6.0L	4GMXA06.0189	LEV2 LEV	All	Rear Right	--	--	733016	D-280-107
2004	6.0L	4GMXA06.0189	LEV2 LEV	All	Underbody Left	733001	D-280-107	--	--
2004	6.0L	4GMXA06.0189	LEV2 LEV	All	Underbody Right	733002	D-280-107	--	--
2003	6.0L	3GMXA06.0189	LEV1 LEV	All	Rear Left	--	--	912007	D-280-101
2003	6.0L	3GMXA06.0189	LEV1 LEV	All	Rear Right	--	--	912007	D-280-101
2003	6.0L	3GMXA06.0189	LEV1 LEV	All	Underbody Left	919992	D-280-101	--	--
2003	6.0L	3GMXA06.0189	LEV1 LEV	All	Underbody Right	919993	D-280-101	--	--
2000	7.4L	YGMXA07.4201	TIER1	All	Underbody	--	--	912007	D-280-101
1999	7.4L	XGMXA07.4201	TIER1	All	Underbody Left	--	--	912007	D-280-101
1999	7.4L	XGMXA07.4201	TIER1	All	Underbody Right	--	--	912007	D-280-101
1998	7.4L	WGMXA07.4201	TIER1	All	Underbody Left	--	--	912007	D-280-101
1998	7.4L	WGMXA07.4201	TIER1	All	Underbody Right	--	--	912007	D-280-101
1997	7.4L	VGM7.4J8G1EK	TIER1	All	Underbody Left	--	--	912007	D-280-101
1997	7.4L	VGM7.4J8G1EK	TIER1	All	Underbody Right	--	--	912007	D-280-101
1996	7.4L	TGM7.4J8G1EK	TIER1	All	Underbody Left	--	--	912007	D-280-101
1996	7.4L	TGM7.4J8G1EK	TIER1	All	Underbody Right	--	--	912007	D-280-101
2002	8.1L	2GMXA08.1201	LEV1 LEV	All	Rear Left	--	--	912007	D-280-101
2002	8.1L	2GMXA08.1201	LEV1 LEV	All	Rear Right	--	--	912007	D-280-101
2001	8.1L	1GMXA08.1202	TIER1	All	Underbody Left	--	--	912006	D-280-101
2001	8.1L	1GMXA08.1202	TIER1	All	Underbody Right	--	--	912006	D-280-101
G30									
V8									
1996	5.7L	TGM5.7JPG1EK	TIER1	All	Underbody Left	912043	D-280-101	--	--
1996	5.7L	TGM5.7JPG1EK	TIER1	All	Underbody Left	--	--	912007	D-280-101
1996	5.7L	TGM5.7JPG1EK	TIER1	All	Underbody Right	912042	D-280-101	--	--
1996	5.7L	TGM5.7JPG1EK	TIER1	All	Underbody Right	--	--	912007	D-280-101

Legal Note: In Compliance with California Emissions Requirements



CATCO
CATALYTIC CONVERTERS

EASTERN CATALYTIC

APPLICATION GUIDE

OBD II

APPLICATION

Year	Eng. Size	Test Group/ Engine Family	Certification Level	Application	Location	Direct Fit Number	Exec. Order	Consol. Number	Exec. Order
Chevrolet (Cont.)									
G30 (Cont.)									
V8 (Cont.)									
1996	7.4L	TGM7.4J8G1EK	TIER1	All	Front	--	--	912006	D-280-101
1996	7.4L	TGM7.4J8G1EK	TIER1	All	Rear	--	--	912006	D-280-101
1996	7.4L	TGM7.4J8G1EK	TIER1	All	Underbody Left	--	--	912007	D-280-101
1996	7.4L	TGM7.4J8G1EK	TIER1	All	Underbody Right	--	--	912007	D-280-101
HHR									
L4									
2009	2.0L	9GMXV02.0021	LEV2 LEV	All	Front	--	--	760006	D-280-105
2009	2.0L	9GMXV02.0021	LEV2 LEV	All	Rear	--	--	760006	D-280-105
2008	2.0L	8GMXV02.0021	LEV2 LEV	All	Front	--	--	760006	D-280-105
2008	2.0L	8GMXV02.0021	LEV2 LEV	All	Rear	--	--	760006	D-280-105
2011	2.2L	BGMXV02.4033	LEV2 ULEV	A/T	Underbody	764284	D-280-105	--	--
2011	2.2L	BGMXV02.4033	LEV2 ULEV	All	Front	--	--	760005	D-280-105
2011	2.2L	BGMXV02.4033	LEV2 ULEV	All	Rear	--	--	760005	D-280-105
2010	2.2L	AGMXV02.4033	LEV2 ULEV	A/T	Underbody	764284	D-280-105	--	--
2010	2.2L	AGMXV02.4033	LEV2 ULEV	All	Front	--	--	760005	D-280-105
2010	2.2L	AGMXV02.4033	LEV2 ULEV	All	Rear	--	--	760005	D-280-105
2009	2.2L	9GMXV02.4033	LEV2 ULEV	A/T	Underbody	764284	D-280-105	--	--
2009	2.2L	9GMXV02.4033	LEV2 ULEV	All	Front	--	--	760005	D-280-105
2009	2.2L	9GMXV02.4033	LEV2 ULEV	All	Rear	--	--	760005	D-280-105
2008	2.2L	8GMXV02.4032	LEV2 ULEV	A/T	Underbody	764284	D-280-105	--	--
2008	2.2L	8GMXV02.4032	LEV2 ULEV	All	Front	--	--	760005	D-280-105
2008	2.2L	8GMXV02.4032	LEV2 ULEV	All	Rear	--	--	760005	D-280-105
2007	2.2L	7GMXV02.4029	LEV2 LEV	All	Underbody	--	--	760005	D-280-105
2006	2.2L	6GMXV02.4029	LEV2 LEV	All	Underbody	--	--	760005	D-280-105
2011	2.4L	BGMXV02.4033	LEV2 ULEV	A/T	Underbody	764284	D-280-105	--	--
2011	2.4L	BGMXV02.4033	LEV2 ULEV	All	Front	--	--	760005	D-280-105
2011	2.4L	BGMXV02.4033	LEV2 ULEV	All	Rear	--	--	760005	D-280-105
2010	2.4L	AGMXV02.4033	LEV2 ULEV	A/T	Underbody	764284	D-280-105	--	--
2010	2.4L	AGMXV02.4033	LEV2 ULEV	All	Front	--	--	760005	D-280-105
2010	2.4L	AGMXV02.4033	LEV2 ULEV	All	Rear	--	--	760005	D-280-105
2009	2.4L	9GMXV02.4033	LEV2 ULEV	A/T	Underbody	764284	D-280-105	--	--
2009	2.4L	9GMXV02.4033	LEV2 ULEV	All	Front	--	--	760005	D-280-105
2009	2.4L	9GMXV02.4033	LEV2 ULEV	All	Rear	--	--	760005	D-280-105
2008	2.4L	8GMXV02.4032	LEV2 ULEV	A/T	Underbody	764284	D-280-105	--	--
2008	2.4L	8GMXV02.4032	LEV2 ULEV	All	Front	--	--	760005	D-280-105
2008	2.4L	8GMXV02.4032	LEV2 ULEV	All	Rear	--	--	760005	D-280-105
2007	2.4L	7GMXV02.4029	LEV2 LEV	All	Underbody	--	--	760005	D-280-105
2006	2.4L	6GMXV02.4029	LEV2 LEV	All	Underbody	--	--	760005	D-280-105
Impala									
V6									
2005	3.4L	5GMXX03.8148	LEV2 LEV	All	Underbody	764850	D-280-105	--	--
2005	3.4L	5GMXX03.8148	LEV2 LEV	All	Underbody	--	--	760005	D-280-105
2004	3.4L	4GMXV03.8042	LEV2 LEV	All	Underbody	764850	D-280-105	--	--
2004	3.4L	4GMXV03.8042	LEV2 LEV	All	Underbody	--	--	760005	D-280-105
2003	3.4L	3GMXV03.8044	LEV1 ULEV	All	Underbody	764850	D-280-105	--	--
2003	3.4L	3GMXV03.8044	LEV1 ULEV	All	Underbody	--	--	760005	D-280-105
2002	3.4L	2GMXV03.8043	LEV1 LEV	All	Underbody	942850	D-280-100	--	--
2002	3.4L	2GMXV03.8043	LEV1 LEV	All	Underbody	--	--	940105	D-280-100
2001	3.4L	1GMXV03.8043	LEV1 LEV	All	Underbody	942850	D-280-100	--	--
2001	3.4L	1GMXV03.8043	LEV1 LEV	All	Underbody	--	--	940105	D-280-100
2001	3.4L	1GMXV03.8043	LEV1 LEV	All	Underbody	--	--	760005	D-280-105
2000	3.4L	YGMXV03.8043	LEV1 LEV	All	Underbody	942850	D-280-100	--	--
2000	3.4L	YGMXV03.8043	LEV1 LEV	All	Underbody	--	--	940106	D-280-100
2009	3.5L	9GMXV03.8047	LEV2 LEV	All	Underbody	764376	D-280-105	--	--
2009	3.5L	9GMXV03.8047	LEV2 LEV	All	Underbody	--	--	760005	D-280-105
2009	3.5L	9GMXV03.9052	LEV2 ULEV	All	Front	--	--	760005	D-280-105
2009	3.5L	9GMXV03.9052	LEV2 ULEV	All	Rear	--	--	760005	D-280-105
2009	3.5L	9GMXV03.9052	LEV2 ULEV	All	Underbody	765223	D-280-105	--	--

Legal Note: In Compliance with California Emissions Requirements

APPLICATION GUIDE



OBD II

APPLICATION

Year	Eng. Size	Test Group/ Engine Family	Certification Level	Application	Location	Direct Fit Number	Exec. Order	Consol. Number	Exec. Order
Chevrolet (Cont.)									
Impala (Cont.)									
V6 (Cont.)									
2008	3.5L	8GMXV03.9052	LEV2 LEV	All	Underbody	764376	D-280-105	--	--
2008	3.5L	8GMXV03.9052	LEV2 LEV	All	Underbody	--	--	760005	D-280-105
2007	3.5L	7GMXV03.5052	LEV2 LEV	All	Underbody	764376	D-280-105	--	--
2007	3.5L	7GMXV03.5052	LEV2 LEV	All	Underbody	--	--	760005	D-280-105
2006	3.5L	6GMXV03.9048	LEV2 LEV	All	Underbody	764376	D-280-105	--	--
2006	3.5L	6GMXV03.9048	LEV2 LEV	All	Underbody	--	--	760005	D-280-105
2005	3.8L	5GMXV03.8041	LEV1 ULEV	All	Underbody	764876	D-280-105	--	--
2005	3.8L	5GMXV03.8041	LEV1 ULEV	All	Underbody	--	--	760005	D-280-105
2004	3.8L	4GMXV03.8042	LEV2 LEV	All	Underbody	764876	D-280-105	--	--
2004	3.8L	4GMXV03.8042	LEV2 LEV	All	Underbody	--	--	760005	D-280-105
2003	3.8L	3GMXV03.8044	LEV1 ULEV	All	Underbody	764876	D-280-105	--	--
2003	3.8L	3GMXV03.8044	LEV1 ULEV	All	Underbody	--	--	760005	D-280-105
2002	3.8L	2GMXV03.8043	LEV1 LEV	All	Underbody	942876	D-280-100	--	--
2002	3.8L	2GMXV03.8043	LEV1 LEV	All	Underbody	--	--	940106	D-280-100
2002	3.8L	2GMXV03.8044	LEV1 ULEV	All	Underbody	--	--	760006	D-280-105
2001	3.8L	1GMXV03.8044	LEV1 ULEV	All	Underbody	--	--	760006	D-280-105
2000	3.8L	YGMXV03.8043	LEV1 LEV	All	Underbody	630625	D-665-17	--	--
2011	3.9L	BGMXV03.9055	LEV2 ULEV	All	Front	--	--	760005	D-280-105
2011	3.9L	BGMXV03.9055	LEV2 ULEV	All	Rear	--	--	760005	D-280-105
2011	3.9L	BGMXV03.9055	LEV2 ULEV	All	Underbody	765223	D-280-105	--	--
2010	3.9L	AGMXV03.9055	LEV2 ULEV	All	Front	--	--	760005	D-280-105
2010	3.9L	AGMXV03.9055	LEV2 ULEV	All	Rear	--	--	760005	D-280-105
2010	3.9L	AGMXV03.9055	LEV2 ULEV	All	Underbody	765223	D-280-105	--	--
2009	3.9L	9GMXV03.9052	LEV2 ULEV	All	Front	--	--	760005	D-280-105
2009	3.9L	9GMXV03.9052	LEV2 ULEV	All	Rear	--	--	760005	D-280-105
2009	3.9L	9GMXV03.9052	LEV2 ULEV	All	Underbody	765223	D-280-105	--	--
2008	3.9L	8GMXV03.9052	LEV2 LEV	All	Underbody	764376	D-280-105	--	--
2008	3.9L	8GMXV03.9052	LEV2 LEV	All	Underbody	--	--	760005	D-280-105
2007	3.9L	7GMXV03.9146	LEV2 LEV	All	Underbody	764376	D-280-105	--	--
2007	3.9L	7GMXV03.9146	LEV2 LEV	All	Underbody	--	--	760005	D-280-105
2006	3.9L	6GMXV03.9048	LEV2 LEV	All	Underbody	764376	D-280-105	--	--
2006	3.9L	6GMXV03.9048	LEV2 LEV	All	Underbody	--	--	760005	D-280-105
V8									
1996	5.7L	TGM5.7V8GFKEK	TIER1	All	Underbody Left	630595	D-665-17	--	--
1996	5.7L	TGM5.7V8GFKEK	TIER1	All	Underbody Right	630594	D-665-17	--	--
K1500									
V6									
1998	4.3L	WGMXA04.3190	TIER1	All	Underbody	912720	D-280-101	--	--
1998	4.3L	WGMXA04.3190	TIER1	All	Underbody	--	--	912007	D-280-101
1997	4.3L	VGM4.3HPG1EK	TIER1	All	Underbody	912720	D-280-101	--	--
1997	4.3L	VGM4.3HPG1EK	TIER1	All	Underbody	--	--	912006	D-280-101
1996	4.3L	TGM4.35PGFEK	TIER1	All	Underbody	912720	D-280-101	--	--
1996	4.3L	TGM4.35PGFEK	TIER1	All	Underbody	--	--	912007	D-280-101
V8									
1999	5.0L	XGMXA05.0182	TIER1	All	Underbody	912720	D-280-101	--	--
1999	5.0L	XGMXA05.0182	TIER1	All	Underbody	--	--	912007	D-280-101
1999	5.0L	XGMXA05.0184	TIER1	All	Underbody	912720	D-280-101	--	--
1999	5.0L	XGMXA05.0184	TIER1	All	Underbody	--	--	912007	D-280-101
1998	5.0L	WGMXA05.0182	TIER1	All	Underbody	912720	D-280-101	--	--
1998	5.0L	WGMXA05.0182	TIER1	All	Underbody	--	--	912007	D-280-101
1998	5.0L	WGMXA05.0184	TIER1	All	Underbody	912720	D-280-101	--	--
1998	5.0L	WGMXA05.0184	TIER1	All	Underbody	--	--	912007	D-280-101
1997	5.0L	VGM5.0HPG1EK	TIER1	All	Underbody	912720	D-280-101	--	--
1997	5.0L	VGM5.0HPG1EK	TIER1	All	Underbody	--	--	912007	D-280-101
1997	5.0L	VGM5.0JPG1EK	TIER1	All	Underbody	912720	D-280-101	--	--
1997	5.0L	VGM5.0JPG1EK	TIER1	All	Underbody	--	--	912006	D-280-101
1996	5.0L	TGM5.0HPG1EK	TIER1	All	Underbody	912720	D-280-101	--	--
1996	5.0L	TGM5.0HPG1EK	TIER1	All	Underbody	--	--	912007	D-280-101

Legal Note: In Compliance with California Emissions Requirements



CATCO
CATALYTIC CONVERTERS

EASTERN CATALYTIC

APPLICATION GUIDE

OBD II

APPLICATION

Year	Eng. Size	Test Group/ Engine Family	Certification Level	Application	Location	Direct Fit Number	Exec. Order	Consol. Number	Exec. Order
Chevrolet (Cont.)									
K1500 (Cont.)									
V8 (Cont.)									
1996	5.0L	TGM5.0JPG1EK	TIER1	All	Underbody	912720	D-280-101	--	--
1996	5.0L	TGM5.0JPG1EK	TIER1	All	Underbody	--	--	912007	D-280-101
1999	5.7L	XGMXA05.7182	TIER1	All	Underbody	640542	D-665-18	--	--
1998	5.7L	WGMXA05.7182	TIER1	All	Underbody	912333	D-280-101	--	--
1998	5.7L	WGMXA05.7182	TIER1	All	Underbody Left	--	--	912005	D-280-101
1998	5.7L	WGMXA05.7182	TIER1	All	Underbody Right	--	--	912005	D-280-101
1998	5.7L	WGMXA05.7184	TIER1	All	Underbody	912333	D-280-101	--	--
1998	5.7L	WGMXA05.7184	TIER1	All	Underbody Left	--	--	912005	D-280-101
1998	5.7L	WGMXA05.7184	TIER1	All	Underbody Right	--	--	912005	D-280-101
1997	5.7L	VGM5.7HPG1EK	TIER1	All	Underbody	912333	D-280-101	--	--
1997	5.7L	VGM5.7HPG1EK	TIER1	All	Underbody Left	--	--	912005	D-280-101
1997	5.7L	VGM5.7HPG1EK	TIER1	All	Underbody Right	--	--	912005	D-280-101
1997	5.7L	VGM5.7JPG1GK	TIER1	All	Underbody	912333	D-280-101	--	--
1997	5.7L	VGM5.7JPG1GK	TIER1	All	Underbody Left	--	--	912005	D-280-101
1997	5.7L	VGM5.7JPG1GK	TIER1	All	Underbody Right	--	--	912005	D-280-101
1996	5.7L	TGM5.75PGFEK	TIER1	All	Underbody	912333	D-280-101	--	--
1996	5.7L	TGM5.75PGFEK	TIER1	All	Underbody Left	--	--	912006	D-280-101
1996	5.7L	TGM5.75PGFEK	TIER1	All	Underbody Right	--	--	912006	D-280-101
1996	5.7L	TGM5.76PGFEK	TIER1	All	Underbody	912333	D-280-101	--	--
1996	5.7L	TGM5.76PGFEK	TIER1	All	Underbody Left	--	--	912006	D-280-101
1996	5.7L	TGM5.76PGFEK	TIER1	All	Underbody Right	--	--	912006	D-280-101
K1500 Suburban									
V8									
1999	5.7L	XGMXA05.7185	LEV1 LEV	All	Underbody	640542	D-665-18	--	--
1999	5.7L	XGMXA05.7186	LEV1 LEV	All	Underbody	912333	D-280-101	--	--
1999	5.7L	XGMXA05.7186	LEV1 LEV	All	Underbody Left	--	--	912005	D-280-101
1999	5.7L	XGMXA05.7186	LEV1 LEV	All	Underbody Right	--	--	912005	D-280-101
1999	5.7L	XGMXA05.7187	LEV1 LEV	All	Underbody	640542	D-665-18	--	--
1998	5.7L	WGMXA05.7186	LEV1 LEV	All	Underbody	912333	D-280-101	--	--
1998	5.7L	WGMXA05.7186	LEV1 LEV	All	Underbody Left	--	--	912005	D-280-101
1998	5.7L	WGMXA05.7186	LEV1 LEV	All	Underbody Right	--	--	912005	D-280-101
1997	5.7L	VGM5.7HPG1EK	TIER1	All	Underbody	640542	D-665-18	--	--
1997	5.7L	VGM5.7JPG1EK	TIER1	All	Underbody	640542	D-665-18	--	--
1997	5.7L	VGM5.7JPG1GK	TIER1	All	Underbody	912333	D-280-101	--	--
1997	5.7L	VGM5.7JPG1GK	TIER1	All	Underbody Left	--	--	912005	D-280-101
1997	5.7L	VGM5.7JPG1GK	TIER1	All	Underbody Right	--	--	912005	D-280-101
1996	5.7L	TGM5.76PGFEK	TIER1	All	Underbody	912333	D-280-101	--	--
1996	5.7L	TGM5.76PGFEK	TIER1	All	Underbody Left	--	--	912006	D-280-101
1996	5.7L	TGM5.76PGFEK	TIER1	All	Underbody Right	--	--	912006	D-280-101
K2500									
V8									
2000	5.7L	YGMXA05.7191	TIER1	All	Underbody Left	--	--	912005	D-280-101
2000	5.7L	YGMXA05.7191	TIER1	All	Underbody Right	--	--	912005	D-280-101
2000	5.7L	YGMXA05.7191	TIER1	4WD	Front	919092	D-280-101	--	--
2000	5.7L	YGMXA05.7191	TIER1	4WD	Rear	919293	D-280-101	--	--
2000	5.7L	YGMXA05.7194	TIER1	All	Underbody	640542	D-665-18	--	--
1999	5.7L	XGMXA05.7182	TIER1	All	Underbody	640542	D-665-18	--	--
1999	5.7L	XGMXA05.7187	TIER1	All	Underbody Left	919092	D-280-101	--	--
1999	5.7L	XGMXA05.7187	TIER1	All	Underbody Left	--	--	912005	D-280-101
1999	5.7L	XGMXA05.7187	TIER1	All	Underbody Right	919293	D-280-101	--	--
1999	5.7L	XGMXA05.7187	TIER1	All	Underbody Right	--	--	912005	D-280-101
1998	5.7L	WGMXA05.7187	TIER1	All	Underbody Left	--	--	912005	D-280-101
1998	5.7L	WGMXA05.7187	TIER1	All	Underbody Right	--	--	912005	D-280-101
1997	5.7L	VGM5.7JPG1EK	TIER1	All	Underbody Left	--	--	912005	D-280-101
1997	5.7L	VGM5.7JPG1EK	TIER1	All	Underbody Right	--	--	912005	D-280-101
1996	5.7L	TGM5.76PGFEK	TIER1	All	Underbody	912333	D-280-101	--	--
1996	5.7L	TGM5.76PGFEK	TIER1	All	Underbody Left	--	--	912005	D-280-101
1996	5.7L	TGM5.76PGFEK	TIER1	All	Underbody Right	--	--	912005	D-280-101

Legal Note: In Compliance with California Emissions Requirements

APPLICATION GUIDE



OBD II

APPLICATION

Year	Eng. Size	Test Group/ Engine Family	Certification Level	Application	Location	Direct Fit Number	Exec. Order	Consol. Number	Exec. Order
Chevrolet (Cont.)									
K2500 (Cont.)									
V8 (Cont.)									
1996	5.7L	TGM5.7JPG1EK	TIER1	Over 8500 lbs GVW	Underbody Left	919092	D-280-101	--	--
1996	5.7L	TGM5.7JPG1EK	TIER1	Under 8500 lbs GVW	Underbody	--	--	912005	D-280-101
1996	5.7L	TGM5.7JPG1EK	TIER1	All	Underbody Left	--	--	912005	D-280-101
1996	5.7L	TGM5.7JPG1EK	TIER1	All	Underbody Right	--	--	912005	D-280-101
2000	7.4L	YGMXA07.4201	TIER1	155.5" W.B., Over 8500	Rear	640604	D-665-18	--	--
2000	7.4L	YGMXA07.4201	TIER1	All	Front	640578	D-665-18	--	--
2000	7.4L	YGMXA07.4201	TIER1	All	Front	--	--	912006	D-280-101
2000	7.4L	YGMXA07.4201	TIER1	All	Rear	--	--	912006	D-280-101
2000	7.4L	YGMXA07.4201	TIER1	141.5" W.B., Over 8500	Rear	640567	D-665-18	--	--
2000	7.4L	YGMXA07.4201	TIER1	131.5" W.B.	Rear	640566	D-665-18	--	--
1999	7.4L	XGMXA07.4201	TIER1	All	Front	912703	D-280-101	--	--
1999	7.4L	XGMXA07.4201	TIER1	All	Front	--	--	912006	D-280-101
1999	7.4L	XGMXA07.4201	TIER1	All	Rear	912293	D-280-101	--	--
1999	7.4L	XGMXA07.4201	TIER1	All	Rear	--	--	912006	D-280-101
1998	7.4L	WGMXA07.4201	TIER1	All	Front	912703	D-280-101	--	--
1998	7.4L	WGMXA07.4201	TIER1	All	Front	--	--	912006	D-280-101
1998	7.4L	WGMXA07.4201	TIER1	All	Rear	919543	D-280-101	--	--
1998	7.4L	WGMXA07.4201	TIER1	All	Rear	--	--	912006	D-280-101
1997	7.4L	VGM7.4J8G1EK	TIER1	141.5" W.B., Over 8500	Rear	640567	D-665-18	--	--
1997	7.4L	VGM7.4J8G1EK	TIER1	131.5" W.B.	Rear	640566	D-665-18	--	--
1997	7.4L	VGM7.4J8G1EK	TIER1	All	Front	912703	D-280-101	--	--
1997	7.4L	VGM7.4J8G1EK	TIER1	All	Front	--	--	912006	D-280-101
1997	7.4L	VGM7.4J8G1EK	TIER1	All	Rear	--	--	912006	D-280-101
1996	7.4L	TGM7.4J8G1EK	TIER1	All	Front	912703	D-280-101	--	--
1996	7.4L	TGM7.4J8G1EK	TIER1	All	Front	--	--	912006	D-280-101
1996	7.4L	TGM7.4J8G1EK	TIER1	All	Rear	--	--	912007	D-280-101
K2500 Suburban									
V8									
1999	5.7L	XGMXA05.7185	TIER1	All	Underbody	640542	D-665-18	--	--
1999	5.7L	XGMXA05.7186	TIER1	All	Underbody	640542	D-665-18	--	--
1999	5.7L	XGMXA05.7187	TIER1	All	Underbody Left	919092	D-280-101	--	--
1999	5.7L	XGMXA05.7187	TIER1	All	Underbody Left	--	--	912005	D-280-101
1999	5.7L	XGMXA05.7187	TIER1	All	Underbody Right	919293	D-280-101	--	--
1999	5.7L	XGMXA05.7187	TIER1	All	Underbody Right	--	--	912005	D-280-101
1998	5.7L	WGMXA05.7185	LEV1 LEV	All	Underbody	640542	D-665-18	--	--
1998	5.7L	WGMXA05.7186	LEV1 LEV	All	Underbody	640542	D-665-18	--	--
1998	5.7L	WGMXA05.7187	TIER1	All	Underbody Left	--	--	912005	D-280-101
1998	5.7L	WGMXA05.7187	TIER1	All	Underbody Right	--	--	912005	D-280-101
1997	5.7L	VGM5.7JPG1EK	TIER1	All	Underbody Left	--	--	912005	D-280-101
1997	5.7L	VGM5.7JPG1EK	TIER1	All	Underbody Right	--	--	912005	D-280-101
1996	5.7L	TGM5.75PGFEK	TIER1	All	Underbody	640542	D-665-18	--	--
1996	5.7L	TGM5.76PGFEK	TIER1	All	Underbody	640542	D-665-18	--	--
1996	5.7L	TGM5.7JPG1EK	TIER1	All	Underbody Left	912703	D-280-101	--	--
1996	5.7L	TGM5.7JPG1EK	TIER1	All	Underbody Left	--	--	912005	D-280-101
1996	5.7L	TGM5.7JPG1EK	TIER1	All	Underbody Right	--	--	912005	D-280-101
1999	7.4L	XGMXA07.4201	TIER1	All	Front	912703	D-280-101	--	--
1999	7.4L	XGMXA07.4201	TIER1	All	Front	--	--	912006	D-280-101
1999	7.4L	XGMXA07.4201	TIER1	All	Rear	912293	D-280-101	--	--
1999	7.4L	XGMXA07.4201	TIER1	All	Rear	--	--	912006	D-280-101
1999	7.4L	XGMXA07.4201	TIER1	4WD	Front	912703	D-280-101	--	--
1998	7.4L	WGMXA07.4201	TIER1	All	Front	912703	D-280-101	--	--
1998	7.4L	WGMXA07.4201	TIER1	All	Front	--	--	912006	D-280-101
1998	7.4L	WGMXA07.4201	TIER1	All	Rear	--	--	912006	D-280-101
1998	7.4L	WGMXA07.4201	TIER1	All	Underbody	912293	D-280-101	--	--
1998	7.4L	WGMXA07.4201	TIER1	All	Underbody Left	--	--	912005	D-280-101
1998	7.4L	WGMXA07.4201	TIER1	All	Underbody Right	--	--	912005	D-280-101

Legal Note: In Compliance with California Emissions Requirements



CATCO
CATALYTIC CONVERTERS

EASTERN CATALYTIC

APPLICATION GUIDE

OBD II

APPLICATION

Year	Eng. Size	Test Group/ Engine Family	Certification Level	Application	Location	Direct Fit Number	Exec. Order	Consol. Number	Exec. Order
Chevrolet (Cont.)									
K2500 Suburban (Cont.)									
V8 (Cont.)									
1997	7.4L	VGM7.4J8G1EK	TIER1	All	Front	912703	D-280-101	--	--
1997	7.4L	VGM7.4J8G1EK	TIER1	All	Front	--	--	912006	D-280-101
1997	7.4L	VGM7.4J8G1EK	TIER1	All	Rear	--	--	912006	D-280-101
1996	7.4L	TGM7.4J8G1EK	TIER1	All	Front	912703	D-280-101	--	--
1996	7.4L	TGM7.4J8G1EK	TIER1	All	Front	--	--	912006	D-280-101
1996	7.4L	TGM7.4J8G1EK	TIER1	All	Rear	--	--	912006	D-280-101
K3500									
V8									
2000	5.7L	YGMXA05.7191	TIER1	All	Underbody Left	--	--	912007	D-280-101
2000	5.7L	YGMXA05.7191	TIER1	All	Underbody Right	--	--	912007	D-280-101
2000	5.7L	YGMXA05.7191	TIER1	4WD	Front	919092	D-280-101	--	--
2000	5.7L	YGMXA05.7191	TIER1	4WD	Rear	919293	D-280-101	--	--
1999	5.7L	XGMXA05.7187	TIER1	All	Underbody Left	919092	D-280-101	--	--
1999	5.7L	XGMXA05.7187	TIER1	All	Underbody Left	--	--	912005	D-280-101
1999	5.7L	XGMXA05.7187	TIER1	All	Underbody Right	919293	D-280-101	--	--
1999	5.7L	XGMXA05.7187	TIER1	All	Underbody Right	--	--	912005	D-280-101
1998	5.7L	WGMXA05.7187	TIER1	All	Underbody Left	--	--	912005	D-280-101
1998	5.7L	WGMXA05.7187	TIER1	All	Underbody Right	--	--	912005	D-280-101
1998	5.7L	WGMXA05.7187	TIER1	Under 8500 lbs GVW	Underbody	912333	D-280-101	--	--
1997	5.7L	VGM5.7HPG1EK	TIER1	131.5" W.B.	Underbody	640549	D-665-18	--	--
1997	5.7L	VGM5.7HPG1EK	TIER1	155.5" W.B., Over 8500	Underbody	640604	D-665-18	--	--
1997	5.7L	VGM5.7JPG1EK	TIER1	All	Underbody Left	--	--	912005	D-280-101
1997	5.7L	VGM5.7JPG1EK	TIER1	All	Underbody Right	--	--	912005	D-280-101
1997	5.7L	VGM5.7JPG1EK	TIER1	Under 8500 lbs GVW	Underbody	912333	D-280-101	--	--
1996	5.7L	TGM5.7JPG1EK	TIER1	All	Front	919092	D-280-101	--	--
1996	5.7L	TGM5.7JPG1EK	TIER1	All	Rear	919293	D-280-101	--	--
1996	5.7L	TGM5.7JPG1EK	TIER1	All	Underbody Left	--	--	912005	D-280-101
1996	5.7L	TGM5.7JPG1EK	TIER1	All	Underbody Right	--	--	912005	D-280-101
2000	7.4L	YGMXA07.4201	TIER1	All	Front	640578	D-665-18	--	--
2000	7.4L	YGMXA07.4201	TIER1	All	Rear	640579	D-665-18	--	--
2000	7.4L	YGMXA07.4201	TIER1	All	Underbody Left	--	--	912006	D-280-101
2000	7.4L	YGMXA07.4201	TIER1	All	Underbody Right	--	--	912006	D-280-101
2000	7.4L	YGMXA07.4201	TIER1	131.5" W.B.	Rear	640566	D-665-18	--	--
1999	7.4L	XGMXA07.4201	TIER1	All	Front	912703	D-280-101	--	--
1999	7.4L	XGMXA07.4201	TIER1	All	Front	--	--	912006	D-280-101
1999	7.4L	XGMXA07.4201	TIER1	All	Rear	912293	D-280-101	--	--
1999	7.4L	XGMXA07.4201	TIER1	All	Rear	--	--	912006	D-280-101
1998	7.4L	WGMXA07.4201	TIER1	All	Front	912703	D-280-101	--	--
1998	7.4L	WGMXA07.4201	TIER1	All	Front	--	--	912006	D-280-101
1998	7.4L	WGMXA07.4201	TIER1	All	Rear	--	--	912006	D-280-101
1998	7.4L	WGMXA07.4201	TIER1	2WD, 159.5" W.B., 15000	Rear	919543	D-280-101	--	--
1997	7.4L	VGM7.4J8G1EK	TIER1	All	Front	912703	D-280-101	--	--
1997	7.4L	VGM7.4J8G1EK	TIER1	All	Front	--	--	912006	D-280-101
1997	7.4L	VGM7.4J8G1EK	TIER1	All	Rear	--	--	912006	D-280-101
1996	7.4L	TGM7.4J8G1EK	TIER1	All	Front	--	--	912006	D-280-101
1996	7.4L	TGM7.4J8G1EK	TIER1	All	Rear	919543	D-280-101	--	--
1996	7.4L	TGM7.4J8G1EK	TIER1	All	Rear	--	--	912006	D-280-101
1996	7.4L	TGM7.4J8G1EK	TIER1	2WD, 159.5" W.B., 15000	Rear	919543	D-280-101	--	--
Lumina									
V6									
2000	3.1L	YGMXV03.8043	LEV1 LEV	All	Underbody	942874	D-280-100	--	--
2000	3.1L	YGMXV03.8043	LEV1 LEV	All	Underbody	--	--	940004	D-280-100
1999	3.1L	XGMXV03.4042	TLEV	All	Underbody	940874	D-280-100	--	--
1999	3.1L	XGMXV03.4042	TLEV	All	Underbody	--	--	940105	D-280-100
1998	3.1L	WGMXV03.1043	TIER1	All	Underbody	940874	D-280-100	--	--
1998	3.1L	WGMXV03.1043	TIER1	All	Underbody	--	--	940335	D-280-100
1998	3.1L	WGMXV03.1044	TLEV	All	Underbody	940874	D-280-100	--	--
1998	3.1L	WGMXV03.1044	TLEV	All	Underbody	--	--	940004	D-280-100

Legal Note: In Compliance with California Emissions Requirements

APPLICATION GUIDE



OBD II

APPLICATION

Year	Eng. Size	Test Group/ Engine Family	Certification Level	Application	Location	Direct Fit Number	Exec. Order	Consol. Number	Exec. Order
Chevrolet (Cont.)									
Lumina (Cont.)									
V6 (Cont.)									
1997	3.1L	VGM3.1V8G1EK	TIER1	All	Underbody	940874	D-280-100	--	--
1997	3.1L	VGM3.1V8G1EK	TIER1	All	Underbody	--	--	940335	D-280-100
1996	3.1L	TGM3.1V8GFEK	TIER1	All	Underbody	944838	D-280-100	--	--
1996	3.1L	TGM3.1V8GFEK	TIER1	All	Underbody	--	--	940334	D-280-100
1997	3.4L	VGM3.4VJG1EK	TIER1	All	Underbody	630612	D-665-17	--	--
1996	3.4L	TGM3.4VJGFEK	TIER1	All	Underbody	942898	D-280-100	--	--
1996	3.4L	TGM3.4VJGFEK	TIER1	All	Underbody	--	--	940335	D-280-100
1999	3.8L	XGMXV03.8048	TLEV	All	Underbody	944446	D-280-100	--	--
1999	3.8L	XGMXV03.8048	TLEV	All	Underbody	--	--	940106	D-280-100
1999	3.8L	XGMXV03.8049	LEV1 LEV	All	Underbody	--	--	940084	D-280-100
1998	3.8L	WGMXV03.8048	TLEV	All	Underbody	944446	D-280-100	--	--
1998	3.8L	WGMXV03.8048	TLEV	All	Underbody	--	--	940336	D-280-100
Lumina APV									
V6									
1996	3.4L	TGM3.428GFEK	TIER1	All	Underbody	914781	D-280-101	--	--
1996	3.4L	TGM3.428GFEK	TIER1	All	Underbody	--	--	912006	D-280-101
Malibu									
L4									
1999	2.4L	XGMXV02.4027	LEV1 LEV	All	Underbody	942877	D-280-100	--	--
1999	2.4L	XGMXV02.4027	LEV1 LEV	All	Underbody	--	--	940104	D-280-100
1998	2.4L	WGMXV02.4026	TLEV	All	Underbody	942107 ♦	D-280-100	--	--
1998	2.4L	WGMXV02.4026	TLEV	All	Underbody	--	--	940104	D-280-100
1997	2.4L	VGM2.4VJG2EK	TLEV	All	Underbody	850257	D-665-1	--	--
V6									
2003	3.1L	3GMXV03.8043	LEV1 LEV	All	Underbody	942863	D-280-100	--	--
2003	3.1L	3GMXV03.8043	LEV1 LEV	All	Underbody	--	--	940105	D-280-100
2002	3.1L	2GMXV03.8043	LEV1 LEV	All	Underbody	942863	D-280-100	--	--
2002	3.1L	2GMXV03.8043	LEV1 LEV	All	Underbody	--	--	940105	D-280-100
2000	3.1L	YGMXV03.8043	LEV1 LEV	All	Underbody	942863	D-280-100	--	--
2000	3.1L	YGMXV03.8043	LEV1 LEV	All	Underbody	--	--	940105	D-280-100
1999	3.1L	XGMXV03.1043	LEV1 LEV	All	Underbody	942863	D-280-100	--	--
1999	3.1L	XGMXV03.1043	LEV1 LEV	All	Underbody	--	--	940105	D-280-100
1998	3.1L	WGMXV03.1043	TIER1	All	Underbody	942863	D-280-100	--	--
1998	3.1L	WGMXV03.1043	TIER1	All	Underbody	--	--	940105	D-280-100
1998	3.1L	WGMXV03.1044	TLEV	All	Underbody	942863	D-280-100	--	--
1998	3.1L	WGMXV03.1044	TLEV	All	Underbody	--	--	940105	D-280-100
1997	3.1L	VGM3.1V8G1EK	TIER1	All	Underbody	942863	D-280-100	--	--
1997	3.1L	VGM3.1V8G1EK	TIER1	All	Underbody	--	--	940105	D-280-100
2009	3.5L	9GMXJ03.9142	LEV2 LEV	All	Front Left	--	--	760004	D-280-105
2009	3.5L	9GMXJ03.9142	LEV2 LEV	All	Front Right	--	--	760004	D-280-105
2009	3.5L	9GMXJ03.9142	LEV2 LEV	All	Rear	--	--	761016	D-280-105
2009	3.5L	9GMXV03.5045	LEV2 ULEV	All	Front Left	--	--	760004	D-280-105
2009	3.5L	9GMXV03.5045	LEV2 ULEV	All	Front Right	--	--	760004	D-280-105
2009	3.5L	9GMXV03.5045	LEV2 ULEV	All	Rear	--	--	761016	D-280-105
2008	3.5L	8GMXV03.5043	LEV2 ULEV	All	Front Left	--	--	760004	D-280-105
2008	3.5L	8GMXV03.5043	LEV2 ULEV	All	Front Right	--	--	760004	D-280-105
2008	3.5L	8GMXV03.5043	LEV2 ULEV	All	Rear	--	--	761016	D-280-105
2008	3.5L	8GMXV03.5043	LEV2 ULEV	All	Underbody Left	--	--	760005	D-280-105
2008	3.5L	8GMXV03.5043	LEV2 ULEV	All	Underbody Right	--	--	760005	D-280-105
2004	3.5L	4GMXV03.8041	LEV1 ULEV	All	Underbody Left	--	--	760005	D-280-105
2004	3.5L	4GMXV03.8041	LEV1 ULEV	All	Underbody Right	--	--	760005	D-280-105
2009	3.6L	9GMXJ03.9142	LEV2 LEV	All	Front Left	--	--	760004	D-280-105
2009	3.6L	9GMXJ03.9142	LEV2 LEV	All	Front Right	--	--	760004	D-280-105
2009	3.6L	9GMXJ03.9142	LEV2 LEV	All	Rear	--	--	761016	D-280-105

- ♦ Standard Oval Converter
Legal Note: In Compliance with California Emissions Requirements



CATCO
CATALYTIC CONVERTERS

EASTERN CATALYTIC

APPLICATION GUIDE

OBD II

APPLICATION

Year	Eng. Size	Test Group/ Engine Family	Certification Level	Application	Location	Direct Fit Number	Exec. Order	Consol. Number	Exec. Order
Metro									
L3									
2000	1.0L	YSKXV.993TNC	TLEV	All	Front	--	--	940104	D-280-100
2000	1.0L	YSKXV.993TNC	TLEV	All	Underbody	--	--	940104	D-280-100
1999	1.0L	XSKXV.993TNC	TLEV	All	Front	--	--	940104	D-280-100
1999	1.0L	XSKXV.993TNC	TLEV	All	Underbody	--	--	940104	D-280-100
1998	1.0L	WSKXV.993TNC	TLEV	All	Front	--	--	940104	D-280-100
1998	1.0L	WSKXV.993TNC	TLEV	All	Underbody	--	--	940104	D-280-100
L4									
2001	1.3L	1SKXV1.30LB1	LEV1 LEV	All	Front	942042	D-280-100	--	--
2001	1.3L	1SKXV1.30LB1	LEV1 LEV	All	Front	--	--	940104	D-280-100
2001	1.3L	1SKXV1.30LB1	LEV1 LEV	All	Rear	942342	D-280-100	--	--
2001	1.3L	1SKXV1.30LB1	LEV1 LEV	All	Underbody	--	--	940104	D-280-100
2000	1.3L	YSKXV1.30LNA	LEV1 LEV	All	Front	942042	D-280-100	--	--
2000	1.3L	YSKXV1.30LNA	LEV1 LEV	All	Front	--	--	940104	D-280-100
2000	1.3L	YSKXV1.30LNA	LEV1 LEV	All	Rear	942342	D-280-100	--	--
2000	1.3L	YSKXV1.30LNA	LEV1 LEV	All	Underbody	--	--	940104	D-280-100
1999	1.3L	XSKXV1.30LNA	LEV1 LEV	All	Front	942042	D-280-100	--	--
1999	1.3L	XSKXV1.30LNA	LEV1 LEV	All	Front	--	--	940104	D-280-100
1999	1.3L	XSKXV1.30LNA	LEV1 LEV	All	Rear	942342	D-280-100	--	--
1999	1.3L	XSKXV1.30LNA	LEV1 LEV	All	Underbody	--	--	940104	D-280-100
1998	1.3L	WSKXV1.30LNA	LEV1 LEV	All	Front	942042	D-280-100	--	--
1998	1.3L	WSKXV1.30LNA	LEV1 LEV	All	Front	--	--	940104	D-280-100
1998	1.3L	WSKXV1.30LNA	LEV1 LEV	All	Rear	942342	D-280-100	--	--
1998	1.3L	WSKXV1.30LNA	LEV1 LEV	All	Underbody	--	--	940104	D-280-100
Monte Carlo									
V6									
1999	3.1L	XGMXV03.4042	TLEV	All	Underbody	942874	D-280-100	--	--
1999	3.1L	XGMXV03.4042	TLEV	All	Underbody	--	--	940105	D-280-100
1998	3.1L	WGMXV03.1043	TIER1	All	Underbody	942874	D-280-100	--	--
1998	3.1L	WGMXV03.1043	TIER1	All	Underbody	--	--	940104	D-280-100
1998	3.1L	WGMXV03.1044	TLEV	All	Underbody	942874	D-280-100	--	--
1998	3.1L	WGMXV03.1044	TLEV	All	Underbody	--	--	940104	D-280-100
1997	3.1L	VGM3.1V8G1EK	TIER1	All	Underbody	940874	D-280-100	--	--
1997	3.1L	VGM3.1V8G1EK	TIER1	All	Underbody	--	--	940335	D-280-100
1996	3.1L	TGM3.1V8GF EK	TIER1	All	Underbody	944838	D-280-100	--	--
1996	3.1L	TGM3.1V8GF EK	TIER1	All	Underbody	--	--	940335	D-280-100
2005	3.4L	5GMXX03.8148	LEV2 LEV	All	Underbody	764850	D-280-105	--	--
2005	3.4L	5GMXX03.8148	LEV2 LEV	All	Underbody	--	--	760005	D-280-105
2004	3.4L	4GMXV03.8041	LEV1 ULEV	All	Underbody	764850	D-280-105	--	--
2004	3.4L	4GMXV03.8041	LEV1 ULEV	All	Underbody	--	--	760005	D-280-105
2004	3.4L	4GMXV03.8042	LEV2 LEV	All	Underbody	764850	D-280-105	--	--
2004	3.4L	4GMXV03.8042	LEV2 LEV	All	Underbody	--	--	760005	D-280-105
2003	3.4L	3GMXV03.8044	LEV1 ULEV	All	Underbody	764850	D-280-105	--	--
2003	3.4L	3GMXV03.8044	LEV1 ULEV	All	Underbody	--	--	760005	D-280-105
2002	3.4L	2GMXV03.8043	LEV1 LEV	All	Underbody	942850	D-280-100	--	--
2002	3.4L	2GMXV03.8043	LEV1 LEV	All	Underbody	--	--	940105	D-280-100
2001	3.4L	1GMXV03.8043	LEV1 LEV	All	Underbody	942850	D-280-100	--	--
2001	3.4L	1GMXV03.8043	LEV1 LEV	All	Underbody	--	--	940105	D-280-100
2000	3.4L	YGMXV03.8043	LEV1 LEV	All	Underbody	942850	D-280-100	--	--
2000	3.4L	YGMXV03.8043	LEV1 LEV	All	Underbody	--	--	940105	D-280-100
1997	3.4L	VGM3.4VJG1EK	TIER1	All	Underbody	630615	D-665-17	--	--
1996	3.4L	TGM3.4VJGF EK	TIER1	All	Underbody	942898	D-280-100	--	--
1996	3.4L	TGM3.4VJGF EK	TIER1	All	Underbody	--	--	940335	D-280-100
2007	3.5L	7GMXV03.5052	LEV2 LEV	All	Underbody	764376	D-280-105	--	--
2007	3.5L	7GMXV03.5052	LEV2 LEV	All	Underbody	--	--	760005	D-280-105
2006	3.5L	6GMXV03.9048	LEV2 LEV	All	Underbody	764376	D-280-105	--	--
2006	3.5L	6GMXV03.9048	LEV2 LEV	All	Underbody	--	--	760005	D-280-105
2005	3.8L	5GMXV03.8041	LEV1 ULEV	All	Underbody	764850	D-280-105	--	--
2005	3.8L	5GMXV03.8041	LEV1 ULEV	All	Underbody	--	--	760005	D-280-105
2002	3.8L	2GMXV03.8044	LEV1 ULEV	All	Underbody	--	--	760006	D-280-105
2001	3.8L	1GMXV03.8044	LEV1 ULEV	All	Underbody	--	--	760006	D-280-105

Legal Note: In Compliance with California Emissions Requirements

APPLICATION GUIDE



OBD II

APPLICATION

Year	Eng. Size	Test Group/ Engine Family	Certification Level	Application	Location	Direct Fit Number	Exec. Order	Consol. Number	Exec. Order
Chevrolet (Cont.)									
Monte Carlo (Cont.)									
V6 (Cont.)									
2000	3.8L	YGMXV03.8043	LEV1 LEV	All	Underbody	630625	D-665-17	--	--
1999	3.8L	XGMXV03.8048	TLEV	All	Underbody	942265	D-280-100	--	--
1999	3.8L	XGMXV03.8048	TLEV	All	Underbody	--	--	940106	D-280-100
1999	3.8L	XGMXV03.8049	LEV1 LEV	All	Underbody	942265	D-280-100	--	--
1999	3.8L	XGMXV03.8049	LEV1 LEV	All	Underbody	--	--	940106	D-280-100
1998	3.8L	WGMXV03.8048	TLEV	All	Underbody	942265	D-280-100	--	--
1998	3.8L	WGMXV03.8048	TLEV	All	Underbody	--	--	940106	D-280-100
2006	3.9L	6GMXV03.9048	LEV2 LEV	All	Underbody	764376	D-280-105	--	--
2006	3.9L	6GMXV03.9048	LEV2 LEV	All	Underbody	--	--	760005	D-280-105
Prizm									
L4									
2002	1.8L	2NTXV01.8FFA	LEV1 LEV	All	Underbody	942043	D-280-100	--	--
2002	1.8L	2NTXV01.8FFA	LEV1 LEV	All	Underbody	--	--	940104	D-280-100
2001	1.8L	1NTXV01.8FFA	LEV1 LEV	All	Underbody	942043	D-280-100	--	--
2001	1.8L	1NTXV01.8FFA	LEV1 LEV	All	Underbody	--	--	940104	D-280-100
2000	1.8L	YNTXV01.8FFA	LEV1 LEV	All	Underbody	942043	D-280-100	--	--
2000	1.8L	YNTXV01.8FFA	LEV1 LEV	All	Underbody	--	--	940104	D-280-100
1999	1.8L	XNTXV01.8DXB	TIER1	All	Underbody	942043	D-280-100	--	--
1999	1.8L	XNTXV01.8DXB	TIER1	All	Underbody	--	--	940104	D-280-100
1998	1.8L	WNTXV01.8DXB	TLEV	All	Underbody	942043	D-280-100	--	--
1998	1.8L	WNTXV01.8DXB	TLEV	All	Underbody	--	--	940104	D-280-100
S10									
L4									
2003	2.2L	3GMXT02.2121	TLEV	2WD	Underbody	942819	D-280-100	--	--
2003	2.2L	3GMXT02.2121	TLEV	2WD	Underbody	--	--	940335	D-280-100
2003	2.2L	3GMXT02.2122	LEV1 LEV	2WD	Underbody	942819	D-280-100	--	--
2003	2.2L	3GMXT02.2122	LEV1 LEV	2WD	Underbody	--	--	940335	D-280-100
2002	2.2L	2GMXT02.2122	LEV1 LEV	2WD	Underbody	942819	D-280-100	--	--
2002	2.2L	2GMXT02.2122	LEV1 LEV	2WD	Underbody	--	--	940335	D-280-100
2001	2.2L	1GMXT02.2122	LEV1 LEV	2WD	Underbody	942819	D-280-100	--	--
2001	2.2L	1GMXT02.2122	LEV1 LEV	2WD	Underbody	--	--	940335	D-280-100
2000	2.2L	YGMXX02.2023	TLEV	2WD	Underbody	942819	D-280-100	--	--
2000	2.2L	YGMXX02.2023	TLEV	2WD	Underbody	--	--	940335	D-280-100
1999	2.2L	XGMXT02.2122	TLEV	2WD	Underbody	942819	D-280-100	--	--
1999	2.2L	XGMXT02.2122	TLEV	2WD	Underbody	--	--	940335	D-280-100
1998	2.2L	WGMXT02.2122	TIER1	2WD	Underbody	942819	D-280-100	--	--
1998	2.2L	WGMXT02.2122	TIER1	2WD	Underbody	--	--	940335	D-280-100
1997	2.2L	VGM2.218G1EK	TIER1	2WD	Underbody	942819	D-280-100	--	--
1997	2.2L	VGM2.218G1EK	TIER1	2WD	Underbody	--	--	940335	D-280-100
1996	2.2L	TGM2.218GF EK	TIER1	2WD	Underbody	942819	D-280-100	--	--
1996	2.2L	TGM2.218GF EK	TIER1	2WD	Underbody	--	--	940335	D-280-100
V6									
2004	4.3L	4GMXT04.3187	LEV1 ULEV	4WD	Front	--	--	740005	D-798
2004	4.3L	4GMXT04.3187	LEV1 ULEV	4WD	Rear	--	--	747035	D-798
2004	4.3L	4GMXT04.3187	LEV1 ULEV	4WD, 4 Door	Underbody	749109	D-798	--	--
2003	4.3L	3GMXT04.3186	LEV1 ULEV	RWD, A/T	Underbody	809692	D-665-23	--	--
2003	4.3L	3GMXT04.3187	LEV1 ULEV	4WD	Front	--	--	740035	D-798
2003	4.3L	3GMXT04.3187	LEV1 ULEV	4WD	Rear	--	--	747035	D-798
2003	4.3L	3GMXT04.3187	LEV1 ULEV	4WD, 4 Dr.	Underbody	749109	D-798	--	--
2003	4.3L	3GMXT04.3187	LEV1 ULEV	4WD & Extended Cab	Underbody	749110	D-798	--	--
2002	4.3L	2GMXT04.3186	LEV1 LEV	RWD, A/T	Underbody	809692	D-665-23	--	--
2002	4.3L	2GMXT04.3186	LEV1 LEV	2WD	Front	--	--	940106	D-280-100
2002	4.3L	2GMXT04.3186	LEV1 LEV	2WD	Rear	--	--	940636	D-280-100
2002	4.3L	2GMXT04.3187	LEV1 LEV	4WD	Rear	--	--	912006	D-280-101
2002	4.3L	2GMXT04.3187	LEV1 LEV	4 Dr.	Underbody	919109	D-280-101	--	--
2001	4.3L	1GMXT04.3186	LEV1 LEV	RWD, A/T	Underbody	809692	D-665-23	--	--
2001	4.3L	1GMXT04.3186	LEV1 LEV	2WD	Front	--	--	940106	D-280-100
2001	4.3L	1GMXT04.3186	LEV1 LEV	2WD	Rear	--	--	940636	D-280-100

Legal Note: In Compliance with California Emissions Requirements



CATCO
CATALYTIC CONVERTERS

EASTERN CATALYTIC

APPLICATION GUIDE

OBD II

APPLICATION

Year	Eng. Size	Test Group/ Engine Family	Certification Level	Application	Location	Direct Fit Number	Exec. Order	Consol. Number	Exec. Order
Chevrolet (Cont.)									
S10 (Cont.)									
V6 (Cont.)									
2001	4.3L	1GMXT04.3187	LEV1 LEV	4WD	Rear	--	--	912006	D-280-101
2001	4.3L	1GMXT04.3187	LEV1 LEV	All	Underbody	919109	D-280-101	--	--
2001	4.3L	1GMXT04.3187	LEV1 LEV	All	Front	--	--	740006	D-798
2000	4.3L	YGMXT04.3186	TLEV	2WD	Front	--	--	940106	D-280-100
2000	4.3L	YGMXT04.3186	TLEV	2WD	Rear	--	--	940636	D-280-100
2000	4.3L	YGMXT04.3187	LEV1 LEV	2WD	Front	--	--	940106	D-280-100
2000	4.3L	YGMXT04.3187	LEV1 LEV	2WD	Rear	--	--	940636	D-280-100
2000	4.3L	YGMXT04.3188	LEV1 LEV	All	Front	--	--	912006R	D-280-101
2000	4.3L	YGMXT04.3188	LEV1 LEV	All	Rear	--	--	912007	D-280-101
2000	4.3L	YGMXT04.3188	LEV1 LEV	2WD, Auto. Trans.	Underbody	919091	D-280-101	--	--
1999	4.3L	XGMXT04.3182	TLEV	2WD	Front	--	--	940106	D-280-100
1999	4.3L	XGMXT04.3182	TLEV	2WD	Rear	--	--	940636	D-280-100
1999	4.3L	XGMXT04.3182	TLEV	RWD, 31" OAL	Front	808592	D-665-23	--	--
1999	4.3L	XGMXT04.3182	TLEV	RWD, 31" OAL	Rear	809685	D-665-23	--	--
1999	4.3L	XGMXT04.3182	TLEV	RWD, 25" OAL	Front	808592	D-665-23	--	--
1999	4.3L	XGMXT04.3182	TLEV	RWD, 25" OAL	Rear	809681	D-665-23	--	--
1999	4.3L	XGMXT04.3182	TLEV	RWD, 21" OAL	Front	808592	D-665-23	--	--
1999	4.3L	XGMXT04.3182	TLEV	RWD, 21" OAL	Rear	809683	D-665-23	--	--
1999	4.3L	XGMXT04.3184	TLEV	All	Front	--	--	912005R	D-280-101
1999	4.3L	XGMXT04.3184	TLEV	All	Rear	--	--	912006	D-280-101
1999	4.3L	XGMXT04.3184	TLEV	2WD, 3Dr Ext. Cab	Front	911177	D-280-101	--	--
1999	4.3L	XGMXT04.3184	TLEV	4WD	Rear	912881	D-280-101	--	--
1999	4.3L	XGMXT04.3185	LEV1 LEV	All	Front	--	--	912005R	D-280-101
1999	4.3L	XGMXT04.3185	LEV1 LEV	All	Rear	--	--	912006	D-280-101
1999	4.3L	XGMXT04.3185	LEV1 LEV	2WD, 3Dr Ext. Cab	Front	911177	D-280-101	--	--
1999	4.3L	XGMXT04.3185	LEV1 LEV	4WD	Rear	912881	D-280-101	--	--
1998	4.3L	WGMXT04.3182	TIER1	2WD	Underbody	942710	D-280-100	--	--
1998	4.3L	WGMXT04.3182	TIER1	2WD	Underbody	--	--	940106	D-280-100
1998	4.3L	WGMXT04.3184	TIER1	All	Underbody	--	--	912006	D-280-101
1998	4.3L	WGMXT04.3184	TIER1	All	Underbody	--	--	910006	D-280-101
1998	4.3L	WGMXT04.3184	TIER1	2WD	Underbody	914977	D-280-101	--	--
1998	4.3L	WGMXT04.3184	TIER1	4WD	Underbody	919881	D-280-101	--	--
1998	4.3L	WGMXT04.3185	TLEV	All	Front	--	--	910025	D-280-101
1998	4.3L	WGMXT04.3185	TLEV	All	Rear	--	--	912006	D-280-101
1998	4.3L	WGMXT04.3185	TLEV	2WD	Front	911177	D-280-101	--	--
1998	4.3L	WGMXT04.3185	TLEV	2WD	Rear	914977	D-280-101	--	--
1998	4.3L	WGMXT04.3193	TLEV	All	Front	--	--	910025	D-280-101
1998	4.3L	WGMXT04.3193	TLEV	All	Rear	--	--	912005	D-280-101
1998	4.3L	WGMXT04.3193	TLEV	2WD	Front	911177	D-280-101	--	--
1998	4.3L	WGMXT04.3193	TLEV	2WD	Rear	914977	D-280-101	--	--
1997	4.3L	VGM4.31PG1EK	TIER1	2WD	Underbody	942710	D-280-100	--	--
1997	4.3L	VGM4.31PG1EK	TIER1	2WD	Underbody	--	--	940106	D-280-100
1997	4.3L	VGM4.32PG1EK	TIER1	All	Underbody	--	--	912006	D-280-101
1997	4.3L	VGM4.32PG1EK	TIER1	2WD	Underbody	912710	D-280-101	--	--
1996	4.3L	TGM4.31PGFEK	TIER1	2WD	Underbody	942710	D-280-100	--	--
1996	4.3L	TGM4.31PGFEK	TIER1	All	Underbody	--	--	940106	D-280-100
1996	4.3L	TGM4.32PGKEK	TIER1	All	Underbody	--	--	912006	D-280-101
1996	4.3L	TGM4.32PGKEK	TIER1	4WD	Underbody	912881	D-280-101	--	--
1995	4.3L	S3G4.319GFEJ	TIER1	RWD	Underbody	914628	D-280-101	--	--
1995	4.3L	S3G4.319GFEJ	TIER1	4WD	Underbody	919708	D-280-101	--	--
1995	4.3L	S3G4.319GFEJ	TIER1	2WD	Underbody	942628	D-280-100	--	--
1995	4.3L	S3G4.319GFEJ	TIER1	2WD	Underbody	--	--	940636	D-280-100
1995	4.3L	S3G4.329GFGJ	TIER1	All	Underbody	--	--	912006	D-280-101
1995	4.3L	S3G4.329GFGJ	TIER1	RWD	Underbody	914628	D-280-101	--	--
1995	4.3L	S3G4.329GFGJ	TIER1	4WD	Underbody	919708	D-280-101	--	--

Legal Note: In Compliance with California Emissions Requirements

APPLICATION GUIDE



OBD II

APPLICATION

Year	Eng. Size	Test Group/ Engine Family	Certification Level	Application	Location	Direct Fit Number	Exec. Order	Consol. Number	Exec. Order
Silverado 1500									
V6									
2013	4.3L	DGMXT04.3186	LEV2 LEV	All	Front Left	--	--	740566	D-798
2013	4.3L	DGMXT04.3186	LEV2 LEV	All	Front Right	--	--	740566	D-798
2013	4.3L	DGMXT04.3186	LEV2 LEV	All	Rear	--	--	747026	D-798
2013	4.3L	DGMXT04.3186	LEV2 LEV	All	Underbody	749912	D-798	--	--
2012	4.3L	CGMXT04.3186	LEV2 LEV	All	Front Left	--	--	740566	D-798
2012	4.3L	CGMXT04.3186	LEV2 LEV	All	Front Right	--	--	740566	D-798
2012	4.3L	CGMXT04.3186	LEV2 LEV	All	Rear	--	--	747336	D-798
2012	4.3L	CGMXT04.3186	LEV2 LEV	All	Underbody	749912	D-798	--	--
2011	4.3L	BGMXT04.3186	LEV2 LEV	All	Front Left	--	--	740566	D-798
2011	4.3L	BGMXT04.3186	LEV2 LEV	All	Front Right	--	--	740566	D-798
2011	4.3L	BGMXT04.3186	LEV2 LEV	All	Rear	--	--	747336	D-798
2011	4.3L	BGMXT04.3186	LEV2 LEV	All	Underbody	749912	D-798	--	--
2010	4.3L	AGMXT04.3186	LEV2 LEV	All	Front Left	--	--	740566	D-798
2010	4.3L	AGMXT04.3186	LEV2 LEV	All	Front Right	--	--	740566	D-798
2010	4.3L	AGMXT04.3186	LEV2 LEV	All	Rear	--	--	747336	D-798
2010	4.3L	AGMXT04.3186	LEV2 LEV	All	Underbody	749912	D-798	--	--
2009	4.3L	9GMXT04.3186	LEV2 LEV	All	Front Left	--	--	740566	D-798
2009	4.3L	9GMXT04.3186	LEV2 LEV	All	Front Right	--	--	740566	D-798
2009	4.3L	9GMXT04.3186	LEV2 LEV	All	Rear	--	--	747336	D-798
2009	4.3L	9GMXT04.3186	LEV2 LEV	All	Underbody	749912	D-798	--	--
2008	4.3L	8GMXT04.3186	LEV2 LEV	All	Front Left	--	--	740566	D-798
2008	4.3L	8GMXT04.3186	LEV2 LEV	All	Front Right	--	--	740566	D-798
2008	4.3L	8GMXT04.3186	LEV2 LEV	All	Underbody	749233	D-798	--	--
2007	4.3L	7GMXT04.3186	LEV2 LEV	All	Front Left	--	--	740566	D-798
2007	4.3L	7GMXT04.3186	LEV2 LEV	All	Front Right	--	--	740566	D-798
2007	4.3L	7GMXT04.3186	LEV2 LEV	All	Underbody	749233	D-798	--	--
2006	4.3L	6GMXT04.3181	LEV1 LEV	All	Underbody	912083	D-280-101	--	--
2006	4.3L	6GMXT04.3181	LEV1 LEV	All	Underbody Right	--	--	912006	D-280-101
2005	4.3L	5GMXT04.3184	LEV1 LEV	All	Underbody	912083	D-280-101	--	--
2004	4.3L	4GMXT04.3184	LEV1 LEV	All	Underbody	912083	D-280-101	--	--
2004	4.3L	4GMXT04.3184	LEV1 LEV	All	Underbody Left	--	--	912006	D-280-101
2004	4.3L	4GMXT04.3184	LEV1 LEV	All	Underbody Right	--	--	912006	D-280-101
2003	4.3L	3GMXT04.3184	LEV1 LEV	All	Front Left	--	--	912006	D-280-101
2003	4.3L	3GMXT04.3184	LEV1 LEV	All	Front Right	--	--	912006	D-280-101
2003	4.3L	3GMXT04.3184	LEV1 LEV	All	Underbody	912083	D-280-101	--	--
2002	4.3L	2GMXA04.3190	LEV1 LEV	All	Front	912083	D-280-101	--	--
2002	4.3L	2GMXA04.3190	LEV1 LEV	All	Rear Left	--	--	912006	D-280-101
2002	4.3L	2GMXA04.3190	LEV1 LEV	All	Rear Right	--	--	912006	D-280-101
2001	4.3L	1GMXA04.3190	LEV1 LEV	All	Underbody	912083	D-280-101	--	--
2001	4.3L	1GMXA04.3190	LEV1 LEV	All	Underbody Left	--	--	912006	D-280-101
2001	4.3L	1GMXA04.3190	LEV1 LEV	All	Underbody Right	--	--	912006	D-280-101
2000	4.3L	YGMXA04.3190	LEV1 LEV	All	Underbody	912083	D-280-101	--	--
2000	4.3L	YGMXA04.3190	LEV1 LEV	All	Underbody Left	--	--	912006	D-280-101
2000	4.3L	YGMXA04.3190	LEV1 LEV	All	Underbody Right	--	--	912006	D-280-101
2000	4.3L	YGMXT04.3184	TIER1	All	Underbody	912083	D-280-101	--	--
2000	4.3L	YGMXT04.3184	TIER1	All	Underbody Left	--	--	912006	D-280-101
2000	4.3L	YGMXT04.3184	TIER1	All	Underbody Right	--	--	912006	D-280-101
1999	4.3L	XGMXA04.3194	LEV1 LEV	All	Underbody	912063	D-280-101	--	--
1999	4.3L	XGMXA04.3194	LEV1 LEV	All	Underbody Left	--	--	912006	D-280-101
1999	4.3L	XGMXA04.3194	LEV1 LEV	All	Underbody Right	--	--	912006	D-280-101
1999	4.3L	XGMXA04.3195	TIER1	All	Underbody	912063	D-280-101	--	--
1999	4.3L	XGMXA04.3195	TIER1	All	Underbody	--	--	912006	D-280-101
V8									
2013	4.8L	DGMXT05.3381	LEV2 ULEV	All	Front Left	--	--	740566	D-798
2013	4.8L	DGMXT05.3381	LEV2 ULEV	All	Front Right	--	--	740566	D-798
2013	4.8L	DGMXT05.3381	LEV2 ULEV	All	Rear	--	--	747026	D-798
2013	4.8L	DGMXT05.3381	LEV2 ULEV	All	Underbody	749912	D-798	--	--

Legal Note: In Compliance with California Emissions Requirements



CATCO
CATALYTIC CONVERTERS

EASTERN CATALYTIC

APPLICATION GUIDE

OBD II

APPLICATION

Year	Eng. Size	Test Group/ Engine Family	Certification Level	Application	Location	Direct Fit Number	Exec. Order	Consol. Number	Exec. Order
Chevrolet (Cont.)									
Silverado 1500 (Cont.)									
V8 (Cont.)									
2012	4.8L	CGMXT05.3381	LEV2 ULEV	All	Front Left	--	--	740566	D-798
2012	4.8L	CGMXT05.3381	LEV2 ULEV	All	Front Right	--	--	740566	D-798
2012	4.8L	CGMXT05.3381	LEV2 ULEV	All	Rear	--	--	747336	D-798
2012	4.8L	CGMXT05.3381	LEV2 ULEV	All	Underbody	749912	D-798	--	--
2011	4.8L	BGMXT05.3381	LEV2 ULEV	All	Front Left	--	--	740566	D-798
2011	4.8L	BGMXT05.3381	LEV2 ULEV	All	Front Right	--	--	740566	D-798
2011	4.8L	BGMXT05.3381	LEV2 ULEV	All	Rear	--	--	747336	D-798
2011	4.8L	BGMXT05.3381	LEV2 ULEV	All	Underbody	749912	D-798	--	--
2010	4.8L	AGMXT05.3381	LEV2 ULEV	All	Front Left	--	--	740566	D-798
2010	4.8L	AGMXT05.3381	LEV2 ULEV	All	Front Right	--	--	740566	D-798
2010	4.8L	AGMXT05.3381	LEV2 ULEV	All	Rear	--	--	747336	D-798
2010	4.8L	AGMXT05.3381	LEV2 ULEV	All	Underbody	749912	D-798	--	--
2009	4.8L	9GMXT05.3384	LEV2 LEV	All	Front Left	--	--	740566	D-798
2009	4.8L	9GMXT05.3384	LEV2 LEV	All	Front Right	--	--	740566	D-798
2009	4.8L	9GMXT05.3384	LEV2 LEV	All	Rear	--	--	747336	D-798
2009	4.8L	9GMXT05.3384	LEV2 LEV	All	Underbody	749912	D-798	--	--
2008	4.8L	8GMXT05.3380	LEV2 ULEV	All	Front Left	--	--	740566	D-798
2008	4.8L	8GMXT05.3380	LEV2 ULEV	All	Front Right	--	--	740566	D-798
2008	4.8L	8GMXT05.3380	LEV2 ULEV	All	Underbody	749233	D-798	--	--
2007	4.8L	7GMXT05.3380	LEV2 ULEV	All	Front Left	--	--	740566	D-798
2007	4.8L	7GMXT05.3380	LEV2 ULEV	All	Front Right	--	--	740566	D-798
2007	4.8L	7GMXT05.3380	LEV2 ULEV	All	Underbody	749233	D-798	--	--
2007	4.8L	7GMXT05.3384	LEV2 LEV	All	Front Left	--	--	740566	D-798
2007	4.8L	7GMXT05.3384	LEV2 LEV	All	Front Right	--	--	740566	D-798
2007	4.8L	7GMXT05.3384	LEV2 LEV	All	Underbody	749233	D-798	--	--
2005	4.8L	5GMXT05.3170	LEV1 LEV	All	Underbody	912083	D-280-101	--	--
2005	4.8L	5GMXT05.3174	LEV1 ULEV	All	Front Left	--	--	732006	D-280-107
2005	4.8L	5GMXT05.3174	LEV1 ULEV	All	Front Right	--	--	732006	D-280-107
2005	4.8L	5GMXT05.3174	LEV1 ULEV	All	Underbody	739083	D-280-107	--	--
2004	4.8L	4GMXT05.3170	LEV1 LEV	All	Underbody	912083	D-280-101	--	--
2004	4.8L	4GMXT05.3170	LEV1 LEV	All	Underbody	--	--	912005	D-280-101
2004	4.8L	4GMXT05.3174	LEV1 ULEV	All	Front Left	--	--	732006	D-280-107
2004	4.8L	4GMXT05.3174	LEV1 ULEV	All	Front Right	--	--	732006	D-280-107
2004	4.8L	4GMXT05.3174	LEV1 ULEV	All	Underbody	739083	D-280-107	--	--
2003	4.8L	3GMXT05.3183	LEV1 LEV	All	Front Left	--	--	912006	D-280-101
2003	4.8L	3GMXT05.3183	LEV1 LEV	All	Front Left	--	--	912005R	D-280-101
2003	4.8L	3GMXT05.3183	LEV1 LEV	All	Front Right	--	--	912006	D-280-101
2003	4.8L	3GMXT05.3183	LEV1 LEV	All	Underbody	912083	D-280-101	--	--
2003	4.8L	3GMXT05.3184	LEV1 LEV	All	Underbody	912083	D-280-101	--	--
2003	4.8L	3GMXT05.3184	LEV1 LEV	All	Underbody	--	--	912005	D-280-101
2003	4.8L	3GMXT05.3184	LEV1 LEV	All	Underbody Left	--	--	912006	D-280-101
2003	4.8L	3GMXT05.3184	LEV1 LEV	All	Underbody Right	--	--	912006	D-280-101
2002	4.8L	2GMXA04.8183	LEV1 LEV	All	Front	912083	D-280-101	--	--
2002	4.8L	2GMXA04.8183	LEV1 LEV	All	Rear Left	--	--	912006	D-280-101
2002	4.8L	2GMXA04.8183	LEV1 LEV	All	Rear Right	--	--	912006	D-280-101
2002	4.8L	2GMXA04.8184	LEV1 LEV	All	Front	912083	D-280-101	--	--
2002	4.8L	2GMXA04.8184	LEV1 LEV	All	Rear Left	--	--	912006	D-280-101
2002	4.8L	2GMXA04.8184	LEV1 LEV	All	Rear Right	--	--	912006	D-280-101
2002	4.8L	2GMXA04.8184	LEV1 LEV	All	Underbody	--	--	910005R	D-280-101
2001	4.8L	1GMXA05.3183	LEV1 LEV	All	Underbody	912083	D-280-101	--	--
2001	4.8L	1GMXA05.3183	LEV1 LEV	All	Underbody Left	--	--	912006	D-280-101
2001	4.8L	1GMXA05.3183	LEV1 LEV	All	Underbody Right	--	--	912006	D-280-101
2001	4.8L	1GMXA05.3184	LEV1 LEV	All	Underbody	912083	D-280-101	--	--
2001	4.8L	1GMXA05.3184	LEV1 LEV	All	Underbody Left	--	--	912006	D-280-101
2001	4.8L	1GMXA05.3184	LEV1 LEV	All	Underbody Right	--	--	912006	D-280-101
2000	4.8L	YGMXA05.3183	LEV1 LEV	All	Underbody	912083	D-280-101	--	--
2000	4.8L	YGMXA05.3183	LEV1 LEV	All	Underbody Left	--	--	912006	D-280-101
2000	4.8L	YGMXA05.3183	LEV1 LEV	All	Underbody Right	--	--	912006	D-280-101

APPLICATION GUIDE



OBD II

APPLICATION

Year	Eng. Size	Test Group/ Engine Family	Certification Level	Application	Location	Direct Fit Number	Exec. Order	Consol. Number	Exec. Order
Chevrolet (Cont.)									
Silverado 1500 (Cont.)									
V8 (Cont.)									
2000	4.8L	YGMXT05.3181	TIER1	All	Underbody	912083	D-280-101	--	--
2000	4.8L	YGMXT05.3181	TIER1	All	Underbody Left	--	--	912006	D-280-101
2000	4.8L	YGMXT05.3181	TIER1	All	Underbody Right	--	--	912006	D-280-101
1999	4.8L	XGMXA04.8184	TIER1	All	Underbody	912083	D-280-101	--	--
1999	4.8L	XGMXA04.8184	TIER1	All	Underbody Left	--	--	912006	D-280-101
1999	4.8L	XGMXA04.8184	TIER1	All	Underbody Left	--	--	912005	D-280-101
1999	4.8L	XGMXA04.8184	TIER1	All	Underbody Right	--	--	912006	D-280-101
1999	4.8L	XGMXA05.3183	LEV1 LEV	All	Underbody	912063	D-280-101	--	--
1999	4.8L	XGMXA05.3183	LEV1 LEV	All	Underbody Left	--	--	912006	D-280-101
1999	4.8L	XGMXA05.3183	LEV1 LEV	All	Underbody Right	--	--	912006	D-280-101
2013	5.3L	DGMXT05.3381	LEV2 ULEV	All	Front Left	--	--	740566	D-798
2013	5.3L	DGMXT05.3381	LEV2 ULEV	All	Front Right	--	--	740566	D-798
2013	5.3L	DGMXT05.3381	LEV2 ULEV	All	Rear	--	--	747026	D-798
2013	5.3L	DGMXT05.3381	LEV2 ULEV	All	Underbody	749912	D-798	--	--
2012	5.3L	CGMXT05.3381	LEV2 ULEV	All	Front Left	--	--	740566	D-798
2012	5.3L	CGMXT05.3381	LEV2 ULEV	All	Front Right	--	--	740566	D-798
2012	5.3L	CGMXT05.3381	LEV2 ULEV	All	Rear	--	--	747336	D-798
2012	5.3L	CGMXT05.3381	LEV2 ULEV	All	Underbody	749912	D-798	--	--
2011	5.3L	BGMXT05.3381	LEV2 ULEV	All	Front Left	--	--	740566	D-798
2011	5.3L	BGMXT05.3381	LEV2 ULEV	All	Front Right	--	--	740566	D-798
2011	5.3L	BGMXT05.3381	LEV2 ULEV	All	Rear	--	--	747336	D-798
2011	5.3L	BGMXT05.3381	LEV2 ULEV	All	Underbody	749912	D-798	--	--
2010	5.3L	AGMXT05.3381	LEV2 ULEV	All	Front Left	--	--	740566	D-798
2010	5.3L	AGMXT05.3381	LEV2 ULEV	All	Front Right	--	--	740566	D-798
2010	5.3L	AGMXT05.3381	LEV2 ULEV	All	Rear	--	--	747336	D-798
2010	5.3L	AGMXT05.3381	LEV2 ULEV	All	Underbody	749912	D-798	--	--
2009	5.3L	9GMXT05.3380	LEV2 ULEV	All	Front Left	--	--	740566	D-798
2009	5.3L	9GMXT05.3380	LEV2 ULEV	All	Front Right	--	--	740566	D-798
2009	5.3L	9GMXT05.3380	LEV2 ULEV	All	Rear	--	--	747336	D-798
2009	5.3L	9GMXT05.3380	LEV2 ULEV	All	Underbody	749912	D-798	--	--
2009	5.3L	9GMXT05.3381	LEV2 ULEV	All	Front Left	--	--	740566	D-798
2009	5.3L	9GMXT05.3381	LEV2 ULEV	All	Front Right	--	--	740566	D-798
2009	5.3L	9GMXT05.3381	LEV2 ULEV	All	Rear	--	--	747336	D-798
2009	5.3L	9GMXT05.3381	LEV2 ULEV	All	Underbody	749912	D-798	--	--
2008	5.3L	8GMXT05.3380	LEV2 ULEV	All	Front Left	--	--	740566	D-798
2008	5.3L	8GMXT05.3380	LEV2 ULEV	All	Front Right	--	--	740566	D-798
2008	5.3L	8GMXT05.3380	LEV2 ULEV	All	Underbody	749233	D-798	--	--
2008	5.3L	8GMXT05.3381	LEV2 ULEV	All	Front Left	--	--	740566	D-798
2008	5.3L	8GMXT05.3381	LEV2 ULEV	All	Front Right	--	--	740566	D-798
2008	5.3L	8GMXT05.3381	LEV2 ULEV	All	Underbody	749233	D-798	--	--
2007	5.3L	7GMXT05.3373	LEV2 LEV	All	Front Left	--	--	740566	D-798
2007	5.3L	7GMXT05.3373	LEV2 LEV	All	Front Right	--	--	740566	D-798
2007	5.3L	7GMXT05.3373	LEV2 LEV	All	Underbody	749233	D-798	--	--
2007	5.3L	7GMXT05.3380	LEV2 ULEV	All	Front Left	--	--	740566	D-798
2007	5.3L	7GMXT05.3380	LEV2 ULEV	All	Front Right	--	--	740566	D-798
2007	5.3L	7GMXT05.3380	LEV2 ULEV	All	Underbody	749233	D-798	--	--
2007	5.3L	7GMXT05.3381	LEV2 ULEV	All	Front Left	--	--	740566	D-798
2007	5.3L	7GMXT05.3381	LEV2 ULEV	All	Front Right	--	--	740566	D-798
2007	5.3L	7GMXT05.3381	LEV2 ULEV	All	Underbody	749233	D-798	--	--
2007	5.3L	7GMXT05.3384	LEV2 LEV	All	Front Left	--	--	740566	D-798
2007	5.3L	7GMXT05.3384	LEV2 LEV	All	Front Right	--	--	740566	D-798
2007	5.3L	7GMXT05.3384	LEV2 LEV	All	Underbody	749233	D-798	--	--
2007	5.3L	7GMXT05.3386	LEV2 LEV	All	Front Left	--	--	740566	D-798
2007	5.3L	7GMXT05.3386	LEV2 LEV	All	Front Right	--	--	740566	D-798
2007	5.3L	7GMXT05.3386	LEV2 LEV	All	Underbody	749233	D-798	--	--
2005	5.3L	5GMXT05.3175	LEV1 ULEV	All	Front Left	--	--	732006	D-280-107
2005	5.3L	5GMXT05.3175	LEV1 ULEV	All	Front Right	--	--	732006	D-280-107
2005	5.3L	5GMXT05.3175	LEV1 ULEV	All	Underbody	739083	D-280-107	--	--

Legal Note: In Compliance with California Emissions Requirements



CATCO
CATALYTIC CONVERTERS

EASTERN CATALYTIC

APPLICATION GUIDE

OBD II

APPLICATION

Year	Eng. Size	Test Group/ Engine Family	Certification Level	Application	Location	Direct Fit Number	Exec. Order	Consol. Number	Exec. Order
Chevrolet (Cont.)									
Silverado 1500 (Cont.)									
V8 (Cont.)									
2005	5.3L	5GMXT05.3177	LEV1 LEV	All	Underbody	912083	D-280-101	--	--
2005	5.3L	5GMXT05.3177	LEV1 LEV	All	Underbody Left	--	--	912005	D-280-101
2005	5.3L	5GMXT05.3177	LEV1 LEV	All	Underbody Right	--	--	912005	D-280-101
2003	5.3L	3GMXT05.3176	LEV1 ULEV	All	Front Left	--	--	732006	D-280-107
2003	5.3L	3GMXT05.3176	LEV1 ULEV	All	Front Right	--	--	732006	D-280-107
2003	5.3L	3GMXT05.3176	LEV1 ULEV	All	Underbody	739083	D-280-107	--	--
2003	5.3L	3GMXT05.3185	LEV1 ULEV	All	Front Left	--	--	732006	D-280-107
2003	5.3L	3GMXT05.3185	LEV1 ULEV	All	Front Right	--	--	732006	D-280-107
2003	5.3L	3GMXT05.3185	LEV1 ULEV	All	Underbody	739083	D-280-107	--	--
2002	5.3L	2GMXA05.3185	LEV1 ULEV	4WD	Rear Left	--	--	732006	D-280-107
2002	5.3L	2GMXA05.3185	LEV1 ULEV	4WD	Rear Right	--	--	732006	D-280-107
2002	5.3L	2GMXA05.3187	LEV1 ULEV	All	Rear Left	--	--	732006	D-280-107
2002	5.3L	2GMXA05.3187	LEV1 ULEV	All	Rear Right	--	--	732006	D-280-107
2001	5.3L	1GMXA05.3183	LEV1 LEV	All	Underbody	912083	D-280-101	--	--
2001	5.3L	1GMXA05.3183	LEV1 LEV	All	Underbody Left	--	--	912006	D-280-101
2001	5.3L	1GMXA05.3183	LEV1 LEV	All	Underbody Right	--	--	912006	D-280-101
2001	5.3L	1GMXA05.3184	LEV1 LEV	All	Underbody	912083	D-280-101	--	--
2001	5.3L	1GMXA05.3184	LEV1 LEV	All	Underbody Left	--	--	912006	D-280-101
2001	5.3L	1GMXA05.3184	LEV1 LEV	All	Underbody Right	--	--	912006	D-280-101
2000	5.3L	YGMXA05.3183	LEV1 LEV	All	Underbody Left	--	--	912006	D-280-101
2000	5.3L	YGMXA05.3183	LEV1 LEV	All	Underbody Right	--	--	912006	D-280-101
2000	5.3L	YGMXA05.3183	LEV1 LEV	W/ Flat Spot	Underbody	912083	D-280-101	--	--
2000	5.3L	YGMXT05.3181	TIER1	All	Underbody Left	--	--	912006	D-280-101
2000	5.3L	YGMXT05.3181	TIER1	All	Underbody Right	--	--	912006	D-280-101
2000	5.3L	YGMXT05.3181	TIER1	W/ Flat Spot	Underbody	912083	D-280-101	--	--
1999	5.3L	XGMXA05.3183	LEV1 LEV	All	Underbody Left	--	--	912006	D-280-101
1999	5.3L	XGMXA05.3183	LEV1 LEV	All	Underbody Right	--	--	912006	D-280-101
1999	5.3L	XGMXA05.3183	LEV1 LEV	W/O Flat Spot	Underbody	912063	D-280-101	--	--
2012	6.0L	CGMXT06.0372	LEV2 ULEV	All	Front Left	--	--	740566	D-798
2012	6.0L	CGMXT06.0372	LEV2 ULEV	All	Front Right	--	--	740566	D-798
2012	6.0L	CGMXT06.0372	LEV2 ULEV	All	Rear	--	--	747336	D-798
2012	6.0L	CGMXT06.0372	LEV2 ULEV	All	Underbody	749912	D-798	--	--
2011	6.0L	BGMXT06.0372	LEV2 ULEV	All	Front Left	--	--	740566	D-798
2011	6.0L	BGMXT06.0372	LEV2 ULEV	All	Front Right	--	--	740566	D-798
2011	6.0L	BGMXT06.0372	LEV2 ULEV	All	Rear	--	--	747336	D-798
2011	6.0L	BGMXT06.0372	LEV2 ULEV	All	Underbody	749912	D-798	--	--
2010	6.0L	AGMXT06.0372	LEV2 ULEV	All	Front Left	--	--	740566	D-798
2010	6.0L	AGMXT06.0372	LEV2 ULEV	All	Front Right	--	--	740566	D-798
2010	6.0L	AGMXT06.0372	LEV2 ULEV	All	Rear	--	--	747336	D-798
2010	6.0L	AGMXT06.0372	LEV2 ULEV	All	Underbody	749912	D-798	--	--
2009	6.0L	9GMXT06.0382	LEV2 LEV	All	Front Left	--	--	740566	D-798
2009	6.0L	9GMXT06.0382	LEV2 LEV	All	Front Right	--	--	740566	D-798
2009	6.0L	9GMXT06.0382	LEV2 LEV	All	Rear	--	--	747336	D-798
2009	6.0L	9GMXT06.0382	LEV2 LEV	All	Underbody	749912	D-798	--	--
2009	6.0L	9GMXT06.0392	LEV2 LEV	All	Front Left	--	--	740566	D-798
2009	6.0L	9GMXT06.0392	LEV2 LEV	All	Front Right	--	--	740566	D-798
2009	6.0L	9GMXT06.0392	LEV2 LEV	All	Underbody	749233	D-798	--	--
2008	6.0L	8GMXT06.0383	LEV2 ULEV	All	Front Left	--	--	740566	D-798
2008	6.0L	8GMXT06.0383	LEV2 ULEV	All	Front Right	--	--	740566	D-798
2008	6.0L	8GMXT06.0383	LEV2 ULEV	All	Underbody	749233	D-798	--	--
2007	6.0L	7GMXT06.0383	LEV2 ULEV	All	Front Left	--	--	740566	D-798
2007	6.0L	7GMXT06.0383	LEV2 ULEV	All	Front Right	--	--	740566	D-798
2007	6.0L	7GMXT06.0383	LEV2 ULEV	All	Underbody	749233	D-798	--	--
2007	6.0L	7GMXT06.2382	LEV2 LEV	All	Front Left	--	--	740566	D-798
2007	6.0L	7GMXT06.2382	LEV2 LEV	All	Front Right	--	--	740566	D-798
2007	6.0L	7GMXT06.2382	LEV2 LEV	All	Underbody	749233	D-798	--	--
2006	6.0L	6GMXK06.0388	LEV1 LEV	All	Rear Left	--	--	912007	D-280-101
2006	6.0L	6GMXK06.0388	LEV1 LEV	All	Rear Right	--	--	912007	D-280-101
2004	6.0L	4GMXT06.0188	LEV1 LEV	All	Underbody	--	--	910005R	D-280-101

Legal Note: In Compliance with California Emissions Requirements

APPLICATION GUIDE



OBD II

APPLICATION

Year	Eng. Size	Test Group/ Engine Family	Certification Level	Application	Location	Direct Fit Number	Exec. Order	Consol. Number	Exec. Order
Chevrolet (Cont.)									
Silverado 1500 (Cont.)									
V8 (Cont.)									
2003	6.0L	3GMXA06.0188	LEV1 LEV	All	Front Left	--	--	912006	D-280-101
2003	6.0L	3GMXA06.0188	LEV1 LEV	All	Front Right	--	--	912006	D-280-101
2003	6.0L	3GMXA06.0188	LEV1 LEV	All	Rear Left	--	--	912006	D-280-101
2003	6.0L	3GMXA06.0188	LEV1 LEV	All	Rear Right	--	--	912006	D-280-101
2003	6.0L	3GMXT06.0187	LEV1 LEV	All	Underbody Left	912267	D-280-101	--	--
2003	6.0L	3GMXT06.0187	LEV1 LEV	All	Underbody Left	--	--	912006	D-280-101
2003	6.0L	3GMXT06.0187	LEV1 LEV	All	Underbody Right	912266	D-280-101	--	--
2003	6.0L	3GMXT06.0187	LEV1 LEV	All	Underbody Right	--	--	912006	D-280-101
2010	6.2L	AGMXT06.2374	LEV2 ULEV	All	Front Left	--	--	740566	D-798
2010	6.2L	AGMXT06.2374	LEV2 ULEV	All	Front Right	--	--	740566	D-798
2010	6.2L	AGMXT06.2374	LEV2 ULEV	All	Underbody	749642	D-798	--	--
2009	6.2L	9GMXT06.2374	LEV2 ULEV	All	Front Left	--	--	740566	D-798
2009	6.2L	9GMXT06.2374	LEV2 ULEV	All	Front Right	--	--	740566	D-798
2009	6.2L	9GMXT06.2374	LEV2 ULEV	All	Underbody	749642	D-798	--	--
Silverado 1500 HD									
V8									
2002	6.0L	2GMXA06.0188	LEV1 LEV	All	Front Left	--	--	912006	D-280-101
2002	6.0L	2GMXA06.0188	LEV1 LEV	All	Front Right	--	--	912006	D-280-101
2002	6.0L	2GMXA06.0188	LEV1 LEV	All	Rear Left	--	--	912006	D-280-101
2002	6.0L	2GMXA06.0188	LEV1 LEV	All	Rear Right	--	--	912006	D-280-101
Silverado 2500									
V8									
2000	5.3L	YGMXA05.3183	LEV1 LEV	RWD	Underbody	912083	D-280-101	--	--
2000	5.3L	YGMXA05.3183	LEV1 LEV	RWD	Underbody Left	--	--	912006	D-280-101
2000	5.3L	YGMXA05.3183	LEV1 LEV	RWD	Underbody Right	--	--	912006	D-280-101
2000	5.3L	YGMXT05.3181	TIER1	2WD	Underbody	912083	D-280-101	--	--
2000	5.3L	YGMXT05.3181	TIER1	2WD	Underbody Left	--	--	912006	D-280-101
2000	5.3L	YGMXT05.3181	TIER1	2WD	Underbody Right	--	--	912006	D-280-101
1999	5.3L	XGMXA05.3185	LEV1 LEV	All	Underbody	912083	D-280-101	--	--
1999	5.3L	XGMXA05.3185	LEV1 LEV	All	Underbody Left	--	--	912006	D-280-101
1999	5.3L	XGMXA05.3185	LEV1 LEV	All	Underbody Right	--	--	912006	D-280-101
2004	6.0L	4GMXT06.0188	LEV1 LEV	All	Underbody	--	--	910005R	D-280-101
2000	6.0L	YGMXT06.0192	TIER1	All	Underbody Left	919213	D-280-101	--	--
2000	6.0L	YGMXT06.0192	TIER1	All	Underbody Left	--	--	912007	D-280-101
2000	6.0L	YGMXT06.0192	TIER1	All	Underbody Right	919212	D-280-101	--	--
2000	6.0L	YGMXT06.0192	TIER1	All	Underbody Right	--	--	912007	D-280-101
1999	6.0L	XGMXA06.0182	TIER1	2WD	Underbody Left	919213	D-280-101	--	--
1999	6.0L	XGMXA06.0182	TIER1	2WD	Underbody Left	--	--	912006	D-280-101
1999	6.0L	XGMXA06.0182	TIER1	2WD	Underbody Right	919212	D-280-101	--	--
1999	6.0L	XGMXA06.0182	TIER1	2WD	Underbody Right	--	--	912006	D-280-101
1999	6.0L	XGMXA06.0183	TIER1	All	Underbody Left	919213	D-280-101	--	--
1999	6.0L	XGMXA06.0183	TIER1	All	Underbody Left	--	--	912006	D-280-101
1999	6.0L	XGMXA06.0183	TIER1	All	Underbody Right	919212	D-280-101	--	--
1999	6.0L	XGMXA06.0183	TIER1	All	Underbody Right	--	--	912006	D-280-101
Silverado 2500 HD									
V8									
2006	6.0L	6GMXK06.0388	LEV1 LEV	All	Underbody Right	919878	D-280-101	--	--
2006	6.0L	6GMXT06.0198	LEV1 ULEV	All	Front Left	--	--	736006	D-280-107
2006	6.0L	6GMXT06.0198	LEV1 ULEV	All	Front Right	--	--	736006	D-280-107
2006	6.0L	6GMXT06.0198	LEV1 ULEV	All	Rear Left	--	--	733016	D-280-107
2006	6.0L	6GMXT06.0198	LEV1 ULEV	All	Rear Right	--	--	733016	D-280-107
2005	6.0L	5GMXT06.0188	LEV1 LEV	All	Underbody Left	919877	D-280-101	--	--
2005	6.0L	5GMXT06.0188	LEV1 LEV	All	Underbody Right	919878	D-280-101	--	--
2005	6.0L	5GMXT06.0198	LEV1 ULEV	All	Front Left	--	--	736006	D-280-107
2005	6.0L	5GMXT06.0198	LEV1 ULEV	All	Front Right	--	--	736006	D-280-107
2005	6.0L	5GMXT06.0198	LEV1 ULEV	All	Rear Left	--	--	733016	D-280-107
2005	6.0L	5GMXT06.0198	LEV1 ULEV	All	Rear Right	--	--	733016	D-280-107

Legal Note: In Compliance with California Emissions Requirements



CATCO
CATALYTIC CONVERTERS

EASTERN CATALYTIC

APPLICATION GUIDE

OBD II

APPLICATION

Year	Eng. Size	Test Group/ Engine Family	Certification Level	Application	Location	Direct Fit Number	Exec. Order	Consol. Number	Exec. Order
Chevrolet (Cont.)									
Silverado 2500 HD (Cont.)									
V8 (Cont.)									
2004	6.0L	4GMXT06.0188	LEV1 LEV	All	Underbody	--	--	910005R	D-280-101
2004	6.0L	4GMXT06.0188	LEV1 LEV	All	Underbody Left	919877	D-280-101	--	--
2004	6.0L	4GMXT06.0188	LEV1 LEV	All	Underbody Right	919878	D-280-101	--	--
2003	6.0L	3GMXA06.0188	LEV1 LEV	All	Front Left	--	--	912006	D-280-101
2003	6.0L	3GMXA06.0188	LEV1 LEV	All	Front Right	--	--	912006	D-280-101
2003	6.0L	3GMXA06.0188	LEV1 LEV	All	Rear Left	--	--	912006	D-280-101
2003	6.0L	3GMXA06.0188	LEV1 LEV	All	Rear Right	--	--	912006	D-280-101
2003	6.0L	3GMXA06.0188	LEV1 LEV	All	Underbody Left	919877	D-280-101	--	--
2003	6.0L	3GMXA06.0188	LEV1 LEV	All	Underbody Right	919878	D-280-101	--	--
2002	6.0L	2GMXA06.0188	LEV1 LEV	All	Front Left	--	--	912006	D-280-101
2002	6.0L	2GMXA06.0188	LEV1 LEV	All	Front Right	--	--	912006	D-280-101
2002	6.0L	2GMXA06.0188	LEV1 LEV	All	Rear Left	--	--	912006	D-280-101
2002	6.0L	2GMXA06.0188	LEV1 LEV	All	Rear Right	--	--	912006	D-280-101
2006	8.1L	6GMXK08.1203	LEV1 LEV	All	Underbody Left	919877	D-280-101	--	--
2006	8.1L	6GMXK08.1203	LEV1 LEV	All	Underbody Right	919878	D-280-101	--	--
2005	8.1L	5GMXT08.1201	LEV1 LEV	All	Underbody Left	919877	D-280-101	--	--
2005	8.1L	5GMXT08.1201	LEV1 LEV	All	Underbody Right	919878	D-280-101	--	--
2004	8.1L	4GMXT08.1201	LEV1 LEV	All	Underbody	--	--	910005R	D-280-101
2004	8.1L	4GMXT08.1201	LEV1 LEV	All	Underbody Left	919877	D-280-101	--	--
2004	8.1L	4GMXT08.1201	LEV1 LEV	All	Underbody Right	919878	D-280-101	--	--
2003	8.1L	3GMXA08.1201	LEV1 LEV	All	Rear Left	--	--	912007	D-280-101
2003	8.1L	3GMXA08.1201	LEV1 LEV	All	Rear Right	--	--	912007	D-280-101
2002	8.1L	2GMXA08.1201	LEV1 LEV	All	Rear Left	--	--	912007	D-280-101
2002	8.1L	2GMXA08.1201	LEV1 LEV	All	Rear Right	--	--	912007	D-280-101
Silverado 3500									
V8									
2006	6.0L	6GMXK06.0388	LEV1 LEV	All	Underbody Left	919877	D-280-101	--	--
2006	6.0L	6GMXK06.0388	LEV1 LEV	All	Underbody Right	919878	D-280-101	--	--
2005	6.0L	5GMXT06.0188	LEV1 LEV	All	Underbody Left	919877	D-280-101	--	--
2005	6.0L	5GMXT06.0188	LEV1 LEV	All	Underbody Right	919878	D-280-101	--	--
2004	6.0L	4GMXT06.0188	LEV1 LEV	All	Underbody	--	--	910005R	D-280-101
2004	6.0L	4GMXT06.0188	LEV1 LEV	All	Underbody Left	919877	D-280-101	--	--
2004	6.0L	4GMXT06.0188	LEV1 LEV	All	Underbody Right	919878	D-280-101	--	--
2003	6.0L	3GMXA06.0188	LEV1 LEV	All	Front Left	--	--	912006	D-280-101
2003	6.0L	3GMXA06.0188	LEV1 LEV	All	Front Right	--	--	912006	D-280-101
2003	6.0L	3GMXA06.0188	LEV1 LEV	All	Rear Left	--	--	912006	D-280-101
2003	6.0L	3GMXA06.0188	LEV1 LEV	All	Rear Right	--	--	912006	D-280-101
2003	6.0L	3GMXA06.0188	LEV1 LEV	All	Underbody Left	919877	D-280-101	--	--
2003	6.0L	3GMXA06.0188	LEV1 LEV	All	Underbody Right	919878	D-280-101	--	--
2002	6.0L	2GMXA06.0188	LEV1 LEV	All	Front Left	--	--	912006	D-280-101
2002	6.0L	2GMXA06.0188	LEV1 LEV	All	Front Right	--	--	912006	D-280-101
2002	6.0L	2GMXA06.0188	LEV1 LEV	All	Rear Left	--	--	912006	D-280-101
2002	6.0L	2GMXA06.0188	LEV1 LEV	All	Rear Right	--	--	912006	D-280-101
2001	6.0L	1GMXA06.0188	LEV1 LEV	All	Rear Left	--	--	912007	D-280-101
2001	6.0L	1GMXA06.0188	LEV1 LEV	All	Rear Right	--	--	912007	D-280-101
2006	8.1L	6GMXK08.1203	LEV1 LEV	All	Underbody Left	919877	D-280-101	--	--
2006	8.1L	6GMXK08.1203	LEV1 LEV	All	Underbody Right	919878	D-280-101	--	--
2005	8.1L	5GMXT08.1201	LEV1 LEV	All	Underbody Left	919877	D-280-101	--	--
2005	8.1L	5GMXT08.1201	LEV1 LEV	All	Underbody Right	919878	D-280-101	--	--
2004	8.1L	4GMXT08.1201	LEV1 LEV	All	Underbody	--	--	910005R	D-280-101
2004	8.1L	4GMXT08.1201	LEV1 LEV	All	Underbody Left	919877	D-280-101	--	--
2004	8.1L	4GMXT08.1201	LEV1 LEV	All	Underbody Right	919878	D-280-101	--	--
2003	8.1L	3GMXA08.1203	LEV1 LEV	All	Rear Left	--	--	912007	D-280-101
2003	8.1L	3GMXA08.1203	LEV1 LEV	All	Rear Right	--	--	912007	D-280-101
2003	8.1L	3GMXA08.1203	LEV1 LEV	All	Underbody Left	919877	D-280-101	--	--
2003	8.1L	3GMXA08.1203	LEV1 LEV	All	Underbody Right	919878	D-280-101	--	--
2002	8.1L	2GMXA08.1203	LEV1 LEV	All	Rear Left	--	--	912007	D-280-101
2002	8.1L	2GMXA08.1203	LEV1 LEV	All	Rear Right	--	--	912007	D-280-101

APPLICATION GUIDE



OBD II

APPLICATION

Year	Eng. Size	Test Group/ Engine Family	Certification Level	Application	Location	Direct Fit Number	Exec. Order	Consol. Number	Exec. Order
Chevrolet (Cont.)									
Silverado 3500 (Cont.)									
V8 (Cont.)									
2001	8.1L	1GMXA08.1203	LEV1 LEV	All	Rear Left	--	--	912007	D-280-101
2001	8.1L	1GMXA08.1203	LEV1 LEV	All	Rear Right	--	--	912007	D-280-101
SSR									
V8									
2004	5.3L	4GMXT05.3170	LEV1 LEV	2WD	Underbody	912155	D-280-101	--	--
2004	5.3L	4GMXT05.3170	LEV1 LEV	2WD	Underbody	--	--	912005R	D-280-101
2004	5.3L	4GMXT05.3170	LEV1 LEV	2WD	Underbody	--	--	912005	D-280-101
2003	5.3L	3GMXT05.3183	LEV1 LEV	All	Front Left	--	--	912006	D-280-101
2003	5.3L	3GMXT05.3183	LEV1 LEV	All	Front Right	--	--	912006	D-280-101
2003	5.3L	3GMXT05.3183	LEV1 LEV	All	Underbody	912155	D-280-101	--	--
Suburban 1500									
V8									
2013	5.3L	DGMXT05.3381	LEV2 ULEV	All	Front Left	--	--	740566	D-798
2013	5.3L	DGMXT05.3381	LEV2 ULEV	All	Front Right	--	--	740566	D-798
2013	5.3L	DGMXT05.3381	LEV2 ULEV	All	Rear	--	--	747026	D-798
2013	5.3L	DGMXT05.3381	LEV2 ULEV	All	Underbody	749912	D-798	--	--
2012	5.3L	CGMXT05.3381	LEV2 ULEV	All	Front Left	--	--	740566	D-798
2012	5.3L	CGMXT05.3381	LEV2 ULEV	All	Front Right	--	--	740566	D-798
2012	5.3L	CGMXT05.3381	LEV2 ULEV	All	Rear	--	--	747336	D-798
2012	5.3L	CGMXT05.3381	LEV2 ULEV	All	Underbody	749912	D-798	--	--
2011	5.3L	BGMXT05.3381	LEV2 ULEV	All	Front Left	--	--	740566	D-798
2011	5.3L	BGMXT05.3381	LEV2 ULEV	All	Front Right	--	--	740566	D-798
2011	5.3L	BGMXT05.3381	LEV2 ULEV	All	Rear	--	--	747336	D-798
2011	5.3L	BGMXT05.3381	LEV2 ULEV	All	Underbody	749912	D-798	--	--
2010	5.3L	AGMXT05.3381	LEV2 ULEV	All	Front Left	--	--	740566	D-798
2010	5.3L	AGMXT05.3381	LEV2 ULEV	All	Front Right	--	--	740566	D-798
2010	5.3L	AGMXT05.3381	LEV2 ULEV	All	Rear	--	--	747336	D-798
2010	5.3L	AGMXT05.3381	LEV2 ULEV	All	Underbody	749912	D-798	--	--
2009	5.3L	9GMXT05.3380	LEV2 ULEV	All	Front Left	--	--	740566	D-798
2009	5.3L	9GMXT05.3380	LEV2 ULEV	All	Front Right	--	--	740566	D-798
2009	5.3L	9GMXT05.3380	LEV2 ULEV	All	Rear	--	--	747336	D-798
2009	5.3L	9GMXT05.3380	LEV2 ULEV	All	Underbody	749912	D-798	--	--
2009	5.3L	9GMXT05.3381	LEV2 ULEV	All	Front Left	--	--	740566	D-798
2009	5.3L	9GMXT05.3381	LEV2 ULEV	All	Front Right	--	--	740566	D-798
2009	5.3L	9GMXT05.3381	LEV2 ULEV	All	Rear	--	--	747336	D-798
2009	5.3L	9GMXT05.3381	LEV2 ULEV	All	Underbody	749912	D-798	--	--
2008	5.3L	8GMXT05.3380	LEV2 ULEV	All	Front Left	--	--	740566	D-798
2008	5.3L	8GMXT05.3380	LEV2 ULEV	All	Front Right	--	--	740566	D-798
2008	5.3L	8GMXT05.3380	LEV2 ULEV	All	Underbody	749233	D-798	--	--
2008	5.3L	8GMXT05.3381	LEV2 ULEV	All	Front Left	--	--	740566	D-798
2008	5.3L	8GMXT05.3381	LEV2 ULEV	All	Front Right	--	--	740566	D-798
2008	5.3L	8GMXT05.3381	LEV2 ULEV	All	Underbody	749233	D-798	--	--
2007	5.3L	7GMXT05.3380	LEV2 ULEV	All	Front Left	--	--	740566	D-798
2007	5.3L	7GMXT05.3380	LEV2 ULEV	All	Front Right	--	--	740566	D-798
2007	5.3L	7GMXT05.3380	LEV2 ULEV	All	Underbody	749233	D-798	--	--
2007	5.3L	7GMXT05.3381	LEV2 ULEV	All	Front Left	--	--	740566	D-798
2007	5.3L	7GMXT05.3381	LEV2 ULEV	All	Front Right	--	--	740566	D-798
2007	5.3L	7GMXT05.3381	LEV2 ULEV	All	Underbody	749233	D-798	--	--
2005	5.3L	5GMXT05.3175	LEV1 ULEV	All	Front Left	--	--	732006	D-280-107
2005	5.3L	5GMXT05.3175	LEV1 ULEV	All	Front Right	--	--	732006	D-280-107
2005	5.3L	5GMXT05.3175	LEV1 ULEV	All	Underbody	739083	D-280-107	--	--
2003	5.3L	3GMXT05.3185	LEV1 ULEV	All	Underbody	739083	D-280-107	--	--
2003	5.3L	3GMXT05.3185	LEV1 ULEV	All	Underbody Left	--	--	732006	D-280-107
2003	5.3L	3GMXT05.3185	LEV1 ULEV	All	Underbody Right	--	--	732006	D-280-107
2001	5.3L	1GMXA05.3184	LEV1 LEV	All	Underbody	640565	D-665-18	--	--
2001	5.3L	1GMXA05.3185	LEV1 ULEV	All	Rear Left	--	--	732006	D-280-107
2001	5.3L	1GMXA05.3185	LEV1 ULEV	All	Rear Right	--	--	732006	D-280-107

Legal Note: In Compliance with California Emissions Requirements



CATCO
CATALYTIC CONVERTERS

EASTERN CATALYTIC

APPLICATION GUIDE

OBD II

APPLICATION

Year	Eng. Size	Test Group/ Engine Family	Certification Level	Application	Location	Direct Fit Number	Exec. Order	Consol. Number	Exec. Order
Chevrolet (Cont.)									
Suburban 1500 (Cont.)									
V8 (Cont.)									
2000	5.3L	YGMXA05.3184	LEV1 LEV	All	Underbody	912083	D-280-101	--	--
2000	5.3L	YGMXA05.3184	LEV1 LEV	All	Underbody Left	--	--	912006	D-280-101
2000	5.3L	YGMXA05.3184	LEV1 LEV	All	Underbody Right	--	--	912006	D-280-101
2009	6.0L	9GMXT06.0382	LEV2 LEV	All	Rear	--	--	747337	D-798
2009	6.0L	9GMXT06.0382	LEV2 LEV	All	Underbody	749912	D-798	--	--
2008	6.0L	8GMXT06.0383	LEV2 ULEV	All	Front Left	--	--	740566	D-798
2008	6.0L	8GMXT06.0383	LEV2 ULEV	All	Front Right	--	--	740566	D-798
2008	6.0L	8GMXT06.0383	LEV2 ULEV	All	Underbody	749233	D-798	--	--
2007	6.0L	7GMXT06.0383	LEV2 ULEV	All	Front Left	--	--	740566	D-798
2007	6.0L	7GMXT06.0383	LEV2 ULEV	All	Front Right	--	--	740566	D-798
2007	6.0L	7GMXT06.0383	LEV2 ULEV	All	Underbody	749233	D-798	--	--
Suburban 2500									
V8									
2008	6.0L	8GMXT06.2394	LEV2 LEV	All	Front Left	--	--	740007	D-798
2008	6.0L	8GMXT06.2394	LEV2 LEV	All	Front Right	--	--	740007	D-798
2004	6.0L	4GMXT06.0188	LEV1 LEV	All	Underbody	--	--	910005R	D-280-101
2002	6.0L	2GMXA06.0188	LEV1 LEV	All	Front Left	--	--	912006	D-280-101
2002	6.0L	2GMXA06.0188	LEV1 LEV	All	Front Right	--	--	912006	D-280-101
2000	6.0L	YGMXT06.0192	TIER1	All	Underbody Left	--	--	912007	D-280-101
2000	6.0L	YGMXT06.0192	TIER1	All	Underbody Right	919253	D-280-101	--	--
2000	6.0L	YGMXT06.0192	TIER1	All	Underbody Right	--	--	912007	D-280-101
2004	8.1L	4GMXT08.1201	LEV1 LEV	All	Underbody	--	--	910005R	D-280-101
2003	8.1L	3GMXA08.1201	LEV1 LEV	All	Rear Left	--	--	912037	D-280-101
2003	8.1L	3GMXA08.1201	LEV1 LEV	All	Rear Left	--	--	912007	D-280-101
2003	8.1L	3GMXA08.1201	LEV1 LEV	All	Rear Right	--	--	912037	D-280-101
2003	8.1L	3GMXA08.1201	LEV1 LEV	All	Rear Right	--	--	912007	D-280-101
2002	8.1L	2GMXA08.1201	LEV1 LEV	All	Rear Left	--	--	912007	D-280-101
2002	8.1L	2GMXA08.1201	LEV1 LEV	All	Rear Right	--	--	912007	D-280-101
2001	8.1L	1GMXA08.1201	LEV1 LEV	All	Rear Left	--	--	912037	D-280-101
2001	8.1L	1GMXA08.1201	LEV1 LEV	All	Rear Left	--	--	912007	D-280-101
2001	8.1L	1GMXA08.1201	LEV1 LEV	All	Rear Right	--	--	912037	D-280-101
2001	8.1L	1GMXA08.1201	LEV1 LEV	All	Rear Right	--	--	912007	D-280-101
Tahoe									
V8									
2009	4.8L	9GMXT05.3384	LEV2 LEV	2WD	Front Left	--	--	740566	D-798
2009	4.8L	9GMXT05.3384	LEV2 LEV	2WD	Front Right	--	--	740566	D-798
2009	4.8L	9GMXT05.3384	LEV2 LEV	2WD	Rear	--	--	747336	D-798
2009	4.8L	9GMXT05.3384	LEV2 LEV	2WD	Underbody	749912	D-798	--	--
2008	4.8L	8GMXT05.3380	LEV2 ULEV	2WD	Front Left	--	--	740566	D-798
2008	4.8L	8GMXT05.3380	LEV2 ULEV	2WD	Front Right	--	--	740566	D-798
2008	4.8L	8GMXT05.3380	LEV2 ULEV	2WD	Underbody	749233	D-798	--	--
2007	4.8L	7GMXT05.3380	LEV2 ULEV	2WD	Front Left	--	--	740566	D-798
2007	4.8L	7GMXT05.3380	LEV2 ULEV	2WD	Front Right	--	--	740566	D-798
2007	4.8L	7GMXT05.3380	LEV2 ULEV	2WD	Underbody	749233	D-798	--	--
2005	4.8L	5GMXT05.3174	LEV1 ULEV	All	Front Left	--	--	732006	D-280-107
2005	4.8L	5GMXT05.3174	LEV1 ULEV	All	Front Right	--	--	732006	D-280-107
2004	4.8L	4GMXT05.3174	LEV1 ULEV	All	Underbody	739083	D-280-107	--	--
2004	4.8L	4GMXT05.3174	LEV1 ULEV	All	Underbody Left	--	--	732006	D-280-107
2004	4.8L	4GMXT05.3174	LEV1 ULEV	All	Underbody Right	--	--	732006	D-280-107
2003	4.8L	3GMXT05.3184	LEV1 LEV	All	Underbody	912083	D-280-101	--	--
2003	4.8L	3GMXT05.3184	LEV1 LEV	All	Underbody Left	--	--	912006	D-280-101
2003	4.8L	3GMXT05.3184	LEV1 LEV	All	Underbody Right	--	--	912006	D-280-101
2002	4.8L	2GMXA04.8184	LEV1 LEV	All	Front	912083	D-280-101	--	--
2002	4.8L	2GMXA04.8184	LEV1 LEV	All	Rear Left	--	--	912006	D-280-101
2002	4.8L	2GMXA04.8184	LEV1 LEV	All	Rear Right	--	--	912006	D-280-101
2001	4.8L	1GMXA05.3184	LEV1 LEV	All	Underbody	912083	D-280-101	--	--
2001	4.8L	1GMXA05.3184	LEV1 LEV	All	Underbody Left	--	--	912006	D-280-101
2001	4.8L	1GMXA05.3184	LEV1 LEV	All	Underbody Right	--	--	912006	D-280-101

Legal Note: In Compliance with California Emissions Requirements

APPLICATION GUIDE



OBD II

APPLICATION

Year	Eng. Size	Test Group/ Engine Family	Certification Level	Application	Location	Direct Fit Number	Exec. Order	Consol. Number	Exec. Order
Chevrolet (Cont.)									
Tahoe (Cont.)									
V8 (Cont.)									
2013	5.3L	DGMXT05.3381	LEV2 ULEV	All	Front Left	--	--	740566	D-798
2013	5.3L	DGMXT05.3381	LEV2 ULEV	All	Front Right	--	--	740566	D-798
2013	5.3L	DGMXT05.3381	LEV2 ULEV	All	Rear	--	--	747026	D-798
2013	5.3L	DGMXT05.3381	LEV2 ULEV	All	Underbody	749912	D-798	--	--
2012	5.3L	CGMXT05.3381	LEV2 ULEV	All	Front Left	--	--	740566	D-798
2012	5.3L	CGMXT05.3381	LEV2 ULEV	All	Front Right	--	--	740566	D-798
2012	5.3L	CGMXT05.3381	LEV2 ULEV	All	Rear	--	--	747336	D-798
2012	5.3L	CGMXT05.3381	LEV2 ULEV	All	Underbody	749912	D-798	--	--
2011	5.3L	BGMXT05.3381	LEV2 ULEV	All	Front Left	--	--	740566	D-798
2011	5.3L	BGMXT05.3381	LEV2 ULEV	All	Front Right	--	--	740566	D-798
2011	5.3L	BGMXT05.3381	LEV2 ULEV	All	Rear	--	--	747336	D-798
2011	5.3L	BGMXT05.3381	LEV2 ULEV	All	Underbody	749912	D-798	--	--
2010	5.3L	AGMXT05.3381	LEV2 ULEV	All	Front Left	--	--	740566	D-798
2010	5.3L	AGMXT05.3381	LEV2 ULEV	All	Front Right	--	--	740566	D-798
2010	5.3L	AGMXT05.3381	LEV2 ULEV	All	Rear	--	--	747336	D-798
2010	5.3L	AGMXT05.3381	LEV2 ULEV	All	Underbody	749912	D-798	--	--
2009	5.3L	9GMXT05.3380	LEV2 ULEV	All	Front Left	--	--	740566	D-798
2009	5.3L	9GMXT05.3380	LEV2 ULEV	All	Front Right	--	--	740566	D-798
2009	5.3L	9GMXT05.3380	LEV2 ULEV	All	Rear	--	--	747336	D-798
2009	5.3L	9GMXT05.3380	LEV2 ULEV	All	Underbody	749912	D-798	--	--
2009	5.3L	9GMXT05.3381	LEV2 ULEV	All	Front Left	--	--	740566	D-798
2009	5.3L	9GMXT05.3381	LEV2 ULEV	All	Front Right	--	--	740566	D-798
2009	5.3L	9GMXT05.3381	LEV2 ULEV	All	Rear	--	--	747336	D-798
2009	5.3L	9GMXT05.3381	LEV2 ULEV	All	Underbody	749912	D-798	--	--
2008	5.3L	8GMXT05.3380	LEV2 ULEV	All	Front Left	--	--	740566	D-798
2008	5.3L	8GMXT05.3380	LEV2 ULEV	All	Front Right	--	--	740566	D-798
2008	5.3L	8GMXT05.3380	LEV2 ULEV	All	Underbody	749233	D-798	--	--
2008	5.3L	8GMXT05.3381	LEV2 ULEV	All	Front Left	--	--	740566	D-798
2008	5.3L	8GMXT05.3381	LEV2 ULEV	All	Front Right	--	--	740566	D-798
2008	5.3L	8GMXT05.3381	LEV2 ULEV	All	Underbody	749233	D-798	--	--
2007	5.3L	7GMXT05.3380	LEV2 ULEV	All	Front Left	--	--	740566	D-798
2007	5.3L	7GMXT05.3380	LEV2 ULEV	All	Front Right	--	--	740566	D-798
2007	5.3L	7GMXT05.3380	LEV2 ULEV	All	Underbody	749233	D-798	--	--
2007	5.3L	7GMXT05.3381	LEV2 ULEV	All	Front Left	--	--	740566	D-798
2007	5.3L	7GMXT05.3381	LEV2 ULEV	All	Front Right	--	--	740566	D-798
2007	5.3L	7GMXT05.3381	LEV2 ULEV	All	Underbody	749233	D-798	--	--
2005	5.3L	5GMXT05.3175	LEV1 ULEV	All	Front Left	--	--	732006	D-280-107
2005	5.3L	5GMXT05.3175	LEV1 ULEV	All	Front Right	--	--	732006	D-280-107
2005	5.3L	5GMXT05.3177	LEV1 LEV	All	Underbody	912083	D-280-101	--	--
2005	5.3L	5GMXT05.3177	LEV1 LEV	All	Underbody Left	--	--	912005R	D-280-101
2005	5.3L	5GMXT05.3177	LEV1 LEV	All	Underbody Right	--	--	912005R	D-280-101
2003	5.3L	3GMXT05.3185	LEV1 ULEV	All	Underbody	739083	D-280-107	--	--
2003	5.3L	3GMXT05.3185	LEV1 ULEV	All	Underbody Left	--	--	732006	D-280-107
2003	5.3L	3GMXT05.3185	LEV1 ULEV	All	Underbody Right	--	--	732006	D-280-107
2002	5.3L	2GMXA05.3185	LEV1 ULEV	All	Rear Left	--	--	733016	D-280-107
2002	5.3L	2GMXA05.3185	LEV1 ULEV	All	Rear Right	--	--	733016	D-280-107
2001	5.3L	1GMXA05.3184	LEV1 LEV	All	Underbody	912083	D-280-101	--	--
2001	5.3L	1GMXA05.3184	LEV1 LEV	All	Underbody Left	--	--	912006	D-280-101
2001	5.3L	1GMXA05.3184	LEV1 LEV	All	Underbody Right	--	--	912006	D-280-101
2000	5.3L	YGMXA05.3184	LEV1 LEV	All	Underbody	912083	D-280-101	--	--
2000	5.3L	YGMXA05.3184	LEV1 LEV	All	Underbody Left	--	--	912006	D-280-101
2000	5.3L	YGMXA05.3184	LEV1 LEV	All	Underbody Right	--	--	912006	D-280-101
2000	5.7L	YGMXA05.7185	LEV1 LEV	All	Underbody	912333	D-280-101	--	--
2000	5.7L	YGMXA05.7185	LEV1 LEV	All	Underbody Left	--	--	912005	D-280-101
2000	5.7L	YGMXA05.7185	LEV1 LEV	All	Underbody Right	--	--	912005	D-280-101
2000	5.7L	YGMXA05.7194	LEV1 LEV	All	Underbody	912333	D-280-101	--	--
2000	5.7L	YGMXA05.7194	LEV1 LEV	All	Underbody Left	--	--	912005	D-280-101
2000	5.7L	YGMXA05.7194	LEV1 LEV	All	Underbody Right	--	--	912005	D-280-101

Legal Note: In Compliance with California Emissions Requirements



CATCO
CATALYTIC CONVERTERS

EASTERN CATALYTIC

APPLICATION GUIDE

OBD II

APPLICATION

Year	Eng. Size	Test Group/ Engine Family	Certification Level	Application	Location	Direct Fit Number	Exec. Order	Consol. Number	Exec. Order
Chevrolet (Cont.)									
Tahoe (Cont.)									
V8 (Cont.)									
2000	5.7L	YGMXT05.7188	TIER1	All	Underbody	912333	D-280-101	--	--
2000	5.7L	YGMXT05.7188	TIER1	All	Underbody Left	--	--	912005	D-280-101
2000	5.7L	YGMXT05.7188	TIER1	All	Underbody Right	--	--	912005	D-280-101
2000	5.7L	YGMXT05.7189	TIER1	All	Underbody	912333	D-280-101	--	--
2000	5.7L	YGMXT05.7189	TIER1	All	Underbody Left	--	--	912006	D-280-101
2000	5.7L	YGMXT05.7189	TIER1	All	Underbody Right	--	--	912006	D-280-101
1999	5.7L	XGMXA05.7185	LEV1 LEV	All	Underbody	912333	D-280-101	--	--
1999	5.7L	XGMXA05.7185	LEV1 LEV	All	Underbody Left	--	--	912005	D-280-101
1999	5.7L	XGMXA05.7185	LEV1 LEV	All	Underbody Right	--	--	912005	D-280-101
1999	5.7L	XGMXA05.7186	LEV1 LEV	All	Underbody	912333	D-280-101	--	--
1999	5.7L	XGMXA05.7186	LEV1 LEV	All	Underbody Left	--	--	912005	D-280-101
1999	5.7L	XGMXA05.7186	LEV1 LEV	All	Underbody Right	--	--	912005	D-280-101
1998	5.7L	WGMXA05.7185	LEV1 LEV	All	Underbody	912333	D-280-101	--	--
1998	5.7L	WGMXA05.7185	LEV1 LEV	All	Underbody Left	--	--	912005	D-280-101
1998	5.7L	WGMXA05.7185	LEV1 LEV	All	Underbody Right	--	--	912005	D-280-101
1998	5.7L	WGMXA05.7186	LEV1 LEV	All	Underbody	912333	D-280-101	--	--
1998	5.7L	WGMXA05.7186	LEV1 LEV	All	Underbody Left	--	--	912005	D-280-101
1998	5.7L	WGMXA05.7186	LEV1 LEV	All	Underbody Right	--	--	912005	D-280-101
1997	5.7L	VGM5.7HPG1EK	TIER1	All	Underbody	912333	D-280-101	--	--
1997	5.7L	VGM5.7HPG1EK	TIER1	All	Underbody	--	--	912005	D-280-101
1997	5.7L	VGM5.7JPG1EK	TIER1	All	Underbody	640542	D-665-18	--	--
1997	5.7L	VGM5.7JPG1GK	TIER1	All	Underbody	912333	D-280-101	--	--
1997	5.7L	VGM5.7JPG1GK	TIER1	All	Underbody Left	--	--	912005	D-280-101
1997	5.7L	VGM5.7JPG1GK	TIER1	All	Underbody Right	--	--	912005	D-280-101
1996	5.7L	TGM5.75PGFEK	TIER1	All	Underbody	912333	D-280-101	--	--
1996	5.7L	TGM5.75PGFEK	TIER1	All	Underbody Left	--	--	912005	D-280-101
1996	5.7L	TGM5.75PGFEK	TIER1	All	Underbody Right	--	--	912005	D-280-101
1996	5.7L	TGM5.76PGFEK	TIER1	4WD	Underbody	912333	D-280-101	--	--
1996	5.7L	TGM5.76PGFEK	TIER1	4WD	Underbody Left	--	--	912005	D-280-101
1996	5.7L	TGM5.76PGFEK	TIER1	4WD	Underbody Right	--	--	912005	D-280-101
2012	6.0L	CGMXT06.0372	LEV2 ULEV	All	Front Left	--	--	740566	D-798
2012	6.0L	CGMXT06.0372	LEV2 ULEV	All	Front Right	--	--	740566	D-798
2012	6.0L	CGMXT06.0372	LEV2 ULEV	All	Rear	--	--	747336	D-798
2012	6.0L	CGMXT06.0372	LEV2 ULEV	All	Underbody	749912	D-798	--	--
2011	6.0L	BGMXT06.0372	LEV2 ULEV	All	Front Left	--	--	740566	D-798
2011	6.0L	BGMXT06.0372	LEV2 ULEV	All	Front Right	--	--	740566	D-798
2011	6.0L	BGMXT06.0372	LEV2 ULEV	All	Rear	--	--	747336	D-798
2011	6.0L	BGMXT06.0372	LEV2 ULEV	All	Underbody	749912	D-798	--	--
2010	6.0L	AGMXT06.0372	LEV2 ULEV	All	Front Left	--	--	740566	D-798
2010	6.0L	AGMXT06.0372	LEV2 ULEV	All	Front Right	--	--	740566	D-798
2010	6.0L	AGMXT06.0372	LEV2 ULEV	All	Rear	--	--	747336	D-798
2010	6.0L	AGMXT06.0372	LEV2 ULEV	All	Underbody	749912	D-798	--	--
2009	6.0L	9GMXT06.0392	LEV2 LEV	All	Front Left	--	--	740566	D-798
2009	6.0L	9GMXT06.0392	LEV2 LEV	All	Front Right	--	--	740566	D-798
2009	6.0L	9GMXT06.0392	LEV2 LEV	All	Underbody	749233	D-798	--	--
2008	6.0L	8GMXT06.0392	LEV2 LEV	All	Front Left	--	--	740566	D-798
2008	6.0L	8GMXT06.0392	LEV2 LEV	All	Front Right	--	--	740566	D-798
2008	6.0L	8GMXT06.0392	LEV2 LEV	All	Underbody	749233	D-798	--	--
2009	6.2L	9GMXT06.2374	LEV2 ULEV	All	Front Left	--	--	740566	D-798
2009	6.2L	9GMXT06.2374	LEV2 ULEV	All	Front Right	--	--	740566	D-798
2009	6.2L	9GMXT06.2374	LEV2 ULEV	All	Underbody	749642	D-798	--	--
2008	6.2L	8GMXT06.2382	LEV2 LEV	All	Front Left	--	--	740566	D-798
2008	6.2L	8GMXT06.2382	LEV2 LEV	All	Front Right	--	--	740566	D-798
2008	6.2L	8GMXT06.2382	LEV2 LEV	All	Underbody	749642	D-798	--	--
Tracker									
L4									
2000	1.6L	YSKXT1.59LMA	LEV1 LEV	All	Front	--	--	940104	D-280-100
2000	1.6L	YSKXT1.59LMA	LEV1 LEV	All	Underbody	942174U	D-280-100	--	--

Legal Note: In Compliance with California Emissions Requirements

APPLICATION GUIDE



OBD II

APPLICATION

Year	Eng. Size	Test Group/ Engine Family	Certification Level	Application	Location	Direct Fit Number	Exec. Order	Consol. Number	Exec. Order
Chevrolet (Cont.)									
Tracker (Cont.)									
L4 (Cont.)									
2000	1.6L	YSKXT1.59LMA	LEV1 LEV	All	Front	942315	D-280-100	--	--
2000	1.6L	YSKXT1.59LMA	LEV1 LEV	All	Underbody	--	--	940334	D-280-100
1999	1.6L	XSKXT1.59LMA	LEV1 LEV	All	Front	942315	D-280-100	--	--
1999	1.6L	XSKXT1.59LMA	LEV1 LEV	All	Front	--	--	940104	D-280-100
1999	1.6L	XSKXT1.59LMA	LEV1 LEV	All	Rear	942174U	D-280-100	--	--
1999	1.6L	XSKXT1.59LMA	LEV1 LEV	All	Underbody	--	--	940334	D-280-100
1998	1.6L	WSKXT1.59CMC	TIER1	All	Underbody	942174U	D-280-100	--	--
1998	1.6L	WSKXT1.59CMC	TIER1	All	Underbody	--	--	940334	D-280-100
2003	2.0L	3SKXX2.00LC2	LEV1 LEV	All	Rear	809565	D-665-23	--	--
2002	2.0L	2SKXX2.00LC4	LEV1 LEV	All	Rear	809565	D-665-23	--	--
2001	2.0L	1SKXX2.00LC4	LEV1 LEV	All	Rear	942174U	D-280-100	--	--
2001	2.0L	1SKXX2.00LC4	LEV1 LEV	All	Front	942315	D-280-100	--	--
2001	2.0L	1SKXX2.00LC4	LEV1 LEV	All	Front	--	--	940104	D-280-100
2001	2.0L	1SKXX2.00LC4	LEV1 LEV	All	Underbody	--	--	940334	D-280-100
2000	2.0L	YSKXT2.00LMA	LEV1 LEV	All	Front	942074P	D-280-100	--	--
2000	2.0L	YSKXT2.00LMA	LEV1 LEV	All	Front	942074	D-280-100	--	--
2000	2.0L	YSKXT2.00LMA	LEV1 LEV	All	Front	--	--	940104	D-280-100
2000	2.0L	YSKXT2.00LMA	LEV1 LEV	All	Rear	942174U	D-280-100	--	--
2000	2.0L	YSKXT2.00LMA	LEV1 LEV	All	Underbody	--	--	940334	D-280-100
1999	2.0L	XSKXT2.00LMA	LEV1 LEV	All	Front	942074P	D-280-100	--	--
1999	2.0L	XSKXT2.00LMA	LEV1 LEV	All	Front	942074	D-280-100	--	--
1999	2.0L	XSKXT2.00LMA	LEV1 LEV	All	Front	--	--	940085	D-280-100
1999	2.0L	XSKXT2.00LMA	LEV1 LEV	All	Rear	942174U	D-280-100	--	--
1999	2.0L	XSKXT2.00LMA	LEV1 LEV	All	Underbody	--	--	940334	D-280-100
V6									
2004	2.5L	4SKXT2.49LC1	LEV1 ULEV	All	Left	751134	D-280-102	--	--
2004	2.5L	4SKXT2.49LC1	LEV1 ULEV	All	Right	751135	D-280-102	--	--
2004	2.5L	4SKXT2.49LC1	LEV1 ULEV	All	Underbody	754635	D-280-102	--	--
2004	2.5L	4SKXT2.49LC1	LEV1 ULEV	All	Underbody	--	--	755005	D-280-102
2003	2.5L	3SKXT2.49LC1	LEV1 LEV	All	Left	751134	D-280-102	--	--
2003	2.5L	3SKXT2.49LC1	LEV1 LEV	All	Right	751135	D-280-102	--	--
2003	2.5L	3SKXT2.49LC1	LEV1 LEV	All	Underbody	754635	D-280-102	--	--
2003	2.5L	3SKXT2.49LC1	LEV1 LEV	All	Underbody	--	--	755005	D-280-102
2002	2.5L	2SKXT2.49LC1	LEV1 LEV	All	Front	--	--	940104	D-280-100
2002	2.5L	2SKXT2.49LC1	LEV1 LEV	All	Left	751134	D-280-102	--	--
2002	2.5L	2SKXT2.49LC1	LEV1 LEV	All	Right	751135	D-280-102	--	--
2002	2.5L	2SKXT2.49LC1	LEV1 LEV	All	Underbody	944635	D-280-100	--	--
2002	2.5L	2SKXT2.49LC1	LEV1 LEV	All	Underbody	754635	D-280-102	--	--
2002	2.5L	2SKXT2.49LC1	LEV1 LEV	All	Underbody	--	--	755005	D-280-102
2001	2.5L	1SKXT2.49LC1	LEV1 LEV	All	Front	--	--	940104	D-280-100
2001	2.5L	1SKXT2.49LC1	LEV1 LEV	All	Left	751134	D-280-102	--	--
2001	2.5L	1SKXT2.49LC1	LEV1 LEV	All	Right	751135	D-280-102	--	--
2001	2.5L	1SKXT2.49LC1	LEV1 LEV	All	Underbody	754635	D-280-102	--	--
2001	2.5L	1SKXT2.49LC1	LEV1 LEV	All	Underbody	--	--	755005	D-280-102
Trailblazer									
L6									
2009	4.2L	9GMXT04.2186	LEV2 ULEV	All	Front	--	--	740725	D-798
2009	4.2L	9GMXT04.2186	LEV2 ULEV	All	Rear	--	--	747015	D-798
2009	4.2L	9GMXT04.2186	LEV2 ULEV	All	Underbody	749546	D-798	--	--
2008	4.2L	8GMXT04.2186	LEV2 ULEV	All	Front	--	--	740725	D-798
2008	4.2L	8GMXT04.2186	LEV2 ULEV	All	Rear	--	--	747015	D-798
2008	4.2L	8GMXT04.2186	LEV2 ULEV	All	Underbody	749546	D-798	--	--
2007	4.2L	7GMXT04.2186	LEV2 ULEV	All	Underbody	749171	D-798	--	--
2007	4.2L	7GMXT04.2186	LEV2 ULEV	All	Underbody	--	--	740336	D-798
2006	4.2L	6GMXT04.2186	LEV2 ULEV	All	Underbody	749171	D-798	--	--
2006	4.2L	6GMXT04.2186	LEV2 ULEV	All	Underbody	--	--	740336	D-798
2005	4.2L	5GMXT04.2185	LEV2 LEV	All	Underbody	749154	D-798	--	--
2005	4.2L	5GMXT04.2185	LEV2 LEV	All	Underbody	--	--	740336	D-798

Legal Note: In Compliance with California Emissions Requirements



CATCO
CATALYTIC CONVERTERS

EASTERN CATALYTIC

APPLICATION GUIDE

OBD II

APPLICATION

Year	Eng. Size	Test Group/ Engine Family	Certification Level	Application	Location	Direct Fit Number	Exec. Order	Consol. Number	Exec. Order
Chevrolet (Cont.)									
Trailblazer (Cont.)									
L6 (Cont.)									
2004	4.2L	4GMXT04.2185	LEV2 LEV	All	Underbody	749154	D-798	--	--
2004	4.2L	4GMXT04.2185	LEV2 LEV	All	Underbody	--	--	740336	D-798
2003	4.2L	3GMXT04.2185	LEV1 LEV	All	Underbody	912154	D-280-101	--	--
2003	4.2L	3GMXT04.2185	LEV1 LEV	All	Underbody	--	--	912006	D-280-101
2002	4.2L	2GMXT04.2185	LEV1 LEV	All	Underbody	912154	D-280-101	--	--
2002	4.2L	2GMXT04.2185	LEV1 LEV	All	Underbody	--	--	912006	D-280-101
V8									
2008	5.3L	8GMXT06.0387	LEV2 LEV	All	Front Left	--	--	740776	D-798
2008	5.3L	8GMXT06.0387	LEV2 LEV	All	Front Right	--	--	740776	D-798
2008	5.3L	8GMXT06.0387	LEV2 LEV	All	Underbody	749544	D-798	--	--
2007	5.3L	7GMXT06.0387	LEV2 LEV	All	Front Left	--	--	740776	D-798
2007	5.3L	7GMXT06.0387	LEV2 LEV	All	Front Right	--	--	740776	D-798
2007	5.3L	7GMXT06.0387	LEV2 LEV	All	Underbody	749544	D-798	--	--
2009	6.0L	9GMXT06.0387	LEV2 LEV	All	Front Left	--	--	740776	D-798
2009	6.0L	9GMXT06.0387	LEV2 LEV	All	Front Right	--	--	740776	D-798
2009	6.0L	9GMXT06.0387	LEV2 LEV	All	Underbody	749544	D-798	--	--
2008	6.0L	8GMXT06.0387	LEV2 LEV	All	Front Left	--	--	740776	D-798
2008	6.0L	8GMXT06.0387	LEV2 LEV	All	Front Right	--	--	740776	D-798
2008	6.0L	8GMXT06.0387	LEV2 LEV	All	Underbody	749544	D-798	--	--
2007	6.0L	7GMXT06.0387	LEV2 LEV	All	Front Left	--	--	740776	D-798
2007	6.0L	7GMXT06.0387	LEV2 LEV	All	Front Right	--	--	740776	D-798
2007	6.0L	7GMXT06.0387	LEV2 LEV	All	Underbody	749544	D-798	--	--
Trailblazer EXT									
L6									
2003	4.2L	3GMXA04.2187	LEV1 LEV	All	Underbody	912254	D-280-101	--	--
2003	4.2L	3GMXA04.2187	LEV1 LEV	All	Underbody	--	--	912006	D-280-101
2002	4.2L	2GMXA04.2187	LEV1 LEV	All	Underbody	912254	D-280-101	--	--
2002	4.2L	2GMXA04.2187	LEV1 LEV	All	Underbody	--	--	912006	D-280-101
V8									
2004	5.3L	4GMXT05.3170	LEV1 LEV	All	Underbody	--	--	912005	D-280-101
2003	5.3L	3GMXT05.3183	LEV1 LEV	All	Front Left	--	--	912006	D-280-101
2003	5.3L	3GMXT05.3183	LEV1 LEV	All	Front Right	--	--	912006	D-280-101
Traverse									
V6									
2013	3.6L	DGMXT03.6151	LEV2 ULEV	All	Front Left	745240	D-798	--	--
2013	3.6L	DGMXT03.6151	LEV2 ULEV	All	Front Right	745241	D-798	--	--
2013	3.6L	DGMXT03.6151	LEV2 ULEV	All	Rear	--	--	747055	D-798
2013	3.6L	DGMXT03.6151	LEV2 ULEV	All	Underbody	744695	D-798	--	--
2012	3.6L	CGMXT03.6151	LEV2 ULEV	All	Front Left	745240	D-798	--	--
2012	3.6L	CGMXT03.6151	LEV2 ULEV	All	Front Right	745241	D-798	--	--
2012	3.6L	CGMXT03.6151	LEV2 ULEV	All	Rear	--	--	747055	D-798
2012	3.6L	CGMXT03.6151	LEV2 ULEV	All	Underbody	744695	D-798	--	--
2011	3.6L	BGMXJ03.6151	LEV2 ULEV	All	Front Left	745240	D-798	--	--
2011	3.6L	BGMXJ03.6151	LEV2 ULEV	All	Front Right	745241	D-798	--	--
2011	3.6L	BGMXJ03.6151	LEV2 ULEV	All	Rear	--	--	747055	D-798
2011	3.6L	BGMXJ03.6151	LEV2 ULEV	All	Underbody	744695	D-798	--	--
2010	3.6L	AGMXJ03.6151	LEV2 ULEV	All	Front Left	745240	D-798	--	--
2010	3.6L	AGMXJ03.6151	LEV2 ULEV	All	Front Right	745241	D-798	--	--
2010	3.6L	AGMXJ03.6151	LEV2 ULEV	All	Rear	--	--	747055	D-798
2010	3.6L	AGMXJ03.6151	LEV2 ULEV	All	Underbody	744695	D-798	--	--
2009	3.6L	9GMXT03.6151	LEV2 ULEV	All	Front Left	745240	D-798	--	--
2009	3.6L	9GMXT03.6151	LEV2 ULEV	All	Front Right	745241	D-798	--	--
2009	3.6L	9GMXT03.6151	LEV2 ULEV	All	Rear	--	--	747055	D-798
2009	3.6L	9GMXT03.6151	LEV2 ULEV	All	Underbody	744695	D-798	--	--
Uplander									
L6									
2006	3.5L	6GMXB03.9146	LEV2 LEV	All	Underbody	--	--	740046	D-798

Legal Note: In Compliance with California Emissions Requirements

APPLICATION GUIDE



OBD II

APPLICATION

Year	Eng. Size	Test Group/ Engine Family	Certification Level	Application	Location	Direct Fit Number	Exec. Order	Consol. Number	Exec. Order
Chevrolet (Cont.)									
Uplander (Cont.)									
L6 (Cont.)									
2006	3.5L	6GMXB03.9146	LEV2 LEV	FWD	Underbody	744429	D-798	--	--
2005	3.5L	5GMXX03.8148	LEV2 LEV	All	Underbody	--	--	740046	D-798
2005	3.5L	5GMXX03.8148	LEV2 LEV	FWD	Underbody	744429	D-798	--	--
V6									
2008	3.9L	8GMXB03.9142	LEV2 LEV	All	Underbody	744464	D-798	--	--
2008	3.9L	8GMXB03.9142	LEV2 LEV	All	Underbody	--	--	740046	D-798
2008	3.9L	8GMXT03.9140	LEV2 LEV	All	Underbody	744464	D-798	--	--
2008	3.9L	8GMXT03.9140	LEV2 LEV	All	Underbody	--	--	740046	D-798
2007	3.9L	7GMXB03.9142	LEV2 LEV	All	Underbody	744464	D-798	--	--
2007	3.9L	7GMXB03.9142	LEV2 LEV	All	Underbody	--	--	740046	D-798
2007	3.9L	7GMXT03.9140	LEV2 LEV	All	Underbody	744464	D-798	--	--
2007	3.9L	7GMXT03.9140	LEV2 LEV	All	Underbody	--	--	740046	D-798
2006	3.9L	6GMXB03.9146	LEV2 LEV	All	Underbody	744464	D-798	--	--
2006	3.9L	6GMXB03.9146	LEV2 LEV	All	Underbody	--	--	740046	D-798
Venture									
V6									
2005	3.4L	5GMXT03.6143	LEV1 ULEV	All	Underbody	--	--	740335	D-798
2005	3.4L	5GMXT03.6143	LEV1 ULEV	FWD	Underbody	744307	D-798	--	--
2004	3.4L	4GMXT03.6143	LEV1 ULEV	All	Underbody	--	--	740335	D-798
2004	3.4L	4GMXT03.6143	LEV1 ULEV	FWD	Underbody	744307	D-798	--	--
2003	3.4L	3GMXT03.4141	LEV1 LEV	All	Underbody	--	--	912006	D-280-101
2003	3.4L	3GMXT03.4141	LEV1 LEV	FWD	Underbody	912307	D-280-101	--	--
2003	3.4L	3GMXT03.4141	LEV1 LEV	FWD	Underbody	744307	D-798	--	--
2002	3.4L	2GMXT03.4142	LEV1 ULEV	All	Underbody	--	--	740035	D-798
2002	3.4L	2GMXT03.4142	LEV1 ULEV	FWD	Underbody	744307	D-798	--	--
2001	3.4L	1GMXT03.4142	LEV1 ULEV	All	Underbody	744327	D-798	--	--
2001	3.4L	1GMXT03.4142	LEV1 ULEV	All	Underbody	--	--	740035	D-798
2000	3.4L	YGMXT03.4142	LEV1 LEV	All	Underbody	--	--	912036R	D-280-101
2000	3.4L	YGMXT03.4142	LEV1 LEV	FWD	Underbody	912133	D-280-101	--	--
1999	3.4L	XGMXT03.4142	TLEV	All	Underbody	--	--	912005	D-280-101
1999	3.4L	XGMXT03.4142	TLEV	FWD	Underbody	912133	D-280-101	--	--
1998	3.4L	WGMXT03.4142	TLEV	All	Underbody	912133	D-280-101	--	--
1998	3.4L	WGMXT03.4142	TLEV	All	Underbody	--	--	912005	D-280-101
1997	3.4L	VGM3.428G2EK	TLEV	All	Underbody	912133	D-280-101	--	--
1997	3.4L	VGM3.428G2EK	TLEV	All	Underbody	--	--	912005	D-280-101
Chrysler									
200									
L4									
2011	2.4L	BCRXJ02.4VP1	LEV2 ULEV	FWD	Underbody	764415	D-280-105	--	--
2011	2.4L	BCRXJ02.4VP1	LEV2 ULEV	FWD	Underbody	--	--	760015	D-280-105
300									
V6									
2010	2.7L	ACRXV02.74P0	LEV2 LEV	All	Front Left	--	--	760005	D-280-105
2010	2.7L	ACRXV02.74P0	LEV2 LEV	All	Front Right	--	--	760005	D-280-105
2010	2.7L	ACRXV02.74P0	LEV2 LEV	All	Rear Left	--	--	760005	D-280-105
2010	2.7L	ACRXV02.74P0	LEV2 LEV	All	Rear Right	--	--	760005	D-280-105
2009	2.7L	9CRXV02.74P0	LEV2 LEV	All	Front Left	--	--	760005	D-280-105
2009	2.7L	9CRXV02.74P0	LEV2 LEV	All	Front Right	--	--	760005	D-280-105
2009	2.7L	9CRXV02.74P0	LEV2 LEV	All	Rear Left	--	--	760005	D-280-105
2009	2.7L	9CRXV02.74P0	LEV2 LEV	All	Rear Right	--	--	760005	D-280-105
2008	2.7L	8CRXV02.7ME0	LEV2 LEV	All	Front Left	--	--	760005	D-280-105
2008	2.7L	8CRXV02.7ME0	LEV2 LEV	All	Front Right	--	--	760005	D-280-105
2008	2.7L	8CRXV02.7ME0	LEV2 LEV	All	Rear Left	--	--	760005	D-280-105
2008	2.7L	8CRXV02.7ME0	LEV2 LEV	All	Rear Right	--	--	760005	D-280-105

Legal Note: In Compliance with California Emissions Requirements

**CATCO**
CATALYTIC CONVERTERS**EASTERN CATALYTIC****APPLICATION GUIDE****OBD II****APPLICATION**

Year	Eng. Size	Test Group/ Engine Family	Certification Level	Application	Location	Direct Fit Number	Exec. Order	Consol. Number	Exec. Order
Chrysler (Cont.)									
300 (Cont.)									
V6 (Cont.)									
2007	2.7L	7CRXV0167M71	LEV2 LEV	All	Front Left	--	--	760005	D-280-105
2007	2.7L	7CRXV0167M71	LEV2 LEV	All	Front Right	--	--	760005	D-280-105
2007	2.7L	7CRXV0167M71	LEV2 LEV	All	Rear Left	--	--	760005	D-280-105
2007	2.7L	7CRXV0167M71	LEV2 LEV	All	Rear Right	--	--	760005	D-280-105
2006	2.7L	6CRXV03.5VE0	LEV2 LEV	All	Front Left	--	--	760005	D-280-105
2006	2.7L	6CRXV03.5VE0	LEV2 LEV	All	Front Right	--	--	760005	D-280-105
2006	2.7L	6CRXV03.5VE0	LEV2 LEV	All	Rear Left	--	--	760005	D-280-105
2006	2.7L	6CRXV03.5VE0	LEV2 LEV	All	Rear Right	--	--	760005	D-280-105
2006	2.7L	6CRXV03.5VH0	LEV1 ULEV	RWD	Underbody Left	764331	D-280-105	--	--
2006	2.7L	6CRXV03.5VH0	LEV1 ULEV	RWD	Underbody Right	764330	D-280-105	--	--
2006	2.7L	6CRXV03.5VH0	LEV1 ULEV	All	Underbody Left	--	--	760005	D-280-105
2006	2.7L	6CRXV03.5VH0	LEV1 ULEV	All	Underbody Right	--	--	760005	D-280-105
2005	2.7L	5CRXV03.5VH0	LEV1 ULEV	RWD	Underbody Left	764331	D-280-105	--	--
2005	2.7L	5CRXV03.5VH0	LEV1 ULEV	RWD	Underbody Right	764330	D-280-105	--	--
2005	2.7L	5CRXV03.5VH0	LEV1 ULEV	All	Underbody Left	--	--	760005	D-280-105
2005	2.7L	5CRXV03.5VH0	LEV1 ULEV	All	Underbody Right	--	--	760005	D-280-105
2005	2.7L	5CRXV03.5VH1	LEV1 ULEV	RWD	Underbody Left	764331	D-280-105	--	--
2005	2.7L	5CRXV03.5VH1	LEV1 ULEV	RWD	Underbody Right	764330	D-280-105	--	--
2005	2.7L	5CRXV03.5VH1	LEV1 ULEV	All	Underbody Left	--	--	760005	D-280-105
2005	2.7L	5CRXV03.5VH1	LEV1 ULEV	All	Underbody Right	--	--	760005	D-280-105
2007	3.5L	7CRXV0215M80	LEV2 ULEV	All	Front Left	--	--	760005	D-280-105
2007	3.5L	7CRXV0215M80	LEV2 ULEV	All	Front Right	--	--	760005	D-280-105
2007	3.5L	7CRXV0215M80	LEV2 ULEV	All	Rear Left	--	--	760005	D-280-105
2007	3.5L	7CRXV0215M80	LEV2 ULEV	All	Rear Right	--	--	760005	D-280-105
2006	3.5L	6CRXV03.5VE0	LEV2 LEV	All	Front Left	--	--	760005	D-280-105
2006	3.5L	6CRXV03.5VE0	LEV2 LEV	All	Front Right	--	--	760005	D-280-105
2006	3.5L	6CRXV03.5VE0	LEV2 LEV	All	Rear Left	--	--	760005	D-280-105
2006	3.5L	6CRXV03.5VE0	LEV2 LEV	All	Rear Right	--	--	760005	D-280-105
2006	3.5L	6CRXV03.5VE1	LEV2 LEV	RWD	Underbody Left	764331	D-280-105	--	--
2006	3.5L	6CRXV03.5VE1	LEV2 LEV	RWD	Underbody Right	764330	D-280-105	--	--
2006	3.5L	6CRXV03.5VE1	LEV2 LEV	All	Underbody Left	--	--	760005	D-280-105
2006	3.5L	6CRXV03.5VE1	LEV2 LEV	All	Underbody Right	--	--	760005	D-280-105
2006	3.5L	6CRXV03.5VH0	LEV1 ULEV	RWD	Underbody Left	764331	D-280-105	--	--
2006	3.5L	6CRXV03.5VH0	LEV1 ULEV	RWD	Underbody Right	764330	D-280-105	--	--
2006	3.5L	6CRXV03.5VH0	LEV1 ULEV	All	Underbody Left	--	--	760005	D-280-105
2006	3.5L	6CRXV03.5VH0	LEV1 ULEV	All	Underbody Right	--	--	760005	D-280-105
2005	3.5L	5CRXV03.5VH0	LEV1 ULEV	RWD	Underbody Left	764331	D-280-105	--	--
2005	3.5L	5CRXV03.5VH0	LEV1 ULEV	RWD	Underbody Right	764330	D-280-105	--	--
2005	3.5L	5CRXV03.5VH0	LEV1 ULEV	All	Underbody Left	--	--	760005	D-280-105
2005	3.5L	5CRXV03.5VH0	LEV1 ULEV	All	Underbody Right	--	--	760005	D-280-105
2005	3.5L	5CRXV03.5VH1	LEV1 ULEV	RWD	Underbody Left	764331	D-280-105	--	--
2005	3.5L	5CRXV03.5VH1	LEV1 ULEV	RWD	Underbody Right	764330	D-280-105	--	--
2005	3.5L	5CRXV03.5VH1	LEV1 ULEV	All	Underbody Left	--	--	760005	D-280-105
2005	3.5L	5CRXV03.5VH1	LEV1 ULEV	All	Underbody Right	--	--	760005	D-280-105
300M									
V6									
2004	3.5L	4CRXV03.5VM0	LEV1 LEV	All	Front Left	944851	D-280-100	--	--
2004	3.5L	4CRXV03.5VM0	LEV1 LEV	All	Front Right	944452	D-280-100	--	--
2004	3.5L	4CRXV03.5VM0	LEV1 LEV	All	Underbody Left	--	--	942015	D-280-100
2004	3.5L	4CRXV03.5VM0	LEV1 LEV	All	Underbody Right	--	--	942015	D-280-100
2003	3.5L	3CRXV03.5VD0	LEV1 LEV	All	Front Left	944851	D-280-100	--	--
2003	3.5L	3CRXV03.5VD0	LEV1 LEV	All	Front Right	944452	D-280-100	--	--
2003	3.5L	3CRXV03.5VD0	LEV1 LEV	All	Underbody Left	--	--	942015	D-280-100
2003	3.5L	3CRXV03.5VD0	LEV1 LEV	All	Underbody Right	--	--	942015	D-280-100
2002	3.5L	2CRXV03.5VD0	LEV1 LEV	All	Front Left	944851	D-280-100	--	--
2002	3.5L	2CRXV03.5VD0	LEV1 LEV	All	Front Right	944452	D-280-100	--	--
2002	3.5L	2CRXV03.5VD0	LEV1 LEV	All	Underbody	--	--	942015	D-280-100

Legal Note: In Compliance with California Emissions Requirements

APPLICATION GUIDE



OBD II

APPLICATION

Year	Eng. Size	Test Group/ Engine Family	Certification Level	Application	Location	Direct Fit Number	Exec. Order	Consol. Number	Exec. Order
Chrysler (Cont.)									
300M (Cont.)									
V6 (Cont.)									
2002	3.5L	2CRXV03.5VD1	LEV1 LEV	All	Front Left	944851	D-280-100	--	--
2002	3.5L	2CRXV03.5VD1	LEV1 LEV	All	Front Right	944452	D-280-100	--	--
2002	3.5L	2CRXV03.5VD1	LEV1 LEV	All	Underbody Left	--	--	942015	D-280-100
2002	3.5L	2CRXV03.5VD1	LEV1 LEV	All	Underbody Right	--	--	942015	D-280-100
2001	3.5L	1CRXV03.5VD0	LEV1 LEV	All	Front Left	944851	D-280-100	--	--
2001	3.5L	1CRXV03.5VD0	LEV1 LEV	All	Front Right	944452	D-280-100	--	--
2001	3.5L	1CRXV03.5VD0	LEV1 LEV	All	Underbody Left	--	--	942015	D-280-100
2001	3.5L	1CRXV03.5VD0	LEV1 LEV	All	Underbody Right	--	--	942015	D-280-100
2000	3.5L	YCRXV0215V30	LEV1 LEV	All	Underbody Left	944851	D-280-100	--	--
2000	3.5L	YCRXV0215V30	LEV1 LEV	All	Underbody Left	--	--	942015	D-280-100
2000	3.5L	YCRXV0215V30	LEV1 LEV	All	Underbody Right	944452	D-280-100	--	--
2000	3.5L	YCRXV0215V30	LEV1 LEV	All	Underbody Right	--	--	942015	D-280-100
1999	3.5L	XCRXV0215V20	TLEV	All	Underbody Left	944851	D-280-100	--	--
1999	3.5L	XCRXV0215V20	TLEV	All	Underbody Left	--	--	942015	D-280-100
1999	3.5L	XCRXV0215V20	TLEV	All	Underbody Right	944452	D-280-100	--	--
1999	3.5L	XCRXV0215V20	TLEV	All	Underbody Right	--	--	942015	D-280-100
Aspen									
V8									
2009	4.7L	9CRXT04.71PA	LEV2 LEV	All	Front Left	--	--	740335	D-798
2009	4.7L	9CRXT04.71PA	LEV2 LEV	All	Front Right	--	--	740335	D-798
2008	4.7L	8CRXT0287P80	LEV2 ULEV	All	Front Left	--	--	740335	D-798
2008	4.7L	8CRXT0287P80	LEV2 ULEV	All	Front Right	--	--	740335	D-798
2007	4.7L	7CRXT0287P80	LEV2 ULEV	All	Front Left	--	--	740335	D-798
2007	4.7L	7CRXT0287P80	LEV2 ULEV	All	Front Right	--	--	740335	D-798
2009	5.7L	9CRXT05.71PH	LEV2 LEV	All	Front Left	--	--	740076	D-798
2009	5.7L	9CRXT05.71PH	LEV2 LEV	All	Front Right	--	--	740076	D-798
2009	5.7L	9CRXT05.74P0	LEV2 LEV	All	Front Left	--	--	740076	D-798
2009	5.7L	9CRXT05.74P0	LEV2 LEV	All	Front Right	--	--	740076	D-798
2008	5.7L	8CRXT05.7PE0	LEV2 LEV	All	Front Left	--	--	740076	D-798
2008	5.7L	8CRXT05.7PE0	LEV2 LEV	All	Front Right	--	--	740076	D-798
2007	5.7L	7CRXT0345P70	LEV2 LEV	All	Front Left	--	--	740076	D-798
2007	5.7L	7CRXT0345P70	LEV2 LEV	All	Front Right	--	--	740076	D-798
Cirrus									
L4									
2000	2.4L	YCRXV0148V30	LEV1 LEV	All	Underbody	942859	D-280-100	--	--
2000	2.4L	YCRXV0148V30	LEV1 LEV	All	Underbody	--	--	940335	D-280-100
1999	2.4L	XCRXV0148V30	TLEV	All	Underbody	942859	D-280-100	--	--
1999	2.4L	XCRXV0148V30	TLEV	All	Underbody	--	--	940104	D-280-100
1997	2.4L	VCR148VJG1EK	TIER1	All	Underbody	942859	D-280-100	--	--
1997	2.4L	VCR148VJG1EK	TIER1	All	Underbody	--	--	940335	D-280-100
1996	2.4L	TCR148VJG1EK	TIER1	All	Underbody	942859	D-280-100	--	--
1996	2.4L	TCR148VJG1EK	TIER1	All	Underbody	--	--	940335	D-280-100
V6									
2000	2.5L	YCRXV0152V20	TLEV	All	Underbody	942859	D-280-100	--	--
2000	2.5L	YCRXV0152V20	TLEV	All	Underbody	--	--	940335	D-280-100
1999	2.5L	XCRXV0152V20	TLEV	All	Underbody	942859	D-280-100	--	--
1999	2.5L	XCRXV0152V20	TLEV	All	Underbody	--	--	940335	D-280-100
1998	2.5L	WCRXV0152V20	TLEV	All	Underbody	942859	D-280-100	--	--
1998	2.5L	WCRXV0152V20	TLEV	All	Underbody	--	--	940335	D-280-100
1997	2.5L	VCR152VJG1EK	TIER1	All	Underbody	942859	D-280-100	--	--
1997	2.5L	VCR152VJG1EK	TIER1	All	Underbody	--	--	940335	D-280-100
1996	2.5L	TCR152VJG1EK	TIER1	All	Underbody	942859	D-280-100	--	--
1996	2.5L	TCR152VJG1EK	TIER1	All	Underbody	--	--	940335	D-280-100
Concorde									
V6									
2004	2.7L	4CRXV02.7VM1	LEV1 LEV	All	Front Left	944851	D-280-100	--	--

Legal Note: In Compliance with California Emissions Requirements



CATCO
CATALYTIC CONVERTERS

EASTERN CATALYTIC

APPLICATION GUIDE

OBD II

APPLICATION

Year	Eng. Size	Test Group/ Engine Family	Certification Level	Application	Location	Direct Fit Number	Exec. Order	Consol. Number	Exec. Order
Chrysler (Cont.)									
Concorde (Cont.)									
V6 (Cont.)									
2004	2.7L	4CRXV02.7VM1	LEV1 LEV	All	Front Right	944344	D-280-100	--	--
2004	2.7L	4CRXV02.7VM1	LEV1 LEV	All	Underbody	--	--	942015	D-280-100
2003	2.7L	3CRXV02.7VD1	LEV1 LEV	All	Front Left	944851	D-280-100	--	--
2003	2.7L	3CRXV02.7VD1	LEV1 LEV	All	Front Right	944344	D-280-100	--	--
2003	2.7L	3CRXV02.7VD1	LEV1 LEV	All	Underbody	--	--	942015	D-280-100
2002	2.7L	2CRXV02.7VD1	LEV1 LEV	All	Front Left	944851	D-280-100	--	--
2002	2.7L	2CRXV02.7VD1	LEV1 LEV	All	Front Right	944344	D-280-100	--	--
2002	2.7L	2CRXV02.7VD1	LEV1 LEV	All	Underbody	--	--	942015	D-280-100
2002	2.7L	2CRXV03.5VD0	LEV1 LEV	All	Front Left	944851	D-280-100	--	--
2002	2.7L	2CRXV03.5VD0	LEV1 LEV	All	Front Right	944344	D-280-100	--	--
2002	2.7L	2CRXV03.5VD0	LEV1 LEV	All	Underbody Left	--	--	940105	D-280-100
2002	2.7L	2CRXV03.5VD0	LEV1 LEV	All	Underbody Right	--	--	940105	D-280-100
2001	2.7L	1CRXV03.5VD0	LEV1 LEV	All	Front Left	944851	D-280-100	--	--
2001	2.7L	1CRXV03.5VD0	LEV1 LEV	All	Underbody Left	--	--	940105	D-280-100
2001	2.7L	1CRXV03.5VD0	LEV1 LEV	All	Underbody Right	944852 (4)	D-280-100	--	--
2001	2.7L	1CRXV03.5VD0	LEV1 LEV	All	Underbody Right	--	--	940105	D-280-100
2000	2.7L	YCRXV0165V30	LEV1 LEV	All	Front Left	944851	D-280-100	--	--
2000	2.7L	YCRXV0165V30	LEV1 LEV	All	Underbody Left	--	--	940105	D-280-100
2000	2.7L	YCRXV0165V30	LEV1 LEV	All	Underbody Right	944852 (4)	D-280-100	--	--
2000	2.7L	YCRXV0165V30	LEV1 LEV	All	Underbody Right	--	--	940105	D-280-100
1999	2.7L	XCRXV0165V20	TLEV	All	Front Left	944851	D-280-100	--	--
1999	2.7L	XCRXV0165V20	TLEV	All	Underbody Left	--	--	940105	D-280-100
1999	2.7L	XCRXV0165V20	TLEV	All	Underbody Right	944852 (4)	D-280-100	--	--
1999	2.7L	XCRXV0165V20	TLEV	All	Underbody Right	--	--	940105	D-280-100
1998	2.7L	WCRXV0165V20	TLEV	All	Front Left	944851	D-280-100	--	--
1998	2.7L	WCRXV0165V20	TLEV	All	Underbody Left	--	--	940105	D-280-100
1998	2.7L	WCRXV0165V20	TLEV	All	Underbody Right	944852 (4)	D-280-100	--	--
1998	2.7L	WCRXV0165V20	TLEV	All	Underbody Right	--	--	940105	D-280-100
2001	3.2L	1CRXV03.5VD0	LEV1 LEV	All	Underbody Left	944851	D-280-100	--	--
2001	3.2L	1CRXV03.5VD0	LEV1 LEV	All	Underbody Left	--	--	940105	D-280-100
2001	3.2L	1CRXV03.5VD0	LEV1 LEV	All	Underbody Right	944452	D-280-100	--	--
2001	3.2L	1CRXV03.5VD0	LEV1 LEV	All	Underbody Right	--	--	940105	D-280-100
2000	3.2L	YCRXV0215V30	LEV1 LEV	All	Front Left	944851	D-280-100	--	--
2000	3.2L	YCRXV0215V30	LEV1 LEV	All	Front Right	944452	D-280-100	--	--
2000	3.2L	YCRXV0215V30	LEV1 LEV	All	Underbody Left	--	--	940105	D-280-100
2000	3.2L	YCRXV0215V30	LEV1 LEV	All	Underbody Right	--	--	940105	D-280-100
1999	3.2L	XCRXV0215V20	TLEV	All	Underbody Left	944851	D-280-100	--	--
1999	3.2L	XCRXV0215V20	TLEV	All	Underbody Right	944452	D-280-100	--	--
1999	3.2L	XCRXV0215V20	TLEV	All	Underbody Right	--	--	942015	D-280-100
1998	3.2L	WCRXV0195V20	TLEV	All	Underbody Left	944851	D-280-100	--	--
1998	3.2L	WCRXV0195V20	TLEV	All	Underbody Left	--	--	940105	D-280-100
1998	3.2L	WCRXV0195V20	TLEV	All	Underbody Right	944452	D-280-100	--	--
1998	3.2L	WCRXV0195V20	TLEV	All	Underbody Right	--	--	940105	D-280-100
1996	3.3L	TCR201V8G2EK	TLEV	All	Front Left	941090	D-280-100	--	--
1996	3.3L	TCR201V8G2EK	TLEV	All	Front Left	--	--	940335	D-280-100
1996	3.3L	TCR201V8G2EK	TLEV	All	Front Right	941091	D-280-100	--	--
1996	3.3L	TCR201V8G2EK	TLEV	All	Front Right	--	--	940335	D-280-100
1996	3.3L	TCR201V8G2EK	TLEV	All	Underbody	944596	D-280-100	--	--
1996	3.3L	TCR201V8G2EK	TLEV	All	Underbody	--	--	940638	D-280-100
2004	3.5L	4CRXV03.5VM0	LEV1 LEV	All	Front Left	944851	D-280-100	--	--
2004	3.5L	4CRXV03.5VM0	LEV1 LEV	All	Front Right	944452	D-280-100	--	--
2004	3.5L	4CRXV03.5VM0	LEV1 LEV	All	Underbody Left	--	--	940105	D-280-100
2004	3.5L	4CRXV03.5VM0	LEV1 LEV	All	Underbody Right	--	--	940105	D-280-100
2003	3.5L	3CRXV03.5VD0	LEV1 LEV	All	Front Left	944851	D-280-100	--	--
2003	3.5L	3CRXV03.5VD0	LEV1 LEV	All	Front Right	944452	D-280-100	--	--
2003	3.5L	3CRXV03.5VD0	LEV1 LEV	All	Underbody Left	--	--	940105	D-280-100
2003	3.5L	3CRXV03.5VD0	LEV1 LEV	All	Underbody Right	--	--	940105	D-280-100

(4) Semi-Direct Fit converter. Fabrication required.
Legal Note: In Compliance with California Emissions Requirements

APPLICATION GUIDE



OBD II

APPLICATION

Year	Eng. Size	Test Group/ Engine Family	Certification Level	Application	Location	Direct Fit Number	Exec. Order	Consol. Number	Exec. Order
Chrysler (Cont.)									
Concorde (Cont.)									
V6 (Cont.)									
2002	3.5L	2CRXV03.5VD0	LEV1 LEV	All	Underbody Left	944851	D-280-100	--	--
2002	3.5L	2CRXV03.5VD0	LEV1 LEV	All	Underbody Left	--	--	940105	D-280-100
2002	3.5L	2CRXV03.5VD0	LEV1 LEV	All	Underbody Right	944452	D-280-100	--	--
2002	3.5L	2CRXV03.5VD0	LEV1 LEV	All	Underbody Right	--	--	940105	D-280-100
2002	3.5L	2CRXV03.5VD1	LEV1 LEV	All	Front Left	944851	D-280-100	--	--
2002	3.5L	2CRXV03.5VD1	LEV1 LEV	All	Front Right	944452	D-280-100	--	--
2002	3.5L	2CRXV03.5VD1	LEV1 LEV	All	Underbody Left	--	--	940105	D-280-100
2002	3.5L	2CRXV03.5VD1	LEV1 LEV	All	Underbody Right	--	--	940105	D-280-100
1997	3.5L	VCR215VJG1EK	TIER1	All	Front Left	941047	D-280-100	--	--
1997	3.5L	VCR215VJG1EK	TIER1	All	Front Left	--	--	944182	D-280-100
1997	3.5L	VCR215VJG1EK	TIER1	All	Front Right	941046	D-280-100	--	--
1997	3.5L	VCR215VJG1EK	TIER1	All	Front Right	--	--	944182	D-280-100
1997	3.5L	VCR215VJG1EK	TIER1	All	Rear	--	--	940637	D-280-100
1997	3.5L	VCR215VJG1EK	TIER1	All	Underbody	944418	D-280-100	--	--
1996	3.5L	TCR215VJG1EK	TIER1	All	Front Left	941047	D-280-100	--	--
1996	3.5L	TCR215VJG1EK	TIER1	All	Front Left	--	--	944182	D-280-100
1996	3.5L	TCR215VJG1EK	TIER1	All	Front Right	941046	D-280-100	--	--
1996	3.5L	TCR215VJG1EK	TIER1	All	Front Right	--	--	944182	D-280-100
1996	3.5L	TCR215VJG1EK	TIER1	All	Rear	--	--	940637	D-280-100
1996	3.5L	TCR215VJG1EK	TIER1	All	Underbody	944418	D-280-100	--	--
Crossfire									
V6									
2007	3.2L	7CRXV03.2ME0	LEV2 LEV	All	Front Left	--	--	750005	D-280-102
2007	3.2L	7CRXV03.2ME0	LEV2 LEV	All	Front Right	--	--	750005	D-280-102
2007	3.2L	7CRXV03.2ME0	LEV2 LEV	All	Rear Left	--	--	755005	D-280-102
2007	3.2L	7CRXV03.2ME0	LEV2 LEV	All	Rear Right	--	--	755005	D-280-102
2007	3.2L	7CRXV03.2ME0	LEV2 LEV	All	Underbody Left	754379	D-280-102	--	--
2007	3.2L	7CRXV03.2ME0	LEV2 LEV	All	Underbody Right	754378	D-280-102	--	--
2006	3.2L	6CRXV03.2VH0	LEV1 ULEV	All	Front Left	--	--	750005	D-280-102
2006	3.2L	6CRXV03.2VH0	LEV1 ULEV	All	Front Right	944378	D-280-100	--	--
2006	3.2L	6CRXV03.2VH0	LEV1 ULEV	All	Front Right	--	--	750005	D-280-102
2006	3.2L	6CRXV03.2VH0	LEV1 ULEV	All	Rear Left	--	--	755005	D-280-102
2006	3.2L	6CRXV03.2VH0	LEV1 ULEV	All	Rear Right	--	--	755005	D-280-102
2006	3.2L	6CRXV03.2VH0	LEV1 ULEV	All	Underbody Left	754379	D-280-102	--	--
2006	3.2L	6CRXV03.2VM0	LEV1 LEV	All	Front Left	--	--	750005	D-280-102
2006	3.2L	6CRXV03.2VM0	LEV1 LEV	All	Front Right	--	--	750005	D-280-102
2006	3.2L	6CRXV03.2VM0	LEV1 LEV	All	Rear Left	--	--	940105	D-280-100
2006	3.2L	6CRXV03.2VM0	LEV1 LEV	All	Rear Right	--	--	940105	D-280-100
2005	3.2L	5CRXV03.2VM0	LEV1 LEV	All	Front Left	--	--	944181	D-280-100
2005	3.2L	5CRXV03.2VM0	LEV1 LEV	All	Front Right	--	--	944181	D-280-100
2005	3.2L	5CRXV03.2VM0	LEV1 LEV	All	Rear Left	--	--	940105	D-280-100
2005	3.2L	5CRXV03.2VM0	LEV1 LEV	All	Rear Right	--	--	940105	D-280-100
2004	3.2L	4CRXV03.2VH0	LEV1 ULEV	All	Front Left	--	--	750005	D-280-102
2004	3.2L	4CRXV03.2VH0	LEV1 ULEV	All	Front Right	--	--	750005	D-280-102
2004	3.2L	4CRXV03.2VH0	LEV1 ULEV	All	Rear Left	--	--	755005	D-280-102
2004	3.2L	4CRXV03.2VH0	LEV1 ULEV	All	Rear Right	--	--	755005	D-280-102
2004	3.2L	4CRXV03.2VH0	LEV1 ULEV	All	Underbody Left	754379	D-280-102	--	--
2004	3.2L	4CRXV03.2VH0	LEV1 ULEV	All	Underbody Right	754378	D-280-102	--	--
LHS									
V6									
2001	3.5L	1CRXV03.5VD0	LEV1 LEV	All	Underbody Left	944851	D-280-100	--	--
2001	3.5L	1CRXV03.5VD0	LEV1 LEV	All	Underbody Left	--	--	940105	D-280-100
2001	3.5L	1CRXV03.5VD0	LEV1 LEV	All	Underbody Right	944452	D-280-100	--	--
2001	3.5L	1CRXV03.5VD0	LEV1 LEV	All	Underbody Right	--	--	940105	D-280-100
2000	3.5L	YCRXV0215V30	LEV1 LEV	All	Underbody Left	944851	D-280-100	--	--
2000	3.5L	YCRXV0215V30	LEV1 LEV	All	Underbody Left	--	--	940105	D-280-100
2000	3.5L	YCRXV0215V30	LEV1 LEV	All	Underbody Right	944452	D-280-100	--	--
2000	3.5L	YCRXV0215V30	LEV1 LEV	All	Underbody Right	--	--	940105	D-280-100

Legal Note: In Compliance with California Emissions Requirements



CATCO
CATALYTIC CONVERTERS

EASTERN CATALYTIC

APPLICATION GUIDE

OBD II

APPLICATION

Year	Eng. Size	Test Group/ Engine Family	Certification Level	Application	Location	Direct Fit Number	Exec. Order	Consol. Number	Exec. Order
Chrysler (Cont.)									
LHS (Cont.)									
V6 (Cont.)									
1999	3.5L	XCRXV0215V20	TLEV	All	Underbody Left	944851	D-280-100	--	--
1999	3.5L	XCRXV0215V20	TLEV	All	Underbody Left	--	--	940105	D-280-100
1999	3.5L	XCRXV0215V20	TLEV	All	Underbody Right	944452	D-280-100	--	--
1999	3.5L	XCRXV0215V20	TLEV	All	Underbody Right	--	--	940105	D-280-100
1997	3.5L	VCR215VJG1EK	TIER1	All	Front Left	941047	D-280-100	--	--
1997	3.5L	VCR215VJG1EK	TIER1	All	Front Left	--	--	944182	D-280-100
1997	3.5L	VCR215VJG1EK	TIER1	All	Front Right	941046	D-280-100	--	--
1997	3.5L	VCR215VJG1EK	TIER1	All	Front Right	--	--	944182	D-280-100
1997	3.5L	VCR215VJG1EK	TIER1	All	Rear	944418	D-280-100	--	--
1997	3.5L	VCR215VJG1EK	TIER1	All	Rear	--	--	940637	D-280-100
1996	3.5L	TCR215VJG1EK	TIER1	All	Front Left	941047	D-280-100	--	--
1996	3.5L	TCR215VJG1EK	TIER1	All	Front Left	--	--	944182	D-280-100
1996	3.5L	TCR215VJG1EK	TIER1	All	Front Right	941046	D-280-100	--	--
1996	3.5L	TCR215VJG1EK	TIER1	All	Front Right	--	--	944182	D-280-100
1996	3.5L	TCR215VJG1EK	TIER1	All	Rear	944418	D-280-100	--	--
1996	3.5L	TCR215VJG1EK	TIER1	All	Rear	--	--	940637	D-280-100
New Yorker									
V6									
1996	3.5L	TCR215VJG1EK	TIER1	All	Front Left	941047	D-280-100	--	--
1996	3.5L	TCR215VJG1EK	TIER1	All	Front Left	--	--	944182	D-280-100
1996	3.5L	TCR215VJG1EK	TIER1	All	Front Right	941046	D-280-100	--	--
1996	3.5L	TCR215VJG1EK	TIER1	All	Front Right	--	--	944182	D-280-100
1996	3.5L	TCR215VJG1EK	TIER1	All	Rear	944418	D-280-100	--	--
1996	3.5L	TCR215VJG1EK	TIER1	All	Underbody	--	--	940637	D-280-100
Pacifica									
V6									
2006	3.5L	6CRXT03.52N0	LEV1 ULEV	All	Underbody	744298	D-798	--	--
2006	3.5L	6CRXT03.52N0	LEV1 ULEV	All	Underbody	--	--	740665	D-798
2005	3.5L	5CRXT03.52N0	LEV1 ULEV	All	Underbody	744298	D-798	--	--
2005	3.5L	5CRXT03.52N0	LEV1 ULEV	All	Underbody	--	--	740665	D-798
2004	3.5L	4CRXT03.82N0	LEV1 ULEV	All	Underbody	744298	D-798	--	--
2004	3.5L	4CRXT03.82N0	LEV1 ULEV	All	Underbody	--	--	740665	D-798
2008	3.8L	8CRXT0231N80	LEV2 ULEV	All	Underbody	744427	D-798	--	--
2008	3.8L	8CRXT0231N80	LEV2 ULEV	All	Underbody	--	--	740076	D-798
2007	3.8L	7CRXT0231N80	LEV2 ULEV	All	Underbody	744427	D-798	--	--
2007	3.8L	7CRXT0231N80	LEV2 ULEV	All	Underbody	--	--	740665	D-798
2006	3.8L	6CRXT03.8NE0	LEV2 LEV	All	Underbody	744427	D-798	--	--
2006	3.8L	6CRXT03.8NE0	LEV2 LEV	All	Underbody	--	--	740665	D-798
2005	3.8L	5CRXT03.8NE0	LEV2 LEV	All	Underbody	744427	D-798	--	--
2005	3.8L	5CRXT03.8NE0	LEV2 LEV	All	Underbody	--	--	740665	D-798
Prowler									
V6									
2002	3.5L	2CRXV03.5VB0	TIER1	All	Underbody Left	--	--	940105	D-280-100
2002	3.5L	2CRXV03.5VB0	TIER1	All	Underbody Right	--	--	940105	D-280-100
2001	3.5L	1CRXV03.5VB0	TIER1	All	Underbody Left	--	--	940105	D-280-100
2001	3.5L	1CRXV03.5VB0	TIER1	All	Underbody Right	--	--	940105	D-280-100
PT Cruiser									
L4									
2010	2.4L	ACRXV02.4CR0	LEV2 ULEV	All	Underbody	764292	D-280-105	--	--
2010	2.4L	ACRXV02.4CR0	LEV2 ULEV	All	Underbody	--	--	760015	D-280-105
2009	2.4L	9CRXV02.41P0	LEV2 LEV	All	Underbody	764292	D-280-105	--	--
2009	2.4L	9CRXV02.41P0	LEV2 LEV	All	Underbody	--	--	760015	D-280-105
2009	2.4L	9CRXV02.42P1	LEV2 LEV	All	Underbody	764292	D-280-105	--	--
2009	2.4L	9CRXV02.42P1	LEV2 LEV	All	Underbody	--	--	760015	D-280-105
2009	2.4L	9CRXV02.4CR0	LEV2 ULEV	All	Underbody	764292	D-280-105	--	--
2009	2.4L	9CRXV02.4CR0	LEV2 ULEV	All	Underbody	--	--	760015	D-280-105

APPLICATION GUIDE



OBD II

APPLICATION

Year	Eng. Size	Test Group/ Engine Family	Certification Level	Application	Location	Direct Fit Number	Exec. Order	Consol. Number	Exec. Order
Chrysler (Cont.)									
PT Cruiser (Cont.)									
L4 (Cont.)									
2008	2.4L	8CRXV0148M80	LEV2 ULEV	All	Underbody	764292	D-280-105	--	--
2008	2.4L	8CRXV0148M80	LEV2 ULEV	All	Underbody	--	--	760015	D-280-105
2008	2.4L	8CRXV02.4ME1	LEV2 LEV	All	Underbody	764292	D-280-105	--	--
2008	2.4L	8CRXV02.4ME1	LEV2 LEV	All	Underbody	--	--	760015	D-280-105
2008	2.4L	8CRXV02.4ME3	LEV2 LEV	All	Underbody	764292	D-280-105	--	--
2008	2.4L	8CRXV02.4ME3	LEV2 LEV	All	Underbody	--	--	760015	D-280-105
2007	2.4L	7CRXV0148M70	LEV2 LEV	All	Underbody	764292	D-280-105	--	--
2007	2.4L	7CRXV0148M70	LEV2 LEV	All	Underbody	--	--	760015	D-280-105
2007	2.4L	7CRXV0148M71	LEV2 LEV	All	Underbody	764292	D-280-105	--	--
2007	2.4L	7CRXV0148M71	LEV2 LEV	All	Underbody	--	--	760015	D-280-105
2007	2.4L	7CRXV0148M80	LEV2 ULEV	All	Underbody	764292	D-280-105	--	--
2007	2.4L	7CRXV0148M80	LEV2 ULEV	All	Underbody	--	--	760015	D-280-105
2006	2.4L	6CRXV0148M80	LEV2 ULEV	All	Underbody	764292	D-280-105	--	--
2006	2.4L	6CRXV0148M80	LEV2 ULEV	All	Underbody	--	--	760015	D-280-105
2006	2.4L	6CRXV02.4VE0	LEV2 LEV	All	Underbody	764292	D-280-105	--	--
2006	2.4L	6CRXV02.4VE0	LEV2 LEV	All	Underbody	--	--	760015	D-280-105
2006	2.4L	6CRXV02.4VE1	LEV2 LEV	All	Underbody	764292	D-280-105	--	--
2006	2.4L	6CRXV02.4VE1	LEV2 LEV	All	Underbody	--	--	760015	D-280-105
2005	2.4L	5CRXV0148M80	LEV2 ULEV	All	Underbody	764292	D-280-105	--	--
2005	2.4L	5CRXV0148M80	LEV2 ULEV	All	Underbody	--	--	760015	D-280-105
2005	2.4L	5CRXV02.4VE0	LEV2 LEV	All	Underbody	764292	D-280-105	--	--
2005	2.4L	5CRXV02.4VE0	LEV2 LEV	All	Underbody	--	--	760015	D-280-105
2005	2.4L	5CRXV02.4VE1	LEV2 LEV	All	Underbody	764292	D-280-105	--	--
2005	2.4L	5CRXV02.4VE1	LEV2 LEV	All	Underbody	--	--	760015	D-280-105
2005	2.4L	5CRXV02.4VH0	LEV1 LEV	All	Underbody	764292	D-280-105	--	--
2005	2.4L	5CRXV02.4VH0	LEV1 LEV	All	Underbody	--	--	760015	D-280-105
2004	2.4L	4CRXV02.4VE0	LEV2 LEV	All	Underbody	764292	D-280-105	--	--
2004	2.4L	4CRXV02.4VE0	LEV2 LEV	All	Underbody	--	--	760015	D-280-105
2004	2.4L	4CRXV02.4VH0	LEV1 ULEV	All	Underbody	764292	D-280-105	--	--
2004	2.4L	4CRXV02.4VH0	LEV1 ULEV	All	Underbody	--	--	760015	D-280-105
2004	2.4L	4CRXV02.4VH1	LEV1 ULEV	All	Underbody	764292	D-280-105	--	--
2004	2.4L	4CRXV02.4VH1	LEV1 ULEV	All	Underbody	--	--	760015	D-280-105
2003	2.4L	3CRXV02.4VD0	LEV1 LEV	All	Underbody	942292	D-280-100	--	--
2003	2.4L	3CRXV02.4VD0	LEV1 LEV	All	Underbody	--	--	940101	D-280-100
2003	2.4L	3CRXV02.4VD1	LEV1 LEV	All	Underbody	942292	D-280-100	--	--
2003	2.4L	3CRXV02.4VD1	LEV1 LEV	All	Underbody	--	--	940101	D-280-100
2002	2.4L	2CRXV02.4VD0	LEV1 LEV	All	Underbody	942292	D-280-100	--	--
2002	2.4L	2CRXV02.4VD0	LEV1 LEV	All	Underbody	--	--	940101	D-280-100
2001	2.4L	1CRXV02.4VD0	LEV1 LEV	All	Underbody	942292	D-280-100	--	--
2001	2.4L	1CRXV02.4VD0	LEV1 LEV	All	Underbody	--	--	940101	D-280-100
Sebring									
L4									
1999	2.0L	XDSXV02.0GBK	TIER1	All	Underbody	942359	D-280-100	--	--
1999	2.0L	XDSXV02.0GBK	TIER1	All	Underbody	--	--	940334	D-280-100
1998	2.0L	WDSXV02.0GBK	TIER1	All	Underbody	942359	D-280-100	--	--
1998	2.0L	WDSXV02.0GBK	TIER1	All	Underbody	--	--	940334	D-280-100
1997	2.0L	VDS2.0VJGFEK	TIER1	All	Underbody	942359	D-280-100	--	--
1997	2.0L	VDS2.0VJGFEK	TIER1	All	Underbody	--	--	940334	D-280-100
1997	2.0L	VDS2.0VJGKEK	TIER1	All	Underbody	942359	D-280-100	--	--
1997	2.0L	VDS2.0VJGKEK	TIER1	All	Underbody	--	--	940334	D-280-100
1996	2.0L	TDS2.0VJGFEK	TIER1	All	Underbody	942359	D-280-100	--	--
1996	2.0L	TDS2.0VJGFEK	TIER1	All	Underbody	--	--	940334	D-280-100
1995	2.0L	SDS2.0VJGFEK	TIER1	All	Underbody	942359	D-280-100	--	--
1995	2.0L	SDS2.0VJGFEK	TIER1	All	Underbody	--	--	940334	D-280-100
2010	2.4L	ACRXV02.4VP0	LEV2 ULEV	All	Underbody	--	--	760015	D-280-105
2010	2.4L	ACRXV02.4VP0	LEV2 ULEV	Eng. Code ED3	Underbody	764415	D-280-105	--	--
2009	2.4L	9CRXV02.4UP0	LEV2 ULEV	All	Underbody	--	--	760015	D-280-105
2009	2.4L	9CRXV02.4UP0	LEV2 ULEV	Eng. Code ED3	Underbody	764415	D-280-105	--	--

Legal Note: In Compliance with California Emissions Requirements



CATCO
CATALYTIC CONVERTERS

EASTERN CATALYTIC

APPLICATION GUIDE

OBD II

APPLICATION

Year	Eng. Size	Test Group/ Engine Family	Certification Level	Application	Location	Direct Fit Number	Exec. Order	Consol. Number	Exec. Order
Chrysler (Cont.)									
Sebring (Cont.)									
L4 (Cont.)									
2008	2.4L	8CRXB0144M80	LEV2 ULEV	All	Underbody	764415	D-280-105	--	--
2008	2.4L	8CRXB0144M80	LEV2 ULEV	All	Underbody	--	--	760015	D-280-105
2007	2.4L	7CRXB0144M80	LEV2 ULEV	All	Underbody	764415	D-280-105	--	--
2007	2.4L	7CRXB0144M80	LEV2 ULEV	All	Underbody	--	--	760015	D-280-105
2006	2.4L	6CRXV0148M80	LEV2 ULEV	All	Underbody	764275	D-280-105	--	--
2006	2.4L	6CRXV0148M80	LEV2 ULEV	All	Underbody	--	--	760015	D-280-105
2006	2.4L	6CRXV02.4VE1	LEV2 LEV	All	Underbody	764275	D-280-105	--	--
2006	2.4L	6CRXV02.4VE1	LEV2 LEV	All	Underbody	--	--	760015	D-280-105
2005	2.4L	5CRXV02.4VE0	LEV2 LEV	All	Underbody	764275	D-280-105	--	--
2005	2.4L	5CRXV02.4VE0	LEV2 LEV	All	Underbody	--	--	760015	D-280-105
2005	2.4L	5DSXV02.4GBB	LEV1 LEV	All	Front	751082	D-280-102	--	--
2005	2.4L	5DSXV02.4GBB	LEV1 LEV	All	Front	--	--	942564	D-280-100
2005	2.4L	5DSXV02.4GBB	LEV1 LEV	All	Rear	942032P	D-280-100	--	--
2005	2.4L	5DSXV02.4GBB	LEV1 LEV	All	Rear	--	--	940104	D-280-100
2005	2.4L	5DSXV02.4GBB	LEV1 LEV	All	Underbody	754332	D-280-102	--	--
2005	2.4L	5DSXV02.4GBB	LEV1 LEV	All	Underbody	--	--	755005	D-280-102
2004	2.4L	4CRXV02.4VE0	LEV2 LEV	All	Underbody	764275	D-280-105	--	--
2004	2.4L	4CRXV02.4VE0	LEV2 LEV	All	Underbody	--	--	760015	D-280-105
2004	2.4L	4CRXV02.4VM0	LEV1 LEV	All	Underbody	944275	D-280-100	--	--
2004	2.4L	4CRXV02.4VM0	LEV1 LEV	All	Underbody	--	--	940085	D-280-100
2004	2.4L	4DSXV02.4G2G	LEV1 ULEV	All	Front	751082	D-280-102	--	--
2004	2.4L	4DSXV02.4G2G	LEV1 ULEV	All	Underbody	754332	D-280-102	--	--
2004	2.4L	4DSXV02.4G2G	LEV1 ULEV	All	Underbody	--	--	755005	D-280-102
2004	2.4L	4DSXV02.4GBB	LEV1 LEV	All	Front	751082	D-280-102	--	--
2004	2.4L	4DSXV02.4GBB	LEV1 LEV	All	Front	--	--	942564	D-280-100
2004	2.4L	4DSXV02.4GBB	LEV1 LEV	All	Rear	942032P	D-280-100	--	--
2004	2.4L	4DSXV02.4GBB	LEV1 LEV	All	Rear	--	--	940104	D-280-100
2004	2.4L	4DSXV02.4GBB	LEV1 LEV	All	Underbody	754332	D-280-102	--	--
2004	2.4L	4DSXV02.4GBB	LEV1 LEV	All	Underbody	--	--	755005	D-280-102
2003	2.4L	3CRXV02.4VD0	LEV1 LEV	All	Underbody	944275	D-280-100	--	--
2003	2.4L	3CRXV02.4VD0	LEV1 LEV	All	Underbody	--	--	940101	D-280-100
2003	2.4L	3DSXV02.4G3S	LEV1 ULEV	All	Front	751082	D-280-102	--	--
2003	2.4L	3DSXV02.4G3S	LEV1 ULEV	All	Underbody	754332	D-280-102	--	--
2003	2.4L	3DSXV02.4G3S	LEV1 ULEV	All	Underbody	--	--	755014	D-280-102
2003	2.4L	3DSXV02.4GNF	LEV1 LEV	All	Front	751082	D-280-102	--	--
2003	2.4L	3DSXV02.4GNF	LEV1 LEV	All	Front	--	--	942564	D-280-100
2003	2.4L	3DSXV02.4GNF	LEV1 LEV	All	Rear	942032P	D-280-100	--	--
2003	2.4L	3DSXV02.4GNF	LEV1 LEV	All	Rear	--	--	940104	D-280-100
2003	2.4L	3DSXV02.4GNF	LEV1 LEV	All	Underbody	754332	D-280-102	--	--
2003	2.4L	3DSXV02.4GNF	LEV1 LEV	All	Underbody	--	--	755014	D-280-102
2003	2.4L	3DSXV02.4GNS	LEV1 LEV	All	Front	751082	D-280-102	--	--
2003	2.4L	3DSXV02.4GNS	LEV1 LEV	All	Front	--	--	942564	D-280-100
2003	2.4L	3DSXV02.4GNS	LEV1 LEV	All	Rear	942032P	D-280-100	--	--
2003	2.4L	3DSXV02.4GNS	LEV1 LEV	All	Rear	--	--	940104	D-280-100
2003	2.4L	3DSXV02.4GNS	LEV1 LEV	All	Underbody	754332	D-280-102	--	--
2003	2.4L	3DSXV02.4GNS	LEV1 LEV	All	Underbody	--	--	755014	D-280-102
2002	2.4L	2CRXV02.4VD0	LEV1 LEV	All	Underbody	944275	D-280-100	--	--
2002	2.4L	2CRXV02.4VD0	LEV1 LEV	All	Underbody	--	--	940101	D-280-100
2002	2.4L	2DSXV02.4GNG	LEV1 LEV	All	Front	751082	D-280-102	--	--
2002	2.4L	2DSXV02.4GNG	LEV1 LEV	All	Front	--	--	942564	D-280-100
2002	2.4L	2DSXV02.4GNG	LEV1 LEV	All	Rear	942032P	D-280-100	--	--
2002	2.4L	2DSXV02.4GNG	LEV1 LEV	All	Rear	--	--	940104	D-280-100
2002	2.4L	2DSXV02.4GNG	LEV1 LEV	All	Underbody	754332	D-280-102	--	--
2002	2.4L	2DSXV02.4GNG	LEV1 LEV	All	Underbody	--	--	755014	D-280-102
2001	2.4L	1CRXV0148V40	LEV1 ULEV	All	Underbody	764275	D-280-105	--	--
2001	2.4L	1CRXV0148V40	LEV1 ULEV	All	Underbody	--	--	760015	D-280-105
2001	2.4L	1CRXV02.4VD0	LEV1 LEV	All	Underbody	944275	D-280-100	--	--
2001	2.4L	1CRXV02.4VD0	LEV1 LEV	All	Underbody	--	--	940101	D-280-100

APPLICATION GUIDE



OBD II

APPLICATION

Year	Eng. Size	Test Group/ Engine Family	Certification Level	Application	Location	Direct Fit Number	Exec. Order	Consol. Number	Exec. Order
Chrysler (Cont.)									
Sebring (Cont.)									
L4 (Cont.)									
2001	2.4L	1DSXV02.4GNG	LEV1 LEV	All	Front	751082	D-280-102	--	--
2001	2.4L	1DSXV02.4GNG	LEV1 LEV	All	Front	--	--	942564	D-280-100
2001	2.4L	1DSXV02.4GNG	LEV1 LEV	All	Rear	942032P	D-280-100	--	--
2001	2.4L	1DSXV02.4GNG	LEV1 LEV	All	Rear	--	--	940104	D-280-100
2001	2.4L	1DSXV02.4GNG	LEV1 LEV	All	Underbody	754332	D-280-102	--	--
2001	2.4L	1DSXV02.4GNG	LEV1 LEV	All	Underbody	--	--	755014	D-280-102
1998	2.4L	WCRXV0148V20	TLEV	All	Underbody	942859	D-280-100	--	--
1998	2.4L	WCRXV0148V20	TLEV	All	Underbody	--	--	940335	D-280-100
1997	2.4L	VCR148VJG1EK	TIER1	All	Underbody	942859	D-280-100	--	--
1997	2.4L	VCR148VJG1EK	TIER1	All	Underbody	--	--	940335	D-280-100
1996	2.4L	TCR148VJG1EK	TIER1	All	Underbody	942859	D-280-100	--	--
1996	2.4L	TCR148VJG1EK	TIER1	All	Underbody	--	--	940335	D-280-100
V6									
2000	2.5L	YCRXV0152V20	TLEV	All	Underbody	942859	D-280-100	--	--
2000	2.5L	YCRXV0152V20	TLEV	All	Underbody	--	--	940335	D-280-100
2000	2.5L	YDSXV02.5G1G	TIER1	All	Front Left	941277	D-280-100	--	--
2000	2.5L	YDSXV02.5G1G	TIER1	All	Front Right	941278	D-280-100	--	--
2000	2.5L	YDSXV02.5G1G	TIER1	All	Underbody	944264	D-280-100	--	--
2000	2.5L	YDSXV02.5G1G	TIER1	All	Underbody	--	--	940335	D-280-100
1999	2.5L	XCRXV0152V20	TLEV	All	Underbody	942859	D-280-100	--	--
1999	2.5L	XCRXV0152V20	TLEV	All	Underbody	--	--	940335	D-280-100
1999	2.5L	XDSXV02.5G1G	TLEV	All	Front Left	941277	D-280-100	--	--
1999	2.5L	XDSXV02.5G1G	TLEV	All	Front Right	941278	D-280-100	--	--
1999	2.5L	XDSXV02.5G1G	TLEV	All	Underbody	944264	D-280-100	--	--
1999	2.5L	XDSXV02.5G1G	TLEV	All	Underbody	--	--	940335	D-280-100
1998	2.5L	WCRXV0152V20	TLEV	All	Underbody	942859	D-280-100	--	--
1998	2.5L	WCRXV0152V20	TLEV	All	Underbody	--	--	940335	D-280-100
1998	2.5L	WDSXV02.5G1G	TLEV	All	Front Left	941277	D-280-100	--	--
1998	2.5L	WDSXV02.5G1G	TLEV	All	Front Right	941278	D-280-100	--	--
1998	2.5L	WDSXV02.5G1G	TLEV	All	Underbody	944264	D-280-100	--	--
1998	2.5L	WDSXV02.5G1G	TLEV	All	Underbody	--	--	940335	D-280-100
1997	2.5L	VCR152VJG1EK	TIER1	All	Underbody	942859	D-280-100	--	--
1997	2.5L	VCR152VJG1EK	TIER1	All	Underbody	--	--	940335	D-280-100
1997	2.5L	VDS2.5VJGKEK	TIER1	All	Front Left	944164	D-280-100	--	--
1997	2.5L	VDS2.5VJGKEK	TIER1	All	Rear	941164	D-280-100	--	--
1997	2.5L	VDS2.5VJGKEK	TIER1	All	Underbody	944264	D-280-100	--	--
1997	2.5L	VDS2.5VJGKEK	TIER1	All	Underbody	--	--	940335	D-280-100
1996	2.5L	TCR152VJG1EK	TIER1	All	Underbody	942859	D-280-100	--	--
1996	2.5L	TCR152VJG1EK	TIER1	All	Underbody	--	--	940335	D-280-100
1996	2.5L	TDS2.5VJGFEK	TIER1	All	Front Right	944164	D-280-100	--	--
1996	2.5L	TDS2.5VJGFEK	TIER1	All	Rear	941164	D-280-100	--	--
1996	2.5L	TDS2.5VJGFEK	TIER1	All	Underbody	944264	D-280-100	--	--
1996	2.5L	TDS2.5VJGFEK	TIER1	All	Underbody	--	--	940335	D-280-100
2007	2.7L	7CRXV0167M70	LEV2 LEV	All	Front	754640	D-280-102	--	--
2007	2.7L	7CRXV0167M70	LEV2 LEV	All	Rear	754641	D-280-102	--	--
2006	2.7L	6CRXV0167M71	LEV2 LEV	All	Front	754142	D-280-102	--	--
2006	2.7L	6CRXV0167M71	LEV2 LEV	All	Rear	754143	D-280-102	--	--
2005	2.7L	5CRXV02.7VE0	LEV1 ULEV	All	Front	754142	D-280-102	--	--
2005	2.7L	5CRXV02.7VE0	LEV1 ULEV	All	Rear	754143	D-280-102	--	--
2005	2.7L	5CRXV02.7VHP	LEV1 ULEV	All	Front	754142	D-280-102	--	--
2005	2.7L	5CRXV02.7VHP	LEV1 ULEV	All	Rear	754143	D-280-102	--	--
2004	2.7L	4CRXV02.7VH0	LEV1 ULEV	All	Front	754142	D-280-102	--	--
2004	2.7L	4CRXV02.7VH0	LEV1 ULEV	All	Rear	754143	D-280-102	--	--
2004	2.7L	4CRXV02.7VHP	LEV1 ULEV	All	Front	754142	D-280-102	--	--
2004	2.7L	4CRXV02.7VHP	LEV1 ULEV	All	Rear	754143	D-280-102	--	--
2003	2.7L	3CRXV02.7VD0	LEV1 LEV	All	Front	944142	D-280-100	--	--
2003	2.7L	3CRXV02.7VD0	LEV1 LEV	All	Front	754142	D-280-102	--	--
2003	2.7L	3CRXV02.7VD0	LEV1 LEV	All	Rear	944143	D-280-100	--	--
2003	2.7L	3CRXV02.7VD0	LEV1 LEV	All	Rear	754143	D-280-102	--	--

Legal Note: In Compliance with California Emissions Requirements

**CATCO**
CATALYTIC CONVERTERS**EASTERN CATALYTIC**

APPLICATION GUIDE

OBD II**APPLICATION**

Year	Eng. Size	Test Group/ Engine Family	Certification Level	Application	Location	Direct Fit Number	Exec. Order	Consol. Number	Exec. Order
Chrysler (Cont.)									
Sebring (Cont.)									
V6 (Cont.)									
2003	2.7L	3CRXV02.7VDP	TLEV	All	Front	754142	D-280-102	--	--
2003	2.7L	3CRXV02.7VDP	TLEV	All	Rear	754143	D-280-102	--	--
2003	2.7L	3CRXV02.7VDP	LEV1 LEV	All	Front	944142	D-280-100	--	--
2003	2.7L	3CRXV02.7VDP	LEV1 LEV	All	Rear	944143	D-280-100	--	--
2002	2.7L	2CRXV02.7VD0	LEV1 LEV	All	Front	944142	D-280-100	--	--
2002	2.7L	2CRXV02.7VD0	LEV1 LEV	All	Front	754142	D-280-102	--	--
2002	2.7L	2CRXV02.7VD0	LEV1 LEV	All	Rear	944143	D-280-100	--	--
2002	2.7L	2CRXV02.7VD0	LEV1 LEV	All	Rear	754143	D-280-102	--	--
2001	2.7L	1CRXV03.5VD0	LEV1 LEV	All	Front	754142	D-280-102	--	--
2001	2.7L	1CRXV03.5VD0	LEV1 LEV	All	Front Left	944142	D-280-100	--	--
2001	2.7L	1CRXV03.5VD0	LEV1 LEV	All	Front Right	944143	D-280-100	--	--
2001	2.7L	1CRXV03.5VD0	LEV1 LEV	All	Rear	754143	D-280-102	--	--
2005	3.0L	5DSXV03.0GBB	LEV1 LEV	All	Front Left	941094	D-280-100	--	--
2005	3.0L	5DSXV03.0GBB	LEV1 LEV	All	Front Left	751094	D-280-102	--	--
2005	3.0L	5DSXV03.0GBB	LEV1 LEV	All	Front Right	941095	D-280-100	--	--
2005	3.0L	5DSXV03.0GBB	LEV1 LEV	All	Front Right	751095	D-280-102	--	--
2005	3.0L	5DSXV03.0GBB	LEV1 LEV	All	Underbody	944393	D-280-100	--	--
2005	3.0L	5DSXV03.0GBB	LEV1 LEV	All	Underbody	754393	D-280-102	--	--
2005	3.0L	5DSXV03.0GBB	LEV1 LEV	All	Underbody	--	--	755005	D-280-102
2004	3.0L	4DSXV03.0GBB	LEV1 LEV	All	Front Left	941094	D-280-100	--	--
2004	3.0L	4DSXV03.0GBB	LEV1 LEV	All	Front Left	751094	D-280-102	--	--
2004	3.0L	4DSXV03.0GBB	LEV1 LEV	All	Front Right	941095	D-280-100	--	--
2004	3.0L	4DSXV03.0GBB	LEV1 LEV	All	Front Right	751095	D-280-102	--	--
2004	3.0L	4DSXV03.0GBB	LEV1 LEV	All	Underbody	944393	D-280-100	--	--
2004	3.0L	4DSXV03.0GBB	LEV1 LEV	All	Underbody	754393	D-280-102	--	--
2004	3.0L	4DSXV03.0GBB	LEV1 LEV	All	Underbody	--	--	755005	D-280-102
2003	3.0L	3DSXV03.0GNS	LEV1 LEV	All	Front Left	941094	D-280-100	--	--
2003	3.0L	3DSXV03.0GNS	LEV1 LEV	All	Front Left	751094	D-280-102	--	--
2003	3.0L	3DSXV03.0GNS	LEV1 LEV	All	Front Right	941095	D-280-100	--	--
2003	3.0L	3DSXV03.0GNS	LEV1 LEV	All	Front Right	751095	D-280-102	--	--
2003	3.0L	3DSXV03.0GNS	LEV1 LEV	All	Underbody	944393	D-280-100	--	--
2003	3.0L	3DSXV03.0GNS	LEV1 LEV	All	Underbody	754393	D-280-102	--	--
2003	3.0L	3DSXV03.0GNS	LEV1 LEV	All	Underbody	--	--	940334	D-280-100
2003	3.0L	3DSXV03.0GNS	LEV1 LEV	All	Underbody	--	--	755005	D-280-102
2002	3.0L	2DSXV03.0GNF	LEV1 LEV	All	Front Left	941094	D-280-100	--	--
2002	3.0L	2DSXV03.0GNF	LEV1 LEV	All	Front Left	751094	D-280-102	--	--
2002	3.0L	2DSXV03.0GNF	LEV1 LEV	All	Front Right	941095	D-280-100	--	--
2002	3.0L	2DSXV03.0GNF	LEV1 LEV	All	Front Right	751095	D-280-102	--	--
2002	3.0L	2DSXV03.0GNF	LEV1 LEV	All	Underbody	944393	D-280-100	--	--
2002	3.0L	2DSXV03.0GNF	LEV1 LEV	All	Underbody	754393	D-280-102	--	--
2002	3.0L	2DSXV03.0GNF	LEV1 LEV	All	Underbody	--	--	755005	D-280-102
2002	3.0L	2DSXV03.0GNS	LEV1 LEV	All	Front Left	941094	D-280-100	--	--
2002	3.0L	2DSXV03.0GNS	LEV1 LEV	All	Front Left	751094	D-280-102	--	--
2002	3.0L	2DSXV03.0GNS	LEV1 LEV	All	Front Right	941095	D-280-100	--	--
2002	3.0L	2DSXV03.0GNS	LEV1 LEV	All	Front Right	751095	D-280-102	--	--
2002	3.0L	2DSXV03.0GNS	LEV1 LEV	All	Underbody	944393	D-280-100	--	--
2002	3.0L	2DSXV03.0GNS	LEV1 LEV	All	Underbody	754393	D-280-102	--	--
2002	3.0L	2DSXV03.0GNS	LEV1 LEV	All	Underbody	--	--	755005	D-280-102
2001	3.0L	1DSXV03.0GNG	LEV1 LEV	All	Front Left	941094	D-280-100	--	--
2001	3.0L	1DSXV03.0GNG	LEV1 LEV	All	Front Left	751094	D-280-102	--	--
2001	3.0L	1DSXV03.0GNG	LEV1 LEV	All	Front Right	941095	D-280-100	--	--
2001	3.0L	1DSXV03.0GNG	LEV1 LEV	All	Front Right	751095	D-280-102	--	--
2001	3.0L	1DSXV03.0GNG	LEV1 LEV	All	Underbody	944393	D-280-100	--	--
2001	3.0L	1DSXV03.0GNG	LEV1 LEV	All	Underbody	754393	D-280-102	--	--
2001	3.0L	1DSXV03.0GNG	LEV1 LEV	All	Underbody	--	--	755005	D-280-102
2001	3.0L	1DSXV03.0GNS	LEV1 LEV	All	Front Left	941094	D-280-100	--	--
2001	3.0L	1DSXV03.0GNS	LEV1 LEV	All	Front Right	941095	D-280-100	--	--
2001	3.0L	1DSXV03.0GNS	LEV1 LEV	All	Underbody	944393	D-280-100	--	--
2001	3.0L	1DSXV03.0GNS	LEV1 LEV	All	Underbody	--	--	940334	D-280-100

Legal Note: In Compliance with California Emissions Requirements

APPLICATION GUIDE



OBD II

APPLICATION

Year	Eng. Size	Test Group/ Engine Family	Certification Level	Application	Location	Direct Fit Number	Exec. Order	Consol. Number	Exec. Order
Chrysler (Cont.)									
Town & Country									
V6									
2010	3.3L	ACRXT03.3UPA	LEV2 LEV	All	Underbody	744441	D-798	--	--
2010	3.3L	ACRXT03.3UPA	LEV2 LEV	All	Underbody	--	--	740726	D-798
2009	3.3L	9CRXT03.3TPA	LEV2 LEV	All	Underbody	744441	D-798	--	--
2009	3.3L	9CRXT03.3TPA	LEV2 LEV	All	Underbody	--	--	740726	D-798
2008	3.3L	8CRXT0231N80	LEV2 ULEV	All	Underbody	744441	D-798	--	--
2008	3.3L	8CRXT0231N80	LEV2 ULEV	All	Underbody	--	--	740726	D-798
2008	3.3L	8CRXT03.3NEP	LEV2 LEV	All	Underbody	744441	D-798	--	--
2008	3.3L	8CRXT03.3NEP	LEV2 LEV	All	Underbody	--	--	740726	D-798
2007	3.3L	7CRXT0231N80	LEV2 ULEV	All	Underbody	744277 ②	D-798	--	--
2007	3.3L	7CRXT0231N80	LEV2 ULEV	All	Underbody	744213 ①	D-798	--	--
2007	3.3L	7CRXT0231N80	LEV2 ULEV	All	Underbody	--	--	740665	D-798
2006	3.3L	6CRXT0231N80	LEV2 ULEV	All	Underbody	744277 ②	D-798	--	--
2006	3.3L	6CRXT0231N80	LEV2 ULEV	All	Underbody	744213 ①	D-798	--	--
2006	3.3L	6CRXT0231N80	LEV2 ULEV	All	Underbody	--	--	740665	D-798
2006	3.3L	6CRXT03.8NE0	LEV2 LEV	All	Underbody	744277 ②	D-798	--	--
2006	3.3L	6CRXT03.8NE0	LEV2 LEV	All	Underbody	744213 ①	D-798	--	--
2006	3.3L	6CRXT03.8NE0	LEV2 LEV	All	Underbody	--	--	740076	D-798
2005	3.3L	5CRXT03.32NP	LEV1 ULEV	All	Underbody	744277 ②	D-798	--	--
2005	3.3L	5CRXT03.32NP	LEV1 ULEV	All	Underbody	744213 ①	D-798	--	--
2005	3.3L	5CRXT03.32NP	LEV1 ULEV	All	Underbody	--	--	740665	D-798
2005	3.3L	5CRXT03.3NE0	LEV2 LEV	All	Underbody	744277 ②	D-798	--	--
2005	3.3L	5CRXT03.3NE0	LEV2 LEV	All	Underbody	744213 ①	D-798	--	--
2005	3.3L	5CRXT03.3NE0	LEV2 LEV	All	Underbody	--	--	740665	D-798
2005	3.3L	5CRXT03.8NE0	LEV2 LEV	All	Underbody	744277 ②	D-798	--	--
2005	3.3L	5CRXT03.8NE0	LEV2 LEV	All	Underbody	744213 ①	D-798	--	--
2005	3.3L	5CRXT03.8NE0	LEV2 LEV	All	Underbody	--	--	740665	D-798
2004	3.3L	4CRXT03.3NE0	LEV2 LEV	All	Underbody	744277	D-798	--	--
2004	3.3L	4CRXT03.3NE0	LEV2 LEV	All	Underbody	--	--	740076	D-798
2003	3.3L	3CRXT03.32DP	LEV1 LEV	All	Underbody	912277	D-280-101	--	--
2003	3.3L	3CRXT03.32DP	LEV1 LEV	All	Underbody	--	--	912003	D-280-101
2003	3.3L	3CRXT03.32DR	LEV1 LEV	Flex Fuel	Underbody	912277	D-280-101	--	--
2003	3.3L	3CRXT03.32DR	LEV1 LEV	All	Underbody	--	--	912003	D-280-101
2003	3.3L	3CRXT03.82D0	LEV1 LEV	All	Underbody	912277	D-280-101	--	--
2003	3.3L	3CRXT03.82D0	LEV1 LEV	All	Underbody	--	--	912003	D-280-101
2003	3.3L	3CRXT03.82D1	LEV1 LEV	All	Underbody	912277	D-280-101	--	--
2003	3.3L	3CRXT03.82D1	LEV1 LEV	All	Underbody	--	--	912003	D-280-101
2002	3.3L	2CRXT03.32DP	LEV1 LEV	Flex Fuel	Underbody	912277	D-280-101	--	--
2002	3.3L	2CRXT03.32DP	LEV1 LEV	All	Underbody	--	--	912003	D-280-101
2002	3.3L	2CRXT03.82D0	LEV1 LEV	All	Underbody	912277	D-280-101	--	--
2002	3.3L	2CRXT03.82D0	LEV1 LEV	All	Underbody	--	--	912003	D-280-101
2002	3.3L	2CRXT03.82D1	LEV1 LEV	All	Underbody	912277	D-280-101	--	--
2002	3.3L	2CRXT03.82D1	LEV1 LEV	All	Underbody	--	--	912003	D-280-101
2001	3.3L	1CRXT03.32DP	LEV1 LEV	Flex Fuel	Underbody	912277	D-280-101	--	--
2001	3.3L	1CRXT03.32DP	LEV1 LEV	All	Underbody	--	--	912003	D-280-101
2001	3.3L	1CRXT03.32DT	LEV1 LEV	Flex Fuel	Underbody	912277	D-280-101	--	--
2001	3.3L	1CRXT03.32DT	LEV1 LEV	All	Underbody	--	--	912003	D-280-101
2001	3.3L	1CRXT03.82D0	LEV1 LEV	All	Underbody	912277	D-280-101	--	--
2001	3.3L	1CRXT03.82D0	LEV1 LEV	All	Underbody	--	--	912003	D-280-101
2000	3.3L	YCRXT0201230	LEV1 LEV	All	Underbody	914183	D-280-101	--	--
2000	3.3L	YCRXT0201230	LEV1 LEV	All	Underbody	--	--	912003	D-280-101
1999	3.3L	XCRXT0201230	LEV1 LEV	All	Underbody	914183	D-280-101	--	--
1999	3.3L	XCRXT0201230	LEV1 LEV	All	Underbody	--	--	912003	D-280-101
1998	3.3L	WCRXA0201230	LEV1 LEV	All	Underbody	640506	D-665-18	--	--
1998	3.3L	WCRXT0201230	LEV1 LEV	All	Underbody	914183	D-280-101	--	--
1998	3.3L	WCRXT0201230	LEV1 LEV	All	Underbody	--	--	912003	D-280-101
1997	3.3L	VCR20128G2FL	TLEV	All	Underbody	914183	D-280-101	--	--
1997	3.3L	VCR20128G2FL	TLEV	All	Underbody	--	--	912003	D-280-101
1997	3.3L	VCR23228G1EK	TIER1	All	Underbody	914183	D-280-101	--	--
1997	3.3L	VCR23228G1EK	TIER1	All	Underbody	--	--	912003	D-280-101

- ① With Stow And Go Seats
- ② Without Stow And Go Seats



CATCO
CATALYTIC CONVERTERS

EASTERN CATALYTIC

APPLICATION GUIDE

OBD II

APPLICATION

Year	Eng. Size	Test Group/ Engine Family	Certification Level	Application	Location	Direct Fit Number	Exec. Order	Consol. Number	Exec. Order
Chrysler (Cont.)									
Town & Country (Cont.)									
V6 (Cont.)									
1996	3.3L	TCR20128G2FL	TLEV	All	Underbody	914183	D-280-101	--	--
1996	3.3L	TCR20128G2FL	TLEV	All	Underbody	--	--	912005	D-280-101
1996	3.3L	TCR23228G1EK	TIER1	All	Underbody	914183	D-280-101	--	--
1996	3.3L	TCR23228G1EK	TIER1	All	Underbody	--	--	912003	D-280-101
2013	3.6L	DCRXT03.6VP1	LEV2 ULEV	All	Front Left	741280	D-798	--	--
2013	3.6L	DCRXT03.6VP1	LEV2 ULEV	All	Front Right	741281	D-798	--	--
2013	3.6L	DCRXT03.6VPA	LEV2 ULEV	All	Front Left	741280	D-798	--	--
2013	3.6L	DCRXT03.6VPA	LEV2 ULEV	All	Front Right	741281	D-798	--	--
2012	3.6L	CCRXT03.6VPA	LEV2 ULEV	All	Front Left	741280	D-798	--	--
2012	3.6L	CCRXT03.6VPA	LEV2 ULEV	All	Front Right	741281	D-798	--	--
2012	3.6L	CCRXT03.6VP1	LEV2 ULEV	All	Front Left	741280	D-798	--	--
2012	3.6L	CCRXT03.6VP1	LEV2 ULEV	All	Front Right	741281	D-798	--	--
2011	3.6L	BCRXJ03.6UP0	LEV2 ULEV	All	Front Left	741280	D-798	--	--
2011	3.6L	BCRXJ03.6UP0	LEV2 ULEV	All	Front Right	741281	D-798	--	--
2011	3.6L	BCRXJ03.6UPA	LEV2 ULEV	All	Front Left	741280	D-798	--	--
2011	3.6L	BCRXJ03.6UPA	LEV2 ULEV	All	Front Right	741281	D-798	--	--
2010	3.8L	ACRXT03.8XP0	LEV2 ULEV	All	Underbody	744441	D-798	--	--
2010	3.8L	ACRXT03.8XP0	LEV2 ULEV	All	Underbody	--	--	740726	D-798
2009	3.8L	9CRXT03.8YP0	LEV2 ULEV	All	Underbody	744441	D-798	--	--
2009	3.8L	9CRXT03.8YP0	LEV2 ULEV	All	Underbody	--	--	740726	D-798
2008	3.8L	8CRXT0231N80	LEV2 ULEV	All	Underbody	744441	D-798	--	--
2008	3.8L	8CRXT0231N80	LEV2 ULEV	All	Underbody	--	--	740726	D-798
2007	3.8L	7CRXT0231N80	LEV2 ULEV	All	Underbody	744213	D-798	--	--
2007	3.8L	7CRXT0231N80	LEV2 ULEV	All	Underbody	--	--	740665	D-798
2006	3.8L	6CRXT0231N80	LEV2 ULEV	All	Underbody	744213	D-798	--	--
2006	3.8L	6CRXT0231N80	LEV2 ULEV	All	Underbody	--	--	740665	D-798
2006	3.8L	6CRXT03.8NE0	LEV2 LEV	All	Underbody	744213	D-798	--	--
2006	3.8L	6CRXT03.8NE0	LEV2 LEV	All	Underbody	--	--	740076	D-798
2005	3.8L	5CRXT03.82N0	LEV1 ULEV	All	Underbody	744213	D-798	--	--
2005	3.8L	5CRXT03.82N0	LEV1 ULEV	All	Underbody	--	--	740665	D-798
2005	3.8L	5CRXT03.8NE0	LEV2 LEV	All	Underbody	744213	D-798	--	--
2005	3.8L	5CRXT03.8NE0	LEV2 LEV	All	Underbody	--	--	740665	D-798
2004	3.8L	4CRXT03.82N0	LEV1 ULEV	All	Underbody	744269	D-798	--	--
2004	3.8L	4CRXT03.82N0	LEV1 ULEV	All	Underbody	--	--	740665	D-798
2003	3.8L	3CRXT03.82D0	LEV1 LEV	All	Underbody	912269	D-280-101	--	--
2003	3.8L	3CRXT03.82D0	LEV1 LEV	All	Underbody	--	--	912003	D-280-101
2003	3.8L	3CRXT03.82D1	LEV1 LEV	All	Underbody	912269	D-280-101	--	--
2003	3.8L	3CRXT03.82D1	LEV1 LEV	All	Underbody	--	--	912003	D-280-101
2002	3.8L	2CRXT03.82D0	LEV1 LEV	All	Underbody	912269	D-280-101	--	--
2002	3.8L	2CRXT03.82D0	LEV1 LEV	All	Underbody	--	--	912003	D-280-101
2002	3.8L	2CRXT03.82D1	LEV1 LEV	All	Underbody	912269	D-280-101	--	--
2002	3.8L	2CRXT03.82D1	LEV1 LEV	All	Underbody	--	--	912003	D-280-101
2001	3.8L	1CRXT03.82D0	LEV1 LEV	All	Underbody	912269	D-280-101	--	--
2001	3.8L	1CRXT03.82D0	LEV1 LEV	All	Underbody	--	--	912003	D-280-101
2000	3.8L	YCRXT0232230	LEV1 LEV	All	Underbody	914183	D-280-101	--	--
2000	3.8L	YCRXT0232230	LEV1 LEV	All	Underbody	--	--	912003	D-280-101
2000	3.8L	YCRXT03.82B0	TIER1	AWD	Underbody	914183	D-280-101	--	--
2000	3.8L	YCRXT03.82B0	TIER1	AWD	Underbody	--	--	912003	D-280-101
1999	3.8L	XCRXT0232220	TLEV	All	Underbody	914183	D-280-101	--	--
1999	3.8L	XCRXT0232220	TLEV	All	Underbody	--	--	912003	D-280-101
1999	3.8L	XCRXT0232230	LEV1 LEV	All	Underbody	914183	D-280-101	--	--
1999	3.8L	XCRXT0232230	LEV1 LEV	All	Underbody	--	--	912003	D-280-101
1999	3.8L	XCRXT03.82B0	TIER1	AWD	Underbody	914183	D-280-101	--	--
1999	3.8L	XCRXT03.82B0	TIER1	AWD	Underbody	--	--	912003	D-280-101
1999	3.8L	XCRXT03.82B1	TIER1	All	Underbody	914183	D-280-101	--	--
1999	3.8L	XCRXT03.82B1	TIER1	All	Underbody	--	--	912003	D-280-101
1998	3.8L	WCRXT0232220	TLEV	All	Underbody	914183	D-280-101	--	--
1998	3.8L	WCRXT0232220	TLEV	All	Underbody	--	--	912003	D-280-101

APPLICATION GUIDE



OBD II

APPLICATION

Year	Eng. Size	Test Group/ Engine Family	Certification Level	Application	Location	Direct Fit Number	Exec. Order	Consol. Number	Exec. Order
Chrysler (Cont.)									
Town & Country (Cont.)									
V6 (Cont.)									
1998	3.8L	WCRXT03.82B0	TIER1	All	Underbody	914183	D-280-101	--	--
1998	3.8L	WCRXT03.82B0	TIER1	All	Underbody	--	--	912003	D-280-101
1997	3.8L	VCR23228G1EK	TIER1	All	Underbody	914183	D-280-101	--	--
1997	3.8L	VCR23228G1EK	TIER1	All	Underbody	--	--	912003	D-280-101
1996	3.8L	TCR23228G1EK	TIER1	All	Underbody	914183	D-280-101	--	--
1996	3.8L	TCR23228G1EK	TIER1	All	Underbody	--	--	912003	D-280-101
Voyager									
L4									
2003	2.4L	3CRXT02.42D0	LEV1 LEV	All	Underbody	919301	D-280-101	--	--
2003	2.4L	3CRXT02.42D0	LEV1 LEV	All	Underbody	--	--	912003	D-280-101
2003	2.4L	3CRXT02.42D0	LEV1 LEV	All	Underbody	749301	D-798	--	--
2003	2.4L	3CRXT02.42D0	LEV1 LEV	All	Underbody	--	--	740665	D-798
2002	2.4L	2CRXT02.42D0	LEV1 LEV	All	Underbody	919301	D-280-101	--	--
2002	2.4L	2CRXT02.42D0	LEV1 LEV	All	Underbody	--	--	912003	D-280-101
2002	2.4L	2CRXT02.42D0	LEV1 LEV	All	Underbody	749301	D-798	--	--
2002	2.4L	2CRXT02.42D0	LEV1 LEV	All	Underbody	--	--	740665	D-798
2001	2.4L	1CRXT0148240	LEV1 ULEV	All	Underbody	749301	D-798	--	--
2001	2.4L	1CRXT0148240	LEV1 ULEV	All	Underbody	--	--	740665	D-798
2001	2.4L	1CRXT02.42D0	LEV1 LEV	All	Underbody	919301	D-280-101	--	--
2001	2.4L	1CRXT02.42D0	LEV1 LEV	All	Underbody	--	--	912003	D-280-101
2001	2.4L	1CRXT02.42D0	LEV1 LEV	All	Underbody	749301	D-798	--	--
2001	2.4L	1CRXT02.42D0	LEV1 LEV	All	Underbody	--	--	740665	D-798
V6									
2003	3.3L	3CRXT03.32DP	LEV1 LEV	All	Underbody	912277	D-280-101	--	--
2003	3.3L	3CRXT03.32DP	LEV1 LEV	All	Underbody	--	--	912003	D-280-101
2003	3.3L	3CRXT03.32DR	LEV1 LEV	Flex Fuel	Underbody	912277	D-280-101	--	--
2003	3.3L	3CRXT03.32DR	LEV1 LEV	All	Underbody	--	--	912003	D-280-101
2003	3.3L	3CRXT03.82D0	LEV1 LEV	All	Underbody	912277	D-280-101	--	--
2003	3.3L	3CRXT03.82D0	LEV1 LEV	All	Underbody	--	--	912003	D-280-101
2003	3.3L	3CRXT03.82D1	LEV1 LEV	All	Underbody	912277	D-280-101	--	--
2003	3.3L	3CRXT03.82D1	LEV1 LEV	All	Underbody	--	--	912003	D-280-101
2002	3.3L	2CRXT03.32DP	LEV1 LEV	All	Underbody	912277	D-280-101	--	--
2002	3.3L	2CRXT03.32DP	LEV1 LEV	All	Underbody	--	--	912003	D-280-101
2002	3.3L	2CRXT03.82D0	LEV1 LEV	All	Underbody	912277	D-280-101	--	--
2002	3.3L	2CRXT03.82D0	LEV1 LEV	All	Underbody	--	--	912003	D-280-101
2002	3.3L	2CRXT03.82D1	LEV1 LEV	All	Underbody	912277	D-280-101	--	--
2002	3.3L	2CRXT03.82D1	LEV1 LEV	All	Underbody	--	--	912003	D-280-101
2001	3.3L	1CRXT03.32DP	LEV1 LEV	Flex Fuel	Underbody	912277	D-280-101	--	--
2001	3.3L	1CRXT03.32DP	LEV1 LEV	All	Underbody	--	--	912003	D-280-101
2001	3.3L	1CRXT03.32DT	LEV1 LEV	Flex Fuel	Underbody	912277	D-280-101	--	--
2001	3.3L	1CRXT03.32DT	LEV1 LEV	All	Underbody	--	--	912003	D-280-101
2001	3.3L	1CRXT03.82D0	LEV1 LEV	Flex Fuel	Underbody	912277	D-280-101	--	--
2001	3.3L	1CRXT03.82D0	LEV1 LEV	All	Underbody	--	--	912003	D-280-101
Daewoo									
Lanos									
L4									
2002	1.6L	2DWXV01.6D02	LEV1 LEV	All	Front	941063	D-280-100	--	--
2002	1.6L	2DWXV01.6D02	LEV1 LEV	All	Front	754405	D-280-102	--	--
2002	1.6L	2DWXV01.6D02	LEV1 LEV	All	Front	751063	D-280-102	--	--
2002	1.6L	2DWXV01.6D02	LEV1 LEV	All	Rear	--	--	940334	D-280-100
2002	1.6L	2DWXV01.6D02	LEV1 LEV	All	Underbody	754334	D-280-102	--	--
2002	1.6L	2DWXV01.6D02	LEV1 LEV	All	Underbody	--	--	755004	D-280-102

Legal Note: In Compliance with California Emissions Requirements



CATCO
CATALYTIC CONVERTERS

EASTERN CATALYTIC

APPLICATION GUIDE

OBD II

APPLICATION

Year	Eng. Size	Test Group/ Engine Family	Certification Level	Application	Location	Direct Fit Number	Exec. Order	Consol. Number	Exec. Order
Daewoo (Cont.)									
Lanos (Cont.)									
L4 (Cont.)									
2001	1.6L	1DWXV01.6D02	LEV1 LEV	All	Front	941063	D-280-100	--	--
2001	1.6L	1DWXV01.6D02	LEV1 LEV	All	Front	754405	D-280-102	--	--
2001	1.6L	1DWXV01.6D02	LEV1 LEV	All	Front	751063	D-280-102	--	--
2001	1.6L	1DWXV01.6D02	LEV1 LEV	All	Rear	--	--	940334	D-280-100
2001	1.6L	1DWXV01.6D02	LEV1 LEV	All	Underbody	754334	D-280-102	--	--
2001	1.6L	1DWXV01.6D02	LEV1 LEV	All	Underbody	--	--	755004	D-280-102
2000	1.6L	YDWXV01.6D01	TLEV	All	Front	941063	D-280-100	--	--
2000	1.6L	YDWXV01.6D01	TLEV	All	Rear	--	--	940334	D-280-100
2000	1.6L	YDWXV01.6D02	LEV1 LEV	All	Front	941063	D-280-100	--	--
2000	1.6L	YDWXV01.6D02	LEV1 LEV	All	Rear	--	--	940334	D-280-100
1999	1.6L	XDWXV01.6D01	TLEV	All	Front	941063	D-280-100	--	--
1999	1.6L	XDWXV01.6D01	TLEV	All	Rear	--	--	940334	D-280-100
1999	1.6L	XDWXV01.6D02	LEV1 LEV	All	Front	941063	D-280-100	--	--
1999	1.6L	XDWXV01.6D02	LEV1 LEV	All	Rear	--	--	940334	D-280-100
Leganza									
L4									
2002	2.2L	2DWXV02.2D02	LEV1 LEV	All	Front	751052	D-280-102	--	--
2002	2.2L	2DWXV02.2D02	LEV1 LEV	All	Rear	--	--	940335	D-280-100
2002	2.2L	2DWXV02.2D02	LEV1 LEV	All	Underbody	754352	D-280-102	--	--
2002	2.2L	2DWXV02.2D02	LEV1 LEV	All	Underbody	--	--	755004	D-280-102
2001	2.2L	1DWXV02.2D02	LEV1 LEV	All	Front	751052	D-280-102	--	--
2001	2.2L	1DWXV02.2D02	LEV1 LEV	All	Rear	--	--	940335	D-280-100
2001	2.2L	1DWXV02.2D02	LEV1 LEV	All	Underbody	754352	D-280-102	--	--
2001	2.2L	1DWXV02.2D02	LEV1 LEV	All	Underbody	--	--	755004	D-280-102
2000	2.2L	YDWXV02.2D01	TLEV	All	Rear	--	--	940335	D-280-100
2000	2.2L	YDWXV02.2D02	LEV1 LEV	All	Front	808548	D-665-23	--	--
2000	2.2L	YDWXV02.2D02	LEV1 LEV	All	Rear	--	--	940335	D-280-100
2000	2.2L	YDWXV02.2D02	LEV1 LEV	All	Underbody	809600	D-665-23	--	--
1999	2.2L	XDWXV02.0D02	TLEV	All	Front	808548	D-665-23	--	--
1999	2.2L	XDWXV02.0D02	TLEV	All	Underbody	809600	D-665-23	--	--
1999	2.2L	XDWXV02.0D02	LEV1 LEV	All	Rear	--	--	940335	D-280-100
1999	2.2L	XDWXV02.2D01	TLEV	All	Rear	--	--	940335	D-280-100
Nubira									
L4									
2002	2.0L	2DWXV02.2D02	LEV1 LEV	All	Front	751054	D-280-102	--	--
2002	2.0L	2DWXV02.2D02	LEV1 LEV	All	Rear	944254	D-280-100	--	--
2002	2.0L	2DWXV02.2D02	LEV1 LEV	All	Rear	--	--	940335	D-280-100
2002	2.0L	2DWXV02.2D02	LEV1 LEV	All	Underbody	754254	D-280-102	--	--
2002	2.0L	2DWXV02.2D02	LEV1 LEV	All	Underbody	--	--	755004	D-280-102
2002	2.0L	2DWXV02.2D03	LEV1 ULEV	All	Front	751054	D-280-102	--	--
2002	2.0L	2DWXV02.2D03	LEV1 ULEV	All	Underbody	754254	D-280-102	--	--
2002	2.0L	2DWXV02.2D03	LEV1 ULEV	All	Underbody	--	--	755004	D-280-102
2001	2.0L	1DWXV02.2D02	LEV1 LEV	All	Front	751054	D-280-102	--	--
2001	2.0L	1DWXV02.2D02	LEV1 LEV	All	Rear	944254	D-280-100	--	--
2001	2.0L	1DWXV02.2D02	LEV1 LEV	All	Rear	--	--	940335	D-280-100
2001	2.0L	1DWXV02.2D02	LEV1 LEV	All	Underbody	754254	D-280-102	--	--
2001	2.0L	1DWXV02.2D02	LEV1 LEV	All	Underbody	--	--	755004	D-280-102
2000	2.0L	YDWXV02.2D01	TLEV	All	Rear	944254	D-280-100	--	--
2000	2.0L	YDWXV02.2D01	TLEV	All	Rear	--	--	940335	D-280-100
2000	2.0L	YDWXV02.2D02	LEV1 LEV	All	Rear	944254	D-280-100	--	--
2000	2.0L	YDWXV02.2D02	LEV1 LEV	All	Rear	--	--	940335	D-280-100
1999	2.0L	XDWXV02.2D01	TLEV	All	Rear	944254	D-280-100	--	--
1999	2.0L	XDWXV02.2D01	TLEV	All	Rear	--	--	940335	D-280-100

Legal Note: In Compliance with California Emissions Requirements

APPLICATION GUIDE



OBD II

APPLICATION

Year	Eng. Size	Test Group/ Engine Family	Certification Level	Application	Location	Direct Fit Number	Exec. Order	Consol. Number	Exec. Order	
Dodge										
Avenger										
L4										
1999	2.0L	XDSXV02.0GBK	TIER1	All	Underbody	942359	D-280-100	--	--	
1999	2.0L	XDSXV02.0GBK	TIER1	All	Underbody	--	--	940335	D-280-100	
1999	2.0L	XDSXV02.0GBK	TIER1	All	Underbody	--	--	940334	D-280-100	
1998	2.0L	WDSXV02.0GBK	TIER1	All	Underbody	942359	D-280-100	--	--	
1998	2.0L	WDSXV02.0GBK	TIER1	All	Underbody	--	--	940334	D-280-100	
1997	2.0L	VDS2.0VJGFEK	TIER1	All	Underbody	942359	D-280-100	--	--	
1997	2.0L	VDS2.0VJGFEK	TIER1	All	Underbody	--	--	940334	D-280-100	
1997	2.0L	VDS2.0VJGKEK	TIER1	All	Underbody	942359	D-280-100	--	--	
1997	2.0L	VDS2.0VJGKEK	TIER1	All	Underbody	--	--	940334	D-280-100	
1996	2.0L	TDS2.0VJGFEK	TIER1	All	Underbody	942359	D-280-100	--	--	
1996	2.0L	TDS2.0VJGFEK	TIER1	All	Underbody	--	--	940334	D-280-100	
1995	2.0L	SCR2.0VJGFEK	TIER1	All	Underbody	--	--	940335	D-280-100	
1995	2.0L	SDS2.0VJGFEK	TIER1	All	Underbody	942359	D-280-100	--	--	
1995	2.0L	SDS2.0VJGFEK	TIER1	All	Underbody	--	--	940334	D-280-100	
2011	2.4L	BCRXJ02.4VP1	LEV2 ULEV	FWD	Underbody	764415	D-280-105	--	--	
2011	2.4L	BCRXJ02.4VP1	LEV2 ULEV	FWD	Underbody	--	--	760015	D-280-105	
2009	2.4L	9CRXV02.4UP0	LEV2 ULEV	All	Underbody	--	--	760015	D-280-105	
2009	2.4L	9CRXV02.4UP0	LEV2 ULEV	Eng. Code ED3	Underbody	764415	D-280-105	--	--	
2008	2.4L	8CRXB0144M80	LEV2 ULEV	All	Underbody	764415	D-280-105	--	--	
2008	2.4L	8CRXB0144M80	LEV2 ULEV	All	Underbody	--	--	760015	D-280-105	
V6										
2000	2.5L	YDSXV02.5G1G	TIER1	All	Front Left	941277	D-280-100	--	--	
2000	2.5L	YDSXV02.5G1G	TIER1	All	Front Right	941278	D-280-100	--	--	
2000	2.5L	YDSXV02.5G1G	TIER1	All	Underbody	944264	D-280-100	--	--	
2000	2.5L	YDSXV02.5G1G	TIER1	All	Underbody	--	--	940335	D-280-100	
1999	2.5L	XDSXV02.5G1G	TLEV	All	Front Left	941277	D-280-100	--	--	
1999	2.5L	XDSXV02.5G1G	TLEV	All	Front Right	941278	D-280-100	--	--	
1999	2.5L	XDSXV02.5G1G	TLEV	All	Underbody	944264	D-280-100	--	--	
1999	2.5L	XDSXV02.5G1G	TLEV	All	Underbody	--	--	940335	D-280-100	
1998	2.5L	WDSXV02.5G1G	TLEV	All	Front Left	941277	D-280-100	--	--	
1998	2.5L	WDSXV02.5G1G	TLEV	All	Front Right	941278	D-280-100	--	--	
1998	2.5L	WDSXV02.5G1G	TLEV	All	Underbody	944264	D-280-100	--	--	
1998	2.5L	WDSXV02.5G1G	TLEV	All	Rear	--	--	940335	D-280-100	
1997	2.5L	VDS2.5VJGKEK	TIER1	All	Front Left	944164	D-280-100	--	--	
1997	2.5L	VDS2.5VJGKEK	TIER1	All	Rear	941164	D-280-100	--	--	
1997	2.5L	VDS2.5VJGKEK	TIER1	All	Underbody	944264	D-280-100	--	--	
1997	2.5L	VDS2.5VJGKEK	TIER1	All	Underbody	--	--	940335	D-280-100	
1996	2.5L	TDS2.5VJGFEK	TIER1	All	Front Left	944164	D-280-100	--	--	
1996	2.5L	TDS2.5VJGFEK	TIER1	All	Rear	941164	D-280-100	--	--	
1996	2.5L	TDS2.5VJGFEK	TIER1	All	Underbody	--	--	940335	D-280-100	
B1500										
V6										
1998	3.9L	WCRXA0239H11	TIER1	All	Underbody	912018	D-280-101	--	--	
1998	3.9L	WCRXA0239H11	TIER1	All	Underbody	--	--	912013	D-280-101	
1998	3.9L	WCRXA0239J11	TIER1	All	Underbody	640505	D-665-18	--	--	
1998	3.9L	WCRXA0360J11	TIER1	All	Underbody	640505	D-665-18	--	--	
1997	3.9L	VCR239H8G1EK	TIER1	All	Underbody	912715	D-280-101	--	--	
1997	3.9L	VCR239H8G1EK	TIER1	All	Underbody	--	--	912013	D-280-101	
1996	3.9L	TCR23928G1EK	TIER1	All	Underbody	912715	D-280-101	--	--	
1996	3.9L	TCR23928G1EK	TIER1	All	Underbody	--	--	912013	D-280-101	
1996	3.9L	TCR239H8G1EK	TIER1	All	Underbody	912715	D-280-101	--	--	
1996	3.9L	TCR239H8G1EK	TIER1	All	Underbody	--	--	912013	D-280-101	
V8										
1998	5.2L	WCRXA0318H11	TIER1	All	Underbody	912018	D-280-101	--	--	
1998	5.2L	WCRXA0318H11	TIER1	All	Underbody	--	--	912013	D-280-101	
1998	5.2L	WCRXA0360J11	TIER1	All	Underbody	912018	D-280-101	--	--	
1998	5.2L	WCRXA0360J31	LEV1 LEV	All	Underbody	640505	D-665-18	--	--	

Legal Note: In Compliance with California Emissions Requirements



CATCO
CATALYTIC CONVERTERS

EASTERN CATALYTIC

APPLICATION GUIDE

OBD II

APPLICATION

Year	Eng. Size	Test Group/ Engine Family	Certification Level	Application	Location	Direct Fit Number	Exec. Order	Consol. Number	Exec. Order
Dodge (Cont.)									
B1500 (Cont.)									
V8 (Cont.)									
1997	5.2L	VCR360H8G1EL	TIER1	All	Underbody	912715	D-280-101	--	--
1997	5.2L	VCR360H8G1EL	TIER1	All	Underbody	--	--	912013	D-280-101
1997	5.2L	VCR360J8G1EL	TIER1	All	Underbody	640503	D-665-18	--	--
1996	5.2L	TCR31828G1EK	TIER1	All	Underbody	912715	D-280-101	--	--
1996	5.2L	TCR31828G1EK	TIER1	All	Underbody	--	--	912013	D-280-101
1996	5.2L	TCR360H8G1EK	TIER1	All	Underbody	912715	D-280-101	--	--
1996	5.2L	TCR360H8G1EK	TIER1	All	Underbody	--	--	912013	D-280-101
1996	5.2L	TCR360J8G1EK	TIER1	All	Underbody	640503	D-665-18	--	--
1998	5.9L	WCRXA0360J11	TIER1	All	Underbody	912018	D-280-101	--	--
1998	5.9L	WCRXA0360J31	LEV1 LEV	All	Underbody	912018	D-280-101	--	--
1998	5.9L	WCRXA0360J31	LEV1 LEV	All	Underbody	--	--	912013	D-280-101
B2500									
V6									
1997	3.9L	VCR239H8G1EK	TIER1	All	Underbody	912715	D-280-101	--	--
1997	3.9L	VCR239H8G1EK	TIER1	All	Underbody	--	--	912013	D-280-101
1996	3.9L	TCR239H8G1EK	TIER1	All	Underbody	912715	D-280-101	--	--
1996	3.9L	TCR239H8G1EK	TIER1	All	Underbody	--	--	912013	D-280-101
V8									
1998	5.2L	WCRXA0360J11	TIER1	All	Underbody	912018	D-280-101	--	--
1998	5.2L	WCRXA0360J31	LEV1 LEV	All	Underbody	640505	D-665-18	--	--
1997	5.2L	VCR360H8G1EL	TIER1	All	Underbody	912715	D-280-101	--	--
1997	5.2L	VCR360H8G1EL	TIER1	All	Underbody	--	--	912013	D-280-101
1997	5.2L	VCR360J8G1EL	TIER1	All	Underbody	640503	D-665-18	--	--
1996	5.2L	TCR360H8G1EK	TIER1	All	Underbody	912715	D-280-101	--	--
1996	5.2L	TCR360H8G1EK	TIER1	All	Underbody	--	--	912013	D-280-101
1996	5.2L	TCR360J8G1EK	TIER1	All	Underbody	912715	D-280-101	--	--
1996	5.2L	TCR360J8G1EK	TIER1	All	Underbody	--	--	912013	D-280-101
1998	5.9L	WCRXA0360J11	TIER1	All	Underbody	912018	D-280-101	--	--
1998	5.9L	WCRXA0360J31	LEV1 LEV	All	Underbody	912018	D-280-101	--	--
1998	5.9L	WCRXA0360J31	LEV1 LEV	All	Underbody	--	--	912013	D-280-101
1997	5.9L	VCR360H8G1EL	TIER1	All	Underbody	--	--	912013	D-280-101
1997	5.9L	VCR360H8G1EL	TIER1	Under 8500 lbs GVW	Underbody	912715	D-280-101	--	--
1996	5.9L	TCR360H8G1EK	TIER1	All	Underbody	640503	D-665-18	--	--
1996	5.9L	TCR360J8G1EK	TIER1	All	Underbody	--	--	912013	D-280-101
1996	5.9L	TCR360J8G1EK	TIER1	Under 8500 lbs GVW	Underbody	912715	D-280-101	--	--
B3500									
V8									
1998	5.2L	WCRXA0360J11	TIER1	All	Underbody	912018	D-280-101	--	--
1998	5.2L	WCRXA0360J31	LEV1 LEV	All	Underbody	640505	D-665-18	--	--
1997	5.2L	VCR360J8G1EL	TIER1	All	Underbody	640503	D-665-18	--	--
1996	5.2L	TCR360J8G1EK	TIER1	All	Underbody	912715	D-280-101	--	--
1996	5.2L	TCR360J8G1EK	TIER1	All	Underbody	--	--	912013	D-280-101
1998	5.9L	WCRXA0360J11	TIER1	All	Underbody	912018	D-280-101	--	--
1998	5.9L	WCRXA0360J31	LEV1 LEV	All	Underbody	912018	D-280-101	--	--
1998	5.9L	WCRXA0360J31	LEV1 LEV	All	Underbody	--	--	912013	D-280-101
1997	5.9L	VCR360H8G1EL	TIER1	All	Underbody	640503	D-665-18	--	--
1996	5.9L	TCR360H8G1EK	TIER1	All	Underbody	640503	D-665-18	--	--
1996	5.9L	TCR360J8G1EK	TIER1	All	Underbody	--	--	912013	D-280-101
1996	5.9L	TCR360J8G1EK	TIER1	Under 8500 lbs GVW	Underbody	912715	D-280-101	--	--
Caliber									
L4									
2009	1.8L	9CRXV01.81P0	LEV2 LEV	All	Underbody	764415	D-280-105	--	--
2009	1.8L	9CRXV01.81P0	LEV2 LEV	All	Underbody	--	--	760015	D-280-105
2008	1.8L	8CRXB02.4ME0	LEV2 LEV	All	Underbody	764415	D-280-105	--	--
2008	1.8L	8CRXB02.4ME0	LEV2 LEV	All	Underbody	--	--	760015	D-280-105
2007	1.8L	7CRXV0110M70	LEV2 LEV	All	Underbody	764415	D-280-105	--	--
2007	1.8L	7CRXV0110M70	LEV2 LEV	All	Underbody	--	--	760015	D-280-105

Legal Note: In Compliance with California Emissions Requirements

APPLICATION GUIDE



OBD II

APPLICATION

Year	Eng. Size	Test Group/ Engine Family	Certification Level	Application	Location	Direct Fit Number	Exec. Order	Consol. Number	Exec. Order
Dodge (Cont.)									
Caliber (Cont.)									
L4 (Cont.)									
2011	2.0L	BCRXJ02.44P1	LEV2 LEV	All	Underbody	764415	D-280-105	--	--
2011	2.0L	BCRXJ02.44P1	LEV2 LEV	All	Underbody	--	--	760015	D-280-105
2011	2.0L	BCRXJ02.4VP1	LEV2 ULEV	All	Underbody	764415	D-280-105	--	--
2011	2.0L	BCRXJ02.4VP1	LEV2 ULEV	All	Underbody	--	--	760015	D-280-105
2010	2.0L	ACRXJ02.04P0	LEV2 LEV	All	Underbody	764415	D-280-105	--	--
2010	2.0L	ACRXJ02.04P0	LEV2 LEV	All	Underbody	--	--	760015	D-280-105
2010	2.0L	ACRXJ02.4XP0	LEV2 ULEV	All	Underbody	764415	D-280-105	--	--
2010	2.0L	ACRXJ02.4XP0	LEV2 ULEV	All	Underbody	--	--	760015	D-280-105
2009	2.0L	9CRXJ02.43P0	LEV2 ULEV	All	Underbody	764415	D-280-105	--	--
2009	2.0L	9CRXJ02.43P0	LEV2 ULEV	All	Underbody	--	--	760015	D-280-105
2009	2.0L	9CRXV01.81P0	LEV2 LEV	All	Underbody	764415	D-280-105	--	--
2009	2.0L	9CRXV01.81P0	LEV2 LEV	All	Underbody	--	--	760015	D-280-105
2008	2.0L	8CRXB0144M81	LEV2 ULEV	All	Underbody	764415	D-280-105	--	--
2008	2.0L	8CRXB0144M81	LEV2 ULEV	All	Underbody	--	--	760015	D-280-105
2007	2.0L	7CRXB0144M80	LEV2 ULEV	All	Underbody	764415	D-280-105	--	--
2007	2.0L	7CRXB0144M80	LEV2 ULEV	All	Underbody	--	--	760015	D-280-105
2011	2.4L	BCRXJ02.44P1	LEV2 LEV	All	Underbody	764415	D-280-105	--	--
2011	2.4L	BCRXJ02.44P1	LEV2 LEV	All	Underbody	--	--	760015	D-280-105
2011	2.4L	BCRXJ02.4VP1	LEV2 ULEV	All	Underbody	764415	D-280-105	--	--
2011	2.4L	BCRXJ02.4VP1	LEV2 ULEV	All	Underbody	--	--	760015	D-280-105
2010	2.4L	ACRXJ02.43P1	LEV2 ULEV	All	Underbody	--	--	760015	D-280-105
2010	2.4L	ACRXJ02.43P1	LEV2 ULEV	Eng. Code ED3	Underbody	764415	D-280-105	--	--
2010	2.4L	ACRXJ02.4XP0	LEV2 ULEV	All	Underbody	--	--	760015	D-280-105
2010	2.4L	ACRXJ02.4XP0	LEV2 ULEV	Eng. Code ED3	Underbody	764415	D-280-105	--	--
2009	2.4L	9CRXJ02.43P1	LEV2 ULEV	All	Underbody	764415	D-280-105	--	--
2009	2.4L	9CRXJ02.43P1	LEV2 ULEV	All	Underbody	--	--	760015	D-280-105
2009	2.4L	9CRXJ02.4UP0	LEV2 ULEV	All	Underbody	764415	D-280-105	--	--
2009	2.4L	9CRXJ02.4UP0	LEV2 ULEV	All	Underbody	--	--	760015	D-280-105
2009	2.4L	9CRXV02.42P0	LEV2 ULEV	All	Underbody	--	--	760015	D-280-105
2008	2.4L	8CRXB0144M80	LEV2 ULEV	All	Underbody	764415	D-280-105	--	--
2008	2.4L	8CRXB0144M80	LEV2 ULEV	All	Underbody	--	--	760015	D-280-105
2008	2.4L	8CRXB0144M81	LEV2 ULEV	All	Underbody	764415	D-280-105	--	--
2008	2.4L	8CRXB0144M81	LEV2 ULEV	All	Underbody	--	--	760015	D-280-105
2008	2.4L	8CRXV02.4ME2	LEV2 LEV	All	Underbody	--	--	760015	D-280-105
2007	2.4L	7CRXB0144M80	LEV2 ULEV	All	Underbody	764415	D-280-105	--	--
2007	2.4L	7CRXB0144M80	LEV2 ULEV	All	Underbody	--	--	760015	D-280-105
Caravan									
L4									
2007	2.4L	7CRXT02.4NE0	LEV2 LEV	All	Underbody	749301	D-798	--	--
2007	2.4L	7CRXT02.4NE0	LEV2 LEV	All	Underbody	--	--	740785	D-798
2006	2.4L	6CRXT02.4NE0	LEV2 LEV	All	Underbody	749301	D-798	--	--
2006	2.4L	6CRXT02.4NE0	LEV2 LEV	All	Underbody	--	--	740665	D-798
2005	2.4L	5CRXT02.42N0	LEV1 ULEV	All	Underbody	749301	D-798	--	--
2005	2.4L	5CRXT02.42N0	LEV1 ULEV	All	Underbody	--	--	740665	D-798
2005	2.4L	5CRXT02.4NE1	LEV2 LEV	All	Underbody	749301	D-798	--	--
2005	2.4L	5CRXT02.4NE1	LEV2 LEV	All	Underbody	--	--	740665	D-798
2004	2.4L	4CRXT02.42N0	LEV1 ULEV	All	Underbody	749301	D-798	--	--
2004	2.4L	4CRXT02.42N0	LEV1 ULEV	All	Underbody	--	--	740665	D-798
2003	2.4L	3CRXT02.42D0	LEV1 LEV	All	Underbody	919301	D-280-101	--	--
2003	2.4L	3CRXT02.42D0	LEV1 LEV	All	Underbody	--	--	912003	D-280-101
2003	2.4L	3CRXT02.42D0	LEV1 LEV	All	Underbody	749301	D-798	--	--
2003	2.4L	3CRXT02.42D0	LEV1 LEV	All	Underbody	--	--	740665	D-798
2002	2.4L	2CRXT02.42D0	LEV1 LEV	All	Underbody	919301	D-280-101	--	--
2002	2.4L	2CRXT02.42D0	LEV1 LEV	All	Underbody	--	--	912003	D-280-101
2002	2.4L	2CRXT02.42D0	LEV1 LEV	All	Underbody	749301	D-798	--	--
2002	2.4L	2CRXT02.42D0	LEV1 LEV	All	Underbody	--	--	740665	D-798
2001	2.4L	1CRXT0148240	LEV1 ULEV	All	Underbody	749301	D-798	--	--
2001	2.4L	1CRXT0148240	LEV1 ULEV	All	Underbody	--	--	740665	D-798

Legal Note: In Compliance with California Emissions Requirements



CATCO
CATALYTIC CONVERTERS

EASTERN CATALYTIC

APPLICATION GUIDE

OBD II

APPLICATION

Year	Eng. Size	Test Group/ Engine Family	Certification Level	Application	Location	Direct Fit Number	Exec. Order	Consol. Number	Exec. Order
Dodge (Cont.)									
Caravan (Cont.)									
L4 (Cont.)									
2001	2.4L	1CRXT02.42D0	LEV1 LEV	All	Underbody	919301	D-280-101	--	--
2001	2.4L	1CRXT02.42D0	LEV1 LEV	All	Underbody	--	--	912003	D-280-101
2001	2.4L	1CRXT02.42D0	LEV1 LEV	All	Underbody	749301	D-798	--	--
2001	2.4L	1CRXT02.42D0	LEV1 LEV	All	Underbody	--	--	740665	D-798
2000	2.4L	YCRXT0148230	LEV1 LEV	All	Underbody	640506	D-665-18	--	--
2000	2.4L	YCRXT0148230	LEV1 LEV	All	Underbody	--	--	912004R	D-280-101
1999	2.4L	XCRXT0148230	LEV1 LEV	All	Underbody	914183	D-280-101	--	--
1999	2.4L	XCRXT0148230	LEV1 LEV	All	Underbody	--	--	912004R	D-280-101
1998	2.4L	WCRXT02.42B0	TIER1	All	Underbody	914183	D-280-101	--	--
1998	2.4L	WCRXT02.42B0	TIER1	All	Underbody	--	--	912004R	D-280-101
1997	2.4L	VCR14828G1EK	TIER1	All	Underbody	914183	D-280-101	--	--
1997	2.4L	VCR14828G1EK	TIER1	All	Underbody	--	--	912004R	D-280-101
1996	2.4L	TCR2.428GFKE	TIER1	All	Underbody	914183	D-280-101	--	--
1996	2.4L	TCR2.428GFKE	TIER1	All	Underbody	--	--	912004R	D-280-101
V6									
1996	3.0L	TCR18128G1EK	TIER1	All	Underbody	914887	D-280-101	--	--
1996	3.0L	TCR18128G1EK	TIER1	All	Underbody	--	--	912004R	D-280-101
2007	3.3L	7CRXT0231N80	LEV2 ULEV	All	Underbody	744277	D-798	--	--
2007	3.3L	7CRXT0231N80	LEV2 ULEV	All	Underbody	744213	D-798	--	--
2007	3.3L	7CRXT0231N80	LEV2 ULEV	All	Underbody	--	--	740665	D-798
2006	3.3L	6CRXT0231N80	LEV2 ULEV	All	Underbody	744277	D-798	--	--
2006	3.3L	6CRXT0231N80	LEV2 ULEV	All	Underbody	744213	D-798	--	--
2006	3.3L	6CRXT0231N80	LEV2 ULEV	All	Underbody	--	--	740665	D-798
2006	3.3L	6CRXT03.8NE0	LEV2 LEV	All	Underbody	744277	D-798	--	--
2006	3.3L	6CRXT03.8NE0	LEV2 LEV	All	Underbody	744213	D-798	--	--
2006	3.3L	6CRXT03.8NE0	LEV2 LEV	All	Underbody	--	--	740076	D-798
2005	3.3L	5CRXT03.32NP	LEV1 ULEV	All	Underbody	744277	D-798	--	--
2005	3.3L	5CRXT03.32NP	LEV1 ULEV	All	Underbody	744213	D-798	--	--
2005	3.3L	5CRXT03.32NP	LEV1 ULEV	All	Underbody	--	--	740665	D-798
2005	3.3L	5CRXT03.3NE0	LEV2 LEV	All	Underbody	744277	D-798	--	--
2005	3.3L	5CRXT03.3NE0	LEV2 LEV	All	Underbody	744213	D-798	--	--
2005	3.3L	5CRXT03.3NE0	LEV2 LEV	All	Underbody	--	--	740665	D-798
2005	3.3L	5CRXT03.8NE0	LEV2 LEV	All	Underbody	744277	D-798	--	--
2005	3.3L	5CRXT03.8NE0	LEV2 LEV	All	Underbody	744213	D-798	--	--
2005	3.3L	5CRXT03.8NE0	LEV2 LEV	All	Underbody	--	--	740665	D-798
2004	3.3L	4CRXT03.3NE0	LEV2 LEV	All	Underbody	744277	D-798	--	--
2004	3.3L	4CRXT03.3NE0	LEV2 LEV	All	Underbody	--	--	740076	D-798
2003	3.3L	3CRXT03.32DP	LEV1 LEV	All	Underbody	912277	D-280-101	--	--
2003	3.3L	3CRXT03.32DP	LEV1 LEV	All	Underbody	--	--	912003	D-280-101
2003	3.3L	3CRXT03.32DR	LEV1 LEV	Flex Fuel	Underbody	912277	D-280-101	--	--
2003	3.3L	3CRXT03.32DR	LEV1 LEV	All	Underbody	--	--	912003	D-280-101
2003	3.3L	3CRXT03.82D0	LEV1 LEV	All	Underbody	912277	D-280-101	--	--
2003	3.3L	3CRXT03.82D0	LEV1 LEV	All	Underbody	--	--	912003	D-280-101
2003	3.3L	3CRXT03.82D1	LEV1 LEV	All	Underbody	912277	D-280-101	--	--
2003	3.3L	3CRXT03.82D1	LEV1 LEV	All	Underbody	--	--	912003	D-280-101
2002	3.3L	2CRXT03.32DP	LEV1 LEV	Flex Fuel	Underbody	912277	D-280-101	--	--
2002	3.3L	2CRXT03.32DP	LEV1 LEV	All	Underbody	--	--	912003	D-280-101
2002	3.3L	2CRXT03.82D0	LEV1 LEV	All	Underbody	912277	D-280-101	--	--
2002	3.3L	2CRXT03.82D0	LEV1 LEV	All	Underbody	--	--	912003	D-280-101
2002	3.3L	2CRXT03.82D1	LEV1 LEV	All	Underbody	912277	D-280-101	--	--
2002	3.3L	2CRXT03.82D1	LEV1 LEV	All	Underbody	--	--	912003	D-280-101
2001	3.3L	1CRXT03.32DP	LEV1 LEV	Flex Fuel	Underbody	912277	D-280-101	--	--
2001	3.3L	1CRXT03.32DP	LEV1 LEV	All	Underbody	--	--	912003	D-280-101
2001	3.3L	1CRXT03.32DT	LEV1 LEV	Flex Fuel	Underbody	912277	D-280-101	--	--
2001	3.3L	1CRXT03.32DT	LEV1 LEV	All	Underbody	--	--	912003	D-280-101
2001	3.3L	1CRXT03.82D0	LEV1 LEV	All	Underbody	912277	D-280-101	--	--
2001	3.3L	1CRXT03.82D0	LEV1 LEV	All	Underbody	--	--	912003	D-280-101
2000	3.3L	YCRXT0201230	LEV1 LEV	All	Underbody	914183	D-280-101	--	--
2000	3.3L	YCRXT0201230	LEV1 LEV	All	Underbody	--	--	912003	D-280-101

Legal Note: In Compliance with California Emissions Requirements

APPLICATION GUIDE



OBD II

APPLICATION

Year	Eng. Size	Test Group/ Engine Family	Certification Level	Application	Location	Direct Fit Number	Exec. Order	Consol. Number	Exec. Order
Dodge (Cont.)									
Caravan (Cont.)									
V6 (Cont.)									
1999	3.3L	XCRXT0201230	LEV1 LEV	All	Underbody	914183	D-280-101	--	--
1999	3.3L	XCRXT0201230	LEV1 LEV	All	Underbody	--	--	912003	D-280-101
1999	3.3L	XCRXT03.82B1	TIER1	All	Underbody	640506	D-665-18	--	--
1998	3.3L	WCRXA0201230	LEV1 LEV	All	Underbody	640506	D-665-18	--	--
1998	3.3L	WCRXT0201230	LEV1 LEV	All	Underbody	914183	D-280-101	--	--
1998	3.3L	WCRXT0201230	LEV1 LEV	All	Underbody	--	--	912003	D-280-101
1997	3.3L	VCR20128G2FL	TLEV	All	Underbody	914183	D-280-101	--	--
1997	3.3L	VCR20128G2FL	TLEV	All	Underbody	--	--	912003	D-280-101
1997	3.3L	VCR23228G1EK	TIER1	All	Underbody	914183	D-280-101	--	--
1997	3.3L	VCR23228G1EK	TIER1	All	Underbody	--	--	912003	D-280-101
1996	3.3L	TCR20128G2FL	TLEV	All	Underbody	914183	D-280-101	--	--
1996	3.3L	TCR20128G2FL	TLEV	All	Underbody	--	--	912003	D-280-101
1996	3.3L	TCR23228G1EK	TIER1	All	Underbody	914183	D-280-101	--	--
1996	3.3L	TCR23228G1EK	TIER1	All	Underbody	--	--	912003	D-280-101
1999	3.8L	XCRXT0232230	LEV1 LEV	All	Underbody	914183	D-280-101	--	--
1999	3.8L	XCRXT0232230	LEV1 LEV	All	Underbody	--	--	912003	D-280-101
1998	3.8L	WCRXT0232220	TLEV	All	Underbody	914183	D-280-101	--	--
1998	3.8L	WCRXT0232220	TLEV	All	Underbody	--	--	912003	D-280-101
1998	3.8L	WCRXT03.82B0	TIER1	All	Underbody	914183	D-280-101	--	--
1998	3.8L	WCRXT03.82B0	TIER1	All	Underbody	--	--	912003	D-280-101
1997	3.8L	VCR23228G1EK	TIER1	All	Underbody	914183	D-280-101	--	--
1997	3.8L	VCR23228G1EK	TIER1	All	Underbody	--	--	912003	D-280-101
1996	3.8L	TCR23228G1EK	TIER1	All	Underbody	914183	D-280-101	--	--
1996	3.8L	TCR23228G1EK	TIER1	All	Underbody	--	--	912003	D-280-101
Challenger									
V6									
2010	3.5L	ACRXV03.5DR0	LEV2 ULEV	All	Front Left	--	--	760005	D-280-105
2010	3.5L	ACRXV03.5DR0	LEV2 ULEV	All	Front Right	--	--	760005	D-280-105
2010	3.5L	ACRXV03.5DR0	LEV2 ULEV	All	Rear Left	--	--	760005	D-280-105
2010	3.5L	ACRXV03.5DR0	LEV2 ULEV	All	Rear Right	--	--	760005	D-280-105
2009	3.5L	9CRXV03.5CR0	LEV2 ULEV	All	Front Left	--	--	760005	D-280-105
2009	3.5L	9CRXV03.5CR0	LEV2 ULEV	All	Front Right	--	--	760005	D-280-105
2009	3.5L	9CRXV03.5CR0	LEV2 ULEV	All	Rear Left	--	--	760005	D-280-105
2009	3.5L	9CRXV03.5CR0	LEV2 ULEV	All	Rear Right	--	--	760005	D-280-105
Charger									
V6									
2010	2.7L	ACRXV02.74P0	LEV2 LEV	All	Front Left	--	--	760005	D-280-105
2010	2.7L	ACRXV02.74P0	LEV2 LEV	All	Front Right	--	--	760005	D-280-105
2010	2.7L	ACRXV02.74P0	LEV2 LEV	All	Rear Left	--	--	760005	D-280-105
2010	2.7L	ACRXV02.74P0	LEV2 LEV	All	Rear Right	--	--	760005	D-280-105
2009	2.7L	9CRXV02.74P0	LEV2 LEV	All	Front Left	--	--	760005	D-280-105
2009	2.7L	9CRXV02.74P0	LEV2 LEV	All	Front Right	--	--	760005	D-280-105
2009	2.7L	9CRXV02.74P0	LEV2 LEV	All	Rear Left	--	--	760005	D-280-105
2009	2.7L	9CRXV02.74P0	LEV2 LEV	All	Rear Right	--	--	760005	D-280-105
2008	2.7L	8CRXV02.7ME0	LEV2 LEV	All	Front Left	--	--	760005	D-280-105
2008	2.7L	8CRXV02.7ME0	LEV2 LEV	All	Front Right	--	--	760005	D-280-105
2008	2.7L	8CRXV02.7ME0	LEV2 LEV	All	Rear Left	--	--	760005	D-280-105
2008	2.7L	8CRXV02.7ME0	LEV2 LEV	All	Rear Right	--	--	760005	D-280-105
2007	2.7L	7CRXV0167M71	LEV2 LEV	All	Front Left	--	--	760005	D-280-105
2007	2.7L	7CRXV0167M71	LEV2 LEV	All	Front Right	--	--	760005	D-280-105
2007	2.7L	7CRXV0167M71	LEV2 LEV	All	Rear Left	--	--	760005	D-280-105
2007	2.7L	7CRXV0167M71	LEV2 LEV	All	Rear Right	--	--	760005	D-280-105
2006	2.7L	6CRXV03.5VE0	LEV2 LEV	All	Front Left	--	--	760005	D-280-105
2006	2.7L	6CRXV03.5VE0	LEV2 LEV	All	Front Right	--	--	760005	D-280-105
2006	2.7L	6CRXV03.5VE0	LEV2 LEV	All	Rear Left	--	--	760005	D-280-105
2006	2.7L	6CRXV03.5VE0	LEV2 LEV	All	Rear Right	--	--	760005	D-280-105

Legal Note: In Compliance with California Emissions Requirements



CATCO
CATALYTIC CONVERTERS

EASTERN CATALYTIC

APPLICATION GUIDE

OBD II

APPLICATION

Year	Eng. Size	Test Group/ Engine Family	Certification Level	Application	Location	Direct Fit Number	Exec. Order	Consol. Number	Exec. Order
Dodge (Cont.)									
Charger (Cont.)									
V6 (Cont.)									
2006	2.7L	6CRXV03.5VH0	LEV1 ULEV	All	Underbody Left	764331	D-280-105	--	--
2006	2.7L	6CRXV03.5VH0	LEV1 ULEV	All	Underbody Left	--	--	760005	D-280-105
2006	2.7L	6CRXV03.5VH0	LEV1 ULEV	All	Underbody Right	764330	D-280-105	--	--
2006	2.7L	6CRXV03.5VH0	LEV1 ULEV	All	Underbody Right	--	--	760005	D-280-105
2010	3.5L	ACRXV03.5DR0	LEV2 ULEV	All	Front Left	--	--	760005	D-280-105
2010	3.5L	ACRXV03.5DR0	LEV2 ULEV	All	Front Right	--	--	760005	D-280-105
2010	3.5L	ACRXV03.5DR0	LEV2 ULEV	All	Rear Left	--	--	760005	D-280-105
2010	3.5L	ACRXV03.5DR0	LEV2 ULEV	All	Rear Right	--	--	760005	D-280-105
2009	3.5L	9CRXV03.5CR0	LEV2 ULEV	All	Front Left	--	--	760005	D-280-105
2009	3.5L	9CRXV03.5CR0	LEV2 ULEV	All	Front Right	--	--	760005	D-280-105
2009	3.5L	9CRXV03.5CR0	LEV2 ULEV	All	Rear Left	--	--	760005	D-280-105
2009	3.5L	9CRXV03.5CR0	LEV2 ULEV	All	Rear Right	--	--	760005	D-280-105
2008	3.5L	8CRXV0215M80	LEV2 ULEV	All	Front Left	--	--	760005	D-280-105
2008	3.5L	8CRXV0215M80	LEV2 ULEV	All	Front Right	--	--	760005	D-280-105
2008	3.5L	8CRXV0215M80	LEV2 ULEV	All	Rear Left	--	--	760005	D-280-105
2008	3.5L	8CRXV0215M80	LEV2 ULEV	All	Rear Right	--	--	760005	D-280-105
2007	3.5L	7CRXV0215M80	LEV2 ULEV	All	Front Left	--	--	760005	D-280-105
2007	3.5L	7CRXV0215M80	LEV2 ULEV	All	Front Right	--	--	760005	D-280-105
2007	3.5L	7CRXV0215M80	LEV2 ULEV	All	Rear Left	--	--	760005	D-280-105
2007	3.5L	7CRXV0215M80	LEV2 ULEV	All	Rear Right	--	--	760005	D-280-105
2006	3.5L	6CRXV03.5VE0	LEV2 LEV	All	Front Left	--	--	760005	D-280-105
2006	3.5L	6CRXV03.5VE0	LEV2 LEV	All	Front Right	--	--	760005	D-280-105
2006	3.5L	6CRXV03.5VE0	LEV2 LEV	All	Rear Left	--	--	760005	D-280-105
2006	3.5L	6CRXV03.5VE0	LEV2 LEV	All	Rear Right	--	--	760005	D-280-105
2006	3.5L	6CRXV03.5VE1	LEV2 LEV	All	Underbody Left	764331	D-280-105	--	--
2006	3.5L	6CRXV03.5VE1	LEV2 LEV	All	Underbody Left	--	--	760005	D-280-105
2006	3.5L	6CRXV03.5VE1	LEV2 LEV	All	Underbody Right	764330	D-280-105	--	--
2006	3.5L	6CRXV03.5VE1	LEV2 LEV	All	Underbody Right	--	--	760005	D-280-105
2006	3.5L	6CRXV03.5VH0	LEV1 ULEV	All	Underbody Left	764331	D-280-105	--	--
2006	3.5L	6CRXV03.5VH0	LEV1 ULEV	All	Underbody Left	--	--	760005	D-280-105
2006	3.5L	6CRXV03.5VH0	LEV1 ULEV	All	Underbody Right	764330	D-280-105	--	--
2006	3.5L	6CRXV03.5VH0	LEV1 ULEV	All	Underbody Right	--	--	760005	D-280-105
Dakota									
L4									
1998	2.5L	WCRXT0150110	TIER1	All	Underbody	630510	D-665-17	--	--
1998	2.5L	WCRXT0150110	TIER1	All	Underbody	--	--	912004	D-280-101
1997	2.5L	VCR15018G1EK	TIER1	All	Underbody	630510	D-665-17	--	--
V6									
2010	3.7L	ACRXT03.7VP3	LEV2 ULEV	All	Front Left	--	--	740005	D-798
2010	3.7L	ACRXT03.7VP3	LEV2 ULEV	All	Front Right	--	--	740005	D-798
2010	3.7L	ACRXT03.7VP3	LEV2 ULEV	All	Underbody	749163	D-798	--	--
2009	3.7L	9CRXT03.71P0	LEV2 LEV	All	Front Left	--	--	740005	D-798
2009	3.7L	9CRXT03.71P0	LEV2 LEV	All	Front Right	--	--	740005	D-798
2009	3.7L	9CRXT03.71P0	LEV2 LEV	All	Underbody	749163	D-798	--	--
2009	3.7L	9CRXT03.7CR1	LEV2 ULEV	All	Front Left	--	--	740005	D-798
2009	3.7L	9CRXT03.7CR1	LEV2 ULEV	All	Front Right	--	--	740005	D-798
2009	3.7L	9CRXT03.7CR1	LEV2 ULEV	All	Underbody	749163	D-798	--	--
2008	3.7L	8CRXT0226P80	LEV2 ULEV	All	Front Left	--	--	740005	D-798
2008	3.7L	8CRXT0226P80	LEV2 ULEV	All	Front Right	--	--	740005	D-798
2008	3.7L	8CRXT0226P80	LEV2 ULEV	All	Underbody	749163	D-798	--	--
2008	3.7L	8CRXT03.7PE0	LEV2 LEV	All	Front Left	--	--	740005	D-798
2008	3.7L	8CRXT03.7PE0	LEV2 LEV	All	Front Right	--	--	740005	D-798
2008	3.7L	8CRXT03.7PE0	LEV2 LEV	All	Underbody	749163	D-798	--	--
2007	3.7L	7CRXT0226P81	LEV2 ULEV	All	Front Left	--	--	740005	D-798
2007	3.7L	7CRXT0226P81	LEV2 ULEV	All	Front Right	--	--	740005	D-798
2007	3.7L	7CRXT0226P81	LEV2 ULEV	All	Underbody	749163	D-798	--	--

Legal Note: In Compliance with California Emissions Requirements

APPLICATION GUIDE



OBD II

APPLICATION

Year	Eng. Size	Test Group/ Engine Family	Certification Level	Application	Location	Direct Fit Number	Exec. Order	Consol. Number	Exec. Order
Dodge (Cont.)									
Dakota (Cont.)									
V6 (Cont.)									
2007	3.7L	7CRXT03.7PE0	LEV2 LEV	All	Front Left	--	--	740005	D-798
2007	3.7L	7CRXT03.7PE0	LEV2 LEV	All	Front Right	--	--	740005	D-798
2007	3.7L	7CRXT03.7PE0	LEV2 LEV	All	Underbody	749163	D-798	--	--
2006	3.7L	6CRXT03.75S2	LEV1 LEV	All	Underbody	919163	D-280-101	--	--
2004	3.7L	4CRXT03.72N0	LEV1 ULEV	All	Front Left	--	--	740005	D-798
2004	3.7L	4CRXT03.72N0	LEV1 ULEV	All	Front Right	--	--	740005	D-798
2004	3.7L	4CRXT03.72N0	LEV1 ULEV	All	Underbody	749163	D-798	--	--
2003	3.9L	3CRXT03.95B1	TIER1	All	Underbody	912054	D-280-101	--	--
2003	3.9L	3CRXT03.95B1	TIER1	All	Underbody	--	--	912006	D-280-101
2002	3.9L	2CRXA0239H41	LEV1 ULEV	2WD, Auto. Trans.	Underbody	739196	D-280-107	--	--
2002	3.9L	2CRXA0239H41	LEV1 ULEV	All	Front Left	--	--	735104	D-280-107
2002	3.9L	2CRXA0239H41	LEV1 ULEV	All	Front Right	--	--	735104	D-280-107
2002	3.9L	2CRXA0239H41	LEV1 ULEV	All	Underbody	--	--	733016	D-280-107
2001	3.9L	1CRXT03.95B5	TIER1	RWD	Underbody	651506	D-665-20	--	--
2000	3.9L	YCRXT03.92C1	TLEV	All	Underbody	--	--	912006	D-280-101
2000	3.9L	YCRXT03.92C1	TLEV	4WD	Underbody	912054	D-280-101	--	--
2000	3.9L	YCRXT03.92C1	TLEV	2WD	Underbody	919097	D-280-101	--	--
1999	3.9L	XCRXT0239211	TIER1	All	Underbody	--	--	912006	D-280-101
1999	3.9L	XCRXT0239211	TIER1	4WD	Underbody	912015	D-280-101	--	--
1999	3.9L	XCRXT0239211	TIER1	2WD	Underbody	912185	D-280-101	--	--
1998	3.9L	WCRXA0239H11	TIER1	All	Underbody	912185	D-280-101	--	--
1998	3.9L	WCRXA0239H11	TIER1	All	Underbody	--	--	912006	D-280-101
1997	3.9L	VCR239H8G1EK	TIER1	All	Underbody	912185	D-280-101	--	--
1997	3.9L	VCR239H8G1EK	TIER1	All	Underbody	--	--	912006	D-280-101
1996	3.9L	TCR23928G1EK	TIER1	All	Underbody	919205	D-280-101	--	--
1996	3.9L	TCR23928G1EK	TIER1	All	Underbody	--	--	912006	D-280-101
1996	3.9L	TCR239H8G1EK	TIER1	All	Underbody	919205	D-280-101	--	--
1996	3.9L	TCR239H8G1EK	TIER1	All	Underbody	--	--	912006	D-280-101
V8									
2010	4.7L	ACRXT04.7UPC	LEV2 ULEV	All	Front Left	--	--	740005	D-798
2010	4.7L	ACRXT04.7UPC	LEV2 ULEV	All	Front Right	--	--	740005	D-798
2010	4.7L	ACRXT04.7UPC	LEV2 ULEV	All	Underbody	749163	D-798	--	--
2009	4.7L	9CRXT04.71PA	LEV2 LEV	All	Front Left	--	--	740005	D-798
2009	4.7L	9CRXT04.71PA	LEV2 LEV	All	Front Right	--	--	740005	D-798
2009	4.7L	9CRXT04.71PA	LEV2 LEV	All	Underbody	749163	D-798	--	--
2008	4.7L	8CRXT0287P80	LEV2 ULEV	All	Front Left	--	--	740005	D-798
2008	4.7L	8CRXT0287P80	LEV2 ULEV	All	Front Right	--	--	740005	D-798
2008	4.7L	8CRXT0287P80	LEV2 ULEV	All	Underbody	749163	D-798	--	--
2007	4.7L	7CRXT0287P80	LEV2 ULEV	All	Front Left	--	--	740005	D-798
2007	4.7L	7CRXT0287P80	LEV2 ULEV	All	Front Right	--	--	740005	D-798
2007	4.7L	7CRXT0287P80	LEV2 ULEV	All	Underbody	749163	D-798	--	--
2007	4.7L	7CRXT04.7PE0	LEV2 LEV	All	Front Left	--	--	740005	D-798
2007	4.7L	7CRXT04.7PE0	LEV2 LEV	All	Front Right	--	--	740005	D-798
2007	4.7L	7CRXT04.7PE0	LEV2 LEV	All	Underbody	749163	D-798	--	--
2005	4.7L	5CRXT04.75S0	LEV1 LEV	All	Underbody	919163	D-280-101	--	--
2004	4.7L	4CRXT04.72N0	LEV1 ULEV	All	Front Left	--	--	740005	D-798
2004	4.7L	4CRXT04.72N0	LEV1 ULEV	All	Front Right	--	--	740005	D-798
2004	4.7L	4CRXT04.72N0	LEV1 ULEV	All	Underbody	749163	D-798	--	--
2002	4.7L	2CRXA0287H40	LEV1 ULEV	4WD	Underbody	739175	D-280-107	--	--
2002	4.7L	2CRXA0287H40	LEV1 ULEV	All	Front Left	--	--	735204	D-280-107
2002	4.7L	2CRXA0287H40	LEV1 ULEV	All	Front Right	--	--	735204	D-280-107
2002	4.7L	2CRXA0287H40	LEV1 ULEV	All	Underbody	--	--	733016	D-280-107
1999	5.2L	XCRXT0360211	TIER1	4WD	Underbody	912015	D-280-101	--	--
1999	5.2L	XCRXT0360211	TIER1	2WD	Underbody	919055	D-280-101	--	--
1998	5.2L	WCRXA0318H11	TIER1	All	Underbody	--	--	912006	D-280-101
1998	5.2L	WCRXA0318H11	TIER1	4WD	Underbody	912015	D-280-101	--	--
1998	5.2L	WCRXT0360211	TIER1	All	Underbody	--	--	912006	D-280-101
1998	5.2L	WCRXT0360211	TIER1	4WD	Underbody	912015	D-280-101	--	--
1997	5.2L	VCR318H8G1EK	TIER1	All	Underbody	--	--	912006	D-280-101

Legal Note: In Compliance with California Emissions Requirements



CATCO
CATALYTIC CONVERTERS

EASTERN CATALYTIC

APPLICATION GUIDE

OBD II

APPLICATION

Year	Eng. Size	Test Group/ Engine Family	Certification Level	Application	Location	Direct Fit Number	Exec. Order	Consol. Number	Exec. Order
Dodge (Cont.)									
Dakota (Cont.)									
V8 (Cont.)									
1997	5.2L	VCR318H8G1EK	TIER1	2WD	Underbody	919055	D-280-101	--	--
1997	5.2L	VCR36028G1EK	TIER1	4WD	Underbody	912015	D-280-101	--	--
1997	5.2L	VCR36028G1EK	TIER1	2WD	Underbody	919055	D-280-101	--	--
1997	5.2L	VCR360H8G1EL	TIER1	2WD, Auto. Trans.	Underbody	919055	D-280-101	--	--
1996	5.2L	TCR31828G1EK	TIER1	All	Underbody	--	--	912006	D-280-101
1996	5.2L	TCR31828G1EL	TIER1	All	Underbody	--	--	912006	D-280-101
1996	5.2L	TCR31828G1EL	TIER1	2WD	Underbody	919205	D-280-101	--	--
1996	5.2L	TCR360H8G1EK	TIER1	All	Underbody	919205	D-280-101	--	--
1996	5.2L	TCR360H8G1EK	TIER1	All	Underbody	--	--	912006	D-280-101
2003	5.9L	3CRXA0360H40	LEV1 ULEV	All	Front Left	--	--	735104	D-280-107
2003	5.9L	3CRXA0360H40	LEV1 ULEV	All	Front Right	--	--	735104	D-280-107
2003	5.9L	3CRXA0360H40	LEV1 ULEV	All	Underbody	--	--	733016	D-280-107
2002	5.9L	2CRXA0360H41	LEV1 ULEV	All	Front Left	--	--	735104	D-280-107
2002	5.9L	2CRXA0360H41	LEV1 ULEV	All	Front Right	--	--	735104	D-280-107
2002	5.9L	2CRXA0360H41	LEV1 ULEV	All	Underbody	--	--	733016	D-280-107
2001	5.9L	1CRXT05.95B5	TIER1	RWD	Underbody	651506	D-665-20	--	--
2001	5.9L	1CRXT05.95B5	TIER1	All	Underbody	--	--	912036R	D-280-101
2000	5.9L	YCRXA0360H32	LEV1 LEV	All	Underbody	--	--	912036	D-280-101
1999	5.9L	XCRXT0360211	TIER1	2WD	Underbody	919055	D-280-101	--	--
1998	5.9L	WCRXT0360211	TIER1	All	Underbody	--	--	912006	D-280-101
1998	5.9L	WCRXT0360211	TIER1	2WD	Underbody	919055	D-280-101	--	--
Durango									
V6									
2009	3.7L	9CRXT03.7CR1	LEV2 ULEV	All	Front Left	--	--	740335	D-798
2009	3.7L	9CRXT03.7CR1	LEV2 ULEV	All	Front Right	--	--	740335	D-798
2008	3.7L	8CRXT0226P80	LEV2 ULEV	All	Front Left	--	--	740335	D-798
2008	3.7L	8CRXT0226P80	LEV2 ULEV	All	Front Right	--	--	740335	D-798
2007	3.7L	7CRXT0226P81	LEV2 ULEV	All	Front Left	--	--	740335	D-798
2007	3.7L	7CRXT0226P81	LEV2 ULEV	All	Front Right	--	--	740335	D-798
1999	3.9L	XCRXA0239H12	TIER1	All	Underbody	--	--	912006	D-280-101
1999	3.9L	XCRXA0239H12	TIER1	2WD	Underbody	912185	D-280-101	--	--
V8									
2009	4.7L	9CRXT04.71PA	LEV2 LEV	All	Front Left	--	--	740335	D-798
2009	4.7L	9CRXT04.71PA	LEV2 LEV	All	Front Right	--	--	740335	D-798
2008	4.7L	8CRXT0287P80	LEV2 ULEV	All	Front Left	--	--	740335	D-798
2008	4.7L	8CRXT0287P80	LEV2 ULEV	All	Front Right	--	--	740335	D-798
2007	4.7L	7CRXT0287P80	LEV2 ULEV	All	Front Left	--	--	740335	D-798
2007	4.7L	7CRXT0287P80	LEV2 ULEV	All	Front Right	--	--	740335	D-798
2003	4.7L	3CRXA0287H40	LEV1 ULEV	All	Underbody	--	--	733016	D-280-107
2003	4.7L	3CRXA0287H40	LEV1 ULEV	2WD	Front Left	--	--	735104	D-280-107
2003	4.7L	3CRXA0287H40	LEV1 ULEV	2WD	Front Right	--	--	735104	D-280-107
2002	4.7L	2CRXA0287H40	LEV1 ULEV	4WD	Front Left	--	--	735204	D-280-107
2002	4.7L	2CRXA0287H40	LEV1 ULEV	4WD	Front Right	--	--	735204	D-280-107
2001	4.7L	1CRXA0287H41	LEV1 ULEV	All	Underbody	--	--	733016	D-280-107
2001	4.7L	1CRXA0287H41	LEV1 ULEV	4WD	Front Left	--	--	735204	D-280-107
2001	4.7L	1CRXA0287H41	LEV1 ULEV	4WD	Front Right	--	--	735204	D-280-107
2000	4.7L	YCRXA0287H41	LEV1 ULEV	All	Underbody	--	--	733016	D-280-107
2000	4.7L	YCRXA0287H41	LEV1 ULEV	4WD	Front Left	--	--	735204	D-280-107
2000	4.7L	YCRXA0287H41	LEV1 ULEV	4WD	Front Right	--	--	735204	D-280-107
2000	5.2L	YCRXA0360H32	LEV1 LEV	All	Underbody	912146	D-280-101	--	--
2000	5.2L	YCRXA0360H32	LEV1 LEV	All	Underbody	--	--	912006	D-280-101
1999	5.2L	XCRXA0360H32	LEV1 LEV	All	Underbody	--	--	912006	D-280-101
1999	5.2L	XCRXA0360H32	LEV1 LEV	4WD	Underbody	912146	D-280-101	--	--
1998	5.2L	WCRXA0360H32	LEV1 LEV	4WD	Underbody	912146	D-280-101	--	--
2012	5.7L	CCRXT05.7VP0	LEV2 ULEV	All	Front Left	--	--	740076	D-798
2012	5.7L	CCRXT05.7VP0	LEV2 ULEV	All	Front Right	--	--	740076	D-798
2011	5.7L	BCRXT05.7VP0	LEV2 ULEV	All	Front Left	--	--	740076	D-798
2011	5.7L	BCRXT05.7VP0	LEV2 ULEV	All	Front Right	--	--	740076	D-798

Legal Note: In Compliance with California Emissions Requirements

APPLICATION GUIDE



OBD II

APPLICATION

Year	Eng. Size	Test Group/ Engine Family	Certification Level	Application	Location	Direct Fit Number	Exec. Order	Consol. Number	Exec. Order
Dodge (Cont.)									
Durango (Cont.)									
V8 (Cont.)									
2009	5.7L	9CRXT05.71PH	LEV2 LEV	All	Front Left	--	--	740076	D-798
2009	5.7L	9CRXT05.71PH	LEV2 LEV	All	Front Right	--	--	740076	D-798
2009	5.7L	9CRXT05.74P0	LEV2 LEV	All	Front Left	--	--	740076	D-798
2009	5.7L	9CRXT05.74P0	LEV2 LEV	All	Front Right	--	--	740076	D-798
2008	5.7L	8CRXT05.7PE0	LEV2 LEV	All	Front Left	--	--	740076	D-798
2008	5.7L	8CRXT05.7PE0	LEV2 LEV	All	Front Right	--	--	740076	D-798
2007	5.7L	7CRXT0345P70	LEV2 LEV	All	Front Left	--	--	740076	D-798
2007	5.7L	7CRXT0345P70	LEV2 LEV	All	Front Right	--	--	740076	D-798
2003	5.9L	3CRXA0360H40	LEV1 ULEV	All	Front Left	--	--	735104	D-280-107
2003	5.9L	3CRXA0360H40	LEV1 ULEV	All	Front Right	--	--	735104	D-280-107
2003	5.9L	3CRXA0360H40	LEV1 ULEV	All	Underbody	--	--	733016	D-280-107
2001	5.9L	1CRXA0360H41	LEV1 ULEV	All	Underbody	--	--	733016	D-280-107
2001	5.9L	1CRXA0360H41	LEV1 ULEV	4WD	Front Left	--	--	735204	D-280-107
2001	5.9L	1CRXA0360H41	LEV1 ULEV	4WD	Front Right	--	--	735204	D-280-107
2000	5.9L	YCRXA0360H32	LEV1 LEV	All	Underbody	--	--	912036R	D-280-101
1999	5.9L	XCRXA0360H32	LEV1 LEV	All	Underbody	--	--	912006	D-280-101
1999	5.9L	XCRXA0360H32	LEV1 LEV	4WD	Underbody	912146	D-280-101	--	--
1998	5.9L	WCRXA0360H32	LEV1 LEV	All	Underbody	912146	D-280-101	--	--
Grand Caravan									
L4									
1997	2.4L	VCR14828G1EK	TIER1	All	Underbody	914183	D-280-101	--	--
1997	2.4L	VCR14828G1EK	TIER1	All	Underbody	--	--	912005	D-280-101
1996	2.4L	TCR2.428GFKE	TIER1	All	Underbody	914183	D-280-101	--	--
1996	2.4L	TCR2.428GFKE	TIER1	All	Underbody	--	--	912005	D-280-101
V6									
1996	3.0L	TCR18128G1EK	TIER1	All	Underbody	914887	D-280-101	--	--
1996	3.0L	TCR18128G1EK	TIER1	All	Underbody	--	--	912005	D-280-101
2010	3.3L	ACRXT03.3UPA	LEV2 LEV	All	Underbody	744441	D-798	--	--
2010	3.3L	ACRXT03.3UPA	LEV2 LEV	All	Underbody	--	--	740726	D-798
2009	3.3L	9CRXT03.3TPA	LEV2 LEV	All	Underbody	744441	D-798	--	--
2009	3.3L	9CRXT03.3TPA	LEV2 LEV	All	Underbody	--	--	740726	D-798
2008	3.3L	8CRXT0231N80	LEV2 ULEV	All	Underbody	744441	D-798	--	--
2008	3.3L	8CRXT0231N80	LEV2 ULEV	All	Underbody	--	--	740726	D-798
2008	3.3L	8CRXT03.3NEP	LEV2 LEV	All	Underbody	744441	D-798	--	--
2008	3.3L	8CRXT03.3NEP	LEV2 LEV	All	Underbody	--	--	740726	D-798
2007	3.3L	7CRXT0231N80	LEV2 ULEV	All	Underbody	744277	D-798	--	--
2007	3.3L	7CRXT0231N80	LEV2 ULEV	All	Underbody	744213	D-798	--	--
2007	3.3L	7CRXT0231N80	LEV2 ULEV	All	Underbody	--	--	740665	D-798
2006	3.3L	6CRXT0231N80	LEV2 ULEV	All	Underbody	744277	D-798	--	--
2006	3.3L	6CRXT0231N80	LEV2 ULEV	All	Underbody	744213	D-798	--	--
2006	3.3L	6CRXT0231N80	LEV2 ULEV	All	Underbody	--	--	740665	D-798
2006	3.3L	6CRXT03.8NE0	LEV2 LEV	All	Underbody	744277	D-798	--	--
2006	3.3L	6CRXT03.8NE0	LEV2 LEV	All	Underbody	744213	D-798	--	--
2006	3.3L	6CRXT03.8NE0	LEV2 LEV	All	Underbody	--	--	740076	D-798
2005	3.3L	5CRXT03.32NP	LEV1 ULEV	All	Underbody	744277	D-798	--	--
2005	3.3L	5CRXT03.32NP	LEV1 ULEV	All	Underbody	744213	D-798	--	--
2005	3.3L	5CRXT03.32NP	LEV1 ULEV	All	Underbody	--	--	740665	D-798
2005	3.3L	5CRXT03.3NE0	LEV2 LEV	All	Underbody	744277	D-798	--	--
2005	3.3L	5CRXT03.3NE0	LEV2 LEV	All	Underbody	744213	D-798	--	--
2005	3.3L	5CRXT03.3NE0	LEV2 LEV	All	Underbody	--	--	740665	D-798
2005	3.3L	5CRXT03.8NE0	LEV2 LEV	All	Underbody	744277	D-798	--	--
2005	3.3L	5CRXT03.8NE0	LEV2 LEV	All	Underbody	744213	D-798	--	--
2005	3.3L	5CRXT03.8NE0	LEV2 LEV	All	Underbody	--	--	740665	D-798
2004	3.3L	4CRXT03.3NE0	LEV2 LEV	All	Underbody	744277	D-798	--	--
2004	3.3L	4CRXT03.3NE0	LEV2 LEV	All	Underbody	--	--	740076	D-798
2003	3.3L	3CRXT03.32DP	LEV1 LEV	All	Underbody	912277	D-280-101	--	--
2003	3.3L	3CRXT03.32DP	LEV1 LEV	All	Underbody	--	--	912003	D-280-101
2003	3.3L	3CRXT03.32DR	LEV1 LEV	Flex Fuel	Underbody	912277	D-280-101	--	--

Legal Note: In Compliance with California Emissions Requirements



CATCO
CATALYTIC CONVERTERS

EASTERN CATALYTIC

APPLICATION GUIDE

OBD II

APPLICATION

Year	Eng. Size	Test Group/ Engine Family	Certification Level	Application	Location	Direct Fit Number	Exec. Order	Consol. Number	Exec. Order
Dodge (Cont.)									
Grand Caravan (Cont.)									
V6 (Cont.)									
2003	3.3L	3CRXT03.32DR	LEV1 LEV	All	Underbody	--	--	912004R	D-280-101
2003	3.3L	3CRXT03.82D0	LEV1 LEV	All	Underbody	912277	D-280-101	--	--
2003	3.3L	3CRXT03.82D0	LEV1 LEV	All	Underbody	--	--	912003	D-280-101
2003	3.3L	3CRXT03.82D1	LEV1 LEV	All	Underbody	912277	D-280-101	--	--
2003	3.3L	3CRXT03.82D1	LEV1 LEV	All	Underbody	--	--	912004R	D-280-101
2002	3.3L	2CRXT03.32DP	LEV1 LEV	Flex Fuel	Underbody	912277	D-280-101	--	--
2002	3.3L	2CRXT03.32DP	LEV1 LEV	All	Underbody	--	--	912004R	D-280-101
2002	3.3L	2CRXT03.82D0	LEV1 LEV	All	Underbody	912277	D-280-101	--	--
2002	3.3L	2CRXT03.82D0	LEV1 LEV	All	Underbody	--	--	912003	D-280-101
2002	3.3L	2CRXT03.82D1	LEV1 LEV	All	Underbody	912277	D-280-101	--	--
2002	3.3L	2CRXT03.82D1	LEV1 LEV	All	Underbody	--	--	912004R	D-280-101
2001	3.3L	1CRXT03.32DP	LEV1 LEV	Flex Fuel	Underbody	912277	D-280-101	--	--
2001	3.3L	1CRXT03.32DP	LEV1 LEV	All	Underbody	--	--	912003	D-280-101
2001	3.3L	1CRXT03.32DT	LEV1 LEV	Flex Fuel	Underbody	912277	D-280-101	--	--
2001	3.3L	1CRXT03.32DT	LEV1 LEV	All	Underbody	--	--	912003	D-280-101
2001	3.3L	1CRXT03.82D0	LEV1 LEV	All	Underbody	912277	D-280-101	--	--
2001	3.3L	1CRXT03.82D0	LEV1 LEV	All	Underbody	--	--	912004R	D-280-101
2000	3.3L	YCRXT0201230	LEV1 LEV	All	Underbody	914183	D-280-101	--	--
2000	3.3L	YCRXT0201230	LEV1 LEV	All	Underbody	--	--	912003	D-280-101
1999	3.3L	XCRXT0201230	LEV1 LEV	All	Underbody	914183	D-280-101	--	--
1999	3.3L	XCRXT0201230	LEV1 LEV	All	Underbody	--	--	912003	D-280-101
1999	3.3L	XCRXT03.82B1	TIER1	All	Underbody	640506	D-665-18	--	--
1998	3.3L	WCRXA0201230	LEV1 LEV	All	Underbody	640506	D-665-18	--	--
1998	3.3L	WCRXT0201230	LEV1 LEV	All	Underbody	914183	D-280-101	--	--
1998	3.3L	WCRXT0201230	LEV1 LEV	All	Underbody	--	--	912003	D-280-101
1997	3.3L	VCR20128G2FL	TLEV	All	Underbody	914183	D-280-101	--	--
1997	3.3L	VCR20128G2FL	TLEV	All	Underbody	--	--	912003	D-280-101
1997	3.3L	VCR23228G1EK	TIER1	All	Underbody	914183	D-280-101	--	--
1997	3.3L	VCR23228G1EK	TIER1	All	Underbody	--	--	912003	D-280-101
1996	3.3L	TCR20128G2FL	TLEV	All	Underbody	914183	D-280-101	--	--
1996	3.3L	TCR20128G2FL	TLEV	All	Underbody	--	--	912005	D-280-101
1996	3.3L	TCR23228G1EK	TIER1	All	Underbody	914183	D-280-101	--	--
1996	3.3L	TCR23228G1EK	TIER1	All	Underbody	--	--	912003	D-280-101
2013	3.6L	DCRXT03.6VP1	LEV2 ULEV	All	Front Left	741280	D-798	--	--
2013	3.6L	DCRXT03.6VP1	LEV2 ULEV	All	Front Right	741281	D-798	--	--
2013	3.6L	DCRXT03.6VPA	LEV2 ULEV	All	Front Left	741280	D-798	--	--
2013	3.6L	DCRXT03.6VPA	LEV2 ULEV	All	Front Right	741281	D-798	--	--
2012	3.6L	CCRXT03.6VPA	LEV2 ULEV	All	Front Left	741280	D-798	--	--
2012	3.6L	CCRXT03.6VPA	LEV2 ULEV	All	Front Right	741281	D-798	--	--
2012	3.6L	CCRXT03.6VP1	LEV2 ULEV	All	Front Left	741280	D-798	--	--
2012	3.6L	CCRXT03.6VP1	LEV2 ULEV	All	Front Right	741281	D-798	--	--
2011	3.6L	BCRXJ03.6UP0	LEV2 ULEV	All	Front Left	741280	D-798	--	--
2011	3.6L	BCRXJ03.6UP0	LEV2 ULEV	All	Front Right	741281	D-798	--	--
2011	3.6L	BCRXJ03.6UPA	LEV2 ULEV	All	Front Left	741280	D-798	--	--
2011	3.6L	BCRXJ03.6UPA	LEV2 ULEV	All	Front Right	741281	D-798	--	--
2010	3.8L	ACRXT03.8XP0	LEV2 ULEV	All	Underbody	744441	D-798	--	--
2010	3.8L	ACRXT03.8XP0	LEV2 ULEV	All	Underbody	--	--	740726	D-798
2009	3.8L	9CRXT03.8YP0	LEV2 ULEV	All	Underbody	744441	D-798	--	--
2009	3.8L	9CRXT03.8YP0	LEV2 ULEV	All	Underbody	--	--	740726	D-798
2008	3.8L	8CRXT0231N80	LEV2 ULEV	All	Underbody	744441	D-798	--	--
2008	3.8L	8CRXT0231N80	LEV2 ULEV	All	Underbody	--	--	740726	D-798
2007	3.8L	7CRXT0231N80	LEV2 ULEV	All	Underbody	744213	D-798	--	--
2007	3.8L	7CRXT0231N80	LEV2 ULEV	All	Underbody	--	--	740665	D-798
2006	3.8L	6CRXT0231N80	LEV2 ULEV	All	Underbody	744213	D-798	--	--
2006	3.8L	6CRXT0231N80	LEV2 ULEV	All	Underbody	--	--	740665	D-798
2006	3.8L	6CRXT03.8NE0	LEV2 LEV	All	Underbody	744213	D-798	--	--
2006	3.8L	6CRXT03.8NE0	LEV2 LEV	All	Underbody	--	--	740076	D-798
2005	3.8L	5CRXT03.82N0	LEV1 ULEV	All	Underbody	744213	D-798	--	--
2005	3.8L	5CRXT03.82N0	LEV1 ULEV	All	Underbody	--	--	740665	D-798

Legal Note: In Compliance with California Emissions Requirements

APPLICATION GUIDE



OBD II

APPLICATION

Year	Eng. Size	Test Group/ Engine Family	Certification Level	Application	Location	Direct Fit Number	Exec. Order	Consol. Number	Exec. Order
Dodge (Cont.)									
Grand Caravan (Cont.)									
V6 (Cont.)									
2005	3.8L	5CRXT03.8NE0	LEV2 LEV	All	Underbody	744213	D-798	--	--
2005	3.8L	5CRXT03.8NE0	LEV2 LEV	All	Underbody	--	--	740665	D-798
2004	3.8L	4CRXT03.82N0	LEV1 ULEV	All	Underbody	744269	D-798	--	--
2004	3.8L	4CRXT03.82N0	LEV1 ULEV	All	Underbody	--	--	740665	D-798
2003	3.8L	3CRXT03.82D0	LEV1 LEV	All	Underbody	912269	D-280-101	--	--
2003	3.8L	3CRXT03.82D0	LEV1 LEV	All	Underbody	--	--	912003	D-280-101
2003	3.8L	3CRXT03.82D1	LEV1 LEV	All	Underbody	912269	D-280-101	--	--
2003	3.8L	3CRXT03.82D1	LEV1 LEV	All	Underbody	--	--	912004R	D-280-101
2002	3.8L	2CRXT03.82D0	LEV1 LEV	All	Underbody	912269	D-280-101	--	--
2002	3.8L	2CRXT03.82D0	LEV1 LEV	All	Underbody	--	--	912004R	D-280-101
2002	3.8L	2CRXT03.82D1	LEV1 LEV	All	Underbody	912269	D-280-101	--	--
2002	3.8L	2CRXT03.82D1	LEV1 LEV	All	Underbody	--	--	912004R	D-280-101
2001	3.8L	1CRXT03.82D0	LEV1 LEV	All	Underbody	912269	D-280-101	--	--
2001	3.8L	1CRXT03.82D0	LEV1 LEV	All	Underbody	--	--	912004R	D-280-101
2000	3.8L	YCRXT0232230	LEV1 LEV	All	Underbody	914183	D-280-101	--	--
2000	3.8L	YCRXT0232230	LEV1 LEV	All	Underbody	--	--	912003	D-280-101
2000	3.8L	YCRXT03.82B0	TIER1	AWD	Underbody	914183	D-280-101	--	--
2000	3.8L	YCRXT03.82B0	TIER1	AWD	Underbody	--	--	912003	D-280-101
1999	3.8L	XCRXT0232230	LEV1 LEV	All	Underbody	914183	D-280-101	--	--
1999	3.8L	XCRXT0232230	LEV1 LEV	All	Underbody	--	--	912003	D-280-101
1999	3.8L	XCRXT03.82B1	TIER1	All	Underbody	914183	D-280-101	--	--
1999	3.8L	XCRXT03.82B1	TIER1	All	Underbody	--	--	912003	D-280-101
1998	3.8L	WCRXT0232220	TLEV	All	Underbody	914183	D-280-101	--	--
1998	3.8L	WCRXT0232220	TLEV	All	Underbody	--	--	912003	D-280-101
1998	3.8L	WCRXT03.82B0	TIER1	All	Underbody	914183	D-280-101	--	--
1998	3.8L	WCRXT03.82B0	TIER1	All	Underbody	--	--	912003	D-280-101
1997	3.8L	VCR23228G1EK	TIER1	All	Underbody	914183	D-280-101	--	--
1997	3.8L	VCR23228G1EK	TIER1	All	Underbody	--	--	912003	D-280-101
1996	3.8L	TCR23228G1EK	TIER1	All	Underbody	914183	D-280-101	--	--
1996	3.8L	TCR23228G1EK	TIER1	All	Underbody	--	--	912003	D-280-101
Intrepid									
V6									
2004	2.7L	4CRXV02.7VM1	LEV1 LEV	All	Front Left	944851	D-280-100	--	--
2004	2.7L	4CRXV02.7VM1	LEV1 LEV	All	Front Right	944344	D-280-100	--	--
2004	2.7L	4CRXV02.7VM1	LEV1 LEV	All	Underbody	--	--	940105	D-280-100
2003	2.7L	3CRXV02.7VD1	LEV1 LEV	All	Front Left	944851	D-280-100	--	--
2003	2.7L	3CRXV02.7VD1	LEV1 LEV	All	Front Right	944344	D-280-100	--	--
2003	2.7L	3CRXV02.7VD1	LEV1 LEV	All	Underbody	--	--	940105	D-280-100
2002	2.7L	2CRXV02.7VD1	LEV1 LEV	All	Front Left	944851	D-280-100	--	--
2002	2.7L	2CRXV02.7VD1	LEV1 LEV	All	Front Right	944344	D-280-100	--	--
2002	2.7L	2CRXV02.7VD1	LEV1 LEV	All	Underbody	--	--	940105	D-280-100
2002	2.7L	2CRXV03.5VD0	LEV1 LEV	All	Front Left	944851	D-280-100	--	--
2002	2.7L	2CRXV03.5VD0	LEV1 LEV	All	Front Right	944344	D-280-100	--	--
2002	2.7L	2CRXV03.5VD0	LEV1 LEV	All	Underbody	--	--	940105	D-280-100
2002	2.7L	2CRXV03.5VD0	LEV1 LEV	All	Underbody Right	--	--	940085	D-280-100
2001	2.7L	1CRXV03.5VD0	LEV1 LEV	All	Front Left	944851	D-280-100	--	--
2001	2.7L	1CRXV03.5VD0	LEV1 LEV	All	Underbody	--	--	940105	D-280-100
2001	2.7L	1CRXV03.5VD0	LEV1 LEV	All	Underbody Right	944852 (4)	D-280-100	--	--
2000	2.7L	YCRXV0165V30	LEV1 LEV	All	Front Left	944851	D-280-100	--	--
2000	2.7L	YCRXV0165V30	LEV1 LEV	All	Underbody	--	--	940105	D-280-100
2000	2.7L	YCRXV0165V30	LEV1 LEV	All	Underbody Right	944852 (4)	D-280-100	--	--
1999	2.7L	XCRXV0165V20	TLEV	All	Front Left	944851	D-280-100	--	--
1999	2.7L	XCRXV0165V20	TLEV	All	Underbody	--	--	940105	D-280-100
1999	2.7L	XCRXV0165V20	TLEV	All	Underbody Right	944852 (4)	D-280-100	--	--
1998	2.7L	WCRXV0165V20	TLEV	All	Front Left	944851	D-280-100	--	--
1998	2.7L	WCRXV0165V20	TLEV	All	Underbody	--	--	940105	D-280-100
1998	2.7L	WCRXV0165V20	TLEV	All	Underbody Right	944852 (4)	D-280-100	--	--

(4) Semi-Direct Fit converter. Fabrication required.
Legal Note: In Compliance with California Emissions Requirements



CATCO
CATALYTIC CONVERTERS

EASTERN CATALYTIC

APPLICATION GUIDE

OBD II

APPLICATION

Year	Eng. Size	Test Group/ Engine Family	Certification Level	Application	Location	Direct Fit Number	Exec. Order	Consol. Number	Exec. Order
Dodge (Cont.)									
Intrepid (Cont.)									
V6 (Cont.)									
2000	3.2L	YCRXV0215V30	LEV1 LEV	All	Front Left	944851	D-280-100	--	--
2000	3.2L	YCRXV0215V30	LEV1 LEV	All	Front Right	944452	D-280-100	--	--
2000	3.2L	YCRXV0215V30	LEV1 LEV	All	Underbody	--	--	940105	D-280-100
1999	3.2L	XCRXV0215V20	TLEV	All	Underbody	--	--	940105	D-280-100
1999	3.2L	XCRXV0215V20	TLEV	All	Underbody Left	944851	D-280-100	--	--
1999	3.2L	XCRXV0215V20	TLEV	All	Underbody Right	944252	D-280-100	--	--
1998	3.2L	WCRXV0195V20	TLEV	All	Front Left	944851	D-280-100	--	--
1998	3.2L	WCRXV0195V20	TLEV	All	Front Right	944452	D-280-100	--	--
1998	3.2L	WCRXV0195V20	TLEV	All	Underbody	--	--	940105	D-280-100
1997	3.3L	VCR201V8G2EK	TLEV	All	Front Left	941090	D-280-100	--	--
1997	3.3L	VCR201V8G2EK	TLEV	All	Front Left	--	--	940335	D-280-100
1997	3.3L	VCR201V8G2EK	TLEV	All	Front Right	941091	D-280-100	--	--
1997	3.3L	VCR201V8G2EK	TLEV	All	Front Right	--	--	940335	D-280-100
1997	3.3L	VCR201V8G2EK	TLEV	All	Underbody	944596	D-280-100	--	--
1997	3.3L	VCR201V8G2EK	TLEV	All	Underbody	--	--	940638	D-280-100
1996	3.3L	TCR201V8G2EK	TLEV	All	Front Left	941090	D-280-100	--	--
1996	3.3L	TCR201V8G2EK	TLEV	All	Front Left	--	--	940335	D-280-100
1996	3.3L	TCR201V8G2EK	TLEV	All	Front Right	941091	D-280-100	--	--
1996	3.3L	TCR201V8G2EK	TLEV	All	Front Right	--	--	940335	D-280-100
1996	3.3L	TCR201V8G2EK	TLEV	All	Underbody	944596	D-280-100	--	--
1996	3.3L	TCR201V8G2EK	TLEV	All	Underbody	--	--	940638	D-280-100
2004	3.5L	4CRXV03.5VM0	LEV1 LEV	All	Front Left	944851	D-280-100	--	--
2004	3.5L	4CRXV03.5VM0	LEV1 LEV	All	Front Right	944452	D-280-100	--	--
2004	3.5L	4CRXV03.5VM0	LEV1 LEV	All	Underbody	--	--	940105	D-280-100
2003	3.5L	3CRXV03.5VD0	LEV1 LEV	All	Front Left	944851	D-280-100	--	--
2003	3.5L	3CRXV03.5VD0	LEV1 LEV	All	Front Right	944452	D-280-100	--	--
2003	3.5L	3CRXV03.5VD0	LEV1 LEV	All	Underbody Left	--	--	940105	D-280-100
2002	3.5L	2CRXV03.5VD0	LEV1 LEV	All	Underbody	--	--	940105	D-280-100
2002	3.5L	2CRXV03.5VD0	LEV1 LEV	All	Underbody Left	944851	D-280-100	--	--
2002	3.5L	2CRXV03.5VD0	LEV1 LEV	All	Underbody Right	944252	D-280-100	--	--
2002	3.5L	2CRXV03.5VD1	LEV1 LEV	All	Front Left	944851	D-280-100	--	--
2002	3.5L	2CRXV03.5VD1	LEV1 LEV	All	Underbody	--	--	940105	D-280-100
2002	3.5L	2CRXV03.5VD1	LEV1 LEV	All	Underbody Right	944252	D-280-100	--	--
2001	3.5L	1CRXV03.5VD0	LEV1 LEV	All	Underbody	--	--	940105	D-280-100
2001	3.5L	1CRXV03.5VD0	LEV1 LEV	All	Underbody Left	944851	D-280-100	--	--
2001	3.5L	1CRXV03.5VD0	LEV1 LEV	All	Underbody Right	944252	D-280-100	--	--
2000	3.5L	YCRXV0215V30	LEV1 LEV	All	Underbody	--	--	940105	D-280-100
2000	3.5L	YCRXV0215V30	LEV1 LEV	All	Underbody Right	944452	D-280-100	--	--
2000	3.5L	YCRXV0215V30	LEV1 LEV	R/T Models	Underbody Left	944851	D-280-100	--	--
1997	3.5L	VCR215VJG1EK	TIER1	All	Front Left	941046	D-280-100	--	--
1997	3.5L	VCR215VJG1EK	TIER1	All	Front Left	--	--	944182	D-280-100
1997	3.5L	VCR215VJG1EK	TIER1	All	Front Right	941047	D-280-100	--	--
1997	3.5L	VCR215VJG1EK	TIER1	All	Front Right	--	--	944182	D-280-100
1997	3.5L	VCR215VJG1EK	TIER1	All	Rear	--	--	940637	D-280-100
1996	3.5L	TCR215VJG1EK	TIER1	All	Front Left	941047	D-280-100	--	--
1996	3.5L	TCR215VJG1EK	TIER1	All	Front Right	941046	D-280-100	--	--
1996	3.5L	TCR215VJG1EK	TIER1	All	Rear	944418	D-280-100	--	--
Journey									
L4									
2011	2.4L	BCRXJ02.4VP1	LEV2 ULEV	FWD	Underbody	764415	D-280-105	--	--
2011	2.4L	BCRXJ02.4VP1	LEV2 ULEV	FWD	Underbody	--	--	760015	D-280-105
2010	2.4L	ACRXV02.4VP0	LEV2 ULEV	2WD	Underbody	764415	D-280-105	--	--
2010	2.4L	ACRXV02.4VP0	LEV2 ULEV	2WD	Underbody	--	--	760015	D-280-105
2009	2.4L	9CRXJ02.4UP0	LEV2 ULEV	All	Underbody	764415	D-280-105	--	--
2009	2.4L	9CRXJ02.4UP0	LEV2 ULEV	All	Underbody	--	--	760015	D-280-105
V6									
2013	3.6L	DCRXT03.6VP1	LEV2 ULEV	All	Front Left	741280	D-798	--	--
2013	3.6L	DCRXT03.6VP1	LEV2 ULEV	All	Front Right	741281	D-798	--	--

Legal Note: In Compliance with California Emissions Requirements

APPLICATION GUIDE



OBD II

APPLICATION

Year	Eng. Size	Test Group/ Engine Family	Certification Level	Application	Location	Direct Fit Number	Exec. Order	Consol. Number	Exec. Order
Dodge (Cont.)									
Journey (Cont.)									
V6 (Cont.)									
2013	3.6L	DCRXT03.6VPA	LEV2 ULEV	All	Front Left	741280	D-798	--	--
2013	3.6L	DCRXT03.6VPA	LEV2 ULEV	All	Front Right	741281	D-798	--	--
2012	3.6L	CCRXJ03.6VPA	LEV2 ULEV	All	Front Left	741280	D-798	--	--
2012	3.6L	CCRXJ03.6VPA	LEV2 ULEV	All	Front Right	741281	D-798	--	--
2012	3.6L	CCRXT03.6VP1	LEV2 ULEV	All	Front Left	741280	D-798	--	--
2012	3.6L	CCRXT03.6VP1	LEV2 ULEV	All	Front Right	741281	D-798	--	--
2011	3.6L	BCRXJ03.6UPA	LEV2 ULEV	All	Front Left	741280	D-798	--	--
2011	3.6L	BCRXJ03.6UPA	LEV2 ULEV	All	Front Right	741281	D-798	--	--
Magnum									
V6									
2008	2.7L	8CRXV02.7ME0	LEV2 LEV	All	Front Left	--	--	760005	D-280-105
2008	2.7L	8CRXV02.7ME0	LEV2 LEV	All	Front Right	--	--	760005	D-280-105
2008	2.7L	8CRXV02.7ME0	LEV2 LEV	All	Rear Left	--	--	760005	D-280-105
2008	2.7L	8CRXV02.7ME0	LEV2 LEV	All	Rear Right	--	--	760005	D-280-105
2007	2.7L	7CRXV0167M71	LEV2 LEV	All	Front Left	--	--	760005	D-280-105
2007	2.7L	7CRXV0167M71	LEV2 LEV	All	Front Right	--	--	760005	D-280-105
2007	2.7L	7CRXV0167M71	LEV2 LEV	All	Rear Left	--	--	760005	D-280-105
2007	2.7L	7CRXV0167M71	LEV2 LEV	All	Rear Right	--	--	760005	D-280-105
2006	2.7L	6CRXV03.5VE0	LEV2 LEV	All	Front Left	--	--	760005	D-280-105
2006	2.7L	6CRXV03.5VE0	LEV2 LEV	All	Front Right	--	--	760005	D-280-105
2006	2.7L	6CRXV03.5VE0	LEV2 LEV	All	Rear Left	--	--	760005	D-280-105
2006	2.7L	6CRXV03.5VE0	LEV2 LEV	All	Rear Right	--	--	760005	D-280-105
2006	2.7L	6CRXV03.5VH0	LEV1 ULEV	All	Underbody Left	764331	D-280-105	--	--
2006	2.7L	6CRXV03.5VH0	LEV1 ULEV	All	Underbody Left	--	--	760005	D-280-105
2006	2.7L	6CRXV03.5VH0	LEV1 ULEV	All	Underbody Right	764330	D-280-105	--	--
2006	2.7L	6CRXV03.5VH0	LEV1 ULEV	All	Underbody Right	--	--	760005	D-280-105
2005	2.7L	5CRXV03.5VH0	LEV1 ULEV	All	Underbody Left	764331	D-280-105	--	--
2005	2.7L	5CRXV03.5VH0	LEV1 ULEV	All	Underbody Left	--	--	760005	D-280-105
2005	2.7L	5CRXV03.5VH0	LEV1 ULEV	All	Underbody Right	764330	D-280-105	--	--
2005	2.7L	5CRXV03.5VH0	LEV1 ULEV	All	Underbody Right	--	--	760005	D-280-105
2005	2.7L	5CRXV03.5VH1	LEV1 ULEV	All	Underbody Left	764331	D-280-105	--	--
2005	2.7L	5CRXV03.5VH1	LEV1 ULEV	All	Underbody Left	--	--	760005	D-280-105
2005	2.7L	5CRXV03.5VH1	LEV1 ULEV	All	Underbody Right	764330	D-280-105	--	--
2005	2.7L	5CRXV03.5VH1	LEV1 ULEV	All	Underbody Right	--	--	760005	D-280-105
2008	3.5L	8CRXV0215M80	LEV2 ULEV	All	Front Left	--	--	760005	D-280-105
2008	3.5L	8CRXV0215M80	LEV2 ULEV	All	Front Right	--	--	760005	D-280-105
2008	3.5L	8CRXV0215M80	LEV2 ULEV	All	Rear Left	--	--	760005	D-280-105
2008	3.5L	8CRXV0215M80	LEV2 ULEV	All	Rear Right	--	--	760005	D-280-105
2007	3.5L	7CRXV0215M80	LEV2 ULEV	All	Front Left	--	--	760005	D-280-105
2007	3.5L	7CRXV0215M80	LEV2 ULEV	All	Front Right	--	--	760005	D-280-105
2007	3.5L	7CRXV0215M80	LEV2 ULEV	All	Rear Left	--	--	760005	D-280-105
2007	3.5L	7CRXV0215M80	LEV2 ULEV	All	Rear Right	--	--	760005	D-280-105
2006	3.5L	6CRXV03.5VE0	LEV2 LEV	All	Front Left	--	--	760005	D-280-105
2006	3.5L	6CRXV03.5VE0	LEV2 LEV	All	Front Right	--	--	760005	D-280-105
2006	3.5L	6CRXV03.5VE0	LEV2 LEV	All	Rear Left	--	--	760005	D-280-105
2006	3.5L	6CRXV03.5VE0	LEV2 LEV	All	Rear Right	--	--	760005	D-280-105
2006	3.5L	6CRXV03.5VE1	LEV2 LEV	All	Underbody Left	764331	D-280-105	--	--
2006	3.5L	6CRXV03.5VE1	LEV2 LEV	All	Underbody Left	--	--	760005	D-280-105
2006	3.5L	6CRXV03.5VE1	LEV2 LEV	All	Underbody Right	764330	D-280-105	--	--
2006	3.5L	6CRXV03.5VE1	LEV2 LEV	All	Underbody Right	--	--	760005	D-280-105
2006	3.5L	6CRXV03.5VH0	LEV1 ULEV	All	Underbody Left	764331	D-280-105	--	--
2006	3.5L	6CRXV03.5VH0	LEV1 ULEV	All	Underbody Left	--	--	760005	D-280-105
2006	3.5L	6CRXV03.5VH0	LEV1 ULEV	All	Underbody Right	764330	D-280-105	--	--
2006	3.5L	6CRXV03.5VH0	LEV1 ULEV	All	Underbody Right	--	--	760005	D-280-105
2005	3.5L	5CRXV03.5VH0	LEV1 ULEV	All	Underbody Left	764331	D-280-105	--	--
2005	3.5L	5CRXV03.5VH0	LEV1 ULEV	All	Underbody Left	--	--	760005	D-280-105
2005	3.5L	5CRXV03.5VH0	LEV1 ULEV	All	Underbody Right	764330	D-280-105	--	--
2005	3.5L	5CRXV03.5VH0	LEV1 ULEV	All	Underbody Right	--	--	760005	D-280-105

Legal Note: In Compliance with California Emissions Requirements



CATCO
CATALYTIC CONVERTERS

EASTERN CATALYTIC

APPLICATION GUIDE

OBD II

APPLICATION

Year	Eng. Size	Test Group/ Engine Family	Certification Level	Application	Location	Direct Fit Number	Exec. Order	Consol. Number	Exec. Order
Dodge (Cont.)									
Magnum (Cont.)									
V6 (Cont.)									
2005	3.5L	5CRXV03.5VH1	LEV1 ULEV	All	Underbody Left	764331	D-280-105	--	--
2005	3.5L	5CRXV03.5VH1	LEV1 ULEV	All	Underbody Left	--	--	760005	D-280-105
2005	3.5L	5CRXV03.5VH1	LEV1 ULEV	All	Underbody Right	764330	D-280-105	--	--
2005	3.5L	5CRXV03.5VH1	LEV1 ULEV	All	Underbody Right	--	--	760005	D-280-105
Neon									
L4									
2003	2.0L	3CRXV02.0VD0	LEV1 LEV	All	Underbody	942094	D-280-100	--	--
2003	2.0L	3CRXV02.0VD0	LEV1 LEV	All	Underbody	--	--	940101	D-280-100
2002	2.0L	2CRXV02.0VD0	LEV1 LEV	All	Underbody	942094	D-280-100	--	--
2002	2.0L	2CRXV02.0VD0	LEV1 LEV	All	Underbody	--	--	940101	D-280-100
2002	2.0L	2CRXV02.0VD1	LEV1 LEV	All	Underbody	942094	D-280-100	--	--
2002	2.0L	2CRXV02.0VD1	LEV1 LEV	All	Underbody	--	--	940101	D-280-100
2001	2.0L	1CRXV02.0VD0	LEV1 LEV	All	Underbody	942094	D-280-100	--	--
2001	2.0L	1CRXV02.0VD0	LEV1 LEV	All	Underbody	--	--	940101	D-280-100
2000	2.0L	YCRXV0122V30	LEV1 LEV	All	Underbody	942094	D-280-100	--	--
1999	2.0L	XCRXV0122V30	LEV1 LEV	All	Underbody	942651	D-280-100	--	--
1999	2.0L	XCRXV0122V30	LEV1 LEV	All	Underbody	--	--	940336	D-280-100
1999	2.0L	XCRXV02.0VB0	TIER1	All	Underbody	942651	D-280-100	--	--
1999	2.0L	XCRXV02.0VB0	TIER1	All	Underbody	--	--	940336	D-280-100
1999	2.0L	XCRXV02.0VB2	TIER1	All	Underbody	942651	D-280-100	--	--
1999	2.0L	XCRXV02.0VB2	TIER1	All	Underbody	--	--	940336	D-280-100
1998	2.0L	WCRXV0122V30	LEV1 LEV	All	Underbody	942651	D-280-100	--	--
1998	2.0L	WCRXV0122V30	LEV1 LEV	All	Underbody	--	--	940336	D-280-100
1998	2.0L	WCRXV02.0VB0	TIER1	All	Underbody	942651	D-280-100	--	--
1998	2.0L	WCRXV02.0VB0	TIER1	M/T	Underbody	--	--	940336	D-280-100
1998	2.0L	WCRXV02.0VB2	TIER1	All	Underbody	942651	D-280-100	--	--
1998	2.0L	WCRXV02.0VB2	TIER1	All	Underbody	--	--	940336	D-280-100
1997	2.0L	VCR122VJG1EK	TIER1	All	Underbody	942651	D-280-100	--	--
1997	2.0L	VCR122VJG1EK	TIER1	M/T	Underbody	--	--	940336	D-280-100
1997	2.0L	VCR122VJG1EL	TIER1	All	Underbody	942651	D-280-100	--	--
1997	2.0L	VCR122VJG1EL	TIER1	All	Underbody	--	--	940336	D-280-100
1997	2.0L	VCR122VJG2EK	TLEV	All	Underbody	942651	D-280-100	--	--
1997	2.0L	VCR122VJG2EK	TLEV	All	Underbody	--	--	940336	D-280-100
1996	2.0L	TCR122VJG1EK	TIER1	All	Underbody	942651	D-280-100	--	--
1996	2.0L	TCR122VJG1EK	TIER1	All	Underbody	--	--	940336	D-280-100
1996	2.0L	TCR122VJG2EK	TLEV	All	Underbody	942651	D-280-100	--	--
1996	2.0L	TCR122VJG2EK	TLEV	All	Underbody	--	--	940336	D-280-100
1996	2.0L	TCR2.0VJGFEL	TIER1	All	Underbody	942651	D-280-100	--	--
1996	2.0L	TCR2.0VJGFEL	TIER1	All	Underbody	--	--	940336	D-280-100
1995	2.0L	SCR122VJG2EK	TLEV	All	Underbody	942651	D-280-100	--	--
1995	2.0L	SCR122VJG2EK	TLEV	All	Underbody	--	--	940336	D-280-100
1995	2.0L	SCR2.0VJGFEL	TIER1	All	Underbody	942651	D-280-100	--	--
1995	2.0L	SCR2.0VJGFEL	TIER1	All	Underbody	--	--	940336	D-280-100
1995	2.0L	SCR2.0VJGFEL	TIER1	All	Underbody	942651	D-280-100	--	--
1995	2.0L	SCR2.0VJGFEL	TIER1	All	Underbody	--	--	940336	D-280-100
2003	2.4L	3CRXV02.0VD0	LEV1 LEV	All	Underbody	--	--	940001	D-280-100
2003	2.4L	3CRXV02.4VD1	LEV1 LEV	All	Underbody	942094	D-280-100	--	--
2003	2.4L	3CRXV02.4VD1	LEV1 LEV	All	Underbody	--	--	940101	D-280-100
Nitro									
V6									
2011	3.7L	BCRXT03.7VP0	LEV2 ULEV	All	Front Left	--	--	740076	D-798
2011	3.7L	BCRXT03.7VP0	LEV2 ULEV	All	Front Right	--	--	740076	D-798
2011	3.7L	BCRXT03.7VP0	LEV2 ULEV	All	Underbody	749239	D-798	--	--
2010	3.7L	ACRXT03.7VP3	LEV2 ULEV	All	Front Left	--	--	740076	D-798
2010	3.7L	ACRXT03.7VP3	LEV2 ULEV	All	Front Right	--	--	740076	D-798
2010	3.7L	ACRXT03.7VP3	LEV2 ULEV	All	Underbody	749239	D-798	--	--

Legal Note: In Compliance with California Emissions Requirements

APPLICATION GUIDE



OBD II

APPLICATION

Year	Eng. Size	Test Group/ Engine Family	Certification Level	Application	Location	Direct Fit Number	Exec. Order	Consol. Number	Exec. Order
Dodge (Cont.)									
Nitro (Cont.)									
V6 (Cont.)									
2009	3.7L	9CRXT03.7CR0	LEV2 ULEV	All	Front Left	--	--	740076	D-798
2009	3.7L	9CRXT03.7CR0	LEV2 ULEV	All	Front Right	--	--	740076	D-798
2009	3.7L	9CRXT03.7CR0	LEV2 ULEV	All	Underbody	749239	D-798	--	--
2008	3.7L	8CRXT0226N80	LEV2 ULEV	All	Front Left	--	--	740076	D-798
2008	3.7L	8CRXT0226N80	LEV2 ULEV	All	Front Right	--	--	740076	D-798
2008	3.7L	8CRXT0226N80	LEV2 ULEV	All	Underbody	749239	D-798	--	--
2008	3.7L	8CRXT03.7NE0	LEV2 LEV	All	Front Left	--	--	740076	D-798
2008	3.7L	8CRXT03.7NE0	LEV2 LEV	All	Front Right	--	--	740076	D-798
2008	3.7L	8CRXT03.7NE0	LEV2 LEV	All	Underbody	749239	D-798	--	--
2007	3.7L	7CRXT0226N73	LEV2 LEV	All	Front Left	--	--	740076	D-798
2007	3.7L	7CRXT0226N73	LEV2 LEV	All	Front Right	--	--	740076	D-798
2007	3.7L	7CRXT0226N73	LEV2 LEV	All	Underbody	749239	D-798	--	--
2007	3.7L	7CRXT0226N80	LEV2 ULEV	All	Front Left	--	--	740076	D-798
2007	3.7L	7CRXT0226N80	LEV2 ULEV	All	Front Right	--	--	740076	D-798
2007	3.7L	7CRXT0226N80	LEV2 ULEV	All	Underbody	749239	D-798	--	--
2007	3.7L	7CRXT03.7PE0	LEV2 LEV	All	Front Left	--	--	740076	D-798
2007	3.7L	7CRXT03.7PE0	LEV2 LEV	All	Front Right	--	--	740076	D-798
2007	3.7L	7CRXT03.7PE0	LEV2 LEV	All	Underbody	749239	D-798	--	--
2011	4.0L	BCRXT04.04P0	LEV2 LEV	All	Front Left	--	--	740076	D-798
2011	4.0L	BCRXT04.04P0	LEV2 LEV	All	Front Right	--	--	740076	D-798
2010	4.0L	ACRXT04.04P3	LEV2 LEV	All	Front Left	--	--	740076	D-798
2010	4.0L	ACRXT04.04P3	LEV2 LEV	All	Front Right	--	--	740076	D-798
2009	4.0L	9CRXT04.02P0	LEV2 LEV	All	Front Left	--	--	740076	D-798
2009	4.0L	9CRXT04.02P0	LEV2 LEV	All	Front Right	--	--	740076	D-798
2008	4.0L	8CRXT04.0NE0	LEV2 LEV	All	Front Left	--	--	740076	D-798
2008	4.0L	8CRXT04.0NE0	LEV2 LEV	All	Front Right	--	--	740076	D-798
Ram 1500									
V6									
2010	3.7L	ACRXT03.7VP3	LEV2 ULEV	All	Front Left	--	--	740076	D-798
2010	3.7L	ACRXT03.7VP3	LEV2 ULEV	All	Front Right	--	--	740076	D-798
2009	3.7L	9CRXT03.7CR1	LEV2 ULEV	All	Front Left	--	--	740076	D-798
2009	3.7L	9CRXT03.7CR1	LEV2 ULEV	All	Front Right	--	--	740076	D-798
2008	3.7L	8CRXT0226P80	LEV2 ULEV	All	Front Left	--	--	740335	D-798
2008	3.7L	8CRXT0226P80	LEV2 ULEV	All	Front Right	--	--	740335	D-798
2008	3.7L	8CRXT03.7PE0	LEV2 LEV	All	Front Left	--	--	740076	D-798
2008	3.7L	8CRXT03.7PE0	LEV2 LEV	All	Front Right	--	--	740076	D-798
2008	3.7L	8CRXT03.7PE0	LEV2 LEV	All	Underbody	749447	D-798	--	--
2007	3.7L	7CRXT0226P81	LEV2 ULEV	All	Front Left	--	--	740335	D-798
2007	3.7L	7CRXT0226P81	LEV2 ULEV	All	Front Right	--	--	740335	D-798
2007	3.7L	7CRXT03.7PE0	LEV2 LEV	All	Front Left	--	--	740076	D-798
2007	3.7L	7CRXT03.7PE0	LEV2 LEV	All	Front Right	--	--	740076	D-798
2007	3.7L	7CRXT03.7PE0	LEV2 LEV	All	Underbody	749447	D-798	--	--
2003	3.7L	3CRXT03.75B0	TIER1	All	Underbody	--	--	912013	D-280-101
2003	3.7L	3CRXT03.75B0	TIER1	2WD	Underbody	912088	D-280-101	--	--
2002	3.7L	2CRXT03.75B0	TIER1	All	Underbody	--	--	912013	D-280-101
2002	3.7L	2CRXT03.75B0	TIER1	2WD	Underbody	912088	D-280-101	--	--
2001	3.9L	1CRXT03.95B2	TIER1	2WD	Underbody	912018	D-280-101	--	--
2001	3.9L	1CRXT03.95B2	TIER1	2WD	Underbody	--	--	912013	D-280-101
1999	3.9L	XCRXA0239H11	TIER1	2WD	Underbody	912666	D-280-101	--	--
1998	3.9L	WCRXA0239H11	TIER1	All	Underbody	912666	D-280-101	--	--
1998	3.9L	WCRXA0239H11	TIER1	All	Underbody	--	--	912013	D-280-101
1997	3.9L	VCR239H8G1EK	TIER1	All	Underbody	912666	D-280-101	--	--
1997	3.9L	VCR239H8G1EK	TIER1	All	Underbody	--	--	912013	D-280-101
1996	3.9L	TCR239H8G1EK	TIER1	All	Underbody	912666	D-280-101	--	--
1996	3.9L	TCR239H8G1EK	TIER1	All	Underbody	--	--	912013	D-280-101

Legal Note: In Compliance with California Emissions Requirements



CATCO
CATALYTIC CONVERTERS

EASTERN CATALYTIC

APPLICATION GUIDE

OBD II

APPLICATION

Year	Eng. Size	Test Group/ Engine Family	Certification Level	Application	Location	Direct Fit Number	Exec. Order	Consol. Number	Exec. Order
Dodge (Cont.)									
Ram 1500 (Cont.)									
V8									
2010	4.7L	ACRXT04.7UPC	LEV2 ULEV	All	Front Left	--	--	740076	D-798
2010	4.7L	ACRXT04.7UPC	LEV2 ULEV	All	Front Right	--	--	740076	D-798
2010	4.7L	ACRXT04.7UPC	LEV2 ULEV	All	Underbody	749450	D-798	--	--
2009	4.7L	9CRXT04.71PA	LEV2 LEV	All	Front Left	--	--	740076	D-798
2009	4.7L	9CRXT04.71PA	LEV2 LEV	All	Front Right	--	--	740076	D-798
2009	4.7L	9CRXT04.71PA	LEV2 LEV	All	Underbody	749450	D-798	--	--
2008	4.7L	8CRXT0287P80	LEV2 LEV	All	Front Left	--	--	740076	D-798
2008	4.7L	8CRXT0287P80	LEV2 LEV	All	Front Right	--	--	740076	D-798
2008	4.7L	8CRXT0287P80	LEV2 LEV	All	Underbody	749458	D-798	--	--
2008	4.7L	8CRXT04.7PE0	LEV2 LEV	All	Front Left	--	--	740076	D-798
2008	4.7L	8CRXT04.7PE0	LEV2 LEV	All	Front Right	--	--	740076	D-798
2008	4.7L	8CRXT04.7PE0	LEV2 LEV	All	Underbody	749458	D-798	--	--
2007	4.7L	7CRXT0287P80	LEV2 ULEV	All	Front Left	--	--	740335	D-798
2007	4.7L	7CRXT0287P80	LEV2 ULEV	All	Front Right	--	--	740335	D-798
2007	4.7L	7CRXT04.7PE0	LEV2 LEV	All	Front Left	--	--	740335	D-798
2007	4.7L	7CRXT04.7PE0	LEV2 LEV	All	Front Right	--	--	740335	D-798
2005	4.7L	5CRXT04.75S0	LEV1 LEV	All	Underbody Left	919207	D-280-101	--	--
2005	4.7L	5CRXT04.75S0	LEV1 LEV	All	Underbody Left	--	--	912036R	D-280-101
2005	4.7L	5CRXT04.75S0	LEV1 LEV	All	Underbody Left	--	--	912006R	D-280-101
2005	4.7L	5CRXT04.75S0	LEV1 LEV	All	Underbody Left	--	--	912006	D-280-101
2005	4.7L	5CRXT04.75S0	LEV1 LEV	All	Underbody Right	919206	D-280-101	--	--
2005	4.7L	5CRXT04.75S0	LEV1 LEV	All	Underbody Right	--	--	912036R	D-280-101
2005	4.7L	5CRXT04.75S0	LEV1 LEV	All	Underbody Right	--	--	912006R	D-280-101
2005	4.7L	5CRXT04.75S0	LEV1 LEV	All	Underbody Right	--	--	912006	D-280-101
2003	4.7L	3CRXA0287H41	LEV1 ULEV	All	Front Left	--	--	736015	D-280-107
2003	4.7L	3CRXA0287H41	LEV1 ULEV	All	Front Right	--	--	736015	D-280-107
2003	4.7L	3CRXA0287H41	LEV1 ULEV	All	Underbody	--	--	736007	D-280-107
2003	4.7L	3CRXA0287J40	LEV1 ULEV	All	Front Left	--	--	736015	D-280-107
2003	4.7L	3CRXA0287J40	LEV1 ULEV	All	Front Right	--	--	736015	D-280-107
2003	4.7L	3CRXA0287J40	LEV1 ULEV	All	Underbody	--	--	736007	D-280-107
2002	4.7L	2CRXA0287H41	LEV1 ULEV	All	Front Left	--	--	736015	D-280-107
2002	4.7L	2CRXA0287H41	LEV1 ULEV	All	Front Right	--	--	736015	D-280-107
2002	4.7L	2CRXA0287H41	LEV1 ULEV	All	Underbody	--	--	736007	D-280-107
2001	5.2L	1CRXA0360J11	TIER1	4WD	Underbody	912198	D-280-101	--	--
2001	5.2L	1CRXA0360J11	TIER1	4WD	Underbody	--	--	912013	D-280-101
2001	5.2L	1CRXA0360J18	TIER1	4WD	Underbody	865513	D-665-14	--	--
2001	5.2L	1CRXA0360J18	TIER1	All	Underbody	640521	D-665-18	--	--
2001	5.2L	1CRXT05.95B1	TIER1	All	Underbody	912198	D-280-101	--	--
2001	5.2L	1CRXT05.95B1	TIER1	All	Underbody	--	--	912013	D-280-101
2001	5.2L	1CRXT05.95B8	TIER1	All	Underbody	912198	D-280-101	--	--
2001	5.2L	1CRXT05.95B8	TIER1	All	Underbody	--	--	912013	D-280-101
2000	5.2L	YCRXA0360H11	TIER1	All	Underbody	912198	D-280-101	--	--
2000	5.2L	YCRXA0360H11	TIER1	All	Underbody	--	--	912013	D-280-101
2000	5.2L	YCRXA0360J11	TIER1	All	Underbody	912198	D-280-101	--	--
2000	5.2L	YCRXA0360J11	TIER1	All	Underbody	--	--	912013	D-280-101
1999	5.2L	XCRXA0318H11	TIER1	All	Underbody	912666	D-280-101	--	--
1999	5.2L	XCRXA0318H11	TIER1	All	Underbody	--	--	912013	D-280-101
1999	5.2L	XCRXA0360J11	TIER1	All	Underbody	912666	D-280-101	--	--
1999	5.2L	XCRXA0360J11	TIER1	All	Underbody	--	--	912013	D-280-101
1999	5.2L	XCRXA0360J31	LEV1 LEV	All	Underbody	640504	D-665-18	--	--
1998	5.2L	WCRXA0318H11	TIER1	All	Underbody	912666	D-280-101	--	--
1998	5.2L	WCRXA0318H11	TIER1	All	Underbody	--	--	912013	D-280-101
1998	5.2L	WCRXA0360H31	TIER1	All	Underbody	640504	D-665-18	--	--
1998	5.2L	WCRXA0360J11	TIER1	All	Underbody	912666	D-280-101	--	--
1997	5.2L	VCR318H8G1EK	TIER1	All	Underbody	912666	D-280-101	--	--
1997	5.2L	VCR318H8G1EK	TIER1	All	Underbody	--	--	912013	D-280-101
1997	5.2L	VCR360H8G1EL	TIER1	All	Underbody	912666	D-280-101	--	--
1997	5.2L	VCR360H8G1EL	TIER1	All	Underbody	--	--	912013	D-280-101

APPLICATION GUIDE



OBD II

APPLICATION

Year	Eng. Size	Test Group/ Engine Family	Certification Level	Application	Location	Direct Fit Number	Exec. Order	Consol. Number	Exec. Order
Dodge (Cont.)									
Ram 1500 (Cont.)									
V8 (Cont.)									
1997	5.2L	VCR360J8G1EK	TIER1	All	Underbody	912666	D-280-101	--	--
1997	5.2L	VCR360J8G1EK	TIER1	All	Underbody	--	--	912013	D-280-101
1997	5.2L	VCR360J8G1EL	TIER1	All	Underbody	912666	D-280-101	--	--
1997	5.2L	VCR360J8G1EL	TIER1	All	Underbody	--	--	912013	D-280-101
1996	5.2L	TCR360H8G1EK	TIER1	All	Underbody	912666	D-280-101	--	--
1996	5.2L	TCR360H8G1EK	TIER1	All	Underbody	--	--	912013	D-280-101
1996	5.2L	TCR360J8G1EK	TIER1	All	Underbody	912666	D-280-101	--	--
1996	5.2L	TCR360J8G1EK	TIER1	All	Underbody	--	--	912013	D-280-101
2010	5.7L	ACRXT05.7VP3	LEV2 ULEV	All	Front Left	--	--	740076	D-798
2010	5.7L	ACRXT05.7VP3	LEV2 ULEV	All	Front Right	--	--	740076	D-798
2010	5.7L	ACRXT05.7VP3	LEV2 ULEV	All	Underbody	749462	D-798	--	--
2009	5.7L	9CRXT05.74P1	LEV2 LEV	All	Front Left	--	--	740076	D-798
2009	5.7L	9CRXT05.74P1	LEV2 LEV	All	Front Right	--	--	740076	D-798
2009	5.7L	9CRXT05.74P1	LEV2 LEV	All	Underbody	749462	D-798	--	--
2009	5.7L	9CRXT05.7VP1	LEV2 ULEV	All	Front Left	--	--	740076	D-798
2009	5.7L	9CRXT05.7VP1	LEV2 ULEV	All	Front Right	--	--	740076	D-798
2009	5.7L	9CRXT05.7VP1	LEV2 ULEV	All	Underbody	749462	D-798	--	--
2008	5.7L	8CRXT05.7PE0	LEV2 LEV	All	Front Left	--	--	740076	D-798
2008	5.7L	8CRXT05.7PE0	LEV2 LEV	All	Front Right	--	--	740076	D-798
2008	5.7L	8CRXT05.7PE0	LEV2 LEV	Excl. Mega Cab	Underbody	749455	D-798	--	--
2007	5.7L	7CRXT0345P70	LEV2 LEV	All	Front Left	--	--	740776	D-798
2007	5.7L	7CRXT0345P70	LEV2 LEV	All	Front Right	--	--	740776	D-798
2007	5.7L	7CRXT0345P70	LEV2 LEV	Excl. Mega Cab	Underbody	749459	D-798	--	--
2006	5.7L	6CRXK0345370	LEV2 LEV	All	Underbody Left	730765	D-280-107	--	--
2006	5.7L	6CRXK0345370	LEV2 LEV	All	Underbody Left	730117	D-280-107	--	--
2006	5.7L	6CRXK0345370	LEV2 LEV	All	Underbody Left	--	--	736015	D-280-107
2006	5.7L	6CRXK0345370	LEV2 LEV	All	Underbody Right	730766	D-280-107	--	--
2006	5.7L	6CRXK0345370	LEV2 LEV	All	Underbody Right	730116	D-280-107	--	--
2006	5.7L	6CRXK0345370	LEV2 LEV	All	Underbody Right	--	--	736015	D-280-107
2003	5.7L	3CRXT05.95B1	TIER1	All	Underbody	--	--	912013	D-280-101
2003	5.7L	3CRXT05.95B1	TIER1	RWD, 160.5" WB	Underbody	912199	D-280-101	--	--
2003	5.7L	3CRXT05.96B1	TIER1	All	Underbody	--	--	912013	D-280-101
2003	5.7L	3CRXT05.96B1	TIER1	RWD, 160.5" WB	Underbody	912199	D-280-101	--	--
2003	5.9L	3CRXT05.95B1	TIER1	All	Underbody	--	--	912013	D-280-101
2003	5.9L	3CRXT05.95B1	TIER1	RWD, 4 Dr	Underbody	912088	D-280-101	--	--
2003	5.9L	3CRXT05.96B1	TIER1	All	Underbody	--	--	912013	D-280-101
2003	5.9L	3CRXT05.96B1	TIER1	RWD, 4 Dr	Underbody	912088	D-280-101	--	--
2002	5.9L	2CRXA0360H40	LEV1 ULEV	All	Front Left	--	--	736015	D-280-107
2002	5.9L	2CRXA0360H40	LEV1 ULEV	All	Front Right	--	--	736015	D-280-107
2002	5.9L	2CRXA0360H40	LEV1 ULEV	All	Underbody	--	--	736007	D-280-107
2001	5.9L	1CRXA0360H41	LEV1 ULEV	All	Front Left	--	--	736015	D-280-107
2001	5.9L	1CRXA0360H41	LEV1 ULEV	All	Front Right	--	--	736015	D-280-107
2001	5.9L	1CRXA0360J11	TIER1	4WD	Underbody	912198	D-280-101	--	--
2001	5.9L	1CRXA0360J11	TIER1	4WD	Underbody	--	--	912013	D-280-101
2001	5.9L	1CRXA0360J41	LEV1 ULEV	All	Underbody	--	--	736007	D-280-107
2001	5.9L	1CRXT05.95B1	TIER1	All	Underbody	912198	D-280-101	--	--
2001	5.9L	1CRXT05.95B1	TIER1	All	Underbody	--	--	912013	D-280-101
2001	5.9L	1CRXT05.95B8	TIER1	All	Underbody	912198	D-280-101	--	--
2001	5.9L	1CRXT05.95B8	TIER1	All	Underbody	--	--	912013	D-280-101
2000	5.9L	YCRXA0360H11	TIER1	All	Underbody	912198	D-280-101	--	--
2000	5.9L	YCRXA0360H11	TIER1	All	Underbody	--	--	912013	D-280-101
2000	5.9L	YCRXA0360J11	TIER1	All	Underbody	912198	D-280-101	--	--
2000	5.9L	YCRXA0360J11	TIER1	All	Underbody	--	--	912013	D-280-101
1999	5.9L	XCRXA0360H31	LEV1 LEV	All	Underbody	912666	D-280-101	--	--
1999	5.9L	XCRXA0360H31	LEV1 LEV	All	Underbody	--	--	912013	D-280-101
1999	5.9L	XCRXA0360J11	TIER1	All	Underbody	912666	D-280-101	--	--
1999	5.9L	XCRXA0360J11	TIER1	All	Underbody	--	--	912013	D-280-101
1999	5.9L	XCRXA0360J31	LEV1 LEV	All	Underbody	912666	D-280-101	--	--
1999	5.9L	XCRXA0360J31	LEV1 LEV	All	Underbody	--	--	912013	D-280-101

Legal Note: In Compliance with California Emissions Requirements



CATCO
CATALYTIC CONVERTERS

EASTERN CATALYTIC

APPLICATION GUIDE

OBD II

APPLICATION

Year	Eng. Size	Test Group/ Engine Family	Certification Level	Application	Location	Direct Fit Number	Exec. Order	Consol. Number	Exec. Order
Dodge (Cont.)									
Ram 1500 (Cont.)									
V8 (Cont.)									
1998	5.9L	WCRXA0360H31	LEV1 LEV	All	Underbody	912666	D-280-101	--	--
1998	5.9L	WCRXA0360H31	LEV1 LEV	All	Underbody	--	--	912013	D-280-101
1998	5.9L	WCRXA0360J11	TIER1	All	Underbody	912666	D-280-101	--	--
1998	5.9L	WCRXA0360J31	LEV1 LEV	All	Underbody	912666	D-280-101	--	--
1998	5.9L	WCRXA0360J31	LEV1 LEV	All	Underbody	--	--	912013	D-280-101
1997	5.9L	VCR360H8G1EL	TIER1	All	Underbody	912666	D-280-101	--	--
1997	5.9L	VCR360H8G1EL	TIER1	All	Underbody	--	--	912013	D-280-101
1997	5.9L	VCR360J8G1EK	TIER1	All	Underbody	912666	D-280-101	--	--
1997	5.9L	VCR360J8G1EK	TIER1	All	Underbody	--	--	912013	D-280-101
1997	5.9L	VCR360J8G1EL	TIER1	All	Underbody	912666	D-280-101	--	--
1997	5.9L	VCR360J8G1EL	TIER1	All	Underbody	--	--	912013	D-280-101
1997	5.9L	VCR360J8G1EL	TIER1	All	Underbody	--	--	912013	D-280-101
1996	5.9L	TCR360H8G1EK	TIER1	All	Underbody	912666	D-280-101	--	--
1996	5.9L	TCR360H8G1EK	TIER1	All	Underbody	--	--	912005	D-280-101
1996	5.9L	TCR360J8G1EK	TIER1	All	Underbody	912666	D-280-101	--	--
1996	5.9L	TCR360J8G1EK	TIER1	All	Underbody	--	--	912013	D-280-101
V10									
2006	8.3L	5CRXT08.36U0	LEV1 ULEV	All	Front Left	--	--	730006	D-280-107
2006	8.3L	5CRXT08.36U0	LEV1 ULEV	All	Front Right	--	--	730006	D-280-107
2006	8.3L	5CRXT08.36U0	LEV1 ULEV	All	Rear Left	--	--	737006	D-280-107
2006	8.3L	5CRXT08.36U0	LEV1 ULEV	All	Rear Left	--	--	733016	D-280-107
2006	8.3L	5CRXT08.36U0	LEV1 ULEV	All	Rear Right	--	--	737006	D-280-107
2006	8.3L	5CRXT08.36U0	LEV1 ULEV	All	Rear Right	--	--	733016	D-280-107
2005	8.3L	5CRXT08.36U0	LEV1 ULEV	All	Front Left	--	--	730006	D-280-107
2005	8.3L	5CRXT08.36U0	LEV1 ULEV	All	Front Right	--	--	730006	D-280-107
2005	8.3L	5CRXT08.36U0	LEV1 ULEV	All	Rear Left	--	--	737006	D-280-107
2005	8.3L	5CRXT08.36U0	LEV1 ULEV	All	Rear Left	--	--	733016	D-280-107
2005	8.3L	5CRXT08.36U0	LEV1 ULEV	All	Rear Right	--	--	737006	D-280-107
2005	8.3L	5CRXT08.36U0	LEV1 ULEV	All	Rear Right	--	--	733016	D-280-107
Ram 2500									
V8									
1996	5.2L	TCR360J8G1EK	TIER1	All	Underbody	912666	D-280-101	--	--
1996	5.2L	TCR360J8G1EK	TIER1	All	Underbody	--	--	912013	D-280-101
2006	5.7L	6CRXK0345370	LEV2 LEV	All	Underbody Left	739169	D-280-107	--	--
2006	5.7L	6CRXK0345370	LEV2 LEV	All	Underbody Left	--	--	732006	D-280-107
2006	5.7L	6CRXK0345370	LEV2 LEV	All	Underbody Right	739168	D-280-107	--	--
2006	5.7L	6CRXK0345370	LEV2 LEV	All	Underbody Right	--	--	732006	D-280-107
2005	5.7L	5CRXK0343370	LEV2 LEV	All	Underbody Left	739169	D-280-107	--	--
2005	5.7L	5CRXK0343370	LEV2 LEV	All	Underbody Left	--	--	732006	D-280-107
2005	5.7L	5CRXK0343370	LEV2 LEV	All	Underbody Right	739168	D-280-107	--	--
2005	5.7L	5CRXK0343370	LEV2 LEV	All	Underbody Right	--	--	732006	D-280-107
2004	5.7L	4CRXT05.77X0	LEV1 LEV	All	Underbody	--	--	910005R	D-280-101
2003	5.7L	3CRXT05.96B1	TIER1	All	Underbody	919918	D-280-101	--	--
2003	5.7L	3CRXT05.96B1	TIER1	All	Underbody	--	--	912036R	D-280-101
2002	5.9L	2CRXA0360J40	LEV1 ULEV	All	Front Left	--	--	736015	D-280-107
2002	5.9L	2CRXA0360J40	LEV1 ULEV	All	Front Right	--	--	736015	D-280-107
2002	5.9L	2CRXA0360J40	LEV1 ULEV	All	Underbody	--	--	736007	D-280-107
2001	5.9L	1CRXA0360J11	TIER1	All	Underbody	912198	D-280-101	--	--
2001	5.9L	1CRXA0360J11	TIER1	All	Underbody	--	--	912013	D-280-101
2001	5.9L	1CRXA0360J18	TIER1	4WD	Underbody	865513	D-665-14	--	--
2001	5.9L	1CRXA0360J41	LEV1 ULEV	All	Front Left	--	--	736015	D-280-107
2001	5.9L	1CRXA0360J41	LEV1 ULEV	All	Front Right	--	--	736015	D-280-107
2001	5.9L	1CRXA0360J41	LEV1 ULEV	All	Underbody	--	--	737007	D-280-107
2001	5.9L	1CRXA0360J41	LEV1 ULEV	All	Underbody	--	--	736007	D-280-107
2001	5.9L	1CRXA0360J41	LEV1 ULEV	All	Underbody	--	--	733017	D-280-107
2000	5.9L	YCRXA0360J11	TIER1	All	Underbody	912198	D-280-101	--	--
2000	5.9L	YCRXA0360J11	TIER1	All	Underbody	--	--	912013	D-280-101
1999	5.9L	XCRXA0360J11	TIER1	All	Underbody	912666	D-280-101	--	--
1999	5.9L	XCRXA0360J11	TIER1	All	Underbody	--	--	912013	D-280-101

Legal Note: In Compliance with California Emissions Requirements

APPLICATION GUIDE



OBD II

APPLICATION

Year	Eng. Size	Test Group/ Engine Family	Certification Level	Application	Location	Direct Fit Number	Exec. Order	Consol. Number	Exec. Order
Dodge (Cont.)									
Ram 2500 (Cont.)									
V8 (Cont.)									
1999	5.9L	XCRXA0360J31	LEV1 LEV	All	Underbody	912666	D-280-101	--	--
1999	5.9L	XCRXA0360J31	LEV1 LEV	All	Underbody	--	--	912013	D-280-101
1998	5.9L	WCRXA0360J11	TIER1	All	Underbody	912666	D-280-101	--	--
1998	5.9L	WCRXA0360J31	LEV1 LEV	All	Underbody	912666	D-280-101	--	--
1998	5.9L	WCRXA0360J31	LEV1 LEV	All	Underbody	--	--	912013	D-280-101
1997	5.9L	VCR360J8G1EK	TIER1	All	Underbody	912666	D-280-101	--	--
1997	5.9L	VCR360J8G1EK	TIER1	All	Underbody	--	--	912013	D-280-101
1997	5.9L	VCR360J8G1EL	TIER1	All	Underbody	912666	D-280-101	--	--
1997	5.9L	VCR360J8G1EL	TIER1	All	Underbody	--	--	912013	D-280-101
1996	5.9L	TCR360J8G1EK	TIER1	All	Underbody	912666	D-280-101	--	--
1996	5.9L	TCR360J8G1EK	TIER1	All	Underbody	--	--	912013	D-280-101
V10									
2002	8.0L	2CRXA0488J11	TIER1	All	Underbody Left	912936	D-280-101	--	--
2002	8.0L	2CRXA0488J11	TIER1	All	Underbody Left	--	--	912005	D-280-101
2002	8.0L	2CRXA0488J11	TIER1	All	Underbody Right	912936	D-280-101	--	--
2002	8.0L	2CRXA0488J11	TIER1	All	Underbody Right	--	--	912005	D-280-101
2001	8.0L	1CRXA0488J18	TIER1	All	Underbody Left	912936	D-280-101	--	--
2001	8.0L	1CRXA0488J18	TIER1	All	Underbody Left	--	--	912006	D-280-101
2001	8.0L	1CRXA0488J18	TIER1	All	Underbody Right	912936	D-280-101	--	--
2001	8.0L	1CRXA0488J18	TIER1	All	Underbody Right	--	--	912006	D-280-101
1999	8.0L	XCRXA0488J11	TIER1	All	Underbody Left	912936	D-280-101	--	--
1999	8.0L	XCRXA0488J11	TIER1	All	Underbody Left	--	--	912006	D-280-101
1999	8.0L	XCRXA0488J11	TIER1	All	Underbody Right	912936	D-280-101	--	--
1999	8.0L	XCRXA0488J11	TIER1	All	Underbody Right	--	--	912006	D-280-101
1998	8.0L	WCRXA0488J11	TIER1	All	Underbody Left	912936	D-280-101	--	--
1998	8.0L	WCRXA0488J11	TIER1	All	Underbody Left	--	--	912006	D-280-101
1998	8.0L	WCRXA0488J11	TIER1	All	Underbody Right	912936	D-280-101	--	--
1998	8.0L	WCRXA0488J11	TIER1	All	Underbody Right	--	--	912006	D-280-101
1997	8.0L	VCR488J8G1EK	TIER1	All	Underbody Left	912936	D-280-101	--	--
1997	8.0L	VCR488J8G1EK	TIER1	All	Underbody Left	--	--	912006	D-280-101
1997	8.0L	VCR488J8G1EK	TIER1	All	Underbody Right	912936	D-280-101	--	--
1997	8.0L	VCR488J8G1EK	TIER1	All	Underbody Right	--	--	912006	D-280-101
1996	8.0L	TCR488J8G1EK	TIER1	All	Underbody Left	912936	D-280-101	--	--
1996	8.0L	TCR488J8G1EK	TIER1	All	Underbody Left	--	--	912006	D-280-101
1996	8.0L	TCR488J8G1EK	TIER1	All	Underbody Right	912936	D-280-101	--	--
1996	8.0L	TCR488J8G1EK	TIER1	All	Underbody Right	--	--	912006	D-280-101
Ram 3500									
V8									
2006	5.7L	6CRXK0345470	LEV2 LEV	All	Underbody Left	739169	D-280-107	--	--
2006	5.7L	6CRXK0345470	LEV2 LEV	All	Underbody Left	--	--	732005	D-280-107
2006	5.7L	6CRXK0345470	LEV2 LEV	All	Underbody Right	739168	D-280-107	--	--
2006	5.7L	6CRXK0345470	LEV2 LEV	All	Underbody Right	--	--	732005	D-280-107
2005	5.7L	5CRXK0343470	LEV2 LEV	All	Underbody Left	739169	D-280-107	--	--
2005	5.7L	5CRXK0343470	LEV2 LEV	All	Underbody Left	--	--	732005	D-280-107
2005	5.7L	5CRXK0343470	LEV2 LEV	All	Underbody Right	739168	D-280-107	--	--
2005	5.7L	5CRXK0343470	LEV2 LEV	All	Underbody Right	--	--	737005	D-280-107
2005	5.7L	5CRXK0343470	LEV2 LEV	All	Underbody Right	--	--	732005	D-280-107
2004	5.7L	4CRXA0343U70	LEV2 LEV	All	Underbody Left	--	--	732005	D-280-107
2004	5.7L	4CRXA0343U70	LEV2 LEV	All	Underbody Right	--	--	732005	D-280-107
2004	5.7L	4CRXT05.77X0	LEV1 LEV	All	Underbody	--	--	910005R	D-280-101
2003	5.7L	3CRXT05.96B1	TIER1	All	Underbody	919918	D-280-101	--	--
2003	5.7L	3CRXT05.96B1	TIER1	All	Underbody	--	--	912037	D-280-101
2003	5.7L	3CRXT05.96B1	TIER1	All	Underbody	--	--	912036R	D-280-101
2002	5.9L	2CRXA0360J10	TIER1	All	Underbody	912018	D-280-101	--	--
2002	5.9L	2CRXA0360J10	TIER1	All	Underbody	--	--	912013	D-280-101
2002	5.9L	2CRXA0360K10	TIER1	All	Underbody	912018	D-280-101	--	--
2002	5.9L	2CRXA0360K10	TIER1	All	Underbody	--	--	912013	D-280-101

Legal Note: In Compliance with California Emissions Requirements



CATCO
CATALYTIC CONVERTERS

EASTERN CATALYTIC

APPLICATION GUIDE

OBD II

APPLICATION

Year	Eng. Size	Test Group/ Engine Family	Certification Level	Application	Location	Direct Fit Number	Exec. Order	Consol. Number	Exec. Order
Dodge (Cont.)									
Ram 3500 (Cont.)									
V8 (Cont.)									
2001	5.9L	1CRXA0360J11	TIER1	All	Underbody	912198	D-280-101	--	--
2001	5.9L	1CRXA0360J11	TIER1	All	Underbody	--	--	912013	D-280-101
2001	5.9L	1CRXA0360J18	TIER1	4WD	Underbody	865513	D-665-14	--	--
2001	5.9L	1CRXA0360J41	LEV1 ULEV	All	Front Left	--	--	736015	D-280-107
2001	5.9L	1CRXA0360J41	LEV1 ULEV	All	Front Right	--	--	736015	D-280-107
2001	5.9L	1CRXA0360J41	LEV1 ULEV	All	Underbody	--	--	737007	D-280-107
2001	5.9L	1CRXA0360K11	TIER1	All	Underbody	912198	D-280-101	--	--
2001	5.9L	1CRXA0360K11	TIER1	All	Underbody	--	--	912013	D-280-101
2001	5.9L	1CRXA0360K18	TIER1	4WD	Underbody	865513	D-665-14	--	--
2001	5.9L	1CRXA0360K41	LEV1 ULEV	All	Front Left	--	--	736015	D-280-107
2001	5.9L	1CRXA0360K41	LEV1 ULEV	All	Front Right	--	--	736015	D-280-107
2001	5.9L	1CRXA0360K41	LEV1 ULEV	All	Underbody	--	--	736007	D-280-107
2000	5.9L	YCRXA0360J11	TIER1	All	Underbody	912198	D-280-101	--	--
2000	5.9L	YCRXA0360J11	TIER1	All	Underbody	--	--	912013	D-280-101
1999	5.9L	XCRXA0360J11	TIER1	All	Underbody	912666	D-280-101	--	--
1999	5.9L	XCRXA0360J11	TIER1	All	Underbody	--	--	912013	D-280-101
1999	5.9L	XCRXA0360J31	LEV1 LEV	All	Underbody	912666	D-280-101	--	--
1999	5.9L	XCRXA0360J31	LEV1 LEV	All	Underbody	--	--	912013	D-280-101
1998	5.9L	WCRXA0360J11	TIER1	Cab & Chassis	Underbody	912666	D-280-101	--	--
1998	5.9L	WCRXA0360J11	TIER1	All	Underbody	--	--	912013	D-280-101
1998	5.9L	WCRXA0360J31	LEV1 LEV	All	Underbody	--	--	912013	D-280-101
1998	5.9L	WCRXA0360J31	LEV1 LEV	Cab & Chassis	Underbody	912666	D-280-101	--	--
1997	5.9L	VCR360J8G1EK	TIER1	All	Underbody	--	--	912013	D-280-101
1997	5.9L	VCR360J8G1EK	TIER1	Cab & Chassis	Underbody	912666	D-280-101	--	--
1997	5.9L	VCR360J8G1EL	TIER1	All	Underbody	--	--	912013	D-280-101
1997	5.9L	VCR360J8G1EL	TIER1	Cab & Chassis	Underbody	912666	D-280-101	--	--
1996	5.9L	TCR360J8G1EK	TIER1	All	Underbody	912666	D-280-101	--	--
1996	5.9L	TCR360J8G1EK	TIER1	All	Underbody	--	--	912013	D-280-101
V10									
2002	8.0L	2CRXA0488J11	TIER1	All	Underbody	912936	D-280-101	--	--
2002	8.0L	2CRXA0488J11	TIER1	All	Underbody	--	--	912005R	D-280-101
2002	8.0L	2CRXA0488J11	TIER1	All	Underbody	--	--	912005	D-280-101
2002	8.0L	2CRXA0488K11	TIER1	All	Underbody	912936	D-280-101	--	--
2002	8.0L	2CRXA0488K11	TIER1	All	Underbody	--	--	912005R	D-280-101
2002	8.0L	2CRXA0488K11	TIER1	All	Underbody	--	--	912005	D-280-101
2001	8.0L	1CRXA0488J18	TIER1	All	Underbody	912936	D-280-101	--	--
2001	8.0L	1CRXA0488J18	TIER1	All	Underbody	--	--	912006	D-280-101
2001	8.0L	1CRXA0488K18	TIER1	All	Underbody	912936	D-280-101	--	--
2001	8.0L	1CRXA0488K18	TIER1	All	Underbody	--	--	912006	D-280-101
2000	8.0L	YCRXA0488K11	TIER1	All	Underbody Left	912936	D-280-101	--	--
2000	8.0L	YCRXA0488K11	TIER1	All	Underbody Left	--	--	912036R	D-280-101
2000	8.0L	YCRXA0488K11	TIER1	All	Underbody Left	--	--	912006	D-280-101
2000	8.0L	YCRXA0488K11	TIER1	All	Underbody Right	912936	D-280-101	--	--
2000	8.0L	YCRXA0488K11	TIER1	All	Underbody Right	--	--	912036R	D-280-101
2000	8.0L	YCRXA0488K11	TIER1	All	Underbody Right	--	--	912006	D-280-101
1999	8.0L	XCRXA0488J11	TIER1	All	Underbody	912936	D-280-101	--	--
1999	8.0L	XCRXA0488J11	TIER1	All	Underbody	--	--	912006	D-280-101
1998	8.0L	WCRXA0488J11	TIER1	All	Underbody	912936	D-280-101	--	--
1998	8.0L	WCRXA0488J11	TIER1	All	Underbody Left	--	--	912006	D-280-101
1998	8.0L	WCRXA0488J11	TIER1	All	Underbody Right	--	--	912006	D-280-101
1997	8.0L	VCR488J8G1EK	TIER1	All	Underbody	912936	D-280-101	--	--
1997	8.0L	VCR488J8G1EK	TIER1	All	Underbody Left	--	--	912006	D-280-101
1996	8.0L	TCR488J8G1EK	TIER1	All	Underbody	912936	D-280-101	--	--
1996	8.0L	TCR488J8G1EK	TIER1	All	Underbody Left	--	--	912006	D-280-101
1996	8.0L	TCR488J8G1EK	TIER1	All	Underbody Right	--	--	912006	D-280-101
1996	8.0L	TCR488K8G1EK	TIER1	All	Underbody	912936	D-280-101	--	--

Legal Note: In Compliance with California Emissions Requirements

APPLICATION GUIDE



OBD II

APPLICATION

Year	Eng. Size	Test Group/ Engine Family	Certification Level	Application	Location	Direct Fit Number	Exec. Order	Consol. Number	Exec. Order
Ram 1500 Van									
V6									
2003	3.9L	3CRXT03.95B0	TIER1	All	Underbody	912018	D-280-101	--	--
2003	3.9L	3CRXT03.95B0	TIER1	All	Underbody	--	--	912013	D-280-101
2002	3.9L	2CRXT03.95B0	TIER1	2WD	Underbody	912018	D-280-101	--	--
2002	3.9L	2CRXT03.95B0	TIER1	2WD	Underbody	--	--	912036R	D-280-101
2002	3.9L	2CRXT03.95B0	TIER1	2WD	Underbody	--	--	912006R	D-280-101
2002	3.9L	2CRXT03.95B0	TIER1	2WD	Underbody	--	--	912006	D-280-101
2001	3.9L	1CRXT03.95B2	TIER1	2WD	Underbody	912018	D-280-101	--	--
2001	3.9L	1CRXT03.95B2	TIER1	2WD	Underbody	--	--	912013	D-280-101
2000	3.9L	YCRXA0239H11	TIER1	2WD	Underbody	912018	D-280-101	--	--
1999	3.9L	XCRXA0239H11	TIER1	2WD	Underbody	912018	D-280-101	--	--
V8									
2003	5.2L	3CRXT05.95B0	TIER1	All	Underbody	912018	D-280-101	--	--
2003	5.2L	3CRXT05.95B0	TIER1	All	Underbody	--	--	912013	D-280-101
2003	5.2L	3CRXT05.96B0	TIER1	All	Underbody	912018	D-280-101	--	--
2003	5.2L	3CRXT05.96B0	TIER1	All	Underbody	--	--	912013	D-280-101
2002	5.2L	2CRXA0360J10	TIER1	All	Underbody	912018	D-280-101	--	--
2002	5.2L	2CRXA0360J10	TIER1	All	Underbody	--	--	912013	D-280-101
2002	5.2L	2CRXT05.95B0	TIER1	2WD	Underbody	912018	D-280-101	--	--
2001	5.2L	1CRXA0360J11	TIER1	All	Underbody	912018	D-280-101	--	--
2001	5.2L	1CRXA0360J11	TIER1	All	Underbody	--	--	912013	D-280-101
2001	5.2L	1CRXT05.95B1	TIER1	All	Underbody	912018	D-280-101	--	--
2001	5.2L	1CRXT05.95B1	TIER1	All	Underbody	--	--	912013	D-280-101
2000	5.2L	YCRXA0360H11	TIER1	All	Underbody	912018	D-280-101	--	--
2000	5.2L	YCRXA0360H11	TIER1	All	Underbody	--	--	912013	D-280-101
2000	5.2L	YCRXA0360J11	TIER1	All	Underbody	912018	D-280-101	--	--
2000	5.2L	YCRXA0360J11	TIER1	All	Underbody	--	--	912013	D-280-101
1999	5.2L	XCRXA0318H11	TIER1	All	Underbody	912018	D-280-101	--	--
1999	5.2L	XCRXA0318H11	TIER1	All	Underbody	--	--	912013	D-280-101
1999	5.2L	XCRXA0360J11	TIER1	All	Underbody	912018	D-280-101	--	--
1999	5.2L	XCRXA0360J11	TIER1	All	Underbody	--	--	912013	D-280-101
1999	5.2L	XCRXA0360J31	LEV1 LEV	All	Underbody	640505	D-665-18	--	--
2003	5.9L	3CRXT05.95B0	TIER1	All	Underbody	912018	D-280-101	--	--
2003	5.9L	3CRXT05.95B0	TIER1	All	Underbody	--	--	912013	D-280-101
2003	5.9L	3CRXT05.96B0	TIER1	All	Underbody	912018	D-280-101	--	--
2003	5.9L	3CRXT05.96B0	TIER1	All	Underbody	--	--	912013	D-280-101
2002	5.9L	2CRXA0360H41	LEV1 ULEV	All	Front Left	--	--	735104	D-280-107
2002	5.9L	2CRXA0360H41	LEV1 ULEV	All	Front Right	--	--	735104	D-280-107
2002	5.9L	2CRXA0360H41	LEV1 ULEV	All	Underbody	--	--	736007	D-280-107
2002	5.9L	2CRXA0360J40	LEV1 ULEV	All	Front Left	--	--	735104	D-280-107
2002	5.9L	2CRXA0360J40	LEV1 ULEV	All	Front Right	--	--	735104	D-280-107
2002	5.9L	2CRXA0360J40	LEV1 ULEV	All	Underbody	--	--	736007	D-280-107
2002	5.9L	2CRXT05.95B0	TIER1	2WD	Underbody	912018	D-280-101	--	--
2001	5.9L	1CRXA0360H41	LEV1 ULEV	All	Front Left	--	--	735104	D-280-107
2001	5.9L	1CRXA0360H41	LEV1 ULEV	All	Front Right	--	--	735104	D-280-107
2001	5.9L	1CRXA0360H41	LEV1 ULEV	All	Underbody	--	--	736007	D-280-107
2001	5.9L	1CRXA0360J11	TIER1	All	Underbody	--	--	912013	D-280-101
2001	5.9L	1CRXA0360J11	TIER1	All	Underbody	912018	D-280-101	--	--
2001	5.9L	1CRXA0360J41	LEV1 ULEV	All	Front Left	--	--	735104	D-280-107
2001	5.9L	1CRXA0360J41	LEV1 ULEV	All	Front Right	--	--	735104	D-280-107
2001	5.9L	1CRXA0360J41	LEV1 ULEV	All	Underbody	--	--	736007	D-280-107
2001	5.9L	1CRXT05.95B1	TIER1	All	Underbody	912018	D-280-101	--	--
2001	5.9L	1CRXT05.95B1	TIER1	All	Underbody	--	--	912013	D-280-101
2000	5.9L	YCRXA0360H11	TIER1	All	Underbody	912018	D-280-101	--	--
2000	5.9L	YCRXA0360H11	TIER1	All	Underbody	--	--	912013	D-280-101
2000	5.9L	YCRXA0360J11	TIER1	All	Underbody	912018	D-280-101	--	--
2000	5.9L	YCRXA0360J11	TIER1	All	Underbody	--	--	912013	D-280-101
1999	5.9L	XCRXA0360J11	TIER1	All	Underbody	912018	D-280-101	--	--
1999	5.9L	XCRXA0360J11	TIER1	All	Underbody	--	--	912013	D-280-101
1999	5.9L	XCRXA0360J31	LEV1 LEV	All	Underbody	912018	D-280-101	--	--
1999	5.9L	XCRXA0360J31	LEV1 LEV	All	Underbody	--	--	912013	D-280-101

Legal Note: In Compliance with California Emissions Requirements



CATCO
CATALYTIC CONVERTERS

EASTERN CATALYTIC

APPLICATION GUIDE

OBD II

APPLICATION

Year	Eng. Size	Test Group/ Engine Family	Certification Level	Application	Location	Direct Fit Number	Exec. Order	Consol. Number	Exec. Order
Dodge (Cont.)									
Ram 2500 Van									
V8									
2003	5.2L	3CRXT05.96B0	TIER1	All	Underbody	912018	D-280-101	--	--
2003	5.2L	3CRXT05.96B0	TIER1	All	Underbody	--	--	912013	D-280-101
2002	5.2L	2CRXA0360J10	TIER1	All	Underbody	912018	D-280-101	--	--
2002	5.2L	2CRXA0360J10	TIER1	All	Underbody	--	--	912013	D-280-101
2001	5.2L	1CRXA0360J11	TIER1	All	Underbody	912018	D-280-101	--	--
2000	5.2L	YCRXA0360J11	TIER1	All	Underbody	912018	D-280-101	--	--
2000	5.2L	YCRXA0360J11	TIER1	All	Underbody	--	--	912013	D-280-101
1999	5.2L	XCRXA0360J11	TIER1	All	Underbody	912018	D-280-101	--	--
1999	5.2L	XCRXA0360J11	TIER1	All	Underbody	--	--	912013	D-280-101
1999	5.2L	XCRXA0360J31	LEV1 LEV	All	Underbody	640505	D-665-18	--	--
2003	5.9L	3CRXT05.96B0	TIER1	All	Underbody	912018	D-280-101	--	--
2003	5.9L	3CRXT05.96B0	TIER1	All	Underbody	--	--	912013	D-280-101
2002	5.9L	2CRXA0360J10	TIER1	All	Underbody	912018	D-280-101	--	--
2002	5.9L	2CRXA0360J10	TIER1	All	Underbody	--	--	912013	D-280-101
2002	5.9L	2CRXA0360J40	LEV1 ULEV	All	Front Left	--	--	735104	D-280-107
2002	5.9L	2CRXA0360J40	LEV1 ULEV	All	Front Right	--	--	735104	D-280-107
2002	5.9L	2CRXA0360J40	LEV1 ULEV	All	Underbody	--	--	736007	D-280-107
2001	5.9L	1CRXA0360J11	TIER1	All	Underbody	912018	D-280-101	--	--
2001	5.9L	1CRXA0360J41	LEV1 ULEV	All	Front Left	--	--	739104	D-280-107
2001	5.9L	1CRXA0360J41	LEV1 ULEV	All	Front Right	--	--	739104	D-280-107
2001	5.9L	1CRXA0360J41	LEV1 ULEV	All	Underbody	--	--	736007	D-280-107
2000	5.9L	YCRXA0360J11	TIER1	All	Underbody	912018	D-280-101	--	--
2000	5.9L	YCRXA0360J11	TIER1	All	Underbody	--	--	912013	D-280-101
1999	5.9L	XCRXA0360J11	TIER1	All	Underbody	912018	D-280-101	--	--
1999	5.9L	XCRXA0360J11	TIER1	All	Underbody	--	--	912013	D-280-101
1999	5.9L	XCRXA0360J31	LEV1 LEV	All	Underbody	912018	D-280-101	--	--
1999	5.9L	XCRXA0360J31	LEV1 LEV	All	Underbody	--	--	912013	D-280-101
Ram 3500 Van									
V8									
2003	5.2L	3CRXT05.96B0	TIER1	All	Underbody	912018	D-280-101	--	--
2003	5.2L	3CRXT05.96B0	TIER1	All	Underbody	--	--	912013	D-280-101
2002	5.2L	2CRXA0360J10	TIER1	All	Underbody	912018	D-280-101	--	--
2002	5.2L	2CRXA0360J10	TIER1	All	Underbody	--	--	912013	D-280-101
2001	5.2L	1CRXA0360J11	TIER1	All	Underbody	912018	D-280-101	--	--
2001	5.2L	1CRXA0360J11	TIER1	All	Underbody	--	--	912013	D-280-101
2000	5.2L	YCRXA0360J11	TIER1	All	Underbody	912018	D-280-101	--	--
2000	5.2L	YCRXA0360J11	TIER1	All	Underbody	--	--	912013	D-280-101
1999	5.2L	XCRXA0360J11	TIER1	All	Underbody	912018	D-280-101	--	--
1999	5.2L	XCRXA0360J11	TIER1	All	Underbody	--	--	912013	D-280-101
1999	5.2L	XCRXA0360J31	LEV1 LEV	All	Underbody	640505	D-665-18	--	--
2003	5.9L	3CRXT05.96B0	TIER1	All	Underbody	912018	D-280-101	--	--
2003	5.9L	3CRXT05.96B0	TIER1	All	Underbody	--	--	912013	D-280-101
2002	5.9L	2CRXA0360J10	TIER1	All	Underbody	912018	D-280-101	--	--
2002	5.9L	2CRXA0360J10	TIER1	All	Underbody	--	--	912013	D-280-101
2002	5.9L	2CRXA0360J40	LEV1 ULEV	All	Front Left	--	--	735104	D-280-107
2002	5.9L	2CRXA0360J40	LEV1 ULEV	All	Front Right	--	--	735104	D-280-107
2002	5.9L	2CRXA0360J40	LEV1 ULEV	All	Underbody	--	--	736007	D-280-107
2001	5.9L	1CRXA0360J11	TIER1	All	Underbody	--	--	912013	D-280-101
2001	5.9L	1CRXA0360J11	TIER1	All	Underbody	912018	D-280-101	--	--
2001	5.9L	1CRXA0360J41	LEV1 ULEV	All	Front Left	--	--	739104	D-280-107
2001	5.9L	1CRXA0360J41	LEV1 ULEV	All	Front Left	--	--	735104	D-280-107
2001	5.9L	1CRXA0360J41	LEV1 ULEV	All	Front Right	--	--	739104	D-280-107
2001	5.9L	1CRXA0360J41	LEV1 ULEV	All	Front Right	--	--	735104	D-280-107
2001	5.9L	1CRXA0360J41	LEV1 ULEV	All	Underbody	--	--	736007	D-280-107
2001	5.9L	1CRXA0360K11	TIER1	All	Underbody	640518	D-665-18	--	--
2001	5.9L	1CRXA0360K18	TIER1	All	Underbody	640518	D-665-18	--	--

Legal Note: In Compliance with California Emissions Requirements

APPLICATION GUIDE



OBD II

APPLICATION

Year	Eng. Size	Test Group/ Engine Family	Certification Level	Application	Location	Direct Fit Number	Exec. Order	Consol. Number	Exec. Order
Dodge (Cont.)									
Ram 3500 Van (Cont.)									
V8 (Cont.)									
2001	5.9L	1CRXA0360K41	LEV1 ULEV	All	Front Left	--	--	739104	D-280-107
2001	5.9L	1CRXA0360K41	LEV1 ULEV	All	Front Left	--	--	735104	D-280-107
2001	5.9L	1CRXA0360K41	LEV1 ULEV	All	Front Right	--	--	739104	D-280-107
2001	5.9L	1CRXA0360K41	LEV1 ULEV	All	Front Right	--	--	735104	D-280-107
2001	5.9L	1CRXA0360K41	LEV1 ULEV	All	Underbody	--	--	736007	D-280-107
2000	5.9L	YCRXA0360J11	TIER1	All	Underbody	912018	D-280-101	--	--
2000	5.9L	YCRXA0360J11	TIER1	All	Underbody	--	--	912013	D-280-101
1999	5.9L	XCRXA0360J11	TIER1	All	Underbody	912018	D-280-101	--	--
1999	5.9L	XCRXA0360J11	TIER1	All	Underbody	--	--	912013	D-280-101
1999	5.9L	XCRXA0360J31	LEV1 LEV	All	Underbody	912018	D-280-101	--	--
1999	5.9L	XCRXA0360J31	LEV1 LEV	All	Underbody	--	--	912013	D-280-101
Stealth									
V6									
1996	3.0L	TMT3.0V8GFEK	TIER1	All	Underbody	809541	D-665-23	--	--
1996	3.0L	TMT3.0VJGFEK	TIER1	All	Underbody	809541	D-665-23	--	--
1996	3.0L	TMT3.0VJGFFK	TIER1	All	Underbody	809541	D-665-23	--	--
Stratus									
L4									
2000	2.0L	YCRXV0122V31	LEV1 LEV	All	Underbody	942225	D-280-100	--	--
2000	2.0L	YCRXV0122V31	LEV1 LEV	All	Underbody	--	--	940335	D-280-100
2000	2.0L	YCRXV02.0VB1	TIER1	All	Underbody	942225	D-280-100	--	--
2000	2.0L	YCRXV02.0VB1	TIER1	All	Underbody	--	--	940335	D-280-100
1999	2.0L	XCRXV0122V30	LEV1 LEV	All	Underbody	942225	D-280-100	--	--
1999	2.0L	XCRXV0122V30	LEV1 LEV	All	Underbody	--	--	940335	D-280-100
1999	2.0L	XCRXV02.0VB1	TIER1	All	Underbody	942225	D-280-100	--	--
1999	2.0L	XCRXV02.0VB1	TIER1	All	Underbody	--	--	940335	D-280-100
1998	2.0L	WCRXV0122V30	LEV1 LEV	All	Underbody	942225	D-280-100	--	--
1998	2.0L	WCRXV0122V30	LEV1 LEV	All	Underbody	--	--	940335	D-280-100
1998	2.0L	WCRXV02.0VB1	TIER1	All	Underbody	942225	D-280-100	--	--
1998	2.0L	WCRXV02.0VB1	TIER1	All	Underbody	--	--	940335	D-280-100
1997	2.0L	VCR122VJG1EK	TIER1	All	Underbody	942128	D-280-100	--	--
1997	2.0L	VCR122VJG1EK	TIER1	All	Underbody	--	--	940336	D-280-100
1996	2.0L	TCR122VJG1EK	TIER1	All	Underbody	942128	D-280-100	--	--
1996	2.0L	TCR122VJG1EK	TIER1	All	Underbody	--	--	940336	D-280-100
2006	2.4L	6CRXV0148M80	LEV2 ULEV	All	Underbody	764275	D-280-105	--	--
2006	2.4L	6CRXV0148M80	LEV2 ULEV	All	Underbody	--	--	760015	D-280-105
2005	2.4L	5CRXV02.4VE0	LEV2 LEV	All	Underbody	764275	D-280-105	--	--
2005	2.4L	5CRXV02.4VE0	LEV2 LEV	All	Underbody	--	--	760015	D-280-105
2005	2.4L	5DSXV02.4GBB	LEV1 LEV	All	Front	751082	D-280-102	--	--
2005	2.4L	5DSXV02.4GBB	LEV1 LEV	All	Front	--	--	942564	D-280-100
2005	2.4L	5DSXV02.4GBB	LEV1 LEV	All	Rear	942032P	D-280-100	--	--
2005	2.4L	5DSXV02.4GBB	LEV1 LEV	All	Rear	--	--	940104	D-280-100
2005	2.4L	5DSXV02.4GBB	LEV1 LEV	All	Underbody	754332	D-280-102	--	--
2005	2.4L	5DSXV02.4GBB	LEV1 LEV	All	Underbody	--	--	755005	D-280-102
2004	2.4L	4CRXV02.4VE0	LEV2 LEV	All	Underbody	764275	D-280-105	--	--
2004	2.4L	4CRXV02.4VE0	LEV2 LEV	All	Underbody	--	--	760015	D-280-105
2004	2.4L	4CRXV02.4VM0	LEV1 LEV	All	Underbody	944275	D-280-100	--	--
2004	2.4L	4CRXV02.4VM0	LEV1 LEV	All	Underbody	--	--	940101	D-280-100
2004	2.4L	4DSXV02.4G2G	LEV1 ULEV	All	Front	751082	D-280-102	--	--
2004	2.4L	4DSXV02.4G2G	LEV1 ULEV	All	Underbody	754332	D-280-102	--	--
2004	2.4L	4DSXV02.4G2G	LEV1 ULEV	All	Underbody	--	--	755004	D-280-102
2004	2.4L	4DSXV02.4GBB	LEV1 LEV	All	Front	751082	D-280-102	--	--
2004	2.4L	4DSXV02.4GBB	LEV1 LEV	All	Front	--	--	942564	D-280-100
2004	2.4L	4DSXV02.4GBB	LEV1 LEV	All	Rear	942032P	D-280-100	--	--
2004	2.4L	4DSXV02.4GBB	LEV1 LEV	All	Rear	--	--	940104	D-280-100
2004	2.4L	4DSXV02.4GBB	LEV1 LEV	All	Underbody	754332	D-280-102	--	--
2004	2.4L	4DSXV02.4GBB	LEV1 LEV	All	Underbody	--	--	755004	D-280-102

Legal Note: In Compliance with California Emissions Requirements



CATCO
CATALYTIC CONVERTERS

EASTERN CATALYTIC

APPLICATION GUIDE

OBD II

APPLICATION

Year	Eng. Size	Test Group/ Engine Family	Certification Level	Application	Location	Direct Fit Number	Exec. Order	Consol. Number	Exec. Order
Dodge (Cont.)									
Stratus (Cont.)									
L4 (Cont.)									
2003	2.4L	3CRXV02.4VD0	LEV1 LEV	All	Underbody	942275	D-280-100	--	--
2003	2.4L	3CRXV02.4VD0	LEV1 LEV	All	Underbody	--	--	940101	D-280-100
2003	2.4L	3DSXV02.4G3S	LEV1 ULEV	All	Front	751082	D-280-102	--	--
2003	2.4L	3DSXV02.4G3S	LEV1 ULEV	All	Underbody	754332	D-280-102	--	--
2003	2.4L	3DSXV02.4G3S	LEV1 ULEV	All	Underbody	--	--	755014	D-280-102
2003	2.4L	3DSXV02.4GNF	LEV1 LEV	All	Front	751082	D-280-102	--	--
2003	2.4L	3DSXV02.4GNF	LEV1 LEV	All	Front	--	--	942564	D-280-100
2003	2.4L	3DSXV02.4GNF	LEV1 LEV	All	Rear	942032P	D-280-100	--	--
2003	2.4L	3DSXV02.4GNF	LEV1 LEV	All	Rear	--	--	940104	D-280-100
2003	2.4L	3DSXV02.4GNF	LEV1 LEV	All	Underbody	754332	D-280-102	--	--
2003	2.4L	3DSXV02.4GNF	LEV1 LEV	All	Underbody	--	--	755004	D-280-102
2003	2.4L	3DSXV02.4GNS	LEV1 LEV	All	Front	751082	D-280-102	--	--
2003	2.4L	3DSXV02.4GNS	LEV1 LEV	All	Front	--	--	942564	D-280-100
2003	2.4L	3DSXV02.4GNS	LEV1 LEV	All	Rear	942032P	D-280-100	--	--
2003	2.4L	3DSXV02.4GNS	LEV1 LEV	All	Rear	--	--	940104	D-280-100
2003	2.4L	3DSXV02.4GNS	LEV1 LEV	All	Underbody	754332	D-280-102	--	--
2003	2.4L	3DSXV02.4GNS	LEV1 LEV	All	Underbody	--	--	755014	D-280-102
2002	2.4L	2CRXV02.4VD0	LEV1 LEV	All	Underbody	942275	D-280-100	--	--
2002	2.4L	2CRXV02.4VD0	LEV1 LEV	All	Underbody	--	--	940101	D-280-100
2002	2.4L	2DSXV02.4GNG	LEV1 LEV	All	Front	751082	D-280-102	--	--
2002	2.4L	2DSXV02.4GNG	LEV1 LEV	All	Front	--	--	942564	D-280-100
2002	2.4L	2DSXV02.4GNG	LEV1 LEV	All	Rear	942032P	D-280-100	--	--
2002	2.4L	2DSXV02.4GNG	LEV1 LEV	All	Rear	--	--	940104	D-280-100
2002	2.4L	2DSXV02.4GNG	LEV1 LEV	All	Underbody	754332	D-280-102	--	--
2002	2.4L	2DSXV02.4GNG	LEV1 LEV	All	Underbody	--	--	755014	D-280-102
2001	2.4L	1CRXV0148V40	LEV1 ULEV	All	Underbody	764275	D-280-105	--	--
2001	2.4L	1CRXV0148V40	LEV1 ULEV	All	Underbody	--	--	760015	D-280-105
2001	2.4L	1CRXV02.4VD0	LEV1 LEV	All	Underbody	942275	D-280-100	--	--
2001	2.4L	1CRXV02.4VD0	LEV1 LEV	All	Underbody	--	--	940101	D-280-100
2001	2.4L	1DSXV02.4GNG	LEV1 LEV	All	Front	751082	D-280-102	--	--
2001	2.4L	1DSXV02.4GNG	LEV1 LEV	All	Front	--	--	942564	D-280-100
2001	2.4L	1DSXV02.4GNG	LEV1 LEV	All	Rear	942032P	D-280-100	--	--
2001	2.4L	1DSXV02.4GNG	LEV1 LEV	All	Rear	--	--	940104	D-280-100
2001	2.4L	1DSXV02.4GNG	LEV1 LEV	All	Underbody	754332	D-280-102	--	--
2001	2.4L	1DSXV02.4GNG	LEV1 LEV	All	Underbody	--	--	755014	D-280-102
2000	2.4L	YCRXV0148V30	LEV1 LEV	All	Underbody	942859	D-280-100	--	--
2000	2.4L	YCRXV0148V30	LEV1 LEV	All	Underbody	--	--	940335	D-280-100
1999	2.4L	XCRXV0148V30	TLEV	All	Underbody	942859	D-280-100	--	--
1999	2.4L	XCRXV0148V30	TLEV	All	Underbody	--	--	940335	D-280-100
1998	2.4L	WCRXV0148V20	TLEV	All	Underbody	942859	D-280-100	--	--
1998	2.4L	WCRXV0148V20	TLEV	All	Underbody	--	--	940335	D-280-100
1997	2.4L	VCR148VJG1EK	TIER1	All	Underbody	942859	D-280-100	--	--
1997	2.4L	VCR148VJG1EK	TIER1	All	Underbody	--	--	940335	D-280-100
1996	2.4L	TCR148VJG1EK	TIER1	All	Underbody	942859	D-280-100	--	--
1996	2.4L	TCR148VJG1EK	TIER1	All	Underbody	--	--	940335	D-280-100
V6									
2000	2.5L	YCRXV0152V20	TLEV	All	Underbody	942859	D-280-100	--	--
2000	2.5L	YCRXV0152V20	TLEV	All	Underbody	--	--	940335	D-280-100
1999	2.5L	XCRXV0152V20	TLEV	All	Underbody	942859	D-280-100	--	--
1999	2.5L	XCRXV0152V20	TLEV	All	Underbody	--	--	940335	D-280-100
1998	2.5L	WCRXV0152V20	TLEV	All	Underbody	942859	D-280-100	--	--
1998	2.5L	WCRXV0152V20	TLEV	All	Underbody	--	--	940335	D-280-100
1997	2.5L	VCR152VJG1EK	TIER1	All	Underbody	942859	D-280-100	--	--
1997	2.5L	VCR152VJG1EK	TIER1	All	Underbody	--	--	940335	D-280-100
1996	2.5L	TCR152VJG1EK	TIER1	All	Underbody	942859	D-280-100	--	--
1996	2.5L	TCR152VJG1EK	TIER1	All	Underbody	--	--	940335	D-280-100
2006	2.7L	6CRXV0167M71	LEV2 LEV	All	Front	754142	D-280-102	--	--
2006	2.7L	6CRXV0167M71	LEV2 LEV	All	Rear	754143	D-280-102	--	--

APPLICATION GUIDE



OBD II

APPLICATION

Year	Eng. Size	Test Group/ Engine Family	Certification Level	Application	Location	Direct Fit Number	Exec. Order	Consol. Number	Exec. Order
Dodge (Cont.)									
Stratus (Cont.)									
V6 (Cont.)									
2005	2.7L	5CRXV02.7VE0	LEV1 ULEV	All	Front	754142	D-280-102	--	--
2005	2.7L	5CRXV02.7VE0	LEV1 ULEV	All	Rear	754143	D-280-102	--	--
2005	2.7L	5CRXV02.7VHP	LEV1 ULEV	All	Front	754142	D-280-102	--	--
2005	2.7L	5CRXV02.7VHP	LEV1 ULEV	All	Rear	754143	D-280-102	--	--
2004	2.7L	4CRXV02.7VH0	LEV1 ULEV	All	Front	754142	D-280-102	--	--
2004	2.7L	4CRXV02.7VH0	LEV1 ULEV	All	Rear	754143	D-280-102	--	--
2004	2.7L	4CRXV02.7VHP	LEV1 ULEV	All	Front	754142	D-280-102	--	--
2004	2.7L	4CRXV02.7VHP	LEV1 ULEV	All	Rear	754143	D-280-102	--	--
2003	2.7L	3CRXV02.7VD0	LEV1 LEV	All	Front	944142	D-280-100	--	--
2003	2.7L	3CRXV02.7VD0	LEV1 LEV	All	Front	754142	D-280-102	--	--
2003	2.7L	3CRXV02.7VD0	LEV1 LEV	All	Rear	944143	D-280-100	--	--
2003	2.7L	3CRXV02.7VD0	LEV1 LEV	All	Rear	754143	D-280-102	--	--
2003	2.7L	3CRXV02.7VDP	TLEV	All	Front	754142	D-280-102	--	--
2003	2.7L	3CRXV02.7VDP	TLEV	All	Rear	754143	D-280-102	--	--
2003	2.7L	3CRXV02.7VDP	LEV1 LEV	All	Front	944142	D-280-100	--	--
2003	2.7L	3CRXV02.7VDP	LEV1 LEV	All	Rear	944143	D-280-100	--	--
2002	2.7L	2CRXV02.7VD0	LEV1 LEV	All	Front	944142	D-280-100	--	--
2002	2.7L	2CRXV02.7VD0	LEV1 LEV	All	Front	754142	D-280-102	--	--
2002	2.7L	2CRXV02.7VD0	LEV1 LEV	All	Rear	944143	D-280-100	--	--
2002	2.7L	2CRXV02.7VD0	LEV1 LEV	All	Rear	754143	D-280-102	--	--
2001	2.7L	1CRXV03.5VD0	LEV1 LEV	All	Front	944142	D-280-100	--	--
2001	2.7L	1CRXV03.5VD0	LEV1 LEV	All	Front	754142	D-280-102	--	--
2001	2.7L	1CRXV03.5VD0	LEV1 LEV	All	Rear	944143	D-280-100	--	--
2001	2.7L	1CRXV03.5VD0	LEV1 LEV	All	Rear	754143	D-280-102	--	--
2005	3.0L	5DSXV03.0GBB	LEV1 LEV	All	Front	941094	D-280-100	--	--
2005	3.0L	5DSXV03.0GBB	LEV1 LEV	All	Front	751094	D-280-102	--	--
2005	3.0L	5DSXV03.0GBB	LEV1 LEV	All	Rear	941095	D-280-100	--	--
2005	3.0L	5DSXV03.0GBB	LEV1 LEV	All	Rear	751095	D-280-102	--	--
2005	3.0L	5DSXV03.0GBB	LEV1 LEV	All	Underbody	944393	D-280-100	--	--
2005	3.0L	5DSXV03.0GBB	LEV1 LEV	All	Underbody	754393	D-280-102	--	--
2005	3.0L	5DSXV03.0GBB	LEV1 LEV	All	Underbody	--	--	755005	D-280-102
2004	3.0L	4DSXV03.0GBB	LEV1 LEV	All	Front	941094	D-280-100	--	--
2004	3.0L	4DSXV03.0GBB	LEV1 LEV	All	Front	751094	D-280-102	--	--
2004	3.0L	4DSXV03.0GBB	LEV1 LEV	All	Rear	941095	D-280-100	--	--
2004	3.0L	4DSXV03.0GBB	LEV1 LEV	All	Rear	751095	D-280-102	--	--
2004	3.0L	4DSXV03.0GBB	LEV1 LEV	All	Underbody	944393	D-280-100	--	--
2004	3.0L	4DSXV03.0GBB	LEV1 LEV	All	Underbody	754393	D-280-102	--	--
2004	3.0L	4DSXV03.0GBB	LEV1 LEV	All	Underbody	--	--	755005	D-280-102
2003	3.0L	3DSXV03.0GNS	LEV1 LEV	All	Front	941094	D-280-100	--	--
2003	3.0L	3DSXV03.0GNS	LEV1 LEV	All	Front	751094	D-280-102	--	--
2003	3.0L	3DSXV03.0GNS	LEV1 LEV	All	Rear	941095	D-280-100	--	--
2003	3.0L	3DSXV03.0GNS	LEV1 LEV	All	Rear	751095	D-280-102	--	--
2003	3.0L	3DSXV03.0GNS	LEV1 LEV	All	Underbody	944393	D-280-100	--	--
2003	3.0L	3DSXV03.0GNS	LEV1 LEV	All	Underbody	754393	D-280-102	--	--
2003	3.0L	3DSXV03.0GNS	LEV1 LEV	All	Underbody	--	--	755005	D-280-102
2002	3.0L	2DSXV03.0GNF	LEV1 LEV	All	Front	941094	D-280-100	--	--
2002	3.0L	2DSXV03.0GNF	LEV1 LEV	All	Front	751094	D-280-102	--	--
2002	3.0L	2DSXV03.0GNF	LEV1 LEV	All	Rear	941095	D-280-100	--	--
2002	3.0L	2DSXV03.0GNF	LEV1 LEV	All	Rear	751095	D-280-102	--	--
2002	3.0L	2DSXV03.0GNF	LEV1 LEV	All	Underbody	944393	D-280-100	--	--
2002	3.0L	2DSXV03.0GNF	LEV1 LEV	All	Underbody	754393	D-280-102	--	--
2002	3.0L	2DSXV03.0GNF	LEV1 LEV	All	Underbody	--	--	755005	D-280-102
2002	3.0L	2DSXV03.0GNS	LEV1 LEV	All	Front	941094	D-280-100	--	--
2002	3.0L	2DSXV03.0GNS	LEV1 LEV	All	Front	751094	D-280-102	--	--
2002	3.0L	2DSXV03.0GNS	LEV1 LEV	All	Rear	941095	D-280-100	--	--
2002	3.0L	2DSXV03.0GNS	LEV1 LEV	All	Rear	751095	D-280-102	--	--
2002	3.0L	2DSXV03.0GNS	LEV1 LEV	All	Underbody	944393	D-280-100	--	--
2002	3.0L	2DSXV03.0GNS	LEV1 LEV	All	Underbody	754393	D-280-102	--	--
2002	3.0L	2DSXV03.0GNS	LEV1 LEV	All	Underbody	--	--	755005	D-280-102

Legal Note: In Compliance with California Emissions Requirements



CATCO
CATALYTIC CONVERTERS

EASTERN CATALYTIC

APPLICATION GUIDE

OBD II

APPLICATION

Year	Eng. Size	Test Group/ Engine Family	Certification Level	Application	Location	Direct Fit Number	Exec. Order	Consol. Number	Exec. Order
Dodge (Cont.)									
Stratus (Cont.)									
V6 (Cont.)									
2001	3.0L	1DSXV03.0GNG	LEV1 LEV	All	Front	941094	D-280-100	--	--
2001	3.0L	1DSXV03.0GNG	LEV1 LEV	All	Front	751094	D-280-102	--	--
2001	3.0L	1DSXV03.0GNG	LEV1 LEV	All	Rear	941095	D-280-100	--	--
2001	3.0L	1DSXV03.0GNG	LEV1 LEV	All	Rear	751095	D-280-102	--	--
2001	3.0L	1DSXV03.0GNG	LEV1 LEV	All	Underbody	944393	D-280-100	--	--
2001	3.0L	1DSXV03.0GNG	LEV1 LEV	All	Underbody	754393	D-280-102	--	--
2001	3.0L	1DSXV03.0GNG	LEV1 LEV	All	Underbody	--	--	755005	D-280-102
Viper									
V10									
2002	8.0L	2CRXT08.0VB1	TIER1	All	Underbody Left	--	--	761017	D-280-105
2002	8.0L	2CRXT08.0VB1	TIER1	All	Underbody Right	--	--	761017	D-280-105
2002	8.0L	2CRXV08.0VB1	TIER1	All	Underbody Left	--	--	940336	D-280-100
2002	8.0L	2CRXV08.0VB1	TIER1	All	Underbody Right	--	--	940336	D-280-100
2001	8.0L	1CRXV08.0VB1	TIER1	All	Underbody Left	--	--	940336	D-280-100
2001	8.0L	1CRXV08.0VB1	TIER1	All	Underbody Right	--	--	940336	D-280-100
2000	8.0L	YCRXV08.0VB1	TIER1	All	Underbody Left	--	--	940336	D-280-100
2000	8.0L	YCRXV08.0VB1	TIER1	All	Underbody Right	--	--	940336	D-280-100
1999	8.0L	XCRXV08.0VB1	TIER1	All	Underbody Left	--	--	940336	D-280-100
1999	8.0L	XCRXV08.0VB1	TIER1	All	Underbody Right	--	--	940336	D-280-100
1998	8.0L	WCRXV08.0VB1	TIER1	All	Underbody Left	--	--	940336	D-280-100
1998	8.0L	WCRXV08.0VB1	TIER1	All	Underbody Right	--	--	940336	D-280-100
1997	8.0L	VCR8.0V8GFKE	TIER1	All	Underbody Left	--	--	940336	D-280-100
1997	8.0L	VCR8.0V8GFKE	TIER1	All	Underbody Right	--	--	940336	D-280-100
1996	8.0L	TCR8.0V8GFKE	TIER1	All	Underbody Left	--	--	940336	D-280-100
1996	8.0L	TCR8.0V8GFKE	TIER1	All	Underbody Right	--	--	940336	D-280-100
2006	8.3L	6CRXV08.3VM0	LEV1 LEV	All	Underbody Left	--	--	940336	D-280-100
2006	8.3L	6CRXV08.3VM0	LEV1 LEV	All	Underbody Right	--	--	940336	D-280-100
2005	8.3L	5CRXV08.3VM0	LEV1 LEV	All	Underbody Left	--	--	940336	D-280-100
2005	8.3L	5CRXV08.3VM0	LEV1 LEV	All	Underbody Right	--	--	940336	D-280-100
2004	8.3L	4CRXV08.3VM0	LEV1 LEV	All	Underbody Left	--	--	940336	D-280-100
2004	8.3L	4CRXV08.3VM0	LEV1 LEV	All	Underbody Right	--	--	940336	D-280-100
2003	8.3L	3CRXV08.3VB1	TIER1	All	Underbody Left	--	--	940336	D-280-100
2003	8.3L	3CRXV08.3VB1	TIER1	All	Underbody Right	--	--	940336	D-280-100
Eagle									
Summit									
L4									
1996	1.5L	TMT1.5VJG2EK	TLEV	All	Front	--	--	940105	D-280-100
1996	1.5L	TMT1.5VJG2EK	TLEV	All	Rear	942377	D-280-100	--	--
1996	1.5L	TMT1.5VJG2EK	TLEV	All	Rear	--	--	940334	D-280-100
1996	1.8L	TMT1.8VJG2EK	TLEV	All	Front	--	--	940105	D-280-100
1996	1.8L	TMT1.8VJG2EK	TLEV	All	Rear	942377	D-280-100	--	--
1996	1.8L	TMT1.8VJG2EK	TLEV	All	Rear	--	--	940334	D-280-100
1996	2.4L	TMT2.4VJG2EK	TLEV	All	Front	--	--	940105	D-280-100
1996	2.4L	TMT2.4VJG2EK	TLEV	All	Rear	942377	D-280-100	--	--
1996	2.4L	TMT2.4VJG2EK	TLEV	All	Rear	--	--	940334	D-280-100
1996	2.4L	TMT2.4VJGKEK	TIER1	All	Rear	942377	D-280-100	--	--
1996	2.4L	TMT2.4VJGKEK	TIER1	All	Underbody	--	--	940334	D-280-100
Talon									
L4									
1998	2.0L	WDSXV02.0GBK	TIER1	All	Underbody	942359	D-280-100	--	--
1998	2.0L	WDSXV02.0GBK	TIER1	All	Underbody	--	--	940335	D-280-100
1998	2.0L	WDSXV02.0GBP	TIER1	All	Underbody	942359	D-280-100	--	--
1998	2.0L	WDSXV02.0GBP	TIER1	All	Underbody	--	--	940335	D-280-100
1997	2.0L	VDS2.0VJGFKEK	TIER1	All	Underbody	942359	D-280-100	--	--
1997	2.0L	VDS2.0VJGFKEK	TIER1	All	Underbody	--	--	940335	D-280-100
1997	2.0L	VDS2.0VJGKEK	TIER1	All	Underbody	942359	D-280-100	--	--
1997	2.0L	VDS2.0VJGKEK	TIER1	All	Underbody	--	--	940335	D-280-100

Legal Note: In Compliance with California Emissions Requirements

APPLICATION GUIDE



OBD II

APPLICATION

Year	Eng. Size	Test Group/ Engine Family	Certification Level	Application	Location	Direct Fit Number	Exec. Order	Consol. Number	Exec. Order
Eagle (Cont.)									
Talon (Cont.)									
L4 (Cont.)									
1996	2.0L	TDS2.0VJGFKEK	TIER1	All	Underbody	942359	D-280-100	--	--
1996	2.0L	TDS2.0VJGFKEK	TIER1	All	Underbody	--	--	940335	D-280-100
1996	2.0L	TDS2.0VJGFEL	TIER1	All	Underbody	942359	D-280-100	--	--
1996	2.0L	TDS2.0VJGFEL	TIER1	All	Underbody	--	--	940335	D-280-100
1995	2.0L	SDS2.0VJGFEA	TIER1	All	Underbody	942359	D-280-100	--	--
1995	2.0L	SDS2.0VJGFEA	TIER1	All	Underbody	--	--	940335	D-280-100
1995	2.0L	SDS2.0VJGFKEK	TIER1	All	Underbody	942359	D-280-100	--	--
1995	2.0L	SDS2.0VJGFKEK	TIER1	All	Underbody	--	--	940335	D-280-100
1995	2.0L	SDS2.0VJGFFK	TIER1	All	Underbody	630569	D-665-17	--	--
Vision									
V6									
1996	3.3L	TCR201V8G2EK	TLEV	All	Front Left	941090	D-280-100	--	--
1996	3.3L	TCR201V8G2EK	TLEV	All	Front Left	--	--	940335	D-280-100
1996	3.3L	TCR201V8G2EK	TLEV	All	Front Right	941091	D-280-100	--	--
1996	3.3L	TCR201V8G2EK	TLEV	All	Front Right	--	--	940335	D-280-100
1996	3.3L	TCR201V8G2EK	TLEV	All	Rear	944596	D-280-100	--	--
1996	3.3L	TCR201V8G2EK	TLEV	All	Rear	--	--	940638	D-280-100
1996	3.5L	TCR215VJG1EK	TIER1	All	Front Left	941047	D-280-100	--	--
1996	3.5L	TCR215VJG1EK	TIER1	All	Front Left	--	--	944182	D-280-100
1996	3.5L	TCR215VJG1EK	TIER1	All	Front Right	941046	D-280-100	--	--
1996	3.5L	TCR215VJG1EK	TIER1	All	Front Right	--	--	944182	D-280-100
1996	3.5L	TCR215VJG1EK	TIER1	All	Rear	944418	D-280-100	--	--
1996	3.5L	TCR215VJG1EK	TIER1	All	Rear	--	--	940637	D-280-100
Ford									
Aerostar									
V6									
1997	3.0L	VFM3.028G1GK	TIER1	All	Front	--	--	910004	D-280-101
1997	3.0L	VFM3.028G1GK	TIER1	All	Rear	--	--	910004	D-280-101
1997	3.0L	VFM3.028G1GK	TIER1	All	Underbody	919026	D-280-101	--	--
1996	3.0L	TFM3.028G1GK	TIER1	RWD	Underbody	830856	D-665-16	--	--
1996	3.0L	TFM3.028G1GK	TIER1	All	Front	--	--	910004	D-280-101
1996	3.0L	TFM3.028G1GK	TIER1	All	Rear	--	--	910004	D-280-101
1997	4.0L	VFM4.028G1GK	TIER1	All	Front	--	--	910004	D-280-101
1997	4.0L	VFM4.028G1GK	TIER1	All	Rear	--	--	910004	D-280-101
1997	4.0L	VFM4.028G1GK	TIER1	All	Underbody	919026	D-280-101	--	--
1996	4.0L	TFM4.028G1GK	TIER1	All	Front	--	--	910004	D-280-101
1996	4.0L	TFM4.028G1GK	TIER1	All	Rear	--	--	910004	D-280-101
1996	4.0L	TFM4.028G1GK	TIER1	All	Underbody	919026	D-280-101	--	--
Aspire									
L4									
1997	1.3L	VFM1.3V8G1EK	TIER1	All	Underbody	944649	D-280-100	--	--
1997	1.3L	VFM1.3V8G1EK	TIER1	All	Underbody	--	--	944182	D-280-100
1996	1.3L	TFM1.3V8G1EK	TIER1	All	Underbody	944649	D-280-100	--	--
1996	1.3L	TFM1.3V8G1EK	TIER1	All	Underbody	--	--	944182	D-280-100
Bronco									
V8									
1996	5.0L	TFM5.0H8G1EK	TIER1	4WD	Front	--	--	912006	D-280-101
1996	5.0L	TFM5.0H8G1EK	TIER1	4WD	Rear	--	--	912026	D-280-101
1996	5.0L	TFM5.0H8G1EK	TIER1	4WD	Underbody	912396	D-280-101	--	--
1996	5.8L	TFM5.8H8G1EK	TIER1	All	Underbody	651636	D-665-20	--	--
1996	5.8L	TFM5.8H8G1EK	TIER1	4WD	Underbody	830654	D-665-11	--	--
1996	5.8L	TFM5.8H8G1EK	TIER1	All	Front	--	--	912013	D-280-101
1996	5.8L	TFM5.8H8G1EK	TIER1	All	Rear	--	--	912026	D-280-101
1995	5.8L	SFM5.8H8G1EA	TIER1	All	Front	--	--	912013	D-280-101
1995	5.8L	SFM5.8H8G1EA	TIER1	All	Rear	--	--	912026	D-280-101

Legal Note: In Compliance with California Emissions Requirements



CATCO
CATALYTIC CONVERTERS

EASTERN CATALYTIC

APPLICATION GUIDE

OBD II

APPLICATION

Year	Eng. Size	Test Group/ Engine Family	Certification Level	Application	Location	Direct Fit Number	Exec. Order	Consol. Number	Exec. Order
Contour									
L4									
2000	2.0L	YFMXV02.0VDC	TLEV	Eng. Code 3	Underbody	942140	D-280-100	--	--
1999	2.0L	XFMXV02.0VDC	TLEV	Eng. Code 3	Underbody	942140	D-280-100	--	--
1998	2.0L	WFMXV02.0AFA	TIER1	Eng. Code 3	Underbody	942140	D-280-100	--	--
1998	2.0L	WFMXV02.0AGA	TLEV	Eng. Code 3	Underbody	942140	D-280-100	--	--
1997	2.0L	VFM2.0VJGIEK	TIER1	All	Underbody	942878	D-280-100	--	--
1996	2.0L	TFM2.0VJGIEK	TIER1	All	Underbody	942878	D-280-100	--	--
1995	2.0L	SFM2.0VJG1EA	TIER1	All	Underbody	942878	D-280-100	--	--
V6									
2000	2.5L	YFMXV02.5VBC	TIER1	M/T	Underbody	942860	D-280-100	--	--
2000	2.5L	YFMXV02.5VBC	TIER1	A/T	Underbody	942147	D-280-100	--	--
2000	2.5L	YFMXV02.5VBC	TIER1	All	Front	942012	D-280-100	--	--
2000	2.5L	YFMXV02.5VBC	TIER1	All	Rear	942011	D-280-100	--	--
2000	2.5L	YFMXV02.5VBC	TIER1	All	Underbody	--	--	940334	D-280-100
1999	2.5L	XFMXV02.5VBC	TIER1	M/T	Underbody	942860	D-280-100	--	--
1999	2.5L	XFMXV02.5AFA	TIER1	A/T	Underbody	942147	D-280-100	--	--
1999	2.5L	XFMXV02.5VBC	TIER1	All	Front	942012	D-280-100	--	--
1999	2.5L	XFMXV02.5VBC	TIER1	All	Rear	942011	D-280-100	--	--
1999	2.5L	XFMXV02.5VBC	TIER1	All	Underbody	--	--	940334	D-280-100
1998	2.5L	WFMXV02.5AFA	TIER1	M/T	Underbody	942860	D-280-100	--	--
1998	2.5L	WFMXV02.5AFA	TIER1	A/T	Underbody	942147	D-280-100	--	--
1998	2.5L	WFMXV02.5AFA	TIER1	All	Front	942012	D-280-100	--	--
1998	2.5L	WFMXV02.5AFA	TIER1	All	Rear	942011	D-280-100	--	--
1998	2.5L	WFMXV02.5AFA	TIER1	All	Underbody	--	--	940334	D-280-100
1997	2.5L	VFM2.5VJG1EK	TIER1	M/T	Underbody	942860	D-280-100	--	--
1997	2.5L	VFM2.5VJG1EK	TIER1	A/T	Underbody	942147	D-280-100	--	--
1997	2.5L	VFM2.5VJG1EK	TIER1	All	Front	942012	D-280-100	--	--
1997	2.5L	VFM2.5VJG1EK	TIER1	All	Rear	942011	D-280-100	--	--
1997	2.5L	VFM2.5VJG1EK	TIER1	All	Underbody	--	--	940334	D-280-100
1996	2.5L	TFM2.5VJG1EK	TIER1	M/T	Underbody	942860	D-280-100	--	--
1996	2.5L	TFM2.5VJG1EK	TIER1	A/T	Underbody	942147	D-280-100	--	--
1996	2.5L	TFM2.5VJG1EK	TIER1	All	Front	942012	D-280-100	--	--
1996	2.5L	TFM2.5VJG1EK	TIER1	All	Rear	942011	D-280-100	--	--
1996	2.5L	TFM2.5VJG1EK	TIER1	All	Underbody	--	--	940334	D-280-100
1995	2.5L	SFM2.5VJG1EA	TIER1	A/T	Underbody	868501	D-665-15	--	--
1995	2.5L	SFM2.5VJG1EA	TIER1	M/T	Underbody	868500	D-665-15	--	--
1995	2.5L	SFM2.5VJG1EA	TIER1	FWD	Front	867503	D-665-15	--	--
1995	2.5L	SFM2.5VJG1EA	TIER1	FWD	Rear	867500	D-665-15	--	--
Crown Victoria									
V8									
2011	4.6L	BFMXV04.6VDF	LEV2 ULEV	All	Front	--	--	761015	D-280-105
2011	4.6L	BFMXV04.6VDF	LEV2 ULEV	All	Rear	--	--	761015	D-280-105
2011	4.6L	BFMXV04.6VDF	LEV2 ULEV	All	Underbody Left	765002	D-280-105	--	--
2011	4.6L	BFMXV04.6VDF	LEV2 ULEV	All	Underbody Right	764803	D-280-105	--	--
2010	4.6L	AFMXV04.6VDF	LEV2 ULEV	All	Front	--	--	761015	D-280-105
2010	4.6L	AFMXV04.6VDF	LEV2 ULEV	All	Rear	--	--	761015	D-280-105
2010	4.6L	AFMXV04.6VDF	LEV2 ULEV	All	Underbody Left	765002	D-280-105	--	--
2010	4.6L	AFMXV04.6VDF	LEV2 ULEV	All	Underbody Right	764803	D-280-105	--	--
2009	4.6L	9FMXV04.6VDF	LEV2 ULEV	All	Front	--	--	761015	D-280-105
2009	4.6L	9FMXV04.6VDF	LEV2 ULEV	All	Rear	--	--	761015	D-280-105
2009	4.6L	9FMXV04.6VDF	LEV2 ULEV	All	Underbody Left	765002	D-280-105	--	--
2009	4.6L	9FMXV04.6VDF	LEV2 ULEV	All	Underbody Right	764803	D-280-105	--	--
2008	4.6L	8FMXV04.6VEF	LEV2 LEV	All	Front	--	--	761015	D-280-105
2008	4.6L	8FMXV04.6VEF	LEV2 LEV	All	Rear	--	--	761015	D-280-105
2008	4.6L	8FMXV04.6VEF	LEV2 LEV	All	Underbody Left	765002	D-280-105	--	--
2008	4.6L	8FMXV04.6VEF	LEV2 LEV	All	Underbody Right	764803	D-280-105	--	--
2007	4.6L	7FMXV04.6VE8	LEV2 LEV	All	Front	--	--	761015	D-280-105
2007	4.6L	7FMXV04.6VE8	LEV2 LEV	All	Rear	--	--	761015	D-280-105
2007	4.6L	7FMXV04.6VE8	LEV2 LEV	All	Underbody Left	765002	D-280-105	--	--
2007	4.6L	7FMXV04.6VE8	LEV2 LEV	All	Underbody Right	764803	D-280-105	--	--

APPLICATION GUIDE



OBD II

APPLICATION

Year	Eng. Size	Test Group/ Engine Family	Certification Level	Application	Location	Direct Fit Number	Exec. Order	Consol. Number	Exec. Order
Ford (Cont.)									
Crown Victoria (Cont.)									
V8 (Cont.)									
2007	4.6L	7FMXV04.6VE9	LEV2 LEV	All	Front	--	--	761015	D-280-105
2007	4.6L	7FMXV04.6VE9	LEV2 LEV	All	Rear	--	--	761015	D-280-105
2007	4.6L	7FMXV04.6VE9	LEV2 LEV	All	Underbody Left	765002	D-280-105	--	--
2007	4.6L	7FMXV04.6VE9	LEV2 LEV	All	Underbody Right	764803	D-280-105	--	--
2007	4.6L	7FMXV04.6VEF	LEV2 LEV	All	Front	--	--	761015	D-280-105
2007	4.6L	7FMXV04.6VEF	LEV2 LEV	All	Rear	--	--	761015	D-280-105
2007	4.6L	7FMXV04.6VEF	LEV2 LEV	All	Underbody Left	765002	D-280-105	--	--
2007	4.6L	7FMXV04.6VEF	LEV2 LEV	All	Underbody Right	764803	D-280-105	--	--
2006	4.6L	6FMXV04.6VE8	LEV2 LEV	All	Front	--	--	761015	D-280-105
2006	4.6L	6FMXV04.6VE8	LEV2 LEV	All	Rear	--	--	761015	D-280-105
2006	4.6L	6FMXV04.6VE8	LEV2 LEV	All	Underbody Left	765002	D-280-105	--	--
2006	4.6L	6FMXV04.6VE8	LEV2 LEV	All	Underbody Right	764803	D-280-105	--	--
2006	4.6L	6FMXV04.6VG8	LEV1 ULEV	All	Front Left	--	--	761015	D-280-105
2006	4.6L	6FMXV04.6VG8	LEV1 ULEV	All	Front Right	--	--	761015	D-280-105
2006	4.6L	6FMXV04.6VG8	LEV1 ULEV	All	Underbody Left	765002	D-280-105	--	--
2006	4.6L	6FMXV04.6VG8	LEV1 ULEV	All	Underbody Right	764803	D-280-105	--	--
2005	4.6L	5FMXV04.6VE8	LEV2 LEV	All	Front	--	--	761015	D-280-105
2005	4.6L	5FMXV04.6VE8	LEV2 LEV	All	Rear	--	--	761015	D-280-105
2005	4.6L	5FMXV04.6VE8	LEV2 LEV	All	Underbody Left	765002	D-280-105	--	--
2005	4.6L	5FMXV04.6VE8	LEV2 LEV	All	Underbody Right	764803	D-280-105	--	--
2005	4.6L	5FMXV04.6VG8	LEV1 ULEV	All	Front Left	--	--	761015	D-280-105
2005	4.6L	5FMXV04.6VG8	LEV1 ULEV	All	Front Right	--	--	761015	D-280-105
2005	4.6L	5FMXV04.6VG8	LEV1 ULEV	All	Underbody Left	765002	D-280-105	--	--
2005	4.6L	5FMXV04.6VG8	LEV1 ULEV	All	Underbody Right	764803	D-280-105	--	--
2004	4.6L	4FMXV04.6VE5	LEV2 LEV	All	Front	--	--	761015	D-280-105
2004	4.6L	4FMXV04.6VE5	LEV2 LEV	All	Rear	--	--	761015	D-280-105
2004	4.6L	4FMXV04.6VE5	LEV2 LEV	All	Underbody Left	765002	D-280-105	--	--
2004	4.6L	4FMXV04.6VE5	LEV2 LEV	All	Underbody Right	764803	D-280-105	--	--
2004	4.6L	4FMXV04.6VG6	LEV1 ULEV	All	Front Left	--	--	761015	D-280-105
2004	4.6L	4FMXV04.6VG6	LEV1 ULEV	All	Front Right	--	--	761015	D-280-105
2004	4.6L	4FMXV04.6VG6	LEV1 ULEV	All	Underbody Left	765002	D-280-105	--	--
2004	4.6L	4FMXV04.6VG6	LEV1 ULEV	All	Underbody Right	764803	D-280-105	--	--
2003	4.6L	3FMXV04.6VG5	LEV1 ULEV	All	Front Left	--	--	761015	D-280-105
2003	4.6L	3FMXV04.6VG5	LEV1 ULEV	All	Front Right	--	--	761015	D-280-105
2003	4.6L	3FMXV04.6VG5	LEV1 ULEV	All	Underbody Left	765002	D-280-105	--	--
2003	4.6L	3FMXV04.6VG5	LEV1 ULEV	All	Underbody Right	764803	D-280-105	--	--
2003	4.6L	3FMXV04.6VH5	LEV1 ULEV	All	Front Left	--	--	761015	D-280-105
2003	4.6L	3FMXV04.6VH5	LEV1 ULEV	All	Front Right	--	--	761015	D-280-105
2003	4.6L	3FMXV04.6VH5	LEV1 ULEV	All	Underbody Left	765002	D-280-105	--	--
2003	4.6L	3FMXV04.6VH5	LEV1 ULEV	All	Underbody Right	764803	D-280-105	--	--
2002	4.6L	2FMXV04.6VF5	LEV1 LEV	All	Front Left	--	--	942105	D-280-100
2002	4.6L	2FMXV04.6VF5	LEV1 LEV	All	Front Right	--	--	942105	D-280-100
2002	4.6L	2FMXV04.6VF5	LEV1 LEV	All	Rear Left	--	--	942105	D-280-100
2002	4.6L	2FMXV04.6VF5	LEV1 LEV	All	Rear Right	--	--	942105	D-280-100
2002	4.6L	2FMXV04.6VF5	LEV1 LEV	All	Underbody Left	944870	D-280-100	--	--
2002	4.6L	2FMXV04.6VF5	LEV1 LEV	All	Underbody Left	612870	D-280-84	--	--
2002	4.6L	2FMXV04.6VF5	LEV1 LEV	All	Underbody Left	--	--	942870	D-280-100
2002	4.6L	2FMXV04.6VF5	LEV1 LEV	All	Underbody Right	944871	D-280-100	--	--
2002	4.6L	2FMXV04.6VF5	LEV1 LEV	All	Underbody Right	612871	D-280-84	--	--
2002	4.6L	2FMXV04.6VF5	LEV1 LEV	All	Underbody Right	--	--	942871	D-280-100

Legal Note: In Compliance with California Emissions Requirements



CATCO
CATALYTIC CONVERTERS

EASTERN CATALYTIC

APPLICATION GUIDE

OBD II

APPLICATION

Year	Eng. Size	Test Group/ Engine Family	Certification Level	Application	Location	Direct Fit Number	Exec. Order	Consol. Number	Exec. Order
Ford (Cont.)									
Crown Victoria (Cont.)									
V8 (Cont.)									
2001	4.6L	1FMXV04.6VF5	LEV1 LEV	All	Front Left	--	--	942105	D-280-100
2001	4.6L	1FMXV04.6VF5	LEV1 LEV	All	Front Right	--	--	942105	D-280-100
2001	4.6L	1FMXV04.6VF5	LEV1 LEV	All	Rear Left	--	--	942105	D-280-100
2001	4.6L	1FMXV04.6VF5	LEV1 LEV	All	Rear Right	--	--	942105	D-280-100
2001	4.6L	1FMXV04.6VF5	LEV1 LEV	All	Underbody Left	944870	D-280-100	--	--
2001	4.6L	1FMXV04.6VF5	LEV1 LEV	All	Underbody Left	612870	D-280-84	--	--
2001	4.6L	1FMXV04.6VF5	LEV1 LEV	All	Underbody Left	--	--	942870	D-280-100
2001	4.6L	1FMXV04.6VF5	LEV1 LEV	All	Underbody Right	944871	D-280-100	--	--
2001	4.6L	1FMXV04.6VF5	LEV1 LEV	All	Underbody Right	612871	D-280-84	--	--
2001	4.6L	1FMXV04.6VF5	LEV1 LEV	All	Underbody Right	--	--	942871	D-280-100
2001	4.6L	1FMXV04.6VF7	LEV1 LEV	All	Front Left	--	--	942105	D-280-100
2001	4.6L	1FMXV04.6VF7	LEV1 LEV	All	Front Right	--	--	942105	D-280-100
2001	4.6L	1FMXV04.6VF7	LEV1 LEV	All	Rear Left	--	--	942105	D-280-100
2001	4.6L	1FMXV04.6VF7	LEV1 LEV	All	Rear Right	--	--	942105	D-280-100
2001	4.6L	1FMXV04.6VF7	LEV1 LEV	All	Underbody Left	944870	D-280-100	--	--
2001	4.6L	1FMXV04.6VF7	LEV1 LEV	All	Underbody Left	--	--	942870	D-280-100
2001	4.6L	1FMXV04.6VF7	LEV1 LEV	All	Underbody Right	944871	D-280-100	--	--
2001	4.6L	1FMXV04.6VF7	LEV1 LEV	All	Underbody Right	--	--	942871	D-280-100
2000	4.6L	YFMXV04.6VB5	TIER1	All	Front Left	--	--	942105	D-280-100
2000	4.6L	YFMXV04.6VB5	TIER1	All	Front Right	--	--	942105	D-280-100
2000	4.6L	YFMXV04.6VB5	TIER1	All	Rear Left	--	--	942105	D-280-100
2000	4.6L	YFMXV04.6VB5	TIER1	All	Rear Right	--	--	942105	D-280-100
2000	4.6L	YFMXV04.6VB5	TIER1	All	Underbody Left	944870	D-280-100	--	--
2000	4.6L	YFMXV04.6VB5	TIER1	All	Underbody Left	--	--	942870	D-280-100
2000	4.6L	YFMXV04.6VB5	TIER1	All	Underbody Right	944871	D-280-100	--	--
2000	4.6L	YFMXV04.6VB5	TIER1	All	Underbody Right	--	--	942871	D-280-100
2000	4.6L	YFMXV04.6VFR	LEV1 LEV	All	Front Left	--	--	942105	D-280-100
2000	4.6L	YFMXV04.6VFR	LEV1 LEV	All	Front Right	--	--	942105	D-280-100
2000	4.6L	YFMXV04.6VFR	LEV1 LEV	All	Rear Left	--	--	942105	D-280-100
2000	4.6L	YFMXV04.6VFR	LEV1 LEV	All	Rear Right	--	--	942105	D-280-100
2000	4.6L	YFMXV04.6VFR	LEV1 LEV	All	Underbody Left	944870	D-280-100	--	--
2000	4.6L	YFMXV04.6VFR	LEV1 LEV	All	Underbody Left	--	--	942870	D-280-100
2000	4.6L	YFMXV04.6VFR	LEV1 LEV	All	Underbody Right	944871	D-280-100	--	--
2000	4.6L	YFMXV04.6VFR	LEV1 LEV	All	Underbody Right	--	--	942871	D-280-100
2000	4.6L	YFMXV04.6VFR	TIER1	All	Underbody Left	612870	D-280-84	--	--
2000	4.6L	YFMXV04.6VFR	TIER1	All	Underbody Right	612871	D-280-84	--	--
1999	4.6L	XFMXV04.6VG5	LEV1 LEV	All	Front Left	--	--	942105	D-280-100
1999	4.6L	XFMXV04.6VG5	LEV1 LEV	All	Front Right	--	--	942105	D-280-100
1999	4.6L	XFMXV04.6VG5	LEV1 LEV	All	Rear Left	--	--	942105	D-280-100
1999	4.6L	XFMXV04.6VG5	LEV1 LEV	All	Rear Right	--	--	942105	D-280-100
1999	4.6L	XFMXV04.6VG5	LEV1 LEV	All	Underbody Left	944870	D-280-100	--	--
1999	4.6L	XFMXV04.6VG5	LEV1 LEV	All	Underbody Left	--	--	942870	D-280-100
1999	4.6L	XFMXV04.6VG5	LEV1 LEV	All	Underbody Right	944871	D-280-100	--	--
1999	4.6L	XFMXV04.6VG5	LEV1 LEV	All	Underbody Right	--	--	942871	D-280-100
1999	4.6L	XFMXV04.6VG5	LEV1 ULEV	All	Underbody Left	612870	D-280-84	--	--
1999	4.6L	XFMXV04.6VG5	LEV1 ULEV	All	Underbody Right	612871	D-280-84	--	--
1999	4.6L	XFMXV04.6VP5	LEV1 ULEV	All	Underbody Left	809509	D-665-23	--	--
1999	4.6L	XFMXV04.6VP5	LEV1 ULEV	All	Underbody Right	809510	D-665-23	--	--
1998	4.6L	WFMXV04.6AAA	LEV1 LEV	All	Front Left	--	--	942105	D-280-100
1998	4.6L	WFMXV04.6AAA	LEV1 LEV	All	Front Right	--	--	942105	D-280-100
1998	4.6L	WFMXV04.6AAA	LEV1 LEV	All	Rear Left	--	--	942105	D-280-100
1998	4.6L	WFMXV04.6AAA	LEV1 LEV	All	Rear Right	--	--	942105	D-280-100
1998	4.6L	WFMXV04.6AAA	LEV1 LEV	All	Underbody Left	944870	D-280-100	--	--
1998	4.6L	WFMXV04.6AAA	LEV1 LEV	All	Underbody Left	--	--	942870	D-280-100
1998	4.6L	WFMXV04.6AAA	LEV1 LEV	All	Underbody Right	944871	D-280-100	--	--
1998	4.6L	WFMXV04.6AAA	LEV1 LEV	All	Underbody Right	--	--	942871	D-280-100
1998	4.6L	WFMXV04.6AAA	LEV1 ULEV	All	Underbody Left	612870	D-280-84	--	--
1998	4.6L	WFMXV04.6AAA	LEV1 ULEV	All	Underbody Right	612871	D-280-84	--	--

APPLICATION GUIDE



OBD II

APPLICATION

Year	Eng. Size	Test Group/ Engine Family	Certification Level	Application	Location	Direct Fit Number	Exec. Order	Consol. Number	Exec. Order
Ford (Cont.)									
Crown Victoria (Cont.)									
V8 (Cont.)									
1998	4.6L	WFMXV04.6EAA	LEV1 ULEV	All	Underbody Left	809509	D-665-23	--	--
1998	4.6L	WFMXV04.6EAA	LEV1 ULEV	All	Underbody Right	809510	D-665-23	--	--
1997	4.6L	VFM4.6V8C7EK	LEV1 ULEV	All	Underbody Left	809509	D-665-23	--	--
1997	4.6L	VFM4.6V8C7EK	LEV1 ULEV	All	Underbody Right	809510	D-665-23	--	--
1997	4.6L	VFM4.6V8G2EL	TLEV	All	Front Left	--	--	942105	D-280-100
1997	4.6L	VFM4.6V8G2EL	TLEV	All	Front Right	--	--	942105	D-280-100
1997	4.6L	VFM4.6V8G2EL	TLEV	All	Rear Left	--	--	942105	D-280-100
1997	4.6L	VFM4.6V8G2EL	TLEV	All	Rear Right	--	--	942105	D-280-100
1997	4.6L	VFM4.6V8G2EL	TLEV	All	Underbody Left	944870	D-280-100	--	--
1997	4.6L	VFM4.6V8G2EL	TLEV	All	Underbody Left	--	--	942870	D-280-100
1997	4.6L	VFM4.6V8G2EL	TLEV	All	Underbody Right	944871	D-280-100	--	--
1997	4.6L	VFM4.6V8G2EL	TLEV	All	Underbody Right	--	--	942871	D-280-100
1997	4.6L	VFM4.6V8G2EL	LEV1 ULEV	All	Underbody Left	612870	D-280-84	--	--
1997	4.6L	VFM4.6V8G2EL	LEV1 ULEV	All	Underbody Right	612871	D-280-84	--	--
1996	4.6L	TFM4.6V8C7EK	LEV1 ULEV	All	Underbody Left	809509	D-665-23	--	--
1996	4.6L	TFM4.6V8C7EK	LEV1 ULEV	All	Underbody Right	809510	D-665-23	--	--
1996	4.6L	TFM4.6V8G2EL	TLEV	All	Front Left	--	--	942105	D-280-100
1996	4.6L	TFM4.6V8G2EL	TLEV	All	Front Right	--	--	942105	D-280-100
1996	4.6L	TFM4.6V8G2EL	TLEV	All	Rear Left	--	--	942105	D-280-100
1996	4.6L	TFM4.6V8G2EL	TLEV	All	Rear Right	--	--	942105	D-280-100
1996	4.6L	TFM4.6V8G2EL	TLEV	All	Underbody Left	944870	D-280-100	--	--
1996	4.6L	TFM4.6V8G2EL	TLEV	All	Underbody Left	--	--	942870	D-280-100
1996	4.6L	TFM4.6V8G2EL	TLEV	All	Underbody Right	944871	D-280-100	--	--
1996	4.6L	TFM4.6V8G2EL	TLEV	All	Underbody Right	--	--	942871	D-280-100
1996	4.6L	TFM4.6V8G2EL	LEV1 ULEV	All	Underbody Left	612870	D-280-84	--	--
1996	4.6L	TFM4.6V8G2EL	LEV1 ULEV	All	Underbody Right	612871	D-280-84	--	--
1995	4.6L	SFM4.6V8G1GK	TIER1	All	Front Left	--	--	940086	D-280-100
1995	4.6L	SFM4.6V8G1GK	TIER1	All	Front Right	--	--	940086	D-280-100
1995	4.6L	SFM4.6V8G1GK	TIER1	All	Rear Left	--	--	940086	D-280-100
1995	4.6L	SFM4.6V8G1GK	TIER1	All	Rear Right	--	--	940086	D-280-100
1995	4.6L	SFM4.6V8G1GK	TIER1	All	Underbody Left	942598	D-280-100	--	--
1995	4.6L	SFM4.6V8G1GK	TIER1	All	Underbody Right	942599	D-280-100	--	--
E-150									
V6									
2003	4.2L	3FMXT04.2HF5	LEV1 LEV	All	Front	--	--	912009	D-280-101
2003	4.2L	3FMXT04.2HF5	LEV1 LEV	All	Rear	--	--	912006	D-280-101
2003	4.2L	3FMXT04.2HF5	LEV1 LEV	All	Underbody Left	912613	D-280-101	--	--
2003	4.2L	3FMXT04.2HF5	LEV1 LEV	All	Underbody Right	912614	D-280-101	--	--
2003	4.2L	3FMXT04.2JF5	LEV1 LEV	All	Front	--	--	912009	D-280-101
2003	4.2L	3FMXT04.2JF5	LEV1 LEV	All	Rear	--	--	912006	D-280-101
2003	4.2L	3FMXT04.2JF5	LEV1 LEV	All	Underbody Left	919416	D-280-101	--	--
2003	4.2L	3FMXT04.2JF5	LEV1 LEV	All	Underbody Right	919415	D-280-101	--	--
V8									
2006	4.6L	6FMXT04.6RPE	LEV1 ULEV	All	Front Left	--	--	735206	D-280-107
2006	4.6L	6FMXT04.6RPE	LEV1 ULEV	All	Front Right	--	--	735206	D-280-107
2006	4.6L	6FMXT04.6RPE	LEV1 ULEV	All	Rear Left	--	--	731016	D-280-107
2006	4.6L	6FMXT04.6RPE	LEV1 ULEV	All	Rear Right	--	--	731016	D-280-107
2005	4.6L	5FMXT04.6RPE	LEV1 ULEV	All	Front Left	--	--	735206	D-280-107
2005	4.6L	5FMXT04.6RPE	LEV1 ULEV	All	Front Right	--	--	735206	D-280-107
2005	4.6L	5FMXT04.6RPE	LEV1 ULEV	All	Rear Left	--	--	731016	D-280-107
2005	4.6L	5FMXT04.6RPE	LEV1 ULEV	All	Rear Right	--	--	731016	D-280-107
2004	4.6L	4FMXT04.6RP9	LEV1 ULEV	All	Front Left	--	--	735206	D-280-107
2004	4.6L	4FMXT04.6RP9	LEV1 ULEV	All	Front Right	--	--	735206	D-280-107
2004	4.6L	4FMXT04.6RP9	LEV1 ULEV	All	Rear Left	--	--	731016	D-280-107
2004	4.6L	4FMXT04.6RP9	LEV1 ULEV	All	Rear Right	--	--	731016	D-280-107

Legal Note: In Compliance with California Emissions Requirements



CATCO
CATALYTIC CONVERTERS

EASTERN CATALYTIC

APPLICATION GUIDE

OBD II

APPLICATION

Year	Eng. Size	Test Group/ Engine Family	Certification Level	Application	Location	Direct Fit Number	Exec. Order	Consol. Number	Exec. Order
Ford (Cont.)									
E-150 (Cont.)									
V8 (Cont.)									
2003	4.6L	3FMXT05.4RF9	LEV1 ULEV	All	Front Left	--	--	735206	D-280-107
2003	4.6L	3FMXT05.4RF9	LEV1 ULEV	All	Front Right	--	--	735206	D-280-107
2003	4.6L	3FMXT05.4RF9	LEV1 ULEV	All	Rear Left	--	--	731016	D-280-107
2003	4.6L	3FMXT05.4RF9	LEV1 ULEV	All	Rear Right	--	--	731016	D-280-107
2003	5.4L	3FMXT05.4RF9	LEV1 ULEV	All	Front Left	--	--	735206	D-280-107
2003	5.4L	3FMXT05.4RF9	LEV1 ULEV	All	Front Right	--	--	735206	D-280-107
2003	5.4L	3FMXT05.4RF9	LEV1 ULEV	All	Rear Left	--	--	733016	D-280-107
2003	5.4L	3FMXT05.4RF9	LEV1 ULEV	All	Rear Right	--	--	733016	D-280-107
2003	5.4L	3FMXT05.4RF9	LEV1 ULEV	Under 8500 lbs GVW	Front	731130	D-280-107	--	--
2003	5.4L	3FMXT05.4RF9	LEV1 ULEV	Under 8500 lbs GVW	Rear	730930	D-280-107	--	--
E-150 Club Wagon									
V6									
2003	4.2L	3FMXT04.2JF5	LEV1 LEV	All	Front	--	--	912009	D-280-101
2003	4.2L	3FMXT04.2JF5	LEV1 LEV	All	Rear	--	--	912006	D-280-101
2003	4.2L	3FMXT04.2JF5	LEV1 LEV	All	Underbody Left	919416	D-280-101	--	--
2003	4.2L	3FMXT04.2JF5	LEV1 LEV	All	Underbody Right	919415	D-280-101	--	--
V8									
2005	4.6L	5FMXT04.6RPE	LEV1 ULEV	All	Front Left	--	--	735206	D-280-107
2005	4.6L	5FMXT04.6RPE	LEV1 ULEV	All	Front Right	--	--	735206	D-280-107
2005	4.6L	5FMXT04.6RPE	LEV1 ULEV	All	Rear Left	--	--	731016	D-280-107
2005	4.6L	5FMXT04.6RPE	LEV1 ULEV	All	Rear Right	--	--	731016	D-280-107
2004	4.6L	4FMXT04.6RP9	LEV1 ULEV	All	Front Left	--	--	735206	D-280-107
2004	4.6L	4FMXT04.6RP9	LEV1 ULEV	All	Front Right	--	--	735206	D-280-107
2004	4.6L	4FMXT04.6RP9	LEV1 ULEV	All	Rear Left	--	--	731016	D-280-107
2004	4.6L	4FMXT04.6RP9	LEV1 ULEV	All	Rear Right	--	--	731016	D-280-107
2003	4.6L	3FMXT05.4RF9	LEV1 ULEV	All	Front Left	--	--	735206	D-280-107
2003	4.6L	3FMXT05.4RF9	LEV1 ULEV	All	Front Right	--	--	735206	D-280-107
2003	4.6L	3FMXT05.4RF9	LEV1 ULEV	All	Rear Left	--	--	731016	D-280-107
2003	4.6L	3FMXT05.4RF9	LEV1 ULEV	All	Rear Right	--	--	731016	D-280-107
2003	5.4L	3FMXT05.4RF9	LEV1 ULEV	All	Front	731130	D-280-107	--	--
2003	5.4L	3FMXT05.4RF9	LEV1 ULEV	All	Front Left	--	--	735206	D-280-107
2003	5.4L	3FMXT05.4RF9	LEV1 ULEV	All	Front Right	--	--	735206	D-280-107
2003	5.4L	3FMXT05.4RF9	LEV1 ULEV	All	Rear	730930	D-280-107	--	--
2003	5.4L	3FMXT05.4RF9	LEV1 ULEV	All	Rear Left	--	--	733016	D-280-107
2003	5.4L	3FMXT05.4RF9	LEV1 ULEV	All	Rear Right	--	--	733016	D-280-107
E-150 Econoline									
L6									
1996	4.9L	TFM4.958GFJK	TIER1	All	Front	--	--	912006	D-280-101
1996	4.9L	TFM4.958GFJK	TIER1	All	Rear	--	--	912026	D-280-101
1996	4.9L	TFM4.958GFJK	TIER1	All	Underbody	912157	D-280-101	--	--
1996	4.9L	TFM4.968GFJK	TIER1	All	Front	--	--	912006	D-280-101
1996	4.9L	TFM4.968GFJK	TIER1	All	Rear	--	--	912026	D-280-101
1996	4.9L	TFM4.968GFJK	TIER1	All	Underbody	912157	D-280-101	--	--
1995	4.9L	SFM4.9J8G1JA	TIER1	All	Front	--	--	912013	D-280-101
1995	4.9L	SFM4.9J8G1JA	TIER1	All	Rear	--	--	912036	D-280-101
V6									
2002	4.2L	2FMXT04.2HF5	LEV1 LEV	All	Front	--	--	912009	D-280-101
2002	4.2L	2FMXT04.2HF5	LEV1 LEV	All	Rear	--	--	912006	D-280-101
2002	4.2L	2FMXT04.2HF5	LEV1 LEV	All	Underbody Left	919416	D-280-101	--	--
2002	4.2L	2FMXT04.2HF5	LEV1 LEV	All	Underbody Right	919415	D-280-101	--	--
2002	4.2L	2FMXT04.2JF5	LEV1 LEV	All	Front	--	--	912009	D-280-101
2002	4.2L	2FMXT04.2JF5	LEV1 LEV	All	Rear	--	--	912006	D-280-101
2002	4.2L	2FMXT04.2JF5	LEV1 LEV	All	Underbody Left	919416	D-280-101	--	--
2002	4.2L	2FMXT04.2JF5	LEV1 LEV	All	Underbody Right	919415	D-280-101	--	--
2001	4.2L	1FMXT04.2HG5	LEV1 LEV	All	Front	--	--	912009	D-280-101
2001	4.2L	1FMXT04.2HG5	LEV1 LEV	All	Rear	--	--	912006	D-280-101
2001	4.2L	1FMXT04.2HG5	LEV1 LEV	All	Underbody Left	912613	D-280-101	--	--

APPLICATION GUIDE



OBD II

APPLICATION

Year	Eng. Size	Test Group/ Engine Family	Certification Level	Application	Location	Direct Fit Number	Exec. Order	Consol. Number	Exec. Order
Ford (Cont.)									
E-150 Econoline (Cont.)									
V6 (Cont.)									
2001	4.2L	1FMXT04.2HG5	LEV1 LEV	All	Underbody Right	912614	D-280-101	--	--
2001	4.2L	1FMXT04.2JG5	LEV1 LEV	All	Front	--	--	912009	D-280-101
2001	4.2L	1FMXT04.2JG5	LEV1 LEV	All	Rear	--	--	912005	D-280-101
2001	4.2L	1FMXT04.2JG5	LEV1 LEV	All	Underbody Left	912613	D-280-101	--	--
2001	4.2L	1FMXT04.2JG5	LEV1 LEV	All	Underbody Right	912614	D-280-101	--	--
2000	4.2L	YFMXA04.2JGC	LEV1 LEV	All	Underbody Left	651513	D-665-20	--	--
2000	4.2L	YFMXA04.2JGC	LEV1 LEV	All	Underbody Right	651512	D-665-20	--	--
2000	4.2L	YFMXT04.2HGC	LEV1 LEV	All	Front	--	--	912009	D-280-101
2000	4.2L	YFMXT04.2HGC	LEV1 LEV	All	Rear	--	--	912005	D-280-101
2000	4.2L	YFMXT04.2HGC	LEV1 LEV	All	Underbody Left	919416	D-280-101	--	--
2000	4.2L	YFMXT04.2HGC	LEV1 LEV	All	Underbody Right	919415	D-280-101	--	--
2000	4.2L	YFMXT04.2JGC	LEV1 LEV	All	Front	--	--	912009	D-280-101
2000	4.2L	YFMXT04.2JGC	LEV1 LEV	All	Rear	--	--	912005R	D-280-101
2000	4.2L	YFMXT04.2JGC	LEV1 LEV	All	Rear	--	--	912005	D-280-101
2000	4.2L	YFMXT04.2JGC	LEV1 LEV	All	Underbody Left	919416	D-280-101	--	--
2000	4.2L	YFMXT04.2JGC	LEV1 LEV	All	Underbody Right	919415	D-280-101	--	--
1999	4.2L	XFMXA04.2HGC	LEV1 LEV	All	Front	--	--	912009	D-280-101
1999	4.2L	XFMXA04.2HGC	LEV1 LEV	All	Rear	--	--	912005	D-280-101
1999	4.2L	XFMXA04.2HGC	LEV1 LEV	All	Underbody Left	919416	D-280-101	--	--
1999	4.2L	XFMXA04.2HGC	LEV1 LEV	All	Underbody Right	919415	D-280-101	--	--
1999	4.2L	XFMXA04.2JGC	LEV1 LEV	All	Front	--	--	912009	D-280-101
1999	4.2L	XFMXA04.2JGC	LEV1 LEV	All	Rear	--	--	912005	D-280-101
1999	4.2L	XFMXA04.2JGC	LEV1 LEV	All	Underbody Left	919416	D-280-101	--	--
1999	4.2L	XFMXA04.2JGC	LEV1 LEV	All	Underbody Right	919415	D-280-101	--	--
1998	4.2L	WFMXA04.2AAA	TIER1	All	Front	--	--	912009	D-280-101
1998	4.2L	WFMXA04.2AAA	TIER1	All	Rear	--	--	912006	D-280-101
1998	4.2L	WFMXA04.2AAA	TIER1	All	Underbody Left	912613	D-280-101	--	--
1998	4.2L	WFMXA04.2AAA	TIER1	All	Underbody Right	912614	D-280-101	--	--
1998	4.2L	WFMXA04.2ABA	TIER1	All	Front	--	--	912009	D-280-101
1998	4.2L	WFMXA04.2ABA	TIER1	All	Rear	--	--	912006	D-280-101
1998	4.2L	WFMXA04.2ABA	TIER1	All	Underbody Left	912613	D-280-101	--	--
1998	4.2L	WFMXA04.2ABA	TIER1	All	Underbody Right	912614	D-280-101	--	--
1997	4.2L	VFM4.2H8G1EK	TIER1	All	Underbody	--	--	912009	D-280-101
1997	4.2L	VFM4.2H8G1EK	TIER1	All	Underbody	--	--	912006	D-280-101
1997	4.2L	VFM4.2H8G1EK	TIER1	All	Underbody Left	912613	D-280-101	--	--
1997	4.2L	VFM4.2H8G1EK	TIER1	All	Underbody Right	912614	D-280-101	--	--
1997	4.2L	VFM4.2J8G1EK	TIER1	All	Underbody	--	--	912009	D-280-101
1997	4.2L	VFM4.2J8G1EK	TIER1	All	Underbody	--	--	912006	D-280-101
1997	4.2L	VFM4.2J8G1EK	TIER1	All	Underbody Left	912613	D-280-101	--	--
1997	4.2L	VFM4.2J8G1EK	TIER1	All	Underbody Right	912614	D-280-101	--	--
V8									
2002	4.6L	2FMXT05.4RF9	LEV1 LEV	All	Front	--	--	912009	D-280-101
2002	4.6L	2FMXT05.4RF9	LEV1 LEV	All	Rear	--	--	912006	D-280-101
2002	4.6L	2FMXT05.4RF9	LEV1 LEV	All	Underbody Left	919986	D-280-101	--	--
2002	4.6L	2FMXT05.4RF9	LEV1 LEV	All	Underbody Right	919987	D-280-101	--	--
2001	4.6L	1FMXT04.6JF5	LEV1 LEV	All	Front	--	--	912009	D-280-101
2001	4.6L	1FMXT04.6JF5	LEV1 LEV	All	Rear	--	--	912006	D-280-101
2001	4.6L	1FMXT04.6JF5	LEV1 LEV	All	Underbody Left	919986	D-280-101	--	--
2001	4.6L	1FMXT04.6JF5	LEV1 LEV	All	Underbody Right	919987	D-280-101	--	--
2000	4.6L	YFMXA04.66FF	LEV1 LEV	All	Underbody Left	651538	D-665-20	--	--
2000	4.6L	YFMXA04.66FF	LEV1 LEV	All	Underbody Right	651539	D-665-20	--	--
2000	4.6L	YFMXT04.66FF	LEV1 LEV	All	Front	--	--	912009	D-280-101
2000	4.6L	YFMXT04.66FF	LEV1 LEV	All	Rear	--	--	912006	D-280-101
2000	4.6L	YFMXT04.66FF	LEV1 LEV	All	Underbody Left	919986	D-280-101	--	--
2000	4.6L	YFMXT04.66FF	LEV1 LEV	All	Underbody Right	919987	D-280-101	--	--
1999	4.6L	XFMXA04.6JBC	TIER1	All	Front	--	--	912009	D-280-101
1999	4.6L	XFMXA04.6JBC	TIER1	All	Underbody Left	919417	D-280-101	--	--
1999	4.6L	XFMXA04.6JBC	TIER1	All	Underbody Right	919418	D-280-101	--	--

Legal Note: In Compliance with California Emissions Requirements

**CATCO**
CATALYTIC CONVERTERS**EASTERN CATALYTIC**

APPLICATION GUIDE

OBD II**APPLICATION**

Year	Eng. Size	Test Group/ Engine Family	Certification Level	Application	Location	Direct Fit Number	Exec. Order	Consol. Number	Exec. Order
Ford (Cont.)									
E-150 Econoline (Cont.)									
V8 (Cont.)									
1998	4.6L	WFMXA04.6BAA	TIER1	All	Front	--	--	912009	D-280-101
1998	4.6L	WFMXA04.6BAA	TIER1	All	Rear	--	--	912006	D-280-101
1998	4.6L	WFMXA04.6BAA	TIER1	All	Underbody Left	919417	D-280-101	--	--
1998	4.6L	WFMXA04.6BAA	TIER1	All	Underbody Right	919418	D-280-101	--	--
1997	4.6L	VFM4.6J8G1EK	TIER1	All	Front	--	--	912009	D-280-101
1997	4.6L	VFM4.6J8G1EK	TIER1	All	Rear	--	--	912006	D-280-101
1997	4.6L	VFM4.6J8G1EK	TIER1	All	Underbody Left	919417	D-280-101	--	--
1997	4.6L	VFM4.6J8G1EK	TIER1	All	Underbody Right	919418	D-280-101	--	--
1996	5.0L	TFM5.0J8G1EK	TIER1	All	Front	--	--	912006	D-280-101
1996	5.0L	TFM5.0J8G1EK	TIER1	All	Rear	--	--	912026	D-280-101
1996	5.0L	TFM5.0J8G1EK	TIER1	All	Underbody	912241	D-280-101	--	--
2002	5.4L	2FMXT05.4RF9	LEV1 LEV	All	Front	912130	D-280-101	--	--
2002	5.4L	2FMXT05.4RF9	LEV1 LEV	All	Front	--	--	912009	D-280-101
2002	5.4L	2FMXT05.4RF9	LEV1 LEV	All	Rear	912930	D-280-101	--	--
2002	5.4L	2FMXT05.4RF9	LEV1 LEV	All	Rear	--	--	912006	D-280-101
2001	5.4L	1FMXT05.4RF7	LEV1 LEV	All	Front	912130	D-280-101	--	--
2001	5.4L	1FMXT05.4RF7	LEV1 LEV	All	Front	--	--	912005R	D-280-101
2001	5.4L	1FMXT05.4RF7	LEV1 LEV	All	Rear	912930	D-280-101	--	--
2001	5.4L	1FMXT05.4RF7	LEV1 LEV	All	Rear	--	--	912003	D-280-101
2000	5.4L	YFMXT05.4RF7	LEV1 LEV	All	Front	912130	D-280-101	--	--
2000	5.4L	YFMXT05.4RF7	LEV1 LEV	All	Front	--	--	912006R	D-280-101
2000	5.4L	YFMXT05.4RF7	LEV1 LEV	All	Rear	912930	D-280-101	--	--
2000	5.4L	YFMXT05.4RF7	LEV1 LEV	All	Rear	--	--	912007	D-280-101
1999	5.4L	XFMA05.4JBN	TIER1	All	Underbody	865516	D-665-14	--	--
1998	5.4L	WFMXA05.4JBP	TIER1	All	Underbody	912920	D-280-101	--	--
1998	5.4L	WFMXA05.4JBP	TIER1	All	Underbody	--	--	912007	D-280-101
1997	5.4L	VFM5.4J8G1EK	TIER1	All	Underbody	912920	D-280-101	--	--
1997	5.4L	VFM5.4J8G1EK	TIER1	All	Underbody	--	--	912007	D-280-101
1996	5.8L	TFM5.8J8G1EK	TIER1	All	Underbody	651534	D-665-20	--	--
1996	5.8L	TFM5.8J8G1EK	TIER1	All	Front	--	--	912013	D-280-101
1996	5.8L	TFM5.8J8G1EK	TIER1	All	Rear	--	--	912026	D-280-101
1995	5.8L	SFM5.8J8G1EB	TIER1	All	Front	--	--	912013	D-280-101
1995	5.8L	SFM5.8J8G1EB	TIER1	All	Rear	--	--	912026	D-280-101
E-150 Econoline Club Wagon									
L6									
1996	4.9L	TFM4.968GFJK	TIER1	All	Front	--	--	912006	D-280-101
1996	4.9L	TFM4.968GFJK	TIER1	All	Rear	--	--	912026	D-280-101
1996	4.9L	TFM4.968GFJK	TIER1	All	Underbody	912157	D-280-101	--	--
V6									
2002	4.2L	2FMXT04.2HF5	LEV1 LEV	All	Underbody Left	651513	D-665-20	--	--
2002	4.2L	2FMXT04.2HF5	LEV1 LEV	All	Underbody Right	651512	D-665-20	--	--
2002	4.2L	2FMXT04.2JF5	LEV1 LEV	All	Front	--	--	912009	D-280-101
2002	4.2L	2FMXT04.2JF5	LEV1 LEV	All	Rear	--	--	912006	D-280-101
2002	4.2L	2FMXT04.2JF5	LEV1 LEV	All	Underbody Left	919416	D-280-101	--	--
2002	4.2L	2FMXT04.2JF5	LEV1 LEV	All	Underbody Right	919415	D-280-101	--	--
2001	4.2L	1FMXT04.2HG5	LEV1 LEV	All	Underbody Left	651513	D-665-20	--	--
2001	4.2L	1FMXT04.2HG5	LEV1 LEV	All	Underbody Right	651512	D-665-20	--	--
2001	4.2L	1FMXT04.2JG5	LEV1 LEV	All	Front	--	--	912009	D-280-101
2001	4.2L	1FMXT04.2JG5	LEV1 LEV	All	Rear	--	--	912005	D-280-101
2001	4.2L	1FMXT04.2JG5	LEV1 LEV	All	Underbody Left	912613	D-280-101	--	--
2001	4.2L	1FMXT04.2JG5	LEV1 LEV	All	Underbody Right	912614	D-280-101	--	--
2000	4.2L	YFMA04.2JGC	LEV1 LEV	All	Underbody Left	651513	D-665-20	--	--
2000	4.2L	YFMA04.2JGC	LEV1 LEV	All	Underbody Right	651512	D-665-20	--	--
2000	4.2L	YFMXT04.2HGC	LEV1 LEV	All	Underbody Left	651513	D-665-20	--	--
2000	4.2L	YFMXT04.2HGC	LEV1 LEV	All	Underbody Right	651512	D-665-20	--	--
2000	4.2L	YFMXT04.2JGC	LEV1 LEV	All	Front	--	--	912009	D-280-101
2000	4.2L	YFMXT04.2JGC	LEV1 LEV	All	Rear	--	--	912005	D-280-101

Legal Note: In Compliance with California Emissions Requirements

APPLICATION GUIDE



OBD II

APPLICATION

Year	Eng. Size	Test Group/ Engine Family	Certification Level	Application	Location	Direct Fit Number	Exec. Order	Consol. Number	Exec. Order
Ford (Cont.)									
E-150 Econoline Club Wagon (Cont.)									
V6 (Cont.)									
2000	4.2L	YFMXT04.2JGC	LEV1 LEV	All	Underbody Left	919416	D-280-101	--	--
2000	4.2L	YFMXT04.2JGC	LEV1 LEV	All	Underbody Right	919415	D-280-101	--	--
1999	4.2L	XFMXA04.2HGC	LEV1 LEV	All	Underbody Left	651513	D-665-20	--	--
1999	4.2L	XFMXA04.2HGC	LEV1 LEV	All	Underbody Right	651512	D-665-20	--	--
1999	4.2L	XFMXA04.2JGC	LEV1 LEV	All	Front	--	--	912009	D-280-101
1999	4.2L	XFMXA04.2JGC	LEV1 LEV	All	Rear	--	--	912005	D-280-101
1999	4.2L	XFMXA04.2JGC	LEV1 LEV	All	Underbody Left	919416	D-280-101	--	--
1999	4.2L	XFMXA04.2JGC	LEV1 LEV	All	Underbody Right	919415	D-280-101	--	--
1998	4.2L	WFMXA04.2AAA	TIER1	All	Underbody Left	651516	D-665-20	--	--
1998	4.2L	WFMXA04.2AAA	TIER1	All	Underbody Right	651517	D-665-20	--	--
1998	4.2L	WFMXA04.2ABA	TIER1	All	Front	--	--	912009	D-280-101
1998	4.2L	WFMXA04.2ABA	TIER1	All	Rear	--	--	912006	D-280-101
1998	4.2L	WFMXA04.2ABA	TIER1	All	Underbody Left	912613	D-280-101	--	--
1998	4.2L	WFMXA04.2ABA	TIER1	All	Underbody Right	912614	D-280-101	--	--
1997	4.2L	VFM4.2H8G1EK	TIER1	All	Underbody Left	651516	D-665-20	--	--
1997	4.2L	VFM4.2H8G1EK	TIER1	All	Underbody Right	651517	D-665-20	--	--
1997	4.2L	VFM4.2J8G1EK	TIER1	All	Underbody	--	--	912009	D-280-101
1997	4.2L	VFM4.2J8G1EK	TIER1	All	Underbody	--	--	912006	D-280-101
1997	4.2L	VFM4.2J8G1EK	TIER1	All	Underbody Left	912613	D-280-101	--	--
1997	4.2L	VFM4.2J8G1EK	TIER1	All	Underbody Right	912614	D-280-101	--	--
V8									
2002	4.6L	2FMXT05.4RF9	LEV1 LEV	All	Front	--	--	912009	D-280-101
2002	4.6L	2FMXT05.4RF9	LEV1 LEV	All	Rear	--	--	912006	D-280-101
2002	4.6L	2FMXT05.4RF9	LEV1 LEV	All	Underbody Left	919986	D-280-101	--	--
2002	4.6L	2FMXT05.4RF9	LEV1 LEV	All	Underbody Right	919987	D-280-101	--	--
2001	4.6L	1FMXT04.6JF5	LEV1 LEV	All	Front	--	--	912009	D-280-101
2001	4.6L	1FMXT04.6JF5	LEV1 LEV	All	Rear	--	--	912006	D-280-101
2001	4.6L	1FMXT04.6JF5	LEV1 LEV	All	Underbody Left	919986	D-280-101	--	--
2001	4.6L	1FMXT04.6JF5	LEV1 LEV	All	Underbody Right	919987	D-280-101	--	--
2000	4.6L	YFMXA04.66FF	LEV1 LEV	All	Underbody Left	651538	D-665-20	--	--
2000	4.6L	YFMXA04.66FF	LEV1 LEV	All	Underbody Right	651539	D-665-20	--	--
2000	4.6L	YFMXT04.66FF	LEV1 LEV	All	Front	--	--	912009	D-280-101
2000	4.6L	YFMXT04.66FF	LEV1 LEV	All	Rear	--	--	912006	D-280-101
2000	4.6L	YFMXT04.66FF	LEV1 LEV	All	Underbody Left	919986	D-280-101	--	--
2000	4.6L	YFMXT04.66FF	LEV1 LEV	All	Underbody Right	919987	D-280-101	--	--
1999	4.6L	XFMXA04.6JBC	TIER1	All	Front	--	--	912009	D-280-101
1999	4.6L	XFMXA04.6JBC	TIER1	All	Underbody Left	919417	D-280-101	--	--
1999	4.6L	XFMXA04.6JBC	TIER1	All	Underbody Right	919418	D-280-101	--	--
1998	4.6L	WFMXA04.6BAA	TIER1	All	Front	--	--	912009	D-280-101
1998	4.6L	WFMXA04.6BAA	TIER1	All	Rear	--	--	912006	D-280-101
1998	4.6L	WFMXA04.6BAA	TIER1	All	Underbody Left	919417	D-280-101	--	--
1998	4.6L	WFMXA04.6BAA	TIER1	All	Underbody Right	919418	D-280-101	--	--
1997	4.6L	VFM4.6J8G1EK	TIER1	All	Front	--	--	912009	D-280-101
1997	4.6L	VFM4.6J8G1EK	TIER1	All	Rear	--	--	912006	D-280-101
1997	4.6L	VFM4.6J8G1EK	TIER1	All	Underbody Left	919417	D-280-101	--	--
1997	4.6L	VFM4.6J8G1EK	TIER1	All	Underbody Right	919418	D-280-101	--	--
1996	5.0L	TFM5.0J8G1EK	TIER1	All	Front	--	--	912006	D-280-101
1996	5.0L	TFM5.0J8G1EK	TIER1	All	Rear	--	--	912026	D-280-101
1996	5.0L	TFM5.0J8G1EK	TIER1	All	Underbody	912241	D-280-101	--	--
2002	5.4L	2FMXT05.4RF9	LEV1 LEV	All	Front	911130	D-280-101	--	--
2002	5.4L	2FMXT05.4RF9	LEV1 LEV	All	Rear	910930	D-280-101	--	--
2002	5.4L	2FMXT05.4RF9	LEV1 LEV	All	Front	--	--	912009	D-280-101
2002	5.4L	2FMXT05.4RF9	LEV1 LEV	All	Rear	--	--	912006	D-280-101
2000	5.4L	YFMXT05.4RF7	LEV1 LEV	All	Front	912130	D-280-101	--	--
2000	5.4L	YFMXT05.4RF7	LEV1 LEV	All	Front	--	--	912006	D-280-101
2000	5.4L	YFMXT05.4RF7	LEV1 LEV	All	Rear	912930	D-280-101	--	--
2000	5.4L	YFMXT05.4RF7	LEV1 LEV	All	Rear	--	--	912007	D-280-101

Legal Note: In Compliance with California Emissions Requirements



CATCO
CATALYTIC CONVERTERS

EASTERN CATALYTIC

APPLICATION GUIDE

OBD II

APPLICATION

Year	Eng. Size	Test Group/ Engine Family	Certification Level	Application	Location	Direct Fit Number	Exec. Order	Consol. Number	Exec. Order
Ford (Cont.)									
E-250									
V6									
2003	4.2L	3FMXT04.2JF5	LEV1 LEV	All	Front	--	--	912009	D-280-101
2003	4.2L	3FMXT04.2JF5	LEV1 LEV	All	Rear	--	--	912006	D-280-101
2003	4.2L	3FMXT04.2JF5	LEV1 LEV	All	Underbody Left	919416	D-280-101	--	--
2003	4.2L	3FMXT04.2JF5	LEV1 LEV	All	Underbody Right	919415	D-280-101	--	--
V8									
2006	4.6L	6FMXT04.6RPE	LEV1 ULEV	All	Front Left	--	--	735206	D-280-107
2006	4.6L	6FMXT04.6RPE	LEV1 ULEV	All	Front Right	--	--	735206	D-280-107
2006	4.6L	6FMXT04.6RPE	LEV1 ULEV	All	Rear Left	--	--	736015	D-280-107
2006	4.6L	6FMXT04.6RPE	LEV1 ULEV	All	Rear Right	--	--	736015	D-280-107
2006	4.6L	6FMXT04.6TPE	LEV1 ULEV	All	Front Left	--	--	735206	D-280-107
2006	4.6L	6FMXT04.6TPE	LEV1 ULEV	All	Front Right	--	--	735206	D-280-107
2006	4.6L	6FMXT04.6TPE	LEV1 ULEV	All	Rear Left	--	--	736015	D-280-107
2006	4.6L	6FMXT04.6TPE	LEV1 ULEV	All	Rear Right	--	--	736015	D-280-107
2005	4.6L	5FMXT04.6RPE	LEV1 ULEV	All	Front Left	--	--	735206	D-280-107
2005	4.6L	5FMXT04.6RPE	LEV1 ULEV	All	Front Right	--	--	735206	D-280-107
2005	4.6L	5FMXT04.6RPE	LEV1 ULEV	All	Rear Left	--	--	731016	D-280-107
2005	4.6L	5FMXT04.6RPE	LEV1 ULEV	All	Rear Right	--	--	731016	D-280-107
2005	4.6L	5FMXT04.6TPE	LEV1 ULEV	All	Front Left	--	--	735206	D-280-107
2005	4.6L	5FMXT04.6TPE	LEV1 ULEV	All	Front Right	--	--	735206	D-280-107
2005	4.6L	5FMXT04.6TPE	LEV1 ULEV	All	Rear Left	--	--	731016	D-280-107
2005	4.6L	5FMXT04.6TPE	LEV1 ULEV	All	Rear Right	--	--	731016	D-280-107
2004	4.6L	4FMXT04.6RP9	LEV1 ULEV	All	Front Left	--	--	735206	D-280-107
2004	4.6L	4FMXT04.6RP9	LEV1 ULEV	All	Front Right	--	--	735206	D-280-107
2004	4.6L	4FMXT04.6RP9	LEV1 ULEV	All	Rear Left	--	--	731016	D-280-107
2004	4.6L	4FMXT04.6RP9	LEV1 ULEV	All	Rear Right	--	--	731016	D-280-107
2003	4.6L	3FMXT05.4RF9	LEV1 ULEV	All	Front Left	--	--	735206	D-280-107
2003	4.6L	3FMXT05.4RF9	LEV1 ULEV	All	Front Right	--	--	735206	D-280-107
2003	4.6L	3FMXT05.4RF9	LEV1 ULEV	All	Rear Left	--	--	731016	D-280-107
2003	4.6L	3FMXT05.4RF9	LEV1 ULEV	All	Rear Right	--	--	731016	D-280-107
2005	5.4L	5FMXT05.4SP6	LEV1 ULEV	All	Front Left	--	--	736006	D-280-107
2005	5.4L	5FMXT05.4SP6	LEV1 ULEV	All	Front Right	--	--	736006	D-280-107
2005	5.4L	5FMXT05.4SP6	LEV1 ULEV	All	Rear Left	--	--	733016	D-280-107
2005	5.4L	5FMXT05.4SP6	LEV1 ULEV	All	Rear Right	--	--	733016	D-280-107
2005	5.4L	5FMXT05.4SP6	LEV1 ULEV	All	Underbody	739263	D-280-107	--	--
2004	5.4L	4FMXT05.4SP6	LEV1 ULEV	All	Front Left	--	--	735206	D-280-107
2004	5.4L	4FMXT05.4SP6	LEV1 ULEV	All	Front Right	--	--	735206	D-280-107
2004	5.4L	4FMXT05.4SP6	LEV1 ULEV	All	Rear Left	--	--	731016	D-280-107
2004	5.4L	4FMXT05.4SP6	LEV1 ULEV	All	Rear Right	--	--	731016	D-280-107
2003	5.4L	3FMXT05.4RF9	LEV1 ULEV	All	Front Left	--	--	735206	D-280-107
2003	5.4L	3FMXT05.4RF9	LEV1 ULEV	All	Front Right	--	--	735206	D-280-107
2003	5.4L	3FMXT05.4RF9	LEV1 ULEV	All	Rear Left	--	--	733016	D-280-107
2003	5.4L	3FMXT05.4RF9	LEV1 ULEV	All	Rear Right	--	--	733016	D-280-107
2003	5.4L	3FMXT05.4RF9	LEV1 ULEV	Under 8500 lbs GVW	Front	731130	D-280-107	--	--
2003	5.4L	3FMXT05.4RF9	LEV1 ULEV	Under 8500 lbs GVW	Rear	730930	D-280-107	--	--
E-250 Econoline									
L6									
1996	4.9L	TFM4.968GFJK	TIER1	All	Front	--	--	912006	D-280-101
1996	4.9L	TFM4.968GFJK	TIER1	All	Rear	--	--	912026	D-280-101
1996	4.9L	TFM4.968GFJK	TIER1	All	Underbody	912157	D-280-101	--	--
1995	4.9L	SFM4.9J8G1JA	TIER1	All	Front	--	--	912013	D-280-101
1995	4.9L	SFM4.9J8G1JA	TIER1	All	Rear	--	--	912036	D-280-101
V6									
2002	4.2L	2FMXT04.2JF5	LEV1 LEV	All	Front	--	--	912009	D-280-101
2002	4.2L	2FMXT04.2JF5	LEV1 LEV	All	Rear	--	--	912006	D-280-101
2002	4.2L	2FMXT04.2JF5	LEV1 LEV	All	Underbody Left	919416	D-280-101	--	--
2002	4.2L	2FMXT04.2JF5	LEV1 LEV	All	Underbody Right	919415	D-280-101	--	--

Legal Note: In Compliance with California Emissions Requirements

APPLICATION GUIDE



OBD II

APPLICATION

Year	Eng. Size	Test Group/ Engine Family	Certification Level	Application	Location	Direct Fit Number	Exec. Order	Consol. Number	Exec. Order
Ford (Cont.)									
E-250 Econoline (Cont.)									
V6 (Cont.)									
2001	4.2L	1FMXT04.2JG5	LEV1 LEV	All	Front	--	--	912009	D-280-101
2001	4.2L	1FMXT04.2JG5	LEV1 LEV	All	Rear	--	--	912005	D-280-101
2001	4.2L	1FMXT04.2JG5	LEV1 LEV	All	Underbody Left	912613	D-280-101	--	--
2001	4.2L	1FMXT04.2JG5	LEV1 LEV	All	Underbody Right	912614	D-280-101	--	--
2000	4.2L	YFMXA04.2JGC	LEV1 LEV	All	Underbody Left	651513	D-665-20	--	--
2000	4.2L	YFMXA04.2JGC	LEV1 LEV	All	Underbody Right	651512	D-665-20	--	--
2000	4.2L	YFMXT04.2JGC	LEV1 LEV	All	Front	--	--	912009	D-280-101
2000	4.2L	YFMXT04.2JGC	LEV1 LEV	All	Rear	--	--	912005	D-280-101
2000	4.2L	YFMXT04.2JGC	LEV1 LEV	All	Underbody Left	919416	D-280-101	--	--
2000	4.2L	YFMXT04.2JGC	LEV1 LEV	All	Underbody Right	919415	D-280-101	--	--
1999	4.2L	XFMXA04.2JGC	LEV1 LEV	All	Front	--	--	912009	D-280-101
1999	4.2L	XFMXA04.2JGC	LEV1 LEV	All	Rear	--	--	912005	D-280-101
1999	4.2L	XFMXA04.2JGC	LEV1 LEV	All	Underbody Left	919416	D-280-101	--	--
1999	4.2L	XFMXA04.2JGC	LEV1 LEV	All	Underbody Right	919415	D-280-101	--	--
1998	4.2L	WFMXA04.2ABA	TIER1	All	Front	--	--	912009	D-280-101
1998	4.2L	WFMXA04.2ABA	TIER1	All	Rear	--	--	912006	D-280-101
1998	4.2L	WFMXA04.2ABA	TIER1	All	Underbody Left	912613	D-280-101	--	--
1998	4.2L	WFMXA04.2ABA	TIER1	All	Underbody Right	912614	D-280-101	--	--
1997	4.2L	VFM4.2J8G1EK	TIER1	All	Underbody	--	--	912009	D-280-101
1997	4.2L	VFM4.2J8G1EK	TIER1	All	Underbody	--	--	912006	D-280-101
1997	4.2L	VFM4.2J8G1EK	TIER1	All	Underbody Left	912613	D-280-101	--	--
1997	4.2L	VFM4.2J8G1EK	TIER1	All	Underbody Right	912614	D-280-101	--	--
V8									
2002	5.4L	2FMXT05.4RF9	LEV1 LEV	All	Front	--	--	912009	D-280-101
2002	5.4L	2FMXT05.4RF9	LEV1 LEV	All	Rear	--	--	912006	D-280-101
2002	5.4L	2FMXT05.4RF9	LEV1 LEV	Under 8500 lbs GVW	Front	912130	D-280-101	--	--
2002	5.4L	2FMXT05.4RF9	LEV1 LEV	Under 8500 lbs GVW	Rear	912930	D-280-101	--	--
2001	5.4L	1FMXT05.4RF7	LEV1 LEV	All	Front	912130	D-280-101	--	--
2001	5.4L	1FMXT05.4RF7	LEV1 LEV	All	Rear	912930	D-280-101	--	--
2001	5.4L	1FMXT05.4RF7	LEV1 LEV	All	Rear	--	--	912003	D-280-101
2000	5.4L	YFMXT05.4RF7	LEV1 LEV	All	Front	912130	D-280-101	--	--
2000	5.4L	YFMXT05.4RF7	LEV1 LEV	All	Front	--	--	912006R	D-280-101
2000	5.4L	YFMXT05.4RF7	LEV1 LEV	All	Rear	912930	D-280-101	--	--
2000	5.4L	YFMXT05.4RF7	LEV1 LEV	All	Rear	--	--	912007	D-280-101
1999	5.4L	XFMXA05.4JBN	TIER1	All	Underbody	912920	D-280-101	--	--
1998	5.4L	WFMXA05.4JBP	TIER1	All	Underbody	912920	D-280-101	--	--
1998	5.4L	WFMXA05.4JBP	TIER1	All	Underbody	--	--	912007	D-280-101
1997	5.4L	VFM5.4J8G1EK	TIER1	All	Underbody	912920	D-280-101	--	--
1997	5.4L	VFM5.4J8G1EK	TIER1	All	Underbody	--	--	912007	D-280-101
1996	5.8L	TFM5.8J8G1EK	TIER1	All	Underbody	651534	D-665-20	--	--
1996	5.8L	TFM5.8J8G1EK	TIER1	All	Front	--	--	912013	D-280-101
1996	5.8L	TFM5.8J8G1EK	TIER1	All	Rear	--	--	912026	D-280-101
1995	5.8L	SFM5.8H8G1EA	TIER1	All	Front	--	--	912013	D-280-101
1995	5.8L	SFM5.8H8G1EA	TIER1	All	Rear	--	--	912026	D-280-101
1995	5.8L	SFM5.8J8G1EB	TIER1	All	Front	--	--	912013	D-280-101
1995	5.8L	SFM5.8J8G1EB	TIER1	All	Rear	--	--	912026	D-280-101
E-350 Club Wagon									
V8									
2003	5.4L	3FMXT05.4RF9	LEV1 ULEV	All	Front	731130	D-280-107	--	--
2003	5.4L	3FMXT05.4RF9	LEV1 ULEV	All	Front Left	--	--	735206	D-280-107
2003	5.4L	3FMXT05.4RF9	LEV1 ULEV	All	Front Right	--	--	735206	D-280-107
2003	5.4L	3FMXT05.4RF9	LEV1 ULEV	All	Rear	730930	D-280-107	--	--
2003	5.4L	3FMXT05.4RF9	LEV1 ULEV	All	Rear Left	--	--	733016	D-280-107

Legal Note: In Compliance with California Emissions Requirements



CATCO
CATALYTIC CONVERTERS

EASTERN CATALYTIC

APPLICATION GUIDE

OBD II

APPLICATION

Year	Eng. Size	Test Group/ Engine Family	Certification Level	Application	Location	Direct Fit Number	Exec. Order	Consol. Number	Exec. Order
E-350 Econoline									
L6									
1996	4.9L	TFM4.968GFJK	TIER1	2WD	Rear	--	--	912026	D-280-101
1996	4.9L	TFM4.968GFJK	TIER1	2WD	Underbody	912157	D-280-101	--	--
1996	4.9L	TFM4.968GFJK	TIER1	2WD	Underbody	--	--	912006	D-280-101
1995	4.9L	SFM4.9J8G1JA	TIER1	All	Front	--	--	912013	D-280-101
1995	4.9L	SFM4.9J8G1JA	TIER1	All	Rear	--	--	912036	D-280-101
V8									
1998	5.4L	WFMXA05.4JBP	TIER1	All	Underbody	912920	D-280-101	--	--
1998	5.4L	WFMXA05.4JBP	TIER1	All	Underbody	--	--	912007	D-280-101
1997	5.4L	VFM5.4J8G1EK	TIER1	All	Underbody	912920	D-280-101	--	--
1997	5.4L	VFM5.4J8G1EK	TIER1	All	Underbody	--	--	912007	D-280-101
1996	5.8L	TFM5.8J8G1EK	TIER1	All	Underbody	651534	D-665-20	--	--
1996	5.8L	TFM5.8J8G1EK	TIER1	2WD	Front	--	--	912013	D-280-101
1996	5.8L	TFM5.8J8G1EK	TIER1	2WD	Rear	--	--	912026	D-280-101
1995	5.8L	SFM5.8H8G1EA	TIER1	All	Front	--	--	912013	D-280-101
1995	5.8L	SFM5.8H8G1EA	TIER1	All	Rear	--	--	912026	D-280-101
1995	5.8L	SFM5.8J8G1EB	TIER1	All	Front	--	--	912013	D-280-101
1995	5.8L	SFM5.8J8G1EB	TIER1	All	Rear	--	--	912026	D-280-101
1996	7.5L	TFM7.5J8G1CK	TIER1	All	Underbody	919900	D-280-101	--	--
1996	7.5L	TFM7.5J8G1CK	TIER1	All	Underbody	--	--	912007	D-280-101
V10									
1997	6.8L	VFM6.8J8G1EK	TIER1	All	Underbody	912920	D-280-101	--	--
1997	6.8L	VFM6.8J8G1EK	TIER1	All	Underbody	910925	D-280-101	--	--
1997	6.8L	VFM6.8J8G1EK	TIER1	All	Underbody	--	--	910907	D-280-101
E-350 Econoline Club Wagon									
L6									
1996	4.9L	TFM4.968GFJK	TIER1	All	Front	--	--	912006	D-280-101
1996	4.9L	TFM4.968GFJK	TIER1	All	Rear	--	--	912026	D-280-101
1996	4.9L	TFM4.968GFJK	TIER1	All	Underbody	912157	D-280-101	--	--
V8									
2002	5.4L	2FMXT05.4RF9	LEV1 LEV	All	Front	--	--	912009	D-280-101
2002	5.4L	2FMXT05.4RF9	LEV1 LEV	All	Rear	--	--	912006	D-280-101
2001	5.4L	1FMXT05.4RF7	LEV1 LEV	All	Front	912130	D-280-101	--	--
2001	5.4L	1FMXT05.4RF7	LEV1 LEV	All	Front	--	--	912005R	D-280-101
2001	5.4L	1FMXT05.4RF7	LEV1 LEV	All	Rear	912930	D-280-101	--	--
2001	5.4L	1FMXT05.4RF7	LEV1 LEV	All	Rear	--	--	912003	D-280-101
2000	5.4L	YFMXT05.4RF7	LEV1 LEV	All	Front	912130	D-280-101	--	--
2000	5.4L	YFMXT05.4RF7	LEV1 LEV	All	Front	--	--	912006R	D-280-101
2000	5.4L	YFMXT05.4RF7	LEV1 LEV	All	Rear	912930	D-280-101	--	--
2000	5.4L	YFMXT05.4RF7	LEV1 LEV	All	Rear	--	--	912007	D-280-101
1998	5.4L	WFMXA05.4JBP	TIER1	All	Underbody	--	--	912007	D-280-101
1998	5.4L	WFMXA05.4JBP	TIER1	W/O 02 Sensor	Underbody	912920	D-280-101	--	--
1997	5.4L	VFM5.4J8G1EK	TIER1	All	Underbody	--	--	912007	D-280-101
1997	5.4L	VFM5.4J8G1EK	TIER1	W/O 02 Sensor	Underbody	912920	D-280-101	--	--
V10									
2000	6.8L	YFMXA06.8JGC	LEV1 LEV	2WD	Front	912130	D-280-101	--	--
2000	6.8L	YFMXA06.8JGC	LEV1 LEV	2WD	Rear	910925	D-280-101	--	--
1999	6.8L	XFMXA06.8JBC	TIER1	All	Underbody	--	--	910907	D-280-101
1999	6.8L	XFMXA06.8JBC	TIER1	W/O 02 Sensor	Underbody	910925	D-280-101	--	--
1997	6.8L	VFM6.8J8G1EK	TIER1	All	Underbody	--	--	910907	D-280-101
1997	6.8L	VFM6.8J8G1EK	TIER1	W/O 02 Sensor	Underbody	912920	D-280-101	--	--
E-350 Super Duty									
V8									
2006	5.4L	6FMXX05.4TF5	LEV1 LEV	All	Front Left	--	--	912005R	D-280-101
2006	5.4L	6FMXX05.4TF5	LEV1 LEV	All	Front Right	--	--	912005R	D-280-101
2006	5.4L	6FMXX05.4TF5	LEV1 LEV	All	Underbody	919263	D-280-101	--	--
2006	5.4L	6FMXX05.4TF5	LEV1 LEV	All	Underbody Left	--	--	912005R	D-280-101
2006	5.4L	6FMXX05.4TF5	LEV1 LEV	All	Underbody Right	--	--	912005R	D-280-101

Legal Note: In Compliance with California Emissions Requirements

APPLICATION GUIDE



OBD II

APPLICATION

Year	Eng. Size	Test Group/ Engine Family	Certification Level	Application	Location	Direct Fit Number	Exec. Order	Consol. Number	Exec. Order
Ford (Cont.)									
E-350 Super Duty (Cont.)									
V8 (Cont.)									
2006	5.4L	6FMXT05.4SP6	LEV1 ULEV	All	Front Left	--	--	731006	D-280-107
2006	5.4L	6FMXT05.4SP6	LEV1 ULEV	All	Front Right	--	--	731006	D-280-107
2006	5.4L	6FMXT05.4SP6	LEV1 ULEV	All	Rear Left	--	--	733016	D-280-107
2006	5.4L	6FMXT05.4SP6	LEV1 ULEV	All	Rear Right	--	--	733016	D-280-107
2006	5.4L	6FMXT05.4SP6	LEV1 ULEV	All	Underbody	739263	D-280-107	--	--
2005	5.4L	5FMXK05.4TF5	LEV1 LEV	All	Front Left	--	--	912005R	D-280-101
2005	5.4L	5FMXK05.4TF5	LEV1 LEV	All	Front Right	--	--	912005R	D-280-101
2005	5.4L	5FMXK05.4TF5	LEV1 LEV	All	Underbody	919263	D-280-101	--	--
2005	5.4L	5FMXK05.4TF5	LEV1 LEV	All	Underbody Left	--	--	912005R	D-280-101
2005	5.4L	5FMXK05.4TF5	LEV1 LEV	All	Underbody Right	--	--	912005R	D-280-101
2005	5.4L	5FMXT05.4SP6	LEV1 ULEV	All	Front Left	--	--	731006	D-280-107
2005	5.4L	5FMXT05.4SP6	LEV1 ULEV	All	Front Right	--	--	731006	D-280-107
2005	5.4L	5FMXT05.4SP6	LEV1 ULEV	All	Rear Left	--	--	733016	D-280-107
2005	5.4L	5FMXT05.4SP6	LEV1 ULEV	All	Rear Right	--	--	733016	D-280-107
2005	5.4L	5FMXT05.4SP6	LEV1 ULEV	All	Underbody	739263	D-280-107	--	--
V10									
2000	6.8L	YFMXA06.8JGC	LEV1 LEV	All	Front	912130	D-280-101	--	--
2000	6.8L	YFMXA06.8JGC	LEV1 LEV	All	Rear	910925	D-280-101	--	--
1999	6.8L	XFMXA06.8JBC	TIER1	All	Underbody	910925	D-280-101	--	--
1999	6.8L	XFMXA06.8JBC	TIER1	All	Underbody	--	--	910907	D-280-101
Edge									
V6									
2013	3.5L	DFMXT03.72EE	LEV2 ULEV	All	Front Left	741285	D-798	--	--
2013	3.5L	DFMXT03.72EE	LEV2 ULEV	All	Front Right	741286	D-798	--	--
2012	3.5L	CFMXT03.72EE	LEV2 ULEV	All	Front Left	741285	D-798	--	--
2012	3.5L	CFMXT03.72EE	LEV2 ULEV	All	Front Right	741286	D-798	--	--
2011	3.5L	BFMXT03.72EE	LEV2 ULEV	All	Front Left	741285	D-798	--	--
2011	3.5L	BFMXT03.72EE	LEV2 ULEV	All	Front Right	741286	D-798	--	--
2010	3.5L	AFMXT03.52EB	LEV2 ULEV	All	Front Left	744454	D-798	--	--
2010	3.5L	AFMXT03.52EB	LEV2 ULEV	All	Front Right	744455	D-798	--	--
2009	3.5L	9FMXT03.52EB	LEV2 ULEV	All	Front Left	744454	D-798	--	--
2009	3.5L	9FMXT03.52EB	LEV2 ULEV	All	Front Right	744455	D-798	--	--
2008	3.5L	8FMXT03.52EB	LEV2 ULEV	All	Front Left	744454	D-798	--	--
2008	3.5L	8FMXT03.52EB	LEV2 ULEV	All	Front Right	744455	D-798	--	--
2007	3.5L	7FMXT03.52EA	LEV2 ULEV	All	Front Left	744454	D-798	--	--
2007	3.5L	7FMXT03.52EA	LEV2 ULEV	All	Front Right	744455	D-798	--	--
2013	3.7L	DFMXT03.72EE	LEV2 ULEV	All	Front Left	741285	D-798	--	--
2013	3.7L	DFMXT03.72EE	LEV2 ULEV	All	Front Right	741286	D-798	--	--
2012	3.7L	CFMXT03.72EE	LEV2 ULEV	All	Front Left	741285	D-798	--	--
2012	3.7L	CFMXT03.72EE	LEV2 ULEV	All	Front Right	741286	D-798	--	--
2011	3.7L	BFMXT03.72EE	LEV2 ULEV	All	Front Left	741285	D-798	--	--
2011	3.7L	BFMXT03.72EE	LEV2 ULEV	All	Front Right	741286	D-798	--	--
Escape									
L4									
2004	2.0L	4FMXT02.01F5	LEV1 LEV	All	Underbody	--	--	940106	D-280-100
2003	2.0L	3FMXT02.01F5	LEV1 LEV	All	Underbody	--	--	940106	D-280-100
2002	2.0L	2FMXT02.01F5	LEV1 LEV	All	Underbody	--	--	940106	D-280-100
2001	2.0L	1FMXT02.01F5	LEV1 LEV	All	Underbody	--	--	940106	D-280-100
2008	2.3L	8FMXT02.31EA	LEV2 LEV	All	Front	761902	D-280-105	--	--
2008	2.3L	8FMXT02.31EA	LEV2 LEV	All	Underbody	769408	D-280-105	--	--
2008	2.3L	8FMXT02.31EA	LEV2 LEV	All	Underbody	--	--	763016	D-280-105
2008	2.3L	8FMXT02.31EF	LEV2 ULEV	All	Front	761902	D-280-105	--	--
2008	2.3L	8FMXT02.31EF	LEV2 ULEV	All	Rear	--	--	763016	D-280-105
2008	2.3L	8FMXT02.31EF	LEV2 ULEV	All	Underbody	769408	D-280-105	--	--
2007	2.3L	7FMXT02.31EA	LEV2 LEV	All	Front	761902	D-280-105	--	--
2007	2.3L	7FMXT02.31EA	LEV2 LEV	All	Underbody	769408	D-280-105	--	--
2007	2.3L	7FMXT02.31EA	LEV2 LEV	All	Underbody	--	--	763016	D-280-105

Legal Note: In Compliance with California Emissions Requirements

**CATCO**
CATALYTIC CONVERTERS**EASTERN**
CATALYTIC

APPLICATION GUIDE

OBD II**APPLICATION**

Year	Eng. Size	Test Group/ Engine Family	Certification Level	Application	Location	Direct Fit Number	Exec. Order	Consol. Number	Exec. Order
Ford (Cont.)									
Escape (Cont.)									
L4 (Cont.)									
2007	2.3L	7FMXT02.31EF	LEV2 ULEV	All	Front	761902	D-280-105	--	--
2007	2.3L	7FMXT02.31EF	LEV2 ULEV	All	Rear	--	--	763016	D-280-105
2007	2.3L	7FMXT02.31EF	LEV2 ULEV	All	Underbody	769408	D-280-105	--	--
2006	2.3L	6FMXT02.31EA	LEV2 LEV	All	Front	761902	D-280-105	--	--
2006	2.3L	6FMXT02.31EA	LEV2 LEV	All	Underbody	769408	D-280-105	--	--
2006	2.3L	6FMXT02.31EA	LEV2 LEV	All	Underbody	--	--	763016	D-280-105
2006	2.3L	6FMXT02.31EF	LEV2 ULEV	All	Front	761902	D-280-105	--	--
2006	2.3L	6FMXT02.31EF	LEV2 ULEV	All	Rear	--	--	763016	D-280-105
2006	2.3L	6FMXT02.31EF	LEV2 ULEV	All	Underbody	769408	D-280-105	--	--
2005	2.3L	5FMXT02.31EF	LEV2 ULEV	All	Front	761902	D-280-105	--	--
2005	2.3L	5FMXT02.31EF	LEV2 ULEV	All	Rear	--	--	763016	D-280-105
2005	2.3L	5FMXT02.31EF	LEV2 ULEV	All	Underbody	769408	D-280-105	--	--
2011	2.5L	BFMXT02.51EN	LEV2 ULEV	All	Underbody	769981	D-280-105	--	--
2011	2.5L	BFMXT02.51EN	LEV2 ULEV	All	Underbody	--	--	762016	D-280-105
2010	2.5L	AFMXT02.51EK	LEV2 ULEV	All	Underbody	769981 (5)	D-280-105	--	--
2010	2.5L	AFMXT02.51EK	LEV2 ULEV	All	Underbody	--	--	762016	D-280-105
2010	2.5L	AFMXT02.51EN	LEV2 ULEV	All	Underbody	769981 (5)	D-280-105	--	--
2010	2.5L	AFMXT02.51EN	LEV2 ULEV	All	Underbody	--	--	762016	D-280-105
2009	2.5L	9FMXT02.51EK	LEV2 ULEV	All	Underbody	769981 (5)	D-280-105	--	--
2009	2.5L	9FMXT02.51EK	LEV2 ULEV	All	Underbody	--	--	762016	D-280-105
V6									
2012	3.0L	CFMXT03.02DE	LEV2 ULEV	All	Front Left	741288	D-798	--	--
2012	3.0L	CFMXT03.02DE	LEV2 ULEV	All	Front Right	741289	D-798	--	--
2012	3.0L	CFMXT03.02DE	LEV2 ULEV	All	Rear	--	--	747336	D-798
2012	3.0L	CFMXT03.02DE	LEV2 ULEV	All	Underbody	749530	D-798	--	--
2011	3.0L	BFMXT03.02DE	LEV2 ULEV	All	Front Left	741288	D-798	--	--
2011	3.0L	BFMXT03.02DE	LEV2 ULEV	All	Front Right	741289	D-798	--	--
2011	3.0L	BFMXT03.02DE	LEV2 ULEV	All	Rear	--	--	747336	D-798
2011	3.0L	BFMXT03.02DE	LEV2 ULEV	All	Underbody	749530	D-798	--	--
2010	3.0L	AFMXT03.01DE	LEV2 ULEV	All	Front Left	741288	D-798	--	--
2010	3.0L	AFMXT03.01DE	LEV2 ULEV	All	Front Right	741289	D-798	--	--
2010	3.0L	AFMXT03.01DE	LEV2 ULEV	All	Rear	--	--	747336	D-798
2010	3.0L	AFMXT03.01DE	LEV2 ULEV	All	Underbody	749530	D-798	--	--
2010	3.0L	AFMXT03.01DG	LEV2 ULEV	All	Front Left	741288	D-798	--	--
2010	3.0L	AFMXT03.01DG	LEV2 ULEV	All	Front Right	741289	D-798	--	--
2010	3.0L	AFMXT03.01DG	LEV2 ULEV	All	Rear	--	--	747336	D-798
2010	3.0L	AFMXT03.01DG	LEV2 ULEV	All	Underbody	749530	D-798	--	--
2006	3.0L	6FMXT03.01EB	LEV2 LEV	FWD	Front	867501	D-665-15	--	--
2006	3.0L	6FMXT03.01EB	LEV2 LEV	FWD	Rear	867502	D-665-15	--	--
2005	3.0L	5FMXT03.01FE	LEV1 ULEV	FWD	Front	867501	D-665-15	--	--
2005	3.0L	5FMXT03.01FE	LEV1 ULEV	FWD	Rear	867502	D-665-15	--	--
2005	3.0L	5FMXT03.01FE	LEV1 ULEV	All	Rear	809528	D-665-23	--	--
2004	3.0L	4FMXT03.01FE	LEV1 LEV	FWD	Rear	867502	D-665-15	--	--
2004	3.0L	4FMXT03.01FE	LEV1 LEV	All	Front	942029	D-280-100	--	--
2004	3.0L	4FMXT03.01FE	LEV1 LEV	All	Front	942028	D-280-100	--	--
2004	3.0L	4FMXT03.01FE	LEV1 LEV	All	Rear	942008	D-280-100	--	--
2004	3.0L	4FMXT03.01FE	LEV1 LEV	All	Rear	--	--	940334	D-280-100
2003	3.0L	3FMXT03.01F7	LEV1 LEV	All	Front	942028	D-280-100	--	--
2003	3.0L	3FMXT03.01F7	LEV1 LEV	All	Rear	942029	D-280-100	--	--
2003	3.0L	3FMXT03.01F7	LEV1 LEV	All	Rear	--	--	940334	D-280-100
2003	3.0L	3FMXT03.01F7	LEV1 LEV	All	Underbody	942008	D-280-100	--	--
2003	3.0L	3FMXT03.02F8	LEV1 LEV	All	Front	942029	D-280-100	--	--
2003	3.0L	3FMXT03.02F8	LEV1 LEV	All	Front	942028	D-280-100	--	--
2003	3.0L	3FMXT03.02F8	LEV1 LEV	All	Rear	942008	D-280-100	--	--
2003	3.0L	3FMXT03.02F8	LEV1 LEV	All	Rear	--	--	940334	D-280-100
2002	3.0L	2FMXT03.01F6	LEV1 LEV	All	Front	942028	D-280-100	--	--
2002	3.0L	2FMXT03.01F6	LEV1 LEV	All	Rear	942029	D-280-100	--	--
2002	3.0L	2FMXT03.01F6	LEV1 LEV	All	Rear	--	--	940334	D-280-100
2002	3.0L	2FMXT03.01F6	LEV1 LEV	All	Underbody	942008	D-280-100	--	--

(5) Semi-Direct Fit, Requires Muffler 60005 To Complete Installation
 Legal Note: In Compliance with California Emissions Requirements

APPLICATION GUIDE



OBD II

APPLICATION

Year	Eng. Size	Test Group/ Engine Family	Certification Level	Application	Location	Direct Fit Number	Exec. Order	Consol. Number	Exec. Order
Ford (Cont.)									
Escape (Cont.)									
V6 (Cont.)									
2002	3.0L	2FMXT03.01F7	LEV1 LEV	All	Front	942028	D-280-100	--	--
2002	3.0L	2FMXT03.01F7	LEV1 LEV	All	Rear	942029	D-280-100	--	--
2002	3.0L	2FMXT03.01F7	LEV1 LEV	All	Rear	942008	D-280-100	--	--
2002	3.0L	2FMXT03.01F7	LEV1 LEV	All	Rear	--	--	940334	D-280-100
2001	3.0L	1FMXT03.01F6	LEV1 LEV	All	Front	942028	D-280-100	--	--
2001	3.0L	1FMXT03.01F6	LEV1 LEV	All	Rear	942029	D-280-100	--	--
2001	3.0L	1FMXT03.01F6	LEV1 LEV	All	Rear	--	--	940334	D-280-100
2001	3.0L	1FMXT03.01F6	LEV1 LEV	All	Underbody	942008	D-280-100	--	--
Escort									
L4									
1996	1.9L	TFM1.9V8GKEK	TIER1	All	Underbody	942604	D-280-100	--	--
1996	1.9L	TFM1.9V8GKEK	TIER1	All	Underbody	--	--	944182	D-280-100
2003	2.0L	3FMXV02.0VF6	LEV1 LEV	All	Front	--	--	944182	D-280-100
2003	2.0L	3FMXV02.0VF6	LEV1 LEV	All	Rear	--	--	944182	D-280-100
2002	2.0L	2FMXV02.0VF3	LEV1 LEV	A/T	Underbody	942202	D-280-100	--	--
2002	2.0L	2FMXV02.0VF3	LEV1 LEV	All	Underbody	942865	D-280-100	--	--
2002	2.0L	2FMXV02.0VF3	LEV1 LEV	All	Underbody	--	--	944182	D-280-100
2002	2.0L	2FMXV02.0VF6	LEV1 LEV	A/T	Underbody	942202	D-280-100	--	--
2002	2.0L	2FMXV02.0VF6	LEV1 LEV	A/T	Underbody	--	--	944182	D-280-100
2002	2.0L	2FMXV02.0VF6	LEV1 LEV	All	Underbody	942865	D-280-100	--	--
2002	2.0L	2FMXV02.0VF6	LEV1 LEV	All	Underbody	--	--	944182	D-280-100
2001	2.0L	1FMXV02.0VF2	LEV1 LEV	All	Front	--	--	944182	D-280-100
2001	2.0L	1FMXV02.0VF2	LEV1 LEV	All	Rear	--	--	944182	D-280-100
2001	2.0L	1FMXV02.0VF3	LEV1 LEV	All	Front	--	--	944182	D-280-100
2001	2.0L	1FMXV02.0VF3	LEV1 LEV	All	Rear	--	--	944182	D-280-100
2000	2.0L	YFMXV02.0VF2	LEV1 LEV	All	Underbody	942865	D-280-100	--	--
2000	2.0L	YFMXV02.0VF2	LEV1 LEV	All	Underbody	--	--	944182	D-280-100
2000	2.0L	YFMXV02.0VF5	LEV1 LEV	A/T	Underbody	942202	D-280-100	--	--
1999	2.0L	XFMXV02.0VDN	TLEV	A/T	Underbody	942202	D-280-100	--	--
1999	2.0L	XFMXV02.0VDN	TLEV	A/T	Underbody	--	--	944182	D-280-100
1999	2.0L	XFMXV02.0VG5	LEV1 LEV	A/T	Underbody	942202	D-280-100	--	--
1999	2.0L	XFMXV02.0VG5	LEV1 LEV	A/T	Underbody	--	--	944182	D-280-100
1999	2.0L	XFMXV02.0VGC	LEV1 LEV	All	Underbody	942865	D-280-100	--	--
1999	2.0L	XFMXV02.0VGC	LEV1 LEV	All	Underbody	--	--	944182	D-280-100
1998	2.0L	WFMXV02.0ATA	TLEV	All	Underbody	942865	D-280-100	--	--
1998	2.0L	WFMXV02.0ATA	TLEV	All	Underbody	--	--	944182	D-280-100
1998	2.0L	WFMXV02.0BTA	TLEV	All	Underbody	942865	D-280-100	--	--
1998	2.0L	WFMXV02.0BTA	TLEV	All	Underbody	--	--	944182	D-280-100
1997	2.0L	VFM2.0V8G2EK	TLEV	All	Underbody	942865	D-280-100	--	--
1997	2.0L	VFM2.0V8G2EK	TLEV	All	Underbody	--	--	944182	D-280-100
1997	2.0L	VFM2.0V8G3FK	LEV1 LEV	All	Underbody	942865	D-280-100	--	--
1997	2.0L	VFM2.0V8G3FK	LEV1 LEV	All	Underbody	--	--	944182	D-280-100
Excursion									
V8									
2005	5.4L	5FMXT05.4SQ2	LEV1 LEV	4WD	Underbody	865517	D-665-14	--	--
2004	5.4L	4FMXT05.4SQ2	LEV1 LEV	4WD	Underbody	865517	D-665-14	--	--
2004	5.4L	4FMXT05.4SQ2	LEV1 LEV	All	Underbody	--	--	912005R	D-280-101
2003	5.4L	3FMXA05.4JFC	LEV1 LEV	4WD	Underbody	865517	D-665-14	--	--
2002	5.4L	2FMXA05.4JFC	LEV1 LEV	All	Underbody	912924	D-280-101	--	--
2002	5.4L	2FMXA05.4JFC	LEV1 LEV	All	Underbody	--	--	912007	D-280-101
2001	5.4L	1FMXA05.4JFC	LEV1 LEV	All	Underbody	912924	D-280-101	--	--
2001	5.4L	1FMXA05.4JFC	LEV1 LEV	All	Underbody	--	--	912007	D-280-101
2000	5.4L	YFMXA05.4JGP	LEV1 LEV	All	Underbody	912924	D-280-101	--	--
2000	5.4L	YFMXA05.4JGP	LEV1 LEV	All	Underbody	--	--	912007	D-280-101
V10									
2005	6.8L	5FMXT06.8TQ3	LEV1 LEV	4WD	Underbody	865517	D-665-14	--	--
2004	6.8L	4FMXT06.8TQ3	LEV1 LEV	4WD	Underbody	865517	D-665-14	--	--
2003	6.8L	3FMXA06.8JFC	LEV1 LEV	4WD	Underbody	865517	D-665-14	--	--

Legal Note: In Compliance with California Emissions Requirements



CATCO
CATALYTIC CONVERTERS

EASTERN CATALYTIC

APPLICATION GUIDE

OBD II

APPLICATION

Year	Eng. Size	Test Group/ Engine Family	Certification Level	Application	Location	Direct Fit Number	Exec. Order	Consol. Number	Exec. Order
Ford (Cont.)									
Excursion (Cont.)									
V10 (Cont.)									
2002	6.8L	2FMXA06.8JFC	LEV1 LEV	4WD	Underbody	912924	D-280-101	--	--
2002	6.8L	2FMXA06.8JFC	LEV1 LEV	All	Underbody	912924	D-280-101	--	--
2001	6.8L	1FMXA06.8JFC	LEV1 LEV	All	Underbody	912924	D-280-101	--	--
2000	6.8L	YFMXA06.8JGN	LEV1 LEV	All	Underbody	912924	D-280-101	--	--
Expedition									
V8									
2004	4.6L	4FMXT05.4RFC	LEV1 ULEV	All	Front Left	--	--	735206	D-280-107
2004	4.6L	4FMXT05.4RFC	LEV1 ULEV	All	Front Right	--	--	735206	D-280-107
2004	4.6L	4FMXT05.4RFC	LEV1 ULEV	All	Rear Left	--	--	733016	D-280-107
2004	4.6L	4FMXT05.4RFC	LEV1 ULEV	All	Rear Right	--	--	733016	D-280-107
2004	4.6L	4FMXT05.4RFC	LEV1 ULEV	All	Underbody Left	739191	D-280-107	--	--
2004	4.6L	4FMXT05.4RFC	LEV1 ULEV	All	Underbody Right	739190	D-280-107	--	--
2003	4.6L	3FMXT05.4RF5	LEV1 ULEV	All	Front Left	--	--	735206	D-280-107
2003	4.6L	3FMXT05.4RF5	LEV1 ULEV	All	Front Right	--	--	735206	D-280-107
2003	4.6L	3FMXT05.4RF5	LEV1 ULEV	All	Rear Left	--	--	733016	D-280-107
2003	4.6L	3FMXT05.4RF5	LEV1 ULEV	All	Rear Right	--	--	733016	D-280-107
2003	4.6L	3FMXT05.4RF5	LEV1 ULEV	All	Underbody Left	739191	D-280-107	--	--
2003	4.6L	3FMXT05.4RF5	LEV1 ULEV	All	Underbody Right	739190	D-280-107	--	--
2003	4.6L	3FMXT05.4RFC	LEV1 ULEV	All	Front Left	--	--	735206	D-280-107
2003	4.6L	3FMXT05.4RFC	LEV1 ULEV	All	Front Right	--	--	735206	D-280-107
2003	4.6L	3FMXT05.4RFC	LEV1 ULEV	All	Rear Left	--	--	733016	D-280-107
2003	4.6L	3FMXT05.4RFC	LEV1 ULEV	All	Rear Right	--	--	733016	D-280-107
2003	4.6L	3FMXT05.4RFC	LEV1 ULEV	All	Underbody Left	739191	D-280-107	--	--
2003	4.6L	3FMXT05.4RFC	LEV1 ULEV	All	Underbody Right	739190	D-280-107	--	--
2002	4.6L	2FMXT04.66F7	LEV1 LEV	2WD	Front Left	--	--	912009	D-280-101
2002	4.6L	2FMXT04.66F7	LEV1 LEV	2WD	Rear Left	--	--	912006	D-280-101
2002	4.6L	2FMXT04.66F7	LEV1 LEV	4WD	Front Right	--	--	912009	D-280-101
2002	4.6L	2FMXT04.66F7	LEV1 LEV	4WD	Rear Right	--	--	912006	D-280-101
2002	4.6L	2FMXT04.66F7	LEV1 LEV	4WD	Underbody Left	919482	D-280-101	--	--
2002	4.6L	2FMXT04.66F7	LEV1 LEV	4WD	Underbody Right	919483	D-280-101	--	--
2001	4.6L	1FMXT04.66F5	LEV1 LEV	2WD	Underbody Left	912117	D-280-101	--	--
2001	4.6L	1FMXT04.66F5	LEV1 LEV	2WD	Underbody Right	912116	D-280-101	--	--
2001	4.6L	1FMXT04.66F5	LEV1 LEV	4WD	Front	--	--	912009	D-280-101
2001	4.6L	1FMXT04.66F5	LEV1 LEV	4WD	Rear	--	--	912003	D-280-101
2001	4.6L	1FMXT04.66F5	LEV1 LEV	4WD	Underbody Left	919482	D-280-101	--	--
2001	4.6L	1FMXT04.66F5	LEV1 LEV	4WD	Underbody Right	919483	D-280-101	--	--
2001	4.6L	1FMXT04.66F7	LEV1 LEV	2WD	Underbody Left	912117	D-280-101	--	--
2001	4.6L	1FMXT04.66F7	LEV1 LEV	2WD	Underbody Right	912116	D-280-101	--	--
2001	4.6L	1FMXT04.66F7	LEV1 LEV	4WD	Front	--	--	912009	D-280-101
2001	4.6L	1FMXT04.66F7	LEV1 LEV	4WD	Rear	--	--	912003	D-280-101
2001	4.6L	1FMXT04.66F7	LEV1 LEV	4WD	Underbody Left	919482	D-280-101	--	--
2001	4.6L	1FMXT04.66F7	LEV1 LEV	4WD	Underbody Right	919483	D-280-101	--	--
2001	4.6L	1FMXT05.4RF8	LEV1 LEV	All	Front	--	--	912009	D-280-101
2001	4.6L	1FMXT05.4RF8	LEV1 LEV	All	Rear	--	--	912006	D-280-101
2001	4.6L	1FMXT05.4RF8	LEV1 LEV	2WD	Underbody Left	912117	D-280-101	--	--
2001	4.6L	1FMXT05.4RF8	LEV1 LEV	2WD	Underbody Right	912116	D-280-101	--	--
2001	4.6L	1FMXT05.4RF8	LEV1 LEV	4WD	Underbody Left	919482	D-280-101	--	--
2001	4.6L	1FMXT05.4RF8	LEV1 LEV	4WD	Underbody Right	919483	D-280-101	--	--
2000	4.6L	YFMXA04.66FF	LEV1 LEV	4WD	Underbody Left	651542	D-665-20	--	--
2000	4.6L	YFMXA04.66FF	LEV1 LEV	4WD	Underbody Right	651543	D-665-20	--	--
2000	4.6L	YFMXT04.66FF	LEV1 LEV	2WD	Underbody Left	912117	D-280-101	--	--
2000	4.6L	YFMXT04.66FF	LEV1 LEV	2WD	Underbody Right	912116	D-280-101	--	--
2000	4.6L	YFMXT04.66FF	LEV1 LEV	4WD	Front	--	--	912009	D-280-101
2000	4.6L	YFMXT04.66FF	LEV1 LEV	4WD	Rear	--	--	912006	D-280-101
2000	4.6L	YFMXT04.66FF	LEV1 LEV	4WD	Underbody Left	912097	D-280-101	--	--
2000	4.6L	YFMXT04.66FF	LEV1 LEV	4WD	Underbody Right	912096	D-280-101	--	--

Legal Note: In Compliance with California Emissions Requirements

APPLICATION GUIDE



OBD II

APPLICATION

Year	Eng. Size	Test Group/ Engine Family	Certification Level	Application	Location	Direct Fit Number	Exec. Order	Consol. Number	Exec. Order
Ford (Cont.)									
Expedition (Cont.)									
V8 (Cont.)									
1999	4.6L	XFMXA04.6JGC	LEV1 LEV	4WD	Front	--	--	912009	D-280-101
1999	4.6L	XFMXA04.6JGC	LEV1 LEV	4WD	Rear	--	--	912006	D-280-101
1999	4.6L	XFMXA04.6JGC	LEV1 LEV	4WD	Underbody Left	912097	D-280-101	--	--
1999	4.6L	XFMXA04.6JGC	LEV1 LEV	4WD	Underbody Right	912096	D-280-101	--	--
1998	4.6L	WFMXA04.6BAA	TIER1	All	Front	--	--	912009	D-280-101
1998	4.6L	WFMXA04.6BAA	TIER1	All	Rear	--	--	912006	D-280-101
1998	4.6L	WFMXA04.6BAA	TIER1	All	Underbody Left	912097	D-280-101	--	--
1998	4.6L	WFMXA04.6BAA	TIER1	All	Underbody Right	912096	D-280-101	--	--
1997	4.6L	VFM4.6J8G1EK	TIER1	All	Front	--	--	912009	D-280-101
1997	4.6L	VFM4.6J8G1EK	TIER1	All	Rear	--	--	912006	D-280-101
1997	4.6L	VFM4.6J8G1EK	TIER1	4WD	Underbody Left	912097	D-280-101	--	--
1997	4.6L	VFM4.6J8G1EK	TIER1	4WD	Underbody Right	912096	D-280-101	--	--
2013	5.4L	DFMXT05.44BC	LEV2 ULEV	All	Front Left	749984	D-798	--	--
2013	5.4L	DFMXT05.44BC	LEV2 ULEV	All	Front Left	--	--	740076	D-798
2013	5.4L	DFMXT05.44BC	LEV2 ULEV	All	Front Right	749985	D-798	--	--
2013	5.4L	DFMXT05.44BC	LEV2 ULEV	All	Front Right	--	--	740076	D-798
2012	5.4L	CFMXT05.44BC	LEV2 ULEV	All	Front Left	749984	D-798	--	--
2012	5.4L	CFMXT05.44BC	LEV2 ULEV	All	Front Left	--	--	740076	D-798
2012	5.4L	CFMXT05.44BC	LEV2 ULEV	All	Front Right	749985	D-798	--	--
2012	5.4L	CFMXT05.44BC	LEV2 ULEV	All	Front Right	--	--	740076	D-798
2011	5.4L	BFMXT05.44BC	LEV2 ULEV	All	Front Left	749984	D-798	--	--
2011	5.4L	BFMXT05.44BC	LEV2 ULEV	All	Front Left	--	--	740076	D-798
2011	5.4L	BFMXT05.44BC	LEV2 ULEV	All	Front Right	749985	D-798	--	--
2011	5.4L	BFMXT05.44BC	LEV2 ULEV	All	Front Right	--	--	740076	D-798
2010	5.4L	AFMXT05.44BC	LEV2 ULEV	All	Front Left	749984	D-798	--	--
2010	5.4L	AFMXT05.44BC	LEV2 ULEV	All	Front Left	--	--	740076	D-798
2010	5.4L	AFMXT05.44BC	LEV2 ULEV	All	Front Right	749985	D-798	--	--
2010	5.4L	AFMXT05.44BC	LEV2 ULEV	All	Front Right	--	--	740076	D-798
2009	5.4L	9FMXT05.44BC	LEV2 ULEV	All	Front Right	749985	D-798	--	--
2009	5.4L	9FMXT05.44BC	LEV2 ULEV	All	Front Right	--	--	740076	D-798
2008	5.4L	8FMXT05.44E6	LEV2 ULEV	All	Front Left	749984	D-798	--	--
2008	5.4L	8FMXT05.44E6	LEV2 ULEV	All	Front Left	--	--	740076	D-798
2008	5.4L	8FMXT05.44E6	LEV2 ULEV	All	Front Right	749985	D-798	--	--
2008	5.4L	8FMXT05.44E6	LEV2 ULEV	All	Front Right	--	--	740076	D-798
2007	5.4L	7FMXT05.44E6	LEV2 ULEV	All	Front Left	749984	D-798	--	--
2007	5.4L	7FMXT05.44E6	LEV2 ULEV	All	Front Left	--	--	740076	D-798
2007	5.4L	7FMXT05.44E6	LEV2 ULEV	All	Front Right	749985	D-798	--	--
2007	5.4L	7FMXT05.44E6	LEV2 ULEV	All	Front Right	--	--	740076	D-798
2004	5.4L	4FMXT05.4RFC	LEV1 ULEV	4WD	Underbody Left	739251	D-280-107	--	--
2004	5.4L	4FMXT05.4RFC	LEV1 ULEV	4WD	Underbody Right	739250	D-280-107	--	--
2004	5.4L	4FMXT05.4RFC	LEV1 ULEV	2WD	Underbody Left	739249	D-280-107	--	--
2004	5.4L	4FMXT05.4RFC	LEV1 ULEV	2WD	Underbody Right	739248	D-280-107	--	--
2004	5.4L	4FMXT05.4RFC	LEV1 ULEV	All	Front Left	--	--	735206	D-280-107
2004	5.4L	4FMXT05.4RFC	LEV1 ULEV	All	Front Right	--	--	735206	D-280-107
2004	5.4L	4FMXT05.4RFC	LEV1 ULEV	All	Rear Left	--	--	733016	D-280-107
2004	5.4L	4FMXT05.4RFC	LEV1 ULEV	All	Rear Right	--	--	733016	D-280-107
2003	5.4L	3FMXT05.4RF5	LEV1 ULEV	4WD	Underbody Left	739251	D-280-107	--	--
2003	5.4L	3FMXT05.4RF5	LEV1 ULEV	4WD	Underbody Right	739250	D-280-107	--	--
2003	5.4L	3FMXT05.4RF5	LEV1 ULEV	2WD	Underbody Left	739249	D-280-107	--	--
2003	5.4L	3FMXT05.4RF5	LEV1 ULEV	2WD	Underbody Right	739248	D-280-107	--	--
2003	5.4L	3FMXT05.4RF5	LEV1 ULEV	All	Front Left	--	--	735206	D-280-107
2003	5.4L	3FMXT05.4RF5	LEV1 ULEV	All	Front Right	--	--	735206	D-280-107
2003	5.4L	3FMXT05.4RF5	LEV1 ULEV	All	Rear Left	--	--	733016	D-280-107
2003	5.4L	3FMXT05.4RF5	LEV1 ULEV	All	Rear Right	--	--	733016	D-280-107
2003	5.4L	3FMXT05.4RFC	LEV1 ULEV	4WD	Underbody Right	739250	D-280-107	--	--
2003	5.4L	3FMXT05.4RFC	LEV1 ULEV	2WD	Underbody Right	739248	D-280-107	--	--

Legal Note: In Compliance with California Emissions Requirements

**CATCO**
CATALYTIC CONVERTERS**EASTERN CATALYTIC****APPLICATION GUIDE****OBD II****APPLICATION**

Year	Eng. Size	Test Group/ Engine Family	Certification Level	Application	Location	Direct Fit Number	Exec. Order	Consol. Number	Exec. Order
Ford (Cont.)									
Expedition (Cont.)									
V8 (Cont.)									
2003	5.4L	3FMXT05.4RFC	LEV1 ULEV	All	Front Left	--	--	735206	D-280-107
2003	5.4L	3FMXT05.4RFC	LEV1 ULEV	All	Front Right	--	--	735206	D-280-107
2003	5.4L	3FMXT05.4RFC	LEV1 ULEV	All	Rear Left	--	--	733016	D-280-107
2003	5.4L	3FMXT05.4RFC	LEV1 ULEV	All	Rear Right	--	--	733016	D-280-107
2002	5.4L	2FMXT05.4RF8	LEV1 LEV	All	Front	--	--	912009	D-280-101
2002	5.4L	2FMXT05.4RF8	LEV1 LEV	All	Rear	--	--	912006	D-280-101
2002	5.4L	2FMXT05.4RF8	LEV1 LEV	4WD	Underbody Left	919251	D-280-101	--	--
2002	5.4L	2FMXT05.4RF8	LEV1 LEV	4WD	Underbody Right	919250	D-280-101	--	--
2001	5.4L	1FMXT05.4RF7	LEV1 LEV	All	Front	--	--	912009	D-280-101
2001	5.4L	1FMXT05.4RF7	LEV1 LEV	All	Rear	--	--	912006	D-280-101
2001	5.4L	1FMXT05.4RF7	LEV1 LEV	4WD	Underbody Left	919251	D-280-101	--	--
2001	5.4L	1FMXT05.4RF7	LEV1 LEV	4WD	Underbody Right	919250	D-280-101	--	--
2001	5.4L	1FMXT05.4RF8	LEV1 LEV	All	Front	--	--	912009	D-280-101
2001	5.4L	1FMXT05.4RF8	LEV1 LEV	All	Rear	--	--	912006	D-280-101
2001	5.4L	1FMXT05.4RF8	LEV1 LEV	4WD	Underbody Left	919251	D-280-101	--	--
2001	5.4L	1FMXT05.4RF8	LEV1 LEV	4WD	Underbody Right	919250	D-280-101	--	--
2000	5.4L	YFMXA05.4RF7	LEV1 LEV	RWD	Underbody Left	651526	D-665-20	--	--
2000	5.4L	YFMXA05.4RF7	LEV1 LEV	RWD	Underbody Right	651527	D-665-20	--	--
2000	5.4L	YFMXA05.4RF7	LEV1 LEV	4WD	Underbody Left	651526	D-665-20	--	--
2000	5.4L	YFMXA05.4RF7	LEV1 LEV	4WD	Underbody Right	651527	D-665-20	--	--
2000	5.4L	YFMXT05.4RF7	LEV1 LEV	4WD	Front	--	--	912009	D-280-101
2000	5.4L	YFMXT05.4RF7	LEV1 LEV	4WD	Rear	--	--	912006	D-280-101
2000	5.4L	YFMXT05.4RF7	LEV1 LEV	4WD, W/ 4R100 Trans.	Underbody Left	912051	D-280-101	--	--
2000	5.4L	YFMXT05.4RF7	LEV1 LEV	4WD, W/ 4R100 Trans.	Underbody Right	912050	D-280-101	--	--
1999	5.4L	XFMXA05.4JGC	LEV1 LEV	All	Front	--	--	912009	D-280-101
1999	5.4L	XFMXA05.4JGC	LEV1 LEV	All	Rear	--	--	912006	D-280-101
1999	5.4L	XFMXA05.4JGC	LEV1 LEV	4WD, W/ 4R100 Trans.	Underbody Left	912051	D-280-101	--	--
1999	5.4L	XFMXA05.4JGC	LEV1 LEV	4WD, W/ 4R100 Trans.	Underbody Right	912050	D-280-101	--	--
1998	5.4L	WFMXA05.4JGC	LEV1 LEV	All	Front	--	--	912009	D-280-101
1998	5.4L	WFMXA05.4JGC	LEV1 LEV	All	Rear	--	--	912006	D-280-101
1998	5.4L	WFMXA05.4JGC	LEV1 LEV	4WD, W/ 4R100 Trans.	Underbody Left	912051	D-280-101	--	--
1998	5.4L	WFMXA05.4JGC	LEV1 LEV	4WD, W/ 4R100 Trans.	Underbody Right	912050	D-280-101	--	--
1997	5.4L	VFM5.4J8G1FK	TIER1	4WD	Front	--	--	912009	D-280-101
1997	5.4L	VFM5.4J8G1FK	TIER1	4WD	Rear	--	--	912006	D-280-101
Explorer									
V6									
2013	3.5L	DFMXT03.73E8	LEV2 ULEV	Naturally Aspirated	Front Left	741285	D-798	--	--
2013	3.5L	DFMXT03.73E8	LEV2 ULEV	Naturally Aspirated	Front Right	741286	D-798	--	--
2012	3.5L	CFMXT03.53EZ	LEV2 ULEV	All	Front Left	741285	D-798	--	--
2012	3.5L	CFMXT03.53EZ	LEV2 ULEV	All	Front Right	741286	D-798	--	--
2011	3.5L	BFMXT03.53EZ	LEV2 ULEV	All	Front Left	741285	D-798	--	--
2011	3.5L	BFMXT03.53EZ	LEV2 ULEV	All	Front Right	741286	D-798	--	--
2010	4.0L	AFMXT04.03DC	LEV2 ULEV	All	Front Left	--	--	740076	D-798
2010	4.0L	AFMXT04.03DC	LEV2 ULEV	All	Front Right	--	--	740076	D-798
2010	4.0L	AFMXT04.03DC	LEV2 ULEV	All	Underbody	749172	D-798	--	--
2009	4.0L	9FMXT04.03DC	LEV2 ULEV	All	Front Left	--	--	740076	D-798
2009	4.0L	9FMXT04.03DC	LEV2 ULEV	All	Front Right	--	--	740076	D-798
2009	4.0L	9FMXT04.03DC	LEV2 ULEV	All	Underbody	749172	D-798	--	--
2008	4.0L	8FMXT04.03DB	LEV2 ULEV	All	Front Left	--	--	740076	D-798
2008	4.0L	8FMXT04.03DB	LEV2 ULEV	All	Front Right	--	--	740076	D-798
2008	4.0L	8FMXT04.03DB	LEV2 ULEV	All	Underbody	749172	D-798	--	--
2007	4.0L	7FMXT04.03DB	LEV2 ULEV	All	Front Left	--	--	740076	D-798
2007	4.0L	7FMXT04.03DB	LEV2 ULEV	All	Front Right	--	--	740076	D-798
2007	4.0L	7FMXT04.03DB	LEV2 ULEV	All	Underbody	749172	D-798	--	--
2006	4.0L	6FMXT04.03DB	LEV2 ULEV	All	Front Left	--	--	740076	D-798
2006	4.0L	6FMXT04.03DB	LEV2 ULEV	All	Front Right	--	--	740076	D-798
2006	4.0L	6FMXT04.03DB	LEV2 ULEV	All	Underbody	749172	D-798	--	--

Legal Note: In Compliance with California Emissions Requirements

APPLICATION GUIDE



OBD II

APPLICATION

Year	Eng. Size	Test Group/ Engine Family	Certification Level	Application	Location	Direct Fit Number	Exec. Order	Consol. Number	Exec. Order
Ford (Cont.)									
Explorer (Cont.)									
V6 (Cont.)									
2005	4.0L	5FMXT04.02L2	LEV1 ULEV	All	Front Left	--	--	740776	D-798
2005	4.0L	5FMXT04.02L2	LEV1 ULEV	All	Front Right	--	--	740776	D-798
2005	4.0L	5FMXT04.02L2	LEV1 ULEV	All	Rear	--	--	747336	D-798
2005	4.0L	5FMXT04.02L2	LEV1 ULEV	All	Underbody	749112	D-798	--	--
2004	4.0L	4FMXT04.02K6	LEV1 ULEV	All	Front Left	--	--	740776	D-798
2004	4.0L	4FMXT04.02K6	LEV1 ULEV	All	Front Right	--	--	740776	D-798
2004	4.0L	4FMXT04.02K6	LEV1 ULEV	All	Rear	--	--	747336	D-798
2004	4.0L	4FMXT04.02K6	LEV1 ULEV	All	Underbody	749112	D-798	--	--
2003	4.0L	3FMXT04.02F3	LEV1 LEV	4WD	Rear	830876	D-665-16	--	--
2003	4.0L	3FMXT04.02F3	LEV1 LEV	All	Rear	--	--	912006	D-280-101
2003	4.0L	3FMXT04.02F3	LEV1 LEV	All	Underbody	651548	D-665-20	--	--
2003	4.0L	3FMXT04.02F7	LEV1 LEV	Flex Fuel	Rear	919112	D-280-101	--	--
2003	4.0L	3FMXT04.02F7	LEV1 LEV	All	Front Left	--	--	910005R	D-280-101
2003	4.0L	3FMXT04.02F7	LEV1 LEV	All	Front Right	--	--	910005R	D-280-101
2003	4.0L	3FMXT04.02F7	LEV1 LEV	All	Rear	--	--	912006	D-280-101
2003	4.0L	3FMXT04.02F8	LEV1 LEV	4WD	Rear	830882	D-665-16	--	--
2003	4.0L	3FMXT04.02FA	LEV1 LEV	4WD	Rear	830876	D-665-16	--	--
2003	4.0L	3FMXT04.02FA	LEV1 LEV	All	Rear	--	--	912006	D-280-101
2003	4.0L	3FMXT04.02FB	LEV1 LEV	Flex Fuel	Rear	919112	D-280-101	--	--
2003	4.0L	3FMXT04.02FB	LEV1 LEV	All	Front Left	--	--	910005R	D-280-101
2003	4.0L	3FMXT04.02FB	LEV1 LEV	All	Front Right	--	--	910005R	D-280-101
2003	4.0L	3FMXT04.02FB	LEV1 LEV	All	Rear	--	--	912006	D-280-101
2003	4.0L	3FMXT04.02FC	LEV1 LEV	All	Rear	919112	D-280-101	--	--
2003	4.0L	3FMXT04.02FC	LEV1 LEV	All	Underbody	--	--	910005R	D-280-101
2002	4.0L	2FMXT04.02F3	LEV1 LEV	All	Rear	919244	D-280-101	--	--
2002	4.0L	2FMXT04.02F3	LEV1 LEV	All	Rear	--	--	912006	D-280-101
2002	4.0L	2FMXT04.02F5	LEV1 LEV	All	Rear	919244	D-280-101	--	--
2002	4.0L	2FMXT04.02F5	LEV1 LEV	All	Rear	--	--	912006	D-280-101
2002	4.0L	2FMXT04.02F7	LEV1 LEV	Flex Fuel	Rear	919112	D-280-101	--	--
2002	4.0L	2FMXT04.02F7	LEV1 LEV	All	Front Left	--	--	910005R	D-280-101
2002	4.0L	2FMXT04.02F7	LEV1 LEV	All	Front Right	--	--	910005R	D-280-101
2002	4.0L	2FMXT04.02F7	LEV1 LEV	All	Rear	--	--	912006	D-280-101
2002	4.0L	2FMXT04.02F8	LEV1 LEV	All	Front Left	--	--	910005R	D-280-101
2002	4.0L	2FMXT04.02F8	LEV1 LEV	All	Front Right	--	--	910005R	D-280-101
2002	4.0L	2FMXT04.02F8	LEV1 LEV	All	Rear	919112	D-280-101	--	--
2002	4.0L	2FMXT04.02F8	LEV1 LEV	All	Rear	--	--	912006	D-280-101
2001	4.0L	1FMXT04.02F4	LEV1 LEV	All	Rear	919244	D-280-101	--	--
2001	4.0L	1FMXT04.02F4	LEV1 LEV	All	Rear	--	--	912006	D-280-101
2001	4.0L	1FMXT04.02F5	LEV1 LEV	All	Rear	919244	D-280-101	--	--
2001	4.0L	1FMXT04.02F5	LEV1 LEV	All	Rear	--	--	912006	D-280-101
2001	4.0L	1FMXT04.02F6	LEV1 LEV	Flex Fuel	Rear	919244	D-280-101	--	--
2001	4.0L	1FMXT04.02F6	LEV1 LEV	All	Rear	--	--	912006	D-280-101
2000	4.0L	YFMXT04.02D5	TLEV	All	Underbody Left	640524	D-665-18	--	--
2000	4.0L	YFMXT04.02D6	TLEV	All	Underbody Left	640524	D-665-18	--	--
2000	4.0L	YFMXT04.02F2	LEV1 LEV	All	Rear	--	--	912006	D-280-101
2000	4.0L	YFMXT04.02F2	LEV1 LEV	36-1/8" OAL, Rear	Front	911160	D-280-101	--	--
2000	4.0L	YFMXT04.02F2	LEV1 LEV	36-1/8" OAL, Rear	Rear	919244	D-280-101	--	--
2000	4.0L	YFMXT04.02F2	LEV1 LEV	33" OAL, Rear	Front	911160	D-280-101	--	--
2000	4.0L	YFMXT04.02F2	LEV1 LEV	33" OAL, Rear	Rear	919160	D-280-101	--	--
2000	4.0L	YFMXT04.02F3	LEV1 LEV	All	Front	911160	D-280-101	--	--
2000	4.0L	YFMXT04.02F3	LEV1 LEV	All	Rear	919244	D-280-101	--	--
2000	4.0L	YFMXT04.02F3	LEV1 LEV	All	Rear	919160	D-280-101	--	--
2000	4.0L	YFMXT04.02F3	LEV1 LEV	All	Rear Left	--	--	912006	D-280-101
2000	4.0L	YFMXT04.02F3	LEV1 LEV	All	Rear Right	--	--	912006	D-280-101
2000	4.0L	YFMXT04.02F4	LEV1 LEV	All	Front	911160	D-280-101	--	--
2000	4.0L	YFMXT04.02F4	LEV1 LEV	All	Rear	919244	D-280-101	--	--
2000	4.0L	YFMXT04.02F4	LEV1 LEV	All	Rear	919160	D-280-101	--	--
2000	4.0L	YFMXT04.02F4	LEV1 LEV	All	Rear	--	--	912006	D-280-101

Legal Note: In Compliance with California Emissions Requirements

**CATCO**
CATALYTIC CONVERTERS**EASTERN CATALYTIC**

APPLICATION GUIDE

OBD II**APPLICATION**

Year	Eng. Size	Test Group/ Engine Family	Certification Level	Application	Location	Direct Fit Number	Exec. Order	Consol. Number	Exec. Order
Ford (Cont.)									
Explorer (Cont.)									
V6 (Cont.)									
1999	4.0L	XFMXT04.02GF	LEV1 LEV	All	Underbody Left	914045	D-280-101	--	--
1999	4.0L	XFMXT04.02GF	LEV1 LEV	All	Underbody Left	--	--	912006	D-280-101
1999	4.0L	XFMXT04.02GF	LEV1 LEV	All	Underbody Right	914044	D-280-101	--	--
1999	4.0L	XFMXT04.02GF	LEV1 LEV	All	Underbody Right	--	--	912006	D-280-101
1998	4.0L	WFMXT04.02DC	TLEV	All	Front	--	--	912006	D-280-101
1998	4.0L	WFMXT04.02DC	TLEV	All	Rear	--	--	912006	D-280-101
1998	4.0L	WFMXT04.02DC	TLEV	All	Underbody	919060	D-280-101	--	--
1998	4.0L	WFMXT04.0CAA	TIER1	All	Front	--	--	912006	D-280-101
1998	4.0L	WFMXT04.0CAA	TIER1	All	Rear	--	--	912006	D-280-101
1998	4.0L	WFMXT04.0CAA	TIER1	All	Underbody	919060	D-280-101	--	--
1998	4.0L	WFMXT04.0FAA	TLEV	All	Underbody	651514	D-665-20	--	--
1998	4.0L	WFMXT04.0FAA	TLEV	All	Underbody Left	914045	D-280-101	--	--
1998	4.0L	WFMXT04.0FAA	TLEV	All	Underbody Left	--	--	912006	D-280-101
1998	4.0L	WFMXT04.0FAA	TLEV	All	Underbody Right	914044	D-280-101	--	--
1998	4.0L	WFMXT04.0FAA	TLEV	All	Underbody Right	--	--	912006	D-280-101
1997	4.0L	VFM4.028G1FK	TIER1	All	Front	--	--	912006	D-280-101
1997	4.0L	VFM4.028G1FK	TIER1	All	Rear	--	--	912006	D-280-101
1997	4.0L	VFM4.028G1FK	TIER1	All	Underbody	919060	D-280-101	--	--
1997	4.0L	VFM4.028G1FK	TIER1	All	Underbody	--	--	910005	D-280-101
1997	4.0L	VFM4.028G2FK	TLEV	All	Front	--	--	912006	D-280-101
1997	4.0L	VFM4.028G2FK	TLEV	All	Rear	--	--	912006	D-280-101
1997	4.0L	VFM4.028G2FK	TLEV	All	Underbody	919060	D-280-101	--	--
1997	4.0L	VFM4.028G2FK	TLEV	All	Underbody	--	--	910005	D-280-101
1997	4.0L	VFM4.028G2FK	TLEV	All	Underbody Left	914045	D-280-101	--	--
1997	4.0L	VFM4.028G2FK	TLEV	All	Underbody Right	914044	D-280-101	--	--
1997	4.0L	VFM4.028G2HK	TLEV	All	Front	--	--	912006	D-280-101
1997	4.0L	VFM4.028G2HK	TLEV	All	Rear	--	--	912006	D-280-101
1997	4.0L	VFM4.028G2HK	TLEV	All	Underbody Left	914045	D-280-101	--	--
1997	4.0L	VFM4.028G2HK	TLEV	All	Underbody Right	919060	D-280-101	--	--
1997	4.0L	VFM4.028G2HK	TLEV	All	Underbody Right	914044	D-280-101	--	--
1996	4.0L	TFM4.028G1FK	TIER1	All	Front	--	--	912006	D-280-101
1996	4.0L	TFM4.028G1FK	TIER1	All	Rear	--	--	912006	D-280-101
1996	4.0L	TFM4.028G1FK	TIER1	All	Underbody	919060	D-280-101	--	--
1996	4.0L	TFM4.028G1FK	TIER1	All	Underbody	--	--	910005	D-280-101
1996	4.0L	TFM4.028G2FK	TLEV	All	Front	--	--	912006	D-280-101
1996	4.0L	TFM4.028G2FK	TLEV	All	Rear	--	--	912006	D-280-101
1996	4.0L	TFM4.028G2FK	TLEV	All	Underbody	919060	D-280-101	--	--
1996	4.0L	TFM4.028G2FK	TLEV	All	Underbody	--	--	910005	D-280-101
1995	4.0L	SFM4.028G1EK	TIER1	All	Underbody	919060	D-280-101	--	--
1994	4.0L	RFM4.028G1EA	TIER1	All	Underbody	919522	D-280-101	--	--
1994	4.0L	RFM4.028G1EB	TIER1	All	Underbody	919522	D-280-101	--	--
V8									
2010	4.6L	AFMXT04.63EZ	LEV2 ULEV	All	Front Left	--	--	740076	D-798
2010	4.6L	AFMXT04.63EZ	LEV2 ULEV	All	Front Right	--	--	740076	D-798
2010	4.6L	AFMXT04.63EZ	LEV2 ULEV	All	Underbody	744582	D-798	--	--
2009	4.6L	9FMXT04.63EZ	LEV2 ULEV	All	Front Left	--	--	740076	D-798
2009	4.6L	9FMXT04.63EZ	LEV2 ULEV	All	Front Right	--	--	740076	D-798
2009	4.6L	9FMXT04.63EZ	LEV2 ULEV	All	Underbody	744582	D-798	--	--
2008	4.6L	8FMXT04.63BX	LEV2 ULEV	All	Front Left	--	--	740076	D-798
2008	4.6L	8FMXT04.63BX	LEV2 ULEV	All	Front Right	--	--	740076	D-798
2008	4.6L	8FMXT04.63BX	LEV2 ULEV	All	Underbody	744582	D-798	--	--
2008	4.6L	8FMXT04.63EZ	LEV2 ULEV	All	Front Left	--	--	740076	D-798
2008	4.6L	8FMXT04.63EZ	LEV2 ULEV	All	Front Right	--	--	740076	D-798
2008	4.6L	8FMXT04.63EZ	LEV2 ULEV	All	Underbody	744582	D-798	--	--
2007	4.6L	7FMXT04.63BX	LEV2 ULEV	All	Front Left	--	--	740076	D-798
2007	4.6L	7FMXT04.63BX	LEV2 ULEV	All	Front Right	--	--	740076	D-798
2007	4.6L	7FMXT04.63BX	LEV2 ULEV	All	Underbody	744582	D-798	--	--

Legal Note: In Compliance with California Emissions Requirements

APPLICATION GUIDE



OBD II

APPLICATION

Year	Eng. Size	Test Group/ Engine Family	Certification Level	Application	Location	Direct Fit Number	Exec. Order	Consol. Number	Exec. Order
Ford (Cont.)									
Explorer (Cont.)									
V8 (Cont.)									
2006	4.6L	6FMXT04.63BX	LEV2 ULEV	All	Front Left	--	--	740076	D-798
2006	4.6L	6FMXT04.63BX	LEV2 ULEV	All	Front Right	--	--	740076	D-798
2006	4.6L	6FMXT04.63BX	LEV2 ULEV	All	Underbody	744582	D-798	--	--
2006	4.6L	6FMXT04.63EX	LEV2 LEV	All	Front Left	--	--	740076	D-798
2006	4.6L	6FMXT04.63EX	LEV2 LEV	All	Front Right	--	--	740076	D-798
2006	4.6L	6FMXT04.63EX	LEV2 LEV	All	Underbody	744582	D-798	--	--
2005	4.6L	5FMXT04.62E7	LEV2 LEV	All	Front Left	--	--	740776	D-798
2005	4.6L	5FMXT04.62E7	LEV2 LEV	All	Front Right	--	--	740776	D-798
2005	4.6L	5FMXT04.62E7	LEV2 LEV	All	Rear	--	--	747336	D-798
2005	4.6L	5FMXT04.62E7	LEV2 LEV	All	Underbody	749173	D-798	--	--
2004	4.6L	4FMXT04.62H2	LEV1 ULEV	All	Front Left	--	--	740776	D-798
2004	4.6L	4FMXT04.62H2	LEV1 ULEV	All	Front Right	--	--	740776	D-798
2004	4.6L	4FMXT04.62H2	LEV1 ULEV	All	Rear	--	--	747336	D-798
2004	4.6L	4FMXT04.62H2	LEV1 ULEV	All	Underbody	749173	D-798	--	--
2003	4.6L	3FMXT04.62F6	LEV1 LEV	All	Front	--	--	912005R	D-280-101
2003	4.6L	3FMXT04.62F6	LEV1 LEV	All	Rear	--	--	912006	D-280-101
2003	4.6L	3FMXT04.62F6	LEV1 LEV	All	Underbody	912173	D-280-101	--	--
2003	4.6L	3FMXT04.62F7	LEV1 LEV	All	Front	--	--	912005R	D-280-101
2003	4.6L	3FMXT04.62F7	LEV1 LEV	All	Rear	--	--	912006	D-280-101
2003	4.6L	3FMXT04.62F7	LEV1 LEV	All	Underbody	912173	D-280-101	--	--
2002	4.6L	2FMXT04.62F5	LEV1 LEV	All	Front	--	--	912005R	D-280-101
2002	4.6L	2FMXT04.62F5	LEV1 LEV	All	Rear	--	--	912006	D-280-101
2002	4.6L	2FMXT04.62F5	LEV1 LEV	All	Underbody	912173	D-280-101	--	--
2002	4.6L	2FMXT04.62F6	LEV1 LEV	All	Front	--	--	912005R	D-280-101
2002	4.6L	2FMXT04.62F6	LEV1 LEV	All	Rear	--	--	912006	D-280-101
2002	4.6L	2FMXT04.62F6	LEV1 LEV	All	Underbody	912173	D-280-101	--	--
2001	5.0L	1FMXT05.02F5	TLEV	All	Front Left	--	--	912005R	D-280-101
2001	5.0L	1FMXT05.02F5	TLEV	All	Front Right	--	--	912005R	D-280-101
2001	5.0L	1FMXT05.02F5	TLEV	All	Rear Left	--	--	912005R	D-280-101
2001	5.0L	1FMXT05.02F5	TLEV	All	Rear Right	--	--	912005R	D-280-101
2001	5.0L	1FMXT05.02F5	TLEV	All	Underbody Left	914868	D-280-101	--	--
2001	5.0L	1FMXT05.02F5	TLEV	All	Underbody Right	914869	D-280-101	--	--
2000	5.0L	YFMXT05.02F5	LEV1 LEV	All	Front Left	--	--	912005R	D-280-101
2000	5.0L	YFMXT05.02F5	LEV1 LEV	All	Front Right	--	--	912005R	D-280-101
2000	5.0L	YFMXT05.02F5	LEV1 LEV	All	Rear Left	--	--	912005R	D-280-101
2000	5.0L	YFMXT05.02F5	LEV1 LEV	All	Rear Right	--	--	912005R	D-280-101
2000	5.0L	YFMXT05.02F5	LEV1 LEV	All	Underbody Left	914868	D-280-101	--	--
2000	5.0L	YFMXT05.02F5	LEV1 LEV	All	Underbody Right	914869	D-280-101	--	--
1999	5.0L	XFMXT05.02GF	LEV1 LEV	All	Front Left	--	--	912005R	D-280-101
1999	5.0L	XFMXT05.02GF	LEV1 LEV	All	Front Right	--	--	912005R	D-280-101
1999	5.0L	XFMXT05.02GF	LEV1 LEV	All	Rear Left	--	--	912005R	D-280-101
1999	5.0L	XFMXT05.02GF	LEV1 LEV	All	Rear Right	--	--	912005R	D-280-101
1999	5.0L	XFMXT05.02GF	LEV1 LEV	All	Underbody Left	914868	D-280-101	--	--
1999	5.0L	XFMXT05.02GF	LEV1 LEV	All	Underbody Right	914869	D-280-101	--	--
1998	5.0L	WFMXT05.02DC	TLEV	4WD	Underbody	830867	D-665-16	--	--
1998	5.0L	WFMXT05.02DC	TLEV	From 2/98	Underbody Left	914868	D-280-101	--	--
1998	5.0L	WFMXT05.02DC	TLEV	From 2/98	Underbody Right	914869	D-280-101	--	--
1997	5.0L	VFM5.028GFEK	TIER1	All	Front Left	914882	D-280-101	--	--
1997	5.0L	VFM5.028GFEK	TIER1	All	Front Left	--	--	912005R	D-280-101
1997	5.0L	VFM5.028GFEK	TIER1	All	Front Right	914881	D-280-101	--	--
1997	5.0L	VFM5.028GFEK	TIER1	All	Front Right	--	--	912005R	D-280-101
1997	5.0L	VFM5.028GFEK	TIER1	All	Rear	919029	D-280-101	--	--
1997	5.0L	VFM5.028GFEK	TIER1	All	Rear Left	--	--	912006	D-280-101
1997	5.0L	VFM5.028GFEK	TIER1	All	Rear Right	--	--	912006	D-280-101
1996	5.0L	TFM5.028GFEK	TIER1	All	Underbody Left	651520	D-665-20	--	--
1996	5.0L	TFM5.028GFEK	TIER1	All	Underbody Right	651525	D-665-20	--	--

Legal Note: In Compliance with California Emissions Requirements



CATCO
CATALYTIC CONVERTERS

EASTERN CATALYTIC

APPLICATION GUIDE

OBD II

APPLICATION

Year	Eng. Size	Test Group/ Engine Family	Certification Level	Application	Location	Direct Fit Number	Exec. Order	Consol. Number	Exec. Order
Ford (Cont.)									
Explorer Sport Trac									
V6									
2010	4.0L	AFMXT04.03DC	LEV2 ULEV	All	Front Left	--	--	740076	D-798
2010	4.0L	AFMXT04.03DC	LEV2 ULEV	All	Front Right	--	--	740076	D-798
2010	4.0L	AFMXT04.03DC	LEV2 ULEV	All	Underbody	749172	D-798	--	--
2009	4.0L	9FMXT04.03DC	LEV2 ULEV	All	Front Left	--	--	740076	D-798
2009	4.0L	9FMXT04.03DC	LEV2 ULEV	All	Front Right	--	--	740076	D-798
2009	4.0L	9FMXT04.03DC	LEV2 ULEV	All	Underbody	749172	D-798	--	--
2008	4.0L	8FMXT04.03DB	LEV2 ULEV	All	Front Left	--	--	740076	D-798
2008	4.0L	8FMXT04.03DB	LEV2 ULEV	All	Front Right	--	--	740076	D-798
2008	4.0L	8FMXT04.03DB	LEV2 ULEV	All	Underbody	749172	D-798	--	--
2007	4.0L	7FMXT04.03DB	LEV2 ULEV	All	Front Left	--	--	740076	D-798
2007	4.0L	7FMXT04.03DB	LEV2 ULEV	All	Front Right	--	--	740076	D-798
2007	4.0L	7FMXT04.03DB	LEV2 ULEV	All	Underbody	749172	D-798	--	--
2003	4.0L	3FMXT04.02F3	LEV1 LEV	All	Front	650531	D-665-20	--	--
2002	4.0L	2FMXT04.02F3	LEV1 LEV	All	Rear	919244	D-280-101	--	--
2002	4.0L	2FMXT04.02F3	LEV1 LEV	All	Rear	--	--	912006	D-280-101
2002	4.0L	2FMXT04.02F5	LEV1 LEV	All	Rear	919244	D-280-101	--	--
2002	4.0L	2FMXT04.02F5	LEV1 LEV	All	Rear	--	--	912006	D-280-101
2001	4.0L	1FMXT04.02F4	LEV1 LEV	All	Front	650531	D-665-20	--	--
2001	4.0L	1FMXT04.02F4	LEV1 LEV	All	Rear	919244	D-280-101	--	--
2001	4.0L	1FMXT04.02F4	LEV1 LEV	All	Rear	--	--	912006	D-280-101
2001	4.0L	1FMXT04.02F5	LEV1 LEV	All	Rear	919244	D-280-101	--	--
2001	4.0L	1FMXT04.02F5	LEV1 LEV	All	Rear	--	--	912006	D-280-101
2001	4.0L	1FMXT04.02F6	LEV1 LEV	All	Front	650531	D-665-20	--	--
V8									
2010	4.6L	AFMXT04.63EZ	LEV2 ULEV	All	Front Left	--	--	740076	D-798
2010	4.6L	AFMXT04.63EZ	LEV2 ULEV	All	Front Right	--	--	740076	D-798
2010	4.6L	AFMXT04.63EZ	LEV2 ULEV	All	Underbody	744582	D-798	--	--
2009	4.6L	9FMXT04.63EZ	LEV2 ULEV	All	Front Left	--	--	740076	D-798
2009	4.6L	9FMXT04.63EZ	LEV2 ULEV	All	Front Right	--	--	740076	D-798
2009	4.6L	9FMXT04.63EZ	LEV2 ULEV	All	Underbody	744582	D-798	--	--
2008	4.6L	8FMXT04.63BX	LEV2 ULEV	All	Front Left	--	--	740076	D-798
2008	4.6L	8FMXT04.63BX	LEV2 ULEV	All	Front Right	--	--	740076	D-798
2008	4.6L	8FMXT04.63BX	LEV2 ULEV	All	Underbody	744582	D-798	--	--
2008	4.6L	8FMXT04.63EZ	LEV2 ULEV	All	Front Left	--	--	740076	D-798
2008	4.6L	8FMXT04.63EZ	LEV2 ULEV	All	Front Right	--	--	740076	D-798
2008	4.6L	8FMXT04.63EZ	LEV2 ULEV	All	Underbody	744582	D-798	--	--
2007	4.6L	7FMXT04.63BX	LEV2 ULEV	All	Front Left	--	--	740076	D-798
2007	4.6L	7FMXT04.63BX	LEV2 ULEV	All	Front Right	--	--	740076	D-798
2007	4.6L	7FMXT04.63BX	LEV2 ULEV	All	Underbody	744582	D-798	--	--
F-150									
L6									
1996	4.9L	TFM4.958GFJK	TIER1	All	Rear	--	--	912026	D-280-101
1996	4.9L	TFM4.958GFJK	TIER1	All	Underbody	--	--	912006	D-280-101
1996	4.9L	TFM4.958GFJK	TIER1	2WD	Underbody	912082	D-280-101	--	--
V6									
2012	3.5L	CFMXT03.54DX	LEV2 LEV	All	Front Left	--	--	740075	D-798
2012	3.5L	CFMXT03.54DX	LEV2 LEV	All	Front Right	--	--	740075	D-798
2012	3.5L	CFMXT03.54EP	LEV2 ULEV	All	Front Left	--	--	740075	D-798
2012	3.5L	CFMXT03.54EP	LEV2 ULEV	All	Front Right	--	--	740075	D-798
2011	3.5L	BFMXT03.54EP	LEV2 ULEV	All	Front Left	--	--	740075	D-798
2011	3.5L	BFMXT03.54EP	LEV2 ULEV	All	Front Right	--	--	740075	D-798
2013	3.7L	DFMXT03.73DP	LEV2 ULEV	2WD	Front Left	749525	D-798	--	--
2013	3.7L	DFMXT03.73DP	LEV2 ULEV	2WD	Front Right	749526	D-798	--	--
2013	3.7L	DFMXT03.73DP	LEV2 ULEV	All	Front Left	749525	D-798	--	--
2013	3.7L	DFMXT03.73DP	LEV2 ULEV	All	Front Left	--	--	740075	D-798
2013	3.7L	DFMXT03.73DP	LEV2 ULEV	All	Front Right	749526	D-798	--	--
2013	3.7L	DFMXT03.73DP	LEV2 ULEV	All	Front Right	--	--	740075	D-798

APPLICATION GUIDE



OBD II

APPLICATION

Year	Eng. Size	Test Group/ Engine Family	Certification Level	Application	Location	Direct Fit Number	Exec. Order	Consol. Number	Exec. Order
Ford (Cont.)									
F-150 (Cont.)									
V6 (Cont.)									
2012	3.7L	CFMXT03.73DP	LEV2 ULEV	All	Front Left	749525	D-798	--	--
2012	3.7L	CFMXT03.73DP	LEV2 ULEV	All	Front Left	--	--	740075	D-798
2012	3.7L	CFMXT03.73DP	LEV2 ULEV	All	Front Right	749526	D-798	--	--
2012	3.7L	CFMXT03.73DP	LEV2 ULEV	All	Front Right	--	--	740075	D-798
2011	3.7L	BFMXT03.73DP	LEV2 ULEV	All	Front Left	749525	D-798	--	--
2011	3.7L	BFMXT03.73DP	LEV2 ULEV	All	Front Left	--	--	740075	D-798
2011	3.7L	BFMXT03.73DP	LEV2 ULEV	All	Front Right	749526	D-798	--	--
2011	3.7L	BFMXT03.73DP	LEV2 ULEV	All	Front Right	--	--	740075	D-798
2008	4.2L	8FMXT04.23A4	LEV2 LEV	All	Front Left	749259	D-798	--	--
2008	4.2L	8FMXT04.23A4	LEV2 LEV	All	Front Left	--	--	740076	D-798
2008	4.2L	8FMXT04.23A4	LEV2 LEV	All	Front Right	749258	D-798	--	--
2008	4.2L	8FMXT04.23A4	LEV2 LEV	All	Front Right	--	--	740076	D-798
2007	4.2L	7FMXT04.23A4	LEV2 LEV	All	Front Left	749259	D-798	--	--
2007	4.2L	7FMXT04.23A4	LEV2 LEV	All	Front Left	--	--	740076	D-798
2007	4.2L	7FMXT04.23A4	LEV2 LEV	All	Front Right	749258	D-798	--	--
2007	4.2L	7FMXT04.23A4	LEV2 LEV	All	Front Right	--	--	740076	D-798
2003	4.2L	3FMXT04.22H6	LEV1 ULEV	2WD	Underbody Left	739079	D-280-107	--	--
2003	4.2L	3FMXT04.22H6	LEV1 ULEV	2WD	Underbody Right	739078	D-280-107	--	--
2003	4.2L	3FMXT04.22H6	LEV1 ULEV	All	Front Left	--	--	735206	D-280-107
2003	4.2L	3FMXT04.22H6	LEV1 ULEV	All	Front Right	--	--	735206	D-280-107
2003	4.2L	3FMXT04.22H6	LEV1 ULEV	All	Rear Left	--	--	736015	D-280-107
2003	4.2L	3FMXT04.22H6	LEV1 ULEV	All	Rear Right	--	--	736015	D-280-107
2002	4.2L	2FMXT04.22H5	LEV1 ULEV	2WD	Underbody Left	739079	D-280-107	--	--
2002	4.2L	2FMXT04.22H5	LEV1 ULEV	2WD	Underbody Right	739078	D-280-107	--	--
2002	4.2L	2FMXT04.22H5	LEV1 ULEV	All	Front Left	--	--	735206	D-280-107
2002	4.2L	2FMXT04.22H5	LEV1 ULEV	All	Front Right	--	--	735206	D-280-107
2002	4.2L	2FMXT04.22H5	LEV1 ULEV	All	Rear Left	--	--	736015	D-280-107
2002	4.2L	2FMXT04.22H5	LEV1 ULEV	All	Rear Right	--	--	736015	D-280-107
2002	4.2L	2FMXT04.22H6	LEV1 ULEV	2WD	Underbody Left	739079	D-280-107	--	--
2002	4.2L	2FMXT04.22H6	LEV1 ULEV	2WD	Underbody Right	739078	D-280-107	--	--
2002	4.2L	2FMXT04.22H6	LEV1 ULEV	All	Front Left	--	--	735206	D-280-107
2002	4.2L	2FMXT04.22H6	LEV1 ULEV	All	Front Right	--	--	735206	D-280-107
2002	4.2L	2FMXT04.22H6	LEV1 ULEV	All	Rear Left	--	--	736015	D-280-107
2002	4.2L	2FMXT04.22H6	LEV1 ULEV	All	Rear Right	--	--	736015	D-280-107
2001	4.2L	1FMXT04.22F5	LEV1 LEV	All	Front Left	--	--	912009	D-280-101
2001	4.2L	1FMXT04.22F5	LEV1 LEV	All	Front Right	--	--	912009	D-280-101
2001	4.2L	1FMXT04.22F5	LEV1 LEV	4WD	Rear Left	--	--	912003	D-280-101
2001	4.2L	1FMXT04.22F5	LEV1 LEV	4WD	Rear Right	--	--	912003	D-280-101
2001	4.2L	1FMXT04.22F5	LEV1 LEV	4WD	Underbody Left	919465	D-280-101	--	--
2001	4.2L	1FMXT04.22F5	LEV1 LEV	4WD	Underbody Right	919466	D-280-101	--	--
2001	4.2L	1FMXT04.22F5	LEV1 LEV	2WD	Underbody Left	912079	D-280-101	--	--
2001	4.2L	1FMXT04.22F5	LEV1 LEV	2WD	Underbody Right	912078	D-280-101	--	--
2000	4.2L	YFMXT04.22FC	LEV1 LEV	4WD	Underbody Left	919465	D-280-101	--	--
2000	4.2L	YFMXT04.22FC	LEV1 LEV	4WD	Underbody Right	919466	D-280-101	--	--
2000	4.2L	YFMXT04.22FC	LEV1 LEV	2WD	Underbody Left	912079	D-280-101	--	--
2000	4.2L	YFMXT04.22FC	LEV1 LEV	2WD	Underbody Right	912078	D-280-101	--	--
1999	4.2L	XFMXT04.22GC	LEV1 LEV	2WD	Underbody Left	912079	D-280-101	--	--
1999	4.2L	XFMXT04.22GC	LEV1 LEV	2WD	Underbody Right	912078	D-280-101	--	--
1998	4.2L	WFMXA04.2AAA	TIER1	4WD	Underbody Left	651550	D-665-20	--	--
1998	4.2L	WFMXA04.2AAA	TIER1	4WD	Underbody Right	651551	D-665-20	--	--
1998	4.2L	WFMXT04.2AAA	TIER1	All	Front	--	--	912009	D-280-101
1998	4.2L	WFMXT04.2AAA	TIER1	All	Rear	--	--	912005	D-280-101
1998	4.2L	WFMXT04.2AAA	TIER1	2WD	Underbody Left	912079	D-280-101	--	--
1998	4.2L	WFMXT04.2AAA	TIER1	2WD	Underbody Right	912078	D-280-101	--	--
1998	4.2L	WFMXT04.2AAA	TIER1	4WD	Underbody Left	912243	D-280-101	--	--
1998	4.2L	WFMXT04.2AAA	TIER1	4WD	Underbody Right	912242	D-280-101	--	--
1997	4.2L	VFM4.228G1EK	TIER1	All	Front	--	--	912009	D-280-101
1997	4.2L	VFM4.228G1EK	TIER1	All	Rear	--	--	912006	D-280-101

Legal Note: In Compliance with California Emissions Requirements



CATCO
CATALYTIC CONVERTERS

EASTERN CATALYTIC

APPLICATION GUIDE

OBD II

APPLICATION

Year	Eng. Size	Test Group/ Engine Family	Certification Level	Application	Location	Direct Fit Number	Exec. Order	Consol. Number	Exec. Order
Ford (Cont.)									
F-150 (Cont.)									
V6 (Cont.)									
1997	4.2L	VFM4.228G1EK	TIER1	2WD	Underbody Left	912079	D-280-101	--	--
1997	4.2L	VFM4.228G1EK	TIER1	2WD	Underbody Right	912078	D-280-101	--	--
1997	4.2L	VFM4.228G1EK	TIER1	4WD	Underbody Left	912243	D-280-101	--	--
1997	4.2L	VFM4.228G1EK	TIER1	4WD	Underbody Right	912242	D-280-101	--	--
V8									
2010	4.6L	AFMXT04.63D2	LEV2 ULEV	All	Front Left	--	--	740076	D-798
2010	4.6L	AFMXT04.63D2	LEV2 ULEV	All	Front Right	--	--	740076	D-798
2010	4.6L	AFMXT04.63D2	LEV2 ULEV	2WD, Eng. Code W, 16V	Front Left	749498	D-798	--	--
2010	4.6L	AFMXT04.63D2	LEV2 ULEV	2WD, Eng. Code W, 16V	Front Right	749499	D-798	--	--
2010	4.6L	AFMXT04.63D2	LEV2 ULEV	4WD, Eng. Code 8, 24V	Front Left	749551	D-798	--	--
2010	4.6L	AFMXT04.63D2	LEV2 ULEV	4WD, Eng. Code 8, 24V	Front Right	749552	D-798	--	--
2010	4.6L	AFMXT04.63DF	LEV2 ULEV	All	Front Left	--	--	740076	D-798
2010	4.6L	AFMXT04.63DF	LEV2 ULEV	All	Front Right	--	--	740076	D-798
2010	4.6L	AFMXT04.63DF	LEV2 ULEV	2WD, Eng. Code W, 16V	Front Left	749498	D-798	--	--
2010	4.6L	AFMXT04.63DF	LEV2 ULEV	2WD, Eng. Code W, 16V	Front Right	749499	D-798	--	--
2010	4.6L	AFMXT04.63DF	LEV2 ULEV	4WD, Eng. Code 8, 24V	Front Left	749551	D-798	--	--
2010	4.6L	AFMXT04.63DF	LEV2 ULEV	4WD, Eng. Code 8, 24V	Front Right	749552	D-798	--	--
2010	4.6L	AFMXT04.64D3	LEV2 ULEV	2WD, Eng. Code W, 16V	Front Left	749498	D-798	--	--
2010	4.6L	AFMXT04.64D3	LEV2 ULEV	2WD, Eng. Code W, 16V	Front Right	749499	D-798	--	--
2010	4.6L	AFMXT04.64D3	LEV2 ULEV	All	Front Left	--	--	740076	D-798
2010	4.6L	AFMXT04.64D3	LEV2 ULEV	All	Front Right	--	--	740076	D-798
2010	4.6L	AFMXT04.64D3	LEV2 ULEV	4WD, Eng. Code 8, 24V	Front Left	749551	D-798	--	--
2010	4.6L	AFMXT04.64D3	LEV2 ULEV	4WD, Eng. Code 8, 24V	Front Right	749552	D-798	--	--
2009	4.6L	9FMXT04.63D2	LEV2 ULEV	2WD, Eng. Code W, 16V	Front Left	749498	D-798	--	--
2009	4.6L	9FMXT04.63D2	LEV2 ULEV	2WD, Eng. Code W, 16V	Front Right	749499	D-798	--	--
2009	4.6L	9FMXT04.63D2	LEV2 ULEV	All	Front Left	--	--	740076	D-798
2009	4.6L	9FMXT04.63D2	LEV2 ULEV	All	Front Right	--	--	740076	D-798
2009	4.6L	9FMXT04.63D2	LEV2 ULEV	4WD, Eng. Code 8, 24V	Front Left	749551	D-798	--	--
2009	4.6L	9FMXT04.63D2	LEV2 ULEV	4WD, Eng. Code 8, 24V	Front Right	749552	D-798	--	--
2009	4.6L	9FMXT04.64D3	LEV2 ULEV	2WD, Eng. Code W, 16V	Front Left	749498	D-798	--	--
2009	4.6L	9FMXT04.64D3	LEV2 ULEV	2WD, Eng. Code W, 16V	Front Right	749499	D-798	--	--
2009	4.6L	9FMXT04.64D3	LEV2 ULEV	All	Front Left	--	--	740076	D-798
2009	4.6L	9FMXT04.64D3	LEV2 ULEV	All	Front Right	--	--	740076	D-798
2009	4.6L	9FMXT04.64D3	LEV2 ULEV	4WD, Eng. Code 8, 24V	Front Left	749551	D-798	--	--
2009	4.6L	9FMXT04.64D3	LEV2 ULEV	4WD, Eng. Code 8, 24V	Front Right	749552	D-798	--	--
2008	4.6L	8FMXT04.63AB	LEV2 LEV	2WD	Front Left	749488	D-798	--	--
2008	4.6L	8FMXT04.63AB	LEV2 LEV	2WD	Front Right	749489	D-798	--	--
2008	4.6L	8FMXT04.63AB	LEV2 LEV	4WD	Front Left	749527	D-798	--	--
2008	4.6L	8FMXT04.63AB	LEV2 LEV	4WD	Front Left	--	--	740076	D-798
2008	4.6L	8FMXT04.63AB	LEV2 LEV	4WD	Front Right	749528	D-798	--	--
2008	4.6L	8FMXT04.63AB	LEV2 LEV	4WD	Front Right	--	--	740076	D-798
2007	4.6L	7FMXT04.63AB	LEV2 LEV	2WD	Front Left	749488	D-798	--	--
2007	4.6L	7FMXT04.63AB	LEV2 LEV	2WD	Front Right	749489	D-798	--	--
2007	4.6L	7FMXT04.63AB	LEV2 LEV	4WD	Front Left	749527	D-798	--	--
2007	4.6L	7FMXT04.63AB	LEV2 LEV	4WD	Front Left	--	--	740076	D-798
2007	4.6L	7FMXT04.63AB	LEV2 LEV	4WD	Front Right	749528	D-798	--	--
2007	4.6L	7FMXT04.63AB	LEV2 LEV	4WD	Front Right	--	--	740076	D-798
2004	4.6L	4FMXT04.6PNB	LEV1 LEV	RWD	Underbody Left	830682	D-665-11	--	--
2004	4.6L	4FMXT04.6PNB	LEV1 LEV	RWD	Underbody Right	830683	D-665-11	--	--
2004	4.6L	4FMXT04.6PNB	LEV1 LEV	All	Front	--	--	912009	D-280-101
2004	4.6L	4FMXT04.6PNB	LEV1 LEV	All	Rear	--	--	912006	D-280-101
2004	4.6L	4FMXT05.4RFC	LEV1 ULEV	2WD	Underbody Left	739261	D-280-107	--	--
2004	4.6L	4FMXT05.4RFC	LEV1 ULEV	2WD	Underbody Right	739260	D-280-107	--	--
2004	4.6L	4FMXT05.4RFC	LEV1 ULEV	All	Front Left	--	--	735206	D-280-107
2004	4.6L	4FMXT05.4RFC	LEV1 ULEV	All	Front Right	--	--	735206	D-280-107
2004	4.6L	4FMXT05.4RFC	LEV1 ULEV	All	Rear Left	--	--	731016	D-280-107
2004	4.6L	4FMXT05.4RFC	LEV1 ULEV	All	Rear Right	--	--	731016	D-280-107
2003	4.6L	3FMXT05.4PFB	LEV1 LEV	2WD	Underbody Left	912117	D-280-101	--	--
2003	4.6L	3FMXT05.4PFB	LEV1 LEV	2WD	Underbody Right	912116	D-280-101	--	--

Legal Note: In Compliance with California Emissions Requirements

APPLICATION GUIDE



OBD II

APPLICATION

Year	Eng. Size	Test Group/ Engine Family	Certification Level	Application	Location	Direct Fit Number	Exec. Order	Consol. Number	Exec. Order
Ford (Cont.)									
F-150 (Cont.)									
V8 (Cont.)									
2003	4.6L	3FMXT05.4PFB	LEV1 LEV	4WD	Front	--	--	912009	D-280-101
2003	4.6L	3FMXT05.4PFB	LEV1 LEV	4WD	Rear	--	--	912006	D-280-101
2003	4.6L	3FMXT05.4RFC	LEV1 ULEV	2WD	Rear Left	--	--	732016	D-280-107
2003	4.6L	3FMXT05.4RFC	LEV1 ULEV	2WD	Rear Right	--	--	732016	D-280-107
2003	4.6L	3FMXT05.4RFC	LEV1 ULEV	2WD	Underbody Left	739117	D-280-107	--	--
2003	4.6L	3FMXT05.4RFC	LEV1 ULEV	2WD	Underbody Right	739116	D-280-107	--	--
2003	4.6L	3FMXT05.4RFC	LEV1 ULEV	4WD	Front Left	--	--	735206	D-280-107
2003	4.6L	3FMXT05.4RFC	LEV1 ULEV	4WD	Front Right	--	--	735206	D-280-107
2002	4.6L	2FMXT05.4PF5	LEV1 LEV	All	Front	--	--	912009	D-280-101
2002	4.6L	2FMXT05.4PF5	LEV1 LEV	All	Rear	--	--	912006	D-280-101
2002	4.6L	2FMXT05.4PF5	LEV1 LEV	2WD	Underbody Left	912117	D-280-101	--	--
2002	4.6L	2FMXT05.4PF5	LEV1 LEV	2WD	Underbody Right	912116	D-280-101	--	--
2002	4.6L	2FMXT05.4PF5	LEV1 LEV	4WD	Underbody Left	919482	D-280-101	--	--
2002	4.6L	2FMXT05.4PF5	LEV1 LEV	4WD	Underbody Right	919483	D-280-101	--	--
2002	4.6L	2FMXT05.4PF6	LEV1 LEV	All	Front	--	--	912009	D-280-101
2002	4.6L	2FMXT05.4PF6	LEV1 LEV	All	Rear	--	--	912006	D-280-101
2002	4.6L	2FMXT05.4PF6	LEV1 LEV	2WD	Underbody Left	912117	D-280-101	--	--
2002	4.6L	2FMXT05.4PF6	LEV1 LEV	2WD	Underbody Right	912116	D-280-101	--	--
2002	4.6L	2FMXT05.4PF6	LEV1 LEV	4WD	Underbody Left	919482	D-280-101	--	--
2002	4.6L	2FMXT05.4PF6	LEV1 LEV	4WD	Underbody Right	919483	D-280-101	--	--
2002	4.6L	2FMXT05.4RF6	LEV1 ULEV	2WD	Rear Left	--	--	732016	D-280-107
2002	4.6L	2FMXT05.4RF6	LEV1 ULEV	2WD	Rear Right	--	--	732016	D-280-107
2002	4.6L	2FMXT05.4RF6	LEV1 ULEV	2WD	Underbody Left	739117	D-280-107	--	--
2002	4.6L	2FMXT05.4RF6	LEV1 ULEV	2WD	Underbody Right	739116	D-280-107	--	--
2002	4.6L	2FMXT05.4RF6	LEV1 ULEV	4WD	Front Left	--	--	735206	D-280-107
2002	4.6L	2FMXT05.4RF6	LEV1 ULEV	4WD	Front Right	--	--	735206	D-280-107
2002	4.6L	2FMXT05.4RF8	LEV1 LEV	4WD	Underbody Left	919482	D-280-101	--	--
2002	4.6L	2FMXT05.4RF8	LEV1 LEV	4WD	Underbody Right	919483	D-280-101	--	--
2001	4.6L	1FMXT04.6PF5	LEV1 LEV	All	Front	--	--	912009	D-280-101
2001	4.6L	1FMXT04.6PF5	LEV1 LEV	All	Rear	--	--	912003	D-280-101
2001	4.6L	1FMXT04.6PF5	LEV1 LEV	2WD	Underbody Left	912117	D-280-101	--	--
2001	4.6L	1FMXT04.6PF5	LEV1 LEV	2WD	Underbody Left	912079	D-280-101	--	--
2001	4.6L	1FMXT04.6PF5	LEV1 LEV	2WD	Underbody Right	912116	D-280-101	--	--
2001	4.6L	1FMXT04.6PF5	LEV1 LEV	2WD	Underbody Right	912078	D-280-101	--	--
2001	4.6L	1FMXT04.6PF5	LEV1 LEV	4WD	Underbody Left	919482	D-280-101	--	--
2001	4.6L	1FMXT04.6PF5	LEV1 LEV	4WD	Underbody Right	919483	D-280-101	--	--
2001	4.6L	1FMXT04.6PF6	LEV1 LEV	2WD	Front	--	--	912009	D-280-101
2001	4.6L	1FMXT04.6PF6	LEV1 LEV	2WD	Underbody Left	912117	D-280-101	--	--
2001	4.6L	1FMXT04.6PF6	LEV1 LEV	2WD	Underbody Left	912079	D-280-101	--	--
2001	4.6L	1FMXT04.6PF6	LEV1 LEV	2WD	Underbody Right	912116	D-280-101	--	--
2001	4.6L	1FMXT04.6PF6	LEV1 LEV	2WD	Underbody Right	912078	D-280-101	--	--
2001	4.6L	1FMXT04.6PF6	LEV1 LEV	All	Rear	--	--	912003	D-280-101
2001	4.6L	1FMXT04.6PF6	LEV1 LEV	4WD	Underbody Left	919482	D-280-101	--	--
2001	4.6L	1FMXT04.6PF6	LEV1 LEV	4WD	Underbody Right	919483	D-280-101	--	--
2001	4.6L	1FMXT05.4PF5	LEV1 LEV	All	Front	--	--	912009	D-280-101
2001	4.6L	1FMXT05.4PF5	LEV1 LEV	All	Rear	--	--	912003	D-280-101
2001	4.6L	1FMXT05.4PF5	LEV1 LEV	4WD	Underbody Left	919482	D-280-101	--	--
2001	4.6L	1FMXT05.4PF5	LEV1 LEV	4WD	Underbody Left	912085	D-280-101	--	--
2001	4.6L	1FMXT05.4PF5	LEV1 LEV	4WD	Underbody Right	919483	D-280-101	--	--
2001	4.6L	1FMXT05.4PF5	LEV1 LEV	4WD	Underbody Right	912084	D-280-101	--	--
2001	4.6L	1FMXT05.4PF5	LEV1 LEV	2WD	Underbody Left	912117	D-280-101	--	--
2001	4.6L	1FMXT05.4PF5	LEV1 LEV	2WD	Underbody Right	912116	D-280-101	--	--
2001	4.6L	1FMXT05.4RF8	LEV1 LEV	All	Front	--	--	912009	D-280-101
2001	4.6L	1FMXT05.4RF8	LEV1 LEV	All	Rear	--	--	912003	D-280-101
2001	4.6L	1FMXT05.4RF8	LEV1 LEV	4WD	Underbody Left	919482	D-280-101	--	--
2001	4.6L	1FMXT05.4RF8	LEV1 LEV	4WD	Underbody Right	919483	D-280-101	--	--
2000	4.6L	YFMXA04.6HGC	LEV1 LEV	2WD	Underbody Left	912057U	D-280-101	--	--
2000	4.6L	YFMXA04.6HGC	LEV1 LEV	2WD	Underbody Right	912056	D-280-101	--	--

Legal Note: In Compliance with California Emissions Requirements

**CATCO**
CATALYTIC CONVERTERS**EASTERN CATALYTIC**

APPLICATION GUIDE

OBD II**APPLICATION**

Year	Eng. Size	Test Group/ Engine Family	Certification Level	Application	Location	Direct Fit Number	Exec. Order	Consol. Number	Exec. Order
Ford (Cont.)									
F-150 (Cont.)									
V8 (Cont.)									
2000	4.6L	YFMXA04.6HGC	LEV1 LEV	4WD	Front	--	--	912009	D-280-101
2000	4.6L	YFMXA04.6HGC	LEV1 LEV	4WD	Rear	--	--	912006	D-280-101
2000	4.6L	YFMXA04.6HGC	LEV1 LEV	4WD	Underbody Left	912097	D-280-101	--	--
2000	4.6L	YFMXA04.6HGC	LEV1 LEV	4WD	Underbody Right	912096	D-280-101	--	--
2000	4.6L	YFMXT04.6HGC	LEV1 LEV	4WD	Underbody Left	830666	D-665-11	--	--
2000	4.6L	YFMXT04.6HGC	LEV1 LEV	4WD	Underbody Right	830667	D-665-11	--	--
1999	4.6L	XFMXA04.6HGC	LEV1 LEV	2WD	Underbody Left	912057U	D-280-101	--	--
1999	4.6L	XFMXA04.6HGC	LEV1 LEV	2WD	Underbody Right	912056	D-280-101	--	--
1999	4.6L	XFMXA04.6HGC	LEV1 LEV	4WD	Front	--	--	912009	D-280-101
1999	4.6L	XFMXA04.6HGC	LEV1 LEV	4WD	Underbody Left	912097	D-280-101	--	--
1999	4.6L	XFMXA04.6HGC	LEV1 LEV	4WD	Underbody Right	912096	D-280-101	--	--
1998	4.6L	WFMXA04.6AAA	TIER1	All	Front	--	--	912009	D-280-101
1998	4.6L	WFMXA04.6AAA	TIER1	All	Rear	--	--	912006	D-280-101
1998	4.6L	WFMXA04.6AAA	TIER1	2WD	Underbody Left	912079	D-280-101	--	--
1998	4.6L	WFMXA04.6AAA	TIER1	2WD	Underbody Right	912078	D-280-101	--	--
1998	4.6L	WFMXA04.6AAA	TIER1	4WD	Underbody Left	912243	D-280-101	--	--
1998	4.6L	WFMXA04.6AAA	TIER1	4WD	Underbody Right	912242	D-280-101	--	--
1998	4.6L	WFMXA04.6BAA	TIER1	2WD	Underbody Left	830871	D-665-16	--	--
1998	4.6L	WFMXA04.6BAA	TIER1	2WD	Underbody Right	830872	D-665-16	--	--
1998	4.6L	WFMXA04.6BAA	TIER1	4WD	Underbody Left	651532	D-665-20	--	--
1998	4.6L	WFMXA04.6BAA	TIER1	4WD	Underbody Right	651533	D-665-20	--	--
1998	4.6L	WFMXT04.6AAA	TIER1	All	Front	--	--	912009	D-280-101
1998	4.6L	WFMXT04.6AAA	TIER1	All	Rear	--	--	912006	D-280-101
1998	4.6L	WFMXT04.6AAA	TIER1	2WD	Underbody Left	912057U	D-280-101	--	--
1998	4.6L	WFMXT04.6AAA	TIER1	2WD	Underbody Right	912056	D-280-101	--	--
1998	4.6L	WFMXT04.6AAA	TIER1	4WD	Underbody Left	912097	D-280-101	--	--
1998	4.6L	WFMXT04.6AAA	TIER1	4WD	Underbody Right	912096	D-280-101	--	--
1997	4.6L	VFM4.628G1EK	TIER1	All	Front	--	--	912009	D-280-101
1997	4.6L	VFM4.628G1EK	TIER1	All	Rear	--	--	912006	D-280-101
1997	4.6L	VFM4.628G1EK	TIER1	2WD	Underbody Left	912057U	D-280-101	--	--
1997	4.6L	VFM4.628G1EK	TIER1	2WD	Underbody Right	912056	D-280-101	--	--
1997	4.6L	VFM4.628G1EK	TIER1	4WD	Underbody Left	912097	D-280-101	--	--
1997	4.6L	VFM4.628G1EK	TIER1	4WD	Underbody Right	912096	D-280-101	--	--
1997	4.6L	VFM4.6H8G1EK	TIER1	2WD	Front	--	--	912009	D-280-101
1997	4.6L	VFM4.6H8G1EK	TIER1	2WD	Underbody	--	--	912006	D-280-101
1997	4.6L	VFM4.6H8G1EK	TIER1	2WD	Underbody Left	912057U	D-280-101	--	--
1997	4.6L	VFM4.6H8G1EK	TIER1	2WD	Underbody Right	912056	D-280-101	--	--
2013	5.0L	DFMXT05.03D7	LEV2 ULEV	2WD	Front Left	749532	D-798	--	--
2013	5.0L	DFMXT05.03D7	LEV2 ULEV	2WD	Front Right	749533	D-798	--	--
2013	5.0L	DFMXT05.03D7	LEV2 ULEV	All	Front Left	749532	D-798	--	--
2013	5.0L	DFMXT05.03D7	LEV2 ULEV	All	Front Right	749533	D-798	--	--
2013	5.0L	DFMXT05.03D7	LEV2 ULEV	All	Front Right	--	--	740076	D-798
2012	5.0L	CFMXT05.03D7	LEV2 ULEV	All	Front Left	749532	D-798	--	--
2012	5.0L	CFMXT05.03D7	LEV2 ULEV	All	Front Left	--	--	740076	D-798
2012	5.0L	CFMXT05.03D7	LEV2 ULEV	All	Front Right	749533	D-798	--	--
2012	5.0L	CFMXT05.03D7	LEV2 ULEV	All	Front Right	--	--	740076	D-798
2012	5.0L	CFMXT05.03DD	LEV2 ULEV	All	Front Left	749532	D-798	--	--
2012	5.0L	CFMXT05.03DD	LEV2 ULEV	All	Front Left	--	--	740076	D-798
2012	5.0L	CFMXT05.03DD	LEV2 ULEV	All	Front Right	749533	D-798	--	--
2012	5.0L	CFMXT05.03DD	LEV2 ULEV	All	Front Right	--	--	740076	D-798
2011	5.0L	BFMXT05.03DD	LEV2 ULEV	All	Front Left	749532	D-798	--	--
2011	5.0L	BFMXT05.03DD	LEV2 ULEV	All	Front Left	--	--	740076	D-798
2011	5.0L	BFMXT05.03DD	LEV2 ULEV	All	Front Right	749533	D-798	--	--
2011	5.0L	BFMXT05.03DD	LEV2 ULEV	All	Front Right	--	--	740076	D-798
1996	5.0L	TFM5.0H8G1EK	TIER1	All	Rear	--	--	912026	D-280-101
1996	5.0L	TFM5.0H8G1EK	TIER1	All	Underbody	912396	D-280-101	--	--
1996	5.0L	TFM5.0H8G1EK	TIER1	All	Underbody	--	--	912006	D-280-101

APPLICATION GUIDE



OBD II

APPLICATION

Year	Eng. Size	Test Group/ Engine Family	Certification Level	Application	Location	Direct Fit Number	Exec. Order	Consol. Number	Exec. Order
Ford (Cont.)									
F-150 (Cont.)									
V8 (Cont.)									
2010	5.4L	AFMXT05.44BC	LEV2 ULEV	All	Front Left	749984	D-798	--	--
2010	5.4L	AFMXT05.44BC	LEV2 ULEV	All	Front Left	--	--	740076	D-798
2010	5.4L	AFMXT05.44BC	LEV2 ULEV	All	Front Right	749985	D-798	--	--
2010	5.4L	AFMXT05.44BC	LEV2 ULEV	All	Front Right	--	--	740076	D-798
2009	5.4L	9FMXT05.44BC	LEV2 ULEV	All	Front Left	749984	D-798	--	--
2009	5.4L	9FMXT05.44BC	LEV2 ULEV	All	Front Left	--	--	740076	D-798
2009	5.4L	9FMXT05.44BC	LEV2 ULEV	All	Front Right	749985	D-798	--	--
2009	5.4L	9FMXT05.44BC	LEV2 ULEV	All	Front Right	--	--	740076	D-798
2008	5.4L	8FMXT05.43DP	LEV2 ULEV	2WD	Front Left	749257	D-798	--	--
2008	5.4L	8FMXT05.43DP	LEV2 ULEV	2WD	Front Left	--	--	740786	D-798
2008	5.4L	8FMXT05.43DP	LEV2 ULEV	2WD	Front Right	749256	D-798	--	--
2008	5.4L	8FMXT05.43DP	LEV2 ULEV	2WD	Front Right	--	--	740786	D-798
2008	5.4L	8FMXT05.44D7	LEV2 ULEV	2WD	Front Left	749257	D-798	--	--
2008	5.4L	8FMXT05.44D7	LEV2 ULEV	2WD	Front Right	749256	D-798	--	--
2008	5.4L	8FMXT05.44D7	LEV2 ULEV	4WD	Front Left	749269	D-798	--	--
2008	5.4L	8FMXT05.44D7	LEV2 ULEV	4WD	Front Left	--	--	740786	D-798
2008	5.4L	8FMXT05.44D7	LEV2 ULEV	4WD	Front Right	749268	D-798	--	--
2008	5.4L	8FMXT05.44D7	LEV2 ULEV	4WD	Front Right	--	--	740786	D-798
2008	5.4L	8FMXT05.44E2	LEV2 LEV	4WD	Front Left	749269	D-798	--	--
2008	5.4L	8FMXT05.44E2	LEV2 LEV	4WD	Front Left	--	--	740786	D-798
2008	5.4L	8FMXT05.44E2	LEV2 LEV	4WD	Front Right	749268	D-798	--	--
2008	5.4L	8FMXT05.44E2	LEV2 LEV	4WD	Front Right	--	--	740786	D-798
2007	5.4L	7FMXT05.44A7	LEV2 LEV	2WD	Front Left	749257	D-798	--	--
2007	5.4L	7FMXT05.44A7	LEV2 LEV	2WD	Front Right	749256	D-798	--	--
2007	5.4L	7FMXT05.44A7	LEV2 LEV	4WD	Front Left	749269	D-798	--	--
2007	5.4L	7FMXT05.44A7	LEV2 LEV	4WD	Front Left	--	--	740786	D-798
2007	5.4L	7FMXT05.44A7	LEV2 LEV	4WD	Front Right	749268	D-798	--	--
2007	5.4L	7FMXT05.44A7	LEV2 LEV	4WD	Front Right	--	--	740786	D-798
2007	5.4L	7FMXT05.44D7	LEV2 ULEV	2WD	Front Left	749257	D-798	--	--
2007	5.4L	7FMXT05.44D7	LEV2 ULEV	2WD	Front Right	749256	D-798	--	--
2007	5.4L	7FMXT05.44D7	LEV2 ULEV	4WD	Front Left	749269	D-798	--	--
2007	5.4L	7FMXT05.44D7	LEV2 ULEV	4WD	Front Left	--	--	740786	D-798
2007	5.4L	7FMXT05.44D7	LEV2 ULEV	4WD	Front Right	749268	D-798	--	--
2007	5.4L	7FMXT05.44D7	LEV2 ULEV	4WD	Front Right	--	--	740786	D-798
2007	5.4L	7FMXT05.44E2	LEV2 LEV	4WD	Front Left	749269	D-798	--	--
2007	5.4L	7FMXT05.44E2	LEV2 LEV	4WD	Front Left	--	--	740786	D-798
2007	5.4L	7FMXT05.44E2	LEV2 LEV	4WD	Front Right	749268	D-798	--	--
2007	5.4L	7FMXT05.44E2	LEV2 LEV	4WD	Front Right	--	--	740786	D-798
2005	5.4L	5FMXT05.4R4P	LEV2 LEV	2WD	Front Left	749480	D-798	--	--
2005	5.4L	5FMXT05.4R4P	LEV2 LEV	2WD	Front Right	749481	D-798	--	--
2005	5.4L	5FMXT05.4R4P	LEV2 LEV	4WD	Front Left	749468	D-798	--	--
2005	5.4L	5FMXT05.4R4P	LEV2 LEV	4WD	Front Left	--	--	740556	D-798
2005	5.4L	5FMXT05.4R4P	LEV2 LEV	4WD	Front Right	749469	D-798	--	--
2005	5.4L	5FMXT05.4R4P	LEV2 LEV	4WD	Front Right	--	--	740556	D-798
2005	5.4L	5FMXT05.4R4P	LEV2 LEV	4WD	Rear Left	--	--	747336	D-798
2005	5.4L	5FMXT05.4R4P	LEV2 LEV	4WD	Rear Right	--	--	747336	D-798
2004	5.4L	4FMXT05.4RPB	LEV1 ULEV	4WD	Underbody Left	739085	D-280-107	--	--
2004	5.4L	4FMXT05.4RPB	LEV1 ULEV	4WD	Underbody Right	739084	D-280-107	--	--
2004	5.4L	4FMXT05.4RPB	LEV1 ULEV	2WD	Front Left	--	--	735206	D-280-107
2004	5.4L	4FMXT05.4RPB	LEV1 ULEV	2WD	Front Right	--	--	735206	D-280-107
2004	5.4L	4FMXT05.4RPB	LEV1 ULEV	2WD	Rear Left	--	--	736006	D-280-107
2004	5.4L	4FMXT05.4RPB	LEV1 ULEV	2WD	Rear Right	--	--	736006	D-280-107
2003	5.4L	3FMXA05.4HJD	LEV1 ULEV	4WD	Underbody Left	739085	D-280-107	--	--
2003	5.4L	3FMXA05.4HJD	LEV1 ULEV	4WD	Underbody Right	739084	D-280-107	--	--
2003	5.4L	3FMXA05.4HJD	LEV1 ULEV	2WD	Front Left	--	--	735206	D-280-107
2003	5.4L	3FMXA05.4HJD	LEV1 ULEV	2WD	Front Right	--	--	735206	D-280-107
2003	5.4L	3FMXA05.4HJD	LEV1 ULEV	2WD	Rear Left	--	--	736006	D-280-107
2003	5.4L	3FMXA05.4HJD	LEV1 ULEV	2WD	Rear Right	--	--	736006	D-280-107

Legal Note: In Compliance with California Emissions Requirements



CATCO
CATALYTIC CONVERTERS

EASTERN CATALYTIC

APPLICATION GUIDE

OBD II

APPLICATION

Year	Eng. Size	Test Group/ Engine Family	Certification Level	Application	Location	Direct Fit Number	Exec. Order	Consol. Number	Exec. Order
Ford (Cont.)									
F-150 (Cont.)									
V8 (Cont.)									
2003	5.4L	3FMXT05.42F5	LEV1 LEV	2WD	Underbody Left	919496	D-280-101	--	--
2003	5.4L	3FMXT05.42F5	LEV1 LEV	2WD	Underbody Right	919497	D-280-101	--	--
2003	5.4L	3FMXT05.4RF2	LEV1 ULEV	4WD	Underbody Left	739085	D-280-107	--	--
2003	5.4L	3FMXT05.4RF2	LEV1 ULEV	4WD	Underbody Right	739084	D-280-107	--	--
2003	5.4L	3FMXT05.4RF2	LEV1 ULEV	2WD	Front Left	--	--	735206	D-280-107
2003	5.4L	3FMXT05.4RF2	LEV1 ULEV	2WD	Front Right	--	--	735206	D-280-107
2003	5.4L	3FMXT05.4RF2	LEV1 ULEV	2WD	Rear Left	--	--	736006	D-280-107
2003	5.4L	3FMXT05.4RF2	LEV1 ULEV	2WD	Rear Right	--	--	736006	D-280-107
2003	5.4L	3FMXT05.4RF6	LEV1 ULEV	4WD	Underbody Left	739085	D-280-107	--	--
2003	5.4L	3FMXT05.4RF6	LEV1 ULEV	4WD	Underbody Right	739084	D-280-107	--	--
2003	5.4L	3FMXT05.4RF6	LEV1 ULEV	2WD	Front Left	--	--	735206	D-280-107
2003	5.4L	3FMXT05.4RF6	LEV1 ULEV	2WD	Front Right	--	--	735206	D-280-107
2003	5.4L	3FMXT05.4RF6	LEV1 ULEV	2WD	Rear Left	--	--	736006	D-280-107
2003	5.4L	3FMXT05.4RF6	LEV1 ULEV	2WD	Rear Right	--	--	736006	D-280-107
2003	5.4L	3FMXT05.4RF8	LEV1 LEV	4WD	Underbody Left	830664	D-665-11	--	--
2003	5.4L	3FMXT05.4RF8	LEV1 LEV	4WD	Underbody Right	830665	D-665-11	--	--
2003	5.4L	3FMXT05.4RF8	LEV1 LEV	RWD	Underbody Left	830662	D-665-11	--	--
2003	5.4L	3FMXT05.4RF8	LEV1 LEV	RWD	Underbody Right	830662	D-665-11	--	--
2003	5.4L	3FMXT05.4RF8	LEV1 LEV	All	Front	--	--	912009	D-280-101
2003	5.4L	3FMXT05.4RF8	LEV1 LEV	All	Rear	--	--	912006	D-280-101
2003	5.4L	3FMXT05.4RFC	LEV1 ULEV	4WD	Underbody Left	739085	D-280-107	--	--
2003	5.4L	3FMXT05.4RFC	LEV1 ULEV	4WD	Underbody Right	739084	D-280-107	--	--
2003	5.4L	3FMXT05.4RFC	LEV1 ULEV	2WD	Front Left	--	--	735206	D-280-107
2003	5.4L	3FMXT05.4RFC	LEV1 ULEV	2WD	Front Right	--	--	735206	D-280-107
2003	5.4L	3FMXT05.4RFC	LEV1 ULEV	2WD	Rear Left	--	--	736006	D-280-107
2003	5.4L	3FMXT05.4RFC	LEV1 ULEV	2WD	Rear Right	--	--	736006	D-280-107
2002	5.4L	2FMXA05.4HJD	LEV1 ULEV	4WD	Underbody Left	739085	D-280-107	--	--
2002	5.4L	2FMXA05.4HJD	LEV1 ULEV	4WD	Underbody Right	739084	D-280-107	--	--
2002	5.4L	2FMXA05.4HJD	LEV1 ULEV	All	Front Left	--	--	735206	D-280-107
2002	5.4L	2FMXA05.4HJD	LEV1 ULEV	All	Front Right	--	--	735206	D-280-107
2002	5.4L	2FMXA05.4HJD	LEV1 ULEV	All	Rear Left	--	--	736015	D-280-107
2002	5.4L	2FMXA05.4HJD	LEV1 ULEV	All	Rear Right	--	--	736015	D-280-107
2002	5.4L	2FMXT05.42F5	LEV1 LEV	2WD	Underbody Left	919496	D-280-101	--	--
2002	5.4L	2FMXT05.42F5	LEV1 LEV	2WD	Underbody Right	919497	D-280-101	--	--
2002	5.4L	2FMXT05.4PF5	LEV1 LEV	All	Front	--	--	912009	D-280-101
2002	5.4L	2FMXT05.4PF5	LEV1 LEV	All	Rear	--	--	912006	D-280-101
2002	5.4L	2FMXT05.4PF5	LEV1 LEV	4WD	Underbody Left	912085	D-280-101	--	--
2002	5.4L	2FMXT05.4PF5	LEV1 LEV	4WD	Underbody Right	912084	D-280-101	--	--
2002	5.4L	2FMXT05.4PF5	LEV1 LEV	2WD, 4R70W Trans.	Underbody Left	912137	D-280-101	--	--
2002	5.4L	2FMXT05.4PF5	LEV1 LEV	2WD, 4R70W Trans.	Underbody Right	912136	D-280-101	--	--
2002	5.4L	2FMXT05.4PF6	LEV1 LEV	All	Front	--	--	912009	D-280-101
2002	5.4L	2FMXT05.4PF6	LEV1 LEV	All	Rear	--	--	912006	D-280-101
2002	5.4L	2FMXT05.4PF6	LEV1 LEV	4WD	Underbody Left	912085	D-280-101	--	--
2002	5.4L	2FMXT05.4PF6	LEV1 LEV	4WD	Underbody Right	912084	D-280-101	--	--
2002	5.4L	2FMXT05.4PF6	LEV1 LEV	2WD, 4R70W Trans.	Underbody Left	912137	D-280-101	--	--
2002	5.4L	2FMXT05.4PF6	LEV1 LEV	2WD, 4R70W Trans.	Underbody Right	912136	D-280-101	--	--
2002	5.4L	2FMXT05.4RF6	LEV1 ULEV	4WD	Underbody Left	739085	D-280-107	--	--
2002	5.4L	2FMXT05.4RF6	LEV1 ULEV	4WD	Underbody Right	739084	D-280-107	--	--
2002	5.4L	2FMXT05.4RF6	LEV1 ULEV	All	Front Left	--	--	735206	D-280-107
2002	5.4L	2FMXT05.4RF6	LEV1 ULEV	All	Front Right	--	--	735206	D-280-107
2002	5.4L	2FMXT05.4RF6	LEV1 ULEV	All	Rear Left	--	--	736015	D-280-107
2002	5.4L	2FMXT05.4RF6	LEV1 ULEV	All	Rear Right	--	--	736015	D-280-107
2002	5.4L	2FMXT05.4RF8	LEV1 LEV	All	Front	--	--	912009	D-280-101
2002	5.4L	2FMXT05.4RF8	LEV1 LEV	All	Rear	--	--	912006	D-280-101
2002	5.4L	2FMXT05.4RF8	LEV1 LEV	4WD	Underbody Left	912085	D-280-101	--	--
2002	5.4L	2FMXT05.4RF8	LEV1 LEV	4WD	Underbody Right	912084	D-280-101	--	--
2002	5.4L	2FMXT05.4RF8	LEV1 LEV	2WD, 4R70W Trans.	Underbody Left	912137	D-280-101	--	--
2002	5.4L	2FMXT05.4RF8	LEV1 LEV	2WD, 4R70W Trans.	Underbody Right	912136	D-280-101	--	--

APPLICATION GUIDE



OBD II

APPLICATION

Year	Eng. Size	Test Group/ Engine Family	Certification Level	Application	Location	Direct Fit Number	Exec. Order	Consol. Number	Exec. Order
Ford (Cont.)									
F-150 (Cont.)									
V8 (Cont.)									
2001	5.4L	1FMXT05.42F5	LEV1 LEV	2WD	Underbody Left	919496	D-280-101	--	--
2001	5.4L	1FMXT05.42F5	LEV1 LEV	2WD	Underbody Right	919497	D-280-101	--	--
2001	5.4L	1FMXT05.4PF4	LEV1 LEV	All	Front	--	--	912009	D-280-101
2001	5.4L	1FMXT05.4PF4	LEV1 LEV	All	Rear	--	--	912006	D-280-101
2001	5.4L	1FMXT05.4PF4	LEV1 LEV	4WD	Underbody Left	912085	D-280-101	--	--
2001	5.4L	1FMXT05.4PF4	LEV1 LEV	4WD	Underbody Right	912084	D-280-101	--	--
2001	5.4L	1FMXT05.4PF4	LEV1 LEV	2WD, 4R70W Trans.	Underbody Left	912137	D-280-101	--	--
2001	5.4L	1FMXT05.4PF4	LEV1 LEV	2WD, 4R70W Trans.	Underbody Right	912136	D-280-101	--	--
2001	5.4L	1FMXT05.4PF5	LEV1 LEV	All	Front	--	--	912009	D-280-101
2001	5.4L	1FMXT05.4PF5	LEV1 LEV	All	Rear	--	--	912006	D-280-101
2001	5.4L	1FMXT05.4PF5	LEV1 LEV	2WD, 4R70W Trans.	Underbody Left	912137	D-280-101	--	--
2001	5.4L	1FMXT05.4PF5	LEV1 LEV	2WD, 4R70W Trans.	Underbody Right	912136	D-280-101	--	--
2001	5.4L	1FMXT05.4RF7	LEV1 LEV	2WD, 4R70W Trans.	Underbody Left	912137	D-280-101	--	--
2001	5.4L	1FMXT05.4RF7	LEV1 LEV	2WD, 4R70W Trans.	Underbody Right	912136	D-280-101	--	--
2001	5.4L	1FMXT05.4RF7	LEV1 LEV	4WD	Underbody Left	912085	D-280-101	--	--
2001	5.4L	1FMXT05.4RF7	LEV1 LEV	4WD	Underbody Right	912084	D-280-101	--	--
2001	5.4L	1FMXT05.4RF7	LEV1 LEV	All	Front	--	--	912009	D-280-101
2001	5.4L	1FMXT05.4RF7	LEV1 LEV	All	Rear	--	--	912006	D-280-101
2001	5.4L	1FMXT05.4RF8	LEV1 LEV	All	Front	--	--	912009	D-280-101
2001	5.4L	1FMXT05.4RF8	LEV1 LEV	All	Rear	--	--	912006	D-280-101
2001	5.4L	1FMXT05.4RF8	LEV1 LEV	4WD	Underbody Left	912085	D-280-101	--	--
2001	5.4L	1FMXT05.4RF8	LEV1 LEV	4WD	Underbody Right	912084	D-280-101	--	--
2001	5.4L	1FMXT05.4RF8	LEV1 LEV	2WD, 4R70W Trans.	Underbody Left	912137	D-280-101	--	--
2001	5.4L	1FMXT05.4RF8	LEV1 LEV	2WD, 4R70W Trans.	Underbody Right	912136	D-280-101	--	--
2000	5.4L	YFMXA05.4HGC	LEV1 LEV	4WD, 4R100 Trans.	Underbody Left	912051	D-280-101	--	--
2000	5.4L	YFMXA05.4HGC	LEV1 LEV	4WD, 4R100 Trans.	Underbody Right	912050	D-280-101	--	--
2000	5.4L	YFMXT05.4PF5	LEV1 LEV	4WD, 4R100 Trans.	Underbody Left	912051	D-280-101	--	--
2000	5.4L	YFMXT05.4PF5	LEV1 LEV	4WD, 4R100 Trans.	Underbody Right	912050	D-280-101	--	--
2000	5.4L	YFMXT05.4RF7	LEV1 LEV	All	Front	--	--	912009	D-280-101
2000	5.4L	YFMXT05.4RF7	LEV1 LEV	All	Rear	--	--	912006	D-280-101
2000	5.4L	YFMXT05.4RF7	LEV1 LEV	4WD, 4R100 Trans.	Underbody Left	912051	D-280-101	--	--
2000	5.4L	YFMXT05.4RF7	LEV1 LEV	4WD, 4R100 Trans.	Underbody Right	912050	D-280-101	--	--
1999	5.4L	XFMXA05.4HGC	LEV1 LEV	All	Front	--	--	912009	D-280-101
1999	5.4L	XFMXA05.4HGC	LEV1 LEV	All	Rear	--	--	912006	D-280-101
1999	5.4L	XFMXA05.4HGC	LEV1 LEV	4WD, 4R70W Trans.	Underbody Left	919237	D-280-101	--	--
1999	5.4L	XFMXA05.4HGC	LEV1 LEV	4WD, 4R70W Trans.	Underbody Right	919236	D-280-101	--	--
1999	5.4L	XFMXA05.4HGC	LEV1 LEV	4WD, 4R100 Trans.	Underbody Left	912051	D-280-101	--	--
1999	5.4L	XFMXA05.4HGC	LEV1 LEV	4WD, 4R100 Trans.	Underbody Right	912050	D-280-101	--	--
1999	5.4L	XFMXA05.4JGC	LEV1 LEV	All	Front	--	--	912009	D-280-101
1999	5.4L	XFMXA05.4JGC	LEV1 LEV	All	Rear	--	--	912006	D-280-101
1999	5.4L	XFMXA05.4JGC	LEV1 LEV	4WD, 4R100 Trans.	Underbody Left	912051	D-280-101	--	--
1999	5.4L	XFMXA05.4JGC	LEV1 LEV	4WD, 4R100 Trans.	Underbody Right	912050	D-280-101	--	--
1999	5.4L	XFMXT05.42BF	TIER1	2WD	Underbody Left	919496	D-280-101	--	--
1999	5.4L	XFMXT05.42BF	TIER1	2WD	Underbody Right	919497	D-280-101	--	--
1998	5.4L	WFMXA05.4HBC	TIER1	All	Front	--	--	912009	D-280-101
1998	5.4L	WFMXA05.4HBC	TIER1	All	Rear	--	--	912006	D-280-101
1998	5.4L	WFMXA05.4HBC	TIER1	4WD, 4R100 Trans.	Underbody Left	912051	D-280-101	--	--
1998	5.4L	WFMXA05.4HBC	TIER1	4WD, 4R100 Trans.	Underbody Right	912050	D-280-101	--	--
1998	5.4L	WFMXA05.4JBN	TIER1	All	Front	--	--	912009	D-280-101
1998	5.4L	WFMXA05.4JBN	TIER1	All	Rear	--	--	912006	D-280-101
1998	5.4L	WFMXA05.4JBN	TIER1	4WD, 4R100 Trans.	Underbody Left	912051	D-280-101	--	--
1998	5.4L	WFMXA05.4JBN	TIER1	4WD, 4R100 Trans.	Underbody Right	912050	D-280-101	--	--
1998	5.4L	WG9XA05.46BF	LEV1 LEV	4WD	Underbody Left	651526	D-665-20	--	--
1998	5.4L	WG9XA05.46BF	LEV1 LEV	4WD	Underbody Right	651527	D-665-20	--	--
1998	5.4L	WG9XA05.4JGC	LEV1 LEV	4WD	Underbody Left	651526	D-665-20	--	--
1998	5.4L	WG9XA05.4JGC	LEV1 LEV	4WD	Underbody Right	651527	D-665-20	--	--

Legal Note: In Compliance with California Emissions Requirements



CATCO
CATALYTIC CONVERTERS

EASTERN CATALYTIC

APPLICATION GUIDE

OBD II

APPLICATION

Year	Eng. Size	Test Group/ Engine Family	Certification Level	Application	Location	Direct Fit Number	Exec. Order	Consol. Number	Exec. Order
Ford (Cont.)									
F-150 (Cont.)									
V8 (Cont.)									
1997	5.4L	VFM5.4H8G1EK	TIER1	All	Front Left	--	--	912009	D-280-101
1997	5.4L	VFM5.4H8G1EK	TIER1	All	Front Right	--	--	912009	D-280-101
1997	5.4L	VFM5.4H8G1EK	TIER1	All	Front Right	--	--	910025	D-280-101
1997	5.4L	VFM5.4H8G1EK	TIER1	All	Rear Left	--	--	912006	D-280-101
1997	5.4L	VFM5.4H8G1EK	TIER1	All	Rear Right	--	--	912006	D-280-101
1997	5.4L	VFM5.4H8G1EK	TIER1	4WD	Underbody Left	919237	D-280-101	--	--
1997	5.4L	VFM5.4H8G1EK	TIER1	4WD	Underbody Left	919051	D-280-101	--	--
1997	5.4L	VFM5.4H8G1EK	TIER1	4WD	Underbody Right	919236	D-280-101	--	--
1997	5.4L	VFM5.4H8G1EK	TIER1	4WD	Underbody Right	919050	D-280-101	--	--
1996	5.8L	TFM5.8H8G1EK	TIER1	All	Front	--	--	912013	D-280-101
1996	5.8L	TFM5.8H8G1EK	TIER1	All	Rear	--	--	912026	D-280-101
1995	5.8L	SFM5.8H8G1EA	TIER1	All	Front	--	--	912013	D-280-101
1995	5.8L	SFM5.8H8G1EA	TIER1	All	Rear	--	--	912026	D-280-101
F-150 Heritage									
V6									
2004	4.2L	4FMXT04.2PN2	LEV1 ULEV	All	Front Left	--	--	735206	D-280-107
2004	4.2L	4FMXT04.2PN2	LEV1 ULEV	All	Front Right	--	--	735206	D-280-107
2004	4.2L	4FMXT04.2PN2	LEV1 ULEV	All	Rear Left	--	--	736015	D-280-107
2004	4.2L	4FMXT04.2PN2	LEV1 ULEV	All	Rear Right	--	--	736015	D-280-107
V8									
2004	5.4L	4FMXT05.4PP7	LEV1 LEV	2WD	Underbody Left	919496	D-280-101	--	--
2004	5.4L	4FMXT05.4PP7	LEV1 LEV	2WD	Underbody Right	919497	D-280-101	--	--
F-250									
L6									
1996	4.9L	TFM4.958GFJK	TIER1	2WD	Front	--	--	912006	D-280-101
1996	4.9L	TFM4.958GFJK	TIER1	2WD	Rear	--	--	912026	D-280-101
1996	4.9L	TFM4.958GFJK	TIER1	2WD	Underbody	912082	D-280-101	--	--
1996	4.9L	TFM4.968GFJK	TIER1	4WD	Front	--	--	912006	D-280-101
1996	4.9L	TFM4.968GFJK	TIER1	4WD	Rear	--	--	912026	D-280-101
1996	4.9L	TFM4.968GFJK	TIER1	2WD	Underbody	912082	D-280-101	--	--
1995	4.9L	SFM4.9J8G1JA	TIER1	All	Front	--	--	912013	D-280-101
1995	4.9L	SFM4.9J8G1JA	TIER1	All	Rear	--	--	912026	D-280-101
1995	4.9L	SFM4.9J8G1JA	TIER1	All	Underbody	912396	D-280-101	--	--
V8									
1999	4.6L	XFMXA04.6JGC	LEV1 LEV	RWD	Underbody Left	830670	D-665-11	--	--
1999	4.6L	XFMXA04.6JGC	LEV1 LEV	RWD	Underbody Right	830671	D-665-11	--	--
1999	4.6L	XFMXA04.6JGC	LEV1 LEV	4WD	Front	--	--	912009	D-280-101
1999	4.6L	XFMXA04.6JGC	LEV1 LEV	4WD	Rear	--	--	912006	D-280-101
1998	4.6L	WFMXA04.6BAA	TIER1	All	Front	--	--	912009	D-280-101
1998	4.6L	WFMXA04.6BAA	TIER1	All	Rear	--	--	912006	D-280-101
1998	4.6L	WFMXA04.6BAA	TIER1	2WD	Underbody Left	912057U	D-280-101	--	--
1998	4.6L	WFMXA04.6BAA	TIER1	2WD	Underbody Right	912056	D-280-101	--	--
1998	4.6L	WFMXA04.6BAA	TIER1	4WD	Underbody Left	912097	D-280-101	--	--
1998	4.6L	WFMXA04.6BAA	TIER1	4WD	Underbody Right	912096	D-280-101	--	--
1997	4.6L	VFM4.6J8G1EK	TIER1	2WD	Front	--	--	912009	D-280-101
1997	4.6L	VFM4.6J8G1EK	TIER1	2WD	Rear	--	--	912006	D-280-101
1997	4.6L	VFM4.6J8G1EK	TIER1	4WD	Front	--	--	912009	D-280-101
1997	4.6L	VFM4.6J8G1EK	TIER1	4WD	Rear	--	--	912006	D-280-101
1997	4.6L	VFM4.6J8G1EK	TIER1	All	Underbody Left	912097	D-280-101	--	--
1997	4.6L	VFM4.6J8G1EK	TIER1	All	Underbody Right	912096	D-280-101	--	--
1996	5.0L	TFM5.0H8G1EK	TIER1	2WD	Front	--	--	912006	D-280-101
1996	5.0L	TFM5.0H8G1EK	TIER1	2WD	Rear	--	--	912026	D-280-101
1996	5.0L	TFM5.0H8G1EK	TIER1	2WD	Underbody	912396	D-280-101	--	--
1999	5.4L	XFMXA05.4JBN	TIER1	All	Underbody	--	--	912007	D-280-101
1999	5.4L	XFMXA05.4JBN	TIER1	To 12000 lbs GVW	Underbody	912920	D-280-101	--	--
1999	5.4L	XFMXA05.4JGC	LEV1 LEV	All	Front	--	--	912009	D-280-101
1999	5.4L	XFMXA05.4JGC	LEV1 LEV	All	Rear	--	--	912006	D-280-101

APPLICATION GUIDE



OBD II

APPLICATION

Year	Eng. Size	Test Group/ Engine Family	Certification Level	Application	Location	Direct Fit Number	Exec. Order	Consol. Number	Exec. Order
Ford (Cont.)									
F-250 (Cont.)									
V8 (Cont.)									
1999	5.4L	XFMXA05.4JGC	LEV1 LEV	To 8600#, 4WD, 4R100	Underbody Left	912051	D-280-101	--	--
1999	5.4L	XFMXA05.4JGC	LEV1 LEV	To 8600#, 4WD, 4R100	Underbody Right	912050	D-280-101	--	--
1998	5.4L	WFMXA05.4JBN	TIER1	All	Front	--	--	912009	D-280-101
1998	5.4L	WFMXA05.4JBN	TIER1	All	Rear	--	--	912006	D-280-101
1998	5.4L	WFMXA05.4JBN	TIER1	To 8600#, 4WD, 4R100	Underbody Left	912051	D-280-101	--	--
1998	5.4L	WFMXA05.4JBN	TIER1	To 8600#, 4WD, 4R100	Underbody Right	912050	D-280-101	--	--
1998	5.4L	WG9XA05.46BF	LEV1 LEV	4WD	Underbody Left	651526	D-665-20	--	--
1998	5.4L	WG9XA05.46BF	LEV1 LEV	4WD	Underbody Right	651527	D-665-20	--	--
1998	5.4L	WG9XA05.4JGC	LEV1 LEV	4WD	Underbody Left	651526	D-665-20	--	--
1998	5.4L	WG9XA05.4JGC	LEV1 LEV	4WD	Underbody Right	651527	D-665-20	--	--
1998	5.4L	WG9XA05.4JGC	LEV1 LEV	All	Underbody Left	651526	D-665-20	--	--
1998	5.4L	WG9XA05.4JGC	LEV1 LEV	All	Underbody Right	651527	D-665-20	--	--
1997	5.4L	VFM5.4J8G1FK	TIER1	2WD	Front	--	--	912009	D-280-101
1997	5.4L	VFM5.4J8G1FK	TIER1	2WD	Rear	--	--	912006	D-280-101
1997	5.4L	VFM5.4J8G1FK	TIER1	4WD	Front	--	--	912009	D-280-101
1997	5.4L	VFM5.4J8G1FK	TIER1	4WD	Rear	--	--	912006	D-280-101
1997	5.4L	VFM5.4J8G1FK	TIER1	4WD	Underbody Left	912051	D-280-101	--	--
1997	5.4L	VFM5.4J8G1FK	TIER1	4WD	Underbody Right	912050	D-280-101	--	--
1996	5.8L	TFM5.8H8G1EK	TIER1	2WD	Front	--	--	912013	D-280-101
1996	5.8L	TFM5.8H8G1EK	TIER1	2WD	Rear	--	--	912026	D-280-101
1996	5.8L	TFM5.8J8G1EK	TIER1	All	Front	--	--	912013	D-280-101
1996	5.8L	TFM5.8J8G1EK	TIER1	All	Rear	--	--	912026	D-280-101
1995	5.8L	SFM5.8H8G1EA	TIER1	All	Front	--	--	912013	D-280-101
1995	5.8L	SFM5.8H8G1EA	TIER1	All	Rear	--	--	912026	D-280-101
1995	5.8L	SFM5.8J8G1EB	TIER1	All	Front	--	--	912013	D-280-101
1995	5.8L	SFM5.8J8G1EB	TIER1	All	Rear	--	--	912026	D-280-101
1996	7.5L	TFM7.5J8G1CK	TIER1	All	Underbody	--	--	912037	D-280-101
1996	7.5L	TFM7.5J8G1CK	TIER1	To 9000 lbs GVW	Underbody	919900	D-280-101	--	--
F-250 Super Duty									
V8									
2006	5.4L	6FMXK05.4SF5	LEV1 LEV	All	Front	914634	D-280-101	--	--
2006	5.4L	6FMXK05.4SF5	LEV1 LEV	All	Front	--	--	912009	D-280-101
2006	5.4L	6FMXK05.4SF5	LEV1 LEV	All	Underbody	910938	D-280-101	--	--
2006	5.4L	6FMXK05.4SF5	LEV1 LEV	All	Underbody	--	--	919999	D-280-101
2005	5.4L	5FMXK05.4SF5	LEV1 LEV	All	Front	914634	D-280-101	--	--
2005	5.4L	5FMXK05.4SF5	LEV1 LEV	All	Underbody Left	--	--	912009	D-280-101
2005	5.4L	5FMXK05.4SF5	LEV1 LEV	All	Underbody Right	--	--	912009	D-280-101
2004	5.4L	4FMXT05.4SQ2	LEV1 LEV	All	Underbody	--	--	912005R	D-280-101
2002	5.4L	2FMXA05.4JFC	LEV1 LEV	All	Underbody	912924	D-280-101	--	--
2002	5.4L	2FMXA05.4JFC	LEV1 LEV	All	Underbody	--	--	912007	D-280-101
2001	5.4L	1FMXA05.4JFC	LEV1 LEV	All	Underbody	912924	D-280-101	--	--
2001	5.4L	1FMXA05.4JFC	LEV1 LEV	All	Underbody	--	--	912007	D-280-101
2000	5.4L	YFMXA05.4JGP	LEV1 LEV	All	Underbody	912924	D-280-101	--	--
2000	5.4L	YFMXA05.4JGP	LEV1 LEV	All	Underbody	--	--	912007	D-280-101
1999	5.4L	XFMXA05.4JBN	TIER1	To 12000 lbs GVW	Underbody	912920	D-280-101	--	--
1999	5.4L	XFMXA05.4JGC	LEV1 LEV	4WD	Underbody Left	830664	D-665-11	--	--
1999	5.4L	XFMXA05.4JGC	LEV1 LEV	4WD	Underbody Right	830665	D-665-11	--	--
V10									
2006	6.8L	6FMXK06.8RF2	LEV1 LEV	All	Underbody	914634	D-280-101	--	--
2003	6.8L	3FMXA06.8JFC	LEV1 LEV	All	Underbody	912924	D-280-101	--	--
2002	6.8L	2FMXA06.8JFC	LEV1 LEV	All	Underbody	912924	D-280-101	--	--
2001	6.8L	1FMXA06.8JFC	LEV1 LEV	All	Underbody	912924	D-280-101	--	--
2000	6.8L	YFMXA06.8JGN	LEV1 LEV	All	Underbody	912924	D-280-101	--	--
1999	6.8L	XFMXA06.8JBC	TIER1	4WD	Underbody	910931	D-280-101	--	--
F-350									
L6									
1996	4.9L	TFM4.968GFJK	TIER1	2WD	Rear	912082	D-280-101	--	--

Legal Note: In Compliance with California Emissions Requirements



CATCO
CATALYTIC CONVERTERS

EASTERN CATALYTIC

APPLICATION GUIDE

OBD II

APPLICATION

Year	Eng. Size	Test Group/ Engine Family	Certification Level	Application	Location	Direct Fit Number	Exec. Order	Consol. Number	Exec. Order
Ford (Cont.)									
F-350 (Cont.)									
L6 (Cont.)									
1996	4.9L	TFM4.968GFJK	TIER1	4WD	Rear	--	--	912026	D-280-101
1996	4.9L	TFM4.968GFJK	TIER1	4WD	Underbody	--	--	912006	D-280-101
1995	4.9L	SFM4.9J8G1JA	TIER1	All	Front	--	--	912013	D-280-101
1995	4.9L	SFM4.9J8G1JA	TIER1	All	Rear	--	--	912026	D-280-101
1995	4.9L	SFM4.9J8G1JA	TIER1	All	Underbody	912396	D-280-101	--	--
V8									
1997	5.8L	VFM5.8J8G1EK	TIER1	All	Front	--	--	912013	D-280-101
1997	5.8L	VFM5.8J8G1EK	TIER1	All	Rear	--	--	912006	D-280-101
1996	5.8L	TFM5.8J8G1EK	TIER1	All	Front	--	--	912013	D-280-101
1996	5.8L	TFM5.8J8G1EK	TIER1	All	Rear	--	--	912026	D-280-101
1995	5.8L	SFM5.8H8G1EA	TIER1	All	Front	--	--	912026	D-280-101
1995	5.8L	SFM5.8J8G1EB	TIER1	All	Front	--	--	912013	D-280-101
1995	5.8L	SFM5.8J8G1EB	TIER1	All	Rear	--	--	912026	D-280-101
1997	7.5L	VFM7.5J8G1EK	TIER1	All	Underbody	919900	D-280-101	--	--
1997	7.5L	VFM7.5J8G1EK	TIER1	All	Underbody	--	--	912037	D-280-101
1996	7.5L	TFM7.5J8G1CK	TIER1	All	Underbody	919900	D-280-101	--	--
1996	7.5L	TFM7.5J8G1CK	TIER1	All	Underbody	--	--	912037	D-280-101
F-350 Super Duty									
V8									
2006	5.4L	6FMXK05.4SF5	LEV1 LEV	All	Front	914634	D-280-101	--	--
2006	5.4L	6FMXK05.4SF5	LEV1 LEV	All	Front	--	--	912009	D-280-101
2006	5.4L	6FMXK05.4SF5	LEV1 LEV	All	Underbody	910938 ⑥	D-280-101	--	--
2006	5.4L	6FMXK05.4SF5	LEV1 LEV	All	Underbody	--	--	919999	D-280-101
2006	5.4L	6FMXK05.4TF9	LEV1 LEV	All	Front	--	--	912009	D-280-101
2006	5.4L	6FMXK05.4TF9	LEV1 LEV	All	Underbody	910938 ⑥	D-280-101	--	--
2006	5.4L	6FMXK05.4TF9	LEV1 LEV	All	Underbody	--	--	919999	D-280-101
2006	5.4L	6FMXK05.4WFD	LEV1 LEV	All	Underbody	910938 ⑥	D-280-101	--	--
2006	5.4L	6FMXK05.4WFD	LEV1 LEV	All	Front	--	--	912009	D-280-101
2006	5.4L	6FMXK05.4WFD	LEV1 LEV	All	Underbody	--	--	919999	D-280-101
2005	5.4L	5FMXK05.4SF5	LEV1 LEV	All	Front	914634	D-280-101	--	--
2005	5.4L	5FMXK05.4SF5	LEV1 LEV	All	Underbody Left	--	--	912009	D-280-101
2005	5.4L	5FMXK05.4SF5	LEV1 LEV	All	Underbody Right	--	--	912009	D-280-101
2005	5.4L	5FMXK05.4TF9	LEV1 LEV	All	Front Left	--	--	912009	D-280-101
2005	5.4L	5FMXK05.4TF9	LEV1 LEV	All	Front Right	--	--	912009	D-280-101
2005	5.4L	5FMXK05.4TF9	LEV1 LEV	All	Underbody	910938 ⑥	D-280-101	--	--
2005	5.4L	5FMXK05.4TF9	LEV1 LEV	All	Underbody	--	--	912009	D-280-101
2005	5.4L	5FMXK05.4WFD	LEV1 LEV	All	Front Left	--	--	912009	D-280-101
2005	5.4L	5FMXK05.4WFD	LEV1 LEV	All	Front Right	--	--	912009	D-280-101
2005	5.4L	5FMXK05.4WFD	LEV1 LEV	All	Underbody	910938 ⑥	D-280-101	--	--
2005	5.4L	5FMXK05.4WFD	LEV1 LEV	All	Underbody	--	--	912009	D-280-101
2004	5.4L	4FMXT05.4SQ2	LEV1 LEV	All	Underbody	910904	D-280-101	--	--
2004	5.4L	4FMXT05.4SQ2	LEV1 LEV	All	Underbody	--	--	912005R	D-280-101
2002	5.4L	2FMXA05.4JFC	LEV1 LEV	All	Underbody	912924	D-280-101	--	--
2002	5.4L	2FMXA05.4JFC	LEV1 LEV	All	Underbody	--	--	912007	D-280-101
2001	5.4L	1FMXA05.4JFC	LEV1 LEV	All	Underbody	912924	D-280-101	--	--
2001	5.4L	1FMXA05.4JFC	LEV1 LEV	All	Underbody	--	--	912007	D-280-101
2000	5.4L	YFMXA05.4JGP	LEV1 LEV	All	Underbody	912924	D-280-101	--	--
2000	5.4L	YFMXA05.4JGP	LEV1 LEV	All	Underbody	--	--	912007	D-280-101
1999	5.4L	XFMXA05.4JBN	TIER1	4WD	Underbody	865505	D-665-14	--	--
1999	5.4L	XFMXA05.4JBN	TIER1	All	Underbody	--	--	912007	D-280-101
V10									
2006	6.8L	6FMXK06.8SF2	LEV1 LEV	All	Front	914634	D-280-101	--	--
2003	6.8L	3FMXA06.8JFC	LEV1 LEV	All	Underbody	912924	D-280-101	--	--
2002	6.8L	2FMXA06.8JFC	LEV1 LEV	All	Underbody	912924	D-280-101	--	--
2001	6.8L	1FMXA06.8JFC	LEV1 LEV	All	Underbody	912924	D-280-101	--	--
2000	6.8L	YFMXA06.8JGN	LEV1 LEV	All	Underbody	912924	D-280-101	--	--
1999	6.8L	XFMXA06.8JBC	TIER1	All	Underbody	910931	D-280-101	--	--
1999	6.8L	XFMXH06.8TB5	TIER1	RWD	Underbody	865506	D-665-14	--	--

⑥ Without Center O2 Port
Legal Note: In Compliance with California Emissions Requirements

APPLICATION GUIDE



OBD II

APPLICATION

Year	Eng. Size	Test Group/ Engine Family	Certification Level	Application	Location	Direct Fit Number	Exec. Order	Consol. Number	Exec. Order
Ford (Cont.)									
Five Hundred									
V6									
2007	3.0L	7FMXV03.0VED	LEV2 LEV	FWD	Front	754390	D-280-102	--	--
2007	3.0L	7FMXV03.0VED	LEV2 LEV	All	Rear	754391	D-280-102	--	--
2007	3.0L	7FMXV03.0VED	LEV2 LEV	All	Underbody	754392	D-280-102	--	--
2007	3.0L	7FMXV03.0VED	LEV2 LEV	All	Underbody	--	--	755005	D-280-102
2007	3.0L	7FMXV03.0VED	LEV2 LEV	All	Underbody	--	--	755004	D-280-102
2007	3.0L	7FMXV03.0VED	LEV2 LEV	AWD	Front	754490	D-280-102	--	--
2006	3.0L	6FMXV03.02EC	LEV2 LEV	FWD	Front	754390	D-280-102	--	--
2006	3.0L	6FMXV03.02EC	LEV2 LEV	All	Rear	754391	D-280-102	--	--
2006	3.0L	6FMXV03.02EC	LEV2 LEV	All	Underbody	754392	D-280-102	--	--
2006	3.0L	6FMXV03.02EC	LEV2 LEV	All	Underbody	--	--	755005	D-280-102
2006	3.0L	6FMXV03.02EC	LEV2 LEV	All	Underbody	--	--	755004	D-280-102
2006	3.0L	6FMXV03.02EC	LEV2 LEV	AWD	Front	754490	D-280-102	--	--
2005	3.0L	5FMXV03.02EC	LEV2 LEV	FWD	Front	754390	D-280-102	--	--
2005	3.0L	5FMXV03.02EC	LEV2 LEV	All	Rear	754391	D-280-102	--	--
2005	3.0L	5FMXV03.02EC	LEV2 LEV	All	Underbody	754392	D-280-102	--	--
2005	3.0L	5FMXV03.02EC	LEV2 LEV	All	Underbody	--	--	755005	D-280-102
2005	3.0L	5FMXV03.02EC	LEV2 LEV	All	Underbody	--	--	755004	D-280-102
2005	3.0L	5FMXV03.02EC	LEV2 LEV	AWD	Front	754490	D-280-102	--	--
Focus									
L4									
2010	2.0L	AFMXV02.0V DX	LEV2 ULEV	A/T	Front	761287	D-280-105	--	--
2010	2.0L	AFMXV02.0VE C	LEV2 LEV	A/T	Front	761287	D-280-105	--	--
2009	2.0L	9FMXV02.0VD 4	LEV2 ULEV	A/T	Front	761287	D-280-105	--	--
2009	2.0L	9FMXV02.0VD X	LEV2 ULEV	A/T	Front	761287	D-280-105	--	--
2007	2.0L	7FMXV02.0VD 4	LEV2 ULEV	All	Front	761121	D-280-105	--	--
2007	2.0L	7FMXV02.0VD 4	LEV2 ULEV	All	Rear	764338	D-280-105	--	--
2007	2.0L	7FMXV02.0VD 4	LEV2 ULEV	All	Rear	--	--	763025	D-280-105
2006	2.0L	6FMXV02.0VD 4	LEV2 ULEV	All	Front	761121	D-280-105	--	--
2006	2.0L	6FMXV02.0VD 4	LEV2 ULEV	All	Rear	764338	D-280-105	--	--
2006	2.0L	6FMXV02.0VD 4	LEV2 ULEV	All	Rear	--	--	763025	D-280-105
2005	2.0L	5FMXV02.31D 4	LEV2 LEV	All	Front	761121	D-280-105	--	--
2005	2.0L	5FMXV02.31D 4	LEV2 LEV	All	Rear	764338	D-280-105	--	--
2005	2.0L	5FMXV02.31D 4	LEV2 LEV	All	Rear	--	--	763025	D-280-105
2004	2.0L	4FMXV02.0VF 4	LEV1 ULEV	VIN 5	Front	765153	D-280-105	--	--
2004	2.0L	4FMXV02.0VH 1	LEV1 ULEV	M/T, VIN 3	Front	764300	D-280-105	--	--
2004	2.0L	4FMXV02.0VH 1	LEV1 ULEV	A/T, VIN 3	Front	764400	D-280-105	--	--
2004	2.0L	4FMXV02.0VH 1	LEV1 ULEV	VIN P	Front	764972	D-280-105	--	--
2003	2.0L	3FMXV02.0VF 4	LEV1 LEV	VIN 5	Front	765153	D-280-105	--	--
2003	2.0L	3FMXV02.0VF 4	LEV1 LEV	VIN 5	Rear	--	--	940334	D-280-100
2003	2.0L	3FMXV02.0VH 1	LEV1 ULEV	M/T, VIN 3	Front	764300	D-280-105	--	--
2003	2.0L	3FMXV02.0VH 1	LEV1 ULEV	A/T, VIN 3	Front	764400	D-280-105	--	--
2003	2.0L	3FMXV02.0VH 1	LEV1 ULEV	VIN P	Front	764972	D-280-105	--	--
2002	2.0L	2FMXV02.0VF 3	LEV1 LEV	VIN P	Front	764972	D-280-105	--	--
2002	2.0L	2FMXV02.0VF 3	LEV1 LEV	VIN P	Underbody	942972	D-280-100	--	--
2002	2.0L	2FMXV02.0VF 3	LEV1 LEV	VIN P	Underbody	--	--	944182	D-280-100
2002	2.0L	2FMXV02.0VF 3	LEV1 LEV	A/T, VIN 3	Underbody	942400	D-280-100	--	--
2002	2.0L	2FMXV02.0VF 3	LEV1 LEV	M/T, VIN 3	Underbody	942300	D-280-100	--	--
2002	2.0L	2FMXV02.0VF 4	LEV1 LEV	VIN 5	Front	765153	D-280-105	--	--
2002	2.0L	2FMXV02.0VF 6	LEV1 LEV	VIN P	Front	764972	D-280-105	--	--
2002	2.0L	2FMXV02.0VF 6	LEV1 LEV	VIN P	Underbody	--	--	944182	D-280-100
2002	2.0L	2FMXV02.0VF 6	LEV1 LEV	A/T, VIN 3	Underbody	942400	D-280-100	--	--
2002	2.0L	2FMXV02.0VF 6	LEV1 LEV	M/T, VIN 3	Underbody	942300	D-280-100	--	--
2002	2.0L	2FMXV02.0VJ 3	LEV1 ULEV	M/T, VIN 3	Front	764300	D-280-105	--	--
2002	2.0L	2FMXV02.0VJ 3	LEV1 ULEV	VIN 3	Underbody	--	--	763016	D-280-105
2002	2.0L	2FMXV02.0VJ 4	LEV1 ULEV	A/T, VIN 3	Front	764400	D-280-105	--	--
2002	2.0L	2FMXV02.0VJ 4	LEV1 ULEV	VIN 3	Underbody	--	--	763016	D-280-105
2001	2.0L	1FMXV02.0VF 2	LEV1 LEV	VIN P	Front	764972	D-280-105	--	--
2001	2.0L	1FMXV02.0VF 3	LEV1 LEV	A/T, VIN 3	Front	764400	D-280-105	--	--

Legal Note: In Compliance with California Emissions Requirements



CATCO
CATALYTIC CONVERTERS

EASTERN CATALYTIC

APPLICATION GUIDE

OBD II

APPLICATION

Year	Eng. Size	Test Group/ Engine Family	Certification Level	Application	Location	Direct Fit Number	Exec. Order	Consol. Number	Exec. Order
Ford (Cont.)									
Focus (Cont.)									
L4 (Cont.)									
2001	2.0L	1FMXV02.0VJ2	LEV1 ULEV	A/T, VIN 3	Front	764400	D-280-105	--	--
2001	2.0L	1FMXV02.0VJ2	LEV1 ULEV	VIN 3	Front	--	--	761015	D-280-105
2001	2.0L	1FMXV02.0VJ2	LEV1 ULEV	VIN 3	Rear	--	--	763025	D-280-105
2001	2.0L	1FMXV02.0VJ3	LEV1 ULEV	M/T, VIN 3	Front	764300	D-280-105	--	--
2001	2.0L	1FMXV02.0VJ3	LEV1 ULEV	M/T, VIN 3	Front	--	--	761015	D-280-105
2001	2.0L	1FMXV02.0VJ3	LEV1 ULEV	M/T, VIN 3	Rear	--	--	763025	D-280-105
2001	2.0L	1FMXV02.0VJ4	LEV1 ULEV	A/T, VIN 3	Front	764400	D-280-105	--	--
2001	2.0L	1FMXV02.0VJ4	LEV1 ULEV	A/T, VIN 3	Front	--	--	761015	D-280-105
2001	2.0L	1FMXV02.0VJ4	LEV1 ULEV	A/T, VIN 3	Rear	--	--	763025	D-280-105
2001	2.0L	1FMXV02.0VJ5	LEV1 ULEV	VIN P	Front	--	--	761015	D-280-105
2001	2.0L	1FMXV02.0VJ5	LEV1 ULEV	VIN P	Rear	--	--	763025	D-280-105
2001	2.0L	1FMXV02.0VJ5	LEV1 ULEV	VIN P	Front	764972	D-280-105	--	--
2000	2.0L	YFMXV02.0VF2	LEV1 LEV	All	Underbody	--	--	940334	D-280-100
2000	2.0L	YFMXV02.0VF3	LEV1 LEV	A/T	Underbody	--	--	940334	D-280-100
2007	2.3L	7FMXV02.3VD5	LEV2 ULEV	All	Front	761121	D-280-105	--	--
2007	2.3L	7FMXV02.3VD5	LEV2 ULEV	All	Rear	764338	D-280-105	--	--
2007	2.3L	7FMXV02.3VD5	LEV2 ULEV	All	Rear	--	--	763025	D-280-105
2006	2.3L	6FMXV02.3VD5	LEV2 ULEV	All	Front	761121	D-280-105	--	--
2006	2.3L	6FMXV02.3VD5	LEV2 ULEV	All	Rear	764338	D-280-105	--	--
2006	2.3L	6FMXV02.3VD5	LEV2 ULEV	All	Rear	--	--	763025	D-280-105
2005	2.3L	5FMXV02.31D4	LEV2 LEV	All	Front	761121	D-280-105	--	--
2005	2.3L	5FMXV02.31D4	LEV2 LEV	All	Rear	764338	D-280-105	--	--
2005	2.3L	5FMXV02.31D4	LEV2 LEV	All	Rear	--	--	763025	D-280-105
Freestar									
V6									
2007	3.9L	7FMXT04.22EC	LEV2 ULEV	All	Front Left	--	--	740015	D-798
2007	3.9L	7FMXT04.22EC	LEV2 ULEV	All	Front Right	--	--	740015	D-798
2007	3.9L	7FMXT04.22EC	LEV2 ULEV	All	Underbody	744372	D-798	--	--
2006	3.9L	6FMXT04.22EC	LEV2 ULEV	All	Front Left	--	--	740015	D-798
2006	3.9L	6FMXT04.22EC	LEV2 ULEV	All	Front Right	--	--	740015	D-798
2006	3.9L	6FMXT04.22EC	LEV2 ULEV	All	Underbody	744372	D-798	--	--
2005	3.9L	5FMXT04.22EB	LEV2 LEV	All	Front Left	--	--	740015	D-798
2005	3.9L	5FMXT04.22EB	LEV2 LEV	All	Front Right	--	--	740015	D-798
2005	3.9L	5FMXT04.22EB	LEV2 LEV	All	Underbody	744372	D-798	--	--
2005	3.9L	5FMXT04.22HB	LEV1 ULEV	All	Front Left	--	--	740015	D-798
2005	3.9L	5FMXT04.22HB	LEV1 ULEV	All	Front Right	--	--	740015	D-798
2005	3.9L	5FMXT04.22HB	LEV1 ULEV	All	Underbody	744372	D-798	--	--
2004	3.9L	4FMXT04.22HB	LEV1 ULEV	All	Front Left	--	--	740015	D-798
2004	3.9L	4FMXT04.22HB	LEV1 ULEV	All	Front Right	--	--	740015	D-798
2004	3.9L	4FMXT04.22HB	LEV1 ULEV	All	Underbody	744372	D-798	--	--
2007	4.2L	7FMXT04.22EC	LEV2 ULEV	All	Front Left	--	--	740015	D-798
2007	4.2L	7FMXT04.22EC	LEV2 ULEV	All	Front Right	--	--	740015	D-798
2007	4.2L	7FMXT04.22EC	LEV2 ULEV	All	Underbody	744372	D-798	--	--
2006	4.2L	6FMXT04.22EC	LEV2 ULEV	All	Front Left	--	--	740015	D-798
2006	4.2L	6FMXT04.22EC	LEV2 ULEV	All	Front Right	--	--	740015	D-798
2006	4.2L	6FMXT04.22EC	LEV2 ULEV	All	Underbody	744372	D-798	--	--
2005	4.2L	5FMXT04.22EB	LEV2 LEV	All	Front Left	--	--	740015	D-798
2005	4.2L	5FMXT04.22EB	LEV2 LEV	All	Front Right	--	--	740015	D-798
2005	4.2L	5FMXT04.22EB	LEV2 LEV	All	Underbody	744372	D-798	--	--
2005	4.2L	5FMXT04.22HB	LEV1 ULEV	All	Front Left	--	--	740015	D-798
2005	4.2L	5FMXT04.22HB	LEV1 ULEV	All	Front Right	--	--	740015	D-798
2005	4.2L	5FMXT04.22HB	LEV1 ULEV	All	Underbody	744372	D-798	--	--
2004	4.2L	4FMXT04.22HB	LEV1 ULEV	All	Front Left	--	--	740015	D-798
2004	4.2L	4FMXT04.22HB	LEV1 ULEV	All	Front Right	--	--	740015	D-798
2004	4.2L	4FMXT04.22HB	LEV1 ULEV	All	Underbody	744372	D-798	--	--
Freestyle									
V6									
2007	3.0L	7FMXV03.0VED	LEV2 LEV	FWD	Front	754390	D-280-102	--	--

Legal Note: In Compliance with California Emissions Requirements

APPLICATION GUIDE



OBD II

APPLICATION

Year	Eng. Size	Test Group/ Engine Family	Certification Level	Application	Location	Direct Fit Number	Exec. Order	Consol. Number	Exec. Order
Ford (Cont.)									
Freestyle (Cont.)									
V6 (Cont.)									
2007	3.0L	7FMXV03.0VED	LEV2 LEV	All	Rear	754391	D-280-102	--	--
2007	3.0L	7FMXV03.0VED	LEV2 LEV	All	Underbody	754392	D-280-102	--	--
2007	3.0L	7FMXV03.0VED	LEV2 LEV	All	Underbody	--	--	755005	D-280-102
2007	3.0L	7FMXV03.0VED	LEV2 LEV	AWD	Front	754490	D-280-102	--	--
2006	3.0L	6FMXV03.02EC	LEV2 LEV	FWD	Front	754390	D-280-102	--	--
2006	3.0L	6FMXV03.02EC	LEV2 LEV	All	Rear	754391	D-280-102	--	--
2006	3.0L	6FMXV03.02EC	LEV2 LEV	All	Underbody	754392	D-280-102	--	--
2006	3.0L	6FMXV03.02EC	LEV2 LEV	All	Underbody	--	--	755005	D-280-102
2006	3.0L	6FMXV03.02EC	LEV2 LEV	AWD	Front	754490	D-280-102	--	--
2005	3.0L	5FMXV03.02EC	LEV2 LEV	FWD	Front	754390	D-280-102	--	--
2005	3.0L	5FMXV03.02EC	LEV2 LEV	All	Rear	754391	D-280-102	--	--
2005	3.0L	5FMXV03.02EC	LEV2 LEV	All	Underbody	754392	D-280-102	--	--
2005	3.0L	5FMXV03.02EC	LEV2 LEV	All	Underbody	--	--	755005	D-280-102
2005	3.0L	5FMXV03.02EC	LEV2 LEV	AWD	Front	754490	D-280-102	--	--
Fusion									
V6									
2007	3.0L	7FMXV03.0VEK	LEV2 ULEV	All	Front Left	751122	D-280-102	--	--
2007	3.0L	7FMXV03.0VEK	LEV2 ULEV	All	Rear	754453	D-280-102	--	--
2007	3.0L	7FMXV03.0VEK	LEV2 ULEV	All	Rear	--	--	755005	D-280-102
2007	3.0L	7FMXV03.0VEK	LEV2 ULEV	AWD	Front Right	751145	D-280-102	--	--
2007	3.0L	7FMXV03.0VEK	LEV2 ULEV	FWD	Front Left	751122	D-280-102	--	--
2007	3.0L	7FMXV03.0VEK	LEV2 ULEV	FWD	Front Right	751123	D-280-102	--	--
2007	3.0L	7FMXV03.0VEN	LEV2 LEV	All	Front Left	751122	D-280-102	--	--
2007	3.0L	7FMXV03.0VEN	LEV2 LEV	All	Rear	754453	D-280-102	--	--
2007	3.0L	7FMXV03.0VEN	LEV2 LEV	All	Rear	--	--	755005	D-280-102
2007	3.0L	7FMXV03.0VEN	LEV2 LEV	AWD	Front Right	751145	D-280-102	--	--
2007	3.0L	7FMXV03.0VEN	LEV2 LEV	FWD	Front Left	751122	D-280-102	--	--
2007	3.0L	7FMXV03.0VEN	LEV2 LEV	FWD	Front Right	751123	D-280-102	--	--
2006	3.0L	6FMXV03.01EA	LEV2 LEV	All	Front Left	751122	D-280-102	--	--
2006	3.0L	6FMXV03.01EA	LEV2 LEV	All	Front Right	751123	D-280-102	--	--
2006	3.0L	6FMXV03.01EA	LEV2 LEV	All	Rear	754453	D-280-102	--	--
2006	3.0L	6FMXV03.01EA	LEV2 LEV	All	Rear	--	--	755005	D-280-102
2006	3.0L	6FMXV03.01HA	LEV1 ULEV	All	Front Left	751122	D-280-102	--	--
2006	3.0L	6FMXV03.01HA	LEV1 ULEV	All	Front Right	751123	D-280-102	--	--
2006	3.0L	6FMXV03.01HA	LEV1 ULEV	All	Rear	754453	D-280-102	--	--
2006	3.0L	6FMXV03.01HA	LEV1 ULEV	All	Rear	--	--	755005	D-280-102
GT									
V8									
2006	5.4L	6FMXV05.41H4	LEV1 ULEV	All	Underbody Left	--	--	760016	D-280-105
2006	5.4L	6FMXV05.41H4	LEV1 ULEV	All	Underbody Right	--	--	760016	D-280-105
2005	5.4L	5FMXV05.41H4	LEV1 ULEV	All	Underbody Left	--	--	760016	D-280-105
2005	5.4L	5FMXV05.41H4	LEV1 ULEV	All	Underbody Right	--	--	760016	D-280-105
Mustang									
V6									
2004	3.8L	4FMXV03.9VH3	LEV1 ULEV	All	Front Left	--	--	761015	D-280-105
2004	3.8L	4FMXV03.9VH3	LEV1 ULEV	All	Front Right	--	--	761015	D-280-105
2004	3.8L	4FMXV03.9VH3	LEV1 ULEV	All	Underbody	764566	D-280-105	--	--
2004	3.8L	4FMXV03.9VH3	LEV1 ULEV	All	Underbody Left	--	--	760015	D-280-105
2004	3.8L	4FMXV03.9VH3	LEV1 ULEV	All	Underbody Right	--	--	760015	D-280-105
2004	3.8L	4FMXV03.9VJC	LEV1 LEV	All	Front Left	--	--	942564	D-280-100
2004	3.8L	4FMXV03.9VJC	LEV1 LEV	All	Front Right	--	--	942564	D-280-100
2004	3.8L	4FMXV03.9VJC	LEV1 LEV	All	Rear Left	--	--	760015	D-280-105
2004	3.8L	4FMXV03.9VJC	LEV1 LEV	All	Rear Right	--	--	760015	D-280-105
2004	3.8L	4FMXV03.9VJC	LEV1 LEV	All	Underbody	942566U	D-280-100	--	--
2004	3.8L	4FMXV03.9VJC	LEV1 LEV	All	Underbody	764566	D-280-105	--	--

Legal Note: In Compliance with California Emissions Requirements

**CATCO**
CATALYTIC CONVERTERS**EASTERN CATALYTIC**

APPLICATION GUIDE

OBD II**APPLICATION**

Year	Eng. Size	Test Group/ Engine Family	Certification Level	Application	Location	Direct Fit Number	Exec. Order	Consol. Number	Exec. Order
Ford (Cont.)									
Mustang (Cont.)									
V6 (Cont.)									
2003	3.8L	3FMXV03.8VFA	LEV1 LEV	All	Front Left	--	--	942564	D-280-100
2003	3.8L	3FMXV03.8VFA	LEV1 LEV	All	Front Right	--	--	942564	D-280-100
2003	3.8L	3FMXV03.8VFA	LEV1 LEV	All	Rear Left	--	--	760015	D-280-105
2003	3.8L	3FMXV03.8VFA	LEV1 LEV	All	Rear Right	--	--	760015	D-280-105
2003	3.8L	3FMXV03.8VFA	LEV1 LEV	All	Underbody	942566U	D-280-100	--	--
2003	3.8L	3FMXV03.8VFA	LEV1 LEV	All	Underbody	764566	D-280-105	--	--
2003	3.8L	3FMXV03.8VH5	LEV1 ULEV	All	Front Left	--	--	761015	D-280-105
2003	3.8L	3FMXV03.8VH5	LEV1 ULEV	All	Front Left	--	--	760003	D-280-105
2003	3.8L	3FMXV03.8VH5	LEV1 ULEV	All	Front Right	--	--	761015	D-280-105
2003	3.8L	3FMXV03.8VH5	LEV1 ULEV	All	Front Right	--	--	760003	D-280-105
2003	3.8L	3FMXV03.8VH5	LEV1 ULEV	All	Underbody	764566	D-280-105	--	--
2003	3.8L	3FMXV03.8VH5	LEV1 ULEV	All	Underbody Left	--	--	760015	D-280-105
2003	3.8L	3FMXV03.8VH5	LEV1 ULEV	All	Underbody Right	--	--	760015	D-280-105
2002	3.8L	2FMXV03.8VH5	LEV1 ULEV	All	Front	--	--	760034	D-280-105
2002	3.8L	2FMXV03.8VH5	LEV1 ULEV	All	Rear	--	--	760015	D-280-105
2002	3.8L	2FMXV03.8VH5	LEV1 ULEV	All	Underbody	764566	D-280-105	--	--
2001	3.8L	1FMXV03.8VH5	LEV1 ULEV	All	Front	--	--	760034	D-280-105
2001	3.8L	1FMXV03.8VH5	LEV1 ULEV	All	Rear	--	--	760015	D-280-105
2001	3.8L	1FMXV03.8VH5	LEV1 ULEV	All	Underbody	764566	D-280-105	--	--
2000	3.8L	YFMXV03.8VF3	LEV1 LEV	All	Front Left	--	--	942564	D-280-100
2000	3.8L	YFMXV03.8VF3	LEV1 LEV	All	Front Right	--	--	942564	D-280-100
2000	3.8L	YFMXV03.8VF3	LEV1 LEV	All	Rear Left	--	--	942564	D-280-100
2000	3.8L	YFMXV03.8VF3	LEV1 LEV	All	Rear Right	--	--	942564	D-280-100
2000	3.8L	YFMXV03.8VF3	LEV1 LEV	All	Underbody	942566U	D-280-100	--	--
2000	3.8L	YFMXV03.8VF5	LEV1 LEV	All	Front Left	--	--	942564	D-280-100
2000	3.8L	YFMXV03.8VF5	LEV1 LEV	All	Front Right	--	--	942564	D-280-100
2000	3.8L	YFMXV03.8VF5	LEV1 LEV	All	Rear Left	--	--	940335	D-280-100
2000	3.8L	YFMXV03.8VF5	LEV1 LEV	All	Rear Right	--	--	940335	D-280-100
2000	3.8L	YFMXV03.8VF5	LEV1 LEV	All	Underbody	942566U	D-280-100	--	--
1999	3.8L	XFMXV03.8VGC	LEV1 LEV	All	Front Left	--	--	942564	D-280-100
1999	3.8L	XFMXV03.8VGC	LEV1 LEV	All	Front Right	--	--	942564	D-280-100
1999	3.8L	XFMXV03.8VGC	LEV1 LEV	All	Rear Left	--	--	940335	D-280-100
1999	3.8L	XFMXV03.8VGC	LEV1 LEV	All	Rear Right	--	--	940335	D-280-100
1999	3.8L	XFMXV03.8VGC	LEV1 LEV	All	Underbody	942566U	D-280-100	--	--
1998	3.8L	WFMXV03.8AAA	TIER1	All	Front Left	--	--	942566	D-280-100
1998	3.8L	WFMXV03.8AAA	TIER1	All	Front Right	--	--	942566	D-280-100
1998	3.8L	WFMXV03.8AAA	TIER1	All	Rear Left	--	--	940335	D-280-100
1998	3.8L	WFMXV03.8AAA	TIER1	All	Rear Right	--	--	940335	D-280-100
1998	3.8L	WFMXV03.8AAA	TIER1	All	Underbody	942565D	D-280-100	--	--
1998	3.8L	WFMXV03.8ABA	TLEV	All	Front Left	--	--	942566	D-280-100
1998	3.8L	WFMXV03.8ABA	TLEV	All	Front Right	--	--	942566	D-280-100
1998	3.8L	WFMXV03.8ABA	TLEV	All	Rear Left	--	--	940335	D-280-100
1998	3.8L	WFMXV03.8ABA	TLEV	All	Rear Right	--	--	940335	D-280-100
1998	3.8L	WFMXV03.8ABA	TLEV	All	Underbody	942565D	D-280-100	--	--
1998	3.8L	WFMXV03.8ACA	TIER1	All	Front Left	--	--	942566	D-280-100
1998	3.8L	WFMXV03.8ACA	TIER1	All	Front Right	--	--	942566	D-280-100
1998	3.8L	WFMXV03.8ACA	TIER1	All	Rear Left	--	--	940335	D-280-100
1998	3.8L	WFMXV03.8ACA	TIER1	All	Rear Right	--	--	940335	D-280-100
1998	3.8L	WFMXV03.8ACA	TIER1	All	Underbody	942565D	D-280-100	--	--
1997	3.8L	VFM3.8V8G1EK	TIER1	All	Front Left	--	--	942566	D-280-100
1997	3.8L	VFM3.8V8G1EK	TIER1	All	Front Right	--	--	942566	D-280-100
1997	3.8L	VFM3.8V8G1EK	TIER1	All	Rear Left	--	--	940335	D-280-100
1997	3.8L	VFM3.8V8G1EK	TIER1	All	Rear Right	--	--	940335	D-280-100
1997	3.8L	VFM3.8V8G1EK	TIER1	All	Underbody	942565D	D-280-100	--	--
1996	3.8L	TFM3.8V8G1EK	TIER1	All	Front Left	--	--	942566	D-280-100
1996	3.8L	TFM3.8V8G1EK	TIER1	All	Front Right	--	--	942566	D-280-100
1996	3.8L	TFM3.8V8G1EK	TIER1	All	Rear Left	--	--	940335	D-280-100
1996	3.8L	TFM3.8V8G1EK	TIER1	All	Rear Right	--	--	940335	D-280-100
1996	3.8L	TFM3.8V8G1EK	TIER1	All	Underbody	942565D	D-280-100	--	--

Legal Note: In Compliance with California Emissions Requirements

APPLICATION GUIDE



OBD II

APPLICATION

Year	Eng. Size	Test Group/ Engine Family	Certification Level	Application	Location	Direct Fit Number	Exec. Order	Consol. Number	Exec. Order
Ford (Cont.)									
Mustang (Cont.)									
V6 (Cont.)									
1995	3.8L	SFM3.8V8G1EK	TIER1	All	Front Left	--	--	942566	D-280-100
1995	3.8L	SFM3.8V8G1EK	TIER1	All	Front Right	--	--	942566	D-280-100
1995	3.8L	SFM3.8V8G1EK	TIER1	All	Rear Left	--	--	940335	D-280-100
1995	3.8L	SFM3.8V8G1EK	TIER1	All	Rear Right	--	--	940335	D-280-100
1995	3.8L	SFM3.8V8G1EK	TIER1	All	Underbody	942592	D-280-100	--	--
1994	3.8L	RFM3.8V8G1EK	TIER1	All	Front Left	--	--	940334	D-280-100
1994	3.8L	RFM3.8V8G1EK	TIER1	All	Front Right	--	--	940334	D-280-100
1994	3.8L	RFM3.8V8G1EK	TIER1	All	Rear Left	--	--	940334	D-280-100
1994	3.8L	RFM3.8V8G1EK	TIER1	All	Rear Right	--	--	940334	D-280-100
1994	3.8L	RFM3.8V8G1EK	TIER1	All	Underbody	942592	D-280-100	--	--
2004	3.9L	4FMXV03.9VH3	LEV1 ULEV	All	Front Left	--	--	761015	D-280-105
2004	3.9L	4FMXV03.9VH3	LEV1 ULEV	All	Front Right	--	--	761015	D-280-105
2004	3.9L	4FMXV03.9VH3	LEV1 ULEV	All	Underbody	764566	D-280-105	--	--
2004	3.9L	4FMXV03.9VH3	LEV1 ULEV	All	Underbody Left	--	--	760015	D-280-105
2004	3.9L	4FMXV03.9VH3	LEV1 ULEV	All	Underbody Right	--	--	760015	D-280-105
2004	3.9L	4FMXV03.9VJC	LEV1 LEV	All	Front Left	--	--	942564	D-280-100
2004	3.9L	4FMXV03.9VJC	LEV1 LEV	All	Front Right	--	--	942564	D-280-100
2004	3.9L	4FMXV03.9VJC	LEV1 LEV	All	Rear Left	--	--	760015	D-280-105
2004	3.9L	4FMXV03.9VJC	LEV1 LEV	All	Rear Right	--	--	760015	D-280-105
2004	3.9L	4FMXV03.9VJC	LEV1 LEV	All	Underbody	942566U	D-280-100	--	--
2004	3.9L	4FMXV03.9VJC	LEV1 LEV	All	Underbody	764566	D-280-105	--	--
2010	4.0L	AFMXV04.0VES	LEV2 ULEV	All	Underbody	764321	D-280-105	--	--
2010	4.0L	AFMXV04.0VES	LEV2 ULEV	All	Underbody Left	--	--	762016	D-280-105
2010	4.0L	AFMXV04.0VES	LEV2 ULEV	All	Underbody Right	--	--	762016	D-280-105
2009	4.0L	9FMXV04.0VES	LEV2 ULEV	All	Underbody	764321	D-280-105	--	--
2009	4.0L	9FMXV04.0VES	LEV2 ULEV	All	Underbody Left	--	--	762016	D-280-105
2009	4.0L	9FMXV04.0VES	LEV2 ULEV	All	Underbody Right	--	--	762016	D-280-105
2007	4.0L	7FMXV04.0VBR	LEV2 ULEV	All	Underbody	764321	D-280-105	--	--
2007	4.0L	7FMXV04.0VBR	LEV2 ULEV	All	Underbody Left	--	--	762016	D-280-105
2007	4.0L	7FMXV04.0VBR	LEV2 ULEV	All	Underbody Right	--	--	762016	D-280-105
2006	4.0L	6FMXV04.01ED	LEV2 LEV	All	Underbody	764321	D-280-105	--	--
2006	4.0L	6FMXV04.01ED	LEV2 LEV	All	Underbody Left	--	--	762016	D-280-105
2006	4.0L	6FMXV04.01ED	LEV2 LEV	All	Underbody Right	--	--	762016	D-280-105
2006	4.0L	6FMXV04.01FC	LEV2 ULEV	All	Underbody	764321	D-280-105	--	--
2006	4.0L	6FMXV04.01FC	LEV2 ULEV	All	Underbody Left	--	--	762016	D-280-105
2006	4.0L	6FMXV04.01FC	LEV2 ULEV	All	Underbody Right	--	--	762016	D-280-105
2005	4.0L	5FMXV04.01ED	LEV2 LEV	All	Underbody	764321	D-280-105	--	--
2005	4.0L	5FMXV04.01ED	LEV2 LEV	All	Underbody Left	--	--	762016	D-280-105
2005	4.0L	5FMXV04.01ED	LEV2 LEV	All	Underbody Right	--	--	762016	D-280-105
V8									
2010	4.6L	AFMXV04.6VDM	LEV2 ULEV	All	Underbody	764328	D-280-105	--	--
2010	4.6L	AFMXV04.6VDM	LEV2 ULEV	All	Underbody Left	--	--	762016	D-280-105
2010	4.6L	AFMXV04.6VDM	LEV2 ULEV	All	Underbody Right	--	--	762016	D-280-105
2009	4.6L	9FMXV05.4VEK	LEV2 LEV	All	Underbody Left	--	--	762016	D-280-105
2009	4.6L	9FMXV05.4VEK	LEV2 LEV	All	Underbody Right	--	--	762016	D-280-105
2008	4.6L	8FMXV04.6VBB	LEV2 ULEV	All	Underbody Right	--	--	762016	D-280-105
2008	4.6L	8FMXV05.4VEK	LEV2 LEV	All	Underbody Left	--	--	762016	D-280-105
2008	4.6L	8FMXV05.4VEK	LEV2 LEV	All	Underbody Right	--	--	762016	D-280-105
2007	4.6L	7FMXV04.6VBB	LEV2 ULEV	A/T	Underbody	764328	D-280-105	--	--
2007	4.6L	7FMXV04.6VBB	LEV2 ULEV	All	Underbody Left	--	--	762016	D-280-105
2007	4.6L	7FMXV04.6VBB	LEV2 ULEV	All	Underbody Right	--	--	762016	D-280-105
2007	4.6L	7FMXV05.4VEK	LEV2 LEV	A/T	Underbody	764328	D-280-105	--	--
2007	4.6L	7FMXV05.4VEK	LEV2 LEV	All	Underbody Left	--	--	762016	D-280-105
2007	4.6L	7FMXV05.4VEK	LEV2 LEV	All	Underbody Right	--	--	762016	D-280-105
2006	4.6L	6FMXV04.6VEM	LEV2 LEV	A/T	Underbody	764328	D-280-105	--	--
2006	4.6L	6FMXV04.6VEM	LEV2 LEV	All	Underbody Left	--	--	762016	D-280-105
2006	4.6L	6FMXV04.6VEM	LEV2 LEV	All	Underbody Right	--	--	762016	D-280-105
2005	4.6L	5FMXV04.6VEM	LEV2 LEV	A/T	Underbody	764328	D-280-105	--	--

Legal Note: In Compliance with California Emissions Requirements



CATCO
CATALYTIC CONVERTERS

EASTERN CATALYTIC

APPLICATION GUIDE

OBD II

APPLICATION

Year	Eng. Size	Test Group/ Engine Family	Certification Level	Application	Location	Direct Fit Number	Exec. Order	Consol. Number	Exec. Order
Ford (Cont.)									
Mustang (Cont.)									
V8 (Cont.)									
2005	4.6L	5FMXV04.6VEM	LEV2 LEV	All	Underbody Left	--	--	762016	D-280-105
2005	4.6L	5FMXV04.6VEM	LEV2 LEV	All	Underbody Right	--	--	762016	D-280-105
2004	4.6L	4FMXV04.6VHA	LEV1 ULEV	RWD	Underbody	868530	D-665-15	--	--
2004	4.6L	4FMXV04.6VHA	LEV1 ULEV	RWD	Underbody	701508	D-665-21	--	--
2003	4.6L	3FMXV04.6VD4	TLEV	All	Front Left	--	--	942566	D-280-100
2003	4.6L	3FMXV04.6VD4	TLEV	All	Front Right	--	--	942566	D-280-100
2003	4.6L	3FMXV04.6VD4	TLEV	All	Rear Left	--	--	942566	D-280-100
2003	4.6L	3FMXV04.6VD4	TLEV	All	Rear Right	--	--	942566	D-280-100
2003	4.6L	3FMXV04.6VD4	TLEV	All	Underbody	830465	D-665-9	--	--
2003	4.6L	3FMXV04.6VDN	TLEV	All	Front Left	--	--	942566	D-280-100
2003	4.6L	3FMXV04.6VDN	TLEV	All	Front Right	--	--	942566	D-280-100
2003	4.6L	3FMXV04.6VDN	TLEV	All	Rear Left	--	--	942566	D-280-100
2003	4.6L	3FMXV04.6VDN	TLEV	All	Rear Right	--	--	942566	D-280-100
2003	4.6L	3FMXV04.6VDN	TLEV	All	Underbody	830465	D-665-9	--	--
2002	4.6L	2FMXV04.6VD4	TLEV	All	Front Left	--	--	942566	D-280-100
2002	4.6L	2FMXV04.6VD4	TLEV	All	Front Right	--	--	942566	D-280-100
2002	4.6L	2FMXV04.6VD4	TLEV	All	Rear Left	--	--	942566	D-280-100
2002	4.6L	2FMXV04.6VD4	TLEV	All	Rear Right	--	--	942566	D-280-100
2002	4.6L	2FMXV04.6VD4	TLEV	All	Underbody	830465	D-665-9	--	--
2001	4.6L	1FMXV04.6VD4	TLEV	All	Front Left	--	--	942566	D-280-100
2001	4.6L	1FMXV04.6VD4	TLEV	All	Front Right	--	--	942566	D-280-100
2001	4.6L	1FMXV04.6VD4	TLEV	All	Rear Left	--	--	940335	D-280-100
2001	4.6L	1FMXV04.6VD4	TLEV	All	Rear Right	--	--	940335	D-280-100
2001	4.6L	1FMXV04.6VD4	TLEV	All	Underbody	942322	D-280-100	--	--
2000	4.6L	YFMXV04.6VB4	TIER1	All	Front Left	--	--	942566	D-280-100
2000	4.6L	YFMXV04.6VB4	TIER1	All	Front Right	--	--	942566	D-280-100
2000	4.6L	YFMXV04.6VB4	TIER1	All	Rear Left	--	--	940335	D-280-100
2000	4.6L	YFMXV04.6VB4	TIER1	All	Rear Right	--	--	940335	D-280-100
2000	4.6L	YFMXV04.6VB4	TIER1	All	Underbody	942322	D-280-100	--	--
2000	4.6L	YFMXV04.6VDN	TLEV	All	Front Left	--	--	942566	D-280-100
2000	4.6L	YFMXV04.6VDN	TLEV	All	Front Right	--	--	942566	D-280-100
2000	4.6L	YFMXV04.6VDN	TLEV	All	Rear Left	--	--	940335	D-280-100
2000	4.6L	YFMXV04.6VDN	TLEV	All	Rear Right	--	--	940335	D-280-100
2000	4.6L	YFMXV04.6VDN	TLEV	All	Underbody	942322	D-280-100	--	--
1999	4.6L	XFMXV04.6VB4	TIER1	All	Front Left	--	--	942566	D-280-100
1999	4.6L	XFMXV04.6VB4	TIER1	All	Front Right	--	--	942566	D-280-100
1999	4.6L	XFMXV04.6VB4	TIER1	All	Rear Left	--	--	940335	D-280-100
1999	4.6L	XFMXV04.6VB4	TIER1	All	Rear Right	--	--	940335	D-280-100
1999	4.6L	XFMXV04.6VB4	TIER1	All	Underbody	942322	D-280-100	--	--
1999	4.6L	XFMXV04.6VDN	TLEV	All	Front Left	--	--	942566	D-280-100
1999	4.6L	XFMXV04.6VDN	TLEV	All	Front Right	--	--	942566	D-280-100
1999	4.6L	XFMXV04.6VDN	TLEV	All	Rear Left	--	--	940335	D-280-100
1999	4.6L	XFMXV04.6VDN	TLEV	All	Rear Right	--	--	940335	D-280-100
1999	4.6L	XFMXV04.6VDN	TLEV	All	Underbody	942322	D-280-100	--	--
1998	4.6L	WFMXV04.6DAA	TIER1	All	Front Left	--	--	942566	D-280-100
1998	4.6L	WFMXV04.6DAA	TIER1	All	Front Right	--	--	942566	D-280-100
1998	4.6L	WFMXV04.6DAA	TIER1	All	Middle Left	--	--	942566	D-280-100
1998	4.6L	WFMXV04.6DAA	TIER1	All	Middle Right	--	--	942566	D-280-100
1998	4.6L	WFMXV04.6DAA	TIER1	All	Rear Left	--	--	940335	D-280-100
1998	4.6L	WFMXV04.6DAA	TIER1	All	Rear Right	--	--	940335	D-280-100
1998	4.6L	WFMXV04.6DAA	TIER1	All	Underbody	942966	D-280-100	--	--
1998	4.6L	WFMXV04.6DBA	TLEV	All	Front Left	--	--	942566	D-280-100
1998	4.6L	WFMXV04.6DBA	TLEV	All	Front Right	--	--	942566	D-280-100
1998	4.6L	WFMXV04.6DBA	TLEV	All	Middle Left	--	--	942566	D-280-100
1998	4.6L	WFMXV04.6DBA	TLEV	All	Middle Right	--	--	942566	D-280-100
1998	4.6L	WFMXV04.6DBA	TLEV	All	Rear Left	--	--	940335	D-280-100
1998	4.6L	WFMXV04.6DBA	TLEV	All	Rear Right	--	--	940335	D-280-100
1998	4.6L	WFMXV04.6DBA	TLEV	All	Underbody	942966	D-280-100	--	--

APPLICATION GUIDE



OBD II

APPLICATION

Year	Eng. Size	Test Group/ Engine Family	Certification Level	Application	Location	Direct Fit Number	Exec. Order	Consol. Number	Exec. Order
Ford (Cont.)									
Mustang (Cont.)									
V8 (Cont.)									
1998	4.6L	WFMXV04.6DCA	TIER1	All	Front Left	--	--	942566	D-280-100
1998	4.6L	WFMXV04.6DCA	TIER1	All	Front Right	--	--	942566	D-280-100
1998	4.6L	WFMXV04.6DCA	TIER1	All	Middle Left	--	--	942566	D-280-100
1998	4.6L	WFMXV04.6DCA	TIER1	All	Middle Right	--	--	942566	D-280-100
1998	4.6L	WFMXV04.6DCA	TIER1	All	Rear Left	--	--	940335	D-280-100
1998	4.6L	WFMXV04.6DCA	TIER1	All	Rear Right	--	--	940335	D-280-100
1998	4.6L	WFMXV04.6DCA	TIER1	All	Underbody	942966	D-280-100	--	--
1998	4.6L	WFMXV04.6SAA	TIER1	All	Front Left	--	--	942566	D-280-100
1998	4.6L	WFMXV04.6SAA	TIER1	All	Front Right	--	--	942566	D-280-100
1998	4.6L	WFMXV04.6SAA	TIER1	All	Middle Left	--	--	942566	D-280-100
1998	4.6L	WFMXV04.6SAA	TIER1	All	Middle Right	--	--	942566	D-280-100
1998	4.6L	WFMXV04.6SAA	TIER1	All	Rear Left	--	--	940335	D-280-100
1998	4.6L	WFMXV04.6SAA	TIER1	All	Rear Right	--	--	940335	D-280-100
1997	4.6L	VFM4.6V8G1FK	TIER1	All	Underbody	942966	D-280-100	--	--
1997	4.6L	VFM4.6V8G1FK	TIER1	All	Front Left	--	--	942566	D-280-100
1997	4.6L	VFM4.6V8G1FK	TIER1	All	Front Right	--	--	942566	D-280-100
1997	4.6L	VFM4.6V8G1FK	TIER1	All	Middle Left	--	--	942566	D-280-100
1997	4.6L	VFM4.6V8G1FK	TIER1	All	Middle Right	--	--	942566	D-280-100
1997	4.6L	VFM4.6V8G1FK	TIER1	All	Rear Left	--	--	940335	D-280-100
1997	4.6L	VFM4.6V8G1FK	TIER1	All	Rear Right	--	--	940335	D-280-100
1997	4.6L	VFM4.6VJGKEK	TIER1	All	Front Left	--	--	942566	D-280-100
1997	4.6L	VFM4.6VJGKEK	TIER1	All	Front Right	--	--	942566	D-280-100
1997	4.6L	VFM4.6VJGKEK	TIER1	All	Middle Left	--	--	942566	D-280-100
1997	4.6L	VFM4.6VJGKEK	TIER1	All	Middle Right	--	--	942566	D-280-100
1997	4.6L	VFM4.6VJGKEK	TIER1	All	Rear Left	--	--	940335	D-280-100
1997	4.6L	VFM4.6VJGKEK	TIER1	All	Rear Right	--	--	940335	D-280-100
1996	4.6L	TFM4.6V8G1FK	TIER1	All	Front Left	--	--	942566	D-280-100
1996	4.6L	TFM4.6V8G1FK	TIER1	All	Front Right	--	--	942566	D-280-100
1996	4.6L	TFM4.6V8G1FK	TIER1	All	Middle Left	--	--	942566	D-280-100
1996	4.6L	TFM4.6V8G1FK	TIER1	All	Middle Right	--	--	942566	D-280-100
1996	4.6L	TFM4.6V8G1FK	TIER1	All	Rear Left	--	--	940335	D-280-100
1996	4.6L	TFM4.6V8G1FK	TIER1	All	Rear Right	--	--	940335	D-280-100
1996	4.6L	TFM4.6V8G1FK	TIER1	All	Underbody	942966	D-280-100	--	--
2011	5.0L	BFMXV05.0VD5	LEV2 ULEV	All	Front Left	765115	D-280-105	--	--
2011	5.0L	BFMXV05.0VD5	LEV2 ULEV	All	Front Left	--	--	760035	D-280-105
2011	5.0L	BFMXV05.0VD5	LEV2 ULEV	All	Front Right	765116	D-280-105	--	--
2011	5.0L	BFMXV05.0VD5	LEV2 ULEV	All	Front Right	--	--	760035	D-280-105
2011	5.0L	BFMXV05.4VEK	LEV2 LEV	All	Front Left	765115	D-280-105	--	--
2011	5.0L	BFMXV05.4VEK	LEV2 LEV	All	Front Left	--	--	760035	D-280-105
2011	5.0L	BFMXV05.4VEK	LEV2 LEV	All	Front Right	765116	D-280-105	--	--
2011	5.0L	BFMXV05.4VEK	LEV2 LEV	All	Front Right	--	--	760035	D-280-105
2000	5.4L	YFMXV05.4VBA	TIER1	All	Front Left	--	--	942566	D-280-100
2000	5.4L	YFMXV05.4VBA	TIER1	All	Front Right	--	--	942566	D-280-100
2000	5.4L	YFMXV05.4VBA	TIER1	All	Rear Left	--	--	942566	D-280-100
2000	5.4L	YFMXV05.4VBA	TIER1	All	Rear Right	--	--	942566	D-280-100
Probe									
L4									
1997	2.0L	VFM2.0VJG2HK	TLEV	All	Front	944038	D-280-100	--	--
1997	2.0L	VFM2.0VJG2HK	TLEV	All	Rear	944701	D-280-100	--	--
1997	2.0L	VFM2.0VJG2HK	TLEV	All	Rear	--	--	940334	D-280-100
1996	2.0L	TFM2.0VJG2HK	TLEV	All	Front	944038	D-280-100	--	--
1996	2.0L	TFM2.0VJG2HK	TLEV	All	Rear	944701	D-280-100	--	--
1996	2.0L	TFM2.0VJG2HK	TLEV	All	Rear	--	--	940334	D-280-100
V6									
1997	2.5L	VFM2.5VJG1HK	TIER1	All	Underbody	--	--	942013	D-280-100
1996	2.5L	TFM2.5VJG1HK	TIER1	All	Rear	--	--	940334	D-280-100

Legal Note: In Compliance with California Emissions Requirements



CATCO
CATALYTIC CONVERTERS

EASTERN CATALYTIC

APPLICATION GUIDE

OBD II

APPLICATION

Year	Eng. Size	Test Group/ Engine Family	Certification Level	Application	Location	Direct Fit Number	Exec. Order	Consol. Number	Exec. Order
Ford (Cont.)									
Ranger									
L4									
2011	2.3L	BFMXT02.31BA	LEV2 ULEV	All	Front	--	--	760004	D-280-105
2011	2.3L	BFMXT02.31BA	LEV2 ULEV	All	Rear	--	--	761016	D-280-105
2011	2.3L	BFMXT02.31BA	LEV2 ULEV	All	Underbody	769255	D-280-105	--	--
2010	2.3L	AFMXT02.31BA	LEV2 ULEV	All	Front	--	--	760004	D-280-105
2010	2.3L	AFMXT02.31BA	LEV2 ULEV	All	Rear	--	--	761016	D-280-105
2010	2.3L	AFMXT02.31BA	LEV2 ULEV	All	Underbody	769255	D-280-105	--	--
2009	2.3L	9FMXT02.31BA	LEV2 ULEV	All	Front	--	--	760004	D-280-105
2009	2.3L	9FMXT02.31BA	LEV2 ULEV	All	Rear	--	--	761016	D-280-105
2009	2.3L	9FMXT02.31BA	LEV2 ULEV	All	Underbody	769255	D-280-105	--	--
2008	2.3L	8FMXT02.31BA	LEV2 ULEV	All	Front	--	--	760004	D-280-105
2008	2.3L	8FMXT02.31BA	LEV2 ULEV	All	Rear	--	--	761016	D-280-105
2008	2.3L	8FMXT02.31BA	LEV2 ULEV	All	Underbody	769255	D-280-105	--	--
2007	2.3L	7FMXT02.31BA	LEV2 ULEV	All	Front	--	--	760004	D-280-105
2007	2.3L	7FMXT02.31BA	LEV2 ULEV	All	Rear	--	--	761016	D-280-105
2007	2.3L	7FMXT02.31BA	LEV2 ULEV	All	Underbody	769255	D-280-105	--	--
2006	2.3L	6FMXT02.31J2	LEV1 ULEV	RWD	Underbody	868524	D-665-15	--	--
2006	2.3L	6FMXT02.31J2	LEV1 ULEV	RWD	Underbody	809533	D-665-23	--	--
2006	2.3L	6FMXT02.31J2	LEV1 ULEV	All	Underbody	701506	D-665-21	--	--
2005	2.3L	5FMXT02.31J2	LEV1 ULEV	RWD	Underbody	868524	D-665-15	--	--
2005	2.3L	5FMXT02.31J2	LEV1 ULEV	RWD	Underbody	809533	D-665-23	--	--
2005	2.3L	5FMXT02.31J2	LEV1 ULEV	All	Underbody	701506	D-665-21	--	--
2004	2.3L	4FMXT02.31J2	LEV1 ULEV	RWD	Underbody	868524	D-665-15	--	--
2004	2.3L	4FMXT02.31J2	LEV1 ULEV	RWD	Underbody	809533	D-665-23	--	--
2004	2.3L	4FMXT02.31J2	LEV1 ULEV	All	Underbody	701506	D-665-21	--	--
2003	2.3L	3FMXT02.31F5	LEV1 LEV	All	Front	--	--	942566	D-280-100
2003	2.3L	3FMXT02.31F5	LEV1 LEV	All	Rear	--	--	940101	D-280-100
2003	2.3L	3FMXT02.31F5	LEV1 LEV	All	Underbody	942174	D-280-100	--	--
2002	2.3L	2FMXT02.31F5	LEV1 LEV	All	Front	--	--	942566	D-280-100
2002	2.3L	2FMXT02.31F5	LEV1 LEV	All	Rear	--	--	940101	D-280-100
2002	2.3L	2FMXT02.31F5	LEV1 LEV	All	Underbody	942174	D-280-100	--	--
2001	2.3L	1FMXT02.31F5	LEV1 LEV	All	Front	--	--	942566	D-280-100
2001	2.3L	1FMXT02.31F5	LEV1 LEV	All	Rear	--	--	940101	D-280-100
2001	2.3L	1FMXT02.31F5	LEV1 LEV	All	Underbody	942174	D-280-100	--	--
1997	2.3L	VFM2.318G1EK	TIER1	All	Underbody	942856	D-280-100	--	--
1997	2.3L	VFM2.318G1EK	TIER1	All	Underbody	--	--	940334	D-280-100
1996	2.3L	TFM2.318G1EK	TIER1	All	Underbody	942856	D-280-100	--	--
1996	2.3L	TFM2.318G1EK	TIER1	All	Underbody	--	--	940334	D-280-100
1995	2.3L	SFM2.318G1EK	TIER1	All	Underbody	942856	D-280-100	--	--
1995	2.3L	SFM2.318G1EK	TIER1	All	Underbody	--	--	940334	D-280-100
2001	2.5L	1FMXT02.51D5	TLEV	All	Front	--	--	942566	D-280-100
2001	2.5L	1FMXT02.51D5	TLEV	All	Rear	--	--	940101	D-280-100
2001	2.5L	1FMXT02.51D5	TLEV	All	Underbody	942086U	D-280-100	--	--
2001	2.5L	1FMXT02.51F5	LEV1 LEV	All	Front	--	--	942566	D-280-100
2001	2.5L	1FMXT02.51F5	LEV1 LEV	All	Rear	--	--	940101	D-280-100
2001	2.5L	1FMXT02.51F5	LEV1 LEV	All	Underbody	--	--	940334	D-280-100
2000	2.5L	YFMXT02.51D5	TLEV	All	Front	--	--	942566	D-280-100
2000	2.5L	YFMXT02.51D5	TLEV	All	Rear	--	--	940101	D-280-100
2000	2.5L	YFMXT02.51DC	TLEV	All	Front	--	--	942566	D-280-100
2000	2.5L	YFMXT02.51DC	TLEV	All	Rear	--	--	940101	D-280-100
2000	2.5L	YFMXT02.51DC	TLEV	All	Underbody	942086U	D-280-100	--	--
2000	2.5L	YFMXT02.51F5	LEV1 LEV	All	Front	--	--	942566	D-280-100
2000	2.5L	YFMXT02.51F5	LEV1 LEV	All	Rear	--	--	940101	D-280-100
2000	2.5L	YFMXT02.51FC	LEV1 LEV	All	Front	--	--	942566	D-280-100
2000	2.5L	YFMXT02.51FC	LEV1 LEV	All	Rear	--	--	940101	D-280-100
1999	2.5L	XFMXT02.51DC	TLEV	All	Front	--	--	942566	D-280-100
1999	2.5L	XFMXT02.51DC	TLEV	All	Rear	--	--	940101	D-280-100
1999	2.5L	XFMXT02.51GC	LEV1 LEV	All	Front	--	--	942566	D-280-100
1999	2.5L	XFMXT02.51GC	LEV1 LEV	All	Rear	--	--	940101	D-280-100

APPLICATION GUIDE



OBD II

APPLICATION

Year	Eng. Size	Test Group/ Engine Family	Certification Level	Application	Location	Direct Fit Number	Exec. Order	Consol. Number	Exec. Order
Ford (Cont.)									
Ranger (Cont.)									
L4 (Cont.)									
1998	2.5L	WFMXT02.5AAA	TLEV	All	Front	--	--	942566	D-280-100
1998	2.5L	WFMXT02.5AAA	TLEV	All	Rear	--	--	940101	D-280-100
1998	2.5L	WFMXT02.5BAA	LEV1 LEV	All	Front	--	--	942566	D-280-100
1998	2.5L	WFMXT02.5BAA	LEV1 LEV	All	Rear	--	--	940101	D-280-100
V6									
2006	3.0L	6FMXT03.02KA	LEV1 ULEV	All	Front	741105	D-798	--	--
2006	3.0L	6FMXT03.02KA	LEV1 ULEV	All	Front Left	--	--	740065	D-798
2006	3.0L	6FMXT03.02KA	LEV1 ULEV	All	Front Right	--	--	740065	D-798
2006	3.0L	6FMXT03.02KA	LEV1 ULEV	All	Rear	749225	D-798	--	--
2006	3.0L	6FMXT03.02KA	LEV1 ULEV	All	Rear	--	--	747015	D-798
2005	3.0L	5FMXT03.01HA	LEV1 ULEV	RWD	Front	808517	D-665-23	--	--
2005	3.0L	5FMXT03.01HA	LEV1 ULEV	RWD	Underbody	868533	D-665-15	--	--
2005	3.0L	5FMXT03.02KA	LEV1 ULEV	All	Front	741105	D-798	--	--
2005	3.0L	5FMXT03.02KA	LEV1 ULEV	All	Front Left	--	--	740065	D-798
2005	3.0L	5FMXT03.02KA	LEV1 ULEV	All	Front Right	--	--	740065	D-798
2005	3.0L	5FMXT03.02KA	LEV1 ULEV	All	Rear	749225	D-798	--	--
2005	3.0L	5FMXT03.02KA	LEV1 ULEV	All	Rear	--	--	747015	D-798
2004	3.0L	4FMXT03.01FE	LEV1 LEV	RWD	Rear	830892	D-665-16	--	--
2004	3.0L	4FMXT03.01JA	LEV1 LEV	RWD	Rear	830892	D-665-16	--	--
2004	3.0L	4FMXT03.01JA	LEV1 LEV	2WD	Front	941105	D-280-100	--	--
2004	3.0L	4FMXT03.01JA	LEV1 LEV	2WD	Front Left	--	--	942564	D-280-100
2004	3.0L	4FMXT03.01JA	LEV1 LEV	2WD	Front Right	--	--	942564	D-280-100
2004	3.0L	4FMXT03.01JA	LEV1 LEV	2WD	Underbody	949225	D-280-100	--	--
2004	3.0L	4FMXT03.01JA	LEV1 LEV	2WD	Underbody	--	--	940335	D-280-100
2004	3.0L	4FMXT03.02KA	LEV1 LEV	RWD	Rear	830892	D-665-16	--	--
2004	3.0L	4FMXT03.02KA	LEV1 ULEV	All	Front	741105	D-798	--	--
2004	3.0L	4FMXT03.02KA	LEV1 ULEV	All	Front Left	--	--	740065	D-798
2004	3.0L	4FMXT03.02KA	LEV1 ULEV	All	Front Right	--	--	740065	D-798
2004	3.0L	4FMXT03.02KA	LEV1 ULEV	All	Rear	749225	D-798	--	--
2004	3.0L	4FMXT03.02KA	LEV1 ULEV	All	Rear	--	--	747015	D-798
2003	3.0L	3FMXT03.01F6	LEV1 LEV	2WD	Rear	919144	D-280-101	--	--
2003	3.0L	3FMXT03.01FA	LEV1 LEV	2WD	Front Left	--	--	942564	D-280-100
2003	3.0L	3FMXT03.01FA	LEV1 LEV	2WD	Front Right	--	--	942564	D-280-100
2003	3.0L	3FMXT03.01FA	LEV1 LEV	2WD	Rear	--	--	940335	D-280-100
2003	3.0L	3FMXT03.02F5	LEV1 LEV	2WD	Rear	919144	D-280-101	--	--
2002	3.0L	2FMXT03.01F5	LEV1 LEV	All	Rear	949144	D-280-100	--	--
2002	3.0L	2FMXT03.01F5	LEV1 LEV	2WD	Front	941144	D-280-100	--	--
2002	3.0L	2FMXT03.01F5	LEV1 LEV	2WD	Front Left	--	--	942564	D-280-100
2002	3.0L	2FMXT03.01F5	LEV1 LEV	2WD	Front Right	--	--	942564	D-280-100
2002	3.0L	2FMXT03.01F5	LEV1 LEV	2WD	Rear	--	--	940336	D-280-100
2002	3.0L	2FMXT03.02F5	LEV1 LEV	2WD	Front	911144	D-280-101	--	--
2002	3.0L	2FMXT03.02F5	LEV1 LEV	2WD	Rear	919144	D-280-101	--	--
2002	3.0L	2FMXT03.02F6	LEV1 LEV	2WD	Front	911144	D-280-101	--	--
2002	3.0L	2FMXT03.02F6	LEV1 LEV	4WD	Rear	919144	D-280-101	--	--
2001	3.0L	1FMXT03.01F5	LEV1 LEV	All	Rear	949144	D-280-100	--	--
2001	3.0L	1FMXT03.01F5	LEV1 LEV	2WD	Front	941144	D-280-100	--	--
2001	3.0L	1FMXT03.01F5	LEV1 LEV	2WD	Front Left	--	--	942564	D-280-100
2001	3.0L	1FMXT03.01F5	LEV1 LEV	2WD	Front Right	--	--	942564	D-280-100
2001	3.0L	1FMXT03.01F5	LEV1 LEV	2WD	Rear	--	--	940336	D-280-100
2001	3.0L	1FMXT03.02F4	LEV1 LEV	2WD	Front	911144	D-280-101	--	--
2001	3.0L	1FMXT03.02F5	LEV1 LEV	4WD	Underbody	830893	D-665-16	--	--
2001	3.0L	1FMXT03.02F6	LEV1 LEV	2WD	Front	911144	D-280-101	--	--
2000	3.0L	YFMXT03.01D5	TLEV	RWD	Front	808514	D-665-23	--	--
2000	3.0L	YFMXT03.01D5	TLEV	2WD	Front Left	--	--	944182	D-280-100
2000	3.0L	YFMXT03.01D5	TLEV	2WD	Front Right	--	--	944182	D-280-100
2000	3.0L	YFMXT03.01D5	TLEV	2WD	Rear	--	--	940335	D-280-100
2000	3.0L	YFMXT03.02D5	TLEV	4WD	Rear	830893	D-665-16	--	--
2000	3.0L	YFMXT03.02D5	TLEV	Flex Fuel	Front	914650	D-280-101	--	--
1999	3.0L	XFMXT03.01DC	TLEV	RWD	Front	808514	D-665-23	--	--

Legal Note: In Compliance with California Emissions Requirements



CATCO
CATALYTIC CONVERTERS

EASTERN CATALYTIC

APPLICATION GUIDE

OBD II

APPLICATION

Year	Eng. Size	Test Group/ Engine Family	Certification Level	Application	Location	Direct Fit Number	Exec. Order	Consol. Number	Exec. Order
Ford (Cont.)									
Ranger (Cont.)									
V6 (Cont.)									
1999	3.0L	XFMXT03.01DC	TLEV	2WD	Front Left	--	--	944182	D-280-100
1999	3.0L	XFMXT03.01DC	TLEV	2WD	Front Right	--	--	944182	D-280-100
1999	3.0L	XFMXT03.01DC	TLEV	2WD	Rear	--	--	940335	D-280-100
1999	3.0L	XFMXT03.02DC	TLEV	All	Front	914650	D-280-101	--	--
1999	3.0L	XFMXT03.02DC	TLEV	All	Rear	651561	D-665-20	--	--
1998	3.0L	WFMXT03.0FAA	TLEV	RWD	Front	808514	D-665-23	--	--
1998	3.0L	WFMXT03.0FAA	TLEV	2WD	Front Left	--	--	944182	D-280-100
1998	3.0L	WFMXT03.0FAA	TLEV	2WD	Front Right	--	--	944182	D-280-100
1998	3.0L	WFMXT03.0FAA	TLEV	2WD	Rear	--	--	940335	D-280-100
1998	3.0L	WFMXT03.0HAA	TLEV	All	Front	914650	D-280-101	--	--
1998	3.0L	WFMXT03.0HAA	TLEV	All	Rear	651561	D-665-20	--	--
1997	3.0L	VFM3.018G1EK	TIER1	All	Underbody	942816	D-280-100	--	--
1997	3.0L	VFM3.018G1EK	TIER1	All	Underbody	--	--	940336	D-280-100
1997	3.0L	VFM3.028G1FK	TIER1	All	Underbody	914816	D-280-101	--	--
1997	3.0L	VFM3.028G1FK	TIER1	All	Underbody	--	--	912005R	D-280-101
1997	3.0L	VFM3.028G1FK	TIER1	All	Underbody	651535	D-665-20	--	--
1996	3.0L	TFM3.018G1EK	TIER1	All	Underbody	942816	D-280-100	--	--
1996	3.0L	TFM3.018G1EK	TIER1	All	Underbody	--	--	940336	D-280-100
1996	3.0L	TFM3.028G1FK	TIER1	All	Underbody	914816	D-280-101	--	--
1996	3.0L	TFM3.028G1FK	TIER1	All	Underbody	--	--	912005R	D-280-101
1996	3.0L	TFM3.028G1FK	TIER1	All	Underbody	651535	D-665-20	--	--
1995	3.0L	SFM3.018G1EK	TIER1	All	Underbody	919522	D-280-101	--	--
1995	3.0L	SFM3.028G1FK	TIER1	All	Front	--	--	912006	D-280-101
1995	3.0L	SFM3.028G1FK	TIER1	All	Rear	--	--	912006	D-280-101
1995	3.0L	SFM3.028G1FK	TIER1	All	Underbody	919522	D-280-101	--	--
1995	3.0L	SFM3.028G1FK	TIER1	All	Underbody	--	--	910005R	D-280-101
1994	3.0L	RFM3.028G1EA	TIER1	All	Underbody	919522	D-280-101	--	--
2011	4.0L	BFMXT04.02EG	LEV2 LEV	All	Front Left	749439	D-798	--	--
2011	4.0L	BFMXT04.02EG	LEV2 LEV	All	Front Left	--	--	740075	D-798
2011	4.0L	BFMXT04.02EG	LEV2 LEV	All	Front Right	749908	D-798	--	--
2011	4.0L	BFMXT04.02EG	LEV2 LEV	All	Front Right	--	--	740075	D-798
2010	4.0L	AFMXT04.02EG	LEV2 LEV	All	Front Left	749439	D-798	--	--
2010	4.0L	AFMXT04.02EG	LEV2 LEV	All	Front Left	--	--	740075	D-798
2010	4.0L	AFMXT04.02EG	LEV2 LEV	All	Front Right	749908	D-798	--	--
2010	4.0L	AFMXT04.02EG	LEV2 LEV	All	Front Right	--	--	740075	D-798
2009	4.0L	9FMXT04.02EG	LEV2 LEV	All	Front Left	749439	D-798	--	--
2009	4.0L	9FMXT04.02EG	LEV2 LEV	All	Front Left	--	--	740075	D-798
2009	4.0L	9FMXT04.02EG	LEV2 LEV	All	Front Right	749908	D-798	--	--
2009	4.0L	9FMXT04.02EG	LEV2 LEV	All	Front Right	--	--	740075	D-798
2008	4.0L	8FMXT04.02EG	LEV2 LEV	All	Front Left	749439	D-798	--	--
2008	4.0L	8FMXT04.02EG	LEV2 LEV	All	Front Left	--	--	740075	D-798
2008	4.0L	8FMXT04.02EG	LEV2 LEV	All	Front Right	749908	D-798	--	--
2008	4.0L	8FMXT04.02EG	LEV2 LEV	All	Front Right	--	--	740075	D-798
2007	4.0L	7FMXT04.02EG	LEV2 LEV	All	Front Left	749439	D-798	--	--
2007	4.0L	7FMXT04.02EG	LEV2 LEV	All	Front Left	--	--	740075	D-798
2007	4.0L	7FMXT04.02EG	LEV2 LEV	All	Front Right	749908	D-798	--	--
2007	4.0L	7FMXT04.02EG	LEV2 LEV	All	Front Right	--	--	740075	D-798
2006	4.0L	6FMXT04.02E2	LEV2 LEV	All	Front	744556	D-798	--	--
2006	4.0L	6FMXT04.02E2	LEV2 LEV	All	Front Left	--	--	740065	D-798
2006	4.0L	6FMXT04.02E2	LEV2 LEV	All	Front Right	--	--	740065	D-798
2006	4.0L	6FMXT04.02E2	LEV2 LEV	All	Rear	749225	D-798	--	--
2006	4.0L	6FMXT04.02E2	LEV2 LEV	All	Rear	--	--	747015	D-798
2006	4.0L	6FMXT04.02KM	LEV1 ULEV	All	Front	744556	D-798	--	--
2006	4.0L	6FMXT04.02KM	LEV1 ULEV	All	Front Left	--	--	740065	D-798
2006	4.0L	6FMXT04.02KM	LEV1 ULEV	All	Front Right	--	--	740065	D-798
2006	4.0L	6FMXT04.02KM	LEV1 ULEV	All	Rear	749225	D-798	--	--
2006	4.0L	6FMXT04.02KM	LEV1 ULEV	All	Rear	--	--	747015	D-798

Legal Note: In Compliance with California Emissions Requirements

APPLICATION GUIDE



OBD II

APPLICATION

Year	Eng. Size	Test Group/ Engine Family	Certification Level	Application	Location	Direct Fit Number	Exec. Order	Consol. Number	Exec. Order
Ford (Cont.)									
Ranger (Cont.)									
V6 (Cont.)									
2005	4.0L	5FMXT04.02E2	LEV2 LEV	All	Front	744556	D-798	--	--
2005	4.0L	5FMXT04.02E2	LEV2 LEV	All	Front Left	--	--	740065	D-798
2005	4.0L	5FMXT04.02E2	LEV2 LEV	All	Front Right	--	--	740065	D-798
2005	4.0L	5FMXT04.02E2	LEV2 LEV	All	Rear	749225	D-798	--	--
2005	4.0L	5FMXT04.02E2	LEV2 LEV	All	Rear	--	--	747015	D-798
2005	4.0L	5FMXT04.02KM	LEV1 ULEV	All	Front	744556	D-798	--	--
2005	4.0L	5FMXT04.02KM	LEV1 ULEV	All	Front Left	--	--	740065	D-798
2005	4.0L	5FMXT04.02KM	LEV1 ULEV	All	Front Right	--	--	740065	D-798
2005	4.0L	5FMXT04.02KM	LEV1 ULEV	All	Rear	749225	D-798	--	--
2005	4.0L	5FMXT04.02KM	LEV1 ULEV	All	Rear	--	--	747015	D-798
2004	4.0L	4FMXT04.02E2	LEV2 LEV	All	Front	744556	D-798	--	--
2004	4.0L	4FMXT04.02E2	LEV2 LEV	All	Front Left	--	--	740065	D-798
2004	4.0L	4FMXT04.02E2	LEV2 LEV	All	Front Right	--	--	740065	D-798
2004	4.0L	4FMXT04.02E2	LEV2 LEV	All	Rear	749225	D-798	--	--
2004	4.0L	4FMXT04.02E2	LEV2 LEV	All	Rear	--	--	747015	D-798
2004	4.0L	4FMXT04.02K2	LEV1 ULEV	All	Front	744556	D-798	--	--
2004	4.0L	4FMXT04.02K2	LEV1 ULEV	All	Front Left	--	--	740065	D-798
2004	4.0L	4FMXT04.02K2	LEV1 ULEV	All	Front Right	--	--	740065	D-798
2004	4.0L	4FMXT04.02K2	LEV1 ULEV	All	Rear	749225	D-798	--	--
2004	4.0L	4FMXT04.02K2	LEV1 ULEV	All	Rear	--	--	747015	D-798
2004	4.0L	4FMXT04.02KM	LEV1 ULEV	All	Front	744556	D-798	--	--
2004	4.0L	4FMXT04.02KM	LEV1 ULEV	All	Front Left	--	--	740065	D-798
2004	4.0L	4FMXT04.02KM	LEV1 ULEV	All	Front Right	--	--	740065	D-798
2004	4.0L	4FMXT04.02KM	LEV1 ULEV	All	Rear	749225	D-798	--	--
2004	4.0L	4FMXT04.02KM	LEV1 ULEV	All	Rear	--	--	747015	D-798
2003	4.0L	3FMXT04.01F6	LEV1 LEV	All	Front	941044	D-280-100	--	--
2003	4.0L	3FMXT04.01F6	LEV1 LEV	All	Front Left	--	--	942564	D-280-100
2003	4.0L	3FMXT04.01F6	LEV1 LEV	All	Front Right	--	--	942564	D-280-100
2003	4.0L	3FMXT04.01F6	LEV1 LEV	All	Rear	949144	D-280-100	--	--
2003	4.0L	3FMXT04.01F6	LEV1 LEV	All	Rear	--	--	940336	D-280-100
2003	4.0L	3FMXT04.01FA	LEV1 LEV	All	Front	941044	D-280-100	--	--
2003	4.0L	3FMXT04.01FA	LEV1 LEV	All	Front Left	--	--	942564	D-280-100
2003	4.0L	3FMXT04.01FA	LEV1 LEV	All	Front Right	--	--	942564	D-280-100
2003	4.0L	3FMXT04.01FA	LEV1 LEV	All	Rear	949144	D-280-100	--	--
2003	4.0L	3FMXT04.01FA	LEV1 LEV	All	Rear	--	--	940336	D-280-100
2003	4.0L	3FMXT04.02F3	LEV1 LEV	All	Front	650531	D-665-20	--	--
2003	4.0L	3FMXT04.02F3	LEV1 LEV	All	Rear	919144	D-280-101	--	--
2003	4.0L	3FMXT04.02F3	LEV1 LEV	All	Rear	--	--	912006	D-280-101
2003	4.0L	3FMXT04.02FA	LEV1 LEV	All	Front	650531	D-665-20	--	--
2003	4.0L	3FMXT04.02FA	LEV1 LEV	All	Rear	919144	D-280-101	--	--
2003	4.0L	3FMXT04.02FA	LEV1 LEV	All	Rear	--	--	912006	D-280-101
2002	4.0L	2FMXT04.01F6	LEV1 LEV	All	Front	941044	D-280-100	--	--
2002	4.0L	2FMXT04.01F6	LEV1 LEV	All	Front Left	--	--	942564	D-280-100
2002	4.0L	2FMXT04.01F6	LEV1 LEV	All	Front Right	--	--	942564	D-280-100
2002	4.0L	2FMXT04.01F6	LEV1 LEV	All	Rear	949144	D-280-100	--	--
2002	4.0L	2FMXT04.01F6	LEV1 LEV	All	Rear	--	--	940336	D-280-100
2002	4.0L	2FMXT04.02F3	LEV1 LEV	All	Front	650531	D-665-20	--	--
2002	4.0L	2FMXT04.02F3	LEV1 LEV	All	Rear	919144	D-280-101	--	--
2002	4.0L	2FMXT04.02F3	LEV1 LEV	All	Rear	--	--	912006	D-280-101
2001	4.0L	1FMXT04.01F5	LEV1 LEV	All	Front	941044	D-280-100	--	--
2001	4.0L	1FMXT04.01F5	LEV1 LEV	All	Front Left	--	--	942564	D-280-100
2001	4.0L	1FMXT04.01F5	LEV1 LEV	All	Front Right	--	--	942564	D-280-100
2001	4.0L	1FMXT04.01F5	LEV1 LEV	All	Rear	949144	D-280-100	--	--
2001	4.0L	1FMXT04.01F5	LEV1 LEV	All	Rear	--	--	940336	D-280-100
2001	4.0L	1FMXT04.01F6	LEV1 LEV	All	Front	941044	D-280-100	--	--
2001	4.0L	1FMXT04.01F6	LEV1 LEV	All	Front Left	--	--	942564	D-280-100
2001	4.0L	1FMXT04.01F6	LEV1 LEV	All	Front Right	--	--	942564	D-280-100
2001	4.0L	1FMXT04.01F6	LEV1 LEV	All	Rear	949144	D-280-100	--	--
2001	4.0L	1FMXT04.01F6	LEV1 LEV	All	Rear	--	--	940336	D-280-100

Legal Note: In Compliance with California Emissions Requirements



CATCO
CATALYTIC CONVERTERS

EASTERN CATALYTIC

APPLICATION GUIDE

OBD II

APPLICATION

Year	Eng. Size	Test Group/ Engine Family	Certification Level	Application	Location	Direct Fit Number	Exec. Order	Consol. Number	Exec. Order
Ford (Cont.)									
Ranger (Cont.)									
V6 (Cont.)									
2001	4.0L	1FMXT04.02F5	LEV1 LEV	All	Rear	919144	D-280-101	--	--
2001	4.0L	1FMXT04.02F5	LEV1 LEV	All	Rear	--	--	912006	D-280-101
2000	4.0L	YFMXT04.01DC	LEV1 LEV	All	Front Left	--	--	942564	D-280-100
2000	4.0L	YFMXT04.01DC	LEV1 LEV	All	Front Right	--	--	942564	D-280-100
2000	4.0L	YFMXT04.01DC	LEV1 LEV	All	Rear	--	--	940336	D-280-100
2000	4.0L	YFMXT04.01F5	LEV1 LEV	All	Front Left	--	--	942564	D-280-100
2000	4.0L	YFMXT04.01F5	LEV1 LEV	All	Front Right	--	--	942564	D-280-100
2000	4.0L	YFMXT04.01F5	LEV1 LEV	All	Rear	--	--	940336	D-280-100
2000	4.0L	YFMXT04.02F2	LEV1 LEV	All	Rear	919314	D-280-101	--	--
2000	4.0L	YFMXT04.02F2	LEV1 LEV	All	Rear	--	--	912006	D-280-101
1999	4.0L	XFMXT04.01DC	TLEV	All	Front Left	--	--	942564	D-280-100
1999	4.0L	XFMXT04.01DC	TLEV	All	Front Right	--	--	942564	D-280-100
1999	4.0L	XFMXT04.01DC	TLEV	All	Rear	--	--	940336	D-280-100
1999	4.0L	XFMXT04.01G5	LEV1 LEV	All	Front Left	--	--	942564	D-280-100
1999	4.0L	XFMXT04.01G5	LEV1 LEV	All	Front Right	--	--	942564	D-280-100
1999	4.0L	XFMXT04.01G5	LEV1 LEV	All	Rear	--	--	940336	D-280-100
1999	4.0L	XFMXT04.02DN	TLEV	All	Underbody	919314	D-280-101	--	--
1999	4.0L	XFMXT04.02GC	LEV1 LEV	A/T	Underbody	919314	D-280-101	--	--
1998	4.0L	WFMXT04.0AAA	LEV1 LEV	All	Front Left	--	--	942564	D-280-100
1998	4.0L	WFMXT04.0AAA	LEV1 LEV	All	Front Right	--	--	942564	D-280-100
1998	4.0L	WFMXT04.0AAA	LEV1 LEV	All	Rear	--	--	940336	D-280-100
1998	4.0L	WFMXT04.0DAA	TLEV	All	Front Left	--	--	942564	D-280-100
1998	4.0L	WFMXT04.0DAA	TLEV	All	Front Right	--	--	942564	D-280-100
1998	4.0L	WFMXT04.0DAA	TLEV	All	Rear	--	--	940336	D-280-100
1998	4.0L	WFMXT04.0EAA	LEV1 LEV	All	Rear	919314	D-280-101	--	--
1997	4.0L	VFM4.018G1EK	TIER1	All	Underbody	942816	D-280-100	--	--
1997	4.0L	VFM4.018G1EK	TIER1	All	Underbody	--	--	940336	D-280-100
1997	4.0L	VFM4.028G1EK	TIER1	All	Underbody	914816	D-280-101	--	--
1997	4.0L	VFM4.028G1EK	TIER1	All	Underbody	--	--	912005R	D-280-101
1997	4.0L	VFM4.028G2EK	TIER1	All	Underbody	914816	D-280-101	--	--
1997	4.0L	VFM4.028G2EK	TIER1	All	Underbody	--	--	912005R	D-280-101
1996	4.0L	TFM4.018G1EK	TIER1	All	Underbody	942816	D-280-100	--	--
1996	4.0L	TFM4.018G1EK	TIER1	All	Underbody	--	--	940336	D-280-100
1996	4.0L	TFM4.028G1EK	TIER1	4WD	Underbody	830873	D-665-16	--	--
1996	4.0L	TFM4.028G1EK	TIER1	All	Underbody	651535	D-665-20	--	--
1996	4.0L	TFM4.028G2EK	TLEV	All	Underbody	914816	D-280-101	--	--
1996	4.0L	TFM4.028G2EK	TLEV	All	Underbody	--	--	912005R	D-280-101
1995	4.0L	SFM4.018G1EK	TIER1	All	Underbody	942816	D-280-100	--	--
1995	4.0L	SFM4.018G1EK	TIER1	All	Underbody	--	--	940336	D-280-100
1995	4.0L	SFM4.028G1EK	TIER1	All	Front	--	--	912006	D-280-101
1995	4.0L	SFM4.028G1EK	TIER1	All	Rear	--	--	912006	D-280-101
1995	4.0L	SFM4.028G1EK	TIER1	All	Underbody	919522	D-280-101	--	--
1994	4.0L	RFM4.018G1EA	TIER1	All	Underbody	919522	D-280-101	--	--
1994	4.0L	RFM4.028G1EA	TIER1	All	Underbody	919522	D-280-101	--	--
Taurus									
V6									
2007	3.0L	7FMXV03.0VEY	LEV2 LEV	VIN U	Front	754184	D-280-102	--	--
2007	3.0L	7FMXV03.0VEY	LEV2 LEV	VIN U	Underbody	754185	D-280-102	--	--
2007	3.0L	7FMXV03.0VEY	LEV2 LEV	VIN U	Underbody	--	--	755004	D-280-102
2006	3.0L	6FMXV03.0VEY	LEV2 LEV	VIN 2, U	Front	754184	D-280-102	--	--
2006	3.0L	6FMXV03.0VEY	LEV2 LEV	VIN 2, U	Rear	754185	D-280-102	--	--
2006	3.0L	6FMXV03.0VEY	LEV2 LEV	VIN 2, U	Underbody	--	--	755005	D-280-102
2005	3.0L	5FMXV03.0VE3	LEV1 ULEV	VIN 2, U	Front	751084	D-280-102	--	--
2005	3.0L	5FMXV03.0VE3	LEV1 ULEV	VIN 2, U	Rear	754185	D-280-102	--	--
2005	3.0L	5FMXV03.0VE3	LEV1 ULEV	VIN 2, U	Underbody	--	--	755005	D-280-102
2005	3.0L	5FMXV03.0VEY	LEV2 LEV	VIN 2, U	Front	754184	D-280-102	--	--
2005	3.0L	5FMXV03.0VEY	LEV2 LEV	VIN 2, U	Rear	754185	D-280-102	--	--
2005	3.0L	5FMXV03.0VEY	LEV2 LEV	VIN 2, U	Underbody	--	--	755005	D-280-102

APPLICATION GUIDE



OBD II

APPLICATION

Year	Eng. Size	Test Group/ Engine Family	Certification Level	Application	Location	Direct Fit Number	Exec. Order	Consol. Number	Exec. Order
Ford (Cont.)									
Taurus (Cont.)									
V6 (Cont.)									
2005	3.0L	5FMXV03.0VFZ	LEV1 ULEV	VIN S	Front	867521	D-665-15	--	--
2005	3.0L	5FMXV03.0VFZ	LEV1 ULEV	VIN S	Front	809529	D-665-23	--	--
2004	3.0L	4FMXV03.0VE8	LEV1 ULEV	VIN 2, U	Front	751084	D-280-102	--	--
2004	3.0L	4FMXV03.0VE8	LEV1 ULEV	VIN 2, U	Front	--	--	750004	D-280-102
2004	3.0L	4FMXV03.0VE8	LEV1 ULEV	VIN 2, U	Rear	754185	D-280-102	--	--
2004	3.0L	4FMXV03.0VEM	LEV2 LEV	VIN 2, U	Front	754184	D-280-102	--	--
2004	3.0L	4FMXV03.0VEM	LEV2 LEV	VIN 2, U	Rear	754185	D-280-102	--	--
2004	3.0L	4FMXV03.0VEM	LEV2 LEV	VIN 2, U	Underbody	--	--	755005	D-280-102
2004	3.0L	4FMXV03.0VEY	LEV2 LEV	VIN 2, U	Front	754184	D-280-102	--	--
2004	3.0L	4FMXV03.0VEY	LEV2 LEV	VIN 2, U	Rear	754185	D-280-102	--	--
2004	3.0L	4FMXV03.0VEY	LEV2 LEV	VIN 2, U	Underbody	--	--	755005	D-280-102
2004	3.0L	4FMXV03.0VFZ	LEV1 ULEV	VIN S	Front	809529	D-665-23	--	--
2003	3.0L	3FMXV03.0VF3	LEV1 ULEV	VIN 2, U	Front	751084	D-280-102	--	--
2003	3.0L	3FMXV03.0VF3	LEV1 ULEV	VIN 2, U	Rear	754185	D-280-102	--	--
2003	3.0L	3FMXV03.0VF3	LEV1 ULEV	VIN 2, U	Underbody	--	--	755005	D-280-102
2003	3.0L	3FMXV03.0VF4	LEV1 LEV	VIN U	Front	942184	D-280-100	--	--
2003	3.0L	3FMXV03.0VF4	LEV1 LEV	VIN U	Front Left	--	--	940105	D-280-100
2003	3.0L	3FMXV03.0VF4	LEV1 LEV	VIN U	Front Right	--	--	940105	D-280-100
2003	3.0L	3FMXV03.0VF4	LEV1 LEV	VIN U	Rear	942185	D-280-100	--	--
2003	3.0L	3FMXV03.0VF4	LEV1 LEV	VIN U	Rear	--	--	940335	D-280-100
2003	3.0L	3FMXV03.0VF4	LEV1 LEV	VIN S	Front Left	942084	D-280-100	--	--
2003	3.0L	3FMXV03.0VF4	LEV1 LEV	VIN S	Front Left	--	--	940105	D-280-100
2003	3.0L	3FMXV03.0VF4	LEV1 LEV	VIN S	Front Right	942085	D-280-100	--	--
2003	3.0L	3FMXV03.0VF4	LEV1 LEV	VIN S	Front Right	--	--	940105	D-280-100
2003	3.0L	3FMXV03.0VF4	LEV1 LEV	VIN S	Rear	942185	D-280-100	--	--
2003	3.0L	3FMXV03.0VF4	LEV1 LEV	VIN S	Rear	--	--	940335	D-280-100
2003	3.0L	3FMXV03.0VF4	LEV1 LEV	VIN 2	Front	942184	D-280-100	--	--
2003	3.0L	3FMXV03.0VF4	LEV1 LEV	VIN 2	Front Left	--	--	940105	D-280-100
2003	3.0L	3FMXV03.0VF4	LEV1 LEV	VIN 2	Front Right	--	--	940105	D-280-100
2003	3.0L	3FMXV03.0VF4	LEV1 LEV	VIN 2	Rear	942185	D-280-100	--	--
2003	3.0L	3FMXV03.0VF4	LEV1 LEV	VIN 2	Rear	--	--	940335	D-280-100
2003	3.0L	3FMXV03.0VFY	LEV1 ULEV	VIN 2, U	Front	754184	D-280-102	--	--
2003	3.0L	3FMXV03.0VFY	LEV1 ULEV	VIN 2, U	Rear	754185	D-280-102	--	--
2003	3.0L	3FMXV03.0VFY	LEV1 ULEV	VIN 2, U	Underbody	--	--	755005	D-280-102
2003	3.0L	3FMXV03.0VFZ	LEV1 ULEV	VIN S	Front	867521	D-665-15	--	--
2003	3.0L	3FMXV03.0VFZ	LEV1 ULEV	VIN S	Front	809529	D-665-23	--	--
2002	3.0L	2FMXV03.0VF3	LEV1 LEV	VIN U	Front	942184	D-280-100	--	--
2002	3.0L	2FMXV03.0VF3	LEV1 LEV	VIN U	Front Left	--	--	940105	D-280-100
2002	3.0L	2FMXV03.0VF3	LEV1 LEV	VIN U	Front Right	--	--	940105	D-280-100
2002	3.0L	2FMXV03.0VF3	LEV1 LEV	VIN U	Rear	942185	D-280-100	--	--
2002	3.0L	2FMXV03.0VF3	LEV1 LEV	VIN U	Rear	--	--	940335	D-280-100
2002	3.0L	2FMXV03.0VF3	LEV1 LEV	VIN S	Front Left	942084	D-280-100	--	--
2002	3.0L	2FMXV03.0VF3	LEV1 LEV	VIN S	Front Left	--	--	940105	D-280-100
2002	3.0L	2FMXV03.0VF3	LEV1 LEV	VIN S	Front Right	942085	D-280-100	--	--
2002	3.0L	2FMXV03.0VF3	LEV1 LEV	VIN S	Front Right	--	--	940105	D-280-100
2002	3.0L	2FMXV03.0VF3	LEV1 LEV	VIN S	Rear	942185	D-280-100	--	--
2002	3.0L	2FMXV03.0VF3	LEV1 LEV	VIN S	Rear	--	--	940335	D-280-100
2002	3.0L	2FMXV03.0VF3	LEV1 LEV	VIN 2	Front	942184	D-280-100	--	--
2002	3.0L	2FMXV03.0VF3	LEV1 LEV	VIN 2	Front Left	--	--	940105	D-280-100
2002	3.0L	2FMXV03.0VF3	LEV1 LEV	VIN 2	Front Right	--	--	940105	D-280-100
2002	3.0L	2FMXV03.0VF3	LEV1 LEV	VIN 2	Rear	942185	D-280-100	--	--
2002	3.0L	2FMXV03.0VF3	LEV1 LEV	VIN 2	Rear	--	--	940335	D-280-100
2002	3.0L	2FMXV03.0VF4	LEV1 LEV	VIN U	Front	942184	D-280-100	--	--
2002	3.0L	2FMXV03.0VF4	LEV1 LEV	VIN U	Front Left	--	--	940105	D-280-100
2002	3.0L	2FMXV03.0VF4	LEV1 LEV	VIN U	Front Right	--	--	940105	D-280-100
2002	3.0L	2FMXV03.0VF4	LEV1 LEV	VIN U	Rear	942185	D-280-100	--	--
2002	3.0L	2FMXV03.0VF4	LEV1 LEV	VIN U	Rear	--	--	940335	D-280-100

Legal Note: In Compliance with California Emissions Requirements

**CATCO**
CATALYTIC CONVERTERS**EASTERN CATALYTIC**

APPLICATION GUIDE

OBD II**APPLICATION**

Year	Eng. Size	Test Group/ Engine Family	Certification Level	Application	Location	Direct Fit Number	Exec. Order	Consol. Number	Exec. Order
Ford (Cont.)									
Taurus (Cont.)									
V6 (Cont.)									
2002	3.0L	2FMXV03.0VF4	LEV1 LEV	VIN S	Front Left	942084	D-280-100	--	--
2002	3.0L	2FMXV03.0VF4	LEV1 LEV	VIN S	Front Left	--	--	940105	D-280-100
2002	3.0L	2FMXV03.0VF4	LEV1 LEV	VIN S	Front Right	942085	D-280-100	--	--
2002	3.0L	2FMXV03.0VF4	LEV1 LEV	VIN S	Front Right	--	--	940105	D-280-100
2002	3.0L	2FMXV03.0VF4	LEV1 LEV	VIN S	Rear	942185	D-280-100	--	--
2002	3.0L	2FMXV03.0VF4	LEV1 LEV	VIN S	Rear	--	--	940335	D-280-100
2002	3.0L	2FMXV03.0VF4	LEV1 LEV	VIN 2	Front	942184	D-280-100	--	--
2002	3.0L	2FMXV03.0VF4	LEV1 LEV	VIN 2	Front Left	--	--	940105	D-280-100
2002	3.0L	2FMXV03.0VF4	LEV1 LEV	VIN 2	Front Right	--	--	940105	D-280-100
2002	3.0L	2FMXV03.0VF4	LEV1 LEV	VIN 2	Rear	942185	D-280-100	--	--
2002	3.0L	2FMXV03.0VF4	LEV1 LEV	VIN 2	Rear	--	--	940335	D-280-100
2002	3.0L	2FMXV03.0VF8	LEV1 LEV	VIN U	Front	942184	D-280-100	--	--
2002	3.0L	2FMXV03.0VF8	LEV1 LEV	VIN U	Front Left	--	--	940105	D-280-100
2002	3.0L	2FMXV03.0VF8	LEV1 LEV	VIN U	Front Right	--	--	940105	D-280-100
2002	3.0L	2FMXV03.0VF8	LEV1 LEV	VIN U	Rear	942185	D-280-100	--	--
2002	3.0L	2FMXV03.0VF8	LEV1 LEV	VIN U	Rear	--	--	940335	D-280-100
2002	3.0L	2FMXV03.0VF8	LEV1 LEV	VIN S	Front Left	942084	D-280-100	--	--
2002	3.0L	2FMXV03.0VF8	LEV1 LEV	VIN S	Front Left	--	--	940105	D-280-100
2002	3.0L	2FMXV03.0VF8	LEV1 LEV	VIN S	Front Right	942085	D-280-100	--	--
2002	3.0L	2FMXV03.0VF8	LEV1 LEV	VIN S	Front Right	--	--	940105	D-280-100
2002	3.0L	2FMXV03.0VF8	LEV1 LEV	VIN S	Rear	942185	D-280-100	--	--
2002	3.0L	2FMXV03.0VF8	LEV1 LEV	VIN S	Rear	--	--	940335	D-280-100
2002	3.0L	2FMXV03.0VF8	LEV1 LEV	VIN 2	Front	942184	D-280-100	--	--
2002	3.0L	2FMXV03.0VF8	LEV1 LEV	VIN 2	Front Left	--	--	940105	D-280-100
2002	3.0L	2FMXV03.0VF8	LEV1 LEV	VIN 2	Front Right	--	--	940105	D-280-100
2002	3.0L	2FMXV03.0VF8	LEV1 LEV	VIN 2	Rear	942185	D-280-100	--	--
2002	3.0L	2FMXV03.0VF8	LEV1 LEV	VIN 2	Rear	--	--	940335	D-280-100
2002	3.0L	2FMXV03.0VF9	LEV1 LEV	VIN U	Front	942184	D-280-100	--	--
2002	3.0L	2FMXV03.0VF9	LEV1 LEV	VIN U	Front Left	--	--	940105	D-280-100
2002	3.0L	2FMXV03.0VF9	LEV1 LEV	VIN U	Front Right	--	--	940105	D-280-100
2002	3.0L	2FMXV03.0VF9	LEV1 LEV	VIN U	Rear	942185	D-280-100	--	--
2002	3.0L	2FMXV03.0VF9	LEV1 LEV	VIN U	Rear	--	--	940335	D-280-100
2002	3.0L	2FMXV03.0VF9	LEV1 LEV	VIN S	Front Left	942084	D-280-100	--	--
2002	3.0L	2FMXV03.0VF9	LEV1 LEV	VIN S	Front Left	--	--	940105	D-280-100
2002	3.0L	2FMXV03.0VF9	LEV1 LEV	VIN S	Front Right	942085	D-280-100	--	--
2002	3.0L	2FMXV03.0VF9	LEV1 LEV	VIN S	Front Right	--	--	940105	D-280-100
2002	3.0L	2FMXV03.0VF9	LEV1 LEV	VIN S	Rear	942185	D-280-100	--	--
2002	3.0L	2FMXV03.0VF9	LEV1 LEV	VIN S	Rear	--	--	940335	D-280-100
2002	3.0L	2FMXV03.0VF9	LEV1 LEV	VIN 2	Front	942184	D-280-100	--	--
2002	3.0L	2FMXV03.0VF9	LEV1 LEV	VIN 2	Front Left	--	--	940105	D-280-100
2002	3.0L	2FMXV03.0VF9	LEV1 LEV	VIN 2	Front Right	--	--	940105	D-280-100
2002	3.0L	2FMXV03.0VF9	LEV1 LEV	VIN 2	Rear	942185	D-280-100	--	--
2002	3.0L	2FMXV03.0VF9	LEV1 LEV	VIN 2	Rear	--	--	940335	D-280-100
2001	3.0L	1FMXV03.0VF3	LEV1 LEV	VIN U	Front	942184	D-280-100	--	--
2001	3.0L	1FMXV03.0VF3	LEV1 LEV	VIN U	Front Left	--	--	940105	D-280-100
2001	3.0L	1FMXV03.0VF3	LEV1 LEV	VIN U	Front Right	--	--	940105	D-280-100
2001	3.0L	1FMXV03.0VF3	LEV1 LEV	VIN U	Rear	942185	D-280-100	--	--
2001	3.0L	1FMXV03.0VF3	LEV1 LEV	VIN U	Rear	--	--	940335	D-280-100
2001	3.0L	1FMXV03.0VF3	LEV1 LEV	VIN S	Front Left	942084	D-280-100	--	--
2001	3.0L	1FMXV03.0VF3	LEV1 LEV	VIN S	Front Left	--	--	940105	D-280-100
2001	3.0L	1FMXV03.0VF3	LEV1 LEV	VIN S	Front Right	942085	D-280-100	--	--
2001	3.0L	1FMXV03.0VF3	LEV1 LEV	VIN S	Front Right	--	--	940105	D-280-100
2001	3.0L	1FMXV03.0VF3	LEV1 LEV	VIN S	Rear	942185	D-280-100	--	--
2001	3.0L	1FMXV03.0VF3	LEV1 LEV	VIN S	Rear	--	--	940335	D-280-100
2001	3.0L	1FMXV03.0VF3	LEV1 LEV	VIN 2	Front	942184	D-280-100	--	--
2001	3.0L	1FMXV03.0VF3	LEV1 LEV	VIN 2	Front Left	--	--	940105	D-280-100
2001	3.0L	1FMXV03.0VF3	LEV1 LEV	VIN 2	Front Right	--	--	940105	D-280-100
2001	3.0L	1FMXV03.0VF3	LEV1 LEV	VIN 2	Rear	942185	D-280-100	--	--
2001	3.0L	1FMXV03.0VF3	LEV1 LEV	VIN 2	Rear	--	--	940335	D-280-100

Legal Note: In Compliance with California Emissions Requirements

APPLICATION GUIDE



OBD II

APPLICATION

Year	Eng. Size	Test Group/ Engine Family	Certification Level	Application	Location	Direct Fit Number	Exec. Order	Consol. Number	Exec. Order
Ford (Cont.)									
Taurus (Cont.)									
V6 (Cont.)									
2001	3.0L	1FMXV03.0VF9	LEV1 LEV	VIN U	Front	942184	D-280-100	--	--
2001	3.0L	1FMXV03.0VF9	LEV1 LEV	VIN U	Front Left	--	--	940105	D-280-100
2001	3.0L	1FMXV03.0VF9	LEV1 LEV	VIN U	Front Right	--	--	940105	D-280-100
2001	3.0L	1FMXV03.0VF9	LEV1 LEV	VIN U	Rear	942185	D-280-100	--	--
2001	3.0L	1FMXV03.0VF9	LEV1 LEV	VIN U	Rear	--	--	940335	D-280-100
2001	3.0L	1FMXV03.0VF9	LEV1 LEV	VIN S	Front Left	942084	D-280-100	--	--
2001	3.0L	1FMXV03.0VF9	LEV1 LEV	VIN S	Front Left	--	--	940105	D-280-100
2001	3.0L	1FMXV03.0VF9	LEV1 LEV	VIN S	Front Right	942085	D-280-100	--	--
2001	3.0L	1FMXV03.0VF9	LEV1 LEV	VIN S	Front Right	--	--	940105	D-280-100
2001	3.0L	1FMXV03.0VF9	LEV1 LEV	VIN S	Rear	942185	D-280-100	--	--
2001	3.0L	1FMXV03.0VF9	LEV1 LEV	VIN S	Rear	--	--	940335	D-280-100
2001	3.0L	1FMXV03.0VF9	LEV1 LEV	VIN 2	Front	942184	D-280-100	--	--
2001	3.0L	1FMXV03.0VF9	LEV1 LEV	VIN 2	Front Left	--	--	940105	D-280-100
2001	3.0L	1FMXV03.0VF9	LEV1 LEV	VIN 2	Front Right	--	--	940105	D-280-100
2001	3.0L	1FMXV03.0VF9	LEV1 LEV	VIN 2	Rear	942185	D-280-100	--	--
2001	3.0L	1FMXV03.0VF9	LEV1 LEV	VIN 2	Rear	--	--	940335	D-280-100
2000	3.0L	YFMXV03.0VF3	LEV1 LEV	VIN U	Front	942184	D-280-100	--	--
2000	3.0L	YFMXV03.0VF3	LEV1 LEV	VIN U	Front Left	--	--	940105	D-280-100
2000	3.0L	YFMXV03.0VF3	LEV1 LEV	VIN U	Front Right	--	--	940105	D-280-100
2000	3.0L	YFMXV03.0VF3	LEV1 LEV	VIN U	Rear	942185	D-280-100	--	--
2000	3.0L	YFMXV03.0VF3	LEV1 LEV	VIN U	Rear	--	--	940335	D-280-100
2000	3.0L	YFMXV03.0VF3	LEV1 LEV	VIN 2	Front	942184	D-280-100	--	--
2000	3.0L	YFMXV03.0VF3	LEV1 LEV	VIN 2	Front Left	--	--	940105	D-280-100
2000	3.0L	YFMXV03.0VF3	LEV1 LEV	VIN 2	Front Right	--	--	940105	D-280-100
2000	3.0L	YFMXV03.0VF3	LEV1 LEV	VIN 2	Rear	942185	D-280-100	--	--
2000	3.0L	YFMXV03.0VF3	LEV1 LEV	VIN 2	Rear	--	--	940335	D-280-100
2000	3.0L	YFMXV03.0VF3	LEV1 LEV	VIN S	Front	942084	D-280-100	--	--
2000	3.0L	YFMXV03.0VF3	LEV1 LEV	VIN S	Front Left	--	--	940105	D-280-100
2000	3.0L	YFMXV03.0VF3	LEV1 LEV	VIN S	Front Right	--	--	940105	D-280-100
2000	3.0L	YFMXV03.0VF3	LEV1 LEV	VIN S	Rear	942085	D-280-100	--	--
2000	3.0L	YFMXV03.0VF3	LEV1 LEV	VIN S	Rear	942185	D-280-100	--	--
2000	3.0L	YFMXV03.0VF3	LEV1 LEV	VIN S	Rear	--	--	940335	D-280-100
2000	3.0L	YFMXV03.0VF5	LEV1 LEV	VIN U	Front	942184	D-280-100	--	--
2000	3.0L	YFMXV03.0VF5	LEV1 LEV	VIN U	Front Left	--	--	940105	D-280-100
2000	3.0L	YFMXV03.0VF5	LEV1 LEV	VIN U	Front Right	--	--	940105	D-280-100
2000	3.0L	YFMXV03.0VF5	LEV1 LEV	VIN U	Rear	942185	D-280-100	--	--
2000	3.0L	YFMXV03.0VF5	LEV1 LEV	VIN U	Rear	--	--	940335	D-280-100
2000	3.0L	YFMXV03.0VF5	LEV1 LEV	VIN S	Front	942084	D-280-100	--	--
2000	3.0L	YFMXV03.0VF5	LEV1 LEV	VIN S	Front Left	--	--	940105	D-280-100
2000	3.0L	YFMXV03.0VF5	LEV1 LEV	VIN S	Front Right	--	--	940105	D-280-100
2000	3.0L	YFMXV03.0VF5	LEV1 LEV	VIN S	Rear	942085	D-280-100	--	--
2000	3.0L	YFMXV03.0VF5	LEV1 LEV	VIN S	Rear	942185	D-280-100	--	--
2000	3.0L	YFMXV03.0VF5	LEV1 LEV	VIN S	Rear	--	--	940335	D-280-100
2000	3.0L	YFMXV03.0VF5	LEV1 LEV	VIN 2	Front	942184	D-280-100	--	--
2000	3.0L	YFMXV03.0VF5	LEV1 LEV	VIN 2	Front Left	--	--	940105	D-280-100
2000	3.0L	YFMXV03.0VF5	LEV1 LEV	VIN 2	Front Right	--	--	940105	D-280-100
2000	3.0L	YFMXV03.0VF5	LEV1 LEV	VIN 2	Rear	942185	D-280-100	--	--
2000	3.0L	YFMXV03.0VF5	LEV1 LEV	VIN 2	Rear	--	--	940335	D-280-100
2000	3.0L	YFMXV03.0VF9	LEV1 LEV	VIN U	Front	942184	D-280-100	--	--
2000	3.0L	YFMXV03.0VF9	LEV1 LEV	VIN U	Front Left	--	--	940105	D-280-100
2000	3.0L	YFMXV03.0VF9	LEV1 LEV	VIN U	Front Right	--	--	940105	D-280-100
2000	3.0L	YFMXV03.0VF9	LEV1 LEV	VIN U	Rear	942185	D-280-100	--	--
2000	3.0L	YFMXV03.0VF9	LEV1 LEV	VIN U	Rear	--	--	940335	D-280-100
2000	3.0L	YFMXV03.0VF9	LEV1 LEV	VIN S	Front Left	942084	D-280-100	--	--
2000	3.0L	YFMXV03.0VF9	LEV1 LEV	VIN S	Front Left	--	--	940105	D-280-100
2000	3.0L	YFMXV03.0VF9	LEV1 LEV	VIN S	Front Right	942085	D-280-100	--	--
2000	3.0L	YFMXV03.0VF9	LEV1 LEV	VIN S	Front Right	--	--	940105	D-280-100
2000	3.0L	YFMXV03.0VF9	LEV1 LEV	VIN S	Rear	942185	D-280-100	--	--
2000	3.0L	YFMXV03.0VF9	LEV1 LEV	VIN S	Rear	--	--	940335	D-280-100

Legal Note: In Compliance with California Emissions Requirements



CATCO
CATALYTIC CONVERTERS

EASTERN CATALYTIC

APPLICATION GUIDE

OBD II

APPLICATION

Year	Eng. Size	Test Group/ Engine Family	Certification Level	Application	Location	Direct Fit Number	Exec. Order	Consol. Number	Exec. Order
Ford (Cont.)									
Taurus (Cont.)									
V6 (Cont.)									
2000	3.0L	YFMXV03.0VF9	LEV1 LEV	VIN 2	Front	942184	D-280-100	--	--
2000	3.0L	YFMXV03.0VF9	LEV1 LEV	VIN 2	Front Left	--	--	940105	D-280-100
2000	3.0L	YFMXV03.0VF9	LEV1 LEV	VIN 2	Front Right	--	--	940105	D-280-100
2000	3.0L	YFMXV03.0VF9	LEV1 LEV	VIN 2	Rear	942185	D-280-100	--	--
2000	3.0L	YFMXV03.0VF9	LEV1 LEV	VIN 2	Rear	--	--	940335	D-280-100
2000	3.0L	YFMXV03.0VFA	LEV1 LEV	VIN U	Front	942184	D-280-100	--	--
2000	3.0L	YFMXV03.0VFA	LEV1 LEV	VIN U	Front Left	--	--	940105	D-280-100
2000	3.0L	YFMXV03.0VFA	LEV1 LEV	VIN U	Front Right	--	--	940105	D-280-100
2000	3.0L	YFMXV03.0VFA	LEV1 LEV	VIN U	Rear	942185	D-280-100	--	--
2000	3.0L	YFMXV03.0VFA	LEV1 LEV	VIN U	Rear	--	--	940335	D-280-100
2000	3.0L	YFMXV03.0VFA	LEV1 LEV	VIN S	Front Left	942084	D-280-100	--	--
2000	3.0L	YFMXV03.0VFA	LEV1 LEV	VIN S	Front Left	--	--	940105	D-280-100
2000	3.0L	YFMXV03.0VFA	LEV1 LEV	VIN S	Front Right	942085	D-280-100	--	--
2000	3.0L	YFMXV03.0VFA	LEV1 LEV	VIN S	Front Right	--	--	940105	D-280-100
2000	3.0L	YFMXV03.0VFA	LEV1 LEV	VIN S	Rear	942185	D-280-100	--	--
2000	3.0L	YFMXV03.0VFA	LEV1 LEV	VIN S	Rear	--	--	940335	D-280-100
2000	3.0L	YFMXV03.0VFA	LEV1 LEV	VIN 2	Front	942184	D-280-100	--	--
2000	3.0L	YFMXV03.0VFA	LEV1 LEV	VIN 2	Front Left	--	--	940105	D-280-100
2000	3.0L	YFMXV03.0VFA	LEV1 LEV	VIN 2	Front Right	--	--	940105	D-280-100
2000	3.0L	YFMXV03.0VFA	LEV1 LEV	VIN 2	Rear	942185	D-280-100	--	--
2000	3.0L	YFMXV03.0VFA	LEV1 LEV	VIN 2	Rear	--	--	940335	D-280-100
1999	3.0L	XFMXV03.0VBZ	TIER1	All	Underbody	944052	D-280-100	--	--
1999	3.0L	XFMXV03.0VBZ	TIER1	All	Underbody	--	--	944182	D-280-100
1999	3.0L	XFMXV03.0VDC	TLEV	All	Underbody	942888	D-280-100	--	--
1999	3.0L	XFMXV03.0VDC	TLEV	All	Underbody	--	--	944182	D-280-100
1999	3.0L	XFMXV03.0VGC	LEV1 LEV	All	Underbody	942221	D-280-100	--	--
1999	3.0L	XFMXV03.0VGC	LEV1 LEV	All	Underbody	--	--	944182	D-280-100
1998	3.0L	WFMXV03.0AEA	TIER1	All	Underbody	942888	D-280-100	--	--
1998	3.0L	WFMXV03.0AEA	TIER1	All	Underbody	--	--	944182	D-280-100
1998	3.0L	WFMXV03.0AMA	TLEV	All	Underbody	942888	D-280-100	--	--
1998	3.0L	WFMXV03.0AMA	TLEV	All	Underbody	--	--	944182	D-280-100
1998	3.0L	WFMXV03.0CAA	LEV1 LEV	All	Underbody	942221	D-280-100	--	--
1998	3.0L	WFMXV03.0CAA	LEV1 LEV	All	Underbody	--	--	944182	D-280-100
1998	3.0L	WFMXV03.0PAA	TIER1	All	Underbody	944052	D-280-100	--	--
1998	3.0L	WFMXV03.0PAA	TIER1	All	Underbody	942888	D-280-100	--	--
1998	3.0L	WFMXV03.0PAA	TIER1	All	Underbody	--	--	944182	D-280-100
1997	3.0L	VFM3.0V8F2EK	TLEV	All	Underbody	942888	D-280-100	--	--
1997	3.0L	VFM3.0V8F2EK	TLEV	All	Underbody	--	--	944182	D-280-100
1997	3.0L	VFM3.0V8G2EK	TLEV	All	Underbody	942888	D-280-100	--	--
1997	3.0L	VFM3.0V8G2EK	TLEV	All	Underbody	--	--	944182	D-280-100
1997	3.0L	VFM3.0V8G3EK	LEV1 LEV	All	Underbody	942221	D-280-100	--	--
1997	3.0L	VFM3.0V8G3EK	LEV1 LEV	All	Underbody	--	--	944182	D-280-100
1997	3.0L	VFM3.0V8NKGK	TIER1	All	Underbody	942888	D-280-100	--	--
1997	3.0L	VFM3.0V8NKGK	TIER1	All	Underbody	--	--	944182	D-280-100
1997	3.0L	VFM3.0VJG1EK	TIER1	All	Underbody	944052	D-280-100	--	--
1997	3.0L	VFM3.0VJG1EK	TIER1	All	Underbody	--	--	944182	D-280-100
1996	3.0L	TFM3.0V8F2EK	TLEV	All	Underbody	942888	D-280-100	--	--
1996	3.0L	TFM3.0V8F2EK	TLEV	All	Underbody	--	--	944182	D-280-100
1996	3.0L	TFM3.0V8GKEK	TIER1	All	Underbody	942888	D-280-100	--	--
1996	3.0L	TFM3.0V8GKEK	TIER1	All	Underbody	--	--	944182	D-280-100
1996	3.0L	TFM3.0VJG1EK	TIER1	All	Underbody	942888	D-280-100	--	--
1996	3.0L	TFM3.0VJG1EK	TIER1	All	Underbody	--	--	944182	D-280-100
V8									
1999	3.4L	XFMXV03.4VBC	TIER1	All	Front	942394	D-280-100	--	--
1999	3.4L	XFMXV03.4VBC	TIER1	All	Front	--	--	944182	D-280-100
1999	3.4L	XFMXV03.4VBC	TIER1	All	Rear	944395	D-280-100	--	--
1999	3.4L	XFMXV03.4VBC	TIER1	All	Rear	--	--	940105	D-280-100

Legal Note: In Compliance with California Emissions Requirements

APPLICATION GUIDE



OBD II

APPLICATION

Year	Eng. Size	Test Group/ Engine Family	Certification Level	Application	Location	Direct Fit Number	Exec. Order	Consol. Number	Exec. Order
Ford (Cont.)									
Taurus (Cont.)									
V8 (Cont.)									
1998	3.4L	WFMXV03.4BAA	TIER1	All	Front	942394	D-280-100	--	--
1998	3.4L	WFMXV03.4BAA	TIER1	All	Front	--	--	944182	D-280-100
1998	3.4L	WFMXV03.4BAA	TIER1	All	Rear	944395	D-280-100	--	--
1998	3.4L	WFMXV03.4BAA	TIER1	All	Rear	--	--	940105	D-280-100
1997	3.4L	VFM3.4VJG1EK	TIER1	All	Front	942394	D-280-100	--	--
1997	3.4L	VFM3.4VJG1EK	TIER1	All	Front	--	--	944182	D-280-100
1997	3.4L	VFM3.4VJG1EK	TIER1	All	Rear	944395	D-280-100	--	--
1997	3.4L	VFM3.4VJG1EK	TIER1	All	Rear	--	--	940105	D-280-100
1996	3.4L	TFM3.4VJG1EK	TIER1	All	Front	944394	D-280-100	--	--
1996	3.4L	TFM3.4VJG1EK	TIER1	All	Front	--	--	944182	D-280-100
1996	3.4L	TFM3.4VJG1EK	TIER1	All	Rear	944395	D-280-100	--	--
1996	3.4L	TFM3.4VJG1EK	TIER1	All	Rear	--	--	940105	D-280-100
Thunderbird									
V6									
1997	3.8L	VFM3.8V8G1FK	TIER1	All	Front	--	--	940334	D-280-100
1997	3.8L	VFM3.8V8G1FK	TIER1	All	Rear	--	--	940640	D-280-100
1996	3.8L	TFM3.8V8G1FK	TIER1	All	Front	--	--	940334	D-280-100
1996	3.8L	TFM3.8V8G1FK	TIER1	All	Rear	--	--	940640	D-280-100
V8									
2004	3.9L	4FMXV03.91H5	LEV1 LEV	All	Front Left	--	--	940334	D-280-100
2004	3.9L	4FMXV03.91H5	LEV1 LEV	All	Front Right	--	--	940334	D-280-100
2004	3.9L	4FMXV03.91H5	LEV1 LEV	All	Underbody	830466	D-665-9	--	--
2003	3.9L	3FMXV03.9VF5	LEV1 LEV	All	Front Left	--	--	940334	D-280-100
2003	3.9L	3FMXV03.9VF5	LEV1 LEV	All	Front Right	--	--	940334	D-280-100
2002	3.9L	2FMXV03.9VF5	LEV1 LEV	All	Front Left	--	--	940334	D-280-100
2002	3.9L	2FMXV03.9VF5	LEV1 LEV	All	Front Right	--	--	940334	D-280-100
1997	4.6L	VFM4.6V8G1EK	TIER1	All	Front	--	--	940334	D-280-100
1997	4.6L	VFM4.6V8G1EK	TIER1	All	Rear	--	--	940640	D-280-100
1996	4.6L	TFM4.6V8G1EK	TIER1	All	Front	--	--	940334	D-280-100
1996	4.6L	TFM4.6V8G1EK	TIER1	All	Rear	--	--	940640	D-280-100
Transit Connect									
L4									
2011	2.0L	BFMXT02.01DV	LEV2 ULEV	All	Front	764919	D-280-105	--	--
2011	2.0L	BFMXT02.01DV	LEV2 ULEV	All	Front	--	--	760005	D-280-105
2011	2.0L	BFMXT02.01DV	LEV2 ULEV	All	Rear	764700	D-280-105	--	--
2011	2.0L	BFMXT02.01DV	LEV2 ULEV	All	Rear	--	--	760005	D-280-105
2010	2.0L	AFMXT02.01DV	LEV2 ULEV	All	Front	764919	D-280-105	--	--
2010	2.0L	AFMXT02.01DV	LEV2 ULEV	All	Front	--	--	760005	D-280-105
2010	2.0L	AFMXT02.01DV	LEV2 ULEV	All	Rear	764700	D-280-105	--	--
2010	2.0L	AFMXT02.01DV	LEV2 ULEV	All	Rear	--	--	760005	D-280-105
Windstar									
V6									
2000	3.0L	YFMXT03.02F5	LEV1 LEV	All	Underbody	--	--	912009	D-280-101
1999	3.0L	XFMXT03.02GC	LEV1 LEV	All	Underbody	--	--	910005	D-280-101
1998	3.0L	WFMXT03.0AAA	LEV1 LEV	All	Underbody	914857	D-280-101	--	--
1998	3.0L	WFMXT03.0AAA	LEV1 LEV	All	Underbody	--	--	910005	D-280-101
1998	3.0L	WFMXT03.0CAA	LEV1 LEV	All	Underbody	914857	D-280-101	--	--
1998	3.0L	WFMXT03.0CAA	LEV1 LEV	All	Underbody	--	--	910005	D-280-101
1997	3.0L	VFM3.028G1EK	TIER1	All	Underbody	914857	D-280-101	--	--
1997	3.0L	VFM3.028G1EK	TIER1	All	Underbody	--	--	910005	D-280-101
1996	3.0L	TFM3.028G1EK	TIER1	All	Underbody	914279	D-280-101	--	--
1996	3.0L	TFM3.028G1EK	TIER1	All	Underbody	--	--	912009	D-280-101
1995	3.0L	SFM3.028G1EK	TIER1	All	Underbody	914279	D-280-101	--	--
1995	3.0L	SFM3.028G1EK	TIER1	All	Underbody	--	--	912009	D-280-101
1995	3.0L	SFM3.028G1EK	TIER1	All	Underbody Left	--	--	912004R	D-280-101
1995	3.0L	SFM3.028G1EK	TIER1	All	Underbody Right	--	--	912004R	D-280-101

Legal Note: In Compliance with California Emissions Requirements



CATCO
CATALYTIC CONVERTERS

EASTERN CATALYTIC

APPLICATION GUIDE

OBD II

APPLICATION

Year	Eng. Size	Test Group/ Engine Family	Certification Level	Application	Location	Direct Fit Number	Exec. Order	Consol. Number	Exec. Order
Ford (Cont.)									
Windstar (Cont.)									
V6 (Cont.)									
2003	3.8L	3FMXT03.82H7	LEV1 ULEV	All	Front Left	--	--	740015	D-798
2003	3.8L	3FMXT03.82H7	LEV1 ULEV	All	Front Right	--	--	740015	D-798
2003	3.8L	3FMXT03.82H7	LEV1 ULEV	All	Underbody	744372	D-798	--	--
2003	3.8L	3FMXT03.82HA	LEV1 ULEV	All	Front Left	--	--	740015	D-798
2003	3.8L	3FMXT03.82HA	LEV1 ULEV	All	Front Right	--	--	740015	D-798
2003	3.8L	3FMXT03.82HA	LEV1 ULEV	All	Underbody	744372	D-798	--	--
2002	3.8L	2FMXT03.82J7	LEV1 ULEV	All	Front Left	--	--	740015	D-798
2002	3.8L	2FMXT03.82J7	LEV1 ULEV	All	Front Right	--	--	740015	D-798
2002	3.8L	2FMXT03.82J7	LEV1 ULEV	All	Underbody	744372	D-798	--	--
2001	3.8L	1FMXT03.82J5	LEV1 ULEV	All	Front Left	--	--	740015	D-798
2001	3.8L	1FMXT03.82J5	LEV1 ULEV	All	Front Right	--	--	740015	D-798
2001	3.8L	1FMXT03.82J5	LEV1 ULEV	All	Underbody	744372	D-798	--	--
2001	3.8L	1FMXT03.82J6	LEV1 ULEV	All	Front Left	--	--	740015	D-798
2001	3.8L	1FMXT03.82J6	LEV1 ULEV	All	Front Right	--	--	740015	D-798
2001	3.8L	1FMXT03.82J6	LEV1 ULEV	All	Underbody	744372	D-798	--	--
2000	3.8L	YFMXT03.82J5	LEV1 ULEV	All	Front Left	--	--	740015	D-798
2000	3.8L	YFMXT03.82J5	LEV1 ULEV	All	Front Right	--	--	740015	D-798
2000	3.8L	YFMXT03.82J5	LEV1 ULEV	All	Underbody	744055	D-798	--	--
2000	3.8L	YFMXT03.82JC	LEV1 ULEV	All	Front Left	--	--	740015	D-798
2000	3.8L	YFMXT03.82JC	LEV1 ULEV	All	Front Right	--	--	740015	D-798
2000	3.8L	YFMXT03.82JC	LEV1 ULEV	All	Underbody	744055	D-798	--	--
1998	3.8L	WFMXT03.8AAA	LEV1 LEV	All	Underbody	--	--	912009	D-280-101
1998	3.8L	WFMXT03.8AAA	LEV1 LEV	To 04/29/98	Underbody	914039	D-280-101	--	--
1998	3.8L	WFMXT03.8AAA	LEV1 LEV	From 04/30/98	Underbody	914055	D-280-101	--	--
1998	3.8L	WFMXT03.8AAB	LEV1 LEV	All	Underbody	--	--	912009	D-280-101
1998	3.8L	WFMXT03.8AAB	LEV1 LEV	To 04/29/98	Underbody	914039	D-280-101	--	--
1998	3.8L	WFMXT03.8AAB	LEV1 LEV	From 04/30/98	Underbody	914055	D-280-101	--	--
1997	3.8L	VFM3.828G1EK	TIER1	All	Underbody	914702	D-280-101	--	--
1997	3.8L	VFM3.828G1EK	TIER1	All	Underbody	--	--	912009	D-280-101
1996	3.8L	TFM3.828G1EK	TIER1	All	Underbody	914551	D-280-101	--	--
1996	3.8L	TFM3.828G1EK	TIER1	All	Underbody	--	--	912009	D-280-101
1995	3.8L	SFM3.828G1EK	TIER1	All	Underbody	914551	D-280-101	--	--
1995	3.8L	SFM3.828G1EK	TIER1	All	Underbody	--	--	912009	D-280-101
1995	3.8L	SFM3.828G1EK	TIER1	All	Underbody Left	--	--	912004R	D-280-101
1995	3.8L	SFM3.828G1EK	TIER1	All	Underbody Right	--	--	912004R	D-280-101
GMC									
Acadia									
V6									
2013	3.6L	DGMXT03.6151	LEV2 ULEV	AWD	Front Left	745240	D-798	--	--
2013	3.6L	DGMXT03.6151	LEV2 ULEV	AWD	Front Right	745241	D-798	--	--
2013	3.6L	DGMXT03.6151	LEV2 ULEV	AWD	Underbody	744695	D-798	--	--
2013	3.6L	DGMXT03.6151	LEV2 ULEV	FWD	Front Left	745240	D-798	--	--
2013	3.6L	DGMXT03.6151	LEV2 ULEV	FWD	Front Right	745241	D-798	--	--
2013	3.6L	DGMXT03.6151	LEV2 ULEV	FWD	Rear	--	--	747055	D-798
2013	3.6L	DGMXT03.6151	LEV2 ULEV	FWD	Underbody	744695	D-798	--	--
2012	3.6L	CGMXT03.6151	LEV2 ULEV	All	Front Left	745240	D-798	--	--
2012	3.6L	CGMXT03.6151	LEV2 ULEV	All	Front Right	745241	D-798	--	--
2012	3.6L	CGMXT03.6151	LEV2 ULEV	All	Rear	--	--	747055	D-798
2012	3.6L	CGMXT03.6151	LEV2 ULEV	All	Underbody	744695	D-798	--	--
2011	3.6L	BGMXJ03.6151	LEV2 ULEV	All	Front Left	745240	D-798	--	--
2011	3.6L	BGMXJ03.6151	LEV2 ULEV	All	Front Right	745241	D-798	--	--
2011	3.6L	BGMXJ03.6151	LEV2 ULEV	All	Rear	--	--	747055	D-798
2011	3.6L	BGMXJ03.6151	LEV2 ULEV	All	Underbody	744695	D-798	--	--
2010	3.6L	AGMXJ03.6151	LEV2 ULEV	All	Front Left	745240	D-798	--	--
2010	3.6L	AGMXJ03.6151	LEV2 ULEV	All	Front Right	745241	D-798	--	--
2010	3.6L	AGMXJ03.6151	LEV2 ULEV	All	Rear	--	--	747055	D-798
2010	3.6L	AGMXJ03.6151	LEV2 ULEV	All	Underbody	744695	D-798	--	--

APPLICATION GUIDE



OBD II

APPLICATION

Year	Eng. Size	Test Group/ Engine Family	Certification Level	Application	Location	Direct Fit Number	Exec. Order	Consol. Number	Exec. Order
GMC (Cont.)									
Acadia (Cont.)									
V6 (Cont.)									
2009	3.6L	9GMXT03.6151	LEV2 ULEV	All	Front Left	745240	D-798	--	--
2009	3.6L	9GMXT03.6151	LEV2 ULEV	All	Front Right	745241	D-798	--	--
2009	3.6L	9GMXT03.6151	LEV2 ULEV	All	Rear	--	--	747055	D-798
2009	3.6L	9GMXT03.6151	LEV2 ULEV	All	Underbody	744695	D-798	--	--
2008	3.6L	8GMXT03.6151	LEV2 LEV	All	Front Left	745240	D-798	--	--
2008	3.6L	8GMXT03.6151	LEV2 LEV	All	Front Right	745241	D-798	--	--
2007	3.6L	7GMXT03.6151	LEV2 LEV	All	Front Left	745240	D-798	--	--
2007	3.6L	7GMXT03.6151	LEV2 LEV	All	Front Right	745241	D-798	--	--
C1500									
V6									
1998	4.3L	WGMXA04.3190	TIER1	All	Underbody	912720	D-280-101	--	--
1998	4.3L	WGMXA04.3190	TIER1	All	Underbody	--	--	912007	D-280-101
1997	4.3L	VGM4.3HPG1EK	TIER1	All	Underbody	912720	D-280-101	--	--
1997	4.3L	VGM4.3HPG1EK	TIER1	All	Underbody	--	--	912006	D-280-101
1996	4.3L	TGM4.35PGFEK	TIER1	All	Underbody	912720	D-280-101	--	--
1996	4.3L	TGM4.35PGFEK	TIER1	All	Underbody	--	--	912007	D-280-101
V8									
1998	5.0L	WGMXA05.0182	TIER1	All	Underbody	--	--	912007	D-280-101
1998	5.0L	WGMXA05.0182	TIER1	2WD	Underbody	912720	D-280-101	--	--
1998	5.0L	WGMXA05.0184	TIER1	All	Underbody	640547	D-665-18	--	--
1997	5.0L	VGM5.0HPG1EK	TIER1	All	Underbody	912720	D-280-101	--	--
1997	5.0L	VGM5.0HPG1EK	TIER1	All	Underbody	--	--	912007	D-280-101
1997	5.0L	VGM5.0JPG1EK	TIER1	All	Underbody	640547	D-665-18	--	--
1996	5.0L	TGM5.0HPG1EK	TIER1	All	Underbody	912720	D-280-101	--	--
1996	5.0L	TGM5.0HPG1EK	TIER1	All	Underbody	--	--	912007	D-280-101
1996	5.0L	TGM5.0JPG1EK	TIER1	All	Underbody	640547	D-665-18	--	--
1999	5.7L	XGMXA05.7182	TIER1	All	Underbody	912333	D-280-101	--	--
1999	5.7L	XGMXA05.7182	TIER1	All	Underbody Left	--	--	912004R	D-280-101
1999	5.7L	XGMXA05.7182	TIER1	All	Underbody Right	--	--	912004R	D-280-101
1998	5.7L	WGMXA05.7182	TIER1	All	Underbody Left	--	--	912004R	D-280-101
1998	5.7L	WGMXA05.7182	TIER1	All	Underbody Right	--	--	912004R	D-280-101
1998	5.7L	WGMXA05.7182	TIER1	2WD	Underbody	912333	D-280-101	--	--
1998	5.7L	WGMXA05.7184	TIER1	All	Underbody	640542	D-665-18	--	--
1998	5.7L	WGMXA05.7187	TIER1	All	Underbody	640542	D-665-18	--	--
1997	5.7L	VGM5.7HPG1EK	TIER1	All	Underbody Left	--	--	912004R	D-280-101
1997	5.7L	VGM5.7HPG1EK	TIER1	All	Underbody Right	--	--	912004R	D-280-101
1997	5.7L	VGM5.7HPG1EK	TIER1	2WD	Underbody	912333	D-280-101	--	--
1997	5.7L	VGM5.7JPG1EK	TIER1	All	Underbody	640542	D-665-18	--	--
1996	5.7L	TGM5.75PGFEK	TIER1	All	Underbody	912333	D-280-101	--	--
1996	5.7L	TGM5.75PGFEK	TIER1	All	Underbody Left	--	--	912004R	D-280-101
1996	5.7L	TGM5.75PGFEK	TIER1	All	Underbody Right	--	--	912004R	D-280-101
C1500 Suburban									
V8									
1999	5.7L	XGMXA05.7187	TIER1	All	Underbody	640542	D-665-18	--	--
1998	5.7L	WGMXA05.7185	LEV1 LEV	All	Underbody	640542	D-665-18	--	--
1998	5.7L	WGMXA05.7186	LEV1 LEV	All	Underbody Left	--	--	912004R	D-280-101
1998	5.7L	WGMXA05.7186	LEV1 LEV	All	Underbody Right	--	--	912004R	D-280-101
1998	5.7L	WGMXA05.7186	LEV1 LEV	2WD	Underbody	912333	D-280-101	--	--
1997	5.7L	VGM5.7HPG1EK	TIER1	All	Underbody	640542	D-665-18	--	--
1997	5.7L	VGM5.7JPG1EK	TIER1	All	Underbody	640542	D-665-18	--	--
1997	5.7L	VGM5.7JPG1GK	TIER1	All	Underbody	912333	D-280-101	--	--
1997	5.7L	VGM5.7JPG1GK	TIER1	All	Underbody Left	--	--	912004R	D-280-101
1997	5.7L	VGM5.7JPG1GK	TIER1	All	Underbody Right	--	--	912004R	D-280-101
1996	5.7L	TGM5.75PGFEK	TIER1	All	Underbody	640542	D-665-18	--	--
1996	5.7L	TGM5.76PGFEK	TIER1	All	Underbody	912333	D-280-101	--	--
1996	5.7L	TGM5.76PGFEK	TIER1	All	Underbody Left	--	--	912004R	D-280-101
1996	5.7L	TGM5.76PGFEK	TIER1	All	Underbody Right	--	--	912004R	D-280-101

Legal Note: In Compliance with California Emissions Requirements



CATCO
CATALYTIC CONVERTERS

EASTERN CATALYTIC

APPLICATION GUIDE

OBD II

APPLICATION

Year	Eng. Size	Test Group/ Engine Family	Certification Level	Application	Location	Direct Fit Number	Exec. Order	Consol. Number	Exec. Order
C2500									
V8									
1998	5.0L	WGMXA05.0184	TIER1	All	Underbody	--	--	912007	D-280-101
1998	5.0L	WGMXA05.0184	TIER1	2WD	Underbody	912720	D-280-101	--	--
1997	5.0L	VGM5.0JPG1EK	TIER1	All	Underbody	912720	D-280-101	--	--
1997	5.0L	VGM5.0JPG1EK	TIER1	All	Underbody	--	--	912006	D-280-101
1996	5.0L	TGM5.0HPG1EK	TIER1	All	Underbody	912720	D-280-101	--	--
1996	5.0L	TGM5.0HPG1EK	TIER1	All	Underbody	--	--	912007	D-280-101
1996	5.0L	TGM5.0JPG1EK	TIER1	All	Underbody	912720	D-280-101	--	--
1996	5.0L	TGM5.0JPG1EK	TIER1	All	Underbody	--	--	912007	D-280-101
2000	5.7L	YGMXA05.7191	TIER1	All	Underbody Left	--	--	912005	D-280-101
2000	5.7L	YGMXA05.7191	TIER1	All	Underbody Right	--	--	912005	D-280-101
2000	5.7L	YGMXA05.7191	TIER1	2WD	Front	919092	D-280-101	--	--
2000	5.7L	YGMXA05.7191	TIER1	2WD	Rear	919293	D-280-101	--	--
1999	5.7L	XGMXA05.7182	TIER1	All	Underbody	640542	D-665-18	--	--
1999	5.7L	XGMXA05.7187	TIER1	All	Underbody Left	--	--	912005	D-280-101
1999	5.7L	XGMXA05.7187	TIER1	All	Underbody Right	919293	D-280-101	--	--
1999	5.7L	XGMXA05.7187	TIER1	All	Underbody Right	--	--	912005	D-280-101
1999	5.7L	XGMXA05.7187	TIER1	2WD	Underbody Left	919092	D-280-101	--	--
1998	5.7L	WGMXA05.7182	TIER1	All	Underbody	640542	D-665-18	--	--
1998	5.7L	WGMXA05.7184	TIER1	All	Underbody Left	--	--	912005	D-280-101
1998	5.7L	WGMXA05.7184	TIER1	All	Underbody Right	--	--	912005	D-280-101
1998	5.7L	WGMXA05.7184	TIER1	2WD	Underbody	912333	D-280-101	--	--
1998	5.7L	WGMXA05.7187	TIER1	All	Underbody Left	--	--	912005	D-280-101
1998	5.7L	WGMXA05.7187	TIER1	All	Underbody Right	--	--	912005	D-280-101
1997	5.7L	VGM5.7JPG1EK	TIER1	All	Underbody	912333	D-280-101	--	--
1997	5.7L	VGM5.7JPG1EK	TIER1	All	Underbody Left	--	--	912005	D-280-101
1997	5.7L	VGM5.7JPG1EK	TIER1	All	Underbody Right	--	--	912005	D-280-101
1997	5.7L	VGM5.7JPG1GK	TIER1	All	Underbody	912333	D-280-101	--	--
1997	5.7L	VGM5.7JPG1GK	TIER1	All	Underbody Left	--	--	912005	D-280-101
1997	5.7L	VGM5.7JPG1GK	TIER1	All	Underbody Right	--	--	912005	D-280-101
1996	5.7L	TGM5.75PGFEK	TIER1	All	Underbody	640542	D-665-18	--	--
1996	5.7L	TGM5.76PGFEK	TIER1	All	Underbody	912333	D-280-101	--	--
1996	5.7L	TGM5.76PGFEK	TIER1	All	Underbody Left	--	--	912005	D-280-101
1996	5.7L	TGM5.76PGFEK	TIER1	All	Underbody Right	--	--	912005	D-280-101
1996	5.7L	TGM5.7JPG1EK	TIER1	All	Underbody Left	--	--	912005	D-280-101
1996	5.7L	TGM5.7JPG1EK	TIER1	All	Underbody Right	--	--	912005	D-280-101
2000	7.4L	YGMXA07.4201	TIER1	All	Front	640578	D-665-18	--	--
2000	7.4L	YGMXA07.4201	TIER1	All	Front	--	--	912006	D-280-101
2000	7.4L	YGMXA07.4201	TIER1	All	Rear	--	--	912006	D-280-101
1999	7.4L	XGMXA07.4201	TIER1	All	Front	912703	D-280-101	--	--
1999	7.4L	XGMXA07.4201	TIER1	All	Front	--	--	912006	D-280-101
1999	7.4L	XGMXA07.4201	TIER1	All	Rear	912293	D-280-101	--	--
1999	7.4L	XGMXA07.4201	TIER1	All	Rear	--	--	912006	D-280-101
1998	7.4L	WGMXA07.4201	TIER1	All	Front	--	--	912006	D-280-101
1998	7.4L	WGMXA07.4201	TIER1	All	Rear	912293	D-280-101	--	--
1998	7.4L	WGMXA07.4201	TIER1	All	Rear	--	--	912006	D-280-101
1998	7.4L	WGMXA07.4201	TIER1	2WD	Front	912703	D-280-101	--	--
1997	7.4L	VGM7.4J8G1EK	TIER1	131.5" W.B.	Rear	640566	D-665-18	--	--
1997	7.4L	VGM7.4J8G1EK	TIER1	141.5" W.B., Over 8500	Rear	640567	D-665-18	--	--
1997	7.4L	VGM7.4J8G1EK	TIER1	All	Front	912703	D-280-101	--	--
1997	7.4L	VGM7.4J8G1EK	TIER1	All	Front	--	--	912006	D-280-101
1997	7.4L	VGM7.4J8G1EK	TIER1	All	Rear	--	--	912006	D-280-101
1996	7.4L	TGM7.4J8G1EK	TIER1	141.5" W.B., Over 8500	Rear	640567	D-665-18	--	--
1996	7.4L	TGM7.4J8G1EK	TIER1	131.5" W.B.	Rear	640566	D-665-18	--	--
1996	7.4L	TGM7.4J8G1EK	TIER1	All	Front	912703	D-280-101	--	--
1996	7.4L	TGM7.4J8G1EK	TIER1	All	Front	--	--	912007	D-280-101
1996	7.4L	TGM7.4J8G1EK	TIER1	All	Rear	--	--	912007	D-280-101
1996	7.4L	TGM7.4J8G1EK	TIER1	All	Underbody Left	--	--	912006	D-280-101
1996	7.4L	TGM7.4J8G1EK	TIER1	All	Underbody Right	--	--	912006	D-280-101

Legal Note: In Compliance with California Emissions Requirements

APPLICATION GUIDE



OBD II

APPLICATION

Year	Eng. Size	Test Group/ Engine Family	Certification Level	Application	Location	Direct Fit Number	Exec. Order	Consol. Number	Exec. Order
GMC (Cont.)									
C2500 Suburban									
V8									
1999	5.7L	XGMXA05.7187	TIER1	All	Underbody Left	--	--	912004R	D-280-101
1999	5.7L	XGMXA05.7187	TIER1	All	Underbody Right	919293	D-280-101	--	--
1999	5.7L	XGMXA05.7187	TIER1	All	Underbody Right	--	--	912004R	D-280-101
1999	5.7L	XGMXA05.7187	TIER1	2WD	Underbody Left	919092	D-280-101	--	--
1998	5.7L	WGMXA05.7187	TIER1	All	Underbody Left	--	--	912004R	D-280-101
1998	5.7L	WGMXA05.7187	TIER1	All	Underbody Right	--	--	912004R	D-280-101
1998	5.7L	WGMXA05.7187	TIER1	2WD	Underbody	912333	D-280-101	--	--
1997	5.7L	VGM5.7JPG1EK	TIER1	All	Underbody	912333	D-280-101	--	--
1997	5.7L	VGM5.7JPG1EK	TIER1	All	Underbody Left	--	--	912005	D-280-101
1997	5.7L	VGM5.7JPG1EK	TIER1	All	Underbody Right	--	--	912005	D-280-101
1996	5.7L	TGM5.7JPG1EK	TIER1	All	Underbody	912333	D-280-101	--	--
1996	5.7L	TGM5.7JPG1EK	TIER1	All	Underbody Left	912703	D-280-101	--	--
1996	5.7L	TGM5.7JPG1EK	TIER1	All	Underbody Left	--	--	912004R	D-280-101
1996	5.7L	TGM5.7JPG1EK	TIER1	All	Underbody Right	--	--	912004R	D-280-101
1999	7.4L	XGMXA07.4201	TIER1	All	Front	--	--	912006	D-280-101
1999	7.4L	XGMXA07.4201	TIER1	All	Rear	--	--	912006	D-280-101
1999	7.4L	XGMXA07.4201	TIER1	2WD	Front	912703	D-280-101	--	--
1999	7.4L	XGMXA07.4201	TIER1	2WD	Rear	912293	D-280-101	--	--
1998	7.4L	WGMXA07.4201	TIER1	All	Front	912703	D-280-101	--	--
1998	7.4L	WGMXA07.4201	TIER1	All	Front	--	--	912006	D-280-101
1998	7.4L	WGMXA07.4201	TIER1	All	Rear	912293	D-280-101	--	--
1998	7.4L	WGMXA07.4201	TIER1	All	Rear	--	--	912006	D-280-101
1997	7.4L	VGM7.4J8G1EK	TIER1	All	Front	912703	D-280-101	--	--
1997	7.4L	VGM7.4J8G1EK	TIER1	All	Front	--	--	912006	D-280-101
1997	7.4L	VGM7.4J8G1EK	TIER1	All	Rear	--	--	912006	D-280-101
1996	7.4L	TGM7.4J8G1EK	TIER1	All	Front	912703	D-280-101	--	--
1996	7.4L	TGM7.4J8G1EK	TIER1	All	Front	--	--	912006	D-280-101
1996	7.4L	TGM7.4J8G1EK	TIER1	All	Rear	--	--	912006	D-280-101
C3500									
V8									
2000	5.7L	YGMXA05.7191	TIER1	All	Underbody Left	--	--	912005	D-280-101
2000	5.7L	YGMXA05.7191	TIER1	All	Underbody Right	--	--	912005	D-280-101
2000	5.7L	YGMXA05.7191	TIER1	2WD	Front	919092	D-280-101	--	--
2000	5.7L	YGMXA05.7191	TIER1	2WD	Rear	919293	D-280-101	--	--
1999	5.7L	XGMXA05.7182	TIER1	All	Underbody	640542	D-665-18	--	--
1999	5.7L	XGMXA05.7187	TIER1	All	Underbody Left	--	--	912005	D-280-101
1999	5.7L	XGMXA05.7187	TIER1	All	Underbody Right	--	--	912005R	D-280-101
1999	5.7L	XGMXA05.7187	TIER1	All	Underbody Right	--	--	912005	D-280-101
1999	5.7L	XGMXA05.7187	TIER1	All	Underbody Right	--	--	912004R	D-280-101
1999	5.7L	XGMXA05.7187	TIER1	All	Underbody Right	--	--	912004	D-280-101
1999	5.7L	XGMXA05.7187	TIER1	2WD	Front	919092	D-280-101	--	--
1999	5.7L	XGMXA05.7187	TIER1	2WD	Rear	919293	D-280-101	--	--
1998	5.7L	WGMXA05.7182	TIER1	All	Underbody	640542	D-665-18	--	--
1998	5.7L	WGMXA05.7184	TIER1	All	Underbody	640542	D-665-18	--	--
1998	5.7L	WGMXA05.7187	TIER1	All	Underbody Left	--	--	912005	D-280-101
1998	5.7L	WGMXA05.7187	TIER1	All	Underbody Right	--	--	912005	D-280-101
1997	5.7L	VGM5.7HPG1EK	TIER1	All	Underbody	640542	D-665-18	--	--
1997	5.7L	VGM5.7JPG1EK	TIER1	All	Underbody Left	--	--	912005	D-280-101
1997	5.7L	VGM5.7JPG1EK	TIER1	All	Underbody Right	--	--	912005	D-280-101
1996	5.7L	TGM5.7JPG1EK	TIER1	All	Front	919092	D-280-101	--	--
1996	5.7L	TGM5.7JPG1EK	TIER1	All	Rear	919293	D-280-101	--	--
1996	5.7L	TGM5.7JPG1EK	TIER1	All	Underbody Left	--	--	912005	D-280-101
1996	5.7L	TGM5.7JPG1EK	TIER1	All	Underbody Right	--	--	912005	D-280-101
2000	7.4L	YGMXA07.4201	TIER1	All	Front	640578	D-665-18	--	--
2000	7.4L	YGMXA07.4201	TIER1	All	Front	--	--	912006	D-280-101
2000	7.4L	YGMXA07.4201	TIER1	All	Rear	--	--	912006	D-280-101
2000	7.4L	YGMXA07.4201	TIER1	159.5" W.B.	Rear	640579	D-665-18	--	--
2000	7.4L	YGMXA07.4201	TIER1	141.5" W.B., Over 8500	Rear	640567	D-665-18	--	--

Legal Note: In Compliance with California Emissions Requirements



CATCO
CATALYTIC CONVERTERS

EASTERN CATALYTIC

APPLICATION GUIDE

OBD II

APPLICATION

Year	Eng. Size	Test Group/ Engine Family	Certification Level	Application	Location	Direct Fit Number	Exec. Order	Consol. Number	Exec. Order
GMC (Cont.)									
C3500 (Cont.)									
V8 (Cont.)									
1999	7.4L	XGMXA07.4201	TIER1	All	Front	--	--	912006	D-280-101
1999	7.4L	XGMXA07.4201	TIER1	All	Rear	--	--	912006	D-280-101
1999	7.4L	XGMXA07.4201	TIER1	2WD	Front	912703	D-280-101	--	--
1999	7.4L	XGMXA07.4201	TIER1	2WD	Rear	912293	D-280-101	--	--
1998	7.4L	WGMXA07.4201	TIER1	All	Front	--	--	912006	D-280-101
1998	7.4L	WGMXA07.4201	TIER1	All	Rear	--	--	912006	D-280-101
1998	7.4L	WGMXA07.4201	TIER1	2WD, 159.5" W.B., 15000	Front	912703	D-280-101	--	--
1998	7.4L	WGMXA07.4201	TIER1	2WD, 159.5" W.B., 15000	Rear	919543	D-280-101	--	--
1997	7.4L	VGM7.4J8G1EK	TIER1	All	Front	912703	D-280-101	--	--
1997	7.4L	VGM7.4J8G1EK	TIER1	All	Front	--	--	912006	D-280-101
1997	7.4L	VGM7.4J8G1EK	TIER1	All	Rear	--	--	912006	D-280-101
1996	7.4L	TGM7.4J8G1EK	TIER1	All	Front	912703	D-280-101	--	--
1996	7.4L	TGM7.4J8G1EK	TIER1	All	Front	--	--	912007	D-280-101
1996	7.4L	TGM7.4J8G1EK	TIER1	All	Rear	919543	D-280-101	--	--
1996	7.4L	TGM7.4J8G1EK	TIER1	All	Rear	--	--	912007	D-280-101
1996	7.4L	TGM7.4J8G1EK	TIER1	All	Underbody Left	--	--	912006	D-280-101
1996	7.4L	TGM7.4J8G1EK	TIER1	All	Underbody Right	--	--	912006	D-280-101
1996	7.4L	TGM7.4J8G1EK	TIER1	159.5" W.B., 15000 lbs G	Rear	919543	D-280-101	--	--
Canyon									
L4									
2006	2.8L	6GMXT02.8189	LEV2 LEV	All	Front	741216	D-798	--	--
2006	2.8L	6GMXT02.8189	LEV2 LEV	All	Rear	--	--	747335	D-798
2006	2.8L	6GMXT02.8189	LEV2 LEV	All	Underbody	749216	D-798	--	--
2005	2.8L	5GMXT02.8189	LEV1 ULEV	All	Front	741216	D-798	--	--
2005	2.8L	5GMXT02.8189	LEV1 ULEV	All	Rear	--	--	747335	D-798
2005	2.8L	5GMXT02.8189	LEV1 ULEV	All	Underbody	749216	D-798	--	--
2004	2.8L	4GMXT02.8189	LEV1 ULEV	All	Front	741216	D-798	--	--
2004	2.8L	4GMXT02.8189	LEV1 ULEV	All	Rear	--	--	747335	D-798
2004	2.8L	4GMXT02.8189	LEV1 ULEV	All	Underbody	749216	D-798	--	--
2012	2.9L	CGMXT02.9190	LEV2 ULEV	All	Front	741227	D-798	--	--
2012	2.9L	CGMXT02.9190	LEV2 ULEV	All	Rear	--	--	747335	D-798
2012	2.9L	CGMXT02.9190	LEV2 ULEV	All	Underbody	749216	D-798	--	--
2011	2.9L	BGMXT02.9190	LEV2 ULEV	All	Front	741227	D-798	--	--
2011	2.9L	BGMXT02.9190	LEV2 ULEV	All	Rear	--	--	747335	D-798
2011	2.9L	BGMXT02.9190	LEV2 ULEV	All	Underbody	749216	D-798	--	--
2010	2.9L	AGMXT02.9190	LEV2 ULEV	All	Front	741227	D-798	--	--
2010	2.9L	AGMXT02.9190	LEV2 ULEV	All	Rear	--	--	747335	D-798
2010	2.9L	AGMXT02.9190	LEV2 ULEV	All	Underbody	749216	D-798	--	--
2009	2.9L	9GMXT02.9190	LEV2 ULEV	All	Front	741227	D-798	--	--
2009	2.9L	9GMXT02.9190	LEV2 ULEV	All	Rear	--	--	747335	D-798
2009	2.9L	9GMXT02.9190	LEV2 ULEV	All	Underbody	749216	D-798	--	--
2008	2.9L	8GMXT02.9190	LEV2 ULEV	All	Front	741227	D-798	--	--
2008	2.9L	8GMXT02.9190	LEV2 ULEV	All	Rear	--	--	747335	D-798
2008	2.9L	8GMXT02.9190	LEV2 ULEV	All	Underbody	749216	D-798	--	--
2007	2.9L	7GMXT02.9189	LEV2 LEV	All	Front	741227	D-798	--	--
2007	2.9L	7GMXT02.9189	LEV2 LEV	All	Rear	--	--	747335	D-798
2007	2.9L	7GMXT02.9189	LEV2 LEV	All	Underbody	749216	D-798	--	--
L5									
2006	3.5L	6GMXT03.5187	LEV1 ULEV	All	Front	744487	D-798	--	--
2006	3.5L	6GMXT03.5187	LEV1 ULEV	All	Rear	--	--	747335	D-798
2006	3.5L	6GMXT03.5187	LEV1 ULEV	All	Underbody	749216	D-798	--	--
2005	3.5L	5GMXT03.5188	LEV1 ULEV	All	Front	744487	D-798	--	--
2005	3.5L	5GMXT03.5188	LEV1 ULEV	All	Rear	--	--	747335	D-798
2005	3.5L	5GMXT03.5188	LEV1 ULEV	All	Underbody	749216	D-798	--	--
2004	3.5L	4GMXT03.5188	LEV1 ULEV	All	Front	744487	D-798	--	--
2004	3.5L	4GMXT03.5188	LEV1 ULEV	All	Rear	--	--	747335	D-798
2004	3.5L	4GMXT03.5188	LEV1 ULEV	All	Underbody	749216	D-798	--	--

Legal Note: In Compliance with California Emissions Requirements

APPLICATION GUIDE



OBD II

APPLICATION

Year	Eng. Size	Test Group/ Engine Family	Certification Level	Application	Location	Direct Fit Number	Exec. Order	Consol. Number	Exec. Order
GMC (Cont.)									
Canyon (Cont.)									
L5 (Cont.)									
2012	3.7L	CGMXT03.7188	LEV2 ULEV	All	Front	741226	D-798	--	--
2012	3.7L	CGMXT03.7188	LEV2 ULEV	All	Rear	--	--	747335	D-798
2012	3.7L	CGMXT03.7188	LEV2 ULEV	All	Underbody	749216	D-798	--	--
2011	3.7L	BGMXT03.7188	LEV2 ULEV	All	Front	741226	D-798	--	--
2011	3.7L	BGMXT03.7188	LEV2 ULEV	All	Rear	--	--	747335	D-798
2011	3.7L	BGMXT03.7188	LEV2 ULEV	All	Underbody	749216	D-798	--	--
2010	3.7L	AGMXT03.7188	LEV2 ULEV	All	Front	741226	D-798	--	--
2010	3.7L	AGMXT03.7188	LEV2 ULEV	All	Rear	--	--	747335	D-798
2010	3.7L	AGMXT03.7188	LEV2 ULEV	All	Underbody	749216	D-798	--	--
2009	3.7L	9GMXT03.7188	LEV2 ULEV	All	Front	741226	D-798	--	--
2009	3.7L	9GMXT03.7188	LEV2 ULEV	All	Rear	--	--	747335	D-798
2009	3.7L	9GMXT03.7188	LEV2 ULEV	All	Underbody	749216	D-798	--	--
2008	3.7L	8GMXT03.7188	LEV2 ULEV	All	Front	741226	D-798	--	--
2008	3.7L	8GMXT03.7188	LEV2 ULEV	All	Rear	--	--	747335	D-798
2008	3.7L	8GMXT03.7188	LEV2 ULEV	All	Underbody	749216	D-798	--	--
2007	3.7L	7GMXT03.7187	LEV2 LEV	All	Front	741226	D-798	--	--
2007	3.7L	7GMXT03.7187	LEV2 LEV	All	Rear	--	--	747335	D-798
2007	3.7L	7GMXT03.7187	LEV2 LEV	All	Underbody	749216	D-798	--	--
V8									
2012	5.3L	CGMXT05.3377	LEV2 ULEV	All	Front Left	749549	D-798	--	--
2012	5.3L	CGMXT05.3377	LEV2 ULEV	All	Front Left	--	--	740725	D-798
2012	5.3L	CGMXT05.3377	LEV2 ULEV	All	Front Right	749550	D-798	--	--
2012	5.3L	CGMXT05.3377	LEV2 ULEV	All	Front Right	--	--	740725	D-798
2012	5.3L	CGMXT05.3377	LEV2 ULEV	All	Rear Left	--	--	747335	D-798
2012	5.3L	CGMXT05.3377	LEV2 ULEV	All	Rear Right	--	--	747335	D-798
2011	5.3L	BGMXT05.3377	LEV2 ULEV	All	Front Left	749549	D-798	--	--
2011	5.3L	BGMXT05.3377	LEV2 ULEV	All	Front Left	--	--	740725	D-798
2011	5.3L	BGMXT05.3377	LEV2 ULEV	All	Front Right	749550	D-798	--	--
2011	5.3L	BGMXT05.3377	LEV2 ULEV	All	Front Right	--	--	740725	D-798
2011	5.3L	BGMXT05.3377	LEV2 ULEV	All	Rear Left	--	--	747335	D-798
2011	5.3L	BGMXT05.3377	LEV2 ULEV	All	Rear Right	--	--	747335	D-798
2010	5.3L	AGMXT05.3377	LEV2 ULEV	All	Front Left	749549	D-798	--	--
2010	5.3L	AGMXT05.3377	LEV2 ULEV	All	Front Left	--	--	740725	D-798
2010	5.3L	AGMXT05.3377	LEV2 ULEV	All	Front Right	749550	D-798	--	--
2010	5.3L	AGMXT05.3377	LEV2 ULEV	All	Front Right	--	--	740725	D-798
2010	5.3L	AGMXT05.3377	LEV2 ULEV	All	Rear Left	--	--	747335	D-798
2010	5.3L	AGMXT05.3377	LEV2 ULEV	All	Rear Right	--	--	747335	D-798
2009	5.3L	9GMXT05.3377	LEV2 ULEV	All	Front Left	749549	D-798	--	--
2009	5.3L	9GMXT05.3377	LEV2 ULEV	All	Front Left	--	--	740725	D-798
2009	5.3L	9GMXT05.3377	LEV2 ULEV	All	Front Right	749550	D-798	--	--
2009	5.3L	9GMXT05.3377	LEV2 ULEV	All	Front Right	--	--	740725	D-798
2009	5.3L	9GMXT05.3377	LEV2 ULEV	All	Rear Left	--	--	747335	D-798
2009	5.3L	9GMXT05.3377	LEV2 ULEV	All	Rear Right	--	--	747335	D-798
Envoy									
L6									
2009	4.2L	9GMXT04.2186	LEV2 ULEV	All	Front	--	--	740725	D-798
2009	4.2L	9GMXT04.2186	LEV2 ULEV	All	Rear	--	--	747015	D-798
2009	4.2L	9GMXT04.2186	LEV2 ULEV	All	Underbody	749546	D-798	--	--
2008	4.2L	8GMXT04.2186	LEV2 ULEV	All	Front	--	--	740725	D-798
2008	4.2L	8GMXT04.2186	LEV2 ULEV	All	Rear	--	--	747015	D-798
2008	4.2L	8GMXT04.2186	LEV2 ULEV	All	Underbody	749546	D-798	--	--
2007	4.2L	7GMXT04.2186	LEV2 ULEV	All	Underbody	749171	D-798	--	--
2007	4.2L	7GMXT04.2186	LEV2 ULEV	All	Underbody	--	--	740336	D-798
2007	4.2L	7GMXT04.2188	LEV2 ULEV	All	Underbody	749171	D-798	--	--
2007	4.2L	7GMXT04.2188	LEV2 ULEV	All	Underbody	--	--	740336	D-798
2006	4.2L	6GMXT04.2186	LEV2 ULEV	All	Underbody	749171	D-798	--	--
2006	4.2L	6GMXT04.2186	LEV2 ULEV	All	Underbody	--	--	740336	D-798

Legal Note: In Compliance with California Emissions Requirements



CATCO
CATALYTIC CONVERTERS

EASTERN CATALYTIC

APPLICATION GUIDE

OBD II

APPLICATION

Year	Eng. Size	Test Group/ Engine Family	Certification Level	Application	Location	Direct Fit Number	Exec. Order	Consol. Number	Exec. Order
GMC (Cont.)									
Envoy (Cont.)									
L6 (Cont.)									
2005	4.2L	5GMXT04.2185	LEV2 LEV	All	Underbody	749154	D-798	--	--
2005	4.2L	5GMXT04.2185	LEV2 LEV	All	Underbody	--	--	740336	D-798
2004	4.2L	4GMXT04.2185	LEV2 LEV	All	Underbody	749154	D-798	--	--
2004	4.2L	4GMXT04.2185	LEV2 LEV	All	Underbody	--	--	740336	D-798
2003	4.2L	3GMXT04.2185	LEV1 LEV	All	Underbody	912154	D-280-101	--	--
2003	4.2L	3GMXT04.2185	LEV1 LEV	All	Underbody	--	--	912006	D-280-101
2002	4.2L	2GMXT04.2185	LEV1 LEV	All	Underbody	912154	D-280-101	--	--
2002	4.2L	2GMXT04.2185	LEV1 LEV	All	Underbody	--	--	912006	D-280-101
V8									
2009	5.3L	9GMXT06.0387	LEV2 LEV	All	Front Left	--	--	740776	D-798
2009	5.3L	9GMXT06.0387	LEV2 LEV	All	Front Right	--	--	740776	D-798
2009	5.3L	9GMXT06.0387	LEV2 LEV	All	Underbody	749544	D-798	--	--
2008	5.3L	8GMXT06.0387	LEV2 LEV	All	Front Left	--	--	740776	D-798
2008	5.3L	8GMXT06.0387	LEV2 LEV	All	Front Right	--	--	740776	D-798
2008	5.3L	8GMXT06.0387	LEV2 LEV	All	Underbody	749544	D-798	--	--
2007	5.3L	7GMXT06.0387	LEV2 LEV	All	Front Left	--	--	740776	D-798
2007	5.3L	7GMXT06.0387	LEV2 LEV	All	Front Right	--	--	740776	D-798
2007	5.3L	7GMXT06.0387	LEV2 LEV	All	Underbody	749544	D-798	--	--
Envoy XL									
L6									
2003	4.2L	3GMXA04.2187	LEV1 LEV	All	Underbody	912254	D-280-101	--	--
2003	4.2L	3GMXA04.2187	LEV1 LEV	All	Underbody	--	--	912006	D-280-101
2002	4.2L	2GMXA04.2187	LEV1 LEV	All	Underbody	912254	D-280-101	--	--
2002	4.2L	2GMXA04.2187	LEV1 LEV	All	Underbody	--	--	912006	D-280-101
V8									
2004	5.3L	4GMXT05.3170	LEV1 LEV	All	Underbody	919879	D-280-101	--	--
2004	5.3L	4GMXT05.3170	LEV1 LEV	All	Underbody	--	--	912005	D-280-101
2003	5.3L	3GMXT05.3183	LEV1 LEV	All	Front Left	--	--	912006	D-280-101
2003	5.3L	3GMXT05.3183	LEV1 LEV	All	Front Right	--	--	912006	D-280-101
G3500									
V8									
1996	5.7L	TGM5.7JPG1EK	TIER1	All	Underbody Left	--	--	912006	D-280-101
1996	5.7L	TGM5.7JPG1EK	TIER1	All	Underbody Right	--	--	912006	D-280-101
1996	5.7L	TGM5.7JPG1EK	TIER1	2WD	Underbody Left	912043	D-280-101	--	--
1996	5.7L	TGM5.7JPG1EK	TIER1	2WD	Underbody Right	912042	D-280-101	--	--
1996	7.4L	TGM7.4J8G1EK	TIER1	All	Front	--	--	912006	D-280-101
1996	7.4L	TGM7.4J8G1EK	TIER1	All	Rear	--	--	912006	D-280-101
Jimmy									
V6									
2001	4.3L	1GMXT04.3187	LEV1 LEV	All	Rear	--	--	912006	D-280-101
2001	4.3L	1GMXT04.3187	LEV1 LEV	4WD, 4 Dr., A/T	Underbody	919109	D-280-101	--	--
2001	4.3L	1GMXT04.3187	LEV1 LEV	All	Front	--	--	740726	D-798
2001	4.3L	1GMXT04.3187	LEV1 LEV	4WD	Underbody	749109	D-798	--	--
2001	4.3L	1GMXT04.3187	LEV1 LEV	2WD, 2 Dr., A/T	Underbody	749209	D-798	--	--
2001	4.3L	1GMXT04.3187	LEV1 LEV	2 Dr., A/T	Underbody	749210	D-798	--	--
2001	4.3L	1GMXT04.3187	LEV1 LEV	2WD, 4 Dr.	Underbody	749214	D-798	--	--
2000	4.3L	YGMXT04.3188	LEV1 LEV	All	Front	--	--	912006R	D-280-101
2000	4.3L	YGMXT04.3188	LEV1 LEV	All	Rear	--	--	912006	D-280-101
2000	4.3L	YGMXT04.3188	LEV1 LEV	4WD, A/T	Underbody	749109	D-798	--	--
2000	4.3L	YGMXT04.3188	LEV1 LEV	2WD, 2 Dr., A/T	Underbody	749209	D-798	--	--
2000	4.3L	YGMXT04.3188	LEV1 LEV	4WD, 4 Dr., A/T	Underbody	919109	D-280-101	--	--
2000	4.3L	YGMXT04.3188	LEV1 LEV	4WD, 2 Dr., A/T	Underbody	749210	D-798	--	--
2000	4.3L	YGMXT04.3188	LEV1 LEV	2WD, 4 Dr.	Underbody	749214	D-798	--	--
1999	4.3L	XGMXT04.3184	TLEV	All	Front	911192	D-280-101	--	--
1999	4.3L	XGMXT04.3184	TLEV	All	Front	--	--	912005R	D-280-101
1999	4.3L	XGMXT04.3184	TLEV	All	Rear	912792	D-280-101	--	--
1999	4.3L	XGMXT04.3184	TLEV	All	Rear	--	--	912006	D-280-101

Legal Note: In Compliance with California Emissions Requirements

APPLICATION GUIDE



OBD II

APPLICATION

Year	Eng. Size	Test Group/ Engine Family	Certification Level	Application	Location	Direct Fit Number	Exec. Order	Consol. Number	Exec. Order
GMC (Cont.)									
Jimmy (Cont.)									
V6 (Cont.)									
1999	4.3L	XGMXT04.3185	LEV1 LEV	All	Front	911192	D-280-101	--	--
1999	4.3L	XGMXT04.3185	LEV1 LEV	All	Front	--	--	912005R	D-280-101
1999	4.3L	XGMXT04.3185	LEV1 LEV	All	Rear	912792	D-280-101	--	--
1999	4.3L	XGMXT04.3185	LEV1 LEV	All	Rear	--	--	912006	D-280-101
1998	4.3L	WGMXT04.3184	TIER1	All	Front	911192	D-280-101	--	--
1998	4.3L	WGMXT04.3184	TIER1	All	Rear	912792	D-280-101	--	--
1998	4.3L	WGMXT04.3184	TIER1	All	Rear	--	--	912006	D-280-101
1998	4.3L	WGMXT04.3185	TLEV	All	Front	911192	D-280-101	--	--
1998	4.3L	WGMXT04.3185	TLEV	All	Front	--	--	912005R	D-280-101
1998	4.3L	WGMXT04.3185	TLEV	All	Rear	912792	D-280-101	--	--
1998	4.3L	WGMXT04.3185	TLEV	All	Rear	--	--	912006	D-280-101
1997	4.3L	VGM4.32PG1EK	TIER1	All	Underbody	912792	D-280-101	--	--
1997	4.3L	VGM4.32PG1EK	TIER1	All	Underbody	--	--	912006	D-280-101
1996	4.3L	TGM4.32PGKEK	TIER1	All	Underbody	912792	D-280-101	--	--
1996	4.3L	TGM4.32PGKEK	TIER1	All	Underbody	--	--	912006	D-280-101
1995	4.3L	S3G4.329GFGJ	TIER1	All	Underbody	--	--	912036R	D-280-101
1995	4.3L	S3G4.329GFGJ	TIER1	All	Underbody	--	--	912006R	D-280-101
1995	4.3L	S3G4.329GFGJ	TIER1	All	Underbody	--	--	912006	D-280-101
1995	4.3L	S3G4.329GFGJ	TIER1	All	Underbody	--	--	912005R	D-280-101
1995	4.3L	S3G4.329GFGJ	TIER1	All	Underbody	--	--	912005	D-280-101
1995	4.3L	S3G4.329GFGJ	TIER1	4WD, 4 Dr.	Underbody	914482	D-280-101	--	--
1995	4.3L	S3G4.329GFGJ	TIER1	4WD, 2 Dr.	Underbody	914682	D-280-101	--	--
K1500									
V6									
1998	4.3L	WGMXA04.3190	TIER1	All	Underbody	912720	D-280-101	--	--
1998	4.3L	WGMXA04.3190	TIER1	All	Underbody	--	--	912007	D-280-101
1997	4.3L	VGM4.3HPG1EK	TIER1	All	Underbody	912720	D-280-101	--	--
1997	4.3L	VGM4.3HPG1EK	TIER1	All	Underbody	--	--	912006	D-280-101
1996	4.3L	TGM4.35PGFEK	TIER1	All	Underbody	912720	D-280-101	--	--
1996	4.3L	TGM4.35PGFEK	TIER1	All	Underbody	--	--	912007	D-280-101
V8									
1999	5.0L	XGMXA05.0184	TIER1	All	Underbody	912720	D-280-101	--	--
1999	5.0L	XGMXA05.0184	TIER1	All	Underbody	--	--	912007	D-280-101
1998	5.0L	WGMXA05.0182	TIER1	All	Underbody	--	--	912007	D-280-101
1998	5.0L	WGMXA05.0182	TIER1	4WD	Underbody	912720	D-280-101	--	--
1998	5.0L	WGMXA05.0184	TIER1	All	Underbody	912720	D-280-101	--	--
1998	5.0L	WGMXA05.0184	TIER1	All	Underbody	--	--	912007	D-280-101
1997	5.0L	VGM5.0HPG1EK	TIER1	All	Underbody	912720	D-280-101	--	--
1997	5.0L	VGM5.0HPG1EK	TIER1	All	Underbody	--	--	912007	D-280-101
1997	5.0L	VGM5.0JPG1EK	TIER1	All	Underbody	912720	D-280-101	--	--
1997	5.0L	VGM5.0JPG1EK	TIER1	All	Underbody	--	--	912006	D-280-101
1996	5.0L	TGM5.0HPG1EK	TIER1	All	Underbody	912720	D-280-101	--	--
1996	5.0L	TGM5.0HPG1EK	TIER1	All	Underbody	--	--	912007	D-280-101
1996	5.0L	TGM5.0JPG1EK	TIER1	All	Underbody	912720	D-280-101	--	--
1996	5.0L	TGM5.0JPG1EK	TIER1	All	Underbody	--	--	912007	D-280-101
1999	5.7L	XGMXA05.7182	TIER1	All	Underbody	640542	D-665-18	--	--
1998	5.7L	WGMXA05.7182	TIER1	All	Underbody Left	--	--	912004R	D-280-101
1998	5.7L	WGMXA05.7182	TIER1	All	Underbody Right	--	--	912004R	D-280-101
1998	5.7L	WGMXA05.7182	TIER1	4WD	Underbody	912333	D-280-101	--	--
1998	5.7L	WGMXA05.7184	TIER1	4WD	Underbody	912333	D-280-101	--	--
1998	5.7L	WGMXA05.7187	TIER1	All	Underbody	640542	D-665-18	--	--
1997	5.7L	VGM5.7HPG1EK	TIER1	All	Underbody	912333	D-280-101	--	--
1997	5.7L	VGM5.7HPG1EK	TIER1	All	Underbody Left	--	--	912004R	D-280-101
1997	5.7L	VGM5.7HPG1EK	TIER1	All	Underbody Right	--	--	912004R	D-280-101
1997	5.7L	VGM5.7JPG1GK	TIER1	All	Underbody	912333	D-280-101	--	--
1997	5.7L	VGM5.7JPG1GK	TIER1	All	Underbody Left	--	--	912005	D-280-101
1997	5.7L	VGM5.7JPG1GK	TIER1	All	Underbody Right	--	--	912005	D-280-101

Legal Note: In Compliance with California Emissions Requirements



CATCO
CATALYTIC CONVERTERS

EASTERN CATALYTIC

APPLICATION GUIDE

OBD II

APPLICATION

Year	Eng. Size	Test Group/ Engine Family	Certification Level	Application	Location	Direct Fit Number	Exec. Order	Consol. Number	Exec. Order
GMC (Cont.)									
K1500 (Cont.)									
V8 (Cont.)									
1996	5.7L	TGM5.75PGFEK	TIER1	All	Underbody	912333	D-280-101	--	--
1996	5.7L	TGM5.75PGFEK	TIER1	All	Underbody Left	--	--	912004R	D-280-101
1996	5.7L	TGM5.75PGFEK	TIER1	All	Underbody Right	--	--	912004R	D-280-101
1996	5.7L	TGM5.76PGFEK	TIER1	All	Underbody	912333	D-280-101	--	--
1996	5.7L	TGM5.76PGFEK	TIER1	All	Underbody Left	--	--	912005	D-280-101
1996	5.7L	TGM5.76PGFEK	TIER1	All	Underbody Right	--	--	912005	D-280-101
K1500 Suburban									
V8									
1999	5.7L	XGMXA05.7187	TIER1	All	Underbody	640542	D-665-18	--	--
1998	5.7L	WGMXA05.7185	LEV1 LEV	All	Underbody	640542	D-665-18	--	--
1998	5.7L	WGMXA05.7186	LEV1 LEV	All	Underbody Left	--	--	912004R	D-280-101
1998	5.7L	WGMXA05.7186	LEV1 LEV	All	Underbody Right	--	--	912004R	D-280-101
1998	5.7L	WGMXA05.7186	LEV1 LEV	4WD	Underbody	912333	D-280-101	--	--
1997	5.7L	VGM5.7HPG1EK	TIER1	All	Underbody	640542	D-665-18	--	--
1997	5.7L	VGM5.7JPG1EK	TIER1	All	Underbody	640542	D-665-18	--	--
1997	5.7L	VGM5.7JPG1GK	TIER1	All	Underbody	912333	D-280-101	--	--
1997	5.7L	VGM5.7JPG1GK	TIER1	All	Underbody Left	--	--	912004R	D-280-101
1997	5.7L	VGM5.7JPG1GK	TIER1	All	Underbody Right	--	--	912004R	D-280-101
1996	5.7L	TGM5.75PGFEK	TIER1	All	Underbody	640542	D-665-18	--	--
1996	5.7L	TGM5.76PGFEK	TIER1	All	Underbody	912333	D-280-101	--	--
1996	5.7L	TGM5.76PGFEK	TIER1	All	Underbody Left	--	--	912004R	D-280-101
1996	5.7L	TGM5.76PGFEK	TIER1	All	Underbody Right	--	--	912004R	D-280-101
K2500									
V8									
2000	5.7L	YGMXA05.7191	TIER1	All	Underbody Left	--	--	912005	D-280-101
2000	5.7L	YGMXA05.7191	TIER1	All	Underbody Right	--	--	912005	D-280-101
2000	5.7L	YGMXA05.7191	TIER1	4WD	Front	919092	D-280-101	--	--
2000	5.7L	YGMXA05.7191	TIER1	4WD	Rear	919293	D-280-101	--	--
1999	5.7L	XGMXA05.7182	TIER1	All	Underbody	640542	D-665-18	--	--
1999	5.7L	XGMXA05.7187	TIER1	All	Underbody Left	919092	D-280-101	--	--
1999	5.7L	XGMXA05.7187	TIER1	All	Underbody Left	--	--	912004R	D-280-101
1999	5.7L	XGMXA05.7187	TIER1	All	Underbody Right	919293	D-280-101	--	--
1999	5.7L	XGMXA05.7187	TIER1	All	Underbody Right	--	--	912004R	D-280-101
1998	5.7L	WGMXA05.7182	TIER1	All	Underbody	640542	D-665-18	--	--
1998	5.7L	WGMXA05.7184	TIER1	All	Underbody	640542	D-665-18	--	--
1998	5.7L	WGMXA05.7187	TIER1	All	Underbody Left	--	--	912004R	D-280-101
1998	5.7L	WGMXA05.7187	TIER1	All	Underbody Right	--	--	912004R	D-280-101
1998	5.7L	WGMXA05.7187	TIER1	Under 8500 lbs GVW	Underbody	912333	D-280-101	--	--
1997	5.7L	VGM5.7JPG1EK	TIER1	All	Underbody Left	--	--	912005	D-280-101
1997	5.7L	VGM5.7JPG1EK	TIER1	All	Underbody Right	--	--	912005	D-280-101
1997	5.7L	VGM5.7JPG1EK	TIER1	All	Underbody	912333	D-280-101	--	--
1996	5.7L	TGM5.76PGFEK	TIER1	All	Underbody Left	--	--	912004R	D-280-101
1996	5.7L	TGM5.76PGFEK	TIER1	All	Underbody Right	--	--	912004R	D-280-101
1996	5.7L	TGM5.76PGFEK	TIER1	Under 8500 lbs GVW	Underbody	912333	D-280-101	--	--
1996	5.7L	TGM5.7JPG1EK	TIER1	All	Underbody	912333	D-280-101	--	--
1996	5.7L	TGM5.7JPG1EK	TIER1	All	Underbody Left	--	--	912004R	D-280-101
1996	5.7L	TGM5.7JPG1EK	TIER1	All	Underbody Right	--	--	912004R	D-280-101
2000	7.4L	YGMXA07.4201	TIER1	All	Front	--	--	912006	D-280-101
2000	7.4L	YGMXA07.4201	TIER1	All	Rear	--	--	912006	D-280-101
1999	7.4L	XGMXA07.4201	TIER1	All	Front	912703	D-280-101	--	--
1999	7.4L	XGMXA07.4201	TIER1	All	Front	--	--	912006	D-280-101
1999	7.4L	XGMXA07.4201	TIER1	All	Rear	912293	D-280-101	--	--
1999	7.4L	XGMXA07.4201	TIER1	All	Rear	--	--	912006	D-280-101
1998	7.4L	WGMXA07.4201	TIER1	All	Front	--	--	912006	D-280-101
1998	7.4L	WGMXA07.4201	TIER1	All	Rear	919543	D-280-101	--	--
1998	7.4L	WGMXA07.4201	TIER1	All	Rear	--	--	912006	D-280-101
1998	7.4L	WGMXA07.4201	TIER1	4WD	Front	912703	D-280-101	--	--

APPLICATION GUIDE



OBD II

APPLICATION

Year	Eng. Size	Test Group/ Engine Family	Certification Level	Application	Location	Direct Fit Number	Exec. Order	Consol. Number	Exec. Order
GMC (Cont.)									
K2500 (Cont.)									
V8 (Cont.)									
1996	7.4L	TGM7.4J8G1EK	TIER1	All	Front	912703	D-280-101	--	--
1996	7.4L	TGM7.4J8G1EK	TIER1	All	Front	--	--	912006	D-280-101
1996	7.4L	TGM7.4J8G1EK	TIER1	All	Rear	--	--	912006	D-280-101
K2500 Suburban									
V8									
1999	5.7L	XGMXA05.7187	TIER1	All	Underbody Left	--	--	912004R	D-280-101
1999	5.7L	XGMXA05.7187	TIER1	All	Underbody Right	919293	D-280-101	--	--
1999	5.7L	XGMXA05.7187	TIER1	All	Underbody Right	--	--	912004R	D-280-101
1999	5.7L	XGMXA05.7187	TIER1	4WD	Underbody Left	919092	D-280-101	--	--
1998	5.7L	WGMXA05.7187	TIER1	All	Underbody Left	--	--	912004R	D-280-101
1998	5.7L	WGMXA05.7187	TIER1	All	Underbody Right	--	--	912004R	D-280-101
1998	5.7L	WGMXA05.7187	TIER1	4WD	Underbody	912333	D-280-101	--	--
1997	5.7L	VGM5.7JPG1EK	TIER1	All	Underbody Left	--	--	912005	D-280-101
1997	5.7L	VGM5.7JPG1EK	TIER1	All	Underbody Right	--	--	912005	D-280-101
1997	5.7L	VGM5.7JPG1EK	TIER1	Under 8500 lbs GVW	Underbody	912333	D-280-101	--	--
1997	5.7L	VGM5.7JPG1GK	TIER1	All	Underbody	640542	D-665-18	--	--
1996	5.7L	TGM5.7JPG1EK	TIER1	All	Underbody Left	912703	D-280-101	--	--
1996	5.7L	TGM5.7JPG1EK	TIER1	All	Underbody Left	--	--	912004R	D-280-101
1996	5.7L	TGM5.7JPG1EK	TIER1	All	Underbody Right	--	--	912004R	D-280-101
1996	5.7L	TGM5.7JPG1EK	TIER1	Under 8500 lbs GVW	Underbody	912333	D-280-101	--	--
1999	7.4L	XGMXA07.4201	TIER1	All	Front	--	--	912006	D-280-101
1999	7.4L	XGMXA07.4201	TIER1	All	Rear	--	--	912006	D-280-101
1999	7.4L	XGMXA07.4201	TIER1	2WD	Front	912703	D-280-101	--	--
1999	7.4L	XGMXA07.4201	TIER1	2WD	Rear	912293	D-280-101	--	--
1998	7.4L	WGMXA07.4201	TIER1	All	Front	912703	D-280-101	--	--
1998	7.4L	WGMXA07.4201	TIER1	All	Front	--	--	912006	D-280-101
1998	7.4L	WGMXA07.4201	TIER1	All	Rear	912293	D-280-101	--	--
1998	7.4L	WGMXA07.4201	TIER1	All	Rear	--	--	912006	D-280-101
1998	7.4L	WGMXA07.4201	TIER1	All	Underbody Left	--	--	912005	D-280-101
1998	7.4L	WGMXA07.4201	TIER1	All	Underbody Right	--	--	912005	D-280-101
1997	7.4L	VGM7.4J8G1EK	TIER1	All	Front	912703	D-280-101	--	--
1997	7.4L	VGM7.4J8G1EK	TIER1	All	Front	--	--	912006	D-280-101
1997	7.4L	VGM7.4J8G1EK	TIER1	All	Rear	--	--	912006	D-280-101
1996	7.4L	TGM7.4J8G1EK	TIER1	All	Front	912703	D-280-101	--	--
1996	7.4L	TGM7.4J8G1EK	TIER1	All	Front	--	--	912006	D-280-101
1996	7.4L	TGM7.4J8G1EK	TIER1	All	Rear	--	--	912006	D-280-101
K3500									
V8									
2000	5.7L	YGMXA05.7191	TIER1	All	Underbody Left	--	--	912005	D-280-101
2000	5.7L	YGMXA05.7191	TIER1	All	Underbody Right	--	--	912005	D-280-101
2000	5.7L	YGMXA05.7191	TIER1	4WD	Front	919092	D-280-101	--	--
2000	5.7L	YGMXA05.7191	TIER1	4WD	Rear	919293	D-280-101	--	--
1999	5.7L	XGMXA05.7182	TIER1	All	Underbody	640542	D-665-18	--	--
1999	5.7L	XGMXA05.7187	TIER1	All	Underbody Left	--	--	912005	D-280-101
1999	5.7L	XGMXA05.7187	TIER1	All	Underbody Right	--	--	912005	D-280-101
1999	5.7L	XGMXA05.7187	TIER1	4WD	Front	919092	D-280-101	--	--
1999	5.7L	XGMXA05.7187	TIER1	4WD	Rear	919293	D-280-101	--	--
1998	5.7L	WGMXA05.7182	TIER1	131.5" W.B.	Underbody	640566	D-665-18	--	--
1998	5.7L	WGMXA05.7184	TIER1	131.5" W.B.	Underbody	640566	D-665-18	--	--
1998	5.7L	WGMXA05.7187	TIER1	All	Underbody Left	--	--	912005	D-280-101
1998	5.7L	WGMXA05.7187	TIER1	All	Underbody Right	--	--	912005	D-280-101
1998	5.7L	WGMXA05.7187	TIER1	4WD	Underbody	912333	D-280-101	--	--
1997	5.7L	VGM5.7JPG1EK	TIER1	All	Underbody	912333	D-280-101	--	--
1997	5.7L	VGM5.7JPG1EK	TIER1	All	Underbody Left	--	--	912005	D-280-101
1997	5.7L	VGM5.7JPG1EK	TIER1	All	Underbody Right	--	--	912005	D-280-101

Legal Note: In Compliance with California Emissions Requirements



CATCO
CATALYTIC CONVERTERS

EASTERN CATALYTIC

APPLICATION GUIDE

OBD II

APPLICATION

Year	Eng. Size	Test Group/ Engine Family	Certification Level	Application	Location	Direct Fit Number	Exec. Order	Consol. Number	Exec. Order
GMC (Cont.)									
K3500 (Cont.)									
V8 (Cont.)									
1996	5.7L	TGM5.7JPG1EK	TIER1	All	Front	919092	D-280-101	--	--
1996	5.7L	TGM5.7JPG1EK	TIER1	All	Rear	919293	D-280-101	--	--
1996	5.7L	TGM5.7JPG1EK	TIER1	All	Underbody Left	--	--	912005	D-280-101
1996	5.7L	TGM5.7JPG1EK	TIER1	All	Underbody Right	--	--	912005	D-280-101
2000	7.4L	YGMXA07.4201	TIER1	All	Front	640578	D-665-18	--	--
2000	7.4L	YGMXA07.4201	TIER1	All	Front	--	--	912006	D-280-101
2000	7.4L	YGMXA07.4201	TIER1	All	Rear	640579	D-665-18	--	--
2000	7.4L	YGMXA07.4201	TIER1	All	Rear	--	--	912006	D-280-101
2000	7.4L	YGMXA07.4201	TIER1	131.5" W.B.	Rear	640566	D-665-18	--	--
2000	7.4L	YGMXA07.4201	TIER1	141.5" W.B., Over 8500	Rear	640567	D-665-18	--	--
1999	7.4L	XGMXA07.4201	TIER1	All	Front	--	--	912006	D-280-101
1999	7.4L	XGMXA07.4201	TIER1	All	Rear	--	--	912006	D-280-101
1999	7.4L	XGMXA07.4201	TIER1	4WD	Front	912703	D-280-101	--	--
1999	7.4L	XGMXA07.4201	TIER1	4WD	Rear	919543	D-280-101	--	--
1998	7.4L	WGMXA07.4201	TIER1	All	Front	--	--	912006	D-280-101
1998	7.4L	WGMXA07.4201	TIER1	All	Rear	--	--	912006	D-280-101
1998	7.4L	WGMXA07.4201	TIER1	4WD, 159.5" W.B., 15000	Rear	919543	D-280-101	--	--
1998	7.4L	WGMXA07.4201	TIER1	4WD	Front	912703	D-280-101	--	--
1997	7.4L	VGM7.4J8G1EK	TIER1	All	Front	912703	D-280-101	--	--
1997	7.4L	VGM7.4J8G1EK	TIER1	All	Front	--	--	912006	D-280-101
1997	7.4L	VGM7.4J8G1EK	TIER1	All	Rear	--	--	912006	D-280-101
1996	7.4L	TGM7.4J8G1EK	TIER1	All	Front	912703	D-280-101	--	--
1996	7.4L	TGM7.4J8G1EK	TIER1	All	Front	--	--	912006	D-280-101
1996	7.4L	TGM7.4J8G1EK	TIER1	All	Rear	919543	D-280-101	--	--
1996	7.4L	TGM7.4J8G1EK	TIER1	All	Rear	--	--	912006	D-280-101
Safari									
V6									
2005	4.3L	5GMXT04.3181	LEV1 LEV	AWD	Underbody	919148	D-280-101	--	--
2005	4.3L	5GMXT04.3187	LEV1 ULEV	All	Front	749148	D-798	--	--
2005	4.3L	5GMXT04.3187	LEV1 ULEV	All	Front	--	--	740726	D-798
2005	4.3L	5GMXT04.3187	LEV1 ULEV	All	Rear	--	--	747337	D-798
2004	4.3L	4GMXT04.3181	LEV1 LEV	All	Underbody	919148	D-280-101	--	--
2004	4.3L	4GMXT04.3181	LEV1 LEV	All	Underbody	--	--	912006	D-280-101
2004	4.3L	4GMXT04.3187	LEV1 ULEV	All	Front	749148	D-798	--	--
2004	4.3L	4GMXT04.3187	LEV1 ULEV	All	Front	--	--	740726	D-798
2004	4.3L	4GMXT04.3187	LEV1 ULEV	All	Rear	--	--	747337	D-798
2003	4.3L	3GMXT04.3181	LEV1 ULEV	AWD	Front	--	--	733016	D-280-107
2003	4.3L	3GMXT04.3181	LEV1 ULEV	AWD	Rear	--	--	732006	D-280-107
2003	4.3L	3GMXT04.3187	LEV1 ULEV	All	Front	749148	D-798	--	--
2003	4.3L	3GMXT04.3187	LEV1 ULEV	All	Front	--	--	740726	D-798
2003	4.3L	3GMXT04.3187	LEV1 ULEV	All	Rear	--	--	747337	D-798
2002	4.3L	2GMXA04.3189	LEV1 ULEV	AWD	Front	--	--	733016	D-280-107
2002	4.3L	2GMXA04.3189	LEV1 ULEV	AWD	Rear	--	--	732006	D-280-107
2002	4.3L	2GMXT04.3188	LEV1 LEV	All	Front	--	--	910005R	D-280-101
2002	4.3L	2GMXT04.3188	LEV1 LEV	All	Rear	--	--	912006	D-280-101
2002	4.3L	2GMXT04.3188	LEV1 LEV	All	Underbody	919148	D-280-101	--	--
2002	4.3L	2GMXT04.3188	LEV1 LEV	All	Front	749148	D-798	--	--
2001	4.3L	1GMXA04.3189	LEV1 ULEV	AWD	Front	--	--	733016	D-280-107
2001	4.3L	1GMXA04.3189	LEV1 ULEV	AWD	Rear	--	--	732006	D-280-107
2001	4.3L	1GMXT04.3187	LEV1 LEV	All	Front	749148	D-798	--	--
2001	4.3L	1GMXT04.3187	LEV1 LEV	All	Front	--	--	740726	D-798
2001	4.3L	1GMXT04.3187	LEV1 LEV	All	Rear	--	--	747337	D-798
2000	4.3L	YGMXA04.3189	LEV1 ULEV	AWD	Front	--	--	733016	D-280-107
2000	4.3L	YGMXA04.3189	LEV1 ULEV	AWD	Rear	--	--	732006	D-280-107
2000	4.3L	YGMXT04.3188	LEV1 LEV	All	Front	--	--	912006R	D-280-101
2000	4.3L	YGMXT04.3188	LEV1 LEV	All	Rear	--	--	912006	D-280-101
2000	4.3L	YGMXT04.3188	LEV1 LEV	All	Underbody	919148	D-280-101	--	--
2000	4.3L	YGMXT04.3188	LEV1 LEV	All	Front	749148	D-798	--	--

APPLICATION GUIDE



OBD II

APPLICATION

Year	Eng. Size	Test Group/ Engine Family	Certification Level	Application	Location	Direct Fit Number	Exec. Order	Consol. Number	Exec. Order
GMC (Cont.)									
Safari (Cont.)									
V6 (Cont.)									
1999	4.3L	XGMXA04.3188	LEV1 LEV	All	Underbody	912075	D-280-101	--	--
1999	4.3L	XGMXA04.3188	LEV1 LEV	All	Underbody	--	--	912007	D-280-101
1999	4.3L	XGMXT04.3187	TLEV	All	Underbody	912075	D-280-101	--	--
1999	4.3L	XGMXT04.3187	TLEV	All	Underbody	--	--	912007	D-280-101
1998	4.3L	WGMXA04.3188	LEV1 LEV	All	Underbody	912075	D-280-101	--	--
1998	4.3L	WGMXA04.3188	LEV1 LEV	All	Underbody	--	--	912006	D-280-101
1998	4.3L	WGMXT04.3187	TLEV	All	Underbody	912075	D-280-101	--	--
1998	4.3L	WGMXT04.3187	TLEV	All	Underbody	--	--	912007	D-280-101
1997	4.3L	VGM4.32PG2EK	TLEV	All	Underbody	912075	D-280-101	--	--
1997	4.3L	VGM4.32PG2EK	TLEV	All	Underbody	--	--	912007	D-280-101
1997	4.3L	VGM4.3HPG3EK	LEV1 LEV	All	Underbody	912075	D-280-101	--	--
1997	4.3L	VGM4.3HPG3EK	LEV1 LEV	All	Underbody	--	--	912006	D-280-101
1996	4.3L	TGM4.32PGKEL	TIER1	All	Underbody	912075	D-280-101	--	--
1996	4.3L	TGM4.32PGKEL	TIER1	All	Underbody	--	--	912007	D-280-101
1996	4.3L	TGM4.35PGFEK	TIER1	All	Underbody	912075	D-280-101	--	--
1996	4.3L	TGM4.35PGFEK	TIER1	All	Underbody	--	--	912007	D-280-101
Savana 1500									
V6									
2013	4.3L	DGMXT04.3186	LEV2 LEV	2WD	Front Left	--	--	740006	D-798
2013	4.3L	DGMXT04.3186	LEV2 LEV	2WD	Front Right	--	--	740006	D-798
2013	4.3L	DGMXT04.3186	LEV2 LEV	2WD	Rear	--	--	747336	D-798
2013	4.3L	DGMXT04.3186	LEV2 LEV	2WD	Underbody	749872	D-798	--	--
2012	4.3L	CGMXT04.3186	LEV2 LEV	2WD	Front Left	--	--	740006	D-798
2012	4.3L	CGMXT04.3186	LEV2 LEV	2WD	Front Right	--	--	740006	D-798
2012	4.3L	CGMXT04.3186	LEV2 LEV	2WD	Rear	--	--	747336	D-798
2012	4.3L	CGMXT04.3186	LEV2 LEV	2WD	Underbody	749872	D-798	--	--
2011	4.3L	BGMXT04.3186	LEV2 LEV	2WD	Front Left	--	--	740006	D-798
2011	4.3L	BGMXT04.3186	LEV2 LEV	2WD	Front Right	--	--	740006	D-798
2011	4.3L	BGMXT04.3186	LEV2 LEV	2WD	Rear	--	--	747336	D-798
2011	4.3L	BGMXT04.3186	LEV2 LEV	2WD	Underbody	749872	D-798	--	--
2010	4.3L	AGMXT04.3186	LEV2 LEV	2WD	Front Left	--	--	740036	D-798
2010	4.3L	AGMXT04.3186	LEV2 LEV	2WD	Front Right	--	--	740036	D-798
2010	4.3L	AGMXT04.3186	LEV2 LEV	2WD	Rear	--	--	747336	D-798
2010	4.3L	AGMXT04.3186	LEV2 LEV	2WD	Underbody	749872	D-798	--	--
2009	4.3L	9GMXT04.3186	LEV2 LEV	2WD	Front Left	--	--	740036	D-798
2009	4.3L	9GMXT04.3186	LEV2 LEV	2WD	Front Right	--	--	740036	D-798
2009	4.3L	9GMXT04.3186	LEV2 LEV	2WD	Rear	--	--	747336	D-798
2009	4.3L	9GMXT04.3186	LEV2 LEV	2WD	Underbody	749872	D-798	--	--
2008	4.3L	8GMXT04.3186	LEV2 LEV	All	Front Left	--	--	740036	D-798
2008	4.3L	8GMXT04.3186	LEV2 LEV	All	Front Right	--	--	740036	D-798
2008	4.3L	8GMXT04.3186	LEV2 LEV	All	Underbody	749991	D-798	--	--
2007	4.3L	7GMXT04.3186	LEV2 LEV	All	Front Left	--	--	740036	D-798
2007	4.3L	7GMXT04.3186	LEV2 LEV	All	Front Right	--	--	740036	D-798
2007	4.3L	7GMXT04.3186	LEV2 LEV	All	Underbody	749991	D-798	--	--
2006	4.3L	6GMXT04.3181	LEV1 LEV	All	Underbody	640571	D-665-18	--	--
2006	4.3L	6GMXT04.3184	LEV1 LEV	2WD	Underbody	919991	D-280-101	--	--
2005	4.3L	5GMXT04.3184	LEV1 LEV	2WD	Underbody	919991	D-280-101	--	--
2004	4.3L	4GMXT04.3184	LEV1 LEV	All	Underbody	919991	D-280-101	--	--
2004	4.3L	4GMXT04.3184	LEV1 LEV	All	Underbody	--	--	912005	D-280-101
2003	4.3L	3GMXT04.3184	LEV1 LEV	All	Front Left	--	--	912006	D-280-101
2003	4.3L	3GMXT04.3184	LEV1 LEV	All	Front Right	--	--	912005	D-280-101
2003	4.3L	3GMXT04.3184	LEV1 LEV	All	Underbody	919991	D-280-101	--	--
2002	4.3L	2GMXA04.3192	LEV1 LEV	All	Underbody	912019	D-280-101	--	--
2002	4.3L	2GMXA04.3192	LEV1 LEV	All	Underbody	--	--	912013	D-280-101
2001	4.3L	1GMXA04.3192	LEV1 LEV	All	Underbody	912019	D-280-101	--	--
2001	4.3L	1GMXA04.3192	LEV1 LEV	All	Underbody	--	--	912013	D-280-101
2000	4.3L	YGMXA04.3192	LEV1 LEV	All	Underbody	912019	D-280-101	--	--
2000	4.3L	YGMXA04.3192	LEV1 LEV	All	Underbody	--	--	912013	D-280-101

Legal Note: In Compliance with California Emissions Requirements



CATCO
CATALYTIC CONVERTERS

EASTERN CATALYTIC

APPLICATION GUIDE

OBD II

APPLICATION

Year	Eng. Size	Test Group/ Engine Family	Certification Level	Application	Location	Direct Fit Number	Exec. Order	Consol. Number	Exec. Order
GMC (Cont.)									
Savana 1500 (Cont.)									
V6 (Cont.)									
1999	4.3L	XGMXA04.3190	TIER1	All	Underbody	912649	D-280-101	--	--
1999	4.3L	XGMXA04.3190	TIER1	All	Underbody	--	--	912007	D-280-101
1999	4.3L	XGMXA04.3192	TIER1	All	Underbody	912649	D-280-101	--	--
1999	4.3L	XGMXA04.3192	TIER1	All	Underbody	--	--	912007	D-280-101
1998	4.3L	WGMXA04.3190	TIER1	All	Underbody	912649	D-280-101	--	--
1998	4.3L	WGMXA04.3190	TIER1	All	Underbody	--	--	912007	D-280-101
1998	4.3L	WGMXA04.3192	TIER1	All	Underbody	912649	D-280-101	--	--
1998	4.3L	WGMXA04.3192	TIER1	All	Underbody	--	--	912007	D-280-101
1997	4.3L	VGM4.3JPG1EK	TIER1	All	Underbody	912649	D-280-101	--	--
1997	4.3L	VGM4.3JPG1EK	TIER1	All	Underbody	--	--	912006	D-280-101
1996	4.3L	TGM4.35PGFEK	TIER1	All	Underbody	912649	D-280-101	--	--
1996	4.3L	TGM4.35PGFEK	TIER1	All	Underbody	--	--	912013	D-280-101
1996	4.3L	TGM4.38PGBEK	TIER1	All	Underbody	912649	D-280-101	--	--
1996	4.3L	TGM4.38PGBEK	TIER1	All	Underbody	--	--	912013	D-280-101
V8									
2002	5.0L	2GMXT05.0181	TIER1	All	Underbody	912019	D-280-101	--	--
2002	5.0L	2GMXT05.0181	TIER1	All	Underbody	--	--	912013	D-280-101
2002	5.0L	2GMXT05.0182	TIER1	All	Underbody	912019	D-280-101	--	--
2002	5.0L	2GMXT05.0182	TIER1	All	Underbody	--	--	912013	D-280-101
2001	5.0L	1GMXA05.0181	TIER1	RWD	Underbody	865522	D-665-14	--	--
2001	5.0L	1GMXA05.0182	TIER1	RWD	Underbody	865522	D-665-14	--	--
2001	5.0L	1GMXT05.0181	TIER1	All	Underbody	912019	D-280-101	--	--
2001	5.0L	1GMXT05.0181	TIER1	All	Underbody	--	--	912013	D-280-101
2001	5.0L	1GMXT05.0182	TIER1	All	Underbody	912019	D-280-101	--	--
2001	5.0L	1GMXT05.0182	TIER1	All	Underbody	--	--	912013	D-280-101
2000	5.0L	YGMXT05.7188	TIER1	All	Underbody	912019	D-280-101	--	--
2000	5.0L	YGMXT05.7188	TIER1	All	Underbody	--	--	912013	D-280-101
2000	5.0L	YGMXT05.7189	TIER1	All	Underbody	912019	D-280-101	--	--
2000	5.0L	YGMXT05.7189	TIER1	All	Underbody	--	--	912013	D-280-101
1999	5.0L	XGMXA05.0182	TIER1	All	Underbody	912649	D-280-101	--	--
1999	5.0L	XGMXA05.0182	TIER1	All	Underbody	--	--	912007	D-280-101
1999	5.0L	XGMXA05.0184	TIER1	All	Underbody	912649	D-280-101	--	--
1999	5.0L	XGMXA05.0184	TIER1	All	Underbody	--	--	912007	D-280-101
1998	5.0L	WGMXA05.0182	TIER1	All	Underbody	912649	D-280-101	--	--
1998	5.0L	WGMXA05.0182	TIER1	All	Underbody	--	--	912007	D-280-101
1998	5.0L	WGMXA05.0184	TIER1	All	Underbody	912649	D-280-101	--	--
1998	5.0L	WGMXA05.0184	TIER1	All	Underbody	--	--	912007	D-280-101
1997	5.0L	VGM5.0HPG1EK	TIER1	All	Underbody	912649	D-280-101	--	--
1997	5.0L	VGM5.0HPG1EK	TIER1	All	Underbody	--	--	912006	D-280-101
1997	5.0L	VGM5.0JPG1EK	TIER1	All	Underbody	912649	D-280-101	--	--
1997	5.0L	VGM5.0JPG1EK	TIER1	All	Underbody	--	--	912006	D-280-101
1996	5.0L	TGM5.0HPG1EK	TIER1	All	Underbody	912649	D-280-101	--	--
1996	5.0L	TGM5.0HPG1EK	TIER1	All	Underbody	--	--	912013	D-280-101
1996	5.0L	TGM5.0JPG1EK	TIER1	All	Underbody	912649	D-280-101	--	--
1996	5.0L	TGM5.0JPG1EK	TIER1	All	Underbody	--	--	912013	D-280-101
2013	5.3L	DGMXT05.3381	LEV2 ULEV	2WD	Front Left	--	--	740006	D-798
2013	5.3L	DGMXT05.3381	LEV2 ULEV	2WD	Front Right	--	--	740006	D-798
2013	5.3L	DGMXT05.3381	LEV2 ULEV	2WD	Rear	--	--	747336	D-798
2013	5.3L	DGMXT05.3381	LEV2 ULEV	2WD	Underbody	749872	D-798	--	--
2012	5.3L	CGMXT05.3381	LEV2 ULEV	All	Front Left	--	--	740006	D-798
2012	5.3L	CGMXT05.3381	LEV2 ULEV	All	Front Right	--	--	740006	D-798
2012	5.3L	CGMXT05.3381	LEV2 ULEV	All	Rear	--	--	747336	D-798
2012	5.3L	CGMXT05.3381	LEV2 ULEV	All	Underbody	749872	D-798	--	--
2011	5.3L	BGMXT05.3381	LEV2 ULEV	All	Front Left	--	--	740006	D-798
2011	5.3L	BGMXT05.3381	LEV2 ULEV	All	Front Right	--	--	740006	D-798
2011	5.3L	BGMXT05.3381	LEV2 ULEV	All	Rear	--	--	747336	D-798
2011	5.3L	BGMXT05.3381	LEV2 ULEV	All	Underbody	749872	D-798	--	--

Legal Note: In Compliance with California Emissions Requirements

APPLICATION GUIDE



OBD II

APPLICATION

Year	Eng. Size	Test Group/ Engine Family	Certification Level	Application	Location	Direct Fit Number	Exec. Order	Consol. Number	Exec. Order
GMC (Cont.)									
Savana 1500 (Cont.)									
V8 (Cont.)									
2010	5.3L	AGMXT05.3381	LEV2 ULEV	All	Front Left	--	--	740006	D-798
2010	5.3L	AGMXT05.3381	LEV2 ULEV	All	Front Right	--	--	740006	D-798
2010	5.3L	AGMXT05.3381	LEV2 ULEV	All	Rear	--	--	747336	D-798
2010	5.3L	AGMXT05.3381	LEV2 ULEV	All	Underbody	749872	D-798	--	--
2009	5.3L	9GMXT05.3380	LEV2 ULEV	All	Front Left	--	--	740006	D-798
2009	5.3L	9GMXT05.3380	LEV2 ULEV	All	Front Right	--	--	740006	D-798
2009	5.3L	9GMXT05.3380	LEV2 ULEV	All	Rear	--	--	747336	D-798
2009	5.3L	9GMXT05.3380	LEV2 ULEV	All	Underbody	749872	D-798	--	--
2009	5.3L	9GMXT05.3381	LEV2 ULEV	All	Front Left	--	--	740006	D-798
2009	5.3L	9GMXT05.3381	LEV2 ULEV	All	Front Right	--	--	740006	D-798
2009	5.3L	9GMXT05.3381	LEV2 ULEV	All	Rear	--	--	747336	D-798
2009	5.3L	9GMXT05.3381	LEV2 ULEV	All	Underbody	749872	D-798	--	--
2008	5.3L	8GMXT05.3384	LEV2 LEV	All	Front Left	--	--	740006	D-798
2008	5.3L	8GMXT05.3384	LEV2 LEV	All	Front Right	--	--	740006	D-798
2008	5.3L	8GMXT05.3384	LEV2 LEV	All	Underbody	749991	D-798	--	--
2007	5.3L	7GMXT05.3373	LEV2 LEV	All	Front Left	--	--	740006	D-798
2007	5.3L	7GMXT05.3373	LEV2 LEV	All	Front Right	--	--	740006	D-798
2007	5.3L	7GMXT05.3373	LEV2 LEV	All	Underbody	749991	D-798	--	--
2007	5.3L	7GMXT05.3384	LEV2 LEV	All	Front Left	--	--	740006	D-798
2007	5.3L	7GMXT05.3384	LEV2 LEV	All	Front Right	--	--	740006	D-798
2007	5.3L	7GMXT05.3384	LEV2 LEV	All	Underbody	749991	D-798	--	--
2005	5.3L	5GMXT05.3170	LEV1 LEV	2WD	Underbody	919991	D-280-101	--	--
2004	5.3L	4GMXT05.3170	LEV1 LEV	All	Underbody	--	--	912005	D-280-101
2004	5.3L	4GMXT05.3174	LEV1 ULEV	All	Front Left	--	--	732006	D-280-107
2004	5.3L	4GMXT05.3174	LEV1 ULEV	All	Front Right	--	--	732006	D-280-107
2003	5.3L	3GMXT05.3183	LEV1 LEV	All	Front Left	--	--	912005	D-280-101
2003	5.3L	3GMXT05.3183	LEV1 LEV	All	Front Right	--	--	912005	D-280-101
2003	5.3L	3GMXT05.3183	LEV1 LEV	All	Underbody	640571	D-665-18	--	--
2003	5.3L	3GMXT05.3184	LEV1 LEV	All	Underbody	640571	D-665-18	--	--
2003	5.3L	3GMXT05.3184	LEV1 LEV	All	Underbody Left	--	--	912005	D-280-101
2003	5.3L	3GMXT05.3184	LEV1 LEV	All	Underbody Right	--	--	912005	D-280-101
2002	5.7L	2GMXA06.0188	LEV1 LEV	All	Front Left	--	--	912006	D-280-101
2002	5.7L	2GMXA06.0188	LEV1 LEV	All	Front Right	--	--	912006	D-280-101
2002	5.7L	2GMXA06.0188	LEV1 LEV	All	Rear Left	--	--	912006	D-280-101
2002	5.7L	2GMXA06.0188	LEV1 LEV	All	Rear Right	--	--	912006	D-280-101
2002	5.7L	2GMXA06.0194	LEV1 LEV	All	Underbody	919278	D-280-101	--	--
2002	5.7L	2GMXA06.0194	LEV1 LEV	All	Underbody Left	--	--	912006	D-280-101
2002	5.7L	2GMXA06.0194	LEV1 LEV	All	Underbody Right	--	--	912006	D-280-101
2001	5.7L	1GMXA06.0188	LEV1 LEV	All	Front Left	--	--	912006	D-280-101
2001	5.7L	1GMXA06.0188	LEV1 LEV	All	Front Right	--	--	912006	D-280-101
2001	5.7L	1GMXA06.0188	LEV1 LEV	All	Rear Left	--	--	912006	D-280-101
2001	5.7L	1GMXA06.0188	LEV1 LEV	All	Rear Right	--	--	912006	D-280-101
2001	5.7L	1GMXA06.0188	LEV1 LEV	All	Underbody Left	919916	D-280-101	--	--
2001	5.7L	1GMXA06.0188	LEV1 LEV	All	Underbody Right	919917	D-280-101	--	--
2001	5.7L	1GMXA06.0194	LEV1 LEV	All	Underbody Left	919916	D-280-101	--	--
2001	5.7L	1GMXA06.0194	LEV1 LEV	All	Underbody Right	--	--	912006	D-280-101
2001	5.7L	1GMXA06.0194	LEV1 LEV	All	Underbody Left	--	--	912006	D-280-101
2001	5.7L	1GMXA06.0194	LEV1 LEV	All	Underbody Right	919917	D-280-101	--	--
2001	5.7L	1GMXA06.0194	LEV1 LEV	All	Underbody Right	--	--	912006	D-280-101
2000	5.7L	YGMXA05.7185	LEV1 LEV	All	Underbody	919880	D-280-101	--	--
2000	5.7L	YGMXA05.7185	LEV1 LEV	All	Underbody Left	--	--	912005R	D-280-101
2000	5.7L	YGMXA05.7185	LEV1 LEV	All	Underbody Right	--	--	912005R	D-280-101
2000	5.7L	YGMXA05.7191	TIER1	All	Underbody	919880	D-280-101	--	--
2000	5.7L	YGMXA05.7191	TIER1	All	Underbody Left	--	--	912006	D-280-101
2000	5.7L	YGMXA05.7191	TIER1	All	Underbody Right	--	--	912006	D-280-101
1999	5.7L	XGMXA05.7184	TIER1	All	Underbody Left	912043	D-280-101	--	--
1999	5.7L	XGMXA05.7184	TIER1	All	Underbody Left	--	--	912006	D-280-101
1999	5.7L	XGMXA05.7184	TIER1	All	Underbody Right	912042	D-280-101	--	--
1999	5.7L	XGMXA05.7184	TIER1	All	Underbody Right	--	--	912006	D-280-101

Legal Note: In Compliance with California Emissions Requirements



CATCO
CATALYTIC CONVERTERS

EASTERN CATALYTIC

APPLICATION GUIDE

OBD II

APPLICATION

Year	Eng. Size	Test Group/ Engine Family	Certification Level	Application	Location	Direct Fit Number	Exec. Order	Consol. Number	Exec. Order
GMC (Cont.)									
Savana 1500 (Cont.)									
V8 (Cont.)									
1999	5.7L	XGMXA05.7187	TIER1	All	Underbody Left	912043	D-280-101	--	--
1999	5.7L	XGMXA05.7187	TIER1	All	Underbody Left	--	--	912007	D-280-101
1999	5.7L	XGMXA05.7187	TIER1	All	Underbody Right	912042	D-280-101	--	--
1999	5.7L	XGMXA05.7187	TIER1	All	Underbody Right	--	--	912007	D-280-101
1998	5.7L	WGMXA05.7184	TIER1	All	Underbody Left	912043	D-280-101	--	--
1998	5.7L	WGMXA05.7184	TIER1	All	Underbody Left	--	--	912007	D-280-101
1998	5.7L	WGMXA05.7184	TIER1	All	Underbody Right	912042	D-280-101	--	--
1998	5.7L	WGMXA05.7184	TIER1	All	Underbody Right	--	--	912007	D-280-101
1998	5.7L	WGMXA05.7187	TIER1	All	Underbody Left	912081	D-280-101	--	--
1998	5.7L	WGMXA05.7187	TIER1	All	Underbody Left	--	--	912007	D-280-101
1998	5.7L	WGMXA05.7187	TIER1	All	Underbody Right	912080	D-280-101	--	--
1998	5.7L	WGMXA05.7187	TIER1	All	Underbody Right	--	--	912007	D-280-101
1997	5.7L	VGM5.7JPG1EK	TIER1	All	Underbody Left	912043	D-280-101	--	--
1997	5.7L	VGM5.7JPG1EK	TIER1	All	Underbody Left	--	--	912007	D-280-101
1997	5.7L	VGM5.7JPG1EK	TIER1	All	Underbody Right	912042	D-280-101	--	--
1997	5.7L	VGM5.7JPG1EK	TIER1	All	Underbody Right	--	--	912007	D-280-101
1997	5.7L	VGM5.7JPG1GK	TIER1	All	Underbody Left	912043	D-280-101	--	--
1997	5.7L	VGM5.7JPG1GK	TIER1	All	Underbody Left	--	--	912005	D-280-101
1997	5.7L	VGM5.7JPG1GK	TIER1	All	Underbody Right	912042	D-280-101	--	--
1997	5.7L	VGM5.7JPG1GK	TIER1	All	Underbody Right	--	--	912005	D-280-101
1996	5.7L	TGM5.76PGFEK	TIER1	All	Underbody Left	912043	D-280-101	--	--
1996	5.7L	TGM5.76PGFEK	TIER1	All	Underbody Left	--	--	912006	D-280-101
1996	5.7L	TGM5.76PGFEK	TIER1	All	Underbody Right	912042	D-280-101	--	--
1996	5.7L	TGM5.76PGFEK	TIER1	All	Underbody Right	--	--	912006	D-280-101
1996	5.7L	TGM5.7JPG1EK	TIER1	All	Underbody Left	640555	D-665-18	--	--
1996	5.7L	TGM5.7JPG1EK	TIER1	All	Underbody Right	640554	D-665-18	--	--
Savana 2500									
V6									
2005	4.3L	5GMXT04.3184	LEV1 LEV	2WD	Underbody	919991	D-280-101	--	--
2004	4.3L	4GMXT04.3184	LEV1 LEV	All	Underbody	919991	D-280-101	--	--
2004	4.3L	4GMXT04.3184	LEV1 LEV	All	Underbody	--	--	912005	D-280-101
2003	4.3L	3GMXT04.3184	LEV1 LEV	All	Front Left	--	--	912006	D-280-101
2003	4.3L	3GMXT04.3184	LEV1 LEV	All	Front Right	--	--	912006	D-280-101
2003	4.3L	3GMXT04.3184	LEV1 LEV	All	Underbody	919991	D-280-101	--	--
2002	4.3L	2GMXA04.3192	LEV1 LEV	All	Underbody	912019	D-280-101	--	--
2002	4.3L	2GMXA04.3192	LEV1 LEV	All	Underbody	--	--	912013	D-280-101
2001	4.3L	1GMXA04.3192	LEV1 LEV	All	Underbody	912019	D-280-101	--	--
2001	4.3L	1GMXA04.3192	LEV1 LEV	All	Underbody	--	--	912013	D-280-101
2000	4.3L	YGMXA04.3192	LEV1 LEV	All	Underbody	912019	D-280-101	--	--
2000	4.3L	YGMXA04.3192	LEV1 LEV	All	Underbody	--	--	912013	D-280-101
1999	4.3L	XGMXA04.3192	TIER1	All	Underbody	912649	D-280-101	--	--
1999	4.3L	XGMXA04.3192	TIER1	All	Underbody	--	--	912007	D-280-101
1998	4.3L	WGMXA04.3192	TIER1	All	Underbody	912649	D-280-101	--	--
1998	4.3L	WGMXA04.3192	TIER1	All	Underbody	--	--	912007	D-280-101
1997	4.3L	VGM4.3HPG1EK	TIER1	Under 8500 lbs GVW	Underbody	640544	D-665-18	--	--
1997	4.3L	VGM4.3HPG1EK	TIER1	Over 8500 lbs GVW	Underbody	640557	D-665-18	--	--
1997	4.3L	VGM4.3JPG1EK	TIER1	All	Underbody	912649	D-280-101	--	--
1997	4.3L	VGM4.3JPG1EK	TIER1	All	Underbody	--	--	912006	D-280-101
1996	4.3L	TGM4.35PGFEK	TIER1	All	Underbody	912649	D-280-101	--	--
1996	4.3L	TGM4.35PGFEK	TIER1	All	Underbody	--	--	912013	D-280-101
1996	4.3L	TGM4.38PGBEK	TIER1	All	Underbody	912649	D-280-101	--	--
1996	4.3L	TGM4.38PGBEK	TIER1	All	Underbody	--	--	912013	D-280-101
V8									
2005	4.8L	5GMXA04.8172	LEV1 LEV	2WD	Underbody Left	919992	D-280-101	--	--
2005	4.8L	5GMXA04.8172	LEV1 LEV	2WD	Underbody Right	919993	D-280-101	--	--
2005	4.8L	5GMXT06.0191	LEV1 LEV	All	Underbody Left	919992	D-280-101	--	--
2005	4.8L	5GMXT06.0191	LEV1 LEV	All	Underbody Right	919993	D-280-101	--	--

Legal Note: In Compliance with California Emissions Requirements

APPLICATION GUIDE



OBD II

APPLICATION

Year	Eng. Size	Test Group/ Engine Family	Certification Level	Application	Location	Direct Fit Number	Exec. Order	Consol. Number	Exec. Order
GMC (Cont.)									
Savana 2500 (Cont.)									
V8 (Cont.)									
2004	4.8L	4GMXA04.8172	LEV1 LEV	All	Underbody	--	--	910005R	D-280-101
2004	4.8L	4GMXA04.8172	LEV1 LEV	All	Underbody Left	919992	D-280-101	--	--
2004	4.8L	4GMXA04.8172	LEV1 LEV	All	Underbody Right	919993	D-280-101	--	--
2003	4.8L	3GMXA04.8172	LEV1 LEV	All	Front Left	--	--	912006	D-280-101
2003	4.8L	3GMXA04.8172	LEV1 LEV	All	Front Right	--	--	912006	D-280-101
2003	4.8L	3GMXA04.8172	LEV1 LEV	All	Rear Left	--	--	912006	D-280-101
2003	4.8L	3GMXA04.8172	LEV1 LEV	All	Rear Right	--	--	912006	D-280-101
2003	4.8L	3GMXA04.8172	LEV1 LEV	All	Underbody Left	919992	D-280-101	--	--
2003	4.8L	3GMXA04.8172	LEV1 LEV	All	Underbody Right	919993	D-280-101	--	--
2002	5.0L	2GMXT05.0181	TIER1	All	Underbody	912019	D-280-101	--	--
2002	5.0L	2GMXT05.0181	TIER1	All	Underbody	--	--	912013	D-280-101
2002	5.0L	2GMXT05.0182	TIER1	All	Underbody	912019	D-280-101	--	--
2002	5.0L	2GMXT05.0182	TIER1	All	Underbody	--	--	912013	D-280-101
2001	5.0L	1GMXA05.0181	TIER1	RWD	Underbody	865522	D-665-14	--	--
2001	5.0L	1GMXA05.0182	TIER1	RWD	Underbody	865522	D-665-14	--	--
2001	5.0L	1GMXT05.0181	TIER1	All	Underbody	912019	D-280-101	--	--
2001	5.0L	1GMXT05.0181	TIER1	All	Underbody	--	--	912013	D-280-101
2001	5.0L	1GMXT05.0182	TIER1	All	Underbody	912019	D-280-101	--	--
2001	5.0L	1GMXT05.0182	TIER1	All	Underbody	--	--	912013	D-280-101
2000	5.0L	YGMXT05.7189	TIER1	All	Underbody	912019	D-280-101	--	--
2000	5.0L	YGMXT05.7189	TIER1	All	Underbody	--	--	912013	D-280-101
1999	5.0L	XGMXA05.0182	TIER1	All	Underbody	912649	D-280-101	--	--
1999	5.0L	XGMXA05.0182	TIER1	All	Underbody	--	--	912007	D-280-101
1999	5.0L	XGMXA05.0184	TIER1	All	Underbody	912649	D-280-101	--	--
1999	5.0L	XGMXA05.0184	TIER1	All	Underbody	--	--	912007	D-280-101
1998	5.0L	WGMXA05.0182	TIER1	All	Underbody	912649	D-280-101	--	--
1998	5.0L	WGMXA05.0182	TIER1	All	Underbody	--	--	912007	D-280-101
1998	5.0L	WGMXA05.0184	TIER1	All	Underbody	912649	D-280-101	--	--
1998	5.0L	WGMXA05.0184	TIER1	All	Underbody	--	--	912007	D-280-101
1997	5.0L	VGM5.0JPG1EK	TIER1	All	Underbody	912649	D-280-101	--	--
1997	5.0L	VGM5.0JPG1EK	TIER1	All	Underbody	--	--	912006	D-280-101
1996	5.0L	TGM5.0HPG1EK	TIER1	All	Underbody	912649	D-280-101	--	--
1996	5.0L	TGM5.0HPG1EK	TIER1	All	Underbody	--	--	912013	D-280-101
1996	5.0L	TGM5.0JPG1EK	TIER1	All	Underbody	912649	D-280-101	--	--
1996	5.0L	TGM5.0JPG1EK	TIER1	All	Underbody	--	--	912013	D-280-101
2005	5.3L	5GMXT05.3170	LEV1 LEV	2WD	Underbody	919991	D-280-101	--	--
2004	5.3L	4GMXT05.3170	LEV1 LEV	All	Underbody	--	--	912005	D-280-101
2004	5.3L	4GMXT05.3174	LEV1 ULEV	All	Front Left	--	--	732006	D-280-107
2004	5.3L	4GMXT05.3174	LEV1 ULEV	All	Front Right	--	--	732006	D-280-107
2003	5.3L	3GMXT05.3183	LEV1 LEV	All	Front Left	--	--	912006	D-280-101
2003	5.3L	3GMXT05.3183	LEV1 LEV	All	Front Right	--	--	912006	D-280-101
2003	5.3L	3GMXT05.3184	LEV1 LEV	All	Underbody Left	--	--	912006	D-280-101
2003	5.3L	3GMXT05.3184	LEV1 LEV	All	Underbody Right	--	--	912006	D-280-101
2002	5.7L	2GMXA06.0188	LEV1 LEV	All	Front Left	--	--	912006	D-280-101
2002	5.7L	2GMXA06.0188	LEV1 LEV	All	Front Right	--	--	912006	D-280-101
2002	5.7L	2GMXA06.0188	LEV1 LEV	All	Rear Left	--	--	912006	D-280-101
2002	5.7L	2GMXA06.0188	LEV1 LEV	All	Rear Right	--	--	912006	D-280-101
2002	5.7L	2GMXA06.0194	LEV1 LEV	All	Underbody	919880	D-280-101	--	--
2002	5.7L	2GMXA06.0194	LEV1 LEV	All	Underbody Left	--	--	912006	D-280-101
2002	5.7L	2GMXA06.0194	LEV1 LEV	All	Underbody Right	--	--	912006	D-280-101
2001	5.7L	1GMXA06.0188	LEV1 LEV	All	Front Left	--	--	912006	D-280-101
2001	5.7L	1GMXA06.0188	LEV1 LEV	All	Front Right	--	--	912006	D-280-101
2001	5.7L	1GMXA06.0188	LEV1 LEV	All	Rear Left	--	--	912006	D-280-101
2001	5.7L	1GMXA06.0188	LEV1 LEV	All	Rear Right	--	--	912006	D-280-101
2001	5.7L	1GMXA06.0188	LEV1 LEV	All	Underbody Left	919916	D-280-101	--	--
2001	5.7L	1GMXA06.0188	LEV1 LEV	All	Underbody Right	919917	D-280-101	--	--

Legal Note: In Compliance with California Emissions Requirements

**CATCO**
CATALYTIC CONVERTERS**EASTERN CATALYTIC**

APPLICATION GUIDE

OBD II**APPLICATION**

Year	Eng. Size	Test Group/ Engine Family	Certification Level	Application	Location	Direct Fit Number	Exec. Order	Consol. Number	Exec. Order
GMC (Cont.)									
Savana 2500 (Cont.)									
V8 (Cont.)									
2001	5.7L	1GMXA06.0194	LEV1 LEV	All	Underbody Left	919916	D-280-101	--	--
2001	5.7L	1GMXA06.0194	LEV1 LEV	All	Underbody Left	--	--	912006	D-280-101
2001	5.7L	1GMXA06.0194	LEV1 LEV	All	Underbody Right	919917	D-280-101	--	--
2001	5.7L	1GMXA06.0194	LEV1 LEV	All	Underbody Right	--	--	912006	D-280-101
2000	5.7L	YGMXA05.7185	LEV1 LEV	All	Underbody	919880	D-280-101	--	--
2000	5.7L	YGMXA05.7185	LEV1 LEV	All	Underbody Left	--	--	912036R	D-280-101
2000	5.7L	YGMXA05.7185	LEV1 LEV	All	Underbody Left	--	--	912006R	D-280-101
2000	5.7L	YGMXA05.7185	LEV1 LEV	All	Underbody Left	--	--	912006	D-280-101
2000	5.7L	YGMXA05.7185	LEV1 LEV	All	Underbody Left	--	--	912005R	D-280-101
2000	5.7L	YGMXA05.7185	LEV1 LEV	All	Underbody Left	--	--	912005	D-280-101
2000	5.7L	YGMXA05.7185	LEV1 LEV	All	Underbody Right	--	--	912036R	D-280-101
2000	5.7L	YGMXA05.7185	LEV1 LEV	All	Underbody Right	--	--	912006R	D-280-101
2000	5.7L	YGMXA05.7185	LEV1 LEV	All	Underbody Right	--	--	912006	D-280-101
2000	5.7L	YGMXA05.7185	LEV1 LEV	All	Underbody Right	--	--	912005R	D-280-101
2000	5.7L	YGMXA05.7185	LEV1 LEV	All	Underbody Right	--	--	912005	D-280-101
2000	5.7L	YGMXA05.7191	TIER1	All	Underbody	919880	D-280-101	--	--
2000	5.7L	YGMXA05.7191	TIER1	All	Underbody Left	--	--	912036R	D-280-101
2000	5.7L	YGMXA05.7191	TIER1	All	Underbody Left	--	--	912006R	D-280-101
2000	5.7L	YGMXA05.7191	TIER1	All	Underbody Left	--	--	912006	D-280-101
2000	5.7L	YGMXA05.7191	TIER1	All	Underbody Left	--	--	912005R	D-280-101
2000	5.7L	YGMXA05.7191	TIER1	All	Underbody Left	--	--	912005	D-280-101
2000	5.7L	YGMXA05.7191	TIER1	All	Underbody Right	--	--	912036R	D-280-101
2000	5.7L	YGMXA05.7191	TIER1	All	Underbody Right	--	--	912006R	D-280-101
2000	5.7L	YGMXA05.7191	TIER1	All	Underbody Right	--	--	912006	D-280-101
2000	5.7L	YGMXA05.7191	TIER1	All	Underbody Right	--	--	912005R	D-280-101
2000	5.7L	YGMXA05.7191	TIER1	All	Underbody Right	--	--	912005	D-280-101
2000	5.7L	YGMXT05.7188	TIER1	All	Underbody	640568	D-665-18	--	--
2000	5.7L	YGMXT05.7188	TIER1	All	Underbody Left	640568	D-665-18	--	--
2000	5.7L	YGMXT05.7188	TIER1	All	Underbody Right	640568	D-665-18	--	--
1999	5.7L	XGMXA05.7184	TIER1	All	Underbody Left	912043	D-280-101	--	--
1999	5.7L	XGMXA05.7184	TIER1	All	Underbody Left	--	--	912006	D-280-101
1999	5.7L	XGMXA05.7184	TIER1	All	Underbody Right	912042	D-280-101	--	--
1999	5.7L	XGMXA05.7184	TIER1	All	Underbody Right	--	--	912006	D-280-101
1999	5.7L	XGMXA05.7187	TIER1	All	Underbody Left	--	--	912007	D-280-101
1999	5.7L	XGMXA05.7187	TIER1	All	Underbody Right	--	--	912007	D-280-101
1999	5.7L	XGMXA05.7187	TIER1	Under 8500 lbs GVW	Underbody Left	912043	D-280-101	--	--
1999	5.7L	XGMXA05.7187	TIER1	Under 8500 lbs GVW	Underbody Right	912042	D-280-101	--	--
1998	5.7L	WGMXA05.7184	TIER1	All	Underbody Left	--	--	912007	D-280-101
1998	5.7L	WGMXA05.7184	TIER1	All	Underbody Right	--	--	912007	D-280-101
1998	5.7L	WGMXA05.7184	TIER1	Under 8500 lbs GVW	Underbody Left	912043	D-280-101	--	--
1998	5.7L	WGMXA05.7184	TIER1	Under 8500 lbs GVW	Underbody Right	912042	D-280-101	--	--
1998	5.7L	WGMXA05.7187	TIER1	All	Underbody Left	--	--	912007	D-280-101
1998	5.7L	WGMXA05.7187	TIER1	All	Underbody Right	--	--	912007	D-280-101
1998	5.7L	WGMXA05.7187	TIER1	Over 8500 lbs GVW	Underbody Left	912081	D-280-101	--	--
1998	5.7L	WGMXA05.7187	TIER1	Over 8500 lbs GVW	Underbody Right	912080	D-280-101	--	--
1997	5.7L	VGM5.7JPG1EK	TIER1	All	Underbody Left	912081	D-280-101	--	--
1997	5.7L	VGM5.7JPG1EK	TIER1	All	Underbody Left	--	--	912007	D-280-101
1997	5.7L	VGM5.7JPG1EK	TIER1	All	Underbody Right	912080	D-280-101	--	--
1997	5.7L	VGM5.7JPG1EK	TIER1	All	Underbody Right	--	--	912007	D-280-101
1997	5.7L	VGM5.7JPG1GK	TIER1	All	Underbody Left	912043	D-280-101	--	--
1997	5.7L	VGM5.7JPG1GK	TIER1	All	Underbody Left	--	--	912005	D-280-101
1997	5.7L	VGM5.7JPG1GK	TIER1	All	Underbody Right	912042	D-280-101	--	--
1997	5.7L	VGM5.7JPG1GK	TIER1	All	Underbody Right	--	--	912005	D-280-101
1996	5.7L	TGM5.76PGFEK	TIER1	All	Underbody Left	--	--	912006	D-280-101
1996	5.7L	TGM5.76PGFEK	TIER1	All	Underbody Right	--	--	912006	D-280-101
1996	5.7L	TGM5.76PGFEK	TIER1	Under 8500 lbs GVW	Underbody Left	912043	D-280-101	--	--
1996	5.7L	TGM5.76PGFEK	TIER1	Under 8500 lbs GVW	Underbody Right	912042	D-280-101	--	--
1996	5.7L	TGM5.7JPG1EK	TIER1	All	Underbody Left	--	--	912007	D-280-101
1996	5.7L	TGM5.7JPG1EK	TIER1	All	Underbody Right	--	--	912007	D-280-101

Legal Note: In Compliance with California Emissions Requirements

APPLICATION GUIDE



OBD II

APPLICATION

Year	Eng. Size	Test Group/ Engine Family	Certification Level	Application	Location	Direct Fit Number	Exec. Order	Consol. Number	Exec. Order
GMC (Cont.)									
Savana 2500 (Cont.)									
V8 (Cont.)									
1996	5.7L	TGM5.7JPG1EK	TIER1	Under 8500 lbs GVW	Underbody Left	912043	D-280-101	--	--
1996	5.7L	TGM5.7JPG1EK	TIER1	Under 8500 lbs GVW	Underbody Right	912042	D-280-101	--	--
2008	6.0L	8GMXT06.2394	LEV2 LEV	All	Front Left	744959	D-798	--	--
2008	6.0L	8GMXT06.2394	LEV2 LEV	All	Front Left	--	--	740006	D-798
2008	6.0L	8GMXT06.2394	LEV2 LEV	All	Front Right	744960	D-798	--	--
2008	6.0L	8GMXT06.2394	LEV2 LEV	All	Front Right	--	--	740006	D-798
2005	6.0L	5GMXA06.0189	LEV2 ULEV	All	Front Left	--	--	736006	D-280-107
2005	6.0L	5GMXA06.0189	LEV2 ULEV	All	Front Right	--	--	736006	D-280-107
2005	6.0L	5GMXA06.0189	LEV2 ULEV	All	Rear Left	--	--	737006	D-280-107
2005	6.0L	5GMXA06.0189	LEV2 ULEV	All	Rear Right	--	--	737006	D-280-107
2005	6.0L	5GMXA06.0189	LEV2 ULEV	All	Underbody Left	733001	D-280-107	--	--
2005	6.0L	5GMXA06.0189	LEV2 ULEV	All	Underbody Right	733002	D-280-107	--	--
2005	6.0L	5GMXT06.0191	LEV1 LEV	All	Underbody Left	919992	D-280-101	--	--
2005	6.0L	5GMXT06.0191	LEV1 LEV	All	Underbody Right	919993	D-280-101	--	--
2004	6.0L	4GMXA06.0189	LEV2 LEV	All	Front Left	--	--	736006	D-280-107
2004	6.0L	4GMXA06.0189	LEV2 LEV	All	Front Right	--	--	736006	D-280-107
2004	6.0L	4GMXA06.0189	LEV2 LEV	All	Rear Left	--	--	737006	D-280-107
2004	6.0L	4GMXA06.0189	LEV2 LEV	All	Rear Right	--	--	737006	D-280-107
2004	6.0L	4GMXA06.0189	LEV2 LEV	All	Underbody Left	733001	D-280-107	--	--
2004	6.0L	4GMXA06.0189	LEV2 LEV	All	Underbody Right	733002	D-280-107	--	--
2003	6.0L	3GMXA06.0189	LEV1 LEV	All	Rear Left	--	--	912007	D-280-101
2003	6.0L	3GMXA06.0189	LEV1 LEV	All	Rear Right	--	--	912007	D-280-101
2003	6.0L	3GMXA06.0189	LEV1 LEV	All	Underbody Left	919992	D-280-101	--	--
2003	6.0L	3GMXA06.0189	LEV1 LEV	All	Underbody Right	919993	D-280-101	--	--
Savana 3500									
V8									
2006	4.8L	6GMXT04.8372	LEV2 LEV	All	Front Left	--	--	736007	D-280-107
2006	4.8L	6GMXT04.8372	LEV2 LEV	All	Front Right	--	--	736007	D-280-107
2006	4.8L	6GMXT04.8372	LEV2 LEV	All	Rear Left	--	--	737006	D-280-107
2006	4.8L	6GMXT04.8372	LEV2 LEV	All	Rear Left	--	--	733016	D-280-107
2006	4.8L	6GMXT04.8372	LEV2 LEV	All	Rear Right	--	--	737006	D-280-107
2006	4.8L	6GMXT04.8372	LEV2 LEV	All	Rear Right	--	--	733016	D-280-107
2006	4.8L	6GMXT06.0389	LEV2 ULEV	All	Front Left	--	--	736007	D-280-107
2006	4.8L	6GMXT06.0389	LEV2 ULEV	All	Front Right	--	--	736007	D-280-107
2006	4.8L	6GMXT06.0389	LEV2 ULEV	All	Rear Left	--	--	733016	D-280-107
2006	4.8L	6GMXT06.0389	LEV2 ULEV	All	Rear Right	--	--	733016	D-280-107
2005	4.8L	5GMXA04.8172	LEV1 LEV	All	Underbody Left	651594	D-665-20	--	--
2005	4.8L	5GMXA04.8172	LEV1 LEV	All	Underbody Right	651595	D-665-20	--	--
2005	4.8L	5GMXT06.0191	LEV1 LEV	All	Underbody Left	651594	D-665-20	--	--
2005	4.8L	5GMXT06.0191	LEV1 LEV	All	Underbody Right	651595	D-665-20	--	--
2002	5.7L	2GMXA06.0188	LEV1 LEV	All	Front Left	--	--	912006	D-280-101
2002	5.7L	2GMXA06.0188	LEV1 LEV	All	Front Right	--	--	912006	D-280-101
2002	5.7L	2GMXA06.0188	LEV1 LEV	All	Rear Left	--	--	912006	D-280-101
2002	5.7L	2GMXA06.0188	LEV1 LEV	All	Rear Right	--	--	912006	D-280-101
2000	5.7L	YGMXA05.7191	TIER1	All	Underbody Left	--	--	912007	D-280-101
2000	5.7L	YGMXA05.7191	TIER1	All	Underbody Right	--	--	912007	D-280-101
2000	5.7L	YGMXA05.7191	TIER1	Under 8500 lbs GVW	Underbody	919880	D-280-101	--	--
1999	5.7L	XGMXA05.7187	TIER1	All	Underbody Left	--	--	912006	D-280-101
1999	5.7L	XGMXA05.7187	TIER1	All	Underbody Right	--	--	912006	D-280-101
1999	5.7L	XGMXA05.7187	TIER1	Over 8500 lbs GVW	Underbody Left	912043	D-280-101	--	--
1999	5.7L	XGMXA05.7187	TIER1	Over 8500 lbs GVW	Underbody Right	912042	D-280-101	--	--
1998	5.7L	WGMXA05.7187	TIER1	All	Underbody Left	--	--	912007	D-280-101
1998	5.7L	WGMXA05.7187	TIER1	All	Underbody Right	--	--	912007	D-280-101
1998	5.7L	WGMXA05.7187	TIER1	Under 8500 lbs GVW	Underbody Left	912081	D-280-101	--	--
1998	5.7L	WGMXA05.7187	TIER1	Under 8500 lbs GVW	Underbody Right	912080	D-280-101	--	--
1997	5.7L	VGM5.7JPG1EK	TIER1	All	Underbody Left	--	--	912007	D-280-101
1997	5.7L	VGM5.7JPG1EK	TIER1	All	Underbody Right	--	--	912007	D-280-101

Legal Note: In Compliance with California Emissions Requirements



CATCO
CATALYTIC CONVERTERS

EASTERN CATALYTIC

APPLICATION GUIDE

OBD II

APPLICATION

Year	Eng. Size	Test Group/ Engine Family	Certification Level	Application	Location	Direct Fit Number	Exec. Order	Consol. Number	Exec. Order
GMC (Cont.)									
Savana 3500 (Cont.)									
V8 (Cont.)									
1997	5.7L	VGM5.7JPG1EK	TIER1	Under 8500 lbs GVW	Underbody Left	912081	D-280-101	--	--
1997	5.7L	VGM5.7JPG1EK	TIER1	Under 8500 lbs GVW	Underbody Right	912080	D-280-101	--	--
1997	5.7L	VGM5.7JPG1GK	TIER1	All	Underbody Left	640555	D-665-18	--	--
1997	5.7L	VGM5.7JPG1GK	TIER1	All	Underbody Right	640554	D-665-18	--	--
1996	5.7L	TGM5.75PGFEK	TIER1	All	Underbody Left	640555	D-665-18	--	--
1996	5.7L	TGM5.75PGFEK	TIER1	All	Underbody Right	640554	D-665-18	--	--
1996	5.7L	TGM5.7JPG1EK	TIER1	All	Underbody Left	912043	D-280-101	--	--
1996	5.7L	TGM5.7JPG1EK	TIER1	All	Underbody Left	--	--	912007	D-280-101
1996	5.7L	TGM5.7JPG1EK	TIER1	All	Underbody Right	912042	D-280-101	--	--
1996	5.7L	TGM5.7JPG1EK	TIER1	All	Underbody Right	--	--	912007	D-280-101
2008	6.0L	8GMXT06.2394	LEV2 LEV	All	Front Left	744959	D-798	--	--
2008	6.0L	8GMXT06.2394	LEV2 LEV	All	Front Left	--	--	740006	D-798
2008	6.0L	8GMXT06.2394	LEV2 LEV	All	Front Right	744960	D-798	--	--
2008	6.0L	8GMXT06.2394	LEV2 LEV	All	Front Right	--	--	740006	D-798
2005	6.0L	5GMXA06.0189	LEV2 ULEV	All	Front Left	--	--	736006	D-280-107
2005	6.0L	5GMXA06.0189	LEV2 ULEV	All	Front Right	--	--	736006	D-280-107
2005	6.0L	5GMXA06.0189	LEV2 ULEV	All	Rear Left	--	--	737006	D-280-107
2005	6.0L	5GMXA06.0189	LEV2 ULEV	All	Rear Right	--	--	737006	D-280-107
2005	6.0L	5GMXA06.0189	LEV2 ULEV	All	Underbody Left	733001	D-280-107	--	--
2005	6.0L	5GMXA06.0189	LEV2 ULEV	All	Underbody Right	733002	D-280-107	--	--
2005	6.0L	5GMXT06.0191	LEV1 LEV	All	Underbody Left	919992	D-280-101	--	--
2005	6.0L	5GMXT06.0191	LEV1 LEV	All	Underbody Right	919993	D-280-101	--	--
2004	6.0L	4GMXA06.0189	LEV2 LEV	All	Front Left	--	--	736006	D-280-107
2004	6.0L	4GMXA06.0189	LEV2 LEV	All	Front Right	--	--	736006	D-280-107
2004	6.0L	4GMXA06.0189	LEV2 LEV	All	Rear Left	--	--	737006	D-280-107
2004	6.0L	4GMXA06.0189	LEV2 LEV	All	Rear Right	--	--	737006	D-280-107
2004	6.0L	4GMXA06.0189	LEV2 LEV	All	Underbody Left	733001	D-280-107	--	--
2004	6.0L	4GMXA06.0189	LEV2 LEV	All	Underbody Right	733002	D-280-107	--	--
2003	6.0L	3GMXA06.0189	LEV1 LEV	All	Rear Left	--	--	912007	D-280-101
2003	6.0L	3GMXA06.0189	LEV1 LEV	All	Rear Right	--	--	912007	D-280-101
2003	6.0L	3GMXA06.0189	LEV1 LEV	All	Underbody Left	919992	D-280-101	--	--
2003	6.0L	3GMXA06.0189	LEV1 LEV	All	Underbody Right	919993	D-280-101	--	--
2000	7.4L	YGMXA07.4201	TIER1	All	Underbody	--	--	912007	D-280-101
1999	7.4L	XGMXA07.4201	TIER1	All	Underbody Left	--	--	912007	D-280-101
1999	7.4L	XGMXA07.4201	TIER1	All	Underbody Right	--	--	912007	D-280-101
1998	7.4L	WGMXA07.4201	TIER1	All	Underbody Left	--	--	912007	D-280-101
1998	7.4L	WGMXA07.4201	TIER1	All	Underbody Right	--	--	912007	D-280-101
1997	7.4L	VGM7.4J8G1EK	TIER1	All	Underbody Left	--	--	912007	D-280-101
1997	7.4L	VGM7.4J8G1EK	TIER1	All	Underbody Right	--	--	912007	D-280-101
1996	7.4L	TGM7.4J8G1EK	TIER1	All	Underbody Left	--	--	912007	D-280-101
1996	7.4L	TGM7.4J8G1EK	TIER1	All	Underbody Right	--	--	912007	D-280-101
2002	8.1L	2GMXA08.1201	LEV1 LEV	All	Rear Left	--	--	912007	D-280-101
2002	8.1L	2GMXA08.1201	LEV1 LEV	All	Rear Right	--	--	912007	D-280-101
2001	8.1L	1GMXA08.1202	TIER1	All	Underbody Left	--	--	912006	D-280-101
2001	8.1L	1GMXA08.1202	TIER1	All	Underbody Right	--	--	912006	D-280-101
Sierra 1500									
V6									
2013	4.3L	DGMXT04.3186	LEV2 LEV	All	Front Left	--	--	740566	D-798
2013	4.3L	DGMXT04.3186	LEV2 LEV	All	Front Right	--	--	740566	D-798
2013	4.3L	DGMXT04.3186	LEV2 LEV	All	Rear	--	--	747026	D-798
2013	4.3L	DGMXT04.3186	LEV2 LEV	All	Underbody	749912	D-798	--	--
2012	4.3L	CGMXT04.3186	LEV2 LEV	All	Front Left	--	--	740566	D-798
2012	4.3L	CGMXT04.3186	LEV2 LEV	All	Front Right	--	--	740566	D-798
2012	4.3L	CGMXT04.3186	LEV2 LEV	All	Rear	--	--	747336	D-798
2012	4.3L	CGMXT04.3186	LEV2 LEV	All	Underbody	749912	D-798	--	--

Legal Note: In Compliance with California Emissions Requirements

APPLICATION GUIDE



OBD II

APPLICATION

Year	Eng. Size	Test Group/ Engine Family	Certification Level	Application	Location	Direct Fit Number	Exec. Order	Consol. Number	Exec. Order
GMC (Cont.)									
Sierra 1500 (Cont.)									
V6 (Cont.)									
2011	4.3L	BGMXT04.3186	LEV2 LEV	All	Front Left	--	--	740566	D-798
2011	4.3L	BGMXT04.3186	LEV2 LEV	All	Front Right	--	--	740566	D-798
2011	4.3L	BGMXT04.3186	LEV2 LEV	All	Rear	--	--	747336	D-798
2011	4.3L	BGMXT04.3186	LEV2 LEV	All	Underbody	749912	D-798	--	--
2010	4.3L	AGMXT04.3186	LEV2 LEV	All	Front Left	--	--	740566	D-798
2010	4.3L	AGMXT04.3186	LEV2 LEV	All	Front Right	--	--	740566	D-798
2010	4.3L	AGMXT04.3186	LEV2 LEV	All	Rear	--	--	747336	D-798
2010	4.3L	AGMXT04.3186	LEV2 LEV	All	Underbody	749912	D-798	--	--
2009	4.3L	9GMXT04.3186	LEV2 LEV	All	Front Left	--	--	740566	D-798
2009	4.3L	9GMXT04.3186	LEV2 LEV	All	Front Right	--	--	740566	D-798
2009	4.3L	9GMXT04.3186	LEV2 LEV	All	Rear	--	--	747336	D-798
2009	4.3L	9GMXT04.3186	LEV2 LEV	All	Underbody	749912	D-798	--	--
2008	4.3L	8GMXT04.3186	LEV2 LEV	All	Front Left	--	--	740566	D-798
2008	4.3L	8GMXT04.3186	LEV2 LEV	All	Front Right	--	--	740566	D-798
2008	4.3L	8GMXT04.3186	LEV2 LEV	All	Underbody	749233	D-798	--	--
2007	4.3L	7GMXT04.3186	LEV2 LEV	All	Front Left	--	--	740566	D-798
2007	4.3L	7GMXT04.3186	LEV2 LEV	All	Front Right	--	--	740566	D-798
2007	4.3L	7GMXT04.3186	LEV2 LEV	All	Underbody	749233	D-798	--	--
2006	4.3L	6GMXT04.3181	LEV1 LEV	All	Underbody	912083	D-280-101	--	--
2006	4.3L	6GMXT04.3181	LEV1 LEV	All	Underbody Right	--	--	912006	D-280-101
2005	4.3L	5GMXT04.3184	LEV1 LEV	All	Underbody	912083	D-280-101	--	--
2004	4.3L	4GMXT04.3184	LEV1 LEV	All	Underbody	912083	D-280-101	--	--
2004	4.3L	4GMXT04.3184	LEV1 LEV	All	Underbody Left	--	--	912006	D-280-101
2004	4.3L	4GMXT04.3184	LEV1 LEV	All	Underbody Right	--	--	912006	D-280-101
2003	4.3L	3GMXT04.3184	LEV1 LEV	All	Front Left	--	--	912006	D-280-101
2003	4.3L	3GMXT04.3184	LEV1 LEV	All	Front Right	--	--	912006	D-280-101
2003	4.3L	3GMXT04.3184	LEV1 LEV	All	Underbody	912083	D-280-101	--	--
2002	4.3L	2GMXA04.3190	LEV1 LEV	All	Front	912083	D-280-101	--	--
2002	4.3L	2GMXA04.3190	LEV1 LEV	All	Rear Left	--	--	912006	D-280-101
2002	4.3L	2GMXA04.3190	LEV1 LEV	All	Rear Right	--	--	912006	D-280-101
2001	4.3L	1GMXA04.3190	LEV1 LEV	All	Underbody	912083	D-280-101	--	--
2001	4.3L	1GMXA04.3190	LEV1 LEV	All	Underbody Left	--	--	912006	D-280-101
2001	4.3L	1GMXA04.3190	LEV1 LEV	All	Underbody Left	--	--	912005R	D-280-101
2001	4.3L	1GMXA04.3190	LEV1 LEV	All	Underbody Right	--	--	912006	D-280-101
2000	4.3L	YGMXA04.3190	LEV1 LEV	All	Underbody	912083	D-280-101	--	--
2000	4.3L	YGMXA04.3190	LEV1 LEV	All	Underbody Left	--	--	912006	D-280-101
2000	4.3L	YGMXA04.3190	LEV1 LEV	All	Underbody Right	--	--	912006	D-280-101
2000	4.3L	YGMXT04.3184	TIER1	All	Underbody	912083	D-280-101	--	--
2000	4.3L	YGMXT04.3184	TIER1	All	Underbody Left	--	--	912006	D-280-101
2000	4.3L	YGMXT04.3184	TIER1	All	Underbody Right	--	--	912006	D-280-101
1999	4.3L	XGMXA04.3194	LEV1 LEV	All	Underbody	912063	D-280-101	--	--
1999	4.3L	XGMXA04.3194	LEV1 LEV	All	Underbody Left	--	--	912006	D-280-101
1999	4.3L	XGMXA04.3194	LEV1 LEV	All	Underbody Right	--	--	912006	D-280-101
1999	4.3L	XGMXA04.3195	TIER1	All	Underbody	912063	D-280-101	--	--
1999	4.3L	XGMXA04.3195	TIER1	All	Underbody	--	--	912006	D-280-101
V8									
2013	4.8L	DGMXT05.3381	LEV2 ULEV	All	Front Left	--	--	740566	D-798
2013	4.8L	DGMXT05.3381	LEV2 ULEV	All	Front Right	--	--	740566	D-798
2013	4.8L	DGMXT05.3381	LEV2 ULEV	All	Rear	--	--	747026	D-798
2013	4.8L	DGMXT05.3381	LEV2 ULEV	All	Underbody	749912	D-798	--	--
2012	4.8L	CGMXT05.3381	LEV2 ULEV	All	Front Left	--	--	740566	D-798
2012	4.8L	CGMXT05.3381	LEV2 ULEV	All	Front Right	--	--	740566	D-798
2012	4.8L	CGMXT05.3381	LEV2 ULEV	All	Rear	--	--	747336	D-798
2012	4.8L	CGMXT05.3381	LEV2 ULEV	All	Underbody	749912	D-798	--	--
2011	4.8L	BGMXT05.3381	LEV2 ULEV	All	Front Left	--	--	740566	D-798
2011	4.8L	BGMXT05.3381	LEV2 ULEV	All	Front Right	--	--	740566	D-798
2011	4.8L	BGMXT05.3381	LEV2 ULEV	All	Rear	--	--	747336	D-798
2011	4.8L	BGMXT05.3381	LEV2 ULEV	All	Underbody	749912	D-798	--	--

Legal Note: In Compliance with California Emissions Requirements

**CATCO**
CATALYTIC CONVERTERS**EASTERN**
CATALYTIC

APPLICATION GUIDE

OBD II**APPLICATION**

Year	Eng. Size	Test Group/ Engine Family	Certification Level	Application	Location	Direct Fit Number	Exec. Order	Consol. Number	Exec. Order
GMC (Cont.)									
Sierra 1500 (Cont.)									
V8 (Cont.)									
2010	4.8L	AGMXT05.3381	LEV2 ULEV	All	Front Left	--	--	740566	D-798
2010	4.8L	AGMXT05.3381	LEV2 ULEV	All	Front Right	--	--	740566	D-798
2010	4.8L	AGMXT05.3381	LEV2 ULEV	All	Rear	--	--	747336	D-798
2010	4.8L	AGMXT05.3381	LEV2 ULEV	All	Underbody	749912	D-798	--	--
2009	4.8L	9GMXT05.3384	LEV2 LEV	All	Front Left	--	--	740566	D-798
2009	4.8L	9GMXT05.3384	LEV2 LEV	All	Front Right	--	--	740566	D-798
2009	4.8L	9GMXT05.3384	LEV2 LEV	All	Rear	--	--	747336	D-798
2009	4.8L	9GMXT05.3384	LEV2 LEV	All	Underbody	749912	D-798	--	--
2008	4.8L	8GMXT05.3380	LEV2 ULEV	All	Front Left	--	--	740566	D-798
2008	4.8L	8GMXT05.3380	LEV2 ULEV	All	Front Right	--	--	740566	D-798
2008	4.8L	8GMXT05.3380	LEV2 ULEV	All	Underbody	749233	D-798	--	--
2007	4.8L	7GMXT05.3380	LEV2 ULEV	All	Front Left	--	--	740566	D-798
2007	4.8L	7GMXT05.3380	LEV2 ULEV	All	Front Right	--	--	740566	D-798
2007	4.8L	7GMXT05.3380	LEV2 ULEV	All	Underbody	749233	D-798	--	--
2007	4.8L	7GMXT05.3384	LEV2 LEV	All	Front Left	--	--	740566	D-798
2007	4.8L	7GMXT05.3384	LEV2 LEV	All	Front Right	--	--	740566	D-798
2007	4.8L	7GMXT05.3384	LEV2 LEV	All	Underbody	749233	D-798	--	--
2005	4.8L	5GMXT05.3170	LEV1 LEV	All	Underbody	912083	D-280-101	--	--
2005	4.8L	5GMXT05.3174	LEV1 ULEV	All	Front Left	--	--	732006	D-280-107
2005	4.8L	5GMXT05.3174	LEV1 ULEV	All	Front Right	--	--	732006	D-280-107
2005	4.8L	5GMXT05.3174	LEV1 ULEV	All	Underbody	739083	D-280-107	--	--
2004	4.8L	4GMXT05.3170	LEV1 LEV	All	Underbody	912083	D-280-101	--	--
2004	4.8L	4GMXT05.3170	LEV1 LEV	All	Underbody	--	--	912005	D-280-101
2004	4.8L	4GMXT05.3174	LEV1 ULEV	All	Front Left	--	--	732006	D-280-107
2004	4.8L	4GMXT05.3174	LEV1 ULEV	All	Front Right	--	--	732006	D-280-107
2004	4.8L	4GMXT05.3174	LEV1 ULEV	All	Underbody	739083	D-280-107	--	--
2003	4.8L	3GMXT05.3183	LEV1 LEV	All	Front Left	--	--	912006	D-280-101
2003	4.8L	3GMXT05.3183	LEV1 LEV	All	Front Right	--	--	912006	D-280-101
2003	4.8L	3GMXT05.3183	LEV1 LEV	All	Underbody	912083	D-280-101	--	--
2003	4.8L	3GMXT05.3183	LEV1 LEV	All	Underbody	--	--	910005R	D-280-101
2003	4.8L	3GMXT05.3184	LEV1 LEV	All	Underbody Left	--	--	912006	D-280-101
2003	4.8L	3GMXT05.3184	LEV1 LEV	All	Underbody Right	--	--	912006	D-280-101
2002	4.8L	2GMXA04.8183	LEV1 LEV	All	Front	912083	D-280-101	--	--
2002	4.8L	2GMXA04.8183	LEV1 LEV	All	Rear Left	--	--	912006	D-280-101
2002	4.8L	2GMXA04.8183	LEV1 LEV	All	Rear Right	--	--	912006	D-280-101
2002	4.8L	2GMXA04.8184	LEV1 LEV	All	Front	912083	D-280-101	--	--
2002	4.8L	2GMXA04.8184	LEV1 LEV	All	Rear Left	--	--	912006	D-280-101
2002	4.8L	2GMXA04.8184	LEV1 LEV	All	Rear Right	--	--	912006	D-280-101
2001	4.8L	1GMXA05.3183	LEV1 LEV	All	Underbody	912083	D-280-101	--	--
2001	4.8L	1GMXA05.3183	LEV1 LEV	All	Underbody Left	--	--	912006	D-280-101
2001	4.8L	1GMXA05.3183	LEV1 LEV	All	Underbody Right	--	--	912006	D-280-101
2001	4.8L	1GMXA05.3184	LEV1 LEV	All	Underbody	912083	D-280-101	--	--
2001	4.8L	1GMXA05.3184	LEV1 LEV	All	Underbody Left	--	--	912006	D-280-101
2001	4.8L	1GMXA05.3184	LEV1 LEV	All	Underbody Right	--	--	912006	D-280-101
2000	4.8L	YGMXA05.3183	LEV1 LEV	All	Underbody	912083	D-280-101	--	--
2000	4.8L	YGMXA05.3183	LEV1 LEV	All	Underbody Left	--	--	912006	D-280-101
2000	4.8L	YGMXA05.3183	LEV1 LEV	All	Underbody Right	--	--	912006	D-280-101
2000	4.8L	YGMXT05.3181	TIER1	All	Underbody	912083	D-280-101	--	--
2000	4.8L	YGMXT05.3181	TIER1	All	Underbody Left	--	--	912006	D-280-101
2000	4.8L	YGMXT05.3181	TIER1	All	Underbody Right	--	--	912006	D-280-101
1999	4.8L	XGMXA04.8184	TIER1	All	Underbody	912063	D-280-101	--	--
1999	4.8L	XGMXA04.8184	TIER1	All	Underbody Left	--	--	912006	D-280-101
1999	4.8L	XGMXA04.8184	TIER1	All	Underbody Right	--	--	912006	D-280-101
1999	4.8L	XGMXA05.3183	LEV1 LEV	All	Underbody	912063	D-280-101	--	--
1999	4.8L	XGMXA05.3183	LEV1 LEV	All	Underbody Left	--	--	912006	D-280-101
1999	4.8L	XGMXA05.3183	LEV1 LEV	All	Underbody Right	--	--	912006	D-280-101

Legal Note: In Compliance with California Emissions Requirements

APPLICATION GUIDE



OBD II

APPLICATION

Year	Eng. Size	Test Group/ Engine Family	Certification Level	Application	Location	Direct Fit Number	Exec. Order	Consol. Number	Exec. Order
GMC (Cont.)									
Sierra 1500 (Cont.)									
V8 (Cont.)									
2013	5.3L	DGMXT05.3381	LEV2 ULEV	All	Front Left	--	--	740566	D-798
2013	5.3L	DGMXT05.3381	LEV2 ULEV	All	Front Right	--	--	740566	D-798
2013	5.3L	DGMXT05.3381	LEV2 ULEV	All	Rear	--	--	747026	D-798
2013	5.3L	DGMXT05.3381	LEV2 ULEV	All	Underbody	749912	D-798	--	--
2012	5.3L	CGMXT05.3381	LEV2 ULEV	All	Front Left	--	--	740566	D-798
2012	5.3L	CGMXT05.3381	LEV2 ULEV	All	Front Right	--	--	740566	D-798
2012	5.3L	CGMXT05.3381	LEV2 ULEV	All	Rear	--	--	747336	D-798
2012	5.3L	CGMXT05.3381	LEV2 ULEV	All	Underbody	749912	D-798	--	--
2011	5.3L	BGMXT05.3381	LEV2 ULEV	All	Front Left	--	--	740566	D-798
2011	5.3L	BGMXT05.3381	LEV2 ULEV	All	Front Right	--	--	740566	D-798
2011	5.3L	BGMXT05.3381	LEV2 ULEV	All	Rear	--	--	747336	D-798
2011	5.3L	BGMXT05.3381	LEV2 ULEV	All	Underbody	749912	D-798	--	--
2010	5.3L	AGMXT05.3381	LEV2 ULEV	All	Front Left	--	--	740566	D-798
2010	5.3L	AGMXT05.3381	LEV2 ULEV	All	Front Right	--	--	740566	D-798
2010	5.3L	AGMXT05.3381	LEV2 ULEV	All	Rear	--	--	747337	D-798
2010	5.3L	AGMXT05.3381	LEV2 ULEV	All	Underbody	749912	D-798	--	--
2009	5.3L	9GMXT05.3380	LEV2 ULEV	All	Front Left	--	--	740566	D-798
2009	5.3L	9GMXT05.3380	LEV2 ULEV	All	Front Right	--	--	740566	D-798
2009	5.3L	9GMXT05.3380	LEV2 ULEV	All	Rear	--	--	747336	D-798
2009	5.3L	9GMXT05.3380	LEV2 ULEV	All	Underbody	749912	D-798	--	--
2009	5.3L	9GMXT05.3381	LEV2 ULEV	All	Front Left	--	--	740566	D-798
2009	5.3L	9GMXT05.3381	LEV2 ULEV	All	Front Right	--	--	740566	D-798
2009	5.3L	9GMXT05.3381	LEV2 ULEV	All	Rear	--	--	747336	D-798
2009	5.3L	9GMXT05.3381	LEV2 ULEV	All	Underbody	749912	D-798	--	--
2008	5.3L	8GMXT05.3380	LEV2 ULEV	All	Front Left	--	--	740566	D-798
2008	5.3L	8GMXT05.3380	LEV2 ULEV	All	Front Right	--	--	740566	D-798
2008	5.3L	8GMXT05.3380	LEV2 ULEV	All	Underbody	749233	D-798	--	--
2008	5.3L	8GMXT05.3381	LEV2 ULEV	All	Front Left	--	--	740566	D-798
2008	5.3L	8GMXT05.3381	LEV2 ULEV	All	Front Right	--	--	740566	D-798
2008	5.3L	8GMXT05.3381	LEV2 ULEV	All	Underbody	749233	D-798	--	--
2007	5.3L	7GMXT05.3373	LEV2 LEV	All	Front Left	--	--	740566	D-798
2007	5.3L	7GMXT05.3373	LEV2 LEV	All	Front Right	--	--	740566	D-798
2007	5.3L	7GMXT05.3373	LEV2 LEV	All	Underbody	749233	D-798	--	--
2007	5.3L	7GMXT05.3380	LEV2 ULEV	All	Front Left	--	--	740566	D-798
2007	5.3L	7GMXT05.3380	LEV2 ULEV	All	Front Right	--	--	740566	D-798
2007	5.3L	7GMXT05.3380	LEV2 ULEV	All	Underbody	749233	D-798	--	--
2007	5.3L	7GMXT05.3381	LEV2 ULEV	All	Front Left	--	--	740566	D-798
2007	5.3L	7GMXT05.3381	LEV2 ULEV	All	Front Right	--	--	740566	D-798
2007	5.3L	7GMXT05.3381	LEV2 ULEV	All	Underbody	749233	D-798	--	--
2007	5.3L	7GMXT05.3384	LEV2 LEV	All	Front Left	--	--	740566	D-798
2007	5.3L	7GMXT05.3384	LEV2 LEV	All	Front Right	--	--	740566	D-798
2007	5.3L	7GMXT05.3384	LEV2 LEV	All	Underbody	749233	D-798	--	--
2007	5.3L	7GMXT05.3386	LEV2 LEV	All	Front Left	--	--	740566	D-798
2007	5.3L	7GMXT05.3386	LEV2 LEV	All	Front Right	--	--	740566	D-798
2007	5.3L	7GMXT05.3386	LEV2 LEV	All	Underbody	749233	D-798	--	--
2005	5.3L	5GMXT05.3175	LEV1 ULEV	All	Front Left	--	--	732006	D-280-107
2005	5.3L	5GMXT05.3175	LEV1 ULEV	All	Front Right	--	--	732006	D-280-107
2005	5.3L	5GMXT05.3175	LEV1 ULEV	All	Underbody	739083	D-280-107	--	--
2005	5.3L	5GMXT05.3177	LEV1 LEV	All	Underbody	912083	D-280-101	--	--
2005	5.3L	5GMXT05.3177	LEV1 LEV	All	Underbody Left	--	--	912005	D-280-101
2005	5.3L	5GMXT05.3177	LEV1 LEV	All	Underbody Right	--	--	912005	D-280-101
2003	5.3L	3GMXT05.3176	LEV1 ULEV	All	Front Left	--	--	732006	D-280-107
2003	5.3L	3GMXT05.3176	LEV1 ULEV	All	Front Right	--	--	732006	D-280-107
2003	5.3L	3GMXT05.3176	LEV1 ULEV	All	Underbody	739083	D-280-107	--	--
2003	5.3L	3GMXT05.3185	LEV1 ULEV	All	Front Left	--	--	732006	D-280-107
2003	5.3L	3GMXT05.3185	LEV1 ULEV	All	Front Right	--	--	732006	D-280-107
2002	5.3L	2GMXA05.3185	LEV1 ULEV	All	Rear Left	--	--	732006	D-280-107
2002	5.3L	2GMXA05.3185	LEV1 ULEV	All	Rear Right	--	--	732006	D-280-107

Legal Note: In Compliance with California Emissions Requirements

**CATCO**
CATALYTIC CONVERTERS**EASTERN
CATALYTIC****APPLICATION GUIDE****OBD II****APPLICATION**

Year	Eng. Size	Test Group/ Engine Family	Certification Level	Application	Location	Direct Fit Number	Exec. Order	Consol. Number	Exec. Order
GMC (Cont.)									
Sierra 1500 (Cont.)									
V8 (Cont.)									
2002	5.3L	2GMXA05.3187	LEV1 ULEV	All	Rear Left	--	--	732006	D-280-107
2002	5.3L	2GMXA05.3187	LEV1 ULEV	All	Rear Right	--	--	732006	D-280-107
2001	5.3L	1GMXA05.3183	LEV1 LEV	All	Underbody	912083	D-280-101	--	--
2001	5.3L	1GMXA05.3183	LEV1 LEV	All	Underbody Left	--	--	912006	D-280-101
2001	5.3L	1GMXA05.3183	LEV1 LEV	All	Underbody Right	--	--	912006	D-280-101
2001	5.3L	1GMXA05.3183	LEV1 LEV	All	Underbody Right	--	--	912005R	D-280-101
2001	5.3L	1GMXA05.3184	LEV1 LEV	All	Underbody	912083	D-280-101	--	--
2001	5.3L	1GMXA05.3184	LEV1 LEV	All	Underbody Left	--	--	912006	D-280-101
2001	5.3L	1GMXA05.3184	LEV1 LEV	All	Underbody Right	--	--	912006	D-280-101
2000	5.3L	YGMXA05.3183	LEV1 LEV	All	Underbody Left	--	--	912006	D-280-101
2000	5.3L	YGMXA05.3183	LEV1 LEV	All	Underbody Right	--	--	912006	D-280-101
2000	5.3L	YGMXA05.3183	LEV1 LEV	W/ Flat Spot	Underbody	912083	D-280-101	--	--
2000	5.3L	YGMXT05.3181	TIER1	All	Underbody Left	--	--	912006	D-280-101
2000	5.3L	YGMXT05.3181	TIER1	All	Underbody Right	--	--	912006	D-280-101
2000	5.3L	YGMXT05.3181	TIER1	W/ Flat Spot	Underbody	912083	D-280-101	--	--
1999	5.3L	XGMXA05.3183	LEV1 LEV	All	Underbody Left	--	--	912006	D-280-101
1999	5.3L	XGMXA05.3183	LEV1 LEV	All	Underbody Right	--	--	912006	D-280-101
1999	5.3L	XGMXA05.3183	LEV1 LEV	W/O Flat Spot	Underbody	912063	D-280-101	--	--
2012	6.0L	CGMXT06.0372	LEV2 ULEV	All	Front Left	--	--	740566	D-798
2012	6.0L	CGMXT06.0372	LEV2 ULEV	All	Front Right	--	--	740566	D-798
2012	6.0L	CGMXT06.0372	LEV2 ULEV	All	Rear	--	--	747336	D-798
2012	6.0L	CGMXT06.0372	LEV2 ULEV	All	Underbody	749912	D-798	--	--
2011	6.0L	BGMXT06.0372	LEV2 ULEV	All	Front Left	--	--	740566	D-798
2011	6.0L	BGMXT06.0372	LEV2 ULEV	All	Front Right	--	--	740566	D-798
2011	6.0L	BGMXT06.0372	LEV2 ULEV	All	Rear	--	--	747336	D-798
2011	6.0L	BGMXT06.0372	LEV2 ULEV	All	Underbody	749912	D-798	--	--
2010	6.0L	AGMXT06.0372	LEV2 ULEV	All	Front Left	--	--	740566	D-798
2010	6.0L	AGMXT06.0372	LEV2 ULEV	All	Front Right	--	--	740566	D-798
2010	6.0L	AGMXT06.0372	LEV2 ULEV	All	Rear	--	--	747336	D-798
2010	6.0L	AGMXT06.0372	LEV2 ULEV	All	Underbody	749912	D-798	--	--
2009	6.0L	9GMXT06.0382	LEV2 LEV	All	Front Left	--	--	740566	D-798
2009	6.0L	9GMXT06.0382	LEV2 LEV	All	Front Right	--	--	740566	D-798
2009	6.0L	9GMXT06.0382	LEV2 LEV	All	Rear	--	--	747336	D-798
2009	6.0L	9GMXT06.0382	LEV2 LEV	All	Underbody	749912	D-798	--	--
2009	6.0L	9GMXT06.0392	LEV2 LEV	All	Front Left	--	--	740566	D-798
2009	6.0L	9GMXT06.0392	LEV2 LEV	All	Front Right	--	--	740566	D-798
2009	6.0L	9GMXT06.0392	LEV2 LEV	All	Underbody	749233	D-798	--	--
2008	6.0L	8GMXT06.0383	LEV2 ULEV	All	Front Left	--	--	740566	D-798
2008	6.0L	8GMXT06.0383	LEV2 ULEV	All	Front Right	--	--	740566	D-798
2008	6.0L	8GMXT06.0383	LEV2 ULEV	All	Underbody	749233	D-798	--	--
2007	6.0L	7GMXT06.0383	LEV2 ULEV	All	Front Left	--	--	740566	D-798
2007	6.0L	7GMXT06.0383	LEV2 ULEV	All	Front Right	--	--	740566	D-798
2007	6.0L	7GMXT06.0383	LEV2 ULEV	All	Underbody	749233	D-798	--	--
2007	6.0L	7GMXT06.2382	LEV2 LEV	All	Front Left	--	--	740566	D-798
2007	6.0L	7GMXT06.2382	LEV2 LEV	All	Front Right	--	--	740566	D-798
2007	6.0L	7GMXT06.2382	LEV2 LEV	All	Underbody	749233	D-798	--	--
2006	6.0L	6GMXK06.0388	LEV1 LEV	All	Rear Left	--	--	912007	D-280-101
2006	6.0L	6GMXK06.0388	LEV1 LEV	All	Rear Right	--	--	912007	D-280-101
2004	6.0L	4GMXT06.0188	LEV1 LEV	All	Underbody	--	--	912006	D-280-101
2003	6.0L	3GMXA06.0188	LEV1 LEV	All	Front Left	--	--	912006	D-280-101
2003	6.0L	3GMXA06.0188	LEV1 LEV	All	Front Right	--	--	912006	D-280-101
2003	6.0L	3GMXA06.0188	LEV1 LEV	All	Rear Left	--	--	912006	D-280-101
2003	6.0L	3GMXA06.0188	LEV1 LEV	All	Rear Right	--	--	912006	D-280-101
2003	6.0L	3GMXT06.0187	LEV1 LEV	All	Underbody Left	--	--	912006	D-280-101
2003	6.0L	3GMXT06.0187	LEV1 LEV	All	Underbody Right	--	--	912006	D-280-101
2002	6.0L	2GMXA06.0188	LEV1 LEV	All	Front Left	--	--	912006	D-280-101
2002	6.0L	2GMXA06.0188	LEV1 LEV	All	Front Right	--	--	912006	D-280-101
2002	6.0L	2GMXA06.0188	LEV1 LEV	All	Rear Left	--	--	912006	D-280-101
2002	6.0L	2GMXA06.0188	LEV1 LEV	All	Rear Right	--	--	912006	D-280-101

Legal Note: In Compliance with California Emissions Requirements

APPLICATION GUIDE



OBD II

APPLICATION

Year	Eng. Size	Test Group/ Engine Family	Certification Level	Application	Location	Direct Fit Number	Exec. Order	Consol. Number	Exec. Order
GMC (Cont.)									
Sierra 1500 (Cont.)									
V8 (Cont.)									
2001	6.0L	1GMXA06.0194	LEV1 LEV	All	Underbody Left	--	--	912006	D-280-101
2001	6.0L	1GMXA06.0194	LEV1 LEV	All	Underbody Right	--	--	912006	D-280-101
2001	6.0L	1GMXA06.0194	LEV1 LEV	4WD	Underbody Left	912267	D-280-101	--	--
2001	6.0L	1GMXA06.0194	LEV1 LEV	4WD	Underbody Right	912266	D-280-101	--	--
2010	6.2L	AGMXT06.2374	LEV2 ULEV	All	Front Left	--	--	740566	D-798
2010	6.2L	AGMXT06.2374	LEV2 ULEV	All	Front Right	--	--	740566	D-798
2010	6.2L	AGMXT06.2374	LEV2 ULEV	All	Underbody	749642	D-798	--	--
2009	6.2L	9GMXT06.2374	LEV2 ULEV	All	Front Left	--	--	740566	D-798
2009	6.2L	9GMXT06.2374	LEV2 ULEV	All	Front Right	--	--	740566	D-798
2009	6.2L	9GMXT06.2374	LEV2 ULEV	All	Underbody	749642	D-798	--	--
2008	6.2L	8GMXT06.2382	LEV2 LEV	All	Front Left	--	--	740566	D-798
2008	6.2L	8GMXT06.2382	LEV2 LEV	All	Front Right	--	--	740566	D-798
2008	6.2L	8GMXT06.2382	LEV2 LEV	All	Underbody	749642	D-798	--	--
2007	6.2L	7GMXT06.2382	LEV2 LEV	All	Front Left	--	--	740566	D-798
2007	6.2L	7GMXT06.2382	LEV2 LEV	All	Front Right	--	--	740566	D-798
2007	6.2L	7GMXT06.2382	LEV2 LEV	All	Underbody	749642	D-798	--	--
Sierra 1500 HD									
V8									
2002	6.0L	2GMXA06.0188	LEV1 LEV	All	Front Left	--	--	912006	D-280-101
2002	6.0L	2GMXA06.0188	LEV1 LEV	All	Front Right	--	--	912006	D-280-101
2002	6.0L	2GMXA06.0188	LEV1 LEV	All	Rear Left	--	--	912006	D-280-101
2002	6.0L	2GMXA06.0188	LEV1 LEV	All	Rear Right	--	--	912006	D-280-101
2002	6.0L	2GMXA06.0188	LEV1 LEV	All	Underbody	--	--	910005R	D-280-101
Sierra 2500									
V8									
2000	5.3L	YGMXA05.3183	LEV1 LEV	RWD	Underbody	912083	D-280-101	--	--
2000	5.3L	YGMXA05.3183	LEV1 LEV	RWD	Underbody Left	--	--	912006	D-280-101
2000	5.3L	YGMXA05.3183	LEV1 LEV	RWD	Underbody Right	--	--	912006	D-280-101
2000	5.3L	YGMXT05.3181	TIER1	2WD	Underbody Left	--	--	912006	D-280-101
2000	5.3L	YGMXT05.3181	TIER1	2WD	Underbody Right	--	--	912006	D-280-101
2000	5.3L	YGMXT05.3181	TIER1	All	Underbody	912083	D-280-101	--	--
1999	5.3L	XGMXA05.3185	LEV1 LEV	All	Underbody	912063	D-280-101	--	--
1999	5.3L	XGMXA05.3185	LEV1 LEV	All	Underbody Left	--	--	912006	D-280-101
1999	5.3L	XGMXA05.3185	LEV1 LEV	All	Underbody Right	--	--	912006	D-280-101
2002	6.0L	2GMXA06.0188	LEV1 LEV	All	Underbody	--	--	910005R	D-280-101
2000	6.0L	YGMXT06.0192	TIER1	All	Underbody Left	919213	D-280-101	--	--
2000	6.0L	YGMXT06.0192	TIER1	All	Underbody Left	--	--	912007	D-280-101
2000	6.0L	YGMXT06.0192	TIER1	All	Underbody Right	919212	D-280-101	--	--
2000	6.0L	YGMXT06.0192	TIER1	All	Underbody Right	--	--	912007	D-280-101
1999	6.0L	XGMXA06.0182	TIER1	2WD	Underbody Left	919213	D-280-101	--	--
1999	6.0L	XGMXA06.0182	TIER1	2WD	Underbody Left	--	--	912006	D-280-101
1999	6.0L	XGMXA06.0182	TIER1	2WD	Underbody Right	919212	D-280-101	--	--
1999	6.0L	XGMXA06.0182	TIER1	2WD	Underbody Right	--	--	912006	D-280-101
1999	6.0L	XGMXA06.0183	TIER1	All	Underbody Left	919213	D-280-101	--	--
1999	6.0L	XGMXA06.0183	TIER1	All	Underbody Left	--	--	912006	D-280-101
1999	6.0L	XGMXA06.0183	TIER1	All	Underbody Right	919212	D-280-101	--	--
1999	6.0L	XGMXA06.0183	TIER1	All	Underbody Right	--	--	912006	D-280-101
Sierra 2500 HD									
V8									
2006	6.0L	6GMXK06.0388	LEV1 LEV	All	Underbody Left	919877	D-280-101	--	--
2006	6.0L	6GMXT06.0198	LEV1 ULEV	All	Front Left	--	--	739006	D-280-107
2006	6.0L	6GMXT06.0198	LEV1 ULEV	All	Front Left	--	--	737006	D-280-107
2006	6.0L	6GMXT06.0198	LEV1 ULEV	All	Front Right	--	--	731006	D-280-107
2006	6.0L	6GMXT06.0198	LEV1 ULEV	All	Rear Left	--	--	733016	D-280-107
2006	6.0L	6GMXT06.0198	LEV1 ULEV	All	Rear Right	--	--	733016	D-280-107
2005	6.0L	5GMXT06.0188	LEV1 LEV	All	Underbody Left	919877	D-280-101	--	--
2005	6.0L	5GMXT06.0188	LEV1 LEV	All	Underbody Right	919878	D-280-101	--	--

Legal Note: In Compliance with California Emissions Requirements



CATCO
CATALYTIC CONVERTERS

EASTERN CATALYTIC

APPLICATION GUIDE

OBD II

APPLICATION

Year	Eng. Size	Test Group/ Engine Family	Certification Level	Application	Location	Direct Fit Number	Exec. Order	Consol. Number	Exec. Order
GMC (Cont.)									
Sierra 2500 HD (Cont.)									
V8 (Cont.)									
2005	6.0L	5GMXT06.0198	LEV1 ULEV	All	Front Left	--	--	731006	D-280-107
2005	6.0L	5GMXT06.0198	LEV1 ULEV	All	Front Right	--	--	731006	D-280-107
2005	6.0L	5GMXT06.0198	LEV1 ULEV	All	Rear Left	--	--	733016	D-280-107
2005	6.0L	5GMXT06.0198	LEV1 ULEV	All	Rear Right	--	--	733016	D-280-107
2004	6.0L	4GMXT06.0188	LEV1 LEV	All	Underbody	--	--	910005R	D-280-101
2004	6.0L	4GMXT06.0188	LEV1 LEV	All	Underbody Left	919877	D-280-101	--	--
2004	6.0L	4GMXT06.0188	LEV1 LEV	All	Underbody Right	919878	D-280-101	--	--
2003	6.0L	3GMXA06.0188	LEV1 LEV	All	Front Left	--	--	912005	D-280-101
2003	6.0L	3GMXA06.0188	LEV1 LEV	All	Front Right	--	--	912005	D-280-101
2003	6.0L	3GMXA06.0188	LEV1 LEV	All	Rear Left	--	--	912005	D-280-101
2003	6.0L	3GMXA06.0188	LEV1 LEV	All	Rear Right	--	--	912005	D-280-101
2003	6.0L	3GMXA06.0188	LEV1 LEV	All	Underbody Left	919877	D-280-101	--	--
2003	6.0L	3GMXA06.0188	LEV1 LEV	All	Underbody Right	919878	D-280-101	--	--
2002	6.0L	2GMXA06.0188	LEV1 LEV	All	Front Left	--	--	912006	D-280-101
2002	6.0L	2GMXA06.0188	LEV1 LEV	All	Front Right	--	--	912006	D-280-101
2002	6.0L	2GMXA06.0188	LEV1 LEV	All	Rear Left	--	--	912006	D-280-101
2002	6.0L	2GMXA06.0188	LEV1 LEV	All	Rear Right	--	--	912006	D-280-101
2006	8.1L	6GMXK08.1203	LEV1 LEV	All	Underbody Left	919877	D-280-101	--	--
2006	8.1L	6GMXK08.1203	LEV1 LEV	All	Underbody Right	919878	D-280-101	--	--
2005	8.1L	5GMXT08.1201	LEV1 LEV	All	Underbody Left	919877	D-280-101	--	--
2005	8.1L	5GMXT08.1201	LEV1 LEV	All	Underbody Right	919878	D-280-101	--	--
2004	8.1L	4GMXT08.1201	LEV1 LEV	All	Underbody	--	--	910005R	D-280-101
2004	8.1L	4GMXT08.1201	LEV1 LEV	All	Underbody Left	919877	D-280-101	--	--
2004	8.1L	4GMXT08.1201	LEV1 LEV	All	Underbody Right	919878	D-280-101	--	--
2003	8.1L	3GMXA08.1201	LEV1 LEV	All	Rear Left	--	--	912007	D-280-101
2003	8.1L	3GMXA08.1201	LEV1 LEV	All	Rear Right	--	--	912007	D-280-101
2002	8.1L	2GMXA08.1201	LEV1 LEV	All	Rear Left	--	--	912007	D-280-101
2002	8.1L	2GMXA08.1201	LEV1 LEV	All	Rear Right	--	--	912007	D-280-101
Sierra 3500									
V8									
2006	6.0L	6GMXK06.0388	LEV1 LEV	All	Underbody Left	919877	D-280-101	--	--
2006	6.0L	6GMXK06.0388	LEV1 LEV	All	Underbody Right	919878	D-280-101	--	--
2005	6.0L	5GMXT06.0188	LEV1 LEV	All	Underbody Left	919877	D-280-101	--	--
2005	6.0L	5GMXT06.0188	LEV1 LEV	All	Underbody Right	919878	D-280-101	--	--
2004	6.0L	4GMXT06.0188	LEV1 LEV	All	Underbody Left	919877	D-280-101	--	--
2004	6.0L	4GMXT06.0188	LEV1 LEV	All	Underbody Right	919878	D-280-101	--	--
2003	6.0L	3GMXA06.0188	LEV1 LEV	All	Front Left	--	--	912006	D-280-101
2003	6.0L	3GMXA06.0188	LEV1 LEV	All	Front Right	--	--	912006	D-280-101
2003	6.0L	3GMXA06.0188	LEV1 LEV	All	Rear Left	--	--	912006	D-280-101
2003	6.0L	3GMXA06.0188	LEV1 LEV	All	Rear Right	--	--	912006	D-280-101
2003	6.0L	3GMXA06.0188	LEV1 LEV	All	Underbody Left	919877	D-280-101	--	--
2003	6.0L	3GMXA06.0188	LEV1 LEV	All	Underbody Right	919878	D-280-101	--	--
2002	6.0L	2GMXA06.0188	LEV1 LEV	All	Rear Left	--	--	912007	D-280-101
2002	6.0L	2GMXA06.0188	LEV1 LEV	All	Rear Right	--	--	912007	D-280-101
2002	6.0L	2GMXA06.0188	LEV1 LEV	All	Underbody	--	--	910005R	D-280-101
2006	8.1L	6GMXK08.1203	LEV1 LEV	All	Underbody Left	919877	D-280-101	--	--
2006	8.1L	6GMXK08.1203	LEV1 LEV	All	Underbody Right	919878	D-280-101	--	--
2005	8.1L	5GMXT08.1201	LEV1 LEV	All	Underbody Left	919877	D-280-101	--	--
2005	8.1L	5GMXT08.1201	LEV1 LEV	All	Underbody Right	919878	D-280-101	--	--
2004	8.1L	4GMXT08.1201	LEV1 LEV	All	Underbody	--	--	910005R	D-280-101
2004	8.1L	4GMXT08.1201	LEV1 LEV	All	Underbody Left	919877	D-280-101	--	--
2004	8.1L	4GMXT08.1201	LEV1 LEV	All	Underbody Right	919878	D-280-101	--	--
2003	8.1L	3GMXA08.1203	LEV1 LEV	All	Rear Left	--	--	912007	D-280-101
2003	8.1L	3GMXA08.1203	LEV1 LEV	All	Rear Right	--	--	912007	D-280-101
2003	8.1L	3GMXA08.1203	LEV1 LEV	All	Underbody Left	919877	D-280-101	--	--
2003	8.1L	3GMXA08.1203	LEV1 LEV	All	Underbody Right	919878	D-280-101	--	--
2002	8.1L	2GMXA08.1203	LEV1 LEV	All	Rear Left	--	--	912007	D-280-101
2002	8.1L	2GMXA08.1203	LEV1 LEV	All	Rear Right	--	--	912007	D-280-101

APPLICATION GUIDE



OBD II

APPLICATION

Year	Eng. Size	Test Group/ Engine Family	Certification Level	Application	Location	Direct Fit Number	Exec. Order	Consol. Number	Exec. Order
GMC (Cont.)									
Sierra 3500 (Cont.)									
V8 (Cont.)									
2001	8.1L	1GMXA08.1203	LEV1 LEV	All	Rear Left	--	--	912007	D-280-101
2001	8.1L	1GMXA08.1203	LEV1 LEV	All	Rear Right	--	--	912007	D-280-101
Sonoma									
L4									
2003	2.2L	3GMXT02.2121	TLEV	2WD	Underbody	942819	D-280-100	--	--
2003	2.2L	3GMXT02.2121	TLEV	2WD	Underbody	--	--	940335	D-280-100
2003	2.2L	3GMXT02.2122	LEV1 LEV	2WD	Underbody	942819	D-280-100	--	--
2003	2.2L	3GMXT02.2122	LEV1 LEV	2WD	Underbody	--	--	940335	D-280-100
2002	2.2L	2GMXT02.2122	LEV1 LEV	2WD	Underbody	942819	D-280-100	--	--
2002	2.2L	2GMXT02.2122	LEV1 LEV	2WD	Underbody	--	--	940335	D-280-100
2001	2.2L	1GMXT02.2122	LEV1 LEV	2WD	Underbody	942819	D-280-100	--	--
2001	2.2L	1GMXT02.2122	LEV1 LEV	2WD	Underbody	--	--	940335	D-280-100
2000	2.2L	YGMXT02.2122	LEV1 LEV	All	Underbody	850655	D-665-12	--	--
2000	2.2L	YGMXX02.2023	TLEV	2WD	Underbody	942819	D-280-100	--	--
2000	2.2L	YGMXX02.2023	TLEV	2WD	Underbody	--	--	940335	D-280-100
1999	2.2L	XGMXT02.2122	TLEV	2WD	Underbody	942819	D-280-100	--	--
1999	2.2L	XGMXT02.2122	TLEV	2WD	Underbody	--	--	940335	D-280-100
1998	2.2L	WGMXT02.2122	TIER1	2WD	Underbody	942819	D-280-100	--	--
1998	2.2L	WGMXT02.2122	TIER1	2WD	Underbody	--	--	940335	D-280-100
1997	2.2L	VGM2.218G1EK	TIER1	2WD	Underbody	942819	D-280-100	--	--
1997	2.2L	VGM2.218G1EK	TIER1	2WD	Underbody	--	--	940335	D-280-100
1996	2.2L	TGM2.218GF EK	TIER1	2WD	Underbody	942819	D-280-100	--	--
1996	2.2L	TGM2.218GF EK	TIER1	2WD	Underbody	--	--	940335	D-280-100
V6									
2004	4.3L	4GMXT04.3187	LEV1 ULEV	4WD	Front	--	--	740005	D-798
2004	4.3L	4GMXT04.3187	LEV1 ULEV	4WD	Rear	--	--	747035	D-798
2004	4.3L	4GMXT04.3187	LEV1 ULEV	4WD	Underbody	749109	D-798	--	--
2003	4.3L	3GMXT04.3186	LEV1 ULEV	RWD, A/T	Rear	809692	D-665-23	--	--
2003	4.3L	3GMXT04.3187	LEV1 ULEV	4WD	Front	--	--	740005	D-798
2003	4.3L	3GMXT04.3187	LEV1 ULEV	4WD	Rear	--	--	747035	D-798
2003	4.3L	3GMXT04.3187	LEV1 ULEV	4WD	Underbody	749110	D-798	--	--
2003	4.3L	3GMXT04.3187	LEV1 ULEV	4WD	Underbody	749109	D-798	--	--
2002	4.3L	2GMXT04.3186	LEV1 LEV	RWD, A/T	Rear	809692	D-665-23	--	--
2002	4.3L	2GMXT04.3186	LEV1 LEV	2WD	Front	--	--	940106	D-280-100
2002	4.3L	2GMXT04.3186	LEV1 LEV	2WD	Rear	--	--	940636	D-280-100
2002	4.3L	2GMXT04.3187	LEV1 LEV	All	Underbody	--	--	910005R	D-280-101
2002	4.3L	2GMXT04.3187	LEV1 LEV	4WD	Rear	--	--	912006	D-280-101
2002	4.3L	2GMXT04.3187	LEV1 LEV	4 Dr.	Underbody	919109	D-280-101	--	--
2001	4.3L	1GMXT04.3186	LEV1 LEV	RWD, A/T	Rear	809692	D-665-23	--	--
2001	4.3L	1GMXT04.3186	LEV1 LEV	2WD	Front	--	--	940106	D-280-100
2001	4.3L	1GMXT04.3186	LEV1 LEV	2WD	Rear	--	--	940636	D-280-100
2001	4.3L	1GMXT04.3187	LEV1 LEV	All	Rear	--	--	912006	D-280-101
2001	4.3L	1GMXT04.3187	LEV1 LEV	All	Underbody	919109	D-280-101	--	--
2001	4.3L	1GMXT04.3187	LEV1 LEV	All	Front	--	--	740006	D-798
2000	4.3L	YGMXT04.3186	TLEV	2WD	Front	--	--	940106	D-280-100
2000	4.3L	YGMXT04.3186	TLEV	2WD	Rear	--	--	940636	D-280-100
2000	4.3L	YGMXT04.3187	LEV1 LEV	2WD	Front	--	--	940106	D-280-100
2000	4.3L	YGMXT04.3187	LEV1 LEV	2WD	Rear	--	--	940636	D-280-100
2000	4.3L	YGMXT04.3188	LEV1 LEV	All	Front	--	--	912006R	D-280-101
2000	4.3L	YGMXT04.3188	LEV1 LEV	All	Rear	--	--	912006	D-280-101
2000	4.3L	YGMXT04.3188	LEV1 LEV	2WD, Auto. Trans.	Underbody	919091	D-280-101	--	--
1999	4.3L	XGMXT04.3182	LEV1 LEV	RWD	Rear	809688	D-665-23	--	--
1999	4.3L	XGMXT04.3182	LEV1 LEV	RWD	Rear	809685	D-665-23	--	--
1999	4.3L	XGMXT04.3182	TLEV	2WD	Front	--	--	940106	D-280-100
1999	4.3L	XGMXT04.3182	TLEV	2WD	Rear	--	--	940636	D-280-100
1999	4.3L	XGMXT04.3184	TLEV	All	Front	--	--	912005R	D-280-101
1999	4.3L	XGMXT04.3184	TLEV	All	Rear	--	--	912006	D-280-101
1999	4.3L	XGMXT04.3184	TLEV	2WD, 3Dr Ext. Cab	Front	911177	D-280-101	--	--

Legal Note: In Compliance with California Emissions Requirements



CATCO
CATALYTIC CONVERTERS

EASTERN CATALYTIC

APPLICATION GUIDE

OBD II

APPLICATION

Year	Eng. Size	Test Group/ Engine Family	Certification Level	Application	Location	Direct Fit Number	Exec. Order	Consol. Number	Exec. Order
GMC (Cont.)									
Sonoma (Cont.)									
V6 (Cont.)									
1999	4.3L	XGMXT04.3184	TLEV	4WD	Rear	912881	D-280-101	--	--
1999	4.3L	XGMXT04.3185	LEV1 LEV	All	Front	--	--	912005R	D-280-101
1999	4.3L	XGMXT04.3185	LEV1 LEV	All	Rear	--	--	912006	D-280-101
1999	4.3L	XGMXT04.3185	LEV1 LEV	2WD, 3Dr Ext. Cab	Front	911177	D-280-101	--	--
1999	4.3L	XGMXT04.3185	LEV1 LEV	4WD	Rear	912881	D-280-101	--	--
1998	4.3L	WGMXT04.3182	TIER1	2WD	Underbody	942710	D-280-100	--	--
1998	4.3L	WGMXT04.3182	TIER1	2WD	Underbody	--	--	940106	D-280-100
1998	4.3L	WGMXT04.3184	TIER1	All	Underbody	--	--	912006	D-280-101
1998	4.3L	WGMXT04.3184	TIER1	2WD	Underbody	914977	D-280-101	--	--
1998	4.3L	WGMXT04.3184	TIER1	4WD	Underbody	919881	D-280-101	--	--
1998	4.3L	WGMXT04.3185	TLEV	All	Front	--	--	910025	D-280-101
1998	4.3L	WGMXT04.3185	TLEV	All	Rear	--	--	912006	D-280-101
1998	4.3L	WGMXT04.3185	TLEV	2WD	Front	911177	D-280-101	--	--
1998	4.3L	WGMXT04.3185	TLEV	2WD	Rear	914977	D-280-101	--	--
1998	4.3L	WGMXT04.3193	TLEV	All	Front	--	--	910025	D-280-101
1998	4.3L	WGMXT04.3193	TLEV	All	Rear	--	--	912005	D-280-101
1998	4.3L	WGMXT04.3193	TLEV	2WD	Front	911177	D-280-101	--	--
1998	4.3L	WGMXT04.3193	TLEV	2WD	Rear	914977	D-280-101	--	--
1997	4.3L	VGM4.31PG1EK	TIER1	2WD	Underbody	942710	D-280-100	--	--
1997	4.3L	VGM4.31PG1EK	TIER1	2WD	Underbody	--	--	940106	D-280-100
1997	4.3L	VGM4.32PG1EK	TIER1	All	Underbody	--	--	912006	D-280-101
1997	4.3L	VGM4.32PG1EK	TIER1	2WD	Underbody	912710	D-280-101	--	--
1996	4.3L	TGM4.31PGFEK	TIER1	2WD	Underbody	942710	D-280-100	--	--
1996	4.3L	TGM4.31PGFEK	TIER1	2WD	Underbody	--	--	940106	D-280-100
1996	4.3L	TGM4.32PGKEK	TIER1	All	Underbody	912881	D-280-101	--	--
1996	4.3L	TGM4.32PGKEK	TIER1	All	Underbody	--	--	912006	D-280-101
1995	4.3L	S3G4.319GFEJ	TIER1	All	Underbody	--	--	912006	D-280-101
1995	4.3L	S3G4.319GFEJ	TIER1	RWD	Underbody	914628	D-280-101	--	--
1995	4.3L	S3G4.319GFEJ	TIER1	4WD	Underbody	919708	D-280-101	--	--
1995	4.3L	S3G4.319GFEJ	TIER1	2WD	Underbody	942628	D-280-100	--	--
1995	4.3L	S3G4.329GFGJ	TIER1	All	Underbody	--	--	912006	D-280-101
1995	4.3L	S3G4.329GFGJ	TIER1	RWD	Underbody	914628	D-280-101	--	--
1995	4.3L	S3G4.329GFGJ	TIER1	4WD	Underbody	919708	D-280-101	--	--
Terrain									
L4									
2013	2.4L	DGMXJ02.4199	LEV2 ULEV	All	Front	745221	D-798	--	--
2013	2.4L	DGMXJ02.4199	LEV2 ULEV	All	Front	--	--	740725	D-798
2013	2.4L	DGMXJ02.4199	LEV2 ULEV	All	Rear	744012	D-798	--	--
2013	2.4L	DGMXJ02.4199	LEV2 ULEV	All	Rear	--	--	747336	D-798
2012	2.4L	CGMXJ02.4151	LEV2 ULEV	All	Front	745221	D-798	--	--
2012	2.4L	CGMXJ02.4151	LEV2 ULEV	All	Front	--	--	740725	D-798
2012	2.4L	CGMXJ02.4151	LEV2 ULEV	All	Rear	744012	D-798	--	--
2012	2.4L	CGMXJ02.4151	LEV2 ULEV	All	Rear	--	--	747336	D-798
2012	2.4L	CGMXJ02.4199	LEV2 ULEV	All	Front	745221	D-798	--	--
2012	2.4L	CGMXJ02.4199	LEV2 ULEV	All	Front	--	--	740725	D-798
2012	2.4L	CGMXJ02.4199	LEV2 ULEV	All	Rear	744012	D-798	--	--
2012	2.4L	CGMXJ02.4199	LEV2 ULEV	All	Rear	--	--	747336	D-798
2011	2.4L	BGMXJ02.4151	LEV2 ULEV	All	Front	745221	D-798	--	--
2011	2.4L	BGMXJ02.4151	LEV2 ULEV	All	Front	--	--	740725	D-798
2011	2.4L	BGMXJ02.4151	LEV2 ULEV	All	Rear	744012	D-798	--	--
2011	2.4L	BGMXJ02.4151	LEV2 ULEV	All	Rear	--	--	747336	D-798
2010	2.4L	AGMXJ02.4151	LEV2 ULEV	All	Front	745221	D-798	--	--
2010	2.4L	AGMXJ02.4151	LEV2 ULEV	All	Front	--	--	740725	D-798
2010	2.4L	AGMXJ02.4151	LEV2 ULEV	All	Rear	744012	D-798	--	--
2010	2.4L	AGMXJ02.4151	LEV2 ULEV	All	Rear	--	--	747336	D-798

Legal Note: In Compliance with California Emissions Requirements

APPLICATION GUIDE



OBD II

APPLICATION

Year	Eng. Size	Test Group/ Engine Family	Certification Level	Application	Location	Direct Fit Number	Exec. Order	Consol. Number	Exec. Order
GMC (Cont.)									
Terrain (Cont.)									
V6									
2012	3.0L	CGMXT03.0157	LEV2 ULEV	All	Front Left	741350	D-798	--	--
2012	3.0L	CGMXT03.0157	LEV2 ULEV	All	Front Right	741207	D-798	--	--
2012	3.0L	CGMXT03.0157	LEV2 ULEV	All	Rear	--	--	747336	D-798
2012	3.0L	CGMXT03.0157	LEV2 ULEV	All	Underbody	744692	D-798	--	--
2012	3.0L	CGMXT03.0159	LEV2 ULEV	All	Front Left	741350	D-798	--	--
2012	3.0L	CGMXT03.0159	LEV2 ULEV	All	Front Right	741207	D-798	--	--
2012	3.0L	CGMXT03.0159	LEV2 ULEV	All	Rear	--	--	747336	D-798
2012	3.0L	CGMXT03.0159	LEV2 ULEV	All	Underbody	744692	D-798	--	--
2011	3.0L	BGMXJ03.0157	LEV2 ULEV	All	Front Left	741206	D-798	--	--
2011	3.0L	BGMXJ03.0157	LEV2 ULEV	All	Front Right	741207	D-798	--	--
2011	3.0L	BGMXJ03.0157	LEV2 ULEV	All	Rear	--	--	747336	D-798
2011	3.0L	BGMXJ03.0157	LEV2 ULEV	All	Underbody	744692	D-798	--	--
2010	3.0L	AGMXJ03.0157	LEV2 ULEV	All	Front Left	741206	D-798	--	--
2010	3.0L	AGMXJ03.0157	LEV2 ULEV	All	Front Right	741207	D-798	--	--
2010	3.0L	AGMXJ03.0157	LEV2 ULEV	All	Rear	--	--	747336	D-798
2010	3.0L	AGMXJ03.0157	LEV2 ULEV	All	Underbody	744692	D-798	--	--
2013	3.6L	DGMXJ03.6165	LEV2 ULEV	All	Front Left	741350	D-798	--	--
2013	3.6L	DGMXJ03.6165	LEV2 ULEV	All	Front Right	741207	D-798	--	--
2013	3.6L	DGMXJ03.6165	LEV2 ULEV	All	Rear	--	--	747336	D-798
Yukon									
V8									
2009	4.8L	9GMXT05.3384	LEV2 LEV	2WD	Front Left	--	--	740566	D-798
2009	4.8L	9GMXT05.3384	LEV2 LEV	2WD	Front Right	--	--	740566	D-798
2009	4.8L	9GMXT05.3384	LEV2 LEV	2WD	Rear	--	--	747336	D-798
2009	4.8L	9GMXT05.3384	LEV2 LEV	2WD	Underbody	749912	D-798	--	--
2008	4.8L	8GMXT05.3380	LEV2 ULEV	2WD	Front Left	--	--	740566	D-798
2008	4.8L	8GMXT05.3380	LEV2 ULEV	2WD	Front Right	--	--	740566	D-798
2008	4.8L	8GMXT05.3380	LEV2 ULEV	2WD	Underbody	749233	D-798	--	--
2007	4.8L	7GMXT05.3380	LEV2 ULEV	2WD	Front Left	--	--	740566	D-798
2007	4.8L	7GMXT05.3380	LEV2 ULEV	2WD	Front Right	--	--	740566	D-798
2007	4.8L	7GMXT05.3380	LEV2 ULEV	2WD	Underbody	749233	D-798	--	--
2005	4.8L	5GMXT05.3174	LEV1 ULEV	All	Front Left	--	--	732006	D-280-107
2005	4.8L	5GMXT05.3174	LEV1 ULEV	All	Front Right	--	--	732006	D-280-107
2004	4.8L	4GMXT05.3174	LEV1 ULEV	All	Underbody	739083	D-280-107	--	--
2004	4.8L	4GMXT05.3174	LEV1 ULEV	2WD	Front Left	--	--	732006	D-280-107
2004	4.8L	4GMXT05.3174	LEV1 ULEV	2WD	Front Right	--	--	732006	D-280-107
2003	4.8L	3GMXT05.3184	LEV1 LEV	All	Underbody	912083	D-280-101	--	--
2003	4.8L	3GMXT05.3184	LEV1 LEV	All	Underbody Left	--	--	912006	D-280-101
2003	4.8L	3GMXT05.3184	LEV1 LEV	All	Underbody Right	--	--	912006	D-280-101
2002	4.8L	2GMXA04.8184	LEV1 LEV	All	Rear Left	--	--	733016	D-280-107
2002	4.8L	2GMXA04.8184	LEV1 LEV	All	Rear Right	--	--	733016	D-280-107
2002	4.8L	2GMXA04.8184	LEV1 LEV	All	Front	912083	D-280-101	--	--
2002	4.8L	2GMXA04.8184	LEV1 LEV	All	Underbody Left	--	--	912006	D-280-101
2002	4.8L	2GMXA04.8184	LEV1 LEV	All	Underbody Right	--	--	912006	D-280-101
2001	4.8L	1GMXA05.3184	LEV1 LEV	All	Underbody	912083	D-280-101	--	--
2001	4.8L	1GMXA05.3184	LEV1 LEV	All	Underbody Left	--	--	912006	D-280-101
2001	4.8L	1GMXA05.3184	LEV1 LEV	All	Underbody Right	--	--	912006	D-280-101
2013	5.3L	DGMXT05.3381	LEV2 ULEV	All	Front Left	--	--	740566	D-798
2013	5.3L	DGMXT05.3381	LEV2 ULEV	All	Front Right	--	--	740566	D-798
2013	5.3L	DGMXT05.3381	LEV2 ULEV	All	Rear	--	--	747026	D-798
2013	5.3L	DGMXT05.3381	LEV2 ULEV	All	Underbody	749912	D-798	--	--
2012	5.3L	CGMXT05.3381	LEV2 ULEV	All	Front Left	--	--	740566	D-798
2012	5.3L	CGMXT05.3381	LEV2 ULEV	All	Front Right	--	--	740566	D-798
2012	5.3L	CGMXT05.3381	LEV2 ULEV	All	Rear	--	--	747336	D-798
2012	5.3L	CGMXT05.3381	LEV2 ULEV	All	Underbody	749912	D-798	--	--

Legal Note: In Compliance with California Emissions Requirements



CATCO
CATALYTIC CONVERTERS

EASTERN CATALYTIC

APPLICATION GUIDE

OBD II

APPLICATION

Year	Eng. Size	Test Group/ Engine Family	Certification Level	Application	Location	Direct Fit Number	Exec. Order	Consol. Number	Exec. Order
GMC (Cont.)									
Yukon (Cont.)									
V8 (Cont.)									
2011	5.3L	BGMXT05.3381	LEV2 ULEV	All	Front Left	--	--	740566	D-798
2011	5.3L	BGMXT05.3381	LEV2 ULEV	All	Front Right	--	--	740566	D-798
2011	5.3L	BGMXT05.3381	LEV2 ULEV	All	Rear	--	--	747336	D-798
2011	5.3L	BGMXT05.3381	LEV2 ULEV	All	Underbody	749912	D-798	--	--
2010	5.3L	AGMXT05.3381	LEV2 ULEV	All	Front Left	--	--	740566	D-798
2010	5.3L	AGMXT05.3381	LEV2 ULEV	All	Front Right	--	--	740566	D-798
2010	5.3L	AGMXT05.3381	LEV2 ULEV	All	Rear	--	--	747336	D-798
2010	5.3L	AGMXT05.3381	LEV2 ULEV	All	Underbody	749912	D-798	--	--
2009	5.3L	9GMXT05.3380	LEV2 ULEV	All	Front Left	--	--	740566	D-798
2009	5.3L	9GMXT05.3380	LEV2 ULEV	All	Front Right	--	--	740566	D-798
2009	5.3L	9GMXT05.3380	LEV2 ULEV	All	Rear	--	--	747336	D-798
2009	5.3L	9GMXT05.3380	LEV2 ULEV	All	Underbody	749912	D-798	--	--
2009	5.3L	9GMXT05.3381	LEV2 ULEV	All	Front Left	--	--	740566	D-798
2009	5.3L	9GMXT05.3381	LEV2 ULEV	All	Front Right	--	--	740566	D-798
2009	5.3L	9GMXT05.3381	LEV2 ULEV	All	Rear	--	--	747336	D-798
2009	5.3L	9GMXT05.3381	LEV2 ULEV	All	Underbody	749912	D-798	--	--
2008	5.3L	8GMXT05.3380	LEV2 ULEV	All	Front Left	--	--	740566	D-798
2008	5.3L	8GMXT05.3380	LEV2 ULEV	All	Front Right	--	--	740566	D-798
2008	5.3L	8GMXT05.3380	LEV2 ULEV	All	Underbody	749233	D-798	--	--
2008	5.3L	8GMXT05.3381	LEV2 ULEV	All	Front Left	--	--	740566	D-798
2008	5.3L	8GMXT05.3381	LEV2 ULEV	All	Front Right	--	--	740566	D-798
2008	5.3L	8GMXT05.3381	LEV2 ULEV	All	Underbody	749233	D-798	--	--
2007	5.3L	7GMXT05.3380	LEV2 ULEV	All	Front Left	--	--	740566	D-798
2007	5.3L	7GMXT05.3380	LEV2 ULEV	All	Front Right	--	--	740566	D-798
2007	5.3L	7GMXT05.3380	LEV2 ULEV	All	Underbody	749233	D-798	--	--
2007	5.3L	7GMXT05.3381	LEV2 ULEV	All	Front Left	--	--	740566	D-798
2007	5.3L	7GMXT05.3381	LEV2 ULEV	All	Front Right	--	--	740566	D-798
2007	5.3L	7GMXT05.3381	LEV2 ULEV	All	Underbody	749233	D-798	--	--
2005	5.3L	5GMXT05.3175	LEV1 ULEV	All	Front Left	--	--	732006	D-280-107
2005	5.3L	5GMXT05.3175	LEV1 ULEV	All	Front Right	--	--	732006	D-280-107
2003	5.3L	3GMXT05.3185	LEV1 ULEV	All	Front Left	--	--	732006	D-280-107
2003	5.3L	3GMXT05.3185	LEV1 ULEV	All	Front Right	--	--	732006	D-280-107
2002	5.3L	2GMXA05.3185	LEV1 ULEV	All	Rear Left	--	--	733016	D-280-107
2002	5.3L	2GMXA05.3185	LEV1 ULEV	All	Rear Right	--	--	733016	D-280-107
2001	5.3L	1GMXA05.3184	LEV1 LEV	All	Underbody	912083	D-280-101	--	--
2001	5.3L	1GMXA05.3184	LEV1 LEV	All	Underbody Left	--	--	912006	D-280-101
2001	5.3L	1GMXA05.3184	LEV1 LEV	All	Underbody Right	--	--	912006	D-280-101
2000	5.3L	YGMXA05.3184	LEV1 LEV	All	Underbody Left	--	--	912006	D-280-101
2000	5.3L	YGMXA05.3184	LEV1 LEV	All	Underbody Right	--	--	912006	D-280-101
2000	5.7L	YGMXA05.7185	LEV1 LEV	All	Underbody	912333	D-280-101	--	--
2000	5.7L	YGMXA05.7185	LEV1 LEV	All	Underbody Left	--	--	912004	D-280-101
2000	5.7L	YGMXA05.7185	LEV1 LEV	All	Underbody Right	--	--	912004	D-280-101
2000	5.7L	YGMXA05.7194	LEV1 LEV	All	Underbody	912333	D-280-101	--	--
2000	5.7L	YGMXA05.7194	LEV1 LEV	All	Underbody Left	--	--	912004	D-280-101
2000	5.7L	YGMXA05.7194	LEV1 LEV	All	Underbody Right	--	--	912004	D-280-101
2000	5.7L	YGMXT05.7188	TIER1	All	Underbody	912333	D-280-101	--	--
2000	5.7L	YGMXT05.7188	TIER1	All	Underbody Left	--	--	912004	D-280-101
2000	5.7L	YGMXT05.7188	TIER1	All	Underbody Right	--	--	912004	D-280-101
1999	5.7L	XGMXA05.7185	LEV1 LEV	All	Underbody	912333	D-280-101	--	--
1999	5.7L	XGMXA05.7185	LEV1 LEV	All	Underbody Left	--	--	912004R	D-280-101
1999	5.7L	XGMXA05.7185	LEV1 LEV	All	Underbody Right	--	--	912004R	D-280-101
1999	5.7L	XGMXA05.7186	LEV1 LEV	All	Underbody Left	--	--	912004R	D-280-101
1999	5.7L	XGMXA05.7186	LEV1 LEV	All	Underbody Right	--	--	912004R	D-280-101
1998	5.7L	WGMXA05.7185	LEV1 LEV	All	Underbody	912333	D-280-101	--	--
1998	5.7L	WGMXA05.7185	LEV1 LEV	All	Underbody Left	--	--	912004R	D-280-101
1998	5.7L	WGMXA05.7185	LEV1 LEV	All	Underbody Right	--	--	912004R	D-280-101
1998	5.7L	WGMXA05.7186	LEV1 LEV	All	Underbody	912333	D-280-101	--	--
1998	5.7L	WGMXA05.7186	LEV1 LEV	All	Underbody Left	--	--	912004R	D-280-101
1998	5.7L	WGMXA05.7186	LEV1 LEV	All	Underbody Right	--	--	912004R	D-280-101

Legal Note: In Compliance with California Emissions Requirements

APPLICATION GUIDE



OBD II

APPLICATION

Year	Eng. Size	Test Group/ Engine Family	Certification Level	Application	Location	Direct Fit Number	Exec. Order	Consol. Number	Exec. Order
GMC (Cont.)									
Yukon (Cont.)									
V8 (Cont.)									
1997	5.7L	VGM5.7HPG1EK	TIER1	All	Underbody	912333	D-280-101	--	--
1997	5.7L	VGM5.7HPG1EK	TIER1	All	Underbody	--	--	912005	D-280-101
1997	5.7L	VGM5.7JPG1GK	TIER1	All	Underbody	912333	D-280-101	--	--
1997	5.7L	VGM5.7JPG1GK	TIER1	All	Underbody Left	--	--	912005	D-280-101
1997	5.7L	VGM5.7JPG1GK	TIER1	All	Underbody Right	--	--	912005	D-280-101
1996	5.7L	TGM5.75PGFEK	TIER1	All	Underbody	912333	D-280-101	--	--
1996	5.7L	TGM5.75PGFEK	TIER1	All	Underbody Left	--	--	912004R	D-280-101
1996	5.7L	TGM5.75PGFEK	TIER1	All	Underbody Right	--	--	912004R	D-280-101
1996	5.7L	TGM5.76PGFEK	TIER1	4WD	Underbody	912333	D-280-101	--	--
1996	5.7L	TGM5.76PGFEK	TIER1	4WD	Underbody Left	--	--	912004R	D-280-101
1996	5.7L	TGM5.76PGFEK	TIER1	4WD	Underbody Right	--	--	912004R	D-280-101
1996	5.7L	TGM5.7JPG1EK	TIER1	All	Underbody	640542	D-665-18	--	--
2012	6.0L	CGMXT06.0372	LEV2 ULEV	All	Front Left	--	--	740566	D-798
2012	6.0L	CGMXT06.0372	LEV2 ULEV	All	Front Right	--	--	740566	D-798
2012	6.0L	CGMXT06.0372	LEV2 ULEV	All	Rear	--	--	747336	D-798
2012	6.0L	CGMXT06.0372	LEV2 ULEV	All	Underbody	749912	D-798	--	--
2011	6.0L	BGMXT06.0372	LEV2 ULEV	All	Front Left	--	--	740566	D-798
2011	6.0L	BGMXT06.0372	LEV2 ULEV	All	Front Right	--	--	740566	D-798
2011	6.0L	BGMXT06.0372	LEV2 ULEV	All	Rear	--	--	747336	D-798
2011	6.0L	BGMXT06.0372	LEV2 ULEV	All	Underbody	749912	D-798	--	--
2010	6.0L	AGMXT06.0372	LEV2 ULEV	All	Front Left	--	--	740566	D-798
2010	6.0L	AGMXT06.0372	LEV2 ULEV	All	Front Right	--	--	740566	D-798
2010	6.0L	AGMXT06.0372	LEV2 ULEV	All	Rear	--	--	747336	D-798
2010	6.0L	AGMXT06.0372	LEV2 ULEV	All	Underbody	749912	D-798	--	--
2009	6.0L	9GMXT06.0392	LEV2 LEV	All	Front Left	--	--	740566	D-798
2009	6.0L	9GMXT06.0392	LEV2 LEV	All	Front Right	--	--	740566	D-798
2009	6.0L	9GMXT06.0392	LEV2 LEV	All	Underbody	749233	D-798	--	--
2008	6.0L	8GMXT06.0392	LEV2 LEV	All	Front Left	--	--	740566	D-798
2008	6.0L	8GMXT06.0392	LEV2 LEV	All	Front Right	--	--	740566	D-798
2008	6.0L	8GMXT06.0392	LEV2 LEV	All	Underbody	749233	D-798	--	--
2003	6.0L	3GMXT06.0187	LEV1 LEV	AWD	Underbody Left	912267	D-280-101	--	--
2003	6.0L	3GMXT06.0187	LEV1 LEV	AWD	Underbody Right	912266	D-280-101	--	--
2002	6.0L	2GMXA06.0194	LEV1 LEV	All	Underbody Left	--	--	912006	D-280-101
2002	6.0L	2GMXA06.0194	LEV1 LEV	All	Underbody Right	--	--	912006	D-280-101
2001	6.0L	1GMXA06.0194	LEV1 LEV	4WD	Underbody	--	--	912006	D-280-101
2001	6.0L	1GMXA06.0194	LEV1 LEV	4WD	Underbody Left	912267	D-280-101	--	--
2001	6.0L	1GMXA06.0194	LEV1 LEV	4WD	Underbody Right	912266	D-280-101	--	--
2010	6.2L	AGMXT06.2374	LEV2 ULEV	All	Front Left	--	--	740566	D-798
2010	6.2L	AGMXT06.2374	LEV2 ULEV	All	Front Right	--	--	740566	D-798
2010	6.2L	AGMXT06.2374	LEV2 ULEV	All	Underbody	749642	D-798	--	--
2009	6.2L	9GMXT06.2374	LEV2 ULEV	All	Front Left	--	--	740566	D-798
2009	6.2L	9GMXT06.2374	LEV2 ULEV	All	Front Right	--	--	740566	D-798
2009	6.2L	9GMXT06.2374	LEV2 ULEV	All	Underbody	749642	D-798	--	--
2008	6.2L	8GMXT06.2382	LEV2 LEV	All	Front Left	--	--	740566	D-798
2008	6.2L	8GMXT06.2382	LEV2 LEV	All	Front Right	--	--	740566	D-798
2008	6.2L	8GMXT06.2382	LEV2 LEV	All	Underbody	749642	D-798	--	--
2007	6.2L	7GMXT06.2382	LEV2 LEV	All	Front Left	--	--	740566	D-798
2007	6.2L	7GMXT06.2382	LEV2 LEV	All	Front Right	--	--	740566	D-798
2007	6.2L	7GMXT06.2382	LEV2 LEV	All	Underbody	749642	D-798	--	--
Yukon XL 1500									
V8									
2013	5.3L	DGMXT05.3381	LEV2 ULEV	All	Underbody	749912	D-798	--	--
2012	5.3L	CGMXT05.3381	LEV2 ULEV	All	Front Left	--	--	740566	D-798
2012	5.3L	CGMXT05.3381	LEV2 ULEV	All	Front Right	--	--	740566	D-798
2012	5.3L	CGMXT05.3381	LEV2 ULEV	All	Rear	--	--	747336	D-798
2012	5.3L	CGMXT05.3381	LEV2 ULEV	All	Underbody	749912	D-798	--	--

Legal Note: In Compliance with California Emissions Requirements



CATCO
CATALYTIC CONVERTERS

EASTERN CATALYTIC

APPLICATION GUIDE

OBD II

APPLICATION

Year	Eng. Size	Test Group/ Engine Family	Certification Level	Application	Location	Direct Fit Number	Exec. Order	Consol. Number	Exec. Order
GMC (Cont.)									
Yukon XL 1500 (Cont.)									
V8 (Cont.)									
2011	5.3L	BGMXT05.3381	LEV2 ULEV	All	Front Left	--	--	740566	D-798
2011	5.3L	BGMXT05.3381	LEV2 ULEV	All	Front Right	--	--	740566	D-798
2011	5.3L	BGMXT05.3381	LEV2 ULEV	All	Rear	--	--	747336	D-798
2011	5.3L	BGMXT05.3381	LEV2 ULEV	All	Underbody	749912	D-798	--	--
2010	5.3L	AGMXT05.3381	LEV2 ULEV	All	Front Left	--	--	740566	D-798
2010	5.3L	AGMXT05.3381	LEV2 ULEV	All	Front Right	--	--	740566	D-798
2010	5.3L	AGMXT05.3381	LEV2 ULEV	All	Rear	--	--	747336	D-798
2010	5.3L	AGMXT05.3381	LEV2 ULEV	All	Underbody	749912	D-798	--	--
2009	5.3L	9GMXT05.3380	LEV2 ULEV	All	Front Left	--	--	740566	D-798
2009	5.3L	9GMXT05.3380	LEV2 ULEV	All	Front Right	--	--	740566	D-798
2009	5.3L	9GMXT05.3380	LEV2 ULEV	All	Rear	--	--	747336	D-798
2009	5.3L	9GMXT05.3380	LEV2 ULEV	All	Underbody	749912	D-798	--	--
2009	5.3L	9GMXT05.3381	LEV2 ULEV	All	Front Left	--	--	740566	D-798
2009	5.3L	9GMXT05.3381	LEV2 ULEV	All	Front Right	--	--	740566	D-798
2009	5.3L	9GMXT05.3381	LEV2 ULEV	All	Rear	--	--	747336	D-798
2009	5.3L	9GMXT05.3381	LEV2 ULEV	All	Underbody	749912	D-798	--	--
2008	5.3L	8GMXT05.3380	LEV2 ULEV	All	Front Left	--	--	740566	D-798
2008	5.3L	8GMXT05.3380	LEV2 ULEV	All	Front Right	--	--	740566	D-798
2008	5.3L	8GMXT05.3380	LEV2 ULEV	All	Underbody	749233	D-798	--	--
2008	5.3L	8GMXT05.3381	LEV2 ULEV	All	Front Left	--	--	740566	D-798
2008	5.3L	8GMXT05.3381	LEV2 ULEV	All	Front Right	--	--	740566	D-798
2008	5.3L	8GMXT05.3381	LEV2 ULEV	All	Underbody	749233	D-798	--	--
2007	5.3L	7GMXT05.3380	LEV2 ULEV	All	Front Left	--	--	740566	D-798
2007	5.3L	7GMXT05.3380	LEV2 ULEV	All	Front Right	--	--	740566	D-798
2007	5.3L	7GMXT05.3380	LEV2 ULEV	All	Underbody	749233	D-798	--	--
2007	5.3L	7GMXT05.3381	LEV2 ULEV	All	Front Left	--	--	740566	D-798
2007	5.3L	7GMXT05.3381	LEV2 ULEV	All	Front Right	--	--	740566	D-798
2007	5.3L	7GMXT05.3381	LEV2 ULEV	All	Underbody	749233	D-798	--	--
2005	5.3L	5GMXT05.3175	LEV1 ULEV	All	Front Left	--	--	732006	D-280-107
2005	5.3L	5GMXT05.3175	LEV1 ULEV	All	Front Right	--	--	732006	D-280-107
2003	5.3L	3GMXT05.3185	LEV1 ULEV	All	Front Left	--	--	732006	D-280-107
2003	5.3L	3GMXT05.3185	LEV1 ULEV	All	Front Right	--	--	732006	D-280-107
2002	5.3L	2GMXA05.3185	LEV1 ULEV	All	Rear Left	--	--	733016	D-280-107
2002	5.3L	2GMXA05.3185	LEV1 ULEV	All	Rear Right	--	--	733016	D-280-107
2001	5.3L	1GMXA05.3184	LEV1 LEV	All	Underbody	640565	D-665-18	--	--
2001	5.3L	1GMXA05.3185	LEV1 ULEV	All	Rear Left	--	--	732006	D-280-107
2001	5.3L	1GMXA05.3185	LEV1 ULEV	All	Rear Right	--	--	732006	D-280-107
2000	5.3L	YGMXA05.3184	LEV1 LEV	All	Underbody	912083	D-280-101	--	--
2000	5.3L	YGMXA05.3184	LEV1 LEV	All	Underbody Left	--	--	912006	D-280-101
2000	5.3L	YGMXA05.3184	LEV1 LEV	All	Underbody Right	--	--	912006	D-280-101
2009	6.0L	9GMXT06.0382	LEV2 LEV	All	Rear	--	--	747337	D-798
2009	6.0L	9GMXT06.0382	LEV2 LEV	All	Underbody	749912	D-798	--	--
2008	6.0L	8GMXT06.0383	LEV2 ULEV	All	Front Left	--	--	740566	D-798
2008	6.0L	8GMXT06.0383	LEV2 ULEV	All	Front Right	--	--	740566	D-798
2008	6.0L	8GMXT06.0383	LEV2 ULEV	All	Underbody	749233	D-798	--	--
2007	6.0L	7GMXT06.0383	LEV2 ULEV	All	Front Left	--	--	740566	D-798
2007	6.0L	7GMXT06.0383	LEV2 ULEV	All	Front Right	--	--	740566	D-798
2007	6.0L	7GMXT06.0383	LEV2 ULEV	All	Underbody	749233	D-798	--	--
2003	6.0L	3GMXT06.0187	LEV1 LEV	All	Underbody Left	--	--	912005	D-280-101
2003	6.0L	3GMXT06.0187	LEV1 LEV	All	Underbody Right	--	--	912005	D-280-101
2002	6.0L	2GMXA06.0194	LEV1 LEV	All	Underbody	--	--	912005	D-280-101
2002	6.0L	2GMXA06.0194	LEV1 LEV	All	Underbody Left	912267	D-280-101	--	--
2002	6.0L	2GMXA06.0194	LEV1 LEV	All	Underbody Right	912266	D-280-101	--	--
2001	6.0L	1GMXA06.0194	LEV1 LEV	All	Underbody Left	--	--	912006	D-280-101
2001	6.0L	1GMXA06.0194	LEV1 LEV	All	Underbody Right	--	--	912006	D-280-101
2001	6.0L	1GMXA06.0194	LEV1 LEV	4WD	Underbody Left	912267	D-280-101	--	--
2001	6.0L	1GMXA06.0194	LEV1 LEV	4WD	Underbody Right	912266	D-280-101	--	--

Legal Note: In Compliance with California Emissions Requirements

APPLICATION GUIDE



OBD II

APPLICATION

Year	Eng. Size	Test Group/ Engine Family	Certification Level	Application	Location	Direct Fit Number	Exec. Order	Consol. Number	Exec. Order
GMC (Cont.)									
Yukon XL 1500 (Cont.)									
V8 (Cont.)									
2010	6.2L	AGMXT06.2374	LEV2 ULEV	All	Front Left	--	--	740566	D-798
2010	6.2L	AGMXT06.2374	LEV2 ULEV	All	Front Right	--	--	740566	D-798
2010	6.2L	AGMXT06.2374	LEV2 ULEV	All	Underbody	749642	D-798	--	--
2009	6.2L	9GMXT06.2374	LEV2 ULEV	All	Front Left	--	--	740566	D-798
2009	6.2L	9GMXT06.2374	LEV2 ULEV	All	Front Right	--	--	740566	D-798
2009	6.2L	9GMXT06.2374	LEV2 ULEV	All	Underbody	749642	D-798	--	--
2008	6.2L	8GMXT06.2382	LEV2 LEV	All	Front Left	--	--	740566	D-798
2008	6.2L	8GMXT06.2382	LEV2 LEV	All	Front Right	--	--	740566	D-798
2008	6.2L	8GMXT06.2382	LEV2 LEV	All	Underbody	749642	D-798	--	--
2007	6.2L	7GMXT06.2382	LEV2 LEV	All	Front Left	--	--	740566	D-798
2007	6.2L	7GMXT06.2382	LEV2 LEV	All	Front Right	--	--	740566	D-798
2007	6.2L	7GMXT06.2382	LEV2 LEV	All	Underbody	749642	D-798	--	--
Yukon XL 2500									
V8									
2008	6.0L	8GMXT06.2394	LEV2 LEV	All	Front Left	--	--	740007	D-798
2008	6.0L	8GMXT06.2394	LEV2 LEV	All	Front Right	--	--	740007	D-798
2004	6.0L	4GMXT06.0188	LEV1 LEV	All	Underbody	--	--	910005R	D-280-101
2003	6.0L	3GMXA06.0188	LEV1 LEV	All	Underbody	--	--	910005R	D-280-101
2002	6.0L	2GMXA06.0188	LEV1 LEV	All	Front Left	--	--	912006	D-280-101
2002	6.0L	2GMXA06.0188	LEV1 LEV	All	Front Right	--	--	912006	D-280-101
2002	6.0L	2GMXA06.0188	LEV1 LEV	All	Rear Left	--	--	912006	D-280-101
2002	6.0L	2GMXA06.0188	LEV1 LEV	All	Rear Right	--	--	912006	D-280-101
2002	6.0L	2GMXA06.0188	LEV1 LEV	All	Underbody	--	--	910005R	D-280-101
2002	6.0L	2GMXA06.0194	LEV1 LEV	All	Underbody Right	640570	D-665-18	--	--
2001	6.0L	1GMXA06.0188	LEV1 LEV	All	Underbody Left	--	--	912005	D-280-101
2001	6.0L	1GMXA06.0188	LEV1 LEV	All	Underbody Right	--	--	912005	D-280-101
2000	6.0L	YGMXT06.0192	TIER1	All	Underbody Left	--	--	912006	D-280-101
2000	6.0L	YGMXT06.0192	TIER1	All	Underbody Right	919253	D-280-101	--	--
2000	6.0L	YGMXT06.0192	TIER1	All	Underbody Right	--	--	912006	D-280-101
2004	8.1L	4GMXT08.1201	LEV1 LEV	All	Underbody	--	--	910005R	D-280-101
2003	8.1L	3GMXA08.1201	LEV1 LEV	All	Rear Left	--	--	912007	D-280-101
2003	8.1L	3GMXA08.1201	LEV1 LEV	All	Rear Right	--	--	912007	D-280-101
2002	8.1L	2GMXA08.1201	LEV1 LEV	4WD	Underbody Left	--	--	910005R	D-280-101
2002	8.1L	2GMXA08.1201	LEV1 LEV	All	Rear Left	--	--	912007	D-280-101
2002	8.1L	2GMXA08.1201	LEV1 LEV	All	Rear Right	--	--	912007	D-280-101
2001	8.1L	1GMXA08.1201	LEV1 LEV	All	Rear Left	--	--	912007	D-280-101
2001	8.1L	1GMXA08.1201	LEV1 LEV	All	Rear Right	--	--	912007	D-280-101
Geo									
Metro									
L3									
1997	1.0L	VSK1.0V5G2EK	TLEV	All	Underbody	942886	D-280-100	--	--
1997	1.0L	VSK1.0V5G2EK	TLEV	All	Underbody	--	--	940104	D-280-100
1996	1.0L	TSK1.0V5G2EK	TLEV	All	Rear	942886	D-280-100	--	--
1996	1.0L	TSK1.0V5G2EK	TLEV	All	Underbody	--	--	940104	D-280-100
L4									
1997	1.3L	VSK1.3V5G3GK	LEV1 LEV	All	Front	942042	D-280-100	--	--
1997	1.3L	VSK1.3V5G3GK	LEV1 LEV	All	Rear	942342	D-280-100	--	--
1997	1.3L	VSK1.3V5G3GK	LEV1 LEV	All	Underbody	--	--	940334	D-280-100
1996	1.3L	TSK1.3V5GDFB	TIER1	All	Underbody	942096	D-280-100	--	--
1996	1.3L	TSK1.3V5GDFB	TIER1	All	Underbody	--	--	940104	D-280-100
Prizm									
L4									
1997	1.6L	VNT1.8VJGKEK	TIER1	All	Underbody	942883	D-280-100	--	--
1997	1.6L	VNT1.8VJGKEK	TIER1	All	Underbody	--	--	940104	D-280-100
1996	1.6L	TNT1.8VJG1GK	TIER1	All	Underbody	942883	D-280-100	--	--
1996	1.6L	TNT1.8VJG1GK	TIER1	All	Underbody	--	--	940104	D-280-100

Legal Note: In Compliance with California Emissions Requirements



CATCO
CATALYTIC CONVERTERS

EASTERN CATALYTIC

APPLICATION GUIDE

OBD II

APPLICATION

Year	Eng. Size	Test Group/ Engine Family	Certification Level	Application	Location	Direct Fit Number	Exec. Order	Consol. Number	Exec. Order
Geo (Cont.)									
Prizm (Cont.)									
L4 (Cont.)									
1997	1.8L	VNT1.8VJGKEK	TIER1	All	Underbody	942883	D-280-100	--	--
1997	1.8L	VNT1.8VJGKEK	TIER1	All	Underbody	--	--	940104	D-280-100
1996	1.8L	TNT1.8VJG1GK	TIER1	All	Underbody	942883	D-280-100	--	--
1996	1.8L	TNT1.8VJG1GK	TIER1	All	Underbody	--	--	940104	D-280-100
Tracker									
L4									
1997	1.6L	VSK1.61JGKHK	TIER1	All	Underbody	942174U	D-280-100	--	--
1997	1.6L	VSK1.61JGKHK	TIER1	All	Underbody	--	--	940334	D-280-100
1996	1.6L	TSK1.61JGHHB	TIER1	All	Underbody	630548	D-665-17	--	--
1996	1.6L	TSK1.61JGHHB	TIER1	All	Underbody	942174U	D-280-100	--	--
1996	1.6L	TSK1.61JGHHB	TIER1	All	Underbody	--	--	940334	D-280-100
Honda									
Accord									
L4									
1997	2.2L	VHN2.2VJG2EK	TLEV	All	Underbody	942355	D-280-100	--	--
1997	2.2L	VHN2.2VJG2EK	TLEV	All	Underbody	--	--	942575	D-280-100
1997	2.2L	VHN2.2VJG2FK	TIER1	All	Underbody	942355	D-280-100	--	--
1997	2.2L	VHN2.2VJG2FK	TIER1	All	Underbody	--	--	942565	D-280-100
1997	2.2L	VHN2.2VJGKEK	TIER1	All	Underbody	942355	D-280-100	--	--
1997	2.2L	VHN2.2VJGKEK	TIER1	All	Underbody	--	--	942575	D-280-100
1997	2.2L	VHN2.2VJGKFK	TLEV	All	Underbody	942355	D-280-100	--	--
1997	2.2L	VHN2.2VJGKFK	TLEV	All	Underbody	--	--	942575	D-280-100
1996	2.2L	THN2.2VJG1EK	TIER1	All	Underbody	942355	D-280-100	--	--
1996	2.2L	THN2.2VJG1EK	TIER1	All	Underbody	--	--	942575	D-280-100
1996	2.2L	THN2.2VJG2EK	TLEV	All	Underbody	942355	D-280-100	--	--
1996	2.2L	THN2.2VJG2EK	TLEV	All	Underbody	--	--	942575	D-280-100
1996	2.2L	THN2.2VJGKEK	TIER1	All	Underbody	942355	D-280-100	--	--
1996	2.2L	THN2.2VJGKEK	TIER1	All	Underbody	--	--	942575	D-280-100
2002	2.3L	2HNXV02.3MJT	LEV1 ULEV	All	Underbody	764145	D-280-105	--	--
2002	2.3L	2HNXV02.3MJT	LEV1 ULEV	All	Underbody	--	--	760015	D-280-105
2002	2.3L	2HNXV02.3PNP	LEV1 LEV	All	Underbody	942145	D-280-100	--	--
2002	2.3L	2HNXV02.3PNP	LEV1 LEV	All	Underbody	--	--	942565	D-280-100
2002	2.3L	2HNXV02.3RDA	LEV1 LEV	All	Underbody	942145	D-280-100	--	--
2002	2.3L	2HNXV02.3RDA	LEV1 LEV	All	Underbody	--	--	942565	D-280-100
2001	2.3L	1HNXV02.3VH2	LEV1 LEV	All	Underbody	942145	D-280-100	--	--
2001	2.3L	1HNXV02.3VH2	LEV1 LEV	All	Underbody	--	--	942565	D-280-100
2001	2.3L	1HNXV02.3W87	LEV1 ULEV	All	Underbody	764145	D-280-105	--	--
2001	2.3L	1HNXV02.3W87	LEV1 ULEV	All	Underbody	--	--	760015	D-280-105
2000	2.3L	YHNXV02.3PA3	LEV1 LEV	All	Underbody	942145	D-280-100	--	--
2000	2.3L	YHNXV02.3PA3	LEV1 LEV	All	Underbody	--	--	942565	D-280-100
2000	2.3L	YHNXV02.3PF3	LEV1 LEV	All	Underbody	942145	D-280-100	--	--
2000	2.3L	YHNXV02.3PF3	LEV1 LEV	All	Underbody	940145	D-280-100	--	--
2000	2.3L	YHNXV02.3PF3	LEV1 LEV	All	Underbody	--	--	942565	D-280-100
1999	2.3L	XHNXV02.3PA3	LEV1 LEV	All	Underbody	942145	D-280-100	--	--
1999	2.3L	XHNXV02.3PA3	LEV1 LEV	All	Underbody	--	--	942565	D-280-100
1999	2.3L	XHNXV02.3PL2	TLEV	All	Underbody	942145	D-280-100	--	--
1999	2.3L	XHNXV02.3PL2	TLEV	All	Underbody	--	--	942565	D-280-100
1998	2.3L	WHNXV02.3PA3	LEV1 LEV	All	Underbody	942145	D-280-100	--	--
1998	2.3L	WHNXV02.3PA3	LEV1 LEV	All	Underbody	--	--	942565	D-280-100
1998	2.3L	WHNXV02.3PL2	TLEV	All	Underbody	942145	D-280-100	--	--
1998	2.3L	WHNXV02.3PL2	TLEV	All	Underbody	--	--	942565	D-280-100
2007	2.4L	7HNXV02.4KKC	LEV2 LEV	All	Underbody	764503	D-280-105	--	--
2007	2.4L	7HNXV02.4KKC	LEV2 LEV	All	Underbody	--	--	760014	D-280-105
2006	2.4L	6HNXV02.4KKC	LEV2 LEV	All	Underbody	764503	D-280-105	--	--
2006	2.4L	6HNXV02.4KKC	LEV2 LEV	All	Underbody	--	--	760014	D-280-105
2005	2.4L	5HNXV02.4VBP	LEV2 LEV	All	Underbody	764503	D-280-105	--	--
2005	2.4L	5HNXV02.4VBP	LEV2 LEV	All	Underbody	--	--	760014	D-280-105

APPLICATION GUIDE



OBD II

APPLICATION

Year	Eng. Size	Test Group/ Engine Family	Certification Level	Application	Location	Direct Fit Number	Exec. Order	Consol. Number	Exec. Order
Honda (Cont.)									
Accord (Cont.)									
L4 (Cont.)									
2004	2.4L	4HNXV02.4LBP	LEV2 LEV	All	Underbody	764503	D-280-105	--	--
2004	2.4L	4HNXV02.4LBP	LEV2 LEV	All	Underbody	--	--	760014	D-280-105
2003	2.4L	3HNXV02.4JBP	LEV2 LEV	All	Underbody	764503	D-280-105	--	--
2003	2.4L	3HNXV02.4JBP	LEV2 LEV	All	Underbody	--	--	760014	D-280-105
V6									
1997	2.7L	VHN2.7VJG1EK	TIER1	All	Underbody	944821	D-280-100	--	--
1997	2.7L	VHN2.7VJG1EK	TIER1	All	Underbody	--	--	942575	D-280-100
1996	2.7L	THN2.7VJG1EK	TIER1	All	Underbody	944821	D-280-100	--	--
1996	2.7L	THN2.7VJG1EK	TIER1	All	Underbody	--	--	942575	D-280-100
1995	2.7L	SHN2.7VJG1EK	TIER1	All	Underbody	944821	D-280-100	--	--
1995	2.7L	SHN2.7VJG1EK	TIER1	All	Underbody	--	--	942575	D-280-100
2007	3.0L	7HNXV03.0RKC	LEV2 LEV	All	Front Left	751250	D-280-102	--	--
2007	3.0L	7HNXV03.0RKC	LEV2 LEV	All	Front Right	751251	D-280-102	--	--
2007	3.0L	7HNXV03.0RKC	LEV2 LEV	All	Rear	754533	D-280-102	--	--
2007	3.0L	7HNXV03.0RKC	LEV2 LEV	All	Rear	--	--	755005	D-280-102
2007	3.0L	7HNXV03.5NKR	LEV2 ULEV	All	Front Left	751250	D-280-102	--	--
2007	3.0L	7HNXV03.5NKR	LEV2 ULEV	All	Front Right	751251	D-280-102	--	--
2007	3.0L	7HNXV03.5NKR	LEV2 ULEV	All	Rear	754533	D-280-102	--	--
2007	3.0L	7HNXV03.5NKR	LEV2 ULEV	All	Rear	--	--	755005	D-280-102
2006	3.0L	6HNXV03.0HKC	LEV2 LEV	All	Front Left	751250	D-280-102	--	--
2006	3.0L	6HNXV03.0HKC	LEV2 LEV	All	Front Right	751251	D-280-102	--	--
2006	3.0L	6HNXV03.0HKC	LEV2 LEV	All	Rear	754533	D-280-102	--	--
2006	3.0L	6HNXV03.0HKC	LEV2 LEV	All	Rear	--	--	755005	D-280-102
2006	3.0L	6HNXV03.2NKR	LEV2 ULEV	All	Front Left	751250	D-280-102	--	--
2006	3.0L	6HNXV03.2NKR	LEV2 ULEV	All	Front Right	751251	D-280-102	--	--
2006	3.0L	6HNXV03.2NKR	LEV2 ULEV	All	Rear	754533	D-280-102	--	--
2006	3.0L	6HNXV03.2NKR	LEV2 ULEV	All	Rear	--	--	755005	D-280-102
2005	3.0L	5HNXV03.0TBP	LEV2 LEV	All	Front Left	751250	D-280-102	--	--
2005	3.0L	5HNXV03.0TBP	LEV2 LEV	All	Front Right	751251	D-280-102	--	--
2005	3.0L	5HNXV03.0TBP	LEV2 LEV	All	Rear	754533	D-280-102	--	--
2005	3.0L	5HNXV03.0TBP	LEV2 LEV	All	Rear	--	--	755005	D-280-102
2005	3.0L	5HNXV03.24B4	LEV2 ULEV	All	Front Left	751250	D-280-102	--	--
2005	3.0L	5HNXV03.24B4	LEV2 ULEV	All	Front Right	751251	D-280-102	--	--
2005	3.0L	5HNXV03.24B4	LEV2 ULEV	All	Rear	754533	D-280-102	--	--
2005	3.0L	5HNXV03.24B4	LEV2 ULEV	All	Rear	--	--	755005	D-280-102
2004	3.0L	4HNXV03.0FBP	LEV2 LEV	All	Front Left	751250	D-280-102	--	--
2004	3.0L	4HNXV03.0FBP	LEV2 LEV	All	Front Right	751251	D-280-102	--	--
2004	3.0L	4HNXV03.0FBP	LEV2 LEV	All	Rear	--	--	755005	D-280-102
2004	3.0L	4HNXV03.0HB4	LEV2 ULEV	All	Front Left	751250	D-280-102	--	--
2004	3.0L	4HNXV03.0HB4	LEV2 ULEV	All	Front Right	751251	D-280-102	--	--
2004	3.0L	4HNXV03.0HB4	LEV2 ULEV	All	Rear	754533	D-280-102	--	--
2004	3.0L	4HNXV03.0HB4	LEV2 ULEV	All	Rear	--	--	755005	D-280-102
2003	3.0L	3HNXV03.0FBP	LEV2 LEV	All	Front Left	751250	D-280-102	--	--
2003	3.0L	3HNXV03.0FBP	LEV2 LEV	All	Front Right	751251	D-280-102	--	--
2003	3.0L	3HNXV03.0FBP	LEV2 LEV	All	Rear	754533	D-280-102	--	--
2003	3.0L	3HNXV03.0FBP	LEV2 LEV	All	Rear	--	--	755005	D-280-102
2003	3.0L	3HNXV03.0HB4	LEV2 ULEV	All	Front Left	751250	D-280-102	--	--
2003	3.0L	3HNXV03.0HB4	LEV2 ULEV	All	Front Right	751251	D-280-102	--	--
2003	3.0L	3HNXV03.0HB4	LEV2 ULEV	All	Rear	754533	D-280-102	--	--
2003	3.0L	3HNXV03.0HB4	LEV2 ULEV	All	Rear	--	--	755005	D-280-102
2002	3.0L	2HNXV03.0WYC	LEV1 LEV	All	Underbody	942209	D-280-100	--	--
2002	3.0L	2HNXV03.0WYC	LEV1 LEV	All	Underbody	764209	D-280-105	--	--
2002	3.0L	2HNXV03.0WYC	LEV1 LEV	All	Underbody	--	--	942565	D-280-100
2001	3.0L	1HNXV03.0M5U	LEV1 LEV	All	Underbody	942209	D-280-100	--	--
2001	3.0L	1HNXV03.0M5U	LEV1 LEV	All	Underbody	764209	D-280-105	--	--
2001	3.0L	1HNXV03.0M5U	LEV1 LEV	All	Underbody	--	--	942565	D-280-100
2000	3.0L	YHNXV03.0FA3	LEV1 LEV	All	Underbody	942209	D-280-100	--	--
2000	3.0L	YHNYV03.0FA3	LEV1 LEV	All	Underbody	--	--	942565	D-280-100

Legal Note: In Compliance with California Emissions Requirements

**CATCO**
CATALYTIC CONVERTERS**EASTERN CATALYTIC****APPLICATION GUIDE****OBD II****APPLICATION**

Year	Eng. Size	Test Group/ Engine Family	Certification Level	Application	Location	Direct Fit Number	Exec. Order	Consol. Number	Exec. Order
Honda (Cont.)									
Accord (Cont.)									
V6 (Cont.)									
1999	3.0L	XHNXV03.0FL2	TLEV	All	Underbody	942233	D-280-100	--	--
1999	3.0L	XHNXV03.0FL2	TLEV	All	Underbody	--	--	942575	D-280-100
1998	3.0L	WHNXV03.0FL2	TLEV	All	Underbody	942233	D-280-100	--	--
1998	3.0L	WHNXV03.0FL2	TLEV	All	Underbody	--	--	942565	D-280-100
Civic									
L4									
2005	1.3L	5HNXV01.33A6	LEV1 ULEV	All	Front	751274	D-280-102	--	--
2005	1.3L	5HNXV01.33A6	LEV1 ULEV	All	Underbody	754984	D-280-102	--	--
2005	1.3L	5HNXV01.33A6	LEV1 ULEV	All	Underbody	--	--	755004	D-280-102
2004	1.3L	4HNXV01.35A6	LEV1 ULEV	All	Front	751274	D-280-102	--	--
2004	1.3L	4HNXV01.35A6	LEV1 ULEV	All	Underbody	754984	D-280-102	--	--
2004	1.3L	4HNXV01.35A6	LEV1 ULEV	All	Underbody	--	--	755004	D-280-102
2003	1.3L	3HNXV01.34A5	LEV1 ULEV	All	Front	751274	D-280-102	--	--
2003	1.3L	3HNXV01.34A5	LEV1 ULEV	All	Underbody	754984	D-280-102	--	--
2003	1.3L	3HNXV01.34A5	LEV1 ULEV	All	Underbody	--	--	755004	D-280-102
2000	1.6L	YHNXV01.6CA3	LEV1 LEV	CX, DX, LX	Front	942340	D-280-100	--	--
2000	1.6L	YHNXV01.6JL2	TLEV	HX	Front	942340	D-280-100	--	--
2000	1.6L	YHNXV01.6TA3	LEV1 LEV	EX	Underbody	944839	D-280-100	--	--
2000	1.6L	YHNXV01.6TA3	LEV1 LEV	EX	Underbody	--	--	942565	D-280-100
2000	1.6L	YHNXV01.6VA2	TLEV	All	Underbody	--	--	942565	D-280-100
2000	1.6L	YHNXV01.6VA2	TLEV	SI	Underbody	944839	D-280-100	--	--
1999	1.6L	XHNXV01.6CA3	LEV1 LEV	All	Front	942340	D-280-100	--	--
1999	1.6L	XHNXV01.6JL2	TLEV	All	Front	942340	D-280-100	--	--
1999	1.6L	XHNXV01.6KA4	LEV1 ULEV	GX	Underbody	809576	D-665-23	--	--
1999	1.6L	XHNXV01.6TA3	LEV1 LEV	All	Underbody	944839	D-280-100	--	--
1999	1.6L	XHNXV01.6TA3	LEV1 LEV	All	Underbody	--	--	942565	D-280-100
1999	1.6L	XHNXV01.6VA2	TLEV	SI	Underbody	944839	D-280-100	--	--
1999	1.6L	XHNXV01.6VA2	TLEV	SI	Underbody	--	--	942565	D-280-100
1998	1.6L	WHNXV01.6CA3	LEV1 LEV	All	Front	942340	D-280-100	--	--
1998	1.6L	WHNXV01.6JL2	TLEV	All	Front	942340	D-280-100	--	--
1998	1.6L	WHNXV01.6KA4	LEV1 ULEV	All	Underbody	809558	D-665-23	--	--
1998	1.6L	WHNXV01.6TA1	TIER1	All	Underbody	944231	D-280-100	--	--
1998	1.6L	WHNXV01.6TA1	TIER1	All	Underbody	--	--	942575	D-280-100
1997	1.6L	VHN1.6VJG2EK	TLEV	All	Front	942340	D-280-100	--	--
1997	1.6L	VHN1.6VJG3EK	LEV1 LEV	All	Front	942340	D-280-100	--	--
1997	1.6L	VHN1.6VJGKEK	TIER1	All	Underbody	944231	D-280-100	--	--
1997	1.6L	VHN1.6VJGKEK	TIER1	All	Underbody	--	--	942575	D-280-100
1996	1.6L	THN1.6VJG2EK	TLEV	All	Front	942340	D-280-100	--	--
1996	1.6L	THN1.6VJG3EK	LEV1 LEV	All	Front	942340	D-280-100	--	--
1996	1.6L	THN1.6VJGKEK	TIER1	All	Underbody	944231	D-280-100	--	--
1996	1.6L	THN1.6VJGKEK	TIER1	All	Underbody	--	--	942575	D-280-100
2005	1.7L	5HNXV01.7FA6	LEV1 ULEV	All	Underbody	764227	D-280-105	--	--
2005	1.7L	5HNXV01.7FA6	LEV1 ULEV	All	Underbody	--	--	760014	D-280-105
2005	1.7L	5HNXV01.7MA6	LEV1 ULEV	All	Front	754230	D-280-102	--	--
2005	1.7L	5HNXV01.7WA6	LEV1 ULEV	VTEC	Rear	809577	D-665-23	--	--
2005	1.7L	5HNXV01.7WA6	LEV1 ULEV	All	Front	754230	D-280-102	--	--
2005	1.7L	5HNXV01.7WA6	LEV1 ULEV	All	Underbody	--	--	755014	D-280-102
2004	1.7L	4HNXV01.73A6	LEV1 ULEV	All	Rear	809577	D-665-23	--	--
2004	1.7L	4HNXV01.73A6	LEV1 ULEV	All	Front	754230	D-280-102	--	--
2004	1.7L	4HNXV01.73A6	LEV1 ULEV	All	Underbody	--	--	755014	D-280-102
2004	1.7L	4HNXV01.7VA6	LEV1 ULEV	All	Underbody	764227	D-280-105	--	--
2004	1.7L	4HNXV01.7VA6	LEV1 ULEV	All	Underbody	--	--	760014	D-280-105
2004	1.7L	4HNXV01.7WA6	LEV1 ULEV	All	Front	754230	D-280-102	--	--
2003	1.7L	3HNXV01.72A5	LEV1 ULEV	All	Rear	809577	D-665-23	--	--
2003	1.7L	3HNXV01.72A5	LEV1 ULEV	All	Front	754230	D-280-102	--	--
2003	1.7L	3HNXV01.72A5	LEV1 ULEV	All	Underbody	--	--	755014	D-280-102
2003	1.7L	3HNXV01.7VA5	LEV1 ULEV	All	Underbody	764227	D-280-105	--	--
2003	1.7L	3HNXV01.7VA5	LEV1 ULEV	All	Underbody	--	--	760014	D-280-105

APPLICATION GUIDE



OBD II

APPLICATION

Year	Eng. Size	Test Group/ Engine Family	Certification Level	Application	Location	Direct Fit Number	Exec. Order	Consol. Number	Exec. Order
Honda (Cont.)									
Civic (Cont.)									
L4 (Cont.)									
2003	1.7L	3HNXV01.7WA5	LEV1 ULEV	All	Front	754230	D-280-102	--	--
2002	1.7L	2HNXV01.73A5	LEV1 ULEV	All	Rear	809577	D-665-23	--	--
2002	1.7L	2HNXV01.73A5	LEV1 ULEV	All	Front	754230	D-280-102	--	--
2002	1.7L	2HNXV01.73A5	LEV1 ULEV	All	Underbody	--	--	755014	D-280-102
2002	1.7L	2HNXV01.7NA5	LEV1 ULEV	All	Underbody	764227	D-280-105	--	--
2002	1.7L	2HNXV01.7NA5	LEV1 ULEV	All	Underbody	--	--	760014	D-280-105
2002	1.7L	2HNXV01.7TA5	LEV1 ULEV	All	Front	764230	D-280-105	--	--
2002	1.7L	2HNXV01.7TA5	LEV1 ULEV	All	Front	754230	D-280-102	--	--
2002	1.7L	2HNXV01.7TA5	LEV1 ULEV	All	Underbody	--	--	760014	D-280-105
2001	1.7L	1HNXV01.7RJ9	LEV1 ULEV	All	Rear	809577	D-665-23	--	--
2001	1.7L	1HNXV01.7RJ9	LEV1 ULEV	All	Front	754230	D-280-102	--	--
2001	1.7L	1HNXV01.7RJ9	LEV1 ULEV	All	Underbody	--	--	755014	D-280-102
2001	1.7L	1HNXV01.7XJ9	LEV1 ULEV	All	Underbody	764227	D-280-105	--	--
2001	1.7L	1HNXV01.7XJ9	LEV1 ULEV	All	Underbody	--	--	760014	D-280-105
2001	1.7L	1HNXV01.7YJ9	LEV1 ULEV	All	Front	754230	D-280-102	--	--
2007	1.8L	7HNXV01.8MKR	LEV2 ULEV	All	Front	751203	D-280-102	--	--
2006	1.8L	6HNXV01.8JKR	LEV2 ULEV	All	Front	751203	D-280-102	--	--
2011	2.0L	BHNXV02.0TA9	LEV2 LEV	All	Underbody	764436	D-280-105	--	--
2011	2.0L	BHNXV02.0TA9	LEV2 LEV	All	Underbody	--	--	760014	D-280-105
2010	2.0L	AHNXV02.0EA9	LEV2 LEV	All	Underbody	764436	D-280-105	--	--
2010	2.0L	AHNXV02.0EA9	LEV2 LEV	All	Underbody	--	--	760014	D-280-105
2009	2.0L	9HNXV02.0VA9	LEV2 LEV	All	Underbody	764436	D-280-105	--	--
2009	2.0L	9HNXV02.0VA9	LEV2 LEV	All	Underbody	--	--	760014	D-280-105
2008	2.0L	8HNXV02.4FKC	LEV2 LEV	All	Underbody	764436	D-280-105	--	--
2008	2.0L	8HNXV02.4FKC	LEV2 LEV	All	Underbody	--	--	760014	D-280-105
2007	2.0L	7HNXV02.4HKC	LEV2 LEV	All	Underbody	764436	D-280-105	--	--
2007	2.0L	7HNXV02.4HKC	LEV2 LEV	All	Underbody	--	--	760014	D-280-105
2006	2.0L	6HNXV02.4FKC	LEV2 LEV	All	Underbody	764436	D-280-105	--	--
2006	2.0L	6HNXV02.4FKC	LEV2 LEV	All	Underbody	--	--	760014	D-280-105
Civic del Sol									
L4									
1997	1.6L	VHN1.6VJGKEK	TIER1	All	Front	942340	D-280-100	--	--
1997	1.6L	VHN1.6VJGKGG	TIER1	All	Front	942340	D-280-100	--	--
1997	1.6L	VHN1.6VJGKHK	TIER1	All	Underbody	944231	D-280-100	--	--
1997	1.6L	VHN1.6VJGKHK	TIER1	All	Underbody	--	--	942575	D-280-100
1996	1.6L	THN1.6VJG3EK	LEV1 LEV	All	Front	942340	D-280-100	--	--
1996	1.6L	THN1.6VJGKEK	TIER1	All	Underbody	944231	D-280-100	--	--
1996	1.6L	THN1.6VJGKEK	TIER1	All	Underbody	--	--	942575	D-280-100
1996	1.6L	THN1.6VJGKHK	TIER1	All	Underbody	944231	D-280-100	--	--
1996	1.6L	THN1.6VJGKHK	TIER1	All	Underbody	--	--	942575	D-280-100
CR-V									
L4									
2001	2.0L	1HNXT02.0P3E	TLEV	All	Underbody	942249	D-280-100	--	--
2001	2.0L	1HNXT02.0P3E	TLEV	All	Underbody	--	--	942575	D-280-100
2000	2.0L	YHNXT02.0UA2	TLEV	All	Underbody	942249	D-280-100	--	--
2000	2.0L	YHNXT02.0UA2	TLEV	All	Underbody	--	--	942575	D-280-100
1999	2.0L	XHNXT02.0UA2	TLEV	All	Underbody	942249	D-280-100	--	--
1999	2.0L	XHNXT02.0UA2	TLEV	All	Underbody	--	--	942575	D-280-100
1998	2.0L	WHNXT02.0UL2	TLEV	All	Underbody	942249	D-280-100	--	--
1998	2.0L	WHNXT02.0UL2	TLEV	All	Underbody	--	--	942575	D-280-100
1997	2.0L	VHN2.01JG2EK	TLEV	All	Underbody	942249	D-280-100	--	--
1997	2.0L	VHN2.01JG2EK	TLEV	All	Underbody	--	--	942575	D-280-100
2011	2.4L	BHNXT02.4VJ3	LEV2 ULEV	4WD	Front	741312	D-798	--	--
2011	2.4L	BHNXT02.4VJ3	LEV2 ULEV	4WD	Rear	--	--	747035	D-798
2010	2.4L	AHNXT02.4VJ3	LEV2 ULEV	4WD	Front	741312	D-798	--	--
2010	2.4L	AHNXT02.4VJ3	LEV2 ULEV	4WD	Rear	--	--	747035	D-798
2009	2.4L	9HNXT02.4WH9	LEV2 ULEV	All	Underbody	764622	D-280-105	--	--
2009	2.4L	9HNXT02.4WH9	LEV2 ULEV	All	Underbody	--	--	760014	D-280-105

Legal Note: In Compliance with California Emissions Requirements



CATCO
CATALYTIC CONVERTERS

EASTERN CATALYTIC

APPLICATION GUIDE

OBD II

APPLICATION

Year	Eng. Size	Test Group/ Engine Family	Certification Level	Application	Location	Direct Fit Number	Exec. Order	Consol. Number	Exec. Order
Honda (Cont.)									
CR-V (Cont.)									
L4 (Cont.)									
2008	2.4L	8HNXT02.4KKR	LEV2 ULEV	All	Underbody	764622	D-280-105	--	--
2008	2.4L	8HNXT02.4KKR	LEV2 ULEV	All	Underbody	--	--	760014	D-280-105
2007	2.4L	7HNXT02.4FKR	LEV2 ULEV	All	Underbody	764622	D-280-105	--	--
2007	2.4L	7HNXT02.4FKR	LEV2 ULEV	All	Underbody	--	--	760014	D-280-105
2006	2.4L	6HNXT02.4EKC	LEV2 LEV	All	Underbody	764289	D-280-105	--	--
2006	2.4L	6HNXT02.4EKC	LEV2 LEV	All	Underbody	--	--	760014	D-280-105
2005	2.4L	5HNXT02.4NBP	LEV2 LEV	All	Underbody	764289	D-280-105	--	--
2005	2.4L	5HNXT02.4NBP	LEV2 LEV	All	Underbody	--	--	760014	D-280-105
2004	2.4L	4HNXT02.4YBP	LEV2 LEV	All	Underbody	764289	D-280-105	--	--
2004	2.4L	4HNXT02.4YBP	LEV2 LEV	All	Underbody	--	--	760014	D-280-105
2003	2.4L	3HNXT02.4YBP	LEV2 LEV	All	Underbody	764289	D-280-105	--	--
2003	2.4L	3HNXT02.4YBP	LEV2 LEV	All	Underbody	--	--	760014	D-280-105
2002	2.4L	2HNXT02.4YBP	LEV2 LEV	All	Underbody	764289	D-280-105	--	--
2002	2.4L	2HNXT02.4YBP	LEV2 LEV	All	Underbody	--	--	760014	D-280-105
Element									
L4									
2011	2.4L	BHNXV02.4WA9	LEV2 LEV	All	Underbody	764560	D-280-105	--	--
2011	2.4L	BHNXV02.4WA9	LEV2 LEV	All	Underbody	--	--	760014	D-280-105
2010	2.4L	AHNXV02.4XA9	LEV2 LEV	All	Underbody	764560	D-280-105	--	--
2010	2.4L	AHNXV02.4XA9	LEV2 LEV	All	Underbody	--	--	760014	D-280-105
2009	2.4L	9HNXV02.4PA9	LEV2 LEV	All	Underbody	764560	D-280-105	--	--
2009	2.4L	9HNXV02.4PA9	LEV2 LEV	All	Underbody	--	--	760014	D-280-105
2008	2.4L	8HNXV02.4CKC	LEV2 LEV	All	Underbody	764560	D-280-105	--	--
2008	2.4L	8HNXV02.4CKC	LEV2 LEV	All	Underbody	--	--	760014	D-280-105
2007	2.4L	7HNXV02.4EKC	LEV2 LEV	All	Underbody	764560	D-280-105	--	--
2007	2.4L	7HNXV02.4EKC	LEV2 LEV	All	Underbody	--	--	760014	D-280-105
2006	2.4L	6HNXB02.4EKC	LEV2 LEV	All	Underbody	764560	D-280-105	--	--
2006	2.4L	6HNXB02.4EKC	LEV2 LEV	All	Underbody	--	--	760014	D-280-105
2005	2.4L	5HNXV02.4KBP	LEV2 LEV	All	Underbody	764560	D-280-105	--	--
2005	2.4L	5HNXV02.4KBP	LEV2 LEV	All	Underbody	--	--	760014	D-280-105
2004	2.4L	4HNXV02.46BP	LEV2 LEV	All	Underbody	764560	D-280-105	--	--
2004	2.4L	4HNXV02.46BP	LEV2 LEV	All	Underbody	--	--	760014	D-280-105
2003	2.4L	3HNXV02.45BP	LEV2 LEV	All	Underbody	764560	D-280-105	--	--
2003	2.4L	3HNXV02.45BP	LEV2 LEV	All	Underbody	--	--	760014	D-280-105
Odyssey									
L4									
1997	2.2L	VHN2.2VJGK GK	TIER1	All	Underbody	942249	D-280-100	--	--
1997	2.2L	VHN2.2VJGK GK	TIER1	All	Underbody	--	--	942575	D-280-100
1996	2.2L	THN2.2VJGK HK	TIER1	All	Underbody	942249	D-280-100	--	--
1996	2.2L	THN2.2VJGK HK	TIER1	All	Underbody	--	--	942575	D-280-100
1998	2.3L	WHNXV02.3BA1	TIER1	All	Underbody	944363	D-280-100	--	--
1998	2.3L	WHNXV02.3BA1	TIER1	All	Underbody	--	--	942575	D-280-100
V6									
2013	3.5L	DHNXT03.5H13	LEV2 ULEV	All	Front Left	741222	D-798	--	--
2013	3.5L	DHNXT03.5H13	LEV2 ULEV	All	Front Right	741310	D-798	--	--
2013	3.5L	DHNXT03.5H13	LEV2 ULEV	All	Rear	744010	D-798	--	--
2013	3.5L	DHNXT03.5H13	LEV2 ULEV	All	Rear	--	--	747015	D-798
2012	3.5L	CHNXT03.5F13	LEV2 ULEV	All	Front Left	741222	D-798	--	--
2012	3.5L	CHNXT03.5F13	LEV2 ULEV	All	Front Right	741310	D-798	--	--
2012	3.5L	CHNXT03.5F13	LEV2 ULEV	All	Rear	744010	D-798	--	--
2012	3.5L	CHNXT03.5F13	LEV2 ULEV	All	Rear	--	--	747015	D-798
2011	3.5L	BHNXT03.5F13	LEV2 ULEV	All	Front Left	741222	D-798	--	--
2011	3.5L	BHNXT03.5F13	LEV2 ULEV	All	Front Right	741310	D-798	--	--
2011	3.5L	BHNXT03.5F13	LEV2 ULEV	All	Rear	744010	D-798	--	--
2011	3.5L	BHNXT03.5F13	LEV2 ULEV	All	Rear	--	--	747015	D-798
2010	3.5L	AHNXT03.5T19	LEV2 ULEV	EXL, Touring	Front Left	741232	D-798	--	--
2010	3.5L	AHNXT03.5T19	LEV2 ULEV	EXL, Touring	Front Right	741233	D-798	--	--
2010	3.5L	AHNXT03.5T19	LEV2 ULEV	EXL, Touring	Underbody	744533	D-798	--	--

Legal Note: In Compliance with California Emissions Requirements

APPLICATION GUIDE



OBD II

APPLICATION

Year	Eng. Size	Test Group/ Engine Family	Certification Level	Application	Location	Direct Fit Number	Exec. Order	Consol. Number	Exec. Order
Honda (Cont.)									
Odyssey (Cont.)									
V6 (Cont.)									
2010	3.5L	AHNXT03.5T19	LEV2 ULEV	EX, LX	Front Left	741250	D-798	--	--
2010	3.5L	AHNXT03.5T19	LEV2 ULEV	EX, LX	Front Right	741251	D-798	--	--
2010	3.5L	AHNXT03.5T19	LEV2 ULEV	EX, LX	Rear	--	--	747015	D-798
2010	3.5L	AHNXT03.5T19	LEV2 ULEV	EX, LX	Underbody	744533	D-798	--	--
2009	3.5L	9HNXT03.5J29	LEV2 ULEV	EXL, Touring	Front Left	741232	D-798	--	--
2009	3.5L	9HNXT03.5J29	LEV2 ULEV	EXL, Touring	Front Right	741233	D-798	--	--
2009	3.5L	9HNXT03.5J29	LEV2 ULEV	EXL, Touring	Underbody	744533	D-798	--	--
2009	3.5L	9HNXT03.5J29	LEV2 ULEV	EX, LX	Front Left	741250	D-798	--	--
2009	3.5L	9HNXT03.5J29	LEV2 ULEV	EX, LX	Front Right	741251	D-798	--	--
2009	3.5L	9HNXT03.5J29	LEV2 ULEV	EX, LX	Rear	--	--	747015	D-798
2009	3.5L	9HNXT03.5J29	LEV2 ULEV	EX, LX	Underbody	744533	D-798	--	--
2008	3.5L	8HNXT03.54KR	LEV2 ULEV	EXL, Touring	Front Left	741232	D-798	--	--
2008	3.5L	8HNXT03.54KR	LEV2 ULEV	EXL, Touring	Front Right	741233	D-798	--	--
2008	3.5L	8HNXT03.54KR	LEV2 ULEV	EXL, Touring	Underbody	744533	D-798	--	--
2008	3.5L	8HNXT03.54KR	LEV2 ULEV	EX, LX	Front Left	741250	D-798	--	--
2008	3.5L	8HNXT03.54KR	LEV2 ULEV	EX, LX	Front Right	741251	D-798	--	--
2008	3.5L	8HNXT03.54KR	LEV2 ULEV	EX, LX	Rear	--	--	747015	D-798
2008	3.5L	8HNXT03.54KR	LEV2 ULEV	EX, LX	Underbody	744533	D-798	--	--
2007	3.5L	7HNXT03.5VKR	LEV2 ULEV	EX, LX	Front Left	741250	D-798	--	--
2007	3.5L	7HNXT03.5VKR	LEV2 ULEV	EX, LX	Front Right	741251	D-798	--	--
2007	3.5L	7HNXT03.5VKR	LEV2 ULEV	EX, LX	Rear	--	--	747015	D-798
2007	3.5L	7HNXT03.5VKR	LEV2 ULEV	EX, LX	Underbody	744533	D-798	--	--
2006	3.5L	6HNXT03.5TKR	LEV2 ULEV	All	Front Left	741250	D-798	--	--
2006	3.5L	6HNXT03.5TKR	LEV2 ULEV	All	Front Right	741251	D-798	--	--
2006	3.5L	6HNXT03.5TKR	LEV2 ULEV	All	Rear	--	--	747015	D-798
2006	3.5L	6HNXT03.5TKR	LEV2 ULEV	All	Underbody	744533	D-798	--	--
2005	3.5L	5HNXT03.5AB4	LEV2 ULEV	All	Front Left	741250	D-798	--	--
2005	3.5L	5HNXT03.5AB4	LEV2 ULEV	All	Front Right	741251	D-798	--	--
2005	3.5L	5HNXT03.5AB4	LEV2 ULEV	All	Rear	--	--	747015	D-798
2005	3.5L	5HNXT03.5AB4	LEV2 ULEV	All	Underbody	744533	D-798	--	--
2004	3.5L	4HNXT03.51AT	LEV1 ULEV	All	Underbody	744209	D-798	--	--
2004	3.5L	4HNXT03.51AT	LEV1 ULEV	All	Underbody	--	--	740665	D-798
2003	3.5L	3HNXT03.5ZAP	LEV1 LEV	All	Underbody	914209	D-280-101	--	--
2003	3.5L	3HNXT03.5ZAP	LEV1 LEV	All	Underbody	--	--	910005R	D-280-101
2002	3.5L	2HNXT03.51AP	LEV1 LEV	All	Underbody	914209	D-280-101	--	--
2002	3.5L	2HNXT03.51AP	LEV1 LEV	All	Underbody	--	--	910005R	D-280-101
2001	3.5L	1HNXT03.5DH2	LEV1 LEV	All	Underbody	914209	D-280-101	--	--
2000	3.5L	YHNXT03.5EA3	LEV1 LEV	All	Underbody	914209	D-280-101	--	--
1999	3.5L	XHNXT03.5EA3	LEV1 LEV	All	Underbody	914209	D-280-101	--	--
Passport									
L4									
1996	2.6L	TSZ2.628GKFK	TIER1	2WD	Underbody	--	--	912004	D-280-101
V6									
2002	3.2L	2SZXT03.52KK	LEV1 LEV	All	Underbody	--	--	912004	D-280-101
2002	3.2L	2SZXT03.52KK	LEV1 LEV	All	Underbody Left	912365	D-280-101	--	--
2002	3.2L	2SZXT03.52KK	LEV1 LEV	All	Underbody Right	912364	D-280-101	--	--
2002	3.2L	2SZXT03.52MK	LEV1 LEV	All	Underbody	--	--	912005	D-280-101
2002	3.2L	2SZXT03.52MK	LEV1 LEV	All	Underbody Left	912365	D-280-101	--	--
2002	3.2L	2SZXT03.52MK	LEV1 LEV	All	Underbody Right	912364	D-280-101	--	--
2001	3.2L	1SZXT03.22KK	LEV1 LEV	All	Underbody	--	--	912005	D-280-101
2001	3.2L	1SZXT03.22KK	LEV1 LEV	All	Underbody Left	912365	D-280-101	--	--
2001	3.2L	1SZXT03.22KK	LEV1 LEV	All	Underbody Right	912364	D-280-101	--	--
2000	3.2L	YSZXT03.52GK	TLEV	All	Underbody	--	--	912005	D-280-101
2000	3.2L	YSZXT03.52GK	TLEV	All	Underbody Left	912365	D-280-101	--	--
2000	3.2L	YSZXT03.52GK	TLEV	All	Underbody Right	912364	D-280-101	--	--
2000	3.2L	YSZXT03.52JK	LEV1 LEV	All	Underbody	--	--	912005	D-280-101
2000	3.2L	YSZXT03.52JK	LEV1 LEV	All	Underbody Left	912365	D-280-101	--	--
2000	3.2L	YSZXT03.52JK	LEV1 LEV	All	Underbody Right	912364	D-280-101	--	--

Legal Note: In Compliance with California Emissions Requirements



CATCO
CATALYTIC CONVERTERS

EASTERN CATALYTIC

APPLICATION GUIDE

OBD II

APPLICATION

Year	Eng. Size	Test Group/ Engine Family	Certification Level	Application	Location	Direct Fit Number	Exec. Order	Consol. Number	Exec. Order
Honda (Cont.)									
Passport (Cont.)									
V6 (Cont.)									
1999	3.2L	XSZXT03.22JK	LEV1 LEV	All	Underbody	--	--	912005	D-280-101
1999	3.2L	XSZXT03.22JK	LEV1 LEV	A/T	Underbody Left	912365	D-280-101	--	--
1999	3.2L	XSZXT03.22JK	LEV1 LEV	A/T	Underbody Right	912364	D-280-101	--	--
1999	3.2L	XSZXT03.52GK	TLEV	All	Underbody	--	--	912005	D-280-101
1999	3.2L	XSZXT03.52GK	TLEV	All	Underbody Left	912365	D-280-101	--	--
1999	3.2L	XSZXT03.52GK	TLEV	All	Underbody Right	912364	D-280-101	--	--
1998	3.2L	WSZXT03.52GK	TLEV	All	Underbody	--	--	912004	D-280-101
1998	3.2L	WSZXT03.52GK	TLEV	A/T	Underbody Left	912365	D-280-101	--	--
1998	3.2L	WSZXT03.52GK	TLEV	A/T	Underbody Right	912364	D-280-101	--	--
1997	3.2L	VSZ3.22JGKEK	TIER1	All	Underbody Left	640529	D-665-18	--	--
1997	3.2L	VSZ3.22JGKEK	TIER1	All	Underbody Right	640530	D-665-18	--	--
1997	3.2L	VSZ3.22JGK GK	TLEV	A/T	Underbody Left	912969	D-280-101	--	--
1997	3.2L	VSZ3.22JGK GK	TLEV	A/T	Underbody Left	--	--	912004	D-280-101
1997	3.2L	VSZ3.22JGK GK	TLEV	A/T	Underbody Right	912968	D-280-101	--	--
1997	3.2L	VSZ3.22JGK GK	TLEV	A/T	Underbody Right	--	--	912004	D-280-101
1996	3.2L	TSZ3.22JGKEK	TIER1	A/T	Underbody Left	912969	D-280-101	--	--
1996	3.2L	TSZ3.22JGKEK	TIER1	A/T	Underbody Left	--	--	912004	D-280-101
1996	3.2L	TSZ3.22JGKEK	TIER1	A/T	Underbody Right	912968	D-280-101	--	--
1996	3.2L	TSZ3.22JGKEK	TIER1	A/T	Underbody Right	--	--	912004	D-280-101
1996	3.2L	TSZ3.22JGKFK	TIER1	M/T	Underbody	--	--	912004	D-280-101
1996	3.2L	TSZ3.22JGK GK	TLEV	A/T	Underbody	--	--	912004	D-280-101
1996	3.2L	TSZ3.22JGK GK	TLEV	A/T	Underbody Left	912969	D-280-101	--	--
1996	3.2L	TSZ3.22JGK GK	TLEV	A/T	Underbody Right	912968	D-280-101	--	--
Pilot									
V6									
2011	3.5L	BHNXT03.7M19	LEV2 ULEV	All	Front Left	741222	D-798	--	--
2011	3.5L	BHNXT03.7M19	LEV2 ULEV	All	Front Right	741310	D-798	--	--
2011	3.5L	BHNXT03.7M19	LEV2 ULEV	All	Rear	--	--	747015	D-798
2011	3.5L	BHNXT03.7M19	LEV2 ULEV	All	Underbody	744010	D-798	--	--
2010	3.5L	AHNXT03.7W19	LEV2 ULEV	All	Front Left	741222	D-798	--	--
2010	3.5L	AHNXT03.7W19	LEV2 ULEV	All	Front Right	741310	D-798	--	--
2010	3.5L	AHNXT03.7W19	LEV2 ULEV	All	Rear	--	--	747015	D-798
2010	3.5L	AHNXT03.7W19	LEV2 ULEV	All	Underbody	744010	D-798	--	--
2009	3.5L	9HNXT03.7H29	LEV2 ULEV	All	Front Left	741222	D-798	--	--
2009	3.5L	9HNXT03.7H29	LEV2 ULEV	All	Front Right	741310	D-798	--	--
2009	3.5L	9HNXT03.7H29	LEV2 ULEV	All	Rear	--	--	747015	D-798
2009	3.5L	9HNXT03.7H29	LEV2 ULEV	All	Underbody	744010	D-798	--	--
2008	3.5L	8HNXT03.5NKR	LEV2 ULEV	All	Front Left	741250	D-798	--	--
2008	3.5L	8HNXT03.5NKR	LEV2 ULEV	All	Front Right	741251	D-798	--	--
2008	3.5L	8HNXT03.5NKR	LEV2 ULEV	All	Rear	--	--	747015	D-798
2008	3.5L	8HNXT03.5NKR	LEV2 ULEV	All	Underbody	744533	D-798	--	--
2007	3.5L	7HNXT03.5VKR	LEV2 ULEV	All	Front Left	741250	D-798	--	--
2007	3.5L	7HNXT03.5VKR	LEV2 ULEV	All	Front Right	741251	D-798	--	--
2007	3.5L	7HNXT03.5VKR	LEV2 ULEV	All	Rear	--	--	747015	D-798
2007	3.5L	7HNXT03.5VKR	LEV2 ULEV	All	Underbody	744533	D-798	--	--
2007	3.5L	7HNXT03.5WKR	LEV2 ULEV	All	Front Left	741250	D-798	--	--
2007	3.5L	7HNXT03.5WKR	LEV2 ULEV	All	Front Right	741251	D-798	--	--
2007	3.5L	7HNXT03.5WKR	LEV2 ULEV	All	Rear	--	--	747015	D-798
2007	3.5L	7HNXT03.5WKR	LEV2 ULEV	All	Underbody	744533	D-798	--	--
2006	3.5L	6HNXT03.5RKR	LEV2 ULEV	All	Front Left	741250	D-798	--	--
2006	3.5L	6HNXT03.5RKR	LEV2 ULEV	All	Front Right	741251	D-798	--	--
2006	3.5L	6HNXT03.5RKR	LEV2 ULEV	All	Rear	--	--	747015	D-798
2006	3.5L	6HNXT03.5RKR	LEV2 ULEV	All	Underbody	744533	D-798	--	--
2006	3.5L	6HNXT03.5TKR	LEV2 ULEV	All	Front Left	741250	D-798	--	--
2006	3.5L	6HNXT03.5TKR	LEV2 ULEV	All	Front Right	741251	D-798	--	--
2006	3.5L	6HNXT03.5TKR	LEV2 ULEV	All	Rear	--	--	747015	D-798
2006	3.5L	6HNXT03.5TKR	LEV2 ULEV	All	Underbody	744533	D-798	--	--

Legal Note: In Compliance with California Emissions Requirements

APPLICATION GUIDE



OBD II

APPLICATION

Year	Eng. Size	Test Group/ Engine Family	Certification Level	Application	Location	Direct Fit Number	Exec. Order	Consol. Number	Exec. Order
Honda (Cont.)									
Pilot (Cont.)									
V6 (Cont.)									
2005	3.5L	5HNXT03.55B4	LEV2 ULEV	All	Front Left	741250	D-798	--	--
2005	3.5L	5HNXT03.55B4	LEV2 ULEV	All	Front Right	741251	D-798	--	--
2005	3.5L	5HNXT03.55B4	LEV2 ULEV	All	Rear	--	--	747015	D-798
2005	3.5L	5HNXT03.55B4	LEV2 ULEV	All	Underbody	744533	D-798	--	--
2004	3.5L	4HNXT03.5DAT	LEV1 ULEV	All	Underbody	744449	D-798	--	--
2004	3.5L	4HNXT03.5DAT	LEV1 ULEV	All	Underbody	--	--	740665	D-798
2004	3.5L	4HNXT03.5EA6	LEV1 ULEV	All	Underbody	744449	D-798	--	--
2004	3.5L	4HNXT03.5EA6	LEV1 ULEV	All	Underbody	--	--	740665	D-798
2003	3.5L	3HNXT03.5DAP	LEV1 LEV	All	Underbody	914449	D-280-101	--	--
2003	3.5L	3HNXT03.5DAP	LEV1 LEV	All	Underbody	--	--	910005R	D-280-101
2003	3.5L	3HNXT03.5EA5	LEV1 ULEV	All	Underbody	744449	D-798	--	--
2003	3.5L	3HNXT03.5EA5	LEV1 ULEV	All	Underbody	--	--	740665	D-798
Prelude									
L4									
2001	2.2L	1HNXV02.2E14	TIER1	All	Underbody	944504	D-280-100	--	--
2001	2.2L	1HNXV02.2E14	TIER1	All	Underbody	--	--	940105	D-280-100
2000	2.2L	YHNXV02.2SA1	TIER1	All	Underbody	944504	D-280-100	--	--
2000	2.2L	YHNXV02.2SA1	TIER1	All	Underbody	--	--	940105	D-280-100
1999	2.2L	XHNXV02.2SA1	TIER1	All	Underbody	944504	D-280-100	--	--
1999	2.2L	XHNXV02.2SA1	TIER1	All	Underbody	--	--	940105	D-280-100
1998	2.2L	WHNXV02.2SA1	TIER1	All	Underbody	944504	D-280-100	--	--
1998	2.2L	WHNXV02.2SA1	TIER1	All	Underbody	--	--	940105	D-280-100
1997	2.2L	VHN2.2VJG1EK	TIER1	All	Underbody	944504	D-280-100	--	--
1997	2.2L	VHN2.2VJG1EK	TIER1	All	Underbody	--	--	940105	D-280-100
1996	2.2L	THN2.2VJGFEK	TIER1	All	Underbody	--	--	940105	D-280-100
1996	2.2L	THN2.2VJGFFK	TIER1	All	Underbody	--	--	940105	D-280-100
1996	2.3L	THN2.3VJGFEK	TIER1	All	Underbody	944504	D-280-100	--	--
1996	2.3L	THN2.3VJGFEK	TIER1	All	Underbody	--	--	940105	D-280-100
Ridgeline									
V6									
2013	3.5L	DHNXT03.5L64	LEV2 ULEV	All	Front Left	741222	D-798	--	--
2013	3.5L	DHNXT03.5L64	LEV2 ULEV	All	Front Right	741310	D-798	--	--
2013	3.5L	DHNXT03.5L64	LEV2 ULEV	All	Rear	--	--	747025	D-798
2013	3.5L	DHNXT03.5L64	LEV2 ULEV	All	Underbody	744010	D-798	--	--
2012	3.5L	CHNXT03.5T64	LEV2 ULEV	All	Front Left	741222	D-798	--	--
2012	3.5L	CHNXT03.5T64	LEV2 ULEV	All	Front Right	741310	D-798	--	--
2012	3.5L	CHNXT03.5T64	LEV2 ULEV	All	Rear	--	--	747015	D-798
2012	3.5L	CHNXT03.5T64	LEV2 ULEV	All	Underbody	744010	D-798	--	--
2011	3.5L	BHNXT03.5N69	LEV2 ULEV	All	Front Left	741222	D-798	--	--
2011	3.5L	BHNXT03.5N69	LEV2 ULEV	All	Front Right	741310	D-798	--	--
2011	3.5L	BHNXT03.5N69	LEV2 ULEV	All	Rear	--	--	747015	D-798
2011	3.5L	BHNXT03.5N69	LEV2 ULEV	All	Underbody	744010	D-798	--	--
2010	3.5L	AHNXT03.5V69	LEV2 ULEV	All	Front Left	741222	D-798	--	--
2010	3.5L	AHNXT03.5V69	LEV2 ULEV	All	Front Right	741310	D-798	--	--
2010	3.5L	AHNXT03.5V69	LEV2 ULEV	All	Rear	--	--	747015	D-798
2010	3.5L	AHNXT03.5V69	LEV2 ULEV	All	Underbody	744010	D-798	--	--
2009	3.5L	9HNXT03.5J79	LEV2 ULEV	All	Front Left	741222	D-798	--	--
2009	3.5L	9HNXT03.5J79	LEV2 ULEV	All	Front Right	741310	D-798	--	--
2009	3.5L	9HNXT03.5J79	LEV2 ULEV	All	Rear	--	--	747015	D-798
2009	3.5L	9HNXT03.5J79	LEV2 ULEV	All	Underbody	744010	D-798	--	--
2008	3.5L	8HNXT03.5MKR	LEV2 ULEV	All	Front Left	741250	D-798	--	--
2008	3.5L	8HNXT03.5MKR	LEV2 ULEV	All	Front Right	741251	D-798	--	--
2008	3.5L	8HNXT03.5MKR	LEV2 ULEV	All	Rear	--	--	747015	D-798
2008	3.5L	8HNXT03.5MKR	LEV2 ULEV	All	Underbody	744533	D-798	--	--
2007	3.5L	7HNXT03.5TKR	LEV2 ULEV	All	Front Left	741250	D-798	--	--
2007	3.5L	7HNXT03.5TKR	LEV2 ULEV	All	Front Right	741251	D-798	--	--
2007	3.5L	7HNXT03.5TKR	LEV2 ULEV	All	Rear	--	--	747015	D-798
2007	3.5L	7HNXT03.5TKR	LEV2 ULEV	All	Underbody	744533	D-798	--	--

Legal Note: In Compliance with California Emissions Requirements



CATCO
CATALYTIC CONVERTERS

EASTERN CATALYTIC

APPLICATION GUIDE

OBD II

APPLICATION

Year	Eng. Size	Test Group/ Engine Family	Certification Level	Application	Location	Direct Fit Number	Exec. Order	Consol. Number	Exec. Order
Honda (Cont.)									
Ridgeline (Cont.)									
V6 (Cont.)									
2006	3.5L	6HNXT03.5AKR	LEV2 ULEV	All	Front Left	741250	D-798	--	--
2006	3.5L	6HNXT03.5AKR	LEV2 ULEV	All	Front Right	741251	D-798	--	--
2006	3.5L	6HNXT03.5AKR	LEV2 ULEV	All	Rear	--	--	747015	D-798
2006	3.5L	6HNXT03.5AKR	LEV2 ULEV	All	Underbody	744533	D-798	--	--
S2000									
L4									
2003	2.0L	3HNXV02.0RJC	LEV1 LEV	All	Underbody	942973	D-280-100	--	--
2003	2.0L	3HNXV02.0RJC	LEV1 LEV	All	Underbody	--	--	940101	D-280-100
2002	2.0L	2HNXV02.0DYC	LEV1 LEV	All	Underbody	942973	D-280-100	--	--
2002	2.0L	2HNXV02.0DYC	LEV1 LEV	All	Underbody	--	--	940101	D-280-100
2001	2.0L	1HNXV02.0C5U	LEV1 LEV	All	Underbody	942973	D-280-100	--	--
2001	2.0L	1HNXV02.0C5U	LEV1 LEV	All	Underbody	--	--	940101	D-280-100
2000	2.0L	YHNXV02.0MA3	LEV1 LEV	All	Underbody	942973	D-280-100	--	--
2000	2.0L	YHNXV02.0MA3	LEV1 LEV	All	Underbody	--	--	940101	D-280-100
2005	2.2L	5HNXV02.2DJE	LEV1 LEV	All	Underbody	942973	D-280-100	--	--
2005	2.2L	5HNXV02.2DJE	LEV1 LEV	All	Underbody	--	--	940101	D-280-100
2004	2.2L	4HNXV02.2PJE	LEV1 LEV	All	Underbody	942973	D-280-100	--	--
2004	2.2L	4HNXV02.2PJE	LEV1 LEV	All	Underbody	--	--	940101	D-280-100
Hummer									
H2									
V8									
2006	6.0L	6GMXT06.0394	LEV1 LEV	All	Underbody	--	--	912005	D-280-101
2006	6.0L	6GMXT06.0394	LEV1 LEV	All	Underbody Left	912167	D-280-101	--	--
2006	6.0L	6GMXT06.0394	LEV1 LEV	All	Underbody Right	912166	D-280-101	--	--
2005	6.0L	5GMXT06.0194	LEV1 LEV	All	Underbody	--	--	912005	D-280-101
2005	6.0L	5GMXT06.0194	LEV1 LEV	All	Underbody Left	912167	D-280-101	--	--
2005	6.0L	5GMXT06.0194	LEV1 LEV	All	Underbody Right	912166	D-280-101	--	--
2004	6.0L	4GMXT06.0194	LEV1 LEV	All	Underbody	--	--	912005	D-280-101
2004	6.0L	4GMXT06.0194	LEV1 LEV	All	Underbody Left	912167	D-280-101	--	--
2004	6.0L	4GMXT06.0194	LEV1 LEV	All	Underbody Right	912166	D-280-101	--	--
2003	6.0L	3GMXT06.0194	LEV1 LEV	All	Underbody	--	--	912005	D-280-101
2003	6.0L	3GMXT06.0194	LEV1 LEV	All	Underbody Left	912167	D-280-101	--	--
2003	6.0L	3GMXT06.0194	LEV1 LEV	All	Underbody Right	912166	D-280-101	--	--
2008	6.2L	8GMXT06.2394	LEV2 LEV	All	Front Left	--	--	740016	D-798
2008	6.2L	8GMXT06.2394	LEV2 LEV	All	Front Right	--	--	740016	D-798
2008	6.2L	8GMXT06.2394	LEV2 LEV	All	Underbody	749976	D-798	--	--
H3									
L5									
2006	3.5L	6GMXT03.5187	LEV1 ULEV	All	Front	744487	D-798	--	--
2006	3.5L	6GMXT03.5187	LEV1 ULEV	All	Rear	--	--	747335	D-798
2006	3.5L	6GMXT03.5187	LEV1 ULEV	All	Underbody	749216	D-798	--	--
2010	3.7L	AGMXT03.7177	LEV2 LEV	4WD	Front	741226	D-798	--	--
2010	3.7L	AGMXT03.7177	LEV2 LEV	4WD	Rear	--	--	747335	D-798
2010	3.7L	AGMXT03.7177	LEV2 LEV	4WD	Underbody	749216	D-798	--	--
2010	3.7L	AGMXT03.7178	LEV2 ULEV	4WD	Front	741226	D-798	--	--
2010	3.7L	AGMXT03.7178	LEV2 ULEV	4WD	Rear	--	--	747335	D-798
2010	3.7L	AGMXT03.7178	LEV2 ULEV	4WD	Underbody	749216	D-798	--	--
2009	3.7L	9GMXT03.7177	LEV2 LEV	4WD	Front	741226	D-798	--	--
2009	3.7L	9GMXT03.7177	LEV2 LEV	4WD	Rear	--	--	747335	D-798
2009	3.7L	9GMXT03.7177	LEV2 LEV	4WD	Underbody	749216	D-798	--	--
2009	3.7L	9GMXT03.7178	LEV2 ULEV	4WD	Front	741226	D-798	--	--
2009	3.7L	9GMXT03.7178	LEV2 ULEV	4WD	Rear	--	--	747335	D-798
2009	3.7L	9GMXT03.7178	LEV2 ULEV	4WD	Underbody	749216	D-798	--	--
2008	3.7L	8GMXT03.7187	LEV2 LEV	4WD	Front	741226	D-798	--	--
2008	3.7L	8GMXT03.7187	LEV2 LEV	4WD	Rear	--	--	747335	D-798
2008	3.7L	8GMXT03.7187	LEV2 LEV	4WD	Underbody	749216	D-798	--	--

APPLICATION GUIDE



OBD II

APPLICATION

Year	Eng. Size	Test Group/ Engine Family	Certification Level	Application	Location	Direct Fit Number	Exec. Order	Consol. Number	Exec. Order
Hummer (Cont.)									
H3 (Cont.)									
L5 (Cont.)									
2008	3.7L	8GMXT03.7188	LEV2 ULEV	4WD	Front	741226	D-798	--	--
2008	3.7L	8GMXT03.7188	LEV2 ULEV	4WD	Rear	--	--	747335	D-798
2008	3.7L	8GMXT03.7188	LEV2 ULEV	4WD	Underbody	749216	D-798	--	--
2007	3.7L	7GMXT03.7187	LEV2 LEV	4WD	Front	741226	D-798	--	--
2007	3.7L	7GMXT03.7187	LEV2 LEV	4WD	Rear	--	--	747335	D-798
2007	3.7L	7GMXT03.7187	LEV2 LEV	4WD	Underbody	749216	D-798	--	--
V8									
2010	5.3L	AGMXT05.3389	LEV2 ULEV	4WD	Front Left	749549	D-798	--	--
2010	5.3L	AGMXT05.3389	LEV2 ULEV	4WD	Front Left	--	--	740725	D-798
2010	5.3L	AGMXT05.3389	LEV2 ULEV	4WD	Front Right	749550	D-798	--	--
2010	5.3L	AGMXT05.3389	LEV2 ULEV	4WD	Front Right	--	--	740725	D-798
2010	5.3L	AGMXT05.3389	LEV2 ULEV	4WD	Rear Left	--	--	747335	D-798
2010	5.3L	AGMXT05.3389	LEV2 ULEV	4WD	Rear Right	--	--	747335	D-798
2009	5.3L	9GMXT05.3377	LEV2 ULEV	4WD	Front Left	749549	D-798	--	--
2009	5.3L	9GMXT05.3377	LEV2 ULEV	4WD	Front Left	--	--	740725	D-798
2009	5.3L	9GMXT05.3377	LEV2 ULEV	4WD	Front Right	749550	D-798	--	--
2009	5.3L	9GMXT05.3377	LEV2 ULEV	4WD	Front Right	--	--	740725	D-798
2009	5.3L	9GMXT05.3377	LEV2 ULEV	4WD	Rear Left	--	--	747335	D-798
2009	5.3L	9GMXT05.3377	LEV2 ULEV	4WD	Rear Right	--	--	747335	D-798
2008	5.3L	8GMXT05.3377	LEV2 ULEV	4WD	Front Left	749549	D-798	--	--
2008	5.3L	8GMXT05.3377	LEV2 ULEV	4WD	Front Left	--	--	740725	D-798
2008	5.3L	8GMXT05.3377	LEV2 ULEV	4WD	Front Right	749550	D-798	--	--
2008	5.3L	8GMXT05.3377	LEV2 ULEV	4WD	Front Right	--	--	740725	D-798
2008	5.3L	8GMXT05.3377	LEV2 ULEV	4WD	Rear Left	--	--	747335	D-798
2008	5.3L	8GMXT05.3377	LEV2 ULEV	4WD	Rear Right	--	--	747335	D-798
H3T									
L5									
2010	3.7L	AGMXT03.7177	LEV2 LEV	4WD	Front	741226	D-798	--	--
2010	3.7L	AGMXT03.7177	LEV2 LEV	4WD	Rear	--	--	747335	D-798
2010	3.7L	AGMXT03.7177	LEV2 LEV	4WD	Underbody	749216	D-798	--	--
2010	3.7L	AGMXT03.7178	LEV2 ULEV	4WD	Front	741226	D-798	--	--
2010	3.7L	AGMXT03.7178	LEV2 ULEV	4WD	Rear	--	--	747335	D-798
2010	3.7L	AGMXT03.7178	LEV2 ULEV	4WD	Underbody	749216	D-798	--	--
2009	3.7L	9GMXT03.7177	LEV2 LEV	4WD	Front	741226	D-798	--	--
2009	3.7L	9GMXT03.7177	LEV2 LEV	4WD	Rear	--	--	747335	D-798
2009	3.7L	9GMXT03.7177	LEV2 LEV	4WD	Underbody	749216	D-798	--	--
2009	3.7L	9GMXT03.7178	LEV2 ULEV	4WD	Front	741226	D-798	--	--
2009	3.7L	9GMXT03.7178	LEV2 ULEV	4WD	Rear	--	--	747335	D-798
2009	3.7L	9GMXT03.7178	LEV2 ULEV	4WD	Underbody	749216	D-798	--	--
V8									
2010	5.3L	AGMXT05.3389	LEV2 ULEV	4WD	Front Left	749549	D-798	--	--
2010	5.3L	AGMXT05.3389	LEV2 ULEV	4WD	Front Left	--	--	740725	D-798
2010	5.3L	AGMXT05.3389	LEV2 ULEV	4WD	Front Right	749550	D-798	--	--
2010	5.3L	AGMXT05.3389	LEV2 ULEV	4WD	Front Right	--	--	740725	D-798
2010	5.3L	AGMXT05.3389	LEV2 ULEV	4WD	Rear Left	--	--	747335	D-798
2010	5.3L	AGMXT05.3389	LEV2 ULEV	4WD	Rear Right	--	--	747335	D-798
2009	5.3L	9GMXT05.3377	LEV2 ULEV	4WD	Front Left	749549	D-798	--	--
2009	5.3L	9GMXT05.3377	LEV2 ULEV	4WD	Front Left	--	--	740725	D-798
2009	5.3L	9GMXT05.3377	LEV2 ULEV	4WD	Front Right	749550	D-798	--	--
2009	5.3L	9GMXT05.3377	LEV2 ULEV	4WD	Front Right	--	--	740725	D-798
2009	5.3L	9GMXT05.3377	LEV2 ULEV	4WD	Rear Left	--	--	747335	D-798
2009	5.3L	9GMXT05.3377	LEV2 ULEV	4WD	Rear Right	--	--	747335	D-798

Legal Note: In Compliance with California Emissions Requirements



CATCO
CATALYTIC CONVERTERS

EASTERN CATALYTIC

APPLICATION GUIDE

OBD II

APPLICATION

Year	Eng. Size	Test Group/ Engine Family	Certification Level	Application	Location	Direct Fit Number	Exec. Order	Consol. Number	Exec. Order
Hyundai									
Accent									
L4									
2003	1.5L	3HYXV01.5ALS	LEV1 LEV	All	Front	630576	D-665-17	--	--
2002	1.5L	2HYXV01.5A3S	LEV1 LEV	All	Front	940235	D-280-100	--	--
2001	1.5L	1HYXV01.5A3S	LEV1 LEV	All	Front	940235	D-280-100	--	--
2000	1.5L	YHYXV01.5G3S	LEV1 LEV	All	Front	940235	D-280-100	--	--
1999	1.5L	XHYXV01.52XC	TLEV	All	Front	944251	D-280-100	--	--
1999	1.5L	XHYXV01.52XC	TLEV	All	Underbody	630563	D-665-17	--	--
1998	1.5L	WHYXV01.52GM	TLEV	All	Front	944251	D-280-100	--	--
1997	1.5L	VHY1.5VJG1EK	TIER1	All	Front	--	--	940105	D-280-100
1997	1.5L	VHY1.5VJG1EK	TIER1	All	Rear	942889	D-280-100	--	--
1997	1.5L	VHY1.5VJG1EK	TIER1	All	Underbody	--	--	940334	D-280-100
1997	1.5L	VHY1.5VJG2EK	TLEV	All	Front	--	--	940105	D-280-100
1997	1.5L	VHY1.5VJG2EK	TLEV	All	Rear	942889	D-280-100	--	--
1997	1.5L	VHY1.5VJG2EK	TLEV	All	Underbody	--	--	940334	D-280-100
1996	1.5L	THY1.5VJG1FK	TLEV	All	Front	--	--	940105	D-280-100
1996	1.5L	THY1.5VJG1FK	TLEV	All	Rear	942889	D-280-100	--	--
1996	1.5L	THY1.5VJG1FK	TLEV	All	Underbody	--	--	940334	D-280-100
1996	1.5L	THY1.5VJG2FK	TLEV	All	Front	--	--	940105	D-280-100
1996	1.5L	THY1.5VJG2FK	TLEV	All	Rear	942889	D-280-100	--	--
1996	1.5L	THY1.5VJG2FK	TLEV	All	Underbody	--	--	940334	D-280-100
1995	1.5L	SHY1.5VJG1EB	TIER1	All	Underbody	942889	D-280-100	--	--
1995	1.5L	SHY1.5VJG1EB	TIER1	All	Underbody	--	--	940334	D-280-100
2007	1.6L	7HYXV01.6MW5	LEV2 ULEV	All	Front	754611	D-280-102	--	--
2007	1.6L	7HYXV01.6MW5	LEV2 ULEV	All	Underbody	752178	D-280-102	--	--
2007	1.6L	7HYXV01.6MW5	LEV2 ULEV	All	Underbody	--	--	755005	D-280-102
2006	1.6L	6HYXV01.6MW5	LEV2 ULEV	All	Front	754611	D-280-102	--	--
2006	1.6L	6HYXV01.6MW5	LEV2 ULEV	All	Underbody	752178	D-280-102	--	--
2006	1.6L	6HYXV01.6MW5	LEV2 ULEV	All	Underbody	--	--	755005	D-280-102
2005	1.6L	5HYXV01.6BL9	LEV1 LEV	All	Front	940412	D-280-100	--	--
2004	1.6L	4HYXV01.6BL9	LEV1 LEV	All	Front	940412	D-280-100	--	--
2003	1.6L	3HYXV01.6BLS	LEV1 LEV	All	Front	940412	D-280-100	--	--
2002	1.6L	2HYXV01.6BLS	LEV1 LEV	All	Front	940412	D-280-100	--	--
2001	1.6L	1HYXV01.6B3S	LEV1 LEV	All	Front	940412	D-280-100	--	--
Azera									
V6									
2007	3.3L	7HYXV03.3TW5	LEV2 ULEV	All	Front	751310	D-280-102	--	--
2007	3.3L	7HYXV03.3TW5	LEV2 ULEV	All	Rear	751311	D-280-102	--	--
2007	3.3L	7HYXV03.3TW5	LEV2 ULEV	All	Underbody	754461	D-280-102	--	--
2007	3.3L	7HYXV03.3TW5	LEV2 ULEV	All	Underbody	--	--	755005	D-280-102
2007	3.8L	7HYXV03.8AW5	LEV2 ULEV	All	Front	751310	D-280-102	--	--
2007	3.8L	7HYXV03.8AW5	LEV2 ULEV	All	Rear	751311	D-280-102	--	--
2007	3.8L	7HYXV03.8AW5	LEV2 ULEV	All	Underbody	754461	D-280-102	--	--
2007	3.8L	7HYXV03.8AW5	LEV2 ULEV	All	Underbody	--	--	755005	D-280-102
2006	3.8L	6HYXV03.8TW5	LEV2 ULEV	All	Front	751310	D-280-102	--	--
2006	3.8L	6HYXV03.8TW5	LEV2 ULEV	All	Rear	751311	D-280-102	--	--
2006	3.8L	6HYXV03.8TW5	LEV2 ULEV	All	Underbody	754461	D-280-102	--	--
2006	3.8L	6HYXV03.8TW5	LEV2 ULEV	All	Underbody	--	--	755005	D-280-102
Elantra									
L4									
1995	1.6L	SHY1.6VJG1FB	TIER1	All	Underbody	--	--	940334	D-280-100
1998	1.8L	WHYXV01.82GM	TLEV	All	Front	630713	D-665-17	--	--
1998	1.8L	WHYXV01.82GM	TLEV	All	Underbody	942889	D-280-100	--	--
1998	1.8L	WHYXV01.82GM	TLEV	All	Underbody	--	--	940334	D-280-100
1997	1.8L	VHY1.8VJG1EK	TIER1	All	Underbody	942889	D-280-100	--	--
1997	1.8L	VHY1.8VJG1EK	TIER1	All	Underbody	--	--	940334	D-280-100
1996	1.8L	THY1.8VJG1FK	TIER1	All	Underbody	942889	D-280-100	--	--
1996	1.8L	THY1.8VJG1FK	TIER1	All	Underbody	--	--	940334	D-280-100
1995	1.8L	SHY1.8VJG1FB	TIER1	All	Underbody	942889	D-280-100	--	--
1995	1.8L	SHY1.8VJG1FB	TIER1	All	Underbody	--	--	940334	D-280-100

Legal Note: In Compliance with California Emissions Requirements

APPLICATION GUIDE



OBD II

APPLICATION

Year	Eng. Size	Test Group/ Engine Family	Certification Level	Application	Location	Direct Fit Number	Exec. Order	Consol. Number	Exec. Order
Hyundai (Cont.)									
Elantra (Cont.)									
L4 (Cont.)									
2007	2.0L	7HYXV02.0HW4	LEV2 ULEV	All	Underbody	--	--	755004	D-280-102
2007	2.0L	7HYXV02.0HW4	LEV2 ULEV	Curved Outlet	Front	751180	D-280-102	--	--
2006	2.0L	6HYXV02.0XW4	LEV2 ULEV	All	Underbody	--	--	755004	D-280-102
2006	2.0L	6HYXV02.0XW4	LEV2 ULEV	Curved Outlet	Front	751180	D-280-102	--	--
2005	2.0L	5HYXV02.0XW4	LEV2 ULEV	All	Underbody	754662	D-280-102	--	--
2005	2.0L	5HYXV02.0XW4	LEV2 ULEV	All	Underbody	--	--	755004	D-280-102
2005	2.0L	5HYXV02.0XW4	LEV2 ULEV	Curved Outlet	Front	751062	D-280-102	--	--
2005	2.0L	5HYXV02.0XW4	LEV2 ULEV	Straight Outlet	Front	751162	D-280-102	--	--
2004	2.0L	4HYXV02.0XW4	LEV2 ULEV	All	Underbody	754662	D-280-102	--	--
2004	2.0L	4HYXV02.0XW4	LEV2 ULEV	All	Underbody	--	--	755004	D-280-102
2004	2.0L	4HYXV02.0XW4	LEV2 ULEV	Straight Outlet	Front	751162	D-280-102	--	--
2004	2.0L	4HYXV02.0XW4	LEV2 ULEV	Curved Outlet	Front	751062	D-280-102	--	--
2003	2.0L	3HYXV02.0CUC	LEV1 ULEV	All	Front	751162	D-280-102	--	--
2003	2.0L	3HYXV02.0CUC	LEV1 ULEV	All	Front	751062	D-280-102	--	--
2003	2.0L	3HYXV02.0CUC	LEV1 ULEV	All	Underbody	754662	D-280-102	--	--
2003	2.0L	3HYXV02.0CUC	LEV1 ULEV	All	Underbody	--	--	755004	D-280-102
2002	2.0L	2HYXV02.0XUC	LEV1 ULEV	All	Front	751062	D-280-102	--	--
2002	2.0L	2HYXV02.0XUC	LEV1 ULEV	All	Underbody	754662	D-280-102	--	--
2002	2.0L	2HYXV02.0XUC	LEV1 ULEV	All	Underbody	--	--	755004	D-280-102
2001	2.0L	1HYXV02.0X4C	LEV1 ULEV	All	Front	751062	D-280-102	--	--
2001	2.0L	1HYXV02.0X4C	LEV1 ULEV	All	Underbody	754662	D-280-102	--	--
2001	2.0L	1HYXV02.0X4C	LEV1 ULEV	All	Underbody	--	--	755004	D-280-102
2000	2.0L	YHYXV02.0G3S	LEV1 LEV	All	Front	942165	D-280-100	--	--
2000	2.0L	YHYXV02.0G3S	LEV1 LEV	All	Rear	942889	D-280-100	--	--
2000	2.0L	YHYXV02.0G3S	LEV1 LEV	All	Rear	--	--	940334	D-280-100
1999	2.0L	XHYXV02.03RC	LEV1 LEV	All	Front	942165	D-280-100	--	--
1999	2.0L	XHYXV02.03RC	LEV1 LEV	All	Rear	942889	D-280-100	--	--
1999	2.0L	XHYXV02.03RC	LEV1 LEV	All	Rear	--	--	940334	D-280-100
Entourage									
V6									
2008	3.8L	8KMXT03.8VW5	LEV2 ULEV	All	Front Left	741178	D-798	--	--
2008	3.8L	8KMXT03.8VW5	LEV2 ULEV	All	Front Right	741179	D-798	--	--
2008	3.8L	8KMXT03.8VW5	LEV2 ULEV	All	Rear	744726	D-798	--	--
2008	3.8L	8KMXT03.8VW5	LEV2 ULEV	All	Rear	--	--	747335	D-798
2007	3.8L	7KMXT03.8VW5	LEV2 ULEV	All	Front Left	741178	D-798	--	--
2007	3.8L	7KMXT03.8VW5	LEV2 ULEV	All	Front Right	741179	D-798	--	--
2007	3.8L	7KMXT03.8VW5	LEV2 ULEV	All	Rear	744726	D-798	--	--
2007	3.8L	7KMXT03.8VW5	LEV2 ULEV	All	Rear	--	--	747335	D-798
Santa Fe									
L4									
2012	2.4L	CHYXT02.4CW5	LEV2 ULEV	All	Rear	744710	D-798	--	--
2012	2.4L	CHYXT02.4CW5	LEV2 ULEV	All	Rear	--	--	747334	D-798
2011	2.4L	BHYXT02.4CW5	LEV2 ULEV	All	Rear	744710	D-798	--	--
2011	2.4L	BHYXT02.4CW5	LEV2 ULEV	All	Rear	--	--	747334	D-798
2010	2.4L	AHYXT02.4CW5	LEV2 ULEV	All	Rear	744710	D-798	--	--
2010	2.4L	AHYXT02.4CW5	LEV2 ULEV	All	Rear	--	--	747335	D-798
V6									
2009	2.7L	9HYXT02.7CW5	LEV2 ULEV	All	Front Left	741339	D-798	--	--
2009	2.7L	9HYXT02.7CW5	LEV2 ULEV	All	Front Right	741228	D-798	--	--
2009	2.7L	9HYXT02.7CW5	LEV2 ULEV	All	Rear	744643	D-798	--	--
2009	2.7L	9HYXT02.7CW5	LEV2 ULEV	All	Rear	--	--	747335	D-798
2008	2.7L	8HYXT02.7CW5	LEV2 ULEV	All	Front Left	741339	D-798	--	--
2008	2.7L	8HYXT02.7CW5	LEV2 ULEV	All	Front Right	741228	D-798	--	--
2008	2.7L	8HYXT02.7CW5	LEV2 ULEV	All	Rear	744643	D-798	--	--
2008	2.7L	8HYXT02.7CW5	LEV2 ULEV	All	Rear	--	--	747335	D-798

Legal Note: In Compliance with California Emissions Requirements



CATCO
CATALYTIC CONVERTERS

EASTERN CATALYTIC

APPLICATION GUIDE

OBD II

APPLICATION

Year	Eng. Size	Test Group/ Engine Family	Certification Level	Application	Location	Direct Fit Number	Exec. Order	Consol. Number	Exec. Order
Hyundai (Cont.)									
Santa Fe (Cont.)									
V6 (Cont.)									
2007	2.7L	7HYXT02.7CW5	LEV2 ULEV	All	Front Left	741339	D-798	--	--
2007	2.7L	7HYXT02.7CW5	LEV2 ULEV	All	Front Right	741228	D-798	--	--
2007	2.7L	7HYXT02.7CW5	LEV2 ULEV	All	Rear	744643	D-798	--	--
2007	2.7L	7HYXT02.7CW5	LEV2 ULEV	All	Rear	--	--	747335	D-798
2009	3.3L	9HYXT03.3PW5	LEV2 LEV	All	Front Left	741220	D-798	--	--
2009	3.3L	9HYXT03.3PW5	LEV2 LEV	All	Front Right	741221	D-798	--	--
2009	3.3L	9HYXT03.3PW5	LEV2 LEV	All	Rear	744926	D-798	--	--
2009	3.3L	9HYXT03.3PW5	LEV2 LEV	All	Rear	--	--	747335	D-798
2008	3.3L	8HYXT03.3PW5	LEV2 LEV	All	Front Left	741220	D-798	--	--
2008	3.3L	8HYXT03.3PW5	LEV2 LEV	All	Front Right	741221	D-798	--	--
2008	3.3L	8HYXT03.3PW5	LEV2 LEV	All	Rear	744926	D-798	--	--
2008	3.3L	8HYXT03.3PW5	LEV2 LEV	All	Rear	--	--	747335	D-798
2007	3.3L	7HYXT03.3NW5	LEV2 ULEV	All	Front Left	741220	D-798	--	--
2007	3.3L	7HYXT03.3NW5	LEV2 ULEV	All	Front Right	741221	D-798	--	--
2007	3.3L	7HYXT03.3NW5	LEV2 ULEV	All	Rear	744926	D-798	--	--
2007	3.3L	7HYXT03.3NW5	LEV2 ULEV	All	Rear	--	--	747335	D-798
2007	3.3L	7HYXT03.3PW5	LEV2 ULEV	All	Front Left	741220	D-798	--	--
2007	3.3L	7HYXT03.3PW5	LEV2 ULEV	All	Front Right	741221	D-798	--	--
2007	3.3L	7HYXT03.3PW5	LEV2 ULEV	All	Rear	744926	D-798	--	--
2007	3.3L	7HYXT03.3PW5	LEV2 ULEV	All	Rear	--	--	747335	D-798
2012	3.5L	CHYXT03.5PW5	LEV2 ULEV	All	Rear	745133	D-798	--	--
2012	3.5L	CHYXT03.5PW5	LEV2 ULEV	All	Rear	--	--	747334	D-798
2011	3.5L	BHYXT03.5PW5	LEV2 ULEV	All	Rear	745133	D-798	--	--
2011	3.5L	BHYXT03.5PW5	LEV2 ULEV	All	Rear	--	--	747334	D-798
2010	3.5L	AHYXT03.5PW5	LEV2 ULEV	All	Rear	745133	D-798	--	--
2010	3.5L	AHYXT03.5PW5	LEV2 ULEV	All	Rear	--	--	747335	D-798
Sonata									
L4									
1997	2.0L	VHY2.0VJG2EK	TLEV	All	Front	--	--	940085	D-280-100
1997	2.0L	VHY2.0VJG2EK	TLEV	All	Rear	942889	D-280-100	--	--
1997	2.0L	VHY2.0VJG2EK	TLEV	All	Rear	942238	D-280-100	--	--
1997	2.0L	VHY2.0VJG2EK	TLEV	All	Rear	--	--	940334	D-280-100
1996	2.0L	THY2.0VJG1FK	TIER1	All	Rear	942238	D-280-100	--	--
1996	2.0L	THY2.0VJG1FK	TIER1	All	Underbody	--	--	940334	D-280-100
1995	2.0L	SHY2.0VJG1FB	TIER1	All	Underbody	--	--	940334	D-280-100
2007	2.4L	7HYXV02.4SW5	LEV2 ULEV	All	Front	751098	D-280-102	--	--
2007	2.4L	7HYXV02.4SW5	LEV2 ULEV	All	Underbody	754348	D-280-102	--	--
2007	2.4L	7HYXV02.4SW5	LEV2 ULEV	All	Underbody	--	--	755005	D-280-102
2006	2.4L	6HYXV02.4NW5	LEV2 ULEV	All	Front	751098	D-280-102	--	--
2006	2.4L	6HYXV02.4NW5	LEV2 ULEV	All	Underbody	754348	D-280-102	--	--
2006	2.4L	6HYXV02.4NW5	LEV2 ULEV	All	Underbody	--	--	755005	D-280-102
2005	2.4L	5HYXV02.4EL9	LEV1 LEV	All	Front	751018	D-280-102	--	--
2005	2.4L	5HYXV02.4EL9	LEV1 LEV	All	Rear	754358	D-280-102	--	--
2005	2.4L	5HYXV02.4EL9	LEV1 LEV	All	Rear	--	--	940104	D-280-100
2005	2.4L	5HYXV02.4EL9	LEV1 LEV	All	Rear	--	--	755005	D-280-102
2004	2.4L	4HYXV02.4EL9	LEV1 LEV	All	Front	751018	D-280-102	--	--
2004	2.4L	4HYXV02.4EL9	LEV1 LEV	All	Rear	754358	D-280-102	--	--
2004	2.4L	4HYXV02.4EL9	LEV1 LEV	All	Rear	--	--	940104	D-280-100
2004	2.4L	4HYXV02.4EL9	LEV1 LEV	All	Rear	--	--	755005	D-280-102
2003	2.4L	3HYXV02.4ELS	LEV1 LEV	All	Front	751098	D-280-102	--	--
2003	2.4L	3HYXV02.4ELS	LEV1 LEV	All	Rear	--	--	940104	D-280-100
2003	2.4L	3HYXV02.4ELS	LEV1 LEV	All	Rear	--	--	755005	D-280-102
2002	2.4L	2HYXV02.4ELS	LEV1 LEV	All	Front	751018	D-280-102	--	--
2002	2.4L	2HYXV02.4ELS	LEV1 LEV	All	Rear	--	--	940104	D-280-100
2002	2.4L	2HYXV02.4ELS	LEV1 LEV	All	Underbody	754358	D-280-102	--	--
2002	2.4L	2HYXV02.4ELS	LEV1 LEV	All	Underbody	--	--	755005	D-280-102

Legal Note: In Compliance with California Emissions Requirements

APPLICATION GUIDE



OBD II

APPLICATION

Year	Eng. Size	Test Group/ Engine Family	Certification Level	Application	Location	Direct Fit Number	Exec. Order	Consol. Number	Exec. Order
Hyundai (Cont.)									
Sonata (Cont.)									
L4 (Cont.)									
2001	2.4L	1HYXV02.4E2S	TLEV	All	Front	751018	D-280-102	--	--
2001	2.4L	1HYXV02.4E2S	TLEV	All	Rear	944348	D-280-100	--	--
2001	2.4L	1HYXV02.4E2S	TLEV	All	Rear	--	--	940104	D-280-100
2001	2.4L	1HYXV02.4E2S	TLEV	All	Underbody	754358	D-280-102	--	--
2001	2.4L	1HYXV02.4E2S	TLEV	All	Underbody	--	--	755005	D-280-102
2000	2.4L	YHYXV02.42EC	TLEV	All	Rear	944348	D-280-100	--	--
2000	2.4L	YHYXV02.42EC	TLEV	All	Rear	--	--	940104	D-280-100
2000	2.4L	YHYXV02.4G2C	TLEV	All	Rear	944348	D-280-100	--	--
2000	2.4L	YHYXV02.4G2C	TLEV	All	Rear	--	--	940104	D-280-100
1999	2.4L	XHYXV02.42EC	TLEV	All	Rear	809578	D-665-23	--	--
V6									
2001	2.5L	1HYXV02.5F2S	TLEV	All	Front Left	941024	D-280-100	--	--
2001	2.5L	1HYXV02.5F2S	TLEV	All	Front Left	751024	D-280-102	--	--
2001	2.5L	1HYXV02.5F2S	TLEV	All	Front Right	941025	D-280-100	--	--
2001	2.5L	1HYXV02.5F2S	TLEV	All	Front Right	751025	D-280-102	--	--
2001	2.5L	1HYXV02.5F2S	TLEV	All	Underbody	944224	D-280-100	--	--
2001	2.5L	1HYXV02.5F2S	TLEV	All	Underbody	754224	D-280-102	--	--
2001	2.5L	1HYXV02.5F2S	TLEV	All	Underbody	--	--	755005	D-280-102
2000	2.5L	YHYXV02.5G2S	TLEV	All	Front Left	941024	D-280-100	--	--
2000	2.5L	YHYXV02.5G2S	TLEV	All	Front Right	941025	D-280-100	--	--
2000	2.5L	YHYXV02.5G2S	TLEV	All	Underbody	944224	D-280-100	--	--
2000	2.5L	YHYXV02.5G2S	TLEV	All	Underbody	--	--	940334	D-280-100
1999	2.5L	XHYXV02.52ES	TLEV	All	Front Left	941024	D-280-100	--	--
1999	2.5L	XHYXV02.52ES	TLEV	All	Front Right	941025	D-280-100	--	--
1999	2.5L	XHYXV02.52ES	TLEV	All	Underbody	944224	D-280-100	--	--
1999	2.5L	XHYXV02.52ES	TLEV	All	Underbody	--	--	940334	D-280-100
2005	2.7L	5HYXV02.7FL9	LEV1 LEV	All	Rear	944224	D-280-100	--	--
2005	2.7L	5HYXV02.7FL9	LEV1 LEV	All	Rear	754224	D-280-102	--	--
2005	2.7L	5HYXV02.7FL9	LEV1 LEV	All	Rear	--	--	755005	D-280-102
2005	2.7L	5HYXV02.7FL9	LEV1 LEV	Curved Outlet	Front Left	941024	D-280-100	--	--
2005	2.7L	5HYXV02.7FL9	LEV1 LEV	Curved Outlet	Front Left	751024	D-280-102	--	--
2005	2.7L	5HYXV02.7FL9	LEV1 LEV	Curved Outlet	Front Right	941025	D-280-100	--	--
2005	2.7L	5HYXV02.7FL9	LEV1 LEV	Curved Outlet	Front Right	751025	D-280-102	--	--
2004	2.7L	4HYXV02.7FL9	LEV1 LEV	All	Rear	944224	D-280-100	--	--
2004	2.7L	4HYXV02.7FL9	LEV1 LEV	All	Rear	754224	D-280-102	--	--
2004	2.7L	4HYXV02.7FL9	LEV1 LEV	All	Rear	--	--	755005	D-280-102
2004	2.7L	4HYXV02.7FL9	LEV1 LEV	Curved Outlet	Front Left	941024	D-280-100	--	--
2004	2.7L	4HYXV02.7FL9	LEV1 LEV	Curved Outlet	Front Left	751024	D-280-102	--	--
2004	2.7L	4HYXV02.7FL9	LEV1 LEV	Curved Outlet	Front Right	941025	D-280-100	--	--
2004	2.7L	4HYXV02.7FL9	LEV1 LEV	Curved Outlet	Front Right	751025	D-280-102	--	--
2003	2.7L	3HYXV02.7FLS	LEV1 LEV	All	Rear	944224	D-280-100	--	--
2003	2.7L	3HYXV02.7FLS	LEV1 LEV	All	Rear	754224	D-280-102	--	--
2003	2.7L	3HYXV02.7FLS	LEV1 LEV	All	Rear	--	--	755005	D-280-102
2003	2.7L	3HYXV02.7FLS	LEV1 LEV	Curved Outlet	Front Left	941024	D-280-100	--	--
2003	2.7L	3HYXV02.7FLS	LEV1 LEV	Curved Outlet	Front Left	751024	D-280-102	--	--
2003	2.7L	3HYXV02.7FLS	LEV1 LEV	Curved Outlet	Front Right	941025	D-280-100	--	--
2003	2.7L	3HYXV02.7FLS	LEV1 LEV	Curved Outlet	Front Right	751025	D-280-102	--	--
2002	2.7L	2HYXV02.7FLS	LEV1 LEV	All	Rear	944224	D-280-100	--	--
2002	2.7L	2HYXV02.7FLS	LEV1 LEV	All	Rear	754224	D-280-102	--	--
2002	2.7L	2HYXV02.7FLS	LEV1 LEV	All	Rear	--	--	755005	D-280-102
2002	2.7L	2HYXV02.7FLS	LEV1 LEV	Curved Outlet	Front Left	941024	D-280-100	--	--
2002	2.7L	2HYXV02.7FLS	LEV1 LEV	Curved Outlet	Front Left	751024	D-280-102	--	--
2002	2.7L	2HYXV02.7FLS	LEV1 LEV	Curved Outlet	Front Right	941025	D-280-100	--	--
2002	2.7L	2HYXV02.7FLS	LEV1 LEV	Curved Outlet	Front Right	751025	D-280-102	--	--
1998	3.0L	WHYXV03.01UM	TIER1	All	Rear	942238	D-280-100	--	--
1998	3.0L	WHYXV03.01UM	TIER1	All	Underbody	--	--	940086	D-280-100
1997	3.0L	VHY3.0V8G1EK	TIER1	All	Rear	942238	D-280-100	--	--
1997	3.0L	VHY3.0V8G1EK	TIER1	All	Underbody	--	--	940334	D-280-100

Legal Note: In Compliance with California Emissions Requirements



CATCO
CATALYTIC CONVERTERS

EASTERN CATALYTIC

APPLICATION GUIDE

OBD II

APPLICATION

Year	Eng. Size	Test Group/ Engine Family	Certification Level	Application	Location	Direct Fit Number	Exec. Order	Consol. Number	Exec. Order
Hyundai (Cont.)									
Sonata (Cont.)									
V6 (Cont.)									
1996	3.0L	THY3.0V8G1FK	TIER1	All	Rear	942238	D-280-100	--	--
1996	3.0L	THY3.0V8G1FK	TIER1	All	Underbody	--	--	940086	D-280-100
2007	3.3L	7HYXV03.3FW5	LEV2 ULEV	All	Front Left	751310	D-280-102	--	--
2007	3.3L	7HYXV03.3FW5	LEV2 ULEV	All	Front Right	751311	D-280-102	--	--
2007	3.3L	7HYXV03.3FW5	LEV2 ULEV	All	Rear	754807	D-280-102	--	--
2007	3.3L	7HYXV03.3FW5	LEV2 ULEV	All	Rear	--	--	755005	D-280-102
2006	3.3L	6HYXV03.3FW5	LEV2 ULEV	All	Front Left	751310	D-280-102	--	--
2006	3.3L	6HYXV03.3FW5	LEV2 ULEV	All	Front Right	751311	D-280-102	--	--
2006	3.3L	6HYXV03.3FW5	LEV2 ULEV	All	Rear	754807	D-280-102	--	--
2006	3.3L	6HYXV03.3FW5	LEV2 ULEV	All	Rear	--	--	755005	D-280-102
Tiburon									
L4									
1997	1.8L	VHY1.8VJG1EK	TIER1	All	Rear	942889	D-280-100	--	--
1997	1.8L	VHY1.8VJG1EK	TIER1	All	Underbody	--	--	940334	D-280-100
2007	2.0L	7HYXV02.0GW5	LEV2 ULEV	All	Rear	--	--	755005	D-280-102
2006	2.0L	6HYXV02.0CU9	LEV1 ULEV	All	Front	751062	D-280-102	--	--
2006	2.0L	6HYXV02.0CU9	LEV1 ULEV	All	Rear	--	--	755005	D-280-102
2006	2.0L	6HYXV02.0CU9	LEV1 ULEV	All	Underbody	754662	D-280-102	--	--
2005	2.0L	5HYXV02.0CU9	LEV1 ULEV	All	Front	751062	D-280-102	--	--
2005	2.0L	5HYXV02.0CU9	LEV1 ULEV	All	Rear	--	--	755005	D-280-102
2005	2.0L	5HYXV02.0CU9	LEV1 ULEV	All	Underbody	754662	D-280-102	--	--
2004	2.0L	4HYXV02.0CU9	LEV1 ULEV	All	Front	751062	D-280-102	--	--
2004	2.0L	4HYXV02.0CU9	LEV1 ULEV	All	Rear	--	--	755005	D-280-102
2004	2.0L	4HYXV02.0CU9	LEV1 ULEV	All	Underbody	754662	D-280-102	--	--
2003	2.0L	3HYXV02.0CUC	LEV1 ULEV	All	Front	751062	D-280-102	--	--
2003	2.0L	3HYXV02.0CUC	LEV1 ULEV	All	Rear	--	--	755005	D-280-102
2003	2.0L	3HYXV02.0CUC	LEV1 ULEV	All	Underbody	754662	D-280-102	--	--
2001	2.0L	1HYXV02.0R3S	LEV1 LEV	All	Rear	942889	D-280-100	--	--
2001	2.0L	1HYXV02.2R3S	LEV1 LEV	All	Front	942165	D-280-100	--	--
2001	2.0L	1HYXV02.2R3S	LEV1 LEV	All	Rear	--	--	940334	D-280-100
2000	2.0L	YHYXV02.0G3S	LEV1 LEV	All	Front	942165	D-280-100	--	--
2000	2.0L	YHYXV02.0G3S	LEV1 LEV	All	Rear	942889	D-280-100	--	--
2000	2.0L	YHYXV02.0G3S	LEV1 LEV	All	Rear	--	--	940334	D-280-100
1999	2.0L	XHYXV02.03RC	LEV1 LEV	All	Front	942165	D-280-100	--	--
1999	2.0L	XHYXV02.03RC	LEV1 LEV	All	Rear	942889	D-280-100	--	--
1999	2.0L	XYHXV02.03RC	LEV1 LEV	All	Rear	--	--	940334	D-280-100
1998	2.0L	WHYXV02.02GM	TLEV	All	Front	630713	D-665-17	--	--
1998	2.0L	WHYXV02.02GM	TLEV	All	Underbody	944855	D-280-100	--	--
1998	2.0L	WHYXV02.02GM	TLEV	All	Underbody	--	--	940336	D-280-100
1997	2.0L	VHY2.0VJG2FK	TLEV	All	Front	630713	D-665-17	--	--
1997	2.0L	VHY2.0VJG2FK	TLEV	All	Underbody	944855	D-280-100	--	--
1997	2.0L	VHY2.0VJG2FK	TLEV	All	Underbody	--	--	940336	D-280-100
V6									
2006	2.7L	6HYXV02.7KL9	LEV1 LEV	All	Front	808585	D-665-23	--	--
2006	2.7L	6HYXV02.7KL9	LEV1 LEV	All	Rear	808584	D-665-23	--	--
2006	2.7L	6HYXV02.7KL9	LEV1 LEV	All	Rear	--	--	940334	D-280-100
2005	2.7L	5HYXV02.7KL9	LEV1 LEV	All	Front Left	941024	D-280-100	--	--
2005	2.7L	5HYXV02.7KL9	LEV1 LEV	All	Front Left	751024	D-280-102	--	--
2005	2.7L	5HYXV02.7KL9	LEV1 LEV	All	Front Right	941051	D-280-100	--	--
2005	2.7L	5HYXV02.7KL9	LEV1 LEV	All	Front Right	751051	D-280-102	--	--
2005	2.7L	5HYXV02.7KL9	LEV1 LEV	All	Rear	944324	D-280-100	--	--
2005	2.7L	5HYXV02.7KL9	LEV1 LEV	All	Rear	754324	D-280-102	--	--
2005	2.7L	5HYXV02.7KL9	LEV1 LEV	All	Rear	--	--	940334	D-280-100
2005	2.7L	5HYXV02.7KL9	LEV1 LEV	All	Rear	--	--	755005	D-280-102

Legal Note: In Compliance with California Emissions Requirements

APPLICATION GUIDE



OBD II

APPLICATION

Year	Eng. Size	Test Group/ Engine Family	Certification Level	Application	Location	Direct Fit Number	Exec. Order	Consol. Number	Exec. Order
Hyundai (Cont.)									
Tiburon (Cont.)									
V6 (Cont.)									
2004	2.7L	4HYXV02.7KL9	LEV1 LEV	All	Front Left	941024	D-280-100	--	--
2004	2.7L	4HYXV02.7KL9	LEV1 LEV	All	Front Left	751024	D-280-102	--	--
2004	2.7L	4HYXV02.7KL9	LEV1 LEV	All	Front Right	941051	D-280-100	--	--
2004	2.7L	4HYXV02.7KL9	LEV1 LEV	All	Front Right	751051	D-280-102	--	--
2004	2.7L	4HYXV02.7KL9	LEV1 LEV	All	Rear	944324	D-280-100	--	--
2004	2.7L	4HYXV02.7KL9	LEV1 LEV	All	Rear	754324	D-280-102	--	--
2004	2.7L	4HYXV02.7KL9	LEV1 LEV	All	Rear	--	--	940334	D-280-100
2004	2.7L	4HYXV02.7KL9	LEV1 LEV	All	Rear	--	--	755005	D-280-102
2003	2.7L	3HYXV02.7KLS	LEV1 LEV	All	Front Left	941024	D-280-100	--	--
2003	2.7L	3HYXV02.7KLS	LEV1 LEV	All	Front Left	751024	D-280-102	--	--
2003	2.7L	3HYXV02.7KLS	LEV1 LEV	All	Front Right	941051	D-280-100	--	--
2003	2.7L	3HYXV02.7KLS	LEV1 LEV	All	Front Right	751051	D-280-102	--	--
2003	2.7L	3HYXV02.7KLS	LEV1 LEV	All	Rear	944324	D-280-100	--	--
2003	2.7L	3HYXV02.7KLS	LEV1 LEV	All	Rear	754324	D-280-102	--	--
2003	2.7L	3HYXV02.7KLS	LEV1 LEV	All	Rear	--	--	940334	D-280-100
2003	2.7L	3HYXV02.7KLS	LEV1 LEV	All	Rear	--	--	755005	D-280-102
Tucson									
L4									
2006	2.0L	6HYXT02.0JU9	LEV1 ULEV	All	Front	808580	D-665-23	--	--
2006	2.0L	6HYXT02.0JU9	LEV1 ULEV	All	Rear	809640	D-665-23	--	--
2005	2.0L	5HYXT02.0JU9	LEV1 ULEV	All	Front	808580	D-665-23	--	--
Veracruz									
V6									
2012	3.8L	CHYXT03.8EM5	LEV2 LEV	All	Front Left	741220	D-798	--	--
2012	3.8L	CHYXT03.8EM5	LEV2 LEV	All	Front Right	741221	D-798	--	--
2012	3.8L	CHYXT03.8EM5	LEV2 LEV	All	Rear	744926	D-798	--	--
2012	3.8L	CHYXT03.8EM5	LEV2 LEV	All	Rear	--	--	747335	D-798
2011	3.8L	BHYXT03.8EM5	LEV2 LEV	All	Front Left	741220	D-798	--	--
2011	3.8L	BHYXT03.8EM5	LEV2 LEV	All	Front Right	741221	D-798	--	--
2011	3.8L	BHYXT03.8EM5	LEV2 LEV	All	Rear	744926	D-798	--	--
2011	3.8L	BHYXT03.8EM5	LEV2 LEV	All	Rear	--	--	747335	D-798
2010	3.8L	AHYXT03.8EM5	LEV2 LEV	All	Front Left	741220	D-798	--	--
2010	3.8L	AHYXT03.8EM5	LEV2 LEV	All	Front Right	741221	D-798	--	--
2010	3.8L	AHYXT03.8EM5	LEV2 LEV	All	Rear	744926	D-798	--	--
2010	3.8L	AHYXT03.8EM5	LEV2 LEV	All	Rear	--	--	747335	D-798
2009	3.8L	9HYXT03.8EM5	LEV2 LEV	All	Front Left	741220	D-798	--	--
2009	3.8L	9HYXT03.8EM5	LEV2 LEV	All	Front Right	741221	D-798	--	--
2009	3.8L	9HYXT03.8EM5	LEV2 LEV	All	Rear	744926	D-798	--	--
2009	3.8L	9HYXT03.8EM5	LEV2 LEV	All	Rear	--	--	747335	D-798
2008	3.8L	8HYXT03.8EM5	LEV2 LEV	All	Front Left	741220	D-798	--	--
2008	3.8L	8HYXT03.8EM5	LEV2 LEV	All	Front Right	741221	D-798	--	--
2008	3.8L	8HYXT03.8EM5	LEV2 LEV	All	Rear	744926	D-798	--	--
2008	3.8L	8HYXT03.8EM5	LEV2 LEV	All	Rear	--	--	747335	D-798
2007	3.8L	7HYXT03.8EM5	LEV2 LEV	All	Front Left	741220	D-798	--	--
2007	3.8L	7HYXT03.8EM5	LEV2 LEV	All	Front Right	741221	D-798	--	--
2007	3.8L	7HYXT03.8EM5	LEV2 LEV	All	Rear	744926	D-798	--	--
2007	3.8L	7HYXT03.8EM5	LEV2 LEV	All	Rear	--	--	747335	D-798
XG300									
V6									
2001	3.0L	1HYXV03.0G2S	TLEV	All	Front Left	751070	D-280-102	--	--
2001	3.0L	1HYXV03.0G2S	TLEV	All	Front Right	751089	D-280-102	--	--
2001	3.0L	1HYXV03.0G2S	TLEV	All	Rear	754485	D-280-102	--	--
2001	3.0L	1HYXV03.0G2S	TLEV	All	Rear	--	--	940334	D-280-100
2001	3.0L	1HYXV03.0G2S	TLEV	All	Underbody	--	--	755005	D-280-102

Legal Note: In Compliance with California Emissions Requirements



CATCO
CATALYTIC CONVERTERS

EASTERN CATALYTIC

APPLICATION GUIDE

OBD II

APPLICATION

Year	Eng. Size	Test Group/ Engine Family	Certification Level	Application	Location	Direct Fit Number	Exec. Order	Consol. Number	Exec. Order
Hyundai (Cont.)									
XG350									
V6									
2005	3.5L	5HYXV03.5GL9	LEV1 LEV	All	Front Left	751070	D-280-102	--	--
2005	3.5L	5HYXV03.5GL9	LEV1 LEV	All	Front Right	751089	D-280-102	--	--
2005	3.5L	5HYXV03.5GL9	LEV1 LEV	All	Rear	754485	D-280-102	--	--
2005	3.5L	5HYXV03.5GL9	LEV1 LEV	All	Rear	--	--	940334	D-280-100
2005	3.5L	5HYXV03.5GL9	LEV1 LEV	All	Rear	--	--	755005	D-280-102
2004	3.5L	4HYXV03.5GL9	LEV1 LEV	All	Front Left	751070	D-280-102	--	--
2004	3.5L	4HYXV03.5GL9	LEV1 LEV	All	Front Right	751089	D-280-102	--	--
2004	3.5L	4HYXV03.5GL9	LEV1 LEV	All	Rear	754485	D-280-102	--	--
2004	3.5L	4HYXV03.5GL9	LEV1 LEV	All	Rear	--	--	940334	D-280-100
2004	3.5L	4HYXV03.5GL9	LEV1 LEV	All	Rear	--	--	755005	D-280-102
2003	3.5L	3HYXV03.5GLS	LEV1 LEV	All	Front Left	751070	D-280-102	--	--
2003	3.5L	3HYXV03.5GLS	LEV1 LEV	All	Front Right	751089	D-280-102	--	--
2003	3.5L	3HYXV03.5GLS	LEV1 LEV	All	Rear	754485	D-280-102	--	--
2003	3.5L	3HYXV03.5GLS	LEV1 LEV	All	Rear	--	--	940334	D-280-100
2003	3.5L	3HYXV03.5GLS	LEV1 LEV	All	Rear	--	--	755005	D-280-102
2002	3.5L	2HYXV03.5GLS	TLEV	All	Front Left	751070	D-280-102	--	--
2002	3.5L	2HYXV03.5GLS	TLEV	All	Front Right	751089	D-280-102	--	--
2002	3.5L	2HYXV03.5GLS	TLEV	All	Rear	754485	D-280-102	--	--
2002	3.5L	2HYXV03.5GLS	TLEV	All	Rear	--	--	940334	D-280-100
2002	3.5L	2HYXV03.5GLS	TLEV	All	Rear	--	--	755005	D-280-102
2002	3.5L	2HYXV03.5GLS	LEV1 LEV	All	Rear	--	--	940334	D-280-100
Infiniti									
EX35									
V6									
2009	3.5L	9NSXJ03.5GAA	LEV2 LEV	All	Front Left	745235	D-798	--	--
2009	3.5L	9NSXJ03.5GAA	LEV2 LEV	All	Front Right	745236	D-798	--	--
FX35									
V6									
2012	3.5L	CNSXT03.5GAA	LEV2 LEV	All	Front Left	745235	D-798	--	--
2012	3.5L	CNSXT03.5GAA	LEV2 LEV	All	Front Right	745236	D-798	--	--
2011	3.5L	BNSXT03.5GAA	LEV2 LEV	All	Front Left	745235	D-798	--	--
2011	3.5L	BNSXT03.5GAA	LEV2 LEV	All	Front Right	745236	D-798	--	--
2010	3.5L	ANSXT03.5GAA	LEV2 LEV	All	Front Left	745235	D-798	--	--
2010	3.5L	ANSXT03.5GAA	LEV2 LEV	All	Front Right	745236	D-798	--	--
2009	3.5L	9NSXJ03.5GAA	LEV2 LEV	All	Front Left	745235	D-798	--	--
2009	3.5L	9NSXJ03.5GAA	LEV2 LEV	All	Front Right	745236	D-798	--	--
2008	3.5L	8NSXT03.5G7A	LEV2 LEV	All	Front Left	744193	D-798	--	--
2008	3.5L	8NSXT03.5G7A	LEV2 LEV	All	Front Right	744192	D-798	--	--
2007	3.5L	7NSXT03.5G7A	LEV2 LEV	All	Front Left	744193	D-798	--	--
2007	3.5L	7NSXT03.5G7A	LEV2 LEV	All	Front Right	744192	D-798	--	--
2006	3.5L	6NSXT03.5G7A	LEV2 LEV	All	Front Left	744193	D-798	--	--
2006	3.5L	6NSXT03.5G7A	LEV2 LEV	All	Front Right	744192	D-798	--	--
2005	3.5L	5NSXT03.5G7A	LEV2 LEV	All	Front Left	744193	D-798	--	--
2005	3.5L	5NSXT03.5G7A	LEV2 LEV	All	Front Right	744192	D-798	--	--
2004	3.5L	4NSXT03.5G7A	LEV2 LEV	All	Front Left	744193	D-798	--	--
2004	3.5L	4NSXT03.5G7A	LEV2 LEV	All	Front Right	744192	D-798	--	--
2004	3.5L	4NSXT03.5N7B	LEV1 LEV	All	Underbody Left	914193	D-280-101	--	--
2004	3.5L	4NSXT03.5N7B	LEV1 LEV	All	Underbody Right	914192	D-280-101	--	--
2003	3.5L	3NSXT03.5C7B	LEV1 LEV	All	Front	--	--	912009	D-280-101
2003	3.5L	3NSXT03.5C7B	LEV1 LEV	All	Rear	--	--	912005	D-280-101
2003	3.5L	3NSXT03.5C7B	LEV1 LEV	All	Underbody Left	914193	D-280-101	--	--
2003	3.5L	3NSXT03.5C7B	LEV1 LEV	All	Underbody Right	914192	D-280-101	--	--
2003	3.5L	3NSXT03.5C7B	LEV1 LEV	All	Front Left	744193	D-798	--	--
2003	3.5L	3NSXT03.5C7B	LEV1 LEV	All	Front Right	744192	D-798	--	--

Legal Note: In Compliance with California Emissions Requirements

APPLICATION GUIDE



OBD II

APPLICATION

Year	Eng. Size	Test Group/ Engine Family	Certification Level	Application	Location	Direct Fit Number	Exec. Order	Consol. Number	Exec. Order
FX37									
V6									
2013	3.7L	DNSXT03.7GAA	LEV2 ULEV	All	Front Left	745235	D-798	--	--
2013	3.7L	DNSXT03.7GAA	LEV2 ULEV	All	Front Right	745236	D-798	--	--
FX45									
V8									
2008	4.5L	8NSXT04.5G8A	LEV2 LEV	All	Front Left	744671	D-798	--	--
2008	4.5L	8NSXT04.5G8A	LEV2 LEV	All	Front Right	744670	D-798	--	--
2008	4.5L	8NSXT04.5G8A	LEV2 LEV	All	Rear Left	745185	D-798	--	--
2008	4.5L	8NSXT04.5G8A	LEV2 LEV	All	Rear Right	745186	D-798	--	--
2007	4.5L	7NSXT04.5G8A	LEV2 LEV	All	Front Left	744671	D-798	--	--
2007	4.5L	7NSXT04.5G8A	LEV2 LEV	All	Front Right	744670	D-798	--	--
2007	4.5L	7NSXT04.5G8A	LEV2 LEV	All	Rear Left	745185	D-798	--	--
2007	4.5L	7NSXT04.5G8A	LEV2 LEV	All	Rear Right	745186	D-798	--	--
2006	4.5L	6NSXT04.5G8A	LEV2 LEV	All	Front Left	744671	D-798	--	--
2006	4.5L	6NSXT04.5G8A	LEV2 LEV	All	Front Right	744670	D-798	--	--
2006	4.5L	6NSXT04.5G8A	LEV2 LEV	All	Rear Left	745185	D-798	--	--
2006	4.5L	6NSXT04.5G8A	LEV2 LEV	All	Rear Right	745186	D-798	--	--
2005	4.5L	5NSXT04.5M8A	LEV1 LEV	AWD	Front Left	914671	D-280-101	--	--
2005	4.5L	5NSXT04.5M8A	LEV1 LEV	AWD	Front Right	914670	D-280-101	--	--
2005	4.5L	5NSXT04.5M8A	LEV1 LEV	AWD	Rear Left	914771	D-280-101	--	--
2005	4.5L	5NSXT04.5M8A	LEV1 LEV	AWD	Rear Right	914770	D-280-101	--	--
2005	4.5L	5NSXT04.5M8A	LEV1 LEV	All	Front Left	744671	D-798	--	--
2005	4.5L	5NSXT04.5M8A	LEV1 LEV	All	Front Right	744670	D-798	--	--
2005	4.5L	5NSXT04.5M8A	LEV1 LEV	All	Rear Left	745185	D-798	--	--
2005	4.5L	5NSXT04.5M8A	LEV1 LEV	All	Rear Right	745186	D-798	--	--
2004	4.5L	4NSXT04.5M8A	LEV1 LEV	All	Front Left	914671	D-280-101	--	--
2004	4.5L	4NSXT04.5M8A	LEV1 LEV	All	Front Right	914670	D-280-101	--	--
2004	4.5L	4NSXT04.5M8A	LEV1 LEV	All	Rear	--	--	912005	D-280-101
2004	4.5L	4NSXT04.5M8A	LEV1 LEV	All	Front Left	744671	D-798	--	--
2004	4.5L	4NSXT04.5M8A	LEV1 LEV	All	Front Right	744670	D-798	--	--
2004	4.5L	4NSXT04.5M8A	LEV1 LEV	All	Rear Left	745185	D-798	--	--
2004	4.5L	4NSXT04.5M8A	LEV1 LEV	All	Rear Right	745186	D-798	--	--
2003	4.5L	3NSXT04.5C8A	LEV1 LEV	All	Front Left	914671	D-280-101	--	--
2003	4.5L	3NSXT04.5C8A	LEV1 LEV	All	Front Right	914670	D-280-101	--	--
2003	4.5L	3NSXT04.5C8A	LEV1 LEV	All	Rear	--	--	912005	D-280-101
2003	4.5L	3NSXT04.5C8A	LEV1 LEV	All	Front Left	744671	D-798	--	--
2003	4.5L	3NSXT04.5C8A	LEV1 LEV	All	Front Right	744670	D-798	--	--
2003	4.5L	3NSXT04.5C8A	LEV1 LEV	All	Rear Left	745185	D-798	--	--
2003	4.5L	3NSXT04.5C8A	LEV1 LEV	All	Rear Right	745186	D-798	--	--
G20									
L4									
2002	2.0L	2NSXV02.0C3A	LEV1 LEV	All	Rear	942317	D-280-100	--	--
2002	2.0L	2NSXV02.0C3A	LEV1 LEV	All	Rear	--	--	940334	D-280-100
2001	2.0L	1NSXV02.0C3A	LEV1 LEV	All	Rear	942317	D-280-100	--	--
2001	2.0L	1NSXV02.0C3A	LEV1 LEV	All	Rear	--	--	940334	D-280-100
2000	2.0L	YNSXV02.0C9B	LEV1 LEV	All	Rear	942317	D-280-100	--	--
2000	2.0L	YNSXV02.0C9B	LEV1 LEV	All	Rear	--	--	940334	D-280-100
1999	2.0L	XNSXV02.0A2A	TIER1	All	Underbody	942841	D-280-100	--	--
1999	2.0L	XNSXV02.0A2A	TIER1	All	Underbody	--	--	940333	D-280-100
1996	2.0L	TNS2.0VJGFFK	TIER1	All	Rear	942841	D-280-100	--	--
1996	2.0L	TNS2.0VJGFFK	TIER1	All	Underbody	--	--	940333	D-280-100
1995	2.0L	SNS2.0VJGFFK	TIER1	All	Underbody	942841	D-280-100	--	--
1995	2.0L	SNS2.0VJGFFK	TIER1	All	Underbody	--	--	940333	D-280-100
1994	2.0L	RNS2.0VJGDEK	TIER1	All	Underbody	942841	D-280-100	--	--
1994	2.0L	RNS2.0VJGDEK	TIER1	All	Underbody	--	--	940333	D-280-100

Legal Note: In Compliance with California Emissions Requirements

**CATCO**
CATALYTIC CONVERTERS**EASTERN CATALYTIC**

APPLICATION GUIDE

OBD II**APPLICATION**

Year	Eng. Size	Test Group/ Engine Family	Certification Level	Application	Location	Direct Fit Number	Exec. Order	Consol. Number	Exec. Order
G35									
V6									
2007	3.5L	7NSXV03.5G7A	LEV2 LEV	All	Front	--	--	750006	D-280-102
2007	3.5L	7NSXV03.5G7A	LEV2 LEV	All	Rear	--	--	755006	D-280-102
2007	3.5L	7NSXV03.5G7A	LEV2 LEV	All	Underbody Left	754193	D-280-102	--	--
2007	3.5L	7NSXV03.5G7A	LEV2 LEV	All	Underbody Right	754192	D-280-102	--	--
2007	3.5L	7NSXV03.5GAE	LEV2 ULEV	All	Front	--	--	750006	D-280-102
2007	3.5L	7NSXV03.5GAE	LEV2 ULEV	All	Rear	--	--	755006	D-280-102
2007	3.5L	7NSXV03.5GAE	LEV2 ULEV	All	Underbody Left	754193	D-280-102	--	--
2007	3.5L	7NSXV03.5GAE	LEV2 ULEV	All	Underbody Right	754192	D-280-102	--	--
2006	3.5L	6NSXV03.5G7A	LEV2 LEV	All	Front	--	--	750006	D-280-102
2006	3.5L	6NSXV03.5G7A	LEV2 LEV	All	Rear	--	--	755006	D-280-102
2006	3.5L	6NSXV03.5G7A	LEV2 LEV	All	Underbody Left	754193	D-280-102	--	--
2006	3.5L	6NSXV03.5G7A	LEV2 LEV	All	Underbody Right	754192	D-280-102	--	--
2006	3.5L	6NSXV03.5G7C	LEV2 LEV	AWD	Front	--	--	750006	D-280-102
2006	3.5L	6NSXV03.5G7C	LEV2 LEV	AWD	Rear	--	--	755006	D-280-102
2006	3.5L	6NSXV03.5G7C	LEV2 LEV	All	Underbody Left	754193	D-280-102	--	--
2006	3.5L	6NSXV03.5G7C	LEV2 LEV	All	Underbody Right	754192	D-280-102	--	--
2005	3.5L	5NSXV03.5G7A	LEV2 LEV	All	Front	--	--	750006	D-280-102
2005	3.5L	5NSXV03.5G7A	LEV2 LEV	All	Rear	--	--	755006	D-280-102
2005	3.5L	5NSXV03.5G7A	LEV2 LEV	All	Underbody Left	754193	D-280-102	--	--
2005	3.5L	5NSXV03.5G7A	LEV2 LEV	All	Underbody Right	754192	D-280-102	--	--
2005	3.5L	5NSXV03.5G7C	LEV2 LEV	All	Front	--	--	750006	D-280-102
2005	3.5L	5NSXV03.5G7C	LEV2 LEV	All	Rear	--	--	755006	D-280-102
2005	3.5L	5NSXV03.5G7C	LEV2 LEV	All	Underbody Left	754193	D-280-102	--	--
2005	3.5L	5NSXV03.5G7C	LEV2 LEV	All	Underbody Right	754192	D-280-102	--	--
2004	3.5L	4NSXV03.5G7A	LEV2 LEV	All	Front Left	--	--	750005	D-280-102
2004	3.5L	4NSXV03.5G7A	LEV2 LEV	All	Front Right	--	--	750005	D-280-102
2004	3.5L	4NSXV03.5G7A	LEV2 LEV	All	Underbody Left	754193	D-280-102	--	--
2004	3.5L	4NSXV03.5G7A	LEV2 LEV	All	Underbody Right	754192	D-280-102	--	--
2004	3.5L	4NSXV03.5G7A	LEV2 LEV	All	Underbody Right	--	--	755005	D-280-102
2004	3.5L	4NSXV03.5G7A	LEV2 LEV	All	Underbody Right	--	--	755005	D-280-102
2004	3.5L	4NSXV03.5G7C	LEV2 LEV	All	Front	--	--	750006	D-280-102
2004	3.5L	4NSXV03.5G7C	LEV2 LEV	All	Rear	--	--	755006	D-280-102
2004	3.5L	4NSXV03.5G7C	LEV2 LEV	All	Underbody Left	754193	D-280-102	--	--
2004	3.5L	4NSXV03.5G7C	LEV2 LEV	All	Underbody Right	754192	D-280-102	--	--
2004	3.5L	4NSXV03.5N7A	LEV1 LEV	All	Rear	--	--	940104	D-280-100
2004	3.5L	4NSXV03.5N7A	LEV1 LEV	All	Underbody Left	944193	D-280-100	--	--
2004	3.5L	4NSXV03.5N7A	LEV1 LEV	All	Underbody Left	--	--	940104	D-280-100
2004	3.5L	4NSXV03.5N7A	LEV1 LEV	All	Underbody Right	944192	D-280-100	--	--
2004	3.5L	4NSXV03.5N7C	LEV1 LEV	All	Rear	--	--	940104	D-280-100
2004	3.5L	4NSXV03.5N7C	LEV1 LEV	All	Underbody Left	944193	D-280-100	--	--
2004	3.5L	4NSXV03.5N7C	LEV1 LEV	All	Underbody Left	--	--	940104	D-280-100
2004	3.5L	4NSXV03.5N7C	LEV1 LEV	All	Underbody Right	944192	D-280-100	--	--
2003	3.5L	3NSXV03.5C7A	LEV1 LEV	All	Front Left	--	--	750005	D-280-102
2003	3.5L	3NSXV03.5C7A	LEV1 LEV	All	Front Right	--	--	750005	D-280-102
2003	3.5L	3NSXV03.5C7A	LEV1 LEV	All	Rear	--	--	940104	D-280-100
2003	3.5L	3NSXV03.5C7A	LEV1 LEV	All	Underbody Left	944193	D-280-100	--	--
2003	3.5L	3NSXV03.5C7A	LEV1 LEV	All	Underbody Left	754193	D-280-102	--	--
2003	3.5L	3NSXV03.5C7A	LEV1 LEV	All	Underbody Left	--	--	940104	D-280-100
2003	3.5L	3NSXV03.5C7A	LEV1 LEV	All	Underbody Left	--	--	755005	D-280-102
2003	3.5L	3NSXV03.5C7A	LEV1 LEV	All	Underbody Right	944192	D-280-100	--	--
2003	3.5L	3NSXV03.5C7A	LEV1 LEV	All	Underbody Right	754192	D-280-102	--	--
2003	3.5L	3NSXV03.5C7A	LEV1 LEV	All	Underbody Right	--	--	755005	D-280-102
2003	3.5L	3NSXV03.5C7B	LEV1 LEV	All	Rear	--	--	940104	D-280-100
2003	3.5L	3NSXV03.5C7B	LEV1 LEV	All	Underbody Left	944193	D-280-100	--	--
2003	3.5L	3NSXV03.5C7B	LEV1 LEV	All	Underbody Left	--	--	940104	D-280-100
2003	3.5L	3NSXV03.5C7B	LEV1 LEV	All	Underbody Right	944192	D-280-100	--	--

Legal Note: In Compliance with California Emissions Requirements

APPLICATION GUIDE



OBD II

APPLICATION

Year	Eng. Size	Test Group/ Engine Family	Certification Level	Application	Location	Direct Fit Number	Exec. Order	Consol. Number	Exec. Order
I30									
V6									
2001	3.0L	1NSXV03.0C6A	LEV1 LEV	All	Front Left	941014	D-280-100	--	--
2001	3.0L	1NSXV03.0C6A	LEV1 LEV	All	Front Right	944014	D-280-100	--	--
2001	3.0L	1NSXV03.0C6A	LEV1 LEV	All	Rear	942317	D-280-100	--	--
2001	3.0L	1NSXV03.0C6A	LEV1 LEV	All	Rear	--	--	940334	D-280-100
2000	3.0L	YNSXV03.036A	LEV1 LEV	All	Front Left	941014	D-280-100	--	--
2000	3.0L	YNSXV03.036A	LEV1 LEV	All	Front Right	944014	D-280-100	--	--
2000	3.0L	YNSXV03.036A	LEV1 LEV	All	Rear	942317	D-280-100	--	--
2000	3.0L	YNSXV03.036A	LEV1 LEV	All	Rear	--	--	940334	D-280-100
1999	3.0L	XNSXV03.026A	TLEV	All	Front Left	941014	D-280-100	--	--
1999	3.0L	XNSXV03.026A	TLEV	All	Front Right	944014	D-280-100	--	--
1999	3.0L	XNSXV03.026A	TLEV	All	Rear	942317	D-280-100	--	--
1999	3.0L	XNSXV03.026A	TLEV	All	Rear	--	--	940334	D-280-100
1998	3.0L	WNSXV03.0A6A	TIER1	All	Front	944941	D-280-100	--	--
1998	3.0L	WNSXV03.0A6A	TIER1	All	Rear	942841	D-280-100	--	--
1998	3.0L	WNSXV03.0A6A	TIER1	All	Rear	--	--	940333	D-280-100
1997	3.0L	VNS3.0VJGFKEK	TIER1	All	Front	944941	D-280-100	--	--
1997	3.0L	VNS3.0VJGFKEK	TIER1	All	Rear	942841	D-280-100	--	--
1997	3.0L	VNS3.0VJGFKEK	TIER1	All	Rear	--	--	940333	D-280-100
1996	3.0L	TNS3.0VJGFKEK	TIER1	All	Front	944941	D-280-100	--	--
1996	3.0L	TNS3.0VJGFKEK	TIER1	All	Rear	942841	D-280-100	--	--
1996	3.0L	TNS3.0VJGFKEK	TIER1	All	Rear	--	--	940333	D-280-100
I35									
V6									
2004	3.5L	4NSXV03.5N7A	LEV1 LEV	All	Front	751078	D-280-102	--	--
2004	3.5L	4NSXV03.5N7A	LEV1 LEV	All	Front Left	941078	D-280-100	--	--
2004	3.5L	4NSXV03.5N7A	LEV1 LEV	All	Front Right	941079	D-280-100	--	--
2004	3.5L	4NSXV03.5N7A	LEV1 LEV	All	Rear	944368	D-280-100	--	--
2004	3.5L	4NSXV03.5N7A	LEV1 LEV	All	Rear	751079	D-280-102	--	--
2004	3.5L	4NSXV03.5N7A	LEV1 LEV	All	Rear	--	--	940106	D-280-100
2004	3.5L	4NSXV03.5N7A	LEV1 LEV	All	Underbody	754368	D-280-102	--	--
2004	3.5L	4NSXV03.5N7A	LEV1 LEV	All	Underbody	--	--	755005	D-280-102
2003	3.5L	3NSXV03.5C7A	LEV1 LEV	All	Front	751078	D-280-102	--	--
2003	3.5L	3NSXV03.5C7A	LEV1 LEV	All	Front Left	941078	D-280-100	--	--
2003	3.5L	3NSXV03.5C7A	LEV1 LEV	All	Front Right	941079	D-280-100	--	--
2003	3.5L	3NSXV03.5C7A	LEV1 LEV	All	Rear	751079	D-280-102	--	--
2003	3.5L	3NSXV03.5C7A	LEV1 LEV	All	Rear	--	--	940106	D-280-100
2003	3.5L	3NSXV03.5C7A	LEV1 LEV	All	Underbody	944368	D-280-100	--	--
2003	3.5L	3NSXV03.5C7A	LEV1 LEV	All	Underbody	754368	D-280-102	--	--
2003	3.5L	3NSXV03.5C7A	LEV1 LEV	All	Underbody	--	--	755005	D-280-102
2002	3.5L	2NSXV03.5C6A	LEV1 LEV	All	Front	751078	D-280-102	--	--
2002	3.5L	2NSXV03.5C6A	LEV1 LEV	All	Front Left	941078	D-280-100	--	--
2002	3.5L	2NSXV03.5C6A	LEV1 LEV	All	Front Right	941079	D-280-100	--	--
2002	3.5L	2NSXV03.5C6A	LEV1 LEV	All	Rear	751079	D-280-102	--	--
2002	3.5L	2NSXV03.5C6A	LEV1 LEV	All	Rear	--	--	940106	D-280-100
2002	3.5L	2NSXV03.5C6A	LEV1 LEV	All	Underbody	944368	D-280-100	--	--
2002	3.5L	2NSXV03.5C6A	LEV1 LEV	All	Underbody	754368	D-280-102	--	--
2002	3.5L	2NSXV03.5C6A	LEV1 LEV	All	Underbody	--	--	755005	D-280-102
J30									
V6									
1997	3.0L	VNS3.0VJ1FGK	TIER1	All	Rear	944422	D-280-100	--	--
1997	3.0L	VNS3.0VJ1FGK	TIER1	All	Rear	--	--	940334	D-280-100
1997	3.0L	VNS3.0VJ1FGK	TIER1	All	Underbody Left	944423	D-280-100	--	--
1997	3.0L	VNS3.0VJ1FGK	TIER1	All	Underbody Left	--	--	940334	D-280-100
1996	3.0L	TNS3.0VJGFGEK	TIER1	All	Rear	944422	D-280-100	--	--
1996	3.0L	TNS3.0VJGFGEK	TIER1	All	Rear	--	--	940334	D-280-100
1996	3.0L	TNS3.0VJGFGEK	TIER1	All	Underbody Left	944423	D-280-100	--	--
1996	3.0L	TNS3.0VJGFGEK	TIER1	All	Underbody Left	--	--	940334	D-280-100

Legal Note: In Compliance with California Emissions Requirements



CATCO
CATALYTIC CONVERTERS

EASTERN CATALYTIC

APPLICATION GUIDE

OBD II

APPLICATION

Year	Eng. Size	Test Group/ Engine Family	Certification Level	Application	Location	Direct Fit Number	Exec. Order	Consol. Number	Exec. Order
Infiniti (Cont.)									
M35									
V6									
2007	3.5L	7NSXV03.5G7C	LEV2 LEV	All	Front	--	--	750006	D-280-102
2007	3.5L	7NSXV03.5G7C	LEV2 LEV	All	Rear	--	--	755006	D-280-102
2007	3.5L	7NSXV03.5G7C	LEV2 LEV	All	Underbody Left	754193	D-280-102	--	--
2007	3.5L	7NSXV03.5G7C	LEV2 LEV	All	Underbody Right	754192	D-280-102	--	--
2006	3.5L	6NSXV03.5G7C	LEV2 LEV	All	Front	--	--	750006	D-280-102
2006	3.5L	6NSXV03.5G7C	LEV2 LEV	All	Rear	--	--	755006	D-280-102
2006	3.5L	6NSXV03.5G7C	LEV2 LEV	All	Underbody Left	754193	D-280-102	--	--
2006	3.5L	6NSXV03.5G7C	LEV2 LEV	All	Underbody Right	754192	D-280-102	--	--
M45									
V8									
2006	4.5L	6NSXV04.5G8A	LEV2 LEV	All	Front Left	--	--	750004	D-280-102
2006	4.5L	6NSXV04.5G8A	LEV2 LEV	All	Front Right	--	--	750004	D-280-102
2006	4.5L	6NSXV04.5G8A	LEV2 LEV	All	Underbody Left	--	--	755004	D-280-102
2006	4.5L	6NSXV04.5G8A	LEV2 LEV	All	Underbody Right	--	--	755004	D-280-102
2004	4.5L	4NSXV04.5N8A	LEV1 LEV	All	Front	--	--	940105	D-280-100
2004	4.5L	4NSXV04.5N8A	LEV1 LEV	All	Rear	944615	D-280-100	--	--
2004	4.5L	4NSXV04.5N8A	LEV1 LEV	All	Rear	--	--	940105	D-280-100
2003	4.5L	3NSXV04.5C8A	LEV1 LEV	All	Front	--	--	940105	D-280-100
2003	4.5L	3NSXV04.5C8A	LEV1 LEV	All	Rear	944615	D-280-100	--	--
2003	4.5L	3NSXV04.5C8A	LEV1 LEV	All	Rear	--	--	940105	D-280-100
Q45									
V8									
2006	4.5L	6NSXV04.5G8A	LEV2 LEV	All	Front Left	--	--	750004	D-280-102
2006	4.5L	6NSXV04.5G8A	LEV2 LEV	All	Front Right	--	--	750004	D-280-102
2006	4.5L	6NSXV04.5G8A	LEV2 LEV	All	Underbody Left	--	--	755004	D-280-102
2006	4.5L	6NSXV04.5G8A	LEV2 LEV	All	Underbody Right	--	--	755004	D-280-102
2005	4.5L	5NSXV04.5N8A	LEV1 LEV	All	Front	--	--	940105	D-280-100
2005	4.5L	5NSXV04.5N8A	LEV1 LEV	All	Rear	944615	D-280-100	--	--
2005	4.5L	5NSXV04.5N8A	LEV1 LEV	All	Rear	--	--	940105	D-280-100
2004	4.5L	4NSXV04.5N8A	LEV1 LEV	All	Front	--	--	940105	D-280-100
2004	4.5L	4NSXV04.5N8A	LEV1 LEV	All	Rear	944615	D-280-100	--	--
2004	4.5L	4NSXV04.5N8A	LEV1 LEV	All	Rear	--	--	940105	D-280-100
2003	4.5L	3NSXV04.5C8A	LEV1 LEV	All	Front	--	--	940105	D-280-100
2003	4.5L	3NSXV04.5C8A	LEV1 LEV	All	Rear	944615	D-280-100	--	--
2003	4.5L	3NSXV04.5C8A	LEV1 LEV	All	Rear	--	--	940105	D-280-100
2002	4.5L	2NSXV04.5B8A	TLEV	All	Front	--	--	940105	D-280-100
2002	4.5L	2NSXV04.5B8A	TLEV	All	Front Right	941131	D-280-100	--	--
2002	4.5L	2NSXV04.5B8A	TLEV	All	Rear	944615	D-280-100	--	--
2002	4.5L	2NSXV04.5B8A	TLEV	All	Rear	--	--	940105	D-280-100
1996	4.5L	TNS4.1VJG1EK	TIER1	All	Front Left	--	--	944182	D-280-100
1996	4.5L	TNS4.1VJG1EK	TIER1	All	Front Right	--	--	944182	D-280-100
1996	4.5L	TNS4.1VJG1EK	TIER1	All	Rear Left	--	--	940334	D-280-100
1996	4.5L	TNS4.1VJG1EK	TIER1	All	Rear Right	--	--	940334	D-280-100
QX4									
V6									
2000	3.3L	YNSXT03.325A	TLEV	All	Front Left	911015	D-280-101	--	--
2000	3.3L	YNSXT03.325A	TLEV	All	Front Right	911016	D-280-101	--	--
2000	3.3L	YNSXT03.325A	TLEV	All	Rear	--	--	912005	D-280-101
2000	3.3L	YNSXT03.325A	TLEV	All	Rear Left	914319	D-280-101	--	--
2000	3.3L	YNSXT03.325A	TLEV	All	Rear Right	914318	D-280-101	--	--
1999	3.3L	XNSXT03.335B	LEV1 LEV	All	Front Left	911015	D-280-101	--	--
1999	3.3L	XNSXT03.335B	LEV1 LEV	All	Front Right	911016	D-280-101	--	--
1999	3.3L	XNSXT03.335B	LEV1 LEV	All	Rear	--	--	912005	D-280-101
1999	3.3L	XNSXT03.335B	LEV1 LEV	All	Rear Left	914319	D-280-101	--	--
1999	3.3L	XNSXT03.335B	LEV1 LEV	All	Rear Right	914318	D-280-101	--	--

Legal Note: In Compliance with California Emissions Requirements

APPLICATION GUIDE



OBD II

APPLICATION

Year	Eng. Size	Test Group/ Engine Family	Certification Level	Application	Location	Direct Fit Number	Exec. Order	Consol. Number	Exec. Order
Infiniti (Cont.)									
QX4 (Cont.)									
V6 (Cont.)									
1998	3.3L	WNSXT03.335A	LEV1 LEV	4WD	Front Left	911015	D-280-101	--	--
1998	3.3L	WNSXT03.335A	LEV1 LEV	4WD	Front Right	911016	D-280-101	--	--
1998	3.3L	WNSXT03.335A	LEV1 LEV	4WD	Rear	--	--	912005	D-280-101
1998	3.3L	WNSXT03.335A	LEV1 LEV	4WD	Rear Left	914319	D-280-101	--	--
1998	3.3L	WNSXT03.335A	LEV1 LEV	4WD	Rear Right	914318	D-280-101	--	--
1997	3.3L	VNS3.328GKEK	TIER1	All	Underbody Left	911015	D-280-101	--	--
1997	3.3L	VNS3.328GKEK	TIER1	All	Underbody Right	911016	D-280-101	--	--
2003	3.5L	3NSXT03.5C7A	LEV1 LEV	All	Front Left	911015	D-280-101	--	--
2003	3.5L	3NSXT03.5C7A	LEV1 LEV	All	Front Right	911118	D-280-101	--	--
2003	3.5L	3NSXT03.5C7A	LEV1 LEV	All	Rear	--	--	912005	D-280-101
2003	3.5L	3NSXT03.5C7A	LEV1 LEV	All	Rear Left	914319	D-280-101	--	--
2003	3.5L	3NSXT03.5C7A	LEV1 LEV	All	Rear Right	914318	D-280-101	--	--
2002	3.5L	2NSXT03.5C7A	LEV1 LEV	All	Front Left	911015	D-280-101	--	--
2002	3.5L	2NSXT03.5C7A	LEV1 LEV	All	Front Right	911118	D-280-101	--	--
2002	3.5L	2NSXT03.5C7A	LEV1 LEV	All	Rear	--	--	912005	D-280-101
2002	3.5L	2NSXT03.5C7A	LEV1 LEV	All	Rear Left	914319	D-280-101	--	--
2002	3.5L	2NSXT03.5C7A	LEV1 LEV	All	Rear Right	914318	D-280-101	--	--
2001	3.5L	1NSXT03.5C7A	LEV1 LEV	All	Front Left	911015	D-280-101	--	--
2001	3.5L	1NSXT03.5C7A	LEV1 LEV	All	Front Right	911118	D-280-101	--	--
2001	3.5L	1NSXT03.5C7A	LEV1 LEV	All	Rear	--	--	912005	D-280-101
2001	3.5L	1NSXT03.5C7A	LEV1 LEV	All	Rear Left	914319	D-280-101	--	--
2001	3.5L	1NSXT03.5C7A	LEV1 LEV	All	Rear Right	914318	D-280-101	--	--
2001	3.5L	1NSXT03.5C9A	LEV1 LEV	All	Front Left	911015	D-280-101	--	--
2001	3.5L	1NSXT03.5C9A	LEV1 LEV	All	Front Right	911118	D-280-101	--	--
2001	3.5L	1NSXT03.5C9A	LEV1 LEV	All	Rear	--	--	912005	D-280-101
2001	3.5L	1NSXT03.5C9A	LEV1 LEV	All	Rear Left	914319	D-280-101	--	--
2001	3.5L	1NSXT03.5C9A	LEV1 LEV	All	Rear Right	914318	D-280-101	--	--
QX56									
V8									
2012	5.6L	CNSXT05.6G9C	LEV2 LEV	All	Front Left	741248	D-798	--	--
2012	5.6L	CNSXT05.6G9C	LEV2 LEV	All	Front Right	741249	D-798	--	--
2012	5.6L	CNSXT05.6G9C	LEV2 LEV	All	Rear Left	744005	D-798	--	--
2012	5.6L	CNSXT05.6G9C	LEV2 LEV	All	Rear Right	744758	D-798	--	--
2012	5.6L	CNSXT05.6G9C	LEV2 LEV	All	Rear Right	--	--	747336	D-798
2011	5.6L	BNSXT05.6G9C	LEV2 LEV	All	Front Left	741248	D-798	--	--
2011	5.6L	BNSXT05.6G9C	LEV2 LEV	All	Front Right	741249	D-798	--	--
2011	5.6L	BNSXT05.6G9C	LEV2 LEV	All	Rear Left	744005	D-798	--	--
2011	5.6L	BNSXT05.6G9C	LEV2 LEV	All	Rear Left	--	--	747336	D-798
2011	5.6L	BNSXT05.6G9C	LEV2 LEV	All	Rear Right	744758	D-798	--	--
2011	5.6L	BNSXT05.6G9C	LEV2 LEV	All	Rear Right	--	--	747336	D-798
2010	5.6L	ANSXT05.6G9A	LEV2 LEV	All	Front Left	741248	D-798	--	--
2010	5.6L	ANSXT05.6G9A	LEV2 LEV	All	Front Right	741249	D-798	--	--
2010	5.6L	ANSXT05.6G9A	LEV2 LEV	All	Rear Left	744005	D-798	--	--
2010	5.6L	ANSXT05.6G9A	LEV2 LEV	All	Rear Left	--	--	747336	D-798
2010	5.6L	ANSXT05.6G9A	LEV2 LEV	All	Rear Right	744758	D-798	--	--
2010	5.6L	ANSXT05.6G9A	LEV2 LEV	All	Rear Right	--	--	747336	D-798
2009	5.6L	9NSXT05.6G9A	LEV2 LEV	All	Front Left	741248	D-798	--	--
2009	5.6L	9NSXT05.6G9A	LEV2 LEV	All	Front Right	741249	D-798	--	--
2009	5.6L	9NSXT05.6G9A	LEV2 LEV	All	Rear Left	744005	D-798	--	--
2009	5.6L	9NSXT05.6G9A	LEV2 LEV	All	Rear Left	--	--	747336	D-798
2009	5.6L	9NSXT05.6G9A	LEV2 LEV	All	Rear Right	744758	D-798	--	--
2009	5.6L	9NSXT05.6G9A	LEV2 LEV	All	Rear Right	--	--	747336	D-798

Legal Note: In Compliance with California Emissions Requirements



CATCO
CATALYTIC CONVERTERS

EASTERN CATALYTIC

APPLICATION GUIDE

OBD II

APPLICATION

Year	Eng. Size	Test Group/ Engine Family	Certification Level	Application	Location	Direct Fit Number	Exec. Order	Consol. Number	Exec. Order
Infiniti (Cont.)									
QX56 (Cont.)									
V8 (Cont.)									
2008	5.6L	8NSXT05.6G9A	LEV2 LEV	All	Front Left	741248	D-798	--	--
2008	5.6L	8NSXT05.6G9A	LEV2 LEV	All	Front Right	741249	D-798	--	--
2008	5.6L	8NSXT05.6G9A	LEV2 LEV	All	Rear Left	744005	D-798	--	--
2008	5.6L	8NSXT05.6G9A	LEV2 LEV	All	Rear Left	--	--	747336	D-798
2008	5.6L	8NSXT05.6G9A	LEV2 LEV	All	Rear Right	744758	D-798	--	--
2008	5.6L	8NSXT05.6G9A	LEV2 LEV	All	Rear Right	--	--	747336	D-798
2007	5.6L	7NSXT05.6G9A	LEV2 LEV	All	Front Left	741248	D-798	--	--
2007	5.6L	7NSXT05.6G9A	LEV2 LEV	All	Front Right	741249	D-798	--	--
2007	5.6L	7NSXT05.6G9A	LEV2 LEV	All	Rear Left	744005	D-798	--	--
2007	5.6L	7NSXT05.6G9A	LEV2 LEV	All	Rear Left	--	--	747336	D-798
2007	5.6L	7NSXT05.6G9A	LEV2 LEV	All	Rear Right	744758	D-798	--	--
2007	5.6L	7NSXT05.6G9A	LEV2 LEV	All	Rear Right	--	--	747336	D-798
Isuzu									
Amigo									
L4									
2000	2.2L	YSZXT02.22HK	TLEV	2WD	Underbody	--	--	912004R	D-280-101
1999	2.2L	XSZXT02.21HK	TLEV	RWD	Underbody	630560	D-665-17	--	--
1999	2.2L	XSZXT02.21HK	TLEV	2WD	Underbody	--	--	912004R	D-280-101
1999	2.2L	XSZXT02.22HK	TLEV	4WD	Underbody	--	--	912004R	D-280-101
1998	2.2L	WSZXT02.21HK	TLEV	RWD	Underbody	630560	D-665-17	--	--
1998	2.2L	WSZXT02.22HK	TLEV	4WD	Underbody	--	--	912004R	D-280-101
1998	2.2L	WSZXT02.22HK	TLEV	All	Underbody	914506	D-280-101	--	--
V6									
2000	3.2L	YSZXT03.52GK	TLEV	4WD	Underbody	--	--	912004	D-280-101
2000	3.2L	YSZXT03.52JK	LEV1 LEV	All	Underbody	--	--	912005	D-280-101
1999	3.2L	XSZXT03.22JK	LEV1 LEV	All	Underbody	--	--	912005	D-280-101
1999	3.2L	XSZXT03.52GK	TLEV	4WD	Underbody	--	--	912004	D-280-101
1998	3.2L	WSZXT03.52GK	TLEV	All	Underbody	--	--	912004	D-280-101
1998	3.2L	WSZXT03.52GK	TLEV	All	Underbody Left	912365	D-280-101	--	--
1998	3.2L	WSZXT03.52GK	TLEV	All	Underbody Right	912364	D-280-101	--	--
Ascender									
L6									
2008	4.2L	8GMXT04.2186	LEV2 ULEV	All	Front	--	--	740725	D-798
2008	4.2L	8GMXT04.2186	LEV2 ULEV	All	Rear	--	--	747015	D-798
2008	4.2L	8GMXT04.2186	LEV2 ULEV	All	Underbody	749546	D-798	--	--
2007	4.2L	7GMXT04.2186	LEV2 ULEV	All	Underbody	--	--	740336	D-798
2007	4.2L	7GMXT04.2186	LEV2 ULEV	113" WB	Underbody	749171	D-798	--	--
2006	4.2L	6GMXT04.2186	LEV2 ULEV	All	Underbody	--	--	740336	D-798
2006	4.2L	6GMXT04.2186	LEV2 ULEV	113" WB	Underbody	749171	D-798	--	--
2005	4.2L	5GMXT04.2185	LEV2 LEV	All	Underbody	--	--	740336	D-798
2005	4.2L	5GMXT04.2185	LEV2 LEV	113" WB	Underbody	749154	D-798	--	--
2004	4.2L	4GMXT04.2185	LEV2 LEV	All	Underbody	--	--	740336	D-798
2004	4.2L	4GMXT04.2185	LEV2 LEV	113" WB	Underbody	749154	D-798	--	--
2003	4.2L	3GMXA04.2187	LEV1 LEV	All	Underbody	--	--	912005	D-280-101
2003	4.2L	3GMXA04.2187	LEV1 LEV	129" WB	Underbody	912254	D-280-101	--	--
V8									
2004	5.3L	4GMXT05.3170	LEV1 LEV	All	Underbody	--	--	912005	D-280-101
2003	5.3L	3GMXT05.3183	LEV1 LEV	All	Front Left	--	--	912006	D-280-101
2003	5.3L	3GMXT05.3183	LEV1 LEV	All	Front Right	--	--	912006	D-280-101
Axiom									
V6									
2003	3.5L	3SZXT03.52MK	LEV1 LEV	All	Underbody	--	--	912005	D-280-101
2002	3.5L	2SZXT03.52KK	LEV1 LEV	All	Underbody	--	--	912004	D-280-101
2002	3.5L	2SZXT03.52MK	LEV1 LEV	All	Underbody	--	--	912004	D-280-101

Legal Note: In Compliance with California Emissions Requirements

APPLICATION GUIDE



OBD II

APPLICATION

Year	Eng. Size	Test Group/ Engine Family	Certification Level	Application	Location	Direct Fit Number	Exec. Order	Consol. Number	Exec. Order
Hombre									
L4									
2000	2.2L	YGMXT02.2122	LEV1 LEV	2WD	Underbody	942819	D-280-100	--	--
2000	2.2L	YGMXT02.2122	LEV1 LEV	All	Underbody	--	--	940335	D-280-100
2000	2.2L	YGMXX02.2023	TLEV	2WD	Underbody	942819	D-280-100	--	--
2000	2.2L	YGMXX02.2023	TLEV	All	Underbody	--	--	940335	D-280-100
1999	2.2L	XGMXT02.2122	TLEV	2WD	Underbody	942819	D-280-100	--	--
1999	2.2L	XGMXT02.2122	TLEV	All	Underbody	--	--	940335	D-280-100
1998	2.2L	WGMXT02.2122	TIER1	2WD	Underbody	942819	D-280-100	--	--
1998	2.2L	WGMXT02.2122	TIER1	All	Underbody	--	--	940335	D-280-100
1997	2.2L	VGM2.218G1EK	TIER1	2WD	Underbody	942819	D-280-100	--	--
1997	2.2L	VGM2.218G1EK	TIER1	All	Underbody	--	--	940335	D-280-100
1996	2.2L	TGM2.218GF EK	TIER1	2WD	Underbody	942819	D-280-100	--	--
1996	2.2L	TGM2.218GF EK	TIER1	All	Underbody	--	--	940335	D-280-100
V6									
2000	4.3L	YGMXT04.3188	LEV1 LEV	2WD	Front	--	--	910026	D-280-101
2000	4.3L	YGMXT04.3188	LEV1 LEV	2WD	Rear	--	--	912006	D-280-101
2000	4.3L	YGMXT04.3188	LEV1 LEV	2WD	Underbody	919091	D-280-101	--	--
1999	4.3L	XGMXT04.3182	TLEV	2WD	Front	--	--	940106	D-280-100
1999	4.3L	XGMXT04.3182	TLEV	2WD	Rear	--	--	940636	D-280-100
1999	4.3L	XGMXT04.3182	TLEV	2WD, Extended Cab	Front	941177	D-280-100	--	--
1999	4.3L	XGMXT04.3182	TLEV	2WD	Rear	944977	D-280-100	--	--
1999	4.3L	XGMXT04.3184	TLEV	All	Front	--	--	910004R	D-280-101
1999	4.3L	XGMXT04.3184	TLEV	All	Underbody	--	--	912006	D-280-101
1999	4.3L	XGMXT04.3184	TLEV	2WD, Extended Cab	Front	911177	D-280-101	--	--
1999	4.3L	XGMXT04.3184	TLEV	2WD	Rear	914977	D-280-101	--	--
1999	4.3L	XGMXT04.3185	LEV1 LEV	All	Front	--	--	910004R	D-280-101
1999	4.3L	XGMXT04.3185	LEV1 LEV	4WD	Rear	912881	D-280-101	--	--
1998	4.3L	WGMXT04.3182	TIER1	2WD	Underbody	944977	D-280-100	--	--
1998	4.3L	WGMXT04.3182	TIER1	2WD	Underbody	942710	D-280-100	--	--
1998	4.3L	WGMXT04.3182	TIER1	2WD	Underbody	--	--	940636	D-280-100
1998	4.3L	WGMXT04.3184	TIER1	All	Underbody	--	--	912006	D-280-101
1998	4.3L	WGMXT04.3184	TIER1	2WD	Underbody	914977	D-280-101	--	--
1998	4.3L	WGMXT04.3184	TIER1	4WD	Underbody	919881	D-280-101	--	--
1998	4.3L	WGMXT04.3185	TLEV	All	Front	--	--	910025	D-280-101
1998	4.3L	WGMXT04.3185	TLEV	All	Rear	--	--	912006	D-280-101
1998	4.3L	WGMXT04.3185	TLEV	2WD, Extended Cab	Front	911177	D-280-101	--	--
1998	4.3L	WGMXT04.3185	TLEV	2WD	Rear	914977	D-280-101	--	--
1998	4.3L	WGMXT04.3193	TLEV	All	Front	--	--	910025	D-280-101
1998	4.3L	WGMXT04.3193	TLEV	All	Rear	--	--	912005	D-280-101
1998	4.3L	WGMXT04.3193	TLEV	2WD, Extended Cab	Front	911177	D-280-101	--	--
1998	4.3L	WGMXT04.3193	TLEV	2WD	Rear	914977	D-280-101	--	--
1997	4.3L	VGM4.31PG1EK	TIER1	2WD	Underbody	942710	D-280-100	--	--
1997	4.3L	VGM4.31PG1EK	TIER1	All	Underbody	--	--	940336	D-280-100
i-280									
L4									
2006	2.8L	6GMXT02.8189	LEV2 LEV	All	Front	741216	D-798	--	--
2006	2.8L	6GMXT02.8189	LEV2 LEV	All	Rear	749216	D-798	--	--
2006	2.8L	6GMXT02.8189	LEV2 LEV	All	Rear	--	--	747335	D-798
i-290									
L4									
2008	2.9L	8GMXT02.9190	LEV2 ULEV	All	Front	741227	D-798	--	--
2008	2.9L	8GMXT02.9190	LEV2 ULEV	All	Rear	749216	D-798	--	--
2008	2.9L	8GMXT02.9190	LEV2 ULEV	All	Rear	--	--	747335	D-798
2007	2.9L	7GMXT02.9189	LEV2 LEV	All	Front	741227	D-798	--	--
2007	2.9L	7GMXT02.9189	LEV2 LEV	All	Rear	749216	D-798	--	--
2007	2.9L	7GMXT02.9189	LEV2 LEV	All	Rear	--	--	747335	D-798

Legal Note: In Compliance with California Emissions Requirements



CATCO
CATALYTIC CONVERTERS

EASTERN CATALYTIC

APPLICATION GUIDE

OBD II

APPLICATION

Year	Eng. Size	Test Group/ Engine Family	Certification Level	Application	Location	Direct Fit Number	Exec. Order	Consol. Number	Exec. Order
i-350									
V6									
2006	3.5L	6GMXT03.5187	LEV1 ULEV	All	Front	744487	D-798	--	--
2006	3.5L	6GMXT03.5187	LEV1 ULEV	All	Rear	749216	D-798	--	--
2006	3.5L	6GMXT03.5187	LEV1 ULEV	All	Rear	--	--	747335	D-798
i-370									
L5									
2008	3.7L	8GMXT03.7188	LEV2 ULEV	All	Front	741226	D-798	--	--
2008	3.7L	8GMXT03.7188	LEV2 ULEV	All	Rear	749216	D-798	--	--
2008	3.7L	8GMXT03.7188	LEV2 ULEV	All	Rear	--	--	747335	D-798
2007	3.7L	7GMXT03.7187	LEV2 LEV	All	Front	741226	D-798	--	--
2007	3.7L	7GMXT03.7187	LEV2 LEV	All	Rear	749216	D-798	--	--
2007	3.7L	7GMXT03.7187	LEV2 LEV	All	Rear	--	--	747335	D-798
Oasis									
L4									
1997	2.2L	VHN2.2VJGK GK	TIER1	All	Underbody	942249	D-280-100	--	--
1997	2.2L	VHN2.2VJGK GK	TIER1	All	Underbody	--	--	942575	D-280-100
1996	2.2L	THN2.2VJGK HK	TIER1	All	Underbody	942249	D-280-100	--	--
1996	2.2L	THN2.2VJGK HK	TIER1	All	Underbody	--	--	942575	D-280-100
1999	2.3L	XHNXV02.3BA1	TIER1	All	Underbody	944363	D-280-100	--	--
1999	2.3L	XHNXV02.3BA1	TIER1	All	Underbody	--	--	942575	D-280-100
1998	2.3L	WHNXV02.3BA1	TIER1	All	Underbody	944363	D-280-100	--	--
1998	2.3L	WHNXV02.3BA1	TIER1	All	Underbody	--	--	942575	D-280-100
Rodeo									
L4									
2003	2.2L	3SZXT02.22NK	LEV1 LEV	All	Underbody	915043	D-280-101	--	--
2002	2.2L	2SZXT02.22LK	LEV1 LEV	2WD	Underbody	915043	D-280-101	--	--
2001	2.2L	1SZXT02.22LK	LEV1 LEV	2WD	Underbody	915043	D-280-101	--	--
2001	2.2L	1SZXT02.22LK	LEV1 LEV	2WD	Underbody	--	--	912004	D-280-101
2000	2.2L	YSZXT02.22HK	TLEV	2WD	Underbody	--	--	912004	D-280-101
1999	2.2L	XSZXT02.22HK	TLEV	All	Underbody	640535	D-665-18	--	--
1999	2.2L	XSZXT02.22HK	TLEV	2WD	Underbody	--	--	912004	D-280-101
1998	2.2L	WSZXT02.22HK	TLEV	All	Underbody	640535	D-665-18	--	--
1998	2.2L	WSZXT02.22HK	TLEV	2WD	Underbody	--	--	912004	D-280-101
1997	2.6L	VSZ2.628GKFK	TIER1	2WD	Underbody	--	--	912004	D-280-101
1996	2.6L	TSZ2.628GKFK	TIER1	2WD	Underbody	--	--	912004	D-280-101
V6									
2003	3.2L	3SZXT03.52MK	LEV1 LEV	All	Underbody	--	--	912005	D-280-101
2002	3.2L	2SZXT03.52KK	LEV1 LEV	All	Underbody Left	912365	D-280-101	--	--
2002	3.2L	2SZXT03.52KK	LEV1 LEV	All	Underbody Left	--	--	912005R	D-280-101
2002	3.2L	2SZXT03.52KK	LEV1 LEV	All	Underbody Right	912364	D-280-101	--	--
2002	3.2L	2SZXT03.52KK	LEV1 LEV	All	Underbody Right	--	--	912005R	D-280-101
2002	3.2L	2SZXT03.52MK	LEV1 LEV	All	Underbody Left	912365	D-280-101	--	--
2002	3.2L	2SZXT03.52MK	LEV1 LEV	All	Underbody Right	912364	D-280-101	--	--
2001	3.2L	1SZXT03.22KK	LEV1 LEV	All	Underbody	--	--	912005	D-280-101
2001	3.2L	1SZXT03.22KK	LEV1 LEV	All	Underbody Left	912365	D-280-101	--	--
2001	3.2L	1SZXT03.22KK	LEV1 LEV	All	Underbody Right	912364	D-280-101	--	--
2000	3.2L	YSZXT03.52GK	TLEV	M/T	Underbody	--	--	912005	D-280-101
2000	3.2L	YSZXT03.52JK	LEV1 LEV	A/T	Underbody	--	--	912005	D-280-101
2000	3.2L	YSZXT03.52JK	LEV1 LEV	A/T	Underbody Left	912365	D-280-101	--	--
2000	3.2L	YSZXT03.52JK	LEV1 LEV	A/T	Underbody Right	912364	D-280-101	--	--
1999	3.2L	XSZXT03.22JK	LEV1 LEV	All	Underbody	--	--	912005	D-280-101
1999	3.2L	XSZXT03.22JK	LEV1 LEV	A/T	Underbody Left	912365	D-280-101	--	--
1999	3.2L	XSZXT03.22JK	LEV1 LEV	A/T	Underbody Right	912364	D-280-101	--	--
1999	3.2L	XSZXT03.52GK	TLEV	All	Underbody Left	640533	D-665-18	--	--
1999	3.2L	XSZXT03.52GK	TLEV	M/T	Underbody	--	--	912005	D-280-101
1998	3.2L	WSZXT03.52GK	TLEV	All	Underbody	--	--	912004	D-280-101
1998	3.2L	WSZXT03.52GK	TLEV	All	Underbody Left	912365	D-280-101	--	--
1998	3.2L	WSZXT03.52GK	TLEV	All	Underbody Right	912364	D-280-101	--	--

Legal Note: In Compliance with California Emissions Requirements

APPLICATION GUIDE



OBD II

APPLICATION

Year	Eng. Size	Test Group/ Engine Family	Certification Level	Application	Location	Direct Fit Number	Exec. Order	Consol. Number	Exec. Order
Isuzu (Cont.)									
Rodeo (Cont.)									
V6 (Cont.)									
1997	3.2L	VSZ3.22JGK GK	TLEV	A/T	Underbody	--	--	912004	D-280-101
1997	3.2L	VSZ3.22JGK GK	TLEV	A/T	Underbody Left	912969	D-280-101	--	--
1997	3.2L	VSZ3.22JGK GK	TLEV	A/T	Underbody Right	912968	D-280-101	--	--
1996	3.2L	TSZ3.22JGKEK	TIER1	A/T	Underbody Left	912969	D-280-101	--	--
1996	3.2L	TSZ3.22JGKEK	TIER1	A/T	Underbody Left	--	--	912004R	D-280-101
1996	3.2L	TSZ3.22JGKEK	TIER1	A/T	Underbody Right	912968	D-280-101	--	--
1996	3.2L	TSZ3.22JGKEK	TIER1	A/T	Underbody Right	--	--	912004R	D-280-101
1996	3.2L	TSZ3.22JGK GK	TLEV	A/T	Underbody	--	--	912004	D-280-101
1996	3.2L	TSZ3.22JGK GK	TLEV	A/T	Underbody Left	912969	D-280-101	--	--
1996	3.2L	TSZ3.22JGK GK	TLEV	A/T	Underbody Right	912968	D-280-101	--	--
Rodeo Sport									
L4									
2003	2.2L	3SZXT02.22NK	LEV1 LEV	All	Underbody	915043	D-280-101	--	--
2002	2.2L	2SZXT02.22LK	LEV1 LEV	2WD	Underbody	915043	D-280-101	--	--
2001	2.2L	1SZXT02.22LK	LEV1 LEV	2WD	Underbody	915043	D-280-101	--	--
2001	2.2L	1SZXT02.22LK	LEV1 LEV	2WD	Underbody	--	--	912004R	D-280-101
2001	2.2L	1SZXT02.22LK	LEV1 LEV	2WD	Underbody	--	--	912004	D-280-101
V6									
2003	3.2L	3SZXT03.52MK	LEV1 LEV	All	Underbody	--	--	912005	D-280-101
2002	3.2L	2SZXT03.52KK	LEV1 LEV	All	Underbody Left	--	--	912005R	D-280-101
2002	3.2L	2SZXT03.52KK	LEV1 LEV	All	Underbody Right	--	--	912005R	D-280-101
2002	3.2L	2SZXT03.52MK	LEV1 LEV	All	Underbody Left	--	--	912005R	D-280-101
2002	3.2L	2SZXT03.52MK	LEV1 LEV	All	Underbody Right	--	--	912005R	D-280-101
2001	3.2L	1SZXT03.22KK	LEV1 LEV	All	Underbody	--	--	912005R	D-280-101
2001	3.2L	1SZXT03.22KK	LEV1 LEV	All	Underbody	--	--	912005	D-280-101
2001	3.2L	1SZXT03.22KK	LEV1 LEV	All	Underbody Left	912365	D-280-101	--	--
2001	3.2L	1SZXT03.22KK	LEV1 LEV	All	Underbody Right	912364	D-280-101	--	--
Trooper									
V6									
1997	3.2L	VSZ3.22JGKEK	TIER1	4WD	Underbody	--	--	912004	D-280-101
1996	3.2L	TSZ3.22JGK FK	TIER1	M/T	Underbody	--	--	912004	D-280-101
2002	3.5L	2SZXT03.52JK	LEV1 LEV	All	Underbody	--	--	912005	D-280-101
2002	3.5L	2SZXT03.52JK	LEV1 LEV	All	Underbody Left	915010	D-280-101	--	--
2002	3.5L	2SZXT03.52JK	LEV1 LEV	W/O Torque Control	Underbody Right	915011	D-280-101	--	--
2001	3.5L	1SZXT03.5SJK	LEV1 LEV	All	Underbody	--	--	912005	D-280-101
2001	3.5L	1SZXT03.5SJK	LEV1 LEV	All	Underbody Left	915010	D-280-101	--	--
2001	3.5L	1SZXT03.5SJK	LEV1 LEV	W/O Torque Control	Underbody Right	915011	D-280-101	--	--
2000	3.5L	YSZXT03.52JK	LEV1 LEV	All	Underbody	--	--	912005	D-280-101
2000	3.5L	YSZXT03.52JK	LEV1 LEV	All	Underbody Left	915010	D-280-101	--	--
2000	3.5L	YSZXT03.52JK	LEV1 LEV	W/O Torque Control	Underbody Right	915011	D-280-101	--	--
1999	3.5L	XSZXT03.52FK	TIER1	M/T	Underbody	--	--	912005	D-280-101
1999	3.5L	XSZXT03.52GK	TLEV	A/T	Underbody	--	--	912004	D-280-101
1999	3.5L	XSZXT03.52GK	TLEV	A/T	Underbody Left	915010	D-280-101	--	--
1999	3.5L	XSZXT03.52GK	TLEV	A/T	Underbody Right	915011	D-280-101	--	--
1998	3.5L	WSZXT03.52FK	TIER1	All	Underbody	--	--	912004	D-280-101
1998	3.5L	WSZXT03.52GK	TLEV	A/T	Underbody Left	915010	D-280-101	--	--
1998	3.5L	WSZXT03.52GK	TLEV	A/T	Underbody Right	915011	D-280-101	--	--
VehiCROSS									
V6									
2001	3.5L	1SZXT03.52GK	TLEV	All	Underbody	--	--	910004R	D-280-101
2001	3.5L	1SZXT03.52GK	TLEV	All	Underbody Left	915010	D-280-101	--	--
2000	3.5L	YSZXT03.52GK	TLEV	All	Front	--	--	910004R	D-280-101
2000	3.5L	YSZXT03.52GK	TLEV	All	Underbody Left	915010	D-280-101	--	--

Legal Note: In Compliance with California Emissions Requirements



CATCO
CATALYTIC CONVERTERS

EASTERN CATALYTIC

APPLICATION GUIDE

OBD II

APPLICATION

Year	Eng. Size	Test Group/ Engine Family	Certification Level	Application	Location	Direct Fit Number	Exec. Order	Consol. Number	Exec. Order
Jaguar									
S-Type									
V6									
2005	3.0L	5JCXV03.0DNE	LEV1 LEV	All	Underbody	--	--	940334	D-280-100
2004	3.0L	4JCXV03.0DNE	LEV1 LEV	All	Underbody	--	--	940334	D-280-100
2003	3.0L	3JCXV03.0DNE	LEV1 LEV	All	Underbody	--	--	940334	D-280-100
2002	3.0L	2JCXV03.0CN6	LEV1 LEV	All	Rear	942420	D-280-100	--	--
2002	3.0L	2JCXV03.0CN6	LEV1 LEV	All	Underbody	--	--	940335	D-280-100
2002	3.0L	2JCXV03.0CN6	LEV1 LEV	All	Underbody Left	942421	D-280-100	--	--
2001	3.0L	1JCXV03.0CN6	LEV1 LEV	All	Underbody	--	--	940335	D-280-100
2001	3.0L	1JCXV03.0CNF	TLEV	All	Rear	942420	D-280-100	--	--
2001	3.0L	1JCXV03.0CNF	TLEV	All	Underbody	--	--	940335	D-280-100
2001	3.0L	1JCXV03.0CNF	TLEV	All	Underbody Left	942421	D-280-100	--	--
2000	3.0L	YJCXV03.0CN6	TLEV	All	Rear	942420	D-280-100	--	--
2000	3.0L	YJCXV03.0CN6	TLEV	All	Underbody	--	--	940335	D-280-100
2000	3.0L	YJCXV03.0CN6	TLEV	All	Underbody Left	942421	D-280-100	--	--
V8									
2002	4.0L	2JCXV04.0CN5	LEV1 LEV	All	Rear	942218	D-280-100	--	--
2002	4.0L	2JCXV04.0CN5	LEV1 LEV	All	Underbody	--	--	940335	D-280-100
2002	4.0L	2JCXV04.0CN5	LEV1 LEV	All	Underbody Left	942219	D-280-100	--	--
2001	4.0L	1JCXV04.0CN5	LEV1 LEV	All	Rear	942218	D-280-100	--	--
2001	4.0L	1JCXV04.0CN5	LEV1 LEV	All	Underbody	--	--	940335	D-280-100
2001	4.0L	1JCXV04.0CN5	LEV1 LEV	All	Underbody Left	942219	D-280-100	--	--
2001	4.0L	1JCXV04.0CNE	TLEV	All	Underbody	--	--	940334	D-280-100
2001	4.0L	1JCXV04.0CNE	TLEV	All	Underbody Left	942219	D-280-100	--	--
2001	4.0L	1JCXV04.0CNE	TLEV	All	Underbody Right	942218	D-280-100	--	--
2000	4.0L	YJCXV04.0CN5	TLEV	All	Underbody	--	--	940335	D-280-100
2000	4.0L	YJCXV04.0CN5	TLEV	All	Underbody Left	942219	D-280-100	--	--
2000	4.0L	YJCXV04.0CN5	TLEV	All	Underbody Right	942218	D-280-100	--	--
2005	4.2L	5JCXV04.2DSB	LEV1 LEV	All	Underbody	--	--	940335	D-280-100
2004	4.2L	4JCXV04.2DSB	LEV1 LEV	All	Underbody	--	--	940105	D-280-100
2003	4.2L	3JCXV04.2DSB	LEV1 LEV	All	Underbody	--	--	940335	D-280-100
Vanden Plas									
L6									
1997	4.0L	VJC4.0VJGKGK	TIER1	All	Front	112038J	D-280-89	--	--
1997	4.0L	VJC4.0VJGKGK	TIER1	All	Front	--	--	940104	D-280-100
1997	4.0L	VJC4.0VJGKGK	TIER1	All	Rear	--	--	940105	D-280-100
1996	4.0L	TJC4.0VJGKGK	TIER1	All	Front	112038J	D-280-89	--	--
1996	4.0L	TJC4.0VJGKGK	TIER1	All	Front	--	--	940104	D-280-100
1996	4.0L	TJC4.0VJGKGK	TIER1	All	Rear	--	--	940105	D-280-100
V8									
2003	4.0L	3JCXV04.0BN4	LEV1 LEV	All	Underbody	--	--	940105	D-280-100
2002	4.0L	2JCXV04.0BN4	LEV1 LEV	All	Underbody	--	--	940105	D-280-100
2001	4.0L	1JCXV04.0BN4	LEV1 LEV	All	Underbody	--	--	940105	D-280-100
2001	4.0L	1JCXV04.0BS7	TIER1	All	Underbody	--	--	940105	D-280-100
2000	4.0L	YJCXV04.0BN4	LEV1 LEV	All	Underbody	--	--	940105	D-280-100
2000	4.0L	YJCXV04.5BS7	TIER1	All	Underbody	--	--	940105	D-280-100
1999	4.0L	XJCXV04.0AS3	TIER1	All	Underbody	--	--	940105	D-280-100
1999	4.0L	XJCXV04.0BN4	TLEV	All	Underbody	--	--	940105	D-280-100
1998	4.0L	WJCXV04.0AN1	TIER1	All	Underbody	--	--	940105	D-280-100
XJ6									
L6									
1997	4.0L	VJC4.0VJGKGK	TIER1	All	Front	112038J	D-280-89	--	--
1997	4.0L	VJC4.0VJGKGK	TIER1	All	Front	--	--	940104	D-280-100
1997	4.0L	VJC4.0VJGKGK	TIER1	All	Rear	--	--	940105	D-280-100
1996	4.0L	TJC4.0VJGKGK	TIER1	All	Front	112038J	D-280-89	--	--
1996	4.0L	TJC4.0VJGKGK	TIER1	All	Front	--	--	940104	D-280-100
1996	4.0L	TJC4.0VJGKGK	TIER1	All	Rear	--	--	940105	D-280-100
1995	4.0L	SJC4.0VJGFEK	TIER1	All	Front	112038J	D-280-89	--	--

Legal Note: In Compliance with California Emissions Requirements

APPLICATION GUIDE



OBD II

APPLICATION

Year	Eng. Size	Test Group/ Engine Family	Certification Level	Application	Location	Direct Fit Number	Exec. Order	Consol. Number	Exec. Order
XJ8									
V8									
2003	4.0L	3JCXV04.0BN4	LEV1 LEV	All	Underbody	--	--	940105	D-280-100
2002	4.0L	2JCXV04.0BN4	LEV1 LEV	All	Underbody	--	--	940105	D-280-100
2001	4.0L	1JCXV04.0BN4	LEV1 LEV	All	Underbody	--	--	940105	D-280-100
2000	4.0L	YJCXV04.0BN4	LEV1 LEV	All	Underbody	--	--	940105	D-280-100
1999	4.0L	XJCXV04.0BN4	TLEV	All	Underbody	--	--	940105	D-280-100
XJ12									
V12									
1996	6.0L	TJC6.0V8GFFK	TIER1	All	Front Left	--	--	940334	D-280-100
1996	6.0L	TJC6.0V8GFFK	TIER1	All	Front Right	944569	D-280-100	--	--
1996	6.0L	TJC6.0V8GFFK	TIER1	All	Front Right	--	--	940334	D-280-100
1996	6.0L	TJC6.0V8GFFK	TIER1	All	Middle Left	--	--	940334	D-280-100
1996	6.0L	TJC6.0V8GFFK	TIER1	All	Middle Right	--	--	940334	D-280-100
1996	6.0L	TJC6.0V8GFFK	TIER1	All	Rear	944567	D-280-100	--	--
1996	6.0L	TJC6.0V8GFFK	TIER1	All	Rear Left	--	--	940334	D-280-100
1996	6.0L	TJC6.0V8GFFK	TIER1	All	Rear Right	--	--	940334	D-280-100
1995	6.0L	SJC6.0V8GFFK	TIER1	All	Front Left	--	--	940334	D-280-100
1995	6.0L	SJC6.0V8GFFK	TIER1	All	Front Right	944569	D-280-100	--	--
1995	6.0L	SJC6.0V8GFFK	TIER1	All	Front Right	--	--	940334	D-280-100
1995	6.0L	SJC6.0V8GFFK	TIER1	All	Middle Left	--	--	940334	D-280-100
1995	6.0L	SJC6.0V8GFFK	TIER1	All	Middle Right	--	--	940334	D-280-100
1995	6.0L	SJC6.0V8GFFK	TIER1	All	Rear	944567	D-280-100	--	--
1995	6.0L	SJC6.0V8GFFK	TIER1	All	Rear Left	--	--	940334	D-280-100
1995	6.0L	SJC6.0V8GFFK	TIER1	All	Rear Right	--	--	940334	D-280-100
XJR									
L6									
1997	4.0L	VJC4.0VJGKHK	TIER1	All	Front Left	--	--	940105	D-280-100
1997	4.0L	VJC4.0VJGKHK	TIER1	All	Front Right	--	--	940105	D-280-100
1997	4.0L	VJC4.0VJGKHK	TIER1	All	Middle Left	--	--	940105	D-280-100
1997	4.0L	VJC4.0VJGKHK	TIER1	All	Middle Right	--	--	940105	D-280-100
1997	4.0L	VJC4.0VJGKHK	TIER1	All	Rear Left	--	--	940105	D-280-100
1997	4.0L	VJC4.0VJGKHK	TIER1	All	Rear Right	--	--	940105	D-280-100
1996	4.0L	TJC4.0VJGFGK	TIER1	All	Underbody	--	--	940104	D-280-100
V8									
2003	4.0L	3JCXV04.0BS7	TIER1	All	Underbody	--	--	940105	D-280-100
2002	4.0L	2JCXV04.0BS7	TIER1	All	Underbody	--	--	940105	D-280-100
2001	4.0L	1JCXV04.0BS7	TIER1	All	Underbody	--	--	940105	D-280-100
2000	4.0L	YJCXV04.0BS7	TIER1	All	Underbody	--	--	940105	D-280-100
1999	4.0L	XJCXV04.0AS3	TIER1	All	Underbody	--	--	940105	D-280-100
1998	4.0L	WJCXV04.0AS3	TIER1	All	Underbody	--	--	940105	D-280-100
2005	4.2L	5JCXV04.2DSB	LEV1 LEV	All	Underbody	--	--	940335	D-280-100
2004	4.2L	4JCXV04.2DSB	LEV1 LEV	All	Underbody	--	--	940105	D-280-100
XJS									
L6									
1996	4.0L	TJC4.0VJGK GK	TIER1	All	Front	--	--	940104	D-280-100
1996	4.0L	TJC4.0VJGK GK	TIER1	All	Rear	--	--	940104	D-280-100
1996	4.0L	TJC4.0VJGK GK	TIER1	All	Front	112037	D-280-89	--	--
1995	4.0L	SJC4.0VJGF EK	TIER1	All	Front	--	--	940104	D-280-100
1995	4.0L	SJC4.0VJGF EK	TIER1	All	Rear	--	--	940104	D-280-100
1995	4.0L	SJC4.0VJGF EK	TIER1	All	Front	112037	D-280-89	--	--
XK8									
V8									
2002	4.0L	2JCXV04.0BN4	LEV1 LEV	All	Underbody	--	--	940105	D-280-100
2001	4.0L	1JCXV04.0BN4	LEV1 LEV	All	Underbody	--	--	940105	D-280-100
2000	4.0L	YJCXV04.0BN4	LEV1 LEV	All	Underbody	--	--	940105	D-280-100
1999	4.0L	XJCXV04.0BN4	TLEV	All	Underbody	--	--	940104	D-280-100
1998	4.0L	WJCXV04.0AN1	TIER1	All	Underbody	--	--	940104	D-280-100
1997	4.0L	VJC4.0VJGKEL	TIER1	All	Underbody	--	--	940104	D-280-100

Legal Note: In Compliance with California Emissions Requirements



CATCO
CATALYTIC CONVERTERS

EASTERN CATALYTIC

APPLICATION GUIDE

OBD II

APPLICATION

Year	Eng. Size	Test Group/ Engine Family	Certification Level	Application	Location	Direct Fit Number	Exec. Order	Consol. Number	Exec. Order
KKR									
V8									
2002	4.0L	2JCV04.0BS7	TIER1	All	Underbody	--	--	940105	D-280-100
2001	4.0L	1JCV04.0BS7	TIER1	All	Underbody	--	--	940105	D-280-100
2000	4.0L	YJCV04.0BS7	TIER1	All	Underbody	--	--	940105	D-280-100
2006	4.2L	6JCV04.2DSA	LEV1 LEV	All	Underbody	--	--	940335	D-280-100
2005	4.2L	5JCV04.2DSA	LEV1 LEV	All	Underbody	--	--	940335	D-280-100
2004	4.2L	4JCV04.2DSA	LEV1 LEV	All	Underbody	--	--	940335	D-280-100
2003	4.2L	3JCV04.2DSA	LEV1 LEV	All	Underbody	--	--	940335	D-280-100
X-Type									
V6									
2005	2.5L	5JCV03.0DNG	LEV1 LEV	All	Underbody	--	--	944182	D-280-100
2004	2.5L	4JCV03.0DNG	LEV1 LEV	All	Front Left	--	--	944182	D-280-100
2004	2.5L	4JCV03.0DNG	LEV1 LEV	All	Front Right	--	--	944182	D-280-100
2004	2.5L	4JCV03.0DNG	LEV1 LEV	AWD	Front Left	941165	D-280-100	--	--
2004	2.5L	4JCV03.0DNG	LEV1 LEV	AWD	Front Right	941166	D-280-100	--	--
2003	2.5L	3JCV03.0DN8	LEV1 LEV	All	Front Left	--	--	944182	D-280-100
2003	2.5L	3JCV03.0DN8	LEV1 LEV	All	Front Right	--	--	944182	D-280-100
2003	2.5L	3JCV03.0DN8	LEV1 LEV	AWD	Front Left	941165	D-280-100	--	--
2003	2.5L	3JCV03.0DN8	LEV1 LEV	AWD	Front Right	941166	D-280-100	--	--
2002	2.5L	2JCV03.0DN8	LEV1 LEV	All	Front Left	--	--	944182	D-280-100
2002	2.5L	2JCV03.0DN8	LEV1 LEV	All	Front Right	--	--	944182	D-280-100
2002	2.5L	2JCV03.0DN8	LEV1 LEV	AWD	Front Left	941165	D-280-100	--	--
2002	2.5L	2JCV03.0DN8	LEV1 LEV	AWD	Front Right	941166	D-280-100	--	--
2005	3.0L	5JCV03.0DNG	LEV1 LEV	All	Front Left	--	--	944182	D-280-100
2005	3.0L	5JCV03.0DNG	LEV1 LEV	All	Front Right	--	--	944182	D-280-100
2005	3.0L	5JCV03.0DNG	LEV1 LEV	AWD	Front Left	941165	D-280-100	--	--
2005	3.0L	5JCV03.0DNG	LEV1 LEV	AWD	Front Right	941166	D-280-100	--	--
2004	3.0L	4JCV03.0DNG	LEV1 LEV	All	Front Left	--	--	944182	D-280-100
2004	3.0L	4JCV03.0DNG	LEV1 LEV	All	Front Right	--	--	944182	D-280-100
2004	3.0L	4JCV03.0DNG	LEV1 LEV	AWD	Front Left	941165	D-280-100	--	--
2004	3.0L	4JCV03.0DNG	LEV1 LEV	AWD	Front Right	941166	D-280-100	--	--
Jeep									
Cherokee									
L4									
2000	2.5L	YCRXT0150120	TLEV	All	Front	--	--	940106	D-280-100
2000	2.5L	YCRXT0150120	TLEV	All	Rear	--	--	940641	D-280-100
1999	2.5L	XCRXT0150120	TLEV	All	Front	--	--	940106	D-280-100
1999	2.5L	XCRXT0150120	TLEV	All	Rear	--	--	940641	D-280-100
1998	2.5L	WCRXT0150110	TIER1	All	Underbody	949327	D-280-100	--	--
1998	2.5L	WCRXT0150110	TIER1	All	Underbody	--	--	940001	D-280-100
1997	2.5L	VCR15018G1EK	TIER1	All	Underbody	949327	D-280-100	--	--
1997	2.5L	VCR15018G1EK	TIER1	All	Underbody	--	--	940001	D-280-100
1996	2.5L	TCR15018G1EK	TIER1	All	Underbody	949327	D-280-100	--	--
1996	2.5L	TCR15018G1EK	TIER1	All	Underbody	--	--	940001	D-280-100
L6									
2001	4.0L	1CRXT04.01D0	LEV1 LEV	All	Front	941031	D-280-100	--	--
2001	4.0L	1CRXT04.01D0	LEV1 LEV	All	Front	--	--	944182	D-280-100
2001	4.0L	1CRXT04.01D0	LEV1 LEV	All	Rear	949231	D-280-100	--	--
2001	4.0L	1CRXT04.01D0	LEV1 LEV	All	Rear	--	--	940336	D-280-100
2001	4.0L	1CRXT04.01D0	LEV1 LEV	4WD	Front	110039	D-280-89	--	--
2001	4.0L	1CRXT04.02D0	LEV1 LEV	All	Front	650503	D-665-20	--	--
2001	4.0L	1CRXT04.02D0	LEV1 LEV	All	Rear	651503	D-665-20	--	--
2000	4.0L	YCRXT0242130	LEV1 LEV	All	Front	--	--	944182	D-280-100
2000	4.0L	YCRXT0242130	LEV1 LEV	All	Rear	--	--	940336	D-280-100
2000	4.0L	YCRXT0242130	LEV1 LEV	From 01/20/00	Front	110031	D-280-89	--	--
2000	4.0L	YCRXT0242130	LEV1 LEV	From 01/20/00	Front	941031	D-280-100	--	--
2000	4.0L	YCRXT0242130	LEV1 LEV	From 01/20/00	Rear	949231	D-280-100	--	--
2000	4.0L	YCRXT0242230	LEV1 LEV	From 01/20/00	Front	911031	D-280-101	--	--
2000	4.0L	YCRXT0242230	LEV1 LEV	From 01/20/00	Rear	919231	D-280-101	--	--

APPLICATION GUIDE



OBD II

APPLICATION

Year	Eng. Size	Test Group/ Engine Family	Certification Level	Application	Location	Direct Fit Number	Exec. Order	Consol. Number	Exec. Order
Jeep (Cont.)									
Cherokee (Cont.)									
L6 (Cont.)									
1999	4.0L	XCRXT0242120	TLEV	All	Front	--	--	940106	D-280-100
1999	4.0L	XCRXT0242120	TLEV	All	Rear	--	--	940641	D-280-100
1999	4.0L	XCRXT0242220	TLEV	All	Underbody	651652	D-665-20	--	--
1998	4.0L	WCRXT0242120	TLEV	All	Front	--	--	940106	D-280-100
1998	4.0L	WCRXT0242120	TLEV	All	Rear	--	--	940641	D-280-100
1998	4.0L	WCRXT0242220	TLEV	All	Underbody	651652	D-665-20	--	--
1997	4.0L	VCR24218G1EK	TIER1	All	Underbody	949327	D-280-100	--	--
1997	4.0L	VCR24218G1EK	TIER1	All	Underbody	--	--	940641	D-280-100
1997	4.0L	VCR24228G1EK	TIER1	4WD	Underbody	912327	D-280-101	--	--
1997	4.0L	VCR24228G1EK	TIER1	4WD	Underbody	--	--	912006	D-280-101
1997	4.0L	VCR24228G1EL	TIER1	All	Underbody	640501	D-665-18	--	--
1997	4.0L	VCR24228G2JK	TIER1	All	Underbody	651652	D-665-20	--	--
1996	4.0L	TCR24218G1EK	TIER1	All	Underbody	949327	D-280-100	--	--
1996	4.0L	TCR24218G1EK	TIER1	All	Underbody	--	--	940641	D-280-100
1996	4.0L	TCR24228G1FK	TIER1	4WD, A/T	Underbody	912327	D-280-101	--	--
1996	4.0L	TCR24228G1FK	TIER1	4WD, A/T	Underbody	--	--	912006	D-280-101
1996	4.0L	TCR24228G1FK	TIER1	All	Underbody	949327	D-280-100	--	--
Commander									
V6									
2010	3.7L	ACRXT03.74P4	LEV2 LEV	All	Front Left	--	--	740005	D-798
2010	3.7L	ACRXT03.74P4	LEV2 LEV	All	Front Right	--	--	740005	D-798
2010	3.7L	ACRXT03.74P4	LEV2 LEV	All	Underbody	749460	D-798	--	--
2009	3.7L	9CRXT03.74P0	LEV2 LEV	All	Front Left	--	--	740005	D-798
2009	3.7L	9CRXT03.74P0	LEV2 LEV	All	Front Right	--	--	740005	D-798
2009	3.7L	9CRXT03.74P0	LEV2 LEV	All	Underbody	749460	D-798	--	--
2008	3.7L	8CRXT03.7NE0	LEV2 LEV	All	Front Left	--	--	740005	D-798
2008	3.7L	8CRXT03.7NE0	LEV2 LEV	All	Front Right	--	--	740005	D-798
2008	3.7L	8CRXT03.7NE0	LEV2 LEV	All	Underbody	749460	D-798	--	--
2007	3.7L	7CRXT0226N70	LEV2 LEV	All	Front Left	--	--	740005	D-798
2007	3.7L	7CRXT0226N70	LEV2 LEV	All	Front Right	--	--	740005	D-798
2007	3.7L	7CRXT0226N70	LEV2 LEV	All	Underbody	749193	D-798	--	--
2007	3.7L	7CRXT0226N73	LEV2 LEV	All	Front Left	--	--	740005	D-798
2007	3.7L	7CRXT0226N73	LEV2 LEV	All	Front Right	--	--	740005	D-798
2007	3.7L	7CRXT0226N73	LEV2 LEV	All	Underbody	749193	D-798	--	--
2006	3.7L	6CRXT0226P70	LEV2 LEV	All	Front Left	--	--	740005	D-798
2006	3.7L	6CRXT0226P70	LEV2 LEV	All	Front Right	--	--	740005	D-798
2006	3.7L	6CRXT0226P70	LEV2 LEV	All	Underbody	749193	D-798	--	--
V8									
2009	4.7L	9CRXT04.7BR0	LEV2 LEV	All	Front Left	--	--	740005	D-798
2009	4.7L	9CRXT04.7BR0	LEV2 LEV	All	Front Right	--	--	740005	D-798
2009	4.7L	9CRXT04.7BR0	LEV2 LEV	All	Underbody	744626	D-798	--	--
2008	4.7L	8CRXT04.7PE0	LEV2 LEV	All	Front Left	--	--	740005	D-798
2008	4.7L	8CRXT04.7PE0	LEV2 LEV	All	Front Right	--	--	740005	D-798
2008	4.7L	8CRXT04.7PE0	LEV2 LEV	All	Underbody	744626	D-798	--	--
2007	4.7L	7CRXT0287P70	LEV2 LEV	All	Front Left	--	--	740005	D-798
2007	4.7L	7CRXT0287P70	LEV2 LEV	All	Front Right	--	--	740005	D-798
2007	4.7L	7CRXT0287P70	LEV2 LEV	All	Underbody	744626	D-798	--	--
2006	4.7L	6CRXT0287P70	LEV2 LEV	All	Front Left	--	--	740005	D-798
2006	4.7L	6CRXT0287P70	LEV2 LEV	All	Front Right	--	--	740005	D-798
2006	4.7L	6CRXT0287P70	LEV2 LEV	All	Underbody	744626	D-798	--	--
2010	5.7L	ACRXT06.11P3	LEV2 LEV	All	Front Left	--	--	740006	D-798
2010	5.7L	ACRXT06.11P3	LEV2 LEV	All	Front Right	--	--	740006	D-798
2009	5.7L	9CRXT05.74P0	LEV2 LEV	All	Front Left	--	--	740006	D-798
2009	5.7L	9CRXT05.74P0	LEV2 LEV	All	Front Right	--	--	740006	D-798
2008	5.7L	8CRXT05.7PE0	LEV2 LEV	All	Front Left	--	--	740006	D-798
2008	5.7L	8CRXT05.7PE0	LEV2 LEV	All	Front Right	--	--	740006	D-798
2008	5.7L	8CRXT05.7PE0	LEV2 LEV	All	Underbody	744677	D-798	--	--

Legal Note: In Compliance with California Emissions Requirements



CATCO
CATALYTIC CONVERTERS

EASTERN CATALYTIC

APPLICATION GUIDE

OBD II

APPLICATION

Year	Eng. Size	Test Group/ Engine Family	Certification Level	Application	Location	Direct Fit Number	Exec. Order	Consol. Number	Exec. Order
Jeep (Cont.)									
Commander (Cont.)									
V8 (Cont.)									
2007	5.7L	7CRXT0345P70	LEV2 LEV	All	Front Left	--	--	740006	D-798
2007	5.7L	7CRXT0345P70	LEV2 LEV	All	Front Right	--	--	740006	D-798
2007	5.7L	7CRXT0345P70	LEV2 LEV	All	Underbody	749448	D-798	--	--
Compass									
L4									
2011	2.0L	BCRXJ02.44P1	LEV2 LEV	All	Underbody	764415	D-280-105	--	--
2011	2.0L	BCRXJ02.44P1	LEV2 LEV	All	Underbody	--	--	760015	D-280-105
2011	2.0L	BCRXJ02.4VP1	LEV2 ULEV	All	Underbody	764415	D-280-105	--	--
2011	2.0L	BCRXJ02.4VP1	LEV2 ULEV	All	Underbody	--	--	760015	D-280-105
2010	2.0L	ACRXJ02.04P0	LEV2 LEV	All	Underbody	764415	D-280-105	--	--
2010	2.0L	ACRXJ02.04P0	LEV2 LEV	All	Underbody	--	--	760015	D-280-105
2010	2.0L	ACRXJ02.4XP0	LEV2 ULEV	All	Underbody	764415	D-280-105	--	--
2010	2.0L	ACRXJ02.4XP0	LEV2 ULEV	All	Underbody	--	--	760015	D-280-105
2009	2.0L	9CRXJ02.43P0	LEV2 ULEV	All	Underbody	764415	D-280-105	--	--
2009	2.0L	9CRXJ02.43P0	LEV2 ULEV	All	Underbody	--	--	760015	D-280-105
2009	2.0L	9CRXV01.81P0	LEV2 LEV	All	Underbody	764415	D-280-105	--	--
2009	2.0L	9CRXV01.81P0	LEV2 LEV	All	Underbody	--	--	760015	D-280-105
2008	2.0L	8CRXB0144M81	LEV2 ULEV	All	Underbody	764415	D-280-105	--	--
2008	2.0L	8CRXB0144M81	LEV2 ULEV	All	Underbody	--	--	760015	D-280-105
2011	2.4L	BCRXJ02.44P1	LEV2 LEV	All	Underbody	764415	D-280-105	--	--
2011	2.4L	BCRXJ02.44P1	LEV2 LEV	All	Underbody	--	--	760015	D-280-105
2011	2.4L	BCRXJ02.4VP1	LEV2 ULEV	All	Underbody	764415	D-280-105	--	--
2011	2.4L	BCRXJ02.4VP1	LEV2 ULEV	All	Underbody	--	--	760015	D-280-105
2010	2.4L	ACRXJ02.43P1	LEV2 ULEV	All	Underbody	764415	D-280-105	--	--
2010	2.4L	ACRXJ02.43P1	LEV2 ULEV	All	Underbody	--	--	760015	D-280-105
2010	2.4L	ACRXJ02.4XP0	LEV2 ULEV	All	Underbody	--	--	760015	D-280-105
2010	2.4L	ACRXJ02.4XP0	LEV2 ULEV	FWD	Underbody	764415	D-280-105	--	--
2009	2.4L	9CRXJ02.43P1	LEV2 ULEV	All	Underbody	--	--	760015	D-280-105
2009	2.4L	9CRXJ02.43P1	LEV2 ULEV	FWD	Underbody	764415	D-280-105	--	--
2009	2.4L	9CRXJ02.4UP0	LEV2 ULEV	All	Underbody	764415	D-280-105	--	--
2009	2.4L	9CRXJ02.4UP0	LEV2 ULEV	All	Underbody	--	--	760015	D-280-105
2008	2.4L	8CRXB0144M80	LEV2 ULEV	FWD	Underbody	764415	D-280-105	--	--
2008	2.4L	8CRXB0144M80	LEV2 ULEV	All	Underbody	--	--	760015	D-280-105
2008	2.4L	8CRXB0144M81	LEV2 ULEV	All	Underbody	764415	D-280-105	--	--
2008	2.4L	8CRXB0144M81	LEV2 ULEV	All	Underbody	--	--	760015	D-280-105
2007	2.4L	7CRXB0144M80	LEV2 ULEV	All	Underbody	--	--	760015	D-280-105
2007	2.4L	7CRXB0144M80	LEV2 ULEV	FWD	Underbody	764415	D-280-105	--	--
Grand Cherokee									
L6									
2004	4.0L	4CRXT04.02N0	LEV1 ULEV	All	Front	741039	D-798	--	--
2004	4.0L	4CRXT04.02N0	LEV1 ULEV	All	Rear	--	--	747336	D-798
2004	4.0L	4CRXT04.02N0	LEV1 ULEV	All	Underbody	749139	D-798	--	--
2003	4.0L	3CRXT04.02Z0	LEV1 ULEV	All	Front	741039	D-798	--	--
2003	4.0L	3CRXT04.02Z0	LEV1 ULEV	All	Rear	--	--	747336	D-798
2003	4.0L	3CRXT04.02Z0	LEV1 ULEV	All	Underbody	749139	D-798	--	--
2002	4.0L	2CRXT0242240	LEV1 ULEV	All	Front	741039	D-798	--	--
2002	4.0L	2CRXT0242240	LEV1 ULEV	All	Rear	--	--	747336	D-798
2002	4.0L	2CRXT0242240	LEV1 ULEV	All	Underbody	749139	D-798	--	--
2002	4.0L	2CRXT04.02Z0	LEV1 ULEV	All	Rear	--	--	747336	D-798
2002	4.0L	2CRXT04.02Z0	LEV1 ULEV	All	Underbody	749139	D-798	--	--
2001	4.0L	1CRXT0242240	LEV1 ULEV	All	Front	741039	D-798	--	--
2001	4.0L	1CRXT0242240	LEV1 ULEV	All	Rear	--	--	747336	D-798
2001	4.0L	1CRXT0242240	LEV1 ULEV	All	Underbody	749139	D-798	--	--
2000	4.0L	YCRXT0242230	LEV1 LEV	All	Front	650504	D-665-20	--	--
2000	4.0L	YCRXT0242230	LEV1 LEV	All	Rear	651501	D-665-20	--	--
1999	4.0L	XCRXT0242230	LEV1 LEV	All	Front	650504	D-665-20	--	--
1999	4.0L	XCRXT0242230	LEV1 LEV	All	Rear	651501	D-665-20	--	--
1998	4.0L	WCRXT0242220	TLEV	All	Underbody	651652	D-665-20	--	--

Legal Note: In Compliance with California Emissions Requirements

APPLICATION GUIDE



OBD II

APPLICATION

Year	Eng. Size	Test Group/ Engine Family	Certification Level	Application	Location	Direct Fit Number	Exec. Order	Consol. Number	Exec. Order
Jeep (Cont.)									
Grand Cherokee (Cont.)									
L6 (Cont.)									
1997	4.0L	VCR24228G2JK	TLEV	All	Underbody	651652	D-665-20	--	--
1996	4.0L	TCR24228G1EK	TIER1	All	Underbody	912327	D-280-101	--	--
1996	4.0L	TCR24228G1EK	TIER1	All	Underbody	--	--	912006	D-280-101
1996	4.0L	TCR24228G1FK	TIER1	All	Underbody	640501	D-665-18	--	--
V6									
2010	3.7L	ACRXT03.74P4	LEV2 LEV	All	Front Left	--	--	740005	D-798
2010	3.7L	ACRXT03.74P4	LEV2 LEV	All	Front Right	--	--	740005	D-798
2010	3.7L	ACRXT03.74P4	LEV2 LEV	All	Underbody	749460	D-798	--	--
2009	3.7L	9CRXT03.74P0	LEV2 LEV	All	Front Left	--	--	740005	D-798
2009	3.7L	9CRXT03.74P0	LEV2 LEV	All	Front Right	--	--	740005	D-798
2009	3.7L	9CRXT03.74P0	LEV2 LEV	All	Underbody	749460	D-798	--	--
2008	3.7L	8CRXT03.7NE0	LEV2 LEV	All	Front Left	--	--	740005	D-798
2008	3.7L	8CRXT03.7NE0	LEV2 LEV	All	Front Right	--	--	740005	D-798
2008	3.7L	8CRXT03.7NE0	LEV2 LEV	All	Underbody	749460	D-798	--	--
2007	3.7L	7CRXT0226N70	LEV2 LEV	All	Front Left	--	--	740005	D-798
2007	3.7L	7CRXT0226N70	LEV2 LEV	All	Front Right	--	--	740005	D-798
2007	3.7L	7CRXT0226N70	LEV2 LEV	All	Underbody	749460	D-798	--	--
2007	3.7L	7CRXT0226N73	LEV2 LEV	All	Front Left	--	--	740005	D-798
2007	3.7L	7CRXT0226N73	LEV2 LEV	All	Front Right	--	--	740005	D-798
2006	3.7L	6CRXT0226N70	LEV2 LEV	All	Front Left	--	--	740005	D-798
2006	3.7L	6CRXT0226N70	LEV2 LEV	All	Front Right	--	--	740005	D-798
2006	3.7L	6CRXT0226N70	LEV2 LEV	All	Underbody	749193	D-798	--	--
2005	3.7L	5CRXT03.7NE0	LEV2 LEV	All	Front Left	--	--	740005	D-798
2005	3.7L	5CRXT03.7NE0	LEV2 LEV	All	Front Right	--	--	740005	D-798
2005	3.7L	5CRXT03.7NE0	LEV2 LEV	All	Underbody	749193	D-798	--	--
V8									
2009	4.7L	9CRXT04.7BR0	LEV2 LEV	All	Front Left	--	--	740005	D-798
2009	4.7L	9CRXT04.7BR0	LEV2 LEV	All	Front Right	--	--	740005	D-798
2009	4.7L	9CRXT04.7BR0	LEV2 LEV	All	Underbody	744626	D-798	--	--
2008	4.7L	8CRXT04.7PE0	LEV2 LEV	All	Front Left	--	--	740005	D-798
2008	4.7L	8CRXT04.7PE0	LEV2 LEV	All	Front Right	--	--	740005	D-798
2008	4.7L	8CRXT04.7PE0	LEV2 LEV	All	Underbody	744626	D-798	--	--
2007	4.7L	7CRXT0287P70	LEV2 LEV	All	Front Left	--	--	740005	D-798
2007	4.7L	7CRXT0287P70	LEV2 LEV	All	Front Right	--	--	740005	D-798
2007	4.7L	7CRXT0287P70	LEV2 LEV	All	Underbody	744626	D-798	--	--
2006	4.7L	6CRXT0287P70	LEV2 LEV	All	Front Left	--	--	740005	D-798
2006	4.7L	6CRXT0287P70	LEV2 LEV	All	Front Right	--	--	740005	D-798
2006	4.7L	6CRXT0287P70	LEV2 LEV	All	Underbody	744626	D-798	--	--
2004	4.7L	4CRXT04.72N0	LEV1 ULEV	All	Front	744773	D-798	--	--
2004	4.7L	4CRXT04.72N1	LEV1 ULEV	All	Front	744773	D-798	--	--
2004	4.7L	4CRXT04.72N1	LEV1 ULEV	All	Rear	749139	D-798	--	--
2004	4.7L	4CRXT04.72N1	LEV1 ULEV	All	Rear	--	--	747336	D-798
2003	4.7L	3CRXT04.72D0	LEV1 LEV	All	Front	744773	D-798	--	--
2003	4.7L	3CRXT04.72D0	LEV1 LEV	All	Rear	749139	D-798	--	--
2003	4.7L	3CRXT04.72D0	LEV1 LEV	All	Rear	--	--	747336	D-798
2002	4.7L	2CRXT04.72D0	LEV1 LEV	All	Front	744773	D-798	--	--
2002	4.7L	2CRXT04.72D0	LEV1 LEV	All	Rear	749139	D-798	--	--
2002	4.7L	2CRXT04.72D0	LEV1 LEV	All	Rear	--	--	747336	D-798
2001	4.7L	1CRXT04.72D1	LEV1 LEV	All	Front	650501	D-665-20	--	--
2001	4.7L	1CRXT04.72D1	LEV1 LEV	All	Rear	651501	D-665-20	--	--
2000	4.7L	YCRXT0287231	LEV1 LEV	All	Front	650501	D-665-20	--	--
2000	4.7L	YCRXT0287231	LEV1 LEV	All	Rear	651501	D-665-20	--	--
1999	4.7L	XCRXT0287231	LEV1 LEV	All	Front	650501	D-665-20	--	--
1999	4.7L	XCRXT0287231	LEV1 LEV	All	Rear	651501	D-665-20	--	--
1998	5.2L	WCRXT0360211	TIER1	All	Underbody	912327	D-280-101	--	--
1998	5.2L	WCRXT0360211	TIER1	All	Underbody	--	--	912006	D-280-101
1997	5.2L	VCR36028G1EK	TIER1	All	Underbody	912327	D-280-101	--	--
1997	5.2L	VCR36028G1EK	TIER1	All	Underbody	--	--	912006	D-280-101

Legal Note: In Compliance with California Emissions Requirements



CATCO
CATALYTIC CONVERTERS

EASTERN CATALYTIC

APPLICATION GUIDE

OBD II

APPLICATION

Year	Eng. Size	Test Group/ Engine Family	Certification Level	Application	Location	Direct Fit Number	Exec. Order	Consol. Number	Exec. Order
Jeep (Cont.)									
Grand Cherokee (Cont.)									
V8 (Cont.)									
1997	5.2L	VCR360H8G1EL	TIER1	All	Underbody	640501	D-665-18	--	--
1996	5.2L	TCR31828G1EL	TIER1	All	Underbody	--	--	912006	D-280-101
1996	5.2L	TCR31828G1EL	TIER1	4WD	Underbody	912327	D-280-101	--	--
1996	5.2L	TCR360H8G1EK	TIER1	All	Underbody	640501	D-665-18	--	--
1996	5.2L	TCR360H8G1EL	TIER1	All	Underbody	640501	D-665-18	--	--
2012	5.7L	CCRXT05.7VP0	LEV2 ULEV	All	Front Left	--	--	740665	D-798
2012	5.7L	CCRXT05.7VP0	LEV2 ULEV	All	Front Right	--	--	740665	D-798
2011	5.7L	BCRXT05.7VP0	LEV2 ULEV	All	Front Left	--	--	740665	D-798
2011	5.7L	BCRXT05.7VP0	LEV2 ULEV	All	Front Right	--	--	740665	D-798
2010	5.7L	ACRXT06.11P3	LEV2 LEV	All	Front Left	--	--	740006	D-798
2010	5.7L	ACRXT06.11P3	LEV2 LEV	All	Front Right	--	--	740006	D-798
2010	5.7L	ACRXT06.11P3	LEV2 LEV	All	Underbody	749448	D-798	--	--
2009	5.7L	9CRXT05.74P0	LEV2 LEV	All	Front Left	--	--	740006	D-798
2009	5.7L	9CRXT05.74P0	LEV2 LEV	All	Front Right	--	--	740006	D-798
2009	5.7L	9CRXT05.74P0	LEV2 LEV	All	Underbody	749448	D-798	--	--
2008	5.7L	8CRXT05.7PE0	LEV2 LEV	All	Front Left	--	--	740006	D-798
2008	5.7L	8CRXT05.7PE0	LEV2 LEV	All	Front Right	--	--	740006	D-798
2008	5.7L	8CRXT05.7PE0	LEV2 LEV	All	Underbody	749448	D-798	--	--
2007	5.7L	7CRXT0345P70	LEV2 LEV	All	Front Left	--	--	740006	D-798
2007	5.7L	7CRXT0345P70	LEV2 LEV	All	Front Right	--	--	740006	D-798
2007	5.7L	7CRXT0345P70	LEV2 LEV	All	Underbody	749448	D-798	--	--
1998	5.9L	WCRXT0360211	TIER1	All	Underbody	912327	D-280-101	--	--
1998	5.9L	WCRXT0360211	TIER1	All	Underbody	--	--	912006	D-280-101
2010	6.1L	ACRXT06.11P3	LEV2 LEV	All	Front Left	--	--	740006	D-798
2010	6.1L	ACRXT06.11P3	LEV2 LEV	All	Front Right	--	--	740006	D-798
2009	6.1L	9CRXT06.11P0	LEV2 LEV	All	Front Left	--	--	740006	D-798
2009	6.1L	9CRXT06.11P0	LEV2 LEV	All	Front Right	--	--	740006	D-798
2008	6.1L	8CRXT06.1PE0	LEV2 LEV	All	Front Left	--	--	740006	D-798
2008	6.1L	8CRXT06.1PE0	LEV2 LEV	All	Front Right	--	--	740006	D-798
2007	6.1L	7CRXT06.1PE0	LEV2 LEV	All	Front Left	--	--	740006	D-798
2007	6.1L	7CRXT06.1PE0	LEV2 LEV	All	Front Right	--	--	740006	D-798
2006	6.1L	6CRXT06.1PE0	LEV2 LEV	All	Front Left	--	--	740006	D-798
2006	6.1L	6CRXT06.1PE0	LEV2 LEV	All	Front Right	--	--	740006	D-798
Liberty									
L4									
2003	2.4L	3CRXT02.43D0	LEV1 LEV	All	Front	--	--	910004R	D-280-101
2003	2.4L	3CRXT02.43D0	LEV1 LEV	All	Rear	--	--	910004R	D-280-101
2002	2.4L	2CRXT02.42D5	LEV1 LEV	Sport	Front	--	--	910004R	D-280-101
2002	2.4L	2CRXT02.42D5	LEV1 LEV	Sport	Rear	--	--	910004R	D-280-101
V6									
2012	3.7L	CCRXT03.7VP0	LEV2 ULEV	All	Front Left	--	--	740076	D-798
2012	3.7L	CCRXT03.7VP0	LEV2 ULEV	All	Front Right	--	--	740076	D-798
2012	3.7L	CCRXT03.7VP0	LEV2 ULEV	All	Underbody	749239	D-798	--	--
2011	3.7L	BCRXT03.7VP0	LEV2 ULEV	All	Front Left	--	--	740076	D-798
2011	3.7L	BCRXT03.7VP0	LEV2 ULEV	All	Front Right	--	--	740076	D-798
2011	3.7L	BCRXT03.7VP0	LEV2 ULEV	All	Underbody	749239	D-798	--	--
2010	3.7L	ACRXT03.7VP3	LEV2 ULEV	All	Front Left	--	--	740076	D-798
2010	3.7L	ACRXT03.7VP3	LEV2 ULEV	All	Front Right	--	--	740076	D-798
2010	3.7L	ACRXT03.7VP3	LEV2 ULEV	All	Underbody	749239	D-798	--	--
2009	3.7L	9CRXT03.7CR0	LEV2 ULEV	All	Front Left	--	--	740076	D-798
2009	3.7L	9CRXT03.7CR0	LEV2 ULEV	All	Front Right	--	--	740076	D-798
2009	3.7L	9CRXT03.7CR0	LEV2 ULEV	All	Underbody	749239	D-798	--	--
2008	3.7L	8CRXT0226N80	LEV2 ULEV	All	Front Left	--	--	740076	D-798
2008	3.7L	8CRXT0226N80	LEV2 ULEV	All	Front Right	--	--	740076	D-798
2008	3.7L	8CRXT0226N80	LEV2 ULEV	All	Underbody	749239	D-798	--	--
2008	3.7L	8CRXT03.7NE0	LEV2 LEV	All	Front Left	--	--	740076	D-798
2008	3.7L	8CRXT03.7NE0	LEV2 LEV	All	Front Right	--	--	740076	D-798
2008	3.7L	8CRXT03.7NE0	LEV2 LEV	All	Underbody	749239	D-798	--	--

Legal Note: In Compliance with California Emissions Requirements

APPLICATION GUIDE



OBD II

APPLICATION

Year	Eng. Size	Test Group/ Engine Family	Certification Level	Application	Location	Direct Fit Number	Exec. Order	Consol. Number	Exec. Order
Jeep (Cont.)									
Liberty (Cont.)									
V6 (Cont.)									
2007	3.7L	7CRXT0226N70	LEV2 LEV	All	Front Left	--	--	740076	D-798
2007	3.7L	7CRXT0226N70	LEV2 LEV	All	Front Right	--	--	740076	D-798
2007	3.7L	7CRXT0226N70	LEV2 LEV	All	Underbody	749913	D-798	--	--
2007	3.7L	7CRXT0226N80	LEV2 ULEV	All	Front Left	--	--	740076	D-798
2007	3.7L	7CRXT0226N80	LEV2 ULEV	All	Front Right	--	--	740076	D-798
2007	3.7L	7CRXT0226N80	LEV2 ULEV	All	Underbody	749913	D-798	--	--
2006	3.7L	6CRXT0226N70	LEV2 LEV	All	Front Left	--	--	740076	D-798
2006	3.7L	6CRXT0226N70	LEV2 LEV	All	Front Right	--	--	740076	D-798
2006	3.7L	6CRXT0226N70	LEV2 LEV	All	Underbody	749913	D-798	--	--
2005	3.7L	5CRXT03.7NE0	LEV2 LEV	All	Front Left	--	--	740076	D-798
2005	3.7L	5CRXT03.7NE0	LEV2 LEV	All	Front Right	--	--	740076	D-798
2005	3.7L	5CRXT03.7NE0	LEV2 LEV	All	Underbody	749913	D-798	--	--
2004	3.7L	4CRXT03.72N1	LEV1 ULEV	All	Front Left	749159	D-798	--	--
2004	3.7L	4CRXT03.72N1	LEV1 ULEV	All	Front Left	--	--	740725	D-798
2004	3.7L	4CRXT03.72N1	LEV1 ULEV	All	Front Right	749158	D-798	--	--
2004	3.7L	4CRXT03.72N1	LEV1 ULEV	All	Front Right	--	--	740725	D-798
2004	3.7L	4CRXT03.7NE0	LEV2 LEV	All	Front Left	749159	D-798	--	--
2004	3.7L	4CRXT03.7NE0	LEV2 LEV	All	Front Left	--	--	740725	D-798
2004	3.7L	4CRXT03.7NE0	LEV2 LEV	All	Front Right	749158	D-798	--	--
2004	3.7L	4CRXT03.7NE0	LEV2 LEV	All	Front Right	--	--	740725	D-798
2003	3.7L	3CRXT03.72Z0	LEV1 ULEV	All	Rear	--	--	747035	D-798
2003	3.7L	3CRXT03.72Z0	LEV1 ULEV	To 02/14/03	Front Left	741049	D-798	--	--
2003	3.7L	3CRXT03.72Z0	LEV1 ULEV	To 02/14/03	Front Right	741048	D-798	--	--
2003	3.7L	3CRXT03.72Z0	LEV1 ULEV	To 02/14/03	Rear	745003	D-798	--	--
2003	3.7L	3CRXT03.72ZX	LEV1 ULEV	All	Rear	--	--	747035	D-798
2003	3.7L	3CRXT03.72ZX	LEV1 ULEV	To 02/14/03	Front Left	741049	D-798	--	--
2003	3.7L	3CRXT03.72ZX	LEV1 ULEV	To 02/14/03	Front Right	741048	D-798	--	--
2003	3.7L	3CRXT03.72ZX	LEV1 ULEV	To 02/14/03	Rear	745003	D-798	--	--
2002	3.7L	2CRXT03.72D0	LEV1 LEV	All	Front Left	741049	D-798	--	--
2002	3.7L	2CRXT03.72D0	LEV1 LEV	All	Front Right	741048	D-798	--	--
2002	3.7L	2CRXT03.72D0	LEV1 LEV	All	Rear	745003	D-798	--	--
2002	3.7L	2CRXT03.72D0	LEV1 LEV	All	Rear	--	--	747035	D-798
Patriot									
L4									
2011	2.0L	BCRXJ02.44P1	LEV2 LEV	All	Underbody	764415	D-280-105	--	--
2011	2.0L	BCRXJ02.44P1	LEV2 LEV	All	Underbody	--	--	760015	D-280-105
2011	2.0L	BCRXJ02.4VP1	LEV2 ULEV	All	Underbody	764415	D-280-105	--	--
2011	2.0L	BCRXJ02.4VP1	LEV2 ULEV	All	Underbody	--	--	760015	D-280-105
2010	2.0L	ACRXJ02.04P0	LEV2 LEV	All	Underbody	764415	D-280-105	--	--
2010	2.0L	ACRXJ02.04P0	LEV2 LEV	All	Underbody	--	--	760015	D-280-105
2010	2.0L	ACRXJ02.4XP0	LEV2 ULEV	All	Underbody	764415	D-280-105	--	--
2010	2.0L	ACRXJ02.4XP0	LEV2 ULEV	All	Underbody	--	--	760015	D-280-105
2009	2.0L	9CRXJ02.43P0	LEV2 ULEV	All	Underbody	764415	D-280-105	--	--
2009	2.0L	9CRXJ02.43P0	LEV2 ULEV	All	Underbody	--	--	760015	D-280-105
2009	2.0L	9CRXV01.81P0	LEV2 LEV	All	Underbody	764415	D-280-105	--	--
2009	2.0L	9CRXV01.81P0	LEV2 LEV	All	Underbody	--	--	760015	D-280-105
2008	2.0L	8CRXB0144M81	LEV2 ULEV	All	Underbody	764415	D-280-105	--	--
2008	2.0L	8CRXB0144M81	LEV2 ULEV	All	Underbody	--	--	760015	D-280-105
2007	2.0L	7CRXB0144M80	LEV2 ULEV	All	Underbody	764415	D-280-105	--	--
2007	2.0L	7CRXB0144M80	LEV2 ULEV	All	Underbody	--	--	760015	D-280-105
2011	2.4L	BCRXJ02.44P1	LEV2 LEV	All	Underbody	764415	D-280-105	--	--
2011	2.4L	BCRXJ02.44P1	LEV2 LEV	All	Underbody	--	--	760015	D-280-105
2011	2.4L	BCRXJ02.4VP1	LEV2 ULEV	All	Underbody	764415	D-280-105	--	--
2011	2.4L	BCRXJ02.4VP1	LEV2 ULEV	All	Underbody	--	--	760015	D-280-105
2010	2.4L	ACRXJ02.43P1	LEV2 ULEV	All	Underbody	--	--	760015	D-280-105
2010	2.4L	ACRXJ02.43P1	LEV2 ULEV	FWD	Underbody	764415	D-280-105	--	--
2010	2.4L	ACRXJ02.4XP0	LEV2 ULEV	All	Underbody	--	--	760015	D-280-105
2010	2.4L	ACRXJ02.4XP0	LEV2 ULEV	FWD	Underbody	764415	D-280-105	--	--

Legal Note: In Compliance with California Emissions Requirements



CATCO
CATALYTIC CONVERTERS

EASTERN CATALYTIC

APPLICATION GUIDE

OBD II

APPLICATION

Year	Eng. Size	Test Group/ Engine Family	Certification Level	Application	Location	Direct Fit Number	Exec. Order	Consol. Number	Exec. Order
Jeep (Cont.)									
Patriot (Cont.)									
L4 (Cont.)									
2009	2.4L	9CRXJ02.43P1	LEV2 ULEV	All	Underbody	--	--	760015	D-280-105
2009	2.4L	9CRXJ02.43P1	LEV2 ULEV	FWD	Underbody	764415	D-280-105	--	--
2009	2.4L	9CRXJ02.4UP0	LEV2 ULEV	All	Underbody	764415	D-280-105	--	--
2009	2.4L	9CRXJ02.4UP0	LEV2 ULEV	All	Underbody	--	--	760015	D-280-105
2008	2.4L	8CRXB0144M80	LEV2 ULEV	All	Underbody	--	--	760015	D-280-105
2008	2.4L	8CRXB0144M80	LEV2 ULEV	FWD	Underbody	764415	D-280-105	--	--
2008	2.4L	8CRXB0144M81	LEV2 ULEV	All	Underbody	764415	D-280-105	--	--
2008	2.4L	8CRXB0144M81	LEV2 ULEV	All	Underbody	--	--	760015	D-280-105
2007	2.4L	7CRXB0144M80	LEV2 ULEV	All	Underbody	--	--	760015	D-280-105
2007	2.4L	7CRXB0144M80	LEV2 ULEV	FWD	Underbody	764415	D-280-105	--	--
Wrangler									
L4									
2003	2.4L	3CRXT02.41D0	LEV1 LEV	All	Front	--	--	940106	D-280-100
2003	2.4L	3CRXT02.41D0	LEV1 LEV	All	Rear	--	--	940106	D-280-100
2002	2.5L	2CRXT02.51C0	TLEV	All	Front	--	--	940106	D-280-100
2002	2.5L	2CRXT02.51C0	TLEV	All	Rear	949030	D-280-100	--	--
2002	2.5L	2CRXT02.51C0	TLEV	All	Rear	--	--	940636	D-280-100
2001	2.5L	1CRXT02.51C0	TLEV	All	Front	--	--	940106	D-280-100
2001	2.5L	1CRXT02.51C0	TLEV	All	Rear	949030	D-280-100	--	--
2001	2.5L	1CRXT02.51C0	TLEV	All	Rear	--	--	940636	D-280-100
2000	2.5L	YCRXT0150120	TLEV	All	Front	--	--	940106	D-280-100
2000	2.5L	YCRXT0150120	TLEV	All	Rear	--	--	940106	D-280-100
1999	2.5L	XCRXT0150120	TLEV	All	Front	--	--	940106	D-280-100
1999	2.5L	XCRXT0150120	TLEV	All	Rear	--	--	940106	D-280-100
1998	2.5L	WCRXT0150110	TIER1	All	Underbody	949099	D-280-100	--	--
1998	2.5L	WCRXT0150110	TIER1	All	Underbody	--	--	940105	D-280-100
1997	2.5L	VCR15018G1EK	TIER1	All	Underbody	630503	D-665-17	--	--
1997	2.5L	VCR15018G1EL	TIER1	All	Underbody	949099	D-280-100	--	--
1997	2.5L	VCR15018G1EL	TIER1	All	Underbody	--	--	940105	D-280-100
L6									
2006	4.0L	6CRXT04.02N0	LEV1 ULEV	All	Rear	--	--	747336	D-798
2006	4.0L	6CRXT04.02N0	LEV1 ULEV	All	Underbody	749170	D-798	--	--
2005	4.0L	5CRXT04.02N0	LEV1 ULEV	All	Rear	--	--	747336	D-798
2005	4.0L	5CRXT04.02N0	LEV1 ULEV	All	Underbody	749170	D-798	--	--
2004	4.0L	4CRXT04.02N0	LEV1 ULEV	All	Rear	--	--	747336	D-798
2004	4.0L	4CRXT04.02N0	LEV1 ULEV	All	Underbody	749170	D-798	--	--
2001	4.0L	1CRXT04.02D0	LEV1 LEV	All	Rear	651502	D-665-20	--	--
2000	4.0L	YCRXT0242230	LEV1 LEV	All	Front	911030	D-280-101	--	--
2000	4.0L	YCRXT0242230	LEV1 LEV	All	Rear	651502	D-665-20	--	--
1999	4.0L	XCRXT0242220	TLEV	All	Underbody	651653	D-665-20	--	--
1998	4.0L	WCRXT0242220	TLEV	All	Underbody	651653	D-665-20	--	--
1997	4.0L	VCR24228G1EK	TIER1	4WD	Underbody	910100	D-280-101	--	--
1997	4.0L	VCR24228G1EK	TIER1	4WD	Underbody	--	--	912005	D-280-101
1997	4.0L	VCR24228G1EL	TIER1	All	Underbody	910100	D-280-101	--	--
1997	4.0L	VCR24228G1EL	TIER1	All	Underbody	--	--	912005	D-280-101
V6									
2013	3.6L	DCRXT03.6VP1	LEV2 ULEV	All	Front Left	--	--	740665	D-798
2013	3.6L	DCRXT03.6VP1	LEV2 ULEV	All	Front Right	--	--	740665	D-798
2012	3.6L	CCRXT03.6VP1	LEV2 ULEV	All	Front Left	--	--	740665	D-798
2012	3.6L	CCRXT03.6VP1	LEV2 ULEV	All	Front Right	--	--	740665	D-798
2009	3.8L	9CRXT03.82P0	LEV2 LEV	All	Front Left	--	--	740005	D-798
2009	3.8L	9CRXT03.82P0	LEV2 LEV	All	Front Right	--	--	740005	D-798
2009	3.8L	9CRXT03.82P0	LEV2 LEV	All	Rear Left	--	--	747015	D-798
2009	3.8L	9CRXT03.82P0	LEV2 LEV	All	Rear Right	--	--	747015	D-798
2009	3.8L	9CRXT03.82P0	LEV2 LEV	All	Underbody	749420	D-798	--	--

Legal Note: In Compliance with California Emissions Requirements

APPLICATION GUIDE



OBD II

APPLICATION

Year	Eng. Size	Test Group/ Engine Family	Certification Level	Application	Location	Direct Fit Number	Exec. Order	Consol. Number	Exec. Order
Jeep (Cont.)									
Wrangler (Cont.)									
V6 (Cont.)									
2008	3.8L	8CRXT03.8NE1	LEV2 LEV	All	Front Left	--	--	740005	D-798
2008	3.8L	8CRXT03.8NE1	LEV2 LEV	All	Front Right	--	--	740005	D-798
2008	3.8L	8CRXT03.8NE1	LEV2 LEV	All	Rear Left	--	--	747015	D-798
2008	3.8L	8CRXT03.8NE1	LEV2 LEV	All	Rear Right	--	--	747015	D-798
2008	3.8L	8CRXT03.8NE1	LEV2 LEV	All	Underbody	749420	D-798	--	--
2007	3.8L	7CRXT0231N70	LEV2 LEV	All	Front Left	--	--	740005	D-798
2007	3.8L	7CRXT0231N70	LEV2 LEV	All	Front Right	--	--	740005	D-798
2007	3.8L	7CRXT0231N70	LEV2 LEV	All	Rear Left	--	--	747015	D-798
2007	3.8L	7CRXT0231N70	LEV2 LEV	All	Rear Right	--	--	747015	D-798
2007	3.8L	7CRXT0231N70	LEV2 LEV	All	Underbody	749420	D-798	--	--
Kia									
Amanti									
V6									
2006	3.5L	6KMXV03.5HL9	LEV1 LEV	All	Front Left	751070	D-280-102	--	--
2006	3.5L	6KMXV03.5HL9	LEV1 LEV	All	Front Right	751089	D-280-102	--	--
2006	3.5L	6KMXV03.5HL9	LEV1 LEV	All	Rear	944485	D-280-100	--	--
2006	3.5L	6KMXV03.5HL9	LEV1 LEV	All	Rear	754485	D-280-102	--	--
2006	3.5L	6KMXV03.5HL9	LEV1 LEV	All	Rear	--	--	940334	D-280-100
2006	3.5L	6KMXV03.5HL9	LEV1 LEV	All	Rear	--	--	755005	D-280-102
2005	3.5L	5KMXV03.5HL9	LEV1 LEV	All	Front Left	751070	D-280-102	--	--
2005	3.5L	5KMXV03.5HL9	LEV1 LEV	All	Front Right	751089	D-280-102	--	--
2005	3.5L	5KMXV03.5HL9	LEV1 LEV	All	Rear	944485	D-280-100	--	--
2005	3.5L	5KMXV03.5HL9	LEV1 LEV	All	Rear	754485	D-280-102	--	--
2005	3.5L	5KMXV03.5HL9	LEV1 LEV	All	Rear	--	--	940334	D-280-100
2005	3.5L	5KMXV03.5HL9	LEV1 LEV	All	Rear	--	--	755005	D-280-102
2004	3.5L	4KMXV03.5H01	LEV1 LEV	All	Front Left	751070	D-280-102	--	--
2004	3.5L	4KMXV03.5H01	LEV1 LEV	All	Front Right	751089	D-280-102	--	--
2004	3.5L	4KMXV03.5H01	LEV1 LEV	All	Rear	944485	D-280-100	--	--
2004	3.5L	4KMXV03.5H01	LEV1 LEV	All	Rear	754485	D-280-102	--	--
2004	3.5L	4KMXV03.5H01	LEV1 LEV	All	Rear	--	--	940334	D-280-100
2004	3.5L	4KMXV03.5H01	LEV1 LEV	All	Rear	--	--	755005	D-280-102
2007	3.8L	7KMXV03.8HW5	LEV2 ULEV	All	Front Left	751310	D-280-102	--	--
2007	3.8L	7KMXV03.8HW5	LEV2 ULEV	All	Front Right	751311	D-280-102	--	--
2007	3.8L	7KMXV03.8HW5	LEV2 ULEV	All	Underbody	754461	D-280-102	--	--
2007	3.8L	7KMXV03.8HW5	LEV2 ULEV	All	Underbody	--	--	755005	D-280-102
Optima									
L4									
2007	2.4L	7KMXV02.4MW5	LEV2 ULEV	All	Front	751098	D-280-102	--	--
2007	2.4L	7KMXV02.4MW5	LEV2 ULEV	All	Rear	--	--	755005	D-280-102
2007	2.4L	7KMXV02.4MW5	LEV2 ULEV	All	Underbody	754348	D-280-102	--	--
2006	2.4L	6KMXV02.4ML9	LEV1 LEV	All	Rear	--	--	755005	D-280-102
2006	2.4L	6KMXV02.4ML9	LEV1 LEV	Eng. Code VIN 3	Rear	944348	D-280-100	--	--
2006	2.4L	6KMXV02.4ML9	LEV1 LEV	Eng. VIN Code 6	Front	941018	D-280-100	--	--
2006	2.4L	6KMXV02.4ML9	LEV1 LEV	Eng. VIN Code 6	Front	751018	D-280-102	--	--
2006	2.4L	6KMXV02.4ML9	LEV1 LEV	Eng. VIN Code 6	Rear	944358	D-280-100	--	--
2006	2.4L	6KMXV02.4NW5	LEV2 ULEV	All	Front	751098	D-280-102	--	--
2006	2.4L	6KMXV02.4NW5	LEV2 ULEV	All	Rear	--	--	755005	D-280-102
2006	2.4L	6KMXV02.4NW5	LEV2 ULEV	All	Underbody	754348	D-280-102	--	--
2005	2.4L	5KMXV02.4ML9	LEV1 LEV	All	Front	751018	D-280-102	--	--
2005	2.4L	5KMXV02.4ML9	LEV1 LEV	All	Rear	--	--	755005	D-280-102
2005	2.4L	5KMXV02.4ML9	LEV1 LEV	All	Underbody	754358	D-280-102	--	--
2005	2.4L	5KMXV02.5ML9	LEV1 LEV	All	Front	941018	D-280-100	--	--
2005	2.4L	5KMXV02.5ML9	LEV1 LEV	All	Rear	944358	D-280-100	--	--

Legal Note: In Compliance with California Emissions Requirements



CATCO
CATALYTIC CONVERTERS

EASTERN CATALYTIC

APPLICATION GUIDE

OBD II

APPLICATION

Year	Eng. Size	Test Group/ Engine Family	Certification Level	Application	Location	Direct Fit Number	Exec. Order	Consol. Number	Exec. Order
Kia (Cont.)									
Optima (Cont.)									
L4 (Cont.)									
2004	2.4L	4KMXV02.4D04	LEV1 LEV	All	Front	941018	D-280-100	--	--
2004	2.4L	4KMXV02.4D04	LEV1 LEV	All	Front	751018	D-280-102	--	--
2004	2.4L	4KMXV02.4D04	LEV1 LEV	All	Front	112018	D-280-89	--	--
2004	2.4L	4KMXV02.4D04	LEV1 LEV	All	Rear	944358	D-280-100	--	--
2004	2.4L	4KMXV02.4D04	LEV1 LEV	All	Rear	--	--	755005	D-280-102
2004	2.4L	4KMXV02.4D04	LEV1 LEV	All	Underbody	754358	D-280-102	--	--
2003	2.4L	3KMXV02.4D03	LEV1 LEV	All	Front	941018	D-280-100	--	--
2003	2.4L	3KMXV02.4D03	LEV1 LEV	All	Front	751018	D-280-102	--	--
2003	2.4L	3KMXV02.4D03	LEV1 LEV	All	Front	112018	D-280-89	--	--
2003	2.4L	3KMXV02.4D03	LEV1 LEV	All	Rear	944358	D-280-100	--	--
2003	2.4L	3KMXV02.4D03	LEV1 LEV	All	Rear	--	--	755005	D-280-102
2003	2.4L	3KMXV02.4D03	LEV1 LEV	All	Underbody	754358	D-280-102	--	--
2002	2.4L	2KMXV02.4D02	LEV1 LEV	All	Front	941018	D-280-100	--	--
2002	2.4L	2KMXV02.4D02	LEV1 LEV	All	Front	751018	D-280-102	--	--
2002	2.4L	2KMXV02.4D02	LEV1 LEV	All	Front	112018	D-280-89	--	--
2002	2.4L	2KMXV02.4D02	LEV1 LEV	All	Rear	944358	D-280-100	--	--
2002	2.4L	2KMXV02.4D02	LEV1 LEV	All	Rear	--	--	755005	D-280-102
2002	2.4L	2KMXV02.4D02	LEV1 LEV	All	Underbody	754358	D-280-102	--	--
2001	2.4L	1KMXV02.4D01	LEV1 LEV	All	Front	751018	D-280-102	--	--
2001	2.4L	1KMXV02.4D01	LEV1 LEV	All	Front	112018	D-280-89	--	--
2001	2.4L	1KMXV02.4D01	LEV1 LEV	All	Front	--	--	750005	D-280-102
2001	2.4L	1KMXV02.4D01	LEV1 LEV	All	Rear	--	--	755005	D-280-102
2001	2.4L	1KMXV02.4D01	LEV1 LEV	All	Underbody	754358	D-280-102	--	--
2001	2.4L	1KMXV02.8D01	LEV1 LEV	All	Front	941018	D-280-100	--	--
2001	2.4L	1KMXV02.8D01	LEV1 LEV	All	Rear	944358	D-280-100	--	--
V6									
2001	2.5L	1KMXV02.5E01	LEV1 LEV	All	Underbody	944224	D-280-100	--	--
2001	2.5L	1KMXV02.5E01	LEV1 LEV	All	Underbody	754224	D-280-102	--	--
2001	2.5L	1KMXV02.5E01	LEV1 LEV	All	Underbody	--	--	755005	D-280-102
2001	2.5L	1KMXV02.5E01	LEV1 LEV	Curved Outlet	Front Left	941024	D-280-100	--	--
2001	2.5L	1KMXV02.5E01	LEV1 LEV	Curved Outlet	Front Left	751024	D-280-102	--	--
2001	2.5L	1KMXV02.5E01	LEV1 LEV	Curved Outlet	Front Right	941025	D-280-100	--	--
2001	2.5L	1KMXV02.5E01	LEV1 LEV	Curved Outlet	Front Right	751025	D-280-102	--	--
2007	2.7L	7KMXV02.7GWS	LEV2 ULEV	All	Front Left	751024	D-280-102	--	--
2007	2.7L	7KMXV02.7GWS	LEV2 ULEV	All	Front Right	751025	D-280-102	--	--
2007	2.7L	7KMXV02.7GWS	LEV2 ULEV	All	Underbody	754643	D-280-102	--	--
2007	2.7L	7KMXV02.7GWS	LEV2 ULEV	All	Underbody	--	--	755005	D-280-102
2006	2.7L	6KMXV02.7SL9	LEV1 LEV	All	Underbody	944224	D-280-100	--	--
2006	2.7L	6KMXV02.7SL9	LEV1 LEV	All	Underbody	754224	D-280-102	--	--
2006	2.7L	6KMXV02.7SL9	LEV1 LEV	All	Underbody	--	--	755005	D-280-102
2006	2.7L	6KMXV02.7SL9	LEV1 LEV	Eng. VIN Code 8	Front Left	941024	D-280-100	--	--
2006	2.7L	6KMXV02.7SL9	LEV1 LEV	Eng. VIN Code 8	Front Left	751024	D-280-102	--	--
2006	2.7L	6KMXV02.7SL9	LEV1 LEV	Eng. VIN Code 8	Front Right	941025	D-280-100	--	--
2006	2.7L	6KMXV02.7SL9	LEV1 LEV	Eng. VIN Code 8	Front Right	751025	D-280-102	--	--
2006	2.7L	6KMXV02.7TW5	LEV2 ULEV	All	Underbody	754224	D-280-102	--	--
2006	2.7L	6KMXV02.7TW5	LEV2 ULEV	All	Underbody	--	--	755006	D-280-102
2006	2.7L	6KMXV02.7TW5	LEV2 ULEV	Eng. VIN Code 8	Front Left	751024	D-280-102	--	--
2006	2.7L	6KMXV02.7TW5	LEV2 ULEV	Eng. VIN Code 8	Front Right	751025	D-280-102	--	--
2005	2.7L	5KMXV02.7SL9	LEV1 LEV	All	Underbody	944224	D-280-100	--	--
2005	2.7L	5KMXV02.7SL9	LEV1 LEV	All	Underbody	754224	D-280-102	--	--
2005	2.7L	5KMXV02.7SL9	LEV1 LEV	All	Underbody	--	--	755005	D-280-102
2005	2.7L	5KMXV02.7SL9	LEV1 LEV	Curved Outlet	Front Left	941024	D-280-100	--	--
2005	2.7L	5KMXV02.7SL9	LEV1 LEV	Curved Outlet	Front Left	751024	D-280-102	--	--
2005	2.7L	5KMXV02.7SL9	LEV1 LEV	Curved Outlet	Front Right	941025	D-280-100	--	--
2005	2.7L	5KMXV02.7SL9	LEV1 LEV	Curved Outlet	Front Right	751025	D-280-102	--	--
2004	2.7L	4KMXV02.7E03	LEV1 LEV	All	Underbody	944224	D-280-100	--	--
2004	2.7L	4KMXV02.7E03	LEV1 LEV	All	Underbody	754224	D-280-102	--	--
2004	2.7L	4KMXV02.7E03	LEV1 LEV	All	Underbody	--	--	755005	D-280-102

APPLICATION GUIDE



OBD II

APPLICATION

Year	Eng. Size	Test Group/ Engine Family	Certification Level	Application	Location	Direct Fit Number	Exec. Order	Consol. Number	Exec. Order
Kia (Cont.)									
Optima (Cont.)									
V6 (Cont.)									
2004	2.7L	4KMXV02.7E03	LEV1 LEV	Curved Outlet	Front Left	941024	D-280-100	--	--
2004	2.7L	4KMXV02.7E03	LEV1 LEV	Curved Outlet	Front Left	751024	D-280-102	--	--
2004	2.7L	4KMXV02.7E03	LEV1 LEV	Curved Outlet	Front Right	941025	D-280-100	--	--
2004	2.7L	4KMXV02.7E03	LEV1 LEV	Curved Outlet	Front Right	751025	D-280-102	--	--
2003	2.7L	3KMXV02.7E02	LEV1 LEV	All	Underbody	944224	D-280-100	--	--
2003	2.7L	3KMXV02.7E02	LEV1 LEV	All	Underbody	754224	D-280-102	--	--
2003	2.7L	3KMXV02.7E02	LEV1 LEV	All	Underbody	--	--	755005	D-280-102
2003	2.7L	3KMXV02.7E02	LEV1 LEV	Curved Outlet	Front Left	941024	D-280-100	--	--
2003	2.7L	3KMXV02.7E02	LEV1 LEV	Curved Outlet	Front Left	751024	D-280-102	--	--
2003	2.7L	3KMXV02.7E02	LEV1 LEV	Curved Outlet	Front Right	941025	D-280-100	--	--
2003	2.7L	3KMXV02.7E02	LEV1 LEV	Curved Outlet	Front Right	751025	D-280-102	--	--
2002	2.7L	2KMXV02.7E01	LEV1 LEV	All	Underbody	944224	D-280-100	--	--
2002	2.7L	2KMXV02.7E01	LEV1 LEV	All	Underbody	754224	D-280-102	--	--
2002	2.7L	2KMXV02.7E01	LEV1 LEV	All	Underbody	--	--	755005	D-280-102
2002	2.7L	2KMXV02.7E01	LEV1 LEV	Curved Outlet	Front Left	941024	D-280-100	--	--
2002	2.7L	2KMXV02.7E01	LEV1 LEV	Curved Outlet	Front Left	751024	D-280-102	--	--
2002	2.7L	2KMXV02.7E01	LEV1 LEV	Curved Outlet	Front Right	941025	D-280-100	--	--
2002	2.7L	2KMXV02.7E01	LEV1 LEV	Curved Outlet	Front Right	751025	D-280-102	--	--
Rio									
L4									
2002	1.5L	2KMXV01.5C02	LEV1 LEV	All	Front	941188	D-280-100	--	--
2002	1.5L	2KMXV01.5C02	LEV1 LEV	All	Front	112188	D-280-89	--	--
2002	1.5L	2KMXV01.5C02	LEV1 LEV	All	Rear	944288	D-280-100	--	--
2002	1.5L	2KMXV01.5C02	LEV1 LEV	All	Rear	--	--	940334	D-280-100
2001	1.5L	1KMXV01.5C01	LEV1 LEV	All	Front	941188	D-280-100	--	--
2001	1.5L	1KMXV01.5C01	LEV1 LEV	All	Front	112188	D-280-89	--	--
2001	1.5L	1KMXV01.5C01	LEV1 LEV	All	Rear	944288	D-280-100	--	--
2001	1.5L	1KMXV01.5C01	LEV1 LEV	All	Rear	--	--	940335	D-280-100
2007	1.6L	7KMXV01.6BW5	LEV2 ULEV	All	Front	754611	D-280-102	--	--
2007	1.6L	7KMXV01.6BW5	LEV2 ULEV	All	Front	--	--	750005	D-280-102
2007	1.6L	7KMXV01.6BW5	LEV2 ULEV	All	Underbody	752178	D-280-102	--	--
2007	1.6L	7KMXV01.6BW5	LEV2 ULEV	All	Underbody	--	--	755005	D-280-102
2006	1.6L	6KMXV01.6BW5	LEV2 ULEV	All	Front	754611	D-280-102	--	--
2006	1.6L	6KMXV01.6BW5	LEV2 ULEV	All	Front	--	--	750005	D-280-102
2006	1.6L	6KMXV01.6BW5	LEV2 ULEV	All	Underbody	752178	D-280-102	--	--
2006	1.6L	6KMXV01.6BW5	LEV2 ULEV	All	Underbody	--	--	755005	D-280-102
2005	1.6L	5KMXV01.6BM5	LEV2 LEV	All	Front	751035	D-280-102	--	--
2005	1.6L	5KMXV01.6BM5	LEV2 LEV	All	Underbody	--	--	755005	D-280-102
2005	1.6L	5KMXV01.6BM5	LEV1 LEV	All	Front	944611	D-280-100	--	--
2005	1.6L	5KMXV01.6BM5	LEV1 LEV	All	Front	--	--	940334	D-280-100
2005	1.6L	5KMXV01.6BM5	LEV1 LEV	All	Rear	942377	D-280-100	--	--
2004	1.6L	4KMXV01.6C02	LEV1 LEV	All	Front	941035	D-280-100	--	--
2004	1.6L	4KMXV01.6C02	LEV1 LEV	All	Front	751035	D-280-102	--	--
2004	1.6L	4KMXV01.6C02	LEV1 LEV	All	Underbody	--	--	940334	D-280-100
2004	1.6L	4KMXV01.6C03	LEV2 LEV	All	Front	751035	D-280-102	--	--
2004	1.6L	4KMXV01.6C03	LEV2 LEV	All	Underbody	--	--	755005	D-280-102
2003	1.6L	3KMXV01.6C01	LEV1 LEV	All	Front	941035	D-280-100	--	--
2003	1.6L	3KMXV01.6C01	LEV1 LEV	All	Front	751035	D-280-102	--	--
2003	1.6L	3KMXV01.6C01	LEV1 LEV	All	Underbody	--	--	940334	D-280-100
Rio5									
L4									
2007	1.6L	7KMXV01.6BW5	LEV2 ULEV	All	Front	754611	D-280-102	--	--
2007	1.6L	7KMXV01.6BW5	LEV2 ULEV	All	Rear	752178	D-280-102	--	--
2007	1.6L	7KMXV01.6BW5	LEV2 ULEV	All	Rear	--	--	755005	D-280-102
2006	1.6L	6KMXV01.6BW5	LEV2 ULEV	All	Front	754611	D-280-102	--	--
2006	1.6L	6KMXV01.6BW5	LEV2 ULEV	All	Rear	752178	D-280-102	--	--
2006	1.6L	6KMXV01.6BW5	LEV2 ULEV	All	Rear	--	--	755005	D-280-102

Legal Note: In Compliance with California Emissions Requirements



CATCO
CATALYTIC CONVERTERS

EASTERN CATALYTIC

APPLICATION GUIDE

OBD II

APPLICATION

Year	Eng. Size	Test Group/ Engine Family	Certification Level	Application	Location	Direct Fit Number	Exec. Order	Consol. Number	Exec. Order
Kia (Cont.)									
Rondo									
L4									
2007	2.4L	7KMXV02.4UW5	LEV2 ULEV	All	Front	--	--	750005	D-280-102
2007	2.4L	7KMXV02.4UW5	LEV2 ULEV	All	Rear	--	--	755005	D-280-102
2007	2.4L	7KMXV02.4UW5	LEV2 ULEV	All	Underbody	754348	D-280-102	--	--
V6									
2007	2.7L	7KMXV02.7NW5	LEV2 ULEV	All	Front	751024	D-280-102	--	--
2007	2.7L	7KMXV02.7NW5	LEV2 ULEV	All	Rear	751025	D-280-102	--	--
2007	2.7L	7KMXV02.7NW5	LEV2 ULEV	All	Underbody	754643	D-280-102	--	--
2007	2.7L	7KMXV02.7NW5	LEV2 ULEV	All	Underbody	--	--	755006	D-280-102
Sedona									
V6									
2010	3.8L	AKMXT03.8VW5	LEV2 ULEV	All	Front	741178	D-798	--	--
2010	3.8L	AKMXT03.8VW5	LEV2 ULEV	All	Rear	741179	D-798	--	--
2010	3.8L	AKMXT03.8VW5	LEV2 ULEV	All	Rear	--	--	747335	D-798
2010	3.8L	AKMXT03.8VW5	LEV2 ULEV	All	Underbody	744726	D-798	--	--
2009	3.8L	9KMXT03.8VW5	LEV2 ULEV	All	Front	741178	D-798	--	--
2009	3.8L	9KMXT03.8VW5	LEV2 ULEV	All	Rear	741179	D-798	--	--
2009	3.8L	9KMXT03.8VW5	LEV2 ULEV	All	Rear	--	--	747335	D-798
2009	3.8L	9KMXT03.8VW5	LEV2 ULEV	All	Underbody	744726	D-798	--	--
2008	3.8L	8KMXT03.8VW5	LEV2 ULEV	All	Front	741178	D-798	--	--
2008	3.8L	8KMXT03.8VW5	LEV2 ULEV	All	Rear	741179	D-798	--	--
2008	3.8L	8KMXT03.8VW5	LEV2 ULEV	All	Rear	--	--	747335	D-798
2008	3.8L	8KMXT03.8VW5	LEV2 ULEV	All	Underbody	744726	D-798	--	--
2007	3.8L	7KMXT03.8VW5	LEV2 ULEV	All	Front	741178	D-798	--	--
2007	3.8L	7KMXT03.8VW5	LEV2 ULEV	All	Rear	741179	D-798	--	--
2007	3.8L	7KMXT03.8VW5	LEV2 ULEV	All	Rear	--	--	747335	D-798
2007	3.8L	7KMXT03.8VW5	LEV2 ULEV	All	Underbody	744726	D-798	--	--
2006	3.8L	6KMXT03.8VW5	LEV2 ULEV	All	Front	741178	D-798	--	--
2006	3.8L	6KMXT03.8VW5	LEV2 ULEV	All	Rear	741179	D-798	--	--
2006	3.8L	6KMXT03.8VW5	LEV2 ULEV	All	Rear	--	--	747335	D-798
2006	3.8L	6KMXT03.8VW5	LEV2 ULEV	All	Underbody	744726	D-798	--	--
Sephia									
L4									
1997	1.6L	VKM1.6VJG2EK	TLEV	All	Rear	--	--	940334	D-280-100
1996	1.6L	TKM1.6VJG2EK	TLEV	All	Rear	--	--	940334	D-280-100
2001	1.8L	1KMXV01.8A04	LEV1 LEV	All	Front	112146	D-280-89	--	--
2001	1.8L	1KMXV01.8A04	LEV1 LEV	All	Rear	942846	D-280-100	--	--
2001	1.8L	1KMXV01.8A04	LEV1 LEV	All	Rear	942813	D-280-100	--	--
2001	1.8L	1KMXV01.8A04	LEV1 LEV	All	Rear	--	--	940334	D-280-100
2000	1.8L	YKMXV01.8A03	LEV1 LEV	All	Front	112146	D-280-89	--	--
2000	1.8L	YKMXV01.8A03	LEV1 LEV	All	Rear	942846	D-280-100	--	--
2000	1.8L	YKMXV01.8A03	LEV1 LEV	All	Rear	942813	D-280-100	--	--
2000	1.8L	YKMXV01.8A03	LEV1 LEV	All	Rear	--	--	940334	D-280-100
1999	1.8L	XKMXV01.8A02	TLEV	All	Rear	--	--	940334	D-280-100
1999	1.8L	XKMXV01.8A02	TLEV	To 05/11/99	Front	941083	D-280-100	--	--
1999	1.8L	XKMXV01.8A02	TLEV	To 05/11/99	Front	112083	D-280-89	--	--
1999	1.8L	XKMXV01.8A02	TLEV	To 05/11/99	Rear	942813	D-280-100	--	--
1998	1.8L	WKMXV01.8A01	TLEV	All	Front	941083	D-280-100	--	--
1998	1.8L	WKMXV01.8A01	TLEV	All	Front	112083	D-280-89	--	--
1998	1.8L	WKMXV01.8A01	TLEV	All	Rear	942813	D-280-100	--	--
1998	1.8L	WKMXV01.8A01	TLEV	All	Rear	--	--	940334	D-280-100
1997	1.8L	VKM1.8VJG1EK	TIER1	All	Underbody	--	--	940334	D-280-100
1996	1.8L	TKM1.8VJG1EK	TIER1	All	Underbody	--	--	940334	D-280-100
1995	1.8L	SKM1.8VJG1EK	TIER1	All	Underbody	--	--	940334	D-280-100
Sorento									
L4									
2013	2.4L	DKMXV02.44ME	LEV2 ULEV	All	Rear	--	--	747025	D-798
2013	2.4L	DKMXV02.44ME	LEV2 ULEV	All	Underbody	744710	D-798	--	--

Legal Note: In Compliance with California Emissions Requirements

APPLICATION GUIDE



OBD II

APPLICATION

Year	Eng. Size	Test Group/ Engine Family	Certification Level	Application	Location	Direct Fit Number	Exec. Order	Consol. Number	Exec. Order
Kia (Cont.)									
Sorento (Cont.)									
L4 (Cont.)									
2012	2.4L	CKMXT02.4CW5	LEV2 ULEV	All	Rear	--	--	747334	D-798
2012	2.4L	CKMXT02.4CW5	LEV2 ULEV	All	Underbody	744710	D-798	--	--
2012	2.4L	CKMXV02.4YW5	LEV2 ULEV	All	Rear	--	--	747334	D-798
2012	2.4L	CKMXV02.4YW5	LEV2 ULEV	All	Underbody	744710	D-798	--	--
2011	2.4L	BKMXT02.4CW5	LEV2 ULEV	All	Rear	--	--	747334	D-798
2011	2.4L	BKMXT02.4CW5	LEV2 ULEV	All	Underbody	744710	D-798	--	--
Spectra									
L4									
2004	1.8L	4KMXV01.8A07	LEV1 ULEV	All	Front	751146	D-280-102	--	--
2004	1.8L	4KMXV01.8A07	LEV1 ULEV	All	Rear	--	--	755005	D-280-102
2004	1.8L	4KMXV01.8A07	LEV1 ULEV	All	Underbody	754846	D-280-102	--	--
2003	1.8L	3KMXV01.8A06	LEV1 ULEV	All	Front	751146	D-280-102	--	--
2003	1.8L	3KMXV01.8A06	LEV1 ULEV	All	Rear	--	--	755005	D-280-102
2003	1.8L	3KMXV01.8A06	LEV1 ULEV	All	Underbody	754846	D-280-102	--	--
2002	1.8L	2KMXV01.8A05	LEV1 ULEV	All	Front	751146	D-280-102	--	--
2002	1.8L	2KMXV01.8A05	LEV1 ULEV	All	Rear	--	--	755005	D-280-102
2002	1.8L	2KMXV01.8A05	LEV1 ULEV	All	Underbody	754846	D-280-102	--	--
2001	1.8L	1KMXV01.8A04	LEV1 LEV	All	Rear	942846	D-280-100	--	--
2001	1.8L	1KMXV01.8A04	LEV1 LEV	All	Rear	942813	D-280-100	--	--
2001	1.8L	1KMXV01.8A04	LEV1 LEV	All	Rear	--	--	940334	D-280-100
2001	1.8L	1KMXV01.8A04	LEV1 LEV	To 05/22/01	Front	112146	D-280-89	--	--
2007	2.0L	7KMXV02.0LW4	LEV2 ULEV	All	Front	751186	D-280-102	--	--
2007	2.0L	7KMXV02.0LW4	LEV2 ULEV	All	Rear	--	--	755005	D-280-102
2007	2.0L	7KMXV02.0LW4	LEV2 ULEV	All	Underbody	754846	D-280-102	--	--
2006	2.0L	6KMXV02.0LW4	LEV2 ULEV	All	Front	751186	D-280-102	--	--
2006	2.0L	6KMXV02.0LW4	LEV2 ULEV	All	Rear	754846	D-280-102	--	--
2006	2.0L	6KMXV02.0LW4	LEV2 ULEV	All	Rear	--	--	755005	D-280-102
2005	2.0L	5KMXV02.0LW4	LEV2 ULEV	All	Front	751186	D-280-102	--	--
2005	2.0L	5KMXV02.0LW4	LEV2 ULEV	All	Rear	754846	D-280-102	--	--
2005	2.0L	5KMXV02.0LW4	LEV2 ULEV	All	Rear	--	--	755005	D-280-102
2004	2.0L	4KMXV02.0J02	LEV2 ULEV	All	Front	751186	D-280-102	--	--
2004	2.0L	4KMXV02.0J02	LEV2 ULEV	All	Rear	--	--	755005	D-280-102
2004	2.0L	4KMXV02.0J02	LEV2 ULEV	All	Underbody	754846	D-280-102	--	--
Sportage									
L4									
2006	2.0L	6KMXT02.0KU9	LEV1 ULEV	All	Front	808580	D-665-23	--	--
2006	2.0L	6KMXT02.0KU9	LEV1 ULEV	All	Rear	809640	D-665-23	--	--
2005	2.0L	5KMXT02.0KU9	LEV1 ULEV	All	Front	808580	D-665-23	--	--
2005	2.0L	5KMXT02.0KU9	LEV1 ULEV	All	Rear	809640	D-665-23	--	--
2002	2.0L	2KMXT02.0B05	LEV1 LEV	A/T	Rear	942309	D-280-100	--	--
2002	2.0L	2KMXT02.0B05	LEV1 LEV	M/T	Front	112038	D-280-89	--	--
2002	2.0L	2KMXT02.0B05	LEV1 LEV	M/T	Rear	--	--	940334	D-280-100
2001	2.0L	1KMXT02.0B04	LEV1 LEV	A/T	Front	112009	D-280-89	--	--
2001	2.0L	1KMXT02.0B04	LEV1 LEV	A/T	Rear	942309	D-280-100	--	--
2001	2.0L	1KMXT02.0B04	LEV1 LEV	All	Rear	--	--	940334	D-280-100
2001	2.0L	1KMXT02.0B04	LEV1 LEV	M/T	Front	112038	D-280-89	--	--
2000	2.0L	YKMXT02.0B03	LEV1 LEV	All	Rear	--	--	940334	D-280-100
2000	2.0L	YKMXT02.0B03	LEV1 LEV	1st Design, 2 Piece	Front	112038	D-280-89	--	--
2000	2.0L	YKMXT02.0B03	LEV1 LEV	1st Design, 2 Piece	Rear	942847	D-280-100	--	--
2000	2.0L	YKMXT02.0B03	LEV1 LEV	2nd Design, 3 Piece	Front	112077	D-280-89	--	--
2000	2.0L	YKMXT02.0B03	LEV1 LEV	2nd Design, 3 Piece	Rear	942978	D-280-100	--	--
1999	2.0L	XKMXT02.0B02	TLEV	All	Rear	--	--	940334	D-280-100
1999	2.0L	XKMXT02.0B02	TLEV	1st Design, 2 Piece	Front	112038	D-280-89	--	--
1999	2.0L	XKMXT02.0B02	TLEV	1st Design, 2 Piece	Rear	942847	D-280-100	--	--
1999	2.0L	XKMXT02.0B02	TLEV	2nd Design, 3 Piece	Front	112077	D-280-89	--	--
1999	2.0L	XKMXT02.0B02	TLEV	2nd Design, 3 Piece	Rear	942978	D-280-100	--	--
1998	2.0L	WKMXT02.0B01	TLEV	All	Rear	--	--	940334	D-280-100

Legal Note: In Compliance with California Emissions Requirements



CATCO
CATALYTIC CONVERTERS

EASTERN CATALYTIC

APPLICATION GUIDE

OBD II

APPLICATION

Year	Eng. Size	Test Group/ Engine Family	Certification Level	Application	Location	Direct Fit Number	Exec. Order	Consol. Number	Exec. Order
Kia (Cont.)									
Sportage (Cont.)									
L4 (Cont.)									
1998	2.0L	WKMXT02.0B01	TLEV	1st Design, 2 Piece	Front	112038	D-280-89	--	--
1998	2.0L	WKMXT02.0B01	TLEV	1st Design, 2 Piece	Rear	942847	D-280-100	--	--
1998	2.0L	WKMXT02.0B01	TLEV	2nd Design, 3 Piece	Front	112077	D-280-89	--	--
1998	2.0L	WKMXT02.0B01	TLEV	2nd Design, 3 Piece	Rear	942978	D-280-100	--	--
1997	2.0L	VKM2.01JG1EK	TIER1	All	Underbody	--	--	940334	D-280-100
1996	2.0L	TKM2.01JG1EK	TIER1	All	Underbody	--	--	940334	D-280-100
Land Rover									
Defender 90									
V8									
1997	4.0L	VLR4.658GFEK	TIER1	All	Underbody Left	--	--	910004R	D-280-101
1997	4.0L	VLR4.658GFEK	TIER1	All	Underbody Right	--	--	910004R	D-280-101
Discovery									
V8									
2002	4.0L	2LRXT04.6001	LEV1 LEV	All	Underbody	919709	D-280-101	--	--
2002	4.0L	2LRXT04.6001	LEV1 LEV	All	Underbody Left	--	--	910004R	D-280-101
2002	4.0L	2LRXT04.6001	LEV1 LEV	All	Underbody Right	--	--	910004R	D-280-101
2002	4.0L	2LRXT04.6003	LEV1 LEV	All	Underbody	919709	D-280-101	--	--
2002	4.0L	2LRXT04.6003	LEV1 LEV	All	Underbody Left	--	--	910004R	D-280-101
2002	4.0L	2LRXT04.6003	LEV1 LEV	All	Underbody Right	--	--	910004R	D-280-101
2001	4.0L	1LRXT04.6001	LEV1 LEV	All	Underbody	919709	D-280-101	--	--
2001	4.0L	1LRXT04.6001	LEV1 LEV	All	Underbody Left	--	--	910004R	D-280-101
2001	4.0L	1LRXT04.6001	LEV1 LEV	All	Underbody Right	--	--	910004R	D-280-101
2000	4.0L	YLRXT04.6002	LEV1 LEV	All	Underbody	919709	D-280-101	--	--
2000	4.0L	YLRXT04.6002	LEV1 LEV	All	Underbody Left	--	--	910004R	D-280-101
2000	4.0L	YLRXT04.6002	LEV1 LEV	All	Underbody Right	--	--	910004R	D-280-101
1999	4.0L	XLRXT04.6001	TIER1	All	Underbody	919709	D-280-101	--	--
1999	4.0L	XLRXT04.6001	TIER1	All	Underbody Left	--	--	910004R	D-280-101
1999	4.0L	XLRXT04.6001	TIER1	All	Underbody Right	--	--	910004R	D-280-101
1999	4.0L	XLRXT04.6002	TIER1	All	Underbody	919709	D-280-101	--	--
1999	4.0L	XLRXT04.6002	TIER1	All	Underbody Left	--	--	910004R	D-280-101
1999	4.0L	XLRXT04.6002	TIER1	All	Underbody Right	--	--	910004R	D-280-101
1998	4.0L	WLRXT04.6001	TIER1	All	Underbody	919707	D-280-101	--	--
1998	4.0L	WLRXT04.6001	TIER1	All	Underbody Left	--	--	910004R	D-280-101
1998	4.0L	WLRXT04.6001	TIER1	All	Underbody Right	--	--	910004R	D-280-101
1997	4.0L	VLR4.058GFFK	TIER1	All	Underbody	919707	D-280-101	--	--
1997	4.0L	VLR4.058GFFK	TIER1	All	Underbody Left	--	--	910004R	D-280-101
1997	4.0L	VLR4.058GFFK	TIER1	All	Underbody Right	--	--	910004R	D-280-101
1997	4.0L	VLR4.658GFEK	TIER1	All	Underbody	919707	D-280-101	--	--
1997	4.0L	VLR4.658GFEK	TIER1	All	Underbody Left	--	--	910004R	D-280-101
1997	4.0L	VLR4.658GFEK	TIER1	All	Underbody Right	--	--	910004R	D-280-101
1996	4.0L	TLR4.658GFFK	TIER1	All	Underbody	919707	D-280-101	--	--
1996	4.0L	TLR4.658GFFK	TIER1	All	Underbody Left	--	--	910004R	D-280-101
1996	4.0L	TLR4.658GFFK	TIER1	All	Underbody Right	--	--	910004R	D-280-101
1996	4.0L	TLR4.6H8G1EK	TIER1	All	Underbody	919707	D-280-101	--	--
1996	4.0L	TLR4.6H8G1EK	TIER1	All	Underbody Left	--	--	910004R	D-280-101
1996	4.0L	TLR4.6H8G1EK	TIER1	All	Underbody Right	--	--	910004R	D-280-101
2004	4.6L	4LRXT04.6001	LEV1 LEV	All	Underbody	919709	D-280-101	--	--
2004	4.6L	4LRXT04.6001	LEV1 LEV	All	Underbody Left	--	--	910004R	D-280-101
2004	4.6L	4LRXT04.6001	LEV1 LEV	All	Underbody Right	--	--	910004R	D-280-101
Freelander									
V6									
2005	2.5L	5LRXT02.5001	LEV2 LEV	All	Front Right	749713	D-798	--	--
2004	2.5L	4LRXT02.5001	LEV1 ULEV	All	Front Right	749713	D-798	--	--
2004	2.5L	4LRXT02.5002	LEV1 ULEV	All	Front Right	749713	D-798	--	--
2003	2.5L	3LRXT02.5001	LEV1 LEV	All	Front Right	919713	D-280-101	--	--
2003	2.5L	3LRXT02.5001	LEV1 LEV	All	Left	919712	D-280-101	--	--
2003	2.5L	3LRXT02.5001	LEV1 LEV	All	Front Right	749713	D-798	--	--

Legal Note: In Compliance with California Emissions Requirements

APPLICATION GUIDE



OBD II

APPLICATION

Year	Eng. Size	Test Group/ Engine Family	Certification Level	Application	Location	Direct Fit Number	Exec. Order	Consol. Number	Exec. Order
Land Rover (Cont.)									
Freelander (Cont.)									
V6 (Cont.)									
2003	2.5L	3LRXT02.5002	LEV1 LEV	All	Front	919712	D-280-101	--	--
2003	2.5L	3LRXT02.5002	LEV1 LEV	All	Front Right	919713	D-280-101	--	--
2003	2.5L	3LRXT02.5002	LEV1 LEV	All	Front Right	749713	D-798	--	--
2002	2.5L	2LRXT02.5001	LEV1 LEV	All	Front	919712	D-280-101	--	--
2002	2.5L	2LRXT02.5001	LEV1 LEV	All	Rear Right	919713	D-280-101	--	--
2002	2.5L	2LRXT02.5001	LEV1 LEV	All	Front Right	749713	D-798	--	--
LR2									
L6									
2012	3.2L	CLRXT03.2001	LEV2 ULEV	All	Front Left	741320	D-798	--	--
2012	3.2L	CLRXT03.2001	LEV2 ULEV	All	Front Right	741319	D-798	--	--
2012	3.2L	CLRXT03.2001	LEV2 ULEV	All	Rear Left	--	--	747015	D-798
2012	3.2L	CLRXT03.2001	LEV2 ULEV	All	Rear Right	--	--	747015	D-798
2011	3.2L	BLRXT03.2001	LEV2 ULEV	All	Front Left	741320	D-798	--	--
2011	3.2L	BLRXT03.2001	LEV2 ULEV	All	Front Right	741319	D-798	--	--
2011	3.2L	BLRXT03.2001	LEV2 ULEV	All	Rear Left	--	--	747015	D-798
2011	3.2L	BLRXT03.2001	LEV2 ULEV	All	Rear Right	--	--	747015	D-798
2010	3.2L	ALRXT03.2001	LEV2 ULEV	All	Front Left	741320	D-798	--	--
2010	3.2L	ALRXT03.2001	LEV2 ULEV	All	Front Right	741319	D-798	--	--
2010	3.2L	ALRXT03.2001	LEV2 ULEV	All	Rear Left	--	--	747015	D-798
2010	3.2L	ALRXT03.2001	LEV2 ULEV	All	Rear Right	--	--	747015	D-798
2009	3.2L	9LRXT03.2001	LEV2 ULEV	All	Front Left	741320	D-798	--	--
2009	3.2L	9LRXT03.2001	LEV2 ULEV	All	Front Right	741319	D-798	--	--
2009	3.2L	9LRXT03.2001	LEV2 ULEV	All	Rear Left	--	--	747015	D-798
2009	3.2L	9LRXT03.2001	LEV2 ULEV	All	Rear Right	--	--	747015	D-798
2008	3.2L	8LRXT03.2001	LEV2 ULEV	All	Front Left	741320	D-798	--	--
2008	3.2L	8LRXT03.2001	LEV2 ULEV	All	Front Right	741319	D-798	--	--
2008	3.2L	8LRXT03.2001	LEV2 ULEV	All	Rear Left	--	--	747015	D-798
2008	3.2L	8LRXT03.2001	LEV2 ULEV	All	Rear Right	--	--	747015	D-798
Range Rover									
V8									
2000	4.0L	YLRXT04.6002	LEV1 LEV	All	Underbody	919882	D-280-101	--	--
2000	4.0L	YLRXT04.6002	LEV1 LEV	All	Underbody Left	--	--	910004R	D-280-101
2000	4.0L	YLRXT04.6002	LEV1 LEV	All	Underbody Right	--	--	910004R	D-280-101
1999	4.0L	XLRXT04.6001	TIER1	All	Underbody	919882	D-280-101	--	--
1999	4.0L	XLRXT04.6001	TIER1	All	Underbody Left	--	--	910004R	D-280-101
1999	4.0L	XLRXT04.6001	TIER1	All	Underbody Right	--	--	910004R	D-280-101
1999	4.0L	XLRXT04.6002	TIER1	All	Underbody	919882	D-280-101	--	--
1999	4.0L	XLRXT04.6002	TIER1	All	Underbody Left	--	--	910004R	D-280-101
1999	4.0L	XLRXT04.6002	TIER1	All	Underbody Right	--	--	910004R	D-280-101
1998	4.0L	WLRXT04.6001	TIER1	All	Underbody Left	--	--	910004R	D-280-101
1998	4.0L	WLRXT04.6001	TIER1	All	Underbody Right	--	--	910004R	D-280-101
1997	4.0L	VLR4.658GFEK	TIER1	All	Underbody Left	--	--	910004R	D-280-101
1997	4.0L	VLR4.658GFEK	TIER1	All	Underbody Right	--	--	910004R	D-280-101
1996	4.0L	TLR4.658GFFK	TIER1	All	Underbody Left	--	--	910004R	D-280-101
1996	4.0L	TLR4.658GFFK	TIER1	All	Underbody Right	--	--	910004R	D-280-101
1996	4.0L	TLR4.6H8G1EK	TIER1	All	Underbody Left	--	--	910004R	D-280-101
1996	4.0L	TLR4.6H8G1EK	TIER1	All	Underbody Right	--	--	910004R	D-280-101
2009	4.2L	9LRXT04.2001	LEV2 LEV	All	Front Left	749538	D-798	--	--
2009	4.2L	9LRXT04.2001	LEV2 LEV	All	Front Right	749539	D-798	--	--
2008	4.2L	8LRXT04.2001	LEV2 LEV	All	Front Left	749538	D-798	--	--
2008	4.2L	8LRXT04.2001	LEV2 LEV	All	Front Right	749539	D-798	--	--
2007	4.2L	7LRXT04.2001	LEV2 LEV	All	Front Left	749538	D-798	--	--
2007	4.2L	7LRXT04.2001	LEV2 LEV	All	Front Right	749539	D-798	--	--
2009	4.4L	9LRXT04.2001	LEV2 LEV	All	Front Left	749538	D-798	--	--
2009	4.4L	9LRXT04.2001	LEV2 LEV	All	Front Right	749539	D-798	--	--
2008	4.4L	8LRXT04.2001	LEV2 LEV	All	Front Left	749538	D-798	--	--
2008	4.4L	8LRXT04.2001	LEV2 LEV	All	Front Right	749539	D-798	--	--

Legal Note: In Compliance with California Emissions Requirements

**CATCO**
CATALYTIC CONVERTERS**EASTERN CATALYTIC**

APPLICATION GUIDE

OBD II**APPLICATION**

Year	Eng. Size	Test Group/ Engine Family	Certification Level	Application	Location	Direct Fit Number	Exec. Order	Consol. Number	Exec. Order
Land Rover (Cont.)									
Range Rover (Cont.)									
V8 (Cont.)									
2007	4.4L	7LRXT04.2001	LEV2 LEV	All	Front Left	749538	D-798	--	--
2007	4.4L	7LRXT04.2001	LEV2 LEV	All	Front Right	749539	D-798	--	--
2003	4.4L	3LRXT04.4001	LEV1 LEV	All	Underbody Left	--	--	910004R	D-280-101
2003	4.4L	3LRXT04.4001	LEV1 LEV	All	Underbody Right	--	--	910004R	D-280-101
2002	4.6L	2LRXT04.6001	LEV1 LEV	All	Underbody	919882	D-280-101	--	--
2002	4.6L	2LRXT04.6001	LEV1 LEV	All	Underbody Left	--	--	910004R	D-280-101
2002	4.6L	2LRXT04.6001	LEV1 LEV	All	Underbody Right	--	--	910004R	D-280-101
2001	4.6L	1LRXT04.6001	LEV1 LEV	All	Underbody	919882	D-280-101	--	--
2001	4.6L	1LRXT04.6001	LEV1 LEV	All	Underbody Left	--	--	910004R	D-280-101
2001	4.6L	1LRXT04.6001	LEV1 LEV	All	Underbody Right	--	--	910004R	D-280-101
2000	4.6L	YLRXT04.6002	LEV1 LEV	All	Underbody	919882	D-280-101	--	--
2000	4.6L	YLRXT04.6002	LEV1 LEV	All	Underbody Left	--	--	910004R	D-280-101
2000	4.6L	YLRXT04.6002	LEV1 LEV	All	Underbody Right	--	--	910004R	D-280-101
1999	4.6L	XLRXT04.6001	TIER1	All	Underbody	919882	D-280-101	--	--
1999	4.6L	XLRXT04.6001	TIER1	All	Underbody Left	--	--	910004R	D-280-101
1999	4.6L	XLRXT04.6001	TIER1	All	Underbody Right	--	--	910004R	D-280-101
1999	4.6L	XLRXT04.6002	TIER1	All	Underbody	919882	D-280-101	--	--
1999	4.6L	XLRXT04.6002	TIER1	All	Underbody Left	--	--	910004R	D-280-101
1999	4.6L	XLRXT04.6002	TIER1	All	Underbody Right	--	--	910004R	D-280-101
1998	4.6L	WLRXT04.6001	TIER1	All	Underbody Left	--	--	910004R	D-280-101
1998	4.6L	WLRXT04.6001	TIER1	All	Underbody Right	--	--	910004R	D-280-101
1997	4.6L	VLR4.658GF EK	TIER1	All	Underbody Left	--	--	910004R	D-280-101
1997	4.6L	VLR4.658GF EK	TIER1	All	Underbody Right	--	--	910004R	D-280-101
1996	4.6L	TLR4.658GFFK	TIER1	All	Underbody Left	--	--	910004R	D-280-101
1996	4.6L	TLR4.658GFFK	TIER1	All	Underbody Right	--	--	910004R	D-280-101
1996	4.6L	TLR4.6H8G1EK	TIER1	All	Underbody Left	--	--	910004R	D-280-101
1996	4.6L	TLR4.6H8G1EK	TIER1	All	Underbody Right	--	--	910004R	D-280-101
Range Rover Sport									
V8									
2009	4.2L	9LRXT04.2001	LEV2 LEV	All	Front Left	749538	D-798	--	--
2009	4.2L	9LRXT04.2001	LEV2 LEV	All	Front Right	749539	D-798	--	--
2008	4.2L	8LRXT04.2001	LEV2 LEV	All	Front Left	749538	D-798	--	--
2008	4.2L	8LRXT04.2001	LEV2 LEV	All	Front Right	749539	D-798	--	--
2007	4.2L	7LRXT04.2001	LEV2 LEV	All	Front Left	749538	D-798	--	--
2007	4.2L	7LRXT04.2001	LEV2 LEV	All	Front Right	749539	D-798	--	--
Lexus									
ES300									
V6									
2003	3.0L	3TYXV03.0HHA	LEV1 ULEV	All	Front	754579	D-280-102	--	--
2003	3.0L	3TYXV03.0HHA	LEV1 ULEV	All	Rear	754578	D-280-102	--	--
2003	3.0L	3TYXV03.0HHA	LEV1 ULEV	All	Underbody	754383	D-280-102	--	--
2003	3.0L	3TYXV03.0HHA	LEV1 ULEV	All	Underbody	--	--	755005	D-280-102
2002	3.0L	2TYXV03.0JJA	LEV1 ULEV	All	Front	754579	D-280-102	--	--
2002	3.0L	2TYXV03.0JJA	LEV1 ULEV	All	Rear	754578	D-280-102	--	--
2002	3.0L	2TYXV03.0JJA	LEV1 ULEV	All	Underbody	754383	D-280-102	--	--
2002	3.0L	2TYXV03.0JJA	LEV1 ULEV	All	Underbody	--	--	755005	D-280-102
2001	3.0L	1TYXV03.0FFC	LEV1 LEV	All	Front Left	941076	D-280-100	--	--
2001	3.0L	1TYXV03.0FFC	LEV1 LEV	All	Front Right	944476	D-280-100	--	--
2001	3.0L	1TYXV03.0FFC	LEV1 LEV	All	Front Right	--	--	940104	D-280-100
2001	3.0L	1TYXV03.0FFC	LEV1 LEV	All	Rear	944373	D-280-100	--	--
2001	3.0L	1TYXV03.0FFC	LEV1 LEV	All	Rear	--	--	940105	D-280-100
2000	3.0L	YTYXV03.0FFC	LEV1 LEV	All	Front Left	941076	D-280-100	--	--
2000	3.0L	YTYXV03.0FFC	LEV1 LEV	All	Front Right	944476	D-280-100	--	--
2000	3.0L	YTYXV03.0FFC	LEV1 LEV	All	Front Right	--	--	940104	D-280-100
2000	3.0L	YTYXV03.0FFC	LEV1 LEV	All	Rear	944373	D-280-100	--	--
2000	3.0L	YTYXV03.0FFC	LEV1 LEV	All	Rear	--	--	940105	D-280-100

Legal Note: In Compliance with California Emissions Requirements

APPLICATION GUIDE



OBD II

APPLICATION

Year	Eng. Size	Test Group/ Engine Family	Certification Level	Application	Location	Direct Fit Number	Exec. Order	Consol. Number	Exec. Order
Lexus (Cont.)									
ES300 (Cont.)									
V6 (Cont.)									
1999	3.0L	XTYXV03.0GBC	TLEV	All	Front Left	941076	D-280-100	--	--
1999	3.0L	XTYXV03.0GBC	TLEV	All	Front Right	944476	D-280-100	--	--
1999	3.0L	XTYXV03.0GBC	TLEV	All	Front Right	--	--	940104	D-280-100
1999	3.0L	XTYXV03.0GBC	TLEV	All	Rear	944373	D-280-100	--	--
1999	3.0L	XTYXV03.0GBC	TLEV	All	Rear	--	--	940105	D-280-100
1998	3.0L	WTYXV03.0GXB	LEV1 LEV	A/T	Underbody	944259	D-280-100	--	--
1998	3.0L	WTYXV03.0GXB	LEV1 LEV	All	Front	941076	D-280-100	--	--
1998	3.0L	WTYXV03.0GXB	LEV1 LEV	All	Rear	--	--	940105	D-280-100
1997	3.0L	VTY3.0VJGKFK	TIER1	A/T	Underbody	944835	D-280-100	--	--
1997	3.0L	VTY3.0VJGKFK	TIER1	M/T	Underbody	944388	D-280-100	--	--
1997	3.0L	VTY3.0VJGKFK	TIER1	All	Underbody	--	--	940334	D-280-100
1996	3.0L	TTY3.0VJG1GK	TIER1	A/T	Underbody	944976	D-280-100	--	--
1996	3.0L	TTY3.0VJG1GK	TIER1	All	Underbody	--	--	940334	D-280-100
1995	3.0L	STY3.0VJGFEK	TIER1	A/T	Underbody	944976	D-280-100	--	--
1995	3.0L	STY3.0VJGFEK	TIER1	A/T	Underbody	--	--	940334	D-280-100
1994	3.0L	RTY3.0VJGFEK	TIER1	A/T	Underbody	944976	D-280-100	--	--
1994	3.0L	RTY3.0VJGFEK	TIER1	All	Underbody	--	--	940334	D-280-100
ES330									
V6									
2006	3.3L	6TYXV03.3BEA	LEV2 ULEV	All	Front	754579	D-280-102	--	--
2006	3.3L	6TYXV03.3BEA	LEV2 ULEV	All	Rear	754578	D-280-102	--	--
2006	3.3L	6TYXV03.3BEA	LEV2 ULEV	All	Underbody	754383	D-280-102	--	--
2006	3.3L	6TYXV03.3BEA	LEV2 ULEV	All	Underbody	--	--	755005	D-280-102
2004	3.3L	4TYXV03.3PEA	LEV2 ULEV	All	Front	754579	D-280-102	--	--
2004	3.3L	4TYXV03.3PEA	LEV2 ULEV	All	Rear	754578	D-280-102	--	--
2004	3.3L	4TYXV03.3PEA	LEV2 ULEV	All	Underbody	754383	D-280-102	--	--
2004	3.3L	4TYXV03.3PEA	LEV2 ULEV	All	Underbody	--	--	755005	D-280-102
ES350									
V6									
2007	3.5L	7TYXV03.5BEA	LEV2 ULEV	All	Front	751159	D-280-102	--	--
2007	3.5L	7TYXV03.5BEA	LEV2 ULEV	All	Rear	751157	D-280-102	--	--
2007	3.5L	7TYXV03.5BEA	LEV2 ULEV	All	Underbody	754757	D-280-102	--	--
2007	3.5L	7TYXV03.5BEA	LEV2 ULEV	All	Underbody	--	--	755005	D-280-102
GS300									
L6									
2006	3.0L	6TYXV03.0WMB	LEV1 ULEV	All	Front	--	--	750005	D-280-102
2006	3.0L	6TYXV03.0WMB	LEV1 ULEV	All	Rear	--	--	755006	D-280-102
2005	3.0L	5TYXV03.0VMA	LEV1 LEV	All	Front	754276	D-280-102	--	--
2005	3.0L	5TYXV03.0VMA	LEV1 LEV	All	Front	--	--	940105	D-280-100
2005	3.0L	5TYXV03.0VMA	LEV1 LEV	All	Rear	942279	D-280-100	--	--
2005	3.0L	5TYXV03.0VMA	LEV1 LEV	All	Rear	754440	D-280-102	--	--
2005	3.0L	5TYXV03.0VMA	LEV1 LEV	All	Rear	--	--	940106	D-280-100
2005	3.0L	5TYXV03.0VMA	LEV1 LEV	All	Rear	--	--	755005	D-280-102
2004	3.0L	4TYXV03.0VMD	LEV1 LEV	All	Front	--	--	940105	D-280-100
2004	3.0L	4TYXV03.0VMD	LEV1 LEV	All	Rear	942279	D-280-100	--	--
2004	3.0L	4TYXV03.0VMD	LEV1 LEV	All	Rear	--	--	940106	D-280-100
2003	3.0L	3TYXV03.0FFF	LEV1 LEV	All	Front	--	--	940105	D-280-100
2003	3.0L	3TYXV03.0FFF	LEV1 LEV	All	Rear	942279	D-280-100	--	--
2003	3.0L	3TYXV03.0FFF	LEV1 LEV	All	Rear	--	--	940106	D-280-100
2002	3.0L	2TYXV03.0FFF	LEV1 LEV	All	Front	--	--	940105	D-280-100
2002	3.0L	2TYXV03.0FFF	LEV1 LEV	All	Rear	942279	D-280-100	--	--
2002	3.0L	2TYXV03.0FFF	LEV1 LEV	All	Rear	--	--	940106	D-280-100
2001	3.0L	1TYXV03.0FFE	LEV1 LEV	All	Front	--	--	940105	D-280-100
2001	3.0L	1TYXV03.0FFE	LEV1 LEV	All	Rear	942279	D-280-100	--	--
2001	3.0L	1TYXV03.0FFE	LEV1 LEV	All	Rear	--	--	940106	D-280-100
2000	3.0L	YTYXV03.0FFD	LEV1 LEV	All	Front	--	--	940105	D-280-100

Legal Note: In Compliance with California Emissions Requirements

**CATCO**
CATALYTIC CONVERTERS**EASTERN CATALYTIC****APPLICATION GUIDE****OBD II****APPLICATION**

Year	Eng. Size	Test Group/ Engine Family	Certification Level	Application	Location	Direct Fit Number	Exec. Order	Consol. Number	Exec. Order
Lexus (Cont.)									
GS300 (Cont.)									
L6 (Cont.)									
2000	3.0L	YTYXV03.0FFD	LEV1 LEV	All	Rear	942279	D-280-100	--	--
2000	3.0L	YTYXV03.0FFD	LEV1 LEV	All	Rear	--	--	940106	D-280-100
1999	3.0L	XTYXV03.0DBF	TLEV	All	Underbody	--	--	940105	D-280-100
1998	3.0L	WTYXV03.0BBC	TIER1	All	Underbody	--	--	940105	D-280-100
1997	3.0L	VTY3.0VJGKEK	TIER1	All	Front	--	--	940637	D-280-100
1997	3.0L	VTY3.0VJGKEK	TIER1	All	Rear	--	--	942566	D-280-100
1997	3.0L	VTY3.0VJGKEK	TIER1	All	Underbody	942337	D-280-100	--	--
1996	3.0L	TTY3.0VJGKEK	TIER1	All	Front	--	--	940637	D-280-100
1996	3.0L	TTY3.0VJGKEK	TIER1	All	Rear	--	--	942566	D-280-100
1996	3.0L	TTY3.0VJGKEK	TIER1	All	Underbody	942337	D-280-100	--	--
1995	3.0L	STY3.0VJGEEA	TIER1	All	Front	--	--	940637	D-280-100
1995	3.0L	STY3.0VJGEEA	TIER1	All	Rear	--	--	942566	D-280-100
1995	3.0L	STY3.0VJGEEA	TIER1	All	Underbody	942337	D-280-100	--	--
GS400									
V8									
2000	4.0L	YTYXV04.0DDA	TLEV	All	Rear	942971	D-280-100	--	--
2000	4.0L	YTYXV04.0DDA	TLEV	All	Rear	--	--	940105	D-280-100
2000	4.0L	YTYXV04.0DDA	TLEV	All	Underbody Left	942971	D-280-100	--	--
2000	4.0L	YTYXV04.0DDA	TLEV	All	Underbody Left	--	--	940105	D-280-100
1999	4.0L	XTYXV04.0DBA	TLEV	All	Rear	942971	D-280-100	--	--
1999	4.0L	XTYXV04.0DBA	TLEV	All	Rear	--	--	940105	D-280-100
1999	4.0L	XTYXV04.0DBA	TLEV	All	Underbody Left	942971	D-280-100	--	--
1999	4.0L	XTYXV04.0DBA	TLEV	All	Underbody Left	--	--	940105	D-280-100
1998	4.0L	WTYXV04.0DBB	TIER1	All	Front Right	942971	D-280-100	--	--
1998	4.0L	WTYXV04.0DBB	TIER1	All	Rear	--	--	940105	D-280-100
1998	4.0L	WTYXV04.0DBB	TIER1	All	Underbody Left	--	--	940105	D-280-100
GS430									
V8									
2007	4.3L	7TYXV04.3AJA	LEV2 LEV	All	Front Right	754971	D-280-102	--	--
2007	4.3L	7TYXV04.3AJA	LEV2 LEV	All	Underbody	--	--	755005	D-280-102
2006	4.3L	6TYXV04.3WMA	LEV1 ULEV	All	Front Right	754971	D-280-102	--	--
2006	4.3L	6TYXV04.3WMA	LEV1 ULEV	All	Underbody	--	--	755005	D-280-102
2005	4.3L	5TYXV04.3WMA	LEV1 ULEV	All	Front Right	754971	D-280-102	--	--
2005	4.3L	5TYXV04.3WMA	LEV1 ULEV	All	Underbody	--	--	755005	D-280-102
2004	4.3L	4TYXV04.3WMA	LEV1 ULEV	All	Front Right	754971	D-280-102	--	--
2004	4.3L	4TYXV04.3WMA	LEV1 ULEV	All	Underbody	--	--	755005	D-280-102
2003	4.3L	3TYXV04.3HHA	LEV1 ULEV	All	Front Right	754971	D-280-102	--	--
2003	4.3L	3TYXV04.3HHA	LEV1 ULEV	All	Underbody	--	--	755005	D-280-102
2002	4.3L	2TYXV04.3JJB	LEV1 ULEV	All	Front Right	754971	D-280-102	--	--
2002	4.3L	2TYXV04.3JJB	LEV1 ULEV	All	Underbody	--	--	755005	D-280-102
2001	4.3L	1TYXV04.3JJA	LEV1 ULEV	All	Front	--	--	760005	D-280-105
2001	4.3L	1TYXV04.3JJA	LEV1 ULEV	All	Front Right	754971	D-280-102	--	--
2001	4.3L	1TYXV04.3JJA	LEV1 ULEV	All	Rear	--	--	760005	D-280-105
2001	4.3L	1TYXV04.3JJA	LEV1 ULEV	All	Underbody	--	--	755005	D-280-102
GX470									
V8									
2009	4.7L	9TYXT04.7BES	LEV2 ULEV	All	Front Left	741213	D-798	--	--
2009	4.7L	9TYXT04.7BES	LEV2 ULEV	All	Front Right	741214	D-798	--	--
2009	4.7L	9TYXT04.7BES	LEV2 ULEV	All	Rear Left	744917	D-798	--	--
2009	4.7L	9TYXT04.7BES	LEV2 ULEV	All	Rear Left	--	--	747334	D-798
2009	4.7L	9TYXT04.7BES	LEV2 ULEV	All	Rear Right	744732	D-798	--	--
2009	4.7L	9TYXT04.7BES	LEV2 ULEV	All	Rear Right	--	--	747334	D-798
2008	4.7L	8TYXT04.7BES	LEV2 ULEV	All	Front Left	741213	D-798	--	--
2008	4.7L	8TYXT04.7BES	LEV2 ULEV	All	Front Right	741214	D-798	--	--
2008	4.7L	8TYXT04.7BES	LEV2 ULEV	All	Rear Left	744917	D-798	--	--
2008	4.7L	8TYXT04.7BES	LEV2 ULEV	All	Rear Left	--	--	747335	D-798

Legal Note: In Compliance with California Emissions Requirements

APPLICATION GUIDE



OBD II

APPLICATION

Year	Eng. Size	Test Group/ Engine Family	Certification Level	Application	Location	Direct Fit Number	Exec. Order	Consol. Number	Exec. Order
Lexus (Cont.)									
GX470 (Cont.)									
V8 (Cont.)									
2008	4.7L	8TYXT04.7BES	LEV2 ULEV	All	Rear Right	744732	D-798	--	--
2008	4.7L	8TYXT04.7BES	LEV2 ULEV	All	Rear Right	--	--	747335	D-798
2007	4.7L	7TYXT04.7BKY	LEV2 ULEV	All	Front Left	741213	D-798	--	--
2007	4.7L	7TYXT04.7BKY	LEV2 ULEV	All	Front Right	741214	D-798	--	--
2007	4.7L	7TYXT04.7BKY	LEV2 ULEV	All	Rear Left	744917	D-798	--	--
2007	4.7L	7TYXT04.7BKY	LEV2 ULEV	All	Rear Left	--	--	747335	D-798
2007	4.7L	7TYXT04.7BKY	LEV2 ULEV	All	Rear Right	744732	D-798	--	--
2007	4.7L	7TYXT04.7BKY	LEV2 ULEV	All	Rear Right	--	--	747335	D-798
2006	4.7L	6TYXT04.7PKX	LEV2 ULEV	All	Front Left	741213	D-798	--	--
2006	4.7L	6TYXT04.7PKX	LEV2 ULEV	All	Front Right	741214	D-798	--	--
2006	4.7L	6TYXT04.7PKX	LEV2 ULEV	All	Rear Left	744917	D-798	--	--
2006	4.7L	6TYXT04.7PKX	LEV2 ULEV	All	Rear Left	--	--	747334	D-798
2006	4.7L	6TYXT04.7PKX	LEV2 ULEV	All	Rear Right	744732	D-798	--	--
2006	4.7L	6TYXT04.7PKX	LEV2 ULEV	All	Rear Right	--	--	747334	D-798
2005	4.7L	5TYXT04.7PKX	LEV2 ULEV	All	Rear Left	744917	D-798	--	--
2005	4.7L	5TYXT04.7PKX	LEV2 ULEV	All	Rear Left	--	--	747334	D-798
2005	4.7L	5TYXT04.7PKX	LEV2 ULEV	All	Rear Right	744732	D-798	--	--
2005	4.7L	5TYXT04.7PKX	LEV2 ULEV	All	Rear Right	--	--	747334	D-798
2005	4.7L	5TYXT04.7PKX	LEV2 ULEV	From 11/2004	Front Left	741213	D-798	--	--
2005	4.7L	5TYXT04.7PKX	LEV2 ULEV	From 11/2004	Front Right	741214	D-798	--	--
2004	4.7L	4TYXT04.7V1X	LEV1 LEV	All	Front Left	911335	D-280-101	--	--
2004	4.7L	4TYXT04.7V1X	LEV1 LEV	All	Front Right	911336	D-280-101	--	--
2004	4.7L	4TYXT04.7V1X	LEV1 LEV	All	Rear	914507	D-280-101	--	--
2004	4.7L	4TYXT04.7VRM	LEV1 LEV	All	Front Left	911335	D-280-101	--	--
2004	4.7L	4TYXT04.7VRM	LEV1 LEV	All	Front Right	911336	D-280-101	--	--
2004	4.7L	4TYXT04.7VRM	LEV1 LEV	All	Rear	914507	D-280-101	--	--
2003	4.7L	3TYXT04.7FFP	LEV1 LEV	All	Front Left	911335	D-280-101	--	--
2003	4.7L	3TYXT04.7FFP	LEV1 LEV	All	Front Right	911336	D-280-101	--	--
2003	4.7L	3TYXT04.7FFP	LEV1 LEV	All	Rear	914507	D-280-101	--	--
IS300									
L6									
2005	3.0L	5TYXV03.0VMA	LEV1 LEV	All	Front	754276	D-280-102	--	--
2005	3.0L	5TYXV03.0VMA	LEV1 LEV	All	Front	--	--	940105	D-280-100
2005	3.0L	5TYXV03.0VMA	LEV1 LEV	All	Rear	942279	D-280-100	--	--
2005	3.0L	5TYXV03.0VMA	LEV1 LEV	All	Rear	754440	D-280-102	--	--
2005	3.0L	5TYXV03.0VMA	LEV1 LEV	All	Rear	--	--	940106	D-280-100
2005	3.0L	5TYXV03.0VMA	LEV1 LEV	All	Rear	--	--	755005	D-280-102
2004	3.0L	4TYXV03.0VMD	LEV1 LEV	All	Front	--	--	940105	D-280-100
2004	3.0L	4TYXV03.0VMD	LEV1 LEV	All	Rear	942279	D-280-100	--	--
2004	3.0L	4TYXV03.0VMD	LEV1 LEV	All	Rear	--	--	940106	D-280-100
2003	3.0L	3TYXV03.0FFF	LEV1 LEV	All	Front	--	--	940105	D-280-100
2003	3.0L	3TYXV03.0FFF	LEV1 LEV	All	Rear	942279	D-280-100	--	--
2003	3.0L	3TYXV03.0FFF	LEV1 LEV	All	Rear	--	--	940106	D-280-100
2002	3.0L	2TYXV03.0FFF	LEV1 LEV	All	Front	--	--	940105	D-280-100
2002	3.0L	2TYXV03.0FFF	LEV1 LEV	All	Rear	942279	D-280-100	--	--
2002	3.0L	2TYXV03.0FFF	LEV1 LEV	All	Rear	--	--	940106	D-280-100
2001	3.0L	1TYXV03.0FFE	LEV1 LEV	All	Front	--	--	940105	D-280-100
2001	3.0L	1TYXV03.0FFE	LEV1 LEV	All	Rear	942279	D-280-100	--	--
2001	3.0L	1TYXV03.0FFE	LEV1 LEV	All	Rear	--	--	940106	D-280-100
IS350									
V6									
2006	3.5L	6TYXV03.5PEB	LEV2 ULEV	All	Underbody Left	--	--	755005	D-280-102
2006	3.5L	6TYXV03.5PEB	LEV2 ULEV	All	Underbody Right	--	--	755005	D-280-102

Legal Note: In Compliance with California Emissions Requirements

**CATCO**
CATALYTIC CONVERTERS**EASTERN
CATALYTIC**

APPLICATION GUIDE

OBD II**APPLICATION**

Year	Eng. Size	Test Group/ Engine Family	Certification Level	Application	Location	Direct Fit Number	Exec. Order	Consol. Number	Exec. Order
LS400									
V8									
2000	4.0L	YTYXV04.0DDA	TLEV	All	Front Left	942273	D-280-100	--	--
2000	4.0L	YTYXV04.0DDA	TLEV	All	Front Left	--	--	940105	D-280-100
2000	4.0L	YTYXV04.0DDA	TLEV	All	Front Right	942272	D-280-100	--	--
2000	4.0L	YTYXV04.0DDA	TLEV	All	Front Right	--	--	940105	D-280-100
1999	4.0L	XTYXV04.0DBA	TLEV	All	Front Left	942273	D-280-100	--	--
1999	4.0L	XTYXV04.0DBA	TLEV	All	Front Left	--	--	940084	D-280-100
1999	4.0L	XTYXV04.0DBA	TLEV	All	Front Right	942272	D-280-100	--	--
1999	4.0L	XTYXV04.0DBA	TLEV	All	Front Right	--	--	940104	D-280-100
1998	4.0L	WTYXV04.0DBB	TIER1	All	Front Left	--	--	940105	D-280-100
1998	4.0L	WTYXV04.0DBB	TIER1	All	Front Right	942971	D-280-100	--	--
1998	4.0L	WTYXV04.0DBB	TIER1	All	Front Right	--	--	940105	D-280-100
1997	4.0L	VTY4.0VJGKHK	TIER1	All	Front Left	--	--	940106	D-280-100
1997	4.0L	VTY4.0VJGKHK	TIER1	All	Front Right	942198	D-280-100	--	--
1997	4.0L	VTY4.0VJGKHK	TIER1	All	Front Right	--	--	940106	D-280-100
1997	4.0L	VTY4.0VJGKHK	TIER1	All	Rear	--	--	940106	D-280-100
1996	4.0L	TTY4.0VJGKHK	TIER1	All	Front Left	--	--	940106	D-280-100
1996	4.0L	TTY4.0VJGKHK	TIER1	All	Front Right	942198	D-280-100	--	--
1996	4.0L	TTY4.0VJGKHK	TIER1	All	Front Right	--	--	940106	D-280-100
1996	4.0L	TTY4.0VJGKHK	TIER1	All	Rear	--	--	940105	D-280-100
1995	4.0L	STY4.0VJG1GK	TIER1	All	Front Left	--	--	940106	D-280-100
1995	4.0L	STY4.0VJG1GK	TIER1	All	Front Right	942198	D-280-100	--	--
1995	4.0L	STY4.0VJG1GK	TIER1	All	Front Right	--	--	940106	D-280-100
1995	4.0L	STY4.0VJG1GK	TIER1	All	Rear	--	--	940105	D-280-100
LS430									
V8									
2006	4.3L	6TYXV04.3WMA	LEV1 ULEV	All	Front Right	754971	D-280-102	--	--
2006	4.3L	6TYXV04.3WMA	LEV1 ULEV	All	Underbody	--	--	755005	D-280-102
2005	4.3L	5TYXV04.3WMA	LEV1 ULEV	All	Front Right	754971	D-280-102	--	--
2005	4.3L	5TYXV04.3WMA	LEV1 ULEV	All	Underbody	--	--	755005	D-280-102
2004	4.3L	4TYXV04.3WMA	LEV1 ULEV	All	Front Right	754971	D-280-102	--	--
2004	4.3L	4TYXV04.3WMA	LEV1 ULEV	All	Underbody	--	--	755005	D-280-102
2003	4.3L	3TYXV04.3HHA	LEV1 ULEV	All	Front Right	754971	D-280-102	--	--
2003	4.3L	3TYXV04.3HHA	LEV1 ULEV	All	Underbody	--	--	755005	D-280-102
2002	4.3L	2TYXV04.3JJB	LEV1 ULEV	All	Front Right	754971	D-280-102	--	--
2002	4.3L	2TYXV04.3JJB	LEV1 ULEV	All	Underbody	--	--	755005	D-280-102
2001	4.3L	1TYXV04.3JJA	LEV1 ULEV	All	Front	--	--	760005	D-280-105
2001	4.3L	1TYXV04.3JJA	LEV1 ULEV	All	Front Right	754971	D-280-102	--	--
2001	4.3L	1TYXV04.3JJA	LEV1 ULEV	All	Rear	--	--	760005	D-280-105
2001	4.3L	1TYXV04.3JJA	LEV1 ULEV	All	Underbody	--	--	755005	D-280-102
LX450									
L6									
1997	4.5L	VTY4.55JGKEK	TIER1	All	Front	919978	D-280-101	--	--
1997	4.5L	VTY4.55JGKEK	TIER1	All	Rear	919238	D-280-101	--	--
1996	4.5L	TTY4.55JGFEK	TIER1	All	Front	919978	D-280-101	--	--
1996	4.5L	TTY4.55JGFEK	TIER1	All	Rear	919238	D-280-101	--	--
LX470									
V8									
2004	4.7L	4TYXT04.7V1V	LEV1 LEV	All	Front	--	--	912009	D-280-101
2004	4.7L	4TYXT04.7V1V	LEV1 LEV	All	Rear	--	--	912005	D-280-101
2003	4.7L	3TYXT04.7FBV	LEV1 LEV	All	Front	--	--	912009	D-280-101
2003	4.7L	3TYXT04.7FBV	LEV1 LEV	All	Rear	--	--	912005	D-280-101
2002	4.7L	2TYXT04.7FBV	LEV1 LEV	All	Underbody Left	919537	D-280-101	--	--
2002	4.7L	2TYXT04.7FBV	LEV1 LEV	All	Underbody Right	919537	D-280-101	--	--
2001	4.7L	1TYXT04.7FBV	LEV1 LEV	All	Underbody Left	919537	D-280-101	--	--
2001	4.7L	1TYXT04.7FBV	LEV1 LEV	All	Underbody Right	919537	D-280-101	--	--
2000	4.7L	YTYXT04.7GBX	LEV1 LEV	4WD	Underbody Left	919537	D-280-101	--	--
2000	4.7L	YTYXT04.7GBX	LEV1 LEV	4WD	Underbody Right	919537	D-280-101	--	--
1999	4.7L	XTYXT04.7GBX	LEV1 LEV	All	Underbody Left	919537	D-280-101	--	--
1999	4.7L	XTYXT04.7GBX	LEV1 LEV	All	Underbody Right	919537	D-280-101	--	--

Legal Note: In Compliance with California Emissions Requirements

APPLICATION GUIDE



OBD II

APPLICATION

Year	Eng. Size	Test Group/ Engine Family	Certification Level	Application	Location	Direct Fit Number	Exec. Order	Consol. Number	Exec. Order
Lexus (Cont.)									
LX470 (Cont.)									
V8 (Cont.)									
1998	4.7L	WTYXT04.7GBX	LEV1 LEV	All	Underbody Left	919537	D-280-101	--	--
1998	4.7L	WTYXT04.7GBX	LEV1 LEV	All	Underbody Right	919537	D-280-101	--	--
LX570									
V8									
2011	5.7L	BTYXT05.7BEX	LEV2 ULEV	All	Front Left	--	--	740006	D-798
2011	5.7L	BTYXT05.7BEX	LEV2 ULEV	All	Front Right	--	--	740006	D-798
2011	5.7L	BTYXT05.7BEX	LEV2 ULEV	All	Rear Left	--	--	747006	D-798
2011	5.7L	BTYXT05.7BEX	LEV2 ULEV	All	Rear Right	--	--	747006	D-798
2010	5.7L	ATYXT05.7BEX	LEV2 ULEV	All	Front Left	--	--	740006	D-798
2010	5.7L	ATYXT05.7BEX	LEV2 ULEV	All	Front Right	--	--	740006	D-798
2010	5.7L	ATYXT05.7BEX	LEV2 ULEV	All	Rear Left	--	--	747006	D-798
2010	5.7L	ATYXT05.7BEX	LEV2 ULEV	All	Rear Right	--	--	747006	D-798
2009	5.7L	9TYXT05.7BEX	LEV2 ULEV	All	Front Left	--	--	740006	D-798
2009	5.7L	9TYXT05.7BEX	LEV2 ULEV	All	Front Right	--	--	740006	D-798
2009	5.7L	9TYXT05.7BEX	LEV2 ULEV	All	Rear Left	--	--	747006	D-798
2009	5.7L	9TYXT05.7BEX	LEV2 ULEV	All	Rear Right	--	--	747006	D-798
2008	5.7L	8TYXT05.7BEX	LEV2 ULEV	All	Front Left	--	--	740006	D-798
2008	5.7L	8TYXT05.7BEX	LEV2 ULEV	All	Front Right	--	--	740006	D-798
2008	5.7L	8TYXT05.7BEX	LEV2 ULEV	All	Rear Left	--	--	747006	D-798
2008	5.7L	8TYXT05.7BEX	LEV2 ULEV	All	Rear Right	--	--	747006	D-798
RX300									
V6									
2003	3.0L	3TYXV03.0FFE	LEV1 LEV	All	Front	--	--	944182	D-280-100
2003	3.0L	3TYXV03.0FFE	LEV1 LEV	All	Front Left	941032	D-280-100	--	--
2003	3.0L	3TYXV03.0FFE	LEV1 LEV	All	Front Right	941033	D-280-100	--	--
2003	3.0L	3TYXV03.0FFE	LEV1 LEV	All	Rear	949232 (7)	D-280-100	--	--
2003	3.0L	3TYXV03.0FFE	LEV1 LEV	All	Rear	--	--	940106	D-280-100
2002	3.0L	2TYXV03.0FFE	LEV1 LEV	All	Front	--	--	944182	D-280-100
2002	3.0L	2TYXV03.0FFE	LEV1 LEV	All	Front Left	941032	D-280-100	--	--
2002	3.0L	2TYXV03.0FFE	LEV1 LEV	All	Front Right	941033	D-280-100	--	--
2002	3.0L	2TYXV03.0FFE	LEV1 LEV	All	Rear	949232 (7)	D-280-100	--	--
2002	3.0L	2TYXV03.0FFE	LEV1 LEV	All	Rear	--	--	940106	D-280-100
2001	3.0L	1TYXV03.0FFD	LEV1 LEV	All	Front	--	--	944182	D-280-100
2001	3.0L	1TYXV03.0FFD	LEV1 LEV	All	Front Left	941032	D-280-100	--	--
2001	3.0L	1TYXV03.0FFD	LEV1 LEV	All	Front Right	941033	D-280-100	--	--
2001	3.0L	1TYXV03.0FFD	LEV1 LEV	All	Rear	949232 (7)	D-280-100	--	--
2001	3.0L	1TYXV03.0FFD	LEV1 LEV	All	Rear	--	--	940106	D-280-100
2000	3.0L	YTYXV03.0FFE	LEV1 LEV	All	Front	--	--	944182	D-280-100
2000	3.0L	YTYXV03.0FFE	LEV1 LEV	All	Front Left	941032	D-280-100	--	--
2000	3.0L	YTYXV03.0FFE	LEV1 LEV	All	Front Right	941033	D-280-100	--	--
2000	3.0L	YTYXV03.0FFE	LEV1 LEV	All	Rear	--	--	940106	D-280-100
1999	3.0L	XTYXV03.0GBE	LEV1 LEV	All	Front	--	--	944182	D-280-100
1999	3.0L	XTYXV03.0GBE	LEV1 LEV	All	Front Left	941032	D-280-100	--	--
1999	3.0L	XTYXV03.0GBE	LEV1 LEV	All	Front Right	941033	D-280-100	--	--
1999	3.0L	XTYXV03.0GBE	LEV1 LEV	All	Rear	--	--	940106	D-280-100
RX350									
V6									
2013	3.5L	DTYXT03.5BER	LEV2 ULEV	All	Front Left	741163	D-798	--	--
2013	3.5L	DTYXT03.5BER	LEV2 ULEV	All	Front Right	741364	D-798	--	--
2013	3.5L	DTYXT03.5BER	LEV2 ULEV	All	Rear	--	--	747005	D-798
2012	3.5L	CTYXT03.5BER	LEV2 ULEV	All	Front Left	741163	D-798	--	--
2012	3.5L	CTYXT03.5BER	LEV2 ULEV	All	Front Right	741364	D-798	--	--
2012	3.5L	CTYXT03.5BER	LEV2 ULEV	All	Rear	--	--	747015	D-798
2011	3.5L	BTYXT03.5BEN	LEV2 ULEV	All	Front Left	741163	D-798	--	--
2011	3.5L	BTYXT03.5BEN	LEV2 ULEV	All	Front Right	741364	D-798	--	--
2011	3.5L	BTYXT03.5BEN	LEV2 ULEV	All	Rear	--	--	747015	D-798

(7) Semi-Direct Fit, Requires Muffler 7511 To Complete Installation
 Legal Note: In Compliance with California Emissions Requirements

**CATCO**
CATALYTIC CONVERTERS**EASTERN CATALYTIC****APPLICATION GUIDE****OBD II****APPLICATION**

Year	Eng. Size	Test Group/ Engine Family	Certification Level	Application	Location	Direct Fit Number	Exec. Order	Consol. Number	Exec. Order
Lexus (Cont.)									
RX350 (Cont.)									
V6 (Cont.)									
2010	3.5L	ATYXT03.5BEN	LEV2 ULEV	All	Front Left	741163	D-798	--	--
2010	3.5L	ATYXT03.5BEN	LEV2 ULEV	All	Front Right	741364	D-798	--	--
2010	3.5L	ATYXT03.5BEN	LEV2 ULEV	All	Rear	--	--	747015	D-798
2009	3.5L	9TYXT03.5BEM	LEV2 ULEV	All	Front Left	741163	D-798	--	--
2009	3.5L	9TYXT03.5BEM	LEV2 ULEV	All	Front Right	741166	D-798	--	--
2009	3.5L	9TYXT03.5BEM	LEV2 ULEV	All	Rear	--	--	747015	D-798
2009	3.5L	9TYXT03.5BEM	LEV2 ULEV	All	Underbody	749419 ⑦	D-798	--	--
2008	3.5L	8TYXT03.5BEM	LEV2 ULEV	All	Front Left	741163	D-798	--	--
2008	3.5L	8TYXT03.5BEM	LEV2 ULEV	All	Front Right	741166	D-798	--	--
2008	3.5L	8TYXT03.5BEM	LEV2 ULEV	All	Rear	--	--	747015	D-798
2008	3.5L	8TYXT03.5BEM	LEV2 ULEV	All	Underbody	749419 ⑦	D-798	--	--
2007	3.5L	7TYXT03.5BEM	LEV2 ULEV	All	Front Left	741163	D-798	--	--
2007	3.5L	7TYXT03.5BEM	LEV2 ULEV	All	Front Right	741166	D-798	--	--
2007	3.5L	7TYXT03.5BEM	LEV2 ULEV	All	Rear	--	--	747015	D-798
2007	3.5L	7TYXT03.5BEM	LEV2 ULEV	All	Underbody	749419 ⑦	D-798	--	--
SC300									
L6									
2000	3.0L	YTYXV03.0DDF	TLEV	All	Underbody	--	--	940105	D-280-100
1999	3.0L	XTYXV03.0DBF	TLEV	All	Underbody	--	--	940105	D-280-100
1997	3.0L	VTY3.0VJGKEK	TIER1	All	Front	--	--	940637	D-280-100
1997	3.0L	VTY3.0VJGKEK	TIER1	All	Rear	--	--	942566	D-280-100
1997	3.0L	VTY3.0VJGKEK	TIER1	All	Underbody	942337	D-280-100	--	--
1997	3.0L	VTY3.0VJGKEK	TIER1	All	Underbody	--	--	940105	D-280-100
1996	3.0L	TTY3.0VJGKEK	TIER1	All	Front	--	--	940637	D-280-100
1996	3.0L	TTY3.0VJGKEK	TIER1	All	Rear	--	--	942566	D-280-100
1996	3.0L	TTY3.0VJGKEK	TIER1	All	Underbody	942337	D-280-100	--	--
1995	3.0L	STY3.0VJG1GA	TIER1	All	Front	--	--	940637	D-280-100
1995	3.0L	STY3.0VJG1GA	TIER1	All	Rear	942337	D-280-100	--	--
1995	3.0L	STY3.0VJG1GA	TIER1	All	Rear	--	--	942566	D-280-100
SC400									
V8									
2000	4.0L	YTYXV04.0DDA	TLEV	All	Rear	--	--	940105	D-280-100
2000	4.0L	YTYXV04.0DDA	TLEV	All	Underbody Left	--	--	940105	D-280-100
1999	4.0L	XTYXV04.0DBA	TLEV	All	Rear	--	--	940105	D-280-100
1999	4.0L	XTYXV04.0DBA	TLEV	All	Underbody Left	--	--	940105	D-280-100
1998	4.0L	WTYXV04.0DBB	TIER1	All	Rear	--	--	940105	D-280-100
1998	4.0L	WTYXV04.0DBB	TIER1	All	Underbody Left	--	--	940105	D-280-100
1997	4.0L	VTY4.0VJGKEK	TIER1	All	Front Left	942198	D-280-100	--	--
1997	4.0L	VTY4.0VJGKEK	TIER1	All	Front Left	--	--	940106	D-280-100
1997	4.0L	VTY4.0VJGKEK	TIER1	All	Front Right	942345	D-280-100	--	--
1997	4.0L	VTY4.0VJGKEK	TIER1	All	Front Right	--	--	940106	D-280-100
1997	4.0L	VTY4.0VJGKHK	TIER1	All	Rear	--	--	940105	D-280-100
1996	4.0L	TTY4.0VJGKEK	TIER1	All	Front Left	942198	D-280-100	--	--
1996	4.0L	TTY4.0VJGKEK	TIER1	All	Front Left	--	--	940106	D-280-100
1996	4.0L	TTY4.0VJGKEK	TIER1	All	Front Right	942345	D-280-100	--	--
1996	4.0L	TTY4.0VJGKEK	TIER1	All	Front Right	--	--	940106	D-280-100
1996	4.0L	TTY4.0VJGKEK	TIER1	All	Rear	--	--	940105	D-280-100
1995	4.0L	STY4.0VHGEEA	TIER1	All	Front Left	942198	D-280-100	--	--
1995	4.0L	STY4.0VHGEEA	TIER1	All	Front Left	--	--	940106	D-280-100
1995	4.0L	STY4.0VHGEEA	TIER1	All	Front Right	942345	D-280-100	--	--
1995	4.0L	STY4.0VHGEEA	TIER1	All	Front Right	--	--	940106	D-280-100
1995	4.0L	STY4.0VHGEEA	TIER1	All	Rear	--	--	940105	D-280-100
SC430									
V8									
2007	4.3L	7TYXV04.3AJA	LEV2 LEV	All	Front	--	--	750004	D-280-102
2007	4.3L	7TYXV04.3AJA	LEV2 LEV	All	Rear	--	--	750004	D-280-102
2007	4.3L	7TYXV04.3AJA	LEV2 LEV	All	Underbody	--	--	755005	D-280-102

⑦ Semi-Direct Fit, Requires Muffler 7505 To Complete Installation
 Legal Note: In Compliance with California Emissions Requirements

APPLICATION GUIDE



OBD II

APPLICATION

Year	Eng. Size	Test Group/ Engine Family	Certification Level	Application	Location	Direct Fit Number	Exec. Order	Consol. Number	Exec. Order
Lexus (Cont.)									
SC430 (Cont.)									
V8 (Cont.)									
2006	4.3L	6TYXV04.3WMA	LEV1 ULEV	All	Front Right	754971	D-280-102	--	--
2006	4.3L	6TYXV04.3WMA	LEV1 ULEV	All	Underbody	--	--	755005	D-280-102
2005	4.3L	5TYXV04.3WMA	LEV1 ULEV	All	Front Right	754971	D-280-102	--	--
2005	4.3L	5TYXV04.3WMA	LEV1 ULEV	All	Underbody	--	--	755005	D-280-102
2004	4.3L	4TYXV04.3WMA	LEV1 ULEV	All	Front Right	754971	D-280-102	--	--
2004	4.3L	4TYXV04.3WMA	LEV1 ULEV	All	Underbody	--	--	755005	D-280-102
2003	4.3L	3TYXV04.3HHA	LEV1 ULEV	All	Front Right	754971	D-280-102	--	--
2003	4.3L	3TYXV04.3HHA	LEV1 ULEV	All	Underbody	--	--	755005	D-280-102
2002	4.3L	2TYXV04.3JJB	LEV1 ULEV	All	Front Right	754971	D-280-102	--	--
2002	4.3L	2TYXV04.3JJB	LEV1 ULEV	All	Underbody	--	--	755005	D-280-102
Lincoln									
Aviator									
V8									
2005	4.6L	5FMXT04.62FA	LEV1 ULEV	All	Front Left	--	--	731006	D-280-107
2005	4.6L	5FMXT04.62FA	LEV1 ULEV	All	Front Right	--	--	731006	D-280-107
2005	4.6L	5FMXT04.62FA	LEV1 ULEV	All	Rear Left	--	--	733016	D-280-107
2005	4.6L	5FMXT04.62FA	LEV1 ULEV	All	Underbody	739173	D-280-107	--	--
2004	4.6L	4FMXT04.62FA	LEV1 ULEV	All	Front Left	--	--	731006	D-280-107
2004	4.6L	4FMXT04.62FA	LEV1 ULEV	All	Front Right	--	--	731006	D-280-107
2004	4.6L	4FMXT04.62FA	LEV1 ULEV	All	Rear Left	--	--	733016	D-280-107
2004	4.6L	4FMXT04.62FA	LEV1 ULEV	All	Underbody	739173	D-280-107	--	--
2003	4.6L	3FMXT04.62F9	LEV1 LEV	All	Front	--	--	912005R	D-280-101
2003	4.6L	3FMXT04.62F9	LEV1 LEV	All	Rear	--	--	912006	D-280-101
2003	4.6L	3FMXT04.62F9	LEV1 LEV	All	Underbody	912173	D-280-101	--	--
2003	4.6L	3FMXT04.62FA	LEV1 LEV	All	Front	--	--	912009	D-280-101
2003	4.6L	3FMXT04.62FA	LEV1 LEV	All	Underbody	912173	D-280-101	--	--
Blackwood									
V8									
2002	5.4L	2FMXT05.4RF8	LEV1 LEV	All	Front	--	--	912009	D-280-101
2002	5.4L	2FMXT05.4RF8	LEV1 LEV	All	Rear	--	--	912006	D-280-101
Continental									
V8									
2002	4.6L	2FMXV04.6VDP	TLEV	All	Front	942810	D-280-100	--	--
2002	4.6L	2FMXV04.6VDP	TLEV	All	Front	--	--	944182	D-280-100
2002	4.6L	2FMXV04.6VDP	TLEV	All	Rear	942811	D-280-100	--	--
2002	4.6L	2FMXV04.6VDP	TLEV	All	Rear	--	--	940335	D-280-100
2001	4.6L	1FMXV04.6VDP	TLEV	All	Front	942810	D-280-100	--	--
2001	4.6L	1FMXV04.6VDP	TLEV	All	Front	--	--	944182	D-280-100
2001	4.6L	1FMXV04.6VDP	TLEV	All	Rear	942811	D-280-100	--	--
2001	4.6L	1FMXV04.6VDP	TLEV	All	Rear	--	--	940335	D-280-100
2000	4.6L	YFMXV04.6VDP	TLEV	All	Front	942810	D-280-100	--	--
2000	4.6L	YFMXV04.6VDP	TLEV	All	Front	--	--	944182	D-280-100
2000	4.6L	YFMXV04.6VDP	TLEV	All	Rear	942811	D-280-100	--	--
2000	4.6L	YFMXV04.6VDP	TLEV	All	Rear	--	--	940335	D-280-100
1999	4.6L	XFMXV04.6VDP	TLEV	All	Front	942810	D-280-100	--	--
1999	4.6L	XFMXV04.6VDP	TLEV	All	Front	--	--	944182	D-280-100
1999	4.6L	XFMXV04.6VDP	TLEV	All	Rear	942811	D-280-100	--	--
1999	4.6L	XFMXV04.6VDP	TLEV	All	Rear	--	--	940335	D-280-100
1998	4.6L	WFMXV04.6CAA	TIER1	All	Front	942810	D-280-100	--	--
1998	4.6L	WFMXV04.6CAA	TIER1	All	Front	--	--	944182	D-280-100
1998	4.6L	WFMXV04.6CAA	TIER1	All	Rear	942811	D-280-100	--	--
1998	4.6L	WFMXV04.6CAA	TIER1	All	Rear	--	--	940335	D-280-100
1997	4.6L	VFM4.6VJGKFK	TIER1	All	Front	942810	D-280-100	--	--
1997	4.6L	VFM4.6VJGKFK	TIER1	All	Front	--	--	944182	D-280-100
1997	4.6L	VFM4.6VJGKFK	TIER1	All	Rear	942811	D-280-100	--	--
1997	4.6L	VFM4.6VJGKFK	TIER1	All	Rear	--	--	940335	D-280-100

Legal Note: In Compliance with California Emissions Requirements



CATCO
CATALYTIC CONVERTERS

EASTERN CATALYTIC

APPLICATION GUIDE

OBD II

APPLICATION

Year	Eng. Size	Test Group/ Engine Family	Certification Level	Application	Location	Direct Fit Number	Exec. Order	Consol. Number	Exec. Order
Lincoln (Cont.)									
Continental (Cont.)									
V8 (Cont.)									
1996	4.6L	TFM4.6VJGFFK	TIER1	All	Front	942810	D-280-100	--	--
1996	4.6L	TFM4.6VJGFFK	TIER1	All	Front	--	--	944182	D-280-100
1996	4.6L	TFM4.6VJGFFK	TIER1	All	Rear	942811	D-280-100	--	--
1996	4.6L	TFM4.6VJGFFK	TIER1	All	Rear	--	--	940335	D-280-100
1995	4.6L	SFM4.6VJG1EK	TIER1	All	Front	942810	D-280-100	--	--
1995	4.6L	SFM4.6VJG1EK	TIER1	All	Front	--	--	944182	D-280-100
1995	4.6L	SFM4.6VJG1EK	TIER1	All	Rear	942811	D-280-100	--	--
1995	4.6L	SFM4.6VJG1EK	TIER1	All	Rear	--	--	940335	D-280-100
LS									
V6									
2004	3.0L	4FMXV03.0VF2	LEV1 LEV	All	Rear	942420	D-280-100	--	--
2004	3.0L	4FMXV03.0VF2	LEV1 LEV	All	Rear	--	--	940335	D-280-100
2004	3.0L	4FMXV03.0VF2	LEV1 LEV	All	Underbody Left	942421	D-280-100	--	--
2004	3.0L	4FMXV03.0VF2	LEV1 LEV	All	Underbody Left	--	--	940335	D-280-100
2003	3.0L	3FMXV03.0VF2	LEV1 LEV	All	Rear	942420	D-280-100	--	--
2003	3.0L	3FMXV03.0VF2	LEV1 LEV	All	Rear	--	--	940335	D-280-100
2003	3.0L	3FMXV03.0VF2	LEV1 LEV	All	Underbody Left	942421	D-280-100	--	--
2003	3.0L	3FMXV03.0VF2	LEV1 LEV	All	Underbody Left	--	--	940335	D-280-100
2002	3.0L	2FMXV03.0VD2	TLEV	All	Front Left	942421	D-280-100	--	--
2002	3.0L	2FMXV03.0VD2	TLEV	All	Front Right	942420	D-280-100	--	--
2002	3.0L	2FMXV03.0VD2	TLEV	All	Rear	--	--	940335	D-280-100
2002	3.0L	2FMXV03.0VD2	TLEV	All	Underbody Left	--	--	940335	D-280-100
2002	3.0L	2FMXV03.0VF2	LEV1 LEV	All	Front Left	942421	D-280-100	--	--
2002	3.0L	2FMXV03.0VF2	LEV1 LEV	All	Front Right	942420	D-280-100	--	--
2002	3.0L	2FMXV03.0VF2	LEV1 LEV	All	Rear	--	--	940335	D-280-100
2002	3.0L	2FMXV03.0VF2	LEV1 LEV	All	Underbody Left	--	--	940335	D-280-100
2001	3.0L	1FMXV03.0VF2	LEV1 LEV	All	Front Left	942421	D-280-100	--	--
2001	3.0L	1FMXV03.0VF2	LEV1 LEV	All	Front Right	942420	D-280-100	--	--
2001	3.0L	1FMXV03.0VF2	LEV1 LEV	All	Rear	--	--	940335	D-280-100
2001	3.0L	1FMXV03.0VF2	LEV1 LEV	All	Underbody Left	--	--	940335	D-280-100
2000	3.0L	YFMXV03.0VD2	TLEV	All	Rear	--	--	940335	D-280-100
2000	3.0L	YFMXV03.0VD2	TLEV	All	Underbody Left	--	--	940335	D-280-100
2000	3.0L	YFMXV03.0VF2	LEV1 LEV	All	Front Left	942421	D-280-100	--	--
2000	3.0L	YFMXV03.0VF2	LEV1 LEV	All	Front Right	942420	D-280-100	--	--
2000	3.0L	YFMXV03.0VF2	LEV1 LEV	All	Rear	--	--	940335	D-280-100
2000	3.0L	YFMXV03.0VF2	LEV1 LEV	All	Underbody Left	--	--	940335	D-280-100
V8									
2004	3.9L	4FMXV03.91H5	LEV1 LEV	All	Underbody	830466	D-665-9	--	--
Mark LT									
V8									
2008	5.4L	8FMXT05.44D7	LEV2 ULEV	2WD	Front Left	749257	D-798	--	--
2008	5.4L	8FMXT05.44D7	LEV2 ULEV	2WD	Front Left	--	--	740786	D-798
2008	5.4L	8FMXT05.44D7	LEV2 ULEV	2WD	Front Right	749256	D-798	--	--
2008	5.4L	8FMXT05.44D7	LEV2 ULEV	2WD	Front Right	--	--	740786	D-798
2008	5.4L	8FMXT05.44D7	LEV2 ULEV	4WD	Front Left	749269	D-798	--	--
2008	5.4L	8FMXT05.44D7	LEV2 ULEV	4WD	Front Left	--	--	740786	D-798
2008	5.4L	8FMXT05.44D7	LEV2 ULEV	4WD	Front Right	749268	D-798	--	--
2008	5.4L	8FMXT05.44D7	LEV2 ULEV	4WD	Front Right	--	--	740786	D-798
2007	5.4L	7FMXT05.44A7	LEV2 LEV	2WD	Front Left	749257	D-798	--	--
2007	5.4L	7FMXT05.44A7	LEV2 LEV	2WD	Front Left	--	--	740786	D-798
2007	5.4L	7FMXT05.44A7	LEV2 LEV	2WD	Front Right	749256	D-798	--	--
2007	5.4L	7FMXT05.44A7	LEV2 LEV	2WD	Front Right	--	--	740786	D-798
2007	5.4L	7FMXT05.44A7	LEV2 LEV	4WD	Front Left	749269	D-798	--	--
2007	5.4L	7FMXT05.44A7	LEV2 LEV	4WD	Front Left	--	--	740786	D-798
2007	5.4L	7FMXT05.44A7	LEV2 LEV	4WD	Front Right	749268	D-798	--	--
2007	5.4L	7FMXT05.44A7	LEV2 LEV	4WD	Front Right	--	--	740786	D-798

Legal Note: In Compliance with California Emissions Requirements

APPLICATION GUIDE



OBD II

APPLICATION

Year	Eng. Size	Test Group/ Engine Family	Certification Level	Application	Location	Direct Fit Number	Exec. Order	Consol. Number	Exec. Order
Lincoln (Cont.)									
Mark LT (Cont.)									
V8 (Cont.)									
2007	5.4L	7FMXT05.44D7	LEV2 ULEV	2WD	Front Left	749257	D-798	--	--
2007	5.4L	7FMXT05.44D7	LEV2 ULEV	2WD	Front Left	--	--	740786	D-798
2007	5.4L	7FMXT05.44D7	LEV2 ULEV	2WD	Front Right	749256	D-798	--	--
2007	5.4L	7FMXT05.44D7	LEV2 ULEV	2WD	Front Right	--	--	740786	D-798
2007	5.4L	7FMXT05.44D7	LEV2 ULEV	4WD	Front Left	749269	D-798	--	--
2007	5.4L	7FMXT05.44D7	LEV2 ULEV	4WD	Front Left	--	--	740786	D-798
2007	5.4L	7FMXT05.44D7	LEV2 ULEV	4WD	Front Right	749268	D-798	--	--
2007	5.4L	7FMXT05.44D7	LEV2 ULEV	4WD	Front Right	--	--	740786	D-798
Mark VIII									
V8									
1998	4.6L	WFMXV04.6MAA	TIER1	All	Front Left	942204M	D-280-100	--	--
1998	4.6L	WFMXV04.6MAA	TIER1	All	Front Right	942704 ⑨	D-280-100	--	--
1998	4.6L	WFMXV04.6MAA	TIER1	All	Front Right	942002 ⑩	D-280-100	--	--
1998	4.6L	WFMXV04.6MAA	TIER1	All	Front Right	--	--	940335	D-280-100
1998	4.6L	WFMXV04.6MAA	TIER1	All	Rear	--	--	940639	D-280-100
1997	4.6L	VFM4.6VJG1FL	TIER1	All	Front Left	942204M	D-280-100	--	--
1997	4.6L	VFM4.6VJG1FL	TIER1	All	Front Right	942704 ⑨	D-280-100	--	--
1997	4.6L	VFM4.6VJG1FL	TIER1	All	Front Right	942002 ⑩	D-280-100	--	--
1997	4.6L	VFM4.6VJG1FL	TIER1	All	Front Right	--	--	940335	D-280-100
1997	4.6L	VFM4.6VJG1FL	TIER1	All	Rear	--	--	940639	D-280-100
1996	4.6L	TFM4.6VJG1FL	TIER1	All	Front Left	942995	D-280-100	--	--
1996	4.6L	TFM4.6VJG1FL	TIER1	All	Front Left	--	--	944182	D-280-100
1996	4.6L	TFM4.6VJG1FL	TIER1	All	Front Right	942704 ⑨	D-280-100	--	--
1996	4.6L	TFM4.6VJG1FL	TIER1	All	Front Right	942002 ⑩	D-280-100	--	--
1996	4.6L	TFM4.6VJG1FL	TIER1	All	Front Right	--	--	940335	D-280-100
1996	4.6L	TFM4.6VJG1FL	TIER1	All	Rear	--	--	940639	D-280-100
MKX									
V6									
2010	3.5L	AFMXT03.52EB	LEV2 ULEV	All	Front Left	744454	D-798	--	--
2010	3.5L	AFMXT03.52EB	LEV2 ULEV	All	Front Right	744455	D-798	--	--
2009	3.5L	9FMXT03.52EB	LEV2 ULEV	All	Front Left	744454	D-798	--	--
2009	3.5L	9FMXT03.52EB	LEV2 ULEV	All	Front Right	744455	D-798	--	--
2008	3.5L	8FMXT03.52EB	LEV2 ULEV	All	Front Left	744454	D-798	--	--
2008	3.5L	8FMXT03.52EB	LEV2 ULEV	All	Front Right	744455	D-798	--	--
2007	3.5L	7FMXT03.52EA	LEV2 ULEV	All	Front Left	744454	D-798	--	--
2007	3.5L	7FMXT03.52EA	LEV2 ULEV	All	Front Right	744455	D-798	--	--
2013	3.7L	DFMXT03.72EE	LEV2 ULEV	All	Front Left	741285	D-798	--	--
2013	3.7L	DFMXT03.72EE	LEV2 ULEV	All	Front Right	741286	D-798	--	--
2012	3.7L	CFMXT03.72EE	LEV2 ULEV	All	Front Left	741285	D-798	--	--
2012	3.7L	CFMXT03.72EE	LEV2 ULEV	All	Front Right	741286	D-798	--	--
2011	3.7L	BFMXT03.72EE	LEV2 ULEV	All	Front Left	741285	D-798	--	--
2011	3.7L	BFMXT03.72EE	LEV2 ULEV	All	Front Right	741286	D-798	--	--
Navigator									
V8									
2013	5.4L	DFMXT05.44BC	LEV2 ULEV	All	Front Left	749984	D-798	--	--
2013	5.4L	DFMXT05.44BC	LEV2 ULEV	All	Front Left	--	--	740076	D-798
2013	5.4L	DFMXT05.44BC	LEV2 ULEV	All	Front Right	749985	D-798	--	--
2013	5.4L	DFMXT05.44BC	LEV2 ULEV	All	Front Right	--	--	740076	D-798
2012	5.4L	CFMXT05.44BC	LEV2 ULEV	All	Front Left	749984	D-798	--	--
2012	5.4L	CFMXT05.44BC	LEV2 ULEV	All	Front Left	--	--	740076	D-798
2012	5.4L	CFMXT05.44BC	LEV2 ULEV	All	Front Right	749985	D-798	--	--
2012	5.4L	CFMXT05.44BC	LEV2 ULEV	All	Front Right	--	--	740076	D-798
2011	5.4L	BFMXT05.44BC	LEV2 ULEV	All	Front Left	749984	D-798	--	--
2011	5.4L	BFMXT05.44BC	LEV2 ULEV	All	Front Left	--	--	740076	D-798
2011	5.4L	BFMXT05.44BC	LEV2 ULEV	All	Front Right	749985	D-798	--	--
2011	5.4L	BFMXT05.44BC	LEV2 ULEV	All	Front Right	--	--	740076	D-798

⑨ With Single Inlet Muffler

⑩ With Dual Inlet Muffler

Legal Note: In Compliance with California Emissions Requirements



CATCO
CATALYTIC CONVERTERS

EASTERN CATALYTIC

APPLICATION GUIDE

OBD II

APPLICATION

Year	Eng. Size	Test Group/ Engine Family	Certification Level	Application	Location	Direct Fit Number	Exec. Order	Consol. Number	Exec. Order
Lincoln (Cont.)									
Navigator (Cont.)									
V8 (Cont.)									
2010	5.4L	AFMXT05.44BC	LEV2 ULEV	All	Front Left	749984	D-798	--	--
2010	5.4L	AFMXT05.44BC	LEV2 ULEV	All	Front Left	--	--	740076	D-798
2010	5.4L	AFMXT05.44BC	LEV2 ULEV	All	Front Right	749985	D-798	--	--
2010	5.4L	AFMXT05.44BC	LEV2 ULEV	All	Front Right	--	--	740076	D-798
2009	5.4L	9FMXT05.44BC	LEV2 ULEV	All	Front Left	749984	D-798	--	--
2009	5.4L	9FMXT05.44BC	LEV2 ULEV	All	Front Left	--	--	740076	D-798
2009	5.4L	9FMXT05.44BC	LEV2 ULEV	All	Front Right	749985	D-798	--	--
2009	5.4L	9FMXT05.44BC	LEV2 ULEV	All	Front Right	--	--	740076	D-798
2008	5.4L	8FMXT05.44E6	LEV2 ULEV	All	Front Left	749984	D-798	--	--
2008	5.4L	8FMXT05.44E6	LEV2 ULEV	All	Front Left	--	--	740076	D-798
2008	5.4L	8FMXT05.44E6	LEV2 ULEV	All	Front Right	749985	D-798	--	--
2008	5.4L	8FMXT05.44E6	LEV2 ULEV	All	Front Right	--	--	740076	D-798
2007	5.4L	7FMXT05.44E6	LEV2 ULEV	All	Front Left	749984	D-798	--	--
2007	5.4L	7FMXT05.44E6	LEV2 ULEV	All	Front Left	--	--	740076	D-798
2007	5.4L	7FMXT05.44E6	LEV2 ULEV	All	Front Right	749985	D-798	--	--
2007	5.4L	7FMXT05.44E6	LEV2 ULEV	All	Front Right	--	--	740076	D-798
2004	5.4L	4FMXT05.4RFC	LEV1 ULEV	All	Front Left	--	--	731006	D-280-107
2004	5.4L	4FMXT05.4RFC	LEV1 ULEV	All	Front Right	--	--	731006	D-280-107
2004	5.4L	4FMXT05.4RFC	LEV1 ULEV	All	Rear Left	--	--	733016	D-280-107
2004	5.4L	4FMXT05.4RFC	LEV1 ULEV	All	Rear Right	--	--	733016	D-280-107
2003	5.4L	3FMXT05.4RF5	LEV1 ULEV	4WD	Underbody Left	739251	D-280-107	--	--
2003	5.4L	3FMXT05.4RF5	LEV1 ULEV	4WD	Underbody Right	739250	D-280-107	--	--
2003	5.4L	3FMXT05.4RF5	LEV1 ULEV	2WD	Underbody Left	739249	D-280-107	--	--
2003	5.4L	3FMXT05.4RF5	LEV1 ULEV	2WD	Underbody Right	739248	D-280-107	--	--
2003	5.4L	3FMXT05.4RF5	LEV1 ULEV	All	Front Left	--	--	735206	D-280-107
2003	5.4L	3FMXT05.4RF5	LEV1 ULEV	All	Front Right	--	--	735206	D-280-107
2003	5.4L	3FMXT05.4RF5	LEV1 ULEV	All	Rear Left	--	--	733016	D-280-107
2003	5.4L	3FMXT05.4RF5	LEV1 ULEV	All	Rear Right	--	--	733016	D-280-107
2003	5.4L	3FMXT05.4RFC	LEV1 ULEV	4WD	Underbody Left	739251	D-280-107	--	--
2003	5.4L	3FMXT05.4RFC	LEV1 ULEV	4WD	Underbody Right	739250	D-280-107	--	--
2003	5.4L	3FMXT05.4RFC	LEV1 ULEV	2WD	Underbody Left	739249	D-280-107	--	--
2003	5.4L	3FMXT05.4RFC	LEV1 ULEV	2WD	Underbody Right	739248	D-280-107	--	--
2003	5.4L	3FMXT05.4RFC	LEV1 ULEV	All	Front Left	--	--	735206	D-280-107
2003	5.4L	3FMXT05.4RFC	LEV1 ULEV	All	Front Right	--	--	735206	D-280-107
2003	5.4L	3FMXT05.4RFC	LEV1 ULEV	All	Rear Left	--	--	733016	D-280-107
2003	5.4L	3FMXT05.4RFC	LEV1 ULEV	All	Rear Right	--	--	733016	D-280-107
2002	5.4L	2FMXT05.4RF8	LEV1 LEV	All	Front	--	--	912009	D-280-101
2002	5.4L	2FMXT05.4RF8	LEV1 LEV	All	Rear	--	--	912006	D-280-101
2002	5.4L	2FMXT05.4RF8	LEV1 LEV	4WD	Underbody Left	919251	D-280-101	--	--
2002	5.4L	2FMXT05.4RF8	LEV1 LEV	4WD	Underbody Right	919250	D-280-101	--	--
2001	5.4L	1FMXT05.4RF7	LEV1 LEV	4WD	Underbody Left	919251	D-280-101	--	--
2001	5.4L	1FMXT05.4RF7	LEV1 LEV	4WD	Underbody Right	919250	D-280-101	--	--
2001	5.4L	1FMXT05.4RF8	LEV1 LEV	All	Front	--	--	912009	D-280-101
2001	5.4L	1FMXT05.4RF8	LEV1 LEV	All	Rear	--	--	912006	D-280-101
2001	5.4L	1FMXT05.4RF8	LEV1 LEV	4WD	Underbody Left	919251	D-280-101	--	--
2001	5.4L	1FMXT05.4RF8	LEV1 LEV	4WD	Underbody Right	919250	D-280-101	--	--
2000	5.4L	YFMXT05.4RF7	LEV1 LEV	2WD	Front	--	--	912009	D-280-101
2000	5.4L	YFMXT05.4RF7	LEV1 LEV	2WD	Rear	--	--	912006	D-280-101
2000	5.4L	YFMXT05.4RF7	LEV1 LEV	4WD	Front	--	--	912009	D-280-101
2000	5.4L	YFMXT05.4RF7	LEV1 LEV	4WD	Rear	--	--	912006	D-280-101
2000	5.4L	YFMXT05.4RF7	LEV1 LEV	4WD, 4R100 Trans.	Underbody Left	912051	D-280-101	--	--
2000	5.4L	YFMXT05.4RF7	LEV1 LEV	4WD, 4R100 Trans.	Underbody Right	912050	D-280-101	--	--
1999	5.4L	XFMA05.4JGC	LEV1 LEV	All	Front	--	--	912009	D-280-101
1999	5.4L	XFMA05.4JGC	LEV1 LEV	All	Rear	--	--	912006	D-280-101
1999	5.4L	XFMA05.4JGC	LEV1 LEV	4WD, 4R100 Trans.	Underbody Left	912051	D-280-101	--	--
1999	5.4L	XFMA05.4JGC	LEV1 LEV	4WD, 4R100 Trans.	Underbody Right	912050	D-280-101	--	--
1999	5.4L	XFMA05.4JGN	LEV1 LEV	All	Front	--	--	912009	D-280-101
1999	5.4L	XFMA05.4JGN	LEV1 LEV	All	Rear	--	--	912006	D-280-101

Legal Note: In Compliance with California Emissions Requirements

APPLICATION GUIDE



OBD II

APPLICATION

Year	Eng. Size	Test Group/ Engine Family	Certification Level	Application	Location	Direct Fit Number	Exec. Order	Consol. Number	Exec. Order
Lincoln (Cont.)									
Navigator (Cont.)									
V8 (Cont.)									
1999	5.4L	XFMXA05.4JGN	LEV1 LEV	4WD, 4R100 Trans.	Underbody Left	912051	D-280-101	--	--
1999	5.4L	XFMXA05.4JGN	LEV1 LEV	4WD, 4R100 Trans.	Underbody Right	912050	D-280-101	--	--
1998	5.4L	WFMXA05.4JBC	TIER1	All	Front	--	--	912009	D-280-101
1998	5.4L	WFMXA05.4JBC	TIER1	All	Rear	--	--	912006	D-280-101
1998	5.4L	WFMXA05.4JBC	TIER1	4WD, 4R100 Trans.	Underbody Left	912051	D-280-101	--	--
1998	5.4L	WFMXA05.4JBC	TIER1	4WD, 4R100 Trans.	Underbody Right	912050	D-280-101	--	--
1998	5.4L	WFMXA05.4JGC	LEV1 LEV	All	Front	--	--	912009	D-280-101
1998	5.4L	WFMXA05.4JGC	LEV1 LEV	All	Rear	--	--	912006	D-280-101
1998	5.4L	WFMXA05.4JGC	LEV1 LEV	4WD, 4R100 Trans.	Underbody Left	912051	D-280-101	--	--
1998	5.4L	WFMXA05.4JGC	LEV1 LEV	4WD, 4R100 Trans.	Underbody Right	912050	D-280-101	--	--
Town Car									
V8									
2011	4.6L	BFMXV04.6VDF	LEV2 ULEV	All	Front Left	--	--	761015	D-280-105
2011	4.6L	BFMXV04.6VDF	LEV2 ULEV	All	Front Right	--	--	761015	D-280-105
2011	4.6L	BFMXV04.6VDF	LEV2 ULEV	All	Underbody Left	765002	D-280-105	--	--
2011	4.6L	BFMXV04.6VDF	LEV2 ULEV	All	Underbody Right	764803	D-280-105	--	--
2010	4.6L	AFMXV04.6VDF	LEV2 ULEV	All	Front Left	--	--	761015	D-280-105
2010	4.6L	AFMXV04.6VDF	LEV2 ULEV	All	Front Right	--	--	761015	D-280-105
2010	4.6L	AFMXV04.6VDF	LEV2 ULEV	All	Underbody Left	765002	D-280-105	--	--
2010	4.6L	AFMXV04.6VDF	LEV2 ULEV	All	Underbody Right	764803	D-280-105	--	--
2009	4.6L	9FMXV04.6VDF	LEV2 ULEV	All	Front Left	--	--	761015	D-280-105
2009	4.6L	9FMXV04.6VDF	LEV2 ULEV	All	Front Right	--	--	761015	D-280-105
2009	4.6L	9FMXV04.6VDF	LEV2 ULEV	All	Underbody Left	765002	D-280-105	--	--
2009	4.6L	9FMXV04.6VDF	LEV2 ULEV	All	Underbody Right	764803	D-280-105	--	--
2008	4.6L	8FMXV04.6VE3	LEV2 LEV	All	Front Left	--	--	761015	D-280-105
2008	4.6L	8FMXV04.6VE3	LEV2 LEV	All	Front Right	--	--	761015	D-280-105
2008	4.6L	8FMXV04.6VE3	LEV2 LEV	All	Underbody Left	765002	D-280-105	--	--
2008	4.6L	8FMXV04.6VE3	LEV2 LEV	All	Underbody Right	764803	D-280-105	--	--
2008	4.6L	8FMXV04.6VE9	LEV2 LEV	All	Front Left	--	--	761015	D-280-105
2008	4.6L	8FMXV04.6VE9	LEV2 LEV	All	Front Right	--	--	761015	D-280-105
2008	4.6L	8FMXV04.6VE9	LEV2 LEV	All	Underbody Left	765002	D-280-105	--	--
2008	4.6L	8FMXV04.6VE9	LEV2 LEV	All	Underbody Right	764803	D-280-105	--	--
2008	4.6L	8FMXV04.6VEF	LEV2 LEV	All	Front Left	--	--	761015	D-280-105
2008	4.6L	8FMXV04.6VEF	LEV2 LEV	All	Front Right	--	--	761015	D-280-105
2008	4.6L	8FMXV04.6VEF	LEV2 LEV	All	Underbody Left	765002	D-280-105	--	--
2008	4.6L	8FMXV04.6VEF	LEV2 LEV	All	Underbody Right	764803	D-280-105	--	--
2007	4.6L	7FMXV04.6VE8	LEV2 LEV	All	Front Left	--	--	761015	D-280-105
2007	4.6L	7FMXV04.6VE8	LEV2 LEV	All	Front Right	--	--	761015	D-280-105
2007	4.6L	7FMXV04.6VE8	LEV2 LEV	All	Underbody Left	765002	D-280-105	--	--
2007	4.6L	7FMXV04.6VE8	LEV2 LEV	All	Underbody Right	764803	D-280-105	--	--
2007	4.6L	7FMXV04.6VE9	LEV2 LEV	All	Front Left	--	--	761015	D-280-105
2007	4.6L	7FMXV04.6VE9	LEV2 LEV	All	Front Right	--	--	761015	D-280-105
2007	4.6L	7FMXV04.6VE9	LEV2 LEV	All	Underbody Left	765002	D-280-105	--	--
2007	4.6L	7FMXV04.6VE9	LEV2 LEV	All	Underbody Right	764803	D-280-105	--	--
2007	4.6L	7FMXV04.6VEF	LEV2 LEV	All	Front Left	--	--	761015	D-280-105
2007	4.6L	7FMXV04.6VEF	LEV2 LEV	All	Front Right	--	--	761015	D-280-105
2007	4.6L	7FMXV04.6VEF	LEV2 LEV	All	Underbody Left	765002	D-280-105	--	--
2007	4.6L	7FMXV04.6VEF	LEV2 LEV	All	Underbody Right	764803	D-280-105	--	--
2006	4.6L	6FMXV04.6VE8	LEV2 LEV	All	Front Left	--	--	761015	D-280-105
2006	4.6L	6FMXV04.6VE8	LEV2 LEV	All	Front Right	--	--	761015	D-280-105
2006	4.6L	6FMXV04.6VE8	LEV2 LEV	All	Underbody Left	765002	D-280-105	--	--
2006	4.6L	6FMXV04.6VE8	LEV2 LEV	All	Underbody Right	764803	D-280-105	--	--
2006	4.6L	6FMXV04.6VG7	LEV1 ULEV	All	Front Left	--	--	761015	D-280-105
2006	4.6L	6FMXV04.6VG7	LEV1 ULEV	All	Front Right	--	--	761015	D-280-105
2006	4.6L	6FMXV04.6VG7	LEV1 ULEV	All	Underbody Left	765002	D-280-105	--	--
2006	4.6L	6FMXV04.6VG7	LEV1 ULEV	All	Underbody Right	764803	D-280-105	--	--

Legal Note: In Compliance with California Emissions Requirements



CATCO
CATALYTIC CONVERTERS

EASTERN CATALYTIC

APPLICATION GUIDE

OBD II

APPLICATION

Year	Eng. Size	Test Group/ Engine Family	Certification Level	Application	Location	Direct Fit Number	Exec. Order	Consol. Number	Exec. Order
Lincoln (Cont.)									
Town Car (Cont.)									
V8 (Cont.)									
2006	4.6L	6FMXV04.6VG8	LEV1 ULEV	All	Front Left	--	--	761015	D-280-105
2006	4.6L	6FMXV04.6VG8	LEV1 ULEV	All	Front Right	--	--	761015	D-280-105
2006	4.6L	6FMXV04.6VG8	LEV1 ULEV	All	Underbody Left	765002	D-280-105	--	--
2006	4.6L	6FMXV04.6VG8	LEV1 ULEV	All	Underbody Right	764803	D-280-105	--	--
2005	4.6L	5FMXV04.6VE8	LEV2 LEV	All	Front Left	--	--	761015	D-280-105
2005	4.6L	5FMXV04.6VE8	LEV2 LEV	All	Front Right	--	--	761015	D-280-105
2005	4.6L	5FMXV04.6VE8	LEV2 LEV	All	Underbody Left	765002	D-280-105	--	--
2005	4.6L	5FMXV04.6VE8	LEV2 LEV	All	Underbody Right	764803	D-280-105	--	--
2005	4.6L	5FMXV04.6VG7	LEV1 ULEV	All	Front Left	--	--	761015	D-280-105
2005	4.6L	5FMXV04.6VG7	LEV1 ULEV	All	Front Right	--	--	761015	D-280-105
2005	4.6L	5FMXV04.6VG7	LEV1 ULEV	All	Underbody Left	765002	D-280-105	--	--
2005	4.6L	5FMXV04.6VG7	LEV1 ULEV	All	Underbody Right	764803	D-280-105	--	--
2005	4.6L	5FMXV04.6VG8	LEV1 ULEV	All	Front Left	--	--	761015	D-280-105
2005	4.6L	5FMXV04.6VG8	LEV1 ULEV	All	Front Right	--	--	761015	D-280-105
2005	4.6L	5FMXV04.6VG8	LEV1 ULEV	All	Underbody Left	765002	D-280-105	--	--
2005	4.6L	5FMXV04.6VG8	LEV1 ULEV	All	Underbody Right	764803	D-280-105	--	--
2004	4.6L	4FMXV04.6VE5	LEV2 LEV	All	Front Left	--	--	761015	D-280-105
2004	4.6L	4FMXV04.6VE5	LEV2 LEV	All	Front Right	--	--	761015	D-280-105
2004	4.6L	4FMXV04.6VE5	LEV2 LEV	All	Underbody Left	765002	D-280-105	--	--
2004	4.6L	4FMXV04.6VE5	LEV2 LEV	All	Underbody Right	764803	D-280-105	--	--
2004	4.6L	4FMXV04.6VG6	LEV1 ULEV	All	Front Left	--	--	761015	D-280-105
2004	4.6L	4FMXV04.6VG6	LEV1 ULEV	All	Front Right	--	--	761015	D-280-105
2004	4.6L	4FMXV04.6VG6	LEV1 ULEV	All	Underbody Left	765002	D-280-105	--	--
2004	4.6L	4FMXV04.6VG6	LEV1 ULEV	All	Underbody Right	764803	D-280-105	--	--
2004	4.6L	4FMXV04.6VG7	LEV1 ULEV	All	Front Left	--	--	761015	D-280-105
2004	4.6L	4FMXV04.6VG7	LEV1 ULEV	All	Front Right	--	--	761015	D-280-105
2004	4.6L	4FMXV04.6VG7	LEV1 ULEV	All	Underbody Left	765002	D-280-105	--	--
2004	4.6L	4FMXV04.6VG7	LEV1 ULEV	All	Underbody Right	764803	D-280-105	--	--
2003	4.6L	3FMXV04.6VG5	LEV1 ULEV	All	Front Left	--	--	761015	D-280-105
2003	4.6L	3FMXV04.6VG5	LEV1 ULEV	All	Front Right	--	--	761015	D-280-105
2003	4.6L	3FMXV04.6VG5	LEV1 ULEV	All	Underbody Left	765002	D-280-105	--	--
2003	4.6L	3FMXV04.6VG5	LEV1 ULEV	All	Underbody Right	764803	D-280-105	--	--
2003	4.6L	3FMXV04.6VH5	LEV1 ULEV	All	Front Left	--	--	761015	D-280-105
2003	4.6L	3FMXV04.6VH5	LEV1 ULEV	All	Front Right	--	--	761015	D-280-105
2003	4.6L	3FMXV04.6VH5	LEV1 ULEV	All	Underbody Left	765002	D-280-105	--	--
2003	4.6L	3FMXV04.6VH5	LEV1 ULEV	All	Underbody Right	764803	D-280-105	--	--
2002	4.6L	2FMXV04.6VF5	LEV1 LEV	All	Front Left	--	--	942105	D-280-100
2002	4.6L	2FMXV04.6VF5	LEV1 LEV	All	Front Right	--	--	942105	D-280-100
2002	4.6L	2FMXV04.6VF5	LEV1 LEV	All	Rear	--	--	942871	D-280-100
2002	4.6L	2FMXV04.6VF5	LEV1 LEV	All	Rear Left	--	--	942105	D-280-100
2002	4.6L	2FMXV04.6VF5	LEV1 LEV	All	Rear Right	--	--	942105	D-280-100
2002	4.6L	2FMXV04.6VF5	LEV1 LEV	All	Underbody Left	944870	D-280-100	--	--
2002	4.6L	2FMXV04.6VF5	LEV1 LEV	All	Underbody Left	612870	D-280-84	--	--
2002	4.6L	2FMXV04.6VF5	LEV1 LEV	All	Underbody Left	--	--	942870	D-280-100
2002	4.6L	2FMXV04.6VF5	LEV1 LEV	All	Underbody Right	944871	D-280-100	--	--
2002	4.6L	2FMXV04.6VF5	LEV1 LEV	All	Underbody Right	612871	D-280-84	--	--
2001	4.6L	1FMXV04.6VF5	LEV1 LEV	All	Front Left	--	--	942105	D-280-100
2001	4.6L	1FMXV04.6VF5	LEV1 LEV	All	Front Right	--	--	942105	D-280-100
2001	4.6L	1FMXV04.6VF5	LEV1 LEV	All	Rear	--	--	942871	D-280-100
2001	4.6L	1FMXV04.6VF5	LEV1 LEV	All	Rear Left	--	--	942105	D-280-100
2001	4.6L	1FMXV04.6VF5	LEV1 LEV	All	Rear Right	--	--	942105	D-280-100
2001	4.6L	1FMXV04.6VF5	LEV1 LEV	All	Underbody Left	944870	D-280-100	--	--
2001	4.6L	1FMXV04.6VF5	LEV1 LEV	All	Underbody Left	612870	D-280-84	--	--
2001	4.6L	1FMXV04.6VF5	LEV1 LEV	All	Underbody Left	--	--	942870	D-280-100
2001	4.6L	1FMXV04.6VF5	LEV1 LEV	All	Underbody Right	944871	D-280-100	--	--
2001	4.6L	1FMXV04.6VF5	LEV1 LEV	All	Underbody Right	612871	D-280-84	--	--

Legal Note: In Compliance with California Emissions Requirements

APPLICATION GUIDE



OBD II

APPLICATION

Year	Eng. Size	Test Group/ Engine Family	Certification Level	Application	Location	Direct Fit Number	Exec. Order	Consol. Number	Exec. Order
Lincoln (Cont.)									
Town Car (Cont.)									
V8 (Cont.)									
2001	4.6L	1FMXV04.6VF7	LEV1 LEV	All	Front Left	--	--	942105	D-280-100
2001	4.6L	1FMXV04.6VF7	LEV1 LEV	All	Front Right	--	--	942105	D-280-100
2001	4.6L	1FMXV04.6VF7	LEV1 LEV	All	Rear	--	--	942871	D-280-100
2001	4.6L	1FMXV04.6VF7	LEV1 LEV	All	Rear Left	--	--	942105	D-280-100
2001	4.6L	1FMXV04.6VF7	LEV1 LEV	All	Rear Right	--	--	942105	D-280-100
2001	4.6L	1FMXV04.6VF7	LEV1 LEV	All	Underbody Left	944870	D-280-100	--	--
2001	4.6L	1FMXV04.6VF7	LEV1 LEV	All	Underbody Left	--	--	942870	D-280-100
2001	4.6L	1FMXV04.6VF7	LEV1 LEV	All	Underbody Right	944871	D-280-100	--	--
2000	4.6L	YFMXV04.6VB5	TIER1	All	Front Left	--	--	942105	D-280-100
2000	4.6L	YFMXV04.6VB5	TIER1	All	Front Right	--	--	942105	D-280-100
2000	4.6L	YFMXV04.6VB5	TIER1	All	Rear	--	--	942871	D-280-100
2000	4.6L	YFMXV04.6VB5	TIER1	All	Rear Left	--	--	942105	D-280-100
2000	4.6L	YFMXV04.6VB5	TIER1	All	Rear Right	--	--	942105	D-280-100
2000	4.6L	YFMXV04.6VB5	TIER1	All	Underbody Left	944870	D-280-100	--	--
2000	4.6L	YFMXV04.6VB5	TIER1	All	Underbody Left	--	--	942870	D-280-100
2000	4.6L	YFMXV04.6VB5	TIER1	All	Underbody Right	944871	D-280-100	--	--
2000	4.6L	YFMXV04.6VFR	LEV1 LEV	All	Front Left	--	--	942105	D-280-100
2000	4.6L	YFMXV04.6VFR	LEV1 LEV	All	Front Right	--	--	942105	D-280-100
2000	4.6L	YFMXV04.6VFR	LEV1 LEV	All	Rear	--	--	942871	D-280-100
2000	4.6L	YFMXV04.6VFR	LEV1 LEV	All	Rear Left	--	--	942105	D-280-100
2000	4.6L	YFMXV04.6VFR	LEV1 LEV	All	Rear Right	--	--	942105	D-280-100
2000	4.6L	YFMXV04.6VFR	LEV1 LEV	All	Underbody Left	944870	D-280-100	--	--
2000	4.6L	YFMXV04.6VFR	LEV1 LEV	All	Underbody Left	--	--	942870	D-280-100
2000	4.6L	YFMXV04.6VFR	LEV1 LEV	All	Underbody Right	944871	D-280-100	--	--
2000	4.6L	YFMXV04.6VFR	TIER1	All	Underbody Left	612870	D-280-84	--	--
2000	4.6L	YFMXV04.6VFR	TIER1	All	Underbody Right	612871	D-280-84	--	--
1999	4.6L	XFMXV04.6VDR	TLEV	All	Underbody Left	809509	D-665-23	--	--
1999	4.6L	XFMXV04.6VDR	TLEV	All	Underbody Right	809510	D-665-23	--	--
1999	4.6L	XFMXV04.6VDR	TLEV	All	Front Left	--	--	942105	D-280-100
1999	4.6L	XFMXV04.6VDR	TLEV	All	Front Right	--	--	942105	D-280-100
1999	4.6L	XFMXV04.6VDR	TLEV	All	Rear	--	--	942871	D-280-100
1999	4.6L	XFMXV04.6VDR	TLEV	All	Rear Left	--	--	942105	D-280-100
1999	4.6L	XFMXV04.6VDR	TLEV	All	Rear Right	--	--	942105	D-280-100
1999	4.6L	XFMXV04.6VDR	TLEV	All	Underbody Left	--	--	942870	D-280-100
1999	4.6L	XFMXV04.6VG5	LEV1 LEV	All	Front Left	--	--	942105	D-280-100
1999	4.6L	XFMXV04.6VG5	LEV1 LEV	All	Front Right	--	--	942105	D-280-100
1999	4.6L	XFMXV04.6VG5	LEV1 LEV	All	Rear	--	--	942871	D-280-100
1999	4.6L	XFMXV04.6VG5	LEV1 LEV	All	Rear Left	--	--	942105	D-280-100
1999	4.6L	XFMXV04.6VG5	LEV1 LEV	All	Rear Right	--	--	942105	D-280-100
1999	4.6L	XFMXV04.6VG5	LEV1 LEV	All	Underbody Left	944870	D-280-100	--	--
1999	4.6L	XFMXV04.6VG5	LEV1 LEV	All	Underbody Left	--	--	942870	D-280-100
1999	4.6L	XFMXV04.6VG5	LEV1 LEV	All	Underbody Right	944871	D-280-100	--	--
1999	4.6L	XFMXV04.6VG5	TLEV	All	Underbody Left	612870	D-280-84	--	--
1999	4.6L	XFMXV04.6VG5	TLEV	All	Underbody Right	612871	D-280-84	--	--
1998	4.6L	WFMXV04.6AAA	LEV1 LEV	All	Front Left	--	--	942105	D-280-100
1998	4.6L	WFMXV04.6AAA	LEV1 LEV	All	Front Right	--	--	942105	D-280-100
1998	4.6L	WFMXV04.6AAA	LEV1 LEV	All	Rear	--	--	942871	D-280-100
1998	4.6L	WFMXV04.6AAA	LEV1 LEV	All	Rear Left	--	--	942105	D-280-100
1998	4.6L	WFMXV04.6AAA	LEV1 LEV	All	Rear Right	--	--	942105	D-280-100
1998	4.6L	WFMXV04.6AAA	LEV1 LEV	All	Underbody Left	944870	D-280-100	--	--
1998	4.6L	WFMXV04.6AAA	LEV1 LEV	All	Underbody Left	--	--	942870	D-280-100
1998	4.6L	WFMXV04.6AAA	LEV1 LEV	All	Underbody Right	944871	D-280-100	--	--
1998	4.6L	WFMXV04.6AAA	TIER1	All	Underbody Left	612870	D-280-84	--	--
1998	4.6L	WFMXV04.6AAA	TIER1	All	Underbody Right	612871	D-280-84	--	--
1998	4.6L	WFMXV04.6ABA	TIER1	All	Underbody Left	809509	D-665-23	--	--
1998	4.6L	WFMXV04.6ABA	TIER1	All	Underbody Right	809510	D-665-23	--	--

Legal Note: In Compliance with California Emissions Requirements



CATCO
CATALYTIC CONVERTERS

EASTERN CATALYTIC

APPLICATION GUIDE

OBD II

APPLICATION

Year	Eng. Size	Test Group/ Engine Family	Certification Level	Application	Location	Direct Fit Number	Exec. Order	Consol. Number	Exec. Order
Lincoln (Cont.)									
Town Car (Cont.)									
V8 (Cont.)									
1998	4.6L	WFMXV04.6ABA	TIER1	All	Front Left	--	--	942105	D-280-100
1998	4.6L	WFMXV04.6ABA	TIER1	All	Front Right	--	--	942105	D-280-100
1998	4.6L	WFMXV04.6ABA	TIER1	All	Rear	--	--	942871	D-280-100
1998	4.6L	WFMXV04.6ABA	TIER1	All	Rear Left	--	--	942105	D-280-100
1998	4.6L	WFMXV04.6ABA	TIER1	All	Rear Right	--	--	942105	D-280-100
1998	4.6L	WFMXV04.6ABA	TIER1	All	Underbody Left	--	--	942870	D-280-100
1997	4.6L	VFM4.6V8G2EL	TLEV	All	Front Right	--	--	942105	D-280-100
1997	4.6L	VFM4.6V8G2EL	TLEV	All	Rear	--	--	942871	D-280-100
1997	4.6L	VFM4.6V8G2EL	TLEV	All	Rear Left	--	--	942105	D-280-100
1997	4.6L	VFM4.6V8G2EL	TLEV	All	Rear Right	--	--	942105	D-280-100
1997	4.6L	VFM4.6V8G2EL	TLEV	All	Underbody Left	944870	D-280-100	--	--
1997	4.6L	VFM4.6V8G2EL	TLEV	All	Underbody Left	612870	D-280-84	--	--
1997	4.6L	VFM4.6V8G2EL	TLEV	All	Underbody Left	--	--	942870	D-280-100
1997	4.6L	VFM4.6V8G2EL	TLEV	All	Underbody Right	944871	D-280-100	--	--
1997	4.6L	VFM4.6V8G2EL	TLEV	All	Underbody Right	612871	D-280-84	--	--
1996	4.6L	TFM4.6V8G2EL	TLEV	All	Underbody Left	944870	D-280-100	--	--
1996	4.6L	TFM4.6V8G2EL	TLEV	All	Underbody Right	944871	D-280-100	--	--
1996	4.6L	TFM4.6V8G2EL	TIER1	All	Underbody Left	612870	D-280-84	--	--
1996	4.6L	TFM4.6V8G2EL	TIER1	All	Underbody Right	612871	D-280-84	--	--
1996	4.6L	TFM4.6V8GFEL	TIER1	All	Underbody Left	809509	D-665-23	--	--
1996	4.6L	TFM4.6V8GFEL	TIER1	All	Underbody Right	809510	D-665-23	--	--
1995	4.6L	SFM4.6V8G1GK	TIER1	All	Front Left	--	--	940086	D-280-100
1995	4.6L	SFM4.6V8G1GK	TIER1	All	Front Right	--	--	940086	D-280-100
1995	4.6L	SFM4.6V8G1GK	TIER1	All	Rear Left	--	--	940086	D-280-100
1995	4.6L	SFM4.6V8G1GK	TIER1	All	Rear Right	--	--	940086	D-280-100
1995	4.6L	SFM4.6V8G1GK	TIER1	All	Underbody Left	942598	D-280-100	--	--
1995	4.6L	SFM4.6V8G1GK	TIER1	All	Underbody Right	942599	D-280-100	--	--
1995	4.6L	SMF4.6V8G1GK	TIER1	All	Underbody Left	830452	D-665-9	--	--
1995	4.6L	SMF4.6V8G1GK	TIER1	All	Underbody Right	830453	D-665-9	--	--
Zephyr									
V6									
2006	3.0L	6FMXV03.01EA	LEV2 LEV	All	Front Left	751122	D-280-102	--	--
2006	3.0L	6FMXV03.01EA	LEV2 LEV	All	Front Right	751123	D-280-102	--	--
2006	3.0L	6FMXV03.01EA	LEV2 LEV	All	Rear	754453	D-280-102	--	--
2006	3.0L	6FMXV03.01EA	LEV2 LEV	All	Rear	--	--	755005	D-280-102
2006	3.0L	6FMXV03.01HA	LEV1 ULEV	All	Front Left	751122	D-280-102	--	--
2006	3.0L	6FMXV03.01HA	LEV1 ULEV	All	Front Right	751123	D-280-102	--	--
2006	3.0L	6FMXV03.01HA	LEV1 ULEV	All	Rear	754453	D-280-102	--	--
2006	3.0L	6FMXV03.01HA	LEV1 ULEV	All	Rear	--	--	755005	D-280-102
Mazda									
3									
L4									
2005	2.3L	5TKXV02.3NC1	LEV2 LEV	All	Front	751303	D-280-102	--	--
2005	2.3L	5TKXV02.3NC1	LEV2 LEV	All	Rear	--	--	755004	D-280-102
2004	2.3L	4TKXV02.3CJ1	LEV2 LEV	All	Front	751303	D-280-102	--	--
2004	2.3L	4TKXV02.3CJ1	LEV2 LEV	All	Rear	--	--	755004	D-280-102
6									
L4									
2005	2.3L	5TKXV02.3NA1	LEV1 LEV	All	Underbody	944434	D-280-100	--	--
2005	2.3L	5TKXV02.3NA1	LEV1 LEV	All	Underbody	--	--	940086	D-280-100
2004	2.3L	4TKXV02.3AJA	LEV1 LEV	All	Underbody	944434	D-280-100	--	--
2004	2.3L	4TKXV02.3AJA	LEV1 LEV	All	Underbody	--	--	940101	D-280-100
2004	2.3L	4TKXV02.3CJ1	LEV2 LEV	All	Rear	754563	D-280-102	--	--
2004	2.3L	4TKXV02.3CJ1	LEV2 LEV	All	Rear	--	--	755004	D-280-102
2003	2.3L	3TKXV02.3CIM	LEV1 LEV	All	Underbody	944434	D-280-100	--	--
2003	2.3L	3TKXV02.3CIM	LEV1 LEV	All	Underbody	--	--	940101	D-280-100

APPLICATION GUIDE



OBD II

APPLICATION

Year	Eng. Size	Test Group/ Engine Family	Certification Level	Application	Location	Direct Fit Number	Exec. Order	Consol. Number	Exec. Order
Mazda (Cont.)									
6 (Cont.)									
V6									
2004	3.0L	4TKXV03.0ALA	LEV1 ULEV	All	Front Left	751184	D-280-102	--	--
2004	3.0L	4TKXV03.0ALA	LEV1 ULEV	All	Front Right	751185	D-280-102	--	--
2004	3.0L	4TKXV03.0ALA	LEV1 ULEV	All	Rear Left	754384	D-280-102	--	--
2004	3.0L	4TKXV03.0ALA	LEV1 ULEV	All	Rear Left	--	--	755004	D-280-102
2004	3.0L	4TKXV03.0ALA	LEV1 ULEV	All	Rear Right	754385	D-280-102	--	--
2004	3.0L	4TKXV03.0ALA	LEV1 ULEV	All	Rear Right	--	--	755004	D-280-102
2003	3.0L	3TKXV03.0CLM	LEV1 LEV	All	Front Left	940184	D-280-100	--	--
2003	3.0L	3TKXV03.0CLM	LEV1 LEV	All	Front Right	940185	D-280-100	--	--
2003	3.0L	3TKXV03.0CLM	LEV1 LEV	All	Rear Left	942384	D-280-100	--	--
2003	3.0L	3TKXV03.0CLM	LEV1 LEV	All	Rear Left	--	--	940104	D-280-100
2003	3.0L	3TKXV03.0CLM	LEV1 LEV	All	Rear Right	942385	D-280-100	--	--
2003	3.0L	3TKXV03.0CLM	LEV1 LEV	All	Rear Right	--	--	940104	D-280-100
2003	3.0L	3TKXV03.0EL1	LEV1 LEV	All	Front	808568	D-665-23	--	--
2003	3.0L	3TKXV03.0EL1	LEV1 LEV	All	Rear	808567	D-665-23	--	--
626									
L4									
2002	2.0L	2TKXV02.0GJB	LEV1 ULEV	All	Front	751034	D-280-102	--	--
2002	2.0L	2TKXV02.0GJB	LEV1 ULEV	All	Underbody	754450	D-280-102	--	--
2002	2.0L	2TKXV02.0GJB	LEV1 ULEV	All	Underbody	--	--	755005	D-280-102
2001	2.0L	1TKXV02.0GJB	LEV1 ULEV	All	Front	751034	D-280-102	--	--
2001	2.0L	1TKXV02.0GJB	LEV1 ULEV	All	Underbody	754450	D-280-102	--	--
2001	2.0L	1TKXV02.0GJB	LEV1 ULEV	All	Underbody	--	--	755005	D-280-102
2000	2.0L	YTKXV02.0VJM	LEV1 ULEV	All	Front	808547	D-665-23	--	--
1999	2.0L	XTKXV02.0VDM	TLEV	All	Front	941050	D-280-100	--	--
1999	2.0L	XTKXV02.0VDM	TLEV	All	Rear	940450	D-280-100	--	--
1999	2.0L	XTKXV02.0VDM	TLEV	All	Rear	--	--	940004	D-280-100
1998	2.0L	WTKXV02.0VDM	TLEV	All	Front	941050	D-280-100	--	--
1998	2.0L	WTKXV02.0VDM	TLEV	All	Rear	940450	D-280-100	--	--
1998	2.0L	WTKXV02.0VDM	TLEV	All	Rear	--	--	940004	D-280-100
1997	2.0L	VTK2.0VJG2EK	TLEV	All	Front	944038	D-280-100	--	--
1997	2.0L	VTK2.0VJG2EK	TLEV	All	Rear	944701	D-280-100	--	--
1997	2.0L	VTK2.0VJG2EK	TLEV	All	Rear	--	--	940004	D-280-100
1996	2.0L	TTK2.0VJG2EK	TLEV	All	Front	944038	D-280-100	--	--
1996	2.0L	TTK2.0VJG2EK	TLEV	All	Rear	944701	D-280-100	--	--
1996	2.0L	TTK2.0VJG2EK	TLEV	All	Rear	--	--	940004	D-280-100
V6									
2002	2.5L	2TKXV02.5BMA	TLEV	All	Rear	--	--	940004	D-280-100
2001	2.5L	1TKXV02.5BMA	TLEV	All	Rear	--	--	940004	D-280-100
2000	2.5L	YTKXV02.5VDM	TLEV	All	Rear	--	--	940004	D-280-100
1999	2.5L	XTKXV02.5VB2	TIER1	All	Rear	--	--	940004	D-280-100
1998	2.5L	WTKXV02.5VB2	TIER1	All	Underbody	--	--	940004	D-280-100
1997	2.5L	VTK2.5VJGKEK	TIER1	All	Underbody	--	--	940004	D-280-100
1996	2.5L	TTK2.5VJGKEK	TIER1	All	Underbody	--	--	940004	D-280-100
B2300									
L4									
2009	2.3L	9FMXT02.31BA	LEV2 ULEV	All	Front	--	--	760004	D-280-105
2009	2.3L	9FMXT02.31BA	LEV2 ULEV	All	Rear	--	--	761016	D-280-105
2009	2.3L	9FMXT02.31BA	LEV2 ULEV	All	Underbody	769255	D-280-105	--	--
2008	2.3L	8FMXT02.31BA	LEV2 ULEV	All	Front	--	--	760004	D-280-105
2008	2.3L	8FMXT02.31BA	LEV2 ULEV	All	Rear	--	--	761016	D-280-105
2008	2.3L	8FMXT02.31BA	LEV2 ULEV	All	Underbody	769255	D-280-105	--	--
2007	2.3L	7FMXT02.31BA	LEV2 ULEV	All	Front	--	--	760004	D-280-105
2007	2.3L	7FMXT02.31BA	LEV2 ULEV	All	Underbody	769255	D-280-105	--	--
2006	2.3L	6FMXT02.31J2	LEV1 ULEV	RWD	Underbody	868537	D-665-15	--	--
2006	2.3L	6FMXT02.31J2	LEV1 ULEV	RWD	Underbody	809533	D-665-23	--	--
2005	2.3L	5FMXT02.31J2	LEV1 ULEV	RWD	Underbody	809533	D-665-23	--	--
2004	2.3L	4FMXT02.31J2	LEV1 ULEV	RWD	Underbody	809533	D-665-23	--	--

Legal Note: In Compliance with California Emissions Requirements



CATCO
CATALYTIC CONVERTERS

EASTERN CATALYTIC

APPLICATION GUIDE

OBD II

APPLICATION

Year	Eng. Size	Test Group/ Engine Family	Certification Level	Application	Location	Direct Fit Number	Exec. Order	Consol. Number	Exec. Order
Mazda (Cont.)									
B2300 (Cont.)									
L4 (Cont.)									
2003	2.3L	3FMXT02.31F5	LEV1 LEV	All	Front	--	--	942566	D-280-100
2003	2.3L	3FMXT02.31F5	LEV1 LEV	All	Rear	--	--	940101	D-280-100
2003	2.3L	3FMXT02.31F5	LEV1 LEV	All	Underbody	942174	D-280-100	--	--
2002	2.3L	2FMXT02.31F5	LEV1 LEV	All	Front	--	--	942566	D-280-100
2002	2.3L	2FMXT02.31F5	LEV1 LEV	All	Rear	--	--	940101	D-280-100
2002	2.3L	2FMXT02.31F5	LEV1 LEV	All	Underbody	942174	D-280-100	--	--
2001	2.3L	1FMXT02.31F5	LEV1 LEV	All	Front	--	--	942566	D-280-100
2001	2.3L	1FMXT02.31F5	LEV1 LEV	All	Rear	--	--	940101	D-280-100
2001	2.3L	1FMXT02.31F5	LEV1 LEV	All	Underbody	942174	D-280-100	--	--
1997	2.3L	VFM2.318G1EK	TIER1	All	Underbody	942856	D-280-100	--	--
1997	2.3L	VFM2.318G1EK	TIER1	All	Underbody	--	--	940334	D-280-100
1996	2.3L	TFM2.318G1EK	TIER1	All	Underbody	942856	D-280-100	--	--
1996	2.3L	TFM2.318G1EK	TIER1	All	Underbody	--	--	940334	D-280-100
B2500									
L4									
2001	2.5L	1FMXT02.51D5	TLEV	All	Front	--	--	942566	D-280-100
2001	2.5L	1FMXT02.51D5	TLEV	All	Rear	--	--	940101	D-280-100
2001	2.5L	1FMXT02.51F5	LEV1 LEV	All	Front	--	--	942566	D-280-100
2001	2.5L	1FMXT02.51F5	LEV1 LEV	All	Rear	--	--	940101	D-280-100
2000	2.5L	YFMXT02.51D5	TLEV	All	Front	--	--	942566	D-280-100
2000	2.5L	YFMXT02.51D5	TLEV	All	Rear	--	--	940101	D-280-100
2000	2.5L	YFMXT02.51DC	TLEV	All	Front	--	--	942566	D-280-100
2000	2.5L	YFMXT02.51DC	TLEV	All	Rear	--	--	940101	D-280-100
2000	2.5L	YFMXT02.51F5	LEV1 LEV	All	Front	--	--	942566	D-280-100
2000	2.5L	YFMXT02.51F5	LEV1 LEV	All	Rear	--	--	940101	D-280-100
2000	2.5L	YFMXT02.51FC	LEV1 LEV	All	Front	--	--	942566	D-280-100
2000	2.5L	YFMXT02.51FC	LEV1 LEV	All	Rear	--	--	940101	D-280-100
1999	2.5L	XFMXT02.51DC	TLEV	All	Front	--	--	942566	D-280-100
1999	2.5L	XFMXT02.51DC	TLEV	All	Rear	--	--	940101	D-280-100
1999	2.5L	XFMXT02.51GC	LEV1 LEV	All	Front	--	--	942566	D-280-100
1999	2.5L	XFMXT02.51GC	LEV1 LEV	All	Rear	--	--	940101	D-280-100
1998	2.5L	WFMXT02.5AAA	TLEV	All	Front	--	--	942566	D-280-100
1998	2.5L	WFMXT02.5AAA	TLEV	All	Rear	--	--	940101	D-280-100
1998	2.5L	WFMXT02.5BAA	LEV1 LEV	All	Front	--	--	942566	D-280-100
1998	2.5L	WFMXT02.5BAA	LEV1 LEV	All	Rear	--	--	940101	D-280-100
B3000									
V6									
2006	3.0L	6FMXT03.01HA	LEV1 ULEV	RWD	Front	701509	D-665-21	--	--
2006	3.0L	6FMXT03.01HA	LEV1 ULEV	RWD	Rear	701510	D-665-21	--	--
2006	3.0L	6FMXT03.02KA	LEV1 ULEV	All	Front	741105	D-798	--	--
2006	3.0L	6FMXT03.02KA	LEV1 ULEV	All	Front Left	--	--	740065	D-798
2006	3.0L	6FMXT03.02KA	LEV1 ULEV	All	Front Right	--	--	740065	D-798
2006	3.0L	6FMXT03.02KA	LEV1 ULEV	All	Rear	749225	D-798	--	--
2005	3.0L	5FMXT03.01HA	LEV1 ULEV	RWD	Front	701509	D-665-21	--	--
2005	3.0L	5FMXT03.01HA	LEV1 ULEV	RWD	Rear	701510	D-665-21	--	--
2005	3.0L	5FMXT03.02KA	LEV1 ULEV	All	Front	741105	D-798	--	--
2005	3.0L	5FMXT03.02KA	LEV1 ULEV	All	Front Left	--	--	740065	D-798
2005	3.0L	5FMXT03.02KA	LEV1 ULEV	All	Front Right	--	--	740065	D-798
2005	3.0L	5FMXT03.02KA	LEV1 ULEV	All	Rear	749225	D-798	--	--
2004	3.0L	4FMXT03.01JA	LEV1 LEV	RWD	Front	867520	D-665-15	--	--
2004	3.0L	4FMXT03.01JA	LEV1 LEV	RWD	Front	808517	D-665-23	--	--
2004	3.0L	4FMXT03.01JA	LEV1 LEV	RWD	Underbody	868540	D-665-15	--	--
2004	3.0L	4FMXT03.01JA	LEV1 LEV	2WD	Front Left	--	--	942564	D-280-100
2004	3.0L	4FMXT03.01JA	LEV1 LEV	2WD	Front Right	--	--	942564	D-280-100
2004	3.0L	4FMXT03.01JA	LEV1 LEV	2WD	Rear	--	--	940335	D-280-100

Legal Note: In Compliance with California Emissions Requirements

APPLICATION GUIDE



OBD II

APPLICATION

Year	Eng. Size	Test Group/ Engine Family	Certification Level	Application	Location	Direct Fit Number	Exec. Order	Consol. Number	Exec. Order
Mazda (Cont.)									
B3000 (Cont.)									
V6 (Cont.)									
2004	3.0L	4FMXT03.02KA	LEV1 ULEV	All	Front	741105	D-798	--	--
2004	3.0L	4FMXT03.02KA	LEV1 ULEV	All	Front Left	--	--	740065	D-798
2004	3.0L	4FMXT03.02KA	LEV1 ULEV	All	Front Right	--	--	740065	D-798
2004	3.0L	4FMXT03.02KA	LEV1 ULEV	All	Rear	749225	D-798	--	--
2003	3.0L	3FMXT03.01F6	LEV1 LEV	2WD	Rear	919144	D-280-101	--	--
2003	3.0L	3FMXT03.01FA	LEV1 LEV	2WD	Front Left	--	--	942564	D-280-100
2003	3.0L	3FMXT03.01FA	LEV1 LEV	2WD	Front Right	--	--	942564	D-280-100
2003	3.0L	3FMXT03.01FA	LEV1 LEV	2WD	Rear	--	--	940335	D-280-100
2003	3.0L	3FMXT03.02F5	LEV1 LEV	2WD	Rear	919144	D-280-101	--	--
2002	3.0L	2FMXT03.01F5	LEV1 LEV	All	Rear	949144	D-280-100	--	--
2002	3.0L	2FMXT03.01F5	LEV1 LEV	2WD	Front	941144	D-280-100	--	--
2002	3.0L	2FMXT03.01F5	LEV1 LEV	2WD	Front Left	--	--	942564	D-280-100
2002	3.0L	2FMXT03.01F5	LEV1 LEV	2WD	Front Right	--	--	942564	D-280-100
2002	3.0L	2FMXT03.01F5	LEV1 LEV	2WD	Rear	--	--	940336	D-280-100
2002	3.0L	2FMXT03.02F5	LEV1 LEV	2WD	Front	911144	D-280-101	--	--
2002	3.0L	2FMXT03.02F5	LEV1 LEV	2WD	Rear	919144	D-280-101	--	--
2002	3.0L	2FMXT03.02F6	LEV1 LEV	2WD	Front	911144	D-280-101	--	--
2002	3.0L	2FMXT03.02F6	LEV1 LEV	4WD	Rear	919144	D-280-101	--	--
2001	3.0L	1FMXT03.01F5	LEV1 LEV	All	Rear	949144	D-280-100	--	--
2001	3.0L	1FMXT03.01F5	LEV1 LEV	2WD	Front	941144	D-280-100	--	--
2001	3.0L	1FMXT03.01F5	LEV1 LEV	2WD	Front Left	--	--	942564	D-280-100
2001	3.0L	1FMXT03.01F5	LEV1 LEV	2WD	Front Right	--	--	942564	D-280-100
2001	3.0L	1FMXT03.01F5	LEV1 LEV	2WD	Rear	--	--	940336	D-280-100
2001	3.0L	1FMXT03.02F4	LEV1 LEV	2WD	Front	911144	D-280-101	--	--
2001	3.0L	1FMXT03.02F6	LEV1 LEV	2WD	Front	911144	D-280-101	--	--
2000	3.0L	YFMXT03.01D5	TLEV	2WD	Front Left	--	--	944182	D-280-100
2000	3.0L	YFMXT03.01D5	TLEV	2WD	Front Right	--	--	944182	D-280-100
2000	3.0L	YFMXT03.01D5	TLEV	2WD	Rear	--	--	940335	D-280-100
2000	3.0L	YFMXT03.02D5	TLEV	Flex Fuel	Front	914650	D-280-101	--	--
1999	3.0L	XFMXT03.01DC	TLEV	2WD	Front Left	--	--	944182	D-280-100
1999	3.0L	XFMXT03.01DC	TLEV	2WD	Front Right	--	--	944182	D-280-100
1999	3.0L	XFMXT03.01DC	TLEV	2WD	Rear	--	--	940335	D-280-100
1999	3.0L	XFMXT03.02DC	TLEV	All	Front	914650	D-280-101	--	--
1999	3.0L	XFMXT03.02DC	TLEV	All	Rear	651561	D-665-20	--	--
1998	3.0L	WFMXT03.0FAA	TLEV	2WD	Front Left	--	--	944182	D-280-100
1998	3.0L	WFMXT03.0FAA	TLEV	2WD	Front Right	--	--	944182	D-280-100
1998	3.0L	WFMXT03.0FAA	TLEV	2WD	Rear	--	--	940335	D-280-100
1998	3.0L	WFMXT03.0HAA	TLEV	All	Front	914650	D-280-101	--	--
1998	3.0L	WFMXT03.0HAA	TLEV	All	Rear	651561	D-665-20	--	--
1997	3.0L	VFM3.018G1EK	TIER1	RWD	Underbody	809524	D-665-23	--	--
1996	3.0L	TFM3.018G1EK	TIER1	All	Underbody	942816	D-280-100	--	--
1996	3.0L	TFM3.018G1EK	TIER1	All	Underbody	--	--	940336	D-280-100
1996	3.0L	TFM3.028G1FK	TIER1	All	Underbody	914816	D-280-101	--	--
1996	3.0L	TFM3.028G1FK	TIER1	All	Underbody	--	--	912005R	D-280-101
1995	3.0L	SFM3.018G1EK	TIER1	All	Underbody	919522	D-280-101	--	--
1995	3.0L	SFM3.028G1FK	TIER1	All	Underbody	--	--	910005R	D-280-101
1995	3.0L	SFM3.028G1FK	TIER1	All	Front	--	--	912006	D-280-101
1995	3.0L	SFM3.028G1FK	TIER1	All	Rear	--	--	912006	D-280-101
1995	3.0L	SFM3.028G1FK	TIER1	All	Underbody	919522	D-280-101	--	--
1994	3.0L	RTK3.028G1EA	TIER1	All	Underbody	919522	D-280-101	--	--
B4000									
V6									
2009	4.0L	9FMXT04.02EG	LEV2 LEV	All	Front Left	749439	D-798	--	--
2009	4.0L	9FMXT04.02EG	LEV2 LEV	All	Front Left	--	--	740075	D-798
2009	4.0L	9FMXT04.02EG	LEV2 LEV	All	Front Right	749908	D-798	--	--
2009	4.0L	9FMXT04.02EG	LEV2 LEV	All	Front Right	--	--	740075	D-798

Legal Note: In Compliance with California Emissions Requirements



CATCO
CATALYTIC CONVERTERS

EASTERN CATALYTIC

APPLICATION GUIDE

OBD II

APPLICATION

Year	Eng. Size	Test Group/ Engine Family	Certification Level	Application	Location	Direct Fit Number	Exec. Order	Consol. Number	Exec. Order
Mazda (Cont.)									
B4000 (Cont.)									
V6 (Cont.)									
2008	4.0L	8FMXT04.02EG	LEV2 LEV	All	Front Left	749439	D-798	--	--
2008	4.0L	8FMXT04.02EG	LEV2 LEV	All	Front Left	--	--	740075	D-798
2008	4.0L	8FMXT04.02EG	LEV2 LEV	All	Front Right	749908	D-798	--	--
2008	4.0L	8FMXT04.02EG	LEV2 LEV	All	Front Right	--	--	740075	D-798
2007	4.0L	7FMXT04.02EG	LEV2 LEV	All	Front Left	749439	D-798	--	--
2007	4.0L	7FMXT04.02EG	LEV2 LEV	All	Front Left	--	--	740075	D-798
2007	4.0L	7FMXT04.02EG	LEV2 LEV	All	Front Right	749908	D-798	--	--
2007	4.0L	7FMXT04.02EG	LEV2 LEV	All	Front Right	--	--	740075	D-798
2006	4.0L	6FMXT04.02E2	LEV2 LEV	All	Front	744556	D-798	--	--
2006	4.0L	6FMXT04.02E2	LEV2 LEV	All	Front Left	--	--	740065	D-798
2006	4.0L	6FMXT04.02E2	LEV2 LEV	All	Front Right	--	--	740065	D-798
2006	4.0L	6FMXT04.02E2	LEV2 LEV	All	Rear	749225	D-798	--	--
2006	4.0L	6FMXT04.02E2	LEV2 LEV	All	Rear	--	--	747015	D-798
2006	4.0L	6FMXT04.02KM	LEV1 ULEV	All	Front	744556	D-798	--	--
2006	4.0L	6FMXT04.02KM	LEV1 ULEV	All	Front Left	--	--	740065	D-798
2006	4.0L	6FMXT04.02KM	LEV1 ULEV	All	Front Right	--	--	740065	D-798
2006	4.0L	6FMXT04.02KM	LEV1 ULEV	All	Rear	749225	D-798	--	--
2006	4.0L	6FMXT04.02KM	LEV1 ULEV	All	Rear	--	--	747015	D-798
2005	4.0L	5FMXT04.02E2	LEV2 LEV	All	Front	744556	D-798	--	--
2005	4.0L	5FMXT04.02E2	LEV2 LEV	All	Front Left	--	--	740065	D-798
2005	4.0L	5FMXT04.02E2	LEV2 LEV	All	Front Right	--	--	740065	D-798
2005	4.0L	5FMXT04.02E2	LEV2 LEV	All	Rear	749225	D-798	--	--
2005	4.0L	5FMXT04.02E2	LEV2 LEV	All	Rear	--	--	747015	D-798
2005	4.0L	5FMXT04.02KM	LEV1 ULEV	All	Front	744556	D-798	--	--
2005	4.0L	5FMXT04.02KM	LEV1 ULEV	All	Front Left	--	--	740065	D-798
2005	4.0L	5FMXT04.02KM	LEV1 ULEV	All	Front Right	--	--	740065	D-798
2005	4.0L	5FMXT04.02KM	LEV1 ULEV	All	Rear	749225	D-798	--	--
2005	4.0L	5FMXT04.02KM	LEV1 ULEV	All	Rear	--	--	747015	D-798
2004	4.0L	4FMXT04.02E2	LEV2 LEV	All	Front	744556	D-798	--	--
2004	4.0L	4FMXT04.02E2	LEV2 LEV	All	Front Left	--	--	740065	D-798
2004	4.0L	4FMXT04.02E2	LEV2 LEV	All	Front Right	--	--	740065	D-798
2004	4.0L	4FMXT04.02E2	LEV2 LEV	All	Rear	749225	D-798	--	--
2004	4.0L	4FMXT04.02E2	LEV2 LEV	All	Rear	--	--	747015	D-798
2004	4.0L	4FMXT04.02K2	LEV1 ULEV	All	Front	744556	D-798	--	--
2004	4.0L	4FMXT04.02K2	LEV1 ULEV	All	Front Left	--	--	740065	D-798
2004	4.0L	4FMXT04.02K2	LEV1 ULEV	All	Front Right	--	--	740065	D-798
2004	4.0L	4FMXT04.02K2	LEV1 ULEV	All	Rear	749225	D-798	--	--
2004	4.0L	4FMXT04.02K2	LEV1 ULEV	All	Rear	--	--	747015	D-798
2004	4.0L	4FMXT04.02KM	LEV1 ULEV	All	Front	744556	D-798	--	--
2004	4.0L	4FMXT04.02KM	LEV1 ULEV	All	Front Left	--	--	740065	D-798
2004	4.0L	4FMXT04.02KM	LEV1 ULEV	All	Front Right	--	--	740065	D-798
2004	4.0L	4FMXT04.02KM	LEV1 ULEV	All	Rear	749225	D-798	--	--
2004	4.0L	4FMXT04.02KM	LEV1 ULEV	All	Rear	--	--	747015	D-798
2003	4.0L	3FMXT04.01F6	LEV1 LEV	All	Front	941044	D-280-100	--	--
2003	4.0L	3FMXT04.01F6	LEV1 LEV	All	Rear	949144	D-280-100	--	--
2003	4.0L	3FMXT04.01FA	LEV1 LEV	All	Front	941044	D-280-100	--	--
2003	4.0L	3FMXT04.01FA	LEV1 LEV	All	Rear	949144	D-280-100	--	--
2003	4.0L	3FMXT04.02F3	LEV1 LEV	All	Front	650531	D-665-20	--	--
2003	4.0L	3FMXT04.02F3	LEV1 LEV	All	Rear	919144	D-280-101	--	--
2003	4.0L	3FMXT04.02F3	LEV1 LEV	All	Rear	--	--	912006	D-280-101
2003	4.0L	3FMXT04.02FA	LEV1 LEV	All	Rear	919144	D-280-101	--	--
2003	4.0L	3FMXT04.02FA	LEV1 LEV	All	Rear	--	--	912006	D-280-101
2002	4.0L	2FMXT04.01F6	LEV1 LEV	All	Front	941044	D-280-100	--	--
2002	4.0L	2FMXT04.01F6	LEV1 LEV	All	Front Left	--	--	942564	D-280-100
2002	4.0L	2FMXT04.01F6	LEV1 LEV	All	Front Right	--	--	942564	D-280-100
2002	4.0L	2FMXT04.01F6	LEV1 LEV	All	Rear	949144	D-280-100	--	--
2002	4.0L	2FMXT04.01F6	LEV1 LEV	All	Rear	--	--	940336	D-280-100

Legal Note: In Compliance with California Emissions Requirements

APPLICATION GUIDE



OBD II

APPLICATION

Year	Eng. Size	Test Group/ Engine Family	Certification Level	Application	Location	Direct Fit Number	Exec. Order	Consol. Number	Exec. Order
Mazda (Cont.)									
B4000 (Cont.)									
V6 (Cont.)									
2002	4.0L	2FMXT04.02F3	LEV1 LEV	All	Front	650531	D-665-20	--	--
2002	4.0L	2FMXT04.02F3	LEV1 LEV	All	Rear	919144	D-280-101	--	--
2002	4.0L	2FMXT04.02F3	LEV1 LEV	All	Rear	--	--	912006	D-280-101
2001	4.0L	1FMXT04.01F5	LEV1 LEV	All	Front	941044	D-280-100	--	--
2001	4.0L	1FMXT04.01F5	LEV1 LEV	All	Front Left	--	--	942564	D-280-100
2001	4.0L	1FMXT04.01F5	LEV1 LEV	All	Front Right	--	--	942564	D-280-100
2001	4.0L	1FMXT04.01F5	LEV1 LEV	All	Rear	949144	D-280-100	--	--
2001	4.0L	1FMXT04.01F5	LEV1 LEV	All	Rear	--	--	940336	D-280-100
2001	4.0L	1FMXT04.01F6	LEV1 LEV	All	Front	941044	D-280-100	--	--
2001	4.0L	1FMXT04.01F6	LEV1 LEV	All	Front Left	--	--	942564	D-280-100
2001	4.0L	1FMXT04.01F6	LEV1 LEV	All	Front Right	--	--	942564	D-280-100
2001	4.0L	1FMXT04.01F6	LEV1 LEV	All	Rear	949144	D-280-100	--	--
2001	4.0L	1FMXT04.01F6	LEV1 LEV	All	Rear	--	--	940336	D-280-100
2001	4.0L	1FMXT04.02F5	LEV1 LEV	All	Rear	919144	D-280-101	--	--
2001	4.0L	1FMXT04.02F5	LEV1 LEV	All	Rear	--	--	912036R	D-280-101
2001	4.0L	1FMXT04.02F5	LEV1 LEV	All	Rear	--	--	912006R	D-280-101
2001	4.0L	1FMXT04.02F5	LEV1 LEV	All	Rear	--	--	912006	D-280-101
2000	4.0L	YFMXT04.01DC	LEV1 LEV	All	Front Left	--	--	942564	D-280-100
2000	4.0L	YFMXT04.01DC	LEV1 LEV	All	Front Right	--	--	942564	D-280-100
2000	4.0L	YFMXT04.01DC	LEV1 LEV	All	Rear	--	--	940336	D-280-100
2000	4.0L	YFMXT04.01F5	LEV1 LEV	All	Front Left	--	--	942564	D-280-100
2000	4.0L	YFMXT04.01F5	LEV1 LEV	All	Front Right	--	--	942564	D-280-100
2000	4.0L	YFMXT04.01F5	LEV1 LEV	All	Rear	--	--	940336	D-280-100
2000	4.0L	YFMXT04.02F2	LEV1 LEV	All	Rear	919314	D-280-101	--	--
2000	4.0L	YFMXT04.02F2	LEV1 LEV	All	Rear	--	--	912006	D-280-101
1999	4.0L	XFMXT04.01DC	TLEV	All	Front Left	--	--	942564	D-280-100
1999	4.0L	XFMXT04.01DC	TLEV	All	Front Right	--	--	942564	D-280-100
1999	4.0L	XFMXT04.01DC	TLEV	All	Rear	--	--	940336	D-280-100
1999	4.0L	XFMXT04.01G5	LEV1 LEV	All	Front Left	--	--	942564	D-280-100
1999	4.0L	XFMXT04.01G5	LEV1 LEV	All	Front Right	--	--	942564	D-280-100
1999	4.0L	XFMXT04.01G5	LEV1 LEV	All	Rear	--	--	940336	D-280-100
1999	4.0L	XFMXT04.02DN	TLEV	All	Underbody	919314	D-280-101	--	--
1999	4.0L	XFMXT04.02GC	LEV1 LEV	A/T	Underbody	919314	D-280-101	--	--
1998	4.0L	WFMXT04.0AAA	LEV1 LEV	All	Front Left	--	--	942564	D-280-100
1998	4.0L	WFMXT04.0AAA	LEV1 LEV	All	Front Right	--	--	942564	D-280-100
1998	4.0L	WFMXT04.0AAA	LEV1 LEV	All	Rear	--	--	940336	D-280-100
1998	4.0L	WFMXT04.0DAA	TLEV	All	Front Left	--	--	942564	D-280-100
1998	4.0L	WFMXT04.0DAA	TLEV	All	Front Right	--	--	942564	D-280-100
1998	4.0L	WFMXT04.0DAA	TLEV	All	Rear	--	--	940336	D-280-100
1998	4.0L	WFMXT04.0EAA	LEV1 LEV	All	Underbody	919314	D-280-101	--	--
1997	4.0L	VFM4.018G1EK	TIER1	All	Underbody	942816	D-280-100	--	--
1997	4.0L	VFM4.018G1EK	TIER1	All	Underbody	--	--	940336	D-280-100
1997	4.0L	VFM4.028G1EK	TIER1	All	Underbody	914816	D-280-101	--	--
1997	4.0L	VFM4.028G1EK	TIER1	All	Underbody	--	--	912005R	D-280-101
1997	4.0L	VFM4.028G2EK	TIER1	All	Underbody	914816	D-280-101	--	--
1997	4.0L	VFM4.028G2EK	TIER1	All	Underbody	--	--	912005R	D-280-101
1996	4.0L	TFM4.018G1EK	TIER1	All	Underbody	942816	D-280-100	--	--
1996	4.0L	TFM4.018G1EK	TIER1	All	Underbody	--	--	940336	D-280-100
1996	4.0L	TFM4.028G2EK	TLEV	All	Underbody	914816	D-280-101	--	--
1996	4.0L	TFM4.028G2EK	TLEV	All	Underbody	--	--	912005R	D-280-101
1995	4.0L	SFM4.018G1EK	TIER1	All	Underbody	942816	D-280-100	--	--
1995	4.0L	SFM4.018G1EK	TIER1	All	Underbody	--	--	940336	D-280-100
1995	4.0L	SFM4.028G1EK	TIER1	All	Front	--	--	912006	D-280-101
1995	4.0L	SFM4.028G1EK	TIER1	All	Rear	--	--	912006	D-280-101
1995	4.0L	SFM4.028G1EK	TIER1	All	Underbody	919522	D-280-101	--	--
1994	4.0L	RTK4.028G1EA	TIER1	All	Underbody	919522	D-280-101	--	--

Legal Note: In Compliance with California Emissions Requirements



CATCO
CATALYTIC CONVERTERS

EASTERN CATALYTIC

APPLICATION GUIDE

OBD II

APPLICATION

Year	Eng. Size	Test Group/ Engine Family	Certification Level	Application	Location	Direct Fit Number	Exec. Order	Consol. Number	Exec. Order
CX-9									
V6									
2007	3.5L	7TKXT03.55NM	LEV2 ULEV	All	Front Left	744454	D-798	--	--
2007	3.5L	7TKXT03.55NM	LEV2 ULEV	All	Front Right	741290	D-798	--	--
2013	3.7L	DTKXT03.75BA	LEV2 ULEV	All	Front Left	744454	D-798	--	--
2013	3.7L	DTKXT03.75BA	LEV2 ULEV	All	Front Right	741290	D-798	--	--
2012	3.7L	CTKXT03.75BA	LEV2 ULEV	All	Front Left	744454	D-798	--	--
2012	3.7L	CTKXT03.75BA	LEV2 ULEV	All	Front Right	741290	D-798	--	--
2011	3.7L	BTKXT03.75BA	LEV2 ULEV	All	Front Left	744454	D-798	--	--
2011	3.7L	BTKXT03.75BA	LEV2 ULEV	All	Front Right	741290	D-798	--	--
2010	3.7L	ATKXT03.75BA	LEV2 ULEV	All	Front Left	744454	D-798	--	--
2010	3.7L	ATKXT03.75BA	LEV2 ULEV	All	Front Right	741290	D-798	--	--
2009	3.7L	9TKXT03.75BB	LEV2 ULEV	All	Front Left	744454	D-798	--	--
2009	3.7L	9TKXT03.75BB	LEV2 ULEV	All	Front Right	741290	D-798	--	--
2008	3.7L	8TKXT03.75FA	LEV2 ULEV	All	Front Left	744454	D-798	--	--
2008	3.7L	8TKXT03.75FA	LEV2 ULEV	All	Front Right	741290	D-798	--	--
Miata									
L4									
2005	1.8L	5TKXV01.8NA1	LEV1 LEV	All	Underbody	--	--	940104	D-280-100
2004	1.8L	4TKXV01.8AJA	LEV1 LEV	All	Underbody	--	--	940104	D-280-100
2003	1.8L	3TKXV01.8CJA	LEV1 LEV	All	Underbody	--	--	940104	D-280-100
2002	1.8L	2TKXV01.8CJA	LEV1 LEV	All	Rear	940063	D-280-100	--	--
2002	1.8L	2TKXV01.8CJA	LEV1 LEV	All	Underbody	--	--	940104	D-280-100
2001	1.8L	1TKXV01.8CJA	LEV1 LEV	All	Rear	940063	D-280-100	--	--
2001	1.8L	1TKXV01.8CJA	LEV1 LEV	All	Underbody	--	--	940104	D-280-100
2000	1.8L	YTKXV01.8VFN	LEV1 LEV	All	Rear	940063	D-280-100	--	--
2000	1.8L	YTKXV01.8VFN	LEV1 LEV	All	Rear	--	--	940104	D-280-100
1999	1.8L	XTKXV01.8VDM	TLEV	All	Rear	940063	D-280-100	--	--
1999	1.8L	XTKXV01.8VDM	TLEV	All	Rear	--	--	940104	D-280-100
1997	1.8L	VTK1.8VJGKEK	TIER1	All	Underbody	--	--	940334	D-280-100
1996	1.8L	TTK1.8VJGKEK	TIER1	All	Underbody	--	--	940334	D-280-100
Millenia									
V6									
2002	2.3L	2TKXV02.3AMA	TIER1	All	Front	808563	D-665-23	--	--
2002	2.3L	2TKXV02.3AMA	TIER1	All	Rear	808564	D-665-23	--	--
2002	2.3L	2TKXV02.3AMA	TIER1	All	Rear	944056	D-280-100	--	--
2002	2.3L	2TKXV02.3AMA	TIER1	All	Rear	--	--	940334	D-280-100
2001	2.3L	1TKXV02.3AMA	TIER1	All	Front	808563	D-665-23	--	--
2001	2.3L	1TKXV02.3AMA	TIER1	All	Rear	808564	D-665-23	--	--
2001	2.3L	1TKXV02.3AMA	TIER1	All	Rear	944056	D-280-100	--	--
2001	2.3L	1TKXV02.3AMA	TIER1	All	Rear	--	--	940334	D-280-100
2000	2.3L	YTKXV02.3VB3	TIER1	All	Front	808563	D-665-23	--	--
2000	2.3L	YTKXV02.3VB3	TIER1	All	Rear	808564	D-665-23	--	--
2000	2.3L	YTKXV02.3VB3	TIER1	All	Rear	944056	D-280-100	--	--
2000	2.3L	YTKXV02.3VB4	TIER1	All	Rear	--	--	940334	D-280-100
1999	2.3L	XTKXV02.3VB3	TIER1	All	Front	808563	D-665-23	--	--
1999	2.3L	XTKXV02.3VB3	TIER1	All	Rear	808564	D-665-23	--	--
1999	2.3L	XTKXV02.3VB3	TIER1	All	Rear	944056	D-280-100	--	--
1999	2.3L	XTKXV02.3VB4	TIER1	All	Rear	--	--	940334	D-280-100
1998	2.3L	WTKXV02.3VB2	TIER1	All	Front	808563	D-665-23	--	--
1998	2.3L	WTKXV02.3VB2	TIER1	All	Rear	808564	D-665-23	--	--
1998	2.3L	WTKXV02.3VB2	TIER1	All	Rear	944056	D-280-100	--	--
1998	2.3L	WTKXV02.3VB2	TIER1	All	Rear	--	--	940334	D-280-100
1998	2.3L	WTKXV02.3VB3	TIER1	All	Front	808563	D-665-23	--	--
1998	2.3L	WTKXV02.3VB3	TIER1	All	Rear	808564	D-665-23	--	--
1998	2.3L	WTKXV02.3VB3	TIER1	All	Rear	--	--	940334	D-280-100
1997	2.3L	VTK2.3VJG1EK	TIER1	All	Rear	--	--	940334	D-280-100
1997	2.3L	VTK2.3VJGKEK	TIER1	All	Front	808563	D-665-23	--	--
1997	2.3L	VTK2.3VJGKEK	TIER1	All	Rear	808564	D-665-23	--	--
1997	2.3L	VTK2.3VJGKEK	TIER1	All	Rear	944056	D-280-100	--	--

Legal Note: In Compliance with California Emissions Requirements

APPLICATION GUIDE



OBD II

APPLICATION

Year	Eng. Size	Test Group/ Engine Family	Certification Level	Application	Location	Direct Fit Number	Exec. Order	Consol. Number	Exec. Order
Mazda (Cont.)									
Millenia (Cont.)									
V6 (Cont.)									
1996	2.3L	TTK2.3VJGFEK	TIER1	All	Front	808563	D-665-23	--	--
1996	2.3L	TTK2.3VJGFEK	TIER1	All	Rear	808564	D-665-23	--	--
1996	2.3L	TTK2.3VJGFEK	TIER1	All	Rear	944056	D-280-100	--	--
1996	2.3L	TTK2.3VJGFEK	TIER1	All	Rear	--	--	940334	D-280-100
1995	2.3L	STK2.3VJGFEK	TIER1	All	Rear	--	--	940334	D-280-100
2002	2.5L	2TKXV02.5BMB	TLEV	All	Rear	949904	D-280-100	--	--
2002	2.5L	2TKXV02.5BMB	TLEV	All	Rear	--	--	940104	D-280-100
2001	2.5L	1TKXV02.5BMB	TLEV	All	Rear	949904	D-280-100	--	--
2001	2.5L	1TKXV02.5BMB	TLEV	All	Rear	--	--	940104	D-280-100
2000	2.5L	YTKXV02.5VB4	TIER1	All	Underbody	--	--	940104	D-280-100
1999	2.5L	XTKXV02.5VB3	TIER1	All	Underbody	--	--	940104	D-280-100
1998	2.5L	WTKXV02.5VB3	TIER1	All	Underbody	--	--	940104	D-280-100
1998	2.5L	WTKXV02.5VB4	TIER1	All	Underbody	--	--	940104	D-280-100
1997	2.5L	VTK2.5VJG1EK	TIER1	All	Underbody	--	--	940104	D-280-100
1996	2.5L	TTK2.5VJGFEK	TIER1	All	Rear	949904	D-280-100	--	--
1996	2.5L	TTK2.5VJGFEK	TIER1	All	Rear	--	--	940104	D-280-100
MPV									
V6									
2001	2.5L	1TKXT02.5CMA	LEV1 LEV	All	Front	867503	D-665-15	--	--
2001	2.5L	1TKXT02.5CMA	LEV1 LEV	All	Rear	867504	D-665-15	--	--
2001	2.5L	1TKXT02.5CMA	LEV1 LEV	All	Underbody	868503	D-665-15	--	--
2001	2.5L	1TKXT02.5CMB	LEV1 LEV	All	Front	867503	D-665-15	--	--
2001	2.5L	1TKXT02.5CMB	LEV1 LEV	All	Rear	867504	D-665-15	--	--
2001	2.5L	1TKXT02.5CMB	LEV1 LEV	All	Underbody	868503	D-665-15	--	--
2000	2.5L	YTKXT02.52FM	LEV1 LEV	All	Front	867503	D-665-15	--	--
2000	2.5L	YTKXT02.52FM	LEV1 LEV	All	Rear	867504	D-665-15	--	--
2000	2.5L	YTKXT02.52FM	LEV1 LEV	All	Underbody	868503	D-665-15	--	--
1998	3.0L	WTKXT03.02B2	TIER1	4WD	Underbody	--	--	910004R	D-280-101
1998	3.0L	WTKXT03.02DM	TLEV	All	Front	650510	D-665-20	--	--
1998	3.0L	WTKXT03.02DM	TLEV	All	Rear	651568	D-665-20	--	--
1997	3.0L	VTK3.02JG2EK	TIER1	All	Front	650510	D-665-20	--	--
1997	3.0L	VTK3.02JG2EK	TIER1	All	Rear	651568	D-665-20	--	--
1997	3.0L	VTK3.02JGKEK	TIER1	All	Front	650510	D-665-20	--	--
1997	3.0L	VTK3.02JGKEK	TIER1	All	Rear	651568	D-665-20	--	--
1997	3.0L	VTK3.02JGKEK	TIER1	All	Underbody	--	--	910004R	D-280-101
1996	3.0L	TTK3.02JGKEK	TIER1	All	Rear	651568	D-665-20	--	--
1996	3.0L	TTK3.02JGKEK	TIER1	2WD	Front	914054	D-280-101	--	--
MX-6									
L4									
1997	2.0L	VTK2.0VJG2EK	TLEV	All	Front	944038	D-280-100	--	--
1997	2.0L	VTK2.0VJG2EK	TLEV	All	Rear	944701	D-280-100	--	--
1997	2.0L	VTK2.0VJG2EK	TLEV	All	Rear	--	--	940004	D-280-100
1996	2.0L	TTK2.0VJG2EK	TLEV	All	Front	944038	D-280-100	--	--
1996	2.0L	TTK2.0VJG2EK	TLEV	All	Rear	944701	D-280-100	--	--
1996	2.0L	TTK2.0VJG2EK	TLEV	All	Rear	--	--	940004	D-280-100
V6									
1997	2.5L	VTK2.5VJGKEK	TIER1	All	Underbody	--	--	940004	D-280-100
1996	2.5L	TTK2.5VJGKEK	TIER1	All	Underbody	--	--	940004	D-280-100
Navajo									
V6									
1994	4.0L	RTK4.028G1EB	TIER1	All	Underbody	919522	D-280-101	--	--
Protege									
L4									
1998	1.5L	WTKXV01.5VDM	TLEV	All	Front	940088	D-280-100	--	--
1998	1.5L	WTKXV01.5VDM	TLEV	All	Rear	--	--	940004	D-280-100
1997	1.5L	VTK1.5VJG2EK	TLEV	All	Front	940088	D-280-100	--	--
1997	1.5L	VTK1.5VJG2EK	TLEV	All	Rear	--	--	940004	D-280-100

Legal Note: In Compliance with California Emissions Requirements



CATCO
CATALYTIC CONVERTERS

EASTERN CATALYTIC

APPLICATION GUIDE

OBD II

APPLICATION

Year	Eng. Size	Test Group/ Engine Family	Certification Level	Application	Location	Direct Fit Number	Exec. Order	Consol. Number	Exec. Order
Mazda (Cont.)									
Protege (Cont.)									
L4 (Cont.)									
1996	1.5L	TTK1.5VJG2EK	TLEV	All	Front	940088	D-280-100	--	--
1996	1.5L	TTK1.5VJG2EK	TLEV	All	Rear	--	--	940004	D-280-100
2001	1.6L	1TKXV01.6DJA	LEV1 ULEV	All	Front	751023	D-280-102	--	--
2001	1.6L	1TKXV01.6DJA	LEV1 ULEV	All	Underbody	--	--	755004	D-280-102
2000	1.6L	YTKXV01.6VJM	LEV1 ULEV	All	Front	808538	D-665-23	--	--
1999	1.6L	XTKXV01.6VJM	LEV1 ULEV	All	Front	808538	D-665-23	--	--
2000	1.8L	YTKXV01.8VFN	LEV1 LEV	All	Front	940023	D-280-100	--	--
2000	1.8L	YTKXV01.8VFN	LEV1 LEV	All	Rear	--	--	940004	D-280-100
1999	1.8L	XTKXV01.8VGM	LEV1 LEV	All	Front	940023	D-280-100	--	--
1999	1.8L	XTKXV01.8VGM	LEV1 LEV	All	Rear	--	--	940084	D-280-100
1998	1.8L	WTKXV01.8VB2	TIER1	All	Rear	--	--	940105	D-280-100
1997	1.8L	VTK1.8VJGKFK	TIER1	All	Underbody	--	--	940105	D-280-100
1996	1.8L	TTK1.8VJGKFK	TIER1	All	Underbody	--	--	940105	D-280-100
1995	1.8L	STK1.8VJG1EK	TIER1	All	Underbody	--	--	940334	D-280-100
2003	2.0L	3TKXV02.0BJB	TLEV	All	Rear	944349	D-280-100	--	--
2003	2.0L	3TKXV02.0BJB	TLEV	All	Rear	--	--	940004	D-280-100
2003	2.0L	3TKXV02.0HJA	LEV1 ULEV	All	Front	751023	D-280-102	--	--
2003	2.0L	3TKXV02.0HJA	LEV1 ULEV	All	Underbody	754349	D-280-102	--	--
2003	2.0L	3TKXV02.0HJA	LEV1 ULEV	All	Underbody	--	--	755004	D-280-102
2002	2.0L	2TKXV02.0GJA	LEV1 ULEV	All	Front	751023	D-280-102	--	--
2002	2.0L	2TKXV02.0GJA	LEV1 ULEV	All	Underbody	754349	D-280-102	--	--
2002	2.0L	2TKXV02.0GJA	LEV1 ULEV	All	Underbody	--	--	755004	D-280-102
2001	2.0L	1TKXV02.0BJA	TLEV	All	Front	808538	D-665-23	--	--
2001	2.0L	1TKXV02.0BJA	TLEV	All	Rear	944349	D-280-100	--	--
2001	2.0L	1TKXV02.0BJA	TLEV	All	Rear	--	--	940004	D-280-100
2001	2.0L	1TKXV02.0GJA	LEV1 ULEV	All	Front	751023	D-280-102	--	--
2001	2.0L	1TKXV02.0GJA	LEV1 ULEV	All	Underbody	754349	D-280-102	--	--
2001	2.0L	1TKXV02.0GJA	LEV1 ULEV	All	Underbody	--	--	755004	D-280-102
Protege5									
L4									
2003	2.0L	3TKXV02.0HJA	LEV1 ULEV	All	Front	751023	D-280-102	--	--
2003	2.0L	3TKXV02.0HJA	LEV1 ULEV	All	Underbody	754349	D-280-102	--	--
2003	2.0L	3TKXV02.0HJA	LEV1 ULEV	All	Underbody	--	--	755004	D-280-102
2002	2.0L	2TKXV02.0GJA	LEV1 ULEV	All	Front	751023	D-280-102	--	--
2002	2.0L	2TKXV02.0GJA	LEV1 ULEV	All	Underbody	754349	D-280-102	--	--
Tribute									
L4									
2004	2.0L	4TKXT02.0AJA	LEV1 LEV	All	Underbody	--	--	940105	D-280-100
2003	2.0L	3TKXT02.0CJA	LEV1 LEV	All	Underbody	--	--	940105	D-280-100
2002	2.0L	2TKXT02.0CJA	LEV1 LEV	All	Underbody	--	--	940105	D-280-100
2001	2.0L	1TKXT02.0CJA	LEV1 LEV	All	Underbody	--	--	940105	D-280-100
2008	2.3L	8FMXT02.31EF	LEV2 ULEV	All	Front	761902	D-280-105	--	--
2008	2.3L	8FMXT02.31EF	LEV2 ULEV	All	Rear	--	--	763016	D-280-105
2006	2.3L	6TKXT02.35EA	LEV2 ULEV	All	Front	761902	D-280-105	--	--
2006	2.3L	6TKXT02.35EA	LEV2 ULEV	All	Rear	--	--	763016	D-280-105
2005	2.3L	5TKXT02.35CA	LEV2 LEV	FWD	Front	867524	D-665-22	--	--
2005	2.3L	5TKXT02.35CA	LEV2 LEV	AWD	Front	867524	D-665-22	--	--
2005	2.3L	5TKXT02.35EA	LEV2 ULEV	All	Front	761902	D-280-105	--	--
2005	2.3L	5TKXT02.35EA	LEV2 ULEV	All	Rear	--	--	763016	D-280-105
2011	2.5L	BFMXT02.51EN	LEV2 ULEV	All	Underbody	769981 (5)	D-280-105	--	--
2011	2.5L	BFMXT02.51EN	LEV2 ULEV	All	Underbody	--	--	762016	D-280-105
2010	2.5L	AFMXT02.51EK	LEV2 ULEV	All	Underbody	769981 (5)	D-280-105	--	--
2010	2.5L	AFMXT02.51EK	LEV2 ULEV	All	Underbody	--	--	762016	D-280-105
2010	2.5L	AFMXT02.51EN	LEV2 ULEV	All	Underbody	769981 (5)	D-280-105	--	--
2010	2.5L	AFMXT02.51EN	LEV2 ULEV	All	Underbody	--	--	762016	D-280-105
2009	2.5L	9FMXT02.51EK	LEV2 ULEV	All	Underbody	769981 (5)	D-280-105	--	--
2009	2.5L	9FMXT02.51EK	LEV2 ULEV	All	Underbody	--	--	762016	D-280-105

(5) Semi-Direct Fit, Requires Muffler 60005 To Complete Installation
Legal Note: In Compliance with California Emissions Requirements

APPLICATION GUIDE



OBD II

APPLICATION

Year	Eng. Size	Test Group/ Engine Family	Certification Level	Application	Location	Direct Fit Number	Exec. Order	Consol. Number	Exec. Order
Mazda (Cont.)									
Tribute (Cont.)									
V6									
2011	3.0L	BFMXT03.02DE	LEV2 ULEV	All	Front Left	741288	D-798	--	--
2011	3.0L	BFMXT03.02DE	LEV2 ULEV	All	Front Right	741289	D-798	--	--
2011	3.0L	BFMXT03.02DE	LEV2 ULEV	All	Rear	--	--	747336	D-798
2011	3.0L	BFMXT03.02DE	LEV2 ULEV	All	Underbody	749530	D-798	--	--
2010	3.0L	AFMXT03.01DE	LEV2 ULEV	All	Front Left	741288	D-798	--	--
2010	3.0L	AFMXT03.01DE	LEV2 ULEV	All	Front Right	741289	D-798	--	--
2010	3.0L	AFMXT03.01DE	LEV2 ULEV	All	Rear	--	--	747336	D-798
2010	3.0L	AFMXT03.01DE	LEV2 ULEV	All	Underbody	749530	D-798	--	--
2010	3.0L	AFMXT03.01DG	LEV2 ULEV	All	Front Left	741288	D-798	--	--
2010	3.0L	AFMXT03.01DG	LEV2 ULEV	All	Front Right	741289	D-798	--	--
2010	3.0L	AFMXT03.01DG	LEV2 ULEV	All	Rear	--	--	747336	D-798
2010	3.0L	AFMXT03.01DG	LEV2 ULEV	All	Underbody	749530	D-798	--	--
2005	3.0L	5TKXT03.08BA	LEV1 ULEV	All	Rear	809528	D-665-23	--	--
2004	3.0L	4TKXT03.0ALB	LEV1 LEV	All	Front	942028	D-280-100	--	--
2004	3.0L	4TKXT03.0ALB	LEV1 LEV	All	Rear	942029	D-280-100	--	--
2004	3.0L	4TKXT03.0ALB	LEV1 LEV	All	Rear	942008	D-280-100	--	--
2004	3.0L	4TKXT03.0ALB	LEV1 LEV	All	Underbody	--	--	940334	D-280-100
2003	3.0L	3TKXT03.0ALB	LEV1 LEV	All	Rear	--	--	940334	D-280-100
2003	3.0L	3TKXT03.0FLC	LEV1 LEV	All	Front	942028	D-280-100	--	--
2003	3.0L	3TKXT03.0FLC	LEV1 LEV	All	Rear	942029	D-280-100	--	--
2003	3.0L	3TKXT03.0FLC	LEV1 LEV	All	Rear	942008	D-280-100	--	--
2002	3.0L	2TKXT03.0FLB	LEV1 LEV	All	Front	942028	D-280-100	--	--
2002	3.0L	2TKXT03.0FLB	LEV1 LEV	All	Rear	942029	D-280-100	--	--
2002	3.0L	2TKXT03.0FLB	LEV1 LEV	All	Rear	942008	D-280-100	--	--
2002	3.0L	2TKXT03.0FLB	LEV1 LEV	All	Rear	--	--	940334	D-280-100
2002	3.0L	2TKXT03.0FLC	LEV1 LEV	All	Front	942028	D-280-100	--	--
2002	3.0L	2TKXT03.0FLC	LEV1 LEV	All	Rear	942029	D-280-100	--	--
2002	3.0L	2TKXT03.0FLC	LEV1 LEV	All	Rear	942008	D-280-100	--	--
2002	3.0L	2TKXT03.0FLC	LEV1 LEV	All	Rear	--	--	940334	D-280-100
2001	3.0L	1TKXT03.0FLB	LEV1 LEV	All	Front	942028	D-280-100	--	--
2001	3.0L	1TKXT03.0FLB	LEV1 LEV	All	Rear	942029	D-280-100	--	--
2001	3.0L	1TKXT03.0FLB	LEV1 LEV	All	Rear	942008	D-280-100	--	--
2001	3.0L	1TKXT03.0FLB	LEV1 LEV	All	Rear	--	--	940334	D-280-100
Mercedes-Benz									
C220									
L4									
1996	2.2L	TMB2.2VJGKEK	TLEV	All	Underbody	940617	D-280-100	--	--
1996	2.2L	TMB2.2VJGKEK	TLEV	All	Underbody	--	--	940084	D-280-100
1995	2.2L	SMB2.2VJGFEK	TLEV	All	Underbody	940617	D-280-100	--	--
1995	2.2L	SMB2.2VJGFEK	TLEV	All	Underbody Left	--	--	940084	D-280-100
1995	2.2L	SMB2.2VJGFEK	TLEV	All	Underbody Right	--	--	940084	D-280-100
1994	2.2L	RMB2.2VJGCEK	TIER1	All	Underbody Left	--	--	940084	D-280-100
1994	2.2L	RMB2.2VJGCEK	TIER1	All	Underbody Right	--	--	940084	D-280-100
C230									
L4									
2004	1.8L	4MBXV01.8LBI	LEV1 ULEV	All	Front	--	--	750005	D-280-102
2004	1.8L	4MBXV01.8LBI	LEV1 ULEV	All	Underbody	--	--	755004	D-280-102
2003	1.8L	3MBXV01.8LBI	LEV1 ULEV	All	Front	--	--	750005	D-280-102
2003	1.8L	3MBXV01.8LBI	LEV1 ULEV	All	Underbody	--	--	755004	D-280-102
2000	2.3L	YMBXV02.3GSU	TLEV	All	Underbody	--	--	940084	D-280-100
2000	2.3L	YMBXV02.3GSU	TLEV	All	Underbody	--	--	940004	D-280-100
2000	2.3L	YMBXV02.3GSU	TLEV	All	Underbody Left	--	--	940084	D-280-100
2000	2.3L	YMBXV02.3GSU	TLEV	All	Underbody Right	--	--	940084	D-280-100
1999	2.3L	XMBXV02.3GSU	TLEV	All	Underbody	--	--	940084	D-280-100
1999	2.3L	XMBXV02.3GSU	TLEV	All	Underbody	--	--	940004	D-280-100
1998	2.3L	WMBXV02.3GNU	TLEV	All	Underbody Left	--	--	940084	D-280-100
1998	2.3L	WMBXV02.3GNU	TLEV	All	Underbody Right	--	--	940084	D-280-100

Legal Note: In Compliance with California Emissions Requirements

**CATCO**
CATALYTIC CONVERTERS**EASTERN CATALYTIC****APPLICATION GUIDE****OBD II****APPLICATION**

Year	Eng. Size	Test Group/ Engine Family	Certification Level	Application	Location	Direct Fit Number	Exec. Order	Consol. Number	Exec. Order
Mercedes-Benz (Cont.)									
C230 (Cont.)									
L4 (Cont.)									
1997	2.3L	VMB2.3VJGKEK	TLEV	All	Underbody	940219	--	D-280-100	--
1997	2.3L	VMB2.3VJGKEK	TLEV	All	Underbody Left	--	--	940084	D-280-100
1997	2.3L	VMB2.3VJGKEK	TLEV	All	Underbody Right	--	--	940084	D-280-100
C240									
V6									
2005	2.6L	5MBXV03.2LBI	LEV1 ULEV	All	Front Left	--	--	750004	D-280-102
2005	2.6L	5MBXV03.2LBI	LEV1 ULEV	All	Front Right	--	--	750004	D-280-102
2005	2.6L	5MBXV03.2LBI	LEV1 ULEV	All	Underbody Left	--	--	755004	D-280-102
2005	2.6L	5MBXV03.2LBI	LEV1 ULEV	All	Underbody Right	--	--	755004	D-280-102
2004	2.6L	4MBXV03.2LBX	LEV1 ULEV	All	Front Left	--	--	750004	D-280-102
2004	2.6L	4MBXV03.2LBX	LEV1 ULEV	All	Front Right	--	--	750004	D-280-102
2004	2.6L	4MBXV03.2LBX	LEV1 ULEV	All	Underbody Left	--	--	755004	D-280-102
2004	2.6L	4MBXV03.2LBX	LEV1 ULEV	All	Underbody Right	--	--	755004	D-280-102
C280									
L6									
1997	2.8L	VMB3.6VJGKEK	TIER1	All	Underbody Left	--	--	940085	D-280-100
1997	2.8L	VMB3.6VJGKEK	TIER1	All	Underbody Right	--	--	940085	D-280-100
1996	2.8L	TMB3.6VJGKEK	TIER1	All	Underbody Left	--	--	940085	D-280-100
1996	2.8L	TMB3.6VJGKEK	TIER1	All	Underbody Right	--	--	940085	D-280-100
1995	2.8L	SMB3.6VJGFEK	TIER1	All	Underbody Left	--	--	940085	D-280-100
1995	2.8L	SMB3.6VJGFEK	TIER1	All	Underbody Right	--	--	940085	D-280-100
V6									
1999	2.8L	XMBXV03.2GNB	LEV1 LEV	All	Front Left	--	--	940335	D-280-100
1999	2.8L	XMBXV03.2GNB	LEV1 LEV	All	Front Right	--	--	940335	D-280-100
1999	2.8L	XMBXV03.2GNB	LEV1 LEV	All	Rear Left	--	--	940335	D-280-100
1999	2.8L	XMBXV03.2GNB	LEV1 LEV	All	Rear Right	--	--	940335	D-280-100
1998	2.8L	WMBXV03.2GNB	LEV1 LEV	All	Front	--	--	940084	D-280-100
1998	2.8L	WMBXV03.2GNB	LEV1 LEV	All	Rear	--	--	940334	D-280-100
C320									
V6									
2005	3.2L	5MBXV03.2LBI	LEV1 ULEV	All	Front Left	--	--	750004	D-280-102
2005	3.2L	5MBXV03.2LBI	LEV1 ULEV	All	Front Right	--	--	750004	D-280-102
2005	3.2L	5MBXV03.2LBI	LEV1 ULEV	All	Underbody Left	--	--	755004	D-280-102
2005	3.2L	5MBXV03.2LBI	LEV1 ULEV	All	Underbody Right	--	--	755004	D-280-102
2004	3.2L	4MBXV03.2LBX	LEV1 ULEV	All	Front Left	--	--	750004	D-280-102
2004	3.2L	4MBXV03.2LBX	LEV1 ULEV	All	Front Right	--	--	750004	D-280-102
2004	3.2L	4MBXV03.2LBX	LEV1 ULEV	All	Underbody Left	--	--	755004	D-280-102
2004	3.2L	4MBXV03.2LBX	LEV1 ULEV	All	Underbody Right	--	--	755004	D-280-102
2001	3.2L	1MBXV03.2LBI	LEV1 LEV	All	Underbody	--	--	940084	D-280-100
C32 AMG									
V6									
2002	3.2L	2MBXV03.2LBI	LEV1 LEV	All	Underbody	--	--	940084	D-280-100
C36 AMG									
L6									
1997	3.6L	VMB3.6VJGKEK	TIER1	All	Underbody	--	--	940084	D-280-100
1996	3.6L	TMB3.6VJGKEK	TIER1	All	Underbody Left	--	--	940085	D-280-100
1996	3.6L	TMB3.6VJGKEK	TIER1	All	Underbody Right	--	--	940085	D-280-100
1995	3.6L	SMB3.6VJGFEK	TIER1	All	Underbody Left	--	--	940085	D-280-100
1995	3.6L	SMB3.6VJGFEK	TIER1	All	Underbody Right	--	--	940085	D-280-100
C43 AMG									
V8									
1998	4.3L	WMBXV04.3GNB	LEV1 LEV	All	Front Left	--	--	940084	D-280-100
1998	4.3L	WMBXV04.3GNB	LEV1 LEV	All	Front Right	--	--	940084	D-280-100
1998	4.3L	WMBXV04.3GNB	LEV1 LEV	All	Rear Left	--	--	940084	D-280-100
1998	4.3L	WMBXV04.3GNB	LEV1 LEV	All	Rear Right	--	--	940084	D-280-100

APPLICATION GUIDE



OBD II

APPLICATION

Year	Eng. Size	Test Group/ Engine Family	Certification Level	Application	Location	Direct Fit Number	Exec. Order	Consol. Number	Exec. Order
Mercedes-Benz (Cont.)									
CL500									
V8									
2003	5.0L	3MBXV05.0UBI	LEV1 ULEV	All	Front Left	--	--	750005	D-280-102
2003	5.0L	3MBXV05.0UBI	LEV1 ULEV	All	Front Right	--	--	750005	D-280-102
2003	5.0L	3MBXV05.0UBI	LEV1 ULEV	All	Underbody Left	754281	D-280-102	--	--
2003	5.0L	3MBXV05.0UBI	LEV1 ULEV	All	Underbody Left	--	--	755005	D-280-102
2003	5.0L	3MBXV05.0UBI	LEV1 ULEV	All	Underbody Right	754280	D-280-102	--	--
2003	5.0L	3MBXV05.0UBI	LEV1 ULEV	All	Underbody Right	--	--	755005	D-280-102
2001	5.0L	1MBXV05.0UBI	LEV1 ULEV	All	Front Left	--	--	750005	D-280-102
2001	5.0L	1MBXV05.0UBI	LEV1 ULEV	All	Front Right	--	--	750005	D-280-102
2001	5.0L	1MBXV05.0UBI	LEV1 ULEV	All	Underbody Left	754281	D-280-102	--	--
2001	5.0L	1MBXV05.0UBI	LEV1 ULEV	All	Underbody Left	--	--	755005	D-280-102
2001	5.0L	1MBXV05.0UBI	LEV1 ULEV	All	Underbody Right	754280	D-280-102	--	--
2001	5.0L	1MBXV05.0UBI	LEV1 ULEV	All	Underbody Right	--	--	755005	D-280-102
2000	5.0L	YMBXV05.0GNB	LEV1 LEV	All	Underbody Left	630564	D-665-17	--	--
1999	5.0L	XMBXV05.0GND	TLEV	All	Front Left	--	--	940335	D-280-100
1999	5.0L	XMBXV05.0GND	TLEV	All	Front Right	--	--	940335	D-280-100
1999	5.0L	XMBXV05.0GND	TLEV	All	Rear Left	--	--	940335	D-280-100
1999	5.0L	XMBXV05.0GND	TLEV	All	Rear Right	--	--	940335	D-280-100
1998	5.0L	WMBXV05.0GNB	TLEV	All	Front	--	--	940085	D-280-100
1998	5.0L	WMBXV05.0GNB	TLEV	All	Front Left	--	--	940335	D-280-100
1998	5.0L	WMBXV05.0GNB	TLEV	All	Front Right	--	--	940335	D-280-100
1998	5.0L	WMBXV05.0GNB	TLEV	All	Rear	--	--	940085	D-280-100
1998	5.0L	WMBXV05.0GNB	TLEV	All	Rear Left	--	--	940335	D-280-100
1998	5.0L	WMBXV05.0GNB	TLEV	All	Rear Right	--	--	940335	D-280-100
1998	5.0L	WMBXV05.0GND	TLEV	All	Rear Left	--	--	940084	D-280-100
1998	5.0L	WMBXV05.0GND	TLEV	All	Rear Right	--	--	940084	D-280-100
CL600									
V12									
2003	5.5L	3MBXV05.5LXX	LEV1 LEV	All	Underbody Left	--	--	761016	D-280-105
2003	5.5L	3MBXV05.5LXX	LEV1 LEV	All	Underbody Right	--	--	761016	D-280-105
1999	6.0L	XMBXB06.0GNU	TIER1	All	Underbody Left	--	--	940085	D-280-100
1999	6.0L	XMBXB06.0GNU	TIER1	All	Underbody Right	--	--	940085	D-280-100
1998	6.0L	WMBXV06.0GNU	TIER1	All	Underbody Left	--	--	940085	D-280-100
1998	6.0L	WMBXV06.0GNU	TIER1	All	Underbody Right	--	--	940085	D-280-100
CLK320									
V6									
2004	3.2L	4MBXV03.7LBI	LEV1 ULEV	All	Front Left	--	--	750004	D-280-102
2004	3.2L	4MBXV03.7LBI	LEV1 ULEV	All	Front Right	--	--	750004	D-280-102
2004	3.2L	4MBXV03.7LBI	LEV1 ULEV	All	Underbody Left	--	--	755004	D-280-102
2004	3.2L	4MBXV03.7LBI	LEV1 ULEV	All	Underbody Right	--	--	755004	D-280-102
2003	3.2L	3MBXV03.2UBX	LEV1 ULEV	All	Front Left	--	--	750004	D-280-102
2003	3.2L	3MBXV03.2UBX	LEV1 ULEV	All	Front Right	--	--	750004	D-280-102
2003	3.2L	3MBXV03.2UBX	LEV1 ULEV	All	Underbody Left	--	--	755004	D-280-102
2003	3.2L	3MBXV03.2UBX	LEV1 ULEV	All	Underbody Right	--	--	755004	D-280-102
2001	3.2L	1MBXV03.2LTR	LEV1 LEV	All	Underbody	--	--	940084	D-280-100
1999	3.2L	XMBXV03.2GNB	LEV1 LEV	All	Front Left	--	--	940334	D-280-100
1999	3.2L	XMBXV03.2GNB	LEV1 LEV	All	Front Right	--	--	940334	D-280-100
1999	3.2L	XMBXV03.2GNB	LEV1 LEV	All	Rear Left	--	--	940334	D-280-100
1999	3.2L	XMBXV03.2GNB	LEV1 LEV	All	Rear Right	--	--	940334	D-280-100
CLK430									
V8									
2003	4.3L	3MBXV04.3UBX	LEV1 ULEV	All	Front Left	--	--	750004	D-280-102
2003	4.3L	3MBXV04.3UBX	LEV1 ULEV	All	Front Right	--	--	750004	D-280-102
2003	4.3L	3MBXV04.3UBX	LEV1 ULEV	All	Underbody Left	--	--	755004	D-280-102
2003	4.3L	3MBXV04.3UBX	LEV1 ULEV	All	Underbody Right	--	--	755004	D-280-102
1999	4.3L	XMBXV05.0GNB	LEV1 LEV	All	Front Left	--	--	940334	D-280-100
1999	4.3L	XMBXV05.0GNB	LEV1 LEV	All	Front Right	--	--	940334	D-280-100

Legal Note: In Compliance with California Emissions Requirements



CATCO
CATALYTIC CONVERTERS

EASTERN CATALYTIC

APPLICATION GUIDE

OBD II

APPLICATION

Year	Eng. Size	Test Group/ Engine Family	Certification Level	Application	Location	Direct Fit Number	Exec. Order	Consol. Number	Exec. Order
Mercedes-Benz (Cont.)									
CLK430 (Cont.)									
V8 (Cont.)									
1999	4.3L	XMBXV05.0GNB	LEV1 LEV	All	Rear Left	--	--	940334	D-280-100
1999	4.3L	XMBXV05.0GNB	LEV1 LEV	All	Rear Right	--	--	940334	D-280-100
CLK500									
V8									
2003	5.0L	3MBXV05.0UBI	LEV1 ULEV	All	Front Left	--	--	750005	D-280-102
2003	5.0L	3MBXV05.0UBI	LEV1 ULEV	All	Front Right	--	--	750005	D-280-102
2003	5.0L	3MBXV05.0UBI	LEV1 ULEV	All	Underbody Left	--	--	755005	D-280-102
2003	5.0L	3MBXV05.0UBI	LEV1 ULEV	All	Underbody Right	--	--	755005	D-280-102
E320									
L6									
1997	3.2L	VMB3.2VJGKEK	TIER1	All	Underbody	--	--	940004	D-280-100
1996	3.2L	TMB3.2VJGFEK	TIER1	All	Underbody	--	--	940004	D-280-100
1995	3.2L	SMB3.2VJGFFA	TLEV	All	Underbody	--	--	940085	D-280-100
V6									
2004	3.2L	4MBXV03.7LBI	LEV1 ULEV	All	Front Left	--	--	750004	D-280-102
2004	3.2L	4MBXV03.7LBI	LEV1 ULEV	All	Front Right	--	--	750004	D-280-102
2004	3.2L	4MBXV03.7LBI	LEV1 ULEV	All	Underbody Left	754297	D-280-102	--	--
2004	3.2L	4MBXV03.7LBI	LEV1 ULEV	All	Underbody Left	--	--	755004	D-280-102
2004	3.2L	4MBXV03.7LBI	LEV1 ULEV	All	Underbody Right	754296	D-280-102	--	--
2004	3.2L	4MBXV03.7LBI	LEV1 ULEV	All	Underbody Right	--	--	755004	D-280-102
2003	3.2L	3MBXV03.2UBI	LEV1 ULEV	All	Front Left	--	--	750004	D-280-102
2003	3.2L	3MBXV03.2UBI	LEV1 ULEV	All	Front Right	--	--	750004	D-280-102
2003	3.2L	3MBXV03.2UBI	LEV1 ULEV	All	Underbody Left	754297	D-280-102	--	--
2003	3.2L	3MBXV03.2UBI	LEV1 ULEV	All	Underbody Left	--	--	755004	D-280-102
2003	3.2L	3MBXV03.2UBI	LEV1 ULEV	All	Underbody Right	754296	D-280-102	--	--
2003	3.2L	3MBXV03.2UBI	LEV1 ULEV	All	Underbody Right	--	--	755004	D-280-102
2002	3.2L	2MBXV03.2UBI	LEV1 ULEV	Base	Underbody Right	754296	D-280-102	--	--
2002	3.2L	2MBXV03.2UBI	LEV1 ULEV	All	Front Left	--	--	750004	D-280-102
2002	3.2L	2MBXV03.2UBI	LEV1 ULEV	All	Front Right	--	--	750004	D-280-102
2002	3.2L	2MBXV03.2UBI	LEV1 ULEV	All	Underbody Left	754297	D-280-102	--	--
2002	3.2L	2MBXV03.2UBI	LEV1 ULEV	All	Underbody Left	--	--	755004	D-280-102
2002	3.2L	2MBXV03.2UBI	LEV1 ULEV	All	Underbody Right	--	--	755004	D-280-102
2001	3.2L	1MBXV03.2UBI	LEV1 ULEV	Base	Underbody Right	754296	D-280-102	--	--
2001	3.2L	1MBXV03.2UBI	LEV1 ULEV	All	Front Left	--	--	750004	D-280-102
2001	3.2L	1MBXV03.2UBI	LEV1 ULEV	All	Front Right	--	--	750004	D-280-102
2001	3.2L	1MBXV03.2UBI	LEV1 ULEV	All	Underbody Left	754297	D-280-102	--	--
2001	3.2L	1MBXV03.2UBI	LEV1 ULEV	All	Underbody Left	--	--	755004	D-280-102
2001	3.2L	1MBXV03.2UBI	LEV1 ULEV	All	Underbody Right	--	--	755004	D-280-102
1999	3.2L	XMBXV03.2GNB	LEV1 LEV	All	Front Left	--	--	940334	D-280-100
1999	3.2L	XMBXV03.2GNB	LEV1 LEV	All	Front Right	--	--	940334	D-280-100
1999	3.2L	XMBXV03.2GNB	LEV1 LEV	All	Rear Left	--	--	940334	D-280-100
1999	3.2L	XMBXV03.2GNB	LEV1 LEV	All	Rear Right	--	--	940334	D-280-100
1998	3.2L	WMBXV03.2GNB	LEV1 LEV	All	Front	--	--	940084	D-280-100
1998	3.2L	WMBXV03.2GNB	LEV1 LEV	All	Rear	--	--	940334	D-280-100
E420									
V8									
1997	4.2L	VMB5.0VJGKEK	TLEV	All	Front Left	--	--	940084	D-280-100
1997	4.2L	VMB5.0VJGKEK	TLEV	All	Front Right	--	--	940084	D-280-100
1997	4.2L	VMB5.0VJGKEK	TLEV	All	Rear Left	--	--	940084	D-280-100
1997	4.2L	VMB5.0VJGKEK	TLEV	All	Rear Right	--	--	940084	D-280-100
1997	4.2L	VMB5.0VJGKEK	TLEV	All	Underbody Left	944981	D-280-100	--	--
1997	4.2L	VMB5.0VJGKEK	TLEV	All	Underbody Right	944980	D-280-100	--	--

Legal Note: In Compliance with California Emissions Requirements

APPLICATION GUIDE



OBD II

APPLICATION

Year	Eng. Size	Test Group/ Engine Family	Certification Level	Application	Location	Direct Fit Number	Exec. Order	Consol. Number	Exec. Order
Mercedes-Benz (Cont.)									
E430									
V8									
2002	4.3L	2MBXV05.0UBI	LEV1 ULEV	All	Front Left	--	--	750005	D-280-102
2002	4.3L	2MBXV05.0UBI	LEV1 ULEV	All	Front Right	--	--	750005	D-280-102
2002	4.3L	2MBXV05.0UBI	LEV1 ULEV	All	Underbody Left	754281	D-280-102	--	--
2002	4.3L	2MBXV05.0UBI	LEV1 ULEV	All	Underbody Left	--	--	755005	D-280-102
2002	4.3L	2MBXV05.0UBI	LEV1 ULEV	All	Underbody Right	754280	D-280-102	--	--
2002	4.3L	2MBXV05.0UBI	LEV1 ULEV	All	Underbody Right	--	--	755005	D-280-102
2001	4.3L	1MBXV04.3UBI	LEV1 LEV	All	Front Left	--	--	750005	D-280-102
2001	4.3L	1MBXV04.3UBI	LEV1 LEV	All	Front Right	--	--	750005	D-280-102
2001	4.3L	1MBXV04.3UBI	LEV1 LEV	All	Underbody Left	754281	D-280-102	--	--
2001	4.3L	1MBXV04.3UBI	LEV1 LEV	All	Underbody Left	--	--	755005	D-280-102
2001	4.3L	1MBXV04.3UBI	LEV1 LEV	All	Underbody Right	754280	D-280-102	--	--
2001	4.3L	1MBXV04.3UBI	LEV1 LEV	All	Underbody Right	--	--	755005	D-280-102
1998	4.3L	WMBXV04.3GNB	LEV1 LEV	All	Front Left	--	--	940084	D-280-100
1998	4.3L	WMBXV04.3GNB	LEV1 LEV	All	Front Right	--	--	940084	D-280-100
1998	4.3L	WMBXV04.3GNB	LEV1 LEV	All	Rear Left	--	--	940084	D-280-100
1998	4.3L	WMBXV04.3GNB	LEV1 LEV	All	Rear Right	--	--	940084	D-280-100
E500									
V8									
2003	5.0L	3MBXV05.0UBI	LEV1 ULEV	All	Front Left	--	--	750005	D-280-102
2003	5.0L	3MBXV05.0UBI	LEV1 ULEV	All	Front Right	--	--	750005	D-280-102
2003	5.0L	3MBXV05.0UBI	LEV1 ULEV	All	Underbody Left	--	--	755005	D-280-102
2003	5.0L	3MBXV05.0UBI	LEV1 ULEV	All	Underbody Right	--	--	755005	D-280-102
E55 AMG									
V8									
1999	5.5L	XMBXV05.5GNB	LEV1 LEV	All	Front Left	--	--	940335	D-280-100
1999	5.5L	XMBXV05.5GNB	LEV1 LEV	All	Front Right	--	--	940335	D-280-100
1999	5.5L	XMBXV05.5GNB	LEV1 LEV	All	Rear Left	--	--	940335	D-280-100
1999	5.5L	XMBXV05.5GNB	LEV1 LEV	All	Rear Right	--	--	940335	D-280-100
G500									
V8									
2004	5.0L	4MBXT05.5LBI	LEV1 LEV	All	Underbody	--	--	910004R	D-280-101
2003	5.0L	3MBXT05.51BI	LEV1 LEV	All	Underbody	--	--	910004R	D-280-101
2002	5.0L	2MBXT05.01BX	LEV1 LEV	All	Underbody	--	--	910004R	D-280-101
G550									
V8									
2012	5.5L	CMBXJ05.5U2A	LEV2 ULEV	All	Front Left	--	--	740665	D-798
2012	5.5L	CMBXJ05.5U2A	LEV2 ULEV	All	Front Right	--	--	740665	D-798
2011	5.5L	BMBXJ05.5U2A	LEV2 ULEV	All	Front Left	--	--	740665	D-798
2011	5.5L	BMBXJ05.5U2A	LEV2 ULEV	All	Front Right	--	--	740665	D-798
2010	5.5L	AMBXJ05.5U2A	LEV2 ULEV	All	Front Left	--	--	740665	D-798
2010	5.5L	AMBXJ05.5U2A	LEV2 ULEV	All	Front Right	--	--	740665	D-798
2009	5.5L	9MBXJ05.5U2A	LEV2 ULEV	All	Front Left	--	--	740665	D-798
2009	5.5L	9MBXJ05.5U2A	LEV2 ULEV	All	Front Right	--	--	740665	D-798
G55 AMG									
V8									
2004	5.5L	4MBXT05.5LBI	LEV1 LEV	All	Underbody	--	--	910004R	D-280-101
2003	5.5L	3MBXT05.51BI	LEV1 LEV	All	Underbody	--	--	910004R	D-280-101
GL450									
V8									
2012	4.6L	CMBXJ05.5U2A	LEV2 ULEV	All	Front Left	749883	D-798	--	--
2012	4.6L	CMBXJ05.5U2A	LEV2 ULEV	All	Front Right	749884	D-798	--	--
2011	4.6L	BMBXJ05.5U2A	LEV2 ULEV	All	Front Left	749883	D-798	--	--
2011	4.6L	BMBXJ05.5U2A	LEV2 ULEV	All	Front Right	749884	D-798	--	--
2010	4.6L	AMBXJ05.5U2A	LEV2 ULEV	All	Front Left	749883	D-798	--	--
2010	4.6L	AMBXJ05.5U2A	LEV2 ULEV	All	Front Right	749884	D-798	--	--

Legal Note: In Compliance with California Emissions Requirements



CATCO
CATALYTIC CONVERTERS

EASTERN CATALYTIC

APPLICATION GUIDE

OBD II

APPLICATION

Year	Eng. Size	Test Group/ Engine Family	Certification Level	Application	Location	Direct Fit Number	Exec. Order	Consol. Number	Exec. Order
Mercedes-Benz (Cont.)									
GL450 (Cont.)									
V8 (Cont.)									
2009	4.6L	9MBXJ05.5U2A	LEV2 ULEV	All	Front Left	749883	D-798	--	--
2009	4.6L	9MBXJ05.5U2A	LEV2 ULEV	All	Front Right	749884	D-798	--	--
2008	4.6L	8MBXB05.5U2A	LEV2 ULEV	All	Front Left	749883	D-798	--	--
2008	4.6L	8MBXB05.5U2A	LEV2 ULEV	All	Front Right	749884	D-798	--	--
2007	4.6L	7MBXB04.6L2A	LEV2 LEV	All	Front Left	749883	D-798	--	--
2007	4.6L	7MBXB04.6L2A	LEV2 LEV	All	Front Right	749884	D-798	--	--
GL550									
V8									
2012	5.5L	CMBXJ05.5U2A	LEV2 ULEV	All	Front Left	749883	D-798	--	--
2012	5.5L	CMBXJ05.5U2A	LEV2 ULEV	All	Front Right	749884	D-798	--	--
2011	5.5L	BMBXJ05.5U2A	LEV2 ULEV	All	Front Left	749883	D-798	--	--
2011	5.5L	BMBXJ05.5U2A	LEV2 ULEV	All	Front Right	749884	D-798	--	--
2010	5.5L	AMBXJ05.5U2A	LEV2 ULEV	All	Front Left	749883	D-798	--	--
2010	5.5L	AMBXJ05.5U2A	LEV2 ULEV	All	Front Right	749884	D-798	--	--
2009	5.5L	9MBXJ05.5U2A	LEV2 ULEV	All	Front Right	749884	D-798	--	--
2008	5.5L	8MBXB05.5U2A	LEV2 ULEV	All	Front Left	749883	D-798	--	--
2008	5.5L	8MBXB05.5U2A	LEV2 ULEV	All	Front Right	749884	D-798	--	--
GLK350									
V6									
2011	3.5L	BMBXT03.5U2A	LEV2 ULEV	All	Front Left	--	--	740665	D-798
2011	3.5L	BMBXT03.5U2A	LEV2 ULEV	All	Front Right	--	--	740665	D-798
2010	3.5L	AMBXT03.5U2A	LEV2 ULEV	All	Front Left	--	--	740665	D-798
2010	3.5L	AMBXT03.5U2A	LEV2 ULEV	All	Front Right	--	--	740665	D-798
ML320									
V6									
2000	3.2L	YMBXT03.2GNB	LEV1 LEV	All	Underbody	--	--	910004R	D-280-101
2000	3.2L	YMBXT03.2GNB	LEV1 LEV	SOHC & 163 Chassis	Rear Left	914215	D-280-101	--	--
2000	3.2L	YMBXT03.2GNB	LEV1 LEV	SOHC & 163 Chassis	Rear Right	914214	D-280-101	--	--
1999	3.2L	XMBXT03.2GNB	LEV1 LEV	All	Underbody	--	--	910004R	D-280-101
1999	3.2L	XMBXT03.2GNB	LEV1 LEV	SOHC & 163 Chassis	Front Left	914215	D-280-101	--	--
1999	3.2L	XMBXT03.2GNB	LEV1 LEV	SOHC & 163 Chassis	Front Right	914214	D-280-101	--	--
1998	3.2L	WMBXT03.2GNB	LEV1 LEV	All	Underbody	--	--	910004R	D-280-101
1998	3.2L	WMBXT03.2GNB	LEV1 LEV	SOHC & 163 Chassis	Rear Left	914215	D-280-101	--	--
1998	3.2L	WMBXT03.2GNB	LEV1 LEV	SOHC & 163 Chassis	Rear Right	914214	D-280-101	--	--
ML350									
V6									
2011	3.5L	BMBXT03.5U2A	LEV2 ULEV	All	Front Left	745205	D-798	--	--
2011	3.5L	BMBXT03.5U2A	LEV2 ULEV	All	Front Right	745206	D-798	--	--
2010	3.5L	AMBXT03.5U2A	LEV2 ULEV	All	Front Left	745205	D-798	--	--
2010	3.5L	AMBXT03.5U2A	LEV2 ULEV	All	Front Right	745206	D-798	--	--
2009	3.5L	9MBXJ03.5U2A	LEV2 ULEV	All	Front Left	745205	D-798	--	--
2009	3.5L	9MBXJ03.5U2A	LEV2 ULEV	All	Front Right	745206	D-798	--	--
2008	3.5L	8MBXB03.5U2A	LEV2 ULEV	All	Front Left	745205	D-798	--	--
2008	3.5L	8MBXB03.5U2A	LEV2 ULEV	All	Front Right	745206	D-798	--	--
2007	3.5L	7MBXB03.5U2A	LEV2 ULEV	All	Front Left	745205	D-798	--	--
2007	3.5L	7MBXB03.5U2A	LEV2 ULEV	All	Front Right	745206	D-798	--	--
ML430									
V8									
2001	4.3L	1MBXT04.31BI	LEV1 LEV	All	Rear Left	914479	D-280-101	--	--
2001	4.3L	1MBXT04.31BI	LEV1 LEV	All	Rear Right	914478	D-280-101	--	--
2001	4.3L	1MBXT04.31BI	LEV1 LEV	All	Underbody	--	--	910004R	D-280-101
2000	4.3L	YMBXT04.3GNB	LEV1 LEV	All	Rear Left	914479	D-280-101	--	--
2000	4.3L	YMBXT04.3GNB	LEV1 LEV	All	Rear Right	914478	D-280-101	--	--
2000	4.3L	YMBXT04.3GNB	LEV1 LEV	All	Underbody	--	--	910004R	D-280-101
1999	4.3L	XMBXT04.3GNB	LEV1 LEV	All	Rear Right	914478	D-280-101	--	--
1999	4.3L	XMBXT04.3GNB	LEV1 LEV	All	Underbody	914479	D-280-101	--	--
1999	4.3L	XMBXT04.3GNB	LEV1 LEV	All	Underbody	--	--	910004R	D-280-101

Legal Note: In Compliance with California Emissions Requirements

APPLICATION GUIDE



OBD II

APPLICATION

Year	Eng. Size	Test Group/ Engine Family	Certification Level	Application	Location	Direct Fit Number	Exec. Order	Consol. Number	Exec. Order
Mercedes-Benz (Cont.)									
ML500									
V8									
2004	5.0L	4MBXT05.5LBI	LEV1 LEV	All	Underbody	--	--	910004R	D-280-101
2003	5.0L	3MBXT05.01BI	LEV1 LEV	All	Underbody	--	--	910004R	D-280-101
2002	5.0L	2MBXT05.01BI	LEV1 LEV	All	Underbody	--	--	910004R	D-280-101
ML550									
V8									
2012	4.6L	CMBXJ05.5U2A	LEV2 ULEV	All	Front Left	749883	D-798	--	--
2012	4.6L	CMBXJ05.5U2A	LEV2 ULEV	All	Front Right	749884	D-798	--	--
2011	5.5L	BMBXJ05.5U2A	LEV2 ULEV	All	Front Left	749883	D-798	--	--
2011	5.5L	BMBXJ05.5U2A	LEV2 ULEV	All	Front Right	749884	D-798	--	--
2010	5.5L	AMBXJ05.5U2A	LEV2 ULEV	All	Front Left	749883	D-798	--	--
2010	5.5L	AMBXJ05.5U2A	LEV2 ULEV	All	Front Right	749884	D-798	--	--
2009	5.5L	9MBXJ05.5U2A	LEV2 ULEV	All	Front Left	749883	D-798	--	--
2009	5.5L	9MBXJ05.5U2A	LEV2 ULEV	All	Front Right	749884	D-798	--	--
2008	5.5L	8MBXB05.5U2A	LEV2 ULEV	All	Front Left	749883	D-798	--	--
2008	5.5L	8MBXB05.5U2A	LEV2 ULEV	All	Front Right	749884	D-798	--	--
ML55 AMG									
V8									
2003	5.5L	3MBXT05.51TR	LEV1 LEV	All	Underbody	--	--	910004R	D-280-101
2002	5.5L	2MBXT05.51TR	LEV1 LEV	All	Underbody	--	--	910004R	D-280-101
2001	5.5L	1MBXT05.51TR	LEV1 LEV	All	Underbody	--	--	910004R	D-280-101
2000	5.5L	YMBXT05.5GNB	LEV1 LEV	All	Underbody	--	--	910004R	D-280-101
R350									
V6									
2011	3.5L	BMBXT03.5U2A	LEV2 ULEV	All	Front Left	--	--	740665	D-798
2011	3.5L	BMBXT03.5U2A	LEV2 ULEV	All	Front Right	--	--	740665	D-798
2010	3.5L	AMBXT03.5U2A	LEV2 ULEV	All	Front Left	--	--	740665	D-798
2010	3.5L	AMBXT03.5U2A	LEV2 ULEV	All	Front Right	--	--	740665	D-798
2009	3.5L	9MBXJ03.5U2A	LEV2 ULEV	All	Front Left	--	--	740665	D-798
2009	3.5L	9MBXJ03.5U2A	LEV2 ULEV	All	Front Right	--	--	740665	D-798
2008	3.5L	8MBXB03.5U2A	LEV2 ULEV	All	Front Left	--	--	740665	D-798
2008	3.5L	8MBXB03.5U2A	LEV2 ULEV	All	Front Right	--	--	740665	D-798
2007	3.5L	7MBXB03.5U2A	LEV2 ULEV	All	Front Left	--	--	740665	D-798
2007	3.5L	7MBXB03.5U2A	LEV2 ULEV	All	Front Right	--	--	740665	D-798
S320									
L6									
1999	3.2L	XMBXV03.2GNU	TIER1	All	Underbody	--	--	940335	D-280-100
1998	3.2L	WMBXV03.2GNU	TIER1	All	Underbody	--	--	940004	D-280-100
1998	3.2L	WMBXV03.5GNU	TIER1	All	Underbody	--	--	940084	D-280-100
1997	3.2L	VMB3.6VJGKEK	TIER1	All	Underbody	--	--	940084	D-280-100
1996	3.2L	TMB3.6VJGKEK	TIER1	All	Underbody Left	--	--	940085	D-280-100
1996	3.2L	TMB3.6VJGKEK	TIER1	All	Underbody Right	--	--	940085	D-280-100
1995	3.2L	SMB3.6VJGFEK	TIER1	All	Underbody Left	--	--	940085	D-280-100
1995	3.2L	SMB3.6VJGFEK	TIER1	All	Underbody Right	--	--	940085	D-280-100
1994	3.2L	RMB3.2VJGCEK	TIER1	All	Underbody Left	--	--	940334	D-280-100
1994	3.2L	RMB3.2VJGCEK	TIER1	All	Underbody Right	--	--	940334	D-280-100
S350									
V6									
2006	3.7L	6MBXV03.7LBI	LEV1 ULEV	All	Front Left	--	--	750004	D-280-102
2006	3.7L	6MBXV03.7LBI	LEV1 ULEV	All	Front Right	--	--	750004	D-280-102
2006	3.7L	6MBXV03.7LBI	LEV1 ULEV	All	Underbody Left	--	--	755004	D-280-102
2006	3.7L	6MBXV03.7LBI	LEV1 ULEV	All	Underbody Right	--	--	755004	D-280-102

Legal Note: In Compliance with California Emissions Requirements



CATCO
CATALYTIC CONVERTERS

EASTERN CATALYTIC

APPLICATION GUIDE

OBD II

APPLICATION

Year	Eng. Size	Test Group/ Engine Family	Certification Level	Application	Location	Direct Fit Number	Exec. Order	Consol. Number	Exec. Order
S420									
V8									
1999	4.2L	XMBXV05.0GND	TLEV	All	Front Left	--	--	940334	D-280-100
1999	4.2L	XMBXV05.0GND	TLEV	All	Front Right	--	--	940334	D-280-100
1999	4.2L	XMBXV05.0GND	TLEV	All	Rear Left	--	--	940334	D-280-100
1999	4.2L	XMBXV05.0GND	TLEV	All	Rear Right	--	--	940334	D-280-100
1998	4.2L	WMBXV05.0GNB	TLEV	All	Front	--	--	940085	D-280-100
1998	4.2L	WMBXV05.0GNB	TLEV	All	Front Left	--	--	940335	D-280-100
1998	4.2L	WMBXV05.0GNB	TLEV	All	Front Right	--	--	940335	D-280-100
1998	4.2L	WMBXV05.0GNB	TLEV	All	Rear	--	--	940085	D-280-100
1998	4.2L	WMBXV05.0GNB	TLEV	All	Rear Left	--	--	940335	D-280-100
1998	4.2L	WMBXV05.0GNB	TLEV	All	Rear Right	--	--	940335	D-280-100
1997	4.2L	VMB5.0VJGKEK	TLEV	All	Front Left	--	--	940084	D-280-100
1997	4.2L	VMB5.0VJGKEK	TLEV	All	Front Right	--	--	940084	D-280-100
1997	4.2L	VMB5.0VJGKEK	TLEV	All	Rear Left	--	--	940084	D-280-100
1997	4.2L	VMB5.0VJGKEK	TLEV	All	Rear Right	--	--	940084	D-280-100
1997	4.2L	VMB5.0VJGKEK	TLEV	All	Underbody Left	944981	D-280-100	--	--
1997	4.2L	VMB5.0VJGKEK	TLEV	All	Underbody Right	944980	D-280-100	--	--
1996	4.2L	TMB5.0VJGFEK	TIER1	All	Front Left	--	--	940084	D-280-100
1996	4.2L	TMB5.0VJGFEK	TIER1	All	Front Right	--	--	940084	D-280-100
1996	4.2L	TMB5.0VJGFEK	TIER1	All	Rear Left	--	--	940334	D-280-100
1996	4.2L	TMB5.0VJGFEK	TIER1	All	Rear Right	--	--	940334	D-280-100
S430									
V8									
2003	4.3L	3MBXV05.0UBI	LEV1 ULEV	All	Front Left	--	--	750005	D-280-102
2003	4.3L	3MBXV05.0UBI	LEV1 ULEV	All	Front Right	--	--	750005	D-280-102
2003	4.3L	3MBXV05.0UBI	LEV1 ULEV	All	Underbody Left	--	--	750005	D-280-102
2003	4.3L	3MBXV05.0UBI	LEV1 ULEV	All	Underbody Right	--	--	750005	D-280-102
2000	4.3L	YMBXV05.0GNB	LEV1 LEV	All	Underbody Left	630564	D-665-17	--	--
2000	4.3L	YMBXV05.0GNB	LEV1 LEV	All	Underbody Right	630565	D-665-17	--	--
S500									
V8									
2003	5.0L	3MBXV05.0UBI	LEV1 ULEV	All	Front Left	--	--	750006	D-280-102
2003	5.0L	3MBXV05.0UBI	LEV1 ULEV	All	Front Right	--	--	750006	D-280-102
2003	5.0L	3MBXV05.0UBI	LEV1 ULEV	All	Underbody Left	754281	D-280-102	--	--
2003	5.0L	3MBXV05.0UBI	LEV1 ULEV	All	Underbody Left	--	--	755006	D-280-102
2003	5.0L	3MBXV05.0UBI	LEV1 ULEV	All	Underbody Right	754280	D-280-102	--	--
2003	5.0L	3MBXV05.0UBI	LEV1 ULEV	All	Underbody Right	--	--	755006	D-280-102
2001	5.0L	1MBXV05.0UBI	LEV1 ULEV	All	Front Left	--	--	750006	D-280-102
2001	5.0L	1MBXV05.0UBI	LEV1 ULEV	All	Front Right	--	--	750006	D-280-102
2001	5.0L	1MBXV05.0UBI	LEV1 ULEV	All	Underbody Left	754281	D-280-102	--	--
2001	5.0L	1MBXV05.0UBI	LEV1 ULEV	All	Underbody Left	--	--	755006	D-280-102
2001	5.0L	1MBXV05.0UBI	LEV1 ULEV	All	Underbody Right	754280	D-280-102	--	--
2001	5.0L	1MBXV05.0UBI	LEV1 ULEV	All	Underbody Right	--	--	755006	D-280-102
2000	5.0L	YMBXV05.0GNB	LEV1 LEV	All	Underbody Left	630564	D-665-17	--	--
2000	5.0L	YMBXV05.0GNB	LEV1 LEV	All	Underbody Right	630565	D-665-17	--	--
1998	5.0L	WMBXV05.0GNB	TLEV	All	Front	--	--	940085	D-280-100
1998	5.0L	WMBXV05.0GNB	TLEV	All	Front Left	--	--	940335	D-280-100
1998	5.0L	WMBXV05.0GNB	TLEV	All	Front Right	--	--	940335	D-280-100
1998	5.0L	WMBXV05.0GNB	TLEV	All	Rear	--	--	940085	D-280-100
1998	5.0L	WMBXV05.0GNB	TLEV	All	Rear Left	--	--	940335	D-280-100
1998	5.0L	WMBXV05.0GNB	TLEV	All	Rear Right	--	--	940335	D-280-100
1997	5.0L	VMB5.0VJGKEK	TLEV	All	Front Left	--	--	940084	D-280-100
1997	5.0L	VMB5.0VJGKEK	TLEV	All	Front Right	--	--	940084	D-280-100
1997	5.0L	VMB5.0VJGKEK	TLEV	All	Rear Left	--	--	940084	D-280-100
1997	5.0L	VMB5.0VJGKEK	TLEV	All	Rear Right	--	--	940084	D-280-100
1997	5.0L	VMB5.0VJGKEK	TLEV	All	Underbody Left	944981	D-280-100	--	--
1997	5.0L	VMB5.0VJGKEK	TLEV	All	Underbody Right	944980	D-280-100	--	--

Legal Note: In Compliance with California Emissions Requirements

APPLICATION GUIDE



OBD II

APPLICATION

Year	Eng. Size	Test Group/ Engine Family	Certification Level	Application	Location	Direct Fit Number	Exec. Order	Consol. Number	Exec. Order
Mercedes-Benz (Cont.)									
S500 (Cont.)									
V8 (Cont.)									
1996	5.0L	TMB5.0VJGFEK	TIER1	All	Front Left	--	--	940084	D-280-100
1996	5.0L	TMB5.0VJGFEK	TIER1	All	Front Right	--	--	940084	D-280-100
1996	5.0L	TMB5.0VJGFEK	TIER1	All	Rear Left	--	--	940334	D-280-100
1996	5.0L	TMB5.0VJGFEK	TIER1	All	Rear Right	--	--	940334	D-280-100
S600									
V12									
2003	5.5L	3MBXV05.5LXX	LEV1 LEV	All	Underbody Left	--	--	761016	D-280-105
2003	5.5L	3MBXV05.5LXX	LEV1 LEV	All	Underbody Right	--	--	761016	D-280-105
1999	6.0L	XMBXV06.0GNU	TIER1	All	Underbody Left	--	--	940085	D-280-100
1999	6.0L	XMBXV06.0GNU	TIER1	All	Underbody Right	--	--	940085	D-280-100
1998	6.0L	WMBXV06.0GNU	TIER1	All	Underbody Left	--	--	940085	D-280-100
1998	6.0L	WMBXV06.0GNU	TIER1	All	Underbody Right	--	--	940085	D-280-100
1997	6.0L	VMB6.0VJGFEK	TIER1	All	Underbody Left	--	--	940085	D-280-100
1997	6.0L	VMB6.0VJGFEK	TIER1	All	Underbody Right	--	--	940085	D-280-100
1996	6.0L	TMB6.0VJGFEK	TIER1	All	Underbody Left	--	--	940085	D-280-100
1996	6.0L	TMB6.0VJGFEK	TIER1	All	Underbody Right	--	--	940085	D-280-100
SL320									
L6									
1997	3.2L	VMB3.6VJGKEK	TIER1	All	Underbody	--	--	940334	D-280-100
1996	3.2L	TMB3.6VJGKEK	TIER1	All	Underbody	--	--	940084	D-280-100
1995	3.2L	SMB3.6VJGFEK	TIER1	All	Underbody Left	--	--	940086	D-280-100
SL500									
V8									
2003	5.0L	3MBXV05.0UBI	LEV1 ULEV	All	Front Left	--	--	750006	D-280-102
2003	5.0L	3MBXV05.0UBI	LEV1 ULEV	All	Front Right	--	--	750006	D-280-102
2003	5.0L	3MBXV05.0UBI	LEV1 ULEV	All	Underbody Left	754281	D-280-102	--	--
2003	5.0L	3MBXV05.0UBI	LEV1 ULEV	All	Underbody Left	--	--	755006	D-280-102
2003	5.0L	3MBXV05.0UBI	LEV1 ULEV	All	Underbody Right	754280	D-280-102	--	--
2003	5.0L	3MBXV05.0UBI	LEV1 ULEV	All	Underbody Right	--	--	755006	D-280-102
1998	5.0L	WMBXV05.0GNB	TLEV	All	Front	--	--	940085	D-280-100
1998	5.0L	WMBXV05.0GNB	TLEV	All	Rear	--	--	940085	D-280-100
1998	5.0L	WMBXV05.0GNB	TLEV	All	Rear Left	--	--	940084	D-280-100
1998	5.0L	WMBXV05.0GNB	TLEV	All	Rear Right	--	--	940084	D-280-100
1997	5.0L	VMB5.0VJGKEK	TLEV	All	Underbody	--	--	940084	D-280-100
1996	5.0L	TMB5.0VJGFEK	TIER1	All	Underbody	--	--	940084	D-280-100
SL600									
V12									
2002	6.0L	2MBXV06.01B1	TIER1	All	Underbody Left	--	--	940085	D-280-100
2002	6.0L	2MBXV06.01B1	TIER1	All	Underbody Right	--	--	940085	D-280-100
2002	6.0L	2MBXV06.01BL	TIER1	All	Underbody Left	--	--	761016	D-280-105
2002	6.0L	2MBXV06.01BL	TIER1	All	Underbody Right	--	--	761016	D-280-105
2001	6.0L	1MBXV06.01BI	TIER1	All	Underbody Left	--	--	761016	D-280-105
2001	6.0L	1MBXV06.01BI	TIER1	All	Underbody Right	--	--	761016	D-280-105
2000	6.0L	YMBXV06.0GNU	TIER1	All	Underbody Left	--	--	940085	D-280-100
2000	6.0L	YMBXV06.0GNU	TIER1	All	Underbody Right	--	--	940085	D-280-100
1999	6.0L	XMBXV06.0GNU	TIER1	All	Underbody Left	--	--	940085	D-280-100
1999	6.0L	XMBXV06.0GNU	TIER1	All	Underbody Right	--	--	940085	D-280-100
1998	6.0L	WMBXV06.0GNU	TIER1	All	Underbody Left	--	--	940085	D-280-100
1998	6.0L	WMBXV06.0GNU	TIER1	All	Underbody Right	--	--	940085	D-280-100
1997	6.0L	VMB6.0VJGFEK	TIER1	All	Underbody Left	--	--	940085	D-280-100
1997	6.0L	VMB6.0VJGFEK	TIER1	All	Underbody Right	--	--	940085	D-280-100
1996	6.0L	TMB6.0VJGFEK	TIER1	All	Front Left	--	--	940084	D-280-100
1996	6.0L	TMB6.0VJGFEK	TIER1	All	Front Right	--	--	940084	D-280-100
SLK230									
L4									
2003	2.3L	3MBXV02.3LB1	LEV1 LEV	All	Underbody Left	--	--	940086	D-280-100
2002	2.3L	2MBXV02.31BI	LEV1 LEV	All	Underbody Left	--	--	940084	D-280-100

Legal Note: In Compliance with California Emissions Requirements



CATCO
CATALYTIC CONVERTERS

EASTERN CATALYTIC

APPLICATION GUIDE

OBD II

APPLICATION

Year	Eng. Size	Test Group/ Engine Family	Certification Level	Application	Location	Direct Fit Number	Exec. Order	Consol. Number	Exec. Order
Mercedes-Benz (Cont.)									
SLK230 (Cont.)									
L4 (Cont.)									
2001	2.3L	1MBXV02.3LBI	LEV1 LEV	All	Underbody	--	--	940084	D-280-100
2000	2.3L	YMBXV02.3GSU	TLEV	All	Underbody Left	--	--	940084	D-280-100
2000	2.3L	YMBXV02.3GSU	TLEV	All	Underbody Right	--	--	940084	D-280-100
1999	2.3L	XMBXV02.3GSU	TLEV	All	Underbody Left	--	--	940084	D-280-100
1999	2.3L	XMBXV02.3GSU	TLEV	All	Underbody Right	--	--	940084	D-280-100
1998	2.3L	WMBXV02.3GNU	TLEV	All	Underbody Left	--	--	940084	D-280-100
1998	2.3L	WMBXV02.3GNU	TLEV	All	Underbody Right	--	--	940084	D-280-100
SLK320									
V6									
2004	3.2L	4MBXV03.2LBX	LEV1 ULEV	All	Front Left	--	--	750005	D-280-102
2004	3.2L	4MBXV03.2LBX	LEV1 ULEV	All	Front Right	--	--	750005	D-280-102
2004	3.2L	4MBXV03.2LBX	LEV1 ULEV	All	Rear Left	--	--	755005	D-280-102
2004	3.2L	4MBXV03.2LBX	LEV1 ULEV	All	Rear Right	--	--	755005	D-280-102
2004	3.2L	4MBXV03.2LBX	LEV1 ULEV	All	Underbody Left	754379	D-280-102	--	--
2004	3.2L	4MBXV03.2LBX	LEV1 ULEV	All	Underbody Right	754378	D-280-102	--	--
2003	3.2L	3MBXV03.2LBX	LEV1 LEV	All	Front Left	--	--	750005	D-280-102
2003	3.2L	3MBXV03.2LBX	LEV1 LEV	All	Front Right	--	--	750005	D-280-102
2003	3.2L	3MBXV03.2LBX	LEV1 LEV	All	Rear Left	--	--	755005	D-280-102
2003	3.2L	3MBXV03.2LBX	LEV1 LEV	All	Rear Right	--	--	755005	D-280-102
2003	3.2L	3MBXV03.2LBX	LEV1 LEV	All	Underbody Left	754379	D-280-102	--	--
2003	3.2L	3MBXV03.2LBX	LEV1 LEV	All	Underbody Right	754378	D-280-102	--	--
2002	3.2L	2MBXV03.2LBX	LEV1 LEV	All	Front Left	--	--	750005	D-280-102
2002	3.2L	2MBXV03.2LBX	LEV1 LEV	All	Front Right	--	--	750005	D-280-102
2002	3.2L	2MBXV03.2LBX	LEV1 LEV	All	Rear Left	--	--	755005	D-280-102
2002	3.2L	2MBXV03.2LBX	LEV1 LEV	All	Rear Right	--	--	755005	D-280-102
2002	3.2L	2MBXV03.2LBX	LEV1 LEV	All	Underbody Left	754379	D-280-102	--	--
2002	3.2L	2MBXV03.2LBX	LEV1 LEV	All	Underbody Right	754378	D-280-102	--	--
2001	3.2L	1MBXV03.2LTR	LEV1 LEV	All	Front Left	--	--	750005	D-280-102
2001	3.2L	1MBXV03.2LTR	LEV1 LEV	All	Front Right	--	--	750005	D-280-102
2001	3.2L	1MBXV03.2LTR	LEV1 LEV	All	Rear Left	--	--	755005	D-280-102
2001	3.2L	1MBXV03.2LTR	LEV1 LEV	All	Rear Right	--	--	755005	D-280-102
2001	3.2L	1MBXV03.2LTR	LEV1 LEV	All	Underbody Left	754379	D-280-102	--	--
2001	3.2L	1MBXV03.2LTR	LEV1 LEV	All	Underbody Right	754378	D-280-102	--	--
SLK32 AMG									
V6									
2002	3.2L	2MBXV03.2LBI	LEV1 LEV	All	Underbody	--	--	940084	D-280-100
2002	3.2L	2MBXV03.2LBI	LEV1 LEV	All	Underbody	--	--	940004	D-280-100
Mercury									
Cougar									
L4									
2000	2.0L	YFMXV02.0VDC	TLEV	All	Underbody	942140	D-280-100	--	--
1999	2.0L	XFMXV02.0VDC	TLEV	All	Underbody	942140	D-280-100	--	--
V6									
2002	2.5L	2FMXV02.5VD5	TLEV	A/T	Rear	809516	D-665-23	--	--
2002	2.5L	2FMXV02.5VD5	TLEV	M/T	Rear	809515	D-665-23	--	--
2001	2.5L	1FMXV02.5VD5	TLEV	M/T	Rear	942860	D-280-100	--	--
2001	2.5L	1FMXV02.5VD5	TLEV	A/T	Rear	942147	D-280-100	--	--
2001	2.5L	1FMXV02.5VD5	TLEV	All	Front	942012	D-280-100	--	--
2001	2.5L	1FMXV02.5VD5	TLEV	All	Rear	942011	D-280-100	--	--
2001	2.5L	1FMXV02.5VD5	TLEV	All	Rear	--	--	940334	D-280-100
2000	2.5L	YFMXV02.5VBC	TIER1	M/T	Rear	942860	D-280-100	--	--
2000	2.5L	YFMXV02.5VBC	TIER1	A/T	Rear	942147	D-280-100	--	--
2000	2.5L	YFMXV02.5VBC	TIER1	All	Front	942012	D-280-100	--	--
2000	2.5L	YFMXV02.5VBC	TIER1	All	Rear	942011	D-280-100	--	--
2000	2.5L	YFMXV02.5VBC	TIER1	All	Rear	--	--	940334	D-280-100
1999	2.5L	XFMXV02.5VBC	TIER1	M/T	Rear	942860	D-280-100	--	--
1999	2.5L	XFMXV02.5VBC	TIER1	A/T	Rear	942147	D-280-100	--	--

Legal Note: In Compliance with California Emissions Requirements

APPLICATION GUIDE



OBD II

APPLICATION

Year	Eng. Size	Test Group/ Engine Family	Certification Level	Application	Location	Direct Fit Number	Exec. Order	Consol. Number	Exec. Order
Mercury (Cont.)									
Cougar (Cont.)									
V6 (Cont.)									
1999	2.5L	XFMXV02.5VBC	TIER1	All	Front	942012	D-280-100	--	--
1999	2.5L	XFMXV02.5VBC	TIER1	All	Rear	942011	D-280-100	--	--
1999	2.5L	XFMXV02.5VBC	TIER1	All	Rear	--	--	940334	D-280-100
1997	3.8L	VFM3.8V8G1FK	TIER1	All	Front	--	--	940334	D-280-100
1997	3.8L	VFM3.8V8G1FK	TIER1	All	Rear	--	--	940640	D-280-100
1996	3.8L	TFM3.8V8G1FK	TIER1	All	Front	--	--	940334	D-280-100
1996	3.8L	TFM3.8V8G1FK	TIER1	All	Rear	--	--	940640	D-280-100
V8									
1997	4.6L	VFM4.6V8G1EK	TIER1	All	Front	--	--	940334	D-280-100
1997	4.6L	VFM4.6V8G1EK	TIER1	All	Rear	--	--	940640	D-280-100
1996	4.6L	TFM4.6V8G1EK	TIER1	All	Front	--	--	940334	D-280-100
1996	4.6L	TFM4.6V8G1EK	TIER1	All	Rear	--	--	940640	D-280-100
Grand Marquis									
V8									
2011	4.6L	BFMXV04.6VDF	LEV2 ULEV	All	Front	--	--	761015	D-280-105
2011	4.6L	BFMXV04.6VDF	LEV2 ULEV	All	Rear	--	--	761015	D-280-105
2011	4.6L	BFMXV04.6VDF	LEV2 ULEV	All	Underbody Left	765002	D-280-105	--	--
2011	4.6L	BFMXV04.6VDF	LEV2 ULEV	All	Underbody Right	764803	D-280-105	--	--
2010	4.6L	AFMXV04.6VDF	LEV2 ULEV	All	Front	--	--	761015	D-280-105
2010	4.6L	AFMXV04.6VDF	LEV2 ULEV	All	Rear	--	--	761015	D-280-105
2010	4.6L	AFMXV04.6VDF	LEV2 ULEV	All	Underbody Left	765002	D-280-105	--	--
2010	4.6L	AFMXV04.6VDF	LEV2 ULEV	All	Underbody Right	764803	D-280-105	--	--
2009	4.6L	9FMXV04.6VDF	LEV2 ULEV	All	Front	--	--	761015	D-280-105
2009	4.6L	9FMXV04.6VDF	LEV2 ULEV	All	Rear	--	--	761015	D-280-105
2009	4.6L	9FMXV04.6VDF	LEV2 ULEV	All	Underbody Left	765002	D-280-105	--	--
2009	4.6L	9FMXV04.6VDF	LEV2 ULEV	All	Underbody Right	764803	D-280-105	--	--
2008	4.6L	8FMXV04.6VEF	LEV2 LEV	All	Front	--	--	761015	D-280-105
2008	4.6L	8FMXV04.6VEF	LEV2 LEV	All	Rear	--	--	761015	D-280-105
2008	4.6L	8FMXV04.6VEF	LEV2 LEV	All	Underbody Left	765002	D-280-105	--	--
2008	4.6L	8FMXV04.6VEF	LEV2 LEV	All	Underbody Right	764803	D-280-105	--	--
2007	4.6L	7FMXV04.6VE8	LEV2 LEV	All	Front	--	--	761015	D-280-105
2007	4.6L	7FMXV04.6VE8	LEV2 LEV	All	Rear	--	--	761015	D-280-105
2007	4.6L	7FMXV04.6VE8	LEV2 LEV	All	Underbody Left	765002	D-280-105	--	--
2007	4.6L	7FMXV04.6VE8	LEV2 LEV	All	Underbody Right	764803	D-280-105	--	--
2007	4.6L	7FMXV04.6VE9	LEV2 LEV	All	Front	--	--	761015	D-280-105
2007	4.6L	7FMXV04.6VE9	LEV2 LEV	All	Rear	--	--	761015	D-280-105
2007	4.6L	7FMXV04.6VE9	LEV2 LEV	All	Underbody Left	765002	D-280-105	--	--
2007	4.6L	7FMXV04.6VE9	LEV2 LEV	All	Underbody Right	764803	D-280-105	--	--
2007	4.6L	7FMXV04.6VEF	LEV2 LEV	All	Front	--	--	761015	D-280-105
2007	4.6L	7FMXV04.6VEF	LEV2 LEV	All	Rear	--	--	761015	D-280-105
2007	4.6L	7FMXV04.6VEF	LEV2 LEV	All	Underbody Left	765002	D-280-105	--	--
2007	4.6L	7FMXV04.6VEF	LEV2 LEV	All	Underbody Right	764803	D-280-105	--	--
2006	4.6L	6FMXV04.6VE8	LEV2 LEV	All	Front	--	--	761015	D-280-105
2006	4.6L	6FMXV04.6VE8	LEV2 LEV	All	Rear	--	--	761015	D-280-105
2006	4.6L	6FMXV04.6VE8	LEV2 LEV	All	Underbody Left	765002	D-280-105	--	--
2006	4.6L	6FMXV04.6VE8	LEV2 LEV	All	Underbody Right	764803	D-280-105	--	--
2006	4.6L	6FMXV04.6VG8	LEV1 ULEV	All	Front	--	--	761015	D-280-105
2006	4.6L	6FMXV04.6VG8	LEV1 ULEV	All	Rear	--	--	761015	D-280-105
2006	4.6L	6FMXV04.6VG8	LEV1 ULEV	All	Underbody Left	765002	D-280-105	--	--
2006	4.6L	6FMXV04.6VG8	LEV1 ULEV	All	Underbody Right	764803	D-280-105	--	--
2005	4.6L	5FMXV04.6VE8	LEV2 LEV	All	Front	--	--	761015	D-280-105
2005	4.6L	5FMXV04.6VE8	LEV2 LEV	All	Rear	--	--	761015	D-280-105
2005	4.6L	5FMXV04.6VE8	LEV2 LEV	All	Underbody Left	765002	D-280-105	--	--
2005	4.6L	5FMXV04.6VE8	LEV2 LEV	All	Underbody Right	764803	D-280-105	--	--
2005	4.6L	5FMXV04.6VG8	LEV1 ULEV	All	Front	--	--	761015	D-280-105
2005	4.6L	5FMXV04.6VG8	LEV1 ULEV	All	Rear	--	--	761015	D-280-105
2005	4.6L	5FMXV04.6VG8	LEV1 ULEV	All	Underbody Left	765002	D-280-105	--	--
2005	4.6L	5FMXV04.6VG8	LEV1 ULEV	All	Underbody Right	764803	D-280-105	--	--

Legal Note: In Compliance with California Emissions Requirements



CATCO
CATALYTIC CONVERTERS

EASTERN CATALYTIC

APPLICATION GUIDE

OBD II

APPLICATION

Year	Eng. Size	Test Group/ Engine Family	Certification Level	Application	Location	Direct Fit Number	Exec. Order	Consol. Number	Exec. Order
Mercury (Cont.)									
Grand Marquis (Cont.)									
V8 (Cont.)									
2004	4.6L	4FMXV04.6VE5	LEV2 LEV	All	Front	--	--	761015	D-280-105
2004	4.6L	4FMXV04.6VE5	LEV2 LEV	All	Rear	--	--	761015	D-280-105
2004	4.6L	4FMXV04.6VE5	LEV2 LEV	All	Underbody Left	765002	D-280-105	--	--
2004	4.6L	4FMXV04.6VE5	LEV2 LEV	All	Underbody Right	764803	D-280-105	--	--
2004	4.6L	4FMXV04.6VG6	LEV1 ULEV	All	Front	--	--	761015	D-280-105
2004	4.6L	4FMXV04.6VG6	LEV1 ULEV	All	Rear	--	--	761015	D-280-105
2004	4.6L	4FMXV04.6VG6	LEV1 ULEV	All	Underbody Left	765002	D-280-105	--	--
2004	4.6L	4FMXV04.6VG6	LEV1 ULEV	All	Underbody Right	764803	D-280-105	--	--
2003	4.6L	3FMXV04.6VF5	LEV1 ULEV	From 06/3/02	Underbody Left	809520	D-665-23	--	--
2003	4.6L	3FMXV04.6VF5	LEV1 ULEV	From 06/3/02	Underbody Right	809521	D-665-23	--	--
2003	4.6L	3FMXV04.6VG5	LEV1 ULEV	All	Front Left	--	--	761015	D-280-105
2003	4.6L	3FMXV04.6VG5	LEV1 ULEV	All	Front Right	--	--	761015	D-280-105
2003	4.6L	3FMXV04.6VG5	LEV1 ULEV	All	Underbody Left	765002	D-280-105	--	--
2003	4.6L	3FMXV04.6VG5	LEV1 ULEV	All	Underbody Right	764803	D-280-105	--	--
2003	4.6L	3FMXV04.6VH5	LEV1 ULEV	All	Front Left	--	--	761015	D-280-105
2003	4.6L	3FMXV04.6VH5	LEV1 ULEV	All	Front Right	--	--	761015	D-280-105
2003	4.6L	3FMXV04.6VH5	LEV1 ULEV	All	Underbody Left	765002	D-280-105	--	--
2003	4.6L	3FMXV04.6VH5	LEV1 ULEV	All	Underbody Right	764803	D-280-105	--	--
2002	4.6L	2FMXV04.6VF5	LEV1 LEV	All	Front Left	--	--	942105	D-280-100
2002	4.6L	2FMXV04.6VF5	LEV1 LEV	All	Front Right	--	--	942105	D-280-100
2002	4.6L	2FMXV04.6VF5	LEV1 LEV	All	Rear	--	--	942871	D-280-100
2002	4.6L	2FMXV04.6VF5	LEV1 LEV	All	Rear Left	--	--	942105	D-280-100
2002	4.6L	2FMXV04.6VF5	LEV1 LEV	All	Rear Right	--	--	942105	D-280-100
2002	4.6L	2FMXV04.6VF5	LEV1 LEV	All	Underbody Left	944870	D-280-100	--	--
2002	4.6L	2FMXV04.6VF5	LEV1 LEV	All	Underbody Left	612870	D-280-84	--	--
2002	4.6L	2FMXV04.6VF5	LEV1 LEV	All	Underbody Left	--	--	942870	D-280-100
2002	4.6L	2FMXV04.6VF5	LEV1 LEV	All	Underbody Right	944871	D-280-100	--	--
2002	4.6L	2FMXV04.6VF5	LEV1 LEV	All	Underbody Right	612871	D-280-84	--	--
2001	4.6L	1FMXV04.6VF5	LEV1 LEV	All	Front Left	--	--	942105	D-280-100
2001	4.6L	1FMXV04.6VF5	LEV1 LEV	All	Front Right	--	--	942105	D-280-100
2001	4.6L	1FMXV04.6VF5	LEV1 LEV	All	Rear	--	--	942871	D-280-100
2001	4.6L	1FMXV04.6VF5	LEV1 LEV	All	Rear Left	--	--	942105	D-280-100
2001	4.6L	1FMXV04.6VF5	LEV1 LEV	All	Rear Right	--	--	942105	D-280-100
2001	4.6L	1FMXV04.6VF5	LEV1 LEV	All	Underbody Left	944870	D-280-100	--	--
2001	4.6L	1FMXV04.6VF5	LEV1 LEV	All	Underbody Left	612870	D-280-84	--	--
2001	4.6L	1FMXV04.6VF5	LEV1 LEV	All	Underbody Left	--	--	942870	D-280-100
2001	4.6L	1FMXV04.6VF5	LEV1 LEV	All	Underbody Right	944871	D-280-100	--	--
2001	4.6L	1FMXV04.6VF5	LEV1 LEV	All	Underbody Right	612871	D-280-84	--	--
2001	4.6L	1FMXV04.6VF7	LEV1 LEV	All	Front Left	--	--	942105	D-280-100
2001	4.6L	1FMXV04.6VF7	LEV1 LEV	All	Front Right	--	--	942105	D-280-100
2001	4.6L	1FMXV04.6VF7	LEV1 LEV	All	Rear	--	--	942871	D-280-100
2001	4.6L	1FMXV04.6VF7	LEV1 LEV	All	Rear Left	--	--	942105	D-280-100
2001	4.6L	1FMXV04.6VF7	LEV1 LEV	All	Rear Right	--	--	942105	D-280-100
2001	4.6L	1FMXV04.6VF7	LEV1 LEV	All	Underbody Left	944870	D-280-100	--	--
2001	4.6L	1FMXV04.6VF7	LEV1 LEV	All	Underbody Left	--	--	942870	D-280-100
2001	4.6L	1FMXV04.6VF7	LEV1 LEV	All	Underbody Right	944871	D-280-100	--	--
2000	4.6L	YFMXV04.6VB5	TIER1	All	Front Left	--	--	942105	D-280-100
2000	4.6L	YFMXV04.6VB5	TIER1	All	Front Right	--	--	942105	D-280-100
2000	4.6L	YFMXV04.6VB5	TIER1	All	Rear	--	--	942871	D-280-100
2000	4.6L	YFMXV04.6VB5	TIER1	All	Rear Left	--	--	942105	D-280-100
2000	4.6L	YFMXV04.6VB5	TIER1	All	Rear Right	--	--	942105	D-280-100
2000	4.6L	YFMXV04.6VB5	TIER1	All	Underbody Left	944870	D-280-100	--	--
2000	4.6L	YFMXV04.6VB5	TIER1	All	Underbody Left	--	--	942870	D-280-100
2000	4.6L	YFMXV04.6VB5	TIER1	All	Underbody Right	944871	D-280-100	--	--

Legal Note: In Compliance with California Emissions Requirements

APPLICATION GUIDE



OBD II

APPLICATION

Year	Eng. Size	Test Group/ Engine Family	Certification Level	Application	Location	Direct Fit Number	Exec. Order	Consol. Number	Exec. Order
Mercury (Cont.)									
Grand Marquis (Cont.)									
V8 (Cont.)									
2000	4.6L	YFMXV04.6VFR	LEV1 LEV	All	Front Left	--	--	942105	D-280-100
2000	4.6L	YFMXV04.6VFR	LEV1 LEV	All	Front Right	--	--	942105	D-280-100
2000	4.6L	YFMXV04.6VFR	LEV1 LEV	All	Rear	--	--	942871	D-280-100
2000	4.6L	YFMXV04.6VFR	LEV1 LEV	All	Rear Left	--	--	942105	D-280-100
2000	4.6L	YFMXV04.6VFR	LEV1 LEV	All	Rear Right	--	--	942105	D-280-100
2000	4.6L	YFMXV04.6VFR	LEV1 LEV	All	Underbody Left	944870	D-280-100	--	--
2000	4.6L	YFMXV04.6VFR	LEV1 LEV	All	Underbody Left	--	--	942870	D-280-100
2000	4.6L	YFMXV04.6VFR	LEV1 LEV	All	Underbody Right	944871	D-280-100	--	--
2000	4.6L	YFMXV04.6VFR	TIER1	All	Underbody Left	612870	D-280-84	--	--
2000	4.6L	YFMXV04.6VFR	TIER1	All	Underbody Right	612871	D-280-84	--	--
1999	4.6L	XFMXV04.6VG5	LEV1 LEV	All	Front Left	--	--	942105	D-280-100
1999	4.6L	XFMXV04.6VG5	LEV1 LEV	All	Front Right	--	--	942105	D-280-100
1999	4.6L	XFMXV04.6VG5	LEV1 LEV	All	Rear	--	--	942871	D-280-100
1999	4.6L	XFMXV04.6VG5	LEV1 LEV	All	Rear Left	--	--	942105	D-280-100
1999	4.6L	XFMXV04.6VG5	LEV1 LEV	All	Rear Right	--	--	942105	D-280-100
1999	4.6L	XFMXV04.6VG5	LEV1 LEV	All	Underbody Left	944870	D-280-100	--	--
1999	4.6L	XFMXV04.6VG5	LEV1 LEV	All	Underbody Left	612870	D-280-84	--	--
1999	4.6L	XFMXV04.6VG5	LEV1 LEV	All	Underbody Left	--	--	942870	D-280-100
1999	4.6L	XFMXV04.6VG5	LEV1 LEV	All	Underbody Right	944871	D-280-100	--	--
1999	4.6L	XFMXV04.6VG5	LEV1 LEV	All	Underbody Right	612871	D-280-84	--	--
1998	4.6L	WFMXV04.6AAA	LEV1 LEV	All	Front Left	--	--	942105	D-280-100
1998	4.6L	WFMXV04.6AAA	LEV1 LEV	All	Front Right	--	--	942105	D-280-100
1998	4.6L	WFMXV04.6AAA	LEV1 LEV	All	Rear	--	--	942871	D-280-100
1998	4.6L	WFMXV04.6AAA	LEV1 LEV	All	Rear Left	--	--	942105	D-280-100
1998	4.6L	WFMXV04.6AAA	LEV1 LEV	All	Rear Right	--	--	942105	D-280-100
1998	4.6L	WFMXV04.6AAA	LEV1 LEV	All	Underbody Left	944870	D-280-100	--	--
1998	4.6L	WFMXV04.6AAA	LEV1 LEV	All	Underbody Left	612870	D-280-84	--	--
1998	4.6L	WFMXV04.6AAA	LEV1 LEV	All	Underbody Left	--	--	942870	D-280-100
1998	4.6L	WFMXV04.6AAA	LEV1 LEV	All	Underbody Right	944871	D-280-100	--	--
1998	4.6L	WFMXV04.6AAA	LEV1 LEV	All	Underbody Right	612871	D-280-84	--	--
1997	4.6L	VFM4.6V8G2EL	TLEV	All	Front Left	--	--	942105	D-280-100
1997	4.6L	VFM4.6V8G2EL	TLEV	All	Front Right	--	--	942105	D-280-100
1997	4.6L	VFM4.6V8G2EL	TLEV	All	Rear	--	--	942871	D-280-100
1997	4.6L	VFM4.6V8G2EL	TLEV	All	Rear Left	--	--	942105	D-280-100
1997	4.6L	VFM4.6V8G2EL	TLEV	All	Rear Right	--	--	942105	D-280-100
1997	4.6L	VFM4.6V8G2EL	TLEV	All	Underbody Left	944870	D-280-100	--	--
1997	4.6L	VFM4.6V8G2EL	TLEV	All	Underbody Left	612870	D-280-84	--	--
1997	4.6L	VFM4.6V8G2EL	TLEV	All	Underbody Left	--	--	942870	D-280-100
1997	4.6L	VFM4.6V8G2EL	TLEV	All	Underbody Right	944871	D-280-100	--	--
1997	4.6L	VFM4.6V8G2EL	TLEV	All	Underbody Right	612871	D-280-84	--	--
1996	4.6L	TFM4.6V8G2EL	TLEV	All	Front Left	--	--	942105	D-280-100
1996	4.6L	TFM4.6V8G2EL	TLEV	All	Front Right	--	--	942105	D-280-100
1996	4.6L	TFM4.6V8G2EL	TLEV	All	Rear	--	--	942871	D-280-100
1996	4.6L	TFM4.6V8G2EL	TLEV	All	Rear Left	--	--	942105	D-280-100
1996	4.6L	TFM4.6V8G2EL	TLEV	All	Rear Right	--	--	942105	D-280-100
1996	4.6L	TFM4.6V8G2EL	TLEV	All	Underbody Left	944870	D-280-100	--	--
1996	4.6L	TFM4.6V8G2EL	TLEV	All	Underbody Left	612870	D-280-84	--	--
1996	4.6L	TFM4.6V8G2EL	TLEV	All	Underbody Left	--	--	942870	D-280-100
1996	4.6L	TFM4.6V8G2EL	TLEV	All	Underbody Right	944871	D-280-100	--	--
1996	4.6L	TFM4.6V8G2EL	TLEV	All	Underbody Right	612871	D-280-84	--	--
1995	4.6L	SFM4.6V8G1GK	TIER1	All	Front Left	--	--	940086	D-280-100
1995	4.6L	SFM4.6V8G1GK	TIER1	All	Front Right	--	--	940086	D-280-100
1995	4.6L	SFM4.6V8G1GK	TIER1	All	Rear Left	--	--	940086	D-280-100
1995	4.6L	SFM4.6V8G1GK	TIER1	All	Rear Right	--	--	940086	D-280-100
1995	4.6L	SFM4.6V8G1GK	TIER1	All	Underbody Left	942598	D-280-100	--	--
1995	4.6L	SFM4.6V8G1GK	TIER1	All	Underbody Right	942599	D-280-100	--	--
1995	4.6L	SMF4.6V8G1GK	TIER1	All	Underbody Left	830452	D-665-9	--	--
1995	4.6L	SMF4.6V8G1GK	TIER1	All	Underbody Right	830453	D-665-9	--	--

Legal Note: In Compliance with California Emissions Requirements



CATCO
CATALYTIC CONVERTERS

EASTERN CATALYTIC

APPLICATION GUIDE

OBD II

APPLICATION

Year	Eng. Size	Test Group/ Engine Family	Certification Level	Application	Location	Direct Fit Number	Exec. Order	Consol. Number	Exec. Order
Mercury (Cont.)									
Marauder									
V8									
2004	4.6L	4FMXV04.6VH5	LEV1 ULEV	All	Front	--	--	761015	D-280-105
2004	4.6L	4FMXV04.6VH5	LEV1 ULEV	All	Rear	--	--	761015	D-280-105
2004	4.6L	4FMXV04.6VH5	LEV1 ULEV	All	Underbody Left	765002	D-280-105	--	--
2004	4.6L	4FMXV04.6VH5	LEV1 ULEV	All	Underbody Right	764803	D-280-105	--	--
2003	4.6L	3FMXV04.6VF5	LEV1 ULEV	All	Front	--	--	761015	D-280-105
2003	4.6L	3FMXV04.6VF5	LEV1 ULEV	All	Rear	--	--	761015	D-280-105
2003	4.6L	3FMXV04.6VF5	LEV1 ULEV	All	Underbody Left	765002	D-280-105	--	--
2003	4.6L	3FMXV04.6VF5	LEV1 ULEV	All	Underbody Right	764803	D-280-105	--	--
Mariner									
L4									
2008	2.3L	8FMXT02.31EA	LEV2 LEV	All	Front	761902	D-280-105	--	--
2008	2.3L	8FMXT02.31EA	LEV2 LEV	All	Underbody	769408	D-280-105	--	--
2008	2.3L	8FMXT02.31EA	LEV2 LEV	All	Underbody	--	--	763016	D-280-105
2008	2.3L	8FMXT02.31EF	LEV2 ULEV	All	Front	761902	D-280-105	--	--
2008	2.3L	8FMXT02.31EF	LEV2 ULEV	All	Underbody	769408	D-280-105	--	--
2008	2.3L	8FMXT02.31EF	LEV2 ULEV	All	Underbody	--	--	763016	D-280-105
2007	2.3L	7FMXT02.31EA	LEV2 LEV	All	Front	761902	D-280-105	--	--
2007	2.3L	7FMXT02.31EA	LEV2 LEV	All	Underbody	769408	D-280-105	--	--
2007	2.3L	7FMXT02.31EA	LEV2 LEV	All	Underbody	--	--	763016	D-280-105
2007	2.3L	7FMXT02.31EF	LEV2 ULEV	All	Front	761902	D-280-105	--	--
2007	2.3L	7FMXT02.31EF	LEV2 ULEV	All	Underbody	769408	D-280-105	--	--
2007	2.3L	7FMXT02.31EF	LEV2 ULEV	All	Underbody	--	--	763016	D-280-105
2006	2.3L	6FMXT02.31EA	LEV2 LEV	All	Front	761902	D-280-105	--	--
2006	2.3L	6FMXT02.31EA	LEV2 LEV	All	Underbody	769408	D-280-105	--	--
2006	2.3L	6FMXT02.31EA	LEV2 LEV	All	Underbody	--	--	763016	D-280-105
2006	2.3L	6FMXT02.31EF	LEV2 ULEV	All	Front	761902	D-280-105	--	--
2006	2.3L	6FMXT02.31EF	LEV2 ULEV	All	Underbody	769408	D-280-105	--	--
2006	2.3L	6FMXT02.31EF	LEV2 ULEV	All	Underbody	--	--	763016	D-280-105
2005	2.3L	5FMXT02.31EA	LEV2 LEV	All	Front	761902	D-280-105	--	--
2005	2.3L	5FMXT02.31EA	LEV2 LEV	All	Underbody	769408	D-280-105	--	--
2005	2.3L	5FMXT02.31EA	LEV2 LEV	All	Underbody	--	--	763016	D-280-105
2005	2.3L	5FMXT02.31EF	LEV2 ULEV	All	Front	761902	D-280-105	--	--
2005	2.3L	5FMXT02.31EF	LEV2 ULEV	All	Underbody	769408	D-280-105	--	--
2005	2.3L	5FMXT02.31EF	LEV2 ULEV	All	Underbody	--	--	763016	D-280-105
2011	2.5L	BFMXT02.51EN	LEV2 ULEV	All	Underbody	769981 (5)	D-280-105	--	--
2011	2.5L	BFMXT02.51EN	LEV2 ULEV	All	Underbody	--	--	762016	D-280-105
2010	2.5L	AFMXT02.51EK	LEV2 ULEV	All	Underbody	769981 (5)	D-280-105	--	--
2010	2.5L	AFMXT02.51EK	LEV2 ULEV	All	Underbody	--	--	762016	D-280-105
2010	2.5L	AFMXT02.51EN	LEV2 ULEV	All	Underbody	769981 (5)	D-280-105	--	--
2010	2.5L	AFMXT02.51EN	LEV2 ULEV	All	Underbody	--	--	762016	D-280-105
2009	2.5L	9FMXT02.51EK	LEV2 ULEV	All	Underbody	769981 (5)	D-280-105	--	--
2009	2.5L	9FMXT02.51EK	LEV2 ULEV	All	Underbody	--	--	762016	D-280-105
V6									
2011	3.0L	BFMXT03.02DE	LEV2 ULEV	All	Front Left	741288	D-798	--	--
2011	3.0L	BFMXT03.02DE	LEV2 ULEV	All	Front Right	741289	D-798	--	--
2011	3.0L	BFMXT03.02DE	LEV2 ULEV	All	Rear	--	--	747336	D-798
2011	3.0L	BFMXT03.02DE	LEV2 ULEV	All	Underbody	749530	D-798	--	--
2010	3.0L	AFMXT03.01DE	LEV2 ULEV	All	Front Left	741288	D-798	--	--
2010	3.0L	AFMXT03.01DE	LEV2 ULEV	All	Front Right	741289	D-798	--	--
2010	3.0L	AFMXT03.01DE	LEV2 ULEV	All	Rear	--	--	747336	D-798
2010	3.0L	AFMXT03.01DE	LEV2 ULEV	All	Underbody	749530	D-798	--	--
2010	3.0L	AFMXT03.01DG	LEV2 ULEV	All	Front Left	741288	D-798	--	--
2010	3.0L	AFMXT03.01DG	LEV2 ULEV	All	Front Right	741289	D-798	--	--
2010	3.0L	AFMXT03.01DG	LEV2 ULEV	All	Rear	--	--	747336	D-798
2010	3.0L	AFMXT03.01DG	LEV2 ULEV	All	Underbody	749530	D-798	--	--

(5) Semi-Direct Fit, Requires Muffler 60005 To Complete Installation
Legal Note: In Compliance with California Emissions Requirements

APPLICATION GUIDE



OBD II

APPLICATION

Year	Eng. Size	Test Group/ Engine Family	Certification Level	Application	Location	Direct Fit Number	Exec. Order	Consol. Number	Exec. Order
Milan									
V6									
2007	3.0L	7FMXV03.0VEK	LEV2 ULEV	All	Front Left	751122	D-280-102	--	--
2007	3.0L	7FMXV03.0VEK	LEV2 ULEV	All	Rear	754453	D-280-102	--	--
2007	3.0L	7FMXV03.0VEK	LEV2 ULEV	All	Rear	--	--	755005	D-280-102
2007	3.0L	7FMXV03.0VEK	LEV2 ULEV	AWD	Front Right	751145	D-280-102	--	--
2007	3.0L	7FMXV03.0VEK	LEV2 ULEV	FWD	Front Right	751123	D-280-102	--	--
2007	3.0L	7FMXV03.0VEN	LEV2 LEV	All	Front	751122	D-280-102	--	--
2007	3.0L	7FMXV03.0VEN	LEV2 LEV	All	Rear	754453	D-280-102	--	--
2007	3.0L	7FMXV03.0VEN	LEV2 LEV	All	Rear	--	--	755005	D-280-102
2007	3.0L	7FMXV03.0VEN	LEV2 LEV	AWD	Front Right	751145	D-280-102	--	--
2007	3.0L	7FMXV03.0VEN	LEV2 LEV	FWD	Rear	751123	D-280-102	--	--
2006	3.0L	6FMXV03.01EA	LEV2 LEV	All	Front Left	751122	D-280-102	--	--
2006	3.0L	6FMXV03.01EA	LEV2 LEV	All	Front Right	751123	D-280-102	--	--
2006	3.0L	6FMXV03.01EA	LEV2 LEV	All	Rear	754453	D-280-102	--	--
2006	3.0L	6FMXV03.01EA	LEV2 LEV	All	Rear	--	--	755005	D-280-102
2006	3.0L	6FMXV03.01HA	LEV1 ULEV	All	Front Left	751122	D-280-102	--	--
2006	3.0L	6FMXV03.01HA	LEV1 ULEV	All	Front, Right	751123	D-280-102	--	--
2006	3.0L	6FMXV03.01HA	LEV1 ULEV	All	Rear	754453	D-280-102	--	--
2006	3.0L	6FMXV03.01HA	LEV1 ULEV	All	Rear	--	--	755005	D-280-102
Montego									
V6									
2007	3.0L	7FMXV03.0VED	LEV2 LEV	FWD	Front Left	754390	D-280-102	--	--
2007	3.0L	7FMXV03.0VED	LEV2 LEV	All	Front Right	754391	D-280-102	--	--
2007	3.0L	7FMXV03.0VED	LEV2 LEV	All	Rear	754392	D-280-102	--	--
2007	3.0L	7FMXV03.0VED	LEV2 LEV	All	Rear	--	--	755004	D-280-102
2007	3.0L	7FMXV03.0VED	LEV2 LEV	AWD	Front Left	754490	D-280-102	--	--
2006	3.0L	6FMXV03.02EC	LEV2 LEV	FWD	Front Left	754390	D-280-102	--	--
2006	3.0L	6FMXV03.02EC	LEV2 LEV	All	Front Right	754391	D-280-102	--	--
2006	3.0L	6FMXV03.02EC	LEV2 LEV	All	Rear	754392	D-280-102	--	--
2006	3.0L	6FMXV03.02EC	LEV2 LEV	All	Rear	--	--	755005	D-280-102
2006	3.0L	6FMXV03.02EC	LEV2 LEV	AWD	Front Left	754490	D-280-102	--	--
2005	3.0L	5FMXV03.02EC	LEV2 LEV	FWD	Front Left	754390	D-280-102	--	--
2005	3.0L	5FMXV03.02EC	LEV2 LEV	All	Front Right	754391	D-280-102	--	--
2005	3.0L	5FMXV03.02EC	LEV2 LEV	All	Rear	754392	D-280-102	--	--
2005	3.0L	5FMXV03.02EC	LEV2 LEV	All	Rear	--	--	755005	D-280-102
2005	3.0L	5FMXV03.02EC	LEV2 LEV	AWD	Front Left	754490	D-280-102	--	--
Monterey									
V6									
2007	4.2L	7FMXT04.22EC	LEV2 ULEV	All	Front Left	--	--	740015	D-798
2007	4.2L	7FMXT04.22EC	LEV2 ULEV	All	Front Right	--	--	740015	D-798
2007	4.2L	7FMXT04.22EC	LEV2 ULEV	All	Underbody	744372	D-798	--	--
2006	4.2L	6FMXT04.22EC	LEV2 ULEV	All	Front Left	--	--	740015	D-798
2006	4.2L	6FMXT04.22EC	LEV2 ULEV	All	Front Right	--	--	740015	D-798
2006	4.2L	6FMXT04.22EC	LEV2 ULEV	All	Underbody	744372	D-798	--	--
2005	4.2L	5FMXT04.22EB	LEV2 LEV	All	Front Left	--	--	740015	D-798
2005	4.2L	5FMXT04.22EB	LEV2 LEV	All	Front Right	--	--	740015	D-798
2005	4.2L	5FMXT04.22EB	LEV2 LEV	All	Underbody	744372	D-798	--	--
2005	4.2L	5FMXT04.22HB	LEV1 ULEV	All	Front Left	--	--	740015	D-798
2005	4.2L	5FMXT04.22HB	LEV1 ULEV	All	Front Right	--	--	740015	D-798
2005	4.2L	5FMXT04.22HB	LEV1 ULEV	All	Underbody	744372	D-798	--	--
2004	4.2L	4FMXT04.22HB	LEV1 ULEV	All	Front Left	--	--	740015	D-798
2004	4.2L	4FMXT04.22HB	LEV1 ULEV	All	Front Right	--	--	740015	D-798
2004	4.2L	4FMXT04.22HB	LEV1 ULEV	All	Underbody	744372	D-798	--	--
Mountaineer									
V6									
2010	4.0L	AFMXT04.03DC	LEV2 ULEV	All	Front Left	--	--	740076	D-798
2010	4.0L	AFMXT04.03DC	LEV2 ULEV	All	Front Right	--	--	740076	D-798
2010	4.0L	AFMXT04.03DC	LEV2 ULEV	All	Underbody	749172	D-798	--	--

Legal Note: In Compliance with California Emissions Requirements

**CATCO**
CATALYTIC CONVERTERS**EASTERN CATALYTIC**

APPLICATION GUIDE

OBD II**APPLICATION**

Year	Eng. Size	Test Group/ Engine Family	Certification Level	Application	Location	Direct Fit Number	Exec. Order	Consol. Number	Exec. Order
Mercury (Cont.)									
Mountaineer (Cont.)									
V6 (Cont.)									
2009	4.0L	9FMXT04.03DC	LEV2 ULEV	All	Front Left	--	--	740076	D-798
2009	4.0L	9FMXT04.03DC	LEV2 ULEV	All	Front Right	--	--	740076	D-798
2009	4.0L	9FMXT04.03DC	LEV2 ULEV	All	Underbody	749172	D-798	--	--
2008	4.0L	8FMXT04.03DB	LEV2 ULEV	All	Front Left	--	--	740076	D-798
2008	4.0L	8FMXT04.03DB	LEV2 ULEV	All	Front Right	--	--	740076	D-798
2008	4.0L	8FMXT04.03DB	LEV2 ULEV	All	Underbody	749172	D-798	--	--
2007	4.0L	7FMXT04.03DB	LEV2 ULEV	All	Front Left	--	--	740076	D-798
2007	4.0L	7FMXT04.03DB	LEV2 ULEV	All	Front Right	--	--	740076	D-798
2007	4.0L	7FMXT04.03DB	LEV2 ULEV	All	Underbody	749172	D-798	--	--
2006	4.0L	6FMXT04.03DB	LEV2 ULEV	All	Front Left	--	--	740076	D-798
2006	4.0L	6FMXT04.03DB	LEV2 ULEV	All	Front Right	--	--	740076	D-798
2006	4.0L	6FMXT04.03DB	LEV2 ULEV	All	Underbody	749172	D-798	--	--
2005	4.0L	5FMXT04.02L2	LEV1 ULEV	All	Front Left	--	--	740776	D-798
2005	4.0L	5FMXT04.02L2	LEV1 ULEV	All	Front Right	--	--	740776	D-798
2005	4.0L	5FMXT04.02L2	LEV1 ULEV	All	Rear	--	--	747336	D-798
2005	4.0L	5FMXT04.02L2	LEV1 ULEV	All	Underbody	749112	D-798	--	--
2004	4.0L	4FMXT04.02K6	LEV1 ULEV	All	Front Left	--	--	740776	D-798
2004	4.0L	4FMXT04.02K6	LEV1 ULEV	All	Front Right	--	--	740776	D-798
2004	4.0L	4FMXT04.02K6	LEV1 ULEV	All	Rear	--	--	747336	D-798
2004	4.0L	4FMXT04.02K6	LEV1 ULEV	All	Underbody	749112	D-798	--	--
2003	4.0L	3FMXT04.02F7	LEV1 LEV	Flex Fuel	Front Left	--	--	910005R	D-280-101
2003	4.0L	3FMXT04.02F7	LEV1 LEV	Flex Fuel	Front Right	--	--	910005R	D-280-101
2003	4.0L	3FMXT04.02F7	LEV1 LEV	Flex Fuel	Rear	--	--	912006	D-280-101
2003	4.0L	3FMXT04.02F7	LEV1 LEV	Flex Fuel	Underbody	919112	D-280-101	--	--
2003	4.0L	3FMXT04.02F8	LEV1 LEV	4WD	Rear	830876	D-665-16	--	--
2003	4.0L	3FMXT04.02FB	LEV1 LEV	Flex Fuel	Front Left	--	--	910005R	D-280-101
2003	4.0L	3FMXT04.02FB	LEV1 LEV	Flex Fuel	Front Right	--	--	910005R	D-280-101
2003	4.0L	3FMXT04.02FB	LEV1 LEV	Flex Fuel	Rear	--	--	912006	D-280-101
2003	4.0L	3FMXT04.02FB	LEV1 LEV	Flex Fuel	Underbody	919112	D-280-101	--	--
2003	4.0L	3FMXT04.02FC	LEV1 LEV	All	Underbody	919112	D-280-101	--	--
2003	4.0L	3FMXT04.02FC	LEV1 LEV	All	Underbody	--	--	910005R	D-280-101
2002	4.0L	2FMXT04.02F7	LEV1 LEV	Flex Fuel	Front Left	--	--	910005R	D-280-101
2002	4.0L	2FMXT04.02F7	LEV1 LEV	Flex Fuel	Front Right	--	--	910005R	D-280-101
2002	4.0L	2FMXT04.02F7	LEV1 LEV	Flex Fuel	Rear	--	--	912006	D-280-101
2002	4.0L	2FMXT04.02F7	LEV1 LEV	Flex Fuel	Underbody	919112	D-280-101	--	--
2002	4.0L	2FMXT04.02F8	LEV1 LEV	All	Front Left	--	--	910005R	D-280-101
2002	4.0L	2FMXT04.02F8	LEV1 LEV	All	Front Right	--	--	910005R	D-280-101
2002	4.0L	2FMXT04.02F8	LEV1 LEV	All	Rear	--	--	912006	D-280-101
2002	4.0L	2FMXT04.02F8	LEV1 LEV	All	Underbody	919112	D-280-101	--	--
2001	4.0L	1FMXT04.02F5	LEV1 LEV	All	Rear	--	--	912006	D-280-101
2001	4.0L	1FMXT04.02F5	LEV1 LEV	Single Inlet Muffler	Rear	919244 ⑨	D-280-101	--	--
2000	4.0L	YFMXT04.02D5	TLEV	All	Underbody Left	640524	D-665-18	--	--
2000	4.0L	YFMXT04.02D6	TLEV	All	Underbody Right	640524	D-665-18	--	--
2000	4.0L	YFMXT04.02F3	LEV1 LEV	All	Rear Left	--	--	912006	D-280-101
2000	4.0L	YFMXT04.02F3	LEV1 LEV	All	Rear Right	--	--	912006	D-280-101
2000	4.0L	YFMXT04.02F3	LEV1 LEV	Single Inlet Muffler	Rear	919244 ⑨	D-280-101	--	--
2000	4.0L	YFMXT04.02F4	LEV1 LEV	All	Rear	--	--	912006	D-280-101
2000	4.0L	YFMXT04.02F4	LEV1 LEV	Single Inlet Muffler	Rear	919244 ⑨	D-280-101	--	--
1999	4.0L	XFMXT04.02GF	LEV1 LEV	All	Underbody Left	--	--	912006	D-280-101
1999	4.0L	XFMXT04.02GF	LEV1 LEV	All	Underbody Right	--	--	912006	D-280-101
1999	4.0L	XFMXT04.02GF	LEV1 LEV	Dual Inlet Muffler	Underbody Left	914045 ⑩	D-280-101	--	--
1999	4.0L	XFMXT04.02GF	LEV1 LEV	Dual Inlet Muffler	Underbody Right	914044 ⑨	D-280-101	--	--
1998	4.0L	WFMXT04.0FAA	TLEV	All	Underbody Left	--	--	912006	D-280-101
1998	4.0L	WFMXT04.0FAA	TLEV	All	Underbody Right	--	--	912006	D-280-101
1998	4.0L	WFMXT04.0FAA	TLEV	Dual Inlet Muffler	Underbody Left	914045 ⑩	D-280-101	--	--
1998	4.0L	WFMXT04.0FAA	TLEV	Dual Inlet Muffler	Underbody Right	914044 ⑨	D-280-101	--	--

⑨ With Single Inlet Muffler

⑩ With Dual Inlet Muffler

Legal Note: In Compliance with California Emissions Requirements

APPLICATION GUIDE



OBD II

APPLICATION

Year	Eng. Size	Test Group/ Engine Family	Certification Level	Application	Location	Direct Fit Number	Exec. Order	Consol. Number	Exec. Order
Mercury (Cont.)									
Mountaineer (Cont.)									
V8									
2010	4.6L	AFMXT04.63EZ	LEV2 ULEV	All	Front Left	--	--	740076	D-798
2010	4.6L	AFMXT04.63EZ	LEV2 ULEV	All	Front Right	--	--	740076	D-798
2010	4.6L	AFMXT04.63EZ	LEV2 ULEV	All	Underbody	744582	D-798	--	--
2009	4.6L	9FMXT04.63EZ	LEV2 ULEV	All	Front Left	--	--	740076	D-798
2009	4.6L	9FMXT04.63EZ	LEV2 ULEV	All	Front Right	--	--	740076	D-798
2009	4.6L	9FMXT04.63EZ	LEV2 ULEV	All	Underbody	744582	D-798	--	--
2008	4.6L	8FMXT04.63BX	LEV2 ULEV	All	Front Left	--	--	740076	D-798
2008	4.6L	8FMXT04.63BX	LEV2 ULEV	All	Front Right	--	--	740076	D-798
2008	4.6L	8FMXT04.63BX	LEV2 ULEV	All	Underbody	744582	D-798	--	--
2008	4.6L	8FMXT04.63EZ	LEV2 ULEV	All	Front Left	--	--	740076	D-798
2008	4.6L	8FMXT04.63EZ	LEV2 ULEV	All	Front Right	--	--	740076	D-798
2008	4.6L	8FMXT04.63EZ	LEV2 ULEV	All	Underbody	744582	D-798	--	--
2007	4.6L	7FMXT04.63BX	LEV2 ULEV	All	Front Left	--	--	740076	D-798
2007	4.6L	7FMXT04.63BX	LEV2 ULEV	All	Front Right	--	--	740076	D-798
2007	4.6L	7FMXT04.63BX	LEV2 ULEV	All	Underbody	744582	D-798	--	--
2006	4.6L	6FMXT04.63BX	LEV2 ULEV	All	Front Left	--	--	740076	D-798
2006	4.6L	6FMXT04.63BX	LEV2 ULEV	All	Front Right	--	--	740076	D-798
2006	4.6L	6FMXT04.63BX	LEV2 ULEV	All	Underbody	744582	D-798	--	--
2006	4.6L	6FMXT04.63EX	LEV2 LEV	All	Front Left	--	--	740076	D-798
2006	4.6L	6FMXT04.63EX	LEV2 LEV	All	Front Right	--	--	740076	D-798
2006	4.6L	6FMXT04.63EX	LEV2 LEV	All	Underbody	744582	D-798	--	--
2005	4.6L	5FMXT04.62E7	LEV2 LEV	All	Front Left	--	--	740776	D-798
2005	4.6L	5FMXT04.62E7	LEV2 LEV	All	Front Right	--	--	740776	D-798
2005	4.6L	5FMXT04.62E7	LEV2 LEV	All	Rear	--	--	747336	D-798
2005	4.6L	5FMXT04.62E7	LEV2 LEV	All	Underbody	749173	D-798	--	--
2004	4.6L	4FMXT04.62H2	LEV1 ULEV	All	Front Left	--	--	740776	D-798
2004	4.6L	4FMXT04.62H2	LEV1 ULEV	All	Front Right	--	--	740776	D-798
2004	4.6L	4FMXT04.62H2	LEV1 ULEV	All	Rear	--	--	747336	D-798
2004	4.6L	4FMXT04.62H2	LEV1 ULEV	All	Underbody	749173	D-798	--	--
2003	4.6L	3FMXT04.62F6	LEV1 LEV	All	Front	--	--	912005R	D-280-101
2003	4.6L	3FMXT04.62F6	LEV1 LEV	All	Rear	--	--	912006	D-280-101
2003	4.6L	3FMXT04.62F6	LEV1 LEV	All	Underbody	912173	D-280-101	--	--
2003	4.6L	3FMXT04.62F7	LEV1 LEV	All	Front	--	--	912005R	D-280-101
2003	4.6L	3FMXT04.62F7	LEV1 LEV	All	Rear	--	--	912006	D-280-101
2003	4.6L	3FMXT04.62F7	LEV1 LEV	All	Underbody	912173	D-280-101	--	--
2002	4.6L	2FMXT04.62F5	LEV1 LEV	All	Front	--	--	912005R	D-280-101
2002	4.6L	2FMXT04.62F5	LEV1 LEV	All	Rear	--	--	912006	D-280-101
2002	4.6L	2FMXT04.62F5	LEV1 LEV	All	Underbody	912173	D-280-101	--	--
2002	4.6L	2FMXT04.62F6	LEV1 LEV	All	Front	--	--	912005R	D-280-101
2002	4.6L	2FMXT04.62F6	LEV1 LEV	All	Rear	--	--	912006	D-280-101
2002	4.6L	2FMXT04.62F6	LEV1 LEV	All	Underbody	912173	D-280-101	--	--
2001	5.0L	1FMXT05.02F5	TLEV	All	Front Left	--	--	912005R	D-280-101
2001	5.0L	1FMXT05.02F5	TLEV	All	Front Right	--	--	912005R	D-280-101
2001	5.0L	1FMXT05.02F5	TLEV	All	Rear Left	--	--	912005R	D-280-101
2001	5.0L	1FMXT05.02F5	TLEV	All	Rear Right	--	--	912005R	D-280-101
2001	5.0L	1FMXT05.02F5	TLEV	All	Underbody Left	914868	D-280-101	--	--
2001	5.0L	1FMXT05.02F5	TLEV	All	Underbody Right	914869	D-280-101	--	--
2000	5.0L	YFMXT05.02F5	LEV1 LEV	All	Front Left	--	--	912005R	D-280-101
2000	5.0L	YFMXT05.02F5	LEV1 LEV	All	Front Right	--	--	912005R	D-280-101
2000	5.0L	YFMXT05.02F5	LEV1 LEV	All	Rear Left	--	--	912005R	D-280-101
2000	5.0L	YFMXT05.02F5	LEV1 LEV	All	Rear Right	--	--	912005R	D-280-101
2000	5.0L	YFMXT05.02F5	LEV1 LEV	All	Underbody Left	914868	D-280-101	--	--
2000	5.0L	YFMXT05.02F5	LEV1 LEV	All	Underbody Right	914869	D-280-101	--	--
1999	5.0L	XFMXT05.02GF	LEV1 LEV	All	Front Left	--	--	912005R	D-280-101
1999	5.0L	XFMXT05.02GF	LEV1 LEV	All	Front Right	--	--	912005R	D-280-101
1999	5.0L	XFMXT05.02GF	LEV1 LEV	All	Rear Left	--	--	912005R	D-280-101
1999	5.0L	XFMXT05.02GF	LEV1 LEV	All	Rear Right	--	--	912005R	D-280-101
1999	5.0L	XFMXT05.02GF	LEV1 LEV	All	Underbody Left	914868	D-280-101	--	--
1999	5.0L	XFMXT05.02GF	LEV1 LEV	All	Underbody Right	914869	D-280-101	--	--

Legal Note: In Compliance with California Emissions Requirements



CATCO
CATALYTIC CONVERTERS

EASTERN CATALYTIC

APPLICATION GUIDE

OBD II

APPLICATION

Year	Eng. Size	Test Group/ Engine Family	Certification Level	Application	Location	Direct Fit Number	Exec. Order	Consol. Number	Exec. Order
Mercury (Cont.)									
Mountaineer (Cont.)									
V8 (Cont.)									
1998	5.0L	WFMXT05.02DC	TLEV	All	Rear	830867	D-665-16	--	--
1998	5.0L	WFMXT05.02DC	TLEV	From 2/98	Underbody Left	914868	D-280-101	--	--
1998	5.0L	WFMXT05.02DC	TLEV	From 2/98	Underbody Right	914869	D-280-101	--	--
1997	5.0L	VFM5.028GFKEK	TIER1	All	Front Left	914882	D-280-101	--	--
1997	5.0L	VFM5.028GFKEK	TIER1	All	Front Left	--	--	912005R	D-280-101
1997	5.0L	VFM5.028GFKEK	TIER1	All	Front Right	914881	D-280-101	--	--
1997	5.0L	VFM5.028GFKEK	TIER1	All	Front Right	--	--	912005R	D-280-101
1997	5.0L	VFM5.028GFKEK	TIER1	All	Rear	919029	D-280-101	--	--
1997	5.0L	VFM5.028GFKEK	TIER1	All	Rear Left	--	--	912006	D-280-101
1997	5.0L	VFM5.028GFKEK	TIER1	All	Rear Right	--	--	912006	D-280-101
Mystique									
L4									
2000	2.0L	YFMXV02.0VDC	TLEV	All	Underbody	942140	D-280-100	--	--
1999	2.0L	XFMXV02.0VDC	TLEV	All	Underbody	942140	D-280-100	--	--
1998	2.0L	WFMXV02.0AFA	TIER1	All	Underbody	942140	D-280-100	--	--
1998	2.0L	WFMXV02.0AGA	TLEV	All	Underbody	942140	D-280-100	--	--
1997	2.0L	VFM2.0VJGIEK	TIER1	All	Underbody	942878	D-280-100	--	--
1996	2.0L	TFM2.0VJGIEK	TIER1	All	Underbody	942878	D-280-100	--	--
1995	2.0L	SFM2.0VJG1EA	TIER1	All	Underbody	942878	D-280-100	--	--
V6									
2000	2.5L	YFMXV02.5VBC	TIER1	M/T	Rear	942860	D-280-100	--	--
2000	2.5L	YFMXV02.5VBC	TIER1	A/T	Rear	942147	D-280-100	--	--
2000	2.5L	YFMXV02.5VBC	TIER1	All	Front	942012	D-280-100	--	--
2000	2.5L	YFMXV02.5VBC	TIER1	All	Rear	942011	D-280-100	--	--
2000	2.5L	YFMXV02.5VBC	TIER1	All	Rear	--	--	940334	D-280-100
1999	2.5L	XFMXV02.5VBC	TIER1	M/T	Rear	942860	D-280-100	--	--
1999	2.5L	XFMXV02.5VBC	TIER1	A/T	Rear	942147	D-280-100	--	--
1999	2.5L	XFMXV02.5VBC	TIER1	All	Front	942012	D-280-100	--	--
1999	2.5L	XFMXV02.5VBC	TIER1	All	Rear	942011	D-280-100	--	--
1999	2.5L	XFMXV02.5VBC	TIER1	All	Rear	--	--	940334	D-280-100
1998	2.5L	WFMXV02.5AFA	TIER1	M/T	Rear	942860	D-280-100	--	--
1998	2.5L	WFMXV02.5AFA	TIER1	A/T	Rear	942147	D-280-100	--	--
1998	2.5L	WFMXV02.5AFA	TIER1	All	Front	942012	D-280-100	--	--
1998	2.5L	WFMXV02.5AFA	TIER1	All	Rear	942011	D-280-100	--	--
1998	2.5L	WFMXV02.5AFA	TIER1	All	Rear	--	--	940334	D-280-100
1997	2.5L	VFM2.5VJG1EK	TIER1	M/T	Rear	942860	D-280-100	--	--
1997	2.5L	VFM2.5VJG1EK	TIER1	A/T	Rear	942147	D-280-100	--	--
1997	2.5L	VFM2.5VJG1EK	TIER1	All	Front	942012	D-280-100	--	--
1997	2.5L	VFM2.5VJG1EK	TIER1	All	Rear	942011	D-280-100	--	--
1997	2.5L	VFM2.5VJG1EK	TIER1	All	Rear	--	--	940334	D-280-100
1996	2.5L	TFM2.5VJG1EK	TIER1	M/T	Rear	942860	D-280-100	--	--
1996	2.5L	TFM2.5VJG1EK	TIER1	A/T	Rear	942147	D-280-100	--	--
1996	2.5L	TFM2.5VJG1EK	TIER1	All	Front	942012	D-280-100	--	--
1996	2.5L	TFM2.5VJG1EK	TIER1	All	Rear	942011	D-280-100	--	--
1996	2.5L	TFM2.5VJG1EK	TIER1	All	Rear	--	--	940334	D-280-100
1995	2.5L	SFM2.5VJG1EA	TIER1	A/T	Underbody	868501	D-665-15	--	--
1995	2.5L	SFM2.5VJG1EA	TIER1	M/T	Underbody	868500	D-665-15	--	--
1995	2.5L	SFM2.5VJG1EA	TIER1	All	Front	867503	D-665-15	--	--
1995	2.5L	SFM2.5VJG1EA	TIER1	All	Rear	867500	D-665-15	--	--
Sable									
V6									
2005	3.0L	5FMXV03.0VE3	LEV1 ULEV	VIN 2, U	Underbody	754185	D-280-102	--	--
2005	3.0L	5FMXV03.0VE3	LEV1 ULEV	VIN 2, U	Underbody	--	--	755005	D-280-102
2005	3.0L	5FMXV03.0VE3	LEV1 ULEV	VIN S	Rear	751085	D-280-102	--	--
2005	3.0L	5FMXV03.0VE3	LEV1 ULEV	VIN S	Underbody	754185	D-280-102	--	--
2005	3.0L	5FMXV03.0VE3	LEV1 ULEV	VIN S	Underbody	--	--	755005	D-280-102
2005	3.0L	5FMXV03.0VEY	LEV2 LEV	VIN S	Underbody	754185	D-280-102	--	--
2005	3.0L	5FMXV03.0VEY	LEV2 LEV	VIN S	Underbody	--	--	755005	D-280-102

Legal Note: In Compliance with California Emissions Requirements

APPLICATION GUIDE



OBD II

APPLICATION

Year	Eng. Size	Test Group/ Engine Family	Certification Level	Application	Location	Direct Fit Number	Exec. Order	Consol. Number	Exec. Order
Mercury (Cont.)									
Sable (Cont.)									
V6 (Cont.)									
2005	3.0L	5FMXV03.0VEY	LEV2 LEV	VIN 2, U	Front	754184	D-280-102	--	--
2005	3.0L	5FMXV03.0VEY	LEV2 LEV	VIN 2, U	Underbody	--	--	755005	D-280-102
2005	3.0L	5FMXV03.0VFZ	LEV1 ULEV	VIN S	Front	867521	D-665-15	--	--
2005	3.0L	5FMXV03.0VFZ	LEV1 ULEV	VIN S	Front	809529	D-665-23	--	--
2004	3.0L	4FMXV03.0VE8	LEV1 ULEV	VIN S	Front	751084	D-280-102	--	--
2004	3.0L	4FMXV03.0VE8	LEV1 ULEV	VIN S	Rear	751085	D-280-102	--	--
2004	3.0L	4FMXV03.0VE8	LEV1 ULEV	VIN S	Underbody	754185	D-280-102	--	--
2004	3.0L	4FMXV03.0VE8	LEV1 ULEV	VIN S	Underbody	--	--	755005	D-280-102
2004	3.0L	4FMXV03.0VEM	LEV2 LEV	VIN S	Underbody	754185	D-280-102	--	--
2004	3.0L	4FMXV03.0VEM	LEV2 LEV	VIN S	Underbody	--	--	755005	D-280-102
2004	3.0L	4FMXV03.0VEM	LEV2 LEV	VIN 2, U	Front	754184	D-280-102	--	--
2004	3.0L	4FMXV03.0VEM	LEV2 LEV	VIN 2, U	Underbody	--	--	755005	D-280-102
2004	3.0L	4FMXV03.0VEY	LEV2 LEV	VIN S	Underbody	754185	D-280-102	--	--
2004	3.0L	4FMXV03.0VEY	LEV2 LEV	VIN S	Underbody	--	--	755005	D-280-102
2004	3.0L	4FMXV03.0VEY	LEV2 LEV	VIN 2, U	Front	754184	D-280-102	--	--
2004	3.0L	4FMXV03.0VEY	LEV2 LEV	VIN 2, U	Underbody	--	--	755005	D-280-102
2004	3.0L	4FMXV03.0VFZ	LEV1 ULEV	VIN S	Front	867521	D-665-15	--	--
2004	3.0L	4FMXV03.0VFZ	LEV1 ULEV	VIN S	Front	809529	D-665-23	--	--
2003	3.0L	3FMXV03.0VF3	LEV1 ULEV	VIN S	Front Left	751084	D-280-102	--	--
2003	3.0L	3FMXV03.0VF3	LEV1 ULEV	VIN S	Front Right	751085	D-280-102	--	--
2003	3.0L	3FMXV03.0VF3	LEV1 ULEV	VIN S	Rear	754185	D-280-102	--	--
2003	3.0L	3FMXV03.0VF3	LEV1 ULEV	VIN S	Underbody	--	--	755005	D-280-102
2003	3.0L	3FMXV03.0VF4	LEV1 LEV	VIN U	Front	942184	D-280-100	--	--
2003	3.0L	3FMXV03.0VF4	LEV1 LEV	VIN U	Front Left	--	--	940105	D-280-100
2003	3.0L	3FMXV03.0VF4	LEV1 LEV	VIN U	Front Right	--	--	940105	D-280-100
2003	3.0L	3FMXV03.0VF4	LEV1 LEV	VIN U	Rear	942185	D-280-100	--	--
2003	3.0L	3FMXV03.0VF4	LEV1 LEV	VIN U	Rear	--	--	940335	D-280-100
2003	3.0L	3FMXV03.0VF4	LEV1 LEV	VIN S	Front Left	942084	D-280-100	--	--
2003	3.0L	3FMXV03.0VF4	LEV1 LEV	VIN S	Front Left	--	--	940105	D-280-100
2003	3.0L	3FMXV03.0VF4	LEV1 LEV	VIN S	Front Right	942085	D-280-100	--	--
2003	3.0L	3FMXV03.0VF4	LEV1 LEV	VIN S	Front Right	--	--	940105	D-280-100
2003	3.0L	3FMXV03.0VF4	LEV1 LEV	VIN S	Rear	942185	D-280-100	--	--
2003	3.0L	3FMXV03.0VF4	LEV1 LEV	VIN S	Rear	--	--	940335	D-280-100
2003	3.0L	3FMXV03.0VF4	LEV1 LEV	VIN 2	Front	942184	D-280-100	--	--
2003	3.0L	3FMXV03.0VF4	LEV1 LEV	VIN 2	Front Left	--	--	940105	D-280-100
2003	3.0L	3FMXV03.0VF4	LEV1 LEV	VIN 2	Front Right	--	--	940105	D-280-100
2003	3.0L	3FMXV03.0VF4	LEV1 LEV	VIN 2	Rear	942185	D-280-100	--	--
2003	3.0L	3FMXV03.0VF4	LEV1 LEV	VIN 2	Rear	--	--	940335	D-280-100
2003	3.0L	3FMXV03.0VFX	LEV1 ULEV	VIN S	Front Left	751084	D-280-102	--	--
2003	3.0L	3FMXV03.0VFX	LEV1 ULEV	VIN S	Front Right	751085	D-280-102	--	--
2003	3.0L	3FMXV03.0VFX	LEV1 ULEV	VIN S	Rear	754185	D-280-102	--	--
2003	3.0L	3FMXV03.0VFX	LEV1 ULEV	VIN S	Underbody	--	--	755005	D-280-102
2003	3.0L	3FMXV03.0VFZ	LEV1 ULEV	VIN S	Front	867521	D-665-15	--	--
2003	3.0L	3FMXV03.0VFZ	LEV1 ULEV	VIN S	Front	809529	D-665-23	--	--
2002	3.0L	2FMXV03.0VF3	LEV1 LEV	VIN U	Front	942184	D-280-100	--	--
2002	3.0L	2FMXV03.0VF3	LEV1 LEV	VIN U	Front Left	--	--	940105	D-280-100
2002	3.0L	2FMXV03.0VF3	LEV1 LEV	VIN U	Front Right	--	--	940105	D-280-100
2002	3.0L	2FMXV03.0VF3	LEV1 LEV	VIN U	Rear	942185	D-280-100	--	--
2002	3.0L	2FMXV03.0VF3	LEV1 LEV	VIN U	Rear	--	--	940335	D-280-100
2002	3.0L	2FMXV03.0VF3	LEV1 LEV	VIN S	Front Left	942084	D-280-100	--	--
2002	3.0L	2FMXV03.0VF3	LEV1 LEV	VIN S	Front Left	--	--	940105	D-280-100
2002	3.0L	2FMXV03.0VF3	LEV1 LEV	VIN S	Front Right	942085	D-280-100	--	--
2002	3.0L	2FMXV03.0VF3	LEV1 LEV	VIN S	Front Right	--	--	940105	D-280-100
2002	3.0L	2FMXV03.0VF3	LEV1 LEV	VIN S	Rear	942185	D-280-100	--	--
2002	3.0L	2FMXV03.0VF3	LEV1 LEV	VIN S	Rear	--	--	940335	D-280-100

Legal Note: In Compliance with California Emissions Requirements

**CATCO**
CATALYTIC CONVERTERS**EASTERN**
CATALYTIC

APPLICATION GUIDE

OBD II**APPLICATION**

Year	Eng. Size	Test Group/ Engine Family	Certification Level	Application	Location	Direct Fit Number	Exec. Order	Consol. Number	Exec. Order
Mercury (Cont.)									
Sable (Cont.)									
V6 (Cont.)									
2002	3.0L	2FMXV03.0VF3	LEV1 LEV	VIN 2	Front	942184	D-280-100	--	--
2002	3.0L	2FMXV03.0VF3	LEV1 LEV	VIN 2	Front Left	--	--	940105	D-280-100
2002	3.0L	2FMXV03.0VF3	LEV1 LEV	VIN 2	Front Right	--	--	940105	D-280-100
2002	3.0L	2FMXV03.0VF3	LEV1 LEV	VIN 2	Rear	942185	D-280-100	--	--
2002	3.0L	2FMXV03.0VF3	LEV1 LEV	VIN 2	Rear	--	--	940335	D-280-100
2002	3.0L	2FMXV03.0VF4	LEV1 LEV	VIN U	Front	942184	D-280-100	--	--
2002	3.0L	2FMXV03.0VF4	LEV1 LEV	VIN U	Front Left	--	--	940105	D-280-100
2002	3.0L	2FMXV03.0VF4	LEV1 LEV	VIN U	Front Right	--	--	940105	D-280-100
2002	3.0L	2FMXV03.0VF4	LEV1 LEV	VIN U	Rear	942185	D-280-100	--	--
2002	3.0L	2FMXV03.0VF4	LEV1 LEV	VIN U	Rear	--	--	940335	D-280-100
2002	3.0L	2FMXV03.0VF4	LEV1 LEV	VIN S	Front Left	942084	D-280-100	--	--
2002	3.0L	2FMXV03.0VF4	LEV1 LEV	VIN S	Front Left	--	--	940105	D-280-100
2002	3.0L	2FMXV03.0VF4	LEV1 LEV	VIN S	Front Right	942085	D-280-100	--	--
2002	3.0L	2FMXV03.0VF4	LEV1 LEV	VIN S	Front Right	--	--	940105	D-280-100
2002	3.0L	2FMXV03.0VF4	LEV1 LEV	VIN S	Rear	942185	D-280-100	--	--
2002	3.0L	2FMXV03.0VF4	LEV1 LEV	VIN S	Rear	--	--	940335	D-280-100
2002	3.0L	2FMXV03.0VF4	LEV1 LEV	VIN 2	Front	942184	D-280-100	--	--
2002	3.0L	2FMXV03.0VF4	LEV1 LEV	VIN 2	Front Left	--	--	940105	D-280-100
2002	3.0L	2FMXV03.0VF4	LEV1 LEV	VIN 2	Front Right	--	--	940105	D-280-100
2002	3.0L	2FMXV03.0VF4	LEV1 LEV	VIN 2	Rear	942185	D-280-100	--	--
2002	3.0L	2FMXV03.0VF4	LEV1 LEV	VIN 2	Rear	--	--	940335	D-280-100
2002	3.0L	2FMXV03.0VF8	LEV1 LEV	VIN U	Front	942184	D-280-100	--	--
2002	3.0L	2FMXV03.0VF8	LEV1 LEV	VIN U	Front Left	--	--	940105	D-280-100
2002	3.0L	2FMXV03.0VF8	LEV1 LEV	VIN U	Front Right	--	--	940105	D-280-100
2002	3.0L	2FMXV03.0VF8	LEV1 LEV	VIN U	Rear	942185	D-280-100	--	--
2002	3.0L	2FMXV03.0VF8	LEV1 LEV	VIN U	Rear	--	--	940335	D-280-100
2002	3.0L	2FMXV03.0VF8	LEV1 LEV	VIN S	Front Left	942084	D-280-100	--	--
2002	3.0L	2FMXV03.0VF8	LEV1 LEV	VIN S	Front Left	--	--	940105	D-280-100
2002	3.0L	2FMXV03.0VF8	LEV1 LEV	VIN S	Front Right	942085	D-280-100	--	--
2002	3.0L	2FMXV03.0VF8	LEV1 LEV	VIN S	Front Right	--	--	940105	D-280-100
2002	3.0L	2FMXV03.0VF8	LEV1 LEV	VIN S	Rear	942185	D-280-100	--	--
2002	3.0L	2FMXV03.0VF8	LEV1 LEV	VIN S	Rear	--	--	940335	D-280-100
2002	3.0L	2FMXV03.0VF8	LEV1 LEV	VIN 2	Front	942184	D-280-100	--	--
2002	3.0L	2FMXV03.0VF8	LEV1 LEV	VIN 2	Front Left	--	--	940105	D-280-100
2002	3.0L	2FMXV03.0VF8	LEV1 LEV	VIN 2	Front Right	--	--	940105	D-280-100
2002	3.0L	2FMXV03.0VF8	LEV1 LEV	VIN 2	Rear	942185	D-280-100	--	--
2002	3.0L	2FMXV03.0VF8	LEV1 LEV	VIN 2	Rear	--	--	940335	D-280-100
2002	3.0L	2FMXV03.0VF9	LEV1 LEV	VIN U	Front	942184	D-280-100	--	--
2002	3.0L	2FMXV03.0VF9	LEV1 LEV	VIN U	Front Left	--	--	940105	D-280-100
2002	3.0L	2FMXV03.0VF9	LEV1 LEV	VIN U	Front Right	--	--	940105	D-280-100
2002	3.0L	2FMXV03.0VF9	LEV1 LEV	VIN U	Rear	942185	D-280-100	--	--
2002	3.0L	2FMXV03.0VF9	LEV1 LEV	VIN U	Rear	--	--	940335	D-280-100
2002	3.0L	2FMXV03.0VF9	LEV1 LEV	VIN S	Front Left	942084	D-280-100	--	--
2002	3.0L	2FMXV03.0VF9	LEV1 LEV	VIN S	Front Left	--	--	940105	D-280-100
2002	3.0L	2FMXV03.0VF9	LEV1 LEV	VIN S	Front Right	942085	D-280-100	--	--
2002	3.0L	2FMXV03.0VF9	LEV1 LEV	VIN S	Front Right	--	--	940105	D-280-100
2002	3.0L	2FMXV03.0VF9	LEV1 LEV	VIN S	Rear	942185	D-280-100	--	--
2002	3.0L	2FMXV03.0VF9	LEV1 LEV	VIN S	Rear	--	--	940335	D-280-100
2002	3.0L	2FMXV03.0VF9	LEV1 LEV	VIN 2	Front	942184	D-280-100	--	--
2002	3.0L	2FMXV03.0VF9	LEV1 LEV	VIN 2	Front Left	--	--	940105	D-280-100
2002	3.0L	2FMXV03.0VF9	LEV1 LEV	VIN 2	Front Right	--	--	940105	D-280-100
2002	3.0L	2FMXV03.0VF9	LEV1 LEV	VIN 2	Rear	942185	D-280-100	--	--
2002	3.0L	2FMXV03.0VF9	LEV1 LEV	VIN 2	Rear	--	--	940335	D-280-100
2001	3.0L	1FMXV03.0VF3	LEV1 LEV	VIN U	Front	942184	D-280-100	--	--
2001	3.0L	1FMXV03.0VF3	LEV1 LEV	VIN U	Front Left	--	--	940105	D-280-100
2001	3.0L	1FMXV03.0VF3	LEV1 LEV	VIN U	Front Right	--	--	940105	D-280-100
2001	3.0L	1FMXV03.0VF3	LEV1 LEV	VIN U	Rear	942185	D-280-100	--	--
2001	3.0L	1FMXV03.0VF3	LEV1 LEV	VIN U	Rear	--	--	940335	D-280-100

APPLICATION GUIDE



OBD II

APPLICATION

Year	Eng. Size	Test Group/ Engine Family	Certification Level	Application	Location	Direct Fit Number	Exec. Order	Consol. Number	Exec. Order
Mercury (Cont.)									
Sable (Cont.)									
V6 (Cont.)									
2001	3.0L	1FMXV03.0VF3	LEV1 LEV	VIN S	Front Left	942084	D-280-100	--	--
2001	3.0L	1FMXV03.0VF3	LEV1 LEV	VIN S	Front Left	--	--	940105	D-280-100
2001	3.0L	1FMXV03.0VF3	LEV1 LEV	VIN S	Front Right	942085	D-280-100	--	--
2001	3.0L	1FMXV03.0VF3	LEV1 LEV	VIN S	Front Right	--	--	940105	D-280-100
2001	3.0L	1FMXV03.0VF3	LEV1 LEV	VIN S	Rear	942185	D-280-100	--	--
2001	3.0L	1FMXV03.0VF3	LEV1 LEV	VIN S	Rear	--	--	940335	D-280-100
2001	3.0L	1FMXV03.0VF3	LEV1 LEV	VIN 2	Front	942184	D-280-100	--	--
2001	3.0L	1FMXV03.0VF3	LEV1 LEV	VIN 2	Front Left	--	--	940105	D-280-100
2001	3.0L	1FMXV03.0VF3	LEV1 LEV	VIN 2	Front Right	--	--	940105	D-280-100
2001	3.0L	1FMXV03.0VF3	LEV1 LEV	VIN 2	Rear	942185	D-280-100	--	--
2001	3.0L	1FMXV03.0VF3	LEV1 LEV	VIN 2	Rear	--	--	940335	D-280-100
2001	3.0L	1FMXV03.0VF9	LEV1 LEV	VIN U	Front	942184	D-280-100	--	--
2001	3.0L	1FMXV03.0VF9	LEV1 LEV	VIN U	Front Left	--	--	940105	D-280-100
2001	3.0L	1FMXV03.0VF9	LEV1 LEV	VIN U	Front Right	--	--	940105	D-280-100
2001	3.0L	1FMXV03.0VF9	LEV1 LEV	VIN U	Rear	942185	D-280-100	--	--
2001	3.0L	1FMXV03.0VF9	LEV1 LEV	VIN U	Rear	--	--	940335	D-280-100
2001	3.0L	1FMXV03.0VF9	LEV1 LEV	VIN S	Front Left	942084	D-280-100	--	--
2001	3.0L	1FMXV03.0VF9	LEV1 LEV	VIN S	Front Left	--	--	940105	D-280-100
2001	3.0L	1FMXV03.0VF9	LEV1 LEV	VIN S	Front Right	942085	D-280-100	--	--
2001	3.0L	1FMXV03.0VF9	LEV1 LEV	VIN S	Front Right	--	--	940105	D-280-100
2001	3.0L	1FMXV03.0VF9	LEV1 LEV	VIN S	Rear	942185	D-280-100	--	--
2001	3.0L	1FMXV03.0VF9	LEV1 LEV	VIN S	Rear	--	--	940335	D-280-100
2001	3.0L	1FMXV03.0VF9	LEV1 LEV	VIN 2	Front	942184	D-280-100	--	--
2001	3.0L	1FMXV03.0VF9	LEV1 LEV	VIN 2	Front Left	--	--	940105	D-280-100
2001	3.0L	1FMXV03.0VF9	LEV1 LEV	VIN 2	Front Right	--	--	940105	D-280-100
2001	3.0L	1FMXV03.0VF9	LEV1 LEV	VIN 2	Rear	942185	D-280-100	--	--
2001	3.0L	1FMXV03.0VF9	LEV1 LEV	VIN 2	Rear	--	--	940335	D-280-100
2000	3.0L	YFMXV03.0VF3	LEV1 LEV	VIN U	Front	942184	D-280-100	--	--
2000	3.0L	YFMXV03.0VF3	LEV1 LEV	VIN U	Front Left	--	--	940105	D-280-100
2000	3.0L	YFMXV03.0VF3	LEV1 LEV	VIN U	Front Right	--	--	940105	D-280-100
2000	3.0L	YFMXV03.0VF3	LEV1 LEV	VIN U	Rear	942185	D-280-100	--	--
2000	3.0L	YFMXV03.0VF3	LEV1 LEV	VIN U	Rear	--	--	940335	D-280-100
2000	3.0L	YFMXV03.0VF3	LEV1 LEV	VIN S	Front Left	942084	D-280-100	--	--
2000	3.0L	YFMXV03.0VF3	LEV1 LEV	VIN S	Front Left	--	--	940105	D-280-100
2000	3.0L	YFMXV03.0VF3	LEV1 LEV	VIN S	Front Right	942085	D-280-100	--	--
2000	3.0L	YFMXV03.0VF3	LEV1 LEV	VIN S	Front Right	--	--	940105	D-280-100
2000	3.0L	YFMXV03.0VF3	LEV1 LEV	VIN S	Rear	942185	D-280-100	--	--
2000	3.0L	YFMXV03.0VF3	LEV1 LEV	VIN S	Rear	--	--	940335	D-280-100
2000	3.0L	YFMXV03.0VF3	LEV1 LEV	VIN 2	Front	942184	D-280-100	--	--
2000	3.0L	YFMXV03.0VF3	LEV1 LEV	VIN 2	Front Left	--	--	940105	D-280-100
2000	3.0L	YFMXV03.0VF3	LEV1 LEV	VIN 2	Front Right	--	--	940105	D-280-100
2000	3.0L	YFMXV03.0VF3	LEV1 LEV	VIN 2	Rear	942185	D-280-100	--	--
2000	3.0L	YFMXV03.0VF3	LEV1 LEV	VIN 2	Rear	--	--	940335	D-280-100
2000	3.0L	YFMXV03.0VF5	LEV1 LEV	VIN U	Front	942184	D-280-100	--	--
2000	3.0L	YFMXV03.0VF5	LEV1 LEV	VIN U	Front Left	--	--	940105	D-280-100
2000	3.0L	YFMXV03.0VF5	LEV1 LEV	VIN U	Front Right	--	--	940105	D-280-100
2000	3.0L	YFMXV03.0VF5	LEV1 LEV	VIN U	Rear	942185	D-280-100	--	--
2000	3.0L	YFMXV03.0VF5	LEV1 LEV	VIN U	Rear	--	--	940335	D-280-100
2000	3.0L	YFMXV03.0VF5	LEV1 LEV	VIN S	Front Left	942084	D-280-100	--	--
2000	3.0L	YFMXV03.0VF5	LEV1 LEV	VIN S	Front Left	--	--	940105	D-280-100
2000	3.0L	YFMXV03.0VF5	LEV1 LEV	VIN S	Front Right	942085	D-280-100	--	--
2000	3.0L	YFMXV03.0VF5	LEV1 LEV	VIN S	Front Right	--	--	940105	D-280-100
2000	3.0L	YFMXV03.0VF5	LEV1 LEV	VIN S	Rear	942185	D-280-100	--	--
2000	3.0L	YFMXV03.0VF5	LEV1 LEV	VIN S	Rear	--	--	940335	D-280-100
2000	3.0L	YFMXV03.0VF5	LEV1 LEV	VIN 2	Front	942184	D-280-100	--	--
2000	3.0L	YFMXV03.0VF5	LEV1 LEV	VIN 2	Front Left	--	--	940105	D-280-100
2000	3.0L	YFMXV03.0VF5	LEV1 LEV	VIN 2	Front Right	--	--	940105	D-280-100
2000	3.0L	YFMXV03.0VF5	LEV1 LEV	VIN 2	Rear	942185	D-280-100	--	--
2000	3.0L	YFMXV03.0VF5	LEV1 LEV	VIN 2	Rear	--	--	940335	D-280-100

Legal Note: In Compliance with California Emissions Requirements

**CATCO**
CATALYTIC CONVERTERS**EASTERN**
CATALYTIC

APPLICATION GUIDE

OBD II**APPLICATION**

Year	Eng. Size	Test Group/ Engine Family	Certification Level	Application	Location	Direct Fit Number	Exec. Order	Consol. Number	Exec. Order
Mercury (Cont.)									
Sable (Cont.)									
V6 (Cont.)									
2000	3.0L	YFMXV03.0VF9	LEV1 LEV	VIN U	Front	942184	D-280-100	--	--
2000	3.0L	YFMXV03.0VF9	LEV1 LEV	VIN U	Front Left	--	--	940105	D-280-100
2000	3.0L	YFMXV03.0VF9	LEV1 LEV	VIN U	Front Right	--	--	940105	D-280-100
2000	3.0L	YFMXV03.0VF9	LEV1 LEV	VIN U	Rear	942185	D-280-100	--	--
2000	3.0L	YFMXV03.0VF9	LEV1 LEV	VIN U	Rear	--	--	940335	D-280-100
2000	3.0L	YFMXV03.0VF9	LEV1 LEV	VIN S	Front Left	942084	D-280-100	--	--
2000	3.0L	YFMXV03.0VF9	LEV1 LEV	VIN S	Front Left	--	--	940105	D-280-100
2000	3.0L	YFMXV03.0VF9	LEV1 LEV	VIN S	Front Right	942085	D-280-100	--	--
2000	3.0L	YFMXV03.0VF9	LEV1 LEV	VIN S	Front Right	--	--	940105	D-280-100
2000	3.0L	YFMXV03.0VF9	LEV1 LEV	VIN S	Rear	942185	D-280-100	--	--
2000	3.0L	YFMXV03.0VF9	LEV1 LEV	VIN S	Rear	--	--	940335	D-280-100
2000	3.0L	YFMXV03.0VF9	LEV1 LEV	VIN 2	Front	942184	D-280-100	--	--
2000	3.0L	YFMXV03.0VF9	LEV1 LEV	VIN 2	Front Left	--	--	940105	D-280-100
2000	3.0L	YFMXV03.0VF9	LEV1 LEV	VIN 2	Front Right	--	--	940105	D-280-100
2000	3.0L	YFMXV03.0VF9	LEV1 LEV	VIN 2	Rear	942185	D-280-100	--	--
2000	3.0L	YFMXV03.0VF9	LEV1 LEV	VIN 2	Rear	--	--	940335	D-280-100
2000	3.0L	YFMXV03.0VFA	LEV1 LEV	VIN U	Front	942184	D-280-100	--	--
2000	3.0L	YFMXV03.0VFA	LEV1 LEV	VIN U	Front Left	--	--	940105	D-280-100
2000	3.0L	YFMXV03.0VFA	LEV1 LEV	VIN U	Front Right	--	--	940105	D-280-100
2000	3.0L	YFMXV03.0VFA	LEV1 LEV	VIN U	Rear	942185	D-280-100	--	--
2000	3.0L	YFMXV03.0VFA	LEV1 LEV	VIN U	Rear	--	--	940335	D-280-100
2000	3.0L	YFMXV03.0VFA	LEV1 LEV	VIN S	Front Left	942084	D-280-100	--	--
2000	3.0L	YFMXV03.0VFA	LEV1 LEV	VIN S	Front Left	--	--	940105	D-280-100
2000	3.0L	YFMXV03.0VFA	LEV1 LEV	VIN S	Front Right	942085	D-280-100	--	--
2000	3.0L	YFMXV03.0VFA	LEV1 LEV	VIN S	Front Right	--	--	940105	D-280-100
2000	3.0L	YFMXV03.0VFA	LEV1 LEV	VIN S	Rear	942185	D-280-100	--	--
2000	3.0L	YFMXV03.0VFA	LEV1 LEV	VIN S	Rear	--	--	940335	D-280-100
2000	3.0L	YFMXV03.0VFA	LEV1 LEV	VIN 2	Front	942184	D-280-100	--	--
2000	3.0L	YFMXV03.0VFA	LEV1 LEV	VIN 2	Front Left	--	--	940105	D-280-100
2000	3.0L	YFMXV03.0VFA	LEV1 LEV	VIN 2	Front Right	--	--	940105	D-280-100
2000	3.0L	YFMXV03.0VFA	LEV1 LEV	VIN 2	Rear	942185	D-280-100	--	--
2000	3.0L	YFMXV03.0VFA	LEV1 LEV	VIN 2	Rear	--	--	940335	D-280-100
1999	3.0L	XFMXV03.0VBZ	TIER1	All	Underbody	944052	D-280-100	--	--
1999	3.0L	XFMXV03.0VBZ	TIER1	All	Underbody	--	--	944182	D-280-100
1999	3.0L	XFMXV03.0VDC	TLEV	All	Underbody	942888	D-280-100	--	--
1999	3.0L	XFMXV03.0VDC	TLEV	All	Underbody	--	--	944182	D-280-100
1999	3.0L	XFMXV03.0VGC	LEV1 LEV	All	Underbody	942221	D-280-100	--	--
1999	3.0L	XFMXV03.0VGC	LEV1 LEV	All	Underbody	--	--	944182	D-280-100
1998	3.0L	WFMXV03.0AEA	TIER1	All	Underbody	942888	D-280-100	--	--
1998	3.0L	WFMXV03.0AEA	TIER1	All	Underbody	--	--	944182	D-280-100
1998	3.0L	WFMXV03.0AMA	TLEV	All	Underbody	942888	D-280-100	--	--
1998	3.0L	WFMXV03.0AMA	TLEV	All	Underbody	--	--	944182	D-280-100
1998	3.0L	WFMXV03.0CAA	LEV1 LEV	All	Underbody	942221	D-280-100	--	--
1998	3.0L	WFMXV03.0CAA	LEV1 LEV	All	Underbody	--	--	944182	D-280-100
1998	3.0L	WFMXV03.0PAA	TIER1	All	Underbody	944052	D-280-100	--	--
1998	3.0L	WFMXV03.0PAA	TIER1	All	Underbody	942888	D-280-100	--	--
1998	3.0L	WFMXV03.0PAA	TIER1	All	Underbody	--	--	944182	D-280-100
1997	3.0L	VFM3.0V8F2EK	TLEV	All	Underbody	942888	D-280-100	--	--
1997	3.0L	VFM3.0V8F2EK	TLEV	All	Underbody	--	--	944182	D-280-100
1997	3.0L	VFM3.0V8G2EK	TLEV	All	Underbody	942888	D-280-100	--	--
1997	3.0L	VFM3.0V8G2EK	TLEV	All	Underbody	--	--	944182	D-280-100
1997	3.0L	VFM3.0V8G3EK	LEV1 LEV	All	Underbody	942221	D-280-100	--	--
1997	3.0L	VFM3.0V8G3EK	LEV1 LEV	All	Underbody	--	--	944182	D-280-100
1997	3.0L	VFM3.0V8NKGK	TIER1	All	Underbody	942888	D-280-100	--	--
1997	3.0L	VFM3.0V8NKGK	TIER1	All	Underbody	--	--	944182	D-280-100
1997	3.0L	VFM3.0VJG1EK	TIER1	All	Underbody	944052	D-280-100	--	--
1997	3.0L	VFM3.0VJG1EK	TIER1	All	Underbody	--	--	944182	D-280-100
1996	3.0L	TFM3.0V8F2EK	TLEV	All	Underbody	942888	D-280-100	--	--
1996	3.0L	TFM3.0V8F2EK	TLEV	All	Underbody	--	--	944182	D-280-100

Legal Note: In Compliance with California Emissions Requirements

APPLICATION GUIDE



OBD II

APPLICATION

Year	Eng. Size	Test Group/ Engine Family	Certification Level	Application	Location	Direct Fit Number	Exec. Order	Consol. Number	Exec. Order
Mercury (Cont.)									
Sable (Cont.)									
V6 (Cont.)									
1996	3.0L	TFM3.0V8GKEK	TIER1	All	Underbody	942888	D-280-100	--	--
1996	3.0L	TFM3.0V8GKEK	TIER1	All	Underbody	--	--	944182	D-280-100
1996	3.0L	TFM3.0VJG1EK	TIER1	All	Underbody	942888	D-280-100	--	--
1996	3.0L	TFM3.0VJG1EK	TIER1	All	Underbody	--	--	944182	D-280-100
Tracer									
L4									
1996	1.9L	TFM1.9V8GKEK	TIER1	All	Underbody	942604	D-280-100	--	--
1996	1.9L	TFM1.9V8GKEK	TIER1	All	Underbody	--	--	944182	D-280-100
1999	2.0L	XFMXV02.0VDN	TLEV	A/T	Underbody	942202	D-280-100	--	--
1999	2.0L	XFMXV02.0VDN	TLEV	A/T	Underbody	--	--	944182	D-280-100
1999	2.0L	XFMXV02.0VG5	LEV1 LEV	A/T	Underbody	942202	D-280-100	--	--
1999	2.0L	XFMXV02.0VG5	LEV1 LEV	A/T	Underbody	--	--	944182	D-280-100
1999	2.0L	XFMXV02.0VGC	LEV1 LEV	All	Underbody	942865	D-280-100	--	--
1999	2.0L	XFMXV02.0VGC	LEV1 LEV	All	Underbody	--	--	944182	D-280-100
1998	2.0L	WFMXV02.0ATA	TLEV	All	Underbody	942865	D-280-100	--	--
1998	2.0L	WFMXV02.0ATA	TLEV	All	Underbody	--	--	944182	D-280-100
1998	2.0L	WFMXV02.0BTA	TLEV	All	Underbody	942865	D-280-100	--	--
1998	2.0L	WFMXV02.0BTA	TLEV	All	Underbody	--	--	944182	D-280-100
1997	2.0L	VFM2.0V8G2EK	TLEV	All	Underbody	942865	D-280-100	--	--
1997	2.0L	VFM2.0V8G2EK	TLEV	All	Underbody	--	--	944182	D-280-100
1997	2.0L	VFM2.0V8G3FK	LEV1 LEV	All	Underbody	942865	D-280-100	--	--
1997	2.0L	VFM2.0V8G3FK	LEV1 LEV	All	Underbody	--	--	944182	D-280-100
Villager									
V6									
1998	3.0L	WFMXT03.014A	TIER1	All	Front	914587	D-280-101	--	--
1998	3.0L	WFMXT03.014A	TIER1	All	Front	--	--	910005R	D-280-101
1998	3.0L	WFMXT03.014A	TIER1	All	Rear	914588	D-280-101	--	--
1998	3.0L	WFMXT03.014A	TIER1	All	Rear	--	--	912004	D-280-101
1997	3.0L	VFM3.028G1HK	TIER1	All	Front	914587	D-280-101	--	--
1997	3.0L	VFM3.028G1HK	TIER1	All	Front	--	--	910005R	D-280-101
1997	3.0L	VFM3.028G1HK	TIER1	All	Rear	914588	D-280-101	--	--
1997	3.0L	VFM3.028G1HK	TIER1	All	Rear	--	--	912004	D-280-101
1996	3.0L	TFM3.028G1HK	TIER1	All	Front	914587	D-280-101	--	--
1996	3.0L	TFM3.028G1HK	TIER1	All	Front	--	--	910005R	D-280-101
1996	3.0L	TFM3.028G1HK	TIER1	All	Rear	914588	D-280-101	--	--
1996	3.0L	TFM3.028G1HK	TIER1	All	Rear	--	--	912004	D-280-101
1996	3.0L	TFM3.028GIHK	TIER1	All	Rear	651566	D-665-20	--	--
1995	3.0L	SFM3.028G1EA	TIER1	All	Rear	830897	D-665-16	--	--
2002	3.3L	2FMXT03.3C5C	LEV1 LEV	FWD	Front Left	911291	D-280-101	--	--
2002	3.3L	2FMXT03.3C5C	LEV1 LEV	FWD	Rear	914588	D-280-101	--	--
2001	3.3L	1FMXT03.3C5C	LEV1 LEV	All	Front Left	911291	D-280-101	--	--
2001	3.3L	1FMXT03.3C5C	LEV1 LEV	All	Rear	914588	D-280-101	--	--
2001	3.3L	1FMXT03.3C5C	LEV1 LEV	All	Rear	--	--	912004	D-280-101
2001	3.3L	1FMXT03.3C9A	LEV1 LEV	All	Front Left	911291	D-280-101	--	--
2001	3.3L	1FMXT03.3C9A	LEV1 LEV	All	Rear	914588	D-280-101	--	--
2001	3.3L	1FMXT03.3C9A	LEV1 LEV	All	Rear	--	--	912004	D-280-101
2000	3.3L	YFMXT03.335B	LEV1 LEV	FWD	Front Left	911291	D-280-101	--	--
2000	3.3L	YFMXT03.335B	LEV1 LEV	FWD	Rear	914588	D-280-101	--	--
1999	3.3L	XFMXT03.325C	TLEV	All	Front Left	911291	D-280-101	--	--
1999	3.3L	XFMXT03.325C	TLEV	All	Rear	914588	D-280-101	--	--

Legal Note: In Compliance with California Emissions Requirements



CATCO
CATALYTIC CONVERTERS

EASTERN CATALYTIC

APPLICATION GUIDE

OBD II

APPLICATION

Year	Eng. Size	Test Group/ Engine Family	Certification Level	Application	Location	Direct Fit Number	Exec. Order	Consol. Number	Exec. Order
Mini									
Cooper									
L4									
2007	1.6L	7BMXV01.6LE2	LEV2 LEV	All	Front	--	--	750004	D-280-102
2007	1.6L	7BMXV01.6LE2	LEV2 LEV	All	Rear	--	--	755004	D-280-102
2007	1.6L	7BMXV01.6R52	LEV2 LEV	All	Front	--	--	750004	D-280-102
2007	1.6L	7BMXV01.6R52	LEV2 LEV	All	Rear	--	--	755004	D-280-102
2007	1.6L	7BMXV01.6UL2	LEV2 LEV	All	Front	--	--	750004	D-280-102
2007	1.6L	7FMXV01.6UL2	LEV2 LEV	All	Rear	--	--	755004	D-280-102
2006	1.6L	6BMXV01.6R50	LEV1 LEV	All	Front	808576	D-665-23	--	--
2006	1.6L	6BMXV01.6R50	LEV1 LEV	All	Rear	--	--	755004	D-280-102
2006	1.6L	6BMXV01.6R50	LEV1 LEV	All	Underbody	--	--	944182	D-280-100
2006	1.6L	6FMXV01.6R50	LEV1 LEV	All	Front	--	--	750004	D-280-102
2005	1.6L	5BMXV01.6R50	LEV1 LEV	All	Front	808576	D-665-23	--	--
2005	1.6L	5BMXV01.6R50	LEV1 LEV	All	Front	--	--	750004	D-280-102
2005	1.6L	5BMXV01.6R50	LEV1 LEV	All	Rear	--	--	755004	D-280-102
2005	1.6L	5BMXV01.6R50	LEV1 LEV	All	Underbody	--	--	944182	D-280-100
2004	1.6L	4BMXV01.6R50	LEV1 LEV	All	Front	808576	D-665-23	--	--
2004	1.6L	4BMXV01.6R50	LEV1 LEV	All	Front	--	--	750004	D-280-102
2004	1.6L	4BMXV01.6R50	LEV1 LEV	All	Rear	--	--	755004	D-280-102
2004	1.6L	4BMXV01.6R50	LEV1 LEV	All	Underbody	--	--	944182	D-280-100
2003	1.6L	3BMXV01.6R50	LEV1 LEV	All	Front	808576	D-665-23	--	--
2003	1.6L	3BMXV01.6R50	LEV1 LEV	All	Underbody	--	--	944182	D-280-100
2003	1.6L	3BMXV01.6R5R	LEV1 LEV	All	Front	808576	D-665-23	--	--
2003	1.6L	3BMXV01.6R5R	LEV1 LEV	All	Front	--	--	750004	D-280-102
2003	1.6L	3BMXV01.6R5R	LEV1 LEV	All	Rear	--	--	755004	D-280-102
2003	1.6L	3BMXV01.6R5R	LEV1 LEV	All	Underbody	--	--	944182	D-280-100
2002	1.6L	2BMXV01.6R50	LEV1 LEV	All	Front	808576	D-665-23	--	--
2002	1.6L	2BMXV01.6R50	LEV1 LEV	All	Front	--	--	750004	D-280-102
2002	1.6L	2BMXV01.6R50	LEV1 LEV	All	Rear	--	--	755004	D-280-102
2002	1.6L	2BMXV01.6R50	LEV1 LEV	All	Underbody	--	--	944182	D-280-100
Mitsubishi									
3000GT									
V6									
1999	3.0L	XMTXV03.0GBA	TIER1	All	Front	--	--	940105	D-280-100
1999	3.0L	XMTXV03.0GBA	TIER1	All	Rear	--	--	940106	D-280-100
1999	3.0L	XMTXV03.0GBK	TIER1	All	Front	--	--	940105	D-280-100
1999	3.0L	XMTXV03.0GBK	TIER1	All	Rear	--	--	940106	D-280-100
1999	3.0L	XMTXV03.0GBP	TIER1	All	Front	--	--	940105	D-280-100
1999	3.0L	XMTXV03.0GBP	TIER1	All	Rear	--	--	940106	D-280-100
1998	3.0L	WMTXV03.0GBA	TIER1	All	Front	--	--	940105	D-280-100
1998	3.0L	WMTXV03.0GBA	TIER1	All	Rear	--	--	940106	D-280-100
1998	3.0L	WMTXV03.0GBK	TIER1	All	Front	--	--	940105	D-280-100
1998	3.0L	WMTXV03.0GBK	TIER1	All	Rear	--	--	940106	D-280-100
1998	3.0L	WMTXV03.0GBP	TIER1	All	Front	--	--	940105	D-280-100
1998	3.0L	WMTXV03.0GBP	TIER1	All	Rear	--	--	940106	D-280-100
1997	3.0L	VMT3.0V8GFKE	TIER1	All	Front	--	--	940105	D-280-100
1997	3.0L	VMT3.0V8GFKE	TIER1	All	Rear	--	--	940106	D-280-100
1997	3.0L	VMT3.0VJGFKE	TIER1	All	Front	--	--	940105	D-280-100
1997	3.0L	VMT3.0VJGFKE	TIER1	All	Rear	--	--	940106	D-280-100
1997	3.0L	VMT3.0VJGFFK	TIER1	All	Front	--	--	940105	D-280-100
1997	3.0L	VMT3.0VJGFFK	TIER1	All	Rear	--	--	940106	D-280-100
1996	3.0L	TMT3.0V8GFKE	TIER1	All	Front	--	--	940105	D-280-100
1996	3.0L	TMT3.0V8GFKE	TIER1	All	Rear	--	--	940106	D-280-100
1996	3.0L	TMT3.0VJGFKE	TIER1	All	Front	--	--	940105	D-280-100
1996	3.0L	TMT3.0VJGFKE	TIER1	All	Rear	--	--	940106	D-280-100
1996	3.0L	TMT3.0VJGFFK	TIER1	All	Front	--	--	940105	D-280-100
1996	3.0L	TMT3.0VJGFFK	TIER1	All	Rear	--	--	940106	D-280-100

Legal Note: In Compliance with California Emissions Requirements

APPLICATION GUIDE



OBD II

APPLICATION

Year	Eng. Size	Test Group/ Engine Family	Certification Level	Application	Location	Direct Fit Number	Exec. Order	Consol. Number	Exec. Order
Diamante									
V6									
1996	3.0L	TMT3.0V8GFEK	TIER1	All	Front	--	--	940105	D-280-100
1996	3.0L	TMT3.0V8GFEK	TIER1	All	Rear	--	--	940106	D-280-100
1996	3.0L	TMT3.0VJGFEK	TIER1	All	Front	--	--	940105	D-280-100
1996	3.0L	TMT3.0VJGFEK	TIER1	All	Rear	--	--	940106	D-280-100
2004	3.5L	4MLXV03.5GGB	LEV1 LEV	All	Front Left	941094	D-280-100	--	--
2004	3.5L	4MLXV03.5GGB	LEV1 LEV	All	Front Right	941095	D-280-100	--	--
2004	3.5L	4MLXV03.5GGB	LEV1 LEV	All	Rear	944408	D-280-100	--	--
2004	3.5L	4MLXV03.5GGB	LEV1 LEV	All	Rear	--	--	940335	D-280-100
2003	3.5L	3MLXV03.5GNS	LEV1 LEV	All	Front Left	941094	D-280-100	--	--
2003	3.5L	3MLXV03.5GNS	LEV1 LEV	All	Front Right	941095	D-280-100	--	--
2003	3.5L	3MLXV03.5GNS	LEV1 LEV	All	Rear	944408	D-280-100	--	--
2003	3.5L	3MLXV03.5GNS	LEV1 LEV	All	Rear	--	--	940335	D-280-100
2002	3.5L	2MLXV03.5GNG	LEV1 LEV	All	Front	751094	D-280-102	--	--
2002	3.5L	2MLXV03.5GNG	LEV1 LEV	All	Front Left	941094	D-280-100	--	--
2002	3.5L	2MLXV03.5GNG	LEV1 LEV	All	Front Right	941095	D-280-100	--	--
2002	3.5L	2MLXV03.5GNG	LEV1 LEV	All	Rear	944408	D-280-100	--	--
2002	3.5L	2MLXV03.5GNG	LEV1 LEV	All	Rear	751095	D-280-102	--	--
2002	3.5L	2MLXV03.5GNG	LEV1 LEV	All	Rear	--	--	940335	D-280-100
2002	3.5L	2MLXV03.5GNG	LEV1 LEV	All	Underbody	754393	D-280-102	--	--
2002	3.5L	2MLXV03.5GNG	LEV1 LEV	All	Underbody	--	--	755005	D-280-102
2001	3.5L	1MLXV03.5GNG	LEV1 LEV	All	Front	751094	D-280-102	--	--
2001	3.5L	1MLXV03.5GNG	LEV1 LEV	All	Front Left	941094	D-280-100	--	--
2001	3.5L	1MLXV03.5GNG	LEV1 LEV	All	Front Right	941095	D-280-100	--	--
2001	3.5L	1MLXV03.5GNG	LEV1 LEV	All	Rear	944408	D-280-100	--	--
2001	3.5L	1MLXV03.5GNG	LEV1 LEV	All	Rear	751095	D-280-102	--	--
2001	3.5L	1MLXV03.5GNG	LEV1 LEV	All	Rear	--	--	940335	D-280-100
2001	3.5L	1MLXV03.5GNG	LEV1 LEV	All	Underbody	754393	D-280-102	--	--
2001	3.5L	1MLXV03.5GNG	LEV1 LEV	All	Underbody	--	--	755005	D-280-102
2000	3.5L	YMLXV03.5GNG	LEV1 LEV	All	Front Left	941094	D-280-100	--	--
2000	3.5L	YMLXV03.5GNG	LEV1 LEV	All	Front Right	941095	D-280-100	--	--
2000	3.5L	YMLXV03.5GNG	LEV1 LEV	All	Rear	--	--	940335	D-280-100
1999	3.5L	XMLXV03.5G2G	LEV1 LEV	All	Front Left	941094	D-280-100	--	--
1999	3.5L	XMLXV03.5G2G	LEV1 LEV	All	Front Right	941095	D-280-100	--	--
1999	3.5L	XMLXV03.5G2G	LEV1 LEV	All	Rear	--	--	940335	D-280-100
1998	3.5L	WMLXV03.5GBG	TIER1	All	Underbody	--	--	940335	D-280-100
1997	3.5L	VML3.5VJGFEK	TIER1	All	Underbody	--	--	940335	D-280-100
Eclipse									
L4									
1999	2.0L	XDSXV02.0GBK	TIER1	All	Underbody	942359	D-280-100	--	--
1999	2.0L	XDSXV02.0GBK	TIER1	All	Underbody	--	--	940334	D-280-100
1999	2.0L	XDSXV02.0GBP	TIER1	All	Underbody	942359	D-280-100	--	--
1999	2.0L	XDSXV02.0GBP	TIER1	All	Underbody	--	--	940334	D-280-100
1998	2.0L	WDSXV02.0GBK	TIER1	All	Underbody	942359	D-280-100	--	--
1998	2.0L	WDSXV02.0GBK	TIER1	All	Underbody	--	--	940334	D-280-100
1998	2.0L	WDSXV02.0GBP	TIER1	All	Underbody	942359	D-280-100	--	--
1998	2.0L	WDSXV02.0GBP	TIER1	All	Underbody	--	--	940334	D-280-100
1997	2.0L	VDS2.0VJGFEK	TIER1	All	Underbody	942359	D-280-100	--	--
1997	2.0L	VDS2.0VJGFEK	TIER1	All	Underbody	--	--	940334	D-280-100
1997	2.0L	VDS2.0VJGKEK	TIER1	All	Underbody	942359	D-280-100	--	--
1997	2.0L	VDS2.0VJGKEK	TIER1	All	Underbody	--	--	940334	D-280-100
1996	2.0L	TDS2.0VJGFEK	TIER1	All	Underbody	942359	D-280-100	--	--
1996	2.0L	TDS2.0VJGFEK	TIER1	All	Underbody	--	--	940334	D-280-100
1996	2.0L	TDS2.0VJGFEL	TIER1	All	Underbody	942359	D-280-100	--	--
1996	2.0L	TDS2.0VJGFEL	TIER1	All	Underbody	--	--	940334	D-280-100
1995	2.0L	SDS2.0VJGFEK	TIER1	All	Underbody	942359	D-280-100	--	--
1995	2.0L	SDS2.0VJGFEK	TIER1	All	Underbody	--	--	940334	D-280-100
1995	2.0L	SDS2.0VJGFFK	TIER1	All	Underbody	630517	D-665-17	--	--
2005	2.4L	5DSXV02.4G2G	LEV1 ULEV	All	Front	751082	D-280-102	--	--
2005	2.4L	5DSXV02.4G2G	LEV1 ULEV	All	Underbody	754332	D-280-102	--	--
2005	2.4L	5DSXV02.4G2G	LEV1 ULEV	All	Underbody	--	--	755004	D-280-102

Legal Note: In Compliance with California Emissions Requirements



CATCO
CATALYTIC CONVERTERS

EASTERN CATALYTIC

APPLICATION GUIDE

OBD II

APPLICATION

Year	Eng. Size	Test Group/ Engine Family	Certification Level	Application	Location	Direct Fit Number	Exec. Order	Consol. Number	Exec. Order
Mitsubishi (Cont.)									
Eclipse (Cont.)									
L4 (Cont.)									
2005	2.4L	5DSXV02.4GBB	LEV1 LEV	All	Front	751082	D-280-102	--	--
2005	2.4L	5DSXV02.4GBB	LEV1 LEV	All	Front	--	--	940084	D-280-100
2005	2.4L	5DSXV02.4GBB	LEV1 LEV	All	Rear	--	--	940084	D-280-100
2005	2.4L	5DSXV02.4GBB	LEV1 LEV	All	Underbody	754332	D-280-102	--	--
2005	2.4L	5DSXV02.4GBB	LEV1 LEV	All	Underbody	--	--	755004	D-280-102
2004	2.4L	4DSXV02.4G2G	LEV1 ULEV	All	Front	751082	D-280-102	--	--
2004	2.4L	4DSXV02.4G2G	LEV1 ULEV	All	Underbody	754332	D-280-102	--	--
2004	2.4L	4DSXV02.4G2G	LEV1 ULEV	All	Underbody	--	--	755004	D-280-102
2004	2.4L	4DSXV02.4GBB	LEV1 LEV	All	Front	751082	D-280-102	--	--
2004	2.4L	4DSXV02.4GBB	LEV1 LEV	All	Underbody	754332	D-280-102	--	--
2004	2.4L	4DSXV02.4GBB	LEV1 LEV	All	Underbody	--	--	755004	D-280-102
2003	2.4L	3DSXV02.4G3S	LEV1 ULEV	All	Front	751082	D-280-102	--	--
2003	2.4L	3DSXV02.4G3S	LEV1 ULEV	All	Underbody	754332	D-280-102	--	--
2003	2.4L	3DSXV02.4G3S	LEV1 ULEV	All	Underbody	--	--	755004	D-280-102
2003	2.4L	3DSXV02.4GNF	LEV1 LEV	All	Front	751082	D-280-102	--	--
2003	2.4L	3DSXV02.4GNF	LEV1 LEV	All	Front	--	--	940085	D-280-100
2003	2.4L	3DSXV02.4GNF	LEV1 LEV	All	Underbody	754332	D-280-102	--	--
2003	2.4L	3DSXV02.4GNF	LEV1 LEV	All	Underbody	--	--	755004	D-280-102
2003	2.4L	3DSXV02.4GNS	LEV1 LEV	All	Front	751082	D-280-102	--	--
2003	2.4L	3DSXV02.4GNS	LEV1 LEV	All	Rear	--	--	940085	D-280-100
2003	2.4L	3DSXV02.4GNS	LEV1 LEV	All	Underbody	754332	D-280-102	--	--
2003	2.4L	3DSXV02.4GNS	LEV1 LEV	All	Underbody	--	--	755004	D-280-102
2002	2.4L	2DSXV02.4GNG	LEV1 LEV	All	Front	751082	D-280-102	--	--
2002	2.4L	2DSXV02.4GNG	LEV1 LEV	All	Front	--	--	940086	D-280-100
2002	2.4L	2DSXV02.4GNG	LEV1 LEV	All	Rear	--	--	940334	D-280-100
2002	2.4L	2DSXV02.4GNG	LEV1 LEV	All	Underbody	754332	D-280-102	--	--
2002	2.4L	2DSXV02.4GNG	LEV1 LEV	All	Underbody	--	--	755004	D-280-102
2001	2.4L	1DSXV02.4GNG	LEV1 LEV	All	Front	--	--	940085	D-280-100
2001	2.4L	1DSXV02.4GNG	LEV1 LEV	All	Rear	--	--	940086	D-280-100
2001	2.4L	1DSXV02.4GNG	LEV1 LEV	All	Underbody	--	--	755004	D-280-102
2001	2.4L	1DSXV02.4GNG	LEV1 LEV	From 06/00	Front	751082	D-280-102	--	--
2001	2.4L	1DSXV02.4GNG	LEV1 LEV	From 06/00	Underbody	754332	D-280-102	--	--
2001	2.4L	1DSXV02.4GNH	LEV1 LEV	All	Front	751082	D-280-102	--	--
2001	2.4L	1DSXV02.4GNH	LEV1 LEV	All	Underbody	754332	D-280-102	--	--
2001	2.4L	1DSXV02.4GNH	LEV1 LEV	All	Underbody	--	--	755004	D-280-102
2000	2.4L	YDSXV02.4GNG	LEV1 LEV	All	Front	--	--	944182	D-280-100
2000	2.4L	YDSXV02.4GNG	LEV1 LEV	All	Rear	--	--	940334	D-280-100
2000	2.4L	YDSXV02.4GNG	LEV1 LEV	To 05/00	Front	942096F	D-280-100	--	--
2000	2.4L	YDSXV02.4GNG	LEV1 LEV	To 05/00	Rear	942196	D-280-100	--	--
1999	2.4L	XDSXV02.4G2G	LEV1 LEV	All	Front	942096F	D-280-100	--	--
1999	2.4L	XDSXV02.4G2G	LEV1 LEV	All	Front	--	--	944182	D-280-100
1999	2.4L	XDSXV02.4G2G	LEV1 LEV	All	Rear	942196	D-280-100	--	--
1999	2.4L	XDSXV02.4G2G	LEV1 LEV	All	Rear	--	--	940334	D-280-100
1998	2.4L	WDSXV02.4G2G	LEV1 LEV	All	Front	--	--	940105	D-280-100
1998	2.4L	WDSXV02.4G2G	LEV1 LEV	All	Rear	809542	D-665-23	--	--
1998	2.4L	WDSXV02.4G2G	LEV1 LEV	All	Rear	--	--	940334	D-280-100
1997	2.4L	VDS2.4VJGKFK	TIER1	All	Underbody	942359	D-280-100	--	--
1997	2.4L	VDS2.4VJGKFK	TIER1	All	Underbody	--	--	940334	D-280-100
1996	2.4L	TDS2.4VJGKFL	TIER1	All	Underbody	942359	D-280-100	--	--
1996	2.4L	TDS2.4VJGKFL	TIER1	All	Underbody	--	--	940334	D-280-100
1996	2.4L	TMT2.4VJG2FK	TLEV	All	Underbody	942359	D-280-100	--	--
1996	2.4L	TMT2.4VJG2FK	TLEV	All	Underbody	--	--	940334	D-280-100

Legal Note: In Compliance with California Emissions Requirements

APPLICATION GUIDE



OBD II

APPLICATION

Year	Eng. Size	Test Group/ Engine Family	Certification Level	Application	Location	Direct Fit Number	Exec. Order	Consol. Number	Exec. Order
Mitsubishi (Cont.)									
Eclipse (Cont.)									
V6									
2005	3.0L	5DSXV03.0GGB	LEV1 LEV	All	Front	941094	D-280-100	--	--
2005	3.0L	5DSXV03.0GGB	LEV1 LEV	All	Front	751094	D-280-102	--	--
2005	3.0L	5DSXV03.0GGB	LEV1 LEV	All	Rear	941095	D-280-100	--	--
2005	3.0L	5DSXV03.0GGB	LEV1 LEV	All	Rear	751095	D-280-102	--	--
2005	3.0L	5DSXV03.0GGB	LEV1 LEV	All	Underbody	944393	D-280-100	--	--
2005	3.0L	5DSXV03.0GGB	LEV1 LEV	All	Underbody	754393	D-280-102	--	--
2005	3.0L	5DSXV03.0GGB	LEV1 LEV	All	Underbody	--	--	940085	D-280-100
2005	3.0L	5DSXV03.0GBC	LEV1 LEV	All	Front	941094	D-280-100	--	--
2005	3.0L	5DSXV03.0GBC	LEV1 LEV	All	Front	751094	D-280-102	--	--
2005	3.0L	5DSXV03.0GBC	LEV1 LEV	All	Rear	941095	D-280-100	--	--
2005	3.0L	5DSXV03.0GBC	LEV1 LEV	All	Rear	751095	D-280-102	--	--
2005	3.0L	5DSXV03.0GBC	LEV1 LEV	All	Underbody	944393	D-280-100	--	--
2005	3.0L	5DSXV03.0GBC	LEV1 LEV	All	Underbody	754393	D-280-102	--	--
2005	3.0L	5DSXV03.0GBC	LEV1 LEV	All	Underbody	--	--	940085	D-280-100
2004	3.0L	4DSXV03.0GGB	LEV1 LEV	All	Front	751094	D-280-102	--	--
2004	3.0L	4DSXV03.0GGB	LEV1 LEV	All	Rear	751095	D-280-102	--	--
2004	3.0L	4DSXV03.0GGB	LEV1 LEV	All	Underbody	754393	D-280-102	--	--
2004	3.0L	4DSXV03.0GGB	LEV1 LEV	All	Underbody	--	--	755005	D-280-102
2004	3.0L	4DSXV03.0GBC	LEV1 LEV	All	Front	751094	D-280-102	--	--
2004	3.0L	4DSXV03.0GBC	LEV1 LEV	All	Rear	751095	D-280-102	--	--
2004	3.0L	4DSXV03.0GBC	LEV1 LEV	All	Underbody	754393	D-280-102	--	--
2004	3.0L	4DSXV03.0GBC	LEV1 LEV	All	Underbody	--	--	755005	D-280-102
2003	3.0L	3DSXV03.0GNS	LEV1 LEV	All	Front	751094	D-280-102	--	--
2003	3.0L	3DSXV03.0GNS	LEV1 LEV	All	Rear	751095	D-280-102	--	--
2003	3.0L	3DSXV03.0GNS	LEV1 LEV	All	Underbody	754393	D-280-102	--	--
2003	3.0L	3DSXV03.0GNS	LEV1 LEV	All	Underbody	--	--	755005	D-280-102
2002	3.0L	2DSXV03.0GNS	LEV1 LEV	All	Front	751094	D-280-102	--	--
2002	3.0L	2DSXV03.0GNS	LEV1 LEV	All	Rear	751095	D-280-102	--	--
2002	3.0L	2DSXV03.0GNS	LEV1 LEV	All	Underbody	754393	D-280-102	--	--
2002	3.0L	2DSXV03.0GNS	LEV1 LEV	All	Underbody	--	--	755005	D-280-102
2001	3.0L	1DSXV03.0GNG	LEV1 LEV	All	Front	751094	D-280-102	--	--
2001	3.0L	1DSXV03.0GNG	LEV1 LEV	All	Rear	751095	D-280-102	--	--
2001	3.0L	1DSXV03.0GNG	LEV1 LEV	All	Underbody	754393	D-280-102	--	--
2001	3.0L	1DSXV03.0GNG	LEV1 LEV	All	Underbody	--	--	755005	D-280-102
2001	3.0L	1DSXV03.0GNS	LEV1 LEV	All	Front	751094	D-280-102	--	--
2001	3.0L	1DSXV03.0GNS	LEV1 LEV	All	Rear	751095	D-280-102	--	--
2001	3.0L	1DSXV03.0GNS	LEV1 LEV	All	Underbody	754393	D-280-102	--	--
2001	3.0L	1DSXV03.0GNS	LEV1 LEV	All	Underbody	--	--	755005	D-280-102
2000	3.0L	YDSXV03.0GNG	LEV1 LEV	All	Front Left	808532	D-665-23	--	--
2000	3.0L	YDSXV03.0GNG	LEV1 LEV	All	Front Right	808533	D-665-23	--	--
2000	3.0L	YDSXV03.0GNG	LEV1 LEV	All	Rear	809582	D-665-23	--	--
Expo									
L4									
1995	2.4L	SMT2.4VJG2EK	TLEV	All	Front	--	--	940105	D-280-100
1995	2.4L	SMT2.4VJG2EK	TLEV	All	Rear	--	--	940334	D-280-100
Galant									
L4									
2003	2.4L	3DSXV02.4G3S	LEV1 ULEV	All	Front	751082	D-280-102	--	--
2003	2.4L	3DSXV02.4G3S	LEV1 ULEV	All	Underbody	754332	D-280-102	--	--
2003	2.4L	3DSXV02.4G3S	LEV1 ULEV	All	Underbody	--	--	755004	D-280-102
2003	2.4L	3DSXV02.4GNF	LEV1 LEV	All	Front	751082	D-280-102	--	--
2003	2.4L	3DSXV02.4GNF	LEV1 LEV	All	Front	--	--	940085	D-280-100
2003	2.4L	3DSXV02.4GNF	LEV1 LEV	All	Underbody	754332	D-280-102	--	--
2003	2.4L	3DSXV02.4GNF	LEV1 LEV	All	Underbody	--	--	755004	D-280-102
2003	2.4L	3DSXV02.4GNS	LEV1 LEV	All	Rear	--	--	940085	D-280-100
2003	2.4L	3DSXV02.4GNS	LEV1 LEV	All	Underbody	754332	D-280-102	--	--
2003	2.4L	3DSXV02.4GNS	LEV1 LEV	All	Underbody	--	--	755004	D-280-102

Legal Note: In Compliance with California Emissions Requirements

**CATCO**
CATALYTIC CONVERTERS**EASTERN CATALYTIC**

APPLICATION GUIDE

OBD II**APPLICATION**

Year	Eng. Size	Test Group/ Engine Family	Certification Level	Application	Location	Direct Fit Number	Exec. Order	Consol. Number	Exec. Order
Mitsubishi (Cont.)									
Galant (Cont.)									
L4 (Cont.)									
2002	2.4L	2DSXV02.4G3G	LEV1 ULEV	All	Front	751082	D-280-102	--	--
2002	2.4L	2DSXV02.4G3G	LEV1 ULEV	All	Underbody	754332	D-280-102	--	--
2002	2.4L	2DSXV02.4G3G	LEV1 ULEV	All	Underbody	--	--	755004	D-280-102
2002	2.4L	2DSXV02.4GNG	LEV1 LEV	All	Front	--	--	940334	D-280-100
2002	2.4L	2DSXV02.4GNG	LEV1 LEV	All	Underbody	942032P	D-280-100	--	--
2002	2.4L	2DSXV02.4GNG	LEV1 LEV	All	Underbody	754332	D-280-102	--	--
2002	2.4L	2DSXV02.4GNG	LEV1 LEV	All	Underbody	--	--	755004	D-280-102
2001	2.4L	1DSXV02.4G3G	LEV1 ULEV	All	Front	751082	D-280-102	--	--
2001	2.4L	1DSXV02.4G3G	LEV1 ULEV	All	Rear	--	--	940334	D-280-100
2001	2.4L	1DSXV02.4G3G	LEV1 ULEV	All	Underbody	754332	D-280-102	--	--
2001	2.4L	1DSXV02.4G3G	LEV1 ULEV	All	Underbody	--	--	755004	D-280-102
2001	2.4L	1DSXV02.4GNG	LEV1 LEV	All	Front	751082	D-280-102	--	--
2001	2.4L	1DSXV02.4GNG	LEV1 LEV	All	Rear	--	--	940334	D-280-100
2001	2.4L	1DSXV02.4GNG	LEV1 LEV	All	Underbody	942032P	D-280-100	--	--
2001	2.4L	1DSXV02.4GNG	LEV1 LEV	All	Underbody	754332	D-280-102	--	--
2001	2.4L	1DSXV02.4GNG	LEV1 LEV	All	Underbody	--	--	755004	D-280-102
2000	2.4L	YDSXV02.4GNG	LEV1 LEV	All	Front	--	--	944182	D-280-100
2000	2.4L	YDSXV02.4GNG	LEV1 LEV	All	Rear	--	--	940334	D-280-100
2000	2.4L	YDSXV02.4GNG	LEV1 LEV	To 05/00	Front	942096F	D-280-100	--	--
2000	2.4L	YDSXV02.4GNG	LEV1 LEV	To 05/00	Rear	942196	D-280-100	--	--
1999	2.4L	XDSXV02.4G2H	LEV1 LEV	All	Front	942096F	D-280-100	--	--
1999	2.4L	XDSXV02.4G2H	LEV1 LEV	All	Front	--	--	944182	D-280-100
1999	2.4L	XDSXV02.4G2H	LEV1 LEV	All	Rear	942196	D-280-100	--	--
1999	2.4L	XDSXV02.4G2H	LEV1 LEV	All	Rear	--	--	940334	D-280-100
1998	2.4L	WDSXV02.4G1G	TLEV	All	Front	--	--	940105	D-280-100
1998	2.4L	WDSXV02.4G1G	TLEV	All	Rear	--	--	940334	D-280-100
1997	2.4L	VDS2.4VJG2EK	TLEV	All	Front	--	--	940105	D-280-100
1997	2.4L	VDS2.4VJG2EK	TLEV	All	Rear	--	--	940334	D-280-100
1996	2.4L	TDS2.4VJG2EL	TLEV	All	Front	--	--	940105	D-280-100
1996	2.4L	TDS2.4VJG2EL	TLEV	All	Rear	809542	D-665-23	--	--
1996	2.4L	TDS2.4VJG2EL	TLEV	All	Rear	--	--	940334	D-280-100
1996	2.4L	TMT2.4VJG2FK	TLEV	All	Front	--	--	940105	D-280-100
1996	2.4L	TMT2.4VJG2FK	TLEV	All	Rear	--	--	940334	D-280-100
1995	2.4L	SMT2.4VJG2EA	TLEV	All	Front	--	--	940105	D-280-100
1995	2.4L	SMT2.4VJG2EA	TLEV	All	Rear	--	--	940334	D-280-100
V6									
2003	3.0L	3DSXV03.0GNS	LEV1 LEV	All	Front	751094	D-280-102	--	--
2003	3.0L	3DSXV03.0GNS	LEV1 LEV	All	Rear	751095	D-280-102	--	--
2003	3.0L	3DSXV03.0GNS	LEV1 LEV	All	Underbody	754393	D-280-102	--	--
2003	3.0L	3DSXV03.0GNS	LEV1 LEV	All	Underbody	--	--	755005	D-280-102
2002	3.0L	2DSXV03.0GNF	LEV1 LEV	All	Front	751094	D-280-102	--	--
2002	3.0L	2DSXV03.0GNF	LEV1 LEV	All	Rear	751095	D-280-102	--	--
2002	3.0L	2DSXV03.0GNF	LEV1 LEV	All	Underbody	754393	D-280-102	--	--
2002	3.0L	2DSXV03.0GNF	LEV1 LEV	All	Underbody	--	--	755005	D-280-102
2002	3.0L	2DSXV03.0GNS	LEV1 LEV	All	Front	751094	D-280-102	--	--
2002	3.0L	2DSXV03.0GNS	LEV1 LEV	All	Rear	751095	D-280-102	--	--
2002	3.0L	2DSXV03.0GNS	LEV1 LEV	All	Underbody	754393	D-280-102	--	--
2002	3.0L	2DSXV03.0GNS	LEV1 LEV	All	Underbody	--	--	755005	D-280-102
2001	3.0L	1DSXV03.0GNS	LEV1 LEV	All	Front	751094	D-280-102	--	--
2001	3.0L	1DSXV03.0GNS	LEV1 LEV	All	Rear	751095	D-280-102	--	--
2001	3.0L	1DSXV03.0GNS	LEV1 LEV	All	Underbody	754393	D-280-102	--	--
2001	3.0L	1DSXV03.0GNS	LEV1 LEV	All	Underbody	--	--	755005	D-280-102
2000	3.0L	YDSXV03.0GNG	LEV1 LEV	All	Front Left	808532	D-665-23	--	--
2000	3.0L	YDSXV03.0GNG	LEV1 LEV	All	Front Right	808533	D-665-23	--	--
2000	3.0L	YDSXV03.0GNG	LEV1 LEV	All	Rear	809582	D-665-23	--	--
1999	3.0L	XDSXV03.0G2H	LEV1 LEV	All	Front Left	808532	D-665-23	--	--
1999	3.0L	XDSXV03.0G2H	LEV1 LEV	All	Front Right	808533	D-665-23	--	--
1999	3.0L	XDSXV03.0G2H	LEV1 LEV	All	Rear	809582	D-665-23	--	--

APPLICATION GUIDE



OBD II

APPLICATION

Year	Eng. Size	Test Group/ Engine Family	Certification Level	Application	Location	Direct Fit Number	Exec. Order	Consol. Number	Exec. Order
Mitsubishi (Cont.)									
Lancer									
L4									
2007	2.0L	7MTXV02.0GR4	LEV2 ULEV	All	Front	751086	D-280-102	--	--
2007	2.0L	7MTXV02.0GR4	LEV2 ULEV	All	Underbody	754686	D-280-102	--	--
2007	2.0L	7MTXV02.0GR4	LEV2 ULEV	All	Underbody	--	--	755005	D-280-102
2006	2.0L	6MTXV02.0GBB	LEV1 LEV	All	Underbody	944650	D-280-100	--	--
2006	2.0L	6MTXV02.0GBB	LEV1 LEV	All	Underbody	--	--	940085	D-280-100
2006	2.0L	6MTXV02.0GR4	LEV2 ULEV	All	Front	751086	D-280-102	--	--
2006	2.0L	6MTXV02.0GR4	LEV2 ULEV	All	Underbody	754686	D-280-102	--	--
2006	2.0L	6MTXV02.0GR4	LEV2 ULEV	All	Underbody	--	--	755005	D-280-102
2005	2.0L	5MTXV02.0GBB	LEV1 LEV	All	Underbody	--	--	940085	D-280-100
2005	2.0L	5MTXV02.0GR4	LEV2 ULEV	All	Front	751086	D-280-102	--	--
2005	2.0L	5MTXV02.0GR4	LEV2 ULEV	All	Underbody	754686	D-280-102	--	--
2005	2.0L	5MTXV02.0GR4	LEV2 ULEV	All	Underbody	--	--	755005	D-280-102
2004	2.0L	4MTXV02.0GB2	LEV1 ULEV	All	Front	751086	D-280-102	--	--
2004	2.0L	4MTXV02.0GB2	LEV1 ULEV	All	Underbody	754686	D-280-102	--	--
2004	2.0L	4MTXV02.0GB2	LEV1 ULEV	All	Underbody	--	--	755004	D-280-102
2004	2.0L	4MTXV02.0GBB	LEV1 LEV	All	Underbody	--	--	940085	D-280-100
2003	2.0L	3MTXV02.0G3S	LEV1 ULEV	All	Front	751086	D-280-102	--	--
2003	2.0L	3MTXV02.0G3S	LEV1 ULEV	All	Underbody	754286	D-280-102	--	--
2003	2.0L	3MTXV02.0G3S	LEV1 ULEV	All	Underbody	--	--	755004	D-280-102
2003	2.0L	3MTXV02.0GTS	LEV1 LEV	All	Underbody	--	--	940086	D-280-100
2002	2.0L	2MTXV02.0G3G	LEV1 ULEV	All	Front	751086	D-280-102	--	--
2002	2.0L	2MTXV02.0G3G	LEV1 ULEV	All	Underbody	754286	D-280-102	--	--
2002	2.0L	2MTXV02.0G3G	LEV1 ULEV	All	Underbody	--	--	755004	D-280-102
2002	2.0L	2MTXV02.0GNG	LEV1 LEV	All	Front	944286	D-280-100	--	--
2002	2.0L	2MTXV02.0GNG	LEV1 LEV	All	Front	942086	D-280-100	--	--
2002	2.0L	2MTXV02.0GNG	LEV1 LEV	All	Front	941086	D-280-100	--	--
2002	2.0L	2MTXV02.0GNG	LEV1 LEV	All	Front	751086	D-280-102	--	--
2002	2.0L	2MTXV02.0GNG	LEV1 LEV	All	Rear	942286	D-280-100	--	--
2002	2.0L	2MTXV02.0GNG	LEV1 LEV	All	Rear	--	--	940334	D-280-100
2002	2.0L	2MTXV02.0GNG	LEV1 LEV	All	Underbody	754286	D-280-102	--	--
2002	2.0L	2MTXV02.0GNG	LEV1 LEV	All	Underbody	--	--	755005	D-280-102
2004	2.4L	4MTXV02.4GBB	LEV1 LEV	All	Rear	--	--	940334	D-280-100
Mighty Max									
L4									
1995	2.4L	SMT2.418G1EA	TIER1	RWD	Underbody	630519	D-665-17	--	--
Mirage									
L4									
2002	1.5L	2MTXV01.5GND	LEV1 LEV	All	Front	941117	D-280-100	--	--
2002	1.5L	2MTXV01.5GND	LEV1 LEV	All	Front	--	--	944182	D-280-100
2002	1.5L	2MTXV01.5GND	LEV1 LEV	All	Rear	944457	D-280-100	--	--
2002	1.5L	2MTXV01.5GND	LEV1 LEV	All	Rear	--	--	940334	D-280-100
2001	1.5L	1MTXV01.5GND	LEV1 LEV	All	Front	941117	D-280-100	--	--
2001	1.5L	1MTXV01.5GND	LEV1 LEV	All	Front	--	--	944182	D-280-100
2001	1.5L	1MTXV01.5GND	LEV1 LEV	All	Rear	944457	D-280-100	--	--
2001	1.5L	1MTXV01.5GND	LEV1 LEV	All	Rear	--	--	940334	D-280-100
2000	1.5L	YMTXV01.5GND	LEV1 LEV	All	Front	941117	D-280-100	--	--
2000	1.5L	YMTXV01.5GND	LEV1 LEV	All	Front	--	--	944182	D-280-100
2000	1.5L	YMTXV01.5GND	LEV1 LEV	All	Rear	944457	D-280-100	--	--
2000	1.5L	YMTXV01.5GND	LEV1 LEV	All	Rear	--	--	940334	D-280-100
1999	1.5L	XMTXV01.5G2D	LEV1 LEV	All	Front	941117	D-280-100	--	--
1999	1.5L	XMTXV01.5G2D	LEV1 LEV	All	Front	--	--	944182	D-280-100
1999	1.5L	XMTXV01.5G2D	LEV1 LEV	All	Rear	944457	D-280-100	--	--
1999	1.5L	XMTXV01.5G2D	LEV1 LEV	All	Rear	--	--	940334	D-280-100
1998	1.5L	WMTXV01.5G2D	LEV1 LEV	All	Front	941117	D-280-100	--	--
1998	1.5L	WMTXV01.5G2D	LEV1 LEV	All	Front	--	--	944182	D-280-100
1998	1.5L	WMTXV01.5G2D	LEV1 LEV	All	Rear	944457	D-280-100	--	--
1998	1.5L	WMTXV01.5G2D	LEV1 LEV	All	Rear	--	--	940334	D-280-100

Legal Note: In Compliance with California Emissions Requirements



CATCO
CATALYTIC CONVERTERS

EASTERN CATALYTIC

APPLICATION GUIDE

OBD II

APPLICATION

Year	Eng. Size	Test Group/ Engine Family	Certification Level	Application	Location	Direct Fit Number	Exec. Order	Consol. Number	Exec. Order
Mitsubishi (Cont.)									
Mirage (Cont.)									
L4 (Cont.)									
1997	1.5L	VMT1.5VJG2EK	TLEV	All	Front	941117	D-280-100	--	--
1997	1.5L	VMT1.5VJG2EK	TLEV	All	Front	--	--	944182	D-280-100
1997	1.5L	VMT1.5VJG2EK	TLEV	All	Rear	944457	D-280-100	--	--
1997	1.5L	VMT1.5VJG2EK	TLEV	All	Rear	--	--	940334	D-280-100
1996	1.5L	TMT1.5VJG2EK	TLEV	All	Front	--	--	944182	D-280-100
1996	1.5L	TMT1.5VJG2EK	TLEV	All	Rear	--	--	940334	D-280-100
1995	1.5L	SMT1.5VJG2EK	TLEV	All	Front	--	--	944182	D-280-100
1995	1.5L	SMT1.5VJG2EK	TLEV	All	Rear	--	--	940334	D-280-100
2002	1.8L	2MTXV01.8GNG	LEV1 LEV	All	Front	--	--	944182	D-280-100
2002	1.8L	2MTXV01.8GNG	LEV1 LEV	All	Rear	--	--	940334	D-280-100
2001	1.8L	1MTXV01.8GNG	LEV1 LEV	All	Front	--	--	944182	D-280-100
2001	1.8L	1MTXV01.8GNG	LEV1 LEV	All	Rear	--	--	940334	D-280-100
2000	1.8L	YMTXV01.8GNG	LEV1 LEV	All	Front	--	--	944182	D-280-100
2000	1.8L	YMTXV01.8GNG	LEV1 LEV	All	Rear	--	--	940334	D-280-100
1999	1.8L	XMTXV01.8G2G	LEV1 LEV	All	Front	--	--	944182	D-280-100
1999	1.8L	XMTXV01.8G2G	LEV1 LEV	All	Rear	--	--	940334	D-280-100
1998	1.8L	WMTXV01.8G2G	LEV1 LEV	All	Front	--	--	944182	D-280-100
1998	1.8L	WMTXV01.8G2G	LEV1 LEV	All	Rear	--	--	940334	D-280-100
1997	1.8L	VMT1.8VJG2EK	TLEV	All	Front	--	--	944182	D-280-100
1997	1.8L	VMT1.8VJG2EK	TLEV	All	Rear	--	--	940334	D-280-100
1996	1.8L	TMT1.8VJG2EK	TLEV	All	Front	--	--	944182	D-280-100
1996	1.8L	TMT1.8VJG2EK	TLEV	All	Rear	--	--	940334	D-280-100
1995	1.8L	SMT1.8VJG2EK	TLEV	All	Front	--	--	944182	D-280-100
1995	1.8L	SMT1.8VJG2EK	TLEV	All	Rear	--	--	940334	D-280-100
Montero									
V6									
1996	3.0L	TMT3.02JG2EK	TLEV	All	Front	--	--	912009	D-280-101
1996	3.0L	TMT3.02JG2EK	TLEV	All	Rear	--	--	912005	D-280-101
2002	3.5L	2MTXT03.5GNS	LEV1 LEV	All	Front	911106	D-280-101	--	--
2002	3.5L	2MTXT03.5GNS	LEV1 LEV	All	Rear	912265	D-280-101	--	--
2002	3.5L	2MTXT03.5GNS	LEV1 LEV	All	Rear	--	--	912005	D-280-101
2001	3.5L	1MTXT03.5GNG	LEV1 LEV	All	Front	911106	D-280-101	--	--
2001	3.5L	1MTXT03.5GNG	LEV1 LEV	All	Rear	912265	D-280-101	--	--
2001	3.5L	1MTXT03.5GNG	LEV1 LEV	All	Rear	--	--	912005	D-280-101
2000	3.5L	YMTXT03.5GNH	LEV1 LEV	All	Rear	912291	D-280-101	--	--
2000	3.5L	YMTXT03.5GNH	LEV1 LEV	All	Rear	--	--	912006	D-280-101
1999	3.5L	XMTXT03.5G2G	LEV1 LEV	All	Rear	912291	D-280-101	--	--
1999	3.5L	XMTXT03.5G2G	LEV1 LEV	All	Rear	--	--	912006	D-280-101
1998	3.5L	WMTXT03.5G2G	LEV1 LEV	All	Rear	912291	D-280-101	--	--
1998	3.5L	WMTXT03.5G2G	LEV1 LEV	All	Rear	--	--	912006	D-280-101
1997	3.5L	VMT3.52JG2EK	TLEV	All	Rear	912291	D-280-101	--	--
1997	3.5L	VMT3.52JG2EK	TLEV	All	Rear	--	--	912005	D-280-101
1996	3.5L	TMT3.52JGKEK	TIER1	All	Underbody	912291	D-280-101	--	--
1996	3.5L	TMT3.52JGKEK	TIER1	All	Underbody	--	--	912005	D-280-101
1995	3.5L	SMT3.52JG1EA	TIER1	All	Underbody	912291	D-280-101	--	--
1995	3.5L	SMT3.52JG1EA	TIER1	All	Underbody	--	--	912005	D-280-101
2004	3.8L	4MTXT03.8GAB	LEV1 LEV	All	Front	915210	D-280-101	--	--
2004	3.8L	4MTXT03.8GAB	LEV1 LEV	All	Rear	--	--	912004	D-280-101
2004	3.8L	4MTXT03.8GAB	LEV1 LEV	All	Underbody	915211	D-280-101	--	--
2003	3.8L	3MTXT03.8GNS	LEV1 LEV	All	Front	915210	D-280-101	--	--
2003	3.8L	3MTXT03.8GNS	LEV1 LEV	All	Rear	--	--	912006	D-280-101
2003	3.8L	3MTXT03.8GNS	LEV1 LEV	All	Underbody	915211	D-280-101	--	--
Montero Sport									
L4									
1999	2.4L	XMTXT02.4G1G	TLEV	All	Rear	--	--	912005	D-280-101
1998	2.4L	WMTXT02.4G1G	TLEV	All	Front	--	--	912004	D-280-101
1998	2.4L	WMTXT02.4G1G	TLEV	All	Rear	--	--	912005	D-280-101

APPLICATION GUIDE



OBD II

APPLICATION

Year	Eng. Size	Test Group/ Engine Family	Certification Level	Application	Location	Direct Fit Number	Exec. Order	Consol. Number	Exec. Order
Mitsubishi (Cont.)									
Montero Sport (Cont.)									
L4 (Cont.)									
1997	2.4L	VMT2.42JG2EK	TLEV	All	Front	--	--	912004	D-280-101
1997	2.4L	VMT2.42JG2EK	TLEV	All	Rear	--	--	912005	D-280-101
V6									
2003	3.0L	3MTXT03.5GNS	LEV1 LEV	All	Front Left	911065	D-280-101	--	--
2003	3.0L	3MTXT03.5GNS	LEV1 LEV	All	Front Right	911064	D-280-101	--	--
2003	3.0L	3MTXT03.5GNS	LEV1 LEV	All	Rear	912465	D-280-101	--	--
2003	3.0L	3MTXT03.5GNS	LEV1 LEV	All	Rear	--	--	912005	D-280-101
2002	3.0L	2MTXT03.5GNS	LEV1 LEV	All	Front	--	--	912004	D-280-101
2002	3.0L	2MTXT03.5GNS	LEV1 LEV	All	Front Left	911065	D-280-101	--	--
2002	3.0L	2MTXT03.5GNS	LEV1 LEV	All	Front Right	911064	D-280-101	--	--
2002	3.0L	2MTXT03.5GNS	LEV1 LEV	All	Rear	912465	D-280-101	--	--
2002	3.0L	2MTXT03.5GNS	LEV1 LEV	All	Rear	--	--	912005	D-280-101
2001	3.0L	1MTXT03.5GNS	LEV1 LEV	All	Front Left	911065	D-280-101	--	--
2001	3.0L	1MTXT03.5GNS	LEV1 LEV	All	Front Right	911064	D-280-101	--	--
2001	3.0L	1MTXT03.5GNS	LEV1 LEV	All	Rear	912465	D-280-101	--	--
2001	3.0L	1MTXT03.5GNS	LEV1 LEV	All	Rear	--	--	912005	D-280-101
2000	3.0L	YMTXT03.0GNG	LEV1 LEV	All	Front	--	--	912009	D-280-101
2000	3.0L	YMTXT03.0GNG	LEV1 LEV	All	Front Left	915170	D-280-101	--	--
2000	3.0L	YMTXT03.0GNG	LEV1 LEV	All	Front Right	914003	D-280-101	--	--
2000	3.0L	YMTXT03.0GNG	LEV1 LEV	All	Rear	914711	D-280-101	--	--
2000	3.0L	YMTXT03.0GNG	LEV1 LEV	All	Rear	--	--	912005	D-280-101
1999	3.0L	XMTXT03.0G2G	LEV1 LEV	All	Front Left	915170	D-280-101	--	--
1999	3.0L	XMTXT03.0G2G	LEV1 LEV	All	Front Right	914003	D-280-101	--	--
1999	3.0L	XMTXT03.0G2G	LEV1 LEV	All	Rear	914711	D-280-101	--	--
1999	3.0L	XMTXT03.0G2G	LEV1 LEV	All	Rear	--	--	912005	D-280-101
1998	3.0L	WMTXT03.0G1G	TLEV	All	Rear	914711	D-280-101	--	--
1998	3.0L	WMTXT03.0G1G	TLEV	All	Rear	--	--	912005	D-280-101
1997	3.0L	VMT3.02JG2EK	TLEV	All	Rear	914711	D-280-101	--	--
1997	3.0L	VMT3.02JG2EK	TLEV	All	Rear	--	--	912005	D-280-101
2004	3.5L	4MTXT03.5GAB	LEV1 LEV	All	Front	--	--	912009	D-280-101
2004	3.5L	4MTXT03.5GAB	LEV1 LEV	All	Rear	--	--	912005	D-280-101
2003	3.5L	3MTXT03.5GNS	LEV1 LEV	All	Front	--	--	912004	D-280-101
2003	3.5L	3MTXT03.5GNS	LEV1 LEV	All	Rear	912465	D-280-101	--	--
2003	3.5L	3MTXT03.5GNS	LEV1 LEV	All	Rear	--	--	912005	D-280-101
2002	3.5L	2MTXT03.5GNS	LEV1 LEV	All	Front	--	--	912004	D-280-101
2002	3.5L	2MTXT03.5GNS	LEV1 LEV	All	Rear	912465	D-280-101	--	--
2002	3.5L	2MTXT03.5GNS	LEV1 LEV	All	Rear	--	--	912005	D-280-101
2001	3.5L	1MTXT03.5GNS	LEV1 LEV	All	Rear	912465	D-280-101	--	--
2001	3.5L	1MTXT03.5GNS	LEV1 LEV	All	Rear	--	--	912005	D-280-101
2000	3.5L	YMTXT03.5GNG	LEV1 LEV	All	Front	--	--	912009	D-280-101
2000	3.5L	YMTXT03.5GNG	LEV1 LEV	All	Front Left	915171	D-280-101	--	--
2000	3.5L	YMTXT03.5GNG	LEV1 LEV	All	Front Right	915172	D-280-101	--	--
2000	3.5L	YMTXT03.5GNG	LEV1 LEV	All	Rear	914711	D-280-101	--	--
2000	3.5L	YMTXT03.5GNG	LEV1 LEV	All	Rear	--	--	912006	D-280-101
1999	3.5L	XMTXT03.5G2H	LEV1 LEV	All	Front Left	915171	D-280-101	--	--
1999	3.5L	XMTXT03.5G2H	LEV1 LEV	All	Front Right	915172	D-280-101	--	--
1999	3.5L	XMTXT03.5G2H	LEV1 LEV	All	Rear	--	--	912006	D-280-101
Outlander									
L4									
2004	2.4L	4MTXT02.4GBB	LEV1 LEV	All	Underbody	--	--	940335	D-280-100
2003	2.4L	3MTXT02.4GNG	LEV1 LEV	All	Underbody	--	--	940335	D-280-100
2003	2.4L	3MTXT02.4GNG	LEV1 LEV	AWD	Underbody	944795	D-280-100	--	--
Raider									
V6									
2009	3.7L	9CRXT03.71P0	LEV2 LEV	All	Front Left	--	--	740005	D-798
2009	3.7L	9CRXT03.71P0	LEV2 LEV	All	Front Right	--	--	740005	D-798
2009	3.7L	9CRXT03.71P0	LEV2 LEV	All	Underbody	749163	D-798	--	--

Legal Note: In Compliance with California Emissions Requirements

**CATCO**
CATALYTIC CONVERTERS**EASTERN CATALYTIC****APPLICATION GUIDE****OBD II****APPLICATION**

Year	Eng. Size	Test Group/ Engine Family	Certification Level	Application	Location	Direct Fit Number	Exec. Order	Consol. Number	Exec. Order
Mitsubishi (Cont.)									
Raider (Cont.)									
V6 (Cont.)									
2009	3.7L	9CRXT03.7CR1	LEV2 ULEV	All	Front Left	--	--	740005	D-798
2009	3.7L	9CRXT03.7CR1	LEV2 ULEV	All	Front Right	--	--	740005	D-798
2009	3.7L	9CRXT03.7CR1	LEV2 ULEV	All	Underbody	749163	D-798	--	--
2008	3.7L	8CRXT0226P80	LEV2 ULEV	All	Front Left	--	--	740005	D-798
2008	3.7L	8CRXT0226P80	LEV2 ULEV	All	Front Right	--	--	740005	D-798
2008	3.7L	8CRXT0226P80	LEV2 ULEV	All	Underbody	749163	D-798	--	--
2008	3.7L	8CRXT03.7PE0	LEV2 LEV	All	Front Left	--	--	740005	D-798
2008	3.7L	8CRXT03.7PE0	LEV2 LEV	All	Front Right	--	--	740005	D-798
2008	3.7L	8CRXT03.7PE0	LEV2 LEV	All	Underbody	749163	D-798	--	--
2007	3.7L	7CRXT0226P81	LEV2 ULEV	All	Front Left	--	--	740005	D-798
2007	3.7L	7CRXT0226P81	LEV2 ULEV	All	Front Right	--	--	740005	D-798
2007	3.7L	7CRXT0226P81	LEV2 ULEV	All	Underbody	749163	D-798	--	--
2007	3.7L	7CRXT03.7PE0	LEV2 LEV	All	Front Left	--	--	740005	D-798
2007	3.7L	7CRXT03.7PE0	LEV2 LEV	All	Front Right	--	--	740005	D-798
2007	3.7L	7CRXT03.7PE0	LEV2 LEV	All	Underbody	749163	D-798	--	--
2006	3.7L	6CRXT03.75S2	LEV1 LEV	All	Underbody	919163	D-280-101	--	--
V8									
2007	4.7L	7CRXT0287P80	LEV2 ULEV	All	Front Left	--	--	740005	D-798
2007	4.7L	7CRXT0287P80	LEV2 ULEV	All	Front Right	--	--	740005	D-798
2007	4.7L	7CRXT0287P80	LEV2 ULEV	All	Underbody	749163	D-798	--	--
2007	4.7L	7CRXT04.7PE0	LEV2 LEV	All	Front Left	--	--	740005	D-798
2007	4.7L	7CRXT04.7PE0	LEV2 LEV	All	Front Right	--	--	740005	D-798
2007	4.7L	7CRXT04.7PE0	LEV2 LEV	All	Underbody	749163	D-798	--	--
Nissan									
200SX									
L4									
1998	1.6L	WNSXV01.631A	LEV1 LEV	All	Front	942058	D-280-100	--	--
1998	1.6L	WNSXV01.631A	LEV1 LEV	All	Rear	942841	D-280-100	--	--
1998	1.6L	WNSXV01.631A	LEV1 LEV	All	Rear	--	--	940333	D-280-100
1997	1.6L	VNS1.6VJG3EK	LEV1 LEV	All	Front	942058	D-280-100	--	--
1997	1.6L	VNS1.6VJG3EK	LEV1 LEV	All	Rear	942841	D-280-100	--	--
1997	1.6L	VNS1.6VJG3EK	LEV1 LEV	All	Rear	--	--	940333	D-280-100
1996	1.6L	TNS1.6VJG2EK	TLEV	All	Front	942058	D-280-100	--	--
1996	1.6L	TNS1.6VJG2EK	TLEV	All	Underbody	942841	D-280-100	--	--
1995	1.6L	SNS1.6VJG2EK	TLEV	All	Front	942058	D-280-100	--	--
1995	1.6L	SNS1.6VJG2EK	TLEV	All	Underbody	942841	D-280-100	--	--
1995	1.6L	SNS1.6VJG2EK	TLEV	All	Underbody	--	--	940334	D-280-100
1998	2.0L	WNSXV02.0A2A	TIER1	All	Rear	942841	D-280-100	--	--
1998	2.0L	WNSXV02.0A2A	TIER1	All	Underbody	--	--	940334	D-280-100
1996	2.0L	TNS2.0VJGFEK	TIER1	All	Underbody	942841	D-280-100	--	--
1996	2.0L	TNS2.0VJGFEK	TIER1	All	Underbody	--	--	940334	D-280-100
1995	2.0L	SNS2.0VJGFEK	TIER1	All	Underbody	942841	D-280-100	--	--
1995	2.0L	SNS2.0VJGFEK	TIER1	All	Underbody	--	--	940334	D-280-100
240SX									
L4									
1998	2.4L	WNSXV02.4A3B	TIER1	All	Underbody	944323	D-280-100	--	--
1998	2.4L	WNSXV02.4A3B	TIER1	All	Underbody	--	--	942564	D-280-100
1997	2.4L	VNS2.4VJGKFK	TIER1	All	Underbody	944323	D-280-100	--	--
1997	2.4L	VNS2.4VJGKFK	TIER1	All	Underbody	--	--	942564	D-280-100
1996	2.4L	TNS2.4VJG1GK	TIER1	All	Underbody	944323	D-280-100	--	--
1996	2.4L	TNS2.4VJG1GK	TIER1	All	Underbody	--	--	942564	D-280-100
1995	2.4L	SNS2.4VJGFFK	TIER1	All	Underbody	944323	D-280-100	--	--
1995	2.4L	SNS2.4VJGFFK	TIER1	All	Underbody	--	--	942564	D-280-100
300ZX									
V6									
1996	3.0L	TNS3.0VJGFGK	TIER1	All	Underbody	--	--	940104	D-280-100
1996	3.0L	TNS3.0VJGFHK	TIER1	All	Underbody	--	--	940104	D-280-100

Legal Note: In Compliance with California Emissions Requirements

APPLICATION GUIDE



OBD II

APPLICATION

Year	Eng. Size	Test Group/ Engine Family	Certification Level	Application	Location	Direct Fit Number	Exec. Order	Consol. Number	Exec. Order
Nissan (Cont.)									
300ZX (Cont.)									
V6 (Cont.)									
1995	3.0L	SNS3.0VJGFEA	TIER1	All	Left	942718	D-280-100	--	--
1995	3.0L	SNS3.0VJGFEA	TIER1	All	Right	942717	D-280-100	--	--
1995	3.0L	SNS3.0VJGFEA	TIER1	All	Underbody	--	--	940104	D-280-100
350Z									
V6									
2007	3.5L	7NSXV03.5GAE	LEV2 ULEV	All	Front	--	--	750006	D-280-102
2007	3.5L	7NSXV03.5GAE	LEV2 ULEV	All	Rear	--	--	755006	D-280-102
2006	3.5L	6NSXV03.5G7A	LEV2 LEV	All	Front Left	--	--	750005	D-280-102
2006	3.5L	6NSXV03.5G7A	LEV2 LEV	All	Front Right	--	--	750005	D-280-102
2006	3.5L	6NSXV03.5G7A	LEV2 LEV	All	Underbody Left	754193	D-280-102	--	--
2006	3.5L	6NSXV03.5G7A	LEV2 LEV	All	Underbody Left	--	--	755005	D-280-102
2006	3.5L	6NSXV03.5G7A	LEV2 LEV	All	Underbody Right	754192	D-280-102	--	--
2006	3.5L	6NSXV03.5G7A	LEV2 LEV	All	Underbody Right	--	--	755005	D-280-102
2005	3.5L	5NSXV03.5G7A	LEV2 LEV	All	Front	--	--	750006	D-280-102
2005	3.5L	5NSXV03.5G7A	LEV2 LEV	All	Rear	--	--	755006	D-280-102
2005	3.5L	5NSXV03.5G7A	LEV2 LEV	All	Underbody Left	754193	D-280-102	--	--
2005	3.5L	5NSXV03.5G7A	LEV2 LEV	All	Underbody Right	754192	D-280-102	--	--
2004	3.5L	4NSXV03.5G7A	LEV2 LEV	All	Front	--	--	750006	D-280-102
2004	3.5L	4NSXV03.5G7A	LEV2 LEV	All	Rear	--	--	755006	D-280-102
2004	3.5L	4NSXV03.5G7A	LEV2 LEV	All	Underbody Left	754193	D-280-102	--	--
2004	3.5L	4NSXV03.5G7A	LEV2 LEV	All	Underbody Right	754192	D-280-102	--	--
2004	3.5L	4NSXV03.5N7C	LEV1 LEV	All	Rear	--	--	940104	D-280-100
2004	3.5L	4NSXV03.5N7C	LEV1 LEV	All	Underbody Left	944193	D-280-100	--	--
2004	3.5L	4NSXV03.5N7C	LEV1 LEV	All	Underbody Left	--	--	940104	D-280-100
2004	3.5L	4NSXV03.5N7C	LEV1 LEV	All	Underbody Right	944192	D-280-100	--	--
2003	3.5L	3NSXV03.5C7B	LEV1 LEV	All	Rear	--	--	940104	D-280-100
2003	3.5L	3NSXV03.5C7B	LEV1 LEV	All	Underbody Left	944193	D-280-100	--	--
2003	3.5L	3NSXV03.5C7B	LEV1 LEV	All	Underbody Left	--	--	940104	D-280-100
2003	3.5L	3NSXV03.5C7B	LEV1 LEV	All	Underbody Right	944192	D-280-100	--	--
Altima									
L4									
2001	2.4L	1NSXV02.4C4A	LEV1 LEV	All	Front	942017	D-280-100	--	--
2001	2.4L	1NSXV02.4C4A	LEV1 LEV	All	Rear	942317	D-280-100	--	--
2001	2.4L	1NSXV02.4C4A	LEV1 LEV	All	Rear	--	--	940336	D-280-100
2001	2.4L	1NSXX02.4C4A	LEV1 LEV	All	Front	942017	D-280-100	--	--
2001	2.4L	1NSXX02.4C4A	LEV1 LEV	All	Rear	942317	D-280-100	--	--
2001	2.4L	1NSXX02.4C4A	LEV1 LEV	All	Rear	--	--	940336	D-280-100
2000	2.4L	YNSXV02.433A	LEV1 LEV	All	Front	942017	D-280-100	--	--
2000	2.4L	YNSXV02.433A	LEV1 LEV	All	Rear	942317	D-280-100	--	--
2000	2.4L	YNSXV02.433A	LEV1 LEV	All	Rear	--	--	940336	D-280-100
1999	2.4L	XNSXV02.433A	LEV1 LEV	All	Front	942017	D-280-100	--	--
1999	2.4L	XNSXV02.433A	LEV1 LEV	All	Rear	942841	D-280-100	--	--
1999	2.4L	XNSXV02.433A	LEV1 LEV	All	Rear	942317	D-280-100	--	--
1999	2.4L	XNSXV02.433A	LEV1 LEV	All	Rear	--	--	940336	D-280-100
1998	2.4L	WNSXV02.433B	LEV1 LEV	All	Front	942017	D-280-100	--	--
1998	2.4L	WNSXV02.433B	LEV1 LEV	All	Rear	942841	D-280-100	--	--
1998	2.4L	WNSXV02.433B	LEV1 LEV	All	Rear	942317	D-280-100	--	--
1998	2.4L	WNSXV02.433B	LEV1 LEV	All	Rear	--	--	940336	D-280-100
1997	2.4L	VNS2.4VJG2EK	TLEV	All	Rear	942841	D-280-100	--	--
1997	2.4L	VNS2.4VJG2EK	TLEV	All	Rear	--	--	940333	D-280-100
1996	2.4L	TNS2.4VJG2EK	TLEV	All	Rear	942841	D-280-100	--	--
1996	2.4L	TNS2.4VJG2EK	TLEV	All	Rear	--	--	940334	D-280-100
1995	2.4L	SNS2.4VJG2EK	TLEV	All	Rear	942841	D-280-100	--	--
1995	2.4L	SNS2.4VJG2EK	TLEV	All	Rear	--	--	940333	D-280-100
2007	2.5L	7NSXV02.5G5A	LEV2 LEV	All	Front	751169	D-280-102	--	--
2007	2.5L	7NSXV02.5G5A	LEV2 LEV	All	Rear	755024	D-280-102	--	--
2007	2.5L	7NSXV02.5G5A	LEV2 LEV	All	Rear	--	--	755005	D-280-102

Legal Note: In Compliance with California Emissions Requirements

**CATCO**
CATALYTIC CONVERTERS**EASTERN
CATALYTIC**

APPLICATION GUIDE

OBD II**APPLICATION**

Year	Eng. Size	Test Group/ Engine Family	Certification Level	Application	Location	Direct Fit Number	Exec. Order	Consol. Number	Exec. Order
Nissan (Cont.)									
Altima (Cont.)									
L4 (Cont.)									
2006	2.5L	6NSXV02.5G5A	LEV2 LEV	All	Front	751195	D-280-102	--	--
2006	2.5L	6NSXV02.5G5A	LEV2 LEV	All	Front	--	--	750006	D-280-102
2006	2.5L	6NSXV02.5G5A	LEV2 LEV	All	Underbody	754295	D-280-102	--	--
2006	2.5L	6NSXV02.5G5A	LEV2 LEV	All	Underbody	--	--	755006	D-280-102
2005	2.5L	5NSXV02.5G5A	LEV2 LEV	All	Front	751195	D-280-102	--	--
2005	2.5L	5NSXV02.5G5A	LEV2 LEV	All	Front	--	--	750006	D-280-102
2005	2.5L	5NSXV02.5G5A	LEV2 LEV	All	Underbody	754295	D-280-102	--	--
2005	2.5L	5NSXV02.5G5A	LEV2 LEV	All	Underbody	--	--	755006	D-280-102
2004	2.5L	4NSXV02.5G5A	LEV2 LEV	All	Front	751195	D-280-102	--	--
2004	2.5L	4NSXV02.5G5A	LEV2 LEV	All	Front	--	--	750006	D-280-102
2004	2.5L	4NSXV02.5G5A	LEV2 LEV	All	Underbody	754295	D-280-102	--	--
2004	2.5L	4NSXV02.5G5A	LEV2 LEV	All	Underbody	--	--	755006	D-280-102
2003	2.5L	3NSXV02.5D5A	LEV1 ULEV	All	Front	751195	D-280-102	--	--
2003	2.5L	3NSXV02.5D5A	LEV1 ULEV	All	Front	--	--	750006	D-280-102
2003	2.5L	3NSXV02.5D5A	LEV1 ULEV	All	Underbody	754295	D-280-102	--	--
2003	2.5L	3NSXV02.5D5A	LEV1 ULEV	All	Underbody	--	--	750006	D-280-102
2002	2.5L	2NSXV02.5D5A	LEV1 ULEV	All	Front	751195	D-280-102	--	--
2002	2.5L	2NSXV02.5D5A	LEV1 ULEV	All	Front	--	--	750006	D-280-102
2002	2.5L	2NSXV02.5D5A	LEV1 ULEV	All	Underbody	754295	D-280-102	--	--
2002	2.5L	2NSXV02.5D5A	LEV1 ULEV	All	Underbody	--	--	755006	D-280-102
V6									
2007	3.5L	7NSXV03.5G7B	LEV2 ULEV	All	Front	751236	D-280-102	--	--
2007	3.5L	7NSXV03.5G7B	LEV2 ULEV	All	Rear	751237	D-280-102	--	--
2007	3.5L	7NSXV03.5G7B	LEV2 ULEV	All	Underbody	754606	D-280-102	--	--
2007	3.5L	7NSXV03.5G7B	LEV2 ULEV	All	Underbody	--	--	755005	D-280-102
2006	3.5L	6NSXV03.5G7A	LEV2 LEV	A/T	Front Left	751126	D-280-102	--	--
2006	3.5L	6NSXV03.5G7A	LEV2 LEV	A/T	Underbody	754438	D-280-102	--	--
2006	3.5L	6NSXV03.5G7A	LEV2 LEV	M/T	Front Left	751196	D-280-102	--	--
2006	3.5L	6NSXV03.5G7A	LEV2 LEV	M/T	Underbody	754396	D-280-102	--	--
2006	3.5L	6NSXV03.5G7A	LEV2 LEV	All	Front, Right	751197	D-280-102	--	--
2006	3.5L	6NSXV03.5G7A	LEV2 LEV	All	Underbody	--	--	755005	D-280-102
2005	3.5L	5NSXV03.5N7A	LEV1 LEV	A/T	Front Left	941126	D-280-100	--	--
2005	3.5L	5NSXV03.5N7A	LEV1 LEV	A/T	Front Left	751126	D-280-102	--	--
2005	3.5L	5NSXV03.5N7A	LEV1 LEV	A/T	Rear	754438	D-280-102	--	--
2005	3.5L	5NSXV03.5N7A	LEV1 LEV	M/T	Front, Left	751196	D-280-102	--	--
2005	3.5L	5NSXV03.5N7A	LEV1 LEV	M/T	Rear	754396	D-280-102	--	--
2005	3.5L	5NSXV03.5N7A	LEV1 LEV	All	Front Right	944438	D-280-100	--	--
2005	3.5L	5NSXV03.5N7A	LEV1 LEV	All	Front Right	941197	D-280-100	--	--
2005	3.5L	5NSXV03.5N7A	LEV1 LEV	All	Front Right	751197	D-280-102	--	--
2005	3.5L	5NSXV03.5N7A	LEV1 LEV	All	Underbody	--	--	755005	D-280-102
2004	3.5L	4NSXV03.5N7A	LEV1 LEV	From 01/04, M/T	Front Left	751196	D-280-102	--	--
2004	3.5L	4NSXV03.5N7A	LEV1 LEV	From 01/04, M/T	Underbody	754396	D-280-102	--	--
2004	3.5L	4NSXV03.5N7A	LEV1 LEV	All	Front Left	941078	D-280-100	--	--
2004	3.5L	4NSXV03.5N7A	LEV1 LEV	All	Front Right	941079	D-280-100	--	--
2004	3.5L	4NSXV03.5N7A	LEV1 LEV	All	Front Right	751197	D-280-102	--	--
2004	3.5L	4NSXV03.5N7A	LEV1 LEV	All	Underbody	944368	D-280-100	--	--
2004	3.5L	4NSXV03.5N7A	LEV1 LEV	All	Underbody	--	--	755005	D-280-102
2003	3.5L	3NSXV03.5C7A	LEV1 LEV	A/T	Front Left	751126	D-280-102	--	--
2003	3.5L	3NSXV03.5C7A	LEV1 LEV	A/T	Underbody	754438	D-280-102	--	--
2003	3.5L	3NSXV03.5C7A	LEV1 LEV	M/T	Front Left	751196	D-280-102	--	--
2003	3.5L	3NSXV03.5C7A	LEV1 LEV	All	Front Left	941196	D-280-100	--	--
2003	3.5L	3NSXV03.5C7A	LEV1 LEV	All	Front Right	944396	D-280-100	--	--
2003	3.5L	3NSXV03.5C7A	LEV1 LEV	All	Front Right	941197	D-280-100	--	--
2003	3.5L	3NSXV03.5C7A	LEV1 LEV	All	Front Right	751197	D-280-102	--	--
2003	3.5L	3NSXV03.5C7A	LEV1 LEV	All	Underbody	754396	D-280-102	--	--
2003	3.5L	3NSXV03.5C7A	LEV1 LEV	All	Underbody	--	--	755005	D-280-102
2002	3.5L	2NSXV03.5C6A	LEV1 LEV	M/T	Front Left	751196	D-280-102	--	--

Legal Note: In Compliance with California Emissions Requirements

APPLICATION GUIDE



OBD II

APPLICATION

Year	Eng. Size	Test Group/ Engine Family	Certification Level	Application	Location	Direct Fit Number	Exec. Order	Consol. Number	Exec. Order
Nissan (Cont.)									
Altima (Cont.)									
V6 (Cont.)									
2002	3.5L	2NSXV03.5C6A	LEV1 LEV	All	Front Left	941196	D-280-100	--	--
2002	3.5L	2NSXV03.5C6A	LEV1 LEV	All	Front Right	941197	D-280-100	--	--
2002	3.5L	2NSXV03.5C6A	LEV1 LEV	All	Front Right	751197	D-280-102	--	--
2002	3.5L	2NSXV03.5C6A	LEV1 LEV	All	Front, Right	944396	D-280-100	--	--
2002	3.5L	2NSXV03.5C6A	LEV1 LEV	All	Underbody	754396	D-280-102	--	--
2002	3.5L	2NSXV03.5C6A	LEV1 LEV	All	Underbody	--	--	755005	D-280-102
Armada									
V8									
2013	5.6L	DNSXT05.6G9A	LEV2 LEV	All	Front Left	741248	D-798	--	--
2013	5.6L	DNSXT05.6G9A	LEV2 LEV	All	Front Right	741249	D-798	--	--
2013	5.6L	DNSXT05.6G9A	LEV2 LEV	All	Rear Left	744005	D-798	--	--
2013	5.6L	DNSXT05.6G9A	LEV2 LEV	All	Rear Left	--	--	747336	D-798
2013	5.6L	DNSXT05.6G9A	LEV2 LEV	All	Rear Right	744758	D-798	--	--
2013	5.6L	DNSXT05.6G9A	LEV2 LEV	All	Rear Right	--	--	747336	D-798
2012	5.6L	CNSXT05.6G9A	LEV2 LEV	All	Front Left	741248	D-798	--	--
2012	5.6L	CNSXT05.6G9A	LEV2 LEV	All	Front Right	741249	D-798	--	--
2012	5.6L	CNSXT05.6G9A	LEV2 LEV	All	Rear Left	744005	D-798	--	--
2012	5.6L	CNSXT05.6G9A	LEV2 LEV	All	Rear Left	--	--	747336	D-798
2012	5.6L	CNSXT05.6G9A	LEV2 LEV	All	Rear Right	744758	D-798	--	--
2012	5.6L	CNSXT05.6G9A	LEV2 LEV	All	Rear Right	--	--	747336	D-798
2011	5.6L	BNSXT05.6G9A	LEV2 LEV	All	Front Left	741248	D-798	--	--
2011	5.6L	BNSXT05.6G9A	LEV2 LEV	All	Front Right	741249	D-798	--	--
2011	5.6L	BNSXT05.6G9A	LEV2 LEV	All	Rear Left	744005	D-798	--	--
2011	5.6L	BNSXT05.6G9A	LEV2 LEV	All	Rear Left	--	--	747336	D-798
2011	5.6L	BNSXT05.6G9A	LEV2 LEV	All	Rear Right	744758	D-798	--	--
2011	5.6L	BNSXT05.6G9A	LEV2 LEV	All	Rear Right	--	--	747336	D-798
2010	5.6L	ANSXT05.6G9A	LEV2 LEV	All	Front Left	741248	D-798	--	--
2010	5.6L	ANSXT05.6G9A	LEV2 LEV	All	Front Right	741249	D-798	--	--
2010	5.6L	ANSXT05.6G9A	LEV2 LEV	All	Rear Left	744005	D-798	--	--
2010	5.6L	ANSXT05.6G9A	LEV2 LEV	All	Rear Left	--	--	747336	D-798
2010	5.6L	ANSXT05.6G9A	LEV2 LEV	All	Rear Right	744758	D-798	--	--
2010	5.6L	ANSXT05.6G9A	LEV2 LEV	All	Rear Right	--	--	747336	D-798
2009	5.6L	9NSXT05.6G9A	LEV2 LEV	All	Front Left	741248	D-798	--	--
2009	5.6L	9NSXT05.6G9A	LEV2 LEV	All	Front Right	741249	D-798	--	--
2009	5.6L	9NSXT05.6G9A	LEV2 LEV	All	Rear Left	744005	D-798	--	--
2009	5.6L	9NSXT05.6G9A	LEV2 LEV	All	Rear Left	--	--	747336	D-798
2009	5.6L	9NSXT05.6G9A	LEV2 LEV	All	Rear Right	744758	D-798	--	--
2009	5.6L	9NSXT05.6G9A	LEV2 LEV	All	Rear Right	--	--	747336	D-798
2008	5.6L	8NSXT05.6G9A	LEV2 LEV	All	Front Left	741248	D-798	--	--
2008	5.6L	8NSXT05.6G9A	LEV2 LEV	All	Front Right	741249	D-798	--	--
2008	5.6L	8NSXT05.6G9A	LEV2 LEV	All	Rear Left	744005	D-798	--	--
2008	5.6L	8NSXT05.6G9A	LEV2 LEV	All	Rear Left	--	--	747336	D-798
2008	5.6L	8NSXT05.6G9A	LEV2 LEV	All	Rear Right	744758	D-798	--	--
2008	5.6L	8NSXT05.6G9A	LEV2 LEV	All	Rear Right	--	--	747336	D-798
2007	5.6L	7NSXT05.6G9A	LEV2 LEV	All	Front Left	741248	D-798	--	--
2007	5.6L	7NSXT05.6G9A	LEV2 LEV	All	Front Right	741249	D-798	--	--
2007	5.6L	7NSXT05.6G9A	LEV2 LEV	All	Rear Left	744005	D-798	--	--
2007	5.6L	7NSXT05.6G9A	LEV2 LEV	All	Rear Left	--	--	747336	D-798
2007	5.6L	7NSXT05.6G9A	LEV2 LEV	All	Rear Right	744758	D-798	--	--
2007	5.6L	7NSXT05.6G9A	LEV2 LEV	All	Rear Right	--	--	747336	D-798
Cube									
L4									
2009	1.8L	9NSXV01.8G1B	LEV2 LEV	All	Front	--	--	760005	D-280-105
2009	1.8L	9NSXV01.8G1B	LEV2 LEV	All	Rear	--	--	760005	D-280-105

Legal Note: In Compliance with California Emissions Requirements



CATCO
CATALYTIC CONVERTERS

EASTERN CATALYTIC

APPLICATION GUIDE

OBD II

APPLICATION

Year	Eng. Size	Test Group/ Engine Family	Certification Level	Application	Location	Direct Fit Number	Exec. Order	Consol. Number	Exec. Order
Frontier									
L4									
2004	2.4L	4NSXT02.4N4A	LEV1 LEV	All	Front	941109	D-280-100	--	--
2004	2.4L	4NSXT02.4N4A	LEV1 LEV	All	Rear	942317	D-280-100	--	--
2004	2.4L	4NSXT02.4N4A	LEV1 LEV	All	Rear	--	--	940334	D-280-100
2003	2.4L	3NSXT02.4C4A	LEV1 LEV	All	Front	941109	D-280-100	--	--
2003	2.4L	3NSXT02.4C4A	LEV1 LEV	All	Rear	942317	D-280-100	--	--
2003	2.4L	3NSXT02.4C4A	LEV1 LEV	All	Rear	--	--	940334	D-280-100
2002	2.4L	2NSXT02.4C4B	LEV1 LEV	All	Front	941109	D-280-100	--	--
2002	2.4L	2NSXT02.4C4B	LEV1 LEV	All	Rear	942317	D-280-100	--	--
2002	2.4L	2NSXT02.4C4B	LEV1 LEV	All	Rear	--	--	940334	D-280-100
2001	2.4L	1NSXT02.4C4A	LEV1 LEV	All	Front	941109	D-280-100	--	--
2001	2.4L	1NSXT02.4C4A	LEV1 LEV	All	Rear	942317	D-280-100	--	--
2001	2.4L	1NSXT02.4C4A	LEV1 LEV	All	Rear	--	--	940334	D-280-100
2001	2.4L	1NSXX02.4C4A	LEV1 LEV	RWD	Rear	809560	D-665-23	--	--
2001	2.4L	1NSXX02.4C4A	LEV1 LEV	RWD	Rear	809543	D-665-23	--	--
2001	2.4L	1NSXX02.4C4A	LEV1 LEV	All	Front	941109	D-280-100	--	--
2000	2.4L	YNSXT02.423A	TLEV	All	Front	808553	D-665-23	--	--
2000	2.4L	YNSXT02.423A	TLEV	All	Rear	942377	D-280-100	--	--
2000	2.4L	YNSXT02.423A	TLEV	All	Rear	--	--	940334	D-280-100
2000	2.4L	YNSXT02.423B	TLEV	4WD	Front	911109	D-280-101	--	--
2000	2.4L	YNSXT02.423B	TLEV	4WD	Rear	914772	D-280-101	--	--
2000	2.4L	YNSXT02.423B	TLEV	4WD	Underbody	--	--	912004R	D-280-101
2000	2.4L	YNSXT02.423B	TLEV	All	Rear	942377	D-280-100	--	--
2000	2.4L	YNSXT02.423B	TLEV	All	Rear	--	--	940334	D-280-100
1999	2.4L	XNSXT02.423A	TLEV	All	Rear	942377	D-280-100	--	--
1999	2.4L	XNSXT02.423A	TLEV	All	Rear	--	--	940334	D-280-100
1999	2.4L	XNSXT02.423B	TLEV	4WD	Rear	914772	D-280-101	--	--
1999	2.4L	XNSXT02.423B	TLEV	4WD	Rear	--	--	912005	D-280-101
1998	2.4L	WNSXT02.423B	TLEV	All	Rear	914772	D-280-101	--	--
1998	2.4L	WNSXT02.423B	TLEV	All	Rear	--	--	912005	D-280-101
1998	2.4L	WNSXT02.423B	TLEV	All	Rear	942377	D-280-100	--	--
2013	2.5L	DNSXT02.5G5A	LEV2 ULEV	All	Front	741304	D-798	--	--
2013	2.5L	DNSXT02.5G5A	LEV2 ULEV	All	Rear	--	--	747335	D-798
2012	2.5L	CNSXT02.5G5A	LEV2 ULEV	All	Front	741304	D-798	--	--
2012	2.5L	CNSXT02.5G5A	LEV2 ULEV	All	Front	--	--	740335	D-798
2012	2.5L	CNSXT02.5G5A	LEV2 ULEV	All	Rear	--	--	747335	D-798
2011	2.5L	BNSXT02.5G5A	LEV2 ULEV	All	Front	741304	D-798	--	--
2011	2.5L	BNSXT02.5G5A	LEV2 ULEV	All	Front	--	--	740335	D-798
2011	2.5L	BNSXT02.5G5A	LEV2 ULEV	All	Rear	--	--	747005	D-798
2010	2.5L	ANSXT02.5G5A	LEV2 ULEV	All	Front	741304	D-798	--	--
2010	2.5L	ANSXT02.5G5A	LEV2 ULEV	All	Front	--	--	740335	D-798
2010	2.5L	ANSXT02.5G5A	LEV2 ULEV	All	Rear	--	--	747005	D-798
2009	2.5L	9NSXT02.5G5A	LEV2 ULEV	All	Front	741304	D-798	--	--
2009	2.5L	9NSXT02.5G5A	LEV2 ULEV	All	Front	--	--	740335	D-798
2009	2.5L	9NSXT02.5G5A	LEV2 ULEV	All	Rear	--	--	747005	D-798
2008	2.5L	8NSXT02.5G5A	LEV2 ULEV	All	Front	741304	D-798	--	--
2008	2.5L	8NSXT02.5G5A	LEV2 ULEV	All	Front	--	--	740335	D-798
2008	2.5L	8NSXT02.5G5A	LEV2 ULEV	All	Rear	--	--	747005	D-798
2007	2.5L	7NSXT02.5G5A	LEV2 ULEV	All	Front	741304	D-798	--	--
2007	2.5L	7NSXT02.5G5A	LEV2 ULEV	All	Front	--	--	740335	D-798
2007	2.5L	7NSXT02.5G5A	LEV2 ULEV	All	Rear	--	--	747005	D-798
2006	2.5L	6NSXT02.5G5A	LEV2 ULEV	All	Front	741304	D-798	--	--
2006	2.5L	6NSXT02.5G5A	LEV2 ULEV	All	Front	--	--	740335	D-798
2006	2.5L	6NSXT02.5G5A	LEV2 ULEV	All	Rear	--	--	747005	D-798
2005	2.5L	5NSXT02.5G5A	LEV2 ULEV	All	Front	741304	D-798	--	--
2005	2.5L	5NSXT02.5G5A	LEV2 ULEV	All	Front	--	--	740335	D-798
2005	2.5L	5NSXT02.5G5A	LEV2 ULEV	All	Rear	--	--	747005	D-798

Legal Note: In Compliance with California Emissions Requirements

APPLICATION GUIDE



OBD II

APPLICATION

Year	Eng. Size	Test Group/ Engine Family	Certification Level	Application	Location	Direct Fit Number	Exec. Order	Consol. Number	Exec. Order
Nissan (Cont.)									
Frontier (Cont.)									
V6									
2004	3.3L	4NSXT03.3M6B	LEV1 LEV	All	Rear	--	--	912005	D-280-101
2004	3.3L	4NSXT03.3M6B	LEV1 LEV	All	Rear Left	914463 (2)	D-280-101	--	--
2004	3.3L	4NSXT03.3M6B	LEV1 LEV	All	Rear Left	910237 (1)	D-280-101	--	--
2004	3.3L	4NSXT03.3M6B	LEV1 LEV	All	Rear Right	912236	D-280-101	--	--
2004	3.3L	4NSXT03.3M6B	LEV1 LEV	Naturally Aspirated	Front Left	911125	D-280-101	--	--
2004	3.3L	4NSXT03.3M6B	LEV1 LEV	Naturally Aspirated	Front Right	911124	D-280-101	--	--
2004	3.3L	4NSXT03.5M7A	LEV1 LEV	All	Rear	--	--	912005	D-280-101
2004	3.3L	4NSXT03.5M7A	LEV1 LEV	All	Rear Left	914463 (2)	D-280-101	--	--
2004	3.3L	4NSXT03.5M7A	LEV1 LEV	All	Rear Left	910237 (1)	D-280-101	--	--
2004	3.3L	4NSXT03.5M7A	LEV1 LEV	All	Rear Right	912236	D-280-101	--	--
2004	3.3L	4NSXT03.5M7A	LEV1 LEV	Naturally Aspirated	Front Left	911125	D-280-101	--	--
2004	3.3L	4NSXT03.5M7A	LEV1 LEV	Naturally Aspirated	Front Right	911124	D-280-101	--	--
2003	3.3L	3NSXT03.3C6A	LEV1 LEV	All	Rear	--	--	912005	D-280-101
2003	3.3L	3NSXT03.3C6A	LEV1 LEV	All	Rear Left	914463 (2)	D-280-101	--	--
2003	3.3L	3NSXT03.3C6A	LEV1 LEV	All	Rear Left	910237 (1)	D-280-101	--	--
2003	3.3L	3NSXT03.3C6A	LEV1 LEV	All	Rear Right	912236	D-280-101	--	--
2003	3.3L	3NSXT03.3C6A	LEV1 LEV	Naturally Aspirated	Front Left	911125	D-280-101	--	--
2003	3.3L	3NSXT03.3C6A	LEV1 LEV	Naturally Aspirated	Front Right	911124	D-280-101	--	--
2002	3.3L	2NSXT03.3C5A	LEV1 LEV	All	Rear	--	--	912005	D-280-101
2002	3.3L	2NSXT03.3C5A	LEV1 LEV	All	Rear Left	914463 (2)	D-280-101	--	--
2002	3.3L	2NSXT03.3C5A	LEV1 LEV	All	Rear Left	910237 (1)	D-280-101	--	--
2002	3.3L	2NSXT03.3C5A	LEV1 LEV	All	Rear Right	912236	D-280-101	--	--
2002	3.3L	2NSXT03.3C5A	LEV1 LEV	Naturally Aspirated	Front Left	911125	D-280-101	--	--
2002	3.3L	2NSXT03.3C5A	LEV1 LEV	Naturally Aspirated	Front Right	911124	D-280-101	--	--
2001	3.3L	1NSXT03.3C5A	LEV1 LEV	All	Front Left	650512	D-665-20	--	--
2001	3.3L	1NSXT03.3C5A	LEV1 LEV	All	Front Right	650513	D-665-20	--	--
2001	3.3L	1NSXT03.3C5B	LEV1 LEV	All	Front Left	650512	D-665-20	--	--
2001	3.3L	1NSXT03.3C5B	LEV1 LEV	All	Front Right	650513	D-665-20	--	--
2001	3.3L	1NSXT03.5C5A	LEV1 LEV	All	Front Left	911037	D-280-101	--	--
2001	3.3L	1NSXT03.5C5A	LEV1 LEV	All	Front Right	911036	D-280-101	--	--
2001	3.3L	1NSXT03.5C5A	LEV1 LEV	All	Rear	--	--	912005	D-280-101
2001	3.3L	1NSXT03.5C5A	LEV1 LEV	All	Rear Left	914663 (2)	D-280-101	--	--
2001	3.3L	1NSXT03.5C5A	LEV1 LEV	All	Rear Left	910237 (1)	D-280-101	--	--
2001	3.3L	1NSXT03.5C5A	LEV1 LEV	All	Rear Right	912236	D-280-101	--	--
2001	3.3L	1NSXT03.5C9A	LEV1 LEV	All	Front Left	911037	D-280-101	--	--
2001	3.3L	1NSXT03.5C9A	LEV1 LEV	All	Front Right	911036	D-280-101	--	--
2001	3.3L	1NSXT03.5C9A	LEV1 LEV	All	Rear Left	914463	D-280-101	--	--
2001	3.3L	1NSXT03.5C9A	LEV1 LEV	All	Rear Left	910237	D-280-101	--	--
2001	3.3L	1NSXT03.5C9A	LEV1 LEV	All	Rear Right	912236	D-280-101	--	--
2000	3.3L	YNSXT03.335A	LEV1 LEV	All	Front Left	911037	D-280-101	--	--
2000	3.3L	YNSXT03.335A	LEV1 LEV	All	Front Right	911036	D-280-101	--	--
2000	3.3L	YNSXT03.335A	LEV1 LEV	All	Rear	--	--	912005	D-280-101
2000	3.3L	YNSXT03.335A	LEV1 LEV	All	Rear Left	914463 (2)	D-280-101	--	--
2000	3.3L	YNSXT03.335A	LEV1 LEV	All	Rear Left	910237 (1)	D-280-101	--	--
2000	3.3L	YNSXT03.335A	LEV1 LEV	All	Rear Right	912236	D-280-101	--	--
1999	3.3L	XNSXT03.335A	LEV1 LEV	All	Front Left	911037	D-280-101	--	--
1999	3.3L	XNSXT03.335A	LEV1 LEV	All	Front Right	911036	D-280-101	--	--
1999	3.3L	XNSXT03.335A	LEV1 LEV	All	Rear	--	--	912005	D-280-101
1999	3.3L	XNSXT03.335A	LEV1 LEV	All	Rear Left	914463 (2)	D-280-101	--	--
1999	3.3L	XNSXT03.335A	LEV1 LEV	All	Rear Left	910237 (1)	D-280-101	--	--
1999	3.3L	XNSXT03.335A	LEV1 LEV	All	Rear Right	912236	D-280-101	--	--
2012	4.0L	CNSXT04.0G6A	LEV2 ULEV	All	Front Left	744630	D-798	--	--
2012	4.0L	CNSXT04.0G6A	LEV2 ULEV	All	Front Right	744631	D-798	--	--
2012	4.0L	CNSXT04.0G6A	LEV2 ULEV	All	Rear Left	744633	D-798	--	--
2012	4.0L	CNSXT04.0G6A	LEV2 ULEV	All	Rear Left	--	--	747335	D-798
2012	4.0L	CNSXT04.0G6A	LEV2 ULEV	All	Rear Right	744632	D-798	--	--
2012	4.0L	CNSXT04.0G6A	LEV2 ULEV	All	Rear Right	--	--	747335	D-798

① With 26-3/4" Length Converter

② With 41" Length Converter

Legal Note: In Compliance with California Emissions Requirements



CATCO
CATALYTIC CONVERTERS

EASTERN CATALYTIC

APPLICATION GUIDE

OBD II

APPLICATION

Year	Eng. Size	Test Group/ Engine Family	Certification Level	Application	Location	Direct Fit Number	Exec. Order	Consol. Number	Exec. Order
Nissan (Cont.)									
Frontier (Cont.)									
V6 (Cont.)									
2011	4.0L	BNSXT04.0G6A	LEV2 ULEV	All	Front Left	744630	D-798	--	--
2011	4.0L	BNSXT04.0G6A	LEV2 ULEV	All	Front Right	744631	D-798	--	--
2011	4.0L	BNSXT04.0G6A	LEV2 ULEV	All	Rear Left	744633	D-798	--	--
2011	4.0L	BNSXT04.0G6A	LEV2 ULEV	All	Rear Right	--	--	747335	D-798
2011	4.0L	BNSXT04.0G6A	LEV2 ULEV	All	Rear Right	744632	D-798	--	--
2011	4.0L	BNSXT04.0G6A	LEV2 ULEV	All	Rear Right	--	--	747335	D-798
2010	4.0L	ANSXT04.0G6A	LEV2 ULEV	All	Front Left	744630	D-798	--	--
2010	4.0L	ANSXT04.0G6A	LEV2 ULEV	All	Front Right	744631	D-798	--	--
2010	4.0L	ANSXT04.0G6A	LEV2 ULEV	All	Rear Left	744633	D-798	--	--
2010	4.0L	ANSXT04.0G6A	LEV2 ULEV	All	Rear Left	--	--	747335	D-798
2010	4.0L	ANSXT04.0G6A	LEV2 ULEV	All	Rear Right	744632	D-798	--	--
2010	4.0L	ANSXT04.0G6A	LEV2 ULEV	All	Rear Right	--	--	747335	D-798
2009	4.0L	9NSXT04.0G6A	LEV2 ULEV	All	Front Left	744630	D-798	--	--
2009	4.0L	9NSXT04.0G6A	LEV2 ULEV	All	Front Right	744631	D-798	--	--
2009	4.0L	9NSXT04.0G6A	LEV2 ULEV	All	Rear Left	744633	D-798	--	--
2009	4.0L	9NSXT04.0G6A	LEV2 ULEV	All	Rear Left	--	--	747335	D-798
2009	4.0L	9NSXT04.0G6A	LEV2 ULEV	All	Rear Right	744632	D-798	--	--
2009	4.0L	9NSXT04.0G6A	LEV2 ULEV	All	Rear Right	--	--	747335	D-798
2008	4.0L	8NSXT04.0G6A	LEV2 ULEV	All	Front Left	744630	D-798	--	--
2008	4.0L	8NSXT04.0G6A	LEV2 ULEV	All	Front Right	744631	D-798	--	--
2008	4.0L	8NSXT04.0G6A	LEV2 ULEV	All	Rear Left	744633	D-798	--	--
2008	4.0L	8NSXT04.0G6A	LEV2 ULEV	All	Rear Left	--	--	747335	D-798
2008	4.0L	8NSXT04.0G6A	LEV2 ULEV	All	Rear Right	744632	D-798	--	--
2008	4.0L	8NSXT04.0G6A	LEV2 ULEV	All	Rear Right	--	--	747335	D-798
2007	4.0L	7NSXT04.0G6A	LEV2 ULEV	All	Front Left	744630	D-798	--	--
2007	4.0L	7NSXT04.0G6A	LEV2 ULEV	All	Front Right	744631	D-798	--	--
2007	4.0L	7NSXT04.0G6A	LEV2 ULEV	All	Rear Left	744633	D-798	--	--
2007	4.0L	7NSXT04.0G6A	LEV2 ULEV	All	Rear Left	--	--	747335	D-798
2007	4.0L	7NSXT04.0G6A	LEV2 ULEV	All	Rear Right	744632	D-798	--	--
2007	4.0L	7NSXT04.0G6A	LEV2 ULEV	All	Rear Right	--	--	747335	D-798
2006	4.0L	6NSXT04.0G6A	LEV2 LEV	All	Front Left	744630	D-798	--	--
2006	4.0L	6NSXT04.0G6A	LEV2 LEV	All	Front Right	744631	D-798	--	--
2006	4.0L	6NSXT04.0G6A	LEV2 LEV	All	Rear Left	744633	D-798	--	--
2006	4.0L	6NSXT04.0G6A	LEV2 LEV	All	Rear Left	--	--	747335	D-798
2006	4.0L	6NSXT04.0G6A	LEV2 LEV	All	Rear Right	744632	D-798	--	--
2006	4.0L	6NSXT04.0G6A	LEV2 LEV	All	Rear Right	--	--	747335	D-798
2005	4.0L	5NSXT04.0G6A	LEV2 LEV	All	Front Left	744630	D-798	--	--
2005	4.0L	5NSXT04.0G6A	LEV2 LEV	All	Front Right	744631	D-798	--	--
2005	4.0L	5NSXT04.0G6A	LEV2 LEV	All	Rear Left	744633	D-798	--	--
2005	4.0L	5NSXT04.0G6A	LEV2 LEV	All	Rear Left	--	--	747335	D-798
2005	4.0L	5NSXT04.0G6A	LEV2 LEV	All	Rear Right	744632	D-798	--	--
2005	4.0L	5NSXT04.0G6A	LEV2 LEV	All	Rear Right	--	--	747335	D-798
Maxima									
V6									
2001	3.0L	1NSXV03.0C6A	LEV1 LEV	All	Front Left	941014	D-280-100	--	--
2001	3.0L	1NSXV03.0C6A	LEV1 LEV	All	Front Right	944014	D-280-100	--	--
2001	3.0L	1NSXV03.0C6A	LEV1 LEV	All	Rear	942317	D-280-100	--	--
2001	3.0L	1NSXV03.0C6A	LEV1 LEV	All	Rear	--	--	940334	D-280-100
2000	3.0L	YNSXV03.036A	LEV1 LEV	All	Front Left	941014	D-280-100	--	--
2000	3.0L	YNSXV03.036A	LEV1 LEV	All	Front Right	944014	D-280-100	--	--
2000	3.0L	YNSXV03.036A	LEV1 LEV	All	Rear	942317	D-280-100	--	--
2000	3.0L	YNSXV03.036A	LEV1 LEV	All	Rear	--	--	940334	D-280-100
1999	3.0L	XNSXV03.026A	TLEV	All	Front Left	941014	D-280-100	--	--
1999	3.0L	XNSXV03.026A	TLEV	All	Front Right	944014	D-280-100	--	--
1999	3.0L	XNSXV03.026A	TLEV	All	Rear	942317	D-280-100	--	--
1999	3.0L	XNSXV03.026A	TLEV	All	Rear	--	--	940334	D-280-100

Legal Note: In Compliance with California Emissions Requirements

APPLICATION GUIDE



OBD II

APPLICATION

Year	Eng. Size	Test Group/ Engine Family	Certification Level	Application	Location	Direct Fit Number	Exec. Order	Consol. Number	Exec. Order
Nissan (Cont.)									
Maxima (Cont.)									
V6 (Cont.)									
1998	3.0L	WNSXV03.0A6A	TIER1	All	Front	944941	D-280-100	--	--
1998	3.0L	WNSXV03.0A6A	TIER1	All	Rear	942841	D-280-100	--	--
1998	3.0L	WNSXV03.0A6A	TIER1	All	Rear	--	--	940333	D-280-100
1997	3.0L	VNS3.0VJGFKEK	TIER1	All	Front	944941	D-280-100	--	--
1997	3.0L	VNS3.0VJGFKEK	TIER1	All	Rear	942841	D-280-100	--	--
1997	3.0L	VNS3.0VJGFKEK	TIER1	All	Rear	--	--	940333	D-280-100
1996	3.0L	TNS3.0VJGFKEK	TIER1	All	Front	944941	D-280-100	--	--
1996	3.0L	TNS3.0VJGFKEK	TIER1	All	Rear	942841	D-280-100	--	--
1996	3.0L	TNS3.0VJGFKEK	TIER1	All	Rear	--	--	940333	D-280-100
1995	3.0L	SNS3.0VJG1EK	TIER1	All	Front	944941	D-280-100	--	--
1995	3.0L	SNS3.0VJG1EK	TIER1	All	Rear	942841	D-280-100	--	--
1995	3.0L	SNS3.0VJG1EK	TIER1	All	Rear	--	--	940333	D-280-100
1995	3.0L	SNS3.0VJG1FK	TIER1	All	Front	944941	D-280-100	--	--
1995	3.0L	SNS3.0VJG1FK	TIER1	All	Rear	942841	D-280-100	--	--
1995	3.0L	SNS3.0VJG1FK	TIER1	All	Rear	--	--	940333	D-280-100
2007	3.5L	7NSXV03.5G7F	LEV2 ULEV	All	Underbody	--	--	755006	D-280-102
2006	3.5L	6NSXV03.5G7B	LEV2 ULEV	A/T	Front Left	751182	D-280-102	--	--
2006	3.5L	6NSXV03.5G7B	LEV2 ULEV	A/T	Rear	754438	D-280-102	--	--
2006	3.5L	6NSXV03.5G7B	LEV2 ULEV	M/T	Front Left	751187	D-280-102	--	--
2006	3.5L	6NSXV03.5G7B	LEV2 ULEV	All	Front Right	751197	D-280-102	--	--
2006	3.5L	6NSXV03.5G7B	LEV2 ULEV	All	Rear	--	--	755006	D-280-102
2005	3.5L	5NSXV03.5G7B	LEV2 ULEV	A/T	Front Left	751182	D-280-102	--	--
2005	3.5L	5NSXV03.5G7B	LEV2 ULEV	A/T	Rear	754438	D-280-102	--	--
2005	3.5L	5NSXV03.5G7B	LEV2 ULEV	M/T	Front Left	751187	D-280-102	--	--
2005	3.5L	5NSXV03.5G7B	LEV2 ULEV	All	Front Right	751197	D-280-102	--	--
2005	3.5L	5NSXV03.5G7B	LEV2 ULEV	All	Rear	--	--	755006	D-280-102
2004	3.5L	4NSXV03.5G7A	LEV2 LEV	5 Speed Auto Trans.	Front	751182	D-280-102	--	--
2004	3.5L	4NSXV03.5G7A	LEV2 LEV	5 Speed Auto Trans.	Rear	754438	D-280-102	--	--
2004	3.5L	4NSXV03.5G7A	LEV2 LEV	M/T	Front Left	751187	D-280-102	--	--
2004	3.5L	4NSXV03.5G7A	LEV2 LEV	All	Rear	751197	D-280-102	--	--
2004	3.5L	4NSXV03.5G7A	LEV2 LEV	All	Rear	--	--	755006	D-280-102
2004	3.5L	4NSXV03.5G7A	LEV2 LEV	4 Speed Auto Trans.	Front	751187	D-280-102	--	--
2003	3.5L	3NSXV03.5C7A	LEV1 LEV	All	Front	751078	D-280-102	--	--
2003	3.5L	3NSXV03.5C7A	LEV1 LEV	All	Front Left	941078	D-280-100	--	--
2003	3.5L	3NSXV03.5C7A	LEV1 LEV	All	Front Right	941079	D-280-100	--	--
2003	3.5L	3NSXV03.5C7A	LEV1 LEV	All	Rear	751079	D-280-102	--	--
2003	3.5L	3NSXV03.5C7A	LEV1 LEV	All	Rear	--	--	940106	D-280-100
2003	3.5L	3NSXV03.5C7A	LEV1 LEV	All	Underbody	944368	D-280-100	--	--
2003	3.5L	3NSXV03.5C7A	LEV1 LEV	All	Underbody	754368	D-280-102	--	--
2003	3.5L	3NSXV03.5C7A	LEV1 LEV	All	Underbody	--	--	755005	D-280-102
2002	3.5L	2NSXV03.5C6A	LEV1 LEV	All	Front	751078	D-280-102	--	--
2002	3.5L	2NSXV03.5C6A	LEV1 LEV	All	Front Left	941078	D-280-100	--	--
2002	3.5L	2NSXV03.5C6A	LEV1 LEV	All	Front Right	941079	D-280-100	--	--
2002	3.5L	2NSXV03.5C6A	LEV1 LEV	All	Rear	944368	D-280-100	--	--
2002	3.5L	2NSXV03.5C6A	LEV1 LEV	All	Rear	751079	D-280-102	--	--
2002	3.5L	2NSXV03.5C6A	LEV1 LEV	All	Rear	--	--	940106	D-280-100
2002	3.5L	2NSXV03.5C6A	LEV1 LEV	All	Underbody	754368	D-280-102	--	--
2002	3.5L	2NSXV03.5C6A	LEV1 LEV	All	Underbody	--	--	755005	D-280-102
Murano									
V6									
2007	3.5L	7NSXT03.5G7B	LEV2 LEV	All	Front Left	741196	D-798	--	--
2007	3.5L	7NSXT03.5G7B	LEV2 LEV	All	Front Right	741137	D-798	--	--
2007	3.5L	7NSXT03.5G7B	LEV2 LEV	All	Rear	744437	D-798	--	--
2007	3.5L	7NSXT03.5G7B	LEV2 LEV	All	Rear	--	--	747055	D-798
2007	3.5L	7NSXT03.5G7D	LEV2 LEV	All	Front Left	741196	D-798	--	--
2007	3.5L	7NSXT03.5G7D	LEV2 LEV	All	Front Right	741137	D-798	--	--
2007	3.5L	7NSXT03.5G7D	LEV2 LEV	All	Rear	744437	D-798	--	--
2007	3.5L	7NSXT03.5G7D	LEV2 LEV	All	Rear	--	--	747055	D-798

Legal Note: In Compliance with California Emissions Requirements



CATCO
CATALYTIC CONVERTERS

EASTERN CATALYTIC

APPLICATION GUIDE

OBD II

APPLICATION

Year	Eng. Size	Test Group/ Engine Family	Certification Level	Application	Location	Direct Fit Number	Exec. Order	Consol. Number	Exec. Order
Nissan (Cont.)									
Murano (Cont.)									
V6 (Cont.)									
2006	3.5L	6NSXT03.5G7C	LEV2 LEV	All	Front Left	741196	D-798	--	--
2006	3.5L	6NSXT03.5G7C	LEV2 LEV	All	Front Right	741137	D-798	--	--
2006	3.5L	6NSXT03.5G7C	LEV2 LEV	All	Rear	744437	D-798	--	--
2006	3.5L	6NSXT03.5G7C	LEV2 LEV	All	Rear	--	--	747055	D-798
2005	3.5L	5NSXT03.5G7A	LEV2 LEV	All	Front Left	741196	D-798	--	--
2005	3.5L	5NSXT03.5G7A	LEV2 LEV	All	Front Right	741137	D-798	--	--
2005	3.5L	5NSXT03.5G7A	LEV2 LEV	All	Rear	744437	D-798	--	--
2005	3.5L	5NSXT03.5G7A	LEV2 LEV	All	Rear	--	--	747055	D-798
2004	3.5L	4NSXT03.5G7A	LEV2 LEV	All	Front Left	741196	D-798	--	--
2004	3.5L	4NSXT03.5G7A	LEV2 LEV	All	Front Right	741137	D-798	--	--
2004	3.5L	4NSXT03.5G7A	LEV2 LEV	All	Rear	744437	D-798	--	--
2004	3.5L	4NSXT03.5G7A	LEV2 LEV	All	Rear	--	--	747055	D-798
2003	3.5L	3NSXT03.5C7B	LEV1 LEV	All	Front Left	911196	D-280-101	--	--
2003	3.5L	3NSXT03.5C7B	LEV1 LEV	All	Front Right	911137	D-280-101	--	--
2003	3.5L	3NSXT03.5C7B	LEV1 LEV	All	Rear	--	--	912005	D-280-101
2003	3.5L	3NSXT03.5C7B	LEV1 LEV	All	Underbody	914437	D-280-101	--	--
2003	3.5L	3NSXT03.5C7B	LEV1 LEV	All	Front Left	741196	D-798	--	--
2003	3.5L	3NSXT03.5C7B	LEV1 LEV	All	Front Right	741137	D-798	--	--
2003	3.5L	3NSXT03.5C7B	LEV1 LEV	All	Rear	744437	D-798	--	--
Pathfinder									
V6									
1994	3.0L	RNS3.028G1EA	TIER1	All	Underbody	914588	D-280-101	--	--
1994	3.0L	RNS3.028G1EA	TIER1	All	Underbody	--	--	910025	D-280-101
2000	3.3L	YNSXT03.325A	TLEV	All	Front Left	911015	D-280-101	--	--
2000	3.3L	YNSXT03.325A	TLEV	All	Front Right	911016	D-280-101	--	--
2000	3.3L	YNSXT03.325A	TLEV	All	Rear	--	--	912005	D-280-101
2000	3.3L	YNSXT03.325A	TLEV	All	Rear Left	914319	D-280-101	--	--
2000	3.3L	YNSXT03.325A	TLEV	All	Rear Right	914318	D-280-101	--	--
1999	3.3L	XNSXT03.335B	LEV1 LEV	All	Front Left	911015	D-280-101	--	--
1999	3.3L	XNSXT03.335B	LEV1 LEV	All	Front Right	911016	D-280-101	--	--
1999	3.3L	XNSXT03.335B	LEV1 LEV	All	Rear	--	--	912005	D-280-101
1999	3.3L	XNSXT03.335B	LEV1 LEV	All	Rear Left	914319	D-280-101	--	--
1999	3.3L	XNSXT03.335B	LEV1 LEV	All	Rear Right	914318	D-280-101	--	--
1998	3.3L	WNSXT03.335A	LEV1 LEV	All	Front Left	911015	D-280-101	--	--
1998	3.3L	WNSXT03.335A	LEV1 LEV	All	Front Right	911016	D-280-101	--	--
1998	3.3L	WNSXT03.335A	LEV1 LEV	All	Rear	--	--	912005	D-280-101
1998	3.3L	WNSXT03.335A	LEV1 LEV	All	Rear Left	914319	D-280-101	--	--
1998	3.3L	WNSXT03.335A	LEV1 LEV	All	Rear Right	914318	D-280-101	--	--
1997	3.3L	VNS3.328G2EK	TLEV	All	Underbody Left	911015	D-280-101	--	--
1997	3.3L	VNS3.328G2EK	TLEV	All	Underbody Right	911016	D-280-101	--	--
1996	3.3L	TNS3.328G2EK	TLEV	All	Underbody Left	911015	D-280-101	--	--
1996	3.3L	TNS3.328G2EK	TLEV	All	Underbody Right	911016	D-280-101	--	--
2004	3.5L	4NSXT03.5M7A	LEV1 LEV	All	Front Left	911015	D-280-101	--	--
2004	3.5L	4NSXT03.5M7A	LEV1 LEV	All	Front Right	911118	D-280-101	--	--
2004	3.5L	4NSXT03.5M7A	LEV1 LEV	All	Rear	--	--	912005	D-280-101
2004	3.5L	4NSXT03.5M7A	LEV1 LEV	All	Rear Left	651573	D-665-20	--	--
2004	3.5L	4NSXT03.5M7A	LEV1 LEV	All	Rear Right	651574	D-665-20	--	--
2003	3.5L	3NSXT03.5C7A	LEV1 LEV	All	Front Left	911015	D-280-101	--	--
2003	3.5L	3NSXT03.5C7A	LEV1 LEV	All	Front Right	911118	D-280-101	--	--
2003	3.5L	3NSXT03.5C7A	LEV1 LEV	All	Rear	--	--	912005	D-280-101
2002	3.5L	2NSXT03.5C7A	LEV1 LEV	All	Front Left	911015	D-280-101	--	--
2002	3.5L	2NSXT03.5C7A	LEV1 LEV	All	Front Right	911118	D-280-101	--	--
2002	3.5L	2NSXT03.5C7A	LEV1 LEV	All	Rear	--	--	912005	D-280-101
2002	3.5L	2NSXT03.5C7A	LEV1 LEV	All	Rear Left	914319	D-280-101	--	--
2002	3.5L	2NSXT03.5C7A	LEV1 LEV	All	Rear Right	914318	D-280-101	--	--

Legal Note: In Compliance with California Emissions Requirements

APPLICATION GUIDE



OBD II

APPLICATION

Year	Eng. Size	Test Group/ Engine Family	Certification Level	Application	Location	Direct Fit Number	Exec. Order	Consol. Number	Exec. Order
Nissan (Cont.)									
Pathfinder (Cont.)									
V6 (Cont.)									
2001	3.5L	1NSXT03.5C7A	LEV1 LEV	All	Front Left	911015	D-280-101	--	--
2001	3.5L	1NSXT03.5C7A	LEV1 LEV	All	Front Right	911118	D-280-101	--	--
2001	3.5L	1NSXT03.5C7A	LEV1 LEV	All	Rear	--	--	912005	D-280-101
2001	3.5L	1NSXT03.5C7A	LEV1 LEV	All	Rear Left	914319	D-280-101	--	--
2001	3.5L	1NSXT03.5C7A	LEV1 LEV	All	Rear Right	914318	D-280-101	--	--
2001	3.5L	1NSXT03.5C9A	LEV1 LEV	All	Front Left	911015	D-280-101	--	--
2001	3.5L	1NSXT03.5C9A	LEV1 LEV	All	Front Right	911118	D-280-101	--	--
2001	3.5L	1NSXT03.5C9A	LEV1 LEV	All	Rear	--	--	912005	D-280-101
2001	3.5L	1NSXT03.5C9A	LEV1 LEV	All	Rear Left	914319	D-280-101	--	--
2001	3.5L	1NSXT03.5C9A	LEV1 LEV	All	Rear Right	914318	D-280-101	--	--
2012	4.0L	CNSXT04.0G6A	LEV2 ULEV	All	Front Left	744630	D-798	--	--
2012	4.0L	CNSXT04.0G6A	LEV2 ULEV	All	Front Right	744631	D-798	--	--
2012	4.0L	CNSXT04.0G6A	LEV2 ULEV	All	Rear Left	744633	D-798	--	--
2012	4.0L	CNSXT04.0G6A	LEV2 ULEV	All	Rear Right	--	--	747335	D-798
2012	4.0L	CNSXT04.0G6A	LEV2 ULEV	All	Rear Right	744632	D-798	--	--
2012	4.0L	CNSXT04.0G6A	LEV2 ULEV	All	Rear Right	--	--	747335	D-798
2011	4.0L	BNSXT04.0G6A	LEV2 ULEV	All	Front Left	744630	D-798	--	--
2011	4.0L	BNSXT04.0G6A	LEV2 ULEV	All	Front Right	744631	D-798	--	--
2011	4.0L	BNSXT04.0G6A	LEV2 ULEV	All	Rear Left	744633	D-798	--	--
2011	4.0L	BNSXT04.0G6A	LEV2 ULEV	All	Rear Left	--	--	747335	D-798
2011	4.0L	BNSXT04.0G6A	LEV2 ULEV	All	Rear Right	744632	D-798	--	--
2011	4.0L	BNSXT04.0G6A	LEV2 ULEV	All	Rear Right	--	--	747335	D-798
2010	4.0L	ANSXT04.0G6A	LEV2 ULEV	All	Front Left	744630	D-798	--	--
2010	4.0L	ANSXT04.0G6A	LEV2 ULEV	All	Front Right	744631	D-798	--	--
2010	4.0L	ANSXT04.0G6A	LEV2 ULEV	All	Rear Left	744633	D-798	--	--
2010	4.0L	ANSXT04.0G6A	LEV2 ULEV	All	Rear Left	--	--	747335	D-798
2010	4.0L	ANSXT04.0G6A	LEV2 ULEV	All	Rear Right	744632	D-798	--	--
2010	4.0L	ANSXT04.0G6A	LEV2 ULEV	All	Rear Right	--	--	747335	D-798
2009	4.0L	9NSXT04.0G6A	LEV2 ULEV	All	Front Left	744630	D-798	--	--
2009	4.0L	9NSXT04.0G6A	LEV2 ULEV	All	Front Right	744631	D-798	--	--
2009	4.0L	9NSXT04.0G6A	LEV2 ULEV	All	Rear Left	744633	D-798	--	--
2009	4.0L	9NSXT04.0G6A	LEV2 ULEV	All	Rear Left	--	--	747335	D-798
2009	4.0L	9NSXT04.0G6A	LEV2 ULEV	All	Rear Right	744632	D-798	--	--
2009	4.0L	9NSXT04.0G6A	LEV2 ULEV	All	Rear Right	--	--	747335	D-798
2008	4.0L	8NSXT04.0G6A	LEV2 ULEV	All	Front Left	744630	D-798	--	--
2008	4.0L	8NSXT04.0G6A	LEV2 ULEV	All	Front Right	744631	D-798	--	--
2008	4.0L	8NSXT04.0G6A	LEV2 ULEV	All	Rear Left	744633	D-798	--	--
2008	4.0L	8NSXT04.0G6A	LEV2 ULEV	All	Rear Left	--	--	747335	D-798
2008	4.0L	8NSXT04.0G6A	LEV2 ULEV	All	Rear Right	744632	D-798	--	--
2008	4.0L	8NSXT04.0G6A	LEV2 ULEV	All	Rear Right	--	--	747335	D-798
2007	4.0L	7NSXT04.0G6A	LEV2 ULEV	All	Front Left	744630	D-798	--	--
2007	4.0L	7NSXT04.0G6A	LEV2 ULEV	All	Front Right	744631	D-798	--	--
2007	4.0L	7NSXT04.0G6A	LEV2 ULEV	All	Rear Left	744633	D-798	--	--
2007	4.0L	7NSXT04.0G6A	LEV2 ULEV	All	Rear Left	--	--	747335	D-798
2007	4.0L	7NSXT04.0G6A	LEV2 ULEV	All	Rear Right	744632	D-798	--	--
2007	4.0L	7NSXT04.0G6A	LEV2 ULEV	All	Rear Right	--	--	747335	D-798
2006	4.0L	6NSXT04.0G6A	LEV2 LEV	All	Front Left	744630	D-798	--	--
2006	4.0L	6NSXT04.0G6A	LEV2 LEV	All	Front Right	744631	D-798	--	--
2006	4.0L	6NSXT04.0G6A	LEV2 LEV	All	Rear Left	744633	D-798	--	--
2006	4.0L	6NSXT04.0G6A	LEV2 LEV	All	Rear Left	--	--	747335	D-798
2006	4.0L	6NSXT04.0G6A	LEV2 LEV	All	Rear Right	744632	D-798	--	--
2006	4.0L	6NSXT04.0G6A	LEV2 LEV	All	Rear Right	--	--	747335	D-798
2005	4.0L	5NSXT04.0G6A	LEV2 LEV	All	Front Left	744630	D-798	--	--
2005	4.0L	5NSXT04.0G6A	LEV2 LEV	All	Front Right	744631	D-798	--	--
2005	4.0L	5NSXT04.0G6A	LEV2 LEV	All	Rear Left	744633	D-798	--	--
2005	4.0L	5NSXT04.0G6A	LEV2 LEV	All	Rear Left	--	--	747335	D-798
2005	4.0L	5NSXT04.0G6A	LEV2 LEV	All	Rear Right	744632	D-798	--	--
2005	4.0L	5NSXT04.0G6A	LEV2 LEV	All	Rear Right	--	--	747335	D-798

Legal Note: In Compliance with California Emissions Requirements



CATCO
CATALYTIC CONVERTERS

EASTERN CATALYTIC

APPLICATION GUIDE

OBD II

APPLICATION

Year	Eng. Size	Test Group/ Engine Family	Certification Level	Application	Location	Direct Fit Number	Exec. Order	Consol. Number	Exec. Order
Nissan (Cont.)									
Pathfinder (Cont.)									
V8									
2012	5.6L	CNSXT05.6G9A	LEV2 LEV	All	Front Left	741248	D-798	--	--
2012	5.6L	CNSXT05.6G9A	LEV2 LEV	All	Front Right	741249	D-798	--	--
2012	5.6L	CNSXT05.6G9A	LEV2 LEV	All	Rear Left	744005	D-798	--	--
2012	5.6L	CNSXT05.6G9A	LEV2 LEV	All	Rear Left	--	--	747336	D-798
2012	5.6L	CNSXT05.6G9A	LEV2 LEV	All	Rear Right	744758	D-798	--	--
2012	5.6L	CNSXT05.6G9A	LEV2 LEV	All	Rear Right	--	--	747336	D-798
2011	5.6L	BNSXT05.6G9A	LEV2 LEV	All	Front Left	741248	D-798	--	--
2011	5.6L	BNSXT05.6G9A	LEV2 LEV	All	Front Right	741249	D-798	--	--
2011	5.6L	BNSXT05.6G9A	LEV2 LEV	All	Rear Left	744005	D-798	--	--
2011	5.6L	BNSXT05.6G9A	LEV2 LEV	All	Rear Left	--	--	747336	D-798
2011	5.6L	BNSXT05.6G9A	LEV2 LEV	All	Rear Right	744758	D-798	--	--
2011	5.6L	BNSXT05.6G9A	LEV2 LEV	All	Rear Right	--	--	747336	D-798
2010	5.6L	ANSXT05.6G9A	LEV2 LEV	All	Front Left	741248	D-798	--	--
2010	5.6L	ANSXT05.6G9A	LEV2 LEV	All	Front Right	741249	D-798	--	--
2010	5.6L	ANSXT05.6G9A	LEV2 LEV	All	Rear Left	744005	D-798	--	--
2010	5.6L	ANSXT05.6G9A	LEV2 LEV	All	Rear Left	--	--	747336	D-798
2010	5.6L	ANSXT05.6G9A	LEV2 LEV	All	Rear Right	744758	D-798	--	--
2010	5.6L	ANSXT05.6G9A	LEV2 LEV	All	Rear Right	--	--	747336	D-798
2009	5.6L	9NSXT05.6G9A	LEV2 LEV	All	Front Left	741248	D-798	--	--
2009	5.6L	9NSXT05.6G9A	LEV2 LEV	All	Front Right	741249	D-798	--	--
2009	5.6L	9NSXT05.6G9A	LEV2 LEV	All	Rear Left	744005	D-798	--	--
2009	5.6L	9NSXT05.6G9A	LEV2 LEV	All	Rear Left	--	--	747336	D-798
2009	5.6L	9NSXT05.6G9A	LEV2 LEV	All	Rear Right	744758	D-798	--	--
2009	5.6L	9NSXT05.6G9A	LEV2 LEV	All	Rear Right	--	--	747336	D-798
2008	5.6L	8NSXT05.6G9A	LEV2 LEV	All	Front Left	741248	D-798	--	--
2008	5.6L	8NSXT05.6G9A	LEV2 LEV	All	Front Right	741249	D-798	--	--
2008	5.6L	8NSXT05.6G9A	LEV2 LEV	All	Rear Left	744005	D-798	--	--
2008	5.6L	8NSXT05.6G9A	LEV2 LEV	All	Rear Left	--	--	747336	D-798
2008	5.6L	8NSXT05.6G9A	LEV2 LEV	All	Rear Right	744758	D-798	--	--
2008	5.6L	8NSXT05.6G9A	LEV2 LEV	All	Rear Right	--	--	747336	D-798
Pickup									
L4									
1997	2.4L	VNS2.41JGKEK	TIER1	All	Underbody	942588	D-280-100	--	--
1997	2.4L	VNS2.41JGKEK	TIER1	All	Underbody	--	--	940334	D-280-100
1997	2.4L	VNS2.42JGKEK	TIER1	4WD	Underbody	914588	D-280-101	--	--
1997	2.4L	VNS2.42JGKEK	TIER1	4WD	Underbody	--	--	910025	D-280-101
1996	2.4L	TNS2.41JG1EK	TIER1	All	Underbody	942588	D-280-100	--	--
1996	2.4L	TNS2.41JG1EK	TIER1	All	Underbody	--	--	940334	D-280-100
1995	2.4L	SNS2.42JGEEA	TIER1	4WD	Underbody	914588	D-280-101	--	--
1995	2.4L	SNS2.42JGEEA	TIER1	4WD	Underbody	--	--	910025	D-280-101
Quest									
V6									
1998	3.0L	WNSXT03.0A4A	TIER1	All	Front	914587	D-280-101	--	--
1998	3.0L	WNSXT03.0A4A	TIER1	All	Front	--	--	910005R	D-280-101
1998	3.0L	WNSXT03.0A4A	TIER1	All	Rear	914588	D-280-101	--	--
1998	3.0L	WNSXT03.0A4A	TIER1	All	Rear	--	--	912005	D-280-101
1997	3.0L	VNS3.028GKEK	TIER1	All	Front	914587	D-280-101	--	--
1997	3.0L	VNS3.028GKEK	TIER1	All	Front	--	--	910005R	D-280-101
1997	3.0L	VNS3.028GKEK	TIER1	All	Rear	914588	D-280-101	--	--
1997	3.0L	VNS3.028GKEK	TIER1	All	Rear	--	--	912005	D-280-101
1996	3.0L	TNS3.028GKEK	TIER1	All	Front	914587	D-280-101	--	--
1996	3.0L	TNS3.028GKEK	TIER1	All	Front	--	--	910005R	D-280-101
1996	3.0L	TNS3.028GKEK	TIER1	All	Rear	914588	D-280-101	--	--
1996	3.0L	TNS3.028GKEK	TIER1	All	Rear	--	--	912005	D-280-101
1994	3.0L	RNS3.028GDEA	TIER1	All	Rear	914588	D-280-101	--	--
1994	3.0L	RNS3.028GDEA	TIER1	All	Rear	--	--	910025	D-280-101
1994	3.0L	RNS3.028GDEA	TIER1	From 11/93	Front	914587	D-280-101	--	--

APPLICATION GUIDE



OBD II

APPLICATION

Year	Eng. Size	Test Group/ Engine Family	Certification Level	Application	Location	Direct Fit Number	Exec. Order	Consol. Number	Exec. Order
Nissan (Cont.)									
Quest (Cont.)									
V6 (Cont.)									
1994	3.0L	RNS3.088GAFA	TIER1	All	Underbody	914588	D-280-101	--	--
1994	3.0L	RNS3.088GAFA	TIER1	All	Underbody	--	--	910025	D-280-101
2002	3.3L	2NSXT03.3C5C	LEV1 LEV	All	Front	911291	D-280-101	--	--
2002	3.3L	2NSXT03.3C5C	LEV1 LEV	All	Rear	914588	D-280-101	--	--
2002	3.3L	2NSXT03.3C5C	LEV1 LEV	All	Rear	--	--	912005	D-280-101
2001	3.3L	1NSXT03.3C5C	LEV1 LEV	All	Front	911291	D-280-101	--	--
2001	3.3L	1NSXT03.3C5C	LEV1 LEV	All	Rear	914588	D-280-101	--	--
2001	3.3L	1NSXT03.3C5C	LEV1 LEV	All	Rear	--	--	912005	D-280-101
2001	3.3L	1NSXT03.5C9A	LEV1 LEV	All	Front	911291	D-280-101	--	--
2001	3.3L	1NSXT03.5C9A	LEV1 LEV	All	Rear	914588	D-280-101	--	--
2001	3.3L	1NSXT03.5C9A	LEV1 LEV	All	Rear	--	--	912005	D-280-101
2000	3.3L	YNSXT03.335B	LEV1 LEV	All	Front	911291	D-280-101	--	--
2000	3.3L	YNSXT03.335B	LEV1 LEV	All	Rear	914588	D-280-101	--	--
2000	3.3L	YNSXT03.335B	LEV1 LEV	All	Rear	--	--	912005	D-280-101
1999	3.3L	XNSXT03.335C	LEV1 LEV	All	Front	911291	D-280-101	--	--
1999	3.3L	XNSXT03.335C	LEV1 LEV	All	Rear	914588	D-280-101	--	--
1999	3.3L	XNSXT03.335C	LEV1 LEV	All	Rear	--	--	912005	D-280-101
2009	3.5L	9NSXT03.5G7A	LEV2 ULEV	All	Front Left	741182	D-798	--	--
2009	3.5L	9NSXT03.5G7A	LEV2 ULEV	All	Front Right	741197	D-798	--	--
2009	3.5L	9NSXT03.5G7A	LEV2 ULEV	All	Rear	--	--	747335	D-798
2009	3.5L	9NSXT03.5G7A	LEV2 ULEV	All	Underbody	744438	D-798	--	--
2008	3.5L	8NSXT03.5G7C	LEV2 ULEV	All	Front Left	741182	D-798	--	--
2008	3.5L	8NSXT03.5G7C	LEV2 ULEV	All	Front Right	741197	D-798	--	--
2008	3.5L	8NSXT03.5G7C	LEV2 ULEV	All	Rear	--	--	747335	D-798
2008	3.5L	8NSXT03.5G7C	LEV2 ULEV	All	Underbody	744438	D-798	--	--
2007	3.5L	7NSXT03.5G7C	LEV2 ULEV	All	Front Left	741182	D-798	--	--
2007	3.5L	7NSXT03.5G7C	LEV2 ULEV	All	Front Right	741197	D-798	--	--
2007	3.5L	7NSXT03.5G7C	LEV2 ULEV	All	Rear	--	--	747335	D-798
2007	3.5L	7NSXT03.5G7C	LEV2 ULEV	All	Underbody	744438	D-798	--	--
2006	3.5L	6NSXT03.5G7B	LEV2 ULEV	5 Speed Auto Trans.	Front Left	741182	D-798	--	--
2006	3.5L	6NSXT03.5G7B	LEV2 ULEV	5 Speed Auto Trans.	Rear	744438	D-798	--	--
2006	3.5L	6NSXT03.5G7B	LEV2 ULEV	4 Speed Auto Trans.	Front Left	741187	D-798	--	--
2006	3.5L	6NSXT03.5G7B	LEV2 ULEV	4 Speed Auto Trans.	Rear	744396	D-798	--	--
2006	3.5L	6NSXT03.5G7B	LEV2 ULEV	All	Front Right	741197	D-798	--	--
2006	3.5L	6NSXT03.5G7B	LEV2 ULEV	All	Rear	--	--	747335	D-798
2005	3.5L	5NSXT03.5G7B	LEV2 ULEV	5 Speed Auto Trans.	Front Left	741182	D-798	--	--
2005	3.5L	5NSXT03.5G7B	LEV2 ULEV	5 Speed Auto Trans.	Rear	744438	D-798	--	--
2005	3.5L	5NSXT03.5G7B	LEV2 ULEV	4 Speed Auto Trans.	Front Left	741187	D-798	--	--
2005	3.5L	5NSXT03.5G7B	LEV2 ULEV	4 Speed Auto Trans.	Rear	744396	D-798	--	--
2005	3.5L	5NSXT03.5G7B	LEV2 ULEV	All	Front Right	741197	D-798	--	--
2005	3.5L	5NSXT03.5G7B	LEV2 ULEV	All	Rear	--	--	747335	D-798
2004	3.5L	4NSXT03.5G7A	LEV2 LEV	5 Speed Auto Trans.	Front Left	741182	D-798	--	--
2004	3.5L	4NSXT03.5G7A	LEV2 LEV	5 Speed Auto Trans.	Rear	744438	D-798	--	--
2004	3.5L	4NSXT03.5G7A	LEV2 LEV	4 Speed Auto Trans.	Front Left	741187	D-798	--	--
2004	3.5L	4NSXT03.5G7A	LEV2 LEV	4 Speed Auto Trans.	Rear	744396	D-798	--	--
2004	3.5L	4NSXT03.5G7A	LEV2 LEV	All	Front Right	741197	D-798	--	--
2004	3.5L	4NSXT03.5G7A	LEV2 LEV	All	Rear	--	--	747335	D-798
Rogue									
L4									
2013	2.5L	DNSXJ02.5G5B	LEV2 LEV	All	Front	741325	D-798	--	--
2013	2.5L	DNSXJ02.5G5B	LEV2 LEV	All	Rear	--	--	747025	D-798
2013	2.5L	DNSXJ02.5G5B	LEV2 LEV	All	Underbody	744013	D-798	--	--
2013	2.5L	DNSXT02.575A	LEV2 ULEV	All	Front	741325	D-798	--	--
2013	2.5L	DNSXT02.575A	LEV2 ULEV	All	Rear	--	--	747025	D-798
2013	2.5L	DNSXT02.575A	LEV2 ULEV	All	Underbody	744013	D-798	--	--

Legal Note: In Compliance with California Emissions Requirements



CATCO
CATALYTIC CONVERTERS

EASTERN CATALYTIC

APPLICATION GUIDE

OBD II

APPLICATION

Year	Eng. Size	Test Group/ Engine Family	Certification Level	Application	Location	Direct Fit Number	Exec. Order	Consol. Number	Exec. Order
Nissan (Cont.)									
Rogue (Cont.)									
L4 (Cont.)									
2012	2.5L	CNSXJ02.5G5B	LEV2 LEV	All	Front	741325	D-798	--	--
2012	2.5L	CNSXJ02.5G5B	LEV2 LEV	All	Front	--	--	740035	D-798
2012	2.5L	CNSXJ02.5G5B	LEV2 LEV	All	Rear	--	--	747335	D-798
2012	2.5L	CNSXJ02.5G5B	LEV2 LEV	All	Underbody	744013	D-798	--	--
2012	2.5L	CNSXT02.575A	LEV2 ULEV	All	Front	741325	D-798	--	--
2012	2.5L	CNSXT02.575A	LEV2 ULEV	All	Front	--	--	740035	D-798
2012	2.5L	CNSXT02.575A	LEV2 ULEV	All	Rear	--	--	747335	D-798
2012	2.5L	CNSXT02.575A	LEV2 ULEV	All	Underbody	744013	D-798	--	--
2011	2.5L	BNSXJ02.5G5A	LEV2 LEV	All	Front	741325	D-798	--	--
2011	2.5L	BNSXJ02.5G5A	LEV2 LEV	All	Front	--	--	740025	D-798
2011	2.5L	BNSXJ02.5G5A	LEV2 LEV	All	Rear	--	--	747335	D-798
2011	2.5L	BNSXJ02.5G5A	LEV2 LEV	All	Underbody	744013	D-798	--	--
2010	2.5L	ANSXJ02.5G5A	LEV2 LEV	All	Front	741325	D-798	--	--
2010	2.5L	ANSXJ02.5G5A	LEV2 LEV	All	Rear	--	--	747335	D-798
2010	2.5L	ANSXJ02.5G5A	LEV2 LEV	All	Underbody	744013	D-798	--	--
2009	2.5L	9NSXJ02.5G5A	LEV2 LEV	All	Front	741325	D-798	--	--
2009	2.5L	9NSXJ02.5G5A	LEV2 LEV	All	Front	--	--	740335	D-798
2009	2.5L	9NSXJ02.5G5A	LEV2 LEV	All	Rear	--	--	747025	D-798
2009	2.5L	9NSXJ02.5G5A	LEV2 LEV	All	Underbody	744013	D-798	--	--
2008	2.5L	8NSXT02.5G5B	LEV2 LEV	All	Front	741325	D-798	--	--
2008	2.5L	8NSXT02.5G5B	LEV2 LEV	All	Front	--	--	740335	D-798
2008	2.5L	8NSXT02.5G5B	LEV2 LEV	All	Rear	--	--	747025	D-798
2008	2.5L	8NSXT02.5G5B	LEV2 LEV	All	Underbody	744013	D-798	--	--
Sentra									
L4									
1999	1.6L	XNSXV01.631A	LEV1 LEV	All	Front	942058	D-280-100	--	--
1999	1.6L	XNSXV01.631A	LEV1 LEV	All	Rear	942841	D-280-100	--	--
1999	1.6L	XNSXV01.631A	LEV1 LEV	All	Rear	--	--	940333	D-280-100
1998	1.6L	WNSXV01.631A	LEV1 LEV	All	Front	942058	D-280-100	--	--
1998	1.6L	WNSXV01.631A	LEV1 LEV	All	Rear	942841	D-280-100	--	--
1998	1.6L	WNSXV01.631A	LEV1 LEV	All	Rear	--	--	940333	D-280-100
1997	1.6L	VNS1.6VJG3EK	LEV1 LEV	All	Front	942058	D-280-100	--	--
1997	1.6L	VNS1.6VJG3EK	LEV1 LEV	All	Rear	942841	D-280-100	--	--
1997	1.6L	VNS1.6VJG3EK	LEV1 LEV	All	Rear	--	--	940333	D-280-100
1996	1.6L	TNS1.6VJG2EK	TLEV	All	Front	942058	D-280-100	--	--
1995	1.6L	SNS1.6VJG2EK	TLEV	All	Front	942058	D-280-100	--	--
2006	1.8L	6NSXV01.8S2A	LEV1 ULEV	All	Front	751043	D-280-102	--	--
2006	1.8L	6NSXV01.8S2A	LEV1 ULEV	All	Rear	--	--	755004	D-280-102
2006	1.8L	6NSXV01.8S2A	LEV1 ULEV	All	Underbody	754343	D-280-102	--	--
2005	1.8L	5NSXV01.8S2A	LEV1 ULEV	All	Front	751043	D-280-102	--	--
2005	1.8L	5NSXV01.8S2A	LEV1 ULEV	All	Rear	--	--	755004	D-280-102
2005	1.8L	5NSXV01.8S2A	LEV1 ULEV	All	Underbody	754343	D-280-102	--	--
2004	1.8L	4NSXV01.8S2A	LEV1 ULEV	All	Front	751043	D-280-102	--	--
2004	1.8L	4NSXV01.8S2A	LEV1 ULEV	All	Rear	--	--	755004	D-280-102
2004	1.8L	4NSXV01.8S2A	LEV1 ULEV	All	Underbody	754343	D-280-102	--	--
2003	1.8L	3NSXV01.8D2A	LEV1 ULEV	All	Front	751043	D-280-102	--	--
2003	1.8L	3NSXV01.8D2A	LEV1 ULEV	All	Rear	--	--	755004	D-280-102
2003	1.8L	3NSXV01.8D2A	LEV1 ULEV	All	Underbody	754343	D-280-102	--	--
2002	1.8L	2NSXV01.8D1A	LEV1 ULEV	All	Front	754356	D-280-102	--	--
2002	1.8L	2NSXV01.8D1A	LEV1 ULEV	All	Rear	--	--	755005	D-280-102
2002	1.8L	2NSXV01.8D1A	LEV1 ULEV	All	Underbody	754317	D-280-102	--	--
2001	1.8L	1NSXV01.8D1A	LEV1 ULEV	All	Front	754356	D-280-102	--	--
2001	1.8L	1NSXV01.8D1A	LEV1 ULEV	All	Underbody	754317	D-280-102	--	--
2001	1.8L	1NSXV01.8D1A	LEV1 ULEV	All	Underbody	--	--	755005	D-280-102
2001	1.8L	1NSXV01.8D1B	LEV1 ULEV	All	Front	754356	D-280-102	--	--
2001	1.8L	1NSXV01.8D1B	LEV1 ULEV	All	Underbody	754317	D-280-102	--	--
2001	1.8L	1NSXV01.8D1B	LEV1 ULEV	All	Underbody	--	--	755005	D-280-102
2000	1.8L	YNSXV01.848A	LEV1 ULEV	All	Rear	809570	D-665-23	--	--

APPLICATION GUIDE



OBD II

APPLICATION

Year	Eng. Size	Test Group/ Engine Family	Certification Level	Application	Location	Direct Fit Number	Exec. Order	Consol. Number	Exec. Order
Nissan (Cont.)									
Sentra (Cont.)									
L4 (Cont.)									
2011	2.0L	BNSXV02.0G2A	LEV2 LEV	All	Front	--	--	760004	D-280-105
2011	2.0L	BNSXV02.0G2A	LEV2 LEV	All	Rear	--	--	760004	D-280-105
2011	2.0L	BNSXV02.0G2A	LEV2 LEV	All	Underbody	765104	D-280-105	--	--
2010	2.0L	ANSXV02.0G2A	LEV2 LEV	All	Front	--	--	760004	D-280-105
2010	2.0L	ANSXV02.0G2A	LEV2 LEV	All	Rear	--	--	760004	D-280-105
2010	2.0L	ANSXV02.0G2A	LEV2 LEV	All	Underbody	765104	D-280-105	--	--
2009	2.0L	9NSXV02.0G2A	LEV2 LEV	All	Front	--	--	760004	D-280-105
2009	2.0L	9NSXV02.0G2A	LEV2 LEV	All	Rear	--	--	760004	D-280-105
2009	2.0L	9NSXV02.0G2A	LEV2 LEV	All	Underbody	765104	D-280-105	--	--
2008	2.0L	8NSXV02.0G2A	LEV2 ULEV	All	Front	--	--	760004	D-280-105
2008	2.0L	8NSXV02.0G2A	LEV2 ULEV	All	Rear	--	--	760004	D-280-105
2008	2.0L	8NSXV02.0G2A	LEV2 ULEV	All	Underbody	765104	D-280-105	--	--
2007	2.0L	7NSXV02.0G2A	LEV2 ULEV	All	Front	--	--	760004	D-280-105
2007	2.0L	7NSXV02.0G2A	LEV2 ULEV	All	Rear	--	--	760004	D-280-105
2007	2.0L	7NSXV02.0G2A	LEV2 ULEV	All	Underbody	765104	D-280-105	--	--
2001	2.0L	1NSXV02.0C3A	LEV1 LEV	All	Rear	944481	D-280-100	--	--
2001	2.0L	1NSXV02.0C3A	LEV1 LEV	All	Rear	942317	D-280-100	--	--
2001	2.0L	1NSXV02.0C3A	LEV1 LEV	All	Rear	--	--	940334	D-280-100
2000	2.0L	YNSXV02.0C9B	LEV1 LEV	All	Rear	--	--	940334	D-280-100
2000	2.0L	YNSXV02.0C9B	LEV1 LEV	To 12/99	Rear	944481	D-280-100	--	--
2000	2.0L	YNSXV02.0C9B	LEV1 LEV	From 01/00	Rear	942317	D-280-100	--	--
1999	2.0L	XNSXV02.0A2A	TIER1	All	Underbody	944481	D-280-100	--	--
1999	2.0L	XNSXV02.0A2A	TIER1	All	Underbody	942841	D-280-100	--	--
1999	2.0L	XNSXV02.0A2A	TIER1	All	Underbody	--	--	940334	D-280-100
1998	2.0L	WNSXV02.0A2A	TIER1	All	Underbody	944481	D-280-100	--	--
1998	2.0L	WNSXV02.0A2A	TIER1	All	Underbody	942841	D-280-100	--	--
1998	2.0L	WNSXV02.0A2A	TIER1	All	Underbody	--	--	940334	D-280-100
2006	2.5L	6NSXV02.5N5A	LEV1 LEV	All	Front	941195	D-280-100	--	--
2006	2.5L	6NSXV02.5N5A	LEV1 LEV	All	Rear	--	--	940105	D-280-100
2006	2.5L	6NSXV02.5S5A	LEV1 ULEV	All	Front	751195	D-280-102	--	--
2006	2.5L	6NSXV02.5S5A	LEV1 ULEV	All	Front	--	--	750006	D-280-102
2006	2.5L	6NSXV02.5S5A	LEV1 ULEV	All	Rear	--	--	750006	D-280-102
2005	2.5L	5NSXV02.545A	LEV1 ULEV	All	Front	751195	D-280-102	--	--
2005	2.5L	5NSXV02.545A	LEV1 ULEV	All	Front	--	--	750006	D-280-102
2005	2.5L	5NSXV02.545A	LEV1 ULEV	All	Rear	--	--	750006	D-280-102
2005	2.5L	5NSXV02.5N5A	LEV1 LEV	All	Front	941195	D-280-100	--	--
2005	2.5L	5NSXV02.5N5A	LEV1 LEV	All	Rear	--	--	940105	D-280-100
2005	2.5L	5NSXV02.5S5A	LEV1 ULEV	All	Front	751195	D-280-102	--	--
2005	2.5L	5NSXV02.5S5A	LEV1 ULEV	All	Front	--	--	750006	D-280-102
2005	2.5L	5NSXV02.5S5A	LEV1 ULEV	All	Rear	--	--	750006	D-280-102
2004	2.5L	4NSXV02.545A	LEV1 ULEV	All	Front	751195	D-280-102	--	--
2004	2.5L	4NSXV02.545A	LEV1 ULEV	All	Front	--	--	750006	D-280-102
2004	2.5L	4NSXV02.545A	LEV1 ULEV	All	Rear	--	--	750006	D-280-102
2004	2.5L	4NSXV02.5N5A	LEV1 LEV	All	Front	941195	D-280-100	--	--
2004	2.5L	4NSXV02.5N5A	LEV1 LEV	All	Rear	--	--	940105	D-280-100
2004	2.5L	4NSXV02.5S5A	LEV1 LEV	All	Front	941195	D-280-100	--	--
2004	2.5L	4NSXV02.5S5A	LEV1 LEV	All	Rear	--	--	940105	D-280-100
2003	2.5L	3NSXV02.5C5A	LEV1 LEV	All	Front	941195	D-280-100	--	--
2003	2.5L	3NSXV02.5C5A	LEV1 LEV	All	Rear	--	--	940105	D-280-100
2003	2.5L	3NSXV02.5D5A	LEV1 ULEV	All	Front	751195	D-280-102	--	--
2003	2.5L	3NSXV02.5D5A	LEV1 ULEV	All	Front	--	--	750006	D-280-102
2003	2.5L	3NSXV02.5D5A	LEV1 ULEV	All	Rear	--	--	750006	D-280-102
2002	2.5L	2NSXV02.5C5A	LEV1 LEV	All	Front	751195	D-280-102	--	--
2002	2.5L	2NSXV02.5C5A	LEV1 LEV	All	Front	--	--	750006	D-280-102
2002	2.5L	2NSXV02.5C5A	LEV1 LEV	All	Rear	--	--	750006	D-280-102
2002	2.5L	2NSXV02.5D5A	LEV1 ULEV	All	Front	751195	D-280-102	--	--
2002	2.5L	2NSXV02.5D5A	LEV1 ULEV	All	Front	--	--	750006	D-280-102
2002	2.5L	2NSXV02.5D5A	LEV1 ULEV	All	Rear	--	--	750006	D-280-102

Legal Note: In Compliance with California Emissions Requirements



CATCO
CATALYTIC CONVERTERS

EASTERN CATALYTIC

APPLICATION GUIDE

OBD II

APPLICATION

Year	Eng. Size	Test Group/ Engine Family	Certification Level	Application	Location	Direct Fit Number	Exec. Order	Consol. Number	Exec. Order
Nissan (Cont.)									
Titan									
V8									
2013	5.6L	DNSXT05.6G9A	LEV2 LEV	All	Front Left	741248	D-798	--	--
2013	5.6L	DNSXT05.6G9A	LEV2 LEV	All	Front Right	741249	D-798	--	--
2013	5.6L	DNSXT05.6G9A	LEV2 LEV	All	Rear Left	744005	D-798	--	--
2013	5.6L	DNSXT05.6G9A	LEV2 LEV	All	Rear Right	--	--	747336	D-798
2013	5.6L	DNSXT05.6G9A	LEV2 LEV	All	Rear Right	744758	D-798	--	--
2013	5.6L	DNSXT05.6G9A	LEV2 LEV	All	Rear Right	--	--	747336	D-798
2012	5.6L	CNSXT05.6G9A	LEV2 LEV	All	Front Left	741248	D-798	--	--
2012	5.6L	CNSXT05.6G9A	LEV2 LEV	All	Front Right	741249	D-798	--	--
2012	5.6L	CNSXT05.6G9A	LEV2 LEV	All	Rear Left	744005	D-798	--	--
2012	5.6L	CNSXT05.6G9A	LEV2 LEV	All	Rear Left	--	--	747336	D-798
2012	5.6L	CNSXT05.6G9A	LEV2 LEV	All	Rear Right	744758	D-798	--	--
2012	5.6L	CNSXT05.6G9A	LEV2 LEV	All	Rear Right	--	--	747336	D-798
2011	5.6L	BNSXT05.6G9A	LEV2 LEV	All	Front Left	741248	D-798	--	--
2011	5.6L	BNSXT05.6G9A	LEV2 LEV	All	Front Right	741249	D-798	--	--
2011	5.6L	BNSXT05.6G9A	LEV2 LEV	All	Rear Left	744005	D-798	--	--
2011	5.6L	BNSXT05.6G9A	LEV2 LEV	All	Rear Left	--	--	747336	D-798
2011	5.6L	BNSXT05.6G9A	LEV2 LEV	All	Rear Right	744758	D-798	--	--
2011	5.6L	BNSXT05.6G9A	LEV2 LEV	All	Rear Right	--	--	747336	D-798
2010	5.6L	ANSXT05.6G9A	LEV2 LEV	All	Front Left	741248	D-798	--	--
2010	5.6L	ANSXT05.6G9A	LEV2 LEV	All	Front Right	741249	D-798	--	--
2010	5.6L	ANSXT05.6G9A	LEV2 LEV	All	Rear Left	744005	D-798	--	--
2010	5.6L	ANSXT05.6G9A	LEV2 LEV	All	Rear Left	--	--	747336	D-798
2010	5.6L	ANSXT05.6G9A	LEV2 LEV	All	Rear Right	744758	D-798	--	--
2010	5.6L	ANSXT05.6G9A	LEV2 LEV	All	Rear Right	--	--	747336	D-798
2009	5.6L	9NSXT05.6G9A	LEV2 LEV	All	Front Left	741248	D-798	--	--
2009	5.6L	9NSXT05.6G9A	LEV2 LEV	All	Front Right	741249	D-798	--	--
2009	5.6L	9NSXT05.6G9A	LEV2 LEV	All	Rear Left	744005	D-798	--	--
2009	5.6L	9NSXT05.6G9A	LEV2 LEV	All	Rear Left	--	--	747336	D-798
2009	5.6L	9NSXT05.6G9A	LEV2 LEV	All	Rear Right	744758	D-798	--	--
2009	5.6L	9NSXT05.6G9A	LEV2 LEV	All	Rear Right	--	--	747336	D-798
2008	5.6L	8NSXT05.6G9A	LEV2 LEV	All	Front Left	741248	D-798	--	--
2008	5.6L	8NSXT05.6G9A	LEV2 LEV	All	Front Right	741249	D-798	--	--
2008	5.6L	8NSXT05.6G9A	LEV2 LEV	All	Rear Left	744005	D-798	--	--
2008	5.6L	8NSXT05.6G9A	LEV2 LEV	All	Rear Left	--	--	747336	D-798
2008	5.6L	8NSXT05.6G9A	LEV2 LEV	All	Rear Right	744758	D-798	--	--
2008	5.6L	8NSXT05.6G9A	LEV2 LEV	All	Rear Right	--	--	747336	D-798
2007	5.6L	7NSXT05.6G9A	LEV2 LEV	All	Front Left	741248	D-798	--	--
2007	5.6L	7NSXT05.6G9A	LEV2 LEV	All	Front Right	741249	D-798	--	--
2007	5.6L	7NSXT05.6G9A	LEV2 LEV	All	Rear Left	744005	D-798	--	--
2007	5.6L	7NSXT05.6G9A	LEV2 LEV	All	Rear Left	--	--	747336	D-798
2007	5.6L	7NSXT05.6G9A	LEV2 LEV	All	Rear Right	744758	D-798	--	--
2007	5.6L	7NSXT05.6G9A	LEV2 LEV	All	Rear Right	--	--	747336	D-798
Versa									
L4									
2011	1.6L	BNSXV01.6G4A	LEV2 ULEV	All	Front	--	--	760004	D-280-105
2011	1.6L	BNSXV01.6G4A	LEV2 ULEV	All	Rear	--	--	760004	D-280-105
2011	1.6L	BNSXV01.6G4A	LEV2 ULEV	All	Underbody	764432	D-280-105	--	--
2010	1.6L	ANSXV01.6G4A	LEV2 ULEV	All	Front	--	--	760004	D-280-105
2010	1.6L	ANSXV01.6G4A	LEV2 ULEV	All	Rear	--	--	760004	D-280-105
2010	1.6L	ANSXV01.6G4A	LEV2 ULEV	All	Underbody	764432	D-280-105	--	--
2009	1.6L	9NSXV01.6G4A	LEV2 ULEV	All	Front	--	--	760004	D-280-105
2009	1.6L	9NSXV01.6G4A	LEV2 ULEV	All	Rear	--	--	760004	D-280-105
2009	1.6L	9NSXV01.6G4A	LEV2 ULEV	All	Underbody	764432	D-280-105	--	--
2011	1.8L	BNSXV01.8G1A	LEV2 ULEV	All	Front	--	--	760004	D-280-105
2011	1.8L	BNSXV01.8G1A	LEV2 ULEV	All	Rear	--	--	760004	D-280-105
2011	1.8L	BNSXV01.8G1A	LEV2 ULEV	All	Underbody	764432	D-280-105	--	--

Legal Note: In Compliance with California Emissions Requirements

APPLICATION GUIDE



OBD II

APPLICATION

Year	Eng. Size	Test Group/ Engine Family	Certification Level	Application	Location	Direct Fit Number	Exec. Order	Consol. Number	Exec. Order
Nissan (Cont.)									
Versa (Cont.)									
L4 (Cont.)									
2010	1.8L	ANSXV01.8G1A	LEV2 ULEV	All	Front	--	--	760004	D-280-105
2010	1.8L	ANSXV01.8G1A	LEV2 ULEV	All	Rear	--	--	760004	D-280-105
2010	1.8L	ANSXV01.8G1A	LEV2 ULEV	All	Underbody	764432	D-280-105	--	--
2009	1.8L	9NSXV01.8G1A	LEV2 ULEV	All	Front	--	--	760004	D-280-105
2009	1.8L	9NSXV01.8G1A	LEV2 ULEV	All	Rear	--	--	760004	D-280-105
2009	1.8L	9NSXV01.8G1A	LEV2 ULEV	All	Underbody	764432	D-280-105	--	--
2008	1.8L	8NSXV01.8G1A	LEV2 ULEV	All	Front	--	--	760004	D-280-105
2008	1.8L	8NSXV01.8G1A	LEV2 ULEV	All	Rear	--	--	760004	D-280-105
2008	1.8L	8NSXV01.8G1A	LEV2 ULEV	All	Underbody	764432	D-280-105	--	--
2008	1.8L	8NSXV01.8G1B	LEV2 ULEV	All	Front	--	--	760004	D-280-105
2008	1.8L	8NSXV01.8G1B	LEV2 ULEV	All	Rear	--	--	760004	D-280-105
2008	1.8L	8NSXV01.8G1B	LEV2 ULEV	All	Underbody	764432	D-280-105	--	--
2007	1.8L	7NSXV01.8G1A	LEV2 ULEV	All	Front	--	--	760004	D-280-105
2007	1.8L	7NSXV01.8G1A	LEV2 ULEV	All	Rear	--	--	760004	D-280-105
2007	1.8L	7NSXV01.8G1A	LEV2 ULEV	All	Underbody	764432	D-280-105	--	--
Xterra									
L4									
2004	2.4L	4NSXT02.4M4A	LEV1 LEV	2WD	Front	911109	D-280-101	--	--
2004	2.4L	4NSXT02.4M4A	LEV1 LEV	2WD	Rear	914317	D-280-101	--	--
2004	2.4L	4NSXT02.4M4A	LEV1 LEV	2WD	Rear	--	--	912005R	D-280-101
2003	2.4L	3NSXT02.4C4B	LEV1 LEV	All	Front	911109	D-280-101	--	--
2003	2.4L	3NSXT02.4C4B	LEV1 LEV	All	Rear	914317	D-280-101	--	--
2003	2.4L	3NSXT02.4C4B	LEV1 LEV	All	Rear	--	--	912005R	D-280-101
2002	2.4L	2NSXT02.4C4A	LEV1 LEV	2WD	Front	911109	D-280-101	--	--
2002	2.4L	2NSXT02.4C4A	LEV1 LEV	2WD	Rear	914317	D-280-101	--	--
2002	2.4L	2NSXT02.4C4A	LEV1 LEV	2WD	Rear	--	--	912005R	D-280-101
2001	2.4L	1NSXT02.4C4B	LEV1 LEV	2WD	Front	911109	D-280-101	--	--
2001	2.4L	1NSXT02.4C4B	LEV1 LEV	2WD	Rear	914317	D-280-101	--	--
2001	2.4L	1NSXT02.4C4B	LEV1 LEV	2WD	Rear	--	--	912005R	D-280-101
2001	2.4L	1NSXT02.4C4C	LEV1 LEV	2WD	Front	911109	D-280-101	--	--
2001	2.4L	1NSXT02.4C4C	LEV1 LEV	2WD	Rear	914317	D-280-101	--	--
2001	2.4L	1NSXT02.4C4C	LEV1 LEV	2WD	Rear	--	--	912005R	D-280-101
2000	2.4L	YNSXT02.423B	TLEV	2WD	Front	911109	D-280-101	--	--
2000	2.4L	YNSXT02.423B	TLEV	2WD	Rear	914317	D-280-101	--	--
2000	2.4L	YNSXT02.423B	TLEV	2WD	Underbody	--	--	912004R	D-280-101
V6									
2004	3.3L	4NSXT03.3M6B	LEV1 LEV	All	Rear	--	--	912005	D-280-101
2004	3.3L	4NSXT03.3M6B	LEV1 LEV	All	Rear Left	914463 ②	D-280-101	--	--
2004	3.3L	4NSXT03.3M6B	LEV1 LEV	All	Rear Left	910237 ①	D-280-101	--	--
2004	3.3L	4NSXT03.3M6B	LEV1 LEV	All	Rear Right	912236	D-280-101	--	--
2004	3.3L	4NSXT03.5M7A	LEV1 LEV	All	Front Left	911125	D-280-101	--	--
2004	3.3L	4NSXT03.5M7A	LEV1 LEV	All	Front Right	911124	D-280-101	--	--
2004	3.3L	4NSXT03.5M7A	LEV1 LEV	All	Rear	--	--	912005	D-280-101
2004	3.3L	4NSXT03.5M7A	LEV1 LEV	All	Rear Left	914463 ②	D-280-101	--	--
2004	3.3L	4NSXT03.5M7A	LEV1 LEV	All	Rear Left	910237 ①	D-280-101	--	--
2004	3.3L	4NSXT03.5M7A	LEV1 LEV	All	Rear Right	912236	D-280-101	--	--
2003	3.3L	3NSXT03.3C6A	LEV1 LEV	All	Rear	--	--	912005	D-280-101
2003	3.3L	3NSXT03.3C6A	LEV1 LEV	All	Rear Left	914463 ②	D-280-101	--	--
2003	3.3L	3NSXT03.3C6A	LEV1 LEV	All	Rear Left	910237 ①	D-280-101	--	--
2003	3.3L	3NSXT03.3C6A	LEV1 LEV	All	Rear Right	912236	D-280-101	--	--
2003	3.3L	3NSXT03.3C6A	LEV1 LEV	Naturally Aspirated	Front Left	911125	D-280-101	--	--
2003	3.3L	3NSXT03.3C6A	LEV1 LEV	Naturally Aspirated	Front Right	911124	D-280-101	--	--
2002	3.3L	2NSXT03.3C5A	LEV1 LEV	All	Rear	--	--	912005	D-280-101
2002	3.3L	2NSXT03.3C5A	LEV1 LEV	All	Rear Left	914463 ②	D-280-101	--	--
2002	3.3L	2NSXT03.3C5A	LEV1 LEV	All	Rear Left	910237 ①	D-280-101	--	--
2002	3.3L	2NSXT03.3C5A	LEV1 LEV	All	Rear Right	912236	D-280-101	--	--
2002	3.3L	2NSXT03.3C5A	LEV1 LEV	Naturally Aspirated	Front Left	911125	D-280-101	--	--
2002	3.3L	2NSXT03.3C5A	LEV1 LEV	Naturally Aspirated	Front Right	911124	D-280-101	--	--

① With 26-3/4" Length Converter

② With 41" Length Converter

**CATCO**
CATALYTIC CONVERTERS**EASTERN**
CATALYTIC

APPLICATION GUIDE

OBD II**APPLICATION**

Year	Eng. Size	Test Group/ Engine Family	Certification Level	Application	Location	Direct Fit Number	Exec. Order	Consol. Number	Exec. Order
Nissan (Cont.)									
Xterra (Cont.)									
V6 (Cont.)									
2001	3.3L	1NSXT03.3C5A	LEV1 LEV	All	Front Left	650512	D-665-20	--	--
2001	3.3L	1NSXT03.3C5A	LEV1 LEV	All	Front Right	650513	D-665-20	--	--
2001	3.3L	1NSXT03.5C5A	LEV1 LEV	All	Front Left	911037	D-280-101	--	--
2001	3.3L	1NSXT03.5C5A	LEV1 LEV	All	Front Right	911036	D-280-101	--	--
2001	3.3L	1NSXT03.5C5A	LEV1 LEV	All	Rear	--	--	912005	D-280-101
2001	3.3L	1NSXT03.5C5A	LEV1 LEV	All	Rear Left	914463 ②	D-280-101	--	--
2001	3.3L	1NSXT03.5C5A	LEV1 LEV	All	Rear Left	910237 ①	D-280-101	--	--
2001	3.3L	1NSXT03.5C5A	LEV1 LEV	All	Rear Right	912236	D-280-101	--	--
2001	3.3L	1NSXT03.5C9A	LEV1 LEV	All	Front Left	911037	D-280-101	--	--
2001	3.3L	1NSXT03.5C9A	LEV1 LEV	All	Front Right	911036	D-280-101	--	--
2001	3.3L	1NSXT03.5C9A	LEV1 LEV	All	Rear	--	--	912005	D-280-101
2001	3.3L	1NSXT03.5C9A	LEV1 LEV	All	Rear Left	914463 ②	D-280-101	--	--
2001	3.3L	1NSXT03.5C9A	LEV1 LEV	All	Rear Left	910237 ①	D-280-101	--	--
2001	3.3L	1NSXT03.5C9A	LEV1 LEV	All	Rear Right	912236	D-280-101	--	--
2000	3.3L	YNSXT03.335A	LEV1 LEV	All	Front Left	911037	D-280-101	--	--
2000	3.3L	YNSXT03.335A	LEV1 LEV	All	Front Right	911036	D-280-101	--	--
2000	3.3L	YNSXT03.335A	LEV1 LEV	All	Rear	--	--	912005	D-280-101
2000	3.3L	YNSXT03.335A	LEV1 LEV	All	Rear Left	914463 ②	D-280-101	--	--
2000	3.3L	YNSXT03.335A	LEV1 LEV	All	Rear Left	910237 ①	D-280-101	--	--
2000	3.3L	YNSXT03.335A	LEV1 LEV	All	Rear Right	912236	D-280-101	--	--
2012	4.0L	CNSXT04.0G6A	LEV2 ULEV	All	Front Left	744630	D-798	--	--
2012	4.0L	CNSXT04.0G6A	LEV2 ULEV	All	Front Right	744631	D-798	--	--
2012	4.0L	CNSXT04.0G6A	LEV2 ULEV	All	Rear Left	744633	D-798	--	--
2012	4.0L	CNSXT04.0G6A	LEV2 ULEV	All	Rear Left	--	--	747335	D-798
2012	4.0L	CNSXT04.0G6A	LEV2 ULEV	All	Rear Right	744632	D-798	--	--
2012	4.0L	CNSXT04.0G6A	LEV2 ULEV	All	Rear Right	--	--	747335	D-798
2011	4.0L	BNSXT04.0G6A	LEV2 ULEV	All	Front Left	744630	D-798	--	--
2011	4.0L	BNSXT04.0G6A	LEV2 ULEV	All	Front Right	744631	D-798	--	--
2011	4.0L	BNSXT04.0G6A	LEV2 ULEV	All	Rear Left	744633	D-798	--	--
2011	4.0L	BNSXT04.0G6A	LEV2 ULEV	All	Rear Left	--	--	747335	D-798
2011	4.0L	BNSXT04.0G6A	LEV2 ULEV	All	Rear Right	744632	D-798	--	--
2011	4.0L	BNSXT04.0G6A	LEV2 ULEV	All	Rear Right	--	--	747335	D-798
2010	4.0L	ANSXT04.0G6A	LEV2 ULEV	All	Front Left	744630	D-798	--	--
2010	4.0L	ANSXT04.0G6A	LEV2 ULEV	All	Front Right	744631	D-798	--	--
2010	4.0L	ANSXT04.0G6A	LEV2 ULEV	All	Rear Left	744633	D-798	--	--
2010	4.0L	ANSXT04.0G6A	LEV2 ULEV	All	Rear Left	--	--	747335	D-798
2010	4.0L	ANSXT04.0G6A	LEV2 ULEV	All	Rear Right	744632	D-798	--	--
2010	4.0L	ANSXT04.0G6A	LEV2 ULEV	All	Rear Right	--	--	747335	D-798
2009	4.0L	9NSXT04.0G6A	LEV2 ULEV	All	Front Left	744630	D-798	--	--
2009	4.0L	9NSXT04.0G6A	LEV2 ULEV	All	Front Right	744631	D-798	--	--
2009	4.0L	9NSXT04.0G6A	LEV2 ULEV	All	Rear Left	744633	D-798	--	--
2009	4.0L	9NSXT04.0G6A	LEV2 ULEV	All	Rear Left	--	--	747335	D-798
2009	4.0L	9NSXT04.0G6A	LEV2 ULEV	All	Rear Right	744632	D-798	--	--
2009	4.0L	9NSXT04.0G6A	LEV2 ULEV	All	Rear Right	--	--	747335	D-798
2008	4.0L	8NSXT04.0G6A	LEV2 ULEV	All	Front Left	744630	D-798	--	--
2008	4.0L	8NSXT04.0G6A	LEV2 ULEV	All	Front Right	744631	D-798	--	--
2008	4.0L	8NSXT04.0G6A	LEV2 ULEV	All	Rear Left	744633	D-798	--	--
2008	4.0L	8NSXT04.0G6A	LEV2 ULEV	All	Rear Left	--	--	747335	D-798
2008	4.0L	8NSXT04.0G6A	LEV2 ULEV	All	Rear Right	744632	D-798	--	--
2008	4.0L	8NSXT04.0G6A	LEV2 ULEV	All	Rear Right	--	--	747335	D-798
2007	4.0L	7NSXT04.0G6A	LEV2 ULEV	All	Front Left	744630	D-798	--	--
2007	4.0L	7NSXT04.0G6A	LEV2 ULEV	All	Front Right	744631	D-798	--	--
2007	4.0L	7NSXT04.0G6A	LEV2 ULEV	All	Rear Left	744633	D-798	--	--
2007	4.0L	7NSXT04.0G6A	LEV2 ULEV	All	Rear Left	--	--	747335	D-798
2007	4.0L	7NSXT04.0G6A	LEV2 ULEV	All	Rear Right	744632	D-798	--	--
2007	4.0L	7NSXT04.0G6A	LEV2 ULEV	All	Rear Right	--	--	747335	D-798

① With 26-3/4" Length Converter

② With 41" Length Converter

Legal Note: In Compliance with California Emissions Requirements

APPLICATION GUIDE



OBD II

APPLICATION

Year	Eng. Size	Test Group/ Engine Family	Certification Level	Application	Location	Direct Fit Number	Exec. Order	Consol. Number	Exec. Order
Nissan (Cont.)									
Xterra (Cont.)									
V6 (Cont.)									
2006	4.0L	6NSXT04.0G6A	LEV2 LEV	All	Front Left	744630	D-798	--	--
2006	4.0L	6NSXT04.0G6A	LEV2 LEV	All	Front Right	744631	D-798	--	--
2006	4.0L	6NSXT04.0G6A	LEV2 LEV	All	Rear Left	744633	D-798	--	--
2006	4.0L	6NSXT04.0G6A	LEV2 LEV	All	Rear Left	--	--	747335	D-798
2006	4.0L	6NSXT04.0G6A	LEV2 LEV	All	Rear Right	744632	D-798	--	--
2006	4.0L	6NSXT04.0G6A	LEV2 LEV	All	Rear Right	--	--	747335	D-798
2005	4.0L	5NSXT04.0G6A	LEV2 LEV	All	Front Left	744630	D-798	--	--
2005	4.0L	5NSXT04.0G6A	LEV2 LEV	All	Front Right	744631	D-798	--	--
2005	4.0L	5NSXT04.0G6A	LEV2 LEV	All	Rear Left	744633	D-798	--	--
2005	4.0L	5NSXT04.0G6A	LEV2 LEV	All	Rear Left	--	--	747335	D-798
2005	4.0L	5NSXT04.0G6A	LEV2 LEV	All	Rear Right	744632	D-798	--	--
2005	4.0L	5NSXT04.0G6A	LEV2 LEV	All	Rear Right	--	--	747335	D-798
Oldsmobile									
88									
V6									
1999	3.8L	XGMXV03.8049	LEV1 LEV	All	Underbody	850659	D-665-12	--	--
1998	3.8L	WGMXV03.8048	TLEV	All	Underbody	850659	D-665-12	--	--
1996	3.8L	TGM3.8V8GKEK	TIER1	All	Underbody	630629	D-665-17	--	--
98									
V6									
1996	3.8L	TGM3.8V8GKEK	TIER1	All	Underbody	630629	D-665-17	--	--
Achieva									
L4									
1998	2.4L	WGMXV02.4025	TIER1	All	Underbody	630607	D-665-17	--	--
1998	2.4L	WGMXV02.4026	TLEV	A/T	Underbody	942823	D-280-100	--	--
1998	2.4L	WGMXV02.4026	TLEV	All	Underbody	--	--	940104	D-280-100
1997	2.4L	VGM2.4VJG1EK	TIER1	A/T	Underbody	942823	D-280-100	--	--
1997	2.4L	VGM2.4VJG1EK	TIER1	M/T	Underbody	942220	D-280-100	--	--
1997	2.4L	VGM2.4VJG1EK	TIER1	All	Underbody	--	--	940104	D-280-100
1997	2.4L	VGM2.4VJG2EK	TLEV	All	Underbody	--	--	940104	D-280-100
1996	2.4L	TGM2.4VJG2EK	TLEV	A/T	Underbody	942823	D-280-100	--	--
1996	2.4L	TGM2.4VJG2EK	TLEV	M/T	Underbody	942220	D-280-100	--	--
1996	2.4L	TGM2.4VJG2EK	TLEV	M/T	Underbody	942050	D-280-100	--	--
1996	2.4L	TGM2.4VJG2EK	TLEV	All	Underbody	--	--	940105	D-280-100
1996	2.4L	TGM2.4VJGKEK	TIER1	All	Underbody	--	--	940105	D-280-100
V6									
1998	3.1L	WGMXV03.1042	TIER1	All	Underbody	942831	③ D-280-100	--	--
1998	3.1L	WGMXV03.1042	TIER1	All	Underbody	--	--	940105	D-280-100
1997	3.1L	VGM3.1V8G1EK	TIER1	All	Underbody	942849	④ D-280-100	--	--
1997	3.1L	VGM3.1V8G1EK	TIER1	All	Underbody	--	--	940105	D-280-100
1996	3.1L	TGM3.1V8GF EK	TIER1	All	Underbody	944862	D-280-100	--	--
1996	3.1L	TGM3.1V8GF EK	TIER1	All	Underbody	--	--	940335	D-280-100
Alero									
L4									
2003	2.2L	3GMXV02.2025	LEV1 LEV	All	Underbody	944205	D-280-100	--	--
2003	2.2L	3GMXV02.2025	LEV1 LEV	All	Underbody	--	--	940104	D-280-100
2002	2.2L	2GMXV02.4022	LEV1 LEV	All	Underbody	944205	D-280-100	--	--
2002	2.2L	2GMXV02.4022	LEV1 LEV	All	Underbody	--	--	940104	D-280-100
2001	2.4L	1GMXV02.4022	LEV1 LEV	All	Underbody	942877	D-280-100	--	--
2001	2.4L	1GMXV02.4022	LEV1 LEV	All	Underbody	--	--	940104	D-280-100
2000	2.4L	YGMXV02.4022	LEV1 LEV	All	Underbody	942877	D-280-100	--	--
2000	2.4L	YGMXV02.4022	LEV1 LEV	All	Underbody	--	--	940104	D-280-100
1999	2.4L	XGMXV02.4025	TLEV	All	Underbody	942877	D-280-100	--	--
1999	2.4L	XGMXV02.4025	TLEV	All	Underbody	--	--	940105	D-280-100
1999	2.4L	XGMXV02.4027	LEV1 LEV	All	Underbody	942877	D-280-100	--	--
1999	2.4L	XGMXV02.4027	LEV1 LEV	All	Underbody	--	--	940105	D-280-100

③ W/ Flat Gasket

④ W/ Crush Ring Gasket



CATCO
CATALYTIC CONVERTERS

EASTERN CATALYTIC

APPLICATION GUIDE

OBD II

APPLICATION

Year	Eng. Size	Test Group/ Engine Family	Certification Level	Application	Location	Direct Fit Number	Exec. Order	Consol. Number	Exec. Order
Oldsmobile (Cont.)									
Alero (Cont.)									
V6									
2004	3.4L	4GMXV03.8042	LEV2 LEV	All	Underbody	764863	D-280-105	--	--
2004	3.4L	4GMXV03.8042	LEV2 LEV	All	Underbody	--	--	760005	D-280-105
2003	3.4L	3GMXV03.8044	LEV1 ULEV	All	Underbody	764863	D-280-105	--	--
2003	3.4L	3GMXV03.8044	LEV1 ULEV	All	Underbody	--	--	760005	D-280-105
2002	3.4L	2GMXV03.8043	LEV1 LEV	All	Underbody	942863	D-280-100	--	--
2002	3.4L	2GMXV03.8043	LEV1 LEV	All	Underbody	--	--	940105	D-280-100
2001	3.4L	1GMXV03.8043	LEV1 LEV	All	Underbody	942863	D-280-100	--	--
2001	3.4L	1GMXV03.8043	LEV1 LEV	All	Underbody	--	--	940105	D-280-100
2000	3.4L	YGMXV03.8043	LEV1 LEV	All	Underbody	942863	D-280-100	--	--
2000	3.4L	YGMXV03.8043	LEV1 LEV	All	Underbody	--	--	940105	D-280-100
1999	3.4L	XGMXV03.4042	TLEV	All	Underbody	942863	D-280-100	--	--
1999	3.4L	XGMXV03.4042	TLEV	All	Underbody	--	--	940105	D-280-100
Aurora									
V6									
2002	3.5L	2GMXV03.8043	LEV1 LEV	All	Underbody	949035	D-280-100	--	--
2002	3.5L	2GMXV03.8043	LEV1 LEV	All	Underbody	--	--	940336	D-280-100
2001	3.5L	1GMXV03.5064	LEV1 LEV	All	Underbody	949035	D-280-100	--	--
2001	3.5L	1GMXV03.5064	LEV1 LEV	All	Underbody	--	--	940336	D-280-100
2001	3.5L	1GMXV03.5065	LEV1 LEV	All	Underbody	949035	D-280-100	--	--
2001	3.5L	1GMXV03.5065	LEV1 LEV	All	Underbody	--	--	940336	D-280-100
V8									
2003	4.0L	3GMXV04.6065	LEV1 LEV	All	Underbody	949035	D-280-100	--	--
2003	4.0L	3GMXV04.6065	LEV1 LEV	All	Underbody	--	--	940336	D-280-100
2002	4.0L	2GMXV04.6065	LEV1 LEV	All	Underbody	949035	D-280-100	--	--
2002	4.0L	2GMXV04.6065	LEV1 LEV	All	Underbody	--	--	940336	D-280-100
2001	4.0L	1GMXV04.6065	LEV1 LEV	All	Underbody	949035	D-280-100	--	--
2001	4.0L	1GMXV04.6065	LEV1 LEV	All	Underbody	--	--	940336	D-280-100
1999	4.0L	XGMXV04.6068	TIER1	All	Front	942890	D-280-100	--	--
1999	4.0L	XGMXV04.6068	TIER1	FWD	Underbody	--	--	940642	D-280-100
1998	4.0L	WGMXV04.6066	TIER1	All	Front	942890	D-280-100	--	--
1998	4.0L	WGMXV04.6066	TIER1	FWD	Underbody	--	--	940642	D-280-100
1997	4.0L	VGM4.6VJG1EK	TIER1	All	Front	942890	D-280-100	--	--
1997	4.0L	VGM4.6VJG1EK	TIER1	FWD	Underbody	--	--	940642	D-280-100
1996	4.0L	TGM4.6VJGFEL	TIER1	All	Front	942890	D-280-100	--	--
1996	4.0L	TGM4.6VJGFEL	TIER1	FWD	Underbody	--	--	940642	D-280-100
Bravada									
L6									
2004	4.2L	4GMXT04.2185	LEV2 LEV	All	Underbody	749154	D-798	--	--
2004	4.2L	4GMXT04.2185	LEV2 LEV	All	Underbody	--	--	740336	D-798
2003	4.2L	3GMXT04.2185	LEV1 LEV	All	Underbody	912154	D-280-101	--	--
2003	4.2L	3GMXT04.2185	LEV1 LEV	All	Underbody	--	--	912005R	D-280-101
2003	4.2L	3GMXT04.2185	LEV1 LEV	All	Underbody	--	--	912005	D-280-101
2002	4.2L	2GMXT04.2185	LEV1 LEV	All	Underbody	912154	D-280-101	--	--
2002	4.2L	2GMXT04.2185	LEV1 LEV	All	Underbody	--	--	912005R	D-280-101
2002	4.2L	2GMXT04.2185	LEV1 LEV	All	Underbody	--	--	912005	D-280-101
V6									
2001	4.3L	1GMXT04.3187	LEV1 LEV	All	Rear	--	--	912006	D-280-101
2001	4.3L	1GMXT04.3187	LEV1 LEV	All	Underbody	919109	D-280-101	--	--
2001	4.3L	1GMXT04.3187	LEV1 LEV	All	Front	--	--	740006	D-798
2000	4.3L	YGMXT04.3188	LEV1 LEV	All	Rear	--	--	912006	D-280-101
2000	4.3L	YGMXT04.3188	LEV1 LEV	All	Underbody	919109	D-280-101	--	--
2000	4.3L	YGMXT04.3188	LEV1 LEV	All	Front	--	--	740006	D-798
1999	4.3L	XGMXT04.3185	LEV1 LEV	All	Front	911192	D-280-101	--	--
1999	4.3L	XGMXT04.3185	LEV1 LEV	All	Front	--	--	910005R	D-280-101
1999	4.3L	XGMXT04.3185	LEV1 LEV	All	Rear	912792	D-280-101	--	--
1999	4.3L	XGMXT04.3185	LEV1 LEV	All	Rear	--	--	912006	D-280-101

Legal Note: In Compliance with California Emissions Requirements

APPLICATION GUIDE



OBD II

APPLICATION

Year	Eng. Size	Test Group/ Engine Family	Certification Level	Application	Location	Direct Fit Number	Exec. Order	Consol. Number	Exec. Order
Oldsmobile (Cont.)									
Bravada (Cont.)									
V6 (Cont.)									
1998	4.3L	WGMXT04.3185	TLEV	All	Front	911192	D-280-101	--	--
1998	4.3L	WGMXT04.3185	TLEV	All	Front	--	--	910005R	D-280-101
1998	4.3L	WGMXT04.3185	TLEV	All	Rear	--	--	912006	D-280-101
1998	4.3L	WGMXT04.3185	TLEV	All	Underbody	912792	D-280-101	--	--
1997	4.3L	VGM4.32PG1EK	TIER1	All	Underbody	912792	D-280-101	--	--
1997	4.3L	VGM4.32PG1EK	TIER1	All	Underbody	--	--	912006	D-280-101
1996	4.3L	TGM4.32PGKEK	TIER1	All	Underbody	912792	D-280-101	--	--
1996	4.3L	TGM4.32PGKEK	TIER1	All	Underbody	--	--	912006	D-280-101
Cutlass									
V6									
1999	3.1L	XGMXV03.1043	LEV1 LEV	All	Underbody	942863	D-280-100	--	--
1999	3.1L	XGMXV03.1043	LEV1 LEV	All	Underbody	--	--	940105	D-280-100
1998	3.1L	WGMXV03.1043	TIER1	All	Underbody	942863	D-280-100	--	--
1998	3.1L	WGMXV03.1043	TIER1	All	Underbody	--	--	940105	D-280-100
1998	3.1L	WGMXV03.1044	TLEV	All	Underbody	942863	D-280-100	--	--
1998	3.1L	WGMXV03.1044	TLEV	All	Underbody	--	--	940105	D-280-100
1997	3.1L	VGM3.1V8G1EK	TIER1	All	Underbody	942863	D-280-100	--	--
1997	3.1L	VGM3.1V8G1EK	TIER1	All	Underbody	--	--	940105	D-280-100
Cutlass Ciera									
L4									
1996	2.2L	TGM2.2V8GKEK	TIER1	All	Underbody	942260	D-280-100	--	--
V6									
1996	3.1L	TGM3.1V8GFEK	TIER1	All	Underbody	630630	D-665-17	--	--
Cutlass Supreme									
V6									
1997	3.1L	VGM3.1V8G1EK	TIER1	All	Underbody	942874	D-280-100	--	--
1997	3.1L	VGM3.1V8G1EK	TIER1	All	Underbody	--	--	940105	D-280-100
1996	3.1L	TGM3.1V8GFEK	TIER1	All	Underbody	942898	D-280-100	--	--
1996	3.1L	TGM3.1V8GFEK	TIER1	All	Underbody	--	--	940335	D-280-100
1996	3.4L	TGM3.4VJGFEK	TIER1	All	Underbody	630612	D-665-17	--	--
Intrigue									
V6									
2002	3.5L	2GMXV03.8043	LEV1 LEV	All	Underbody	942234	D-280-100	--	--
2002	3.5L	2GMXV03.8043	LEV1 LEV	All	Underbody	--	--	940106	D-280-100
2001	3.5L	1GMXV03.5065	LEV1 LEV	All	Underbody	942234	D-280-100	--	--
2001	3.5L	1GMXV03.5065	LEV1 LEV	All	Underbody	--	--	940106	D-280-100
2000	3.5L	YGMXV03.5064	LEV1 LEV	All	Underbody	942234	D-280-100	--	--
2000	3.5L	YGMXV03.5064	LEV1 LEV	All	Underbody	--	--	940106	D-280-100
1999	3.5L	XGMXV03.5064	TLEV	All	Underbody	942234	D-280-100	--	--
1999	3.5L	XGMXV03.5064	TLEV	All	Underbody	--	--	940106	D-280-100
1999	3.8L	XGMXV03.8048	TLEV	All	Underbody	942876	D-280-100	--	--
1999	3.8L	XGMXV03.8048	TLEV	All	Underbody	--	--	940106	D-280-100
1999	3.8L	XGMXV03.8049	LEV1 LEV	All	Underbody	942876	D-280-100	--	--
1999	3.8L	XGMXV03.8049	LEV1 LEV	All	Underbody	--	--	940106	D-280-100
1998	3.8L	WGMXV03.8048	TLEV	All	Underbody	942876	D-280-100	--	--
1998	3.8L	WGMXV03.8048	TLEV	All	Underbody	--	--	940106	D-280-100
Regency									
V6									
1998	3.8L	WGMXV03.8048	TLEV	All	Underbody	942975	D-280-100	--	--
1998	3.8L	WGMXV03.8049	TIER1	All	Underbody	942890	D-280-100	--	--
1998	3.8L	WGMXV03.8049	TIER1	All	Underbody	--	--	940642	D-280-100
1997	3.8L	VGM3.8V8G1FK	TIER1	All	Underbody	942975	D-280-100	--	--
1997	3.8L	VGM3.8V8G1FK	TIER1	All	Underbody	942890	D-280-100	--	--
1997	3.8L	VGM3.8V8G1FK	TIER1	All	Underbody	--	--	940106	D-280-100

Legal Note: In Compliance with California Emissions Requirements



CATCO
CATALYTIC CONVERTERS

EASTERN CATALYTIC

APPLICATION GUIDE

OBD II

APPLICATION

Year	Eng. Size	Test Group/ Engine Family	Certification Level	Application	Location	Direct Fit Number	Exec. Order	Consol. Number	Exec. Order
Oldsmobile (Cont.)									
Regency (Cont.)									
V6 (Cont.)									
1997	3.8L	VGM3.8V8GKEK	TIER1	All	Underbody	942975	D-280-100	--	--
1997	3.8L	VGM3.8V8GKEK	TIER1	All	Underbody	942890	D-280-100	--	--
1997	3.8L	VGM3.8V8GKEK	TIER1	All	Underbody	--	--	940106	D-280-100
Silhouette									
V6									
2004	3.4L	4GMXT03.6143	LEV1 ULEV	All	Underbody	--	--	740335	D-798
2004	3.4L	4GMXT03.6143	LEV1 ULEV	FWD	Underbody	744307	D-798	--	--
2003	3.4L	3GMXT03.4141	LEV1 LEV	All	Underbody	--	--	912005	D-280-101
2003	3.4L	3GMXT03.4141	LEV1 LEV	FWD	Underbody	912307	D-280-101	--	--
2002	3.4L	2GMXT03.4142	LEV1 ULEV	All	Underbody	--	--	740035	D-798
2002	3.4L	2GMXT03.4142	LEV1 ULEV	FWD	Underbody	744307	D-798	--	--
2001	3.4L	1GMXT03.4142	LEV1 ULEV	All	Underbody	744327	D-798	--	--
2001	3.4L	1GMXT03.4142	LEV1 ULEV	All	Underbody	--	--	740035	D-798
2000	3.4L	YGMXT03.4142	LEV1 LEV	All	Underbody	--	--	912005	D-280-101
2000	3.4L	YGMXT03.4142	LEV1 LEV	FWD	Underbody	912133	D-280-101	--	--
1999	3.4L	XGMXT03.4142	TLEV	All	Underbody	--	--	912005	D-280-101
1999	3.4L	XGMXT03.4142	TLEV	FWD	Underbody	912133	D-280-101	--	--
1998	3.4L	WGMXT03.4142	TLEV	All	Underbody	--	--	912005	D-280-101
1998	3.4L	WGMXT03.4142	TLEV	FWD	Underbody	912133	D-280-101	--	--
1997	3.4L	VGM3.428G2EK	TLEV	All	Underbody	--	--	912005	D-280-101
1997	3.4L	VGM3.428G2EK	TLEV	FWD	Underbody	912133	D-280-101	--	--
1996	3.4L	TGM3.428GFKEK	TIER1	All	Underbody	914781	D-280-101	--	--
1996	3.4L	TGM3.428GFKEK	TIER1	All	Underbody	--	--	912005	D-280-101
Plymouth									
Breeze									
L4									
2000	2.0L	YCRXV0122V31	LEV1 LEV	All	Underbody	942225	D-280-100	--	--
2000	2.0L	YCRXV0122V31	LEV1 LEV	All	Underbody	--	--	940335	D-280-100
2000	2.0L	YCRXV02.0VB1	TIER1	All	Underbody	942225	D-280-100	--	--
2000	2.0L	YCRXV02.0VB1	TIER1	All	Underbody	--	--	940335	D-280-100
1999	2.0L	XCRXV0122V30	LEV1 LEV	All	Underbody	942225	D-280-100	--	--
1999	2.0L	XCRXV0122V30	LEV1 LEV	All	Underbody	--	--	940335	D-280-100
1999	2.0L	XCRXV02.0VB1	TIER1	All	Underbody	942225	D-280-100	--	--
1999	2.0L	XCRXV02.0VB1	TIER1	All	Underbody	--	--	940335	D-280-100
1999	2.0L	XCRXV02.0VB1	TIER1	All	Underbody	--	--	940335	D-280-100
1998	2.0L	WCRXV0122V30	LEV1 LEV	All	Underbody	942225	D-280-100	--	--
1998	2.0L	WCRXV0122V30	LEV1 LEV	All	Underbody	--	--	940335	D-280-100
1998	2.0L	WCRXV02.0VB1	TIER1	All	Underbody	942225	D-280-100	--	--
1998	2.0L	WCRXV02.0VB1	TIER1	All	Underbody	--	--	940335	D-280-100
1997	2.0L	VCR122VJG1EK	TIER1	All	Underbody	942128	D-280-100	--	--
1997	2.0L	VCR122VJG1EK	TIER1	All	Underbody	--	--	940336	D-280-100
1996	2.0L	TCR122VJG1EK	TIER1	All	Underbody	942128	D-280-100	--	--
1996	2.0L	TCR122VJG1EK	TIER1	All	Underbody	--	--	940336	D-280-100
2000	2.4L	YCRXV0148V30	LEV1 LEV	All	Underbody	942859	D-280-100	--	--
2000	2.4L	YCRXV0148V30	LEV1 LEV	All	Underbody	--	--	940335	D-280-100
1999	2.4L	XCRXV0148V30	TLEV	All	Underbody	942859	D-280-100	--	--
1999	2.4L	XCRXV0148V30	TLEV	All	Underbody	--	--	940335	D-280-100
1998	2.4L	WCRXV0148V20	TLEV	All	Underbody	942859	D-280-100	--	--
1998	2.4L	WCRXV0148V20	TLEV	All	Underbody	--	--	940335	D-280-100
1997	2.4L	VCR148VJG1EK	TIER1	All	Underbody	942859	D-280-100	--	--
1997	2.4L	VCR148VJG1EK	TIER1	All	Underbody	--	--	940335	D-280-100
Grand Voyager									
L4									
1997	2.4L	VCR14828G1EK	TIER1	All	Underbody	914183	D-280-101	--	--
1997	2.4L	VCR14828G1EK	TIER1	All	Underbody	--	--	912005	D-280-101
1996	2.4L	TCR2.428GFKEK	TIER1	All	Underbody	914183	D-280-101	--	--
1996	2.4L	TCR2.428GFKEK	TIER1	All	Underbody	--	--	912005	D-280-101

APPLICATION GUIDE



OBD II

APPLICATION

Year	Eng. Size	Test Group/ Engine Family	Certification Level	Application	Location	Direct Fit Number	Exec. Order	Consol. Number	Exec. Order
Plymouth (Cont.)									
Grand Voyager (Cont.)									
V6									
1996	3.0L	TCR18128G1EK	TIER1	All	Underbody	914887	D-280-101	--	--
1996	3.0L	TCR18128G1EK	TIER1	All	Underbody	--	--	912005	D-280-101
2000	3.3L	YCRXT0201230	LEV1 LEV	All	Underbody	914183	D-280-101	--	--
2000	3.3L	YCRXT0201230	LEV1 LEV	All	Underbody	--	--	912003	D-280-101
1999	3.3L	XCRXT0201230	LEV1 LEV	All	Underbody	914183	D-280-101	--	--
1999	3.3L	XCRXT0201230	LEV1 LEV	All	Underbody	--	--	912003	D-280-101
1999	3.3L	XCRXT03.82B1	TIER1	All	Underbody	640506	D-665-18	--	--
1998	3.3L	WCRXA0201230	LEV1 LEV	All	Underbody	640506	D-665-18	--	--
1998	3.3L	WCRXT0201230	LEV1 LEV	All	Underbody	914183	D-280-101	--	--
1998	3.3L	WCRXT0201230	LEV1 LEV	All	Underbody	--	--	912003	D-280-101
1997	3.3L	VCR20128G2FL	TLEV	All	Underbody	914183	D-280-101	--	--
1997	3.3L	VCR20128G2FL	TLEV	All	Underbody	--	--	912003	D-280-101
1997	3.3L	VCR23228G1EK	TLEV	All	Underbody	640506	D-665-18	--	--
1996	3.3L	TCR20128G2FL	TLEV	All	Underbody	914183	D-280-101	--	--
1996	3.3L	TCR23228G1EK	TIER1	All	Underbody	914183	D-280-101	--	--
1996	3.3L	TCR23228G1EK	TIER1	All	Underbody	--	--	912003	D-280-101
1999	3.8L	XCRXT0232230	LEV1 LEV	All	Underbody	640506	D-665-18	--	--
1998	3.8L	WCRXT0232220	TLEV	All	Underbody	640506	D-665-18	--	--
Neon									
L4									
2001	2.0L	1CRXV02.0VD0	LEV1 LEV	All	Underbody	942094	D-280-100	--	--
2001	2.0L	1CRXV02.0VD0	LEV1 LEV	All	Underbody	--	--	940105	D-280-100
2000	2.0L	YCRXV0122V30	LEV1 LEV	All	Underbody	942094	D-280-100	--	--
2000	2.0L	YCRXV0122V30	LEV1 LEV	All	Underbody	--	--	940105	D-280-100
1999	2.0L	XCRXV0122V30	LEV1 LEV	All	Underbody	942651	D-280-100	--	--
1999	2.0L	XCRXV0122V30	LEV1 LEV	All	Underbody	--	--	940105	D-280-100
1999	2.0L	XCRXV02.0VB0	TIER1	All	Underbody	942651	D-280-100	--	--
1999	2.0L	XCRXV02.0VB0	TIER1	All	Underbody	--	--	940105	D-280-100
1999	2.0L	XCRXV02.0VB2	TIER1	All	Underbody	942651	D-280-100	--	--
1999	2.0L	XCRXV02.0VB2	TIER1	All	Underbody	--	--	940105	D-280-100
1998	2.0L	WCRXV0122V30	LEV1 LEV	All	Underbody	942651	D-280-100	--	--
1998	2.0L	WCRXV0122V30	LEV1 LEV	All	Underbody	--	--	940105	D-280-100
1998	2.0L	WCRXV02.0VB0	TIER1	All	Underbody	942651	D-280-100	--	--
1998	2.0L	WCRXV02.0VB0	TIER1	M/T	Underbody	--	--	940105	D-280-100
1998	2.0L	WCRXV02.0VB2	TIER1	All	Underbody	942651	D-280-100	--	--
1998	2.0L	WCRXV02.0VB2	TIER1	All	Underbody	--	--	940105	D-280-100
1997	2.0L	VCR122VJG1EK	TIER1	All	Underbody	942651	D-280-100	--	--
1997	2.0L	VCR122VJG1EK	TIER1	M/T	Underbody	--	--	940105	D-280-100
1997	2.0L	VCR122VJG1EL	TIER1	All	Underbody	942651	D-280-100	--	--
1997	2.0L	VCR122VJG1EL	TIER1	All	Underbody	--	--	940105	D-280-100
1997	2.0L	VCR122VJG2EK	TLEV	All	Underbody	942651	D-280-100	--	--
1997	2.0L	VCR122VJG2EK	TLEV	A/T	Underbody	--	--	940105	D-280-100
1996	2.0L	TCR122VJG1EK	TIER1	All	Underbody	942651	D-280-100	--	--
1996	2.0L	TCR122VJG1EK	TIER1	M/T	Underbody	--	--	940105	D-280-100
1996	2.0L	TCR122VJG2EK	TLEV	All	Underbody	942651	D-280-100	--	--
1996	2.0L	TCR122VJG2EK	TLEV	A/T	Underbody	--	--	940105	D-280-100
1996	2.0L	TCR2.0VJGFEL	TIER1	All	Underbody	942651	D-280-100	--	--
1996	2.0L	TCR2.0VJGFEL	TIER1	All	Underbody	--	--	940105	D-280-100
1995	2.0L	SCR122VJG2EK	TLEV	All	Underbody	942651	D-280-100	--	--
1995	2.0L	SCR122VJG2EK	TLEV	A/T	Underbody	--	--	940105	D-280-100
1995	2.0L	SCR2.0VJGFEK	TIER1	All	Underbody	942651	D-280-100	--	--
1995	2.0L	SCR2.0VJGFEK	TIER1	All	Underbody	--	--	940105	D-280-100
1995	2.0L	SCR2.0VJGFEL	TIER1	All	Underbody	942651	D-280-100	--	--
1995	2.0L	SCR2.0VJGFEL	TIER1	All	Underbody	--	--	940105	D-280-100
Prowler									
V6									
2001	3.5L	1CRXV03.5VB0	TIER1	All	Underbody	--	--	940105	D-280-100
2000	3.5L	YCRXV03.5VB0	TIER1	All	Underbody	--	--	940105	D-280-100

Legal Note: In Compliance with California Emissions Requirements



CATCO
CATALYTIC CONVERTERS

EASTERN CATALYTIC

APPLICATION GUIDE

OBD II

APPLICATION

Year	Eng. Size	Test Group/ Engine Family	Certification Level	Application	Location	Direct Fit Number	Exec. Order	Consol. Number	Exec. Order
Plymouth (Cont.)									
Prowler (Cont.)									
V6 (Cont.)									
1999	3.5L	XCRXV03.5VB0	TIER1	All	Underbody	--	--	940105	D-280-100
Voyager									
L4									
2000	2.4L	YCRXT0148230	LEV1 LEV	All	Underbody	640506	D-665-18	--	--
2000	2.4L	YCRXT0148230	LEV1 LEV	All	Underbody	--	--	912005	D-280-101
1999	2.4L	XCRXT0148230	LEV1 LEV	All	Underbody	914183	D-280-101	--	--
1999	2.4L	XCRXT0148230	LEV1 LEV	All	Underbody	--	--	912005	D-280-101
1998	2.4L	WCRXT02.42B0	TIER1	All	Underbody	914183	D-280-101	--	--
1998	2.4L	WCRXT02.42B0	TIER1	All	Underbody	--	--	912005	D-280-101
1997	2.4L	VCR14828G1EK	TIER1	All	Underbody	914183	D-280-101	--	--
1997	2.4L	VCR14828G1EK	TIER1	All	Underbody	--	--	912005	D-280-101
1996	2.4L	TCR2.428GFKE	TIER1	All	Underbody	914183	D-280-101	--	--
1996	2.4L	TCR2.428GFKE	TIER1	All	Underbody	--	--	912005	D-280-101
V6									
1996	3.0L	TCR18128G1EK	TIER1	All	Underbody	914887	D-280-101	--	--
1996	3.0L	TCR18128G1EK	TIER1	All	Underbody	--	--	912005	D-280-101
2000	3.3L	YCRXT0201230	LEV1 LEV	All	Underbody	914183	D-280-101	--	--
2000	3.3L	YCRXT0201230	LEV1 LEV	All	Underbody	--	--	912003	D-280-101
1999	3.3L	XCRXT0201230	LEV1 LEV	All	Underbody	914183	D-280-101	--	--
1999	3.3L	XCRXT0201230	LEV1 LEV	All	Underbody	--	--	912003	D-280-101
1998	3.3L	WCRXT0201230	LEV1 LEV	All	Underbody	914183	D-280-101	--	--
1998	3.3L	WCRXT0201230	LEV1 LEV	All	Underbody	--	--	912003	D-280-101
1997	3.3L	VCR20128G2FL	TLEV	All	Underbody	914183	D-280-101	--	--
1997	3.3L	VCR20128G2FL	TLEV	All	Underbody	--	--	912003	D-280-101
1996	3.3L	TCR20128G2FL	TLEV	All	Underbody	914183	D-280-101	--	--
1996	3.3L	TCR23228G1EK	TIER1	All	Underbody	914183	D-280-101	--	--
1996	3.3L	TCR23228G1EK	TIER1	All	Underbody	--	--	912003	D-280-101
Pontiac									
Aztek									
V6									
2005	3.4L	5GMXT03.6143	LEV1 ULEV	AWD	Underbody	744246	D-798	--	--
2005	3.4L	5GMXT03.6143	LEV1 ULEV	AWD	Underbody	--	--	740336	D-798
2005	3.4L	5GMXT03.6143	LEV1 ULEV	FWD	Underbody	744760	D-798	--	--
2005	3.4L	5GMXT03.6143	LEV1 ULEV	FWD	Underbody	--	--	740336	D-798
2004	3.4L	4GMXT03.6143	LEV1 ULEV	AWD	Underbody	744246	D-798	--	--
2004	3.4L	4GMXT03.6143	LEV1 ULEV	AWD	Underbody	--	--	740336	D-798
2004	3.4L	4GMXT03.6143	LEV1 ULEV	FWD	Underbody	744760	D-798	--	--
2004	3.4L	4GMXT03.6143	LEV1 ULEV	FWD	Underbody	--	--	740336	D-798
2003	3.4L	3GMXT03.4141	LEV1 LEV	All	Underbody	--	--	912005	D-280-101
2003	3.4L	3GMXT03.4141	LEV1 LEV	AWD	Underbody	912246	D-280-101	--	--
2003	3.4L	3GMXT03.4141	LEV1 LEV	FWD	Underbody	914760	D-280-101	--	--
2003	3.4L	3GMXT03.4141	LEV1 LEV	AWD	Underbody	744246	D-798	--	--
2003	3.4L	3GMXT03.4141	LEV1 LEV	FWD	Underbody	744760	D-798	--	--
2002	3.4L	2GMXT03.4142	LEV1 ULEV	AWD	Underbody	744246	D-798	--	--
2002	3.4L	2GMXT03.4142	LEV1 ULEV	AWD	Underbody	--	--	740036	D-798
2002	3.4L	2GMXT03.4142	LEV1 ULEV	FWD	Underbody	744760	D-798	--	--
2002	3.4L	2GMXT03.4142	LEV1 ULEV	FWD	Underbody	--	--	740036	D-798
2001	3.4L	1GMXT03.4142	LEV1 ULEV	AWD	Underbody	744246	D-798	--	--
2001	3.4L	1GMXT03.4142	LEV1 ULEV	AWD	Underbody	--	--	740036	D-798
2001	3.4L	1GMXT03.4142	LEV1 ULEV	FWD	Underbody	744760	D-798	--	--
2001	3.4L	1GMXT03.4142	LEV1 ULEV	FWD	Underbody	--	--	740036	D-798
Bonneville									
V6									
2005	3.8L	5GMXX03.8148	LEV2 LEV	All	Underbody	769035	D-280-105	--	--
2005	3.8L	5GMXX03.8148	LEV2 LEV	All	Underbody	--	--	762017	D-280-105
2004	3.8L	4GMXV03.8042	LEV2 LEV	All	Underbody	769035	D-280-105	--	--
2004	3.8L	4GMXV03.8042	LEV2 LEV	All	Underbody	--	--	760006	D-280-105

Legal Note: In Compliance with California Emissions Requirements

APPLICATION GUIDE



OBD II

APPLICATION

Year	Eng. Size	Test Group/ Engine Family	Certification Level	Application	Location	Direct Fit Number	Exec. Order	Consol. Number	Exec. Order
Pontiac (Cont.)									
Bonneville (Cont.)									
V6 (Cont.)									
2003	3.8L	3GMXV03.8044	LEV1 ULEV	All	Underbody	769035	D-280-105	--	--
2003	3.8L	3GMXV03.8044	LEV1 ULEV	All	Underbody	--	--	760006	D-280-105
2002	3.8L	2GMXV03.8044	LEV1 ULEV	All	Underbody	769035	D-280-105	--	--
2002	3.8L	2GMXV03.8044	LEV1 ULEV	All	Underbody	--	--	760006	D-280-105
2001	3.8L	1GMXV03.8044	LEV1 ULEV	All	Underbody	769035	D-280-105	--	--
2001	3.8L	1GMXV03.8044	LEV1 ULEV	All	Underbody	--	--	760006	D-280-105
1999	3.8L	XGMXV03.8048	TLEV	All	Underbody	942975 ②	D-280-100	--	--
1999	3.8L	XGMXV03.8048	TLEV	All	Underbody	942890 ①	D-280-100	--	--
1999	3.8L	XGMXV03.8048	TLEV	All	Underbody	--	--	940106	D-280-100
1999	3.8L	XGMXV03.8049	LEV1 LEV	All	Underbody	942975 ②	D-280-100	--	--
1999	3.8L	XGMXV03.8049	LEV1 LEV	All	Underbody	942890 ①	D-280-100	--	--
1999	3.8L	XGMXV03.8049	LEV1 LEV	All	Underbody	--	--	940106	D-280-100
1999	3.8L	XGMXV03.8052	LEV1 LEV	Supercharged	Underbody	--	--	940106	D-280-100
1998	3.8L	WGMXV03.8048	TLEV	All	Underbody	942975 ②	D-280-100	--	--
1998	3.8L	WGMXV03.8048	TLEV	All	Underbody	942890 ①	D-280-100	--	--
1998	3.8L	WGMXV03.8048	TLEV	All	Underbody	--	--	940106	D-280-100
1998	3.8L	WGMXV03.8051	TLEV	Supercharged	Underbody	--	--	940106	D-280-100
1997	3.8L	VGM3.8V8G1FK	TIER1	Supercharged	Underbody	--	--	940106	D-280-100
1997	3.8L	VGM3.8V8G2EK	TLEV	All	Underbody	942975 ②	D-280-100	--	--
1997	3.8L	VGM3.8V8G2EK	TLEV	All	Underbody	942890 ①	D-280-100	--	--
1997	3.8L	VGM3.8V8G2EK	TLEV	All	Underbody	--	--	940106	D-280-100
1997	3.8L	VGM3.8V8GKEK	TIER1	All	Underbody	942975 ②	D-280-100	--	--
1997	3.8L	VGM3.8V8GKEK	TIER1	All	Underbody	942890 ①	D-280-100	--	--
1997	3.8L	VGM3.8V8GKEK	TIER1	All	Underbody	--	--	940106	D-280-100
1996	3.8L	TGM3.8V8GFFK	TIER1	Supercharged	Underbody	--	--	940106	D-280-100
1996	3.8L	TGM3.8V8GKEK	TIER1	All	Underbody	942975 ②	D-280-100	--	--
1996	3.8L	TGM3.8V8GKEK	TIER1	All	Underbody	--	--	940106	D-280-100
V8									
2005	4.6L	5GMXV04.6065	LEV1 ULEV	All	Underbody	769035	D-280-105	--	--
2005	4.6L	5GMXV04.6065	LEV1 ULEV	All	Underbody	--	--	762017	D-280-105
2004	4.6L	4GMXV04.6065	LEV1 ULEV	All	Underbody	769035	D-280-105	--	--
2004	4.6L	4GMXV04.6065	LEV1 ULEV	All	Underbody	--	--	762017	D-280-105
Firebird									
V6									
2002	3.8L	2GMXV03.8043	LEV1 LEV	All	Underbody	944278	D-280-100	--	--
2002	3.8L	2GMXV03.8043	LEV1 LEV	All	Underbody	--	--	940105	D-280-100
2001	3.8L	1GMXV03.8043	LEV1 LEV	All	Underbody	944278	D-280-100	--	--
2001	3.8L	1GMXV03.8043	LEV1 LEV	All	Underbody	--	--	940105	D-280-100
2000	3.8L	YGMXV03.8043	LEV1 LEV	All	Underbody	944278	D-280-100	--	--
2000	3.8L	YGMXV03.8043	LEV1 LEV	All	Underbody	--	--	940105	D-280-100
1999	3.8L	XGMXV03.8048	TLEV	All	Underbody	942884	D-280-100	--	--
1999	3.8L	XGMXV03.8048	TLEV	All	Underbody	--	--	940336	D-280-100
1999	3.8L	XGMXV03.8049	LEV1 LEV	All	Underbody	942884	D-280-100	--	--
1999	3.8L	XGMXV03.8049	LEV1 LEV	All	Underbody	--	--	940336	D-280-100
1999	3.8L	XGMXV03.8051	TLEV	All	Underbody	630639	D-665-17	--	--
1998	3.8L	WGMXV03.8049	TIER1	All	Underbody	942884	D-280-100	--	--
1998	3.8L	WGMXV03.8049	TIER1	All	Underbody	--	--	940105	D-280-100
1997	3.8L	VGM3.8V8GKEK	TIER1	All	Underbody	942884	D-280-100	--	--
1997	3.8L	VGM3.8V8GKEK	TIER1	All	Underbody	--	--	940336	D-280-100
1996	3.8L	TGM3.8V8GKEK	TIER1	All	Underbody	942884	D-280-100	--	--
1996	3.8L	TGM3.8V8GKEK	TIER1	All	Underbody	--	--	940336	D-280-100
1995	3.8L	S1G3.8V8G1EK	TIER1	All	Underbody	942884	D-280-100	--	--
1995	3.8L	S1G3.8V8G1EK	TIER1	All	Underbody	--	--	940336	D-280-100

① Models w/ 4 Bolt Flange Inlet, front pipe & conv. separate, for use with OE intermediate pipe, additional sizing, bushing, cutting may be required.

② Front pipe & conv. 1 piece, additional sizing, bushings, cutting may be required.

Legal Note: In Compliance with California Emissions Requirements



CATCO
CATALYTIC CONVERTERS

EASTERN CATALYTIC

APPLICATION GUIDE

OBD II

APPLICATION

Year	Eng. Size	Test Group/ Engine Family	Certification Level	Application	Location	Direct Fit Number	Exec. Order	Consol. Number	Exec. Order
Pontiac (Cont.)									
Firebird (Cont.)									
V8									
2002	5.7L	2GMXV05.7081	LEV1 LEV	All	Underbody	--	--	940335	D-280-100
2002	5.7L	2GMXV05.7081	LEV1 LEV	All	Underbody Left	942107LB ●	D-280-100	--	--
2002	5.7L	2GMXV05.7081	LEV1 LEV	All	Underbody Left	942107 ◆	D-280-100	--	--
2002	5.7L	2GMXV05.7081	LEV1 LEV	All	Underbody Right	942106LB ●	D-280-100	--	--
2002	5.7L	2GMXV05.7081	LEV1 LEV	All	Underbody Right	942106 ◆	D-280-100	--	--
2001	5.7L	1GMXV05.7081	LEV1 LEV	All	Underbody	--	--	940335	D-280-100
2001	5.7L	1GMXV05.7081	LEV1 LEV	All	Underbody Left	942107LB ●	D-280-100	--	--
2001	5.7L	1GMXV05.7081	LEV1 LEV	All	Underbody Left	942107 ◆	D-280-100	--	--
2001	5.7L	1GMXV05.7081	LEV1 LEV	All	Underbody Right	942106LB ●	D-280-100	--	--
2001	5.7L	1GMXV05.7081	LEV1 LEV	All	Underbody Right	942106 ◆	D-280-100	--	--
2000	5.7L	YGMXV05.7083	LEV1 LEV	All	Underbody	--	--	940335	D-280-100
2000	5.7L	YGMXV05.7083	LEV1 LEV	All	Underbody Left	942107LB ●	D-280-100	--	--
2000	5.7L	YGMXV05.7083	LEV1 LEV	All	Underbody Left	942107 ◆	D-280-100	--	--
2000	5.7L	YGMXV05.7083	LEV1 LEV	All	Underbody Right	942106LB ●	D-280-100	--	--
2000	5.7L	YGMXV05.7083	LEV1 LEV	All	Underbody Right	942106 ◆	D-280-100	--	--
1999	5.7L	XGMXV05.7082	TLEV	All	Front Left	942107LB ●	D-280-100	--	--
1999	5.7L	XGMXV05.7082	TLEV	All	Rear	942033LB ●	D-280-100	--	--
1999	5.7L	XGMXV05.7082	TLEV	All	Rear	942033 ◆	D-280-100	--	--
1999	5.7L	XGMXV05.7082	TLEV	All	Underbody	--	--	940105	D-280-100
1999	5.7L	XGMXV05.7082	TLEV	All	Underbody Left	942107 ◆	D-280-100	--	--
1998	5.7L	WGMXV05.7082	TIER1	All	Underbody	--	--	940105	D-280-100
1998	5.7L	WGMXV05.7082	TIER1	All	Underbody Left	942107LB ●	D-280-100	--	--
1998	5.7L	WGMXV05.7082	TIER1	All	Underbody Left	942107 ◆	D-280-100	--	--
1998	5.7L	WGMXV05.7082	TIER1	All	Underbody Right	942033LB ●	D-280-100	--	--
1998	5.7L	WGMXV05.7082	TIER1	All	Underbody Right	942033 ◆	D-280-100	--	--
1997	5.7L	VGM5.7V8G1EK	TIER1	All	Front	942162LB ●	D-280-100	--	--
1997	5.7L	VGM5.7V8G1EK	TIER1	All	Rear	942062LB ●	D-280-100	--	--
1997	5.7L	VGM5.7V8G1EK	TIER1	All	Front	942162 ◆	D-280-100	--	--
1997	5.7L	VGM5.7V8G1EK	TIER1	All	Rear	942062 ◆	D-280-100	--	--
1997	5.7L	VGM5.7V8G1EK	TIER1	All	Underbody	--	--	940106	D-280-100
1996	5.7L	TGM5.7V8GFKE	TIER1	All	Front	942162LB ●	D-280-100	--	--
1996	5.7L	TGM5.7V8GFKE	TIER1	All	Front	942162 ◆	D-280-100	--	--
1996	5.7L	TGM5.7V8GFKE	TIER1	All	Rear	942062LB ●	D-280-100	--	--
1996	5.7L	TGM5.7V8GFKE	TIER1	All	Rear	942062 ◆	D-280-100	--	--
1996	5.7L	TGM5.7V8GFKE	TIER1	All	Underbody	--	--	940106	D-280-100
1995	5.7L	S1G5.7V8G1EA	TIER1	All	Front	942162LB ●	D-280-100	--	--
1995	5.7L	S1G5.7V8G1EA	TIER1	All	Front	942162 ◆	D-280-100	--	--
1995	5.7L	S1G5.7V8G1EA	TIER1	All	Rear	942062LB ●	D-280-100	--	--
1995	5.7L	S1G5.7V8G1EA	TIER1	All	Rear	942062 ◆	D-280-100	--	--
1995	5.7L	S1G5.7V8G1EA	TIER1	All	Underbody	--	--	940106	D-280-100
G5									
L4									
2009	2.2L	9GMXV02.4027	LEV2 LEV	All	Front	--	--	760005	D-280-105
2009	2.2L	9GMXV02.4027	LEV2 LEV	All	Rear	--	--	760005	D-280-105
2009	2.2L	9GMXV02.4027	LEV2 LEV	A/T	Underbody	764284	D-280-105	--	--
2008	2.2L	8GMXV02.4025	LEV2 LEV	All	Rear	--	--	760005	D-280-105
2008	2.2L	8GMXV02.4025	LEV2 LEV	A/T	Underbody	764284	D-280-105	--	--
2008	2.4L	8GMXV02.4025	LEV2 LEV	All	Front	--	--	760005	D-280-105
2008	2.4L	8GMXV02.4025	LEV2 LEV	All	Rear	--	--	760005	D-280-105
2008	2.4L	8GMXV02.4025	LEV2 LEV	A/T	Underbody	764284	D-280-105	--	--
2007	2.4L	7GMXV02.4029	LEV2 LEV	All	Underbody	--	--	760005	D-280-105
2007	2.4L	7GMXV02.4029	LEV2 LEV	A/T	Underbody	764015	D-280-105	--	--

- Standard Oval Converter
- Large Oval Converter

Legal Note: In Compliance with California Emissions Requirements

APPLICATION GUIDE



OBD II

APPLICATION

Year	Eng. Size	Test Group/ Engine Family	Certification Level	Application	Location	Direct Fit Number	Exec. Order	Consol. Number	Exec. Order
G6									
V6									
2009	3.5L	9GMXJ03.9142	LEV2 LEV	All	Front Left	--	--	760004	D-280-105
2009	3.5L	9GMXJ03.9142	LEV2 LEV	All	Front Right	--	--	760004	D-280-105
2009	3.5L	9GMXJ03.9142	LEV2 LEV	All	Rear	--	--	761016	D-280-105
2009	3.5L	9GMXV03.5045	LEV2 ULEV	All	Front Left	--	--	760004	D-280-105
2009	3.5L	9GMXV03.5045	LEV2 ULEV	All	Front Right	--	--	760004	D-280-105
2009	3.5L	9GMXV03.5045	LEV2 ULEV	All	Rear	--	--	761016	D-280-105
2008	3.5L	8GMXV03.5043	LEV2 ULEV	All	Front Left	--	--	760004	D-280-105
2008	3.5L	8GMXV03.5043	LEV2 ULEV	All	Front Right	--	--	760004	D-280-105
2008	3.5L	8GMXV03.5043	LEV2 ULEV	All	Rear	--	--	761016	D-280-105
2009	3.6L	9GMXJ03.9142	LEV2 LEV	All	Front Left	--	--	760004	D-280-105
2009	3.6L	9GMXJ03.9142	LEV2 LEV	All	Front Right	--	--	760004	D-280-105
2009	3.6L	9GMXJ03.9142	LEV2 LEV	All	Rear	--	--	761016	D-280-105
2006	3.9L	6GMXV03.9041	LEV1 ULEV	All	Underbody Left	--	--	760005	D-280-105
2006	3.9L	6GMXV03.9041	LEV1 ULEV	All	Underbody Right	--	--	760005	D-280-105
Grand Am									
L4									
2003	2.2L	3GMXV02.2025	LEV1 LEV	All	Underbody	944205	D-280-100	--	--
2003	2.2L	3GMXV02.2025	LEV1 LEV	All	Underbody	--	--	940104	D-280-100
2002	2.2L	2GMXV02.4022	LEV1 LEV	All	Underbody	942205	D-280-100	--	--
2002	2.2L	2GMXV02.4022	LEV1 LEV	All	Underbody	--	--	940104	D-280-100
2001	2.4L	1GMXV02.4022	LEV1 LEV	All	Underbody	942877	D-280-100	--	--
2001	2.4L	1GMXV02.4022	LEV1 LEV	All	Underbody	--	--	940104	D-280-100
2000	2.4L	YGMXV02.4022	LEV1 LEV	All	Underbody	942877	D-280-100	--	--
2000	2.4L	YGMXV02.4022	LEV1 LEV	All	Underbody	--	--	940104	D-280-100
1999	2.4L	XGMXV02.4025	TLEV	All	Underbody	--	--	940104	D-280-100
1999	2.4L	XGMXV02.4025	TLEV	From 01/99	Underbody	942877	D-280-100	--	--
1999	2.4L	XGMXV02.4025	TLEV	To 01/99	Underbody	942107 ④	D-280-100	--	--
1999	2.4L	XGMXV02.4027	LEV1 LEV	All	Underbody	--	--	940104	D-280-100
1999	2.4L	XGMXV02.4027	LEV1 LEV	From 01/99	Underbody	942877 ③	D-280-100	--	--
1999	2.4L	XGMXV02.4027	LEV1 LEV	To 01/99	Underbody	942107 ④	D-280-100	--	--
1998	2.4L	WGMXV02.4025	TIER1	All	Underbody	942220	D-280-100	--	--
1998	2.4L	WGMXV02.4025	TIER1	All	Underbody	--	--	940104	D-280-100
1998	2.4L	WGMXV02.4026	TLEV	All	Underbody	942220	D-280-100	--	--
1998	2.4L	WGMXV02.4026	TLEV	All	Underbody	--	--	940104	D-280-100
1997	2.4L	VGM2.4VJG2EK	TLEV	All	Underbody	942220	D-280-100	--	--
1997	2.4L	VGM2.4VJG2EK	TLEV	All	Underbody	--	--	940104	D-280-100
1996	2.4L	TGM2.4VJG2EK	TLEV	All	Underbody	942220	D-280-100	--	--
1996	2.4L	TGM2.4VJG2EK	TLEV	All	Underbody	--	--	940104	D-280-100
1996	2.4L	TGM2.4VJGKEK	TIER1	All	Underbody	942220	D-280-100	--	--
1996	2.4L	TGM2.4VJGKEK	TIER1	All	Underbody	--	--	940104	D-280-100
V6									
1998	3.1L	WGMXV03.1042	TIER1	All	Underbody	942849	D-280-100	--	--
1998	3.1L	WGMXV03.1042	TIER1	All	Underbody	--	--	940105	D-280-100
1997	3.1L	VGM3.1V8G1EK	TIER1	All	Underbody	942849	D-280-100	--	--
1997	3.1L	VGM3.1V8G1EK	TIER1	All	Underbody	--	--	940105	D-280-100
1996	3.1L	TGM3.1V8GFEK	TIER1	All	Underbody	944862	D-280-100	--	--
1996	3.1L	TGM3.1V8GFEK	TIER1	All	Underbody	--	--	940335	D-280-100
2004	3.4L	4GMXV03.8042	LEV2 LEV	All	Underbody	764863	D-280-105	--	--
2003	3.4L	3GMXV03.8044	LEV1 ULEV	All	Underbody	764863	D-280-105	--	--
2003	3.4L	3GMXV03.8044	LEV1 ULEV	All	Underbody	--	--	760005	D-280-105
2002	3.4L	2GMXV03.8043	LEV1 LEV	All	Underbody	942863	D-280-100	--	--
2002	3.4L	2GMXV03.8043	LEV1 LEV	All	Underbody	--	--	940105	D-280-100
2001	3.4L	1GMXV03.8043	LEV1 LEV	All	Underbody	942863	D-280-100	--	--
2001	3.4L	1GMXV03.8043	LEV1 LEV	All	Underbody	--	--	940105	D-280-100
2000	3.4L	YGMXV03.8043	LEV1 LEV	All	Underbody	942863	D-280-100	--	--
2000	3.4L	YGMXV03.8043	LEV1 LEV	All	Underbody	--	--	940105	D-280-100
1999	3.4L	XGMXV03.4042	TLEV	All	Underbody	942863	D-280-100	--	--
1999	3.4L	XGMXV03.4042	TLEV	All	Underbody	--	--	940105	D-280-100

③ 3 Bolt Inlet Flange

④ 4 Bolt Inlet Flange

Legal Note: In Compliance with California Emissions Requirements



CATCO
CATALYTIC CONVERTERS

EASTERN CATALYTIC

APPLICATION GUIDE

OBD II

APPLICATION

Year	Eng. Size	Test Group/ Engine Family	Certification Level	Application	Location	Direct Fit Number	Exec. Order	Consol. Number	Exec. Order
Grand Prix									
V6									
2003	3.1L	3GMXV03.8043	LEV1 LEV	All	Underbody	942850	D-280-100	--	--
2003	3.1L	3GMXV03.8043	LEV1 LEV	All	Underbody	--	--	940105	D-280-100
2002	3.1L	2GMXV03.8043	LEV1 LEV	All	Underbody	942850	D-280-100	--	--
2002	3.1L	2GMXV03.8043	LEV1 LEV	All	Underbody	--	--	940105	D-280-100
2000	3.1L	YGMXV03.8043	LEV1 LEV	All	Underbody	942850	D-280-100	--	--
2000	3.1L	YGMXV03.8043	LEV1 LEV	All	Underbody	--	--	940105	D-280-100
1999	3.1L	XGMXV03.4042	TLEV	All	Underbody	942850	D-280-100	--	--
1999	3.1L	XGMXV03.4042	TLEV	All	Underbody	--	--	940105	D-280-100
1998	3.1L	WGMXV03.1042	TIER1	All	Underbody	850662	D-665-12	--	--
1998	3.1L	WGMXV03.1043	TIER1	All	Underbody	630626	D-665-17	--	--
1998	3.1L	WGMXV03.1044	TLEV	All	Underbody	942850	D-280-100	--	--
1998	3.1L	WGMXV03.1044	TLEV	All	Underbody	--	--	940105	D-280-100
1997	3.1L	VGM3.1V8G1EK	TIER1	All	Underbody	942850	D-280-100	--	--
1997	3.1L	VGM3.1V8G1EK	TIER1	All	Underbody	--	--	940105	D-280-100
1996	3.1L	TGM3.1V8GF EK	TIER1	All	Underbody	944838	D-280-100	--	--
1996	3.1L	TGM3.1V8GF EK	TIER1	All	Underbody	942898	D-280-100	--	--
1996	3.1L	TGM3.1V8GF EK	TIER1	All	Underbody	--	--	940105	D-280-100
1996	3.4L	TGM3.4VJGF EK	TIER1	All	Underbody	630612	D-665-17	--	--
2007	3.8L	7GMXV03.9146	LEV2 LEV	All	Underbody	764341	D-280-105	--	--
2007	3.8L	7GMXV03.9146	LEV2 LEV	All	Underbody	--	--	760005	D-280-105
2006	3.8L	6GMXV03.9041	LEV1 ULEV	All	Underbody	764341	D-280-105	--	--
2006	3.8L	6GMXV03.9041	LEV1 ULEV	All	Underbody	--	--	760005	D-280-105
2006	3.8L	6GMXV03.9048	LEV2 LEV	All	Underbody	764341	D-280-105	--	--
2006	3.8L	6GMXV03.9048	LEV2 LEV	All	Underbody	--	--	760005	D-280-105
2005	3.8L	5GMXV03.8041	LEV1 ULEV	All	Underbody	764341	D-280-105	--	--
2005	3.8L	5GMXV03.8041	LEV1 ULEV	All	Underbody	--	--	760005	D-280-105
2005	3.8L	5GMXV03.8148	LEV2 LEV	All	Underbody	764341	D-280-105	--	--
2005	3.8L	5GMXV03.8148	LEV2 LEV	All	Underbody	--	--	760005	D-280-105
2004	3.8L	4GMXV03.8041	LEV1 ULEV	All	Underbody	764341	D-280-105	--	--
2004	3.8L	4GMXV03.8041	LEV1 ULEV	All	Underbody	--	--	760005	D-280-105
2004	3.8L	4GMXV03.8042	LEV2 LEV	All	Underbody	--	--	760005	D-280-105
2003	3.8L	3GMXV03.8044	LEV1 ULEV	All	Underbody	--	--	760005	D-280-105
2002	3.8L	2GMXV03.8043	LEV1 LEV	All	Underbody	942876	D-280-100	--	--
2002	3.8L	2GMXV03.8043	LEV1 LEV	All	Underbody	--	--	940106	D-280-100
2002	3.8L	2GMXV03.8044	LEV1 ULEV	All	Underbody	--	--	760006	D-280-105
2001	3.8L	1GMXV03.8043	LEV1 LEV	All	Underbody	942876	D-280-100	--	--
2001	3.8L	1GMXV03.8043	LEV1 LEV	All	Underbody	942850	D-280-100	--	--
2001	3.8L	1GMXV03.8043	LEV1 LEV	All	Underbody	--	--	940106	D-280-100
2001	3.8L	1GMXV03.8044	LEV1 ULEV	All	Underbody	--	--	760006	D-280-105
2000	3.8L	YGMXV03.8043	LEV1 LEV	All	Underbody	942876	D-280-100	--	--
2000	3.8L	YGMXV03.8043	LEV1 LEV	All	Underbody	--	--	940106	D-280-100
2000	3.8L	YGMXV03.8045	LEV1 LEV	All	Underbody	630625	D-665-17	--	--
1999	3.8L	XGMXV03.8048	TLEV	All	Underbody	942876	D-280-100	--	--
1999	3.8L	XGMXV03.8048	TLEV	All	Underbody	--	--	940105	D-280-100
1999	3.8L	XGMXV03.8049	LEV1 LEV	All	Underbody	942876	D-280-100	--	--
1999	3.8L	XGMXV03.8049	LEV1 LEV	All	Underbody	--	--	940106	D-280-100
1999	3.8L	XGMXV03.8053	LEV1 LEV	All	Underbody	942876	D-280-100	--	--
1999	3.8L	XGMXV03.8053	LEV1 LEV	All	Underbody	--	--	940106	D-280-100
1998	3.8L	WGMXV03.8048	TLEV	All	Underbody	942876	D-280-100	--	--
1998	3.8L	WGMXV03.8048	TLEV	All	Underbody	--	--	940106	D-280-100
1998	3.8L	WGMXV03.8051	TIER1	All	Underbody	942876	D-280-100	--	--
1998	3.8L	WGMXV03.8051	TIER1	All	Underbody	--	--	940106	D-280-100
1997	3.8L	VGM3.8V8G1FK	TIER1	All	Underbody	942876	D-280-100	--	--
1997	3.8L	VGM3.8V8G1FK	TIER1	All	Underbody	--	--	940106	D-280-100
1997	3.8L	VGM3.8V8G2EK	TLEV	All	Underbody	942876	D-280-100	--	--
1997	3.8L	VGM3.8V8G2EK	TLEV	All	Underbody	--	--	940106	D-280-100
Montana									
V6									
2005	3.4L	5GMXT03.6143	LEV1 ULEV	All	Underbody	--	--	740335	D-798
2005	3.4L	5GMXT03.6143	LEV1 ULEV	FWD	Underbody	744307	D-798	--	--

Legal Note: In Compliance with California Emissions Requirements

APPLICATION GUIDE



OBD II

APPLICATION

Year	Eng. Size	Test Group/ Engine Family	Certification Level	Application	Location	Direct Fit Number	Exec. Order	Consol. Number	Exec. Order
Pontiac (Cont.)									
Montana (Cont.)									
V6 (Cont.)									
2004	3.4L	4GMXT03.6143	LEV1 ULEV	All	Underbody	--	--	740335	D-798
2004	3.4L	4GMXT03.6143	LEV1 ULEV	FWD	Underbody	744307	D-798	--	--
2003	3.4L	3GMXT03.4141	LEV1 LEV	All	Underbody	--	--	912005	D-280-101
2003	3.4L	3GMXT03.4141	LEV1 LEV	FWD	Underbody	912307	D-280-101	--	--
2002	3.4L	2GMXT03.4142	LEV1 ULEV	All	Underbody	--	--	740035	D-798
2002	3.4L	2GMXT03.4142	LEV1 ULEV	FWD	Underbody	744307	D-798	--	--
2001	3.4L	1GMXT03.4142	LEV1 ULEV	All	Underbody	744327	D-798	--	--
2001	3.4L	1GMXT03.4142	LEV1 ULEV	All	Underbody	--	--	740035	D-798
2000	3.4L	YGMXT03.4142	LEV1 LEV	All	Underbody	--	--	912005	D-280-101
2000	3.4L	YGMXT03.4142	LEV1 LEV	FWD	Underbody	912133	D-280-101	--	--
2006	3.5L	6GMXB03.9146	LEV2 LEV	All	Underbody	744429	D-798	--	--
2006	3.5L	6GMXB03.9146	LEV2 LEV	All	Underbody	--	--	740046	D-798
2005	3.5L	5GMXX03.8148	LEV2 LEV	All	Underbody	744429	D-798	--	--
2005	3.5L	5GMXX03.8148	LEV2 LEV	All	Underbody	--	--	740046	D-798
2006	3.9L	6GMXB03.9146	LEV2 LEV	All	Underbody	744464	D-798	--	--
2006	3.9L	6GMXB03.9146	LEV2 LEV	All	Underbody	--	--	740046	D-798
Sunfire									
L4									
2003	2.2L	3GMXV02.2025	LEV1 LEV	All	Underbody	944205	D-280-100	--	--
2003	2.2L	3GMXV02.2025	LEV1 LEV	All	Underbody	--	--	940104	D-280-100
2002	2.2L	2GMXV02.2024	TLEV	VIN 4	Underbody	942864	D-280-100	--	--
2002	2.2L	2GMXV02.2024	TLEV	VIN 4	Underbody	--	--	940104	D-280-100
2002	2.2L	2GMXV02.4022	LEV1 LEV	VIN 4	Underbody	942864	D-280-100	--	--
2002	2.2L	2GMXV02.4022	LEV1 LEV	VIN 4	Underbody	--	--	940104	D-280-100
2001	2.2L	1GMXV02.2022	LEV1 LEV	All	Underbody	942864	D-280-100	--	--
2001	2.2L	1GMXV02.2022	LEV1 LEV	All	Underbody	--	--	940104	D-280-100
2001	2.2L	1GMXV02.2024	TLEV	All	Underbody	942864	D-280-100	--	--
2001	2.2L	1GMXV02.2024	TLEV	All	Underbody	--	--	940104	D-280-100
2000	2.2L	YGMXV02.4022	LEV1 LEV	All	Underbody	942864	D-280-100	--	--
2000	2.2L	YGMXV02.4022	LEV1 LEV	All	Underbody	--	--	940104	D-280-100
2000	2.2L	YGMXX02.2023	TLEV	All	Underbody	942864	D-280-100	--	--
2000	2.2L	YGMXX02.2023	TLEV	All	Underbody	--	--	940104	D-280-100
1999	2.2L	XGMXV02.2022	TLEV	All	Underbody	942864	D-280-100	--	--
1999	2.2L	XGMXV02.2022	TLEV	All	Underbody	--	--	940104	D-280-100
1999	2.2L	XGMXV02.2023	LEV1 LEV	All	Underbody	942864	D-280-100	--	--
1999	2.2L	XGMXV02.2023	LEV1 LEV	All	Underbody	--	--	940104	D-280-100
1998	2.2L	WGMXV02.2022	TIER1	All	Underbody	942648	D-280-100	--	--
1998	2.2L	WGMXV02.2022	TIER1	All	Underbody	--	--	940104	D-280-100
1998	2.2L	WGMXV02.2023	TLEV	All	Underbody	942648	D-280-100	--	--
1998	2.2L	WGMXV02.2023	TLEV	All	Underbody	--	--	940104	D-280-100
1997	2.2L	VGM2.2V8G1EK	TIER1	All	Underbody	942648	D-280-100	--	--
1997	2.2L	VGM2.2V8G1EK	TIER1	All	Underbody	--	--	940104	D-280-100
1997	2.2L	VGM2.2V8G1FK	TIER1	All	Underbody	850652	D-665-12	--	--
1997	2.2L	VGM2.2V8G2EK	TLEV	All	Underbody	942648	D-280-100	--	--
1997	2.2L	VGM2.2V8G2EK	TLEV	All	Underbody	--	--	940104	D-280-100
1996	2.2L	TGM2.2V8G2EK	TLEV	All	Underbody	942648	D-280-100	--	--
1996	2.2L	TGM2.2V8G2EK	TLEV	All	Underbody	--	--	940104	D-280-100
1996	2.2L	TGM2.2V8GKEK	TIER1	All	Underbody	942648	D-280-100	--	--
1996	2.2L	TGM2.2V8GKEK	TIER1	All	Underbody	--	--	940104	D-280-100
2002	2.4L	2GMXV02.4022	LEV1 LEV	All	Underbody	942877	D-280-100	--	--
2002	2.4L	2GMXV02.4022	LEV1 LEV	All	Underbody	--	--	940085	D-280-100
2001	2.4L	1GMXV02.4022	LEV1 LEV	All	Underbody	942877	D-280-100	--	--
2001	2.4L	1GMXV02.4022	LEV1 LEV	All	Underbody	--	--	940104	D-280-100
2001	2.4L	1GMXV02.4024	TLEV	All	Underbody	942877	D-280-100	--	--
2001	2.4L	1GMXV02.4024	TLEV	All	Underbody	--	--	940104	D-280-100
2000	2.4L	YGMXV02.4022	LEV1 LEV	All	Underbody	942877	D-280-100	--	--
2000	2.4L	YGMXV02.4022	LEV1 LEV	All	Underbody	--	--	940104	D-280-100

Legal Note: In Compliance with California Emissions Requirements



CATCO
CATALYTIC CONVERTERS

EASTERN CATALYTIC

APPLICATION GUIDE

OBD II

APPLICATION

Year	Eng. Size	Test Group/ Engine Family	Certification Level	Application	Location	Direct Fit Number	Exec. Order	Consol. Number	Exec. Order
Pontiac (Cont.)									
Sunfire (Cont.)									
L4 (Cont.)									
1999	2.4L	XGMXV02.4027	LEV1 LEV	All	Underbody	942877	D-280-100	--	--
1999	2.4L	XGMXV02.4027	LEV1 LEV	All	Underbody	--	--	940104	D-280-100
1998	2.4L	WGMXV02.4025	TIER1	All	Underbody	942107 ♦	D-280-100	--	--
1998	2.4L	WGMXV02.4025	TIER1	All	Underbody	--	--	940104	D-280-100
1998	2.4L	WGMXV02.4026	TLEV	All	Underbody	942107 ♦	D-280-100	--	--
1998	2.4L	WGMXV02.4026	TLEV	All	Underbody	--	--	940104	D-280-100
1997	2.4L	VGM2.4VJG1EK	TIER1	All	Underbody	942107 ♦	D-280-100	--	--
1997	2.4L	VGM2.4VJG1EK	TIER1	All	Underbody	--	--	940104	D-280-100
1997	2.4L	VGM2.4VJG2EK	TLEV	All	Underbody	942107 ♦	D-280-100	--	--
1997	2.4L	VGM2.4VJG2EK	TLEV	All	Underbody	--	--	940104	D-280-100
1996	2.4L	TGM2.4VJG2EK	TLEV	All	Underbody	--	--	940104	D-280-100
1996	2.4L	TGM2.4VJG2EK	TLEV	All	Underbody	942107 ♦	D-280-100	--	--
Torrent									
V6									
2009	3.4L	9GMXT03.4146	LEV2 ULEV	All	Underbody	744357	D-798	--	--
2009	3.4L	9GMXT03.4146	LEV2 ULEV	All	Underbody	--	--	740776	D-798
2008	3.4L	8GMXB03.8146	LEV2 ULEV	All	Underbody	744357	D-798	--	--
2008	3.4L	8GMXB03.8146	LEV2 ULEV	All	Underbody	--	--	740776	D-798
2007	3.4L	7GMXB03.5048	LEV2 ULEV	All	Underbody	744357	D-798	--	--
2007	3.4L	7GMXB03.5048	LEV2 ULEV	All	Underbody	--	--	740776	D-798
2006	3.4L	6GMXB03.9146	LEV2 LEV	All	Underbody	744357	D-798	--	--
2006	3.4L	6GMXB03.9146	LEV2 LEV	All	Underbody	--	--	740776	D-798
2009	3.6L	9GMXJ03.9142	LEV2 LEV	All	Front Left	744444	D-798	--	--
2009	3.6L	9GMXJ03.9142	LEV2 LEV	All	Front Right	744445	D-798	--	--
2008	3.6L	8GMXB03.6148	LEV2 LEV	All	Front Left	744444	D-798	--	--
2008	3.6L	8GMXB03.6148	LEV2 LEV	All	Front Right	744445	D-798	--	--
Trans Sport									
V6									
1998	3.4L	WGMXT03.4142	TLEV	All	Underbody	912133	D-280-101	--	--
1998	3.4L	WGMXT03.4142	TLEV	All	Underbody	--	--	912005	D-280-101
1997	3.4L	VGM3.428G2EK	TLEV	All	Underbody	912133	D-280-101	--	--
1997	3.4L	VGM3.428G2EK	TLEV	All	Underbody	--	--	912005	D-280-101
1996	3.4L	TGM3.428GFKEK	TIER1	All	Underbody	914781	D-280-101	--	--
1996	3.4L	TGM3.428GFKEK	TIER1	All	Underbody	--	--	912005	D-280-101
Vibe									
L4									
2008	1.8L	8NTXV01.8BEA	LEV2 ULEV	All	Front	--	--	760005	D-280-105
2008	1.8L	8NTXV01.8BEA	LEV2 ULEV	All	Rear	--	--	760005	D-280-105
2008	1.8L	8NTXV01.8BEA	LEV2 ULEV	FWD	Underbody	764805 ⑤	D-280-105	--	--
2007	1.8L	7NTXV01.8BEA	LEV2 ULEV	All	Front	--	--	760005	D-280-105
2007	1.8L	7NTXV01.8BEA	LEV2 ULEV	All	Rear	--	--	760005	D-280-105
2007	1.8L	7NTXV01.8BEA	LEV2 ULEV	FWD	Underbody	764805 ⑤	D-280-105	--	--
2006	1.8L	6NTXV01.8PEA	LEV2 ULEV	All	Front	--	--	760005	D-280-105
2006	1.8L	6NTXV01.8PEA	LEV2 ULEV	All	Rear	--	--	760005	D-280-105
2006	1.8L	6NTXV01.8PEA	LEV2 ULEV	Eng. Code 8, Exc. GT	Underbody	764805 ⑤	D-280-105	--	--
2006	1.8L	6NTXV01.8VMB	LEV1 LEV	All	Front	--	--	760005	D-280-105
2006	1.8L	6NTXV01.8VMB	LEV1 LEV	All	Rear	--	--	760005	D-280-105
2006	1.8L	6NTXV01.8VMB	LEV1 LEV	Eng. Code 8, Exc. GT	Underbody	764805 ⑤	D-280-105	--	--
2005	1.8L	5NTXV01.8PEA	LEV2 ULEV	All	Front	--	--	760005	D-280-105
2005	1.8L	5NTXV01.8PEA	LEV2 ULEV	All	Rear	--	--	760005	D-280-105
2005	1.8L	5NTXV01.8VMA	LEV1 LEV	All	Front	--	--	760005	D-280-105
2005	1.8L	5NTXV01.8VMA	LEV1 LEV	All	Rear	--	--	760005	D-280-105
2005	1.8L	5NTXV01.8VMA	LEV1 LEV	Eng. Code 8, Exc. GT	Underbody	764805 ⑤	D-280-105	--	--
2004	1.8L	4NTXV01.8VMB	LEV1 LEV	All	Front	--	--	760005	D-280-105
2004	1.8L	4NTXV01.8VMB	LEV1 LEV	All	Rear	--	--	760005	D-280-105
2004	1.8L	4NTXV01.8VMB	LEV1 LEV	Eng. Code 8, Exc. GT	Underbody	764805 ⑥	D-280-105	--	--

⑤ Semi-Direct Fit, Requires Resonator Pipe 58494 To Complete Installation

⑥ Semi-Direct Fit, Requires Resonator Pipe 68432 To Complete Installation

♦ Standard Oval Converter

Legal Note: In Compliance with California Emissions Requirements

APPLICATION GUIDE



OBD II

APPLICATION

Year	Eng. Size	Test Group/ Engine Family	Certification Level	Application	Location	Direct Fit Number	Exec. Order	Consol. Number	Exec. Order
Pontiac (Cont.)									
Vibe (Cont.)									
L4 (Cont.)									
2004	1.8L	4NTXV01.8WMA	LEV1 ULEV	All	Front	--	--	760005	D-280-105
2004	1.8L	4NTXV01.8WMA	LEV1 ULEV	All	Rear	--	--	760005	D-280-105
2004	1.8L	4NTXV01.8WMA	LEV1 ULEV	Eng. Code 8, Exc. GT	Underbody	764805 ⑥	D-280-105	--	--
2003	1.8L	3NTXV01.8FFD	LEV1 LEV	All	Front	--	--	760005	D-280-105
2003	1.8L	3NTXV01.8FFD	LEV1 LEV	All	Rear	--	--	760005	D-280-105
2003	1.8L	3NTXV01.8FFD	LEV1 LEV	Eng. Code 8, Exc. GT	Underbody	764805 ⑥	D-280-105	--	--
2003	1.8L	3NTXV01.8HHA	LEV1 ULEV	All	Front	--	--	760005	D-280-105
2003	1.8L	3NTXV01.8HHA	LEV1 ULEV	All	Rear	--	--	760005	D-280-105
2003	1.8L	3NTXV01.8HHA	LEV1 ULEV	Eng. Code 8, Exc. GT	Underbody	764805 ⑥	D-280-105	--	--
Ram									
1500									
V6									
2012	3.7L	CCRXT03.7VP0	LEV2 ULEV	All	Front Left	--	--	740665	D-798
2012	3.7L	CCRXT03.7VP0	LEV2 ULEV	All	Front Right	--	--	740665	D-798
2011	3.7L	BCRXT03.7VP0	LEV2 ULEV	All	Front Left	--	--	740665	D-798
2011	3.7L	BCRXT03.7VP0	LEV2 ULEV	All	Front Right	--	--	740665	D-798
V8									
2012	5.7L	CCRXT05.7VP0	LEV2 ULEV	All	Front Left	--	--	740076	D-798
2012	5.7L	CCRXT05.7VP0	LEV2 ULEV	All	Front Right	--	--	740076	D-798
2012	5.7L	CCRXT05.7VP0	LEV2 ULEV	All	Underbody	749462	D-798	--	--
2011	5.7L	BCRXT05.7VP0	LEV2 ULEV	All	Front Left	--	--	740076	D-798
2011	5.7L	BCRXT05.7VP0	LEV2 ULEV	All	Front Right	--	--	740076	D-798
2011	5.7L	BCRXT05.7VP0	LEV2 ULEV	All	Underbody	749462	D-798	--	--
C/V									
V6									
2013	3.6L	DCRXT03.6VPA	LEV2 ULEV	All	Front Left	741280	D-798	--	--
2013	3.6L	DCRXT03.6VPA	LEV2 ULEV	All	Front Right	741281	D-798	--	--
2012	3.6L	CCRXT03.6VPA	LEV2 ULEV	All	Front Left	741280	D-798	--	--
2012	3.6L	CCRXT03.6VPA	LEV2 ULEV	All	Front Right	741281	D-798	--	--
Dakota									
V6									
2011	3.7L	BCRXT03.7VP0	LEV2 ULEV	All	Front Left	--	--	740665	D-798
2011	3.7L	BCRXT03.7VP0	LEV2 ULEV	All	Front Right	--	--	740665	D-798
Saab									
9-2X									
H4									
2006	2.5L	6FJXX02.5MTC	LEV2 LEV	All	Front	765107	D-280-105	--	--
2006	2.5L	6FJXX02.5MTC	LEV2 LEV	All	Front	--	--	760003	D-280-105
2006	2.5L	6FJXX02.5MTC	LEV2 LEV	All	Rear	765029	D-280-105	--	--
2006	2.5L	6FJXX02.5MTC	LEV2 LEV	All	Rear	--	--	760024	D-280-105
2005	2.5L	5FJXX02.5MJS	LEV2 LEV	All	Front	--	--	760003	D-280-105
2005	2.5L	5FJXX02.5MJS	LEV2 LEV	All	Rear	764443	D-280-105	--	--
2005	2.5L	5FJXX02.5MJS	LEV2 LEV	All	Rear	--	--	760044	D-280-105
2005	2.5L	5FJXX02.5PGT	LEV1 LEV	All	Front	942181	D-280-100	--	--
2005	2.5L	5FJXX02.5PGT	LEV1 LEV	All	Front	--	--	944181	D-280-100
2005	2.5L	5FJXX02.5PGT	LEV1 LEV	All	Rear	--	--	944182	D-280-100
2005	2.5L	5FJXX02.5PGT	LEV1 LEV	All	Underbody	--	--	942564	D-280-100
9-3									
L4									
2003	2.0L	3GMXV02.3001	LEV1 LEV	All	Underbody	--	--	940105	D-280-100
2002	2.0L	2GMXV02.3001	LEV1 LEV	All	Front	--	--	942564	D-280-100
2002	2.0L	2GMXV02.3001	LEV1 LEV	All	Rear	--	--	940105	D-280-100
2002	2.0L	2GMXV02.3001	LEV1 LEV	All	Underbody	809613	D-665-23	--	--
2001	2.0L	1GMXV02.3001	LEV1 LEV	All	Underbody	942047	D-280-100	--	--
2001	2.0L	1GMXV02.3001	LEV1 LEV	All	Underbody	--	--	940105	D-280-100

⑥ Semi-Direct Fit, Requires Resonator Pipe 68432 To Complete Installation
 Legal Note: In Compliance with California Emissions Requirements



CATCO
CATALYTIC CONVERTERS

EASTERN CATALYTIC

APPLICATION GUIDE

OBD II

APPLICATION

Year	Eng. Size	Test Group/ Engine Family	Certification Level	Application	Location	Direct Fit Number	Exec. Order	Consol. Number	Exec. Order
Saab (Cont.)									
9-3 (Cont.)									
L4 (Cont.)									
2000	2.0L	YSAXV02.3TV2	LEV1 LEV	All	Underbody	942047	D-280-100	--	--
2000	2.0L	YSAXV02.3TV2	LEV1 LEV	All	Underbody	--	--	940105	D-280-100
1999	2.0L	XSAXV02.0TD1	TIER1	All	Underbody	942047	D-280-100	--	--
1999	2.0L	XSAXV02.0TD1	TIER1	All	Underbody	--	--	942018	D-280-100
1999	2.0L	XSAXV02.0TD2	TIER1	All	Underbody	942047	D-280-100	--	--
1999	2.0L	XSAXV02.0TD2	TIER1	All	Underbody	--	--	942018	D-280-100
2002	2.3L	2GMXV02.3002	LEV1 LEV	All	Front	--	--	942564	D-280-100
2002	2.3L	2GMXV02.3002	LEV1 LEV	All	Rear	--	--	940105	D-280-100
2002	2.3L	2GMXV02.3002	LEV1 LEV	All	Underbody	809613	D-665-23	--	--
2001	2.3L	1GMXV02.3001	LEV1 LEV	All	Underbody	942047	D-280-100	--	--
2001	2.3L	1GMXV02.3001	LEV1 LEV	All	Underbody	--	--	940105	D-280-100
2000	2.3L	YSAXV02.3TV2	LEV1 LEV	All	Underbody	942047	D-280-100	--	--
2000	2.3L	YSAXV02.3TV2	LEV1 LEV	All	Underbody	--	--	940105	D-280-100
1999	2.3L	XSAXV02.3TD1	TIER1	All	Underbody	942047	D-280-100	--	--
1999	2.3L	XSAXV02.3TD1	TIER1	All	Underbody	--	--	942018	D-280-100
9-5									
L4									
2006	2.3L	6GMXV02.3001	LEV1 ULEV	All	Underbody	809562	D-665-23	--	--
2005	2.3L	5GMXV02.3001	LEV1 ULEV	All	Underbody	809562	D-665-23	--	--
2004	2.3L	4GMXV02.3001	LEV1 ULEV	All	Underbody	809562	D-665-23	--	--
2003	2.3L	3GMXV02.3001	LEV1 LEV	Turbo	Underbody	809562	D-665-23	--	--
2003	2.3L	3GMXV02.3001	LEV1 LEV	All	Front	--	--	942564	D-280-100
2003	2.3L	3GMXV02.3001	LEV1 LEV	All	Rear	--	--	940105	D-280-100
2002	2.3L	2GMXV02.3001	LEV1 LEV	All	Front	--	--	942564	D-280-100
2002	2.3L	2GMXV02.3001	LEV1 LEV	All	Rear	--	--	940105	D-280-100
2002	2.3L	2GMXV02.3001	LEV1 LEV	All	Underbody	942047	D-280-100	--	--
2001	2.3L	1GMXV02.3001	LEV1 LEV	All	Underbody	944168	D-280-100	--	--
2001	2.3L	1GMXV02.3001	LEV1 LEV	All	Underbody	--	--	940105	D-280-100
2000	2.3L	YSAXV02.3TV2	LEV1 LEV	All	Underbody	--	--	940105	D-280-100
1999	2.3L	XSAXV02.3TE1	TIER1	All	Underbody	949041	D-280-100	--	--
1999	2.3L	XSAXV02.3TE1	TIER1	All	Underbody	--	--	940335	D-280-100
V6									
2003	3.0L	3GMXV03.0063	LEV1 LEV	All	Underbody	944167	D-280-100	--	--
2003	3.0L	3GMXV03.0063	LEV1 LEV	All	Underbody	--	--	940105	D-280-100
2002	3.0L	2GMXV03.0063	LEV1 LEV	All	Underbody	944167	D-280-100	--	--
2002	3.0L	2GMXV03.0063	LEV1 LEV	All	Underbody	--	--	940105	D-280-100
2001	3.0L	1GMXV03.0062	LEV1 LEV	All	Underbody	944167	D-280-100	--	--
2001	3.0L	1GMXV03.0062	LEV1 LEV	All	Underbody	--	--	940105	D-280-100
2000	3.0L	YSAXV03.0TE1	TIER1	All	Underbody	944167	D-280-100	--	--
2000	3.0L	YSAXV03.0TE1	TIER1	All	Underbody	--	--	940105	D-280-100
2000	3.0L	YSAXV03.0TE2	LEV1 LEV	All	Underbody	944167	D-280-100	--	--
2000	3.0L	YSAXV03.0TE2	LEV1 LEV	All	Underbody	--	--	940105	D-280-100
1999	3.0L	XSAXV03.0TE1	TIER1	All	Underbody	944167	D-280-100	--	--
1999	3.0L	XSAXV03.0TE1	TIER1	All	Underbody	--	--	940105	D-280-100
900									
L4									
1998	2.0L	WSAXV02.0TD1	TIER1	All	Underbody	942047	D-280-100	--	--
1998	2.0L	WSAXV02.0TD1	TIER1	All	Underbody	--	--	942018	D-280-100
1997	2.0L	VSA2.0VJGKEK	TIER1	All	Underbody	942047	D-280-100	--	--
1997	2.0L	VSA2.0VJGKEK	TIER1	All	Underbody	--	--	942018	D-280-100
1996	2.0L	TSA2.0VJGKEK	TIER1	All	Underbody	942047	D-280-100	--	--
1996	2.0L	TSA2.0VJGKEK	TIER1	All	Underbody	--	--	942018	D-280-100
1998	2.3L	WSAXV02.3N01	TIER1	All	Underbody	--	--	942018	D-280-100
1997	2.3L	VSA2.3VJGKEK	TIER1	All	Underbody	--	--	942018	D-280-100
1996	2.3L	TSA2.3VJGKEK	TIER1	All	Underbody	--	--	942018	D-280-100
V6									
1997	2.5L	VSA2.5VJGFEK	TIER1	All	Underbody	--	--	940104	D-280-100

APPLICATION GUIDE



OBD II

APPLICATION

Year	Eng. Size	Test Group/ Engine Family	Certification Level	Application	Location	Direct Fit Number	Exec. Order	Consol. Number	Exec. Order
Saab (Cont.)									
900 (Cont.)									
V6 (Cont.)									
1996	2.5L	TSA2.5VJGFEK	TIER1	All	Underbody	--	--	940104	D-280-100
9000									
L4									
1998	2.3L	WSAXV02.3TC2	TIER1	All	Underbody	942047	D-280-100	--	--
1998	2.3L	WSAXV02.3TC2	TIER1	All	Underbody	--	--	942018	D-280-100
1997	2.3L	VSA2.3VJGKFK	TIER1	All	Underbody	944089	D-280-100	--	--
1997	2.3L	VSA2.3VJGKFK	TIER1	All	Underbody	--	--	942018	D-280-100
1997	2.3L	VSA2.3VJGK GK	TIER1	All	Underbody	944089	D-280-100	--	--
1997	2.3L	VSA2.3VJGK GK	TIER1	All	Underbody	--	--	942018	D-280-100
1996	2.3L	TSA2.3VJGKEK	TIER1	All	Underbody	944089	D-280-100	--	--
1996	2.3L	TSA2.3VJGKEK	TIER1	All	Underbody	--	--	942018	D-280-100
1996	2.3L	TSA2.3VJGK GK	TIER1	All	Underbody	944089	D-280-100	--	--
1996	2.3L	TSA2.3VJGK GK	TIER1	All	Underbody	--	--	942018	D-280-100
V6									
1996	3.0L	TSA3.0VJGFEK	TIER1	All	Underbody	--	--	940104	D-280-100
9-4X									
V6									
2011	3.0L	BGMXJ03.0157	LEV2 ULEV	All	Front Left	745263	D-798	--	--
2011	3.0L	BGMXJ03.0157	LEV2 ULEV	All	Front Right	741385	D-798	--	--
2011	3.0L	BGMXJ03.0157	LEV2 ULEV	All	Rear	--	--	747006	D-798
2011	3.0L	BGMXJ03.0157	LEV2 ULEV	All	Underbody	744958	D-798	--	--
9-7X									
L6									
2009	4.2L	9GMXT04.2188	LEV2 ULEV	All	Front	--	--	740725	D-798
2009	4.2L	9GMXT04.2188	LEV2 ULEV	All	Rear	--	--	747015	D-798
2009	4.2L	9GMXT04.2188	LEV2 ULEV	All	Underbody	749546	D-798	--	--
2008	4.2L	8GMXT04.2188	LEV2 ULEV	All	Front	--	--	740725	D-798
2008	4.2L	8GMXT04.2188	LEV2 ULEV	All	Rear	--	--	747015	D-798
2008	4.2L	8GMXT04.2188	LEV2 ULEV	All	Underbody	749546	D-798	--	--
2007	4.2L	7GMXT04.2188	LEV2 ULEV	All	Underbody	749171	D-798	--	--
2007	4.2L	7GMXT04.2188	LEV2 ULEV	All	Underbody	--	--	740336	D-798
2006	4.2L	6GMXT04.2186	LEV2 ULEV	All	Underbody	749171	D-798	--	--
2006	4.2L	6GMXT04.2186	LEV2 ULEV	All	Underbody	--	--	740336	D-798
V8									
2009	5.3L	9GMXT06.0387	LEV2 LEV	All	Front Left	--	--	740776	D-798
2009	5.3L	9GMXT06.0387	LEV2 LEV	All	Front Right	--	--	740776	D-798
2009	5.3L	9GMXT06.0387	LEV2 LEV	All	Underbody	749544	D-798	--	--
2008	5.3L	8GMXT06.0387	LEV2 LEV	All	Front Left	--	--	740776	D-798
2008	5.3L	8GMXT06.0387	LEV2 LEV	All	Front Right	--	--	740776	D-798
2008	5.3L	8GMXT06.0387	LEV2 LEV	All	Underbody	749544	D-798	--	--
2007	5.3L	7GMXT06.0387	LEV2 LEV	All	Front Left	--	--	740776	D-798
2007	5.3L	7GMXT06.0387	LEV2 LEV	All	Front Right	--	--	740776	D-798
2007	5.3L	7GMXT06.0387	LEV2 LEV	All	Underbody	749544	D-798	--	--
2009	6.0L	9GMXT06.0387	LEV2 LEV	All	Front Left	--	--	740776	D-798
2009	6.0L	9GMXT06.0387	LEV2 LEV	All	Front Right	--	--	740776	D-798
2009	6.0L	9GMXT06.0387	LEV2 LEV	All	Underbody	749544	D-798	--	--
2008	6.0L	8GMXT06.0387	LEV2 LEV	All	Front Left	--	--	740776	D-798
2008	6.0L	8GMXT06.0387	LEV2 LEV	All	Front Right	--	--	740776	D-798
2008	6.0L	8GMXT06.0387	LEV2 LEV	All	Underbody	749544	D-798	--	--

Legal Note: In Compliance with California Emissions Requirements



CATCO
CATALYTIC CONVERTERS

EASTERN CATALYTIC

APPLICATION GUIDE

OBD II

APPLICATION

Year	Eng. Size	Test Group/ Engine Family	Certification Level	Application	Location	Direct Fit Number	Exec. Order	Consol. Number	Exec. Order
Saturn									
Aura									
V6									
2008	3.5L	8GMXV03.5043	LEV2 ULEV	All	Front Left	--	--	760004	D-280-105
2008	3.5L	8GMXV03.5043	LEV2 ULEV	All	Front Right	--	--	760004	D-280-105
2008	3.5L	8GMXV03.5043	LEV2 ULEV	All	Rear	--	--	761016	D-280-105
Ion									
L4									
2007	2.0L	7GMXV02.0018	LEV2 LEV	All	Underbody	764705	D-280-105	--	--
2007	2.0L	7GMXV02.0018	LEV2 LEV	All	Underbody	--	--	760005	D-280-105
2005	2.0L	5GMXV02.0018	LEV1 ULEV	All	Underbody	764705	D-280-105	--	--
2005	2.0L	5GMXV02.0018	LEV1 ULEV	All	Underbody	--	--	760005	D-280-105
2005	2.2L	5GMXV02.2026	LEV2 LEV	All	Underbody	--	--	760005	D-280-105
2005	2.2L	5GMXV02.2026	LEV2 LEV	A/T	Underbody	764015	D-280-105	--	--
2003	2.2L	3GMXV02.2026	LEV1 LEV	All	Underbody	944483	D-280-100	--	--
2003	2.2L	3GMXV02.2026	LEV1 LEV	All	Underbody	--	--	940104	D-280-100
2007	2.4L	7GMXV02.4029	LEV2 LEV	All	Underbody	--	--	760005	D-280-105
2007	2.4L	7GMXV02.4029	LEV2 LEV	A/T	Underbody	764015	D-280-105	--	--
2006	2.4L	6GMXV02.4029	LEV2 LEV	All	Underbody	--	--	760005	D-280-105
2006	2.4L	6GMXV02.4029	LEV2 LEV	A/T	Underbody	764015	D-280-105	--	--
L100									
L4									
2001	2.2L	1GMXV02.2023	LEV1 ULEV	All	Underbody	--	--	760005	D-280-105
2001	2.2L	1GMXV02.4022	LEV1 LEV	All	Underbody	--	--	940334	D-280-100
L200									
L4									
2003	2.2L	3GMXV02.2025	LEV1 LEV	A/T	Underbody	942255	D-280-100	--	--
2003	2.2L	3GMXV02.2025	LEV1 LEV	A/T	Underbody	--	--	940104	D-280-100
2001	2.2L	1GMXV02.2023	LEV1 ULEV	All	Underbody	--	--	760005	D-280-105
2001	2.2L	1GMXV02.4022	LEV1 LEV	All	Underbody	--	--	940334	D-280-100
L300									
V6									
2005	3.0L	5GMXV03.0061	LEV1 ULEV	All	Front	751069	D-280-102	--	--
2005	3.0L	5GMXV03.0061	LEV1 ULEV	All	Rear	754299	D-280-102	--	--
2005	3.0L	5GMXV03.0061	LEV1 ULEV	All	Rear	--	--	755005	D-280-102
2004	3.0L	4GMXV03.0061	LEV1 ULEV	All	Front	751069	D-280-102	--	--
2004	3.0L	4GMXV03.0061	LEV1 ULEV	All	Rear	754299	D-280-102	--	--
2004	3.0L	4GMXV03.0061	LEV1 ULEV	All	Underbody	--	--	755005	D-280-102
2003	3.0L	3GMXV03.0061	LEV1 LEV	All	Front	751069	D-280-102	--	--
2003	3.0L	3GMXV03.0061	LEV1 LEV	All	Rear	754299	D-280-102	--	--
2003	3.0L	3GMXV03.0061	LEV1 LEV	All	Rear	--	--	755005	D-280-102
2002	3.0L	2GMXV03.0061	LEV1 LEV	All	Front	751069	D-280-102	--	--
2002	3.0L	2GMXV03.0061	LEV1 LEV	All	Rear	754299	D-280-102	--	--
2002	3.0L	2GMXV03.0061	LEV1 LEV	All	Rear	--	--	755005	D-280-102
2001	3.0L	1GMXV03.0061	LEV1 LEV	All	Front	751069	D-280-102	--	--
2001	3.0L	1GMXV03.0061	LEV1 LEV	All	Rear	754299	D-280-102	--	--
2001	3.0L	1GMXV03.0061	LEV1 LEV	All	Rear	--	--	755005	D-280-102
LS									
L4									
2000	2.2L	YGMXV02.4022	LEV1 LEV	All	Underbody	630627	D-665-17	--	--
2000	2.2L	YGMXX02.2023	TLEV	A/T	Underbody	942255	D-280-100	--	--
2000	2.2L	YGMXX02.2023	TLEV	All	Underbody	--	--	940104	D-280-100
LS1									
L4									
2000	2.2L	YGMXV02.4022	LEV1 LEV	A/T	Underbody	942255	D-280-100	--	--
2000	2.2L	YGMXV02.4022	LEV1 LEV	All	Underbody	--	--	940104	D-280-100

Legal Note: In Compliance with California Emissions Requirements

APPLICATION GUIDE



OBD II

APPLICATION

Year	Eng. Size	Test Group/ Engine Family	Certification Level	Application	Location	Direct Fit Number	Exec. Order	Consol. Number	Exec. Order
LW200									
L4									
2003	2.2L	3GMXV02.2025	LEV1 LEV	A/T	Underbody	942255	D-280-100	--	--
2003	2.2L	3GMXV02.2025	LEV1 LEV	A/T	Underbody	--	--	940104	D-280-100
2002	2.2L	2GMXV02.2023	LEV1 ULEV	All	Underbody	--	--	761015	D-280-105
2002	2.2L	2GMXV02.2025	LEV1 ULEV	All	Underbody	630627	D-665-17	--	--
2001	2.2L	1GMXV02.2023	LEV1 ULEV	All	Underbody	--	--	760005	D-280-105
LW300									
V6									
2003	3.0L	3GMXV03.0061	LEV1 LEV	All	Front	751069	D-280-102	--	--
2003	3.0L	3GMXV03.0061	LEV1 LEV	All	Rear	754299	D-280-102	--	--
2003	3.0L	3GMXV03.0061	LEV1 LEV	All	Rear	--	--	755005	D-280-102
2002	3.0L	2GMXV03.0061	LEV1 LEV	All	Front	751069	D-280-102	--	--
2002	3.0L	2GMXV03.0061	LEV1 LEV	All	Rear	754299	D-280-102	--	--
2002	3.0L	2GMXV03.0061	LEV1 LEV	All	Rear	--	--	755005	D-280-102
2001	3.0L	1GMXV03.0061	LEV1 LEV	All	Front	751069	D-280-102	--	--
2001	3.0L	1GMXV03.0061	LEV1 LEV	All	Rear	754299	D-280-102	--	--
2001	3.0L	1GMXV03.0061	LEV1 LEV	All	Rear	--	--	755005	D-280-102
Outlook									
V6									
2010	3.6L	AGMXJ03.6151	LEV2 ULEV	All	Front Left	745240	D-798	--	--
2010	3.6L	AGMXJ03.6151	LEV2 ULEV	All	Front Right	745241	D-798	--	--
2010	3.6L	AGMXJ03.6151	LEV2 ULEV	All	Rear	744695	D-798	--	--
2010	3.6L	AGMXJ03.6151	LEV2 ULEV	All	Rear	--	--	747055	D-798
2009	3.6L	9GMXT03.6151	LEV2 ULEV	All	Front Left	745240	D-798	--	--
2009	3.6L	9GMXT03.6151	LEV2 ULEV	All	Front Right	745241	D-798	--	--
2009	3.6L	9GMXT03.6151	LEV2 ULEV	All	Rear	744695	D-798	--	--
2009	3.6L	9GMXT03.6151	LEV2 ULEV	All	Rear	--	--	747055	D-798
2008	3.6L	8GMXT03.6151	LEV2 LEV	All	Front Left	745240	D-798	--	--
2008	3.6L	8GMXT03.6151	LEV2 LEV	All	Front Right	745241	D-798	--	--
2007	3.6L	7GMXT03.6151	LEV2 LEV	All	Front Left	745240	D-798	--	--
2007	3.6L	7GMXT03.6151	LEV2 LEV	All	Front Right	745241	D-798	--	--
Relay									
V6									
2006	3.5L	6GMXB03.9146	LEV2 LEV	All	Underbody	--	--	740046	D-798
2006	3.5L	6GMXB03.9146	LEV2 LEV	FWD	Underbody	744429	D-798	--	--
2005	3.5L	5GMXX03.8148	LEV2 LEV	All	Underbody	--	--	740046	D-798
2005	3.5L	5GMXX03.8148	LEV2 LEV	FWD	Underbody	744429	D-798	--	--
2007	3.9L	7GMXB03.9142	LEV2 LEV	All	Underbody	744464	D-798	--	--
2007	3.9L	7GMXB03.9142	LEV2 LEV	All	Underbody	--	--	740046	D-798
2007	3.9L	7GMXT03.9140	LEV2 LEV	All	Underbody	744464	D-798	--	--
2007	3.9L	7GMXT03.9140	LEV2 LEV	All	Underbody	--	--	740046	D-798
2006	3.9L	6GMXB03.9146	LEV2 LEV	All	Underbody	744464	D-798	--	--
2006	3.9L	6GMXB03.9146	LEV2 LEV	All	Underbody	--	--	740046	D-798
SC1									
L4									
2002	1.9L	2GMXV01.9002	LEV1 LEV	All	Rear	944339	D-280-100	--	--
2002	1.9L	2GMXV01.9002	LEV1 LEV	All	Rear	--	--	940104	D-280-100
2001	1.9L	1GMXV01.9002	LEV1 LEV	All	Rear	944339	D-280-100	--	--
2001	1.9L	1GMXV01.9002	LEV1 LEV	All	Rear	--	--	940104	D-280-100
2000	1.9L	YGMXV01.9002	LEV1 LEV	All	Rear	--	--	940104	D-280-100
1999	1.9L	XMGXV01.9002	TLEV	All	Underbody	942243	D-280-100	--	--
1999	1.9L	XMGXV01.9002	TLEV	All	Underbody	--	--	940104	D-280-100
1998	1.9L	WGMXV01.9002	TLEV	All	Underbody	942243	D-280-100	--	--
1998	1.9L	WGMXV01.9002	TLEV	All	Underbody	--	--	940334	D-280-100
1997	1.9L	VGM1.9V8G2EK	TLEV	All	Underbody	942243	D-280-100	--	--
1997	1.9L	VGM1.9V8G2EK	TLEV	All	Underbody	--	--	940334	D-280-100
1996	1.9L	TGM1.9V8G2EK	TLEV	All	Underbody	942243	D-280-100	--	--
1996	1.9L	TGM1.9V8G2EK	TLEV	All	Underbody	--	--	940334	D-280-100

Legal Note: In Compliance with California Emissions Requirements



CATCO
CATALYTIC CONVERTERS

EASTERN CATALYTIC

APPLICATION GUIDE

OBD II

APPLICATION

Year	Eng. Size	Test Group/ Engine Family	Certification Level	Application	Location	Direct Fit Number	Exec. Order	Consol. Number	Exec. Order
Saturn (Cont.)									
SC2									
L4									
2002	1.9L	2GMXV01.9002	LEV1 LEV	All	Front	941116	D-280-100	--	--
2002	1.9L	2GMXV01.9002	LEV1 LEV	All	Rear	944316	D-280-100	--	--
2002	1.9L	2GMXV01.9002	LEV1 LEV	All	Rear	--	--	940104	D-280-100
2001	1.9L	1GMXV01.9002	LEV1 LEV	All	Front	941116	D-280-100	--	--
2001	1.9L	1GMXV01.9002	LEV1 LEV	All	Rear	944316	D-280-100	--	--
2001	1.9L	1GMXV01.9002	LEV1 LEV	All	Rear	--	--	940104	D-280-100
2000	1.9L	YGMXV01.9002	LEV1 LEV	All	Rear	--	--	940104	D-280-100
1999	1.9L	XGMXV01.9004	LEV1 LEV	All	Underbody	--	--	940334	D-280-100
1998	1.9L	WGMXV01.9004	TLEV	All	Underbody	--	--	940334	D-280-100
1997	1.9L	VGM1.9VJG2JK	TLEV	All	Rear	--	--	940334	D-280-100
1996	1.9L	TGM1.9VJG2JL	TLEV	All	Underbody	942854	D-280-100	--	--
1996	1.9L	TGM1.9VJG2JL	TLEV	All	Underbody	--	--	940334	D-280-100
1996	1.9L	TGM1.9VJGFKE	TIER1	All	Underbody	942854	D-280-100	--	--
1996	1.9L	TGM1.9VJGFKE	TIER1	All	Underbody	--	--	940334	D-280-100
SL									
L4									
2002	1.9L	2GMXV01.9002	LEV1 LEV	All	Underbody	809687	D-665-23	--	--
2001	1.9L	1GMXV01.9002	LEV1 LEV	All	Underbody	809687	D-665-23	--	--
2000	1.9L	YGMXV01.9002	LEV1 LEV	All	Underbody	809687	D-665-23	--	--
1996	1.9L	TGM1.9V8G2EK	TLEV	All	Underbody	630643	D-665-17	--	--
SL1									
L4									
2002	1.9L	2GMXV01.9002	LEV1 LEV	All	Rear	944339	D-280-100	--	--
2002	1.9L	2GMXV01.9002	LEV1 LEV	All	Rear	--	--	940104	D-280-100
2001	1.9L	1GMXV01.9002	LEV1 LEV	All	Rear	944339	D-280-100	--	--
2001	1.9L	1GMXV01.9002	LEV1 LEV	All	Rear	--	--	940104	D-280-100
2000	1.9L	YGMXV01.9002	LEV1 LEV	All	Rear	--	--	940104	D-280-100
1999	1.9L	XMGXV01.9002	TLEV	All	Underbody	944287	D-280-100	--	--
1999	1.9L	XMGXV01.9002	TLEV	All	Underbody	--	--	940334	D-280-100
1998	1.9L	WGMXV01.9002	TLEV	All	Underbody	944287	D-280-100	--	--
1998	1.9L	WGMXV01.9002	TLEV	All	Underbody	--	--	940334	D-280-100
1997	1.9L	VGM1.9V8G2EK	TLEV	All	Underbody	942243	D-280-100	--	--
1997	1.9L	VGM1.9V8G2EK	TLEV	All	Underbody	--	--	940334	D-280-100
1996	1.9L	TGM1.9V8G2EK	TLEV	All	Underbody	942243	D-280-100	--	--
1996	1.9L	TGM1.9V8G2EK	TLEV	All	Underbody	--	--	940334	D-280-100
SL2									
L4									
2002	1.9L	2GMXV01.9002	LEV1 LEV	All	Front	941116	D-280-100	--	--
2002	1.9L	2GMXV01.9002	LEV1 LEV	All	Rear	944316	D-280-100	--	--
2002	1.9L	2GMXV01.9002	LEV1 LEV	All	Rear	--	--	940104	D-280-100
2001	1.9L	1GMXV01.9002	LEV1 LEV	All	Front	941116	D-280-100	--	--
2001	1.9L	1GMXV01.9002	LEV1 LEV	All	Rear	944316	D-280-100	--	--
2001	1.9L	1GMXV01.9002	LEV1 LEV	All	Rear	--	--	940104	D-280-100
2000	1.9L	YGMXV01.9002	LEV1 LEV	All	Rear	--	--	940104	D-280-100
1999	1.9L	XGMXV01.9004	LEV1 LEV	All	Underbody	--	--	940334	D-280-100
1998	1.9L	WGMXV01.9004	TLEV	All	Underbody	--	--	940334	D-280-100
1997	1.9L	VGM1.9VJG2JK	TLEV	All	Rear	--	--	940334	D-280-100
1996	1.9L	TGM1.9VJG2JL	TLEV	All	Underbody	942854	D-280-100	--	--
1996	1.9L	TGM1.9VJG2JL	TLEV	All	Underbody	--	--	940334	D-280-100
1996	1.9L	TGM1.9VJGFKE	TIER1	All	Underbody	942854	D-280-100	--	--
1996	1.9L	TGM1.9VJGFKE	TIER1	All	Underbody	--	--	940334	D-280-100
SW1									
L4									
1999	1.9L	XMGXV01.9002	TLEV	All	Underbody	944287	D-280-100	--	--
1999	1.9L	XMGXV01.9002	TLEV	All	Underbody	--	--	940334	D-280-100
1998	1.9L	WGMXV01.9002	TLEV	All	Underbody	942243	D-280-100	--	--
1998	1.9L	WGMXV01.9002	TLEV	All	Underbody	--	--	940334	D-280-100

Legal Note: In Compliance with California Emissions Requirements

APPLICATION GUIDE



OBD II

APPLICATION

Year	Eng. Size	Test Group/ Engine Family	Certification Level	Application	Location	Direct Fit Number	Exec. Order	Consol. Number	Exec. Order
Saturn (Cont.)									
SW1 (Cont.)									
L4 (Cont.)									
1997	1.9L	VGM1.9V8G2EK	TLEV	All	Underbody	942243	D-280-100	--	--
1997	1.9L	VGM1.9V8G2EK	TLEV	All	Underbody	--	--	940334	D-280-100
1996	1.9L	TGM1.9V8G2EK	TLEV	All	Underbody	942243	D-280-100	--	--
1996	1.9L	TGM1.9V8G2EK	TLEV	All	Underbody	--	--	940334	D-280-100
SW2									
L4									
2001	1.9L	1GMXV01.9002	LEV1 LEV	All	Front	941116	D-280-100	--	--
2001	1.9L	1GMXV01.9002	LEV1 LEV	All	Rear	--	--	940104	D-280-100
1999	1.9L	XGMXV01.9004	LEV1 LEV	All	Underbody	--	--	940334	D-280-100
1998	1.9L	WGMXV01.9004	TLEV	All	Underbody	--	--	940334	D-280-100
1997	1.9L	VGM1.9VJG2JK	TLEV	All	Rear	--	--	940334	D-280-100
1996	1.9L	TGM1.9VJG2JL	TLEV	All	Underbody	942854	D-280-100	--	--
1996	1.9L	TGM1.9VJG2JL	TLEV	All	Underbody	--	--	940334	D-280-100
1996	1.9L	TGM1.9VJGF EK	TIER1	All	Underbody	942854	D-280-100	--	--
1996	1.9L	TGM1.9VJGF EK	TIER1	All	Underbody	--	--	940334	D-280-100
Vue									
L4									
2003	2.2L	3GMXT02.2123	LEV1 LEV	All	Underbody	944290	D-280-100	--	--
2003	2.2L	3GMXT02.2123	LEV1 LEV	All	Underbody	--	--	940104	D-280-100
2002	2.2L	2GMXT02.2123	LEV1 LEV	All	Underbody	944290	D-280-100	--	--
2002	2.2L	2GMXT02.2123	LEV1 LEV	All	Underbody	--	--	940104	D-280-100
V6									
2009	3.5L	9GMXJ03.9142	LEV2 LEV	All	Front Left	745269	D-798	--	--
2009	3.5L	9GMXJ03.9142	LEV2 LEV	All	Front Right	745264	D-798	--	--
2008	3.5L	8GMXB03.9142	LEV2 LEV	All	Front Left	745269	D-798	--	--
2008	3.5L	8GMXB03.9142	LEV2 LEV	All	Front Right	745264	D-798	--	--
2009	3.6L	9GMXJ03.9142	LEV2 LEV	All	Front Left	744444	D-798	--	--
2009	3.6L	9GMXJ03.9142	LEV2 LEV	All	Front Right	744445	D-798	--	--
2008	3.6L	8GMXT03.6151	LEV2 LEV	All	Front Left	744444	D-798	--	--
2008	3.6L	8GMXT03.6151	LEV2 LEV	All	Front Right	744445	D-798	--	--
Scion									
tC									
L4									
2007	2.4L	7TYXV02.4BEA	LEV2 ULEV	All	Front	751297	D-280-102	--	--
2007	2.4L	7TYXV02.4BEA	LEV2 ULEV	All	Underbody	755033	D-280-102	--	--
2007	2.4L	7TYXV02.4BEA	LEV2 ULEV	All	Underbody	--	--	755004	D-280-102
2006	2.4L	6TYXV02.4WMC	LEV1 ULEV	All	Underbody	755033	D-280-102	--	--
2006	2.4L	6TYXV02.4WMC	LEV1 ULEV	All	Underbody	--	--	755004	D-280-102
2006	2.4L	6TYXV02.4WMC	LEV1 ULEV	To 05/06	Front	751230	D-280-102	--	--
2005	2.4L	5TYXV02.4WMC	LEV1 ULEV	All	Front	751230	D-280-102	--	--
2005	2.4L	5TYXV02.4WMC	LEV1 ULEV	All	Underbody	755033	D-280-102	--	--
2005	2.4L	5TYXV02.4WMC	LEV1 ULEV	All	Underbody	--	--	755004	D-280-102
xA									
L4									
2006	1.5L	6TYXV01.5VMB	LEV1 LEV	All	Underbody	944326	D-280-100	--	--
2006	1.5L	6TYXV01.5VMB	LEV1 LEV	All	Underbody	--	--	940104	D-280-100
2005	1.5L	5TYXV01.5VMA	LEV1 LEV	All	Underbody	944326	D-280-100	--	--
2005	1.5L	5TYXV01.5VMA	LEV1 LEV	All	Underbody	--	--	940104	D-280-100
2004	1.5L	4TYXV01.5VMA	LEV1 LEV	All	Underbody	944326	D-280-100	--	--
2004	1.5L	4TYXV01.5VMA	LEV1 LEV	All	Underbody	--	--	940104	D-280-100
xB									
L4									
2006	1.5L	6TYXV01.5VMB	LEV1 LEV	All	Underbody	944806	D-280-100	--	--
2006	1.5L	6TYXV01.5VMB	LEV1 LEV	All	Underbody	--	--	940104	D-280-100
2005	1.5L	5TYXV01.5VMA	LEV1 LEV	All	Underbody	944806	D-280-100	--	--
2005	1.5L	5TYXV01.5VMA	LEV1 LEV	All	Underbody	--	--	940104	D-280-100

Legal Note: In Compliance with California Emissions Requirements



CATCO
CATALYTIC CONVERTERS

EASTERN CATALYTIC

APPLICATION GUIDE

OBD II

APPLICATION

Year	Eng. Size	Test Group/ Engine Family	Certification Level	Application	Location	Direct Fit Number	Exec. Order	Consol. Number	Exec. Order
Scion (Cont.)									
xB (Cont.)									
L4 (Cont.)									
2004	1.5L	4TYXV01.5VMA	LEV1 LEV	All	Underbody	944806	D-280-100	--	--
2004	1.5L	4TYXV01.5VMA	LEV1 LEV	All	Underbody	--	--	940104	D-280-100
Subaru									
Baja									
H4									
2004	2.5L	4FJXT02.5PGT	LEV1 LEV	All	Front	--	--	912004R	D-280-101
2004	2.5L	4FJXT02.5PGT	LEV1 LEV	All	Rear	--	--	912004R	D-280-101
2003	2.5L	3FJXX02.5JHM	LEV1 LEV	All	Front	--	--	944181	D-280-100
2003	2.5L	3FJXX02.5JHM	LEV1 LEV	All	Rear	--	--	944182	D-280-100
2003	2.5L	3FJXX02.5JHM	LEV1 LEV	All	Underbody	942181	D-280-100	--	--
Forester									
H4									
2010	2.5L	AFJXJ02.5MXG	LEV2 LEV	AWD	Front	765107	D-280-105	--	--
2010	2.5L	AFJXJ02.5MXG	LEV2 LEV	AWD	Front	--	--	760003	D-280-105
2010	2.5L	AFJXJ02.5MXG	LEV2 LEV	AWD	Rear	765029	D-280-105	--	--
2010	2.5L	AFJXJ02.5MXG	LEV2 LEV	AWD	Rear	--	--	760024	D-280-105
2009	2.5L	9FJXJ02.5MXG	LEV2 LEV	All	Front	765107	D-280-105	--	--
2009	2.5L	9FJXJ02.5MXG	LEV2 LEV	All	Front	--	--	760003	D-280-105
2009	2.5L	9FJXJ02.5MXG	LEV2 LEV	All	Rear	765029	D-280-105	--	--
2009	2.5L	9FJXJ02.5MXG	LEV2 LEV	All	Rear	--	--	760024	D-280-105
2008	2.5L	8FJXV02.5MTC	LEV2 LEV	All	Front	765107	D-280-105	--	--
2008	2.5L	8FJXV02.5MTC	LEV2 LEV	All	Front	--	--	760003	D-280-105
2008	2.5L	8FJXV02.5MTC	LEV2 LEV	All	Rear	765029	D-280-105	--	--
2008	2.5L	8FJXV02.5MTC	LEV2 LEV	All	Rear	--	--	760024	D-280-105
2007	2.5L	7FJXB02.5MTC	LEV2 LEV	All	Front	765107	D-280-105	--	--
2007	2.5L	7FJXB02.5MTC	LEV2 LEV	All	Front	--	--	760003	D-280-105
2007	2.5L	7FJXB02.5MTC	LEV2 LEV	All	Rear	765029	D-280-105	--	--
2007	2.5L	7FJXB02.5MTC	LEV2 LEV	All	Rear	--	--	760024	D-280-105
2007	2.5L	7FJXB02.5PRA	LEV2 LEV	All	Rear	764443	D-280-105	--	--
2006	2.5L	6FJXX02.5MTC	LEV2 LEV	All	Front	765107	D-280-105	--	--
2006	2.5L	6FJXX02.5MTC	LEV2 LEV	All	Front	--	--	760003	D-280-105
2006	2.5L	6FJXX02.5MTC	LEV2 LEV	All	Rear	765029	D-280-105	--	--
2006	2.5L	6FJXX02.5MTC	LEV2 LEV	All	Rear	--	--	760024	D-280-105
2005	2.5L	5FJXV02.5PRA	LEV1 LEV	All	Front Left	--	--	760025	D-280-105
2005	2.5L	5FJXV02.5PRA	LEV1 LEV	All	Front Right	--	--	760025	D-280-105
2005	2.5L	5FJXV02.5PRA	LEV1 LEV	All	Rear	--	--	942013	D-280-100
2005	2.5L	5FJXX02.5MJS	LEV2 LEV	All	Front	--	--	760003	D-280-105
2005	2.5L	5FJXX02.5MJS	LEV2 LEV	All	Rear	764443	D-280-105	--	--
2005	2.5L	5FJXX02.5MJS	LEV2 LEV	All	Rear	--	--	760044	D-280-105
2005	2.5L	5FJXX02.5PGT	LEV1 LEV	All	Front Left	--	--	760025	D-280-105
2005	2.5L	5FJXX02.5PGT	LEV1 LEV	All	Front Right	--	--	760025	D-280-105
2005	2.5L	5FJXX02.5PGT	LEV1 LEV	All	Rear	--	--	942013	D-280-100
2004	2.5L	4FJXV02.5PGT	LEV1 LEV	All	Front Left	--	--	942015	D-280-100
2004	2.5L	4FJXV02.5PGT	LEV1 LEV	All	Front Right	--	--	942015	D-280-100
2004	2.5L	4FJXV02.5PGT	LEV1 LEV	All	Rear	--	--	942013	D-280-100
2004	2.5L	4FJXV02.5SHU	LEV1 ULEV	All	Front	--	--	760003	D-280-105
2004	2.5L	4FJXV02.5SHU	LEV1 ULEV	All	Rear	--	--	760044	D-280-105
2004	2.5L	4FJXV02.5SHU	LEV1 ULEV	All	Underbody	762181	D-280-105	--	--
2003	2.5L	3FJXX02.5JHM	LEV1 LEV	All	Front	--	--	944181	D-280-100
2003	2.5L	3FJXX02.5JHM	LEV1 LEV	All	Rear	--	--	944182	D-280-100
2003	2.5L	3FJXX02.5JHM	LEV1 LEV	All	Underbody	942181	D-280-100	--	--
2002	2.5L	2FJXV02.5JEH	LEV1 LEV	All	Front	--	--	944181	D-280-100
2002	2.5L	2FJXV02.5JEH	LEV1 LEV	All	Rear	--	--	944182	D-280-100
2002	2.5L	2FJXV02.5JEH	LEV1 LEV	All	Underbody	942181	D-280-100	--	--
2002	2.5L	2FJXV02.5JEJ	LEV1 LEV	All	Front	--	--	944181	D-280-100
2002	2.5L	2FJXV02.5JEJ	LEV1 LEV	All	Rear	--	--	944182	D-280-100
2002	2.5L	2FJXV02.5JEJ	LEV1 LEV	All	Underbody	942181	D-280-100	--	--

APPLICATION GUIDE



OBD II

APPLICATION

Year	Eng. Size	Test Group/ Engine Family	Certification Level	Application	Location	Direct Fit Number	Exec. Order	Consol. Number	Exec. Order
Subaru (Cont.)									
Forester (Cont.)									
H4 (Cont.)									
2001	2.5L	1FJXV02.5JEH	LEV1 LEV	All	Front	--	--	944181	D-280-100
2001	2.5L	1FJXV02.5JEH	LEV1 LEV	All	Rear	--	--	944182	D-280-100
2001	2.5L	1FJXV02.5JEH	LEV1 LEV	All	Underbody	942181	D-280-100	--	--
2000	2.5L	YFJXV02.5JEH	LEV1 LEV	All	Front	--	--	944181	D-280-100
2000	2.5L	YFJXV02.5JEH	LEV1 LEV	All	Rear	--	--	944182	D-280-100
2000	2.5L	YFJXV02.5JEH	LEV1 LEV	All	Underbody	942181	D-280-100	--	--
1999	2.5L	XFJXV02.5HEG	TLEV	All	Front	--	--	944181	D-280-100
1999	2.5L	XFJXV02.5HEG	TLEV	All	Rear	--	--	944182	D-280-100
1999	2.5L	XFJXV02.5HEG	TLEV	All	Underbody	942181	D-280-100	--	--
1998	2.5L	WFJXV02.5DCD	TLEV	All	Front	942064	D-280-100	--	--
1998	2.5L	WFJXV02.5DCD	TLEV	All	Front	--	--	944181	D-280-100
1998	2.5L	WFJXV02.5DCD	TLEV	All	Rear	942367	D-280-100	--	--
1998	2.5L	WFJXV02.5DCD	TLEV	All	Rear	--	--	942014	D-280-100
Impreza									
H4									
1997	1.8L	VFJ1.8VJGFEK	TIER1	All	Front	942366	D-280-100	--	--
1997	1.8L	VFJ1.8VJGFEK	TIER1	All	Front	--	--	944181	D-280-100
1997	1.8L	VFJ1.8VJGFEK	TIER1	All	Rear	942894	D-280-100	--	--
1997	1.8L	VFJ1.8VJGFEK	TIER1	All	Rear	--	--	944182	D-280-100
1996	1.8L	TFJ1.8VJGFEK	TIER1	All	Front	942366	D-280-100	--	--
1996	1.8L	TFJ1.8VJGFEK	TIER1	All	Front	--	--	944181	D-280-100
1996	1.8L	TFJ1.8VJGFEK	TIER1	All	Rear	942894	D-280-100	--	--
1996	1.8L	TFJ1.8VJGFEK	TIER1	All	Rear	--	--	944182	D-280-100
2005	2.0L	5FJXX02.5PGT	LEV1 LEV	All	Front	--	--	940334	D-280-100
2005	2.0L	5FJXX02.5PGT	LEV1 LEV	All	Rear	--	--	940334	D-280-100
2004	2.0L	4FJXV02.5PGT	LEV1 LEV	All	Front	--	--	940334	D-280-100
2004	2.0L	4FJXV02.5PGT	LEV1 LEV	All	Rear	--	--	940334	D-280-100
2003	2.0L	3FJXV02.0LGL	LEV1 LEV	All	Front	--	--	940334	D-280-100
2003	2.0L	3FJXV02.0LGL	LEV1 LEV	All	Rear	--	--	940334	D-280-100
2002	2.0L	2FJXV02.0LGL	LEV1 LEV	All	Front	--	--	940334	D-280-100
2002	2.0L	2FJXV02.0LGL	LEV1 LEV	All	Rear	--	--	940334	D-280-100
2001	2.2L	1FJXV02.5JEH	LEV1 LEV	All	Front	--	--	944181	D-280-100
2001	2.2L	1FJXV02.5JEH	LEV1 LEV	All	Rear	--	--	944182	D-280-100
2001	2.2L	1FJXV02.5JEH	LEV1 LEV	All	Underbody	942181	D-280-100	--	--
2000	2.2L	YFJXV02.5JEH	LEV1 LEV	All	Front	942366	D-280-100	--	--
2000	2.2L	YFJXV02.5JEH	LEV1 LEV	All	Rear	942367	D-280-100	--	--
2000	2.2L	YFJXV02.5JEH	LEV1 LEV	All	Rear	--	--	944182	D-280-100
1999	2.2L	XFJXV02.2FEF	LEV1 LEV	All	Front	942366	D-280-100	--	--
1999	2.2L	XFJXV02.2FEF	LEV1 LEV	All	Front	--	--	944181	D-280-100
1999	2.2L	XFJXV02.2FEF	LEV1 LEV	All	Rear	942367	D-280-100	--	--
1999	2.2L	XFJXV02.2FEF	LEV1 LEV	All	Rear	--	--	944182	D-280-100
1998	2.2L	WFJXV02.2BCB	TLEV	All	Front	942366	D-280-100	--	--
1998	2.2L	WFJXV02.2BCB	TLEV	All	Front	--	--	944181	D-280-100
1998	2.2L	WFJXV02.2BCB	TLEV	All	Rear	942367	D-280-100	--	--
1998	2.2L	WFJXV02.2BCB	TLEV	All	Rear	--	--	944182	D-280-100
1997	2.2L	VFJ2.2VJGKEK	TIER1	All	Front	942366	D-280-100	--	--
1997	2.2L	VFJ2.2VJGKEK	TIER1	All	Front	--	--	944181	D-280-100
1997	2.2L	VFJ2.2VJGKEK	TIER1	All	Rear	942367	D-280-100	--	--
1997	2.2L	VFJ2.2VJGKEK	TIER1	All	Rear	--	--	944182	D-280-100
1996	2.2L	TFJ2.2VJG2EK	TLEV	All	Front	942366	D-280-100	--	--
1996	2.2L	TFJ2.2VJG2EK	TLEV	All	Front	--	--	940334	D-280-100
1996	2.2L	TFJ2.2VJG2EK	TLEV	All	Rear	942367	D-280-100	--	--
1996	2.2L	TFJ2.2VJG2EK	TLEV	All	Rear	--	--	940334	D-280-100
1996	2.2L	TFJ2.2VJGKEK	TIER1	All	Front	808523	D-665-23	--	--
1996	2.2L	TFJ2.2VJGKEK	TIER1	All	Rear	809597	D-665-23	--	--

Legal Note: In Compliance with California Emissions Requirements

**CATCO**
CATALYTIC CONVERTERS**EASTERN**
CATALYTIC

APPLICATION GUIDE

OBD II**APPLICATION**

Year	Eng. Size	Test Group/ Engine Family	Certification Level	Application	Location	Direct Fit Number	Exec. Order	Consol. Number	Exec. Order
Subaru (Cont.)									
Impreza (Cont.)									
H4 (Cont.)									
1995	2.2L	SFJ2.2VJGFEK	TIER1	All	Front	942366	D-280-100	--	--
1995	2.2L	SFJ2.2VJGFEK	TIER1	All	Front	--	--	944181	D-280-100
1995	2.2L	SFJ2.2VJGFEK	TIER1	All	Rear	942367	D-280-100	--	--
1995	2.2L	SFJ2.2VJGFEK	TIER1	All	Rear	--	--	944182	D-280-100
2011	2.5L	BFJXJ02.5MXG	LEV2 LEV	All	Front	765107	D-280-105	--	--
2011	2.5L	BFJXJ02.5MXG	LEV2 LEV	All	Front	--	--	760003	D-280-105
2011	2.5L	BFJXJ02.5MXG	LEV2 LEV	All	Rear	--	--	760024	D-280-105
2010	2.5L	AFJXJ02.5MXG	LEV2 LEV	All	Front	765107	D-280-105	--	--
2010	2.5L	AFJXJ02.5MXG	LEV2 LEV	All	Front	--	--	760003	D-280-105
2010	2.5L	AFJXJ02.5MXG	LEV2 LEV	All	Rear	765029	D-280-105	--	--
2010	2.5L	AFJXJ02.5MXG	LEV2 LEV	All	Rear	--	--	760024	D-280-105
2009	2.5L	9FJXJ02.5MXG	LEV2 LEV	All	Front	765107	D-280-105	--	--
2009	2.5L	9FJXJ02.5MXG	LEV2 LEV	All	Front	--	--	760003	D-280-105
2009	2.5L	9FJXJ02.5MXG	LEV2 LEV	All	Rear	765029	D-280-105	--	--
2009	2.5L	9FJXJ02.5MXG	LEV2 LEV	All	Rear	--	--	760024	D-280-105
2009	2.5L	9FJXJ02.5PYH	LEV2 LEV	All	Front	--	--	760003	D-280-105
2009	2.5L	9FJXJ02.5PYH	LEV2 LEV	All	Rear	--	--	760024	D-280-105
2008	2.5L	8FJXB02.5MXG	LEV2 LEV	All	Front	765107	D-280-105	--	--
2008	2.5L	8FJXB02.5MXG	LEV2 LEV	All	Front	--	--	760003	D-280-105
2008	2.5L	8FJXB02.5MXG	LEV2 LEV	All	Rear	765029	D-280-105	--	--
2008	2.5L	8FJXB02.5MXG	LEV2 LEV	All	Rear	--	--	760024	D-280-105
2008	2.5L	8FJXB02.5PYH	LEV2 LEV	All	Front	--	--	760003	D-280-105
2008	2.5L	8FJXB02.5PYH	LEV2 LEV	All	Rear	--	--	760024	D-280-105
2007	2.5L	7FJXB02.5MTC	LEV2 LEV	All	Front	765107	D-280-105	--	--
2007	2.5L	7FJXB02.5MTC	LEV2 LEV	All	Front	--	--	760003	D-280-105
2006	2.5L	6FJXV02.5RGV	LEV1 LEV	All	Front	--	--	940105	D-280-100
2006	2.5L	6FJXV02.5RGV	LEV1 LEV	All	Rear	944769	D-280-100	--	--
2006	2.5L	6FJXV02.5RGV	LEV1 LEV	All	Rear	--	--	942566	D-280-100
2006	2.5L	6FJXX02.5MTC	LEV2 LEV	All	Front	765107	D-280-105	--	--
2006	2.5L	6FJXX02.5MTC	LEV2 LEV	All	Front	--	--	760003	D-280-105
2006	2.5L	6FJXX02.5MTC	LEV2 LEV	All	Rear	765029	D-280-105	--	--
2006	2.5L	6FJXX02.5MTC	LEV2 LEV	All	Rear	--	--	760024	D-280-105
2005	2.5L	5FJXV02.5RGV	LEV1 LEV	All	Front	--	--	944181	D-280-100
2005	2.5L	5FJXV02.5RGV	LEV1 LEV	All	Rear	--	--	944182	D-280-100
2005	2.5L	5FJXX02.5MJS	LEV2 LEV	All	Front	--	--	760003	D-280-105
2005	2.5L	5FJXX02.5MJS	LEV2 LEV	All	Rear	764443	D-280-105	--	--
2005	2.5L	5FJXX02.5MJS	LEV2 LEV	All	Rear	--	--	760044	D-280-105
2005	2.5L	5FJXX02.5PGT	LEV1 LEV	All	Front	--	--	944181	D-280-100
2005	2.5L	5FJXX02.5PGT	LEV1 LEV	All	Rear	--	--	940334	D-280-100
2005	2.5L	5FJXX02.5PGT	LEV1 LEV	All	Underbody	--	--	944182	D-280-100
2004	2.5L	4FJXV02.5JHM	LEV1 LEV	All	Front	--	--	944181	D-280-100
2004	2.5L	4FJXV02.5JHM	LEV1 LEV	All	Rear	--	--	940334	D-280-100
2004	2.5L	4FJXV02.5JHM	LEV1 LEV	All	Underbody	942181	D-280-100	--	--
2004	2.5L	4FJXV02.5PGT	LEV1 LEV	All	Front	--	--	944181	D-280-100
2004	2.5L	4FJXV02.5PGT	LEV1 LEV	All	Rear	--	--	940334	D-280-100
2004	2.5L	4FJXV02.5PGT	LEV1 LEV	All	Underbody	--	--	944181	D-280-100
2004	2.5L	4FJXV02.5RGV	LEV1 LEV	All	Front	--	--	944181	D-280-100
2004	2.5L	4FJXV02.5RGV	LEV1 LEV	All	Rear	--	--	761015	D-280-105
2003	2.5L	3FJXX02.5JHM	LEV1 LEV	All	Front	--	--	944181	D-280-100
2003	2.5L	3FJXX02.5JHM	LEV1 LEV	All	Rear	--	--	944182	D-280-100
2003	2.5L	3FJXX02.5JHM	LEV1 LEV	All	Underbody	942181	D-280-100	--	--
2002	2.5L	2FJXV02.5JEJ	LEV1 LEV	All	Front	--	--	944181	D-280-100
2002	2.5L	2FJXV02.5JEJ	LEV1 LEV	All	Rear	--	--	944182	D-280-100
2002	2.5L	2FJXV02.5JEJ	LEV1 LEV	All	Underbody	942181	D-280-100	--	--
2001	2.5L	1FJXV02.5JEH	LEV1 LEV	All	Front	--	--	944181	D-280-100
2001	2.5L	1FJXV02.5JEH	LEV1 LEV	All	Rear	--	--	944182	D-280-100
2001	2.5L	1FJXV02.5JEH	LEV1 LEV	All	Underbody	942181	D-280-100	--	--

Legal Note: In Compliance with California Emissions Requirements

APPLICATION GUIDE



OBD II

APPLICATION

Year	Eng. Size	Test Group/ Engine Family	Certification Level	Application	Location	Direct Fit Number	Exec. Order	Consol. Number	Exec. Order
Subaru (Cont.)									
Impreza (Cont.)									
H4 (Cont.)									
2000	2.5L	YFJXV02.5JEH	LEV1 LEV	All	Front	--	--	944181	D-280-100
2000	2.5L	YFJXV02.5JEH	LEV1 LEV	All	Rear	--	--	944182	D-280-100
2000	2.5L	YFJXV02.5JEH	LEV1 LEV	All	Underbody	942181	D-280-100	--	--
1999	2.5L	XFJXV02.5HEG	TLEV	All	Front	--	--	944181	D-280-100
1999	2.5L	XFJXV02.5HEG	TLEV	All	Rear	--	--	944182	D-280-100
1999	2.5L	XFJXV02.5HEG	TLEV	All	Underbody	942181	D-280-100	--	--
1998	2.5L	WFJXV02.5DCD	TLEV	All	Front	942064	D-280-100	--	--
1998	2.5L	WFJXV02.5DCD	TLEV	All	Front	--	--	944181	D-280-100
1998	2.5L	WFJXV02.5DCD	TLEV	All	Rear	942367	D-280-100	--	--
1998	2.5L	WFJXV02.5DCD	TLEV	All	Rear	--	--	944182	D-280-100
Legacy									
H4									
1999	2.2L	XFJXV02.2FEF	LEV1 LEV	All	Front	942366	D-280-100	--	--
1999	2.2L	XFJXV02.2FEF	LEV1 LEV	All	Front	--	--	944181	D-280-100
1999	2.2L	XFJXV02.2FEF	LEV1 LEV	All	Rear	942367	D-280-100	--	--
1999	2.2L	XFJXV02.2FEF	LEV1 LEV	All	Rear	--	--	944182	D-280-100
1998	2.2L	WFJXV02.2BCB	TLEV	All	Front	942366	D-280-100	--	--
1998	2.2L	WFJXV02.2BCB	TLEV	All	Front	--	--	944181	D-280-100
1998	2.2L	WFJXV02.2BCB	TLEV	All	Rear	942367	D-280-100	--	--
1998	2.2L	WFJXV02.2BCB	TLEV	All	Rear	--	--	944182	D-280-100
1997	2.2L	VFJ2.2VJG2EK	TLEV	All	Front	942366	D-280-100	--	--
1997	2.2L	VFJ2.2VJG2EK	TLEV	All	Front	--	--	944181	D-280-100
1997	2.2L	VFJ2.2VJG2EK	TLEV	All	Rear	942367	D-280-100	--	--
1997	2.2L	VFJ2.2VJG2EK	TLEV	All	Rear	--	--	944182	D-280-100
1996	2.2L	TFJ2.2VJG2EK	TLEV	All	Front	942366	D-280-100	--	--
1996	2.2L	TFJ2.2VJG2EK	TLEV	All	Front	--	--	944181	D-280-100
1996	2.2L	TFJ2.2VJG2EK	TLEV	All	Rear	942367	D-280-100	--	--
1996	2.2L	TFJ2.2VJG2EK	TLEV	All	Rear	--	--	944182	D-280-100
1996	2.2L	TFJ2.2VJGKEK	TIER1	All	Front	942366	D-280-100	--	--
1996	2.2L	TFJ2.2VJGKEK	TIER1	All	Front	--	--	944181	D-280-100
1996	2.2L	TFJ2.2VJGKEK	TIER1	All	Rear	942367	D-280-100	--	--
1996	2.2L	TFJ2.2VJGKEK	TIER1	All	Rear	--	--	944182	D-280-100
1995	2.2L	SFJ2.2VJGFEK	TIER1	All	Front	942366	D-280-100	--	--
2011	2.5L	BFJXJ02.5MXG	LEV2 LEV	All	Front	765107	D-280-105	--	--
2011	2.5L	BFJXJ02.5MXG	LEV2 LEV	All	Front	--	--	760003	D-280-105
2011	2.5L	BFJXJ02.5MXG	LEV2 LEV	All	Rear	765029	D-280-105	--	--
2011	2.5L	BFJXJ02.5MXG	LEV2 LEV	All	Rear	--	--	760024	D-280-105
2010	2.5L	AFJXJ02.5MXG	LEV2 LEV	All	Front	765107	D-280-105	--	--
2010	2.5L	AFJXJ02.5MXG	LEV2 LEV	All	Front	--	--	760003	D-280-105
2010	2.5L	AFJXJ02.5MXG	LEV2 LEV	All	Rear	765029	D-280-105	--	--
2010	2.5L	AFJXJ02.5MXG	LEV2 LEV	All	Rear	--	--	760024	D-280-105
2009	2.5L	9FJXJ02.5MXG	LEV2 LEV	All	Front	765107	D-280-105	--	--
2009	2.5L	9FJXJ02.5MXG	LEV2 LEV	All	Front	--	--	760003	D-280-105
2009	2.5L	9FJXJ02.5MXG	LEV2 LEV	All	Rear	765029	D-280-105	--	--
2009	2.5L	9FJXJ02.5MXG	LEV2 LEV	All	Rear	--	--	760024	D-280-105
2009	2.5L	9FJXJ02.5PYH	LEV2 LEV	All	Front	--	--	760003	D-280-105
2009	2.5L	9FJXJ02.5PYH	LEV2 LEV	All	Rear	--	--	760024	D-280-105
2008	2.5L	8FJXB02.5MXG	LEV2 LEV	All	Front	765107	D-280-105	--	--
2008	2.5L	8FJXB02.5MXG	LEV2 LEV	All	Front	--	--	760003	D-280-105
2008	2.5L	8FJXB02.5MXG	LEV2 LEV	All	Rear	765029	D-280-105	--	--
2008	2.5L	8FJXB02.5MXG	LEV2 LEV	All	Rear	--	--	760024	D-280-105
2008	2.5L	8FJXB02.5PYH	LEV2 LEV	All	Front	--	--	760003	D-280-105
2008	2.5L	8FJXB02.5PYH	LEV2 LEV	All	Rear	--	--	760024	D-280-105
2007	2.5L	7FJXB02.5MTC	LEV2 LEV	All	Front	765107	D-280-105	--	--
2007	2.5L	7FJXB02.5MTC	LEV2 LEV	All	Front	--	--	760003	D-280-105
2007	2.5L	7FJXB02.5MTC	LEV2 LEV	All	Rear	765029	D-280-105	--	--
2007	2.5L	7FJXB02.5MTC	LEV2 LEV	All	Rear	--	--	760024	D-280-105

Legal Note: In Compliance with California Emissions Requirements



CATCO
CATALYTIC CONVERTERS

EASTERN CATALYTIC

APPLICATION GUIDE

OBD II

APPLICATION

Year	Eng. Size	Test Group/ Engine Family	Certification Level	Application	Location	Direct Fit Number	Exec. Order	Consol. Number	Exec. Order
Subaru (Cont.)									
Legacy (Cont.)									
H4 (Cont.)									
2007	2.5L	7FJXB02.5PRA	LEV2 LEV	All	Front	--	--	760003	D-280-105
2007	2.5L	7FJXB02.5PRA	LEV2 LEV	All	Rear	--	--	760024	D-280-105
2006	2.5L	6FJXX02.5MTC	LEV2 LEV	All	Front	765107	D-280-105	--	--
2006	2.5L	6FJXX02.5MTC	LEV2 LEV	All	Front	--	--	760003	D-280-105
2006	2.5L	6FJXX02.5MTC	LEV2 LEV	All	Rear	765029	D-280-105	--	--
2006	2.5L	6FJXX02.5MTC	LEV2 LEV	All	Rear	--	--	760024	D-280-105
2005	2.5L	5FJXX02.5MJS	LEV2 LEV	All	Front	--	--	760003	D-280-105
2005	2.5L	5FJXX02.5MJS	LEV2 LEV	All	Rear	--	--	760024	D-280-105
2004	2.5L	4FJXV02.5MJS	LEV2 LEV	All	Front	762181	D-280-105	--	--
2004	2.5L	4FJXV02.5MJS	LEV2 LEV	All	Front	--	--	760003	D-280-105
2004	2.5L	4FJXV02.5MJS	LEV2 LEV	All	Rear	--	--	760024	D-280-105
2003	2.5L	3FJXX02.5JHM	LEV1 LEV	All	Front	--	--	944181	D-280-100
2003	2.5L	3FJXX02.5JHM	LEV1 LEV	All	Rear	--	--	944182	D-280-100
2003	2.5L	3FJXX02.5JHM	LEV1 LEV	All	Underbody	942181	D-280-100	--	--
2002	2.5L	2FJXV02.5JHM	LEV1 LEV	All	Front	--	--	944181	D-280-100
2002	2.5L	2FJXV02.5JHM	LEV1 LEV	All	Rear	--	--	944182	D-280-100
2002	2.5L	2FJXV02.5JHM	LEV1 LEV	All	Underbody	942181	D-280-100	--	--
2001	2.5L	1FJXV02.5JEH	LEV1 LEV	All	Front	--	--	944181	D-280-100
2001	2.5L	1FJXV02.5JEH	LEV1 LEV	All	Rear	--	--	944182	D-280-100
2001	2.5L	1FJXV02.5JEH	LEV1 LEV	All	Underbody	942181	D-280-100	--	--
2001	2.5L	1FJXV02.5JEJ	LEV1 LEV	All	Front	--	--	944181	D-280-100
2001	2.5L	1FJXV02.5JEJ	LEV1 LEV	All	Rear	--	--	944182	D-280-100
2001	2.5L	1FJXV02.5JEJ	LEV1 LEV	All	Underbody	942181	D-280-100	--	--
2000	2.5L	YFJXV02.5JEH	LEV1 LEV	All	Front	942366	D-280-100	--	--
2000	2.5L	YFJXV02.5JEH	LEV1 LEV	All	Front	--	--	944181	D-280-100
2000	2.5L	YFJXV02.5JEH	LEV1 LEV	All	Rear	942367	D-280-100	--	--
2000	2.5L	YFJXV02.5JEH	LEV1 LEV	All	Rear	--	--	944182	D-280-100
1999	2.5L	XFJXV02.5DCD	TLEV	All	Front	942366	D-280-100	--	--
1999	2.5L	XFJXV02.5DCD	TLEV	All	Front	--	--	944181	D-280-100
1999	2.5L	XFJXV02.5DCD	TLEV	All	Rear	942367	D-280-100	--	--
1999	2.5L	XFJXV02.5DCD	TLEV	All	Rear	--	--	944182	D-280-100
1998	2.5L	WFJXV02.5DCD	TLEV	All	Front	--	--	944181	D-280-100
1998	2.5L	WFJXV02.5DCD	TLEV	All	Rear	942367	D-280-100	--	--
1998	2.5L	WFJXV02.5DCD	TLEV	All	Rear	--	--	944182	D-280-100
1997	2.5L	VFJ2.5VJGKEK	TIER1	All	Front	942366	D-280-100	--	--
1997	2.5L	VFJ2.5VJGKEK	TIER1	All	Front	--	--	944181	D-280-100
1997	2.5L	VFJ2.5VJGKEK	TIER1	All	Rear	942367	D-280-100	--	--
1997	2.5L	VFJ2.5VJGKEK	TIER1	All	Rear	--	--	944182	D-280-100
1996	2.5L	TFJ2.5VJGFKEK	TIER1	All	Front	942366	D-280-100	--	--
1996	2.5L	TFJ2.5VJGFKEK	TIER1	All	Front	--	--	944181	D-280-100
1996	2.5L	TFJ2.5VJGFKEK	TIER1	All	Rear	942367	D-280-100	--	--
1996	2.5L	TFJ2.5VJGFKEK	TIER1	All	Rear	--	--	944182	D-280-100
Outback									
H4									
2011	2.5L	BFJXJ02.5MXG	LEV2 LEV	M/T	Front	765107	D-280-105	--	--
2011	2.5L	BFJXJ02.5MXG	LEV2 LEV	M/T	Front	--	--	760003	D-280-105
2011	2.5L	BFJXJ02.5MXG	LEV2 LEV	M/T	Rear	765029	D-280-105	--	--
2011	2.5L	BFJXJ02.5MXG	LEV2 LEV	M/T	Rear	--	--	760024	D-280-105
2010	2.5L	AFJXJ02.5MXG	LEV2 LEV	M/T	Front	765107	D-280-105	--	--
2010	2.5L	AFJXJ02.5MXG	LEV2 LEV	M/T	Front	--	--	760003	D-280-105
2010	2.5L	AFJXJ02.5MXG	LEV2 LEV	M/T	Rear	765029	D-280-105	--	--
2010	2.5L	AFJXJ02.5MXG	LEV2 LEV	M/T	Rear	--	--	760024	D-280-105
2009	2.5L	9FJXJ02.5MXG	LEV2 LEV	M/T	Front	765107	D-280-105	--	--
2009	2.5L	9FJXJ02.5MXG	LEV2 LEV	M/T	Front	--	--	760003	D-280-105
2009	2.5L	9FJXJ02.5MXG	LEV2 LEV	M/T	Rear	765029	D-280-105	--	--
2009	2.5L	9FJXJ02.5MXG	LEV2 LEV	M/T	Rear	--	--	760024	D-280-105

Legal Note: In Compliance with California Emissions Requirements

APPLICATION GUIDE



OBD II

APPLICATION

Year	Eng. Size	Test Group/ Engine Family	Certification Level	Application	Location	Direct Fit Number	Exec. Order	Consol. Number	Exec. Order
Subaru (Cont.)									
Outback (Cont.)									
H4 (Cont.)									
2008	2.5L	8FJXJ02.5MXG	LEV2 LEV	All	Front	765107	D-280-105	--	--
2008	2.5L	8FJXJ02.5MXG	LEV2 LEV	All	Front	--	--	760003	D-280-105
2008	2.5L	8FJXJ02.5MXG	LEV2 LEV	All	Rear	765029	D-280-105	--	--
2008	2.5L	8FJXJ02.5MXG	LEV2 LEV	All	Rear	--	--	760024	D-280-105
2004	2.5L	4FJXV02.5JHM	LEV1 LEV	All	Front	--	--	944181	D-280-100
2004	2.5L	4FJXV02.5JHM	LEV1 LEV	All	Rear	--	--	944182	D-280-100
2004	2.5L	4FJXV02.5JHM	LEV1 LEV	All	Underbody	942181	D-280-100	--	--
2004	2.5L	4FJXV02.5MJS	LEV2 LEV	All	Front	--	--	760003	D-280-105
2004	2.5L	4FJXV02.5MJS	LEV2 LEV	All	Rear	--	--	760024	D-280-105
2004	2.5L	4FJXV02.5MJS	LEV2 LEV	All	Underbody	762181	D-280-105	--	--
2003	2.5L	3FJXX02.5JHM	LEV1 LEV	All	Front	--	--	944181	D-280-100
2003	2.5L	3FJXX02.5JHM	LEV1 LEV	All	Rear	--	--	944182	D-280-100
2003	2.5L	3FJXX02.5JHM	LEV1 LEV	All	Underbody	942181	D-280-100	--	--
2002	2.5L	2FJXV02.5JEJ	LEV1 LEV	All	Front	--	--	944181	D-280-100
2002	2.5L	2FJXV02.5JEJ	LEV1 LEV	All	Rear	--	--	944182	D-280-100
2002	2.5L	2FJXV02.5JEJ	LEV1 LEV	All	Underbody	942181	D-280-100	--	--
2002	2.5L	2FJXV02.5JHM	LEV1 LEV	All	Front	--	--	944181	D-280-100
2002	2.5L	2FJXV02.5JHM	LEV1 LEV	All	Rear	--	--	944182	D-280-100
2002	2.5L	2FJXV02.5JHM	LEV1 LEV	All	Underbody	942181	D-280-100	--	--
2001	2.5L	1FJXV02.5JEJ	LEV1 LEV	All	Front	--	--	944181	D-280-100
2001	2.5L	1FJXV02.5JEJ	LEV1 LEV	All	Rear	--	--	944182	D-280-100
2001	2.5L	1FJXV02.5JEJ	LEV1 LEV	All	Underbody	942181	D-280-100	--	--
2000	2.5L	YFJXV02.5JEH	LEV1 LEV	All	Front	942366	D-280-100	--	--
2000	2.5L	YFJXV02.5JEH	LEV1 LEV	All	Front	--	--	944181	D-280-100
2000	2.5L	YFJXV02.5JEH	LEV1 LEV	All	Rear	942367	D-280-100	--	--
2000	2.5L	YFJXV02.5JEH	LEV1 LEV	All	Rear	--	--	944182	D-280-100
H6									
2009	3.0L	9FJXJ03.6TSF	LEV2 LEV	All	Front Left	745047	D-798	--	--
2009	3.0L	9FJXJ03.6TSF	LEV2 LEV	All	Front Right	745048	D-798	--	--
2008	3.0L	8FJXJ03.6TSF	LEV2 LEV	All	Front Left	745047	D-798	--	--
2008	3.0L	8FJXJ03.6TSF	LEV2 LEV	All	Front Right	745048	D-798	--	--
2004	3.0L	4FJXV03.0KFP	LEV1 LEV	All	Front Left	--	--	942013	D-280-100
2004	3.0L	4FJXV03.0KFP	LEV1 LEV	All	Front Right	--	--	942013	D-280-100
2004	3.0L	4FJXV03.0KFP	LEV1 LEV	All	Rear	--	--	940638	D-280-100
2003	3.0L	3FJXV03.0KFP	LEV1 LEV	All	Front Left	--	--	761015	D-280-105
2003	3.0L	3FJXV03.0KFP	LEV1 LEV	All	Front Right	--	--	761015	D-280-105
2003	3.0L	3FJXV03.0KFP	LEV1 LEV	All	Rear	--	--	940638	D-280-100
2002	3.0L	2FJXV03.0KFK	LEV1 LEV	All	Front	--	--	761015	D-280-105
2002	3.0L	2FJXV03.0KFK	LEV1 LEV	All	Front Left	--	--	942013	D-280-100
2002	3.0L	2FJXV03.0KFK	LEV1 LEV	All	Front Right	--	--	942013	D-280-100
2002	3.0L	2FJXV03.0KFK	LEV1 LEV	All	Rear	--	--	761015	D-280-105
2001	3.0L	1FJXV03.0KFK	LEV1 LEV	All	Front	--	--	761015	D-280-105
2001	3.0L	1FJXV03.0KFK	LEV1 LEV	All	Front Left	--	--	942013	D-280-100
2001	3.0L	1FJXV03.0KFK	LEV1 LEV	All	Front Right	--	--	942013	D-280-100
2001	3.0L	1FJXV03.0KFK	LEV1 LEV	All	Rear	--	--	761015	D-280-105
2013	3.6L	DFJXJ03.6TGK	LEV2 LEV	All	Front Left	745047	D-798	--	--
2013	3.6L	DFJXJ03.6TGK	LEV2 LEV	All	Front Right	745048	D-798	--	--
2012	3.6L	CFJXJ03.6TGK	LEV2 LEV	All	Front Left	745047	D-798	--	--
2012	3.6L	CFJXJ03.6TGK	LEV2 LEV	All	Front Right	745048	D-798	--	--
2011	3.6L	BFJXJ03.6TGK	LEV2 LEV	All	Front Left	745047	D-798	--	--
2011	3.6L	BFJXJ03.6TGK	LEV2 LEV	All	Front Right	745048	D-798	--	--
2010	3.6L	AFJXJ03.6TGK	LEV2 LEV	All	Front Left	745047	D-798	--	--
2010	3.6L	AFJXJ03.6TGK	LEV2 LEV	All	Front Right	745048	D-798	--	--
SVX									
H6									
1997	3.3L	VFJ3.3VJGFEK	TIER1	All	Front Left	--	--	940334	D-280-100
1997	3.3L	VFJ3.3VJGFEK	TIER1	All	Front Right	--	--	940334	D-280-100
1997	3.3L	VFJ3.3VJGFEK	TIER1	All	Rear	--	--	940638	D-280-100

Legal Note: In Compliance with California Emissions Requirements



CATCO
CATALYTIC CONVERTERS

EASTERN CATALYTIC

APPLICATION GUIDE

OBD II

APPLICATION

Year	Eng. Size	Test Group/ Engine Family	Certification Level	Application	Location	Direct Fit Number	Exec. Order	Consol. Number	Exec. Order
Subaru (Cont.)									
SVX (Cont.)									
H6 (Cont.)									
1996	3.3L	TFJ3.3VJGFEK	TIER1	All	Front Left	--	--	940334	D-280-100
1996	3.3L	TFJ3.3VJGFEK	TIER1	All	Front Right	--	--	940334	D-280-100
1996	3.3L	TFJ3.3VJGFEK	TIER1	All	Rear	--	--	940638	D-280-100
Tribeca									
V6									
2013	3.6L	DFJXJ03.6TGK	LEV2 LEV	All	Front Left	745047	D-798	--	--
2013	3.6L	DFJXJ03.6TGK	LEV2 LEV	All	Front Right	745048	D-798	--	--
2012	3.6L	CFJXJ03.6TGK	LEV2 LEV	All	Front Left	745047	D-798	--	--
2012	3.6L	CFJXJ03.6TGK	LEV2 LEV	All	Front Right	745048	D-798	--	--
2011	3.6L	BFJXJ03.6TGK	LEV2 LEV	All	Front Left	745047	D-798	--	--
2011	3.6L	BFJXJ03.6TGK	LEV2 LEV	All	Front Right	745048	D-798	--	--
2010	3.6L	AFJXJ03.6TGK	LEV2 LEV	All	Front Left	745047	D-798	--	--
2010	3.6L	AFJXJ03.6TGK	LEV2 LEV	All	Front Right	745048	D-798	--	--
2009	3.6L	9FJXJ03.6TSF	LEV2 LEV	All	Front Left	745047	D-798	--	--
2009	3.6L	9FJXJ03.6TSF	LEV2 LEV	All	Front Right	745048	D-798	--	--
2008	3.6L	8FJXJ03.6TSF	LEV2 LEV	All	Front Left	745047	D-798	--	--
2008	3.6L	8FJXJ03.6TSF	LEV2 LEV	All	Front Right	745048	D-798	--	--
Suzuki									
Aerio									
L4									
2003	2.0L	3SKXX2.00LC2	LEV1 LEV	2WD	Front	941163	D-280-100	--	--
2003	2.0L	3SKXX2.00LC2	LEV1 LEV	2WD	Front	--	--	940104	D-280-100
2003	2.0L	3SKXX2.00LC2	LEV1 LEV	2WD	Rear	--	--	940334	D-280-100
2002	2.0L	2SKXX2.00LC4	LEV1 LEV	2WD	Front	941163	D-280-100	--	--
2002	2.0L	2SKXX2.00LC4	LEV1 LEV	All	Front	--	--	940104	D-280-100
2002	2.0L	2SKXX2.00LC4	LEV1 LEV	All	Rear	--	--	940334	D-280-100
2007	2.3L	7SKXV2.295D1	LEV1 ULEV	All	Front	751178	D-280-102	--	--
2007	2.3L	7SKXV2.295D1	LEV1 ULEV	All	Rear	--	--	755005	D-280-102
2007	2.3L	7SKXV2.295D1	LEV1 ULEV	All	Underbody	754723	D-280-102	--	--
2006	2.3L	6SKXV2.295D1	LEV1 ULEV	All	Front	751178	D-280-102	--	--
2006	2.3L	6SKXV2.295D1	LEV1 ULEV	All	Rear	--	--	755005	D-280-102
2006	2.3L	6SKXV2.295D1	LEV1 ULEV	All	Underbody	754723	D-280-102	--	--
2005	2.3L	5SKXV2.295D1	LEV1 ULEV	All	Front	751178	D-280-102	--	--
2005	2.3L	5SKXV2.295D1	LEV1 ULEV	All	Rear	--	--	755005	D-280-102
2005	2.3L	5SKXV2.295D1	LEV1 ULEV	All	Underbody	754723	D-280-102	--	--
2004	2.3L	4SKXV2.295D1	LEV1 ULEV	All	Front	751178	D-280-102	--	--
2004	2.3L	4SKXV2.295D1	LEV1 ULEV	All	Rear	--	--	755005	D-280-102
2004	2.3L	4SKXV2.295D1	LEV1 ULEV	All	Underbody	754723	D-280-102	--	--
Esteem									
L4									
2000	1.6L	YSKXV1.59TNS	TLEV	All	Rear	--	--	940334	D-280-100
1999	1.6L	XSKXV1.59TNS	TLEV	All	Rear	942315R	D-280-100	--	--
1999	1.6L	XSKXV1.59TNS	TLEV	All	Rear	--	--	940334	D-280-100
1998	1.6L	WSKXV1.59TNS	TLEV	All	Rear	942315	D-280-100	--	--
1998	1.6L	WSKXV1.59TNS	TLEV	All	Rear	--	--	940334	D-280-100
1997	1.6L	VSK1.6VHGFEK	TIER1	All	Rear	942315	D-280-100	--	--
1997	1.6L	VSK1.6VHGFEK	TIER1	All	Rear	--	--	940334	D-280-100
1996	1.6L	TSK1.6VHGDEB	TIER1	All	Rear	942315R	D-280-100	--	--
1996	1.6L	TSK1.6VHGDEB	TIER1	All	Rear	--	--	940334	D-280-100
2002	1.8L	2SKXX2.00LC4	LEV1 LEV	All	Front	942115R	D-280-100	--	--
2002	1.8L	2SKXX2.00LC4	LEV1 LEV	All	Rear	942315R	D-280-100	--	--
2002	1.8L	2SKXX2.00LC4	LEV1 LEV	All	Rear	--	--	940334	D-280-100
2001	1.8L	1SKXX2.00LC4	LEV1 LEV	All	Front	942115R	D-280-100	--	--
2001	1.8L	1SKXX2.00LC4	LEV1 LEV	All	Rear	942315R	D-280-100	--	--
2001	1.8L	1SKXX2.00LC4	LEV1 LEV	All	Rear	--	--	940334	D-280-100
2000	1.8L	YSKXV1.84LHS	LEV1 LEV	All	Front	942115R	D-280-100	--	--
2000	1.8L	YSKXV1.84LHS	LEV1 LEV	All	Rear	--	--	940334	D-280-100

Legal Note: In Compliance with California Emissions Requirements

APPLICATION GUIDE



OBD II

APPLICATION

Year	Eng. Size	Test Group/ Engine Family	Certification Level	Application	Location	Direct Fit Number	Exec. Order	Consol. Number	Exec. Order
Suzuki (Cont.)									
Esteem (Cont.)									
L4 (Cont.)									
2000	1.8L	YSKXV1.84LNS	LEV1 LEV	All	Rear	942315R	D-280-100	--	--
1999	1.8L	XSKXV1.84LHS	LEV1 LEV	All	Front	942115R	D-280-100	--	--
1999	1.8L	XSKXV1.84LHS	LEV1 LEV	All	Rear	942315R	D-280-100	--	--
1999	1.8L	XSKXV1.84LHS	LEV1 LEV	All	Rear	--	--	940334	D-280-100
Equator									
L4									
2012	2.5L	CNSXT02.5G5A	LEV2 ULEV	All	Front	741304	D-798	--	--
2012	2.5L	CNSXT02.5G5A	LEV2 ULEV	All	Front	--	--	740035	D-798
2012	2.5L	CNSXT02.5G5A	LEV2 ULEV	All	Rear	--	--	747335	D-798
2011	2.5L	BNSXT02.5G5A	LEV2 ULEV	All	Front	741304	D-798	--	--
2011	2.5L	BNSXT02.5G5A	LEV2 ULEV	All	Rear	--	--	747335	D-798
2010	2.5L	ANSXT02.5G5A	LEV2 ULEV	All	Front	741304	D-798	--	--
2010	2.5L	ANSXT02.5G5A	LEV2 ULEV	All	Front	--	--	740335	D-798
2010	2.5L	ANSXT02.5G5A	LEV2 ULEV	All	Rear	--	--	747035	D-798
2009	2.5L	9NSXT02.5G5A	LEV2 ULEV	All	Front	741304	D-798	--	--
2009	2.5L	9NSXT02.5G5A	LEV2 ULEV	All	Front	--	--	740335	D-798
2009	2.5L	9NSXT02.5G5A	LEV2 ULEV	All	Rear	--	--	747005	D-798
V6									
2012	4.0L	CNSXT04.0G6A	LEV2 ULEV	All	Front Left	744630	D-798	--	--
2012	4.0L	CNSXT04.0G6A	LEV2 ULEV	All	Front Right	744631	D-798	--	--
2012	4.0L	CNSXT04.0G6A	LEV2 ULEV	All	Rear Left	744633	D-798	--	--
2012	4.0L	CNSXT04.0G6A	LEV2 ULEV	All	Rear Left	--	--	747335	D-798
2012	4.0L	CNSXT04.0G6A	LEV2 ULEV	All	Rear Right	744632	D-798	--	--
2012	4.0L	CNSXT04.0G6A	LEV2 ULEV	All	Rear Right	--	--	747335	D-798
2011	4.0L	BNSXT04.0G6A	LEV2 ULEV	All	Front Left	744630	D-798	--	--
2011	4.0L	BNSXT04.0G6A	LEV2 ULEV	All	Front Right	744631	D-798	--	--
2011	4.0L	BNSXT04.0G6A	LEV2 ULEV	All	Rear Left	744633	D-798	--	--
2011	4.0L	BNSXT04.0G6A	LEV2 ULEV	All	Rear Left	--	--	747335	D-798
2011	4.0L	BNSXT04.0G6A	LEV2 ULEV	All	Rear Right	744632	D-798	--	--
2011	4.0L	BNSXT04.0G6A	LEV2 ULEV	All	Rear Right	--	--	747335	D-798
2010	4.0L	ANSXT04.0G6A	LEV2 ULEV	All	Front Left	744630	D-798	--	--
2010	4.0L	ANSXT04.0G6A	LEV2 ULEV	All	Front Right	744631	D-798	--	--
2010	4.0L	ANSXT04.0G6A	LEV2 ULEV	All	Rear Left	744633	D-798	--	--
2010	4.0L	ANSXT04.0G6A	LEV2 ULEV	All	Rear Left	--	--	747335	D-798
2010	4.0L	ANSXT04.0G6A	LEV2 ULEV	All	Rear Right	744632	D-798	--	--
2010	4.0L	ANSXT04.0G6A	LEV2 ULEV	All	Rear Right	--	--	747335	D-798
2009	4.0L	9NSXT04.0G6A	LEV2 ULEV	All	Front Left	744630	D-798	--	--
2009	4.0L	9NSXT04.0G6A	LEV2 ULEV	All	Front Right	744631	D-798	--	--
2009	4.0L	9NSXT04.0G6A	LEV2 ULEV	All	Rear Left	744633	D-798	--	--
2009	4.0L	9NSXT04.0G6A	LEV2 ULEV	All	Rear Left	--	--	747335	D-798
2009	4.0L	9NSXT04.0G6A	LEV2 ULEV	All	Rear Right	744632	D-798	--	--
2009	4.0L	9NSXT04.0G6A	LEV2 ULEV	All	Rear Right	--	--	747335	D-798
Foreza									
L4									
2004	2.0L	4GDXV02.0D04	LEV2 LEV	All	Front	--	--	750005	D-280-102
2004	2.0L	4GDXV02.0D04	LEV2 LEV	All	Rear	--	--	755006	D-280-102
Grand Vitara									
V6									
2005	2.5L	5SKXT2.49LC1	LEV1 ULEV	All	Front Left	751134	D-280-102	--	--
2005	2.5L	5SKXT2.49LC1	LEV1 ULEV	All	Front Pipe, Rear	751135	D-280-102	--	--
2005	2.5L	5SKXT2.49LC1	LEV1 ULEV	All	Rear	754635	D-280-102	--	--
2005	2.5L	5SKXT2.49LC1	LEV1 ULEV	All	Rear	--	--	755005	D-280-102
2004	2.5L	4SKXT2.49LC1	LEV1 ULEV	All	Front Left	751134	D-280-102	--	--
2004	2.5L	4SKXT2.49LC1	LEV1 ULEV	All	Front Right	751135	D-280-102	--	--
2004	2.5L	4SKXT2.49LC1	LEV1 ULEV	All	Rear	754635	D-280-102	--	--
2004	2.5L	4SKXT2.49LC1	LEV1 ULEV	All	Rear	--	--	755005	D-280-102

Legal Note: In Compliance with California Emissions Requirements



CATCO
CATALYTIC CONVERTERS

EASTERN CATALYTIC

APPLICATION GUIDE

OBD II

APPLICATION

Year	Eng. Size	Test Group/ Engine Family	Certification Level	Application	Location	Direct Fit Number	Exec. Order	Consol. Number	Exec. Order
Suzuki (Cont.)									
Grand Vitara (Cont.)									
V6 (Cont.)									
2003	2.5L	3SKXT2.49LC1	LEV1 LEV	All	Front Left	751134	D-280-102	--	--
2003	2.5L	3SKXT2.49LC1	LEV1 LEV	All	Front Right	751135	D-280-102	--	--
2003	2.5L	3SKXT2.49LC1	LEV1 LEV	All	Rear	754635	D-280-102	--	--
2003	2.5L	3SKXT2.49LC1	LEV1 LEV	All	Rear	--	--	755005	D-280-102
2002	2.5L	2SKXT2.49LC1	LEV1 LEV	All	Front	--	--	940104	D-280-100
2002	2.5L	2SKXT2.49LC1	LEV1 LEV	All	Front Left	941134	D-280-100	--	--
2002	2.5L	2SKXT2.49LC1	LEV1 LEV	All	Front Left	751134	D-280-102	--	--
2002	2.5L	2SKXT2.49LC1	LEV1 LEV	All	Front Right	941135	D-280-100	--	--
2002	2.5L	2SKXT2.49LC1	LEV1 LEV	All	Front Right	751135	D-280-102	--	--
2002	2.5L	2SKXT2.49LC1	LEV1 LEV	All	Rear	944635	D-280-100	--	--
2002	2.5L	2SKXT2.49LC1	LEV1 LEV	All	Rear	754635	D-280-102	--	--
2002	2.5L	2SKXT2.49LC1	LEV1 LEV	All	Rear	--	--	940086	D-280-100
2002	2.5L	2SKXT2.49LC1	LEV1 LEV	All	Rear	--	--	755005	D-280-102
2001	2.5L	1SKXT2.49LC1	LEV1 LEV	All	Front	--	--	940104	D-280-100
2001	2.5L	1SKXT2.49LC1	LEV1 LEV	All	Front Left	941134	D-280-100	--	--
2001	2.5L	1SKXT2.49LC1	LEV1 LEV	All	Front Left	751134	D-280-102	--	--
2001	2.5L	1SKXT2.49LC1	LEV1 LEV	All	Front Right	941135	D-280-100	--	--
2001	2.5L	1SKXT2.49LC1	LEV1 LEV	All	Front Right	751135	D-280-102	--	--
2001	2.5L	1SKXT2.49LC1	LEV1 LEV	All	Rear	944635	D-280-100	--	--
2001	2.5L	1SKXT2.49LC1	LEV1 LEV	All	Rear	754635	D-280-102	--	--
2001	2.5L	1SKXT2.49LC1	LEV1 LEV	All	Rear	--	--	940086	D-280-100
2001	2.5L	1SKXT2.49LC1	LEV1 LEV	All	Rear	--	--	755005	D-280-102
2000	2.5L	YSKXT2.49LHA	LEV1 LEV	All	Front	--	--	940104	D-280-100
2000	2.5L	YSKXT2.49LHA	LEV1 LEV	All	Front Left	941134	D-280-100	--	--
2000	2.5L	YSKXT2.49LHA	LEV1 LEV	All	Front Right	941135	D-280-100	--	--
2000	2.5L	YSKXT2.49LHA	LEV1 LEV	All	Rear	944635	D-280-100	--	--
2000	2.5L	YSKXT2.49LHA	LEV1 LEV	All	Rear	--	--	940635	D-280-100
1999	2.5L	XSKKT2.48LHA	LEV1 LEV	All	Front	--	--	940104	D-280-100
1999	2.5L	XSKKT2.48LHA	LEV1 LEV	All	Front Left	941134	D-280-100	--	--
1999	2.5L	XSKKT2.48LHA	LEV1 LEV	All	Front Right	941135	D-280-100	--	--
1999	2.5L	XSKKT2.48LHA	LEV1 LEV	All	Rear	944635	D-280-100	--	--
1999	2.5L	XSKKT2.48LHA	LEV1 LEV	All	Rear	--	--	940635	D-280-100
2001	2.7L	1SKXT2.74LC1	LEV1 LEV	All	Rear	--	--	910006	D-280-101
Sidekick									
L4									
1998	1.6L	WSKXT1.59CMC	TIER1	All	Underbody	942174U	D-280-100	--	--
1998	1.6L	WSKXT1.59CMC	TIER1	All	Underbody	--	--	940334	D-280-100
1997	1.6L	VSK1.61JGKHK	TIER1	All	Underbody	942174U	D-280-100	--	--
1997	1.6L	VSK1.61JGKHK	TIER1	All	Underbody	--	--	940334	D-280-100
1996	1.6L	TSK1.61JGHHB	TIER1	All	Underbody	942174U	D-280-100	--	--
1996	1.6L	TSK1.61JGHHB	TIER1	All	Underbody	--	--	940334	D-280-100
1998	1.8L	WSKXT1.84CHC	TIER1	All	Underbody	942174U	D-280-100	--	--
1998	1.8L	WSKXT1.84CHC	TIER1	All	Underbody	--	--	940334	D-280-100
1997	1.8L	VSK1.81JGKHK	TIER1	All	Underbody	942174U	D-280-100	--	--
1997	1.8L	VSK1.81JGKHK	TIER1	All	Underbody	--	--	940334	D-280-100
1996	1.8L	TSK1.81JGHHB	TIER1	All	Underbody	942174U	D-280-100	--	--
1996	1.8L	TSK1.81JGHHB	TIER1	All	Underbody	--	--	940334	D-280-100
Swift									
L4									
2001	1.3L	1SKXV1.30LB1	LEV1 LEV	All	Front	942042	D-280-100	--	--
2001	1.3L	1SKXV1.30LB1	LEV1 LEV	All	Front	--	--	944182	D-280-100
2001	1.3L	1SKXV1.30LB1	LEV1 LEV	All	Rear	942342	D-280-100	--	--
2001	1.3L	1SKXV1.30LB1	LEV1 LEV	All	Rear	--	--	940334	D-280-100
2000	1.3L	YSKXV1.30LNA	LEV1 LEV	All	Front	942042	D-280-100	--	--
2000	1.3L	YSKXV1.30LNA	LEV1 LEV	All	Front	--	--	944182	D-280-100
2000	1.3L	YSKXV1.30LNA	LEV1 LEV	All	Rear	942342	D-280-100	--	--
2000	1.3L	YSKXV1.30LNA	LEV1 LEV	All	Rear	--	--	940334	D-280-100

APPLICATION GUIDE



OBD II

APPLICATION

Year	Eng. Size	Test Group/ Engine Family	Certification Level	Application	Location	Direct Fit Number	Exec. Order	Consol. Number	Exec. Order
Suzuki (Cont.)									
Swift (Cont.)									
L4 (Cont.)									
1999	1.3L	XSKXV1.30LNA	LEV1 LEV	All	Front	942042	D-280-100	--	--
1999	1.3L	XSKXV1.30LNA	LEV1 LEV	All	Front	--	--	944182	D-280-100
1999	1.3L	XSKXV1.30LNA	LEV1 LEV	All	Rear	942342	D-280-100	--	--
1999	1.3L	XSKXV1.30LNA	LEV1 LEV	All	Rear	--	--	940334	D-280-100
1998	1.3L	WSKXV1.30LNA	LEV1 LEV	All	Front	942042	D-280-100	--	--
1998	1.3L	WSKXV1.30LNA	LEV1 LEV	All	Front	--	--	944182	D-280-100
1998	1.3L	WSKXV1.30LNA	LEV1 LEV	All	Rear	942342	D-280-100	--	--
1998	1.3L	WSKXV1.30LNA	LEV1 LEV	All	Rear	--	--	940334	D-280-100
1997	1.3L	VSK1.3V5G3GK	LEV1 LEV	All	Front	--	--	944182	D-280-100
1997	1.3L	VSK1.3V5G3GK	LEV1 LEV	All	Rear	--	--	940334	D-280-100
1996	1.3L	TSK1.3V5GDFB	TIER1	All	Underbody	630603	D-665-17	--	--
1996	1.3L	TSK1.3V5GDFB	TIER1	All	Underbody	--	--	940334	D-280-100
1995	1.3L	SSK1.3V5GDFA	TIER1	All	Underbody	--	--	940334	D-280-100
SX4									
L4									
2007	2.0L	7SKXV1.995D1	LEV2 LEV	All	Front	--	--	750004	D-280-102
2007	2.0L	7SKXV1.995D1	LEV2 LEV	All	Rear	--	--	755004	D-280-102
Verona									
V6									
2004	2.5L	4GD XV02.5D03	LEV1 ULEV	All	Left	808590	D-665-23	--	--
2004	2.5L	4GD XV02.5D03	LEV1 ULEV	All	Right	808589	D-665-23	--	--
Vitara									
L4									
2001	1.6L	1SKXX2.00LC4	LEV1 LEV	All	Front	942315	D-280-100	--	--
2001	1.6L	1SKXX2.00LC4	LEV1 LEV	All	Front	--	--	940104	D-280-100
2001	1.6L	1SKXX2.00LC4	LEV1 LEV	All	Underbody	942174U	D-280-100	--	--
2001	1.6L	1SKXX2.00LC4	LEV1 LEV	All	Underbody	--	--	940334	D-280-100
2000	1.6L	YSKXT1.59LMA	LEV1 LEV	All	Front	942315	D-280-100	--	--
2000	1.6L	YSKXT1.59LMA	LEV1 LEV	All	Front	--	--	940104	D-280-100
2000	1.6L	YSKXT1.59LMA	LEV1 LEV	All	Underbody	942174U	D-280-100	--	--
2000	1.6L	YSKXT1.59LMA	LEV1 LEV	All	Underbody	--	--	940334	D-280-100
1999	1.6L	XSKXT1.59LMA	LEV1 LEV	All	Front	942315	D-280-100	--	--
1999	1.6L	XSKXT1.59LMA	LEV1 LEV	All	Front	--	--	940104	D-280-100
1999	1.6L	XSKXT1.59LMA	LEV1 LEV	All	Rear	942174U	D-280-100	--	--
1999	1.6L	XSKXT1.59LMA	LEV1 LEV	All	Underbody	--	--	940334	D-280-100
2003	2.0L	3SKXX2.00LC2	LEV1 LEV	All	Underbody	809565	D-665-23	--	--
2001	2.0L	1SKXX2.00LC4	LEV1 LEV	All	Front	942315	D-280-100	--	--
2001	2.0L	1SKXX2.00LC4	LEV1 LEV	All	Front	--	--	940104	D-280-100
2001	2.0L	1SKXX2.00LC4	LEV1 LEV	All	Underbody	942174U	D-280-100	--	--
2001	2.0L	1SKXX2.00LC4	LEV1 LEV	All	Underbody	--	--	940334	D-280-100
2000	2.0L	YSKXT2.00LMA	LEV1 LEV	All	Front	942074P	D-280-100	--	--
2000	2.0L	YSKXT2.00LMA	LEV1 LEV	All	Front	--	--	940104	D-280-100
2000	2.0L	YSKXT2.00LMA	LEV1 LEV	All	Rear	942174U	D-280-100	--	--
2000	2.0L	YSKXT2.00LMA	LEV1 LEV	All	Underbody	--	--	940334	D-280-100
1999	2.0L	XSKXT2.00LMA	LEV1 LEV	All	Front	942074P	D-280-100	--	--
1999	2.0L	XSKXT2.00LMA	LEV1 LEV	All	Front	--	--	940104	D-280-100
1999	2.0L	XSKXT2.00LMA	LEV1 LEV	All	Rear	942174U	D-280-100	--	--
1999	2.0L	XSKXT2.00LMA	LEV1 LEV	All	Underbody	--	--	940334	D-280-100
V6									
2004	2.5L	4SKXT2.49LC1	LEV1 ULEV	All	Front Left	751134	D-280-102	--	--
2004	2.5L	4SKXT2.49LC1	LEV1 ULEV	All	Front Right	751135	D-280-102	--	--
2004	2.5L	4SKXT2.49LC1	LEV1 ULEV	All	Rear	754635	D-280-102	--	--
2004	2.5L	4SKXT2.49LC1	LEV1 ULEV	All	Rear	--	--	755005	D-280-102

Legal Note: In Compliance with California Emissions Requirements



CATCO
CATALYTIC CONVERTERS

EASTERN CATALYTIC

APPLICATION GUIDE

OBD II

APPLICATION

Year	Eng. Size	Test Group/ Engine Family	Certification Level	Application	Location	Direct Fit Number	Exec. Order	Consol. Number	Exec. Order
X-90									
L4									
1998	1.6L	WSKXV1.59CMC	TIER1	All	Underbody	942174U	D-280-100	--	--
1998	1.6L	WSKXV1.59CMC	TIER1	All	Underbody	--	--	940334	D-280-100
1997	1.6L	VSK1.6VJGKHK	TIER1	All	Underbody	942174U	D-280-100	--	--
1997	1.6L	VSK1.6VJGKHK	TIER1	All	Underbody	--	--	940334	D-280-100
1996	1.6L	TSK1.6VJGHHB	TIER1	All	Underbody	942174U	D-280-100	--	--
1996	1.6L	TSK1.6VJGHHB	TIER1	All	Underbody	--	--	940334	D-280-100
XL-7									
V6									
2003	2.7L	3SKXT2.74LC1	LEV1 LEV	All	Rear	910262	D-280-101	--	--
2003	2.7L	3SKXT2.74LC1	LEV1 LEV	All	Rear	--	--	910004R	D-280-101
2002	2.7L	2SKXT2.74LC1	LEV1 LEV	All	Rear	910262	D-280-101	--	--
2002	2.7L	2SKXT2.74LC1	LEV1 LEV	All	Rear	--	--	910004R	D-280-101
Toyota									
4Runner									
L4									
1999	2.7L	XTYXT02.7BBP	TIER1	All	Underbody	914768	D-280-101	--	--
1999	2.7L	XTYXT02.7BBP	TIER1	All	Underbody	--	--	912004R	D-280-101
1998	2.7L	WTYXT02.7BBH	TIER1	2WD	Underbody	944768	D-280-100	--	--
1998	2.7L	WTYXT02.7BBH	TIER1	2WD	Underbody	--	--	940335	D-280-100
1998	2.7L	WTYXT02.7BBP	TIER1	All	Underbody	914768	D-280-101	--	--
1998	2.7L	WTYXT02.7BBP	TIER1	All	Underbody	--	--	912005	D-280-101
1997	2.7L	VTY2.71JGKEK	TIER1	2WD	Underbody	944768	D-280-100	--	--
1997	2.7L	VTY2.71JGKEK	TIER1	2WD	Underbody	--	--	940335	D-280-100
1997	2.7L	VTY2.72JGKEK	TIER1	All	Underbody	914768	D-280-101	--	--
1997	2.7L	VTY2.72JGKEK	TIER1	All	Underbody	--	--	912005	D-280-101
1996	2.7L	TTY2.71HGKEK	TIER1	2WD	Underbody	944768	D-280-100	--	--
1996	2.7L	TTY2.71HGKEK	TIER1	2WD	Underbody	--	--	940335	D-280-100
1996	2.7L	TTY2.72HGKEK	TIER1	All	Underbody	914768	D-280-101	--	--
1996	2.7L	TTY2.72HGKEK	TIER1	All	Underbody	--	--	912005	D-280-101
V6									
2002	3.4L	2TYXT03.4FFP	LEV1 LEV	All	Front	910053	D-280-101	--	--
2002	3.4L	2TYXT03.4FFP	LEV1 LEV	All	Front	--	--	912009	D-280-101
2002	3.4L	2TYXT03.4FFP	LEV1 LEV	All	Rear	910153	D-280-101	--	--
2001	3.4L	1TYXT03.4FFP	LEV1 LEV	All	Front	910053	D-280-101	--	--
2001	3.4L	1TYXT03.4FFP	LEV1 LEV	All	Front	--	--	912009	D-280-101
2001	3.4L	1TYXT03.4FFP	LEV1 LEV	All	Rear	910153	D-280-101	--	--
1999	3.4L	XTYXT03.4GXS	LEV1 LEV	All	Front	910053	D-280-101	--	--
1999	3.4L	XTYXT03.4GXS	LEV1 LEV	All	Front	--	--	912009	D-280-101
1999	3.4L	XTYXT03.4GXS	LEV1 LEV	All	Rear	910153	D-280-101	--	--
1998	3.4L	WTYXT03.4DBP	TLEV	All	Underbody	919023	D-280-101	--	--
1998	3.4L	WTYXT03.4DBP	TLEV	All	Underbody	--	--	912005	D-280-101
1997	3.4L	VTY3.42JG2GK	TLEV	All	Underbody	919023	D-280-101	--	--
1997	3.4L	VTY3.42JG2GK	TLEV	All	Underbody	--	--	912005	D-280-101
1996	3.4L	TTY3.42JG1GK	TIER1	All	Underbody	919023	D-280-101	--	--
1996	3.4L	TTY3.42JG1GK	TIER1	All	Underbody	--	--	912005	D-280-101
2012	4.0L	CTYXT04.0AES	LEV2 LEV	All	Front Left	741246	D-798	--	--
2012	4.0L	CTYXT04.0AES	LEV2 LEV	All	Front Right	741247	D-798	--	--
2012	4.0L	CTYXT04.0AES	LEV2 LEV	All	Rear Left	--	--	747335	D-798
2012	4.0L	CTYXT04.0AES	LEV2 LEV	All	Rear Right	--	--	747335	D-798
2012	4.0L	CTYXT04.0AES	LEV2 LEV	To 08/12	Rear Left	744499	D-798	--	--
2012	4.0L	CTYXT04.0AES	LEV2 LEV	To 08/12	Rear Right	744498	D-798	--	--
2011	4.0L	BTYXT04.0AES	LEV2 LEV	All	Front Left	741246	D-798	--	--
2011	4.0L	BTYXT04.0AES	LEV2 LEV	All	Front Right	741247	D-798	--	--
2011	4.0L	BTYXT04.0AES	LEV2 LEV	All	Rear Left	744499	D-798	--	--
2011	4.0L	BTYXT04.0AES	LEV2 LEV	All	Rear Left	--	--	747335	D-798
2011	4.0L	BTYXT04.0AES	LEV2 LEV	All	Rear Right	744498	D-798	--	--
2011	4.0L	BTYXT04.0AES	LEV2 LEV	All	Rear Right	--	--	747335	D-798

Legal Note: In Compliance with California Emissions Requirements

APPLICATION GUIDE



OBD II

APPLICATION

Year	Eng. Size	Test Group/ Engine Family	Certification Level	Application	Location	Direct Fit Number	Exec. Order	Consol. Number	Exec. Order
Toyota (Cont.)									
4Runner (Cont.)									
V6 (Cont.)									
2010	4.0L	ATYXT04.0AES	LEV2 LEV	All	Front Left	741246	D-798	--	--
2010	4.0L	ATYXT04.0AES	LEV2 LEV	All	Front Right	741247	D-798	--	--
2010	4.0L	ATYXT04.0AES	LEV2 LEV	All	Rear Left	744499	D-798	--	--
2010	4.0L	ATYXT04.0AES	LEV2 LEV	All	Rear Right	--	--	747335	D-798
2010	4.0L	ATYXT04.0AES	LEV2 LEV	All	Rear Right	744498	D-798	--	--
2010	4.0L	ATYXT04.0AES	LEV2 LEV	All	Rear Right	--	--	747335	D-798
2009	4.0L	9TYXT04.0AEM	LEV2 LEV	All	Front Left	741149	D-798	--	--
2009	4.0L	9TYXT04.0AEM	LEV2 LEV	All	Front Right	741150	D-798	--	--
2009	4.0L	9TYXT04.0AEM	LEV2 LEV	All	Rear Left	744499	D-798	--	--
2009	4.0L	9TYXT04.0AEM	LEV2 LEV	All	Rear Left	--	--	747335	D-798
2009	4.0L	9TYXT04.0AEM	LEV2 LEV	All	Rear Right	744498	D-798	--	--
2009	4.0L	9TYXT04.0AEM	LEV2 LEV	All	Rear Right	--	--	747335	D-798
2008	4.0L	8TYXT04.0AEM	LEV2 LEV	All	Front Left	741149	D-798	--	--
2008	4.0L	8TYXT04.0AEM	LEV2 LEV	All	Front Right	741150	D-798	--	--
2008	4.0L	8TYXT04.0AEM	LEV2 LEV	All	Rear Left	744499	D-798	--	--
2008	4.0L	8TYXT04.0AEM	LEV2 LEV	All	Rear Left	--	--	747335	D-798
2008	4.0L	8TYXT04.0AEM	LEV2 LEV	All	Rear Right	744498	D-798	--	--
2008	4.0L	8TYXT04.0AEM	LEV2 LEV	All	Rear Right	--	--	747335	D-798
2007	4.0L	7TYXT04.0AEM	LEV2 LEV	All	Front Left	741149	D-798	--	--
2007	4.0L	7TYXT04.0AEM	LEV2 LEV	All	Front Right	741150	D-798	--	--
2007	4.0L	7TYXT04.0AEM	LEV2 LEV	All	Rear Left	744499	D-798	--	--
2007	4.0L	7TYXT04.0AEM	LEV2 LEV	All	Rear Left	--	--	747335	D-798
2007	4.0L	7TYXT04.0AEM	LEV2 LEV	All	Rear Right	744498	D-798	--	--
2007	4.0L	7TYXT04.0AEM	LEV2 LEV	All	Rear Right	--	--	747335	D-798
2006	4.0L	6TYXT04.0NEM	LEV2 LEV	All	Front Left	741149	D-798	--	--
2006	4.0L	6TYXT04.0NEM	LEV2 LEV	All	Front Right	741150	D-798	--	--
2006	4.0L	6TYXT04.0NEM	LEV2 LEV	All	Rear Left	744499	D-798	--	--
2006	4.0L	6TYXT04.0NEM	LEV2 LEV	All	Rear Left	--	--	747335	D-798
2006	4.0L	6TYXT04.0NEM	LEV2 LEV	All	Rear Right	744498	D-798	--	--
2006	4.0L	6TYXT04.0NEM	LEV2 LEV	All	Rear Right	--	--	747335	D-798
2005	4.0L	5TYXT04.0NEM	LEV2 LEV	All	Front Left	741149	D-798	--	--
2005	4.0L	5TYXT04.0NEM	LEV2 LEV	All	Front Right	741150	D-798	--	--
2005	4.0L	5TYXT04.0NEM	LEV2 LEV	All	Rear Left	744499	D-798	--	--
2005	4.0L	5TYXT04.0NEM	LEV2 LEV	All	Rear Left	--	--	747335	D-798
2005	4.0L	5TYXT04.0NEM	LEV2 LEV	All	Rear Right	744498	D-798	--	--
2005	4.0L	5TYXT04.0NEM	LEV2 LEV	All	Rear Right	--	--	747335	D-798
2004	4.0L	4TYXT04.0VRM	LEV1 LEV	All	Front Left	911149	D-280-101	--	--
2004	4.0L	4TYXT04.0VRM	LEV1 LEV	All	Front Right	911150	D-280-101	--	--
2004	4.0L	4TYXT04.0VRM	LEV1 LEV	All	Rear	--	--	912004R	D-280-101
2004	4.0L	4TYXT04.0VRM	LEV1 LEV	All	Rear Left	914499	D-280-101	--	--
2004	4.0L	4TYXT04.0VRM	LEV1 LEV	All	Rear Right	914498	D-280-101	--	--
2004	4.0L	4TYXT04.0VRM	LEV1 LEV	All	Front Left	741149	D-798	--	--
2004	4.0L	4TYXT04.0VRM	LEV1 LEV	All	Front Right	741150	D-798	--	--
2004	4.0L	4TYXT04.0VRM	LEV1 LEV	All	Rear Left	744499	D-798	--	--
2004	4.0L	4TYXT04.0VRM	LEV1 LEV	All	Rear Left	--	--	747335	D-798
2004	4.0L	4TYXT04.0VRM	LEV1 LEV	All	Rear Right	744498	D-798	--	--
2004	4.0L	4TYXT04.0VRM	LEV1 LEV	All	Rear Right	--	--	747335	D-798
2003	4.0L	3TYXT04.0FFP	LEV1 LEV	All	Front Left	911149	D-280-101	--	--
2003	4.0L	3TYXT04.0FFP	LEV1 LEV	All	Front Right	911150	D-280-101	--	--
2003	4.0L	3TYXT04.0FFP	LEV1 LEV	All	Rear	--	--	910025	D-280-101
2003	4.0L	3TYXT04.0FFP	LEV1 LEV	All	Rear	--	--	910014R	D-280-101
2003	4.0L	3TYXT04.0FFP	LEV1 LEV	All	Rear Left	914499	D-280-101	--	--
2003	4.0L	3TYXT04.0FFP	LEV1 LEV	All	Rear Left	--	--	912004R	D-280-101
2003	4.0L	3TYXT04.0FFP	LEV1 LEV	All	Rear Right	914498	D-280-101	--	--
2003	4.0L	3TYXT04.0FFP	LEV1 LEV	All	Rear Left	741149	D-798	--	--
2003	4.0L	3TYXT04.0FFP	LEV1 LEV	All	Front Right	741150	D-798	--	--
2003	4.0L	3TYXT04.0FFP	LEV1 LEV	All	Rear Left	744499	D-798	--	--
2003	4.0L	3TYXT04.0FFP	LEV1 LEV	All	Rear Right	744498	D-798	--	--
2003	4.0L	3TYXT04.0FFP	LEV1 LEV	All	Rear Right	--	--	747335	D-798

Legal Note: In Compliance with California Emissions Requirements

**CATCO**
CATALYTIC CONVERTERS**EASTERN CATALYTIC**

APPLICATION GUIDE

OBD II**APPLICATION**

Year	Eng. Size	Test Group/ Engine Family	Certification Level	Application	Location	Direct Fit Number	Exec. Order	Consol. Number	Exec. Order
Toyota (Cont.)									
4Runner (Cont.)									
V8									
2009	4.7L	9TYXT04.7BEM	LEV2 ULEV	All	Front Left	741213	D-798	--	--
2009	4.7L	9TYXT04.7BEM	LEV2 ULEV	All	Front Right	741214	D-798	--	--
2009	4.7L	9TYXT04.7BEM	LEV2 ULEV	All	Rear Left	744917	D-798	--	--
2009	4.7L	9TYXT04.7BEM	LEV2 ULEV	All	Rear Right	744732	D-798	--	--
2009	4.7L	9TYXT04.7BEM	LEV2 ULEV	2WD	Rear Left	--	--	747334	D-798
2009	4.7L	9TYXT04.7BEM	LEV2 ULEV	2WD	Rear Right	--	--	747334	D-798
2009	4.7L	9TYXT04.7BES	LEV2 ULEV	All	Front Left	741213	D-798	--	--
2009	4.7L	9TYXT04.7BES	LEV2 ULEV	All	Front Right	741214	D-798	--	--
2009	4.7L	9TYXT04.7BES	LEV2 ULEV	All	Rear Left	744917	D-798	--	--
2009	4.7L	9TYXT04.7BES	LEV2 ULEV	All	Rear Right	744732	D-798	--	--
2009	4.7L	9TYXT04.7BES	LEV2 ULEV	4WD	Rear Left	--	--	747334	D-798
2009	4.7L	9TYXT04.7BES	LEV2 ULEV	4WD	Rear Right	--	--	747334	D-798
2008	4.7L	8TYXT04.7BEM	LEV2 ULEV	All	Front Left	741213	D-798	--	--
2008	4.7L	8TYXT04.7BEM	LEV2 ULEV	All	Front Right	741214	D-798	--	--
2008	4.7L	8TYXT04.7BEM	LEV2 ULEV	All	Rear Left	744917	D-798	--	--
2008	4.7L	8TYXT04.7BEM	LEV2 ULEV	All	Rear Right	744732	D-798	--	--
2008	4.7L	8TYXT04.7BEM	LEV2 ULEV	2WD	Rear Left	--	--	747334	D-798
2008	4.7L	8TYXT04.7BEM	LEV2 ULEV	2WD	Rear Right	--	--	747334	D-798
2008	4.7L	8TYXT04.7BES	LEV2 ULEV	All	Front Left	741213	D-798	--	--
2008	4.7L	8TYXT04.7BES	LEV2 ULEV	All	Front Right	741214	D-798	--	--
2008	4.7L	8TYXT04.7BES	LEV2 ULEV	All	Rear Left	744917	D-798	--	--
2008	4.7L	8TYXT04.7BES	LEV2 ULEV	All	Rear Right	744732	D-798	--	--
2008	4.7L	8TYXT04.7BES	LEV2 ULEV	4WD	Rear Left	--	--	747334	D-798
2008	4.7L	8TYXT04.7BES	LEV2 ULEV	4WD	Rear Right	--	--	747334	D-798
2007	4.7L	7TYXT04.7BEM	LEV2 ULEV	All	Front Left	741213	D-798	--	--
2007	4.7L	7TYXT04.7BEM	LEV2 ULEV	All	Front Right	741214	D-798	--	--
2007	4.7L	7TYXT04.7BEM	LEV2 ULEV	All	Rear Left	744917	D-798	--	--
2007	4.7L	7TYXT04.7BEM	LEV2 ULEV	All	Rear Right	744732	D-798	--	--
2007	4.7L	7TYXT04.7BEM	LEV2 ULEV	2WD	Rear Left	--	--	747334	D-798
2007	4.7L	7TYXT04.7BEM	LEV2 ULEV	2WD	Rear Right	--	--	747334	D-798
2007	4.7L	7TYXT04.7BKY	LEV2 ULEV	All	Front Left	741213	D-798	--	--
2007	4.7L	7TYXT04.7BKY	LEV2 ULEV	All	Front Right	741214	D-798	--	--
2007	4.7L	7TYXT04.7BKY	LEV2 ULEV	All	Rear Left	744917	D-798	--	--
2007	4.7L	7TYXT04.7BKY	LEV2 ULEV	All	Rear Right	744732	D-798	--	--
2007	4.7L	7TYXT04.7BKY	LEV2 ULEV	4WD	Rear Left	--	--	747334	D-798
2007	4.7L	7TYXT04.7BKY	LEV2 ULEV	4WD	Rear Right	--	--	747334	D-798
2006	4.7L	6TYXT04.7PEM	LEV2 ULEV	All	Front Left	741213	D-798	--	--
2006	4.7L	6TYXT04.7PEM	LEV2 ULEV	All	Front Right	741214	D-798	--	--
2006	4.7L	6TYXT04.7PEM	LEV2 ULEV	All	Rear Left	744917	D-798	--	--
2006	4.7L	6TYXT04.7PEM	LEV2 ULEV	All	Rear Right	744732	D-798	--	--
2006	4.7L	6TYXT04.7PEM	LEV2 ULEV	2WD	Rear Left	--	--	747334	D-798
2006	4.7L	6TYXT04.7PEM	LEV2 ULEV	2WD	Rear Right	--	--	747334	D-798
2006	4.7L	6TYXT04.7PKX	LEV2 ULEV	All	Front Left	741213	D-798	--	--
2006	4.7L	6TYXT04.7PKX	LEV2 ULEV	All	Front Right	741214	D-798	--	--
2006	4.7L	6TYXT04.7PKX	LEV2 ULEV	All	Rear Left	744917	D-798	--	--
2006	4.7L	6TYXT04.7PKX	LEV2 ULEV	All	Rear Right	744732	D-798	--	--
2006	4.7L	6TYXT04.7PKX	LEV2 ULEV	4WD	Rear Left	--	--	747334	D-798
2006	4.7L	6TYXT04.7PKX	LEV2 ULEV	4WD	Rear Right	--	--	747334	D-798
2005	4.7L	5TYXT04.7PEM	LEV2 ULEV	All	Front Left	741213	D-798	--	--
2005	4.7L	5TYXT04.7PEM	LEV2 ULEV	All	Front Right	741214	D-798	--	--
2005	4.7L	5TYXT04.7PEM	LEV2 ULEV	All	Rear Left	744917	D-798	--	--
2005	4.7L	5TYXT04.7PEM	LEV2 ULEV	All	Rear Right	744732	D-798	--	--
2005	4.7L	5TYXT04.7PEM	LEV2 ULEV	2WD	Rear Left	--	--	747335	D-798
2005	4.7L	5TYXT04.7PEM	LEV2 ULEV	2WD	Rear Right	--	--	747335	D-798
2005	4.7L	5TYXT04.7PKX	LEV2 ULEV	All	Front Left	741213	D-798	--	--
2005	4.7L	5TYXT04.7PKX	LEV2 ULEV	All	Front Right	741214	D-798	--	--
2005	4.7L	5TYXT04.7PKX	LEV2 ULEV	All	Rear Left	744917	D-798	--	--
2005	4.7L	5TYXT04.7PKX	LEV2 ULEV	All	Rear Right	744732	D-798	--	--

APPLICATION GUIDE



OBD II

APPLICATION

Year	Eng. Size	Test Group/ Engine Family	Certification Level	Application	Location	Direct Fit Number	Exec. Order	Consol. Number	Exec. Order
Toyota (Cont.)									
4Runner (Cont.)									
V8 (Cont.)									
2005	4.7L	5TYXT04.7PKX	LEV2 ULEV	4WD	Rear Left	--	--	747335	D-798
2005	4.7L	5TYXT04.7PKX	LEV2 ULEV	4WD	Rear Right	--	--	747335	D-798
2004	4.7L	4TYXT04.7VRM	LEV1 LEV	All	Front Left	911335	D-280-101	--	--
2004	4.7L	4TYXT04.7VRM	LEV1 LEV	All	Front Right	911336	D-280-101	--	--
2004	4.7L	4TYXT04.7VRM	LEV1 LEV	All	Rear	914507	D-280-101	--	--
2003	4.7L	3TYXT04.7FFP	LEV1 LEV	All	Front Left	911335	D-280-101	--	--
2003	4.7L	3TYXT04.7FFP	LEV1 LEV	All	Front Right	911336	D-280-101	--	--
2003	4.7L	3TYXT04.7FFP	LEV1 LEV	All	Rear	914507	D-280-101	--	--
Avalon									
V6									
2004	3.0L	4TYXV03.0VMC	LEV1 LEV	All	Front Left	941076	D-280-100	--	--
2004	3.0L	4TYXV03.0VMC	LEV1 LEV	All	Front Right	944476	D-280-100	--	--
2004	3.0L	4TYXV03.0VMC	LEV1 LEV	All	Front Right	--	--	940104	D-280-100
2004	3.0L	4TYXV03.0VMC	LEV1 LEV	All	Rear	944477	D-280-100	--	--
2004	3.0L	4TYXV03.0VMC	LEV1 LEV	All	Rear	--	--	940105	D-280-100
2003	3.0L	3TYXV03.0FFD	LEV1 LEV	All	Front Left	941076	D-280-100	--	--
2003	3.0L	3TYXV03.0FFD	LEV1 LEV	All	Front Right	944476	D-280-100	--	--
2003	3.0L	3TYXV03.0FFD	LEV1 LEV	All	Front Right	--	--	940104	D-280-100
2003	3.0L	3TYXV03.0FFD	LEV1 LEV	All	Rear	944477	D-280-100	--	--
2003	3.0L	3TYXV03.0FFD	LEV1 LEV	All	Rear	--	--	940105	D-280-100
2002	3.0L	2TYXV03.0FFD	LEV1 LEV	All	Front Left	941076	D-280-100	--	--
2002	3.0L	2TYXV03.0FFD	LEV1 LEV	All	Front Right	944476	D-280-100	--	--
2002	3.0L	2TYXV03.0FFD	LEV1 LEV	All	Front Right	--	--	940104	D-280-100
2002	3.0L	2TYXV03.0FFD	LEV1 LEV	All	Rear	944477	D-280-100	--	--
2002	3.0L	2TYXV03.0FFD	LEV1 LEV	All	Rear	--	--	940105	D-280-100
2001	3.0L	1TYXV03.0FFC	LEV1 LEV	All	Front Left	941076	D-280-100	--	--
2001	3.0L	1TYXV03.0FFC	LEV1 LEV	All	Front Right	944476	D-280-100	--	--
2001	3.0L	1TYXV03.0FFC	LEV1 LEV	All	Front Right	--	--	940104	D-280-100
2001	3.0L	1TYXV03.0FFC	LEV1 LEV	All	Rear	944477	D-280-100	--	--
2001	3.0L	1TYXV03.0FFC	LEV1 LEV	All	Rear	--	--	940105	D-280-100
2000	3.0L	YTYXV03.0FFC	LEV1 LEV	All	Front Left	941076	D-280-100	--	--
2000	3.0L	YTYXV03.0FFC	LEV1 LEV	All	Front Left	112959	D-280-89	--	--
2000	3.0L	YTYXV03.0FFC	LEV1 LEV	All	Front Right	944476	D-280-100	--	--
2000	3.0L	YTYXV03.0FFC	LEV1 LEV	All	Front Right	--	--	940104	D-280-100
2000	3.0L	YTYXV03.0FFC	LEV1 LEV	All	Rear	944477	D-280-100	--	--
2000	3.0L	YTYXV03.0FFC	LEV1 LEV	All	Rear	--	--	940105	D-280-100
1999	3.0L	XTYXV03.0BBA	TIER1	All	Underbody	--	--	940334	D-280-100
1999	3.0L	XTYXV03.0GXB	LEV1 LEV	A/T	Underbody	944259	D-280-100	--	--
1999	3.0L	XTYXV03.0GXB	LEV1 LEV	All	Front Left	941076	D-280-100	--	--
1999	3.0L	XTYXV03.0GXB	LEV1 LEV	All	Rear	--	--	940105	D-280-100
1999	3.0L	XTYXV03.0GXB	TIER1	All	Front Left	112959	D-280-89	--	--
1998	3.0L	WTYXV03.0GXB	LEV1 LEV	A/T	Underbody	944259	D-280-100	--	--
1998	3.0L	WTYXV03.0GXB	LEV1 LEV	All	Front Left	941076	D-280-100	--	--
1998	3.0L	WTYXV03.0GXB	LEV1 LEV	All	Rear	--	--	940105	D-280-100
1997	3.0L	VTY3.0VJGKFK	TIER1	A/T	Underbody	944835	D-280-100	--	--
1997	3.0L	VTY3.0VJGKFK	TIER1	M/T	Underbody	944388	D-280-100	--	--
1997	3.0L	VTY3.0VJGKFK	TIER1	All	Underbody	--	--	940334	D-280-100
1996	3.0L	TTY3.0VJG1GK	TIER1	A/T	Underbody	944976	D-280-100	--	--
1996	3.0L	TTY3.0VJG1GK	TIER1	All	Underbody	--	--	940334	D-280-100
1995	3.0L	STY3.0VJGFEK	TIER1	A/T	Underbody	--	--	940334	D-280-100
2007	3.5L	7TYXV03.5BEA	LEV2 ULEV	All	Front Left	751159	D-280-102	--	--
2007	3.5L	7TYXV03.5BEA	LEV2 ULEV	All	Front Left	751158	D-280-102	--	--
2007	3.5L	7TYXV03.5BEA	LEV2 ULEV	All	Front Right	751157	D-280-102	--	--
2007	3.5L	7TYXV03.5BEA	LEV2 ULEV	All	Rear	754757	D-280-102	--	--
2007	3.5L	7TYXV03.5BEA	LEV2 ULEV	All	Rear	--	--	755005	D-280-102

Legal Note: In Compliance with California Emissions Requirements



CATCO
CATALYTIC CONVERTERS

EASTERN CATALYTIC

APPLICATION GUIDE

OBD II

APPLICATION

Year	Eng. Size	Test Group/ Engine Family	Certification Level	Application	Location	Direct Fit Number	Exec. Order	Consol. Number	Exec. Order
Toyota (Cont.)									
Avalon (Cont.)									
V6 (Cont.)									
2006	3.5L	6TYXV03.5PEA	LEV2 ULEV	All	Front Left	751159	D-280-102	--	--
2006	3.5L	6TYXV03.5PEA	LEV2 ULEV	All	Front Left	751158	D-280-102	--	--
2006	3.5L	6TYXV03.5PEA	LEV2 ULEV	All	Front Right	751157	D-280-102	--	--
2006	3.5L	6TYXV03.5PEA	LEV2 ULEV	All	Rear	754757	D-280-102	--	--
2006	3.5L	6TYXV03.5PEA	LEV2 ULEV	All	Rear	--	--	755005	D-280-102
2005	3.5L	5TYXV03.5PEA	LEV2 ULEV	All	Front Left	751158	D-280-102	--	--
2005	3.5L	5TYXV03.5PEA	LEV2 ULEV	All	Front Right	751157	D-280-102	--	--
2005	3.5L	5TYXV03.5PEA	LEV2 ULEV	All	Rear	754757	D-280-102	--	--
2005	3.5L	5TYXV03.5PEA	LEV2 ULEV	All	Rear	--	--	755005	D-280-102
Camry									
L4									
2001	2.2L	1TYXV02.2JJA	LEV1 ULEV	All	Front	751061	D-280-102	--	--
2001	2.2L	1TYXV02.2JJA	LEV1 ULEV	All	Underbody	754061	D-280-102	--	--
2001	2.2L	1TYXV02.2JJA	LEV1 ULEV	All	Underbody	--	--	755004	D-280-102
2001	2.2L	1TYXV02.2PP2	LEV1 ULEV	All	Front	751061	D-280-102	--	--
2001	2.2L	1TYXV02.2PP2	LEV1 ULEV	All	Underbody	754061	D-280-102	--	--
2001	2.2L	1TYXV02.2PP2	LEV1 ULEV	All	Underbody	--	--	755004	D-280-102
2000	2.2L	YTYXV02.2JJB	LEV1 ULEV	All	Front	808539	D-665-23	--	--
2000	2.2L	YTYXV02.2JJB	LEV1 ULEV	All	Rear	809550	D-665-23	--	--
2000	2.2L	YTYXV02.2PPA	LEV1 ULEV	CNG	Front	808539	D-665-23	--	--
2000	2.2L	YTYXV02.2PPA	LEV1 ULEV	CNG	Rear	809550	D-665-23	--	--
1999	2.2L	XTYXV02.2GXB	LEV1 ULEV	All	Rear	809550	D-665-23	--	--
1999	2.2L	XTYXV02.2GXB	LEV1 LEV	All	Front	942061R	D-280-100	--	--
1999	2.2L	XTYXV02.2GXB	LEV1 LEV	All	Rear	--	--	940334	D-280-100
1999	2.2L	XTYXV02.2GXB	LEV1 LEV	All	Underbody	942061	D-280-100	--	--
1999	2.2L	XTYXV02.2PPA	LEV1 ULEV	All	Front	808539	D-665-23	--	--
1999	2.2L	XTYXV02.2PPA	LEV1 ULEV	All	Rear	809550	D-665-23	--	--
1998	2.2L	WTYXV02.2GXB	LEV1 LEV	All	Front	942061R	D-280-100	--	--
1998	2.2L	WTYXV02.2GXB	LEV1 LEV	All	Rear	942061	D-280-100	--	--
1998	2.2L	WTYXV02.2GXB	LEV1 LEV	All	Rear	--	--	940334	D-280-100
1997	2.2L	VTY2.2VJG3GK	LEV1 LEV	All	Front	942061R	D-280-100	--	--
1997	2.2L	VTY2.2VJG3GK	LEV1 LEV	All	Rear	--	--	940334	D-280-100
1997	2.2L	VTY2.2VJG3GK	LEV1 LEV	All	Underbody	942061	D-280-100	--	--
1996	2.2L	TTY2.2VJG2GK	TLEV	All	Front	942001	D-280-100	--	--
1996	2.2L	TTY2.2VJG2GK	TLEV	All	Rear	--	--	940334	D-280-100
1996	2.2L	TTY2.2VJG2GK	TLEV	Sedan & Station Wgn.	Rear	944812	D-280-100	--	--
1995	2.2L	STY2.2VJG2GA	TLEV	All	Front	942001	D-280-100	--	--
1995	2.2L	STY2.2VJG2GA	TLEV	All	Rear	--	--	940334	D-280-100
1995	2.2L	STY2.2VJG2GA	TLEV	Sedan & Station Wgn.	Rear	944812	D-280-100	--	--
1994	2.2L	RTY2.2VJG2GA	TLEV	All	Front	942001	D-280-100	--	--
1994	2.2L	RTY2.2VJG2GA	TLEV	All	Rear	--	--	940334	D-280-100
1994	2.2L	RTY2.2VJG2GA	TLEV	Sedan & Station Wgn.	Rear	944812	D-280-100	--	--
2007	2.4L	7TYXV02.4BEB	LEV2 ULEV	All	Underbody	754320	D-280-102	--	--
2007	2.4L	7TYXV02.4BEB	LEV2 ULEV	All	Underbody	--	--	755005	D-280-102
2006	2.4L	6TYXV02.4BEB	LEV2 ULEV	All	Front	751120	D-280-102	--	--
2006	2.4L	6TYXV02.4BEB	LEV2 ULEV	All	Underbody	754320	D-280-102	--	--
2006	2.4L	6TYXV02.4BEB	LEV2 ULEV	All	Underbody	--	--	755005	D-280-102
2005	2.4L	5TYXV02.4PEB	LEV2 ULEV	All	Front	751120	D-280-102	--	--
2005	2.4L	5TYXV02.4PEB	LEV2 ULEV	All	Underbody	754320	D-280-102	--	--
2005	2.4L	5TYXV02.4PEB	LEV2 ULEV	All	Underbody	--	--	755005	D-280-102
2004	2.4L	4TYXV02.4PEB	LEV2 ULEV	All	Front	751120	D-280-102	--	--
2004	2.4L	4TYXV02.4PEB	LEV2 ULEV	All	Underbody	754320	D-280-102	--	--
2004	2.4L	4TYXV02.4PEB	LEV2 ULEV	All	Underbody	--	--	755005	D-280-102
2003	2.4L	3TYXV02.4HHA	LEV1 ULEV	All	Front	751120	D-280-102	--	--
2003	2.4L	3TYXV02.4HHA	LEV1 ULEV	All	Underbody	754320	D-280-102	--	--
2003	2.4L	3TYXV02.4HHA	LEV1 ULEV	All	Underbody	--	--	755005	D-280-102

Legal Note: In Compliance with California Emissions Requirements

APPLICATION GUIDE



OBD II

APPLICATION

Year	Eng. Size	Test Group/ Engine Family	Certification Level	Application	Location	Direct Fit Number	Exec. Order	Consol. Number	Exec. Order
Toyota (Cont.)									
Camry (Cont.)									
L4 (Cont.)									
2002	2.4L	2TYXV02.4JJA	LEV1 ULEV	All	Front	751120	D-280-102	--	--
2002	2.4L	2TYXV02.4JJA	LEV1 ULEV	All	Underbody	754320	D-280-102	--	--
2002	2.4L	2TYXV02.4JJA	LEV1 ULEV	All	Underbody	--	--	755005	D-280-102
V6									
2006	3.0L	6TYXV03.0WMA	LEV1 ULEV	A/T	Front Left	754579	D-280-102	--	--
2006	3.0L	6TYXV03.0WMA	LEV1 ULEV	A/T	Front Right	754578	D-280-102	--	--
2006	3.0L	6TYXV03.0WMA	LEV1 ULEV	A/T	Rear	754383	D-280-102	--	--
2006	3.0L	6TYXV03.0WMA	LEV1 ULEV	All	Underbody	--	--	755005	D-280-102
2005	3.0L	5TYXV03.0WMB	LEV1 ULEV	A/T	Front Left	754579	D-280-102	--	--
2005	3.0L	5TYXV03.0WMB	LEV1 ULEV	A/T	Front Right	754578	D-280-102	--	--
2005	3.0L	5TYXV03.0WMB	LEV1 ULEV	A/T	Rear	754383	D-280-102	--	--
2005	3.0L	5TYXV03.0WMB	LEV1 ULEV	All	Underbody	--	--	755005	D-280-102
2004	3.0L	4TYXV03.0WMA	LEV1 ULEV	A/T	Front Left	754579	D-280-102	--	--
2004	3.0L	4TYXV03.0WMA	LEV1 ULEV	A/T	Front Right	754578	D-280-102	--	--
2004	3.0L	4TYXV03.0WMA	LEV1 ULEV	A/T	Rear	754383	D-280-102	--	--
2004	3.0L	4TYXV03.0WMA	LEV1 ULEV	All	Underbody	--	--	755005	D-280-102
2003	3.0L	3TYXV03.0HHA	LEV1 ULEV	A/T	Front Left	754579	D-280-102	--	--
2003	3.0L	3TYXV03.0HHA	LEV1 ULEV	A/T	Front Right	754578	D-280-102	--	--
2003	3.0L	3TYXV03.0HHA	LEV1 ULEV	A/T	Rear	754383	D-280-102	--	--
2003	3.0L	3TYXV03.0HHA	LEV1 ULEV	All	Underbody	--	--	755005	D-280-102
2002	3.0L	2TYXV03.0BBC	TIER1	All	Underbody	630714	D-665-17	--	--
2002	3.0L	2TYXV03.0BBC	TIER1	M/T	Underbody	630589	D-665-17	--	--
2002	3.0L	2TYXV03.0JJA	LEV1 ULEV	A/T	Front Left	754579	D-280-102	--	--
2002	3.0L	2TYXV03.0JJA	LEV1 ULEV	A/T	Front Right	754578	D-280-102	--	--
2002	3.0L	2TYXV03.0JJA	LEV1 ULEV	A/T	Rear	754383	D-280-102	--	--
2002	3.0L	2TYXV03.0JJA	LEV1 ULEV	All	Underbody	--	--	755005	D-280-102
2001	3.0L	1TYXV03.0BBA	TIER1	M/T	Underbody	944388	D-280-100	--	--
2001	3.0L	1TYXV03.0BBA	TIER1	All	Underbody	--	--	940334	D-280-100
2001	3.0L	1TYXV03.0FFB	LEV1 LEV	A/T	Rear	944259	D-280-100	--	--
2001	3.0L	1TYXV03.0FFB	LEV1 LEV	All	Front	941076	D-280-100	--	--
2001	3.0L	1TYXV03.0FFB	LEV1 LEV	All	Rear	--	--	940105	D-280-100
2000	3.0L	YTYXV03.0BBA	TIER1	A/T	Underbody	944835	D-280-100	--	--
2000	3.0L	YTYXV03.0BBA	TIER1	M/T	Underbody	944388	D-280-100	--	--
2000	3.0L	YTYXV03.0BBA	TIER1	All	Underbody	--	--	940334	D-280-100
2000	3.0L	YTYXV03.0FXB	LEV1 LEV	A/T	Underbody	944259	D-280-100	--	--
2000	3.0L	YTYXV03.0FXB	LEV1 LEV	All	Front	941076	D-280-100	--	--
2000	3.0L	YTYXV03.0FXB	LEV1 LEV	All	Front	112959	D-280-89	--	--
2000	3.0L	YTYXV03.0FXB	LEV1 LEV	All	Rear	--	--	940105	D-280-100
1999	3.0L	XTYXV03.0BBA	TIER1	A/T	Underbody	944835	D-280-100	--	--
1999	3.0L	XTYXV03.0BBA	TIER1	M/T	Underbody	944388	D-280-100	--	--
1999	3.0L	XTYXV03.0GXB	LEV1 LEV	A/T	Underbody	944259	D-280-100	--	--
1999	3.0L	XTYXV03.0GXB	LEV1 LEV	All	Front Left	941076	D-280-100	--	--
1999	3.0L	XTYXV03.0GXB	LEV1 LEV	All	Rear	--	--	940105	D-280-100
1998	3.0L	WTYXV03.0BBA	TIER1	A/T	Underbody	944835	D-280-100	--	--
1998	3.0L	WTYXV03.0BBA	TIER1	M/T	Underbody	944388	D-280-100	--	--
1998	3.0L	WTYXV03.0BBA	TIER1	All	Underbody	--	--	940334	D-280-100
1998	3.0L	WTYXV03.0GXB	LEV1 LEV	A/T	Underbody	944259	D-280-100	--	--
1998	3.0L	WTYXV03.0GXB	LEV1 LEV	All	Front Left	941076	D-280-100	--	--
1998	3.0L	WTYXV03.0GXB	LEV1 LEV	All	Rear	--	--	940105	D-280-100
1997	3.0L	VTY3.0VJGKFK	TIER1	A/T	Underbody	944835	D-280-100	--	--
1997	3.0L	VTY3.0VJGKFK	TIER1	M/T	Underbody	944388	D-280-100	--	--
1997	3.0L	VTY3.0VJGKFK	TIER1	All	Underbody	--	--	940334	D-280-100
1996	3.0L	TTY3.0VJG1GK	TIER1	A/T	Underbody	944976	D-280-100	--	--
1996	3.0L	TTY3.0VJG1GK	TIER1	All	Underbody	--	--	940334	D-280-100
1995	3.0L	STY3.0VJGFEK	TIER1	A/T	Underbody	944976	D-280-100	--	--
1995	3.0L	STY3.0VJGFEK	TIER1	A/T	Underbody	--	--	940334	D-280-100
2006	3.3L	6TYXV03.3BEA	LEV2 ULEV	A/T	Front	754579	D-280-102	--	--
2006	3.3L	6TYXV03.3BEA	LEV2 ULEV	A/T	Rear	754578	D-280-102	--	--
2006	3.3L	6TYXV03.3BEA	LEV2 ULEV	A/T	Underbody	754383	D-280-102	--	--

Legal Note: In Compliance with California Emissions Requirements



CATCO
CATALYTIC CONVERTERS

EASTERN CATALYTIC

APPLICATION GUIDE

OBD II

APPLICATION

Year	Eng. Size	Test Group/ Engine Family	Certification Level	Application	Location	Direct Fit Number	Exec. Order	Consol. Number	Exec. Order
Toyota (Cont.)									
Camry (Cont.)									
V6 (Cont.)									
2006	3.3L	6TYXV03.3BEA	LEV2 ULEV	All	Underbody	--	--	755005	D-280-102
2005	3.3L	5TYXV03.3PEA	LEV2 ULEV	A/T	Front	754579	D-280-102	--	--
2005	3.3L	5TYXV03.3PEA	LEV2 ULEV	A/T	Rear	754578	D-280-102	--	--
2005	3.3L	5TYXV03.3PEA	LEV2 ULEV	A/T	Underbody	754383	D-280-102	--	--
2005	3.3L	5TYXV03.3PEA	LEV2 ULEV	All	Underbody	--	--	755005	D-280-102
2004	3.3L	4TYXV03.3PEA	LEV2 ULEV	A/T	Front	754579	D-280-102	--	--
2004	3.3L	4TYXV03.3PEA	LEV2 ULEV	A/T	Rear	754578	D-280-102	--	--
2004	3.3L	4TYXV03.3PEA	LEV2 ULEV	A/T	Underbody	754383	D-280-102	--	--
2004	3.3L	4TYXV03.3PEA	LEV2 ULEV	All	Underbody	--	--	755005	D-280-102
2007	3.5L	7TYXV03.5BEA	LEV2 ULEV	All	Front	751159	D-280-102	--	--
2007	3.5L	7TYXV03.5BEA	LEV2 ULEV	All	Rear	751157	D-280-102	--	--
2007	3.5L	7TYXV03.5BEA	LEV2 ULEV	All	Underbody	754757	D-280-102	--	--
2007	3.5L	7TYXV03.5BEA	LEV2 ULEV	All	Underbody	--	--	755005	D-280-102
Celica									
L4									
2005	1.8L	5TYXV01.8VMB	LEV1 LEV	All	Underbody	945019	D-280-100	--	--
2005	1.8L	5TYXV01.8VMB	LEV1 LEV	All	Underbody	--	--	940105	D-280-100
2005	1.8L	5TYXV01.8VRA	LEV1 LEV	All	Underbody	945019	D-280-100	--	--
2005	1.8L	5TYXV01.8VRA	LEV1 LEV	All	Underbody	--	--	940105	D-280-100
2005	1.8L	5TYXV01.8VRB	LEV1 LEV	All	Underbody	945019	D-280-100	--	--
2005	1.8L	5TYXV01.8VRB	LEV1 LEV	All	Underbody	--	--	940105	D-280-100
2004	1.8L	4TYXV01.8VMC	LEV1 LEV	All	Underbody	945019	D-280-100	--	--
2004	1.8L	4TYXV01.8VMC	LEV1 LEV	All	Underbody	--	--	940105	D-280-100
2004	1.8L	4TYXV01.8VRE	LEV1 LEV	All	Underbody	945019	D-280-100	--	--
2004	1.8L	4TYXV01.8VRE	LEV1 LEV	All	Underbody	--	--	940104	D-280-100
2004	1.8L	4TYXV01.8VRF	LEV1 LEV	All	Underbody	945019	D-280-100	--	--
2004	1.8L	4TYXV01.8VRF	LEV1 LEV	All	Underbody	--	--	940104	D-280-100
2003	1.8L	3TYXV01.8DDC	TLEV	All	Underbody	945019	D-280-100	--	--
2003	1.8L	3TYXV01.8DDC	TLEV	All	Underbody	--	--	940104	D-280-100
2003	1.8L	3TYXV01.8FFB	LEV1 LEV	GT	Underbody	809616	D-665-23	--	--
2003	1.8L	3TYXV01.8FFB	LEV1 LEV	All	Underbody	--	--	940104	D-280-100
2002	1.8L	2TYXV01.8DDB	TLEV	All	Underbody	945019	D-280-100	--	--
2002	1.8L	2TYXV01.8DDB	TLEV	All	Underbody	--	--	940104	D-280-100
2002	1.8L	2TYXV01.8DDC	TLEV	All	Underbody	945019	D-280-100	--	--
2002	1.8L	2TYXV01.8DDC	TLEV	All	Underbody	--	--	940104	D-280-100
2001	1.8L	1TYXV01.8DDB	TLEV	All	Underbody	945019	D-280-100	--	--
2001	1.8L	1TYXV01.8DDB	TLEV	All	Underbody	--	--	940104	D-280-100
2001	1.8L	1TYXV01.8DDC	TLEV	All	Underbody	945019	D-280-100	--	--
2001	1.8L	1TYXV01.8DDC	TLEV	All	Underbody	--	--	940104	D-280-100
2000	1.8L	YTYXV01.8DDB	TLEV	All	Underbody	--	--	940104	D-280-100
2000	1.8L	YTYXV01.8DDB	TLEV	GT	Underbody	945019	D-280-100	--	--
2000	1.8L	YTYXV01.8DDC	TLEV	All	Underbody	630578	D-665-17	--	--
2000	1.8L	YTYXV01.8DDC	TLEV	All	Underbody	--	--	940104	D-280-100
1997	1.8L	VTY1.8VJGKEK	TIER1	All	Underbody	942883	D-280-100	--	--
1997	1.8L	VTY1.8VJGKEK	TIER1	All	Underbody	--	--	940334	D-280-100
1996	1.8L	TTY1.8VJGIGK	TIER1	All	Underbody	942883	D-280-100	--	--
1996	1.8L	TTY1.8VJGIGK	TIER1	All	Underbody	--	--	940334	D-280-100
1999	2.2L	XTYXV02.2DXD	TLEV	All	Rear	--	--	940334	D-280-100
1998	2.2L	WTYXV02.2DXD	TLEV	All	Rear	--	--	940334	D-280-100
1997	2.2L	VTY2.2VJG2GK	TLEV	All	Rear	942883	D-280-100	--	--
1997	2.2L	VTY2.2VJG2GK	TLEV	All	Rear	--	--	940334	D-280-100
1996	2.2L	TTY2.2VJG2GK	TLEV	All	Rear	942883	D-280-100	--	--
1996	2.2L	TTY2.2VJG2GK	TLEV	All	Rear	--	--	940334	D-280-100
1995	2.2L	STY2.2VJG2GA	TLEV	All	Rear	--	--	940334	D-280-100
Corolla									
L4									
1996	1.6L	TTY1.8VJG1GK	TIER1	All	Underbody	942883	D-280-100	--	--
1996	1.6L	TTY1.8VJG1GK	TIER1	All	Underbody	--	--	940334	D-280-100

Legal Note: In Compliance with California Emissions Requirements

APPLICATION GUIDE



OBD II

APPLICATION

Year	Eng. Size	Test Group/ Engine Family	Certification Level	Application	Location	Direct Fit Number	Exec. Order	Consol. Number	Exec. Order
Toyota (Cont.)									
Corolla (Cont.)									
L4 (Cont.)									
2008	1.8L	8TYXV01.8BEA	LEV2 ULEV	All	Front	--	--	760005	D-280-105
2008	1.8L	8TYXV01.8BEA	LEV2 ULEV	All	Rear	--	--	760005	D-280-105
2008	1.8L	8TYXV01.8BEA	LEV2 ULEV	All	Underbody	764805 ⑤	D-280-105	--	--
2007	1.8L	7TYXV01.8BEA	LEV2 ULEV	All	Front	--	--	760005	D-280-105
2007	1.8L	7TYXV01.8BEA	LEV2 ULEV	All	Rear	--	--	760005	D-280-105
2007	1.8L	7TYXV01.8BEA	LEV2 ULEV	All	Underbody	764805 ⑤	D-280-105	--	--
2006	1.8L	6TYXV01.8PEA	LEV2 ULEV	All	Front	--	--	760005	D-280-105
2006	1.8L	6TYXV01.8PEA	LEV2 ULEV	All	Rear	--	--	760005	D-280-105
2006	1.8L	6TYXV01.8PEA	LEV2 ULEV	All	Underbody	764274	D-280-105	--	--
2006	1.8L	6TYXV01.8VRA	LEV1 LEV	All	Underbody	--	--	940105	D-280-100
2005	1.8L	5TYXV01.8PEA	LEV2 ULEV	All	Front	--	--	760005	D-280-105
2005	1.8L	5TYXV01.8PEA	LEV2 ULEV	All	Rear	--	--	760005	D-280-105
2005	1.8L	5TYXV01.8PEA	LEV2 ULEV	All	Underbody	764274	D-280-105	--	--
2005	1.8L	5TYXV01.8VRA	LEV1 LEV	All	Underbody	--	--	940105	D-280-100
2004	1.8L	4TYXV01.8WMA	LEV1 ULEV	All	Front	--	--	760005	D-280-105
2004	1.8L	4TYXV01.8WMA	LEV1 ULEV	All	Rear	--	--	760005	D-280-105
2004	1.8L	4TYXV01.8WMA	LEV1 ULEV	All	Underbody	764805 ⑥	D-280-105	--	--
2003	1.8L	3TYXV01.8HHA	LEV1 ULEV	All	Front	--	--	760005	D-280-105
2003	1.8L	3TYXV01.8HHA	LEV1 ULEV	All	Rear	--	--	760005	D-280-105
2003	1.8L	3TYXV01.8HHA	LEV1 ULEV	All	Underbody	764805 ⑥	D-280-105	--	--
2002	1.8L	2TYXV01.8FFA	LEV1 LEV	All	Underbody	942043	D-280-100	--	--
2002	1.8L	2TYXV01.8FFA	LEV1 LEV	All	Underbody	--	--	940104	D-280-100
2001	1.8L	1TYXV01.8FFA	LEV1 LEV	All	Underbody	942043	D-280-100	--	--
2001	1.8L	1TYXV01.8FFA	LEV1 LEV	All	Underbody	--	--	940104	D-280-100
2000	1.8L	YTYXV01.8FFA	LEV1 LEV	All	Underbody	942043	D-280-100	--	--
2000	1.8L	YTYXV01.8FFA	LEV1 LEV	All	Underbody	--	--	940104	D-280-100
1999	1.8L	XTYXV01.8DXB	TLEV	All	Underbody	942043	D-280-100	--	--
1999	1.8L	XTYXV01.8DXB	TLEV	All	Underbody	--	--	940104	D-280-100
1998	1.8L	WTYXV01.8DXB	TLEV	All	Underbody	942043	D-280-100	--	--
1998	1.8L	WTYXV01.8DXB	TLEV	All	Underbody	--	--	940104	D-280-100
1997	1.8L	VTY1.8VJGKEK	TIER1	All	Underbody	942883	D-280-100	--	--
1997	1.8L	VTY1.8VJGKEK	TIER1	All	Underbody	--	--	940334	D-280-100
1996	1.8L	TTY1.8VJGIGK	TIER1	All	Underbody	942883	D-280-100	--	--
1996	1.8L	TTY1.8VJGIGK	TIER1	All	Underbody	--	--	940334	D-280-100
Echo									
L4									
2005	1.5L	5TYXV01.5VMA	LEV1 LEV	All	Underbody	944326	D-280-100	--	--
2005	1.5L	5TYXV01.5VMA	LEV1 LEV	All	Underbody	--	--	940104	D-280-100
2004	1.5L	4TYXV01.5VMA	LEV1 LEV	All	Underbody	944326	D-280-100	--	--
2004	1.5L	4TYXV01.5VMA	LEV1 LEV	All	Underbody	--	--	940104	D-280-100
2003	1.5L	3TYXV01.5FFA	LEV1 LEV	All	Underbody	944326	D-280-100	--	--
2003	1.5L	3TYXV01.5FFA	LEV1 LEV	All	Underbody	--	--	940104	D-280-100
2002	1.5L	2TYXV01.5FFA	LEV1 LEV	All	Underbody	944326	D-280-100	--	--
2002	1.5L	2TYXV01.5FFA	LEV1 LEV	All	Underbody	--	--	940104	D-280-100
2001	1.5L	1TYXV01.5FFA	LEV1 LEV	All	Underbody	944326	D-280-100	--	--
2001	1.5L	1TYXV01.5FFA	LEV1 LEV	All	Underbody	--	--	940104	D-280-100
2000	1.5L	YTYXV01.5FFA	LEV1 LEV	All	Underbody	944326	D-280-100	--	--
2000	1.5L	YTYXV01.5FFA	LEV1 LEV	All	Underbody	--	--	940104	D-280-100
FJ Cruiser									
V6									
2012	4.0L	CTYXT04.0AES	LEV2 LEV	All	Front Left	741246	D-798	--	--
2012	4.0L	CTYXT04.0AES	LEV2 LEV	All	Front Right	741247	D-798	--	--
2012	4.0L	CTYXT04.0AES	LEV2 LEV	All	Rear Left	744499	D-798	--	--
2012	4.0L	CTYXT04.0AES	LEV2 LEV	All	Rear Left	--	--	747335	D-798
2012	4.0L	CTYXT04.0AES	LEV2 LEV	All	Rear Right	744498	D-798	--	--
2012	4.0L	CTYXT04.0AES	LEV2 LEV	All	Rear Right	--	--	747335	D-798

⑤ Semi-Direct Fit, Requires Resonator Pipe 58494 To Complete Installation

⑥ Semi-Direct Fit, Requires Resonator Pipe 68432 To Complete Installation

Legal Note: In Compliance with California Emissions Requirements



CATCO
CATALYTIC CONVERTERS

EASTERN CATALYTIC

APPLICATION GUIDE

OBD II

APPLICATION

Year	Eng. Size	Test Group/ Engine Family	Certification Level	Application	Location	Direct Fit Number	Exec. Order	Consol. Number	Exec. Order
Toyota (Cont.)									
FJ Cruiser (Cont.)									
V6 (Cont.)									
2011	4.0L	BTYXT04.0AES	LEV2 LEV	All	Front Left	741246	D-798	--	--
2011	4.0L	BTYXT04.0AES	LEV2 LEV	All	Front Right	741247	D-798	--	--
2011	4.0L	BTYXT04.0AES	LEV2 LEV	All	Rear Left	744499	D-798	--	--
2011	4.0L	BTYXT04.0AES	LEV2 LEV	All	Rear Right	--	--	747335	D-798
2011	4.0L	BTYXT04.0AES	LEV2 LEV	All	Rear Right	744498	D-798	--	--
2011	4.0L	BTYXT04.0AES	LEV2 LEV	All	Rear Right	--	--	747335	D-798
2010	4.0L	ATYXT04.0AES	LEV2 LEV	All	Front Left	741246	D-798	--	--
2010	4.0L	ATYXT04.0AES	LEV2 LEV	All	Front Right	741247	D-798	--	--
2010	4.0L	ATYXT04.0AES	LEV2 LEV	All	Rear Left	744499	D-798	--	--
2010	4.0L	ATYXT04.0AES	LEV2 LEV	All	Rear Left	--	--	747335	D-798
2010	4.0L	ATYXT04.0AES	LEV2 LEV	All	Rear Right	744498	D-798	--	--
2010	4.0L	ATYXT04.0AES	LEV2 LEV	All	Rear Right	--	--	747335	D-798
2009	4.0L	9TYXT04.0AEM	LEV2 LEV	All	Front Left	741149	D-798	--	--
2009	4.0L	9TYXT04.0AEM	LEV2 LEV	All	Front Right	741150	D-798	--	--
2009	4.0L	9TYXT04.0AEM	LEV2 LEV	All	Rear Left	744499	D-798	--	--
2009	4.0L	9TYXT04.0AEM	LEV2 LEV	All	Rear Left	--	--	747335	D-798
2009	4.0L	9TYXT04.0AEM	LEV2 LEV	All	Rear Right	744498	D-798	--	--
2009	4.0L	9TYXT04.0AEM	LEV2 LEV	All	Rear Right	--	--	747335	D-798
2008	4.0L	8TYXT04.0AEM	LEV2 LEV	All	Front Left	741149	D-798	--	--
2008	4.0L	8TYXT04.0AEM	LEV2 LEV	All	Front Right	741150	D-798	--	--
2008	4.0L	8TYXT04.0AEM	LEV2 LEV	All	Rear Left	744499	D-798	--	--
2008	4.0L	8TYXT04.0AEM	LEV2 LEV	All	Rear Left	--	--	747335	D-798
2008	4.0L	8TYXT04.0AEM	LEV2 LEV	All	Rear Right	744498	D-798	--	--
2008	4.0L	8TYXT04.0AEM	LEV2 LEV	All	Rear Right	--	--	747335	D-798
2007	4.0L	7TYXT04.0AEM	LEV2 LEV	All	Front Left	741149	D-798	--	--
2007	4.0L	7TYXT04.0AEM	LEV2 LEV	All	Front Right	741150	D-798	--	--
2007	4.0L	7TYXT04.0AEM	LEV2 LEV	All	Rear Left	744499	D-798	--	--
2007	4.0L	7TYXT04.0AEM	LEV2 LEV	All	Rear Left	--	--	747335	D-798
2007	4.0L	7TYXT04.0AEM	LEV2 LEV	All	Rear Right	744498	D-798	--	--
2007	4.0L	7TYXT04.0AEM	LEV2 LEV	All	Rear Right	--	--	747335	D-798
Highlander									
L4									
2007	2.4L	7TYXT02.4AHN	LEV2 LEV	All	Front	741311	D-798	--	--
2007	2.4L	7TYXT02.4AHN	LEV2 LEV	All	Rear	--	--	747335	D-798
2007	2.4L	7TYXT02.4AHN	LEV2 LEV	All	Underbody	745197 (7)	D-798	--	--
2006	2.4L	6TYXT02.45MM	LEV1 ULEV	All	Front	741311	D-798	--	--
2006	2.4L	6TYXT02.45MM	LEV1 ULEV	All	Rear	--	--	747335	D-798
2006	2.4L	6TYXT02.45MM	LEV1 ULEV	All	Underbody	745197 (7)	D-798	--	--
2005	2.4L	5TYXT02.4VMM	LEV1 ULEV	All	Front	741311	D-798	--	--
2005	2.4L	5TYXT02.4VMM	LEV1 ULEV	All	Rear	--	--	747335	D-798
2005	2.4L	5TYXT02.4VMM	LEV1 ULEV	All	Underbody	745197 (7)	D-798	--	--
2004	2.4L	4TYXT02.4VMM	LEV1 LEV	All	Front	911311	D-280-101	--	--
2004	2.4L	4TYXT02.4VMM	LEV1 LEV	All	Rear	915197 (7)	D-280-101	--	--
2004	2.4L	4TYXT02.4VMM	LEV1 LEV	All	Rear	--	--	912005	D-280-101
2003	2.4L	3TYXT02.4FFP	LEV1 LEV	All	Front	912532	D-280-101	--	--
2002	2.4L	2TYXT02.4FFP	LEV1 LEV	All	Front	912532	D-280-101	--	--
2001	2.4L	1TYXT02.4FFP	LEV1 LEV	All	Front	912532	D-280-101	--	--
2013	2.7L	DTYXT02.7BEN	LEV2 ULEV	FWD	Front	744698	D-798	--	--
2013	2.7L	DTYXT02.7BEN	LEV2 ULEV	FWD	Front	--	--	740775	D-798
2013	2.7L	DTYXT02.7BEN	LEV2 ULEV	FWD	Rear	744697	D-798	--	--
2013	2.7L	DTYXT02.7BEN	LEV2 ULEV	FWD	Rear	--	--	747335	D-798
2012	2.7L	CTYXT02.7BEM	LEV2 ULEV	FWD	Front	744698	D-798	--	--
2012	2.7L	CTYXT02.7BEM	LEV2 ULEV	FWD	Front	--	--	740775	D-798
2012	2.7L	CTYXT02.7BEM	LEV2 ULEV	FWD	Rear	744697 (6)	D-798	--	--
2012	2.7L	CTYXT02.7BEM	LEV2 ULEV	FWD	Rear	--	--	747035	D-798

⑦ Semi-Direct Fit, Requires Muffler 7505 To Complete Installation

⑥ Semi-Direct Fit, Requires Muffler 70002 To Complete Installation

Legal Note: In Compliance with California Emissions Requirements

APPLICATION GUIDE



OBD II

APPLICATION

Year	Eng. Size	Test Group/ Engine Family	Certification Level	Application	Location	Direct Fit Number	Exec. Order	Consol. Number	Exec. Order
Toyota (Cont.)									
Highlander (Cont.)									
L4 (Cont.)									
2011	2.7L	BTYXT02.7BEM	LEV2 ULEV	FWD	Front	744698	D-798	--	--
2011	2.7L	BTYXT02.7BEM	LEV2 ULEV	FWD	Front	--	--	740775	D-798
2011	2.7L	BTYXT02.7BEM	LEV2 ULEV	FWD	Rear	744697 ⑥	D-798	--	--
2011	2.7L	BTYXT02.7BEM	LEV2 ULEV	FWD	Rear	--	--	747035	D-798
2010	2.7L	ATYXT02.7BEM	LEV2 ULEV	FWD	Front	744698	D-798	--	--
2010	2.7L	ATYXT02.7BEM	LEV2 ULEV	FWD	Front	--	--	740775	D-798
2010	2.7L	ATYXT02.7BEM	LEV2 ULEV	FWD	Rear	744697 ⑥	D-798	--	--
2010	2.7L	ATYXT02.7BEM	LEV2 ULEV	FWD	Rear	--	--	747035	D-798
2009	2.7L	9TYXT02.7BEM	LEV2 ULEV	FWD	Front	744698	D-798	--	--
2009	2.7L	9TYXT02.7BEM	LEV2 ULEV	FWD	Front	--	--	740775	D-798
2009	2.7L	9TYXT02.7BEM	LEV2 ULEV	FWD	Rear	744697 ⑥	D-798	--	--
2009	2.7L	9TYXT02.7BEM	LEV2 ULEV	FWD	Rear	--	--	747035	D-798
V6									
2003	3.0L	3TYXT03.0FFR	LEV1 LEV	All	Front Left	911032	D-280-101	--	--
2003	3.0L	3TYXT03.0FFR	LEV1 LEV	All	Front Right	911033	D-280-101	--	--
2003	3.0L	3TYXT03.0FFR	LEV1 LEV	All	Rear	914232	D-280-101	--	--
2003	3.0L	3TYXT03.0FFR	LEV1 LEV	All	Rear	--	--	912004R	D-280-101
2002	3.0L	2TYXT03.0FFR	LEV1 LEV	All	Front Left	911032	D-280-101	--	--
2002	3.0L	2TYXT03.0FFR	LEV1 LEV	All	Front Right	911033	D-280-101	--	--
2002	3.0L	2TYXT03.0FFR	LEV1 LEV	All	Underbody	914232	D-280-101	--	--
2001	3.0L	1TYXT03.0FFR	LEV1 LEV	All	Front Left	911032	D-280-101	--	--
2001	3.0L	1TYXT03.0FFR	LEV1 LEV	All	Front Right	911033	D-280-101	--	--
2001	3.0L	1TYXT03.0FFR	LEV1 LEV	All	Underbody	914232	D-280-101	--	--
2013	3.5L	DTYXT03.5BEP	LEV2 ULEV	Exc. Hybrid	Front Left	741163	D-798	--	--
2013	3.5L	DTYXT03.5BEP	LEV2 ULEV	Exc. Hybrid	Front Right	741166	D-798	--	--
2013	3.5L	DTYXT03.5BEP	LEV2 ULEV	Exc. Hybrid	Underbody	749419 ⑦	D-798	--	--
2013	3.5L	DTYXT03.5BEP	LEV2 ULEV	All	Rear	--	--	747335	D-798
2012	3.5L	CTYXT03.5BEP	LEV2 ULEV	Exc. Hybrid	Front Left	741163	D-798	--	--
2012	3.5L	CTYXT03.5BEP	LEV2 ULEV	Exc. Hybrid	Front Right	741166	D-798	--	--
2012	3.5L	CTYXT03.5BEP	LEV2 ULEV	Exc. Hybrid	Underbody	749419 ⑦	D-798	--	--
2012	3.5L	CTYXT03.5BEP	LEV2 ULEV	All	Rear	--	--	747335	D-798
2011	3.5L	BTYXT03.5BEP	LEV2 ULEV	Exc. Hybrid	Front Left	741163	D-798	--	--
2011	3.5L	BTYXT03.5BEP	LEV2 ULEV	Exc. Hybrid	Front Right	741166	D-798	--	--
2011	3.5L	BTYXT03.5BEP	LEV2 ULEV	Exc. Hybrid	Underbody	749419 ⑦	D-798	--	--
2011	3.5L	BTYXT03.5BEP	LEV2 ULEV	All	Rear	--	--	747335	D-798
2010	3.5L	ATYXT03.5BEM	LEV2 ULEV	Exc. Hybrid	Front Right	741166	D-798	--	--
2010	3.5L	ATYXT03.5BEM	LEV2 ULEV	Exc. Hybrid	Underbody	749419 ⑦	D-798	--	--
2010	3.5L	ATYXT03.5BEM	LEV2 ULEV	All	Rear	--	--	747335	D-798
2009	3.5L	9TYXT03.5BEM	LEV2 ULEV	Exc. Hybrid	Front Left	741163	D-798	--	--
2009	3.5L	9TYXT03.5BEM	LEV2 ULEV	Exc. Hybrid	Front Right	741166	D-798	--	--
2009	3.5L	9TYXT03.5BEM	LEV2 ULEV	Exc. Hybrid	Underbody	749419 ⑦	D-798	--	--
2009	3.5L	9TYXT03.5BEM	LEV2 ULEV	All	Rear	--	--	747335	D-798
2008	3.5L	8TYXT03.5BEM	LEV2 ULEV	Exc. Hybrid	Front Left	741163	D-798	--	--
2008	3.5L	8TYXT03.5BEM	LEV2 ULEV	Exc. Hybrid	Front Right	741166	D-798	--	--
2008	3.5L	8TYXT03.5BEM	LEV2 ULEV	Exc. Hybrid	Underbody	749419 ⑦	D-798	--	--
2008	3.5L	8TYXT03.5BEM	LEV2 ULEV	All	Rear	--	--	747335	D-798
Land Cruiser									
L6									
1997	4.5L	VTY4.55JGKEK	TIER1	4WD	Front	919978	D-280-101	--	--
1997	4.5L	VTY4.55JGKEK	TIER1	4WD	Rear	919238	D-280-101	--	--
1996	4.5L	TTY4.55JGFEK	TIER1	4WD	Front	919978	D-280-101	--	--
1996	4.5L	TTY4.55JGFEK	TIER1	4WD	Rear	919238	D-280-101	--	--
1995	4.5L	STY4.55JGFEK	TIER1	4WD	Front	919978	D-280-101	--	--
1995	4.5L	STY4.55JGFEK	TIER1	4WD	Rear	919238	D-280-101	--	--
V8									
2004	4.7L	4TYXT04.7V1V	LEV1 LEV	All	Front	--	--	912009	D-280-101
2004	4.7L	4TYXT04.7V1V	LEV1 LEV	All	Rear	--	--	912005	D-280-101

⑦ Semi-Direct Fit, Requires Muffler 7505 To Complete Installation
 ⑥ Semi-Direct Fit, Requires Muffler 70002 To Complete Installation
 Legal Note: In Compliance with California Emissions Requirements



CATCO
CATALYTIC CONVERTERS

EASTERN CATALYTIC

APPLICATION GUIDE

OBD II

APPLICATION

Year	Eng. Size	Test Group/ Engine Family	Certification Level	Application	Location	Direct Fit Number	Exec. Order	Consol. Number	Exec. Order
Toyota (Cont.)									
Land Cruiser (Cont.)									
V8 (Cont.)									
2003	4.7L	3TYXT04.7FBV	LEV1 LEV	All	Front	--	--	912009	D-280-101
2003	4.7L	3TYXT04.7FBV	LEV1 LEV	All	Rear	--	--	912005	D-280-101
2002	4.7L	2TYXT04.7FBV	LEV1 LEV	All	Underbody Left	919537	D-280-101	--	--
2002	4.7L	2TYXT04.7FBV	LEV1 LEV	All	Underbody Right	919537	D-280-101	--	--
2001	4.7L	1TYXT04.7FBV	LEV1 LEV	All	Underbody Left	919537	D-280-101	--	--
2001	4.7L	1TYXT04.7FBV	LEV1 LEV	All	Underbody Right	919537	D-280-101	--	--
2000	4.7L	YTYXT04.7GBX	LEV1 LEV	4WD	Underbody Left	919537	D-280-101	--	--
2000	4.7L	YTYXT04.7GBX	LEV1 LEV	4WD	Underbody Right	919537	D-280-101	--	--
1999	4.7L	XTYXT04.7GBX	LEV1 LEV	4WD	Underbody Left	919537	D-280-101	--	--
1999	4.7L	XTYXT04.7GBX	LEV1 LEV	4WD	Underbody Right	919537	D-280-101	--	--
1998	4.7L	WTYXT04.7GBX	LEV1 LEV	4WD	Underbody Left	919537	D-280-101	--	--
1998	4.7L	WTYXT04.7GBX	LEV1 LEV	4WD	Underbody Right	919537	D-280-101	--	--
2011	5.7L	BTYXT05.7BEX	LEV2 ULEV	All	Front Left	--	--	740006	D-798
2011	5.7L	BTYXT05.7BEX	LEV2 ULEV	All	Front Right	--	--	740006	D-798
2011	5.7L	BTYXT05.7BEX	LEV2 ULEV	All	Rear Left	--	--	747006	D-798
2011	5.7L	BTYXT05.7BEX	LEV2 ULEV	All	Rear Right	--	--	747006	D-798
2010	5.7L	ATYXT05.7BEX	LEV2 ULEV	All	Front Left	--	--	740006	D-798
2010	5.7L	ATYXT05.7BEX	LEV2 ULEV	All	Front Right	--	--	740006	D-798
2010	5.7L	ATYXT05.7BEX	LEV2 ULEV	All	Rear Left	--	--	747006	D-798
2010	5.7L	ATYXT05.7BEX	LEV2 ULEV	All	Rear Right	--	--	747006	D-798
2009	5.7L	9TYXT05.7BEX	LEV2 ULEV	All	Front Left	--	--	740006	D-798
2009	5.7L	9TYXT05.7BEX	LEV2 ULEV	All	Front Right	--	--	740006	D-798
2009	5.7L	9TYXT05.7BEX	LEV2 ULEV	All	Rear Left	--	--	747006	D-798
2009	5.7L	9TYXT05.7BEX	LEV2 ULEV	All	Rear Right	--	--	747006	D-798
2008	5.7L	8TYXT05.7BEX	LEV2 ULEV	All	Front Left	--	--	740006	D-798
2008	5.7L	8TYXT05.7BEX	LEV2 ULEV	All	Front Right	--	--	740006	D-798
2008	5.7L	8TYXT05.7BEX	LEV2 ULEV	All	Rear Left	--	--	747006	D-798
2008	5.7L	8TYXT05.7BEX	LEV2 ULEV	All	Rear Right	--	--	747006	D-798
Matrix									
L4									
2008	1.8L	8TYXV01.8BEA	LEV2 ULEV	All	Front	--	--	760005	D-280-105
2008	1.8L	8TYXV01.8BEA	LEV2 ULEV	All	Rear	--	--	760005	D-280-105
2008	1.8L	8TYXV01.8BEA	LEV2 ULEV	FWD, Exc. XRS	Underbody	764805 (5)	D-280-105	--	--
2007	1.8L	7TYXV01.8BEA	LEV2 ULEV	All	Front	--	--	760005	D-280-105
2007	1.8L	7TYXV01.8BEA	LEV2 ULEV	All	Rear	--	--	760005	D-280-105
2007	1.8L	7TYXV01.8BEA	LEV2 ULEV	FWD, Exc. XRS	Underbody	764805 (5)	D-280-105	--	--
2006	1.8L	6TYXV01.8PEA	LEV2 ULEV	All	Front	--	--	760005	D-280-105
2006	1.8L	6TYXV01.8PEA	LEV2 ULEV	All	Rear	--	--	760005	D-280-105
2006	1.8L	6TYXV01.8PEA	LEV2 ULEV	FWD, Exc. XRS	Underbody	764805 (5)	D-280-105	--	--
2006	1.8L	6TYXV01.8VMB	LEV1 LEV	All	Front	--	--	940106	D-280-100
2006	1.8L	6TYXV01.8VMB	LEV1 LEV	All	Rear	--	--	940105	D-280-100
2006	1.8L	6TYXV01.8VMB	LEV1 LEV	FWD, Exc. XRS	Underbody	764805 (5)	D-280-105	--	--
2006	1.8L	6TYXV01.8VRA	LEV1 LEV	All	Underbody	--	--	940105	D-280-100
2005	1.8L	5TYXV01.8PEA	LEV2 ULEV	All	Front	--	--	760005	D-280-105
2005	1.8L	5TYXV01.8PEA	LEV2 ULEV	All	Rear	--	--	760005	D-280-105
2005	1.8L	5TYXV01.8PEA	LEV2 ULEV	All	Underbody	764274	D-280-105	--	--
2005	1.8L	5TYXV01.8VMA	LEV1 LEV	All	Front	--	--	940106	D-280-100
2005	1.8L	5TYXV01.8VMA	LEV1 LEV	All	Rear	--	--	940105	D-280-100
2005	1.8L	5TYXV01.8VMA	LEV1 LEV	FWD, Exc. XRS	Underbody	764805 (6)	D-280-105	--	--
2005	1.8L	5TYXV01.8VRA	LEV1 LEV	All	Underbody	--	--	940105	D-280-100
2004	1.8L	4TYXV01.8VMB	LEV1 LEV	FWD, Exc. XRS	Underbody	764805 (6)	D-280-105	--	--
2004	1.8L	4TYXV01.8VMB	LEV1 LEV	All	Front	--	--	940106	D-280-100
2004	1.8L	4TYXV01.8VMB	LEV1 LEV	All	Rear	--	--	940105	D-280-100
2004	1.8L	4TYXV01.8VRE	LEV1 LEV	All	Underbody	--	--	940105	D-280-100
2004	1.8L	4TYXV01.8VRE	LEV1 LEV	FWD, Exc. XRS	Underbody	944274	D-280-100	--	--
2004	1.8L	4TYXV01.8VMA	LEV1 ULEV	FWD, Exc. XRS	Underbody	764805 (6)	D-280-105	--	--
2003	1.8L	3TYXV01.8DDC	TLEV	FWD	Underbody	--	--	940105	D-280-100

Ⓢ Semi-Direct Fit, Requires Resonator Pipe 58494 To Complete Installation

Ⓣ Semi-Direct Fit, Requires Resonator Pipe 68432 To Complete Installation

Legal Note: In Compliance with California Emissions Requirements

APPLICATION GUIDE



OBD II

APPLICATION

Year	Eng. Size	Test Group/ Engine Family	Certification Level	Application	Location	Direct Fit Number	Exec. Order	Consol. Number	Exec. Order
Toyota (Cont.)									
Matrix (Cont.)									
L4 (Cont.)									
2003	1.8L	3TYXV01.8FFD	LEV1 LEV	FWD, Exc. XRS	Underbody	944274	D-280-100	--	--
2003	1.8L	3TYXV01.8FFD	LEV1 LEV	FWD, Exc. XRS	Underbody	764805 ^⑥	D-280-105	--	--
2003	1.8L	3TYXV01.8FFD	LEV1 LEV	All	Front	--	--	940106	D-280-100
2003	1.8L	3TYXV01.8FFD	LEV1 LEV	All	Rear	--	--	940105	D-280-100
2003	1.8L	3TYXV01.8HHA	LEV1 ULEV	All	Front	--	--	760005	D-280-105
2003	1.8L	3TYXV01.8HHA	LEV1 ULEV	All	Rear	--	--	760005	D-280-105
2003	1.8L	3TYXV01.8HHA	LEV1 ULEV	FWD, Exc. XRS	Underbody	764805	D-280-105	--	--
MR2									
L4									
1995	2.2L	STY2.2VHG1GA	TLEV	All	Rear	--	--	940334	D-280-100
MR2 Spyder									
L4									
2005	1.8L	5TYXV01.8VMC	LEV1 LEV	All	Underbody	--	--	940104	D-280-100
2004	1.8L	4TYXV01.8VMD	LEV1 LEV	All	Underbody	--	--	940104	D-280-100
2003	1.8L	3TYXV01.8FFC	LEV1 LEV	All	Rear	--	--	760005	D-280-105
2003	1.8L	3TYXV01.8FFC	LEV1 LEV	All	Underbody	--	--	940104	D-280-100
2002	1.8L	2TYXV01.8FFC	LEV1 LEV	All	Rear	--	--	760005	D-280-105
2002	1.8L	2TYXV01.8FFC	LEV1 LEV	All	Underbody	--	--	940104	D-280-100
2001	1.8L	1TYXV01.8FFC	LEV1 LEV	All	Underbody	--	--	940104	D-280-100
Paseo									
L4									
1998	1.5L	WTYXV01.5BBA	TIER1	All	Underbody	--	--	940104	D-280-100
1997	1.5L	VTY1.5VJGKEK	TIER1	M/T	Underbody	942891	D-280-100	--	--
1997	1.5L	VTY1.5VJGKEK	TIER1	All	Underbody	--	--	940104	D-280-100
1996	1.5L	TTY1.5VHGFEK	TIER1	M/T	Underbody	942891	D-280-100	--	--
1996	1.5L	TTY1.5VHGFEK	TIER1	All	Underbody	--	--	940104	D-280-100
Previa									
L4									
1997	2.4L	VTY2.42HGKEK	TIER1	All	Front	910853	D-280-101	--	--
1997	2.4L	VTY2.42HGKEK	TIER1	All	Front	--	--	912004R	D-280-101
1997	2.4L	VTY2.42HGKEK	TIER1	All	Front	--	--	912004	D-280-101
1997	2.4L	VTY2.42HGKEK	TIER1	All	Rear	--	--	910025	D-280-101
1996	2.4L	TTY2.42HGKEK	TIER1	All	Front	910853	D-280-101	--	--
1996	2.4L	TTY2.42HGKEK	TIER1	All	Front	--	--	912004R	D-280-101
1996	2.4L	TTY2.42HGKEK	TIER1	All	Rear	--	--	910025	D-280-101
1995	2.4L	STY2.42HGJEK	TIER1	All	Front	910853	D-280-101	--	--
1995	2.4L	STY2.42HGJEK	TIER1	All	Front	--	--	912004R	D-280-101
1995	2.4L	STY2.42HGJEK	TIER1	All	Rear	--	--	910025	D-280-101
1994	2.4L	RTY2.42HGEEK	TIER1	All	Front	910853	D-280-101	--	--
1994	2.4L	RTY2.42HGEEK	TIER1	All	Front	--	--	912004R	D-280-101
1994	2.4L	RTY2.42HGEEK	TIER1	All	Rear	--	--	910025	D-280-101
RAV4									
L4									
2003	2.0L	3TYXT02.0FFH	LEV1 LEV	All	Front	944293	D-280-100	--	--
2002	2.0L	2TYXT02.0FFH	LEV1 LEV	All	Front	944293	D-280-100	--	--
2001	2.0L	1TYXT02.0FFH	LEV1 LEV	All	Front	944293	D-280-100	--	--
2000	2.0L	YTYXT02.0FFJ	LEV1 LEV	All	Rear	944248	D-280-100	--	--
2000	2.0L	YTYXT02.0FFJ	LEV1 LEV	All	Rear	--	--	940105	D-280-100
1999	2.0L	XTYXT02.0GXJ	LEV1 LEV	All	Rear	944248	D-280-100	--	--
1999	2.0L	XTYXT02.0GXJ	LEV1 LEV	All	Rear	--	--	940105	D-280-100
1998	2.0L	WTYXT02.0GXJ	LEV1 LEV	All	Rear	944248	D-280-100	--	--
1998	2.0L	WTYXT02.0GXJ	LEV1 LEV	All	Rear	--	--	940105	D-280-100
1997	2.0L	VTY2.01JG2GK	TIER1	All	Front	942104	D-280-100	--	--
1997	2.0L	VTY2.01JG2GK	TIER1	All	Rear	942204	D-280-100	--	--
1997	2.0L	VTY2.01JG2GK	TIER1	All	Rear	--	--	940104	D-280-100

⑥ Semi-Direct Fit, Requires Resonator Pipe 68432 To Complete Installation
 Legal Note: In Compliance with California Emissions Requirements



CATCO
CATALYTIC CONVERTERS

EASTERN CATALYTIC

APPLICATION GUIDE

OBD II

APPLICATION

Year	Eng. Size	Test Group/ Engine Family	Certification Level	Application	Location	Direct Fit Number	Exec. Order	Consol. Number	Exec. Order
Toyota (Cont.)									
RAV4 (Cont.)									
L4 (Cont.)									
1996	2.0L	TTY2.01JG2GK	TIER1	All	Front	942104	D-280-100	--	--
1996	2.0L	TTY2.01JG2GK	TIER1	All	Rear	942204	D-280-100	--	--
1996	2.0L	TTY2.01JG2GK	TIER1	All	Rear	--	--	940104	D-280-100
2008	2.4L	8TYXT02.4BEM	LEV2 ULEV	4WD	Front	741107	D-798	--	--
2008	2.4L	8TYXT02.4BEM	LEV2 ULEV	4WD	Rear	744347 ⑦	D-798	--	--
2008	2.4L	8TYXT02.4BEM	LEV2 ULEV	4WD	Rear	--	--	747335	D-798
2007	2.4L	7TYXT02.4BEH	LEV2 ULEV	FWD	Front	751107	D-280-102	--	--
2007	2.4L	7TYXT02.4BEH	LEV2 ULEV	FWD	Rear	754347 ⑦	D-280-102	--	--
2007	2.4L	7TYXT02.4BEH	LEV2 ULEV	FWD	Rear	--	--	755005	D-280-102
2007	2.4L	7TYXT02.4BEM	LEV2 ULEV	4WD	Front	741107	D-798	--	--
2007	2.4L	7TYXT02.4BEM	LEV2 ULEV	4WD	Rear	744347 ⑦	D-798	--	--
2007	2.4L	7TYXT02.4BEM	LEV2 ULEV	4WD	Rear	--	--	747335	D-798
2006	2.4L	6TYXT02.4PEH	LEV2 ULEV	FWD	Front	751107	D-280-102	--	--
2006	2.4L	6TYXT02.4PEH	LEV2 ULEV	FWD	Rear	754347 ⑦	D-280-102	--	--
2006	2.4L	6TYXT02.4PEH	LEV2 ULEV	FWD	Rear	--	--	755005	D-280-102
2006	2.4L	6TYXT02.4PEM	LEV2 ULEV	4WD	Front	741107	D-798	--	--
2006	2.4L	6TYXT02.4PEM	LEV2 ULEV	4WD	Rear	744347 ⑦	D-798	--	--
2006	2.4L	6TYXT02.4PEM	LEV2 ULEV	4WD	Rear	--	--	747335	D-798
2005	2.4L	5TYXT02.4WMH	LEV1 ULEV	All	Front	751230	D-280-102	--	--
2005	2.4L	5TYXT02.4WMH	LEV1 ULEV	All	Rear	755147 ⑦	D-280-102	--	--
2005	2.4L	5TYXT02.4WMH	LEV1 ULEV	All	Rear	--	--	755005	D-280-102
2004	2.4L	4TYXT02.4WMH	LEV1 ULEV	All	Front	751230	D-280-102	--	--
2004	2.4L	4TYXT02.4WMH	LEV1 ULEV	All	Rear	755147 ⑦	D-280-102	--	--
2004	2.4L	4TYXT02.4WMH	LEV1 ULEV	All	Rear	--	--	755005	D-280-102
2011	2.5L	BTYXT02.5BEM	LEV2 ULEV	4WD	Front	741306	D-798	--	--
2011	2.5L	BTYXT02.5BEM	LEV2 ULEV	4WD	Rear	744347 ⑦	D-798	--	--
2011	2.5L	BTYXT02.5BEM	LEV2 ULEV	4WD	Rear	--	--	747335	D-798
2010	2.5L	ATYXT02.5BEM	LEV2 ULEV	4WD	Front	741306	D-798	--	--
2010	2.5L	ATYXT02.5BEM	LEV2 ULEV	4WD	Rear	744347 ⑦	D-798	--	--
2010	2.5L	ATYXT02.5BEM	LEV2 ULEV	4WD	Rear	--	--	747335	D-798
2009	2.5L	9TYXT02.5BEM	LEV2 ULEV	4WD	Front	741306	D-798	--	--
2009	2.5L	9TYXT02.5BEM	LEV2 ULEV	4WD	Rear	744347 ⑦	D-798	--	--
2009	2.5L	9TYXT02.5BEM	LEV2 ULEV	4WD	Rear	--	--	747335	D-798
V6									
2012	3.5L	CTYXT03.5BEM	LEV2 ULEV	All	Front Left	741163	D-798	--	--
2012	3.5L	CTYXT03.5BEM	LEV2 ULEV	All	Front Right	741168	D-798	--	--
2012	3.5L	CTYXT03.5BEM	LEV2 ULEV	All	Rear	--	--	747335	D-798
2012	3.5L	CTYXT03.5BEM	LEV2 ULEV	All	Underbody	744723 ⑧	D-798	--	--
2011	3.5L	BTYXT03.5BEM	LEV2 ULEV	All	Front Left	741163	D-798	--	--
2011	3.5L	BTYXT03.5BEM	LEV2 ULEV	All	Front Right	741168	D-798	--	--
2011	3.5L	BTYXT03.5BEM	LEV2 ULEV	All	Rear	--	--	747335	D-798
2011	3.5L	BTYXT03.5BEM	LEV2 ULEV	All	Underbody	744723 ⑧	D-798	--	--
2010	3.5L	ATYXT03.5BEM	LEV2 ULEV	All	Front Left	741163	D-798	--	--
2010	3.5L	ATYXT03.5BEM	LEV2 ULEV	All	Front Right	741168	D-798	--	--
2010	3.5L	ATYXT03.5BEM	LEV2 ULEV	All	Rear	--	--	747335	D-798
2010	3.5L	ATYXT03.5BEM	LEV2 ULEV	All	Underbody	744723 ⑧	D-798	--	--
2009	3.5L	9TYXT03.5BEM	LEV2 ULEV	All	Front Left	741163	D-798	--	--
2009	3.5L	9TYXT03.5BEM	LEV2 ULEV	All	Front Right	741168	D-798	--	--
2009	3.5L	9TYXT03.5BEM	LEV2 ULEV	All	Rear	--	--	747335	D-798
2009	3.5L	9TYXT03.5BEM	LEV2 ULEV	All	Underbody	744723 ⑧	D-798	--	--
2008	3.5L	8TYXT03.5BEM	LEV2 ULEV	All	Front Left	741163	D-798	--	--
2008	3.5L	8TYXT03.5BEM	LEV2 ULEV	All	Front Right	741168	D-798	--	--
2008	3.5L	8TYXT03.5BEM	LEV2 ULEV	All	Rear	--	--	747335	D-798
2008	3.5L	8TYXT03.5BEM	LEV2 ULEV	All	Underbody	744723 ⑧	D-798	--	--
2007	3.5L	7TYXT03.5BEM	LEV2 ULEV	All	Front Left	741163	D-798	--	--
2007	3.5L	7TYXT03.5BEM	LEV2 ULEV	All	Front Right	741168	D-798	--	--
2007	3.5L	7TYXT03.5BEM	LEV2 ULEV	All	Rear	--	--	747335	D-798
2007	3.5L	7TYXT03.5BEM	LEV2 ULEV	All	Underbody	744723 ⑧	D-798	--	--

⑦ Semi-Direct Fit, Use With OE Assembly, Cutting Will Be Required

⑧ Semi-Direct Fit, Requires Muffler 40007 To Complete Installation

Legal Note: In Compliance with California Emissions Requirements

APPLICATION GUIDE



OBD II

APPLICATION

Year	Eng. Size	Test Group/ Engine Family	Certification Level	Application	Location	Direct Fit Number	Exec. Order	Consol. Number	Exec. Order
Toyota (Cont.)									
RAV4 (Cont.)									
V6 (Cont.)									
2006	3.5L	6TYXT03.5PEM	LEV2 ULEV	All	Front Left	741163	D-798	--	--
2006	3.5L	6TYXT03.5PEM	LEV2 ULEV	All	Front Right	741168	D-798	--	--
2006	3.5L	6TYXT03.5PEM	LEV2 ULEV	All	Rear	--	--	747335	D-798
2006	3.5L	6TYXT03.5PEM	LEV2 ULEV	All	Underbody	744723 [®]	D-798	--	--
Sequoia									
V8									
2009	4.7L	9TYXT04.7BEX	LEV2 ULEV	All	Rear Left	--	--	747076	D-798
2009	4.7L	9TYXT04.7BEX	LEV2 ULEV	All	Rear Right	--	--	747076	D-798
2008	4.7L	8TYXT04.7BGX	LEV2 ULEV	All	Rear Left	--	--	747076	D-798
2008	4.7L	8TYXT04.7BGX	LEV2 ULEV	All	Rear Right	--	--	747076	D-798
2007	4.7L	7TYXT04.7BKX	LEV2 ULEV	All	Front Left	--	--	740785	D-798
2007	4.7L	7TYXT04.7BKX	LEV2 ULEV	All	Front Right	--	--	740785	D-798
2006	4.7L	6TYXT04.7PKW	LEV2 ULEV	All	Front Left	--	--	740785	D-798
2006	4.7L	6TYXT04.7PKW	LEV2 ULEV	All	Front Right	--	--	740785	D-798
2005	4.7L	5TYXT04.7PKW	LEV2 ULEV	All	Front Left	--	--	740785	D-798
2005	4.7L	5TYXT04.7PKW	LEV2 ULEV	All	Front Right	--	--	740785	D-798
2011	5.7L	BTYXT05.7BEX	LEV2 ULEV	All	Front Left	744637	D-798	--	--
2011	5.7L	BTYXT05.7BEX	LEV2 ULEV	All	Front Left	--	--	740335	D-798
2011	5.7L	BTYXT05.7BEX	LEV2 ULEV	All	Front Right	--	--	740335	D-798
2011	5.7L	BTYXT05.7BEX	LEV2 ULEV	All	Rear Left	--	--	747335	D-798
2011	5.7L	BTYXT05.7BEX	LEV2 ULEV	All	Rear Right	--	--	747335	D-798
2011	5.7L	BTYXT05.7BEX	LEV2 ULEV	To 06/11	Front Right	744636	D-798	--	--
2010	5.7L	ATYXT05.7BEX	LEV2 ULEV	All	Front Left	744637	D-798	--	--
2010	5.7L	ATYXT05.7BEX	LEV2 ULEV	All	Front Left	--	--	740335	D-798
2010	5.7L	ATYXT05.7BEX	LEV2 ULEV	All	Front Right	744636	D-798	--	--
2010	5.7L	ATYXT05.7BEX	LEV2 ULEV	All	Front Right	--	--	740335	D-798
2010	5.7L	ATYXT05.7BEX	LEV2 ULEV	All	Rear Left	--	--	747335	D-798
2010	5.7L	ATYXT05.7BEX	LEV2 ULEV	All	Rear Right	--	--	747335	D-798
2009	5.7L	9TYXT05.7BEX	LEV2 ULEV	All	Front Left	744637	D-798	--	--
2009	5.7L	9TYXT05.7BEX	LEV2 ULEV	All	Front Left	--	--	740335	D-798
2009	5.7L	9TYXT05.7BEX	LEV2 ULEV	All	Front Right	744636	D-798	--	--
2009	5.7L	9TYXT05.7BEX	LEV2 ULEV	All	Front Right	--	--	740335	D-798
2009	5.7L	9TYXT05.7BEX	LEV2 ULEV	All	Rear Left	--	--	747335	D-798
2009	5.7L	9TYXT05.7BEX	LEV2 ULEV	All	Rear Right	--	--	747335	D-798
2008	5.7L	8TYXT05.7BEX	LEV2 ULEV	All	Front Left	744637	D-798	--	--
2008	5.7L	8TYXT05.7BEX	LEV2 ULEV	All	Front Left	--	--	740335	D-798
2008	5.7L	8TYXT05.7BEX	LEV2 ULEV	All	Front Right	744636	D-798	--	--
2008	5.7L	8TYXT05.7BEX	LEV2 ULEV	All	Front Right	--	--	740335	D-798
2008	5.7L	8TYXT05.7BEX	LEV2 ULEV	All	Rear Left	--	--	747335	D-798
2008	5.7L	8TYXT05.7BEX	LEV2 ULEV	All	Rear Right	--	--	747335	D-798
Sienna									
L4									
2011	2.7L	BTYXT02.7BEM	LEV2 ULEV	FWD	Front	--	--	740775	D-798
2011	2.7L	BTYXT02.7BEM	LEV2 ULEV	FWD	Rear	--	--	747035	D-798
V6									
2001	3.0L	1TYXT03.0FFP	LEV1 LEV	All	Front	911076	D-280-101	--	--
2001	3.0L	1TYXT03.0FFP	LEV1 LEV	All	Underbody	915036	D-280-101	--	--
2001	3.0L	1TYXT03.0FFP	LEV1 LEV	All	Underbody	--	--	912006	D-280-101
2000	3.0L	YTYXT03.0FFS	LEV1 LEV	All	Underbody	915036	D-280-101	--	--
2000	3.0L	YTYXT03.0FFS	LEV1 LEV	All	Underbody Right	--	--	912006	D-280-101
1999	3.0L	XTYXT03.0GXS	LEV1 LEV	All	Underbody	915036	D-280-101	--	--
1999	3.0L	XTYXT03.0GXS	LEV1 LEV	All	Underbody	--	--	912006	D-280-101
1998	3.0L	WTYXT03.0BBP	TIER1	All	Underbody	914590	D-280-101	--	--
1998	3.0L	WTYXT03.0BBP	TIER1	All	Underbody	--	--	912006	D-280-101
2013	3.5L	DTYXT03.5BER	LEV2 ULEV	FWD	Front Left	741163	D-798	--	--
2013	3.5L	DTYXT03.5BER	LEV2 ULEV	FWD	Front Right	741365	D-798	--	--
2013	3.5L	DTYXT03.5BER	LEV2 ULEV	FWD	Underbody	745108	D-798	--	--

[®] Semi-Direct Fit, Requires Muffler 40007 To Complete Installation
 Legal Note: In Compliance with California Emissions Requirements



CATCO
CATALYTIC CONVERTERS

EASTERN CATALYTIC

APPLICATION GUIDE

OBD II

APPLICATION

Year	Eng. Size	Test Group/ Engine Family	Certification Level	Application	Location	Direct Fit Number	Exec. Order	Consol. Number	Exec. Order
Toyota (Cont.)									
Sienna (Cont.)									
V6 (Cont.)									
2013	3.5L	DTYXT03.5BER	LEV2 ULEV	AWD	Front Left	741163	D-798	--	--
2013	3.5L	DTYXT03.5BER	LEV2 ULEV	AWD	Front Right	741364	D-798	--	--
2012	3.5L	CTYXT03.5BEN	LEV2 ULEV	FWD	Front Left	741163	D-798	--	--
2012	3.5L	CTYXT03.5BEN	LEV2 ULEV	FWD	Front Right	741365	D-798	--	--
2012	3.5L	CTYXT03.5BEN	LEV2 ULEV	FWD	Underbody	745108	D-798	--	--
2012	3.5L	CTYXT03.5BEN	LEV2 ULEV	AWD	Front Left	741163	D-798	--	--
2012	3.5L	CTYXT03.5BEN	LEV2 ULEV	AWD	Front Right	741364	D-798	--	--
2012	3.5L	CTYXT03.5BEN	LEV2 ULEV	All	Rear	--	--	747335	D-798
2012	3.5L	CTYXT03.5BEN	LEV2 ULEV	All	Rear	--	--	747335	D-798
2011	3.5L	BTYXT03.5BEN	LEV2 ULEV	FWD	Front Left	741163	D-798	--	--
2011	3.5L	BTYXT03.5BEN	LEV2 ULEV	FWD	Front Right	741365	D-798	--	--
2011	3.5L	BTYXT03.5BEN	LEV2 ULEV	FWD	Underbody	745108	D-798	--	--
2011	3.5L	BTYXT03.5BEN	LEV2 ULEV	AWD	Front Left	741163	D-798	--	--
2011	3.5L	BTYXT03.5BEN	LEV2 ULEV	AWD	Front Right	741364	D-798	--	--
2011	3.5L	BTYXT03.5BEN	LEV2 ULEV	All	Rear	--	--	747335	D-798
2010	3.5L	ATYXT03.5BEM	LEV2 ULEV	FWD	Front Left	741163	D-798	--	--
2010	3.5L	ATYXT03.5BEM	LEV2 ULEV	FWD	Front Right	741167	D-798	--	--
2010	3.5L	ATYXT03.5BEM	LEV2 ULEV	AWD	Front Left	741163	D-798	--	--
2010	3.5L	ATYXT03.5BEM	LEV2 ULEV	AWD	Front Right	741166	D-798	--	--
2010	3.5L	ATYXT03.5BEM	LEV2 ULEV	All	Rear	--	--	747335	D-798
2009	3.5L	9TYXT03.5BEM	LEV2 ULEV	FWD	Front Left	741163	D-798	--	--
2009	3.5L	9TYXT03.5BEM	LEV2 ULEV	FWD	Front Right	741167	D-798	--	--
2009	3.5L	9TYXT03.5BEM	LEV2 ULEV	AWD	Front Left	741163	D-798	--	--
2009	3.5L	9TYXT03.5BEM	LEV2 ULEV	AWD	Front Right	741166	D-798	--	--
2009	3.5L	9TYXT03.5BEM	LEV2 ULEV	All	Rear	--	--	747335	D-798
2008	3.5L	8TYXT03.5BEM	LEV2 ULEV	FWD	Front Left	741163	D-798	--	--
2008	3.5L	8TYXT03.5BEM	LEV2 ULEV	FWD	Front Right	741167	D-798	--	--
2008	3.5L	8TYXT03.5BEM	LEV2 ULEV	AWD	Front Left	741163	D-798	--	--
2008	3.5L	8TYXT03.5BEM	LEV2 ULEV	AWD	Front Right	741166	D-798	--	--
2008	3.5L	8TYXT03.5BEM	LEV2 ULEV	All	Rear	--	--	747335	D-798
2007	3.5L	7TYXT03.5BEN	LEV2 ULEV	FWD	Front Left	741163	D-798	--	--
2007	3.5L	7TYXT03.5BEN	LEV2 ULEV	FWD	Front Right	741167	D-798	--	--
2007	3.5L	7TYXT03.5BEN	LEV2 ULEV	AWD	Front Left	741163	D-798	--	--
2007	3.5L	7TYXT03.5BEN	LEV2 ULEV	AWD	Front Right	741166	D-798	--	--
2007	3.5L	7TYXT03.5BEN	LEV2 ULEV	All	Rear	--	--	747335	D-798
Solara									
L4									
2001	2.2L	1TYXV02.2JJA	LEV1 ULEV	All	Front	751061	D-280-102	--	--
2001	2.2L	1TYXV02.2JJA	LEV1 ULEV	All	Underbody	754061	D-280-102	--	--
2001	2.2L	1TYXV02.2JJA	LEV1 ULEV	All	Underbody	--	--	755004	D-280-102
2001	2.2L	1TYXV02.2JJB	LEV1 ULEV	All	Front	751061	D-280-102	--	--
2001	2.2L	1TYXV02.2JJB	LEV1 ULEV	All	Underbody	754061	D-280-102	--	--
2001	2.2L	1TYXV02.2JJB	LEV1 ULEV	All	Underbody	--	--	755004	D-280-102
2000	2.2L	YTYXV02.2JJB	LEV1 ULEV	All	Front	808539	D-665-23	--	--
2000	2.2L	YTYXV02.2JJB	LEV1 ULEV	All	Rear	809550	D-665-23	--	--
1999	2.2L	XTYXV02.2GXB	LEV1 LEV	All	Front	942061R	D-280-100	--	--
1999	2.2L	XTYXV02.2GXB	LEV1 LEV	All	Rear	942061	D-280-100	--	--
1999	2.2L	XTYXV02.2GXB	LEV1 LEV	All	Rear	--	--	940334	D-280-100
2007	2.4L	7TYXV02.4BEB	LEV2 ULEV	All	Underbody	754320	D-280-102	--	--
2007	2.4L	7TYXV02.4BEB	LEV2 ULEV	All	Underbody	--	--	755005	D-280-102
2006	2.4L	6TYXV02.4BEB	LEV2 ULEV	All	Front	751120	D-280-102	--	--
2006	2.4L	6TYXV02.4BEB	LEV2 ULEV	All	Underbody	754320	D-280-102	--	--
2006	2.4L	6TYXV02.4BEB	LEV2 ULEV	All	Underbody	--	--	755005	D-280-102
2005	2.4L	5TYXV02.4PEB	LEV2 ULEV	All	Front	751120	D-280-102	--	--
2005	2.4L	5TYXV02.4PEB	LEV2 ULEV	All	Underbody	754320	D-280-102	--	--
2005	2.4L	5TYXV02.4PEB	LEV2 ULEV	All	Underbody	--	--	755005	D-280-102

Legal Note: In Compliance with California Emissions Requirements

APPLICATION GUIDE



OBD II

APPLICATION

Year	Eng. Size	Test Group/ Engine Family	Certification Level	Application	Location	Direct Fit Number	Exec. Order	Consol. Number	Exec. Order
Toyota (Cont.)									
Solara (Cont.)									
L4 (Cont.)									
2004	2.4L	4TYXV02.4PEB	LEV2 ULEV	All	Front	751120	D-280-102	--	--
2004	2.4L	4TYXV02.4PEB	LEV2 ULEV	All	Underbody	754320	D-280-102	--	--
2004	2.4L	4TYXV02.4PEB	LEV2 ULEV	All	Underbody	--	--	755005	D-280-102
2003	2.4L	3TYXV02.4HHA	LEV1 ULEV	All	Front	751120	D-280-102	--	--
2003	2.4L	3TYXV02.4HHA	LEV1 ULEV	All	Underbody	754320	D-280-102	--	--
2003	2.4L	3TYXV02.4HHA	LEV1 ULEV	All	Underbody	--	--	755005	D-280-102
2002	2.4L	2TYXV02.4JJA	LEV1 ULEV	All	Front	751120	D-280-102	--	--
2002	2.4L	2TYXV02.4JJA	LEV1 ULEV	All	Underbody	754320	D-280-102	--	--
2002	2.4L	2TYXV02.4JJA	LEV1 ULEV	All	Underbody	--	--	755005	D-280-102
V6									
2003	3.0L	3TYXV03.0FFB	LEV1 LEV	A/T	Underbody	944259	D-280-100	--	--
2003	3.0L	3TYXV03.0FFB	LEV1 LEV	All	Front	941076	D-280-100	--	--
2003	3.0L	3TYXV03.0FFB	LEV1 LEV	All	Rear	--	--	940105	D-280-100
2002	3.0L	2TYXV03.0BBC	TIER1	M/T	Underbody	944388	D-280-100	--	--
2002	3.0L	2TYXV03.0BBC	TIER1	M/T	Underbody	--	--	940334	D-280-100
2002	3.0L	2TYXV03.0FFB	LEV1 LEV	A/T	Underbody	944259	D-280-100	--	--
2002	3.0L	2TYXV03.0FFB	LEV1 LEV	All	Front	941076	D-280-100	--	--
2002	3.0L	2TYXV03.0FFB	LEV1 LEV	All	Rear	--	--	940105	D-280-100
2001	3.0L	1TYXV03.0BBA	TIER1	M/T	Underbody	944388	D-280-100	--	--
2001	3.0L	1TYXV03.0BBA	TIER1	All	Underbody	--	--	940334	D-280-100
2001	3.0L	1TYXV03.0FFB	LEV1 LEV	A/T	Underbody	944259	D-280-100	--	--
2001	3.0L	1TYXV03.0FFB	LEV1 LEV	All	Front	941076	D-280-100	--	--
2001	3.0L	1TYXV03.0FFB	LEV1 LEV	All	Rear	--	--	940105	D-280-100
2000	3.0L	YTYXV03.0BBA	TIER1	A/T	Underbody	944835	D-280-100	--	--
2000	3.0L	YTYXV03.0BBA	TIER1	M/T	Underbody	944388	D-280-100	--	--
2000	3.0L	YTYXV03.0BBA	TIER1	All	Underbody	--	--	940334	D-280-100
2000	3.0L	YTYXV03.0FXB	LEV1 LEV	A/T	Underbody	944259	D-280-100	--	--
2000	3.0L	YTYXV03.0FXB	LEV1 LEV	All	Front	941076	D-280-100	--	--
2000	3.0L	YTYXV03.0FXB	LEV1 LEV	All	Front	112959	D-280-89	--	--
2000	3.0L	YTYXV03.0FXB	LEV1 LEV	All	Rear	--	--	940105	D-280-100
1999	3.0L	XTYXV03.0BBA	TIER1	A/T	Underbody	944835	D-280-100	--	--
1999	3.0L	XTYXV03.0BBA	TIER1	M/T	Underbody	944388	D-280-100	--	--
1999	3.0L	XTYXV03.0BBA	TIER1	All	Underbody	--	--	940334	D-280-100
1999	3.0L	XTYXV03.0GXB	LEV1 LEV	A/T	Underbody	944259	D-280-100	--	--
1999	3.0L	XTYXV03.0GXB	LEV1 LEV	All	Front	941076	D-280-100	--	--
1999	3.0L	XTYXV03.0GXB	LEV1 LEV	All	Front	112959	D-280-89	--	--
1999	3.0L	XTYXV03.0GXB	LEV1 LEV	All	Rear	--	--	940105	D-280-100
2006	3.3L	6TYXV03.3BEA	LEV2 ULEV	A/T	Front	754579	D-280-102	--	--
2006	3.3L	6TYXV03.3BEA	LEV2 ULEV	A/T	Rear	754578	D-280-102	--	--
2006	3.3L	6TYXV03.3BEA	LEV2 ULEV	A/T	Underbody	754383	D-280-102	--	--
2006	3.3L	6TYXV03.3BEA	LEV2 ULEV	All	Underbody	--	--	755005	D-280-102
2005	3.3L	5TYXV03.3PEA	LEV2 ULEV	A/T	Front	754579	D-280-102	--	--
2005	3.3L	5TYXV03.3PEA	LEV2 ULEV	A/T	Rear	754578	D-280-102	--	--
2005	3.3L	5TYXV03.3PEA	LEV2 ULEV	A/T	Underbody	754383	D-280-102	--	--
2005	3.3L	5TYXV03.3PEA	LEV2 ULEV	All	Underbody	--	--	755005	D-280-102
2004	3.3L	4TYXV03.3PEA	LEV2 ULEV	A/T	Front	754579	D-280-102	--	--
2004	3.3L	4TYXV03.3PEA	LEV2 ULEV	A/T	Rear	754578	D-280-102	--	--
2004	3.3L	4TYXV03.3PEA	LEV2 ULEV	A/T	Underbody	754383	D-280-102	--	--
2004	3.3L	4TYXV03.3PEA	LEV2 ULEV	All	Underbody	--	--	755005	D-280-102
Supra									
L6									
1998	3.0L	WTYXV03.0BBC	TIER1	All	Underbody	--	--	940004	D-280-100
1997	3.0L	VTY3.0VJGKEK	TIER1	All	Front	--	--	940367	D-280-100
1997	3.0L	VTY3.0VJGKEK	TIER1	All	Rear	--	--	940636	D-280-100
1997	3.0L	VTY3.0VJGKHK	TIER1	All	Front	942150	D-280-100	--	--
1997	3.0L	VTY3.0VJGKHK	TIER1	All	Front	--	--	940106	D-280-100
1997	3.0L	VTY3.0VJGKHK	TIER1	All	Rear	942151	D-280-100	--	--
1997	3.0L	VTY3.0VJGKHK	TIER1	All	Rear	--	--	940106	D-280-100

Legal Note: In Compliance with California Emissions Requirements



CATCO
CATALYTIC CONVERTERS

EASTERN CATALYTIC

APPLICATION GUIDE

OBD II

APPLICATION

Year	Eng. Size	Test Group/ Engine Family	Certification Level	Application	Location	Direct Fit Number	Exec. Order	Consol. Number	Exec. Order
Toyota (Cont.)									
Supra (Cont.)									
L6 (Cont.)									
1996	3.0L	TTY3.0VJGKEK	TIER1	All	Front	942150	D-280-100	--	--
1996	3.0L	TTY3.0VJGKEK	TIER1	All	Front	--	--	940637	D-280-100
1996	3.0L	TTY3.0VJGKEK	TIER1	All	Rear	942151	D-280-100	--	--
1996	3.0L	TTY3.0VJGKEK	TIER1	All	Rear	--	--	940636	D-280-100
1996	3.0L	TTY3.0VJGKHK	TIER1	All	Front	--	--	940106	D-280-100
1996	3.0L	TTY3.0VJGKHK	TIER1	All	Rear	--	--	940106	D-280-100
1995	3.0L	STY3.0VJG1GA	TIER1	All	Front	--	--	940637	D-280-100
1995	3.0L	STY3.0VJG1GA	TIER1	All	Rear	--	--	940636	D-280-100
T100									
L4									
1998	2.7L	WTYXT02.7BBH	TIER1	All	Underbody	--	--	940335	D-280-100
1997	2.7L	VTY2.71HGKEK	TIER1	RWD	Underbody	630517	D-665-17	--	--
1997	2.7L	VTY2.71HGKEK	TIER1	All	Underbody	--	--	940335	D-280-100
1996	2.7L	TTY2.71HGKEK	TIER1	All	Underbody	--	--	940335	D-280-100
1995	2.7L	STY2.71HGEEK	TIER1	All	Underbody	--	--	940636	D-280-100
1994	2.7L	RTY2.71HGEEK	TIER1	All	Underbody	--	--	940335	D-280-100
V6									
1998	3.4L	WTYXT02.4BBH	TIER1	All	Underbody	--	--	940636	D-280-100
1998	3.4L	WTYXT03.4BBH	TIER1	2WD, Extended Cab	Underbody	942123	D-280-100	--	--
1998	3.4L	WTYXT03.4DBP	TLEV	All	Underbody	--	--	912005	D-280-101
1998	3.4L	WTYXT03.4DBP	TLEV	2WD, Extended Cab	Underbody	910123	D-280-101	--	--
1997	3.4L	VTY3.42JG2GK	TLEV	All	Underbody	--	--	912005	D-280-101
1997	3.4L	VTY3.42JG2GK	TLEV	2WD, Extended Cab	Underbody	910123	D-280-101	--	--
1996	3.4L	TTY3.42JG1GK	TIER1	All	Underbody	--	--	912005	D-280-101
1996	3.4L	TTY3.42JG1GK	TIER1	2WD, Extended Cab	Underbody	910123	D-280-101	--	--
1995	3.4L	STY3.42JG1GK	TIER1	All	Underbody	--	--	912006	D-280-101
Tacoma									
L4									
2004	2.4L	4TYXT02.7VMH	LEV1 LEV	All	Front	910040	D-280-101	--	--
2004	2.4L	4TYXT02.7VMH	LEV1 LEV	All	Front	--	--	912009	D-280-101
2004	2.4L	4TYXT02.7VMH	LEV1 LEV	All	Rear	910240	D-280-101	--	--
2004	2.4L	4TYXT02.7VMH	LEV1 LEV	All	Rear	--	--	912004	D-280-101
2003	2.4L	3TYXT02.7FFH	LEV1 LEV	All	Front	910040	D-280-101	--	--
2003	2.4L	3TYXT02.7FFH	LEV1 LEV	All	Rear	910240	D-280-101	--	--
2003	2.4L	3TYXT02.7FFH	LEV1 LEV	All	Front	942040	D-280-100	--	--
2003	2.4L	3TYXT02.7FFH	LEV1 LEV	All	Front	--	--	940104	D-280-100
2003	2.4L	3TYXT02.7FFH	LEV1 LEV	All	Rear	942240	D-280-100	--	--
2003	2.4L	3TYXT02.7FFH	LEV1 LEV	All	Rear	--	--	940104	D-280-100
2002	2.4L	2TYXT02.7FFH	LEV1 LEV	All	Front	942040	D-280-100	--	--
2002	2.4L	2TYXT02.7FFH	LEV1 LEV	All	Front	--	--	940104	D-280-100
2002	2.4L	2TYXT02.7FFH	LEV1 LEV	All	Rear	942240	D-280-100	--	--
2002	2.4L	2TYXT02.7FFH	LEV1 LEV	All	Rear	--	--	940104	D-280-100
2002	2.4L	2TYXT02.7FFH	LEV1 LEV	All	Rear	--	--	940104	D-280-100
2001	2.4L	1TYXT02.4FFH	LEV1 LEV	All	Front	942040	D-280-100	--	--
2001	2.4L	1TYXT02.4FFH	LEV1 LEV	All	Front	--	--	940104	D-280-100
2001	2.4L	1TYXT02.4FFH	LEV1 LEV	All	Rear	942240	D-280-100	--	--
2001	2.4L	1TYXT02.4FFH	LEV1 LEV	All	Rear	--	--	940104	D-280-100
2000	2.4L	YTYXT02.4FFJ	LEV1 LEV	All	Front	942040	D-280-100	--	--
2000	2.4L	YTYXT02.4FFJ	LEV1 LEV	All	Front	--	--	940104	D-280-100
2000	2.4L	YTYXT02.4FFJ	LEV1 LEV	All	Rear	942240	D-280-100	--	--
2000	2.4L	YTYXT02.4FFJ	LEV1 LEV	All	Rear	--	--	940104	D-280-100
1999	2.4L	XTYXT02.4BBH	TIER1	All	Underbody	--	--	940334	D-280-100
1999	2.4L	XYT02.4BBH	TIER1	All	Underbody	942240	D-280-100	--	--
1998	2.4L	WTYXT02.4BBH	TIER1	All	Front	--	--	940334	D-280-100
1998	2.4L	WTYXT02.4BBH	TIER1	All	Underbody	--	--	940334	D-280-100
1997	2.4L	VTY2.41HGKEK	TIER1	All	Underbody	--	--	940334	D-280-100
1996	2.4L	TTY2.41HGKEK	TIER1	All	Underbody	--	--	940334	D-280-100
2011	2.7L	BTYXT02.7AEM	LEV2 LEV	All	Front	--	--	740725	D-798
2011	2.7L	BTYXT02.7AEM	LEV2 LEV	All	Rear	--	--	747035	D-798

Legal Note: In Compliance with California Emissions Requirements

APPLICATION GUIDE



OBD II

APPLICATION

Year	Eng. Size	Test Group/ Engine Family	Certification Level	Application	Location	Direct Fit Number	Exec. Order	Consol. Number	Exec. Order
Toyota (Cont.)									
Tacoma (Cont.)									
L4 (Cont.)									
2011	2.7L	BTYXT02.7AEM	LEV2 LEV	To 09/11	Underbody	749920	D-798	--	--
2011	2.7L	BTYXT02.7AEN	LEV2 LEV	All	Front	--	--	740725	D-798
2011	2.7L	BTYXT02.7AEN	LEV2 LEV	All	Rear	--	--	747035	D-798
2011	2.7L	BTYXT02.7AEN	LEV2 LEV	To 09/11	Underbody	749920	D-798	--	--
2010	2.7L	ATYXT02.7AEM	LEV2 LEV	All	Front	--	--	740725	D-798
2010	2.7L	ATYXT02.7AEM	LEV2 LEV	All	Rear	--	--	747035	D-798
2010	2.7L	ATYXT02.7AEM	LEV2 LEV	All	Underbody	749920	D-798	--	--
2009	2.7L	9TYXT02.7AEM	LEV2 LEV	All	Front	--	--	740725	D-798
2009	2.7L	9TYXT02.7AEM	LEV2 LEV	All	Rear	--	--	747035	D-798
2009	2.7L	9TYXT02.7AEM	LEV2 LEV	All	Underbody	749920	D-798	--	--
2008	2.7L	8TYXT02.7AEM	LEV2 LEV	All	Front	--	--	740725	D-798
2008	2.7L	8TYXT02.7AEM	LEV2 LEV	All	Rear	--	--	747035	D-798
2008	2.7L	8TYXT02.7AEM	LEV2 LEV	All	Underbody	749920	D-798	--	--
2007	2.7L	7TYXT02.7AEM	LEV2 LEV	All	Front	--	--	740725	D-798
2007	2.7L	7TYXT02.7AEM	LEV2 LEV	All	Rear	--	--	747035	D-798
2007	2.7L	7TYXT02.7AEM	LEV2 LEV	All	Underbody	749920	D-798	--	--
2006	2.7L	6TYXT02.7NHM	LEV2 LEV	All	Front	--	--	740725	D-798
2006	2.7L	6TYXT02.7NHM	LEV2 LEV	All	Rear	--	--	747035	D-798
2006	2.7L	6TYXT02.7NHM	LEV2 LEV	All	Underbody	749920	D-798	--	--
2005	2.7L	5TYXT02.7NHM	LEV2 LEV	All	Front	--	--	740725	D-798
2005	2.7L	5TYXT02.7NHM	LEV2 LEV	All	Rear	--	--	747035	D-798
2005	2.7L	5TYXT02.7NHM	LEV2 LEV	All	Underbody	749920	D-798	--	--
2004	2.7L	4TYXT02.7VMH	LEV1 LEV	All	Front	914921	D-280-101	--	--
2004	2.7L	4TYXT02.7VMH	LEV1 LEV	All	Rear	910240	D-280-101	--	--
2004	2.7L	4TYXT02.7VMH	LEV1 LEV	All	Rear	--	--	912004	D-280-101
2004	2.7L	4TYXT02.7VRM	LEV1 LEV	All	Front	914921	D-280-101	--	--
2004	2.7L	4TYXT02.7VRM	LEV1 LEV	All	Rear	910240	D-280-101	--	--
2004	2.7L	4TYXT02.7VRM	LEV1 LEV	All	Rear	--	--	912005R	D-280-101
2004	2.7L	4TYXT02.7VRM	LEV1 LEV	All	Rear	--	--	912005	D-280-101
2004	2.7L	4TYXT02.7VRM	LEV1 LEV	All	Rear	--	--	912004R	D-280-101
2004	2.7L	4TYXT02.7VRM	LEV1 LEV	All	Rear	--	--	912004	D-280-101
2004	2.7L	4TYXT02.7VRM	LEV1 LEV	All	Rear	--	--	910005R	D-280-101
2003	2.7L	3TYXT02.7FFH	LEV1 LEV	All	Front	914921	D-280-101	--	--
2003	2.7L	3TYXT02.7FFH	LEV1 LEV	All	Rear	910240	D-280-101	--	--
2003	2.7L	3TYXT02.7FFP	LEV1 LEV	All	Front	914921	D-280-101	--	--
2003	2.7L	3TYXT02.7FFP	LEV1 LEV	All	Rear	910240	D-280-101	--	--
2002	2.7L	2TYXT02.7FFH	LEV1 LEV	All	Front	808540	D-665-23	--	--
2002	2.7L	2TYXT02.7FFH	LEV1 LEV	All	Rear	809568	D-665-23	--	--
2002	2.7L	2TYXT02.7FFP	LEV1 LEV	All	Front	914921	D-280-101	--	--
2002	2.7L	2TYXT02.7FFP	LEV1 LEV	All	Rear	910240	D-280-101	--	--
2002	2.7L	2TYXT02.7FFP	LEV1 LEV	All	Rear	--	--	912005	D-280-101
2001	2.7L	1TYXT02.7FFH	LEV1 LEV	All	Rear	942240	D-280-100	--	--
2001	2.7L	1TYXT02.7FFH	LEV1 LEV	All	Rear	--	--	940334	D-280-100
2001	2.7L	1TYXT02.7FFP	LEV1 LEV	All	Front	914921	D-280-101	--	--
2001	2.7L	1TYXT02.7FFP	LEV1 LEV	All	Rear	910240	D-280-101	--	--
2001	2.7L	1TYXT02.7FFP	LEV1 LEV	All	Rear	--	--	912005	D-280-101
2000	2.7L	YTYXT02.7FFJ	LEV1 LEV	All	Front	914921	D-280-101	--	--
2000	2.7L	YTYXT02.7FFJ	LEV1 LEV	All	Rear	910240	D-280-101	--	--
2000	2.7L	YTYXT02.7FFJ	LEV1 LEV	All	Rear	--	--	912005	D-280-101
2000	2.7L	YTYXT02.7FFJ	LEV1 LEV	All	Rear	942240	D-280-100	--	--
1999	2.7L	XTYXT02.7BBH	TIER1	All	Underbody	630520	D-665-17	--	--
1999	2.7L	XTYXT02.7BBH	TIER1	All	Underbody	--	--	940636	D-280-100
1999	2.7L	XTYXT02.7BBP	TIER1	All	Underbody	910067	D-280-101	--	--
1999	2.7L	XTYXT02.7BBP	TIER1	All	Underbody	--	--	912006	D-280-101
1999	2.7L	XTYXT02.7DXJ	TLEV	All	Underbody	--	--	940636	D-280-100
1999	2.7L	XYTXT02.7BBH	TIER1	All	Underbody	942067	D-280-100	--	--
1999	2.7L	XYTXT02.7DXJ	TLEV	All	Underbody	942067	D-280-100	--	--
1998	2.7L	WTYXT02.7BBH	TIER1	All	Underbody	942067	D-280-100	--	--
1998	2.7L	WTYXT02.7BBH	TIER1	All	Underbody	--	--	940636	D-280-100

Legal Note: In Compliance with California Emissions Requirements

**CATCO**
CATALYTIC CONVERTERS**EASTERN CATALYTIC**

APPLICATION GUIDE

OBD II**APPLICATION**

Year	Eng. Size	Test Group/ Engine Family	Certification Level	Application	Location	Direct Fit Number	Exec. Order	Consol. Number	Exec. Order
Toyota (Cont.)									
Tacoma (Cont.)									
L4 (Cont.)									
1998	2.7L	WTYXT02.7DXH	TLEV	All	Underbody	942067	D-280-100	--	--
1998	2.7L	WTYXT02.7DXH	TLEV	All	Underbody	--	--	940636	D-280-100
1997	2.7L	VTY2.71JG2GK	TLEV	All	Underbody	942067	D-280-100	--	--
1997	2.7L	VTY2.71JG2GK	TLEV	All	Underbody	--	--	940636	D-280-100
1997	2.7L	VTY2.71JGKEK	TIER1	4WD	Underbody	630520	D-665-17	--	--
1997	2.7L	VTY2.71JGKEK	TIER1	All	Underbody	--	--	940636	D-280-100
1996	2.7L	TTY2.71HGKEK	TIER1	All	Underbody	942067	D-280-100	--	--
1996	2.7L	TTY2.71HGKEK	TIER1	All	Underbody	--	--	940636	D-280-100
V6									
2004	3.4L	4TYXT03.4VRH	LEV1 LEV	All	Front	914492	D-280-101	--	--
2004	3.4L	4TYXT03.4VRH	LEV1 LEV	All	Rear	914693	D-280-101	--	--
2004	3.4L	4TYXT03.4VRH	LEV1 LEV	All	Front	944492	D-280-100	--	--
2004	3.4L	4TYXT03.4VRH	LEV1 LEV	All	Front	--	--	940106	D-280-100
2004	3.4L	4TYXT03.4VRH	LEV1 LEV	All	Rear	944693	D-280-100	--	--
2004	3.4L	4TYXT03.4VRH	LEV1 LEV	All	Rear	--	--	940106	D-280-100
2004	3.4L	4TYXT03.4VRM	LEV1 LEV	All	Front	914492	D-280-101	--	--
2004	3.4L	4TYXT03.4VRM	LEV1 LEV	All	Rear	914693	D-280-101	--	--
2004	3.4L	4TYXT03.4VRM	LEV1 LEV	All	Rear	--	--	912004R	D-280-101
2003	3.4L	3TYXT03.4FFH	LEV1 LEV	2WD	Front	914492	D-280-101	--	--
2003	3.4L	3TYXT03.4FFH	LEV1 LEV	2WD	Rear	914693	D-280-101	--	--
2003	3.4L	3TYXT03.4FFH	LEV1 LEV	All	Front	944492	D-280-100	--	--
2003	3.4L	3TYXT03.4FFH	LEV1 LEV	All	Front	--	--	940106	D-280-100
2003	3.4L	3TYXT03.4FFH	LEV1 LEV	All	Rear	944693	D-280-100	--	--
2003	3.4L	3TYXT03.4FFH	LEV1 LEV	All	Rear	--	--	940106	D-280-100
2003	3.4L	3TYXT03.4FFP	LEV1 LEV	All	Front	914492	D-280-101	--	--
2003	3.4L	3TYXT03.4FFP	LEV1 LEV	All	Rear	914693	D-280-101	--	--
2003	3.4L	3TYXT03.4FFP	LEV1 LEV	All	Rear	--	--	912004R	D-280-101
2002	3.4L	2TYXT03.4FFH	LEV1 LEV	2WD	Front	914492	D-280-101	--	--
2002	3.4L	2TYXT03.4FFH	LEV1 LEV	2WD	Rear	914693	D-280-101	--	--
2002	3.4L	2TYXT03.4FFH	LEV1 LEV	All	Front	944492	D-280-100	--	--
2002	3.4L	2TYXT03.4FFH	LEV1 LEV	All	Front	--	--	940106	D-280-100
2002	3.4L	2TYXT03.4FFH	LEV1 LEV	All	Rear	944693	D-280-100	--	--
2002	3.4L	2TYXT03.4FFH	LEV1 LEV	All	Rear	--	--	940106	D-280-100
2002	3.4L	2TYXT03.4FFP	LEV1 LEV	All	Front	914492	D-280-101	--	--
2002	3.4L	2TYXT03.4FFP	LEV1 LEV	All	Rear	914693	D-280-101	--	--
2002	3.4L	2TYXT03.4FFP	LEV1 LEV	All	Rear	--	--	912004R	D-280-101
2001	3.4L	1TYXT03.4FFH	LEV1 LEV	All	Front	944492	D-280-100	--	--
2001	3.4L	1TYXT03.4FFH	LEV1 LEV	All	Front	--	--	940106	D-280-100
2001	3.4L	1TYXT03.4FFH	LEV1 LEV	All	Rear	944693	D-280-100	--	--
2001	3.4L	1TYXT03.4FFH	LEV1 LEV	All	Rear	--	--	940106	D-280-100
2001	3.4L	1TYXT03.4FFP	LEV1 LEV	All	Front	914492	D-280-101	--	--
2001	3.4L	1TYXT03.4FFP	LEV1 LEV	All	Rear	914693	D-280-101	--	--
2001	3.4L	1TYXT03.4FFP	LEV1 LEV	All	Rear	--	--	912005	D-280-101
2000	3.4L	YTYXT03.4FFH	LEV1 LEV	All	Front	944492	D-280-100	--	--
2000	3.4L	YTYXT03.4FFH	LEV1 LEV	All	Front	--	--	940106	D-280-100
2000	3.4L	YTYXT03.4FFH	LEV1 LEV	All	Rear	944693	D-280-100	--	--
2000	3.4L	YTYXT03.4FFH	LEV1 LEV	All	Rear	--	--	940106	D-280-100
1999	3.4L	XTYXT03.4BBH	TIER1	All	Underbody	942067	D-280-100	--	--
1999	3.4L	XTYXT03.4BBH	TIER1	All	Underbody	--	--	940636	D-280-100
1999	3.4L	XTYXT03.4DBP	TLEV	All	Underbody	910067	D-280-101	--	--
1999	3.4L	XTYXT03.4DBP	TLEV	All	Underbody	--	--	912006	D-280-101
1998	3.4L	WTYXT03.4BBH	TIER1	All	Underbody	942067	D-280-100	--	--
1998	3.4L	WTYXT03.4BBH	TIER1	All	Underbody	--	--	940636	D-280-100
1998	3.4L	WTYXT03.4DBP	TLEV	All	Rear	910067	D-280-101	--	--
1998	3.4L	WTYXT03.4DBP	TLEV	All	Underbody	--	--	912005	D-280-101
1997	3.4L	VTY3.41JGKEK	TIER1	All	Underbody	942067	D-280-100	--	--
1997	3.4L	VTY3.41JGKEK	TIER1	All	Underbody	--	--	940636	D-280-100
1997	3.4L	VTY3.42JG2GK	TLEV	4WD	Underbody	910067	D-280-101	--	--
1997	3.4L	VTY3.42JG2GK	TLEV	4WD	Underbody	--	--	912006	D-280-101

Legal Note: In Compliance with California Emissions Requirements

APPLICATION GUIDE



OBD II

APPLICATION

Year	Eng. Size	Test Group/ Engine Family	Certification Level	Application	Location	Direct Fit Number	Exec. Order	Consol. Number	Exec. Order
Toyota (Cont.)									
Tacoma (Cont.)									
V6 (Cont.)									
1996	3.4L	TTY3.41JGFEK	TIER1	All	Underbody	942067	D-280-100	--	--
1996	3.4L	TTY3.41JGFEK	TIER1	All	Underbody	--	--	940636	D-280-100
1996	3.4L	TTY3.42JG1GK	TIER1	4WD	Underbody	910067	D-280-101	--	--
1996	3.4L	TTY3.42JG1GK	TIER1	4WD	Underbody	--	--	912006	D-280-101
1995	3.4L	STY3.41JGFEK	TIER1	All	Underbody	942067	D-280-100	--	--
1995	3.4L	STY3.41JGFEK	TIER1	All	Underbody	--	--	940636	D-280-100
1995	3.4L	STY3.42JGFEK	TIER1	4WD	Underbody	910067	D-280-101	--	--
1995	3.4L	STY3.42JGFEK	TIER1	4WD	Underbody	--	--	912006	D-280-101
2011	4.0L	BTYXT04.0AEM	LEV2 LEV	All	Rear Left	--	--	747335	D-798
2011	4.0L	BTYXT04.0AEM	LEV2 LEV	All	Rear Right	749535	D-798	--	--
2011	4.0L	BTYXT04.0AEM	LEV2 LEV	All	Rear Right	--	--	747335	D-798
2011	4.0L	BTYXT04.0AEM	LEV2 LEV	AWD	Rear Left	749534	D-798	--	--
2010	4.0L	ATYXT04.0AEM	LEV2 LEV	All	Rear Left	--	--	747335	D-798
2010	4.0L	ATYXT04.0AEM	LEV2 LEV	All	Rear Right	749535	D-798	--	--
2010	4.0L	ATYXT04.0AEM	LEV2 LEV	All	Rear Right	--	--	747335	D-798
2010	4.0L	ATYXT04.0AEM	LEV2 LEV	AWD	Rear Left	749534	D-798	--	--
2009	4.0L	9TYXT04.0AEM	LEV2 LEV	All	Rear Left	--	--	747335	D-798
2009	4.0L	9TYXT04.0AEM	LEV2 LEV	All	Rear Right	749535	D-798	--	--
2009	4.0L	9TYXT04.0AEM	LEV2 LEV	All	Rear Right	--	--	747335	D-798
2009	4.0L	9TYXT04.0AEM	LEV2 LEV	4WD	Rear Left	749534	D-798	--	--
2008	4.0L	8TYXT04.0AEM	LEV2 LEV	All	Front Left	741149	D-798	--	--
2008	4.0L	8TYXT04.0AEM	LEV2 LEV	All	Front Right	741150	D-798	--	--
2008	4.0L	8TYXT04.0AEM	LEV2 LEV	All	Rear Left	--	--	747335	D-798
2008	4.0L	8TYXT04.0AEM	LEV2 LEV	All	Rear Right	749535	D-798	--	--
2008	4.0L	8TYXT04.0AEM	LEV2 LEV	All	Rear Right	--	--	747335	D-798
2008	4.0L	8TYXT04.0AEM	LEV2 LEV	4WD	Rear Left	749534	D-798	--	--
2007	4.0L	7TYXT04.0AEM	LEV2 LEV	All	Front Left	741149	D-798	--	--
2007	4.0L	7TYXT04.0AEM	LEV2 LEV	All	Front Right	741150	D-798	--	--
2007	4.0L	7TYXT04.0AEM	LEV2 LEV	All	Rear Left	--	--	747335	D-798
2007	4.0L	7TYXT04.0AEM	LEV2 LEV	All	Rear Right	749535	D-798	--	--
2007	4.0L	7TYXT04.0AEM	LEV2 LEV	All	Rear Right	--	--	747335	D-798
2007	4.0L	7TYXT04.0AEM	LEV2 LEV	4WD	Rear Left	749534	D-798	--	--
2006	4.0L	6TYXT04.0NEM	LEV2 LEV	All	Front Left	741149	D-798	--	--
2006	4.0L	6TYXT04.0NEM	LEV2 LEV	All	Front Right	741150	D-798	--	--
2006	4.0L	6TYXT04.0NEM	LEV2 LEV	All	Rear Left	--	--	747335	D-798
2006	4.0L	6TYXT04.0NEM	LEV2 LEV	All	Rear Right	749535	D-798	--	--
2006	4.0L	6TYXT04.0NEM	LEV2 LEV	All	Rear Right	--	--	747335	D-798
2006	4.0L	6TYXT04.0NEM	LEV2 LEV	4WD	Rear Left	749534	D-798	--	--
2005	4.0L	5TYXT04.0NEM	LEV2 LEV	All	Front Left	741149	D-798	--	--
2005	4.0L	5TYXT04.0NEM	LEV2 LEV	All	Front Right	741150	D-798	--	--
2005	4.0L	5TYXT04.0NEM	LEV2 LEV	All	Rear Left	--	--	747335	D-798
2005	4.0L	5TYXT04.0NEM	LEV2 LEV	All	Rear Right	749535	D-798	--	--
2005	4.0L	5TYXT04.0NEM	LEV2 LEV	All	Rear Right	--	--	747335	D-798
2005	4.0L	5TYXT04.0NEM	LEV2 LEV	4WD	Rear Left	749534	D-798	--	--
Tercel									
L4									
1998	1.5L	WTYXV01.5BBA	TIER1	4 Speed Auto Trans.	Underbody	942891	D-280-100	--	--
1998	1.5L	WTYXV01.5BBA	TIER1	All	Underbody	--	--	940104	D-280-100
1997	1.5L	VTY1.5VJGKEK	TIER1	4 Speed Auto Trans.	Underbody	942891	D-280-100	--	--
1997	1.5L	VTY1.5VJGKEK	TIER1	All	Underbody	--	--	940104	D-280-100
1996	1.5L	TTY1.5VHGFEK	TIER1	4 Speed Auto Trans.	Underbody	942891	D-280-100	--	--
1996	1.5L	TTY1.5VHGFEK	TIER1	All	Rear	--	--	940104	D-280-100
Tundra									
V6									
2004	3.4L	4TYXT03.4VRM	LEV1 LEV	All	Front	914492	D-280-101	--	--
2004	3.4L	4TYXT03.4VRM	LEV1 LEV	All	Rear	914493	D-280-101	--	--
2004	3.4L	4TYXT03.4VRM	LEV1 LEV	All	Rear	--	--	912004R	D-280-101

Legal Note: In Compliance with California Emissions Requirements



CATCO
CATALYTIC CONVERTERS

EASTERN CATALYTIC

APPLICATION GUIDE

OBD II

APPLICATION

Year	Eng. Size	Test Group/ Engine Family	Certification Level	Application	Location	Direct Fit Number	Exec. Order	Consol. Number	Exec. Order
Toyota (Cont.)									
Tundra (Cont.)									
V6 (Cont.)									
2003	3.4L	3TYXT03.4FFP	LEV1 LEV	All	Front	914492	D-280-101	--	--
2003	3.4L	3TYXT03.4FFP	LEV1 LEV	All	Rear	914493	D-280-101	--	--
2003	3.4L	3TYXT03.4FFP	LEV1 LEV	All	Rear	--	--	912004R	D-280-101
2002	3.4L	2TYXT03.4FFP	LEV1 LEV	All	Front	914492	D-280-101	--	--
2002	3.4L	2TYXT03.4FFP	LEV1 LEV	All	Rear	914493	D-280-101	--	--
2002	3.4L	2TYXT03.4FFP	LEV1 LEV	All	Rear	--	--	912004R	D-280-101
2001	3.4L	1TYXT03.4FFP	LEV1 LEV	All	Front	914492	D-280-101	--	--
2001	3.4L	1TYXT03.4FFP	LEV1 LEV	All	Rear	914493	D-280-101	--	--
2001	3.4L	1TYXT03.4FFP	LEV1 LEV	All	Rear	--	--	912004R	D-280-101
2000	3.4L	YTYXT03.4FFR	LEV1 LEV	All	Underbody	--	--	912005	D-280-101
2000	3.4L	YTYXT03.4FFR	LEV1 LEV	All	Underbody Left	914492	D-280-101	--	--
2000	3.4L	YTYXT03.4FFR	LEV1 LEV	All	Underbody Right	914493	D-280-101	--	--
2006	4.0L	6TYXT04.0NEM	LEV2 LEV	All	Front Left	741149	D-798	--	--
2006	4.0L	6TYXT04.0NEM	LEV2 LEV	All	Front Right	741150	D-798	--	--
2006	4.0L	6TYXT04.0NEM	LEV2 LEV	All	Rear Left	--	--	747335	D-798
2006	4.0L	6TYXT04.0NEM	LEV2 LEV	All	Rear Right	--	--	747335	D-798
2005	4.0L	5TYXT04.0NEM	LEV2 LEV	All	Front Left	741149	D-798	--	--
2005	4.0L	5TYXT04.0NEM	LEV2 LEV	All	Front Right	741150	D-798	--	--
2005	4.0L	5TYXT04.0NEM	LEV2 LEV	All	Rear Left	--	--	747335	D-798
2005	4.0L	5TYXT04.0NEM	LEV2 LEV	All	Rear Right	--	--	747335	D-798
V8									
2009	4.7L	9TYXT04.7BEX	LEV2 ULEV	All	Front Left	--	--	740005	D-798
2009	4.7L	9TYXT04.7BEX	LEV2 ULEV	All	Front Right	--	--	740005	D-798
2009	4.7L	9TYXT04.7BEX	LEV2 ULEV	All	Rear Left	--	--	747335	D-798
2009	4.7L	9TYXT04.7BEX	LEV2 ULEV	All	Rear Right	--	--	747335	D-798
2009	4.7L	9TYXT04.7BEX	LEV2 ULEV	145.7" W.B.	Front Left	745007	D-798	--	--
2009	4.7L	9TYXT04.7BEX	LEV2 ULEV	145.7" W.B.	Front Right	744691	D-798	--	--
2008	4.7L	8TYXT04.7BGX	LEV2 ULEV	145.7" W.B.	Front Left	745007	D-798	--	--
2008	4.7L	8TYXT04.7BGX	LEV2 ULEV	145.7" W.B.	Front Right	744691	D-798	--	--
2008	4.7L	8TYXT04.7BGX	LEV2 ULEV	All	Front Left	--	--	740005	D-798
2008	4.7L	8TYXT04.7BGX	LEV2 ULEV	All	Front Right	--	--	740005	D-798
2008	4.7L	8TYXT04.7BGX	LEV2 ULEV	All	Rear Left	--	--	747335	D-798
2008	4.7L	8TYXT04.7BGX	LEV2 ULEV	All	Rear Right	--	--	747335	D-798
2007	4.7L	7TYXT04.7BEV	LEV2 ULEV	All	Front Left	--	--	740005	D-798
2007	4.7L	7TYXT04.7BEV	LEV2 ULEV	All	Front Right	--	--	740005	D-798
2007	4.7L	7TYXT04.7BEV	LEV2 ULEV	All	Rear Left	--	--	747335	D-798
2007	4.7L	7TYXT04.7BEV	LEV2 ULEV	All	Rear Right	--	--	747335	D-798
2007	4.7L	7TYXT04.7BEV	LEV2 ULEV	145.7" W.B.	Front Left	745007	D-798	--	--
2007	4.7L	7TYXT04.7BEV	LEV2 ULEV	145.7" W.B.	Front Right	744691	D-798	--	--
2007	4.7L	7TYXT04.7BKX	LEV2 ULEV	All	Front Left	--	--	740785	D-798
2007	4.7L	7TYXT04.7BKX	LEV2 ULEV	All	Front Right	--	--	740785	D-798
2006	4.7L	6TYXT04.7PKV	LEV2 ULEV	All	Front Left	749165	D-798	--	--
2006	4.7L	6TYXT04.7PKV	LEV2 ULEV	All	Front Left	--	--	740785	D-798
2006	4.7L	6TYXT04.7PKV	LEV2 ULEV	All	Front Right	749164	D-798	--	--
2006	4.7L	6TYXT04.7PKV	LEV2 ULEV	All	Front Right	--	--	740785	D-798
2006	4.7L	6TYXT04.7PKW	LEV2 ULEV	All	Front Left	749165	D-798	--	--
2006	4.7L	6TYXT04.7PKW	LEV2 ULEV	All	Front Left	--	--	740785	D-798
2006	4.7L	6TYXT04.7PKW	LEV2 ULEV	All	Front Right	749164	D-798	--	--
2006	4.7L	6TYXT04.7PKW	LEV2 ULEV	All	Front Right	--	--	740785	D-798
2005	4.7L	5TYXT04.7PKV	LEV2 ULEV	All	Front Left	749165	D-798	--	--
2005	4.7L	5TYXT04.7PKV	LEV2 ULEV	All	Front Left	--	--	740785	D-798
2005	4.7L	5TYXT04.7PKV	LEV2 ULEV	All	Front Right	749164	D-798	--	--
2005	4.7L	5TYXT04.7PKV	LEV2 ULEV	All	Front Right	--	--	740785	D-798
2005	4.7L	5TYXT04.7PKW	LEV2 ULEV	All	Front Left	749165	D-798	--	--
2005	4.7L	5TYXT04.7PKW	LEV2 ULEV	All	Front Left	--	--	740785	D-798
2005	4.7L	5TYXT04.7PKW	LEV2 ULEV	All	Front Right	749164	D-798	--	--
2005	4.7L	5TYXT04.7PKW	LEV2 ULEV	All	Front Right	--	--	740785	D-798

Legal Note: In Compliance with California Emissions Requirements

APPLICATION GUIDE



OBD II

APPLICATION

Year	Eng. Size	Test Group/ Engine Family	Certification Level	Application	Location	Direct Fit Number	Exec. Order	Consol. Number	Exec. Order
Toyota (Cont.)									
Tundra (Cont.)									
V8 (Cont.)									
2002	4.7L	2TYXT04.7FBY	LEV1 LEV	All	Front	910059	D-280-101	--	--
2002	4.7L	2TYXT04.7FBY	LEV1 LEV	All	Front Left	--	--	912004R	D-280-101
2002	4.7L	2TYXT04.7FBY	LEV1 LEV	All	Front Right	--	--	912004R	D-280-101
2002	4.7L	2TYXT04.7FBY	LEV1 LEV	All	Rear	910058	D-280-101	--	--
2001	4.7L	1TYXT04.7FBY	LEV1 LEV	All	Front Left	910059	D-280-101	--	--
2001	4.7L	1TYXT04.7FBY	LEV1 LEV	All	Front Left	--	--	912004R	D-280-101
2001	4.7L	1TYXT04.7FBY	LEV1 LEV	All	Front Right	910058	D-280-101	--	--
2001	4.7L	1TYXT04.7FBY	LEV1 LEV	All	Front Right	--	--	912004R	D-280-101
2000	4.7L	YTYXT04.7GXW	LEV1 LEV	All	Front Left	910059	D-280-101	--	--
2000	4.7L	YTYXT04.7GXW	LEV1 LEV	All	Front Left	--	--	912004R	D-280-101
2000	4.7L	YTYXT04.7GXW	LEV1 LEV	All	Front Right	910058	D-280-101	--	--
2000	4.7L	YTYXT04.7GXW	LEV1 LEV	All	Front Right	--	--	912004R	D-280-101
2000	4.7L	YTYXT04.7GXW	LEV1 LEV	All	Rear	--	--	912005	D-280-101
2012	5.7L	CTYXT05.7BEW	LEV2 ULEV	All	Front Left	--	--	740005	D-798
2012	5.7L	CTYXT05.7BEW	LEV2 ULEV	All	Front Right	--	--	740005	D-798
2012	5.7L	CTYXT05.7BEW	LEV2 ULEV	All	Rear Left	--	--	747335	D-798
2012	5.7L	CTYXT05.7BEW	LEV2 ULEV	All	Rear Right	--	--	747335	D-798
2012	5.7L	CTYXT05.7BEW	LEV2 ULEV	145.7" W.B.	Front Left	745054	D-798	--	--
2012	5.7L	CTYXT05.7BEW	LEV2 ULEV	145.7" W.B.	Front Right	744636	D-798	--	--
2011	5.7L	BTYXT05.7BEX	LEV2 ULEV	All	Front Left	--	--	740005	D-798
2011	5.7L	BTYXT05.7BEX	LEV2 ULEV	All	Front Right	--	--	740005	D-798
2011	5.7L	BTYXT05.7BEX	LEV2 ULEV	All	Rear Left	--	--	747335	D-798
2011	5.7L	BTYXT05.7BEX	LEV2 ULEV	All	Rear Right	--	--	747335	D-798
2011	5.7L	BTYXT05.7BEX	LEV2 ULEV	145.7" W.B.	Front Left	745054	D-798	--	--
2011	5.7L	BTYXT05.7BEX	LEV2 ULEV	145.7" W.B.	Front Right	744636	D-798	--	--
2010	5.7L	ATYXT05.7BEX	LEV2 ULEV	All	Front Left	--	--	740005	D-798
2010	5.7L	ATYXT05.7BEX	LEV2 ULEV	All	Front Right	--	--	740005	D-798
2010	5.7L	ATYXT05.7BEX	LEV2 ULEV	All	Rear Left	--	--	747335	D-798
2010	5.7L	ATYXT05.7BEX	LEV2 ULEV	All	Rear Right	--	--	747335	D-798
2010	5.7L	ATYXT05.7BEX	LEV2 ULEV	145.7" W.B.	Front Left	745054	D-798	--	--
2010	5.7L	ATYXT05.7BEX	LEV2 ULEV	145.7" W.B.	Front Right	744636	D-798	--	--
2009	5.7L	9TYXT05.7BEX	LEV2 ULEV	All	Front Left	--	--	740005	D-798
2009	5.7L	9TYXT05.7BEX	LEV2 ULEV	All	Front Right	--	--	740005	D-798
2009	5.7L	9TYXT05.7BEX	LEV2 ULEV	All	Rear Left	--	--	747335	D-798
2009	5.7L	9TYXT05.7BEX	LEV2 ULEV	All	Rear Right	--	--	747335	D-798
2009	5.7L	9TYXT05.7BEX	LEV2 ULEV	Exc. Crew Max	Front Left	744637	D-798	--	--
2009	5.7L	9TYXT05.7BEX	LEV2 ULEV	All	Front Right	744636	D-798	--	--
2008	5.7L	8TYXT05.7BEX	LEV2 ULEV	All	Front Left	--	--	740005	D-798
2008	5.7L	8TYXT05.7BEX	LEV2 ULEV	All	Front Right	--	--	740005	D-798
2008	5.7L	8TYXT05.7BEX	LEV2 ULEV	All	Rear Left	--	--	747335	D-798
2008	5.7L	8TYXT05.7BEX	LEV2 ULEV	All	Rear Right	--	--	747335	D-798
2008	5.7L	8TYXT05.7BEX	LEV2 ULEV	Exc. Crew Max	Front Left	744637	D-798	--	--
2008	5.7L	8TYXT05.7BEX	LEV2 ULEV	All	Front Right	744636	D-798	--	--
2007	5.7L	7TYXT05.7BEV	LEV2 ULEV	Exc. Crew Max	Front Left	744637	D-798	--	--
2007	5.7L	7TYXT05.7BEV	LEV2 ULEV	All	Front Left	--	--	740005	D-798
2007	5.7L	7TYXT05.7BEV	LEV2 ULEV	All	Front Right	--	--	740005	D-798
2007	5.7L	7TYXT05.7BEV	LEV2 ULEV	All	Rear Left	--	--	747335	D-798
2007	5.7L	7TYXT05.7BEV	LEV2 ULEV	All	Rear Right	--	--	747335	D-798
2007	5.7L	7TYXT05.7BEV	LEV2 ULEV	All	Front Right	744636	D-798	--	--
Venza									
V6									
2013	3.5L	DTYXT03.5BER	LEV2 ULEV	All	Front Left	741158	D-798	--	--
2013	3.5L	DTYXT03.5BER	LEV2 ULEV	All	Front Right	741161	D-798	--	--
2013	3.5L	DTYXT03.5BER	LEV2 ULEV	All	Rear	--	--	747015	D-798
2013	3.5L	DTYXT03.5BER	LEV2 ULEV	All	Underbody	744743	D-798	--	--
2012	3.5L	CTYXT03.5BER	LEV2 ULEV	All	Rear	--	--	747015	D-798
2012	3.5L	CTYXT03.5BER	LEV2 ULEV	All	Underbody	744743	D-798	--	--

Ⓣ Semi-Direct Fit, Requires Resonator Pipe 68526 To Complete Installation
 Legal Note: In Compliance with California Emissions Requirements



CATCO
CATALYTIC CONVERTERS

EASTERN CATALYTIC

APPLICATION GUIDE

OBD II

APPLICATION

Year	Eng. Size	Test Group/ Engine Family	Certification Level	Application	Location	Direct Fit Number	Exec. Order	Consol. Number	Exec. Order
Toyota (Cont.)									
Venza (Cont.)									
V6 (Cont.)									
2012	3.5L	CTYXT03.5BER	LEV2 ULEV	To 05/12	Front Left	741158	D-798	--	--
2012	3.5L	CTYXT03.5BER	LEV2 ULEV	To 05/12	Front Right	741161	D-798	--	--
2011	3.5L	BTYXT03.5BEM	LEV2 ULEV	All	Front Left	741158	D-798	--	--
2011	3.5L	BTYXT03.5BEM	LEV2 ULEV	All	Front Right	741161	D-798	--	--
2011	3.5L	BTYXT03.5BEM	LEV2 ULEV	All	Rear	--	--	747015	D-798
2011	3.5L	BTYXT03.5BEM	LEV2 ULEV	All	Underbody	744743 ⑨	D-798	--	--
2010	3.5L	ATYXT03.5BEM	LEV2 ULEV	All	Front Left	741158	D-798	--	--
2010	3.5L	ATYXT03.5BEM	LEV2 ULEV	All	Front Right	741161	D-798	--	--
2010	3.5L	ATYXT03.5BEM	LEV2 ULEV	All	Rear	--	--	747015	D-798
2010	3.5L	ATYXT03.5BEM	LEV2 ULEV	All	Underbody	744743 ⑨	D-798	--	--
2009	3.5L	9TYXT03.5BEM	LEV2 ULEV	All	Front Left	741158	D-798	--	--
2009	3.5L	9TYXT03.5BEM	LEV2 ULEV	All	Front Right	741161	D-798	--	--
2009	3.5L	9TYXT03.5BEM	LEV2 ULEV	All	Rear	--	--	747015	D-798
2009	3.5L	9TYXT03.5BEM	LEV2 ULEV	All	Underbody	744743 ⑨	D-798	--	--
Volkswagen									
Beetle									
L4									
2004	1.8L	4AD XV01.8346	LEV1 LEV	All	Underbody	944369	D-280-100	--	--
2004	1.8L	4AD XV01.8346	LEV1 LEV	All	Underbody	--	--	942565	D-280-100
2003	1.8L	3AD XV01.8346	LEV1 LEV	All	Underbody	944369	D-280-100	--	--
2003	1.8L	3AD XV01.8346	LEV1 LEV	All	Underbody	--	--	942565	D-280-100
2002	1.8L	2AD XV01.8346	LEV1 LEV	All	Underbody	944369	D-280-100	--	--
2002	1.8L	2AD XV01.8346	LEV1 LEV	All	Underbody	--	--	942565	D-280-100
2001	1.8L	1AD XV01.8346	LEV1 LEV	All	Underbody	944369	D-280-100	--	--
2001	1.8L	1AD XV01.8346	LEV1 LEV	All	Underbody	--	--	942565	D-280-100
2001	1.8L	1VWXV01.8229	TLEV	All	Underbody	944369	D-280-100	--	--
2001	1.8L	1VWXV01.8229	TLEV	All	Underbody	--	--	942565	D-280-100
2000	1.8L	YVWXV01.8228	TLEV	All	Underbody	944369	D-280-100	--	--
2000	1.8L	YVWXV01.8228	TLEV	All	Underbody	--	--	942565	D-280-100
1999	1.8L	XVWXV01.8228	TLEV	All	Underbody	944369	D-280-100	--	--
1999	1.8L	XVWXV01.8228	TLEV	All	Underbody	--	--	942565	D-280-100
2001	2.0L	1VWXV02.0223	LEV1 ULEV	All	Underbody	--	--	760025	D-280-105
2001	2.0L	1VWXV02.0223	LEV1 ULEV	Eng. Code AEG	Underbody	762181	D-280-105	--	--
2001	2.0L	1VWXV02.0227	LEV1 LEV	All	Underbody	--	--	942015	D-280-100
2001	2.0L	1VWXV02.0227	LEV1 LEV	Eng. Code AEG	Underbody	949181	D-280-100	--	--
2000	2.0L	YVWXV02.0227	LEV1 LEV	All	Underbody	949181	D-280-100	--	--
2000	2.0L	YVWXV02.0227	LEV1 LEV	All	Underbody	--	--	942015	D-280-100
1999	2.0L	XVWXV02.0227	LEV1 LEV	All	Underbody	949181	D-280-100	--	--
1999	2.0L	XVWXV02.0227	LEV1 LEV	All	Underbody	--	--	942015	D-280-100
1998	2.0L	WVWXV02.0226	TLEV	All	Underbody	949181	D-280-100	--	--
1998	2.0L	WVWXV02.0226	TLEV	All	Underbody	--	--	942015	D-280-100
Cabrio									
L4									
2002	2.0L	2VWXV02.0227	LEV1 LEV	All	Underbody	942371	D-280-100	--	--
2002	2.0L	2VWXV02.0227	LEV1 LEV	All	Underbody	--	--	940084	D-280-100
2001	2.0L	1VWXV02.0227	LEV1 LEV	All	Underbody	949181	D-280-100	--	--
2001	2.0L	1VWXV02.0227	LEV1 LEV	All	Underbody	--	--	942015	D-280-100
2000	2.0L	YVWXV02.0227	LEV1 LEV	All	Underbody	--	--	942013	D-280-100
1999	2.0L	XVWXV02.0223	TLEV	All	Underbody	949181	D-280-100	--	--
1999	2.0L	XVWXV02.0223	TLEV	All	Underbody	--	--	942015	D-280-100
1998	2.0L	WVWXV02.0223	TLEV	All	Underbody	942903	D-280-100	--	--
1998	2.0L	WVWXV02.0223	TLEV	All	Underbody	--	--	942016	D-280-100
1997	2.0L	VWV2.0V8GKEM	TIER1	All	Underbody	942903	D-280-100	--	--
1997	2.0L	VWV2.0V8GKEM	TIER1	All	Underbody	--	--	942016	D-280-100
1996	2.0L	TVW2.0V8GFEM	TIER1	All	Underbody	942903	D-280-100	--	--
1996	2.0L	TVW2.0V8GFEM	TIER1	All	Underbody	--	--	942016	D-280-100

⑨ Semi-Direct Fit, Requires Resonator Pipe 68526 To Complete Installation
 Legal Note: In Compliance with California Emissions Requirements

APPLICATION GUIDE



OBD II

APPLICATION

Year	Eng. Size	Test Group/ Engine Family	Certification Level	Application	Location	Direct Fit Number	Exec. Order	Consol. Number	Exec. Order
Volkswagen (Cont.)									
EOS									
L4									
2009	2.0L	9AD XV02.03UA	LEV2 ULEV	All	Front	--	--	760033	D-280-105
2009	2.0L	9AD XV02.03UA	LEV2 ULEV	All	Rear	--	--	760024	D-280-105
EuroVan									
V6									
2003	2.8L	3VWXT02.8225	TLEV	All	Underbody	--	--	910004R	D-280-101
2002	2.8L	2VWXT02.8225	TIER1	All	Underbody	--	--	910004R	D-280-101
2001	2.8L	1VWXT02.8225	TLEV	All	Underbody	--	--	910004R	D-280-101
2000	2.8L	YVWXT02.8225	TIER1	All	Underbody	919098	D-280-101	--	--
2000	2.8L	YVWXT02.8225	TIER1	All	Underbody	--	--	910004R	D-280-101
1999	2.8L	XVWXT02.8225	TIER1	All	Underbody	919098	D-280-101	--	--
1999	2.8L	XVWXT02.8225	TIER1	All	Underbody	--	--	910004R	D-280-101
1997	2.8L	VVW2.828GFGM	TIER1	All	Underbody	919098	D-280-101	--	--
1997	2.8L	VVW2.828GFGM	TIER1	All	Underbody	--	--	910004R	D-280-101
Golf									
L4									
2003	1.8L	3ADXV01.8346	LEV1 LEV	All	Underbody	630555	D-665-17	--	--
2002	1.8L	2ADXV01.8346	LEV1 LEV	All	Underbody	944369	D-280-100	--	--
2002	1.8L	2ADXV01.8346	LEV1 LEV	All	Underbody	--	--	942565	D-280-100
2001	1.8L	1ADXV01.8336	TLEV	All	Underbody	944369	D-280-100	--	--
2001	1.8L	1ADXV01.8336	TLEV	All	Underbody	--	--	942565	D-280-100
2001	1.8L	1ADXV01.8346	LEV1 LEV	All	Underbody	944369	D-280-100	--	--
2001	1.8L	1ADXV01.8346	LEV1 LEV	All	Underbody	--	--	942565	D-280-100
2001	2.0L	1VWXV02.0223	LEV1 ULEV	All	Underbody	--	--	760025	D-280-105
2001	2.0L	1VWXV02.0227	LEV1 LEV	All	Underbody	949181	D-280-100	--	--
2001	2.0L	1VWXV02.0227	LEV1 LEV	All	Underbody	--	--	942015	D-280-100
2000	2.0L	YVWXV02.0227	LEV1 LEV	All	Underbody	--	--	942015	D-280-100
2000	2.0L	YVWXV02.0227	LEV1 LEV	Eng. Code AEG	Underbody	949181	D-280-100	--	--
1999	2.0L	XVWXV02.0223	TLEV	All	Underbody	949181	D-280-100	--	--
1999	2.0L	XVWXV02.0223	TLEV	All	Underbody	--	--	942015	D-280-100
1999	2.0L	XVWXV02.0227	LEV1 LEV	All	Underbody	949181	D-280-100	--	--
1999	2.0L	XVWXV02.0227	LEV1 LEV	All	Underbody	--	--	942015	D-280-100
1998	2.0L	WVWXV02.0223	TLEV	All	Underbody	--	--	942016	D-280-100
1998	2.0L	WVWXV02.0223	TLEV	M/T	Underbody	942903	D-280-100	--	--
1997	2.0L	VVW2.0V8G2EL	TLEV	All	Underbody	--	--	942016	D-280-100
1997	2.0L	VVW2.0V8G2EL	TLEV	M/T	Underbody	942903	D-280-100	--	--
1997	2.0L	VVW2.0V8GKEM	TIER1	All	Underbody	942903	D-280-100	--	--
1997	2.0L	VVW2.0V8GKEM	TIER1	All	Underbody	--	--	942016	D-280-100
1996	2.0L	TVW2.0V8GKEM	TIER1	All	Underbody	--	--	942016	D-280-100
1996	2.0L	TVW2.0V8GKEM	TIER1	M/T	Underbody	942903	D-280-100	--	--
V6									
2004	2.8L	4VWXV02.8228	LEV1 LEV	All	Underbody	630570	D-665-17	--	--
2003	2.8L	3VWXV02.8228	LEV1 LEV	All	Underbody	--	--	942013	D-280-100
2002	2.8L	2VWXV02.8224	LEV1 LEV	All	Underbody	--	--	942013	D-280-100
2002	2.8L	2VWXV02.8224	LEV1 LEV	Eng. Code AFP	Underbody	942187	D-280-100	--	--
2002	2.8L	2VWXV02.8228	LEV1 LEV	All	Underbody	942187	D-280-100	--	--
2002	2.8L	2VWXV02.8228	LEV1 LEV	All	Underbody	--	--	942013	D-280-100
2001	2.8L	1VWXV02.8224	LEV1 LEV	All	Underbody	942187	D-280-100	--	--
2001	2.8L	1VWXV02.8224	LEV1 LEV	All	Underbody	--	--	942013	D-280-100
2000	2.8L	YVWXV02.8224	LEV1 LEV	All	Underbody	942187	D-280-100	--	--
2000	2.8L	YVWXV02.8224	LEV1 LEV	All	Underbody	--	--	942013	D-280-100
1999	2.8L	XVWXV02.8221	TIER1	All	Underbody	942187	D-280-100	--	--
1999	2.8L	XVWXV02.8221	TIER1	All	Underbody	--	--	942013	D-280-100
1999	2.8L	XVWXV02.8224	TLEV	All	Underbody	942187	D-280-100	--	--
1999	2.8L	XVWXV02.8224	TLEV	All	Underbody	--	--	942013	D-280-100
1998	2.8L	WVWXV02.8224	TIER1	All	Underbody	942903	D-280-100	--	--
1998	2.8L	WVWXV02.8224	TIER1	All	Underbody	--	--	942016	D-280-100
1997	2.8L	VVW2.8V8GFGM	TIER1	All	Underbody	942903	D-280-100	--	--
1997	2.8L	VVW2.8V8GFGM	TIER1	All	Underbody	--	--	942016	D-280-100

Legal Note: In Compliance with California Emissions Requirements

**CATCO**
CATALYTIC CONVERTERS**EASTERN**
CATALYTIC

APPLICATION GUIDE

OBD II**APPLICATION**

Year	Eng. Size	Test Group/ Engine Family	Certification Level	Application	Location	Direct Fit Number	Exec. Order	Consol. Number	Exec. Order
Volkswagen (Cont.)									
Golf (Cont.)									
V6 (Cont.)									
1996	2.8L	TVW2.8V8GFGM	TIER1	All	Underbody	942903	D-280-100	--	--
1996	2.8L	TVW2.8V8GFGM	TIER1	All	Underbody	--	--	942016	D-280-100
GTI									
L4									
2009	2.0L	9ADXV02.03UA	LEV2 ULEV	All	Front	--	--	760033	D-280-105
2009	2.0L	9ADXV02.03UA	LEV2 ULEV	All	Rear	--	--	760024	D-280-105
2008	2.0L	8ADXV02.03UA	LEV2 ULEV	All	Front	--	--	760033	D-280-105
2008	2.0L	8ADXV02.03UA	LEV2 ULEV	All	Rear	--	--	760024	D-280-105
Jetta									
L4									
2003	1.8L	3ADXV01.8346	LEV1 LEV	All	Underbody	944369	D-280-100	--	--
2003	1.8L	3ADXV01.8346	LEV1 LEV	All	Underbody	--	--	942565	D-280-100
2002	1.8L	2ADXV01.8346	LEV1 LEV	All	Underbody	944369	D-280-100	--	--
2002	1.8L	2ADXV01.8346	LEV1 LEV	All	Underbody	--	--	942565	D-280-100
2001	1.8L	1ADXV01.8336	TLEV	All	Underbody	630555	D-665-17	--	--
2001	1.8L	1ADXV01.8346	LEV1 LEV	All	Underbody	944369	D-280-100	--	--
2001	1.8L	1ADXV01.8346	LEV1 LEV	All	Underbody	--	--	942565	D-280-100
2009	2.0L	9ADXV02.03UA	LEV2 ULEV	All	Front	--	--	760033	D-280-105
2009	2.0L	9ADXV02.03UA	LEV2 ULEV	All	Rear	--	--	760024	D-280-105
2008	2.0L	8ADXV02.03UA	LEV2 ULEV	All	Front	--	--	760033	D-280-105
2008	2.0L	8ADXV02.03UA	LEV2 ULEV	All	Rear	--	--	760024	D-280-105
2001	2.0L	1VWXV02.0223	LEV1 ULEV	All	Underbody	762181	D-280-105	--	--
2001	2.0L	1VWXV02.0223	LEV1 ULEV	All	Underbody	--	--	760025	D-280-105
2001	2.0L	1VWXV02.0227	LEV1 LEV	All	Underbody	949181	D-280-100	--	--
2001	2.0L	1VWXV02.0227	LEV1 LEV	All	Underbody	--	--	942015	D-280-100
2000	2.0L	YVWXV02.0227	LEV1 LEV	All	Underbody	949181	D-280-100	--	--
2000	2.0L	YVWXV02.0227	LEV1 LEV	All	Underbody	--	--	942015	D-280-100
1999	2.0L	XVWXV02.0223	TLEV	All	Underbody	--	--	942015	D-280-100
1999	2.0L	XVWXV02.0223	TLEV	Eng. Code AEG	Underbody	949181	D-280-100	--	--
1999	2.0L	XVWXV02.0227	LEV1 LEV	All	Underbody	--	--	942015	D-280-100
1999	2.0L	XVWXV02.0227	LEV1 LEV	Eng. Code AEG	Underbody	949181	D-280-100	--	--
1998	2.0L	WVWXV02.0223	TLEV	All	Underbody	--	--	942016	D-280-100
1998	2.0L	WVWXV02.0223	TLEV	Eng. Code ABA	Underbody	942903	D-280-100	--	--
1997	2.0L	VVW2.0V8G2EL	TLEV	All	Underbody	630524	D-665-17	--	--
1997	2.0L	VVW2.0V8GKEM	TIER1	All	Underbody	942903	D-280-100	--	--
1997	2.0L	VVW2.0V8GKEM	TIER1	All	Underbody	--	--	942016	D-280-100
1996	2.0L	TVW2.0V8G2EL	TLEV	All	Underbody	942903	D-280-100	--	--
1996	2.0L	TVW2.0V8G2EL	TLEV	All	Underbody	--	--	942016	D-280-100
1996	2.0L	TVW2.0V8GKEM	TIER1	All	Underbody	942903	D-280-100	--	--
1996	2.0L	TVW2.0V8GKEM	TIER1	All	Underbody	--	--	942016	D-280-100
V6									
2004	2.8L	4VWXV02.8228	LEV1 LEV	All	Underbody	942187	D-280-100	--	--
2004	2.8L	4VWXV02.8228	LEV1 LEV	All	Underbody	--	--	942013	D-280-100
2003	2.8L	3VWXV02.8228	LEV1 LEV	All	Underbody	942187	D-280-100	--	--
2003	2.8L	3VWXV02.8228	LEV1 LEV	All	Underbody	--	--	942013	D-280-100
2002	2.8L	2VWXV02.8224	LEV1 LEV	All	Underbody	--	--	942013	D-280-100
2002	2.8L	2VWXV02.8224	LEV1 LEV	Eng. Code AFP	Underbody	942187	D-280-100	--	--
2002	2.8L	2VWXV02.8228	LEV1 LEV	All	Underbody	942187	D-280-100	--	--
2002	2.8L	2VWXV02.8228	LEV1 LEV	All	Underbody	--	--	942013	D-280-100
2001	2.8L	1VWXV02.8224	LEV1 LEV	All	Underbody	942187	D-280-100	--	--
2001	2.8L	1VWXV02.8224	LEV1 LEV	All	Underbody	--	--	942013	D-280-100
2000	2.8L	YVWXV02.8224	LEV1 LEV	All	Underbody	942187	D-280-100	--	--
2000	2.8L	YVWXV02.8224	LEV1 LEV	All	Underbody	--	--	942013	D-280-100
1999	2.8L	XVWXV02.8221	TIER1	All	Underbody	--	--	942013	D-280-100
1999	2.8L	XVWXV02.8221	TIER1	Eng. Code AFP	Underbody	942187	D-280-100	--	--
1999	2.8L	XVWXV02.8224	TLEV	All	Underbody	--	--	942013	D-280-100
1999	2.8L	XVWXV02.8224	TLEV	Eng. Code AFP	Underbody	942187	D-280-100	--	--

Legal Note: In Compliance with California Emissions Requirements

APPLICATION GUIDE



OBD II

APPLICATION

Year	Eng. Size	Test Group/ Engine Family	Certification Level	Application	Location	Direct Fit Number	Exec. Order	Consol. Number	Exec. Order
Volkswagen (Cont.)									
Jetta (Cont.)									
V6 (Cont.)									
1998	2.8L	VVWXV02.8224	TIER1	All	Underbody	942903	D-280-100	--	--
1998	2.8L	VVWXV02.8224	TIER1	All	Underbody	--	--	942016	D-280-100
1997	2.8L	VVW2.8V8GFGM	TIER1	All	Underbody	942903	D-280-100	--	--
1997	2.8L	VVW2.8V8GFGM	TIER1	All	Underbody	--	--	942016	D-280-100
1996	2.8L	TVW2.8V8GFGM	TIER1	All	Underbody	942903	D-280-100	--	--
1996	2.8L	TVW2.8V8GFGM	TIER1	All	Underbody	--	--	942016	D-280-100
Passat									
L4									
2005	1.8L	5AD XV01.8342	LEV1 ULEV	All	Underbody	764186	D-280-105	--	--
2005	1.8L	5AD XV01.8342	LEV1 ULEV	All	Underbody	--	--	760004	D-280-105
2004	1.8L	4AD XV01.8342	LEV1 ULEV	All	Underbody	764186	D-280-105	--	--
2004	1.8L	4AD XV01.8342	LEV1 ULEV	All	Underbody	--	--	760004	D-280-105
2003	1.8L	3AD XV01.8342	LEV1 ULEV	All	Underbody	764186	D-280-105	--	--
2003	1.8L	3AD XV01.8342	LEV1 ULEV	All	Underbody	--	--	760004	D-280-105
2002	1.8L	2AD XV01.8342	LEV1 ULEV	All	Underbody	764186	D-280-105	--	--
2002	1.8L	2AD XV01.8342	LEV1 ULEV	All	Underbody	--	--	760004	D-280-105
2001	1.8L	1AD XV01.8342	LEV1 ULEV	All	Underbody	764186	D-280-105	--	--
2001	1.8L	1AD XV01.8342	LEV1 ULEV	All	Underbody	--	--	760004	D-280-105
2000	1.8L	YAD XV01.8322	TLEV	All	Underbody	--	--	942013	D-280-100
2000	1.8L	YAD XV01.8332	TLEV	All	Underbody	942186	D-280-100	--	--
2000	1.8L	YAD XV01.8332	TLEV	All	Underbody	--	--	940106	D-280-100
1999	1.8L	XAD XV01.8322	TLEV	All	Underbody	942186	D-280-100	--	--
1999	1.8L	XAD XV01.8322	TLEV	All	Underbody	--	--	940106	D-280-100
1998	1.8L	WAD XV01.8322	TLEV	All	Underbody	942186	D-280-100	--	--
1998	1.8L	WAD XV01.8322	TLEV	All	Underbody	--	--	940106	D-280-100
2009	2.0L	9AD XV02.03UA	LEV2 ULEV	All	Front	--	--	760033	D-280-105
2009	2.0L	9AD XV02.03UA	LEV2 ULEV	All	Rear	--	--	760024	D-280-105
2008	2.0L	8AD XV02.03UA	LEV2 ULEV	All	Front	--	--	760033	D-280-105
2008	2.0L	8AD XV02.03UA	LEV2 ULEV	All	Rear	--	--	760024	D-280-105
1996	2.0L	TVW2.0V8GFEM	TIER1	All	Underbody	942114	D-280-100	--	--
1996	2.0L	TVW2.0V8GFEM	TIER1	All	Underbody	--	--	942016	D-280-100
V6									
2005	2.8L	5AD XV02.8334	LEV1 LEV	A/T	Front Left	--	--	940105	D-280-100
2005	2.8L	5AD XV02.8334	LEV1 LEV	A/T	Front Right	--	--	940105	D-280-100
2005	2.8L	5AD XV02.8334	LEV1 LEV	A/T	Rear Left	--	--	940104	D-280-100
2005	2.8L	5AD XV02.8334	LEV1 LEV	A/T	Rear Right	--	--	940104	D-280-100
2005	2.8L	5AD XV02.8334	LEV1 LEV	A/T	Underbody Left	944241	D-280-100	--	--
2005	2.8L	5AD XV02.8334	LEV1 LEV	A/T	Underbody Right	944240	D-280-100	--	--
2004	2.8L	4AD XV02.8334	LEV1 LEV	A/T	Front Left	--	--	940105	D-280-100
2004	2.8L	4AD XV02.8334	LEV1 LEV	A/T	Front Right	--	--	940105	D-280-100
2004	2.8L	4AD XV02.8334	LEV1 LEV	A/T	Rear Left	--	--	940104	D-280-100
2004	2.8L	4AD XV02.8334	LEV1 LEV	A/T	Rear Right	--	--	940104	D-280-100
2004	2.8L	4AD XV02.8334	LEV1 LEV	A/T	Underbody Left	944241	D-280-100	--	--
2004	2.8L	4AD XV02.8334	LEV1 LEV	A/T	Underbody Right	944240	D-280-100	--	--
2003	2.8L	3AD XV02.8334	LEV1 LEV	A/T	Front Left	--	--	940105	D-280-100
2003	2.8L	3AD XV02.8334	LEV1 LEV	A/T	Front Right	--	--	940105	D-280-100
2003	2.8L	3AD XV02.8334	LEV1 LEV	A/T	Rear Left	--	--	940104	D-280-100
2003	2.8L	3AD XV02.8334	LEV1 LEV	A/T	Rear Right	--	--	940104	D-280-100
2003	2.8L	3AD XV02.8334	LEV1 LEV	A/T	Underbody Left	944241	D-280-100	--	--
2003	2.8L	3AD XV02.8334	LEV1 LEV	A/T	Underbody Right	944240	D-280-100	--	--
2002	2.8L	2AD XV02.8334	LEV1 LEV	A/T	Front Left	--	--	940105	D-280-100
2002	2.8L	2AD XV02.8334	LEV1 LEV	A/T	Front Right	--	--	940105	D-280-100
2002	2.8L	2AD XV02.8334	LEV1 LEV	A/T	Rear Left	--	--	940104	D-280-100
2002	2.8L	2AD XV02.8334	LEV1 LEV	A/T	Rear Right	--	--	940104	D-280-100
2002	2.8L	2AD XV02.8334	LEV1 LEV	A/T	Underbody Left	944241	D-280-100	--	--
2002	2.8L	2AD XV02.8334	LEV1 LEV	A/T	Underbody Right	944240	D-280-100	--	--

Legal Note: In Compliance with California Emissions Requirements



CATCO
CATALYTIC CONVERTERS

EASTERN CATALYTIC

APPLICATION GUIDE

OBD II

APPLICATION

Year	Eng. Size	Test Group/ Engine Family	Certification Level	Application	Location	Direct Fit Number	Exec. Order	Consol. Number	Exec. Order
Volkswagen (Cont.)									
Passat (Cont.)									
V6 (Cont.)									
2001	2.8L	1AD XV02.8334	LEV1 LEV	A/T	Front Left	--	--	940105	D-280-100
2001	2.8L	1AD XV02.8334	LEV1 LEV	A/T	Front Right	--	--	940105	D-280-100
2001	2.8L	1AD XV02.8334	LEV1 LEV	A/T	Rear Left	--	--	940104	D-280-100
2001	2.8L	1AD XV02.8334	LEV1 LEV	A/T	Rear Right	--	--	940104	D-280-100
2001	2.8L	1AD XV02.8334	LEV1 LEV	A/T	Underbody Left	944241	D-280-100	--	--
2001	2.8L	1AD XV02.8334	LEV1 LEV	A/T	Underbody Right	944240	D-280-100	--	--
2000	2.8L	YAD XV02.8334	LEV1 LEV	M/T	Front Left	944665	D-280-100	--	--
2000	2.8L	YAD XV02.8334	LEV1 LEV	M/T	Front Left	--	--	940105	D-280-100
2000	2.8L	YAD XV02.8334	LEV1 LEV	M/T	Front Right	944660	D-280-100	--	--
2000	2.8L	YAD XV02.8334	LEV1 LEV	M/T	Front Right	--	--	940105	D-280-100
2000	2.8L	YAD XV02.8334	LEV1 LEV	M/T	Rear Left	--	--	940104	D-280-100
2000	2.8L	YAD XV02.8334	LEV1 LEV	M/T	Rear Right	--	--	940104	D-280-100
2000	2.8L	YAD XV02.8334	LEV1 LEV	A/T	Front Left	944241	D-280-100	--	--
2000	2.8L	YAD XV02.8334	LEV1 LEV	A/T	Front Right	944240	D-280-100	--	--
1999	2.8L	XAD XV02.8324	TLEV	All	Rear	--	--	942013	D-280-100
1999	2.8L	XAD XV02.8324	TLEV	All	Underbody Left	--	--	942013	D-280-100
1998	2.8L	WAD XV02.8324	TLEV	All	Rear	--	--	942013	D-280-100
1998	2.8L	WAD XV02.8324	TLEV	All	Underbody Left	--	--	942013	D-280-100
1997	2.8L	VVW2.8V8GFGM	TIER1	All	Underbody	942903	D-280-100	--	--
1997	2.8L	VVW2.8V8GFGM	TIER1	All	Underbody	--	--	942016	D-280-100
1996	2.8L	TVW2.8V8GFGM	TIER1	All	Underbody	942903	D-280-100	--	--
1996	2.8L	TVW2.8V8GFGM	TIER1	All	Underbody	--	--	942016	D-280-100
Routan									
V6									
2013	3.6L	DCRX T03.6VPA	LEV2 ULEV	All	Front Left	741280	D-798	--	--
2013	3.6L	DCRX T03.6VPA	LEV2 ULEV	All	Front Right	741281	D-798	--	--
2012	3.6L	CCRX J03.6VPA	LEV2 ULEV	All	Front Left	741280	D-798	--	--
2012	3.6L	CCRX J03.6VPA	LEV2 ULEV	All	Front Right	741281	D-798	--	--
2011	3.6L	BCRX J03.6UP0	LEV2 ULEV	All	Front Left	741280	D-798	--	--
2011	3.6L	BCRX J03.6UP0	LEV2 ULEV	All	Front Right	741281	D-798	--	--
2011	3.6L	BCRX J03.6UPA	LEV2 ULEV	All	Front Left	741280	D-798	--	--
2011	3.6L	BCRX J03.6UPA	LEV2 ULEV	All	Front Right	741281	D-798	--	--
2010	3.8L	ACRX T03.8XP0	LEV2 ULEV	All	Underbody	744441	D-798	--	--
2010	3.8L	ACRX T03.8XP0	LEV2 ULEV	All	Underbody	--	--	740726	D-798
2009	3.8L	9CRX T03.8YP0	LEV2 ULEV	All	Underbody	744441	D-798	--	--
2009	3.8L	9CRX T03.8YP0	LEV2 ULEV	All	Underbody	--	--	740726	D-798
Tiguan									
L4									
2009	2.0L	9AD XV02.03UA	LEV2 ULEV	All	Front	--	--	760033	D-280-105
2009	2.0L	9AD XV02.03UA	LEV2 ULEV	All	Rear	--	--	760024	D-280-105
Touareg									
V6									
2006	3.2L	6VWXT03.2275	LEV2 LEV	All	Front	741111	D-798	--	--
2006	3.2L	6VWXT03.2275	LEV2 LEV	All	Rear	--	--	747335	D-798
2006	3.2L	6VWXT03.2275	LEV2 LEV	All	Underbody	744448	D-798	--	--
2005	3.2L	5VWXT03.2225	LEV2 LEV	All	Front	741111	D-798	--	--
2005	3.2L	5VWXT03.2225	LEV2 LEV	All	Rear	--	--	747335	D-798
2005	3.2L	5VWXT03.2225	LEV2 LEV	All	Underbody	744448	D-798	--	--
2004	3.2L	4VWXT03.2225	LEV2 LEV	All	Front	741111	D-798	--	--
2004	3.2L	4VWXT03.2225	LEV2 LEV	All	Rear	--	--	747335	D-798
2004	3.2L	4VWXT03.2225	LEV2 LEV	All	Underbody	744448	D-798	--	--

Legal Note: In Compliance with California Emissions Requirements

APPLICATION GUIDE



OBD II

APPLICATION

Year	Eng. Size	Test Group/ Engine Family	Certification Level	Application	Location	Direct Fit Number	Exec. Order	Consol. Number	Exec. Order
Volvo									
850									
L5									
1997	2.3L	VVV2.3VJGKEK	TIER1	All	Underbody	--	--	940105	D-280-100
1996	2.3L	TVV2.3VJGKEK	TIER1	All	Underbody	942188	D-280-100	--	--
1996	2.3L	TVV2.3VJGKEK	TIER1	All	Underbody	--	--	940105	D-280-100
1995	2.3L	SVV2.3VJGFEK	TIER1	All	Underbody	942188	D-280-100	--	--
1995	2.3L	SVV2.3VJGFEK	TIER1	All	Underbody	--	--	940105	D-280-100
1997	2.4L	VVV2.4VJGKEK	TLEV	GLT	Underbody	944470	D-280-100	--	--
1997	2.4L	VVV2.4VJGKEK	TLEV	All	Underbody	--	--	940001	D-280-100
1996	2.4L	TVV2.4VJGKEK	TLEV	All	Underbody	942190	D-280-100	--	--
1996	2.4L	TVV2.4VJGKEK	TLEV	All	Underbody	--	--	940105	D-280-100
1995	2.4L	SVV2.4VJGFEK	TIER1	All	Underbody	942188	D-280-100	--	--
1995	2.4L	SVV2.4VJGFEK	TIER1	All	Underbody	--	--	940105	D-280-100
960									
L6									
1997	2.9L	VVV2.9VJGFEL	TIER1	All	Underbody	--	--	940105	D-280-100
1996	2.9L	TVV2.9VJGFEL	TIER1	All	Underbody	--	--	940105	D-280-100
C30									
L5									
2009	2.5L	9VVXV02.5U2T	LEV2 ULEV	All	Underbody	765195	D-280-105	--	--
2008	2.5L	8VVXV02.5U2T	LEV2 ULEV	All	Underbody	765195	D-280-105	--	--
C70									
L5									
2004	2.3L	4VVXV2.52L1T	LEV1 LEV	All	Underbody	--	--	940106	D-280-100
2003	2.3L	3VVXV2.43L1T	LEV1 LEV	All	Underbody	--	--	940105	D-280-100
2001	2.3L	1VVXV2.43L5T	LEV1 LEV	All	Underbody	--	--	940106	D-280-100
2000	2.3L	YVVXV2.43PA3	LEV1 LEV	All	Underbody	--	--	940106	D-280-100
1999	2.3L	XVVXV2.43PA2	LEV1 LEV	All	Underbody	--	--	940106	D-280-100
1998	2.3L	WVVXV2.43PA1	TLEV	All	Underbody	--	--	940106	D-280-100
2004	2.4L	4VVXV2.52L1T	LEV1 LEV	All	Underbody	--	--	940106	D-280-100
2003	2.4L	3VVXV2.43L1T	LEV1 LEV	All	Underbody	--	--	940106	D-280-100
2002	2.4L	2VVXV2.43L5T	LEV1 LEV	All	Underbody	--	--	940106	D-280-100
2001	2.4L	1VVXV2.43L5T	LEV1 LEV	All	Underbody	--	--	940106	D-280-100
2000	2.4L	YVVXV2.43PA3	LEV1 LEV	All	Underbody	--	--	940106	D-280-100
1999	2.4L	XVVXV2.43PA2	LEV1 LEV	All	Underbody	--	--	940106	D-280-100
1998	2.4L	WVVXV2.43PA1	TLEV	All	Underbody	--	--	940106	D-280-100
S40									
L4									
2004	1.9L	4VVXV1.95L1T	LEV1 LEV	All	Front	941112	D-280-100	--	--
2004	1.9L	4VVXV1.95L1T	LEV1 LEV	All	Rear	942312	D-280-100	--	--
2004	1.9L	4VVXV1.95L1T	LEV1 LEV	All	Rear	--	--	940105	D-280-100
2003	1.9L	3VVXV1.95L1T	LEV1 LEV	All	Rear	--	--	940105	D-280-100
2003	1.9L	3VVXV1.95L1T	LEV1 LEV	All	Underbody	942312	D-280-100	--	--
2002	1.9L	2VVXV1.95L4T	LEV1 LEV	All	Underbody	--	--	940105	D-280-100
2001	1.9L	1VVXV1.95L4T	LEV1 LEV	All	Underbody	--	--	940105	D-280-100
L5									
2010	2.4L	AVVXV02.4U2N	LEV2 ULEV	All	Underbody	765195	D-280-105	--	--
2009	2.4L	9VVXV02.4U2N	LEV2 ULEV	All	Underbody	765195	D-280-105	--	--
2008	2.4L	8VVXV02.4U2N	LEV2 ULEV	All	Underbody	765195	D-280-105	--	--
2007	2.4L	7VVXV02.4U2N	LEV2 ULEV	All	Underbody	765195	D-280-105	--	--
2006	2.4L	6VVXV02.4U2N	LEV2 ULEV	All	Underbody	765195	D-280-105	--	--
2005	2.4L	5VVXV02.4U2N	LEV2 ULEV	All	Underbody	765195	D-280-105	--	--
2004	2.4L	4VVXV2.43U2N	LEV2 ULEV	All	Underbody	765195	D-280-105	--	--
S60									
L5									
2004	2.3L	4VVXV2.52L1T	LEV1 LEV	All	Underbody	--	--	940106	D-280-100
2003	2.3L	3VVXV2.43L1T	LEV1 LEV	All	Underbody	--	--	940105	D-280-100

Legal Note: In Compliance with California Emissions Requirements

**CATCO**
CATALYTIC CONVERTERS**EASTERN CATALYTIC****APPLICATION GUIDE****OBD II****APPLICATION**

Year	Eng. Size	Test Group/ Engine Family	Certification Level	Application	Location	Direct Fit Number	Exec. Order	Consol. Number	Exec. Order
Volvo (Cont.)									
S60 (Cont.)									
L5 (Cont.)									
2002	2.3L	2VVXV2.43L5T	LEV1 LEV	All	Underbody	945157	D-280-100	--	--
2002	2.3L	2VVXV2.43L5T	LEV1 LEV	All	Underbody	--	--	940001	D-280-100
2001	2.3L	1VVXV2.43L5T	LEV1 LEV	All	Underbody	945157	D-280-100	--	--
2001	2.3L	1VVXV2.43L5T	LEV1 LEV	All	Underbody	--	--	940001	D-280-100
2009	2.4L	9VVXV02.4L2T	LEV2 LEV	All	Underbody	764557	D-280-105	--	--
2009	2.4L	9VVXV02.4L2T	LEV2 LEV	All	Underbody	--	--	760015	D-280-105
2008	2.4L	8VVXV02.4L2T	LEV2 LEV	All	Underbody	764557	D-280-105	--	--
2008	2.4L	8VVXV02.4L2T	LEV2 LEV	All	Underbody	--	--	760015	D-280-105
2007	2.4L	7VVXV02.5L2T	LEV2 LEV	All	Underbody	764557	D-280-105	--	--
2007	2.4L	7VVXV02.5L2T	LEV2 LEV	All	Underbody	--	--	760015	D-280-105
2006	2.4L	6VVXV02.5L2T	LEV2 LEV	All	Underbody	764557	D-280-105	--	--
2006	2.4L	6VVXV02.5L2T	LEV2 LEV	All	Underbody	--	--	760015	D-280-105
2005	2.4L	5VVXV02.5L2T	LEV2 LEV	All	Underbody	764557	D-280-105	--	--
2005	2.4L	5VVXV02.5L2T	LEV2 LEV	All	Underbody	--	--	760015	D-280-105
2003	2.4L	3VVXV2.43L1T	LEV1 LEV	All	Underbody	630583	D-665-17	--	--
2003	2.4L	3VVXV2.43L1T	LEV1 LEV	All	Underbody	--	--	940106	D-280-100
2002	2.4L	2VVXV2.43L5T	LEV1 LEV	All	Underbody	945157	D-280-100	--	--
2002	2.4L	2VVXV2.43L5T	LEV1 LEV	All	Underbody	--	--	940001	D-280-100
2001	2.4L	1VVXV2.43L5T	LEV1 LEV	All	Underbody	945157	D-280-100	--	--
2001	2.4L	1VVXV2.43L5T	LEV1 LEV	All	Underbody	--	--	940001	D-280-100
2001	2.4L	1VVXV2.43U5N	LEV1 ULEV	All	Front	764486	D-280-105	--	--
2009	2.5L	9VVXV02.5U2T	LEV2 ULEV	All	Underbody	764557	D-280-105	--	--
2009	2.5L	9VVXV02.5U2T	LEV2 ULEV	All	Underbody	--	--	760015	D-280-105
2008	2.5L	8VVXV02.5U2T	LEV2 ULEV	All	Underbody	764557	D-280-105	--	--
2008	2.5L	8VVXV02.5U2T	LEV2 ULEV	All	Underbody	--	--	760015	D-280-105
2007	2.5L	7VVXV02.5L2T	LEV2 LEV	All	Underbody	764557	D-280-105	--	--
2007	2.5L	7VVXV02.5L2T	LEV2 LEV	All	Underbody	--	--	760015	D-280-105
2007	2.5L	7VVXV02.5U2T	LEV2 ULEV	All	Underbody	764557	D-280-105	--	--
2007	2.5L	7VVXV02.5U2T	LEV2 ULEV	All	Underbody	--	--	760015	D-280-105
2006	2.5L	6VVXV02.5L2T	LEV2 LEV	All	Underbody	764557	D-280-105	--	--
2006	2.5L	6VVXV02.5L2T	LEV2 LEV	All	Underbody	--	--	760015	D-280-105
2006	2.5L	6VVXV02.5U2T	LEV2 ULEV	All	Underbody	764557	D-280-105	--	--
2006	2.5L	6VVXV02.5U2T	LEV2 ULEV	All	Underbody	--	--	760015	D-280-105
2005	2.5L	5VVXV02.5L2T	LEV2 LEV	All	Underbody	764557	D-280-105	--	--
2005	2.5L	5VVXV02.5L2T	LEV2 LEV	All	Underbody	--	--	760015	D-280-105
2005	2.5L	5VVXV02.5U2T	LEV2 ULEV	All	Underbody	764557	D-280-105	--	--
2005	2.5L	5VVXV02.5U2T	LEV2 ULEV	All	Underbody	--	--	760015	D-280-105
2004	2.5L	4VVXV2.52L1T	LEV1 LEV	AWD	Underbody	945244	D-280-100	--	--
2004	2.5L	4VVXV2.52L1T	LEV1 LEV	AWD	Underbody	--	--	940101	D-280-100
S70									
L5									
2000	2.3L	YVVXV2.43PA3	LEV1 LEV	AWD	Underbody	944285	D-280-100	--	--
2000	2.3L	YVVXV2.43PA3	LEV1 LEV	All	Underbody	--	--	940101	D-280-100
1999	2.3L	XVVXV2.43AW2	TLEV	All	Underbody	--	--	940101	D-280-100
1999	2.3L	XVVXV2.43PA2	LEV1 LEV	All	Underbody	--	--	940101	D-280-100
1998	2.3L	WVVXV2.43PA1	TLEV	All	Underbody	--	--	940101	D-280-100
2000	2.4L	YVVXV2.43PA3	LEV1 LEV	AWD	Underbody	944285	D-280-100	--	--
2000	2.4L	YVVXV2.43PA3	LEV1 LEV	All	Underbody	--	--	940101	D-280-100
1999	2.4L	XVVXV2.43AW2	TLEV	All	Underbody	--	--	940101	D-280-100
1999	2.4L	XVVXV2.43PA2	LEV1 LEV	All	Underbody	--	--	940101	D-280-100
1999	2.4L	XVVXV2.43TF2	LEV1 LEV	All	Underbody	--	--	940101	D-280-100
1998	2.4L	WVVXV2.43PA1	TLEV	All	Underbody	--	--	940101	D-280-100
S80									
L5									
2006	2.5L	6VVXV02.5U2T	LEV2 ULEV	All	Underbody	764557	D-280-105	--	--
2006	2.5L	6VVXV02.5U2T	LEV2 ULEV	All	Underbody	--	--	760015	D-280-105
2005	2.5L	5VVXV02.5U2T	LEV2 ULEV	All	Underbody	764557	D-280-105	--	--
2005	2.5L	5VVXV02.5U2T	LEV2 ULEV	All	Underbody	--	--	760015	D-280-105

Legal Note: In Compliance with California Emissions Requirements

APPLICATION GUIDE



OBD II

APPLICATION

Year	Eng. Size	Test Group/ Engine Family	Certification Level	Application	Location	Direct Fit Number	Exec. Order	Consol. Number	Exec. Order
Volvo (Cont.)									
S80 (Cont.)									
L5 (Cont.)									
2004	2.5L	4VXXV02.5U2T	LEV2 ULEV	All	Underbody	764557	D-280-105	--	--
2004	2.5L	4VXXV02.5U2T	LEV2 ULEV	All	Underbody	--	--	760015	D-280-105
L6									
2001	2.8L	1VXXV2.78T6T	TLEV	All	Underbody	--	--	940105	D-280-100
2000	2.8L	YVXXV2.78EN3	TLEV	All	Underbody	--	--	940105	D-280-100
1999	2.8L	XVXXV2.78EN2	TLEV	All	Underbody	--	--	940105	D-280-100
2004	2.9L	4VXXV2.92U1N	LEV1 ULEV	Naturally Aspirated	Left	808566	D-665-23	--	--
2004	2.9L	4VXXV2.92U1N	LEV1 ULEV	Naturally Aspirated	Right	808565	D-665-23	--	--
2003	2.9L	3VXXV2.92U1N	LEV1 ULEV	Naturally Aspirated	Left	808566	D-665-23	--	--
2003	2.9L	3VXXV2.92U1N	LEV1 ULEV	Naturally Aspirated	Right	808565	D-665-23	--	--
2001	2.9L	1VXXV2.92L6N	LEV1 LEV	All	Underbody	630572	D-665-17	--	--
2001	2.9L	1VXXV2.92L6N	LEV1 LEV	All	Underbody	--	--	940105	D-280-100
2000	2.9L	YVXXV2.92BU3	LEV1 LEV	All	Underbody	630572	D-665-17	--	--
2000	2.9L	YVXXV2.92BU3	LEV1 LEV	All	Underbody	--	--	940105	D-280-100
1999	2.9L	XVXXV2.92BU2	LEV1 LEV	All	Underbody	630572	D-665-17	--	--
1999	2.9L	XVXXV2.92BU2	TLEV	All	Underbody	--	--	940105	D-280-100
S90									
L6									
1998	2.9L	WVXXV2.92EVA	TIER1	All	Underbody	--	--	940105	D-280-100
V40									
L4									
2004	1.9L	4VXXV1.95L1T	LEV1 LEV	All	Front	941112	D-280-100	--	--
2004	1.9L	4VXXV1.95L1T	LEV1 LEV	All	Rear	942312	D-280-100	--	--
2004	1.9L	4VXXV1.95L1T	LEV1 LEV	All	Rear	--	--	940105	D-280-100
2003	1.9L	3VXXV1.95L1T	LEV1 LEV	All	Underbody	942312	D-280-100	--	--
2003	1.9L	3VXXV1.95L1T	LEV1 LEV	All	Underbody	--	--	940105	D-280-100
2002	1.9L	2VXXV1.95L4T	LEV1 LEV	All	Underbody	--	--	940105	D-280-100
2001	1.9L	1VXXV1.95L4T	LEV1 LEV	All	Underbody	--	--	940105	D-280-100
V50									
L5									
2010	2.4L	AVXXV02.4U2N	LEV2 ULEV	All	Underbody	765195	D-280-105	--	--
2009	2.4L	9VXXV02.4U2N	LEV2 ULEV	All	Underbody	765195	D-280-105	--	--
2008	2.4L	8VXXV02.4U2N	LEV2 ULEV	All	Underbody	765195	D-280-105	--	--
2007	2.4L	7VXXV02.4U2N	LEV2 ULEV	All	Underbody	765195	D-280-105	--	--
2006	2.4L	6VXXV02.4U2N	LEV2 ULEV	All	Underbody	765195	D-280-105	--	--
2005	2.4L	5VXXV02.4U2N	LEV2 ULEV	All	Underbody	765195	D-280-105	--	--
V70									
L5									
2004	2.3L	4VXXV2.52L1T	LEV1 LEV	All	Underbody	--	--	940106	D-280-100
2003	2.3L	3VXXV2.43L1T	LEV1 LEV	All	Underbody	--	--	940105	D-280-100
2002	2.3L	2VXXV2.43L5T	LEV1 LEV	All	Underbody	--	--	940106	D-280-100
2001	2.3L	1VXXV2.43L5T	LEV1 LEV	All	Underbody	--	--	940106	D-280-100
2000	2.3L	YVXXV2.43PA3	LEV1 LEV	AWD	Underbody	944285	D-280-100	--	--
2000	2.3L	YVXXV2.43PA3	LEV1 LEV	All	Underbody	--	--	940101	D-280-100
1999	2.3L	XVXXV2.43AW2	TLEV	All	Underbody	--	--	940101	D-280-100
1999	2.3L	XVXXV2.43PA2	LEV1 LEV	All	Underbody	--	--	940101	D-280-100
1998	2.3L	WVXXV2.43PA1	TLEV	All	Underbody	--	--	940101	D-280-100
2004	2.4L	4VXXV2.52L1T	LEV1 LEV	All	Underbody	--	--	940106	D-280-100
2003	2.4L	3VXXV2.43L1T	LEV1 LEV	All	Underbody	--	--	940106	D-280-100
2002	2.4L	2VXXV2.43L5T	LEV1 LEV	All	Underbody	--	--	940106	D-280-100
2001	2.4L	1VXXV2.43L5T	LEV1 LEV	All	Underbody	--	--	940106	D-280-100
2001	2.4L	1VXXV2.43U5N	LEV1 ULEV	All	Front	764486	D-280-105	--	--
2000	2.4L	YVXXV2.43PA3	LEV1 LEV	AWD	Underbody	944285	D-280-100	--	--
2000	2.4L	YVXXV2.43PA3	LEV1 LEV	All	Underbody	--	--	940101	D-280-100
1999	2.4L	XVXXV2.43AW2	TLEV	All	Underbody	--	--	940101	D-280-100
1999	2.4L	XVXXV2.43PA2	LEV1 LEV	All	Underbody	--	--	940101	D-280-100
1999	2.4L	XVXXV2.43TF2	LEV1 LEV	All	Underbody	--	--	940101	D-280-100

Legal Note: In Compliance with California Emissions Requirements



CATCO
CATALYTIC CONVERTERS

EASTERN CATALYTIC

APPLICATION GUIDE

OBD II

APPLICATION

Year	Eng. Size	Test Group/ Engine Family	Certification Level	Application	Location	Direct Fit Number	Exec. Order	Consol. Number	Exec. Order
Volvo (Cont.)									
V70 (Cont.)									
L5 (Cont.)									
2007	2.5L	7VVXV02.5L2T	LEV2 LEV	All	Underbody	764557	D-280-105	--	--
2007	2.5L	7VVXV02.5L2T	LEV2 LEV	All	Underbody	--	--	760015	D-280-105
2007	2.5L	7VVXV02.5U2T	LEV2 ULEV	All	Underbody	764557	D-280-105	--	--
2007	2.5L	7VVXV02.5U2T	LEV2 ULEV	All	Underbody	--	--	760015	D-280-105
2006	2.5L	6VVXV02.5L2T	LEV2 LEV	All	Underbody	764557	D-280-105	--	--
2006	2.5L	6VVXV02.5L2T	LEV2 LEV	All	Underbody	--	--	760015	D-280-105
2006	2.5L	6VVXV02.5U2T	LEV2 ULEV	All	Underbody	764557	D-280-105	--	--
2006	2.5L	6VVXV02.5U2T	LEV2 ULEV	All	Underbody	--	--	760015	D-280-105
2005	2.5L	5VVXV02.5L2T	LEV2 LEV	All	Underbody	764557	D-280-105	--	--
2005	2.5L	5VVXV02.5L2T	LEV2 LEV	All	Underbody	--	--	760015	D-280-105
2005	2.5L	5VVXV02.5U2T	LEV2 ULEV	All	Underbody	764557	D-280-105	--	--
2005	2.5L	5VVXV02.5U2T	LEV2 ULEV	All	Underbody	--	--	760015	D-280-105
2004	2.5L	4VVXV2.5L1T	LEV1 LEV	All	Underbody	--	--	940106	D-280-100
V90									
L6									
1998	2.9L	WVVXV2.92EVA	TIER1	All	Underbody	--	--	940085	D-280-100


Legal Note: In Compliance with California Emissions Requirements


NUMERICAL LISTINGS


OBD II CONSOLIDATED




OBD II CONSOLIDATED


11		D-280-89			
					
PART NO.	Inlet	Outlet	OAL	Body Lgth	Body
112004	2.00	2.00	10.25	6.00	Rnd
112005	2.25	2.25	10.25	6.00	Rnd

61		D-280-83			
					
PART NO.	Inlet	Outlet	OAL	Body Lgth	Body
611182	2.25	2.25	10.00	10.00	Oval


61		D-280-89			
					
PART NO.	Inlet	Outlet	OAL	Body Lgth	Body
610004	2.00	2.00	12.00	8.00	Oval
610006	2.50	2.50	12.00	8.00	Oval

61		D-280-83			
					
PART NO.	Inlet	Outlet	OAL	Body Lgth	Body
612004	2.00	2.00	12.00	8.00	Oval
612004A	2.00	2.00	12.00	8.00	Oval
612005	2.25	2.25	12.00	8.00	Oval
612006	2.50	2.50	12.00	8.00	Oval
612006A	2.50	2.50	12.00	8.00	Oval

61		D-280-89			
					
PART NO.	Inlet	Outlet	OAL	Body Lgth	Body
610004R	2.00	2.00	16.00	12.00	Rnd


61		D-280-83			
					
PART NO.	Inlet	Outlet	OAL	Body Lgth	Body
612004R	2.00	2.00	16.00	12.00	Rnd
612005R	2.25	2.25	16.00	12.00	Rnd

61		D-280-83			
					
PART NO.	Inlet	Outlet	OAL	Body Lgth	Body
611181	2.25	2.25	10.00	10.00	Oval

61		D-280-83			
					
PART NO.	Inlet	Outlet	OAL	Body Lgth	Body
612005LB	2.25	2.25	16.50	12.50	Lrg Oval
612006LB	2.50	2.50	16.50	12.50	Lrg Oval


*indicates dual inlet and/or outlet

61 **D-280-83**




PART NO.	Inlet	Outlet	OAL	Body Lgth	Body
612564	2.00	2.00	15.00	11.00	Oval
612566	2.50	2.50	15.00	11.00	Oval

73 **D-280-107**



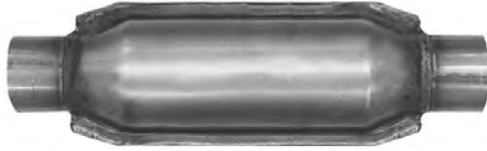
PART NO.	Inlet	Outlet	OAL	Body Lgth	Body
732015	2.25	2.25	16.00	12.00	Rnd
732016	2.25	2.25	16.00	12.00	Rnd

73 **D-280-107**



PART NO.	Inlet	Outlet	OAL	Body Lgth	Body
731005	2.00	2.00	14.00	10.00	Rnd
731006	2.50	2.50	14.00	10.00	Rnd

73 **D-280-107**



PART NO.	Inlet	Outlet	OAL	Body Lgth	Body
733015	2.25	2.25	16.00	12.00	Rnd
733016	2.25	2.25	16.00	12.00	Rnd
733017	3.00	3.00	16.00	12.00	Rnd

73 **D-280-107**




PART NO.	Inlet	Outlet	OAL	Body Lgth	Body
731016	2.50	2.50	14.00	10.00	Rnd

73 **D-280-107**




PART NO.	Inlet	Outlet	OAL	Body Lgth	Body
735104	2.00	2.00	14.00	10.00	Rnd

73 **D-280-107**



PART NO.	Inlet	Outlet	OAL	Body Lgth	Body
732004	2.00	2.00	16.00	12.00	Rnd
732005	2.25	2.25	16.00	12.00	Rnd
732006	2.25	2.25	16.00	12.00	Rnd

73 **D-280-107**



O2 Sensor

PART NO.	Inlet	Outlet	OAL	Body Lgth	Body
735204	2.00	2.00	10.00	6.00	4"Rnd
735206	2.25	2.25	10.00	6.00	4"Rnd

*indicates dual inlet and/or outlet

NUMERICAL LISTINGS


OBD II CONSOLIDATED



OBD II CONSOLIDATED

73 **D-280-107**

O2 Sensor at center top



PART NO.	Inlet	Outlet	OAL	Body Lgth	Body
736003	2.25	2.25	16.50	12.50	Lrg Oval

73 **D-280-107**



PART NO.	Inlet	Outlet	OAL	Body Lgth	Body
736004	2.00	2.00	16.50	12.50	Lrg Oval
736005	2.25	2.25	16.50	12.50	Lrg Oval
736006	2.50	2.50	16.50	12.50	Lrg Oval
736007	3.00	3.00	16.50	12.50	Lrg Oval

73 **D-280-107**



PART NO.	Inlet	Outlet	OAL	Body Lgth	Body
736015	2.50	2.50	16.50	12.50	Lrg Oval

73 **D-280-107**



PART NO.	Inlet	Outlet	OAL	Body Lgth	Body
737005	2.25	2.25	15.50	11.50	5" Rnd
737006	2.50	2.50	15.50	11.50	5" Rnd
737007	3.00	3.00	15.50	11.50	5" Rnd

73 **D-280-107**



PART NO.	Inlet	Outlet	OAL	Body Lgth	Body
739004	2.00	2.00	15.50	11.00	5" Rnd
739005	2.25	2.25	15.50	11.00	5" Rnd
739006	2.50	2.50	15.50	11.00	5" Rnd

73 **D-280-107**



PART NO.	Inlet	Outlet	OAL	Body Lgth	Body
739104	2.00	2.00	15.50	11.50	5" Rnd

74 **D-798**



PART NO.	Inlet	Outlet	OAL	Body Lgth	Body
740005	2.25	2.25	15.50	10.00	4" Rnd
740006	2.50	2.50	15.50	10.00	4" Rnd
740007	3.00	3.00	15.50	10.00	4" Rnd


74 **D-798**



PART NO.	Inlet	Outlet	OAL	Body Lgth	Body
740015	2.25	2.25	12.00	8.00	Oval
740016	2.50	2.50	12.00	8.00	Oval

*indicates dual inlet and/or outlet

74 D-798



PART NO.	Inlet	Outlet	OAL	Body Lgth	Body
740024	2.00	2.00	15.50	10.00	4" Rnd
740025	2.25	2.25	15.50	10.00	4" Rnd
740026	2.50	2.50	15.50	10.00	4" Rnd

74 D-798




PART NO.	Inlet	Outlet	OAL	Body Lgth	Body
740335	2.25	2.25	16.50	12.50	Lrg Oval
740336	2.50	2.50	16.50	12.50	Lrg Oval

74 D-798



PART NO.	Inlet	Outlet	OAL	Body Lgth	Body
740035	2.25	2.25	14.00	10.00	Oval
740036	2.50	2.50	14.00	10.00	Oval

74 D-798



PART NO.	Inlet	Outlet	OAL	Body Lgth	Body
740555	2.25	2.25	13.50	9.50	4" Rnd
740556	2.50	2.50	13.50	9.50	4" Rnd

74 D-798




PART NO.	Inlet	Outlet	OAL	Body Lgth	Body
740045	2.25	2.25	14.00	10.00	Oval
740046	2.50	2.50	14.00	10.00	Oval

74 D-798



PART NO.	Inlet	Outlet	OAL	Body Lgth	Body
740665	2.25	2.25	18.00	11.50	4" Rnd

74 D-798



PART NO.	Inlet	Outlet	OAL	Body Lgth	Body
740075	2.25	2.25	14.00	10.00	Rnd
740076	2.50	2.50	14.00	10.00	Rnd

74 D-798



PART NO.	Inlet	Outlet	OAL	Body Lgth	Body
740725	2.25	2.25	6.00	4.50	4" Rnd
740726	2.50	2.50	6.00	4.50	4" Rnd

*indicates dual inlet and/or outlet

NUMERICAL LISTINGS

OBD II CONSOLIDATED



OBD II CONSOLIDATED



PART NO.	Inlet	Outlet	OAL	Body Lgth	Body
740775	2.25	2.25	12.75	8.50	Rnd
740776	2.50	2.50	12.75	8.50	Rnd



PART NO.	Inlet	Outlet	OAL	Body Lgth	Body
740785	2.25	2.25	12.75	8.50	Rnd
740786	2.50	2.50	12.75	8.50	Rnd



PART NO.	Inlet	Outlet	OAL	Body Lgth	Body
740804	2.00	2.00	15.00	11.00	5" Rnd
740805	2.25	2.25	15.00	11.00	5" Rnd
740806	2.50	2.50	15.00	11.00	5" Rnd



PART NO.	Inlet	Outlet	OAL	Body Lgth	Body
740885	2.25	2.25	15.00	10.50	5" Rnd
740886	2.50	2.50	15.00	10.50	5" Rnd



PART NO.	Inlet	Outlet	OAL	Body Lgth	Body
740905	2.25	2.25	13.50	9.50	6" Rnd
740906	2.50	2.50	13.50	9.50	6" Rnd



PART NO.	Inlet	Outlet	OAL	Body Lgth	Body
740996	2.50	2.50	13.50	9.50	6" Rnd



PART NO.	Inlet	Outlet	OAL	Body Lgth	Body
747015	2.25	2.25	12.00	8.00	Oval



PART NO.	Inlet	Outlet	OAL	Body Lgth	Body
747025	2.25	2.25	14.00	10.00	Rnd
747026	2.50	2.50	14.00	10.00	Rnd


*indicates dual inlet and/or outlet

74 D-798



PART NO.	Inlet	Outlet	OAL	Body Lgth	Body
747035	2.25	2.25	14.00	10.00	Oval

74 D-798



PART NO.	Inlet	Outlet	OAL	Body Lgth	Body
747804	2.00	2.00	15.00	11.00	5" Rnd
747805	2.25	2.25	15.00	11.00	5" Rnd
747806	2.50	2.50	15.00	11.00	5" Rnd

74 D-798




PART NO.	Inlet	Outlet	OAL	Body Lgth	Body
747055	2.25	2.25	16.00	12.00	Oval

74 D-798




PART NO.	Inlet	Outlet	OAL	Body Lgth	Body
747885	2.25	2.25	15.00	11.00	5" Rnd
747886	2.50	2.50	15.00	11.00	5" Rnd

74 D-798




PART NO.	Inlet	Outlet	OAL	Body Lgth	Body
747075	2.25	2.25	14.00	10.00	Rnd
747076	2.50	2.50	14.00	10.00	Rnd

75 D-280-102




PART NO.	Inlet	Outlet	OAL	Body Lgth	Body
750004	2.00	2.00	11.25	4.50	4" Rnd
750005	2.25	2.25	11.25	4.50	4" Rnd
750006	2.50	2.50	11.25	4.50	4" Rnd

74 D-798



PART NO.	Inlet	Outlet	OAL	Body Lgth	Body
747334	2.00	2.00	16.50	12.50	Lrg Oval
747335	2.25	2.25	16.50	12.50	Lrg Oval
747336	2.50	2.50	16.50	12.50	Lrg Oval
747337	3.00	3.00	16.50	12.50	Lrg Oval

75 D-280-102



PART NO.	Inlet	Outlet	OAL	Body Lgth	Body
755004	2.00	2.00	12.00	4.50	4" Rnd
755005	2.25	2.25	12.00	4.50	4" Rnd
755006	2.50	2.50	12.00	4.50	4" Rnd

*indicates dual inlet and/or outlet


NUMERICAL LISTINGS

OBD II CONSOLIDATED




OBD II CONSOLIDATED

75 **D-280-102**



PART NO.	Inlet	Outlet	OAL	Body Lgth	Body
755014	2.50	2.50	12.00	4.50	4" Rnd

76 **D-280-105**




PART NO.	Inlet	Outlet	OAL	Body Lgth	Body
760024	2.00	2.00	10.00	6.00	4" Rnd
760025	2.25	2.25	10.00	6.00	4" Rnd
760026	2.50	2.50	10.00	6.00	4" Rnd

76 **D-280-105**




PART NO.	Inlet	Outlet	OAL	Body Lgth	Body
760003	2.00	2.00	14.00	10.00	4" Rnd

76 **D-280-105**




PART NO.	Inlet	Outlet	OAL	Body Lgth	Body
760033	2.00	2.00	10.00	6.00	4" Rnd

76 **D-280-105**




PART NO.	Inlet	Outlet	OAL	Body Lgth	Body
760004	2.00	2.00	10.00	6.00	4" Rnd
760005	2.25	2.25	10.00	6.00	4" Rnd
760006	2.50	2.50	10.00	6.00	4" Rnd

76 **D-280-105**




PART NO.	Inlet	Outlet	OAL	Body Lgth	Body
760034	2.25	2.25	15.00	11.00	4" Rnd

76 **D-280-105**



PART NO.	Inlet	Outlet	OAL	Body Lgth	Body
760014	2.00	2.00	14.00	10.00	4" Rnd
760015	2.25	2.25	14.00	10.00	4" Rnd
760016	2.50	2.50	14.00	10.00	4" Rnd


76 **D-280-105**



PART NO.	Inlet	Outlet	OAL	Body Lgth	Body
761003	2.00	2.00	10.00	6.00	4" Rnd


*indicates dual inlet and/or outlet

76 **D-280-105**



PART NO.	Inlet	Outlet	OAL	Body Lgth	Body
761015	2.00	2.00	12.00	8.00	Oval
761016	2.25	2.25	12.00	8.00	Oval
761017	2.50	2.50	12.00	8.00	Oval

76 **D-280-105**




PART NO.	Inlet	Outlet	OAL	Body Lgth	Body
763037	3.00	3.00	16.00	12.00	Oval

76 **D-280-105**



PART NO.	Inlet	Outlet	OAL	Body Lgth	Body
762015	2.00	2.00	14.00	10.00	Oval
762016	2.25	2.25	14.00	10.00	Oval

91 **D-280-101**



PART NO.	Inlet	Outlet	OAL	Body Lgth	Body
910004	2.00	2.00	16.50	12.50	Oval
910005	2.25	2.25	16.50	12.50	Oval
910006	2.50	2.50	16.50	12.50	Oval

76 **D-280-105**



PART NO.	Inlet	Outlet	OAL	Body Lgth	Body
763015	2.00	2.00	14.00	10.00	Oval
763016	2.25	2.25	14.00	10.00	Oval

91 **D-280-101**



PART NO.	Inlet	Outlet	OAL	Body Lgth	Body
910004R	2.00	2.00	15.25	11.25	5" Rnd
910005R	2.25	2.25	15.25	11.25	5" Rnd

76 **D-280-105**



PART NO.	Inlet	Outlet	OAL	Body Lgth	Body
763025	2.25	2.25	16.00	12.00	Oval

91 **D-280-101**



PART NO.	Inlet	Outlet	OAL	Body Lgth	Body
910014R	2.00	2.00	14.00	10.00	Rnd

*indicates dual inlet and/or outlet

NUMERICAL LISTINGS

OBD II CONSOLIDATED




OBD II CONSOLIDATED

91 D-280-101




PART NO.	Inlet	Outlet	OAL	Body Lgth	Body
912003	2.50	2.50	16.50	12.50	Lrg Oval

91 D-280-101




PART NO.	Inlet	Outlet	OAL	Body Lgth	Body
912009	2.25	2.25	14.00	10.00	Lrg Oval

91 D-280-101




PART NO.	Inlet	Outlet	OAL	Body Lgth	Body
912004	2.00	2.00	16.50	12.50	Lrg Oval
912005	2.25	2.25	16.50	12.50	Lrg Oval
912006	2.50	2.50	16.50	12.50	Lrg Oval
912007	3.00	3.00	16.50	12.50	Lrg Oval

91 D-280-101



PART NO.	Inlet	Outlet	OAL	Body Lgth	Body
912013	2.00*	2.50	17.00	13.00	Lrg Oval

91 D-280-101




PART NO.	Inlet	Outlet	OAL	Body Lgth	Body
912004R	2.00	2.00	16.00	12.00	Rnd
912005R	2.25	2.25	16.00	12.00	Rnd
912006R	2.50	2.50	16.00	12.00	Rnd

91 D-280-101




PART NO.	Inlet	Outlet	OAL	Body Lgth	Body
912026	2.50	2.50	16.50	12.50	Lrg Oval

91 D-280-101



PART NO.	Inlet	Outlet	OAL	Body Lgth	Body
912005M	2.25	2.25	16.00	12.00	Lrg Oval


91 D-280-101



PART NO.	Inlet	Outlet	OAL	Body Lgth	Body
912036	2.50	2.50	15.50	11.50	5" Rnd


*indicates dual inlet and/or outlet

91 **D-280-101**




PART NO.	Inlet	Outlet	OAL	Body Lgth	Body
912036R	2.50	2.50	15.50	11.50	5" Rnd
912037	3.00	3.00	15.50	11.50	5" Rnd

94 **D-280-100**




PART NO.	Inlet	Outlet	OAL	Body Lgth	Body
940013	2.00	2.00	16.00	12.00	Rnd

91 **D-280-101**



PART NO.	Inlet	Outlet	OAL	Body Lgth	Body
919999	3.00	3.00	16.50	12.50	5" Rnd

94 **D-280-100**




PART NO.	Inlet	Outlet	OAL	Body Lgth	Body
940084	2.00	2.00	12.75	8.75	Rnd
940085	2.25	2.25	12.75	8.75	Rnd
940086	2.50	2.50	12.75	8.75	Rnd

94 **D-280-100**




PART NO.	Inlet	Outlet	OAL	Body Lgth	Body
940001	2.50	2.50	16.00	12.00	Rnd

94 **D-280-100**




PART NO.	Inlet	Outlet	OAL	Body Lgth	Body
940101	2.25	2.25	16.00	12.00	Rnd

94 **D-280-100**



PART NO.	Inlet	Outlet	OAL	Body Lgth	Body
940004	2.00	2.00	14.00	10.00	Oval

94 **D-280-100**



PART NO.	Inlet	Outlet	OAL	Body Lgth	Body
940104	2.00	2.00	12.75	8.75	Rnd
940105	2.25	2.25	12.75	8.75	Rnd
940106	2.50	2.50	12.75	8.75	Rnd


*indicates dual inlet and/or outlet


NUMERICAL LISTINGS


OBD II CONSOLIDATED





OBD II CONSOLIDATED


94		D-280-100			
					
PART NO.	Inlet	Outlet	OAL	Body Lgth	Body
940334	2.00	2.00	14.00	10.00	Oval
940335	2.25	2.25	14.00	10.00	Oval
940336	2.50	2.50	14.00	10.00	Oval


94		D-280-100			
					
PART NO.	Inlet	Outlet	OAL	Body Lgth	Body
942014	2.00	2.00	16.00	12.00	Rnd


94		D-280-100			
					
PART NO.	Inlet	Outlet	OAL	Body Lgth	Body
940635	2.25	2.25	16.50	12.50	Lrg Oval
940636	2.50	2.50	16.50	12.50	Lrg Oval

94		D-280-100			
					
PART NO.	Inlet	Outlet	OAL	Body Lgth	Body
942015	2.25	2.25	16.00	12.00	Rnd

94		D-280-100			
					
PART NO.	Inlet	Outlet	OAL	Body Lgth	Body
940638	2.00*	2.50	17.00	13.00	Lrg Oval

94		D-280-100			
					
PART NO.	Inlet	Outlet	OAL	Body Lgth	Body
942016	2.50	2.50	16.00	12.00	Rnd

94		D-280-100			
					
PART NO.	Inlet	Outlet	OAL	Body Lgth	Body
942013	2.00	2.00	17.00	12.00	Rnd

94		D-280-100			
					
PART NO.	Inlet	Outlet	OAL	Body Lgth	Body
942564	2.00	2.00	13.00	9.00	4" Rnd
942566	2.25	2.25	13.00	9.00	4" Rnd

*indicates dual inlet and/or outlet

94

D-280-100



PART NO.	Inlet	Outlet	OAL	Body Lgth	Body
942565	2.00	2.00	14.00	10.00	Rnd

94

D-280-100



PART NO.	Inlet	Outlet	OAL	Body Lgth	Body
942575	2.00	2.00	12.75	8.75	Rnd

94

D-280-100



PART NO.	Inlet	Outlet	OAL	Body Lgth	Body
944181	2.00	2.00	12.00	8.00	Oval

94

D-280-100



PART NO.	Inlet	Outlet	OAL	Body Lgth	Body
944182	2.00	2.00	12.00	8.00	Oval

*indicates dual inlet and/or outlet

NUMERICAL LISTINGS

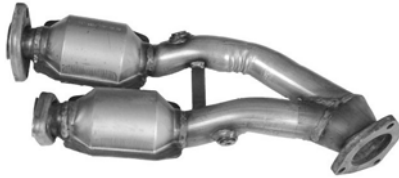
OBD II DIRECT FIT



OB D II
D I R E C T F I T

110031 E.O. No. D-280-89

Inlet A: LOOSE 2-BOLT FLANGE W/ SPHERICAL FLARE
 Inlet B: LOOSE 2-BOLT FLANGE W/ SPHERICAL FLARE
 Outlet A: WELDED 3-BOLT FLANGE
 Length: 22"



2000 L6 Jeep Cherokee 4.0L

110039 E.O. No. D-280-89

Inlet A: LOOSE 2-BOLT FLANGE W/ SPHERICAL FLARE
 Inlet B: LOOSE 2-BOLT FLANGE W/ SPHERICAL FLARE
 Outlet A: 2.50" O.D. PIPE
 Length: 39.50"



2001 L6 Jeep Cherokee 4.0L

112009 E.O. No. D-280-89

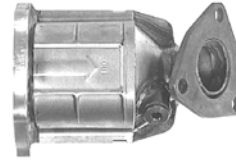
Inlet A: WELDED 5-BOLT FLANGE W/ STUDS
 Outlet A: WELDED 3-BOLT FLANGE
 Length: 18.88"



2001 L4 Kia Sportage 2.0L

112018 E.O. No. D-280-89

Inlet A: WELDED 5-BOLT FLANGE
 Outlet A: WELDED 3-BOLT FLANGE
 Length: 8.38"



2004-01 L4 Kia Optima 2.4L

112037 E.O. No. D-280-89

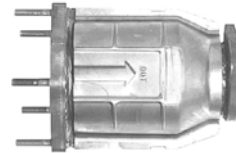
Inlet A: LOOSE 2-BOLT FLANGE W/ GASKET STUB
 Inlet B: LOOSE 2-BOLT FLANGE W/ GASKET STUB
 Outlet A: 2.365" O.D. PIPE
 Length: 38"



1996-95 L6 Jaguar XJS 4.0L

112038 E.O. No. D-280-89

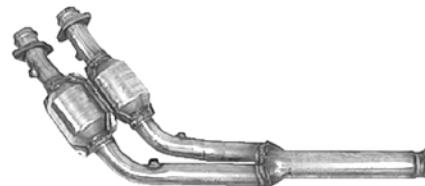
Inlet A: WELDED 5-BOLT FLANGE W/ STUDS
 Outlet A: WELDED 3-BOLT FLANGE
 Length: 6.38"



2002-98 L4 Kia Sportage 2.0L

112038J E.O. No. D-280-89

Inlet A: LOOSE 2-BOLT FLANGE W/ GASKET STUB
 Inlet B: LOOSE 2-BOLT FLANGE W/ GASKET STUB
 Outlet A: 45 DEGREE FLARE
 Length: 36.75"



1997-96 L6 Jaguar Vanden Plas 4.0L
 1997-95 L6 Jaguar XJ6 4.0L

112077

E.O. No. D-280-89

Inlet A: WELDED 5-BOLT FLANGE W/ STUDS
Outlet A: WELDED 2-BOLT FLANGE
Length: 17.25"



2000-98 L4 Kia Sportage 2.0L

112083

E.O. No. D-280-89

Inlet A: WELDED 5-BOLT FLANGE W/ STUDS
Outlet A: WELDED 2-BOLT FLANGE
Length: 15.50"

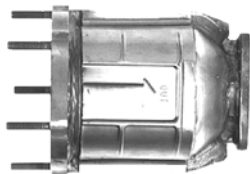


1999-98 L4 Kia Sephia 1.8L

112146

E.O. No. D-280-89

Inlet A: WELDED 5-BOLT FLANGE W/ STUDS
Outlet A: WELDED 3-BOLT FLANGE
Length: 5.75"



2001-00 L4 Kia Sephia 1.8L
2001 L4 Kia Spectra 1.8L

112188

E.O. No. D-280-89

Inlet A: WELDED 7-BOLT FLANGE
Outlet A: WELDED 3-BOLT FLANGE
Length: 14.25"



2002-01 L4 Kia Rio 1.5L

112959

E.O. No. D-280-89

Inlet A: WELDED 6-BOLT FLANGE
Outlet A: WELDED 2-BOLT FLANGE
Length: 14"



2000-99 V6 Toyota Avalon 3.0L
2000 V6 Toyota Camry 3.0L
2000-99 V6 Toyota Solara 3.0L

612870

E.O. No. D-280-84

Inlet A: LOOSE 2-BOLT FLANGE W/ FEMALE FLARE
Outlet A: LOOSE 2-BOLT FLANGE W/ FLAT FLARE
Length: 34"



2002-96 V8 Ford Crown Victoria 4.6L
2002-96 V8 Lincoln Town Car 4.6L
2002-96 V8 Mercury Grand Marquis 4.6L

NUMERICAL LISTINGS

OBD II DIRECT FIT



OBD II DIRECT FIT

612871

E.O. No. D-280-84

Inlet A: LOOSE 2-BOLT FLANGE W/ FEMALE FLARE
 Outlet A: LOOSE 2-BOLT FLANGE W/ FLAT FLARE
 Length: 32.75"



2002-96 V8 Ford Crown Victoria 4.6L
 2002-96 V8 Lincoln Town Car 4.6L
 2002-96 V8 Mercury Grand Marquis 4.6L

630503

E.O. No. D-665-17

Inlet A: LOOSE 2-BOLT FLANGE W/ FLARE
 Outlet A: 2.25" O.D. PIPE
 Length: 46"



1997 L4 Jeep Wrangler 2.5L

630510

E.O. No. D-665-17

Inlet A: 2" I.D. PIPE
 Outlet A: 2" O.D. PIPE
 Length: 50.50"



1998-97 L4 Dodge Dakota 2.5L

630517

E.O. No. D-665-17

Inlet A: WELDED 2-BOLT FLANGE
 Outlet A: WELDED 2-BOLT FLANGE
 Length: 19"



1995 L4 Mitsubishi Eclipse 2.0L
 1997 L4 Toyota T100 2.7L

630519

E.O. No. D-665-17

Inlet A: WELDED 2-BOLT FLANGE
 Outlet A: LOOSE 2-BOLT FLANGE W/ FLAT FLARE
 Length: 16"



1995 L4 Mitsubishi Mighty Max 2.4L

630520

E.O. No. D-665-17

Inlet A: LOOSE 2-BOLT FLANGE W/ FLAT FLARE
 Outlet A: LOOSE 2-BOLT FLANGE W/ FLAT FLARE
 Length: 12.50"



1999-97 L4 Toyota Tacoma 2.7L

630524

E.O. No. D-665-17

Inlet A: WELDED 3-BOLT FLANGE
Outlet A: 2.33" O.D. PIPE
Length: 19.25"



1997 L4 Volkswagen Jetta 2.0L

630548

E.O. No. D-665-17

Inlet A: LOOSE 2-BOLT FLANGE W/FLARE
Outlet A: WELDED 2-BOLT FLANGE
Length: 35.75"



1996 L4 Geo Tracker 1.6L

630555

E.O. No. D-665-17

Inlet A: WELDED 4-BOLT FLANGE
Outlet A: 55MM PIPE
Length: 42"



2003 L4 Volkswagen Golf 1.8L
2001 L4 Volkswagen Jetta 1.8L

630559

E.O. No. D-665-17

Inlet A: WELDED 3-BOLT FLANGE
Inlet B: WELDED 3-BOLT FLANGE
Outlet A: LOOSE 2-BOLT FLANGE W/GASKET STUB
Length: 79.25"



1998 L6 BMW 323i 2.5L
1999-98 L6 BMW 323is 2.5L

630560

E.O. No. D-665-17

Inlet A: WELDED 4-BOLT FLANGE
Outlet A: WELDED 2-BOLT FLANGE
Length: 50"



1999-98 L4 Isuzu Amigo 2.2L

630563

E.O. No. D-665-17

Inlet A: WELDED 5-BOLT FLANGE
Outlet A: WELDED 2-BOLT FLANGE
Length: 12"



1999 L4 Hyundai Accent 1.5L

NUMERICAL LISTINGS

OBD II DIRECT FIT



OBD II DIRECT FIT

630564

E.O. No. D-665-17

Inlet A: LOOSE 2-BOLT FLANGE W/FLARE
 Outlet A: LOOSE 2-BOLT FLANGE W/FLARE
 Length: 61.50"



2000 V8 Mercedes-Benz CL500 5.0L
 2000 V8 Mercedes-Benz S430 4.3L
 2000 V8 Mercedes-Benz S500 5.0L

630565

E.O. No. D-665-17

Inlet A: LOOSE 2-BOLT FLANGE W/FLARE
 Outlet A: 2.17" O.D. PIPE
 Length: 64.75"



2000 V8 Mercedes-Benz S430 4.3L
 2000 V8 Mercedes-Benz S500 5.0L

630568

E.O. No. D-665-17

Inlet A: WELDED 3-BOLT FLANGE
 Inlet B: WELDED 3-BOLT FLANGE
 Outlet A: 1.80" O.D. PIPE
 Outlet B: 2 BOLT LOOSE FLANGE W/ FLARE
 Length: 79.25"



1998-96 L6 BMW 328i 2.8L
 1998-96 L6 BMW 328is 2.8L
 1999 L6 BMW M3 3.2L

630569

E.O. No. D-665-17

Inlet A: LOOSE 2-BOLT FLANGE W/FLARE
 Outlet A: WELDED 2-BOLT FLANGE
 Length: 16.25"



1995 L4 Eagle Talon 2.0L

630570

E.O. No. D-665-17

Inlet A: WELDED 3-BOLT FLANGE
 Inlet B: WELDED 3-BOLT FLANGE
 Outlet A: 2.33" O.D. PIPE
 Length: 46"

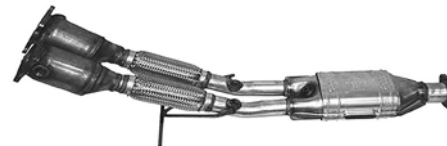


2004 V6 Volkswagen Golf 2.8L

630572

E.O. No. D-665-17

Inlet A: WELDED 4-BOLT FLANGE
 Inlet B: WELDED 4-BOLT FLANGE
 Outlet A: WELDED 2-BOLT FLANGE
 Length: 41.25"

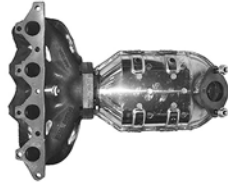


2001-99 L6 Volvo S80 2.9L

630576

E.O. No. D-665-17

Inlet A: WELDED 9-BOLT FLANGE
Outlet A: WELDED 2-BOLT FLANGE
Length: 20"



2003 L4 Hyundai Accent 1.5L

630578

E.O. No. D-665-17

Inlet A: WELDED 2-BOLT FLANGE W/ FEMALE FLARE
Outlet A: WELDED 2-BOLT FLANGE W/GASKET STUB
Length: 84.50"



2000 L4 Toyota Celica 1.8L

630583

E.O. No. D-665-17

Inlet A: WELDED 4-BOLT FLANGE
Outlet A: WELDED 2-BOLT FLANGE
Length: 37"



2003 L5 Volvo S60 2.4L

630584

E.O. No. D-665-17

Inlet A: WELDED 3-BOLT FLANGE
Outlet A: 1.31" O.D. PIPE
Length: 50.25"



1999 V6 Audi A4 Quattro 2.8L

630585

E.O. No. D-665-17

Inlet A: WELDED 3-BOLT FLANGE
Outlet A: 1.31" O.D. PIPE
Length: 48.25"



1999 V6 Audi A4 Quattro 2.8L

630589

E.O. No. D-665-17

Inlet A: WELDED 2-BOLT FLANGE
Inlet B: WELDED 2-BOLT FLANGE W/GASKET STUB
Outlet A: WELDED 2-BOLT FLANGE
Length: 51"



2002 V6 Toyota Camry 3.0L

630594

E.O. No. D-665-17

Inlet A: WELDED 3-BOLT FLANGE
Outlet A: LOOSE 6-BOLT FLANGE W/MALE BALL
Length: 29.50"



1996 V8 Chevrolet Impala 5.7L

630595

E.O. No. D-665-17

Inlet A: WELDED 3-BOLT FLANGE
Outlet A: LOOSE 6-BOLT FLANGE W/MALE BALL
Length: 26"



1996 V8 Chevrolet Impala 5.7L

NUMERICAL LISTINGS

OBD II DIRECT FIT



OBD II DIRECT FIT

630603

E.O. No. D-665-17

Inlet A: WELDED 2-BOLT FLANGE W/ FEMALE FLARE
 Outlet A: WELDED 2-BOLT FLANGE
 Length: 50"



1996 L4 Suzuki Swift 1.3L

630605

E.O. No. D-665-17

Inlet A: LOOSE 2-BOLT FLANGE W/FLARE
 Outlet A: 2.25" O.D. PIPE
 Length: 23"



1995 V8 Cadillac DeVille 4.9L

630607

E.O. No. D-665-17

Inlet A: WELDED 4-BOLT FLANGE
 Outlet A: WELDED 3-BOLT FLANGE
 Length: 39.50"



1998 L4 Oldsmobile Achieva 2.4L

630612

E.O. No. D-665-17

Inlet A: WELDED 2-BOLT FLANGE
 Outlet A: WELDED 4-BOLT FLANGE
 Length: 46.50"



1997 V6 Chevrolet Lumina 3.4L
 1996 V6 Oldsmobile Cutlass Supreme 3.4L
 1996 V6 Pontiac Grand Prix 3.4L

630615

E.O. No. D-665-17

Inlet A: LOOSE 2-BOLT FLANGE W/FLARE
 Outlet A: WELDED 4-BOLT FLANGE
 Length: 44"



1997 V6 Chevrolet Monte Carlo 3.4L

630625

E.O. No. D-665-17

Inlet A: WELDED 2-BOLT FLANGE
 Outlet A: WELDED 2-BOLT FLANGE
 Length: 37"



2000 V6 Chevrolet Impala 3.8L
 2000 V6 Chevrolet Monte Carlo 3.8L
 2000 V6 Pontiac Grand Prix 3.8L

630626

E.O. No. D-665-17

Inlet A: WELDED 2-BOLT FLANGE
 Outlet A: WELDED 2-BOLT FLANGE
 Length: 40"



1997 V6 Buick Century 3.1L
 1998 V6 Pontiac Grand Prix 3.1L

630627

E.O. No. D-665-17

Inlet A: WELDED 3-BOLT FLANGE
Outlet A: WELDED 3-BOLT FLANGE
Length: 42"



2000 L4 Saturn LS 2.2L
2002 L4 Saturn LW200 2.2L

630629

E.O. No. D-665-17

Inlet A: LOOSE 2-BOLT FLANGE W/FLARE
Outlet A: 2.50" O.D. PIPE
Length: 38"



1996 V6 Buick Park Avenue 3.8L
1996 V6 Oldsmobile 88 3.8L
1996 V6 Oldsmobile 98 3.8L

630630

E.O. No. D-665-17

Inlet A: LOOSE 2-BOLT FLANGE W/FLARE
Outlet A: WELDED 4-BOLT FLANGE
Length: 48"

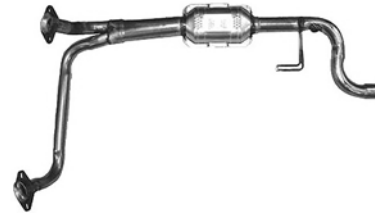


1996 V6 Oldsmobile Cutlass Ciera 3.1L

630639

E.O. No. D-665-17

Inlet A: LOOSE 2-BOLT FLANGE W/FLARE
Inlet B: LOOSE 2-BOLT FLANGE W/FLARE
Outlet A: 2.25" O.D. PIPE
Length: 51"



1999 V6 Chevrolet Camaro 3.8L
1999 V6 Pontiac Firebird 3.8L

630643

E.O. No. D-665-17

Inlet A: WELDED 3-BOLT FLANGE
Outlet A: WELDED 3-BOLT FLANGE
Length: 42"

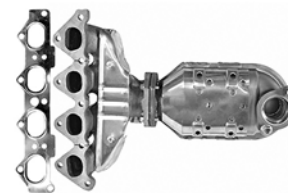


1996 L4 Saturn SL 1.9L

630713

E.O. No. D-665-17

Inlet A: WELDED 9-BOLT FLANGE
Outlet A: WELDED 2-BOLT FLANGE
Length: 19.75"



1998 L4 Hyundai Elantra 1.8L
1998-97 L4 Hyundai Tiburon 2.0L

NUMERICAL LISTINGS

OBD II DIRECT FIT



OBD II DIRECT FIT

630714

E.O. No. D-665-17

Inlet A: WELDED 6-BOLT FLANGE
 Outlet A: WELDED 2-BOLT FLANGE
 Length: 15.50"



2002 V6 Toyota Camry 3.0L

640501

E.O. No. D-665-18

Inlet A: 2.50" I.D. PIPE
 Outlet A: 2.33" O.D. PIPE
 Length: 21.75"



1997 L6 Jeep Cherokee 4.0L
 1996 L6 Jeep Grand Cherokee 4.0L
 1997-96 V8 Jeep Grand Cherokee 5.2L

640503

E.O. No. D-665-18

Inlet A: LOOSE 2-BOLT FLANGE W/FLARE
 Inlet B: LOOSE 2-BOLT FLANGE W/FLARE
 Outlet A: 2.50" O.D. PIPE
 Length: 48"



1997-96 V8 Dodge B1500 5.2L
 1996 V8 Dodge B2500 5.9L
 1997 V8 Dodge B2500 5.2L
 1997-96 V8 Dodge B3500 5.9L
 1997 V8 Dodge B3500 5.2L

640504

E.O. No. D-665-18

Inlet A: LOOSE 2-BOLT FLANGE W/FLARE
 Inlet B: LOOSE 2-BOLT FLANGE W/FLARE
 Outlet A: 2.50" O.D. PIPE
 Length: 58"

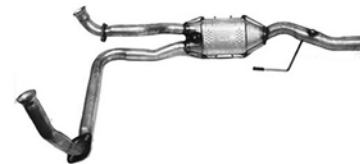


1999-98 V8 Dodge Ram 1500 5.2L

640505

E.O. No. D-665-18

Inlet A: LOOSE 2-BOLT FLANGE W/FLARE
 Inlet B: LOOSE 2-BOLT FLANGE W/FLARE
 Outlet A: 2.50" O.D. PIPE
 Length: 47"



1998 V6 Dodge B1500 3.9L
 1998 V8 Dodge B1500 5.2L
 1998 V8 Dodge B2500 5.2L
 1998 V8 Dodge B3500 5.2L
 1999 V8 Dodge Ram 1500 Van 5.2L
 1999 V8 Dodge Ram 2500 Van 5.2L
 1999 V8 Dodge Ram 3500 Van 5.2L

640506

E.O. No. D-665-18

Inlet A: WELDED 4-BOLT FLANGE
 Outlet A: 2.25" O.D. PIPE
 Length: 70"

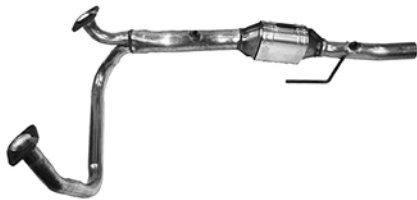


1998 V6 Chrysler Town & Country 3.3L
 1999-98 V6 Dodge Caravan 3.3L
 2000 L4 Dodge Caravan 2.4L
 1999-98 V6 Dodge Grand Caravan 3.3L
 1999-97 V6 Plymouth Grand Voyager 3.3L
 1999-98 V6 Plymouth Grand Voyager 3.8L
 2000 L4 Plymouth Voyager 2.4L

640518

E.O. No. D-665-18

Inlet A: LOOSE 2-BOLT FLANGE W/FLARE
Inlet B: LOOSE 2-BOLT FLANGE W/FLARE
Outlet A: 2.50" O.D. PIPE
Length: 54"



2001 V8 Dodge Ram 3500 Van 5.9L

640521

E.O. No. D-665-18

Inlet A: LOOSE 2-BOLT FLANGE W/FLARE
Inlet B: LOOSE 2-BOLT FLANGE W/FLARE
Outlet A: 2.50" O.D. PIPE
Length: 51"



2001 V8 Dodge Ram 1500 5.2L

640524

E.O. No. D-665-18

Inlet A: LOOSE 2-BOLT FLANGE W/FLARE
Outlet A: WELDED 2-BOLT FLANGE
Length: 29.50"



2000 V6 Ford Explorer 4.0L
2000 V6 Mercury Mountaineer 4.0L

640529

E.O. No. D-665-18

Inlet A: WELDED 3-BOLT FLANGE
Inlet B: WELDED 3-BOLT FLANGE
Outlet A: WELDED 2-BOLT FLANGE
Length: 49"



1997 V6 Honda Passport 3.2L

640530

E.O. No. D-665-18

Inlet A: WELDED 3-BOLT FLANGE
Outlet A: WELDED 2-BOLT FLANGE
Length: 42.50"



1997 V6 Honda Passport 3.2L

640533

E.O. No. D-665-18

Inlet A: WELDED 3-BOLT FLANGE
Outlet A: WELDED 2-BOLT FLANGE
Length: 42"



1999 V6 Isuzu Rodeo 3.2L

NUMERICAL LISTINGS

OBD II DIRECT FIT



OBD II DIRECT FIT

640535

E.O. No. D-665-18

Inlet A: WELDED 4-BOLT FLANGE
 Outlet A: WELDED 2-BOLT FLANGE
 Length: 50"



1999-98 L4 Isuzu Rodeo 2.2L

640542

E.O. No. D-665-18

Inlet A: LOOSE 3-BOLT FLANGE W/ FLARE
 Inlet B: LOOSE 3-BOLT FLANGE W/ FLARE
 Outlet A: WELDED 3-BOLT FLANGE
 Length: 44"



- 1999 V8 Chevrolet C1500 Suburban 5.7L
- 1997 V8 Chevrolet C2500 Suburban 5.7L
- 2000-99 V8 Chevrolet C2500 5.7L
- 1999-97 V8 Chevrolet K1500 Suburban 5.7L
- 1999 V8 Chevrolet K1500 5.7L
- 1999-96 V8 Chevrolet K2500 Suburban 5.7L
- 2000-99 V8 Chevrolet K2500 5.7L
- 1997 V8 Chevrolet Tahoe 5.7L
- 1999-96 V8 GMC C1500 Suburban 5.7L
- 1998-97 V8 GMC C1500 5.7L
- 1999-96 V8 GMC C2500 5.7L
- 1999-97 V8 GMC C3500 5.7L
- 1999-96 V8 GMC K1500 Suburban 5.7L
- 1999-98 V8 GMC K1500 5.7L
- 1997 V8 GMC K2500 Suburban 5.7L
- 1999-98 V8 GMC K2500 5.7L
- 1999 V8 GMC K3500 5.7L
- 1996 V8 GMC Yukon 5.7L

640544

E.O. No. D-665-18

Inlet A: LOOSE 3-BOLT FLANGE W/ FLARE
 Inlet B: LOOSE 3-BOLT FLANGE W/ FLARE
 Outlet A: WELDED 3-BOLT FLANGE
 Length: 61"



- 1997 V6 Chevrolet Express 1500 4.3L
- 1997 V6 Chevrolet Express 2500 4.3L
- 1997 V6 GMC Savana 2500 4.3L

640547

E.O. No. D-665-18

Inlet A: LOOSE 3-BOLT FLANGE W/ FLARE
 Inlet B: LOOSE 3-BOLT FLANGE W/ FLARE
 Outlet A: WELDED 2-BOLT FLANGE
 Length: 37"



- 1996 V6 Chevrolet C1500 4.3L
- 1998 V8 Chevrolet C2500 5.0L
- 1998-96 V8 GMC C1500 5.0L

640549

E.O. No. D-665-18

Inlet A: LOOSE 3-BOLT FLANGE W/ FLARE
Inlet B: LOOSE 3-BOLT FLANGE W/ FLARE
Outlet A: WELDED 3-BOLT FLANGE
Length: 51"



1997 V8 Chevrolet K3500 5.7L

640554

E.O. No. D-665-18

Inlet A: LOOSE 3-BOLT FLANGE W/ FLARE
Outlet A: 3" O.D. PIPE
Length: 60"



1997 V8 Chevrolet Express 3500 5.7L
1996 V8 GMC Savana 1500 5.7L
1997-96 V8 GMC Savana 3500 5.7L

640555

E.O. No. D-665-18

Inlet A: LOOSE 3-BOLT FLANGE W/ FLARE
Outlet A: WELDED 3-BOLT FLANGE
Length: 66.50"



1997 V8 Chevrolet Express 3500 5.7L
1996 V8 GMC Savana 1500 5.7L
1997-96 V8 GMC Savana 3500 5.7L

640557

E.O. No. D-665-18

Inlet A: LOOSE 3-BOLT FLANGE W/ FLARE
Inlet B: LOOSE 3-BOLT FLANGE W/ FLARE
Outlet A: WELDED 3-BOLT FLANGE
Length: 62"



1997 V6 Chevrolet Express 2500 4.3L
1997 V6 GMC Savana 2500 4.3L

640565

E.O. No. D-665-18

Inlet A: LOOSE 3-BOLT FLANGE W/ FLARE
Inlet B: WELDED 3-BOLT FLANGE
Outlet A: WELDED 2-BOLT FLANGE
Length: 46"

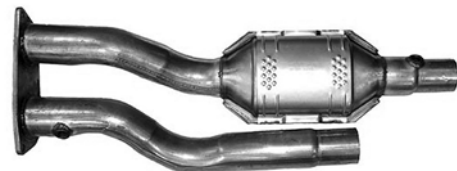


2001 V8 Chevrolet Suburban 1500 5.3L
2001 V8 GMC Yukon XL 1500 5.3L

640566

E.O. No. D-665-18

Inlet A: WELDED 3-BOLT FLANGE
Outlet A: 2.50" O.D. PIPE
Outlet B: 2.75" OD
Length: 33"



2000-97 V8 Chevrolet K2500 7.4L
2000 V8 Chevrolet K3500 7.4L
1997-96 V8 GMC C2500 7.4L

NUMERICAL LISTINGS

OBD II DIRECT FIT



OBD II DIRECT FIT

640566 (cont.)

1998 V8 GMC K3500 5.7L
2000 V8 GMC K3500 7.4L

640567 E.O. No. D-665-18

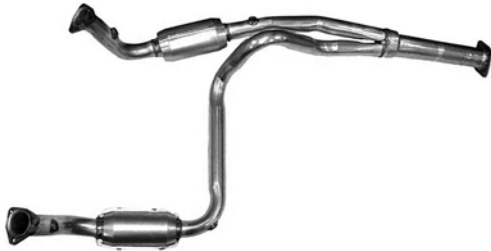
Inlet A: WELDED 3-BOLT FLANGE
Outlet A: 2.50" O.D. PIPE
Outlet B: 2.75" OD
Length: 42"



2000-97 V8 Chevrolet K2500 7.4L
1997-96 V8 GMC C2500 7.4L
2000 V8 GMC C3500 7.4L
2000 V8 GMC K3500 7.4L

640568 E.O. No. D-665-18

Inlet A: LOOSE 3-BOLT FLANGE W/ FLARE
Inlet B: LOOSE 3-BOLT FLANGE W/ FLARE
Outlet A: WELDED 2-BOLT FLANGE
Length: 70"



2000 V8 Chevrolet Express 2500 5.7L
2000 V8 GMC Savana 2500 5.7L

640570 E.O. No. D-665-18

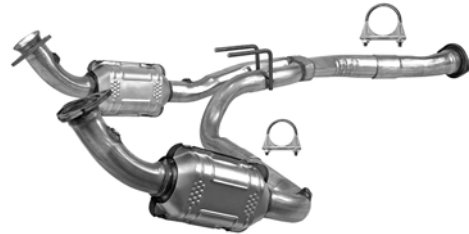
Inlet A: WELDED 3-BOLT FLANGE
Outlet A: WELDED 2-BOLT FLANGE
Length: 40"



2002 V8 GMC Yukon XL 2500 6.0L

640571 E.O. No. D-665-18

Inlet A: WELDED 3-BOLT FLANGE
Inlet B: LOOSE 3-BOLT FLANGE W/ FLARE
Outlet A: WELDED 2-BOLT FLANGE
Length: 64"



2006 V6 Chevrolet Express 1500 4.3L
2003 V8 GMC Savana 1500 5.3L
2006 V6 GMC Savana 1500 4.3L

640578 E.O. No. D-665-18

Inlet A: LOOSE 3-BOLT FLANGE W/ FLARE
Inlet B: LOOSE 3-BOLT FLANGE W/ FLARE
Outlet A: WELDED 3-BOLT FLANGE
Length: 52"



2000 V8 Chevrolet C2500 7.4L
2000 V8 Chevrolet C3500 7.4L
2000 V8 Chevrolet K2500 7.4L
2000 V8 Chevrolet K3500 7.4L
2000 V8 GMC C2500 7.4L
2000 V8 GMC C3500 7.4L
2000 V8 GMC K3500 7.4L

640579 E.O. No. D-665-18

Inlet A: WELDED 3-BOLT FLANGE
Outlet A: 2.50" O.D. PIPE
Outlet B: 2.50" O.D. PIPE
Length: 35"



2000-97 V8 Chevrolet C3500 7.4L

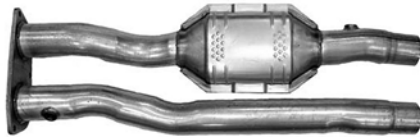
640579 (cont.)

2000 V8 Chevrolet K3500 7.4L
2000 V8 GMC C3500 7.4L
2000 V8 GMC K3500 7.4L

640604

E.O. No. D-665-18

Inlet A: WELDED 3-BOLT FLANGE
Outlet A: 2.50" I.D. PIPE
Outlet B: 2.50" I.D. PIPE
Length: 35"



2000 V8 Chevrolet K2500 7.4L
1997 V8 Chevrolet K3500 5.7L

650501

E.O. No. D-665-20

Inlet A: LOOSE 2-BOLT FLANGE W/FLARE
Inlet B: LOOSE 2-BOLT FLANGE W/FLARE
Outlet A: 2.50" O.D. PIPE
Length: 34"



2001-99 V8 Jeep Grand Cherokee 4.7L

650503

E.O. No. D-665-20

Inlet A: LOOSE 2-BOLT FLANGE W/SPHERICAL FLARE
Inlet B: LOOSE 2-BOLT FLANGE W/SPHERICAL FLARE
Outlet A: WELDED 3-BOLT FLANGE
Length: 23"



2001 L6 Jeep Cherokee 4.0L

650504

E.O. No. D-665-20

Inlet A: LOOSE 2-BOLT FLANGE W/SPHERICAL FLARE
Inlet B: LOOSE 2-BOLT FLANGE W/SPHERICAL FLARE
Outlet A: 2.50" O.D. PIPE
Length: 32"



2000-99 L6 Jeep Grand Cherokee 4.0L

650510

E.O. No. D-665-20

Inlet A: WELDED 2-BOLT FLANGE
Outlet A: WELDED 2-BOLT FLANGE
Length: 25"



1998-97 V6 Mazda MPV 3.0L

650512

E.O. No. D-665-20

Inlet A: WELDED 3-BOLT FLANGE
Outlet A: WELDED 3-BOLT FLANGE
Length: 12.50"



2001 V6 Nissan Frontier 3.3L
2001 V6 Nissan Xterra 3.3L

NUMERICAL LISTINGS

OBD II DIRECT FIT



OBD II DIRECT FIT

650513

E.O. No. D-665-20

Inlet A: WELDED 3-BOLT FLANGE
 Outlet A: WELDED 3-BOLT FLANGE
 Length: 13"



2001 V6 Nissan Frontier 3.3L
 2001 V6 Nissan Xterra 3.3L

650531

E.O. No. D-665-20

Inlet A: LOOSE 2-BOLT FLANGE W/ FLARE
 Inlet B: LOOSE 2-BOLT FLANGE W/ FLARE
 Outlet A: WELDED 3-BOLT FLANGE
 Length: 25"



2003-01 V6 Ford Explorer Sport Trac 4.0L
 2003-02 V6 Ford Ranger 4.0L
 2003-02 V6 Mazda B4000 4.0L

651501

E.O. No. D-665-20

Inlet A: 2.50" I.D. PIPE
 Outlet A: 2.50" O.D. PIPE
 Length: 21.88"

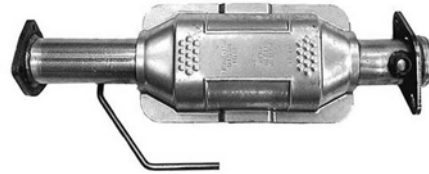


2000-99 L6 Jeep Grand Cherokee 4.0L
 2001-99 V8 Jeep Grand Cherokee 4.7L

651502

E.O. No. D-665-20

Inlet A: WELDED 3-BOLT FLANGE
 Outlet A: WELDED 2-BOLT FLANGE
 Length: 23"



2001-00 L6 Jeep Wrangler 4.0L

651503

E.O. No. D-665-20

Inlet A: WELDED 3-BOLT FLANGE
 Outlet A: LOOSE 2-BOLT FLANGE W/MALE BALL
 Length: 18.75"



2001 L6 Jeep Cherokee 4.0L

651506

E.O. No. D-665-20

Inlet A: LOOSE 2-BOLT FLANGE W/SPHERICAL FLARE
 Inlet B: LOOSE 2-BOLT FLANGE W/SPHERICAL FLARE
 Outlet A: 2.50" O.D. PIPE
 Length: 55"



2001 V6 Dodge Dakota 3.9L
 2001 V8 Dodge Dakota 5.9L

651512

E.O. No. D-665-20

Inlet A: LOOSE 2-BOLT FLANGE W/SPHERICAL FLARE
Inlet B: 2.50" I.D. PIPE
Outlet A: 2.50" O.D. PIPE
Length: 49"



2002-99 V6 Ford E-150 Econoline Club Wagon 4.2L
2000 V6 Ford E-150 Econoline 4.2L
2000 V6 Ford E-250 Econoline 4.2L

651513

E.O. No. D-665-20

Inlet A: LOOSE 2-BOLT FLANGE W/SPHERICAL FLARE
Outlet A: 2.50" O.D. PIPE
Length: 37.50"



2002-99 V6 Ford E-150 Econoline Club Wagon 4.2L
2000 V6 Ford E-150 Econoline 4.2L
2000 V6 Ford E-250 Econoline 4.2L

651514

E.O. No. D-665-20

Inlet A: WELDED 3-BOLT FLANGE
Outlet A: WELDED 2-BOLT FLANGE W/GASKET STUB
Length: 33"



1998 V6 Ford Explorer 4.0L

651516

E.O. No. D-665-20

Inlet A: LOOSE 2-BOLT FLANGE W/SPHERICAL FLARE
Outlet A: 2.50" O.D. PIPE
Length: 39.50"



1998-97 V6 Ford E-150 Econoline Club Wagon 4.2L

651517

E.O. No. D-665-20

Inlet A: LOOSE 2-BOLT FLANGE W/SPHERICAL FLARE
Inlet B: 2.50" I.D. PIPE
Outlet A: 2.50" O.D. PIPE
Length: 47"



1998-97 V6 Ford E-150 Econoline Club Wagon 4.2L

651520

E.O. No. D-665-20

Inlet A: LOOSE 2-BOLT FLANGE W/SPHERICAL FLARE
Outlet A: WELDED 2-BOLT FLANGE
Length: 38.25"



1996 V8 Ford Explorer 5.0L

NUMERICAL LISTINGS

OBD II DIRECT FIT



OBD II DIRECT FIT

651525 E.O. No. D-665-20

Inlet A: WELDED 2-BOLT FLANGE
 Inlet B: WELDED 2-BOLT FLANGE
 Outlet A: WELDED 3-BOLT FLANGE
 Length: 21.25"



1996 V8 Ford Explorer 5.0L

651526 E.O. No. D-665-20

Inlet A: LOOSE 2-BOLT FLANGE W/SPHERICAL FLARE
 Inlet B: 2.50" O.D. PIPE
 Outlet A: 2.50" O.D. PIPE
 Length: 36.50"



2000 V8 Ford Expedition 5.4L
 1998 V8 Ford F-150 5.4L
 1998 V8 Ford F-250 5.4L

651527 E.O. No. D-665-20

Inlet A: LOOSE 2-BOLT FLANGE W/SPHERICAL FLARE
 Inlet B: 2.50" I.D. PIPE
 Outlet A: 2.50" O.D. PIPE
 Length: 46"



2000 V8 Ford Expedition 5.4L
 1998 V8 Ford F-150 5.4L
 1998 V8 Ford F-250 5.4L

651532 E.O. No. D-665-20

Inlet A: LOOSE 2-BOLT FLANGE W/SPHERICAL FLARE
 Outlet A: 2.50" O.D. PIPE
 Length: 35.50"



1998 V8 Ford F-150 4.6L

651533 E.O. No. D-665-20

Inlet A: LOOSE 2-BOLT FLANGE W/SPHERICAL FLARE
 Inlet B: 2.50" I.D. PIPE
 Outlet A: 2.50" O.D. PIPE
 Length: 49.75"



1998 V8 Ford F-150 4.6L

651534 E.O. No. D-665-20

Inlet A: LOOSE 2-BOLT FLANGE W/SPHERICAL FLARE
 Inlet B: LOOSE 2-BOLT FLANGE W/SPHERICAL FLARE
 Outlet A: 2.50" O.D. PIPE
 Length: 62.50"



1996 V8 Ford E-150 Econoline 5.8L
 1996 V8 Ford E-250 Econoline 5.8L
 1996 V8 Ford E-350 Econoline 5.8L

651535

E.O. No. D-665-20

Inlet A: WELDED 3-BOLT FLANGE
Outlet A: WELDED 2-BOLT FLANGE W/GASKET STUB
Length: 35"



1996 V6 Ford Ranger 4.0L
1997-96 V6 Ford Ranger 3.0L

651542

E.O. No. D-665-20

Inlet A: LOOSE 2-BOLT FLANGE W/SPHERICAL FLARE
Outlet A: 2.50" O.D. PIPE
Length: 33.75"



2000 V8 Ford Expedition 4.6L

651538

E.O. No. D-665-20

Inlet A: LOOSE 2-BOLT FLANGE W/SPHERICAL FLARE
Outlet A: 2.50" O.D. PIPE
Length: 36.50"



2000 V8 Ford E-150 Econoline Club Wagon 4.6L
2000 V8 Ford E-150 Econoline 4.6L

651543

E.O. No. D-665-20

Inlet A: LOOSE 2-BOLT FLANGE W/SPHERICAL FLARE
Inlet B: 2.50" I.D. PIPE
Outlet A: 2.50" O.D. PIPE
Length: 46"



2000 V8 Ford Expedition 4.6L

651539

E.O. No. D-665-20

Inlet A: LOOSE 2-BOLT FLANGE W/SPHERICAL FLARE
Inlet B: 2.50" I.D. PIPE
Outlet A: 2.50" O.D. PIPE
Length: 47"

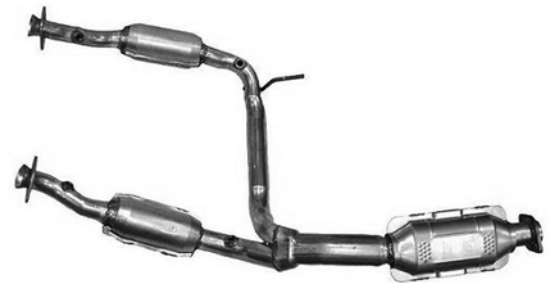


2000 V8 Ford E-150 Econoline Club Wagon 4.6L
2000 V8 Ford E-150 Econoline 4.6L

651548

E.O. No. D-665-20

Inlet A: LOOSE 2-BOLT FLANGE W/SPHERICAL FLARE
Inlet B: LOOSE 2-BOLT FLANGE W/SPHERICAL FLARE
Outlet A: WELDED 2-BOLT FLANGE W/GASKET STUB
Length: 55.50"



2003 V6 Ford Explorer 4.0L

NUMERICAL LISTINGS

OBD II DIRECT FIT



OBD II DIRECT FIT

651550 E.O. No. D-665-20

Inlet A: LOOSE 2-BOLT FLANGE W/SPHERICAL FLARE
 Outlet A: 2.50" O.D. PIPE
 Length: 36"



1998 V6 Ford F-150 4.2L

651551 E.O. No. D-665-20

Inlet A: LOOSE 2-BOLT FLANGE W/SPHERICAL FLARE
 Inlet B: 2.50" I.D. PIPE
 Outlet A: 2.50" O.D. PIPE
 Length: 53"



1998 V6 Ford F-150 4.2L

651561 E.O. No. D-665-20

Inlet A: WELDED 3-BOLT FLANGE
 Outlet A: WELDED 2-BOLT FLANGE W/GASKET STUB
 Length: 37"



1999-98 V6 Ford Ranger 3.0L
 1999-98 V6 Mazda B3000 3.0L

651566 E.O. No. D-665-20

Inlet A: WELDED 2-BOLT FLANGE
 Outlet A: WELDED 2-BOLT FLANGE
 Length: 18.50"



1996 V6 Mercury Villager 3.0L

651568 E.O. No. D-665-20

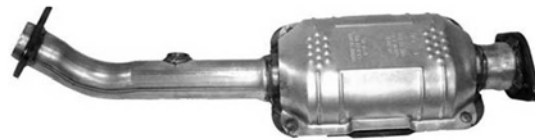
Inlet A: WELDED 2-BOLT FLANGE
 Outlet A: WELDED 2-BOLT FLANGE
 Length: 26"



1998-96 V6 Mazda MPV 3.0L

651573 E.O. No. D-665-20

Inlet A: WELDED 3-BOLT FLANGE W/GASKET STUB
 Outlet A: WELDED 2-BOLT FLANGE
 Length: 25"



2004 V6 Nissan Pathfinder 3.5L

651574

E.O. No. D-665-20

Inlet A: WELDED 3-BOLT FLANGE W/GASKET STUB
Outlet A: WELDED 2-BOLT FLANGE
Length: 26"



2004 V6 Nissan Pathfinder 3.5L

651594

E.O. No. D-665-20

Inlet A: WELDED 3-BOLT FLANGE
Outlet A: 2.98" O.D. PIPE
Length: 54"



2005 V8 Chevrolet Express 3500 4.8L
2005 V8 GMC Savana 3500 4.8L

651595

E.O. No. D-665-20

Inlet A: WELDED 3-BOLT FLANGE
Outlet A: WELDED 3-BOLT FLANGE
Length: 61"



2005 V8 Chevrolet Express 3500 4.8L
2005 V8 GMC Savana 3500 4.8L

651636

E.O. No. D-665-20

Inlet A: LOOSE 2-BOLT FLANGE W/SPHERICAL FLARE
Inlet B: LOOSE 2-BOLT FLANGE W/SPHERICAL FLARE
Outlet A: 2.25" O.D. PIPE
Length: 69.50"



1996 V8 Ford Bronco 5.8L

651652

E.O. No. D-665-20

Inlet A: 2.50" I.D. PIPE
Outlet A: 2.33" O.D. PIPE
Length: 21.75"



1999-97 L6 Jeep Cherokee 4.0L
1998-97 L6 Jeep Grand Cherokee 4.0L

651653

E.O. No. D-665-20

Inlet A: LOOSE 2-BOLT FLANGE W/SPHERICAL FLARE
Outlet A: 2.63" O.D. PIPE
Length: 52"



1999-98 L6 Jeep Wrangler 4.0L

NUMERICAL LISTINGS

OBD II DIRECT FIT



OBD II DIRECT FIT

701506 E.O. No. D-665-21

Inlet A: LOOSE 2-BOLT FLANGE W/SPHERICAL FLARE
 Outlet A: WELDED 2-BOLT FLANGE W/GASKET STUB
 Length: 49"



2006-04 L4 Ford Ranger 2.3L

701508 E.O. No. D-665-21

Inlet A: WELDED 2-BOLT FLANGE W/GASKET STUB
 Inlet B: LOOSE 2-BOLT FLANGE W/SPHERICAL FLARE
 Outlet A: LOOSE 2-BOLT FLANGE W/MALE BALL
 Outlet B: LOOSE 2 BOLT FLANGE W/ MALE BALL
 Length: 55"



2004 V8 Ford Mustang 4.6L

701509 E.O. No. D-665-21

Inlet A: WELDED 3-BOLT FLANGE
 Outlet A: WELDED 2-BOLT FLANGE W/GASKET STUB
 Length: 17.25"



2006-05 V6 Mazda B3000 3.0L

701510 E.O. No. D-665-21

Inlet A: WELDED 3-BOLT FLANGE
 Outlet A: WELDED 2-BOLT FLANGE
 Length: 37"



2006-05 V6 Mazda B3000 3.0L

730930 E.O. No. D-280-107

Inlet A: WELDED 3-BOLT FLANGE
 Outlet A: 3" O.D. PIPE
 Length: 38"



2003 V8 Ford E-150 Club Wagon 5.4L
 2003 V8 Ford E-150 5.4L
 2003 V8 Ford E-250 5.4L
 2003 V8 Ford E-350 Club Wagon 5.4L

731130 E.O. No. D-280-107

Inlet A: LOOSE 2-BOLT FLANGE W/ SPHERICAL FLARE
 Inlet B: LOOSE 2-BOLT FLANGE W/ SPHERICAL FLARE
 Outlet A: WELDED 3-BOLT FLANGE
 Length: 48"



2003 V8 Ford E-150 Club Wagon 5.4L
 2003 V8 Ford E-150 5.4L
 2003 V8 Ford E-250 5.4L
 2003 V8 Ford E-350 Club Wagon 5.4L

733001

E.O. No. D-280-107

Inlet A: WELDED 3-BOLT FLANGE
Outlet A: 3" O.D. PIPE
Length: 63"



- 2005-04 V8 Chevrolet Express 2500 6.0L
- 2006 V8 Chevrolet Express 2500 4.8L
- 2005-04 V8 Chevrolet Express 3500 6.0L
- 2005-04 V8 GMC Savana 2500 6.0L
- 2005-04 V8 GMC Savana 3500 6.0L

733002

E.O. No. D-280-107

Inlet A: WELDED 3-BOLT FLANGE
Outlet A: WELDED 3-BOLT FLANGE
Length: 61.25"

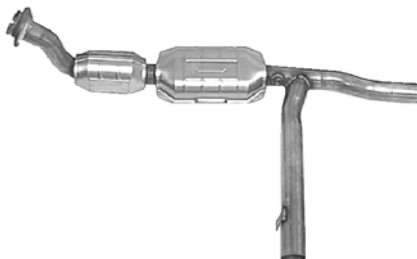


- 2005-04 V8 Chevrolet Express 2500 6.0L
- 2006 V8 Chevrolet Express 2500 4.8L
- 2005-04 V8 Chevrolet Express 3500 6.0L
- 2005-04 V8 GMC Savana 2500 6.0L
- 2005-04 V8 GMC Savana 3500 6.0L

739078

E.O. No. D-280-107

Inlet A: LOOSE 2-BOLT FLANGE W/ SPHERICAL FLARE
Inlet B: 2.50" I.D. PIPE
Outlet A: 2.50" O.D. PIPE
Length: 46.75"

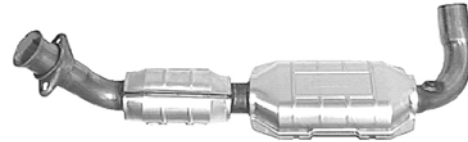


- 2003-02 V6 Ford F-150 4.2L

739079

E.O. No. D-280-107

Inlet A: LOOSE 2-BOLT FLANGE W/ SPHERICAL FLARE
Outlet A: 2.50" O.D. PIPE
Length: 36"



- 2003-02 V6 Ford F-150 4.2L

739083

E.O. No. D-280-107

Inlet A: LOOSE 3-BOLT FLANGE W/ SPHERICAL FLARE
Inlet B: WELDED 3-BOLT FLANGE
Outlet A: WELDED 2-BOLT FLANGE
Length: 50.50"



- 2005-03 V8 Cadillac Escalade 5.3L
- 2005-03 V8 Chevrolet Avalanche 1500 5.3L
- 2005-03 V8 Chevrolet Silverado 1500 5.3L
- 2005-04 V8 Chevrolet Silverado 1500 4.8L
- 2005-03 V8 Chevrolet Suburban 1500 5.3L
- 2003 V8 Chevrolet Tahoe 5.3L
- 2004 V8 Chevrolet Tahoe 4.8L
- 2005-03 V8 GMC Sierra 1500 5.3L
- 2005-04 V8 GMC Sierra 1500 4.8L
- 2004 V8 GMC Yukon 4.8L

NUMERICAL LISTINGS

OBD II DIRECT FIT

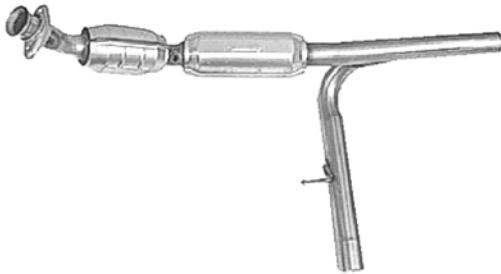


OBD II DIRECT FIT

739084

E.O. No. D-280-107

Inlet A: LOOSE 2-BOLT FLANGE W/ SPHERICAL FLARE
 Inlet B: 2.50" I.D. PIPE
 Outlet A: 2.50" O.D. PIPE
 Length: 49.50"

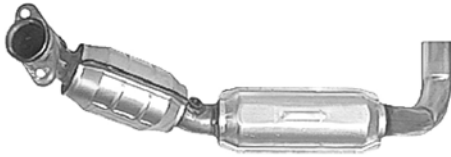


2004-02 V8 Ford F-150 5.4L

739085

E.O. No. D-280-107

Inlet A: LOOSE 2-BOLT FLANGE W/ SPHERICAL FLARE
 Outlet A: 2.50" O.D. PIPE
 Length: 35.50"



2004-02 V8 Ford F-150 5.4L

739116

E.O. No. D-280-107

Inlet A: LOOSE 2-BOLT FLANGE W/ SPHERICAL FLARE
 Inlet B: 2.50" I.D. PIPE
 Outlet A: 2.50" O.D. PIPE
 Length: 47.13"



2003-02 V8 Ford F-150 4.6L

739117

E.O. No. D-280-107

Inlet A: LOOSE 2-BOLT FLANGE W/ SPHERICAL FLARE
 Outlet A: 2.50" O.D. PIPE
 Length: 35.50"

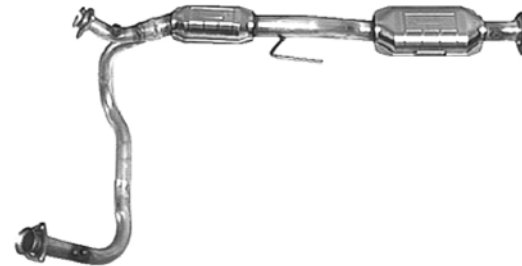


2003-02 V8 Ford F-150 4.6L

739148

E.O. No. D-280-107

Inlet A: LOOSE 3-BOLT FLANGE W/ FLARE
 Inlet B: LOOSE 3-BOLT FLANGE W/ FLARE
 Outlet A: WELDED 3-BOLT FLANGE
 Length: 59.75"



2005-00 V6 Chevrolet Astro 4.3L

739168

E.O. No. D-280-107

Inlet A: LOOSE 2-BOLT FLANGE W/ FLARE
 Inlet B: 2.25" I.D. PIPE
 Outlet A: 2.75" O.D. PIPE
 Length: 54.38"



2006-05 V8 Dodge Ram 2500 5.7L
 2006-05 V8 Dodge Ram 3500 5.7L

739169

E.O. No. D-280-107

Inlet A: LOOSE 2-BOLT FLANGE W/ FLARE
Outlet A: 2.25" O.D. PIPE
Length: 45.75"

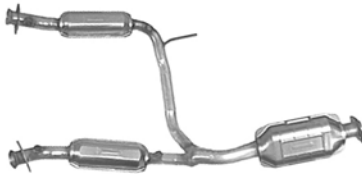


2006-05 V8 Dodge Ram 2500 5.7L
2006-05 V8 Dodge Ram 3500 5.7L

739173

E.O. No. D-280-107

Inlet A: LOOSE 2-BOLT FLANGE W/ SPHERICAL FLARE
Inlet B: LOOSE 2-BOLT FLANGE W/ SPHERICAL FLARE
Outlet A: WELDED 2-BOLT FLANGE W/ GASKET STUB
Length: 58.50"



2005-04 V8 Lincoln Aviator 4.6L

739175

E.O. No. D-280-107

Inlet A: LOOSE 2-BOLT FLANGE W/ SPHERICAL FLARE
Inlet B: LOOSE 2-BOLT FLANGE W/ SPHERICAL FLARE
Outlet A: 2.50" O.D. PIPE
Length: 59.25"

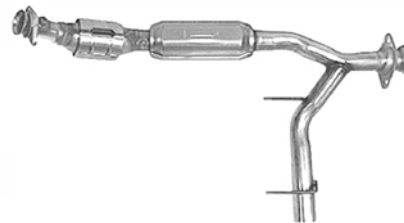


2002 V8 Dodge Dakota 4.7L

739190

E.O. No. D-280-107

Inlet A: LOOSE 2-BOLT FLANGE W/ SPHERICAL FLARE
Inlet B: 2.50" I.D. PIPE
Outlet A: LOOSE 2-BOLT FLANGE W/ SPHERICAL FLARE
Length: 45"



2004-03 V8 Ford Expedition 4.6L

739191

E.O. No. D-280-107

Inlet A: LOOSE 2-BOLT FLANGE W/ SPHERICAL FLARE
Outlet A: 2.50" O.D. PIPE
Length: 36.50"

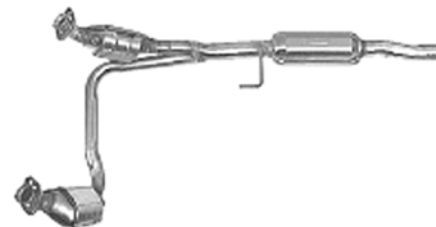


2004-03 V8 Ford Expedition 4.6L

739196

E.O. No. D-280-107

Inlet A: LOOSE 2-BOLT FLANGE W/ SPHERICAL FLARE
Inlet B: LOOSE 2-BOLT FLANGE W/ SPHERICAL FLARE
Outlet A: 2.50" O.D. PIPE
Length: 59"



2002 V6 Dodge Dakota 3.9L

NUMERICAL LISTINGS

OBD II DIRECT FIT

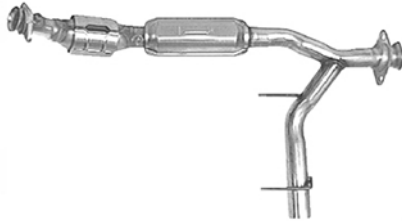


OBD II DIRECT FIT

739248

E.O. No. D-280-107

Inlet A: LOOSE 2-BOLT FLANGE W/ SPHERICAL FLARE
 Inlet B: 2.50" I.D. PIPE
 Outlet A: LOOSE 2-BOLT FLANGE W/ SPHERICAL FLARE
 Length: 45.50"



2004-03 V8 Ford Expedition 5.4L
 2003 V8 Lincoln Navigator 5.4L

739251

E.O. No. D-280-107

Inlet A: LOOSE 2-BOLT FLANGE W/ SPHERICAL FLARE
 Outlet A: 2.50" O.D. PIPE
 Length: 45.25"

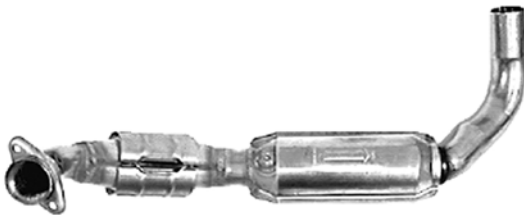


2004-03 V8 Ford Expedition 5.4L
 2003 V8 Lincoln Navigator 5.4L

739249

E.O. No. D-280-107

Inlet A: LOOSE 2-BOLT FLANGE W/ SPHERICAL FLARE
 Outlet A: 2.50" O.D. PIPE
 Length: 35.25"



2004-03 V8 Ford Expedition 5.4L
 2003 V8 Lincoln Navigator 5.4L

739260

E.O. No. D-280-107

Inlet A: LOOSE 2-BOLT FLANGE W/ SPHERICAL FLARE
 Inlet B: 2.50" I.D. PIPE
 Length: 49.50"



2004 V8 Ford F-150 4.6L

739250

E.O. No. D-280-107

Inlet A: LOOSE 2-BOLT FLANGE W/ SPHERICAL FLARE
 Inlet B: 2.50" I.D. PIPE
 Outlet A: 2.50" O.D. PIPE
 Length: 46.25"



2004-03 V8 Ford Expedition 5.4L
 2003 V8 Lincoln Navigator 5.4L

739261

E.O. No. D-280-107

Inlet A: LOOSE 2-BOLT FLANGE W/ SPHERICAL FLARE
 Outlet A: 2.50" O.D. PIPE
 Length: 36.75"



2004 V8 Ford F-150 4.6L

739263

E.O. No. D-280-107

Inlet A: LOOSE 2-BOLT FLANGE W/ SPHERICAL FLARE
Inlet B: LOOSE 2-BOLT FLANGE W/ SPHERICAL FLARE
Outlet A: 3" O.D. PIPE
Length: 42"



2005 V8 Ford E-250 5.4L
2006-05 V8 Ford E-350 Super Duty 5.4L

739991

E.O. No. D-280-107

Inlet A: LOOSE 3-BOLT FLANGE W/ FEMALE FLARE
Inlet B: WELDED 3-BOLT FLANGE
Outlet A: WELDED 2-BOLT FLANGE
Length: 59"



2005-04 V8 Chevrolet Express 1500 5.3L

741039

E.O. No. D-798

Inlet A: WELDED 2-BOLT FLANGE W/ SPHERICAL FLARE
Inlet B: WELDED 2-BOLT FLANGE W/ SPHERICAL FLARE
Outlet A: 2.50" O.D. PIPE
Length: 41"

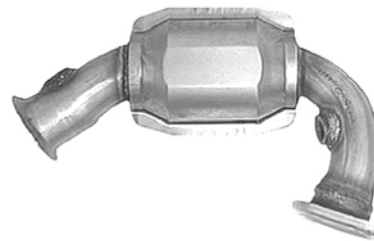


2004-01 L6 Jeep Grand Cherokee 4.0L

741048

E.O. No. D-798

Inlet A: 45 DEGREE FLARE
Outlet A: WELDED 2-BOLT FLANGE
Length: 14.25"

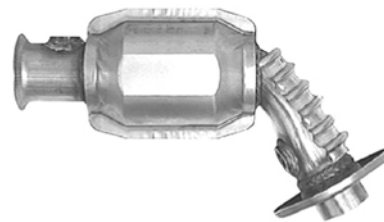


2003-02 V6 Jeep Liberty 3.7L

741049

E.O. No. D-798

Inlet A: 45 DEGREE FLARE
Outlet A: WELDED 2-BOLT FLANGE W/ GASKET STUB
Length: 13.50"



2003-02 V6 Jeep Liberty 3.7L

NUMERICAL LISTINGS

OBD II DIRECT FIT

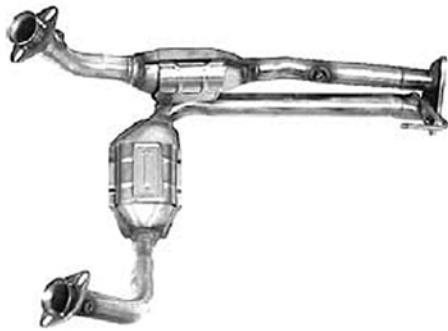


OBD II DIRECT FIT

741105

E.O. No. D-798

Inlet A: LOOSE 2-BOLT FLANGE W/ SPHERICAL FLARE
 Inlet B: LOOSE 2-BOLT FLANGE W/ SPHERICAL FLARE
 Outlet A: WELDED 3-BOLT FLANGE
 Length: 33.50"



2006-04 V6 Ford Ranger 3.0L
 2006-04 V6 Mazda B3000 3.0L

741107

E.O. No. D-798

Inlet A: WELDED 5-BOLT FLANGE
 Outlet A: WELDED 2-BOLT FLANGE W/ GASKET STUB
 Length: 19.13"



2008-06 L4 Toyota RAV4 2.4L

741111

E.O. No. D-798

Inlet A: WELDED 3-BOLT FLANGE
 Inlet B: WELDED 3-BOLT FLANGE
 Outlet A: WELDED 3-BOLT FLANGE
 Length: 32"



2006-04 V6 Volkswagen Touareg 3.2L

741137

E.O. No. D-798

Inlet A: WELDED 4-BOLT FLANGE
 Outlet A: WELDED 3-BOLT FLANGE
 Length: 14"



2007-03 V6 Nissan Murano 3.5L

741149

E.O. No. D-798

Inlet A: WELDED 6-BOLT FLANGE
 Outlet A: WELDED 2-BOLT FLANGE
 Length: 24"



2009-03 V6 Toyota 4Runner 4.0L
 2009-07 V6 Toyota FJ Cruiser 4.0L
 2008-05 V6 Toyota Tacoma 4.0L
 2006-05 V6 Toyota Tundra 4.0L

741150 E.O. No. D-798

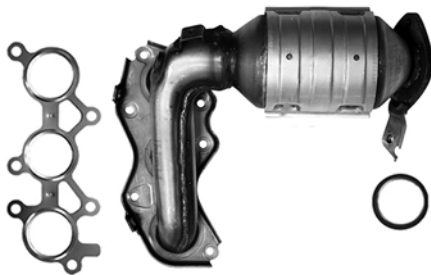
Inlet A: WELDED 6-BOLT FLANGE
Outlet A: WELDED 3-BOLT FLANGE
Length: 25"



- 2009-03 V6 Toyota 4Runner 4.0L
- 2009-07 V6 Toyota FJ Cruiser 4.0L
- 2008-05 V6 Toyota Tacoma 4.0L
- 2006-05 V6 Toyota Tundra 4.0L

741158 E.O. No. D-798

Inlet A: WELDED 6-BOLT FLANGE
Outlet A: WELDED 2-BOLT FLANGE, BENT BRACKET
Length: 15"



- 2013-09 V6 Toyota Venza 3.5L

741161 E.O. No. D-798

Inlet A: WELDED 6-BOLT FLANGE
Outlet A: WELDED 2-BOLT FLANGE
Length: 13.50"



- 2013-09 V6 Toyota Venza 3.5L

741163 E.O. No. D-798

Inlet A: WELDED 6-BOLT FLANGE
Outlet A: WELDED 2 BOLT FLANGE
Length: 13.50"



- 2013-07 V6 Lexus RX350 3.5L
- 2013-08 V6 Toyota Highlander 3.5L
- 2012-06 V6 Toyota RAV4 3.5L
- 2013-07 V6 Toyota Sienna 3.5L

NUMERICAL LISTINGS

OBD II DIRECT FIT



OBD II DIRECT FIT

741166

E.O. No. D-798

Inlet A: WELDED 6-BOLT FLANGE
 Outlet A: WELDED 2-BOLT FLANGE
 Length: 16"

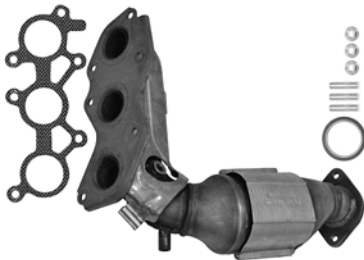


2009-07 V6 Lexus RX350 3.5L
 2013-08 V6 Toyota Highlander 3.5L
 2010-07 V6 Toyota Sienna 3.5L

741167

E.O. No. D-798

Inlet A: WELDED 6-BOLT FLANGE
 Outlet A: WELDED 2-BOLT FLANGE
 Length: 14.50"

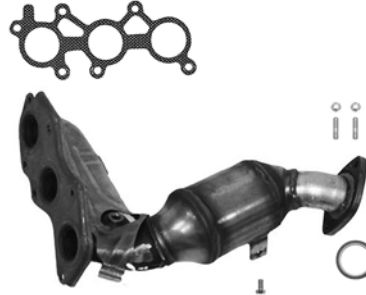


2010-07 V6 Toyota Sienna 3.5L

741168

E.O. No. D-798

Inlet A: WELDED 6-BOLT FLANGE
 Outlet A: WELDED 2-BOLT FLANGE
 Length: 14.50"



2012-06 V6 Toyota RAV4 3.5L

741178

E.O. No. D-798

Inlet A: WELDED 8-BOLT FLANGE
 Outlet A: WELDED 2-BOLT FLANGE
 Length: 13.50"

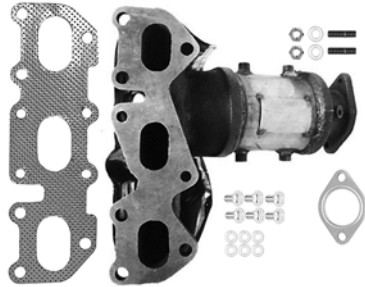


2008-07 V6 Hyundai Entourage 3.8L
 2010-06 V6 Kia Sedona 3.8L

741179

E.O. No. D-798

Inlet A: WELDED 8-BOLT FLANGE
Outlet A: WELDED 2-BOLT FLANGE
Length: 13"

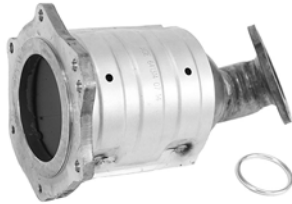


2008-07 V6 Hyundai Entourage 3.8L
2010-06 V6 Kia Sedona 3.8L

741182

E.O. No. D-798

Inlet A: WELDED 6-BOLT FLANGE
Outlet A: WELDED 3-BOLT FLANGE
Length: 10.50"



2009-04 V6 Nissan Quest 3.5L

741187

E.O. No. D-798

Inlet A: WELDED 6-BOLT FLANGE
Outlet A: WELDED 3-BOLT FLANGE
Length: 12"

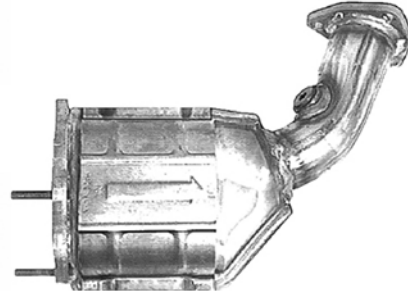


2006-04 V6 Nissan Quest 3.5L

741196

E.O. No. D-798

Inlet A: WELDED 6-BOLT FLANGE
Outlet A: WELDED 3-BOLT FLANGE
Length: 13"

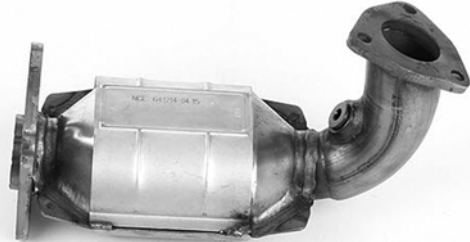


2007-03 V6 Nissan Murano 3.5L

741197

E.O. No. D-798

Inlet A: WELDED 4-BOLT FLANGE W/ GASKET STUB
Outlet A: WELDED 3-BOLT FLANGE
Length: 14"



2009-04 V6 Nissan Quest 3.5L

NUMERICAL LISTINGS

OBD II DIRECT FIT



OBD II DIRECT FIT

741206

E.O. No. D-798

Inlet A: WELDED 4-BOLT FLANGE
 Outlet A: WELDED 2-BOLT FLANGE
 Length: 14.50"



2011-10 V6 Chevrolet Equinox 3.0L
 2011-10 V6 GMC Terrain 3.0L

741207

E.O. No. D-798

Inlet A: WELDED 4-BOLT FLANGE
 Outlet A: WELDED 2-BOLT FLANGE
 Length: 14"



2012-10 V6 Chevrolet Equinox 3.0L
 2013 V6 Chevrolet Equinox 3.6L
 2012-10 V6 GMC Terrain 3.0L
 2013 V6 GMC Terrain 3.6L

741213

E.O. No. D-798

Inlet A: WELDED 8-BOLT FLANGE
 Outlet A: WELDED 2-BOLT FLANGE
 Length: 28.38"

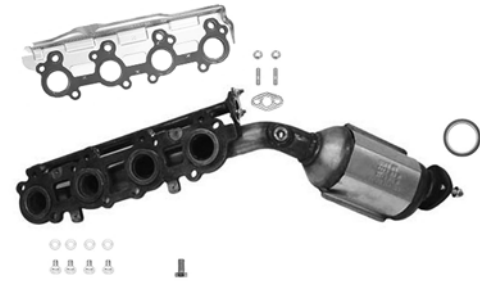


2009-05 V8 Lexus GX470 4.7L
 2009-05 V8 Toyota 4Runner 4.7L

741214

E.O. No. D-798

Inlet A: WELDED 8-BOLT FLANGE
 Outlet A: WELDED 2-BOLT FLANGE
 Length: 28.75"



2009-05 V8 Lexus GX470 4.7L
 2009-05 V8 Toyota 4Runner 4.7L

741216

E.O. No. D-798

Inlet A: WELDED 7-BOLT FLANGE
 Outlet A: WELDED 3-BOLT FLANGE W/ GASKET STUB
 Length: 24"



2006-04 L4 Chevrolet Colorado 2.8L
 2006-04 L4 GMC Canyon 2.8L
 2006 L4 Isuzu i-280 2.8L

741220

E.O. No. D-798

Inlet A: WELDED 8-BOLT FLANGE
Outlet A: WELDED 2-BOLT FLANGE
Length: 13.50"



2009-07 V6 Hyundai Santa Fe 3.3L
2012-07 V6 Hyundai Veracruz 3.8L

741221

E.O. No. D-798

Inlet A: WELDED 8-BOLT FLANGE
Outlet A: WELDED 2-BOLT FLANGE
Length: 13.50"



2009-07 V6 Hyundai Santa Fe 3.3L
2012-07 V6 Hyundai Veracruz 3.8L

741222

E.O. No. D-798

Inlet A: WELDED 4-BOLT FLANGE
Outlet A: WELDED 3-BOLT FLANGE
Length: 13.75"

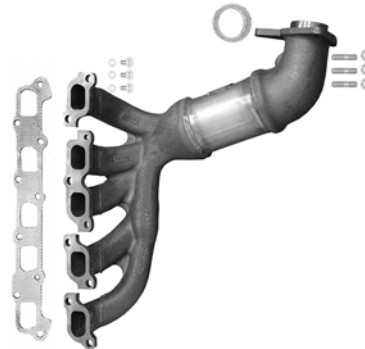


2011-10 V6 Acura MDX 3.7L
2013 V6 Acura RDX 3.5L
2013-11 V6 Honda Odyssey 3.5L
2011-09 V6 Honda Pilot 3.5L
2013-09 V6 Honda Ridgeline 3.5L

741226

E.O. No. D-798

Inlet A: WELDED 9-BOLT FLANGE
Outlet A: WELDED 3-BOLT FLANGE W/ GASKET STUB
Length: 27.13"



2012-07 L5 Chevrolet Colorado 3.7L
2012-07 L5 GMC Canyon 3.7L
2010-07 L5 Hummer H3 3.7L
2010-09 L5 Hummer H3T 3.7L
2008-07 L5 Isuzu i-370 3.7L

NUMERICAL LISTINGS

OBD II DIRECT FIT



OBD II DIRECT FIT

741227

E.O. No. D-798

Inlet A: WELDED 7-BOLT FLANGE
 Outlet A: WELDED 3-BOLT FLANGE W/ GASKET STUB
 Length: 24.25"



2012-07 L4 Chevrolet Colorado 2.9L
 2012-07 L4 GMC Canyon 2.9L
 2008-07 L4 Isuzu i-290 2.9L

741228

E.O. No. D-798

Inlet A: WELDED 7-BOLT FLANGE
 Outlet A: WELDED 2-BOLT FLANGE
 Length: 12"

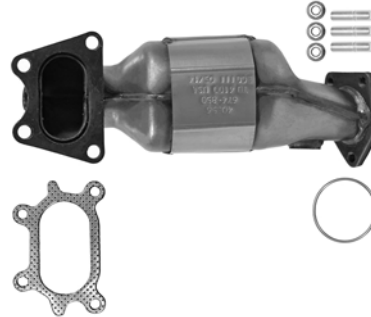


2009-07 V6 Hyundai Santa Fe 2.7L

741232

E.O. No. D-798

Inlet A: WELDED 4-BOLT FLANGE
 Outlet A: WELDED 3-BOLT FLANGE
 Length: 14"



2010-08 V6 Honda Odyssey 3.5L

741233

E.O. No. D-798

Inlet A: WELDED 4-BOLT FLANGE
 Outlet A: WELDED 3-BOLT FLANGE
 Length: 14"



2010-08 V6 Honda Odyssey 3.5L

741246

E.O. No. D-798

Inlet A: WELDED 6-BOLT FLANGE
 Outlet A: WELDED 3-BOLT FLANGE
 Length: 22"



2012-10 V6 Toyota 4Runner 4.0L
 2012-10 V6 Toyota FJ Cruiser 4.0L

741247

E.O. No. D-798

Inlet A: WELDED 6-BOLT FLANGE
Outlet A: WELDED 3-BOLT FLANGE
Length: 25"



- 2012-10 V6 Toyota 4Runner 4.0L
- 2012-10 V6 Toyota FJ Cruiser 4.0L

741248

E.O. No. D-798

Inlet A: WELDED 8-BOLT FLANGE
Outlet A: WELDED 2-BOLT FLANGE
Length: 29"

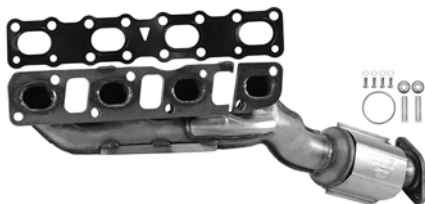


- 2012-07 V8 Infiniti QX56 5.6L
- 2013-07 V8 Nissan Armada 5.6L
- 2012-08 V8 Nissan Pathfinder 5.6L
- 2013-07 V8 Nissan Titan 5.6L

741249

E.O. No. D-798

Inlet A: WELDED 8-BOLT FLANGE
Outlet A: WELDED 2-BOLT FLANGE
Length: 29"



- 2012-07 V8 Infiniti QX56 5.6L
- 2013-07 V8 Nissan Armada 5.6L
- 2012-08 V8 Nissan Pathfinder 5.6L
- 2013-07 V8 Nissan Titan 5.6L

741250

E.O. No. D-798

Inlet A: WELDED 4-BOLT FLANGE
Outlet A: WELDED 3-BOLT FLANGE
Length: 13.75"



- 2006-03 V6 Acura MDX 3.5L
- 2009-07 V6 Acura MDX 3.7L
- 2010-05 V6 Honda Odyssey 3.5L
- 2008-05 V6 Honda Pilot 3.5L
- 2008-06 V6 Honda Ridgeline 3.5L

741251

E.O. No. D-798

Inlet A: WELDED 4-BOLT FLANGE
Outlet A: WELDED 3-BOLT FLANGE
Length: 13.90"



- 2006-03 V6 Acura MDX 3.5L
- 2009-07 V6 Acura MDX 3.7L
- 2010-05 V6 Honda Odyssey 3.5L
- 2008-05 V6 Honda Pilot 3.5L
- 2008-06 V6 Honda Ridgeline 3.5L

NUMERICAL LISTINGS

OBD II DIRECT FIT



OBD II DIRECT FIT

741258

E.O. No. D-798

Inlet A: WELDED 8-BOLT FLANGE
 Outlet A: WELDED 2-BOLT FLANGE
 Length: 14.50"



2012-10 V6 Hyundai Santa Fe 3.5L

741259

E.O. No. D-798

Inlet A: WELDED 8-BOLT FLANGE
 Outlet A: WELDED 2-BOLT FLANGE
 Length: 15"

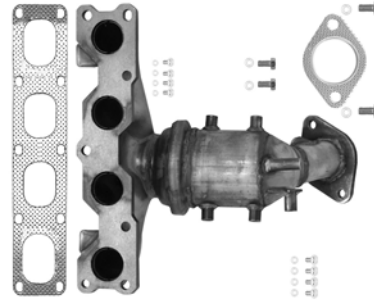


2012-10 V6 Hyundai Santa Fe 3.5L

741264

E.O. No. D-798

Inlet A: WELDED 7-BOLT FLANGE
 Outlet A: WELDED 2-BOLT FLANGE
 Length: 13"



2012-10 L4 Hyundai Santa Fe 2.4L
 2013-11 L4 Kia Sorento 2.4L

741280

E.O. No. D-798

Inlet A: WELDED 2-BOLT FLANGE
 Outlet A: WELDED 2-BOLT FLANGE W/MALE BALL
 Length: 18"



2013-11 V6 Chrysler Town & Country 3.6L
 2013-11 V6 Dodge Grand Caravan 3.6L
 2013-11 V6 Dodge Journey 3.6L
 2013-12 V6 Ram C/V 3.6L
 2013-11 V6 Volkswagen Routan 3.6L

741281

E.O. No. D-798

Inlet A: WELDED 2-BOLT FLANGE
Outlet A: WELDED 2-BOLT FLANGE
Length: 18"

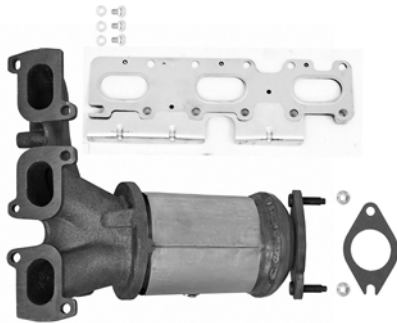


- 2013-11 V6 Chrysler Town & Country 3.6L
- 2013-11 V6 Dodge Grand Caravan 3.6L
- 2013-11 V6 Dodge Journey 3.6L
- 2013-12 V6 Ram C/V 3.6L
- 2013-11 V6 Volkswagen Routan 3.6L

741285

E.O. No. D-798

Inlet A: WELDED 6-BOLT FLANGE
Outlet A: WELDED 2-BOLT FLANGE
Length: 14"



- 2013-11 V6 Ford Edge 3.5L
- 2013-11 V6 Ford Edge 3.7L
- 2013-11 V6 Ford Explorer 3.5L
- 2013-11 V6 Lincoln MKX 3.7L

741286

E.O. No. D-798

Inlet A: WELDED 4-BOLT FLANGE
Outlet A: WELDED 2-BOLT FLANGE W/ MALE BALL
Length: 12"

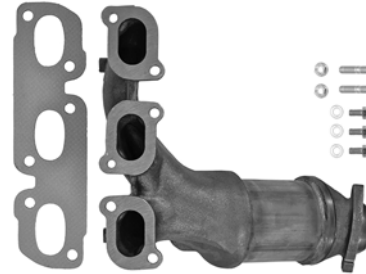


- 2013-11 V6 Ford Edge 3.5L
- 2013-11 V6 Ford Edge 3.7L
- 2013-11 V6 Ford Explorer 3.5L
- 2013-11 V6 Lincoln MKX 3.7L

741288

E.O. No. D-798

Inlet A: WELDED 6-BOLT FLANGE
Outlet A: WELDED 2-BOLT FLANGE W/MALE BALL
Length: 14.63"



- 2012-10 V6 Ford Escape 3.0L
- 2011-10 V6 Mazda Tribute 3.0L
- 2011-10 V6 Mercury Mariner 3.0L

NUMERICAL LISTINGS

OBD II DIRECT FIT



OBD II DIRECT FIT

741289

E.O. No. D-798

Inlet A: WELDED 3-BOLT FLANGE
 Outlet A: WELDED 2-BOLT FLANGE
 Length: 9.5"



- 2012-10 V6 Ford Escape 3.0L
- 2011-10 V6 Mazda Tribute 3.0L
- 2011-10 V6 Mercury Mariner 3.0L

741290

E.O. No. D-798

Inlet A: WELDED 4-BOLT FLANGE
 Outlet A: WELDED 2-BOLT FLANGE
 Length: 11.50"

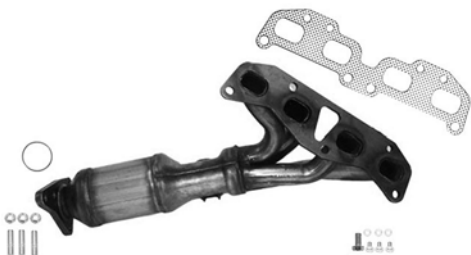


- 2007 V6 Mazda CX-9 3.5L
- 2013-08 V6 Mazda CX-9 3.7L

741304

E.O. No. D-798

Inlet A: WELDED 5-BOLT FLANGE
 Outlet A: WELDED 3-BOLT FLANGE
 Length: 23"



- 2013-05 L4 Nissan Frontier 2.5L
- 2012-09 L4 Suzuki Equator 2.5L

741306

E.O. No. D-798

Inlet A: WELDED 5-BOLT FLANGE
 Outlet A: WELDED 2-BOLT FLANGE W/GASKET STUB
 Length: 21"



- 2011-09 L4 Toyota RAV4 2.5L

741310

E.O. No. D-798

Inlet A: WELDED 4-BOLT FLANGE
 Outlet A: WELDED 3-BOLT FLANGE
 Length: 14"



- 2011-10 V6 Acura MDX 3.7L
- 2013 V6 Acura RDX 3.5L
- 2013-11 V6 Honda Odyssey 3.5L
- 2011-09 V6 Honda Pilot 3.5L
- 2013-09 V6 Honda Ridgeline 3.5L

741311

E.O. No. D-798

Inlet A: WELDED 5-BOLT FLANGE
Outlet A: WELDED 2-BOLT FLANGE W/GASKET STUB
Length: 21"



2007-05 L4 Toyota Highlander 2.4L

741312

E.O. No. D-798

Inlet A: WELDED 4-BOLT FLANGE
Outlet A: WELDED 2-BOLT FLANGE W/GASKET STUB
Length: 14"

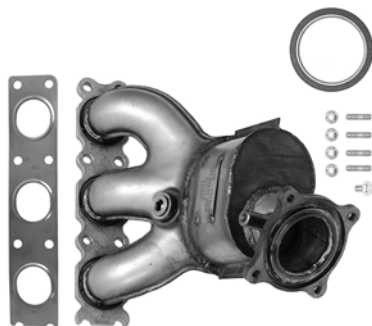


2011-10 L4 Honda CR-V 2.4L

741319

E.O. No. D-798

Inlet A: WELDED 8-BOLT FLANGE
Outlet A: WELDED 4-BOLT FLANGE
Length: 13.50"

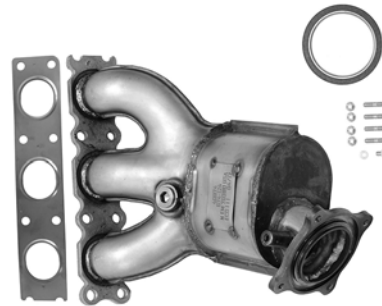


2012-08 L6 Land Rover LR2 3.2L

741320

E.O. No. D-798

Inlet A: WELDED 8-BOLT FLANGE
Outlet A: WELDED 4-BOLT FLANGE
Length: 13.50"

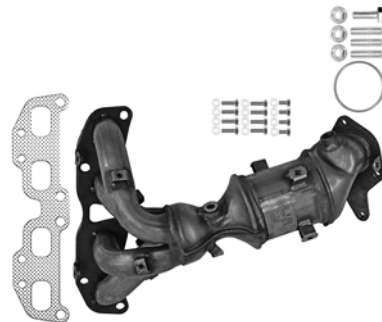


2012-08 L6 Land Rover LR2 3.2L

741325

E.O. No. D-798

Inlet A: WELDED 5-BOLT FLANGE
Outlet A: WELDED 3-BOLT FLANGE
Length: 17.75"



2013-08 L4 Nissan Rogue 2.5L

NUMERICAL LISTINGS

OBD II DIRECT FIT



OBD II DIRECT FIT

741339

E.O. No. D-798

Inlet A: WELDED 3-BOLT FLANGE
Outlet A: WELDED 2-BOLT FLANGE
Length: 14"

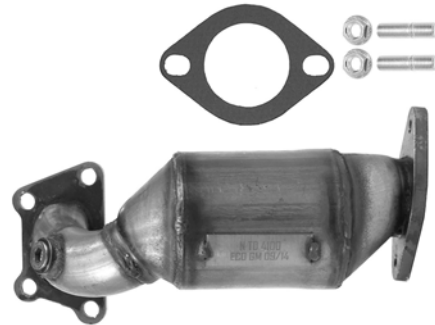


2009-07 V6 Hyundai Santa Fe 2.7L

741350

E.O. No. D-798

Inlet A: WELDED 4-BOLT FLANGE
Outlet A: WELDED 2-BOLT FLANGE
Length: 14"



2012 V6 Chevrolet Equinox 3.0L
2013 V6 Chevrolet Equinox 3.6L
2012 V6 GMC Terrain 3.0L
2013 V6 GMC Terrain 3.6L

741342

E.O. No. D-798

Inlet A: WELDED 8-BOLT FLANGE
Outlet A: WELDED 2-BOLT FLANGE
Length: 29"



2009-04 V8 Cadillac SRX 4.6L

741364

E.O. No. D-798

Inlet A: WELDED 6-BOLT FLANGE
Outlet A: WELDED 2-BOLT FLANGE
Length: 16.75"



2013-10 V6 Lexus RX350 3.5L
2013-11 V6 Toyota Sienna 3.5L

741343

E.O. No. D-798

Inlet A: WELDED 8-BOLT FLANGE
Outlet A: WELDED 2-BOLT FLANGE
Length: 29"



2009-04 V8 Cadillac SRX 4.6L

741365

E.O. No. D-798

Inlet A: WELDED 6-BOLT FLANGE
Outlet A: WELDED 2-BOLT FLANGE
Length: 15.75"



2013-11 V6 Toyota Sienna 3.5L

741385

E.O. No. D-798

Inlet A: WELDED 4-BOLT FLANGE
Outlet A: WELDED 2-BOLT FLANGE
Length: 13"



2011-10 V6 Cadillac SRX 3.0L
2011 V6 Saab 9-4X 3.0L

744005

E.O. No. D-798

Inlet A: WELDED 2-BOLT FLANGE W/ GASKET STUB
Outlet A: WELDED 2-BOLT FLANGE
Length: 29.13"



2012-07 V8 Infiniti QX56 5.6L
2013-07 V8 Nissan Armada 5.6L
2012-08 V8 Nissan Pathfinder 5.6L
2013-07 V8 Nissan Titan 5.6L

744010

E.O. No. D-798

Inlet A: WELDED 3-BOLT FLANGE
Outlet A: WELDED 3-BOLT FLANGE
Length: 10.75"



2011-10 V6 Acura MDX 3.7L
2013 V6 Acura RDX 3.5L
2013-11 V6 Honda Odyssey 3.5L
2011-09 V6 Honda Pilot 3.5L
2013-09 V6 Honda Ridgeline 3.5L

744012

E.O. No. D-798

Inlet A: WELDED 2-BOLT FLANGE
Outlet A: 2.25" I.D. PIPE
Length: 39"



2013-10 L4 Chevrolet Equinox 2.4L
2013-10 L4 GMC Terrain 2.4L

NUMERICAL LISTINGS

OBD II DIRECT FIT



OBD II DIRECT FIT

744013

E.O. No. D-798

Inlet A: WELDED 2-BOLT FLANGE
Outlet A: WELDED 2-BOLT FLANGE
Length: 27"

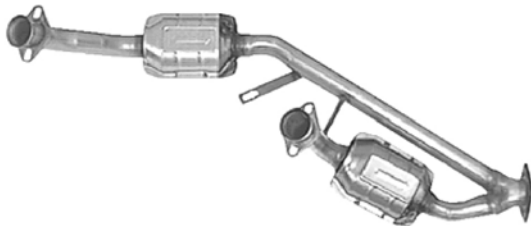


2013-08 L4 Nissan Rogue 2.5L

744055

E.O. No. D-798

Inlet A: LOOSE 2-BOLT FLANGE W/ SPHERICAL FLARE
Inlet B: LOOSE 2-BOLT FLANGE W/ SPHERICAL FLARE
Outlet A: WELDED 2-BOLT FLANGE
Length: 45"

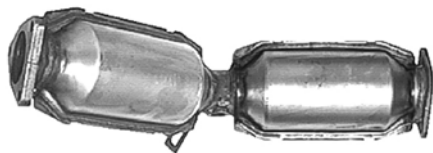


2000 V6 Ford Windstar 3.8L

744192

E.O. No. D-798

Inlet A: WELDED 3-BOLT FLANGE
Outlet A: WELDED 2-BOLT FLANGE
Length: 20.50"

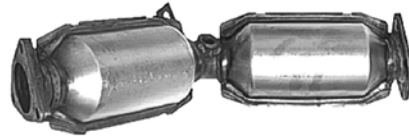


2008-03 V6 Infiniti FX35 3.5L

744193

E.O. No. D-798

Inlet A: WELDED 3-BOLT FLANGE
Outlet A: WELDED 2-BOLT FLANGE
Length: 22.38"



2008-03 V6 Infiniti FX35 3.5L

744209

E.O. No. D-798

Inlet A: WELDED 3-BOLT FLANGE
Outlet A: WELDED 3-BOLT FLANGE
Length: 16.88"



2004 V6 Honda Odyssey 3.5L

744213

E.O. No. D-798

Inlet A: WELDED 4-BOLT FLANGE
Outlet A: 2.50" O.D. PIPE
Length: 72"

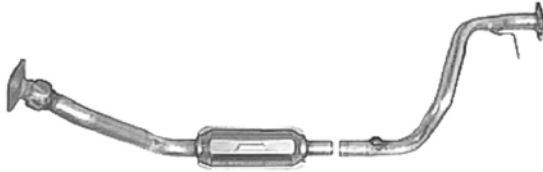


2007-05 V6 Chrysler Town & Country 3.3L
2007-05 V6 Chrysler Town & Country 3.8L
2007-05 V6 Dodge Caravan 3.3L
2007-05 V6 Dodge Grand Caravan 3.3L
2007-05 V6 Dodge Grand Caravan 3.8L

744246

E.O. No. D-798

Inlet A: WELDED 2-BOLT FLANGE W/ SPHERICAL FLARE
Outlet A: WELDED 2-BOLT FLANGE
Length: 59"



2005-02 V6 Buick Rendezvous 3.4L
2005-01 V6 Pontiac Aztek 3.4L

744307

E.O. No. D-798

Inlet A: WELDED 2-BOLT FLANGE
Outlet A: WELDED 2-BOLT FLANGE
Length: 60"



2005-02 V6 Chevrolet Venture 3.4L
2004-02 V6 Oldsmobile Silhouette 3.4L
2005-02 V6 Pontiac Montana 3.4L

744269

E.O. No. D-798

Inlet A: WELDED 4-BOLT FLANGE
Outlet A: 2.50" O.D. PIPE
Length: 72"



2004 V6 Chrysler Town & Country 3.8L
2004 V6 Dodge Grand Caravan 3.8L

744327

E.O. No. D-798

Inlet A: WELDED 2-BOLT FLANGE
Outlet A: WELDED 2-BOLT FLANGE
Length: 65"



2001 V6 Chevrolet Venture 3.4L
2001 V6 Oldsmobile Silhouette 3.4L
2001 V6 Pontiac Montana 3.4L

744277

E.O. No. D-798

Inlet A: WELDED 4-BOLT FLANGE
Outlet A: 2.25" O.D. PIPE
Length: 72"



2007-04 V6 Chrysler Town & Country 3.3L
2007-04 V6 Dodge Caravan 3.3L
2007-04 V6 Dodge Grand Caravan 3.3L

744347

E.O. No. D-798

Inlet A: WELDED 2-BOLT FLANGE
Outlet A: 2.25" O.D. PIPE
Length: 24"



2008-06 L4 Toyota RAV4 2.4L
2011-09 L4 Toyota RAV4 2.5L

744298

E.O. No. D-798

Inlet A: WELDED 3-BOLT FLANGE
Outlet A: 2.50" O.D. PIPE
Length: 32.25"



2006-04 V6 Chrysler Pacifica 3.5L

NUMERICAL LISTINGS

OBD II DIRECT FIT



OBD II DIRECT FIT

744357

E.O. No. D-798

Inlet A: WELDED 2-BOLT FLANGE
 Outlet A: WELDED 3-BOLT FLANGE
 Length: 47"



2009-05 V6 Chevrolet Equinox 3.4L
 2009-06 V6 Pontiac Torrent 3.4L

744427

E.O. No. D-798

Inlet A: WELDED 4-BOLT FLANGE
 Outlet A: 2-1/2" O.D. PIPE
 Length: 34"



2008-05 V6 Chrysler Pacifica 3.8L

744372

E.O. No. D-798

Inlet A: LOOSE 2-BOLT FLANGE W/ SPHERICAL FLARE
 Inlet B: LOOSE 2-BOLT FLANGE W/ SPHERICAL FLARE
 Outlet A: WELDED 2-BOLT FLANGE
 Length: 45"



2007-04 V6 Ford Freestar 3.9L
 2007-04 V6 Ford Freestar 4.2L
 2003-01 V6 Ford Windstar 3.8L
 2007-04 V6 Mercury Monterey 4.2L

744429

E.O. No. D-798

Inlet A: WELDED 2-BOLT FLANGE
 Outlet A: WELDED 2-BOLT FLANGE
 Length: 60.50"



2006-05 V6 Buick Terraza 3.5L
 2006-05 L6 Chevrolet Uplander 3.5L
 2006-05 V6 Pontiac Montana 3.5L
 2006-05 V6 Saturn Relay 3.5L

744396

E.O. No. D-798

Inlet A: WELDED 3-BOLT FLANGE W/ GASKET STUB
 Inlet B: WELDED 3-BOLT FLANGE W/ GASKET STUB
 Outlet A: WELDED 2-BOLT FLANGE
 Length: 38.25"



2006-04 V6 Nissan Quest 3.5L

744437

E.O. No. D-798

Inlet A: WELDED 3-BOLT FLANGE
 Inlet B: WELDED 3-BOLT FLANGE
 Outlet A: WELDED 2-BOLT FLANGE
 Length: 42"

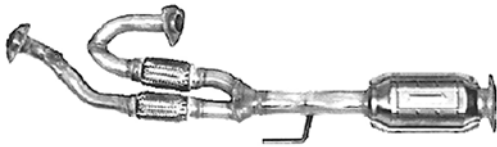


2007-03 V6 Nissan Murano 3.5L

744438

E.O. No. D-798

Inlet A: WELDED 3-BOLT FLANGE W/ GASKET STUB
Inlet B: WELDED 3-BOLT FLANGE W/ GASKET STUB
Outlet A: WELDED 2-BOLT FLANGE
Length: 41.75"



2009-04 V6 Nissan Quest 3.5L

744441

E.O. No. D-798

Inlet A: WELDED 4-BOLT FLANGE
Outlet A: 2.50" O.D. PIPE
Length: 78.75"



2010-08 V6 Chrysler Town & Country 3.3L
2010-08 V6 Chrysler Town & Country 3.8L
2010-08 V6 Dodge Grand Caravan 3.3L
2010-08 V6 Dodge Grand Caravan 3.8L
2010-09 V6 Volkswagen Routan 3.8L

744444

E.O. No. D-798

Inlet A: WELDED 3-BOLT FLANGE
Outlet A: WELDED 3-BOLT FLANGE
Length: 39"



2009-08 V6 Chevrolet Equinox 3.6L
2009-08 V6 Pontiac Torrent 3.6L
2009-08 V6 Saturn Vue 3.6L

744445

E.O. No. D-798

Inlet A: WELDED 3-BOLT FLANGE
Outlet A: WELDED 3-BOLT FLANGE
Length: 17.75"

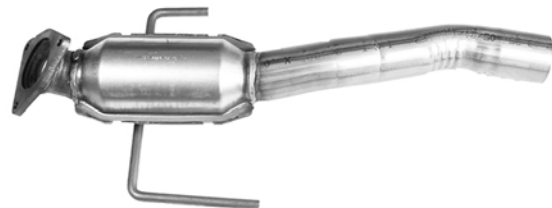


2009-08 V6 Chevrolet Equinox 3.6L
2009-08 V6 Pontiac Torrent 3.6L
2009-08 V6 Saturn Vue 3.6L

744448

E.O. No. D-798

Inlet A: WELDED 3-BOLT FLANGE
Outlet A: 2.570" O.D. PIPE
Length: 27.88"

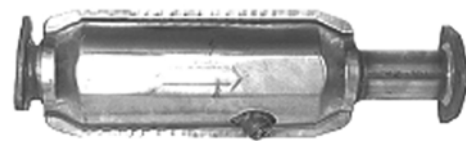


2006-04 V6 Volkswagen Touareg 3.2L

744449

E.O. No. D-798

Inlet A: WELDED 3-BOLT FLANGE
Outlet A: WELDED 3-BOLT FLANGE
Length: 17"



2002-01 V6 Acura MDX 3.5L
2004-03 V6 Honda Pilot 3.5L

NUMERICAL LISTINGS

OBD II DIRECT FIT



OBD II DIRECT FIT

744454

E.O. No. D-798

Inlet A: WELDED 4-BOLT FLANGE
 Outlet A: WELDED 2-BOLT FLANGE
 Length: 10.75"



- 2010-07 V6 Ford Edge 3.5L
- 2010-07 V6 Lincoln MKX 3.5L
- 2007 V6 Mazda CX-9 3.5L
- 2013-08 V6 Mazda CX-9 3.7L

744455

E.O. No. D-798

Inlet A: WELDED 4-BOLT FLANGE
 Outlet A: WELDED 2-BOLT FLANGE W/ GASKET STUB
 Length: 12.50"



- 2010-07 V6 Ford Edge 3.5L
- 2010-07 V6 Lincoln MKX 3.5L

744464

E.O. No. D-798

Inlet A: WELDED 2-BOLT FLANGE
 Outlet A: WELDED 2-BOLT FLANGE
 Length: 57.75"



- 2007 V6 Buick Terraza 3.9L
- 2008-06 V6 Chevrolet Uplander 3.9L

744464 (cont.)

- 2006 V6 Pontiac Montana 3.9L
- 2007-06 V6 Saturn Relay 3.9L

744487

E.O. No. D-798

Inlet A: WELDED 9-BOLT FLANGE
 Outlet A: WELDED 3-BOLT FLANGE
 Length: 24"

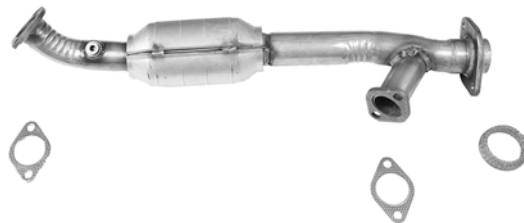


- 2006-04 L5 Chevrolet Colorado 3.5L
- 2006-04 L5 GMC Canyon 3.5L
- 2006 L5 Hummer H3 3.5L
- 2006 V6 Isuzu i-350 3.5L

744498

E.O. No. D-798

Inlet A: WELDED 2-BOLT FLANGE
 Inlet B: WELDED 2-BOLT FLANGE
 Outlet A: WELDED 2-BOLT FLANGE
 Length: 31"



- 2012-03 V6 Toyota 4Runner 4.0L
- 2012-07 V6 Toyota FJ Cruiser 4.0L

744499

E.O. No. D-798

Inlet A: WELDED 2-BOLT FLANGE
Outlet A: WELDED 2-BOLT FLANGE
Length: 28"



2012-03 V6 Toyota 4Runner 4.0L
2012-07 V6 Toyota FJ Cruiser 4.0L

744533

E.O. No. D-798

Inlet A: WELDED 3-BOLT FLANGE
Outlet A: WELDED 3-BOLT FLANGE
Length: 10"



2006-03 V6 Acura MDX 3.5L
2010-05 V6 Honda Odyssey 3.5L
2008-05 V6 Honda Pilot 3.5L
2008-06 V6 Honda Ridgeline 3.5L

744556

E.O. No. D-798

Inlet A: LOOSE 2-BOLT FLANGE W/ 2.50" FEMALE FLARE
Inlet B: LOOSE 2-BOLT FLANGE W/ 2.50" FEMALE FLARE
Outlet A: WELDED 3-BOLT FLANGE
Length: 30.50"



2006-04 V6 Ford Ranger 4.0L
2006-04 V6 Mazda B4000 4.0L

744582

E.O. No. D-798

Inlet A: LOOSE 2-BOLT FLANGE W/ SPHERICAL FLARE
Inlet B: LOOSE 2-BOLT FLANGE W/ SPHERICAL FLARE
Outlet A: WELDED 2-BOLT FLANGE
Length: 50"



2010-07 V8 Ford Explorer Sport Trac 4.6L
2010-06 V8 Ford Explorer 4.6L
2010-06 V8 Mercury Mountaineer 4.6L

744584

E.O. No. D-798

Inlet A: WELDED 2-BOLT FLANGE
Outlet A: WELDED 2-BOLT FLANGE
Length: 19"



2009-08 V6 Cadillac SRX 3.6L

NUMERICAL LISTINGS

OBD II DIRECT FIT



OBD II DIRECT FIT

744585

E.O. No. D-798

Inlet A: WELDED 2-BOLT FLANGE
 Outlet A: WELDED 2-BOLT FLANGE W/ GASKET STUB
 Length: 18.50"



2009-08 V6 Cadillac SRX 3.6L

744618

E.O. No. D-798

Inlet A: WELDED 2-BOLT FLANGE
 Outlet A: WELDED 2-BOLT FLANGE
 Length: 16"



2007-04 V6 Cadillac SRX 3.6L

744619

E.O. No. D-798

Inlet A: WELDED 2-BOLT FLANGE
 Outlet A: WELDED 2-BOLT FLANGE
 Length: 16"



2007-04 V6 Cadillac SRX 3.6L

744626

E.O. No. D-798

Inlet A: LOOSE 2-BOLT FLANGE W/ SPHERICAL FLARE
 Inlet B: LOOSE 2-BOLT FLANGE W/ SPHERICAL FLARE
 Outlet A: WELDED 2-BOLT FLANGE
 Length: 46"



2009-06 V8 Jeep Commander 4.7L
 2009-06 V8 Jeep Grand Cherokee 4.7L

744630

E.O. No. D-798

Inlet A: WELDED 3-BOLT FLANGE
 Outlet A: WELDED 2-BOLT FLANGE
 Length: 13"



2012-05 V6 Nissan Frontier 4.0L
 2012-05 V6 Nissan Pathfinder 4.0L
 2012-05 V6 Nissan Xterra 4.0L
 2012-09 V6 Suzuki Equator 4.0L

744631

E.O. No. D-798

Inlet A: WELDED 3-BOLT FLANGE
Outlet A: WELDED 2-BOLT FLANGE
Length: 12.50"



- 2012-05 V6 Nissan Frontier 4.0L
- 2012-05 V6 Nissan Pathfinder 4.0L
- 2012-05 V6 Nissan Xterra 4.0L
- 2012-09 V6 Suzuki Equator 4.0L

744632

E.O. No. D-798

Inlet A: WELDED 2-BOLT FLANGE
Outlet A: WELDED 2-BOLT FLANGE
Length: 27"



- 2012-05 V6 Nissan Frontier 4.0L
- 2012-05 V6 Nissan Pathfinder 4.0L
- 2012-05 V6 Nissan Xterra 4.0L
- 2012-09 V6 Suzuki Equator 4.0L

744633

E.O. No. D-798

Inlet A: WELDED 2-BOLT FLANGE
Outlet A: WELDED 2-BOLT FLANGE
Length: 27"



- 2012-05 V6 Nissan Frontier 4.0L
- 2012-05 V6 Nissan Pathfinder 4.0L
- 2012-05 V6 Nissan Xterra 4.0L
- 2012-09 V6 Suzuki Equator 4.0L

744636

E.O. No. D-798

Inlet A: WELDED 3-BOLT FLANGE
Outlet A: WELDED 2-BOLT FLANGE
Length: 42.50"



- 2011-08 V8 Toyota Sequoia 5.7L
- 2012-07 V8 Toyota Tundra 5.7L

744637

E.O. No. D-798

Inlet A: WELDED 3-BOLT FLANGE
Outlet A: WELDED 2-BOLT FLANGE
Length: 56"



- 2011-08 V8 Toyota Sequoia 5.7L
- 2009-07 V8 Toyota Tundra 5.7L

744643

E.O. No. D-798

Inlet A: WELDED 2-BOLT FLANGE
Outlet A: WELDED 2-BOLT FLANGE
Length: 15.50"



- 2009-07 V6 Hyundai Santa Fe 2.7L

NUMERICAL LISTINGS

OBD II DIRECT FIT



OBD II
DIRECT FIT

744670

E.O. No. D-798

Inlet A: WELDED 8-BOLT FLANGE
Outlet A: WELDED 2-BOLT FLANGE
Length: 30"



2008-03 V8 Infiniti FX45 4.5L

744671

E.O. No. D-798

Inlet A: WELDED 8-BOLT FLANGE
Outlet A: WELDED 2-BOLT FLANGE
Length: 29.50"



2008-03 V8 Infiniti FX45 4.5L

744677

E.O. No. D-798

Inlet A: LOOSE 2-BOLT FLANGE W/ FEMALE FLARE
Inlet B: LOOSE 2-BOLT FLANGE W/ FEMALE FLARE
Outlet A: WELDED 2-BOLT FLANGE
Length: 36"



2008 V8 Jeep Commander 5.7L

744691

E.O. No. D-798

Inlet A: WELDED 3-BOLT FLANGE
Outlet A: WELDED 2-BOLT FLANGE
Length: 42"



2009-07 V8 Toyota Tundra 4.7L

744692

E.O. No. D-798

Inlet A: WELDED 2-BOLT FLANGE
Outlet A: 2.50" I.D. PIPE
Length: 39"



2012-10 V6 Chevrolet Equinox 3.0L
2012-10 V6 GMC Terrain 3.0L

744695

E.O. No. D-798

Inlet A: WELDED 2-BOLT FLANGE
Outlet A: WELDED 2-BOLT FLANGE
Length: 21.25"



2013-09 V6 Buick Enclave 3.6L
2013-09 V6 Chevrolet Traverse 3.6L
2013-09 V6 GMC Acadia 3.6L
2010-09 V6 Saturn Outlook 3.6L

744697

E.O. No. D-798

Inlet A: WELDED 2-BOLT FLANGE
Outlet A: 2.13" O.D. PIPE
Length: 24"



2013-09 L4 Toyota Highlander 2.7L

744698

E.O. No. D-798

Inlet A: WELDED 2-BOLT FLANGE
Outlet A: WELDED 2-BOLT FLANGE
Length: 43.25"



2013-09 L4 Toyota Highlander 2.7L

744710

E.O. No. D-798

Inlet A: WELDED 2-BOLT FLANGE
Outlet A: WELDED 2-BOLT FLANGE
Length: 13"



2012-10 L4 Hyundai Santa Fe 2.4L
2013-11 L4 Kia Sorento 2.4L

NUMERICAL LISTINGS

OBD II DIRECT FIT



OBD II DIRECT FIT

744723

E.O. No. D-798

Inlet A: WELDED 2-BOLT FLANGE
 Outlet A: 2.36" I.D. PIPE
 Length: 22"



2012-06 V6 Toyota RAV4 3.5L

744726

E.O. No. D-798

Inlet A: WELDED 2-BOLT FLANGE
 Outlet A: WELDED 2-BOLT FLANGE
 Length: 16"



2008-07 V6 Hyundai Entourage 3.8L
 2010-06 V6 Kia Sedona 3.8L

744732

E.O. No. D-798

Inlet A: WELDED 2-BOLT FLANGE W/ GASKET STUB
 Inlet B: WELDED 2-BOLT FLANGE
 Outlet A: WELDED 2-BOLT FLANGE W/ GASKET STUB
 Length: 32.25"



2009-05 V8 Lexus GX470 4.7L
 2009-05 V8 Toyota 4Runner 4.7L

744743

E.O. No. D-798

Inlet A: WELDED 2-BOLT FLANGE
 Outlet A: 2.38" O.D. PIPE
 Length: 37.50"



2013-09 V6 Toyota Venza 3.5L

744758

E.O. No. D-798

Inlet A: WELDED 2-BOLT FLANGE
 Outlet A: WELDED 2-BOLT FLANGE
 Length: 26"



2012-07 V8 Infiniti QX56 5.6L
 2013-07 V8 Nissan Armada 5.6L
 2012-08 V8 Nissan Pathfinder 5.6L
 2013-07 V8 Nissan Titan 5.6L

744760

E.O. No. D-798

Inlet A: WELDED 2-BOLT FLANGE
Outlet A: WELDED 2-BOLT FLANGE
Length: 59"



2005-02 V6 Buick Rendezvous 3.4L
2007-06 V6 Buick Rendezvous 3.5L
2005-01 V6 Pontiac Aztek 3.4L

744773

E.O. No. D-798

Inlet A: LOOSE 2-BOLT FLANGE W/ FEMALE FLARE
Inlet B: LOOSE 2-BOLT FLANGE W/ FEMALE FLARE
Outlet A: 2.50" O.D. PIPE
Length: 35.75"



2004-02 V8 Jeep Grand Cherokee 4.7L

744917

E.O. No. D-798

Inlet A: WELDED 2-BOLT FLANGE
Outlet A: WELDED 2-BOLT FLANGE W/ GASKET STUB
Length: 33.50"

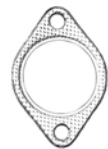


2009-05 V8 Lexus GX470 4.7L
2009-05 V8 Toyota 4Runner 4.7L

744926

E.O. No. D-798

Inlet A: WELDED 2-BOLT FLANGE
Outlet A: WELDED 2-BOLT FLANGE
Length: 16.50"



2009-07 V6 Hyundai Santa Fe 3.3L
2012-07 V6 Hyundai Veracruz 3.8L

745003

E.O. No. D-798

Inlet A: WELDED 2-BOLT FLANGE W/ GASKET STUB
Inlet B: WELDED 2-BOLT FLANGE
Outlet A: WELDED 2-BOLT FLANGE
Length: 49.50"



2003-02 V6 Jeep Liberty 3.7L

NUMERICAL LISTINGS

OBD II DIRECT FIT

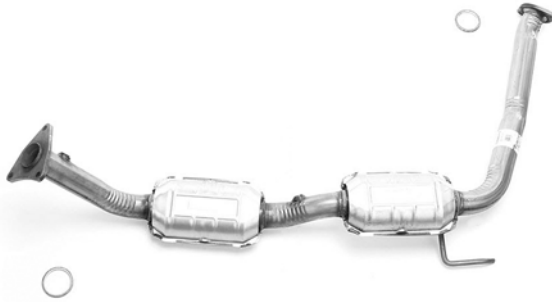


OBD II DIRECT FIT

745007

E.O. No. D-798

Inlet A: WELDED 3-BOLT FLANGE
 Outlet A: WELDED 2-BOLT FLANGE
 Length: 49"



2009-07 V8 Toyota Tundra 4.7L

745048

E.O. No. D-798

Inlet A: WELDED 5-BOLT FLANGE
 Outlet A: WELDED 2-BOLT FLANGE
 Length: 51.25"

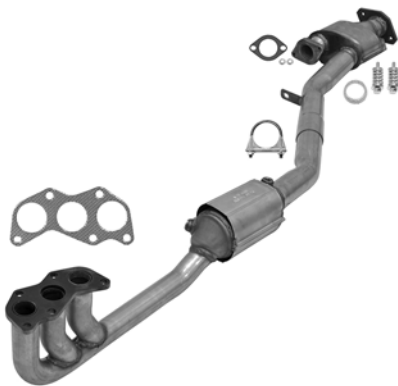


2009-08 H6 Subaru Outback 3.0L
 2013-10 H6 Subaru Outback 3.6L
 2013-08 V6 Subaru Tribeca 3.6L

745047

E.O. No. D-798

Inlet A: WELDED 5-BOLT FLANGE
 Inlet B: WELDED 2-BOLT FLANGE
 Outlet A: WELDED 2-BOLT FLANGE
 Length: 62.50"



2009-08 H6 Subaru Outback 3.0L
 2013-10 H6 Subaru Outback 3.6L
 2013-08 V6 Subaru Tribeca 3.6L

745054

E.O. No. D-798

Inlet A: WELDED 3-BOLT FLANGE
 Outlet A: WELDED 2-BOLT FLANGE
 Length: 68"

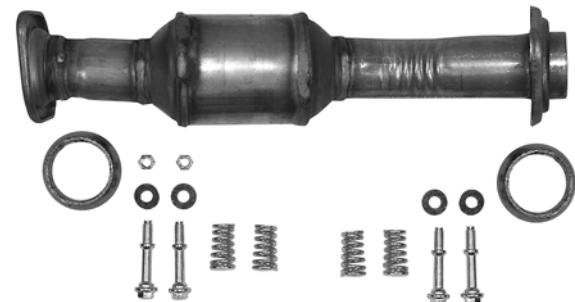


2012-10 V8 Toyota Tundra 5.7L

745108

E.O. No. D-798

Inlet A: WELDED 2-BOLT FLANGE W/ SPHERICAL FLARE
 Outlet A: WELDED 2-BOLT FLANGE W/ GASKET STUB
 Length: 19.38"



2013-11 V6 Toyota Sienna 3.5L

745185 E.O. No. D-798

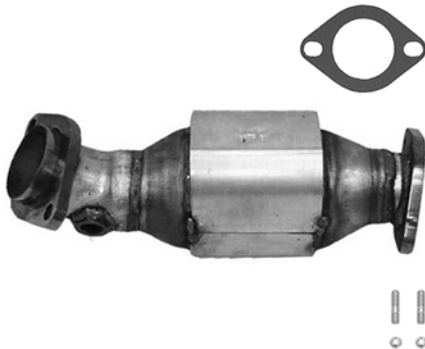
Inlet A: WELDED 2-BOLT FLANGE W/GASKET STUB
Outlet A: WELDED 2-BOLT FLANGE
Length: 13"



2008-03 V8 Infiniti FX45 4.5L

745186 E.O. No. D-798

Inlet A: WELDED 2-BOLT FLANGE W/GASKET STUB
Outlet A: WELDED 2-BOLT FLANGE
Length: 13"



2008-03 V8 Infiniti FX45 4.5L

745197 E.O. No. D-798

Inlet A: WELDED 2-BOLT FLANGE
Outlet A: 2.03" O.D. PIPE
Length: 22"



2007-05 L4 Toyota Highlander 2.4L

745205 E.O. No. D-798

Inlet A: LOOSE 2-BOLT FLANGE W/ FLARE
Outlet A: 2.50" O.D. PIPE
Length: 51"



2011-07 V6 Mercedes-Benz ML350 3.5L

745206 E.O. No. D-798

Inlet A: LOOSE 2-BOLT FLANGE W/ FLARE
Outlet A: 2.17" O.D. PIPE
Length: 52.13"



2011-07 V6 Mercedes-Benz ML350 3.5L

NUMERICAL LISTINGS

OBD II DIRECT FIT



OBD II DIRECT FIT

745221

E.O. No. D-798

Inlet A: WELDED 3-BOLT FLANGE
 Outlet A: WELDED 2-BOLT FLANGE
 Length: 25.75"

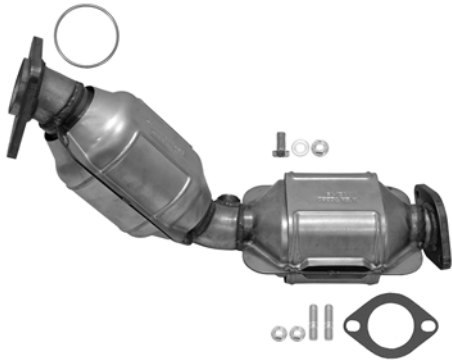


2013-10 L4 Chevrolet Equinox 2.4L
 2013-10 L4 GMC Terrain 2.4L

745235

E.O. No. D-798

Inlet A: WELDED 3-BOLT FLANGE W/ GASKET STUB
 Outlet A: WELDED 2-BOLT FLANGE
 Length: 20.50"



2009 V6 Infiniti EX35 3.5L
 2012-09 V6 Infiniti FX35 3.5L
 2013 V6 Infiniti FX37 3.7L

745236

E.O. No. D-798

Inlet A: WELDED 3-BOLT FLANGE W/ GASKET STUB
 Outlet A: WELDED 2-BOLT FLANGE
 Length: 19"



2009 V6 Infiniti EX35 3.5L
 2012-09 V6 Infiniti FX35 3.5L
 2013 V6 Infiniti FX37 3.7L

745240

E.O. No. D-798

Inlet A: WELDED 3-BOLT FLANGE
 Outlet A: WELDED 2-BOLT FLANGE
 Length: 13.50"



2013-08 V6 Buick Enclave 3.6L
 2013-09 V6 Chevrolet Traverse 3.6L
 2013-07 V6 GMC Acadia 3.6L
 2010-07 V6 Saturn Outlook 3.6L

745241

E.O. No. D-798

Inlet A: WELDED 3-BOLT FLANGE
 Outlet A: WELDED 2-BOLT FLANGE
 Length: 15.13"



2013-08 V6 Buick Enclave 3.6L

745241 (cont.)

2013-09 V6 Chevrolet Traverse 3.6L
2013-07 V6 GMC Acadia 3.6L
2010-07 V6 Saturn Outlook 3.6L

745263

E.O. No. D-798

Inlet A: WELDED 4-BOLT FLANGE
Outlet A: WELDED 2-BOLT FLANGE
Length: 44"



2011-10 V6 Cadillac SRX 3.0L
2011 V6 Saab 9-4X 3.0L

745264

E.O. No. D-798

Inlet A: WELDED 3-BOLT FLANGE
Outlet A: WELDED 2-BOLT FLANGE
Length: 21"



2009-08 V6 Saturn Vue 3.5L

745269

E.O. No. D-798

Inlet A: WELDED 3-BOLT FLANGE
Outlet A: WELDED 2-BOLT FLANGE
Length: 39"

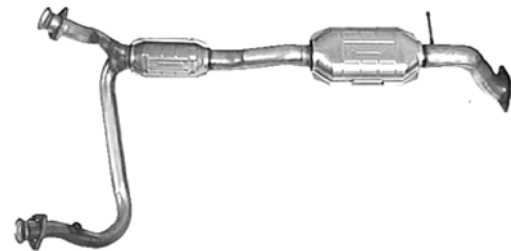


2009-08 V6 Saturn Vue 3.5L

749109

E.O. No. D-798

Inlet A: LOOSE 3-BOLT FLANGE W/ SPHERICAL FLARE
Inlet B: LOOSE 3-BOLT FLANGE W/ SPHERICAL FLARE
Outlet A: WELDED 2-BOLT FLANGE
Length: 59.25"



2004-01 V6 Chevrolet Blazer 4.3L
2004-03 V6 Chevrolet S10 4.3L
2001-00 V6 GMC Jimmy 4.3L
2004-03 V6 GMC Sonoma 4.3L

NUMERICAL LISTINGS

OBD II DIRECT FIT

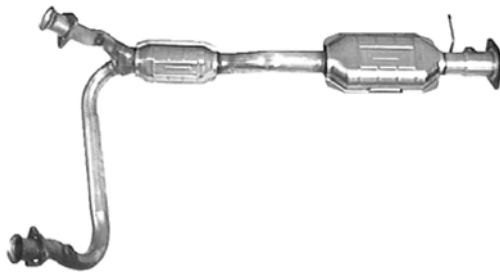


OBD II DIRECT FIT

749110

E.O. No. D-798

Inlet A: LOOSE 3-BOLT FLANGE W/ SPHERICAL FLARE
 Inlet B: LOOSE 3-BOLT FLANGE W/ SPHERICAL FLARE
 Outlet A: WELDED 2-BOLT FLANGE
 Length: 61.50"

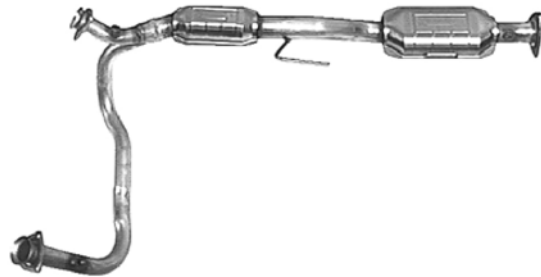


2003 V6 Chevrolet S10 4.3L
 2003 V6 GMC Sonoma 4.3L

749148

E.O. No. D-798

Inlet A: LOOSE 3-BOLT FLANGE W/ FLARE
 Inlet B: LOOSE 3-BOLT FLANGE W/ FLARE
 Outlet A: WELDED 3-BOLT FLANGE
 Length: 59.75"



2005-00 V6 Chevrolet Astro 4.3L
 2005-00 V6 GMC Safari 4.3L

749112

E.O. No. D-798

Inlet A: LOOSE 2-BOLT FLANGE W/ SPHERICAL FLARE
 Inlet B: LOOSE 2-BOLT FLANGE W/ SPHERICAL FLARE
 Outlet A: WELDED 2-BOLT FLANGE W/ GASKET STUB
 Length: 57.50"



2005-04 V6 Ford Explorer 4.0L
 2005-04 V6 Mercury Mountaineer 4.0L

749154

E.O. No. D-798

Inlet A: LOOSE 3-BOLT FLANGE W/ SPHERICAL FLARE
 Outlet A: WELDED 2-BOLT FLANGE
 Length: 50.50"



2005-04 L6 Buick Rainier 4.2L
 2005-04 L6 Chevrolet Trailblazer 4.2L
 2005-04 L6 GMC Envoy 4.2L
 2005-04 L6 Isuzu Ascender 4.2L
 2004 L6 Oldsmobile Bravada 4.2L

749139

E.O. No. D-798

Inlet A: 2.50" I.D. PIPE
 Outlet A: 2.50" O.D. PIPE
 Length: 32"



2004-01 L6 Jeep Grand Cherokee 4.0L
 2004-02 V8 Jeep Grand Cherokee 4.7L

749158

E.O. No. D-798

Inlet A: 45 DEGREE SPHERICAL FLARE
 Outlet A: WELDED 2-BOLT FLANGE
 Length: 23.50"

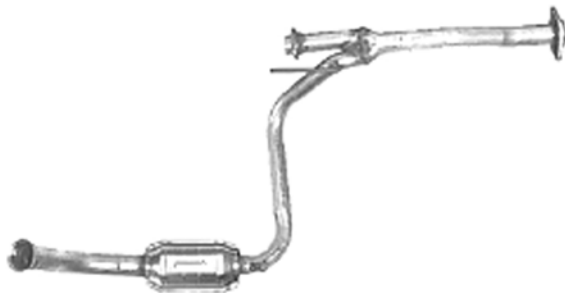


2004 V6 Jeep Liberty 3.7L

749159

E.O. No. D-798

Inlet A: WELDED 2-BOLT FLANGE W/ GASKET STUB
Inlet B: 45 DEGREE FLARE
Outlet A: WELDED 2-BOLT FLANGE
Length: 57"



2004 V6 Jeep Liberty 3.7L

749163

E.O. No. D-798

Inlet A: LOOSE 2-BOLT FLANGE W/ SPHERICAL FLARE
Inlet B: LOOSE 2-BOLT FLANGE W/ SPHERICAL FLARE
Outlet A: 2.50" O.D. PIPE
Length: 32.75"



2010-04 V6 Dodge Dakota 3.7L
2010-04 V8 Dodge Dakota 4.7L
2007 V8 Mitsubishi Raider 4.7L
2009-07 V6 Mitsubishi Raider 3.7L

749164

E.O. No. D-798

Inlet A: WELDED 3-BOLT FLANGE W/ GASKET STUB
Outlet A: WELDED 2-BOLT FLANGE W/ GASKET STUB
Length: 33.38"



2006-05 V8 Toyota Tundra 4.7L

749165

E.O. No. D-798

Inlet A: WELDED 3-BOLT FLANGE W/ GASKET STUB
Outlet A: WELDED 2-BOLT FLANGE W/ GASKET STUB
Length: 49.75"



2006-05 V8 Toyota Tundra 4.7L

749170

E.O. No. D-798

Inlet A: LOOSE 2-BOLT FLANGE W/ SPHERICAL FLARE
Inlet B: LOOSE 2-BOLT FLANGE W/ SPHERICAL FLARE
Outlet A: WELDED 2-BOLT FLANGE W/ FLARE
Length: 50.25"



2006-04 L6 Jeep Wrangler 4.0L

749171

E.O. No. D-798

Inlet A: LOOSE 3-BOLT FLANGE W/ FLARE
Outlet A: WELDED 2-BOLT FLANGE
Length: 48.13"



2007-06 L6 Buick Rainier 4.2L
2007-06 L6 Chevrolet Trailblazer 4.2L
2007-06 L6 GMC Envoy 4.2L
2007-06 L6 Isuzu Ascender 4.2L
2007-06 L6 Saab 9-7X 4.2L

NUMERICAL LISTINGS

OBD II DIRECT FIT

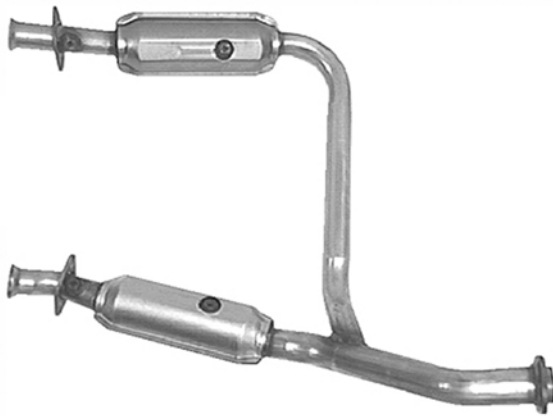


OBD II DIRECT FIT

749172

E.O. No. D-798

Inlet A: LOOSE 2-BOLT FLANGE W/ SPHERICAL FLARE
 Inlet B: LOOSE 2-BOLT FLANGE W/ SPHERICAL FLARE
 Outlet A: WELDED 2-BOLT FLANGE W/ GASKET STUB
 Length: 44.75"



2010-07 V6 Ford Explorer Sport Trac 4.0L
 2010-06 V6 Ford Explorer 4.0L
 2010-06 V6 Mercury Mountaineer 4.0L

749173

E.O. No. D-798

Inlet A: LOOSE 2-BOLT FLANGE W/ SPHERICAL FLARE
 Inlet B: LOOSE 2-BOLT FLANGE W/ SPHERICAL FLARE
 Outlet A: WELDED 2-BOLT FLANGE W/ GASKET STUB
 Length: 58.50"



2005-04 V8 Ford Explorer 4.6L
 2005-04 V8 Mercury Mountaineer 4.6L

749193

E.O. No. D-798

Inlet A: LOOSE 2-BOLT FLANGE W/ SPHERICAL FLARE
 Inlet B: LOOSE 2-BOLT FLANGE W/ SPHERICAL FLARE
 Outlet A: WELDED 2-BOLT FLANGE
 Length: 38.25"



2007-06 V6 Jeep Commander 3.7L
 2006-05 V6 Jeep Grand Cherokee 3.7L

749209

E.O. No. D-798

Inlet A: LOOSE 3-BOLT FLANGE W/ SPHERICAL FLARE
 Inlet B: LOOSE 3-BOLT FLANGE W/ SPHERICAL FLARE
 Outlet A: WELDED 2-BOLT FLANGE
 Length: 57.25"

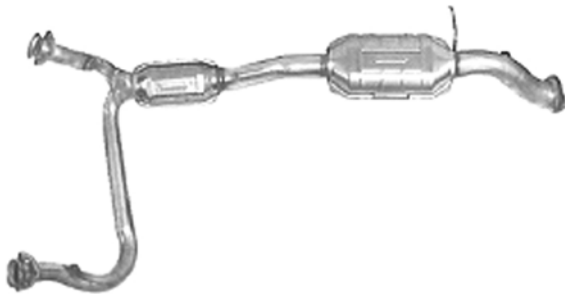


2005-01 V6 Chevrolet Blazer 4.3L
 2001-00 V6 GMC Jimmy 4.3L

749210

E.O. No. D-798

Inlet A: LOOSE 3-BOLT FANGE W/ SPHERICAL FLARE
Inlet B: LOOSE 3-BOLT FANGE W/ SPHERICAL FLARE
Outlet A: WELDED 2-BOLT FLANGE
Length: 57.25"

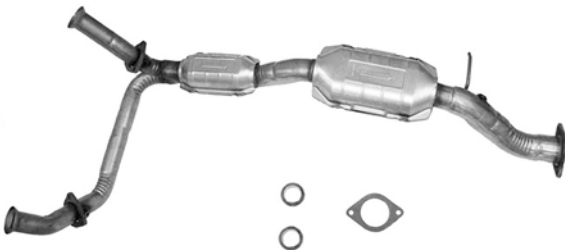


2004-01 V6 Chevrolet Blazer 4.3L
2001-00 V6 GMC Jimmy 4.3L

749214

E.O. No. D-798

Inlet A: LOOSE 3-BOLT FLANGE W/ SPHERICAL FLARE
Inlet B: LOOSE 3-BOLT FLANGE W/ SPHERICAL FLARE
Outlet A: WELDED 2-BOLT FLANGE
Length: 58"



2005-00 V6 Chevrolet Blazer 4.3L
2001-00 V6 GMC Jimmy 4.3L

749216

E.O. No. D-798

Inlet A: LOOSE 3-BOLT FLANGE W/ SPHERICAL FLARE
Outlet A: WELDED 2-BOLT FLANGE
Length: 58.50"



2006-04 L4 Chevrolet Colorado 2.8L
2006-04 L5 Chevrolet Colorado 3.5L
2012-07 L4 Chevrolet Colorado 2.9L
2012-07 L5 Chevrolet Colorado 3.7L

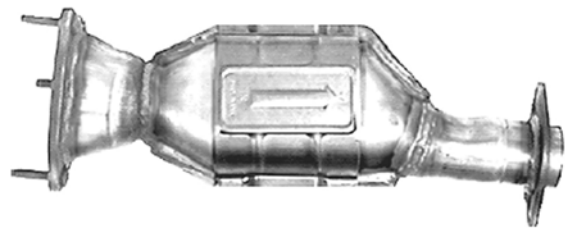
749216 (cont.)

2006-04 L4 GMC Canyon 2.8L
2006-04 L5 GMC Canyon 3.5L
2012-07 L4 GMC Canyon 2.9L
2012-07 L5 GMC Canyon 3.7L
2006 L5 Hummer H3 3.5L
2010-07 L5 Hummer H3 3.7L
2010-09 L5 Hummer H3T 3.7L
2006 L4 Isuzu i-280 2.8L
2008-07 L4 Isuzu i-290 2.9L
2006 V6 Isuzu i-350 3.5L
2008-07 L5 Isuzu i-370 3.7L

749225

E.O. No. D-798

Inlet A: WELDED 3-BOLT FLANGE
Outlet A: WELDED 2-BOLT FLANGE W/ GASKET STUB
Length: 18.75" (W/ STUDS)



2006-04 V6 Ford Ranger 3.0L
2006-04 V6 Ford Ranger 4.0L
2006-04 V6 Mazda B3000 3.0L
2006-04 V6 Mazda B4000 4.0L

749233

E.O. No. D-798

Inlet A: LOOSE 3-BOLT FLANGE W/ SPHERICAL FLARE
Inlet B: WELDED 3-BOLT FLANGE
Outlet A: WELDED 2-BOLT FLANGE
Length: 36"



2009 V8 Cadillac Escalade 6.0L
2008-07 V8 Chevrolet Avalanche 5.3L
2008-07 V8 Chevrolet Avalanche 6.0L
2008-07 V6 Chevrolet Silverado 1500 4.3L
2008-07 V8 Chevrolet Silverado 1500 4.8L
2008-07 V8 Chevrolet Silverado 1500 5.3L
2009-07 V8 Chevrolet Silverado 1500 6.0L
2008-07 V8 Chevrolet Suburban 1500 5.3L

NUMERICAL LISTINGS

OBD II DIRECT FIT



OBD II DIRECT FIT

749233 (cont.)

2008-07	V8	Chevrolet Suburban 1500 6.0L
2008-07	V8	Chevrolet Tahoe 4.8L
2008-07	V8	Chevrolet Tahoe 5.3L
2009-08	V8	Chevrolet Tahoe 6.0L
2008-07	V6	GMC Sierra 1500 4.3L
2008-07	V8	GMC Sierra 1500 4.8L
2008-07	V8	GMC Sierra 1500 5.3L
2009-07	V8	GMC Sierra 1500 6.0L
2008-07	V8	GMC Yukon XL 1500 5.3L
2008-07	V8	GMC Yukon XL 1500 6.0L
2008-07	V8	GMC Yukon 4.8L
2008-07	V8	GMC Yukon 5.3L
2009-08	V8	GMC Yukon 6.0L

749239

E.O. No. D-798

Inlet A: LOOSE 2-BOLT FLANGE W/ SPHERICAL FLARE
 Inlet B: LOOSE 2-BOLT FLANGE W/ SPHERICAL FLARE
 Outlet A: 2.50" O.D. PIPE
 Length: 56.25"

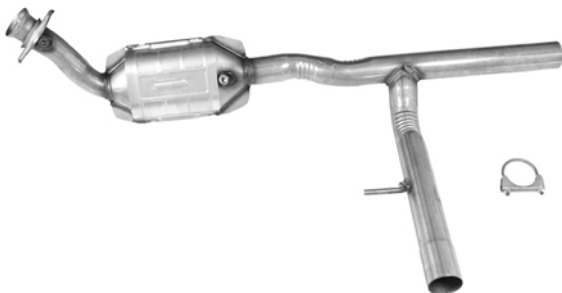


2011-07	V6	Dodge Nitro 3.7L
2012-08	V6	Jeep Liberty 3.7L

749256

E.O. No. D-798

Inlet A: LOOSE 2-BOLT FLANGE W/ SPHERICAL FLARE
 Inlet B: 2.50" I.D. PIPE
 Outlet A: 2.50" O.D. PIPE
 Length: 48.50"



2008-07	V8	Ford F-150 5.4L
2008-07	V8	Lincoln Mark LT 5.4L

749257

E.O. No. D-798

Inlet A: LOOSE 2-BOLT FLANGE W/ SPHERICAL FLARE
 Outlet A: 2.50" O.D. PIPE
 Length: 36.50"



2008-07	V8	Ford F-150 5.4L
2008-07	V8	Lincoln Mark LT 5.4L

749258

E.O. No. D-798

Inlet A: LOOSE 2-BOLT FLANGE W/ SPHERICAL FLARE
 Inlet B: 2.50" I.D. PIPE
 Outlet A: 2.50" O.D. PIPE
 Length: 48.75"



2008-07	V6	Ford F-150 4.2L
---------	----	-----------------

749259

E.O. No. D-798

Inlet A: LOOSE 2-BOLT FLANGE W/ SPHERICAL FLARE
 Outlet A: 2.50" O.D. PIPE
 Length: 40"



2008-07	V6	Ford F-150 4.2L
---------	----	-----------------

749268

E.O. No. D-798

Inlet A: LOOSE 2-BOLT FLANGE W/ SPHERICAL FLARE
Inlet B: 2.50" I.D. PIPE
Outlet A: 2.50" O.D. PIPE
Length: 49.50"



2008-07 V8 Ford F-150 5.4L
2008-07 V8 Lincoln Mark LT 5.4L

749269

E.O. No. D-798

Inlet A: LOOSE 2-BOLT FLANGE W/ SPHERICAL FLARE
Outlet A: 2.50" O.D. PIPE
Length: 35.25"



2008-07 V8 Ford F-150 5.4L
2008-07 V8 Lincoln Mark LT 5.4L

749301

E.O. No. D-798

Inlet A: WELDED 4-BOLT FLANGE
Outlet A: 2.25" O.D. PIPE
Length: 74.25"



2003-01 L4 Chrysler Voyager 2.4L
2007-01 L4 Dodge Caravan 2.4L

749419

E.O. No. D-798

Inlet A: WELDED 2-BOLT FLANGE
Outlet A: 2.13" O.D. PIPE
Length: 23.25"



2009-07 V6 Lexus RX350 3.5L
2013-08 V6 Toyota Highlander 3.5L

749420

E.O. No. D-798

Inlet A: LOOSE 2-BOLT FLANGE W/ SPHERICAL FLARE
Inlet B: LOOSE 2-BOLT FLANGE W/ SPHERICAL FLARE
Outlet A: 2.50" O.D. PIPE
Length: 44"



2009-07 V6 Jeep Wrangler 3.8L

749439

E.O. No. D-798

Inlet A: LOOSE 2-BOLT FLANGE W/ SPHERICAL FLARE
Outlet A: WELDED 2-BOLT FLANGE
Length: 27.88"



2011-07 V6 Ford Ranger 4.0L
2009-07 V6 Mazda B4000 4.0L

NUMERICAL LISTINGS

OBD II DIRECT FIT

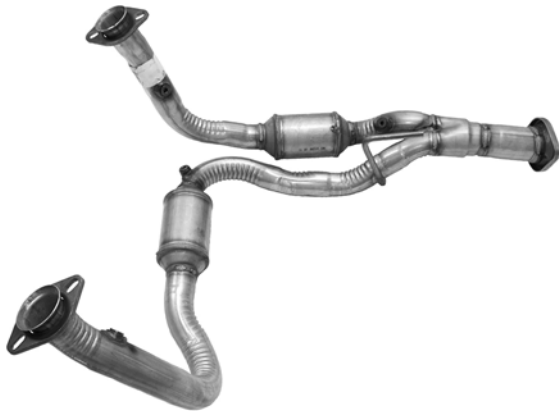


OBD II DIRECT FIT

749448

E.O. No. D-798

Inlet A: LOOSE 2-BOLT FLANGE W/ SPHERICAL FLARE
 Inlet B: LOOSE 2-BOLT FLANGE W/ SPHERICAL FLARE
 Outlet A: WELDED 2-BOLT FLANGE
 Length: 39"



2007 V8 Jeep Commander 5.7L
 2010-07 V8 Jeep Grand Cherokee 5.7L

749450

E.O. No. D-798

Inlet A: LOOSE 2-BOLT FLANGE W/ FLARE
 Inlet B: LOOSE 2-BOLT FLANGE W/ FLARE
 Outlet A: 3" O.D. PIPE
 Length: 29"



2010-09 V8 Dodge Ram 1500 4.7L

749455

E.O. No. D-798

Inlet A: LOOSE 2-BOLT FLANGE W/ FLARE
 Inlet B: LOOSE 2-BOLT FLANGE W/ FLARE
 Outlet A: 2.25" O.D. PIPE
 Length: 39.25"



2008 V8 Dodge Ram 1500 5.7L

749458

E.O. No. D-798

Inlet A: LOOSE 2-BOLT FLANGE W/ FLARE
 Inlet B: LOOSE 2-BOLT FLANGE W/ FLARE
 Outlet A: 3" O.D. PIPE
 Length: 37.88"



2008 V8 Dodge Ram 1500 4.7L

749459

E.O. No. D-798

Inlet A: LOOSE 2-BOLT FLANGE W/ FLARE
 Inlet B: LOOSE 2-BOLT FLANGE W/ FLARE
 Outlet A: 3" O.D. PIPE
 Length: 29.50"

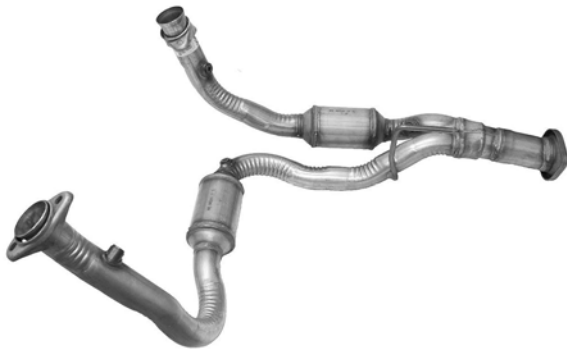


2007 V8 Dodge Ram 1500 5.7L

749460

E.O. No. D-798

Inlet A: LOOSE 2-BOLT FLANGE W/ SPHERICAL FLARE
 Inlet B: LOOSE 2-BOLT FLANGE W/ SPHERICAL FLARE
 Outlet A: WELDED 2-BOLT FLANGE
 Length: 39.88"



2010-08 V6 Jeep Commander 3.7L
 2010-07 V6 Jeep Grand Cherokee 3.7L

749462

E.O. No. D-798

Inlet A: LOOSE 2-BOLT FLANGE W/ FLARE
 Inlet B: LOOSE 2-BOLT FLANGE W/ FLARE
 Outlet A: 2.98" O.D. PIPE
 Length: 37.63"

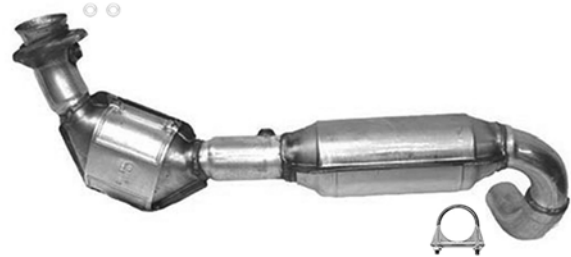


2010-09 V8 Dodge Ram 1500 5.7L
 2012-11 V8 Ram 1500 5.7L

749468

E.O. No. D-798

Inlet A: LOOSE 2-BOLT FLANGE W/ FLARE
 Outlet A: 2.50" O.D. PIPE
 Length: 35"

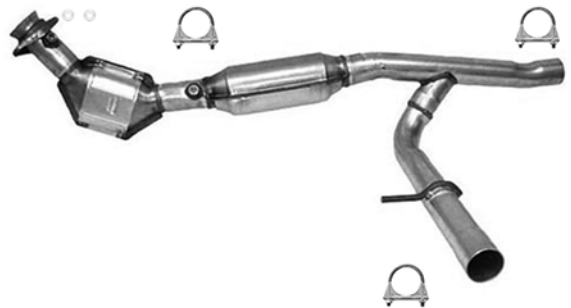


2005 V8 Ford F-150 5.4L

749469

E.O. No. D-798

Inlet A: LOOSE 2-BOLT FLANGE W/ FLARE
 Inlet B: 2.50" I.D. PIPE
 Outlet A: 2.50" O.D. PIPE
 Length: 49"

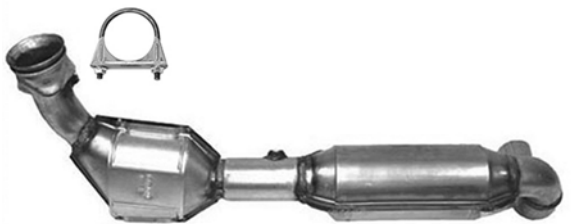


2005 V8 Ford F-150 5.4L

749480

E.O. No. D-798

Inlet A: LOOSE 2-BOLT FLANGE W/ FLARE
 Outlet A: 2.50" O.D. PIPE
 Length: 35"



2005 V8 Ford F-150 5.4L

NUMERICAL LISTINGS

OBD II DIRECT FIT



OBD II DIRECT FIT

749481

E.O. No. D-798

Inlet A: LOOSE 2-BOLT FLANGE W/ FLARE
 Inlet B: 2.50" I.D. PIPE
 Outlet A: 2.50" O.D. PIPE
 Length: 49"



2005 V8 Ford F-150 5.4L

749488

E.O. No. D-798

Inlet A: LOOSE 2-BOLT FLANGE W/ FLARE
 Outlet A: 2.5" O.D. PIPE
 Length: 37"



2008-07 V8 Ford F-150 4.6L

749489

E.O. No. D-798

Inlet A: LOOSE 2-BOLT FLANGE W/ FLARE
 Inlet B: 2.67" O.D. PIPE
 Outlet A: 2" O.D. PIPE
 Length: 44"



2008-07 V8 Ford F-150 4.6L

749498

E.O. No. D-798

Inlet A: LOOSE 2-BOLT FLANGE W/ FLARE
 Outlet A: 2.47" O.D. PIPE
 Length: 27.75"

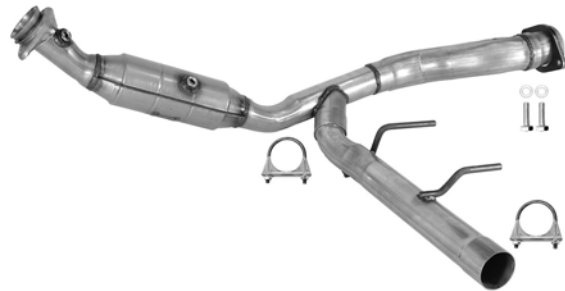


2010-09 V8 Ford F-150 4.6L

749499

E.O. No. D-798

Inlet A: LOOSE 2-BOLT FLANGE W/ FLARE
 Inlet B: 2.49" O.D. PIPE
 Outlet A: LOOSE 2-BOLT FLANGE W/ FLARE
 Length: 44"



2010-09 V8 Ford F-150 4.6L

749525

E.O. No. D-798

Inlet A: LOOSE 2-BOLT FLANGE W/ SPHERICAL FLARE
 Outlet A: 2.00" OD PIPE
 Length: 29.38"



2013-11 V6 Ford F-150 3.7L

749526

E.O. No. D-798

Inlet A: LOOSE 2-BOLT FLANGE W/ SPHERICAL FLARE
Inlet B: 2.00" ID PIPE
Outlet A: LOOSE 2-BOLT FLANGE W/ SPHERICAL FLARE
Length: 50.13"



2013-11 V6 Ford F-150 3.7L

749527

E.O. No. D-798

Inlet A: LOOSE 2-BOLT FLANGE W/ FLARE
Outlet A: 2.50" O.D. PIPE
Length: 36.25"

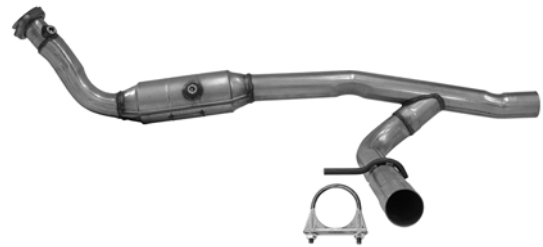


2008-07 V8 Ford F-150 4.6L

749528

E.O. No. D-798

Inlet A: LOOSE 2-BOLT FLANGE W/ FLARE
Inlet B: 2.50" I.D. PIPE
Outlet A: 2.50" O.D. PIPE
Length: 49.50"



2008-07 V8 Ford F-150 4.6L

749530

E.O. No. D-798

Inlet A: WELDED 2-BOLT FLANGE W/ FEMALE FLARE
Outlet A: 2.25" O.D. PIPE
Length: 20"



2012-10 V6 Ford Escape 3.0L
2011-10 V6 Mazda Tribute 3.0L
2011-10 V6 Mercury Mariner 3.0L

749532

E.O. No. D-798

Inlet A: LOOSE 2-BOLT FLANGE W/ SPHERICAL FLARE
Outlet A: 2.46" O.D. PIPE
Length: 28.50"



2013-11 V8 Ford F-150 5.0L

NUMERICAL LISTINGS

OBD II DIRECT FIT



OBD II DIRECT FIT

749533

E.O. No. D-798

Inlet A: LOOSE 2-BOLT FLANGE W/ SPHERICAL FLARE
 Inlet B: 2.50" ID PIPE
 Outlet A: LOOSE 2-BOLT FLANGE W/ SPHERICAL FLARE
 Length: 45.50"



2013-11 V8 Ford F-150 5.0L

749538

E.O. No. D-798

Inlet A: LOOSE 2-BOLT FLANGE W/ FLARE
 Outlet A: 2" O.D. PIPE
 Length: 34.25"



2009-07 V8 Land Rover Range Rover Sport 4.2L
 2009-07 V8 Land Rover Range Rover 4.2L
 2009-07 V8 Land Rover Range Rover 4.4L

749539

E.O. No. D-798

Inlet A: LOOSE 2-BOLT FLANGE W/ FLARE
 Outlet A: 2" O.D. PIPE
 Length: 35.50"



749534

E.O. No. D-798

Inlet A: WELDED 2-BOLT FLANGE W/GASKET STUB
 Inlet B: WELDED 2-BOLT FLANGE
 Outlet A: WELDED 2-BOLT FLANGE W/GASKET STUB
 Length: 36"



2011-05 V6 Toyota Tacoma 4.0L

2009-07 V8 Land Rover Range Rover Sport 4.2L
 2009-07 V8 Land Rover Range Rover 4.2L
 2009-07 V8 Land Rover Range Rover 4.4L

749544

E.O. No. D-798

Inlet A: WELDED 3-BOLT FLANGE
 Inlet B: LOOSE 3-BOLT FLANGE W/ FLARE
 Outlet A: WELDED 2-BOLT FLANGE
 Length: 39"



749535

E.O. No. D-798

Inlet A: WELDED 2-BOLT FLANGE W/GASKET STUB
 Outlet A: WELDED 2-BOLT FLANGE
 Length: 23.50"



2011-05 V6 Toyota Tacoma 4.0L

2007 V8 Buick Rainier 5.3L
 2008-07 V8 Chevrolet Trailblazer 5.3L

749544 (cont.)

- 2009-07 V8 Chevrolet Trailblazer 6.0L
- 2009-07 V8 GMC Envoy 5.3L
- 2009-07 V8 Saab 9-7X 5.3L
- 2009-08 V8 Saab 9-7X 6.0L

749546

E.O. No. D-798

Inlet A: LOOSE 3-BOLT FLANGE W/ FLARE
Outlet A: WELDED 2-BOLT FLANGE
Length: 47"



- 2009-08 L6 Chevrolet Trailblazer 4.2L
- 2009-08 L6 GMC Envoy 4.2L
- 2008 L6 Isuzu Ascender 4.2L
- 2009-08 L6 Saab 9-7X 4.2L

749549

E.O. No. D-798

Inlet A: WELDED 3-BOLT FLANGE
Outlet A: 2.48" O.D. PIPE
Length: 45"



- 2012-09 V8 Chevrolet Colorado 5.3L
- 2012-09 V8 GMC Canyon 5.3L
- 2010-08 V8 Hummer H3 5.3L
- 2010-09 V8 Hummer H3T 5.3L

749550

E.O. No. D-798

Inlet A: LOOSE 3-BOLT FLANGE W/ FLARE
Outlet A: WELDED 2-BOLT FLANGE W/GASKET STUB
Length: 51.13"



- 2012-09 V8 Chevrolet Colorado 5.3L
- 2012-09 V8 GMC Canyon 5.3L
- 2010-08 V8 Hummer H3 5.3L
- 2010-09 V8 Hummer H3T 5.3L

749551

E.O. No. D-798

Inlet A: LOOSE 2-BOLT FLANGE W/ SPHERICAL FLARE
Outlet A: 2.50" OD PIPE
Length: 27.38"



- 2010-09 V8 Ford F-150 4.6L

749552

E.O. No. D-798

Inlet A: LOOSE 2-BOLT FLANGE W/ SPHERICAL FLARE
Inlet B: 2.50" ID PIPE
Outlet A: LOOSE 2-BOLT FLANGE W/ SPHERICAL FLARE
Length: 45.38"



- 2010-09 V8 Ford F-150 4.6L

NUMERICAL LISTINGS

OBD II DIRECT FIT



OBD II DIRECT FIT

749642

E.O. No. D-798

Inlet A: LOOSE 2-BOLT FLANGE
 Inlet B: WELDED 2-BOLT FLANGE
 Outlet A: WELDED 2-BOLT FLANGE
 Length: 34"



- 2010-07 V8 Cadillac Escalade ESV 6.2L
- 2010-07 V8 Cadillac Escalade EXT 6.2L
- 2010-07 V8 Cadillac Escalade 6.2L
- 2010-09 V8 Chevrolet Silverado 1500 6.2L
- 2009-08 V8 Chevrolet Tahoe 6.2L
- 2010-07 V8 GMC Sierra 1500 6.2L
- 2010-07 V8 GMC Yukon XL 1500 6.2L
- 2010-07 V8 GMC Yukon 6.2L

749712

E.O. No. D-798

Inlet A: WELDED 4-BOLT FLANGE
 Outlet A: WELDED 2-BOLT FLANGE
 Length: 24"

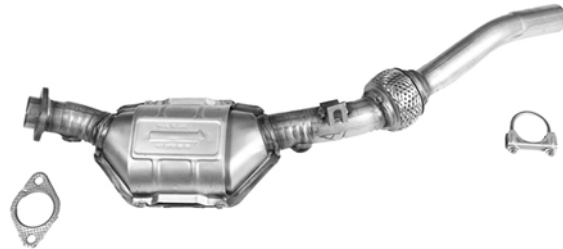


2005-02 V6 Land Rover Freelander 2.5L

749713

E.O. No. D-798

Inlet A: WELDED 2-BOLT FLANGE W/ GASKET STUB
 Outlet A: 1.770" O.D. PIPE
 Length: 32.50"

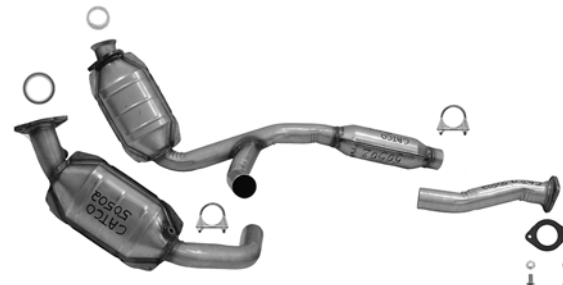


2005-02 V6 Land Rover Freelander 2.5L

749872

E.O. No. D-798

Inlet A: WELDED 3-BOLT FLANGE
 Inlet B: LOOSE 3-BOLT FLANGE W/ FLARE
 Outlet A: WELDED 2-BOLT FLANGE
 Length: 60"



- 2013-09 V6 Chevrolet Express 1500 4.3L
- 2013-09 V8 Chevrolet Express 1500 5.3L
- 2013-09 V6 GMC Savana 1500 4.3L
- 2013-09 V8 GMC Savana 1500 5.3L

749883

E.O. No. D-798

Inlet A: LOOSE 2-BOLT FLANGE W/ FLARE
 Outlet A: 2.92" O.D. PIPE
 Length: 51"



- 2012-07 V8 Mercedes-Benz GL450 4.6L
- 2012-08 V8 Mercedes-Benz GL550 5.5L
- 2011-08 V8 Mercedes-Benz ML550 5.5L
- 2012 V8 Mercedes-Benz ML550 4.6L

749884

E.O. No. D-798

Inlet A: LOOSE 2-BOLT FLANGE W/ FLARE
Outlet A: 2.38" O.D. PIPE
Length: 52.50"



- 2012-07 V8 Mercedes-Benz GL450 4.6L
- 2012-08 V8 Mercedes-Benz GL550 5.5L
- 2011-08 V8 Mercedes-Benz ML550 5.5L
- 2012 V8 Mercedes-Benz ML550 4.6L

749908

E.O. No. D-798

Inlet A: LOOSE 2-BOLT FLANGE W/ SPHERICAL FLARE
Inlet B: WELDED 2-BOLT FLANGE
Outlet A: WELDED 2-BOLT FLANGE W/ GASKET STUB
Length: 48.25"



- 2011-07 V6 Ford Ranger 4.0L
- 2009-07 V6 Mazda B4000 4.0L

749912

E.O. No. D-798

Inlet A: LOOSE 3-BOLT FLANGE W/ SPHERICAL FLARE
Inlet B: WELDED 3-BOLT FLANGE
Outlet A: 2.50" OD PIPE W/ SPHERICAL BALL
Length: 42.75"



- 2012-10 V8 Cadillac Escalade 6.0L
- 2009 V8 Chevrolet Avalanche 6.0L
- 2013-09 V8 Chevrolet Avalanche 5.3L
- 2012-09 V8 Chevrolet Silverado 1500 6.0L

749912 (cont.)

- 2013-09 V6 Chevrolet Silverado 1500 4.3L
- 2013-09 V8 Chevrolet Silverado 1500 4.8L
- 2013-09 V8 Chevrolet Silverado 1500 5.3L
- 2009 V8 Chevrolet Suburban 1500 6.0L
- 2013-09 V8 Chevrolet Suburban 1500 5.3L
- 2009 V8 Chevrolet Tahoe 4.8L
- 2012-10 V8 Chevrolet Tahoe 6.0L
- 2013-09 V8 Chevrolet Tahoe 5.3L
- 2012-09 V8 GMC Sierra 1500 6.0L
- 2013-09 V6 GMC Sierra 1500 4.3L
- 2013-09 V8 GMC Sierra 1500 4.8L
- 2013-09 V8 GMC Sierra 1500 5.3L
- 2009 V8 GMC Yukon XL 1500 6.0L
- 2013-09 V8 GMC Yukon XL 1500 5.3L
- 2009 V8 GMC Yukon 4.8L
- 2012-10 V8 GMC Yukon 6.0L
- 2013-09 V8 GMC Yukon 5.3L

749913

E.O. No. D-798

Inlet A: LOOSE 2-BOLT FLANGE W/ SPHERICAL FLARE
Inlet B: LOOSE 2-BOLT FLANGE W/ SPHERICAL FLARE
Outlet A: WELDED 2-BOLT FLANGE
Length: 56.38"



- 2007-05 V6 Jeep Liberty 3.7L

749920

E.O. No. D-798

Inlet A: WELDED 2-BOLT FLANGE W/ FEMALE FLARE
Outlet A: WELDED 2-BOLT FLANGE W/ GASKET STUB
Length: 47.50"



- 2011-05 L4 Toyota Tacoma 2.7L

NUMERICAL LISTINGS

OBD II DIRECT FIT



OBD II
DIRECT FIT

749976

E.O. No. D-798

Inlet A: LOOSE 3-BOLT FLANGE w/ SPHERICAL FLARE
 Inlet B: WELDED 3-BOLT FLANGE
 Outlet A: WELDED 2-BOLT FLANGE
 Length: 46"



2008 V8 Hummer H2 6.2L

749984

E.O. No. D-798

Inlet A: LOOSE 2-BOLT FLANGE W/ FEMALE FLARE
 Outlet A: 2.50" O.D. PIPE
 Length: 27"



2013-07 V8 Ford Expedition 5.4L
 2010-09 V8 Ford F-150 5.4L
 2013-07 V8 Lincoln Navigator 5.4L

749985

E.O. No. D-798

Inlet A: LOOSE 2-BOLT FLANGE W/ FEMALE FLARE
 Inlet B: 2.50" I.D. PIPE
 Outlet A: LOOSE 2-BOLT FLANGE W/ FEMALE FLARE
 Length: 44"



2013-07 V8 Ford Expedition 5.4L
 2010-09 V8 Ford F-150 5.4L
 2013-07 V8 Lincoln Navigator 5.4L

749991

E.O. No. D-798

Inlet A: LOOSE 3-BOLT FLANGE W/ FEMALE FLARE
 Inlet B: WELDED 3-BOLT FLANGE
 Outlet A: WELDED 2-BOLT FLANGE
 Length: 59"



2008-07 V6 Chevrolet Express 1500 4.3L
 2008-07 V8 Chevrolet Express 1500 5.3L
 2008-07 V6 GMC Savana 1500 4.3L
 2008-07 V8 GMC Savana 1500 5.3L

751018

E.O. No. D-280-102

Inlet A: WELDED 5-BOLT FLANGE
Outlet A: WELDED 3-BOLT FLANGE
Length: 8.50"

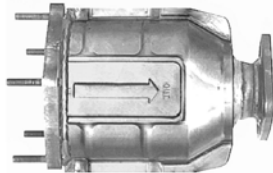


2005-01 L4 Hyundai Sonata 2.4L
2006-01 L4 Kia Optima 2.4L

751023

E.O. No. D-280-102

Inlet A: WELDED 5-BOLT FLANGE
Outlet A: WELDED 3-BOLT FLANGE
Length: 7.75"



2001 L4 Mazda Protege 1.6L
2003-01 L4 Mazda Protege 2.0L
2003-02 L4 Mazda Protege5 2.0L

751024

E.O. No. D-280-102

Inlet A: WELDED 7-BOLT FLANGE
Outlet A: WELDED 2-BOLT FLANGE
Length: 15.25"

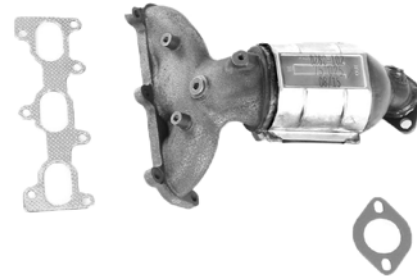


2001 V6 Hyundai Sonata 2.5L
2005-02 V6 Hyundai Sonata 2.7L
2005-03 V6 Hyundai Tiburon 2.7L
2001 V6 Kia Optima 2.5L
2007-02 V6 Kia Optima 2.7L
2007 V6 Kia Rondo 2.7L

751025

E.O. No. D-280-102

Inlet A: WELDED 7-BOLT FLANGE
Outlet A: WELDED 2-BOLT FLANGE
Length: 15.25"

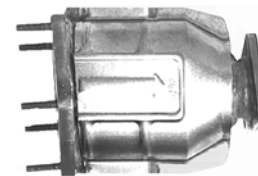


2001 V6 Hyundai Sonata 2.5L
2005-02 V6 Hyundai Sonata 2.7L
2001 V6 Kia Optima 2.5L
2007-02 V6 Kia Optima 2.7L
2007 V6 Kia Rondo 2.7L

751034

E.O. No. D-280-102

Inlet A: WELDED 5-BOLT FLANGE
Outlet A: WELDED 3-BOLT FLANGE
Length: 7.25"



2002-01 L4 Mazda 626 2.0L

751035

E.O. No. D-280-102

Inlet A: WELDED 9-BOLT FLANGE
Outlet A: WELDED 2-BOLT FLANGE
Length: 19"



2005-03 L4 Kia Rio 1.6L

NUMERICAL LISTINGS

OBD II DIRECT FIT



OBD II
DIRECT FIT

751043

E.O. No. D-280-102

Inlet A: WELDED 6-BOLT FLANGE
Outlet A: WELDED 3-BOLT FLANGE
Length: 9"

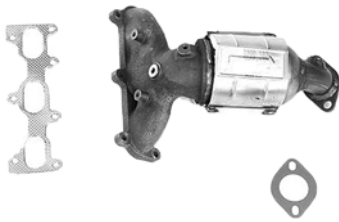


2006-03 L4 Nissan Sentra 1.8L

751051

E.O. No. D-280-102

Inlet A: WELDED 7-BOLT FLANGE
Outlet A: WELDED 2-BOLT FLANGE
Length: 15.25"



2005-03 V6 Hyundai Tiburon 2.7L

751052

E.O. No. D-280-102

Inlet A: WELDED 3-BOLT FLANGE
Outlet A: WELDED 3-BOLT FLANGE
Length: 7"

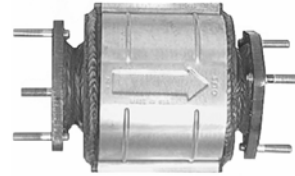


2002-01 L4 Daewoo Leganza 2.2L

751054

E.O. No. D-280-102

Inlet A: WELDED 3-BOLT FLANGE W/ STUDS
Outlet A: WELDED 3-BOLT FLANGE W/ STUDS
Length: 7"



2002-01 L4 Daewoo Nubira 2.0L

751061

E.O. No. D-280-102

Inlet A: WELDED 6-BOLT FLANGE
Outlet A: WELDED 3-BOLT FLANGE
Length: 16.50"



2001 L4 Toyota Camry 2.2L

2001 L4 Toyota Solara 2.2L

751062

E.O. No. D-280-102

Inlet A: WELDED 9-BOLT FLANGE
Outlet A: WELDED 2-BOLT FLANGE
Length: 20"



2005-01 L4 Hyundai Elantra 2.0L
2006-03 L4 Hyundai Tiburon 2.0L

751063

E.O. No. D-280-102

Inlet A: WELDED 3-BOLT FLANGE
Outlet A: WELDED 3-BOLT FLANGE
Length: 10.50"



2002-01 L4 Daewoo Lanos 1.6L

751069

E.O. No. D-280-102

Inlet A: WELDED 3-BOLT FLANGE
Outlet A: WELDED 3-BOLT FLANGE
Length: 35"



2005-01 V6 Saturn L300 3.0L
2003-01 V6 Saturn LW300 3.0L

751070

E.O. No. D-280-102

Inlet A: WELDED 5-BOLT FLANGE
Outlet A: WELDED 2-BOLT FLANGE
Length: 6"



2001 V6 Hyundai XG300 3.0L
2005-02 V6 Hyundai XG350 3.5L
2006-04 V6 Kia Amanti 3.5L

751078

E.O. No. D-280-102

Inlet A: WELDED 6-BOLT FLANGE
Outlet A: WELDED 3-BOLT FLANGE
Length: 10.50"



2004-02 V6 Infiniti I35 3.5L
2003-02 V6 Nissan Maxima 3.5L

751079

E.O. No. D-280-102

Inlet A: WELDED 4-BOLT FLANGE
Outlet A: WELDED 3-BOLT FLANGE
Length: 8.25"



2004-02 V6 Infiniti I35 3.5L
2003-02 V6 Nissan Maxima 3.5L

751082

E.O. No. D-280-102

Inlet A: WELDED 9-BOLT FLANGE
Outlet A: WELDED 2-BOLT FLANGE
Length: 17"



2005-01 L4 Chrysler Sebring 2.4L
2005-01 L4 Dodge Stratus 2.4L
2005-01 L4 Mitsubishi Eclipse 2.4L
2003-01 L4 Mitsubishi Galant 2.4L

NUMERICAL LISTINGS

OBD II DIRECT FIT



OBD II DIRECT FIT

751084 E.O. No. D-280-102

Inlet A: LOOSE 2-BOLT FLANGE W/ SPHERICAL FLARE
 Inlet B: WELDED 2-BOLT FLANGE
 Outlet A: WELDED 2-BOLT FLANGE
 Length: 29"



2005-03 V6 Ford Taurus 3.0L
 2004-03 V6 Mercury Sable 3.0L

751085 E.O. No. D-280-102

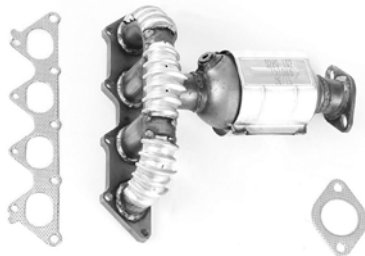
Inlet A: WELDED 6-BOLT FLANGE
 Outlet A: WELDED 2-BOLT FLANGE
 Length: 14.50"



2005-03 V6 Mercury Sable 3.0L

751086 E.O. No. D-280-102

Inlet A: WELDED 9-BOLT FLANGE
 Outlet A: WELDED 2-BOLT FLANGE
 Length: 14.25"



2007-02 L4 Mitsubishi Lancer 2.0L

751089 E.O. No. D-280-102

Inlet A: WELDED 5-BOLT FLANGE
 Outlet A: WELDED 2-BOLT FLANGE
 Length: 6.25"



2001 V6 Hyundai XG300 3.0L
 2005-02 V6 Hyundai XG350 3.5L
 2006-04 V6 Kia Amanti 3.5L

751094 E.O. No. D-280-102

Inlet A: WELDED 3-BOLT FLANGE
 Outlet A: WELDED 2-BOLT FLANGE
 Length: 8.63"



2005-01 V6 Chrysler Sebring 3.0L
 2005-01 V6 Dodge Stratus 3.0L
 2002-01 V6 Mitsubishi Diamante 3.5L
 2005-01 V6 Mitsubishi Eclipse 3.0L
 2003-01 V6 Mitsubishi Galant 3.0L

751095 E.O. No. D-280-102

Inlet A: WELDED 3-BOLT FLANGE
 Outlet A: WELDED 2-BOLT FLANGE
 Length: 14.25"



2005-01 V6 Chrysler Sebring 3.0L
 2005-01 V6 Dodge Stratus 3.0L

751095 (cont.)

2002-01 V6 Mitsubishi Diamante 3.5L
2005-01 V6 Mitsubishi Eclipse 3.0L
2003-01 V6 Mitsubishi Galant 3.0L

751098

E.O. No. D-280-102

Inlet A: WELDED 7-BOLT FLANGE
Outlet A: WELDED 2-BOLT FLANGE
Length: 17"



2007-03 L4 Hyundai Sonata 2.4L
2007-06 L4 Kia Optima 2.4L

751107

E.O. No. D-280-102

Inlet A: WELDED 5-BOLT FLANGE
Outlet A: WELDED 2-BOLT FLANGE W/ GASKET STUB
Length: 19.13"



2007-06 L4 Toyota RAV4 2.4L

751120

E.O. No. D-280-102

Inlet A: WELDED 5-BOLT FLANGE
Outlet A: WELDED 2-BOLT FLANGE
Length: 18.88"



2006-02 L4 Toyota Camry 2.4L
2006-02 L4 Toyota Solara 2.4L

751122

E.O. No. D-280-102

Inlet A: WELDED 6-BOLT FLANGE
Outlet A: WELDED 2-BOLT FLANGE W/ GASKET STUB
Length: 22.50"



2007-06 V6 Ford Fusion 3.0L
2006 V6 Lincoln Zephyr 3.0L
2007-06 V6 Mercury Milan 3.0L

751123

E.O. No. D-280-102

Inlet A: WELDED 6-BOLT FLANGE
Outlet A: WELDED 2-BOLT FLANGE
Length: 17"



2007-06 V6 Ford Fusion 3.0L
2006 V6 Lincoln Zephyr 3.0L
2007-06 V6 Mercury Milan 3.0L

751126

E.O. No. D-280-102

Inlet A: WELDED 6-BOLT FLANGE
Outlet A: WELDED 3-BOLT FLANGE
Length: 10.25"



2006-03 V6 Nissan Altima 3.5L

NUMERICAL LISTINGS

OBD II DIRECT FIT



OBD II DIRECT FIT

751134 E.O. No. D-280-102

Inlet A: WELDED 9-BOLT FLANGE
Outlet A: WELDED 3-BOLT FLANGE
Length: 21"



- 2004-01 V6 Chevrolet Tracker 2.5L
- 2005-01 V6 Suzuki Grand Vitara 2.5L
- 2004 V6 Suzuki Vitara 2.5L

751135 E.O. No. D-280-102

Inlet A: WELDED 9-BOLT FLANGE
Outlet A: WELDED 3-BOLT FLANGE
Length: 21"



- 2004-01 V6 Chevrolet Tracker 2.5L
- 2005-01 V6 Suzuki Grand Vitara 2.5L
- 2004 V6 Suzuki Vitara 2.5L

751145 E.O. No. D-280-102

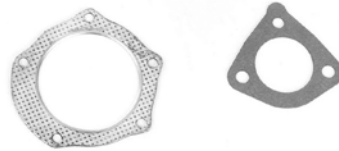
Inlet A: WELDED 3-BOLT FLANGE
Outlet A: WELDED 2-BOLT FLANGE
Length: 14.75"



- 2007 V6 Ford Fusion 3.0L
- 2007 V6 Mercury Milan 3.0L

751146 E.O. No. D-280-102

Inlet A: WELDED 5-BOLT FLANGE
Outlet A: WELDED 3-BOLT FLANGE
Length: 5.75"



- 2004-02 L4 Kia Spectra 1.8L

751157 E.O. No. D-280-102

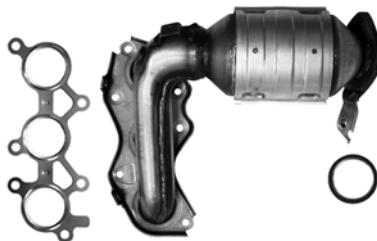
Inlet A: WELDED 6-BOLT FLANGE
Outlet A: WELDED 2-BOLT FLANGE
Length: 14"



- 2007 V6 Lexus ES350 3.5L
- 2007-05 V6 Toyota Avalon 3.5L
- 2007 V6 Toyota Camry 3.5L

751158 E.O. No. D-280-102

Inlet A: WELDED 6-BOLT FLANGE
Outlet A: WELDED 2-BOLT FLANGE, BENT BRACKET
Length: 15"

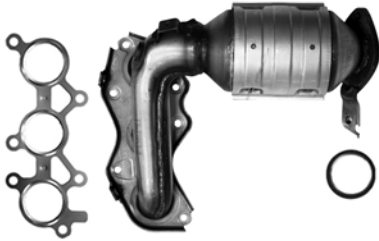


- 2007-05 V6 Toyota Avalon 3.5L

751159

E.O. No. D-280-102

Inlet A: WELDED 6-BOLT FLANGE
Outlet A: WELDED 2-BOLT FLANGE, STRAIGHT BRACKET
Length: 15"



2007 V6 Lexus ES350 3.5L
2007-06 V6 Toyota Avalon 3.5L
2007 V6 Toyota Camry 3.5L

751162

E.O. No. D-280-102

Inlet A: WELDED 9-BOLT FLANGE
Outlet A: WELDED 2-BOLT FLANGE
Length: 15"

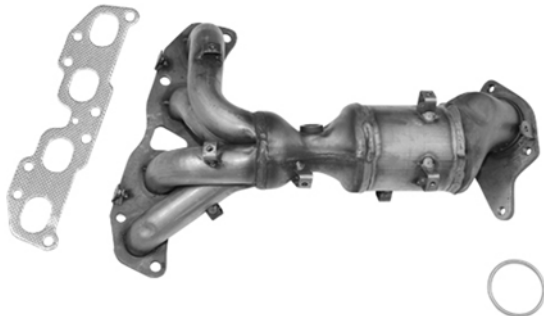


2005-03 L4 Hyundai Elantra 2.0L

751169

E.O. No. D-280-102

Inlet A: WELDED 5-BOLT FLANGE
Outlet A: WELDED 3-BOLT FLANGE
Length: 19"



2007 L4 Nissan Altima 2.5L

751178

E.O. No. D-280-102

Inlet A: WELDED 3-BOLT FLANGE
Outlet A: WELDED 2-BOLT FLANGE W/ GASKET STUB
Length: 23.50"



2007-04 L4 Suzuki Aerio 2.3L

751180

E.O. No. D-280-102

Inlet A: WELDED 9-BOLT FLANGE
Outlet A: WELDED 2-BOLT FLANGE
Length: 20"



2007-06 L4 Hyundai Elantra 2.0L

751182

E.O. No. D-280-102

Inlet A: WELDED 6-BOLT FLANGE
Outlet A: WELDED 3-BOLT FLANGE
Length: 10.50"



2006-04 V6 Nissan Maxima 3.5L

NUMERICAL LISTINGS

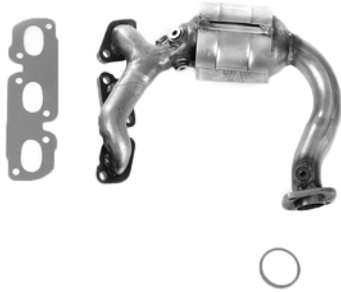
OBD II DIRECT FIT



OBD II DIRECT FIT

751184 E.O. No. D-280-102

Inlet A: WELDED 6-BOLT FLANGE
 Outlet A: WELDED 2-BOLT FLANGE W/ GASKET STUB
 Length: 16"



2004 V6 Mazda 6 3.0L

751185 E.O. No. D-280-102

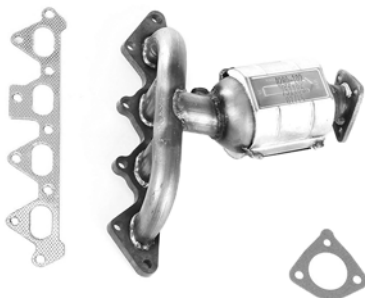
Inlet A: WELDED 6-BOLT FLANGE
 Outlet A: WELDED 2-BOLT FLANGE
 Length: 13"



2004 V6 Mazda 6 3.0L

751186 E.O. No. D-280-102

Inlet A: WELDED 9-BOLT FLANGE
 Outlet A: WELDED 3-BOLT FLANGE
 Length: 12.50"



2007-04 L4 Kia Spectra 2.0L

751187 E.O. No. D-280-102

Inlet A: WELDED 6-BOLT FLANGE
 Outlet A: WELDED 3-BOLT FLANGE
 Length: 12"



2006-04 V6 Nissan Maxima 3.5L

751195 E.O. No. D-280-102

Inlet A: WELDED 5-BOLT FLANGE
 Outlet A: WELDED 2-BOLT FLANGE W/ GASKET STUB
 Length: 19"



2006-02 L4 Nissan Altima 2.5L
 2006-02 L4 Nissan Sentra 2.5L

751196 E.O. No. D-280-102

Inlet A: WELDED 6-BOLT FLANGE
 Outlet A: WELDED 3-BOLT FLANGE
 Length: 14"



2006-02 V6 Nissan Altima 3.5L

751197

E.O. No. D-280-102

Inlet A: WELDED 4-BOLT FLANGE
Outlet A: WELDED 3-BOLT FLANGE
Length: 14"



2006-02 V6 Nissan Altima 3.5L
2006-04 V6 Nissan Maxima 3.5L

751199

E.O. No. D-280-102

Inlet A: WELDED 5-BOLT FLANGE
Outlet A: WELDED 2-BOLT FLANGE
Length: 19"



2007 L4 Toyota Camry 2.4L
2007 L4 Toyota Solara 2.4L

751203

E.O. No. D-280-102

Inlet A: WELDED 4-BOLT FLANGE
Outlet A: WELDED 2-BOLT FLANGE W/ GASKET STUB
Length: 20.25"



2007-06 L4 Honda Civic 1.8L

751230

E.O. No. D-280-102

Inlet A: WELDED 5-BOLT FLANGE
Outlet A: WELDED 2-BOLT FLANGE W/ GASKET STUB
Length: 21"



2006-05 L4 Scion tC 2.4L
2005-04 L4 Toyota RAV4 2.4L

751236

E.O. No. D-280-102

Inlet A: WELDED 6-BOLT FLANGE
Outlet A: WELDED 3-BOLT FLANGE
Length: 10.25"



2007 V6 Nissan Altima 3.5L

751237

E.O. No. D-280-102

Inlet A: WELDED 4-BOLT FLANGE
Outlet A: WELDED 3-BOLT FLANGE
Length: 13"



2007 V6 Nissan Altima 3.5L

NUMERICAL LISTINGS

OBD II DIRECT FIT



CATCO
CATALYTIC CONVERTERS

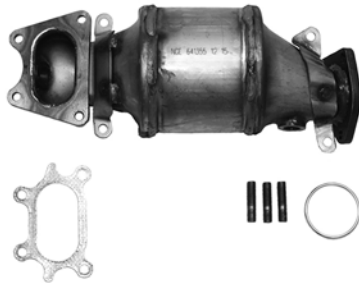
EASTERN CATALYTIC

OBD II
DIRECT FIT

751250

E.O. No. D-280-102

Inlet A: WELDED 4-BOLT FLANGE
Outlet A: WELDED 3-BOLT FLANGE
Length: 13.75"

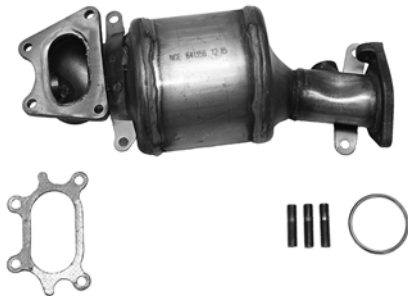


2007-05 V6 Acura RL 3.5L
2007-04 V6 Acura TL 3.2L
2007 V6 Acura TL 3.5L
2007-03 V6 Honda Accord 3.0L

751251

E.O. No. D-280-102

Inlet A: WELDED 4-BOLT FLANGE
Outlet A: WELDED 3-BOLT FLANGE
Length: 13.90"



2007-05 V6 Acura RL 3.5L
2007-04 V6 Acura TL 3.2L
2007 V6 Acura TL 3.5L
2007-03 V6 Honda Accord 3.0L

751274

E.O. No. D-280-102

Inlet A: WELDED 5-BOLT FLANGE
Outlet A: WELDED 2-BOLT FLANGE W/GASKET STUB
Length: 17.50"



2005-03 L4 Honda Civic 1.3L

751297

E.O. No. D-280-102

Inlet A: WELDED 5-BOLT FLANGE
Outlet A: WELDED 2-BOLT FLANGE W/MALE BALL
Length: 21"



2007 L4 Scion tC 2.4L

751303

E.O. No. D-280-102

Inlet A: WELDED 8-BOLT FLANGE
Outlet A: WELDED 2-BOLT FLANGE
Length: 30"

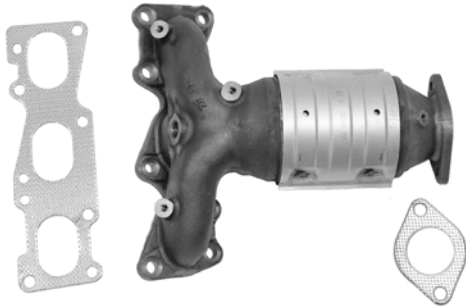


2005-04 L4 Mazda 3 2.3L

751310

E.O. No. D-280-102

Inlet A: WELDED 8-BOLT FLANGE
Outlet A: WELDED 2-BOLT FLANGE
Length: 13.50"



- 2007-06 V6 Hyundai Azera 3.8L
- 2007 V6 Hyundai Azera 3.3L
- 2007-06 V6 Hyundai Sonata 3.3L
- 2007 V6 Kia Amanti 3.8L

751311

E.O. No. D-280-102

Inlet A: WELDED 8-BOLT FLANGE
Outlet A: WELDED 2-BOLT FLANGE
Length: 13"



- 2007-06 V6 Hyundai Azera 3.8L
- 2007 V6 Hyundai Azera 3.3L
- 2007-06 V6 Hyundai Sonata 3.3L
- 2007 V6 Kia Amanti 3.8L

752178

E.O. No. D-280-102

Inlet A: WELDED 2-BOLT FLANGE
Outlet A: WELDED 2-BOLT FLANGE
Length: 13.50"



- 2007-06 L4 Hyundai Accent 1.6L
- 2007-06 L4 Kia Rio 1.6L
- 2007-06 L4 Kia Rio5 1.6L

754061

E.O. No. D-280-102

Inlet A: WELDED 3-BOLT FLANGE W/ GASKET STUB
Outlet A: WELDED 2-BOLT FLANGE W/ GASKET STUB
Length: 50.50"

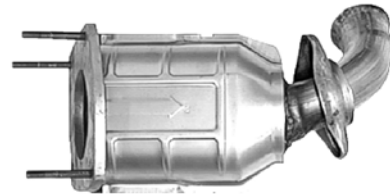


- 2001 L4 Toyota Camry 2.2L
- 2001 L4 Toyota Solara 2.2L

754142

E.O. No. D-280-102

Inlet A: WELDED 4-BOLT FLANGE W/ STUDS
Outlet A: LOOSE 2-BOLT FLANGE W/ FEMALE FLARE
Length: 12.50"



- 2006-01 V6 Chrysler Sebring 2.7L
- 2006-01 V6 Dodge Stratus 2.7L

754143

E.O. No. D-280-102

Inlet A: WELDED 4-BOLT FLANGE W/ STUDS
Outlet A: WELDED 2-BOLT FLANGE
Length: 8.25"



- 2006-01 V6 Chrysler Sebring 2.7L
- 2006-01 V6 Dodge Stratus 2.7L

NUMERICAL LISTINGS

OBD II DIRECT FIT



OBD II DIRECT FIT

754184 E.O. No. D-280-102

Inlet A: WELDED 2-BOLT FLANGE
 Outlet A: LOOSE 2-BOLT FLANGE W/ SPHERICAL FLARE
 Length: 29.75"



2007-03 V6 Ford Taurus 3.0L
 2005-04 V6 Mercury Sable 3.0L

754185 E.O. No. D-280-102

Inlet A: WELDED 2-BOLT FLANGE
 Outlet A: 2.25" O.D. PIPE
 Length: 32.50"



2007-03 V6 Ford Taurus 3.0L
 2005-03 V6 Mercury Sable 3.0L

754192 E.O. No. D-280-102

Inlet A: WELDED 3-BOLT FLANGE
 Outlet A: WELDED 2-BOLT FLANGE
 Length: 20.50"



2007-03 V6 Infiniti G35 3.5L
 2007-06 V6 Infiniti M35 3.5L
 2006-04 V6 Nissan 350Z 3.5L

754193 E.O. No. D-280-102

Inlet A: WELDED 3-BOLT FLANGE
 Outlet A: WELDED 2-BOLT FLANGE
 Length: 22.38"



2007-03 V6 Infiniti G35 3.5L
 2007-06 V6 Infiniti M35 3.5L
 2006-04 V6 Nissan 350Z 3.5L

754224 E.O. No. D-280-102

Inlet A: WELDED 2-BOLT FLANGE
 Inlet B: WELDED 2-BOLT FLANGE
 Outlet A: WELDED 2-BOLT FLANGE
 Length: 49"



2001 V6 Hyundai Sonata 2.5L
 2005-02 V6 Hyundai Sonata 2.7L
 2001 V6 Kia Optima 2.5L
 2006-02 V6 Kia Optima 2.7L

754230 E.O. No. D-280-102

Inlet A: WELDED 6-BOLT FLANGE
 Outlet A: WELDED 2-BOLT FLANGE
 Length: 15.38"



2005-01 L4 Honda Civic 1.7L

754254

E.O. No. D-280-102

Inlet A: WELDED 3-BOLT FLANGE
Outlet A: WELDED 3-BOLT FLANGE
Length: 54.50"



2002-01 L4 Daewoo Nubira 2.0L

754276

E.O. No. D-280-102

Inlet A: WELDED 8-BOLT FLANGE
Outlet A: WELDED 3-BOLT FLANGE W/ GASKET STUB
Length: 33.25"



2005 L6 Lexus GS300 3.0L
2005 L6 Lexus IS300 3.0L

754280

E.O. No. D-280-102

Inlet A: LOOSE 2-BOLT FLANGE W/ 45 DEGREE FLARE
Outlet A: 2.16" O.D. PIPE
Length: 64.75"



2003-01 V8 Mercedes-Benz CL500 5.0L
2002-01 V8 Mercedes-Benz E430 4.3L
2003-01 V8 Mercedes-Benz S500 5.0L
2003 V8 Mercedes-Benz SL500 5.0L

754281

E.O. No. D-280-102

Inlet A: LOOSE 2-BOLT FLANGE W/ 45 DEGREE FLARE
Outlet A: LOOSE 2-BOLT FLANGE W/ 45 DEGREE FLARE
Length: 61.50"

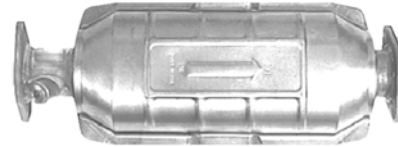


2003-01 V8 Mercedes-Benz CL500 5.0L
2002-01 V8 Mercedes-Benz E430 4.3L
2003-01 V8 Mercedes-Benz S500 5.0L
2003 V8 Mercedes-Benz SL500 5.0L

754286

E.O. No. D-280-102

Inlet A: WELDED 2-BOLT FLANGE
Outlet A: WELDED 2-BOLT FLANGE
Length: 15.50"



2003-02 L4 Mitsubishi Lancer 2.0L

754295

E.O. No. D-280-102

Inlet A: WELDED 2-BOLT FLANGE
Outlet A: WELDED 2-BOLT FLANGE
Length: 40.25"



2006-02 L4 Nissan Altima 2.5L

754296

E.O. No. D-280-102

Inlet A: LOOSE 2-BOLT FLANGE W/ 45 DEGREE FLARE
Outlet A: 2.16" O.D. PIPE
Length: 67"



2004-01 V6 Mercedes-Benz E320 3.2L

754297

E.O. No. D-280-102

Inlet A: LOOSE 2-BOLT FLANGE W/ 45 DEGREE FLARE
Outlet A: LOOSE 2-BOLT FLANGE W/ 45 DEGREE FLARE
Length: 64.75"



2004-01 V6 Mercedes-Benz E320 3.2L

NUMERICAL LISTINGS

OBD II DIRECT FIT



OBD II DIRECT FIT

754299 E.O. No. D-280-102

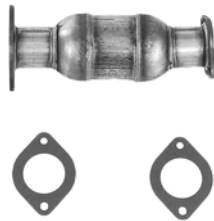
Inlet A: WELDED 3-BOLT FLANGE
 Inlet B: WELDED 3-BOLT FLANGE
 Outlet A: WELDED 3-BOLT FLANGE
 Length: 42.25"



2005-01 V6 Saturn L300 3.0L
 2003-01 V6 Saturn LW300 3.0L

754317 E.O. No. D-280-102

Inlet A: WELDED 2-BOLT FLANGE
 Outlet A: WELDED 2-BOLT FLANGE
 Length: 12.38"



2002-01 L4 Nissan Sentra 1.8L

754320 E.O. No. D-280-102

Inlet A: WELDED 2-BOLT FLANGE W/ GASKET STUB
 Outlet A: WELDED 2-BOLT FLANGE W/ GASKET STUB
 Length: 49"



2007-02 L4 Toyota Camry 2.4L
 2007-02 L4 Toyota Solara 2.4L

754324 E.O. No. D-280-102

Inlet A: WELDED 2-BOLT FLANGE W/ GASKET STUB
 Inlet B: WELDED 2-BOLT FLANGE W/ GASKET STUB
 Outlet A: WELDED 2-BOLT FLANGE
 Length: 47"



2005-03 V6 Hyundai Tiburon 2.7L

754332 E.O. No. D-280-102

Inlet A: WELDED 2-BOLT FLANGE
 Outlet A: WELDED 2-BOLT FLANGE
 Length: 52.63"



2005-01 L4 Chrysler Sebring 2.4L
 2005-01 L4 Dodge Stratus 2.4L
 2005-01 L4 Mitsubishi Eclipse 2.4L
 2003-01 L4 Mitsubishi Galant 2.4L

754334 E.O. No. D-280-102

Inlet A: WELDED 3-BOLT FLANGE
 Outlet A: WELDED 3-BOLT FLANGE
 Length: 50.75"



2002-01 L4 Daewoo Lanos 1.6L

754343

E.O. No. D-280-102

Inlet A: WELDED 3-BOLT FLANGE W/ GASKET STUB
Outlet A: WELDED 2-BOLT FLANGE
Length: 50.50"



2006-03 L4 Nissan Sentra 1.8L

754352

E.O. No. D-280-102

Inlet A: WELDED 3-BOLT FLANGE
Outlet A: WELDED 3-BOLT FLANGE
Length: 53.63"



2002-01 L4 Daewoo Leganza 2.2L

754347

E.O. No. D-280-102

Inlet A: WELDED 2-BOLT FLANGE
Outlet A: 2.25" O.D. PIPE
Length: 24"

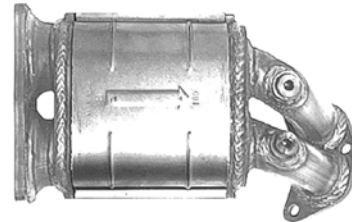


2007-06 L4 Toyota RAV4 2.4L

754356

E.O. No. D-280-102

Inlet A: WELDED 6-BOLT FLANGE
Outlet A: WELDED 3-BOLT FLANGE
Length: 12.50"



2002-01 L4 Nissan Sentra 1.8L

754348

E.O. No. D-280-102

Inlet A: WELDED 2-BOLT FLANGE
Outlet A: WELDED 2-BOLT FLANGE
Length: 15.75"



2007-06 L4 Hyundai Sonata 2.4L
2007-06 L4 Kia Optima 2.4L
2007 L4 Kia Rondo 2.4L

754358

E.O. No. D-280-102

Inlet A: WELDED 3-BOLT FLANGE
Outlet A: WELDED 2-BOLT FLANGE
Length: 48.25"



2005-01 L4 Hyundai Sonata 2.4L
2005-01 L4 Kia Optima 2.4L

754349

E.O. No. D-280-102

Inlet A: WELDED 2-BOLT FLANGE
Outlet A: WELDED 2-BOLT FLANGE
Length: 40.50"



2003-01 L4 Mazda Protege 2.0L
2003-02 L4 Mazda Protege5 2.0L

NUMERICAL LISTINGS

OBD II DIRECT FIT



OBD II DIRECT FIT

754368 E.O. No. D-280-102

Inlet A: WELDED 2-BOLT FLANGE
 Outlet A: WELDED 2-BOLT FLANGE
 Length: 12.38"



2004-02 V6 Infiniti I35 3.5L
 2003-02 V6 Nissan Maxima 3.5L

754378 E.O. No. D-280-102

Inlet A: LOOSE 2-BOLT FLANGE W/ FLARE
 Outlet A: LOOSE 2-BOLT FLANGE W/ FLAT FLARE
 Length: 39.25"



2007-04 V6 Chrysler Crossfire 3.2L
 2004-01 V6 Mercedes-Benz SLK320 3.2L

754379 E.O. No. D-280-102

Inlet A: LOOSE 2-BOLT FLANGE W/ FLARE
 Inlet B: LOOSE 2-BOLT FLANGE W/ FLARE
 Outlet A: LOOSE 3-BOLT FLANGE W/ FLARE
 Length: 59.50"



2007-04 V6 Chrysler Crossfire 3.2L
 2004-01 V6 Mercedes-Benz SLK320 3.2L

754383 E.O. No. D-280-102

Inlet A: WELDED 2-BOLT FLANGE
 Inlet B: WELDED 2-BOLT FLANGE
 Outlet A: WELDED 2-BOLT FLANGE
 Length: 49.75"



2003-02 V6 Lexus ES300 3.0L
 2006-04 V6 Lexus ES330 3.3L
 2006-02 V6 Toyota Camry 3.0L
 2006-04 V6 Toyota Camry 3.3L
 2006-04 V6 Toyota Solara 3.3L

754384 E.O. No. D-280-102

Inlet A: WELDED 2-BOLT FLANGE
 Outlet A: WELDED 2-BOLT FLANGE W/ GASKET STUB
 Length: 30"



2004 V6 Mazda 6 3.0L

754385 E.O. No. D-280-102

Inlet A: WELDED 3-BOLT FLANGE W/ GASKET STUB
 Outlet A: WELDED 2-BOLT FLANGE W/ GASKET STUB
 Length: 22.50"



2004 V6 Mazda 6 3.0L

754390

E.O. No. D-280-102

Inlet A: WELDED 2-BOLT FLANGE
Outlet A: WELDED 2-BOLT FLANGE
Length: 20"



- 2007-05 V6 Ford Five Hundred 3.0L
- 2007-05 V6 Ford Freestyle 3.0L
- 2007-05 V6 Mercury Montego 3.0L

754391

E.O. No. D-280-102

Inlet A: WELDED 2-BOLT FLANGE
Outlet A: WELDED 2-BOLT FLANGE
Length: 18"



- 2007-05 V6 Ford Five Hundred 3.0L
- 2007-05 V6 Ford Freestyle 3.0L
- 2007-05 V6 Mercury Montego 3.0L

754392

E.O. No. D-280-102

Inlet A: WELDED 2-BOLT FLANGE
Outlet A: 2.25" O.D. PIPE
Length: 17.13"



- 2007-05 V6 Ford Five Hundred 3.0L
- 2007-05 V6 Ford Freestyle 3.0L
- 2007-05 V6 Mercury Montego 3.0L

754393

E.O. No. D-280-102

Inlet A: WELDED 2-BOLT FLANGE
Inlet B: WELDED 2-BOLT FLANGE
Outlet A: WELDED 2-BOLT FLANGE
Length: 54.25"

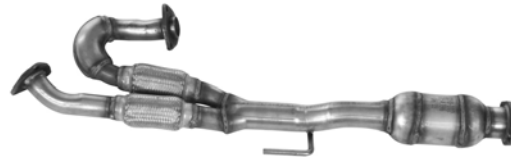


- 2005-01 V6 Chrysler Sebring 3.0L
- 2005-01 V6 Dodge Stratus 3.0L
- 2002-01 V6 Mitsubishi Diamante 3.5L
- 2005-01 V6 Mitsubishi Eclipse 3.0L
- 2003-01 V6 Mitsubishi Galant 3.0L

754396

E.O. No. D-280-102

Inlet A: WELDED 3-BOLT FLANGE W/ GASKET STUB
Inlet B: WELDED 3-BOLT FLANGE W/ GASKET STUB
Outlet A: WELDED 2-BOLT FLANGE
Length: 38.25"



- 2006-02 V6 Nissan Altima 3.5L

754405

E.O. No. D-280-102

Inlet A: WELDED 3-BOLT FLANGE
Outlet A: WELDED 3-BOLT FLANGE
Length: 6.88"



- 2007-04 L4 Chevrolet Aveo 1.6L
- 2002-01 L4 Daewoo Lanos 1.6L

NUMERICAL LISTINGS

OBD II DIRECT FIT



OBD II DIRECT FIT

754438 E.O. No. D-280-102

Inlet A: WELDED 3-BOLT FLANGE W/ GASKET STUB
 Inlet B: WELDED 3-BOLT FLANGE W/ GASKET STUB
 Outlet A: WELDED 2-BOLT FLANGE
 Length: 41.75"



2006-03 V6 Nissan Altima 3.5L
 2006-04 V6 Nissan Maxima 3.5L

754440 E.O. No. D-280-102

Inlet A: WELDED 3-BOLT FLANGE
 Outlet A: WELDED 2-BOLT FLANGE W/ GASKET STUB
 Length: 42.25"



2005 L6 Lexus GS300 3.0L
 2005 L6 Lexus IS300 3.0L

754450 E.O. No. D-280-102

Inlet A: 2-BOLT WELDED FLANGE
 Outlet A: 2-BOLT WELDED FLANGE
 Length: 19"



2002-01 L4 Mazda 626 2.0L

754453 E.O. No. D-280-102

Inlet A: WELDED 2-BOLT FLANGE
 Outlet A: 2.25" O.D. PIPE
 Length: 19.50"



2007-06 V6 Ford Fusion 3.0L
 2006 V6 Lincoln Zephyr 3.0L
 2007-06 V6 Mercury Milan 3.0L

754461 E.O. No. D-280-102

Inlet A: WELDED 2-BOLT FLANGE
 Outlet A: WELDED 2-BOLT FLANGE
 Length: 16.50"



2007-06 V6 Hyundai Azera 3.8L
 2007 V6 Hyundai Azera 3.3L
 2007 V6 Kia Amanti 3.8L

754485 E.O. No. D-280-102

Inlet A: WELDED 2-BOLT FLANGE
 Outlet A: WELDED 2-BOLT FLANGE
 Length: 51.25"



2001 V6 Hyundai XG300 3.0L
 2005-02 V6 Hyundai XG350 3.5L
 2006-04 V6 Kia Amanti 3.5L

754490

E.O. No. D-280-102

Inlet A: WELDED 2-BOLT FLANGE
Outlet A: WELDED 2-BOLT FLANGE
Length: 19.50"



- 2007-05 V6 Ford Five Hundred 3.0L
- 2007-05 V6 Ford Freestyle 3.0L
- 2007-05 V6 Mercury Montego 3.0L

754578

E.O. No. D-280-102

Inlet A: WELDED 6-BOLT FLANGE
Outlet A: WELDED 2-BOLT FLANGE
Length: 16"



- 2003-02 V6 Lexus ES300 3.0L
- 2006-04 V6 Lexus ES330 3.3L
- 2006-02 V6 Toyota Camry 3.0L
- 2006-04 V6 Toyota Camry 3.3L
- 2006-04 V6 Toyota Solara 3.3L

754533

E.O. No. D-280-102

Inlet A: WELDED 3-BOLT FLANGE
Outlet A: WELDED 3-BOLT FLANGE
Length: 10"



- 2007-05 V6 Acura RL 3.5L
- 2007-04 V6 Acura TL 3.2L
- 2007 V6 Acura TL 3.5L
- 2007-03 V6 Honda Accord 3.0L

754579

E.O. No. D-280-102

Inlet A: WELDED 6-BOLT FLANGE
Outlet A: WELDED 2-BOLT FLANGE
Length: 15"



- 2003-02 V6 Lexus ES300 3.0L
- 2006-04 V6 Lexus ES330 3.3L
- 2006-02 V6 Toyota Camry 3.0L
- 2006-04 V6 Toyota Camry 3.3L
- 2006-04 V6 Toyota Solara 3.3L

754563

E.O. No. D-280-102

Inlet A: WELDED 2-BOLT FLANGE
Outlet A: 2.25" O.D. PIPE
Length: 17.75"



- 2004 L4 Mazda 6 2.3L

754606

E.O. No. D-280-102

Inlet A: WELDED 3-BOLT FLANGE
Inlet B: WELDED 3-BOLT FLANGE
Outlet A: WELDED 2-BOLT FLANGE
Length: 43"



- 2007 V6 Nissan Altima 3.5L

NUMERICAL LISTINGS

OBD II DIRECT FIT



OBD II DIRECT FIT

754611 E.O. No. D-280-102

Inlet A: WELDED 9-BOLT FLANGE
 Outlet A: WELDED 2-BOLT FLANGE
 Length: 18"



- 2007-06 L4 Hyundai Accent 1.6L
- 2007-06 L4 Kia Rio 1.6L
- 2007-06 L4 Kia Rio5 1.6L

754635 E.O. No. D-280-102

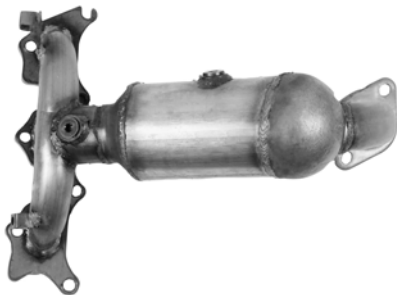
Inlet A: LOOSE 2-BOLT FLANGE W/ FEMALE FLARE
 Outlet A: WELDED 2-BOLT FLANGE
 Length: 35"



- 2004-01 V6 Chevrolet Tracker 2.5L
- 2005-01 V6 Suzuki Grand Vitara 2.5L
- 2004 V6 Suzuki Vitara 2.5L

754640 E.O. No. D-280-102

Inlet A: WELDED 7-BOLT FLANGE
 Outlet A: WELDED 2-BOLT FLANGE
 Length: 15.25"



- 2007 V6 Chrysler Sebring 2.7L

754641 E.O. No. D-280-102

Inlet A: WELDED 7-BOLT FLANGE
 Outlet A: WELDED 2-BOLT FLANGE
 Length: 17.50"



- 2007 V6 Chrysler Sebring 2.7L

754643 E.O. No. D-280-102

Inlet A: WELDED 2-BOLT FLANGE
 Outlet A: WELDED 2-BOLT FLANGE
 Length: 15.50"



- 2007 V6 Kia Optima 2.7L
- 2007 V6 Kia Rondo 2.7L

754662 E.O. No. D-280-102

Inlet A: WELDED 2-BOLT FLANGE
 Outlet A: WELDED 2-BOLT FLANGE
 Length: 41.50"

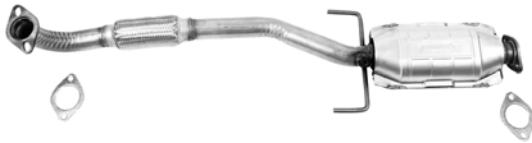


- 2005-01 L4 Hyundai Elantra 2.0L
- 2006-03 L4 Hyundai Tiburon 2.0L

754686

E.O. No. D-280-102

Inlet A: WELDED 2-BOLT FLANGE
Outlet A: WELDED 2-BOLT FLANGE
Length: 45.75"



2007-04 L4 Mitsubishi Lancer 2.0L

754723

E.O. No. D-280-102

Inlet A: WELDED 2-BOLT FLANGE
Outlet A: WELDED 2-BOLT FLANGE
Length: 17.50"

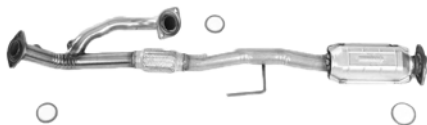


2007-04 L4 Suzuki Aerio 2.3L

754757

E.O. No. D-280-102

Inlet A: WELDED 2-BOLT FLANGE
Inlet B: WELDED 2-BOLT FLANGE
Outlet A: WELDED 2-BOLT FLANGE W/ GASKET STUB
Length: 50"

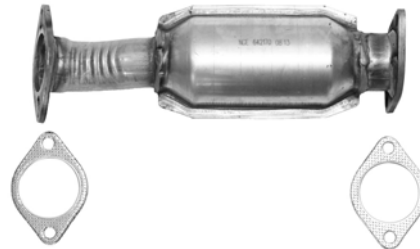


2007 V6 Lexus ES350 3.5L
2007-05 V6 Toyota Avalon 3.5L
2007 V6 Toyota Camry 3.5L

754807

E.O. No. D-280-102

Inlet A: WELDED 2-BOLT FLANGE
Outlet A: WELDED 2-BOLT FLANGE
Length: 16.50"



2007-06 V6 Hyundai Sonata 3.3L

754846

E.O. No. D-280-102

Inlet A: WELDED 2-BOLT FLANGE
Outlet A: WELDED 2-BOLT FLANGE
Length: 13"



2004-02 L4 Kia Spectra 1.8L
2007-04 L4 Kia Spectra 2.0L

754971

E.O. No. D-280-102

Inlet A: WELDED 3-BOLT FLANGE W/ GASKET STUB
Outlet A: WELDED 2-BOLT FLANGE W/ GASKET STUB
Length: 10"



2007-01 V8 Lexus GS430 4.3L
2006-01 V8 Lexus LS430 4.3L
2006-02 V8 Lexus SC430 4.3L

NUMERICAL LISTINGS

OBD II DIRECT FIT



OBD II
DIRECT FIT

754984 E.O. No. D-280-102

Inlet A: WELDED 2-BOLT FLANGE
Outlet A: WELDED 3-BOLT FLANGE
Length: 24"



2005-03 L4 Honda Civic 1.3L

755024 E.O. No. D-280-102

Inlet A: WELDED 3-BOLT FLANGE W/ GASKET STUB
Outlet A: WELDED 2-BOLT FLANGE
Length: 48.50"



2007 L4 Nissan Altima 2.5L

755033 E.O. No. D-280-102

Inlet A: WELDED 2-BOLT FLANGE
Outlet A: WELDED 2-BOLT FLANGE
Length: 81.50"



2007-05 L4 Scion tC 2.4L

755147 E.O. No. D-280-102

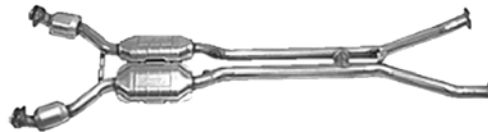
Inlet A: WELDED 2-BOLT FLANGE
Outlet A: 2.15" I.D. PIPE
Length: 40.25"



2005-04 L4 Toyota RAV4 2.4L

759203 E.O. No. D-280-102

Inlet A: WELDED 3-BOLT FLANGE W/ FLARE
Inlet B: WELDED 3-BOLT FLANGE W/ FLARE
Outlet A: WELDED 2-BOLT FLANGE
Outlet B: WELDED 2-BOLT FLANGE
Length: 81.50"



2004 V8 Chevrolet Corvette 5.7L

761121 E.O. No. D-280-105

Inlet A: WELDED 7-BOLT FLANGE
Outlet A: WELDED 2-BOLT FLANGE
Length: 21.75"



2007-05 L4 Ford Focus 2.0L
2007-05 L4 Ford Focus 2.3L

761287 E.O. No. D-280-105

Inlet A: WELDED 7-BOLT FLANGE
Outlet A: WELDED 2-BOLT FLANGE
Length: 32"



2010-09 L4 Ford Focus 2.0L

761342 E.O. No. D-280-105

Inlet A: WELDED 8-BOLT FLANGE
Outlet A: WELDED 2-BOLT FLANGE
Length: 29"



2010-05 V8 Cadillac STS 4.6L

761343

E.O. No. D-280-105

Inlet A: WELDED 8-BOLT FLANGE
Outlet A: WELDED 2-BOLT FLANGE
Length: 29"



2010-05 V8 Cadillac STS 4.6L

761902

E.O. No. D-280-105

Inlet A: WELDED 7-BOLT FLANGE
Outlet A: WELDED 3-BOLT FLANGE
Length: 22"



2008-05 L4 Ford Escape 2.3L
2008-05 L4 Mazda Tribute 2.3L
2008-05 L4 Mercury Mariner 2.3L

762181

E.O. No. D-280-105

Inlet A: WELDED 2-BOLT FLANGE
Outlet A: WELDED 2-BOLT FLANGE W/ GASKET STUB
Length: 36"



2004 H4 Subaru Forester 2.5L
2004 H4 Subaru Legacy 2.5L
2004 H4 Subaru Outback 2.5L
2001 L4 Volkswagen Beetle 2.0L
2001 L4 Volkswagen Jetta 2.0L

764015

E.O. No. D-280-105

Inlet A: WELDED 3-BOLT FLANGE
Outlet A: WELDED 2-BOLT FLANGE
Length: 36.75"



2005 L4 Chevrolet Cobalt 2.2L
2007-06 L4 Chevrolet Cobalt 2.4L
2007 L4 Pontiac G5 2.4L
2005 L4 Saturn Ion 2.2L
2007-06 L4 Saturn Ion 2.4L

764145

E.O. No. D-280-105

Inlet A: WELDED 3-BOLT FLANGE
Outlet A: WELDED 3-BOLT FLANGE
Length: 15.50"



2002-01 L4 Honda Accord 2.3L

764186

E.O. No. D-280-105

Inlet A: WELDED 3-BOLT FLANGE
Outlet A: WELDED 3-BOLT FLANGE
Length: 17"



2005-01 L4 Audi A4 Quattro 1.8L
2006-01 L4 Audi A4 1.8L
2005-01 L4 Volkswagen Passat 1.8L

NUMERICAL LISTINGS

OBD II DIRECT FIT

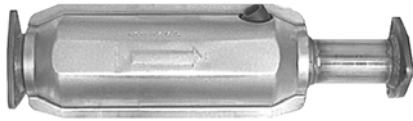


OBD II DIRECT FIT

764209

E.O. No. D-280-105

Inlet A: WELDED 3-BOLT FLANGE
 Outlet A: WELDED 3-BOLT FLANGE
 Length: 16.88"



- 2003-01 V6 Acura CL 3.2L
- 2003-01 V6 Acura TL 3.2L
- 2002-01 V6 Honda Accord 3.0L

764227

E.O. No. D-280-105

Inlet A: WELDED 2-BOLT FLANGE
 Outlet A: WELDED 3-BOLT FLANGE
 Length: 40"



- 2005-01 L4 Honda Civic 1.7L

764230

E.O. No. D-280-105

Inlet A: WELDED 6-BOLT FLANGE
 Outlet A: WELDED 2-BOLT FLANGE W/ GASKET STUB
 Length: 15.38"



- 2002 L4 Honda Civic 1.7L

764274

E.O. No. D-280-105

Inlet A: WELDED 2-BOLT FLANGE
 Outlet A: 2.13" O.D. PIPE
 Length: 36"



- 2006-05 L4 Toyota Corolla 1.8L
- 2005 L4 Toyota Matrix 1.8L

764275

E.O. No. D-280-105

Inlet A: WELDED 4-BOLT FLANGE
 Outlet A: 2.25" O.D. PIPE
 Length: 38.75"



- 2006-01 L4 Chrysler Sebring 2.4L
- 2006-01 L4 Dodge Stratus 2.4L

764284

E.O. No. D-280-105

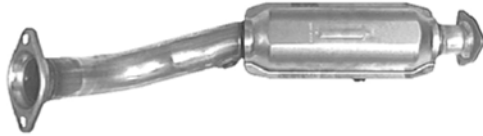
Inlet A: WELDED 3-BOLT FLANGE
 Outlet A: WELDED 2-BOLT FLANGE
 Length: 37.50"



- 2008 L4 Chevrolet Cobalt 2.4L
- 2010-08 L4 Chevrolet Cobalt 2.2L
- 2011-08 L4 Chevrolet HHR 2.2L
- 2011-08 L4 Chevrolet HHR 2.4L
- 2008 L4 Pontiac G5 2.4L
- 2009-08 L4 Pontiac G5 2.2L

764289 E.O. No. D-280-105

Inlet A: WELDED 2-BOLT FLANGE
Outlet A: WELDED 3-BOLT FLANGE
Length: 28.50"



2006-02 L4 Honda CR-V 2.4L

764292 E.O. No. D-280-105

Inlet A: WELDED 4-BOLT FLANGE
Outlet A: 2.25" O.D. PIPE
Length: 35.88"



2010-04 L4 Chrysler PT Cruiser 2.4L

764300 E.O. No. D-280-105

Inlet A: WELDED 3-BOLT FLANGE
Outlet A: WELDED 2-BOLT FLANGE
Length: 22"



2004-01 L4 Ford Focus 2.0L

764321 E.O. No. D-280-105

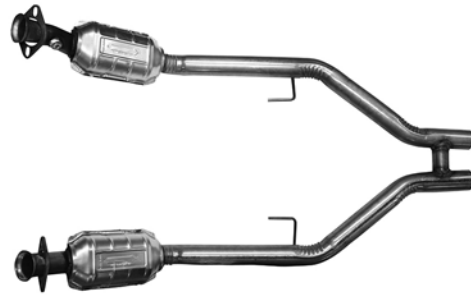
Inlet A: LOOSE 2-BOLT FLANGE W/ SPHERICAL FLARE
Inlet B: LOOSE 2-BOLT FLANGE W/ SPHERICAL FLARE
Outlet A: 2.50" O.D. PIPE
Length: 53.88"



2010-05 V6 Ford Mustang 4.0L

764328 E.O. No. D-280-105

Inlet A: LOOSE 2-BOLT FLANGE W/ SPHERICAL FLARE
Inlet B: LOOSE 2-BOLT FLANGE W/ SPHERICAL FLARE
Outlet A: 2.50" O.D. PIPE
Outlet B: 2.50" O.D. PIPE
Length: 50.50"



2010-05 V8 Ford Mustang 4.6L

764330 E.O. No. D-280-105

Inlet A: WELDED 2-BOLT FLANGE
Outlet A: 2.25" O.D. PIPE
Length: 52.50"



2006-05 V6 Chrysler 300 2.7L
2006-05 V6 Chrysler 300 3.5L
2006 V6 Dodge Charger 2.7L
2006 V6 Dodge Charger 3.5L
2006-05 V6 Dodge Magnum 2.7L
2006-05 V6 Dodge Magnum 3.5L

764331 E.O. No. D-280-105

Inlet A: WELDED 2-BOLT FLANGE
Outlet A: 2.25" O.D. PIPE
Length: 52.50"



2006-05 V6 Chrysler 300 2.7L
2006-05 V6 Chrysler 300 3.5L
2006 V6 Dodge Charger 2.7L
2006 V6 Dodge Charger 3.5L
2006-05 V6 Dodge Magnum 2.7L
2006-05 V6 Dodge Magnum 3.5L

NUMERICAL LISTINGS

OBD II DIRECT FIT



OBD II DIRECT FIT

764338 E.O. No. D-280-105

Inlet A: WELDED 2-BOLT FLANGE
 Outlet A: 1.88" O.D. PIPE
 Length: 19"



2007-05 L4 Ford Focus 2.0L
 2007-05 L4 Ford Focus 2.3L

764341 E.O. No. D-280-105

Inlet A: WELDED 2-BOLT FLANGE
 Outlet A: WELDED 2-BOLT FLANGE W/ GASKET STUB
 Length: 37.88"



2009-05 V6 Buick LaCrosse 3.8L
 2007-04 V6 Pontiac Grand Prix 3.8L

764376 E.O. No. D-280-105

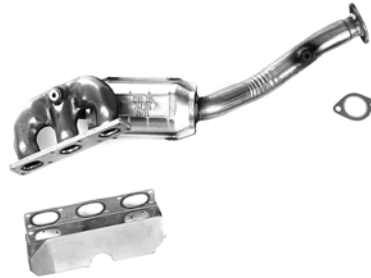
Inlet A: WELDED 2-BOLT FLANGE
 Outlet A: WELDED 2-BOLT FLANGE
 Length: 39"



2008-06 V6 Chevrolet Impala 3.9L
 2009-06 V6 Chevrolet Impala 3.5L
 2006 V6 Chevrolet Monte Carlo 3.9L
 2007-06 V6 Chevrolet Monte Carlo 3.5L

764386 E.O. No. D-280-105

Inlet A: WELDED 8-BOLT FLANGE
 Outlet A: WELDED 2-BOLT FLANGE
 Length: 32"



2003-01 L6 BMW 325Ci 2.5L
 2003-01 L6 BMW 325i 2.5L
 2004-01 L6 BMW 325xi 2.5L
 2001 L6 BMW 330Ci 3.0L
 2001 L6 BMW 330i 3.0L
 2004-02 L6 BMW 330xi 3.0L
 2001 L6 BMW 525i 2.5L
 2001 L6 BMW Z3 3.0L
 2002-01 L6 BMW Z3 2.5L

764387 E.O. No. D-280-105

Inlet A: WELDED 8-BOLT FLANGE
 Outlet A: WELDED 2-BOLT FLANGE
 Length: 23.25"



2003-01 L6 BMW 325Ci 2.5L
 2003-01 L6 BMW 325i 2.5L
 2004-01 L6 BMW 325xi 2.5L
 2001 L6 BMW 330Ci 3.0L
 2001 L6 BMW 330i 3.0L
 2004-02 L6 BMW 330xi 3.0L
 2001 L6 BMW 525i 2.5L
 2001 L6 BMW Z3 3.0L
 2002-01 L6 BMW Z3 2.5L

764400

E.O. No. D-280-105

Inlet A: WELDED 3-BOLT FLANGE
Outlet A: WELDED 2-BOLT FLANGE
Length: 21.50"



2004-01 L4 Ford Focus 2.0L

764415

E.O. No. D-280-105

Inlet A: WELDED 4-BOLT FLANGE
Outlet A: 2.25" O.D. PIPE
Length: 40"



- 2011 L4 Chrysler 200 2.4L
- 2010-07 L4 Chrysler Sebring 2.4L
- 2011-08 L4 Dodge Avenger 2.4L
- 2009-07 L4 Dodge Caliber 1.8L
- 2011-07 L4 Dodge Caliber 2.0L
- 2011-07 L4 Dodge Caliber 2.4L
- 2011-09 L4 Dodge Journey 2.4L
- 2011-07 L4 Jeep Compass 2.4L
- 2011-08 L4 Jeep Compass 2.0L
- 2011-07 L4 Jeep Patriot 2.0L
- 2011-07 L4 Jeep Patriot 2.4L

764432

E.O. No. D-280-105

Inlet A: WELDED 2-BOLT FLANGE
Outlet A: WELDED 2-BOLT FLANGE W/ GASKET STUB
Length: 33.75"



- 2011-07 L4 Nissan Versa 1.8L
- 2011-09 L4 Nissan Versa 1.6L

764436

E.O. No. D-280-105

Inlet A: WELDED 2-BOLT FLANGE
Outlet A: WELDED 3-BOLT FLANGE
Length: 30.25"



2011-06 L4 Honda Civic 2.0L

764442

E.O. No. D-280-105

Inlet A: WELDED 3-BOLT FLANGE
Inlet B: WELDED 3-BOLT FLANGE
Outlet A: WELDED 3-BOLT FLANGE
Length: 26.75"



- 2006-05 H4 Saab 9-2X 2.5L
- 2007-05 H4 Subaru Forester 2.5L
- 2007-05 H4 Subaru Impreza 2.5L
- 2005 H4 Subaru Legacy 2.5L

764443

E.O. No. D-280-105

Inlet A: WELDED 3-BOLT FLANGE
Outlet A: WELDED 2-BOLT FLANGE W/ GASKET STUB
Length: 53.50"



- 2005 H4 Saab 9-2X 2.5L
- 2007-05 H4 Subaru Forester 2.5L
- 2005 H4 Subaru Impreza 2.5L

NUMERICAL LISTINGS

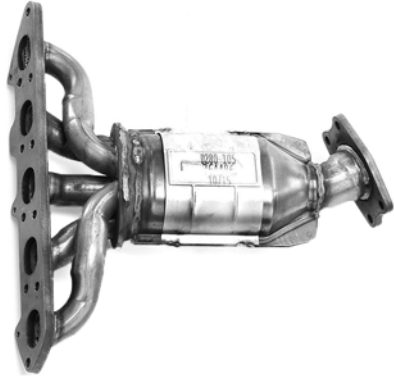
OBD II DIRECT FIT



OBD II DIRECT FIT

764486 E.O. No. D-280-105

Inlet A: WELDED 12-BOLT FLANGE
 Outlet A: WELDED 4-BOLT FLANGE
 Length: 16.50"



2001 L5 Volvo S60 2.4L
 2001 L5 Volvo V70 2.4L

764503 E.O. No. D-280-105

Inlet A: WELDED 3-BOLT FLANGE
 Outlet A: WELDED 3-BOLT FLANGE
 Length: 19"



2007-03 L4 Honda Accord 2.4L

764546 E.O. No. D-280-105

Inlet A: WELDED 2-BOLT FLANGE
 Outlet A: WELDED 2-BOLT FLANGE W/ 1.85" O.D. GASKET OUTLET
 Length: 19"



2007-04 V6 Cadillac CTS 3.6L
 2007-05 V6 Cadillac CTS 2.8L

764547 E.O. No. D-280-105

Inlet A: WELDED 2-BOLT FLANGE
 Outlet A: WELDED 2-BOLT FLANGE W/ 1.85" O.D. GASKET OUTLET
 Length: 19.50"



2007-04 V6 Cadillac CTS 3.6L
 2007-05 V6 Cadillac CTS 2.8L

764557 E.O. No. D-280-105

Inlet A: WELDED 3-BOLT FLANGE
 Outlet A: WELDED 2-BOLT FLANGE
 Length: 44"



2009-05 L5 Volvo S60 2.4L
 2009-05 L5 Volvo S60 2.5L
 2006-04 L5 Volvo S80 2.5L
 2007-05 L5 Volvo V70 2.5L

764560 E.O. No. D-280-105

Inlet A: WELDED 2-BOLT FLANGE
 Outlet A: WELDED 2-BOLT FLANGE
 Length: 34.75"

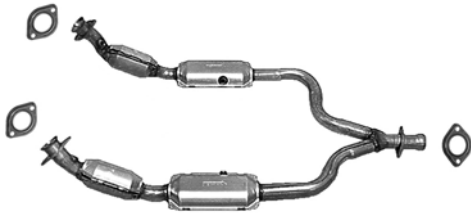


2011-03 L4 Honda Element 2.4L

764566

E.O. No. D-280-105

Inlet A: LOOSE 2-BOLT FLANGE W/ SPHERICAL FLARE
Inlet B: LOOSE 2-BOLT FLANGE W/ SPHERICAL FLARE
Outlet A: LOOSE 2-BOLT FLANGE W/ 2.65" MALE BALL
Length: 56"



2004-01 V6 Ford Mustang 3.8L
2004 V6 Ford Mustang 3.9L

764584

E.O. No. D-280-105

Inlet A: WELDED 2-BOLT FLANGE
Outlet A: WELDED 2-BOLT FLANGE W/ GASKET STUB
Length: 21"



2011-08 V6 Cadillac CTS 3.6L
2011-08 V6 Cadillac STS 3.6L

764585

E.O. No. D-280-105

Inlet A: WELDED 2-BOLT FLANGE
Outlet A: WELDED 2-BOLT FLANGE W/ GASKET STUB
Length: 18.50"



2011-08 V6 Cadillac CTS 3.6L
2011-08 V6 Cadillac STS 3.6L

764618

E.O. No. D-280-105

Inlet A: WELDED 2-BOLT FLANGE
Outlet A: WELDED 2-BOLT FLANGE
Length: 16"



2007-06 V6 Cadillac STS 3.6L

764619

E.O. No. D-280-105

Inlet A: WELDED 2-BOLT FLANGE
Outlet A: WELDED 2-BOLT FLANGE
Length: 16"



2007-06 V6 Cadillac STS 3.6L

764622

E.O. No. D-280-105

Inlet A: WELDED 2-BOLT FLANGE
Outlet A: WELDED 3-BOLT FLANGE
Length: 32"



2009-07 L4 Honda CR-V 2.4L

764645

E.O. No. D-280-105

Inlet A: WELDED 4-BOLT FLANGE
Outlet A: WELDED 3-BOLT FLANGE
Length: 17.50"



2009-05 L4 Audi A4 Quattro 2.0L
2009-05 L4 Audi A4 2.0L

NUMERICAL LISTINGS

OBD II DIRECT FIT



OBD II DIRECT FIT

764700 E.O. No. D-280-105

Inlet A: WELDED 2-BOLT FLANGE
 Outlet A: 2" O.D. PIPE
 Length: 44.50"



2011-10 L4 Ford Transit Connect 2.0L

764705 E.O. No. D-280-105

Inlet A: WELDED 3-BOLT FLANGE
 Outlet A: WELDED 2-BOLT FLANGE
 Length: 36.50"



2007-05 L4 Chevrolet Cobalt 2.0L
 2007-05 L4 Saturn Ion 2.0L

764803 E.O. No. D-280-105

Inlet A: LOOSE 2-BOLT FLANGE W/ SPHERICAL FLARE
 Outlet A: WELDED 2-BOLT FLANGE
 Length: 37.50"



2011-03 V8 Ford Crown Victoria 4.6L
 2011-03 V8 Lincoln Town Car 4.6L
 2011-03 V8 Mercury Grand Marquis 4.6L
 2004-03 V8 Mercury Marauder 4.6L

764805 E.O. No. D-280-105

Inlet A: WELDED 2-BOLT FLANGE
 Outlet A: 2.13" O.D. PIPE
 Length: 36"



2008-03 L4 Pontiac Vibe 1.8L
 2008-03 L4 Toyota Corolla 1.8L
 2008-03 L4 Toyota Matrix 1.8L

764850 E.O. No. D-280-105

Inlet A: WELDED 2-BOLT FLANGE
 Outlet A: WELDED 2-BOLT FLANGE
 Length: 41.50"



2005-04 V6 Buick Century 3.1L
 2005-03 V6 Chevrolet Impala 3.4L
 2005-03 V6 Chevrolet Monte Carlo 3.4L
 2005 V6 Chevrolet Monte Carlo 3.8L

764863 E.O. No. D-280-105

Inlet A: WELDED 2-BOLT FLANGE
 Outlet A: WELDED 3-BOLT FLANGE
 Length: 40.75"



2004-03 V6 Oldsmobile Alero 3.4L
 2004-03 V6 Pontiac Grand Am 3.4L

764876

E.O. No. D-280-105

Inlet A: WELDED 2-BOLT FLANGE
Outlet A: WELDED 2-BOLT FLANGE
Length: 37.38"

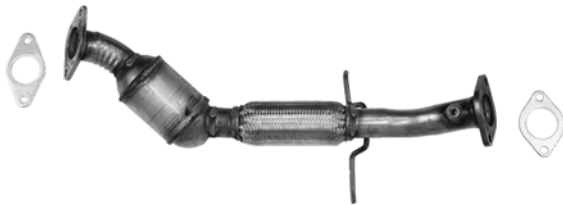


2004-03 V6 Buick Regal 3.8L
2005-03 V6 Chevrolet Impala 3.8L

764919

E.O. No. D-280-105

Inlet A: WELDED 2-BOLT FLANGE
Outlet A: WELDED 2-BOLT FLANGE
Length: 28"



2011-10 L4 Ford Transit Connect 2.0L

764972

E.O. No. D-280-105

Inlet A: WELDED 4-BOLT FLANGE W/ GASKET STUB
Outlet A: WELDED 2-BOLT FLANGE
Length: 23"



2004-01 L4 Ford Focus 2.0L

765002

E.O. No. D-280-105

Inlet A: LOOSE 2-BOLT FLANGE W/ SPHERICAL FLARE
Outlet A: WELDED 2-BOLT FLANGE
Length: 35.75"



2011-03 V8 Ford Crown Victoria 4.6L
2011-03 V8 Lincoln Town Car 4.6L

765002 (cont.)

2011-03 V8 Mercury Grand Marquis 4.6L
2004-03 V8 Mercury Marauder 4.6L

765029

E.O. No. D-280-105

Inlet A: WELDED 3-BOLT FLANGE
Outlet A: WELDED 2-BOLT FLANGE W/ GASKET STUB
Length: 59"



2006 H4 Saab 9-2X 2.5L
2010-06 H4 Subaru Forester 2.5L
2010-06 H4 Subaru Impreza 2.5L
2011-06 H4 Subaru Legacy 2.5L
2011-08 H4 Subaru Outback 2.5L

765104

E.O. No. D-280-105

Inlet A: WELDED 2-BOLT FLANGE
Outlet A: WELDED 2-BOLT FLANGE W/ GASKET STUB
Length: 31.13"



2011-07 L4 Nissan Sentra 2.0L

765107

E.O. No. D-280-105

Inlet A: WELDED 3-BOLT FLANGE
Inlet B: WELDED 3-BOLT FLANGE
Outlet A: WELDED 2-BOLT FLANGE
Length: 26"



2006 H4 Saab 9-2X 2.5L
2010-06 H4 Subaru Forester 2.5L
2011-06 H4 Subaru Impreza 2.5L
2011-06 H4 Subaru Legacy 2.5L
2011-08 H4 Subaru Outback 2.5L

NUMERICAL LISTINGS

OBD II DIRECT FIT



OBD II DIRECT FIT

765115 E.O. No. D-280-105

Inlet A: WELDED 2-BOLT FLANGE
 Outlet A: 2.50" O.D. PIPE W/ SPHERICAL BALL
 Length: 20.25"



2011 V8 Ford Mustang 5.0L

765116 E.O. No. D-280-105

Inlet A: WELDED 2-BOLT FLANGE
 Outlet A: 2.50" O.D. PIPE W/ SPHERICAL BALL
 Length: 20.50"



2011 V8 Ford Mustang 5.0L

765153 E.O. No. D-280-105

Inlet A: WELDED 3-BOLT FLANGE
 Outlet A: WELDED 2-BOLT FLANGE
 Length: 25.50"



2004-02 L4 Ford Focus 2.0L

765195 E.O. No. D-280-105

Inlet A: WELDED 4-BOLT FLANGE
 Outlet A: WELDED 2-BOLT FLANGE
 Length: 31.25"



2009-08 L5 Volvo C30 2.5L
 2010-04 L5 Volvo S40 2.4L
 2010-05 L5 Volvo V50 2.4L

765223 E.O. No. D-280-105

Inlet A: WELDED 2-BOLT FLANGE
 Outlet A: WELDED 2-BOLT FLANGE
 Length: 38.50"



2009 V6 Chevrolet Impala 3.5L
 2011-09 V6 Chevrolet Impala 3.9L

765224 E.O. No. D-280-105

Inlet A: WELDED 2-BOLT FLANGE
 Outlet A: 2.48" O.D. PIPE
 Length: 34"



2011-10 V6 Chevrolet Camaro 3.6L

765225 E.O. No. D-280-105

Inlet A: WELDED 2-BOLT FLANGE
 Outlet A: 2.48" O.D. PIPE
 Length: 34"



2011-10 V6 Chevrolet Camaro 3.6L

769035

E.O. No. D-280-105

Inlet A: WELDED 4-BOLT FLANGE
Outlet A: 2.13" O.D. PIPE
Length: 64.75"



- 2005-01 V6 Buick LeSabre 3.8L
- 2005-01 V6 Buick Park Avenue 3.8L
- 2011-06 V8 Cadillac DTS 4.6L
- 2005-03 V8 Cadillac DeVille 4.6L
- 2005-01 V6 Pontiac Bonneville 3.8L
- 2005-04 V8 Pontiac Bonneville 4.6L

769255

E.O. No. D-280-105

Inlet A: LOOSE 2-BOLT FLANGE W/ SPHERICAL FLARE
Outlet A: WELDED 2-BOLT FLANGE W/ GASKET STUB
Length: 48.75"



- 2011-07 L4 Ford Ranger 2.3L
- 2009-07 L4 Mazda B2300 2.3L

769408

E.O. No. D-280-105

Inlet A: WELDED 2-BOLT FLANGE
Outlet A: 2.25" I.D. PIPE
Length: 30.50"



- 2008-05 L4 Ford Escape 2.3L
- 2008-05 L4 Mercury Mariner 2.3L

769981

E.O. No. D-280-105

Inlet A: WELDED 2-BOLT FLANGE
Outlet A: 2.25" I.D. PIPE
Length: 22.25"



- 2011-09 L4 Ford Escape 2.5L
- 2011-09 L4 Mazda Tribute 2.5L
- 2011-09 L4 Mercury Mariner 2.5L

808514

E.O. No. D-665-23

Inlet A: LOOSE 2-BOLT FLANGE W/SPHERICAL FLARE
Inlet B: LOOSE 2-BOLT FLANGE W/SPHERICAL FLARE
Outlet A: WELDED 3-BOLT FLANGE W/GASKET STUB
Length: 26"



- 2000-98 V6 Ford Ranger 3.0L

808517

E.O. No. D-665-23

Inlet A: LOOSE 2-BOLT FLANGE W/FLARE
Inlet B: LOOSE 2-BOLT FLANGE W/FLARE
Outlet A: WELDED 3-BOLT FLANGE
Length: 36"



- 2005 V6 Ford Ranger 3.0L
- 2004 V6 Mazda B3000 3.0L

NUMERICAL LISTINGS

OBD II DIRECT FIT



OBD II DIRECT FIT

808523

E.O. No. D-665-23

Inlet A: WELDED 2-BOLT FLANGE
 Outlet A: WELDED 2-BOLT FLANGE
 Length: 15"



1996 H4 Subaru Impreza 2.2L

808529

E.O. No. D-665-23

Inlet A: WELDED 6-BOLT FLANGE
 Outlet A: WELDED 3-BOLT FLANGE
 Length: 11"



2001-96 L4 Nissan Altima 2.4L

808532

E.O. No. D-665-23

Inlet A: WELDED 3-BOLT FLANGE
 Outlet A: WELDED 2-BOLT FLANGE
 Length: 8.50"



2000 V6 Mitsubishi Eclipse 3.0L
 2000-99 V6 Mitsubishi Galant 3.0L

808533

E.O. No. D-665-23

Inlet A: WELDED 3-BOLT FLANGE
 Outlet A: WELDED 2-BOLT FLANGE
 Length: 13.50"



2000 V6 Mitsubishi Eclipse 3.0L
 2000-99 V6 Mitsubishi Galant 3.0L

808538

E.O. No. D-665-23

Inlet A: WELDED 5-BOLT FLANGE
 Outlet A: WELDED 3-BOLT FLANGE
 Length: 7.75"



2000-99 L4 Mazda Protege 1.6L
 2001 L4 Mazda Protege 2.0L

808539

E.O. No. D-665-23

Inlet A: WELDED 6-BOLT FLANGE
 Outlet A: WELDED 3-BOLT FLANGE
 Length: 16"



2000-99 L4 Toyota Camry 2.2L
 2000 L4 Toyota Solara 2.2L

808540

E.O. No. D-665-23

Inlet A: WELDED 3-BOLT FLANGE W/GASKET STUB
Outlet A: WELDED 2-BOLT FLANGE
Length: 26"



2002 L4 Toyota Tacoma 2.7L

808546

E.O. No. D-665-23

Inlet A: WELDED 8-BOLT FLANGE
Outlet A: WELDED 3-BOLT FLANGE
Length: 34"



2005-00 L6 Lexus GS300 3.0L
2005-01 L6 Lexus IS300 3.0L

808547

E.O. No. D-665-23

Inlet A: WELDED 5-BOLT FLANGE
Outlet A: WELDED 3-BOLT FLANGE
Length: 7"

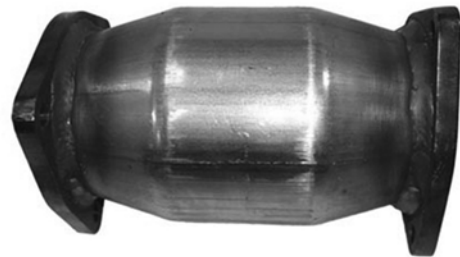


2000 L4 Mazda 626 2.0L

808548

E.O. No. D-665-23

Inlet A: WELDED 3-BOLT FLANGE
Outlet A: WELDED 3-BOLT FLANGE
Length: 7"

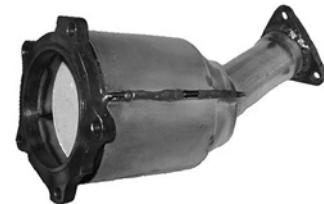


2000-99 L4 Daewoo Leganza 2.2L

808553

E.O. No. D-665-23

Inlet A: WELDED 5-BOLT FLANGE
Outlet A: WELDED 3-BOLT FLANGE
Length: 13"



2000 L4 Nissan Frontier 2.4L

808561

E.O. No. D-665-23

Inlet A: WELDED 11-BOLT FLANGE
Outlet A: WELDED 3-BOLT FLANGE
Length: 20"



1998-96 L5 Acura TL 2.5L

NUMERICAL LISTINGS

OBD II DIRECT FIT



OBD II
DIRECT FIT

808563

E.O. No. D-665-23

Inlet A: WELDED 7-BOLT FLANGE
Outlet A: WELDED 3-BOLT FLANGE
Length: 12"



2002-96 V6 Mazda Millenia 2.3L

808564

E.O. No. D-665-23

Inlet A: WELDED 7-BOLT FLANGE
Outlet A: WELDED 3-BOLT FLANGE
Length: 14"



2002-96 V6 Mazda Millenia 2.3L

808565

E.O. No. D-665-23

Inlet A: WELDED 6-BOLT FLANGE
Outlet A: WELDED 4-BOLT FLANGE
Length: 15"



2004-03 L6 Volvo S80 2.9L

808566

E.O. No. D-665-23

Inlet A: WELDED 6-BOLT FLANGE
Outlet A: WELDED 4-BOLT FLANGE
Length: 15"



2004-03 L6 Volvo S80 2.9L

808567

E.O. No. D-665-23

Inlet A: WELDED 6-BOLT FLANGE
Outlet A: WELDED 3-BOLT FLANGE
Length: 15"

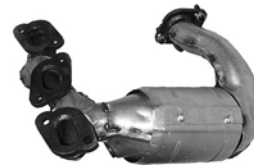


2003 V6 Mazda 6 3.0L

808568

E.O. No. D-665-23

Inlet A: WELDED 6-BOLT FLANGE
Outlet A: WELDED 2-BOLT FLANGE
Length: 10"



2003 V6 Mazda 6 3.0L

808576

E.O. No. D-665-23

Inlet A: WELDED 8-BOLT FLANGE
Outlet A: WELDED 2-BOLT FLANGE
Length: 34"



2006-02 L4 Mini Cooper 1.6L

808580

E.O. No. D-665-23

Inlet A: WELDED 9-BOLT FLANGE
Outlet A: WELDED 2-BOLT FLANGE
Length: 18"



2006-05 L4 Hyundai Tucson 2.0L
2006-05 L4 Kia Sportage 2.0L

808584

E.O. No. D-665-23

Inlet A: WELDED 7-BOLT FLANGE
Outlet A: WELDED 2-BOLT FLANGE
Length: 15"



2006 V6 Hyundai Tiburon 2.7L

808585

E.O. No. D-665-23

Inlet A: WELDED 7-BOLT FLANGE
Outlet A: WELDED 2-BOLT FLANGE
Length: 14"

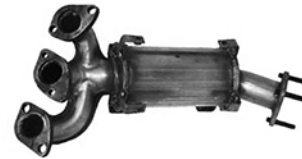


2006 V6 Hyundai Tiburon 2.7L

808589

E.O. No. D-665-23

Inlet A: WELDED 6-BOLT FLANGE
Outlet A: WELDED 3-BOLT FLANGE
Length: 18"



2004 V6 Suzuki Verona 2.5L

808590

E.O. No. D-665-23

Inlet A: WELDED 8-BOLT FLANGE
Outlet A: WELDED 3-BOLT FLANGE
Length: 17"



2004 V6 Suzuki Verona 2.5L

NUMERICAL LISTINGS

OBD II DIRECT FIT



OBD II
DIRECT FIT

808592

E.O. No. D-665-23

Inlet A: LOOSE 3-BOLT FLANGE W/ FLARE
Inlet B: LOOSE 3-BOLT FLANGE W/ FLARE
Outlet A: WELDED 3-BOLT FLANGE
Length: 27"



1999 V6 Chevrolet S10 4.3L

809515

E.O. No. D-665-23

Inlet A: WELDED 2-BOLT FLANGE
Outlet A: WELDED 2-BOLT FLANGE
Length: 29.50"



2002 V6 Mercury Cougar 2.5L

809516

E.O. No. D-665-23

Inlet A: WELDED 3-BOLT FLANGE
Outlet A: WELDED 2-BOLT FLANGE
Length: 21"



2002 V6 Mercury Cougar 2.5L

809509

E.O. No. D-665-23

Inlet A: LOOSE 2-BOLT FLANGE W/FLARE
Outlet A: WELDED 2-BOLT FLANGE
Length: 34"



1999-96 V8 Ford Crown Victoria 4.6L
1999-96 V8 Lincoln Town Car 4.6L

809520

E.O. No. D-665-23

Inlet A: LOOSE 2-BOLT FLANGE W/FLARE
Outlet A: WELDED 2-BOLT FLANGE
Length: 34.50"



2003 V8 Mercury Grand Marquis 4.6L

809510

E.O. No. D-665-23

Inlet A: LOOSE 2-BOLT FLANGE W/FLARE
Outlet A: WELDED 2-BOLT FLANGE
Length: 33"



1999-96 V8 Ford Crown Victoria 4.6L
1999-96 V8 Lincoln Town Car 4.6L

809521

E.O. No. D-665-23

Inlet A: LOOSE 2-BOLT FLANGE W/FLARE
Outlet A: WELDED 2-BOLT FLANGE
Length: 37.50"



2003 V8 Mercury Grand Marquis 4.6L

809524

E.O. No. D-665-23

Inlet A: WELDED 3-BOLT FLANGE
Outlet A: WELDED 2-BOLT FLANGE W/GASKET STUB
Length: 35"



1997 V6 Mazda B3000 3.0L

809528

E.O. No. D-665-23

Inlet A: WELDED 2-BOLT FLANGE
Outlet A: 2.25" O.D. PIPE
Length: 29.75"



2005 V6 Ford Escape 3.0L
2005 V6 Mazda Tribute 3.0L

809529

E.O. No. D-665-23

Inlet A: LOOSE 2 BOLT FLANGE W/ FLARE
Outlet A: WELDED 2 BOLT FLANGE
Outlet B: WELDED 2 BOLT FLANGE W/ GASKET STUB
Length: 29"



2005-03 V6 Ford Taurus 3.0L
2005-03 V6 Mercury Sable 3.0L

809533

E.O. No. D-665-23

Inlet A: LOOSE 2 BOLT FLANGE W/ FLARE
Outlet A: WELDED 2 BOLT FLANGE
Length: 49"



2006-04 L4 Ford Ranger 2.3L
2006-04 L4 Mazda B2300 2.3L

809541

E.O. No. D-665-23

Inlet A: WELDED 2 BOLT FLANGE
Outlet A: WELDED 2 BOLT FLANGE
Length: 16.5-18.5"



1996 V6 Dodge Stealth 3.0L