



2020

C A T A L O G

SUIT

ONE-ART

IA01857E

SIZES 46-64

sizing information on page 341

TOTALLY PRINTED FIA TOP LEVEL SUIT

Regular fit with ultraflat antirubbing seams, soft knitted fabric inside. Unlimited customization way thanks to the totally printed design.



NEW MY2020

IA01857E072XX
black/yellow



FLOATING SLEEVES
Semi floating arm bellows

KNITTED MATERIAL

STRETCH DRY SYSTEM
High breathability parts in Dry System 3D material on back, hips and under the sleeves

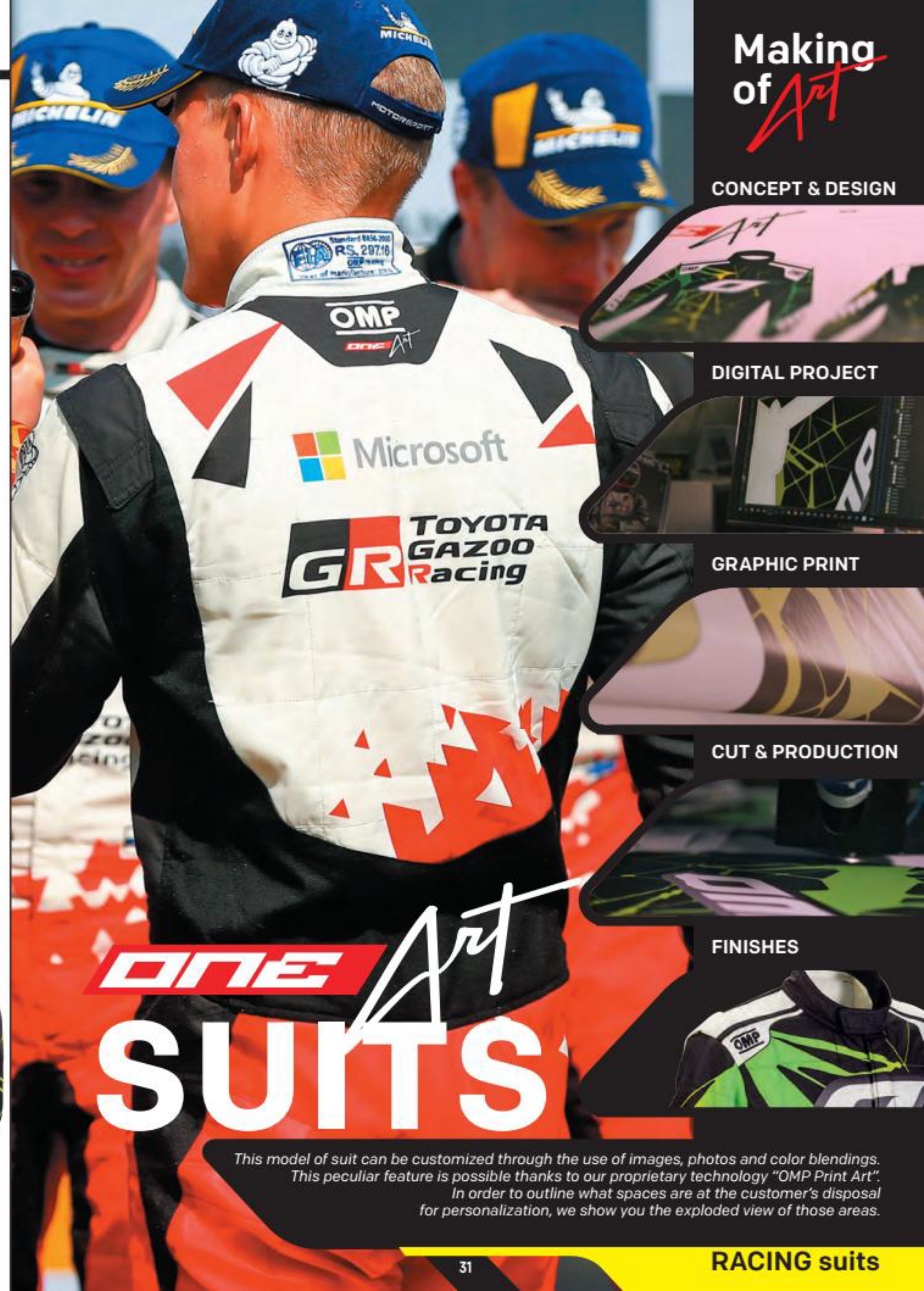
POCKET
One comfortable hidden pocket

DRY SYSTEM
FRESH AIR IN HOT AIR OUT
OMP REVOLUTIONARY COOLING SYSTEM

NEW HOMOLOGATION



MANUFACTURER: OMP
MODEL: OMP ARTA
HOM. NO.: DC.001.18-0
FIA STANDARD: FIA 8856-2018



Making of Art

CONCEPT & DESIGN

DIGITAL PROJECT

GRAPHIC PRINT

CUT & PRODUCTION

FINISHES

ONE-ART SUITS

This model of suit can be customized through the use of images, photos and color blendings. This peculiar feature is possible thanks to our proprietary technology "OMP Print Art". In order to outline what spaces are at the customer's disposal for personalization, we show you the exploded view of those areas.

SUIT ONE-S1

IA01852

SIZES 46-64

sizing information on page 341

SUPER TOP LEVEL SUIT

Fireproof super top level overall. Made of shiny Nomex® fabrics. Based on more than 40 years experience with all the innovations introduced by the best drivers of history for maximum comfort everytime. for maximum comfort everytime.

STRETCH DRY SYSTEM

High breathability parts in Dry System 3D material on back, hips, calf and under the sleeves

DRY SYSTEM
FRESH AIR IN HOT AIR OUT
OMP REVOLUTIONARY COOLING SYSTEM



FLOATING SLEEVES

Semi floating arm bellows

STRETCH DRY SYSTEM

High breathability parts in Dry System 3D material on back, hips, calf and under the sleeves

IA01852184XX

anthracite/black/fluo yellow

POCKET

KNITTED MATERIAL



FOCUS ON

INSPIRED BY OMP TOP DRIVERS

NIGEL MANSELL

1989



EASIER AND LIGHTER ARM BELLOW CONCEPT

AYRTON SENNA

1991



100% FLAT STICHING

M. SCHUMACHER

2006



FRONTAL STITCHING CALF ELASTIC INSERT

M. SCHUMACHER

2006



KNEE PADS SMALL POCKETS

KIMI RÄIKKÖNEN

2012



LOWERED COLLAR NO BELT

TOMMI MÄKINEN

1996



INNER COLLAR IN SOFT KNITTED FABRIC

P. SOLBERG

2014



INTEGRATED DRY SYSTEM

S. OGIER

2015



ULTRALIGHT FABRICS SMALLER AND LIGHTER ARM BELLOW COSTRUCTION



IA01852244XX

dark blue/cyan/white

IA01852076XX

black/silver

IA01852073XX

black/anthracite/red

IA01852083XX

silver/black/anthracite



MANUFACTURER: OMP
MODEL: ONE S
HOM. NO. RS.224.12
FIA STANDARD: FIA 8856-2000

SUIT ONE-S

IA01860

TOP LEVEL SUIT

Fireproof top level overall. Developed for the highest lightness without sacrificing the comfort. Made of shiny Nomex® fabrics. Regular fit with antirubbing seams.



DRY SYSTEM
high breathability parts in Dry System 3D material

NEW MY2020

DRY SYSTEM
FRESH AIR IN HOT AIR OUT
OMP REVOLUTIONARY COOLING SYSTEM

FLOATING SLEEVES
semi floating arm bellows

DRY SYSTEM
high breathability parts in Dry System 3D material

DRY SYSTEM
high breathability parts in Dry System 3D material

POCKET
One comfortable hidden pocket

KNITTED MATERIAL

IA01860249XX
navy blue/orange

NEW HOMOLOGATION



MANUFACTURER: OMP
MODEL: ONE-S.01
HOM. NO: DC.045.19-0
FIA STANDARD: FIA 8856-2018

SIZES 46-64

sizing information on page 341
SFI 3.2A/5 on request

FOCUS ON

DRY SYSTEM

To help drivers reduce body temperature and improve their performance, OMP has designed a range of underwear and breathable clothing to facilitate the body thermoregulation. The cooling effect of the inserts is improved when worn with the OMP ONE breathable underwear that now offers a cooling spray solution. OMP's Dry System is a registered utility model.

STRETCH DRY SYSTEM

More comfort, less heat: a goal that OMP pursues since always, and now concretizes with STRETCH DRY SYSTEM. The maximum breathability of OMP Dry System is combined with the elasticity of 3D materials, to allow the best freedom in movements while reducing body temperature. Two fundamental elements to help drivers improve their performance.



ONE-SL SUPERLIGHT SUIT

IA01855

CUSTOM MADE AVAILABLE UPON REQUEST

FIA 8856-2000



IA01860071XX
black/white



IA01860083XX
silver/black



SUIT ONE EVO

IA01851

SIZES 46-64

sizing information on page 341

ULTRALIGHT PROFESSIONAL SUIT

Made of shiny, High-Tech Nomex® fabrics and innovative new inner materials, allowing a significant weight reduction. Large and improved breathable areas. Slim fit.



SHAPED COLLAR
with inner soft knitted material.

FLOATING ARMS
with elastic bellows.

PRE-CURVED SLEEVES
for maximum comfort.

IA01851076XX
black/white/red

DRY SYSTEM
3D breathable material

POCKET

ULTRA-FLAT
anti rubbing seams.

DRY SYSTEM
FRESH AIR IN HOT AIR OUT
OMP REVOLUTIONARY COOLING SYSTEM



FOCUS ON

DRY SYSTEM

To help drivers reduce body temperature and improve their performance, OMP has designed a range of underwear and breathable clothing.

The OMP ONE S line and TECNICA EVO breathable racing suits and underwear to facilitate the body thermoregulation, thanks to the innovative weave of the inserts, strategically positioned, that allow for high breathability while still maintaining their own fire-retardant properties (according to the FIA standard 8856-2000).

The cooling effect of the inserts is improved when worn with the OMP ONE breathable underwear that now offers a cooling spray solution. OMP's Dry System is a registered utility model.



IA01851244XX
navy blue/white/cyan

IA01851270XX
black/white/fluo green

IA01851178XX
black/white/fluo yellow

IA01851089XX
grey/black/white



SUIT TECNICA EVO

IA01859

DEVELOPED DIRECTLY FROM OMP'S TOP DRIVERS EXPERIENCE

Professional fire resistant suit featured by high-level fabrics. Floating arms with elastic bellows to increase freedom of movement, breathable fabric inserts to give the best comfort. Exclusive retractable belt. Inner fabric made in soft knitted fabric and practical front pocket on right side.



SIZES 44-64

sizing information on page 341

329SFI 3.2A/5 on request



FLOATING ARMS with elastic bellows

ULTRA-FLAT anti rubbing seams

POCKET

EXCLUSIVE retractable belt

DRY SYSTEM 3D breathable material

IA01859178XX
black/anthracite/fluo yellow



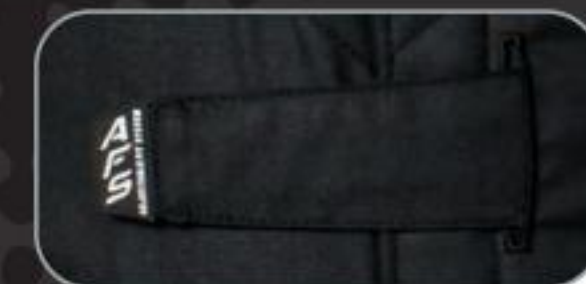
MANUFACTURER: OMP
MODEL: R-1A8-003
HOM. NO.: RS.324.17
FIA STANDARD: FIA 8856-2000

FOCUS ON

DRY SYSTEM

To help drivers reduce body temperature and improve their performance, OMP has designed a range of underwear and breathable clothing. The OMP ONE S line and TECNICA EVO thermoregulation, thanks to the innovative weave of the inserts, strategically positioned, that allow for high breathability while still maintaining their own fire-retardant properties (according to the FIA standard 8856-2000).

The cooling effect of the inserts is improved when worn with the OMP ONE breathable underwear that now offers a cooling spray solution. OMP's Dry System is a registered utility model.



ADVANCED FASTENING SYSTEM
Exclusive retractable belt



IA01859073XX
black/red

IA01859076XX
black/white

IA01859244XX
navy blue/white/cyan

IA01859373XX
white/anthracite

SUIT

TECNICA-S

IA01850

PROFESSIONAL SUIT

Made of shiny Nomex® fabrics.
Modern and aggressive design.

SIZES 44-64

sizing information on page 341
SFI 3.2A/5 on request



SHAPED COLLAR
with inner soft knitted material

FLOATING ARMS
with elastic bellows

IA01850063XX
red/white/black

POCKETS

ULTRA-FLAT
anti rubbing seams



FOCUS ON



KNITTED ELASTIC INSERT
on the back for maximum
freedom of movement



MANUFACTURER: OMP
MODEL: TECNICA-S
HOM. NO: RS.132.07
FIA STANDARD: FIA 8856-2000



IA01850043XX
blue/white/black



IA01850089XX
grey/white/black



IA01850076XX
black/white/silver

SUIT

FIRST EVO

IA01854E

2 LAYER SUIT
16% LIGHTER THAN PREVIOUS MODEL

2 layer overall with modern two coloured design featuring an excellent quality/comfort/price ratio.

SIZES 42-64

sizing information on page 341
SFI 3.2A/5 on request



NEW
MY2020



FLOATING ARMS
with elastic bellows.

BREATHABLE SYSTEM
breathable inserts
on the sleeves.

IA01854E244XX
navy blue/white/cyan

POCKETS

KNITTED MATERIAL
Elastic inserts on the back and on the groin for better comfort and flexibility.



FOCUS ON



BREATHABLE SYSTEM
Breathable inserts on the sleeves.

KNITTED ELASTIC INSERT
on the back for maximum freedom of movement



IA01854E063XX
red/white

IA01854E089XX
silver/black

IA01854E184XX
anthracite/black/fluo yell.

IA01854E076XX
black/white

NEW HOMOLOGATION



MANUFACTURER: OMP
MODEL: FIRST-EVO.01
HOM. NO.: DC.02719-0
FIA STANDARD: FIA 8856-2018

SUIT

FIRST-S

IA01828D

SIZES 44-64

sizing information on page 341
SFI 3.2A/5 on request

PROFESSIONAL RESISTANT AND COMFORTABLE SUIT
9% LIGHTER THAN PREVIOUS MODEL

Entry level FIA homologated racing suit made with new lightweight fabrics and with an excellent price/quality/resistance/comfort ratio. Inner layer in soft knitted fire retardant fabric, modern design with "fishbone" quilting.



NEW
MY2020



FLOATING SLEEVES
Floating arm bellows

ULTRAFLAT
antirubbing seams

IA01828D083XX
silver

POCKETS



FOCUS ON



KNITTED ELASTIC INSERT
on the back for maximum
freedom of movement

NEW HOMOLOGATION



MANUFACTURER: OMP
MODEL: FIRST-S.01
HOM. NO.: DC.023.19-0
FIA STANDARD: FIA 8856-2018



IA01828D061XX
red

IA01828D244XX
blue

IA01828D184XX
anthracite/fluor yellow

IA01828D071XX
black

SUIT

FIRST ELLE

IA01854EW

SIZES 38-50

sizing information on page 341
SFI 3.2A/5 on request

SPECIAL SHAPE ONLY FOR LADIES

16% LIGHTER THAN PREVIOUS MODEL

Two-layer overall with modern bicoloured design featuring an excellent quality/comfort/price ratio. External layer in aramidic fiber for high use and washing resistance, inner fabric in soft knitted material.



NEW
MY2020

NEW HOMOLOGATION



MANUFACTURER: OMP
MODEL: FIRST-EVO.01
HOM. NO: DC.02719-D
FIA STANDARD: FIA 8856-2018



BREATHABLE INSERTS
on the sleeves

FLOATING SLEEVES

ULTRAFLAT
antirubbing seams

IA01854EW277XX
black/fuchsia

ELASTIC INSERT
on the back for maximum
freedom of movement

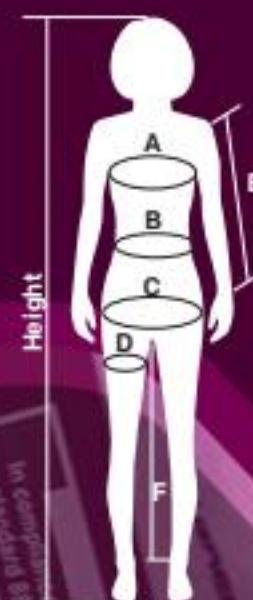
POCKET



IA01854EW248XX
navy blue/tiffany



IA01854EW076XX
black/white



IT SIZING	38	40	42	44	46	48	50
Height (cm)	158-162	160-164	162-166	164-168	166-170	168-172	170-174
A Chest (cm)	82-86	89-90	90-94	94-98	98-102	102-106	106-110
B Waist (cm)	62-66	66-70	70-74	74-78	78-82	82-86	86-90
C Hips (cm)	86-90	90-94	94-98	98-102	102-106	106-110	110-114
D Thigh (cm)	48-50	50-52	52-54	54-56	56-58	58-60	60-62
E Arm (cm)	52-54	53-54	55-57	57-58	58-60	60-62	61-63
F Inside leg (cm)	73-75	75-77	77-78	78-80	80-81	81-83	83-84

SUIT OMP SPORT

IA01847E

ENTRY LEVEL RACING SUIT
5% LIGHTER THAN PREVIOUS MODEL
OMP entry level suit with an excellent quality/ price ratio. Outer pockets.

NEW HOMOLOGATION



MANUFACTURER: OMP
MODEL: OMP SPORT.01
HOM. NO: DC.028.19-0
FIA STANDARD: FIA 8856-2018



NEW
MY2020

SIZES S/XXL
sizing information on page 341
SFI 3.2A/5 on request

Corresponding suit sizes:

USA	EU
S	46/48
M	50/52
L	54/56
XL	58/60
XXL	62/64



FLOATING ARMS
with elastic bellows.

IA01847E071XX
black

LARGE POCKET



IA01847E041XX
blue



IA01847E061XX
red



SUIT OS 10

IA01904

OS 10 SUIT
One layer OMP Sport racing suit
in fire retardant cotton fabric.

SIZES: S/XXL
sizing information on page 341
HOMOLOGATION SFI 3.2A/S1

Corresponding suit sizes:

USA	EU
S	46/48
M	50/52
L	54/56
XL	58/60
XXL	62/64



EXTRACTION HANDLES

ELASTIC STRETCH
Lumbar elastic stretch.

IA01904071XX
black

EXTERNAL POCKETS



RACING SUITS TABLE

ONE ART SUIT

HOMOLOGATION	LAYERS	gr/m ²	SIZES
NEW HOMOLOGATION FIA 8856/2018	3	295	46 64



IA01857E072XX

ONE-S1 SUIT

HOMOLOGATION	LAYERS	gr/m ²	SIZES
FIA 8856/2000	3	235	46 64



IA01852076XX



IA01852083XX



IA01852184XX



IA01852073XX



IA01852244XX

ONE-S SUIT

HOMOLOGATION	LAYERS	gr/m ²	SIZES
NEW HOMOLOGATION FIA 8856/2018	3	235	46 64
SFI on request*			



IA0185307XX



IA0185308XX



IA01860249XX

ONE EVO SUIT

HOMOLOGATION	LAYERS	gr/m ²	SIZES
FIA 8856/2000	3	235	46 64



IA01851089XX



IA01851178XX



IA01851076XX



IA01851244XX



IA01851270XX

TECNICA EVO SUIT

HOMOLOGATION	LAYERS	gr/m ²	SIZES
FIA 8856/2000	3	320	44 64
SFI on request*			



IA01859076XX



IA01859373XX



IA01859178XX



IA01859073XX



IA01859244XX

TECNICA-S SUIT

HOMOLOGATION	LAYERS	gr/m ²	SIZES
FIA 8856/2000	2	350	44 64
SFI on request*			



IA01850076XX



IA01850089XX



IA01850063XX



IA01850043XX

FIRST EVO SUIT

HOMOLOGATION	LAYERS	gr/m ²	SIZES
NEW HOMOLOGATION FIA 8856/2018	2	345	42 64
SFI on request*			



IA01854E076XX



IA01854E089XX



IA01854E184XX



IA01854E063XX



IA01854044XX

FIRST-S SUIT

HOMOLOGATION	LAYERS	gr/m ²	SIZES
NEW HOMOLOGATION FIA 8856/2018	2	385	44 64
SFI on request*			



IA01828D071XX



IA01828D083XX



IA01828D184XX



IA01828D061XX



IA01828D244XX

FIRST ELLE

HOMOLOGATION	LAYERS	gr/m ²	SIZES
NEW HOMOLOGATION FIA 8856/2018	2	345	38 50
SFI on request*			



IA01854EW076XX



IA01854EW248XX



IA01854EW277XX

OMP SPORT SUIT

HOMOLOGATION	LAYERS	gr/m ²	SIZES
NEW HOMOLOGATION FIA 8856/2018	2	395	S XXL
SFI on request*			



IA01847E071XX



IA01847E041XX



IA01847E061XX

OS 10 SUIT

HOMOLOGATION	LAYERS	gr/m ²	SIZES
SFI 3.2	1	200	S XXL



IA01904071XX

PLEASE
NOTE

The XX in each part
number indicates the
location of the size.

*SFI on request only for special production



Wayne Taylor Racing (Fernando Alonso, Kamui Kobayashi, Jordan Taylor, Renger van der Zande) – Winners of Rolex 24 at Daytona 2019-12-05



Oliver Solberg

1

CHOOSE THE MODEL YOU WANT TO CUSTOMIZE FROM THE FOLLOWING:
 ONE ART (IA01857E) - ONE-S1 (IA01852) - ONE-S (IA01860) - ONE EVO (IA01851) - TECNICA EVO (IA01859) - TECNICA-S (IA01850) - FIRST EVO (IA01854E) - FIRST-S SUIT (IA01828D) - FIRST ELLE (IA01854EW) - ONE VINTAGE (IA01842) - LE MANS (IA01823F) - CLASSIC (IA01816F)

2

DOWNLOAD THE CUSTOMIZATION TUTOR AND THE BLANK MODEL FROM WWW.OMPRACING.COM



3

AREA BY AREA, CHOOSE AND APPLY THE COLORS FROM THE PALETTES



4

APPLY YOUR LOGOS AND GRAPHICS



5

DOWNLOAD THE ORDER FORM AND FILL IT IN EVERY PART

RACING



PAG. 56

KARTING



PAG. 261

UNDERWEAR

TOP LEVEL UNDERWEAR WITH EXCLUSIVE FEATURES

Stretched long sleeved crew-neck top. Ultra-flat and anti-rubbing seams. Advanced technology knitted fabric with high breathability 3D knitting inserts for maximum cooling in hot condition that aligns with the breathable inserts of 'ONE' range suits and TECNICA EVO suits - DRY SYSTEM technology.

FOR MAXIMUM FRESHNESS USE INVIGORATING COOLING SPRAY (ref. PC02003)

IAA/760020XX

white



SFI 3.2A/5 on request

SIZES:
XS/S (42-46) - M (48-50) -
L (52-54) - XL (56-58) -
XXL (60-64)



NEW MY2020



IAA/760071XX
black

NEW HOMOLOGATION



MANUFACTURER: OMP
MODEL: ONE TOP.01
HOM. NO: DC.062.19-T
FIA STANDARD: FIA 8856-2018

ONE LONG JOHNS

IAA/761

€ 99,00 (C)

TOP LEVEL UNDERWEAR WITH EXCLUSIVE FEATURES

Stretched long johns with ultra-flat seams. Advanced technology knitted fabric with high breathability 3D knitting inserts for maximum cooling in hot condition that aligns with the breathable inserts of 'ONE' range suits and TECNICA EVO suits - DRY SYSTEM technology. Prepared for cooling treatment activated with special spray (PC02003 - sold separately).

FOR MAXIMUM FRESHNESS USE INVIGORATING COOLING SPRAY (ref. PC02003)

IAA/761020XX

white



SIZES:
XS/S (42-46) - M (48-50) -
L (52-54) - XL (56-58) -
XXL (60-64)

NEW MY2020



IAA/761071XX
black

NEW HOMOLOGATION



MANUFACTURER: OMP
MODEL: ONE LONG.01
HOM. NO: DC.063.19-L
FIA STANDARD: FIA 8856-2018

ONE BALACLAVA

NEW MY2020

IAA/759

SFI 3.3 on request

FOR MAXIMUM FRESHNESS USE INVIGORATING COOLING SPRAY

(ref. PC02003)

SIZES: S-M

IAA/759020XX

white



NEW HOMOLOGATION



MANUFACTURER: OMP
MODEL: ONE BALACLAVA.01
HOM. NO: DC.064.19-B
FIA STANDARD: FIA 8856-2018



IAA/759071XX
black

INVIGORATING COOLING EFFECT SPRAY

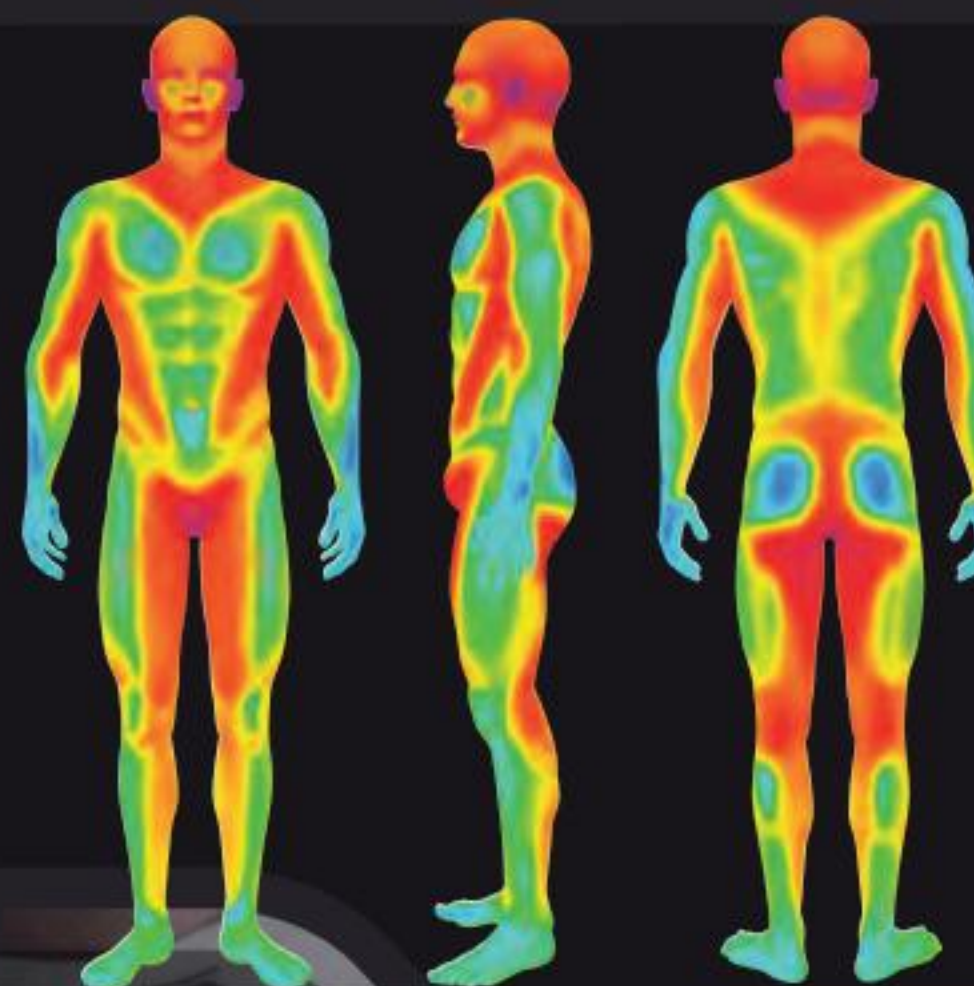
PC02003

BIO COSMETIC ITEM ACTIVE THERMOREGULATOR

Reduces the high temperatures inside the cockpits, controls perspiration and keeps a steady body temperature, offering an invigorating and cooling sensation.

OMP gives always particular attention to the wellness and comfort of the drivers all over the world.

DRY SYSTEM UTILITY MODEL
FRESH AIR IN HOT AIR OUT
OMP REVOLUTIONARY COOLING SYSTEM



TECNICA TOP

IAA/756

Professional long sleeved underwear top with high neck for maximum protection made with a comfortable fire retardant seamless fabric. The high breathability fabric inserts on main perspiration areas ensures the best comfort and a perfect fitting.



IAA/756071XX
black

SIZES:
XS/S - M/L - XL/XXL - XXXL



IAA/756020XX
white

SIZES:
XS/S - M/L - XL/XXL - XXXL



IAA/757020XX
white

TECNICA LONG JOHNS

IAA/757

Professional underwear long johns made with a comfortable fire retardant seamless fabric. The high breathability fabric inserts on main perspiration areas ensures the best comfort and a perfect fitting.



IAA/757071XX
black



MANUFACTURER: OMP
MODEL: R-JAA-002
FIA STANDARD: FIA 8856-2000

TECNICA BALACLAVA

IAA/758

SIZES:
S/M - L/XL

Professional balaclava made with a comfortable fire retardant seamless fabric that ensures the best comfort and a perfect fitting.



IAA/758071XX
black



IAA/758020XX
white



MANUFACTURER: OMP
MODEL: R-JAA-003
FIA STANDARD: FIA 8856-2000



Shane Van Gisbergen – Triple Eight Race Engineering
Virgin Australia Supercars Championship

FIRST TOP

IAA/730

SIZES:
XS - XXL

Viscose/aramid long sleeved top with external seams.
Colour: ecru.



FIRST LONG JOHNS

IAA/731P

SIZES:
XS - XXL

Viscose/aramid long johns with external seams.
Colour: ecru.



FIRST BALACLAVA

IAA/729

SIZES:
S (IAA/729/S) - M (IAA/729)

Viscose/aramid balaclava with external seams.
Colour: ecru.



ELBOW PADS

ID/791

Aramid elbow pads with inner padding.
One size.



KNEE PADS

ID/790

Aramid knee pads with inner padding.
In Nomex®.
One size.



NOMEX SOCKS **NEW HOMOLOGATION**

IAA/762

SIZES: XS-S-M-L SFI 3.3



MANUFACTURER: OMP
MODEL: FIRST SOCKS.01
HOM. NO: DC.065.19-S
FIA STANDARD: FIA 8856-2018



NEW



IAA/762028

cream

IAA/762071

black

ARAMID KNITTED SOCKS

IAA/722 - IAA/724

SIZES: XS - L SFI 3.3



MANUFACTURER: OMP
MODEL: IAA/723
FIA STANDARD: FIA 8856-2000



IAA/722

cream

IAA/724

black

ONE SOCKS

IAA/749

SIZES: S - M - L SFI 3.3



MANUFACTURER: OMP
MODEL: ONE SOCKS
FIA STANDARD: FIA 8856-2000



These socks make use of the same material of the One Underwear, coupled with advanced knitting techniques to provide differentiated pressure areas, with beneficial effect while driving.

IAA/749/CN/X

black

IAA/749028X

white

SFI 3.3 on request

OMP COOLSHIRT

Underwear long sleeved top with integrated water based cooling system.

FOR MAXIMUM FRESHNESS USE INVIGORATING COOLING SPRAY
(ref. PC02003)



WORLD WIDE EXCLUSIVE



IAA/752020XX
white



- SMA**
corresponding sizes XS/S
suit sizes 44-48
- MED**
corresponding sizes M/L
suit sizes 50-54
- XLAR**
corresponding sizes XL/XXL
suit sizes 56-60

DRY SYSTEM
FRESH AIR IN HOT AIR OUT
OMP REVOLUTIONARY COOLING SYSTEM



IAA/752 Rear detail

INTEGRATED QUICK CONNECTIONS
to be used with ID/793 system for short races; to be used with ID/794 system for longer races or go directly for top performances with the Coolshirt PRO air and water system ID/795, with additional ventilation for your helmet or seat (see page 63).

To be used only with quick connection in red colour. For more details visit OMP web site www.ompracing.com



IAA/752071XX
black

DUAL FLOW CONTROLLER

ID/798

(water and air) - Controls the amount of refrigerating effect and gives the driver control of his/her comfort while in the race car by controlling the flow of cooling water through the shirt and the flow of fresh air in the helmet. Available as replacement for Air & Water System dual controller.



UNIVERSAL CONNECTOR AND DRAIN KIT

ID/799

€ 99,00 (I)

Universal connectors for supply hose ID/797. Available as replacement of original parts.



SAFETY PULL RELEASE CONNECTOR

ID/800

Safety pull release connectors that allow to connect the shirt to the supply hose ID/797. Available as replacement of original parts.



BRACKET

ID/801

Spare mounting tray for Club System (ID/794). Comes with tie down strap.



MAINTENANCE ADDITIVE

PC02004

This non-toxic bio-degradable solution contains a fungicide yet is safe to use in all Coolshirt water based cooling systems. Regular use of this additive will not only help clean the system but it will also improve the performance and life of the system pump.



BAG SYSTEM

ID/793

WATER COOLING SYSTEM PORTABLE FLEXIBLE BAG
Lightweight and waterproof canvas denier bag with an internal 12 V pump. For use in all types of racing. Cooling time: 1/2h - 1h More accessories available. **Supply hose ID/797 sold separately.**



CLUB SYSTEM

ID/794

WATER COOLING SYSTEM CLUB SYSTEM RIGID BOX
23 lt capacity cooling unit with an internal pump which supplies water to the cooling underwear through 3 mt of double insulated hose with automatic shutoff/quick disconnects. Perfect from road courses to oval track racing. Cooling time: 6h More accessories available. **Bracket ID/801 included. Supply hose ID/797 sold separately.**



COOL SHIRT SYSTEM

ID/795

COOL SHIRT PRO AIR & WATER SYSTEM

Used in all levels of racing, it provides temperature controlled cooling to the driver's Cooling Shirt and cooled filtered air to the helmet. 2,5 mt of double water hose with automatic shutoff/quick disconnects attach the shirt to the unit. The kit includes the box with internal pump and blower, supply water hose (2,5mt), dual flow controller (ID/798), mounting tray (ID/801), air hoses, connectors and filters. Cooling time: 4h More accessories available.



FLOW CONTROLLER

ID/796

Controls the amount of refrigerating effect and gives the driver control of his/her comfort while in the race car by controlling the flow of cooling water through his/her shirt.



SUPPLY HOSE

ID/797

CoolShirt 10ft (3 mt) supply hose enables the Cool Shirt Bag or Club System Box to be stored further away from the driver if required. Inherently flexible, the Hose Supply is an ideal accessory to ensure future flexibility for the Cooling system. Also available as replacement for CoolShirt water cooling system damaged hoses.





RACING



PAG. 66

VINTAGE



PAG. 113

MECHANICS



PAG. 121

KARTING



PAG. 265

GLOVES

GLOVES ONE ART

IB/763E

TOP LEVEL RACING GLOVES WITH TOTALLY PRINTABLE DESIGN AVAILABLE ONLY UPON REQUEST

It is possible to customize the gloves. Unlimited customization ways thanks to the totally printed design.



SIZES XS-XL
sizing information on page 341
PRECURVED
INTERNAL SEAMS

NEW MY2020

NEW MATERIAL AND ELASTICITY ONE LAYER PALM



INTERNAL SEAMS

SLANTED CUT



PALM WITH FIRE-RETARDANT SILICONE RUBBER INSERTS
proven to give optimal grip, lightness and sensitivity

ELASTIC BAND on the wrist

NEW HOMOLOGATION



MANUFACTURER: OMP
MODEL: XXX
HOM. NO: XXX
FIA STANDARD: FIA 8856-2018

RACING gloves

ONE Art RACING GLOVES

Making of Art

CONCEPT & DESIGN



DIGITAL PROJECT



GRAPHIC PRINT



CUT & PRODUCTION



FINISHES



This model of gloves can be customized through the use of images, photos and color blendings. This peculiar feature is possible thanks to our proprietary technology "OMP Print Art". In order to outline what spaces are at the customer's disposal for personalization, we show you the exploded view of those areas. Create your KS ART gloves right now on our website: www.ompracing.com

GLOVES ONE EVO

IB/759

SUPER PROFESSIONAL GLOVES

Professional fireproof HI-TECH gloves based on F1 technology. Precurved for best fitting. Diagonal cut on the wrists + elastic bend on the wrists. Inside seams on thumbs and forefingers for highest precision on the controls, external seams on palm, middlefinger, ring-finger and pinkie for maximum comfort.



SIZES XS-XL

sizing information on page 341
PRECURVED MIXED
INTERNAL/EXTERNAL SEAMS



HAND AND FINGERS
SILICONE WEBBING

EXTERNAL SEAMS
on pinkie, middle
and ring finger
for maximum comfort

INTERNAL SEAMS
in forefinger and thumb
for highest precision on
the controls

LEATHER INSERTS
ensuring the correct grip on
the shift paddle, buttons or
steering wheels

IB/759/W/XX
white/black/red



IB/759/BW/XX
navy blue/white/cyan



IB/759/N/XX
black/white



IB/759/GF/XX
fluo yellow/black/silver



MANUFACTURER: OMP
MODEL: ONE-EVO
FIA STANDARD: FIA 8856-2000

SLANTED CUT

LEATHER PALM
internal points in
antislip silicone
webbing

DOUBLE ELASTIC
wrist closure
for secure fit

GLOVES ONE-S

IB/770

SUPER PROFESSIONAL GLOVES

Fireproof precurved top level gloves. Diagonal cut on the wrists + elastic band on the wrists. Completely external seams for maximum comfort, fire retardant silicone rubber palm. Modern design.



SIZES: XS-XXL

sizing information on page 341
PRECURVED
EXTERNAL SEAMS

NEW
MY2020

PRECURVED FINGER

EXTERNAL SEAMS

IB/770/BA/XX
navy blue/fluo orange

SELECTED GRIP AREA

PALM WITH FIRE
RETARDANT SILICONE
RUBBER INSERTS
proven to give optimal grip,
lightness and sensitivity

ELASTIC BAND

SLANTED CUT



IB/770/N/XX
black/white/grey



IB/770/GF/XX
fluo yellow/black/grey



IB/770/R/XX
red/white/black



IB/770/W/XX
white/black/red

NEW HOMOLOGATION



MANUFACTURER: OMP
MODEL: ONE-S.01
HOM. NO: DC.054.19-G
FIA STANDARD: FIA 8856-2018

GLOVES TECNICA EVO

IB/756E

SIZES XS-XL

sizing information on page 341

PRECURVED

EXTERNAL SEAMS



HIGH ADHERENCE GLOVES

Fire retardant silicone rubber palm for optimized grip and sensitivity, with localized leather inserts that provide impact protection to pressure points areas. Adjustable velcro strap closure for snug fitting at the wrist.

IB/756E/R/XX

red/black/white



EXTERNAL SEAMS



IB/756E/NGI/XX

black/anthracite/fluo yellow



IB/756E/N/XX

black/white



IB/756E/BC/XX

navy blue/cyan



IB/756E/W/XX

white/black/red



MANUFACTURER: OMP
MODEL: TECNICA EVO
FIA STANDARD: FIA 8856-2000

GLOVES TECNICA-S

IB/764

SIZES S-XL

sizing information on page 341

INTERNAL SEAMS

SUITABLE FOR DRIVERS AND MECHANICS'



STRONG AND COMFORTABLE PROFESSIONAL GLOVE

INNER SEAMS

IB/764/BGI/XX

royal blue/fluo yellow



GRIP INSERTS

PADDED REINFORCEMENT



IB/764/N/XX

black/white



IB/764/R/XX

red/white



IB/764/GF/XX

fluo yellow/black



MANUFACTURER: OMP
MODEL: MISTRAL
FIA STANDARD: FIA 8856-2000



PALM IN SUEDE LEATHER

ELASTIC WRIST STOP

SLANTED CUT

In compliance with FIA standard 8856-2000
OMP
Year of manufacture 2019

GLOVES FIRST EVO

IB/767

SIZES S-XL

sizing information on page 341

PRECURVED

EXTERNAL SEAMS



NEW HOMOLOGATION



MANUFACTURER: OMP
MODEL: FIRST-EVO_01
HOM. NO: DC.020.19-G
FIA STANDARD: FIA 8856-2018

PROFESSIONAL GLOVES

Lightweight and resistant glove with elastic band on the wrist, straight cut design, external seams. Silicone palm for best grip and sensitivity.

NEW
MY2020



EXTERNAL SEAMS

ELASTIC WRIST STOP

PALM IN HIGHT GRIP SILICONE RUBBER

IB/767/NGI/XX
black/white/yellow fluo



IB/767/N/XX
black/grey/white



IB/767/BC/XX
navy blue/cyan/white



IB/767/R/XX
red/white/black

GLOVES FIRST-S

IB/761A

SIZES XS-XL

sizing information on page 341

INTERNAL SEAMS



NEW HOMOLOGATION



MANUFACTURER: OMP
MODEL: FIRST-S_01
HOM. NO: DC.019.19-G
FIA STANDARD: FIA 8856-2018

STRONG AND COMFORTABLE
PROFESSIONAL GLOVE

NEW
MY2020



INTERNAL SEAMS

PALM IN HIGHT GRIP SILICONE RUBBER

IB/761A/R/XX
red/white



IB/761A/N/XX
black/white



IB/761A/BV/XX
navy blue/white

PALM IN HIGHT GRIP SILICONE RUBBER

GLOVES NEW RALLY

IB/702

STRONG AND DURABLE PROFESSIONAL GLOVE

Fireproof stretch fabric - suede leather. Ideal for use in harsh condition.

SIZES XS-XL

sizing information on page 341

IN COMPLIANCE WITH ISO 6940

IB/702/N/XX

black



IB/702/R/XX

red



IB/702/B/XX

blue



Volkswagen ID. R – Full electric - Nordschleife record breaker

RACING GLOVES TABLE

PLEASE NOTE

The XX in each part number indicates the location of the size.

ONE ART				
HOMOLOGATION	PRECURVED	EXTERNAL SEAMS	PALM INSERT	SIZES
NEW HOMOLOGATION FIA 8856/2018	✓	internal	flame retardant silicone	XS XL

IB/763XX

ONE EVO				
HOMOLOGATION	PRECURVED	EXTERNAL SEAMS	PALM INSERT	SIZES
FIA 8856/2000	✓	mixed external/internal	flame retardant silicone	XS XL

IB/759/N/XX

IB/759/GF/XX

IB/759/BW/XX

IB/759/W/XX

ONE-S				
HOMOLOGATION	PRECURVED	EXTERNAL SEAMS	PALM INSERT	SIZES
NEW HOMOL. FIA 8856/2018	✓	external	flame retardant silicone	XS XL

IB/770/N/XX

IB/770/GF/XX

IB/770/BA/XX

IB/770/R/XX

IB/770/W/XX

TECNICA EVO				
HOMOLOGATION	PRECURVED	EXTERNAL SEAMS	PALM INSERT	SIZES
FIA 8856/2000	✓	external	flame retardant silicone and leather	XS XL

IB/756E/N/XX

IB/756E/NGI/XX

IB/756E/BC/XX

IB/756E/R/XX

IB/756E/W/XX

TECNICA-S				
HOMOLOGATION	PRECURVED	EXTERNAL SEAMS	PALM INSERT	SIZES
FIA 8856/2000		internal	silicone	XS XL

IB/764/N/XX

IB/764/GF/XX

IB/764/BGI/XX

IB/764/R/XX

FIRST EVO				
HOMOLOGATION	PRECURVED	EXTERNAL SEAMS	PALM INSERT	SIZES
NEW HOMOLOGATION FIA 8856/2018	✓	internal	leather and silicone	S XL

IB/767/N/XX

IB/767/GF/XX

IB/767/BC/XX

IB/767/R/XX

FIRST-S				
HOMOLOGATION	PRECURVED	EXTERNAL SEAMS	PALM INSERT	SIZES
NEW HOMOLOGATION FIA 8856/2018		internal	silicone	XS XL

IB/761A/N/XX

IB/761A/BV/XX

IB/761A/R/XX

NEW RALLY				
HOMOLOGATION	PRECURVED	EXTERNAL SEAMS	PALM INSERT	SIZES
ISO 6940		internal		S XL

IB/702/N/XX

IB/702/B/XX

IB/702/R/XX

*SFI on request only for special production

RACING



PAG. 78

VINTAGE



PAG. 114

KARTING



PAG. 275



SHOES

HIGH LEVEL PROFESSIONAL RACE BOOTS WITH TOTALLY PRINTABLE DESIGN AVAILABLE ONLY UPON REQUEST Unlimited customization ways thanks to the totally printed design.



NEW
MY2020

SOON AVAILABLE ALSO IN LEATHER IC/819L



NO-LACES
elastic fit with adjustable velcro strap to give the best comfort

HIGH RESISTANT SIDE protection on tip

ONE PIECE OF SOFT FIRE RETARDANT FABRIC

HIGH RESISTANT SIDE protection on tip

REAR BELLOW

NEW HOMOLOGATION



MANUFACTURER: OMP
MODEL: ONE-ART.01
HOM. NO: DC.06919-Z
FIA STANDARD: FIA 8856-2018

PIVOT-LIKE HEEL DESIGN for smooth pedal actuation



ONE ART
RACING
SHOES

Making of *Art*

CONCEPT & DESIGN

DIGITAL PROJECT

GRAPHIC PRINT

CUT & PRODUCTION

FINISHES

This model of shoes can be customized through the use of images, photos and color blendings. This peculiar feature is possible thanks to our proprietary technology "OMP Print Art". In order to outline what spaces are at the customer's disposal for personalization, we show you the exploded view of those areas. Create your KS ART shoes right now on our website: www.ompracing.com

**PROFESSIONAL ULTRA-SOFT AND ULTRA-LIGHT SHOES
SOFT KANGAROO LEATHER**

Racing boot in soft leather and fabric with exclusive micro adjustment **ROTOR LACING** that ensures an easy and quick lacing. Very light and comfortable. Structure designed to increase the sensitivity on the pedal. High resistance and best grip. The perforated leather permits best breathability.



MANUFACTURER: OMP
MODEL: ONE EVO FORMULA
FIA STANDARD: FIA 8856-2000

THIS PRODUCT WILL BE UPDATED WITH FIA 8856-2018 HOMOLOGATION DURING 2020. SAME FEATURES AS IC/805, HOMOLOGATION ONLY CHANGE (PART N°: IC/805E)



EXCLUSIVE ROTOR-LACING for micro adjustment and a perfect fitting

IC/805246XX
dark blue/silver/cyan

PERFORATED LEATHER for maximum breathability

NEW FOOT SUPPORT to reduce stress on the foot and provide maximum drive sensitivity

REAR BELLOW

PIVOT-LIKE HEEL DESIGN for smooth pedal actuation

INJECTED SOLE for maximum grip and resistance to wear



ONE EVO ROTOR LACING



HEEL SUPPORT in low density material for minimum weight

INJECTED SOLE for maximum grip and resistance to wear

COMFORT FOAM for pressure reduction

HIGH STIFFNESS INSERT for load spreading and fatigue reduction coupled with thermal insulation layer



IC/805099XX
fluo yellow/black/white



IC/805370XX
black/silver/fluo yellow



IC/805230XX
fluo green/black/white



IC/805071XX
black/white



IC/805020XX
white/black/silver

SHOES ONE EVO

IC/806

SIZES 36 - 48

sizing information on page 341

PROFESSIONAL TOP LEVEL

Perforated full grain leather for high breathability and fabric inserts. High resistant, injected sole, best grip. Velcro strap for best fitting. Structure designed to increase the sensitivity on the pedal. Thin laces to guarantee and permit a good sliding and a quick lacing of the boots.



MANUFACTURER: OMP
MODEL: IC/769E ONE EVO-MY2013
FIA STANDARD: FIA 8856-2000



IC/806061XX
red/black/white

THIN LACES
for high sliding
and quick lacing

PERFORATED LEATHER
for maximum breathability

NEW FOOT SUPPORT
to reduce stress on the foot
and provide maximum
drive sensitivity

REAR BELLOW

PIVOT-LIKE HEEL
DESIGN
for smooth pedal
actuation

INJECTED SOLE
for maximum grip and
resistance to wear



IC/806020XX
white/black/silver



IC/806071XX
black/white



IC/806099XX
red/black/white



Ricky Stenhouse Jr - JTG Daugherty Racing - NASCAR Cup Series

PROFESSIONAL TOP LEVEL

Leather boot. Technical reinforcements on the tip and on the heel. Injected high resistant sole and best grip. Velcro strap for the best fitting of the ankle. Inner sole with plate reinforcement for highest sensitivity and reduction of the stress on the feet. Thin laces to guarantee and permit a good sliding and a quick lacing of the boots. Modern design.

NEW
MY2020

NEW HOMOLOGATION



MANUFACTURER: OMP
MODEL: ONE-S.01
HOM. NO: DC.067-19-Z
FIA STANDARD: FIA 8856-2018



VELCRO STRAP
for a best fitting
of the ankle

IC/822249XX
navy blue/white/fluo orange

THIN LACES
for high sliding
and quick lacing

TECNICAL REINFORCEMENTS
on the tip and on the heel

INNER SOLE
with plate reinforcement for
highest sensitivity and reduction
of stress on the feet.

BLACK SOLE
5 DIFFERENT UPPERS

INJECTED SOLE
for maximum grip and
resistance to wear



SPECIAL VERSION:
RED SOLE, WHITE UPPER

IC/822020XX
white/red/black/



IC/822061XX
red/black/white



IC/822099XX
fluo yellow/black/silver



IC/822178XX
black/white/fluo yellow



IC/822071XX
black/cyan/white

FLUO YELLOW

SHOES **TECNICA EVO**

IC/803E

SIZES 37 - 48

sizing information on page 341

PROFESSIONAL BOOTS

Boots made of soft suede leather. High quality and resistant ultralight sole with inner reinforcement for maximum sensitivity and high protection. Made with soft leather in order to guarantee maximum comfort and low weight. Features a new design and side protections on the tip.



MANUFACTURER: OMP
MODEL: TECNICA EVO
FIA STANDARD: FIA 8856-2000

SOFT MATERIAL



IC/803E044XX
blue/fluo yellow/white

SOFT SUEDE

SIDE PROTECTION
on the tip

ULTRALIGHT OUTSOLE
CONSTRUCTION
with inner reinforcement



IC/803E071XX
black



IC/803E073XX
black/red

RACING shoes



Colin Turkington – West Surrey Racing – BTCC champion 2019-12-05

RACING shoes

PROFESSIONAL MID CUT BOOTS

Made of suede leather with an excellent quality/price ratio. Resistant sole with a round cutted heel in order to ease the rotation of the feet while driving. Velcro strap on the ankle for best fitting. Inner black knitted fabric. Reinforcements on the tip.

NEW
MY2020

NEW HOMOLOGATION



MANUFACTURER: OMP
MODEL: FIRST01
HOM. NO: DC.04.319-Z
FIA STANDARD: FIA 8856-2018



VELCRO STRAP
for a best fitting
of the ankle

IC/802E182XX
anthracite/fluo yellow



SIDE PROTECTION
on the tip

BLACK SOLE
4 DIFFERENT UPPERS

ROUND
CUTTED HEEL
in order to ease the
rotation on the feet
while driving



SPECIAL VERSION:
RED SOLE AND STRAP,
BLACK UPPER

IC/802E073XX
black/white/red



IC/802E042XX
navy blue/white/black



IC/802E061XX
red/white/black



IC/802E071XX
black/white

SHOES OMP SPORT

IC/816E

SIZES 36 - 47

sizing information on page 341

ENTRY LEVEL RACE BOOTS
Made in soft, comfortable and lightweight microfiber.
Exclusive resistant antislip rubber sole inspired by car's tyres.



NEW HOMOLOGATION



MANUFACTURER: OMP
MODEL: OMP SPORT.01
HOM. NO: DC.04.639-Z
FIA STANDARD: FIA 8856-2018

NEW
MY2020

VELCRO STRAP
for a best fitting
of the ankle



IC/816E071XX
black/white/red

LIGHTWEIGHT
MICROFIBER

RUBBER SOLE
high grip in every
condition and
long-time resistance



SHOES CO-DRIVER

IC/791E

SIZES 37 - 48

sizing information on page 341

CO-DRIVER SHOES
Co-driver boot made of water-repellent suede leather with inner soft fabric.
Sole made of hydrocarbon resistant rubber, lace closure, ankle velcro strap.



MANUFACTURER: OMP
MODEL: IC/788 M+S
FIA STANDARD: FIA 8856-2000

Compatible with IC/100 gel anatomic insole for mechanics (sold separately).



IC/791E071XX
black

RAINPROOF
LEATHER

SOLE MADE OF
RESISTANT RUBBER,
HYDROCARBON
RESISTANT






Tiago Monteiro – KCMG – WTCR 2019



Alexander Rossi - Andretti Autosport - IndyCar Series

RACING SHOES TABLE

ONE ART

HOMOLOGATION	HYDRO CARBONS RESISTANT SOLE	SHAPED BELLOWS	NEW FOOT SUPPORT CONCEPT	PERFORATED LEATHER	SIZES	
NEW HOMOLOGATION FIA 8856/2018	✓	✓	✓ maximum sensitivity	✓	37 48	 IC/819EXX

ONE EVO R FORMULA

HOMOLOGATION	HYDRO CARBONS RESISTANT SOLE	SHAPED BELLOWS	NEW FOOT SUPPORT CONCEPT	PERFORATED LEATHER	SIZES						
FIA 8856/2000	✓	✓	✓ maximum sensitivity	✓	37 48						
						IC/805071XX	IC/805246XX	IC/805370XX	IC/805099XX	IC/805230XX	IC/805020XX

ONE EVO

HOMOLOGATION	HYDRO CARBONS RESISTANT SOLE	SHAPED BELLOWS	NEW FOOT SUPPORT CONCEPT	PERFORATED LEATHER	SIZES				
FIA 8856/2000	✓	✓	✓	✓	36 48				
						IC/806071XX	IC/806099XX	IC/806061XX	IC/806020XX

ONE-S

HOMOLOGATION	HYDRO CARBONS RESISTANT SOLE	SHAPED BELLOWS	NEW FOOT SUPPORT CONCEPT	PERFORATED LEATHER	SIZES						
NEW HOMOLOGATION FIA 8856/2018	✓	✓	✓	✓	37 48						
						IC/822178XX	IC/822071XX	IC/822249XX	IC/822099XX	IC/822061XX	IC/822020XX


TECNICA EVO

HOMOLOGATION	HYDRO CARBONS RESISTANT SOLE	SHAPED BELLOWS	NEW FOOT SUPPORT CONCEPT	PERFORATED LEATHER	SIZES			
FIA 8856/2000	✓	✓	SOFT MATERIAL	✓	37 48			
						IC/803E071XX	IC/803E044XX	IC/803E044XX


FIRST

HOMOLOGATION	HYDRO CARBONS RESISTANT SOLE	SHAPED BELLOWS	NEW FOOT SUPPORT CONCEPT	PERFORATED LEATHER	SIZES					
NEW HOMOLOGATION FIA 8856/2018	✓				37 48					
						IC/802E071XX	IC/802E073XX	IC/802E182XX	IC/802E042XX	IC/802E061XX

OMP SPORT

HOMOLOGATION	HYDRO CARBONS RESISTANT SOLE	SHAPED BELLOWS	NEW FOOT SUPPORT CONCEPT	PERFORATED LEATHER	SIZES	
NEW HOMOLOGATION FIA 8856/2018	✓				36 47	
						IC/816071XX

CO-DRIVER

HOMOLOGATION	HYDRO CARBONS RESISTANT SOLE	SHAPED BELLOWS	NEW FOOT SUPPORT CONCEPT	PERFORATED LEATHER	SIZES	
FIA 8856/2000	✓				37 48	
						IC/791E071XX

PLEASE NOTE
The XX in each part number indicates the location of the size.

*SFI on request only for special production

RACING



PAG. 96

KARTING



PAG. 282

HELMETS

FULL FACE HELMET

Made in composite material. Lightweight, with soft and comfortable high breathability fire retardant internal lining, bordered strap with double D clousure and high precision adjustable visor with easy block system. With air vents and intakes to ensure the best air ducting. Complete with Hans® safety device clips, clear visor and spoiler.

SIZES XS/XXL
sizing information on page 341
TWO SHELL SIZES
LIGHT COMPOSITE SHELL



EASY BLOCK SYSTEM

COMPLETE WITH HANS® safety device clips



REAR VIEW



SIDE VIEW



GP8 EVO (SC785E) ACCESSORIES

NB: Spare parts for old helmet models are still available on our website www.ompracing.com, in the helmets section.

AIR VENTS

Spare couple of front air vents

SC166

Spare couple of rear air vents

SC167

VISORS

Clear visor

SC160

Iridium gold visor

SC163

Smoked visor

SC161

Iridium blue visor

SC162

LOCKING SYSTEM

SC168

SPOILER

Rear transparent spoiler (optional)
no FIA homologated

SC133

Rear black spoiler
(included with the helmet)

SC172

SPARE VISOR

Movement pivot kit

SC164

SPARE SCREWS

For tear off

SC184

SPARE CHECK PADS

Size XS-XXL (no picture).

SC169

SPARE TOP INNER LINING

Size XS-XXL (no picture).

SC170

TEAR OFF KIT

5 PIECES

SC165



HELMETS J-R INTERCOM HANS

SC798

SIZES S/XL

sizing information on page 341
TWO SHELL SIZES

LIGHT WEIGHT
COMPOSITE SHELL

OPEN FACE HELMET

High quality lightweight composite material shell, high breathability fire retardant internal lining. Pre installed intercom kit (ultra-thin loudspeaker integrated and adjustable microphone boom) with female Nexus plug. Compatible with Stilo Nexus control boxes. Using a JA/882 adaptor makes the helmet compatible with all OMP, Peltor and other brands control units featuring a female nexus plug.

NEW



ANTIDAZZLE
PEAK WITH
SUN VISOR

REMOVABLE
CHEEK PADS
(only for SC798)

COMPLETE WITH HANS®
safety device clips



PRE INSTALLED
INTERCOM KIT

NEXUS CONNECTOR

J-R HANS **NEW**
SC795



Same features as SC798 no prepared for install intercom kit.
Hans post included.
Homologation: FIA 8859-2015

J-R **NEW**
SC796

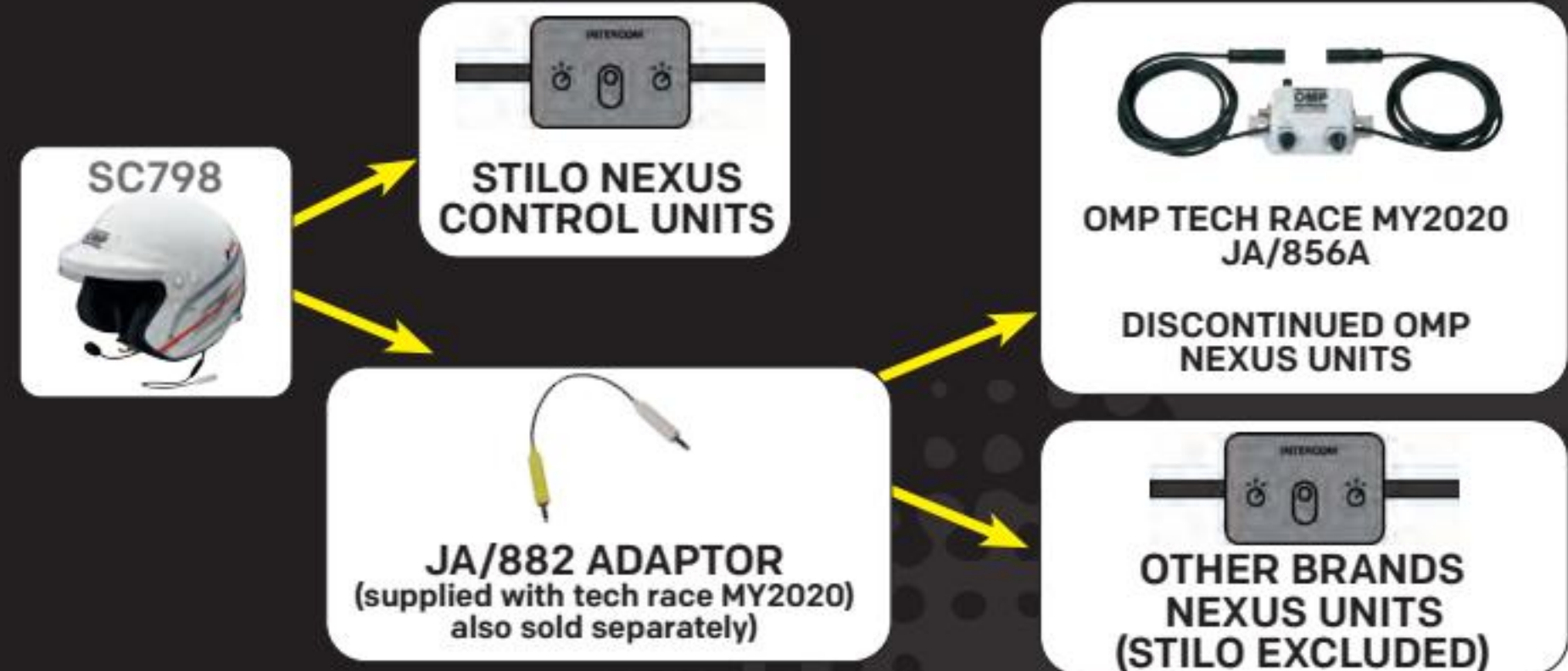


Same features as SC798, no prepared for install intercom kit.
Hans post not included.
Homologation: FIA 8859-2015



FOCUS ON

INTERCOM COMPATIBILITY



J-R (SC798 / SC795 / SC796) ACCESSORIES





TWO JA/882 'PLUG&PLAY' ADAPTORS INCLUDED IN THE BOX ALLOW TO CONNECT ALSO ALL HELMETS FEATURING A FEMALE NEXUS PLUG INTERCOM KIT (OMP J-R SC798, STILO HELMETS).

MY2020

DIMENSIONS

125x60x35 mm
EASY MOUNTING



PROFESSIONAL INTERCOM

Professional universal intercom control box. Aluminium case against electromagnetic interferences. Fixable on rollbar or dashboard. Separated volume setting knobs. RCA audio output for camera car connection. Powered by 9V PP3 or 12V battery (not supplied) or by car battery (through JA/834 cable). Sets automatically on by connecting the intercom to the helmet. High performance electronics and electronic interferences reduction. With female Nexus plugs to connect old OMP or other brands' helmets which feature male Nexus plug intercom kit (such as Peltor or Bell).



JA/882 'PLUG&PLAY' ADAPTORS INCLUDED IN THE BOX

HEADSET

JA/844



HEADSET. EXCELLENT INSULATION FROM EXTERNAL NOISE

Flexible microphone boom. Dynamic microphone with integrated noise reduction. Designed to be used with TECH-RACE control boxes. Compatible with most intercom units available on the market (adaptors may be needed see on page 103).

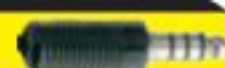
INTERCOM KIT

JA/858E



TECH-RACE SERIES: INTERCOM KIT FOR OPEN FACE HELMETS WITH WIRE MOUNTED NEXUS CONNECTION

Excellent insulation from external noise. High quality flexible microphone boom. Dynamic microphone with integrated noise reduction. Designed to be used with TECH-RACE control boxes. Compatible with most intercom units available on the market (adaptors may be needed see on page 103).



NEXUS ADAPTOR

JA/852



Nexus female to female plug&play adaptor.

NEXUS ADAPTOR

JA/882

NEW



Spare Nexus male to male plug&play adaptor. Allow to connect J-R Helmet SC798 to OMP discontinued control boxes and to other brands units (Stilo excluded):

AUDIO CABLE

JA/830

Audio cable to connect the Tech Race control box to the camera car.



POWER SUPPLY CABLE

JA/834

TECH-RACE SERIES: POWER SUPPLY CABLE. Designed to connect the TECH-RACE control box to the 12V car Power supply line.



WIRE EXTENSION

JA/829

TECH-RACE SERIES: WIRE EXTENSION 1,5 m long extension cable with Nexus plug. Compatible with TECH-RACE control boxes.



INTERCOM KIT

JA/880

Spare intercom kit for J-R Intercom SC798 (female Nexus plug) complete with speakers and flexible microphone boom



B-RACE STEREO PLUG



JA/874

DIMENSIONS

125x60x35 mm

INTERCOM CONTROL BOX RACER LINE

Without loudspeakers and microphone.

One single driver/co-driver volume control. Powered by 9V PP3 battery (not supplied) or by car battery using JA/851 cable - can be fixed to rollbar and dashboard. Can be used with loudspeakers and microphone kit (JA/849E, JA/854E) or headsets JA/850E.



B-RACE ACCESSORIES

HEADSET

JA/850E

Headset with adjustable microphone boom complete with loudspeakers and STEREO plug. Compatible with intercom control box JA/874.



UNIVERSAL INTERCOM KIT

JA/849E

Universal microphone kit for single full face helmet. Compatible with intercom control box JA/874.



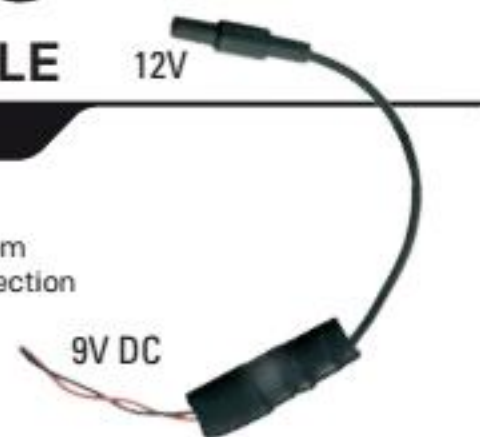
ADAPTOR CABLE

JA/851

12V adaptor cable for intercom control box JA/874 for connection with the car (alternatively to battery 9V DC).

12V

9V DC



INTERCOM KIT

JA/881

Microphone kit for single open face helmet. To be used with control box JA/874. Compatible with JR intercom stereo helmet SC797.



INTERCOM KIT

JA/854

Microphone kit for single open face helmet. To be used with control box JA/874. Compatible with STAR / STAR-S helmets.



COMPATIBILITY CONTROL BOXES TABLE

NEXUS PLUG



JA/856A



OMP
TECH RACE
MY2020



OMP DISCONTINUED
NEXUS HELMETS



OTHER BRANDS
NEXUS HELMETS
(STILO EXCLUDED)



JA/882 ADAPTOR
(included with the
control box)



OMP J-R SC798



STILO NEXUS HELMETS

STEREO PLUG



JA/874



OMP
B-RACE



OMP STAR-J
SC6071



OMP DISCONTINUED
STEREO HELMETS



OTHER BRANDS
STEREO HELMETS
(STILO EXCLUDED)

HELMETS CIRCUIT EVO

SC613

SIZES XS-XXL

sizing information on page 341

HOMOLOGATION
ECE 22.05

FULL FACE KARTING HELMET
Full face thermoplastic helmet, velvet lining (not fireproof), step setting visor.

NEW
MY2020

AIR VENTS
and intakes to ensure the
best air ducting

SC613099XX

fluo yellow

REMOVABLE BREATH
GUARD

AIR VENT

CHIN CURTAIN



SC613020XX

white



SC613170XX

matt black



HELMETS STAR

SC607E

SIZES S-XXL

sizing information on page 341

HOMOLOGATION
ECE 22.05

OPEN FACE KARTING HELMET

Open face helmet with ABS shell, velvet lining not fireproof, with revomable peak.

SC607E170XX

matt black

SUN PEAK



SC607E020XX

white

STAR-J STEREO PLUG

SC607I

NEW

Same features as SC607E.
Pre installed intercom kit JA/854 with stereo plug,
compatible with OMP B-Race control box (JA/874).
COLOURS: white, matt black.



CIRCUIT EVO (SC613)

NB: Spare parts for old helmet models are still available on our website www.ompracing.com, in the helmets section.

AIR VENTS

Spare front air vents

SC187

Spare rear air vents

SC188

VISORS

Clear visor
(included with the helmet)

SC185

Dark visor

SC186

AIR VENT

Spare chin air vent

SC189



SPARE VISOR

Movement pivot kit

SC190

STAR (SC607E)

NB: Spare parts for old helmet models are still available on our website www.ompracing.com, in the helmets section.

SUN PEAK

white sun peak

SC178

black sun peak

SC153



NECK COLLAR

ID/789

Anatomic, round neck collar knit Nomex® for improved comfort. Inserts: Nomex® fabric. Padded: high density foam. One size.



ID/789061
Red



ID/789041
Blue



ID/789071
Black

NECK SUPPORT

ID/787

Neck support in knit Nomex®. Padded: high density foam. One size.



ID/787/N
Black

HELMET HOOK

NA/1871



Helmet hook in steel. To be attached to the roll cage with supplied metal clamps.

HELMET NET

NA/1858



Helmet carrying net in polyester. Suitable for all cars, can hold 2 helmets.

HANS STRAP BORDER

SD20



Hans strap border in rubber (pair), with sticker.

HELMET BAG

ORA/2972

Very resistant helmet carrying bag. Studied for holding also the Hans® helmet device. With a removable internal visor pocket, removable adjustable shoulder strap and a practical handle. H 33 x L 47 x W 29 Measures in cm



HELMET BOX

NA/1864

Rally helmet box velvet, with wide side pockets. Internal sizes single box 34x26x29cm Colour: black



HANS® ACCESSORIES

SC726

Hans® helmet anchor (male screws only - the female parts is inside the helmet). For one helmet (to be used exclusively with models SC754 - SC756 - SC761 - SC759 - SC769 - SC771 - SC772 - SC777K - SC785E - SC785EK - SC797 - SC798 - SC795). According to FIA 8858-2010, 8860 and 8859-2015 rules.





SUITS

PAG. 110

GLOVES

PAG. 113

SHOES

PAG. 114

VINTAGE EQUIPMENT

SUIT ONE VINTAGE

IA01842

SIZES 46-64

sizing information on page 341

SFI 3.2A/5 on request

RETRO RACING SUIT STYLE

Typical style worn by the great champions of F1 in the mid 70s. Produced with the same ultra-light fabrics of the new ONE EVO and ONE-S suits.



SHAPED COLLAR

PRE-CURVED SLEEVES

SLIM FIT
and ultra-flat,
anti-rubbing seams.

OUTER POCKET

IA01842071XX

black with white stripes



MANUFACTURER: OMP
MODEL: ONE BASIS
HOM. NO: RS.224.32
FIA STANDARD: FIA 8856-2000



IAA01842020XX

white with red stripes



ELASTIC

VINTAGE style

110

SUIT LE MANS

IA01823F

SIZES: 46-64

sizing information on page 341

SFI 3.2A/5 on request

CARE AND REFINEMENT TYPICAL OF THE 1960S

External layer made of satin Nomex®. Lining in a comfortable knit fabric.



MANUFACTURER: OMP
MODEL: LE MANS
HOM. NO: RS.163.08
FIA STANDARD: FIA 8856-2000



STITCHING AND DETAILS
in brown on cream satin
fabric for real vintage
style revival.

DETAILS OF THE BIAS
CUT CLOSURE
and belt loops
typical of the suits
worn by the big
names of F1 at the time.

OUTER POCKET

IA01823F022XX

cream

DOUBLE STITCHING



ELASTIC

VINTAGE style

111

SUIT CLASSIC

IA01816F

OVERALL IN TYPICAL '70S DESIGN

Outer layer in aramid fiber.
Inner layer in comfortable
breathable knitted fabric.

SIZES 46-64

sizing information on page 341
SFI 3.2A/5 on request



MANUFACTURER: OMP
MODEL: FIRST 2
HOM. NO: RS.088.05
FIA STANDARD: FIA 8856-2000



INNER COLLAR
in soft knitted fabric
for maximum comfort.

2 VERTICAL STRIPES
on the chest

FLOATING ARMS
with elastic bellows.

OUTER POCKET

IA01816F042XX
navy blue



IA01816F023XX
cream



ELASTIC

GLOVES DIJON

IB/746

SIZES S-XL

sizing information on page 341

VINTAGE GLOVE

'70s design with fabrics and quality of last
generation gloves. Fire-resistant fabric
with stretch suede inserts. Internal seams.



SUEDE LEATHER INSERTS
on palm and fingers
for very good grip



MANUFACTURER: OMP
MODEL: DIJON
FIA STANDARD: FIA 8856-2000

IB/746/B/XX
navy blue



IB/746/N/XX
black



IB/746/M/XX
cream/brown



ELASTIC WRIST STOP



GLOVES TAZIO

IB/747

SIZES S-XL

sizing information on page 341

VINTAGE GLOVE

Smooth leather
and cotton fabric.

COTTON FISHNET FABRIC

SMOOTH LEATHER PALM

IB/747/M/XX
brown



IB/747/N/XX
black



STRAP WITH VELCRO

BOOTS CARRERA HIGH

IC/782

HIGH QUALITY VINTAGE BOOTS

Polished leather lined in soft jersey. Printed rubber sole resistant to hydrocarbons. High quality treated leather for an ultra-soft feel.

Accurate hande-made production.

SIZES: 37-46

sizing information on page 341



MANUFACTURER: OMP
MODEL: CARRERA
FIA STANDARD: FIA 8856-2000



IC/782014XX
dark brown



IC/782015XX
brown



HIGH SENSITIVITY SOLE

BOOTS CARRERA LOW

IC/784

HIGH QUALITY VINTAGE BOOTS

Polished leather lined in soft jersey. Printed rubber sole resistant to hydrocarbons. High quality treated leather for an ultra-soft feel.

Accurate hande-made production.

SIZES: 37-48

sizing information on page 341



MANUFACTURER: OMP
MODEL: NURBURGRING
FIA STANDARD: FIA 8856-2000



IC/784079XX
black



IC/784015XX
brown



ACCESSORIES

REIMS

SC067

VINTAGE CAP

Made entirely of soft smooth skin. Rear loop with button for fixing goggles.

ARTISAN HAND MADE
SIZES: S-XL



THRUXTON

SC066

VINTAGE GOOGLES

Made of faux leather with metal detail.



FOR VINTAGE SEATS SEE PAGES 162/163
FOR VINTAGE STEERING WHEEL SEE PAGE 232



MECHANICS

SUIT BLAST EVO

NB1580

SIZES 44-64

sizing information on page 341
1 LAYER

PROFESSIONAL MECHANICS SUIT

Professional mechanics suit made of lightweight and resistant polyester and cotton fabrics. The knitted elastic fabric inserts on back and hips and the comfortable armbellows guarantees the best freedom of movements.

Aggressive design with racing inspired shoulders and highlighted stitching on arms and legs.



POCKET with zip

NB158073XX
black/red

SEVERAL PRATICAL POCKETS to store tools and parts

REMOVABLE PADDED KNEE PADS ergonomic shape



NB158071XX
black/white

ANKLES CLOSURE with velcro strap

MECHANICS

SUIT BLAST

NB1578

SIZES 44-64

sizing information on page 341
1 LAYER

SUPER RESISTANT MECHANICS OVERALL

Polyester - cotton fabric resistant to repeated washing and most stubborn stains.



ARMBELLOWS in knitted elastic fabric.

NB1578041XX
blue

LARGE POCKETS on the front.

KNEE PADS removable.



NB1578061XX
red



NB1578071XX
black

MECHANICS

SUIT SUMMER

NB1579

SUPER RESISTANT MECHANICS OVERALL

Lightweight and durable polyester - cotton fabric.

1 LAYER SIZES: 44-64

NB1579C

FOR CHILDREN
CHILDREN SIZES:
height 120-130-140-150
sizing information on page 341

NB1579061XX
red



ARMBELLOWS
in knitted elastic fabric.

INNER POCKET

POCKETS
for holding tools.



NB1579041XX
blue



NB1579071XX
black

KNEE PADS
removable.

ELASTIC

VELCRO
closure

ALSO FOR CHILDREN!

GLOVES WORKSHOP EVO

NB/1896

SIZES: S-XXL
sizing information on page 341

TECHNICAL SHORT GLOVE FOR PROFESSIONAL USE

Back in technical elastic fabric with leather and silicon rubber design. Improved fitting and softer fabrics.



TECHNICAL ELASTIC FABRIC

THIN SYNTHETIC LEATHER

Self adjustable tunnel waist band to cover two sizes

MECHANIC'S TROUSERS

OR5930
OR5931

SIZES: S-XXXXL
sizing information on page 341

TECHNICAL MULTI-POCKET TROUSERS
In polyester and cotton fabric.

NEW

BELTS LOOPS
with radio holder slots

TWO FRONTAL
POCKETS

PLENTY OF PRATICAL
POCKETS

SELF ADJUSTIVE
TUNNEL WAIST BAND
to cover two sizes

OR5930

LONG VERSION

CUSTOMIZABLE
FLAPS

CUSTOMIZABLE
FLAPS



OR5931

SHORT VERSION

MECHANIC'S GLOVES

FLUO PRO MECH GLOVES

IB/758

SIZES: S-XL
HOMOLOGATION:
FIA 8856-2000

sizing information on page 341

HIGH PROTECTION
reinforcement



MANUFACTURER: OMP
MODEL: PRO MECH GLOVES
FIA STANDARD: FIA 8856-2000



SHORT TECHNICAL GLOVE

NB/1885

SIZES: M (S-M) - L (L-XL)

sizing information on page 341

Polyester / cotton. PVC rubber dot inserts. Closure with elastic slipout-proof.



APRON

NB/1879

Cotton apron, features a small tool pouch and large pockets.
ONE SIZE



 NB/1879061
Red

 NB/1879
Black

APRON PLUS

NB/1894

Black professional apron for mechanics.
ONE SIZE



SLEEVES

NB/1872

Aluminized sleeves, offering excellent protection against heat.
ONE SIZE





LOOP HOLDER

NB/1892

Back loop holder for radio and tools, belt high (three loops).

NB/1891

Front loop holder for radio and tools (two loops).



NUT HOLDER ON BELT

NB/1890R

NB/1890L

Right or left.



RADIO CABLET SLOT

NB/1893R

NB/1893L

With flap coverage. Right or left.



NUT HOLDER ON CHEST

NB/1889R

NB/1889L

Right or left.



INSIDE POCKET

NB/1887R

Right. Not available for FIA suits.

NB/1887L

Left. Not available for FIA suits.



BAND HOLDER

NB/1888R

NB/1888L

Right or left.



ENDURANCE INSOLE

IC/100

Gel anatomic insole (spare parts) for ENDURANCE shoes. Guarantees higher comfort and stability, maximum cushioning against impact forces. Sizes: 37-46

RECCOMENDED FOR IC/791E SHOES



TECNICA-S GLOVES

IB/764

Strong and comfortable professional glove.

- Colours: black, red, blue/yellow, fluo yellow.
- Sizes: S-XL
- Homologation: FIA 8856-2000



PROFESSIONAL

KC/1068

Aluminium frame.
Dimensions: 100x72 cm
Complete with 42 cards of numbers, letters and symbols measuring 23x14 cm and one customizable plate 23x65 cm supplied in a synthetic leather bag, which stores sidely on the aluminium frame when not being used.



TRIPLA

KC/1067

Aluminium frame.
Dimensions: 72x72 cm
Complete with 24 cards of numbers, letters and symbols measuring 23x14 cm



KC/1069

42 spare cards for pit boards KC/1067 and KC/1068, supplied in a synthetic leather carrying pouch.



CO-DRIVER BAG

ORA/2967

Light weight sporty brief bag with removable shoulder strap.
DIMENSIONS: 44,5x6x25 cm



CHRONOMETERS

HANDHELD STOPWATCH

KB/1041



CHRONOGRAPH: with partial and total elapsed times up to 9h 59'59"99, lap times.
CLOCK: with alarm clock and Pacer dater.
TIMER: with countdown function.

LIQUID CRYSTAL HANDHELD STOPWATCH

KB/1040



CHRONOGRAPH: with split, total elapsed times up to 9h, 59', 59", 99 seconds.
CLOCK: displays hours, minutes, seconds, alarm clock with 12/24h option.
TIMER: with presettable countdown timer. 60 lap memory and lap counter. Shows fastest lap, slowest lap and average lap times.
60 MEMORY

CO-DRIVER PLUS

ORA/2966

Lightweight backpack with organizational features included plenty of internal and external accessory pockets.
DIMENSIONS: 40x34x20 cm



CO-DRIVER'S PAD

NA/1863

NA/1862

Size: A4
Pages: 130

Size: 17,3x22cm
Pages: 130



SEATS



PAG. 134

SAFETY HARNESSSES



PAG. 174

ROLL BARS



PAG. 198

EXTINGUISHERS



PAG. 204

STEERING WHEELS



PAG. 216



CAR COMPONENTS

RACING



PAG. 134

VINTAGE



PAG. 162

OFF ROAD



PAG. 164

COMFORT

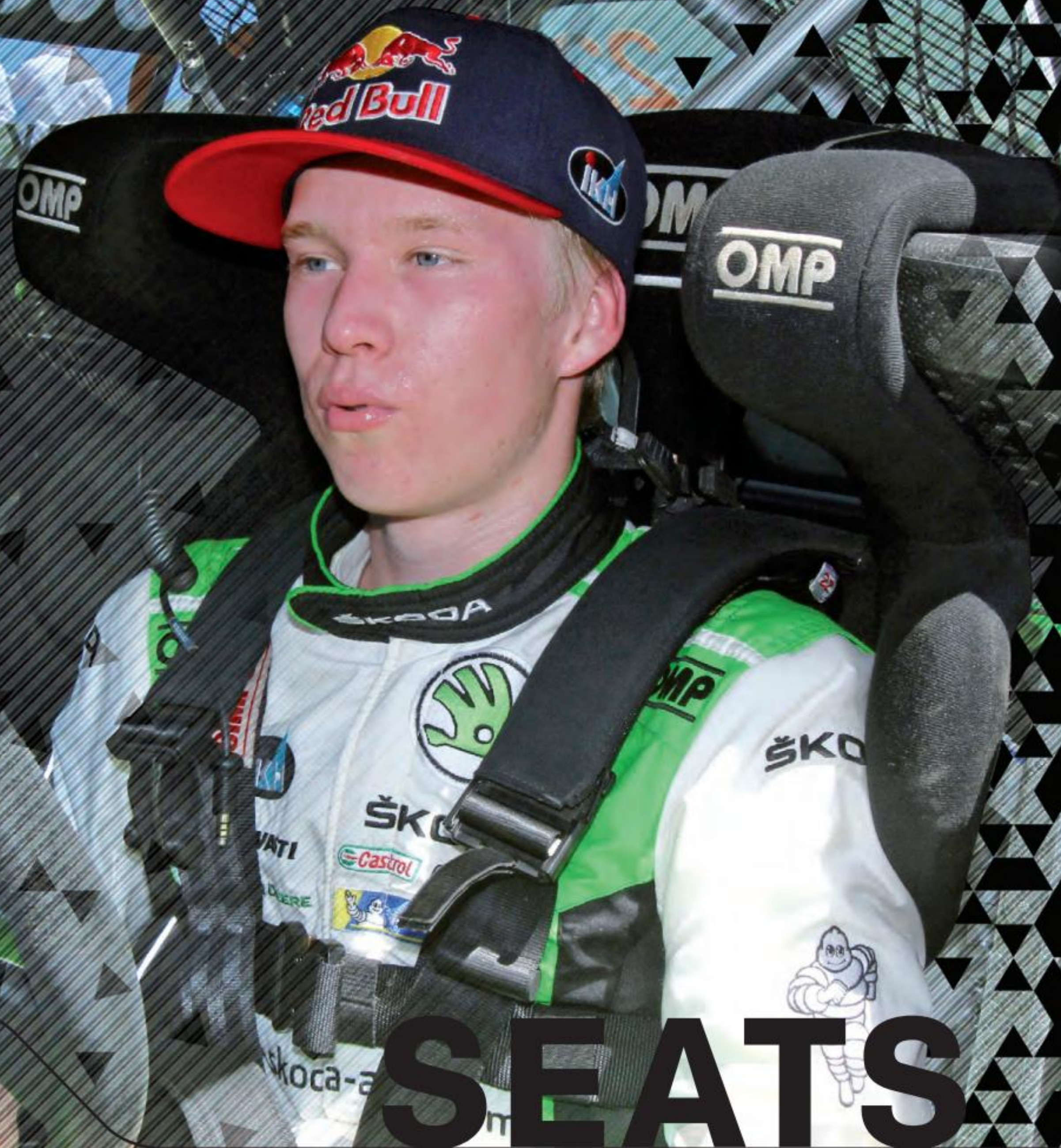


PAG. 166

KARTING



PAG. 290



SEATS



This model of seat can be customized through the use of images, photos and color blendings. This peculiar feature is possible thanks to our proprietary technology "OMP Print Art". In order to outline what spaces are at the customer's disposal for personalization, we show you the exploded view of those areas. Create your ONE ART seat right now on our website: www.ompracing.com

OMP 2020

FIA 8862 Seats

THE LIGHTEST FULL RANGE ON THE MARKET

HRC ONE LITE RC

shell weight 6,8 kg



ROLLCAGE ATTACHMENT



HRC ONE LITE

shell weight 6,8 kg



HTE ONE LITE

shell weight 7,5 kg

BEST SELLERS



HTC ONE **NEW**

shell weight 9 kg



HRC ONE

shell weight 9,2 kg



HTE ONE XL

shell weight 10,1 kg



HTE ONE

shell weight 9,2 kg

FIA 8862 ENTRY

HTE ONE S

shell weight 12,5 kg



Please see customizable models marked with this banner

Art RACING SEATS

SEATS HTE-ONE LITE

HA/807

sizing information on page 156

HIGH RESISTANT AND ULTRA LIGHTWEIGHT CARBON FIBER SEAT

realized with exclusive technology for maximum resistance and lightness. Airnet and velour upholstery. Upholstering customized on demand. HC/934 seat bracket required (not included).



MANUFACTURER: OMP
MODEL: HTE ONE LITE
HOM. NO: AS.084.19
FIA STANDARD: FIA 8862-2009



LARGER SHOULDER harness slots

ULTRALIGHT VERSION
-20% WEIGHT

REMOVABLE CUSHIONS
back, base

REMOVABLE CUSHION
split leg

HIGH RESISTANT AND ULTRALIGHT SHELL
W SIDE FIXING POINTS
HANS* COMPATIBLE
FIA 8862-2009

SEATS HTE-ONE

HA/761E

sizing information on page 156

SAFETY LEVEL COMPARABLE TO FORMULA 1 CARS
+300% INCREASED RESISTANCE compared to standard 8858/99, with exclusive technology for maximum resistance and lightness. Upholstering customized on demand. HC/880 seat bracket required (not included).

LARGER SHOULDER harness slots



MANUFACTURER: OMP
MODEL: HTE ONE
HOM. NO: AS.007.10
FIA STANDARD: FIA 8862-2009



REMOVABLE CUSHION
split leg



REMOVABLE CUSHIONS
back, base



HSC PATENT COMPATIBLE

LIGHTWEIGHT CARBON FIBER SHELL
W SIDE FIXING POINTS
HANS* COMPATIBLE
FIA 8862-2009

HTE-ONE XL HA/798

Same characteristics as HA/761E
HC/928 seat bracket required.
HC/893 HSC PATENT not included.

XL VERSION
LARGER AND HIGHER



MANUFACTURER: OMP
MODEL: HTE ONE XL
HOM. NO: AS.047.77
FIA STANDARD: FIA 8862-2009



HSC PATENT COMPATIBLE



HTE-ONE S HA/801/N

Same characteristics as HA/761E. HC/880 seat bracket required (not included).

CARBON AND FIBERGLASS VERSION



MANUFACTURER: OMP
MODEL: HTE ONE S
HOM. NO: AS.068.18
FIA STANDARD: FIA 8862-2009



SEATS HRC-ONE LITE

HA/800

sizing information on page 156

ULTRA LIGHTWEIGHT CARBON FIBER SEAT

designed to allow installation and comfortable driving position also in GT cars with reduced internal room. Airnet and velour upholstery.
HC/929 bracket required.
HC/939 HSC PATENT not included.

ULTRALIGHT VERSION
-20% WEIGHT

FIA APPROVED

MANUFACTURER: OMP
MODEL: HRC ONE LITE
HOM. NO: AS.075.19
FIA STANDARD: FIA 8862-2009



LARGE SHOULDER HARNESS SLOT



REMOVABLE CUSHIONS
back, base

REMOVABLE CUSHION
split leg

HIGH RESISTANT AND ULTRALIGHT SHELL
W SIDE FIXING POINTS
HANS® COMPATIBLE

FIA 8862-2009



HSC PATENT COMPATIBLE
HC/939

SEATS HRC-ONE

HA/789

sizing information on page 156

SAFETY COMPARABLE TO FORMULA 1 CARS

compared to standard 8858/99, with exclusive technology for maximum resistance and lightness. Designed to allow installation and comfortable driving position also in GT cars with reduced internal room.

Fire retardant Airnet and velour upholstery (customized on demand).

HC/907 seat bracket required (not included).



HSC PATENT COMPATIBLE

FIA APPROVED

MANUFACTURER: OMP
MODEL: HRC ONE
HOM. NO: AS.033.14
FIA STANDARD: FIA 8862-2009

€ 5.950,00 (D)



CARBON FIBER SHELL
W SIDE FIXING POINTS
HANS® COMPATIBLE
FIA 8862-2009

REMOVABLE CUSHIONS
back, base

HRC-ONE LITE RC

HA/805

LIGHTWEIGHT CARBON FIBER SEAT

designed to allow installation and comfortable driving position also in GT cars with reduced internal room. Airnet and velour upholstery.

HRC ONE LITE SEAT VERSION WITH TWO ATTACHMENT POINTS TO THE ROLL CAGE (MANDATORY REQUIREMENT FOR GT3 CARS HOMOLOGATED AFTER 1ST JANUARY 2019)



HSC PATENT COMPATIBLE

FIA APPROVED

MANUFACTURER: OMP
MODEL: HRC ONE LITE RC
HOM. NO: AS.083.19
FIA STANDARD: FIA 8862-2009

CARBON FIBER SHELL
W SIDE FIXING POINTS
HANS® COMPATIBLE
FIA 8862-2009



sizing information on page 156

CARBON FIBER SEAT

Best lightness/price rate.

High protection shoulder and head containment, designed to allow installation and comfortable driving position also in GT cars with reduced internal room. Two size available: L (standard), M (thicker upholstery to get higher containment). HC/935 brackets required (not included).

HIGH RESISTANT AND
ULTRALIGHT SHELL

W SIDE FIXING POINTS

HANS® COMPATIBLE

FIA 8862-2009

NEW

LARGE SHOULDER
HARNESS SLOT



REMOVABLE CUSHION
split leg

FIA APPROVED

MANUFACTURER: OMP
MODEL: HTC ONE
HOM. NO: AS.085.19
FIA STANDARD: FIA 8862-2009

sizing information on page 156

FIBERGLASS FIBER SEAT

Innovative ultraproductive shell inspired by the multi world champion OMP HTE ONE EVO seat. High protection and containment, designed to accommodate various heights. Large shoulder harness slots. Upholstering in velour and Airnet.

FIBERGLASS SHELL

W SIDE FIXING POINTS

HANS® COMPATIBLE

NEW

LARGE SHOULDER
HARNESS SLOT

HIGH PROTECTION



HIGH LEVEL OF
PROTECTION AND
CONTAINMENT
AS FROM FIA 8862-2009

FIA APPROVED

MANUFACTURER: OMP
MODEL: HTE EVO VTR
HOM. NO: CS.440.19
FIA STANDARD: FIA 8855-1999

FIA APPROVED

MANUFACTURER: OMP
MODEL: TBD
HOM. NO: TBD
FIA STANDARD: FIA 8855-1999

HTE EVO CARBON

HA/817

CARBON FIBER SEAT

Same features as HA/818, carbon fiber shell.

SEATS HRC-R CARBON AIR HA/786/N

sizing information on page 156

PREIMPREGNATED CARBON FIBER VERSION

COMPLETE WITH AIR COOLING KIT (HC/913) AND PREFORATED BACK CUSHION (HB/703)

Designed to allow installation and comfortable driving position also in GT cars with reduced internal room. Upholstered in high breathability Airnet material. Fits in vehicles with compact cockpits.

The velvet side is thought for the application of containment cushion, which are available in 2 sizes (M or S) see on page 159 ref. HB/701

LARGE SHOULDER HARNESS SLOT

LIGHTWEIGHT CARBON FIBER SHELL
W SIDE FIXING POINTS
HANS® COMPATIBLE



HSC PATENT COMPATIBLE



MANUFACTURER: OMP
MODEL: HRC-R AIR
HOM. NO: CS.293.13
FIA STANDARD: FIA 8855-1999

PERFORATED CUSHION
HB/703

SEAT CUSHION
also available in thicker version (50mm) ref. HB/702

DOUBLE LEG COUSHION

Product financed in cooperation with resources POR CRO Region of Liguria 2007-2013

SEATS HRC-R CARBON HA/788

sizing information on page 156

CARBON FIBER SHELL
W SIDE FIXING POINTS
HANS® COMPATIBLE



HSC PATENT COMPATIBLE

CARBON FIBER VERSION

Designed to allow installation and comfortable driving position also in GT cars with reduced internal room. Upholstered in high breathability Airnet material. Fits in vehicles with compact cockpits.

The velvet side is thought for the application of containment cushion, which are available in 2 sizes (M or S) see on page 159 ref. HB/701

The base cushion is also available in thicker version (50mm) see on page 159 ref. HB/702

LARGE SHOULDER HARNESS SLOT



MANUFACTURER: OMP
MODEL: HRC-D
HOM. NO: CS.296.13
FIA STANDARD: FIA 8855-1999

REMOVABLE CUSHIONS

SEAT CUSHION
also available in thicker version (50mm) ref. HB/702

DOUBLE LEG COUSHION

Product financed in cooperation with resources POR CRO Region of Liguria 2007-2013

SEATS HRC-R FIBERGLASS

HA/793

sizing information on page 156

GEL COATED FIBERGLASS SHELL
W SIDE FIXING POINTS
HANS® COMPATIBLE

PROFESSIONAL RACING SEAT
designed to allow installation and comfortable driving position also in GT cars with reduced internal room. Airtex and velour upholstery.



HSC PATENT COMPATIBLE



PREDRILLED SHELL FOR AIR COOLING KIT HC/913



LARGER SHOULDER harness slots

SIDE HEAD protection

REMOVABLE CUSHIONS

SEAT CUSHION also available in thicker version (50mm) ref. HB/702

DOUBLE LEG COUSHION

HRC-R FIBERGLASS XL

HA/794/N

Same characteristics as HA/793
XL VERSION LARGHER AND HIGHER



HSC PATENT COMPATIBLE



PREDRILLED SHELL FOR AIR COOLING KIT HC/913



MANUFACTURER: OMP
MODEL: HRC FIBERGLASS AIR XL
HOM. NO: CS.313.14
FIA STANDARD: FIA 8855-1999



MANUFACTURER: OMP
MODEL: HRC-FIBERGLASS AIR
HOM. NO: CS.307.14
FIA STANDARD: FIA 8855-1999

Product financed in cooperation with resources POR CRO Region of Liguria 2007-2013

SEATS PROTOTIPO-R

HA/745

sizing information on page 156

CARBON FIBER SHELL
W SIDE FIXING POINTS
HANS® COMPATIBLE

IDEAL SEAT FOR GT CARS
with ultralight carbon shell. Large shoulder harness slots to accommodate various heights. High side bolsters for lateral leg support and maximum protection. Head, back, side, base and splitted leg cushions are removable to allow maximum individual seating comfort. Upholstered entirely in velour. Compatible with Hans device.



MANUFACTURER: OMP
MODEL: MCC/PROTOTIPO
HOM. NO: CS.319.04
FIA STANDARD: FIA 8855-1999

REMOVABLE CUSHIONS head, back, lateral and base

HIGH SIDE BOLSTERS for lateral leg support

SPLIT LEG RESTS to allows maximum individual seating comfort



SHAPED SAFETY HEAD REST

SEATS HTE-R

HA/772E/N

PROFESSIONAL RACING SEAT
upholstering in high breathable
Airnet material.



HSC PATENT
COMPATIBLE

LARGE SHOULDER
HARNESS



MANUFACTURER: OMP
MODEL: HTE FIBERGLASS
HOM. NO: CS.184.06
FIA STANDARD: FIA 8855-1999



REMOVABLE CUSHIONS
back, base, split leg



sizing information on page 156
GEL COATED FIBERGLASS SHELL
W SIDE FIXING POINTS
HANS® COMPATIBLE

SHAPED SAFETY
headrest

IMPROVED
BACK SUPPORT

HTE-R XL HA/771E/N

Same characteristics
as HA/772E



HSC PATENT
COMPATIBLE

XL VERSION
LARGER AND HIGHER



MANUFACTURER: OMP
MODEL: HRC FIBERGLASS XL
HOM. NO: CS.230.09
FIA STANDARD: FIA 8855-1999



SEATS HTE-R CARBON

HA/768E/N

PROFESSIONAL RACING SEAT
Upholstered in high breathable
Airnet material.

CARBON FIBER
SHELL VERSION



MANUFACTURER: OMP
MODEL: HTE CARBON
HOM. NO: CS.146.05
FIA STANDARD: FIA 8855-1999



sizing information on page 156

CARBON FIBER SHELL
W SIDE FIXING POINTS
HANS® COMPATIBLE



HSC PATENT
COMPATIBLE

SEATS HTE-R CARBON XL

HA/779E/N

PROFESSIONAL RACING SEAT
Upholstered in high breathable
Airnet material.

CARBON FIBER
SHELL XL VERSION



MANUFACTURER: OMP
MODEL: HTE CARBON XL
HOM. NO: CS.182.06
FIA STANDARD: FIA 8855-1999



sizing information on page 156

CARBON FIBER SHELL
W SIDE FIXING POINTS
HANS® COMPATIBLE



HSC PATENT
COMPATIBLE

SEATS HTE-R 400

HA/780E/N

PROFESSIONAL RACING SEAT
upholstered in high breathable Airnet material.

SPECIAL VERSION FOR CARS WITH SMALL SPACE IN THE UPPER PART

LARGE SHOULDER HARNESS

400



sizing information on page 156
GEL COATED FIBERGLASS SHELL
W SIDE FIXING POINTS
HANS® COMPATIBLE



HSC PATENT COMPATIBLE

SHAPED SAFETY headrest

FIA APPROVED

MANUFACTURER: OMP
MODEL: HTE 400
HOM. NO: CS.263.12
FIA STANDARD: FIA 8855-1999

SEATS WRC-R

HA/773E/N

PROFESSIONAL RACING SEAT
Upholstered in high breathable Airnet material.

FIA APPROVED

MANUFACTURER: OMP
MODEL: WRC FIBERGLASS
HOM. NO: CS.183.06
FIA STANDARD: FIA 8855-1999

LARGER SHOULDER harness slots



€ 749,00 (C)

sizing information on page 156
GEL COATED FIBERGLASS SHELL
W SIDE FIXING POINTS
HANS® COMPATIBLE



HSC PATENT COMPATIBLE



REMOVABLE CUSHIONS

WRC-R CARBON HA/769E/N

Same characteristics as HA/773E
Sizing information on page 140

CARBON FIBER SHELL VERSION



HSC PATENT COMPATIBLE



FIA APPROVED

MANUFACTURER: OMP
MODEL: WRC XL
HOM. NO: CS.177.06
FIA STANDARD: FIA 8855-1999



WRC-R XL HA/778E/N

Same characteristics as HA/773E
Sizing information on page 140

XL VERSION LARGER AND HIGHER

FIA APPROVED

MANUFACTURER: OMP
MODEL: WRC FIBERGLASS WRC
HOM. NO: CS.025.01
FIA STANDARD: FIA 8855-1999



sizing information on page 156

PROFESSIONAL RACING SEAT
Upholstered in high breathable Airnet material.



HSC PATENT COMPATIBLE

GEL COATED
FIBERGLASS SHELL
W SIDE FIXING POINTS
HANS® COMPATIBLE



LARGE HARNESS SLOTS



MANUFACTURER: OMP
MODEL: ARS
HOM. NO: CS.924.98
FIA STANDARD: FIA 8855-1999

MEDIUM HEIGHT SIDE BOLSTERS
for lateral leg support for higher protection

REMOVABLE CUSHIONS
back, base, and leg

sizing information on page 156

RACING SEAT
Upholstered entirely in velour.



HSC PATENT COMPATIBLE

FIBERGLASS SHELL
W SIDE FIXING POINTS
HANS® COMPATIBLE

SHAPED SAFETY HEADREST

LARGE HARNESS SLOTS



MANUFACTURER: OMP
MODEL: RS-PT
HOM. NO: CS.229.09
FIA STANDARD: FIA 8855-1999

REMOVABLE CUSHIONS
back, base, and leg

HIGH SIDE BOLSTER
for lateral leg support



SEATS CHAMP-R

HA/766E/N

sizing information on page 156

RACING SEAT
Upholstered entirely in velour.



HSC PATENT COMPATIBLE



MANUFACTURER: OMP
MODEL: CHAMP
HOM. NO: CS.826.97
FIA STANDARD: FIA 8855-1999

BASE AND SHOULDERS UPHOLSTERED
with anti-slip material
to allow maximum
adherence to the seat

REMOVABLE CUSHIONS
back and leg

GEL COATED
FIBERGLASS SHELL
W SIDE FIXING POINTS
HANS® COMPATIBLE



SEATS FIRST-R

HA/790/N

sizing information on page 156

ENTRY LEVEL SEAT
Made of fiberglass shell,
large shoulder harness slots to
accommodate various heights.
Entirely upholstered.
Excellent quality/price ratio.



HSC PATENT COMPATIBLE

FIBERGLASS SHELL
W SIDE FIXING POINTS
HANS® COMPATIBLE

LARGE HARNESS SLOTS



MANUFACTURER: OMP
MODEL: FIRST-R
HOM. NO: CS.383.06
FIA STANDARD: FIA 8855-1999

REMOVABLE CUSHION

FIBERGLASS SHELL



sizing information on page 156

RACING SEAT

Tubular steel frame. Excellent quality/price ratio. Exclusive design thanks to modern shape and fresh fluo yellow details. The optimized dimensions allows to mounting the seat also in cars with reduced inner room and the ergonomic is designed to guarantee the best individual seat comfort and an high lateral support Upholstered entirely in velour.



MANUFACTURER: OMP
MODEL: TRS-X
HOM. NO: CS.410.18
FIA STANDARD: FIA 8855-1999

LARGE HARNESS SLOTS

ANTISLIP INSERTS
on shoulders and hips

MEDIUM HEIGHT
SIDE BOLSTERS
for lateral leg support
for higher protection

REMOVABLE
back - base - and leg
cushion for maximum
individual seating comfort



TUBULAR

STEEL FRAME

W SIDE AND Y
BOTTOM FIXING POINTS

HANS® COMPATIBLE



Ryan Hunter-Reay - Andretti Autosport - IndyCar Series



John Filippi - PCR Sport - TCR Europe

SEATS TRS-E PLUS

HA/744E

sizing information on page 156

VINYL RACING SEAT
entirely upholstering in decorated vinyl.
Excellent quality/price ratio.



HSC PATENT
COMPATIBLE

LARGE HARNESS SLOTS



MANUFACTURER: OMP
MODEL: T-RS
HOM. NO.: CS.24330
FIA STANDARD: FIA 8855-1999

HA/744E/NW
black/white

REMOVABLE LEG
CUSHION
rests to allow maximum
individual seating comfort



TUBULAR
STEEL FRAME
W SIDE AND Y
BOTTOM FIXING POINTS
HANS® COMPATIBLE

MEDIUM HEIGHT SIDE
BOLSTERS
for lateral leg support for
higher protection

TRS-E SKY

HA/760E/N

Same characteristics
as HA/744E



HSC PATENT
COMPATIBLE

ONE COLOUR SKY
VERSION
upholstered in
black vinyl



MANUFACTURER: OMP
MODEL: T-RS
HOM. NO.: CS.24330
FIA STANDARD: FIA 8855-1999



SEATS TRS-E

HA/741E

sizing information on page 156

RACING SEAT
entirely upholstering in jacquard
velour. Excellent quality/price ratio.



HSC PATENT
COMPATIBLE

LARGE HARNESS SLOTS



MANUFACTURER: OMP
MODEL: T-RS
HOM. NO.: CS.24330
FIA STANDARD: FIA 8855-1999

HA/741E/B
blue

REMOVABLE LEG
CUSHION
rests to allow maximum
individual seating comfort



TUBULAR
STEEL FRAME
W SIDE AND Y
BOTTOM FIXING POINTS
HANS® COMPATIBLE



HA/741E/R
red



HA/741E/N
black

MEDIUM HEIGHT SIDE
BOLSTERS
for lateral leg support for
higher protection

TRS-E xs

HA/783E/N

Same characteristics
as HA/741E
Sizing information
on page 157

SMALL SIZE
APPROVED



HSC PATENT
COMPATIBLE



MANUFACTURER: OMP
MODEL: TRS-XS
HOM. NO.: CS.29233
FIA STANDARD: FIA 8855-1999



TRS-E XL

HA/781E/N

Same characteristics
as HA/741E
(only W side fixing points)
Sizing information
on page 157
LARGE SIZE
APPROVED



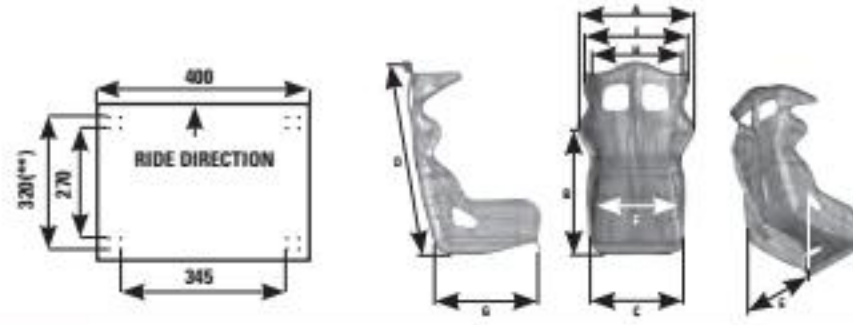
HSC PATENT
COMPATIBLE



MANUFACTURER: OMP
MODEL: TRS-XL
HOM. NO.: CS.27132
FIA STANDARD: FIA 8855-1999



The following measurements are given as a guide. Actual measurements may vary to accommodate production. Seat fitting type: according to FIA regulations the seat must be fixed to the brackets by means of at least four bolts M8 class 8.8. The diagram shows the distances between the fixing points in mm.
 * For FIA 8855-1999 seats the weight refers to the complete seat (tolerance of 10%).
 For FIA 8862-2009 seats the weight refers to the shell (tolerance of 10%).
 ** referring to bottom fixing points of the sliding guide.
TYPE W: inner side int. 289 mm **TYPE Y:** bottom 345x270 mm



LEGEND

A external max width at shoulders
 B seat bottom to mid shoulders
 C seat bottom max external width
 D total height of seat back
 E external max width at seat fixing inserts
 F seat inner width (belt holes area)
 G bottom length
 H internal width between side head protections
 I external width between side head protections
 L height from the bottom to the harness slot
W = side fixing Y = bottom fixing

HOMOLOG.	SHELL	AIRNET MATERIAL	CUSHIONS SPLIT LEG	A	B	C	D	E	F	G	H	I	L	HARNES SLOTS	WEIGHT* (KG)	FIXING
FIA 8862-2009 CARBON FIBER SEATS																
HTE ONE LITE HA/807																
FIA 8862/2009	CARBON		✓	590	610	445	880	395	360	490	350	475	610	5	7.5	W
HTE ONE HA/761E / HTE ONE XL HA/798																
FIA 8862/2009	CARBON		✓	610	620	480	900	385	360	460	340	500	660	5	9.2	W
FIA 8862/2009	CARBON XL		✓	660	670	470	990	395	350	480	300	500	740	5	10.1	W
HTE ONE S HA/801																
FIA 8862/2009	CARBON		✓	610	620	480	900	385	360	460	340	500	660	5	12.5	W
HRC-ONE LITE HA/800 / HRC-ONE LITE RC HA/805																
FIA 8862/2009	CARBON	✓	✓	620	610	455	880	395	365	480	350	480	615	5	6.8	W
FIA 8862/2009	CARBON RC	✓	✓	595	610	440	880	395	360	490	350	500	615	5	6.8	W
HRC-ONE HA/789																
FIA 8862/2009	CARBON	✓	✓	600	620	470	900	390	370	470	350	480	630	5	9.2	W
HTC ONE HA/815																
FIA 8862/2009	CARBON	✓	✓	595	620	500	910	465	390	460	320	475	640	5	9	W
FIA 8855-1999 CARBON FIBER SEATS																
HRC-R CARBON AIR HA/786 / HRC-R CARBON HA/788																
FIA 8855/1999	CARBON	✓	✓	615	635	460	890	395	365	470	345	490	620	5	6.0	W
HTE-EVO HA/817																
FIA 8855/1999	CARBON	✓		590	620	450	900	390	380	450	400	440	620	5	6.0	W
PROTOTIPO HA/745																
FIA 8855/1999	CARBON	✓	✓	530	520	440	790	385	380	480	360	450	570	5	6.1	W
HTE-R CARBON HA/788E / HTE-R CARBON XL HA/799E																
FIA 8855/1999	CARBON	✓	✓	560	560	465	880	390	370	470	330	490	665	5	6.6	W
FIA 8855/1999	CARBON XL	✓	✓	560	580	485	890	425	390	490	330	490	665	5	6.8	W
WRC-R CARBON HA/789E																
FIA 8855/1999	CARBON	✓	✓	590	600	495	890	400	365	490	/	/	645	5	5.6	W

HOMOLOGATION	SHELL	AIRTEX® MATERIAL	CUSHIONS SPLIT LEG	MEASURE IN MM													HARNES SLOTS	WEIGHT* (KG)	FIXING
				A	B	C	D	E	F	G	H	I	L						
FIA 8855-1999 FIBERGLASS SEATS																			
HTE-EVO HA/818																			
FIA 8855/1999	FIBERGLASS	✓		590	620	455	910	390	375	460	390	450	620	5	9.9	W			
HRC-R FIBERGLASS HA/793 / HRC-R FIBERGLASS XL HA/794																			
FIA 8855/1999	FIBERGLASS	✓	✓	620	635	470	900	390	365	470	370	530	620	5	9.5	W			
FIA 8855/1999	FIBERGLASS XL	✓	✓	610	680	490	980	425	400	480	360	520	675	5	10.3	W			
HTE-R HA/772E / HTE-R XL HA/771E / HTE-R 400 HA/781E																			
FIA 8855/1999	FIBERGLASS	✓		560	570	515	880	420	390	490	315	480	665	5	9.9	W			
FIA 8855/1999	F.G.LASS 400 COMPACT	✓		560	570	515	880	420	390	490	315	400	665	5	9.8	W			
FIA 8855/1999	FIBERGLASS XL	✓		560	580	530	905	440	440	480	301	490	670	5	11.5	W			
M+S HA/806F																			
FIA 8855/1999	FIBERGLASS			600	650	480	880	410	400	440	/	/	650	5	8.5	W			
WRC-R HA/773E / WRC-R XL HA/778E																			
FIA 8855/1999	FIBERGLASS	✓	✓	620	600	510	890	410	390	480	/	/	645	5	8.9	W			
FIA 8855/1999	FIBERGLASS XL	✓	✓	665	600	520	920	430	415	480	/	/	700	5	10.9	W			
ARS-R HA/774E																			
FIA 8855/1999	FIBERGLASS	✓		590	600	500	910	420	370	490	/	/	615	5	9.9	W			
RS-P.T. 2 HA/762E																			
FIA 8855/1999	FIBERGLASS			565	560	510	880	420	395	480	340	510	675	5	10.4	W			
CHAMP-R HA/766E																			
FIA 8855/1999	FIBERGLASS			590	575	520	890	400	360	480	/	/	615	5	8.9	W			
FIRST-R HA/790																			
FIA 8855/1999	FIBERGLASS			620	600	510	890	410	390	480	/	/	630	5	9.4	W			
FIA 8855-1999 TUBULAR STEEL FRAME SEATS																			
TRS-X HA/803																			
FIA 8855/1999	TUBULAR STEEL			570	620	500	935	410	390	470	/	/	600	5	10.8	W Y			
TRS-E SKY HA/760E / TRS LEGEND HA/775 / TRS-E PLUS HA/744E																			
FIA 8855/1999	TUBULAR STEEL			585	640	510	890	410	390	470	/	/	600	5	10.8	W Y			
TRS-E HA/741E / TRS-E XS HA/783E / TRS-E XL HA/781E																			
FIA 8855/1999	TUBULAR STEEL			585	640	510	890	410	390	470	/	/	600	5	10.3	W Y			
FIA 8855/1999	T. STEEL XS			520	600	420	870	395	330	470	/	/	575	5	10.2	W Y			
FIA 8855/1999	T. STEEL XL			625	680	540	950	450	415	520	/	/	655	5	12.3	W Y			

AIR COOLING KIT

HC/913

COOLING COMFORT

Air cooling kit to be mounted on pre-drilled seat shell (all OMP "Air" seats). This system give a new level of cooling comfort to the drivers specially during long races in very hot condition.

The kit includes:

- a shell to be mounted on the the back of the seat with included bihadesive tape (HC/913/G)
- a connection hose (1,5" x 2mt) with inner metal spiral (HC/913/T) that can be fixed to the shell and to the blower HC/914 or to others air sources (inner intake of the car)
- a connection junction in rubber (HC/913/R)
- 45° connection junction in rubber (HC/913/R45)

All components are sold also separately as spare parts.



BACK CUSHION

HB/703

Preforated back cushion to allow the best cooling effect of OMP air cooling system HC/913. Airnet material.

2 SIZES:

- M for HRC Fiberglass (HA/793)
- XL for HRC Fiberglass XL (HA/794)



AIR BLOWER

HC/914

for Air Cooling Kit HC/913



AIR SHELL DIFFUSER
HC/913/G

HOSE
1,5" flexible hose
HC/913/T

CONNECTION
HC/913/R45

CONNECTION
HC/913/R

RACING SEATS ACCESSORIES

SPARE COLORED HARNESS SHOULDER KIT

HC/930

Kit of spare harness slots adaptable on most of OMP racing seat. Several colors available: black like the original ones, white, red, fluo green, fluo orange, fluo yellow.



SPARE COLORED HARNESS LATERAL KIT

HC/931

Kit of spare harness slots adaptable on most of OMP racing seat. Several colors available: black like the original ones, white, red, fluo green, fluo orange, fluo yellow.



LATERAL PAIR CUSHIONS

HB/701

For HRC seats. Sizes: S, M
Velour material.



LEG CUSHIONS

HB/698

Performed leg support cushions. Airnet material.



LEG CUSHIONS

HB/700

2 pieces flat leg support cushions. Airnet material.



SEAT CUSHIONS

HB/702

Thicker seat cushions for HRC seat. Antislip velvet.



SEAT CUSHIONS

A Back support cushion, small

HB/692

B Lumbar support cushion, medium

HB/662

C Seat cushion

HB/695

D Leg support cushion

HB/693



HSC PATENT

HC/893

Adjustable aluminium cover for 3 safety belt's positions setting. **PATENTED**



HEAD CUSHION

HB/699

Velour material.

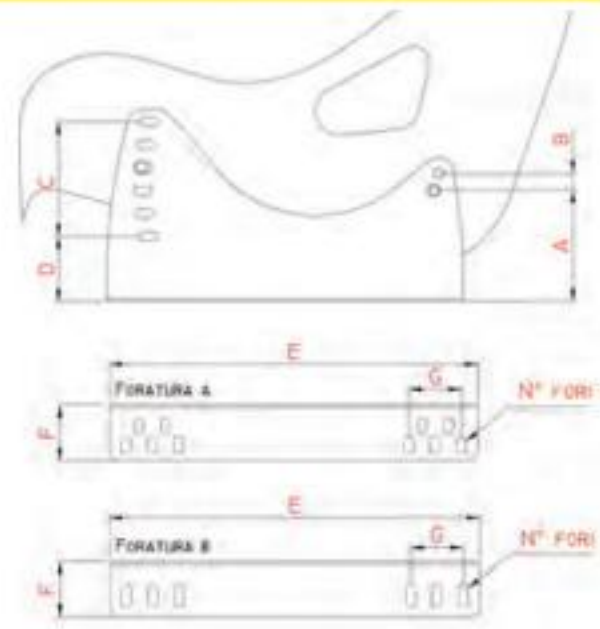


UNIVERSAL BRACKETS

SIDE MOUNT BRACKET DIMENSIONS

The dimensions are in mm.

BRACKET	Lowest rear mounting hole "A"	Rear range "B"	Front range "C"	Lowest front mounting hole "D"	Type of bolt pattern	Length of mounting plate "E"	Width of mounting plate "F"	Longitudinal range "G"	Number of holes
HC/731E	110	34.5	93	70.5	B	380	45	75	4
HC/733E	109	17	94	70.5	A	350	52	25	3
HC/830	77	66	66	77	B	495	48.5	126	6
HC/833E	112	51	108	73.5	A	422.5	59	112.5	10
HC/922	85	81	81	85	B	400	52	75	4
HC/923	75,5	100	100	75,5	B	495	50	125	6
HC/924	85	81	81	85	B	400	52	75	4
HC/925	75,5	100	100	75,5	B	495	50	125	6



STEEL BRACKET

HC/922 FIA APPENDIX J ART. 253

Tall model. Steel. Length: 400 mm Thickness: 3 mm Ultra strong material.



STEEL BRACKET

HC/731E FIA APPENDIX J ART. 253

Tall model. Steel. Length: 380 mm Thickness: 3 mm Ultra strong material.



STEEL BRACKET

HC/733E FIA APPENDIX J ART. 253

Low model. Steel. Length: 350 mm Thickness: 3 mm Ultra strong material.



STEEL BRACKET

HC/923 FIA APPENDIX J ART. 253

Tall model. Steel. Length: 380 mm Thickness: 3 mm Ultra strong material.



ALUMINIUM BRACKET

HC/833E FIA APPENDIX J ART. 253

Tall model. Aluminium. Length: 422,5 mm Thickness: 6 mm Ultra strong material. Colours: HC/833E aluminium HC/833E/N black



ALUMINIUM BRACKET

HC/925 FIA APPENDIX J ART. 253

Tall model. Aluminium. Length: 495 mm Thickness: 6 mm Ultra strong material.



ALUMINIUM BRACKET

HC/924 FIA APPENDIX J ART. 253

Tall model. Aluminium. Length: 400 mm Thickness: 6 mm Ultra strong material.



ALUMINIUM BRACKET

HC/830 FIA APPENDIX J ART. 253

Tall model equipped with a damper. Aluminium. Patented model. Length: 495 mm Thickness: 6 mm



DAMPING ELEMENT to reduce vertical loads on the driver. Suitable for off-road.

SPECIFIC BRACKETS

SEAT BRACKET for HTE ONE LITE

HC/934

FIA 8862-2009

NEW



SEAT BRACKET for HTC ONE

HC/935

FIA 8862-2009

NEW



SEAT BRACKET for HTE ONE - HTE ONE S

HC/880

FIA 8862-2009



SEAT BRACKET for HRC ONE

HC/907

FIA 8862-2009



SEAT BRACKET for HTE ONE XL

HC/928

FIA 8862-2009



SEAT BRACKET for HRC ONE LITE - HRC ONE LITE RC

HC/929

FIA 8862-2009



LOWER MOUNTING HOLES

STEEL BRACKET

HC/665

Sliding rail kit to be mounted between the brackets and the seat. Steel. Not FIA approved.



STEEL BRACKET

HC/660

Pair of "L" shaped brackets to fit seats with lower attachment points (type Y) to side brackets. Steel. Thickness: 3 mm



UNIVERSAL SEAT SUBFRAME

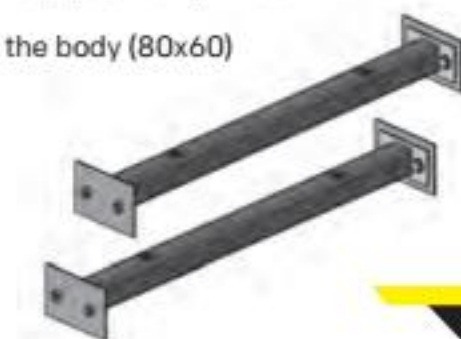
HC/879

Weld-in universal seat subframe to be adapted to the shell of the vehicle. Two 35mm squared pipes. Length: 600 mm

4 plates for direct welding to the body (80x60 thickness 3 mm).

4 plates for direct welding to the tube (60x40 thickness 3 mm)

4 buckles for welding M8.



ALUMINIUM UNIVERSAL BRACKET

HC/666

Universal couple of brackets for seat with lower attachments. Aluminium. Not FIA approved.



SEATS CLASSIC

HA/737E

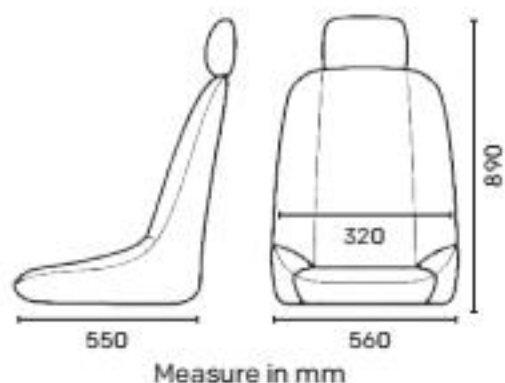
'70S REVIVAL VINTAGE SEAT
Upholstered in faux leather and velvet.

TUBULAR STEEL FRAME
M8 LOWER FIXING
POINTS 345X270 MM Y

ADJUSTABLE VELVET HEADREST
for greater comfort

RAISED BACKREST
and velvet seat

FAUX LEATHER SIDES



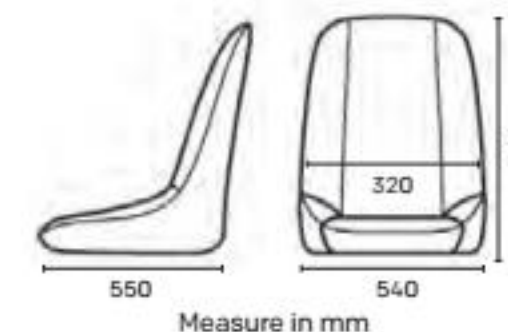
SEATS SILVERSTONE

HA/756/N

VINTAGE SEAT SPECIFIC FOR OPEN CARS
Upholstered in faux leather.

TUBULAR STEEL FRAME
M8 LOWER FIXING
POINTS 345X270 MM Y

FAUX LEATHER SEAT
and back with
horizontal quilting.



SEATS BRANDSHATCH

HA/757/N

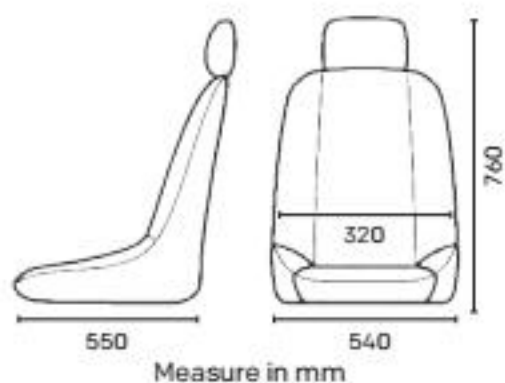
VINTAGE '60S STYLE SEAT
Upholstered in faux leather and velvet.

TUBULAR STEEL FRAME
M8 LOWER FIXING
POINTS 345X270 MM Y

ADJUSTABLE VELVET HEADREST
for greater comfort

RAISED BACKREST
and velvet seat

FAUX LEATHER SIDES



SEATS TRS - LEGEND

HA/775/N

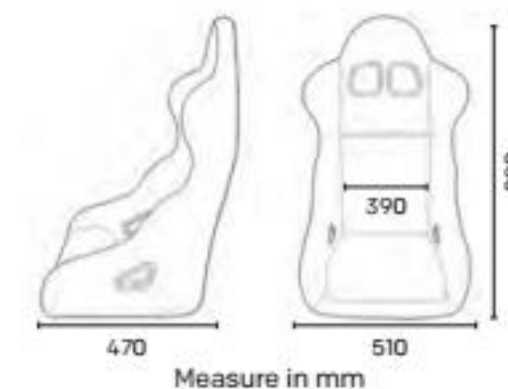
SEAT FIA HOMOLOGATED
Completely covered in faux
leather with contrast stitching.

TUBULAR STEEL FRAME
HOMOLOGATION
FIA 8855-1999
W SIDE AND Y BOTTOM
FIXING POINT
HANS® COMPATIBLE

LARGE SHOULDER HARNESS SLOTS
to accommodate various heights.



LEG CUSHION
for greater comfort.



SEATS M+S

OFF ROAD RACING SEAT

Lightweight bare fiberglass shell with large shoulder harness slots to accommodate various heights. Complete with simple waterproof neoprene padding. Entirely washable seat.

Available in FIA 8855-1999 homologated version (HA/806F) or without homologation label for not FIA rules competition (HA806).



LARGER SHOULDER harness slots

NEOPRENE PADDING

SPARE NEOPRENE PADDING KIT
XHA/806/KIT

HA/806

HA/806F

FIA 8855-1999 homologated version



MANUFACTURER: OMP
MODEL: WRC FIBERGLASS
HOM. NO: CS185.06
FIA STANDARD: FIA 8855-1999

sizing information on page 156

W SIDE TYPE ATTACHMENTS
5 HARNESS SLOTS

SEE PAGES 118 AND 260
FOR OFF ROAD SUITABLE RACEWEAR

SEATS RAID 2

HA/776T/N

BREATHABLE FABRIC

Reclinable seat for off-road cars. Quick-tilting mechanism for simple rear seat access.

STEEL FRAME Y BOTTOM

FIXING POINTS 345X270 MM
SYNTHETIC LEATHER INSERTS

sizing information on page 156

UPHOLSTERED in texture fabric and synthetic leather.

SYNTHETIC CARBON LOOK LEATHER REINFORCEMENTS on the sides.



HA/776E/N

SKY VERSION

Washable sky upholstery with synthetic carbon look leather reinforcements on the sides.



SEE PAGES 118 AND 260
FOR OFF ROAD SUITABLE RACEWEAR

SEATS STYLE

HA/719E/N

TUBULAR STEEL

M8 Y BOTTOM FIXING POINTS

345X270 MM

3 SEAT BELT OPENINGS

UPHOLSTERED IN A TEXTURED FABRIC "A-TEX EVO"
abrasion resistant, comfortable in hot or cold conditions.
Thickness: 3mm



ANATOMIC SHAPE

PRECISION RECLINING
MECHANISM
and quick-tilting mechanism
to facilitate rear seat access

ALUMINIUM BRACKET

HC/830 FIA APPENDIX J ART. 253

Tall model equipped
with a damper.
Aluminium.
Patented model.
Length: 495 mm
Thickness: 6 mm



DAMPING ELEMENT
to reduce vertical loads
on the driver.
Suitable for off-road.

AIR CUSHION

HB/665/CA

Air cushion seat, upholstered in black synthetic leather,
pressurizing valve on the front for easy adjustment.
Adaptable to any seat, best in cases of high stress
as in off-road and speedboat.



SEATS DESIGN 2

HA/736E/N

TUBULAR STEEL

M8 Y BOTTOM FIXING POINTS

345X270 MM

2 SEAT BELT OPENINGS

UPHOLSTERED IN A TEXTURED FABRIC "A-TEX EVO"
abrasion resistant, comfortable in hot or cold conditions.
Thickness: 3mm



HIGH SIDE

PRECISION RECLINING
MECHANISM
and quick-tilting mechanism
to facilitate rear seat access

SEATS STRADA

HA/750/N

TUBULAR STEEL

M8 Y BOTTOM FIXING POINTS

345X270 MM

2 SEAT BELT OPENINGS

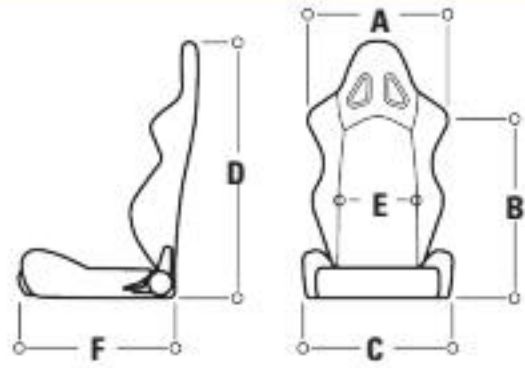
UPHOLSTERED IN A TEXTURED FABRIC "A-TEX EVO"
abrasion resistant, comfortable in hot or cold conditions.
Thickness: 3mm



HIGH SIDE

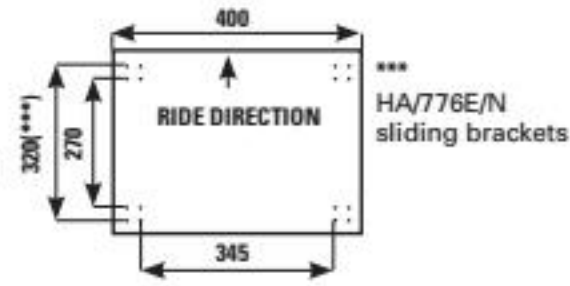
PRECISION RECLINING
MECHANISM
and quick-tilting mechanism
to facilitate rear seat access

SEATS TECHNICAL SPECIFICATIONS









LEGEND

- A ext. max width at shoulders
- B seat bottom to mid shoulders
- C ext. max width of side bolsters
- D tot. height of seat back
- E inner width between lateral torso protections
- F bottom length
- W = side fixing (289 mm)
- Y = bottom fixing (345x270 mm)



MEASURE IN MM

SHELL	A	B	C	D	E	F	HARNESS SLOT	FIXING	
STYLE / RAID2									
Tubular steel	560	630	510	970	300	560	3	Y	 HA/719E/N  HA/776T/N  HA/776E/N
DESIGN 2									
Tubular steel	540	640	510	950	310	560	3	Y	 HA/736E/N
STRADA									
Tubular steel	540	640	510	950	310	560	2	Y	 HA/750/N
M+S									
Fiberglass shell	620	600	510	890	410	390	5	W	 HA/806

SEAT BRACKETS

UNIVERSAL SLIDING RAIL

HC/665

Kit to be mounted between seat and seat bracket.



SEAT BRACKET SPACER

HC/857

Seat bracket spacer allows the seat height to be adjusted, depending on which side is used for mounting. No FIA.



Height: + 25 mm or + 50 mm above the vehicle specific adaptor.

SEAT BRACKET SPACER

HC/858

Seat bracket spacer to consent seat adjustment. Height: + 50 mm, + 62 mm and + 75 mm respect to the vehicle specific adaptor. Inclination: 2.5° or 5° seat angle adjustments.



ADAPTORS FOR SEAT FIXING BRACKETS

HC/.....

see the application list on:



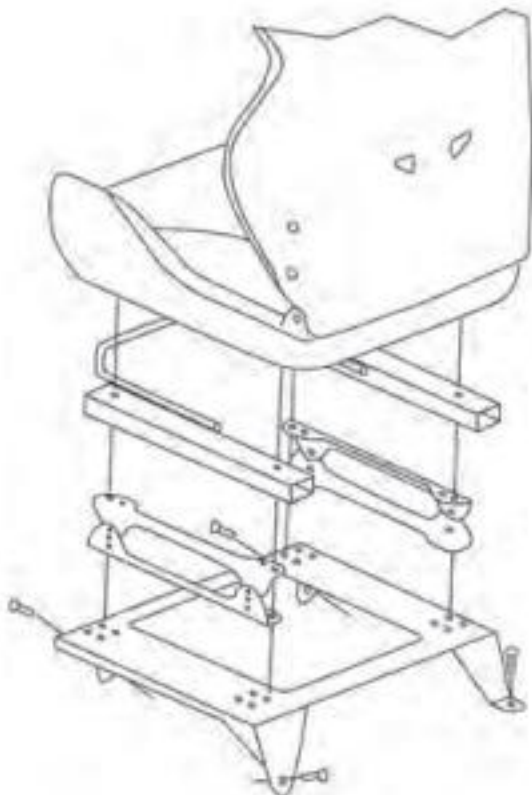
Sample image

Search Complete Application List, for the complete list of available items also on www.ompracing.com

SEAT MOUNTING EXAMPLES

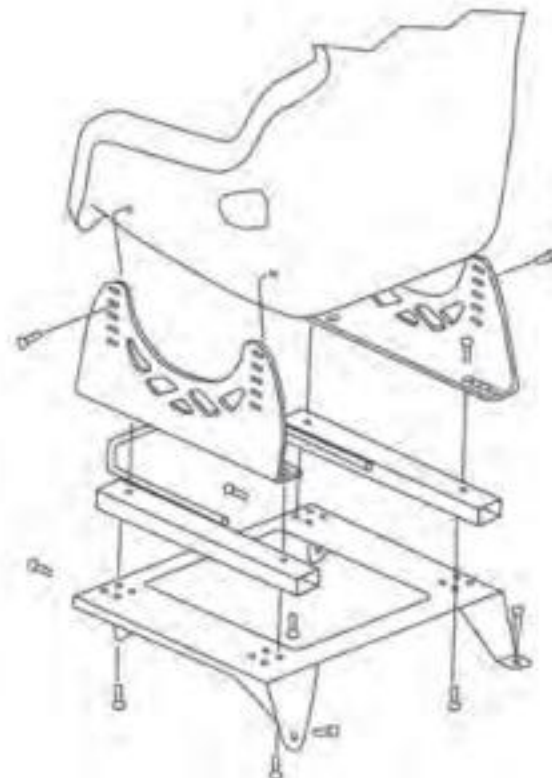
Seat with lower attachments points

- 1 Sliding brackets (HC/665)
- 2 Optional seat bracket spacer (HC/857 or HC/858)
- 3 Seat mounting bracket (vehicle specific)



Seat with side attachments points

- 1 Side mounting brackets (Racing)
- 2 Sliding brackets (HC/665)
- 3 Seat mounting bracket (vehicle specific)



The consolidated experience in racing world and the increasing collaboration with the most important drivers and teams leads to a wide range of safety harnesses suitable to meet the needs of all drivers for any type of cars.

ONE-D

Is the premium level of OMP safety harnesses: lightweight buckle and forged aluminium adjusters joined with comfortable and ultralightweight straps in **Dyneema® the world strongest fiber™** World F1 Champion with Mercedes AMG Petronas Motorsport.

ONE

Lightweight buckle, forged aluminium adjusters and polyester fabric straps guarantees high comfort and performance.

TECNICA

Lightweight buckle, adjusters in steel and aluminium, polyester fabric straps. Good choice to get great performance at reasonable price.

FIRST

Professional buckle and high quality steel adjusters, straps in polyester fabric. Best money-saving range of product without sacrificing quality and comfort.

RACING



PAG. 174

OFF ROAD



PAG. 192

OMP

Official Team Supplier



AMG
PETRONAS
MOTORSPORT

SAFETY HARNESSSES



Lightweight buckle with anti-unwitting opening system. FIA 8853/2016

A



Professional buckle. FIA 8853/2016

B



Lightweight steel snap hook

M



Lightweight steel carabiner.

N



Plate attachment.

O



Professional ultra lightweight quick release adjuster made of high strength forged aluminum, designed to minimize the weight and slipping of the webbing, ergonomic and compact.

C



Professional ultra lightweight quick release adjuster made of high strength forged aluminum, designed to minimize the weight and slipping of the webbing, ergonomic and compact.

D



Professional lightweight quick release adjuster made of high strength forged aluminum, designed to minimize the weight and slipping of the webbing, ergonomic and compact.

E



Snap hook attachment made of steel with high mechanical strength designed to improve performance and for optimum safety.

P



Webbing end sewn specifically for formula cars attach.

Q



Homologated for direct attachment to roll bars.

R



Exclusive double pin T-bar crotch attachment.

F



New lightweight quick release adjuster made of steel and high strength aluminum, ergonomic and compact.

G



Professional adjuster made of high strength steel.

H



Buckle fixed to the lap strap.

S



Buckle fixed to the crotch strap.

T



Runner for fixing intercom connectors.

U



Ultra lightweight Dyneema®, the world strongest fiber™ straps with comfortable webbings.

I



Lightweight polyester straps with comfortable webbings.

L



Runner for use with rubber bands - specifically for GT cars.

V

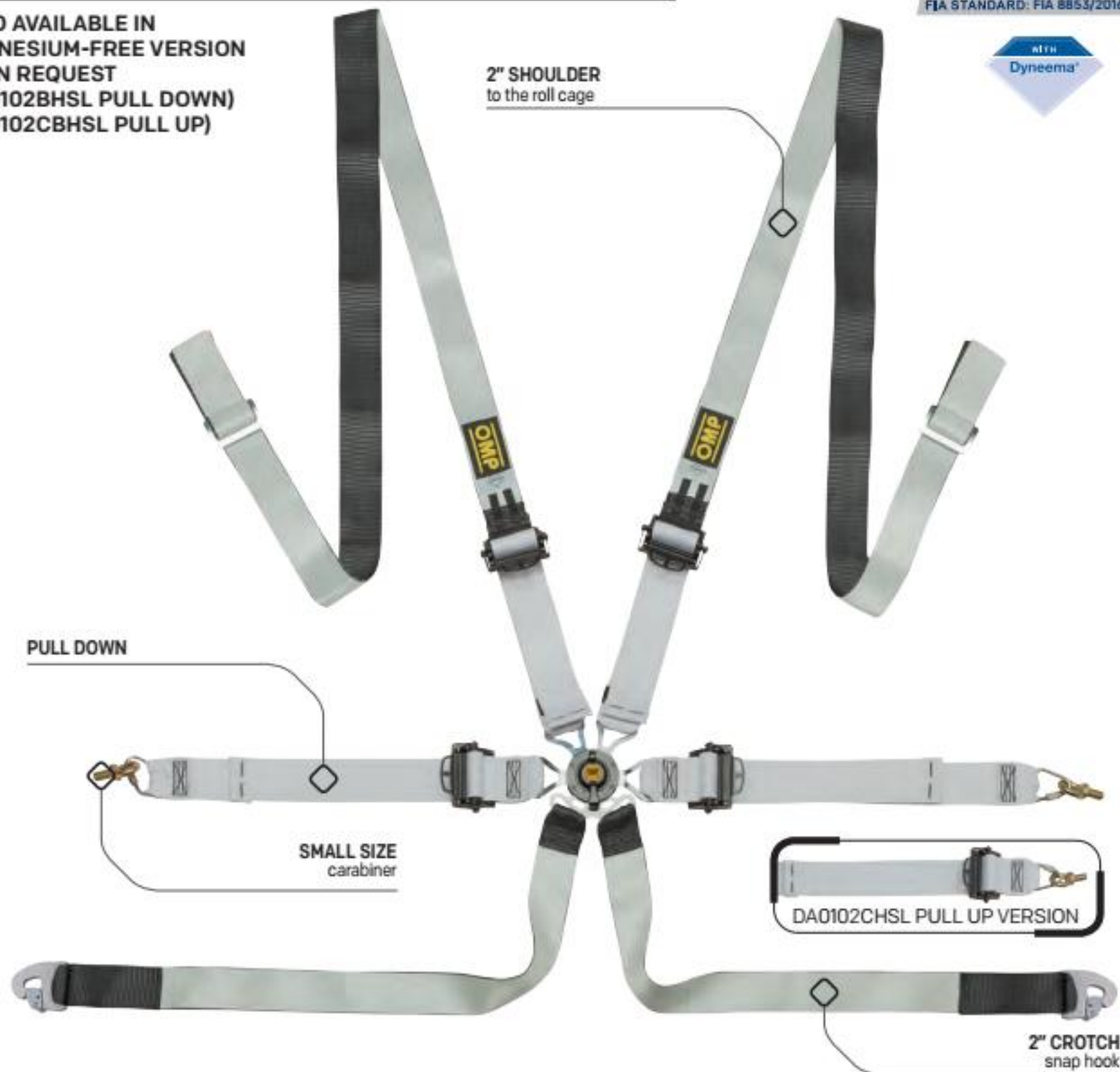
SALOON PULL DOWN OR PULL UP

Ultralightweight and comfortable safety harness for saloon cars in **Dyneema®**, the world strongest fiber™. Forged aluminium ultralight adjusters, buckle in ergal machined from solid and magnesium. The Harness ensures best safety level ever thanks to the ultra-resistant buckle with an anti-unwitting opening system and exclusive double pin T-bar crotch attachments. Adjustable setting of shoulder and lap straps with exclusive F1-inspired "double fold" system for a practical and strong hold.

ALSO AVAILABLE IN MAGNESIUM-FREE VERSION UPON REQUEST (DA0102BHSL PULL DOWN) (DA0102CBHSL PULL UP)



MANUFACTURER: OMP
MODEL: DA0102
HOM. NO: SH.025.17-T-6
FIA STANDARD: FIA 8853/2016



I ULTRALIGHT DYNEEMA	C PROFESSIONAL ULTRA LIGHTWEIGHT ADJUSTER	N LIGHTWEIGHT STEEL CARABINER
A LIGHT WEIGHT BUCKLE	U FIXING INTERCOM CONNECTORS	M LIGHTWEIGHT STEEL SNAP HOOK
R HOMOLOGATED FOR ROLL BAR	F EXCLUSIVE DOUBLE PIN T-BAR CROTCH ATTACHMENT	T BUCKLE FIXED TO THE CROTCH STRAP

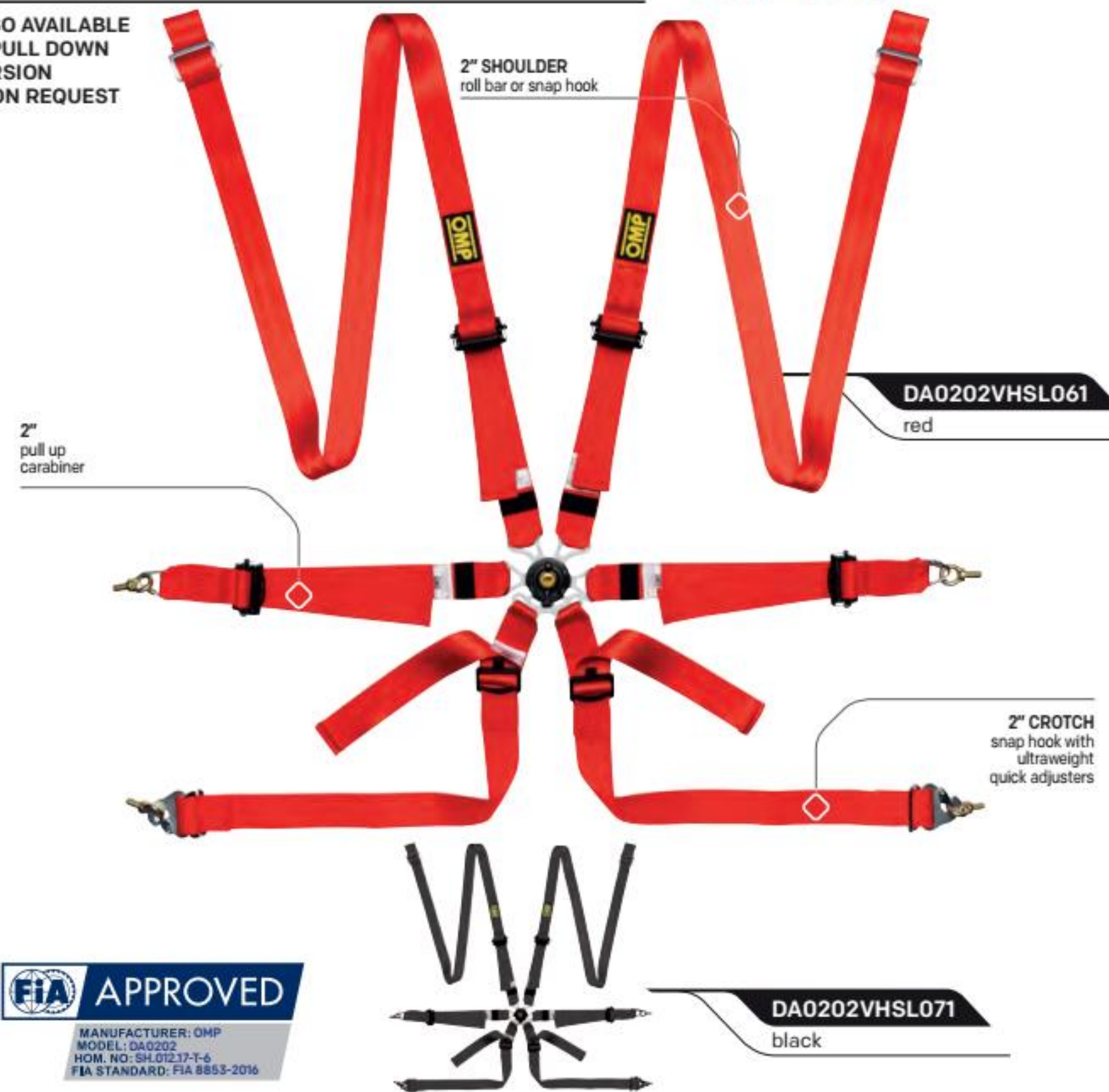
SALOON PULL UP

Lightweight, comfortable and versatile safety harness for saloon cars in polyester fabric. Forged aluminium ultralight adjusters, buckle in ergal machined from solid and magnesium.

WITH QUICK ADJUSTERS ON CROTCH STRAPS.

NEW

ALSO AVAILABLE IN PULL DOWN VERSION UPON REQUEST



MANUFACTURER: OMP
MODEL: DA0202
HOM. NO: SH.012.17-T-6
FIA STANDARD: FIA 8853-2016

C ULTRALIGHT WEIGHT ADJUSTER	R HOMOLOGATED FOR ROLL BAR	P STEEL SNAP HOOK
A LIGHTWEIGHT BUCKLE	N SMALL SIZE CARABINER	U FIXING INTERCOM CONNECTORS
F EXCLUSIVE DOUBLE PIN T-BAR CROTCH ATTACHMENT	L LIGHTWEIGHT POLYESTER STRAPS	T BUCKLE FIXED TO THE CROTCH STRAP

SUPERLIGHT PROFESSIONAL SAFETY BELT PULL DOWN

2" shoulder straps to be used only with the FHR system

DA0202HSL061
red

PULL DOWN 2" lap strap with ultrafast adjuster

2" T-TYPE crotch strap

DA0202B PULL UP VERSION

DA0202HSL071
black



MANUFACTURER: OMP
MODEL: DA0202
HOM. NO: SH.012.17-T-6
FIA STANDARD: FIA 8853/2016



SALOON PULL UP CONVERTIBLE IN PULL DOWN

Lightweight and comfortable safety harness for saloon cars in polyester fabric. Ultralightweight aluminium adjuster on shoulders, steel and high strength aluminium lightweight adjusters on lap, buckle in ergal machined from solid and magnesium. The harness ensures best safety level ever thanks to the ultra-resistant buckle with an anti-unwitting opening system and exclusive double pin T-bar crotch attachments.

2 2/3" SHOULDER roll bar

2" lap strap with ultrafast adjuster (pull up convertible in pull down)

2" CROUCH snap-hook

DA0205HSL071
black



MANUFACTURER: OMP
MODEL: DA0205
HOM. NO: SH.052.18-T-6
FIA STANDARD: FIA 8853/2016



DA0205HSL061
red

SALOON PULL DOWN ENDURANCE

Lightweight and comfortable safety harness for saloon cars in polyester fabric. Ultralightweight aluminium adjuster on shoulders, steel and high strength aluminium lightweight endurance adjusters on lap, buckle in ergal machined from solid and magnesium. The harness ensures best safety level ever thanks to the ultra-resistant buckle with an anti-unwitting opening system and exclusive double pin T-bar crotch attachments.



DA0205BHSL071

black

2 2/3" SHOULDER roll bar

2" endurance pull down with snap hook

ultrafast adjuster

2" CROTCH snap-hook



DA0205BHSL061

red



LIGHTWEIGHT POLYESTER STRAPS



HOMOLOGATED FOR ROLL BAR



BUCKLE FIXED TO THE CROTCH STRAP



PROFESSIONAL LIGHTWEIGHT QUICK RELEASE ADJUSTER



FIXING INTERCOM CONNECTORS



LIGHTWEIGHT BUCKLE



PROFESSIONAL ULTRA LIGHTWEIGHT QUICK RELEASE



STEEL SNAP HOOK



EXCLUSIVE DOUBLE PIN T-BAR CROTCH ATTACHMENT

SALOON PULL UP

Lightweight and comfortable safety harness for saloon cars in polyester fabric. Steel and high strength aluminium lightweight adjusters, buckle in ergal machined from solid and magnesium. The harness ensures best safety level ever thanks to the ultra-resistant buckle with an anti-unwitting opening system and exclusive double pin T-bar crotch attachments.

NEW



DA0203L061

red

3" SHOULDER to the roll cage

3" PULL UP carabiner

2" CROTCH snap-hook



DA0203L071

black



NEW BUCKLE



HOMOLOGATED FOR ROLL BAR



LIGHTWEIGHT STEEL CARABINER



LIGHTWEIGHT QUICK RELEASE ADJUSTER



FIXING INTERCOM CONNECTORS



STEEL SNAP HOOK



LIGHTWEIGHT POLYESTER STRAPS



BUCKLE FIXED TO THE CROTCH STRAP



EXCLUSIVE DOUBLE PIN T-BAR CROTCH ATTACHMENT

SALOON PULL UP

Lightweight and comfortable safety harness for saloon cars in polyester fabric. Steel and high strength aluminium lightweight adjusters, buckle in ergal machined from solid and magnesium. The harness ensures best safety level ever thanks to the ultra-resistant buckle with an anti-unwitting opening system and exclusive double pin T-bar crotch attachments.



DA0203HL061
red

2 2/3" SHOULDER
roll bar

PULL UP 3"
carabiner

2" CROTCH
snap-hook



DA0203HL071
black



NEW BUCKLE



HOMOLOGATED
FOR ROLL BAR



LIGHTWEIGHT
STEEL
CARABINER



LIGHTWEIGHT
QUICK RELEASE
ADJUSTER



FIXING
INTERCOM
CONNECTORS



STEEL SNAP
HOOK



LIGHTWEIGHT
POLYESTER
STRAPS



BUCKLE FIXED TO THE
CROTCH STRAP



EXCLUSIVE
DOUBLE PIN
T-BAR CROTCH
ATTACHMENT

SALOON PULL UP ENTRY LEVEL 3"

Lightweight and comfortable safety harness for saloon cars in polyester fabric. Strong steel adjusters. Buckle in aluminium and steel with an improved quality/price ratio that ensures same quality at lower price.



DA0204E071
black

3" SHOULDER
roll bar

3"
pull up
snap hook

2" CROTCH
snap-hook



DA0204E061
red



PROFESSIONAL
STEEL
ADJUSTER



BUCKLE FIXED TO THE
CROTCH
STRAP



LIGHTWEIGHT
POLYESTER
STRAPS



PROFESSIONAL
BUCKLE



HOMOLOGATED
FOR ROLL BAR



STEEL SNAP
HOOK

SAFETY HARNESES

FIRST 3+2

DA0204EH

SALOON

6 POINTS
FHR ONLY

SALOON PULL UP ENTRY LEVEL 2"/3"

Lightweight and comfortable safety harness for saloon cars in polyester fabric. Strong steel adjusters. Buckle in aluminium and steel with an improved quality/price ratio that ensures same quality at lower price.



2 2/3" SHOULDER roll bar

3" pull up snap hook

DA0204EH071
black

2" CROTCH snap-hook

DA0204EH041
blue

DA0204EH178
black/fluvo yellow

DA0204EH061
red



SAFETY HARNESES

FIRST 2

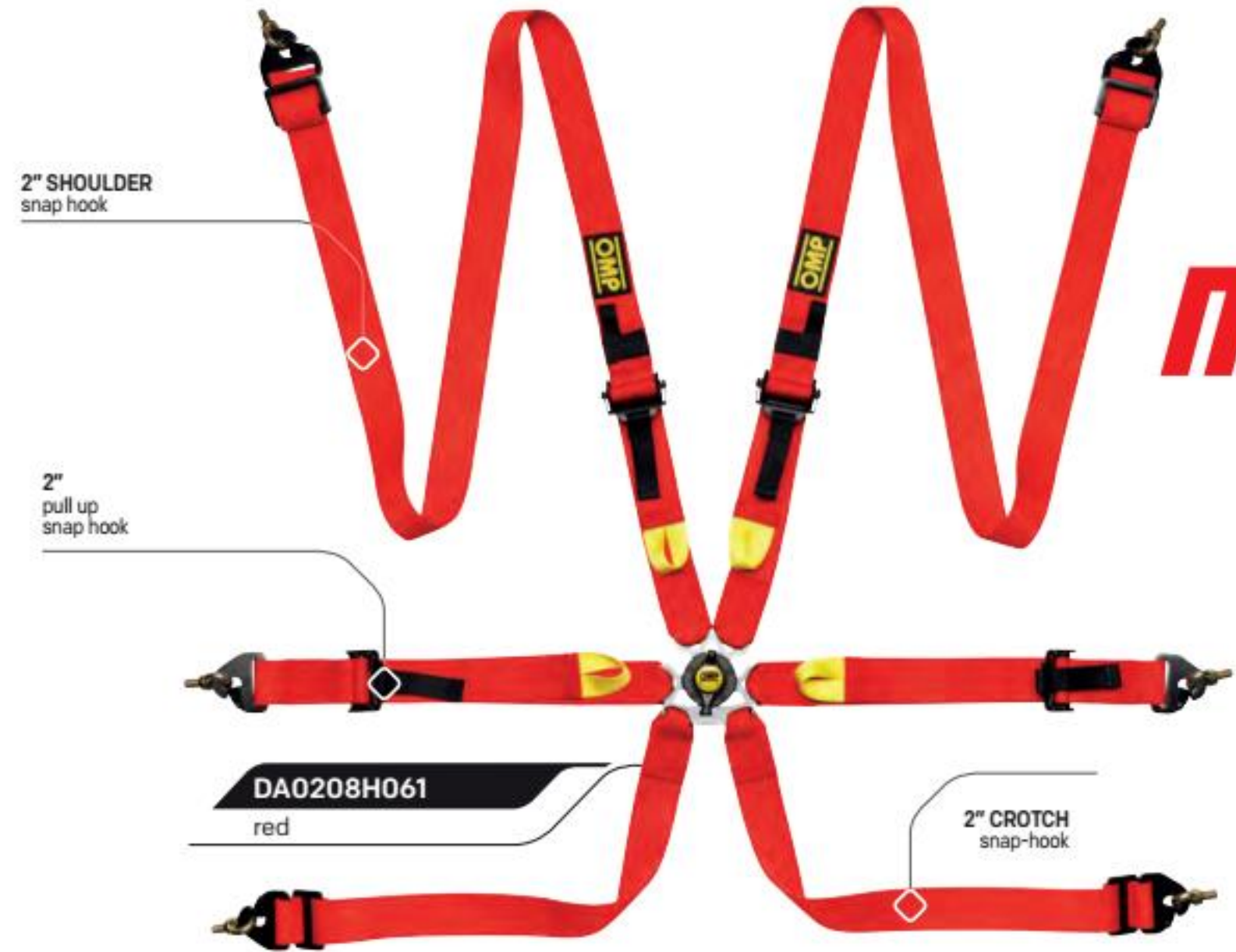
DA0208H

SALOON

6 POINTS
FHR FRIENDLY

SALOON PULL UP

Lightweight and comfortable entry level safety harness in polyester fabric for saloon cars. Steel adjusters on lap, steel and aluminium adjusters on shoulder, buckle in aluminium and steel with an improved quality/price ratio that ensures same quality at lower price.



2" SHOULDER snap hook

2" pull up snap hook

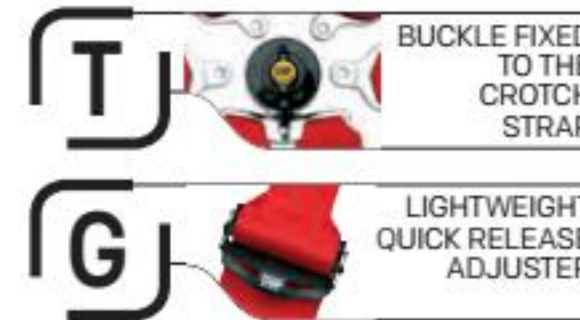
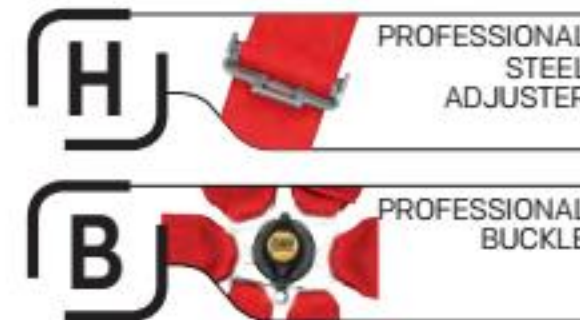
DA0208H061
red

2" CROTCH snap-hook

NEW



DA0208H071
black



SAFETY HARNESSES

DA801F

DA801F

SALOON

PROFESSIONAL BELT
PULL UP

4 POINTS
FHR FRIENDLY

FIA APPROVED

MANUFACTURER: OMP
MODEL: DA801
HOM. NO: 8-2521/98
FIA STANDARD: FIA 8854/98

3" shoulders strap



DA801F071
black

3" PULL-UP
lap strap



DA801F061
red



LIGHTWEIGHT
POLYESTER
STRAPS



BUCKLE
FIXED TO
THE LAP
STRAP



PROFESSIONAL
BUCKLE



HOMOLOGATED
FOR ROLL BAR



STEEL SNAP
HOOK

SAFETY HARNESSES

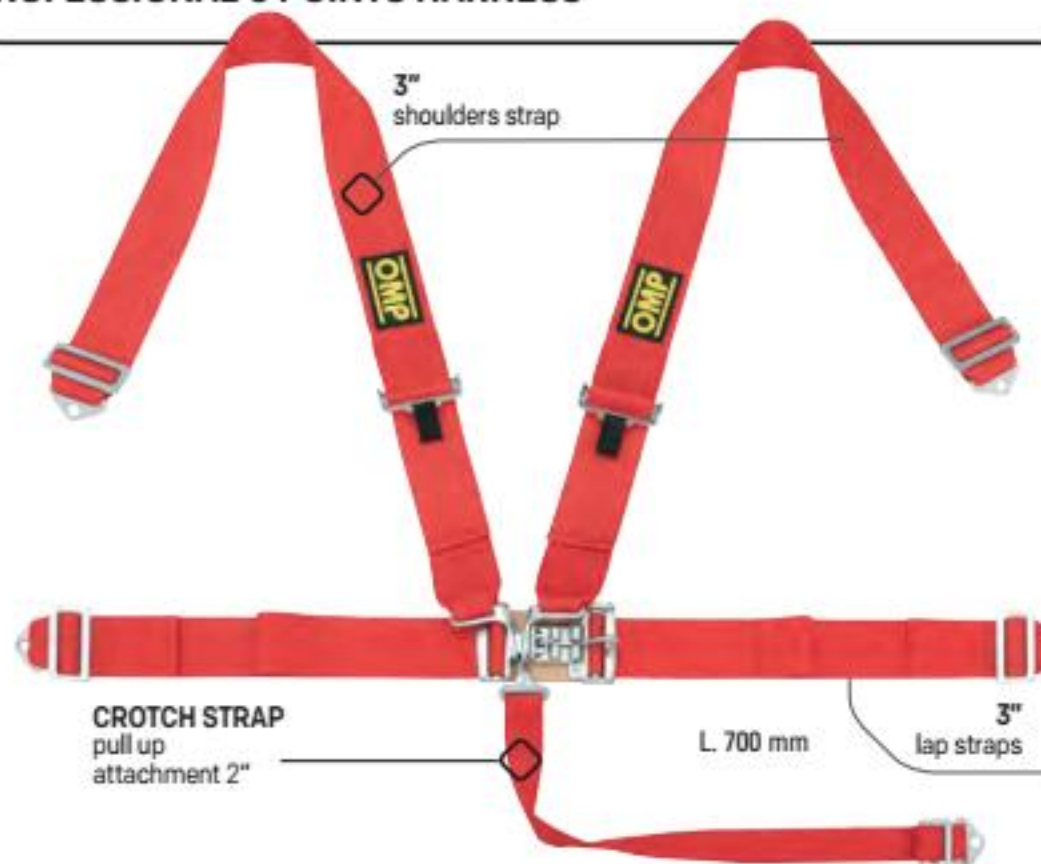
DA515HST

DA515HST

SALOON

PROFESSIONAL 5 POINTS HARNESS

HOMOLOGATION SFI 16.1
5 POINTS



3" shoulders strap

CROTCH STRAP
pull up
attachment 2"

L. 700 mm

3" lap straps

V LEG STRAP

HOMOLOGATION SFI 16.1

DA518061

L. 600 mm



Andrea Caldarelli / Marco Mapelli – Orange1 FFF Racing Team
2019 Blancpain GT Series winners



Romeo Ferraris / Alfa Romeo – WTCR



Jan Solans / Mauro Barreiro – Rally Team Spain
JWRC champions 2019

SAFETY HARNESSES ONE-D 2 PROTOTYPE

DA0102FHSL

FORMULA

6 POINTS
FHR ONLY



MANUFACTURER: OMP
MODEL: DA0102
HOM. NO: SH.025.17-T-6
FIA STANDARD: FIA 8853/2016

FORMULA BELT

Ultralightweight and comfortable safety harness for prototype cars in Dyneema®, the strongest fiber in the world™. Forged aluminium ultralight adjusters, buckle in ergal machined from solid and magnesium. The Harness ensures best safety level ever thanks to the ultra-resistant buckle with an antiunwitting opening system and exclusive double pin T-bar crotch attachments. Adjustable setting of shoulder and lap straps with exclusive F1-inspired "double fold" system for a practical and strong hold.



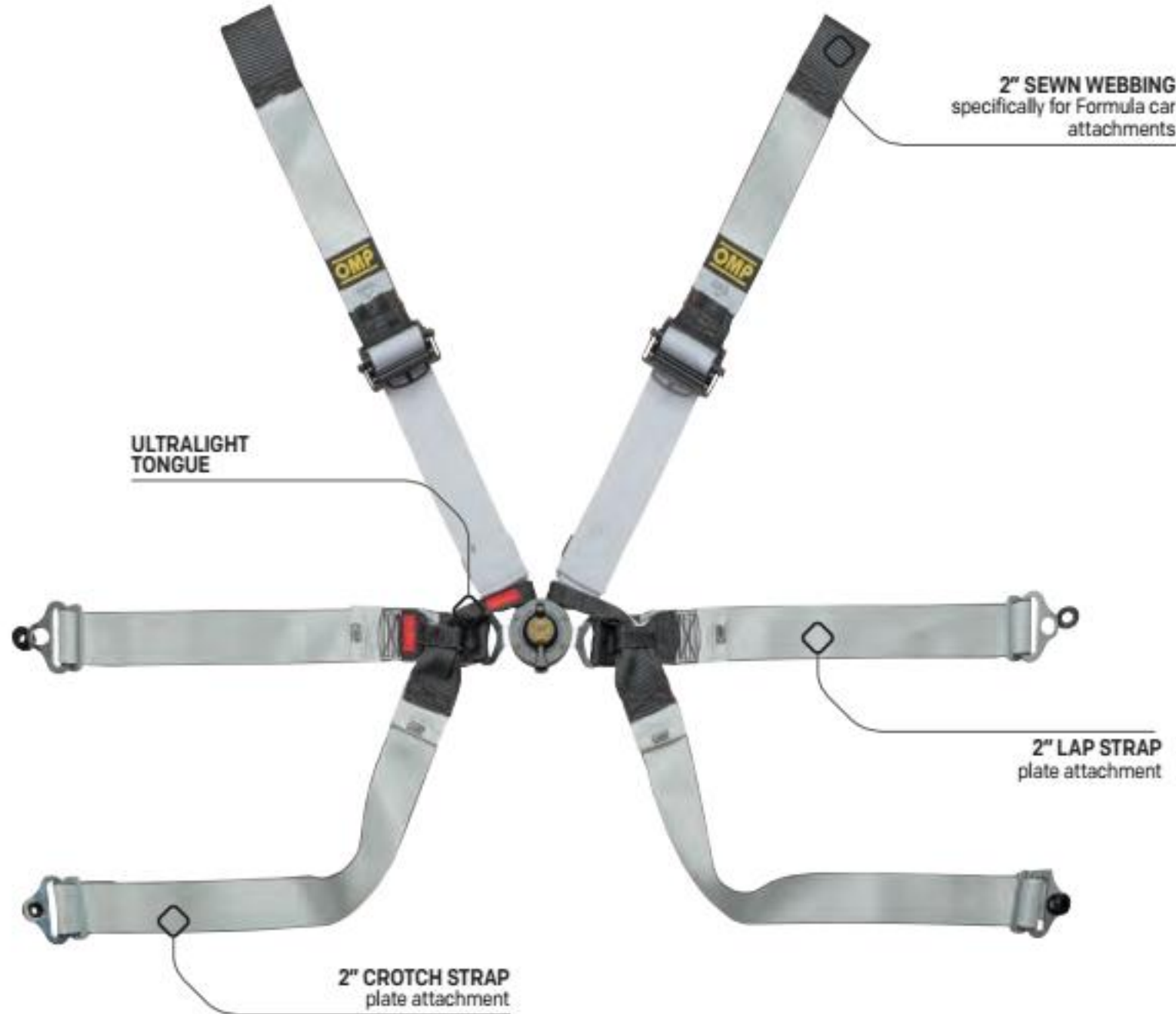
FORMULA BELT

Ultralightweight and comfortable safety harness for Formula cars in Dyneema[®], the world strongest fiber™. Forged aluminium ultralight adjusters, buckle in ergal machined from solid and magnesium. The Harness ensures best safety level ever thanks to the ultra-resistant buckle with an anti-unwitting opening system. Adjustable setting of shoulder and lap straps with exclusive F1-inspired "double fold" system for a practical and strong hold.

6 POINTS
FHR ONLY



MANUFACTURER: OMP
MODEL: DA0104
HOM. NO. SH.018.17-T-6
FIA STANDARD: FIA 8853/2016



SUPERLIGHT PROFESSIONAL BELT

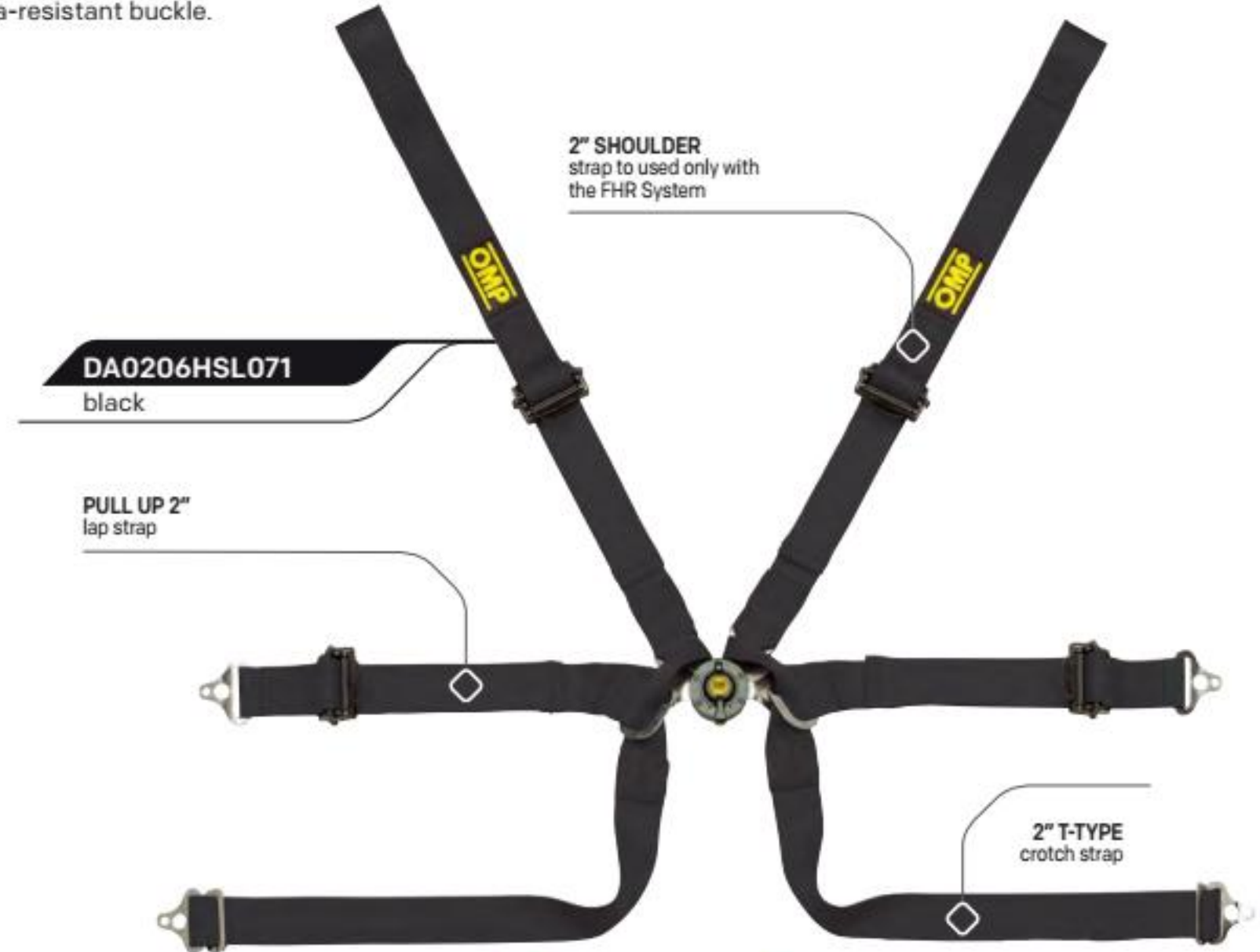
6 POINTS
FHR ONLY

ALSO AVAILABLE WITH PLATE ATTACHMENTS VERSION (DA0206BHSL)

Lightweight and comfortable safety harness for formula cars in polyester fabric. Forged aluminium ultralight adjusters, buckle in ergal machined from solid and magnesium. The Harness ensures best safety level ever thanks to the ultra-resistant buckle.



PLATE ATTACHMENTS FOR DA0206BHSL



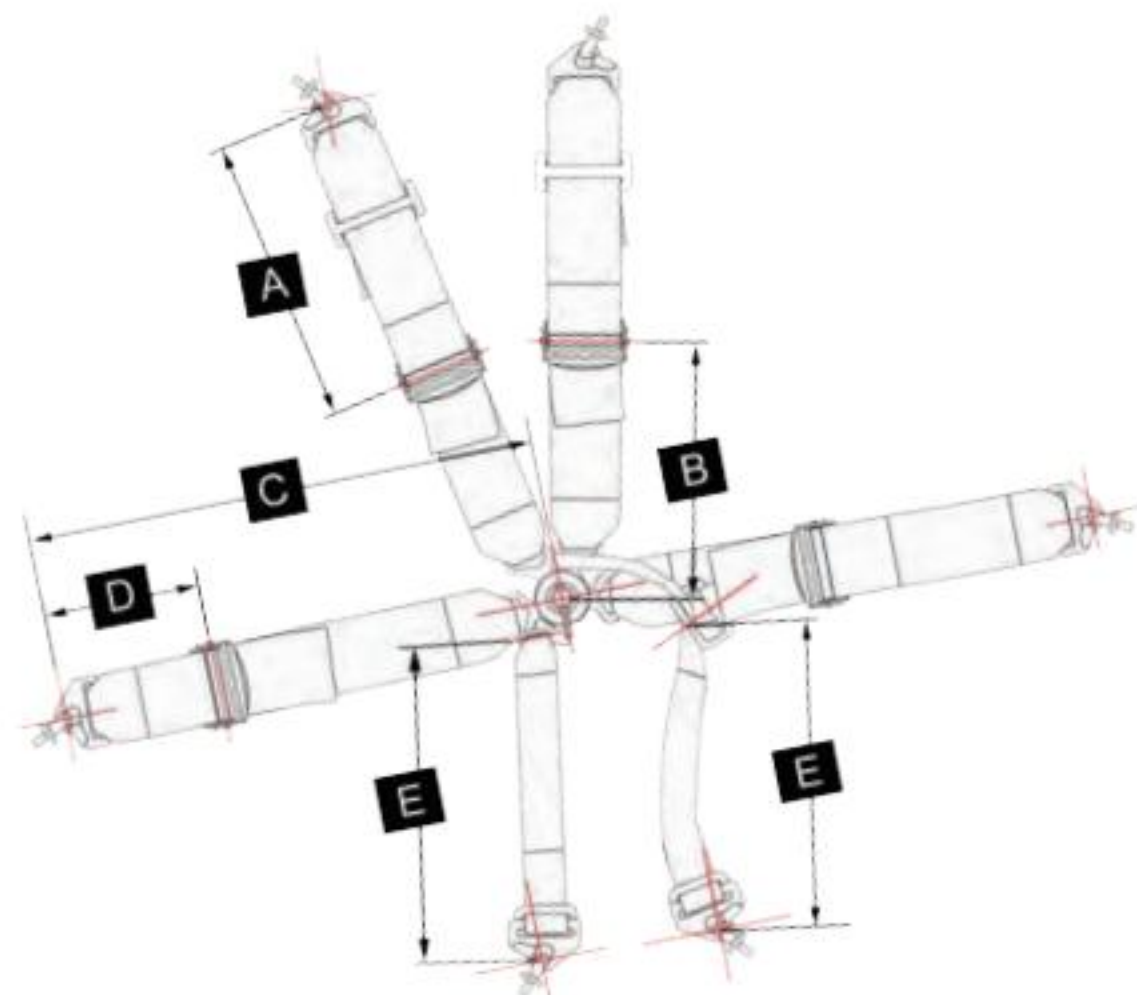
MANUFACTURER: OMP
MODEL: DA0206
HOM. NO. SH.03717-T-6
FIA STANDARD: FIA 8853/2016



RACING HARNESSSES TABLE

HOMOLOG.	CAR	POINTS	MATERIAL	ADJUSTER	LAP STRAP PULL	MAGNESIUM FREE	HANS	SHOULDER		LAP		CROTCH		MEASURE IN MM					Diagram
								SIZE	ATTACH.	SIZE	ATTACH.	SIZE	ATTACH.	A	B	C	D	E	
ONE-D 2 DA0102 HSL DA0102BHSL																			
FIA 8853-2016	SALOON	6	DYNEEMA	ULTRA LIGHT	DOWN / UP		ONLY	2"	ROLL BAR	2"	CARA-BINER	2"	SNAP HOOK	1650	390	750	700		
ONE-D 2 VERSA DA0202VHSL																			
FIA 8853-2016	SALOON	6	POLYESTER	ULTRA LIGHT	DOWN / UP		ONLY	2"	ROLL BAR	2"	CARA-BINER	2"	SNAP HOOK	1650	390	750	700		
ONE 2 DA0202 HSL - DA0202B HSL																			
FIA 8853-2016	SALOON	6	POLYESTER	ULTRA LIGHT	DOWN / UP		ONLY	2"	ROLL BAR	2"	CARA-BINER	2"	SNAP HOOK	1650	390	750	700		
ONE 3+2 CONVERTIBLE DA0205 HSL																			
FIA 8853-2016	SALOON	6	POLYESTER	ULTRA LIGHT	UP / DOWN		ONLY	2"/3"	ROLL BAR / SNAP HOOK	2"	SNAP HOOK	2"	SNAP HOOK	1650	390	750	140	700	
ONE 3+2 ENDURANCE DA0205B HSL																			
FIA 8853-2016	SALOON	6	POLYESTER	ULTRA LIGHT	DOWN		ONLY	2"	ROLL BAR	2"	SNAP HOOK	2"	SNAP HOOK	1650	390	750	700		
TECNICA 3 DA0203L																			
FIA 8853-2016	SALOON	6	POLYESTER	LIGHT	UP		FRIENDLY	3"	ROLL BAR	3"	CARA-BINER	2"	SNAP HOOK	1650	390	750	140	700	
TECNICA 3+2 DA0203HL																			
FIA 8853-2016	SALOON	6	POLYESTER	LIGHT	UP		ONLY	2"/3"	ROLL BAR	3"	CARA-BINER	2"	SNAP HOOK	1650	390	750	140	700	

HOMOLOG.	CAR	POINTS	MATERIAL	ADJUSTER	LAP STRAP PULL	MAGNESIUM FREE	HANS	SHOULDER		LAP		CROTCH		MEASURE IN MM					Diagram
								SIZE	ATTACH.	SIZE	ATTACH.	SIZE	ATTACH.	A	B	C	D	E	
FIRST 3 DA0204E																			
FIA 8853-2016	SALOON	6	POLYESTER	PROF.	UP		FRIENDLY	3"	ROLL BAR / SNAP HOOK	3"	SNAP HOOK	2"	SNAP HOOK	1650	390	750	140	700	
FIRST 3+2 DA0204EH																			
FIA 8853-2016	SALOON	6	POLYESTER	PROF.	UP		ONLY	2"/3"	ROLL BAR / SNAP HOOK	3"	SNAP HOOK	2"	SNAP HOOK	1650	390	750	140	700	
FIRST 2 DA0208H																			
FIA 8853-2016	SALOON	6	POLYESTER	ULTRA LIGHT	DOWN		ONLY	2"	SNAP HOOK	2"	SNAP HOOK	2"	SNAP HOOK	1650	390	750	140	700	
DA801 F																			
FIA 8853/98	SALOON	4	POLYESTER	PROF.	UP		FRIENDLY	3"	ROLL BAR / SNAP HOOK	3"	SNAP HOOK			1550	305	762	140		
ONE-D 2 PROTOTYPE DA0102FHSL																			
FIA 8853-2016	PROTOTIPO	6	DYNEEMA	ULTRA LIGHT	UP		ONLY	2"	SEWN WEBB.	2"	PLATE	2"	PLATE	320	550	725	125	750	
ONE-D 2 FORMULA DA0104HSL																			
FIA 8853-2016	FORMULA	6	DYNEEMA	ULTRA LIGHT			ONLY	2"	SEWN WEBB.	2"	PLATE	2"	PLATE	310	390	600		700	
TECNICA 2 FORMULA DA0206HSL - DA0206BHSL																			
FIA 8853-2016	FORMULA / PROT.	6	POLYESTER	ULTRA LIGHT	UP		ONLY	2"	PLATE / WEBB END SEWN	2"	PLATE	2"	PLATE	320	550	725	125	750	



FIRST RANGE

- FIRST 2 **NEW** DA0208H
- FIRST 3+2 DA0204EH
- FIRST 3 DA0204E
- FIRST 3 4P DA801F

TECNICA RANGE

- TECNICA 2 FORMULA DA0206HSL
- TECNICA 3 **NEW** DA0203L
- TECNICA 3+2 DA0203HL

ONE RANGE

- NEW** ONE 2 VERSA DA0202VHSL
- ONE 2 PULL DOWN DA0203HL
- ONE 3+2 ENDURANCE DA0205BHSL
- ONE 3+2 CONVERTIBLE DA0205HSL

ONE-D RANGE

- ONE-D PROTOTYPE DA0102FHSL
- ONE-D 2 FORMULA DA0104HSL
- ONE-D 2 PULL DOWN DA0102HSL



SAFETY HARNESSES

ROAD 4M

DA507

HOMOLOGATION ECE

4 POINTS

Snap hook attachment.
Adjusters: steel.
Push button release: central.
Supplied with 7/16" bolts.



SAFETY HARNESSES

RACING 4M

DA508

HOMOLOGATION ECE

4 POINTS

Snap hook attachment.
Adjusters: steel.
Push button release: central.
Supplied with 7/16" eye bolts.



SAFETY HARNESSES

ROAD 4

DA505

HOMOLOGATION ECE

4 POINTS

Bolt-in attachment.
Adjusters: steel.
Push button release: central.
Supplied with 7/16" bolts.



HOMOLOGATION ECE

3 POINTS

Bolt-in attachment.
Adjusters: steel.
Push button release: central.
Supplied with 7/16" bolts.

DA504061
redDA504041
blueDA504071
blackSHOULDER
STRAPS 2"

LAP STRAPS 2"

HOMOLOGATION ECE

3 POINTS

Bolt-in attachment.
Adjusters: steel.
Push button release: central.
Supplied with 7/16" eye bolts.

DA509061
redDA509071
blackSHOULDER
STRAPS 2"

LAP STRAPS 2"

HANS STRAP BOLDER

SD20

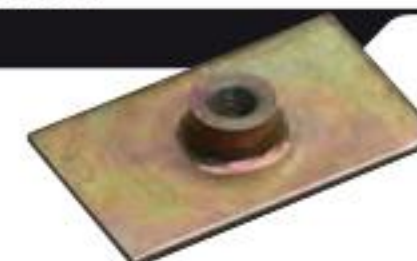
Hans strap
bolder in rubber
(pair), with
sticker



SEAT BELT PLATE

DB/418

Seat belt plate with
threaded 7/16" nut.
DIMENSIONS: 50x80x3 mm
FIA APPENDIX J art. 253



EYEBOLT

DB/420

7/16" eyebolt to
attach harness snap-
hook fittings.

A: 57 mm / B: 15.5 mm / C: 20 mm
D: 7/16" UNF / L: 22 mm / S: 8 mm

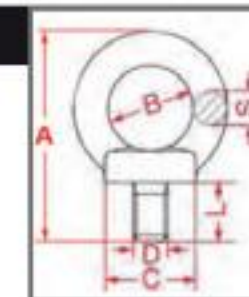


PLATE FOR EYEBOLTS

DB/421

Reinforced threaded
plate for eyebolts.

DIMENSIONS:
50x25x6 mm



CUTTER

DB/459

Safety seat belt
cutter.



CUTTER

DB/461

Safety seat belt
cutter.



PROFESSIONAL CUTTER

DB/460E

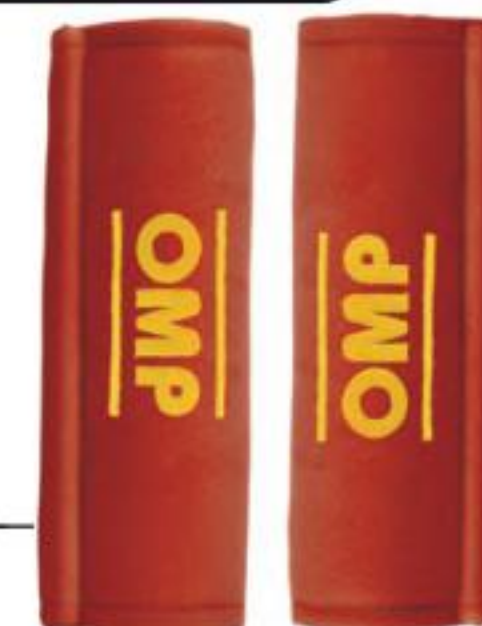
Professional safety
belt cutter with
hammer, light,
emergency
lamp and magnet.



SEAT BELT PADS

DB/450/3

Yellow OMP logo.
In velour, use with
3" seat belts.
Clousure: velcro.

DB/450/3/B
blueDB/450/3/N
blackDB/450/3/R
red

SEAT BELT PADS

DB/454

White OMP logo.
In velour, use with
2" seat belts.
Clousure: velcro.

DB/454/B
blueDB/454/N
black

SEAT BELT PADS

DB/450

Yellow OMP logo.
In velour, use with
2" seat belts.
Clousure: velcro.

DB/450/B
blueDB/450/N
blackDB/450/R
red



ROLL BARS

FE 45 BOLT-IN

AB/100/...



FE45 steel bolt-in roll bars with \varnothing 40x2 & 50x2 tubing, connecting sleeve tubes and reinforced brace in the main hoop. Supplied with door bars and diagonal reinforcement at rear.

The photos associated to the first part of the part number of the rollbars are for illustrative purposes only. Please refer to our application list on www.ompracing.com to verify the real structure of the rollbars.

FE 45 BOLT-IN

AA/104P/...



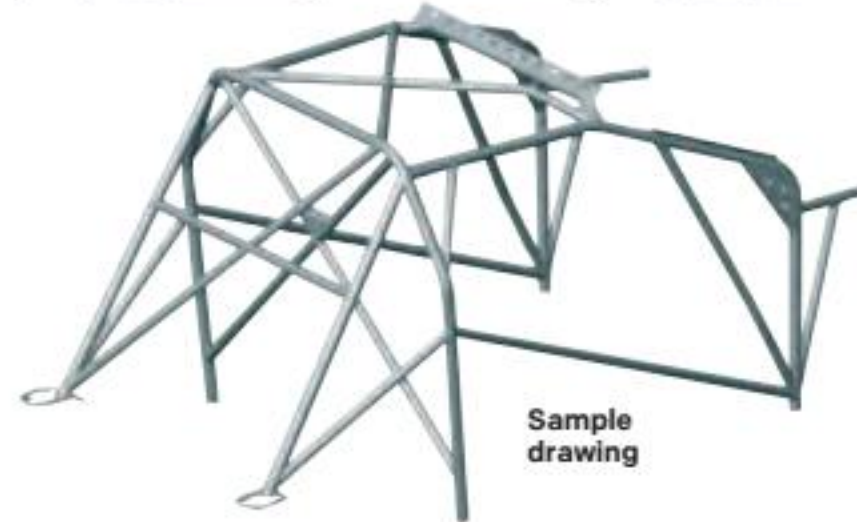
FE45 steel bolt-in roll bars with door bars. To be cut to measure and welded upon installation.

The photos associated to the first part of the part number of the rollbars are for illustrative purposes only. Please refer to our application list on www.ompracing.com to verify the real structure of the rollbars.

MULTI-POINT WELD-IN

AB/106/...A

AB/106/...AW



AB/106/...A supplied partially assembled. AB/106/...AW supplied not assembled. Multi-point weld-in chromoly (25CrMo4) roll bars. Reduced weight and improved rigidity compared with steel bolt-in roll bars. Supplied partially assembled to facilitate and reduce installation cost.

The photos associated to the first part of the part number of the rollbars are for illustrative purposes only. Please refer to our application list on www.ompracing.com to verify the real structure of the rollbars.

MULTI-POINT WELD-IN

AB/106/...B



Multi-point bolt-in chromoly (25CrMo4) roll bars. Reduced weight and improved torsional rigidity.

The photos associated to the first part of the part number of the rollbars are for illustrative purposes only. Please refer to our application list on www.ompracing.com to verify the real structure of the rollbars.

FE 45 BOLT-IN

AB/105P/...



FE45 steel multi-point bolt-in roll bars with \varnothing 40x2 & 50x2 tubing, connecting sleeve tubes and door bars. To be cut to measure and welded upon installation.

The photos associated to the first part of the part number of the rollbars are for illustrative purposes only. Please refer to our application list on www.ompracing.com to verify the real structure of the rollbars.

FE 45 WELD-IN

AA/105/...A



FE45 steel weld-in roll bars with \varnothing 50x2 tubing on the main hoop and \varnothing 40x2 tubing elsewhere. It may be necessary to remove or cut interior panels to facilitate installation.

The photos associated to the first part of the part number of the rollbars are for illustrative purposes only. Please refer to our application list on www.ompracing.com to verify the real structure of the rollbars.

OFF ROAD BOLT-IN

R/...



FE45 steel multi-point bolt-in roll bars with \varnothing 40x2 & 50x2 tubing, connecting sleeve tubes and door bars. To be cut to measure and welded upon installation.

The photos associated to the first part of the part number of the rollbars are for illustrative purposes only. Please refer to our application list on www.ompracing.com to verify the real structure of the rollbars.

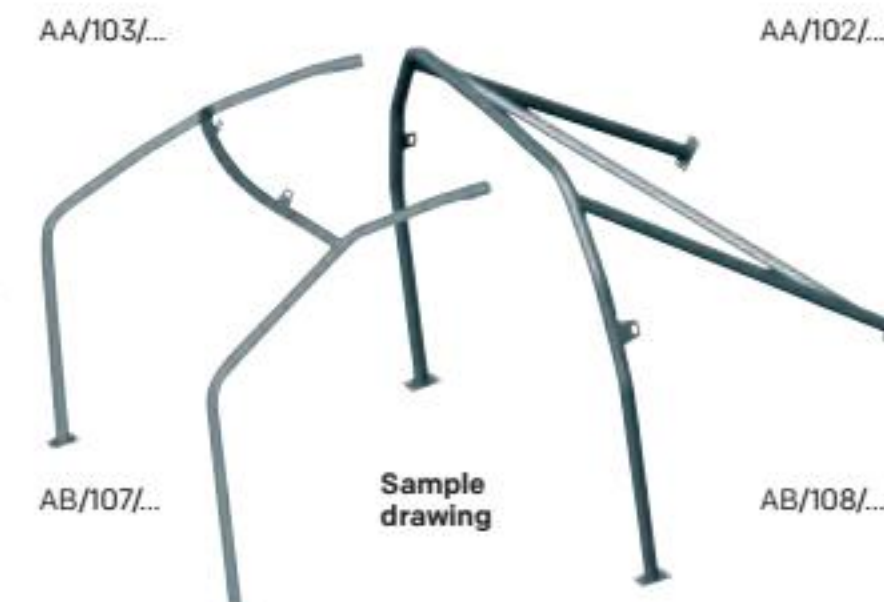
REPLACEMENT HOOP

AA/103/...

AB/107/...

AA/102/...

AB/108/...



FE45 steel weld-in roll bars with \varnothing 50x2 tubing on the main hoop and \varnothing 40x2 tubing elsewhere. It may be necessary to remove or cut interior panels to facilitate installation.

The photos associated to the first part of the part number of the rollbars are for illustrative purposes only. Please refer to our application list on www.ompracing.com to verify the real structure of the rollbars.

ROLL BARS NOT DISTRIBUTED IN THE US

ROLL BARS NOT DISTRIBUTED IN THE US

RUBBER SLEEVING

AA/113 FIA-J ALL

Foamed rubber sleeving for roll bar sold in pieces of 2 m.



AA/113-40 Ø 40 mm

AA/113-50 Ø 50 mm

CONNECTION

AA/122 FIA-J ALL

Connection for roll bar, complete with hardware.



AA/122-40
with tube Ø 40 mm

AA/122-50
with tube Ø 50 mm

PLATE

AA/175/S FIA-J ALL

Flat plate lower reinforcement for standard roll bars.
Dimensions: 100x120x3 mm



CONNECTING TUBE

AA/195 FIA-J ALL

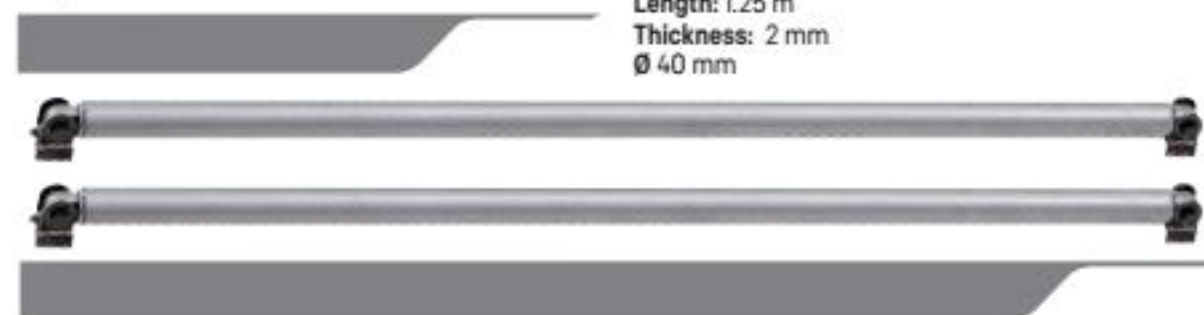
Sleeve connecting tube in Fe45 steel for tubing Ø 40 mm



CONNECTING TUBE

AA/108 FIA-J ALL

Pair of door bars FE 45 steel, to be welded (no picture).
Length: 1.20 m - Thickness: 2 mm - Ø 40 mm



CONNECTING TUBE

AA/109 FIA-J ALL

Pair of door bars FE 45 steel, complete with connections.

Length: 1.25 m
Thickness: 2 mm
Ø 40 mm

REINFORCEMENT

AA/200 FIA-J ALL
DIS 253-24

Reinforce roll bar crosses.
Thickness: 1,5 mm
Gusset: 80°



REINFORCEMENT

AA/123 FIA-J ALL

Reinforcement to be used with connections AA/122 and AA/122-50.



ENERGY ABSORBING

AA116A TYPE A

Rollbar padding
Molded energy absorbing roll bar padding suitable.
Length: 490mm.



Personalized protection kit service based on customers' drawing.

ENERGY ABSORBING

AA115A TYPE A

Molded energy absorbing roll bar padding suitable for both.
Length: 490 mm
For tube Ø 40/50 mm



Personalized protection kit service based on customers' drawing.

REINFORCEMENT

AA/201 FIA-J ALL
DIS 253-24

Reinforce roll bar crosses.
Thickness: 1,5 mm
Gusset: 100°



REINFORCEMENT

AA/175 FIA-J ALL

Universal "L" shaped reinforcement plate. Adjustable and suitable for any standard steel roll bar.

Thickness: 3 mm



REINFORCEMENT

AA/111 FIA-J ALL

Pair assembled cross door reinforcement, connections included.



REINFORCEMENT

AA/111A FIA-J ALL

Pair not assembled cross door reinforcement, connections included. Ø 40x2 mm



REINFORCEMENT

AA/204 FIA-J ALL

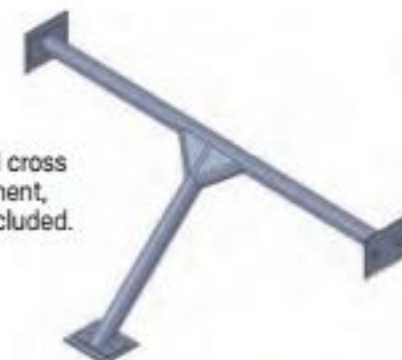
Pair of door reinforcements in FE45. Supplied with connecting sleeves. Nuts and bolts included.
Length: 1.25 m Ø 40x2 mm



REINFORCEMENT

AA/202A FIA-J ALL

Pair assembled cross door reinforcement, connections included. Ø 40x2 mm



COVERS

AA/113/FT

€ 32,50 (C)

AA/113/FP

€ 49,50 (C)



REINFORCEMENT

AA/203 FIA-J ALL

€ 23,00 (C)

Kit (2+2) of perforated plates for rollbar fixing in.



Front



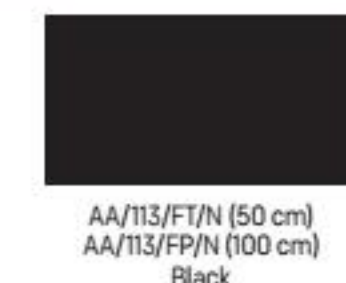
Rear



AA/113/FT/R (50 cm)
AA/113/FP/R (100 cm)
Red



AA/113/FT/B (50 cm)
AA/113/FP/B (100 cm)
Blue



AA/113/FT/N (50 cm)
AA/113/FP/N (100 cm)
Black

Pair of door bar covers in velour material (same as competition seats) to cover rubber sleeving Ref. AA/113 velcro closing.

SUMPGUARDS, TANKGUARDS AND DIFFERENTIAL GUARDS

Made from a special aluminium alloy, these sumpguards have several functions: they protect the mechanical parts such as sump, gear-box, transmission etc. and they also contribute to stiffen the whole body and the front part of the car. For this reason they are suitable for every day use and are particularly useful for those driving on uneven roads.

Search Complete Application List also on www.ompracing.com



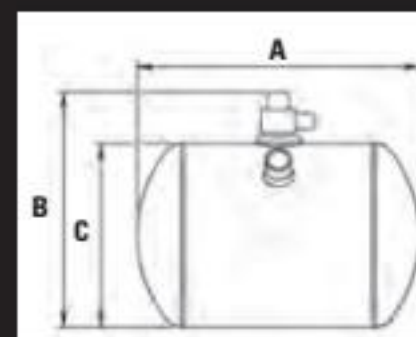
EXTINGUISHERS



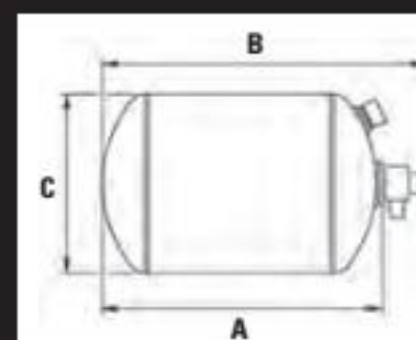
Bottle dimensions:

The dimensions of A, B, C are in mm.
*Total weight including: bottle, valve, dip tube, liquid, brackets.

BOTTLE WITH VALVE LOCATED ON THE CYLINDER BODY



BOTTLE WITH VALVE LOCATED ON THE END OF THE CYLINDER BODY



Ref.	Ecolife (lt.)	Empty (kg)	Total weight*	A	B	C
PLATINUM COLLECTION						
CEFAL3/B	0.9	0.4	1.8	194	235	100
CESAL3/B	1.3	0.7	2.5	204	246	130
CESAL3R/B	2.8	0.94	4.3	245	286	160
WHITE COLLECTION						
CEFAL2/B	2.8	0.94	4.3	245	286	160
CESAL2/B	4.25	1.3	6.2	315	210	160
BLACK COLLECTION						
CMSST1/B	4.25	2.4	8.1	330	420	160
CMFST1/B	2.8	1.97	5.6	295	385	130
CESST1/B	4.25	2.4	7.7	330	385	160
OMP SPORT						
CA/372/B	4.25	2.4	8.1	330	420	160
HAND HELD						
CAB/322	4 Kg powder	2.5	6.5	310	405	160
CAB/319	2.4	2.25	5.0	295	390	132
CAB/316	2 Kg powder	0.7	3.1	227	330	108
CBB/351	2.4	1.15	4.0	300	390	130

SALOON CARS

ONE COLLECTION

Very compact and ultralight fire extinguisher system, electrically activated, suitable for saloon cars. FIA 8865-2015 rules complying. Aluminium bottle, the extinguisher can turn off fire in few seconds injecting in the cockpit and in the engine bay different fire-extinguishing medium. The system gets pressurized when activated enabling the discharge of the extinguishant. 3 noozles are for the engine bay in order to protect the most critical and dangerous parts depending on the type of vehicle, 2 noozles are for the cockpit to ensure the driver front and rear protection. The system is available in two versions: "L" version (only for medium-large sized cockpit) and "S" version (suitable for small size cockpit). L and S systems have the same weight, but different amount of fire extinguisher medium in way to be safe and efficient at the same time. Fixing brackets, clamps, tubing and connections are included.

Total weight: 5,4 kg (bottle only)

ULTRALIGHTWEIGHT
Ø 130 mm



MANUFACTURER: OMP
MODEL: CESAL4L
HOM. NO: EX.214.37
FIA STANDARD: FIA 8865-2015

CESAL4L

FROM 2.2 M³ UP TO 4.1 M³



MANUFACTURER: OMP
MODEL: CESAL4S
HOM. NO: EX.015.37
FIA STANDARD: FIA 8865-2015

CESAL4S

FROM 1.2 M³ UP TO 2.2 M³

Homologated for use on:

- Petrol
- Petrol + up to 30% ethanol or methanol (E30)
- Petrol + up to 85% ethanol or methanol (E85)



Fire Extinguishing System in compliance with FIA 8865-2015 - Designed for use with 3M Novec® 1230 Fire Protection fluid.



SALOON CARS

TECNICA COLLECTION

It's a fire extinguisher system, electrically activated, suitable for saloon cars. The system it's homologated FIA 8865-2015. One single bottle made in aluminum. The extinguisher can turn off the fire in few seconds injecting 2 different fire-extinguishing medium. AFFF (Black side) to protect the engine bay and the clean agent NOVEC1230 (Green side) to protect the cockpit. The system it's pressurized. 3 black nozzles are for the engine bay in order to protect the most critical and dangerous parts depending on the type of vehicle, 2 green nozzles are for the cockpit to ensure the driver protection. Fixing brackets, clamps, tubing and connections are included. Diameter 160mm. Weight: 6 kg. Length: 350 mm. "L" version suitable for medium-large sized cockpit. "S" version suitable for small size cockpit. Total weight: 6 kg (bottle only)



MANUFACTURER: OMP
MODEL: CESAL5L
HOM. NO: EX.022.39
FIA STANDARD: FIA 8865-2015

CESAL5L

FROM 2.2 M³ UP TO 4.1 M³

CESAL5S

FROM 1.35 M³ UP TO 2.5 M³



MANUFACTURER: OMP
MODEL: CESAL5S
HOM. NO: EX.023.39
FIA STANDARD: FIA 8865-2015

Fire Extinguishing System in compliance with FIA 8865-2015 - Designed for use with 3M Novec® 1230 Fire Protection fluid.



EXTINGUISHERS

CEFAL 3

CEFAL3

FORMULA CARS

PLATINUM COLLECTION
Extinguisher system (engine compartment and cockpit) electrically activated, with control box, tubings, nozzles. Ultralight aluminium bottle with reduced dimensions.

0,9 lt of Ecolife

Total weight:
1,8 kg (with stainless steel brackets and clamps).



ULTRALIGHT
Ø 100 mm

LENGTH 194 mm

THE SMALLEST IN THE WORLD



MANUFACTURER: OMP
MODEL: ECOLIFE GOLD ONE SEAT
HOM. NO: EX.036.11
FIA STANDARD: FIA 2000



EXTINGUISHERS

CESAL 3

CESAL3

SALOON CARS

PLATINUM COLLECTION
Extinguisher system (engine compartment and cockpit) electrically activated, with control box, tubings, nozzles. New ultralight aluminium bottle with reduced dimensions.

1,3 lt of Ecolife.

Total weight:
2,5 kg (with stainless steel brackets and clamps).



ULTRALIGHT
Ø 130 mm

LENGTH 204 mm



MANUFACTURER: OMP
MODEL: ECOLIFE GOLD SALOON
HOM. NO: EX.035.11
FIA STANDARD: FIA 2000



EXTINGUISHERS

CESAL 3R

CESAL3R

SALOON CARS
SPECIAL FOR RALLY

PLATINUM COLLECTION
Extinguisher system (engine compartment and cockpit) electrically activated, with control box, tubings, nozzles, aluminium bottle.

2,8 lt of Ecolife (3kg).

Total weight:
4,3 kg (with stainless steel brackets and clamps)



Ø 160 mm

LENGTH 245 mm



MANUFACTURER: OMP
MODEL: ECOLIFE
HOM. NO: EX.035.11
FIA STANDARD: FIA 2000



EXTINGUISHERS

CEFAL 2

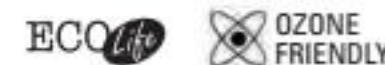
CEFAL2

FORMULA CARS

WHITE COLLECTION
Extinguisher system (engine compartment and cockpit) electrically activated, with control box, tubings, nozzles, aluminium bottle.

2,8 lt of Ecolife.

Total weight:
4,3 kg (with stainless steel brackets and clamps).



Ø 160 mm

LENGTH 245 mm



MANUFACTURER: OMP
MODEL: ECOLIFE
HOM. NO: EX.009.00
FIA STANDARD: FIA 2000



EXTINGUISHERS

CESAL2

CEFAL2

SALOON CARS

WHITE COLLECTION

Extinguisher system (engine compartment and cockpit) electrically activated, with control box, tubings, nozzles, aluminium bottle.

4,5 lt of Ecolife

Total weight:
6,2 kg (with stainless steel brackets and clamps).



Ø 160 mm



MANUFACTURER: OMP
MODEL: ECOLIFE
HOM. NO: EX.0008.00
FIA STANDARD: FIA 2000



EXTINGUISHERS

CESST1

CESST1

SALOON CARS
SPECIAL FOR RALLY

BLACK COLLECTION

Extinguisher system (engine compartment and cockpit) electrically activated, with control box, tubings, noozles, steel bottle.

4,25 lt of Ecolife.

Total weight:
7,7 kg (with stainless steel brackets and clamps)



Ø 160 mm



MANUFACTURER: OMP
MODEL: ECOLIFE
HOM. NO: EX.0008.00
FIA STANDARD: FIA 2000



EXTINGUISHERS

CMSST1

CMSST1

SALOON CARS

BLACK COLLECTION

Extinguisher system (engine compartment and cockpit) mechanically activated, complete with tubings, nozzles, steel bottle.

4,25 lt of Ecolife.

Total weight:
8,1 kg (with stainless steel brackets and clamps).



Ø 160 mm



MANUFACTURER: OMP
MODEL: ECOLIFE
HOM. NO: EX.0008.00
FIA STANDARD: FIA 2000



EXTINGUISHERS

CMFST1

CMFST1

FORMULA CARS

BLACK COLLECTION

Extinguisher system (engine compartment and cockpit) mechanically activated, tubings, nozzles, steel bottle.

2,8 lt of Ecolife.

Total weight:
5,6 kg (with stainless steel brackets and clamps).



Ø 130 mm



MANUFACTURER: OMP
MODEL: ECOLIFE
HOM. NO: EX.0009.00
FIA STANDARD: FIA 2000



OMP SPORT
Extinguisher system
(engine compartment and cockpit)
mechanically activated, complete
with tubings, nozzles, steel bottle.

4,25 lt of Ecolife

Total weight:
8,1 kg (with stainless
steel brackets and clamps).



Ø 160 mm

LENGTH 330 mm



MANUFACTURER: OMP
MODEL: ECOLIFE
HOM. NO: EX.026.08
FIA STANDARD: FIA 2000



Lucky / Fabrizia Pons – Key Sport – Historic rally European champions 2019

ALUMINIUM EXTINGUISHER

CAB/316

EN3

Aluminium hand
held extinguisher,
2kg powder.
Complete with
stainless steel
brackets and quick
release calmps.

Total weight:
3,1 kg

Ø 108 mm



STEEL EXTINGUISHER

CAB/322

EN3

Steel hand held
extinguisher, 4kg
powder, A/B/C classes.
Complete with stainless
steel brackets and quick
release calmps.

Total weight:
6 kg

Ø 160 mm



STEEL EXTINGUISHER

CAB/319

Steel hand held
extinguisher,
2 l Ecolife. Complete
with aluminium
brackets and
stainless steel quick
release calmps.

Total weight:
5 kg

Ø 130 mm



CAB/319/R
Red

CAB/319
Black



ALUMINIUM EXTINGUISHER

CBB/351

IN COMPLIANCE
WITH FIA RULES

Aluminium hand held
extinguisher, 2,4 l
Ecolife. Complete with
stainless steel brackets
and stainless steel quick
release calmps.

Total weight:
4 kg

Ø 130 mm



CBB/351/R
Red



CBB/351/A
Silver

CBB/351
White



REPLACEMENT PARTS

ONE - TECNICA COLLECTIONS

CD/415

90° end connection, 1/8" with quick attachments. Ø 8mm



CD/410

Nozzle (cockpit) specifically for CESAL4



CD/412

"T" shaped 3-way connection, 1/8" with quick attachments. Ø 8mm



CD/323/A

Aluminium tubing Ø 8 mm L 4 m



X/CAB/SSM

Bottle cable.



CD/417

Fixing brackets with clamps for 160mm. Anti-torpedo.



CD/393/N

Atomizer nozzle (engine bay) specifically for Ecolife systems



CD/360

Control box for electrically activated extinguishing systems. With new advanced electronic unit FIA 8865-2015 homologated. IP55 waterproof standard certified.



CD/324/10/N

Fire resistant sheath 5 m roll, Ø 10 mm (or Ø 8mm ref. CD/324/8/N).



CD/408

Fixing brackets with clamps for 130mm. Anti-torpedo.



CD/409

Cockpit nozzle fixing bracket (for CD/410)



CD/416

Straight connection, 1/8" with quick attachments. Ø 8mm



CD/414

"Y" shaped connection, 1/8" with quick attachments. Ø 8mm



CD/324/6/N

Fire resistant sheath 5m roll Ø 6mm



X/CAB/360

Control box cable.



PLATINUM COLLECTION

CD/395/N

Straight connection Ø 8 mm (1/8" junction).



CD/392/N

1/8" connection, "T" shaped with quick couplings. Ø 8 mm



CD/392/N/6

1/8" connection, "T" shaped with quick couplings. Ø 6 mm



CD/390/N

3-way connection with quick attachments, Ø 8 mm.



CD/399

Reduction tube Ø 6-8 mm.



CD/391/N

90° end connection, 1/8" shaped with quick attachments. Ø 8 mm



CD/391/N/6

90° end connection, 1/8" shaped with quick attachments. Ø 6 mm



CD/323E/N/8

Aluminium tubing Ø 8 mm - L. 5 m



CD/323E/N/6

Aluminium tubing Ø 6 mm - L. 3 m



CD/400E

Antitorpedo bracket and clamps for CEFAL3. (no picture)

CD/401E

Antitorpedo bracket and clamps for CEFAL3. (no picture)

CD/407

Y shaped connection with quick attachments Ø 8mm)



PLATINUM - WHITE - BLACK COLLECTIONS

CD/393

Atomiser nozzle specifically for Ecolife systems to be threaded onto "T" or "L" connectors.



CD/398

Control box for electrically activated units with wiring harness 1,5 m



CD/324/10/N

Fire resistant sheath 5 m roll, Ø 10 mm (or Ø 8mm ref. CD/324/8/N).



X/363/E/CAV

Electric extinguisher valve cable w. jack.



X/398/CAV

Control box cable.



BLACK COLLECTION

CD/335

Pull cable for mechanically operated systems.



WHITE - BLACK COLLECTIONS - OMP SPORT

CD/394

Straight connection (1/4" junction).



CD/395

Straight connection (1/8" junction).



CD/392

1/8" connection, "T" shaped with quick couplings.



CD/391

90° end connection, 1/8" shaped with quick attachments.



CD/390

3-way connection with quick attachments.



CD/323/A

Aluminium tubing Ø 6 mm - 4 m



CD/404

Bracket only for OMP Sport CA/372 (no picture)

ONE - TECNICA - PLATINUM - WHITE - BLACK COLLECTIONS

X/855

Sticker



X/181493

Rubber protection ring for push button EA/467



EA/467

Water-proof push button for external control.



HAND HELD EXTINGUISHERS

CD/312

Brackets for STEEL HAND HELD extinguishers Ecolife: CAB/316, Ø 108 mm (no picture)

CD/309

Brackets for STEEL HAND HELD extinguishers Ecolife: CAB/319, Ø 132 mm



CD/356

Bracket for ALUMINIUM HAND HELD extinguisher: CBB/351 Ø 130 mm



CD/311/S-AT

Anti-torpedo tabs for double brackets extinguishers.



CD/300-AT

Anti-torpedo tabs for mono brackets extinguishers (e.g. CEFAL3).



CD/405

Bracket for STEEL extinguisher CAB/322, Ø 160 mm (no picture)

Support brackets are made according to the current FIA standard

RACING



PAG. 216

VINTAGE



PAG. 232

OFF ROAD



PAG. 233

STEERING WHEELS

STEERING WHEELS

320 HYBRID S

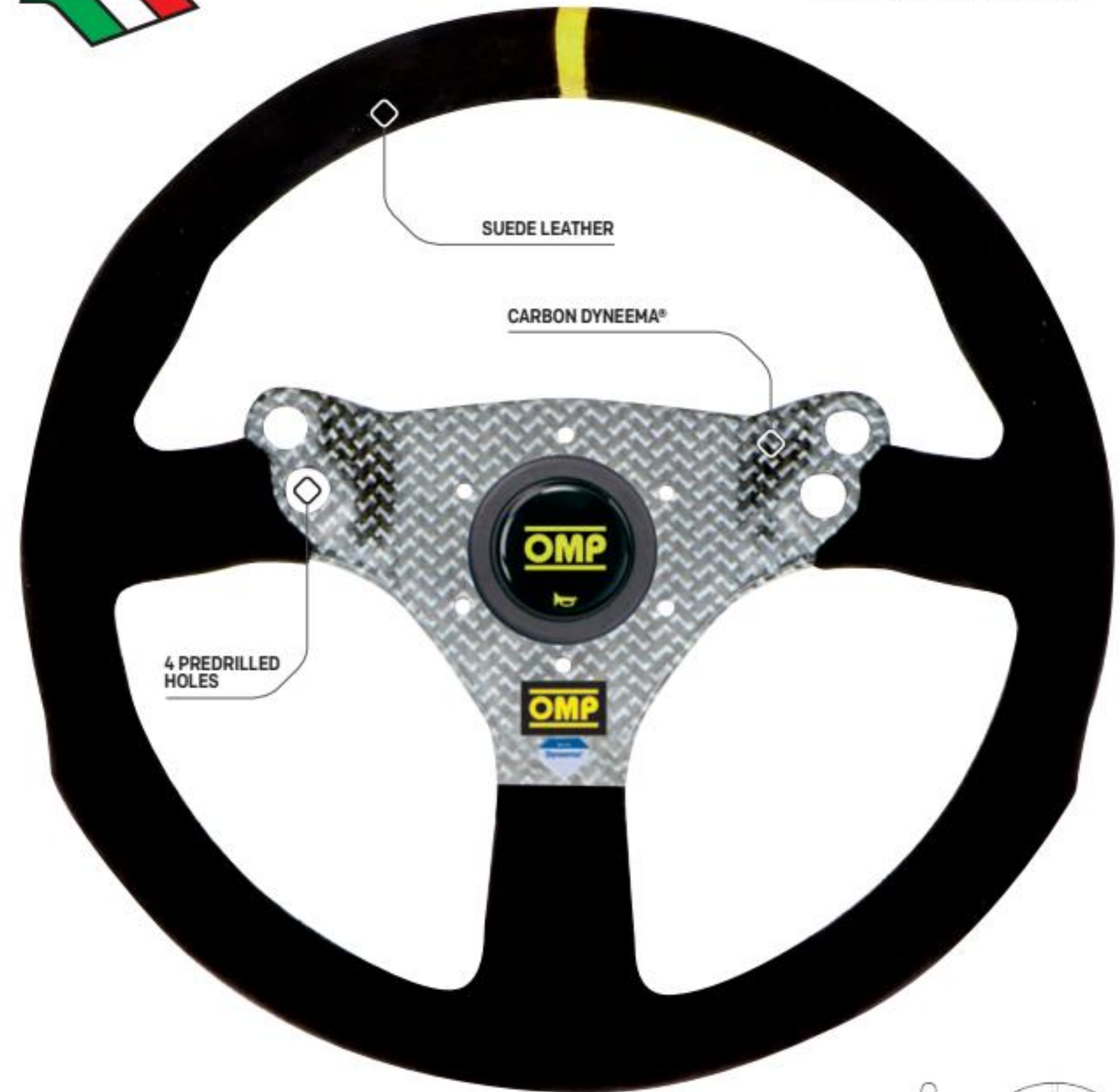
OD/2048

CARBON FIBER AND DYNEEMA®

FLAT
SUPPLIED WITH
HORN BUTTON



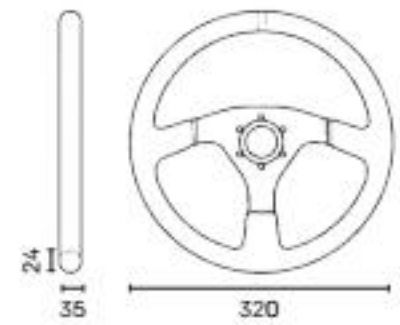
**OVER 20% LIGHTER
300% MORE RESISTANT**
IN COMPARISON WITH CARBON VERSION



SUEDE LEATHER

CARBON DYNEEMA®

4 PREDRILLED HOLES



Diameter: 320 mm
Handgrip: oval 35x24 mm

STEERING WHEELS

310 ALU GT

OD/2044/N

ALUMINIUM
FLAT

SUPERLIGHT PROFESSIONAL GT STEERING WHEEL

Completely made in aluminium and suede leather.
Studied and ready for the installation of most popular electronic display like: MoTec C125 and AiM MXL



SAMPLE IMAGE OF MOTEC C125 SETUP.

SUEDE LEATHER



OMP

ITALIAN FLAG COLORED STITCHING

NO STICHING



Diameter: 315 mm
Handgrip: oval 36x30 mm

STEERING WHEELS

320 CARBON S

OD/2032/N

CARBON FIBER
FLAT
SUPPLIED WITH
HORN BUTTON

SUPERLIGHT PROFESSIONAL STEERING WHEEL
Carbon steering wheel is constructed as one integral piece.



**50% LIGHTER
15% MORE RESISTANT**
IN COMPARISON WITH STANDARD VERSION

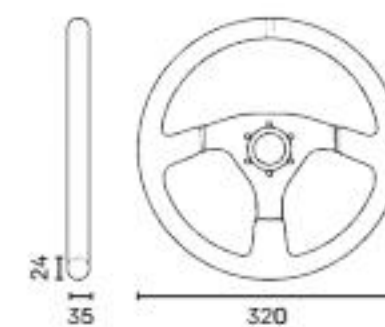


SUEDE LEATHER

CARBON MADE SPOKES

BLACK STITCHING

**DESIGNED
IN COOPERATION
WITH P. SOLBERG**



Diameter: 320 mm
Handgrip: oval 35x24 mm

STEERING WHEELS

350 CARBON D

OD/2028/N

CARBON FIBER

DISHED

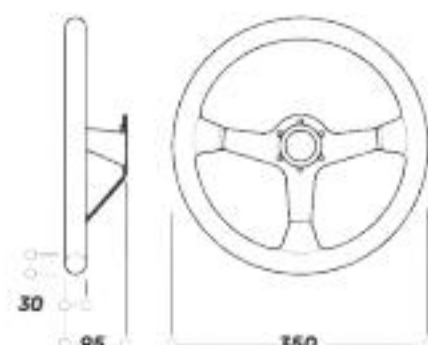
SUPPLIED WITH HORN BUTTON

SUPERLIGHT PROFESSIONAL DISHED STEERING WHEEL

Carbon steering wheel is constructed as one integral piece.



**50% LIGHTER
15% MORE RESISTANT**
IN COMPARISON WITH STANDARD VERSION



Diameter: 350 mm
Handgrip: round 30 mm

STEERING WHEELS

320 ALU SP

OD/2042F

ALUMINIUM

FLAT

SUPPLIED WITH HORN BUTTON

LIGHT PROFESSIONAL STEERING WHEEL

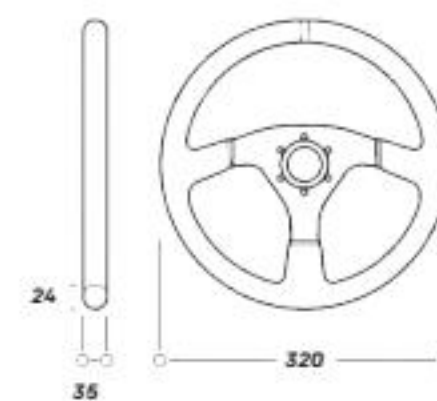
Made completely in aluminium and suede leather. Preforated version with central hole supplied with horn button. This version has been derived from the model 320 Carbon S, which has been designed in cooperation with P. Solberg (FIA World RX 2014/21015 Winner)



320 ALU S

OD/2042/N

Same characteristics as OD/2042F. Without central horn button.



Diameter: 320 mm
Handgrip: oval 35x24 mm

STEERING WHEELS

RECCE

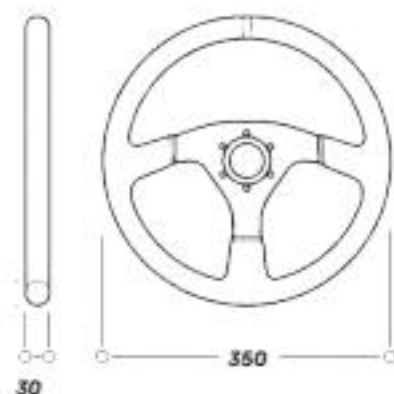
OD/2046

ALUMINIUM
FLAT
SUPPLIED WITH
HORN BUTTON



SUPERLIGHT PROFESSIONAL RALLY STEERING WHEEL

Flat steering wheel, in aluminium, 350 mm diameter, round 30 mm handgrip. With colored marks on the crown to indicate steering wheel angles (0° - 25° - 55° - 100° - 160°).



Diameter: 350 mm
Handgrip: round 30 mm

STEERING WHEELS

VELOCITÀ SUPERLEGGERO

OD/2020/N

ALUMINIUM
FLAT
SUPPLIED WITH
HORN BUTTON



MADE COMPLETELY FROM ALUMINIUM
40% lighter than equal model Velocità OD/1958.

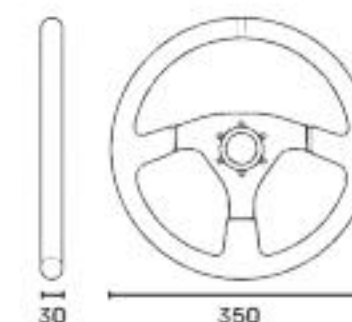
40% LIGHTER
IN COMPARISON WITH STANDARD VERSION



VELOCITÀ OV SUPERLEGGERO

OD/2035/N

Same characteristics as OD/2020/N.
Oval section version.
Diameter: 320 mm



Diameter: 350 mm
Handgrip: round 30 mm



STEERING WHEELS

CORSICA SUPERLEGGERO

OD/2021/N

LIGHT PROFESSIONAL STEERING WHEEL
 Made completely in aluminium.
40% lighter than equal model Corsica OD/1954.

40% LIGHTER
 IN COMPARISON WITH STANDARD VERSION

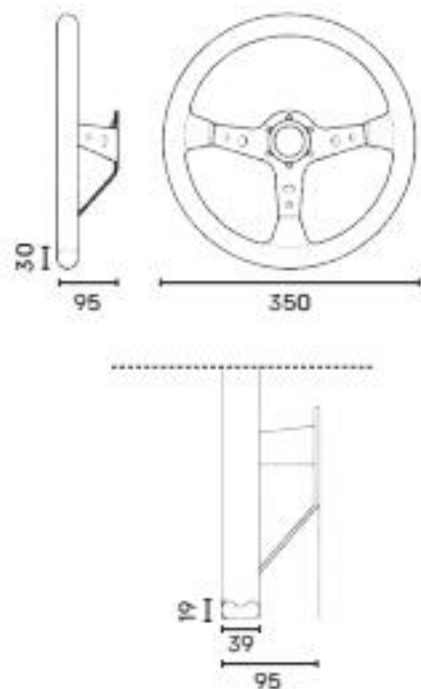
ALUMINIUM
 DISHED
 SUPPLIED WITH
 HORN BUTTON



CORSICA OV SUPERLEGGERO

OD/2034/N

Same characteristics as OD/2021/N.
 Oval section version.
 Diameter: 350 mm



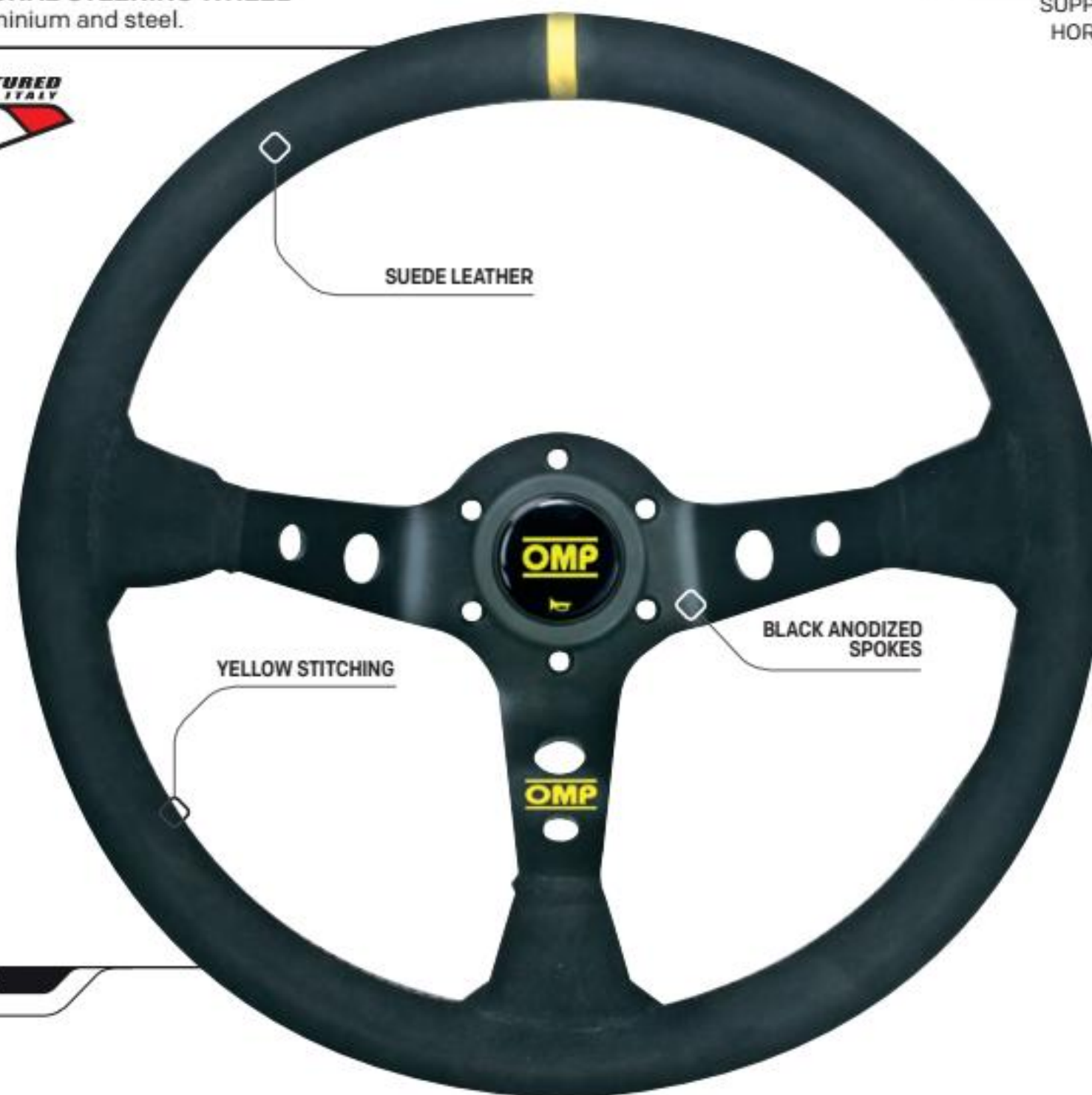
STEERING WHEELS

CORSICA

OD/1954
 OD/1956

PROFESSIONAL STEERING WHEEL
 Made in aluminium and steel.

DISHED
 SUPPLIED WITH
 HORN BUTTON



OD/1954/N



CORSICA 330

OD/2012/N

In suede leather.
 Black anodized spokes.
 Yellow stitching.
 Diameter: 330 mm



Diameter: 350 mm
 Handgrip: oval 30x28 mm
 Depth: 95 mm

STEERING WHEELS

RALLY

OD/1950
OD/1951

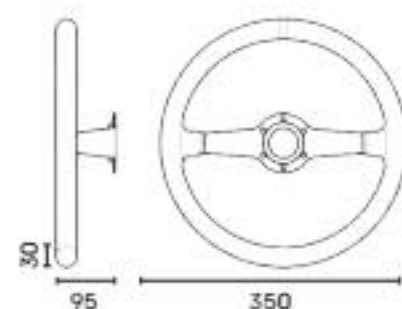
DISHED
SUPPLIED WITH
HORN BUTTON



PROFESSIONAL STEERING WHEEL
Made in aluminium and steel.



OD/1951



Diameter: 350 mm
Handgrip: round 30 mm
Depth: 95 mm

STEERING WHEELS

WRC

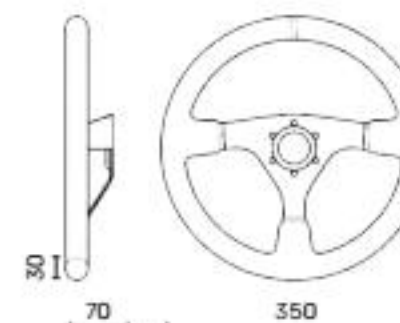
OD/1979

OD/1980

MID-DEPTH DISHED
SUPPLIED WITH HORN BUTTON



OD/1979/N



Diameter: 350 mm
Handgrip: round 30 mm
Depth: 70 mm

STEERING WHEELS

RS

OD/2055

ENTRY LEVEL STEERING WHEEL
Tree aluminium spokes, round grip in suede leather.

MID-DEPTH DISHED

SUPPLIED WITH HORN BUTTON

NEW



OD/2055N

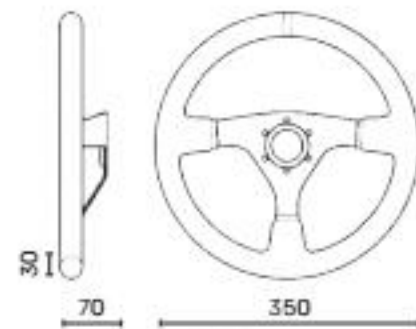
YELLOW VIEWFINDER

YELLOW STITCHING

SUEDE LEATHER

ALUMINIUM SPOKES

OMP



Diameter: 350 mm
Handgrip: round 30 mm
Depth: 72 mm

STEERING WHEELS

VELOCITÀ

OD/1957

OD/1958

FLAT SUPPLIED WITH HORN BUTTON



OD/1958
In suede leather.
Black anodized spokes.
Black stitching.

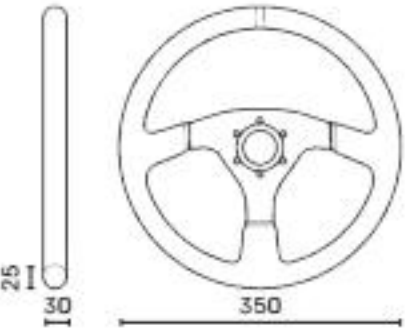


SMOOTH LEATHER

BLACK ANODIZED SPOKES

YELLOW STITCHING

OD/1957



VELOCITÀ 380

Handgrip:
oval 35x30 mm



OD/2030/NN
In smooth leather.
Black anodized spokes.
Black stitching.



OD/1987/NN
In suede leather.
Black anodized spokes.

STEERING WHEELS

SUPERQUADRO

OD/1990/NN

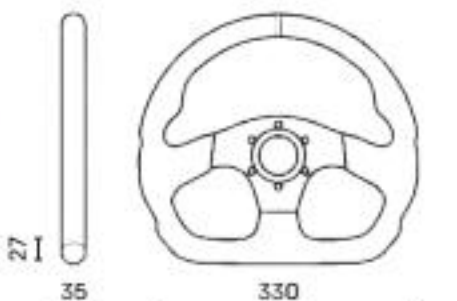
FLAT
SUPPLIED WITH HORN BUTTON



SUEDE LEATHER

BLACK ANODIZED SPOKES

NO STITCHING



Diameter: 330x290 mm
Handgrip: oval 35x27 mm

STEERING WHEELS

TARGA

OD/2005/NN

FLAT

SUPPLIED WITH HORN BUTTON



STEERING WHEELS

KUBIK

OD/1985

FLAT

SUPPLIED WITH HORN BUTTON



STEERING WHEELS

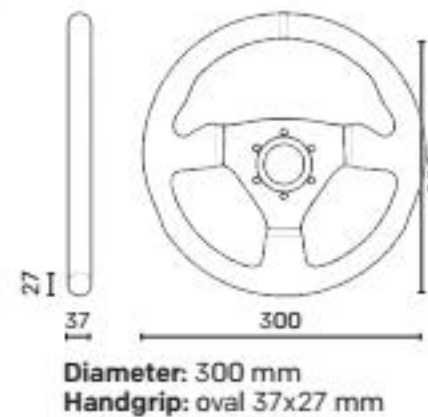
TRECENTO

OD/1975/N

OD/1976/N

FLAT

SUPPLIED WITH HORN BUTTON



STEERING WHEELS

FORMULA QUADRO

OD/1972/N

SINGLE SEATER



FOCUS ON

COUNTERFEIT STEERING WHEELS ARE A REAL THREAT TO YOUR SAFETY

But how can we sort out a genuine OMP steering wheel from a fake?

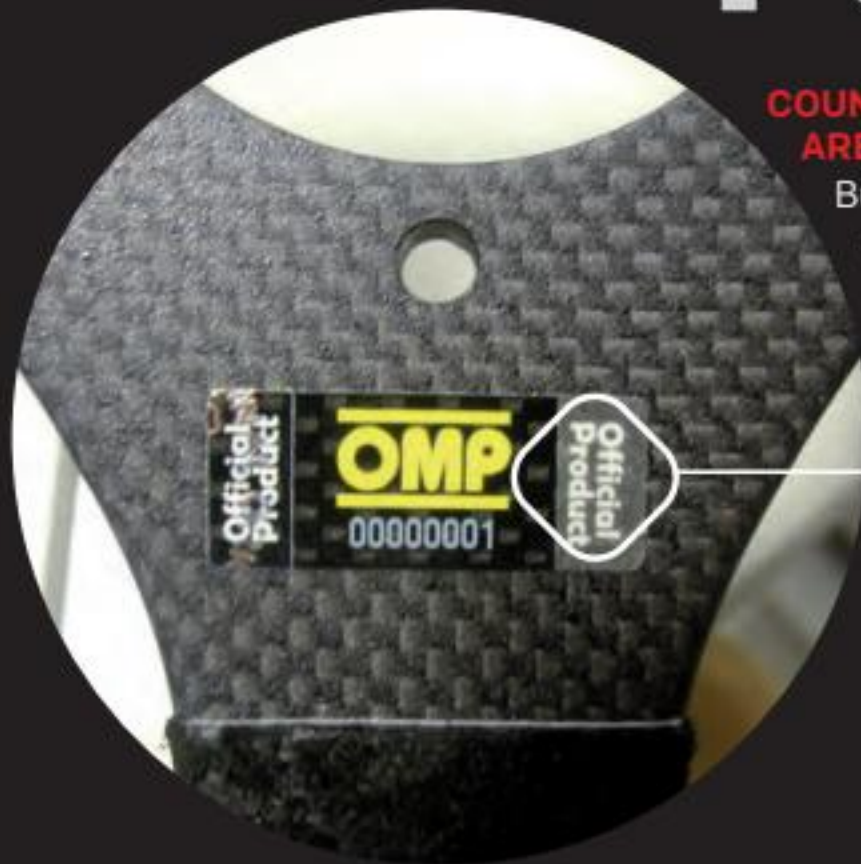
BEWARE OF

Too low prices / Altered OMP logo / Unofficial dealers
Models or colors that you can't find on OMP catalog or website

OMP HOLOGRAM

Example of an anti-counterfeiting hologram applied on rear spokes

Every OMP steering wheel is marked with an anti-counterfeiting hologram that certify the authenticity and the quality of OMP products

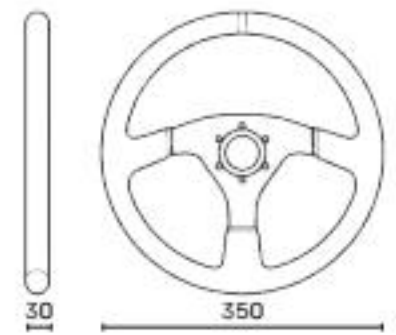


STEERING WHEELS

MUGELLO

OD/2023/LE

FLAT
SUPPLIED WITH HORN BUTTON

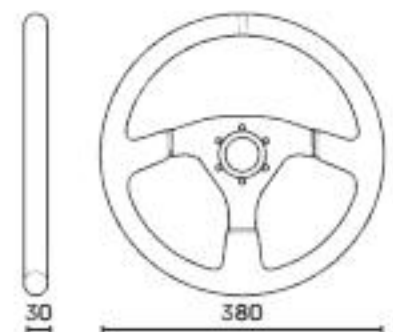


STEERING WHEELS

SAND

OD/2031

IN POLYURETHANE
FLAT
SUPPLIED WITH HORN BUTTON

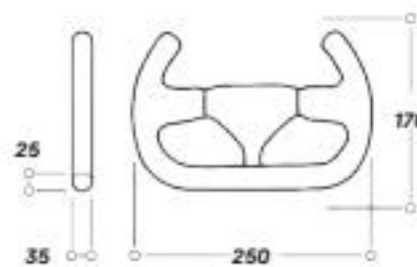


STEERING WHEELS

INDY OPEN

OD/2017/NN

SINGLE SEATER



Diameter: 250x170 mm
Handgrip: oval 35x25 mm

BLACK STITCHING

BLACK ANODIZED SPOKES

BLACK STITCHING

BLACK ANODIZED SPOKES

SUEDE LEATHER

STEERING WHEELS

CROMO

OD/2018/N

FLAT
SUPPLIED WITH HORN BUTTON



STEERING WHEELS

RACING GP

OD/1981/NN

FLAT
SUPPLIED WITH HORN BUTTON



STEERING WHEELS

ASSO

OD/2019/LN

FLAT
SUPPLIED WITH HORN BUTTON

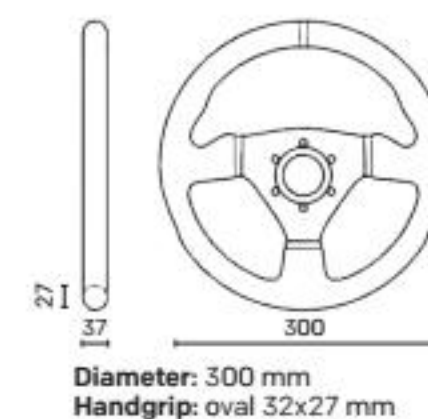


STEERING WHEELS

TRECENTO UNO

OD/1989/NN

FLAT
SUPPLIED WITH HORN BUTTON



QUICK RELEASE HUB TO BE WELDED

Quick release hub in aluminium with 6 holes. Compatible with 3 or 6 holes steering wheel. Recommended to be use PTFE dry lube to get the best performance and preserve all components.

Also available with 11 pin professional electrical connector included (this part is an high performance interconnection engineered with arc-shape metal guides, which ensure a rapid and precise alignment of the 11 contacts. Aluminium body, IP68 sealing, 10000 cycles guarantee, high temperature and chemical resistance).

Connector model:
FISCHER SFE-104-A086-130 (male)
FISCHER DEU-104-A092-130 (female)



ODS/024/W

ODS/024/WE

to be welded

to be welded with
connector included

QUICK RELEASE HUB TO BE BOLTED

Quick release hub in aluminium with 6 holes. Compatible with 3 or 6 holes steering wheel. Recommended to be use PTFE dry lube to get the best performance and preserve all components.

Also available with 11 pin professional electrical connector included (this part is an high performance interconnection engineered with arc-shape metal guides, which ensure a rapid and precise alignment of the 11 contacts. Aluminium body, IP68 sealing, 10000 cycles guarantee, high temperature and chemical resistance).

Connector model:
FISCHER SFE-104-A086-130 (male)
FISCHER DEU-104-A092-130 (female)



ODS/024/B

ODS/024/BE

to be bolted

to be bolted with
connector included

QUICK RELEASE HUB

6 holes quick release hub in aluminium. With 'butterfly' shape to avoid interaction with shift paddle. Compatible with 3 or 6 holes steering wheel. Available in to be welded version (ODS/025/W) or in to be bolted version (ODS/025/B).

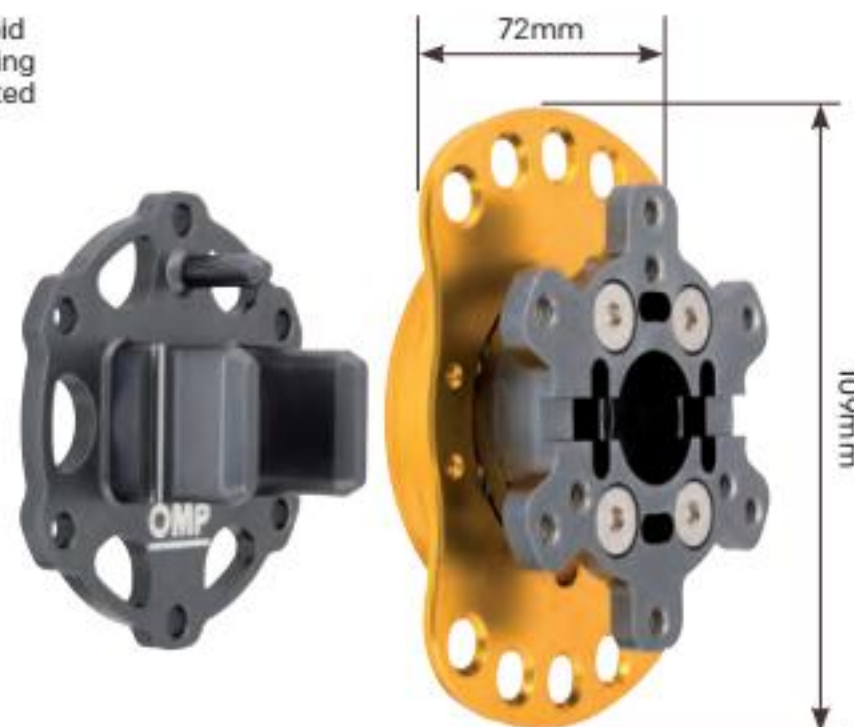
ODS/025/B

ODS/025/W

to be bolted

to be welded

AVAILABLE ON REQUEST WITH PROFESSIONAL
ELECTRICAL CONNECTOR



WHEEL PLATE

OD/2029

Carbon fiber.
Thickness: 2.5 mm

For use of up to
2 buttons (included).
2 drill points for
attachment between
steering wheel and
hub. Fixing screws
included.



FIXED STEERING WHEEL SPACERS

ODC023

Depth: 60mm

ODC023181
anodized silver



ODC023171
anodized black

STEERING WHEEL HUBS

OD/1960/...

These steering wheel hubs
have been designed so as
to maintain the original steering
wheel (flat model) position.



FACE PROTECTION

OD/2052

NEW



Universal face protection for steering wheel. It fits on any racing steering wheel thanks to the three adjustable velcro's straps. Ultralight material, FIA rules compliant. Depth: 40mm, Weight: 60gr, Diameter: 160mm

WHEEL PLATE

OD/2026

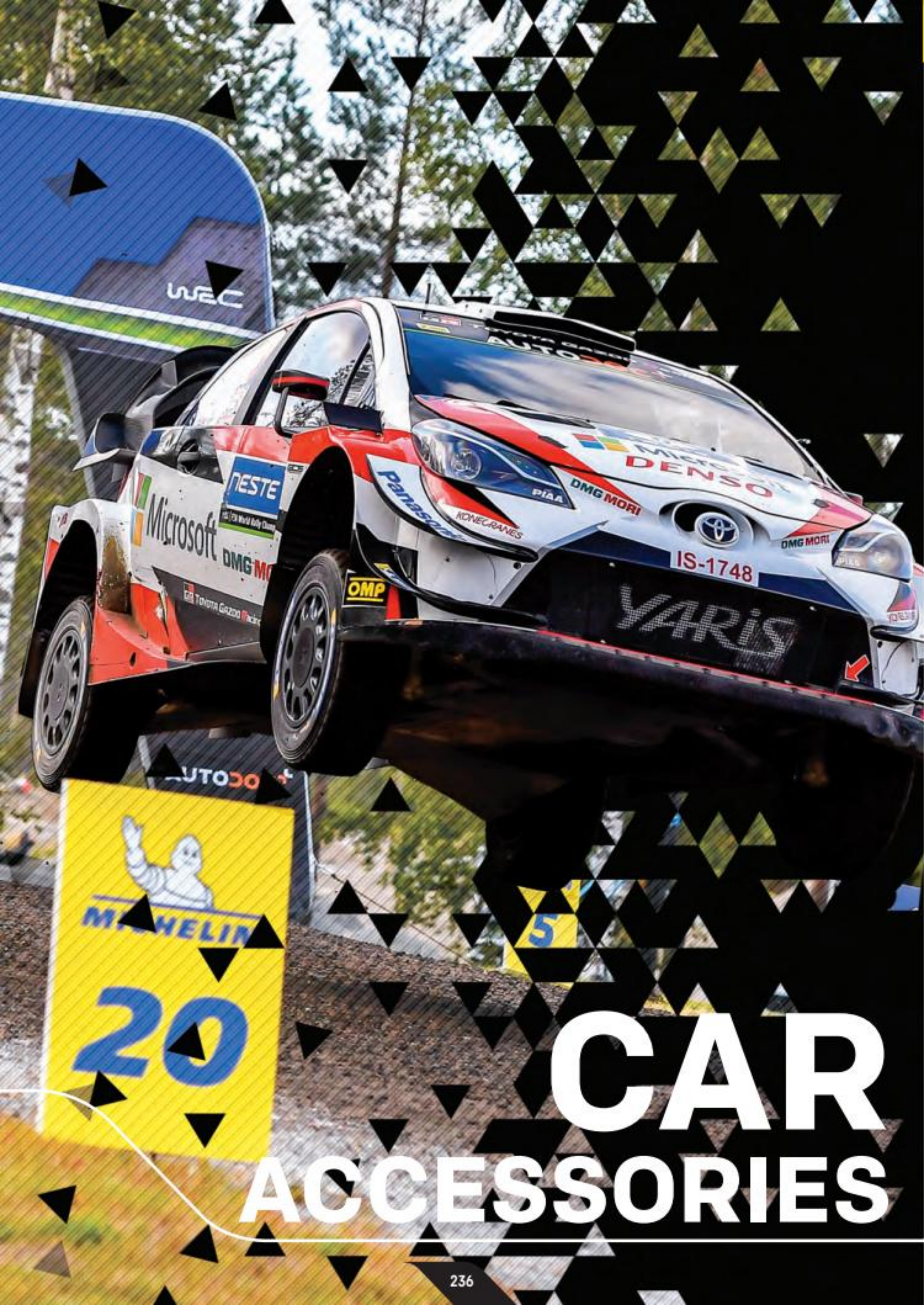


Carbon fiber.
Thickness: 2.5 mm

For use of up to 4 buttons (not included).
6 drill points for attachment.
Fixing screws included.



see the application list
on www.ompracing.com
and on QR code



CAR ACCESSORIES

RACING NETS

RACING NET

NA/1876

FIA homologated 8863-2013

Professional entry level racing net with quick release and quick front strap adjustment to fit with several seat positions. Designed to be mounted on the left or on the right side of the driver.



RACING NET

NA/1875

FIA homologated 8863-2013

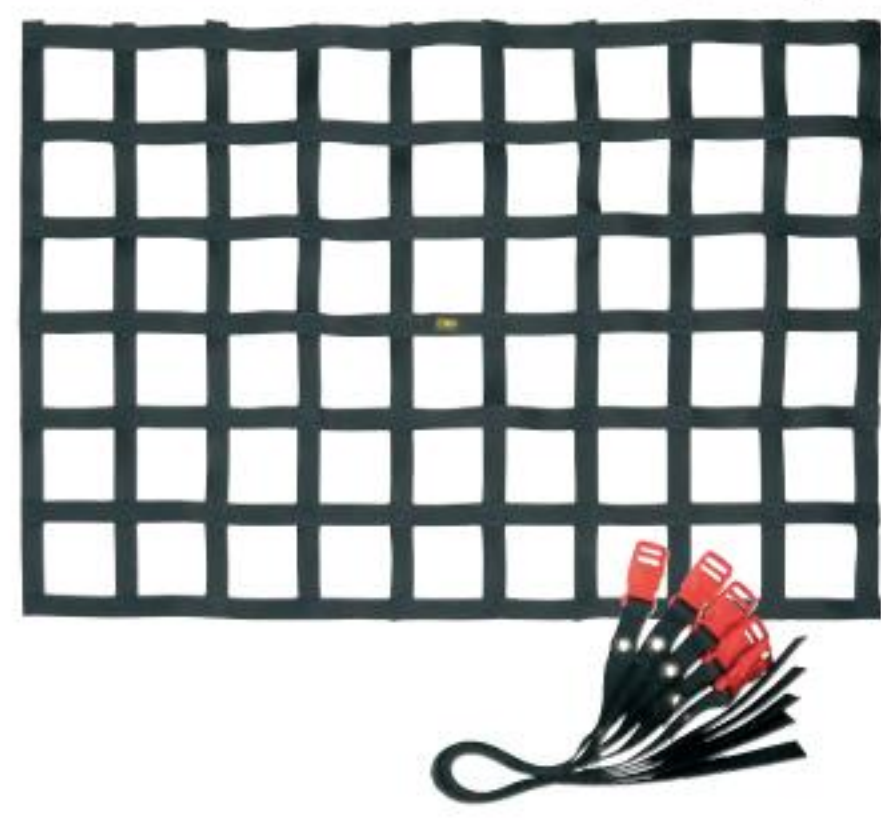
Professional racing net with small-sized quick release to improve driver's field of view and front strap adjustment to fit with several seat positions. Designed to be mounted on the left or on the right side of the driver.



WINDOW NET

NA/1870/TN

Nylon window safety net. Black colour. Also available in red colour upon request. Attachment: velcro. Dimensions webbing: 60x60 mm FIA J 253.11 compliant



RACING NET

NA/1877

FIA homologated 8863-2013

Professional top level racing net with quick release, quick front strap adjustment to fit with several seat positions, large triangle to allow an easier mounting complying FIA rules and thinner straps to improve driver's field of view. Designed to be mounted on the left or on the right side of the driver.



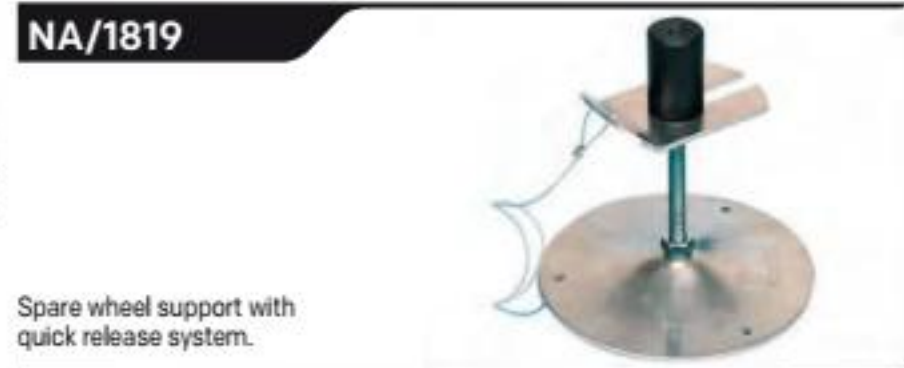


David Schumacher – US Racing
Formula Regional European Championship



- Red
NA/1700/R
- Blue
NA/1700/B
- Black
NA/1700/N
- Trasparent
NA/1700

Polyethylene splash guard.
Dimensions: 50x30 cm
Thick: 1,5 mm



NA/1819

Spare wheel support with quick release system.



NA/1821

Combination steel cross wheel spanner and spare wheel support.



NA/1820

Steel sheel spanner holder.



NA/1564

Ear plugs.



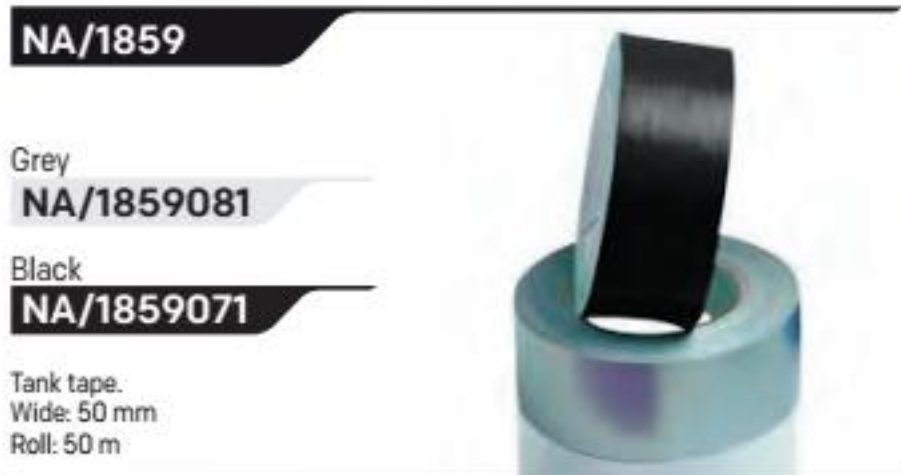
NA/1822

Nylon spare wheel down strap.



CD/324/10/N

Fire resistant sheath.
Ø Internal: 10mm
Lenght: 5m



NA/1859

- Grey
NA/1859081
- Black
NA/1859071

Tank tape.
Wide: 50 mm
Roll: 50 m



EB/489

Stainless steel pins with large slide pins.



EB/480

M10 aluminium pins with small sliding pins in stainless steel.



EB/492

- Red
EB/492/R
- Aluminium
EB/492/A
- Black
EB/492/N
- Blue
EB/492/B

Quick release bonnet pins aluminium W 7/16" with stainless steel hardware.



EB/491

Stainless steel spring clips. Suitable for hatchbacks.



EB/490

M10 stainless steel pins slide with large cast aluminium washers.



OPEN

CLOSED



EB/482

Rubber hooks (small).



EB/487/N

Leather straps.



EB/483

Rubber hooks (large).



EB/571

FIA APPENDIX J art. 253

Tow hook, stainless steel painted finish.
Stud: M 12 Internal ø: 50mm Thickness: 8mm
Complete: locking nut and washers.



EB/576

FIA APPENDIX J art. 253

Two hook, stainless steel painted finish.
Stud: M 12 Internal ø: 80mm
Thickness: 8mm
Complete: locking nut and washers.



EB/578/R

FIA APPENDIX J art. 253

Straps. 2"
ø ring: 14mm
Chassis fixing: two hole 8mm and 14mm



EB/580

FIA APPENDIX J art. 253

Straps. 2"
With restraint elastic strap.
Compliant with FIA rules.



EB/572

Aluminium tow hook, flat.
Thickness: 6 mm

OA/1010



Complete 3 pedal in sandblasted aluminium, with a long accelerator pedal. Supplied with steel bolts.
Dimensions brake: 60x100 mm
Dimensions accelerator: 60x210 mm

OA/1000



Complete 3 pedal in sandblasted aluminium, with a long accelerator pedal. Supplied with steel bolts.
Dimensions brake: 60x100 mm
Dimensions accelerator: 60x100 mm

OA/1020



Complete 3 pedal in sandblasted aluminium, with a long accelerator pedal. Supplied with steel bolts.
Dimensions brake: 60x70 mm
Dimensions accelerator: 60x210 mm

OA/1863



Complete 3 pedal in sandblasted aluminium, with a long accelerator pedal. Supplied with steel bolts.
Dimensions brake: 60x70 mm
Dimensions accelerator: 85x120 mm

OA/1030



Complete 3 smooth aluminium pedal, suitable for rally use, already drilled and countersunk. Supplied with steel bolts.
Thick: 3 mm

OA/1050



Same features as partnumber OA/1030, but the surface of the pedals is in knurled aluminium and can be shaped as needed.
Thick: 2,5 mm

OA/2070



Driver's left footrest in knurled aluminium.
Dimensions: 285x120 mm

OA/1867



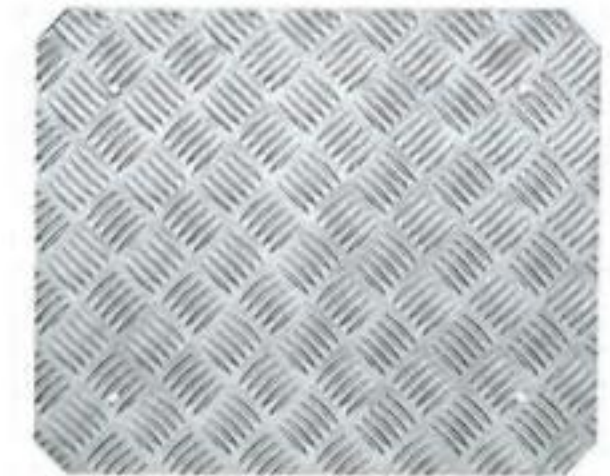
Driver's left footrest for left foot, in sandblasted aluminium. Supplied with steel bolts and brackets.
Dimensions: 260x100 mm

OA/2060



Co-driver's footrest in knurled aluminium.
Dimensions: 335x300 mm

OA/2080



Universal flat footrest in knurled aluminium.
Dimensions brake: 365x418 mm

OA/1866



Co-driver's footrest in sandblasted aluminium. Supplied with steel bolts and brackets.
Dimensions: 320x280 mm



Mini Challenge Italia 2019



Kajetan Kajetanowicz - Lotos Dynamic Rally Team - WRC2



Pierre Louis Loubet - WRC2 Champion 2019

PEDALS SETS

OA/1040

Complete 3 pedal set with short accelerator pedal in silver anodized aluminium.
 Inserts: rubber anti-slip.
 Dimens. brake: 60x80 mm
 Dimens. accelerator: 60x105 mm
 Supplied with steel bolts.



OA/1072

Complete 2 pedal set with long accelerator pedal, anodized aluminium and pressure die-caster sandblasted aluminium with anti-slip design, brake pedal for automatic transmission.
 Dimens. brake: 140x79 mm
 Dimens. accelerator: 65x180 mm
 Supplied with steel bolts.



2 PEDALS

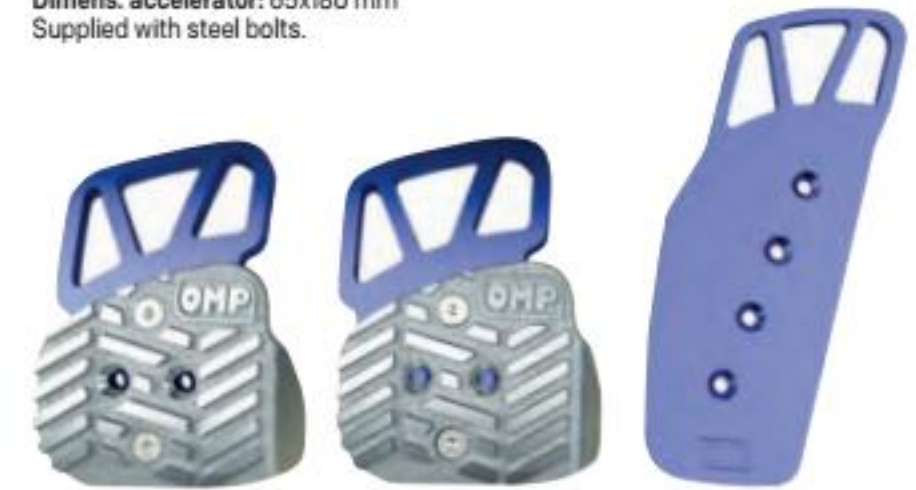
OA/1072/A
silver



OA/1072/N
black

OA/1069

Complete 3 pedal set, in anodized aluminium and sandblasted aluminium, with long accelerator pedal, anti-slip design.
 Dimens. brake: 60x90 mm
 Dimens. accelerator: 65x180 mm
 Supplied with steel bolts.



3 PEDALS

OA/1069/B
blue



OA/1069/A
silver



OA/1067/R
red

OA/1068

Complete 2 pedal set in anodized aluminium and pressure die-caster sandblasted aluminium with anti-slip design with short accelerator pedal and brake pedal for automatic transmission.
 Dimens. brake: 140x70 mm
 Dimens. accelerator: 55x106 mm
 Supplied with steel bolts.



2 PEDALS

OA/1068/N
silver

MASTER SWITCHES

FIA APPENDIX J ART. 253



EA/462

6 poles with removable key disconnecting battery and alternator.

EA/464

Spare key for EA/462 model.



EA/460

2 poles with removable key disconnecting battery only.

EA/463

Spare key for EA/460 model.

CO-DRIVER' MAP LIGHTS



KA/1035

Professional model, flexible led. Long: 50 cm

KA/1036

Professional model, flexible led. Long: 40 cm

KA/1039

NEW

Professional model, flexible led. Long: 20 cm
Two light mode.

SWITCHES ACCESSORIES

With threaded fixing nut, 2 poles.

EA/466



PUSH BUTTON
For interior use.

EA/467



PUSH BUTTON
For exterior use,
water resistant.

X/181493



PROTECTION
Rubber ring for
push button EA/467.

A line of tyre warmers available in 4 different standard sizes, offering greater versatility across a wider range of tyre sizes and now available in two types: with a standard temperature control thermostat or with a central electronic temperature control box.

Interior: Nomex®.

Exterior: Cordura® which improves transpiration allowing moisture to escape away from the tyre.

Electrical cables and connectors are compliant with EEC electrical standards.

Upon request, tyre warming blankets can be made to measure. Tyre warmers for motorcycles are also available upon request.

Tyre warmers models with a Central Electronic Temperature Control Box (part number T200) allows each of the 4 tyres to have individual temperature settings. The control box features an electronic control device controlled by software preventing overheating. The external case of the control box is ABS plastic with an electrical protection rating of IP44.

Tyre warmers models with a Standard Temperature Control allows the tyre surface to reach 80/85 °C. The time required to reach this temperature is depends on ambient temperature, tyre dimensions and operating conditions.

T1957C - Width: 190/220 mm Ø 570/220 mm

T1957 - Width: 190/220 mm Ø 570/585 mm

T1963C - Width: 190/200 mm Ø 630/640 mm

T1963 - Width: 190/200 mm Ø 630/640 mm

T2363C - Width: 230/260 mm Ø 630/645 mm

T2363 - Width: 230/260 mm Ø 630/645 mm

T2360C - Width: 230/260 mm Ø 600/620 mm

T2360 - Width: 230/260 mm Ø 600/620 mm

THE MEASUREMENTS REFER TO THE TYRE SIZES.

CUSTOM MADE MEASURE ON REQUEST

*Price is for single tyre warmer.



REMOVABLE WITH VELCRO
Choose your colour

T200/2



Electronic thermostatic control box
with digital display for 2 tyre warming blankets.

T200/4



Electronic thermostatic control box
with digital display for 4 tyre warming blankets.

T100

Nylon carrying bag for one complete
set of 4 tyre warmers.

MOTORSPORT CARE

The expertise of two historic companies in motorsport and care respectively, mixed together for an exclusive range of products for the cleaning and maintenance of your racing gear: OMP Motorsport Care powered by MaFra.

MULTIPURPOSE pre-wash degreaser and stain remover

- High performance specific pre-wash treat for grease and oil stains
- Helps to blast out grease and dirt from every fabric (fire retardant or karting suits, seats, steering wheels...)
- Ultra fast action
- Special formula with balanced ph
- Vol. 500 ml

PC02005



SUEDE leather cleaner

- Cleans and hydrates the suede leather of boots and steering wheels covers.
- New formula with aloe vera and natural waxes
- Revives the suede and keeps it soft
- Easy and fast to use
- Vol. 500 ml

PC02006



SEAT FABRIC cleaner

- Wipes off grease and dirt from your racing seats' fabric upholstery.
- Active foam eases the removal of dirt from the fibers
- Revives the fabric after the most stressing racing sessions
- Easy and fast to use
- Vol. 500 ml

PC02007



PC01001

FINE WHEELS
Concentrated detergent for steel wheels, alloy wheels and brake calipers.
Contents: 750 ml



PC02002

BLACK LIGHT
Transparent black acrylic paint for personalization of indicator lights.
Colours: black, green, blue.
Contents: 400 ml



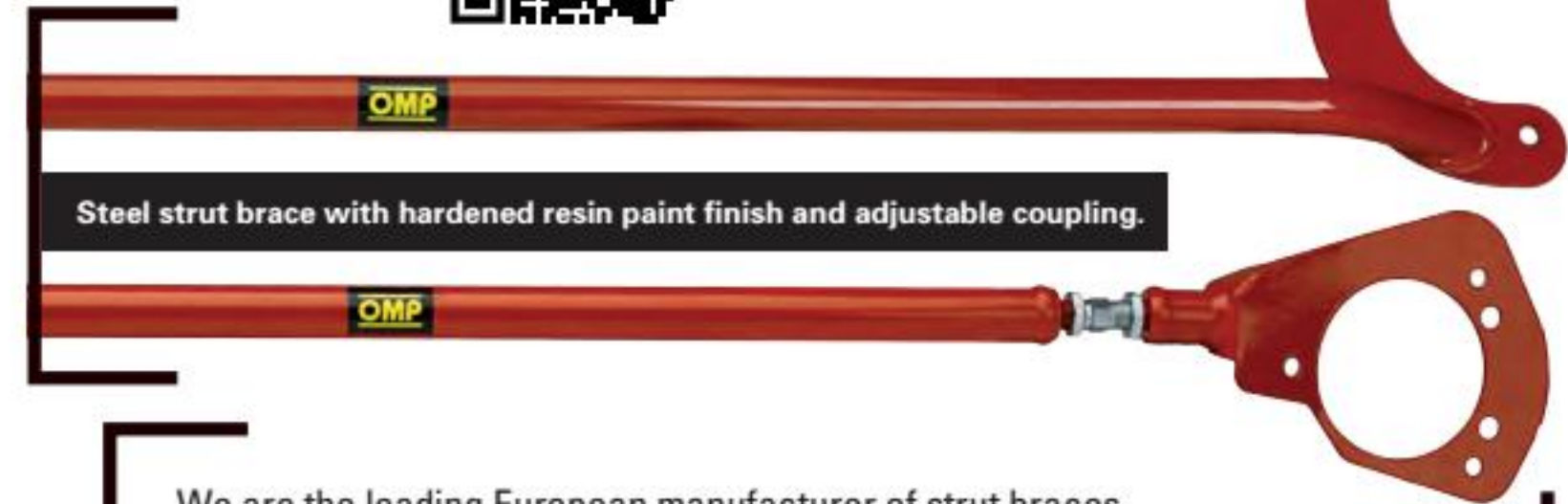
PC02001

FIRE PAINT
Special high temperature paint for exhaust systems, brake calipers, engines, etc.
Colours: red, blue, yellow, black, silver, gold.
Contents: 400 ml

STRUT BRACES



see the application list on www.ompracing.com and on QR code



Steel strut brace with hardened resin paint finish and adjustable coupling.

We are the leading European manufacturer of strut braces, offering over 1000 vehicle specific applications. Our strut braces are engineered to keep suspension geometry unaltered in hard cornering, while improving feedback to the drive.



Extruded aluminium strut brace with adjustable ends and steel flanges.

SUITS



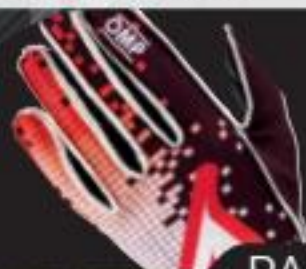
PAG. 252

UNDERWEAR



PAG. 261

GLOVES



PAG. 264

SHOES



PAG. 274

HELMETS



PAG. 282



KART WORLD



TONY/KART

KOSME
RACING KART

EXPRIT
RACING KART

REDSPEED
RACING KART

PAROLIN

RALF SCHUMACHER
RS



Praga

FK

OK1
THE OFFSHORE KART

ALPHA
KART RACING TEAM

Lenzokart
HIGH PERFORMANCE TECHNOLOGIES

LUXOR



EVO
Kart

JESOLO
TECHNOLOGY KART

CKR

TOP-Kart

TOP-Kart

FACTORY TEAM
PCF
PINAYELLI COMPETITION RACING

RIGHETTI
RIDOLFI

SUIT



KK01726

KK01726C
FOR CHILDREN

HOMOLOGATION CIK - FIA level 2
SIZES: 44-62

for children:
120/130/140/150/160 height

sizing information on page 341

TOTALLY PRINTED KART TOP LEVEL SUIT

Developed with the most important karting teams and drivers. Available in three colors with a modern printed graphic.

Unlimited customization way thanks to the totally printed design.



SEMI FLOATING ARMS

WITHOUT SEAMS
on waist

ELASTIC INSERTS

ALSO FOR CHILDREN!

KK01726232XX
black/green/yellow

ELASTIC INSERTS

PADDED INSERTS



STRETCH
INSERTS



MANUFACTURER: OMP
MODEL: K-KK7-001
HOM. NO.: CIK-FIA 2013/026
FIA STANDARD: 2013-1



Tony Kart



KK01726073XX
black/red/white



KK01726242XX
navy blue/white/cyan

SUIT

KS-2R

TOTALLY PRINTED KART TOP LEVEL SUIT

Without seams on waist to increase driver's comfort. Elastics insert on groin, underfoot retainer, comfortable padding on knees, high breathability inserts under the sleeves, mesh inserts on shoulder and pockets to improve ventilation, low cut neck and velcro wrist closure.

MANUFACTURED ENTIRELY IN ITALY



FLOATING ARMS

MESH INSERTS

KK01725172XX
black/silver/red

ELASTIC INSERTS

PADDED INSERTS



ALSO FOR CHILDREN!

KK01725

KK01725C
FOR CHILDREN

HOMOLOGATION CIK - FIA level 2
SIZES: 44-62

for children:
120/130/140/150/160 height

sizing information on page 341



Kosmic Kart



KK01725247XX
blue/yellow



MANUFACTURER: OMP
MODEL: OMP KS-2R.A
HOM. NO.: CIK-FIA 2013/D41
FIA STANDARD: 2013-1

SUIT KS-3

CLASSIC AND FLUO COLOURS SUIT

Comfortable and resistant karting suit made in lightweight external fabrics and soft kitted inner lining, two practical outer pocket. New modern and fresh design featured by exclusive belt and 'motorcycle suit inspired' zip closure. High weight reduction in comparison to previous model.



KK01727274XX
black/fluo green

ELASTIC INSERT ON BACK to optimized fitting and comfort



MESH INSERTS

KK01727

KK01727C
FOR CHILDREN

HOMOLOGATION CIK - FIA level 2
SIZES: 42-62

for children:
120/130/140/150/160 height

sizing information on page 341

Gabriele Mini
- Parolin -



KK01727178XX
black/fluo yellow



KK01727073XX
black/red



KK01727179XX
black/fluo orange



KK01727242XX
navy blue/royal blue



KK01727089XX
black/silver



KK01727071XX
black/anthracite

ALSO FOR CHILDREN!

FIA APPROVED

MANUFACTURER: OMP
MODEL: KS S.A.
HOM. NO: CIK-FIA 2013/042
FIA STANDARD: 2013-1

SUIT

KS-4

HARDY KARTING SUIT
Outer layer in polyester, interior in soft cotton sponge. outer pockets.

KK01724

KK01724C
FOR CHILDREN

HOMOLOGATION CIK - FIA level 1
4 LAYERS
SIZES: S-XXL

for children:
120/130/140/150 height

sizing information on page 341

LOW CUT COLLAR

ARM BELLOWS
in elastic knitted fabric
for maximum freedom of
movement.

ALSO FOR CHILDREN!

KK01724061XX
red

KK01724041XX
blue

KK01724071XX
red



MANUFACTURER: OMP
MODEL: OMP KS-4 KARTING
HOM. NO: CIK-FIA 2013/16
FIA STANDARD: 2013-1

SUIT

SUMMER K

ONE LAYER KARTING SUIT
Made of lightweight and durable cotton and polyester fabric, ideal for indoor karting. Outer pockets.



KK01719

KK01719C
FOR CHILDREN

1 LAYER
SIZES: S-XXL

for children:
120/130/140/150 height

sizing information on page 341

ARM BELLOWS
in elastic knitted fabric
for maximum freedom of
movement.

ALSO FOR CHILDREN!

KK01719041XX
blue

KK01719061XX
red

KK01719071XX
black

RAIN SUIT

Waterproof kart oversuit made in ultrathick (0.15 mm), lightweight and resistant transparent material. Heat welded taped seams, waterproof central zipper with inner V shaped gusset to protect against heavy rain. Comfortable stretch band on waist and elastic bellows on wrist to get the best comfort. Adjustable ankle closure with zipper and velcro allows you to fit quickly the suit. High resistance nylon protection on right elbow to protect against engine's heat. Available for adults and for children.

KK03106

KK03106C
FOR CHILDREN

SIZES: XS-XXL

for children:
120-130-140-160cm height

sizing information on page 341

NEW
MY2020

ALSO FOR!
CHILDREN!



KS WINTER-R SHIRT

KK03021E



Long sleeved underwear shirt for winter use made of new stretch fabric. Realized with "3D" seamless technology for the best freedom of movement and comfort.

SIZES:

- SM (corresponding sizes S/M - suit sizes 44-48)
- LXL (corresponding sizes L/XL - suit sizes 50-54)
- XXL (corresponding sizes XXL/XXXL - suit sizes 56-60)

KS WINTER-R PANTS

KK03022E



Long johns for winter use made of new stretch fabric. Realized with "3D" seamless technology for the best freedom of movement and comfort.

SIZES:

- SM (corresponding sizes S/M - suit sizes 44-48)
- LXL (corresponding sizes L/XL - suit sizes 50-54)
- XXL (corresponding sizes XXL/XXXL - suit sizes 56-60)

KS WINTER-R BALACLAVA

KK03020E

Kart balaclava for winter use made of new stretch fabric. Made with "3D" seamless technology for the best comfort.

Size: one size fits all.



KS YOUTH TOP

KK03023

LONG SLEEVED TOP FOR CHILDREN

This long sleeved top is made with seamless 3D technology, and it's designed to perfectly adhere to the body. Maximum comfort and freedom guaranteed. The peculiar 3D manufacture is conceived to maximise sweat expulsion. Honeycomb inserts are located in the most critical perspiration points and help eliminate bacteria that cause bad smell. The Q-Skin material is an Italian trademark and guarantee of quality. Specifically, Q-Skin is an antibacterial microfiber with silver ions; it takes care of the skin, offering transpiration, thermoregulation, hygiene and comfort. All this creates an healthy micro-climate that allows the skin to stay warm in the winter and fresh in the summer, and always dry. Insulation capacity makes this outfit versatile and usable in every time of the year, with every climate. Color: Black (071)



SIZES:
8-10 years / 10-12 years

Special fit for young drivers.

KS SPRING

KK03012



KK03012020XX
white



Long sleeved shirt, hydrofobic highly hygienic hollow fiber. Crew neck top with ultra flat seams. Compact weaving for thermal insulation.

SIZES:
SMA (corresponding sizes XS/S - suit sizes 44-48)
MED (corresponding sizes M/L - suit sizes 50-54)
XLAR (corresponding sizes XL/XXL - suit sizes 56-60)

KS SUMMER

KK03016



Short sleeved shirt, stretch fabric, hydrofobic highly hygienic hollow fiber. Ultra-low density jacquard weaving for high breathability. Ideal in hot conditions.

SIZES:
SMA (corresponding sizes XS/S - suit sizes 44-48)
MED (corresponding sizes M/L - suit sizes 50-54)
XLAR (corresponding sizes XL/XXL - suit sizes 56-60)



DEKM - Electric Kart Championship

KS SUMMER BALACLAVA

KK03018

Hydrofobic highly hygienic hollow fiber. Low density jacquard weaving for high breathability for use in hot conditions.

ONE SIZE



BALACLAVA

KK03005

Knit cotton, open face balaclava.

ONE SIZE

KK03005020
white

KK03005061
red

KK03005041
blue

KK03005061
black



BALACLAVAS

KK03004

Open face disposable balaclavas.

Anallergenic.

Packages: 25 pieces

ONE SIZE



KS SUMMER SHORTS

KK03017

Stretch fabric, hydrofobic highly hygienic hollow fiber. Low density jacquard weaving for high breathability for use in hot conditions.



SIZES:

SMA (corresponding sizes XS/S - suit sizes 44-48)

MED (corresponding sizes M/L - suit sizes 50-54)

XLAR (corresponding sizes XL/XXL - suit sizes 56-60)

KS SOCKS

KK03019

Technical socks with differentiated weave. Mid length.

SIZES:
S/M/L



KK03019020XX
white



TOP LEVEL KART GLOVES WITH TOTALLY PRINTABLE DESIGN

AVAILABLE ONLY UPON REQUEST

Made in stretch fabric, it is possible to customize the gloves. Unlimited customization ways thanks to the totally printed design.



SIZES: XS-XL
sizing information on page 341
CHILDREN SIZES: 4-6

4	XXXXXS
5	XXXXS
6	XXXS

ALSO FOR CHILDREN!



EXTERNAL SEAMS

SILICONE PALM

PRECURVED

ELASTIC WRIST STOP

SLANTED CUT

KS-ART GLOVES

Making of Art

CONCEPT & DESIGN



DIGITAL PROJECT



GRAPHIC PRINT



CUT & PRODUCTION



FINISHES

This model of gloves can be customized through the use of images, photos and color blendings. This peculiar feature is possible thanks to our proprietary technology "OMP Print Art". In order to outline what spaces are at the customer's disposal for personalization, we show you the exploded view of those areas. Create your ONE ART gloves right now on our website: www.ompracing.com

GLOVES KS-1R

KK02740

KS-1 R GLOVES

Elasticized super top glove. Silicone inserts on the palm, precurved for maximum grip. External seams for maximum sensitivity.



ALSO FOR CHILDREN!

SIZES: XXS-XL

sizing information on page 341

CHILDREN SIZES: 4-6

with inner seams to increase comfort in smallest size

4	XXXXXS
5	XXXXS
6	XXXS

ULTRA-GRIP is used on the fingertips and forefingers for maximum grip on the steering wheels

EXTERNAL SEAMS

SILICONE INSERTS

ELASTIC BAND on the wrists

SLANTED CUT

KK02740071XX
black/white/silver

GLOVES KS-2R

KK02747

PROFESSIONAL KART GLOVE

Kart gloves made of resistant and comfortable stretch fabric. Bellows on knuckles and fingers for best freedom of movement and breathable inserts in mesh fabric to increase comfort Fresh design and modern color range.

SIZES XXS-XL

sizing information on page 341

CHILDREN SIZES: 4-6

4	XXXXXS
5	XXXXS
6	XXXS

ALSO FOR CHILDREN!

EXTERNAL SEAMS

RUBBER PROTECTION

SILICONE RUBBER INSERTS

ELASTIC WRIST STOP

KK02747058XX
yellow fluo/green fluo



KK02747060XX
red/black



KK02747242XX
navy blue/white/cyan



KK02747120XX
white/red/black



KK02747071XX
black

GLOVES KS-2 ART

KK02748

PROFESSIONAL KART GLOVE

Entry level kart gloves with printed graphic. Stretch polyester lightweight fabric and silicone rubber palm for best grip. Elastic band on wrist to improve fitting. External seams and thin palm material.

SIZES: XXS-XL

sizing information on page 341

CHILDREN SIZES: 4-6

4	XXXXXS
5	XXXXS
6	XXXS

ALSO FOR CHILDREN!

EXTERNAL SEAMS

NEW



KK02748178XX
black/fluo yellow



ELASTIC WRIST STOP

SILICONE RUBBER PALM
for best grip



KK02748076XX
black/white



KK02748275XX
black/cyan



KK02748274XX
black/fluo green



KK02748273XX
black/red



KK02748179XX
black/fluo orange

GLOVES KS-3

KK02743E

PROFESSIONAL KART GLOVE

Kart gloves made of resistant and comfortable stretch fabric. Synthetic leather palm with silicon rubber inserts for the best grip. Elastic wrist stop to increase comfort and rubber protection on knuckles.

SIZES: XXS-XL

sizing information on page 341

CHILDREN SIZES: 4-6

4	XXXXXS
5	XXXXS
6	XXXS

ALSO FOR CHILDREN!

INTERNAL SEAMS

RUBBER PROTECTION



KK02743E076XX
black/white



KK02743E175XX
black/blue/white



KK02743E270XX
black/fluo green/white



KK02743E060XX
black/red



KK02743E059XX
black/fluo yellow



KK02743E096XX
fluo orange/black

RUBBER INSERTS

ELASTIC WRIST STOP

SYNTHETIC LEATHER PALM
with antiskid rubber inserts

GLOVES

KS-4

KK02744E

PROFESSIONAL KART GLOVE

Kart gloves made of resistant and comfortable stretch fabric. Palm in suede leather, elastic wrist stop to increase comfort, adjustable leather strap on wrist velcro closure.

SIZES XXS-XL

sizing information on page 341

CHILDREN SIZES: 4-6

4	XXXXXS
5	XXXXS
6	XXXS

ALSO FOR CHILDREN!

INTERNAL SEAMS

KK02744E231XX
fluo green/black



SYNTHETIC LEATHER PALM

ELASTIC WRIST STOP

ADJUSTABLE LEATHER STRAP



KK02744E060XX
red/black



KK02744E277XX
purple/black



KK02744E146XX
blue/black



KK02744E071XX
black



KK02744E059XX
yellow fluo/black

RS



Praga



Formula K



OK1



GLOVES



KK02745

SIZES: XXS-XXL
sizing information on page 341

ARP - ADVANCED RAIN PROOF GLOVES WATER REPELLENT EXTERNAL TREATMENT

Rainproof kart gloves with waterproof membrane to protect hands against rain and bad weather.

THE GLOVE FIT VERY TIGHT.



EXTERNAL SEAMS

PRECURVED



HIGH GRIP silicone rubber palm

INNER WATERPROOF MEMBRANE

STRAIGHT CUT on wrist

GLOVES

RAIN K

KK02739

SIZES XXS-XL
sizing information on page 341
CHILDREN SIZES: 4-6

NEOPRENE KARTING GLOVE
Water and wind resistant.
Neoprene material.
Improved grip and fitting.



INTERNAL SEAMS

HIGH GRIP silicone rubber palm

ALSO FOR CHILDREN!

Rok Cup Finals
Las Vegas



Rok Cup Finals
Lonato



SIZES: 32-48

sizing information on page 341

HIGH LEVEL PROFESSIONAL KART BOOTS WITH TOTALLY PRINTABLE DESIGN

AVAILABLE ONLY UPON REQUEST

It is possible to customize the shoes by adding/removing the inner foot support to get more comfort/sensibility. Unlimited customization ways thanks to the totally printed design.



ALSO FOR CHILDREN!



REAR BELLOW

PIVOT-LIKE HEEL DESIGN for smooth pedal actuation



Making of Art

CONCEPT & DESIGN

DIGITAL PROJECT

GRAPHIC PRINT

CUT & PRODUCTION

FINISHES

SHOES



This model of shoes can be customized through the use of images, photos and color blendings. This peculiar feature is possible thanks to our proprietary technology "OMP Print Art". In order to outline what spaces are at the customer's disposal for personalization, we show you the exploded view of those areas. Create your ONE ART shoes right now on our website: www.ompracing.com

TOP LEVEL KARTING SHOES

Super top boots with new generation sole which guarantees highest sensitivity, featuring Rotor lacing inspired by the fireproof ONE EVO R boots. Made of perforated microfiber with technical protection on the tip.



IC/810071XX
black/silver

PERFORATED MICROFIBER
for maximum breathability

SIDE REINFORCEMENT
ON THE TIP

PIVOT-LIKE HEEL
DESIGN
for smooth pedal
actuation

INJECTED SOLE
for maximum grip and
resistance to wear



REAR BELLOW

TOP LEVEL KARTING SHOES

Top level karting shoes, derived directly from F1&WRC racing shoes. Realized in polyurethane, with ultralight outsole specifically designed for karting that guarantees the highest sensitivity when driving. Rear inserts in elastic padded material for improved comfort, separate ankle adjustment with velcro strap, pivot heel design for smooth actuation. Large areas in mesh fabric for best breathability.



IC/815244XX
blue navy/white/cyan

PIVOT-LIKE HEEL
DESIGN
for smooth pedal
actuation

INJECTED SOLE
for maximum grip and
resistance to wear



IC/815120XX
white/black/red



IC/815270XX
black/white/fluo green



IC/815058XX
fluo yellow/fluo green



IC/815070XX
black/white/grey

SHOES

KS-2

IC/812

MICROFIBER SHOES

SIZES 32 - 47

sizing information on page 341

ALSO FOR CHILDREN!



IC/812059XX
fluo yellow/black/white

MESH INSERTS

SHOES

KS-3

IC/813

SUEDE LEATHER SHOES

SIZES 32 - 47

sizing information on page 341

ALSO FOR CHILDREN!



IC/813060XX
red/black/white

MESH INSERTS



OUTSOLE specifically designed for karting



with black, fluo yellow, anthracite and white strings in the same package



OUTSOLE specifically designed for karting

with black, red and white strings in the same package



IC/812120XX
white/black/red



IC/812273XX
black/white/red



IC/813077XX
black/white/anthracite



IC/813241XX
blue/white/cyan



IC/813374XX
black/grey/fluo yellow



with black, red and white strings in the same package



with black, red and white strings in the same package



with black, yellow fluo, orange fluo, green fluo, cyan, red, pink fluo strings in the same package



with black, pink fluo and cyan strings in the same package



with yellow fluo, black, orange fluo, green fluo, cyan, red, pink fluo strings in the same package

SHOES



IC/817

SIZES 34 - 48

sizing information on page 341



ARP - ADVANCED RAIN PROOF SHOES SUITABLE FOR DRIVING IN ALL WEATHER CONDITIONS, NOT ONLY WHILE RAINING

High-height kart boots in polyurethane with waterproof membrane under the laces and high ankle height ankle to protect feet against rain and bad weather.



IC/817071XX
black/silver

ADJUSTABLE DOUBLE STRAP with velcro closure



REAR BELLOW

PIVOT-LIKE HEEL DESIGN for smooth pedal actuation

INJECTED SOLE for maximum grip and resistance to wear

HOME AND DRY



THE ULTIMATE ANTI-RAIN TECHNOLOGY



HELMETS GP8 K EVO

SC785EK

SIZES: XS-XXL

sizing information on page 341

HOMOLOGATION
FIA 8859-2015

FULL FACE HELMET

Made in composite material. Lightweight, with soft and comfortable high breathability fire retardant internal lining, bordered strap with double D ring closure and high precision adjustable visor with easy block system. With air vents and intakes to ensure the best air ducting. Complete with clear visor and spoiler.

AIR VENTS
and intakes to ensure the
best air ducting

REAR SPOILER

OPTIONAL VISOR
ref. SC163

PREPARED
to install clips hans
SC726 (sold separately)

EASY BLOCK SYSTEM



MANUFACTURER: OMP
MODEL: GP8 EVO
HOM. NO: PH-067-18-C
FIA STANDARD: 8859-2015



HELMETS KJ8 EVO

SC790E

SIZES: XS-L

sizing information on page 341

**CMR 2016
HOMOLOGATION**

FULL FACE KARTING HELMET

Full face karting CMR helmet made in composite material. Lightweight, with soft and comfortable high breathability internal lining, bordered strap with double D ring closure and high precision adjustable visor with easy block system. The air vents and intakes ensure the best air ducting. Two visors included in the box (clear and iridium blue).

AIR VENTS
and intakes to ensure the
best air ducting

NEW

EASY BLOCK SYSTEM

IRIDIUM VISOR
included in the box



HELMETS CIRCUIT EVO

SC613

SIZES XS-XXL

sizing information on page 341

HOMOLOGATION
ECE 22.05

FULL FACE KARTING HELMET
Full face thermoplastic helmet, velvet lining (not fireproof), step setting visor.

NEW
MY2020

AIR VENTS
and intakes to ensure the
best air ducting

SC613099XX

fluo yellow

REMOVABLE BREATH
GUARD

AIR VENT

CHIN CURTAIN



SC613020XX

white



SC613170XX

matt black



HELMETS STAR

SC607E

SIZES S-XXL

sizing information on page 341

HOMOLOGATION
ECE 22.05

OPEN FACE KARTING HELMET

Open face helmet with ABS shell, velvet lining not fireproof, with revomable peak.

SUN PEAK

SC607E170XX

matt black



SC607E020XX

white



GP8 K EVO (SC785EK) ACCESSORIES

NB: Spare parts for old helmet models are still available on our website www.ompracing.com, in the helmets section.

AIR VENTS

Spare couple of front air vents

SC166

Spare couple of rear air vents

SC167

VISORS

Clear visor

SC160

Iridium gold visor

SC163

Smoked visor

SC161

Iridium blue visor

SC162

LOCKING SYSTEM

SC168



SPOILER

Rear transparent spoiler (optional)
no FIA homologated

SC133

Rear black spoiler
(included with the helmet)

SC172

SPARE VISOR

Movement pivot kit

SC164

SPARE SCREWS

For tear off

SC184

SPARE CHEECK PADS

Size XS-XXL (no picture).

SC169

SPARE TOP INNER LINING

Size XS-XXL (no picture).

SC170

TEAR OFF KIT

5 PIECES

SC165



CIRCUIT EVO (SC613) ACCESSORIES

NB: Spare parts for old helmet models are still available on our website www.ompracing.com, in the helmets section.

AIR VENTS

Spare front air vents

SC187

Spare rear air vents

SC188

Spare chin air vent

SC189

VISORS

Clear visor
(included with the helmet)

SC185

Dark visor

SC186

AIR VENT

Spare chin air vent

SC189

SPARE VISOR

Movement pivot kit

SC190



KJ8 EVO (SC790E) ACCESSORIES

NB: Spare parts for old helmet models are still available on our website www.ompracing.com, in the helmets section.

AIR VENTS

Spare couple of front air vents

SC166

Spare couple of rear air vents

SC167

VISORS

Clear visor

SC160

Iridium gold visor

SC163

Smoked visor

SC161

Iridium blue visor

SC162

LOCKING SYSTEM

SC168



SPOILER

Rear transparent spoiler (optional)

SC133

Rear black spoiler

SC172

SPARE VISOR

Movement pivot kit

SC164

SPARE SCREWS

For tear off

SC184

SPARE CHEECK PADS

Size XS-XXL (no picture).

SC176

SPARE TOP INNER LINING

Size XS-XXL (no picture).

SC177

TEAR OFF KIT

5 PIECES

SC165



STAR (SC607E) ACCESSORIES

NB: Spare parts for old helmet models are still available on our website www.ompracing.com, in the helmets section.

SUN PEAK

black sun peak
(included with the helmet)

SC153

white sun peak




SC178



COLLAR

KK04003

Anatomic homologated collar in expanded polyurethane multi density foam with increased rigidity at the rear "fin" of the collar. One size.

-  KK04003000073 Red/black
-  KK04003000075 Blue/black
-  KK04003000071 Black



F DE K 1997
HOMOLOGATED

COLLAR

KK04009

Waterproof kart neck support collar, modern K STYLE design. One size.



ELBOW AND KNEE PADS

KK04006071

Padded elbow pads. One size.



KK04005071

Padded knee pads. One size.



BODY PROTECTION

KK048

In polycarbonate material. Provides support and protection to ribs and back. Adjustable straps to improve comfort fittings. Properly shaped and stuffed to have ultra-comfort



KK048071XX
black

SOFT AREA

KK048178XX
yellow

SIZES:

XS/S (lower chest 70-89 cm / height 160-170 cm)
M/L (lower chest 89-110 cm / height 170-190 cm)

RIB PROTECTION VEST

KK04001

Material: shock absorbing.
Inserts: high vibration absorption.
Straps: double adjustable.
Cover: stretch fabric.
Sizes: XS-XL

KK04001XXX041
blue

-  KK04001XXX061 Red
-  KK04001XXX071 Black



ALSO FOR CHILDREN!

SHOE COVER

KK08071XX

Nylon rainproof shoe-cover. Seams: heat welded. Sole: ultra soft reinforced rubber.

Sizes:
XS (32/34)
S (35/37)
M (38/40)
L (41/43)
XL (44/47)



CARBON RIB PROTECTION VEST

KK047E



Carbon fiber rib protection vest. Straps: adjustable. Sizes: XS-L

ALSO FOR CHILDREN!

FLAT KART SEAT

KK05032

8 SIZES

REF.	WIDTH
KK0503227	27 cm
KK0503229	29 cm
KK0503230	30 cm
KK0503231	31 cm
KK0503232	32 cm
KK0503233	33 cm
KK0503236	36 cm
KK0503238	38 cm



SEMITRANSSPARENT SEAT 8 SIZES

KK05030XX

KK05030LXX

REF.	WIDTH
KK0503027	27 cm
KK0503029	29 cm
KK0503030	30 cm
KK0503031	31 cm
KK0503032	32 cm
KK0503033	33 cm
KK05030L36	36 cm
KK05030L38	38 cm



Semitransparent fiber glass.

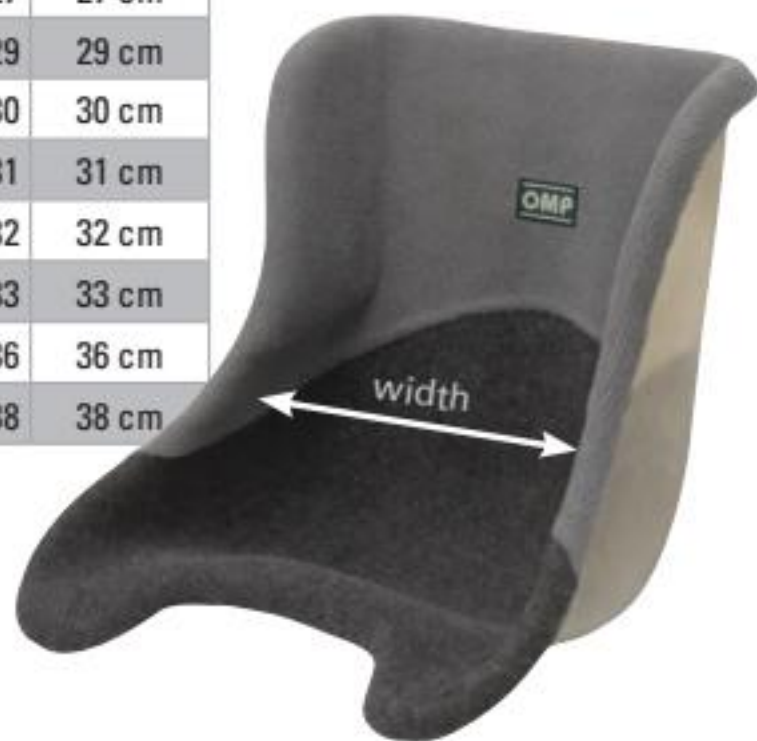
FIBERGLASS SHELL

KK05031

8 SIZES

Fiberglass shell. Upholstery: grey carpet.

REF.	WIDTH
KK0503127	27 cm
KK0503129	29 cm
KK0503130	30 cm
KK0503131	31 cm
KK0503132	32 cm
KK0503133	33 cm
KK0503136	36 cm
KK0503138	38 cm



SEAT PADDING

KK036

Polyethylene seat padding kit (5 piece kit) pre-cut pads for kart seats. All components are self adhesive to facilitate positioning on any seat shell. Thickness: 8 mm



NUMBER PLATE

X/892

Adhesive front number plate. Dimensions: 200x200mm



KS COVER

KK03201

Waterproof kart cover, modern K-STYLE design.



DIGITAL TYRE PRESSURE

NC/072

0,6 CLASS

Digital tyre pressure gauge. Resolution: 0.05 bar. Range: 0-7 bar.



ANALOG TYRE PRESSURE

NC081

0,1 CLASS

Analog tyre pressure gauge. Resolution: 0.1 bar. Range: 0-40 psi, 0-2.7 bar.



TYRE BAG

KK03300

Polyamide nylon tyre bag (suitable for 4 tyres), tear resistant waterproof fabric.



KART TROLLEY

KK05012

Steel frame kart trolley, easily disassembles for storage.



KS ART SUITS TABLE

KS-ART SUIT				ALSO FOR CHILDREN!			
HOMOLOGATION	LAYERS	SIZES					
CIK-FIA Level 2	2	46 64	✓				
				KK01726073XX	KK01726232XX	KK01726242XX	
KS-2R SUIT				ALSO FOR CHILDREN!			
CIK-FIA Level 2	2	46 62	✓				
				KK01725172XX	KK01725247XX		
KS-3 SUIT				ALSO FOR CHILDREN!			
CIK-FIA Level 2	3	42 62	✓				
				KK01727274XX	KK01727073XX	KK01727178XX	KK01727199XX
							
				KK01727242XX	KK01727089XX	KK01727071XX	
KS-4 SUIT				ALSO FOR CHILDREN!			
CIK-FIA Level 1	4	S XXL	✓				
				KK01724041XX	KK01724406XX	KK01724071XX	
SUMMER K SUIT				ALSO FOR CHILDREN!			
	1	S XXL	✓				
				KK01719061XX	KK01719041XX	KK01719071XX	

PLEASE NOTE

The XX in each part number indicates the location of the size.

KART GLOVES TABLE

KS ART GLOVES					ALSO FOR CHILDREN!		KS-1R GLOVES					ALSO FOR CHILDREN!	
PALM INSERT	EXTERNAL SEAMS	VELCRO STRAP	SIZES				PALM INSERT	EXTERNAL SEAMS	VELCRO STRAP	SIZES			
SILICONE PALM	✓		XS XL				SILICONE PALM	✓		XXS XL			
				KK02746XX									KK02740071XX
KS-2R GLOVES					ALSO FOR CHILDREN!								
SILICONE	✓		XXS XL										
				KK02747071XX	KK02747120XX	KK02747242XX	KK02747060XX	KK02747058XX					
KS-2 ART GLOVES					ALSO FOR CHILDREN!								
SILICONE	✓		XXS XL										
				KK02748076XX	KK02748275XX	KK02748274XX	KK02748273XX	KK02748179XX	KK02748178XX				
KS-3 GLOVES					ALSO FOR CHILDREN!								
SYNTHETIC LEATHER AND SILICONE			XXS XL										
				KK02743E076XX	KK02743E175XX	KK02743E270XX	KK02743E060XX	KK02743E096XX	KK02743E059XX				
KS-4 GLOVES					ALSO FOR CHILDREN!								
SUEDE LEATHER		✓	XXS XL										
				KK02744E071XX	KK02744E146XX	KK02744E274XX	KK02744E060XX	KK02744E178XX	KK02744E277XX				

KART SHOES TABLE

KS ART SHOES					ALSO FOR CHILDREN!		KS-1R SHOES					ALSO FOR CHILDREN!	
OUTSOLE	REAR INSERTS	VELCRO STRAP	SIZES				OUTSOLE	REAR INSERTS	VELCRO STRAP	SIZES			
ULTRALIGHT	✓	✓	32 48				ULTRALIGHT	✓		32 47			
				IC/818XX									IC/810071XX
KS-1 SHOES					ALSO FOR CHILDREN!								
ULTRALIGHT	✓	✓	32 48										
				IC/815058XX	IC/815070XX	IC/815120XX	IC/815270XX	IC/815244XX					
KS-2 SHOES					ALSO FOR CHILDREN!								
LIGHT	✓	✓	32 47										
				IC/812120XX	IC/812273XX	IC/812059XX							
KS-3 SHOES					ALSO FOR CHILDREN!								
LIGHT	✓		32 47										
				IC/813077XX	IC/813241XX	IC/813241XX	IC/813060XX						

PLEASE NOTE

The XX in each part number indicates the location of the size.

Team France
Rotax Nations
Cup winner



Luxor





SQUADRA CORSE



**AUTOMOBILI
LAMBORGHINI**
SQUADRA CORSE
C O L L E C T I O N

Available on lamborghini.com

SUIT

ONE ART



IA857LAMB-C

SIZES 46-64

sizing information on page 341

ONE ART SUIT "RECORD" LIMITED EDITION

Totally printed FIA top level suit. Regular fit with ultraflat antirubbing seams, soft knitted fabric inside.

Available only on lamborghinistore.com

DRY SYSTEM
FRESH AIR IN HOT AIR OUT
OMP REVOLUTIONARY COOLING SYSTEM



FLOATING SLEEVES
Semi floating arm bellows.

STRETCH DRY SYSTEM
High breathability parts. in Dry System 3D material on back, hips and under the sleeves

KNITTED MATERIAL

IA857LAMB-C179XX
orange/black

INNER POCKET
One comfortable hidden inner pocket



FIA APPROVED

MANUFACTURER: OMP
MODEL: R-1A8-001
HOM. NO: RS.29736
FIA STANDARD: FIA 8856-2000

SUIT

ONE ART



IA857LAMB-A

SIZES: 46-64

sizing information on page 341

ONE ART SUIT "SPEED" EDITION

Totally printed FIA top level suit. Regular fit with ultraflat antirubbing seams, soft knitted fabric inside.

On request only



IA857LAMB-A178XX
black/yellow

FIA APPROVED

MANUFACTURER: OMP
MODEL: R-1A8-001
HOM. NO: RS.29736
FIA STANDARD: FIA 8856-2000

SUIT

ONE ART



IA857LAMB-B

SIZES: 46-64

sizing information on page 341

ONE ART SUIT "RACING" EDITION

Totally printed FIA top level suit. Regular fit with ultraflat antirubbing seams, soft knitted fabric inside.

On request only



IA857LAMB-B188XX
grey/green

FIA APPROVED

MANUFACTURER: OMP
MODEL: R-1A8-001
HOM. NO: RS.29736
FIA STANDARD: FIA 8856-2000

SUIT

ONE-S

IA837LAMB

DEVELOPED DIRECTLY FROM OMP'S TOP DRIVERS EXPERIENCE Made of shiny, High-Tech Nomex® fabrics and innovative new inner materials, allowing a significant weight reduction. Outer pockets.

SIZES 46-64
3 LAYERS

WEIGHT: 235 gr/m²

SFI 3-2A/5 on request
sizing information on page 341



SLIM FIT CUT

PRE-CURVED SLEEVES

DRY SISTEM 3D BREATHABLE MATERIAL



HIPS AND LUMBAR INSERTS



MANUFACTURER: OMP
MODEL: ONE S
HOM. NO: RS.224.12
FIA STANDARD: FIA 8856-2000

SUIT

ONE-S

FOR CHILDREN!

IA837LAMBC2

ONE-S REPLICA SUIT FOR CHILDREN FROM 7 TO 11 YEARS OLD

ONE-S replica suit for Automobili Lamborghini Squadra Corse designed for young motorsport enthusiasts, like all the tracksuits worn by the Squadra Corse racing drivers. Not FIA approved.

On request only



SIZES:
7-9 YEARS (120-140CM)
10-11 YEARS (140-160CM)
sizing information on page 341



SUIT

ONE-S

FOR CHILDREN!

IA837LAMBC1

ONE-S REPLICA SUIT FOR CHILDREN FROM 2 TO 6 YEARS OLD

ONE-S replica suit for Automobili Lamborghini Squadra Corse designed for young motorsport enthusiasts, like all the tracksuits worn by the Squadra Corse racing drivers. Not FIA approved.

On request only



SIZES:
2-3 YEARS (80-100CM)
4-6 YEARS (100-110CM)
sizing information on page 341



SUIT

ONE VINTAGE

IA842LAMB

RETRO RACING SUIT STYLE
Typical style worn by the great champions of F1 in the mid 70s. Produced with the same ultra-light fabrics of the new ONE EVO and ONE-S suits.

SIZES 46-64
3 LAYERS
WEIGHT: 235 gr/m²
SFI 3-2A/5 on request
sizing information on page 341

SHAPED CO LLAR
with inner soft
knitted material



PRE-CURVED
SLEEVES

SLIM FIT



ELASTIC

FIA APPROVED

MANUFACTURER: OMP
MODEL: ONE BASIC
HOM. NO: RS.224.12
FIA STANDARD: FIA 8856-2000

SUIT

ONE VINTAGE

IA842LAMBC2

**ONE VINTAGE REPLICA
SUIT FOR CHILDREN
FROM 7 TO 11 YEARS OLD**
ONE Vintage replica suit
for Automobili Lamborghini
Squadra Corse designed
for young motorsport
enthusiasts, like all the
tracksuits worn by the
Squadra Corse racing
drivers.
Not FIA approved.

On request only

**FOR
CHILDREN!**



SIZES:
7-9 YEARS (120-140CM)
10-11 YEARS (140-160CM)
sizing information on page 341



SUIT

ONE VINTAGE

IA842LAMBC1

**ONE VINTAGE REPLICA
SUIT FOR CHILDREN
FROM 2 TO 6 YEARS OLD**
ONE Vintage replica
suit for Automobili
Lamborghini Squadra
Corse designed for young
motorsport enthusiasts,
like all the tracksuits worn
by the Squadra Corse
racing drivers.
Not FIA approved.

On request only

**FOR
CHILDREN!**



SIZES:
2-3 YEARS (80-100CM)
4-6 YEARS (100-110CM)
sizing information on page 341



ULTRA-LIGHT UNDERWEAR TOP WITH EXCLUSIVE FEATURES

Advanced technology knitted fabric with maximum breathability 3D knitted inserts for maximum cooling in hot conditions that aligns with the breathable inserts of ONE ART ONE-S1, ONE-S, ONE-SL, ONE EVO, and TECNICA EVO suits.



SFI 3.2A/5 on request

SMA

corresponding sizes XS/S
suit sizes 44-48

MED

corresponding sizes M/L
suit sizes 50-54

XLAR

corresponding sizes XL/XXL
suit sizes 56-60

on request:

2XLAR

corresponding sizes XXXL
suit sizes 62-64



MANUFACTURER: OMP
MODEL: R-IAA-004
FIA STANDARD: FIA 8856-2000



MANUFACTURER: OMP
MODEL: R-IAA-005
FIA STANDARD: FIA 8856-2000

SFI 3.2A/5 on request

SMA

corresponding sizes XS/S
suit sizes 44-48

MED

corresponding sizes M/L
suit sizes 50-54

XLAR

corresponding sizes XL/XXL
suit sizes 56-60

on request:

2XLAR

corresponding sizes XXXL
suit sizes 62-64

ONE LONG JOHNS

IAA/740EPLA

ULTRA-LIGHT PANTS WITH EXCLUSIVE FEATURES

Advanced technology knitted fabric with maximum breathability. 3D knitted inserts for maximum cooling in hot conditions.



SIZES: XS-XXL

HOMOLOGATION: FIA 8859-2015
(CLIP HANS INCLUDED)



MANUFACTURER: OMP
MODEL: GP8 EVO
HOM. NO: PH-067-18-C
FIA STANDARD: 8859-2015

NEW

FULL FACE LAMBORGHINI HELMET

Full face helmet made in composite material. Lightweight, with soft and comfortable high breathability fire retardant internal lining, strap with double ring closure and high precision adjustable visor with easy block system. With air vents and intakes to ensure the best air ducting. Complete with Hans® safety device clips, clear visor.



SOCKS

IAA/724LAMB

Sizes: XS - S - M - L
SFI 3.3



MANUFACTURER: OMP
MODEL: IAA/723
FIA STANDARD: FIA 8856-2000

ONE BALACLAVA

IAA/741ELA



DRY SYSTEM
3D breathable material



MANUFACTURER: OMP
MODEL: R-IAA-006
FIA STANDARD: FIA 8856-2000

GLOVES ONE EVO

IB/759/LAMB

DEVELOPED DIRECTLY FROM OMP'S TOP DRIVERS EXPERIENCE
Ultra-light fire-retardant elastic fabric with high adhesion inserts for maximum grip.



HAND AND FINGERS SILICON WEBBING



MANUFACTURER: OMP
MODEL: ONE-EVO
FIA STANDARD: FIA 8856-2000



SIZES: XS - XL

PRECURVED MIXED INTERNAL-EXTERNAL SEAMS

sizing information on page 341

LEATHER PALM

ELASTIC WRIST STOP

GLOVES DIJON

IB/746/LAMB

VINTAGE GLOVE '70s design with fabrics and quality of last generation gloves. Fire-resistant fabric with stretch suede inserts. Internal seams.

SIZES: S - XL
sizing information on page 341



MANUFACTURER: OMP
MODEL: DIJON
FIA STANDARD: FIA 8856-2000



SUEDE LEATHER INSERTS on palm and fingers for very good grip

ELASTIC WRIST STOP

HARNESS PAD

DB/454/LAMB

PAIR OF HARNESS PADS
In velour, to be used with 2" seat belts or child seat's belts, velcro fastening.



GLOVES TAZIO

IB/747/LAMB

VINTAGE GLOVE
Smooth leather and cotton fabric.

SIZES S-XL
sizing information on page 341

INTERNAL SEAMS



STRAP WITH VELCRO

BOOTS ONE-S

IC/807LAMB

ONE-S SHOES

Top level leather boot. Technical reinforcements on the tip and on the heel. Injected high resistant sole and best grip. Velcro strap for a best fitting of the ankle.

Inner sole with plate reinforcement for highest sensitivity and reduction of the stress on the feet. Thin laces to guarantee and permit a good sliding and a quick lacing of the boots.



THIN LACES

INJECTED SOLE

SIZES: 37-48

SFI 3.2A/5 on request
sizing information on
page 341

TECNICAL
REINFORCEMENTS

INNER
SOLE



BOOTS CARRERA

IC/784LAMB

VINTAGE CLASSIC BOOTS

Polished leather lined in soft jersey. Molded rubber sole resistant to hydrocarbons. High quality treated leather for an ultra-soft feel. Accurate hand-made production.



SIZES: 37-48

sizing information on page 341

EMBOSSED WITH
LEATHER LOGO



MANUFACTURER: OMP
MODEL: NURBURGRING
FIA STANDARD: FIA 8856-2000

CHAIR

AUTOMOBILI LAMBORGHINI OMP CHAIR/MINI CHAIR

HA/777/LAMB

Chair in synthetic leather with reclining mechanism, pneumatic seat height adjustment and adjustable armrests. Wheeled base.

COMFORTABLE
SEAT AND
BACKREST



HA/821/J/LAMB/GR
black/green

MINI CHAIR HA/821/J/LAMB

NEW

AUTOMOBILI LAMBORGHINI MINI CHAIR

Small-sized version of the OMP Chair. Very compact, height adjustable with armrest and wheeled base.



HA/821/J/LAMB/OR
black/orange



HA/821/J/LAMB/GI
black/yellow

MEC

BLAST

NB1578LAMB

SIZES: 44-64

1 LAYER

sizing information on page 341

SUPER RESISTANT MECHANICS OVERALL
Polyester - cotton fabric resistant to repeated washing and most stubborn stains.



ARMBELLOWS



THIS PRODUCT MAYBE SUBJECT TO A GRAPHIC RESTYLING DURING 2020

KART

KS-1R

KK720LAMB

SIZES: 44-62

FOR CHILDREN:
120/130/140/150/160
HEIGH ON REQUEST

homologation CIK-FIA LEVEL 2
sizing information on page 341

ULTRA LIGHT TOTALLY PRINTED SUIT

High comfort due to the new soft and light fabrics, elastic crotch insert, new semi-floating stretch sleeves with mesh inserts for best ventilation. Stretch inserts on lower back and inner knee pads for protection.



MESH INSERTS

SEMI FLOATING SLEEVES

ELASTIC CROTCH INSERTS



MEC

WORKSHOP

NB/1886/LAMB

SIZES: S-XL

TECHNICAL SHORT GLOVE
Not fire resistant, for professional use. Back in technical elastic fabric with leather inserts. Palm in suede leather for best fitting and adherence. Elastic bend and technical velcro closure.



THIS PRODUCT MAYBE SUBJECT TO A GRAPHIC RESTYLING DURING 2020

ALSO FOR CHILDREN!



MANUFACTURER: OMP
MODEL: K-KK-001
HOM. NO: CIK-FIA 2013/02
FIA STANDARD: 2013-1

KART

KS-1R

KK02740LAMB

KS-1R GLOVES

Elasticized super top karting glove. Silicone inserts on the palm, precurved for maximum grip. External seams for maximum sensitivity.

SIZES: XXS-XL

sizing information on page 341



BOOTS

KS-1R

IC/810LAMB

TOP LEVEL KARTING SHOES

Super top boots with new generation sole which guarantees highest sensitivity, featuring Rotor lacing inspired by the fireproof ONE EVO R boots. Made of perforated microfiber with technical protection on the tip.

SIZES: 34-47

sizing information on page 341



KART

UNDERWEAR

KS SUMMER SHIRT

KK03016LAMB

Stretch fabric, hydrophobic highly hygienic hollow fiber. Ultra-low density jacquard weaving for high breathability. Ideal in hot conditions.

SIZES:
XS-S (44-48)
M-L (50-54)
XL (56-60)
XXL



KS SUMMER SHORTS

KK03017LAMB

Stretch fabric, hydrophobic highly hygienic hollow fiber. Low density jacquard weaving for high breathability. Ideal in hot conditions.

SIZES:
XS-S (44-48)
M-L (50-54)
XL (56-60)
XXL



KS SUMMER BALACLAVA

KK03018LAMB

Hydrophobic highly hygienic hollow fiber. Low density jacquard weaving for high breathability. Ideal in hot conditions. ONE SIZE



KS SOCKS

KK03019LAMB

Technical socks with differentiated weave. Mid length. SIZES: S-M-L



TEAMWEAR



Art TECHNOLOGY

Customize your teamwear with OMP Art Technology! You can personalize the graphics of your Winter Jacket, Sweater, Softshell, Polo and T-shirt.

WINTER JACKET

SOFTSHELL

SWEATER

POLO

T-SHIRT



WINTER JACKET

TOTALLY PRINTABLE POLYESTER WINTER JACKET

Comfortable, with soft pile interior, ideal for low temperature.

PRODUCTS AVAILABLE ONLY UPON REQUEST WITH CUSTOM DESIGN FOR SPECIAL ORDERS

OR5929

OR5929B FOR CHILDREN

SIZES: XXS-XXL

for children: 8/10-10/12

NEW
ALSO FOR CHILDREN!



HIDEAWAY HOOD

CLOSED WITH ZIPPER IN THE MIDDLE

TWO HANDY SIDE POCKETS AND ONE COMFORTABLE INNER POCKET

WRISTBAND CLOSING WITH VELCRO



SOFTSHELL

TOTALLY PRINTABLE POLYESTER SOFTSHELL WITH REMOVABLE LONG SLEEVES

Comfortable, with soft knit fabric interior. Regular fit.

PRODUCTS AVAILABLE ONLY UPON REQUEST WITH CUSTOM DESIGN FOR SPECIAL ORDERS

OR5927

SIZES: XXS-XXL

NEW



CLOSED WITH ZIPPER IN THE MIDDLE

TWO SIDE POCKETS, ONE INNER POCKET



SWEATER

TOTALLY PRINTABLE POLYESTER SWEATER
Comfortable, with soft knit fabric interior. Regular fit.



CLOSED WITH ZIPPER IN THE MIDDLE

TWO HANDY SIDE POCKETS

ELASTIC WRISTBANDS AND WAISTBAND FOR MAXIMUM CONFORT



PRODUCTS AVAILABLE ONLY UPON REQUEST WITH CUSTOM DESIGN FOR SPECIAL ORDERS

OR5926

OR5926B
FOR CHILDREN

SIZES: XXS-XXL

for children:
8/10-10/12

ALSO FOR CHILDREN!

NEW

T-SHIRT

TOTALLY PRINTABLE CREW NECK POLYESTER T-SHIRT
Comfortable, breathable, and hygienic thanks to antibacterial treatment. Regular fit.



PRODUCTS AVAILABLE ONLY UPON REQUEST WITH CUSTOM DESIGN FOR SPECIAL ORDERS

OR5924

OR5924B
FOR CHILDREN

SIZES: XXS-XXL

for children:
8/10-10/12

NEW

ALSO FOR CHILDREN!



POLO

TOTALLY PRINTABLE SHORT SLEEVED POLYESTER POLO SHIRT
Comfortable, breathable, and hygienic thanks to antibacterial treatment. Regular fit.



PRODUCTS AVAILABLE ONLY UPON REQUEST WITH CUSTOM DESIGN FOR SPECIAL ORDERS

OR5923

OR5923B
FOR CHILDREN

SIZES: XXS-XXL

for children:
8/10-10/12

ALSO FOR CHILDREN!

NEW

MECHANIC'S TROUSERS

OR5930
OR5931

SIZES: S-XXXXL

TECHNICAL MULTI-POCKET TROUSERS
In polyester and cotton fabric.

NEW

BELTS LOOPS with radio holder slots

TWO FRONTAL POCKETS

PLENTY OF PRATICAL POCKETS

SELF ADJUSTIVE TUNNEL WAIST BAND to cover two sizes

OR5930

LONG VERSION

CUSTOMIZABLE FLAPS

CUSTOMIZABLE FLAPS



OR5931



Racing Spirit
The Original Racing CO.
EST. 2012

CO-BRANDED

OMP

SINCE 1973

RACINGSPIRIT.COM

f i @RacingSpiritBrand

**RACING SPIRIT IS OMP'S
AUTO-INSPIRED LIFESTYLE
BRAND THAT CELEBRATES
THE FASCINATING WORLD
OF CAR RACING ALONG
WITH DRIVERS AND
ENTHUSIASTS
ALIKE.**

STYLE

ICON JACKET

RS/JK/0001B

€ 92,00 (P)

SIZES: S-XXL

**OMP & RACING SPIRIT
ICON JACKET**

Wind resistant and water repellent, this multi purpose jacket is a light and real-world multi season garment. Lined with a polyester mesh, this jacket features adjustable cuffs, one inner small pocket, a second internal larger pocket and a stay-in-place silicone strip at the waistband.

With reflective safety accents on both the front and the back, as well as a ghost inner zipper for embroidery personalization.

Black colour.



NEW
Racing Spirit
ICON LOGO



IDEAL FOR YOUR
RACING NEEDS AND
FOR YOUR FREE TIME

STYLE

PATCH JACKET

RS/JK/0002B

€ 92,00 (P)

SIZES: S-XXL

**OMP & RACING SPIRIT
PATCH JACKET**

Wind resistant and water repellent, this multi purpose jacket is a light and real-world multi season garment. Lined with a polyester mesh, this jacket features adjustable cuffs, one inner small pocket, a second internal larger pocket and a stay-in-place silicone strip at the waistband.

With reflective safety accents on both the front and the back, as well as a ghost inner zipper for embroidery personalization.

Black colour.



NEW
Racing Spirit
PATCH



IDEAL FOR YOUR
RACING NEEDS AND
FOR YOUR FREE TIME

STYLE

ICON HOODIE

RS/HZ/0003B

SIZES: XS-XXL

OMP & RACING SPIRIT ICON HOODIE

This heather long sleeve hoodie is as pleasing to the eye as it is comfortable and it's super soft to the touch. The French Terry fabrication creates a smooth, flat surface on the outside and a cross-looped texture on the inside.

Featuring a lightweight jersey lining on the hood with drawstring and split front kangaroo pockets, this hoodie has your back 24/7.

Dark gray colour.



NEW
Racing Spirit
ICON LOGO



IDEAL FOR YOUR
RACING NEEDS AND
FOR YOUR FREE TIME

STYLE

ICON POLO

RS/PL/003B
RS/PL/002B

SIZES: XS-XXL

OMP & RACING SPIRIT ICON POLO

The Original Racing Spirit polo with an iconic heritage patch will simply amaze you how far a classy polo can go. With this polo you'll feel you're always one of the best dressed wherever you go. Strategically placed contrast plackets gives the polo a stylish detail while the pique cotton weaving gives this item a subtle feel.



NEW
Racing Spirit
ICON LOGO



RS/PL/0003B/020
white

RS/PL/0002B/071
black



STYLE

PATCH HOODIE

RS/HP/0003B

SIZES: XS-XXL

OMP & RACING SPIRIT PATCH JACKET

This heather long sleeve hoodie is the perfect pullover for those memorable days at the racetrack or summer night bonfires with your friends. Pleasing to the eye, comfortable and super soft to the touch; this interwoven item also features a lightweight jersey lining on the hood with drawstring. Take advantage of the front kangaroo pocket to keep your hands tucked in, then throw the hood up to fight the wind on even cooler days. Storm blue colour.



NEW
Racing Spirit
PATCH



IDEAL FOR YOUR
RACING NEEDS AND
FOR YOUR FREE TIME



Scuderia del Portello

STYLE

OMP SHIRT

OR5902

LONG SLEEVED SHIRT
Made in cotton fabric with embroidered "OMP" logos.

SIZES

38-39-40-41-42-43-44

OR5902020XX

white

OR5902080XX

grey



STYLE

OMP T-SHIRT

OR5904

SHORT SLEEVED T-SHIRT
Made in cotton fabric with "OMP" and "Racing spirit" logos.

SIZES S-XXL



STYLE

STRIPED LOGO T-SHIRT

OR5918

STRIPED LOGO T-SHIRT
In cotton fabric.

SIZES: XS-XXXL



STYLE

OMP T-SHIRT

OR5907

SHORT SLEEVED T-SHIRT
Made in cotton fabric with yellow "OMP" logo.

SIZES: XS-XXL

ALSO FOR CHILDREN!

CHILDREN SIZES:
2 YEARS - 4 YEARS



STYLE

320

321

STYLE

ONE BACKPACK

ORA/2964

Tech backpack with several external pockets and inner organizer compartments. Adjustable waist, chest and shoulder belts. Made of lightweight and durable material.

COLOUR: Black

DIMENSIONS: 45 x 38 x 20 cm



CO-DRIVER PLUS BACKPACK

ORA/2966

Lightweight backpack with organizational features included plenty of internal and external accessory pockets.

COLOUR: Black

DIMENSIONS: 40 x 34 x 20 cm



CO-DRIVER BAG

ORA/2967

Light weight sporty brief bag with removable shoulder strap. DIMENSIONS: 44,5x6x25 cm



FIRST BACKPACK

ORA/2965

Sportswear backpack in resistant nylon fabric, with external pocket and a pratic handle. Length adjustable shoulder straps.

NEW SOFTER FABRIC

COLOUR: Black

DIMENSIONS: 40 x 30 x 18 cm



TRAVEL BAG

ORA/2969

Generous dimensioned travel bag made in nylon, provided with trolley. Large central compartment, big pockets and side padded compartment. Provided with a practical adjustable shoulder strap. Anti-rollover rigid base and new fresh design.

COLOUR: Black

DIMENSIONS: 90 x 38 x 40 cm



CABIN TROLLEY

ORA/2968

Ultra compact trolley. Lightweight construction, provided with trolley, with handle and several compartments and pockets. Ideal for hand-held luggage in flight.

NEW SOFTER FABRIC

COLOUR: Black

DIMENSIONS: 55 x 40 x 20 cm



OMP UMBRELLA

PR923

Diameter: 1 m.



Niclas Gronholm - GRX Taneco - Fia World Rallycross

SHIFT BELT

OR5883071

Diameter: 1 m.

COLOUR: black
ONE SIZE



RS/B/0001

RACING SPIRIT BEANIE
100% acrylic thin rib knit, double layer, cotton twill patch on cuff featuring Racing Spirit's logo and icon.
Colour: navy blue
One Size



NEW

RS/C/0002B

OMP & RACING SPIRIT CAP
Racing cap that features an elegant side and back air mesh fabric, perfect for those hot days. With two available sizes and FlexFit® system, you can be sure that you'll have a perfect fit. OMP & RS Icon logos.
Color: Black
Sizes: S / M - L / XL



NEW

PR918

Cap in lightweight cotton, velcro back closure. Racing design.
Colours:
PR918020 white
PR918071 black



PR918C

Cap in lightweight cotton, velcro back closure. For children, one size
Colours:
PR918C071 black
PR918C020 white



HIGH LEVEL CHILD SEAT
ISOFIX attachments included.
Airmet covering for the air transpiration.
Quick and safe installation.



ISOFIX CONNECTOR

HA/797/BC
dark blue/cyan

ADJUSTABLE BELT POSITIONING
3 point comfortable and high security harness

SIDE PROTECTION SYSTEM

ADJUSTABLE HEADREST with shock absorber



REDUCER

HA/797/NGI
black/fluo yellow

GROUPS 1, 2, 3

FROM 9 TO 36 KG

HOMOLOGATION ECE R44/04

AVAILABLE UNTIL STOCK LAST

STYLE **OMP CHAIR**

HA/777E

OMP CHAIR

Chair in synthetic leather with reclining mechanism, pneumatic seat height adjustment and adjustable armrests.



HA/777E/NB
black/blue



HA/777E/AIR
Black with breathable airnet fabric



HA/777E/NW
black/white



HA/777E/NG
black/yellow



HA/777E/NN
black



HA/777E/NR
black/red

COMFORTABLE
seat and backrest

RECLINING MECHANISM

WHEELED BASE

STYLE **MINI OMP CHAIR**

HA/821

Small-sized version of the always appreciated OMP Chair. Very compact, height adjustable with armrest and wheeled base.

NEW

NORMAL SIZE IN
THE BACKGROUND
TO SEE DIFFERENT
MEASURE



HA/821/NB
black/blue



HA/821/NR
black/red

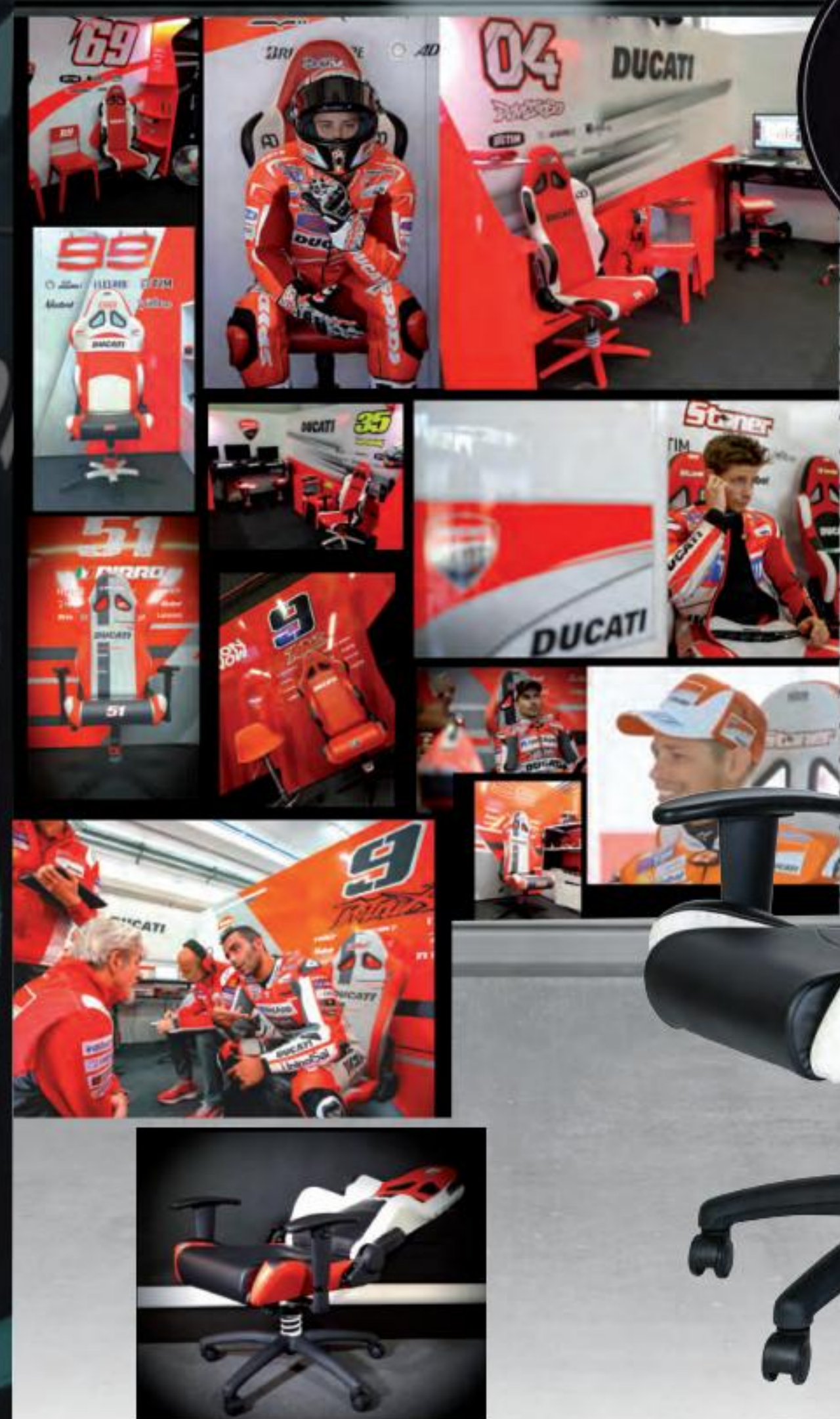


HA/821/PW
pink/white



HA/821/NG
black/yellow

MOTO GP / MOTO 2 / MOTO 3



Available on extremedesign.com

PR925



A futuristic foosball table with OMP colors, ideal for your paddock hospitality. 9 balls included. Dimensions: 144x73x92 cm

X/963/CINT



Safety harnesses fasten structure to be matched with the seat support X/963.

X/683/BR



Racing suit bag. Karting version available (X/683/BK).

HC/801



Chair base with wheels and pneumatic adjustment. Dimensions: 345x270 mm

X/963



Both bottom mounting or side mounting models with side brackets.

PR949

NEW

OMP black barrel with soft removable upper. Suitable to store parts, ideal for your garage.



PR922



Paddock stool with height adjustment, footstool, customized yellow spring.

PR934

NEW



OMP logo 3D silicon keychain.

PR908



OMP pen with pen holder.

PR936

NEW



Power bank with OMP light up logo. USB type-C port, 4000mAh.

PR938

800ml aluminium water bottle with snap hook

NEW



PR880



Lanyard.

X/867



Flag. Dimensions: 1000x1500 mm

PR935

NEW



OMP Silicon bracelet.

PROMOTIONAL ITEMS

PR937

Microfiber towel 42x90 cm

NEW



X/930



Assorted resin sticker sheets omp logos 15x10 cm

NEW

X/846



Assorted sticker sheet with: tow hooks, extinguisher and master switch stickers.

X/889E

NEW



Assorted OMP stickers.

X/694E/80TNT



Racing design tnt band, sold per meter. Height: 80 cm Roll: 24 m

X/889

Assorted OMP stickers.



X/694E/15



Nylon band. Height 15cm roll 500m (7kg)



Scott McLaughlin - DJR Team Penske
Australian Supercars Champion 2019

SOME OF OUR FRIENDS



EUROINTERNATIONAL - ELMS LMP3



PEPE ORIOLA
INDIGO RACING - TCR ASIA



PETR PTACEK JR - BHAITECH
FORMULA RENAULT



CKR - COMPETITIVE
KART RACING



SCUDERIA PCR



LGK RACING KART



GRASSER RACING
TEAM LAMBORGHINI



IMPERIALE RACING
TEAM LAMBORGHINI



VINCENZO SOSPIRI RACING
LAMBORGHINI



RIGHETTI RIDOLFI



ACI SPORT SUMMER KART CAMP



ADAC KART ACADEMY



SIMONE FAGGIOLI - EUROPEAN
HILLCLIMB CHAMPION



CHRISTIAN MERLI - EUROPEAN
HILLCLIMB CHAMPION



LOTUS CUP ITALIA



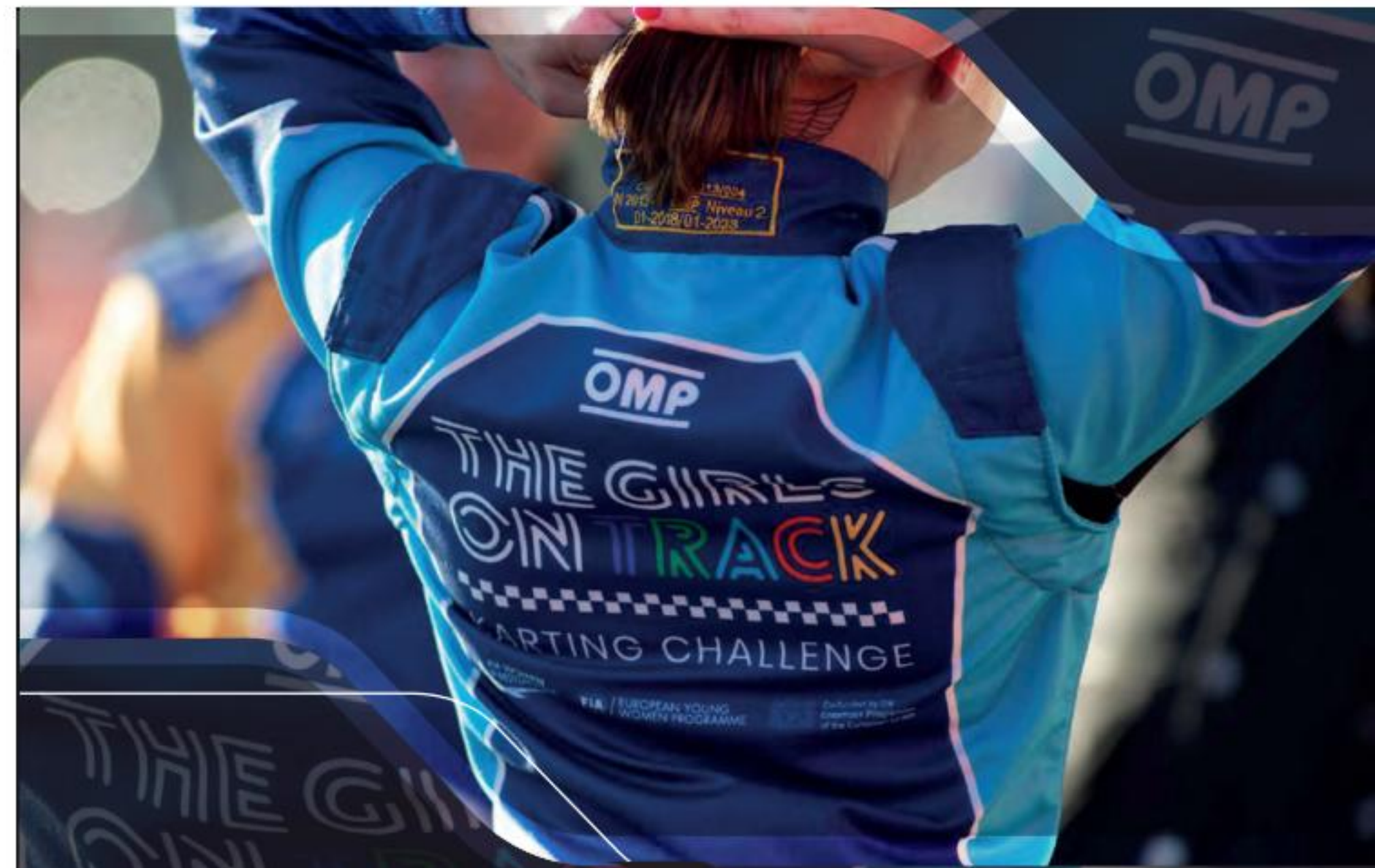
CORRADO FONTANA - HYUNDAI
MOTORSPORT ITALIA



AUTORLANDO SPORT



L. PERDERSOLI - A. TOMASI VIEFFE
ITALIAN WRC CHAMPIONS 2019



ONE ART COLLECTION

ONE ART SUIT, GLOVES, SHOES

NEW HOMOLOGATION
FIA 8856/2018



IA01857E072XX

IB/763XX

IC/819EXX

ONE EVO COLLECTION

ONE EVO SUIT



IA01851089XX

IA01851178XX

IA01851076XX

IA01851244XX

IA01851270XX

ONE EVO GLOVES



IB/759/N/XX

IB/759/GF/XX

IB/759/BW/XX

IB/759/W/XX

ONE EVO R FORMULA SHOES



IC/805071XX

IC/805246XX

IC/805370XX

IC/805099XX

IC/805230XX

IC/805020XX

ONE EVO SHOES



IC/806071XX

IC/806099XX

IC/806061XX

IC/806020XX

ONE-S COLLECTION

ONE-S1 SUIT



IA01852076XX

IA01852083XX

IA01852184XX

IA01852073XX

IA01852244XX

ONE-S SUIT

NEW HOMOLOGATION
FIA 8856/2018



IA0185307XX

IA0185308XX

IA01860249XX

ONE-S

NEW HOMOLOGATION
FIA 8856/2018



IC/822178XX

IC/822071XX

IC/822249XX

IC/822099XX

IC/822061XX

IC/822020XX

ONE-S

NEW HOMOLOGATION
FIA 8856/2018



IB/770/N/XX

IB/770/GF/XX

IB/770/BA/XX

IB/770/R/XX

IB/7570/W/XX

TECNICA COLLECTION

TECNICA EVO SUIT



IA01859076XX

IA01859373XX

IA01859178XX

IA01859073XX

IA01859244XX

TECNICA EVO



IB/756E/N/XX

IB/756E/NGI/XX

IB/756E/BC/XX

IB/756E/R/XX

IB/756E/W/XX

TECNICA EVO



IC/803E071XX

IC/803E044XX

IC/803E044XX

TECNICA-S SUIT



IA01850076XX

IA01850089XX

IA01850063XX

IA01850043XX

TECNICA-S



IB/764/N/XX

IB/764/GF/XX

IB/764/BGI/XX

IB/764/R/XX

FIRST COLLECTION

FIRST EVO SUIT

NEW HOMOLOGATION
FIA 8856/2018



IA01854E076XX

IA01854E089XX

IA01854E184XX

IA01854E063XX

IA01854044XX

FIRST EVO

NEW HOMOLOGATION
FIA 8856/2018



IB/767/N/XX

IB/767/GF/XX

IB/767/BC/XX

IB/767/R/XX

FIRST-S SUIT

NEW HOMOLOGATION
FIA 8856/2018



IA01828D071XX

IA01828D083XX

IA01828D184XX

IA01828D061XX

IA01828D244XX

FIRST-S

NEW HOMOLOGATION
FIA 8856/2018



IB/761A/N/XX

IB/761A/BV/XX

IB/761A/R/XX

FIRST

NEW HOMOLOGATION
FIA 8856/2018



IC/802E071XX

IC/802E073XX

IC/802E182XX

IC/802E042XX

IC/802E061XX

KARTING COLLECTION

KS ART COLLECTION

KS ART SUITS, GLOVES, SHOES



KK01726073XX KK01726232XX KK01726242XX KK027466XX IC/8188XX

KS-1 COLLECTION

KS-1R GLOVES



KK02740071XX

KS-1R SHOES



IC/810071XX

KS-1 SHOES



IC/815058XX IC/815070XX IC/815120XX IC/815270XX IC/815244XX

KS-2 COLLECTION

KS-2R SUIT



KK01725172XX KK01725247XX

KS-2R GLOVES



KK02747070XX KK02747120XX KK02747242XX KK02747060XX KK02747058XX

KS-2 ART GLOVES



KK02748076XX KK02748275XX KK02748274XX KK02748273XX KK02748179XX KK02748178XX

KS-2 SHOES



IC/812120XX IC/812273XX IC/812059XX

KS-3 COLLECTION

KS-3 SUIT



KK01727274XX KK01727073XX KK01727178XX KK01727199XX

KS-3 GLOVES



KK02743E076XX KK02743E175XX KK02743E270XX KK02743E060XX KK02743E096XX KK02743E059XX

KS-3 SHOES

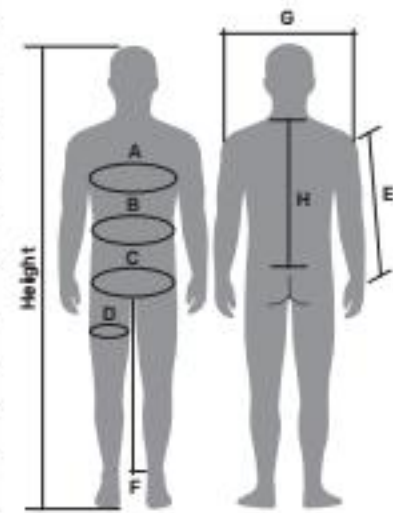


IC/813077XX IC/813241XX IC/813241XX IC/813060XX

SIZING INFORMATION

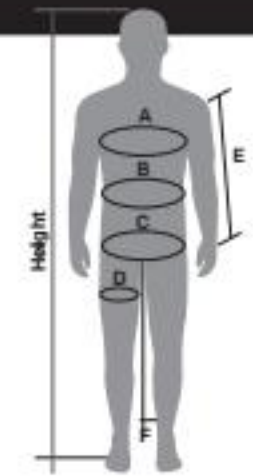
RACING SUIT SIZING TABLE

		S	M	L	XL	XXL	
IT SIZING	42	44	46	48	50	52	54
Weight (kg)	50-60	55-65	60-70	65-75	70-80	75-85	83-88
Height (cm)	150-160	155-165	158-170	165-175	170-180	170-183	177-187
A Chest (cm)	83-87	87-91	91-95	95-99	99-103	103-107	107-111
B Waist (cm)	67-71	71-75	75-79	79-83	83-87	87-91	91-95
C Hips (cm)	80-84	84-88	88-92	92-96	96-100	100-104	104-108
D Thigh (cm)	46-48	48-50	51-53	53-55	56-58	58-60	61-63
E Arm (cm)	57-59	58-60	60-62	61-63	63-65	64-66	66-68
F Inside leg (cm)	68-70	70-72	72-74	74-76	76-78	78-80	80-82
G Shoulders (cm)	41-42	42-43	44-45	45-46	47-48	48-49	50-51
H Back (cm)	46-49	47-50	48-51	49-52	50-53	51-54	52-55



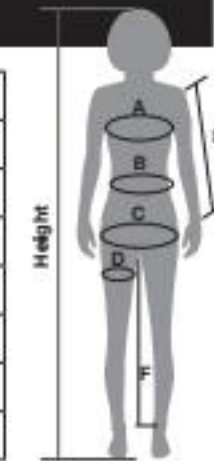
KARTING SUIT SIZING TABLE

		S	M	L	XL	XXL
IT SIZING	42	44	46	48	50	52
Weight (kg)	50-60	55-65	60-70	65-75	70-80	75-85
Height (cm)	150-160	155-165	158-170	165-175	170-180	173-183
A Chest (cm)	80-84	84-88	88-92	92-96	96-100	100-104
B Waist (cm)	64-68	68-72	72-76	76-80	80-84	84-88
C Hips (cm)	82-86	86-90	90-94	94-98	98-102	102-106
D Thigh (cm)	47-50	50-52	52-55	55-57	57-60	60-62
E Arm (cm)	58-60	60-62	62-64	63-65	64-66	66-68
F Inside leg (cm)	70-72	72-74	74-76	76-78	78-80	80-82



FIRST ELLE SUIT SIZING TABLE

		38	40	42	44	46	48	50
Height (cm)	158-162	160-164	162-166	164-168	166-170	168-172	170-174	
A Chest (cm)	82-86	86-90	90-94	94-98	98-102	102-106	106-110	
B Waist (cm)	62-66	66-70	70-74	74-78	78-82	82-86	86-90	
C Hips (cm)	86-90	90-94	94-98	98-102	102-106	106-110	110-114	
D Thigh (cm)	48-50	50-52	52-54	54-56	56-58	58-60	60-62	
E Arm (cm)	52-54	53-54	55-57	57-58	58-60	60-62	61-63	
F Inside leg (cm)	73-75	75-77	77-78	78-80	80-81	81-83	83-84	



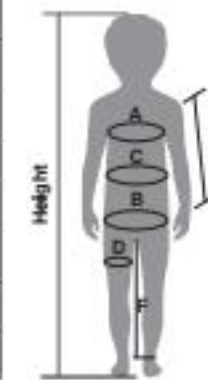
SHOES COMPARISON SIZE TABLE

European sizes	34	35	36	37	38	39	40
USA sizes	2	2 ^{1/2}	3 ^{1/2}	4	5	6	6 ^{1/2}
Length (cm)	23	23 ^{1/2}	24	24 ^{1/2}	25 ^{1/2}	26	27

European sizes	41	42	43	44	45	46	47	48
USA sizes	7 ^{1/2}	8	9	10	10 ^{1/2}	11 ^{1/2}	12	13
Length (cm)	27 ^{1/2}	28	28 ^{1/2}	29	30	30 ^{1/2}	31 ^{1/2}	32

CHILDREN KART SUIT SIZING TABLE

		120	130	140	150	160
Height (cm)	110-120	120-130	130-140	140-150	150-160	
A Chest (cm)	57-62	63-68	69-74	75-80	81-86	
B Waist (cm)	48-53	54-59	60-65	66-71	72-77	
C Hips (cm)	58-63	64-69	70-75	76-81	82-87	
D Thigh (cm)	37-39	40-42	43-45	46-48	49-51	
E Arm (cm)	46-48	49-51	52-54	54-56	56-58	
F Inside leg (cm)	51-53	54-57	58-63	64-67	68-72	



GLOVES COMPARISON SIZE TABLE

European sizes	XXS	XS	S	M	L	XL
USA sizes	7	2 ^{1/2}	3 ^{1/2}	4	5	6
cm	12 ^{1/4} /16 ^{1/4}	16 ^{1/4} /19 ^{1/4}	18/21 ^{1/4}	20/24	23/26 ^{1/4}	25 ^{1/4} /30



For a correct measurement: please hold tape in center of palm and measure around hand.

FIA HELMETS COMPARISON SIZE TABLE

		XS	S	M	L	XL	XXL
J-R		57-58	58-59	60-61	61-62		
GP8 - GP8 K		54-55	56-57	58-59	60-61	62-63	64-65
KJB EVO		52-53	54-55	56-57	58-59		

ECE HELMETS COMPARISON SIZE TABLE

		XS	S	M	L	XL	XXL
CIRCUIT / STAR		53-54	55-56	57-58	59-60	61-62	63-64

Circumference cm