



Weatherly Index 660

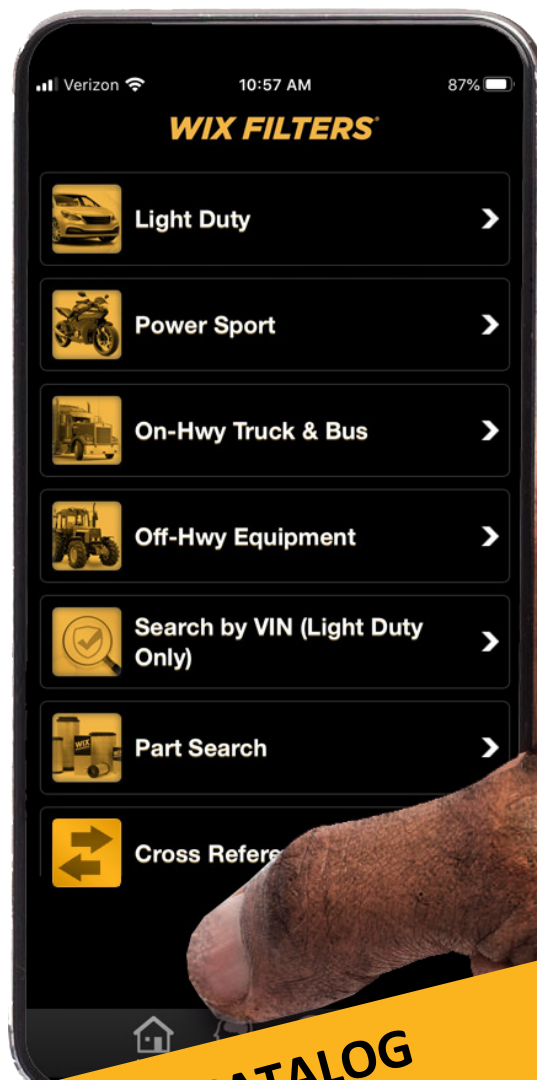
Catalog 99400

Supersedes catalog March 2020

Issued March 2021

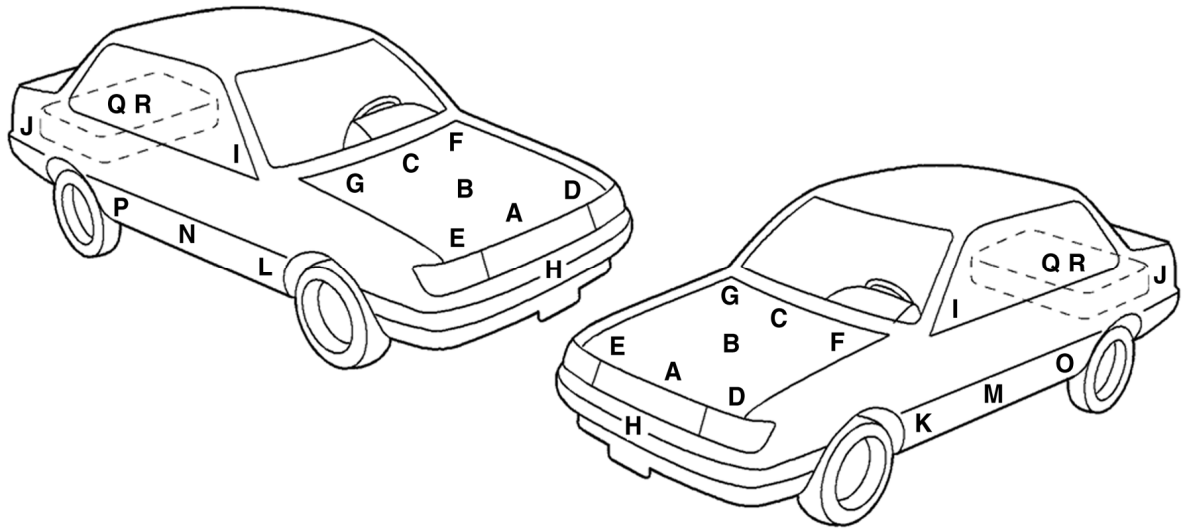
TURN YOUR SMARTPHONE INTO A BRILLIANT PHONE.

The WIX Filters Mobile Catalog is a free app that provides easy access to the entire WIX Filters catalog. For more information, please refer to the inside front cover.



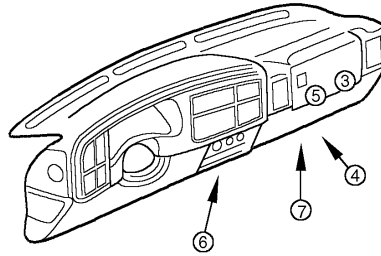
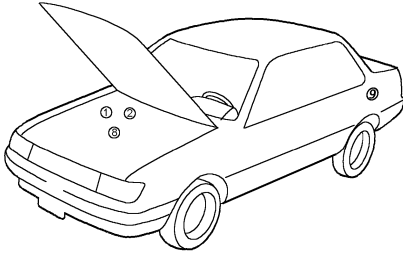
2021 WIX FILTERS APPLICATION CATALOG
PASSENGER CARS, LIGHT TRUCKS, AND VANS

Fuel Filter Locator Chart



Index	
A = Engine Compartment Front	
B = Engine Compartment Center	
C = Engine Compartment Rear	
D = Engine Compartment Front Driver Side	
E = Engine Compartment Front Passenger Side	
F = Engine Compartment Rear Driver Side	
G = Engine Compartment Rear Passenger Side	
H = Frame Front	
I = Frame Center	
J = Frame Rear	
K = Frame Front Driver Side	
L = Frame Front Passenger Side	
M = Frame Center Driver Side	
N = Frame Center Passenger Side	
O = Frame Rear Driver Side	
P = Frame Rear Passenger Side	
Q = Fuel Tank Area	
R = In Fuel Tank	

Cabin Air Filter Product Line - Locator Chart



Location Chart			
1-	Passenger side under hood and cowl		
2-	Passenger side under hood in cowl		
3-	Behind glove box - glove box must be removed		
4-	Under glove box		
5-	In Rear of glove box - compartment in back of glove box		
6-	Under center of dash		
7-	Behind passenger side kick panel		
8-	Under hood in center		
9-	In rear cargo area - driver's side trim panel		

WIX No.	Application	OE Part Number	Location
24007	Infiniti FX50 (09-13)	Nissan # B72771CA0A	3
24010	Subaru Forester (00-02) - 2 per box	Subaru # G3210FC200	4
24012	Nissan (02-20)	Nissan # B78911FC0A	3
24013	Various GN (08-20), Hyundai, Kia (10-21)	Hyu # 971333SAA0	3
24014	Chev Camaro, Caprice (09-15)	GM # 92234714 (CF178)	1
24015	Acrua (15), Hyundai Azera, Sonata (09-12)	Hyu # 087902G000A	3
24017	Jeep Grand Cherokee, Dodge Durango (11-21)	Mopar # 68079487AA	2
24020	Nissan Murano (09-13)	Nissan # B7277JN20A	6
24021	Infiniti (11-19)	Nissan # 272771ME0B	3
24030	Subaru (08-19)	Subaru # 72880FG000	3
24036	Mazda 2 (11-12) - 2 per box	Mazda # D65161J6X	2
24046	Mazda 3 (10-14) - 2 per box	Mazda # BBM461J6X	2
24048	Chrysler, Dodge (11-21)	Mopar # 68071668AA	1
24053	Fiat 500 (12-19)	Mopar # 68096453AA	7
24065	Ford, Lincoln, Mazda (07-16)	Motorcraft # FP65	3
24068	Ford Flex, Taurus (11-19)	Ford # AE9Z19N619A	3
24080	Hyundai, Kia (10-15)	Hyu # 971331U000	3
24099	Nissan 370Z (09-21)	Nissan # B72771EA0A	4
24103	Mazda CX-5 (13-19)	Mazda # KD4561J6X	3
24110	Porsche Panamera (10-18)	Porsche # 97057362300	4
24118	Mercedes (01-10)	Mercedes # 2038300118	1
24120	Suzuki Kizashi (10-16)	Suzuki # 9586157L00	4

Some parts may not be available at time of publication.

Cabin Air Filter Product Line - Locator Chart

WIX No. N° WIX	Application	OE Part Number N° de pièce É.O.	Location
24148	Mazda 6 (09-13)	Mazda # GS3L61148	3
24160	Various Toyota, Lexus, Scion (05-14)	Toyota # 8713950060	5
24161	Various GM (01-08) 2 per box	GM # 10322538	5
24191	Cadillac, Buick, Chev (09-21)	GM # 13271191 (CF176)	3
24200	Suzuki Grand Vitara (06-13)	Suzuki # 9586164J00	4
24201	Honda (10-14)	Honda # 80291TF0E01	1
24202	Porsche (99-16)	Porsche # 99657221902	2
24211	Cadillac, Chev (13-20)	GM # 22743911 (CF183)	3
24212	Scion FR-S (13-16), Toyota 86 (18)	Toyota # SU00302112	1
24218	Mercedes (05-14) - 2 per box	Mercedes # 2218300018	4
24227	Audi (08-19), Porsche (15-19)	VW # 8K0819439A	7
24255	BMW (12-19), Porsche (12-19)	BMW # 64119237555	1
24258	BMW X3 (12-14)	BMW # 64319237158	1
24270	Hyundai Elantra (09-12)	Hyu # 87902L000A	3
24300	Hyundai (09-19)	Hyu # 971333M000	3
24302	Jeep Wrangler (11-19) - 2 per box	Mopar # 55111302AA	2
24313	Chrysler, Dodge Jeep (07-19)	Mopar # 5058693AA	3
24322	Audi, VW (94-11)	VW # 1J0819644A	1
24329	BMW (10-16), Rolls Royce (11-12)	BMW # 64119163329	1
24367	Ford Fusion, Lincoln MKZ, Mercury Milan (10-13)	Ford # AE5Z19N619A (FP67)	3
24400	Nissan (07-17)	Nissan # 27277JA000	3
24418	Mercedes B200 (06-10)	Mercedes # 1698300218	4
24419	Ford (12-19)	Ford # CV6Z19N619A (FP70)	4
24439	Audi (11-19)	VW # 4H0819439	1
24472	Saab 9-3 (04-06)	Saab # 9179905	1
24474	Various GM (00-05) - Includes frame + filter (24812 is element only)	GM # 25669930	2
24475	Suzuki XL7 (03-06) Grand Vitara (03-04)	Suzuki # 9586154J00	1
24476	Acura Legend (92-95)	Honda # 79370SP0H01	3
24477	Ford Escape Hybrid, Merc Mariner (05-12) - Battery Pack air filter	Ford # 5M6Z19N619AA (FP51)	9
24479	Infiniti, Nissan (06-19), Dodge, Chrysler (08-19), VW (09-12)	Nissan # 27277EG025	3
24480	Cadillac XLR (04-09), Corvette (06-19)	GM # 10345066 (CF131C)	1
24481	Lexus LS400 (95-00)	Toyota # 87139YZZ02	5
24482	Mazda 3 (06-10) - 2 per box	Mazda # BP4K61J6X	3
24483	Lexus, Toyota, Scion (07-19), Subaru (10-19)	Toyota # 87139YZZ08	3
24484	Hyundai Accent (07-10), Dodge Attitude	Hyundai # 971331E000	3
24485	Subaru (02-07), Saab (05-06)	Subaru # G3210FE100	3
24486	Mazda 626 (98-02)	Mazda # GD7A61J6X	6
24487	Mazda Millenia (01-02) - 2 per box	Mazda # TA0561J6X	3
24489	Audi, VW (04-19)	VW # 1K1819653A	4
24495	Cadillac STS, STS-V (05-09), SRX (07-09)	GM # 88957450 (CF130C)	1
24511	Toyota, Lexus (05-21), Jaguar, Landrover (15-21), Subaru (10-21)	Toyota # 8713930070	3
24517	Hyundai, Kia (06-12)	Hyu # 971333K000	3
24518	BMW Z4 (03-16)	BMW # 64316915764	4
24523	Range Rover Freelander (03-05)	Rover # JKR100280	4

Some parts may not be available at time of publication.

Cabin Air Filter Product Line - Locator Chart

WIX No. N° WIX	Application	OE Part Number N° de pièce É.O.	Location
24524	Honda Fit (07-08)	Honda # 80291SAAJ01	3
24525	Saab 9-3 (04-12)	Saab # 9179904	1
24578	Dodge Caliber, Jeep Compass (07)	Mopar # 5058381AA	3
24579	Mazda CX7 (07-12)	Mazda # EG2161P11	7
24590	Chev, Buick (09-19)	GM # 13271190	3
24600	Kia Soul (10-13)	Kia # 971332K000	3
24619	Ford Fiesta (11-19)	Ford # BE8Z19N619A	3
24631	Audi (07-19), VW (04-19), Porsche (03-19), Iveco	VW # 7H0819631A	4
24673	Various BMW (99-11)	BMW # 64319071935	1
24681	Various Saab Models (94-03)	Saab # 5047113	1
24682	Mitsubishi Eclipse, Galant (99-05)	Mit # MR500360	3
24683	Various Nissan (05-16), Suzuki (9-13) - 2 per box	Nissan # 999M1V9003	3
24684	Hyundai, Kia (05-16)	Hyundai # 97133E200	3
24685	Chevy Aveo (04-11), Pontiac Wave (05-08)	GM # 96539649	3
24686	Mercedes C, CLK Class (03-09) - 2 per box	Mercedes # 2038300518	4
24687	Ford Mustang (05-13)	Ford # 4R3Z19N619AA	1
24688	Volvo S40, V50 (04-13)	Volvo # 30676484	3
24689	Various Hyundai, Kia (01-10)	Hyu # 971332D000	2
24694	Honda Prelude (00-01)	Honda # 80291S30901	3
24725	PT Cruiser (02-10) - 2 per box	Mopar # 5058040AA	2
24726	Mercedes Benz (03-11)	Mercedes # 2118300018	4
24752	Acura, Honda (98-02) - 2 per carton	Honda # 80291S84A01	3
24753	Hyundai Veracruz (07-12)	Hyu # 971333J000	3
24756	Mitsubishi (02-08)	Mit # MR398288	3
24757	Jaguar (02-09)	Motorcraft # FP45	1
24758	Mini-Cooper (02-08) Cabin air - Carbon version	BMW # 64311496711	3
24761	Hyundai Tucson (06-09)	Hyundai # 971332E250	3
24765	Various Audi (01-09)	VW # 8E0819439 or 4B0819439C	1
24767	Mercedes (94-04)	Mercedes # 2108300818	4
24771	Ford , Mercury Family of Cars (95-02)	FP1 or FP4 - Motorcraft	1
24772	Lincoln Continental Interior Air (95-97)	FP5 or FP16 - Motorcraft	2
24773	Ford Taurus, Mercury Sable (96-07)	FP6 or FP14 - Motorcraft	1
24774	Audi (96-02), Volkswagen (98-02)	VW # 8A0819439A	1
24775	Mercedes S Class (94-99), CL (98-00)	1408350047 - Mercedes	3
24776	Mercedes S Class (94-99), CL (98-00)	1408350147 - Mercedes	3
24778	Mercedes CL (01), E Class (95-04) - 2 per box	2108300218 - Mercedes	4
24779	Volkswagen Passat (95-97)	3A0819644 - Volkswagen	1
24780	Various GM Models (97-16)	GM # 10406026 or 10261703	1
24781	Cadillac Catera (97-99)	GM # 90510338 or 90458294	1
24783	Mercedes CL, E, S Class (97-07) - 2 per carton	MBZ # 2108301018	4
24784	BMW 318i, 328i (98-99)	BMW # 64111393489	3
24794	Kia Sorento (07-09)	Kia # 971333E260	3
24797	Various Mercedes (03-12)	Mercedes # 2118300818	4
24803	Honda S2000 (00-09)	Honda # 79830S2A003	3

Some parts may not be available at time of publication.

Cabin Air Filter Product Line - Locator Chart

WIX No. N° WIX	Application	OE Part Number N° de pièce É.O.	Location
24805	Chevy/GMC Trks (99-02), Cadillac Escalade (00-02) - 2 per box	GM or A/C # 52485513 or CF104	6
24806	Lincoln Continental (98-02)	FP13 - Motorcraft	1
24807	Ford Windstar (99-03), Freestar (05-07), Merc. Monterey (05-07)	FP22 or FP22A - Motorcraft	1
24808	Ford Focus (00-06), ZX2 (02-03), Transit Connect (10-12)	FP32 - Motorcraft	1
24809	Kia Amanti (04-09)	Kia # 971143B100	3
24811	Various GM Model Vans (97-01) - 2 per carton	52482929 or CF100 - GM (AC)	5
24812	Olds Aurora (01-03), Pontiac Bonneville, Buick LeSabre (00-05)	25654414 or CF117 - GM (AC)	2
24813	Cadillac (00-11)	CF118C - AC-Delco	2
24814	Various GM Trucks + SUVs (03-06), Hummer H2 (03-10)	GM # 88986533	3
24815	Acura, Honda (03-17)	Honda # 80292SDAA01	3
24816	Ford Escape, Mazda Tribute (01-07), Mariner (05-08)	Ford # YL8418797	1
24817	Honda, Acura (01-11) - 2 per box	80292S5A003 or 80292S5DA01	3
24818	Volvo S80, S60, V70 (99-13)	Volvo # 9204626	7
24821	Volvo C70, S70, V70 (98-02), Volvo 850 (93-97)	Volvo # 9171296 or 9184130	1
24823	Nissan Maxima (00-03), Infiniti (00-04) - 2 per carton	Nissan # 999M1VP004	3
24826	Mazda MPV (00-06), RX-8 (04-11) - 2 per box	Mazda # LDY461J6X	3
24827	BMW X5 (03-06), Land Rover (04-13)	BMW # 64318409044	8
24829	Nissan Versa (07-16)	Nissan # 27891EL00A	3
24853	Hyundai Sante Fe, Sonata, XG350 (01-06)	Hyundai # 976193D000	3
24854	Infiniti QX56, Nissan (04-15) - 2 per carton	Nissan # 999M1VP005	2
24855	Nissan Quest (04-09) - 2 per carton	Nissan # 272995Z000	3
24856	Nissan Frontier, X-Terra (03-05)	Nissan # B72003S500	3
24857	Various Nissan, Infiniti Models (03-08)	Nissan # 999M1VP001	3
24863	Various Nissan, Infiniti Models (98-04)	Nissan # 999M1VP003	3
24864	Chrysler Mini-Vans (00-07)	Mopar # 82205905	4
24865	Saturn L Series (00-05)	Saturn # 90464424	1
24866	Audi A6 (98-00)	VW # 4BO819439A	1
24867	Mercedes M Class (98-06)	Mercedes # 1638350047	7
24869	Cadillac (03-15)	GM # 25740404	1
24871	Pontiac Vibe (03-08), Toyota Tacoma (06-08)	GM # 88970273	3
24872	Various GM, Saturn Vue (02-09)	GM # 22665802	1
24873	Toyota Corolla, Matrix (02-08)	Toyota # 8856802020	3
24874	Buick Park Ave (98-05), Cadillac Seville (98-04)	GM # 52482839 (CF101)	6
24875	Toyota (01-11), Subaru (05-11), Mazda MPV (02-05)	Toyota # 8713947010	3
24876	Ford, Lincoln Trks + SUVs (97-04)	Motorcraft # FG7A	4
24877	Honda CRV (97-01) Honda Insight (00-06)	Honda # 80291ST3E01	4
24878	Acura RL V6 3.5L (96-04) - 2 per box	Honda # 79371SZ3A01	3
24879	Hyundai Accent (03-06) - 2 per box	Hyundai # 976171C000	3
24880	Hyundai Accent (01-02)	Hyundai # 9761725000	3
24881	Hyundai, Sonata XG350 (01-03)	Hyundai # 9761938100	3
24882	Various GM Models (03-11)	GM # 52493319	3
24883	Various Lexus, Toyota Models (00-10)	Toyota # 8713932010	3
24884	Lincoln LS (00-02), Ford Thunderbird (05), Jaguar (00-03)	Ford # XW4Z19N619AC (FP25)	1
24893	Lexus GS300, GS430, LS430, SC430 (02-10)	Toyota # 8713950030	5

Some parts may not be available at time of publication.

Cabin Air Filter Product Line - Locator Chart

WIX No. N° WIX	Application	OE Part Number N° de pièce É.O.	Location
24894	Lexus ES (98-00) GS300 (98-00) GS400 (00)	Toyota # 8713930010	3
24895	Lexus ES300 (97-01) - 2 per box	Toyota # 8888033020	6
24896	Mercury Villager, Nissan Quest (98-02)	Nissan # 272987B000 or # FP29	1
24897	Honda Odyssey (00-04), Pilot (03-08), Acura MDX (03-06)	Honda # 80290S0XA01	3
24898	Land Rover Range Rover (96-02)	British Leyland # BTR8037	1
24899	Suzuki Vitara (02-04) - 2 per carton	GM-Suzuki # 9586165D00	5
24900	Toyota RAV4, Echo, Scion (00-10)	Toyota # 8856852010	3
24901	Toyota Highlander, Lexus (99-07)	Toyota # 8713948020	3
24902	Suzuki Forenza (04-09), Reno (05-09)	Suzuki # 95860-85Z00	4
24903	Jeep Grand Cherokee (99-10)	Mopar # 5013595AB	2
24904	Volvo S40, V40 (02-04)	Volvo # 30612666	4
24905	Lexus ES300, GX470 (03-09)	Toyota # 8713933010	3
24906	Chev Epica (04-07), Suzuki Verona (04-07)	Suzuki # 9586086Z00	1
24907	Mazda 6 (03-08)	Mazda # GK3J61148	3
24908	Lexus LX470 (98-07), Toyota LandCruiser (06-07)	Toyota # 8856860010	3
24909	Various Chrysler, Dodge (05-10)	Mopar # 04596501AB	1
49093	Dodge Nitro, Jeep Liberty (08-13) - 2 per box	Mopar # 68033193AA	1
49101	Honda Fit (09-19), HR-V (16-19)	Honda # 80292TF0G01	3
49248	Chev Caprice (11-16), Pontiac G8 (08-10)	GM # 92184248	1
49261	Mercedes Smart Car - (05-07)	Mercedes # 0001110V003	6
49262	Dodge Sprinter Vans (04-06)	Mercedes # A9018300418	1
49351	Smart car for two (08-19)	Mercedes # 4518300018	6
49352	Nissan (07-13)	Nissan # 27277EN000	6
49353	Hyundai, Kia (05-12)	Kia # 971332F000	3
49354	Various Volvo (04-13)	Volvo # 30780377	3
49355	Various Volvo (07-19), Land Rover LR2 (08-14)	Volvo # 30767022	6
49356	Various Mercedes (02-19)	Mercedes # 2308300418	4
49357	Mercedes C Class (08-19)	Mercedes # A2048300018	6
49358	Toyota Tacoma (08-13)	Toyota # 87139YZZ09	3
49359	Subaru Forrester (03-08)	Subaru # 72880SA000	3
49360	BMW 7 Series (03-08)	BMW # 64116921018	1
49361	Audi (03-10)	VW # 4E0819439A	8
49363	Mitsubishi (07-19)	Mit # 7803A004	3
49364	Saturn Astra (08-09)	GM # 13175553	3
49366	Dodge, Mercedes Sprinter Vans (07-17)	Mopar # 68012876AA	3
49367	Various Mini Models (07-16)	BMW # 64319127516	4
49369	Land Rover (05-16)	Land Rover # JKR500020	3
49370	Saab 9-5 (99-09) - Cabin air filter plus a foam strip	Saab # 5335948	4
49371	BMW (07-15)	BMW # 64319142115	8
49372	BMW 5 Series (03-05), M3 (02-03)	BMW # 64110008138	1
49373	Mercedes (05-19)	Mercedes # 1718300418	6
49374	Various BMW (04-13) - 2 per box	BMW # 64319174370	1
49375	Various Audi (05-16)	VW # 4F0819439A	7
49376	Various Mercedes (06-13)	Mercedes # 1648300218	3

Some parts may not be available at time of publication.

Cabin Air Filter Product Line - Locator Chart

WIX No. N° WIX	Application	OE Part Number N° de pièce É.O.	Location
49377	Hyundai (07-17)	Hyu # 971332H000	3
49378	Lincoln LS (03-06)	Ford # 2R8Z19N619BA (FP45)	1
49379	Jaguar (98-09)	Jaguar # C2C6884	1
49380	BMW 7 Series (96-01) - 2 per box	BMW # 64319070072	1
49381	Jaguar (07-20)	Jaguar # C2P2410	1
49382	BMW M3 (08-11)	BMW # 64319159606	8
49466	Ford Escape, Mercury Mariner, Mazda Tribute (08-11)	Ford # 8L8Z19N619B	1
49525	Jaguar XF, XFR (09-19)	Jaguar # C2Z6525	1
49585	BMW X5, X6 (07-17)	BMW # 64316945585	2
49700	Suzuki SX4 (07-13)	Suzuki # 9586080J00	3
WP10009	Nissan, Infiniti (13-21)	Nissan # 272773JC1A	3
WP10016	Tesla 3 (18-21)	Tesla # 110768100A	3
WP10019	Ford Ranger (2001)	Ford # F8YZ19N619AA (FP18)	1
WP10064	BMW (16-21)	BMW # 64119366401	3
WP10073	Scion iQ (13-15)	Toyota # 8856874040	3
WP10074	Various GM, Saturn (07-18)	GM # 20958479	3
WP10083	Kia Forte (14-19)	Kia # 971332H001	3
WP10084	Ford Fusion, Lincoln MKZ (13-21)	Motorcraft # FP71	3
WP10099	Lexus (14-21)	Toyota # 8713930100	5
WP10105	Ford Mustang (13-14)	Ford # DR3Z19N619A (FP72)	1
WP10106	Fiat 500L, Jeep Renegade (14-21)	Fiat # 68212070AA	1
WP10124	Mercedes (13-20)	MBZ # A1668300218	4
WP10125	Mitsubishi Mirage (14-20)	Mit # 7850A002	3
WP10129	Chev Silverado, GMC Sierra (14-21)	GM # 22808781 (CF188)	3
WP10130	Mercedes (12-20)	MBZ # 2468300018	3
WP10142	Chrysler, Jeep (14-21)	Mopar # 68223044AA	1
WP10155	Hyundai, Kia (15-21)	Hyu # 97133C200	3
WP10159	Audi, VW (13-21)	VW # 5Q0819653	1
WP10168	Chev Aveo (9-11)	GM # 95981206	1
WP10176	Tesla S (12-21)	Tesla # 103512500A	3
WP10178	Kia Soul (14-21)	Kia # 97133B2000	3
WP10179	Nissan Rogue (14-21)	Nissan # 272774BU0A	3
WP10192	Chev Colorado, GMC Canyon (15-21)	GM # 23135671 (CF196)	1
WP10195	Ford Mustang (15-21)	Ford # FR3Z19N619A (FP78)	1
WP10233	Nissan Rogue Select (14-15)	Nissan # 27277JM01A	6
WP10234	Kia Sedona (15-21)	Kia # 97133A9000	3
WP10263	Ram Promaster (14-21)	Mopar # 68169308AA	7
WP10265	Hyundai, Kia (16-21)	Hyu # 97133D3000	3
WP10266	Ford Trucks (15-21)	Ford # FL3Z19N619A (FP79)	1
WP10267	Scion, Toyota, Mazda CX-3 (16-21)	Toyota # 87139WB001	3
WP10275	Hyundai, Kia (16-21)	Hyu # 97133C1010	3
WP10276	Kia K900 (16-21)	Kia # 3TF79AQ000	3
WP10277	Chev City Express (18-21), Nissan Versa (14-21), Nissan Micra (18-21)	Nissan # 272781KK0A	6
WP10316	Chrysler Pacifica (17-21)	Mopar # 68308950AA	1

Some parts may not be available at time of publication.

Cabin Air Filter Product Line - Locator Chart

WIX No. N° WIX	Application	OE Part Number N° de pièce É.O.	Location
WP10319	Hyundai, Kia (18-21)	Hyu # 97133F2000	1
WP10320	Toyota , Subaru (16-21)	Toyota # 8713928020	3
WP10322	Lexus, Toyota (16-21)	Toyota # 871390E040	3
WP10337	Various Audi, Porsche (17-21)	VW # 4M0819439A	3
WP10361	Various Kia (15-21)	Kia # A9C79AC000	
WP10367	Kia, Hyundai, Genesis (18-21)	Kia # 97133J5000	
WP10370	Kia Sorento (16-21)	Kia # C6C79AC000	
WP10371	Jeep Wrangler (18-21)	Mopar # 68301863AA	
WP10410	Ford Ranger (19-21)	Ford # KB3B19N619AA (FP88)	
WP10416	Hyundai Kona (18-21)	Hyu # 971331R000	
WP10425	Nissan Kicks (18-21)	Nissan # 278915RBOA	
WP10426	Infiniti (16-21)	Nissan # 272774HH0A	
WP10427	BMW (18-21)	BMW # 64119382886	
WP10428	Various GM (07-14) - particulate	GM # 22759203	
WP10429	BMW i8 (14-20)	BMW # 64319346267	
WP10430	Volvo XC40 (18-21)	Volvo # 31497285	
WP10447	Infiniti QX50 (19-21)	Nissan # 272775NA1A	
WP10448	Jeep Cherokee (19-21)	Mopar # 68410725AA	
WP10470	Nissan Altima (19-21)	Nissan # 272776CA0A	
WP2000	Lada (non-US models)	Lada # 11180812201000	
WP2002	Hyundai i20 (non-US markets)	HYU # 971331J000	
WP2010	Nissan Juke; Renault Fluence (non-US markets)	Nissan # 272771KA4A	3
WP2011	Nissan, Renault (non-US markets)	Nissan # 271T200A00	
WP2012	Hyundai (non-US markets)	HYU # 971331P000	
WP2018	Alfa Romeo (non-US markets)	Alfa # 50511785	
WP2020	Chevy Spark (Europe), Mitsubishi Pajero	GM # 95947238	
WP2024	Nissan (non-US markets)	Nissan # 278914A00C	
WP2026	Nissan Micra (non-US markets)	Nissan # 272771HD0B	
WP2028	GM Europe (non-US markets)	GM # 93732532	
WP2037	Renault (non-US markets)	Renault # 2727734	
WP2044	Hyundai (non-US markets)	HYU # 976174H000	
WP2056	Hyundai (non-US markets)	HYU # 971331U000	
WP2059	Mitsubishi Pajero (non-US markets)	Mit # 7803A027	
WP2064	Hyundai (non-US markets)	HYU # 971332E250	
WP2070	Toyota (non-US markets)	TOY # 87139YZZ06	
WP2073	Peugeot (non-US models)	PEU # 6479K9	
WP2076	BMW (non-US markets)	BMW # 64312284827	
WP2080	BMW (non-US markets)	BMW # 64119237554	
WP2086	Audi A1; Seat; Skoda; VW Polo V (non-US markets)	VW # 6R0820367	
WP2087	Audi, Skoda, VW (non-US markets)	VW # 6R0819653	
WP2090	Chrysler, Fiat (non-US markets)	Fiat # 51854923	
WP2092	Seat, VW (non-US markets)	VW # 1S0820367	
WP2094	Ford Ranger II, Mazda BT50 (non-US markets)	Ford # AB3919N619A	
WP2096	Ford C-Max, Focus III, Volvo V40 (non-US markets)	Ford # 5128504	

Some parts may not be available at time of publication.

Cabin Air Filter Product Line - Locator Chart

WIX No. N° WIX	Application	OE Part Number N° de pièce É.O.	Location
WP2097	Ford, Volvo (non-US markets)	Ford # 1709013	
WP2100	Dacia; Renault (non-US markets)	Renault # 272775340R	
WP2119	Ford Tourneo, Transit (non-US markets)	Ford # 1839688	
WP2128	Citroen, Peugeot (non-US models)	CIT # 9678792080	
WP2130	BMW, Mini Cooper (16-19)	BMW # 64119321876	
WP2131	BMW, MiniCooper (14-19)	BMW # 64119321875	
WP2138	Nissan, Renault (non-US markets)	Renault # 272778980R	
WP2153	Volvo (16-19)	Volvo # 31407748	
WP2154	BMW 2, X1 (non-US markets)	BMW # 64316835404	
WP2158	Toyota Hilux, Other (non-US markets)	Toyota # 87139F4020	
WP6800	Opel Astra, Cabrio, Tigra (non-US markets)	GM # 93182435	
WP6801	Opel, Vauxhall (non-US markets)	GM # 905658793	
WP6805	Opel, Vauxhall (non-US markets)	GM # 91132360	
WP6810	Seat Cordoba; Ibiza II; VW Golf III; Vento (non-US markets)	VW #1H0819698	
WP6814	Citroën; Peugeot (non-US markets)	Peugeot # 6447Z5	
WP6819	Opel, Vauxhall (non-US markets)	GM # 90541317	
WP6820	Ford Fiesta Courier II, Kia; Puma; Mazda (non-US markets)	Ford # 96FW16N619AB	
WP6821	Ford Fiesta, Courier, Ka (non-US markets)	Ford # 1089176	
WP6834	Honda (non-US markets)	Honda # 08R79ST3600	
WP6836	Peugeot (non-US markets)	Peugeot # 644793	
WP6840	Peugeot, Porsche (Europe, Central America)	Porsche # 99657221901	
WP6841	Peugeot, Porsche (non-USA models)	Peugeot # 6447PG	
WP6844	Renault (non-US markets)	Renault # 7700834816	
WP6846	Renault (non-US markets)	Renault # 7700845811	
WP6848	Ford Galaxy I; Seat Alhambra; VW Sharan (non-US markets)	VW # 7M0819644	
WP6849	Ford Galaxy, Seat Alhambra, VW Sharan (non-US markets)	VW # 7M0819644	
WP6852	Ford Scorpio (non-US markets)	Ford # 1054491	
WP6855	Volvo (non-US markets)	None	
WP6860	Renault Megane; Megane Coupe (non-US markets)	Renault # 7700424093	
WP6866	Alfa Romeo (non-US markets)	Alfa-Romeo # 46721923	
WP6868	Fiat (non-US markets)	Fiat # 46721374	
WP6871	Alfa-Romeo, Fiat (non-US markets)	Fiat # 60653641	
WP6872	Audi (non-US markets)	VW # 4A0091800	
WP6874	VW Caravelle, Transporter, Eurovan (Europe, Central America)	VW # 7D0819989	
WP6875	VW Caravelle, Transporter (non-US markets)	VW # 703819989	
WP6880	Renault (non-US markets)	Renault # 6025370624	
WP6896	Skoda Favorit (non-US markets)	None	
WP6898	Volkswagen Golf II (non-US markets)	VW # 191819638	
WP6900	BMW (non-US markets)	BMW # 64311390836	
WP6912	Citroen, Fiat, Peugeot (non-US models)	Fiat # 1312764080	
WP6914	Mercedes (non-US markets)	MBZ # 1688300018	
WP6918	Lada, Opel, GM Europe (non-US models)	GM # 1808612	
WP6922	Renault Kangoo (non-US markets)	Renault # 7701042499	
WP6924	Renault (non-US markets)	Renault # 7701409324	

Some parts may not be available at time of publication.

Cabin Air Filter Product Line - Locator Chart

WIX No. N° WIX	Application	OE Part Number N° de pièce É.O.	Location
WP6926	Peugeot (non-US markets)	Peugeot # 6447AZ	
WP6927	Peugeot (non-US models)	PEU # 002435	
WP6928	Nissan Kubistar; Renault (non-US models)	Renault # 7700424098	
WP6930	Renault Scenic (non-US models)	Renault # 7701205279	
WP6932	Renault Scenic (non-US markets)	Renault # 7700428820	
WP6938	Renault (non-US markets)	Renault # 7701047513	
WP6946	Peugeot (non-US markets)	Peugeot # 002484	
WP6969	Peugeot (non-US models)	PEU # 002435	
WP6977	BMW (non-US markets)	BMW # 64316913506	
WP6978	Mercedes (non-US markets)	MBZ # 0008353047	
WP6980	Ford Maverick, Nissan Primera (non-US markets)	Ford # 5028225	
WP6990	Dacia; Nissan Micra ; Renault (non-US markets)	Nissan # 27891AX01A	
WP6994	Landrover (non-US markets)	Rover # JKR100020	
WP6996	Skoda (non-US markets)	Skoda # DGA091001	
WP8252	Honda (non-US markets)	Honda # 80292SMGE01	
WP9001	Fiat Doblo I; Punto II; Lancia Musa (non-US markets)	Fiat # 46722862	
WP9024	Opel, Vauxhall, Suzuki (non-US markets)	GM # 0631916	
WP9036	Audi A1; Seat Cordoba III; Ibiza; Skoda ; VW (non-US markets)	VW # 6Q0820367	
WP9037	Seat, Skoda ,VW, Audi (non-US markets)	VW # 6Q819653B	
WP9092	Alfa Romeo, Fiat (non-US markets)	FIAT # 46412715	
WP9096	Ford Transit (non-US markets)	Ford # YC1J19N619A1A	
WP9104	Nissan Almera (N16); Almera Tino; Primera III (non-US markets)	Nissan # 27891BM401KE	
WP9106	Renault Laguna II; Vel Satis (non-US markets)	Renault # 7701048748	
WP9110	Ford Fiesta V ; Fusion/Fusion Plus (non-US markets)	Ford # 2S6H16N619AA	
WP9112	Citroën ; Peugeot (non-US markets)	Peugeot # 6447KK	
WP9113	Citroen, Peugeot (non-US models)	Peugeot # 6447NV	
WP9115	Citroen (non-US models)	Cit # 6447LN	
WP9116	Fiat (non-US markets)	Fiat # 6447LN	
WP9117	Fiat Bravo, Stilo, Lancia (non-USA models)	Fiat # 46723435	
WP9118	Citroen (non-US models)	Cit # 6447FG	
WP9125	Alfa Romeo (non-US markets)	Alfa # 46799653	
WP9128	Citroën C5 (non-US markets)	Citroen # 6447HT	
WP9130	Fiat; Lancia; UAZ Hunter; Patriot (non-US models)	Fiat # 46723331	
WP9142	Citroën Berlingo II; Peugeot Partner II (non-US markets)	Citroen # 6479A1	
WP9162	Ford Mondeo III (00-07); Jaguar X-Type (CF1)	Ford # 1S7H16N619AC	
WP9166	Audi (non-US markets)	VW # 7H0819631	
WP9171	Peugeot (non-US markets)	Peugeot # 6447GW	
WP9174	Renault Megane II (non-US markets)	Renault # 7701055109	
WP9177	Renault (non-US markets)	Renault # 7701056390	
WP9178	Opel Meriva A; Vauxhall Meriva A (non-US markets)	Opel # 6808604	
WP9183	Citroen, Peugeot (non-US models)	Citroen # 1444EJ	
WP9186	Mazda 2; 6 (GG/GY); 6 (GH); CX-7 (non-US markets)	Mazda # GJ6A61P11A	
WP9209	Citroen, Fiat, Peugeot (non-US markets)	Fiat # 1483883080	
WP9210	Fiat Panda (non-US markets)	Fiat # 46723321	

Some parts may not be available at time of publication.

Cabin Air Filter Product Line - Locator Chart

WIX No. N° WIX	Application	OE Part Number N° de pièce É.O.	Location
WP9212	Renault Scenic II (non-US markets)	Renault # 7701055110	
WP9222	Mercedes (non-US markets)	MBZ # 6398350247	
WP9232	BMW Series 1, 3, X1 (non-US models)	BMW # 64316925981	
WP9242	Fiat Palio (non-US markets)	Fiat # 7079682	
WP9246	Nissan Primastar; Opel Vivaro; Renault Trafic; Vauxhall Vivaro (Mexico)	Renault # 7701050319	
WP9250	Fiat Punto (non-US markets)	Fiat # 55702456	
WP9256	Citroën C3 II; DS3; Peugeot 207 (non-US markets)	Peugeot # 1609428080	
WP9260	Alfa-Romeo (non-US markets)	Alfa # 71754158	
WP9276	Citroën C1; Peugeot 107; Toyota Aygo (non-US markets)	Peugeot # 6479A5	
WP9280	Fiat Albea; Palio; Strada (non-US markets)	Fiat # 7082301	
WP9293	Mitsubishi Colt, Smart Forfour, Roadster (non-US models)	Mit # MR958017	
WP9307	Renault (non-US markets)	Renault # 272770001R	
WP9309	Landrover (15-19), Volvo (08-19)	Landrover # LR056138	
WP9310	Citroen (non-US models)	Cit # 6447YK	
WP9314	Diahsatsu, Fiat, Suzuki (non-US models)	Suzuki # 9586062J00	
WP9318	Citroën; Peugeot (non-US markets)	Peugeot # 6447XF	
WP9320	Ram Promaster City (15-20), Fiat Linea, Doblo, Florino, Citroen, Peugeot	Mopar # 68103578AA	
WP9324	Kia Creed, Hyundai (non-US markets)	Kia # 971331H000	
WP9330	Mercedes, VW (non-US markets)	MBZ # 9068300218	
WP9336	Nissan NV400; Opel ; Renault ; Vauxhall; Mercedes (non-US markets)	Renault # 7701209837	
WP9344	Hyundai, Kia (non-US markets)	HYU # 9713307010	
WP9347	Mercedes (non-US markets)	MBZ # 2038301018	
WP9348	Opel, Vauxhall, Suzuki (non-US markets)	GM # 93194847	
WP9354	Various Hyundai Models (non-US markets) 2 per box	Hyu # 971332E910	
WP9359	Audi, VW, Skoda (non-US markets)	VW # 1K2819653	
WP9360	Ford Fiesta VI (non-US markets)	Ford # 1594615	
WP9365	Citroen (non-US models)	Cit # 9682603680	
WP9368	Citroen, Fiat (non-US markets)	Fiat # 77364063	
WP9378	GM Europe, Daewoo (non-US models)	GM # 96425700	
WP9383	Mini Cooper (non-US markets)	BMW # 64113422665	
WP9386	Suzuki Liana (non-US markets)	Suzuki # 9586154G00	
WP9398	Lada (non-US markets)	Lada # 21118122012	

Some parts may not be available at time of publication.

Footnotes

FN # English

- 3 California models
- 6 With Vapor Diverter
- 21 From Engine # 4717578
- 22 To Engine # 4717577
- 32 Models with cartridge filter
- 46 Models with air-conditioning
- 53 Also available in Masterpack version

- 61 Available until inventory is depleted
- 70 Also available in Masterpack version

- 71 Not servicable- Lifetime fuel filter- usually in fuel tank
- 72 Manual Transmission
- 78 Charcoal Impregnated
- 79 Particulate
- 137 Standard Corrugated version
- 138 Without Bracket
- 139 With Bracket
- 140 Square air panel
- 141 Rectangular air panel
- 142 Panel air filter for converted housing
- 143 Height 8.25 inches
- 144 Height 6.5 inches
- 146 Element only
- 147 Includes frame + filter element together
- 150 OE style without bracket
- 153 Without fuel return system
- 154 With pressure regulator
- 155 Standard version
- 156 Universal style with adjustable cradle on one end
- 158 1500 Series
- 159 2500-3500 Series
- 160 Convertible
- 161 Hard Top
- 162 Fuel/Water Separator
- 164 Optional filter, if cabin air kit installed by dealership

- 165 High-voltage battery pack filter located in the rear cargo area on the driver's side trim panel

- 166 Optional filter, not installed on all models

- 167 Up to VIN # M45254
- 168 After VIN # M45254
- 171 With auto-recirculation
- 172 Without auto-recirculation
- 174 Lifetime
- 175 XLE Trim
- 176 CE, LE Trim
- 179 This filter has a sensor port - must remove the sensor from the old filter and reinstall on the new

- 184 Has lid attached
- 187 Warm climate-left side
- 188 Warm climate-right side
- 189 Cold climate-left side
- 190 Cold climate-right side
- 193 Cellulose media
- 194 Synthetic media
- 197 To Chassis # 049999
- 198 From Chassis # 050001
- 203 Before VIN LW34845
- 204 After VIN LW34846
- 205 Cabin air that goes inside the heater casing

- 206 New body style only
- 214 Old body style only
- 217 Truck or Bus applications with oil filter housing that has a spring-loaded long post - has lid attached to filter

Footnotes

FN # English

219	Only to be used on applications that have a short post without spring in the oil filter housing - no lid attached
220	with Automatic Climate Control
221	without Automatic Climate Control
222	Has 2 threaded ends
223	Has 1 threaded end
224	Models with Automatic Transmission
225	For vehicles with JCW upgrade option
226	Includes pan gasket
227	Without pan gasket
228	Cabin air for optional roof unit
229	One 3/8 Line
230	Two 3/8 Lines
231	3 1/2 inches Height
232	5 1/2 inches Height
233	Heavy Duty Wrapped version - 5 1/2 inches Height
237	Updated version with plastic Lid
240	Models w/ manual transmission
245	With 1 off-set line
251	W210 Body
252	W211 Body
256	Up to 1/16/09
257	After 1/16/09
258	2 inch Pleat
259	4 inch Pleat
262	Up to 6/23/08
263	After 6/23/08
264	Up to 9/25/08
265	After 9/25/08
266	5.1 inch cartridge
267	4.1 inch cartridge
268	Up to 4/27/09
269	4/27/09 - on
275	Cartridge style
276	Vehicles with HCC - Halla Climate Control Systems
277	Vehicles with DCC - Doowon Climate Control Systems
278	Vehicles with 6R60 Transmission - OE # FT161
279	Vehicles with 6R60 Transmission - OE # FT171
281	With Quick Connects
282	Without Quick Connects
284	Light Duty version
285	Heavy Duty version
286	Models with Oil-Cooler
287	Models without Oil-Cooler
288	Without pressure regulator
289	Has closed top - no sensor port opening
290	Early production models
291	Late production models
304	80 mm O.D.
305	70 mm O.D.
308	To chassis 8P617600 with housing 1K0127400K
309	To chassis 8P617600 with housing 1K0127400J
310	Updated design
311	Felt gaskets
312	Raised endcaps
313	Length 8.2 inch (Takes 2)
314	Length 10.9 inch (Takes 1)
315	Height 3.2 inch
318	Foam insert replaced only when damaged
321	1st Design
322	2nd Design

Footnotes

FN # English

- 323 Forest Air System cabin filter
- 324 Non-Forest Air System cabin filter
- 329 w/ Three Gasket Pack
- 330 Long
- 331 Short
- 338 Before VIN 84178586
- 339 After VIN 84178586
- 340 To Chassis 1K6834878
- 341 From Chassis 1K6834879
- 342 To chassis 1K6817800
- 343 From chassis 1K6817801
- 344 To VIN 000001
- 345 From VIN 000001
- 352 Up to 09/01/06
- 353 09/01/06 - on
- 360 Flame Retardent Version
- 363 5R110W To 5-20-07
- 364 5R110W From 5-20-07
- 365 5R110W OE # FT144
- 366 5R110W OE # FT180
- 368 Models with Automatic Launch Control

- 370 To 3/08
- 371 3/08 - on (2)
- 376 Cold Climate Option
- 377 Five-Sided Panel
- 383 For vehicles with detachable fuel filter heater

- 384 For vehicles with detachable fuel filter heater and water sensor
- 385 New Version
- 389 If OE air housing has been replaced by air housing kit # FA1759
- 394 Contains 2 Filters per Box
- 399 Except California Models
- 400 Cabin filter for heater
- 401 Cabin filter for a/c
- 405 Sedan, Wagon
- 406 Coupe, Convertible
- 414 Excludes John Cooper Works package
- 418 A/C Model CJ2 w/automatic temperature control

- 423 Dusty Environments
- 424 Non-Convertible
- 425 Models with Spin-On Filter
- 426 From chassis 8P6176001
- 438 w/ sensor permanently installed
- 439 with plastic housing
- 440 with aluminum housing
- 443 To Chassis # ORGA11920
- 444 From Chassis # ORGA11921
- 446 From Engine # 4413115
- 447 This filter comes with 2 standard clips - if shorter clips required, order # WCK11 separately - contains 10 duckbill clips

- 448 To Chassis ORGA 10254
- 450 Bosch Injection System
- 451 Siemens Injection System
- 453 June 2004 On
- 471 From Engine WJZ(DW8)
- 474 W/ AQS (Air Quality System)
- 475 W/O AQS (Air Quality System)
- 492 W/ air balance package
- 493 W/O air balance package
- 500 For vehicles w/ a 5 inch filter housing cap and no housing center post
- 501 For vehicles equipped w/ a filter center post and a 3 inch filter housing cap
- 503 Some competitive parts have a detachable ring that can remain in the air filter housing. Make sure this detachable ring is removed from the housing before installing the new part
- 18

Footnotes

FN # English

- 504 Kit includes primary + secondary fuel filters together as one kit
- 507 With housing and cap marked Hengst
- 508 With housing and cap marked UFI
- 509 Hatchback
- 513 Police Models
- 514 Spin-on
- 518 With Heater
- 521 SOHC [Single Overhead Cam]
- 522 DOHC [Double Overhead Cam]
- 523 Performance Version
- 524 Has Built-in Heater & Water Port
- 528 For Retrofit Kits
- 529 5 Speed Automatic
- 530 6 Speed Automatic

APRILIA — BMW
Motorcycle Section
**M
O
T
O
R
C
Y
C
L
E
S**

Make & Model Haz un modelo Marque et modèle	Serv. Type	Part No. N° de pieza N° de pièce	Make & Model Haz un modelo Marque et modèle	Serv. Type	Part No. N° de pieza N° de pièce	Make & Model Haz un modelo Marque et modèle	Serv. Type	Part No. N° de pieza N° de pièce
APRILIA			APRILIA (Cont'd/Suite)			BMW (Cont'd/Suite)		
49cc RS50 (1996-2009)	Lube . . .	NS	1077cc TUONO V4 ABS (2016-2016)	Lube . . .	51359	800cc F800R (2009-2013)	Air	N/A
TUONO 50 (2003-2004)	Air	N/A	TUONO V4 FACTORY ABS (2016-2020)	Lube . . .	51359	F800R (2015-2015)	Lube . . .	N/A
	Lube . . .	NS		Air	N/A	F800S (2006-2008)	Lube . . .	57936
	Air	N/A					Air	N/A
100cc SCARABEO 100 (2001-2010)	Lube . . .	NS	1100CC RSV4 R FACTORY (2019-2020)	Lube . . .	51359	F800ST (2006-2013)	Lube . . .	57936
	Air	N/A		Air	N/A		Air	N/A
125cc RS125 (1997-2009)	Lube . . .	NS	RSV4 RR (2019-2020)	Lube . . .	51359	R80 (1978-1987)	Lube . . .	24945
RS125 (1999-2009)	Air	N/A		Air	N/A	R80G (1981-1984)	Lube . . .	24945
TUONO 125 (2003-2004)	Lube . . .	NS		Air	N/A	R80GS (1980-1987)	Lube . . .	24945
	Air	N/A	1196cc Caponord 1200 ABS Rally (2016-2020)	Lube . . .	57035 ⁵³	R80S (1981-1984)	Lube . . .	24945
450cc RXV450 (2006-2007)	Lube . . .	N/A		Air	N/A	R80ST (1982-1984)	Lube . . .	24945
RXV450 (2006-2012)	Air	N/A						
RXV450 (2008-2012)	Lube . . .	NA	1200cc DORSODURO 1200 (2011-2012)	Lube . . .	57035 ⁵³	850cc R850R (1995-2001)	Lube . . .	57936
550cc RXV550 (2006-2007)	Lube . . .	N/A		Air	N/A		Air	N/A
	Air	N/A				853CC F750GS (2019-2020)	Lube . . .	WL10354
649cc PEGASO 650 (2007-2007)	Lube . . .	24935 ⁵²⁹	BETA					
PEGASO 650 TRAIL (2006-2006)	Lube . . .	24936 ⁵²⁸	249cc EVO 250 4 STROKE (2016-2016)	Lube . . .	57932	F850GS (2019-2020)	Lube . . .	N/A
	Lube . . .	24935 ⁵²⁹	EVO 250 4 STROKE SPORT (2016-2016)	Lube . . .	57932		Air	N/A
	Lube . . .	24936 ⁵²⁸					Air	N/A
650cc 650 STARK (2013-2013)	Lube . . .	WL10090	297cc EVO 300 4 STROKE (2016-2019)	Lube . . .	57932	990cc K100RS (1990-1992)	Lube . . .	57936
750cc 750 SHIVER (2008-2009)	Lube . . .	57035 ⁵³	EVO 300 4 STROKE SPORT (2016-2016)	Lube . . .	57932	S1000RR (2009-2013)	Lube . . .	WL10354
750 SHIVER (2011-2015)	Lube . . .	57035 ⁵³					Air	N/A
750 SHIVER (2015-2015)	Air	N/A	BMW			999cc HP4 (2013-2014)	Lube . . .	WL10354
DORSODURO 750 (2008-2012)	Lube . . .	57035 ⁵³	350CC C400X (2019-2020)	Lube . . .	WL10245		Air	N/A
	Air	N/A		Air	N/A	K1300GT (2015-2015)	Lube . . .	WL10245
850cc 850 MANA (2007-2012)	Lube . . .	57035 ⁵³	450cc G450X (2008-2010)	Lube . . .	57936	S1000R (2019-2020)	Lube . . .	WL10354
850 MANA GT (2008-2014)	Lube . . .	57035 ⁵³	473cc R45 (1978-1985)	Lube . . .	24945		Air	N/A
896cc 900 SHIVER (2017-2020)	Lube . . .	57035 ⁵³	600cc R60 (1969-1980)	Lube . . .	24945	S1000RR (2014-2014)	Lube . . .	WL10354
	Air	N/A	R60/5 (1969-1974)	Lube . . .	24945		Air	N/A
900 SHIVER (2018-2020)	Fuel . . .	N/A	R60/6 (1974-1976)	Lube . . .	24945	S1000RR (2015-2015)	Lube . . .	WL10245
Dorsoduro 900 (2017-2020)	Lube . . .	57035 ⁵³		Air	N/A	S1000RR (2016-2016)	Lube . . .	WL10354
	Air	N/A	647cc C650GT (2016-2020)	Lube . . .	WL10245		Air	N/A
1000cc ETV 1000 CAPONORD (2001-2007)	Lube . . .	WL10090		Air	N/A	S1000XR (2015-2015)	Lube . . .	WL10245
RST 1000 FUTURA (2001-2003)	Lube . . .	NS	650cc C600 SPORT (2014-2015)	Lube . . .	WL10245	S1000XR (2016-2016)	Lube . . .	WL10354
	Air	N/A	C650GT (2014-2015)	Lube . . .	WL10245		Air	N/A
RSV 1000 (1998-1998)	Lube . . .	51359	F650GS (2012-2012)	Lube . . .	WL10245	1000cc K1 (1988-1993)	Lube . . .	57936
RSV 1000 (1998-2009)	Air	N/A		Air	N/A	K100 (1983-1986)	Lube . . .	57936
RSV 1000 (1999-2009)	Lube . . .	WL10090	G650GS (2013-2015)	Lube . . .	N/A	K100LT (1986-1992)	Lube . . .	57936
RSV4 FACTORY APRC ABS (2014-2015)	Lube . . .	51359		Air	N/A	K100RT (1984-1988)	Lube . . .	57936
RSV4 R (2009-2015)	Lube . . .	51359	R65 (1978-1987)	Lube . . .	24945	R100RT (1978-1984)	Lube . . .	24945 ⁵⁸⁶
RSV4 R FACTORY (2009-2013)	Lube . . .	51359	R65GS (1987-1992)	Lube . . .	24945		Lube . . .	N/A ⁵⁸⁷
RSV4 R FACTORY (2016-2018)	Lube . . .	51359	R65LS (1981-1985)	Lube . . .	24945	R100T (1978-1984)	Lube . . .	24945
	Air	N/A						
RSV4 RF (2016-2016)	Lube . . .	51359	700cc F700GS (2013-2015)	Lube . . .	WL10245	1100cc K1100LT (1992-1997)	Lube . . .	57936
RSV4 RR (2016-2018)	Lube . . .	51359	745cc R75/5 (1969-1972)	Air	N/A	K1100RS (1993-1996)	Lube . . .	57936
	Air	N/A	R75/5 (1969-1980)	Lube . . .	24945	R1100 SERIES (1993-2006)	Lube . . .	57936
SL 1000 FALCO (2000-2003)	Lube . . .	WL10090	750cc R75 (1969-1977)	Lube . . .	24945	1130cc R1150R ROADSTER (EDITION 80) (2002-2006)	Lube . . .	57936
	Air	N/A	800cc F800GS (2007-2008)	Lube . . .	WL10245			
TUONO 1000R (2011-2013)	Lube . . .	51359	F800GS (2007-2015)	Air	N/A	1150cc R1150 SERIES (2000-2006)	Lube . . .	57936
TUONO V4 1100 (2015-2015)	Lube . . .	51359	F800GS (2009-2013)	Lube . . .	57936	1170cc R NINE T (2016-2016)	Lube . . .	WL10245
			F800GS (2014-2015)	Lube . . .	NA		Air	N/A
			F800GT (2014-2014)	Lube . . .	N/A		Lube . . .	WL10245
				Air	N/A			
			F800R (2009-2013)	Lube . . .	57936			

N/A = Not Available N/R = Not Required N/S = Not Serviceable See pages 16-19 for footnotes

Italicized Part Numbers May Not Be Available.

Motorcycle Section

BMW — CAN-AM

Make & Model Haz un modelo Marque et modèle	Serv. Type	Part No. N° de pieza N° de pièce	Make & Model Haz un modelo Marque et modèle	Serv. Type	Part No. N° de pieza N° de pièce	Make & Model Haz un modelo Marque et modèle	Serv. Type	Part No. N° de pieza N° de pièce
BMW (Cont'd/Suite)			BMW (Cont'd/Suite)			CAN-AM (Cont'd/Suite)		
1170cc R NINE T RACER (2019-2020)	Lube ...	WL10245	1650cc K1600G (2011-2015) K1600G (2011-2015)	Lube ...	WL10245	1330cc SPYDER F3 LIMITED SPECIAL SPYDER F3 SE6 (2016-2017)	Lube ...	WL10238
	Air ...	N/A		Air ...	N/A		Fuel ...	N/A
R NINE T SCRAMBLER (2019-2020)	Lube ...	WL10245	BUJELL				Air ...	N/A
	Air ...	N/A	500cc BLAST (492CC) (2000-2009)	Lube ...	51394⁴³	SPYDER F3 S 10TH ANV (2018-2020)	Lube ...	WL10238
R NINE T URBAN G/S (2019-2019)	Lube ...	WL10245	1000cc RR1000 (1987-1988)	Lube ...	51215⁴⁰⁷		Fuel ...	N/A
	Air ...	N/A		Lube ...	51225¹		Air ...	N/A
R1200GS (2016-2016)	Lube ...	<i>WL10354</i>	XB9R FIREBOLT (984CC) (2003-2007)	Lube ...	51394⁴³	SPYDER F3 SE6 (2016-2017)	Lube ...	WL10238
	Air ...	N/A	XB9S LIGHTNING (984CC) (2003-2004)	Lube ...	51394⁴³		Fuel ...	N/A
R1200GS (2019-2019)	Lube ...	<i>WL10354</i>	XB9SX LIGHTNING (984CC) (2005-2010)	Lube ...	51394⁴³	SPYDER F3 SM6 (2016-2017)	Lube ...	WL10238
	Air ...	N/A	XB9SX LIGHTNING CITYX (2005-2010)	Lube ...	51394⁴³		Fuel ...	N/A
R1200GS ADVENTURE (2016-2016)	Lube ...	<i>WL10354</i>				SPYDER F3 T (2010-2010)	Lube ...	WL10238
	Air ...	N/A	1200cc CYCLONE M2 (1997-2002)	Lube ...	51215⁴⁰⁷		Fuel ...	N/A
	Air ...	N/A	LIGHTNING (1996-2002)	Lube ...	51225¹	Spyder F3-S Daytona 500 (SE6) (2017-2017)	Lube ...	WL10238
1200cc	Air ...	N/A	R1200 SERIES (1989-1993)	Lube ...	51225¹		Fuel ...	N/A
HP2 ENDURO (2006-2007)	Lube ...	57936	THUNDERBOLT (1995-2002)	Lube ...	51225¹	Spyder F3-S Daytona 500 (SM6) (2017-2017)	Lube ...	WL10238
HP2 ENDURO (2006-2008)	Lube ...	57936	X1W WHITE LIGHTNING (2002-2002)	Lube ...	51215⁴⁰⁷		Fuel ...	N/A
HP2 ENDURO (2009-2014)	Lube ...	WL10245		Lube ...	51225¹	SPYDER F3-S SE6 (2016-2016)	Lube ...	WL10238
HP2 MEGAMOTO (2006-2009)	Lube ...	57936	XB12R (1203CC) FIREBOLT (2004-2010)	Lube ...	51394⁴³		Fuel ...	N/A
	Air ...	N/A	XB12S (1203CC) LIGHTNING (2004-2010)	Lube ...	51394⁴³	SPYDER F3-S SM6 (2016-2016)	Lube ...	WL10238
HP2 SPORT (2008-2010)	Lube ...	57936	XB12SCG LIGHTNING (2007-2010)	Lube ...	51394⁴³		Fuel ...	N/A
	Air ...	N/A	XB12STT (1203CC) LIGHTNING (2007-2008)	Lube ...	51394⁴³	Spyder F3-S Special Series (SE6) (2016-2016)	Lube ...	WL10238
K1200 SERIES (1999-2009)	Lube ...	57936	XB12X ULYSSES (2006-2010)	Lube ...	51394⁴³		Fuel ...	N/A
R1200 SERIES (1999-2014)	Lube ...	57936	XB12XT ULYSSES (2008-2010)	Lube ...	51394⁴³	SPYDER F3-T SE6 (2016-2017)	Lube ...	WL10238
R1200 SERIES (2005-2014)	Air ...	N/A					Fuel ...	N/A
R1200 SERIES (2015-2015)	Lube ...	WL10245	CAN-AM				Air ...	N/A
R1200C (1170CC) (2004-2005)	Lube ...	57936	990cc SPYDER RT (2018-2020)	Lube ...	WL10238	SPYDER F3-T SM6 (2016-2017)	Lube ...	WL10238
R1200GS (2003-2007)	Lube ...	WL10245		Fuel ...	N/A		Fuel ...	N/A
	Air ...	NR	1330cc SPYDER F3 (2018-2020)	Air ...	N/A	SPYDER RT LIMITED (2018-2020)	Air ...	N/A
1254CC						SPYDER RT LIMITED 10TH ANV (2018-2018)	Lube ...	WL10238
R1250GS (2020-2020)	Lube ...	<i>WL10354</i>					Fuel ...	N/A
	Air ...	N/A				SPYDER RT LIMITED SE6 (2016-2017)	Lube ...	WL10238
1293cc						SPYDER RT SE6 (2016-2017)	Lube ...	WL10238
K1300S (2016-2016)	Lube ...	<i>WL10354</i>					Fuel ...	N/A
	Air ...	N/A				SPYDER RT SM6 (2016-2017)	Lube ...	WL10238
1300cc							Fuel ...	N/A
K1300GT (2009-2010)	Lube ...	<i>WL10354</i>				SPYDER RT LIMITED 10TH ANV (2018-2018)	Lube ...	WL10238
	Air ...	N/A					Fuel ...	N/A
K1300R (2009-2011)	Lube ...	<i>WL10354</i>				SPYDER RT SE6 (2016-2017)	Lube ...	WL10238
	Air ...	N/A					Fuel ...	N/A
K1300R (2013-2013)	Lube ...	<i>WL10354</i>				SPYDER RT SM6 (2016-2017)	Lube ...	WL10238
	Air ...	N/A					Fuel ...	N/A
K1300S (2009-2014)	Lube ...	<i>WL10354</i>				SPYDER RT S SE6 (2016-2017)	Lube ...	WL10238
	Air ...	N/A					Fuel ...	N/A
K1300S (2015-2015)	Lube ...	WL10245					Air ...	N/A
	Air ...	N/A					Fuel ...	N/A
1600cc							Air ...	N/A
K1600GTL (2011-2015)	Lube ...	WL10245					Fuel ...	N/A
	Air ...	N/A					Air ...	N/A
1649cc							Fuel ...	N/A
K1600 GTL EXCLUSIVE (2016-2016)	Lube ...	WL10245					Air ...	N/A
	Air ...	N/A					Fuel ...	N/A
K1600B (2017-2020)	Lube ...	WL10245					Air ...	N/A
	Air ...	N/A					Fuel ...	N/A
K1600GT (2016-2020)	Lube ...	WL10245					Air ...	N/A
	Air ...	N/A					Fuel ...	N/A
K1600GTL (2016-2020)	Lube ...	WL10245					Air ...	N/A
	Air ...	N/A					Fuel ...	N/A

N/A = Not Available N/R = Not Required N/S = Not Serviceable See pages 16-19 for footnotes

Italicized Part Numbers May Not Be Available.

CAN-AM — DUCATI
Motorcycle Section
MOTORCYCLES

Make & Model Haz un modelo Marque et modèle	Serv. Type	Part No. N° de pieza N° de pièce	Make & Model Haz un modelo Marque et modèle	Serv. Type	Part No. N° de pieza N° de pièce	Make & Model Haz un modelo Marque et modèle	Serv. Type	Part No. N° de pieza N° de pièce
CAN-AM (Cont'd/Suite)			DUCATI (Cont'd/Suite)			DUCATI (Cont'd/Suite)		
1330cc SPYDER RT-S SE6 (2016-2017)	Fuel . . .	N/A	803cc SCRAMBLER FULL THROTTLE (2016-2016)	Lube . . .	57013	937cc HYPERMOTARD 939 (2016-2018)	Air	N/A
SPYDER RT-S SM6 (2016-2016)	Air	N/A	SCRAMBLER ICON (2016-2016)	Air	N/A	HYPERMOTARD SP 939 (2016-2018)	Lube . . .	57013
	Lube . . .	WL10238	SCRAMBLER URBAN ENDURO (2016-2016)	Lube . . .	57013	HYPERSTRADA 939 (2016-2016)	Air	N/A
	Fuel	N/A		Air	N/A	MULTISTRADA 950 (2018-2018)	Lube . . .	57013
	Air	N/A		Lube . . .	57013		Air	N/A
				Air	N/A		Fuel	N/A
DUCATI							Air	N/A
399cc SCRAMBLER SIXTY2 (2016-2016)	Lube . . .	57013	821cc HYPERMOTARD (2013-2015)	Lube . . .	57013	SUPERSPORT (2017-2018)	Lube . . .	57013
	Air	N/A	HYPERMOTARD SP (2014-2015)	Air	N/A	SuperSport S (2017-2018)	Air	N/A
620cc DARK 620 (2002-2006)	Lube . . .	57013	HYPERSTRADA (2014-2015)	Lube . . .	57013		Lube . . .	57013
MONSTER 620 (2002-2006)	Lube . . .	57013	MONSTER 821 (2016-2018)	Air	N/A	944cc ST2 (1997-2003)	Lube . . .	57013
MONSTER 620 I.E (2004-2006)	Lube . . .	57013	MONSTER 821 DARK (2016-2016)	Lube . . .	57013	955cc 959 PANIGALE (2016-2018)	Lube . . .	N/A
MONSTER 620S (2002-2003)	Lube . . .	57013	MONSTER 821 STRIPE (2016-2016)	Air	N/A	959 PANIGALE CORSE (2018-2018)	Lube . . .	N/A
MULTISTRADA 620 (2005-2006)	Lube . . .	57013	MONSTER 821 STRIPE (2016-2017)	Lube . . .	57013		Air	N/A
696cc MONSTER 696 (2008-2014)	Lube . . .	57013	850cc STREETFIGHTER 848 (2014-2015)	Lube . . .	57013	992cc ST3 (2004-2007)	Lube . . .	57013
	Air	N/A	SUPERBIKE 848 (2008-2010)	Air	N/A	ST3 ABS (2006-2007)	Lube . . .	57013
MONSTER 796 (2012-2013)	Lube . . .	57013	SUPERBIKE 848 EVO (2011-2013)	Lube . . .	57013	996cc 996 (2000-2001)	Lube . . .	57013
	Air	N/A	SUPERBIKE 848 EVO (2013-2013)	Air	N/A	996R (2001-2001)	Lube . . .	57013
748cc 748 SERIES (1997-2003)	Lube . . .	57013	851cc SUPERBIKE (1990-1997)	Lube . . .	57013	996S (2000-2001)	Lube . . .	57013
749R (2004-2004)	Lube . . .	57013				MONSTER S4R (2004-2007)	Lube . . .	57013
MONSTER 750 (1997-1997)	Lube . . .	57013				ST4S (2002-2005)	Lube . . .	57013
750cc 750 SERIES MONSTER (2000-2002)	Lube . . .	57013				ST4S ABS (2003-2005)	Lube . . .	57013
DARK 750 (2002-2002)	Lube . . .	57013	888cc SUPERBIKE (1993-1997)	Lube . . .	57013	998cc 998 (2002-2004)	Lube . . .	57013
MONSTER 750 (1992-2002)	Lube . . .	57013				998R (2002-2002)	Lube . . .	57013
SPORT 750 (1990-1990)	Lube . . .	57013				998S BOSTROM REPLIC (2002-2002)	Lube . . .	57013
SPORT 750 (2001-2002)	Lube . . .	57013				MONSTER S4R TESTASTRETTA (2007-2008)	Lube . . .	57013
SUPERSPORT SS 750 (1991-1993)	Lube . . .	57013				MONSTER S4RS (2006-2008)	Lube . . .	57013
SUPERSPORT SS 750 (1997-1997)	Lube . . .	57013				999cc 999 MONO (2003-2006)	Lube . . .	57013
SUPERSPORT SS 750 (1999-2002)	Lube . . .	57013				999R (2003-2006)	Lube . . .	57013
800cc 800 SPORT (2003-2003)	Lube . . .	57013				999S (2003-2007)	Lube . . .	57013
HYPERMOTARD 796 (2010-2010)	Lube . . .	57013				1000cc GT1000 (2007-2010)	Lube . . .	57013
	Air	N/A				MONSTER M1000 (2003-2005)	Lube . . .	57013
HYPERMOTARD 796 (2012-2012)	Lube . . .	57013				MONSTER S2R 1000 (2006-2008)	Lube . . .	57013
	Air	N/A				MULTISTRADA 1000DS (2004-2006)	Lube . . .	57013
MONSTER 796 (2014-2014)	Lube . . .	57013				SPORTSPORT SS 1000 (2003-2005)	Lube . . .	57013
	Air	N/A				1098cc SUPERBIKE 1098 PANIGALE (2008-2009)	Lube . . .	57013
MONSTER 800 (2003-2004)	Lube . . .	57013				1100cc 1098S (2007-2008)	Lube . . .	57013
MONSTER 821 (2015-2015)	Lube . . .	NA				HYPERMOTARD 1100 (2008-2009)	Lube . . .	57013
MONSTER S2R (2005-2007)	Lube . . .	57013				HYPERMOTARD 1100 EVO SP (2012-2012)	Lube . . .	57013
SCRAMBLER (2015-2015)	Lube . . .	NA					Air	N/A
SUPERSPORT 800 (2003-2004)	Lube . . .	57013				HYPERMOTARD 1100S (2008-2009)	Lube . . .	57013
803cc MONSTER 797 (2018-2018)	Lube . . .	57013				MONSTER 1100 (2009-2011)	Lube . . .	57013
	Air	N/A				MONSTER 1100 EVO (2013-2013)	Air	N/A
SCRAMBLER CLASSIC (2016-2016)	Lube . . .	57013					Lube . . .	57013
	Air	N/A					Air	N/A
SCRAMBLER FLAT TRACK PRO (2016-2016)	Lube . . .	57013					Lube . . .	57013
	Air	N/A					Air	N/A

N/A = Not Available N/R = Not Required N/S = Not Serviceable See pages 16-19 for footnotes

Italicized Part Numbers May Not Be Available.

Motorcycle Section

DUCATI — HARLEY-DAVIDSON

Make & Model Haz un modelo Marque et modèle	Serv. Type	Part No. N° de pieza N° de pièce	Make & Model Haz un modelo Marque et modèle	Serv. Type	Part No. N° de pieza N° de pièce	Make & Model Haz un modelo Marque et modèle	Serv. Type	Part No. N° de pieza N° de pièce
DUCATI (Cont'd/Suite)			DUCATI (Cont'd/Suite)			HARLEY-DAVIDSON (Cont'd/Suite)		
1100cc			1198cc			749cc		
MONSTER 1100 EVO (2013-2013)	Air	N/A	SUPERBIKE 1198 PANIGALE (2009-2011)	Lube . . .	57013	XG750 STREET 750 (2017-2020)	Air	N/A
MONSTER 1100S (2009-2011)	Lube . . .	57013				XG750A Street Rod 750 (2019-2020)	Lube . . .	51358 ⁵³
	Air	N/A	1199cc			XL883L SUPERLOW (2017-2018)	Air	N/A
MULTISTRADA 1100 (2007-2009)	Lube . . .	57013	SUPERBIKE 1199 PANIGALE (2013-2013)	Lube . . .	N/A		Lube . . .	57148 ⁴⁰⁷
MULTISTRADA 1100S (2007-2009)	Lube . . .	57013		Air	N/A	XL883L SUPERLOW (2017-2018)	Lube . . .	57348 ¹
STREETFIGHTER S (2010-2012)	Lube . . .	57013				XL883L SUPERLOW (2017-2020)	Air	N/A
1103CC			1262cc			XL883L SUPERLOW (2019-2020)	Lube . . .	51215
PANIGALE V4 (2018-2018)	Lube . . .	N/A	MULTISTRADA 1260 (2018-2018)	Lube . . .	57013	XL883N IRON 883 (2017-2018)	Lube . . .	57148 ⁴⁰⁷
	Air	N/A		Fuel	N/A		Lube . . .	57348 ¹
PANIGALE V4 S SPECIAL (2018-2018)	Lube . . .	N/A	MULTISTRADA 1260 S (2018-2018)	Lube . . .	57013	XL883N IRON 883 (2017-2020)	Air	N/A
	Air	N/A		Fuel	N/A	XL883N IRON 883 (2019-2020)	Lube . . .	51215
PANIGALE V4S (2018-2018)	Lube . . .	N/A		Air	N/A	883cc IRON 883 (2009-2015)	Lube . . .	51215 ⁴⁰⁷
	Air	N/A	MULTISTRADA 1260 S PIKES PEAK (2018-2018)	Lube . . .	57013		Lube . . .	51225 ¹
1198cc				Fuel	N/A	SPORTSTER XL883 SERIES (2004-2014)	Lube . . .	57148 ⁴⁰⁷
DIAVEL (2011-2015)	Lube . . .	57013		Air	N/A		Lube . . .	57348 ¹
DIAVEL (2011-2020)	Air	N/A	X DIAVEL (2016-2018)	Lube . . .	57013	SPORTSTER XLH883 (1986-2003)	Lube . . .	51215 ⁴⁰⁷
DIAVEL (2016-2016)	Lube . . .	N/A		Air	N/A		Lube . . .	51225 ¹
DIAVEL (2017-2020)	Lube . . .	57013	X DIAVEL S (2016-2016)	Lube . . .	57013	SUPERLOW XL883L (2011-2015)	Lube . . .	57148 ⁴⁰⁷
	Fuel	N/A		Air	N/A		Lube . . .	57348 ¹
DIAVEL CARBON (2017-2020)	Lube . . .	57013				XL883L SUPERLOW (2016-2016)	Lube . . .	51215
	Fuel	N/A				XL883N IRON 883 (2016-2016)	Lube . . .	51215
	Air	N/A				900cc XLCH (1955-1971)	Air	42375
MONSTER 1200 (2017-2018)	Lube . . .	N/A	1299cc			1000cc		
	Air	N/A	SUPERBIKE 1299 PANIGALE (2015-2015)	Lube . . .	NA	FLH-30 CLASSIC (1983-1984)	Lube . . .	51215 ⁴⁰⁷
MONSTER 1200R (2016-2018)	Lube . . .	57013					Lube . . .	51225 ¹
	Air	N/A	HARLEY-DAVIDSON			FLHTP POLICE (1995-1996)	Lube . . .	51215 ⁴⁰⁷
MONSTER 1200S (2016-2018)	Lube . . .	57013	110CID			FLT TOUR GLIDE (1985-1985)	Lube . . .	51215 ⁴⁰⁷
	Air	N/A	CVO BREAKOUT (2016-2016)	Lube . . .	57148		Lube . . .	51225 ¹
MULTISTRADA (2016-2016)	Lube . . .	57013	FLHRSE ROAD KING (CVO) (2013-2014)	Lube . . .	57148 ⁴⁰⁷	FX LOW RIDER (1980-1986)	Lube . . .	57013
	Air	N/A		Lube . . .	57348 ¹	FX LOW RIDER (2014-2015)	Lube . . .	57013
MULTISTRADA 1200 (2010-2015)	Lube . . .	57013	FLHRSE ROAD KING (CVO) (2014-2014)	Fuel	N/A	FXD DYNA SUPER GLIDE (1995-1998)	Lube . . .	51214 ⁴⁰⁷
MULTISTRADA 1200 (2014-2015)	Air	N/A		Air	N/A		Lube . . .	57514 ⁶¹
Multistrada 1200 Enduro Pro (2018-2018)	Lube . . .	57013	FLHT LIMITED (CVO) (2014-2015)	Lube . . .	57148 ⁴⁰⁷	FXD DYNA SUPER GLIDE (1999-2000)	Lube . . .	57148 ⁴⁰⁷
	Air	N/A		Lube . . .	57348 ¹		Lube . . .	57348 ¹
Multistrada 1200 S (2017-2017)	Lube . . .	57013	FLHTKSE CVO LIMITED (2016-2016)	Lube . . .	57148	FXDB DYNA DAYTONA (1992-1992)	Lube . . .	51214 ⁴⁰⁷
	Air	N/A	FLHXSE CVO STREET GLIDE (2016-2016)	Lube . . .	57148		Lube . . .	57514 ⁶¹
MULTISTRADA 1200S PIKES PEAK (2012-2012)	Lube . . .	57013	FLSS SOFTAIL SLIM S (2016-2016)	Lube . . .	57148	FXDB DYNA STURGIS (1991-1991)	Lube . . .	51214 ⁴⁰⁷
MULTISTRADA 1200S PIKES PEAK (2014-2014)	Lube . . .	57013	FLSTFBS FAT BOY S (2016-2016)	Lube . . .	57148		Lube . . .	57514 ⁶¹
	Air	N/A	FLSTS HERITAGE SPRINGER (2007-2008)	Lube . . .	57148 ⁴⁰⁷	FXDS CONVERTIBLE (1995-1998)	Lube . . .	51214 ⁴⁰⁷
MULTISTRADA ENDURO (2016-2016)	Lube . . .	57013		Lube . . .	57348 ¹		Lube . . .	57514 ⁶¹
	Air	N/A	FLTRUSE CVO ROAD GLIDE ULTRA (2016-2016)	Lube . . .	57148	FXDS CONVERTIBLE (1999-2009)	Lube . . .	57148 ⁴⁰⁷
MULTISTRADA ENDURO 1200 (2018-2018)	Lube . . .	57013	FXSTSSE SCREAMIN EAGLE SOFTAIL SPRINGER (2005-2011)	Lube . . .	57148 ⁴⁰⁷		Lube . . .	57348 ¹
	Air	N/A		Lube . . .	57348 ¹	FXLR (1982-1994)	Lube . . .	51215 ⁴⁰⁷
MULTISTRADA GRANTURISMO (2014-2014)	Lube . . .	57013	494cc				Lube . . .	51225 ¹
	Air	N/A	XG500 HARLEY DAVIDSON STREET 500 (2015-2015)	Lube . . .	51358 ⁵³	FXR (1982-1994)	Lube . . .	51215 ⁴⁰⁷
MULTISTRADA PIKES PEAK (2016-2016)	Lube . . .	57013	XG500 STREET 500 (2016-2020)	Lube . . .	51358 ⁵³	FXRP SERIES (1982-1994)	Lube . . .	51225 ¹
	Air	N/A	XG500 STREET 500 (2017-2020)	Air	N/A		Lube . . .	51225 ¹
MULTISTRADA S (2016-2016)	Lube . . .	57013				FXRS LOW RIDER (1987-1993)	Lube . . .	51215 ⁴⁰⁷
	Air	N/A	749cc				Lube . . .	51225 ¹
MULTISTRADA S TOURING (2016-2016)	Lube . . .	57013	XG750 HARLEY DAVIDSON STREET 750 (2015-2015)	Lube . . .	51358 ⁵³	FXRT SPORT GLIDE (1987-1992)	Lube . . .	51215 ⁴⁰⁷
	Air	N/A	XG750 STREET 750 (2016-2020)	Lube . . .	51358 ⁵³			

N/A = Not Available N/R = Not Required N/S = Not Serviceable See pages 16-19 for footnotes

Italicized Part Numbers May Not Be Available.

HARLEY-DAVIDSON
Motorcycle Section
MOTORCYCLES

Make & Model Haz un modelo Marque et modèle	Serv. Type	Part No. N° de pieza N° de pièce	Make & Model Haz un modelo Marque et modèle	Serv. Type	Part No. N° de pieza N° de pièce	Make & Model Haz un modelo Marque et modèle	Serv. Type	Part No. N° de pieza N° de pièce
HARLEY-DAVIDSON (Cont'd/Suite) 1000cc			HARLEY-DAVIDSON (Cont'd/Suite) 1200CC			HARLEY-DAVIDSON (Cont'd/Suite) 1340cc		
FXRT SPORT GLIDE (1987-1992)	Lube . . .	51225 ¹	SPORTSTER XLH1200 (2000-2003)	Lube . . .	57148 ⁴⁰⁷	FLHS SERIES (1987-1994)	Lube . . .	51215 ⁴⁰⁷
FXST SOFTAIL STANDARD (1984-1999)	Lube . . .	51215 ⁴⁰⁷		Lube . . .	57348 ¹	FLHS SERIES (1987-1994)	Lube . . .	51225 ¹
FXSTS SOFTAIL SPRINGER (1988-1999)	Lube . . .	51225 ¹	XL1200C SPORTSTER 1200 CUSTOM (2016-2016)	Lube . . .	51215	FLHT ELECTRA GLIDE STANDARD (1986-1987)	Lube . . .	51215 ⁴⁰⁷
	Lube . . .	51225 ¹	XL1200V SEVENTY TWO (2016-2016)	Lube . . .	51215		Lube . . .	51225 ¹
FXSTSB BAD BOY SOFTAIL (1995-1997)	Lube . . .	51215 ⁴⁰⁷	XL1200X FOURTY EIGHT (2016-2016)	Lube . . .	51215	FLHT ELECTRA GLIDE STANDARD (1995-1998)	Lube . . .	51215 ⁴⁰⁷
	Lube . . .	51225 ¹	XR1200 (2009-2010)	Lube . . .	57148 ⁴⁰⁷		Lube . . .	51225 ¹
FXWG (1982-1986)	Lube . . .	57013	XR1200X (2011-2012)	Lube . . .	57148 ⁴⁰⁷	FLHTC ELECTRA GLIDE ULTRA CLASSIC (1983-1984)	Lube . . .	57013
SPORTSTER XLH (1000) (1969-1979)	Lube . . .	N/A		Lube . . .	57348 ¹	FLHTC ELECTRA GLIDE ULTRA CLASSIC (1985-1998)	Lube . . .	51215 ⁴⁰⁷
SPORTSTER XLH (1000) (1980-1985)	Lube . . .	57013		Lube . . .	57348 ¹		Lube . . .	51225 ¹
XLCH (1972-2007)	Air	42375		Lube . . .	57348 ¹	FLHTC ELECTRA GLIDE ULTRA CLASSIC LOW (1995-1998)	Lube . . .	57148 ⁴⁰⁷
			1202cc	Lube . . .	57348 ¹		Lube . . .	57348 ¹
1100cc			XL1200C SPORTSTER 1200 CUSTOM (2017-2018)	Air	N/A	FLST SERIES (1986-1991)	Lube . . .	51215 ⁴⁰⁷
SPORTSTER XLH1100 (1986-1987)	Lube . . .	51215 ⁴⁰⁷	XL1200C SPORTSTER 1200 CUSTOM (2017-2020)	Lube . . .	51225	FLSTC HERITAGE SOFTAIL CLASSIC (1988-1999)	Lube . . .	57148 ⁴⁰⁷
	Lube . . .	51225 ¹	XL1200C SPORTSTER 1200 CUSTOM (2019-2020)	Lube . . .	57348 ¹		Lube . . .	57348 ¹
1130cc			XL1200CX Roadster (2017-2018)	Lube . . .	57148 ⁴⁰⁷	FLSTF SOFTAIL FAT BOY (1990-1999)	Lube . . .	51215 ⁴⁰⁷
V-ROD VRSCAW (2007-2007)	Lube . . .	57349	XL1200CX Roadster (2017-2020)	Lube . . .	57348 ¹		Lube . . .	51225 ¹
VRSCA V-ROD (2002-2006)	Lube . . .	57349	XL1200CX Roadster (2019-2020)	Air	N/A	FLSTF SOFTAIL FAT BOY (1991-1997)	Air	N/A
VRSCD NIGHT ROD (2006-2007)	Lube . . .	57349	XL1200T SUPERLOW (2017-2018)	Lube . . .	57148 ⁴⁰⁷	FLSTS HERITAGE SPRINGER (1997-1998)	Lube . . .	51215 ⁴⁰⁷
VRSCDX NIGHT ROD SPECIAL (2007-2007)	Lube . . .	57349	XL1200T SUPERLOW (2017-2020)	Lube . . .	57348 ¹		Lube . . .	51225 ¹
			XL1200T SUPERLOW (2019-2020)	Lube . . .	51225	FLT TOUR GLIDE (1980-1984)	Lube . . .	51215 ⁴⁰⁷
1200CC			XL1200X FOURTY EIGHT (2017-2018)	Lube . . .	57148 ⁴⁰⁷	FLT TOUR GLIDE (1986-1990)	Lube . . .	51215 ⁴⁰⁷
FL (1941-1964)	Air	42375	XL1200X FOURTY EIGHT (2017-2020)	Lube . . .	57348 ¹	FLTC SERIES (1980-1991)	Lube . . .	51215 ⁴⁰⁷
FX MODELS (1983-1987)	Lube . . .	51215 ⁴⁰⁷	XL1200X FOURTY EIGHT (2019-2020)	Air	N/A		Lube . . .	51225 ¹
	Lube . . .	51225 ¹		Lube . . .	51215	FLTCU (1989-1993)	Lube . . .	57148 ⁴⁰⁷
FXE SUPER GLIDE (1974-1980)	Lube . . .	57013	1247cc	Lube . . .	57349	FXDL DYNA LOW RIDER (1993-1995)	Air	N/A
NIGHTSTER XL1200N (2007-2012)	Lube . . .	57148 ⁴⁰⁷	VRSCDX NIGHT ROD SPECIAL (2017-2018)	Air	N/A		Lube . . .	57348 ¹
	Lube . . .	57348 ¹	VRSCF V-ROD MUSCLE (2017-2018)	Lube . . .	57349	FXDL DYNA LOW RIDER (1993-1998)	Lube . . .	51214 ⁴⁰⁷
SPORTSTER SUPERLOW 1200T (2014-2015)	Lube . . .	51215 ⁴⁰⁷		Air	N/A		Lube . . .	57514 ⁶¹
	Lube . . .	51225 ¹		Lube . . .	51215	FXDWG DYNA WIDE GLIDE (1993-1998)	Lube . . .	51214 ⁴⁰⁷
SPORTSTER XL1200 SERIES (ALL) (1988-1999)	Lube . . .	51215 ⁴⁰⁷	1250CC	Lube . . .	57349		Lube . . .	57514 ⁶¹
	Lube . . .	51225 ¹	V-ROD VRSCAW (2001-2006)	Lube . . .	57349	FXE SUPER GLIDE (1981-1984)	Lube . . .	57013
SPORTSTER XL1200 SERIES (ALL) (2000-2015)	Lube . . .	57148 ⁴⁰⁷	V-ROD VRSCAW (2008-2011)	Lube . . .	57349	FXSTC SOFTAIL CUSTOM (1986-1999)	Lube . . .	51215 ⁴⁰⁷
	Lube . . .	57348 ¹	VRSCD NIGHT ROD (2008-2008)	Lube . . .	57349		Lube . . .	51225 ¹
SPORTSTER XL1200V SEVENTY- TWO (2012-2013)	Lube . . .	51215 ⁴⁰⁷	VRSCDX NIGHT ROD SPECIAL (2008-2016)	Lube . . .	57349			
	Lube . . .	51225 ¹	VRSCF V-ROD MUSCLE (2009-2016)	Lube . . .	57349			
SPORTSTER XL1200V SEVENTY- TWO (2014-2015)	Lube . . .	57148 ⁴⁰⁷	1337cc	Lube . . .	51215 ⁴⁰⁷	1442 (88ci)		
	Lube . . .	57348	FLHR ROAD KING (1994-1998)	Lube . . .	51225 ¹	FLHRSI ROAD KING CLASSIC (2005-2006)	Lube . . .	57148 ⁴⁰⁷
SPORTSTER XL1200X FORTY EIGHT (2010-2013)	Lube . . .	57348 ¹		Lube . . .	51214 ⁴⁰⁷		Lube . . .	57348 ¹
SPORTSTER XL1200X FORTY EIGHT (2010-2014)	Lube . . .	57148 ⁴⁰⁷	FXDC DYNA SUPER GLIDE CUSTOM (1992-1992)	Lube . . .	57514 ⁶¹			
SPORTSTER XL1200X FORTY EIGHT (2014-2014)	Lube . . .	51348 ¹⁵³	FXDC DYNA SUPER GLIDE CUSTOM (1999-2004)	Lube . . .	57148 ⁴⁰⁷	FXD DYNA SUPER GLIDE (2006-2009)	Lube . . .	57148 ⁴⁰⁷
SPORTSTER XL1200X FORTY EIGHT (2015-2015)	Lube . . .	51215 ⁴⁰⁷		Lube . . .	57348 ¹		Lube . . .	57348 ¹
	Lube . . .	51225 ¹						
SPORTSTER XLH1200 (1988-1999)	Lube . . .	51215 ⁴⁰⁷						
	Lube . . .	51225 ¹						

N/A = Not Available N/R = Not Required N/S = Not Serviceable See pages 16-19 for footnotes

Italicized Part Numbers May Not Be Available.

Motorcycle Section

HARLEY-DAVIDSON

Make & Model Haz un modelo Marque et modèle	Serv. Type	Part No. N° de pieza N° de pièce	Make & Model Haz un modelo Marque et modèle	Serv. Type	Part No. N° de pieza N° de pièce	Make & Model Haz un modelo Marque et modèle	Serv. Type	Part No. N° de pieza N° de pièce
HARLEY-DAVIDSON (Cont'd/Suite) 1442 (88ci) FXDI DYNA SUPER GLIDE (2006-2009)	Lube ...	57148 ⁴⁰⁷	HARLEY-DAVIDSON (Cont'd/Suite) 1450cc FXDI DYNA SUPER GLIDE (2007-2009)	Lube ...	57348 ¹	HARLEY-DAVIDSON (Cont'd/Suite) 1584cc FLHX STREET GLIDE (2007-2011)	Lube ...	57348 ¹
	Lube ...	57348 ¹		Lube ...	57148 ⁴⁰⁷	FLSTC HERITAGE SOFTAIL CLASSIC (2007-2011)	Lube ...	57148 ⁴⁰⁷
1442cc FLSTSC (2006-2006)	Lube ...	57148 ⁴⁰⁷		Lube ...	57348 ¹		Lube ...	57348 ¹
	Lube ...	57348 ¹	FXDS CONVERTIBLE (1999-2000)	Lube ...	57148 ⁴⁰⁷		Air ...	N/A
STREET GLIDE FLHX (2006-2006)	Lube ...	57148 ⁴⁰⁷		Lube ...	57348 ¹	FLSTF SOFTAIL FAT BOY (2007-2011)	Lube ...	57148 ⁴⁰⁷
	Lube ...	57348 ¹	FXDWG DYNA WIDE GLIDE (1999-2006)	Lube ...	57148 ⁴⁰⁷		Lube ...	57348 ¹
1450cc				Lube ...	57348 ¹	FLSTFB SOFTAIL FAT BOY LO (2010-2011)	Air ...	N/A
FLHR ROAD KING (1999-2006)	Lube ...	57148 ⁴⁰⁷		Air ...	N/A		Lube ...	57148 ⁴⁰⁷
	Lube ...	57348 ¹	FXDX DYNA SUPER GLIDE SPORT (1999-2009)	Lube ...	57148 ⁴⁰⁷		Lube ...	57348 ¹
FLHT ELECTRA GLIDE STANDARD (1999-2006)	Lube ...	57148 ⁴⁰⁷		Lube ...	57348 ¹	FLSTN SOFTAIL DELUXE (CVO) (2007-2011)	Lube ...	57148 ⁴⁰⁷
	Lube ...	57348 ¹	FXDXI DYNA GLIDE SPORT (2004-2005)	Lube ...	57148 ⁴⁰⁷		Lube ...	57348 ¹
FLHTC ELECTRA GLIDE ULTRA CLASSIC (1999-2005)	Lube ...	57148 ⁴⁰⁷		Lube ...	57348 ¹	FLSTSC (2007-2007)	Air ...	N/A
	Lube ...	57348 ¹	FXST SOFTAIL STANDARD (2000-2006)	Lube ...	57148 ⁴⁰⁷		Lube ...	57148 ⁴⁰⁷
FLHTC ELECTRA GLIDE ULTRA CLASSIC LOW (1999-2006)	Lube ...	57148 ⁴⁰⁷		Lube ...	57348 ¹	FLTR ROAD GLIDE (2007-2009)	Lube ...	57148 ⁴⁰⁷
	Lube ...	57348 ¹	FXSTB SOFTAIL NIGHT TRAIN (2000-2006)	Lube ...	57148 ⁴⁰⁷		Lube ...	57348 ¹
FLHTI ELECTRA GLIDE (2005-2006)	Lube ...	57148 ⁴⁰⁷		Lube ...	57348 ¹	FXD DYNA SUPER GLIDE (1999-2003)	Lube ...	57148 ⁴⁰⁷
	Lube ...	57348 ¹	FXSTBI SOFTAIL NIGHT TRAIN (2001-2009)	Lube ...	57148 ⁴⁰⁷		Lube ...	57348 ¹
FLHX STREET GLIDE (2006-2006)	Lube ...	57148 ⁴⁰⁷		Lube ...	57348 ¹	FXD DYNA SUPER GLIDE (2006-2009)	Lube ...	57148 ⁴⁰⁷
	Lube ...	57348 ¹	FXSTD SOFTAIL DEUCE (2000-2006)	Lube ...	57148 ⁴⁰⁷		Lube ...	57348 ¹
FLSTC HERITAGE SOFTAIL CLASSIC (2000-2006)	Lube ...	57148 ⁴⁰⁷		Lube ...	57348 ¹	FXDB DYNA STREET BOB (2006-2013)	Lube ...	57148 ⁴⁰⁷
	Lube ...	57348 ¹	FXSTDI SOFTAIL DEUCE (2001-2006)	Lube ...	57148 ⁴⁰⁷		Lube ...	57348 ¹
Air ...	N/A			Lube ...	57348 ¹	FXDC DYNA SUPER GLIDE CUSTOM (2007-2013)	Air ...	N/A
FLSTF SOFTAIL FAT BOY (2000-2006)	Lube ...	57148 ⁴⁰⁷	FXSTI SOFTAIL STANDARD (2001-2008)	Lube ...	57148 ⁴⁰⁷		Lube ...	57148 ⁴⁰⁷
	Lube ...	57348 ¹		Lube ...	57348 ¹	FXDCI DYNA SUPER GLIDE CUSTOM (2007-2013)	Lube ...	57148 ⁴⁰⁷
Air ...	N/A		FXSTS SOFTAIL SPRINGER (2000-2004)	Lube ...	57148 ⁴⁰⁷		Lube ...	57348 ¹
FLSTN SOFTAIL DELUXE (CVO) (2005-2006)	Lube ...	57148 ⁴⁰⁷		Lube ...	57348 ¹	FXDF DYNA FAT BOB (2010-2010)	Lube ...	57148 ⁴⁰⁷
	Lube ...	57348 ¹	FXSTS-I SOFTAIL SPRINGER (2000-2009)	Lube ...	57148 ⁴⁰⁷		Lube ...	57348 ¹
Air ...	N/A			Lube ...	57348 ¹		Air ...	N/A
FLSTS HERITAGE SPRINGER (2000-2003)	Lube ...	57148 ⁴⁰⁷	1584cc			FXDL DYNA LOW RIDER (2006-2009)	Lube ...	57148 ⁴⁰⁷
	Lube ...	57348 ¹	CROSS BONES (2009-2011)	Lube ...	57148 ⁴⁰⁷		Lube ...	57348 ¹
FLSTS HERITAGE SPRINGER (2005-2006)	Lube ...	57148 ⁴⁰⁷		Lube ...	57348 ¹	FXDL DYNA LOW RIDER (2014-2015)	Lube ...	57148 ⁴⁰⁷
	Lube ...	57348 ¹	FLHP Police (2016-2016)	Lube ...	57148		Lube ...	57348 ¹
FLSTSC (2005-2005)	Lube ...	57148 ⁴⁰⁷		Air ...	N/A	FXDWG DYNA WIDE GLIDE (2007-2008)	Air ...	N/A
	Lube ...	57348 ¹	FLHR ROAD KING (2007-2011)	Lube ...	57148 ⁴⁰⁷		Lube ...	57148 ⁴⁰⁷
FLSTS-I HERITAGE SPRINGER (2001-2003)	Lube ...	57148 ⁴⁰⁷		Lube ...	57348 ¹	FXDWG DYNA WIDE GLIDE (2010-2011)	Lube ...	57148 ⁴⁰⁷
	Lube ...	57348 ¹	FLHRC ROAD KING CLASSIC (2008-2010)	Lube ...	57148 ⁴⁰⁷		Lube ...	57348 ¹
FLTR ROAD GLIDE (1999-2006)	Lube ...	57148 ⁴⁰⁷		Lube ...	57348 ¹	FXS SOFTAIL BLACKLINE (2011-2011)	Air ...	N/A
	Lube ...	57348 ¹	FLHT ELECTRA GLIDE STANDARD (2007-2010)	Lube ...	57148 ⁴⁰⁷		Lube ...	57348 ¹
FXD DYNA SUPER GLIDE (1999-2009)	Lube ...	57148 ⁴⁰⁷		Lube ...	57348 ¹	FXDI DYNA SUPER GLIDE CUSTOM (2005-2006)	Lube ...	57148 ⁴⁰⁷
	Lube ...	57348 ¹	FLHTC ELECTRA GLIDE ULTRA CLASSIC (2006-2011)	Lube ...	57148 ⁴⁰⁷		Lube ...	57348 ¹
FXDC DYNA SUPER GLIDE CUSTOM (2005-2006)	Lube ...	57148 ⁴⁰⁷		Lube ...	57348 ¹	FXDI DYNA SUPER GLIDE CUSTOM (2005-2006)	Lube ...	57148 ⁴⁰⁷
	Lube ...	57348 ¹	FLHTC ELECTRA GLIDE ULTRA CLASSIC LOW (2007-2011)	Lube ...	57148 ⁴⁰⁷		Lube ...	57348 ¹
FXDCI DYNA SUPER GLIDE CUSTOM (2005-2006)	Lube ...	57148 ⁴⁰⁷		Lube ...	57348 ¹	FXST SOFTAIL STANDARD (2007-2009)	Lube ...	57148 ⁴⁰⁷
	Lube ...	57348 ¹	FLHX STREET GLIDE (2007-2011)	Lube ...	57148 ⁴⁰⁷		Lube ...	57348 ¹
FXDI DYNA SUPER GLIDE (2005-2005)	Lube ...	57148 ⁴⁰⁷						

N/A = Not Available N/R = Not Required N/S = Not Serviceable See pages 16-19 for footnotes

Italicized Part Numbers May Not Be Available.

HARLEY-DAVIDSON
Motorcycle Section
**M
O
T
O
R
C
Y
C
L
E
S**

Make & Model Haz un modelo Marque et modèle	Serv. Type	Part No. N° de pieza N° de pièce	Make & Model Haz un modelo Marque et modèle	Serv. Type	Part No. N° de pieza N° de pièce	Make & Model Haz un modelo Marque et modèle	Serv. Type	Part No. N° de pieza N° de pièce		
HARLEY-DAVIDSON (Cont'd/Suite) 1584cc			HARLEY-DAVIDSON (Cont'd/Suite) 1690CC			HARLEY-DAVIDSON (Cont'd/Suite) 1690CC				
FXSTB SOFTAIL NIGHT TRAIN (2007-2009)	Lube . . .	57148 ⁴⁰⁷	FLHTCUTG TRI GLIDE ULTRA (2016-2016)	Lube . . .	57148	FLSTF SOFTAIL FAT BOY (2012-2015)	Lube . . .	57148 ⁴⁰⁷		
	Lube . . .	57348 ¹	FLHTCUTG TRI GLIDE ULTRA CLASSIC (2009-2013)	Lube . . .	57148 ⁴⁰⁷	FLSTF SOFTAIL FAT BOY (2012-2015)	Lube . . .	57348 ¹		
FXSTC SOFTAIL CUSTOM (2007-2007)	Air	N/A		Lube . . .	57348 ¹		Air	N/A		
FXSTC SOFTAIL CUSTOM (2007-2010)	Lube . . .	57148 ⁴⁰⁷	FLHTK ELECTRA GLIDE ULTRA LIMITED (2010-2014)	Lube . . .	57148 ⁴⁰⁷	1690cc	FLSTFB FAT BOY LO (2016-2016)	Lube . . .	57148	
	Lube . . .	57348 ¹		Lube . . .	57348 ¹	1690CC	FLSTFB SOFTAIL FAT BOY LO (2012-2015)	Lube . . .	57148 ⁴⁰⁷	
FXSTC SOFTAIL CUSTOM (2009-2010)	Air	N/A	FLHTK ULTRA LIMITED (2014-2015)	Lube . . .	57148 ⁴⁰⁷			Lube . . .	57348 ¹	
FXSTD SOFTAIL DEUCE (2007-2009)	Lube . . .	57148 ⁴⁰⁷	FLHTK ULTRA LIMITED (2016-2016)	Lube . . .	57348 ¹	FLSTFB SOFTAIL FAT BOY LO (2015-2015)	Air	N/A		
	Lube . . .	57348 ¹	FLHTKL ULTRA LIMITED LOW (2015-2015)	Lube . . .	57148					
FXSTDI SOFTAIL DEUCE (2007-2009)	Lube . . .	57148 ⁴⁰⁷	FLHTKL ULTRA LIMITED LOW (2016-2016)	Lube . . .	57148	1690cc	FLSTN SOFTAIL DELUXE (2016-2016)	Lube . . .	57148	
	Lube . . .	57348 ¹	FLHX STREET GLIDE (2012-2015)	Lube . . .	57148 ⁴⁰⁷		FLSTN SOFTAIL DELUXE (2017-2018)	Lube . . .	57148 ⁴⁰⁷	
FXSTI SOFTAIL STANDARD (2007-2009)	Lube . . .	57148 ⁴⁰⁷		Lube . . .	57348 ¹			Lube . . .	57348 ¹	
	Lube . . .	57348 ¹		Lube . . .	57148	1690CC	FLSTN SOFTAIL DELUXE (CVO) (2012-2015)	Lube . . .	57148 ⁴⁰⁷	
ROCKER C FXCWC (2008-2011)	Lube . . .	57148 ⁴⁰⁷	1690cc	FLHX STREET GLIDE (2016-2016)	Lube . . .	57148		Lube . . .	57348 ¹	
	Lube . . .	57348 ¹	1690CC	FLHXS STREET GLIDE SPECIAL (2014-2015)	Lube . . .	57148 ⁴⁰⁷	FLTR ROAD GLIDE (2015-2015)	Air	N/A	
ROCKER FXCW (2008-2009)	Lube . . .	57148 ⁴⁰⁷		Lube . . .	57348 ¹			Lube . . .	57348 ¹	
	Lube . . .	57348 ¹		Lube . . .	57148					
STREET GLIDE FLHX (2007-2012)	Lube . . .	57148 ⁴⁰⁷	1690cc	FLHXS STREET GLIDE SPECIAL (2016-2016)	Lube . . .	57148	FLTR ROAD GLIDE SPECIAL (2015-2015)	Lube . . .	57148 ⁴⁰⁷	
	Lube . . .	57348 ¹	1690CC		Lube . . .	57348 ¹		Lube . . .	57348 ¹	
1690CC			1690cc	FLHXS STREET GLIDE SPECIAL (2016-2016)	Lube . . .	57148	FLTR ROAD GLIDE SPECIAL (2015-2015)	Lube . . .	57148 ⁴⁰⁷	
FLD DYNA SWITCHBACK (2012-2015)	Lube . . .	57148 ⁴⁰⁷	1690CC	FLRT FREEWHEELER (2015-2015)	Lube . . .	57148 ⁴⁰⁷	1690cc	FLTRU ROAD GLIDE ULTRA (2016-2016)	Lube . . .	57148
	Lube . . .	57348 ¹		Lube . . .	57348 ¹					
	Air	N/A	1690cc	FLRT FREEWHEELER (2016-2016)	Lube . . .	57148	1690CC	FLTRU ROAD GLIDE ULTRA (CVO) (2011-2013)	Lube . . .	57148 ⁴⁰⁷
FLD SWITCHBACK (2016-2016)	Lube . . .	57148		Lube . . .	57148			Lube . . .	57348 ¹	
	Air	N/A	1690CC	FLS SOFTAIL SLIM (2012-2015)	Lube . . .	57148 ⁴⁰⁷	FLTRU ROAD GLIDE ULTRA (CVO) (2015-2015)	Lube . . .	57148 ⁴⁰⁷	
FLHR ROAD KING (2012-2015)	Lube . . .	57148 ⁴⁰⁷		Lube . . .	57348 ¹			Lube . . .	57348 ¹	
	Lube . . .	57348 ¹	1690cc	FLS SOFTAIL SLIM (2016-2016)	Lube . . .	57148	FLTRX ROAD GLIDE (2016-2016)	Lube . . .	57148	
FLHR ROAD KING (2016-2016)	Lube . . .	57148		Lube . . .	57148 ⁴⁰⁷		FLTRX ROAD GLIDE CUSTOM (2010-2013)	Lube . . .	57148 ⁴⁰⁷	
FLHRC ROAD KING CLASSIC (2011-2013)	Lube . . .	57148 ⁴⁰⁷	1690CC	FLS SOFTAIL SLIM (2017-2018)	Lube . . .	57348 ¹		Lube . . .	57348 ¹	
	Lube . . .	57348 ¹		Lube . . .	57348 ¹		FLTRXS ROAD GLIDE SPECIAL (2016-2016)	Lube . . .	57148	
FLHTC ELECTRA GLIDE ULTRA CLASSIC (2012-2015)	Lube . . .	57148 ⁴⁰⁷	1690cc	FLSTC HERITAGE SOFTAIL CLASSIC (2012-2012)	Air	N/A	FXD DYNA SUPER GLIDE (1999-2003)	Lube . . .	57148 ⁴⁰⁷	
	Lube . . .	57348 ¹		FLSTC HERITAGE SOFTAIL CLASSIC (2012-2015)	Lube . . .	57148 ⁴⁰⁷		Lube . . .	57348 ¹	
FLHTC ELECTRA GLIDE ULTRA CLASSIC LOW (2012-2015)	Lube . . .	57148 ⁴⁰⁷		FLSTC HERITAGE SOFTAIL CLASSIC (2014-2015)	Lube . . .	57348 ¹	FXD DYNA SUPER GLIDE (2006-2009)	Lube . . .	57148 ⁴⁰⁷	
	Lube . . .	57348 ¹	1690CC		Air	N/A		Lube . . .	57348 ¹	
FLHTCSE SCREAMIN' EAGLE (2004-2004)	Lube . . .	57148 ⁴⁰⁷	1690cc	FLSTC HERITAGE SOFTAIL CLASSIC (2016-2016)	Lube . . .	57148	FXDB DYNA STREET BOB (2014-2015)	Lube . . .	57148 ⁴⁰⁷	
	Lube . . .	57348 ¹		FLSTC HERITAGE SOFTAIL CLASSIC (2017-2018)	Lube . . .	57148		Lube . . .	57348 ¹	
FLHTCSE2 SCREAMIN EAGLE (2005-2005)	Lube . . .	57148 ⁴⁰⁷		FLSTF FAT BOY (2016-2016)	Lube . . .	57148	FXDB STREET BOB (2016-2016)	Lube . . .	57148	
	Lube . . .	57348 ¹		FLSTF FAT BOY (2017-2018)	Lube . . .	57348 ¹	FXDB STREET BOB (2016-2018)	Air	N/A	
FLHTCU ELECTRA GLIDE ULTRA CLASSIC (2016-2016)	Lube . . .	57148			Lube . . .	57148 ⁴⁰⁷	FXDB STREET BOB (2017-2018)	Lube . . .	57148 ⁴⁰⁷	
FLHTCUL ELECTRA GLIDE ULTRA CLASSIC LOW (2016- 2016)	Lube . . .	57148			Lube . . .	57348 ¹		Lube . . .	57348 ¹	
FLHTCUTG TRI GLIDE ULTRA (2014-2015)	Lube . . .	57148 ⁴⁰⁷			Lube . . .	57148				
	Lube . . .	57348 ¹			Lube . . .	57148 ⁴⁰⁷				
FLHTCUTG TRI GLIDE ULTRA (2015-2015)	Air	N/A			Lube . . .	57348 ¹				

N/A = Not Available N/R = Not Required N/S = Not Serviceable See pages 16-19 for footnotes

Italicized Part Numbers May Not Be Available.



Motorcycle Section

HARLEY-DAVIDSON — HONDA

MOTORCYCLES

Make & Model Haz un modelo Marque et modèle	Serv. Type	Part No. N° de pieza N° de pièce	Make & Model Haz un modelo Marque et modèle	Serv. Type	Part No. N° de pieza N° de pièce	Make & Model Haz un modelo Marque et modèle	Serv. Type	Part No. N° de pieza N° de pièce
HARLEY-DAVIDSON (Cont'd/Suite) 1690CC			HARLEY-DAVIDSON (Cont'd/Suite) 1690CC			HARLEY-DAVIDSON (Cont'd/Suite) 1746cc		
FXDC DYNA SUPER GLIDE CUSTOM (2014-2014)	Lube ...	57148 ⁴⁰⁷ 57348 ¹	FXSTBI SOFTAIL NIGHT TRAIN (2007-2009)	Lube ...	57148 ⁴⁰⁷ 57348 ¹	FLTRU ROAD GLIDE ULTRA (2017-2018)	Lube ...	57148 ⁴⁰⁷ 57348 ¹
FXDCI DYNA SUPER GLIDE CUSTOM (2014-2014)	Lube ...	57148 ⁴⁰⁷ 57348 ¹	FXSTS SOFTAIL SPRINGER (2000-2003)	Lube ...	57148 ⁴⁰⁷ 57348 ¹	FLTRX ROAD GLIDE (2017-2018)	Lube ...	57148 ⁴⁰⁷ 57348 ¹
FXDF DYNA FAT BOB (2008-2009)	Lube ...	57148 ⁴⁰⁷ 57348 ¹ Air ... N/A	FXSTS-I SOFTAIL SPRINGER (2000-2003)	Lube ...	57148 ⁴⁰⁷ 57348 ¹	FLTRXS ROAD GLIDE SPECIAL (2017-2018)	Lube ...	57148 ⁴⁰⁷ 57348 ¹
FXDF DYNA FAT BOB (2011-2015)	Lube ...	57148 ⁴⁰⁷ 57348 ¹ Air ... N/A	FXSTS-I SOFTAIL SPRINGER (2006-2009)	Lube ...	57148 ⁴⁰⁷ 57348 ¹	1801cc FLSS SOFTAIL SLIM S (2017-2018) FLSTFBS Fat Boy Lo S (2017-2018) FXDLS Low Rider S (2016-2016) FXDLS Low Rider S (2017-2018) FXSE CVO Pro Street Breakout (2017-2018)	Lube ...	57148 ⁴⁰⁷ 57348 ¹
FXDF FAT BOB (2016-2016)	Lube ...	57148	SOFTAIL BREAKOUT (2014-2014)	Lube ...	57148 ⁴⁰⁷ 57348 ¹		Lube ...	57148 ⁴⁰⁷ 57348 ¹
FXDF FAT BOB (2016-2018)	Air ...	N/A	STREET GLIDE FLHX (2013-2014)	Lube ...	57148 ⁴⁰⁷ 57348 ¹		Lube ...	57148 ⁴⁰⁷ 57348 ¹
FXDF FAT BOB (2017-2018)	Lube ...	57148 ⁴⁰⁷ 57348 ¹	STREET GLIDE TRIKE (2011-2011)	Lube ...	57148 ⁴⁰⁷ 57348 ¹		Lube ...	57148 ⁴⁰⁷ 57348 ¹
FXDL LOW RIDER (2016-2016)	Lube ...	57148		Lube ...	57148 ⁴⁰⁷ 57348 ¹		Lube ...	57148 ⁴⁰⁷ 57348 ¹
Air ...	N/A						Lube ...	57148 ⁴⁰⁷ 57348 ¹
1690cc FXDL LOW RIDER (2017-2018)	Lube ...	57148 ⁴⁰⁷ 57348 ¹ Air ... N/A	1746cc FLDE Deluxe (2018-2018)	Lube ...	57148 57348 ¹	1868cc FLFBS Fat Boy 114 (2018-2018) FLHCS Heritage Classic 114 (2018-2018) FLHRXS Road King Special (2019-2020) FLHTK ULTRA LIMITED (2019-2020) FLHTKL ULTRA LIMITED LOW (2017-2020) FLHTKL ULTRA LIMITED LOW (2018-2020) FLHXSE CVO STREET GLIDE (2017-2018)	Lube ...	57148 57348 ¹
1690CC FXDS CONVERTIBLE (1999-2009)	Lube ...	57148 ⁴⁰⁷ 57348 ¹	FLFB Fat Boy (2018-2018)	Lube ...	57148 57348 ¹		Lube ...	57148 57348 ¹
FXDWG DYNA WIDE GLIDE (2012-2014)	Lube ...	57148 ⁴⁰⁷ 57348 ¹ Air ... N/A	FLHC Heritage Classic (2018-2018)	Lube ...	57148 57348 ¹		Lube ...	57148 57348 ¹
1690cc FXDWG DYNA WIDE GLIDE (2015-2015)	Lube ...	57148 ⁴⁰⁷ 57348 ¹ Air ... N/A	FLHR ROAD KING (2017-2020)	Lube ...	57148 ⁴⁰⁷ 57348 ¹		Lube ...	57148 ⁴⁰⁷ 57348 ¹
1690CC FXDWG DYNA WIDE GLIDE (2017-2018)	Lube ...	57148 ⁴⁰⁷ 57348 ¹ Air ... N/A	FLHR ROAD KING (2018-2020)	Air ...	N/A		Lube ...	57148 ⁴⁰⁷ 57348 ¹ Air ... N/A
FXDWG WIDE GLIDE (2016-2016)	Lube ...	57148	FLHRXS Road King Special (2018-2018)	Lube ...	57148 ⁴⁰⁷ 57348 ¹		Lube ...	57148 ⁴⁰⁷ 57348 ¹
FXDX DYNA SUPER GLIDE SPORT (1999-2003)	Lube ...	57148 ⁴⁰⁷ 57348 ¹	FLHTCU ELECTRA GLIDE ULTRA CLASSIC (2017-2020)	Lube ...	57148 ⁴⁰⁷ 57348 ¹			
FXDX DYNA SUPER GLIDE SPORT (2006-2009)	Lube ...	57148 ⁴⁰⁷ 57348 ¹	FLHTCU ELECTRA GLIDE ULTRA CLASSIC (2018-2020)	Air ...	N/A			
FXS SOFTAIL BLACKLINE (2012-2013)	Lube ...	57148 ⁴⁰⁷ 57348 ¹	FLHTCUTG TRI GLIDE ULTRA (2017-2020)	Lube ...	57148 ⁴⁰⁷ 57348 ¹			
FXSB BREAKOUT (2016-2016)	Lube ...	57148	FLHTCUTG TRI GLIDE ULTRA (2018-2020)	Air ...	N/A			
1690cc FXSB BREAKOUT (2017-2018)	Lube ...	57148 ⁴⁰⁷ 57348 ¹	FLHTK ULTRA LIMITED (2017-2018)	Lube ...	57148 ⁴⁰⁷ 57348 ¹			
1690CC FXSB BREAKOUT (CVO) (2014-2015)	Lube ...	57148 ⁴⁰⁷ 57348 ¹ Air ... N/A	FLHTK ULTRA LIMITED (2018-2018)	Air ...	N/A			
			FLHTP POLICE (2018-2018)	Lube ...	57148 ⁴⁰⁷ 57348 ¹			
			FLHX STREET GLIDE (2017-2020)	Lube ...	57148 ⁴⁰⁷ 57348 ¹			
			FLHX STREET GLIDE (2018-2020)	Air ...	N/A			
			FLHXS STREET GLIDE SPECIAL (2017-2018)	Lube ...	57148 ⁴⁰⁷ 57348 ¹			
			FLRT FREEWHEELER (2017-2018)	Lube ...	57148 ⁴⁰⁷ 57348 ¹			
				Lube ...	57348 ¹			
						HONDA		
						49cc	CRF50F (2016-2016)	Lube ... NR Air ... WA10795
							NCH50 (2014-2015)	Lube ... NS Air ... N/A
							NPS50 (2014-2015)	Lube ... NS Air ... N/A
							Z50R (1979-1987)	Lube ... NS Air ... N/A
							Z50R (1989-1989)	Lube ... NS Air ... N/A

N/A = Not Available N/R = Not Required N/S = Not Serviceable See pages 16-19 for footnotes

Italicized Part Numbers May Not Be Available.

HONDA
Motorcycle Section
MOTORCYCLES

Make & Model Haz un modelo Marque et modèle	Serv. Type	Part No. N° de pieza N° de pièce	Make & Model Haz un modelo Marque et modèle	Serv. Type	Part No. N° de pieza N° de pièce	Make & Model Haz un modelo Marque et modèle	Serv. Type	Part No. N° de pieza N° de pièce
HONDA (Cont'd/Suite)			HONDA (Cont'd/Suite)			HONDA (Cont'd/Suite)		
49cc			150cc			250cc		
Z50R (1991-1999)	Lube . . .	NS	PCX150 (WW150) (2015-2015)	Lube . . .	NS	XR250R (1987-2006)	Air	WA10796
	Air	N/A		Air	N/A	250cc (2 stroke)		
Z70RD (1986-1986)	Lube . . .	NS	WW150 (2015-2015)	Lube . . .	NS	CR250R (1987-2006)	Air	24675
	Air	N/A		Air	N/A	259cc		
50cc			200cc			MRT260 Montesa Cota 4RT260 (2016-2016)	Lube . . .	57671
CRF50F (2004-2009)	Lube . . .	NS	XR200R (1984-2001)	Lube . . .	24944		Air	N/A
	Air	N/A	223cc			279cc		
CRF50F (2011-2012)	Air	N/A	CRF230F (2016-2016)	Lube . . .	N/A	FORZA NSS300 (2016-2016)	Lube . . .	WL10000
CRF50F (2011-2015)	Lube . . .	NS	CRF230F (2019-2019)	Air	WA10731	NSS300 (2014-2015)	Lube . . .	WL10000
CRF50F (2013-2015)	Air	WA10795		Air	N/A		Air	N/A
				Air	WA10731			
70cc			230cc					
CRF70F (2008-2009)	Lube . . .	NS	CRF230F (2003-2009)	Lube . . .	NS	NSS300A Forza ABS (2016-2016)	Lube . . .	WL10000
CRF70F (2011-2012)	Lube . . .	NS		Air	WA10731		Air	N/A
			CRF230F (2012-2015)	Lube . . .	NS		Lube . . .	WL10000
80cc				Air	WA10731		Air	N/A
CH80 (2005-2006)	Lube . . .	WL10000	234cc Engine			286cc		
	Air	N/A	CMX250 (2014-2015)	Lube . . .	NS	CB300F (2015-2015)	Air	N/A
CRF80F (2004-2009)	Lube . . .	NS		Air	N/A	CB300F (2015-2016)	Lube . . .	24994
	Air	N/A				CB300F (2018-2018)	Lube . . .	N/A
CRF80F (2011-2013)	Lube . . .	NS	249cc			CB300R (2019-2020)	Air	N/A
	Air	N/A	CRF250F (2019-2020)	Lube . . .	24944		Lube . . .	24994
100cc				Air	N/A		Air	N/A
CRF100F (2004-2009)	Lube . . .	NS	CRF250L (2016-2016)	Lube . . .	24994	CBR300R (2015-2015)	Air	N/A
	Air	N/A	CRF250R (2016-2016)	Lube . . .	57671	CBR300R (2015-2016)	Lube . . .	24994
CRF100F (2011-2013)	Lube . . .	NS	CRF250X (2016-2016)	Lube . . .	57671	CBR300R (2018-2020)	Lube . . .	24994
	Air	N/A		Air	WA10732		Air	N/A
110cc			250cc			CBR300R ABS (2016-2016)	Lube . . .	24994
CRF110F (2013-2015)	Lube . . .	NS	CBR250L (2013-2014)	Lube . . .	24994	CMX300 Rebel (2018-2020)	Air	N/A
	Air	N/A		Air	N/A		Lube . . .	24994
125cc			CBR250R (2011-2013)	Lube . . .	24994		Air	N/A
CRF125F (2016-2020)	Lube . . .	N/A		Air	N/A		Lube . . .	24994
	Air	WA10729	CBR250RA (2011-2013)	Lube . . .	24994		Air	N/A
CRF125FB Big Wheel (2016-2016)	Lube . . .	N/A		Air	N/A		Lube . . .	24994
	Air	WA10729	CMX250 (1985-1987)	Lube . . .	NS		Air	N/A
CRF125FB Big Wheel (2018-2020)	Lube . . .	N/A		Air	N/A		Lube . . .	24994
	Air	WA10729	CMX250 (1996-1997)	Lube . . .	NS		Air	N/A
GROM125 (2018-2018)	Lube . . .	N/A	CMX250 (1999-2003)	Lube . . .	NS		Lube . . .	24944
	Fuel . . .	N/A	CMX250 (2005-2009)	Lube . . .	NS		Air	WA10796
	Air	N/A	CMX250 (2012-2013)	Lube . . .	NS		Lube . . .	24944
125cc (2 stroke)			CRF250L (2013-2015)	Lube . . .	24994			
CR125R (1987-2006)	Air	24675	CRF250L (2018-2019)	Lube . . .	24994			
GROM125 (2014-2014)	Lube . . .	NS		Air	N/A			
	Air	N/A		Air	N/A			
125cc (4 stroke)								
CRF125F (2014-2015)	Lube . . .	NS	CRF250L (2018-2019)	Lube . . .	24994	CB400F SUPER SPORT (1975-1975)	Lube . . .	24940
	Air	WA10729		Air	N/A		Air	N/A
CRF125FB Big Wheel (2014-2015)	Lube . . .	NS	CRF250R (2004-2012)	Lube . . .	24718	CB400F SUPER SPORT (1977-1977)	Lube . . .	24940
	Air	WA10729	CRF250R (2004-2015)	Lube . . .	57671		Air	N/A
149cc			CRF250R (2013-2015)	Air	WA10732	CB400T HAWK SERIES (1978-1981)	Lube . . .	24939
CRF150F (2016-2016)	Lube . . .	N/A	CRF250R (2018-2018)	Lube . . .	24994	CM400 (1979-1981)	Lube . . .	24939
	Air	WA10731	CRF250X (2004-2009)	Lube . . .	57671	CM400A (1979-1981)	Lube . . .	24939
CRF150R (2016-2016)	Lube . . .	57671		Air	N/A	CM400C (1981-1981)	Lube . . .	24939
CRF150R (2018-2018)	Lube . . .	57671	CRF250X (2012-2013)	Lube . . .	57671	CM400E (1980-1981)	Lube . . .	24939
CRF150R (2018-2020)	Air	24102	CRF250X (2015-2015)	Lube . . .	57671	CM400T (1979-1981)	Lube . . .	24939
CRF150R (2019-2020)	Lube . . .	N/A		Air	24718	XR400R (1996-2004)	Lube . . .	24944
CRF150R Expert (2016-2016)	Lube . . .	57671	VTR250 INTERCEPTOR (1988-1990)	Lube . . .	24938			
CRF150R Expert (2018-2018)	Lube . . .	57671	XL250R (1984-1987)	Lube . . .	24944			
	Air	24102	XR250L (1991-1996)	Lube . . .	24944			
			XR250R (1984-2006)	Lube . . .	24944			
150cc						449cc		
CRF150F (2003-2009)	Lube . . .	NS				CRF450L (2019-2019)	Lube . . .	57671
	Air	WA10731					Fuel . . .	N/A
CRF150F (2012-2015)	Lube . . .	NS					Air	N/A
	Air	WA10731					Air	N/A
CRF150R (2007-2009)	Lube . . .	57671				CRF450R (2016-2016)	Air	WA10732
	Air	24102				CRF450R (2016-2020)	Lube . . .	57671
CRF150R (2012-2015)	Lube . . .	57671				CRF450R (2017-2020)	Fuel . . .	N/A
	Air	24102					Air	WA10824

N/A = Not Available N/R = Not Required N/S = Not Serviceable See pages 16-19 for footnotes

Italicized Part Numbers May Not Be Available.

Motorcycle Section

HONDA

Make & Model Haz un modelo Marque et modèle	Serv. Type	Part No. N° de pieza N° de pièce	Make & Model Haz un modelo Marque et modèle	Serv. Type	Part No. N° de pieza N° de pièce	Make & Model Haz un modelo Marque et modèle	Serv. Type	Part No. N° de pieza N° de pièce	
HONDA (Cont'd/Suite)			HONDA (Cont'd/Suite)			HONDA (Cont'd/Suite)			
449cc			500cc			644cc			
CRF450RX (2018-2018)	Lube ...	57671	CX500TC (1982-1982)	Lube ...	24938	XR650L (2016-2016)	Lube ...	24994	
	Fuel ...	N/A	GB500 (1989-1990)	Lube ...	24938	XR650L (2018-2021)	Lube ...	24944	
	Air ...	WA10824	GL500 SILVER WING (1981-1982)	Lube ...	24938		Air ...	N/A	
CRF450X (2016-2016)	Lube ...	57671	GL500-I INTERSTATE (1981-1982)	Lube ...	24938	649cc	CB650F	Lube ...	WL10000
CRF450X (2019-2019)	Lube ...	57671	VF500C MAGNA (1984-1986)	Lube ...	51334 ⁴³			Fuel ...	N/A
	Fuel ...	N/A	VT500C SHADOW (1984-1986)	Lube ...	51334 ⁴³	CB650F ABS (2018-2018)		Air ...	N/A
	Air ...	N/A	VT500FT ASCOT (1983-1984)	Lube ...	51334 ⁴³			Lube ...	WL10000
			XR500R (1981-1984)	Lube ...	24944			Fuel ...	N/A
450cc								Air ...	N/A
CB450 (1982-1986)	Lube ...	24939	500cc (2 stroke)			CB650R (2019-2020)	Lube ...	WL10000	
CB450SC NIGHTHAWK (1982-1986)	Lube ...	24939	CR500R (1987-2001)	Air ...	24675			Air ...	N/A
CB450T HAWK (1982-1982)	Lube ...	24939	550cc			CBR650F (2016-2016)	Lube ...	WL10000	
CM450 (1982-1983)	Lube ...	24939	CB550F (1975-1977)	Lube ...	24940	CBR650F (2018-2018)	Lube ...	WL10000	
CM450A HONDAMATIC (1982-1983)	Lube ...	24939	CB550K (1976-1978)	Lube ...	24940			Fuel ...	N/A
CM450C (1982-1982)	Lube ...	24939	CB550SC (1983-1983)	Lube ...	24940			Air ...	N/A
CM450E (1982-1983)	Lube ...	24939				CBR650F ABS (2016-2016)	Lube ...	WL10000	
CMX450 (1986-1987)	Lube ...	24939	599cc			CBR650F ABS (2018-2018)	Lube ...	WL10000	
CRF450R (2002-2002)	Air ...	N/A	CBR600RR (2016-2016)	Lube ...	WL10000			Fuel ...	N/A
CRF450R (2002-2015)	Lube ...	57671	CBR600RR (2018-2020)	Lube ...	WL10000			Air ...	N/A
CRF450R (2003-2008)	Air ...	24718				CBR650R (2019-2020)	Lube ...	WL10000	
CRF450R (2009-2012)	Air ...	WA10827	CBR600RR ABS (2016-2016)	Lube ...	WL10000			Air ...	N/A
CRF450R (2013-2015)	Air ...	WA10732						Fuel ...	N/A
CRF450X (2005-2009)	Lube ...	57671	600cc					Air ...	N/A
	Air ...	24718	CB600F (599CC) (2004-2004)	Lube ...	WL10000	650cc	CB650 (1979-1982)	Lube ...	24940
CRF450X (2012-2015)	Lube ...	57671	CB600F (599CC) (2006-2006)	Lube ...	WL10000	CB650C CUSTOM (1980-1981)	Lube ...	24940	
	Air ...	24718				CB650SC NIGHTHAWK (1982-1985)	Lube ...	24940	
			CBR600F (1987-1990)	Lube ...	WL10000	CBR650F (2014-2015)	Lube ...	WL10000	
								Air ...	N/A
471cc			CBR600F2 (1991-1994)	Lube ...	WL10000	CX650C CUSTOM (1983-1983)	Lube ...	24939	
CB500F (2013-2015)	Air ...	N/A				CX650T TURBO (1983-1983)	Lube ...	24939	
CB500F (2013-2016)	Lube ...	WL10000	CBR600F3 (1995-1998)	Lube ...	WL10000	GL650 SILVER WING (1983-1983)	Lube ...	24939	
CB500F (2018-2019)	Lube ...	WL10000				GL650I SILVER WING 1 (1983-1983)	Lube ...	24939	
	Air ...	N/A	CBR600F4 (1999-2006)	Lube ...	WL10000	NT650 HAWK GT (1989-1990)	Lube ...	WL10000	
CB500F ABS (2016-2016)	Lube ...	WL10000						Air ...	N/A
	Air ...	N/A	CBR600F4I (2004-2006)	Lube ...	WL10000			Lube ...	24944
CB500X (2016-2016)	Lube ...	WL10000						Lube ...	24944
CB500X (2018-2020)	Lube ...	WL10000	CBR600RA (2009-2015)	Lube ...	WL10000			Lube ...	24944
	Air ...	N/A						Lube ...	24944
CB500X ABS (2016-2016)	Lube ...	WL10000	CBR600RR (2002-2002)	Lube ...	51358 ⁴³			Lube ...	24944
	Air ...	N/A	CBR600RR (2002-2015)	Air ...	N/A			Air ...	N/A
CBR500R (2016-2016)	Lube ...	WL10000	CBR600RR (2003-2015)	Lube ...	WL10000			Lube ...	24944
CBR500R (2018-2020)	Lube ...	WL10000	CBR600SE (1998-1998)	Lube ...	WL10000			Air ...	24238
	Air ...	N/A							
CBR500R ABS (2016-2016)	Lube ...	WL10000	CBR600SJR (1996-1996)	Lube ...	WL10000	670cc	CTX700 (2016-2016)	Lube ...	WL10000
	Air ...	N/A				CTX700 DCT ABS (2016-2016)	Lube ...	WL10000	
CMX500 Rebel (2018-2020)	Lube ...	24994	FSC600 SILVER WING (2002-2013)	Lube ...	WL10000	CTX700 DCT ABS (2018-2018)	Lube ...	WL10000	
	Air ...	N/A						Air ...	N/A
			VT600C (583CC) (1988-1989)	Lube ...	WL10000	CTX700N (2016-2016)	Lube ...	WL10000	
								Air ...	N/A
500cc			VT600C (583CC) (1991-2007)	Lube ...	WL10000	CTX700N DCT ABS (2016-2016)	Lube ...	WL10000	
CB500 (1978-1978)	Lube ...	24940				CTX700N DCT ABS (2018-2018)	Lube ...	WL10000	
CB500FA (2013-2014)	Lube ...	WL10000	VT600CD (1993-2007)	Lube ...	WL10000			Air ...	N/A
	Air ...	N/A						Lube ...	WL10000
CB500X (2014-2015)	Lube ...	WL10000	VT600CD2 (2000-2001)	Lube ...	WL10000			Air ...	N/A
	Air ...	N/A						Lube ...	WL10000
CB500XA (2014-2014)	Lube ...	WL10000	XL600R (1983-1987)	Lube ...	24944			Lube ...	51334 ⁴³
	Air ...	N/A	XL600V (1989-1990)	Lube ...	WL10000			Lube ...	WL10000
CBR500R (2013-2014)	Lube ...	WL10000						Air ...	N/A
	Air ...	N/A	XR600R (1985-1998)	Lube ...	24944	700cc	CB700SC NIGHTHAWK (1984-1986)	Lube ...	51334 ⁴³
CBR500RA (2013-2014)	Lube ...	WL10000				CTX700 (2014-2015)	Lube ...	WL10000	
	Air ...	N/A						Air ...	N/A
CX500 (1978-1979)	Lube ...	24938							
CX500C (1979-1982)	Lube ...	24938							
CX500D (1979-1981)	Lube ...	24938							

N/A = Not Available N/R = Not Required N/S = Not Serviceable See pages 16-19 for footnotes

Italicized Part Numbers May Not Be Available.

HONDA
Motorcycle Section

Make & Model Haz un modelo Marque et modèle	Serv. Type	Part No. N° de pieza N° de pièce	Make & Model Haz un modelo Marque et modèle	Serv. Type	Part No. N° de pieza N° de pièce	Make & Model Haz un modelo Marque et modèle	Serv. Type	Part No. N° de pieza N° de pièce
HONDA (Cont'd/Suite)			HONDA (Cont'd/Suite)			HONDA (Cont'd/Suite)		
700cc			750cc			900cc		
NC700 (2012-2015)	Lube . . .	WL10000	VT750 ACE (2004-2009)	Air	N/A	CBR954RR (2002-2003)	Air	N/A
NC700 (2012-2016)	Air	N/A	VT750 ACE (2011-2015)	Lube . . .	WL10000	929cc CBR929 (2000-2001)	Lube . . .	WL10000
NC700 (2016-2016)	Lube . . .	51358		Air	N/A	998cc CB1000R (2018-2019)	Lube . . .	WL10000
NT700V (2010-2010)	Lube . . .	WL10000	VT750 SHADOW (2003-2013)	Lube . . .	WL10000		Air	N/A
	Air	N/A	VT750 SHADOW (2003-2015)	Air	N/A	CRF1000L AFRICA TWIN (2016-2016)	Lube . . .	WL10000
NT700VA (2010-2011)	Lube . . .	WL10000	VT750 SHADOW (2014-2015)	Lube . . .	51358	CRF1000L AFRICA TWIN (2019-2020)	Lube . . .	WL10000
	Air	N/A	VT750C2 SHADOW (2007-2007)	Lube . . .	WL10000		Air	N/A
VF700 SERIES (1984-1987)	Lube . . .	51334⁵³	VT750C2 SHADOW (2012-2013)	Lube . . .	WL10000	CRF1000L Africa Twin ABS (2016-2018)	Lube . . .	WL10000
VT700C SHADOW (1984-1987)	Lube . . .	51334⁵³		Air	N/A	CRF1000L Africa Twin ABS (2017-2018)	Air	N/A
745cc			VT750C2 SHADOW (2012-2013)	Lube . . .	WL10000	CRF1000L Africa Twin DCT (2016-2016)	Lube . . .	WL10000
NC750X (2018-2020)	Lube . . .	WL10000		Air	N/A	VF1000F (1984-1984)	Lube . . .	51334⁵³
	Air	N/A	VT750C2F (2007-2009)	Lube . . .	WL10000		Air	N/A
VT750C2B SHADOW PHANTOM (2016-2016)	Lube . . .	WL10000	VT750C2F (2012-2013)	Lube . . .	WL10000	VF1000R INTERCEPTOR (1985-1986)	Lube . . .	51334⁵³
VT750C2B SHADOW PHANTOM (2018-2020)	Lube . . .	WL10000		Air	N/A		Air	N/A
	Air	N/A	VT750CA (2004-2009)	Lube . . .	WL10000	999cc CB1000R (2016-2016)	Lube . . .	WL10000
VT750CA Shadow Aero ABS (2016-2016)	Lube . . .	WL10000		Air	N/A	CBR1000RR (2016-2016)	Lube . . .	WL10000
VT750CA Shadow Aero ABS (2018-2020)	Lube . . .	WL10000	VT750CA (2012-2013)	Lube . . .	WL10000	CBR1000RR SP (2017-2017)	Lube . . .	WL10000
	Air	N/A		Air	N/A		Air	N/A
VT750CF SHADOW AERO (2016-2016)	Lube . . .	WL10000	VT750CD (1998-2001)	Lube . . .	WL10000	CBR1000RR SP Repsol Edition (2016-2016)	Lube . . .	WL10000
	Air	N/A		Air	N/A		Air	N/A
750cc			VT750CD2 SHADOW (1998-2001)	Lube . . .	WL10000	1000cc CB1000 (1983-1983)	Lube . . .	24940
CB750 NIGHTHAWK (1991-1993)	Lube . . .	WL10000		Air	N/A		Air	N/A
	Air	N/A	VT750CDA (2002-2003)	Lube . . .	WL10000	CB1000 (1994-1995)	Lube . . .	WL10000
CB750 NIGHTHAWK (1995-2003)	Lube . . .	WL10000		Air	N/A	CB1000 (2011-2015)	Lube . . .	WL10000
	Air	N/A	VT750CDB (2002-2003)	Lube . . .	WL10000		Air	N/A
CB750C CUSTOM (1980-1982)	Lube . . .	24940		Air	N/A	CBR1000F (1987-1988)	Lube . . .	WL10000
	Air	N/A	VT750CDC (2002-2003)	Lube . . .	WL10000		Air	N/A
CB750K (1969-1969)	Lube . . .	24940		Air	N/A	CBR1000F (1990-1991)	Lube . . .	WL10000
	Air	N/A	VT750CDD (2002-2003)	Lube . . .	WL10000		Air	N/A
CB750K (1971-1982)	Lube . . .	24940		Air	N/A	CBR1000F (1993-1996)	Lube . . .	WL10000
	Air	N/A	VT750CDS (2013-2013)	Lube . . .	WL10000		Air	N/A
CB750SC NIGHTHAWK (1982-1983)	Lube . . .	24940	VT750DCB SHADOW (2003-2007)	Lube . . .	WL10000	CBR1000RA (2010-2015)	Lube . . .	WL10000
	Air	N/A		Air	N/A	CBR1000RR (2004-2015)	Lube . . .	WL10000
VF750 SERIES (1982-1983)	Lube . . .	51334⁵³	800cc			CBR1000RR (2018-2019)	Lube . . .	WL10000⁵³
	Air	N/A	PC800 PACIFIC COAST (1989-1990)	Lube . . .	WL10000	CBR1000RS (2014-2014)	Lube . . .	WL10000
VF750 SERIES (1988-1988)	Lube . . .	51334⁵³		Air	N/A	CBR1000S (2014-2015)	Lube . . .	WL10000
	Air	N/A	PC800 PACIFIC COAST (1994-1998)	Lube . . .	WL10000		Air	N/A
VF750 SERIES (1994-2003)	Lube . . .	WL10000		Air	N/A	CBX (1050CC) (1979-1982)	Lube . . .	24940
	Air	N/A	VFR800 (1998-2009)	Lube . . .	WL10000	GL1000 (1976-1979)	Lube . . .	24940
VF750F (1983-1984)	Lube . . .	51334⁵³		Air	N/A	RVT1000R RC51 (2000-2006)	Lube . . .	WL10000
	Air	N/A	VFR800F INTERCEPTOR (1998-2001)	Lube . . .	WL10000		Air	N/A
VF750S (1982-1983)	Lube . . .	51334⁵³		Air	N/A	VTR1000F (1998-2004)	Lube . . .	WL10000
	Air	N/A	VT800 (1988-1988)	Lube . . .	51334⁵³		Air	N/A
VFR750F INTERCEPTOR (1986-1986)	Lube . . .	51334⁵³	900cc			1050cc		
	Air	N/A	CB900C CUSTOM (1980-1982)	Lube . . .	24940	CBX (1050CC) (1979-1982)	Lube . . .	24940
VFR750F INTERCEPTOR (1990-1997)	Lube . . .	WL10000	CB900F (1981-1982)	Lube . . .	24940	GL1000 (1976-1979)	Lube . . .	24940
	Air	N/A		Air	N/A	VTR1000F (1998-2004)	Lube . . .	WL10000
VFR750R (1990-1990)	Lube . . .	WL10000	CB900F 919 (2002-2007)	Lube . . .	WL10000		Air	N/A
VT750 ACE (1983-1983)	Lube . . .	51334⁵³		Air	N/A		Air	N/A
	Air	N/A	CBR900RE (2001-2001)	Lube . . .	WL10000		Air	N/A
VT750 ACE (1998-2000)	Lube . . .	WL10000		Air	N/A		Air	N/A
	Air	N/A	CBR900RR (1993-2003)	Lube . . .	WL10000		Air	N/A
VT750 ACE (2004-2009)	Lube . . .	WL10000	CBR954RR (2002-2003)	Lube . . .	WL10000		Air	N/A

N/A = Not Available N/R = Not Required N/S = Not Serviceable See pages 16-19 for footnotes

Italicized Part Numbers May Not Be Available.

Motorcycle Section

HONDA — HUSABERG

Make & Model Haz un modelo Marque et modèle	Serv. Type	Part No. N° de pieza N° de pièce	Make & Model Haz un modelo Marque et modèle	Serv. Type	Part No. N° de pieza N° de pièce	Make & Model Haz un modelo Marque et modèle	Serv. Type	Part No. N° de pieza N° de pièce
HONDA (Cont'd/Suite)			HONDA (Cont'd/Suite)			HONDA (Cont'd/Suite)		
1100cc			1300cc			1800cc		
CB1100F SUPER SPORT (1983-1983)	Lube ...	24940	CTX1300 (2014-2014)	Lube ...	WL10000	VTX1800S (2002-2006)	Lube ...	WL10000
CBR1100XX SUPER BLACKBIRD (1997-2003)	Lube ...	WL10000	CTX1300 (2014-2014)	Air ...	N/A		Air ...	N/A
GL1100 (1980-1983)	Lube ...	24940	VT1300 (2010-2015)	Lube ...	WL10000	VTX1800T (2007-2008)	Lube ...	WL10000
GL1100A (1982-1983)	Lube ...	24940	VT13CX FURY (2014-2014)	Air ...	N/A		Air ...	N/A
GL1100-I GOLDWING (1980-1983)	Lube ...	24940	VT13CX FURY (2014-2014)	Lube ...	WL10000			
ST1100 SERIES (1991-2003)	Lube ...	WL10000		Air ...	N/A	1832cc		
VF1100A (1984-1984)	Lube ...	51334 ⁵³	1312cc			GL1800 Gold Wing Airbag (2016-2016)	Lube ...	WL10000
VF1100C MAGNA (1983-1986)	Lube ...	51334 ⁵³	VT1300CR STATELINE (2016-2016)	Lube ...	WL10000	GL1800B Gold Wing F6B (2016-2016)	Air ...	N/A
VF1100S SABRE (1984-1985)	Lube ...	51334 ⁵³	VT1300CRA Staeline ABS (2016-2016)	Lube ...	WL10000	GL1800B Gold Wing F6B Deluxe (2016-2016)	Lube ...	WL10000
VT1100C (1099CC) (1985-1988)	Lube ...	51334 ⁵³	VT1300CX FURY (2016-2016)	Lube ...	WL10000		Air ...	N/A
VT1100C (1099CC) (1985-1990)	Air ...	N/A	VT13CX FURY (2016-2016)	Lube ...	WL10000	GL1800HP Gold Wing Audio/Comfort (2016-2016)	Lube ...	WL10000
VT1100C (1099CC) (1989-1990)	Lube ...	WL10000	VT13CX FURY (2018-2020)	Air ...	N/A		Air ...	N/A
VT1100C (1099CC) (1992-2007)	Lube ...	WL10000	VT13CX FURY (2016-2016)	Lube ...	WL10000	GL1800HPNM Gold Wing Audio/Comfort/Navixi/XM (2016-2016)	Lube ...	WL10000
VT1100C SHADOW (1986-1986)	Lube ...	51334 ⁵³		Air ...	N/A		Air ...	N/A
VT1100C SHADOW (1988-1988)	Lube ...	51334 ⁵³	1500cc			GL1800HPNM Gold Wing Audio/Comfort/Navixi/XM/ABS (2016-2016)	Lube ...	WL10000
VT1100C2 (1099CC) (1995-2007)	Lube ...	WL10000	GL1500 GOLDWING (1988-1990)	Lube ...	WL10000		Air ...	N/A
VT1100C2-2 (1997-1998)	Lube ...	WL10000		Air ...	N/A			
VT1100C3 (1998-2002)	Lube ...	WL10000	GL1500A ASPENCADE (1991-2000)	Lube ...	WL10000	1833cc		
VT1100D2 (1999-1999)	Lube ...	WL10000		Air ...	N/A	GL1800 GOLDWING SERIES (2018-2018)	Lube ...	WL10000
VT1100T (1998-2001)	Lube ...	WL10000	GL1500C VALKYRIE (1997-2003)	Lube ...	WL10000	GOLDWING (2019-2020)	Lube ...	WL10000
	Air ...	N/A	GL1500CD (2001-2003)	Air ...	N/A		Air ...	N/A
1140cc			GL1500CF (1999-2001)	Lube ...	WL10000	HUSABERG		
CB1100 (2013-2014)	Lube ...	WL10000		Air ...	N/A	249cc Engine		
CB1100A (2013-2013)	Lube ...	WL10000	GL1500CT (1997-2000)	Lube ...	WL10000	TE250 (2014-2014)	Lube ...	NS
	Air ...	N/A	GL1500I INTERSTATE (1991-1996)	Air ...	N/A		Fuel ...	N/A
1200cc			GL1500SE GOLDWING (1990-2000)	Lube ...	WL10000	250cc Engine		
GL1200 SERIES (1984-1987)	Lube ...	24940		Air ...	N/A	FE250 (2014-2014)	Lube ...	N/A
VFR1200 (2010-2010)	Lube ...	WL10000		Lube ...	WL10000	TE250 (2011-2011)	Fuel ...	N/A
VFR1200 (2012-2013)	Lube ...	WL10000	1800cc	Air ...	N/A		Air ...	WA10757
	Air ...	N/A	GL1800 GOLDWING SERIES (2001-2010)	Lube ...	WL10000	293cc Engine		
1237cc				Air ...	N/A	TE300 (2011-2012)	Lube ...	NS
VFR1200X (2016-2016)	Lube ...	WL10000	GL1800 GOLDWING SERIES (2012-2015)	Lube ...	WL10000	TE300 (2014-2014)	Air ...	N/A
VFR1200X DCT (2016-2016)	Lube ...	WL10000	NRX1800 VALKYRIE RUNE (2004-2005)	Air ...	N/A		Fuel ...	N/A
1261cc			VTX1800 GOLDWING (2001-2011)	Lube ...	WL10000	350cc Engine		
NSA700A (2009-2009)	Lube ...	WL10000	VTX1800C (2002-2007)	Air ...	N/A	FE350 (2014-2014)	Lube ...	N/A
ST1300 (2003-2016)	Lube ...	WL10000	VTX1800C (2002-2007)	Lube ...	WL10000		Fuel ...	N/A
ST1300ABS (2003-2013)	Lube ...	WL10000	VTX1800F (2005-2008)	Air ...	N/A	390cc Engine		
VTX1300C (2004-2009)	Lube ...	WL10000	VTX1800N (2004-2008)	Lube ...	WL10000	FE390 (2010-2012)	Lube ...	N/A
VTX1300R (2005-2009)	Lube ...	WL10000	VTX1800R (2002-2008)	Air ...	N/A		Air ...	N/A
VTX1300S (2003-2007)	Lube ...	WL10000		Lube ...	WL10000	450cc Engine		
VTX1300T (2008-2009)	Lube ...	WL10000		Air ...	N/A	FE450 (2007-2011)	Lube ...	N/A
	Air ...	N/A		Lube ...	WL10000	FE450 (2014-2014)	Air ...	N/A
	Air ...	N/A		Air ...	N/A		Lube ...	N/A
	Air ...	N/A		Air ...	N/A		Air ...	N/A

N/A = Not Available N/R = Not Required N/S = Not Serviceable See pages 16-19 for footnotes

Italicized Part Numbers May Not Be Available.

HUSABERG — INDIAN
Motorcycle Section

Make & Model Haz un modelo Marque et modèle	Serv. Type	Part No. N° de pieza N° de pièce	Make & Model Haz un modelo Marque et modèle	Serv. Type	Part No. N° de pieza N° de pièce	Make & Model Haz un modelo Marque et modèle	Serv. Type	Part No. N° de pieza N° de pièce	
HUSABERG (Cont'd/Suite)			HUSQVARNA (Cont'd/Suite)			HUSQVARNA (Cont'd/Suite)			
450cc Engine FS450 (2008-2008) FX450 (2010-2011)	Lube . . .	N/A	250cc TE 250 (2015-2015) WR 250 (2014-2014)	Air	WA10758	500cc TE 511 (2014-2014)	Lube . . .	N/A	
	Air	N/A		Lube . . .	NA		Air	N/A	
	Lube . . .	N/A		Air	N/A		510cc FE501 (2016-2017)	Lube . . .	N/A
	Air	N/A		Air	WA10758			Fuel	N/A
510cc Engine FE501 (2014-2014)	Lube . . .	N/A	293cc TE300 (2016-2020) TX 300 (2015-2020)	Air	WA10758	FE501S (2016-2020)	Air	WA10758	
	Fuel	N/A		Air	WA10758		Lube . . .	N/A	
550cc Engine FE550 (2007-2008)	Lube . . .	N/A	300cc TE 300 (2014-2014) TE 300 (2014-2015) TE 300 (2015-2015) WR 300 (2014-2014)	Lube . . .	NA	690cc 701 ENDURO (2015-2015)	Lube . . .	N/A	
	Air	N/A		Air	WA10758		Air	N/A	
570cc Engine FE570 (2010-2011) FE570 (2014-2014) FS570 (2011-2011)	Lube . . .	N/A	349CC FX 350 (2015-2020)	Air	WA10758	701cc 701 SUPERMOTO (2015-2015) 701 SVARTPILEN (2015-2020) 701 VITPILEN (2015-2020)	Lube . . .	N/A	
	Air	N/A		Lube . . .	N/A		Air	N/A	
	Lube . . .	N/A		Lube . . .	NA		Lube . . .	N/A	
	Air	N/A		Air	WA10758		Air	N/A	
	Air	N/A		Fuel	N/A		Air	WA10758	
650cc Engine FE650 (2007-2008) FS650 (2008-2008)	Lube . . .	N/A	350cc FC 350 (2015-2015) FC 350 (2017-2020) FC350 (2016-2016)	Air	NA	INDIAN	Lube . . .	N/A	
	Air	N/A		Lube . . .	NA		111ci ROADMASTER ELITE (2018-2020)	Lube . . .	51358 ³³
	Lube . . .	N/A		Air	WA10757		Air	N/A	
HUSQVARNA	Air	N/A	FE 350 (2015-2015) FE 350 (2018-2020) FE350 (2016-2017) FE350S (2015-2020)	Lube . . .	N/A	634cc Engine SPRINGFIELD (2001-2001)	Lube . . .	51215 ⁴⁰⁷	
	Air	N/A		Lube . . .	NA		Lube . . .	51225 ¹	
	Air	WA10757		Lube . . .	N/A		999CC SCOUT SIXTY (2018-2020)	Lube . . .	51358 ³³
	Lube . . .	NA		Air	WA10757			Air	N/A
	Air	N/A		Lube . . .	N/A			1130cc Engine SCOUT (2015-2015)	Lube . . .
Air	N/A	Air	WA10758	Air	N/A				
49CC TC 50 (2015-2020)	Air	WA10829	400cc 401 SVARTPILEN (2015-2020) 401 VITPILEN (2015-2020)	Lube . . .	N/A	1133CC SCOUT BOBBER (2018-2020)	Lube . . .	51358 ³³	
65CC TC 65 (2015-2020)	Air	N/A		Lube . . .	N/A		Air	N/A	
85cc TC 85 (2014-2014) TC 85 (2014-2015) TC 85 (2015-2015) TC85 (2016-2020)	Air	WA10757	449cc FC 450 (2015-2015) FC 450 (2018-2020) FE 450 (2015-2015) FE 450 (2018-2020) FX 450 (2015-2020) TE 449 (2014-2014)	Lube . . .	N/A	1203CC FTR 1200 (2018-2020) FTR 1200S (2018-2020)	Lube . . .	51356	
	Lube . . .	NA		Air	WA10758		Air	N/A	
125cc TC 125 (2014-2015)	Air	WA10757	450cc FC450 (2016-2017) FE450 (2016-2017)	Lube . . .	N/A	1442cc Engine CHIEF CLASSIC (1999-2003) CHIEF DELUXE (2001-2003) CHIEF VINTAGE (2000-2003)	Lube . . .	51215 ⁴⁰⁷	
	Air	WA10757		Lube . . .	N/A		Lube . . .	51225 ¹	
150CC TE 150i (2017-2020)	Air	WA10758	500cc FE 501 (2014-2014) FE 501 (2015-2015) FE 501 (2018-2020)	Lube . . .	N/A	ROADMASTER (2001-2003) SCOUT (2001-2003) SCOUT DELUXE (2001-2001)	Lube . . .	51215 ⁴⁰⁷	
249cc TE250 (2016-2020)	Air	WA10758		Fuel	N/A		Lube . . .	51225 ¹	
250cc FC 250 (2015-2015) FC 250 (2017-2020) FC250 (2016-2016) FE 250 (2014-2014) FE 250 (2015-2015) FE 250 (2017-2020) FE250 (2016-2016) TC 250 (2014-2015) TE 125 (2014-2015) TE 250 (2014-2014) TE 250 (2014-2015)	Lube . . .	N/A	500cc FE 501 (2014-2014) FE 501 (2015-2015) FE 501 (2018-2020)	Air	WA10758	SPIRIT (2001-2003) SPIRIT DELUXE (2001-2001) SPRINGFIELD (2001-2003)	Lube . . .	51215 ⁴⁰⁷	
	Air	WA10758		Lube . . .	N/A		Lube . . .	51225 ¹	
	Lube . . .	N/A		Fuel	N/A		Lube . . .	51215 ⁴⁰⁷	
	Air	WA10758		Air	WA10758		Lube . . .	51215 ⁴⁰⁷	
	Air	NA		Fuel	N/A		Lube . . .	51225 ¹	
	Air	WA10757		Air	WA10758		Lube . . .	51215 ⁴⁰⁷	
	Air	NA		Air	NA		Lube . . .	51225 ¹	
	Air	WA10757		Air	WA10757		Lube . . .	51215 ⁴⁰⁷	
	Air	NA		Air	NA		Lube . . .	51225 ¹	
	Air	WA10757		Air	WA10758		Lube . . .	51215 ⁴⁰⁷	
	Air	NA		Air	NA		Lube . . .	51225 ¹	
	Air	WA10757		Air	WA10758		Lube . . .	51215 ⁴⁰⁷	

N/A = Not Available N/R = Not Required N/S = Not Serviceable See pages 16-19 for footnotes

Italicized Part Numbers May Not Be Available.

Motorcycle Section

INDIAN — KAWASAKI

Make & Model Haz un modelo Marque et modèle	Serv. Type	Part No. N° de pieza N° de pièce	Make & Model Haz un modelo Marque et modèle	Serv. Type	Part No. N° de pieza N° de pièce	Make & Model Haz un modelo Marque et modèle	Serv. Type	Part No. N° de pieza N° de pièce
INDIAN (Cont'd/Suite)			KAWASAKI (Cont'd/Suite)			KAWASAKI (Cont'd/Suite)		
1442cc Engine SPRINGFIELD (2001-2003)	Lube . . .	51225 ¹	110cc KLX110 (KLX110-CEF) (2014-2015)	Air	N/A	250cc KL250 (KL250 SERIES) (1992-1994)	Lube . . .	24951
1720cc Engine BOMBER (2010-2010)	Lube . . .	51348 ^{407,53}	112cc KLX 110 (2019-2020)	Lube . . .	24994	KL250 (KL250 SERIES) (2003-2003)	Lube . . .	24951
CHIEF CLASSIC (2009-2013)	Lube . . .	51348 ^{407,53}	KLX110 (2016-2018)	Lube . . .	24994	KL250G SUPER SHERPA (2000-2003)	Lube . . .	24994
CHIEF DELUXE (2009-2013)	Lube . . .	51348 ^{407,53}	KLX110L (2016-2018)	Air	N/A	KLE650 VERSYS (2014-2014)	Lube . . .	51358 ⁵³
CHIEF DELUXE (2014-2014)	Lube . . .	51348 ^{407,53}	KLX110L (2018-2018)	Lube . . .	24994		Air	N/A
CHIEF VINTAGE (2009-2013)	Lube . . .	51348 ^{407,53}	125 (2 stroke) KX125 (1987-1989)	Air	24239	KLR250 (KL250 SERIES) (1985-2005)	Lube . . .	24951
DARK HORSE (2010-2013)	Lube . . .	51348 ^{407,53}	KX125 (1994-2005)	Air	24164	KLT250 (1982-1984)	Lube . . .	24950
ROADMASTER (2009-2010)	Lube . . .	51348 ^{407,53}	125cc BN125 ELIMINATOR 125 (2001-2009)	Lube . . .	24994	KLX250 (1979-1980)	Lube . . .	24950
1811cc Engine			BR125 Z125 PRO (2017-2018)	Lube . . .	24994	KLX250 (1994-1994)	Lube . . .	24994
CHIEF CLASSIC (2014-2015)	Air	N/A	BR125 Z125 PRO (2018-2018)	Air	N/A	KLX250 (1996-1996)	Lube . . .	24994
CHIEF CLASSIC (2014-2017)	Lube . . .	51358 ⁵³	BR125 Z125 PRO KRT Edition (2018-2018)	Lube . . .	24994	KLX250 (2006-2007)	Lube . . .	24994
CHIEF CLASSIC (2017-2017)	Air	N/A	BR125 Z125 PRO SE (2018-2018)	Air	N/A	KLX250R (1994-1996)	Lube . . .	24994
CHIEF DARK HORSE (2016-2016)	Lube . . .	51358 ⁵³	Z125 PRO (2019-2020)	Lube . . .	24994	KLX250S (2006-2014)	Lube . . .	24994
CHIEF VINTAGE (2014-2015)	Air	N/A		Air	N/A	KLX250S (2014-2014)	Air	N/A
CHIEF VINTAGE (2014-2016)	Lube . . .	51358 ⁵³	140cc KLX140 (KLX140-AEF) (2008-2015)	Lube . . .	24994	KX250F (2004-2005)	Air	24209
CHIEF VINTAGE (2014-2016)	Lube . . .	51358 ⁵³	KLX140 (KLX140-AEF) (2014-2015)	Air	WA10802	KX250F (2004-2018)	Lube . . .	57932
CHIEF VINTAGE (2018-2020)	Lube . . .	51358 ⁵³	144cc KLX 140 (2019-2019)	Air	WA10802	KX250F (2006-2012)	Air	24213
CHIEFTAIN (2014-2015)	Air	N/A	KLX 140 (2019-2020)	Lube . . .	24994	KX250F (2014-2015)	Air	N/A
CHIEFTAIN (2014-2016)	Lube . . .	51358 ⁵³	KLX 140 (2020-2020)	Air	N/A	KX250F (2018-2018)	Air	N/A
ROADMASTER (2015-2015)	Lube . . .	51358 ⁵³	KLX140 (2016-2018)	Lube . . .	24994	K2250 (1980-1983)	Lube . . .	24950
1900CC 116CID			KLX140 (2018-2018)	Air	WA10802	KZ250 CSR (1983-1983)	Lube . . .	24950
CHIEF DARK HORSE (2018-2020)	Lube . . .	51358 ⁵³	KLX140G (2017-2018)	Lube . . .	24994	KZ250 LTD (1980-1983)	Lube . . .	24950
CHIEFTAIN (2018-2020)	Lube . . .	51358 ⁵³	KLX140G (2018-2018)	Air	WA10802	250cc (2 stroke) KX250 (1987-1989)	Air	24239
CHIEFTAIN DARK HORSE (2018-2020)	Lube . . .	51358 ⁵³	KLX140L (2016-2018)	Lube . . .	24994	KX250 (1994-2007)	Air	24164
ROADMASTER (2018-2020)	Lube . . .	51358 ⁵³	KLX140L (2018-2018)	Air	WA10802	292cc EX300 NINJA 300 ABS KRT EDITION (2016-2017)	Lube . . .	51358 ⁵³
SPRINGFIELD (2018-2020)	Lube . . .	51358 ⁵³	200cc KDX200 (KDX200 SERIES) (1989-2005)	Air	24239	EX300 NINJA 300 ABS KRT EDITION (2017-2017)	Air	49721
	Air	N/A	KLT200 (1981-1984)	Lube . . .	24950	296cc EX300 NINJA 300 (2016-2017)	Lube . . .	51358 ⁵³
KAWASAKI			220cc KDX220 (KDX200R SERIES) (1997-2005)	Air	24239	EX300 NINJA 300 (2017-2017)	Air	49721
65cc KX65 (2000-2014)	Air	N/A	249CC KLX250 (2018-2020)	Lube . . .	24994	EX300 NINJA 300 ABS (2016-2017)	Lube . . .	51358 ⁵³
KX65 (2000-2015)	Lube . . .	NS	KX250 (2019-2020)	Air	N/A	EX300 NINJA 300 ABS (2017-2017)	Air	49721
80cc KX80 (1988-1990)	Air	24239		Lube . . .	57932	EX300 NINJA 300 SE (2016-2016)	Lube . . .	51358 ⁵³
KX80 (1991-2000)	Air	24119		Air	N/A	KLE300 VERSYS-X 300 (2018-2018)	Lube . . .	51358 ⁵³
85cc KX85 (2001-2013)	Air	24119	250cc EL250 ELIMINATOR (1988-1989)	Lube . . .	24941		Air	N/A
KX85 (2001-2015)	Lube . . .	NS	EL250 ELIMINATOR (1991-1993)	Lube . . .	24941	KLE300 VERYS (2017-2017)	Lube . . .	51358
KX85 (2014-2015)	Air	N/A	EX250 NINJA 250 (EX250 SERIES) (1986-2009)	Lube . . .	24941		Air	N/A
100cc KE100 (KE100-B7) (1987-2001)	Lube . . .	NS	EX250 NINJA 250 (EX250 SERIES) (2008-2009)	Air	49721	KLE300 VERYS ABS (2017-2017)	Lube . . .	51358
KX100 (1995-2009)	Air	24119	KDX250 (1991-1994)	Air	24239	VERSYS-X 300 (2019-2020)	Air	N/A
KX100 (2011-2013)	Air	24119	KL250 (KL250 SERIES) (1978-1984)	Lube . . .	24950		Lube . . .	51358
KX100 (2014-2015)	Lube . . .	NS	KL250 (KL250 SERIES) (1987-1990)	Lube . . .	24951		Air	N/A
110cc KLX110 (KLX110-CEF) (2002-2015)	Lube . . .	24994				300cc EX300 NINJA 300 (EX300 SERIES) (2013-2015)	Lube . . .	51358 ⁵³
						EX300 NINJA 300 (EX300 SERIES) (2015-2015)	Air	49721
						KLX300 (1997-2007)	Air	24239

N/A = Not Available N/R = Not Required N/S = Not Serviceable See pages 16-19 for footnotes

Italicized Part Numbers May Not Be Available.

KAWASAKI
Motorcycle Section

Make & Model Haz un modelo Marque et modèle	Serv. Type	Part No. N° de pieza N° de pièce	Make & Model Haz un modelo Marque et modèle	Serv. Type	Part No. N° de pieza N° de pièce	Make & Model Haz un modelo Marque et modèle	Serv. Type	Part No. N° de pieza N° de pièce	
KAWASAKI (Cont'd/Suite)			KAWASAKI (Cont'd/Suite)			KAWASAKI (Cont'd/Suite)			
300cc			636cc			650cc			
KLX300 (1997-2008)	Lube ...	24994	ZX636 NINJA ZX-6R ABS KRT	Lube ...	51358 ⁵³	KLX650R (1993-1996)	Air ...	49722	
KLX300R (1997-2008)	Lube ...	24994	EDITION (2016-2016)	Air ...	N/A	KZ650 (1977-1983)	Lube ...	24941	
399CC			649cc			KZ650 LTD (1977-1983)	Lube ...	24941	
EX400 NINJA 400 (2018-2018)	Lube ...	51358 ⁵³	EN650 VULCAN S (2016-2018)	Lube ...	51358 ⁵³	KZ650CSR (1977-1983)	Lube ...	24941	
NINJA 400ABS (2019-2020)	Air ...	N/A	EN650 VULCAN S (2017-2018)	Air ...	N/A	W650 (2000-2001)	Lube ...	51358 ⁵³	
Z400 ABS (2019-2020)	Lube ...	51358	EN650 VULCAN S ABS (2016-2017)	Lube ...	51358 ⁵³	651cc	KLR 650 (2020-2020)	Lube ...	24951
	Air ...	N/A	EN650 VULCAN S ABS (2017-2017)	Air ...	N/A	KLR650 (2016-2016)	Air ...	49722	
400cc			EN650 VULCAN S ABS (2017-2017)	Lube ...	51358 ⁵³	KLR650 (2018-2019)	Lube ...	24951	
KLX400 (2003-2004)	Air ...	24242	EN650 VULCAN S ABS CAFE (2016-2016)	Lube ...	51358 ⁵³	KLR650 CAMO (2016-2016)	Air ...	49722	
KLX400SR (2003-2004)	Lube ...	57931	EN650 VULCAN S ABS SE (2016-2016)	Lube ...	51358 ⁵³		Lube ...	24951	
KZ400 (1974-1979)	Air ...	24242	EX650 NINJA 650 (2016-2018)	Lube ...	51358 ⁵³	700cc	KZ700 (1984-1984)	Lube ...	24941
KZ400-D (1974-1979)	Lube ...	24941	EX650 NINJA 650 (2017-2018)	Air ...	N/A	VN700 VULCAN (1985-1985)	Lube ...	51334 ⁴³	
440cc			EX650 NINJA 650 ABS (2016-2017)	Lube ...	51358 ⁵³	ZN1300 VOYAGER (1983-1988)	Lube ...	24942 ³²⁸	
KZ440LTD (1980-1983)	Lube ...	24941	EX650 NINJA 650 ABS (2016-2017)	Lube ...	51358 ⁵³	ZN700LTD (1984-1985)	Lube ...	24943 ³²⁹	
449CC			EX650 NINJA 650 ABS (2017-2017)	Air ...	N/A		Lube ...	24941	
KX450 (2019-2020)	Lube ...	57932	KLE650 VERSYS (2018-2018)	Lube ...	51358 ⁵³	750cc	GPZ750 TURBO (1984-1985)	Lube ...	24941
	Air ...	N/A	KLE650 VERSYS 650 ABS (2016-2017)	Lube ...	51358 ⁵³	KZ750 (1976-1979)	Lube ...	24943	
450cc			KLE650 VERSYS 650 ABS (2017-2017)	Air ...	N/A	KZ750 (1980-1983)	Lube ...	24941	
EN450 454 LTD (1985-1990)	Lube ...	51334 ⁴³	KLE650 VERSYS 650 ABS (2016-2017)	Lube ...	51358 ⁵³	KZ750 LTD 2 CYL. (1980-1983)	Lube ...	24943	
KC450F (2015-2015)	Lube ...	24994	KLE650 VERSYS 650 ABS (2017-2017)	Air ...	N/A	KZ750 LTD 4 CYL. (1980-1983)	Lube ...	24941	
KLX450R (2008-2009)	Air ...	N/A	KLE650 VERSYS 650 LT (2016-2016)	Lube ...	51358 ⁵³	KZ750 SPECTRE (1982-1984)	Lube ...	24941	
KX450 (2006-2012)	Air ...	24214	KLE650 Versys ABS LT (2016-2016)	Lube ...	51358 ⁵³	KZ750-CSR (1982-1982)	Lube ...	24943	
KX450 (2006-2015)	Air ...	24213	NINJA 650ABS (2019-2020)	Lube ...	51358	KZ750-GPZ (1982-1982)	Lube ...	24941	
KX450 (2013-2015)	Lube ...	24994	VERSYS 650 (2019-2020)	Lube ...	51358	KZ750-M (1982-1982)	Lube ...	24943	
KX450F (2016-2016)	Air ...	N/A	VULCAN S (2019-2020)	Lube ...	51358	KZ750-R (1982-1982)	Lube ...	24941	
KX450F (2016-2016)	Air ...	WA10797	Z650 ABS (2019-2020)	Lube ...	51358	VN750 VULCAN (1986-1993)	Lube ...	51334 ⁴³	
KX450F (2016-2018)	Lube ...	57932	ZR650 Z650 (2018-2018)	Lube ...	51358 ⁵³	VN750 VULCAN (1994-2006)	Lube ...	51358 ⁵³	
KX450F (2018-2018)	Air ...	N/A		Air ...	N/A	ZR-7 (2000-2000)	Lube ...	24941	
500cc				Lube ...	51358	ZR750 F2 (2000-2000)	Lube ...	24941	
EN500 VULCAN (1988-1988)	Lube ...	51358 ⁵³		Air ...	N/A	ZR750 ZEPHYR (1991-1993)	Lube ...	24941	
EN500 VULCAN (1990-1994)	Lube ...	51358 ⁵³		Lube ...	51358	ZR750 ZR-7S (2001-2002)	Lube ...	24941	
EN500 VULCAN (1996-1996)	Lube ...	51358 ⁵³		Air ...	N/A	ZR750H ZR-7S (2003-2003)	Lube ...	24941	
EN500 VULCAN LTD (1996-2009)	Lube ...	51358 ⁵³		Lube ...	51358	ZX750 (1984-1985)	Lube ...	24941	
EX500 NINJA 500 (EX500 SERIES) (1987-1989)	Lube ...	51334 ⁴³		Air ...	N/A	ZX750 (1996-1996)	Lube ...	51358 ⁵³	
EX500 NINJA 500 (EX500 SERIES) (1990-2009)	Lube ...	51358 ⁵³		Lube ...	51358 ⁵³	ZX750 GPZ (1983-1985)	Lube ...	24941	
550cc				Air ...	N/A	ZX750 NINJA (ZX-7) SERIES (1983-1988)	Lube ...	24941	
KZ550 (1980-1984)	Lube ...	24941		Lube ...	51358 ⁵³	ZX750 NINJA (ZX-7) SERIES (1989-1989)	Lube ...	51358 ⁵³	
ZR550 ZEPHYR (1990-1993)	Lube ...	24941		Air ...	N/A	ZX750 NINJA (ZX-7) SERIES (1990-1990)	Lube ...	24941	
ZX550 GPZ (1984-1986)	Lube ...	24941		Lube ...	24951	ZX750 NINJA (ZX-7) SERIES (1993-1995)	Lube ...	51358 ⁵³	
600cc				Lube ...	24951	ZX750 NINJA (ZX-7R) (1991-2003)	Lube ...	51358 ⁵³	
KL600 (KLR600 SERIES) (1984-1986)	Lube ...	24951		Air ...	49722	ZX750 NINJA (ZX-7R) (1996-1997)	Lube ...	51358 ⁵³	
ZL600 ELIMINATOR (1986-1998)	Lube ...	24941		Lube ...	24951	ZX750-P NINJA (ZX-7R) (1996-1999)	Lube ...	51358 ⁵³	
ZX-6 NINJA ZX600 (1990-2003)	Lube ...	51358 ⁵³		Lube ...	24951	773CC	W800 (2019-2020)	Lube ...	51358 ⁵³
ZX600 NINJA 600R (1988-1997)	Lube ...	24941		Air ...	49722		Air ...	N/A	
ZX-6R NINJA ZX600 (1995-2002)	Lube ...	51358 ⁵³		Lube ...	51358 ⁵³	800cc	VN800 DRIFTER (VULCAN SERIES) (2003-2006)	Lube ...	51358 ⁵³
ZX-6R NINJA ZX600 (2006-2012)	Lube ...	51358 ⁵³		Lube ...	24951	VN800 VULCAN (1995-2005)	Lube ...	51358 ⁵³	
ZX-6R NINJA ZX636 (2003-2015)	Lube ...	51358 ⁵³		Lube ...	24951	VN800 VULCAN CLASSIC (1995-2014)	Lube ...	51358 ⁵³	
ZX-6R NINJA ZX636 (2015-2015)	Air ...	N/A		Air ...	49722				
ZX-6RR NINJA ZX600 (2003-2006)	Lube ...	51358 ⁵³		Lube ...	24951				
ZZR600 (2004-2008)	Lube ...	51358 ⁵³		Air ...	49722				
636cc				Lube ...	24951				
NINJA ZX-6R ABS (2019-2020)	Lube ...	51358		Air ...	49722				
	Air ...	N/A		Lube ...	24951				
ZX636 NINJA ZX-6R ABS (2016-2018)	Lube ...	51358 ⁵³		Air ...	49722				
	Air ...	N/A		Lube ...	24951				

N/A = Not Available N/R = Not Required N/S = Not Serviceable See pages 16-19 for footnotes

Motorcycle Section

KAWASAKI

Make & Model Haz un modelo Marque et modèle	Serv. Type	Part No. N° de pieza N° de pièce	Make & Model Haz un modelo Marque et modèle	Serv. Type	Part No. N° de pieza N° de pièce	Make & Model Haz un modelo Marque et modèle	Serv. Type	Part No. N° de pieza N° de pièce
KAWASAKI (Cont'd/Suite)			KAWASAKI (Cont'd/Suite)			KAWASAKI (Cont'd/Suite)		
800cc			998cc			1100cc		
VN800 VULCAN CLASSIC STD (1997-1999)	Lube ...	51358 ⁵³	ZX1000 Ninja ZX-10R ABS KRT (2016-2016)	Air ...	N/A	KZ1100A (1981-1983)	Air ...	N/A
VN800 VULCAN CLASSIC STD (2001-2005)	Lube ...	51358 ⁵³	ZX1000 Ninja ZX-10R (2016-2016)	Lube ...	WL10227	KZ1100B GPZ (1981-1982)	Lube ...	24941
				Air ...	N/A	KZ1100D SPECTRE (1981-1982)	Lube ...	24941
						KZ1100L LTD (1981-1983)	Air ...	N/A
806cc			1000cc				Lube ...	24941
ZR800 Z800 ABS (2016-2016)	Lube ...	51358 ⁵³	KZ1000 (1977-1978)	Lube ...	24942 ²⁸⁸		Air ...	N/A
	Air ...	N/A		Lube ...	24943 ²⁸⁹			
				Lube ...	24942			
900cc				Lube ...	24942 ²⁸⁸	1200cc		
KZ900 (1973-1977)	Lube ...	24942 ³²⁸	KZ1000 (1979-1979)	Lube ...	24942	ZG1200 VOYAGER X11 (1986-2003)	Lube ...	24941
	Lube ...	24943 ³²⁹	KZ1000 (1980-1980)	Lube ...	24943 ³²⁹	ZRX1200R (2001-2009)	Lube ...	24941
	Lube ...	24942 ³²⁸	KZ1000 (1981-1983)	Lube ...	24941	ZX-12R NINJA (2000-2009)	Lube ...	51358 ⁵³
	Lube ...	24943 ³²⁹	KZ1000 CSR (1981-1982)	Lube ...	24941	ZZR1200 SPORT TOURER (2002-2005)	Lube ...	24941
	Lube ...	24942 ³²⁸	KZ1000 LTD (1977-1980)	Lube ...	24942 ²⁸⁸			
	Lube ...	24943 ³²⁹		Lube ...	24943 ³²⁹			
VN900 VULCAN CLASSIC (2006-2015)	Lube ...	51358 ⁵³	KZ1000 LTD (1981-1983)	Lube ...	24941	1300cc		
VN900 VULCAN CLASSIC (2015-2015)	Air ...	N/A	KZ1000 POLICE (1978-1981)	Lube ...	24942 ²⁸⁸	KZ1300 (1979-1981)	Lube ...	24942 ³²⁸
VN900 VULCAN CUSTOM (2006-2014)	Lube ...	51358 ⁵³	KZ1000 POLICE (1982-2005)	Lube ...	24943 ³²⁹	KZ1300 TOURING (1979-1981)	Lube ...	24943 ³²⁹
ZL900 ELIMINATOR (1984-1986)	Lube ...	24941	KZ1000 REPLICA (1982-1983)	Lube ...	24941			
ZX9 (1984-1986)	Lube ...	24941	KZ1000 ST/SHAFT (1979-1979)	Lube ...	24942 ²⁸⁸			
ZX900 NINJA (1984-1986)	Lube ...	24941	KZ1000 ST/SHAFT (1980-1980)	Lube ...	24943 ³²⁹	1352cc		
ZX900 NINJA (ZX9R) (1994-1997)	Lube ...	51358 ⁵³	Z1000 (ZR1000) (2003-2008)	Lube ...	24942	CONCOURS 14 ABS (2019-2021)	Lube ...	51358
ZX900 NINJA (ZX9R) (1998-2003)	Lube ...	51365	Z1000 (ZR1000) (2010-2015)	Lube ...	51358 ⁵³	ZG1400 CONCOURS (2014-2014)	Air ...	N/A
				Air ...	N/A	ZG1400 Concours ABS (2016-2018)	Lube ...	51358 ⁵³
				Air ...	N/A		Air ...	N/A
903cc			Z1R (1979-1980)	Lube ...	24942 ²⁸⁸	1400cc		
VN900B Vulcan 900 Classic (2016-2018)	Lube ...	51358 ⁵³		Lube ...	24943 ³²⁹	CONCOURS 14 (ZG1400) (2008-2015)	Lube ...	51358 ⁵³
	Air ...	N/A	ZG1000 CONCOURS (1986-2006)	Lube ...	24941	CONCOURS 14 (ZG1400) (2014-2015)	Air ...	N/A
VN900C Vulcan 900 Custom (2016-2018)	Lube ...	51358 ⁵³	ZL1000 ELIMINATOR (1987-1987)	Lube ...	24941	ZX1400 NINJA ZX-14 SERIES (2006-2015)	Lube ...	51358 ⁵³
	Air ...	N/A	ZX1000 NINJA 1000 SERIES (2011-2015)	Lube ...	51358 ⁵³	ZX1400 NINJA ZX-14 SERIES (2014-2015)	Air ...	N/A
VN900D Vulcan 900 Classic LT (2016-2016)	Lube ...	51358 ⁵³	ZX1000 NINJA 1000 SERIES (2014-2015)	Air ...	N/A			
	Air ...	N/A	ZX1000 NINJA ZX-10 SERIES (1986-1990)	Lube ...	24941	1441cc		
VULCAN 900 (2019-2020)	Lube ...	51358	ZX1000 NINJA ZX-10 SERIES (2004-2015)	Lube ...	51358 ⁵³	NINJA ZX-14R ABS (2019-2020)	Lube ...	51358
	Air ...	N/A	ZX1000 NINJA ZX-10 SERIES (2014-2015)	Air ...	N/A	ZX1400 NINJA ZX-14R ABS (2016-2016)	Air ...	N/A
948CC						ZX1400 NINJA ZX-14R ABS SE (2016-2018)	Lube ...	51358 ⁵³
Z900 ABS (2019-2020)	Lube ...	51358	1043cc				Air ...	N/A
	Air ...	N/A	KLZ1000 VERSEYS (2015-2015)	Lube ...	51358 ⁵³	1500cc		
Z900RS (2018-2018)	Lube ...	51358 ⁵³	KLZ1000 Versys LT (2016-2016)	Air ...	N/A	VN1500 (VULCAN SERIES) (1987-1999)	Lube ...	51358 ⁵³
Z900RS (2018-2020)	Air ...	N/A	KLZ1000 Versys LT (2018-2018)	Lube ...	51358 ⁵³	VN1500 CLASSIC (VULCAN SERIES) (2000-2008)	Lube ...	51358 ⁵³
Z900RS (2019-2020)	Lube ...	51358	NINJA 1000ABS (2019-2020)	Air ...	N/A	VN1500 DRIFTER (VULCAN SERIES) (1999-2006)	Lube ...	51358 ⁵³
ZR900 Z900 (2018-2018)	Lube ...	51358 ⁵³	VERSYS 1000 LT (2019-2020)	Lube ...	51358	VN1500 NOMAD (VULCAN SERIES) (1999-2004)	Lube ...	51358 ⁵³
	Air ...	N/A	ZR1000 Z1000 ABS (2016-2016)	Air ...	N/A			
998cc						1600cc		
NINJA H2 (2019-2020)	Lube ...	N/A	KLZ1000 Versys LT (2016-2016)	Lube ...	51358 ⁵³	VN1600 CLASSIC (VULCAN SERIES) (2003-2008)	Lube ...	51358 ⁵³
	Air ...	N/A	KLZ1000 Versys LT (2018-2018)	Air ...	N/A	VN1600 MEAN STREAK (VULCAN SERIES) (2004-2008)	Lube ...	51358 ⁵³
NINJA ZX-10R ABS (2019-2020)	Lube ...	WL10227	NINJA 1000ABS (2019-2020)	Lube ...	51358 ⁵³	VN1600 NOMAD (VULCAN SERIES) (2005-2008)	Lube ...	51358 ⁵³
	Air ...	N/A	VERSYS 1000 LT (2019-2020)	Lube ...	51358			
NINJA ZX-10RR (2019-2020)	Lube ...	WL10227	ZR1000 Z1000 ABS (2016-2016)	Lube ...	51358	1700cc		
	Air ...	N/A		Air ...	N/A	VN1700 VULCAN 1700 NOMAD (2009-2015)	Lube ...	51358 ⁵³
ZX1000 NINJA ZX-10R ABS (2016-2016)	Lube ...	51358 ⁵³	ZX1000 NINJA 1000 ABS (2016-2018)	Lube ...	51358 ⁵³			
	Air ...	N/A		Air ...	N/A			
ZX1000 NINJA ZX-10R ABS SE (2016-2016)	Lube ...	WL10227	1100cc					
ZX1000 Ninja H2 (2016-2018)	Lube ...	N/A	1100 SERIES (ALL) (1981-1985)	Lube ...	24941			
	Air ...	WA10912	1100 SERIES (ALL) (1990-2001)	Lube ...	24941			
ZX1000 Ninja ZX-10R (2016-2018)	Lube ...	WL10227	KZ1100A (1981-1983)	Lube ...	24941			
	Air ...	N/A						
ZX1000 Ninja ZX-10R ABS KRT Edition (2016-2016)	Lube ...	WL10227						

N/A = Not Available N/R = Not Required N/S = Not Serviceable See pages 16-19 for footnotes

KAWASAKI — MOTO GUZZI
Motorcycle Section
MOTORCYCLES

Make & Model Haz un modelo Marque et modèle	Serv. Type	Part No. N° de pieza N° de pièce	Make & Model Haz un modelo Marque et modèle	Serv. Type	Part No. N° de pieza N° de pièce	Make & Model Haz un modelo Marque et modèle	Serv. Type	Part No. N° de pieza N° de pièce
KAWASAKI (Cont'd/Suite)			KTM (Cont'd/Suite)			KTM (Cont'd/Suite)		
1700cc VN1700 VULCAN 1700 VAQUERO (2011-2014)	Lube . . .	51358 ⁵³	249cc Engine 250 SX-F (2017-2020)	Air	WA10758	450cc 450SX-F (2011-2020)	Lube . . .	N/A
VN1700 Vulcan 1700 Vaquero ABS (2016-2018)	Lube . . .	51358 ⁵³	250XC-W (2016-2016)	Air	WA10757	450SX-F (2016-2020)	Air	WA10758
	Air	N/A	250XC-W (2016-2018)	Lube	NS	450XC-F (2017-2020)	Lube	N/A
VN1700 VULCAN 1700 VOYAGER (2009-2014)	Lube . . .	51358 ⁵³	250XC-W (2017-2018)	Air	WA10758		Air	WA10758
VN1700 Vulcan 1700 Voyager ABS (2016-2018)	Lube . . .	51358 ⁵³	250cc Engine 250 EXC-F (2018-2018)	Lube	N/A	500cc Engine 500EXC (2015-2015)	Lube	NS
	Air	N/A		Air	WA10758		Air	WA10757
VULCAN 1700 VAQUERO ABS (2019-2020)	Lube . . .	51358 ⁵³	250 SX (2014-2015)	Lube	NS	510cc 500 EXC-F (2017-2020)	Lube	N/A
	Air	N/A		Air	WA10757		Air	WA10758
VULCAN 1700 VOYAGER ABS (2019-2020)	Lube . . .	51358	250 SX (2018-2018)	Lube	NS	500 XC-W (2016-2016)	Lube	N/A
	Air	N/A		Air	WA10758		Air	WA10757
	Lube . . .	51358	250 SX-F (2016-2016)	Lube	N/A	500EXC (2016-2016)	Lube	N/A
	Air	N/A		Air	WA10757		Air	WA10757
	Lube . . .	51358	250 XC-F (2007-2007)	Lube	N/A	620cc Engine 620 EXC (1997-2010)	Lube	N/A
	Air	N/A		Air	WA10823		Air	N/A
2000cc VN2000 VULCAN 2000 (2053CC) (2004-2009)	Lube . . .	51358 ⁵³	250 XC-F (2011-2015)	Air	WA10757	620 EXC (2014-2014)	Lube	N/A
VN2000 VULCAN LIMITED (2005-2006)	Lube . . .	51358 ⁵³	250 XC-F (2011-2020)	Lube	N/A		Lube	N/A
			250 XC-F (2016-2020)	Air	WA10758		Lube	NS
			250XC-F-W (2016-2016)	Lube	N/A	620 LSK (2014-2014)	Lube	N/A
				Air	WA10757			
KTM						MOTO GUZZI		
49cc 50 SX (2002-2008)	Air	WA10829	293cc Engine 300 XC (2015-2015)	Lube	NS	750cc BREVA 1100 (2005-2006)	Lube	51215 ⁴⁹⁷
50 SX (2016-2018)	Air	WA10829	300 XC (2015-2016)	Air	WA10757		Lube	51225 ¹
50 SX (2018-2018)	Lube	NS	300 XC (2017-2018)	Lube	NS			
50 SX MINI (2002-2008)	Air	WA10755		Air	WA10758	1100cc CALIFORNIA EV (2002-2004)	Lube	51215 ⁴⁹⁷
50 SX MINI (2016-2017)	Air	WA10829	300XC-W (2016-2016)	Air	WA10757		Lube	51225 ¹
65cc 65SX (1997-2017)	Air	N/A	300XC-W (2016-2018)	Lube	NS	CALIFORNIA IE (1994-2001)	Lube	51215 ⁴⁹⁷
65SX (2018-2018)	Lube	NS	300XC-W (2017-2018)	Air	WA10758		Lube	51225 ¹
85cc 85SX (2016-2017)	Air	WA10757	350cc 350 XC-F (2012-2016)	Air	WA10757	CALIFORNIA SPECIAL (2002-2004)	Lube	51215 ⁴⁹⁷
85SX (2018-2018)	Lube	NS	350 XC-F (2012-2020)	Lube	N/A		Lube	51225 ¹
	Air	N/A	350 XC-F (2017-2020)	Air	WA10758			
85cc Engine 85 (2004-2007)	Air	WA10823	350 XCF-W (2016-2016)	Lube	N/A	CALIFORNIA STONE SERIES (2002-2004)	Lube	51215
85 (2013-2015)	Air	WA10757		Air	WA10757		Lube	51215
105cc Engine 105 (2004-2007)	Air	WA10823	350XCF-W SIX DAYS (2016-2016)	Lube	N/A	QUOTA 1100ES (2000-2006)	Lube	51215 ⁴⁹⁷
125cc 125 SX (2014-2015)	Lube	NS		Air	WA10757		Lube	51225 ¹
	Air	WA10757	350cc Engine 350 EXC-F (2012-2016)	Air	WA10757	SPECIAL (1994-2001)	Lube	51215 ⁴⁹⁷
125 SX (2016-2018)	Air	WA10758	350 EXC-F (2012-2018)	Lube	N/A		Lube	51225 ¹
125 SX (2018-2018)	Lube	NS	350 EXC-F (2017-2018)	Air	WA10758	SPORT 1100 (1994-1997)	Lube	51215 ⁴⁹⁷
125cc Engine 125 (1998-2003)	Air	N/A	350 SX-F (2011-2016)	Air	WA10757		Lube	51225 ¹
125 (1998-2006)	Air	WA10823	350 SX-F (2011-2020)	Lube	N/A	V11 BASSA (2000-2006)	Lube	51215 ⁴⁹⁷
125 (2008-2008)	Air	24234	350 SX-F (2017-2020)	Air	WA10758		Lube	51225 ¹
144cc 150 SX (2014-2016)	Air	WA10757	400cc Engine 400 EXE (2014-2014)	Lube	N/A	V11 EV (1998-2001)	Lube	51215 ⁴⁹⁷
150 SX (2014-2018)	Lube	NS		Lube	NS		Lube	51225 ¹
150 SX (2016-2018)	Air	WA10758	449cc 450 XCW (2016-2016)	Lube	N/A	V11 JACKAL SERIES (1999-2001)	Lube	51215
150 XC-W (2017-2018)	Lube	NS		Air	WA10757		Air	N/A
	Air	WA10758	450XC-F (2013-2015)	Air	WA10757	V11 LE MANS (2000-2006)	Lube	51215 ⁴⁹⁷
144cc Engine 150 XC (2014-2014)	Lube	NS	450XC-F (2013-2016)	Lube	N/A		Lube	51225 ¹
	Air	WA10757	450XC-F (2016-2016)	Air	WA10758	V11 QUOTA (2000-2006)	Lube	51215 ⁴⁹⁷
193cc 200 XC-W (2016-2016)	Air	WA10757					Lube	51225 ¹
193cc Engine 200 XC-W (2014-2015)	Lube	NS	449cc Engine 450 XCW (2015-2015)	Lube	NS	V11 SPORT (1998-2006)	Lube	51215 ⁴⁹⁷
	Air	WA10757		Air	WA10757		Lube	51225 ¹
249cc Engine 250 SX (2016-2016)	Air	WA10757	450cc 450 SX-F Factory Edition (2016-2016)	Lube	N/A	1151cc NORGE (2015-2015)	Lube	51348 ^{497,53}
250 SX (2016-2017)	Lube	N/A		Air	WA10757		Lube	57348 ¹
250 SX (2017-2017)	Air	WA10758				1200cc GRISO 1200 8V (2009-2014)	Lube	51348 ⁵³
250 SX-F (2017-2020)	Lube	N/A		Air	WA10757		Fuel	N/A

N/A = Not Available N/R = Not Required N/S = Not Serviceable See pages 16-19 for footnotes

Italicized Part Numbers May Not Be Available.

Make & Model Haz un modelo Marque et modèle	Serv. Type	Part No. N° de pieza N° de pièce	Make & Model Haz un modelo Marque et modèle	Serv. Type	Part No. N° de pieza N° de pièce	Make & Model Haz un modelo Marque et modèle	Serv. Type	Part No. N° de pieza N° de pièce
MOTO GUZZI (Cont'd/Suite)			SUZUKI (Cont'd/Suite)			SUZUKI (Cont'd/Suite)		
1200cc			125cc			385cc		
GRISO 1200 8V (2009-2014)	Air	N/A	DRZ125 (2014-2014)	Air	N/A	BURGMAN 400Z ABS (2016-2016)	Lube . . .	NA
STELVIO 1200 (2009-2013)	Lube . . .	51348 ^{407,53}	DRZ125 (2016-2016)	Lube . . .	24949	DR-Z400S (2016-2017)	Lube . . .	57931
	Lube . . .	57348 ¹	DR-Z125L (2016-2017)	Lube . . .	24949		Air	24242
	Air	N/A		Air	N/A	DR-Z400S (2019-2020)	Lube . . .	57931
STELVIO 1200 (2015-2015)	Lube . . .	51348 ^{407,53}	RM125 (1987-1992)	Air	24239	DR-Z400SM (2016-2017)	Air	24242
	Lube . . .	57348 ¹	SP-125 (1986-1988)	Lube . . .	24949		Lube . . .	57931
	Air	N/A				DR-Z400SM (2019-2020)	Air	24242
			125cc (2 stroke)				Lube . . .	57931
POLARIS			RM125 (2003-2007)	Air	24235		Air	57931
L4 2.0L 2000CC 122CID			199cc			400cc		
Slingshot GT (2020-2020)	Lube . . .	51348 ⁵³	DR200S (2016-2017)	Lube . . .	24949	AN400 Burgman ABS (2016-2016)	Lube . . .	WL10339
	Air	N/A	DR200S (2019-2020)	Lube . . .	24949	BURGMAN 400 (2007-2013)	Lube . . .	WL10339
Slingshot R (2020-2020)	Lube . . .	51348 ⁵³		Air	N/A		Air	N/A
	Air	N/A	200cc			BURGMAN 400 ABS (2016-2016)	Lube . . .	WL10339
Slingshot SL (2020-2020)	Lube . . .	51348 ⁵³	DR200 (1986-1988)	Lube . . .	24949	DRZ400 (2000-2009)	Lube . . .	57931
	Air	N/A	DR200SE (1996-2009)	Lube . . .	24949	DRZ400 (2011-2015)	Air	24242
			DR200SE (2011-2011)	Lube . . .	24949		Lube . . .	57931
2.4L DOHC Eng.			DR200SE (2013-2013)	Lube . . .	24949	GS400 SERIES (1977-1978)	Lube . . .	24931
SLINGSHOT (2015-2015)	Air	49066	DR200SE (2014-2014)	Lube . . .	NA	GSF400 BANDIT (1991-1993)	Lube . . .	24931
SLINGSHOT (2015-2016)	Lube . . .	N/A ⁴³⁹	DR200SE (2015-2015)	Lube . . .	24949			
SLINGSHOT (2015-2017)	Lube . . .	57082 ²⁷⁵	SP200 (1986-1988)	Lube . . .	24949			
SLINGSHOT (2016-2016)	Air	49066 ⁴³⁹	UH200 BURGMAN 200 (2014-2014)	Lube . . .	N/A			
SLINGSHOT (2017-2017)	Lube . . .	N/A	UH200 BURGMAN 200 (2015-2015)	Lube . . .	NA	425cc		
	Air	49066		Air	N/A	GS425 SERIES (1979-1979)	Lube . . .	24931
Slingshot GT (2019-2019)	Lube . . .	57082 ²⁷⁵				449cc		
	Lube . . .	N/A ⁴³⁹	248cc			RMZ450 (2016-2017)	Air	24235
	Air	N/A	GW250 STANDARD (2013-2014)	Air	N/A	RMZ450 (2016-2020)	Lube . . .	57932
Slingshot GT LE (2018-2018)	Lube . . .	57082 ²⁷⁵	GW250 STANDARD (2013-2015)	Lube . . .	51359	RMZ450 (2018-2019)	Air	N/A
	Lube . . .	N/A ⁴³⁹	GW250 STANDARD (2017-2017)	Lube . . .	51359	RMZ450 (2020-2020)	Air	24235
	Air	N/A		Air	N/A			
Slingshot S (2018-2019)	Lube . . .	57082 ²⁷⁵	249cc			450cc		
	Lube . . .	N/A ⁴³⁹	RMX250 (1989-1998)	Air	24239	GS450 SERIES (1980-1983)	Lube . . .	24931
	Air	N/A	RMX250 (1991-1998)	Lube . . .	NA	GS450 SERIES (1985-1988)	Lube . . .	24931
Slingshot SL (2015-2017)	Air	49066	RM-Z250 (2016-2016)	Lube . . .	57932	RMX450Z (2010-2013)	Lube . . .	57932
Slingshot SL (2015-2019)	Lube . . .	57082 ²⁷⁵		Air	24235	RMX450Z (2016-2017)	Lube . . .	57932
	Lube . . .	N/A ⁴³⁹	TU250X (2014-2014)	Lube . . .	NA	RMZ450 (2005-2015)	Air	24235
	Air	N/A	TU250X (2015-2017)	Lube . . .	NA	RMZ450 (2005-2016)	Lube . . .	57932
Slingshot SL (2018-2019)	Lube . . .	57082 ²⁷⁵		Air	N/A			
Slingshot SL LE (2016-2017)	Lube . . .	57082 ²⁷⁵	250cc			487cc		
	Lube . . .	N/A ⁴³⁹	DR250 (1983-1983)	Lube . . .	N/A	GS500F (2004-2009)	Lube . . .	24931
	Air	49066	DR250 (1984-1985)	Lube . . .	24931	500cc		
Slingshot SLR (2017-2019)	Lube . . .	57082 ²⁷⁵	DR250 (1990-1990)	Lube . . .	24931	DR500 (1981-1983)	Lube . . .	24931
	Lube . . .	N/A ⁴³⁹	GN250 (1982-1988)	Lube . . .	24931	GS500 (2009-2011)	Lube . . .	24931
	Air	N/A	GS250T (1980-1981)	Lube . . .	24931	GS500E (1989-2003)	Lube . . .	24931
Slingshot SLR LE (2018-2018)	Lube . . .	57082 ²⁷⁵	GZ250X (1999-2001)	Lube . . .	51359	GS500EX (1999-1999)	Lube . . .	51359
	Lube . . .	N/A ⁴³⁹	RM250 (1987-1992)	Air	24239			
	Lube . . .	N/A	RM250 (1991-1992)	Lube . . .	NA	550cc		
	Air	N/A	RMZ250 (2004-2006)	Air	24209	GS550 SERIES (1977-1986)	Lube . . .	24931
			RMZ250 (2004-2017)	Lube . . .	57932	599cc		
			RMZ250 (2007-2015)	Air	24235	GSX-R 600 (2016-2017)	Lube . . .	51359
			RMZ250 (2019-2020)	Lube . . .	57932		Air	N/A
SUZUKI			250cc (2 stroke)			GSX-R 600 (2019-2020)	Lube . . .	51359
49CC	DR-Z50L9 (2019-2019)	Air	RM250 (2003-2007)	Air	24235		Air	N/A
67cc	DRZ70 (2008-2009)	Lube . . .	300cc			600cc		
		N/A	GS300L (1982-1983)	Lube . . .	24931	GSX600F KATANA (1998-1998)	Lube . . .	51359
			GS300L (1985-1985)	Lube . . .	24931		Air	N/A
85cc	RM85 (2015-2017)	Lube . . .				GSX-R 600 (2000-2002)	Air	N/A
		NA				GSX-R 600 (2000-2013)	Lube . . .	51359
	RM85 (2019-2020)	Lube . . .				GSX-R 600 (2011-2013)	Air	N/A
		NA				RF600 SERIES (1988-2009)	Lube . . .	51359
		Air	385cc			638cc		
		WA10798	BURGMAN 400 (2003-2006)	Lube . . .	24949	AN650A Burgman ABS Executive (2017-2017)	Lube . . .	51359
100cc	RM100 (2003-2003)	Air		Air	N/A		Air	N/A
110cc	DRZ110 (2003-2005)	Lube . . .				BURGMAN 650 EXECUTIVE (2016-2016)	Lube . . .	51359
125cc	DR125 (1986-1988)	Lube . . .						
	DR125S (1994-1996)	Lube . . .						
	DRZ125 (2003-2014)	Lube . . .						

N/A = Not Available N/R = Not Required N/S = Not Serviceable See pages 16-19 for footnotes

Italicized Part Numbers May Not Be Available.

SUZUKI
Motorcycle Section

Make & Model Haz un modelo Marque et modèle	Serv. Type	Part No. N° de pieza N° de pièce	Make & Model Haz un modelo Marque et modèle	Serv. Type	Part No. N° de pieza N° de pièce	Make & Model Haz un modelo Marque et modèle	Serv. Type	Part No. N° de pieza N° de pièce
SUZUKI (Cont'd/Suite) 638cc BURGMAN 650 EXECUTIVE ABS (2016-2016)	Lube ...	51359	SUZUKI (Cont'd/Suite) 650cc SV650X SAVAGE (2004-2004)	Lube ...	51359	SUZUKI (Cont'd/Suite) 805cc BOULEVARD C50T (2019-2020)	Lube ...	51359
644cc DR650S (2019-2020)	Lube ...	N/A	673cc GS650 SERIES (1981-1984) XN85 (1983-1985)	Lube ...	24931	M50 Boulevard (2016-2017)	Air ...	N/A
645cc GLADIUS (2009-2011) SFBV650 STANDARD (2009-2009)	Lube ...	51359	700cc GS700 SERIES (1985-1985) GV700 MADURA (1985-1985)	Lube ...	24931	850cc GS850 SERIES (1979-1983)	Lube ...	24931
SFBV650 STANDARD (2014-2014)	Lube ...	51359		Lube ...	51348^{407,53}	900cc RF900R (1994-1997)	Lube ...	51359
SV650	Air ...	N/A		Air ...	51348¹	996cc TL1000SX (1999-1999)	Lube ...	51359
SV650 (2017-2017)	Lube ...	51359		Air ...	N/A	999cc GSX S1000 (2016-2017)	Lube ...	51359
SV650 (2019-2020)	Air ...	N/A	749cc GSX-S750 (2016-2016)	Lube ...	51359	GSX-R 1000 (2016-2017)	Lube ...	51359
SV650 ABS (2017-2017)	Lube ...	51359		Breather	N/A	GSX-R 1000 (2019-2021)	Air ...	N/A
SV650 ABS (2019-2020)	Lube ...	51359		Lube ...	51359	GSX-R 1000 (2019-2021)	Lube ...	51359
V-STROM 650 ABS (2016-2017)	Air ...	N/A		Air ...	N/A	GSX-R 1000 COMMEMORATIVE EDITION (2016-2016)	Lube ...	51359
V-STROM 650 ABS (2019-2020)	Lube ...	51359	750cc GS750 SERIES (1977-1979) GS750 SERIES (1980-1982) GS750 SERIES (1983-1983) GSX750F KATANA (1989-2006) GSXR750 (1988-2017) GSXR750 (2011-2017) GSXR750 (2019-2020)	Lube ...	24931	GSX-R1000R (2017-2017)	Lube ...	51359
V-STROM 650 ADVENTURE ABS (2016-2017)	Lube ...	51359		Lube ...	24932	GSX-R1000R (2019-2021)	Lube ...	51359
V-STROM 650 ADVENTURE ABS (2019-2020)	Air ...	N/A		Lube ...	24931	GSX-S1000 ABS (2016-2017)	Air ...	N/A
V-STROM 650X EXP ABS (2016-2016)	Lube ...	51359		Lube ...	51359	GSX-S1000 ABS (2019-2020)	Lube ...	51359
V-STROM 650XT ABS (2016-2016)	Air ...	N/A		Air ...	N/A	GSX-S1000 ABS (2019-2020)	Air ...	N/A
650cc BOULEVARD S40 (LS650) (2005-2014)	Lube ...	N/A		Lube ...	51359	GSX-S1000AL8 (2018-2018)	Lube ...	51359
BOULEVARD S40 (LS650) (2014-2014)	Air ...	N/A		Air ...	N/A	GSX-S1000AL9 (2019-2019)	Lube ...	51359
BURGMAN 650 (2004-2014)	Lube ...	51359		Lube ...	51359	GSX-S1000F (2016-2016)	Lube ...	51359
BURGMAN 650 (2015-2015)	Air ...	N/A		Air ...	N/A	GSX-S1000F ABS (2016-2017)	Air ...	N/A
DL650 V-STROM (2004-2009)	Lube ...	51359	800cc BOULEVARD C50 (VL800) (2005-2012)	Lube ...	51359	KATANA (2020-2021)	Lube ...	51359
DL650 V-STROM (2011-2012)	Lube ...	51359		Air ...	N/A	1000cc DL1000 V-STROM (2002-2009) DL1000 V-STROM (2012-2012)	Lube ...	51359
DL650 V-STROM (2014-2015)	Lube ...	51359		Lube ...	51359	GS1000 (1978-1981)	Lube ...	24931
DR650S (2002-2009)	Air ...	N/A		Air ...	N/A	GS1000 (1982-1982)	Lube ...	24932
DR650S (2014-2014)	Lube ...	N/A		Lube ...	51359	GSXR1000 (1993-1995)	Lube ...	51359
DR650S (2015-2015)	Air ...	N/A		Lube ...	51359	GSXR1000 (2001-2017)	Lube ...	51359
GR650 SERIES (1981-1984)	Lube ...	24931		Lube ...	51359	GSXR1000 (2012-2017)	Air ...	N/A
GSX-R 600 (2014-2015)	Lube ...	51359		Lube ...	51359	GSXR1000AL8 (2018-2018)	Lube ...	51359
LS650 (2014-2015)	Air ...	N/A		Air ...	N/A	SV1000 (2003-2007)	Air ...	N/A
SAVAGE 650 (2003-2004)	Lube ...	51359		Lube ...	51359	SV1000-S (2003-2007)	Lube ...	51359
SV650 (1999-2011)	Lube ...	51359		Lube ...	51359	TL1000R (1997-2003)	Lube ...	51359
SV650S (1999-2011)	Lube ...	51359		Lube ...	51359	TL1000RX (1999-1999)	Lube ...	51359
SV650SA (2009-2012)	Lube ...	51359		Lube ...	51359	TL1000S (1997-2001)	Lube ...	51359
SV650X SAVAGE (1999-2002)	Lube ...	51359		Lube ...	51359	1037cc DL1000 V-STROM (2014-2014)	Lube ...	51359
						DL1000A (2015-2016)	Air ...	N/A
						DL1000AL8 (2018-2018)	Air ...	N/A

N/A = Not Available N/R = Not Required N/S = Not Serviceable See pages 16-19 for footnotes

Italicized Part Numbers May Not Be Available.

Motorcycle Section

SUZUKI — TRIUMPH

Make & Model Haz un modelo Marque et modèle	Serv. Type	Part No. N° de pieza N° de pièce	Make & Model Haz un modelo Marque et modèle	Serv. Type	Part No. N° de pieza N° de pièce	Make & Model Haz un modelo Marque et modèle	Serv. Type	Part No. N° de pieza N° de pièce
SUZUKI (Cont'd/Suite)			SUZUKI (Cont'd/Suite)			TRIUMPH (Cont'd/Suite)		
1037cc			1400cc			675cc		
DL1000AL8 (2018-2018)	Air	N/A	GV1400 CAVALCADE (1985-1986)	Lube . . .	57348 ¹	DAYTONA 675 (2016-2016)	Lube . . .	51358 ⁵³
DL1000AL9 (2019-2019)	Lube . . .	51359	GV1400 CAVALCADE (1987-1988)	Lube . . .	51359	DAYTONA 675R (2016-2016)	Lube . . .	51358 ⁵³
	Air	N/A	INTRUDER 1400 (2003-2003)	Lube . . .	51359	STREET TRIPLE (2016-2016)	Lube . . .	51358 ⁵³
DL1000XAL (2018-2018)	Lube . . .	51359	VS1400GLP INTRUDER (1987-2004)	Lube . . .	51359	Street Triple ABS (2016-2016)	Lube . . .	51358 ⁵³
	Air	N/A				STREET TRIPLE R (2016-2016)	Lube . . .	51358 ⁵³
DL1000XAL9 (2019-2019)	Lube . . .	51359				Street Triple R ABS (2016-2016)	Lube . . .	51358 ⁵³
	Air	N/A	1462cc			748cc		
V-STROM 1000 ADVENTURE ABS (2016-2016)	Lube . . .	51359	BOULEVARD C90 BOSS (2016-2017)	Lube . . .	51359	TRIDENT 750 (1991-1998)	Lube . . .	24941
	Air	N/A		Air	N/A			
1052cc			BOULEVARD C90 BOSS (2019-2019)	Lube . . .	51359	790cc		
GSXR1100 (1986-1988)	Lube . . .	51359		Air	N/A	AMERICA (CLASSIC) (2002-2004)	Lube . . .	NA
1073cc			BOULEVARD C90T (2016-2017)	Lube . . .	51359	AMERICA (CLASSIC) (2002-2006)	Air	N/A
V-STROM 1000 ABS (2016-2016)	Lube . . .	51359		Air	N/A	AMERICA (CLASSIC) (2005-2006)	Lube . . .	51358 ⁵³
	Air	N/A	BOULEVARD C90T (2019-2019)	Lube . . .	51359	BONNEVILLE SERIES (2001-2006)	Lube . . .	51358 ⁵³
1074cc				Air	N/A	BONNEVILLE SERIES (2009-2014)	Lube . . .	51358 ⁵³
GSXR1100 (1993-1998)	Lube . . .	51359	BOULEVARD M90 (2016-2016)	Lube . . .	51359		Air	N/A
1100cc			M90 Boulevard (2017-2017)	Lube . . .	51359	800cc		
GS1100 (1980-1983)	Lube . . .	24932 ⁴³³		Air	N/A	TIGER 800 (2011-2013)	Air	N/A
GS1100 (1982-1982)	Lube . . .	24931 ⁴³²				TIGER 800 (2011-2014)	Lube . . .	51358 ⁵³
GS1100 (1983-1983)	Lube . . .	24931	1500cc			TIGER EXPLORER 800 XC (2011-2013)	Air	N/A
GSXR1100W (1993-1998)	Lube . . .	51359	BOULEVARD C90 (VL1500) (2005-2009)	Lube . . .	51359	TIGER EXPLORER 800 XC (2011-2014)	Lube . . .	51358 ⁵³
1127cc			BOULEVARD C90 (VL1500) (2014-2014)	Air	N/A			
GSX1100 SERIES (1988-1993)	Lube . . .	51359	BOULEVARD C90 (VL1500) (2014-2015)	Lube . . .	51359	855cc		
GSXR1100 (1989-1992)	Lube . . .	51359	M90 Boulevard (2009-2011)	Lube . . .	51359	TIGER 885I (1993-1994)	Lube . . .	51358 ⁵³
1150cc			VL1500 INTRUDER (1998-2004)	Lube . . .	51359	865cc		
GS1150 (1984-1986)	Lube . . .	24932	VL1500 INTRUDER (2014-2014)	Lube . . .	51359	AMERICA (2016-2016)	Lube . . .	51358 ⁵³
1200cc				Air	N/A	AMERICA (CLASSIC) (2007-2011)	Lube . . .	51358 ⁵³
GSF1200 BANDIT (1997-2005)	Lube . . .	51359	VZ1500 (2014-2014)	Lube . . .	51359	AMERICA (CLASSIC) (2007-2014)	Air	N/A
GSF1200S BANDIT (2001-2005)	Lube . . .	51359		Air	N/A	AMERICA (CLASSIC) (2012-2012)	Lube . . .	NA
GSF1200Z BANDIT (2001-2005)	Lube . . .	51359				AMERICA (CLASSIC) (2013-2014)	Lube . . .	51358 ⁵³
1255cc				Lube . . .	51359	AMERICA LT (2016-2016)	Lube . . .	51358 ⁵³
BANDIT 1250F ABS (2016-2016)	Lube . . .	51359		Air	N/A	BONNEVILLE SERIES (2007-2008)	Lube . . .	51358 ⁵³
	Air	N/A	1552cc				Air	N/A
BANDIT 1250S ABS (2016-2016)	Lube . . .	51359	BOULEVARD M95 (VZ1600) (2005-2005)	Lube . . .	51358	Bonneville T100 (2016-2016)	Lube . . .	51358 ⁵³
	Air	N/A				Bonneville T100 Black (2016-2016)	Lube . . .	51358 ⁵³
GSF1250 BANDIT (2007-2011)	Lube . . .	51359	1600cc			SCRAMBLER (2009-2010)	Lube . . .	51358 ⁵³
GSF1250SA Bandit ABS (2016-2016)	Lube . . .	51359	MARAUDER 1600 (2004-2004)	Lube . . .	51358 ⁵³	SCRAMBLER (2016-2016)	Lube . . .	51358 ⁵³
	Air	N/A				SPEED MASTER (2010-2014)	Lube . . .	51358 ⁵³
1298cc			1783cc			SPEEDMASTER (2016-2016)	Lube . . .	51358 ⁵³
GSX1300 HAYABUSA (1999-2007)	Lube . . .	51359	BOULEVARD C109R SERIES (2008-2012)	Lube . . .	51359	THRUXTON (2016-2016)	Lube . . .	51358 ⁵³
1340cc			BOULEVARD M109R (2019-2021)	Lube . . .	51359			
GSX1300 B-KING (2008-2009)	Lube . . .	51359		Air	N/A	885cc		
GSX1300 HAYABUSA (2008-2009)	Lube . . .	51359	M109R Boulevard B.O.S.S. (2016-2017)	Lube . . .	51359	ADVENTURER (1996-2001)	Lube . . .	24941
GSX1300 HAYABUSA (2011-2015)	Lube . . .	51359		Air	N/A	DAYTONA 900 (1995-1997)	Lube . . .	24941
GSX1300 HAYABUSA (2014-2015)	Air	N/A	1800cc			DAYTONA SUPER III (1995-1997)	Lube . . .	24941
GSX1300R Hayabusa (2017-2017)	Lube . . .	51359	BOULEVARD M109R (2006-2014)	Lube . . .	51359	LEGEND TT (1999-2001)	Lube . . .	24941
	Air	N/A	BOULEVARD M109R (2014-2014)	Air	N/A	SPEED TRIPLE (1995-1996)	Lube . . .	24941
GSX1300R Hayabusa (2019-2021)	Lube . . .	51359	VZR1800 (2014-2014)	Lube . . .	51359	SPRINT (1995-1997)	Lube . . .	24941
	Air	N/A		Air	N/A	T509 SPEED TRIPLE (1997-1997)	Lube . . .	51358 ⁵³
HAYABUSA (2016-2016)	Lube . . .	51359				THUNDERBIRD (1995-2003)	Lube . . .	24941
	Air	N/A				THUNDERBIRD SPORT (1998-2005)	Lube . . .	24941
1360cc			TRIUMPH			TIGER (1995-1997)	Lube . . .	24941
BOULEVARD S83 (VS1400) (2009-2009)	Lube . . .	51359				TIGER (1998-2001)	Lube . . .	51358 ⁵³
BOULEVARD S83 (VS1400GLP) (2005-2008)	Lube . . .	51359	600cc			TIGER 885I (1995-1998)	Lube . . .	51358 ⁵³
			DAYTONA 600 (2002-2006)	Lube . . .	51358 ⁵³	TIGER 885I (2014-2014)	Lube . . .	51358 ⁵³
			DAYTONA 600 (2014-2014)	Lube . . .	51358 ⁵³	TRIDENT 900 (1995-1998)	Lube . . .	24941
			SPEED FOUR (2002-2005)	Lube . . .	51358 ⁵³	TROPHY 900 (1995-1997)	Lube . . .	24941
			TT600 (2000-2003)	Lube . . .	51358 ⁵³			
			TT600 (2014-2014)	Lube . . .	51358 ⁵³			
1400cc								
GV1400 CAVALCADE (1985-1986)	Lube . . .	51348 ^{407,53}	675cc					
			DAYTONA 675 (2006-2014)	Lube . . .	51358 ⁵³			

N/A = Not Available N/R = Not Required N/S = Not Serviceable See pages 16-19 for footnotes

Italicized Part Numbers May Not Be Available.

TRIUMPH — YAMAHA
Motorcycle Section
**M
O
T
O
R
C
Y
C
L
E
S**

Make & Model Haz un modelo Marque et modèle	Serv. Type	Part No. N° de pieza N° de pièce	Make & Model Haz un modelo Marque et modèle	Serv. Type	Part No. N° de pieza N° de pièce	Make & Model Haz un modelo Marque et modèle	Serv. Type	Part No. N° de pieza N° de pièce
TRIUMPH (Cont'd/Suite)			VICTORY (Cont'd/Suite)			YAMAHA		
900cc			L 1179cc			49cc		TTR50E (2019-2019) Air WA10793
THRUXTON 900 SERIES (2004-2014)	Lube . . .	51358⁵³	CROSS COUNTRY TOUR (2017-2017)	Air	N/A	50cc		CA50 RIVA (1983-1986) Lube . . . 24935⁵³
955cc			GUNNER (2016-2017)	Lube . . .	51356			PW50 (1981-1983) Lube . . . 24936⁵³
DAYTONA 955I (1997-2006)	Lube . . .	51358⁵³	GUNNER (2017-2017)	Air	N/A			Air N/A
DAYTONA 955I (2014-2014)	Lube . . .	51358⁵³	HAMMER S (2016-2017)	Lube . . .	51356			Lube . . . NS
DAYTONA T595 (1997-2006)	Lube . . .	51358⁵³	HAMMER S (2017-2017)	Air	N/A			Air N/A
SPEED TRIPLE (1999-2004)	Lube . . .	51358⁵³	HIGH BALL (2016-2017)	Lube . . .	51356			PW50 (1985-1987) Lube . . . NS
SPEED TRIPLE (2006-2006)	Lube . . .	51358⁵³	HIGH BALL (2017-2017)	Air	N/A			Air N/A
SPRINT RS (1999-2004)	Lube . . .	51358⁵³	MAGNUM (2016-2017)	Lube . . .	51356			PW50 (1990-2009) Lube . . . NS
SPRINT ST (SPORT TOUR) (1999-2004)	Lube . . .	51358⁵³	MAGNUM (2017-2017)	Air	N/A			Air N/A
TIGER (2002-2006)	Lube . . .	51358⁵³	Magnum X-1 (2017-2017)	Lube . . .	51356			PW50 (2012-2015) Lube . . . NS
TIGER 955I (2001-2007)	Lube . . .	51358⁵³	Octane (2017-2017)	Air	N/A			SH50 (1987-2001) Lube . . . NS
TIGER 955I (2014-2014)	Lube . . .	51358⁵³	VEGAS (2016-2017)	Lube . . .	51356			Air N/A
1050cc			VEGAS (2017-2017)	Air	N/A			TTR50 (2006-2009) Lube . . . NS
SPEED TRIPLE (2005-2005)	Lube . . .	51358⁵³	VEGAS 8-BALL (2016-2016)	Lube . . .	51356			Air WA10793
SPEED TRIPLE (2007-2011)	Lube . . .	51358⁵³	VISION (2016-2016)	Lube . . .	51356			Lube . . . NS
SPEED TRIPLE (2014-2014)	Lube . . .	NA	1507cc					Air WA10793
	Air	N/A	Kingpin Ness Signature Series (2005-2005)	Lube . . .	51356			TTR50E (2015-2015) Lube . . . NS
SPEED TRIPLE R (2011-2013)	Lube . . .	51358⁵³	TOURING CRUISER (2002-2006)	Lube . . .	51356			Air WA10793
SPEED TRIPLE R (2014-2014)	Lube . . .	NA	V92C (1998-2003)	Lube . . .	51358⁵³			Lube . . . NS
	Air	N/A	V92SC (1998-2005)	Lube . . .	51358⁵³			Air N/A
SPRINT ST (SPORT TOUR) (2005-2013)	Lube . . .	51358⁵³	1634cc					VINO CLASSIC (XC50) (2015-2015) Lube . . . NS
TIGER (2008-2010)	Lube . . .	51358⁵³	HAMMER S (2006-2007)	Lube . . .	51356			Air N/A
TIGER 1050 (2006-2013)	Lube . . .	51358⁵³	HAMMER SERIES (2006-2013)	Lube . . .	51356			65CC
TIGER 1050 (2014-2014)	Lube . . .	NA	KINGPIN (2004-2012)	Lube . . .	51356			YZ65 (2018-2019) Lube . . . NR
	Air	N/A	KINGPIN 8-BALL (2008-2010)	Lube . . .	51356			Air N/A
1180cc			KINGPIN TOUR (2006-2012)	Lube . . .	51356			80cc
DAYTONA 1200 (1995-1997)	Lube . . .	24941	VEGAS (2006-2012)	Lube . . .	51356			BW80 BIG WHEEL (1986-1990) Lube . . . NS
TROPHY 1200 (1995-2002)	Lube . . .	24941	VEGAS 8-BALL (2005-2010)	Lube . . .	51356			Air N/A
1200cc			VEGAS JACKPOT (2006-2008)	Lube . . .	51356			CV80 RIVA (1985-1985) Lube . . . NS
TROPHY 1215 (2012-2014)	Lube . . .	51358⁵³	1731cc					PW80 (1983-1983) Lube . . . NS
1215cc			ARLEN NESS VISION (2009-2013)	Lube . . .	51356			Air N/A
TROPHY SE (2016-2016)	Lube . . .	51358⁵³	BOARDWALK (2013-2014)	Lube . . .	51356			PW80 (1985-1985) Lube . . . NS
1600cc			CORY NESS CROSS COUNTRY (2011-2013)	Lube . . .	51356			Air N/A
THUNDERBIRD (2010-2010)	Lube . . .	NA	CROSS COUNTRY (2010-2014)	Lube . . .	51356			PW80 (1991-2003) Lube . . . NS
THUNDERBIRD (2014-2014)	Lube . . .	NA	CROSS COUNTRY (2016-2017)	Lube . . .	51356			PW80 (1991-2006) Lube . . . NS
1699cc			CROSS COUNTRY (2017-2017)	Air	N/A			YZ80 (1993-2001) Lube . . . NS
THUNDERBIRD COMMANDER (2016-2016)	Lube . . .	51358⁵³	CROSS ROADS (2010-2013)	Lube . . .	51356			Air N/A
THUNDERBIRD LT (2016-2016)	Lube . . .	51358⁵³	HAMMER S (2008-2013)	Lube . . .	51356			85cc
THUNDERBIRD STORM (2016-2016)	Lube . . .	51358⁵³	HARD-BALL (2012-2013)	Lube . . .	51356			YZ85 (2002-2015) Lube . . . NS
1700cc			HIGH BALL (2011-2013)	Lube . . .	51356			YZ85 (2002-2019) Lube . . . N/A
THUNDERBIRD STORM (2011-2011)	Lube . . .	NA	JUDGE (2013-2014)	Lube . . .	51356			YZ85 (2016-2019) Lube . . . NR
2294cc			KINGPIN 8-BALL (2011-2012)	Lube . . .	51356			90cc
ROCKET III (2005-2018)	Lube . . .	51358⁵³	VEGAS 8-BALL (2011-2015)	Lube . . .	51356			TTR90 (2000-2007) Lube . . . NS
ROCKET III ROADSTER (2016-2016)	Lube . . .	51358⁵³	VEGAS 8-BALL (2017-2017)	Lube . . .	51356			Air WA10793
ROCKET III TOURING (2016-2016)	Lube . . .	51358⁵³	VEGAS JACKPOT (2009-2014)	Lube . . .	51356			100cc
VICTORY			VISION (2017-2017)	Lube . . .	51356			RT100 (1990-2000) Lube . . . NS
L 1179cc			VISION 8-BALL (2010-2011)	Lube . . .	51356			Air N/A
CROSS COUNTRY 8-BALL (2016-2016)	Lube . . .	51356	VISION STREET (2008-2011)	Lube . . .	51356			110cc
CROSS COUNTRY TOUR (2016-2017)	Lube . . .	51356	VISION TOUR (2008-2014)	Lube . . .	51356			TTR110 (2008-2009) Lube . . . NS
								Air N/A
								TTR110 (2011-2015) Lube . . . NS
								Air N/A
								124cc
								TT-R125LE (2016-2019) Lube . . . NS
								Air WA10784
								YZ125 (2016-2019) Lube . . . NR
								Air 24236
								125cc
								TTR125 (2000-2009) Lube . . . NS
								Air WA10784
								TTR125 (2011-2015) Lube . . . NS
								Air WA10784

N/A = Not Available N/R = Not Required N/S = Not Serviceable See pages 16-19 for footnotes

Italicized Part Numbers May Not Be Available.



Motorcycle Section

YAMAHA

MOTORCYCLES

Make & Model Haz un modelo Marque et modèle	Serv. Type	Part No. N° de pieza N° de pièce	Make & Model Haz un modelo Marque et modèle	Serv. Type	Part No. N° de pieza N° de pièce	Make & Model Haz un modelo Marque et modèle	Serv. Type	Part No. N° de pieza N° de pièce
YAMAHA (Cont'd/Suite)								
1304cc								
STRYKER BULLET COWL								
V STAR 1300 (2006-2014)	Air	N/A						
(2016-2016)	Lube . . .	WL10337						
	Air	N/A						
V STAR 1300 TOURER								
(2016-2016)	Lube . . .	WL10337						
	Air	N/A						
V-STAR 1300 (2007-2014)	Air	N/A						
V-STAR 1300 (2007-2015)	Lube . . .	51358 ⁵³						
XVS13 STRYKER (2011-2015)	Lube . . .	51358 ⁵³						
	Air	N/A						
XVS13 STRYKER (2016-2016)	Lube . . .	WL10337						
1600cc								
XV1600 ROAD STAR (1999-2003)	Lube . . .	51358 ⁵³						
1670cc								
XV17 MIDNIGHT WARRIOR								
(2005-2009)	Lube . . .	51358 ⁵³						
	Air	N/A						
XV17 WARRIOR (2002-2010)	Lube . . .	51358 ⁵³						
	Air	N/A						
1679cc								
VMAX (2016-2019)	Lube . . .	N/A ⁵³						
	Air	N/A						
VMX17 V-MAX (2009-2015)	Lube . . .	51358 ⁵³						
	Air	N/A						
1700cc								
XV1700 ROAD STAR SERIES								
(2002-2014)	Lube . . .	51358 ⁵³						
1854cc								
RAIDER (2016-2016)	Lube . . .	WL10337						
	Air	N/A						
Star Venture (2018-2018)	Lube . . .	N/A						
	Lube . . .	WL10337						
	Air	N/A						
XV19 RAIDER (2008-2015)	Lube . . .	51358 ⁵³						
	Air	N/A						
XV19 RAIDER S (2008-2015)	Lube . . .	51358 ⁵³						
XV19 RAIDER S (2013-2015)	Air	N/A						
XV19 RAIDER SCL (2012-2014)	Lube . . .	51358 ⁵³						
XV1900 ROADLINER (2006-2007)	Lube . . .	51358 ⁵³						
XV1900 ROADLINER (2010-2010)	Lube . . .	51358 ⁵³						
XV1900 ROADLINER MIDNIGHT								
(2006-2012)	Lube . . .	51358 ⁵³						
XV1900 ROADLINER S								
(2006-2014)	Lube . . .	51358 ⁵³						
	Air	N/A						
XV1900 STRATOLINER								
(2006-2014)	Lube . . .	51358 ⁵³						
	Air	N/A						
XV1900 STRATOLINER								
MIDNIGHT (2006-2012)	Lube . . .	51358 ⁵³						
	Air	N/A						
XV1900 STRATOLINER S								
(2006-2014)	Lube . . .	51358 ⁵³						
	Air	N/A						

N/A = Not Available N/R = Not Required N/S = Not Serviceable See pages 16-19 for footnotes

Italicized Part Numbers May Not Be Available.

ACTION AGE — ARCTIC CAT
ATV Section

Make & Model Haz un modelo Marque et modèle	Serv. Type	Part No. N° de pieza N° de pièce	Make & Model Haz un modelo Marque et modèle	Serv. Type	Part No. N° de pieza N° de pièce	Make & Model Haz un modelo Marque et modèle	Serv. Type	Part No. N° de pieza N° de pièce
ACTION AGE			ARCTIC CAT (Cont'd/Suite)			ARCTIC CAT (Cont'd/Suite)		
SCRAMBLER MARC XII (1998-2001)	Air	42373	400cc 400 (1999-1999)	Air	N/A	545cc 550 AUTO TRV (2009-2011)	Air	WA10792
ARCTIC CAT			400 (1999-2011)	Lube	57937	550 GT (2012-2012)	Lube	57937
49cc 50 2X4 UTILITY (2006-2006)	Air	WA10787	400 (2000-2003)	Air	WA10790		Air	WA10792
50 2X4 UTILITY (2008-2008)	Air	WA10787	400 (2004-2011)	Air	24284		Lube	57937
90cc 90 (2016-2016)	Lube	NS	425cc 425 CR (2012-2013)	Lube	57937	550 H1 EFI TRV GT (2011-2011)	Lube	57937
90 2X4 UTILITY (2006-2013)	Lube	NS	425 CR SE (2012-2012)	Lube	57937	550 LTD (2011-2014)	Lube	57937
90 2X4 UTILITY (2006-2015)	Air	WA10787	425 EFI CR (2011-2011)	Air	N/A		Air	WA10792
90 2X4 UTILITY (2014-2015)	Lube	N/A		Lube	57937	550 LTD (2014-2014)	Fuel	N/A
ALTERRA 90 (2019-2020)	Lube	N/A	443cc 450 (2010-2015)	Air	N/A	550 S (2011-2011)	Lube	57937
	Fuel	N/A	450 TRV (2011-2012)	Lube	57937	550 TRV CRUISER (2011-2012)	Air	WA10792
	Air	WA10787	450 XC (2011-2012)	Air	N/A	550 TRV GT (2011-2012)	Lube	57937
DVX 90 (2015-2015)	Lube	NS	450 XC (2011-2015)	Lube	57937	550 TRV LTD (2013-2013)	Air	WA10792
DVX 90 (2015-2016)	Air	WA10787	450 XC (2014-2015)	Air	N/A	550 TRV XT (2013-2015)	Lube	57937
DVX 90 (2016-2016)	Lube	N/A	500 (2016-2019)	Lube	57937		Air	WA10792
149cc 150 (2016-2016)	Lube	N/A		Air	N/A	550 TRV XT (2014-2015)	Fuel	N/A
	Air	WA10788	500 XR (2015-2015)	Lube	57937	550 XR (2015-2015)	Lube	57937
150cc 150 (2009-2013)	Lube	NA	500 XT (2013-2015)	Lube	57937	550 XT (2013-2014)	Lube	57937
150 (2009-2015)	Air	WA10788	500 XT (2014-2015)	Fuel	N/A	550 XT (2014-2014)	Fuel	N/A
150 (2014-2015)	Lube	N/A	ALTEERRA 450 (2016-2016)	Lube	57937	ALTEERRA 550 (2016-2016)	Lube	57937
	Fuel	N/A	Alterra 500 (2017-2019)	Lube	57937	ALTEERRA 550 XT (2016-2016)	Air	N/A
250cc 250 (1997-2011)	Lube	24949	Alterra TRV 500 (2017-2019)	Lube	57937	ALTEERRA 570 (2020-2020)	Lube	57937
270cc 300 (2016-2016)	Lube	N/A	XC450 (2016-2016)	Lube	57937	TRV 550 XT EPS (2016-2016)	Lube	57937
	Air	WA10825		Air	N/A			
ALTEERRA 300 (2020-2020)	Lube	N/A	454cc 454 (1998-1998)	Lube	57937	641cc 650 (2010-2012)	Lube	57937
	Fuel	N/A	BEARCAT (1996-1998)	Air	N/A	650 H1 AUTO (2006-2006)	Air	WA10791
	Air	WA10825		Lube	57937	650 H1 AUTO (2006-2011)	Lube	57937
	Lube	N/A	493cc 500 (1998-1999)	Air	N/A	650 H1 AUTO (2007-2007)	Air	WA10791
	Fuel	N/A	500 (1998-2015)	Lube	57937	650 H1 AUTO (2008-2010)	Air	WA10792
	Air	WA10825	500 (2000-2002)	Air	WA10790	650 H1 AUTO (2011-2011)	Air	WA10791
366cc 350 (2011-2012)	Lube	57937	500 (2003-2006)	Air	N/A	650 H1 AUTO LE (2005-2007)	Lube	57937
	Air	N/A	500 (2007-2012)	Air	WA10791		Air	WA10791
366 4X4 AUTO (2008-2009)	Lube	57937	500 (2013-2015)	Air	N/A	650 TBX AUTO (2009-2009)	Lube	57937
366 4X4 AUTO SE (2010-2011)	Lube	57937	500 AUTO (2001-2002)	Air	WA10790		Air	WA10792
366 4X4 AUTO SE (2011-2011)	Air	N/A	500 AUTO (2001-2009)	Lube	57937	650 TBX H1 AUTO (2007-2007)	Lube	57937
400 (2012-2013)	Air	WA10791	500 AUTO (2003-2004)	Air	N/A		Air	WA10791
400 (2012-2015)	Lube	57937	500 AUTO (2005-2007)	Air	WA10791	650 TRV AUTO (2009-2009)	Lube	57937
400 (2014-2015)	Air	N/A	500 AUTO (2008-2008)	Air	49720		Air	WA10792
400 4X4 (2005-2007)	Lube	57937	500 AUTO (2009-2009)	Air	WA10791	650 TRV H1 AUTO (2007-2008)	Lube	57937
	Air	WA10791	500 AUTO TRV (2004-2005)	Air	N/A		Air	WA10792
400 4X4 (2009-2010)	Lube	57937	500 AUTO TRV (2004-2008)	Lube	57937	650 V-TWIN (2004-2006)	Lube	51358 ⁸³
	Air	WA10791	500 AUTO TRV (2006-2008)	Air	WA10791	650 V-TWIN (2005-2006)	Air	WA10791
400 CR (2013-2013)	Lube	57937	500 AUTO TRV (2014-2015)	Lube	57937			
	Air	N/A	700 DIESEL (2000-2000)	Air	WA10791	650cc PROWLER 650 (2005-2011)	Lube	57937
ALTERRA 400 (2016-2019)	Lube	57937		Lube	57937	695cc 700 (2006-2011)	Air	N/A
	Air	N/A	545cc 550 4X4 AUTO (2009-2014)	Lube	57937	700 (2006-2014)	Lube	57937
375cc 375 (2000-2005)	Lube	57937		Air	WA10792	700 (2012-2014)	Air	WA10792
	Air	WA10790	550 4X4 AUTO (2014-2014)	Fuel	N/A	700 (2014-2014)	Fuel	N/A
376cc 400 4X4 (2008-2008)	Lube	57937	550 AUTO TRV (2009-2011)	Lube	57937	700 EFI (2007-2008)	Lube	57937
	Air	WA10791					Air	N/A
						700 EFI H1 (2008-2011)	Lube	57937

N/A = Not Available N/R = Not Required N/S = Not Serviceable See pages 16-19 for footnotes

Italicized Part Numbers May Not Be Available.

ATV Section

ARCTIC CAT — CAN-AM

Make & Model Haz un modelo Marque et modèle	Serv. Type	Part No. N° de pieza N° de pièce	Make & Model Haz un modelo Marque et modèle	Serv. Type	Part No. N° de pieza N° de pièce	Make & Model Haz un modelo Marque et modèle	Serv. Type	Part No. N° de pieza N° de pièce
ARCTIC CAT (Cont'd/Suite)			ARCTIC CAT (Cont'd/Suite)			BOMBARDIER (Cont'd/Suite)		
695cc			700cc (Diesel)			650cc		
700 EFI H1 (2008-2011)	Air	WA10792	700 SUPER DUTY DIESEL			BAJA X (2004-2004)	Lube . . .	WL10090
700 EFI H1 LE (2009-2010)	Lube . . .	57937	(2014-2015)	Air	49720⁴⁴²	BAJA X (2004-2004)	Air	N/A
	Air	WA10792	951cc	Lube . . .	57937	DS 650 (2000-2005)	Lube . . .	WL10090
700 EFI H1 MUD PRO (2009-2011)	Lube . . .	57937	1000 LTD (2011-2011)	Air	N/A		Air	N/A
	Air	WA10792	1000 MUD PRO (2010-2015)	Lube . . .	57937	DS 650 BAJA (2002-2004)	Lube . . .	WL10090
700 EFI H1 SE (2008-2009)	Lube . . .	57937	1000 TRV (2009-2013)	Air	N/A		Air	N/A
	Air	WA10792	1000 TRV CRUISER (2009-2013)	Lube . . .	57937	DS 650X (2005-2005)	Lube . . .	WL10090
700 EFI LE (2007-2007)	Lube . . .	57937	1000 TRV LTD (2013-2015)	Air	N/A		Air	N/A
	Air	N/A	1000 TRV LTD (2014-2015)	Fuel . . .	N/A	OUTLANDER 650 (2006-2013)	Lube . . .	WL10090
700 EFI M4 (2008-2008)	Lube . . .	57937	1000 XT (2013-2019)	Air	N/A	OUTLANDER MAX 650	Lube . . .	WL10090
	Air	N/A	1000 XT (2014-2019)	Lube . . .	57937	(2006-2013)		
700 EFI SE (2006-2006)	Lube . . .	57937	Alterra TRV 1000 XT (2017-2019)	Air	N/A			
	Air	N/A	MudPro 1000 LTD (2017-2019)	Lube . . .	57937			
700 LTD (2011-2014)	Lube . . .	57937	THUNDERCAT 1000 H2	Air	N/A	CAN-AM		
	Air	WA10792	(2009-2011)	Lube . . .	57937	RENEGADE X MR 1000R	Lube . . .	WL10090
700 LTD (2014-2014)	Fuel . . .	N/A	TRV 1000 XT L7E (2016-2016)	Lube . . .	57937	(2016-2016)		
700 MUD PRO (2009-2013)	Air	WA10792	WILDCAT (2012-2014)	Lube . . .	57937	70cc	DS70 (2014-2015)	Lube . . .
700 MUD PRO (2009-2015)	Lube . . .	57937		Air	N/A		DS70 (2014-2018)	Air
700 MUD PRO (2014-2015)	Air	N/A		Lube . . .	57937		DS70 (2016-2018)	Lube . . .
700 TBX (2010-2010)	Lube . . .	57937		Air	N/A			Fuel . . .
	Air	WA10792		Lube . . .	51359			N/A
700 TBX (2012-2015)	Lube . . .	57937						
	Air	WA10792						
700 TRV (2008-2011)	Lube . . .	57937						
700 TRV (2013-2015)	Lube . . .	57937						
	Air	WA10792						
700 TRV (2014-2015)	Fuel . . .	N/A						
700 XR (2015-2015)	Lube . . .	57937						
	Air	N/A						
700 XT (2013-2014)	Lube . . .	57937						
	Air	WA10792						
700 XT (2014-2014)	Fuel . . .	N/A						
700S H1 EFI (2010-2011)	Lube . . .	57937						
	Air	WA10792						
ALTERRA 700 (2016-2019)	Lube . . .	57937						
	Air	N/A						
ALTERRA 700XT (2016-2019)	Lube . . .	57937						
	Air	N/A						
Alterra TBX 700 (2020-2020)	Lube . . .	57937						
	Air	WA10792						
Alterra TRV 700 XT (2017-2020)	Lube . . .	57937						
	Air	WA10792						
MudPro 700 LTD (2016-2019)	Lube . . .	57937						
	Air	WA10792						
TBX 700 (2016-2019)	Lube . . .	57937						
	Air	WA10792						
TRV 700 SE (2016-2016)	Lube . . .	57937						
	Air	WA10792						
TRV 700 T3S (2016-2016)	Lube . . .	57937						
	Air	57937						
700cc (Diesel)								
700 DIESEL (2007-2013)	Lube . . .	57207						
	Fuel . . .	N/A						
	Air	49719⁴⁴¹						
	Air	49720⁴⁴²						
700 SUPER DUTY DIESEL	Lube . . .	57207						
(2014-2015)	Fuel . . .	N/A						
	Air	49719⁴⁴¹						
	Air	49719⁴⁴¹						

N/A = Not Available N/R = Not Required N/S = Not Serviceable See pages 16-19 for footnotes

CAN-AM
ATV Section

Make & Model Haz un modelo Marque et modèle	Serv. Type	Part No. N° de pieza N° de pièce	Make & Model Haz un modelo Marque et modèle	Serv. Type	Part No. N° de pieza N° de pièce	Make & Model Haz un modelo Marque et modèle	Serv. Type	Part No. N° de pieza N° de pièce
CAN-AM (Cont'd/Suite)			CAN-AM (Cont'd/Suite)			CAN-AM (Cont'd/Suite)		
427cc			570cc			650cc		
Outlander 450 DPS (2017-2019)	Lube . . .	WL10090	Outlander 570 EFI X mr (2018-2019)	Fuel . . .	<i>N/A</i>	OUTLANDER X MR 650 (2016-2019)	Lube . . .	WL10090
Outlander 450 DPS (2018-2019)	Air	<i>N/A</i>	Outlander 570 Mossy Oak Hunting Edition (2017-2019)	Lube . . .	WL10090	OUTLANDER X MR 650 (2016-2019)	Air	<i>N/A</i>
Outlander 450 Mossy Oak Hunting Edition (2018-2019)	Fuel	<i>N/A</i>	Outlander 570 Mossy Oak Hunting Edition (2018-2019)	Air	<i>N/A</i>	OUTLANDER X MR 650 (2017-2019)	Fuel	<i>N/A</i>
OUTLANDER L 450 (2015-2015)	Lube . . .	WL10090	Outlander 570 XT (2016-2019)	Fuel	<i>N/A</i>	OUTLANDER 650 (2007-2020)	Lube . . .	WL10090
OUTLANDER L 450 (2015-2016)	Air	<i>N/A</i>	Outlander 570 XT (2017-2019)	Lube . . .	WL10090	OUTLANDER 650 (2013-2020)	Air	<i>N/A</i>
OUTLANDER L MAX 450 (2015-2019)	Fuel	<i>N/A</i>	OUTLANDER DPS 570 (2016-2019)	Air	<i>N/A</i>	OUTLANDER 650 (2014-2015)	Fuel	<i>N/A</i>
OUTLANDER L MAX DPS 450 (2016-2016)	Lube . . .	WL10090	OUTLANDER DPS 570 (2017-2019)	Fuel	<i>N/A</i>	OUTLANDER 650 (2018-2020)	Fuel	<i>N/A</i>
Outlander Max 450 (2017-2019)	Air	<i>N/A</i>	OUTLANDER L 570 (2016-2019)	Lube . . .	WL10090	Outlander 650 6x6 DPS (2017-2019)	Lube . . .	WL10090
Outlander Max 450 (2018-2019)	Fuel	<i>N/A</i>	Outlander L 570 DPS (2016-2016)	Air	<i>N/A</i>	Outlander 650 DPS (2017-2017)	Fuel	<i>N/A</i>
Outlander Max 450 DPS (2017-2019)	Lube . . .	WL10090	Outlander L 570 DPS (2018-2019)	Air	<i>N/A</i>	Outlander 650 EFI (2016-2019)	Lube . . .	WL10090
DS450 (2014-2015)	Air	<i>N/A</i>	OUTLANDER L LE 570 (2016-2016)	Fuel	<i>N/A</i>	Outlander 650 EFI (2018-2019)	Air	<i>N/A</i>
	Air Wrap	<i>N/A</i>	OUTLANDER L MAX 570 (2016-2016)	Lube . . .	WL10090	Outlander 650 EFI DPS (2016-2016)	Fuel	<i>N/A</i>
	Air	<i>N/A</i>	OUTLANDER L MAX DPS 570 (2016-2016)	Air	<i>N/A</i>	Outlander 650 EFI XT (2016-2016)	Lube . . .	WL10090
500cc			OUTLANDER L MAX 570 (2016-2016)	Fuel	<i>N/A</i>	OUTLANDER 650 H.O. EFI 4X4 (2006-2012)	Air	<i>N/A</i>
OUTLANDER 500 (2007-2015)	Lube . . .	WL10090	OUTLANDER L MAX DPS 570 (2016-2016)	Lube . . .	WL10090	OUTLANDER 650 H.O. EFI 4X4 (2006-2012)	Lube . . .	WL10090
OUTLANDER 500 (2013-2015)	Air	<i>N/A</i>	OUTLANDER LX MR 570 (2016-2019)	Air	<i>N/A</i>	OUTLANDER 6X6 650 XT (2016-2019)	Lube . . .	WL10090
OUTLANDER 500 (2014-2015)	Fuel	<i>N/A</i>	OUTLANDER LX MR 570 (2016-2019)	Fuel	<i>N/A</i>	OUTLANDER 6X6 650 XT (2017-2019)	Air	<i>N/A</i>
OUTLANDER 500 H.O. EFI 4X4 (2007-2013)	Lube . . .	WL10090	OUTLANDER LX MR 570 (2017-2019)	Lube . . .	WL10090	OUTLANDER DPS 650 (2016-2019)	Lube . . .	WL10090
OUTLANDER 500 H.O. EFI 4X4 (2013-2013)	Air	<i>N/A</i>	Outlander Max 570 (2017-2019)	Air	<i>N/A</i>	OUTLANDER DPS 650 (2017-2019)	Fuel	<i>N/A</i>
OUTLANDER L 500 (2015-2015)	Fuel	<i>N/A</i>	Outlander Max 570 (2018-2019)	Fuel	<i>N/A</i>	OUTLANDER MAX 650 EFI (2014-2019)	Lube . . .	WL10090
OUTLANDER L MAX 500 (2015-2015)	Air	<i>N/A</i>	Outlander Max 570 XT (2016-2019)	Lube . . .	WL10090	Outlander Max 650 EFI DPS (2016-2016)	Air	<i>N/A</i>
OUTLANDER L MAX 500 (2015-2015)	Lube . . .	WL10090	OUTLANDER MAX DPS 570 (2016-2019)	Fuel	<i>N/A</i>	OUTLANDER MAX 650 EFI XT (2016-2016)	Fuel	<i>N/A</i>
OUTLANDER MAX 500 EFI (2014-2015)	Fuel	<i>N/A</i>	OUTLANDER MAX DPS 570 (2016-2019)	Air	<i>N/A</i>	OUTLANDER MAX 650 EFI XT (2016-2016)	Air	<i>N/A</i>
OUTLANDER MAX 500 EFI (2014-2015)	Air	<i>N/A</i>	OUTLANDER MOSSY OAK HUNTING L 570 (2016-2019)	Lube . . .	WL10090	OUTLANDER MAX 650 H.O. EFI 4X4 (2006-2013)	Lube . . .	WL10090
OUTLANDER MAX 500 H.O. EFI 4X4 (2007-2013)	Lube . . .	WL10090	OUTLANDER XT 570 (2018-2019)	Fuel	<i>N/A</i>	OUTLANDER MAX 650 H.O. EFI 4X4 (2013-2013)	Air	<i>N/A</i>
OUTLANDER MAX 500 H.O. EFI 4X4 (2013-2013)	Air	<i>N/A</i>	RENEGADE 570 (2016-2020)	Fuel	<i>N/A</i>	OUTLANDER MAX DPS 650 (2016-2016)	Fuel	<i>N/A</i>
RENEGADE 500 (2008-2015)	Lube . . .	WL10090	RENEGADE 570 (2017-2020)	Air	<i>N/A</i>	OUTLANDER MAX DPS 650 (2016-2017)	Lube . . .	WL10090
RENEGADE 500 (2015-2015)	Fuel	<i>N/A</i>	Renegade 570 X mr (2017-2019)	Fuel	<i>N/A</i>	OUTLANDER MAX NORTH EDITION 650 (2018-2019)	Air	<i>N/A</i>
	Air	<i>N/A</i>		Air	<i>N/A</i>		Fuel	<i>N/A</i>
570cc								
Outlander 570 (2016-2020)	Lube . . .	WL10090						
	Fuel	<i>N/A</i>						
	Air	<i>N/A</i>						
Outlander 570 EFI X mr (2017-2019)	Lube . . .	WL10090						
	Fuel	<i>N/A</i>						
	Air	<i>N/A</i>						

N/A = Not Available N/R = Not Required N/S = Not Serviceable See pages 16-19 for footnotes

Italicized Part Numbers May Not Be Available.

CAN-AM — HONDA
ATV Section

Make & Model Haz un modelo Marque et modèle	Serv. Type	Part No. N° de pieza N° de pièce	Make & Model Haz un modelo Marque et modèle	Serv. Type	Part No. N° de pieza N° de pièce	Make & Model Haz un modelo Marque et modèle	Serv. Type	Part No. N° de pieza N° de pièce
CAN-AM (Cont'd/Suite)			HONDA (Cont'd/Suite)			HONDA (Cont'd/Suite)		
1000cc			246cc ATC250 (1987-1987)	Lube . . .	24944	420cc		
OUTLANDER XT 1000R (2020-2020)	Air	N/A	248cc			TRX420FA (2010-2015)	Lube . . .	N/A
RENEGADE 1000 (2012-2015)	Lube	WL10090	TRX250 RECON (1985-1987)	Lube . . .	24944	TRX420FA (2015-2015)	Air	24268
RENEGADE 1000 (2014-2015)	Air	N/A	249cc TRX250X (1987-1987)	Lube . . .	24944	TRX420FA1 FourTrax Rancher 4x4 Auto DCT (2016-2016)	Lube . . .	24944
	Fuel	N/A	250cc ATC250 (1985-1986)	Lube . . .	24944		Air	24268
HONDA			SPORTRAX (1986-2011)	Lube . . .	24944	TRX420FA2 FourTrax Rancher 4x4 Auto DCT with EPS (2016-2016)	Lube . . .	24944
86cc			TRX250EX (2001-2006)	Lube . . .	24944	TRX420FA2 FourTrax Rancher 4x4 Auto DCT with EPS (2016-2018)	Air	24268
TRX90 (1993-2006)	Air	WA10826	TRX250EX (2001-2013)	Air	24266	TRX420FA2 FourTrax Rancher 4x4 Auto DCT with EPS (2017-2018)	Lube . . .	N/A
TRX90EX (2007-2008)	Air	WA10826	TRX250EX (2007-2007)	Lube . . .	N/A	TRX420FA5 FourTrax Rancher 4x4 Auto DCT IRS (2016-2016)	Lube . . .	24944
TRX90X (2009-2009)	Lube	NS	TRX250EX (2008-2011)	Lube . . .	24944		Air	24268
	Air	WA10826	300cc			TRX420FA6 FourTrax Rancher 4x4 Auto DCT IRS EPS (2016-2016)	Lube . . .	24944
TRX90X (2012-2015)	Lube	NS	SPORTRAX (1988-2011)	Lube . . .	24944		Air	24268
TRX90X (2012-2020)	Air	WA10826	TRX300 FOURTRAX (1988-2002)	Lube . . .	24944		Lube . . .	24944
TRX90X (2016-2016)	Lube	NR		Air	24269		Air	24268
TRX90X (2017-2020)	Lube	N/A	TRX300 SPORTRAX (1993-2011)	Lube . . .	24944		Lube . . .	24944
192cc			TRX300X (2009-2009)	Air	24267		Lube . . .	24268
ATC200 (1981-1986)	Air	N/A	TRX300X (2009-2011)	Lube . . .	24944		Air	24268
ATC200 (1981-1987)	Lube	NS		Air	24267		Air	N/A
ATC200 (1987-1987)	Lube	N/A	329cc TRX350 (1986-1987)	Lube . . .	24944	TRX420FE (2007-2014)	Air	N/A
229cc			330cc			TRX420FE (2007-2015)	Lube . . .	24944
TRX250 RECON (1988-2006)	Lube . . .	24944	RANCHER ES (2003-2011)	Lube . . .	24944	TRX420FE (2015-2015)	Air	24268 ⁴⁴¹
TRX250 RECON (1997-2014)	Air	24266	350cc				Air	N/A ⁴⁴²
TRX250 RECON (2007-2007)	Lube . . .	N/A	ATC350X (1985-2001)	Lube . . .	24944	TRX420FM (2007-2014)	Air	N/A
TRX250 RECON (2008-2011)	Lube . . .	24944	RANCHER ES (2001-2010)	Lube . . .	24944	TRX420FM (2007-2015)	Lube . . .	24944
TRX250TE FourTrax Recon ES (2002-2012)	Lube . . .	24944	TRX350 (1988-2011)	Lube . . .	24944	TRX420FM (2015-2015)	Air	24268 ⁴⁴¹
TRX250TE FourTrax Recon ES (2002-2013)	Lube . . .	24944	TRX350 FOURTRAX RANCHER (2000-2006)	Lube . . .	24944		Air	N/A ⁴⁴²
TRX250TE FourTrax Recon ES (2016-2016)	Air	24266		Lube . . .	24274	TRX420FM1 (2017-2020)	Lube . . .	24944
TRX250TE FourTrax Recon ES (2016-2020)	Lube . . .	NR	400cc				Air	24268
TRX250TE FourTrax Recon ES (2017-2020)	Lube . . .	NS	FOREMAN FW/EX/FM 400 (1995-2003)	Lube . . .	24944	TRX420FPA (2014-2014)	Lube . . .	N/A
TRX250TM FourTrax Recon (2002-2002)	Lube . . .	24944	FOREMAN S/ES (1995-2012)	Lube . . .	24944	TRX420FPE (2009-2013)	Air	N/A
TRX250TM FourTrax Recon (2002-2013)	Air	24266	FOREMAN S/ES (1998-2012)	Air	24269	TRX420FPM (2009-2013)	Lube . . .	24944
TRX250TM FourTrax Recon (2004-2006)	Lube . . .	24944	TRX400EX SPORTRAX (1999-2008)	Lube . . .	24944		Air	N/A
TRX250TM FourTrax Recon (2007-2007)	Lube . . .	N/A	TRX400FA (2004-2007)	Lube . . .	57938	TRX420TE (2007-2013)	Lube . . .	24944
TRX250TM FourTrax Recon (2008-2012)	Lube . . .	24944	TRX400FE (2000-2011)	Lube . . .	24944	TRX420TE (2015-2015)	Lube . . .	24944
TRX250TM FourTrax Recon (2016-2016)	Lube . . .	NR	TRX400FGA (2004-2007)	Lube . . .	57938		Air	N/A ⁴⁴²
TRX250TM FourTrax Recon (2016-2020)	Air	24266	TRX400FW (1999-2003)	Air	24274	TRX420TE FOURTRAX RANCHER ES (2007-2014)	Lube . . .	24944
TRX250TM FourTrax Recon (2017-2020)	Lube . . .	NS	TRX400X (2009-2014)	Lube . . .	24944		Air	N/A
TRX250X (1988-1992)	Air	24267		Air	24268	TRX420TE1 (2014-2014)	Fuel	N/A
TRX250X (1988-2006)	Lube . . .	24944	420cc				Air	24268
TRX250X (1993-2014)	Air	24266	TRX420 RANCHER TRX420TM1 (2016-2016)	Lube . . .	24944	TRX420TM FOURTRAX RANCHER (2007-2013)	Lube . . .	24944
TRX250X (2008-2012)	Lube . . .	24944		Air	24268		Air Filter Dryer	N/A
TRX250X (2014-2014)	Lube . . .	NS	TRX420 RANCHER 4X4 TRX420FM1 (2016-2016)	Lube . . .	24944	TRX420TM RANCHER (2007-2010)	Air	N/A
TRX250X (2016-2016)	Lube . . .	NR		Air	24268	TRX420TM RANCHER (2007-2011)	Lube . . .	24944
TRX250X (2016-2020)	Air	24266	TRX420 RANCHER 4X4 EPS TRX420FM2 (2016-2016)	Lube . . .	24944	TRX420TM RANCHER (2007-2011)	Air Filter Dryer	N/A
TRX250X (2017-2020)	Lube . . .	N/A		Air	24268	TRX420TM RANCHER (2011-2011)	Lube . . .	24944
TRX250X SE (2016-2016)	Lube . . .	NR	TRX420 RANCHER 4X4 ES TRX420FE1 (2016-2016)	Lube . . .	24944	TRX420TM RANCHER (2013-2013)	Air Filter Dryer	N/A
	Air	24266		Air	24268		Lube . . .	24944
			TRX420 RANCHER ES TRX420TE1 (2016-2016)	Lube . . .	24944	TRX420TM RANCHER (2015-2015)	Air Filter Dryer	N/A
				Air	24268		Lube . . .	24944
			TRX420FA (2010-2014)	Air	N/A		Air	24268 ⁴⁴¹

N/A = Not Available N/R = Not Required N/S = Not Serviceable See pages 16-19 for footnotes

Italicized Part Numbers May Not Be Available.



ATV Section

HONDA

Make & Model Haz un modelo Marque et modèle	Serv. Type	Part No. N° de pieza N° de pièce	Make & Model Haz un modelo Marque et modèle	Serv. Type	Part No. N° de pieza N° de pièce	Make & Model Haz un modelo Marque et modèle	Serv. Type	Part No. N° de pieza N° de pièce
HONDA (Cont'd/Suite)			HONDA (Cont'd/Suite)			HONDA (Cont'd/Suite)		
420cc			475cc			500cc		
TRX420TM RANCHER (2015-2015)	Air	N/A ⁴⁴²	TRX500FA7 FourTrax Foreman Rubicon Auto DCT EPS DL (2016- 2018)	Lube . . .	N/A	TRX500FA RUBICON (2002-2016)	Air	24268
TRX420TM1 (2014-2014)	Lube . . .	24944		Air	24268	TRX500FA RUBICON (2015-2016)	Lube . . .	N/A
	Air	N/A ⁴⁴²				TRX500FA5 RUBICON (2015-2015)	Lube . . .	NA
TRX420TM1 (2014-2015)	Fuel	N/A	TRX500FA7 FourTrax Foreman Rubicon Auto DCT EPS DL (2017- 2018)	Fuel	N/A		Air	24268 ⁴⁴¹
	Air	24268 ⁴⁴¹				TRX500FE FOURTRAX FOREMAN (2005-2008)	Lube . . .	24944
TRX420TM1 (2015-2015)	Lube . . .	NA	TRX500FE FOURTRAX FOREMAN (2009-2009)	Lube . . .	24944		Air	WA10800
450cc				Air	WA10800	TRX500FE FOURTRAX FOREMAN (2014-2016)	Lube . . .	24944
TRX450ER (2006-2014)	Lube . . .	57671	TRX500FE FOURTRAX FOREMAN (2011-2011)	Air	WA10800		Air	24268 ⁴⁴¹
	Air	24277	TRX500FE FOURTRAX FOREMAN (2011-2013)	Lube . . .	24944	TRX500FE FOURTRAX FOREMAN (2004-2004)	Air	24268
TRX450FE FOURTRAX FOREMAN ES (1998-2012)	Lube . . .	24944	TRX500FE FOURTRAX FOREMAN (2012-2013)	Air	24268	TRX500FE FOURTRAX FOREMAN RUBICON (2004-2008)	Lube . . .	57938
	Air	24269	TRX500FM FOURTRAX FOREMAN (2009-2009)	Lube . . .	24944	TRX500FE FOURTRAX FOREMAN RUBICON (2005-2008)	Air	WA10800
TRX450FM FOURTRAX FOREMAN S (1998-2004)	Lube . . .	24944		Air	WA10800	TRX500FGA FOURTRAX FOREMAN RUBICON (2004-2004)	Air	24268
TRX450FM FOURTRAX FOREMAN S (2002-2004)	Air	24269	TRX500FM FOURTRAX FOREMAN (2012-2013)	Lube . . .	24944	TRX500FGA FOURTRAX FOREMAN RUBICON (2005-2008)	Air	WA10800
TRX450R (2004-2005)	Air	WA10801		Air	WA10800	TRX500FM FOURTRAX FOREMAN (2005-2008)	Lube . . .	24944
TRX450R (2004-2012)	Lube . . .	57671	TRX500FM FOURTRAX FOREMAN (2012-2013)	Lube . . .	24944	TRX500FM FOURTRAX FOREMAN (2005-2008)	Air	WA10800
TRX450R (2006-2012)	Air	24277		Air	24268		Lube . . .	24944
TRX450S (1998-2001)	Lube . . .	24944	TRX500FM6 FourTrax Foreman Rubicon EPS (2018-2018)	Fuel	N/A	TRX500FM FOURTRAX FOREMAN (2011-2011)	Air	WA10800
	Air	24269		Air	24268	TRX500FM FOURTRAX FOREMAN (2014-2016)	Lube . . .	24944
475cc							Air	WA10800
TRX500 FOREMAN TRX 500FM1 (2016-2016)	Lube . . .	24944	TRX500FPA FOURTRAX FOREMAN AT (2011-2012)	Lube . . .	57938		Air	24268 ⁴⁴¹
	Air	24268		Air	WA10800	TRX500FPA FOURTRAX FOREMAN AT (2009-2009)	Lube . . .	57938
TRX500 FOREMAN EPS TRX500FM2 (2016-2016)	Lube . . .	24944	TRX500FPE FOURTRAX FOREMAN ES (2007-2009)	Lube . . .	24944	TRX500FPA FOURTRAX FOREMAN AT (2013-2014)	Air	WA10800
	Air	24268		Air	WA10800	TRX500FPA FOURTRAX FOREMAN AT (2013-2014)	Lube . . .	57938
TRX500 FOREMAN ES TRX500FE1 (2016-2016)	Lube . . .	24944	TRX500FPE FOURTRAX FOREMAN ES (2011-2011)	Air	WA10800	TRX500FPM FOURTRAX FOREMAN (2008-2008)	Air	WA10800
	Air	24268	TRX500FPE FOURTRAX FOREMAN ES (2011-2013)	Lube . . .	24944		Lube . . .	24944
TRX500 FOREMAN ES EPS TRX500FE2 (2016-2016)	Lube . . .	24944	TRX500FPE FOURTRAX FOREMAN ES (2012-2013)	Air	24268	TRX500FPM FOURTRAX FOREMAN (2008-2008)	Air	WA10800
	Air	24268	TRX500FPM FOURTRAX FOREMAN (2009-2009)	Lube . . .	24944		Lube . . .	24944
TRX500 FOREMAN RUBICON 4X4 TRX500FM5 (2016-2016)	Lube . . .	24944		Air	WA10800	TRX500TM FOURTRAX FOREMAN (2005-2006)	Air	WA10800
	Air	24268	TRX500FPM FOURTRAX FOREMAN (2011-2011)	Air	WA10800		Lube . . .	24944
TRX500 FOREMAN RUBICON 4X4 AUTO DCT TRX500FA5 (2016-2016)	Lube . . .	N/A	TRX500FPM FOURTRAX FOREMAN (2011-2013)	Lube . . .	24944		Air	WA10800
	Air	24268	TRX500FPM FOURTRAX FOREMAN (2011-2013)	Lube . . .	24944			
TRX500 FOREMAN RUBICON 4X4 AUTO DCT EPS TRX500FA6 (2016-2016)	Lube . . .	N/A	TRX500FPM FOURTRAX FOREMAN (2012-2013)	Air	24268			
	Air	24268						
TRX500 FOREMAN RUBICON 4X4 EPS TRX500FM6 (2016-2016)	Lube . . .	24944	499cc			650cc		
	Air	24268	TRX500FA RUBICON (2001-2001)	Lube . . .	57938	TRX650F RINCON (2003-2011)	Lube . . .	57938
TRX500 FOREMAN RUBICON 4X4 EPS DELUX TRX500FM7 (2016- 2016)	Lube . . .	24944		Air	24268		Air	24268
	Air	24268	TRX500FPA FOURTRAX FOREMAN AT (2011-2012)	Lube . . .	57938	TRX650FA FOURTRAX RINCON (2003-2005)	Lube . . .	57938
				Air	WA10800		Air	24268
TRX500FA5 FourTrax Foreman Rubicon Auto DCT (2017-2020)	Lube . . .	NS				TRX650FGA FOURTRAX RINCON (2004-2005)	Lube . . .	57938
	Fuel	N/A	500cc				Air	24268
	Air	24268	FOREMAN TRX500FE (2001-2001)	Lube . . .	24944			
			FOREMAN TRX500FE (2002-2002)	Lube . . .	24938			
			FOREMAN TRX500FE (2003-2011)	Lube . . .	24944			
			SXS500M (2015-2015)	Lube . . .	57938			
				Air	24268 ⁴⁴¹			
				Air	N/A ⁴⁴²			
			TRX500F (2001-2002)	Lube . . .	24938			
			TRX500FA RUBICON (2002-2014)	Lube . . .	57938			

N/A = Not Available N/R = Not Required N/S = Not Serviceable See pages 16-19 for footnotes

Italicized Part Numbers May Not Be Available.

A
T
V

HONDA — KAWASAKI

ATV Section

Make & Model Haz un modelo Marque et modèle	Serv. Type	Part No. N° de pieza N° de pièce	Make & Model Haz un modelo Marque et modèle	Serv. Type	Part No. N° de pieza N° de pièce	Make & Model Haz un modelo Marque et modèle	Serv. Type	Part No. N° de pieza N° de pièce
HONDA (Cont'd/Suite)			KAWASAKI (Cont'd/Suite)			KAWASAKI (Cont'd/Suite)		
680cc			220cc			400cc		
TRX680FA RINCON (2006-2015)	Lube . . .	57938	KLF220 BAYOU (1988-2002)	Air	24278	KVF400 PRAIRIE (1998-2002)	Lube . . .	51358 ⁵³
TRX680FA RINCON (2006-2015)	Air	WA10800					Air	24278
TRX680FA RINCON (2015-2015)	Air	N/A ⁴⁰²	250cc			KVF400 PRAIRIE 4X4 (1997-2003)	Lube . . .	51358 ⁵³
TRX680FX RINCON (2006-2012)	Lube . . .	57938	KLF250 BAYOU (2002-2012)	Lube . . .	24951		Air	24278
			KLF250 BAYOU (2003-2012)	Air	24278			
700cc			KSF250 (1987-2001)	Lube . . .	24951	450cc		
SXS700M (2015-2015)	Lube . . .	57938	MOJAVE 250 (2002-2005)	Lube . . .	24951	KAF450 MULE 1000 (1991-1995)	Lube . . .	51365
	Air	N/A ⁴⁰²					Fuel . . .	33011
	Air	WA10800	271cc			KFX450 (2007-2012)	Air	N/A
TRX700XX SPORTRAX (2008-2012)	Lube . . .	24944	KVF300 BRUTE FORCE 300 (2016-2017)	Lube . . .	N/A		Lube . . .	24994
	Air	WA10794		Fuel . . .	N/A	KFX450R (2008-2014)	Air	24282
				Air	WA10816		Lube . . .	24994
JOHN DEERE+All Terrain Vehicles (ATVs)							Air	24282
L 570CC 35CID			290cc			540cc		
XUV 825i (2016-2016)	Lube . . .	51394 ⁵³	KLF300 BAYOU 300 (1988-2004)	Lube . . .	24951	KAF540 MULE 2010 (1991-1992)	Lube . . .	51365
	Fuel	N/A	KVF300 PRAIRIE (1999-2001)	Air	24278		Fuel . . .	33011
	Air	42845	KVF300 PRAIRIE 4X4 (1999-2001)	Lube . . .	51358 ⁵³	KAF540 MULE 2010 (2005-2008)	Air	42439
	Air	46449 ¹⁵⁵		Air	24278	KAF540 MULE 2020 (1991-1992)	Lube . . .	51365
	Air	46449FR ³⁶⁰					Fuel . . .	33011
L3.812L 812CC 50CID			300cc				Air	42439
XUV 825i (2011-2014)	Lube . . .	51394 ⁵³	KAF300 MULE 500 (1991-2005)	Lube . . .	51394 ⁵³	KAF540 MULE 2020 (2005-2007)	Lube . . .	51365
	Fuel	N/A		Fuel	33011	KAF540 MULE 2030 (1991-1992)	Lube . . .	51365
	Air	42845	KAF300 MULE 520 (1991-2005)	Air	WA10654		Fuel . . .	33011
	Air	46449 ¹⁵⁵		Fuel	33011	KAF540 MULE 2030 (2005-2007)	Air	42439
	Air	46449FR ³⁶⁰		Air	WA10654		Lube . . .	51365
400CC 24CID			KAF300 MULE 550 (1991-2005)	Lube . . .	51394 ⁵³	600cc		
Gator EMB (2016-2016)	Lube . . .	51394 ⁵³		Fuel	33011	MULE 3000 (2000-2002)	Lube . . .	51394 ⁵³
	Fuel	33011	KEF300 LAKOTA 300 (1995-2001)	Air	WA10654	MULE 3010 (2000-2002)	Lube . . .	51394 ⁵³
	Air	46449	KEF300 LAKOTA SPORT (1995-2003)	Lube . . .	24951	MULE 3020 (2000-2002)	Lube . . .	51394 ⁵³
Gator FLSU (2016-2016)	Lube . . .	51394 ⁵³	KLF300 BAYOU 300 4X4 (1986-2008)	Lube . . .	24951			
	Fuel	33011	KLF300 BAYOU 300 4X4 (1987-2008)	Air	24278	620cc		
	Air	46449	KLF300 MULE 520 (1997-2003)	Lube . . .	51394 ⁵³	KAF620 MULE 2500 (1993-2002)	Lube . . .	51394 ⁵³
Gator HG4 (2016-2016)	Lube . . .	51394 ⁵³		Fuel	33011		Fuel . . .	33011
	Fuel	33011	KLF300 MULE 550 (1997-2003)	Air	WA10654	KAF620 MULE 2510 (1993-2002)	Air	WA10654
	Lube . . .	51394 ⁵³		Fuel	33011		Lube . . .	51394 ⁵³
	Fuel	33011	PRAIRIE 300 (2000-2003)	Air	WA10654	KAF620 MULE 2520 (1993-2002)	Lube . . .	51394 ⁵³
	Air	46449		Fuel	33011		Fuel . . .	33011
KAWASAKI				Air	WA10654	KAF620 MULE 3000 (1995-2008)	Air	WA10654
49.5CC			360cc				Lube . . .	51394 ⁵³
KFX50 (2019-2020)	Lube . . .	N/A	KVF 360 PRAIRIE 2X4 & 4X4 (2002-2013)	Lube . . .	51358 ⁵³	KAF620 MULE 3010 (1995-2008)	Fuel . . .	33011
	Fuel	N/A	KVF 360 PRAIRIE 2X4 & 4X4 (2003-2013)	Air	WA10830		Air	WA10654
	Air	WA10816				KAF620 MULE 3020 (1995-2008)	Lube . . .	51394 ⁵³
49cc			400cc				Fuel . . .	33011
KFX50 (2007-2009)	Lube . . .	N/A	KAF400 MULE 600 (2005-2012)	Lube . . .	51394 ⁵³	KAF620F MULE 3020 (2003-2003)	Air	WA10654
	Air	WA10816		Air	WA10654		Lube . . .	51394 ⁵³
KFX50 (2013-2015)	Lube . . .	N/A	KAF400 MULE 610 (2005-2011)	Lube . . .	51394 ⁵³	KAF620G MULE 3000 (2003-2008)	Fuel . . .	33011
	Air	WA10816		Air	WA10654		Air	WA10654
KFX50 (2014-2015)	Fuel	N/A	KAF400 MULE 610 4X4 XC (2010-2011)	Lube . . .	51394 ⁵³		Lube . . .	51394 ⁵³
	Fuel	N/A		Air	WA10654	KAF620H MULE 3000 (2003-2008)	Fuel . . .	33011
50cc			KFX 400 (2003-2007)	Lube . . .	57931		Air	WA10654
KFX50 (2016-2017)	Lube . . .	N/A		Air	N/A		Lube . . .	51394 ⁵³
	Fuel	N/A					Air	WA10654
	Air	WA10816					Fuel . . .	33011
89cc			220cc					
KFX90 (2007-2017)	Lube . . .	N/A	KLF220 BAYOU (1988-2002)	Lube . . .	24951			
	Air	WA10816						
KFX90 (2014-2017)	Fuel	N/A						
KFX90 (2019-2020)	Lube . . .	N/A						
	Fuel	N/A						
	Air	WA10816						

N/A = Not Available N/R = Not Required N/S = Not Serviceable See pages 16-19 for footnotes

Italicized Part Numbers May Not Be Available.

ATV Section

KAWASAKI — POLARIS

A
T
V

Make & Model Haz un modelo Marque et modèle	Serv. Type	Part No. N° de pieza N° de pièce	Make & Model Haz un modelo Marque et modèle	Serv. Type	Part No. N° de pieza N° de pièce	Make & Model Haz un modelo Marque et modèle	Serv. Type	Part No. N° de pieza N° de pièce
KAWASAKI (Cont'd/Suite)			KAWASAKI (Cont'd/Suite)			POLARIS (Cont'd/Suite)		
620cc			950cc			200cc		
MULE 4000 (2009-2011)	Lube ...	51394 ⁵³	MULE 4010 DIESEL (2009-2012)	Air ...	46449FR ³⁶⁰	SAWTOOTH 200 (2006-2012)	Lube ...	N/A
MULE 4000 (2009-2012)	Air ...	46449 ¹⁵⁵	KYMCO				Air ...	24246
	Air ...	46449FR ³⁶⁰	69cc Engine			250cc		
MULE 4000 (2012-2012)	Lube ...	51360	MONGOOSE 70S (2015-2015)	Lube ...	NA	250 4X4, 6X6 (1993-1993)	Air ...	WA10815
MULE 4010 (2009-2012)	Lube ...	51394 ⁵³	89cc Engine			BIG BOSS 250 (1989-1993)	Lube ...	51358 ⁵³
	Air ...	46449 ¹⁵⁵	MONGOOSE 90S (2015-2015)	Lube ...	NA		Air ...	WA10815
	Air ...	46449FR ³⁶⁰	149cc Engine			TRAILBLAZER 250 (1990-1992)	Air ...	WA10815
650cc			MXU150 (2015-2015)	Lube ...	NA			
KVF650 BRUTE FORCE 650 4X4 (2005-2013)	Lube ...	51358 ⁵³	270cc Engine			300cc		
	Air ...	24279	MONGOOSE 300 (2015-2015)	Lube ...	NA	300 2X4, 4X4, 6X6 (1994-1995)	Air ...	WA10815
KVF650 BRUTE FORCE 650 4X4I (2006-2013)	Lube ...	51358 ⁵³	MXU300 (2015-2015)	Lube ...	NA	BIG BOSS 300 (1994-1994)	Lube ...	51358 ⁵³
	Air ...	WA10822	366cc Engine				Air ...	WA10815
KVF650 PRAIRIE 4X4 (2001-2007)	Lube ...	51358 ⁵³	MXU375 (2010-2012)	Lube ...	51359	HAWKEYE 300 (2006-2010)	Lube ...	51358 ⁵³
	Air ...	24279	443cc Engine				Air ...	24246
700cc			MAXXER 450 (2015-2015)	Lube ...	NA	SPORTSMAN 300 (2008-2011)	Lube ...	51358 ⁵³
KFX700 (2003-2009)	Air ...	24279	MUX450 (2015-2015)	Lube ...	NA	SPORTSMAN ACES (2014-2015)	Lube ...	57671
KFX700 (2003-2012)	Lube ...	51358 ⁵³	495cc Engine				Air ...	N/A
KVF700 PRAIRIE 4X4 (2004-2008)	Lube ...	51358 ⁵³	MXU500 (2014-2015)	Lube ...	NA	XPLORER 300 (1996-1999)	Air ...	WA10815
PRAIRIE 700 4X4 (2004-2008)	Lube ...	51358 ⁵³	499cc MXU 500I (2016-2016)	Lube ...	51358 ⁵³	XPRESS 300 (1997-1999)	Lube ...	N/A
							Air ...	WA10815
749cc			695cc Engine			325cc		
KVF750 BRUTE FORCE 750 4X4I (2016-2020)	Lube ...	51358 ⁵³	MXU 700I (2016-2016)	Lube ...	51358 ⁵³	HAWKEYE 325 (2015-2015)	Lube ...	57671
	Air ...	WA10822	MXU 700I LE EPS (2016-2016)	Lube ...	51358		Air ...	24245
KVF750 BRUTE FORCE 750 4X4I (2018-2020)	Fuel ...	N/A	MXU700 (2014-2015)	Lube ...	NA	MAGNUM 325 2X4, 4X4 (1994-2008)	Lube ...	51358 ⁵³
KVF750 BRUTE FORCE 750 4X4I EPS (2016-2020)	Lube ...	51358 ⁵³	POLARIS			MAGNUM 325 2X4, 4X4 (1995-2008)	Air ...	24245
	Air ...	WA10822	L1 .500L 500CC 31CID	Lube ...	51358	TRAIL BOSS 325 4X4 (2000-2012)	Lube ...	51358 ⁵³
KVF750 BRUTE FORCE 750 4X4I EPS (2018-2020)	Fuel ...	N/A	SPORTSMAN 450 HO (2019-2020)	Air ...	24245		Air ...	24245
KVF750 BRUTE FORCE 750 4X4I EPS CAMO (2016-2019)	Lube ...	51358 ⁵³	V2 .850L 850CC 52CID	Lube ...	51358	XPEDITION 325 (2000-2002)	Lube ...	51358 ⁵³
	Air ...	WA10822	SCRAMBLER 850 (2019-2020)	Air ...	WA10814		Air ...	51358 ⁵³
KVF750 BRUTE FORCE 750 4X4I EPS CAMO (2018-2019)	Fuel ...	N/A	SPORTSMAN 850 SP (2019-2020)	Lube ...	51358	330cc		
TERYX 750 (2008-2012)	Lube ...	51358 ⁵³	V2 .952L 952CC 58CID	Lube ...	51358	ATP 330 (2004-2005)	Lube ...	51358 ⁵³
TERYX 750 (2013-2013)	Air ...	N/A	SCRAMBLER 1000 (2019-2020)	Air ...	WA10814	MAGNUM 330 2X4, 4X4 (2002-2008)	Lube ...	51358 ⁵³
TERYX 750 LE (2008-2012)	Lube ...	51358 ⁵³	Sportsman 1000 XP (2019-2020)	Lube ...	51358	TRAIL BOSS 330 (2002-2013)	Lube ...	51358 ⁵³
				Air ...	WA10814	TRAILBLAZER 330 (2008-2012)	Lube ...	51358 ⁵³
750cc			50cc			335cc		
KVF750 BRUTE FORCE 750 4X4I (2005-2015)	Lube ...	51358 ⁵³	OUTLAW 50 (2014-2015)	Lube ...	NS	SPORTSMAN 335 (1996-2009)	Lube ...	51358 ⁵³
	Air ...	WA10822	PREDATOR 50 (2001-2006)	Air ...	N/A		Air ...	24245
KVF750 BRUTE FORCE 750 4X4I (2014-2015)	Fuel ...	N/A	SCRAMBLER 50 (2001-2003)	Air ...	24247	SPORTSMAN 335 (2011-2011)	Lube ...	51358 ⁵³
			SPORTSMAN 50 (2001-2003)	Air ...	24247	WORKER 335 (1999-2000)	Lube ...	24245
950cc			90cc			350cc		
KAF950A MULE 2510 DIESEL (1999-2002)	Lube ...	51394 ⁵³	OUTLAW 90 (2014-2014)	Lube ...	NS	350L 2X4, 4X4, 6X6 (1993-1993)	Air ...	WA10815
	Fuel ...	WF8059	PREDATOR 90 (2001-2003)	Air ...	WA10844	BIG BOSS 350 (1991-1993)	Lube ...	51358 ⁵³
	Air ...	46449 ¹⁵⁵	SCRAMBLER 90 (2001-2003)	Air ...	24247		Air ...	WA10815
	Air ...	46449FR ³⁶⁰	SPORTSMAN 90 (2001-2008)	Air ...	24247	400cc		
KAF950B MULE 3010 DIESEL (2003-2009)	Lube ...	51394 ⁵³	SPORTSMAN 90 (2009-2014)	Lube ...	NS	400L 2X4, 4X4 SPORT (1994-1995)	Air ...	24244
	Fuel ...	WF8059		Air ...	WA10844	400L 6X6 (1994-1996)	Air ...	WA10815
	Air ...	46449FR ³⁶⁰		Air ...	24247	BIG BOSS 400 (1994-1997)	Lube ...	51358 ⁵³
MULE 3510 DIESEL (2003-2004)	Lube ...	51394 ⁵³	112cc				Air ...	WA10815
MULE 4010 DIESEL (2009-2012)	Lube ...	51394 ⁵³	OUTLAW 110 (2019-2020)	Air ...	WA10844	BIG BOSS 400L 6X6 (1995-1997)	Air ...	WA10815
	Air ...	46449 ¹⁵⁵	196cc			HAWKEYE 400 (2011-2014)	Lube ...	51358 ⁵³
	Air ...	46449FR ³⁶⁰	PHOENIX 200 (2019-2020)	Lube ...	N/A		Air ...	24245
				Air ...	24246	RANGER 400 (2009-2009)	Lube ...	51358 ⁵³
			200cc			SCRAMBLER 400 (1995-2011)	Air ...	24244
			PHOENIX 200 (2005-2015)	Lube ...	N/A	SCRAMBLER 400 (2002-2011)	Lube ...	51358 ⁵³
				Air ...	24246			

N/A = Not Available N/R = Not Required N/S = Not Serviceable See pages 16-19 for footnotes

Italicized Part Numbers May Not Be Available.

POLARIS

ATV Section

Make & Model Haz un modelo Marque et modèle	Serv. Type	Part No. N° de pieza N° de pièce	Make & Model Haz un modelo Marque et modèle	Serv. Type	Part No. N° de pieza N° de pièce	Make & Model Haz un modelo Marque et modèle	Serv. Type	Part No. N° de pieza N° de pièce
POLARIS (Cont'd/Suite)			POLARIS (Cont'd/Suite)			POLARIS (Cont'd/Suite)		
400cc			500cc			567cc		
SCRAMBLER 400 (2014-2014)	Lube . . .	51358 ⁵³	Sportsman 450 HO EPS (2016-2017)	Lube . . .	51358 ⁵³	Sportsman 570 EPS Utility Edition (2017-2017)	Air	WA10814
	Air	24244		Air	WA10814	SPORTSMAN 570 SP (2016-2017)	Lube . . .	51358 ⁵³
SPORT 400L (1994-1995)	Air	WA10815	Sportsman 450 HO Utility Edition (2017-2017)	Lube . . .	51358 ⁵³	Sportsman 570 SP Hunters Edition (2016-2017)	Lube . . .	51358 ⁵³
SPORT 400L (1996-1998)	Air	24244		Air	WA10814		Air	WA10814
SPORTSMAN 400 (1996-1997)	Lube . . .	51358 ⁵³	SPORTSMAN 500 (1994-2014)	Lube . . .	51358 ⁵³	Sportsman 570 Touring SP (2016-2017)	Lube . . .	51358 ⁵³
	Air	24245	SPORTSMAN 500 (1996-2014)	Air	24245		Air	WA10814
SPORTSMAN 400 (2001-2005)	Lube . . .	51358 ⁵³	SPORTSMAN 500 6X6 (2000-2011)	Lube . . .	51358 ⁵³	Sportsman 570 X2 EPS (2016-2017)	Lube . . .	51358 ⁵³
	Air	24245		Air	24245		Air	WA10814
SPORTSMAN 400 4X4 (1994-1996)	Air	WA10815	SPORTSMAN 500 DUSE (1996-2012)	Lube . . .	51358 ⁵³	SPORTSMAN TOURING 570 (2016-2017)	Lube . . .	51358 ⁵³
SPORTSMAN 400 H.O (2008-2014)	Lube . . .	51358 ⁵³		Air	24245		Air	WA10814
	Air	24245	SPORTSMAN 500 H.O (1996-2013)	Lube . . .	51358 ⁵³	SPORTSMAN TOURING 570 EPS (2016-2017)	Lube . . .	51358 ⁵³
SPORTSMAN 400L (1997-1997)	Air	WA10815		Air	24245		Air	WA10814
TRAILBLAZER 400 (2002-2003)	Lube . . .	51358 ⁵³	SPORTSMAN 500 RSE (1996-1997)	Lube . . .	51358 ⁵³		Lube . . .	51358 ⁵³
	Air	24244		Air	24245		Air	WA10814
XPLORER 400 (2000-2003)	Lube . . .	51358 ⁵³	SPORTSMAN 500 RSE (1996-2012)	Lube . . .	51358 ⁵³		Lube . . .	51358 ⁵³
	Air	24246		Air	24245		Air	WA10814
XPLORER 400L (1995-1998)	Air	WA10815	SPORTSMAN 500 RSE (1999-2012)	Air	24245			
XPRESS 400 (1996-1997)	Air	WA10815	SPORTSMAN 500 X2 (2006-2012)	Lube . . .	51358 ⁵³			
				Air	24245			
425cc			SPORTSMAN 550 (2011-2011)	Lube . . .	51358 ⁵³			
MAGNUM 425 2X4, 4X4 (1994-2001)	Lube . . .	51358 ⁵³		Air	24245			
MAGNUM 425 2X4, 4X4 (1995-2001)	Air	24245	XPLORER 500 (1997-2001)	Lube . . .	51358 ⁵³			
XPEDITION 425 (2000-2005)	Lube . . .	51358 ⁵³		Air	24245			
450cc			510cc					
SPORTSMAN 450 (1996-2009)	Lube . . .	51358 ⁵³	OUTLAW 525 IRS (2007-2011)	Lube . . .	N/A ³³⁰	SPORTSMAN 700EFI (2002-2011)	Lube . . .	51357
	Air	24245		Lube . . .	WL10029 ³³¹		Air	24245
SPORTSMAN 450 (2011-2011)	Lube . . .	51358 ⁵³		Air	N/A	SPORTSMAN MV7 (2005-2005)	Lube . . .	51356
	Air	24245		Lube . . .	N/A ³³⁰		Air	24245
455cc			OUTLAW 525 S (2008-2012)	Lube . . .	N/A ³³⁰	SPORTSMAN MV7 (2007-2012)	Lube . . .	51356
DIESEL 4X4 (1999-2001)	Lube . . .	51358 ⁵³		Lube . . .	WL10029 ³³¹			
RANGER 400 (2010-2012)	Lube . . .	51358 ⁵³		Air	24263			
498cc			549cc			760cc		
OUTLAW 450 MXR (2008-2012)	Lube . . .	N/A ³³⁰	SPORTSMAN 550 (2009-2010)	Lube . . .	51358 ⁵³	RANGER RZR XP 4 (2010-2013)	Lube . . .	51356
	Lube . . .	WL10029 ³³¹		Air	24245		Air	N/A
	Air	24263	SPORTSMAN 550 (2012-2014)	Lube . . .	51358 ⁵³	RZR S 800 (2009-2014)	Lube . . .	51356
500cc				Air	24245		Air	N/A
455 DIESEL 4X4 (1999-2001)	Lube . . .	51358 ⁵³	567cc			800cc		
ATP 500 (2004-2005)	Lube . . .	51358 ⁵³	570 TR PRM (2015-2015)	Lube . . .	51358 ⁵³	FOREST 800 (2015-2015)	Lube . . .	51356
BIG BOSS 500 6X6 (1998-1999)	Lube . . .	51358 ⁵³		Air	24245		Air	24245
MAGNUM 500 (1999-2008)	Lube . . .	51358 ⁵³	FOREST TRACTOR 570 (EFI/EPS) (2015-2015)	Lube . . .	51358 ⁵³	RANGER XP 800 (2005-2012)	Lube . . .	51356
	Air	24245		Air	24245		Air	WA10386
OUTLAW 500 (2006-2007)	Lube . . .	24994	RZR 570 (2014-2014)	Lube . . .	51356	RZR 800 (2014-2014)	Lube . . .	51356
PREDATOR (2003-2004)	Lube . . .	NA		Lube . . .	51356	SPORTSMAN 800 (2005-2014)	Lube . . .	51356
	Air	46142		Air	WA10386		Air	24245
PREDATOR 500 (2003-2007)	Lube . . .	24944	SPORTSMAN 570 (2014-2015)	Air	24245			
	Air	24262	SPORTSMAN 570 (2014-2018)	Lube . . .	51358 ⁵³			
PREDATOR 500 (2003-2008)	Air	46142	SPORTSMAN 570 (2016-2020)	Air	WA10814			
PREDATOR 500 (2008-2008)	Lube . . .	NA	SPORTSMAN 570 (2019-2020)	Lube . . .	51358			
RANGER 2X4, 4X4, 6X6 (2000-2012)	Lube . . .	51358 ⁵³	Sportsman 570 Big Boss 6x6 EPS (2017-2017)	Lube . . .	51358 ⁵³			
SCRAMBLER 500 2X4, 4X4 (1997-2012)	Lube . . .	51358 ⁵³		Air	WA10814			
	Air	24245	SPORTSMAN 570 EPS (2016-2017)	Lube . . .	51358 ⁵³			
SPORTSMAN 450 HO (2016-2017)	Lube . . .	51358 ⁵³		Air	WA10814			
	Air	WA10814	Sportsman 570 EPS Utility Edition (2017-2017)	Lube . . .	51358 ⁵³			

N/A = Not Available N/R = Not Required N/S = Not Serviceable See pages 16-19 for footnotes

Italicized Part Numbers May Not Be Available.

ATV Section

POLARIS — SUZUKI

Make & Model Haz un modelo Marque et modèle	Serv. Type	Part No. N° de pieza N° de pièce	Make & Model Haz un modelo Marque et modèle	Serv. Type	Part No. N° de pieza N° de pièce	Make & Model Haz un modelo Marque et modèle	Serv. Type	Part No. N° de pieza N° de pièce
POLARIS (Cont'd/Suite)			SUZUKI (Cont'd/Suite)			SUZUKI (Cont'd/Suite)		
850cc SPORTSMAN 850 SP (2016-2017)	Lube . . .	51358 ⁵³	L1 .493L 493CC 30CID LT-500AXi King Quad (2019-2020)	Fuel . . .	N/A	KINGQUAD 400 ASI LE (2016-2016)	Lube . . .	51359
	Air	WA10814		Air	N/A		Air	N/A
SPORTSMAN TOURING 850 SP (2016-2017)	Lube . . .	51358 ⁵³	L1 .722L 722CC 44CID LT-750AXi King Quad (2019-2020)	Lube . . .	51359	KINGQUAD 400 FSI (2016-2017)	Lube . . .	51359
	Air	WA10814		Lube . . .	N/A		Air	N/A
900cc RANGER 900 DIESEL (2011-2013)	Lube . . .	51365		Fuel . . .	N/A	LTA400 EIGER 4X4 AUTO (2002-2007)	Lube . . .	51359
	Air	N/A		Air	N/A		Air	N/A
RANGER 900 RZR XP (2011-2012)	Lube . . .	51358 ⁵³	50cc QUADSPORT Z50 (2017-2017)	Lube . . .	WL10339	LTA400 KINGQUAD (2008-2012)	Lube . . .	51359
RANGER 900 RZR XP (2011-2013)	Air	N/A		Air	WA10845	LTA400 KINGQUAD (2014-2014)	Lube . . .	51359
RANGER 900 RZR XP (2013-2013)	Lube . . .	51356	90cc LTZ90 QUADSPORT (2007-2009)	Lube . . .	WL10339	LTA400F (2015-2018)	Air	51359
RANGER XP 900 (2013-2015)	Air	N/A		Air	WA10843		Air	N/A
RZR 900 (2014-2014)	Lube . . .	51356	LTZ90 QUADSPORT (2014-2014)	Lube . . .	WL10339	LTF400 KINGQUAD (FSI) (2011-2014)	Lube . . .	51359
	Air	N/A	LTZ90 QUADSPORT (2014-2018)	Air	WA10843	LTF400 KINGQUAD (FSI) (2014-2014)	Air	N/A
	Lube . . .	51356	LTZ90 QUADSPORT (2015-2018)	Lube . . .	NA	LTF400 KINGQUAD (FSI) (2014-2014)	Lube . . .	51359
	Air	N/A	QUADSPORT Z90 (2016-2017)	Air	WA10843	LTF400F (2015-2018)	Air	N/A
904cc RANGER CREW (MILITARY) (2011-2013)	Lube . . .	51365	160cc LT160 (1989-2004)	Lube . . .	24949	400cc LTF400 KINGQUAD (FSI) (2002-2007)	Lube . . .	51359
	Air	N/A	LTF160 QUADRUNNER (1989-2004)	Lube . . .	24949	LTA450 KINGQUAD 4X4 (AXI) (2007-2008)	Air	N/A
952cc SCRAMBLER XP 1000 (2016-2017)	Lube . . .	51358 ⁵³	185cc ALT185F 3X6 (1985-1985)	Lube . . .	WL10339	LTA450 KINGQUAD 4X4 (AXI) (2009-2010)	Lube . . .	51359
	Air	WA10814		Lube . . .	24949	LTR450 QUADRACER (2006-2009)	Lube . . .	57931
Sportsman 1000 Touring XP Limited (2016-2016)	Lube . . .	51358 ⁵³	230cc LT230 (1985-1993)	Lube . . .	24949	LTA450 KINGQUAD 4X4 (AXI) (2009-2010)	Lube . . .	51359
	Air	WA10814	LTF230 QUADRUNNER (1985-1993)	Lube . . .	24949		Air	24291
Sportsman 1000 XP (2016-2017)	Lube . . .	51358 ⁵³	250cc F250 QUADRUNNER (2003-2005)	Lube . . .	24949	QUADSPORT LT-Z400 (2002-2007)	Air	N/A
	Air	WA10814	LT250 (1985-2002)	Lube . . .	24949	QUADSPORT LT-Z400 (2002-2012)	Lube . . .	57931
Sportsman 1000 XP Hunter Edition (2016-2017)	Lube . . .	51358 ⁵³	LT250 (1988-2002)	Air	24283	QUADSPORT Z400 (2004-2008)	Lube . . .	57931
	Air	WA10814	LT250 QUADRACER (1985-1992)	Lube . . .	NA			
SPORTSMAN TOURING XP 1000 (2016-2017)	Lube . . .	51358 ⁵³		Air	N/A			
	Air	WA10814	LT4WD QUADRUNNER (1987-1996)	Lube . . .	24949			
SPORTSMAN XP 1000 HIGHLIFTER (2016-2017)	Lube . . .	51358 ⁵³	LTF250 OZARK (2002-2014)	Air	24283			
	Air	WA10814		Lube . . .	24949			
999cc FOREST 1000 (2015-2015)	Lube . . .	51358 ⁵³	LTF4WD QUADRUNNER (1985-2002)	Lube . . .	24949			
	Air	24245		Air	24283			
RZR XP 1000 (2014-2014)	Lube . . .	51356	LTZ250 QUADSPORT (2004-2011)	Lube . . .	24949			
	Air	N/A		Air	24283			
RZR XP 4 1000/PS (2014-2014)	Lube . . .	51356	280cc LTF300 4WD KINGQUAD (1991-1993)	Lube . . .	24949			
	Air	N/A		Lube . . .	24949			
SCRAMBLER 1000 (2014-2015)	Lube . . .	51358 ⁵³	300cc LT300E (1987-1989)	Lube . . .	24949			
	Air	24245	LTF300 4WD KINGQUAD (1999-2002)	Air	24283			
SUZUKI				Lube . . .	24949			
L1 .050L 50CC 3CID QUADSPORT Z50 (2019-2020)	Air	WA10845	LTF300FX (1999-2003)	Lube . . .	24949			
L1 .090L 90CC 5CID QUADSPORT Z90 (2019-2020)	Lube . . .	WL10339	LTF4WD KINGQUAD (1991-1998)	Lube . . .	24949			
	Air	WA10843		Air	24283			
L1 .376L 376CC 23CID LT-400ASi King Quad (2019-2020)	Lube . . .	51359	376cc KING QUAD 400 ASI SPECIAL EDITION (2017-2017)	Lube . . .	51359	LTA500 KINGQUAD (2009-2009)	Lube . . .	51359
	Lube . . .	N/A		Air	N/A	LTA500 KINGQUAD (2011-2013)	Air	N/A
	Fuel . . .	N/A		Lube . . .	51359	LTA500 KINGQUAD (2015-2015)	Lube . . .	51359
	Air	N/A		Air	N/A	LTA500X (2016-2018)	Air	N/A
L1 .493L 493CC 30CID LT-500AXi King Quad (2019-2020)	Lube . . .	51359		Lube . . .	51359		Lube . . .	51359
	Lube . . .	N/A		Air	N/A		Lube . . .	51359

N/A = Not Available N/R = Not Required N/S = Not Serviceable See pages 16-19 for footnotes

Italicized Part Numbers May Not Be Available.

SUZUKI — YAMAHA

ATV Section

Make & Model Haz un modelo Marque et modèle	Serv. Type	Part No. N° de pieza N° de pièce	Make & Model Haz un modelo Marque et modèle	Serv. Type	Part No. N° de pieza N° de pièce	Make & Model Haz un modelo Marque et modèle	Serv. Type	Part No. N° de pieza N° de pièce	
SUZUKI (Cont'd/Suite)			YAMAHA (Cont'd/Suite)			YAMAHA (Cont'd/Suite)			
493cc LTA500X (2016-2018)	Air	N/A	250cc YFM250 (1999-2002)	Lube . . .	57934	600cc YFM600 GRIZZLY (1998-2001)	Air	24293	
500cc LTA500 KINGQUAD (2014-2014)	Lube . . .	51359	350cc BANSHEE (2005-2007) BRUIN 350 (2004-2006) BRUIN 350 (2004-2007) BW350 BIG WHEEL (1987-1987) BW350 BIG WHEEL (1988-1988) GRIZZLY 350 (2007-2012) GRIZZLY 350 (2007-2014) GRIZZLY 350 (2013-2014) RAPTOR 350 (2004-2013) WOLVERINE 350 (1995-2005) WOLVERINE 350 (1995-2010) WOLVERINE 350 (2006-2010) YFM350 BIG BEAR (1987-1999) YFM350 BIG BEAR (1987-2005) YFM350 WARRIOR (1987-2000) YFM350 WARRIOR (2002-2003)	Lube . . .	57935	617cc QUV UTILITY VEHICLE (2005-2010)	Lube . . .	51394 ⁵³	
LTF500 (1998-2008)	Air	N/A		Air	24324		660cc GRIZZLY 660 (2001-2008) RHINO 660 (2004-2010)	Lube . . .	51358 ⁵³
QUADRUNNER 500 (1998-2003)	Lube . . .	51359		Lube . . .	51358 ⁵³	Lube . . .		24293	
VINSON 500 (2002-2007)	Air	N/A		Lube . . .	57935	Lube . . .	51358 ⁵³		
VINSON 500 (2002-2008)	Lube . . .	51359		Lube . . .	24935 ³²⁹	Air	24320		
617cc QUV UTILITY VEHICLE (2005-2012)	Lube . . .	51394 ⁵³		Air	24936 ³²⁸	Lube . . .	57040		
700cc LTA700 KINGQUAD (2004-2008) TWINPEAKS V700F (2004-2007)	Lube . . .	51359		Air	N/A	Air	24298		
	Lube . . .	51359		Lube . . .	57935	686cc GRIZZLY 700 (YFM700) (2007-2015) RAPTOR 700 (YFM700) (2006-2015) RAPTOR 700 (YFM700) (2006-2017) RAPTOR 700 (YFM700) (2016-2017) RAPTOR 700R (2016-2017) RAPTOR 700R SE (2016-2017) YFM700 Raptor (2018-2020) YFM700R Raptor SE (2018-2020)	Lube . . .	51358 ⁵³	
Air	24279	Air		24293	Air		WA10846		
722cc KING QUAD 750 AXI POWER STEERING (2016-2017) KING QUAD 750 AXI POWER STEERING SPECIAL EDITION (2016-2017)	Lube . . .	51359		Lube . . .	57935		Lube . . .	24935 ³²⁹	
	Air	N/A	Air	24324	Lube . . .		24936 ³²⁸		
KINGQUAD 750 AXI (2016-2016)	Lube . . .	51359	Lube . . .	24294	Air		24323		
	Air	N/A	Lube . . .	57935	Lube . . .		24936		
LTA750 KINGQUAD (2008-2014)	Lube . . .	51359	Air	24293	Lube . . .		24936		
	Air	N/A	Lube . . .	57935	Air		24323		
LTA750X (2015-2018)	Lube . . .	51359	Air	24293	Lube . . .		24936		
	Air	N/A	Air	24293	Air		24323		
YAMAHA			400cc BIG BEAR 400 (2000-2012) GRIZZLY 400 (2007-2008) KODIAK 400 (1993-1999) KODIAK 400 (2000-2002) KODIAK 400 (2000-2006) KODIAK 400 (2003-2004) KODIAK 400 (2005-2006) YFM400 ALL MODELS (1993-1999) YFM400 BIG BEAR (2000-2012) YFM400 KODIAK (2000-2006)	Air	24296	700cc KING QUAD (2005-2007) RHINO 700 (2008-2012)	Lube . . .	51359	
50cc RAPTOR (2007-2009)	Lube . . .	NS		Lube . . .	51358 ⁵³		Lube . . .	51358 ⁵³	
80cc GRIZZLY 80 (2007-2012)	Lube . . .	NS		Air	24324		708cc GRIZZLY (2016-2016)	Lube . . .	57040
RAPTOR (2007-2010)	Lube . . .	NS		Lube . . .	57935			Air	N/A
88cc RAPTOR 90 (2009-2009)	Lube . . .	NS		Air	24294		GRIZZLY 700 EPS 4WD (2016-2016)	Lube . . .	57040
90cc RAPTOR 90 (2010-2012)	Lube . . .	NS		Air	N/A			Lube . . .	57040
125cc Breeze (1989-2004)	Misc . . .	N/A		Lube . . .	51358 ⁵³		GRIZZLY 700 EPS 4WD SE (2016-2016)	Lube . . .	57040
	Air	24292		Air	57933			Lube . . .	N/A
GRIZZLY 125 (2004-2013)	Lube . . .	NS		Air	24299		GRIZZLY EPS (2016-2016)	Lube . . .	57040
Air	24292	Air		24299	Lube . . .			N/A	
200cc YFM200 ALL MODELS (1986-1989) YTM200 ALL MODELS (1983-1985)	Lube . . .	57934	449cc YFZ 450R (2020-2020) YFZ450R (2016-2018) YFZ450R SE (2016-2018)	Lube . . .	57933	GRIZZLY EPS 4WD LIMITED EDITION (2016-2016)	Lube . . .	57040	
	Lube . . .	57934		Air	24299		Lube . . .	57040	
225cc YFM225 ALL MODELS (1986-1988) YTM225 ALL MODELS (1983-1987)	Lube . . .	57934		Lube . . .	24299	GRIZZLY EPS LE (2016-2016) KODIAK 700 (2016-2017)	Lube . . .	57040	
	Lube . . .	57934		Air	51358 ⁵³		Lube . . .	57040	
230cc BEAR TRACKER (1999-2004)	Lube . . .	57934		Air	24324	KODIAK 700 EPS (2016-2017)	Air	N/A	
	Air	24296		Lube . . .	51358 ⁵³		Lube . . .	57040	
250cc BIG BEAR 250 (2007-2012) BRUIN 250 (2005-2006) RAPTOR 250 (2008-2013) YFB250 (1992-2000) YFM250 (1989-1994)	Lube . . .	57934		Lube . . .	24320	KODIAK 700 EPS 4WD (2016-2016)	Lube . . .	57040	
	Air	24296		Air	24324		Air	N/A	
	Lube . . .	57934		Lube . . .	51358 ⁵³	KODIAK 700 EPS 4WD SE (2016-2016)	Lube . . .	57040	
	Air	24296		Air	24299		Lube . . .	N/A	
	Lube . . .	57933	558cc GRIZZLY 550 (2009-2014)	Lube . . .	51358 ⁵³	KODIAK 700 EPS SE (2016-2017)	Lube . . .	57040	
	Air	24292		Air	WA10846		Lube . . .	57040	
	Lube . . .	57934	600cc YFM600 GRIZZLY (1998-2001)	Lube . . .	24935 ³²⁹	WOLVERINE (2016-2016) WOLVERINE R-SPEC (2016-2016)	Air	N/A	
	Air	24294		Lube . . .	24936 ³²⁸		Lube . . .	N/A	
	Lube . . .	57934		Lube . . .	24936 ³²⁸				

N/A = Not Available N/R = Not Required N/S = Not Serviceable See pages 16-19 for footnotes

Italicized Part Numbers May Not Be Available.



ATV Section

YAMAHA

Make & Model Haz un modelo Marque et modèle	Serv. Type	Part No. N° de pieza N° de pièce	Make & Model Haz un modelo Marque et modèle	Serv. Type	Part No. N° de pieza N° de pièce	Make & Model Haz un modelo Marque et modèle	Serv. Type	Part No. N° de pieza N° de pièce
YAMAHA (Cont'd/Suite)								
708cc								
WOLVERINE R-SPES EPS (2016-2016)	Lube . . .	N/A						
YFM700 Grizzly EPS (2018-2020)	Lube . . .	57040						
	Air	N/A						
YFM700 Grizzly EPS LE (2017-2020)	Lube . . .	57040						
	Air	N/A						
YFM700 Grizzly EPS SE (2018-2020)	Lube . . .	57040						
	Air	N/A						
YFM700 Grizzly FI 4x4 Auto EPS (2017-2017)	Lube . . .	57040						
	Air	N/A						
YFM700 Grizzly FI 4x4 Auto EPS SE (2017-2017)	Lube . . .	57040						
	Air	N/A						
YFM700K Kodiak (2018-2020)	Lube . . .	57040						
	Air	N/A						
YFM700K Kodiak EPS (2018-2020)	Lube . . .	57040						
	Air	N/A						
YFM700K Kodiak EPS SE (2018-2020)	Lube . . .	57040						
	Air	N/A						

A
T
V

N/A = Not Available N/R = Not Required N/S = Not Serviceable See pages 16-19 for footnotes

Italicized Part Numbers May Not Be Available.

ARCTIC CAT — ARGO
UTV Section

Make, Model, Engine Marque, Modèle, Moteur Marca, Modelo, Motor	Serv. Type	Part No. N° de pieza N° de pièce	Make, Model, Engine Marque, Modèle, Moteur Marca, Modelo, Motor	Serv. Type	Part No. N° de pieza N° de pièce	Make, Model, Engine Marque, Modèle, Moteur Marca, Modelo, Motor	Serv. Type	Part No. N° de pieza N° de pièce
ARCTIC CAT			2016			2014 (Cont'd/Suite)		
2020			HDX 500XT 443cc			PROWLER HDX 500 443cc		
PROWLER 500 443cc			0812034 0470834	Lube... 57937 Air... WA10781		0470834		Lube... 57937 Air... WA10781
0812034 3307505 3307-077	Lube... 57937 Air... N/A Fuel... N/A		HDX 700 SE HUNTER EDITION, HDX 700XT, Prowler XT 700 695cc			WILDCAT 4, WILDCAT 1000 951cc		
0812034 0470996	Lube... 57937 Air... WA10783		0812034 1470029	Lube... 57937 Air... N/A		0470942		Lube... 57937 Air... N/A
WILDCAT TRAIL LTD, XT 700cc			Prowler XT 1000 952cc			WILDCAT TRAIL 695cc		
0812034 0470996	Lube... 57937 Air... WA10783		0812034 1470029	Lube... 57937 Air... N/A		0470996		Lube... 57937 Air... WA10783
WILDCAT XX 998CC			WILDCAT 4X 951cc			WILDCAT X 1000 951cc		
0812130 652091	Lube... 51358 Air... N/A		0812034 0470942	Lube... 57937 Air... N/A		0470942		Lube... 57937 Air... N/A
2019			WILDCAT SPORT 951cc			2013		
PROWLER 500 443cc			0812034 0470996	Lube... 57937 Air... WA10783		0470558		PROWLER 550 XT 550cc
0812034 3307505 3307-077	Lube... 57937 Air... N/A Fuel... N/A		WILDCAT SPORT LIMITED, WILDCAT SPORT XT, WILDCAT TRAIL, Wildcat Trail SE, WILDCAT TRAIL XT 700cc			PROWLER 1000 XTZ 1000cc		
0812034 0470996	Lube... 57937 Air... WA10783		0812034 0470996	Lube... 57937 Air... WA10783		0470558		Lube... 57937 Air... WA10792
WILDCAT SPORT, WILDCAT TRAIL 700cc			WILDCAT X, WILDCAT X LIMITED, WILDCAT X SPECIAL EDITION 951cc			PROWLER HDX 700 695cc		
0812034 0470996	Lube... 57937 Air... WA10783		0812034 0470996	Lube... 57937 Air... WA10783		0470558		Lube... 57937 Air... WA10792
WILDCAT X 951cc			WILDCAT 1000 1000cc			WILDCAT 4 951cc		
0812034 0470942	Lube... 57937 Air... N/A		0812034 0470996	Lube... 57937 Air... WA10783		0470942		Lube... 57937 Air... N/A
WILDCAT XX 998CC			2015			WILDCAT 1000 1000cc		
0812130 652091	Lube... 51358 Air... N/A		PROWLER 550 XT 550cc			Lube... 57937 Air... N/A		
2018			PROWLER 700 695cc			2012-2011		
PROWLER 500 443cc			0812034 3307505	Lube... 57937 Air... WA10781		0470834		PROWLER 550 XT 550cc
0812034 3307505	Lube... 57937 Air... N/A		PROWLER 1000 XTZ 951cc			PROWLER 700 695cc		
WILDCAT SPORT, WILDCAT TRAIL 700cc			0470834	Lube... 57937 Air... WA10781		0470558		Lube... 57937 Air... WA10792
0812034 0470996	Lube... 57937 Air... WA10783		PROWLER HDX 500 443cc			PROWLER 1000 XTZ 1000cc		
WILDCAT X 951cc			0470834	Lube... 57937 Air... WA10781		0470558		Lube... 57937 Air... WA10792
0812034 0470942	Lube... 57937 Air... N/A		PROWLER HDX 700 695cc			PROWLER HDX 700 695cc		
WILDCAT XX 998CC			0470834	Lube... 57937 Air... WA10781		0470558		Lube... 57937 Air... WA10792
0812130 652091	Lube... 51358 Air... N/A		WILDCAT 4 951cc			2010-2009		
2017			WILDCAT 1000 951cc			PROWLER 550 XT 550cc		
HDX 500XT 443cc			0812034 0470834	Lube... 57937 Air... WA10781		0470558		Lube... 57937 Air... WA10792
0812034 0470834	Lube... 57937 Air... WA10781		WILDCAT SPORT 700cc			PROWLER 700 695cc		
HDX 700 CREW XT 695cc			0470942	Lube... 57937 Air... N/A		0470558		Lube... 57937 Air... WA10792
0812034 1470029	Lube... 57937 Air... N/A		WILDCAT TRAIL 695cc			PROWLER 1000 XTZ 1000cc		
HDX 700XT 695cc			0812034 0470996	Lube... 57937 Air... WA10783		0470558		Lube... 57937 Air... WA10792
0812034 0470834	Lube... 57937 Air... WA10781		WILDCAT X 1000 951cc			2008		
PROWLER 500 443cc			0470996	Lube... 57937 Air... WA10783		0470558		PROWLER 700 695cc
0812034 3307505	Lube... 57937 Air... N/A		PROWLER 550 XT 550cc			Lube... 57937 Air... WA10781		
Prowler XT 700 695cc			0470834	Lube... 57937 Air... WA10781		0470558		Lube... 57937 Air... WA10792
0812034 1470029	Lube... 57937 Air... N/A		2014			ARGO		
Prowler XT 1000 952cc			PROWLER 700 695cc			2019-2015		
0812034 1470029	Lube... 57937 Air... N/A		0470834	Lube... 57937 Air... WA10781		820314 820263		CENTAUR 950 DT 8X8 L3 .958L 958CC 58CID Turbo Diesel
WILDCAT SPORT LIMITED, WILDCAT SPORT XT, WILDCAT TRAIL, Wildcat Trail Limited, WILDCAT TRAIL XT 700cc			PROWLER 1000 XTZ 951cc			Lube... 51394 ⁴³ Air... 46449		
0812034 0470996	Lube... 57937 Air... WA10783		0470558	Lube... 57937 Air... WA10792				

Italicized Part Numbers May Not Be Available.



UTV Section

ASV — BOBCAT

Make, Model, Engine Marque, Modèle, Moteur Marca, Modelo, Motor	Serv. Type	Part No. N° de pieza N° de pièce	Make, Model, Engine Marque, Modèle, Moteur Marca, Modelo, Motor	Serv. Type	Part No. N° de pieza N° de pièce	Make, Model, Engine Marque, Modèle, Moteur Marca, Modelo, Motor	Serv. Type	Part No. N° de pieza N° de pièce	
ASV			2013 (Cont'd/Suite)			2010 (Cont'd/Suite)			
2800 TRACK TRUCK w / Isuzu 4JB1 Engine			7027718	Air	N/A	6672467	Air	46438 ¹⁵⁵	
	0301349	Lube . . .	6988961	Fuel	N/A	102434701	Air	46438NP ⁴⁷⁹	
	0302302	Air	6686926	Hyd	51586		Fuel	N/A	
SCOUT SC50 w / Perkins 404C-22 Engine			7025283	Lube . . .	51358 ⁵³	2300 w / Kubota 20 HP Diesel Engine	6671057	Lube . . .	57141
	0300649	Air	7027718	Air	N/A		6672467	Air	46438 ¹⁵⁵
		Fuel	6988961	Fuel	N/A		102434701	Air	46438NP ⁴⁷⁹
ST50 w / Perkins 404C-22 Engine			7016378	Hyd	51586	5600 TOOLCAT w / Kubota 61HP V2003T (Interim Tier IV) Diesel Engine	6666333 Outer	Lube . . .	51592
	200377	Lube . . .	7016382	Br	N/A		6666334 Inner	Air	46489
	200339 (Outer)	Air	7016381	Air	N/A		6516722	Air	46490
UV34 Diesel UTV 899CC			7016379	Fuel	N/A	5610 TOOLCAT w / Kubota 61HP V2003T (Interim Tier IV) Diesel Engine	6668819	F/W Sep.	33192 ⁵³
	7368909	Fuel	7016378	Hyd	51553		6668819	Hyd	51494
	6672467	Hyd	7016379						
UV34 Gas UTV 999CC			7016378			2009	6675517	Lube . . .	51521
	7017416	Lube . . .	7016382	Br	N/A		6983021 (Outer)	Air	49218
	7016382	Air	6672467	Air	N/A		6983022 (Inner)	Air	49427
UV34XL Diesel UTV 899CC			7016379	Fuel	N/A	2100, 2100S 400cc Kawasaki 13 HP Gas Engine	6727140	F/W Sep.	33192 ⁵³
	7368909	F/W Sep.	7016378	Cab. Air.	N/A		6516722	Hyd	51553
	6672467	Hyd	7016379	Hyd	51494		6668819	Hyd	51494
UV34XL Gas UTV 999CC			7016378			2200 719cc Kubota D722 Diesel Engine	6671057	Lube . . .	57141
	7017416	Lube . . .	7016382	Air	N/A		6672467	Air	46438 ¹⁵⁵
	7016382	Air	6672467	Air	46438		102003201	Air	46438NP ⁴⁷⁹
UV34XL Diesel UTV 899CC			7016379	Fuel	N/A	2200 w / Kawasaki 13 HP Gas Engine	1016467	Lube . . .	51394 ⁵³
	7368909	F/W Sep.	7016378	Air	N/A		1015426	Air	46139
	6672467	Hyd	6988961	Fuel	N/A		102003201	Fuel	N/A
UV34XL Gas UTV 999CC			7016378			2300 w / Kubota 20 HP Diesel Engine	6671057	Lube . . .	57141
	7017416	Lube . . .	7016382	Br	N/A		6672467	Air	46438 ¹⁵⁵
	7016382	Air	6672467	Air	46438		102434701	Air	46438NP ⁴⁷⁹
3200 455cc Gas Engine			7016379	Fuel	N/A	5600 TOOLCAT w / Kubota 61HP V2003T (Interim Tier IV) Diesel Engine	6668819	F/W Sep.	33192 ⁵³
	7018608	F/W Sep.	6666333 Outer	Hyd	51553		6668819	Hyd	51494
	7016378	Hyd	6666334 Inner	Hyd	51494				
3400 (DIESEL) 903cc Diesel Engine			6668819			2100, 2100S 400cc Kawasaki 13 HP Gas Engine	1016467	Lube . . .	51394 ⁵³
	7016378	Lube . . .	6675517	Air	51521		1015426	Air	46139
	7016382	Br	6983021 (Outer)	Air	49218		102003201	Fuel	N/A
3400 (GAS) 498cc Gas Engine			6983022 (Inner)	Air	49427	2200 680cc Honda GX620 Gas Engine	6727140	F/W Sep.	33192 ⁵³
	7016378	F/W Sep.	7016382	F/W Sep.	33192 ⁵³		6516722	Hyd	51553
	7016381	Hyd	7016379	Hyd	51494		6668819	Hyd	51494
3400XL (DIESEL) 904cc Diesel Engine			6668819			5610 TOOLCAT w / Kubota 61HP V2003T (Interim Tier IV) Diesel Engine	6666333 Outer	Lube . . .	51592
	7016378	Lube . . .	6675517	Air	51521		6666334 Inner	Air	46489
	7016382	Br	6983021 (Outer)	Air	49218		6516722	Air	46490
3400XL (GAS) 498cc Gas Engine			6983022 (Inner)	Air	49427	2300 w / Kubota 20 HP Diesel Engine	6668819	F/W Sep.	33192 ⁵³
	7016378	F/W Sep.	7016379	F/W Sep.	33192 ⁵³		6671057	Lube . . .	57141
	7016379	Hyd	7016378	Hyd	51553		6672467	Air	46438 ¹⁵⁵
3400XL (DIESEL) 904cc Diesel Engine			6668819			5600 TOOLCAT w / Kubota 61HP V2003T (Interim Tier IV) Diesel Engine	102434701	Air	46438NP ⁴⁷⁹
	7016378	Lube . . .	6675517	Air	51521		6668819	Air	46438 ¹⁵⁵
	7016382	Br	6983021 (Outer)	Air	49218		6516722	Air	46490
3400XL (GAS) 498cc Gas Engine			6983022 (Inner)	Air	49427	2200 w / Kawasaki 13 HP Gas Engine	6668819	F/W Sep.	33192 ⁵³
	7016378	F/W Sep.	7016379	F/W Sep.	33192 ⁵³		6671057	Lube . . .	57141
	7016379	Hyd	7016378	Hyd	51553		6672467	Air	46438 ¹⁵⁵
3600 903cc Diesel Engine			6668819			5610 TOOLCAT w / Kubota 61HP V2003T (Interim Tier IV) Diesel Engine	102434701	Air	46438NP ⁴⁷⁹
	7016378	Lube . . .	6675517	Air	51521		6983021 (Outer)	Air	49218
	7016382	Br	6983022 (Inner)	Air	49427		6983022 (Inner)	Air	49427
3600 903cc Diesel Engine			6668819			2200 w / Kawasaki 13 HP Gas Engine	6727140	F/W Sep.	33192 ⁵³
	7016378	F/W Sep.	7016379	F/W Sep.	33192 ⁵³		6516722	Hyd	51553
	7016379	Hyd	7016378	Hyd	51494		6668819	Hyd	51494

N/A = Not Available N/R = Not Required N/S = Not Serviceable See pages 16-19 for footnotes

BOBCAT — CAN-AM
UTV Section

Make, Model, Engine Marque, Modèle, Moteur Marca, Modelo, Motor	Serv. Type	Part No. N° de pieza N° de pièce	Make, Model, Engine Marque, Modèle, Moteur Marca, Modelo, Motor	Serv. Type	Part No. N° de pieza N° de pièce	Make, Model, Engine Marque, Modèle, Moteur Marca, Modelo, Motor	Serv. Type	Part No. N° de pieza N° de pièce
2008								
2100, 2100S 400cc Kawasaki 13 HP Gas Engine			2020 (Cont'd/Suite) DEFENDER HD10, MAVERICK 1000, Maverick Sport 976cc			2018 (Cont'd/Suite) DEFENDER HD8 800cc		
	1016467	Lube ... 51394 ⁵³		420256188	Lube ... WL10090		420256188	Lube ... WL10090
	1015426	Air ... 46139		715900394	Air ... N/A		715900394	Air ... N/A
	102003201	Fuel ... N/A					Fuel ... N/A	
2200 680cc Honda GX620 Gas Engine			Maverick Sport DPS, Maverick Sport MAX DPS, Maverick Sport X MR, Maverick Sport X RC, Maverick Sport X XC 976cc			DEFENDER HD10, DEFENDER HD10 XMR, DEFENDER HD10 XTP 976cc		
	102827901	Lube ... N/A		420256188	Lube ... WL10090		420256188	Lube ... WL10090
	6672467	Air ... 46438 ⁵⁵		715900422	Air ... N/A		715900394	Air ... N/A
	102434701	Fuel ... N/A					Fuel ... N/A	
2200 719cc Kubota D722 Diesel Engine			MAVERICK TRAIL 800R EFI 799CC			Defender MAX HD8 DPS 800cc		
	6671057	Lube ... 57141		420256188	Lube ... WL10090		420256188	Lube ... WL10090
	6672467	Air ... 46438 ⁵⁵		715900394	Air ... N/A		715900394	Air ... N/A
							Fuel ... N/A	
2200 w / Kawasaki 13 HP Gas Engine			MAVERICK TRAIL 1000 EFI 976cc			Defender MAX HD10 DPS 976cc		
	1016467	Lube ... 51394 ⁵³		420256188	Lube ... WL10090		420256188	Lube ... WL10090
	6672467	Air ... 46438 ⁵⁵		715900394	Air ... N/A		715900394	Air ... N/A
	102434701	Fuel ... N/A					Fuel ... N/A	
2300 w / Kubota 20 HP Diesel Engine			DEFENDER HD5 427CC			MAVERICK 1000, MAVERICK 1000R, MAVERICK MAX 1000 976cc		
	6671057	Lube ... 57141		420256188	Lube ... WL10090		420256188	Lube ... WL10090
	6672467	Air ... 46438 ⁵⁵		715900394	Air ... N/A		715900327	Air ... N/A
							Fuel ... N/A	
5600 TOOLCAT w / Kubota 61HP V2003T (Interim Tier IV) Diesel Engine			DEFENDER HD8 799CC			MAVERICK X3 MAX TURBO, MAVERICK X3 TURBO R - XRC 900cc		
	6666333 Outer	Lube ... 51592		420256188	Lube ... WL10090		420956123	Lube ... N/A
	6666334 Inner	Air ... 46489		715900394	Air ... N/A		715900422	Air ... N/A
	6516722	F/W Sep. 33192 ⁵³					Fuel ... N/A	
	6668819	Hyd ... 51553						
		Hyd ... 51494						
5610 TOOLCAT w / Kubota 61HP V2003T (Interim Tier IV) Diesel Engine			Maverick Sport DPS, Maverick Sport MAX DPS, Maverick Sport X MR, Maverick Sport X RC, Maverick Sport X XC 976cc			COMMANDER 800R 800cc		
	6675517	Lube ... 51521		420256188	Lube ... WL10090		420256188	Lube ... WL10090
	6983021 (Outer)	Air ... 49218		715900422	Air ... N/A		707800327	Air ... N/A
	6983022 (Inner)	Air ... 49427					Fuel ... N/A	
	6727140	F/W Sep. 33192 ⁵³						
	6516722	Cab. Air. N/A						
	6668819	Hyd ... 51553						
		Hyd ... 51494						
BOMBARDIER								
2014-2011								
COMMANDER 1000 976cc Engine			COMMANDER 800R, COMMANDER DPS 800R 800cc			COMMANDER LIMITED 1000 976cc		
	707800327	Lube ... WL10090		420256188	Lube ... WL10090		420256188	Lube ... WL10090
	709000330	Air ... N/A		707800327	Air ... N/A		707800327	Air ... N/A
	709000389	Fuel ... N/A					Fuel ... N/A	
		Pre-Fuel N/A						
CAN-AM								
2020								
COMMANDER 800 799CC			COMMANDER DPS 1000 976cc			COMMANDER MAX DPS 800R 800cc		
	420256188	Lube ... WL10090		420256188	Lube ... WL10090		420256188	Lube ... WL10090
	707800327	Air ... N/A		707800327	Air ... N/A		707800327	Air ... N/A
							Fuel ... N/A	
COMMANDER 1000 976cc			COMMANDER LIMITED 1000			COMMANDER MAX DPS 1000, COMMANDER MAX LIMITED 1000, COMMANDER MAX XT 1000 976cc		
	420256188	Lube ... WL10090		420256188	Lube ... WL10090		420256188	Lube ... WL10090
	707800327	Air ... N/A		707800327	Air ... N/A		707800327	Air ... N/A
							Fuel ... N/A	
DEFENDER HD5 427CC			COMMANDER MAX 1000R 976cc			COMMANDER XT 800R 800cc		
	420256188	Lube ... WL10090		420256188	Lube ... WL10090		420256188	Lube ... WL10090
	715900394	Air ... N/A		707800327	Air ... N/A		707800327	Air ... N/A
							Fuel ... N/A	
DEFENDER HD8 799CC			DEFENDER DPS HD10 976cc			COMMANDER XT 1000, COMMANDER XT-P 1000 976cc		
	420256188	Lube ... WL10090		420256188	Lube ... WL10090		420256188	Lube ... WL10090
	715900394	Air ... N/A		715900394	Air ... N/A		707800327	Air ... N/A
							Fuel ... N/A	

Italicized Part Numbers May Not Be Available.



UTV Section

CAN-AM

Make, Model, Engine Marque, Modèle, Moteur Marca, Modelo, Motor	Serv. Type	Part No. N° de pieza N° de pièce	Make, Model, Engine Marque, Modèle, Moteur Marca, Modelo, Motor	Serv. Type	Part No. N° de pieza N° de pièce	Make, Model, Engine Marque, Modèle, Moteur Marca, Modelo, Motor	Serv. Type	Part No. N° de pieza N° de pièce
2017 (Cont'd/Suite)			2016 (Cont'd/Suite)			2016 (Cont'd/Suite)		
DEFENDER DPS HD8 800cc			Commander 1000 Mossy Oak Hunting Edition 976cc			709000330	Fuel . . .	N/A
420256188 Lube . . . WL10090 715900394 Air N/A			420256188 Lube . . . WL10090 707800327 Air N/A 709000330 Fuel N/A			MAVERICK MAX TURBO 1000R 976cc		
DEFENDER DPS HD10 976cc			COMMANDER DPS 800R 800cc			420256188 Lube . . . WL10090 707800327 Air N/A 709000330 Fuel N/A		
420256188 Lube . . . WL10090 715900394 Air N/A 709000330 Fuel N/A			COMMANDER DPS 1000 976cc			420256188 Lube . . . WL10090 707800327 Air N/A 709000330 Fuel N/A		
DEFENDER HD8 800cc			COMMANDER LIMITED 1000 976cc			420256188 Lube . . . WL10090 707800327 Air N/A 709000330 Fuel N/A		
420256188 Lube . . . WL10090 715900394 Air N/A 709000330 Fuel N/A			420256188 Lube . . . WL10090 707800327 Air N/A 709000330 Fuel N/A			MAVERICK TURBO 1000R 976cc		
DEFENDER HD10, Defender HD10 Mossy Oak Hunting Edition 976cc			COMMANDER MAX DPS 800R 800cc			420256188 Lube . . . WL10090 707800327 Air N/A 709000330 Fuel N/A		
420256188 Lube . . . WL10090 715900394 Air N/A			420256188 Lube . . . WL10090			420256188 Lube . . . WL10090 707800327 Air N/A 709000330 Fuel N/A		
Defender MAX HD8 DPS, Defender MAX HD8 XT 800cc			COMMANDER MAX DPS 1000, COMMANDER MAX LIMITED 1000, COMMANDER MAX XT 1000 976cc			2015		
420256188 Lube . . . WL10090 715900394 Air N/A			420256188 Lube . . . WL10090 707800327 Air N/A 709000330 Fuel N/A			COMMANDER 800 800cc		
Defender MAX HD10 DPS, Defender MAX HD10 XT, DEFENDER XT CAB HD10 976cc			COMMANDER XT 800R 800cc			707800327 Air N/A 709000330 Fuel N/A 709000389 Pre-Fuel N/A		
420256188 Lube . . . WL10090 715900394 Air N/A			420256188 Lube . . . WL10090 707800327 Air N/A 709000330 Fuel N/A			COMMANDER 1000 976cc		
DEFENDER XT HD8 800cc			COMMANDER XT 1000, COMMANDER XT-P 1000 976cc			709000330 Fuel N/A 709000389 Pre-Fuel N/A		
420256188 Lube . . . WL10090 715900394 Air N/A			420256188 Lube . . . WL10090 707800327 Air N/A 709000330 Fuel N/A			COMMANDER MAX1000 976cc		
MAVERICK 1000, MAVERICK 1000R 976cc			DEFENDER DPS HD8 800cc			707800327 Air N/A 709000330 Fuel N/A 709000389 Pre-Fuel N/A		
420256188 Lube . . . WL10090 707800327 Air N/A 709000330 Fuel N/A			420256188 Lube . . . WL10090 715900394 Air N/A 709000330 Fuel N/A			DEFENDER HD5		
Maverick 1000R X mr, Maverick 1000R X xc, Maverick 1000R xc DPS, MAVERICK DPS 1000R 976cc			DEFENDER DPS HD10 976cc			420256188 Lube . . . WL10090 715900394 Air N/A 709000330 Fuel N/A		
420256188 Lube . . . WL10090 707800327 Air N/A			420256188 Lube . . . WL10090 715900394 Air N/A 709000330 Fuel N/A			MAVERICK 1000, MAVERICK 1000R, MAVERICK MAX 1000 976cc		
MAVERICK MAX 1000 976cc			DEFENDER HD8 800cc			707800327 Air N/A 709000330 Fuel N/A 709000389 Pre-Fuel N/A		
420256188 Lube . . . WL10090 707800327 Air N/A 709000330 Fuel N/A			420256188 Lube . . . WL10090 715900394 Air N/A 709000330 Fuel N/A			2014		
Maverick Max 1000R X mr, MAVERICK MAX DPS 1000R 976cc			DEFENDER HD10, DEFENDER XT CAB HD10 976cc			COMMANDER 800 800cc		
420256188 Lube . . . WL10090 707800327 Air N/A			420256188 Lube . . . WL10090 715900394 Air N/A 709000330 Fuel N/A			707800327 Air N/A 709000330 Fuel N/A 709000389 Pre-Fuel N/A		
MAVERICK MAX X DS 1000R 976cc			DEFENDER XT HD8 800cc			COMMANDER 1000, COMMANDER MAX1000, MAVERICK 1000, MAVERICK 1000R, MAVERICK MAX 1000 976cc		
420256188 Lube . . . WL10090 707800327 Air N/A 709000330 Fuel N/A			420256188 Lube . . . WL10090 715900394 Air N/A 709000330 Fuel N/A			707800327 Air N/A 709000330 Fuel N/A 709000389 Pre-Fuel N/A		
Maverick X3 900cc & Calif. Models 1978-80			DEFENDER XT HD10 976cc			2013		
420956123 Lube . . . N/A 715900422 Air N/A			420256188 Lube . . . WL10090 715900394 Air N/A 709000330 Fuel N/A			COMMANDER 800 800cc		
MAVERICK X3 MAX TURBO 900cc			MAVERICK 1000 976cc			707800327 Air N/A 709000330 Fuel N/A 709000389 Pre-Fuel N/A		
420956123 Lube . . . N/A 715900422 Air N/A 709000330 Fuel N/A			420256188 Lube . . . WL10090 709000330 Fuel N/A			COMMANDER 1000, MAVERICK 1000R, MAVERICK MAX 1000 976cc		
MAVERICK XC 1000R 976cc			COMMANDER 800R 800cc			707800327 Air N/A 709000330 Fuel N/A 709000389 Pre-Fuel N/A		
420256188 Lube . . . WL10090 707800327 Air N/A			420256188 Lube . . . WL10090 709000330 Fuel N/A			COMMANDER 1000, MAVERICK 1000R, MAVERICK MAX 1000 976cc		
2016			MAVERICK 1000R, Maverick 1000R Turbo X RS, MAVERICK DPS 1000R, MAVERICK MAX 1000, MAVERICK MAX DPS 1000R 976cc			707800327 Air N/A 709000330 Fuel N/A 709000389 Pre-Fuel N/A		
COMMANDER 800R 800cc			420256188 Lube . . . WL10090 707800327 Air N/A 709000330 Fuel N/A			COMMANDER 1000, MAVERICK 1000R, MAVERICK MAX 1000 976cc		
420256188 Lube . . . WL10090 707800327 Air N/A 709000330 Fuel N/A			420256188 Lube . . . WL10090 707800327 Air N/A			Lube . . . WL10090		

N/A = Not Available N/R = Not Required N/S = Not Serviceable See pages 16-19 for footnotes

UTV

CAN-AM — HONDA
UTV Section

Make, Model, Engine Marque, Modèle, Moteur Marca, Modelo, Motor	Serv. Type	Part No. N° de pieza N° de pièce	Make, Model, Engine Marque, Modèle, Moteur Marca, Modelo, Motor	Serv. Type	Part No. N° de pieza N° de pièce	Make, Model, Engine Marque, Modèle, Moteur Marca, Modelo, Motor	Serv. Type	Part No. N° de pieza N° de pièce	
2013 (Cont'd/Suite) COMMANDER 1000, MAVERICK 1000R, MAVERICK MAX 1000 976cc (Cont'd/Suite)			561-6538 Outer 561-6539 Inner 562-0276	Air Air Fuel	N/A N/A N/A	2008 (Cont'd/Suite) VOLUNTEER EFI w / Kohler EFI Engine			
	707800327 709000330 709000389	Air Fuel Pre-Fuel	N/A N/A N/A				1205008	Lube . . . Fuel	51056 ⁵³ 33310
2012-2011			CLUB CAR-GOLF			2007			
COMMANDER 800 800cc			XRT1550 GAS 675cc Kawasaki 20.1 HP Engine			4X2 w / Kohler 20 HP Engine			
707800327 709000330 709000389	Lube . . . Air Fuel Pre-Fuel	WL10090 N/A N/A N/A	490657010 87300179 2505022 In-Line	Lube . . . Air Air Fuel	51394 ⁵³ 46438 ¹⁵⁵ 46438NP ⁴⁷⁹ WF10467	1205008 4708303 2408302 2408303 2408305 (Wrap) 2405002 In-Line	Lube . . . Air Air Air Air Fuel	51056 ⁵³ 42297 N/A or 42444 N/A 33031	
COMMANDER 1000 976cc			XRT1550 DIESEL 719cc Kubota 20 HP Diesel Engine			4X4 w / Caterpillar Engine			
707800327 709000330 709000389	Lube . . . Air Fuel Pre-Fuel	WL10090 N/A N/A N/A	102703301 87300179 102703401 1701232C91	Lube . . . Air Air F/W Sep. Fuel	51064 ⁵³ 46438 ¹⁵⁵ 46438NP ⁴⁷⁹ 33192 ⁵³ 33032 ⁷	1504140	Lube . . .	51348 ⁵³	
CASE/IH			2010			4X4 w / Kohler 20 HP Engine			
2015-2011			XRT1550 GAS 675cc Kawasaki 20.1 HP Engine			6X4 w / Kohler 20 HP Engine			
Scout V2 480cc (29.2 CID) Briggs & Stratton Engine Code Vanguard HSE			490657010 87300179 2505022 In-Line	Lube . . . Air Air Fuel	51394 ⁵³ 46438 ¹⁵⁵ 46438NP ⁴⁷⁹ WF10467	1205008 4708303 2408302 (Wrap) 2408303 2408305 (Wrap) 2405002 In-Line	Lube . . . Air Air Air Air Fuel	51056 ⁵³ 42297 N/A or 42444 N/A 33031	
CLC103566401 CLC103556401	Lube . . . Air Air Wrap . . . Fuel	57035 ⁵³ 42359 ¹⁵⁵ 42359FR ³⁶⁰ N/A WF10467	103566401 1035564 (Std.) - Engine 1035564 (Std.) - Engine 1025582 (HD Option) - External 1025582 (HD Option) - External 394018S	Lube . . . Air Air Air Wrap . . . Wrap . . . Fuel	57035 ⁵³ 42359 ¹⁵⁵ 42359FR ³⁶⁰ 46449 ¹⁵⁵ 46449FR ³⁶⁰ 42359 ¹⁵⁵ 42359FR ³⁶⁰ N/A				
Scout XL L3 719cc (43.8 CID) Kubota Diesel Engine Code D722			490197001 In-Line	Lube . . .	51064 ⁵³	BIG COUNTRY 4X2 w / Honda 20 HP Engine		Lube . . .	51334 ⁵³
CLC102703301 87682998	Lube . . . Air Air F/W Sep. Fuel	51064 ⁵³ 46438 ¹⁵⁵ 46438NP ⁴⁷⁹ 33192 ⁵³ 33032 ⁷				BIG COUNTRY 4X2 w / Kohler 18 HP Engine		Lube . . .	51056 ⁵³
Scout XL V2 675cc (461 CID) Kawasaki Engine Code FH680D			XRT1550 GAS 675cc Kawasaki 20.1 HP Engine			BIG COUNTRY 6X4 w / Honda 20 HP Engine		Lube . . .	51334 ⁵³
49065-2078 87682998 490197001	Lube . . . Air Air Fuel	51394 ⁵³ 46438 ¹⁵⁵ 46438NP ⁴⁷⁹ N/A	490657010 87300179 2505022 In-Line	Lube . . . Air Air Fuel	51394 ⁵³ 46438 ¹⁵⁵ 46438NP ⁴⁷⁹ WF10467				
2010-2009			XRT1550 GAS w / Kawasaki 24HP Gas Engine			Hi-SUN			
Scout V2 480cc (29.2 CID) Briggs & Stratton Engine Code Vanguard HSE			490657010 87300179 2505022 In-Line	Lube . . . Air Air Fuel	51394 ⁵³ 46438 ¹⁵⁵ 46438NP ⁴⁷⁹ WF10467	HS 400 400cc		Lube . . .	N/A
CLC103566401 CLC103556401	Lube . . . Air Air Wrap . . . Fuel	57035 ⁵³ 42359 ¹⁵⁵ 42359FR ³⁶⁰ N/A WF10467				152000030000		Lube . . .	N/A
Scout XL L3 719cc (43.8 CID) Kubota Diesel Engine Code D722						HS 500 500cc		Lube . . .	N/A
CLC102703301 87682998	Lube . . . Air Air F/W Sep. Fuel	51064 ⁵³ 46438 ¹⁵⁵ 46438NP ⁴⁷⁹ 33192 ⁵³ 33032 ⁷				152000030000		Lube . . .	N/A
Scout XL V2 675cc (461 CID) Kawasaki Engine Code FH680D						HS 700 700cc		Lube . . .	N/A
49065-2078 87682998 490197001	Lube . . . Air Air Fuel	51394 ⁵³ 46438 ¹⁵⁵ 46438NP ⁴⁷⁹ N/A				152000030000		Lube . . .	N/A
CATERPILLAR			CUB CADET			2015			
CUV82, CUV85 L3 .8L			VOLUNTEED D w / Yanmar Diesel Engine			SECTOR 450 450cc		Lube . . .	N/A
560-7613 561-6538 Outer 561-6539 Inner	Lube . . . Air Air	N/A N/A N/A	75904027	Lube . . . Fuel	51358 ⁵³ N/A	SECTOR 550 550cc		Lube . . .	N/A
CUV102D, CUV105D L3 1L Diesel			VOLUNTEER w / Kohler 20 HP Engine			SECTOR 1000 1000cc		Lube . . .	N/A
562-0328	Lube . . .	N/A	In-Line	Lube . . . Fuel	51056 ⁵³ 33031	STRIKE 250 229cc		Lube . . .	N/A
			VOLUNTEER EFI w / Kohler EFI Engine			152000030000 0452369		Lube . . . Air	N/A N/A
			1205008	Lube . . . Fuel	51056 ⁵³ 33310	STRIKE 800 796cc		Lube . . .	N/A
						STRIKE 1000 1000cc		Lube . . .	N/A
			2008			WILD PANTHER SPECIAL TRACTOR 796cc		Lube . . .	N/A
			VOLUNTEED D w / Yanmar Diesel Engine						
			75904027	Lube . . . Fuel	51358 ⁵³ N/A	HONDA			
			VOLUNTEER w / Kohler 20 HP Engine			2020-2019			
			In-Line	Lube . . . Fuel	51056 ⁵³ 33031	PIONEER 500 475cc		Lube . . . Air	N/S 24268
						15421-HR3-A40 17254HN1000			

Italicized Part Numbers May Not Be Available.

UTV Section

HONDA — JOHN DEERE

Make, Model, Engine Marque, Modèle, Moteur Marca, Modelo, Motor	Serv. Type	Part No. N° de pieza N° de pièce	Make, Model, Engine Marque, Modèle, Moteur Marca, Modelo, Motor	Serv. Type	Part No. N° de pieza N° de pièce	Make, Model, Engine Marque, Modèle, Moteur Marca, Modelo, Motor	Serv. Type	Part No. N° de pieza N° de pièce
2020-2019 (Cont'd/Suite) PIONEER 500 475cc (Cont'd/Suite)			32/925349(From S/N 1444553) 333C4250 (To S/N 1444552) 02961231	Air	49592 N/A N/A	2020-2019 (Cont'd/Suite) XUV825E, XUV825M, XUV825M S4 812cc Gas Engine		
	16010-HL3-A01	Fuel	N/A				AM 107 423 M 113621	Lube
PIONEER 700 675cc			GROUNDHOG 6X4 w / Perkins 403C-07 (Tier II) Engine			XUV835E, XUV835M 812cc Gas Engine		
15421HC4005 17254HP0A00	Lube Air	N/A WA10800		02/630475 32919902 32/919902 32/401102	Lube Air Air Fuel		57145 46449FR ³⁶⁰ 46449 ¹⁵⁵ 33166 ⁵³	AM 107 423 M177598
2018			GROUNDHOG 6X4 w / Perkins 403D-07 (Tier III) Engine			XUV855E, XUV855M, XUV855M S4, XUV865E, XUV865M 854cc Diesel engine		
PIONEER 500 475cc				02/630475 32919902 32/919902 32/401102	Lube Air Air Fuel		57145 46449FR ³⁶⁰ 46449 ¹⁵⁵ 33166 ⁵³	M 806418 M 123378 Secondary M 113621 Primary M801101
SXS700M2 PIONEER 700, SXS700M2 Pioneer 700 Deluxe 675cc			JOHN DEERE					
			2020-2019					
15421HC4005 17254HP0A00 16010-HL3-A01	Lube Air Fuel	N/S WA10800 N/A	HPX615E 617cc Gas Engine		AM 107 423 M 113621 AM116304	Lube Air Fuel	51394 46449 33011	
SXS700M4 PIONEER 700-4 675cc			HPX815E 854cc Diesel engine		M 806418 M 123378 Inner M 113621 Outer M801101	Lube Air Air Fuel	51365 42845 46449 33263	
SXS700M4 Pioneer 700-4 Deluxe 675cc			PROGATOR 2020A 879cc Gas Engine		M 806418 M 123378 Secondary M 113621 Primary AM876035 M131053	Lube Air Air Fuel Hyd	51365 42845 46449 33012 51200	
15412KEA003 17254HP0A00 16010-HL3-A01	Lube Air Fuel	57938 WA10800 N/A	PROGATOR 2030A 1006CC		M 806418 M 123378 Secondary M 113621 Primary M801101 M131053	Lube Air Air Fuel Hyd	51365 42845 46449 33263 51200	
SXS700M4 Pioneer 700-4 Deluxe 675cc			TH 6x4 Diesel 854cc Diesel engine		M 806418 M 123378 Inner M 113621 Outer CH15553	Lube Air Air Fuel	51365 42845 46449 33262	
15421HC4005 17254HP0A00 16010-HL3-A01	Lube Air Fuel	N/S WA10800 N/A	TH 6x4 Gas 675cc Gas Engine		AM 107 423 M 113621 AM116304	Lube Air Fuel	51394 46449 33011	
2016			TS 4x2 400cc		AM 107 423 M 113621 AM116304	Lube Air Fuel	51394 46449 33011	
PIONEER 500 475cc			TX 4x2 675cc Gas Engine		AM 107 423 M 113621 AM116304	Lube Air Fuel	51394 46449 33011	
15412HM5A10	Lube	24944	XUV 835R Gator 812CC 50CID		AM 107 423 M 113621 AM116304	Lube Air Fuel	51394 ⁵³ 46449 ¹⁵⁵ 46449FR ³⁶⁰	
PIONEER 700 SXS700M2 675cc			GATOR CX 4X2 286cc Gas Engine		M 806418 M 123378 AM116304	Lube Air Air Fuel	51394 ⁵³ 46449 ¹⁵⁵ 46449FR ³⁶⁰ 33011	
15412KEA003	Lube	57938	GATOR HPX 4x4 DIESEL 854cc Diesel engine		M 806418 AM138732 AM882413	Lube Air Air Fuel	51365 N/A N/A	
PIONEER 700-4 SXS700M4 675cc			GATOR HPX 4x4 DIESEL 854cc Diesel engine		M 806418 AM138732 AM882413	Lube Air Air Fuel	51365 N/A N/A	
15412KEA003 17254HP0A00	Lube Air	57938 WA10800	GATOR TH 6X4 GAS 854cc		AM 107 423 M 113621 AM116304	Lube Air Air Fuel	51394 ⁵³ 46449 ¹⁵⁵ 46449FR ³⁶⁰ 33011	
SXS700M2 PIONEER 700 675cc			GATOR TH 6X4 DIESEL 854cc Diesel engine		M 806418 Outer M 123378 M 113621 M801101	Lube Air Air Air Fuel	51365 46449FR ^{360,360} 42845 ⁴⁴¹ 46449 ^{442,155} 33263	
15412KEA003 17254HP0A00	Lube Air	57938 WA10800	GATOR TS 4X2 400cc		AM 107 423 M 113621 AM116304	Lube Air Air Fuel	51394 ⁵³ 46449 ¹⁵⁵ 46449FR ³⁶⁰ 33011	
PIONEER 700-4 SXS700M4 675cc			GATOR TX 4X2 675cc Gas Engine		AM 107 423 M 113621 AM116304	Lube Air Air Fuel	51394 ⁵³ 46449 ¹⁵⁵ 46449FR ³⁶⁰ 33011	
17254HP0A00	Lube Air	57938 WA10800	M-GATOR A1, M-GATOR A3 854cc Diesel engine		M 806418 M 123378 Outer M 113621 M801101	Lube Air Air Air Fuel	51365 42845 ⁴⁴¹ 46449FR ^{360,360} 46449 ^{442,155} 33263	
2015			XUV GATOR 550 4X4, XUV GATOR 550 S4 4X4 570cc Gas Engine		AM 125 424 M164264 AM116304 (In-Line)	Lube Air Fuel	57035 ⁵³ N/A 33011	
SXS700M2 PIONEER 700 675cc			J.C.B. (J C Bamford)					
15412KEA003 17254HP0A00	Lube Air	57938 WA10800	800D w / Yanmar 3TNM68ALH Engine		AM 125 424 M170281 UC10277	Lube Air Fuel	57035 N/A N/A	
SXS700M4 PIONEER 700-4 675cc			XUV560E, XUV560E S4 570cc Gas Engine		AM 125 424 M170281 UC10277	Lube Air Fuel	57035 N/A N/A	
17254HP0A00	Lube Air	57938 WA10800	XUV590E, XUV590E S4, XUV590M, XUV590M S4 586CC		AM 107 423 M170281 AM117584	Lube Air Fuel	51394 N/A N/A	
2014			GROUNDHOG 4X4					
MUV700 BIG RED 675cc			02961170 32/925348(From S/N 1444553)	Lube Air	N/A 42801			

N/A = Not Available N/R = Not Required N/S = Not Serviceable See pages 16-19 for footnotes

JOHN DEERE

UTV Section

Make, Model, Engine Marque, Modèle, Moteur Marca, Modelo, Motor	Serv. Type	Part No. N° de pieza N° de pièce	Make, Model, Engine Marque, Modèle, Moteur Marca, Modelo, Motor	Serv. Type	Part No. N° de pieza N° de pièce	Make, Model, Engine Marque, Modèle, Moteur Marca, Modelo, Motor	Serv. Type	Part No. N° de pieza N° de pièce
2016 (Cont'd/Suite)			2014 (Cont'd/Suite)			2013 (Cont'd/Suite)		
XUV GATOR 590i, XUV GATOR 590i Power Steering, XUV GATOR 590i S4 570cc Gas Engine			GATOR TH 6X4 GAS 675cc Gas Engine			GATOR HPX 617cc Gas Engine		Air 46449FR ³⁶⁰ Fuel 33011
AM 107 423 Lube 51394 ⁵³ M170281 Air N/A AM117584 Fuel N/A				Lube 51394 ⁵³ Air 46449 ¹⁵⁵ Air 46449FR ³⁶⁰ Fuel 33011				Lube 51394 ⁵³ Air 46449 ¹⁵⁵ Air 46449FR ³⁶⁰ Fuel 33011
XUV GATOR 625i 4X4 570cc Gas Engine			GATOR TH 6X4 DIESEL 854cc Diesel engine			GATOR HPX 4X4 DIESEL 854cc Diesel engine		
AM 107 423 Lube 51394 ⁵³ Outer Air 46449FR ³⁶⁰ M 113621 Outer Air 46449 ¹⁵⁵ M 123378 Inner Air 42845 AM117584 Fuel N/A				Lube 51394 ⁵³ Air 46449 ¹⁵⁵ Air 46449FR ³⁶⁰ Fuel 33011				Lube 51365 Outer Air 46449FR ³⁶⁰ M 113621 Outer Air 46449 ¹⁵⁵ M 123378 Inner Air 42845 M148935 (Rotary Broom) Air N/A w/ M148936 (Wrap) Air N/A (Early Production) Fuel 33262 (Late Production) Fuel 33263
XUV GATOR 825i 4X4 570cc Gas Engine			GATOR TS 4X2 351cc Gas Engine			GATOR TH 6X4 GAS 675cc Gas Engine		
AM 107 423 Lube 51394 ⁵³ M 113621 Air 46449 ¹⁵⁵ Air 46449FR ³⁶⁰ M 123378 Air 42845 ⁴¹¹ AM117584 Fuel N/A				Lube 51394 ⁵³ Air 46449 ¹⁵⁵ Air 46449FR ³⁶⁰ Fuel 33011				Lube 51394 ⁵³ Air 46449 ¹⁵⁵ Air 46449FR ³⁶⁰ Fuel 33011
XUV GATOR 825i S4 4X4 570cc Gas Engine			GATOR TX 4X2 675cc Gas Engine			GATOR TH 6X4 DIESEL 854cc Diesel engine		
AM 107 423 Lube 51394 ⁵³ M 113621 Air 46449 ¹⁵⁵ Air 46449FR ³⁶⁰ AM117584 Fuel N/A				Lube 51394 ⁵³ Air 46449 ¹⁵⁵ Air 46449FR ³⁶⁰ Fuel 33011				Lube 51394 ⁵³ Air 46449 ¹⁵⁵ Air 46449FR ³⁶⁰ Fuel 33011
XUV GATOR 825i Special Edition 570cc Gas Engine			TRAIL GATOR 6X4 617cc Kawasaki Gas Engine			GATOR TH 6X4 DIESEL 854cc Diesel engine		
AM 107 423 Lube 51394 ⁵³ Outer Air 46449FR ³⁶⁰ M 113621 Outer Air 46449 ¹⁵⁵ M 123378 Inner Air 42845 AM141445 Fuel N/A			AM 107 423 Single Lube 51394 ⁵³ M 113621 Single Air 46449FR ³⁶⁰ (Outer) Air 46449 ¹⁵⁵ (Inner) Air 46436 AM116304 (In-Line) Fuel 46437 Fuel 33011					Lube 51394 ⁵³ Air 46449 ¹⁵⁵ Air 46449FR ³⁶⁰ Fuel 33011
XUV GATOR 855D 4X4 570cc Gas Engine			XUV GATOR 550 4X4, XUV GATOR 550 S4 4X4 570cc Gas Engine			GATOR TS 4X2 351cc Gas Engine		
Outer Air 46449FR ³⁶⁰ M 113621 Outer Air 46449 ¹⁵⁵ M 123378 Inner Air 42845 AM882413 Fuel N/A			AM 125 424 Lube 57035 ⁵³ M164264 Air N/A AM116304 (In-Line) Fuel 33011					Lube 51394 ⁵³ Air 46449 ¹⁵⁵ Air 46449FR ³⁶⁰ Fuel 33011
XUV GATOR 855D Power Steering 570cc Gas Engine			XUV GATOR 625i 4X4 617cc Gas Engine			GATOR TX 4X2 675cc Gas Engine		
M 806418 Lube 51365 Outer Air 46449FR ³⁶⁰ M 113621 Outer Air 46449 ¹⁵⁵ M 123378 Inner Air 42845 M801101 Fuel 33263			AM 107 423 Lube 51394 ⁵³ Outer Air 46449FR ³⁶⁰ M 113621 Outer Air 46449 ¹⁵⁵ M 123378 Inner Air 42845 M148935 (Rotary Broom) Air N/A w/ AM117584 In-Tank Fuel N/A					Lube 51394 ⁵³ Air 46449 ¹⁵⁵ Air 46449FR ³⁶⁰ Fuel 33011
XUV GATOR 855D S4 4X4 570cc Gas Engine			XUV GATOR 825i 4X4 812cc Gas Engine			XUV GATOR 550 4X4, XUV GATOR 550 S4 4X4 570cc Gas Engine		
AM 107 423 Lube 51394 ⁵³ M170281 Air N/A AM117584 Fuel N/A			AM 107 423 Lube 51394 ⁵³ M148935 Air N/A w/ AM117584 In-Tank Fuel N/A			AM 125 424 Lube 57035 ⁵³ M164264 Air N/A AM116304 (In-Line) Fuel 33011		Lube 51394 ⁵³ Air 46449 ¹⁵⁵ Air 46449FR ³⁶⁰ Fuel 33011
2014			XUV GATOR 825i 4X4 812cc Gas Engine			XUV GATOR 625i 4X4 617cc Gas Engine		
GATOR CX 4X2 286cc Gas Engine			AM 107 423 Lube 51394 ⁵³ M148935 Air N/A AM117584 In-Tank Fuel N/A			AM 107 423 Lube 51394 ⁵³ Outer Air 46449FR ³⁶⁰ M 113621 Outer Air 46449 ¹⁵⁵ M 123378 Inner Air 42845 M148935 (Rotary Broom) Air N/A w/ AM141445 In-Tank Fuel N/A AM117584 In-Tank Fuel N/A		Lube 51394 ⁵³ Air 46449 ¹⁵⁵ Air 46449FR ³⁶⁰ Fuel 33011
GATOR HPX 617cc Gas Engine			XUV GATOR 855D 4X4 854cc Diesel engine			XUV GATOR 825i 4X4 812cc Gas Engine		
Lube 51394 ⁵³ Air 46449 ¹⁵⁵ Air 46449FR ³⁶⁰ Fuel 33011			M 806418 Lube 51365 Outer Air 46449FR ³⁶⁰ M 113621 Outer Air 46449 ¹⁵⁵ Inner Air 42845 M801101 Fuel 33263			AM 107 423 Lube 51394 ⁵³ Outer Air 46449FR ³⁶⁰ M 113621 Outer Air 46449 ¹⁵⁵ M 123378 Inner Air 42845 M148935 (Rotary Broom) Air N/A w/ AM141445 In-Tank Fuel N/A AM117584 In-Tank Fuel N/A		Lube 51394 ⁵³ Air 46449 ¹⁵⁵ Air 46449FR ³⁶⁰ Fuel 33011
GATOR HPX 4X4 DIESEL 854cc Diesel engine			XUV GATOR 855D S4 4X4 854cc Diesel engine			XUV GATOR 825i S4 4X4 812cc Gas Engine		
M 806418 Lube 51365 Outer Air 46449FR ³⁶⁰ M 113621 Outer Air 46449 ¹⁵⁵ M 123378 Inner Air 42845 M148935 (Rotary Broom) Air N/A w/ M148936 (Wrap) Air N/A M801101 Fuel 33262 Fuel 33263			M 806418 Lube 51365 M 113621 Outer Air 46449 ¹⁵⁵ M 123378 Inner Air 42845 M 113621 Outer Air 46449FR ³⁶⁰ M801101 Fuel 33263			AM 107 423 Lube 51394 ⁵³ Outer Air 46449FR ³⁶⁰ M 113621 Outer Air 46449 ¹⁵⁵ M 123378 Inner Air 42845 AM141445 In-Tank Fuel N/A AM117584 In-Tank Fuel N/A		Lube 51394 ⁵³ Air 46449 ¹⁵⁵ Air 46449FR ³⁶⁰ Fuel 33011
			2013					
			GATOR CX 4X2 286cc Gas Engine					
								Lube 51394 ⁵³ Air 46449 ¹⁵⁵

Italicized Part Numbers May Not Be Available.

Make, Model, Engine Marque, Modèle, Moteur Marca, Modelo, Motor	Serv. Type	Part No. N° de pieza N° de pièce	Make, Model, Engine Marque, Modèle, Moteur Marca, Modelo, Motor	Serv. Type	Part No. N° de pieza N° de pièce	Make, Model, Engine Marque, Modèle, Moteur Marca, Modelo, Motor	Serv. Type	Part No. N° de pieza N° de pièce
2013 (Cont'd/Suite) XUV GATOR 855D 4X4 854cc Diesel engine			2012 (Cont'd/Suite) GATOR TH 6X4 DIESEL 675cc Diesel Engine			2012 (Cont'd/Suite) M 113621 Outer M 123378 Inner M148935 (Rotary Broom) M148936 (Wrap) M801101	Air Air Air Air Fuel	46449 ¹⁵⁵ 42845 N/A w/ N/A 33263
M 806418 Outer M 113621 Outer M 123378 Inner M148935 (Rotary Broom) M148936 (Wrap) M801101	Lube . . . Air Air Air Air Wrap Fuel	51365 46449FR ³⁶⁰ 46449 ¹⁵⁵ 42845 N/A w/ N/A 33263			51394 ⁵³ 46449 ¹⁵⁵ 46449FR ³⁶⁰ 33011			
XUV GATOR 855D S4 4X4 854cc Diesel engine			GATOR TS 4X2 351cc Gas Engine			2011 GATOR 4X2 w / Diesel Engine		
M 806418 Outer M 113621 Outer M 123378 Inner M148935 (Rotary Broom) M148936 (Wrap) M801101	Lube . . . Air Air Air Air Wrap Fuel	51365 46449FR ³⁶⁰ 46449 ¹⁵⁵ 42845 N/A w/ N/A 33263			51394 ⁵³ 46449 ¹⁵⁵ 46449FR ³⁶⁰ 33011			Lube . . . Air Air Air Fuel
			GATOR TX 4X2 675cc Gas Engine			GATOR 4X2 w / Gas Engine		
						Single M 113621 Single (Outer) (Inner) (In-Line)		Lube . . . Air Air Air Fuel
			GATOR TX TURF 4X2 401cc Gas Engine			GATOR 6X4 w / Diesel Engine		
						Outer M 113621 Outer M 123378 Inner		Lube . . . Air Air Air Fuel
2012 GATOR 4X2 w / Diesel Engine			PROGATOR 2020A 879cc Gas Engine			GATOR 6X4 w / Gas Engine		
(Outer) (Outer) (Inner)	Lube . . . Air Air Air Fuel	51365 46449 ¹⁵⁵ 46449FR ³⁶⁰ 42845 33262	MIU13555 (S/N 060001-) M 806418 (S/N 060001-) Outer M 123378 Inner M 113621 Outer AM876035 (S/N -060000) MIU13548 (S/N 060001-) M131053 Supply AM130017 M800489	Lube . . . Lube . . . Air Air Air Fuel Fuel Hyd Hyd Trans	WL10264 51365 46449FR ³⁶⁰ 42845 46449 ¹⁵⁵ 33012 33595 51200 N/A N/A	Single M 113621 Single (Outer) (Inner) (In-Line)	Lube . . . Air Air Air Fuel	
GATOR 4X2 w / Gas Engine	Lube . . . Air Air Air Air Fuel	51394 ⁵³ 46449 ¹⁵⁵ 46449FR ³⁶⁰ 46436 46437 33011						Lube . . . Air Air Air Fuel
GATOR 6X4 w / Diesel Engine	Lube . . . Air Air Air Fuel	51365 46449FR ³⁶⁰ 46449 ¹⁵⁵ 42845 33262	PROGATOR 2030A 1115cc Diesel Engine			GATOR CX 4X2 286cc Gas Engine		
Outer M 113621 Outer M 123378 Inner	Lube . . . Air Air Air Fuel	51365 46449FR ³⁶⁰ 46449 ¹⁵⁵ 42845 33262	Outer M 113621 Outer M 123378 Inner M801101 M131053 AM130017 (Strainer) M800489 (Trans Axle)	Lube . . . Air Air Air Fuel Hyd Hyd Trans	51365 46449FR ³⁶⁰ 46449 ¹⁵⁵ 42845 33263 51200 N/A N/A		Lube . . . Air Air Air Fuel	
GATOR 6X4 w / Gas Engine	Lube . . . Air Air Air Air Fuel	51394 ⁵³ 46449FR ³⁶⁰ 46449 ¹⁵⁵ 46436 46437 33011				GATOR HPX 617cc Gas Engine		
Single M 113621 Single (Heavy Duty Outer) (Heavy Duty Inner) (In-Line)	Lube . . . Air Air Air Air Fuel	51394 ⁵³ 46449FR ³⁶⁰ 46449 ¹⁵⁵ 46436 46437 33011					Lube . . . Air Air Air Fuel	
GATOR CX 4X2 286cc Gas Engine	Lube . . . Air Air Air Fuel	51394 ⁵³ 46449 ¹⁵⁵ 46449FR ³⁶⁰ 46449 ¹⁵⁵ 33011	XUV GATOR 550 4X4, XUV GATOR 550 S4 4X4 570cc Gas Engine			GATOR HPX 4X4 DIESEL 854cc Diesel engine		
Outer M 113621 Outer M 123378 Inner	Lube . . . Air Air Air Fuel	51394 ⁵³ 46449 ¹⁵⁵ 46449FR ³⁶⁰ 46449 ¹⁵⁵ 33011	AM 125 424 M164264 AM116304 (In-Line)	Lube . . . Air Fuel	57035 ⁵³ N/A 33011	Outer M 113621 Outer M 123378 Inner M148935 (Rotary Broom) M148936 (Wrap) M148936 (Wrap) (Early Production) (Late Production)	Lube . . . Air Air Air Air Fuel	
GATOR HPX 617cc Gas Engine	Lube . . . Air Air Air Fuel	51394 ⁵³ 46449 ¹⁵⁵ 46449FR ³⁶⁰ 46449 ¹⁵⁵ 33011	XUV GATOR 625I 4X4 617cc Gas Engine					Lube . . . Air Air Air Fuel
AM 107 423 Outer M 113621 Outer M 123378 Inner M148935 (Rotary Broom) M148936 (Wrap) AM141445 In-Tank AM117584 In-Tank	Lube . . . Air Air Air Fuel	51394 ⁵³ 46449FR ³⁶⁰ 46449 ¹⁵⁵ 42845 N/A w/ N/A N/A N/A					Lube . . . Air Air Air Fuel	
GATOR HPX 4X4 DIESEL 854cc Diesel engine	Lube . . . Air Air Air Fuel	51365 46449FR ³⁶⁰ 46449 ¹⁵⁵ 42845 N/A N/A 33262 33263	XUV GATOR 825I 4X4 812cc Gas Engine			GATOR TH 6X4 GAS 675cc Gas Engine		
Outer M 113621 Outer M 123378 Inner M148935 (Rotary Broom) M148936 (Wrap) (Early Production) (Late Production)	Lube . . . Air Air Air Air Fuel	51365 46449FR ³⁶⁰ 46449 ¹⁵⁵ 42845 N/A N/A 33262 33263	AM 107 423 Outer M 113621 Outer M 123378 Inner M148935 (Rotary Broom) M148936 (Wrap) AM141445 In-Tank AM117584 In-Tank	Lube . . . Air Air Air Air Fuel Fuel Fuel	51394 ⁵³ 46449FR ³⁶⁰ 46449 ¹⁵⁵ 42845 N/A w/ N/A N/A N/A		Lube . . . Air Air Air Fuel	
GATOR TH 6X4 GAS 675cc Gas Engine	Lube . . . Air Air Air Fuel	51394 46449 42845 N/A 33011	XUV GATOR 855D 4X4 854cc Diesel engine			GATOR TH 6X4 DIESEL 854cc Diesel engine		
AM 107 423 M 113621 Outer Inner	Lube . . . Air Air Fuel	51394 46449 42845 33011	M 806418 Outer	Lube . . . Air	51365 46449FR ³⁶⁰	M 123378 Inner M 113621 Outer	Lube . . . Air Air Fuel	
GATOR TS 4X2 351cc Gas Engine	Lube . . . Air Air Air Fuel	51394 ⁵³ 46449 ¹⁵⁵ 46449FR ³⁶⁰ 46449 ¹⁵⁵ 33011				GATOR TX 4X2 675cc Gas Engine	Lube . . . Air Air Fuel	
							51394 ⁵³ 46449 ¹⁵⁵ 46449FR ³⁶⁰ 33011	

N/A = Not Available N/R = Not Required N/S = Not Serviceable See pages 16-19 for footnotes

JOHN DEERE
UTV Section

Make, Model, Engine Marque, Modèle, Moteur Marca, Modelo, Motor	Serv. Type	Part No. N° de pieza N° de pièce	Make, Model, Engine Marque, Modèle, Moteur Marca, Modelo, Motor	Serv. Type	Part No. N° de pieza N° de pièce	Make, Model, Engine Marque, Modèle, Moteur Marca, Modelo, Motor	Serv. Type	Part No. N° de pieza N° de pièce	
2011 (Cont'd/Suite)			2010 (Cont'd/Suite)			2010 (Cont'd/Suite)			
GATOR TX 4X2 675cc Gas Engine (Cont'd/Suite)	Air 46449FR ³⁶⁰ Fuel 33011		AM116304 (In-Line)	Fuel 33011		M 113621 Outer AM876035 (S/N -060000) MIU13548 (S/N 060001-)	Air 46449 ¹⁵⁵ Fuel 33012 Fuel 33595	M 131053 Supply AM130017 M800489	Hyd 51200 Trans. N/A
GATOR TX TURF 4X2 401cc Gas Engine	Lube 51394 ⁵³ Air 46449 ¹⁵⁵ Air 46449FR ³⁶⁰ Fuel 33011		M 806418 M 113621 Outer M 113621 Outer M 123378 Inner CH15553	Lube 51365 Air 46449 ¹⁵⁵ Air 46449FR ³⁶⁰ Air 42845 Fuel 33262		PROGATOR 2030A 1115cc Diesel Engine			
PROGATOR 2020A 879cc Gas Engine			GATOR 6X4 w / Gas Engine			M 806418 Outer M 113621 Outer M 123378 Inner M801101 M131053 M131053 AM130017 (Strainer) M800489 (Trans Axle)	Lube 51365 Air 46449FR ³⁶⁰ Air 46449 ¹⁵⁵ Air 42845 Air 46449 ¹⁵⁵ Fuel 33012 Fuel 33595 Hyd 51200 Hyd N/A Trans. N/A		
MIU13555 (S/N 060001-) M 806418 (S/N 060001-) Outer M 123378 Inner M 113621 Outer AM876035 (S/N -060000) MIU13548 (S/N 060001-) M131053 Supply AM130017 M800489	Lube WL10264 Lube 51365 Air 46449FR ³⁶⁰ Air 42845 Air 46449 ¹⁵⁵ Fuel 33012 Fuel 33595 Hyd 51200 Hyd N/A Trans. N/A		AM 107 423 Single M 113621 Single (Outer) (Inner) AM116304 (In-Line)	Lube 51394 ⁵³ Air 46449FR ³⁶⁰ Air 46449 ¹⁵⁵ Air 46436 Air 46437 Fuel 33011		XUV GATOR 6201 4X4 617cc Gas Engine			
PROGATOR 2030A 1115cc Diesel Engine			GATOR CS w / Gas Engine			AM 107 423 Outer M 113621 Outer M 123378 Inner M148935 (Rotary Broom) M148936 (Wrap) AM141445 In-Tank AM117584 In-Tank	Lube 51394 ⁵³ Air 46449FR ³⁶⁰ Air 46449 ¹⁵⁵ Air 42845 Air N/A w/ Fuel N/A Fuel N/A		
Outer M 113621 Outer M 123378 Inner M801101 M131053 AM130017 (Strainer) M800489 (Trans Axle)	Lube 51365 Air 46449FR ³⁶⁰ Air 46449 ¹⁵⁵ Air 42845 Fuel 33263 Hyd 51200 Hyd N/A Trans. N/A		M 113621 AM116304 (In-Line)	Air 46449 ¹⁵⁵ Air 46449FR ³⁶⁰ Fuel 33011		XUV GATOR 850D 4X4 854cc Diesel engine			
XUV GATOR 6251 4X4 617cc Gas Engine			GATOR CX 4X2 286cc Gas Engine			AM 107 423 Outer M 113621 Outer M 123378 Inner M148935 (Rotary Broom) M148936 (Wrap) AM141445 In-Tank AM117584 In-Tank	Lube 51394 ⁵³ Air 46449FR ³⁶⁰ Air 46449 ¹⁵⁵ Air 42845 Air N/A w/ Fuel N/A Fuel N/A		
AM 107 423 Outer M 113621 Outer M 123378 Inner M148935 (Rotary Broom) M148936 (Wrap) AM141445 In-Tank AM117584 In-Tank	Lube 51394 ⁵³ Air 46449FR ³⁶⁰ Air 46449 ¹⁵⁵ Air 42845 Air N/A w/ Air N/A Fuel N/A Fuel N/A		Lube 51394 ⁵³ Air 46449 ¹⁵⁵ Air 46449FR ³⁶⁰ Fuel 33011			XUV GATOR 8251 4X4 812cc Gas Engine			
XUV GATOR 8251 4X4 812cc Gas Engine			GATOR HPX 617cc Gas Engine			M 806418 Outer M 113621 Outer M 123378 Inner M148935 (Rotary Broom) M148936 (Wrap) AM141445 In-Tank AM117584 In-Tank	Lube 51365 Air 46449FR ³⁶⁰ Air 46449 ¹⁵⁵ Air 42845 Air N/A w/ Air N/A Fuel N/A Fuel 33263		
AM 107 423 Outer M 113621 Outer M 123378 Inner M148935 (Rotary Broom) M148936 (Wrap) AM141445 In-Tank AM117584 In-Tank	Lube 51394 ⁵³ Air 46449FR ³⁶⁰ Air 46449 ¹⁵⁵ Air 42845 Air N/A w/ Air N/A Fuel N/A Fuel N/A		M 806418 Outer M 113621 Outer M 123378 Inner M148935 (Rotary Broom) M148936 (Wrap) CH15553 M801101	Lube 51365 Air 46449FR ³⁶⁰ Air 46449 ¹⁵⁵ Air 42845 Air N/A w/ Air N/A Fuel 33262 Fuel 33263		2009-2007			
XUV GATOR 855D 4X4 854cc Diesel engine			GATOR TH 6X4 GAS 675cc Gas Engine			GATOR HPX 617cc Gas Engine			
M 806418 Outer M 113621 Outer M 123378 Inner M148935 (Rotary Broom) M148936 (Wrap) M801101	Lube 51365 Air 46449FR ³⁶⁰ Air 46449 ¹⁵⁵ Air 42845 Air N/A w/ Air N/A Fuel 33263		Lube 51394 ⁵³ Air 46449 ¹⁵⁵ Air 46449FR ³⁶⁰ Fuel 33011			Outer M 113621 Outer M 123378 Inner M148935 (Rotary Broom) M148936 (Wrap) AM141445 In-Tank AM117584 In-Tank	Lube 51394 ⁵³ Air 46449FR ³⁶⁰ Air 46449 ¹⁵⁵ Air 42845 Air N/A w/ Air N/A Fuel N/A Fuel N/A		
2010			GATOR TH 6X4 DIESEL 854cc Diesel engine			XUV GATOR 6201 4X4 617cc Gas Engine			
GATOR 4X2 w / Diesel Engine			Lube 51394 ⁵³ Air 46449 ¹⁵⁵ Air 46449FR ³⁶⁰ Fuel 33011			AM 107 423 Outer M 113621 Outer M 123378 Inner M148935 (Rotary Broom) M148936 (Wrap) AM141445 In-Tank AM117584 In-Tank	Lube 51394 ⁵³ Air 46449FR ³⁶⁰ Air 46449 ¹⁵⁵ Air 42845 Air N/A w/ Air N/A Fuel N/A Fuel N/A		
(Outer) (Outer) (Inner)	Lube 51365 Air 46449 ¹⁵⁵ Air 46449FR ³⁶⁰ Air 42845 Fuel 33262		GATOR TS 4X2 351cc Gas Engine			XUV GATOR 850D 4X4 854cc Diesel engine			
GATOR 4X2 w / Gas Engine			Lube 51394 ⁵³ Air 46449 ¹⁵⁵ Air 46449FR ³⁶⁰ Fuel 33011			M 806418 Outer M 113621 Outer M 123378 Inner M148935 (Rotary Broom) M148936 (Wrap) M801101	Lube 51365 Air 46449FR ³⁶⁰ Air 46449 ¹⁵⁵ Air 42845 Air N/A w/ Air N/A Fuel 33263		
AM 107 423 Single M 113621 Single (Outer) (Inner)	Lube 51394 ⁵³ Air 46449FR ³⁶⁰ Air 46449 ¹⁵⁵ Air 46436 Air 46437		GATOR TX 4X2 675cc Gas Engine			2006			
GATOR 4X2 w / Diesel Engine			Lube 51394 ⁵³ Air 46449 ¹⁵⁵ Air 46449FR ³⁶⁰ Fuel 33011			GATOR HPX 617cc Gas Engine			
(Outer) (Outer) (Inner)	Lube 51365 Air 46449 ¹⁵⁵ Air 46449FR ³⁶⁰ Air 42845 Fuel 33262		GATOR TX TURF 4X2 401cc Gas Engine			Outer M 113621 Outer M 123378 Inner M148935 (Rotary Broom) M148936 (Wrap) AM141445 In-Tank AM117584 In-Tank	Lube 51394 ⁵³ Air 46449FR ³⁶⁰ Air 46449 ¹⁵⁵ Air 42845 Air N/A w/ Air N/A Fuel N/A Fuel N/A		
GATOR 4X2 w / Gas Engine			PROGATOR 2020A 879cc Gas Engine			M 806418 Outer M 113621 Outer M 123378 Inner M148935 (Rotary Broom) M148936 (Wrap) AM141445 In-Tank AM117584 In-Tank	Lube 51365 Air 46449FR ³⁶⁰ Air 46449 ¹⁵⁵ Air 42845 Air N/A w/ Air N/A Fuel N/A Fuel N/A		
AM 107 423 Single M 113621 Single (Outer) (Inner)	Lube 51394 ⁵³ Air 46449FR ³⁶⁰ Air 46449 ¹⁵⁵ Air 46436 Air 46437		MIU13555 (S/N 060001-) M 806418 (S/N 060001-) Outer M 123378 Inner	Lube WL10264 Lube 51365 Air 46449FR ³⁶⁰ Air 42845					

Italicized Part Numbers May Not Be Available.



UTV Section

JOHN DEERE — KAWASAKI

Make, Model, Engine Marque, Modèle, Moteur Marca, Modelo, Motor	Serv. Type	Part No. N° de pieza N° de pièce	Make, Model, Engine Marque, Modèle, Moteur Marca, Modelo, Motor	Serv. Type	Part No. N° de pieza N° de pièce	Make, Model, Engine Marque, Modèle, Moteur Marca, Modelo, Motor	Serv. Type	Part No. N° de pieza N° de pièce
2006 (Cont'd/Suite) MILITARY GATOR 658cc Yanmar Diesel Engine		Lube ... 51365 Outer Air ... 46449FR ³⁶⁰ M 113621 Outer Air ... 46449 ¹⁵⁵ M 123378 Inner Air ... 42845 Fuel ... 33262 M801101 Fuel ... 33263	1975-1974 (Cont'd/Suite) (In-Line) Fuel ... 33011 AW26476 Hyd ... N/A			2020 (Cont'd/Suite) MULE SX 4x4 XC FI 401cc Gas Engine		
			1973 AMT600 w / Gas Engine		Lube ... 51334 ⁵³ Air ... N/A PT13960 (Foam) Air ... N/A PT13959 (Paper) Air ... 46436 (Outer) Air ... 46437 (Inner) Fuel ... 33011 AM116304 (In-Line) Hyd ... N/A AW26476	490657010 Lube ... 51394 110291004 Air ... WA10654 110130037 Air ... N/A 49019-0032 Fuel ... N/A		
TRAIL GATOR 6X4 658cc Yanmar Diesel Engine		Lube ... 51365 (Outer) Air ... 46449 ¹⁵⁵ (Outer) Air ... 46449FR ³⁶⁰ (Inner) Air ... 42845 Fuel ... 33262	1800 UTILITY VEHICLE AM 107 423 Lube ... 51394 ⁵³ MIU11376 (Paper) Air ... 42405 M76076 (Foam) Wrap ... N/A In-Line Fuel ... 33031 AM39653 Trans ... 51410			MULE SX 4x4 XC LE FI 401cc Engine		490657010 Lube ... 51394 110291004 Air ... WA10654 110130037 Air ... N/A 49019-0032 Fuel ... N/A
2005-2004 GATOR HPX 617cc Gas Engine		Lube ... 51394 ⁵³ Outer Air ... 46449FR ³⁶⁰ M 113621 Outer Air ... 46449 ¹⁵⁵ M 123378 Inner Air ... 42845 M148935 (Rotary Broom) Air ... N/A w/ M148936 (Wrap) Air ... N/A AM141445 In-Tank Fuel ... N/A AM117584 In-Tank Fuel ... N/A	AMT622, AMT626 AM 107 423 Lube ... 51394 ⁵³ AW26796 (Std.) Air ... N/A (Outer) Air ... 46436 (Inner) Air ... 46437 AM116304 (In-Line) Fuel ... 33011 AW26476 Hyd ... N/A			TERYX, TERYX LE 783cc Gas Engine		160970007 Lube ... 51358 110290025 Air ... N/A 490190013 Fuel ... N/A
TRAIL GATOR 6X4 617cc Kawasaki Gas Engine		Lube ... 51394 ⁵³ Single Air ... 46449FR ³⁶⁰ M 113621 Single Air ... 46449 ¹⁵⁵ (Outer) Air ... 46436 (Inner) Air ... 46437 (In-Line) Fuel ... 33011	TURF GATOR 4X2 w / Gas Engine Lube ... 51394 ⁵³ Air ... 46449 ¹⁵⁵ Air ... 46449FR ³⁶⁰ Fuel ... 33011			TERYX4 783cc Gas Engine		160970007 Lube ... 51358 490190013 Fuel ... N/A
TRAIL GATOR 6X4 658cc Yanmar Diesel Engine		Lube ... 51365 (Outer) Air ... 46449 ¹⁵⁵ (Outer) Air ... 46449FR ³⁶⁰ (Inner) Air ... 42845 Fuel ... 33262	WORKSITE GATOR w / Diesel Engine Lube ... 51365 (Outer) Air ... 46449 ¹⁵⁵ (Outer) Air ... 46449FR ³⁶⁰ (Inner) Air ... 42845 Fuel ... 33262			TERYX4 LE 783cc Gas Engine		160970007 Lube ... 51358 110290025 Air ... N/A 490190013 Fuel ... N/A
2003-2001 TRAIL GATOR 6X4 617cc Kawasaki Gas Engine		Lube ... 51394 ⁵³ Single Air ... 46449FR ³⁶⁰ M 113621 Single Air ... 46449 ¹⁵⁵ (Outer) Air ... 46436 (Inner) Air ... 46437 (In-Line) Fuel ... 33011	KAWASAKI 2020 MULE 4000 (KAF620), MULE 4010 4X4 (KAF620) 617cc Gas Engine		49065-2071 Lube ... 51360 110131290 Air ... 46449 490190013 Fuel ... N/A	MULE 4000 (KAF620), MULE 4000 TRANS, MULE 4010 4X4 (KAF620), MULE 4010 TRANS 4x4, MULE 4010 TRANS 4x4 SE 617cc Gas Engine		49065-2071 Lube ... 51360 110131290 Air ... 46449 110130037 Air ... N/A 490190013 Fuel ... N/A
TRAIL GATOR 6X4 658cc Yanmar Diesel Engine		Lube ... 51365 (Outer) Air ... 46449 ¹⁵⁵ (Outer) Air ... 46449FR ³⁶⁰ (Inner) Air ... 42845 Fuel ... 33262	MULE PRO-FX, MULE PRO-FX EPS, MULE PRO-FX EPS LE, MULE PRO-FXR, MULE PRO-FXT L3 .812L 812CC 50CID		160970010 Lube ... WL10360 110131290 Air ... 46449 490190013 Fuel ... N/A	MULE PRO-DX EPS DIESEL, MULE PRO-DXT DIESEL L3 .993L 993CC 61CID Diesel		160970012 Lube ... 51358 110131290 Air ... 46449 49019-0026 Fuel ... N/A 14043-0018 Fuel ... N/A
2000-1999 TRAIL GATOR 6X4 617cc Kawasaki Gas Engine		Lube ... 51394 ⁵³ Single Air ... 46449FR ³⁶⁰ M113621 Single Air ... 46449 ¹⁵⁵ (Outer) Air ... 46436 (Inner) Air ... 46437 (In-Line) Fuel ... 33011	MULE PRO-FXT EPS, MULE PRO-FXT EPS LE L3 .812L 812CC 50CID		160970010 Lube ... WL10360 110131290 Air ... 46449 490190013 Fuel ... N/A	MULE PRO-FX, MULE PRO-FX EPS, MULE PRO-FX EPS LE, MULE PRO-FXR, MULE PRO-FXT L3 .812L 812CC 50CID		160970010 Lube ... WL10360 110131290 Air ... 46449 490190013 Fuel ... N/A
			MULE SX 401cc Gas Engine		490657010 Lube ... 51394 110291004 Air ... WA10654 110130037 Air ... N/A 490191055 Fuel ... N/A	MULE SX 401cc Gas Engine		490657010 Lube ... 51394 110291004 Air ... WA10654 110130037 Air ... N/A 490191055 Fuel ... N/A
			MULE SX 4x4 FI 401cc Gas Engine		490657010 Lube ... 51394 110291004 Air ... WA10654 110130037 Air ... N/A 490191055 Fuel ... N/A	MULE SX 4x4 FI 401cc Gas Engine		490657010 Lube ... 51394 110291004 Air ... WA10654 110130037 Air ... N/A 49019-0032 Fuel ... N/A
			MULE SX 4x4 SE 401cc		490657010 Lube ... 51394 110291004 Air ... WA10654 110130037 Air ... N/A 49019-0032 Fuel ... N/A	MULE SX 4x4 SE 401cc		490657010 Lube ... 51394 110291004 Air ... WA10654 110130037 Air ... N/A 490191055 Fuel ... N/A
1975-1974 AMT600 w / Gas Engine		Lube ... 51334 ⁵³ PT13960 (Foam) Air ... N/A PT13959 (Paper) Air ... N/A (Outer) Air ... 46436 (Inner) Air ... 46437	MULE SX 4x4 SE 401cc		490657010 Lube ... 51394 110291004 Air ... WA10654 110130037 Air ... N/A 490191055 Fuel ... N/A	MULE SX 4x4 XC FI 401cc Gas Engine		490657010 Lube ... 51394

N/A = Not Available N/R = Not Required N/S = Not Serviceable See pages 16-19 for footnotes

KAWASAKI
UTV Section

Make, Model, Engine Marque, Modèle, Moteur Marca, Modelo, Motor	Serv. Type	Part No. N° de pieza N° de pièce	Make, Model, Engine Marque, Modèle, Moteur Marca, Modelo, Motor	Serv. Type	Part No. N° de pieza N° de pièce	Make, Model, Engine Marque, Modèle, Moteur Marca, Modelo, Motor	Serv. Type	Part No. N° de pieza N° de pièce
2019 (Cont'd/Suite) MULE SX 4x4 XC FI 401cc Gas Engine (Cont'd/Suite)			2017 (Cont'd/Suite)			2016 (Cont'd/Suite)		
110291004 110130037 49019-0032	Air Air Fuel	WA10654 N/A N/A	110131290	Air	46449	KAF820 Mule PRO-FXT EPS Camo, KAF820 Mule PRO-FXT Ranch Edition 812cc		
MULE SX 4x4 XC LE FI 401cc						160970010	Lube . . .	WL10360
490657010 110291004 110130037 49019-0032	Lube Air Air Fuel	51394 WA10654 N/A N/A	160970010 110131290	Lube Air	WL10360 46449	KAF1000 MULE PRO-DX DIESEL, KAF1000 MULE PRO-DX EPS DIESEL, KAF1000 MULE PRO-DX EPS LE DIESEL, KAF1000 MULE PRO-DXT DIESEL, KAF1000 MULE PRO-DXT EPS DIESEL 993CC Diesel		
TERYX, TERYX LE 783cc Gas Engine						160970012	Lube . . .	51358 ⁵³
160970007 110290025 490190013	Lube Air Fuel	51358 N/A N/A	160970012 110131290	Lube Air	51358 ⁵³ 46449	KAF1000 MULE PRO-DXT DIESEL 993CC Diesel		
TERYX4 783cc Gas Engine						160970012	Lube . . .	51358 ⁵³
160970007 490190013	Lube Fuel	51358 N/A	KAF1000 MULE PRO-DXT EPS LE DIESEL 993CC Diesel			160970012	Lube . . .	51358 ⁵³
TERYX4 LE 783cc Gas Engine						160970007	Lube . . .	51358 ⁵³
160970007 110290025 490190013	Lube Air Fuel	51358 N/A N/A	KRF800 Teryx, KRF800 Teryx Camo, KRF800 Teryx LE, KRT800 Teryx4, KRT800 Teryx4 Camo 783cc Gas Engine			160970007 110290025	Lube Air	51358 ⁵³ N/A
2018						160970007	Lube . . .	51358 ⁵³
KAF400 Mule SX 401cc & Calif. Models 1978-80			KRT800 Teryx4 LE 783cc Gas Engine			160970007 110290025	Lube Air	51358 ⁵³ N/A
490657010 110291004 490191055	Lube Air Fuel	51394 ⁵³ WA10654 N/A				160970007	Lube . . .	51358 ⁵³
KAF620 Mule 4000 617cc						160970007	Lube . . .	51358 ⁵³
49065-2071 110131290	Lube Air	51360 46449	2016			160970007	Lube . . .	51358 ⁵³
KAF820 Mule PRO-FX 812cc			KAF400 MULE 600 401cc			110290025	Air	N/A
160970010 110131290	Lube Air	WL10360 46449	49065-2078	Lube	51394 ⁵³	2015		
KAF1000 MULE PRO-DX EPS DIESEL, KAF1000 MULE PRO- DXT DIESEL, KAF1000 MULE PRO-DXT EPS DIESEL 993CC Diesel			KAF400 MULE 610 4X4 XC 401cc			MULE 600 (KAF400), MULE 610 4X4 (KAF400) 401cc Gas Engine		
160970012 110131290 49019-0026	Lube Air Fuel	51358 ⁵³ 46449 N/A	490657010	Lube	51394 ⁵³	490657010 110291004 490191055	Lube Air Fuel	51394 ⁵³ WA10654 N/A
KRF800 Teryx, KRT800 Teryx4 783cc Gas Engine			KAF400 MULE 610 4X4 XC CAMO 401cc			MULE 4000 (KAF620) 620cc Gas Engine		
160970007 110290025	Lube Air	51358 ⁵³ N/A	49065-2071	Lube	51394 ⁵³	49065-2071	Lube	51360
2017			KAF400 MULE 610 4X4 XC SE, KAF400 MULE 610 4X4, KAF400 MULE 610 4X4 SE 401cc			490191055	Air	46449FR ⁵⁶⁰
KAF400 Mule SX, KAF400 Mule SX 4x4 SE, KAF400 Mule SX 4x4 XC, KAF400 Mule SX 4x4 XC Camo, KAF400 Mule SX 4x4 XC SE 401cc & Calif. Models 1978-80			490657010	Lube	51394 ⁵³	MULE 4010 4X4 (KAF620) 620cc Gas Engine		
490657010 110291004	Lube Air	51394 ⁵³ WA10654	KAF620 Mule 4000 617cc			49065-2071 110131290	Lube	51360
KAF620 Mule 4000, KAF620 Mule 4010 4x4, KAF620 Mule 4010 4x4 SE, KAF620 Mule 4010 Trans 4x4, KAF620 Mule 4010 Trans 4x4 Camo 617cc			49065-2071 110131290	Lube Air	51360 46449	490190013	Air	46449FR ⁵⁶⁰
49065-2071 110131290	Lube Air	51360 46449	KAF620 Mule 4010 4x4, KAF620 Mule 4010 4x4 SE, KAF620 Mule 4010 Trans 4x4, KAF620 Mule 4010 Trans 4x4 SE 617cc			MULE PRO-FXT (KAF820) 817cc Engine		
KAF620 Mule 4010 Trans 4x4 SE 617cc			49065-2071	Lube	51360	160970010 110131290 110131290 490190013	Lube Air Air Fuel	WL10360 46449 ⁵⁵ 46449FR ⁵⁶⁰ N/A
49065-2071 110131290	Lube Air	51360 46449	KAF800 MULE PRO-FX, KAF800 MULE PRO-FX EPS, KAF800 MULE PRO-FX EPS CAMO, KAF800 MULE PRO-FX EPS LE, KAF800 MULE PRO-FXT 812cc			TERYX (KRF800), TERYX 4 (KRT800) 783cc Gas Engine		
KAF820 Mule PRO-FX, KAF820 Mule PRO-FX EPS, KAF820 Mule PRO-FX EPS Camo, KAF820 Mule PRO-FX EPS LE, KAF820 Mule PRO-FXT 812cc			49065-2071	Lube	51394 ⁵³	110290025 490190013	Lube Air Fuel	51358 ⁵³ N/A N/A
160970010	Lube	WL10360	KAF800 MULE PRO-FXT EPS, KAF800 MULE PRO-FXT RANCH EDITION 812cc			2014		
2017			160970010 110131290	Lube Air	WL10360 46449	MULE 600 (KAF400) 401cc Gas Engine		
KAF820 Mule PRO-FX, KAF820 Mule PRO-FX EPS, KAF820 Mule PRO-FX EPS Camo, KAF820 Mule PRO-FX EPS LE, KAF820 Mule PRO-FXT 812cc			KAF820 Mule PRO-FX 812cc			160970010 110131290	Lube Air	51394 ⁵³ 46449 ⁵⁵
160970010	Lube	WL10360	160970010 110131290	Lube Air	WL10360 46449	MULE 610 4X4 (KAF400), MULE 610 4X4 XC (KAF400) 401cc Gas Engine		
			KAF820 Mule PRO-FX EPS, KAF820 Mule PRO-FX EPS Camo, KAF820 Mule PRO-FX EPS LE, KAF820 Mule PRO-FXT, KAF820 Mule PRO-FXT EPS 812cc			110291004	Lube Air	51394 ⁵³ WA10654

Italicized Part Numbers May Not Be Available.

UTV Section

KAWASAKI

Make, Model, Engine Marque, Modèle, Moteur Marca, Modelo, Motor	Serv. Type	Part No. N° de pieza N° de pièce	Make, Model, Engine Marque, Modèle, Moteur Marca, Modelo, Motor	Serv. Type	Part No. N° de pieza N° de pièce	Make, Model, Engine Marque, Modèle, Moteur Marca, Modelo, Motor	Serv. Type	Part No. N° de pieza N° de pièce
2014 (Cont'd/Suite) MULE 4000 (KAF620) 620cc Gas Engine 49065-2071 110131290 490191055	Lube ... Air ... Air ... Fuel ...	51360 46449 ¹⁵⁵ 46449FR ³⁶⁰ N/A	2012 (Cont'd/Suite)	Air ...	46449FR ³⁶⁰	2007 (Cont'd/Suite) MULE 3010 DIESEL TRANS 4X4 (KAF950) 953cc Diesel Engine 510561056		
			MULE 4010 TRANS 4X4 (KAF950) 953cc Diesel Engine					
MULE 4010 4X4 (KAF620) 620cc Gas Engine 49065-2071 110131290 490190013	Lube ... Air ... Air ... Fuel ...	51360 46449 ¹⁵⁵ 46449FR ³⁶⁰ N/A	2011-2009		Lube ... Air ... Air ...	2006-2005		Lube ... Air ... Air ...
			MULE 600 (KAF400), MULE 610 4X4 (KAF400), MULE 610 4X4 XC (KAF400) 401cc Gas Engine	MULE 600 (KAF400), MULE 610 4X4 (KAF400) 401cc Gas Engine		MULE 3000 (KAF620), MULE 3010 4X4 (KAF620) 617cc Gas Engine	Lube ... Air ... Air ...	
MULE 4010 4X4 DIESEL (KAF950) 953cc Diesel Engine	Lube ... Air ... Air ...	51394 ⁵³ 46449 ¹⁵⁵ 46449FR ³⁶⁰	MULE 4000 (KAF620), MULE 4010 4X4 (KAF620) 620cc Gas Engine	Lube ... Air ... Air ...	51394 ⁵³ 46449 ¹⁵⁵ 46449FR ³⁶⁰	MULE 3000 (KAF620), MULE 3010 4X4 (KAF620) 617cc Gas Engine	Lube ... Air ... Air ... Fuel ...	51394 ⁵³ 46449 ¹⁵⁵ 46449FR ³⁶⁰ 33011
MULE 4010 TRANS 4X4 (KAF620) 620cc Gas Engine 49065-2071 110131290 490190013	Lube ... Air ... Air ... Fuel ...	51360 46449 ¹⁵⁵ 46449FR ³⁶⁰ N/A	MULE 4010 4X4 DIESEL (KAF950) 953cc Diesel Engine	Lube ... Air ... Air ...	51394 ⁵³ 46449 ¹⁵⁵ 46449FR ³⁶⁰	MULE 3010 DIESEL TRANS 4X4 (KAF950) 953cc Diesel Engine 510561056	Lube ... Air ... Air ... Fuel ...	51394 ⁵³ 46449 ¹⁵⁵ 46449FR ³⁶⁰ N/A
MULE 4010 TRANS 4X4 (KAF950) 950cc Diesel Engine	Lube ... Air ... Air ...	51394 ⁵³ 46449 ¹⁵⁵ 46449FR ³⁶⁰	MULE 4010 TRANS 4X4 (KAF620) 620cc Gas Engine	Lube ... Air ... Air ...	51394 ⁵³ 46449 ¹⁵⁵ 46449FR ³⁶⁰	MULE 3020 (KAF620) 617cc Gas Engine	Lube ... Air ... Air ... Fuel ...	51394 ⁵³ 46449 ¹⁵⁵ 46449FR ³⁶⁰ 33011
TERYX (KRF800), TERYX (KRT800), TERYX 4 (KRT800), TERYX 4 LE (KRT800) 783cc Gas Engine 110290025 490190013	Lube ... Air ... Fuel ...	51358 ⁵³ N/A N/A	MULE 4010 TRANS 4X4 (KAF950) 950cc Diesel Engine	Lube ... Air ... Air ...	51394 ⁵³ 46449 ¹⁵⁵ 46449FR ³⁶⁰	2004		Lube ... Air ... Air ... Fuel ...
			MULE 550 (KAF300) 286cc Gas Engine 110291004	MULE 600 (KAF400) 401cc Gas Engine	Lube ... Air ... Air ...	51394 ⁵³ 46449 ¹⁵⁵ 46449FR ³⁶⁰	MULE 550 (KAF300) 286cc Gas Engine 110291004	
2013			2008		Lube ... Air ... Air ...	MULE 600 (KAF400) 401cc Gas Engine	Lube ... Air ... Air ...	51394 ⁵³ 46449 ¹⁵⁵ 46449FR ³⁶⁰
MULE 600 (KAF400), MULE 610 4X4 (KAF400), MULE 610 4X4 XC (KAF400) 401cc Gas Engine	MULE 600 (KAF400), MULE 610 4X4 XC (KAF400) 401cc Gas Engine	MULE 3000 (KAF620), MULE 3010 4X4 (KAF620) 617cc Gas Engine	Lube ... Air ... Air ... Fuel ...	51394 ⁵³ 46449 ¹⁵⁵ 46449FR ³⁶⁰ 33011				
MULE 4010 4X4 DIESEL (KAF950) 953cc Diesel Engine	Lube ... Air ... Air ...	51394 ⁵³ 46449 ¹⁵⁵ 46449FR ³⁶⁰	MULE 3010 DIESEL TRANS 4X4 (KAF950) 953cc Diesel Engine 510561056	Lube ... Air ... Air ... Fuel ...	51394 ⁵³ 46449 ¹⁵⁵ 46449FR ³⁶⁰ N/A	MULE 3010 DIESEL TRANS 4X4 (KAF950) 953cc Diesel Engine 510561056	Lube ... Air ... Air ... Fuel ...	51394 ⁵³ 46449 ¹⁵⁵ 46449FR ³⁶⁰ N/A
MULE 4010 TRANS 4X4 (KAF950) 950cc Diesel Engine	Lube ... Air ... Air ...	51394 ⁵³ 46449 ¹⁵⁵ 46449FR ³⁶⁰	MULE 4010 4X4 DIESEL (KAF950) 953cc Diesel Engine	Lube ... Air ... Air ...	51394 ⁵³ 46449 ¹⁵⁵ 46449FR ³⁶⁰	MULE 3020 (KAF620) 617cc Gas Engine	Lube ... Air ... Air ... Fuel ...	51394 ⁵³ 46449 ¹⁵⁵ 46449FR ³⁶⁰ 33011
2012			2007		Lube ... Air ... Air ...	MULE 600 (KAF400), MULE 610 4X4 (KAF400) 401cc Gas Engine	Lube ... Air ... Air ...	51394 ⁵³ 46449 ¹⁵⁵ 46449FR ³⁶⁰
MULE 600 (KAF400), MULE 610 4X4 (KAF400), MULE 610 4X4 XC (KAF400) 401cc Gas Engine 110291004	MULE 600 (KAF400), MULE 610 4X4 XC (KAF400) 401cc Gas Engine	MULE 3000 (KAF620), MULE 3010 4X4 (KAF620) 617cc Gas Engine	Lube ... Air ... Air ... Fuel ...	51394 ⁵³ 46449 ¹⁵⁵ 46449FR ³⁶⁰ 33011				
MULE 4000 (KAF620), MULE 4010 4X4 (KAF620) 620cc Gas Engine	Lube ... Air ... Air ...	51394 ⁵³ 46449 ¹⁵⁵ 46449FR ³⁶⁰	MULE 600 (KAF400), MULE 610 4X4 (KAF400) 401cc Gas Engine	Lube ... Air ... Air ...	51394 ⁵³ 46449 ¹⁵⁵ 46449FR ³⁶⁰	MULE 550 (KAF300) 286cc Gas Engine 110291004	Lube ... Air ... Fuel ...	51394 ⁵³ WA10654 33011
MULE 4010 4X4 DIESEL (KAF950) 953cc Diesel Engine	Lube ... Air ... Air ...	51394 ⁵³ 46449 ¹⁵⁵ 46449FR ³⁶⁰	MULE 3000 (KAF620), MULE 3010 4X4 (KAF620) 617cc Gas Engine	Lube ... Air ... Air ... Fuel ...	51394 ⁵³ 46449 ¹⁵⁵ 46449FR ³⁶⁰ 33011	MULE 3000 (KAF620), MULE 3010 4X4 (KAF620) 617cc Gas Engine	Lube ... Air ... Air ... Fuel ...	51394 ⁵³ 46449 ¹⁵⁵ 46449FR ³⁶⁰ 33011
MULE 4010 TRANS 4X4 (KAF620) 620cc Gas Engine	Lube ... Air ...	51394 ⁵³ 46449 ¹⁵⁵					Lube ... Air ... Fuel ...	51394 ⁵³ 46449 ¹⁵⁵ 46449FR ³⁶⁰ 33011

N/A = Not Available N/R = Not Required N/S = Not Serviceable See pages 16-19 for footnotes

KAWASAKI — KUBOTA
UTV Section

Make, Model, Engine Marque, Modèle, Moteur Marca, Modelo, Motor	Serv. Type	Part No. N° de pieza N° de pièce	Make, Model, Engine Marque, Modèle, Moteur Marca, Modelo, Motor	Serv. Type	Part No. N° de pieza N° de pièce	Make, Model, Engine Marque, Modèle, Moteur Marca, Modelo, Motor	Serv. Type	Part No. N° de pieza N° de pièce
2003 (Cont'd/Suite) MULE 3010 DIESEL TRANS 4X4 (KAF950) 953cc Diesel Engine			1999, 1998, 1997, 1995 (Cont'd/Suite)			2020 (Cont'd/Suite) RTV500 456cc Kubota GZD460 Engine		
		Lube . . . 51394 ⁵³ Air 46449 ^{95S} Air 46449FR ^{96O} Fuel N/A	MULE 2500 (KAF620), MULE 2510 (KAF620), MULE 2520 (KAF620) 617cc Gas Engine	Fuel 33011		HH150-32430 K7561-82360 K1211-82320 6C06099410 32721-58242 HHK7214080 HHK7014070	Lube . . . 51365 Air 42845 ^{51S} Air 46449 ^{95S} Air 49410 ⁹¹⁶ Air WA10015 ⁵¹⁶ Hyd 51367 Hyd WL10013	
MULE 3020 (KAF620) 617cc Gas Engine		510561056	110291004	Lube . . . 51394 ⁵³ Air WA10654 Fuel 33011		RTV1140 1123cc Kubota D1105- E3-UV Engine		
2002			1994			HH150-32094 TC02016320 Outer T027093220 Inner 12581-43012 In-Line 6780037120 Suction HHK7014070 Return HHK7114080 Suction Hydrostatic Drive	Lube . . . 51064 ⁵³ Air WA10027 Air WA10031 Fuel 33972 Hyd N/A Hyd WL10013 Trans. . . 51367 Trans. . . WL10013	
MULE 2510 DIESEL (KAF950) 953cc Diesel Engine			MULE 2500 (KAF620) 620cc Gas Engine		Lube . . . 51394 ⁵³ Air WA10654 Fuel 33011	RTV-X900 898cc Kubota D902-E4- UV Engine Diesel		
		Lube . . . 51394 ⁵³ Air 46449 ^{95S} Air 46449FR ^{96O} Fuel 33011	110291004	Lube . . . 51394 ⁵³ Air WA10654 Fuel 33011		HH150-32430 1G31911210 6A32059930 HHK7014070 HHK3216770	Lube . . . 51365 Air WA10428 Fuel 33830 Hyd WL10013 Trans. . . WL10043	
2001			1993			RTV-X1100C 1123cc Kubota D1105-E4-UV Engine Diesel		
MULE 3000 (KAF620), MULE 3010 4X4 (KAF620), MULE 3020 (KAF620) 617cc Gas Engine			MULE 500 (KAF300) 286cc Gas Engine		Lube . . . 51394 ⁵³ Air WA10654 Fuel 33011	HH150-32094 1G31911210 Outer K759182360 Inner 6A32059930 Engine HHK3216770 HHK7014070	Lube . . . 51064 Air WA10428 Air WA10430 Fuel 33830 Hyd WL10043 Trans. . . WL10013	
MULE 520 (KAF300), MULE 550 (KAF300) 286cc Gas Engine			1991		Lube . . . 51394 ⁵³ Air WA10654 Fuel 33011	RTV-X1120 1123cc Kubota D1105- E4-UV Engine Diesel		
		Lube . . . 51394 ⁵³ Air WA10654 Fuel 33011	MULE 500 (KAF300) 286cc Gas Engine		Lube . . . 51394 ⁵³ Air WA10654 Fuel 33011	HH150-32094 1G31911210 6A32059930 HHK3216770 HHK7014070	Lube . . . 51064 Air WA10428 Fuel 33830 Hyd WL10043 Trans. . . WL10013	
MULE 2510 DIESEL (KAF950) 953cc Diesel Engine			MULE 2030 (KAF540) 540cc Gas Engine		Lube . . . 51365 Air 42439 Fuel N/A	RTV-XG850 V2 .851L 851CC 52CID		
		Lube . . . 51394 ⁵³ Air 46449 ^{95S} Air 46449FR ^{96O} Fuel WF8059	490191067	Lube . . . 51365 Air 42439 Fuel 33011		HH150-32430 1G319-11212 Outer	Lube . . . 51365 ⁵³ Air WA10428	
MULE 3000 (KAF620), MULE 3010 4X4 (KAF620), MULE 3020 (KAF620) 617cc Gas Engine			1990			2019		
		Lube . . . 51394 ⁵³ Air 46449 ^{95S} Air 46449FR ^{96O} Fuel 33011	MULE 2010, MULE 2020 540cc Gas Engine		Lube . . . 51365 Air 42439 Fuel 33011	RTV400CI 404cc Kubota 16HP EFI Gas Engine		
MULE 520 (KAF300), MULE 550 (KAF300) 286cc Gas Engine			1988			HH150-32430 6C06099410	Lube . . . 51365 Air 49410	
		Lube . . . 51394 ⁵³ Air WA10654 Fuel 33011	MULE 1000 450cc Gas Engine		Lube . . . 51365 Air N/A Fuel 33011	RTV500 456cc Kubota GZD460 Engine		
MULE 2510 DIESEL (KAF950) 953cc Diesel Engine			MULE SX 4x4 FI 401cc Gas Engine		Lube . . . 51394 Air WA10654 Air N/A Fuel N/A	HH150-32430 K7561-82360 K1211-82320 6C06099410 32721-58242 HHK7214080 HHK7014070	Lube . . . 51365 Air 42845 ^{51S} Air 46449 ^{95S} Air 49410 ⁹¹⁶ Air WA10015 ⁵¹⁶ Hyd 51367 Hyd WL10013	
		Lube . . . 51394 ⁵³ Air 46449 ^{95S} Air 46449FR ^{96O} Fuel WF8059	490657010 110291004 110130037 49019-0032	Lube . . . 51394 Air WA10654 Air N/A Fuel N/A		RTV1140 1123cc Kubota D1105- E3-UV Engine		
MULE 3000 (KAF620), MULE 3010 4X4 (KAF620), MULE 3020 (KAF620) 617cc Gas Engine			KIOTI			HH150-32094 TC02016320 Outer T027093220 Inner 12581-43012 In-Line 6780037120 Suction HHK7014070 Return HHK7114080 Suction Hydrostatic Drive	Lube . . . 51064 ⁵³ Air WA10027 Air WA10031 Fuel 33972 Hyd N/A Hyd WL10013 Trans. . . 51367 Trans. . . WL10013	
		Lube . . . 51394 ⁵³ Air WA10654 Fuel 33011	2013-2011			RTV-X900 898cc Kubota D902-E4- UV Engine Diesel		
MULE 2510 DIESEL (KAF950) 953cc Diesel Engine			2200 MECHRON (UTILITY) 1007cc Kioti 3C100LW Engine		Lube . . . 51334 ⁵³ Air 46449 ^{95S} Air 46449FR ^{96O} Fuel 33507	HH150-32430 1G31911210 6A32059930 HHK7014070	Lube . . . 51365 Air WA10428 Fuel 33830 Hyd WL10013	
		Lube . . . 51394 ⁵³ Air 46449 ^{95S} Air 46449FR ^{96O} Fuel WF8059	E520532091 T235011641 T235011641 8461243160	Lube . . . 51394 Air WA10654 Air N/A Fuel N/A		RTV500 456cc Kubota GZD460 Engine		
MULE 2520 (KAF620) 617cc Gas Engine			KUBOTA			HH150-32430 6C06099410	Lube . . . 51365 Air 49410	
		Lube . . . 51394 ⁵³ Air WA10654 Fuel 33011	2020			RTV400CI 404cc Kubota 16HP EFI Gas Engine		
1999, 1998, 1997, 1995			RTV400CI 404cc Kubota 16HP EFI Gas Engine		Lube . . . 51365 Air 49410	HH150-32430 1G31911210 6A32059930 HHK7014070	Lube . . . 51365 Air WA10428 Fuel 33830 Hyd WL10013	
MULE 550 (KAF300) 286cc Gas Engine					Lube . . . 51394 ⁵³ Air WA10654			
		Lube . . . 51394 ⁵³ Air WA10654						

Italicized Part Numbers May Not Be Available.

UTV Section

KUBOTA

Make, Model, Engine Marque, Modèle, Moteur Marca, Modelo, Motor	Serv. Type	Part No. N° de pieza N° de pièce	Make, Model, Engine Marque, Modèle, Moteur Marca, Modelo, Motor	Serv. Type	Part No. N° de pieza N° de pièce	Make, Model, Engine Marque, Modèle, Moteur Marca, Modelo, Motor	Serv. Type	Part No. N° de pieza N° de pièce
2019 (Cont'd/Suite) RTV-X900 898cc Kubota D902-E4-UV Engine Diesel (Cont'd/Suite) HHK3216770	Trans...	WL10043	2017 (Cont'd/Suite) HHK7014070	Trans...	WL10013	2014 (Cont'd/Suite) K721182130 Engine 6C06099410 (CTV Unit)	Air.....	N/A 49410
2018 RTV-X1100C 1123cc Kubota D1105-E4-UV Engine Diesel HH150-32094 1G31911210 Outer K759182360 Inner 6A32059930 Engine HHK3216770 HHK7014070	Lube... Air..... Air..... Fuel... Hyd.... Trans...	51064 WA10428 WA10430 33830 WL10043 WL10013	2016 RTV400CI 404cc Kubota 16HP EFI Gas Engine HH150-32430 K721182130 Engine 6C06099410 (CTV Unit)	Lube... Air..... Air.....	51365 N/A 49410	RTV500 456cc Kubota GZD460 Engine HH150-32430 K1211-82320 Outer K1211-82320 Outer K7561-82360 Inner 6C06099410 - Outer 3272158242 - Inner HHK7114080 Suction HHK7014070 Hydrostatic Drive	Lube... Air..... Air..... Air..... Air..... Air..... Trans... Trans...	51365 46449 ⁵⁵ 46449FR ³⁶⁰ 42845 49410 WA10015 51367 WL10013
RTV-X1120 1123cc Kubota D1105-E4-UV Engine Diesel HH150-32094 1G31911210 6A32059930 HHK7014070	Lube... Air..... Fuel... Hyd....	51064 WA10428 33830 WL10013	RTV500 456cc Kubota GZD460 Engine HH150-32430 K1211-82320 Outer K1211-82320 Outer K7561-82360 Inner 6C06099410 - Outer 32721-58242 - Inner HHK7114080 Suction HHK7014070 Hydrostatic Drive	Lube... Air..... Air..... Air..... Air..... Trans... Trans...	51365 46449 ⁵⁵ 46449FR ³⁶⁰ 42845 49410 WA10015 51367 WL10013	RTV900XT 898cc Kubota D902-E-UV Engine HH150-32430 K1211-82320 Outer K1211-82320 Outer (High Mount Option) - Outer K7561-82360 Inner (High Mount Option) - Outer (High Mount Option) - Inner In-Line 6A32059930 (Optional) - Engine Hydrostatic Drive Suction	Lube... Air..... Air..... Air..... Air..... Air..... Fuel... Fuel... Trans... Trans...	51365 46449 ⁵⁵ 46449FR ³⁶⁰ 46438NP ⁴⁷⁹ 42845 46438 ¹⁵⁵ 42985 33972 33830 WL10013 51367
RTV-X1140 1123cc Kubota D1105-E4-UV Engine Diesel HH150-32094 TC02016320 T027093220 12581-43012 HHK7114080 HHK7014070 6780037120	Lube... Air..... Air..... Fuel... Hyd.... Hyd....	51064 ⁵³ WA10027 WA10031 33972 51367 WL10013 N/A	RTV1140 1123cc Kubota D1105-E3-UV Engine HH150-32094 TC02016320 Outer T027093220 Inner 12581-43012 In-Line 6780037120 Suction HHK7014070 Return HHK7114080 Suction Hydrostatic Drive	Lube... Air..... Air..... Fuel... Hyd.... Hyd.... Trans...	51064 ⁵³ WA10027 WA10031 33972 N/A WL10013 51367 WL10013	RTV1100 1123cc Kubota D1105-E2-UV Engine HH16432430 HH160-32093 TA040-93230 Outer Outer TA040-93220 Inner 12581-43012 In-Line T185571600 K771188380 Inside 6780037120 Suction HHK7014070 Return HHK7114080 Suction Hydrostatic Drive	Lube... Lube... Air..... Air..... Air..... Air..... Cab. Air... Cab. Air... Hyd.... Hyd.... Trans... Trans...	51307 ⁵³⁴ 51344 ⁵³ 46438 ¹⁵⁵ 46438NP ⁴⁷⁹ 42985 33972 WP10075 N/A N/A WL10013 51367 WL10013
RTV-XG850 V2 .851L 851CC 52CID HH150-32430 1G319-11212 Outer	Lube... Air.....	51365 ⁵³ WA10428	RTV-X1100C 1123cc Kubota D1105-E4-UV Engine Diesel HH150-32094 1G31911210 Outer K759182360 Inner 6A32059930 Engine HHK3216770 HHK7014070	Lube... Air..... Air..... Fuel... Hyd.... Trans...	51064 WA10428 WA10430 33830 WL10043 WL10013	RTV1140 1123cc Kubota D1105-E3-UV Engine HH150-32430 K721182130 Engine 6C06099410 (CTV Unit)	Lube... Air..... Air.....	51365 N/A 49410
2017 RTV1140 1123cc Kubota D1105-E3-UV Engine HH150-32094 TC02016320 Outer T027093220 Inner 12581-43012 In-Line 6780037120 Suction HHK7014070 Return HHK7114080 Suction Hydrostatic Drive	Lube... Air..... Air..... Fuel... Hyd.... Hyd.... Trans...	51064 ⁵³ WA10027 WA10031 33972 N/A WL10013 51367 WL10013	RTV500 456cc Kubota GZD460 Engine HH150-32430 K1211-82320 Outer K1211-82320 Outer K7561-82360 Inner 6C06099410 - Outer 32721-58242 - Inner HHK7114080 Suction HHK7014070 Hydrostatic Drive	Lube... Air..... Air..... Air..... Air..... Trans... Trans...	51365 46449 ⁵⁵ 46449FR ³⁶⁰ 42845 49410 WA10015 51367 WL10013	RTV1140 1123cc Kubota D1105-E3-UV Engine HH150-32094 TC02016320 Outer T027093220 Inner 12581-43012 In-Line 6780037120 Suction HHK7014070 Return HHK7114080 Suction Hydrostatic Drive	Lube... Air..... Air..... Fuel... Hyd.... Hyd.... Trans...	51064 ⁵³ WA10027 WA10031 33972 N/A WL10013 51367 WL10013
RTV-XG850 V2 .851L 851CC 52CID HH150-32430 1G319-11212 Outer K759182360 Inner K7811-24170	Lube... Air..... Air..... Fuel...	51365 ⁵³ WA10428 WA10430 N/A	RTV1140 1123cc Kubota D1105-E3-UV Engine HH150-32094 TC02016320 Outer T027093220 Inner 12581-43012 In-Line 6780037120 Suction HHK7014070 Return HHK7114080 Suction Hydrostatic Drive	Lube... Air..... Air..... Fuel... Hyd.... Trans...	51064 ⁵³ WA10027 WA10031 33972 N/A WL10013 51367 WL10013	RTV-X900 898cc Kubota D902-E4-UV Engine Diesel HH150-32094 1G31911210 Outer K759182360 Inner 6A32059930 Engine HHK3216770 HHK7014070	Lube... Outer Air..... Air..... Fuel... Trans... Trans...	51365 WA10428 WA10430 33830 WL10013 WL10043
2017 RTV1140 1123cc Kubota D1105-E3-UV Engine HH150-32094 TC02016320 Outer T027093220 Inner 12581-43012 In-Line 6780037120 Suction HHK7014070 Return HHK7114080 Suction Hydrostatic Drive	Lube... Air..... Air..... Fuel... Hyd.... Hyd.... Trans...	51064 ⁵³ WA10027 WA10031 33972 N/A WL10013 51367 WL10013	RTV-X1100C 1123cc Kubota D1105-E4-UV Engine Diesel HH150-32094 1G31911210 Outer K759182360 Inner 6A32059930 Engine HHK3216770 HHK7014070	Lube... Air..... Air..... Fuel... Hyd.... Trans...	51064 WA10428 WA10430 33830 WL10043 WL10013	RTV-X1100C 1123cc Kubota D1105-E4-UV Engine Diesel HH150-32094 1G31911210 Outer K759182360 Inner 6A32059930 Engine HHK3216770 HHK7014070	Lube... Air..... Air..... Fuel... Fuel... Hyd.... Trans...	51064 WA10428 WA10430 33830 33830 WL10043 WL10013
RTV-X1100C 1123cc Kubota D1105-E4-UV Engine Diesel HH150-32094 1G31911210 Outer K759182360 Inner 6A32059930 Engine HHK3216770	Lube... Air..... Air..... Fuel... Hyd....	51064 WA10428 WA10430 33830 WL10043	2014 RTV400CI 404cc Kubota 16HP EFI Gas Engine HH150-32430	Lube...	51365	RTV-X1120D 1123cc Kubota D1105-E4-UV Engine Diesel 1G31911210 Outer K759182360 Inner 6A32059930 Engine HHK3216770 Hydrostatic Drive	Lube... Air..... Air..... Fuel... Hyd.... Trans...	51064 ⁵³ WA10428 WA10430 33830 WL10043 WL10013

N/A = Not Available N/R = Not Required N/S = Not Serviceable See pages 16-19 for footnotes

KUBOTA
UTV Section
**U
T
V**

Make, Model, Engine Marque, Modèle, Moteur Marca, Modelo, Motor	Serv. Type	Part No. N° de pieza N° de pièce	Make, Model, Engine Marque, Modèle, Moteur Marca, Modelo, Motor	Serv. Type	Part No. N° de pieza N° de pièce	Make, Model, Engine Marque, Modèle, Moteur Marca, Modelo, Motor	Serv. Type	Part No. N° de pieza N° de pièce
2013			2012			2011 (Cont'd/Suite)		
RTV400CJ 404cc Kubota 16HP EFI Gas Engine HH150-32430 Lube... 51365 K721182130 Engine Air... N/A 6C06099410 (CTV Unit) Air... 49410			RTV400CI 404cc Kubota 16HP EFI Gas Engine HH150-32430 Lube... 51365 K721182130 Engine Air... N/A 6C06099410 (CTV Unit) Air... 49410			RTV900XT 898cc Kubota D902-E-UV Engine HH150-32430 Lube... 51365 K1211-82320 Outer Air... 46449 ¹⁵⁵ K1211-82320 Outer Air... 46449FR ³⁶⁰ K7561-82360 Inner Air... 42845 6C06099410 - Outer Air... 49410 32721-58242 - Inner Air... WA10015 HHK7114080 Suction Trans... 51367 HHK7014070 Hydrostatic Drive Trans... WL10013		
RTV500 456cc Kubota GZD460 Engine HH150-32430 Lube... 51365 K1211-82320 Outer Air... 46449 ¹⁵⁵ K1211-82320 Outer Air... 46449FR ³⁶⁰ K7561-82360 Inner Air... 42845 6C06099410 - Outer Air... 49410 32721-58242 - Inner Air... WA10015 HHK7114080 Suction Trans... 51367 HHK7014070 Hydrostatic Drive Trans... WL10013			RTV900, RTV900XT 898cc Kubota D902-E-UV Engine HH150-32430 Lube... 51365 K1211-82320 Outer Air... 46449 ¹⁵⁵ K1211-82320 Outer Air... 46449FR ³⁶⁰ (High Mount Option) - Outer Air... 46438NP ⁴⁷⁹ K7561-82360 Inner Air... 42845 TA040-93230 - Outer Air... 46438 ¹⁵⁵ TA040-93220 - Inner Air... 42985 12581-43012 In-Line Fuel... 33972 Hydrostatic Drive Trans... WL10013 HHK7114080 Suction Trans... 51367			RTV1100 1123cc Kubota D1105-E2-UV Engine HH16432430 External Lube... 51307 ⁵³⁴ HH160-32093 Lube... 51344 ⁵³ TA040-93230 Outer Air... 46438 ¹⁵⁵ Outer Air... 46438NP ⁴⁷⁹ TA040-93220 Inner Air... 42985 12581-43012 In-Line Fuel... 33972 T185571600 Cab. Air... WP10075 K771188380 Inside Cab. Air... N/A 6780037120 Suction Hyd... N/A HHK7014070 Return Hyd... WL10013 HHK7114080 Suction Trans... 51367 Hydrostatic Drive Trans... WL10013		
RTV900XT 898cc Kubota D902-E-UV Engine HH150-32430 Lube... 51365 K1211-82320 Outer Air... 46449 ¹⁵⁵ K1211-82320 Outer Air... 46449FR ³⁶⁰ (High Mount Option) - Outer Air... 46438NP ⁴⁷⁹ K7561-82360 Inner Air... 42845 (High Mount Option) - Outer Air... 46438 ¹⁵⁵ (High Mount Option) - Inner Air... 42985 In-Line Fuel... 33972 6A32059930 (Optional) Fuel... 33830 Hydrostatic Drive Trans... WL10013 Suction Trans... 51367			RTV1100 1123cc Kubota D1105-E2-UV Engine HH16432430 Lube... 51307 ⁵³⁴ HH160-32093 Lube... 51344 ⁵³ TA040-93230 Outer Air... 46438 ¹⁵⁵ Outer Air... 46438NP ⁴⁷⁹ TA040-93220 Inner Air... 42985 12581-43012 In-Line Fuel... 33972 T185571600 Cab. Air... WP10075 K771188380 Inside Cab. Air... N/A 6780037120 Suction Hyd... N/A HHK7014070 Return Hyd... WL10013 HHK7114080 Suction Trans... 51367 Hydrostatic Drive Trans... WL10013			RTV1140 1123cc Kubota D1105-E3-UV Engine HH150-32094 Lube... 51064 ⁵³ TC02016320 Outer Air... WA10027 T027093220 Inner Air... WA10031 12581-43012 In-Line Fuel... 33972 6780037120 Suction Hyd... N/A HHK7014070 Return Hyd... WL10013 HHK7114080 Suction Trans... 51367 Hydrostatic Drive Trans... WL10013		
RTV1100 1123cc Kubota D1105-E2-UV Engine HH16432430 External Lube... 51307 ⁵³⁴ HH160-32093 Lube... 51344 ⁵³ TA040-93230 Outer Air... 46438 ¹⁵⁵ Outer Air... 46438NP ⁴⁷⁹ TA040-93220 Inner Air... 42985 12581-43012 In-Line Fuel... 33972 T185571600 Cab. Air... WP10075 K771188380 Inside Cab. Air... N/A 6780037120 Suction Hyd... N/A HHK7014070 Return Hyd... WL10013 HHK7114080 Suction Trans... 51367 Hydrostatic Drive Trans... WL10013			RTV1140 1123cc Kubota D1105-E3-UV Engine HH150-32094 Lube... 51064 ⁵³ TC02016320 Outer Air... WA10027 T027093220 Inner Air... WA10031 12581-43012 In-Line Fuel... 33972 6780037120 Suction Hyd... N/A HHK7014070 Return Hyd... WL10013 HHK7114080 Suction Trans... 51367 Hydrostatic Drive Trans... WL10013			RTV500 456cc Kubota GZD460 Engine HH150-32430 Lube... 51365 K1211-82320 Outer Air... 46449 ¹⁵⁵ K1211-82320 Outer Air... 46449FR ³⁶⁰ K7561-82360 Inner Air... 42845 6C06099410 - Outer Air... 49410 32721-58242 - Inner Air... WA10015 Hydrostatic Drive Trans... WL10013 HHK7114080 Suction Trans... 51367		
RTV1140 1123cc Kubota D1105-E3-UV Engine HH150-32094 Lube... 51064 ⁵³ TC02016320 Outer Air... WA10027 T027093220 Inner Air... WA10031 12581-43012 In-Line Fuel... 33972 6780037120 Suction Hyd... N/A HHK7014070 Return Hyd... WL10013 HHK7114080 Suction Trans... 51367 Hydrostatic Drive Trans... WL10013			RTV900 898cc Kubota D902-E-UV Engine HH150-32430 Lube... 51365 K1211-82320 Outer Air... 46449 ¹⁵⁵ K1211-82320 Outer Air... 46449FR ³⁶⁰ (High Mount Option) - Outer Air... 46438NP ⁴⁷⁹ K7561-82360 Inner Air... 42845 TA040-93230 - Outer Air... 46438 ¹⁵⁵ TA040-93220 - Inner Air... 42985 12581-43012 In-Line Fuel... 33972 6A32059930 (Optional) Fuel... 33830 Hydrostatic Drive Trans... WL10013 HHK7114080 Suction Trans... 51367			RTV1100 1123cc Kubota D1105-E2-UV Engine HH16432430 External Lube... 51307 ⁵³⁴ HH160-32093 Lube... 51344 ⁵³ TA040-93230 Outer Air... 46438 ¹⁵⁵ Outer Air... 46438NP ⁴⁷⁹ TA040-93220 Inner Air... 42985 12581-43012 In-Line Fuel... 33972 T185571600 Cab. Air... WP10075 K771188380 Inside Cab. Air... N/A 6780037120 Suction Hyd... N/A HHK7014070 Return Hyd... WL10013 HHK7114080 Suction Trans... 51367 Hydrostatic Drive Trans... WL10013		
RTV-X900 898cc Kubota D902-E4-UV Engine Diesel HH150-32430 Lube... 51365 1G31911210 Outer Air... WA10428 K759182360 Inner Air... WA10430 6A32059930 Engine Fuel... 33830 Hydrostatic Drive Trans... WL10013 Suction Trans... WL10043			RTV900 898cc Kubota D902-E-UV Engine HH150-32430 Lube... 51365 K1211-82320 Outer Air... 46449 ¹⁵⁵ K1211-82320 Outer Air... 46449FR ³⁶⁰ (High Mount Option) - Outer Air... 46438NP ⁴⁷⁹ K7561-82360 Inner Air... 42845 TA040-93230 - Outer Air... 46438 ¹⁵⁵ TA040-93220 - Inner Air... 42985 12581-43012 In-Line Fuel... 33972 6A32059930 (Optional) Fuel... 33830 Hydrostatic Drive Trans... WL10013			RTV900, RTV900XT 898cc Kubota D902-E-UV Engine HH150-32430 Lube... 51365 K1211-82320 Outer Air... 46449 ¹⁵⁵ K1211-82320 Outer Air... 46449FR ³⁶⁰ (High Mount Option) - Outer Air... 46438NP ⁴⁷⁹ K7561-82360 Inner Air... 42845 TA040-93230 - Outer Air... 46438 ¹⁵⁵ TA040-93220 - Inner Air... 42985 12581-43012 In-Line Fuel... 33972 6A32059930 (Optional) Fuel... 33830 Hydrostatic Drive Trans... 51367 HHK7114080 Suction Trans... WL10013		

Italicized Part Numbers May Not Be Available.

POLARIS

UTV Section

Make, Model, Engine Marque, Modèle, Moteur Marca, Modelo, Motor	Serv. Type	Part No. N° de pieza N° de pièce	Make, Model, Engine Marque, Modèle, Moteur Marca, Modelo, Motor	Serv. Type	Part No. N° de pieza N° de pièce	Make, Model, Engine Marque, Modèle, Moteur Marca, Modelo, Motor	Serv. Type	Part No. N° de pieza N° de pièce
2019 (Cont'd/Suite)			2018 (Cont'd/Suite)			2017 (Cont'd/Suite)		
RZR 570 567cc (Cont'd/Suite)						Ranger XP 1000, Ranger XP 1000 EPS, Ranger XP 1000 EPS High Lifter Edition, Ranger XP 1000 EPS Hunter Edition, Ranger XP 1000 EPS Northstar HVAC Edition 999cc Engine		
5813712	Air	N/A	2882234	Air	WA10855			
RZR 900, RZR 900S 875cc			RZR XP 4 Turbo, RZR XP 4 Turbo S 925cc					
2540086	Lube . . .	51356	2540086	Lube . . .	51356			
7082115	Air	N/A	1241084	Air	N/A			
RZR 1000 XP EPS 999cc Engine			2882234	Air	WA10855			
2540086	Lube . . .	51356	RZR XP-4 1000 EPS 999cc Engine					
2882234	Air	WA10855	2540086	Lube . . .	51356			
1241084	Air	N/A	2540086	Air	N/A			
RZR RS1 999cc Engine			2882234	Air	WA10855			
2540086	Lube . . .	51356						
1241084	Air	N/A						
RZR S 1000 999cc Engine								
2540086	Lube . . .	51356						
7082115	Air	N/A						
2882234	Air	WA10855						
RZR S4 1000 999cc Engine								
2540086	Lube . . .	51356						
1241084	Air	N/A						
2882234	Air	WA10855						
RZR XP 4 Turbo, RZR XP 4 Turbo S 925cc								
2540086	Lube . . .	51356						
1241084	Air	N/A						
2882234	Air	WA10855						
RZR XP Turbo, RZR XP Turbo S 925cc								
2520799	Lube . . .	51358						
2882234	Air	WA10855						
1241084	Air	N/A						
RZR XP-4 1000 EPS 999cc Engine								
2540086	Lube . . .	51356						
1241084	Air	N/A						
2882234	Air	WA10855						
2018								
General 1000 Series 999cc Engine								
2540086	Lube . . .	51356						
7082115	Air	N/A						
RANGER 500 500cc Engine								
2540086	Lube . . .	51356						
7082037	Air	N/A						
RANGER 570 567cc								
2540086	Lube . . .	51356						
7082037	Air	N/A						
RANGER CREW DIESEL 1028cc Engine (Diesel)								
3040038	Lube . . .	51785						
7082087	Air	N/A						
Ranger Crew XP 900 875cc Engine								
2540086	Lube . . .	51356						
7081706	Air	WA10386						
Ranger Crew XP 1000, Ranger XP 1000 999cc Engine								
2540086	Lube . . .	51356						
7081706	Air	WA10386						
RANGER XP900 875cc Engine								
2540086	Lube . . .	51356						
7081706	Air	WA10386						
RZR 570 567cc								
2540086	Lube . . .	51356						
7081706	Air	WA10386						
RZR 900 875cc Engine								
2540086	Lube . . .	51356						
7082115	Air	N/A						
RZR 1000 XP EPS 999cc Engine								
2540086	Lube . . .	51356						
1241084	Air	N/A						

Italicized Part Numbers May Not Be Available.



UTV Section

POLARIS

Make, Model, Engine Marque, Modèle, Moteur Marca, Modelo, Motor	Serv. Type	Part No. N° de pieza N° de pièce	Make, Model, Engine Marque, Modèle, Moteur Marca, Modelo, Motor	Serv. Type	Part No. N° de pieza N° de pièce	Make, Model, Engine Marque, Modèle, Moteur Marca, Modelo, Motor	Serv. Type	Part No. N° de pieza N° de pièce
2016 (Cont'd/Suite) Ranger 900 XP EPS High Lifter Edition, Ranger 900 XP EPS Hunter Deluxe Edition, Ranger 900 XP EPS Hunter Edition, Ranger 900 XP EPS Northstar Edition, Ranger 900 XP EPS Trail Edition 875cc	Lube ... 51356 Air ... WA10386	2540086 7081706	2016 (Cont'd/Suite) RZR XP 4 Turbo, RZR XP 4 Turbo S 925cc	Lube ... 51356 Air ... N/A Air ... WA10855	2540086 1241084 2882234	RANGER 800 800cc Engine 2540086 1240482	Lube ... 51356 Air ... N/A	51356 N/A
			RZR XP TURBO EPS 925cc	Lube ... 51356 Air ... WA10855			RANGER 800 RZR 800cc Engine 1240482	
Ranger 900-5 Crew, Ranger 900-5 Crew EPS, Ranger 900-6 Crew, Ranger 900-6 Crew EPS 875cc Engine	Lube ... 51356 Air ... WA10386	2540086 7081706	RZR XP-4 1000 EPS 999cc Engine	Lube ... 51356 Air ... WA10855	2540086 2882234	RANGER 900 CREW 900cc Engine	Lube ... 51356 Air ... WA10386	51356 WA10386
			RZR-4 900 EPS 875cc	Lube ... 51356 Air ... N/A		RANGER 900 CREW DIESEL, RANGER 900 DIESEL 900cc Engine 1240482	Lube ... 51365 Air ... N/A	
RANGER CREW 570-4 567cc	Lube ... 51356 Air ... N/A	2540086 7082037	RZRXP-4 1000 EPS HIGHLIFTER 999cc Engine	Lube ... 51356 Air ... WA10855	2540086 2882234	RANGER 1000 1028cc Engine (Diesel) 3070131 1240482	Lube ... 51365 Air ... N/A	51365 N/A
RANGER CREW 570-6 567cc	Lube ... 51356 Air ... WA10386	2540086 7081706	RZRXP-4 TURBO EPS 925cc	Lube ... 51356 Air ... WA10855		RANGER CREW 570 570cc Engine 7082037	Lube ... 51356 Air ... N/A	
RANGER CREW DIESEL 1028cc	Lube ... 51785 Air ... WA10386	3040038 7081706	2015 BRUTUS 904cc Engine	Lube ... 51365 Air ... N/A	3070131 7081811	RANGER DIESEL 904cc Engine 1240482	Lube ... 51365 Air ... N/A	51365 N/A
RANGER CREW XP 570-6 567cc	Lube ... 51356		RANGER 570 570cc Engine	Lube ... 51356 Air ... N/A		RANGER EV MIDSIZE Electric - Single 48-Volt, High-Efficiency, AC-Induction Motor Electric	Lube ... N/S	
RANGER CREW XP900-5 EPS, RANGER CREW XP900-6, RANGER CREW XP900-6 EPS 875cc	Lube ... 51356		RANGER 800 RZR 800cc Engine	Lube ... 51356 Air ... N/A	2540086 1240482	RAZOR 4 800 760cc Engine 1240482	Lube ... 51356 Air ... N/A	51356 N/A
RANGER DIESEL 1028cc	Lube ... 51785 Air ... WA10386	3040038 7081706	RANGER 900 CREW 900cc Engine	Lube ... 51356 Air ... WA10386		RAZOR 4 900 875cc Engine 7081889	Lube ... 51356 Air ... N/A	
RANGER XP570, RANGER XP570 EPS 567cc	Lube ... 51356 Air ... WA10386	2540086 7081706	RANGER 1000 1028cc Engine (Diesel)	Lube ... 51785 Air ... WA10386	3040038 7081706	RAZOR 170 169cc Engine 1262218	Lube ... N/S Air ... N/A	N/S N/A
RANGER XP900 EPS SE 875cc	Lube ... 51356		RANGER ETX 904cc Engine	Lube ... 57671 Air ... N/A		RAZOR 570 570cc Engine 7081706	Lube ... 51356 Air ... WA10386	
RANGER XP900, RANGER XP900 EPS 875cc	Lube ... 51356 Air ... WA10386	2540086 7081706	RANGER HST 900cc Engine	Lube ... 51785 Air ... N/A	3040038 7082087	RAZOR 800 760cc Engine 1240482	Lube ... 51356 Air ... N/A	51356 N/A
RZR 570, RZR 570 EPS 567cc	Lube ... 51356 Air ... WA10386	2540086 7081706	RAZOR 170 169cc Engine	Lube ... N/A Air ... N/A		RAZOR 900 875cc Engine 7081889	Lube ... 51356 Air ... N/A	
RZR 900 875cc	Lube ... 51356 Air ... N/A	2540086 7082115	RAZOR 570 570cc Engine	Lube ... 51356 Air ... WA10386	2540086 7081706	RAZOR S 800 760cc Engine 1240822	Lube ... 51356 Air ... N/A	51356 N/A
RZR 900 EPS 875cc	Lube ... 51356 Air ... N/A	7082115	RAZOR 900 900cc Engine	Lube ... 51356 Air ... N/A		RAZOR XP 1000 999cc Engine 1240822 2882234	Lube ... 51356 Air ... N/A Air ... WA10855	
RZR 900 EPS Trail, RZR 900 EPS Trail Fox Edition LE 875cc	Lube ... 51356 Air ... N/A	2540086 7082115	RAZOR XP 1000 999cc Engine	Lube ... 51356 Air ... WA10855 Air ... N/A	2540086 2882234 1240822	2013 BRUTUS 904cc Engine 3070131 7081811	Lube ... 51365 Air ... N/A	51365 N/A
RZR 900 EPS XC 875cc	Lube ... 51356 Air ... N/A	7082115	2014 BRUTUS 904cc Engine	Lube ... 51365 Air ... N/A		RANGER 500 500cc Engine 7081308	Lube ... 51358 ³³ Air ... WA10421	
RZR 900 EPS XC Edition, RZR 900S, RZR 900S EPS 875cc	Lube ... 51356 Air ... N/A	2540086 7082115	RANGER 400 400cc Engine	Lube ... 51358 ³³ Air ... WA10421	7081308	RANGER 800, RANGER 800 RZR 800cc Engine 1240482	Lube ... 51356 Air ... N/A	51356 N/A
RZR 1000 XP EPS, RZR 1000S EPS 999cc Engine	Lube ... 51356 Air ... WA10855	2540086 2882234	RANGER 570 570cc Engine	Lube ... 51356 Air ... N/A				

N/A = Not Available N/R = Not Required N/S = Not Serviceable See pages 16-19 for footnotes

POLARIS — YAMAHA

UTV Section

Make, Model, Engine Marque, Modèle, Moteur Marca, Modelo, Motor	Serv. Type	Part No. N° de pieza N° de pièce	Make, Model, Engine Marque, Modèle, Moteur Marca, Modelo, Motor	Serv. Type	Part No. N° de pieza N° de pièce	Make, Model, Engine Marque, Modèle, Moteur Marca, Modelo, Motor	Serv. Type	Part No. N° de pieza N° de pièce
2012-2011			2006 (Cont'd/Suite)			993173 - Outer Air 46449 ⁵⁵ 993173 - Outer Air 46449FR ⁶⁰ 993198 - Inner Air 42845 1157854 (In-Line) Fuel N/A 1202235 (Breather) Fuel N/A 540110 Hyd 51551 ⁵³ 686150 (Breather) Hyd N/A		
RANGER 500 500cc Engine 7081308	Lube . . . 51358 ⁵³ Air WA10421		RANGER 700 683cc Engine 7081308	Air 46438NP ⁴⁷⁹ Air WA10421		DINGO TX413 w / Honda GX390 Engine		17210ZE3505 Air 42443 540110 Hyd 51551 ⁵³ 686150 (Breather) Hyd N/A
RANGER 800, RANGER 800 RZR 800cc Engine 1240482	Lube . . . 51356 Air N/A		RANGER TM 683cc Engine 7081308	Lube . . . 51356 Air WA10421		DINGO TX420 w / Kohler Command 20 HP Engine		Lube . . . 51056 ⁵³ Air 42444 w/ Air N/A Hyd WL10104 Hyd N/A
2010			2005			DINGO TX425 w / Kohler Command 25 HP Engine		
RANGER 500 500cc Engine 7081308 2530009	Lube . . . 51358 ⁵³ Air WA10421 Fuel N/A		RANGER XP 683cc Engine 3088311 7080981 7081308	Lube . . . N/A Air 46438 ²⁶⁰ Air 46438NP ⁴⁷⁹ Air WA10421		DINGO TX427 w / Kohler Command 27 HP Engine		Lube . . . 51056 ⁵³ Air 42444 w/ Air N/A Fuel N/A Hyd WL10104 Hyd N/A
RANGER 800 800cc Engine 7081308	Lube . . . 51356 Air WA10421		RANGER 500 500cc Engine 7080981	Lube . . . 51358 ⁵³ Air 46438 ¹⁵⁵ Air 46438NP ⁴⁷⁹		DINGO TX525 w / Kubota D902E2B 25 HP Engine		1001892 Lube . . . 51365 993173 - Outer Air 46449 ⁵⁵ 993173 - Outer Air 46449FR ⁶⁰ 993198 - Inner Air 42845 638300 F/W Sep. 33392 987612 (In-Line) Fuel 33972 1127836 (In-Line) Fuel N/A 863010 Hyd WL10104 686150 (Breather) Hyd N/A
RANGER 800 RZR 800cc Engine 1240482	Lube . . . 51356 Air N/A		RANGER TM 650cc Engine 3088311	Lube . . . N/A		YAMAHA		
2009			2004			2020-2019		
RANGER 500 500cc Engine 7081308	Lube . . . 51358 ⁵³ Air WA10421		RANGER XP 683cc Engine	Lube . . . 51356		VIKING, VIKING EPS, VIKING EPS SE, VIKING VI 686cc		5GH-13440-61-00 Lube . . . WL10337 1XDE44510000 Air WA10847
RANGER 700, RANGER 700 CREW 683cc Engine 7081308	Lube . . . 51356 Air WA10421		2002			2018		
RANGER 800 800cc Engine 7081308	Lube . . . 51356 Air WA10421		RANGER 500 500cc Engine 7080981	Lube . . . 51358 ⁵³ Air 46438 ¹⁵⁵ Air 46438NP ⁴⁷⁹		VIKING, VIKING EPS, VIKING EPS SE, VIKING VI 686cc		5GH134405000 Lube . . . WL10337 1XDE44510000 Air WA10847
RANGER 800 RZR 800cc Engine 1240482	Lube . . . 51356 Air N/A		RANGER TM 650cc Engine 3088311	Lube . . . N/A		2017		
RAZOR 170 169cc Engine 0454620	Lube . . . N/S Air WA10844		2002			VIKING VI EPS RANCH EDITION, VIKING VI EPS SPECIAL EDITION 686cc		
RAZOR 800, RAZOR S 800 800cc Engine 1240482	Lube . . . 51356 Air N/A		LUH 6X6 PPS 500cc Engine	Lube . . . 51358 ⁵³ Air 24245		5GH13440-60-00 Lube . . . N/A ⁵³ 1XDE44510000 Air WA10847		5GH-13440-60-00 Lube . . . N/A 1XDE44510000 Air WA10847
2008			1999			2017		
RANGER 500 500cc Engine 7081308	Lube . . . 51358 ⁵³ Air WA10421		RANGER 500 500cc Engine	Lube . . . 51358 ⁵³ Air 24245		YXM700 Viking EPS Ranch Edition, YXM700 Viking FI 4x4 EPS with Suntop 686cc		5GH-13440-60-00 Lube . . . N/A ⁵³ 1XDE44510000 Air WA10847
RANGER 700 683cc Engine 7081308	Lube . . . 51356 Air WA10421		TORO			YXM700 Viking VI EPS 686cc		
RANGER 800 800cc Engine 7081308	Lube . . . 51356 Air WA10421		DINGO 220 w / Kohler Command 20 HP Engine	Fuel . . . N/A Fuel . . . N/A Hyd . . . N/A Hyd . . . 51551 ⁵³		YXM700 Viking VI EPS 686cc		5GH-13440-60-00 Lube . . . N/A 1XDE44510000 Air WA10847
RANGER 800 RZR 800cc Engine 1240482	Lube . . . 51356 Air N/A		DINGO 222 w / Kohler Command 22 HP Engine	Lube . . . WL10068 Air 42297 w/ Air N/A Fuel . . . 33031 Hyd . . . 51551 ⁵³		2017		
RAZOR 800 800cc Engine 2540086 1240482	Lube . . . 51356 Air N/A		DINGO 320D w / Kubota D722E 20 HP Engine	Lube . . . 51365 Air 46449 ¹⁵⁵ Air 46449FR ⁶⁰ Air 42845 F/W Sep. 33392		VIKING VI EPS RANCH EDITION, VIKING VI EPS SPECIAL EDITION 686cc		
2007			2007			2017		
RANGER 500 499cc Engine 7081308	Lube . . . 51358 ⁵³ Air WA10421		DINGO 322 w / Kohler Command 22 HP Engine	Lube . . . 51056 ⁵³ Fuel . . . 33031 Hyd . . . 51551 ⁵³		5GH134405000 Lube . . . WL10337 1XDE44510000 Air WA10847		5GH134405000 Lube . . . WL10337 1XDE44510000 Air WA10847
RANGER 700 683cc Engine 7081308	Lube . . . 51356 Air WA10421		DINGO 323 w / Kohler Command 23 HP Engine	Lube . . . WL10068		2017		
2006			2006			2017		
RANGER 500 500cc Engine 7080981	Lube . . . 51358 ⁵³ Air 46438 ²⁶⁰		DINGO 323 w / Kohler Command 23 HP Engine	Lube . . . WL10068		2017		

Italicized Part Numbers May Not Be Available.

UTV Section

YAMAHA

Make, Model, Engine Marque, Modèle, Moteur Marca, Modelo, Motor	Serv. Type	Part No. N° de pieza N° de pièce	Make, Model, Engine Marque, Modèle, Moteur Marca, Modelo, Motor	Serv. Type	Part No. N° de pieza N° de pièce	Make, Model, Engine Marque, Modèle, Moteur Marca, Modelo, Motor	Serv. Type	Part No. N° de pieza N° de pièce
2017 (Cont'd/Suite)								
VIKING, VIKING EPS, VIKING EPS SE, VIKING VI, VIKING VI EPS 686cc		5GH134405000 Lube... WL10337 1XDE44510000 Air..... WA10847						
WOLVERINE R-SPEC, WOLVERINE R-SPEC EPS, YXE 70 Wolverine, YXE70 Wolverine EPS, YXE70 Wolverine R-Spec EPS SE 708cc		5GH-13440-60-00 Lube... N/A 1XDE44510000 Air..... WA10847						
YXM700 Viking FI 4x4 EPS SE, YXM700 Viking FI 4x4 EPS with Suntop, YXM700 Viking FI 4x4 with Suntop 686cc		5GH134405000 Lube... WL10337 1XDE44510000 Air..... WA10847						
YZX1000 EPS SPECIAL EDITION, YXZ1000R, YXZ1000R SS, YXZ1000R SS SE 998cc		5GH134405000 Lube... WL10337 2HCE44510000 Air..... N/A						
2016								
VIKING VI EPS RANCH EDITION, VIKING VI EPS SPECIAL EDITION 686cc		5GH134405000 Lube... WL10337 1XDE44510000 Air..... WA10847						
VIKING, VIKING EPS, VIKING EPS SE, VIKING VI, VIKING VI EPS 686cc		5GH134405000 Lube... WL10337 1XDE44510000 Air..... WA10847						
WOLVERINE R-SPEC, WOLVERINE R-SPEC EPS, YXE 70 Wolverine 708cc		5GH-13440-60-00 Lube... N/A 1XDE44510000 Air..... WA10847						
YZX1000 EPS, YXZ1000 EPS SPECIAL EDITION, YXZ1000R 998cc		5GH134405000 Lube... WL10337 2HCE44510000 Air..... N/A						
2015								
VIKING RHINO 700 (YXC700) 686cc		1XDE44510000 Lube... 51358 ⁵³ Air..... WA10847						
VIKING RHINO 700 (YXM700) 686cc		1XDE44510000 Lube... 51358 ⁵³ Air..... WA10847						
2014								
VIKING RHINO 700 (YXM700) 686cc		1XDE44510000 Lube... 51358 ⁵³ Air..... WA10847						
2013-2009								
VIKING RHINO 700 (YXM700) 686cc		5B4E445100 Lube... 51358 ⁵³ Air..... WA10850						
2008								
VIKING RHINO 700 (YXM700) 686cc		5B4E445100 Lube... 51358 ⁵³ Air..... WA10850						

N/A = Not Available N/R = Not Required N/S = Not Serviceable See pages 16-19 for footnotes

ACURA 2021-2018
Pass Car/Light Truck

Year/Año/Année Model/Modelo/Modèle Engine/Motor/Moteur	Eng. Code Código de motor Code moteur	VIN NIV NIV	Oil Aceite Huile	Oil XP Aceite XP Huile XP	Air Aire Air	Cabin Air Cabina Aire Cabine Air	Cabin Air XP Cabina Aire XP Cabine Air XP	Loc. Cabin Air Cabina Aire Cabine Air	Fuel Combustible Carburant	Loc. Fuel Combustible Carburant	Transmission Transmisión Transmission
--	---	-------------------	------------------------	---------------------------------	--------------------	--	---	--	----------------------------------	--	---

ACURA
2021

ILX											
L4 2.4L 2356cc	K24V7		57356 ⁵³	57356XP	WA10334	24815	24815XP	3	N/S		N/A
MDX											
V6 3.5L 3471cc	J35Y5		57356 ⁵³	57356XP	WA10339	24815	24815XP	3	N/S		N/S
NSX											
V 6 3.5L 3500cc 214 CID Electric/Gas			WL7446 ⁵¹		49530	N/A			N/S		N/S
RDX											
L4 2.0L 2000CC 122CID Turbo			57356 ⁵³	57356XP	WA10907	49101			N/S		N/S
TLX											
L4 2.0L 2000CC 122CID Turbo			57356 ⁵³	57356XP	WA10339	49101			N/S		N/S

2020

ILX											
L4 2.4L 2356cc	K24V7		57356 ⁵³	57356XP	WA10334	24815	24815XP	3	N/S		N/A
MDX											
V6 3.5L 3471cc	J35Y5		57356 ⁵³	57356XP	WA10339	24815	24815XP	3	N/S		N/S
MDX Hybrid											
V6 3.0L 3000CC 183CID	Hybrid		57356 ⁵³	57356XP	WA10339	24815	24815XP		N/S		N/S
NSX											
V 6 3.5L 3500cc 214 CID Electric/Gas			WL7446 ⁵¹		49530	N/A			N/S		N/S
RDX											
L4 2.0L 2000CC 122CID Turbo			57356 ⁵³	57356XP	WA10907	49101			N/S		N/S
RLX											
V6 3.5L 3500CC 214CID			57356 ⁵³	57356XP	WA10111	24815	24815XP		N/S		N/S
RLX HYBRID											
V6 3.5L 3471cc Electric/Gas	J35Y4		57356	57356XP	WA10111	24815	24815XP	3	N/S		N/S
TLX											
L4 2.4L 2356cc	K24W7		57356 ⁵³	57356XP	49750	24815	24815XP	3	N/S		N/S
V6 3.5L 3471cc	J35Y6		57356 ⁵³	57356XP	WA10223	24815	24815XP	3	N/S		N/S

2019

ILX											
L4 2.4L 2356cc	K24V7		57356 ⁵³	57356XP	WA10334	24815	24815XP	3	N/S		N/A
MDX											
V6 3.5L 3471cc	J35Y5		57356 ⁵³	57356XP	WA10339	24815	24815XP	3	N/S		N/S
MDX Hybrid											
V6 3.0L 3000CC 183CID	Hybrid		57356 ⁵³	57356XP	WA10339	24815	24815XP		N/S		N/S
NSX											
V 6 3.5L 3500cc 214 CID Electric/Gas			WL7446 ⁵¹		49530	N/A			N/S		N/S
RDX											
L4 2.0L 2000CC 122CID Turbo			57356 ⁵³	57356XP	WA10907	49101			N/S		N/S
RLX											
V6 3.5L 3471cc	JNB1		57356 ⁵³	57356XP	WA10111	24815	24815XP	3	N/S		58732
V6 3.5L 3471cc Electric/Gas	J35Y4		57356	57356XP	WA10111	24815	24815XP	3	N/S		N/S
TLX											
L4 2.4L 2356cc	K24W7		57356 ⁵³	57356XP	49750	24815	24815XP	3	N/S		N/S
V6 3.5L 3471cc	J35Y6		57356 ⁵³	57356XP	WA10223	24815	24815XP	3	N/S		N/S

2018

ILX											
L4 2.4L 2356cc	K24V7		57356 ⁵³	57356XP	WA10334	24815	24815XP	3	N/S		N/A
L4 2.4L 2356cc (Mex.)	K24V7		57356 ⁵³	57356XP	WA10334	24815	24815XP	3	N/S		N/A

N/A = Not Available N/R = Not Required N/S = Not Serviceable For cabin and fuel filter locator, see pages 5-15 See pages 16-19 for footnotes

N/A = Non disponible N/R = Non nécessaire N/S = Non réparable Para la ubicación de los filtros de aire de la cabina y de combustible, ver las páginas 5-15 Voir pages 16-19 pour des notes

N/A = No disponible N/R = No requiere N/S = No servible Voir les tableaux de repérage des filtres d'habitacle et à carburant aux pages 5-15 Ver las páginas 16-19 para las notas al pie de página

Italicized Part Numbers May Not Be Available. Wix XP Oil Filters Have Fully Synthetic Media.

Year/Año/Année Model/Modelo/Modèle Engine/Motor/Moteur	Eng. Code Código de motor Code moteur	VIN NIV NIV	Oil Aceite Huile	Oil XP Aceite XP Huile XP	Air Aire Air	Cabin Air Cabina Aire Cabine Air	Cabin Air XP Cabina Aire XP Cabine Air XP	Loc. Cabin Air Cabina Aire Cabine Air	Fuel Combustible Carburant	Loc. Fuel Combustible Carburant	Transmission Transmisión Transmission
--	--	-------------------	------------------------	---------------------------------	--------------------	--	---	--	----------------------------------	--	---

ACURA (Cont'd/Suite)
2018 (Cont'd/Suite)
MDX

V6 3.5L 3471cc	J35Y5		57356 ⁵³	57356XP	WA10339	24815	24815XP	3	N/S		
V6 3.5L 3471cc (Mex.)	J35Y5		57356 ⁵³	57356XP	WA10339	24815	24815XP	3	N/A		

MDX Hybrid

V6 3.0L 3000CC 183CID	Hybrid		57356 ⁵³	57356XP	WA10339	24815	24815XP		N/S		N/S
-----------------------	--------	--	---------------------	---------	---------	-------	---------	--	-----	--	-----

NSX

V 6 3.5L 3500cc 214 CID Electric/Gas			WL7446 ⁶¹		49530	N/A			N/S		N/S
---	--	--	----------------------	--	-------	-----	--	--	-----	--	-----

RDX

V6 3.5L 3471cc	J35Z2		57356 ⁵³	57356XP	49211	24815	24815XP	3	N/S		N/A
V6 3.5L 3471cc (Mex.)	J35Z2		57356 ⁵³	57356XP	49211	24815	24815XP	3	N/S		N/A

RLX

V6 3.5L 3471cc	JNB1		57356 ⁵³	57356XP	WA10111	24815	24815XP	3	N/S		N/A
V6 3.5L 3471cc (Mex.)	JNB1		57356 ⁵³	57356XP	WA10111	24815	24815XP	3	N/S		N/A
V6 3.5L 3471cc Electric/Gas	J35Y4		57356	57356XP	WA10111	24815	24815XP	3	N/S		N/A

TLX

L4 2.4L 2356cc	K24W7		57356 ⁵³	57356XP	49750	24815	24815XP	3	N/S		N/S
V6 3.5L 3471cc	J35Y6		57356 ⁵³	57356XP	WA10223	24815	24815XP	3	N/S		N/S
V6 3.5L 3471cc (Mex.)	J35Y6		57356 ⁵³	57356XP	WA10223	24815	24815XP	3	N/S		N/S

2017
ILX

L4 2.4L 2356cc	K24V7		57356 ⁵³	57356XP	WA10334	24815	24815XP	3	N/S		N/A
L4 2.4L 2356cc (Mex.)	K24V7		57356 ⁵³	57356XP	WA10334	24815	24815XP	3	N/S		N/A

MDX

V6 3.5L 3471cc	J35Y5		57356 ⁵³	57356XP	WA10339	24815	24815XP	3	N/S		
V6 3.5L 3471cc (Mex.)	J35Y5		57356 ⁵³	57356XP	WA10339	24815	24815XP	3	N/A		

MDX Hybrid

V6 3.0L 3000CC 183CID	Hybrid		57356 ⁵³	57356XP	WA10339	24815	24815XP		N/S		N/S
-----------------------	--------	--	---------------------	---------	---------	-------	---------	--	-----	--	-----

NSX

V 6 3.5L 3500cc 214 CID Electric/Gas			WL7446 ⁶¹		49530	N/A			N/S		N/S
---	--	--	----------------------	--	-------	-----	--	--	-----	--	-----

RDX

V6 3.5L 3471cc	J35Z2		57356 ⁵³	57356XP	49211	24815	24815XP	3	N/S		N/A
V6 3.5L 3471cc (Mex.)	J35Z2		57356 ⁵³	57356XP	49211	24815	24815XP	3	N/S		N/A

RLX

V6 3.5L 3471cc	JNB1		57356 ⁵³	57356XP	WA10111	24815	24815XP	3	N/S		N/A
V6 3.5L 3471cc (Mex.)	JNB1		57356 ⁵³	57356XP	WA10111	24815	24815XP	3	N/S		N/A
V6 3.5L 3471cc Electric/Gas	J35Y4		57356 ⁵³	57356XP	WA10111	24815	24815XP	3	N/S		N/A

TLX

L4 2.4L 2356cc	K24W7		57356 ⁵³	57356XP	49750	24815	24815XP	3	N/S		N/S
V6 3.5L 3471cc	J35Y6		57356 ⁵³	57356XP	WA10223	24815	24815XP	3	N/S		N/S
V6 3.5L 3471cc (Mex.)	J35Y6		57356 ⁵³	57356XP	WA10223	24815	24815XP	3	N/S		N/S

2016
ILX

L4 2.4L 2356cc	K24V7		57356 ⁵³	57356XP	WA10334	24815	24815XP	3	N/S		N/A
----------------	-------	--	---------------------	---------	---------	-------	---------	---	-----	--	-----

MDX

V6 3.5L 3471cc	J35Y5		57356 ⁵³	57356XP	WA10339	24815	24815XP	3	N/S		
----------------	-------	--	---------------------	---------	---------	-------	---------	---	-----	--	--

RDX

V6 3.5L 3471cc	J35Z2		57356 ⁵³	57356XP	49211	24815	24815XP	3	N/S		N/A
----------------	-------	--	---------------------	---------	-------	-------	---------	---	-----	--	-----

RLX

V6 3.5L 3471cc	JNB1		57356 ⁵³	57356XP	WA10111	24815	24815XP	3	N/S		N/A
V6 3.5L 3471cc Electric/Gas	J35Y4		57356 ⁵³	57356XP	WA10111	24815	24815XP	3	N/S		N/A

TLX

L4 2.4L 2356cc	K24W7		57356 ⁵³	57356XP	49750	24815	24815XP	3	N/S		N/S
----------------	-------	--	---------------------	---------	-------	-------	---------	---	-----	--	-----

N/A = Not Available N/R = Not Required N/S = Not Serviceable For cabin and fuel filter locator, see pages 5-15 See pages 16-19 for footnotes

Italicized Part Numbers May Not Be Available. Wix XP Oil Filters Have Fully Synthetic Media.

ACURA 2016-2013
Pass Car/Light Truck

Year/Año/Année Model/Modelo/Modèle Engine/Motor/Moteur	Eng. Code Código de motor Code moteur	VIN NIV NIV	Oil Aceite Huile	Oil XP Aceite XP Huile XP	Air Aire Air	Cabin Air Cabina Aire Cabine Air	Cabin Air XP Cabina Aire XP Cabine Air XP	Loc. Cabin Air Cabina Aire Cabine Air	Fuel Combustible Carburant	Loc. Fuel Combustible Carburant	Transmission Transmisión Transmission
--	---	-------------------	------------------------	---------------------------------	--------------------	--	---	--	----------------------------------	--	---

ACURA (Cont'd/Suite)
2016 (Cont'd/Suite)
TLX (Cont'd/Suite)

V6 3.5L 3471cc	J35Y6		57356 ⁵³	57356XP	WA10223	24815	24815XP	3	N/S		N/S
----------------	-------	--	---------------------	---------	---------	-------	---------	---	-----	--	-----

2015
ILX

L4 2.0L 1997cc	R20A5		57356 ⁵³	57356XP	49031	24815	24815XP	3	N/S		N/S
L4 2.4L 2354cc	K24Z7		57356 ⁵³	57356XP	49530	24815	24815XP	3	N/S		N/S

ILX HYBRID

L4 1.5L 1497cc Electric/Gas	LEA2		57356 ⁵³	57356XP	49091	24815	24815XP	3	N/S		N/S
-----------------------------	------	--	---------------------	---------	-------	-------	---------	---	-----	--	-----

MDX

V6 3.5L 3471cc	J35Y5		57356 ⁵³	57356XP	WA10053	24815	24815XP	3	N/S		N/S
----------------	-------	--	---------------------	---------	---------	-------	---------	---	-----	--	-----

RDX

V6 3.5L 3471cc	J35Z2		57356 ⁵³	57356XP	49211	24815	24815XP	3	N/S		N/S
----------------	-------	--	---------------------	---------	-------	-------	---------	---	-----	--	-----

RLX

V6 3.5L 3471cc	JNB1		57356 ⁵³	57356XP	WA10111	24815	24815XP	3	N/S		N/S
V6 3.5L 3471cc Electric/Gas	J35Y4		57356 ⁵³	57356XP	WA10111	24815	24815XP	3	N/S		N/S

TLX

L4 2.4L 2356cc	K24V7		57356 ⁵³	57356XP	49750	24815	24815XP	3	N/S		N/S
V6 3.5L 3471cc	J35Y6		57356 ⁵³	57356XP	WA10223	24815	24815XP	3	N/S		N/S

2014
ILX

L4 2.0L 1997cc	R20A5		57356 ⁵³	57356XP	49031	24815	24815XP	3	N/S		N/S
L4 2.4L 2354cc	K24Z7		57356 ⁵³	57356XP	49530	24815	24815XP	3	N/S		N/S

ILX HYBRID

L4 1.5L 1497cc Electric/Gas	LEA2		57356 ⁵³	57356XP	49091	24815	24815XP	3	N/S		N/S
-----------------------------	------	--	---------------------	---------	-------	-------	---------	---	-----	--	-----

MDX

V6 3.5L 3471cc	J35Y5		57356 ⁵³	57356XP	WA10053	24815	24815XP	3	N/S		N/S
----------------	-------	--	---------------------	---------	---------	-------	---------	---	-----	--	-----

RDX

V6 3.5L 3471cc	J35Z2		57356 ⁵³	57356XP	49211	24815	24815XP	3	N/S		N/S
----------------	-------	--	---------------------	---------	-------	-------	---------	---	-----	--	-----

RLX

V6 3.5L 3471cc	JNB1		57356 ⁵³	57356XP	WA10111	24815	24815XP	3	N/S		N/S
V6 3.5L 3471cc Electric/Gas	J35Y4		57356 ⁵³	57356XP	WA10111	24815	24815XP	3	N/S		N/S

TL

V6 3.5L 3471cc	J35Z6		57356 ⁵³	57356XP	49041	24815	24815XP	3	N/S		N/S
V6 3.7L 3664cc	J37A4		57356 ⁵³	57356XP	49041	24815	24815XP	3	N/S		N/S

TSX

L4 2.4L 2354cc	K24Z3		57356 ⁵³	57356XP	49200	24815	24815XP	3	N/S		N/S
V6 3.5L 3471cc	J35Z6		57356 ⁵³	57356XP	49041	24815	24815XP	3	N/S		N/S

2013
ILX

L4 2.0L 1997cc	R20A5		57356 ⁵³	57356XP	49031	24815	24815XP	3	N/S		N/S
L4 2.4L 2354cc	K24Z7		57356 ⁵³	57356XP	49530	24815	24815XP	3	N/S		N/S

ILX HYBRID

L4 1.5L 1497cc Electric/Gas	LEA2		57356 ⁵³	57356XP	49091	24815	24815XP	3	N/S		N/S
-----------------------------	------	--	---------------------	---------	-------	-------	---------	---	-----	--	-----

MDX

V6 3.7L 3664cc	J37A1		57356 ⁵³	57356XP	49610	24815	24815XP	3	N/S		N/S
----------------	-------	--	---------------------	---------	-------	-------	---------	---	-----	--	-----

RDX

V6 3.5L 3471cc	J35Z2		57356 ⁵³	57356XP	49211	24815	24815XP	3	N/S		N/S
----------------	-------	--	---------------------	---------	-------	-------	---------	---	-----	--	-----

TL

V6 3.5L 3471cc	J35Z6		57356 ⁵³	57356XP	49041	24815	24815XP	3	N/S		N/S
V6 3.7L 3664cc	J37A4		57356 ⁵³	57356XP	49041	24815	24815XP	3	N/S		N/S

TSX

L4 2.4L 2354cc	K24Z3		57356 ⁵³	57356XP	49200	24815	24815XP	3	N/S		N/S
V6 3.5L 3471cc	J35Z6		57356 ⁵³	57356XP	49041	24815	24815XP	3	N/S		N/S

N/A = Not Available N/R = Not Required N/S = Not Serviceable For cabin and fuel filter locator, see pages 5-15 See pages 16-19 for footnotes

Italicized Part Numbers May Not Be Available. Wix XP Oil Filters Have Fully Synthetic Media.

Year/Año/Année Model/Modelo/Modèle Engine/Motor/Moteur	Eng. Code Código de motor Code moteur	VIN NIV	Oil Aceite Huile	Oil XP Aceite XP Huile XP	Air Aire Air	Cabin Air Cabina Aire Cabine Air	Cabin Air XP Cabina Aire XP Cabine Air XP	Loc. Cabin Air Cabina Aire Cabine Air	Fuel Combustible Carburant	Loc. Fuel Combustible Carburant	Transmission Transmisión Transmission
--	---	------------	------------------------	---------------------------------	--------------------	--	---	--	----------------------------------	--	---

ACURA (Cont'd/Suite)

2013 (Cont'd/Suite)

ZDX

V6 3.7L 3664cc	J37A5		57356 ⁵³	57356XP	49610	24815	24815XP	3	N/S		N/A
----------------	-------	--	---------------------	---------	-------	-------	---------	---	-----	--	-----

2012

MDX

V6 3.7L 3664cc	J37A1		57356 ⁵³	57356XP	49610	24815	24815XP	3	N/S		N/S
----------------	-------	--	---------------------	---------	-------	-------	---------	---	-----	--	-----

RDX

L4 2.3L 2300cc Turbo	K23A1		57356 ⁵³	57356XP	49123	24815	24815XP	3	N/S		N/S
----------------------	-------	--	---------------------	---------	-------	-------	---------	---	-----	--	-----

RL

V6 3.7L 3664cc	J37A2		57356 ⁵³	57356XP	49050	24815	24815XP	3	N/S		N/S
----------------	-------	--	---------------------	---------	-------	-------	---------	---	-----	--	-----

TL

V6 3.5L 3471cc	J35Z6		57356 ⁵³	57356XP	49041	24815	24815XP	3	N/S		N/S
V6 3.7L 3664cc	J37A4		57356 ⁵³	57356XP	49041	24815	24815XP	3	N/S		N/S

TSX

L4 2.4L 2354cc	K24Z3		57356 ⁵³	57356XP	49200	24815	24815XP	3	N/S		N/S
V6 3.5L 3471cc	J35Z6		57356 ⁵³	57356XP	49041	24815	24815XP	3	N/S		N/S

ZDX

V6 3.7L 3664cc	J37A5		57356 ⁵³	57356XP	49610	24815	24815XP	3	N/S		N/A
----------------	-------	--	---------------------	---------	-------	-------	---------	---	-----	--	-----

2011

CSX

L4 2.0L 1998cc 122 CID	K20Z2		57356 ⁵³	57356XP	49120	24815	24815XP	3	N/S		MT ⁷²
------------------------	-------	--	---------------------	---------	-------	-------	---------	---	-----	--	------------------

CSX TYPE S

L4 2.0L H.O. VTEC			57356 ⁵³	57356XP	49120	24815	24815XP	3	N/A		MT ⁷²
-------------------	--	--	---------------------	---------	-------	-------	---------	---	-----	--	------------------

MDX

V6 3.7L 3664cc	J37A1		57356 ⁵³	57356XP	49610	24815	24815XP	3	N/S		N/S
----------------	-------	--	---------------------	---------	-------	-------	---------	---	-----	--	-----

RDX

L4 2.3L 2300cc Turbo	K23A1		57356 ⁵³	57356XP	49123	24815	24815XP	3	N/S		N/S
----------------------	-------	--	---------------------	---------	-------	-------	---------	---	-----	--	-----

RL

V6 3.7L 3664cc	J37A2		57356 ⁵³	57356XP	49050	24815	24815XP	3	N/S		N/S
----------------	-------	--	---------------------	---------	-------	-------	---------	---	-----	--	-----

TL

V6 3.5L 3471cc	J35Z6		57356 ⁵³	57356XP	49041	24815	24815XP	3	N/S		N/S
V6 3.7L 3664cc	J37A4		57356 ⁵³	57356XP	49041	24815	24815XP	3	N/S		N/S

TSX

L4 2.4L 2354cc	K24Z3		57356 ⁵³	57356XP	49200	24815	24815XP	3	N/S		N/S
V6 3.5L 3471cc	J35Z6		57356 ⁵³	57356XP	49041	24815	24815XP	3	N/S		N/S

ZDX

V6 3.7L 3664cc	J37A5		57356 ⁵³	57356XP	49610	24815	24815XP	3	N/S		N/A
----------------	-------	--	---------------------	---------	-------	-------	---------	---	-----	--	-----

2010

CSX

L4 2.0L 1998cc 122 CID	K20Z2		57356 ⁵³	57356XP	49120	24815	24815XP	3	N/S		MT ⁷²
------------------------	-------	--	---------------------	---------	-------	-------	---------	---	-----	--	------------------

CSX TYPE S

L4 2.0L 1998cc 122 CID	K20Z3		57356 ⁵³	57356XP	49120	24815	24815XP	3	N/A		MT ⁷²
------------------------	-------	--	---------------------	---------	-------	-------	---------	---	-----	--	------------------

MDX

V6 3.7L 3664cc	J37A1		57356 ⁵³	57356XP	49610	24815	24815XP	3	N/S		N/S
----------------	-------	--	---------------------	---------	-------	-------	---------	---	-----	--	-----

RDX

L4 2.3L 2300cc Turbo	K23A1		57356 ⁵³	57356XP	49123	24815	24815XP	3	N/S		N/S
----------------------	-------	--	---------------------	---------	-------	-------	---------	---	-----	--	-----

RL

V6 3.7L 3664cc	J37A2		57356 ⁵³	57356XP	49050	24815	24815XP	3	N/S		N/S
----------------	-------	--	---------------------	---------	-------	-------	---------	---	-----	--	-----

TL

V6 3.5L 3471cc	J35Z6		57356 ⁵³	57356XP	49041	24815	24815XP	3	N/S		N/S
V6 3.7L 3664cc	J37A4		57356 ⁵³	57356XP	49041	24815	24815XP	3	N/S		N/S

TSX

L4 2.4L 2354cc	K24Z3		57356 ⁵³	57356XP	49200	24815	24815XP	3	N/S		N/S
----------------	-------	--	---------------------	---------	-------	-------	---------	---	-----	--	-----

N/A = Not Available N/R = Not Required N/S = Not Serviceable For cabin and fuel filter locator, see pages 5-15 See pages 16-19 for footnotes

Italicized Part Numbers May Not Be Available. Wix XP Oil Filters Have Fully Synthetic Media.

ACURA 2010-2007
Pass Car/Light Truck

Year/Año/Année Model/Modelo/Modèle Engine/Motor/Moteur	Eng. Code Código de motor Code moteur	VIN NIV NIV	Oil Aceite Huile	Oil XP Aceite XP Huile XP	Air Aire Air	Cabin Air Cabina Aire Cabine Air	Cabin Air XP Cabina Aire XP Cabine Air XP	Loc. Cabin Air Cabina Aire Cabine Air	Fuel Combustible Carburant	Loc. Fuel Combustible Carburant	Transmission Transmisión Transmission
--	---	-------------------	------------------------	---------------------------------	--------------------	--	---	--	----------------------------------	--	---

ACURA (Cont'd/Suite)
2010 (Cont'd/Suite)
TSX (Cont'd/Suite)

V6 3.5L 3471cc	J35Z6		57356 ⁵³	57356XP	49041	24815	24815XP	3	N/S		N/S
----------------	-------	--	---------------------	---------	-------	-------	---------	---	-----	--	-----

ZDX

V6 3.7L 3664cc	J37A5		57356 ⁵³	57356XP	49610	24815	24815XP	3	N/S		N/A
----------------	-------	--	---------------------	---------	-------	-------	---------	---	-----	--	-----

2009
CSX

L4 2.0L 1998cc 122 CID	K20Z2		57356 ⁵³	57356XP	49120	24815	24815XP	3	N/S		MT ⁷²
------------------------	-------	--	---------------------	---------	-------	-------	---------	---	-----	--	------------------

CSX TYPE S

L4 2.0L 1998cc 122 CID	K20Z3		57356 ⁵³	57356XP	49120	24815	24815XP	3	N/A		MT ⁷²
------------------------	-------	--	---------------------	---------	-------	-------	---------	---	-----	--	------------------

MDX

V6 3.7L 3664cc	J37A1		57356 ⁵³	57356XP	49121	24815	24815XP	3	N/S		N/S
----------------	-------	--	---------------------	---------	-------	-------	---------	---	-----	--	-----

RDX

L4 2.3L 2300cc Turbo	K23A1		57356 ⁵³	57356XP	49123	24815	24815XP	3	N/S		N/S
----------------------	-------	--	---------------------	---------	-------	-------	---------	---	-----	--	-----

RL

V6 3.7L 3664cc	J37A2		57356 ⁵³	57356XP	49050	24815	24815XP	3	N/S		N/S
----------------	-------	--	---------------------	---------	-------	-------	---------	---	-----	--	-----

TL

V6 3.5L 3471cc	J35Z6		57356 ⁵³	57356XP	49041	24815	24815XP	3	N/S		N/S
----------------	-------	--	---------------------	---------	-------	-------	---------	---	-----	--	-----

V6 3.7L 3664cc	J37A4		57356 ⁵³	57356XP	49041	24815	24815XP	3	N/S		N/S
----------------	-------	--	---------------------	---------	-------	-------	---------	---	-----	--	-----

TSX

L4 2.4L 2354cc	K24Z3		57356 ⁵³	57356XP	49200	24815	24815XP	3	N/S		N/S
----------------	-------	--	---------------------	---------	-------	-------	---------	---	-----	--	-----

2008
CSX

L4 2.0L 1998cc 122 CID	K20Z2		57356 ⁵³	57356XP	49120	24815	24815XP	3	N/S		MT ⁷²
------------------------	-------	--	---------------------	---------	-------	-------	---------	---	-----	--	------------------

CSX TYPE S

L4 2.0L 1998cc 122 CID	K20Z3		57356 ⁵³	57356XP	49120	24815	24815XP	3	N/A		MT ⁷²
------------------------	-------	--	---------------------	---------	-------	-------	---------	---	-----	--	------------------

MDX

V6 3.7L 3664cc	J37A1		57356 ⁵³	57356XP	49121	24815	24815XP	3	N/S		N/S
----------------	-------	--	---------------------	---------	-------	-------	---------	---	-----	--	-----

RDX

L4 2.3L 2300cc Turbo	K23A1		57356 ⁵³	57356XP	49123	24815	24815XP	3	N/S		N/S
----------------------	-------	--	---------------------	---------	-------	-------	---------	---	-----	--	-----

RL

V6 3.5L 3471cc	J35A8		57356 ⁵³	57356XP	49063	24815	24815XP	3	N/S		N/S
----------------	-------	--	---------------------	---------	-------	-------	---------	---	-----	--	-----

TL

V6 3.2L 3210cc	J32A3		57356 ⁵³	57356XP	49224	24815	24815XP	3	N/S		58129 - In-Line
----------------	-------	--	---------------------	---------	-------	-------	---------	---	-----	--	-----------------

TL S-TYPE

V6 3.5L 3471cc	J35A8		57356 ⁵³	57356XP	49224	24815	24815XP	3	N/S		N/A
----------------	-------	--	---------------------	---------	-------	-------	---------	---	-----	--	-----

TSX

L4 2.4L 2354cc	K24A2		57356 ⁵³	57356XP	46831	24815	24815XP	3	N/S		N/S
----------------	-------	--	---------------------	---------	-------	-------	---------	---	-----	--	-----

2007
CSX

L4 2.0L 1998cc 122 CID	K20Z2		57356 ⁵³	57356XP	49120	24815	24815XP	3	N/S		MT ⁷²
------------------------	-------	--	---------------------	---------	-------	-------	---------	---	-----	--	------------------

CSX TYPE S

L4 2.0L 1998cc 122 CID	K20Z3		57356 ⁵³	57356XP	49120	24815	24815XP	3	N/S		MT ⁷²
------------------------	-------	--	---------------------	---------	-------	-------	---------	---	-----	--	------------------

MDX

V6 3.7L 3664cc	J37A1		57356 ⁵³	57356XP	49121	24815	24815XP	3	N/S		N/S
----------------	-------	--	---------------------	---------	-------	-------	---------	---	-----	--	-----

RDX

L4 2.3L 2300cc Turbo	K23A1		57356 ⁵³	57356XP	49123	24815	24815XP	3	N/S		N/S
----------------------	-------	--	---------------------	---------	-------	-------	---------	---	-----	--	-----

RL

V6 3.5L 3471cc	J35A8		57356 ⁵³	57356XP	49063	24815	24815XP	3	N/S		N/S
----------------	-------	--	---------------------	---------	-------	-------	---------	---	-----	--	-----

TL

V6 3.2L 3210cc	J32A3		57356 ⁵³	57356XP	49224	24815	24815XP	3	N/S		58129 - In-Line
----------------	-------	--	---------------------	---------	-------	-------	---------	---	-----	--	-----------------

TL S-TYPE

V6 3.5L 3471cc	J35A8		57356 ⁵³	57356XP	49224	24815	24815XP	3	N/S		58129 - In-Line
----------------	-------	--	---------------------	---------	-------	-------	---------	---	-----	--	-----------------

N/A = Not Available N/R = Not Required N/S = Not Serviceable For cabin and fuel filter locator, see pages 5-15 See pages 16-19 for footnotes

Italicized Part Numbers May Not Be Available. Wix XP Oil Filters Have Fully Synthetic Media.

Year/Año/Année Model/Modelo/Modèle Engine/Motor/Moteur	Eng. Code Código de motor Code moteur	VIN NIV	Oil Aceite Huile	Oil XP Aceite XP Huile XP	Air Aire Air	Cabin Air Cabina Aire Cabine Air	Cabin Air XP Cabina Aire XP Cabine Air XP	Loc. Cabin Air Cabina Aire Cabine Air	Fuel Combustible Carburant	Loc. Fuel Combustible Carburant	Transmission Transmisión Transmission
--	---	------------	------------------------	---------------------------------	--------------------	--	---	--	----------------------------------	--	---

ACURA (Cont'd/Suite)

2007 (Cont'd/Suite)

TSX

L4 2.4L 2354cc	K24A2		57356 ⁵³	57356XP	46831	24815	24815XP	3	N/S		N/S
----------------	-------	--	---------------------	---------	-------	-------	---------	---	-----	--	-----

2006

CSX

L4 2.0L 1998cc 122 CID	K20Z2		57356 ⁵³	57356XP	42188	24815	24815XP	3	N/S		N/S
------------------------	-------	--	---------------------	---------	-------	-------	---------	---	-----	--	-----

EL

L4 1.7L 1700cc			57356 ⁵³	57356XP	42564	24817		3	N/S	R	N/S
----------------	--	--	---------------------	---------	-------	-------	--	---	-----	---	-----

MDX

V6 3.5L 3471cc	J35A5		57356 ⁵³	57356XP	46802	24897		3	N/S		N/S
----------------	-------	--	---------------------	---------	-------	-------	--	---	-----	--	-----

RL

V6 3.5L 3471cc	J35A8		57356 ⁵³	57356XP	49063	24815	24815XP	3	N/S		N/S
----------------	-------	--	---------------------	---------	-------	-------	---------	---	-----	--	-----

RSX

L4 2.0L 1998cc	K20A3		57356 ⁵³	57356XP	42188	24817		3	N/S		N/S
----------------	-------	--	---------------------	---------	-------	-------	--	---	-----	--	-----

RSX S-TYPE

L4 2.0L 1998cc	K20Z1		57356 ⁵³	57356XP	42188	24817		3	N/S		MT ⁷²
----------------	-------	--	---------------------	---------	-------	-------	--	---	-----	--	------------------

TL

V6 3.2L 3210cc	J32A3		57356 ⁵³	57356XP	49063	24815	24815XP	3	N/S		58129 - In-Line
----------------	-------	--	---------------------	---------	-------	-------	---------	---	-----	--	-----------------

TSX

L4 2.4L 2354cc	K24A2		57356 ⁵³	57356XP	46831	24815	24815XP	3	N/S		N/S
----------------	-------	--	---------------------	---------	-------	-------	---------	---	-----	--	-----

2005

EL

L4 1.7L 1700cc			57356 ⁵³	57356XP	42564	24817		3	N/S	R	N/S
----------------	--	--	---------------------	---------	-------	-------	--	---	-----	---	-----

MDX

V6 3.5L 3471cc	J35A5		57356 ⁵³	57356XP	46802	24897		3	N/S		N/S
----------------	-------	--	---------------------	---------	-------	-------	--	---	-----	--	-----

V6 3.5L 3471cc	J35A5		57356 ⁵³	57356XP	46802	24897		3	N/S		N/S
----------------	-------	--	---------------------	---------	-------	-------	--	---	-----	--	-----

V6 3.5L 3471cc (Mex.)	J35A5		57356 ⁵³	57356XP	46802	24897		3	N/S		N/S
-----------------------	-------	--	---------------------	---------	-------	-------	--	---	-----	--	-----

NSX

V6 3.0L 2977cc	C30A1		51378		46823	N/R			N/S		N/S
----------------	-------	--	-------	--	-------	-----	--	--	-----	--	-----

V6 3.2L 3179cc	C32B1		51378		46823	N/R			N/S		N/S
----------------	-------	--	-------	--	-------	-----	--	--	-----	--	-----

RL

V6 3.5L 3471cc	J35A8		57356 ⁵³	57356XP	49063	24815	24815XP	3	N/S		N/S
----------------	-------	--	---------------------	---------	-------	-------	---------	---	-----	--	-----

RSX

L4 2.0L 1998cc	K20A3		57356 ⁵³	57356XP	42188	24817		3	N/S		N/S
----------------	-------	--	---------------------	---------	-------	-------	--	---	-----	--	-----

RSX S-TYPE

L4 2.0L 1998cc	K20Z1		57356 ⁵³	57356XP	42188	24817		3	N/S		MT ⁷²
----------------	-------	--	---------------------	---------	-------	-------	--	---	-----	--	------------------

TL

V6 3.2L 3210cc	J32A3		57356 ⁵³	57356XP	49063	24815	24815XP	3	N/S		58129 - In-Line
----------------	-------	--	---------------------	---------	-------	-------	---------	---	-----	--	-----------------

TSX

L4 2.4L 2354cc	K24A2		57356 ⁵³	57356XP	46831	24815	24815XP	3	N/S		N/S
----------------	-------	--	---------------------	---------	-------	-------	---------	---	-----	--	-----

2004

EL

L4 1.7L 1700cc			57356 ⁵³	57356XP	42564	24817		3	N/S	R	N/S
----------------	--	--	---------------------	---------	-------	-------	--	---	-----	---	-----

MDX

V6 3.5L 3471cc	J35A5		57356 ⁵³	57356XP	46802	24897		3	N/S		N/S
----------------	-------	--	---------------------	---------	-------	-------	--	---	-----	--	-----

NSX

V6 3.0L 2977cc	C30A1		51378		46823	N/R			N/S		N/S
----------------	-------	--	-------	--	-------	-----	--	--	-----	--	-----

V6 3.2L 3179cc	C32B1		51378		46823	N/R			N/S		N/S
----------------	-------	--	-------	--	-------	-----	--	--	-----	--	-----

RL

V6 3.5L 3475cc	C35A1		51334 ⁵³	51334XP	46245	24878		3	33559	F	58615
----------------	-------	--	---------------------	---------	-------	-------	--	---	-------	---	-------

RSX

L4 2.0L 1998cc	K20A3		57356 ⁵³	57356XP	42188	24817		3	N/S		N/S
----------------	-------	--	---------------------	---------	-------	-------	--	---	-----	--	-----

N/A = Not Available N/R = Not Required N/S = Not Serviceable For cabin and fuel filter locator, see pages 5-15 See pages 16-19 for footnotes

Italicized Part Numbers May Not Be Available. Wix XP Oil Filters Have Fully Synthetic Media.

ACURA 2004-2002
Pass Car/Light Truck

Year/Año/Année Model/Modelo/Modèle Engine/Motor/Moteur	Eng. Code Código de motor Code moteur	VIN NIV NIV	Oil Aceite Huile	Oil XP Aceite XP Huile XP	Air Aire Air	Cabin Air Cabina Aire Cabine Air	Cabin Air XP Cabina Aire XP Cabine Air XP	Loc. Cabin Air Cabina Aire Cabine Air	Fuel Combustible Carburant	Loc. Fuel Combustible Carburant	Transmission Transmisión Transmission
--	---	-------------------	------------------------	---------------------------------	--------------------	--	---	--	----------------------------------	--	---

ACURA (Cont'd/Suite)
2004 (Cont'd/Suite)
RSX S-TYPE

L4 2.0L 1998cc	K20A2		57356 ⁵³	57356XP	42188	24817			3	N/S		N/S
----------------	-------	--	---------------------	---------	-------	-------	--	--	---	-----	--	-----

TL

V6 3.2L 3210cc	J32A3		57356 ⁵³	57356XP	49063	24815	24815XP		3	N/S		58129 - In-Line
----------------	-------	--	---------------------	---------	-------	-------	---------	--	---	-----	--	-----------------

TSX

L4 2.4L 2354cc	K24A2		57356 ⁵³	57356XP	46831	24815	24815XP		3	N/S		N/S
----------------	-------	--	---------------------	---------	-------	-------	---------	--	---	-----	--	-----

2003
CL

V6 3.2L 3210cc	J32A1		51334 ⁵³	51334XP	46444	24752			3	N/S		58129 - In-Line
----------------	-------	--	---------------------	---------	-------	-------	--	--	---	-----	--	-----------------

CL S-TYPE

V6 3.2L 3210cc	J32A2		51334 ⁵³	51334XP	42023	24752			3	N/S		58129 - In-Line
----------------	-------	--	---------------------	---------	-------	-------	--	--	---	-----	--	-----------------

EL

L4 1.7L 1700cc			57356 ⁵³	57356XP	42564	24817			3	N/S	R	N/S
----------------	--	--	---------------------	---------	-------	-------	--	--	---	-----	---	-----

MDX

V6 3.5L 3471cc	J35A5		57356 ⁵³	57356XP	46802	24897			3	N/S		N/S
----------------	-------	--	---------------------	---------	-------	-------	--	--	---	-----	--	-----

NSX

V6 3.0L 2977cc	C30A1		51378		46823	N/R				N/S		N/S
----------------	-------	--	-------	--	-------	-----	--	--	--	-----	--	-----

V6 3.2L 3179cc	C32B1		51378		46823	N/R				N/S		N/S
----------------	-------	--	-------	--	-------	-----	--	--	--	-----	--	-----

RL

V6 3.5L 3475cc	C35A1		51334 ⁵³	51334XP	46245	24878			3	33559	F	58615
----------------	-------	--	---------------------	---------	-------	-------	--	--	---	-------	---	-------

RSX

L4 2.0L 1998cc	K20A3		57356 ⁵³	57356XP	42188	24817			3	N/S		N/S
----------------	-------	--	---------------------	---------	-------	-------	--	--	---	-----	--	-----

RSX S-TYPE

L4 2.0L 1998cc	K20A2		57356 ⁵³	57356XP	42188	24817			3	N/S		N/S
----------------	-------	--	---------------------	---------	-------	-------	--	--	---	-----	--	-----

TL

V6 3.2L 3210cc	J32A1		51334 ⁵³	51334XP	46444	24752			3	N/S		58129 - In-Line
----------------	-------	--	---------------------	---------	-------	-------	--	--	---	-----	--	-----------------

TL S-TYPE

V6 3.2L 3210cc	J32A2		51334 ⁵³	51334XP	42023	24752			3	N/S		58129 - In-Line
----------------	-------	--	---------------------	---------	-------	-------	--	--	---	-----	--	-----------------

2002
CL

V6 3.2L 3210cc	J32A1		51334 ⁵³	51334XP	46444	24752			3	N/S		58129 - In-Line
----------------	-------	--	---------------------	---------	-------	-------	--	--	---	-----	--	-----------------

CL S-TYPE

V6 3.2L 3210cc	J32A2		51334 ⁵³	51334XP	42023	24752			3	N/S		58129 - In-Line
----------------	-------	--	---------------------	---------	-------	-------	--	--	---	-----	--	-----------------

EL

L4 1.7L 1678cc	B17A1		57356 ⁵³	57356XP	42564	24817			3	N/S	R	N/S
----------------	-------	--	---------------------	---------	-------	-------	--	--	---	-----	---	-----

MDX

V6 3.5L 3471cc	J35A3		51334 ⁵³	51334XP	46802	24897			3	N/S		58129 - In-Line
----------------	-------	--	---------------------	---------	-------	-------	--	--	---	-----	--	-----------------

NSX

V6 3.0L 2977cc	C30A1		51378		46823	N/R				N/S		N/S
----------------	-------	--	-------	--	-------	-----	--	--	--	-----	--	-----

V6 3.2L 3179cc	C32B1		51378		46823	N/R				N/S		N/S
----------------	-------	--	-------	--	-------	-----	--	--	--	-----	--	-----

RL

V6 3.5L 3475cc	C35A1		51334 ⁵³	51334XP	46245	24878			3	33559	F	58615
----------------	-------	--	---------------------	---------	-------	-------	--	--	---	-------	---	-------

RSX

L4 2.0L 1998cc	K20A3		57356 ⁵³	57356XP	42188	24817			3	N/S		N/S
----------------	-------	--	---------------------	---------	-------	-------	--	--	---	-----	--	-----

RSX S-TYPE

L4 2.0L 1998cc	K20A2		57356 ⁵³	57356XP	42188	24817			3	N/S		N/S
----------------	-------	--	---------------------	---------	-------	-------	--	--	---	-----	--	-----

TL

V6 3.2L 3210cc	J32A1		51334 ⁵³	51334XP	46444	24752			3	N/S		58129 - In-Line
----------------	-------	--	---------------------	---------	-------	-------	--	--	---	-----	--	-----------------

TL S-TYPE

V6 3.2L 3210cc	J32A2		51334 ⁵³	51334XP	42023	24752			3	N/S		58129 - In-Line
----------------	-------	--	---------------------	---------	-------	-------	--	--	---	-----	--	-----------------

N/A = Not Available N/R = Not Required N/S = Not Serviceable For cabin and fuel filter locator, see pages 5-15 See pages 16-19 for footnotes

Italicized Part Numbers May Not Be Available. Wix XP Oil Filters Have Fully Synthetic Media.

Year/Año/Année Model/Modelo/Modèle Engine/Motor/Moteur	Eng. Code Código de motor Code moteur	VIN NIV NIV	Oil Aceite Huile	Oil XP Aceite XP Huile XP	Air Aire Air	Cabin Air Cabina Aire Cabine Air	Cabin Air XP Cabina Aire XP Cabine Air XP	Loc. Cabin Air Cabina Aire Cabine Air	Fuel Combustible Carburant	Loc. Fuel Combustible Carburant	Transmission Transmisión Transmission
--	--	-------------------	------------------------	---------------------------------	--------------------	--	---	--	----------------------------------	--	---

ALFA ROMEO
2021
4C

L4 1.7L 1742cc Turbo		WL10365			N/A	N/R			N/S		N/A
----------------------	--	---------	--	--	-----	-----	--	--	-----	--	-----

GIULIA

L4 2.0L 2000CC 122CID Turbo		57060 ⁵³	57060XP	WA11084	N/A				N/S		N/A
-----------------------------	--	---------------------	---------	---------	-----	--	--	--	-----	--	-----

GIULIA QUADRIFOGLIO

V 6 2.9L 2891cc Turbo			N/A		N/A	N/A			N/S		
-----------------------	--	--	-----	--	-----	-----	--	--	-----	--	--

Stelvio

L4 2.0L Turbo		57060 ⁵³	57060XP	WA11084	N/A				N/S		N/S
---------------	--	---------------------	---------	---------	-----	--	--	--	-----	--	-----

Stelvio QUADRIFOGLIO

V6 2.9L 2900CC 177CID Turbo			N/A		N/A	N/A			N/S		
-----------------------------	--	--	-----	--	-----	-----	--	--	-----	--	--

2020
4C

L4 1.7L 1742cc Turbo		WL10365			N/A	N/R			N/S		N/A
----------------------	--	---------	--	--	-----	-----	--	--	-----	--	-----

GIULIA

L4 2.0L 2000CC 122CID Turbo		57060 ⁵³	57060XP	WA11084	N/A				N/S		N/A
-----------------------------	--	---------------------	---------	---------	-----	--	--	--	-----	--	-----

GIULIA QUADRIFOGLIO

V 6 2.9L 2891cc Turbo			N/A		N/A	N/A			N/S		
-----------------------	--	--	-----	--	-----	-----	--	--	-----	--	--

Stelvio

L4 2.0L Turbo		57060 ⁵³	57060XP	WA11084	N/A				N/S		N/S
---------------	--	---------------------	---------	---------	-----	--	--	--	-----	--	-----

Stelvio QUADRIFOGLIO

V6 2.9L 2900CC 177CID Turbo			N/A		N/A	N/A			N/S		
-----------------------------	--	--	-----	--	-----	-----	--	--	-----	--	--

2019
4C

L4 1.7L 1742cc Turbo		WL10365			N/A	N/R			N/S		N/A
----------------------	--	---------	--	--	-----	-----	--	--	-----	--	-----

GIULIA

L4 2.0L 2000CC 122CID Turbo		57060 ⁵³	57060XP	WA11084	N/A				N/S		N/A
-----------------------------	--	---------------------	---------	---------	-----	--	--	--	-----	--	-----

Stelvio

L4 2.0L Turbo		57060 ⁵³	57060XP	WA11084	N/A				N/S		N/S
---------------	--	---------------------	---------	---------	-----	--	--	--	-----	--	-----

2018
4C

L4 1.7L 1742cc Turbo		WL10365			N/A	N/R			N/S		N/A
----------------------	--	---------	--	--	-----	-----	--	--	-----	--	-----

L4 1.7L 1742cc Turbo (Mex.)		WL10365			N/A	N/R			N/A		N/A
-----------------------------	--	---------	--	--	-----	-----	--	--	-----	--	-----

GIULIA

L4 2.0L 2000CC 122CID Turbo		57060	57060XP	WA11084	N/A				N/S		N/A
-----------------------------	--	-------	---------	---------	-----	--	--	--	-----	--	-----

L4 2.0L 2000CC 122CID Turbo (Mex.)		57060 ⁵³	57060XP								
------------------------------------	--	---------------------	---------	--	--	--	--	--	--	--	--

GIULIETTA

L4 1.7L 1742cc Turbo (Mex.)		WL7464		WA9686	WP2018 ⁶¹				N/S		
-----------------------------	--	--------	--	--------	----------------------	--	--	--	-----	--	--

MITO

L4 1.4L 1368cc Turbo (Mex.)		57341		WA9560	WP9250				N/S		
-----------------------------	--	-------	--	--------	--------	--	--	--	-----	--	--

Stelvio

L4 2.0L Turbo		57060 ⁵³	57060XP	WA11084	N/A	N/A			N/S		N/S
---------------	--	---------------------	---------	---------	-----	-----	--	--	-----	--	-----

L4 2.0L Turbo (Mex.)		57060 ⁵³	57060XP	N/A	N/A				N/S		N/S
----------------------	--	---------------------	---------	-----	-----	--	--	--	-----	--	-----

2017
4C

L4 1.7L 1742cc Turbo		WL10365			N/A	N/R			N/S		N/A
----------------------	--	---------	--	--	-----	-----	--	--	-----	--	-----

L4 1.7L 1742cc Turbo (Mex.)		WL10365			N/A	N/R			N/A		N/A
-----------------------------	--	---------	--	--	-----	-----	--	--	-----	--	-----

GIULIA

L4 2.0L 2000CC 122CID Turbo (Mex.)		57060	57060XP	N/A	N/A				N/S		N/A
------------------------------------	--	-------	---------	-----	-----	--	--	--	-----	--	-----

N/A = Not Available N/R = Not Required N/S = Not Serviceable For cabin and fuel filter locator, see pages 5-15 See pages 16-19 for footnotes

Italicized Part Numbers May Not Be Available. Wix XP Oil Filters Have Fully Synthetic Media.

ALFA ROMEO 2017-2008
Pass Car/Light Truck

Year/Año/Année Model/Modelo/Modèle Engine/Motor/Moteur	Eng. Code Código de motor Code moteur	VIN NIV NIV	Oil Aceite Huile	Oil XP Aceite XP Huile XP	Air Aire Air	Cabin Air Cabina Aire Cabine Air	Cabin Air XP Cabina Aire XP Cabine Air XP	Loc. Cabin Air Cabina Aire Cabine Air	Fuel Combustible Carburant	Loc. Fuel Combustible Carburant	Transmission Transmisión Transmission
--	---	-------------------	------------------------	---------------------------------	--------------------	--	---	--	----------------------------------	--	---

ALFA ROMEO (Cont'd/Suite)
2017 (Cont'd/Suite)
GIULIETTA

L4 1.7L 1742cc Turbo (Mex.)			WL7464		WA9686	WP2018 ⁶¹			N/S		
-----------------------------	--	--	--------	--	--------	----------------------	--	--	-----	--	--

MITO

L4 1.4L 1368cc Turbo (Mex.)			57341		WA9560	WP9250			N/S		
-----------------------------	--	--	-------	--	--------	--------	--	--	-----	--	--

Stelvio

L4 2.0L Turbo (Mex.)			57060 ⁶³	57060XP	N/A	N/A			N/S		N/S
----------------------	--	--	---------------------	---------	-----	-----	--	--	-----	--	-----

2016
4C

L4 1.7L 1742cc Turbo			WL10365		N/A	N/R			N/S		N/A
----------------------	--	--	---------	--	-----	-----	--	--	-----	--	-----

GIULIETTA

L4 1.7L 1742cc Turbo (Mex.)			WL7464		WA9686	WP2018 ⁶¹			N/S		
-----------------------------	--	--	--------	--	--------	----------------------	--	--	-----	--	--

MITO

L4 1.4L 1368cc Turbo (Mex.)			57341		WA9560	WP9250			N/S		
-----------------------------	--	--	-------	--	--------	--------	--	--	-----	--	--

2015
4C

L4 1.7L 1742CC Turbo			WL10365		N/A	N/R			N/S		N/S
----------------------	--	--	---------	--	-----	-----	--	--	-----	--	-----

GIULIETTA

L4 1.7L 1742cc Turbo (Mex.)			WL7464		WA9686	WP2018 ⁶¹			N/S		
-----------------------------	--	--	--------	--	--------	----------------------	--	--	-----	--	--

MITO

L4 1.4L 1368cc Turbo (Mex.)			57341		WA9736	WP9250			N/S		
-----------------------------	--	--	-------	--	--------	--------	--	--	-----	--	--

2014
GIULIETTA

L4 1.7L 1742cc Turbo (Mex.)			WL7464		WA9686	WP2018 ⁶¹			N/S		
-----------------------------	--	--	--------	--	--------	----------------------	--	--	-----	--	--

MITO

L4 1.4L 1368cc Turbo (Mex.)			57341		WA9736	WP9250			N/S		
-----------------------------	--	--	-------	--	--------	--------	--	--	-----	--	--

2013
GIULIETTA

L4 1.7L 1742cc Turbo (Mex.)			WL7464		WA9686	WP2018 ⁶¹			N/S		
-----------------------------	--	--	--------	--	--------	----------------------	--	--	-----	--	--

MITO

L4 1.4L 1368cc Turbo (Mex.)			57341		WA9736	WP9250			N/S		
-----------------------------	--	--	-------	--	--------	--------	--	--	-----	--	--

2012
159

L4 2.2L 2198cc Turbo (Mex.)			57082	57082XP	N/A	WP9260 ⁶¹			N/S		
-----------------------------	--	--	-------	---------	-----	----------------------	--	--	-----	--	--

V6 3.2L 3196 cc Turbo (Mex.)			N/A		N/A	WP9260 ⁶¹			N/A		
------------------------------	--	--	-----	--	-----	----------------------	--	--	-----	--	--

GIULIETTA

L4 1.7L 1742cc Turbo (Mex.)			WL7464		WA9686	WP2018 ⁶¹			N/S		
-----------------------------	--	--	--------	--	--------	----------------------	--	--	-----	--	--

MITO

L4 1.4L 1368cc Turbo (Mex.)			57341		WA9736	WP9250			N/S		
-----------------------------	--	--	-------	--	--------	--------	--	--	-----	--	--

2009
147

L4 2.0L 1970cc TS AR32310 (Mex.)			WL7083 ⁶¹		N/A	WP9125 ⁶¹			N/S		
----------------------------------	--	--	----------------------	--	-----	----------------------	--	--	-----	--	--

2008
147

L4 2.0L 1970cc TS AR32310 (Mex.)			WL7083 ⁶¹		N/A	WP9125 ⁶¹			N/S		
----------------------------------	--	--	----------------------	--	-----	----------------------	--	--	-----	--	--

159

L4 2.2L 2198cc JTS (Mex.)			57082	57082XP	WA9566 ⁶¹	WP9260 ⁶¹			N/S		
---------------------------	--	--	-------	---------	----------------------	----------------------	--	--	-----	--	--

8C

V8 4.7L 4691CC			N/S		N/S	N/R			N/S		N/S
----------------	--	--	-----	--	-----	-----	--	--	-----	--	-----

N/A = Not Available N/R = Not Required N/S = Not Serviceable For cabin and fuel filter locator, see pages 5-15 See pages 16-19 for footnotes

Italicized Part Numbers May Not Be Available. Wix XP Oil Filters Have Fully Synthetic Media. hétique.

Year/Año/Année Model/Modelo/Modèle Engine/Motor/Moteur	Eng. Code Código de motor Code moteur	VIN NIV	Oil Aceite Huile	Oil XP Aceite XP Huile XP	Air Aire Air	Cabin Air Cabina Aire Cabine Air	Cabin Air XP Cabina Aire XP Cabine Air XP	Loc. Cabin Air Cabina Aire Cabine Air	Fuel Combustible Carburant	Loc. Fuel Combustible Carburant	Transmission Transmisión Transmission
--	---	------------	------------------------	---------------------------------	--------------------	--	---	--	----------------------------------	--	---

ALFA ROMEO (Cont'd/Suite)

2008 (Cont'd/Suite)

BRERA

V6 3.2L 3196cc (Mex.)			57090	57090XP	WA9566 ⁶¹	WP9260 ⁶¹			N/S		
-----------------------	--	--	-------	---------	----------------------	----------------------	--	--	-----	--	--

GT

L4 2.0L 1970cc (Mex.)			57207		N/A	WP9125 ⁶¹			N/S		
-----------------------	--	--	-------	--	-----	----------------------	--	--	-----	--	--

SPIDER

V6 3.2L 3196cc (Mex.)			57090	57090XP	WA9566 ⁶¹	WP9260 ⁶¹			N/A		
-----------------------	--	--	-------	---------	----------------------	----------------------	--	--	-----	--	--

2007

147

L4 2.0L 1970cc TS AR32310 (Mex.)			WL7083 ⁶¹		N/A	WP9125 ⁶¹			N/S		
----------------------------------	--	--	----------------------	--	-----	----------------------	--	--	-----	--	--

159

L4 2.2L 2198cc JTS (Mex.)			57082	57082XP	WA9566 ⁶¹	WP9260 ⁶¹			N/S		
---------------------------	--	--	-------	---------	----------------------	----------------------	--	--	-----	--	--

BRERA

V6 3.2L 3196cc (Mex.)			57090	57090XP	WA9566 ⁶¹	WP9260 ⁶¹			N/S		
-----------------------	--	--	-------	---------	----------------------	----------------------	--	--	-----	--	--

GT

L4 2.0L 1970cc (Mex.)			57207		N/A	WP9125 ⁶¹			N/S		
-----------------------	--	--	-------	--	-----	----------------------	--	--	-----	--	--

V6 3.2L 3196cc (Mex.)			57503		WA6500 ⁶¹	WP9125 ⁶¹			N/A		
-----------------------	--	--	-------	--	----------------------	----------------------	--	--	-----	--	--

SPIDER

V6 3.2L 3196cc (Mex.)			57090	57090XP	WA9566 ⁶¹	WP9260 ⁶¹			N/A		
-----------------------	--	--	-------	---------	----------------------	----------------------	--	--	-----	--	--

2006

147

L4 2.0L 1970cc TS AR32310 (Mex.)			WL7083 ⁶¹		N/A	WP9125 ⁶¹			N/S		
----------------------------------	--	--	----------------------	--	-----	----------------------	--	--	-----	--	--

156

L4 2.0L 1970cc JTS Turbo (Mex.)			57207		WA6742	WP9125 ⁶¹			WF8316 ⁶¹		
---------------------------------	--	--	-------	--	--------	----------------------	--	--	----------------------	--	--

2005

147

L4 2.0L 1970cc TS AR32310 (Mex.)			WL7083 ⁶¹		N/A	WP9125 ⁶¹			N/S		
----------------------------------	--	--	----------------------	--	-----	----------------------	--	--	-----	--	--

156

L4 2.0L 1970cc (Mex.)			57207		WA6500 ⁶¹	N/A			N/S		
-----------------------	--	--	-------	--	----------------------	-----	--	--	-----	--	--

159

V6 3.2L 3196cc (Mex.)			57082	57082XP		WP9260 ⁶¹					
-----------------------	--	--	-------	---------	--	----------------------	--	--	--	--	--

2004

147

L4 2.0L 1970cc TS AR32310 (Mex.)			WL7083 ⁶¹		N/A	WP9125 ⁶¹			N/S		
----------------------------------	--	--	----------------------	--	-----	----------------------	--	--	-----	--	--

156

L4 2.0L 1970cc (Mex.)			57207		WA6500 ⁶¹	N/A			N/S		
-----------------------	--	--	-------	--	----------------------	-----	--	--	-----	--	--

2003

147

L4 2.0L 1970cc TS AR32310 (Mex.)			WL7083 ⁶¹		N/A	WP9125 ⁶¹			N/S		
----------------------------------	--	--	----------------------	--	-----	----------------------	--	--	-----	--	--

156

L4 2.0L 1970cc (Mex.)			57207		WA6500 ⁶¹	N/A			N/S		
-----------------------	--	--	-------	--	----------------------	-----	--	--	-----	--	--

L4 2.0L 1970cc JTS Turbo (Mex.)			57207		WA6742	WP9125 ⁶¹			WF8316 ⁶¹		
---------------------------------	--	--	-------	--	--------	----------------------	--	--	----------------------	--	--

166

V6 3.0L 2959CC 181CID (Mex.)			WL7324 ⁶¹		N/S	WP6969			N/S		N/S
------------------------------	--	--	----------------------	--	-----	--------	--	--	-----	--	-----

N/A = Not Available N/R = Not Required N/S = Not Serviceable For cabin and fuel filter locator, see pages 5-15 See pages 16-19 for footnotes

Italicized Part Numbers May Not Be Available. Wix XP Oil Filters Have Fully Synthetic Media.

ALFA ROMEO 2003 — AUDI 2021
Pass Car/Light Truck

Year/Año/Année Model/Modelo/Modèle Engine/Motor/Moteur	Eng. Code Código de motor Code moteur	VIN NIV NIV	Oil Aceite Huile	Oil XP Aceite XP Huile XP	Air Aire Air	Cabin Air Cabina Aire Cabine Air	Cabin Air XP Cabina Aire XP Cabine Air XP	Loc. Cabin Air Cabina Aire Cabine Air	Fuel Combustible Carburant	Loc. Fuel Combustible Carburant	Transmission Transmisión Transmission
--	---	-------------------	------------------------	---------------------------------	--------------------	--	---	--	----------------------------------	--	---

ALFA ROMEO (Cont'd/Suite)
2003 (Cont'd/Suite)
GTV Coupe

V6 3.0L 2959CC 181CID (Mex.)			57503		WA9568	WP6866 ⁶¹			33156		N/S
---------------------------------	--	--	-------	--	--------	----------------------	--	--	-------	--	-----

SPIDER

V6 3.0L 2959CC 181CID (Mex.)			57503		WA9568	WP6866 ⁶¹			33156		N/S
---------------------------------	--	--	-------	--	--------	----------------------	--	--	-------	--	-----

2002
147

L4 2.0L 1970cc TS AR32310 (Mex.)			WL7083 ⁶¹		N/A	WP9125 ⁶¹			N/S		
-------------------------------------	--	--	----------------------	--	-----	----------------------	--	--	-----	--	--

156

L4 2.0L 1970cc (Mex.)			WL7083 ⁶¹		WA6742	WP6870			N/S		
L4 2.0L 1970cc JTS Turbo (Mex.)			57207		WA6742	WP9125 ⁶¹			WF8316 ⁶¹		

166

V6 3.0L 2959cc (Mex.)			51521		N/A	WP6969			N/S		
V6 3.0L 2959CC 181CID (Mex.)			WL7324 ⁶¹		N/S	WP6969			N/S		N/S

SPORTWAGON

L4 2.0L 1970cc (Mex.)			57207		WA6500 ⁶¹	WP6870			N/S		
-----------------------	--	--	-------	--	----------------------	--------	--	--	-----	--	--

AUDI
2021
A3

L4 2.0L Turbo		J	WL10024 ⁶¹ WL10396 ¹⁹⁴		WA10268 ⁶⁵	WP10159 ⁷⁸		7	N/S		WL10384
---------------	--	---	---	--	-----------------------	-----------------------	--	---	-----	--	---------

A4

L4 2.0L 1984cc 121 CID Turbo	CAED		WL10024 ⁶¹ WL10396 ¹⁹⁴		49043	24227		7	N/S		N/S
------------------------------	------	--	---	--	-------	-------	--	---	-----	--	-----

A4 allroad

L4 2.0L Turbo	CYMC		WL10024 ⁶¹ WL10396 ¹⁹⁴		WA10866	WP10337		7	N/S		N/S
---------------	------	--	---	--	---------	---------	--	---	-----	--	-----

A5

L4 2.0L 1984cc 121 CID Turbo	CAED		WL10024 ⁶¹ WL10396 ¹⁹⁴		WA10866	WP10337 ⁷⁸		7	N/S		N/S
------------------------------	------	--	---	--	---------	-----------------------	--	---	-----	--	-----

A6

L4 2.0L Turbo			WL10024 ⁶¹ WL10396 ¹⁹⁴		49343	24439		4	N/S		N/S
V6 3.0L 3000CC 183CID Turbo			WL10438		49243	24439		4	N/S		N/S

A6 allroad

V6 3.0L 3000CC 183CID Turbo			WL10438		N/A	WP10337			N/S		N/S
-----------------------------	--	--	---------	--	-----	---------	--	--	-----	--	-----

A7

V6 3.0L 3000CC 183CID Turbo			WL10438		49243	24439			N/S		N/S
-----------------------------	--	--	---------	--	-------	-------	--	--	-----	--	-----

A7 Hybrid

V6 3.0L 3000CC 183CID Turbo			WL10438		49243	24439			N/S		N/S
-----------------------------	--	--	---------	--	-------	-------	--	--	-----	--	-----

A8

V6 3.0L TURBO	CREC		WL10438		WA10948	24439		4	N/S		N/S
V8 4.0L 3993cc 244 CID TFSI Turbo			WL10350		WA10948	24439		8	N/A N/S		N/S

A8 Hybrid

V6 3.0L 3000CC 183CID Turbo			WL10438		WA10948	24439			N/S		N/S
-----------------------------	--	--	---------	--	---------	-------	--	--	-----	--	-----

Q3

L4 2.0L 1984cc 121 CID Turbo	CCTA		WL10024 ⁶¹ WL10396 ¹⁹⁴		49020	24489	24489XP		N/S		N/A
------------------------------	------	--	---	--	-------	-------	---------	--	-----	--	-----

Q3 QUATTRO

L4 2.0L 1984cc 121 CID Turbo	CCTA		57561		49020	24489	24489XP		N/S		N/A
------------------------------	------	--	-------	--	-------	-------	---------	--	-----	--	-----

N/A = Not Available N/R = Not Required N/S = Not Serviceable For cabin and fuel filter locator, see pages 5-15 See pages 16-19 for footnotes

Italicized Part Numbers May Not Be Available. Wix XP Oil Filters Have Fully Synthetic Media.

Year/Año/Année Model/Modelo/Modèle Engine/Motor/Moteur	Eng. Code Código de motor Code moteur	VIN NIV NIV	Oil Aceite Huile	Oil XP Aceite XP Huile XP	Air Aire Air	Cabin Air Cabina Aire Cabine Air	Cabin Air XP Cabina Aire XP Cabine Air XP	Loc. Cabin Air Cabina Aire Cabine Air	Fuel Combustible Carburant	Loc. Fuel Combustible Carburant	Transmission Transmisión Transmission
--	---	-------------------	------------------------	---------------------------------	--------------------	--	---	--	----------------------------------	--	---

AUDI (Cont'd/Suite)
2021 (Cont'd/Suite)
Q5 45 TFSI

L4 2.0L 1984cc 121 CID Turbo	CAED		WL10024 ⁶¹ WL10396 ¹⁹⁴		WA10866	WP10337 ⁷⁸		4	N/S		N/S
------------------------------	------	--	---	--	---------	-----------------------	--	---	-----	--	-----

Q5 55 TFSI e Plug-in hybrid

L4 2.0L 1984cc 121 CID Turbo	CAED		WL10024 ⁶¹ WL10396 ¹⁹⁴		WA10866	WP10337 ⁷⁸		4	N/S		N/S
------------------------------	------	--	---	--	---------	-----------------------	--	---	-----	--	-----

Q7

L4 2.0L Turbo			WL10024 ⁶¹ WL10396 ¹⁹⁴		WA11128	WP10337			N/S		N/S
V6 3.0L 3000CC 183CID Turbo			WL10438		WA11128	WP10337			N/S		N/S

Q8

V6 3.0L 3000CC 183CID Turbo			WL10438		WA11100	WP10337			N/S		N/S
-----------------------------	--	--	---------	--	---------	---------	--	--	-----	--	-----

RS 3

L5 2.5L 2480cc Turbo			57187	57187XP	WA10896	WP10159			N/S		WL10384
----------------------	--	--	-------	---------	---------	---------	--	--	-----	--	---------

RS 5

V6 2.9L 2900CC 177CID Turbo			WL10438		WA10866	WP10337			N/S		N/S
-----------------------------	--	--	---------	--	---------	---------	--	--	-----	--	-----

RS Q8

V8 4.0L 4000CC 244CID Turbo			WL10438		N/A	WP10337			N/S		N/S
-----------------------------	--	--	---------	--	-----	---------	--	--	-----	--	-----

S3

L4 2.0L 1984cc Turbo	CYFB		WL10024 ⁶¹ WL10396 ¹⁹⁴		WA10268 ¹⁵⁵	WP10159 ⁷⁸			N/S		WL10384
----------------------	------	--	---	--	------------------------	-----------------------	--	--	-----	--	---------

S4

V6 3.0L 3000CC 183CID Turbo			WL10438		WA10887	WP10337			N/S		N/S
-----------------------------	--	--	---------	--	---------	---------	--	--	-----	--	-----

S5

V6 3.0L 2995CC 183CID Turbo			WL10438		49143	24227		7	N/S		N/S
-----------------------------	--	--	---------	--	-------	-------	--	---	-----	--	-----

S6

V6 2.9L 2900CC 177CID Turbo			WL10438		WA10866	24439		3	N/S		N/S
-----------------------------	--	--	---------	--	---------	-------	--	---	-----	--	-----

S7 Sportback

V6 2.9L 2900CC 177CID Turbo			WL10438		WA10866	24439		3	N/S		N/S
-----------------------------	--	--	---------	--	---------	-------	--	---	-----	--	-----

S8

V8 4.0L 3993cc Twin Turbo	CTGF		WL10350		WA10968	24439		3	N/S		N/S
---------------------------	------	--	---------	--	---------	-------	--	---	-----	--	-----

SQ5

V6 3.0L 2995CC Turbo			WL10438		WA10866	WP10337		7	N/S		N/S
----------------------	--	--	---------	--	---------	---------	--	---	-----	--	-----

SQ8

V8 4.0L 4000CC 244CID Turbo			WL10438		N/A	WP10337			N/S		N/S
-----------------------------	--	--	---------	--	-----	---------	--	--	-----	--	-----

TT QUATTRO

L4 2.0L 1984cc 121 CID Turbo			WL10024 ⁶¹ WL10396 ¹⁹⁴		WA10268	WP10159		4	N/S		N/S
------------------------------	--	--	---	--	---------	---------	--	---	-----	--	-----

TT RS

L5 2.5L 2480cc Turbo			57187	57187XP	WA10896	WP10159			33814		N/A
----------------------	--	--	-------	---------	---------	---------	--	--	-------	--	-----

TTS

L4 2.0L 1984cc Turbo	CYFB		WL10024 ⁶¹ WL10396 ¹⁹⁴		WA10268	WP10159			N/S		N/S
----------------------	------	--	---	--	---------	---------	--	--	-----	--	-----

2020
A3

L4 2.0L Turbo		J	WL10024 ⁶¹ WL10396 ¹⁹⁴		WA10268 ¹⁵⁵	WP10159 ⁷⁸		7	N/S		WL10384
---------------	--	---	---	--	------------------------	-----------------------	--	---	-----	--	---------

A4

L4 2.0L 1984cc 121 CID Turbo	CAED		WL10024 ⁶¹ WL10396 ¹⁹⁴		49043	24227		7	N/S		N/S
------------------------------	------	--	---	--	-------	-------	--	---	-----	--	-----

A4 allroad

L4 2.0L Turbo	CYMC		WL10024 ⁶¹ WL10396 ¹⁹⁴		WA10866	WP10337		7	N/S		N/S
---------------	------	--	---	--	---------	---------	--	---	-----	--	-----

A5 Sportback

L4 2.0L 1984cc 121 CID Turbo	CAED		WL10024 ⁶¹ WL10396 ¹⁹⁴		WA10866	WP10337		7	N/S		N/S
------------------------------	------	--	---	--	---------	---------	--	---	-----	--	-----

N/A = Not Available N/R = Not Required N/S = Not Serviceable For cabin and fuel filter locator, see pages 5-15 See pages 16-19 for footnotes

Italicized Part Numbers May Not Be Available. Wix XP Oil Filters Have Fully Synthetic Media.

AUDI 2020
Pass Car/Light Truck

Year/Año/Année Model/Modelo/Modèle Engine/Motor/Moteur	Eng. Code Código de motor Code moteur	VIN NIV NIV	Oil Aceite Huile	Oil XP Aceite XP Huile XP	Air Aire Air	Cabin Air Cabina Aire Cabine Air	Cabin Air XP Cabina Aire XP Cabine Air XP	Loc. Cabin Air Cabina Aire Cabine Air	Fuel Combustible Carburant	Loc. Fuel Combustible Carburant	Transmission Transmisión Transmission
--	---	-------------------	------------------------	---------------------------------	--------------------	--	---	--	----------------------------------	--	---

AUDI (Cont'd/Suite)
2020 (Cont'd/Suite)
A6

L4 2.0L Turbo			WL10024 ⁶¹ WL10396 ¹⁹⁴		49343	24439		4	N/S		N/S
V6 3.0L 3000CC 183CID Turbo			WL10438		49243	24439		4	N/S		N/S

A6 allroad

V6 3.0L 3000CC 183CID Turbo			WL10438		N/A	WP10337			N/S		N/S
-----------------------------	--	--	---------	--	-----	---------	--	--	-----	--	-----

A7

V6 3.0L 2995cc Super Charged			WL10438		49243	24439			N/S		
------------------------------	--	--	---------	--	-------	-------	--	--	-----	--	--

A7 Hybrid

V6 3.0L 3000CC 183CID Turbo			WL10438		49243	24439			N/S		N/S
-----------------------------	--	--	---------	--	-------	-------	--	--	-----	--	-----

A7 QUATTRO

V6 3.0L 2995cc Super Charged			WL10438		49243	24439		7	N/S		N/A
------------------------------	--	--	---------	--	-------	-------	--	---	-----	--	-----

A8

V6 3.0L TURBO	CREC		WL10438		WA10948	24439		4	N/S		N/S
V8 4.0L 3993cc 244 CID TFSI Turbo			WL10350		WA10948	24439		8	N/A N/S		N/S

A8 Hybrid

V6 3.0L 3000CC 183CID Turbo			WL10438		WA10948	24439			N/S		N/S
-----------------------------	--	--	---------	--	---------	-------	--	--	-----	--	-----

Q3

L4 2.0L 1984cc 121 CID Turbo	CCTA		WL10024 ⁶¹ WL10396 ¹⁹⁴		49020	24489	24489XP		N/S		N/A
------------------------------	------	--	---	--	-------	-------	---------	--	-----	--	-----

Q3 QUATTRO

L4 2.0L 1984cc 121 CID Turbo	CCTA		57561		49020	24489	24489XP		N/S		N/A
------------------------------	------	--	-------	--	-------	-------	---------	--	-----	--	-----

Q5 45 TFSI

L4 2.0L 1984cc 121 CID Turbo	CAED		WL10024 ⁶¹ WL10396 ¹⁹⁴		WA10866	WP10337 ⁷⁸		4	N/S		N/S
------------------------------	------	--	---	--	---------	-----------------------	--	---	-----	--	-----

Q5 55 TFSI e Plug-in hybrid

L4 2.0L 1984cc 121 CID Turbo	CAED		WL10024 ⁶¹ WL10396 ¹⁹⁴		WA10866	WP10337 ⁷⁸		4	N/S		N/S
------------------------------	------	--	---	--	---------	-----------------------	--	---	-----	--	-----

Q7

L4 2.0L Turbo			WL10024 ⁶¹ WL10396 ¹⁹⁴		WA11128	WP10337			N/S		N/S
V6 3.0L 3000CC 183CID Turbo			WL10345		WA11128	WP10337			N/S		N/S

Q8

V6 3.0L 3000CC 183CID Turbo			WL10438		WA11100	WP10337			N/S		N/S
-----------------------------	--	--	---------	--	---------	---------	--	--	-----	--	-----

RS 3

L5 2.5L 2480cc Turbo			57187	57187XP	WA10896	WP10159			N/S		WL10384
----------------------	--	--	-------	---------	---------	---------	--	--	-----	--	---------

RS 5 Sportback

V6 2.9L 2900CC 177CID Turbo			WL10438		WA10866	WP10337			N/S		N/S
-----------------------------	--	--	---------	--	---------	---------	--	--	-----	--	-----

S3

L4 2.0L 1984cc Turbo	CYFB		WL10024 ⁶¹ WL10396 ¹⁹⁴		WA10268 ¹⁵⁵	WP10159 ⁷⁸			N/S		WL10384
----------------------	------	--	---	--	------------------------	-----------------------	--	--	-----	--	---------

S4

V6 3.0L 3000CC 183CID Turbo			WL10438		WA10887	WP10337			N/S		N/S
-----------------------------	--	--	---------	--	---------	---------	--	--	-----	--	-----

S5

V6 3.0L 2995CC 183CID Turbo			WL10438		49143	24227		7	N/S		N/S
-----------------------------	--	--	---------	--	-------	-------	--	---	-----	--	-----

S5 Sportback

V6 3.0L 2995CC 183CID Turbo			WL10438		49143	24227		7	N/S		N/S
-----------------------------	--	--	---------	--	-------	-------	--	---	-----	--	-----

S6

V6 2.9L 2900CC 177CID Turbo			WL10438		WA10866	24439		3	N/S		N/S
-----------------------------	--	--	---------	--	---------	-------	--	---	-----	--	-----

S7

V6 2.9L 2900CC 177CID Turbo			WL10438		WA10866	24439		3	N/S		N/S
-----------------------------	--	--	---------	--	---------	-------	--	---	-----	--	-----

S7 Sportback

V6 2.9L 2900CC 177CID Turbo			WL10438		WA10866	24439		3	N/S		N/S
-----------------------------	--	--	---------	--	---------	-------	--	---	-----	--	-----

N/A = Not Available N/R = Not Required N/S = Not Serviceable For cabin and fuel filter locator, see pages 5-15 See pages 16-19 for footnotes

Italicized Part Numbers May Not Be Available. Wix XP Oil Filters Have Fully Synthetic Media.

Year/Año/Année Model/Modelo/Modèle Engine/Motor/Moteur	Eng. Code Código de motor Code moteur	VIN NIV	Oil Aceite Huile	Oil XP Aceite XP Huile XP	Air Aire Air	Cabin Air Cabina Aire Cabine Air	Cabin Air XP Cabina Aire XP Cabine Air XP	Loc. Cabin Air Cabina Aire Cabine Air	Fuel Combustible Carburant	Loc. Fuel Combustible Carburant	Transmission Transmisión Transmission
--	---	------------	------------------------	---------------------------------	--------------------	--	---	--	----------------------------------	--	---

AUDI (Cont'd/Suite)

2020 (Cont'd/Suite)

S8

V8 4.0L 3993cc Twin Turbo	CTGF		WL10350		WA10968	24439		3	N/S		N/S
---------------------------	------	--	---------	--	---------	-------	--	---	-----	--	-----

SQ5

V6 3.0L 2995CC Turbo			WL10438		WA10866	WP10337		7	N/S		N/S
----------------------	--	--	---------	--	---------	---------	--	---	-----	--	-----

SQ8

V8 4.0L 4000CC 244CID Turbo			WL10438		N/A	WP10337			N/S		N/S
-----------------------------	--	--	---------	--	-----	---------	--	--	-----	--	-----

TT QUATTRO

L4 2.0L 1984cc 121 CID Turbo			WL10024 ⁶¹ WL10396 ¹⁹⁴		WA10268	WP10159		4	N/S		N/S
------------------------------	--	--	---	--	---------	---------	--	---	-----	--	-----

TT RS

L5 2.5L 2480cc Turbo			57187	57187XP	WA10896	WP10159			33814		N/A
----------------------	--	--	-------	---------	---------	---------	--	--	-------	--	-----

TTS

L4 2.0L 1984cc Turbo	CYFB		WL10024 ⁶¹ WL10396 ¹⁹⁴		WA10268	WP10159			N/S		N/S
----------------------	------	--	---	--	---------	---------	--	--	-----	--	-----

2019

A3

L4 2.0L Turbo		J	WL10024 ⁶¹ WL10396 ¹⁹⁴		WA10268 ¹⁵⁵	WP10159 ⁷⁸		7	N/S		WL10384
---------------	--	---	---	--	------------------------	-----------------------	--	---	-----	--	---------

A3 QUATTRO

L4 2.0L 1984cc 121 CID Turbo			WL10024 ⁶¹ WL10396 ¹⁹⁴		WA10268 ¹⁵⁵	WP10159 ⁷⁸		7	N/S		N/A
------------------------------	--	--	---	--	------------------------	-----------------------	--	---	-----	--	-----

A3 SPORTBACK E-TRON

L4 1.4L 1395cc 85 CID Electric/Gas			WL7503		WA10072	WP10159			N/S		N/A
---------------------------------------	--	--	--------	--	---------	---------	--	--	-----	--	-----

A4

L4 2.0L 1984cc 121 CID Turbo	CAED		WL10024 ⁶¹ WL10396 ¹⁹⁴		WA10866	WP10337		7	N/S		N/S
------------------------------	------	--	---	--	---------	---------	--	---	-----	--	-----

A4 allroad

L4 2.0L Turbo	CYMC		WL10024 ⁶¹ WL10396 ¹⁹⁴		WA10866	WP10337		7	N/S		N/S
---------------	------	--	---	--	---------	---------	--	---	-----	--	-----

A4 QUATTRO

L4 2.0L 1984cc 121 CID Turbo	CAED		WL10024 ⁶¹ WL10396 ¹⁹⁴		WA10866	WP10337 ⁷⁸		7	N/S		N/S
------------------------------	------	--	---	--	---------	-----------------------	--	---	-----	--	-----

A5 QUATTRO

L4 2.0L 1984cc 121 CID Turbo	CAED		WL10024 ⁶¹ WL10396 ¹⁹⁴		WA10866	WP10337		7	N/S		N/S
------------------------------	------	--	---	--	---------	---------	--	---	-----	--	-----

A5 Sportback

L4 2.0L 1984cc 121 CID Turbo	CAED		WL10024 ⁶¹ WL10396 ¹⁹⁴		WA10866	WP10337 ⁷⁸		7	N/S		N/S
------------------------------	------	--	---	--	---------	-----------------------	--	---	-----	--	-----

A6

L4 2.0L Turbo			WL10024 ⁶¹ WL10396 ¹⁹⁴		49343	24439		4	N/S		N/S
---------------	--	--	---	--	-------	-------	--	---	-----	--	-----

V6 3.0L 2995cc Super Charged	CGWD		WL10438		49243	24439		4	N/S		N/S
------------------------------	------	--	---------	--	-------	-------	--	---	-----	--	-----

A6 Hybrid

V6 3.0L 3000CC 183CID Turbo			WL10438		49243	WP10337			N/S		
-----------------------------	--	--	---------	--	-------	---------	--	--	-----	--	--

A6 QUATTRO

L4 2.0L Turbo	CYNB		WL10024 ⁶¹ WL10396 ¹⁹⁴		49343	24439		4	N/S		N/S
---------------	------	--	---	--	-------	-------	--	---	-----	--	-----

V6 3.0L 2995cc Super Charged			WL10438		49243	24439		4	N/S		N/S
------------------------------	--	--	---------	--	-------	-------	--	---	-----	--	-----

A7

V6 3.0L 2995cc Super Charged			WL10345		49243	24439			N/S		
------------------------------	--	--	---------	--	-------	-------	--	--	-----	--	--

A7 Hybrid

V6 3.0L 3000CC 183CID Turbo			WL10438		49243	24439			N/S		N/S
-----------------------------	--	--	---------	--	-------	-------	--	--	-----	--	-----

A7 QUATTRO

V6 3.0L 2995cc Super Charged			WL10438		49243	24439		7	N/S		N/A
------------------------------	--	--	---------	--	-------	-------	--	---	-----	--	-----

N/A = Not Available N/R = Not Required N/S = Not Serviceable For cabin and fuel filter locator, see pages 5-15 See pages 16-19 for footnotes

Italicized Part Numbers May Not Be Available. Wix XP Oil Filters Have Fully Synthetic Media.

AUDI 2019-2018
Pass Car/Light Truck

Year/Año/Année Model/Modelo/Modèle Engine/Motor/Moteur	Eng. Code Código de motor Code moteur	VIN NIV NIV	Oil Aceite Huile	Oil XP Aceite XP Huile XP	Air Aire Air	Cabin Air Cabina Aire Cabine Air	Cabin Air XP Cabina Aire XP Cabine Air XP	Loc. Cabin Air Cabina Aire Cabine Air	Fuel Combustible Carburant	Loc. Fuel Combustible Carburant	Transmission Transmisión Transmission
--	---	-------------------	------------------------	---------------------------------	--------------------	--	---	--	----------------------------------	--	---

AUDI (Cont'd/Suite)
2019 (Cont'd/Suite)

A8											
V6 3.0L TURBO	CREC		WL10438		WA10948	24439		4	N/S		N/S
A8 Hybrid											
V6 3.0L 3000CC 183CID Turbo			WL10438		WA10948	24439			N/S		N/S
Q3											
L4 2.0L 1984cc 121 CID Turbo	CCTA		WL10024 ⁶¹ WL10396 ¹⁹⁴		49020	24489	24489XP		N/S		N/A
Q3 QUATTRO											
L4 2.0L 1984cc 121 CID Turbo	CCTA		57561		49020	24489	24489XP		N/S		N/A
Q5											
L4 2.0L 1984cc 121 CID Turbo	CAED		WL10024 ⁶¹ WL10396 ¹⁹⁴		WA10866	WP10337		4	N/S		N/S
Q7											
L4 2.0L Turbo	CYMC		WL10024 ⁶¹ WL10396 ¹⁹⁴		WA11128	WP10337 ⁷⁸			N/S		N/S
V6 3.0L 2995cc Super Charged			WL10345		WA11128	WP10337 ⁷⁸			N/S		N/S
Q8											
V6 3.0L 3000CC 183CID Turbo			WL10438		WA11100	WP10337			N/S		N/S
RS 3											
L5 2.5L 2480cc Turbo			57187	57187XP	WA10896	WP10159			N/S		N/A
RS 5 Sportback											
V6 2.9L 2900CC 177CID Turbo			WL10438		WA10866	WP10337			N/S		N/S
S3											
L4 2.0L 1984cc Turbo	CYFB		WL10024 ⁶¹ WL10396 ¹⁹⁴		WA10268 ¹⁵⁵	WP10159			N/S		WL10384
S4											
V6 3.0L 3000CC 183CID Turbo			WL10438		WA10887	WP10337			N/S		N/S
S5											
V6 3.0L 2995CC 183CID Turbo			WL10438		49143	24227		7	N/S		N/S
S5 Sportback											
V6 3.0L 2995CC 183CID Turbo			WL10438		49143	24227		7	N/S		N/S
SQ5											
V6 3.0L 2995CC Turbo			WL10438		WA10866	WP10337		7	N/S		N/S
TT QUATTRO											
L4 2.0L 1984cc 121 CID Turbo			WL10024 ⁶¹ WL10396 ¹⁹⁴		WA10268	WP10159		4	N/S		N/S
TT RS											
L5 2.5L 2480cc Turbo			57187	57187XP	WA10896	WP10159			33814		N/A
TTS											
L4 2.0L 1984cc Turbo	CYFB		WL10024 ⁶¹ WL10396 ¹⁹⁴		WA10268	WP10159			N/S		N/S

2018

A1											
L4 1.4L 1390cc Turbo (Mex.)			WL7494		WA9645	WP2086 ⁷⁹			33814		
A3											
L4 1.4L 1395CC 85CID (Mex.)			WL7503		WA10072	24489	24489XP		N/S		N/S
L4 1.4L 1395cc TFSI (Mex.)			WL7503		WA10072	WP10159 ⁷⁸			N/S		
L4 2.0L Turbo			WL10024 ⁶¹ WL10396 ¹⁹⁴		WA10268 ¹⁵⁵	N/A		7	N/S		N/S
A3 QUATTRO											
L4 2.0L 1984cc 121 CID Turbo			WL10024 ⁶¹ WL10396 ¹⁹⁴		WA10268 ¹⁵⁵	WP10159 ⁷⁸		7	N/S		N/A
A3 SPORTBACK E-TRON											
L4 1.4L 1395cc 85 CID Electric/Gas			WL7503		WA10072	WP10159			N/S		N/A

N/A = Not Available N/R = Not Required N/S = Not Serviceable For cabin and fuel filter locator, see pages 5-15 See pages 16-19 for footnotes

N/A = Non disponible N/R = Non nécessaire N/S = Non réparable Para la ubicación de los filtros de aire de la cabina y de combustible, ver las páginas 5-15 Voir pages 16-19 pour des notes

N/A = No disponible N/R = No requiere N/S = No servible Voir les tableaux de repérage des filtres d'habitacle et à carburant aux pages 5-15 Ver las páginas 16-19 para las notas al pie de página

Italicized Part Numbers May Not Be Available. Wix XP Oil Filters Have Fully Synthetic Media.

Las piezas con números en *italicas* pueden no estar disponibles. Los filtros de aceite WIX XP son completamente de media sintética. Les numéros de pièce en *italiques* peuvent ne pas être disponibles. Les filtres à huile XP Wix contiennent un matériau 100 % synthétique.

Year/Año/Année Model/Modelo/Modèle Engine/Motor/Moteur	Eng. Code Código de motor Code moteur	VIN NIV NIV	Oil Aceite Huile	Oil XP Aceite XP Huile XP	Air Aire Air	Cabin Air Cabina Aire Cabine Air	Cabin Air XP Cabina Aire XP Cabine Air XP	Loc. Cabin Air Cabina Aire Cabine Air	Fuel Combustible Carburant	Loc. Fuel Combustible Carburant	Transmission Transmisión Transmission
--	---	-------------------	------------------------	---------------------------------	--------------------	--	---	--	----------------------------------	--	---

AUDI (Cont'd/Suite)
2018 (Cont'd/Suite)
A4

L4 2.0L 1984cc 121 CID Turbo	CAED		WL10024 ⁶¹ WL10396 ¹⁹⁴		WA10866	WP10337 ⁷⁸		7	N/S		N/S
------------------------------	------	--	---	--	---------	-----------------------	--	---	-----	--	-----

A4 allroad

L4 2.0L Turbo	CYMC		WL10024 ⁶¹ WL10396 ¹⁹⁴		WA10866	WP10337		7	N/S		N/S
---------------	------	--	---	--	---------	---------	--	---	-----	--	-----

A4 QUATTRO

L4 2.0L 1984cc 121 CID Turbo	CAED		WL10024 ⁶¹ WL10396 ¹⁹⁴		WA10866	WP10337 ⁷⁸		7	N/S		N/S
------------------------------	------	--	---	--	---------	-----------------------	--	---	-----	--	-----

A5 QUATTRO

L4 2.0L 1984cc 121 CID Turbo	CAED		WL10024 ⁶¹ WL10396 ¹⁹⁴		WA10866	WP10337		7	N/S		N/S
------------------------------	------	--	---	--	---------	---------	--	---	-----	--	-----

A5 Sportback

L4 2.0L 1984cc 121 CID Turbo	CAED		WL10024 ⁶¹ WL10396 ¹⁹⁴		WA10866	WP10337 ⁷⁸		7	N/S		N/S
------------------------------	------	--	---	--	---------	-----------------------	--	---	-----	--	-----

A6

L4 2.0L Turbo			WL10024 ⁶¹ WL10396 ¹⁹⁴		49343	24439		4	N/S		N/S
V6 3.0L 2995cc Super Charged	CGWD		WL10345		49243	24439		4	N/S		N/S

A6 QUATTRO

L4 2.0L Turbo	CYNB		WL10024 ⁶¹ WL10396 ¹⁹⁴		49343	24439		4	N/S		N/S
V6 3.0L 2995cc Super Charged			WL10345		49243	24439		4	N/S		N/S

A7

V6 3.0L 2995cc Super Charged			WL10345		49243	24439			N/S		
------------------------------	--	--	---------	--	-------	-------	--	--	-----	--	--

A7 QUATTRO

V6 3.0L 2995cc Super Charged			WL10345		49243	24439		7	N/S		N/A
------------------------------	--	--	---------	--	-------	-------	--	---	-----	--	-----

A8

V6 3.0L TURBO	CREC		WL10345		WA10948	24439		4	N/S		N/S
V8 4.0L 3993cc 244 CID TFSI Turbo			WL10350		WA10948	24439		8	N/A		N/S

Q3

L4 1.4L 1395CC 85CID (Mex.)			WL7503		WA10072	24489 - With LHD WP9359 ⁶¹ - With RHD	24489XP - With LHD				N/S
L4 2.0L 1984cc 121 CID Turbo	CCTA		57561		49020	24489	24489XP		N/S		N/A

Q3 QUATTRO

L4 2.0L 1984cc 121 CID Turbo	CCTA		57561		49020	24489	24489XP		N/S		N/A
------------------------------	------	--	-------	--	-------	-------	---------	--	-----	--	-----

Q5

L4 2.0L 1984cc 121 CID Turbo	CAED		WL10024 ⁶¹ WL10396 ¹⁹⁴		WA10866	WP10337 ⁷⁸		4	N/S		N/S
------------------------------	------	--	---	--	---------	-----------------------	--	---	-----	--	-----

Q7

L4 2.0L Turbo	CYMC		WL10024 ⁶¹ WL10396 ¹⁹⁴		WA11128	WP10337 ⁷⁸			N/S		N/S
V6 3.0L 2995cc Super Charged			WL10345		WA11128	WP10337 ⁷⁸			N/S		N/S

R8

V10 5.2L 5204cc			57330		WA10977	N/A			N/S		N/A
-----------------	--	--	-------	--	---------	-----	--	--	-----	--	-----

RS 3

L5 2.5L 2480cc Turbo			57187	57187XP	WA10896	WP10159			N/S		N/A
----------------------	--	--	-------	---------	---------	---------	--	--	-----	--	-----

RS 5

V6 2.9L 2900CC 177CID Turbo			WL10438		WA10866	WP10337			N/S		N/S
-----------------------------	--	--	---------	--	---------	---------	--	--	-----	--	-----

RS7

V8 4.0L 3993cc Turbo	CWUB		WL10350		N/A	24439 ⁷⁸			N/S		N/S
----------------------	------	--	---------	--	-----	---------------------	--	--	-----	--	-----

S3

L4 2.0L 1984cc Turbo	CYFB		WL10024 ⁶¹ WL10396 ¹⁹⁴		WA10268 ¹⁵⁵	WP10159 ⁷⁸			N/S		WL10384
----------------------	------	--	---	--	------------------------	-----------------------	--	--	-----	--	---------

S4

V6 3.0L 3000CC 183CID Turbo			WL10438		WA10887	WP10337			N/S		N/S
-----------------------------	--	--	---------	--	---------	---------	--	--	-----	--	-----

N/A = Not Available N/R = Not Required N/S = Not Serviceable For cabin and fuel filter locator, see pages 5-15 See pages 16-19 for footnotes

N/A = Non disponible N/R = Non nécessaire N/S = Non réparable Para la ubicación de los filtros de aire de la cabina y de combustible, ver las páginas 5-15 Voir pages 16-19 pour des notes

N/A = No disponible N/R = No requiere N/S = No servible Voir les tableaux de repérage des filtres d'habitacle et à carburant aux pages 5-15 Ver las páginas 16-19 para las notas al pie de página

Italicized Part Numbers May Not Be Available. Wix XP Oil Filters Have Fully Synthetic Media.

Las piezas con números en *italicas* pueden no estar disponibles. Los filtros de aceite WIX XP son completamente de media sintética.

Les numéros de pièce en *italiques* peuvent ne pas être disponibles. Les filtres à huile Wix contiennent un matériau 100 % synthétique.

AUDI 2018-2017
Pass Car/Light Truck

Year/Año/Année Model/Modelo/Modèle Engine/Motor/Moteur	Eng. Code Código de motor Code moteur	VIN NIV NIV	Oil Aceite Huile	Oil XP Aceite XP Huile XP	Air Aire Air	Cabin Air Cabina Aire Cabine Air	Cabin Air XP Cabina Aire XP Cabine Air XP	Loc. Cabin Air Cabina Aire Cabine Air	Fuel Combustible Carburant	Loc. Fuel Combustible Carburant	Transmission Transmisión Transmission
--	---	-------------------	------------------------	---------------------------------	--------------------	--	---	--	----------------------------------	--	---

AUDI (Cont'd/Suite)
2018 (Cont'd/Suite)

S5											
V6 3.0L 2995CC 183CID Turbo			WL10438		49143	24227		7	N/S		N/S
S5 Sportback											
V6 3.0L 2995CC 183CID Turbo			WL10438		49143	24227		7	N/S		N/S
S6											
V8 4.0L 3993cc Twin Turbo	CTGE		WL10350		49243	24439		3	N/S		N/S
S7											
V8 4.0L 3993cc Twin Turbo	CTGE		WL10350		49243	24439		3	N/S		N/A
S8											
V8 4.0L 3993cc Twin Turbo	CTGF		WL10350		WA10968	24439		3	N/S		N/S
SQ5											
V6 3.0L 2995CC Turbo			WL10438		WA10866	WP10337		7	N/S		N/S
TT											
L4 1.8L (Mex.)			WL10024 ⁶¹ WL10396 ¹⁹⁴		WA10268	WP10159			N/S		N/S
TT QUATTRO											
L4 2.0L 1984cc 121 CID Turbo			WL10024 ⁶¹ WL10396 ¹⁹⁴		WA10268	WP10159		4	N/S		N/S
L5 2.5L 2480cc Turbo			WL10024 ⁶¹ WL10396 ¹⁹⁴		WA10896	WP10159		4	N/S		N/S
TT RS											
L5 2.5L 2480cc Turbo			57187	57187XP	WA10896	WP10159			33814		N/A
TTS											
L4 2.0L 1984cc Turbo	CYFB		WL10024 ⁶¹ WL10396 ¹⁹⁴		WA10268	WP10159			N/S		N/S

2017

A1											
L4 1.4L 1390cc Turbo (Mex.)			WL7494		WA9645	WP2086 ⁷⁹			33814		N/S
L4 1.8L 1780cc (Mex.)	MG		WL10024 ⁶¹ WL10396 ¹⁹⁴			N/S WP2086			N/A		N/S
A3											
L4 1.4L 1395CC 85CID (Mex.)			WL7503		WA10072	24489	24489XP		N/S		N/S
L4 1.4L 1395cc TFSI (Mex.)			WL7503		WA10072	WP10159 ⁷⁸			N/S		
L4 2.0L 1968cc 120 CID Turbo Diesel		J	WL10056		WA10268	WP10159 ⁷⁸		7	N/S		WL10384
L4 2.0L Turbo			WL10024 ⁶¹ WL10396 ¹⁹⁴		WA10268	WP10159		7	N/S		N/S
A3 QUATTRO											
L4 2.0L 1984cc 121 CID Turbo			WL10024 ⁶¹ WL10396 ¹⁹⁴		WA10268	WP10159 ⁷⁸		7	N/S		N/A
A3 SPORTBACK E-TRON											
L4 1.4L 1395cc 85 CID Electric/Gas			WL7503		WA10072	WP10159			N/S		N/A
A4											
L4 1.8L 1800CC 110CID Turbo (Mex.)			WL10024 ⁶¹ WL10396 ¹⁹⁴		49043	24227			N/S		
L4 2.0L 1984cc 121 CID Turbo	CAED		WL10024 ⁶¹ WL10396 ¹⁹⁴		WA10866	WP10337		7	N/S		N/S
A4 allroad											
L4 2.0L Turbo	CYMC		WL10024 ⁶¹ WL10396 ¹⁹⁴		WA10866	WP10337		7	N/S		N/S
A4 QUATTRO											
L4 2.0L 1984cc 121 CID Turbo	CAED		WL10024 ⁶¹ WL10396 ¹⁹⁴		WA10866	WP10337		7	N/S		N/S
A5 QUATTRO											
L4 2.0L 1984cc 121 CID Turbo	CAED		57561		49043	24227		7	N/S		N/S

N/A = Not Available N/R = Not Required N/S = Not Serviceable For cabin and fuel filter locator, see pages 5-15 See pages 16-19 for footnotes

N/A = Non disponible N/R = Non nécessaire N/S = Non réparable Para la ubicación de los filtros de aire de la cabina y de combustible, ver las páginas 5-15 Voir pages 16-19 pour des notes

N/A = No disponible N/R = No requiere N/S = No servible Voir les tableaux de repérage des filtres d'habitacle et à carburant aux pages 5-15 Ver las páginas 16-19 para las notas al pie de página

Italicized Part Numbers May Not Be Available. Wix XP Oil Filters Have Fully Synthetic Media.

Las piezas con números en *italicas* pueden no estar disponibles. Los filtros de aceite WIX XP son completamente de media sintética. Les numéros de pièce en *italiques* peuvent ne pas être disponibles. Les filtres à huile XP Wix contiennent un matériau 100 % synthétique.

Year/Año/Année Model/Modelo/Modèle Engine/Motor/Moteur	Eng. Code Código de motor Code moteur	VIN NIV NIV	Oil Aceite Huile	Oil XP Aceite XP Huile XP	Air Aire Air	Cabin Air Cabina Aire Cabine Air	Cabin Air XP Cabina Aire XP Cabine Air XP	Loc. Cabin Air Cabina Aire Cabine Air	Fuel Combustible Carburant	Loc. Fuel Combustible Carburant	Transmission Transmisión Transmission
--	--	-------------------	------------------------	---------------------------------	--------------------	--	---	--	----------------------------------	--	---

AUDI (Cont'd/Suite)
2017 (Cont'd/Suite)
A5 QUATTRO (Cont'd/Suite)

L4 2.0L 1984cc 121 CID Turbo Flex	CPMB		57561		49043	24227		7	N/S		N/S
-----------------------------------	------	--	-------	--	-------	-------	--	---	-----	--	-----

A6

L4 1.8L (Mex.)			N/S		N/S	24439			N/S		N/S
L4 2.0L Turbo			WL10024 ⁶¹ WL10396 ¹⁹⁴		49343	24439		4	N/S		N/S
V6 3.0L 2995cc Super Charged	CGWD		WL10345		49243	24439		4	N/S		N/S

A6 QUATTRO

L4 2.0L Turbo	CYNB		WL10024 ⁶¹ WL10396 ¹⁹⁴		49343	24439		4	N/S		N/S
V6 3.0L 2995cc Super Charged			WL10345		49243	24439		4	N/S		N/S

A7

V6 3.0L 2995cc Super Charged			WL10345		49243	24439			N/S		
------------------------------	--	--	---------	--	-------	-------	--	--	-----	--	--

A7 QUATTRO

V6 3.0L 2995cc Super Charged			WL10345		49243	24439		7	N/S		N/A
------------------------------	--	--	---------	--	-------	-------	--	---	-----	--	-----

A8

V6 3.0L TURBO	CREC		WL10345		WA10948	24439		4	N/S		N/S
V8 4.0L 3993cc 244 CID TFSI Turbo (Mex.)			WL10350		WA10948	24439		8	N/A		

A8 QUATTRO

V6 3.0L 2995cc Super Charged			WL10345		WA10948	24439			N/S		N/R
V8 4.0L 3993cc Twin Turbo	CTGF		WL10350		WA10948	24439		7	N/S		N/S
W12 6.3L 6229cc	CTNA		57562		WA10968	24439		8	N/A		N/S

Q3

L4 1.4L 1395CC 85CID (Mex.)			WL7503		WA10072	24489 - With LHD WP9359 ⁶¹ - With RHD	24489XP - With LHD				N/S
L4 2.0L 1984cc 121 CID Turbo	CCTA		57561		49020	24489	24489XP		N/S		N/A

Q3 QUATTRO

L4 2.0L 1984cc 121 CID Turbo	CCTA		57561		49020	24489	24489XP		N/S		N/A
------------------------------	------	--	-------	--	-------	-------	---------	--	-----	--	-----

Q5

L4 2.0L 1984cc 121 CID Turbo Flex	CPMB		57561		49043	24227		4	N/S		N/S
V6 3.0L 2995cc Super Charged	CTUC		57204		49143	24227		7	N/S		N/A

Q5 HYBRID PRESTIGE

L4 2.0L 1984cc 121 CID Turbo Electric/Gas	CHJA		57561		49043	24227		4	N/S		N/A
---	------	--	-------	--	-------	-------	--	---	-----	--	-----

Q7

L4 2.0L Turbo	CYMC		WL10024 ⁶¹ WL10396 ¹⁹⁴		WA11128	WP10337 ⁷⁸			N/S		N/S
V6 3.0L 2995cc Super Charged			WL10345		WA11128	WP10337 ⁷⁸			N/S		N/S

R8

V10 5.2L 5204cc			57330		WA10977	N/A			N/S		N/A
-----------------	--	--	-------	--	---------	-----	--	--	-----	--	-----

RS 3

L5 2.5L 2480cc Turbo			57187	57187XP	WA10896	WP10159			N/S		N/A
----------------------	--	--	-------	---------	---------	---------	--	--	-----	--	-----

RS7

V8 4.0L TWIN TURBO	CWUC		WL10350		N/A	24439 ⁷⁸			N/S		N/S
V8 4.0L 3993cc Turbo	CWUB		WL10350		N/A	24439 ⁷⁸			N/S		N/S

S3

L4 2.0L 1984cc Turbo	CYFB		WL10024 ⁶¹ WL10396 ¹⁹⁴		WA10268 ¹⁵⁵	WP10159 ⁷⁸			N/S		WL10384
----------------------	------	--	---	--	------------------------	-----------------------	--	--	-----	--	---------

S5

V6 3.0L 2995cc Super Charged	CTUB		57204		49143	24227		7	N/S		N/S
------------------------------	------	--	-------	--	-------	-------	--	---	-----	--	-----

S6

V8 4.0L 3993cc Twin Turbo	CTGE		WL10350		49243	24439		3	N/S		N/S
---------------------------	------	--	---------	--	-------	-------	--	---	-----	--	-----

N/A = Not Available N/R = Not Required N/S = Not Serviceable For cabin and fuel filter locator, see pages 5-15 See pages 16-19 for footnotes

N/A = Non disponible N/R = Non nécessaire N/S = Non réparable Para la ubicación de los filtros de aire de la cabina y de combustible, ver las páginas 5-15 Voir pages 16-19 pour des notes

N/A = No disponible N/R = No requiere N/S = No servible Voir les tableaux de repérage des filtres d'habitacle et à carburant aux pages 5-15 Ver las páginas 16-19 para las notas al pie de página

Italicized Part Numbers May Not Be Available. Wix XP Oil Filters Have Fully Synthetic Media.

Las piezas con números en *italicas* pueden no estar disponibles. Los filtros de aceite WIX XP son completamente de media sintética.

Les numéros de pièce en *italiques* peuvent ne pas être disponibles. Les filtres à huile Wix contiennent un matériau 100 % synthétique.

AUDI 2017-2016
Pass Car/Light Truck

Year/Año/Année Model/Modelo/Modèle Engine/Motor/Moteur	Eng. Code Código de motor Code moteur	VIN NIV NIV	Oil Aceite Huile	Oil XP Aceite XP Huile XP	Air Aire Air	Cabin Air Cabina Aire Cabine Air	Cabin Air XP Cabina Aire XP Cabine Air XP	Loc. Cabin Air Cabina Aire Cabine Air	Fuel Combustible Carburant	Loc. Fuel Combustible Carburant	Transmission Transmisión Transmission
--	---	-------------------	------------------------	---------------------------------	--------------------	--	---	--	----------------------------------	--	---

AUDI (Cont'd/Suite)
2017 (Cont'd/Suite)

S7											
V8 4.0L 3993cc Twin Turbo	CTGE		WL10350		49243	24439			3	N/S	N/A
S8											
V8 4.0L 3993cc Twin Turbo	CTGF		WL10350		WA10968	24439			3	N/S	N/S
SQ5											
V6 3.0L 2995cc Super Charged	CTUD		57204		49143	24227			7	N/S	N/S
TT											
L4 1.8L (Mex.)			WL10024 ⁶¹ WL10396 ¹⁹⁴		WA10268	WP10159				N/S	N/S
TT QUATTRO											
L4 2.0L 1984cc 121 CID Turbo			WL10024 ⁶¹ WL10396 ¹⁹⁴		WA10268	WP10159			4	N/S	N/S
TTS											
L4 2.0L 1984cc Turbo	CYFB		57204		WA10268	WP10159				N/S	N/S
TTS QUATTRO											
L4 2.0L 1984cc Turbo	CYFB		WL10024 ⁶¹ WL10396 ¹⁹⁴		WA10268	WP10159			4	N/S	N/S

2016

A1											
L4 1.4L 1390cc Turbo (Mex.)			WL7494		WA9645	WP2086 ⁷⁹				33814	
L4 1.8L 1780cc (Mex.)	MG		WL10024 ⁶¹ WL10396 ¹⁹⁴			WP2086				N/A	N/S
A3											
L4 1.4L 1395cc TFSI (Mex.)			WL7503		WA10072	WP10159 ⁷⁸				N/S	
L4 1.8L 1798cc 110 CID TFSI Turbo	C		WL10024 ⁶¹ WL10396 ¹⁹⁴		WA10268	WP10159			7	N/S	N/S
L4 2.0L 1968cc 120 CID Turbo Diesel	J		WL10056		WA10268	WP10159			7	N/S	N/S
L4 2.0L Turbo			WL10024 ⁶¹ WL10396 ¹⁹⁴		WA10268 ¹⁵⁵	WP10159 ⁷⁸			7	N/S	N/S
A3 QUATTRO											
L4 2.0L 1984cc 121 CID Turbo			WL10024 ⁶¹ WL10396 ¹⁹⁴		WA10268	WP10159 ⁷⁸			7	N/S	N/S
A3 SPORTBACK E-TRON											
L4 1.4L 1395cc 85 CID Electric/Gas			WL7503		WA10072	WP10159				N/S	N/A
A4											
L4 1.8L 1800CC 110CID Turbo (Mex.)			WL10024 ⁶¹ WL10396 ¹⁹⁴		49043	24227				N/S	
L4 2.0L 1984cc 121 CID Turbo	CAED		57561		49043	24227			7	N/S	N/S
L4 2.0L 1984cc 121 CID Turbo Flex	CPMB		57561		49043	24227			7	N/S	N/S
A4 QUATTRO											
L4 2.0L 1984cc 121 CID Turbo Flex	CPMB		57561		49043	24227			7	N/S	N/S
L4 2.0L 1984cc 121 CID Turbo	CAED		57561		49043	24227			7	N/S	N/S
A5											
L4 1.8L 1798cc 110 CID TFSI Turbo (Mex.)			57561		49043	24227				N/S	
L4 2.0L 1984cc TFSI Turbo (Mex.)			57561		49043	24227			7	N/S	N/S
V6 3.0L 2995cc Super Charged (Mex.)			57204		49143	24227				N/S	
A5 QUATTRO											
L4 2.0L 1984cc 121 CID Turbo	CAED		57561		49043	24227			7	N/S	N/S
L4 2.0L 1984cc 121 CID Turbo Flex	CPMB		57561		49043	24227			7	N/S	N/S

N/A = Not Available N/R = Not Required N/S = Not Serviceable For cabin and fuel filter locator, see pages 5-15 See pages 16-19 for footnotes
 N/A = Non disponible N/R = Non nécessaire N/S = Non réparable Para la ubicación de los filtros de aire de la cabina y de combustible, ver las páginas 5-15 Voir pages 16-19 pour des notes
 N/A = No disponible N/R = No requiere N/S = No servible Voir les tableaux de repérage des filtres d'habitacle et à carburant aux pages 5-15 Ver las páginas 16-19 para las notas al pie de página

Italicized Part Numbers May Not Be Available. Wix XP Oil Filters Have Fully Synthetic Media.

Las piezas con números en *italicas* pueden no estar disponibles. Los filtros de aceite WIX XP son completamente de media sintética. Les numéros de pièce en *italiques* peuvent ne pas être disponibles. Les filtres à huile XP Wix contiennent un matériau 100 % synthétique.

Year/Año/Année Model/Modelo/Modèle Engine/Motor/Moteur	Eng. Code Código de motor Code moteur	VIN NIV NIV	Oil Aceite Huile	Oil XP Aceite XP Huile XP	Air Aire Air	Cabin Air Cabina Aire Cabine Air	Cabin Air XP Cabina Aire XP Cabine Air XP	Loc. Cabin Air Cabina Aire Cabine Air	Fuel Combustible Carburant	Loc. Fuel Combustible Carburant	Transmission Transmisión Transmission
--	---	-------------------	------------------------	---------------------------------	--------------------	--	---	--	----------------------------------	--	---

AUDI (Cont'd/Suite)
2016 (Cont'd/Suite)
A6

1.8 TFSI (Mex.)			WL10024 ⁶¹ WL10396 ¹⁹⁴		49343	24439			N/S		N/S
L4 2.0L Turbo	CDNB		WL10024 ⁶¹ WL10396 ¹⁹⁴		49343	24439		4	N/S		N/A - 6 Spd. N/A - 7 Spd. FWD
V6 3.0L 2976 cc Turbo Diesel Diesel	CYNB		WL10008		49243	24439		7	N/A		N/R
V6 3.0L 2995cc Super Charged	CGWD		WL10345		49243	24439		4	N/S		N/S

A6 QUATTRO

L4 2.0L Turbo	CYNB		WL10024 ⁶¹ WL10396 ¹⁹⁴		49343	24439		4	N/S		N/S
V6 3.0L 2967cc 181 CID Turbo Diesel	CPNB		WL10008		49243	24439		4	N/A		N/S
V6 3.0L 2995cc Super Charged			WL10345		49243	24439		4	N/S		N/S

A7

L4 2.0L 1984CC 121CID (Mex.)			WL10024 ⁶¹ WL10396 ¹⁹⁴		49343	N/S			N/S		N/S
V6 3.0L 2995cc Super Charged			WL10345		49243	24439			N/S		

A7 QUATTRO

V6 3.0L 2995cc	CREC		WL10345		49243	24439		4	N/S		N/S
V6 3.0L 2995cc Super Charged	CTUA		WL10345		49243	24439		7	N/S		N/A

A7 QUATTRO TDI

V6 3.0L 2967cc 181 CID Turbo Diesel	CPNB		WL10008		49243	24439		7	WF8444 ⁶¹		N/R
--	------	--	---------	--	-------	-------	--	---	----------------------	--	-----

A8

V6 3.0L 2995cc Super Charged (Mex.)	CGWA		WL10345		WA10948	24439		4	N/S		N/S
V8 4.0L 3993cc 244 CID TFSI Turbo (Mex.)			WL10350		WA10948	24439		8	N/A		
W12 6.3L 6229cc	CEJA		57562		WA10968	24439		8	N/A		N/R

A8 QUATTRO

V6 3.0L 2967cc 181 CID Turbo Diesel	CPNB		WL10008		WA10948	24439			WF8444 ⁶¹		N/R
V6 3.0L 2995cc	CREC		WL10345		WA10948	24439		4	N/A		N/S
V8 4.0L 3993cc Twin Turbo	CTGF		WL10350		WA10948	24439		7	N/S		N/S

ALLROAD

L4 2.0L 1984cc 121 CID Turbo Flex	CPMB		57561		49043	24227		4	N/S		N/S
--------------------------------------	------	--	-------	--	-------	-------	--	---	-----	--	-----

Q3

1.4 TFSI (Mex.)			WL7503		WA10072	24489	24489XP		N/S		N/S
L4 2.0L 1984cc 121 CID Turbo	CCTA		57561		49020	24489	24489XP		N/S		N/A

Q3 QUATTRO

L4 2.0L 1984cc 121 CID Turbo	CCTA		57561		49020	24489	24489XP		N/S		N/A
------------------------------	------	--	-------	--	-------	-------	---------	--	-----	--	-----

Q5

L4 2.0L 1984cc Turbo	CPMB		57561		49043	24227		4	N/S		N/A
V6 3.0L 2967cc Turbo Diesel	CPNB		WL10008		49143	24227		7	WF8444 ⁶¹		N/S
V6 3.0L 2995cc Super Charged		G	57204		49143	24227		7	N/S		N/A

Q5 HYBRID PRESTIGE

L4 2.0L 1984cc 121 CID Turbo Electric/Gas	CHJA		57561		49043	24227		4	N/S		N/A
--	------	--	-------	--	-------	-------	--	---	-----	--	-----

Q7

L4 2.0L 1984CC 121CID (Mex.)			N/A		49043	N/S			N/S		N/S
V6 3.0L Super Charged	CTWA		57204		42859	24631 ⁷⁸			N/S		N/S
	CTWB		57204		42859	24631 ⁷⁸			N/S		N/S
V6 3.0L Turbo	CLZB		WL10008		42859	24631 ⁷⁸			N/S		N/S

R8

V10 5.2L 5204cc (Mex.)	CTYA		57330		WA10977	49375		8	33831		WL10376
------------------------	------	--	-------	--	---------	-------	--	---	-------	--	---------

N/A = Not Available N/R = Not Required N/S = Not Serviceable For cabin and fuel filter locator, see pages 5-15 See pages 16-19 for footnotes

N/A = Non disponible N/R = Non nécessaire N/S = Non réparable Para la ubicación de los filtros de aire de la cabina y de combustible, ver las páginas 5-15 Voir pages 16-19 pour des notes

N/A = No disponible N/R = No requiere N/S = No servible Voir les tableaux de repérage des filtres d'habitacle et à carburant aux pages 5-15 Ver las páginas 16-19 para las notas al pie de página

Italicized Part Numbers May Not Be Available. Wix XP Oil Filters Have Fully Synthetic Media.

Las piezas con números en *italicas* pueden no estar disponibles. Los filtros de aceite WIX XP son completamente de media sintética.

Les numéros de pièce en *italiques* peuvent ne pas être disponibles. Les filtres à huile Wix contiennent un matériau 100 % synthétique.

AUDI 2016-2015
Pass Car/Light Truck

Year/Año/Année Model/Modelo/Modèle Engine/Motor/Moteur	Eng. Code Código de motor Code moteur	VIN NIV NIV	Oil Aceite Huile	Oil XP Aceite XP Huile XP	Air Aire Air	Cabin Air Cabina Aire Cabine Air	Cabin Air XP Cabina Aire XP Cabine Air XP	Loc. Cabin Air Cabina Aire Cabine Air	Fuel Combustible Carburant	Loc. Fuel Combustible Carburant	Transmission Transmisión Transmission
--	---	-------------------	------------------------	---------------------------------	--------------------	--	---	--	----------------------------------	--	---

AUDI (Cont'd/Suite)
2016 (Cont'd/Suite)
R8 (Cont'd/Suite)

V8 4.2L 4163cc (Mex.)	CNDA		57330		WA10976	49375		7	33831		WL10376
-----------------------	------	--	-------	--	---------	-------	--	---	-------	--	---------

RS 5

V8 4.2L 4163cc (Mex.)	CFSA		57330		WA10959 - Left WA10960 - Right	24227			N/S		N/S
-----------------------	------	--	-------	--	-----------------------------------	-------	--	--	-----	--	-----

RS7

V8 4.0L 3993cc 243 CID Turbo	CRDB		WL10350		N/A	24439			N/S		N/S
V8 4.0L 3993cc Turbo	CWUB		WL10350		N/A	24439 ⁷⁸			N/S		N/S

S3

L4 2.0L 1984cc Turbo	CYFB		WL10024 ⁶¹ WL10396 ¹⁹⁴		WA10268 ⁶⁵	WP10159 ⁷⁸			N/S		WL10384
L4 2.0L 1984cc Turbo	CJXC		WL10024 ⁶¹ WL10396 ¹⁹⁴		WA10268 ⁶⁵	WP10159 ⁷⁸			N/S		N/A

S4

V6 3.0L 2995cc Super Charged	CTUB		57204		49143	24227		7	N/S		N/S
------------------------------	------	--	-------	--	-------	-------	--	---	-----	--	-----

S5

V6 3.0L 2995cc Super Charged	CTUB		57204		49143	24227 ⁷⁸		7	N/S		N/S
------------------------------	------	--	-------	--	-------	---------------------	--	---	-----	--	-----

S6

V8 4.0L 3993cc 243 CID Turbo	CEUC		WL10350		49243	24439		3	N/S		N/S
V8 4.0L 3993cc Twin Turbo	CTGE		WL10350		49243	24439		3	N/S		N/S

S7

V8 4.0L 3993cc 243 CID Turbo	CEUC		WL10350		49243	24439		3	N/S		N/S
V8 4.0L 3993cc Twin Turbo	CTGE		WL10350		49243	24439		3	N/S		N/A

S8

V8 4.0L	CTFA		WL10350		WA10968	24439		3	N/S		N/S
V8 4.0L 4000CC 244CID			WL10350		WA10968	24439		3	N/S		N/S

SQ5

V6 3.0L	CGQB		57204		49143	24227		7	N/S		N/S
V6 3.0L 2995cc Super Charged	CTUD		57204		49143	24227		7	N/S		N/S

TT

L4 1.8L (Mex.)			WL10024 ⁶¹ WL10396 ¹⁹⁴		WA10268	WP10159			N/S		N/S
----------------	--	--	---	--	---------	---------	--	--	-----	--	-----

TT QUATTRO

L4 2.0L 1984cc 121 CID Turbo			WL10024 ⁶¹ WL10396 ¹⁹⁴		WA10268	WP10159		4	N/S		N/S
------------------------------	--	--	---	--	---------	---------	--	---	-----	--	-----

TTS QUATTRO

L4 2.0L 1984cc Turbo	CYFB		WL10024 ⁶¹ WL10396 ¹⁹⁴		WA10268	WP10159		4	N/S		N/S
----------------------	------	--	---	--	---------	---------	--	---	-----	--	-----

2015
A1

L4 1.4L 1390cc Turbo (Mex.)			WL7494		WA9645	WP2086 ⁷⁹			33814		
L4 1.8L 1780cc (Mex.)	MG		WL10024 ⁶¹ WL10396 ¹⁹⁴			WP2086			N/A		N/S

A3

L4 1.4L 1390cc Turbo (Mex.)			WL7494		49013	24489	24489XP		33814		
L4 1.8L 1798cc 110 CID TFSI Turbo	C		WL10024 ⁶¹ WL10396 ¹⁹⁴		WA10268	WP10159		7	N/S		N/S
L4 2.0L 1968cc 120 CID Turbo Diesel	J		WL10056		WA10268	WP10159		7	WF8477		N/S
L4 2.0L 1984cc 121 CID Turbo	F		WL10024 ⁶¹ WL10396 ¹⁹⁴		WA10268	WP10159		7	N/S		N/S

A4

L4 1.8L 1800CC 110CID Turbo (Mex.)			WL10024 ⁶¹ WL10396 ¹⁹⁴		49043	24227			N/S		
------------------------------------	--	--	---	--	-------	-------	--	--	-----	--	--

N/A = Not Available N/R = Not Required N/S = Not Serviceable For cabin and fuel filter locator, see pages 5-15 See pages 16-19 for footnotes

N/A = Non disponible N/R = Non nécessaire N/S = Non réparable Para la ubicación de los filtros de aire de la cabina y de combustible, ver las páginas 5-15 Voir pages 16-19 pour des notes

N/A = No disponible N/R = No requiere N/S = No servible Voir les tableaux de repérage des filtres d'habitacle et à carburant aux pages 5-15 Ver las páginas 16-19 para las notas al pie de página

Italicized Part Numbers May Not Be Available. Wix XP Oil Filters Have Fully Synthetic Media.

Las piezas con números en *italicas* pueden no estar disponibles. Los filtros de aceite WIX XP son completamente de media sintética. Les numéros de pièce en *italiques* peuvent ne pas être disponibles. Les filtres à huile XP Wix contiennent un matériau 100 % synthétique.

Year/Año/Année Model/Modelo/Modèle Engine/Motor/Moteur	Eng. Code Código de motor Code moteur	VIN NIV NIV	Oil Aceite Huile	Oil XP Aceite XP Huile XP	Air Aire Air	Cabin Air Cabina Aire Cabine Air	Cabin Air XP Cabina Aire XP Cabine Air XP	Loc. Cabin Air Cabina Aire Cabine Air	Fuel Combustible Carburant	Loc. Fuel Combustible Carburant	Transmission Transmisión Transmission
--	---	-------------------	------------------------	---------------------------------	--------------------	--	---	--	----------------------------------	--	---

AUDI (Cont'd/Suite)

2015 (Cont'd/Suite)

A4 (Cont'd/Suite)

L4 2.0L 1984cc 121 CID Turbo	CAED	F	57561		49043	24227		7	N/S		N/S
------------------------------	------	---	-------	--	-------	-------	--	---	-----	--	-----

A4 QUATTRO

L4 2.0L 1984cc 121 CID Turbo Flex	CPMB		57561		49043	24227		7	N/S		N/S
-----------------------------------	------	--	-------	--	-------	-------	--	---	-----	--	-----

A5

L4 1.8L 1798cc 110 CID TFSI Turbo (Mex.)			57561		49043	24227			N/S		
L4 2.0L 1984cc 121 CID Turbo	CAED		57561		49043	24227		7	N/S		N/S
V6 3.0L 2995cc Super Charged (Mex.)			57204		49143	24227			N/S		

A5 QUATTRO

L4 2.0L 1984cc 121 CID Turbo			57561		49043	24227		7	N/S		N/S
------------------------------	--	--	-------	--	-------	-------	--	---	-----	--	-----

A6

L4 2.0L 1984cc 121 CID Turbo	CAED		57561		49343	24439		4	N/S		N/A - 6 Spd. N/A - 7 Spd. FWD
------------------------------	------	--	-------	--	-------	-------	--	---	-----	--	----------------------------------

A6 QUATTRO

V6 3.0L 2967cc 181 CID Turbo Diesel	CPNB		WL10008		49243	24439		4	WF8444 ⁶¹		N/S
V6 3.0L 2995cc Super Charged	CTUA		57204		49243	24439		4	N/S		N/S

A7

V6 3.0L 2995cc Super Charged (Mex.)			57204		49243	24439			N/S		
-------------------------------------	--	--	-------	--	-------	-------	--	--	-----	--	--

A7 QUATTRO

V6 3.0L 2995cc Super Charged	CTUA		57204		49243	24439		7	N/S		N/A
------------------------------	------	--	-------	--	-------	-------	--	---	-----	--	-----

A7 QUATTRO TDI

V6 3.0L 2967cc 181 CID Turbo Diesel	CPNB		WL10008		49243	24439		7	WF8444 ⁶¹		N/A
-------------------------------------	------	--	---------	--	-------	-------	--	---	----------------------	--	-----

A8

V8 4.0L 3993cc 244 CID TFSI Turbo (Mex.)			WL10350		WA10968	24439		8	N/S		
--	--	--	---------	--	---------	-------	--	---	-----	--	--

A8 QUATTRO

V6 3.0L 2995cc Super Charged		G	WL10345		WA10948	24439		7	N/S		N/S
V8 4.0L 3993cc 243 CID Turbo		G	WL10350		WA10948	24439		7	N/S		N/S

A8 QUATTRO L

V6 3.0L 2995cc Super Charged		G	WL10345		WA10948	24439		7	N/S		N/S
V8 4.0L 3993cc 243 CID Turbo		G	WL10350		WA10948	24439		7	N/S		N/S

A8 QUATTRO L TDI

V6 3.0L 2967cc 181 CID Turbo Diesel			WL10008		WA10948	24439			WF8444 ⁶¹		N/S
	CPNA		WL10008		WA10948	24439			WF8444 ⁶¹		N/S

A8 QUATTRO L W12

W12 6.3L 6229cc 384 CID		4	57562		WA10968	24439		8	N/S		N/S
-------------------------	--	---	-------	--	---------	-------	--	---	-----	--	-----

ALLROAD QUATTRO

L4 2.0L 1984cc 121 CID Turbo Flex	CPMB		57561		49043	24227			N/S		N/R
-----------------------------------	------	--	-------	--	-------	-------	--	--	-----	--	-----

Q3

L4 2.0L 1968cc Diesel (Mex.)			57262		N/A	N/A			N/A		N/A
L4 2.0L 1984cc 121 CID Turbo	CCTA		57561		49020	24489	24489XP		N/S		N/A

Q5

L4 2.0L 1984cc 121 CID Turbo Flex	CPMB	F	57561		49043	24227		4	N/S		N/A
V6 3.0L 2995cc Super Charged	CTUC	G	57204		49143	24227		7	N/S		N/A

Q5 HYBRID PRESTIGE

L4 2.0L 1984cc 121 CID Turbo Electric/Gas	CHJA	F	57561		49043	24227		4	N/S		N/A
---	------	---	-------	--	-------	-------	--	---	-----	--	-----

N/A = Not Available N/R = Not Required N/S = Not Serviceable For cabin and fuel filter locator, see pages 5-15 See pages 16-19 for footnotes

N/A = Non disponible N/R = Non nécessaire N/S = Non réparable Para la ubicación de los filtros de aire de la cabina y de combustible, ver las páginas 5-15 Voir pages 16-19 pour des notes

N/A = No disponible N/R = No requiere N/S = No servible Voir les tableaux de repérage des filtres d'habitacle et à carburant aux pages 5-15 Ver las páginas 16-19 para las notas al pie de página

Italicized Part Numbers May Not Be Available. Wix XP Oil Filters Have Fully Synthetic Media.

Las piezas con números en *italicas* pueden no estar disponibles. Los filtros de aceite WIX XP son completamente de media sintética.

Les numéros de pièce en *italiques* peuvent ne pas être disponibles. Les filtres à huile XP Wix contiennent un matériau 100 % synthétique.

AUDI 2015-2014
Pass Car/Light Truck

Year/Año/Année Model/Modelo/Modèle Engine/Motor/Moteur	Eng. Code Código de motor Code moteur	VIN NIV NIV	Oil Aceite Huile	Oil XP Aceite XP Huile XP	Air Aire Air	Cabin Air Cabina Aire Cabine Air	Cabin Air XP Cabina Aire XP Cabine Air XP	Loc. Cabin Air Cabina Aire Cabine Air	Fuel Combustible Carburant	Loc. Fuel Combustible Carburant	Transmission Transmisión Transmission
--	---	-------------------	------------------------	---------------------------------	--------------------	--	---	--	----------------------------------	--	---

AUDI (Cont'd/Suite)
2015 (Cont'd/Suite)
Q5 TDI Premium Plus

V6 3.0L 2967cc 181 CID Turbo Diesel	CPNB	M	WL10008		49143	24227		7	WF8444 ⁶¹		N/A
-------------------------------------	------	---	---------	--	-------	-------	--	---	----------------------	--	-----

Q7

V6 3.0L 2995cc Super Charged	CTWB		57204		42859	24631		7	N/S		N/S
V8 4.2L 4134cc Turbo Diesel (Mex.)			57161		42859	24631			N/A		

Q7 TDI

V6 3.0L 2967cc 181 CID Turbo Diesel	CNRB		WL10008		42859	24631		4	N/S		N/S
-------------------------------------	------	--	---------	--	-------	-------	--	---	-----	--	-----

R8

V10 5.2L 5204cc	CTYA		57330		WA10976	49375		8	33831		N/S
V8 4.2L 4163cc	CNDA	U	57330		WA10977	49375		7	33831		WL10376

RS 5

V8 4.2L 4163cc 254 CID	CFSA	6	57330		WA10959 - Left WA10960 - Right	24227			N/S		
------------------------	------	---	-------	--	-----------------------------------	-------	--	--	-----	--	--

RS7

V8 4.0L 3993cc 243 CID Turbo	CRDB		WL10350		49243	24439			N/S		N/S
------------------------------	------	--	---------	--	-------	-------	--	--	-----	--	-----

S3

L4 2.0L 1984cc 121 CID Turbo			WL10024 ⁶¹ WL10396 ⁹⁴		N/A	WP10159			N/S		N/A
------------------------------	--	--	--	--	-----	---------	--	--	-----	--	-----

S4

V6 3.0L 2995cc Super Charged	CTUB		57204		49143	24227		7	N/S		N/S
------------------------------	------	--	-------	--	-------	-------	--	---	-----	--	-----

S5

V6 3.0L 2995cc Super Charged	CTUB		57204		49143	24227		7	N/S		N/S
------------------------------	------	--	-------	--	-------	-------	--	---	-----	--	-----

S6

V8 4.0L 3993cc 243 CID Turbo	CEUC		WL10350		49243	24439		3	N/S		N/S
------------------------------	------	--	---------	--	-------	-------	--	---	-----	--	-----

S7

V8 4.0L 3993cc 243 CID Turbo	CEUC		WL10350		49243	24439		3	N/S		N/S
------------------------------	------	--	---------	--	-------	-------	--	---	-----	--	-----

S8

V8 4.0L 3993cc 243 CID Turbo	CGTA		WL10350		WA10968	24439		3	N/S		N/S
------------------------------	------	--	---------	--	---------	-------	--	---	-----	--	-----

SQ5

V6 3.0L 2995cc Super Charged	CTUD		57204		49143	24227		7	N/S		N/S
------------------------------	------	--	-------	--	-------	-------	--	---	-----	--	-----

TT COUPE

L4 2.0L 1984cc 121 CID Turbo	CETA	F	57561		49020	24489	24489XP	4	33814		WL10384
------------------------------	------	---	-------	--	-------	-------	---------	---	-------	--	---------

TT ROADSTER

L4 2.0L 1984cc 121 CID Turbo	CETA	F	57561		49020	24489	24489XP	4	33814		N/A
------------------------------	------	---	-------	--	-------	-------	---------	---	-------	--	-----

TTS COUPE

L4 2.0L 1984cc Turbo	CDMA		57187	57187XP	49020	24489	24489XP		33814		N/A
----------------------	------	--	-------	---------	-------	-------	---------	--	-------	--	-----

TTS ROADSTER

L4 2.0L 1984cc Turbo	CDMA		57187	57187XP	49020	24489	24489XP		33814		N/A
----------------------	------	--	-------	---------	-------	-------	---------	--	-------	--	-----

2014
A1

L4 1.2L 1197cc Turbo (Mex.)			WL7494		WA9645	WP2087 ⁶¹			33814		
L4 1.4L 1390cc Turbo (Mex.)			WL7494		WA9645	WP2086 ⁷⁹			33814		

A3

L4 1.4L 1400CC 85CID Turbo (Mex.)			WL7494		49013	24489	24489XP		33814		
L4 1.8L 1781cc FSI Turbo (Mex.)			WL10024 ⁶¹ WL10396 ⁹⁴		WA10268	WP10159			N/S		

A4

L4 1.8L 1800CC 110CID Turbo (Mex.)			WL10024 ⁶¹ WL10396 ⁹⁴		49043	24227			N/S		
------------------------------------	--	--	--	--	-------	-------	--	--	-----	--	--

N/A = Not Available N/R = Not Required N/S = Not Serviceable For cabin and fuel filter locator, see pages 5-15 See pages 16-19 for footnotes

N/A = Non disponible N/R = Non nécessaire N/S = Non réparable Para la ubicación de los filtros de aire de la cabina y de combustible, ver las páginas 5-15 Voir pages 16-19 pour des notes

N/A = No disponible N/R = No requiere N/S = No servible Voir les tableaux de repérage des filtres d'habitacle et à carburant aux pages 5-15 Ver las páginas 16-19 para las notas al pie de página

Italicized Part Numbers May Not Be Available. Wix XP Oil Filters Have Fully Synthetic Media.

Las piezas con números en *italicas* pueden no estar disponibles. Los filtros de aceite WIX XP son completamente de media sintética. Les numéros de pièce en *italiques* peuvent ne pas être disponibles. Les filtres à huile XP Wix contiennent un matériau 100 % synthétique.

Year/Año/Année Model/Modelo/Modèle Engine/Motor/Moteur	Eng. Code Código de motor Code moteur	VIN NIV NIV	Oil Aceite Huile	Oil XP Aceite XP Huile XP	Air Aire Air	Cabin Air Cabina Aire Cabine Air	Cabin Air XP Cabina Aire XP Cabine Air XP	Loc. Cabin Air Cabina Aire Cabine Air	Fuel Combustible Carburant	Loc. Fuel Combustible Carburant	Transmission Transmisión Transmission
--	--	-------------------	------------------------	---------------------------------	--------------------	--	---	--	----------------------------------	--	---

AUDI (Cont'd/Suite)
2014 (Cont'd/Suite)
A4 (Cont'd/Suite)

L4 2.0L 1984cc 121 CID Turbo	CAED	F	57561		49043	24227		7	N/S		N/S
V6 3.0L 2995cc Super Charged (Mex.)			57204		49143	24227			N/S		

A4 QUATTRO

L4 2.0L 1984cc 121 CID Turbo	CAED		57561		49043	24227		7	N/S		N/S
L4 2.0L 1984cc 121 CID Turbo Flex	CPMB		57561		49043	24227		7	N/S		N/S

A5

L4 1.8L 1798cc 110 CID TFSI Turbo (Mex.)			57561		49043	24227			N/S		
L4 2.0L 1984cc 121 CID Turbo	CAED		57561		49043	24227		7	N/S		N/S
L4 2.0L 1984cc 121 CID Turbo Flex	CPMB	F	57561		49043	24227		4	N/S		N/S
V6 3.0L 2995cc Super Charged (Mex.)			57204		49143	24227			N/S		

A5 Cabriolet

L4 2.0L 1984cc 121 CID Turbo	CAED		57561		49043	24227		7	N/S		N/S
------------------------------	------	--	-------	--	-------	-------	--	---	-----	--	-----

A5 QUATTRO

L4 2.0L 1984cc 121 CID Turbo			57561		49043	24227		7	N/S		N/S
------------------------------	--	--	-------	--	-------	-------	--	---	-----	--	-----

A6

L4 2.0L 1984cc 121 CID Turbo	CAED		57561		49343	24439		4	N/S		N/A - 6 Spd. N/A - 7 Spd. FWD
------------------------------	------	--	-------	--	-------	-------	--	---	-----	--	----------------------------------

A6 QUATTRO

V6 3.0L 2967cc 181 CID Turbo Diesel	CPNB		WL10008		49243	24439		4	WF8444 ⁶¹		N/S
V6 3.0L 2995cc Super Charged	CTUA		57204		49243	24439		4	N/S		N/S

A7

V6 3.0L 2995cc Super Charged (Mex.)			57204		49243	24439			N/S		
-------------------------------------	--	--	-------	--	-------	-------	--	--	-----	--	--

A7 QUATTRO

V6 3.0L 2995cc Super Charged	CTUA		57204		49243	24439		7	N/S		N/A
------------------------------	------	--	-------	--	-------	-------	--	---	-----	--	-----

A7 QUATTRO TDI

V6 3.0L 2967cc 181 CID Turbo Diesel	CPNB		WL10008		49243	24439		7	WF8444 ⁶¹		N/A
-------------------------------------	------	--	---------	--	-------	-------	--	---	----------------------	--	-----

A8

V8 4.0L 3993cc 244 CID TFSI Turbo (Mex.)			WL10350		WA10948	24439		8	N/A		
--	--	--	---------	--	---------	-------	--	---	-----	--	--

A8 QUATTRO

V6 3.0L 2967cc Turbo Diesel			WL10008		WA10948	24439			N/S		N/A
V6 3.0L 2995cc Super Charged	CTUB	G	57204		WA10948	24439		7	N/S		N/S
V8 4.0L 3993cc 243 CID Turbo	CEUA	G	WL10350		WA10948	24439		7	N/S		N/S

A8 QUATTRO L

V6 3.0L 2995cc Super Charged	CTUB	G	57204		WA10948	24439		7	N/S		N/S
V8 4.0L 3993cc 243 CID Turbo	CEUA	G	WL10350		WA10948	24439		7	N/S		N/S

A8 QUATTRO L W12

W12 6.3L 6229cc 384 CID	CEJA	4	57562		WA10968	24439		8	N/S		N/S
-------------------------	------	---	-------	--	---------	-------	--	---	-----	--	-----

ALLROAD

L4 2.0L 1984cc 121 CID Turbo Flex	CPMB		57561		49043	24227		4	N/S		N/S
-----------------------------------	------	--	-------	--	-------	-------	--	---	-----	--	-----

ALLROAD QUATTRO

L4 2.0L 2000CC 122CID			57561		49043	24227			N/S		N/R
-----------------------	--	--	-------	--	-------	-------	--	--	-----	--	-----

Q3

L4 2.0L 1968cc Diesel (Mex.)			57262		49020	24489	24489XP		WF10114		
L4 2.0L 1984cc Turbo (Mex.)			57561		49020	24489	24489XP		N/S		

N/A = Not Available N/R = Not Required N/S = Not Serviceable For cabin and fuel filter locator, see pages 5-15 See pages 16-19 for footnotes

N/A = Non disponible N/R = Non nécessaire N/S = Non réparable Para la ubicación de los filtros de aire de la cabina y de combustible, ver las páginas 5-15 Voir pages 16-19 pour des notes

N/A = No disponible N/R = No requiere N/S = No servible Voir les tableaux de repérage des filtres d'habitacle et à carburant aux pages 5-15 Ver las páginas 16-19 para las notas al pie de página

Italicized Part Numbers May Not Be Available. Wix XP Oil Filters Have Fully Synthetic Media.

Las piezas con números en *italicas* pueden no estar disponibles. Los filtros de aceite WIX XP son completamente de media sintética.

Les numéros de pièce en *italiques* peuvent ne pas être disponibles. Les filtres à huile Wix contiennent un matériau 100 % synthétique.

AUDI 2014
Pass Car/Light Truck

Year/Año/Année Model/Modelo/Modèle Engine/Motor/Moteur	Eng. Code Código de motor Code moteur	VIN NIV NIV	Oil Aceite Huile	Oil XP Aceite XP Huile XP	Air Aire Air	Cabin Air Cabina Aire Cabine Air	Cabin Air XP Cabina Aire XP Cabine Air XP	Loc. Cabin Air Cabina Aire Cabine Air	Fuel Combustible Carburant	Loc. Fuel Combustible Carburant	Transmission Transmisión Transmission
--	---	-------------------	------------------------	---------------------------------	--------------------	--	---	--	----------------------------------	--	---

AUDI (Cont'd/Suite)
2014 (Cont'd/Suite)
Q5

L4 2.0L 1984cc 121 CID Turbo Flex	CPMB	F	57561		49043	24227		4	N/S		N/A
V6 3.0L 2995cc Super Charged	CTUC	G	57204		49143	24227		7	N/S		N/A

Q5 HYBRID PRESTIGE

L4 2.0L 1984cc 121 CID Turbo Electric/Gas	CHJA	F	57561		49043	24227		4	N/S		N/A
---	------	---	-------	--	-------	-------	--	---	-----	--	-----

Q5 TDI Premium Plus

V6 3.0L 2967cc 181 CID Turbo Diesel	CPNB	M	WL10008		49143	24227		7	WF8444 ⁶¹		N/A
-------------------------------------	------	---	---------	--	-------	-------	--	---	----------------------	--	-----

Q7

V6 3.0L 2995cc Super Charged	CTWB		57204		42859	24631		7	N/S		N/S
V8 4.2L 4134cc Turbo Diesel (Mex.)			57161		42859	24631 WP9166			N/A		

Q7 TDI

V6 3.0L 2967cc 181 CID Turbo Diesel	CNRB		WL10008		42859	24631		4	33434 - (Cartridge) WF8412 ⁶¹ - In-Line		N/S
-------------------------------------	------	--	---------	--	-------	-------	--	---	---	--	-----

R8

V10 5.2L 5204cc	CTYA		57330		WA10976	49375		8	33831		N/S
V8 4.2L 4163cc	CNDA	U	57330		WA10977	49375		7	33831		WL10376

RS 5

V8 4.2L 4163cc 254 CID	CFSA	6	57330		WA10959 - Left WA10960 - Right	24227			N/S		
------------------------	------	---	-------	--	-----------------------------------	-------	--	--	-----	--	--

RS7

V8 4.0L 3993cc 243 CID Turbo	CRDB		WL10350		49243	24439			N/S		N/S
------------------------------	------	--	---------	--	-------	-------	--	--	-----	--	-----

S3

L4 2.0L 1984cc Turbo (Mex.)			WL10024 ⁶¹ WL10396 ¹⁹⁴		N/S	N/S			N/S		N/S
-----------------------------	--	--	---	--	-----	-----	--	--	-----	--	-----

S4

V6 3.0L 2995cc Super Charged	CTUB		57204		49143	24227		7	N/S		N/S
------------------------------	------	--	-------	--	-------	-------	--	---	-----	--	-----

S5

V6 3.0L 2995cc Super Charged	CTUB		57204		49143	24227		7	N/S		N/S
------------------------------	------	--	-------	--	-------	-------	--	---	-----	--	-----

S6

V8 4.0L 3993cc 243 CID Turbo	CEUC		WL10350		49243	24439		3	33831		N/S
------------------------------	------	--	---------	--	-------	-------	--	---	-------	--	-----

S7

V8 4.0L 3993cc 243 CID Turbo	CEUC		WL10350		49243	24439		3	N/S		N/S
------------------------------	------	--	---------	--	-------	-------	--	---	-----	--	-----

S8

V8 4.0L 3993cc 243 CID Turbo	CGTA		WL10350 WL10350		WA10968 WA10968	24439 24439		3	N/S N/S		N/S N/S
------------------------------	------	--	--------------------	--	--------------------	----------------	--	---	------------	--	------------

SQ5

V6 3.0L 2995cc Super Charged	CTUD		57204		49143	24227		7	N/S		N/S
------------------------------	------	--	-------	--	-------	-------	--	---	-----	--	-----

TT

L4 1.8L 1798cc FSI Turbo (Mex.)			57561		49020	24489	24489XP		33814		
L4 2.0L 1984cc Turbo (Mex.)	CETA	F	57561		49020	24489	24489XP	4	33814		

TT COUPE

L4 2.0L 1984cc 121 CID Turbo	CETA	F	57561		49020	24489	24489XP	4	33814		WL10384
------------------------------	------	---	-------	--	-------	-------	---------	---	-------	--	---------

TT QUATTRO

L4 2.0L 1984cc 121 CID Turbo	CETA		57561		49020	24489	24489XP	4	33814		WL10384
------------------------------	------	--	-------	--	-------	-------	---------	---	-------	--	---------

TT QUATTRO Premium Plus

L4 2.0L 1984cc 121 CID Turbo	CETA		57187	57187XP	49020	24489	24489XP	4	33814		N/S
------------------------------	------	--	-------	---------	-------	-------	---------	---	-------	--	-----

TT QUATTRO S

L4 2.0L 1984cc 121 CID Turbo	CDMA		57561		49020	24489	24489XP	4	33814		N/S
------------------------------	------	--	-------	--	-------	-------	---------	---	-------	--	-----

N/A = Not Available N/R = Not Required N/S = Not Serviceable For cabin and fuel filter locator, see pages 5-15 See pages 16-19 for footnotes

N/A = Non disponible N/R = Non nécessaire N/S = Non réparable Para la ubicación de los filtros de aire de la cabina y de combustible, ver las páginas 5-15 Voir pages 16-19 pour des notes

N/A = No disponible N/R = No requiere N/S = No servible Voir les tableaux de repérage des filtres d'habitacle et à carburant aux pages 5-15 Ver las páginas 16-19 para las notas al pie de página

Italicized Part Numbers May Not Be Available. Wix XP Oil Filters Have Fully Synthetic Media.

Las piezas con números en *italicas* pueden no estar disponibles. Los filtros de aceite WIX XP son completamente de media sintética. Les numéros de pièce en *italiques* peuvent ne pas être disponibles. Les filtres à huile XP Wix contiennent un matériau 100 % synthétique.

Year/Año/Année Model/Modelo/Modèle Engine/Motor/Moteur	Eng. Code Código de motor Code moteur	VIN NIV NIV	Oil Aceite Huile	Oil XP Aceite XP Huile XP	Air Aire Air	Cabin Air Cabina Aire Cabine Air	Cabin Air XP Cabina Aire XP Cabine Air XP	Loc. Cabin Air Cabina Aire Cabine Air	Fuel Combustible Carburant	Loc. Fuel Combustible Carburant	Transmission Transmisión Transmission
--	---	-------------------	------------------------	---------------------------------	--------------------	--	---	--	----------------------------------	--	---

AUDI (Cont'd/Suite)
2014 (Cont'd/Suite)
TT ROADSTER

L4 2.0L 1984cc 121 CID Turbo	CETA	F	57561		49020	24489	24489XP	4	33814		N/A
------------------------------	------	---	-------	--	-------	-------	---------	---	-------	--	-----

TT RS

L5 2.5L 2480cc Turbo			57187	57187XP	49122	24489	24489XP		33814		N/A
----------------------	--	--	-------	---------	-------	-------	---------	--	-------	--	-----

TTS COUPE

L4 2.0L 1984cc Turbo	CDMA		57187	57187XP	49020	24489	24489XP		33814		N/A
----------------------	------	--	-------	---------	-------	-------	---------	--	-------	--	-----

TTS ROADSTER

L4 2.0L 1984cc Turbo	CDMA		57187	57187XP	49020	24489	24489XP		33814		N/A
----------------------	------	--	-------	---------	-------	-------	---------	--	-------	--	-----

2013
A1

L4 1.4L 1390cc Turbo (Mex.)			WL7494		WA9645	WP2086 ⁷⁹			33814		
-----------------------------	--	--	--------	--	--------	----------------------	--	--	-------	--	--

A3

L4 1.4L 1400CC 85CID Turbo (Mex.)			WL7494		49013	24489	24489XP		33814		
L4 1.8L 1781cc FSI Turbo (Mex.)			WL10024 ⁶¹ WL10396 ¹⁹⁴		WA10268	WP10159			N/S		
L4 2.0L 1984cc 121 CID Turbo	CBFA CCTA	F E	57561 57561		49020 49020	24489 24489	24489XP 24489XP	4 4	33814 33814		N/A N/A

A3 QUATTRO

L4 2.0L 1984cc 121 CID Turbo	CCTA		57083		49020	24489	24489XP	4	33256		WL10384
------------------------------	------	--	-------	--	-------	-------	---------	---	-------	--	---------

A3 TDI

L4 2.0L 1968cc 120 CID Turbo Diesel	CBEA	J	57083		49020	24489	24489XP	4	33256		WL10384
-------------------------------------	------	---	-------	--	-------	-------	---------	---	-------	--	---------

A4

L4 1.8L 1800CC 110CID Turbo (Mex.)			WL10024 ⁶¹ WL10396 ¹⁹⁴		49043	24227			N/S		
L4 2.0L 1984cc 121 CID Turbo	CAEB	F	57561		49043	24227		7	N/S		N/S
V6 3.0L 2995cc Super Charged (Mex.)			57204		49143	24227			N/S		

A5

L4 1.8L 1798cc FSI Turbo (Mex.)			57561		49043	24227			N/S		
L4 2.0L 1984cc 121 CID Turbo	CAEB	F	57561		49043	24227		4	N/S		N/A - 6 Spd. N/A - 7 Spd. FWD
L4 2.0L 1984cc 121 CID Turbo Flex	CPMA	F	57561		49043	24227		4	N/S		N/S
V6 3.0L 2995cc Super Charged (Mex.)			57204		49143	24227			N/S		

A5 Cabriolet

L4 2.0L 1984cc 121 CID Turbo	CAEB		57561		49043	24227		7	N/S		N/S
------------------------------	------	--	-------	--	-------	-------	--	---	-----	--	-----

A6

L4 2.0L 1984cc 121 CID Turbo	CAEB	F	57561		49343	24439		4	N/S		N/S
V6 2.8L 2773cc (Mex.)			57204		49243	24439			N/S		N/A
V6 3.0L 2995cc Super Charged	CTUA		57204		49243	24439		7	N/S		N/A

A7

V6 3.0L 2995cc Super Charged	CTUA	G	57204		49243	24439		7	N/S		N/A
------------------------------	------	---	-------	--	-------	-------	--	---	-----	--	-----

A7 QUATTRO

V6 3.0L 2995cc Super Charged	CGXB	G	57204		49243	24439		7	N/S		N/A
------------------------------	------	---	-------	--	-------	-------	--	---	-----	--	-----

A8

V6 3.0L 2995cc Super Charged	CTUB	G	57204		WA10948	24439		7	N/S		N/S
V8 4.0L 3993cc 244 CID TFSI Turbo (Mex.)			WL10350		WA10948	24439		8	N/A		

A8 QUATTRO

V6 3.0L 2995cc Super Charged	CTUB	G	57204		49243	24439		7	N/S		N/A
V8 4.0L 3993cc 243 CID Turbo	CEUA		WL10350		WA10948	24439		7	N/S		N/S
W12 6.3L 6229cc 384 CID	CEJA	4	57562		WA10968	24439		8	N/S		N/S

N/A = Not Available N/R = Not Required N/S = Not Serviceable For cabin and fuel filter locator, see pages 5-15 See pages 16-19 for footnotes

N/A = Non disponible N/R = Non nécessaire N/S = Non réparable Para la ubicación de los filtros de aire de la cabina y de combustible, ver las páginas 5-15 Voir pages 16-19 pour des notes

N/A = No disponible N/R = No requiere N/S = No servible Voir les tableaux de repérage des filtres d'habitacle et à carburant aux pages 5-15 Ver las páginas 16-19 para las notas al pie de página

Italicized Part Numbers May Not Be Available. Wix XP Oil Filters Have Fully Synthetic Media.

Las piezas con números en *italicas* pueden no estar disponibles. Los filtros de aceite WIX XP son completamente de media sintética.

Les numéros de pièce en *italiques* peuvent ne pas être disponibles. Les filtres à huile Wix contiennent un matériau 100 % synthétique.

AUDI 2013
Pass Car/Light Truck

Year/Año/Année Model/Modelo/Modèle Engine/Motor/Moteur	Eng. Code Código de motor Code moteur	VIN NIV NIV	Oil Aceite Huile	Oil XP Aceite XP Huile XP	Air Aire Air	Cabin Air Cabina Aire Cabine Air	Cabin Air XP Cabina Aire XP Cabine Air XP	Loc. Cabin Air Cabina Aire Cabine Air	Fuel Combustible Carburant	Loc. Fuel Combustible Carburant	Transmission Transmisión Transmission
--	---	-------------------	------------------------	---------------------------------	--------------------	--	---	--	----------------------------------	--	---

AUDI (Cont'd/Suite)
2013 (Cont'd/Suite)
ALLROAD

L4 2.0L 1984cc 121 CID Turbo Flex	CPMA	F	57561		49043	24227		4	N/S		N/S
-----------------------------------	------	---	-------	--	-------	-------	--	---	-----	--	-----

Q3

L4 2.0L 1968cc Diesel (Mex.)			57262		49020	24489	24489XP		WF10114		
L4 2.0L 1984cc Turbo (Mex.)			57561		49020	24489	24489XP		N/S		

Q5

L4 2.0L 1968cc TDI Turbo Diesel (Mex.)			57262		49043	24227			N/A		
L4 2.0L 1984cc 121 CID Turbo Electric/Gas	CHJA	8	57561		49043	24227		4	N/S		N/S
L4 2.0L 1984cc 121 CID Turbo Flex	CPMA	F	57561		49043	24227		4	N/S		N/S
V6 3.0L 2995cc Super Charged	CTUC		57204		49143	24227		7	N/S		N/S

Q5 TRENDY

L4 2.0L 1984cc TFSI Turbo (Mex.)			57561		49043	24227			N/S		
----------------------------------	--	--	-------	--	-------	-------	--	--	-----	--	--

Q7

V12 5.9L 5934cc Turbo Diesel (Mex.)			57161		N/A	24631			N/A		
V6 3.0L 2995cc Super Charged	CJWB	G	57204		42859	24631		7	N/S		N/A
	CTWA	G	57204		42859	24631		7	N/S		N/A
	CTWB		57204		42859	24631		7	N/S		N/A
V8 4.2L 4134cc Turbo Diesel (Mex.)			57161		42859	24631 WP9166			N/A		

Q7 TDI

L4 2.0L 1968cc Turbo Diesel	CBEA	M	57083		49020	24489	24489XP	4	33256		WL10384
V6 3.0L 2967cc 181 CID Turbo Diesel	CNRB	M	WL10008		42859	24631		4	33434 - (Cartridge) WF8412 ⁸¹ - In-Line		WL10380

RS 5

V8 4.2L 4163cc 254 CID	CFSA	6	57330		WA10959 - Left WA10960 - Right	24227			N/S		N/A
------------------------	------	---	-------	--	-----------------------------------	-------	--	--	-----	--	-----

S4

V6 3.0L 2995cc Super Charged	CGXC	G	57204		49143	24227		7	N/S		N/A
------------------------------	------	---	-------	--	-------	-------	--	---	-----	--	-----

S5

V6 3.0L 2995cc Super Charged	CGXC	G	57204		49143	24227		7	N/S		N/S
------------------------------	------	---	-------	--	-------	-------	--	---	-----	--	-----

S6

V8 4.0L 3993cc 243 CID Turbo	CEUC		WL10350		49243	24439		3	N/S		N/A
------------------------------	------	--	---------	--	-------	-------	--	---	-----	--	-----

S7

V8 4.0L 3993cc 243 CID Turbo	CEUC		WL10350		49243	24439		3	N/S		N/A
------------------------------	------	--	---------	--	-------	-------	--	---	-----	--	-----

S8

V8 4.0L 3993cc 243 CID Turbo	CGTA		WL10350		WA10968	24439		3	N/S		N/A
------------------------------	------	--	---------	--	---------	-------	--	---	-----	--	-----

TT

L4 1.8L 1798cc FSI Turbo (Mex.)			57561		49020	24489	24489XP		33814		
L4 2.0L 1984cc 121 CID Turbo	CETA	F	57561		49020	24489	24489XP	4	33814		WL10384

TT COUPE

L4 2.0L 1984cc 121 CID Turbo	CETA	F	57561		49020	24489	24489XP	4	33814		WL10384
------------------------------	------	---	-------	--	-------	-------	---------	---	-------	--	---------

TT QUATTRO S

L4 2.0L 1984cc 121 CID Turbo	CDMA	1	57561		49020	24489	24489XP	4	33814		WL10384
------------------------------	------	---	-------	--	-------	-------	---------	---	-------	--	---------

TT ROADSTER

L4 2.0L 1984cc 121 CID Turbo	CETA	F	57561		49020	24489	24489XP	4	33814		N/A
------------------------------	------	---	-------	--	-------	-------	---------	---	-------	--	-----

TT RS

L5 2.5L 2480cc Turbo	CEPB	3	57187	57187XP	49122	24489	24489XP	4	33814		N/A
----------------------	------	---	-------	---------	-------	-------	---------	---	-------	--	-----

N/A = Not Available N/R = Not Required N/S = Not Serviceable For cabin and fuel filter locator, see pages 5-15 See pages 16-19 for footnotes

N/A = Non disponible N/R = Non nécessaire N/S = Non réparable Para la ubicación de los filtros de aire de la cabina y de combustible, ver las páginas 5-15 Voir pages 16-19 pour des notes

N/A = No disponible N/R = No requiere N/S = No servible Voir les tableaux de repérage des filtres d'habitacle et à carburant aux pages 5-15 Ver las páginas 16-19 para las notas al pie de página

Italicized Part Numbers May Not Be Available. Wix XP Oil Filters Have Fully Synthetic Media.

Las piezas con números en *italicas* pueden no estar disponibles. Los filtros de aceite WIX XP son completamente de media sintética. Les numéros de pièce en *italiques* peuvent ne pas être disponibles. Les filtres à huile XP Wix contiennent un matériau 100 % synthétique.

Year/Año/Année Model/Modelo/Modèle Engine/Motor/Moteur	Eng. Code Código de motor Code moteur	VIN NIV NIV	Oil Aceite Huile	Oil XP Aceite XP Huile XP	Air Aire Air	Cabin Air Cabina Aire Cabine Air	Cabin Air XP Cabina Aire XP Cabine Air XP	Loc. Cabin Air Cabina Aire Cabine Air	Fuel Combustible Carburant	Loc. Fuel Combustible Carburant	Transmission Transmisión Transmission
--	---	-------------------	------------------------	---------------------------------	--------------------	--	---	---	----------------------------------	---------------------------------------	---

AUDI (Cont'd/Suite)

2012

A1

L4 1.4L 1390cc Turbo (Mex.)			WL7494		WA9645	WP2086 ⁷⁹			33814		
-----------------------------	--	--	--------	--	--------	----------------------	--	--	-------	--	--

A3

L4 1.4L 1400CC 85CID Turbo (Mex.)			WL7494		49013	24489	24489XP		33814		
L4 1.8L 1781cc FSI Turbo (Mex.)			57561		49020	24489	24489XP		33814		N/A
L4 2.0L 1984cc 121 CID Turbo	CBFA	E,F	57561		49020	24489	24489XP	4	33814		N/A
	CCTA	E,F	57561		49020	24489	24489XP	4	33814		N/A

A3 TDI

L4 2.0L 1968cc 120 CID Turbo Diesel	CBEA	L	57083		49020	24489	24489XP	4	33256		WL10384
-------------------------------------	------	---	-------	--	-------	-------	---------	---	-------	--	---------

A4

L4 1.8L 1800CC 110CID Turbo (Mex.)			WL10024 ⁶¹ WL10396 ¹⁹⁴		49043	24227			N/S		
L4 2.0L 1984cc 121 CID Turbo	CAEB	F	57561		49043	24227		7	N/S		N/A - 6 Spd. N/A - 7 Spd. FWD
V6 3.2L 3197cc (Mex.)			57204		49143	24227			N/S		N/S

A4 QUATTRO

L4 1.8L (Mex.)			57204		49143	24227			N/S		N/S
----------------	--	--	-------	--	-------	-------	--	--	-----	--	-----

A5

L4 1.8L 1798cc FSI Turbo (Mex.)			57561		49043	24227			N/S		
L4 2.0L 1984cc 121 CID Turbo	CAEB	F	57561		49043	24227		4	N/S		N/A - 6 Spd. N/A - 7 Spd. FWD
V6 3.0L 2995cc Super Charged (Mex.)			57204		49143	24227			N/S		

A6

L4 2.0L 1984cc 121 CID Turbo	CAEB	F	57561		49343	24227		4	N/S		N/A - 6 Spd. N/A - 7 Spd. FWD
V6 2.8L 2773cc (Mex.)			57204		49243	24439			N/S		N/A
V6 3.0L 2995cc Super Charged	CGXB		57204		49243	24439		7	N/S		N/A

A7

V6 3.0L 2995cc Super Charged	CGXB		57204		49243	24439		7	N/S		N/A
------------------------------	------	--	-------	--	-------	-------	--	---	-----	--	-----

A8

V8 4.2L 4163cc	CDRA		57330		WA10968	24439		8	N/S		WL10381
W12 6.3L 6229cc 384 CID	CEJA		57562		WA10968	24439		8	N/S		N/A

Q5

L4 2.0L 1984cc 121 CID Turbo	CAEB	F	57561		49043	24227		4	N/S		N/A - 6 Spd. N/A - 7 Spd. FWD
V6 3.0L 2967cc Turbo Diesel (Mex.)			57161		49143	24227			N/A		
V6 3.2L 3123cc	CALB		57204		49143	24227		4	N/S		N/A - 6 Spd. N/A - 7 Spd. FWD

Q5 ELITE

L4 2.0L 1984cc TFSI Turbo (Mex.)			57561		49043	24227			N/S		
V6 3.2L 3197cc FSI (Mex.)			57204		49143	24227			N/S		

Q5 TRENDY

L4 2.0L 1984cc TFSI Turbo (Mex.)			57561		49043	24227			N/S		
----------------------------------	--	--	-------	--	-------	-------	--	--	-----	--	--

Q7

V6 3.0L 2995cc Super Charged	CJWB	G	57204		42859	24631		7	N/S		N/S
	CJWE	G	57204		42859	24631		7	N/S		N/S
V8 4.2L 4134cc Turbo Diesel (Mex.)			57161		42859	24631 WP9166			N/A		

N/A = Not Available N/R = Not Required N/S = Not Serviceable For cabin and fuel filter locator, see pages 5-15 See pages 16-19 for footnotes
 N/A = Non disponible N/R = Non nécessaire N/S = Non réparable Para la ubicación de los filtros de aire de la cabina y de combustible, ver las páginas 5-15 Voir pages 16-19 pour des notes
 N/A = No disponible N/R = No requiere N/S = No servible Voir les tableaux de repérage des filtres d'habitacle et à carburant aux pages 5-15 Ver las páginas 16-19 para las notas al pie de página

Italicized Part Numbers May Not Be Available. Wix XP Oil Filters Have Fully Synthetic Media.

Las piezas con números en *italicas* pueden no estar disponibles. Los filtros de aceite WIX XP son completamente de media sintética.
 Les numéros de pièce en *italiques* peuvent ne pas être disponibles. Les filtres à huile Wix contiennent un matériau 100 % synthétique.

AUDI 2012-2011
Pass Car/Light Truck

Year/Año/Année Model/Modelo/Modèle Engine/Motor/Moteur	Eng. Code Código de motor Code moteur	VIN NIV NIV	Oil Aceite Huile	Oil XP Aceite XP Huile XP	Air Aire Air	Cabin Air Cabina Aire Cabine Air	Cabin Air XP Cabina Aire XP Cabine Air XP	Loc. Cabin Air Cabina Aire Cabine Air	Fuel Combustible Carburant	Loc. Fuel Combustible Carburant	Transmission Transmisión Transmission
--	---	-------------------	------------------------	---------------------------------	--------------------	--	---	--	----------------------------------	--	---

AUDI (Cont'd/Suite)
2012 (Cont'd/Suite)
Q7 TDI

V6 3.0L 2967cc 181 CID Turbo Diesel	CATA	M	57161		42859	24631		4	33434 - (Cartridge) WF8412 ²⁶¹ - In-Line		WL10380
-------------------------------------	------	---	-------	--	-------	-------	--	---	--	--	---------

R8

V10 5.2L 5204cc	BUJ		57330		WA11027	49375		8	33831		N/S
	CMPA		57330		WA11027	49375		8	33831		N/S
V8 4.2L 4163cc	CNDA		57330		WA10975	49375		7	33831		N/S

S3

L4 2.0L 1984cc Turbo (Mex.)			N/A		46240	N/A			N/A		
-----------------------------	--	--	-----	--	-------	-----	--	--	-----	--	--

S4

V6 3.0L 2995cc Super Charged	CCBA	G	57204		49143	24227		7	N/S		N/A
------------------------------	------	---	-------	--	-------	-------	--	---	-----	--	-----

S5

V6 3.0L 2995cc Super Charged	CAKA	G	57204		49143	24227		7	33831		N/A - 6 Spd. N/A - 7 Spd. FWD
	CCBA	G	57204		49143	24227		7	33831		N/A - 6 Spd. N/A - 7 Spd. FWD
V8 4.2L 4163cc	CAUA	V	57330		49143	24227		7	N/S		N/S

TT

L4 1.8L 1798cc FSI Turbo (Mex.)			57561		49020	24489	24489XP		33814		
L4 2.0L 1984cc 121 CID Turbo	CETA	F	57561		49020	24489	24489XP	4	33814		WL10384

TT QUATTRO S

L4 2.0L 1984cc 121 CID Turbo	CDMA	1	57561		49020	24489	24489XP	4	33814		WL10384
------------------------------	------	---	-------	--	-------	-------	---------	---	-------	--	---------

TT RS

L5 2.5L 2480cc Turbo	CEPB		57187	57187XP	49122	24489	24489XP	4	33814		N/A
L5 2.5L 2480cc Turbo (Mex.)			57187	57187XP	49122	24489	24489XP		33814		

2011
A1

L4 1.4L 1390cc Turbo (Mex.)			WL7494		WA9645	WP2086 ⁷⁹			33814		
-----------------------------	--	--	--------	--	--------	----------------------	--	--	-------	--	--

A3

L4 1.4L 1400CC 85CID Turbo (Mex.)			WL7494		49013	24489	24489XP		33814		
L4 1.8L 1781cc Turbo (Mex.)			57561		49020	24489	24489XP		33814		N/A
L4 2.0L 1984cc 121 CID Turbo	CBFA	E,F	57561		49020	24489	24489XP	4	33814		N/A
	CCTA	E,F	57561		49020	24489	24489XP	4	33814		N/A
V6 3.2L 3189cc (Mex.)		D	57083		49122	24489	24489XP	4	N/A		N/A

A3 AMBIENTE PLUS

L4 1.4L 1390cc Turbo (Mex.)			WL7410		49013	N/A			33814		
L4 1.8L 1781cc Turbo (Mex.)			57561		49020	24489	24489XP		33814		

A3 CABRIO

L4 1.8L 1781cc Turbo (Mex.)			57561		49020	24489	24489XP		33814		
L4 2.0L 1984cc Turbo (Mex.)			57561		49020	N/A			33814		

A3 SPORTBACK AMBIENTE PLUS

L4 1.4L 1390cc Turbo (Mex.)			WL7410		49013	N/A			33814		
L4 1.8L 1781cc Turbo (Mex.)			57561		49020	24489	24489XP		33814		

A3 TDI

L4 2.0L 1968cc 120 CID Turbo Diesel	CBEA		57083		49020	24489	24489XP	4	33256		WL10384
-------------------------------------	------	--	-------	--	-------	-------	---------	---	-------	--	---------

A4

L4 1.8L 1781cc Turbo (Mex.)			57561		49043	24227			N/S		
L4 2.0L 1984cc 121 CID Turbo	CAEB	F	57561		49043	24227		7	N/S		N/A
V6 3.2L 3197cc FSI (Mex.)			57204		49143	24227			N/S		

A4 ELITE

V6 3.2L 3197cc (Mex.)			N/A		42972	24227			N/R		
-----------------------	--	--	-----	--	-------	-------	--	--	-----	--	--

N/A = Not Available N/R = Not Required N/S = Not Serviceable For cabin and fuel filter locator, see pages 5-15 See pages 16-19 for footnotes

N/A = Non disponible N/R = Non nécessaire N/S = Non réparable Para la ubicación de los filtros de aire de la cabina y de combustible, ver las páginas 5-15 Voir pages 16-19 pour des notes

N/A = No disponible N/R = No requiere N/S = No servible Voir les tableaux de repérage des filtres d'habitacle et à carburant aux pages 5-15 Ver las páginas 16-19 para las notas al pie de página

Italicized Part Numbers May Not Be Available. Wix XP Oil Filters Have Fully Synthetic Media.

Las piezas con números en *italicas* pueden no estar disponibles. Los filtros de aceite WIX XP son completamente de media sintética. Les numéros de pièce en *italiques* peuvent ne pas être disponibles. Les filtres à huile XP Wix contiennent un matériau 100 % synthétique.

Year/Año/Année Model/Modelo/Modèle Engine/Motor/Moteur	Eng. Code Código de motor Code moteur	VIN NIV NIV	Oil Aceite Huile	Oil XP Aceite XP Huile XP	Air Aire Air	Cabin Air Cabina Aire Cabine Air	Cabin Air XP Cabina Aire XP Cabine Air XP	Loc. Cabin Air Cabina Aire Cabine Air	Fuel Combustible Carburant	Loc. Fuel Combustible Carburant	Transmission Transmisión Transmission
--	---	-------------------	------------------------	---------------------------------	--------------------	--	---	--	----------------------------------	--	---

AUDI (Cont'd/Suite)
2011 (Cont'd/Suite)
A4 LUXURY

L4 1.8L 1781cc Turbo (Mex.)			57561		49043	24227				N/R	
L4 2.0L 1984cc Turbo (Mex.)			57561		49043					N/R	

A4 TRENDY

L4 1.8L 1781cc Turbo (Mex.)			57561		49043	24227				N/R	
-----------------------------	--	--	-------	--	-------	-------	--	--	--	-----	--

A5

L4 2.0L 1984cc 121 CID Turbo	CAEB	F	57561		49043	24227		4		N/S	N/A - 6 Spd. N/A - 7 Spd. FWD
V6 3.2L 3197cc FSI (Mex.)			57204		49143	24227				N/S	

A5 SPORTBACK ELITE

V6 3.2L 3197cc (Mex.)			57204		N/A	N/A				N/A	
-----------------------	--	--	-------	--	-----	-----	--	--	--	-----	--

A5 SPORTBACK LUXURY

L4 2.0L 1984cc Turbo (Mex.)			N/A		49043	N/A				N/R	
-----------------------------	--	--	-----	--	-------	-----	--	--	--	-----	--

A6

V6 2.8L 2773cc (Mex.)			57204		49846	49375			33831		N/A
V6 3.0L 2995cc Super Charged	CCAA	G	57204		49846	49375		7	33831		WL10376
V6 3.2L 3123cc	CALA	K	57204		49846	49375		7	33831		WL10376
V8 4.2L 4163cc	BVJ	V	57330		49846	49375		7	33831		WL10376

A8

V8 4.2L 4163cc	CDRA		57330		WA10968	24439		8		N/S	WL10381
----------------	------	--	-------	--	---------	-------	--	---	--	-----	---------

A8 L

V8 4.2L 4163cc	CDRA		57330		WA10968	24439		8		N/S	WL10381
----------------	------	--	-------	--	---------	-------	--	---	--	-----	---------

Q5

L4 2.0L 1984cc 121 CID Turbo	CAEB	F	57561		49043	24227		4		N/S	N/A - 6 Spd. N/A - 7 Spd. FWD
V6 3.0L 2967cc Turbo Diesel (Mex.)			57161		49143	24227				N/A	
V6 3.2L 3123cc	CALB		57204		49143	24227		7		N/S	N/A - 6 Spd. N/A - 7 Spd. FWD

Q5 ELITE

L4 2.0L 1984cc TFSI Turbo (Mex.)			57561		49043	24227				N/S	
V6 3.2L 3197cc FSI (Mex.)			57204		49143	24227				N/S	

Q5 TRENDY

L4 2.0L 1984cc TFSI Turbo (Mex.)			57561		49043	24227				N/S	
----------------------------------	--	--	-------	--	-------	-------	--	--	--	-----	--

Q7

V6 3.0L 2995cc Super Charged	CJWB	G	57204		42859	24631		7		N/S	N/A
	CJWC	G	57204		42859	24631		7		N/S	N/A
V8 4.2L 4134cc Turbo Diesel (Mex.)			57161		42859	24631 WP9166				N/A	

Q7 ELITE QUATTRO

V8 4.2L 4163cc (Mex.)			57330		42859					N/R	
-----------------------	--	--	-------	--	-------	--	--	--	--	-----	--

Q7 TDI

V6 3.0L 2967cc 181 CID Turbo Diesel	CATA	M	57161		42859	24631		4	33434		WL10380
-------------------------------------	------	---	-------	--	-------	-------	--	---	-------	--	---------

R8

V10 5.2L 5204cc	BUJ		57330		WA11027	49375		8	33831		N/S
V8 4.2L 4163cc	CNDA		57330		WA10975	49375		7	33831		N/S

RS 5 QUATTRO

V8 4.2L 4163cc (Mex.)			57330		49846	24765				N/R	
-----------------------	--	--	-------	--	-------	-------	--	--	--	-----	--

S3

L4 2.0L 1984cc Turbo (Mex.)			N/A		46240	N/A				N/A	
-----------------------------	--	--	-----	--	-------	-----	--	--	--	-----	--

S4

V6 3.0L 2995cc Super Charged	CCBA	G	57204		49143	24227		7		N/S	N/A - 6 Spd. N/A - 7 Spd. FWD
------------------------------	------	---	-------	--	-------	-------	--	---	--	-----	----------------------------------

N/A = Not Available N/R = Not Required N/S = Not Serviceable For cabin and fuel filter locator, see pages 5-15 See pages 16-19 for footnotes

N/A = Non disponible N/R = Non nécessaire N/S = Non réparable Para la ubicación de los filtros de aire de la cabina y de combustible, ver las páginas 5-15 Voir pages 16-19 pour des notes

N/A = No disponible N/R = No requiere N/S = No servible Voir les tableaux de repérage des filtres d'habitacle et à carburant aux pages 5-15 Ver las páginas 16-19 para las notas al pie de página

Italicized Part Numbers May Not Be Available. Wix XP Oil Filters Have Fully Synthetic Media.

Las piezas con números en *italicas* pueden no estar disponibles. Los filtros de aceite WIX XP son completamente de media sintética.

Les numéros de pièce en *italiques* peuvent ne pas être disponibles. Les filtres à huile Wix contiennent un matériau 100 % synthétique.

AUDI 2011-2010
Pass Car/Light Truck

Year/Año/Année Model/Modelo/Modèle Engine/Motor/Moteur	Eng. Code Código de motor Code moteur	VIN NIV NIV	Oil Aceite Huile	Oil XP Aceite XP Huile XP	Air Aire Air	Cabin Air Cabina Aire Cabine Air	Cabin Air XP Cabina Aire XP Cabine Air XP	Loc. Cabin Air Cabina Aire Cabine Air	Fuel Combustible Carburant	Loc. Fuel Combustible Carburant	Transmission Transmisión Transmission
--	---	-------------------	------------------------	---------------------------------	--------------------	--	---	--	----------------------------------	--	---

AUDI (Cont'd/Suite)
2011 (Cont'd/Suite)
S5

V6 3.0L 2995cc Super Charged	CAKA	G	57204		49143	24227		7	33831		N/A - 6 Spd. N/A - 7 Spd. FWD
	CCBA	G	57204		49143	24227		7	33831		N/A - 6 Spd. N/A - 7 Spd. FWD
V8 4.2L 4163cc	CAUA	V	57330		49143	24227		7	N/S		N/A - 6 Spd. N/A - 7 Spd. FWD

S6

V10 5.2L 5204cc	BXA	N	57330		49443	49375		3	33831		WL10376
-----------------	-----	---	-------	--	-------	-------	--	---	-------	--	---------

TT

L4 2.0L 1984cc 121 CID Turbo	CETA	F	57561		49020	24489	24489XP	4	33814		WL10384
------------------------------	------	---	-------	--	-------	-------	---------	---	-------	--	---------

TT COUPE

L4 1.8L 1781cc Turbo (Mex.)			51393	51393XP	42472	24322			33521		
-----------------------------	--	--	-------	---------	-------	-------	--	--	-------	--	--

TT QUATTRO S

L4 2.0L 1984cc 121 CID Turbo	CDMA	F	57187	57187XP	49020	24489	24489XP	4	33814		WL10384
------------------------------	------	---	-------	---------	-------	-------	---------	---	-------	--	---------

TT RS

L5 2.5L 2480cc Turbo (Mex.)			57187	57187XP	49122	24489	24489XP		33814		
-----------------------------	--	--	-------	---------	-------	-------	---------	--	-------	--	--

TT RS COUPE

L5 2.5L 2480cc Turbo (Mex.)			57187	57187XP	49122	N/A			N/A		
-----------------------------	--	--	-------	---------	-------	-----	--	--	-----	--	--

2010
A1

L4 1.4L 1390cc Turbo (Mex.)			WL7494		WA9645	WP2086 ⁷⁹			33814		
-----------------------------	--	--	--------	--	--------	----------------------	--	--	-------	--	--

A3

L4 1.4L 1390cc Turbo (Mex.)			WL7494		49013	24489	24489XP		33814		
L4 1.8L 1781cc FSI Turbo (Mex.)			57561		49020	24489	24489XP		33814		N/A
L4 2.0L 1984cc 121 CID Turbo	CBFA	E,F	57561		49020	24489	24489XP	4	33814		N/A
	CCTA	E,F	57561		49020	24489	24489XP	4	33814		N/A
L4 2.0L 1984cc Turbo (Mex.)			57187	57187XP	49020	24489	24489XP		33814		N/A
V6 3.2L 3189cc (Mex.)		D	57083		49122	24489	24489XP	4	N/A		N/A

A3 TDI

L4 2.0L 1968cc 120 CID Turbo Diesel	CBEA		57083		49020	24489	24489XP	4	33832 ³⁰⁸ 33037 ³⁰⁹ 33256 ⁴²⁶		WL10384
-------------------------------------	------	--	-------	--	-------	-------	---------	---	--	--	---------

A4

L4 1.8L 1798cc 110 CID TFSI Turbo (Mex.)			57561		49043	24227			N/S		
L4 2.0L 1984cc 121 CID Turbo	CAEB	F	57561		49043	24227		7	N/S		N/A - 6 Spd. N/A - 7 Spd. FWD
V6 3.2L 3123cc (Mex.)			57204		N/A	24227			N/S		N/A

A5

L4 2.0L 1984cc 121 CID Turbo	CAEB	F	57561		49043	24227		4	N/S		N/A - 6 Spd. N/A - 7 Spd. FWD
V6 3.2L 3123cc	CALA	K	57204		49143	24227		7	N/S		N/A - 6 Spd. N/A - 7 Spd. FWD

A6

V6 2.8L 2773cc (Mex.)			57204		49846	49375			33831		N/A
V6 3.0L 2995cc Super Charged	CCAA	G	57204		49846	49375		7	33831		WL10376
V6 3.2L 3123cc	CALA	K	57204		49846	49375		7	33831		WL10376
V8 4.2L 4163cc	BVJ	V	57330		49846	49375		7	33831		WL10376

A8

V8 4.2L 4163cc	BVJ	V	57330		49620	49361		8	33831		WL10381
W12 6.0L 5998cc (Mex.)	BSB		N/A		49241	49361			33521		N/A

A8 L

V8 4.2L 4163cc	BVJ	V	57330		49620	49361		8	33831		WL10381
----------------	-----	---	-------	--	-------	-------	--	---	-------	--	---------

N/A = Not Available N/R = Not Required N/S = Not Serviceable For cabin and fuel filter locator, see pages 5-15 See pages 16-19 for footnotes

N/A = Non disponible N/R = Non nécessaire N/S = Non réparable Para la ubicación de los filtros de aire de la cabina y de combustible, ver las páginas 5-15 Voir pages 16-19 pour des notes

N/A = No disponible N/R = No requiere N/S = No servible Voir les tableaux de repérage des filtres d'habitacle et à carburant aux pages 5-15 Ver las páginas 16-19 para las notas al pie de página

Italicized Part Numbers May Not Be Available. Wix XP Oil Filters Have Fully Synthetic Media.

Las piezas con números en *italicas* pueden no estar disponibles. Los filtros de aceite WIX XP son completamente de media sintética. Les numéros de pièce en *italiques* peuvent ne pas être disponibles. Les filtres à huile XP Wix contiennent un matériau 100 % synthétique.

Year/Año/Année Model/Modelo/Modèle Engine/Motor/Moteur	Eng. Code Código de motor Code moteur	VIN NIV NIV	Oil Aceite Huile	Oil XP Aceite XP Huile XP	Air Aire Air	Cabin Air Cabina Aire Cabine Air	Cabin Air XP Cabina Aire XP Cabine Air XP	Loc. Cabin Air Cabina Aire Cabine Air	Fuel Combustible Carburant	Loc. Fuel Combustible Carburant	Transmission Transmisión Transmission
--	---	-------------------	------------------------	---------------------------------	--------------------	--	---	--	----------------------------------	--	---

AUDI (Cont'd/Suite)
2010 (Cont'd/Suite)
Q5

L4 2.0L 1984cc TFSI Turbo (Mex.)	CNCB		57561		49043	24227			N/S		
V6 3.0L 2967cc Turbo Diesel (Mex.)			57161		49143	24227			N/A		
V6 3.2L 3123cc	CALB		57204		49143	24227		7	N/S		N/A - 6 Spd. N/A - 7 Spd. FWD

Q5 ELITE

L4 2.0L 1984cc TFSI Turbo (Mex.)			57561		49043	24227			N/S		
----------------------------------	--	--	-------	--	-------	-------	--	--	-----	--	--

Q7

V8 3.6L 3597cc	BHK	Y	51212		42859	24631 ^{7B}		4	N/S		N/A
V8 4.2L 4134cc Turbo Diesel (Mex.)			57161		42859	24631			N/A		
V8 4.2L 4163cc	BAR		57330		42859	24631 ^{7B}		4	N/S		WL10380

Q7 TDI

V6 3.0L 2967cc 181 CID Turbo Diesel	CATA	M	57161		42859	24631 ^{7B}		4	33434		WL10380
-------------------------------------	------	---	-------	--	-------	---------------------	--	---	-------	--	---------

R8

V10 5.2L 5204cc	BUJ		57330		WA11027	49375		8	33831		N/S
V8 4.2L 4163cc	BYH	U	57330		WA10975	49375		7	33831		N/S

RS6

V10 5.0L 4991cc Turbo (Mex.)			57330		N/A	N/A			33887		N/A
------------------------------	--	--	-------	--	-----	-----	--	--	-------	--	-----

S3

L4 2.0L 1984cc Turbo (Mex.)			51342 ²⁵³		N/S	N/S			N/S		N/S
-----------------------------	--	--	----------------------	--	-----	-----	--	--	-----	--	-----

S4

V6 3.0L 2995cc Super Charged	CCBA	G	57204		49143	24227		7	N/S		N/A - 6 Spd. N/A - 7 Spd. FWD
------------------------------	------	---	-------	--	-------	-------	--	---	-----	--	----------------------------------

S5

V6 3.0L 2995cc Super Charged	CAKA	G	57204		49143	24227		7	33831		N/A - 6 Spd. N/A - 7 Spd. FWD
	CCBA	G	57204		49143	24227		7	33831		N/A - 6 Spd. N/A - 7 Spd. FWD
V8 4.2L 4163cc	CAUA	V	57330		49143	24227		7	N/S		N/A - 6 Spd. N/A - 7 Spd. FWD

S6

V10 5.2L 5204cc	BXA	N	57330		49443	49375		7	33831		WL10376
V10 5.2L 5204cc (Mex.)			57204		N/A	49375			33887		N/A

S8

V10 5.2L 5204cc (Mex.)			57204		49241	49361			33831		N/A
------------------------	--	--	-------	--	-------	-------	--	--	-------	--	-----

TT

L4 2.0L 1984cc 121 CID Turbo	CCTA	F	57561		49020	24489	24489XP	4	33814		WL10384
L4 2.0L 1984cc Turbo (Mex.)			57187	57187XP	49020	24489	24489XP		33814		N/A
V6 3.2L 3189cc (Mex.)	BHE		57083		49122	24489	24489XP		33833 ¹⁵⁴		N/A
	BUB		57083		49122	24489	24489XP		33833 ¹⁵⁴		N/A
	CBRA		57083		49122	24489	24489XP		33833 ¹⁵⁴		N/A

TT QUATTRO S

L4 2.0L 1984cc 121 CID Turbo	CDMA	F	57187	57187XP	49020	24489	24489XP	4	33814		WL10384
------------------------------	------	---	-------	---------	-------	-------	---------	---	-------	--	---------

2009
A3

L4 1.4L 1390cc Turbo (Mex.)			WL7467		49013	24489	24489XP		33814		
L4 1.4L TFSI (Mex.)			WL7467		49013	24489	24489XP		33814		
L4 1.8L 1781cc FSI Turbo (Mex.)			57561		49020	24489	24489XP		33814		N/A
L4 2.0L 1984cc 121 CID Turbo	CBFA	E,F	57561		49020	24489	24489XP	4	33814		WL10384
	CCTA	E,F	57561		49020	24489	24489XP	4	33814		WL10384
V6 3.2L 3189cc 195 CID	CBRA	D	57083		49122	24489	24489XP	4	33833 ¹⁵⁴		WL10384

N/A = Not Available N/R = Not Required N/S = Not Serviceable For cabin and fuel filter locator, see pages 5-15 See pages 16-19 for footnotes

N/A = Non disponible N/R = Non nécessaire N/S = Non réparable Para la ubicación de los filtros de aire de la cabina y de combustible, ver las páginas 5-15 Voir pages 16-19 pour des notes

N/A = No disponible N/R = No requiere N/S = No servible Voir les tableaux de repérage des filtres d'habitacle et à carburant aux pages 5-15 Ver las páginas 16-19 para las notas al pie de página

Italicized Part Numbers May Not Be Available. Wix XP Oil Filters Have Fully Synthetic Media.

Las piezas con números en *italicas* pueden no estar disponibles. Los filtros de aceite WIX XP son completamente de media sintética.

Les numéros de pièce en *italiques* peuvent ne pas être disponibles. Les filtres à huile Wix contiennent un matériau 100 % synthétique.

AUDI 2009
Pass Car/Light Truck

Year/Año/Année Model/Modelo/Modèle Engine/Motor/Moteur	Eng. Code Código de motor Code moteur	VIN NIV NIV	Oil Aceite Huile	Oil XP Aceite XP Huile XP	Air Aire Air	Cabin Air Cabina Aire Cabine Air	Cabin Air XP Cabina Aire XP Cabine Air XP	Loc. Cabin Air Cabina Aire Cabine Air	Fuel Combustible Carburant	Loc. Fuel Combustible Carburant	Transmission Transmisión Transmission
--	---	-------------------	------------------------	---------------------------------	--------------------	--	---	--	----------------------------------	--	---

AUDI (Cont'd/Suite)
2009 (Cont'd/Suite)
A4

L4 1.8L 1798cc 110 CID TFSI Turbo (Mex.)			57561		49043	24227			N/S		
L4 2.0L 1984cc 121 CID Turbo	BWT CAEB	F F	57187 57561	57187XP	42972 49043	24765 24227		1 7	33831 N/S		WL10376 N/A - 6 Spd. N/A - 7 Spd. FWD
V6 3.2L 3123cc	BKH CALA	H K	57204 57204		42972 49143	24765 24227		1 7	33831 N/S		WL10376 WL10376
V6 3.2L 3197cc (Mex.)			N/A		42972				N/A		

A5

V6 3.2L 3123cc	CALA	K	57204		49143	24227		7	N/S		N/A - 6 Spd. N/A - 7 Spd. FWD
----------------	------	---	-------	--	-------	-------	--	---	-----	--	----------------------------------

A6

V6 2.8L 2773cc (Mex.)			57204		49846	49375			33831		N/A
V6 3.0L 2995cc Super Charged	CAJA CCAA	G G	57204 57204		49846 49846	49375 49375		7 7	33831 33831		WL10376 WL10376
V6 3.2L 3123cc	BKH	H	57204		49846	49375		7	33831		WL10376
V8 4.2L 4163cc	BVJ	V	57330		49846	49375		7	33831		WL10376

A8

V8 4.2L 4163cc	BVJ	V	57330		49620	49361		8	33831		WL10381
----------------	-----	---	-------	--	-------	-------	--	---	-------	--	---------

A8 L

V8 4.2L 4163cc	BVJ	V	57330		49620	49361		8	33831		WL10381
W12 6.0L 5998cc	BSB	R	57562		49241	49361		8	33521		WL10381

Q5

V6 3.2L 3123cc	CALB		57204		49143	24227		7	N/S		N/A - 6 Spd. N/A - 7 Spd. FWD
----------------	------	--	-------	--	-------	-------	--	---	-----	--	----------------------------------

Q5 ELITE

L4 2.0L 1984cc TFSI Turbo (Mex.)			57561		49043	24227			N/S		
----------------------------------	--	--	-------	--	-------	-------	--	--	-----	--	--

Q7

V6 3.6L 3597cc (Mex.)			51212		42859	N/A			N/S ¹⁷⁴		
V8 3.6L 3597cc	BHK	Y	51212		42859	24631 ⁷⁸		4	N/S		WL10380
V8 4.2L 4163cc	BAR		57330		42859	24631 ⁷⁸		4	N/S		WL10380

Q7 TDI

V6 3.0L 2967cc 181 CID Turbo Diesel	CATA	M	57161		42859	24631 ⁷⁸		4	33434		WL10381
-------------------------------------	------	---	-------	--	-------	---------------------	--	---	-------	--	---------

R8

V10 5.2L 5204cc	BUJ		57330		WA11027	49375		8	33831		N/S
V8 4.2L 4163cc	BYH	U	57330		WA10975	49375		7	33831		N/S

S3

L4 2.0L 1984cc Turbo (Mex.)			N/A		46240	N/A			N/A		
-----------------------------	--	--	-----	--	-------	-----	--	--	-----	--	--

S4

V8 4.2L 4163cc	BHF	L	57329		49842	24765		1	33521		WL10376
----------------	-----	---	-------	--	-------	-------	--	---	-------	--	---------

S5

V8 4.2L 4163cc	CAUA	V	57330		49143	24227		7	N/S		N/A
----------------	------	---	-------	--	-------	-------	--	---	-----	--	-----

S6

V10 5.2L 5204cc	BXA	N	57330		49443	49375		7	33831		WL10376
-----------------	-----	---	-------	--	-------	-------	--	---	-------	--	---------

S8

V10 5.2L 5204cc	BSM	N	57330		49241	49361		8	33831		WL10381
-----------------	-----	---	-------	--	-------	-------	--	---	-------	--	---------

TT

L4 2.0L 1984cc 121 CID Turbo	BPY CCTA	F F	57187 57561	57187XP	49843 49020	24489 24489	24489XP 24489XP	4 4	33814 33814		N/A N/A
V6 3.2L 3189cc 195 CID	CBRA	D	57083		49122 ¹⁵⁵ WA10307 ³⁷⁶	24489	24489XP	4	33833 ¹⁵⁴		N/A

TT QUATTRO S

L4 2.0L 1984cc 121 CID Turbo	CDMA	F	57187	57187XP	49020	24489	24489XP	4	33814		WL10384
------------------------------	------	---	-------	---------	-------	-------	---------	---	-------	--	---------

N/A = Not Available N/R = Not Required N/S = Not Serviceable For cabin and fuel filter locator, see pages 5-15 See pages 16-19 for footnotes

N/A = Non disponible N/R = Non nécessaire N/S = Non réparable Para la ubicación de los filtros de aire de la cabina y de combustible, ver las páginas 5-15 Voir pages 16-19 pour des notes

N/A = No disponible N/R = No requiere N/S = No servible Voir les tableaux de repérage des filtres d'habitacle et à carburant aux pages 5-15 Ver las páginas 16-19 para las notas al pie de página

Italicized Part Numbers May Not Be Available. Wix XP Oil Filters Have Fully Synthetic Media.

Las piezas con números en *italicas* pueden no estar disponibles. Los filtros de aceite WIX XP son completamente de media sintética. Les numéros de pièce en *italiques* peuvent ne pas être disponibles. Les filtres à huile XP Wix contiennent un matériau 100 % synthétique.

Year/Año/Année Model/Modelo/Modèle Engine/Motor/Moteur	Eng. Code Código de motor Code moteur	VIN NIV NIV	Oil Aceite Huile	Oil XP Aceite XP Huile XP	Air Aire Air	Cabin Air Cabina Aire Cabine Air	Cabin Air XP Cabina Aire XP Cabine Air XP	Loc. Cabin Air Cabina Aire Cabine Air	Fuel Combustible Carburant	Loc. Fuel Combustible Carburant	Transmission Transmisión Transmission
--	---	-------------------	------------------------	---------------------------------	--------------------	--	---	--	----------------------------------	--	---

AUDI (Cont'd/Suite)
2008
A3

L4 1.4L 1390cc Turbo (Mex.)			WL7467		49013	24489	24489XP		33814		
L4 1.8L 1781cc FSI Turbo (Mex.)			57561		49020	24489	24489XP		33814		N/A
L4 2.0L 1984cc 121 CID Turbo	BPY	F	57187	57187XP	49843	24489	24489XP	4	33814		WL10384
	CBFA	E,F	57561		49020	24489	24489XP	4	33814		WL10384
	CCTA	E,F	57561		49020	24489	24489XP	4	33814		WL10384
V6 3.2L 3189cc 195 CID	CBRA	D	57083		49122	24489	24489XP	4	33833 ¹⁵⁴		WL10384

A4

L4 1.8L 1798cc 110 CID TFSI Turbo (Mex.)			57561		49043	24227			N/S		
L4 2.0L 1984cc 121 CID Turbo	BWT	F	57187	57187XP	42972	24765		1	33831		WL10376
V6 3.2L 3123cc	BKH	H	57204		42972	24765		1	33831		WL10376

A4 VANGARD

L4 1.8L 1781cc Turbo			51393	51393XP	42295	24765			33179		
----------------------	--	--	-------	---------	-------	-------	--	--	-------	--	--

A5

V6 3.2L 3123cc	CALA	H	57204		49143	24227		7	N/S		WL10376
----------------	------	---	-------	--	-------	-------	--	---	-----	--	---------

A6

V6 2.8L 2773cc (Mex.)			57204		49846	49375			33831		N/A
V6 3.2L 3123cc	BKH	H	57204		49846	49375		7	33831		WL10376
V8 4.2L 4163cc	BVJ	V	57330		49846	49375		7	33831		WL10376

A8

V8 4.2L 4163cc	BVJ	V	57330		49620	49361		8	33831		WL10381
----------------	-----	---	-------	--	-------	-------	--	---	-------	--	---------

A8 L

V8 4.2L 4163cc	BVJ	V	57330		49620	49361		8	33831		WL10381
W12 6.0L 5998cc	BSB	R	57562		49241	49361		8	33521		WL10381

Q7

V6 3.0L 2967cc Turbo Diesel (Mex.)			57161		42859	N/A			33434		
V6 3.6L 3597cc		Y	51212		42859	24631 ⁷⁸		4	N/S		N/A - JTU Trans. Code WL10380 - HPH Trans. Code
V6 3.6L 3597cc (Mex.)			51212		42859	24631			N/S ¹⁷⁴		
V8 4.2L 4134cc Turbo Diesel (Mex.)			57161		42859	24631			N/A		
V8 4.2L 4163cc	BAR		57330		42859	24631 ⁷⁸		4	N/S		N/A - JTU Trans. Code WL10380 - HPH Trans. Code

R8

V8 4.2L 4163cc	BYH	U	57330		WA10975	49375		7	33831		N/S
----------------	-----	---	-------	--	---------	-------	--	---	-------	--	-----

RS4

V8 4.2L 4172cc	BNS	U	57330		49842	24765		1	33831		MT ⁷²
----------------	-----	---	-------	--	-------	-------	--	---	-------	--	------------------

S3

L4 2.0L 1984cc Turbo (Mex.)			N/A		46240	N/A			N/A		
-----------------------------	--	--	-----	--	-------	-----	--	--	-----	--	--

S4

V8 4.2L 4163cc	BHF	L	57329		49842	24765		1	33521		WL10376
----------------	-----	---	-------	--	-------	-------	--	---	-------	--	---------

S4 AVANT

V8 4.2L 4163cc	BHF	L	57329		49842	24765		1	33521		WL10376
----------------	-----	---	-------	--	-------	-------	--	---	-------	--	---------

S5

V8 4.2L 4163cc	CAUA	V	57330		49143	24227		7	N/S		N/A
----------------	------	---	-------	--	-------	-------	--	---	-----	--	-----

S6

V10 5.2L 5204cc	BXA	N	57330		49443	49375		7	33887 ⁶¹		WL10376
-----------------	-----	---	-------	--	-------	-------	--	---	---------------------	--	---------

S8

V10 5.2L 5204cc	BSM	N	57330		49241	49361		8	33831		WL10381
-----------------	-----	---	-------	--	-------	-------	--	---	-------	--	---------

TT

L4 2.0L 1984cc 121 CID Turbo	BPY	F	57187	57187XP	49843	24489	24489XP	4	33814		WL10384
	CCTA	F	57561		49020	24489	24489XP	4	33814		N/A

N/A = Not Available N/R = Not Required N/S = Not Serviceable For cabin and fuel filter locator, see pages 5-15 See pages 16-19 for footnotes

N/A = Non disponible N/R = Non nécessaire N/S = Non réparable Para la ubicación de los filtros de aire de la cabina y de combustible, ver las páginas 5-15 Voir pages 16-19 pour des notes

N/A = No disponible N/R = No requiere N/S = No servible Voir les tableaux de repérage des filtres d'habitacle et à carburant aux pages 5-15 Ver las páginas 16-19 para las notas al pie de página

Italicized Part Numbers May Not Be Available. Wix XP Oil Filters Have Fully Synthetic Media.

Las piezas con números en *italicas* pueden no estar disponibles. Los filtros de aceite WIX XP son completamente de media sintética.

Les numéros de pièce en *italiques* peuvent ne pas être disponibles. Les filtres à huile XP Wix contiennent un matériau 100 % synthétique.

AUDI 2008-2006
Pass Car/Light Truck

Year/Año/Année Model/Modelo/Modèle Engine/Motor/Moteur	Eng. Code Código de motor Code moteur	VIN NIV NIV	Oil Aceite Huile	Oil XP Aceite XP Huile XP	Air Aire Air	Cabin Air Cabina Aire Cabine Air	Cabin Air XP Cabina Aire XP Cabine Air XP	Loc. Cabin Air Cabina Aire Cabine Air	Fuel Combustible Carburant	Loc. Fuel Combustible Carburant	Transmission Transmisión Transmission
--	---	-------------------	------------------------	---------------------------------	--------------------	--	---	--	----------------------------------	--	---

AUDI (Cont'd/Suite)
2008 (Cont'd/Suite)
TT (Cont'd/Suite)

V6 3.2L 3189cc 195 CID	CBRA	D	57083		49122 ¹⁵⁵ WA10307 ³⁷⁶	24489	24489XP	4	33833 ¹⁵⁴		WL10384
------------------------	------	---	-------	--	--	-------	---------	---	----------------------	--	---------

2007
A3

L4 1.8L 1781cc FSI Turbo (Mex.)			57561		49020	24489	24489XP		33814		N/A
L4 2.0L 1984cc 121 CID Turbo	BPY	F	57187	57187XP	49843	24489	24489XP	4	33814		WL10384
V6 3.2L 3189cc 195 CID	BUB	D	57083		49122	24489	24489XP	4	33833 ¹⁵⁴		WL10384

A4

L4 2.0L 1984cc 121 CID Turbo	BWT	F	57187	57187XP	42972	24765		1	33831		WL10376
V6 3.2L 3123cc	BKH	H	57204		42972	24765		1	33831		WL10376

A4 VANGARD

L4 1.8L 1781cc Turbo			51393	51393XP	42295	24765			33179		
----------------------	--	--	-------	---------	-------	-------	--	--	-------	--	--

A6

V6 3.2L 3123cc	BKH	H	57204		49846	49375		7	33831		WL10376
V8 4.2L 4163cc	BVJ	V	57330		49846	49375		7	33831		WL10376

A8

V8 4.2L 4163cc	BVJ	V	57330		49620	49361		8	33831		WL10381
----------------	-----	---	-------	--	-------	-------	--	---	-------	--	---------

A8 L

V8 4.2L 4163cc	BVJ	V	57330		49620	49361		8	33831		WL10381
W12 6.0L 5998cc	BSB	R	57562		49241	49361		8	33887 ⁵¹		WL10381

Q7

V6 3.6L 3597cc		Y	51212		42859	24631 ⁷⁸		4	N/S		N/A - JTU Trans. WL10380 - HPH Trans.
V6 3.6L 3597cc (Mex.)			51212		42859	24631			N/S ¹⁷⁴		
V8 4.2L 4163cc	BAR	V	57330		42859	24631 ⁷⁸		4	N/S		N/A - JTU Trans. WL10380 - HPH Trans.

RS4

V8 4.2L 4172cc	BNS	U	57330		49842	24765		1	33831		MT ⁷²
----------------	-----	---	-------	--	-------	-------	--	---	-------	--	------------------

S4

V8 4.2L 4163cc	BHF	L	57329		49842	24765		1	33831		WL10376
----------------	-----	---	-------	--	-------	-------	--	---	-------	--	---------

S4 AVANT

V8 4.2L 4163cc	BHF	L	57329		49842	24765		1	33831		WL10376
----------------	-----	---	-------	--	-------	-------	--	---	-------	--	---------

S6

V10 5.2L 5204cc	BXA	N	57330		49443	49375		7	33831		WL10376
-----------------	-----	---	-------	--	-------	-------	--	---	-------	--	---------

S8

V10 5.2L 5204cc	BSM	N	57330		49241	49361		8	33831		N/A
-----------------	-----	---	-------	--	-------	-------	--	---	-------	--	-----

TT

L4 2.0L 1984cc Turbo (Mex.)		F	57187	57187XP	N/A	N/A		4	N/A		
V6 3.2L 3189cc (Mex.)	BHE		N/A		42472				N/A		
	BUB		N/A		42472				N/A		
	CBRA		N/A		42472				N/A		

2006
A3

L4 1.8L 1781cc FSI Turbo (Mex.)			57561		49020	24489	24489XP		33814		N/A
L4 2.0L 1984cc 121 CID Turbo	BPY	F	57187	57187XP	49843	24489	24489XP	4	33814		WL10384
V6 3.2L 3189cc 195 CID	BUB	D	57083		49122	24489	24489XP	4	33833 ¹⁵⁴		N/A

A4

L4 1.8L 1781cc Turbo	AMB	C	51191		42972	24765		1	N/S		58108
L4 2.0L 1984cc 121 CID Turbo	BPG	F	57187	57187XP	42972	24765		1	33831		WL10376
V6 3.0L 2976cc	BGN	T	51355		42972	24765		1	33521		58108
V6 3.2L 3123cc	BKH	G	57204		42972	24765		1	33831		WL10376

N/A = Not Available N/R = Not Required N/S = Not Serviceable For cabin and fuel filter locator, see pages 5-15 See pages 16-19 for footnotes

N/A = Non disponible N/R = Non nécessaire N/S = Non réparable Para la ubicación de los filtros de aire de la cabina y de combustible, ver las páginas 5-15 Voir pages 16-19 pour des notes

N/A = No disponible N/R = No requiere N/S = No servible Voir les tableaux de repérage des filtres d'habitacle et à carburant aux pages 5-15 Ver las páginas 16-19 para las notas al pie de página

Italicized Part Numbers May Not Be Available. Wix XP Oil Filters Have Fully Synthetic Media.

Las piezas con números en *italicas* pueden no estar disponibles. Los filtros de aceite WIX XP son completamente de media sintética. Les numéros de pièce en *italiques* peuvent ne pas être disponibles. Les filtres à huile XP Wix contiennent un matériau 100 % synthétique.

Year/Año/Année Model/Modelo/Modèle Engine/Motor/Moteur	Eng. Code Código de motor Code moteur	VIN NIV NIV	Oil Aceite Huile	Oil XP Aceite XP Huile XP	Air Aire Air	Cabin Air Cabina Aire Cabine Air	Cabin Air XP Cabina Aire XP Cabine Air XP	Loc. Cabin Air Cabina Aire Cabine Air	Fuel Combustible Carburant	Loc. Fuel Combustible Carburant	Transmission Transmisión Transmission
--	--	-------------------	------------------------	---------------------------------	--------------------	--	---	--	----------------------------------	--	---

AUDI (Cont'd/Suite)
2006 (Cont'd/Suite)
A6

V6 3.0L 2976cc (Mex.)		T	51355		42295	24765		1	33179 - FWD 33156 - AWD		58108
V6 3.2L 3123cc	BKH	G	57204		49846	49375		7	33831		WL10376
V8 4.2L 4163cc	BNK	L	57329		49846	49375		7	33887 ⁶¹		WL10376

A8

V8 4.2L 4172cc	BGK	L	57329		49620	49361		8	33521 ³⁴⁴ N/A ³⁴⁵		WL10381
----------------	-----	---	-------	--	-------	-------	--	---	--	--	---------

A8 L

V8 4.2L 4172cc	BGK	L	57329		49620	49361		8	33521		WL10381
W12 6.0L 5998cc	BSB	R	57562		49241	49361		8	33521		WL10381

S4

V8 4.2L 4163cc	BHF	L	57329		49842	24765		1	33521 - (Cartridge) 33887 ⁶¹ - In-Line		WL10376
----------------	-----	---	-------	--	-------	-------	--	---	--	--	---------

S4 AVANT

V8 4.2L 4163cc	BHF	L	57329		49842	24765		1	33521 - (Cartridge) 33887 ⁶¹ - In-Line		WL10376
----------------	-----	---	-------	--	-------	-------	--	---	--	--	---------

TT

L4 1.8L 1781cc Turbo	AWP	C	51393	51393XP	42472	24322 ⁷⁸		1	33521		MT ⁷²
----------------------	-----	---	-------	---------	-------	---------------------	--	---	-------	--	------------------

TT QUATTRO

L4 1.8L 1781cc Turbo	BEA	T	51393	51393XP	42472	24322 ⁷⁸		1	33521		MT ⁷²
V6 3.2L 3189cc 195 CID	BHE		57083		42472	24322 ⁷⁸		2	33521		WL10384

2005
A3

L4 2.0L 1984cc TFSI Turbo (Mex.)			57187	57187XP	49843	24489	24489XP		33814		
V6 3.2L 3189cc (Mex.)		D	57083		49122	24489	24489XP	4	N/A		N/A

A4

L4 1.8L 1781cc Turbo	AMB	C	51393	51393XP	42972	24765		1	N/S		58108
L4 2.0L 1984cc 121 CID Turbo	BPG	F	57187	57187XP	42972	24765		1	33831		N/A
V6 3.0L 2976cc	BGN	T	51355		42972	24765		1	33521		58108
V6 3.2L 3123cc	BKH	G	57204		42972	24765		1	33831		N/A

A4 QUATTRO

L4 1.8L 1781cc Turbo	AMB	C	51191		42972	24765		1	N/S		58108
----------------------	-----	---	-------	--	-------	-------	--	---	-----	--	-------

A4 QUATTRO AVANT

L4 2.0L 1984cc 121 CID Turbo	BPG	F	57187	57187XP	42972	24765		1	33831		N/A
V6 3.0L 2976cc	BGN	T	51355		42972	24765		1	33521		58108
V6 3.2L 3123cc	BKH	G	57204		42972	24765		1	33831		N/A

A6

V6 3.0L 2976cc (Mex.)		T	51355		42295	24765		1	33179 - FWD 33156 - AWD		58108
V8 4.2L 4163cc	BNK	L	57329		49846	49375		7	33887 ⁶¹		WL10376

A6 QUATTRO

V6 3.2L 3123cc	BKH	G	57204		49846	49375		7	33831		WL10376
----------------	-----	---	-------	--	-------	-------	--	---	-------	--	---------

A8

V8 4.2L 4172cc	BFM		57329		49620	49361		8	33521		WL10381
----------------	-----	--	-------	--	-------	-------	--	---	-------	--	---------

A8 L

V8 4.2L 4172cc	BFM	L	57329		49620	N/A			33521		WL10381
W12 6.0L 5998cc	BSB	R	57562		49241	49361		8	33521		WL10381

ALLROAD QUATTRO

V6 2.7L 2671cc Turbo	BEL	D	51355		42295	24765		1	33156		58108
V8 4.2L 4172cc	BAS	L	57329		42295	24765		1	33156		58108

S4

V8 4.2L 4163cc	BHF	L	57329		49842	24765		1	33521 - (Cartridge) 33887 ⁶¹ - In-Line		WL10376
----------------	-----	---	-------	--	-------	-------	--	---	--	--	---------

N/A = Not Available N/R = Not Required N/S = Not Serviceable For cabin and fuel filter locator, see pages 5-15 See pages 16-19 for footnotes

N/A = Non disponible N/R = Non nécessaire N/S = Non réparable Para la ubicación de los filtros de aire de la cabina y de combustible, ver las páginas 5-15 Voir pages 16-19 pour des notes

N/A = No disponible N/R = No requiere N/S = No servible Voir les tableaux de repérage des filtres d'habitacle et à carburant aux pages 5-15 Ver las páginas 16-19 para las notas al pie de página

Italicized Part Numbers May Not Be Available. Wix XP Oil Filters Have Fully Synthetic Media.

Las piezas con números en *italicas* pueden no estar disponibles. Los filtros de aceite WIX XP son completamente de media sintética.

Les numéros de pièce en *italiques* peuvent ne pas être disponibles. Les filtres à huile Wix contiennent un matériau 100 % synthétique.

AUDI 2005-2004
Pass Car/Light Truck

Year/Año/Année Model/Modelo/Modèle Engine/Motor/Moteur	Eng. Code Código de motor Code moteur	VIN NIV NIV	Oil Aceite Huile	Oil XP Aceite XP Huile XP	Air Aire Air	Cabin Air Cabina Aire Cabine Air	Cabin Air XP Cabina Aire XP Cabine Air XP	Loc. Cabin Air Cabina Aire Cabine Air	Fuel Combustible Carburant	Loc. Fuel Combustible Carburant	Transmission Transmisión Transmission
--	---	-------------------	------------------------	---------------------------------	--------------------	--	---	--	----------------------------------	--	---

AUDI (Cont'd/Suite)
2005 (Cont'd/Suite)
S4 AVANT

V8 4.2L 4163cc	BHF	L	57329		49842	24765		1	33521 - (Cartridge) 33887 ⁹¹ - In-Line		WL10376
----------------	-----	---	-------	--	-------	-------	--	---	--	--	---------

TT

L4 1.8L 1781cc Turbo	AWP	C	51393	51393XP	42472	24322 ⁹⁸		1	33521		MT ⁷²
V6 3.2L 3189cc (Mex.)			57083		42472	24322			33521		

TT QUATTRO

L4 1.8L 1781cc Turbo	BEA	T	51393	51393XP	42472	24322 ⁹⁸		1	33521		MT ⁷²
V6 3.2L 3189cc 195 CID	BHE	N	57083		42472	24322 ⁹⁸		2	33521		WL10384

2004
A3

L4 1.8L 1781cc Turbo (Mex.)			51393	51393XP	42472	24322			33521		N/A
L4 2.0L 1984cc TFSI Turbo (Mex.)			57187	57187XP	49843	24489	24489XP		33814		
V6 3.2L 3189cc (Mex.)		D	57083		49122	24489	24489XP	4	N/A		N/A

A4

L4 1.8L 1781cc Turbo	AMB	C	51393	51393XP	42972	24765		1	N/A		58108
V6 3.0L 2976cc	AVK	T	51355		42972	24765		1	33521		58108

A4 CABRIOLET

V6 3.0L 2976cc	AVK	T	51355		42972	24765		1	33521		58108
----------------	-----	---	-------	--	-------	-------	--	---	-------	--	-------

A4 QUATTRO AVANT

L4 1.8L 1781cc Turbo	AMB	C	51393	51393XP	42972	24765		1	N/A		58108
V6 3.0L 2976cc	AVK	T	51355		42972	24765		1	N/A		58108

A6

V6 2.7L 2671cc Turbo	BEL	D	51355		42295	24765		1	33156		58108
V6 3.0L 2976cc	AVK	T	51355		42295	24765		1	33179 - FWD 33156 - AWD		58108
V8 4.2L 4172cc	AWN	L	57172		42295	24765		1	33156		58108

A8 L

V8 4.2L 4172cc	BFM	L	57329		49620	N/R			33521		N/A
----------------	-----	---	-------	--	-------	-----	--	--	-------	--	-----

ALLROAD

V6 2.7L 2671cc Turbo (Mex.)	BEL		51355		42295	24765			33156		
-----------------------------	-----	--	-------	--	-------	-------	--	--	-------	--	--

ALLROAD QUATTRO

V6 2.7L 2671cc Turbo	BEL	D	51355		42295	24765		1	33156		58108
V8 4.2L 4172cc	BAS	L	57329		42295	24765		1	33156		58108

RS6

V8 4.2L 4172cc Turbo	BCY	V	51393	51393XP	WA10943	24765		1	33310		N/A
----------------------	-----	---	-------	---------	---------	-------	--	---	-------	--	-----

S3

L4 1.8L 1781cc Turbo (Mex.)			51393	51393XP	46240	24322			33179		
-----------------------------	--	--	-------	---------	-------	-------	--	--	-------	--	--

S4

V8 4.2L 4163cc	BHF	L	57329		49842	24765		1	33521		WL10376
----------------	-----	---	-------	--	-------	-------	--	---	-------	--	---------

S4 AVANT

V8 4.2L 4163cc	BHF	L	57329		49842	24765		1	N/S		WL10376
----------------	-----	---	-------	--	-------	-------	--	---	-----	--	---------

S6 AVANT

V8 4.2L 4172cc	BBD	U	57172		42295	24765		1	33156		N/A
----------------	-----	---	-------	--	-------	-------	--	---	-------	--	-----

TT

L4 1.8L 1781cc Turbo	AWP	C	51393	51393XP	42472	24322 ⁹⁸		1	33521		MT ⁷²
V6 3.2L 3189cc (Mex.)			57083		42472	24322			33521		

TT COUPE

L4 1.8L 1781cc Turbo	AWP	C	51393	51393XP	42472	24322 ⁹⁸		1	33521		WL10375
V6 3.2L 3189cc 195 CID	BHE		57083		42472	24322 ⁹⁸		1	33521		MT ⁷²

TT QUATTRO

L4 1.8L 1781cc Turbo	BEA	T	51393	51393XP	42472	24322 ⁹⁸		1	33521		MT ⁷²
V6 3.2L 3189cc 195 CID	BHE		57083		42472	24322 ⁹⁸		2	33521		WL10384

N/A = Not Available N/R = Not Required N/S = Not Serviceable For cabin and fuel filter locator, see pages 5-15 See pages 16-19 for footnotes

N/A = Non disponible N/R = Non nécessaire N/S = Non réparable Para la ubicación de los filtros de aire de la cabina y de combustible, ver las páginas 5-15 Voir pages 16-19 pour des notes

N/A = No disponible N/R = No requiere N/S = No servible Voir les tableaux de repérage des filtres d'habitacle et à carburant aux pages 5-15 Ver las páginas 16-19 para las notas al pie de página

Italicized Part Numbers May Not Be Available. Wix XP Oil Filters Have Fully Synthetic Media.

Las piezas con números en *italicas* pueden no estar disponibles. Los filtros de aceite WIX XP son completamente de media sintética. Les numéros de pièce en *italiques* peuvent ne pas être disponibles. Les filtres à huile XP Wix contiennent un matériau 100 % synthétique.

Year/Año/Année Model/Modelo/Modèle Engine/Motor/Moteur	Eng. Code Código de motor Code moteur	VIN NIV NIV	Oil Aceite Huile	Oil XP Aceite XP Huile XP	Air Aire Air	Cabin Air Cabina Aire Cabine Air	Cabin Air XP Cabina Aire XP Cabine Air XP	Loc. Cabin Air Cabina Aire Cabine Air	Fuel Combustible Carburant	Loc. Fuel Combustible Carburant	Transmission Transmisión Transmission
--	---	-------------------	------------------------	---------------------------------	--------------------	--	---	--	----------------------------------	--	---

AUDI (Cont'd/Suite)
2004 (Cont'd/Suite)
TT ROADSTER

L4 1.8L 1781cc Turbo	AWP	C	51393	51393XP	42472	24322 ⁷⁸		1	33521		MT ⁷²
V6 3.2L 3189cc 195 CID	BHE		57083		42472	24322 ⁷⁸		1	33521		MT ⁷²

2003
A3

L4 1.8L 1781cc Turbo (Mex.)			51393	51393XP	42472	24322			33521		N/A
-----------------------------	--	--	-------	---------	-------	-------	--	--	-------	--	-----

A4

L4 1.8L 1781cc Turbo	AMB	C	51393	51393XP	42972	24765		1	N/S		58108
V6 3.0L 2976cc	AVK	T	51355		42972	24765		1	33521		58108

A4 QUATTRO AVANT

L4 1.8L 1781cc Turbo	AMB	C	51393	51393XP	42972	24765		1	N/A		58108
V6 3.0L 2976cc	AVK	T	51355		42972	24765		1	33521		58108

A6

V6 2.7L 2671cc Turbo	BEL	D	51355		42295	24765		1	33156		58108
V6 3.0L 2976cc	AVK	T	51355		42295	24765		1	33179		58108
V8 4.2L 4172cc	AWN	L	57172		42295	24765		1	33156		58108

A6 QUATTRO AVANT

V6 3.0L 2976cc	AVK	T	51355		42295	24765		1	33156		58108
----------------	-----	---	-------	--	-------	-------	--	---	-------	--	-------

A8

V8 4.2L 4172cc	AKB	L	51212		42463 ⁸¹	N/R			33156		N/A
----------------	-----	---	-------	--	---------------------	-----	--	--	-------	--	-----

A8 L

V8 4.2L 4172cc	AUX	L	51212		42463 ⁸¹	N/R			33156		N/A
----------------	-----	---	-------	--	---------------------	-----	--	--	-------	--	-----

ALLROAD

V6 2.7L 2671cc Turbo (Mex.)	BEL		51355		42295	24765			33156		
-----------------------------	-----	--	-------	--	-------	-------	--	--	-------	--	--

ALLROAD QUATTRO

V6 2.7L 2671cc Turbo	BEL	D	51355		42295	24765		1	33156		58108
V8 4.2L 4172cc	BAS	L	57329		42295	24765		1	33156		N/A

RS6

V8 4.2L 4172cc Turbo	BCY	V	51393	51393XP	WA10943	24765		1	33310		N/A
----------------------	-----	---	-------	---------	---------	-------	--	---	-------	--	-----

S3

L4 1.8L 1781cc Turbo (Mex.)			51393	51393XP	46240	24322			33179		
-----------------------------	--	--	-------	---------	-------	-------	--	--	-------	--	--

S6 AVANT

V8 4.2L 4172cc	BBD	U	57172		42295	24765		1	33156		N/A
----------------	-----	---	-------	--	-------	-------	--	---	-------	--	-----

S8

V8 4.2L 4172cc	AYS	U	51212		42463 ⁸¹	49361		8	33156 - Pri. N/A - Sec.		N/A
----------------	-----	---	-------	--	---------------------	-------	--	---	----------------------------	--	-----

TT

L4 1.8L 1781cc Turbo	AWP	C	51393	51393XP	42472	24322 ⁷⁸		1	33521		MT ⁷²
----------------------	-----	---	-------	---------	-------	---------------------	--	---	-------	--	------------------

TT COUPE

L4 1.8L 1781cc Turbo	AWP	C	51393	51393XP	42472	24322 ⁷⁸		1	33521		WL10375
----------------------	-----	---	-------	---------	-------	---------------------	--	---	-------	--	---------

TT QUATTRO

L4 1.8L 1781cc Turbo	BEA	T	51393	51393XP	42472	24322 ⁷⁸		1	33521		MT ⁷²
----------------------	-----	---	-------	---------	-------	---------------------	--	---	-------	--	------------------

TT ROADSTER

L4 1.8L 1781cc Turbo	AWP	C	51393	51393XP	42472	24322 ⁷⁸		1	33521		MT ⁷²
----------------------	-----	---	-------	---------	-------	---------------------	--	---	-------	--	------------------

2002
A3

L4 1.8L 1781cc Turbo (Mex.)			51393	51393XP	42472	24322			33521		N/A
-----------------------------	--	--	-------	---------	-------	-------	--	--	-------	--	-----

A4

L4 1.8L 1781cc Turbo	AMB	C	51393	51393XP	42295	24765		1	N/A		58108
V6 3.0L 2976cc	AVK	T	51355		42972	24765		1	33521		58108

A4 QUATTRO AVANT

L4 1.8L 1781cc Turbo	AMB	C	51393	51393XP	42972	24765		1	N/A		58108
V6 3.0L 2976cc	AVK	T	51355		42972	24765		1	33521		58108

N/A = Not Available N/R = Not Required N/S = Not Serviceable For cabin and fuel filter locator, see pages 5-15 See pages 16-19 for footnotes

N/A = Non disponible N/R = Non nécessaire N/S = Non réparable Para la ubicación de los filtros de aire de la cabina y de combustible, ver las páginas 5-15 Voir pages 16-19 pour des notes

N/A = No disponible N/R = No requiere N/S = No servible Voir les tableaux de repérage des filtres d'habitacle et à carburant aux pages 5-15 Ver las páginas 16-19 para las notas al pie de página

Italicized Part Numbers May Not Be Available. Wix XP Oil Filters Have Fully Synthetic Media.

Las piezas con números en *italicas* pueden no estar disponibles. Los filtros de aceite WIX XP son completamente de media sintética.

Les numéros de pièce en *italiques* peuvent ne pas être disponibles. Les filtres à huile Wix contiennent un matériau 100 % synthétique.

AUDI 2002 — BMW 2021
Pass Car/Light Truck

Year/Año/Année Model/Modelo/Modèle Engine/Motor/Moteur	Eng. Code Código de motor Code moteur	VIN NIV NIV	Oil Aceite Huile	Oil XP Aceite XP Huile XP	Air Aire Air	Cabin Air Cabina Aire Cabine Air	Cabin Air XP Cabina Aire XP Cabine Air XP	Loc. Cabin Air Cabina Aire Cabine Air	Fuel Combustible Carburant	Loc. Fuel Combustible Carburant	Transmission Transmisión Transmission
--	---	-------------------	------------------------	---------------------------------	--------------------	--	---	--	----------------------------------	--	---

AUDI (Cont'd/Suite)
2002 (Cont'd/Suite)
A6

V6 2.7L 2671cc Turbo	APB	D	51355		42295	24765		1	33156		58108
V6 3.0L 2976cc	AVK	T	51355		42295	24765		1	33179		58108
V8 4.2L 4172cc	AWN	U	57172		42295	24765		1	33156		58108

A6 QUATTRO AVANT

V6 3.0L 2976cc	AVK	T	51355		42295	24765		1	33156		58108
----------------	-----	---	-------	--	-------	-------	--	---	-------	--	-------

A8

V8 4.2L 4172cc	AKB	L	51212		42463 ⁶¹	N/A			33156		N/A
----------------	-----	---	-------	--	---------------------	-----	--	--	-------	--	-----

ALLROAD

V6 2.7L 2671cc Turbo (Mex.)	BEL		51355		42295	24765			33156		
-----------------------------	-----	--	-------	--	-------	-------	--	--	-------	--	--

ALLROAD QUATTRO

V6 2.7L 2671cc Turbo	APB	D	51355		42295	24765		1	33156		58108
----------------------	-----	---	-------	--	-------	-------	--	---	-------	--	-------

RS4

V6 2.7L 2671cc Turbo (Mex.)	BEL		N/A		42295	24765			33156		
-----------------------------	-----	--	-----	--	-------	-------	--	--	-------	--	--

S3

L4 1.8L 1781cc Turbo (Mex.)			N/A		46240	24322			33179		
-----------------------------	--	--	-----	--	-------	-------	--	--	-------	--	--

S4

V6 2.7L 2671cc Turbo	APB	D	51355		42295	24774		1	33156		N/A
----------------------	-----	---	-------	--	-------	-------	--	---	-------	--	-----

S4 AVANT

V6 2.7L 2671cc Turbo	APB	D	51355		42295	24774		1	33156		58108
----------------------	-----	---	-------	--	-------	-------	--	---	-------	--	-------

S6 AVANT

V8 4.2L 4172cc	BBD	U	57172		42295	24765		1	33156		N/A
----------------	-----	---	-------	--	-------	-------	--	---	-------	--	-----

S8

V8 4.2L 4172cc	AYS	U	51212		42463 ⁶¹	24322 ⁷⁸		1	33156 - Pri. N/A - Sec.		N/A
----------------	-----	---	-------	--	---------------------	---------------------	--	---	----------------------------	--	-----

TT

L4 1.8L 1781cc Turbo	AWP	C	51393	51393XP	42472	24322 ⁷⁸		1	33521		MT ⁷²
----------------------	-----	---	-------	---------	-------	---------------------	--	---	-------	--	------------------

TT COUPE

L4 1.8L 1781cc Turbo	AWP	C	51393	51393XP	42472	24322 ⁷⁸		1	33521		MT ⁷²
----------------------	-----	---	-------	---------	-------	---------------------	--	---	-------	--	------------------

TT QUATTRO

L4 1.8L 1781cc Turbo	AMU	T	51393	51393XP	42472	24322 ⁷⁸		1	33521		MT ⁷²
	AWP	C,X	51393	51393XP	42472	24322 ⁷⁸		1	33521		MT ⁷²

TT ROADSTER

L4 1.8L 1781cc Turbo	AWP	C,X	51393	51393XP	42472	24322 ⁷⁸		1	33521		MT ⁷²
----------------------	-----	-----	-------	---------	-------	---------------------	--	---	-------	--	------------------

BMW
2021
228i xDrive Gran Coupe

L4 2.0L 1998cc 122CID Turbo	B48A20A		N/A		WA9792	WP2131			N/S		N/S
-----------------------------	---------	--	-----	--	--------	--------	--	--	-----	--	-----

230i

L4 2.0L 2000CC 122CID Turbo	B46B2000		WL10358		WA10422	24255			N/S		N/S
-----------------------------	----------	--	---------	--	---------	-------	--	--	-----	--	-----

230i xDrive

L4 2.0L 2000CC 122CID Turbo	B46B2000		WL10358		WA10422	24255			N/S		N/S
-----------------------------	----------	--	---------	--	---------	-------	--	--	-----	--	-----

330e

L4 2.0 Turbo Electric/Gas			WL10358		N/A	WP10427			N/S		N/S
---------------------------	--	--	---------	--	-----	---------	--	--	-----	--	-----

330i

L4 2.0L 1998cc Turbo	B46B2000		WL10358		N/A	WP10427			N/S		N/A
----------------------	----------	--	---------	--	-----	---------	--	--	-----	--	-----

330i xDrive

L4 2.0L 1998cc Turbo	B46B2000		WL10358		WA10422	WP10427			N/S		N/A
----------------------	----------	--	---------	--	---------	---------	--	--	-----	--	-----

430i

L4 2.0L 1998cc 122CID Turbo	B48A20A		WL10358		WA10422	24255			N/S		N/A
-----------------------------	---------	--	---------	--	---------	-------	--	--	-----	--	-----

430i Gran Coupe

L4 2.0L 1998cc Turbo	B46B2000		WL10358		WA10422	24255			N/S		N/A
----------------------	----------	--	---------	--	---------	-------	--	--	-----	--	-----

N/A = Not Available N/R = Not Required N/S = Not Serviceable For cabin and fuel filter locator, see pages 5-15 See pages 16-19 for footnotes

N/A = Non disponible N/R = Non nécessaire N/S = Non réparable Para la ubicación de los filtros de aire de la cabina y de combustible, ver las páginas 5-15 Voir pages 16-19 pour des notes

N/A = No disponible N/R = No requiere N/S = No servible Voir les tableaux de repérage des filtres d'habitacle et à carburant aux pages 5-15 Ver las páginas 16-19 para las notas al pie de página

Italicized Part Numbers May Not Be Available. Wix XP Oil Filters Have Fully Synthetic Media.

Las piezas con números en *italicas* pueden no estar disponibles. Los filtros de aceite WIX XP son completamente de media sintética. Les numéros de pièce en *italiques* peuvent ne pas être disponibles. Les filtres à huile XP Wix contiennent un matériau 100 % synthétique.

Year/Año/Année Model/Modelo/Modèle Engine/Motor/Moteur	Eng. Code Código de motor Code moteur	VIN NIV	Oil Aceite Huile	Oil XP Aceite XP Huile XP	Air Aire Air	Cabin Air Cabina Aire Cabine Air	Cabin Air XP Cabina Aire XP Cabine Air XP	Loc. Cabin Air Cabina Aire Cabine Air	Fuel Combustible Carburant	Loc. Fuel Combustible Carburant	Transmission Transmisión Transmission
--	---	------------	------------------------	---------------------------------	--------------------	--	---	--	----------------------------------	--	---

BMW (Cont'd/Suite)
2021 (Cont'd/Suite)
530e Hybrid

L4 2.0 Turbo Electric/Gas			WL10358		WA10889	WP10064			N/S		N/S
---------------------------	--	--	---------	--	---------	---------	--	--	-----	--	-----

530e xDrive Hybrid

L4 2.0 Turbo Electric/Gas			WL10358		WA10889	WP10064			N/S		N/S
---------------------------	--	--	---------	--	---------	---------	--	--	-----	--	-----

530I

L4 2.0L Turbo			WL10358		WA10889	WP10064			N/S		N/S
---------------	--	--	---------	--	---------	---------	--	--	-----	--	-----

530i xDrive

L4 2.0L Turbo			WL10358		WA10889	WP10064			N/S		N/A
---------------	--	--	---------	--	---------	---------	--	--	-----	--	-----

540I

L6 3.0L 2979cc Turbo			WL10342		WA10889	N/A			N/S		N/A
----------------------	--	--	---------	--	---------	-----	--	--	-----	--	-----

540i xDrive

L6 3.0L 2979cc Turbo			WL10342		WA10889	N/A			N/S		N/A
----------------------	--	--	---------	--	---------	-----	--	--	-----	--	-----

740I

L6 3.0L 2998cc Turbo			WL10342		WA10889	WP10064			N/S		N/A
----------------------	--	--	---------	--	---------	---------	--	--	-----	--	-----

740i xDrive

L6 3.0L 2998cc Turbo			WL10342		WA10889	WP10064			N/S		N/A
----------------------	--	--	---------	--	---------	---------	--	--	-----	--	-----

745e xDrive

L6 3.0L 2998cc Turbo			WL10342		WA10889	WP10064			N/S		N/A
----------------------	--	--	---------	--	---------	---------	--	--	-----	--	-----

750I

V8 4.4L 4395cc			57189		WA10982 - Right WA10983 - Left	WP10064			N/S		N/S
----------------	--	--	-------	--	-----------------------------------	---------	--	--	-----	--	-----

750Xi

V8 4.4L Turbo			57189		N/A N/A - Left	WP10064			N/S		N/S
---------------	--	--	-------	--	-------------------	---------	--	--	-----	--	-----

840i

L6 3.0L 2998cc Turbo			WL10342		WA10889	N/A			N/S		N/S
----------------------	--	--	---------	--	---------	-----	--	--	-----	--	-----

840i Gran Coupe

L6 3.0L 2998cc Turbo			WL10342		WA10889	N/A			N/S		N/S
----------------------	--	--	---------	--	---------	-----	--	--	-----	--	-----

840i Gran Coupe xDrive

L6 3.0L 2998cc Turbo			WL10342		WA10889	N/A			N/S		N/S
----------------------	--	--	---------	--	---------	-----	--	--	-----	--	-----

840i xDrive

L6 3.0L 2998cc Turbo			WL10342		WA10889	N/A			N/S		N/S
----------------------	--	--	---------	--	---------	-----	--	--	-----	--	-----

ALPINA B7 xDRIVE

V8 4.4L Turbo			57189		N/A - Left N/A - Right	N/A			N/S		N/S
---------------	--	--	-------	--	---------------------------	-----	--	--	-----	--	-----

i3 Range Extender

L2 647cc Electric/Gas			WL10245		N/A	WP2131			N/S		N/A
-----------------------	--	--	---------	--	-----	--------	--	--	-----	--	-----

M2

L6 3.0L 2979cc Turbo	N54B30A		57327	57327XP	WA10041 - Left WA10042 - Right	24255			N/S		N/S
----------------------	---------	--	-------	---------	-----------------------------------	-------	--	--	-----	--	-----

M235i xDrive Gran Coupe

L4 2.0L 1998cc 122CID Turbo	B48A20A		N/A		N/A	WP2131			N/S		N/S
-----------------------------	---------	--	-----	--	-----	--------	--	--	-----	--	-----

M240i

L6 3.0L 2998cc Turbo	B58B30M0		WL10342		WA10422	24255			N/S		N/A
----------------------	----------	--	---------	--	---------	-------	--	--	-----	--	-----

M240i xDrive

L6 3.0L 2998cc Turbo	B58B30M0		WL10342		WA10422	24255			N/S		N/A
----------------------	----------	--	---------	--	---------	-------	--	--	-----	--	-----

M340i

L6 3.0L 2998cc Turbo	B58B30M0		WL10342		WA11035	WP10427			N/S		N/S
----------------------	----------	--	---------	--	---------	---------	--	--	-----	--	-----

M340i xDrive

L6 3.0L 2998cc Turbo	B58B30M0		WL10342		WA11035	WP10427			N/S		N/S
----------------------	----------	--	---------	--	---------	---------	--	--	-----	--	-----

M4

L6 3L 3000CC 183CID Turbo			57327	57327XP	WA10041 - Left WA10042 - Right	24255			N/S		N/S
---------------------------	--	--	-------	---------	-----------------------------------	-------	--	--	-----	--	-----

M440i xDrive

L6 3.0L 2998cc Turbo	B58B30M0		WL10342		WA10422	24255			N/S		N/A
----------------------	----------	--	---------	--	---------	-------	--	--	-----	--	-----

N/A = Not Available N/R = Not Required N/S = Not Serviceable For cabin and fuel filter locator, see pages 5-15 See pages 16-19 for footnotes

N/A = Non disponible N/R = Non nécessaire N/S = Non réparable Para la ubicación de los filtros de aire de la cabina y de combustible, ver las páginas 5-15 Voir pages 16-19 pour des notes

N/A = No disponible N/R = No requiere N/S = No servible Voir les tableaux de repérage des filtres d'habitacle et à carburant aux pages 5-15 Ver las páginas 16-19 para las notas al pie de página

Italicized Part Numbers May Not Be Available. Wix XP Oil Filters Have Fully Synthetic Media.

Las piezas con números en *italicas* pueden no estar disponibles. Los filtros de aceite WIX XP son completamente de media sintética.

Les numéros de pièce en *italiques* peuvent ne pas être disponibles. Les filtres à huile XP Wix contiennent un matériau 100 % synthétique.

BMW 2021-2020
Pass Car/Light Truck

Year/Año/Année Model/Modelo/Modèle Engine/Motor/Moteur	Eng. Code Código de motor Code moteur	VIN NIV NIV	Oil Aceite Huile	Oil XP Aceite XP Huile XP	Air Aire Air	Cabin Air Cabina Aire Cabine Air	Cabin Air XP Cabina Aire XP Cabine Air XP	Loc. Cabin Air Cabina Aire Cabine Air	Fuel Combustible Carburant	Loc. Fuel Combustible Carburant	Transmission Transmisión Transmission
--	---	-------------------	------------------------	---------------------------------	--------------------	--	---	--	----------------------------------	--	---

BMW (Cont'd/Suite)
2021 (Cont'd/Suite)
M5 M xDrive

V8 4.4L 4400CC 269CID Turbo	S63B44T4		57189		WA11045 - Right WA11046 - Left	WP10064				N/S	N/A
-----------------------------	----------	--	-------	--	-----------------------------------	---------	--	--	--	-----	-----

M550i xDrive

V8 4.4L 4400CC 269CID Turbo	S63B44T4		57189		WA11045 - Right WA11046 - Left	WP10064				N/S	N/A
-----------------------------	----------	--	-------	--	-----------------------------------	---------	--	--	--	-----	-----

M760i xDrive

V12 6.6L 6600CC 403CID - N74B66 Turbo			57189		WA10982 - Right WA10983 - Left	WP10064				N/S	N/S
--	--	--	-------	--	-----------------------------------	---------	--	--	--	-----	-----

M8 Competition Coupe

V8 4.4L Turbo			57189		N/A	N/A				N/S	N/S
---------------	--	--	-------	--	-----	-----	--	--	--	-----	-----

M8 Coupe

V8 4.4L Turbo			57189		N/A	N/A				N/S	N/S
---------------	--	--	-------	--	-----	-----	--	--	--	-----	-----

M850i xDrive

V8 4.4L Turbo			57189		N/A	N/A				N/S	N/S
---------------	--	--	-------	--	-----	-----	--	--	--	-----	-----

X1

L4 2.0L	B48A20M0		N/A		WA9792	WP2131		1		N/S	N/A
---------	----------	--	-----	--	--------	--------	--	---	--	-----	-----

X2 M35i

L4 2.0L Turbo			N/A		WA9792	WP2131				N/S	N/S
---------------	--	--	-----	--	--------	--------	--	--	--	-----	-----

X2 sDrive28i

L4 2.0L Turbo			N/A		WA9792	WP2131				N/S	N/S
---------------	--	--	-----	--	--------	--------	--	--	--	-----	-----

X2 xDrive28i

L4 2.0L Turbo			N/A		WA9792	WP2131				N/S	N/S
---------------	--	--	-----	--	--------	--------	--	--	--	-----	-----

X3 M40i

L6 3L 3000CC 183CID Turbo	B58B30	WL10342			WA10889	WP10427				N/S	N/A
---------------------------	--------	---------	--	--	---------	---------	--	--	--	-----	-----

X3 sDrive30i

L4 2L 2000CC 122CID - Turbo	B48B20B	WL10358			N/A	WP10427				N/S	N/S
--------------------------------	---------	---------	--	--	-----	---------	--	--	--	-----	-----

X3 xDrive30i

L4 2L 2000CC 122CID - Turbo	B48B20B	WL10358			N/A	WP10427				N/S	N/S
--------------------------------	---------	---------	--	--	-----	---------	--	--	--	-----	-----

X4 M40i

L6 3L 3000CC 183CID Turbo	B58B30	WL10342			WA10889	WP10427		1		N/S	N/A
---------------------------	--------	---------	--	--	---------	---------	--	---	--	-----	-----

X4 xDrive30i

L4 2.0L 1997cc 121 CID Turbo	N20B20A	WL10358			N/A	WP10427		1		N/S	N/A
------------------------------	---------	---------	--	--	-----	---------	--	---	--	-----	-----

X5 xDrive40i

L6 3L 3000CC 183CID Turbo	B58B30	WL10342			WA10889	N/A ⁷⁹		1		N/S	N/A
---------------------------	--------	---------	--	--	---------	-------------------	--	---	--	-----	-----

X5 xDrive50i

V8 4.4L 4395cc Turbo	N63B44B	57189			N/A - Left N/A - Right	N/A		1		N/S	N/A
----------------------	---------	-------	--	--	---------------------------	-----	--	---	--	-----	-----

X6

L6 3.0L 2998cc Turbo	B58B30M0	WL10342			WA10889	N/A				N/S	N/S
----------------------	----------	---------	--	--	---------	-----	--	--	--	-----	-----

V8 4.4L Turbo		57189			N/A - Left N/A - Right	N/A		1		N/S	N/S
---------------	--	-------	--	--	---------------------------	-----	--	---	--	-----	-----

X7 xDrive40i

L6 3.0L 2998cc Turbo	B58B30M0	WL10342			WA10889	WP10064				N/S	
----------------------	----------	---------	--	--	---------	---------	--	--	--	-----	--

X7 xDrive50i

V8 4.4L 4395cc Turbo	N63B44	57189			WA10982 - Right WA10983 - Left	WP10064				N/S	N/S
----------------------	--------	-------	--	--	-----------------------------------	---------	--	--	--	-----	-----

Z4

L4 2.0L 2000CC 122CID Turbo	B48B20	WL10358			N/A	WP10427				N/S	N/S
-----------------------------	--------	---------	--	--	-----	---------	--	--	--	-----	-----

L6 3.0L 3000CC 183CID Turbo	B58B30	WL10342			WA11035	WP10427				N/S	N/S
-----------------------------	--------	---------	--	--	---------	---------	--	--	--	-----	-----

2020
228i xDrive Gran Coupe

L4 2.0L 1998cc 122CID Turbo	B48A20A	WL10358			WA10422	WP2080				N/S	N/S
-----------------------------	---------	---------	--	--	---------	--------	--	--	--	-----	-----

--	--	--	--	--	--	--	--	--	--	--	--

--	--	--	--	--	--	--	--	--	--	--	--

--	--	--	--	--	--	--	--	--	--	--	--

--	--	--	--	--	--	--	--	--	--	--	--

--	--	--	--	--	--	--	--	--	--	--	--

--	--	--	--	--	--	--	--	--	--	--	--

--	--	--	--	--	--	--	--	--	--	--	--

--	--	--	--	--	--	--	--	--	--	--	--

--	--	--	--	--	--	--	--	--	--	--	--

--	--	--	--	--	--	--	--	--	--	--	--

--	--	--	--	--	--	--	--	--	--	--	--

--	--	--	--	--	--	--	--	--	--	--	--

N/A = Not Available N/R = Not Required N/S = Not Serviceable For cabin and fuel filter locator, see pages 5-15 See pages 16-19 for footnotes

N/A = Non disponible N/R = Non nécessaire N/S = Non réparable Para la ubicación de los filtros de aire de la cabina y de combustible, ver las páginas 5-15 Voir pages 16-19 pour des notes

N/A = No disponible N/R = No requiere N/S = No servible Voir les tableaux de repérage des filtres d'habitacle et à carburant aux pages 5-15 Ver las páginas 16-19 para las notas al pie de página

Italicized Part Numbers May Not Be Available. Wix XP Oil Filters Have Fully Synthetic Media.

Las piezas con números en *italicas* pueden no estar disponibles. Los filtros de aceite WIX XP son completamente de media sintética. Les numéros de pièce en *italiques* peuvent ne pas être disponibles. Les filtres à huile XP Wix contiennent un matériau 100 % synthétique.

Year/Año/Année Model/Modelo/Modèle Engine/Motor/Moteur	Eng. Code Código de motor Code moteur	VIN NIV NIV	Oil Aceite Huile	Oil XP Aceite XP Huile XP	Air Aire Air	Cabin Air Cabina Aire Cabine Air	Cabin Air XP Cabina Aire XP Cabine Air XP	Loc. Cabin Air Cabina Aire Cabine Air	Fuel Combustible Carburant	Loc. Fuel Combustible Carburant	Transmission Transmisión Transmission
--	---	-------------------	------------------------	---------------------------------	--------------------	--	---	--	----------------------------------	--	---

BMW (Cont'd/Suite)
2020 (Cont'd/Suite)
230i

L4 2.0L 2000CC 122CID Turbo	B46B2000		WL10358		WA10422	WP2080 ⁶¹			N/S		N/S
-----------------------------	----------	--	---------	--	---------	----------------------	--	--	-----	--	-----

230i xDrive

L4 2.0L 2000CC 122CID Turbo	B46B2000		WL10358		WA10422	WP2080 ⁶¹			N/S		N/S
-----------------------------	----------	--	---------	--	---------	----------------------	--	--	-----	--	-----

330i

L4 2.0L 1998cc Turbo	B46B2000		WL10358		WA10422	WP2080 ⁶¹			N/S		N/A
----------------------	----------	--	---------	--	---------	----------------------	--	--	-----	--	-----

330i xDrive

L4 2.0L 1998cc Turbo	B46B2000		WL10358		WA10422	WP2080 ⁶¹			N/S		N/A
----------------------	----------	--	---------	--	---------	----------------------	--	--	-----	--	-----

430i

L4 2.0L 1998cc 122CID Turbo	B48A20A		WL10358		WA10422	24255			N/S		N/A
-----------------------------	---------	--	---------	--	---------	-------	--	--	-----	--	-----

430i Gran Coupe

L4 2.0L 1998cc Turbo	B46B2000		WL10358		WA10422	24255			N/S		N/A
----------------------	----------	--	---------	--	---------	-------	--	--	-----	--	-----

430i xDrive

L4 2.0L 1998cc Turbo	B46B2000		WL10358		WA10422	24255			N/S		N/A
----------------------	----------	--	---------	--	---------	-------	--	--	-----	--	-----

430i xDrive Gran Coupe

L4 2.0L 1998cc Turbo	B46B2000		WL10358		WA10422	24255			N/S		N/A
----------------------	----------	--	---------	--	---------	-------	--	--	-----	--	-----

440i

L6 3.0L 2998cc Turbo	B58B30M0		WL10342		WA10422	24255			N/S		N/A
----------------------	----------	--	---------	--	---------	-------	--	--	-----	--	-----

440i Gran Coupe

L6 3.0L 2998cc Turbo	B58B30M0		WL10342		WA10422	24255			N/S		N/A
----------------------	----------	--	---------	--	---------	-------	--	--	-----	--	-----

440i xDrive

L6 3.0L 2998cc Turbo	B58B30M0		WL10342		WA10422	24255			N/S		N/A
----------------------	----------	--	---------	--	---------	-------	--	--	-----	--	-----

440i xDrive Gran Coupe

L6 3.0L 2998cc Turbo	B58B30M0		WL10342		WA10422	24255			N/S		N/A
----------------------	----------	--	---------	--	---------	-------	--	--	-----	--	-----

530e Hybrid

L4 2.0 Turbo Electric/Gas			WL10358		WA10889	WP10064			N/S		N/S
---------------------------	--	--	---------	--	---------	---------	--	--	-----	--	-----

530e xDrive Hybrid

L4 2.0 Turbo Electric/Gas			WL10358		WA10889	WP10064			N/S		N/S
---------------------------	--	--	---------	--	---------	---------	--	--	-----	--	-----

530i

L4 2.0L Turbo			WL10358		WA10889	WP10064			N/S		N/S
---------------	--	--	---------	--	---------	---------	--	--	-----	--	-----

530i xDrive

L4 2.0L Turbo			WL10358		WA10889	WP10064			N/S		N/A
---------------	--	--	---------	--	---------	---------	--	--	-----	--	-----

540i

L6 3.0L 2979cc Turbo			WL10342		WA10889	WP10064			N/S		
----------------------	--	--	---------	--	---------	---------	--	--	-----	--	--

540i xDrive

L6 3.0L 2979cc Turbo			WL10342		WA10889	WP10064			N/S		N/A
----------------------	--	--	---------	--	---------	---------	--	--	-----	--	-----

740i

L6 3.0L 2998cc Turbo			WL10342		WA10889	WP10064			N/S		N/A
----------------------	--	--	---------	--	---------	---------	--	--	-----	--	-----

740i xDrive

L6 3.0L 2998cc Turbo			WL10342		WA10889	WP10064			N/S		N/A
----------------------	--	--	---------	--	---------	---------	--	--	-----	--	-----

745e xDrive

L6 3.0L 2998cc Turbo			WL10342		WA10889	WP10064			N/S		N/A
----------------------	--	--	---------	--	---------	---------	--	--	-----	--	-----

750i

V8 4.4L 4395cc			57189		WA10982 - Right WA10983 - Left	WP10064			N/S		N/S
----------------	--	--	-------	--	-----------------------------------	---------	--	--	-----	--	-----

750Xi

V8 4.4L Turbo			57189		N/A N/A - Left	WP10064			N/S		N/S
---------------	--	--	-------	--	-------------------	---------	--	--	-----	--	-----

760Li

V12 6.6L 6600CC 403CID - N74B66 Turbo			57189		WA10982 - Right WA10983 - Left	WP10064			N/S		N/S
--	--	--	-------	--	-----------------------------------	---------	--	--	-----	--	-----

840i

L6 3.0L 2998cc Turbo			WL10342		WA10889	N/A			N/S		N/S
----------------------	--	--	---------	--	---------	-----	--	--	-----	--	-----

840i

L6 3.0L 2998cc Turbo			WL10342		WA10889	N/A			N/S		N/S
----------------------	--	--	---------	--	---------	-----	--	--	-----	--	-----

840i

L6 3.0L 2998cc Turbo			WL10342		WA10889	N/A			N/S		N/S
----------------------	--	--	---------	--	---------	-----	--	--	-----	--	-----

N/A = Not Available N/R = Not Required N/S = Not Serviceable For cabin and fuel filter locator, see pages 5-15 See pages 16-19 for footnotes

N/A = Non disponible N/R = Non nécessaire N/S = Non réparable Para la ubicación de los filtros de aire de la cabina y de combustible, ver las páginas 5-15 Voir pages 16-19 pour des notes

N/A = No disponible N/R = No requiere N/S = No servible Voir les tableaux de repérage des filtres d'habitacle et à carburant aux pages 5-15 Ver las páginas 16-19 para las notas al pie de página

Italicized Part Numbers May Not Be Available. Wix XP Oil Filters Have Fully Synthetic Media.

Las piezas con números en *italicas* pueden no estar disponibles. Los filtros de aceite WIX XP son completamente de media sintética.

Les numéros de pièce en *italiques* peuvent ne pas être disponibles. Les filtres à huile XP Wix contiennent un matériau 100 % synthétique.

BMW 2020
Pass Car/Light Truck

Year/Año/Année Model/Modelo/Modèle Engine/Motor/Moteur	Eng. Code Código de motor Code moteur	VIN NIV NIV	Oil Aceite Huile	Oil XP Aceite XP Huile XP	Air Aire Air	Cabin Air Cabina Aire Cabine Air	Cabin Air XP Cabina Aire XP Cabine Air XP	Loc. Cabin Air Cabina Aire Cabine Air	Fuel Combustible Carburant	Loc. Fuel Combustible Carburant	Transmission Transmisión Transmission
--	---	-------------------	------------------------	---------------------------------	--------------------	--	---	--	----------------------------------	--	---

BMW (Cont'd/Suite)
2020 (Cont'd/Suite)
840i Gran Coupe

L6 3.0L 2998cc Turbo			WL10342		WA10889	N/A			N/S		N/S
----------------------	--	--	---------	--	---------	-----	--	--	-----	--	-----

840i Gran Coupe xDrive

L6 3.0L 2998cc Turbo			WL10342		WA10889	N/A			N/S		N/S
----------------------	--	--	---------	--	---------	-----	--	--	-----	--	-----

840i xDrive

L6 3.0L 2998cc Turbo			WL10342		WA10889	N/A			N/S		N/S
----------------------	--	--	---------	--	---------	-----	--	--	-----	--	-----

ALPINA B7 xDRIVE

V8 4.4L Turbo			57189		WA10982 - Right WA10983 - Left	WP10064			N/S		N/S
---------------	--	--	-------	--	-----------------------------------	---------	--	--	-----	--	-----

i3 Range Extender

L2 647cc Electric/Gas			WL10245		N/A	WP2131			N/S		N/A
-----------------------	--	--	---------	--	-----	--------	--	--	-----	--	-----

i8

L3 1.5L 1499cc Turbo Electric/Gas	B38T		N/A		WA10401	WP10429			N/S		N/A
--------------------------------------	------	--	-----	--	---------	---------	--	--	-----	--	-----

M2

L6 3.0L 2979cc Turbo	N54B30A		57327	57327XP	WA10041 - Left WA10042 - Right	24255			N/S		N/S
----------------------	---------	--	-------	---------	-----------------------------------	-------	--	--	-----	--	-----

M235i xDrive Gran Coupe

L4 2.0L 1998cc 122CID Turbo	B48A20A		N/A		N/A	WP2131			N/S		N/S
-----------------------------	---------	--	-----	--	-----	--------	--	--	-----	--	-----

M240i

L6 3.0L 2998cc Turbo	B58B30M0		WL10342		WA10422	24255			N/S		N/A
----------------------	----------	--	---------	--	---------	-------	--	--	-----	--	-----

M240i xDrive

L6 3.0L 2998cc Turbo	B58B30M0		WL10342		WA10422	24255			N/S		N/A
----------------------	----------	--	---------	--	---------	-------	--	--	-----	--	-----

M340i

L6 3.0L 2998cc Turbo	B58B30M0		WL10342		WA11035	WP10427			N/S		N/S
----------------------	----------	--	---------	--	---------	---------	--	--	-----	--	-----

M340i xDrive

L6 3.0L 2998cc Turbo	B58B30M0		WL10342		WA11035	WP10427			N/S		N/S
----------------------	----------	--	---------	--	---------	---------	--	--	-----	--	-----

M4

L6 3L 3000CC 183CID Turbo			57327	57327XP	WA10041 - Left WA10042 - Right	24255			N/S		N/S
---------------------------	--	--	-------	---------	-----------------------------------	-------	--	--	-----	--	-----

M5 M xDrive

V8 4.4L 4400CC 269CID Turbo	S63B44T4		57189		WA11045 - Right WA11046 - Left	WP10064			N/S		N/A
-----------------------------	----------	--	-------	--	-----------------------------------	---------	--	--	-----	--	-----

M550i xDrive

V8 4.4L 4400CC 269CID Turbo	S63B44T4		57189		WA11045 - Right WA11046 - Left	WP10064			N/S		N/A
-----------------------------	----------	--	-------	--	-----------------------------------	---------	--	--	-----	--	-----

M760i xDrive

V12 6.6L 6600CC 403CID - N74B66 Turbo			57189		WA10982 - Right WA10983 - Left	WP10064			N/S		N/S
--	--	--	-------	--	-----------------------------------	---------	--	--	-----	--	-----

M760Li xDrive

V12 6.6L 6600CC 403CID - N74B66 Turbo			57189		WA10982 - Right WA10983 - Left	WP10064			N/S		N/S
--	--	--	-------	--	-----------------------------------	---------	--	--	-----	--	-----

M8 Competition Coupe

V8 4.4L Turbo			57189		N/A	N/A			N/S		N/S
---------------	--	--	-------	--	-----	-----	--	--	-----	--	-----

M8 Coupe

V8 4.4L Turbo			57189		N/A	N/A			N/S		N/S
---------------	--	--	-------	--	-----	-----	--	--	-----	--	-----

M850i xDrive

V8 4.4L Turbo			57189		N/A	N/A			N/S		N/S
---------------	--	--	-------	--	-----	-----	--	--	-----	--	-----

X1

L4 2.0L	B48A20M0		N/A		WA9792	WP2131		1	N/S		N/A
---------	----------	--	-----	--	--------	--------	--	---	-----	--	-----

X2 M35i

L4 2.0L Turbo			N/A		WA9792	WP2131			N/S		N/S
---------------	--	--	-----	--	--------	--------	--	--	-----	--	-----

X2 sDrive28i

L4 2.0L Turbo			N/A		WA9792	WP2131			N/S		N/S
---------------	--	--	-----	--	--------	--------	--	--	-----	--	-----

X2 xDrive28i

L4 2.0L Turbo			N/A		WA9792	WP2131			N/S		N/S
---------------	--	--	-----	--	--------	--------	--	--	-----	--	-----

N/A = Not Available N/R = Not Required N/S = Not Serviceable For cabin and fuel filter locator, see pages 5-15 See pages 16-19 for footnotes

N/A = Non disponible N/R = Non nécessaire N/S = Non réparable Para la ubicación de los filtros de aire de la cabina y de combustible, ver las páginas 5-15 Voir pages 16-19 pour des notes

N/A = No disponible N/R = No requiere N/S = No servible Voir les tableaux de repérage des filtres d'habitacle et à carburant aux pages 5-15 Ver las páginas 16-19 para las notas al pie de página

Italicized Part Numbers May Not Be Available. Wix XP Oil Filters Have Fully Synthetic Media.

Las piezas con números en *italicas* pueden no estar disponibles. Los filtros de aceite WIX XP son completamente de media sintética. Les numéros de pièce en *italiques* peuvent ne pas être disponibles. Les filtres à huile XP Wix contiennent un matériau 100 % synthétique.

Year/Año/Année Model/Modelo/Modèle Engine/Motor/Moteur	Eng. Code Código de motor Code moteur	VIN NIV NIV	Oil Aceite Huile	Oil XP Aceite XP Huile XP	Air Aire Air	Cabin Air Cabina Aire Cabine Air	Cabin Air XP Cabina Aire XP Cabine Air XP	Loc. Cabin Air Cabina Aire Cabine Air	Fuel Combustible Carburant	Loc. Fuel Combustible Carburant	Transmission Transmisión Transmission
--	---	-------------------	------------------------	---------------------------------	--------------------	--	---	--	----------------------------------	--	---

BMW (Cont'd/Suite)
2020 (Cont'd/Suite)

X3 M40i											
L6 3L 3000CC 183CID Turbo	B58B30		WL10342		WA10889	WP10427			N/S		N/A
X3 sDrive30i											
L4 2L 2000CC 122CID - Turbo	B48B20B		WL10358		WA10889	WP10427			N/S		N/S
X3 xDrive30i											
L4 2L 2000CC 122CID - Turbo	B48B20B		WL10358		WA10889	WP10427			N/S		N/S
X4 M40i											
L6 3L 2979CC Turbo	N55B30A		WL10342		WA10889	WP10427		1	N/S		N/A
X4 xDrive30i											
L4 2.0L 1997cc 121 CID Turbo	N20B20A		WL10358		WA10889	WP10427		1	N/S		N/A
X5 M50i											
V8 4.4L 4395cc Turbo	N63B44B		57189		WA10987	N/A		1	N/S		N/A
X5 xDrive40i											
L6 3L 3000CC 183CID Turbo	B58B30		WL10342		WA10889	WP10064 ⁷⁹		1	N/S		N/A
X5 xDrive50i											
V8 4.4L 4395cc Turbo	N63B44B		57189		WA10987	N/A		1	N/S		N/A
X6											
L6 3.0L 2979CC 181.8CID Turbo	N55B30M0		57327	57327XP	49555	N/A N/A ⁸⁰			N/S		N/S
V8 4.4L Turbo			57189		N/A - Right WA10987 - Left	N/A N/A ¹⁷¹		1	N/S		N/S
X7 xDrive40i											
L6 3.0L 2998cc Turbo	B58B30M0		WL10342		WA10889	WP10064			N/S		
X7 xDrive50i											
V8 4.4L 4395cc Turbo	N63B44		57189		WA10982 - Right WA10983 - Left	WP10064			N/S		N/S
Z4											
L4 2.0L 2000CC 122CID Turbo	B48B20		WL10358		N/A	WP10427			N/S		N/S
L6 3.0L 3000CC 183CID Turbo	B58B30		WL10342		WA11035	WP10427			N/S		N/S

2019

230i											
L4 2.0L 1998cc Turbo	B46B2000		WL10358		WA10422	24255			N/S		N/A
230i xDrive											
L4 2.0L 1998cc Turbo	B46B2000		WL10358		WA10422	24255			N/S		N/A
330i											
L4 2.0L 1998cc Turbo	B46B2000		WL10358		WA10422	24255			N/S		N/A
330i GT xDrive											
L4 2.0L 1998cc Turbo	B46B2000		WL10358		WA10422	24255			N/S		N/A
330i xDrive											
L4 2.0L 1998cc Turbo	B46B2000		WL10358		WA10422	24255			N/S		N/A
340i											
L6 3.0L 2998cc Turbo	B58B30M0		WL10342		WA10422	24255			N/S		N/A
340i GT xDrive											
L6 3.0L 2998cc Turbo	B58B30M0		WL10342		WA10422	24255			N/S		N/A
430i											
L4 2.0L 1998cc Turbo	B46B2000		WL10358		WA10422	24255			N/S		N/A
430i Gran Coupe											
L4 2.0L 1998cc Turbo	B46B2000		WL10358		WA10422	24255			N/S		N/A
430i xDrive											
L4 2.0L 1998cc Turbo	B46B2000		WL10358		WA10422	24255			N/S		N/A
430i xDrive Gran Coupe											
L4 2.0L 1998cc Turbo	B46B2000		WL10358		WA10422	24255			N/S		N/A

N/A = Not Available N/R = Not Required N/S = Not Serviceable For cabin and fuel filter locator, see pages 5-15 See pages 16-19 for footnotes

N/A = Non disponible N/R = Non nécessaire N/S = Non réparable Para la ubicación de los filtros de aire de la cabina y de combustible, ver las páginas 5-15 Voir pages 16-19 pour des notes

N/A = No disponible N/R = No requiere N/S = No servible Voir les tableaux de repérage des filtres d'habitacle et à carburant aux pages 5-15 Ver las páginas 16-19 para las notas al pie de página

Italicized Part Numbers May Not Be Available. Wix XP Oil Filters Have Fully Synthetic Media.

Las piezas con números en *italicas* pueden no estar disponibles. Los filtros de aceite WIX XP son completamente de media sintética.

Les numéros de pièce en *italiques* peuvent ne pas être disponibles. Les filtres à huile XP Wix contiennent un matériau 100 % synthétique.

BMW 2019
Pass Car/Light Truck

Year/Año/Année Model/Modelo/Modèle Engine/Motor/Moteur	Eng. Code Código de motor Code moteur	VIN NIV NIV	Oil Aceite Huile	Oil XP Aceite XP Huile XP	Air Aire Air	Cabin Air Cabina Aire Cabine Air	Cabin Air XP Cabina Aire XP Cabine Air XP	Loc. Cabin Air Cabina Aire Cabine Air	Fuel Combustible Carburant	Loc. Fuel Combustible Carburant	Transmission Transmisión Transmission
--	---	-------------------	------------------------	---------------------------------	--------------------	--	---	--	----------------------------------	--	---

BMW (Cont'd/Suite)
2019 (Cont'd/Suite)
440i

L6 3.0L 2998cc Turbo	B58B30M0		WL10342		WA10422	24255			N/S		N/A
----------------------	----------	--	---------	--	---------	-------	--	--	-----	--	-----

440i Gran Coupe

L6 3.0L 2998cc Turbo	B58B30M0		WL10342		WA10422	24255			N/S		N/A
----------------------	----------	--	---------	--	---------	-------	--	--	-----	--	-----

440i xDrive

L6 3.0L 2998cc Turbo	B58B30M0		WL10342		WA10422	24255			N/S		N/A
----------------------	----------	--	---------	--	---------	-------	--	--	-----	--	-----

440i xDrive Gran Coupe

L6 3.0L 2998cc Turbo	B58B30M0		WL10342		WA10422	24255			N/S		N/A
----------------------	----------	--	---------	--	---------	-------	--	--	-----	--	-----

530e Hybrid

L4 2.0 Turbo Electric/Gas			WL10358		WA10889	WP10064			N/S		N/S
---------------------------	--	--	---------	--	---------	---------	--	--	-----	--	-----

530e xDrive Hybrid

L4 2.0 Turbo Electric/Gas			WL10358		WA10889	WP10064			N/S		N/S
---------------------------	--	--	---------	--	---------	---------	--	--	-----	--	-----

530i

L4 2.0L Turbo			WL10358		WA10889	WP10064			N/S		N/S
---------------	--	--	---------	--	---------	---------	--	--	-----	--	-----

530i xDrive

L4 2.0L Turbo			WL10358		WA10889	WP10064			N/S		N/A
---------------	--	--	---------	--	---------	---------	--	--	-----	--	-----

540D

L6 3.0L 2993cc Turbo Diesel	N57D30T		WL10342		WA10889	WP10064			N/A		
-----------------------------	---------	--	---------	--	---------	---------	--	--	-----	--	--

540i

L6 3.0L 2979cc Turbo			WL10342		WA10889	WP10064			N/S		
----------------------	--	--	---------	--	---------	---------	--	--	-----	--	--

540i xDrive

L6 3.0L 2979cc Turbo			WL10342		WA10889	WP10064			N/S		N/A
----------------------	--	--	---------	--	---------	---------	--	--	-----	--	-----

640i

L6 3L 2979CC Turbo	N55B30A		57327	57327XP	49555 ³⁹⁴	24329 ³⁹⁴		1	N/S		N/A
--------------------	---------	--	-------	----------------	----------------------	----------------------	--	---	-----	--	-----

640i Gran Coupe

L6 3L 2979CC Turbo	N55B30A		57327	57327XP	49555	24329 ³⁹⁴		1	N/S		N/A
--------------------	---------	--	-------	----------------	-------	----------------------	--	---	-----	--	-----

640i XDRIVE

L6 3L 2979CC Turbo	N55B30A		WL10342		49555	24329		1	N/S		N/A
--------------------	---------	--	---------	--	-------	-------	--	---	-----	--	-----

640i XDRIVE CONVERTIBLE

L6 3L 2979CC Turbo	N55B30A		WL10342		49555	24329 ³⁹⁴		1	N/S		N/A
--------------------	---------	--	---------	--	-------	----------------------	--	---	-----	--	-----

640i xDrive Gran Turismo

L6 3L 2979CC Turbo	N55B30A		WL10342		49555	24329			N/S		N/S
--------------------	---------	--	---------	--	-------	-------	--	--	-----	--	-----

650i GRAN COUPE

V8 4.4L 4395cc Turbo	N63B44		57189		49257 - Left 49258 - Right	24329			N/S		N/A
----------------------	--------	--	-------	--	-------------------------------	-------	--	--	-----	--	-----

650i XDRIVE

V8 4.4L 4395cc Turbo	N63B44		57189		49257 - Left 49258 - Right	24329			N/S		N/A
----------------------	--------	--	-------	--	-------------------------------	-------	--	--	-----	--	-----

740e

L4 2.0 Turbo Electric/Gas			WL10358		49257	WP10064			N/S		N/S
---------------------------	--	--	---------	--	-------	---------	--	--	-----	--	-----

740e xDrive

L4 2.0 Turbo Electric/Gas			WL10358		N/A	WP10064			N/S		N/S
---------------------------	--	--	---------	--	-----	---------	--	--	-----	--	-----

740i

L6 3.0L 2998cc Turbo			WL10342		WA10889	WP10064			N/S		N/A
----------------------	--	--	---------	--	---------	---------	--	--	-----	--	-----

740i xDrive

L6 3.0L 2998cc Turbo			WL10342		WA10889	WP10064			N/S		N/A
----------------------	--	--	---------	--	---------	---------	--	--	-----	--	-----

750i

V8 4.4L 4395cc			57189		WA10982 - Right WA10983 - Left	WP10064			N/S		N/S
----------------	--	--	-------	--	-----------------------------------	---------	--	--	-----	--	-----

ALPINA B6 XDRIVE GRAN COUPE

V8 4.4L 4395cc Turbo	N63M20A		57189		49258 - Right 49257 - Left	24329		1	N/S		N/S
----------------------	---------	--	-------	--	-------------------------------	-------	--	---	-----	--	-----

ALPINA B7 xDRIVE

V8 4.4L Turbo			57189		WA10982 - Right WA10983 - Left	WP10064			N/S		N/S
---------------	--	--	-------	--	-----------------------------------	---------	--	--	-----	--	-----

N/A = Not Available N/R = Not Required N/S = Not Serviceable For cabin and fuel filter locator, see pages 5-15 See pages 16-19 for footnotes

N/A = Non disponible N/R = Non nécessaire N/S = Non réparable Para la ubicación de los filtros de aire de la cabina y de combustible, ver las páginas 5-15 Voir pages 16-19 pour des notes

N/A = No disponible N/R = No requiere N/S = No servible Voir les tableaux de repérage des filtres d'habitacle et à carburant aux pages 5-15 Ver las páginas 16-19 para las notas al pie de página

Italicized Part Numbers May Not Be Available. Wix XP Oil Filters Have Fully Synthetic Media.

Las piezas con números en *italicas* pueden no estar disponibles. Los filtros de aceite WIX XP son completamente de media sintética. Les numéros de pièce en *italiques* peuvent ne pas être disponibles. Les filtres à huile XP Wix contiennent un matériau 100 % synthétique.

Year/Año/Année Model/Modelo/Modèle Engine/Motor/Moteur	Eng. Code Código de motor Code moteur	VIN NIV NIV	Oil Aceite Huile	Oil XP Aceite XP Huile XP	Air Aire Air	Cabin Air Cabina Aire Cabine Air	Cabin Air XP Cabina Aire XP Cabine Air XP	Loc. Cabin Air Cabina Aire Cabine Air	Fuel Combustible Carburant	Loc. Fuel Combustible Carburant	Transmission Transmisión Transmission
--	---	-------------------	------------------------	---------------------------------	--------------------	--	---	--	----------------------------------	--	---

BMW (Cont'd/Suite)
2019 (Cont'd/Suite)
i3 Range Extender

L2 647cc Electric/Gas		WL10245			N/A	WP2131			N/S		N/A
-----------------------	--	---------	--	--	-----	--------	--	--	-----	--	-----

i8

L3 1.5L 1499cc Turbo Electric/Gas	B38T	WL7522			WA10401	WP10429			N/S		N/A
--------------------------------------	------	--------	--	--	---------	---------	--	--	-----	--	-----

M2

L6 3.0L 2979cc Turbo	N54B30A	57327	57327XP		WA10041 - Left WA10042 - Right	24255			N/S		N/S
----------------------	---------	-------	---------	--	-----------------------------------	-------	--	--	-----	--	-----

M240i

L6 3.0L 2998cc Turbo	B58B30M0	WL10342			WA10422	24255			N/S		N/A
----------------------	----------	---------	--	--	---------	-------	--	--	-----	--	-----

M240i xDrive

L6 3.0L 2979cc Turbo	N54B30A	WL10342			WA10422	24255			N/S		N/S
----------------------	---------	---------	--	--	---------	-------	--	--	-----	--	-----

M340i

L6 3.0L 2998cc Turbo	B58B30M0	WL10342			WA11035	WP10427			N/S		N/S
----------------------	----------	---------	--	--	---------	---------	--	--	-----	--	-----

M340i xDrive

L6 3.0L 2998cc Turbo	B58B30M0	WL10342			WA11035	WP10427			N/S		N/S
----------------------	----------	---------	--	--	---------	---------	--	--	-----	--	-----

M4

L6 3L 3000CC 183CID Turbo		57327	57327XP		WA10041 - Left WA10042 - Right	24255			N/S		N/S
---------------------------	--	-------	---------	--	-----------------------------------	-------	--	--	-----	--	-----

M5

V8 4.4L 4400CC 269CID Turbo	S63B44T4	57189			WA11045 - Right WA11046 - Left	WP10064			N/S		N/A
-----------------------------	----------	-------	--	--	-----------------------------------	---------	--	--	-----	--	-----

M550i xDrive

V8 4.4L 4395cc Turbo	N63B44B	57189			WA10982 - Right WA10983 - Left	WP10064		1	N/S		N/S
----------------------	---------	-------	--	--	-----------------------------------	---------	--	---	-----	--	-----

M6

V8 4.4L 4395cc Turbo	S63B44B	57189			WA10041 - Left WA10042 - Right	24329			N/S		N/S
----------------------	---------	-------	--	--	-----------------------------------	-------	--	--	-----	--	-----

M6 GRAN COUPE

V8 4.4L 4395cc Turbo	S63B44B	57189			WA10041 - Left WA10042 - Right	24329		8	N/S		N/S
----------------------	---------	-------	--	--	-----------------------------------	-------	--	---	-----	--	-----

M760i xDrive

V12 6.6L 6600CC 403CID - N74B66 Turbo		57189			WA10982 - Right WA10983 - Left	WP10064			N/S		N/S
--	--	-------	--	--	-----------------------------------	---------	--	--	-----	--	-----

M850i xDrive

V8 4.4L 4395cc Turbo	N63B44	57189			N/A	N/A			N/S		N/S
----------------------	--------	-------	--	--	-----	-----	--	--	-----	--	-----

X1

L4 2.0L	B48A20M0	WL7522			WA9792	WP2131		1	N/S		N/A
---------	----------	--------	--	--	--------	--------	--	---	-----	--	-----

X2

L4 2.0L Turbo		WL7522			WA9792	WP2131			N/S		N/S
---------------	--	--------	--	--	--------	--------	--	--	-----	--	-----

X3 M40i

L6 3L 3000CC 183CID Turbo	B58B30	WL10342			WA10889	WP10427			N/S		N/A
---------------------------	--------	---------	--	--	---------	---------	--	--	-----	--	-----

X3 xDrive30i

L4 2L 2000CC 122CID - Turbo	B48B20B	WL10358			WA10889	WP10427			N/S		N/S
--------------------------------	---------	---------	--	--	---------	---------	--	--	-----	--	-----

X4 M40i

L6 3L 2979CC Turbo	N55B30A	WL10342			WA10889	WP10427		1	N/S		N/A
--------------------	---------	---------	--	--	---------	---------	--	---	-----	--	-----

X4 xDrive30i

L4 2.0L 1997cc 121 CID Turbo	N20B20A	WL10358			WA10889	WP10427		1	N/S		N/A
------------------------------	---------	---------	--	--	---------	---------	--	---	-----	--	-----

X5

L6 3L 2993CC 183CID Turbo Diesel	N57D30T0	WL10025			WA11060	N/A			N/S		N/A
-------------------------------------	----------	---------	--	--	---------	-----	--	--	-----	--	-----

V8 4.4L 4395cc Turbo	N63B44B	57189			WA10987	N/A		1	N/S		N/A
----------------------	---------	-------	--	--	---------	-----	--	---	-----	--	-----

X5 xDrive40i

L6 3L 2979CC Turbo	N55B30A	WL10342			WA10889	WP10064 ¹⁹		1	N/S		N/A
--------------------	---------	---------	--	--	---------	-----------------------	--	---	-----	--	-----

N/A = Not Available N/R = Not Required N/S = Not Serviceable For cabin and fuel filter locator, see pages 5-15 See pages 16-19 for footnotes

N/A = Non disponible N/R = Non nécessaire N/S = Non réparable Para la ubicación de los filtros de aire de la cabina y de combustible, ver las páginas 5-15 Voir pages 16-19 pour des notes

N/A = No disponible N/R = No requiere N/S = No servible Voir les tableaux de repérage des filtres d'habitacle et à carburant aux pages 5-15 Ver las páginas 16-19 para las notas al pie de página

Italicized Part Numbers May Not Be Available. Wix XP Oil Filters Have Fully Synthetic Media.

Las piezas con números en *italicas* pueden no estar disponibles. Los filtros de aceite WIX XP son completamente de media sintética.

Les numéros de pièce en *italiques* peuvent ne pas être disponibles. Les filtres à huile XP Wix contiennent un matériau 100 % synthétique.

BMW 2019-2018
Pass Car/Light Truck

Year/Año/Année Model/Modelo/Modèle Engine/Motor/Moteur	Eng. Code Código de motor Code moteur	VIN NIV NIV	Oil Aceite Huile	Oil XP Aceite XP Huile XP	Air Aire Air	Cabin Air Cabina Aire Cabine Air	Cabin Air XP Cabina Aire XP Cabine Air XP	Loc. Cabin Air Cabina Aire Cabine Air	Fuel Combustible Carburant	Loc. Fuel Combustible Carburant	Transmission Transmisión Transmission
--	---	-------------------	------------------------	---------------------------------	--------------------	--	---	--	----------------------------------	--	---

BMW (Cont'd/Suite)
2019 (Cont'd/Suite)
X6

L6 3.0L 2979CC 181.8CID Turbo	N55B30M0		57327	57327XP	49555	N/A	N/A ⁷⁸		N/S		N/S
V8 4.4L Turbo			57189		N/A - Right WA10987 - Left	N/A	N/A ¹⁷¹	1	N/S		N/S

X6 M

V8 4.4L Turbo			57189		N/A - Right N/A - Left	N/A	N/A ¹⁷¹	1	N/S		N/S
---------------	--	--	-------	--	---------------------------	-----	--------------------	---	-----	--	-----

X7 xDrive40i

L6 3.0L 2998cc Turbo	B58B30M0		WL10342		WA10889	WP10064			N/S		
----------------------	----------	--	---------	--	---------	---------	--	--	-----	--	--

X7 xDrive50i

V8 4.4L 4395cc Turbo	N63B44		57189		WA10982 - Right WA10983 - Left	WP10064			N/S		N/S
----------------------	--------	--	-------	--	-----------------------------------	---------	--	--	-----	--	-----

Z4

L4 2.0L 2000CC 122CID Turbo	B48B20		WL10358		N/A	WP10427			N/S		N/S
L6 3.0L 3000CC 183CID Turbo	B58B30		WL10342		WA11035	WP10427			N/S		N/S

2018
118i

L3 1.5L 1499CC (Mex.)			WL10358		WA10005	24255 WP2080 ⁶¹			N/S		
-----------------------	--	--	---------	--	---------	-------------------------------	--	--	-----	--	--

120i

L4 2.0L 1998CC 122CID (Mex.)			WL10358		N/S	24255 WP2080 ⁶¹			N/S		
------------------------------	--	--	---------	--	-----	-------------------------------	--	--	-----	--	--

220i

L4 2.0L 1997cc (Mex.)			WL7522		WA9791 WA9792	WP2131 WP2154 ⁶¹			N/S		
-----------------------	--	--	--------	--	------------------	--------------------------------	--	--	-----	--	--

230i

L4 2.0L 1998cc Turbo	B46B2000		WL10358		WA10422	24255			N/S		N/A
----------------------	----------	--	---------	--	---------	-------	--	--	-----	--	-----

230i xDrive

L4 2.0L 1998cc Turbo	B46B2000		WL10358		WA10422	24255			N/S		N/A
----------------------	----------	--	---------	--	---------	-------	--	--	-----	--	-----

318i

L3 1.5L 1499CC (Mex.)			WL10358		WA10005	WP2080 ⁶¹ 24255 ⁶¹			N/S		
-----------------------	--	--	---------	--	---------	---	--	--	-----	--	--

320i

L4 2.0L 1997cc 121 CID Turbo	N20B20A		WL7509		WA10422	24255		1	N/S		N/A
------------------------------	---------	--	--------	--	---------	-------	--	---	-----	--	-----

320i XDRIVE

L4 2.0L 1997cc 121 CID Turbo	N20B20A		WL7509		WA10422	24255		1	N/S		N/A
------------------------------	---------	--	--------	--	---------	-------	--	---	-----	--	-----

328D

L4 2.0L 1995cc 121 CID Turbo Diesel			WL10025		WA9753	24255		1	N/S		N/A
-------------------------------------	--	--	---------	--	--------	-------	--	---	-----	--	-----

328D XDRIVE

L4 2.0L 1995cc 121 CID Turbo Diesel			WL10025		WA9753	24255		1	N/S		N/A
-------------------------------------	--	--	---------	--	--------	-------	--	---	-----	--	-----

330e

L4 2.0 Turbo Electric/Gas			WL10358		WA10422	24255			N/S		N/A
---------------------------	--	--	---------	--	---------	-------	--	--	-----	--	-----

330i

L4 2.0L 1998cc Turbo	B46B2000		WL10358		WA10422	24255			N/S		N/A
----------------------	----------	--	---------	--	---------	-------	--	--	-----	--	-----

330i GT xDrive

L4 2.0L 1998cc Turbo	B46B2000		WL10358		WA10422	24255			N/S		N/A
----------------------	----------	--	---------	--	---------	-------	--	--	-----	--	-----

330i xDrive

L4 2.0L 1998cc Turbo	B46B2000		WL10358		WA10422	24255			N/S		N/A
----------------------	----------	--	---------	--	---------	-------	--	--	-----	--	-----

340i

L6 3.0L 2998cc Turbo	B58B30M0		WL10342		WA10422	24255			N/S		N/A
----------------------	----------	--	---------	--	---------	-------	--	--	-----	--	-----

340i GT xDrive

L6 3.0L 2998cc Turbo	B58B30M0		WL10342		WA10422	24255			N/S		N/A
----------------------	----------	--	---------	--	---------	-------	--	--	-----	--	-----

N/A = Not Available N/R = Not Required N/S = Not Serviceable For cabin and fuel filter locator, see pages 5-15 See pages 16-19 for footnotes

N/A = Non disponible N/R = Non nécessaire N/S = Non réparable Para la ubicación de los filtros de aire de la cabina y de combustible, ver las páginas 5-15 Voir pages 16-19 pour des notes

N/A = No disponible N/R = No requiere N/S = No servible Voir les tableaux de repérage des filtres d'habitacle et à carburant aux pages 5-15 Ver las páginas 16-19 para las notas al pie de página

Italicized Part Numbers May Not Be Available. Wix XP Oil Filters Have Fully Synthetic Media.

Las piezas con números en *italicas* pueden no estar disponibles. Los filtros de aceite WIX XP son completamente de media sintética. Les numéros de pièce en *italiques* peuvent ne pas être disponibles. Les filtres à huile XP Wix contiennent un matériau 100 % synthétique.

Year/Año/Année Model/Modelo/Modèle Engine/Motor/Moteur	Eng. Code Código de motor Code moteur	VIN NIV NIV	Oil Aceite Huile	Oil XP Aceite XP Huile XP	Air Aire Air	Cabin Air Cabina Aire Cabine Air	Cabin Air XP Cabina Aire XP Cabine Air XP	Loc. Cabin Air Cabina Aire Cabine Air	Fuel Combustible Carburant	Loc. Fuel Combustible Carburant	Transmission Transmisión Transmission
--	---	-------------------	------------------------	---------------------------------	--------------------	--	---	--	----------------------------------	--	---

BMW (Cont'd/Suite)

2018 (Cont'd/Suite)

340i XDRIVE

L6 3.0L 2998cc Turbo	B58B30M0		WL10342		WA10422	24255			N/S		N/A
----------------------	----------	--	---------	--	---------	-------	--	--	-----	--	-----

420i

L4 2.0L 1998CC 122CID (Mex.)			WL10358		N/A	24255 WP2080 ⁶¹			N/S		
---------------------------------	--	--	---------	--	-----	-------------------------------	--	--	-----	--	--

430i

L4 2.0L 1998cc Turbo	B46B20O0		WL10358		WA10422	24255			N/S		N/A
L6 3.0L 2998cc Turbo			WL10358		WA10422	24255			N/S		N/A

430i Gran Coupe

L4 2.0L 1998cc Turbo	B46B20O0		WL10358		WA10422	24255			N/S		N/A
----------------------	----------	--	---------	--	---------	-------	--	--	-----	--	-----

430i xDrive

L4 2.0L 1998cc Turbo	B46B20O0		WL10358		WA10422	24255			N/S		N/A
----------------------	----------	--	---------	--	---------	-------	--	--	-----	--	-----

430i xDrive Gran Coupe

L4 2.0L 1998cc Turbo	B46B20O0		WL10358		WA10422	24255			N/S		N/A
----------------------	----------	--	---------	--	---------	-------	--	--	-----	--	-----

440i

L6 3.0L 2998cc Turbo	B58B30M0		WL10342		WA10422	24255			N/S		N/A
----------------------	----------	--	---------	--	---------	-------	--	--	-----	--	-----

440i Gran Coupe

L6 3.0L 2998cc Turbo	B58B30M0		WL10342		WA10422	24255			N/S		N/A
----------------------	----------	--	---------	--	---------	-------	--	--	-----	--	-----

440i xDrive

L6 3.0L 2998cc Turbo	B58B30M0		WL10342		WA10422	24255			N/S		N/A
----------------------	----------	--	---------	--	---------	-------	--	--	-----	--	-----

440i xDrive Gran Coupe

L6 3.0L 2998cc Turbo	B58B30M0		WL10342		WA10422	24255			N/S		N/A
----------------------	----------	--	---------	--	---------	-------	--	--	-----	--	-----

520i

L4 2.0L 1998CC 122CID (Mex.)			WL10358		N/S	N/S			N/S		N/S
---------------------------------	--	--	---------	--	-----	-----	--	--	-----	--	-----

530e

L4 2.0 Turbo Electric/Gas			WL10358		WA10889	WP10064			N/S		N/S
---------------------------	--	--	---------	--	---------	---------	--	--	-----	--	-----

530e xDrive

L4 2.0 Turbo Electric/Gas			WL10358		WA10889	WP10064			N/S		N/S
---------------------------	--	--	---------	--	---------	---------	--	--	-----	--	-----

530i

L4 2.0L Turbo			WL10358		WA10889	WP10064			N/S		N/S
---------------	--	--	---------	--	---------	---------	--	--	-----	--	-----

530i xDrive

L4 2.0L Turbo			WL10358		WA10889	WP10064			N/S		N/A
---------------	--	--	---------	--	---------	---------	--	--	-----	--	-----

540D

L6 3.0L 2993cc Turbo Diesel	N57D30T		WL10342		WA10889	WP10064			N/A		
-----------------------------	---------	--	---------	--	---------	---------	--	--	-----	--	--

540i

L6 3.0L 2979cc Turbo			WL10342		WA10889	WP10064			N/S		
----------------------	--	--	---------	--	---------	---------	--	--	-----	--	--

540i xDrive

L6 3.0L 2979cc Turbo			WL10342		WA10889	WP10064			N/S		N/A
----------------------	--	--	---------	--	---------	---------	--	--	-----	--	-----

550i XDRIVE

V8 4.4L Turbo			57189		WA10983 - Left WA10982 - Right	WP10064		1	N/S		N/S
---------------	--	--	-------	--	-----------------------------------	---------	--	---	-----	--	-----

640i

L6 3L 2979CC Turbo	N55B30A		57327	57327XP	49555 ³⁹⁴	24329 ³⁹⁴		1	N/S		N/A
--------------------	---------	--	-------	---------	----------------------	----------------------	--	---	-----	--	-----

640i CONVERTIBLE

L6 3L 2979CC Turbo	N55B30A		57327	57327XP	49555	24329 ³⁹⁴		1	N/S		N/A
--------------------	---------	--	-------	---------	-------	----------------------	--	---	-----	--	-----

640i Gran Coupe

L6 3L 2979CC Turbo	N55B30A		57327	57327XP	49555	24329 ³⁹⁴		1	N/S		N/A
--------------------	---------	--	-------	---------	-------	----------------------	--	---	-----	--	-----

640i XDRIVE

L6 3L 2979CC Turbo	N55B30A		WL10342		49555	24329		1	N/S		N/A
--------------------	---------	--	---------	--	-------	-------	--	---	-----	--	-----

640i XDRIVE CONVERTIBLE

L6 3L 2979CC Turbo	N55B30A		WL10342		49555	24329 ³⁹⁴		1	N/S		N/A
--------------------	---------	--	---------	--	-------	----------------------	--	---	-----	--	-----

640i xDrive Gran Coupe

L6 3L 2979CC Turbo	N55B30A		WL10342		49555	24329			N/S		N/S
--------------------	---------	--	---------	--	-------	-------	--	--	-----	--	-----

N/A = Not Available N/R = Not Required N/S = Not Serviceable For cabin and fuel filter locator, see pages 5-15 See pages 16-19 for footnotes

N/A = Non disponible N/R = Non nécessaire N/S = Non réparable Para la ubicación de los filtros de aire de la cabina y de combustible, ver las páginas 5-15 Voir pages 16-19 pour des notes

N/A = No disponible N/R = No requiere N/S = No servible Voir les tableaux de repérage des filtres d'habitacle et à carburant aux pages 5-15 Ver las páginas 16-19 para las notas al pie de página

Italicized Part Numbers May Not Be Available. Wix XP Oil Filters Have Fully Synthetic Media.

Las piezas con números en *italicas* pueden no estar disponibles. Los filtros de aceite WIX XP son completamente de media sintética.

Les numéros de pièce en *italiques* peuvent ne pas être disponibles. Les filtres à huile XP Wix contiennent un matériau 100 % synthétique.

BMW 2018
Pass Car/Light Truck

Year/Año/Année Model/Modelo/Modèle Engine/Motor/Moteur	Eng. Code Código de motor Code moteur	VIN NIV NIV	Oil Aceite Huile	Oil XP Aceite XP Huile XP	Air Aire Air	Cabin Air Cabina Aire Cabine Air	Cabin Air XP Cabina Aire XP Cabine Air XP	Loc. Cabin Air Cabina Aire Cabine Air	Fuel Combustible Carburant	Loc. Fuel Combustible Carburant	Transmission Transmisión Transmission
--	---	-------------------	------------------------	---------------------------------	--------------------	--	---	--	----------------------------------	--	---

BMW (Cont'd/Suite)
2018 (Cont'd/Suite)
640i xDrive Gran Turismo

L6 3L 2979CC Turbo	N55B30A		WL10342		49555	24329				N/S	N/S
--------------------	---------	--	---------	--	-------	-------	--	--	--	-----	-----

650I GRAN COUPE

V8 4.4L 4395cc Turbo	N63B44		57189		49257 - Left 49258 - Right	24329				N/S	N/A
----------------------	--------	--	-------	--	-------------------------------	-------	--	--	--	-----	-----

650I XDRIVE

V8 4.4L 4395cc Turbo	N63B44		57189		49257 - Left 49258 - Right	24329				N/S	N/A
----------------------	--------	--	-------	--	-------------------------------	-------	--	--	--	-----	-----

740e xDrive

L4 2.0 Turbo Electric/Gas			57189		49257	WP10064				N/S	N/S
---------------------------	--	--	-------	--	-------	---------	--	--	--	-----	-----

740I

L6 3.0L 2998cc Turbo			WL10342		WA10889	WP10064				N/S	N/A
----------------------	--	--	---------	--	---------	---------	--	--	--	-----	-----

750i XDRIVE

V8 4.4L 4395cc			57189		WA10982 - Right WA10983 - Left	24329				N/S	N/S
----------------	--	--	-------	--	-----------------------------------	-------	--	--	--	-----	-----

750Li xDrive

V8 4.4L 4395cc			57189		WA10982 - Right WA10983 - Left	24329				N/S	N/S
----------------	--	--	-------	--	-----------------------------------	-------	--	--	--	-----	-----

ALPINA B6 XDRIVE GRAN COUPE

V8 4.4L 4395cc Turbo	N63M20A		57189		49258 - Right 49257 - Left	24329		1		N/S	N/S
----------------------	---------	--	-------	--	-------------------------------	-------	--	---	--	-----	-----

ALPINA B7 xDRIVE

V8 4.4L Turbo			57189		WA10982 - Right WA10983 - Left	WP10064				N/S	N/S
---------------	--	--	-------	--	-----------------------------------	---------	--	--	--	-----	-----

i3

Electric			N/R		N/A	WP2131				N/S	
----------	--	--	-----	--	-----	--------	--	--	--	-----	--

i3 Range Extender

L2 647cc Electric/Gas			WL10245		N/A	WP2131				N/S	N/A
-----------------------	--	--	---------	--	-----	--------	--	--	--	-----	-----

i8

L3 1.5L 1499cc Turbo Electric/Gas	B38T		WL7522		WA10401	WP10429				N/S	N/A
--------------------------------------	------	--	--------	--	---------	---------	--	--	--	-----	-----

M140i

(Mex.)			N/S		N/S	24255 WP2080 ⁶¹				N/S	
--------	--	--	-----	--	-----	-------------------------------	--	--	--	-----	--

M2

L6 3.0L 2979cc Turbo	N54B30A		57327	57327XP	WA10257	24255				N/S	N/S
----------------------	---------	--	-------	---------	---------	-------	--	--	--	-----	-----

M240i

L6 3.0L 2998cc Turbo	B58B30M0		WL10342		WA10422	24255				N/S	N/A
----------------------	----------	--	---------	--	---------	-------	--	--	--	-----	-----

M240i xDrive

L6 3.0L 2979cc Turbo	N54B30A		WL10342		WA10257	WP2080 ⁶¹				N/S	N/S
----------------------	---------	--	---------	--	---------	----------------------	--	--	--	-----	-----

M3

L6 3L 2979CC Turbo	N55B30A		57327	57327XP	WA10042 - Right WA10041 - Left	24255		8		N/S	MT ⁷²
--------------------	---------	--	-------	---------	-----------------------------------	-------	--	---	--	-----	------------------

M4

L6 3.0L 2979cc Turbo	S55B30		57327	57327XP	WA10041 - Left WA10042 - Right	24255				N/S	N/S
----------------------	--------	--	-------	---------	-----------------------------------	-------	--	--	--	-----	-----

M5

V8 4.4L 4400CC 269CID Turbo	S63B44T4		57189		WA11045 - Right WA11046 - Left	WP10064				N/S	N/A
-----------------------------	----------	--	-------	--	-----------------------------------	---------	--	--	--	-----	-----

M550i xDrive

V8 4.4L 4395cc Turbo	N63B44B		57189		WA10982 - Right WA10983 - Left	WP10064		1		N/S	N/S
----------------------	---------	--	-------	--	-----------------------------------	---------	--	---	--	-----	-----

M6

V8 4.4L 4395cc Turbo	S63B44B		57189		WA10041 - Left WA10042 - Right	24329				N/S	N/S
----------------------	---------	--	-------	--	-----------------------------------	-------	--	--	--	-----	-----

N/A = Not Available N/R = Not Required N/S = Not Serviceable For cabin and fuel filter locator, see pages 5-15 See pages 16-19 for footnotes

N/A = Non disponible N/R = Non nécessaire N/S = Non réparable Para la ubicación de los filtros de aire de la cabina y de combustible, ver las páginas 5-15 Voir pages 16-19 pour des notes

N/A = No disponible N/R = No requiere N/S = No servible Voir les tableaux de repérage des filtres d'habitacle et à carburant aux pages 5-15 Ver las páginas 16-19 para las notas al pie de página

Italicized Part Numbers May Not Be Available. Wix XP Oil Filters Have Fully Synthetic Media.

Las piezas con números en *italicas* pueden no estar disponibles. Los filtros de aceite WIX XP son completamente de media sintética. Les numéros de pièce en *italiques* peuvent ne pas être disponibles. Les filtres à huile XP Wix contiennent un matériau 100 % synthétique.

Year/Año/Année Model/Modelo/Modèle Engine/Motor/Moteur	Eng. Code Código de motor Code moteur	VIN NIV NIV	Oil Aceite Huile	Oil XP Aceite XP Huile XP	Air Aire Air	Cabin Air Cabina Aire Cabine Air	Cabin Air XP Cabina Aire XP Cabine Air XP	Loc. Cabin Air Cabina Aire Cabine Air	Fuel Combustible Carburant	Loc. Fuel Combustible Carburant	Transmission Transmisión Transmission
--	---	-------------------	------------------------	---------------------------------	--------------------	--	---	--	----------------------------------	--	---

BMW (Cont'd/Suite)
2018 (Cont'd/Suite)
M6 GRAN COUPE

V8 4.4L 4395cc Turbo	S63B44B		57189		WA10041 - Left WA10042 - Right	24329 ⁷⁸		8	N/S		N/S
----------------------	---------	--	-------	--	-----------------------------------	---------------------	--	---	-----	--	-----

M760i xDrive

V12 6.6L 6600CC 403CID - N74B66 Turbo			57189 57189		WA10982 - Right WA10983 - Left WA10982 - Right WA10983 - Left	WP10064 WP10064			N/S N/S		N/S N/S
--	--	--	----------------	--	--	--------------------	--	--	------------	--	------------

X1

L4 2.0L	B48A20M0		WL7522		WA9792	WP2131		1	N/S		N/A
---------	----------	--	--------	--	--------	--------	--	---	-----	--	-----

X2

L4 2.0L Turbo			WL7522		WA9792	WP2131			N/S		N/S
---------------	--	--	--------	--	--------	--------	--	--	-----	--	-----

X3 M40i

L6 3L 3000CC 183CID Turbo	B58B30		WL10342		WA10889	WP10427			N/S		N/A
---------------------------	--------	--	---------	--	---------	---------	--	--	-----	--	-----

X3 xDrive30i

L4 2L 2000CC 122CID - Turbo	B48B20B		WL10358		WA10889	WP10427			N/S		N/S
--------------------------------	---------	--	---------	--	---------	---------	--	--	-----	--	-----

X4

L4 2.0L 1997cc 121 CID Turbo	N20B20A		57327	57327XP	49468	N/A		1	N/S		N/A
L6 3L 2979CC Turbo	N55B30A		57327	57327XP	49555	N/A		1	N/S		N/A

X5

L6 3L 2979CC Turbo	N55B30A		57327	57327XP	49555	N/A ⁷⁹ N/A ¹⁷¹		1	N/S		N/A
L6 3L 2993CC 183CID Turbo Diesel	N57D30T0		WL10025		WA11060	N/A			WF8365 ⁶¹		N/S
V8 4.4L 4395cc Turbo	N63B44B		57189		WA10987	N/A		1	N/S		N/S

X5 xDrive40e

L4 2.0 Turbo Electric/Gas			57327	57327XP	WA10645	N/A N/A ⁷⁹			N/S		N/S
---------------------------	--	--	-------	---------	---------	--------------------------	--	--	-----	--	-----

X6

L6 3.0L 2979CC 181.8CID Turbo	N55B30M0		57327	57327XP	49555	N/A N/A ⁷⁸			N/S		N/S
V8 4.4L Turbo			57189		N/A - Right WA10987 - Left	N/A N/A ¹⁷¹		1	N/S		N/S

2017
120i

L4 2.0L 1998CC 122CID (Mex.)			WL10358		N/S	24255 WP2080 ⁶¹			N/S		
---------------------------------	--	--	---------	--	-----	-------------------------------	--	--	-----	--	--

220i

L4 2.0L 1997cc (Mex.)			WL7522		WA9791 WA9792	WP2131 WP2154 ⁶¹			N/S		
-----------------------	--	--	--------	--	------------------	--------------------------------	--	--	-----	--	--

230i

L4 2.0L 1998cc Turbo	B46B2000		WL10358		WA10422	WP2080 ⁶¹			N/S		N/A
----------------------	----------	--	---------	--	---------	----------------------	--	--	-----	--	-----

230i xDrive

L4 2.0L 1998cc Turbo	B46B2000		WL10358		WA10422	24255			N/S		N/A
----------------------	----------	--	---------	--	---------	-------	--	--	-----	--	-----

320i

L4 2.0L 1997cc 121 CID Turbo	N20B20A		WL7509		WA10005	24255		1	N/S		N/A
------------------------------	---------	--	--------	--	---------	-------	--	---	-----	--	-----

320i XDRIVE

L4 2.0L 1997cc 121 CID Turbo	N20B20A		WL7509		WA10005	24255		1	N/S		N/A
------------------------------	---------	--	--------	--	---------	-------	--	---	-----	--	-----

328D

L4 2.0L 1995cc 121 CID Turbo Diesel			WL10025		WA9753	24255		1	N/A		N/A
--	--	--	---------	--	--------	-------	--	---	-----	--	-----

328D XDRIVE

L4 2.0L 1995cc 121 CID Turbo Diesel			WL10025		WA9753	24255		1	N/A		N/A
--	--	--	---------	--	--------	-------	--	---	-----	--	-----

330e

L4 2.0 Turbo Electric/Gas			WL10358		WA10422	24255			N/S		N/A
---------------------------	--	--	---------	--	---------	-------	--	--	-----	--	-----

N/A = Not Available N/R = Not Required N/S = Not Serviceable For cabin and fuel filter locator, see pages 5-15 See pages 16-19 for footnotes

N/A = Non disponible N/R = Non nécessaire N/S = Non réparable Para la ubicación de los filtros de aire de la cabina y de combustible, ver las páginas 5-15 Voir pages 16-19 pour des notes

N/A = No disponible N/R = No requiere N/S = No servible Voir les tableaux de repérage des filtres d'habitacle et à carburant aux pages 5-15 Ver las páginas 16-19 para las notas al pie de página

Italicized Part Numbers May Not Be Available. Wix XP Oil Filters Have Fully Synthetic Media.

Las piezas con números en *italicas* pueden no estar disponibles. Los filtros de aceite WIX XP son completamente de media sintética.

Les numéros de pièce en *italiques* peuvent ne pas être disponibles. Les filtres à huile Wix contiennent un matériau 100 % synthétique.

BMW 2017
Pass Car/Light Truck

Year/Año/Année Model/Modelo/Modèle Engine/Motor/Moteur	Eng. Code Código de motor Code moteur	VIN NIV NIV	Oil Aceite Huile	Oil XP Aceite XP Huile XP	Air Aire Air	Cabin Air Cabina Aire Cabine Air	Cabin Air XP Cabina Aire XP Cabine Air XP	Loc. Cabin Air Cabina Aire Cabine Air	Fuel Combustible Carburant	Loc. Fuel Combustible Carburant	Transmission Transmisión Transmission
--	---	-------------------	------------------------	---------------------------------	--------------------	--	---	--	----------------------------------	--	---

BMW (Cont'd/Suite)
2017 (Cont'd/Suite)
330i

L4 2.0L 1998cc Turbo	B46B2000		WL10358		WA10422	24255			N/S		N/A
----------------------	----------	--	---------	--	---------	-------	--	--	-----	--	-----

330i GT xDrive

L4 2.0L 1998cc Turbo	B46B2000		WL10358		WA10422	24255			N/S		N/A
----------------------	----------	--	---------	--	---------	-------	--	--	-----	--	-----

330i xDrive

L4 2.0L 1998cc Turbo	B46B2000		WL10358		WA10422	24255			N/S		N/A
----------------------	----------	--	---------	--	---------	-------	--	--	-----	--	-----

340i

L6 3.0L 2998cc Turbo	B58B30M0		WL10342		WA10422	24255			N/S		N/A
----------------------	----------	--	---------	--	---------	-------	--	--	-----	--	-----

340i GT xDrive

L6 3.0L 2998cc Turbo	B58B30M0		WL10342		WA10422	24255			N/S		N/A
----------------------	----------	--	---------	--	---------	-------	--	--	-----	--	-----

340i XDRIVE

L6 3.0L 2998cc Turbo	B58B30M0		WL10342		WA10422	24255			N/S		N/A
----------------------	----------	--	---------	--	---------	-------	--	--	-----	--	-----

420i

L4 2.0L 1998CC 122CID (Mex.)			WL10358		N/A	24255 WP2080 ⁶¹			N/S		
---------------------------------	--	--	---------	--	-----	-------------------------------	--	--	-----	--	--

430i

L4 2.0L 1998cc Turbo	B46B2000		WL10358		WA10422	24255			N/S		N/A
----------------------	----------	--	---------	--	---------	-------	--	--	-----	--	-----

430i Gran Coupe

L4 2.0L 1998cc Turbo	B46B2000		WL10358		WA10422	24255			N/S		N/A
----------------------	----------	--	---------	--	---------	-------	--	--	-----	--	-----

430i xDrive

L4 2.0L 1998cc Turbo	B46B2000		WL10358		WA10422	24255			N/S		N/A
----------------------	----------	--	---------	--	---------	-------	--	--	-----	--	-----

430i xDrive Gran Coupe

L4 2.0L 1998cc Turbo	B46B2000		WL10358		WA10422	24255			N/S		N/A
----------------------	----------	--	---------	--	---------	-------	--	--	-----	--	-----

435i Gran Coupe

L6 3L 2979CC Turbo	N55B30A		WL10342		WA10422	24255		1	N/S		N/A
--------------------	---------	--	---------	--	---------	-------	--	---	-----	--	-----

440i

L6 3.0L 2998cc Turbo	B58B30M0		WL10342		WA10422	24255			N/S		N/A
----------------------	----------	--	---------	--	---------	-------	--	--	-----	--	-----

440i Gran Coupe

L6 3.0L 2998cc Turbo	B58B30M0		WL10342		WA10422	24255			N/S		N/A
----------------------	----------	--	---------	--	---------	-------	--	--	-----	--	-----

440i xDrive

L6 3.0L 2998cc Turbo	B58B30M0		WL10342		WA10422	24255			N/S		N/A
----------------------	----------	--	---------	--	---------	-------	--	--	-----	--	-----

440i xDrive Gran Coupe

L6 3.0L 2998cc Turbo	B58B30M0		WL10342		WA10422	24255			N/S		N/A
----------------------	----------	--	---------	--	---------	-------	--	--	-----	--	-----

530i

L4 2.0L Turbo			WL10358		49555	WP10064			N/S		N/S
---------------	--	--	---------	--	-------	---------	--	--	-----	--	-----

530i xDrive

L4 2.0L Turbo			WL10358		49555	WP10064			N/S		N/S
---------------	--	--	---------	--	-------	---------	--	--	-----	--	-----

535i GT

L6 3L 2979CC Turbo	N55B30A		57327	57327XP	49555	24329		1	N/S		N/A
--------------------	---------	--	-------	---------	-------	-------	--	---	-----	--	-----

535i GT XDRIVE

L6 3L 2979CC Turbo	N55B30A		57327	57327XP	49555	24329		1	N/S		N/A
--------------------	---------	--	-------	---------	-------	-------	--	---	-----	--	-----

540i

L6 3.0L 2979cc Turbo			WL10342		WA10889	WP10064			N/S		
----------------------	--	--	---------	--	---------	---------	--	--	-----	--	--

540i xDrive

L6 3.0L 2979cc Turbo			WL10342		WA10889	WP10064			N/S		N/A
----------------------	--	--	---------	--	---------	---------	--	--	-----	--	-----

550i

V8 4.4L 4395cc Turbo	N63B44B		57189		49258 - Right 49257 - Left	24329		1	N/S		N/S
----------------------	---------	--	-------	--	-------------------------------	-------	--	---	-----	--	-----

550i GT XDRIVE

V8 4.4L 4395cc Turbo	N63B44B		57189		49258 - Right 49257 - Left	24329		1	N/S		N/A
----------------------	---------	--	-------	--	-------------------------------	-------	--	---	-----	--	-----

640i

L6 3L 2979CC Turbo	N55B30A		57327	57327XP	49555 ³⁹⁴	24329 ³⁹⁴		1	N/S		N/A
--------------------	---------	--	-------	---------	----------------------	----------------------	--	---	-----	--	-----

N/A = Not Available N/R = Not Required N/S = Not Serviceable For cabin and fuel filter locator, see pages 5-15 See pages 16-19 for footnotes

N/A = Non disponible N/R = Non nécessaire N/S = Non réparable Para la ubicación de los filtros de aire de la cabina y de combustible, ver las páginas 5-15 Voir pages 16-19 pour des notes

N/A = No disponible N/R = No requiere N/S = No servible Voir les tableaux de repérage des filtres d'habitacle et à carburant aux pages 5-15 Ver las páginas 16-19 para las notas al pie de página

Italicized Part Numbers May Not Be Available. Wix XP Oil Filters Have Fully Synthetic Media.

Las piezas con números en *italicas* pueden no estar disponibles. Los filtros de aceite WIX XP son completamente de media sintética. Les numéros de pièce en *italiques* peuvent ne pas être disponibles. Les filtres à huile XP Wix contiennent un matériau 100 % synthétique.

Year/Año/Année Model/Modelo/Modèle Engine/Motor/Moteur	Eng. Code Código de motor Code moteur	VIN NIV NIV	Oil Aceite Huile	Oil XP Aceite XP Huile XP	Air Aire Air	Cabin Air Cabina Aire Cabine Air	Cabin Air XP Cabina Aire XP Cabine Air XP	Loc. Cabin Air Cabina Aire Cabine Air	Fuel Combustible Carburant	Loc. Fuel Combustible Carburant	Transmission Transmisión Transmission
--	---	-------------------	------------------------	---------------------------------	--------------------	--	---	--	----------------------------------	--	---

BMW (Cont'd/Suite)
2017 (Cont'd/Suite)
640I CONVERTIBLE

L6 3L 2979CC Turbo	N55B30A		57327	57327XP	49555	24329 ³⁹⁴		1	N/S		N/A
--------------------	---------	--	-------	---------	-------	----------------------	--	---	-----	--	-----

640i Gran Coupe

L6 3L 2979CC Turbo	N55B30A		57327	57327XP	49555	24329		1	N/S		N/A
--------------------	---------	--	-------	---------	-------	-------	--	---	-----	--	-----

640I XDRIVE

L6 3L 2979CC Turbo	N55B30A		57327	57327XP	49555	24329 ³⁹⁴		1	N/S		N/A
--------------------	---------	--	-------	---------	-------	----------------------	--	---	-----	--	-----

640I XDRIVE CONVERTIBLE

L6 3L 2979CC Turbo	N55B30A		57327	57327XP	49555	24329 ³⁹⁴		1	N/S		N/A
--------------------	---------	--	-------	---------	-------	----------------------	--	---	-----	--	-----

640i xDrive Gran Coupe

L6 3L 2979CC Turbo	N55B30A		57327	57327XP	49555	24329 ³⁹⁴		1	N/S		N/A
--------------------	---------	--	-------	---------	-------	----------------------	--	---	-----	--	-----

650I

V8 4.4L 4395cc Turbo	N63B44		57189		49257 - Left 49258 - Right	24329			N/S		N/A
----------------------	--------	--	-------	--	-------------------------------	-------	--	--	-----	--	-----

650I GRAN COUPE

V8 4.4L 4395cc Turbo	N63B44		57189		49257 - Left 49258 - Right	24329			N/S		N/A
----------------------	--------	--	-------	--	-------------------------------	-------	--	--	-----	--	-----

650I XDRIVE

V8 4.4L 4395cc Turbo	N63B44		57189		49257 - Left 49258 - Right	24329			N/S		N/A
----------------------	--------	--	-------	--	-------------------------------	-------	--	--	-----	--	-----

650I XDRIVE GRAN COUPE

V8 4.4L 4395cc Turbo	N63B44		57189		49257 - Left 49258 - Right	24329			N/S		N/A
----------------------	--------	--	-------	--	-------------------------------	-------	--	--	-----	--	-----

740e xDrive

L4 2.0 Turbo Electric/Gas			57189		49257	WP10064			N/S		N/S
---------------------------	--	--	-------	--	-------	---------	--	--	-----	--	-----

740I

L6 3.0L 2998cc Turbo			WL10342		WA10889	WP10064			N/S		N/A
----------------------	--	--	---------	--	---------	---------	--	--	-----	--	-----

740i xDrive

L6 3.0L 2998cc Turbo			WL10342		WA10889	WP10064			N/S		N/A
----------------------	--	--	---------	--	---------	---------	--	--	-----	--	-----

750I

V8 4.4L 4395cc			57189		WA10982 - Right WA10983 - Left	24329			N/S		N/S
----------------	--	--	-------	--	-----------------------------------	-------	--	--	-----	--	-----

750i XDRIVE

V8 4.4L 4395cc			57189		WA10982 - Right WA10983 - Left	24329			N/S		N/S
			57189		WA10982 - Right WA10983 - Left	24329			N/S		N/S

ALPINA B6 XDRIVE GRAN COUPE

V8 4.4L 4395cc Turbo	N63M20A		57189		49258 - Right 49257 - Left	24329		1	N/S		N/S
----------------------	---------	--	-------	--	-------------------------------	-------	--	---	-----	--	-----

ALPINA B7 xDRIVE

V8 4.4L Turbo			57189		WA10982 - Left WA10983 - Right	24329			N/S		N/S
---------------	--	--	-------	--	-----------------------------------	-------	--	--	-----	--	-----

i3 Range Extender

L2 647cc Electric/Gas			WL10245		N/A	WP2131			N/S		N/A
-----------------------	--	--	---------	--	-----	--------	--	--	-----	--	-----

i8

L3 1.5L 1499cc Turbo Electric/Gas	B38T		WL7522		WA10401	WP10429			N/S		N/A
--------------------------------------	------	--	--------	--	---------	---------	--	--	-----	--	-----

M140i

(Mex.)			N/S		N/S	24255 WP2080 ⁶¹			N/S		
--------	--	--	-----	--	-----	-------------------------------	--	--	-----	--	--

M2

L6 3.0L 2979cc Turbo	N54B30A		57327	57327XP	WA10257	24255			N/S		N/S
----------------------	---------	--	-------	---------	---------	-------	--	--	-----	--	-----

M240i

L6 3.0L 2998cc Turbo	B58B30M0		WL10342		WA10422	WP2080 ⁶¹			N/S		N/A
----------------------	----------	--	---------	--	---------	----------------------	--	--	-----	--	-----

M240i xDrive

L6 3.0L 2979cc Turbo	N54B30A		WL10342		WA10257	WP2080 ⁶¹			N/S		N/S
----------------------	---------	--	---------	--	---------	----------------------	--	--	-----	--	-----

N/A = Not Available N/R = Not Required N/S = Not Serviceable For cabin and fuel filter locator, see pages 5-15 See pages 16-19 for footnotes

N/A = Non disponible N/R = Non nécessaire N/S = Non réparable Para la ubicación de los filtros de aire de la cabina y de combustible, ver las páginas 5-15 Voir pages 16-19 pour des notes

N/A = No disponible N/R = No requiere N/S = No servible Voir les tableaux de repérage des filtres d'habitacle et à carburant aux pages 5-15 Ver las páginas 16-19 para las notas al pie de página

Italicized Part Numbers May Not Be Available. Wix XP Oil Filters Have Fully Synthetic Media.

Las piezas con números en *italicas* pueden no estar disponibles. Los filtros de aceite WIX XP son completamente de media sintética.

Les numéros de pièce en *italiques* peuvent ne pas être disponibles. Les filtres à huile XP Wix contiennent un matériau 100 % synthétique.

BMW 2017-2016
Pass Car/Light Truck

Year/Año/Année Model/Modelo/Modèle Engine/Motor/Moteur	Eng. Code Código de motor Code moteur	VIN NIV NIV	Oil Aceite Huile	Oil XP Aceite XP Huile XP	Air Aire Air	Cabin Air Cabina Aire Cabine Air	Cabin Air XP Cabina Aire XP Cabine Air XP	Loc. Cabin Air Cabina Aire Cabine Air	Fuel Combustible Carburant	Loc. Fuel Combustible Carburant	Transmission Transmisión Transmission
--	---	-------------------	------------------------	---------------------------------	--------------------	--	---	--	----------------------------------	--	---

BMW (Cont'd/Suite)
2017 (Cont'd/Suite)
M3

L6 3L 2979CC Turbo	N55B30A		57327	57327XP	WA10042 - Right WA10041 - Left	24255		8	N/S		MT ⁷²
--------------------	---------	--	-------	---------	-----------------------------------	-------	--	---	-----	--	------------------

M4

L6 3.0L 2979cc Turbo	S55B30		57327	57327XP	WA10042 - Right WA10041 - Left	24255		8	N/S		MT ⁷²
----------------------	--------	--	-------	---------	-----------------------------------	-------	--	---	-----	--	------------------

M6

V8 4.4L 4395cc Turbo	S63B44B		57189		WA10041 - Left WA10042 - Right	24329 ⁷³		8	N/S		N/S
----------------------	---------	--	-------	--	-----------------------------------	---------------------	--	---	-----	--	-----

M6 GRAN COUPE

V8 4.4L 4395cc Turbo	S63B44B		57189		WA10041 - Left WA10042 - Right	24329 ⁷³		8	N/S		N/S
----------------------	---------	--	-------	--	-----------------------------------	---------------------	--	---	-----	--	-----

M760i xDrive

V12 6.6L 6600CC 403CID - N74B66 Turbo			57189		WA10951	WP10064			N/S		N/S
--	--	--	-------	--	---------	---------	--	--	-----	--	-----

X1

L4 2.0L	B48A20M0		WL7522		WA9792	WP2131		1	N/S		N/A
---------	----------	--	--------	--	--------	--------	--	---	-----	--	-----

X3

L4 2.0L 1995cc 121 CID Turbo Diesel	N47D20		WL10025		WA11085	N/A		1	N/A		N/S
L4 2.0L 1997cc 121 CID Turbo	N20B20A		WL7509		49468	N/A		1	N/S		N/S
L6 3L 2979CC Turbo	N55B30A		57327	57327XP	49468	N/A		1	N/S		N/A

X4

L4 2.0L 1997cc 121 CID Turbo	N20B20A		57327	57327XP	49468	N/A		1	N/S		N/A
L6 3L 2979CC Turbo	N55B30A		57327	57327XP	49555	N/A		1	N/S		N/A

X5

L6 3.0L 2993cc Turbo Diesel	N57D30T		WL10025		WA11060	49585		2	WF8365 ⁶¹		N/A
L6 3L 2979CC Turbo	N55B30A		57327	57327XP	49555	49585 ⁷³ N/A ¹⁷¹		1	N/S		N/A
V 8 4.4L 4395cc (Turbo Charged S63R Gas)	S63R		57189		WA10987	49585		1	N/S		N/S
V8 4.4L 4395cc Turbo	N63B44B		57189		WA10987	49585		1	N/S		N/S

X5 xDrive40e

L4 2.0 Turbo Electric/Gas			57327	57327XP	WA10645	49585 ⁷³			N/S		N/S
---------------------------	--	--	-------	---------	---------	---------------------	--	--	-----	--	-----

X6

L6 3L 2979CC Turbo	N55B30A		57327	57327XP	49555	49585		1	N/S		N/A
V 8 4.4L 4395cc (Turbo Charged S63R Gas)	S63R		57189		WA10987	49585		1	N/S		N/S
V8 4.4L 4395cc Turbo	N63B44B		57189		WA10987	49585		1	N/S		N/S

2016
120I

L4 1.6L 1598CC 98CID (Mex.)			WL7502		WA10005	24255 WP2080 ⁶¹			N/S		
--------------------------------	--	--	--------	--	---------	-------------------------------	--	--	-----	--	--

220I ACTIVE TOURER

L4 2.0L 1998cc 122CID Turbo (Mex.)	B48A20A		N/A		N/A	N/A			N/S		
---------------------------------------	---------	--	-----	--	-----	-----	--	--	-----	--	--

228I

L4 2.0L 1997cc 121 CID Turbo	N20B20A		57327 ⁴³⁹ WL7509 ⁴⁴⁰	57327XP ⁴³⁹	WA10005 WA9753 ¹⁶⁶	24255		1	N/S		N/A
	N26B20A		WL7509		WA10005	24255		1	N/S		N/S

228I XDRIVE

L4 2.0L 1997cc 121 CID Turbo	N20B20A		57327 ⁴³⁹ WL7509 ⁴⁴⁰	57327XP ⁴³⁹	WA10005	24255		1	N/S		N/A
	N26B20A		WL7509		WA10005	24255		1	N/S		N/A

320I

L4 2.0L 1997cc 121 CID Turbo	N20B20A		WL7509		WA10005 WA9753	24255		1	N/S		N/A
------------------------------	---------	--	--------	--	-------------------	-------	--	---	-----	--	-----

N/A = Not Available N/R = Not Required N/S = Not Serviceable For cabin and fuel filter locator, see pages 5-15 See pages 16-19 for footnotes

N/A = Non disponible N/R = Non nécessaire N/S = Non réparable Para la ubicación de los filtros de aire de la cabina y de combustible, ver las páginas 5-15 Voir pages 16-19 pour des notes

N/A = No disponible N/R = No requiere N/S = No servible Voir les tableaux de repérage des filtres d'habitacle et à carburant aux pages 5-15 Ver las páginas 16-19 para las notas al pie de página

Italicized Part Numbers May Not Be Available. Wix XP Oil Filters Have Fully Synthetic Media.

Las piezas con números en *italicas* pueden no estar disponibles. Los filtros de aceite WIX XP son completamente de media sintética. Les numéros de pièce en *italiques* peuvent ne pas être disponibles. Les filtres à huile XP Wix contiennent un matériau 100 % synthétique.

Year/Año/Année Model/Modelo/Modèle Engine/Motor/Moteur	Eng. Code Código de motor Code moteur	VIN NIV NIV	Oil Aceite Huile	Oil XP Aceite XP Huile XP	Air Aire Air	Cabin Air Cabina Aire Cabine Air	Cabin Air XP Cabina Aire XP Cabine Air XP	Loc. Cabin Air Cabina Aire Cabine Air	Fuel Combustible Carburant	Loc. Fuel Combustible Carburant	Transmission Transmisión Transmission
--	---	-------------------	------------------------	---------------------------------	--------------------	--	---	--	----------------------------------	--	---

BMW (Cont'd/Suite)
2016 (Cont'd/Suite)
320I XDRIVE

L4 2.0L 1997cc 121 CID Turbo	N20B20A		WL7509		WA10005 WA9753 ⁶⁶	24255 ⁷⁸		1	N/S		N/S
------------------------------	---------	--	--------	--	---------------------------------	---------------------	--	---	-----	--	-----

328D

L4 2.0L 1995cc 121 CID Turbo Diesel			WL10025		WA10005	24255		1	N/S		N/S
-------------------------------------	--	--	---------	--	---------	-------	--	---	-----	--	-----

328D XDRIVE

L4 2.0L 1995cc 121 CID Turbo Diesel			WL10025		WA10005	24255		1	N/S		N/S
-------------------------------------	--	--	---------	--	---------	-------	--	---	-----	--	-----

328I

L4 2.0L 1997cc 121 CID Turbo			WL10025		WA10005	24255		1	N/S		N/S
------------------------------	--	--	---------	--	---------	-------	--	---	-----	--	-----

328I GT XDRIVE

L4 2.0L 1997cc 121 CID Turbo	N20B20A		WL10025		WA10005	24255		1	N/S		N/S
------------------------------	---------	--	---------	--	---------	-------	--	---	-----	--	-----

328I XDRIVE

L4 2.0L 1997cc 121 CID Turbo	N20B20A		WL7509		WA10005	24255		1	N/S		N/S
	N26B20A		57327	57327XP	WA10005	24255		1	N/S		N/S

330e

L4 2.0 Turbo Electric/Gas			WL10358		WA10422	24255			N/S		N/S
---------------------------	--	--	---------	--	---------	-------	--	--	-----	--	-----

330i

L4 2.0L 1997cc (Mex.)			WL10358		N/S	24255 WP2080 ⁶¹			N/S		
-----------------------	--	--	---------	--	-----	-------------------------------	--	--	-----	--	--

335i GT XDRIVE

L6 3L 2979CC Turbo	N55B30A		57327	57327XP	WA10403	24255		1	N/S		N/A
--------------------	---------	--	-------	---------	---------	-------	--	---	-----	--	-----

340i

L6 3.0L 2998cc Turbo	B58B30M0		WL10342		WA10422	24255			N/S		N/A
----------------------	----------	--	---------	--	---------	-------	--	--	-----	--	-----

340i XDRIVE

L6 3.0L 2998cc Turbo	B58B30M0		WL10342		WA10422	24255			N/S		N/A
----------------------	----------	--	---------	--	---------	-------	--	--	-----	--	-----

420i

L4 2.0L 1997cc (Mex.)			WL7509		WA10005	24255 WP2080 ⁶¹			N/S		
-----------------------	--	--	--------	--	---------	-------------------------------	--	--	-----	--	--

428i

L4 2.0L 1997cc 121 CID Turbo	N20B20A		WL7509		WA10005	24255		1	N/S		N/S
	N26B20A		WL7509		WA10005	24255		1	N/S		N/S

428i XDRIVE

L4 2.0L 1997cc 121 CID Turbo	N20B20A		WL7509		WA10005	24255		1	N/S		N/S
------------------------------	---------	--	--------	--	---------	-------	--	---	-----	--	-----

428i XDRIVE GRAN COUPE

L4 2.0L 1997cc 121 CID Turbo	N20B20A		WL7509		WA10005	24255		1	N/S		N/S
------------------------------	---------	--	--------	--	---------	-------	--	---	-----	--	-----

435i

L6 3L 2979CC Turbo	N55B30A		57327	57327XP	WA10257	24255		1	N/S		N/S
--------------------	---------	--	-------	---------	---------	-------	--	---	-----	--	-----

435i XDRIVE

L6 3L 2979CC Turbo	N55B30A		57327	57327XP	WA10257 WA10403	24255 ⁷⁸		1	N/S		N/S
--------------------	---------	--	-------	---------	--------------------	---------------------	--	---	-----	--	-----

520i

(Mex.)			WL7509		49208	24329					
--------	--	--	--------	--	-------	-------	--	--	--	--	--

528i

L4 2.0L 1997cc 121 CID Turbo	N20B20A		57327	57327XP	49208	24329		1	N/S		N/A
------------------------------	---------	--	-------	---------	-------	-------	--	---	-----	--	-----

528i XDRIVE

L4 2.0L 1997cc 121 CID Turbo	N20B20A		57327	57327XP	49208	24329		1	N/S		N/A
------------------------------	---------	--	-------	---------	-------	-------	--	---	-----	--	-----

535D

L6 3.0L 2993cc Turbo Diesel	N57D30T		WL10025		WA11060	24329 ⁷⁸		1	N/S		N/A
-----------------------------	---------	--	---------	--	---------	---------------------	--	---	-----	--	-----

535D XDRIVE

L6 3.0L 2993cc Turbo Diesel	N57D30T		WL10025			24329 ⁷⁸		1	N/S		N/A
-----------------------------	---------	--	---------	--	--	---------------------	--	---	-----	--	-----

535i

L6 3L 2979CC Turbo	N55B30A		57327	57327XP	49555	24329		1	N/S		N/A
--------------------	---------	--	-------	---------	-------	-------	--	---	-----	--	-----

N/A = Not Available N/R = Not Required N/S = Not Serviceable For cabin and fuel filter locator, see pages 5-15 See pages 16-19 for footnotes

N/A = Non disponible N/R = Non nécessaire N/S = Non réparable Para la ubicación de los filtros de aire de la cabina y de combustible, ver las páginas 5-15 Voir pages 16-19 pour des notes

N/A = No disponible N/R = No requiere N/S = No servible Voir les tableaux de repérage des filtres d'habitacle et à carburant aux pages 5-15 Ver las páginas 16-19 para las notas al pie de página

Italicized Part Numbers May Not Be Available. Wix XP Oil Filters Have Fully Synthetic Media.

Las piezas con números en *italicas* pueden no estar disponibles. Los filtros de aceite WIX XP son completamente de media sintética.

Les numéros de pièce en *italiques* peuvent ne pas être disponibles. Les filtres à huile XP Wix contiennent un matériau 100 % synthétique.

BMW 2016
Pass Car/Light Truck

Year/Año/Année Model/Modelo/Modèle Engine/Motor/Moteur	Eng. Code Código de motor Code moteur	VIN NIV NIV	Oil Aceite Huile	Oil XP Aceite XP Huile XP	Air Aire Air	Cabin Air Cabina Aire Cabine Air	Cabin Air XP Cabina Aire XP Cabine Air XP	Loc. Cabin Air Cabina Aire Cabine Air	Fuel Combustible Carburant	Loc. Fuel Combustible Carburant	Transmission Transmisión Transmission
--	---	-------------------	------------------------	---------------------------------	--------------------	--	---	--	----------------------------------	--	---

BMW (Cont'd/Suite)
2016 (Cont'd/Suite)
535I GT

L6 3L 2979CC Turbo	N55B30A		57327	57327XP	49555	24329		1	N/S		N/A
--------------------	---------	--	-------	---------	-------	-------	--	---	-----	--	-----

535I GT XDRIVE

L6 3L 2979CC Turbo	N55B30A		57327	57327XP	49555	24329		1	N/S		N/A
--------------------	---------	--	-------	---------	-------	-------	--	---	-----	--	-----

535I XDRIVE

L6 3L 2979CC Turbo	N55B30A		57327	57327XP	49555	24329 ³⁹⁴		1	N/S		N/A
--------------------	---------	--	-------	---------	-------	----------------------	--	---	-----	--	-----

550I

V8 4.4L 4395cc Turbo	N63B44B		57189		49258 - Right 49257 - Left	24329		1	N/S		N/S
----------------------	---------	--	-------	--	-------------------------------	-------	--	---	-----	--	-----

550I GT XDRIVE

V8 4.4L 4395cc Turbo	N63B44B		57189		49258 - Right 49257 - Left	24329		1	N/S		N/S
----------------------	---------	--	-------	--	-------------------------------	-------	--	---	-----	--	-----

550I XDRIVE

V8 4.4L 4395cc Turbo	N63B44B		57189		49258 - Right 49257 - Left	24329		1	N/S		N/S
----------------------	---------	--	-------	--	-------------------------------	-------	--	---	-----	--	-----

640 SERIES

L6 3L 2979CC Turbo	N55B30A		57327	57327XP	49555	24329 ³⁹⁴		1	N/S		N/A
--------------------	---------	--	-------	---------	-------	----------------------	--	---	-----	--	-----

640I

L6 3L 2979CC Turbo	N55B30A		57327	57327XP	49555	24329		1	N/S		N/A
--------------------	---------	--	-------	---------	-------	-------	--	---	-----	--	-----

640I CONVERTIBLE

L6 3L 2979CC Turbo	N55B30A		57327	57327XP	49555	24329 ³⁹⁴		1	N/S		N/A
--------------------	---------	--	-------	---------	-------	----------------------	--	---	-----	--	-----

640I XDRIVE

L6 3L 2979CC Turbo	N55B30A		57327	57327XP	49555	24329 ³⁹⁴		1	N/S		N/A
--------------------	---------	--	-------	---------	-------	----------------------	--	---	-----	--	-----

640I XDRIVE CONVERTIBLE

L6 3L 2979CC Turbo	N55B30A		57327	57327XP	49555	24329 ³⁹⁴		1	N/S		N/A
--------------------	---------	--	-------	---------	-------	----------------------	--	---	-----	--	-----

650 SERIES

V8 4.4L 4395cc Turbo	N63B44B		57189		49258 - Right 49257 - Left	24329		1	N/S		N/S
----------------------	---------	--	-------	--	-------------------------------	-------	--	---	-----	--	-----

740I

L6 3.0L 2998cc Turbo			WL10342		WA10889	WP10064			N/S		N/S
----------------------	--	--	---------	--	---------	---------	--	--	-----	--	-----

750I

V8 4.4L 4395cc			57189		WA10982 - Right WA10983 - Left	24329			N/S		N/S
----------------	--	--	-------	--	-----------------------------------	-------	--	--	-----	--	-----

750i XDRIVE

V8 4.4L 4395cc			57189		WA10982 - Right WA10983 - Left	24329			N/S		N/S
----------------	--	--	-------	--	-----------------------------------	-------	--	--	-----	--	-----

ACTIVEHYBRID 5

L6 3.0L 2979cc Turbo Electric/Gas			57327	57327XP	49555	24329 ³⁹⁴		1	N/S		N/A
--------------------------------------	--	--	-------	---------	-------	----------------------	--	---	-----	--	-----

ALPINA B6 XDRIVE GRAN COUPE

V8 4.4L 4395cc Turbo	N63M20A		57189		49258 - Right 49257 - Left	24329		1	N/S		N/S
----------------------	---------	--	-------	--	-------------------------------	-------	--	---	-----	--	-----

i3 Range Extender

L2 647cc Electric/Gas			WL10245		N/A	WP2131			N/S		N/A
-----------------------	--	--	---------	--	-----	--------	--	--	-----	--	-----

i8

L3 1.5L 1499cc Turbo Electric/Gas	B38T		WL7522		WA10401	WP10429			N/S		N/A
--------------------------------------	------	--	--------	--	---------	---------	--	--	-----	--	-----

M135I

L6 3.0L 2979CC 182CID (Mex.)			57327	57327XP	N/S	24255 WP2080 ⁶¹			N/S		
---------------------------------	--	--	-------	---------	-----	-------------------------------	--	--	-----	--	--

M2

L6 3.0L 2979cc Turbo	N54B30A		57327	57327XP	WA10257	24255			N/S		N/S
----------------------	---------	--	-------	---------	---------	-------	--	--	-----	--	-----

M235I

L6 3L 2979CC Turbo	N55B30A		57327	57327XP	WA10403	24255			N/S		N/A
--------------------	---------	--	-------	---------	---------	-------	--	--	-----	--	-----

M235I XDRIVE

L6 3L 2979CC Turbo	N55B30A		57327	57327XP	WA10403	24255			N/S		N/A
--------------------	---------	--	-------	---------	---------	-------	--	--	-----	--	-----

N/A = Not Available N/R = Not Required N/S = Not Serviceable For cabin and fuel filter locator, see pages 5-15 See pages 16-19 for footnotes

N/A = Non disponible N/R = Non nécessaire N/S = Non réparable Para la ubicación de los filtros de aire de la cabina y de combustible, ver las páginas 5-15 Voir pages 16-19 pour des notes

N/A = No disponible N/R = No requiere N/S = No servible Voir les tableaux de repérage des filtres d'habitacle et à carburant aux pages 5-15 Ver las páginas 16-19 para las notas al pie de página

Italicized Part Numbers May Not Be Available. Wix XP Oil Filters Have Fully Synthetic Media.

Las piezas con números en *italicas* pueden no estar disponibles. Los filtros de aceite WIX XP son completamente de media sintética. Les numéros de pièce en *italiques* peuvent ne pas être disponibles. Les filtres à huile XP Wix contiennent un matériau 100 % synthétique.

Year/Año/Année Model/Modelo/Modèle Engine/Motor/Moteur	Eng. Code Código de motor Code moteur	VIN NIV	Oil Aceite Huile	Oil XP Aceite XP Huile XP	Air Aire Air	Cabin Air Cabina Aire Cabine Air	Cabin Air XP Cabina Aire XP Cabine Air XP	Loc. Cabin Air Cabina Aire Cabine Air	Fuel Combustible Carburant	Loc. Fuel Combustible Carburant	Transmission Transmisión Transmission
--	---	------------	------------------------	---------------------------------	--------------------	--	---	--	----------------------------------	--	---

BMW (Cont'd/Suite)
2016 (Cont'd/Suite)
M3

L6 3L 2979CC Turbo	N55B30A		57327	57327XP	WA10042 - Right WA10041 - Left	24255		8	N/S		MT ⁷²
--------------------	---------	--	-------	---------	-----------------------------------	-------	--	---	-----	--	------------------

M4

L6 3.0L 2979cc Turbo	S55B30		57327	57327XP	WA10042 - Right WA10041 - Left	24255		8	N/S		MT ⁷²
----------------------	--------	--	-------	---------	-----------------------------------	-------	--	---	-----	--	------------------

M5

V8 4.4L 4395cc Turbo	S63B44B		57189		WA10041 - Left WA10042 - Right	24329		8	N/S		N/S
----------------------	---------	--	-------	--	-----------------------------------	-------	--	---	-----	--	-----

M6

V8 4.4L 4395cc Turbo	S63B44B		57189		WA10041 - Left WA10042 - Right	24329 ⁷⁸		8	N/S		N/S
----------------------	---------	--	-------	--	-----------------------------------	---------------------	--	---	-----	--	-----

M6 GRAN COUPE

V8 4.4L 4395cc Turbo	S63B44B		57189		WA10041 - Left WA10042 - Right	24329 ⁷⁸		8	N/S		N/S
----------------------	---------	--	-------	--	-----------------------------------	---------------------	--	---	-----	--	-----

X1

L4 2.0L	B48A20M0		WL7522		WA9792	WP2131		1	N/S		N/A
---------	----------	--	--------	--	--------	--------	--	---	-----	--	-----

X3

L4 2.0L 1995cc 121 CID Turbo Diesel	N47D20		WL10025		WA11085	N/A		1	N/A		N/S
L4 2.0L 1997cc 121 CID Turbo	N20B20A		N/A		49468	N/A		1	N/S		N/S
L6 3L 2979CC Turbo	N55B30A		57327	57327XP	49468	N/A		1	N/S		N/A

X3 sDrive28i

L4 2.0L 1997cc 121 CID Turbo	N20B20A		57327	57327XP	49468	N/A ⁷⁹ N/A ¹⁷¹		1	N/S		N/S
------------------------------	---------	--	-------	---------	-------	---	--	---	-----	--	-----

X3 xDrive 28i

L4 2.0L 1997cc 121 CID Turbo	N20B20A		57327	57327XP	49468	N/A ⁷⁹ N/A ¹⁷¹		1	N/S		N/S
------------------------------	---------	--	-------	---------	-------	---	--	---	-----	--	-----

X3 xDrive 35i

L4 2.0L 1997cc 121 CID Turbo	N20B20A		57327	57327XP	49555	N/A ⁷⁹ N/A ¹⁷¹		1	N/S		N/S
------------------------------	---------	--	-------	---------	-------	---	--	---	-----	--	-----

X4

L4 2.0L 1997cc 121 CID Turbo	N20B20A		57327	57327XP	49468	N/A		1	N/S		N/S
L6 3L 2979CC Turbo	N55B30A		57327	57327XP	49555	N/A		1	N/S		N/S

X5

L6 3.0L 2993cc Turbo Diesel	N57D30T		WL10025		WA11060	49585		2	WF8365 ⁶¹		N/A
L6 3L 2979CC Turbo	N55B30A		57327	57327XP	49555	49585 ⁷⁹ N/A ¹⁷¹		1	N/S		N/A
V 8 4.4L 4395cc (Turbo Charged S63R Gas)	S63R		57189		WA10987	49585		1	N/S		N/S
V8 4.4L 4395cc Turbo	N63B44		57189		WA10987	49585		1	N/S		N/S

X5 M

V 8 4.4L 4395cc (Turbo Charged S63R Gas)	S63R		57189		N/A - Left N/A - Right	49585 ⁷⁹ N/A ¹⁷¹		1	N/S		N/S
--	------	--	-------	--	---------------------------	---	--	---	-----	--	-----

X5 XDRIVE40E

L4 2.0 Turbo Electric/Gas			WL7509		WA10645	N/A ¹⁷¹ 49585 ⁷⁹			N/S		
---------------------------	--	--	--------	--	---------	---	--	--	-----	--	--

X5 XDRIVE50I

V8 4.4L 4395cc Turbo	N63B44		57189		WA10987	49585 ⁷⁹ N/A ¹⁷¹		1	N/S		N/S
----------------------	--------	--	-------	--	---------	---	--	---	-----	--	-----

X6

L6 3L 2979CC Turbo	N55B30A		57327	57327XP	49555	49585		1	N/S		N/A
V 8 4.4L 4395cc (Turbo Charged S63R Gas)	S63R		57189		WA10987	49585		1	N/S		N/S
V8 4.4L 4395cc Turbo	N63B44		57189		WA10987	49585		1	N/S		N/S

X6 M

V 8 4.4L 4395cc (Turbo Charged S63R Gas)	S63R		57189		N/A	49585 ⁷⁹ N/A ¹⁷¹		1	N/S		N/S
--	------	--	-------	--	-----	---	--	---	-----	--	-----

N/A = Not Available N/R = Not Required N/S = Not Serviceable For cabin and fuel filter locator, see pages 5-15 See pages 16-19 for footnotes

N/A = Non disponible N/R = Non nécessaire N/S = Non réparable Para la ubicación de los filtros de aire de la cabina y de combustible, ver las páginas 5-15 Voir pages 16-19 pour des notes

N/A = No disponible N/R = No requiere N/S = No servible Voir les tableaux de repérage des filtres d'habitacle et à carburant aux pages 5-15 Ver las páginas 16-19 para las notas al pie de página

Italicized Part Numbers May Not Be Available. Wix XP Oil Filters Have Fully Synthetic Media.

Las piezas con números en *italicas* pueden no estar disponibles. Los filtros de aceite WIX XP son completamente de media sintética.

Les numéros de pièce en *italiques* peuvent ne pas être disponibles. Les filtres à huile XP Wix contiennent un matériau 100 % synthétique.

BMW 2016-2015
Pass Car/Light Truck

Year/Año/Année Model/Modelo/Modèle Engine/Motor/Moteur	Eng. Code Código de motor Code moteur	VIN NIV NIV	Oil Aceite Huile	Oil XP Aceite XP Huile XP	Air Aire Air	Cabin Air Cabina Aire Cabine Air	Cabin Air XP Cabina Aire XP Cabine Air XP	Loc. Cabin Air Cabina Aire Cabine Air	Fuel Combustible Carburant	Loc. Fuel Combustible Carburant	Transmission Transmisión Transmission
--	---	-------------------	------------------------	---------------------------------	--------------------	--	---	--	----------------------------------	--	---

BMW (Cont'd/Suite)
2016 (Cont'd/Suite)
X6 sDrive35i

L6 3L 2979CC Turbo	N55B30A		57327	57327XP	49555	49585 ⁷⁹ N/A ¹⁷¹		1	N/S		N/A
--------------------	---------	--	-------	---------	-------	---	--	---	-----	--	-----

X6 XDRIVE35i

L6 3L 2979CC Turbo	N55B30A		57327	57327XP	49555	49585 ⁷⁹ N/A ¹⁷¹		1	N/S		N/A
--------------------	---------	--	-------	---------	-------	---	--	---	-----	--	-----

X6 XDRIVE50i

V8 4.4L 4395cc Turbo	N63B44		57189		49257 - Left 49258 - Right	49585 ⁷⁹ N/A ¹⁷¹		1	N/S		N/S
----------------------	--------	--	-------	--	-------------------------------	---	--	---	-----	--	-----

Z4

L4 2.0L 1997cc 121 CID Turbo	N20B20A		WL7509		49208	24518 ⁷⁸		1	N/S		N/S
L6 3.0L 2979cc Turbo	N54B30A		57327 57327	57327XP 57327XP	49461 49461	24518 ⁷⁸ 24518 ⁷⁸		4	N/S - Lifetime N/S - Lifetime		58108 58108

2015
118i

L4 1.6L 1598cc (Mex.)			WL7502		WA10005	24255			N/S		N/S
-----------------------	--	--	--------	--	---------	-------	--	--	-----	--	-----

220i ACTIVE TOURER

L4 2.0L 1998cc 122CID Turbo (Mex.)	B48A20A		N/A		N/A	N/A			N/S		
------------------------------------	---------	--	-----	--	-----	-----	--	--	-----	--	--

228i

L4 2.0L 1997cc 121 CID Turbo	N20B20A		WL7509		WA10005	24255		1	N/S		
------------------------------	---------	--	--------	--	---------	-------	--	---	-----	--	--

320i

L4 2.0L 1997cc 121 CID Turbo	N20B20A		WL7509		WA10005	24255 ²²¹		1	N/S		N/A
------------------------------	---------	--	--------	--	---------	----------------------	--	---	-----	--	-----

320i XDRIVE

L4 2.0L 1997cc 121 CID Turbo	N20B20A		WL7509		WA10005	24255 ²²¹		1	N/S		N/A
------------------------------	---------	--	--------	--	---------	----------------------	--	---	-----	--	-----

328 SERIES

L4 2.0L 1995cc 121 CID Turbo Diesel	N47D20		WL10025		N/A	24255		1	N/S		N/S
L4 2.0L 1997cc 121 CID Turbo	N20B20A	4	WL7509		WA10005	24255		1	N/S		N/S

335 SERIES

L6 3L 2979CC Turbo	N55B30A		57327	57327XP	WA10257	24255		1	N/S		N/S
--------------------	---------	--	-------	---------	---------	-------	--	---	-----	--	-----

428i

L4 2.0L 1997cc 121 CID Turbo	N20B20A		WL7509		WA10005	24255		1	N/S		N/S
------------------------------	---------	--	--------	--	---------	-------	--	---	-----	--	-----

428i XDRIVE

L4 2.0L 1997cc 121 CID Turbo	N20B20A		WL7509		WA10005	24255		1	N/S		N/S
------------------------------	---------	--	--------	--	---------	-------	--	---	-----	--	-----

435i

L6 3L 2979CC Turbo	N55B30A		57327	57327XP	WA10257	24255		1	N/S		N/S
--------------------	---------	--	-------	---------	---------	-------	--	---	-----	--	-----

435i XDRIVE

L6 3L 2979CC Turbo	N55B30A		57327	57327XP	WA10257	24255		1	N/S		N/S
--------------------	---------	--	-------	---------	---------	-------	--	---	-----	--	-----

520 SERIES

L4 2.0L 1997cc (Mex.)			WL7509		49208	24329			N/S		
-----------------------	--	--	--------	--	-------	-------	--	--	-----	--	--

528 SERIES

L4 2.0L 1997cc 121 CID Turbo	N20B20A		WL7509		49208	24329		1	N/S		
------------------------------	---------	--	--------	--	-------	-------	--	---	-----	--	--

535 SERIES

L6 3.0L 2993cc Turbo Diesel	N57D30T		WL10025		WA11060	24329 ⁷⁸		1	N/S		
L6 3L 2979CC Turbo	N55B30A		57327	57327XP	49555	24329 ⁷⁸		1	N/S		

550 SERIES

V8 4.4L 4395cc Turbo	N63B44B		57189		49258 - Right 49257 - Left	24329		1	N/S		N/S
----------------------	---------	--	-------	--	-------------------------------	-------	--	---	-----	--	-----

640 SERIES

L6 3L 2979CC Turbo	N55B30A		57327	57327XP	49555	24329 ³⁹⁴		1	N/S		
--------------------	---------	--	-------	---------	-------	----------------------	--	---	-----	--	--

650 SERIES

V8 4.4L 4395cc Turbo	N63B44B		57189		49258 - Right 49257 - Left	24329		1	N/S		N/S
----------------------	---------	--	-------	--	-------------------------------	-------	--	---	-----	--	-----

N/A = Not Available N/R = Not Required N/S = Not Serviceable For cabin and fuel filter locator, see pages 5-15 See pages 16-19 for footnotes

N/A = Non disponible N/R = Non nécessaire N/S = Non réparable Para la ubicación de los filtros de aire de la cabina y de combustible, ver las páginas 5-15 Voir pages 16-19 pour des notes

N/A = No disponible N/R = No requiere N/S = No servible Voir les tableaux de repérage des filtres d'habitacle et à carburant aux pages 5-15 Ver las páginas 16-19 para las notas al pie de página

Italicized Part Numbers May Not Be Available. Wix XP Oil Filters Have Fully Synthetic Media.

Las piezas con números en *italicas* pueden no estar disponibles. Los filtros de aceite WIX XP son completamente de media sintética. Les numéros de pièce en *italiques* peuvent ne pas être disponibles. Les filtres à huile XP Wix contiennent un matériau 100 % synthétique.

Year/Año/Année Model/Modelo/Modèle Engine/Motor/Moteur	Eng. Code Código de motor Code moteur	VIN NIV NIV	Oil Aceite Huile	Oil XP Aceite XP Huile XP	Air Aire Air	Cabin Air Cabina Aire Cabine Air	Cabin Air XP Cabina Aire XP Cabine Air XP	Loc. Cabin Air Cabina Aire Cabine Air	Fuel Combustible Carburant	Loc. Fuel Combustible Carburant	Transmission Transmisión Transmission
--	---	-------------------	------------------------	---------------------------------	--------------------	--	---	--	----------------------------------	--	---

BMW (Cont'd/Suite)
2015 (Cont'd/Suite)
740 SERIES

L6 3.0L 2993cc Turbo Diesel	N57D30T		WL10025			24329		1	WF8365 ⁶¹		N/A
L6 3L 2979CC Turbo	N55B30A		57327	57327XP	49555	24329		1	N/S		

750 SERIES

V8 4.4L 4395cc Turbo	N63B44B		57189		49258 - Right 49257 - Left	24329		1	N/S		N/S
----------------------	---------	--	-------	--	-------------------------------	-------	--	---	-----	--	-----

760 SERIES

V12 6.0L 5972cc Turbo	N74B60A		57189		WA10951	24329		1	N/S		N/S
-----------------------	---------	--	-------	--	---------	-------	--	---	-----	--	-----

ACTIVEHYBRID 3

L6 3.0L 2979cc Turbo Electric/Gas			57327	57327XP	WA10257	24255			N/S		N/S
--------------------------------------	--	--	-------	---------	---------	-------	--	--	-----	--	-----

ACTIVEHYBRID 5

L6 3.0L 2979cc Turbo Electric/Gas			57327	57327XP	49555	24329		1	N/S		N/A
--------------------------------------	--	--	-------	---------	-------	-------	--	---	-----	--	-----

ACTIVEHYBRID 7

L6 3.0L 2979cc Turbo Electric/Gas			57327	57327XP	49555	24329			N/S		N/A
--------------------------------------	--	--	-------	---------	-------	-------	--	--	-----	--	-----

ALPINA B6

V8 4.4L 4395cc Turbo	N63M20A		57189		49257 - Left 49258 - Right	24329		1	N/S		N/S
----------------------	---------	--	-------	--	-------------------------------	-------	--	---	-----	--	-----

ALPINA B7

V8 4.4L 4395cc Turbo	N63M20A		57189		49257 - Left 49258 - Right	24329		1	N/S		N/S
----------------------	---------	--	-------	--	-------------------------------	-------	--	---	-----	--	-----

ALPINA B7L

V8 4.4L 4395cc Turbo	N63M20A		57189		49257 - Left 49258 - Right	24329		1	N/S		N/S
----------------------	---------	--	-------	--	-------------------------------	-------	--	---	-----	--	-----

i3

Electric			N/R		N/A	WP2130			N/S		
----------	--	--	-----	--	-----	--------	--	--	-----	--	--

i3 Range Extender

L2 647cc Electric/Gas			WL10245		N/A	WP2131			N/S		
-----------------------	--	--	---------	--	-----	--------	--	--	-----	--	--

i8

L3 1.5L 1499cc Turbo Electric/Gas	B38T		WL7522		WA10401	WP10429			N/S		N/A
--------------------------------------	------	--	--------	--	---------	---------	--	--	-----	--	-----

M135i

L6 3.0L 2979cc Turbo (Mex.)	N54B30A		57327	57327XP		24255					
-----------------------------	---------	--	-------	---------	--	-------	--	--	--	--	--

M235i

L6 3L 2979CC Turbo	N55B30A		57327	57327XP	N/A	24255			N/S		
--------------------	---------	--	-------	---------	-----	-------	--	--	-----	--	--

M3

L6 3L 2979CC Turbo	N55B30A		57327	57327XP	WA10042 - Right WA10041 - Left	24255		8	N/S		MT ²
--------------------	---------	--	-------	---------	-----------------------------------	-------	--	---	-----	--	-----------------

M4

L6 3L 2979CC Turbo	N55B30A		57327	57327XP	WA10042 - Right WA10041 - Left	24255		8	N/S		MT ²
--------------------	---------	--	-------	---------	-----------------------------------	-------	--	---	-----	--	-----------------

M5

V8 4.4L 4395cc Turbo	S63B44B		57189		WA10041 - Left WA10042 - Right	24329		8	N/S		N/S
----------------------	---------	--	-------	--	-----------------------------------	-------	--	---	-----	--	-----

M6

V8 4.4L 4395cc Turbo	S63B44B		57189		WA10041 - Left WA10042 - Right	24329		8	N/S		N/S
----------------------	---------	--	-------	--	-----------------------------------	-------	--	---	-----	--	-----

X1 xDrive28i

L4 2.0L 1997cc 121 CID Turbo	N20B20A		WL7509		49208	WP9232		1	N/S		
------------------------------	---------	--	--------	--	-------	--------	--	---	-----	--	--

X1 xDrive35i

L6 3L 2979CC Turbo	N55B30A		57327	57327XP	49285	WP9232		1	N/S		
--------------------	---------	--	-------	---------	-------	--------	--	---	-----	--	--

X3

L4 2.0L 1995cc 121 CID Turbo Diesel	N47D20		WL10025		WA11085	N/A		1	N/A		N/S
--	--------	--	---------	--	---------	-----	--	---	-----	--	-----

L4 2.0L 1997cc 121 CID Turbo	N20B20A		57327	57327XP	49468	N/R		1	N/S		N/S
------------------------------	---------	--	-------	---------	-------	-----	--	---	-----	--	-----

N/A = Not Available N/R = Not Required N/S = Not Serviceable For cabin and fuel filter locator, see pages 5-15 See pages 16-19 for footnotes

N/A = Non disponible N/R = Non nécessaire N/S = Non réparable Para la ubicación de los filtros de aire de la cabina y de combustible, ver las páginas 5-15 Voir pages 16-19 pour des notes

N/A = No disponible N/R = No requiere N/S = No servible Voir les tableaux de repérage des filtres d'habitacle et à carburant aux pages 5-15 Ver las páginas 16-19 para las notas al pie de página

Italicized Part Numbers May Not Be Available. Wix XP Oil Filters Have Fully Synthetic Media.

Las piezas con números en *italicas* pueden no estar disponibles. Los filtros de aceite WIX XP son completamente de media sintética.

Les numéros de pièce en *italiques* peuvent ne pas être disponibles. Les filtres à huile XP Wix contiennent un matériau 100 % synthétique.

BMW 2015-2014
Pass Car/Light Truck

Year/Año/Année Model/Modelo/Modèle Engine/Motor/Moteur	Eng. Code Código de motor Code moteur	VIN NIV NIV	Oil Aceite Huile	Oil XP Aceite XP Huile XP	Air Aire Air	Cabin Air Cabina Aire Cabine Air	Cabin Air XP Cabina Aire XP Cabine Air XP	Loc. Cabin Air Cabina Aire Cabine Air	Fuel Combustible Carburant	Loc. Fuel Combustible Carburant	Transmission Transmisión Transmission
--	---	-------------------	------------------------	---------------------------------	--------------------	--	---	--	----------------------------------	--	---

BMW (Cont'd/Suite)
2015 (Cont'd/Suite)
X3 xDrive 35i

L6 3L 2979CC Turbo	N55B30A		57327	57327XP	49555	N/A		1	N/S		
--------------------	---------	--	-------	---------	-------	-----	--	---	-----	--	--

X4

L4 2.0L 1997cc 121 CID Turbo	N20B20A		57327	57327XP	49468	N/A		1	N/S		N/S
L6 3L 2979CC Turbo	N55B30A		57327	57327XP	49555	N/A		1	N/S		

X5

L6 3.0L 2993cc Turbo Diesel	N57D30T		WL10025		WA11060	49585 ⁷⁹		2	WF8365 ⁶¹		
L6 3L 2979CC Turbo	N55B30A		57327	57327XP	49555	49585		1	N/S		

X5 XDRIVE50I

V8 4.4L 4395cc Turbo	N63B44		57189		WA10987	49585 ⁷⁹		1	N/S		N/S
----------------------	--------	--	-------	--	---------	---------------------	--	---	-----	--	-----

X6

L6 3L 2979CC Turbo	N55B30A		57327	57327XP	49555	49585 ⁷⁹		1	N/S		
V8 4.4L 4395cc Turbo	N63B44		57189		49257 - Left 49258 - Right	49585 ⁷⁹		1	N/S		N/S

Z4

L4 2.0L 1997cc 121 CID Turbo	N20B20A		WL7509		49208	24518		1	N/S		N/S
L6 3.0L 2979cc Turbo	N54B30A		57327	57327XP	49461	24518 ⁷⁸		4	N/S - Lifetime N/S - Lifetime		58108 58108
			57327	57327XP	49461	24518 ⁷⁸					

2014
118i

L4 1.6L 1598cc (Mex.)			WL7502		WA10005	24255			N/S		N/S
-----------------------	--	--	--------	--	---------	-------	--	--	-----	--	-----

220I

L4 2.0L 1997cc (Mex.)			WL7522		WA9791 WA9792	WP2131 WP2154 ⁶¹			N/S		
-----------------------	--	--	--------	--	------------------	--------------------------------	--	--	-----	--	--

228I

L4 2.0L 1997cc 121 CID Turbo	N20B20A		WL7509		WA9753 ¹⁶⁶	WP2080 ⁶¹			N/S		
------------------------------	---------	--	--------	--	-----------------------	----------------------	--	--	-----	--	--

320I

L4 2.0L 1997cc 121 CID Turbo	N20B20A		WL7509		WA10005	24255 ²²¹			N/S		N/A
------------------------------	---------	--	--------	--	---------	----------------------	--	--	-----	--	-----

320I XDRIVE

L4 2.0L 1997cc 121 CID Turbo	N20B20A		WL7509		WA10005	24255 ²²¹			N/S		N/A
------------------------------	---------	--	--------	--	---------	----------------------	--	--	-----	--	-----

328 SERIES

L4 2.0L 1995cc 121 CID Turbo Diesel	N47D20		WL10025		WA9753	24255		1	N/A		N/S
L4 2.0L 1997cc 121 CID Turbo	N20B20A	4	WL7509		WA10005	24255		1	N/S		N/S
	N26B20A	4	WL7509		WA10005	24255		1	N/S		N/S

335 SERIES

L6 3L 2979CC Turbo	N55B30A		57327	57327XP	WA10257	24255			N/S		N/S
--------------------	---------	--	-------	---------	---------	-------	--	--	-----	--	-----

428I

L4 2.0L 1997cc 121 CID Turbo	N20B20A		WL7509		WA10005	24255		1	N/S		N/S
------------------------------	---------	--	--------	--	---------	-------	--	---	-----	--	-----

428I XDRIVE

L4 2.0L 1997cc 121 CID Turbo	N20B20A		WL7509		WA10005	24255		1	N/S		N/S
------------------------------	---------	--	--------	--	---------	-------	--	---	-----	--	-----

435I

L6 3L 2979CC Turbo	N55B30A		57327	57327XP	WA10257	24255		1	N/S		N/S
--------------------	---------	--	-------	---------	---------	-------	--	---	-----	--	-----

435I XDRIVE

L6 3L 2979CC Turbo	N55B30A		57327	57327XP	WA10257	24255		1	N/S		N/S
--------------------	---------	--	-------	---------	---------	-------	--	---	-----	--	-----

520 SERIES

L4 2.0L 1997cc (Mex.)			WL7509		49208	24329			N/S		
-----------------------	--	--	--------	--	-------	-------	--	--	-----	--	--

528 SERIES

L4 2.0L 1997cc 121 CID Turbo	N20B20A		WL7509		49208	24329		1	N/S		
------------------------------	---------	--	--------	--	-------	-------	--	---	-----	--	--

535 SERIES

L6 3.0L 2993cc Turbo Diesel	N57D30T		WL10025		WA11060	24329 ⁷⁸		1	N/S		
L6 3L 2979CC Turbo	N55B30A		57327	57327XP	49555	24329 ⁷⁸		1	N/S		

550 SERIES

V8 4.4L 4395cc Turbo	N63B44B		57189		49258 - Right 49257 - Left	24329		1	N/S		N/S
----------------------	---------	--	-------	--	-------------------------------	-------	--	---	-----	--	-----

N/A = Not Available N/R = Not Required N/S = Not Serviceable For cabin and fuel filter locator, see pages 5-15 See pages 16-19 for footnotes

N/A = Non disponible N/R = Non nécessaire N/S = Non réparable Para la ubicación de los filtros de aire de la cabina y de combustible, ver las páginas 5-15 Voir pages 16-19 pour des notes

N/A = No disponible N/R = No requiere N/S = No servible Voir les tableaux de repérage des filtres d'habitacle et à carburant aux pages 5-15 Ver las páginas 16-19 para las notas al pie de página

Italicized Part Numbers May Not Be Available. Wix XP Oil Filters Have Fully Synthetic Media.

Las piezas con números en *italicas* pueden no estar disponibles. Los filtros de aceite WIX XP son completamente de media sintética. Les numéros de pièce en *italiques* peuvent ne pas être disponibles. Les filtres à huile XP Wix contiennent un matériau 100 % synthétique.

Year/Año/Année Model/Modelo/Modèle Engine/Motor/Moteur	Eng. Code Código de motor Code moteur	VIN NIV NIV	Oil Aceite Huile	Oil XP Aceite XP Huile XP	Air Aire Air	Cabin Air Cabina Aire Cabine Air	Cabin Air XP Cabina Aire XP Cabine Air XP	Loc. Cabin Air Cabina Aire Cabine Air	Fuel Combustible Carburant	Loc. Fuel Combustible Carburant	Transmission Transmisión Transmission
--	---	-------------------	------------------------	---------------------------------	--------------------	--	---	--	----------------------------------	--	---

BMW (Cont'd/Suite)
2014 (Cont'd/Suite)
640 SERIES

L6 3L 2979CC Turbo	N55B30A		57327	57327XP	49555	24329 ³⁹⁴		1	N/S		
--------------------	---------	--	-------	---------	-------	----------------------	--	---	-----	--	--

650 SERIES

V8 4.4L 4395cc Turbo	N63B44B		57189		49258 - Right 49257 - Left	24329		1	N/S		N/S
----------------------	---------	--	-------	--	-------------------------------	-------	--	---	-----	--	-----

740 SERIES

L6 3L 2979CC Turbo	N55B30A		57327	57327XP	49555	24329		1	N/S		
--------------------	---------	--	-------	---------	-------	-------	--	---	-----	--	--

750 SERIES

V8 4.4L 4395cc Turbo	N63B44B		57189		49258 - Right 49257 - Left	24329		1	N/S		N/S
----------------------	---------	--	-------	--	-------------------------------	-------	--	---	-----	--	-----

760 SERIES

V12 6.0L 5972cc Turbo	N74B60A		57189		WA10951	24329		1	N/S		N/S
-----------------------	---------	--	-------	--	---------	-------	--	---	-----	--	-----

ACTIVEHYBRID 3

L6 3.0L 2979cc Turbo Electric/Gas			57327	57327XP	WA10257	24255			N/S		N/S
--------------------------------------	--	--	-------	---------	---------	-------	--	--	-----	--	-----

ACTIVEHYBRID 5

L6 3.0L 2979cc Turbo Electric/Gas			57327	57327XP	49555	24329		1	N/S		
--------------------------------------	--	--	-------	---------	-------	-------	--	---	-----	--	--

ACTIVEHYBRID 7

L6 3.0L 2979cc Turbo Electric/Gas			57327	57327XP	49555	24329			N/S		N/A
--------------------------------------	--	--	-------	---------	-------	-------	--	--	-----	--	-----

ALPINA B7

V8 4.4L 4395cc Turbo	N63M20A		57189		49257 - Left 49258 - Right	24329		1	N/S		N/S
----------------------	---------	--	-------	--	-------------------------------	-------	--	---	-----	--	-----

ALPINA B7L

V8 4.4L 4395cc Turbo	N63M20A		57189		49257 - Left 49258 - Right	24329		1	N/S		N/S
----------------------	---------	--	-------	--	-------------------------------	-------	--	---	-----	--	-----

i3

Electric			N/R		N/A	WP2130			N/S		
----------	--	--	-----	--	-----	--------	--	--	-----	--	--

i3 Range Extender

L2 647cc Electric/Gas			WL10245		N/A	WP2130			N/S		
-----------------------	--	--	---------	--	-----	--------	--	--	-----	--	--

i8

L3 1.5L 1499cc Turbo Electric/Gas	B38T		WL7522		WA10401	WP10429			N/S		N/A
--------------------------------------	------	--	--------	--	---------	---------	--	--	-----	--	-----

M135I

L6 3.0L 2979cc Turbo (Mex.)	N54B30A		57327	57327XP		24255					
-----------------------------	---------	--	-------	---------	--	-------	--	--	--	--	--

M235I

L6 3L 2979CC Turbo	N55B30A		57327	57327XP	N/A	24255			N/S		
--------------------	---------	--	-------	---------	-----	-------	--	--	-----	--	--

M5

V8 4.4L 4395cc Turbo	S63B44B		57189		WA10041 - Left WA10042 - Right	24329		8	N/S		N/S
----------------------	---------	--	-------	--	-----------------------------------	-------	--	---	-----	--	-----

M6

V8 4.4L 4395cc Turbo	S63B44B		57189		WA10041 - Left WA10042 - Right	24329		8	N/S		N/S
----------------------	---------	--	-------	--	-----------------------------------	-------	--	---	-----	--	-----

X1 xDrive28i

L4 2.0L 1997cc 121 CID Turbo	N20B20A		WL7509		49208	WP9232		1	N/S		
------------------------------	---------	--	--------	--	-------	--------	--	---	-----	--	--

X1 xDrive35i

L6 3L 2979CC Turbo	N55B30A		57327	57327XP	49285	WP9232		1	N/S		
--------------------	---------	--	-------	---------	-------	--------	--	---	-----	--	--

X3

L6 3.0L 2996cc	N52B30A		57327	57327XP	49468	24258		1	N/S		N/A
----------------	---------	--	-------	---------	-------	-------	--	---	-----	--	-----

X3 xDrive 28i

L4 2.0L 1997cc 121 CID Turbo	N20B20A		57327	57327XP	49468	24258		1	N/S		N/S
------------------------------	---------	--	-------	---------	-------	-------	--	---	-----	--	-----

X3 xDrive 35i

L6 3L 2979CC Turbo	N55B30A		57327	57327XP	49555	24258		1	N/S		
--------------------	---------	--	-------	---------	-------	-------	--	---	-----	--	--

X5

L6 3.0L 2993cc Turbo Diesel	N57D30T		WL10025		WA11060	49585 ⁷⁹		2	WF8365 ⁸¹		
-----------------------------	---------	--	---------	--	---------	---------------------	--	---	----------------------	--	--

N/A = Not Available N/R = Not Required N/S = Not Serviceable For cabin and fuel filter locator, see pages 5-15 See pages 16-19 for footnotes

N/A = Non disponible N/R = Non nécessaire N/S = Non réparable Para la ubicación de los filtros de aire de la cabina y de combustible, ver las páginas 5-15 Voir pages 16-19 pour des notes

N/A = No disponible N/R = No requiere N/S = No servible Voir les tableaux de repérage des filtres d'habitacle et à carburant aux pages 5-15 Ver las páginas 16-19 para las notas al pie de página

Italicized Part Numbers May Not Be Available. Wix XP Oil Filters Have Fully Synthetic Media.

Las piezas con números en *italicas* pueden no estar disponibles. Los filtros de aceite WIX XP son completamente de media sintética.

Les numéros de pièce en *italiques* peuvent ne pas être disponibles. Les filtres à huile Wix contiennent un matériau 100 % synthétique.

BMW 2014-2013
Pass Car/Light Truck

Year/Año/Année Model/Modelo/Modèle Engine/Motor/Moteur	Eng. Code Código de motor Code moteur	VIN NIV NIV	Oil Aceite Huile	Oil XP Aceite XP Huile XP	Air Aire Air	Cabin Air Cabina Aire Cabine Air	Cabin Air XP Cabina Aire XP Cabine Air XP	Loc. Cabin Air Cabina Aire Cabine Air	Fuel Combustible Carburant	Loc. Fuel Combustible Carburant	Transmission Transmisión Transmission
--	---	-------------------	------------------------	---------------------------------	--------------------	--	---	--	----------------------------------	--	---

BMW (Cont'd/Suite)
2014 (Cont'd/Suite)
X5 (Cont'd/Suite)

L6 3L 2979CC Turbo	N55B30A		57327	57327XP	49555	49585		1	N/S		
--------------------	---------	--	-------	---------	-------	-------	--	---	-----	--	--

X5 XDRIVE50I

V8 4.4L 4395cc Turbo	N63B44		57189		49257 - Left 49258 - Right	49585 ⁷⁹		1	N/S		N/S
----------------------	--------	--	-------	--	-------------------------------	---------------------	--	---	-----	--	-----

X6

L6 3L 2979CC Turbo	N55B30A		57327	57327XP	49555	49585 ⁷⁹		1	N/S		
V8 4.4L 4395cc Turbo	N63B44		57189		49257 - Left 49258 - Right	49585 ⁷⁹		1	N/S		N/S

X6 M

V8 4.4L 4395cc Turbo	S63B44A		57189		49641 - Left 49642 - Right	49585 ⁷⁹		1	N/S		N/S
----------------------	---------	--	-------	--	-------------------------------	---------------------	--	---	-----	--	-----

Z4

L4 2.0L 1997cc 121 CID Turbo	N20B20A		WL7509		49208	24518		1	N/S		N/S
L6 3.0L 2979cc Turbo	N54B30A		57327	57327XP	49461	24518 ⁷⁸		4	N/S - Lifetime		58108

2013
118i

L4 1.6L 1598cc (Mex.)			WL7502		WA10005	24255			N/S		N/S
-----------------------	--	--	--------	--	---------	-------	--	--	-----	--	-----

125I

L6 3.0L 2996cc (Mex.)	N52B30A		57327	57327XP	WA9590	49371 ⁷⁸			N/S		N/A
-----------------------	---------	--	-------	---------	--------	---------------------	--	--	-----	--	-----

128I

L6 3.0L 2996cc	N51B30A		57327	57327XP	49056	49371 ⁷⁸		1	N/S		N/A
	N52B30A		57327	57327XP	49056	49371 ⁷⁸		1	N/S		N/A

135I

L6 3.0L 2979cc Turbo	N55B30A		57327	57327XP	49285	49371 ⁷⁸		1	N/S		
----------------------	---------	--	-------	---------	-------	---------------------	--	---	-----	--	--

135IS

L6 3.0L 2979cc Turbo	N55B30A		57327	57327XP	49285	49371 ⁷⁸		1	N/S		58137 - 6 Spd.
----------------------	---------	--	-------	---------	-------	---------------------	--	---	-----	--	----------------

320I

L4 2.0L 1997cc 121 CID Turbo	N20B20A		WL7509		WA10005	24255 ²²¹			N/S		N/S
------------------------------	---------	--	--------	--	---------	----------------------	--	--	-----	--	-----

320I XDRIVE

L4 2.0L 1997cc 121 CID Turbo	N20B20A		WL7509		WA10005	24255 ²²¹			N/S		N/S
------------------------------	---------	--	--------	--	---------	----------------------	--	--	-----	--	-----

325 SERIES

L6 2.5L 2497cc (Mex.)			57327	57327XP	WA9590	49371					
-----------------------	--	--	-------	---------	--------	-------	--	--	--	--	--

328 SERIES

L4 2.0L 1997cc 121 CID Turbo	N20B20A	4	WL7509		WA10005	24255		1	N/S		
	N26B20A	4	WL7509		WA10005	24255		1	N/S		N/S
L6 3.0L 2996cc	N52		57327	57327XP	49056	24255 ²²¹			N/S		N/S

335 SERIES

L6 3L 2979CC Turbo	N55B30A		57327	57327XP	WA10257	24255			N/S		N/S
--------------------	---------	--	-------	---------	---------	-------	--	--	-----	--	-----

335IS

L6 3.0L 2979cc Turbo	N54B30A		57327	57327XP	49461	49371			N/S		N/S
----------------------	---------	--	-------	---------	-------	-------	--	--	-----	--	-----

528 SERIES

L4 2.0L 1997cc 121 CID Turbo	N20B20A		WL7509		49208	24329		1	N/S		
------------------------------	---------	--	--------	--	-------	-------	--	---	-----	--	--

530 SERIES

L6 3.0L 2996cc (Mex.)	N52B30A		57327	57327XP	WA9705	24329			N/S		
-----------------------	---------	--	-------	---------	--------	-------	--	--	-----	--	--

535 SERIES

L6 3.0L 2979cc Turbo	N55B30A		57327	57327XP	49555	49374 ⁷⁹		1	N/S		
----------------------	---------	--	-------	---------	-------	---------------------	--	---	-----	--	--

535 SERIES GT

L6 3.0L 2979cc Turbo	N55B30A		57327	57327XP	49555	24329 ⁷⁸		1	N/S		
----------------------	---------	--	-------	---------	-------	---------------------	--	---	-----	--	--

550 SERIES

V8 4.4L 4395cc Turbo	N63B44		57189		49258 - Right 49257 - Left	24329		1	N/S		N/S
----------------------	--------	--	-------	--	-------------------------------	-------	--	---	-----	--	-----

640 SERIES

L6 3.0L 2979cc Turbo	N55B30A		57327	57327XP	49555	24329 ³⁹⁴		1	N/S		
----------------------	---------	--	-------	---------	-------	----------------------	--	---	-----	--	--

N/A = Not Available N/R = Not Required N/S = Not Serviceable For cabin and fuel filter locator, see pages 5-15 See pages 16-19 for footnotes

N/A = Non disponible N/R = Non nécessaire N/S = Non réparable Para la ubicación de los filtros de aire de la cabina y de combustible, ver las páginas 5-15 Voir pages 16-19 pour des notes

N/A = No disponible N/R = No requiere N/S = No servible Voir les tableaux de repérage des filtres d'habitacle et à carburant aux pages 5-15 Ver las páginas 16-19 para las notas al pie de página

Italicized Part Numbers May Not Be Available. Wix XP Oil Filters Have Fully Synthetic Media.

Las piezas con números en *italicas* pueden no estar disponibles. Los filtros de aceite WIX XP son completamente de media sintética. Les numéros de pièce en *italiques* peuvent ne pas être disponibles. Les filtres à huile XP Wix contiennent un matériau 100 % synthétique.

Year/Año/Année Model/Modelo/Modèle Engine/Motor/Moteur	Eng. Code Código de motor Code moteur	VIN NIV NIV	Oil Aceite Huile	Oil XP Aceite XP Huile XP	Air Aire Air	Cabin Air Cabina Aire Cabine Air	Cabin Air XP Cabina Aire XP Cabine Air XP	Loc. Cabin Air Cabina Aire Cabine Air	Fuel Combustible Carburant	Loc. Fuel Combustible Carburant	Transmission Transmisión Transmission
--	--	-------------------	------------------------	---------------------------------	--------------------	--	---	--	----------------------------------	--	---

BMW (Cont'd/Suite)
2013 (Cont'd/Suite)
650 SERIES

V8 4.4L 4395cc Turbo	N63B44	57189			49258 - Right 49257 - Left	24329		1	N/S		N/S
----------------------	--------	-------	--	--	-------------------------------	-------	--	---	-----	--	-----

740 SERIES

L6 3.0L 2979cc Turbo	N55B30A	57327	57327XP	49555	49371 ⁷⁸			1	N/S		
----------------------	---------	-------	---------	-------	---------------------	--	--	---	-----	--	--

750 SERIES

V8 4.4L 4395cc Turbo	N63B44B	57189			49258 - Right 49257 - Left	24329		1	N/S		N/S
----------------------	---------	-------	--	--	-------------------------------	-------	--	---	-----	--	-----

760 SERIES

V12 6.0L 5972cc Turbo	N74B60A	57189			WA10951	24329		1	N/S		N/S
-----------------------	---------	-------	--	--	---------	-------	--	---	-----	--	-----

ACTIVEHYBRID 3

L6 3.0L 2979cc Turbo Electric/Gas		57327	57327XP	WA10257	24255				N/S		N/S
--------------------------------------	--	-------	---------	---------	-------	--	--	--	-----	--	-----

ACTIVEHYBRID 5

L6 3.0L 2979cc Turbo Electric/Gas		57327	57327XP	49555	24329			1	N/S		
--------------------------------------	--	-------	---------	-------	-------	--	--	---	-----	--	--

ACTIVEHYBRID 7

L6 3.0L 2979cc Turbo Electric/Gas		57327	57327XP	N/A	24329				N/S		N/A
--------------------------------------	--	-------	---------	-----	-------	--	--	--	-----	--	-----

ALPINA B7

V8 4.4L 4395cc Turbo	N63M20A	57189			49257 - Left 49258 - Right	24329		1	N/S		N/S
----------------------	---------	-------	--	--	-------------------------------	-------	--	---	-----	--	-----

ALPINA B7L

V8 4.4L 4395cc Turbo	N63M20A	57189			49257 - Left 49258 - Right	24329		1	N/S		N/S
----------------------	---------	-------	--	--	-------------------------------	-------	--	---	-----	--	-----

M135I

L6 3.0L 2979cc Turbo (Mex.)	N54B30A	57327	57327XP			24255					
-----------------------------	---------	-------	---------	--	--	-------	--	--	--	--	--

M3

V8 4.0L 3999cc	S65B40A	57997			N/A	49382 ⁶¹		8	N/S		MT ⁷²
----------------	---------	-------	--	--	-----	---------------------	--	---	-----	--	------------------

M5

V8 4.4L 4395cc Turbo	S63B44B	57189			WA10041 - Left WA10042 - Right	24329		8	N/S		N/S
----------------------	---------	-------	--	--	-----------------------------------	-------	--	---	-----	--	-----

M6

V8 4.4L 4395cc Turbo	S63B44B	57189			WA10041 - Left WA10042 - Right	24329		8	N/S		N/S
----------------------	---------	-------	--	--	-----------------------------------	-------	--	---	-----	--	-----

X1

L6 3.0L 2996cc	N52B30A	57327	57327XP	WA9590	49371 ⁷⁸			1	N/S		
----------------	---------	-------	---------	--------	---------------------	--	--	---	-----	--	--

X1 sDrive28i

L4 2.0L 1997cc 121 CID Turbo	N20B20A	WL7509			49208	49371		1	N/S		
------------------------------	---------	--------	--	--	-------	-------	--	---	-----	--	--

X1 xDrive28i

L4 2.0L 1997cc 121 CID Turbo	N20B20A	57327	57327XP	49208	49371			1	N/S		
------------------------------	---------	-------	---------	-------	-------	--	--	---	-----	--	--

X1 xDrive35i

L6 3.0L 2979cc Turbo	S55B30	57327	57327XP	WA9590	49371 ⁷⁸			1	N/S		
----------------------	--------	-------	---------	--------	---------------------	--	--	---	-----	--	--

X3

L4 2.0L 1997cc 121 CID Turbo	N20B20A	57327	57327XP	49468	24258			1	N/S		
L6 3.0L 2979cc Turbo	N55B30A	57327	57327XP	49555	24258			1	N/S		
L6 3.0L 2996cc	N52B30A	57327	57327XP	49468	24258			1	N/S		N/A

X5

L6 3.0L 2979cc Turbo	N55B30A	57327	57327XP	49555	49374 ⁷⁹			1	N/S		
L6 3.0L 2993cc Turbo Diesel	M57T2D30	57560		49342	49585 ⁷⁹			2	WF8365 ⁶¹		

X5 M

V8 4.4L 4395cc Turbo	S63B44A	57189			49642 - Left 49641 - Right	49585 ⁷⁹		1	N/S		N/S
----------------------	---------	-------	--	--	-------------------------------	---------------------	--	---	-----	--	-----

X5 XDRIVE50I

V8 4.4L 4395cc Turbo	N63B44	57189			49257 - Left 49258 - Right	49585 ⁷⁹		1	N/S		N/S
----------------------	--------	-------	--	--	-------------------------------	---------------------	--	---	-----	--	-----

N/A = Not Available N/R = Not Required N/S = Not Serviceable For cabin and fuel filter locator, see pages 5-15 See pages 16-19 for footnotes

N/A = Non disponible N/R = Non nécessaire N/S = Non réparable Para la ubicación de los filtros de aire de la cabina y de combustible, ver las páginas 5-15 Voir pages 16-19 pour des notes

N/A = No disponible N/R = No requiere N/S = No servible Voir les tableaux de repérage des filtres d'habitacle et à carburant aux pages 5-15 Ver las páginas 16-19 para las notas al pie de página

Italicized Part Numbers May Not Be Available. Wix XP Oil Filters Have Fully Synthetic Media.

Las piezas con números en *italicas* pueden no estar disponibles. Los filtros de aceite WIX XP son completamente de media sintética.

Les numéros de pièce en *italiques* peuvent ne pas être disponibles. Les filtres à huile XP Wix contiennent un matériau 100 % synthétique.

BMW 2013-2012
Pass Car/Light Truck

Year/Año/Année Model/Modelo/Modèle Engine/Motor/Moteur	Eng. Code Código de motor Code moteur	VIN NIV NIV	Oil Aceite Huile	Oil XP Aceite XP Huile XP	Air Aire Air	Cabin Air Cabina Aire Cabine Air	Cabin Air XP Cabina Aire XP Cabine Air XP	Loc. Cabin Air Cabina Aire Cabine Air	Fuel Combustible Carburant	Loc. Fuel Combustible Carburant	Transmission Transmisión Transmission
--	---	-------------------	------------------------	---------------------------------	--------------------	--	---	--	----------------------------------	--	---

BMW (Cont'd/Suite)
2013 (Cont'd/Suite)
X6

L6 3.0L 2979cc Turbo	N55B30A		57327	57327XP	49555	49585 ⁷⁹		1	N/S		
V8 4.4L 4395cc Turbo	N63B44		57189		49257 - Left 49258 - Right	49585 ⁷⁹		1	N/S		N/S

X6 M

V8 4.4L 4395cc Turbo	S63B44A		57189		49641 - Right 49642 - Left	49585 ⁷⁹		1	N/S		N/S
----------------------	---------	--	-------	--	-------------------------------	---------------------	--	---	-----	--	-----

Z4

L4 2.0L 1997cc 121 CID Turbo	N20B20A		WL7509		49208	24518		1	N/S		
L6 3.0L 2979cc Turbo	N54B30A		57327	57327XP	49461	24518 ⁷⁸		4	N/S - Lifetime		58108
L6 3.0L 2996cc	N52B30A		57327	57327XP	49208	24518 ⁷⁸		4	N/S - Lifetime		58108

2012
118i

L4 1.6L 1598cc (Mex.)			WL7502		WA10005	24255			N/S		N/S
-----------------------	--	--	--------	--	---------	-------	--	--	-----	--	-----

125i

L4 1.6L 1598CC 98CID (Mex.)			N/S		N/S	WP9232 49371			N/S		
L6 3.0L 2996cc (Mex.)	N52B30A		57327	57327XP	WA9590	49371 ⁷⁸			N/S		N/A

128i

L6 3.0L 2996cc	N51B30A		57327	57327XP	49056	49371 ⁷⁸		1	N/S		N/A
	N52B30A		57327	57327XP	49056	49371 ⁷⁸		1	N/S		N/A

130i

L6 3.0L 2996cc (Mex.)	N52B30A		57327	57327XP	WA9590	49371 ⁷⁸			N/S		N/A
-----------------------	---------	--	-------	---------	--------	---------------------	--	--	-----	--	-----

135i

L6 3.0L 2979cc Turbo	N55B30A		57327	57327XP	49285	49371 ⁷⁸		1	N/S		
----------------------	---------	--	-------	---------	-------	---------------------	--	---	-----	--	--

320i

L4 2.0L 1997CC 122CID Turbo	N20B20A		57327	57327XP	WA10005	24255			N/A		N/A
-----------------------------	---------	--	-------	---------	---------	-------	--	--	-----	--	-----

325 SERIES

L6 2.5L 2497cc (Mex.)			57327	57327XP	WA9590	49371					
-----------------------	--	--	-------	---------	--------	-------	--	--	--	--	--

328 SERIES

L4 2.0L 1997cc 121 CID Turbo	N20B20A		57292		WA10005	24255		1	N/S		N/S
	N26B20A		WL7509		WA10005	49371			N/S		
L6 3.0L 2996cc	N51B30A		57327	57327XP	WA10005 ⁴⁰⁵ 49285 ⁴⁰⁶	49371 ⁴⁰⁶		1	N/S		N/S
	N52		57327	57327XP	WA10005 ⁴⁰⁵ 49285 ⁴⁰⁶	49371 ⁴⁰⁶		1	N/S		N/S

335 SERIES

L6 3.0L 2979cc Turbo			57327	57327XP	49285	49371 ⁷⁸		8	N/S		
----------------------	--	--	-------	---------	-------	---------------------	--	---	-----	--	--

335iS

L6 3.0L 2979cc Turbo	N54B30A		57327	57327XP	49461	49371			N/S		N/S
----------------------	---------	--	-------	---------	-------	-------	--	--	-----	--	-----

528 SERIES

L4 2.0L 1997cc 121 CID Turbo	N20B20A		57292 ⁴³⁹ WL7509 ⁴⁴⁰		49208	24329		1	N/S		
L6 3.0L 2996cc (Mex.)			57327	57327XP	N/A	24329		1	N/S		

530 SERIES

L6 3.0L 2996cc (Mex.)	N52B30A		57327	57327XP	WA9705	24329			N/S		
-----------------------	---------	--	-------	---------	--------	-------	--	--	-----	--	--

535 SERIES

L6 3.0L 2979cc Turbo	N55B30A		57327	57327XP	49555	49374 ⁷⁹		1	N/S		
----------------------	---------	--	-------	---------	-------	---------------------	--	---	-----	--	--

535 SERIES GT

L6 3.0L 2979cc Turbo	N55B30A		57327	57327XP	49555	24329 ⁷⁸		1	N/S		
----------------------	---------	--	-------	---------	-------	---------------------	--	---	-----	--	--

550 SERIES

V8 4.4L 4395cc Turbo	N63B44		57189		49258 - Right 49257 - Left	24329		1	N/S		N/S
----------------------	--------	--	-------	--	-------------------------------	-------	--	---	-----	--	-----

N/A = Not Available N/R = Not Required N/S = Not Serviceable For cabin and fuel filter locator, see pages 5-15 See pages 16-19 for footnotes

N/A = Non disponible N/R = Non nécessaire N/S = Non réparable Para la ubicación de los filtros de aire de la cabina y de combustible, ver las páginas 5-15 Voir pages 16-19 pour des notes

N/A = No disponible N/R = No requiere N/S = No servible Voir les tableaux de repérage des filtres d'habitacle et à carburant aux pages 5-15 Ver las páginas 16-19 para las notas al pie de página

Italicized Part Numbers May Not Be Available. Wix XP Oil Filters Have Fully Synthetic Media.

Las piezas con números en *italicas* pueden no estar disponibles. Los filtros de aceite WIX XP son completamente de media sintética. Les numéros de pièce en *italiques* peuvent ne pas être disponibles. Les filtres à huile XP Wix contiennent un matériau 100 % synthétique.

Year/Año/Année Model/Modelo/Modèle Engine/Motor/Moteur	Eng. Code Código de motor Code moteur	VIN NIV NIV	Oil Aceite Huile	Oil XP Aceite XP Huile XP	Air Aire Air	Cabin Air Cabina Aire Cabine Air	Cabin Air XP Cabina Aire XP Cabine Air XP	Loc. Cabin Air Cabina Aire Cabine Air	Fuel Combustible Carburant	Loc. Fuel Combustible Carburant	Transmission Transmisión Transmission
--	---	-------------------	------------------------	---------------------------------	--------------------	--	---	--	----------------------------------	--	---

BMW (Cont'd/Suite)
2012 (Cont'd/Suite)
640 SERIES

L6 3.0L 2979cc Turbo	N55B30A		57327	57327XP	49555	24329 ³⁹⁴		1	N/S		
----------------------	---------	--	-------	---------	-------	----------------------	--	---	-----	--	--

650 SERIES

V8 4.4L 4395cc Turbo	N63B44		57189		49258 - Right 49257 - Left	24329		1	N/S		N/S
----------------------	--------	--	-------	--	-------------------------------	-------	--	---	-----	--	-----

740 SERIES

L6 3.0L 2979cc Turbo	N54B30A		57327	57327XP	49555	49371 ⁷⁸		1	N/S		
----------------------	---------	--	-------	---------	-------	---------------------	--	---	-----	--	--

750 SERIES

V8 4.4L 4395cc Turbo	N63B44		57189		49258 - Right 49257 - Left	24329		1	N/S		N/S
----------------------	--------	--	-------	--	-------------------------------	-------	--	---	-----	--	-----

760 SERIES

V12 6.0L 5972cc Turbo	N74B60A		57189		WA10951	24329		1	N/S		N/S
-----------------------	---------	--	-------	--	---------	-------	--	---	-----	--	-----

ACTIVEHYBRID 5

L6 3.0L 2979cc Turbo Electric/Gas			57327	57327XP	49555	24329		1	N/S		
--------------------------------------	--	--	-------	---------	-------	-------	--	---	-----	--	--

ACTIVEHYBRID 7

L6 3.0L 2979cc Turbo	N54B30A		57327	57327XP	49555	49371 ⁷⁸		1	N/S		
V8 4.4L 4395cc Turbo Electric/Gas	N63		57189		49257 - Left 49258 - Right	24329		1	N/S		N/S

ALPINA B7

V8 4.4L 4395cc Turbo	N63M10A		57189		49257 - Left 49258 - Right	24329		1	N/S		N/S
----------------------	---------	--	-------	--	-------------------------------	-------	--	---	-----	--	-----

ALPINA B7L

V8 4.4L 4395cc Turbo	N63M10A		57189		49257 - Left 49258 - Right	24329		1	N/S		N/S
----------------------	---------	--	-------	--	-------------------------------	-------	--	---	-----	--	-----

M3

V8 4.0L 3999cc	S65B40A		57997		N/A	49382 ⁶¹		8	N/S		MT ⁷²
----------------	---------	--	-------	--	-----	---------------------	--	---	-----	--	------------------

M5

V8 4.4L 4395cc Turbo	S63B44B		57189		WA10041 - Left WA10042 - Right	24329		8	N/S		N/S
----------------------	---------	--	-------	--	-----------------------------------	-------	--	---	-----	--	-----

M6

V8 4.4L 4395cc Turbo	S63B44B		57189		WA10041 - Left WA10042 - Right	24329		8	N/S		N/S
----------------------	---------	--	-------	--	-----------------------------------	-------	--	---	-----	--	-----

X1

L4 2.0L 1997cc 121 CID Turbo	N20B20A		57292 ⁴³⁹ 57327 ⁴⁴⁰	57327XP ⁴⁴⁰	49208	49371		1	N/S		
L6 3.0L 2996cc	N52B30A		57327	57327XP	WA9590	49371 ⁷⁸		1	N/S		

X3

L6 3.0L 2979cc Turbo	N55B30A		57327	57327XP	49555	24258		1	N/S		
L6 3.0L 2996cc	N52B30A		57327	57327XP	49468	24258		1	N/S		N/A

X5

L6 3.0L 2979cc Turbo	N55B30A		57327	57327XP	49555	49374 ⁷⁹		1	N/S		
L6 3.0L 2993cc Turbo Diesel	M57T2D30		57560		49342	49585 ⁷⁹		2	WF8365 ⁶¹		

X5 M

V8 4.4L 4395cc Turbo	S63B44A		57189		49642 - Left 49641 - Right	49585 ⁷⁹		1	N/S		N/S
----------------------	---------	--	-------	--	-------------------------------	---------------------	--	---	-----	--	-----

X5 XDRIVE50I

V8 4.4L 4395cc Turbo	N63B44		57189		49257 - Left 49258 - Right	49585 ⁷⁹		1	N/S		N/S
----------------------	--------	--	-------	--	-------------------------------	---------------------	--	---	-----	--	-----

X6

L6 3.0L 2979cc Turbo	S55B30		57327	57327XP	49555	49585 ⁷⁹		1	N/S		
V8 4.4L 4395cc Turbo	N63B44		57189		49257 - Left 49258 - Right	49585 ⁷⁹		1	N/S		N/S

X6 M

V8 4.4L 4395cc Turbo	S63B44A		57189		49641 - Right 49642 - Left	49585 ⁷⁹		1	N/S		N/S
----------------------	---------	--	-------	--	-------------------------------	---------------------	--	---	-----	--	-----

N/A = Not Available N/R = Not Required N/S = Not Serviceable For cabin and fuel filter locator, see pages 5-15 See pages 16-19 for footnotes

N/A = Non disponible N/R = Non nécessaire N/S = Non réparable Para la ubicación de los filtros de aire de la cabina y de combustible, ver las páginas 5-15 Voir pages 16-19 pour des notes

N/A = No disponible N/R = No requiere N/S = No servible Voir les tableaux de repérage des filtres d'habitacle et à carburant aux pages 5-15 Ver las páginas 16-19 para las notas al pie de página

Italicized Part Numbers May Not Be Available. Wix XP Oil Filters Have Fully Synthetic Media.

Las piezas con números en *italicas* pueden no estar disponibles. Los filtros de aceite WIX XP son completamente de media sintética.

Les numéros de pièce en *italiques* peuvent ne pas être disponibles. Les filtres à huile XP Wix contiennent un matériau 100 % synthétique.

BMW 2012-2011
Pass Car/Light Truck

Year/Año/Année Model/Modelo/Modèle Engine/Motor/Moteur	Eng. Code Código de motor Code moteur	VIN NIV NIV	Oil Aceite Huile	Oil XP Aceite XP Huile XP	Air Aire Air	Cabin Air Cabina Aire Cabine Air	Cabin Air XP Cabina Aire XP Cabine Air XP	Loc. Cabin Air Cabina Aire Cabine Air	Fuel Combustible Carburant	Loc. Fuel Combustible Carburant	Transmission Transmisión Transmission
--	---	-------------------	------------------------	---------------------------------	--------------------	--	---	--	----------------------------------	--	---

BMW (Cont'd/Suite)
2012 (Cont'd/Suite)
Z4

L4 2.0L 1997cc 121 CID Turbo	N20B20A		WL7509		49208	24518		1	N/S		
L6 3.0L 2979cc Turbo	N54B30A		57327	57327XP	49461	24518 ^{1B}		4	N/S - Lifetime		58108
L6 3.0L 2996cc	N52B30A		57327	57327XP	49208	24518 ^{1B}		4	N/S - Lifetime		58108

2011
1 SERIES M

L6 3.0L 2979cc Turbo	N54B30A		57327	57327XP	49461	49371 ^{1B}		1	N/S		
----------------------	---------	--	-------	---------	-------	---------------------	--	---	-----	--	--

120I

L4 2.0L 1995cc (Mex.)			WL7403		WA9511	49371 ^{1B}			N/S		N/A
-----------------------	--	--	--------	--	--------	---------------------	--	--	-----	--	-----

125I

L4 1.6L 1598CC 98CID (Mex.)			WL7403		N/S	WP9232 49371			N/A		
L4 2.0L 1995CC 122CID (Mex.)			WL7509		WA10005	WP9232 49371			N/A		
L6 3.0L 2999cc (Mex.)			57327	57327XP	WA9590	49371			N/S		N/A

128I

L6 3.0L 2996cc	N51B30A		57327	57327XP	49056	49371 ^{1B}		1	N/S		N/A
	N52B30A		57327	57327XP	49056	49371 ^{1B}		1	N/S		N/A

130I

L6 3.0L 2996cc (Mex.)	N52B30A		57327	57327XP	WA9590	49371 ^{1B}			N/S		N/A
-----------------------	---------	--	-------	---------	--------	---------------------	--	--	-----	--	-----

135I

L6 3.0L 2979cc Turbo	N55B30A		57327	57327XP	49285	49371 ^{1B}		1	N/S		
----------------------	---------	--	-------	---------	-------	---------------------	--	---	-----	--	--

323 SERIES

L6 2.5L 2494cc	N52		57327	57327XP	49056	49371		1	33228	0	58116 - 5L40E-SP 58545 - 5L40E-DP
----------------	-----	--	-------	---------	-------	-------	--	---	-------	---	--------------------------------------

325 SERIES

L6 2.5L 2494cc Turbo (Mex.)			57327	57327XP	WA9590	49371			N/A		N/A
-----------------------------	--	--	-------	---------	--------	-------	--	--	-----	--	-----

328 SERIES

L6 3.0L 2996cc	N51B30A		57327	57327XP	49056	49371 ^{1B}		8	N/S		
	N52		57327	57327XP	49056	49371 ^{1B}		8	N/S		

335 SERIES

L6 3.0L 2979cc Turbo			57327	57327XP	49285	49371 ^{1B}		8	N/S		
----------------------	--	--	-------	---------	-------	---------------------	--	---	-----	--	--

335D

L6 3.0L 2993cc Turbo Diesel	M57T2D30		57560		49465	49371		8	WF8365 ⁵¹		
-----------------------------	----------	--	-------	--	-------	-------	--	---	----------------------	--	--

335IS

L6 3.0L 2979cc Turbo	N54B30A		57327	57327XP	49461	49371			N/S		N/S
----------------------	---------	--	-------	---------	-------	-------	--	--	-----	--	-----

528 SERIES

L6 3.0L 2996cc	N52B30A		57327	57327XP	N/A	49374 ^{1B}		1	N/S		
----------------	---------	--	-------	---------	-----	---------------------	--	---	-----	--	--

535 SERIES

L6 3.0L 2979cc Turbo	N55B30A		57327	57327XP	49555	49374 ^{1B}		1	N/S		
----------------------	---------	--	-------	---------	-------	---------------------	--	---	-----	--	--

535 SERIES GT

L6 3.0L 2979cc Turbo	N55B30A		57327	57327XP	49555	24329 ^{1B}		1	N/S		
----------------------	---------	--	-------	---------	-------	---------------------	--	---	-----	--	--

550 SERIES

V8 4.4L 4395cc Turbo	N63B44		57189		49258 - Right 49257 - Left	24329		1	N/S		N/S
----------------------	--------	--	-------	--	-------------------------------	-------	--	---	-----	--	-----

650 SERIES

V8 4.8L 4799cc (Mex.)			57175		49229	49374					
-----------------------	--	--	-------	--	-------	-------	--	--	--	--	--

740 SERIES

L6 3.0L 2979cc Turbo	N54B30A		57327	57327XP	49555	49371 ^{1B}		1	N/S		
----------------------	---------	--	-------	---------	-------	---------------------	--	---	-----	--	--

750 SERIES

V8 4.4L 4395cc Turbo	N63B44		57189		49258 - Right 49257 - Left	24329		1	N/S		N/S
----------------------	--------	--	-------	--	-------------------------------	-------	--	---	-----	--	-----

760 SERIES

V12 6.0L 5972cc Turbo	N74B60A		57189		WA10951	24329		1	N/S		N/S
-----------------------	---------	--	-------	--	---------	-------	--	---	-----	--	-----

N/A = Not Available N/R = Not Required N/S = Not Serviceable For cabin and fuel filter locator, see pages 5-15 See pages 16-19 for footnotes

N/A = Non disponible N/R = Non nécessaire N/S = Non réparable Para la ubicación de los filtros de aire de la cabina y de combustible, ver las páginas 5-15 Voir pages 16-19 pour des notes

N/A = No disponible N/R = No requiere N/S = No servible Voir les tableaux de repérage des filtres d'habitacle et à carburant aux pages 5-15 Ver las páginas 16-19 para las notas al pie de página

Italicized Part Numbers May Not Be Available. Wix XP Oil Filters Have Fully Synthetic Media.

Las piezas con números en *italicas* pueden no estar disponibles. Los filtros de aceite WIX XP son completamente de media sintética. Les numéros de pièce en *italiques* peuvent ne pas être disponibles. Les filtres à huile XP Wix contiennent un matériau 100 % synthétique.

Year/Año/Année Model/Modelo/Modèle Engine/Motor/Moteur	Eng. Code Código de motor Code moteur	VIN NIV NIV	Oil Aceite Huile	Oil XP Aceite XP Huile XP	Air Aire Air	Cabin Air Cabina Aire Cabine Air	Cabin Air XP Cabina Aire XP Cabine Air XP	Loc. Cabin Air Cabina Aire Cabine Air	Fuel Combustible Carburant	Loc. Fuel Combustible Carburant	Transmission Transmisión Transmission
--	--	-------------------	------------------------	---------------------------------	--------------------	--	---	--	----------------------------------	--	---

BMW (Cont'd/Suite)
2011 (Cont'd/Suite)
ACTIVEHYBRID 7

L6 3.0L 2979cc Turbo	N54B30A	57327	57327XP	49555	49371 ⁷⁸			1	N/S		
V8 4.4L 4395cc Turbo Electric/Gas	N63	57189		49257 - Left 49258 - Right	24329			1	N/S		N/S

ALPINA B7

V8 4.4L 4395cc Turbo	N63M10A	57189		49257 - Left 49258 - Right	24329			1	N/S		N/S
----------------------	---------	-------	--	-------------------------------	-------	--	--	---	-----	--	-----

ALPINA B7L

V8 4.4L 4395cc Turbo	N63M10A	57189		49257 - Left 49258 - Right	24329			1	N/S		N/S
----------------------	---------	-------	--	-------------------------------	-------	--	--	---	-----	--	-----

M3

V8 4.0L 3999cc	S65B40A	57997		N/A	49382 ⁶¹			8	N/S		MT ⁷²
----------------	---------	-------	--	-----	---------------------	--	--	---	-----	--	------------------

M6

V10 5.0L 4999cc (Mex.)	S85B50A	57694		49714 - Left 49715 - Right	49374 ⁷⁹			1	N/S		MT ⁷²
------------------------	---------	-------	--	-------------------------------	---------------------	--	--	---	-----	--	------------------

X1

L6 2.5L 2494cc Turbo (Mex.)		57327	57327XP						N/S		
L6 3.0L 2996cc (Mex.)	N52	57327	57327XP	WA9590	49371 ⁷⁸			1	N/S		N/A

X3

L6 2.5L si 2497cc (Mex.)		57327	57327XP	49545	24673						
L6 3.0L 2979cc Turbo	N55B30A	57327	57327XP	49555	49374			1	N/S		58137 - 6L45
L6 3.0L 2996cc	N52B30A	57327	57327XP	49468	24673 ⁷⁸			1	N/S		58137 - 6L45

X5

L6 3.0L 2979cc Turbo	N55B30A	57327	57327XP	49555	49374 ⁷⁹			1	N/S		58137 - 6L45
L6 3.0L 2993cc Turbo Diesel	M57T2D30	57560		49342	49585 ⁷⁹			2	WF8365 ⁶¹		

X5 M

V8 4.4L 4395cc Turbo	S63B44A	57189		49642 - Left 49641 - Right	49585 ⁷⁹			1	N/S		N/S
----------------------	---------	-------	--	-------------------------------	---------------------	--	--	---	-----	--	-----

X5 XDRIVE50I

V8 4.4L 4395cc Turbo	N63B44	57189		49257 - Left 49258 - Right	49585 ⁷⁹			1	N/S		N/S
----------------------	--------	-------	--	-------------------------------	---------------------	--	--	---	-----	--	-----

X6

L6 3.0L 2979cc Turbo	N55B30A	57327	57327XP	49555	49585 ⁷⁹			1	N/S		58137 - 6L45
V8 4.4L 4395cc Turbo	N63B44	57189		49257 - Left 49258 - Right	49585 ⁷⁹			1	N/S		N/S

X6 ACTIVEHYBRID

V8 4.4L 4395cc Turbo Electric/Gas		57189		49257 - Left 49258 - Right	49585 ⁷⁹			1	N/S		N/S
--------------------------------------	--	-------	--	-------------------------------	---------------------	--	--	---	-----	--	-----

X6 M

V8 4.4L 4395cc Turbo	S63B44A	57189		49641 - Right 49642 - Left	49585 ⁷⁹			1	N/S		N/S
----------------------	---------	-------	--	-------------------------------	---------------------	--	--	---	-----	--	-----

Z4

L6 2.5L 2494cc (Mex.)		57327	57327XP	49208	24518				N/A		
L6 3.0L 2979cc Turbo	N54B30A	57327	57327XP	49461	24518 ⁷⁸			4	N/S - Lifetime		58108
L6 3.0L 2996cc	N52B30A	57327	57327XP	49208	24518 ⁷⁸			4	N/S - Lifetime		58108

2010
120I

L4 2.0L 1995cc (Mex.)		WL7403		WA9511	49371 ⁷⁸				N/S		N/A
-----------------------	--	--------	--	--------	---------------------	--	--	--	-----	--	-----

125I

L6 3.0L 2999cc (Mex.)		57327	57327XP	N/A	49371				N/S		N/A
-----------------------	--	-------	---------	-----	-------	--	--	--	-----	--	-----

128I

L6 3.0L 2996cc	N51B30A	57327	57327XP	49056	49371 ⁷⁸			1	N/S		N/A
	N52B30A	57327	57327XP	49056	49371 ⁷⁸			1	N/S		N/A

130I

L6 3.0L 2996cc (Mex.)	N52B30A	57327	57327XP	WA9590	49371 ⁷⁸				N/S		N/A
-----------------------	---------	-------	---------	--------	---------------------	--	--	--	-----	--	-----

N/A = Not Available N/R = Not Required N/S = Not Serviceable For cabin and fuel filter locator, see pages 5-15 See pages 16-19 for footnotes

N/A = Non disponible N/R = Non nécessaire N/S = Non réparable Para la ubicación de los filtros de aire de la cabina y de combustible, ver las páginas 5-15 Voir pages 16-19 pour des notes

N/A = No disponible N/R = No requiere N/S = No servible Voir les tableaux de repérage des filtres d'habitacle et à carburant aux pages 5-15 Ver las páginas 16-19 para las notas al pie de página

Italicized Part Numbers May Not Be Available. Wix XP Oil Filters Have Fully Synthetic Media.

Las piezas con números en *italicas* pueden no estar disponibles. Los filtros de aceite WIX XP son completamente de media sintética.

Les numéros de pièce en *italiques* peuvent ne pas être disponibles. Les filtres à huile XP Wix contiennent un matériau 100 % synthétique.

BMW 2010
Pass Car/Light Truck

Year/Año/Année Model/Modelo/Modèle Engine/Motor/Moteur	Eng. Code Código de motor Code moteur	VIN NIV NIV	Oil Aceite Huile	Oil XP Aceite XP Huile XP	Air Aire Air	Cabin Air Cabina Aire Cabine Air	Cabin Air XP Cabina Aire XP Cabine Air XP	Loc. Cabin Air Cabina Aire Cabine Air	Fuel Combustible Carburant	Loc. Fuel Combustible Carburant	Transmission Transmisión Transmission
--	---	-------------------	------------------------	---------------------------------	--------------------	--	---	--	----------------------------------	--	---

BMW (Cont'd/Suite)
2010 (Cont'd/Suite)
135I

L6 3.0L 2979cc Turbo	N54B30A		57327	57327XP	49461	49371 ¹⁹			1	N/S	
----------------------	---------	--	-------	---------	-------	---------------------	--	--	---	-----	--

318 SERIES

L4 2.0L 1995cc Diesel (Mex.)			WL7303 ⁶¹		WA6573 ⁶¹	49371				WF8365 ⁶¹	
------------------------------	--	--	----------------------	--	----------------------	-------	--	--	--	----------------------	--

323 SERIES

L6 2.5L 2494cc	N52		57327	57327XP	49056	49371			1	33228	0	58116 - 5L40E-SP 58545 - 5L40E-DP
----------------	-----	--	-------	---------	-------	-------	--	--	---	-------	---	--------------------------------------

325 SERIES

L6 2.5L 2494cc Turbo (Mex.)			57327	57327XP	N/A	49371				N/S		N/A
L6 3.0L 2993cc Diesel (Mex.)			57560		WA6574 ⁶¹	49371				WF8365 ⁶¹		

328 SERIES

L6 3.0L 2996cc	N51B30A		57327	57327XP	49056	49371 ¹⁹			8	N/S		
	N52		57327	57327XP	49056	49371 ¹⁹			8	N/S		

335 SERIES

L6 3.0L 2979cc Turbo	N54B30A		57327	57327XP	49461	49371 ¹⁹			8	N/S		
----------------------	---------	--	-------	---------	-------	---------------------	--	--	---	-----	--	--

335D

L6 3.0L 2993cc Turbo Diesel	M57T2D30		57560		49465	49371			8	WF8365 ⁶¹		
-----------------------------	----------	--	-------	--	-------	-------	--	--	---	----------------------	--	--

525 SERIES

L6 2.5L 2494cc (Mex.)			57327	57327XP	42839					N/A		N/A
-----------------------	--	--	-------	---------	-------	--	--	--	--	-----	--	-----

525I

L6 3.0L 2996cc (Mex.)			57327	57327XP	42839	49374 WP6977				N/S		
-----------------------	--	--	-------	---------	-------	-----------------	--	--	--	-----	--	--

528 SERIES

L6 3.0L 2996cc	N52B30A		57327	57327XP	42839	49374 ¹⁹			1	N/S		
----------------	---------	--	-------	---------	-------	---------------------	--	--	---	-----	--	--

530 SERIES

L6 3.0L 2979cc (Mex.)			57327	57327XP	42839					N/A		N/A
-----------------------	--	--	-------	---------	-------	--	--	--	--	-----	--	-----

535 SERIES

L6 3.0L 2979cc Turbo			57327	57327XP	49461	49374 ¹⁹			1	N/S		
----------------------	--	--	-------	---------	-------	---------------------	--	--	---	-----	--	--

550 SERIES

V8 4.4L 4395cc Turbo	N63B44		57189		49258 - Right 49257 - Left	24329			1	N/S		N/S
V8 4.8L 4837cc	N62B48B		57175		49229	49374 ¹⁹			1	N/S		N/S

650 SERIES

V8 4.8L 4837cc	N62B48B		57175		49229	49374 ¹⁹			1	N/S		N/S
----------------	---------	--	-------	--	-------	---------------------	--	--	---	-----	--	-----

740 SERIES

L6 3.0L 2979cc (Mex.)			57175		N/A	49360				N/S		N/A
-----------------------	--	--	-------	--	-----	-------	--	--	--	-----	--	-----

750 SERIES

V8 4.4L 4395cc Turbo	N63B44		57189		49258 - Right 49257 - Left	24329			1	N/S		N/S
----------------------	--------	--	-------	--	-------------------------------	-------	--	--	---	-----	--	-----

760 LI HIGH SECURITY

V12 6.0L 5972cc (Mex.)	N73		57175		46939	49360				N/S		N/A
------------------------	-----	--	-------	--	-------	-------	--	--	--	-----	--	-----

760 SERIES

Turbo (Mex.)			N/A		46939					N/A		
V12 6.0L 5972cc Turbo	N74B60A		57189		WA10951	24329			1	N/S		N/S

M3

V8 4.0L 3999cc	S65B40A		57997		N/A	49382 ⁶¹			8	N/S		MT ⁷²
----------------	---------	--	-------	--	-----	---------------------	--	--	---	-----	--	------------------

M5

V10 5.0L 4999cc	S85B50A		57694		49714 - Left 49715 - Right	49374 ¹⁹			1	N/S		MT ⁷²
-----------------	---------	--	-------	--	-------------------------------	---------------------	--	--	---	-----	--	------------------

M6

V10 5.0L 4999cc	S85B50A		57694		49714 - Left 49715 - Right	49374 ¹⁹			1	N/S		MT ⁷²
-----------------	---------	--	-------	--	-------------------------------	---------------------	--	--	---	-----	--	------------------

X1

L6 2.5L 2494cc Turbo (Mex.)			57327	57327XP						N/S		
L6 3.0L 2996cc (Mex.)	N52		57327	57327XP	WA9590	49371 ¹⁹			1	N/S		N/A

N/A = Not Available N/R = Not Required N/S = Not Serviceable For cabin and fuel filter locator, see pages 5-15 See pages 16-19 for footnotes

N/A = Non disponible N/R = Non nécessaire N/S = Non réparable Para la ubicación de los filtros de aire de la cabina y de combustible, ver las páginas 5-15 Voir pages 16-19 pour des notes

N/A = No disponible N/R = No requiere N/S = No servible Voir les tableaux de repérage des filtres d'habitacle et à carburant aux pages 5-15 Ver las páginas 16-19 para las notas al pie de página

Italicized Part Numbers May Not Be Available. Wix XP Oil Filters Have Fully Synthetic Media.

Las piezas con números en *italicas* pueden no estar disponibles. Los filtros de aceite WIX XP son completamente de media sintética. Les numéros de pièce en *italiques* peuvent ne pas être disponibles. Les filtres à huile XP Wix contiennent un matériau 100 % synthétique.

Year/Año/Année Model/Modelo/Modèle Engine/Motor/Moteur	Eng. Code Código de motor Code moteur	VIN NIV NIV	Oil Aceite Huile	Oil XP Aceite XP Huile XP	Air Aire Air	Cabin Air Cabina Aire Cabine Air	Cabin Air XP Cabina Aire XP Cabine Air XP	Loc. Cabin Air Cabina Aire Cabine Air	Fuel Combustible Carburant	Loc. Fuel Combustible Carburant	Transmission Transmisión Transmission
--	---	-------------------	------------------------	---------------------------------	--------------------	--	---	--	----------------------------------	--	---

BMW (Cont'd/Suite)
2010 (Cont'd/Suite)
X3

L6 3.0L 2996cc	N52	57327	57327XP	49545	24673 ⁷⁸			1	N/S		58137 - 6L45
----------------	-----	-------	---------	-------	---------------------	--	--	---	-----	--	--------------

X5

L6 3.0L 2993cc Turbo Diesel	M57T2D30		57560		49342	49585 ⁷⁹		2	WF8365 ⁵¹		
L6 3.0L 2996cc	N52B30A		57327	57327XP	49888	49585 ⁷⁹		1	N/S		58137 - 6L45
V8 4.8L 4837cc	N62B48B		57175		49897 - Left 49898 - Right	49585 ⁷⁹		1	N/S		

X5 M

V8 4.4L 4395cc Turbo	S63B44A		57189		49642 - Left 49641 - Right	49585 ⁷⁹		1	N/S		N/S
----------------------	---------	--	-------	--	-------------------------------	---------------------	--	---	-----	--	-----

X6

L6 3.0L 2979cc Turbo	N54B30A		57327	57327XP	49555	49585 ⁷⁹		1	N/S		58137 - 6L45
V8 4.4L 4395cc Turbo	N63B44		57189		49257 - Left 49258 - Right	49585 ⁷⁹		1	N/S		N/S

X6 ACTIVEHYBRID

V8 4.4L 4395cc Turbo Electric/Gas			57189		49257 - Left 49258 - Right	49585 ⁷⁹		1	N/S		N/S
-----------------------------------	--	--	-------	--	-------------------------------	---------------------	--	---	-----	--	-----

X6 M

V8 4.4L 4395cc Turbo	S63B44A		57189		49641 - Right 49642 - Left	49585 ⁷⁹		1	N/S		N/S
----------------------	---------	--	-------	--	-------------------------------	---------------------	--	---	-----	--	-----

Z4

L6 2.5L 2494cc (Mex.)			51223 ⁵³	51223XP	46320	24518			N/S		N/S
L6 3.0L 2979cc Turbo	N54B30A		57327	57327XP	49461	24518 ⁷⁸		4	N/S - Lifetime		58108
L6 3.0L 2996cc	N52B30A		57327	57327XP	49208	24518 ⁷⁸		4	N/S - Lifetime		58108

2009
120I

L4 2.0L 1995cc (Mex.)			WL7403		WA9511	49371 ⁷⁸			N/S		N/A
-----------------------	--	--	--------	--	--------	---------------------	--	--	-----	--	-----

125I

L6 3.0L 2996cc (Mex.)			57327	57327XP	WA9590	WP9232 49371					
-----------------------	--	--	-------	---------	--------	-----------------	--	--	--	--	--

128I

L6 3.0L 2996cc	N51B30A		57327	57327XP	49056	49371 ⁷⁸		1	N/S		N/A
	N52B30A		57327	57327XP	49056	49371 ⁷⁸		1	N/S		N/A

130I

L6 3.0L 2996cc (Mex.)			57327	57327XP	49056	N/S			N/S		N/S
-----------------------	--	--	-------	---------	-------	-----	--	--	-----	--	-----

135I

L6 3.0L 2979cc Turbo	N54B30A		57327	57327XP	49461	49371 ⁷⁸		1	N/S		
----------------------	---------	--	-------	---------	-------	---------------------	--	---	-----	--	--

323 SERIES

L6 2.5L 2494cc	N52		57327	57327XP	49056	49371		1	33228	0	58116 - 5L40E-SP 58545 - 5L40E-DP
----------------	-----	--	-------	---------	-------	-------	--	---	-------	---	--------------------------------------

325 SERIES

L6 3.0L 2993cc Diesel (Mex.)			57560		WA6574 ⁶¹	49371			WF8365 ⁵¹		
------------------------------	--	--	-------	--	----------------------	-------	--	--	----------------------	--	--

325i

L6 2.5L 2494cc (Mex.)			57327	57327XP	N/S	N/S			N/S		N/S
-----------------------	--	--	-------	---------	-----	-----	--	--	-----	--	-----

328 SERIES

L6 3.0L 2996cc	N51B30A		57327	57327XP	49056	49371 ⁷⁸		8	N/S		N/A
	N52		57327	57327XP	49056	49371 ⁷⁸		8	N/S		N/A

335 SERIES

L6 3.0L 2979cc Turbo	N54B30A		57327	57327XP	49461	49371 ⁷⁸		8	N/S		N/A
----------------------	---------	--	-------	---------	-------	---------------------	--	---	-----	--	-----

335D

L6 3.0L 2993cc Turbo Diesel	M57T2D30		57560		49465	49371		8	WF8365 ⁵¹		
-----------------------------	----------	--	-------	--	-------	-------	--	---	----------------------	--	--

525 SERIES

L6 2.5L 2494cc (Mex.)	N52		57327	57327XP	42839	49374			N/S		
-----------------------	-----	--	-------	---------	-------	-------	--	--	-----	--	--

528 SERIES

L6 3.0L 2996cc	N52B30A		57327	57327XP	42839	49374 ⁷⁹		1	N/S		
----------------	---------	--	-------	---------	-------	---------------------	--	---	-----	--	--

N/A = Not Available N/R = Not Required N/S = Not Serviceable For cabin and fuel filter locator, see pages 5-15 See pages 16-19 for footnotes

N/A = Non disponible N/R = Non nécessaire N/S = Non réparable Para la ubicación de los filtros de aire de la cabina y de combustible, ver las páginas 5-15 Voir pages 16-19 pour des notes

N/A = No disponible N/R = No requiere N/S = No servible Voir les tableaux de repérage des filtres d'habitacle et à carburant aux pages 5-15 Ver las páginas 16-19 para las notas al pie de página

Italicized Part Numbers May Not Be Available. Wix XP Oil Filters Have Fully Synthetic Media.

Las piezas con números en *italicas* pueden no estar disponibles. Los filtros de aceite WIX XP son completamente de media sintética.

Les numéros de pièce en *italiques* peuvent ne pas être disponibles. Les filtres à huile XP Wix contiennent un matériau 100 % synthétique.

BMW 2009-2008
Pass Car/Light Truck

Year/Año/Année Model/Modelo/Modèle Engine/Motor/Moteur	Eng. Code Código de motor Code moteur	VIN NIV NIV	Oil Aceite Huile	Oil XP Aceite XP Huile XP	Air Aire Air	Cabin Air Cabina Aire Cabine Air	Cabin Air XP Cabina Aire XP Cabine Air XP	Loc. Cabin Air Cabina Aire Cabine Air	Fuel Combustible Carburant	Loc. Fuel Combustible Carburant	Transmission Transmisión Transmission
--	---	-------------------	------------------------	---------------------------------	--------------------	--	---	--	----------------------------------	--	---

BMW (Cont'd/Suite)
2009 (Cont'd/Suite)
530 SERIES

L6 3.0L 2996cc (Mex.)	N52B30A		57327	57327XP	42839	49374				N/S	
-----------------------	---------	--	-------	---------	-------	-------	--	--	--	-----	--

535 SERIES

L6 3.0L 2979cc Turbo	N54B30A		57327	57327XP	49461	49374 ⁷⁹			1	N/S	
----------------------	---------	--	-------	---------	-------	---------------------	--	--	---	-----	--

550 SERIES

V8 4.8L 4837cc	N62B48B		57175		49229	49374 ⁷⁹			1	N/S	N/S
----------------	---------	--	-------	--	-------	---------------------	--	--	---	-----	-----

650 SERIES

V8 4.8L 4799cc (Mex.)			57175		49229	49374					
-----------------------	--	--	-------	--	-------	-------	--	--	--	--	--

V8 4.8L 4837cc	N62B48B		57175		49229	49374 ⁷⁹			1	N/S	N/S
----------------	---------	--	-------	--	-------	---------------------	--	--	---	-----	-----

750 SERIES

V8 4.4L 4395cc Turbo	N63B44		57189		49258 - Right 49257 - Left	24329			1	N/S	N/S
----------------------	--------	--	-------	--	-------------------------------	-------	--	--	---	-----	-----

V8 4.8L 4799cc (Mex.)			57175		46939	49360				33601	
-----------------------	--	--	-------	--	-------	-------	--	--	--	-------	--

760 SERIES

V12 6.0L 5972cc (Mex.)	N73		N/A		46939					N/A	
------------------------	-----	--	-----	--	-------	--	--	--	--	-----	--

M3

V8 4.0L 3999cc	S65B40A		57997		N/A	49382 ⁸¹			8	N/S	MT ⁷²
----------------	---------	--	-------	--	-----	---------------------	--	--	---	-----	------------------

M5

V10 5.0L 4999cc	S85B50A		57694		49714 - Left 49715 - Right	49374 ⁷⁹			1	N/S	MT ⁷²
-----------------	---------	--	-------	--	-------------------------------	---------------------	--	--	---	-----	------------------

M6

V10 5.0L 4999cc	S85B50A		57694		49714 - Left 49715 - Right	49374 ⁷⁹			1	N/S	MT ⁷²
-----------------	---------	--	-------	--	-------------------------------	---------------------	--	--	---	-----	------------------

X3

L6 2.5L 2494cc	N52		51223	51223XP	46320	24673			1	N/S	58545
----------------	-----	--	-------	---------	-------	-------	--	--	---	-----	-------

L6 2.5L 2494cc (Mex.)	N52		51223	51223XP	46320	24673			1	N/S	58545
-----------------------	-----	--	-------	---------	-------	-------	--	--	---	-----	-------

L6 3.0L 2996cc	N52		57327	57327XP	49545	24673 ⁷⁸			1	N/S	58137 - 6L45
----------------	-----	--	-------	---------	-------	---------------------	--	--	---	-----	--------------

X5

L6 3.0L 2993cc Turbo Diesel	M57T2D30		57560		49342	49585 ⁷⁹			2	WF8365 ⁸¹	N/S
-----------------------------	----------	--	-------	--	-------	---------------------	--	--	---	----------------------	-----

L6 3.0L 2996cc	N52B30A		57327	57327XP	49888	49585 ⁷⁹			1	N/S	58137 - 6L45
----------------	---------	--	-------	---------	-------	---------------------	--	--	---	-----	--------------

V8 4.8L 4837cc	N62B48B		57175		49897 - Left 49898 - Right	49585 ⁷⁹			1	N/S	N/A
----------------	---------	--	-------	--	-------------------------------	---------------------	--	--	---	-----	-----

X6

L6 3.0L 2979cc Turbo	N54B30A		57327	57327XP	49555	49585 ⁷⁹			1	N/S	58137 - 6L45
----------------------	---------	--	-------	---------	-------	---------------------	--	--	---	-----	--------------

V8 4.4L 4395cc Turbo	N63B44		57189		49257 - Left 49258 - Right	49585 ⁷⁹			1	N/S	N/S
----------------------	--------	--	-------	--	-------------------------------	---------------------	--	--	---	-----	-----

Z4

L6 2.5L 2494cc (Mex.)			51223	51223XP	46320	24518			4		
-----------------------	--	--	-------	---------	-------	-------	--	--	---	--	--

L6 3.0L 2979cc Turbo	N54B30A		57327	57327XP	49461	24518 ⁷⁸			4	N/S - Lifetime	58108
----------------------	---------	--	-------	---------	-------	---------------------	--	--	---	----------------	-------

L6 3.0L 2996cc	N52B30A		57327	57327XP	49545	24518 ⁷⁸			4	N/S - Lifetime	58108
----------------	---------	--	-------	---------	-------	---------------------	--	--	---	----------------	-------

L6 3.2L 3246CC (Mex.)			51160		42839	24518				N/S	N/S
-----------------------	--	--	-------	--	-------	-------	--	--	--	-----	-----

2008
120I

L4 2.0L 1995cc (Mex.)			WL7403		WA9511	49371 ⁷⁸				N/S	N/A
-----------------------	--	--	--------	--	--------	---------------------	--	--	--	-----	-----

128I

L6 3.0L 2996cc	N51B30A		57327	57327XP	49056	49371 ⁷⁸			1	N/S	N/A
----------------	---------	--	-------	---------	-------	---------------------	--	--	---	-----	-----

	N52B30A		57327	57327XP	49056	49371 ⁷⁸			1	N/S	N/A
--	---------	--	-------	---------	-------	---------------------	--	--	---	-----	-----

130I

L6 3.0L 2996cc (Mex.)			57327	57327XP	49056	N/S				N/S	N/S
-----------------------	--	--	-------	---------	-------	-----	--	--	--	-----	-----

135I

L6 3.0L 2979cc Turbo	N54B30A		57327	57327XP	49461	49371 ⁷⁸			1	N/S	
----------------------	---------	--	-------	---------	-------	---------------------	--	--	---	-----	--

323 SERIES

L6 2.5L 2494cc	N52		57327	57327XP	49056	49371			1	33228	0
----------------	-----	--	-------	---------	-------	-------	--	--	---	-------	---

											58116 - 5L40E-SP 58545 - 5L40E-DP
--	--	--	--	--	--	--	--	--	--	--	--------------------------------------

N/A = Not Available N/R = Not Required N/S = Not Serviceable For cabin and fuel filter locator, see pages 5-15 See pages 16-19 for footnotes

N/A = Non disponible N/R = Non nécessaire N/S = Non réparable Para la ubicación de los filtros de aire de la cabina y de combustible, ver las páginas 5-15 Voir pages 16-19 pour des notes

N/A = No disponible N/R = No requiere N/S = No servible Voir les tableaux de repérage des filtres d'habitacle et à carburant aux pages 5-15 Ver las páginas 16-19 para las notas al pie de página

Italicized Part Numbers May Not Be Available. Wix XP Oil Filters Have Fully Synthetic Media.

Las piezas con números en *italicas* pueden no estar disponibles. Los filtros de aceite WIX XP son completamente de media sintética. Les numéros de pièce en *italiques* peuvent ne pas être disponibles. Les filtres à huile XP Wix contiennent un matériau 100 % synthétique.

Year/Año/Année Model/Modelo/Modèle Engine/Motor/Moteur	Eng. Code Código de motor Code moteur	VIN NIV NIV	Oil Aceite Huile	Oil XP Aceite XP Huile XP	Air Aire Air	Cabin Air Cabina Aire Cabine Air	Cabin Air XP Cabina Aire XP Cabine Air XP	Loc. Cabin Air Cabina Aire Cabine Air	Fuel Combustible Carburant	Loc. Fuel Combustible Carburant	Transmission Transmisión Transmission
--	---	-------------------	------------------------	---------------------------------	--------------------	--	---	--	----------------------------------	--	---

BMW (Cont'd/Suite)
2008 (Cont'd/Suite)
325 SERIES

L6 2.5L 2497cc (Mex.)			57327	57327XP	WA9590	49371					
-----------------------	--	--	-------	---------	--------	-------	--	--	--	--	--

328 SERIES

L6 3.0L 2996cc	N51B30A		57327	57327XP	49056	49371 ⁷⁸		1	N/S		N/A
	N52		57327	57327XP	49056	49371 ⁷⁸		1	N/S		N/A

335 SERIES

L6 3.0L 2979cc Turbo	N54B30A		57327	57327XP	49461	49371 ⁷⁸		8	N/S		N/A
----------------------	---------	--	-------	---------	-------	---------------------	--	---	-----	--	-----

525 SERIES

L6 2.5L 2494cc (Mex.)	N52		57327	57327XP	42839	49374			N/S		
-----------------------	-----	--	-------	---------	-------	-------	--	--	-----	--	--

528 SERIES

L6 3.0L 2996cc	N52B30A		57327	57327XP	42839	49374 ⁷⁹		1	N/S		58108
----------------	---------	--	-------	---------	-------	---------------------	--	---	-----	--	-------

530 SERIES

L6 3.0L 2996cc (Mex.)	N52B30A		57327	57327XP	42839	49374			N/S		
-----------------------	---------	--	-------	---------	-------	-------	--	--	-----	--	--

535 SERIES

L6 3.0L 2979cc Turbo	N54B30A		57327	57327XP	49461	49374 ⁷⁹		1	N/S		
----------------------	---------	--	-------	---------	-------	---------------------	--	---	-----	--	--

550 SERIES

V8 4.8L 4837cc	N62B48B		57175		49229	49374 ⁷⁹		1	N/S		N/S
----------------	---------	--	-------	--	-------	---------------------	--	---	-----	--	-----

650 SERIES

V8 4.8L 4837cc	N62B48B		57175		49229	49374 ⁷⁹		1	N/S		N/S
----------------	---------	--	-------	--	-------	---------------------	--	---	-----	--	-----

730 SERIES

L6 3.0L 2996cc (Mex.)	N52B30A		57327	57327XP	46939	49360			33601		
-----------------------	---------	--	-------	---------	-------	-------	--	--	-------	--	--

750 SERIES

V8 4.8L 4837cc	N62B48		57175		49701	49360		1	33601		N/S
----------------	--------	--	-------	--	-------	-------	--	---	-------	--	-----

760 SERIES

V12 6.0L 5972cc	N73		57175		49701	49360		1	N/A N/A ²⁸⁸ N/A		N/S
V12 6.0L 5972cc (Mex.)	N73		N/A		46939						

ALPINA B7

V8 4.4L 4398cc Super Charged	N62B44		57171		46939	49360			N/S		N/A
------------------------------	--------	--	-------	--	-------	-------	--	--	-----	--	-----

M3

V8 4.0L 3999cc	S65B40A		57997		N/A	49382 ⁶¹		8	N/S		MT ⁷²
----------------	---------	--	-------	--	-----	---------------------	--	---	-----	--	------------------

M5

V10 5.0L 4999cc	S85B50A		57694		49714 - Left 49715 - Right	49374 ⁷⁹		1	N/S		MT ⁷²
-----------------	---------	--	-------	--	-------------------------------	---------------------	--	---	-----	--	------------------

M6

V10 5.0L 4999cc	S85B50A		57694		49714 - Left 49715 - Right	49374 ⁷⁹		1	N/S		MT ⁷²
-----------------	---------	--	-------	--	-------------------------------	---------------------	--	---	-----	--	------------------

X3

L6 2.5L 2494cc (Mex.)	N52		51223	51223XP	46320	24673		1	N/S		58545
L6 2.5L si 2497cc (Mex.)			57327	57327XP	49545	24673					
L6 3.0L 2996cc	N52		57327	57327XP	49545	24673 ⁷⁸		1	N/S		58137 - 6L45

X5

L6 3.0L 2996cc	N52B30A		57327	57327XP	49888	49585 ⁷⁹		1	N/S		N/A
V8 4.8L 4837cc	N62B48B		57175		49897 - Left 49898 - Right	49585 ⁷⁹		1	N/S		N/A

X6

L6 3.0L 2979cc Turbo	N54B30A		57327	57327XP	49555	49585 ⁷⁹		1	N/S		58137
V8 4.4L 4395cc Turbo	N63B44		57189		49257 - Left 49258 - Right	49585 ⁷⁹		1	N/S		N/S

Z4

L6 2.5L 2494cc (Mex.)			51223	51223XP	46320	24518		4			
L6 2.5L 2497cc (Mex.)			57327	57327XP	46320	24518					
L6 3.0L 2996cc	N52		57327	57327XP	49545	24518 ⁷⁸		4	N/S - Lifetime		58108

Z4 M COUPE

L6 3.2L 3245cc	S54		51160		42839	24518 ⁷⁸		4	N/S		N/A
----------------	-----	--	-------	--	-------	---------------------	--	---	-----	--	-----

N/A = Not Available N/R = Not Required N/S = Not Serviceable For cabin and fuel filter locator, see pages 5-15 See pages 16-19 for footnotes

N/A = Non disponible N/R = Non nécessaire N/S = Non réparable Para la ubicación de los filtros de aire de la cabina y de combustible, ver las páginas 5-15 Voir pages 16-19 pour des notes

N/A = No disponible N/R = No requiere N/S = No servible Voir les tableaux de repérage des filtres d'habitacle et à carburant aux pages 5-15 Ver las páginas 16-19 para las notas al pie de página

Italicized Part Numbers May Not Be Available. Wix XP Oil Filters Have Fully Synthetic Media.

Las piezas con números en *italicas* pueden no estar disponibles. Los filtros de aceite WIX XP son completamente de media sintética.

Les numéros de pièce en *italiques* peuvent ne pas être disponibles. Les filtres à huile XP Wix contiennent un matériau 100 % synthétique.

BMW 2008-2007
Pass Car/Light Truck

Year/Año/Année Model/Modelo/Modèle Engine/Motor/Moteur	Eng. Code Código de motor Code moteur	VIN NIV NIV	Oil Aceite Huile	Oil XP Aceite XP Huile XP	Air Aire Air	Cabin Air Cabina Aire Cabine Air	Cabin Air XP Cabina Aire XP Cabine Air XP	Loc. Cabin Air Cabina Aire Cabine Air	Fuel Combustible Carburant	Loc. Fuel Combustible Carburant	Transmission Transmisión Transmission
--	---	-------------------	------------------------	---------------------------------	--------------------	--	---	--	----------------------------------	--	---

BMW (Cont'd/Suite)
2008 (Cont'd/Suite)
Z4 M ROADSTER

L6 3.2L 3245cc	S54	51160			42839	24518 ¹⁹		4	N/S		N/A
----------------	-----	-------	--	--	-------	---------------------	--	---	-----	--	-----

2007
120I

L4 2.0L 1995cc (Mex.)		WL7403			WA9511	49371 ¹⁹			N/S		N/A
-----------------------	--	--------	--	--	--------	---------------------	--	--	-----	--	-----

130I

L6 3.0L 2996cc (Mex.)		57327	57327XP		N/S	N/S			N/S		N/S
-----------------------	--	-------	---------	--	-----	-----	--	--	-----	--	-----

323 SERIES

L6 2.5L 2494cc	N52	57327	57327XP	49056	49371			1	33228	0	58116 - 5L40E-SP 58545 - 5L40E-DP
----------------	-----	-------	---------	-------	-------	--	--	---	-------	---	--------------------------------------

325 SERIES

L6 2.5L 2497cc (Mex.)		57327	57327XP	WA9590	49371						
-----------------------	--	-------	---------	--------	-------	--	--	--	--	--	--

328 SERIES

L6 3.0L 2996cc	N51B30A	57327	57327XP	49056	49371 ¹⁹			1	N/S		58116 - 5L40E-SP 58545 - 5L40E-DP
	N52	57327	57327XP	49056	49371 ¹⁹			1	N/S		58116 - 5L40E-SP 58545 - 5L40E-DP

330 SERIES

L6 3.0L 2979cc	M54	51223	51223XP	46320	24673			1	N/S		58545 - 5L40E-DP 58116 - 5L40E-SP
L6 3.0L 2996cc	N52	57327	57327XP	49056	49371			8	N/S		58116 - 5L40E-SP 58545 - 5L40E-DP

335 SERIES

L6 3.0L 2979cc Turbo	N54B30A	57327	57327XP	49461	49371 ¹⁹			8	N/S		58116 - 5L40E-SP 58545 - 5L40E-DP
----------------------	---------	-------	---------	-------	---------------------	--	--	---	-----	--	--------------------------------------

525 SERIES

L6 2.5L 2494cc (Mex.)	N52	57327	57327XP	42839	49374				N/S		
L6 3.0L 2996cc	N52	57327	57327XP	42839	49374 ¹⁹			1	N/S		

530 SERIES

L6 3.0L 2996cc	N52	57327	57327XP	42839	49374 ¹⁹			1	N/S		58108
----------------	-----	-------	---------	-------	---------------------	--	--	---	-----	--	-------

550 SERIES

V8 4.8L 4837cc	N62B48B	57175		49229	49374 ¹⁹			1	N/S		N/S
----------------	---------	-------	--	-------	---------------------	--	--	---	-----	--	-----

650 SERIES

V8 4.8L 4799cc (Mex.)		57175		49229	49374						
V8 4.8L 4837cc	N62B48B	57175		49229	49374 ¹⁹			1	N/S		N/S

730 SERIES

L6 3.0L 2996cc (Mex.)	N52B30A	57327	57327XP	46939	49360				33601		
-----------------------	---------	-------	---------	-------	-------	--	--	--	-------	--	--

750 SERIES

V8 4.8L 4837cc	N62B48	57175		49701	49360			1	33601		N/S
----------------	--------	-------	--	-------	-------	--	--	---	-------	--	-----

760 SERIES

V12 6.0L 5972cc	N73	57175		49701	49360			1	N/A	N/A ²⁸⁸	N/S
V12 6.0L 5972cc (Mex.)	N73	N/A		46939					N/A		

ALPINA B7

V8 4.4L 4398cc Super Charged	N62B44	57171		46939	49360				N/S		N/A
------------------------------	--------	-------	--	-------	-------	--	--	--	-----	--	-----

M5

V10 5.0L 4999cc	S85B50A	57694		49714 - Left 49715 - Right	49374 ¹⁹			1	N/S		MT ⁷²
-----------------	---------	-------	--	-------------------------------	---------------------	--	--	---	-----	--	------------------

M6

V10 5.0L 4999cc	S85B50A	57694		49714 - Left 49715 - Right	49374 ¹⁹			1	N/S		MT ⁷²
-----------------	---------	-------	--	-------------------------------	---------------------	--	--	---	-----	--	------------------

X3

L6 2.5L 2494cc (Mex.)	N52	51223	51223XP	46320	24673			1	N/S		58545
L6 2.5L si 2497cc (Mex.)		57327	57327XP	49545	24673						
L6 3.0L 2996cc	N52	57327	57327XP	49545	24673 ¹⁹			1	N/S		58137 - 6L45

N/A = Not Available N/R = Not Required N/S = Not Serviceable For cabin and fuel filter locator, see pages 5-15 See pages 16-19 for footnotes

N/A = Non disponible N/R = Non nécessaire N/S = Non réparable Para la ubicación de los filtros de aire de la cabina y de combustible, ver las páginas 5-15 Voir pages 16-19 pour des notes

N/A = No disponible N/R = No requiere N/S = No servible Voir les tableaux de repérage des filtres d'habitacle et à carburant aux pages 5-15 Ver las páginas 16-19 para las notas al pie de página

Italicized Part Numbers May Not Be Available. Wix XP Oil Filters Have Fully Synthetic Media.

Las piezas con números en *italicas* pueden no estar disponibles. Los filtros de aceite WIX XP son completamente de media sintética. Les numéros de pièce en *italiques* peuvent ne pas être disponibles. Les filtres à huile XP Wix contiennent un matériau 100 % synthétique.

Year/Año/Année Model/Modelo/Modèle Engine/Motor/Moteur	Eng. Code Código de motor Code moteur	VIN NIV NIV	Oil Aceite Huile	Oil XP Aceite XP Huile XP	Air Aire Air	Cabin Air Cabina Aire Cabine Air	Cabin Air XP Cabina Aire XP Cabine Air XP	Loc. Cabin Air Cabina Aire Cabine Air	Fuel Combustible Carburant	Loc. Fuel Combustible Carburant	Transmission Transmisión Transmission
--	---	-------------------	------------------------	---------------------------------	--------------------	--	---	--	----------------------------------	--	---

BMW (Cont'd/Suite)
2007 (Cont'd/Suite)
X5

L6 3.0L 2996cc	N52B30A		57327	57327XP	49888	49585 ⁷⁹		1	N/S		N/A
V8 4.8L 4837cc	N62B48B		57175		49897 - Left 49898 - Right	49585 ⁷⁹		1	N/S		N/A

Z4

L6 2.5L 2494cc (Mex.)			51223	51223XP	46320						
L6 3.0L 2996cc	N52		57327	57327XP	49545	24518 ⁷⁸		4	N/S - Lifetime		58108

Z4 M COUPE

L6 3.2L 3245cc	S54		51160		42839	24518 ⁷⁸		4	N/S		N/A
----------------	-----	--	-------	--	-------	---------------------	--	---	-----	--	-----

Z4 M ROADSTER

L6 3.2L 3245cc	S54		51160		42839	24518 ⁷⁸		4	N/S		N/A
----------------	-----	--	-------	--	-------	---------------------	--	---	-----	--	-----

2006
120I

L4 2.0L 1995cc (Mex.)			WL7403		WA9511	49371 ⁷⁸			N/S		N/A
-----------------------	--	--	--------	--	--------	---------------------	--	--	-----	--	-----

130I

L6 3.0L 2996cc (Mex.)			57327	57327XP	N/S	N/S			N/S		N/S
-----------------------	--	--	-------	---------	-----	-----	--	--	-----	--	-----

323 SERIES

L6 2.5L 2494cc	N52		57327	57327XP	49056	49371		1	33228	0	58116 - 5L40E-SP 58545 - 5L40E-DP
----------------	-----	--	-------	---------	-------	-------	--	---	-------	---	--------------------------------------

325 SERIES

L6 2.5L 2494cc 152 CID	M54		51223	51223XP	46320	24673 ⁷⁸		1	33228 ²⁸⁸ WF8337 ¹⁵⁴		58116 - 5L40E-SP 58545 - 5L40E-DP
L6 3.0L 2996cc	N52		57327	57327XP	49056	49371		8	N/S		58116 - 5L40E-SP 58545 - 5L40E-DP

330 SERIES

L6 3.0L 2979cc	M54		51223	51223XP	46320	24673 ⁷⁸		1	N/S		58545 - 5L40E-DP 58116 - 5L40E-SP
L6 3.0L 2996cc	N52		57327	57327XP	49056	49371		8	N/S		58116 - 5L40E-SP 58545 - 5L40E-DP

525 SERIES

L6 2.5L 2494cc (Mex.)	N52		57327	57327XP	42839	49374			N/S		
L6 2.5L 2497cc (Mex.)			57327	57327XP	42839	49374			N/S		
L6 3.0L 2996cc	N52		57327	57327XP	42839	49374 ⁷⁹		1	N/S		58116 - 5L40E-SP 58545 - 5L40E-DP

530 SERIES

L6 3.0L 2996cc	N52		57327	57327XP	42839	49374 ⁷⁹		1	N/S		58108
----------------	-----	--	-------	---------	-------	---------------------	--	---	-----	--	-------

545 SERIES

V8 4.4L 4398cc	N62		57171		49229	49374 ⁷⁹		1	N/S		N/A
----------------	-----	--	-------	--	-------	---------------------	--	---	-----	--	-----

550 SERIES

V8 4.8L 4837cc	N62B48B		57175		49229	49374		1	N/S		N/S
----------------	---------	--	-------	--	-------	-------	--	---	-----	--	-----

650 SERIES

V8 4.8L 4837cc	N62B48B		57175		49229	49374		1	N/S		N/S
----------------	---------	--	-------	--	-------	-------	--	---	-----	--	-----

730 SERIES

L6 3.0L 2996cc (Mex.)	N52B30A		57327	57327XP	46939	49360			33601		
-----------------------	---------	--	-------	---------	-------	-------	--	--	-------	--	--

750 SERIES

V8 4.8L 4837cc	N62B48		57175		46939 ³⁵² 49701 ³⁵³	49360		1	33601		N/S
----------------	--------	--	-------	--	--	-------	--	---	-------	--	-----

760 SERIES

V12 6.0L 5972cc	N73		57175		46939	49360		1	N/A		N/S
-----------------	-----	--	-------	--	-------	-------	--	---	-----	--	-----

M3

L6 3.2L 3245cc	S54		51160		46320	24673 ⁷⁸		1	N/S		MT ⁷²
----------------	-----	--	-------	--	-------	---------------------	--	---	-----	--	------------------

M5

V10 5.0L 4999cc	S85B50A		57694		49714 - Left 49715 - Right	49374		1	N/S		MT ⁷²
-----------------	---------	--	-------	--	-------------------------------	-------	--	---	-----	--	------------------

N/A = Not Available N/R = Not Required N/S = Not Serviceable For cabin and fuel filter locator, see pages 5-15 See pages 16-19 for footnotes

N/A = Non disponible N/R = Non nécessaire N/S = Non réparable Para la ubicación de los filtros de aire de la cabina y de combustible, ver las páginas 5-15 Voir pages 16-19 pour des notes

N/A = No disponible N/R = No requiere N/S = No servible Voir les tableaux de repérage des filtres d'habitacle et à carburant aux pages 5-15 Ver las páginas 16-19 para las notas al pie de página

Italicized Part Numbers May Not Be Available. Wix XP Oil Filters Have Fully Synthetic Media.

Las piezas con números en *italicas* pueden no estar disponibles. Los filtros de aceite WIX XP son completamente de media sintética.

Les numéros de pièce en *italiques* peuvent ne pas être disponibles. Les filtres à huile Wix contiennent un matériau 100 % synthétique.

BMW 2006-2005
Pass Car/Light Truck

Year/Año/Année Model/Modelo/Modèle Engine/Motor/Moteur	Eng. Code Código de motor Code moteur	VIN NIV NIV	Oil Aceite Huile	Oil XP Aceite XP Huile XP	Air Aire Air	Cabin Air Cabina Aire Cabine Air	Cabin Air XP Cabina Aire XP Cabine Air XP	Loc. Cabin Air Cabina Aire Cabine Air	Fuel Combustible Carburant	Loc. Fuel Combustible Carburant	Transmission Transmisión Transmission
--	---	-------------------	------------------------	---------------------------------	--------------------	--	---	--	----------------------------------	--	---

BMW (Cont'd/Suite)
2006 (Cont'd/Suite)
M6

V10 5.0L 4999cc	S85B50A		57694		49714 - Left 49715 - Right	49374			1	N/S	MT ⁷²
-----------------	---------	--	-------	--	-------------------------------	-------	--	--	---	-----	------------------

X3

L6 2.5L 2494cc	N52		51223	51223XP	46320	24673			1	N/S	58545
L6 3.0L 2979cc	M54		51223	51223XP	46320	24673 ⁷⁸			1	N/S	58545 - 5L40E-DP 58116 - 5L40E-SP 58135 - 5L50E-DP

X5

L6 3.0L 2979cc	M54		51223	51223XP	49907	24827			8	WF8258	58135 - 5L50E-DP
V8 4.4L 4398cc	N62		57171		42295	24827			8	N/A	N/A
V8 4.8L 4837cc	N62B48		57171		42295	24827			8	N/A	58545

Z4

L6 2.5L 2494cc (Mex.)			51223	51223XP	46320						
L6 3.0L 2979cc	M54		51223	51223XP	46320	24518 ⁷⁸ N/A ⁷⁹			4	N/S	58116 - 5L40E-SP 58545 - 5L40E-DP
L6 3.0L 2996cc	N52		57327	57327XP	49545	24518			4	N/S	58116 - 5L40E-SP 58545 - 5L40E-DP

Z4 M COUPE

L6 3.2L 3245cc	S54		51160		42839	24518 ⁷⁸			4	N/S	N/A
----------------	-----	--	-------	--	-------	---------------------	--	--	---	-----	-----

Z4 M ROADSTER

L6 3.2L 3245cc	S54		51160		42839	24518 ⁷⁸			4	N/S	N/A
----------------	-----	--	-------	--	-------	---------------------	--	--	---	-----	-----

2005
120I

L4 2.0L 1995cc (Mex.)			WL7403		WA9511	49371 ⁷⁸				N/S	N/A
-----------------------	--	--	--------	--	--------	---------------------	--	--	--	-----	-----

320I

L6 2.2L 2171cc			51223	51223XP	46320	24673 ⁷⁸			1	N/S	58108
----------------	--	--	-------	---------	-------	---------------------	--	--	---	-----	-------

325 SERIES

L6 2.5L 2494cc	M56		51223	51223XP	46320	24673 ⁷⁸			1	33228 ²⁸⁸ WF8337 ¹⁵⁴	58116 - 5L40E-SP 58545 - 5L40E-DP
L6 2.5L 2494cc 152 CID	M54		51223	51223XP	46320	24673 ⁷⁸			1	33228 ²⁸⁸ WF8337 ¹⁵⁴	58116 - 5L40E-SP 58545 - 5L40E-DP

330 SERIES

L6 3.0L 2979cc	M54		51223	51223XP	46320	24673 ⁷⁸			1	N/S	58116 - 5L40E-SP 58545 - 5L40E-DP
----------------	-----	--	-------	---------	-------	---------------------	--	--	---	-----	--------------------------------------

525 SERIES

L6 2.5L 2494cc 152 CID	M54		51223	51223XP	42839	49374 ⁷⁹			1	N/S	58108
------------------------	-----	--	-------	---------	-------	---------------------	--	--	---	-----	-------

530 SERIES

L6 3.0L 2979cc	M54		51223	51223XP	42839	49372			1	N/S	58108
----------------	-----	--	-------	---------	-------	-------	--	--	---	-----	-------

535 SERIES

L6 3.0L 2993cc Diesel (Mex.)			57560		WA9610	49374				WF8365 ⁸¹	
------------------------------	--	--	-------	--	--------	-------	--	--	--	----------------------	--

545 SERIES

V8 4.4L 4398cc	N62		57171		49229	49374 ⁷⁹			1	N/S	N/A
----------------	-----	--	-------	--	-------	---------------------	--	--	---	-----	-----

645 SERIES

V8 4.4L 4398cc	N62		57171		49229	49374			8	N/S	N/A
----------------	-----	--	-------	--	-------	-------	--	--	---	-----	-----

730 SERIES

L6 3.0L 2996cc (Mex.)	N52B30A		57327	57327XP	46939	49360				33601	
-----------------------	---------	--	-------	---------	-------	-------	--	--	--	-------	--

745 SERIES

V8 4.4L 4398cc	N62		57171		46939	49360			1	33601	N/A
----------------	-----	--	-------	--	-------	-------	--	--	---	-------	-----

760 SERIES

V12 6.0L 5972cc	N73		57171		46939	49360			1	N/A	N/A
-----------------	-----	--	-------	--	-------	-------	--	--	---	-----	-----

M3

L6 3.2L 3245cc	S54		51160		46320	24673 ⁷⁸			1	N/S	MT ⁷²
----------------	-----	--	-------	--	-------	---------------------	--	--	---	-----	------------------

N/A = Not Available N/R = Not Required N/S = Not Serviceable For cabin and fuel filter locator, see pages 5-15 See pages 16-19 for footnotes

N/A = Non disponible N/R = Non nécessaire N/S = Non réparable Para la ubicación de los filtros de aire de la cabina y de combustible, ver las páginas 5-15 Voir pages 16-19 pour des notes

N/A = No disponible N/R = No requiere N/S = No servible Voir les tableaux de repérage des filtres d'habitacle et à carburant aux pages 5-15 Ver las páginas 16-19 para las notas al pie de página

Italicized Part Numbers May Not Be Available. Wix XP Oil Filters Have Fully Synthetic Media.

Las piezas con números en *italicas* pueden no estar disponibles. Los filtros de aceite WIX XP son completamente de media sintética. Les numéros de pièce en *italiques* peuvent ne pas être disponibles. Les filtres à huile XP Wix contiennent un matériau 100 % synthétique.

Year/Año/Année Model/Modelo/Modèle Engine/Motor/Moteur	Eng. Code Código de motor Code moteur	VIN NIV NIV	Oil Aceite Huile	Oil XP Aceite XP Huile XP	Air Aire Air	Cabin Air Cabina Aire Cabine Air	Cabin Air XP Cabina Aire XP Cabine Air XP	Loc. Cabin Air Cabina Aire Cabine Air	Fuel Combustible Carburant	Loc. Fuel Combustible Carburant	Transmission Transmisión Transmission
--	---	-------------------	------------------------	---------------------------------	--------------------	--	---	--	----------------------------------	--	---

BMW (Cont'd/Suite)
2005 (Cont'd/Suite)
X3

L6 2.5L 2494cc 152 CID	M54		51223	51223XP	46320	24673 ⁷⁸		1	N/S		58545 - 5L40E-DP 58116 - 5L40E-SP 58135 - 5L50E-DP
L6 3.0L 2979cc	M54		51223	51223XP	46320	24673 ⁷⁸		1	N/S		58545 - 5L40E-DP 58116 - 5L40E-SP 58135 - 5L50E-DP

X5

L6 3.0L 2979cc	M54		51223	51223XP	49907	24827		8	WF8258		58545 - 5L40E-DP 58116 - 5L40E-SP 58135 - 5L50E-DP
V8 4.4L 4398cc	N62		57171		42295	24827		8	N/A		N/A
V8 4.8L 4837cc	N62B48		57171		42295	24827		8	N/A		58545

Z4

L6 2.5L 2494cc 152 CID	M54		51223	51223XP	46320	24518 ⁷⁹ N/A ⁷⁸		4	WF8336		58116 - 5L40E-SP 58545 - 5L40E-DP
L6 3.0L 2979cc	M54		51223	51223XP	46320	24518 ⁷⁸ N/A ⁷⁹		4	N/S		58116 - 5L40E-SP 58545 - 5L40E-DP

2004
320I

L6 2.2L 2171cc			51223	51223XP	46320	24673 ⁷⁸		1	WF8337		58108
----------------	--	--	-------	---------	-------	---------------------	--	---	--------	--	-------

325 SERIES

L6 2.5L 2494cc	M56		51223	51223XP	46320	24673 ⁷⁸		1	33228 ²⁸⁸ WF8337 ¹⁵⁴		58116 - 5L40E-SP 58545 - 5L40E-DP
L6 2.5L 2494cc 152 CID	M54		51223	51223XP	46320	24673 ⁷⁸		1	33228 ²⁸⁸ WF8337 ¹⁵⁴		58116 - 5L40E-SP 58545 - 5L40E-DP

330 SERIES

L6 3.0L 2979cc	M54		51223 ³³	51223XP	46320	24673 ⁷⁸		1	WF8337		58116 - 5L40E-SP 58545 - 5L40E-DP
----------------	-----	--	---------------------	---------	-------	---------------------	--	---	--------	--	--------------------------------------

525 SERIES

L6 2.5L 2494cc 152 CID	M54		51223	51223XP	42839	49374 ⁷⁹		1	N/S		58108
------------------------	-----	--	-------	---------	-------	---------------------	--	---	-----	--	-------

530 SERIES

L6 3.0L 2979cc	M54		51223	51223XP	42839	49374		1	WF8337		58108
----------------	-----	--	-------	---------	-------	-------	--	---	--------	--	-------

535 SERIES

L6 3.0L 2993cc Diesel (Mex.)			57560		WA9610	49374			WF8365 ⁵¹		
------------------------------	--	--	-------	--	--------	-------	--	--	----------------------	--	--

545 SERIES

V8 4.4L 4398cc	N62		57171		49229	49374 ⁷⁹		1	WF8258		58109
----------------	-----	--	-------	--	-------	---------------------	--	---	--------	--	-------

645 SERIES

V8 4.4L 4398cc	N62		57171		49229	N/R			N/S		N/A
----------------	-----	--	-------	--	-------	-----	--	--	-----	--	-----

745 SERIES

V8 4.4L 4398cc	N62		57171		46939	49360		1	33601		N/A
----------------	-----	--	-------	--	-------	-------	--	---	-------	--	-----

760 SERIES

V12 6.0L 5972cc	N73		57171		46939	49360		1	N/A		N/A
-----------------	-----	--	-------	--	-------	-------	--	---	-----	--	-----

M3

L6 3.2L 3245cc	S54		51160		46320	24673 ⁷⁸		1	N/S		MT
----------------	-----	--	-------	--	-------	---------------------	--	---	-----	--	----

X3

L6 2.5L 2494cc 152 CID	M54		51223	51223XP	46320	24673 ⁷⁸		1	WF8337		58545 - 5L40E-DP 58116 - 5L40E-SP 58135 - 5L50E-DP
L6 3.0L 2979cc	M54		51223	51223XP	46320	24673 ⁷⁸		1	WF8337		58545 - 5L40E-DP 58116 - 5L40E-SP 58135 - 5L50E-DP

X5

L6 3.0L 2979cc	M54		51223	51223XP	49907	24827		8	WF8258		58545 - 5L40E-DP 58116 - 5L40E-SP 58135 - 5L50E-DP
V8 4.4L 4398cc	N62		57171		42295	24827		8	N/A		58116 - 5L40E-SP 58545 - 5L40E-DP

N/A = Not Available N/R = Not Required N/S = Not Serviceable For cabin and fuel filter locator, see pages 5-15 See pages 16-19 for footnotes

N/A = Non disponible N/R = Non nécessaire N/S = Non réparable Para la ubicación de los filtros de aire de la cabina y de combustible, ver las páginas 5-15 Voir pages 16-19 pour des notes

N/A = No disponible N/R = No requiere N/S = No servible Voir les tableaux de repérage des filtres d'habitacle et à carburant aux pages 5-15 Ver las páginas 16-19 para las notas al pie de página

Italicized Part Numbers May Not Be Available. Wix XP Oil Filters Have Fully Synthetic Media.

Las piezas con números en *italicas* pueden no estar disponibles. Los filtros de aceite WIX XP son completamente de media sintética.

Les numéros de pièce en *italiques* peuvent ne pas être disponibles. Les filtres à huile Wix contiennent un matériau 100 % synthétique.

BMW 2004-2003
Pass Car/Light Truck

Year/Año/Année Model/Modelo/Modèle Engine/Motor/Moteur	Eng. Code Código de motor Code moteur	VIN NIV NIV	Oil Aceite Huile	Oil XP Aceite XP Huile XP	Air Aire Air	Cabin Air Cabina Aire Cabine Air	Cabin Air XP Cabina Aire XP Cabine Air XP	Loc. Cabin Air Cabina Aire Cabine Air	Fuel Combustible Carburant	Loc. Fuel Combustible Carburant	Transmission Transmisión Transmission
--	---	-------------------	------------------------	---------------------------------	--------------------	--	---	--	----------------------------------	--	---

BMW (Cont'd/Suite)
2004 (Cont'd/Suite)
X5 (Cont'd/Suite)

V8 4.8L 4837cc	N62B48		57171		42295	24827		8	N/A		58545
----------------	--------	--	-------	--	-------	-------	--	---	-----	--	-------

Z4

L6 2.5L 2494cc 152 CID	M54		51223	51223XP	46320	N/R			WF8336		58116 - 5L40E-SP 58545 - 5L40E-DP
L6 3.0L 2979cc	M54		51223	51223XP	46320	24518 ⁷⁸		3	N/S		58116 - 5L40E-SP 58545 - 5L40E-DP

Z8

V8 5.0L 4941cc	S62		51186		42295	N/A			N/A		MT ⁷²
----------------	-----	--	-------	--	-------	-----	--	--	-----	--	------------------

2003
320I

L6 2.2L 2171cc			51223	51223XP	46320	24673 ⁷⁸		1	WF8337		58108
----------------	--	--	-------	---------	-------	---------------------	--	---	--------	--	-------

325 SERIES

L6 2.5L 2494cc	M56		51223	51223XP	46320	24673 ⁷⁸		1	33228 ²⁸⁸ WF8337 ¹⁵⁴	0	58116 - 5L40E-SP 58545 - 5L40E-DP
L6 2.5L 2494cc 152 CID	M54		51223	51223XP	46320	24673 ⁷⁸		1	33228 ²⁸⁸ WF8337 ¹⁵⁴	0	58116 - 5L40E-SP 58545 - 5L40E-DP

330 SERIES

L6 3.0L 2979cc	M54		51223	51223XP	46320	24673 ⁷⁸		1	WF8337		58116 - 5L40E-SP 58545 - 5L40E-DP
----------------	-----	--	-------	---------	-------	---------------------	--	---	--------	--	--------------------------------------

525 SERIES

L6 2.5L 2494cc 152 CID	M54		51223	51223XP	46320	49372		1	N/S		58116 - 5L40E-SP 58545 - 5L40E-DP
------------------------	-----	--	-------	---------	-------	-------	--	---	-----	--	--------------------------------------

530 SERIES

L6 3.0L 2979cc	M54		51223	51223XP	46320	49372		1	WF8337		58116 - 5L40E-SP 58545 - 5L40E-DP
----------------	-----	--	-------	---------	-------	-------	--	---	--------	--	--------------------------------------

540 SERIES

V8 4.4L 4398cc	M62		51186		42295	49372		1	WF8258		58109
----------------	-----	--	-------	--	-------	-------	--	---	--------	--	-------

745 SERIES

V8 4.4L 4398cc	N62		57171		46939	49360		1	33601		N/A
----------------	-----	--	-------	--	-------	-------	--	---	-------	--	-----

760 SERIES

V12 6.0L 5972cc	N73		57171		46939	49360		1	N/A		N/A
-----------------	-----	--	-------	--	-------	-------	--	---	-----	--	-----

ALPINA ROADSTER

V8 4.8L 4837cc			51186		42295	N/R			N/A		
----------------	--	--	-------	--	-------	-----	--	--	-----	--	--

M3

L6 3.2L 3245cc	S54		51160		46320	24673 ⁷⁸		1	N/S		MT ⁷²
----------------	-----	--	-------	--	-------	---------------------	--	---	-----	--	------------------

M5

V8 5.0L 4941cc	S62		51186		42295	49372		1	N/A		MT ⁷²
----------------	-----	--	-------	--	-------	-------	--	---	-----	--	------------------

X5

L6 3.0L 2979cc	M54		51223	51223XP	49907	24827		8	WF8258		58545 - 5L40E-DP 58116 - 5L40E-SP 58135 - 5L50E-DP
V8 4.4L 4398cc	M62		51186		42295	24827		8	N/A		58116 - 5L40E-SP 58545 - 5L40E-DP
V8 4.6L 4598cc	M62		51186		42295	24827		8	N/A		58116 - 5L40E-SP 58545 - 5L40E-DP

Z4

L6 2.5L 2494cc 152 CID	M54		51223	51223XP	46320	N/R			WF8336		58116 - 5L40E-SP 58545 - 5L40E-DP
L6 3.0L 2979cc	M54		51223	51223XP	46320	24518 ⁷⁸		3	N/S		58116 - 5L40E-SP 58545 - 5L40E-DP

Z8

V8 4.8L 4837CC			51186		42295	N/A			N/S		N/S
V8 5.0L 4941cc	S62		51186		42295	N/A			N/A		MT ⁷²

N/A = Not Available N/R = Not Required N/S = Not Serviceable For cabin and fuel filter locator, see pages 5-15 See pages 16-19 for footnotes

N/A = Non disponible N/R = Non nécessaire N/S = Non réparable Para la ubicación de los filtros de aire de la cabina y de combustible, ver las páginas 5-15 Voir pages 16-19 pour des notes

N/A = No disponible N/R = No requiere N/S = No servible Voir les tableaux de repérage des filtres d'habitacle et à carburant aux pages 5-15 Ver las páginas 16-19 para las notas al pie de página

Italicized Part Numbers May Not Be Available. Wix XP Oil Filters Have Fully Synthetic Media.

Las piezas con números en *italicas* pueden no estar disponibles. Los filtros de aceite WIX XP son completamente de media sintética. Les numéros de pièce en *italiques* peuvent ne pas être disponibles. Les filtres à huile XP Wix contiennent un matériau 100 % synthétique.

Pass Car/Light Truck
BMW 2002 — BUICK 2021

Year/Año/Année Model/Modelo/Modèle Engine/Motor/Moteur	Eng. Code Código de motor Code moteur	VIN NIV NIV	Oil Aceite Huile	Oil XP Aceite XP Huile XP	Air Aire Air	Cabin Air Cabina Aire Cabine Air	Cabin Air XP Cabina Aire XP Cabine Air XP	Loc. Cabin Air Cabina Aire Cabine Air	Fuel Combustible Carburant	Loc. Fuel Combustible Carburant	Transmission Transmisión Transmission
--	---	-------------------	------------------------	---------------------------------	--------------------	--	---	--	----------------------------------	--	---

BMW (Cont'd/Suite)
2002
320I

L6 2.2L 2171cc			51223	51223XP	46320	24673 ⁷⁸		1			N/A
----------------	--	--	-------	---------	-------	---------------------	--	---	--	--	-----

325 SERIES

L6 2.5L 2494cc 152 CID	M54		51223	51223XP	46320	24673 ⁷⁸		1	33228 ²⁸⁸ WF8337 ¹⁵⁴	0 0	58116 - 5L40E-SP 58545 - 5L40E-DP
------------------------	-----	--	-------	---------	-------	---------------------	--	---	---	--------	--------------------------------------

330 SERIES

L6 3.0L 2979cc	M54		51223	51223XP	46320	24673		1	WF8337		58116 - 5L40E-SP 58545 - 5L40E-DP
----------------	-----	--	-------	---------	-------	-------	--	---	--------	--	--------------------------------------

525 SERIES

L6 2.5L 2494cc 152 CID	M54		51223	51223XP	46320	49372		1	WF8258	J	58116 - 5L40E-SP 58545 - 5L40E-DP
------------------------	-----	--	-------	---------	-------	-------	--	---	--------	---	--------------------------------------

530 SERIES

L6 3.0L 2979cc	M54		51223	51223XP	46320	49372		1	WF8337		58116 - 5L40E-SP 58545 - 5L40E-DP
----------------	-----	--	-------	---------	-------	-------	--	---	--------	--	--------------------------------------

540 SERIES

V8 4.4L 4398cc	M62		51186		42295	49372		1	WF8258		58109
----------------	-----	--	-------	--	-------	-------	--	---	--------	--	-------

745 SERIES

V8 4.4L 4398cc	N62		57171		46939	49360		1	33601	J	N/A
----------------	-----	--	-------	--	-------	-------	--	---	-------	---	-----

M3

L6 3.2L 3245cc	S54		51160		46320	24673 ⁷⁸		1	N/S		MT ⁷²
----------------	-----	--	-------	--	-------	---------------------	--	---	-----	--	------------------

M5

V8 5.0L 4941cc	S62		51186		42295	49372		1	N/A		MT ⁷²
----------------	-----	--	-------	--	-------	-------	--	---	-----	--	------------------

X5

L6 3.0L 2979cc	M54		51223	51223XP	49907	24827		8	WF8258		58545 - 5L40E-DP 58116 - 5L40E-SP 58135 - 5L50E-DP
V8 4.4L 4398cc	M62		51186		42295	24827		8	WF8258 - To 4/02 N/A - 4/02-on		58116 - 5L40E-SP 58545 - 5L40E-DP
V8 4.6L 4598cc	M62		51186		42295	24827		8	WF8258 - To 4/02 N/A - 4/02-on		58116 - 5L40E-SP 58545 - 5L40E-DP

Z3

L6 2.2L 2171cc (Mex.)			51223	51223XP	46320				N/A		
L6 2.5L 2494cc 152 CID	M54		51223	51223XP	46320	N/R			33228	0	58545 - 5L40E-DP 58116 - 5L40E-SP 58135 - 5L50E-DP
L6 3.0L 2979cc	M54		51223	51223XP	46320	N/R			33228	0	58545 - 5L40E-DP 58116 - 5L40E-SP 58135 - 5L50E-DP

Z3 M COUPE

L6 3.2L 3245cc	S54		51160		46320	24673 ⁷⁸		1	N/A		MT ⁷²
----------------	-----	--	-------	--	-------	---------------------	--	---	-----	--	------------------

Z3 M ROADSTER

L6 3.2L 3245cc	S54		51160		46320	24673 ⁷⁸		1	N/A		MT ⁷²
----------------	-----	--	-------	--	-------	---------------------	--	---	-----	--	------------------

Z8

V8 5.0L 4941cc	S62		51186		42295	N/A			N/A		MT ⁷²
----------------	-----	--	-------	--	-------	-----	--	--	-----	--	------------------

BUICK
2021
ENCLAVE

V6 3.6L 217 CID	LLT	D	WL10255	WL10255XP	WA10718	24211			N/S		N/A
-----------------	-----	---	---------	-----------	---------	-------	--	--	-----	--	-----

ENCORE

L4 1.4L Turbo	LE2		WL10290 ⁵³	WL10290XP	WA10255	24590			N/S		N/A
L4 1.4L 1364CC 83CID Turbo	LUV	B	57674 ⁵⁰⁷ N/A ⁵⁰⁸	57674XP ⁵⁰⁷	WA10255	24590			N/S		N/A

Encore GX

L3 1.2L 1200CC 73CID Turbo	LIH		WL10290 ⁵³	WL10290XP	N/A	24211			N/S		N/S
L3 1.3L 1300CC 79CID Turbo	L3T		WL10351		N/A	24211			N/S		N/S

N/A = Not Available N/R = Not Required N/S = Not Serviceable For cabin and fuel filter locator, see pages 5-15 See pages 16-19 for footnotes

N/A = Non disponible N/R = Non nécessaire N/S = Non réparable Para la ubicación de los filtros de aire de la cabina y de combustible, ver las páginas 5-15 Voir pages 16-19 pour des notes

N/A = No disponible N/R = No requiere N/S = No servible Voir les tableaux de repérage des filtres d'habitacle et à carburant aux pages 5-15 Ver las páginas 16-19 para las notas al pie de página

Italicized Part Numbers May Not Be Available. Wix XP Oil Filters Have Fully Synthetic Media.

Las piezas con números en *italicas* pueden no estar disponibles. Los filtros de aceite WIX XP son completamente de media sintética.

Les numéros de pièce en *italiques* peuvent ne pas être disponibles. Les filtres à huile Wix contiennent un matériau 100 % synthétique.

BUICK 2021-2018
Pass Car/Light Truck

Year/Año/Année Model/Modelo/Modèle Engine/Motor/Moteur	Eng. Code Código de motor Code moteur	VIN NIV NIV	Oil Aceite Huile	Oil XP Aceite XP Huile XP	Air Aire Air	Cabin Air Cabina Aire Cabine Air	Cabin Air XP Cabina Aire XP Cabine Air XP	Loc. Cabin Air Cabina Aire Cabine Air	Fuel Combustible Carburant	Loc. Fuel Combustible Carburant	Transmission Transmisión Transmission
--	---	-------------------	------------------------	---------------------------------	--------------------	--	---	--	----------------------------------	--	---

BUICK (Cont'd/Suite)
2021 (Cont'd/Suite)
ENVISION

L4 2.0L 2000CC 122CID Turbo	LSY		WL10290 ⁵³	WL10290XP	N/S	N/S			N/S		N/S
-----------------------------	-----	--	-----------------------	-----------	-----	-----	--	--	-----	--	-----

2020
ENCLAVE

V6 3.6L 217 CID	LLT	D	WL10255	WL10255XP	WA10718	24211			N/S		N/A
-----------------	-----	---	---------	-----------	---------	-------	--	--	-----	--	-----

ENCORE

L4 1.4L 1364CC 83CID Turbo	LUV	B	57674 ⁵⁰⁷ N/A ⁵⁰⁸	57674XP ⁵⁰⁷	WA10255	24590			N/S		N/A
----------------------------	-----	---	--	------------------------	---------	-------	--	--	-----	--	-----

Encore GX

L3 1.2L 1200CC 73CID Turbo	LIH		WL10290 ⁵³	WL10290XP	N/A	24211			N/S		N/S
L3 1.3L 1300CC 79CID Turbo	L3T		WL10351		N/A	24211			N/S		N/S

ENVISION

L4 2.0L Turbo			WL10290 ⁵³	WL10290XP	N/A	24211			N/S		N/A
L4 2.5L 2507cc 153 CID Flex	LCV		WL10290 ⁵³	WL10290XP	N/A	24211			N/S		N/A

Regal GS

V6 3.6L 3649CC 223CID	LGX	S	WL10412		WA10719	24211			N/S		N/A
-----------------------	-----	---	---------	--	---------	-------	--	--	-----	--	-----

Regal Sportback

L4 2.0L 1998cc 122 CID Turbo	LTG	X	WL10290 ⁵³	WL10290XP	WA10419	24211 ⁷⁸		3	N/S		N/A
------------------------------	-----	---	-----------------------	-----------	---------	---------------------	--	---	-----	--	-----

Regal TourX

L4 2.0L 1998cc 122 CID Turbo	LTG	X	WL10290 ⁵³	WL10290XP	WA10419	24211 ⁷⁸		3	N/S		N/A
------------------------------	-----	---	-----------------------	-----------	---------	---------------------	--	---	-----	--	-----

2019
CASCADA

L4 1.6L 1598cc 98 CID Turbo			57674	57674XP	49739	24191	24191XP		N/S		N/A
-----------------------------	--	--	-------	---------	-------	-------	---------	--	-----	--	-----

ENCLAVE

V6 3.6L 217 CID	LLT	D	WL10255	WL10255XP	WA10718	24211			N/S		N/A
-----------------	-----	---	---------	-----------	---------	-------	--	--	-----	--	-----

ENCORE

L4 1.4L 1364CC 83CID Turbo	LUV	B	57674 ⁵⁰⁷ N/A ⁵⁰⁸	57674XP ⁵⁰⁷	WA10255	24590			N/S		N/A
L4 1.4L 1399CC 85CID	LE2	M	WL10290 ⁵³	WL10290XP	WA10255	24590 ⁷⁹ 24191 ⁷⁸	24191XP ⁷⁸		N/S		N/A

ENVISION

L4 2.0L Turbo			WL10290 ⁵³	WL10290XP	N/A	24211			N/S		N/A
L4 2.5L 2507cc 153 CID Flex	LCV		WL10290 ⁵³	WL10290XP	N/A	24211			N/S		N/A

LACROSSE

L4 2.5L Electric/Gas			WL10290 ⁵³	WL10290XP	WA10414	24211		3	N/S		N/A
V6 3.6L 3649CC 223CID	LGX	S	WL10412		WA10719	24211		3	N/S		N/A

Regal GS

V6 3.6L 3649CC 223CID	LGX	S	WL10412		WA10719	24211			N/S		N/A
-----------------------	-----	---	---------	--	---------	-------	--	--	-----	--	-----

Regal Sportback

L4 2.0L 1998cc 122 CID Turbo	LTG	X	WL10290 ⁵³	WL10290XP	WA10419	24211 ⁷⁸		3	N/S		N/A
V6 3.6L 3649CC 223CID	LGX	S	WL10412		WA10719	24211 ⁷⁸		3	N/S		N/A

Regal TourX

L4 2.0L 1998cc 122 CID Turbo	LTG	X	WL10290 ⁵³	WL10290XP	WA10419	24211 ⁷⁸		3	N/S		N/A
------------------------------	-----	---	-----------------------	-----------	---------	---------------------	--	---	-----	--	-----

2018
CASCADA

L4 1.6L 1598cc 98 CID Turbo			57674	57674XP	49739	24191	24191XP		N/S		N/S
-----------------------------	--	--	-------	---------	-------	-------	---------	--	-----	--	-----

ENCLAVE

V6 3.6L 217 CID	LLT	D	WL10255	WL10255XP	WA10718	24211			N/S		N/A
-----------------	-----	---	---------	-----------	---------	-------	--	--	-----	--	-----

ENCORE

L4 1.4L 1364CC 83CID Turbo	LUV	B	57674 ⁵⁰⁷ N/A ⁵⁰⁸	57674XP ⁵⁰⁷	WA10255	24590			N/S		N/A
L4 1.4L 1399CC 85CID	LE2	M	WL10290 ⁵³	WL10290XP	WA10255	24590 ⁷⁹ 24191 ⁷⁸	24191XP ⁷⁸		N/S		N/A

N/A = Not Available N/R = Not Required N/S = Not Serviceable For cabin and fuel filter locator, see pages 5-15 See pages 16-19 for footnotes

N/A = Non disponible N/R = Non nécessaire N/S = Non réparable Para la ubicación de los filtros de aire de la cabina y de combustible, ver las páginas 5-15 Voir pages 16-19 pour des notes

N/A = No disponible N/R = No requiere N/S = No servible Voir les tableaux de repérage des filtres d'habitacle et à carburant aux pages 5-15 Ver las páginas 16-19 para las notas al pie de página

Italicized Part Numbers May Not Be Available. Wix XP Oil Filters Have Fully Synthetic Media.

Las piezas con números en *italicas* pueden no estar disponibles. Los filtros de aceite WIX XP son completamente de media sintética. Les numéros de pièce en *italiques* peuvent ne pas être disponibles. Les filtres à huile XP Wix contiennent un matériau 100 % synthétique.

Year/Año/Année Model/Modelo/Modèle Engine/Motor/Moteur	Eng. Code Código de motor Code moteur	VIN NIV NIV	Oil Aceite Huile	Oil XP Aceite XP Huile XP	Air Aire Air	Cabin Air Cabina Aire Cabine Air	Cabin Air XP Cabina Aire XP Cabine Air XP	Loc. Cabin Air Cabina Aire Cabine Air	Fuel Combustible Carburant	Loc. Fuel Combustible Carburant	Transmission Transmisión Transmission
--	---	-------------------	------------------------	---------------------------------	--------------------	--	---	---	----------------------------------	---------------------------------------	---

BUICK (Cont'd/Suite)
2018 (Cont'd/Suite)
ENVISION

L4 2.0L Turbo			WL10290 ⁵³	WL10290XP	N/A	24211			N/S		N/A
L4 2.5L 2507cc 153 CID Flex	LCV		WL10290 ⁵³	WL10290XP	N/A	24211			N/S		N/A

LACROSSE

L4 2.5L Electric/Gas			WL10290 ⁵³	WL10290XP	WA10414	24211		3	N/S		N/A
V6 3.6L 3649CC 223CID	LGX	S	WL10412		WA10719	24211		3	N/S		N/A

Regal Sportback

L4 2.0L 1998cc 122 CID Turbo	LTG	X	WL10290 ⁵³	WL10290XP	WA10419	24211 ⁷⁸		3	N/S		N/A
V6 3.6L 3649CC 223CID	LGX	S	WL10412		WA10719	24211 ⁷⁸		3	N/S		N/A

Regal TourX

L4 2.0L 1998cc 122 CID Turbo	LTG	X	WL10290 ⁵³	WL10290XP	WA10419	24211 ⁷⁸		3	N/S		N/A
------------------------------	-----	---	-----------------------	-----------	---------	---------------------	--	---	-----	--	-----

2017
CASCADA

L4 1.6L 1598cc 98 CID Turbo			57674 ⁵⁰⁷ N/A ⁵⁰⁸	57674XP ⁵⁰⁷	49739	24191	24191XP		N/S		N/S
-----------------------------	--	--	--	------------------------	-------	-------	---------	--	-----	--	-----

ENCLAVE

V6 3.6L 217 CID	LLT	D	WL10255	WL10255XP	49634	WP10074			N/S		N/A
-----------------	-----	---	---------	-----------	-------	---------	--	--	-----	--	-----

ENCORE

L4 1.4L Turbo	LE2	B	WL10290 ⁵³	WL10290XP	WA10255	24590 ⁷⁹ 24191 ⁷⁸	24191XP ⁷⁸		N/S		N/A
L4 1.4L 1364CC 83CID Turbo	LUV	B	57674 ⁵⁰⁷ N/A ⁵⁰⁸	57674XP ⁵⁰⁷	WA10255	24590			N/S		N/A

ENVISION

L4 2.0L Turbo			WL10290 ⁵³	WL10290XP	N/A	24211			N/S		
L4 2.5L 2507cc 153 CID Flex	LCV		WL10290 ⁵³	WL10290XP	N/A	24211			N/S		

LACROSSE

V6 3.6L 3649CC 223CID	LGX	S	WL10412		WA10414	24211		3	N/S		N/A
-----------------------	-----	---	---------	--	---------	-------	--	---	-----	--	-----

REGAL

L4 2.0L 1998cc 122 CID Turbo	LTG	X	WL10290 ⁵³	WL10290XP	WA10253	24191 ⁷⁸	24191XP ⁷⁸	3	N/S		N/S
L4 2.4L 145 CID Flex	LEA	K	57082	57082XP	49894	24191 ⁷⁸	24191XP ⁷⁸	3	N/S		N/S

VERANO

L4 2.0L 1998cc 122 CID Turbo Flex	LHU	V	57082	57082XP	WA9742	24191 ⁷⁸	24191XP ⁷⁸	3	N/S		N/S
L4 2.4L 145 CID Flex	LEA	K	57082	57082XP	49739	24191 ⁷⁸	24191XP ⁷⁸	3	N/S		N/S

2016
CASCADA

L4 1.6L 1598cc 98 CID Turbo			57674 ⁵⁰⁷ N/A ⁵⁰⁸	57674XP ⁵⁰⁷	49739	24191	24191XP		N/S		N/S
-----------------------------	--	--	--	------------------------	-------	-------	---------	--	-----	--	-----

ENCLAVE

V6 3.6L 217 CID	LLT	D	WL10255	WL10255XP	49634	WP10074			N/S		N/A
-----------------	-----	---	---------	-----------	-------	---------	--	--	-----	--	-----

ENCORE

L4 1.4L Turbo	LE2	B	WL10290 ⁵³	WL10290XP	WA10255	24590 ⁷⁹ 24191 ⁷⁸	24191XP ⁷⁸		N/S		N/A
L4 1.4L 1364CC 83CID Turbo	LUV	B	57674 ⁵⁰⁷ N/A ⁵⁰⁸	57674XP ⁵⁰⁷	WA10255	24590			N/S		N/A

ENVISION

L4 2.0L Turbo			WL10290 ⁵³	WL10290XP	N/A	24211			N/S		
---------------	--	--	-----------------------	-----------	-----	-------	--	--	-----	--	--

LACROSSE

V6 3.6L 217 CID Flex	LFX	3	WL10255	WL10255XP	49894	24191	24191XP	3	N/S		N/A
----------------------	-----	---	---------	-----------	-------	-------	---------	---	-----	--	-----

LACROSSE HYBRID

L4 2.4L 2384cc 145 CID Electric/Gas	LUK	R	57082	57082XP	49894	24191	24191XP		N/S		N/A
-------------------------------------	-----	---	-------	---------	-------	-------	---------	--	-----	--	-----

REGAL

L4 2.0L 1998cc 122 CID Turbo	LTG	X	WL10290 ⁵³	WL10290XP	WA10253	24191 ⁷⁸	24191XP ⁷⁸	3	N/S		N/S
L4 2.4L 145 CID Flex	LEA	K	57082	57082XP	49739	24191 ⁷⁸	24191XP ⁷⁸	3	N/S		N/S

N/A = Not Available N/R = Not Required N/S = Not Serviceable For cabin and fuel filter locator, see pages 5-15 See pages 16-19 for footnotes

N/A = Non disponible N/R = Non nécessaire N/S = Non réparable Para la ubicación de los filtros de aire de la cabina y de combustible, ver las páginas 5-15 Voir pages 16-19 pour des notes

N/A = No disponible N/R = No requiere N/S = No servible Voir les tableaux de repérage des filtres d'habitacle et à carburant aux pages 5-15 Ver las páginas 16-19 para las notas al pie de página

Italicized Part Numbers May Not Be Available. Wix XP Oil Filters Have Fully Synthetic Media.

Las piezas con números en *italicas* pueden no estar disponibles. Los filtros de aceite WIX XP son completamente de media sintética.

Les numéros de pièce en *italiques* peuvent ne pas être disponibles. Les filtres à huile Wix contiennent un matériau 100 % synthétique.

BUICK 2016-2013
Pass Car/Light Truck

Year/Año/Année Model/Modelo/Modèle Engine/Motor/Moteur	Eng. Code Código de motor Code moteur	VIN NIV NIV	Oil Aceite Huile	Oil XP Aceite XP Huile XP	Air Aire Air	Cabin Air Cabina Aire Cabine Air	Cabin Air XP Cabina Aire XP Cabine Air XP	Loc. Cabin Air Cabina Aire Cabine Air	Fuel Combustible Carburant	Loc. Fuel Combustible Carburant	Transmission Transmisión Transmission
--	---	-------------------	------------------------	---------------------------------	--------------------	--	---	--	----------------------------------	--	---

BUICK (Cont'd/Suite)
2016 (Cont'd/Suite)
REGAL HYBRID

L4 2.4L 1998cc 145 CID Electric/Gas	LUK	R	57082	57082XP	49894	24191 ^{7B}	24191XP ^{7B}	3	N/S		N/S
--	-----	---	-------	---------	-------	---------------------	-----------------------	---	-----	--	-----

VERANO

L4 2.0L 1998cc 122 CID Turbo Flex	LHU	V	57082	57082XP	WA9742	24191 ^{7B}	24191XP ^{7B}	3	N/S		N/S
L4 2.4L 145 CID Flex	LEA	K	57082	57082XP	49739	24191 ^{7B}	24191XP ^{7B}	3	N/S		N/S

2015
ENCLAVE

V6 3.6L 217 CID	LLT	D	WL10255	WL10255XP	49634	WP10074			N/S		N/A
-----------------	-----	---	---------	-----------	-------	---------	--	--	-----	--	-----

ENCORE

L4 1.4L 1364CC 83CID Turbo	LUV	B	57674 ⁵⁰⁷ N/A ⁵⁰⁸	57674XP ⁵⁰⁷	WA10255	24590			N/S		N/A
----------------------------	-----	---	--	------------------------	---------	-------	--	--	-----	--	-----

LACROSSE

V6 3.6L 217 CID Flex	LFX	3	WL10255	WL10255XP	49894	24191	24191XP	3	N/S		N/A
----------------------	-----	---	---------	-----------	-------	-------	---------	---	-----	--	-----

LACROSSE HYBRID

L4 2.4L 2384cc 145 CID Electric/Gas	LUK	R	57082	57082XP	49894	24191	24191XP		N/S		N/A
--	-----	---	-------	---------	-------	-------	---------	--	-----	--	-----

REGAL

L4 2.0L 1998cc 122 CID Turbo	LTG	X	WL10290 ⁵³	WL10290XP	WA10253	24191	24191XP	3	N/S		N/S
------------------------------	-----	---	-----------------------	-----------	---------	-------	---------	---	-----	--	-----

REGAL HYBRID

L4 2.4L 2384cc 145 CID Electric/Gas	LUK	R	57082	57082XP	49894	24191	24191XP	3	N/S		N/S
--	-----	---	-------	---------	-------	-------	---------	---	-----	--	-----

VERANO

L4 2.0L 1998cc 122 CID Turbo Flex	LHU	V	57082	57082XP	WA9742	24590 ^{7B} 24191 ^{7B}	24191XP ^{7B}	3	N/S		N/S
L4 2.4L 145 CID Flex	LEA	K	57082	57082XP	49739	24590 ^{7B} 24191 ^{7B}	24191XP ^{7B}	3	N/S		N/S

2014
ENCLAVE

V6 3.6L 217 CID	LLT	D	WL10255	WL10255XP	49634	WP10074			N/S		N/S
-----------------	-----	---	---------	-----------	-------	---------	--	--	-----	--	-----

ENCORE

L4 1.4L 1364CC 83CID Turbo	LUV	B	57674 ⁵⁰⁷ N/A ⁵⁰⁸	57674XP ⁵⁰⁷	WA10255	24590			N/S		N/S
----------------------------	-----	---	--	------------------------	---------	-------	--	--	-----	--	-----

LACROSSE

V6 3.6L 217 CID Flex	LFX	3	WL10255	WL10255XP	49894	24191	24191XP	3	N/S		N/S
----------------------	-----	---	---------	-----------	-------	-------	---------	---	-----	--	-----

LACROSSE HYBRID

L4 2.4L 2384cc 145 CID Electric/Gas	LUK	R	57082	57082XP	49894	24191	24191XP		N/S		N/S
--	-----	---	-------	---------	-------	-------	---------	--	-----	--	-----

REGAL

L4 2.0L 1998cc 122 CID Turbo	LTG	X	WL10290 ⁵³	WL10290XP	WA10254	24191	24191XP	3	N/S		N/S
------------------------------	-----	---	-----------------------	-----------	---------	-------	---------	---	-----	--	-----

REGAL HYBRID

L4 2.4L 2384cc 145 CID Electric/Gas	LUK	R	57082	57082XP	49894	24191	24191XP	3	N/S		N/S
--	-----	---	-------	---------	-------	-------	---------	---	-----	--	-----

VERANO

L4 2.0L 1998cc 122 CID Turbo Flex	LHU	V	57082	57082XP	WA9742	24191	24191XP	3	N/S		N/S
L4 2.4L 145 CID Flex	LEA	K	57082	57082XP	49739	24191	24191XP	3	N/S		N/S

2013
ENCLAVE

V6 3.6L 217 CID	LLT	D	WL10255	WL10255XP	49634	WP10074			N/S		N/S
-----------------	-----	---	---------	-----------	-------	---------	--	--	-----	--	-----

ENCORE

L4 1.4L 1364CC 83CID Turbo	LUV	B	57674 ⁵⁰⁷ N/A ⁵⁰⁸	57674XP ⁵⁰⁷	WA10255	24590			N/S		N/S
----------------------------	-----	---	--	------------------------	---------	-------	--	--	-----	--	-----

N/A = Not Available N/R = Not Required N/S = Not Serviceable For cabin and fuel filter locator, see pages 5-15 See pages 16-19 for footnotes
 N/A = Non disponible N/R = Non nécessaire N/S = Non réparable Para la ubicación de los filtros de aire de la cabina y de combustible, ver las páginas 5-15 Voir pages 16-19 pour des notes
 N/A = No disponible N/R = No requiere N/S = No servible Voir les tableaux de repérage des filtres d'habitacle et à carburant aux pages 5-15 Ver las páginas 16-19 para las notas al pie de página

Italicized Part Numbers May Not Be Available. Wix XP Oil Filters Have Fully Synthetic Media.

Las piezas con números en *italicas* pueden no estar disponibles. Los filtros de aceite WIX XP son completamente de media sintética.
 Les numéros de pièce en *italiques* peuvent ne pas être disponibles. Les filtres à huile XP Wix contiennent un matériau 100 % synthétique.

Year/Año/Année Model/Modelo/Modèle Engine/Motor/Moteur	Eng. Code Código de motor Code moteur	VIN NIV NIV	Oil Aceite Huile	Oil XP Aceite XP Huile XP	Air Aire Air	Cabin Air Cabina Aire Cabine Air	Cabin Air XP Cabina Aire XP Cabine Air XP	Loc. Cabin Air Cabina Aire Cabine Air	Fuel Combustible Carburant	Loc. Fuel Combustible Carburant	Transmission Transmisión Transmission
--	--	-------------------	------------------------	---------------------------------	--------------------	--	---	--	----------------------------------	--	---

BUICK (Cont'd/Suite)
2013 (Cont'd/Suite)
LACROSSE

V6 3.6L 217 CID Flex	LFX	3	WL10255	WL10255XP	49894	24191	24191XP	3	N/S	N/S
----------------------	-----	---	---------	-----------	-------	-------	---------	---	-----	-----

LACROSSE HYBRID

L4 2.4L 2384cc 145 CID Electric/Gas	LUK	R	57082	57082XP	49894	24191	24191XP		N/S	N/S
--	-----	---	-------	---------	-------	-------	---------	--	-----	-----

REGAL

L4 2.0L 1998cc 122 CID Turbo Flex	LHU	V	57082	57082XP	49421	24191	24191XP	3	N/S	N/S
--------------------------------------	-----	---	-------	---------	-------	-------	---------	---	-----	-----

REGAL HYBRID

L4 2.4L 2384cc 145 CID Electric/Gas	LUK	R	57082	57082XP	49894	24191	24191XP	3	N/S	N/S
--	-----	---	-------	---------	-------	-------	---------	---	-----	-----

VERANO

L4 2.0L 1998cc 122 CID Turbo Flex	LHU	V	57082	57082XP	49730	24191	24191XP	3	N/S	N/S
L4 2.4L 145 CID Flex	LEA	K	57082	57082XP	49739	24191	24191XP	3	N/S	N/S

2012
ENCLAVE

V6 3.6L 217 CID	LLT	D	WL10255	WL10255XP	49634	WP10074			N/S	N/S
-----------------	-----	---	---------	-----------	-------	---------	--	--	-----	-----

LACROSSE

V6 3.6L 217 CID Flex	LFX	3	WL10255	WL10255XP	49894	24191	24191XP	3	N/S	N/S
----------------------	-----	---	---------	-----------	-------	-------	---------	---	-----	-----

LACROSSE HYBRID

L4 2.4L 2384cc 145 CID Electric/Gas	LUK	R	57082	57082XP	49894	24191	24191XP		N/S	N/S
--	-----	---	-------	---------	-------	-------	---------	--	-----	-----

REGAL

L4 2.0L 1998cc 122 CID Turbo Flex	LHU	V	57082	57082XP	49421	24191	24191XP	3	N/S	N/S
L4 2.4L 145 CID Flex	LEA		57082	57082XP	49894	24191	24191XP	3	N/S	N/S

REGAL HYBRID

L4 2.4L 2384cc 145 CID Electric/Gas	LUK	R	57082	57082XP	49894	24191	24191XP	3	N/S	N/S
--	-----	---	-------	---------	-------	-------	---------	---	-----	-----

VERANO

L4 2.4L 145 CID Flex	LEA		57082	57082XP	49739	24191	24191XP	3	N/S	N/S
----------------------	-----	--	-------	---------	-------	-------	---------	---	-----	-----

2011
ENCLAVE

V6 3.6L 217 CID	LLT	D	WL10255	WL10255XP	49634	WP10074			N/S	N/S
-----------------	-----	---	---------	-----------	-------	---------	--	--	-----	-----

LACROSSE

L4 2.4L 2384cc 145 CID	LAF	C	57082	57082XP	49894	24191	24191XP	3	N/S	N/S
V6 3.6L 217 CID	LLT	D	WL10255	WL10255XP	49894	24191	24191XP	3	N/S	N/S

LUCERNE

V6 3.9L 3880cc 237 CID Flex	LGD	M	51522 ⁵³	51522XP	46902	24812	24812XP	2	N/S	58837
-----------------------------	-----	---	---------------------	---------	-------	-------	---------	---	-----	-------

LUCERNE SUPER

V8 4.6L 281 CID	L37	S	51522 ⁵³	51522XP	46902	24812 ⁷⁹	24812XP ⁷⁹	2	N/S	58895 - 4T80E
-----------------	-----	---	---------------------	---------	-------	---------------------	-----------------------	---	-----	---------------

REGAL

L4 2.0L 1998cc 122 CID Turbo Flex	LHU	V	57082	57082XP	49421	24191	24191XP	3	N/S	N/S
L4 2.4L 2384cc 145 CID	LAF	C	57082	57082XP	49894	24191	24191XP	3	N/S	N/S

2010
ALLURE

L4 2.4L 2384cc 145 CID	LAF	C	57082	57082XP	49894	24191	24191XP	3	N/S	N/S
V6 3.0L 182 CID	LF1	G	57060 ⁵³	57060XP	49894	24191	24191XP	3	N/S	N/S
V6 3.6L 3564CC 217CID			57060 ⁵³	57060XP	WA960 ⁵¹	24191	24191XP		N/S	N/S

ENCLAVE

V6 3.6L 217 CID	LLT	D	57060 ⁵³	57060XP	49634	WP10074			N/S	N/S
-----------------	-----	---	---------------------	---------	-------	---------	--	--	-----	-----

N/A = Not Available N/R = Not Required N/S = Not Serviceable For cabin and fuel filter locator, see pages 5-15 See pages 16-19 for footnotes

N/A = Non disponible N/R = Non nécessaire N/S = Non réparable Para la ubicación de los filtros de aire de la cabina y de combustible, ver las páginas 5-15 Voir pages 16-19 pour des notes

N/A = No disponible N/R = No requiere N/S = No servible Voir les tableaux de repérage des filtres d'habitacle et à carburant aux pages 5-15 Ver las páginas 16-19 para las notas al pie de página

Italicized Part Numbers May Not Be Available. Wix XP Oil Filters Have Fully Synthetic Media.

Las piezas con números en *italicas* pueden no estar disponibles. Los filtros de aceite WIX XP son completamente de media sintética.

Les numéros de pièce en *italiques* peuvent ne pas être disponibles. Les filtres à huile XP Wix contiennent un matériau 100 % synthétique.

BUICK 2010-2007
Pass Car/Light Truck

Year/Año/Année Model/Modelo/Modèle Engine/Motor/Moteur	Eng. Code Código de motor Code moteur	VIN NIV NIV	Oil Aceite Huile	Oil XP Aceite XP Huile XP	Air Aire Air	Cabin Air Cabina Aire Cabine Air	Cabin Air XP Cabina Aire XP Cabine Air XP	Loc. Cabin Air Cabina Aire Cabine Air	Fuel Combustible Carburant	Loc. Fuel Combustible Carburant	Transmission Transmisión Transmission
--	---	-------------------	------------------------	---------------------------------	--------------------	--	---	--	----------------------------------	--	---

BUICK (Cont'd/Suite)
2010 (Cont'd/Suite)
LACROSSE

L4 2.4L 2384cc 145 CID	LAF	C	57082	57082XP	49894	24191	24191XP	3	N/S		N/S
V6 3.0L 182 CID	LF1	G	57060 ⁵³	57060XP	49894	24191	24191XP	3	N/S		N/S
V6 3.6L 217 CID	LLT	V	57060 ⁵³	57060XP	49894	24191	24191XP	3	N/S		N/S

LUCERNE

V6 3.9L 3880cc 237 CID		1	51522 ⁵³	51522XP	46902	24812	24812XP	2	N/S		58837
V6 3.9L 3880cc 237 CID Flex	LGD	M	51522 ⁵³	51522XP	46902	24812	24812XP	2	N/S		58837

LUCERNE SUPER

V8 4.6L 281 CID		9	51522 ⁵³	51522XP	46902	24812 ⁷⁹	24812XP ⁷⁹	2	N/S		58895 - 4T80E
-----------------	--	---	---------------------	---------	-------	---------------------	-----------------------	---	-----	--	---------------

2009
ALLURE

V6 3.8L 3800cc 231 CID		2	51040 ⁵³	51040XP	46153	24780	24780XP	1	N/S	I	58837
------------------------	--	---	---------------------	---------	-------	-------	---------	---	-----	---	-------

ALLURE SUPER

V8 5.3L 5328cc 325 CID		C	57060 ⁵³	57060XP	49115	24780	24780XP	1	N/S	I	58837
------------------------	--	---	---------------------	---------	-------	-------	---------	---	-----	---	-------

ENCLAVE

V6 3.6L 217 CID	LLT	D	57060 ⁵³	57060XP	49634	WP10074			N/S		N/S
-----------------	-----	---	---------------------	---------	-------	---------	--	--	-----	--	-----

LACROSSE

V6 3.8L 3800cc 231 CID		2	51040 ⁵³	51040XP	46153	24780	24780XP	1	N/S		58837
------------------------	--	---	---------------------	---------	-------	-------	---------	---	-----	--	-------

LACROSSE SUPER

V8 5.3L 5328cc 325 CID		C	57060 ⁵³	57060XP	49115	24780	24780XP	1	N/S		58837
------------------------	--	---	---------------------	---------	-------	-------	---------	---	-----	--	-------

LUCERNE

V6 3.9L 3880cc 237 CID		1	51522 ⁵³	51522XP	46902	24812	24812XP	2	N/S		58837
V6 3.9L 3880cc 237 CID Flex	LGD	M	51522 ⁵³	51522XP	46902	24812	24812XP	2	N/S		58837

LUCERNE SUPER

V8 4.6L 281 CID		9	51522 ⁵³	51522XP	46902	24812 ⁷⁹	24812XP ⁷⁹	2	N/S		58895
-----------------	--	---	---------------------	---------	-------	---------------------	-----------------------	---	-----	--	-------

2008
ALLURE

V6 3.6L 3600CC 220CID	LGX	7	51522 ⁵³	51522XP	46153	24780	24780XP	1	N/S	I	58837
V6 3.8L 3800cc 231 CID		2	51040 ⁵³	51040XP	46153	24780	24780XP	1	N/S	I	58837

ALLURE SUPER

V8 5.3L 5328cc 325 CID		C	57060 ⁵³	57060XP	49115	24780	24780XP	1	N/S	I	58837
------------------------	--	---	---------------------	---------	-------	-------	---------	---	-----	---	-------

ENCLAVE

V6 3.6L 3600CC 220CID	LGX	7	57060 ⁵³	57060XP	49634	WP10074			N/S		N/S
-----------------------	-----	---	---------------------	---------	-------	---------	--	--	-----	--	-----

LACROSSE

V6 3.6L 3600CC 220CID	LGX	7	57060 ⁵³	57060XP	46153	24780	24780XP	1	N/S		58837
V6 3.8L 3800cc 231 CID		2	51040 ⁵³	51040XP	46153	24780	24780XP	1	N/S		58837

LACROSSE SUPER

V8 5.3L 5328cc 325 CID		C	57060 ⁵³	57060XP	49115	24780	24780XP	1	N/S		58837
------------------------	--	---	---------------------	---------	-------	-------	---------	---	-----	--	-------

LUCERNE

V6 3.8L 3800cc 231 CID		2	51040 ⁵³	51040XP	46902	24812 ⁷⁹	24812XP ⁷⁹	2	N/S		58837
V8 4.6L 281 CID		Y	51522 ⁵³	51522XP	46902	24812 ⁷⁹	24812XP ⁷⁹	2	N/S		58895

LUCERNE SUPER

V8 4.6L 281 CID		9	51522 ⁵³	51522XP	46902	24812 ⁷⁹	24812XP ⁷⁹	2	N/S		58895
-----------------	--	---	---------------------	---------	-------	---------------------	-----------------------	---	-----	--	-------

2007
ALLURE

V6 3.6L 3600CC 220CID	LGX	7	51522 ⁵³	51522XP	46153	24780	24780XP	1	N/S	I	58837
V6 3.8L 3800cc 231 CID		2	51040 ⁵³	51040XP	46153	24780	24780XP	1	N/S	I	58837

LACROSSE

V6 3.6L 3600CC 220CID	LGX	7	51522 ⁵³	51522XP	46153	24780	24780XP	1	N/S		58837
V6 3.8L 3800cc 231 CID		2	51040 ⁵³	51040XP	46153	24780	24780XP	1	N/S		58837

LUCERNE

V6 3.8L 3800cc 231 CID		2	51040 ⁵³	51040XP	46902	24812 ⁷⁹	24812XP ⁷⁹	2	N/S		58837
V8 4.6L 281 CID		Y	51522 ⁵³	51522XP	46902	24812 ⁷⁹	24812XP ⁷⁹	2	N/S		58895

N/A = Not Available N/R = Not Required N/S = Not Serviceable For cabin and fuel filter locator, see pages 5-15 See pages 16-19 for footnotes

N/A = Non disponible N/R = Non nécessaire N/S = Non réparable Para la ubicación de los filtros de aire de la cabina y de combustible, ver las páginas 5-15 Voir pages 16-19 pour des notes

N/A = No disponible N/R = No requiere N/S = No servible Voir les tableaux de repérage des filtres d'habitacle et à carburant aux pages 5-15 Ver las páginas 16-19 para las notas al pie de página

Italicized Part Numbers May Not Be Available. Wix XP Oil Filters Have Fully Synthetic Media.

Las piezas con números en *italicas* pueden no estar disponibles. Los filtros de aceite WIX XP son completamente de media sintética. Les numéros de pièce en *italiques* peuvent ne pas être disponibles. Les filtres à huile XP Wix contiennent un matériau 100 % synthétique.

Year/Año/Année Model/Modelo/Modèle Engine/Motor/Moteur	Eng. Code Código de motor Code moteur	VIN NIV NIV	Oil Aceite Huile	Oil XP Aceite XP Huile XP	Air Aire Air	Cabin Air Cabina Aire Cabine Air	Cabin Air XP Cabina Aire XP Cabine Air XP	Loc. Cabin Air Cabina Aire Cabine Air	Fuel Combustible Carburant	Loc. Fuel Combustible Carburant	Transmission Transmisión Transmission
--	---	-------------------	------------------------	---------------------------------	--------------------	--	---	--	----------------------------------	--	---

BUICK (Cont'd/Suite)
2007 (Cont'd/Suite)
RAINIER

L6 4.2L 256 CID		S	51522 ⁵³	51522XP	42729	N/R			N/S		58904 - 4L60E-SP 58847 - 4L60E-DP
V8 5.3L 325 CID		M	57060 ⁵³	57060XP	42729	N/R			N/S		58904 - 4L60E-SP 58847 - 4L60E-DP

RENDEZVOUS

V6 3.5L 213 CID		L	51040 ⁵³	51040XP	46302	24161 ⁷⁹		5	N/S		58837
-----------------	--	---	---------------------	---------	-------	---------------------	--	---	-----	--	-------

TERRAZA

V6 3.9L 3880cc 237 CID		1	51522 ⁵³	51522XP	46302	24161 ⁷⁹		5	N/S		58837
V6 3.9L 3880cc 237 CID Flex	LGD	W	51522 ⁵³	51522XP	46302	24161 ⁷⁹		5	N/S		58837

2006
ALLURE

V6 3.6L 3600CC 220CID	LGX	7	51522 ⁵³	51522XP	46153	24780	24780XP	1	N/S	I	58837
V6 3.8L 3800cc 231 CID		2	51040 ⁵³	51040XP	46153	24780	24780XP	1	N/S	I	58837

LACROSSE

V6 3.6L 3600CC 220CID	LGX	7	51522 ⁵³	51522XP	46153	24780	24780XP	1	N/S		58837
V6 3.8L 3800cc 231 CID		2	51040 ⁵³	51040XP	46153	24780	24780XP	1	N/S		58837

LUCERNE

V6 3.8L 3800cc 231 CID		2	51040 ⁵³	51040XP	46902	24812 ⁷⁹	24812XP ⁷⁹	2	N/S		58837
V8 4.6L 281 CID		Y	51522 ⁵³	51522XP	46902	24812 ⁷⁹	24812XP ⁷⁹	2	N/S		58895

RAINIER

L6 4.2L 256 CID		S	51522 ⁵³	51522XP	42729	N/R			N/S		58904 - 4L60E-SP 58847 - 4L60E-DP
V8 5.3L 325 CID		M	51042 ⁵³	51042XP	42729	N/R			N/S		58904 - 4L60E-SP 58847 - 4L60E-DP

RENDEZVOUS

V6 3.5L 213 CID		L	51040 ⁵³	51040XP	46302	24161 ⁷⁹		5	N/S		58837
V6 3.6L 3600CC 220CID	LGX	7	51522 ⁵³	51522XP	46302	24161 ⁷⁹		5	N/S		58837

TERRAZA

V6 3.5L 213 CID		L	51040 ⁵³	51040XP	46302	24161 ⁷⁹		5	N/S		58837
V6 3.9L 3880cc 237 CID		1	51522 ⁵³	51522XP	46302	24161 ⁷⁹		5	N/S		58837

2005
ALLURE

V6 3.6L 3600CC 220CID	LGX	7	51522 ⁵³	51522XP	46153	24780	24780XP	1	N/S	I	58837
V6 3.8L 3800cc 231 CID		2	51040 ⁵³	51040XP	46153	24780	24780XP	1	N/S	I	58837

CENTURY

V6 3.1L 189 CID		J	51040 ⁵³	51040XP	46153	24780	24780XP	1	33311	O	58837
-----------------	--	---	---------------------	---------	-------	-------	---------	---	-------	---	-------

LACROSSE

V6 3.6L 3600CC 220CID	LGX	7	51522 ⁵³	51522XP	46153	24780	24780XP	1	N/S		58837
V6 3.8L 3800cc 231 CID		2	51040 ⁵³	51040XP	46153	24780	24780XP	1	N/S		58837

LESABRE

V6 3.8L 3800cc 231 CID		K	51040 ⁵³	51040XP	46153	24812 ⁷⁹ 24474 ¹⁴⁷	24812XP ⁷⁹	2	33311	L	58837
------------------------	--	---	---------------------	---------	-------	---	-----------------------	---	-------	---	-------

PARK AVENUE

V6 3.8L 3800cc 231 CID		K	51040 ⁵³	51040XP	46153	24874		2	33311	L	58837
V6 3.8L 3800cc 231 CID Super Charged		1	51040 ⁵³	51040XP	46153	24874		2	33311	O	58837

RAINIER

L6 4.2L 256 CID		S	51522 ⁵³	51522XP	42729	N/R			33129		58904 - 4L60E-SP 58847 - 4L60E-DP
V8 5.3L 323 CID		M	51042 ⁵³	51042XP	42729	N/R			33129		58904 - 4L60E-SP 58847 - 4L60E-DP

RENDEZVOUS

V6 3.4L 207 CID		E	51040 ⁵³	51040XP	46302	24161 ⁷⁹		5	33689		58837
V6 3.6L 3600CC 220CID	LGX	7	51522 ⁵³	51522XP	46302	24161 ⁷⁹		5	33689		58837

N/A = Not Available N/R = Not Required N/S = Not Serviceable For cabin and fuel filter locator, see pages 5-15 See pages 16-19 for footnotes

N/A = Non disponible N/R = Non nécessaire N/S = Non réparable Para la ubicación de los filtros de aire de la cabina y de combustible, ver las páginas 5-15 Voir pages 16-19 pour des notes

N/A = No disponible N/R = No requiere N/S = No servible Voir les tableaux de repérage des filtres d'habitacle et à carburant aux pages 5-15 Ver las páginas 16-19 para las notas al pie de página

Italicized Part Numbers May Not Be Available. Wix XP Oil Filters Have Fully Synthetic Media.

Las piezas con números en *italicas* pueden no estar disponibles. Los filtros de aceite WIX XP son completamente de media sintética.

Les numéros de pièce en *italiques* peuvent ne pas être disponibles. Les filtres à huile Wix contiennent un matériau 100 % synthétique.

BUICK 2005-2002
Pass Car/Light Truck

Year/Año/Année Model/Modelo/Modèle Engine/Motor/Moteur	Eng. Code Código de motor Code moteur	VIN NIV NIV	Oil Aceite Huile	Oil XP Aceite XP Huile XP	Air Aire Air	Cabin Air Cabina Aire Cabine Air	Cabin Air XP Cabina Aire XP Cabine Air XP	Loc. Cabin Air Cabina Aire Cabine Air	Fuel Combustible Carburant	Loc. Fuel Combustible Carburant	Transmission Transmisión Transmission
--	---	-------------------	------------------------	---------------------------------	--------------------	--	---	--	----------------------------------	--	---

BUICK (Cont'd/Suite)
2005 (Cont'd/Suite)
TERRAZA

V6 3.5L 213 CID		L	51040 ⁵³	51040XP	46302	24161 ⁷⁹		5	N/S		58837
-----------------	--	---	---------------------	---------	-------	---------------------	--	---	-----	--	-------

2004
CENTURY

V6 3.1L 189 CID		J	51040 ⁵³	51040XP	46153	24780	24780XP	1	33311	O	58837
-----------------	--	---	---------------------	---------	-------	-------	---------	---	-------	---	-------

LESABRE

V6 3.8L 3800cc 231 CID		K	51040 ⁵³	51040XP	46153	24812 ⁷⁹ 24474 ¹⁴⁷	24812XP ⁷⁹	2	33311	L	58837
------------------------	--	---	---------------------	---------	-------	---	-----------------------	---	-------	---	-------

PARK AVENUE

V6 3.8L 3800cc 231 CID		K	51040 ⁵³	51040XP	46153	24874		2	33311	L	58837
V6 3.8L 3800cc 231 CID Super Charged		1	51040 ⁵³	51040XP	46153	24874		2	33311	O	58837

RAINIER

L6 4.2L 256 CID		S	51522 ⁵³	51522XP	42729	24161 ⁷⁹		5	33129		58904 - 4L60E-SP 58847 - 4L60E-DP
V8 5.3L 323 CID		P	51042 ⁵³	51042XP	42729	24161 ⁷⁹		5	33129		58904 - 4L60E-SP 58847 - 4L60E-DP

REGAL

V6 3.8L 3800cc 231 CID		K	51040 ⁵³	51040XP	46153	24780	24780XP	1	33311	O	58837
V6 3.8L 3800cc 231 CID Super Charged		1	51040 ⁵³	51040XP	46153	24780	24780XP	1	33311	O	58837

RENDEZVOUS

V6 3.4L 207 CID		E	51040 ⁵³	51040XP	46302	24161 ⁷⁹		5	33689 - w/2 Male Ends 33163 - w/1 Male End		58837
V6 3.6L 3600CC 220CID	LGX	7	51522 ⁵³	51522XP	46302	24161 ⁷⁹		5	33689 - w/2 Male Ends 33163 - w/1 Male End		58837

2003
CENTURY

V6 3.1L 189 CID		J	51040 ⁵³	51040XP	46153	24780	24780XP	1	33311	O	58837
-----------------	--	---	---------------------	---------	-------	-------	---------	---	-------	---	-------

LESABRE

V6 3.8L 3800cc 231 CID		K	51040 ⁵³	51040XP	46153	24812 ⁷⁹ 24474 ¹⁴⁷	24812XP ⁷⁹	2	33311	L	58837
------------------------	--	---	---------------------	---------	-------	---	-----------------------	---	-------	---	-------

PARK AVENUE

V6 3.8L 3800cc 231 CID		K	51040 ⁵³	51040XP	46153	24874		2	33311	L	58837
V6 3.8L 3800cc 231 CID Super Charged		1	51040 ⁵³	51040XP	46153	24874		2	33311	O	58837

REGAL

V6 3.8L 3800cc 231 CID		K	51040 ⁵³	51040XP	46153	24780	24780XP	1	33311	O	58837
V6 3.8L 3800cc 231 CID Super Charged		1	51040 ⁵³	51040XP	46153	24780	24780XP	1	33311	O	58837

RENDEZVOUS

V6 3.4L 207 CID		E	51040 ⁵³	51040XP	46302	24161 ⁷⁹		5	33163 - w/1 Male Ends 33689 - w/2 Male Ends	L L	58837
-----------------	--	---	---------------------	---------	-------	---------------------	--	---	--	--------	-------

2002
CENTURY

V6 3.1L 189 CID		J	51040 ⁵³	51040XP	46153	24780	24780XP	1	33311	O	58837
-----------------	--	---	---------------------	---------	-------	-------	---------	---	-------	---	-------

LESABRE

V6 3.8L 3800cc 231 CID		K	51040 ⁵³	51040XP	46153	24812 ⁷⁹ 24474 ¹⁴⁷	24812XP ⁷⁹	2	33311	L	58837
------------------------	--	---	---------------------	---------	-------	---	-----------------------	---	-------	---	-------

PARK AVENUE

V6 3.8L 3800cc 231 CID		K	51040 ⁵³	51040XP	46153	24874		2	33311	L	58837
V6 3.8L 3800cc 231 CID Super Charged		1	51040 ⁵³	51040XP	46153	24874		2	33311	O	58837

REGAL

V6 3.8L 3800cc 231 CID		K	51040 ⁵³	51040XP	46153	24780	24780XP	1	33311	O	58837
------------------------	--	---	---------------------	---------	-------	-------	---------	---	-------	---	-------

N/A = Not Available N/R = Not Required N/S = Not Serviceable For cabin and fuel filter locator, see pages 5-15 See pages 16-19 for footnotes

N/A = Non disponible N/R = Non nécessaire N/S = Non réparable Para la ubicación de los filtros de aire de la cabina y de combustible, ver las páginas 5-15 Voir pages 16-19 pour des notes

N/A = No disponible N/R = No requiere N/S = No servible Voir les tableaux de repérage des filtres d'habitacle et à carburant aux pages 5-15 Ver las páginas 16-19 para las notas al pie de página

Italicized Part Numbers May Not Be Available. Wix XP Oil Filters Have Fully Synthetic Media.

Las piezas con números en *italicas* pueden no estar disponibles. Los filtros de aceite WIX XP son completamente de media sintética. Les numéros de pièce en *italiques* peuvent ne pas être disponibles. Les filtres à huile XP Wix contiennent un matériau 100 % synthétique.

Year/Año/Année Model/Modelo/Modèle Engine/Motor/Moteur	Eng. Code Código de motor Code moteur	VIN NIV NIV	Oil Aceite Huile	Oil XP Aceite XP Huile XP	Air Aire Air	Cabin Air Cabina Aire Cabine Air	Cabin Air XP Cabina Aire XP Cabine Air XP	Loc. Cabin Air Cabina Aire Cabine Air	Fuel Combustible Carburant	Loc. Fuel Combustible Carburant	Transmission Transmisión Transmission
--	---	-------------------	------------------------	---------------------------------	--------------------	--	---	--	----------------------------------	--	---

BUICK (Cont'd/Suite)
2002 (Cont'd/Suite)
REGAL (Cont'd/Suite)

V6 3.8L 3800cc 231 CID Super Charged		1	51040 ⁵³	51040XP	46153	24780	24780XP	1	33311	0	58837
--------------------------------------	--	---	---------------------	---------	-------	-------	---------	---	-------	---	-------

RENDEZVOUS

V6 3.4L 207 CID		E	51040 ⁵³	51040XP	46302	24161 ⁷⁹		5	33183	L	58837
-----------------	--	---	---------------------	---------	-------	---------------------	--	---	-------	---	-------

CADILLAC
2021
CT4

L4 2.0L 2000CC 122CID Turbo	LSY	K	WL10351		N/A	24211			N/S		N/S
-----------------------------	-----	---	---------	--	-----	-------	--	--	-----	--	-----

CT4-V

L4 2.7L 2700CC 165CID Turbo	L3B		WL10351		N/A	24211			N/S		N/S
-----------------------------	-----	--	---------	--	-----	-------	--	--	-----	--	-----

CT5

L4 2.0L 2000CC 122CID Turbo	LSY	K	WL10351		N/A	24211			N/S		N/S
V6 3.0L 3000CC 183CID Turbo	LGY	W	WL10255	WL10255XP	N/A	24211			N/S		N/S

CT5-V

V6 3.0L 3000CC 183CID Turbo	LGY	W	WL10255	WL10255XP	N/A	24211			N/S		N/S
-----------------------------	-----	---	---------	-----------	-----	-------	--	--	-----	--	-----

ESCALADE

L6 3.0L 3000CC 183CID Turbo Diesel	LM2		WL10351		WA10942	24211			WF10451		N/S
V8 6.2L 376 CID Flex	L86	J	WL10255	WL10255XP	WA10941	24211			N/S		N/S

ESCALADE ESV

L6 3.0L 3000CC 183CID Turbo Diesel	LM2		WL10351		WA10942	24211			WF10451		N/S
V8 6.2L 376 CID Flex	L86	J	WL10255	WL10255XP	WA10941	24211			N/S		N/S

XT4

L4 2.0L 1998CC 122CID Turbo			WL10351		WA10419	24211			N/S		N/A
-----------------------------	--	--	---------	--	---------	-------	--	--	-----	--	-----

XT5

L4 2.0L 2000CC 122CID Turbo	LSY	4	WL10351		WA10718	24211			N/S		N/S
V6 3.6L 217 CID	LGX	S	WL10412		WA10718	24211			N/S		N/A

XT6

L4 2.0L 2000CC 122CID Turbo	LSY	4	WL10351		WA10718	24211			N/S		N/S
V6 3.6L 217 CID	LGX	S	WL10255	WL10255XP	WA10718	24211			N/S		N/S

2020
CT4

L4 2.0L 2000CC 122CID Turbo	LSY	K	WL10351		N/A	24211			N/S		N/S
-----------------------------	-----	---	---------	--	-----	-------	--	--	-----	--	-----

CT4-V

L4 2.7L 2700CC 165CID Turbo	L3B		WL10351		N/A	24211			N/S		N/S
-----------------------------	-----	--	---------	--	-----	-------	--	--	-----	--	-----

CT5

L4 2.0L 2000CC 122CID Turbo	LSY	K	WL10351		N/A	24211			N/S		N/S
V6 3.0L 3000CC 183CID Turbo	LGY	W	WL10255	WL10255XP	N/A	24211			N/S		N/S

CT5-V

V6 3.0L 3000CC 183CID Turbo	LGY	W	WL10255	WL10255XP	N/A	24211			N/S		N/S
-----------------------------	-----	---	---------	-----------	-----	-------	--	--	-----	--	-----

CT6

V6 3.6L	LGX	S	WL10412		WA10433	24211 24211 ⁷⁸			N/S		N/A
---------	-----	---	---------	--	---------	------------------------------	--	--	-----	--	-----

CT6 V-Sport

V8 4.2L 4200CC 256CID Turbo	LTA		WL10255	WL10255XP	WA11152	24211			N/S		
-----------------------------	-----	--	---------	-----------	---------	-------	--	--	-----	--	--

ESCALADE

V8 6.2L 376 CID Flex	L86	J	WL10255	WL10255XP	42488	WP10129	WP10129XP		N/S		N/A
----------------------	-----	---	---------	-----------	-------	---------	-----------	--	-----	--	-----

ESCALADE ESV

V8 6.2L 376 CID Flex	L86	J	WL10255	WL10255XP	42488	WP10129	WP10129XP		N/S		N/A
----------------------	-----	---	---------	-----------	-------	---------	-----------	--	-----	--	-----

XT4

L4 2.0L 1998CC 122CID Turbo			WL10351		WA10419	24211			N/S		N/A
-----------------------------	--	--	---------	--	---------	-------	--	--	-----	--	-----

N/A = Not Available N/R = Not Required N/S = Not Serviceable For cabin and fuel filter locator, see pages 5-15 See pages 16-19 for footnotes

N/A = Non disponible N/R = Non nécessaire N/S = Non réparable Para la ubicación de los filtros de aire de la cabina y de combustible, ver las páginas 5-15 Voir pages 16-19 pour des notes

N/A = No disponible N/R = No requiere N/S = No servible Voir les tableaux de repérage des filtres d'habitacle et à carburant aux pages 5-15 Ver las páginas 16-19 para las notas al pie de página

Italicized Part Numbers May Not Be Available. Wix XP Oil Filters Have Fully Synthetic Media.

Las piezas con números en *italicas* pueden no estar disponibles. Los filtros de aceite WIX XP son completamente de media sintética.

Les numéros de pièce en *italiques* peuvent ne pas être disponibles. Les filtres à huile XP Wix contiennent un matériau 100 % synthétique.

CADILLAC 2020-2018

Pass Car/Light Truck

Year/Año/Année Model/Modelo/Modèle Engine/Motor/Moteur	Eng. Code Código de motor Code moteur	VIN NIV NIV	Oil Aceite Huile	Oil XP Aceite XP Huile XP	Air Aire Air	Cabin Air Cabina Aire Cabine Air	Cabin Air XP Cabina Aire XP Cabine Air XP	Loc. Cabin Air Cabina Aire Cabine Air	Fuel Combustible Carburant	Loc. Fuel Combustible Carburant	Transmission Transmisión Transmission
--	---	-------------------	------------------------	---------------------------------	--------------------	--	---	--	----------------------------------	--	---

CADILLAC (Cont'd/Suite)

2020 (Cont'd/Suite)

XT5

L4 2.0L 2000CC 122CID Turbo	LSY	4	WL10351		WA10718	24211			N/S		N/S
V6 3.6L 217 CID	LGX	S	WL10412		WA10718	24211			N/S		N/A

XT6

V6 3.6L 217 CID	LGX	S	WL10255	WL10255XP	WA10718	24211			N/S		N/S
-----------------	-----	---	---------	-----------	---------	-------	--	--	-----	--	-----

XTS

V6 3.6L 217 CID	LF3	3	WL10255	WL10255XP	WA10039	WP10192		1	N/S		N/S
V6 3.6L 3600CC 220CID Turbo	LF3	8	WL10255	WL10255XP	WA10314	N/A WP10192			N/S		N/S

2019

ATS

L4 2.0L 1998cc 122 CID Turbo	LTG	X	WL10290 ⁵³	WL10290XP	49830	24211		1	N/A		N/A
V6 3.6L 217 CID	LGX	S	WL10412		49830	24211		1	N/A		N/A

ATS V

V6 3.6L 217 Turbo	LF4	Y	WL10255	WL10255XP	49830	24211		1	N/A		N/A
-------------------	-----	---	---------	-----------	-------	-------	--	---	-----	--	-----

CT6

L4 2.0L 2000CC 122CID Turbo	LSY	K	WL10351		WA10651	24211		3	N/S		N/A
V6 3.0L 182 CID Turbo	LGW	6	WL10412		WA10432 - Right WA10431 - Left	24211 ⁷⁸			N/S		N/A
V6 3.6L	LGX	S	WL10412		WA10433	24211 ⁷⁸			N/S		N/A

CT6 Hybrid

L4 2.0L 1998cc 122 CID Turbo	LTG	X	WL10290 ⁵³	WL10290XP	WA10651	24211		3	N/S		N/A
------------------------------	-----	---	-----------------------	-----------	---------	-------	--	---	-----	--	-----

CT6 V-Sport

V8 4.2L 4200CC 256CID Turbo	LTA		WL10255	WL10255XP	WA11152	24211			N/S		N/A
-----------------------------	-----	--	---------	-----------	---------	-------	--	--	-----	--	-----

CTS

L4 2.0L 1998cc 122 CID Turbo	LTG	X	WL10290 ⁵³	WL10290XP	49830	24211		1	N/A		N/A
V6 3.6L 217 CID	LGX	S	WL10412		49830	24211		1	N/A		N/A
V6 3.6L 217 CID Turbo/Intercooled	LF3	8	WL10255	WL10255XP	49830	24211		1	N/A		N/A

CTS-V

V8 6.2L 376 CID Super Charged	LT4		WL10290 ⁵³	WL10290XP	WA10393	24211		1	N/S		N/A
----------------------------------	-----	--	-----------------------	-----------	---------	-------	--	---	-----	--	-----

ESCALADE

V8 6.2L 376 CID Flex	L86	J	WL10255	WL10255XP	42487 ²⁸⁴ 42488 ¹⁵⁵ 42488FR ³⁶⁰	WP10129	WP10129XP		N/S		N/A
----------------------	-----	---	---------	-----------	--	---------	-----------	--	-----	--	-----

ESCALADE ESV

V8 6.2L 376 CID Flex	L86	J	WL10255	WL10255XP	42487 ²⁸⁴ 42488 ¹⁵⁵ 42488FR ³⁶⁰	WP10129	WP10129XP		N/S		N/A
----------------------	-----	---	---------	-----------	--	---------	-----------	--	-----	--	-----

XT4

L4 2.0L 1998CC 122CID Turbo			WL10351		WA10419	24211			N/S		N/A
-----------------------------	--	--	---------	--	---------	-------	--	--	-----	--	-----

XT5

V6 3.6L 217 CID	LGX	S	WL10412		WA10718	24211			N/S		N/A
-----------------	-----	---	---------	--	---------	-------	--	--	-----	--	-----

XTS

V6 3.6L 217 CID	LF3	3	WL10255	WL10255XP	WA10039	WP10192		1	N/S		N/S
V6 3.6L 3600CC 220CID Turbo	LF3	8	WL10255	WL10255XP	WA10314	N/A WP10192			N/S		N/S

2018

ATS

L4 2.0L 1998cc 122 CID Turbo	LTG	X	WL10290 ⁵³	WL10290XP	49830	24211		1	N/A		N/A
V6 3.6L 217 CID	LGX	S	WL10412		49830	24211		1	N/A		N/A

ATS V

V6 3.6L 217 Turbo	LF4	Y	WL10255	WL10255XP	WA10646	24211		1	N/A		N/A
-------------------	-----	---	---------	-----------	---------	-------	--	---	-----	--	-----

N/A = Not Available N/R = Not Required N/S = Not Serviceable For cabin and fuel filter locator, see pages 5-15 See pages 16-19 for footnotes
 N/A = Non disponible N/R = Non nécessaire N/S = Non réparable Para la ubicación de los filtros de aire de la cabina y de combustible, ver las páginas 5-15 Voir pages 16-19 pour des notes
 N/A = No disponible N/R = No requiere N/S = No servible Voir les tableaux de repérage des filtres d'habitacle et à carburant aux pages 5-15 Ver las páginas 16-19 para las notas al pie de página

Italicized Part Numbers May Not Be Available. Wix XP Oil Filters Have Fully Synthetic Media.

Las piezas con números en *italicas* pueden no estar disponibles. Los filtros de aceite WIX XP son completamente de media sintética.
 Les numéros de pièce en *italiques* peuvent ne pas être disponibles. Les filtres à huile XP Wix contiennent un matériau 100 % synthétique.

Year/Año/Année Model/Modelo/Modèle Engine/Motor/Moteur	Eng. Code Código de motor Code moteur	VIN NIV NIV	Oil Aceite Huile	Oil XP Aceite XP Huile XP	Air Aire Air	Cabin Air Cabina Aire Cabine Air	Cabin Air XP Cabina Aire XP Cabine Air XP	Loc. Cabin Air Cabina Aire Cabine Air	Fuel Combustible Carburant	Loc. Fuel Combustible Carburant	Transmission Transmisión Transmission
--	---	-------------------	------------------------	---------------------------------	--------------------	--	---	---	----------------------------------	---------------------------------------	---

CADILLAC (Cont'd/Suite)

2018 (Cont'd/Suite)

CT6

L4 2.0L 1998cc 122 CID Turbo	LTG	X	WL10290 ⁵³	WL10290XP	WA10651	24211		3	N/S		N/A
V6 3.0L 182 CID Turbo	LGW	6	WL10412		WA10432 - Right WA10431 - Left	24211 ⁷⁸			N/S		
V6 3.6L	LGX	S	WL10412		WA10433	24211 ⁷⁸			N/S		N/A

CT6 Hybrid

L4 2.0L 1998cc 122 CID Turbo	LTG	X	WL10290 ⁵³	WL10290XP	WA10651	24211		3	N/S		N/A
------------------------------	-----	---	-----------------------	-----------	---------	-------	--	---	-----	--	-----

CTS

L4 2.0L 1998cc 122 CID Turbo	LTG	X	WL10290 ⁵³	WL10290XP	49830	24211		1	N/A		N/A
V6 3.6L 217 CID	LGX	S	WL10412		49830	24211		1	N/A		N/A
V6 3.6L 217 CID Turbo/Intercooled	LF3	8	WL10255	WL10255XP	WA10400	24211		1	N/A		N/A

CTS-V

V8 6.2L 376 CID Super Charged	LT4		WL10290 ⁵³	WL10290XP	WA10393	24211		1	N/S		N/A
----------------------------------	-----	--	-----------------------	-----------	---------	-------	--	---	-----	--	-----

ESCALADE

V8 6.2L 376 CID Flex	L86	J	WL10255	WL10255XP	42487 ²⁸⁴ 42488 ¹⁵⁵ 42488FR ³⁶⁰	WP10129	WP10129XP		N/S		N/A
----------------------	-----	---	---------	-----------	--	---------	-----------	--	-----	--	-----

ESCALADE ESV

V8 6.2L 376 CID Flex	L86	J	WL10255	WL10255XP	42487 ²⁸⁴ 42488 ¹⁵⁵ 42488FR ³⁶⁰	WP10129	WP10129XP		N/S		N/A
----------------------	-----	---	---------	-----------	--	---------	-----------	--	-----	--	-----

XT5

V6 3.6L 217 CID	LGX	S	WL10412		WA10718	24211			N/S		N/A
-----------------	-----	---	---------	--	---------	-------	--	--	-----	--	-----

XTS

V6 3.6L 217 CID	LF3	3	WL10255	WL10255XP	WA10039	WP10192		1	N/S		N/S
V6 3.6L 3600CC 220CID Turbo	LF3	8	WL10255	WL10255XP	WA10314	N/A WP10192			N/S		N/S

2017

ATS

L4 2.0L 1998cc 122 CID Turbo	LTG	X	WL10290 ⁵³	WL10290XP	49830	24211		1	N/A		N/A
L4 2.5L 2457cc 150 CID	LCV	A	WL10290 ⁵³	WL10290XP	49830	24211		1	N/A		N/A
V6 3.6L 217 CID	LGX	S	WL10412		WA10646	24211		1	N/A		N/A

ATS V

V6 3.6L 217 Turbo	LF4	Y	WL10255	WL10255XP	WA10681	24211		1	N/A		N/A
-------------------	-----	---	---------	-----------	---------	-------	--	---	-----	--	-----

CT6

HYBRID PLUG-IN			WL10290 ⁵³	WL10290XP	WA10651	24211			N/S		N/A
L4 2.0L 1998cc 122 CID Turbo	LTG	X	WL10290 ⁵³	WL10290XP	WA10651	24211		3	N/S		N/A
V6 3.0L 182 CID Turbo	LGW	6	WL10412		WA10431 - Left WA10432 - Right	24211 ⁷⁸			N/S		N/A
V6 3.6L	LGX	S	WL10412		WA10433	24211 ⁷⁸			N/S		N/A

CTS

L4 2.0L 1998cc 122 CID Turbo	LTG	X	WL10255	WL10255XP	49830	24211		1	N/A		N/A
V6 3.6L 217 CID	LGX	S	WL10412		49830	24211		1	N/A		N/A
V6 3.6L 217 CID Turbo/Intercooled	LF3	8	WL10255	WL10255XP	WA10400	24211		1	N/A		N/A
V8 6.2L 376 CID Super Charged	LT4		WL10290 ⁵³	WL10290XP	WA10393	24211		1	N/S		N/A

ESCALADE

V8 6.2L 376 CID Flex	L86	J	WL10255	WL10255XP	42487 ²⁸⁴ 42488 ¹⁵⁵ 42488FR ³⁶⁰	WP10129	WP10129XP		N/S		N/R - 8L90
----------------------	-----	---	---------	-----------	--	---------	-----------	--	-----	--	------------

ESCALADE ESV

V8 6.2L 376 CID Flex	L86	J	WL10255	WL10255XP	42487 ²⁸⁴ 42488 ¹⁵⁵ 42488FR ³⁶⁰	WP10129	WP10129XP		N/S		N/A
----------------------	-----	---	---------	-----------	--	---------	-----------	--	-----	--	-----

N/A = Not Available N/R = Not Required N/S = Not Serviceable For cabin and fuel filter locator, see pages 5-15 See pages 16-19 for footnotes

N/A = Non disponible N/R = Non nécessaire N/S = Non réparable Para la ubicación de los filtros de aire de la cabina y de combustible, ver las páginas 5-15 Voir pages 16-19 pour des notes

N/A = No disponible N/R = No requiere N/S = No servible Voir les tableaux de repérage des filtres d'habitacle et à carburant aux pages 5-15 Ver las páginas 16-19 para las notas al pie de página

Italicized Part Numbers May Not Be Available. Wix XP Oil Filters Have Fully Synthetic Media.

Las piezas con números en *italicas* pueden no estar disponibles. Los filtros de aceite WIX XP son completamente de media sintética.

Les numéros de pièce en *italiques* peuvent ne pas être disponibles. Les filtres à huile XP Wix contiennent un matériau 100 % synthétique.

CADILLAC 2017-2015

Pass Car/Light Truck

Year/Año/Année Model/Modelo/Modèle Engine/Motor/Moteur	Eng. Code Código de motor Code moteur	VIN NIV NIV	Oil Aceite Huile	Oil XP Aceite XP Huile XP	Air Aire Air	Cabin Air Cabina Aire Cabine Air	Cabin Air XP Cabina Aire XP Cabine Air XP	Loc. Cabin Air Cabina Aire Cabine Air	Fuel Combustible Carburant	Loc. Fuel Combustible Carburant	Transmission Transmisión Transmission
--	---	-------------------	------------------------	---------------------------------	--------------------	--	---	--	----------------------------------	--	---

CADILLAC (Cont'd/Suite)

2017 (Cont'd/Suite)

XT5

V6 3.6L 217 CID	LGX	S	WL10412		WA10718	24211			N/S		N/S
-----------------	-----	---	---------	--	---------	-------	--	--	-----	--	-----

XTS

V6 3.6L 217 CID	LFX	3	WL10255	WL10255XP	WA10039	WP10192		1	N/S		N/S
V6 3.6L 217 CID Turbo	LF3		WL10255	WL10255XP	WA10314	WP10192		1	N/S		N/A

2016

ATS

L4 2.0L 1998cc 122 CID Turbo	LTG	X	WL10290 ⁵³	WL10290XP	49830	24211		1	N/S		N/A
L4 2.5L 2457cc 150 CID	LCV	A	WL10290 ⁵³	WL10290XP	49830	24211		1	N/S		N/A
V6 3.6L 217 CID	LGX	S	WL10412		WA10646	24211		1	N/S		N/A

ATS V

V6 3.6L 217 Turbo	LF4	Y	WL10255	WL10255XP	49830	24211		1	N/S		N/A
-------------------	-----	---	---------	-----------	-------	-------	--	---	-----	--	-----

CT6

L4 2.0L 1998cc 122 CID Turbo	LTG	X	WL10290 ⁵³	WL10290XP	WA10651	24211		3	N/S		N/S
V6 3.0L 182 CID Turbo	LGW	6	WL10412		WA10431 WA10432	24211 ⁷⁸			N/S		N/A
V6 3.6L	LGX	S	WL10412		WA10433	24211 ⁷⁸			N/S		N/A

CTS

L4 2.0L 1998cc 122 CID Turbo	LTG	X	WL10290 ⁵³	WL10290XP	49830	24211		1	N/S		N/A
V6 3.6L 217 CID	LGX	S	WL10412		49830	24211		1	N/S		N/A
V6 3.6L 217 CID Turbo/Intercooled	LF3	8	WL10255	WL10255XP	WA10400	24211		1	N/S		N/A
V8 6.2L 376 CID Super Charged	LSA	P	WL10290 ⁵³	WL10290XP	WA10393	24211		1	N/S		N/S
	LT4		WL10290 ⁵³	WL10290XP	WA10393	24211		1	N/S		N/A

ELR

L4 1.4L 1398cc 85 CID Electric/Gas	LUU		57143		49244	24590		1	N/S		N/A
---------------------------------------	-----	--	-------	--	-------	-------	--	---	-----	--	-----

ESCALADE

V8 6.2L 376 CID Flex	L86	J	WL10255	WL10255XP	42487 ²⁸⁴ 42488 ¹⁵⁵ 42488FR ³⁶⁰	WP10129	WP10129XP		N/S		N/A
----------------------	-----	---	---------	-----------	--	---------	-----------	--	-----	--	-----

ESCALADE ESV

V8 6.2L 376 CID Flex	L86	J	WL10255	WL10255XP	42487 ²⁸⁴ 42488 ¹⁵⁵ 42488FR ³⁶⁰	WP10129	WP10129XP		N/S		N/A
----------------------	-----	---	---------	-----------	--	---------	-----------	--	-----	--	-----

SRX

V6 3.6L 217 CID Flex	LFX	3	WL10255	WL10255XP	49158	24590		1	N/S		N/S
----------------------	-----	---	---------	-----------	-------	-------	--	---	-----	--	-----

XTS

V6 3.6L 217 CID	LFX	3	WL10255	WL10255XP	WA10253	24211		1	N/S		N/S
V6 3.6L 217 CID Turbo/Intercooled	LF3	8	WL10255	WL10255XP	WA10314	24211			N/S		N/S

2015

ATS

L4 2.0L 1998cc 122 CID Turbo	LTG	X	WL10290 ⁵³	WL10290XP	49830	24211		1	N/S		WL10385
L4 2.5L 2457cc 150 CID	LCV	A	WL10290 ⁵³	WL10290XP	49830	24211		1	N/S		WL10385
V6 3.6L 217 CID Flex	LFX	3	57090	57090XP	49830	24211		1	N/S		WL10385

CTS

L4 2.0L 1998cc 122 CID Turbo	LTG	X	WL10290 ⁵³	WL10290XP	49830	24211		1	N/S		WL10385
V6 3.6L 217 CID Flex	LFX	3	57090	57090XP	49830	24211		1	N/S		WL10385

CTS V

V8 6.2L 376 CID Super Charged	LSA	P	57060 ⁵³	57060XP	49499	24869		1	N/S		N/A
----------------------------------	-----	---	---------------------	---------	-------	-------	--	---	-----	--	-----

CTS Vsport

V6 3.6L 217 CID Turbo/Intercooled	LF3	8	WL10255	WL10255XP	WA10400	24211		1	N/S		N/A
--------------------------------------	-----	---	---------	-----------	---------	-------	--	---	-----	--	-----

N/A = Not Available N/R = Not Required N/S = Not Serviceable For cabin and fuel filter locator, see pages 5-15 See pages 16-19 for footnotes

N/A = Non disponible N/R = Non nécessaire N/S = Non réparable Para la ubicación de los filtros de aire de la cabina y de combustible, ver las páginas 5-15 Voir pages 16-19 pour des notes

N/A = No disponible N/R = No requiere N/S = No servible Voir les tableaux de repérage des filtres d'habitacle et à carburant aux pages 5-15 Ver las páginas 16-19 para las notas al pie de página

Italicized Part Numbers May Not Be Available. Wix XP Oil Filters Have Fully Synthetic Media.

Las piezas con números en *italicas* pueden no estar disponibles. Los filtros de aceite WIX XP son completamente de media sintética. Les numéros de pièce en *italiques* peuvent ne pas être disponibles. Les filtres à huile XP Wix contiennent un matériau 100 % synthétique.

Year/Año/Année Model/Modelo/Modèle Engine/Motor/Moteur	Eng. Code Código de motor Code moteur	VIN NIV NIV	Oil Aceite Huile	Oil XP Aceite XP Huile XP	Air Aire Air	Cabin Air Cabina Aire Cabine Air	Cabin Air XP Cabina Aire XP Cabine Air XP	Loc. Cabin Air Cabina Aire Cabine Air	Fuel Combustible Carburant	Loc. Fuel Combustible Carburant	Transmission Transmisión Transmission
--	---	-------------------	------------------------	---------------------------------	--------------------	--	---	--	----------------------------------	--	---

CADILLAC (Cont'd/Suite)

2015 (Cont'd/Suite)

ELR

L4 1.4L 1398cc 85 CID Electric/Gas	LUU	4	57143		49244	24590		1	N/S		N/A
---------------------------------------	-----	---	-------	--	-------	-------	--	---	-----	--	-----

ESCALADE

V8 6.2L 376 CID Flex	L86	J	WL10255	WL10255XP	42487 ²⁸⁴ 42488 ¹⁵⁵ 42488FR ³⁶⁰	WP10129	WP10129XP		N/S		58369 - 6L80
----------------------	-----	---	---------	-----------	--	---------	-----------	--	-----	--	--------------

ESCALADE ESV

V8 6.2L 376 CID Flex	L86	J	WL10255	WL10255XP	42487 ²⁸⁴ 42488 ¹⁵⁵ 42488FR ³⁶⁰	WP10129	WP10129XP		N/S		N/A - 6L80
----------------------	-----	---	---------	-----------	--	---------	-----------	--	-----	--	------------

SRX

V6 3.6L 217 CID Flex	LFX	3	WL10255	WL10255XP	49158	24191	24191XP	1	33315		N/S
----------------------	-----	---	---------	-----------	-------	-------	---------	---	-------	--	-----

XTS

V6 3.6L 217 CID	LFX	3	WL10255	WL10255XP	WA10039	24211		1	N/S		N/S
V6 3.6L 217 CID Turbo/Intercooled	LF3	3	WL10255	WL10255XP	WA10314	24211		1	N/S		N/A

2014

ATS

L4 2.0L 1998cc 122 CID Turbo	LTG	X	WL10290 ⁵³	WL10290XP	49830	24211		1	N/A		N/S
L4 2.5L 2457cc 150 CID	LCV	A	WL10290 ⁵³	WL10290XP	49830	24211		1	N/A		N/S
V6 3.6L 217 CID Flex	LFX	3	57090	57090XP	49830	24211		1	N/A		N/S

CTS

L4 2.0L 1998cc 122 CID Turbo	LTG	X	WL10290 ⁵³	WL10290XP	49830	24211		1	33315		58369 - 6L90 N/A - 6L50
V6 3.0L 182 CID	LFW	5	57090	57090XP	49498	24211		1	33315		N/A - 6L50 N/A - 6L50
V6 3.6L 217 CID Flex	LFX	3	57090	57090XP	49498	24211		1	N/S		N/A - 6L50 N/A - 6L50

CTS V

V8 6.2L 376 CID Super Charged	LSA	P	57060 ⁵³	57060XP	49499	24211		1	N/S		58369 - 6L45
----------------------------------	-----	---	---------------------	---------	-------	-------	--	---	-----	--	--------------

CTS Vsport

V6 3.6L 217 CID Turbo/Intercooled	LF3	8	WL10255	WL10255XP	WA10400	24211		1	N/S		N/R - TL-80SN N/A - 6L50
--------------------------------------	-----	---	---------	-----------	---------	-------	--	---	-----	--	-----------------------------

ELR

L4 1.4L 1398cc 85 CID Electric/Gas	LUU		57143		49244	24590		1	N/S		N/R
---------------------------------------	-----	--	-------	--	-------	-------	--	---	-----	--	-----

ESCALADE

V8 6.2L 376 CID Flex	L94	F	57060 ⁵³	57060XP	42487 ²⁸⁴ 42488 ¹⁵⁵ 42488FR ³⁶⁰	N/A WP10428 ⁷⁹			N/S		N/A - 6L80
----------------------	-----	---	---------------------	---------	--	------------------------------	--	--	-----	--	------------

ESCALADE ESV

V8 6.2L 376 CID Flex	L94	F	57060 ⁵³	57060XP	42487 ²⁸⁴ 42488 ¹⁵⁵ 42488FR ³⁶⁰	WP10428 WP10428 ⁷⁹			N/S		N/A - 6L80
----------------------	-----	---	---------------------	---------	--	----------------------------------	--	--	-----	--	------------

SRX

V6 3.6L 217 CID Flex	LFX	3	WL10255	WL10255XP	49158	24191	24191XP	1	N/S		N/S
----------------------	-----	---	---------	-----------	-------	-------	---------	---	-----	--	-----

XTS

V6 3.6L 217 CID	LFX	3	WL10255	WL10255XP	WA10314	24211		1	N/S		N/S
V6 3.6L 217 CID Turbo/Intercooled	LF3	3	WL10255	WL10255XP	WA10254	24211		1	N/S		N/A

2013

ATS

L4 2.0L 1998cc 122 CID Turbo	LTG	X	WL10290 ⁵³	WL10290XP	49830	24211		1	N/A		N/S
L4 2.5L 2457cc 150 CID	LCV	A	WL10290 ⁵³	WL10290XP	49830	24211		1	N/A		N/S
V6 3.6L 217 CID Flex	LFX	3	57090	57090XP	49830	24211		1	N/A		N/S

N/A = Not Available N/R = Not Required N/S = Not Serviceable For cabin and fuel filter locator, see pages 5-15 See pages 16-19 for footnotes

N/A = Non disponible N/R = Non nécessaire N/S = Non réparable Para la ubicación de los filtros de aire de la cabina y de combustible, ver las páginas 5-15 Voir pages 16-19 pour des notes

N/A = No disponible N/R = No requiere N/S = No servible Voir les tableaux de repérage des filtres d'habitacle et à carburant aux pages 5-15 Ver las páginas 16-19 para las notas al pie de página

Italicized Part Numbers May Not Be Available. Wix XP Oil Filters Have Fully Synthetic Media.

Las piezas con números en *italicas* pueden no estar disponibles. Los filtros de aceite WIX XP son completamente de media sintética.

Les numéros de pièce en *italiques* peuvent ne pas être disponibles. Les filtres à huile Wix contiennent un matériau 100 % synthétique.

CADILLAC 2013-2011
Pass Car/Light Truck

Year/Año/Année Model/Modelo/Modèle Engine/Motor/Moteur	Eng. Code Código de motor Code moteur	VIN NIV NIV	Oil Aceite Huile	Oil XP Aceite XP Huile XP	Air Aire Air	Cabin Air Cabina Aire Cabine Air	Cabin Air XP Cabina Aire XP Cabine Air XP	Loc. Cabin Air Cabina Aire Cabine Air	Fuel Combustible Carburant	Loc. Fuel Combustible Carburant	Transmission Transmisión Transmission
--	---	-------------------	------------------------	---------------------------------	--------------------	--	---	--	----------------------------------	--	---

CADILLAC (Cont'd/Suite)
2013 (Cont'd/Suite)
CTS

V6 3.0L 182 CID	LFW	5	57090	57090XP	49498	24869		1	N/S		N/A - 6L50 N/A - 6L50
V6 3.6L 217 CID Flex	LFX	3	57090	57090XP	49498	24869		1	N/S		N/A - 6L50 N/A - 6L50

CTS V

V8 6.2L 376 CID Super Charged	LSA	P	57060 ⁵³	57060XP	49499	24869		1	N/S		58369
-------------------------------	-----	---	---------------------	---------	-------	-------	--	---	-----	--	-------

ESCALADE

V8 6.2L 376 CID Flex	L94	F	57060 ⁵³	57060XP	42487 ²⁸⁴ 42488 ¹⁵⁵ 42488FR ³⁶⁰	WP10428			N/S		N/A - 6L80
----------------------	-----	---	---------------------	---------	--	---------	--	--	-----	--	------------

ESCALADE ESV

V8 6.2L 376 CID Flex	L94	F	57060 ⁵³	57060XP	42487 ²⁸⁴ 42488 ¹⁵⁵ 42488FR ³⁶⁰	WP10428			N/S		N/A - 6L80
----------------------	-----	---	---------------------	---------	--	---------	--	--	-----	--	------------

ESCALADE EXT

V8 6.2L 376 CID Flex	L94	F	57060 ⁵³	57060XP	42487 ²⁸⁴ 42488 ¹⁵⁵ 42488FR ³⁶⁰	WP10428			N/S		N/A - 6L80
----------------------	-----	---	---------------------	---------	--	---------	--	--	-----	--	------------

ESCALADE HYBRID

V8 6.0L 5967cc 364 CID FlexElectric/Gas	LZ1	J	57060 ⁵³	57060XP	42487 ²⁸⁴ 42488 ¹⁵⁵ 42488FR ³⁶⁰	WP10428			N/S		WL10453
---	-----	---	---------------------	---------	--	---------	--	--	-----	--	---------

SRX

V6 3.6L 217 CID Flex	LFX	3	WL10255	WL10255XP	49158	24191	24191XP	1	N/S		N/R - 6T70 N/A - 6L50
----------------------	-----	---	---------	-----------	-------	-------	---------	---	-----	--	--------------------------

XTS

V6 3.6L 217 CID	LFX	3	WL10255	WL10255XP	WA10039	24211		1	N/S		N/S
-----------------	-----	---	---------	-----------	---------	-------	--	---	-----	--	-----

2012
CTS

V6 3.0L 182 CID	LFW	5	57090	57090XP	49498	24869		1	N/S		N/A - 6L50 N/A - 6L50
V6 3.6L 217 CID	LFX	3	57090	57090XP	49498	24869		1	N/S		N/A - 6L50 N/A - 6L50

CTS V

V8 6.2L 376 CID Super Charged	LSA	P	57060 ⁵³	57060XP	49499	24869		1	N/S		58369
-------------------------------	-----	---	---------------------	---------	-------	-------	--	---	-----	--	-------

ESCALADE

V8 6.2L 376 CID Flex	L94	F	57060 ⁵³	57060XP	42487 ²⁸⁴ 42488 ¹⁵⁵ 42488FR ³⁶⁰	WP10428			N/S		N/A - 6L80
----------------------	-----	---	---------------------	---------	--	---------	--	--	-----	--	------------

ESCALADE HYBRID

V8 6.0L 5967cc 364 CID FlexElectric/Gas	LZ1	J	57060 ⁵³	57060XP	42487 ²⁸⁴ 42488 ¹⁵⁵ 42488FR ³⁶⁰	WP10428			N/S		WL10453
---	-----	---	---------------------	---------	--	---------	--	--	-----	--	---------

SRX

V6 3.6L 217 CID Flex	LFX	3	WL10255	WL10255XP	49158	24191	24191XP	1	N/S		N/R - 6T70 N/A - 6L50
----------------------	-----	---	---------	-----------	-------	-------	---------	---	-----	--	--------------------------

2011
CTS

V6 3.0L 182 CID	LF1	Y	57090	57090XP	49498	24869		1	N/S		N/A - 6L50 N/A - 6L50
V6 3.6L 217 CID	LLT	D	57090	57090XP	49498	24869		1	N/S		N/A - 6L50 N/A - 6L50

CTS V

V8 6.2L 376 CID Super Charged	LSA	P	57060 ⁵³	57060XP	49499	24869		1	N/S		58369
-------------------------------	-----	---	---------------------	---------	-------	-------	--	---	-----	--	-------

N/A = Not Available N/R = Not Required N/S = Not Serviceable For cabin and fuel filter locator, see pages 5-15 See pages 16-19 for footnotes

N/A = Non disponible N/R = Non nécessaire N/S = Non réparable Para la ubicación de los filtros de aire de la cabina y de combustible, ver las páginas 5-15 Voir pages 16-19 pour des notes

N/A = No disponible N/R = No requiere N/S = No servible Voir les tableaux de repérage des filtres d'habitacle et à carburant aux pages 5-15 Ver las páginas 16-19 para las notas al pie de página

Italicized Part Numbers May Not Be Available. Wix XP Oil Filters Have Fully Synthetic Media.

Las piezas con números en *italicas* pueden no estar disponibles. Los filtros de aceite WIX XP son completamente de media sintética. Les numéros de pièce en *italiques* peuvent ne pas être disponibles. Les filtres à huile XP Wix contiennent un matériau 100 % synthétique.

Year/Año/Année Model/Modelo/Modèle Engine/Motor/Moteur	Eng. Code Código de motor Code moteur	VIN NIV NIV	Oil Aceite Huile	Oil XP Aceite XP Huile XP	Air Aire Air	Cabin Air Cabina Aire Cabine Air	Cabin Air XP Cabina Aire XP Cabine Air XP	Loc. Cabin Air Cabina Aire Cabine Air	Fuel Combustible Carburant	Loc. Fuel Combustible Carburant	Transmission Transmisión Transmission
--	---	-------------------	------------------------	---------------------------------	--------------------	--	---	--	----------------------------------	--	---

CADILLAC (Cont'd/Suite)

2011 (Cont'd/Suite)

DTS

V8 4.6L 281 CID	L37	S	51522 ⁵³	51522XP	46902	24812 ⁷⁹ 24813 ⁷⁸	24812XP ⁷⁹	1	N/S		58895
	LD8	6	51522 ⁵³	51522XP	46902	24812 ⁷⁹ 24813 ⁷⁸	24812XP ⁷⁹	1	N/S		58895

ESCALADE

V8 6.2L 376 CID Flex	L94	F	57060 ⁵³	57060XP	42487 ²⁸⁴ 42488 ¹⁵⁵ 42488FR ³⁶⁰	WP10428			N/S		N/A - 6L80
----------------------	-----	---	---------------------	---------	--	---------	--	--	-----	--	------------

ESCALADE HYBRID

V8 6.0L 5967cc 364 CID FlexElectric/Gas	LZ1	J	57060 ⁵³	57060XP	42487 ²⁸⁴ 42488 ¹⁵⁵ 42488FR ³⁶⁰	N/R			N/S		WL10453
--	-----	---	---------------------	---------	--	-----	--	--	-----	--	---------

SRX

V6 2.8L 2792cc 170 CID Turbo	LAU	6	57090	57090XP	49158	24191	24191XP	3	33315		N/S
V6 3.0L 182 CID	LF1	Y	WL10255	WL10255XP	49158	24191	24191XP	3	33315		N/S
V6 3.6L 217 CID (Mex.)	LFX	3	57090	57090XP	49498	N/A			N/R		

STS

V6 3.6L 217 CID	LLT	D	57090	57090XP	42864	24869		1	33889		N/A - 6L50
-----------------	-----	---	-------	---------	-------	-------	--	---	-------	--	------------

2010

CTS

V6 3.0L 182 CID	LF1	G	57090	57090XP	49498	24869		1	N/S		N/A - 6L50 N/A - 6L50
V6 3.6L 217 CID	LLT	V	57090	57090XP	49498	24869		1	N/S		N/A - 6L50 N/A - 6L50

CTS V

V8 6.2L 376 CID Super Charged	LSA	P	57060 ⁵³	57060XP	49499	24869		1	N/S		58369
----------------------------------	-----	---	---------------------	---------	-------	-------	--	---	-----	--	-------

DTS

V8 4.6L 281 CID			51522 ⁵³	51522XP	46902	24812 ⁷⁹ 24813 ⁷⁸	24812XP ⁷⁹	1	N/S		58895
		9	51522 ⁵³	51522XP	46902	24812 ⁷⁹ 24813 ⁷⁸	24812XP ⁷⁹	1	N/S		58895

ESCALADE

V8 6.2L 376 CID Flex	L94	F	57060 ⁵³	57060XP	42487 ²⁸⁴ 42488 ¹⁵⁵ 42488FR ³⁶⁰	WP10428			N/S		N/A - 6L80
----------------------	-----	---	---------------------	---------	--	---------	--	--	-----	--	------------

ESCALADE HYBRID

V8 6.0L 5967cc 364 CID FlexElectric/Gas	LZ1	J	57060 ⁵³	57060XP	42488 ¹⁵⁵ 42488FR ³⁶⁰	WP10428			N/S		WL10453
--	-----	---	---------------------	---------	--	---------	--	--	-----	--	---------

SRX

V6 2.8L 2792cc 170 CID Turbo	LAU	4	57090	57090XP	49158	24191	24191XP	3	33315		N/S
V6 3.0L 182 CID	LF1	Y	57060 ⁵³	57060XP	49158	24191	24191XP	3	33315		N/S

STS

V6 3.6L 217 CID	LLT	V	57090	57090XP	42864	24869		1	33889		N/A - 6L50
V8 4.6L 281 CID	A		51522 ⁵³	51522XP	42864	24869		1	33889		N/A - 6L50

2009

CTS

V6 3.6L 217 CID		7	57090	57090XP	49498	24869		1	33889		N/A - 6L50 N/A - 6L50
	LLT	V	57090	57090XP	49498	24869		1	33889		58369 - 6L90 N/A - 6L50

CTS V

V8 6.2L 376 CID Super Charged	LSA	P	57060 ⁵³	57060XP	49499	24869		1	N/S		58369
----------------------------------	-----	---	---------------------	---------	-------	-------	--	---	-----	--	-------

N/A = Not Available N/R = Not Required N/S = Not Serviceable For cabin and fuel filter locator, see pages 5-15 See pages 16-19 for footnotes

N/A = Non disponible N/R = Non nécessaire N/S = Non réparable Para la ubicación de los filtros de aire de la cabina y de combustible, ver las páginas 5-15 Voir pages 16-19 pour des notes

N/A = No disponible N/R = No requiere N/S = No servible Voir les tableaux de repérage des filtres d'habitacle et à carburant aux pages 5-15 Ver las páginas 16-19 para las notas al pie de página

Italicized Part Numbers May Not Be Available. Wix XP Oil Filters Have Fully Synthetic Media.

Las piezas con números en *italicas* pueden no estar disponibles. Los filtros de aceite WIX XP son completamente de media sintética.

Les numéros de pièce en *italiques* peuvent ne pas être disponibles. Les filtres à huile Wix contiennent un matériau 100 % synthétique.

CADILLAC 2009-2008
Pass Car/Light Truck

Year/Año/Année Model/Modelo/Modèle Engine/Motor/Moteur	Eng. Code Código de motor Code moteur	VIN NIV NIV	Oil Aceite Huile	Oil XP Aceite XP Huile XP	Air Aire Air	Cabin Air Cabina Aire Cabine Air	Cabin Air XP Cabina Aire XP Cabine Air XP	Loc. Cabin Air Cabina Aire Cabine Air	Fuel Combustible Carburant	Loc. Fuel Combustible Carburant	Transmission Transmisión Transmission
--	---	-------------------	------------------------	---------------------------------	--------------------	--	---	--	----------------------------------	--	---

CADILLAC (Cont'd/Suite)
2009 (Cont'd/Suite)
DTS

V8 4.6L 281 CID			51522 ⁵³	51522XP	46902	24812 ⁷⁹ 24813 ⁷⁸	24812XP ⁷⁹	1	N/S		58895
		9	51522 ⁵³	51522XP	46902	24812 ⁷⁹ 24813 ⁷⁸	24812XP ⁷⁹	1	N/S		58895

ESCALADE

V8 6.2L 376 CID Flex	L9H	2	57060 ⁵³	57060XP	42487 ²⁸⁴ 42488 ¹⁵⁵ 42488FR ³⁶⁰	WP10428			N/S		N/A - 6L80
----------------------	-----	---	---------------------	---------	--	---------	--	--	-----	--	------------

ESCALADE HYBRID

V8 6.0L 5967cc 364 CID Electric/Gas	LFA	5	57060 ⁵³	57060XP	42487 ²⁸⁴ 42488 ¹⁵⁵ 42488FR ³⁶⁰	WP10428			N/S		N/A
--	-----	---	---------------------	---------	--	---------	--	--	-----	--	-----

SRX

V6 3.6L 217 CID		7	57090	57090XP	42864	24869 ¹⁷² 24495 ¹⁷¹		1	33889		58931 58545 - 5L40E
V8 4.6L 281 CID		A	51522 ⁵³	51522XP	42864	24869 ¹⁷² 24495 ¹⁷¹		1	33889		N/A - 6L50

STS

V6 3.6L 217 CID	LLT	V	57090	57090XP	42864	24869		1	33889		N/A - 6L50
V8 4.6L 281 CID		A	51522 ⁵³	51522XP	42864	24869		1	33889		N/A - 6L50

STS V

V8 4.4L 4371cc 267 CID Super Charged		D	WL10454		WA11037	24495		1	33889		N/A - 6L80
---	--	---	---------	--	---------	-------	--	---	-------	--	------------

XLR

V8 4.6L 281 CID		A	51522 ⁵³	51522XP	46302	24480 ¹⁶⁴		1	N/S		58931
-----------------	--	---	---------------------	---------	-------	----------------------	--	---	-----	--	-------

XLR V

V8 4.4L 4371cc 267 CID Super Charged		D	WL10454		42821	24480 ¹⁶⁴		1	N/S		58931
---	--	---	---------	--	-------	----------------------	--	---	-----	--	-------

2008
BLS

L4 2.0L 1998cc 122 CID (Mex.)			57082	57082XP	46915	24525			33078		
----------------------------------	--	--	-------	---------	-------	-------	--	--	-------	--	--

CTS

V6 3.6L 217 CID	LLT	7	57090	57090XP	49498	24869		1	33889		N/A - 6L50
		V	57090	57090XP	49498	24869		1	33889		N/A - 6L50

DTS

V8 4.6L 281 CID			51522 ⁵³	51522XP	46902	24812 ⁷⁹ 24813 ⁷⁸	24812XP ⁷⁹	1	N/S		58895
		9	51522 ⁵³	51522XP	46902	24812 ⁷⁹ 24813 ⁷⁸	24812XP ⁷⁹	1	N/S		58895

ESCALADE

V8 6.2L 6199cc 378 CID	L92	8	57060 ⁵³	57060XP	42487 ²⁸⁴ 42488 ¹⁵⁵ 42488FR ³⁶⁰	WP10428			N/S		N/A - 6L80
------------------------	-----	---	---------------------	---------	--	---------	--	--	-----	--	------------

SRX

V6 3.6L 217 CID		7	57090	57090XP	42864	24869 ¹⁷² 24495 ¹⁷¹		1	33889		58931
V8 4.6L 281 CID		A	51522 ⁵³	51522XP	42864	24869 ¹⁷² 24495 ¹⁷¹		1	33889		N/A - 6L50

STS

V6 3.6L 217 CID	LLT	V	57090	57090XP	42864	24869		1	33889		58931
V8 4.6L 281 CID		A	51522 ⁵³	51522XP	42864	24869		1	33889		58931

STS V

V8 4.4L 4371cc 267 CID Super Charged		D	WL10454		WA11037	24495		1	33889		58931
---	--	---	---------	--	---------	-------	--	---	-------	--	-------

XLR

V8 4.6L 281 CID		A	51522 ⁵³	51522XP	46302	24480 ¹⁶⁴		1	N/S		N/A
-----------------	--	---	---------------------	---------	-------	----------------------	--	---	-----	--	-----

N/A = Not Available N/R = Not Required N/S = Not Serviceable For cabin and fuel filter locator, see pages 5-15 See pages 16-19 for footnotes

N/A = Non disponible N/R = Non nécessaire N/S = Non réparable Para la ubicación de los filtros de aire de la cabina y de combustible, ver las páginas 5-15 Voir pages 16-19 pour des notes

N/A = No disponible N/R = No requiere N/S = No servible Voir les tableaux de repérage des filtres d'habitacle et à carburant aux pages 5-15 Ver las páginas 16-19 para las notas al pie de página

Italicized Part Numbers May Not Be Available. Wix XP Oil Filters Have Fully Synthetic Media.

Las piezas con números en *italicas* pueden no estar disponibles. Los filtros de aceite WIX XP son completamente de media sintética. Les numéros de pièce en *italiques* peuvent ne pas être disponibles. Les filtres à huile XP Wix contiennent un matériau 100 % synthétique.

Year/Año/Année Model/Modelo/Modèle Engine/Motor/Moteur	Eng. Code Código de motor Code moteur	VIN NIV NIV	Oil Aceite Huile	Oil XP Aceite XP Huile XP	Air Aire Air	Cabin Air Cabina Aire Cabine Air	Cabin Air XP Cabina Aire XP Cabine Air XP	Loc. Cabin Air Cabina Aire Cabine Air	Fuel Combustible Carburant	Loc. Fuel Combustible Carburant	Transmission Transmisión Transmission
--	---	-------------------	------------------------	---------------------------------	--------------------	--	---	--	----------------------------------	--	---

CADILLAC (Cont'd/Suite)
2008 (Cont'd/Suite)
XLR V

V8 4.4L 4371cc 267 CID Super Charged		D	WL10454		42821	24480 ¹⁶⁴		1	N/S		58931
--------------------------------------	--	---	---------	--	-------	----------------------	--	---	-----	--	-------

2007
BLS

L4 2.0L 1998cc 122 CID (Mex.)			57082	57082XP	46915	24525			33078		
-------------------------------	--	--	-------	---------	-------	-------	--	--	-------	--	--

CTS

V6 2.8L 2792cc 170 CID		T	57090	57090XP	46653	24869		1	33889		58116 - 5L40E-SP 58545 - 5L40E-DP
V6 3.6L 217 CID		7	57090	57090XP	46653	24869		1	33889		58116 - 5L40E-SP 58545 - 5L40E-DP

CTS V

V8 6.0L 5967cc 364 CID		U	57060 ⁵³	57060XP	42827	24869		1	33889		MT ⁷²
------------------------	--	---	---------------------	---------	-------	-------	--	---	-------	--	------------------

DTS

V8 4.6L 281 CID			51522 ⁵³	51522XP	46902	24813 ⁷⁸ 24812 ⁷⁹	24812XP ⁷⁹	1	N/S		58895
		9	51522 ⁵³	51522XP	46902	24813 ⁷⁸ 24812 ⁷⁹	24812XP ⁷⁹	1	N/S		58895

ESCALADE

V8 6.2L 6199cc 378 CID	L92	8	57060 ⁵³	57060XP	42487 ²⁸⁴ 42488 ¹⁵⁵ 42488FR ²⁶⁰	WP10428			N/S		58369 - 6L80, 6L90 58847 - 4 Spd.
------------------------	-----	---	---------------------	---------	--	---------	--	--	-----	--	--------------------------------------

SRX

V6 3.6L 217 CID		7	57090	57090XP	42864	24869 ¹⁷² 24495 ¹⁷¹		1	33889		58931
V8 4.6L 281 CID		A	51522 ⁵³	51522XP	42864	24869		1	33889		58545 - 5L40E-DP 58116 - 5L40E-SP 58135 - 5L50E-DP

STS

V6 3.6L 217 CID		7	57090	57090XP	42864	24495		1	33889		58116 - 5L40E-SP 58545 - 5L40E-DP
V8 4.6L 281 CID		A	51522 ⁵³	51522XP	42864	24495		1	33889		58116 - 5L40E-SP 58545 - 5L40E-DP

STS V

V8 4.4L 4371cc 267 CID Super Charged		D	WL10454		WA11037	24495		1	N/S		58931
--------------------------------------	--	---	---------	--	---------	-------	--	---	-----	--	-------

XLR

V8 4.6L 281 CID		A	51522 ⁵³	51522XP	46302	24480 ¹⁶⁴		1	N/S		N/A
-----------------	--	---	---------------------	---------	-------	----------------------	--	---	-----	--	-----

XLR V

V8 4.4L 4371cc 267 CID Super Charged		D	WL10454		42821	24480 ¹⁶⁴		1	N/S		N/A
--------------------------------------	--	---	---------	--	-------	----------------------	--	---	-----	--	-----

2006
CTS

V6 2.8L 2792cc 170 CID		T	57090	57090XP	46653	24869		1	33889		58116 - 5L40E-SP 58545 - 5L40E-DP
V6 3.6L 217 CID		7	57090	57090XP	46653	24869		1	33889		58116 - 5L40E-SP 58545 - 5L40E-DP

CTS V

V8 6.0L 5967cc 364 CID		U	51042 ⁵³	51042XP	42827	24869		1	33889		MT ⁷²
------------------------	--	---	---------------------	---------	-------	-------	--	---	-------	--	------------------

DTS

V8 4.6L 281 CID			51522 ⁵³	51522XP	46902	24813 ⁷⁸ 24812 ⁷⁹	24812XP ⁷⁹	1	N/S		58895
		9	51522 ⁵³	51522XP	46902	24813 ⁷⁸ 24812 ⁷⁹	24812XP ⁷⁹	1	N/S		58895

N/A = Not Available N/R = Not Required N/S = Not Serviceable For cabin and fuel filter locator, see pages 5-15 See pages 16-19 for footnotes

N/A = Non disponible N/R = Non nécessaire N/S = Non réparable Para la ubicación de los filtros de aire de la cabina y de combustible, ver las páginas 5-15 Voir pages 16-19 pour des notes

N/A = No disponible N/R = No requiere N/S = No servible Voir les tableaux de repérage des filtres d'habitacle et à carburant aux pages 5-15 Ver las páginas 16-19 para las notas al pie de página

Italicized Part Numbers May Not Be Available. Wix XP Oil Filters Have Fully Synthetic Media.

Las piezas con números en *italicas* pueden no estar disponibles. Los filtros de aceite WIX XP son completamente de media sintética.

Les numéros de pièce en *italiques* peuvent ne pas être disponibles. Les filtres à huile Wix contiennent un matériau 100 % synthétique.

CADILLAC 2006-2005

Pass Car/Light Truck



Year/Año/Année Model/Modelo/Modèle Engine/Motor/Moteur	Eng. Code Código de motor Code moteur	VIN NIV NIV	Oil Aceite Huile	Oil XP Aceite XP Huile XP	Air Aire Air	Cabin Air Cabina Aire Cabine Air	Cabin Air XP Cabina Aire XP Cabine Air XP	Loc. Cabin Air Cabina Aire Cabine Air	Fuel Combustible Carburant	Loc. Fuel Combustible Carburant	Transmission Transmisión Transmission
--	---	-------------------	------------------------	---------------------------------	--------------------	--	---	--	----------------------------------	--	---

CADILLAC (Cont'd/Suite)

2006 (Cont'd/Suite)

ESCALADE

V6 6.0L 5967cc 364 CID		N	51042 ⁵³	51042XP	42487 ²⁸⁴ 42488 ¹⁵⁵ 42488FR ³⁶⁰	24814		3	N/S		58904 - 4L60E-SP 58847 - 4L60E-DP 58608 - 4L80E
------------------------	--	---	---------------------	---------	--	-------	--	---	-----	--	---

SRX

V6 3.6L 217 CID		7	57090	57090XP	42864	24869		1	33889		58545 - 5L40E-DP 58116 - 5L40E-SP 58135 - 5L50E-DP
V8 4.6L 281 CID		A	51522 ⁵³	51522XP	42864	24869		1	33889		58545 - 5L40E-DP 58116 - 5L40E-SP 58135 - 5L50E-DP

STS

V6 3.6L 217 CID		7	57090	57090XP	42864	24495		1	33889		58116 - 5L40E-SP 58545 - 5L40E-DP
V8 4.6L 281 CID		A	51522 ⁵³	51522XP	42864	24495		1	33889		58116 - 5L40E-SP 58545 - 5L40E-DP

STS V

V8 4.4L 4371cc 267 CID Super Charged		D	WL10454		WA11037	24495		1	N/S		N/A
--------------------------------------	--	---	---------	--	---------	-------	--	---	-----	--	-----

XLR

V8 4.6L 281 CID		A	51522 ⁵³	51522XP	46302	24480 ¹⁶⁴		1	N/S		58545 - 5L40E-DP 58116 - 5L40E-SP 58135 - 5L50E-DP
-----------------	--	---	---------------------	---------	-------	----------------------	--	---	-----	--	--

XLR V

V8 4.4L 4371cc 267 CID Super Charged		D	WL10454		42821	24480 ¹⁶⁴		1	N/S		N/A
--------------------------------------	--	---	---------	--	-------	----------------------	--	---	-----	--	-----

2005

CTS

V6 2.8L 2792cc 170 CID		T	57090	57090XP	46653	24869		1	33889		58116 - 5L40E-SP 58545 - 5L40E-DP
V6 3.6L 217 CID		7	57090	57090XP	46653	24869		1	33889		58116 - 5L40E-SP 58545 - 5L40E-DP

CTS V

V8 5.7L 346 CID		S	51042 ⁵³	51042XP	42827	24869		1	33889		MT ⁷²
-----------------	--	---	---------------------	---------	-------	-------	--	---	-------	--	------------------

DEVILLE

V8 4.6L 281 CID		9	51522 ⁵³	51522XP	46302	24813		2	33311	O	58895
			51522 ⁵³	51522XP	46302	24813		2	33311	O	58895

ESCALADE

V8 5.3L 325 CID		T	51042 ⁵³	51042XP	42487 ²⁸⁴ 42488 ¹⁵⁵ 42488FR ³⁶⁰	24814		3	N/S	L	58904 - 4L60E-SP 58847 - 4L60E-DP 58608 - 4L80E
V8 6.0L 5967cc 364 CID		N	51042 ⁵³	51042XP	42487 ²⁸⁴ 42488 ¹⁵⁵ 42488FR ³⁶⁰	24814		3	33481	L	58904 - 4L60E-SP 58847 - 4L60E-DP 58608 - 4L80E

SRX

V6 3.6L 217 CID		7	57090	57090XP	42864	24869		1	33889		N/A
V8 4.6L 281 CID		A	51522 ⁵³	51522XP	42864	24869		1	33889		N/A

STS

V6 3.6L 217 CID		7	57090	57090XP	42864	24495		1	33889		58116 - 5L40E-SP 58545 - 5L40E-DP
V8 4.6L 281 CID		A	51522 ⁵³	51522XP	42864	24495		1	33889		58116 - 5L40E-SP 58545 - 5L40E-DP

XLR

V8 4.6L 281 CID		A	51522 ⁵³	51522XP	46302	24480 ⁷⁸		1	33311		58545 - 5L40E-DP 58116 - 5L40E-SP 58135 - 5L50E-DP
-----------------	--	---	---------------------	---------	-------	---------------------	--	---	-------	--	--

N/A = Not Available N/R = Not Required N/S = Not Serviceable For cabin and fuel filter locator, see pages 5-15 See pages 16-19 for footnotes
 N/A = Non disponible N/R = Non nécessaire N/S = Non réparable Para la ubicación de los filtros de aire de la cabina y de combustible, ver las páginas 5-15 Voir pages 16-19 pour des notes
 N/A = No disponible N/R = No requiere N/S = No servible Voir les tableaux de repérage des filtres d'habitacle et à carburant aux pages 5-15 Ver las páginas 16-19 para las notas al pie de página

Italicized Part Numbers May Not Be Available. Wix XP Oil Filters Have Fully Synthetic Media.

Las piezas con números en *italicas* pueden no estar disponibles. Los filtros de aceite WIX XP son completamente de media sintética.
 Les numéros de pièce en *italiques* peuvent ne pas être disponibles. Les filtres à huile XP Wix contiennent un matériau 100 % synthétique.

Year/Año/Année Model/Modelo/Modèle Engine/Motor/Moteur	Eng. Code Código de motor Code moteur	VIN NIV NIV	Oil Aceite Huile	Oil XP Aceite XP Huile XP	Air Aire Air	Cabin Air Cabina Aire Cabine Air	Cabin Air XP Cabina Aire XP Cabine Air XP	Loc. Cabin Air Cabina Aire Cabine Air	Fuel Combustible Carburant	Loc. Fuel Combustible Carburant	Transmission Transmisión Transmission
--	--	-------------------	------------------------	---------------------------------	--------------------	--	---	--	----------------------------------	--	---

CADILLAC (Cont'd/Suite)

2004

CTS

V6 3.2L 197 CID		N	57079		46653	24869		1	33311	O	58116 - 5L40E-SP 58545 - 5L40E-DP
V6 3.6L 217 CID		7	57090	57090XP	46653	24869		1	33889		58116 - 5L40E-SP 58545 - 5L40E-DP

CTS V

V8 5.7L 346 CID		S	51042 ⁵³	51042XP	42827	24869		1	33889		MT ²
-----------------	--	---	---------------------	---------	-------	-------	--	---	-------	--	-----------------

DEVILLE

V8 4.6L 281 CID		9	51522 ⁵³	51522XP	46302	24813		2	33311	O	58895
			51522 ⁵³	51522XP	46302	24813		2	33311	O	58895

ESCALADE

V8 5.3L 325 CID		T	51042 ⁵³	51042XP	42487 ²⁸⁴ 42488 ¹⁵⁵ 42488FR ²⁶⁰	24814		3	N/S	L	58904 - 4L60E-SP 58847 - 4L60E-DP 58608 - 4L80E
V8 6.0L 5967cc 364 CID		N	51042 ⁵³	51042XP	42487 ²⁸⁴ 42488 ¹⁵⁵ 42488FR ²⁶⁰	24814		3	33481	L	58904 - 4L60E-SP 58847 - 4L60E-DP 58608 - 4L80E

SEVILLE

V8 4.6L 281 CID			51522 ⁵³	51522XP	46302	24874		2	33311	L	58895
-----------------	--	--	---------------------	---------	-------	-------	--	---	-------	---	-------

SRX

V6 3.6L 217 CID		7	57090	57090XP	42864	24869		1	33889		58545 - 5L40E-DP 58116 - 5L40E-SP 58135 - 5L50E-DP
V8 4.6L 281 CID		A	51522 ⁵³	51522XP	42864	24869		1	33889		58545 - 5L40E-DP 58116 - 5L40E-SP 58135 - 5L50E-DP

XLR

V8 4.6L 281 CID		A	51522 ⁵³	51522XP	46302	24480 ⁷⁸		1	33311		58545 - 5L40E-DP 58116 - 5L40E-SP 58135 - 5L50E-DP
-----------------	--	---	---------------------	---------	-------	---------------------	--	---	-------	--	--

2003

CTS

V6 3.2L 197 CID		N	57079		46653	24869		1	33311	O	58116 - 5L40E-SP 58545 - 5L40E-DP
-----------------	--	---	-------	--	-------	-------	--	---	-------	---	--------------------------------------

DEVILLE

V8 4.6L 281 CID		9	51522 ⁵³	51522XP	46302	24813		2	33311	O	58895
			51522 ⁵³	51522XP	46302	24813		2	33311	O	58895

ESCALADE

V8 5.3L 325 CID		T	51042 ⁵³	51042XP	42487 ²⁸⁴ 42488 ¹⁵⁵ 42488FR ²⁶⁰	24814		3	33481	L	58904 - 4L60E-SP 58847 - 4L60E-DP 58608 - 4L80E
V8 6.0L 5967cc 364 CID		N	51042 ⁵³	51042XP	42487 ²⁸⁴ 42488 ¹⁵⁵ 42488FR ²⁶⁰	24814		3	33481	L	58904 - 4L60E-SP 58847 - 4L60E-DP 58608 - 4L80E

SEVILLE

V8 4.6L 281 CID		9	51522 ⁵³	51522XP	46302	24874		2	33311	L	58895
			51522 ⁵³	51522XP	46302	24874		2	33311	L	58895

2002

DEVILLE

V8 4.6L 281 CID		9	51522 ⁵³	51522XP	46302	24813		2	33311	O	58895
			51522 ⁵³	51522XP	46302	24813		2	33311	O	58895

ELDORADO

V8 4.6L 281 CID		9	51522 ⁵³	51522XP	46153	N/R			33590	K	58895
			51522 ⁵³	51522XP	46153	N/R			33590	K	58895

ESCALADE

V8 5.3L 325 CID		T	51042 ⁵³	51042XP	42487 ²⁸⁴ 42488 ¹⁵⁵ 42488FR ²⁶⁰	24805	24805XP	6	33481	L	58904 - 4L60E-SP 58847 - 4L60E-DP
-----------------	--	---	---------------------	---------	--	-------	---------	---	-------	---	--------------------------------------

N/A = Not Available N/R = Not Required N/S = Not Serviceable For cabin and fuel filter locator, see pages 5-15 See pages 16-19 for footnotes

N/A = Non disponible N/R = Non nécessaire N/S = Non réparable Para la ubicación de los filtros de aire de la cabina y de combustible, ver las páginas 5-15 Voir pages 16-19 pour des notes

N/A = No disponible N/R = No requiere N/S = No servible Voir les tableaux de repérage des filtres d'habitacle et à carburant aux pages 5-15 Ver las páginas 16-19 para las notas al pie de página

Italicized Part Numbers May Not Be Available. Wix XP Oil Filters Have Fully Synthetic Media.

Las piezas con números en *italicas* pueden no estar disponibles. Los filtros de aceite WIX XP son completamente de media sintética.

Les numéros de pièce en *italiques* peuvent ne pas être disponibles. Les filtres à huile Wix contiennent un matériau 100 % synthétique.

CADILLAC 2002 — CHEVROLET 2021
Pass Car/Light Truck

Year/Año/Année Model/Modelo/Modèle Engine/Motor/Moteur	Eng. Code Código de motor Code moteur	VIN NIV NIV	Oil Aceite Huile	Oil XP Aceite XP Huile XP	Air Aire Air	Cabin Air Cabina Aire Cabine Air	Cabin Air XP Cabina Aire XP Cabine Air XP	Loc. Cabin Air Cabina Aire Cabine Air	Fuel Combustible Carburant	Loc. Fuel Combustible Carburant	Transmission Transmisión Transmission
--	---	-------------------	------------------------	---------------------------------	--------------------	--	---	--	----------------------------------	--	---

CADILLAC (Cont'd/Suite)
2002 (Cont'd/Suite)
ESCALADE (Cont'd/Suite)

V8 6.0L 5967cc 364 CID		N	51042 ⁵³	51042XP	42487 ²⁸⁴ 42488 ¹⁵⁵ 42488FR ³⁶⁰	24805	24805XP	6	33481	L	58904 - 4L60E-SP 58847 - 4L60E-DP 58608 - 4L80E
------------------------	--	---	---------------------	---------	--	-------	---------	---	-------	---	---

SEVILLE

V8 4.6L 281 CID			51522 ⁵³	51522XP	46302	24874		2	33311	L	58895
		9	51522 ⁵³	51522XP	46302	24874		2	33311	L	58895

CHEVROLET
2021
BLAZER

L4 2.0L 2000CC 122CID Turbo	LSY		WL10351		WA10718	24211			N/S		N/A
L4 2.5L 2500CC 153CID	LCV		WL10290 ⁵³	WL10290XP	WA10718	24211			N/S		N/A
V6 3.6L 3600CC 220CID - LGX	LGX	S	WL10412		WA10718	24211			N/S		N/A

Bolt EV

Electric			N/R		N/S	24211			N/R		N/S
----------	--	--	-----	--	-----	-------	--	--	-----	--	-----

CAMARO

L4 2.0L 2000CC 122CID Turbo	LTG		WL10290 ⁵³	WL10290XP	49830	24211			N/S		N/A
V6 3.6L 3600CC 220CID	LGX	S	WL10412		49830	24211			N/S		N/S

CAMARO LT1

V8 6.2L 376 CID	LT1	7	WL10290 ⁵³	WL10290XP	WA10560	24211			N/S		N/S
-----------------	-----	---	-----------------------	-----------	---------	-------	--	--	-----	--	-----

CAMARO SS

V8 6.2L 376 CID	LT1	7	WL10290 ⁵³	WL10290XP	WA10560	24211			N/S		N/S
-----------------	-----	---	-----------------------	-----------	---------	-------	--	--	-----	--	-----

CAMARO ZL1

V8 6.2L 376 CID Super Charged	LT4	6	WL10290 ⁵³	WL10290XP	WA10560	24211			N/S		N/S
-------------------------------	-----	---	-----------------------	-----------	---------	-------	--	--	-----	--	-----

COLORADO

L4 2.8L 2800CC 171CID Turbo Diesel		F	WL10286		WA10427	WP10192			WF10226		N/A - 6L50
L4 2.5L 153 CID			WL10290 ⁵³	WL10290XP	WA10256	WP10192			N/S		N/A - 6L50
V6 3.6L 217 CID			57674	57674XP	WA10256	WP10192			N/S		N/A - 6L50

CORVETTE

V8 6.2L 6200CC 378CID	LT2		WL10290 ⁵³	WL10290XP	N/A	24211			N/S		N/A
-----------------------	-----	--	-----------------------	-----------	-----	-------	--	--	-----	--	-----

EQUINOX

L4 1.5L 91 CID Turbo			WL10290 ⁵³	WL10290XP	WA10771	24211			N/S		N/A
----------------------	--	--	-----------------------	-----------	---------	-------	--	--	-----	--	-----

EXPRESS 2500

L4 2.8L 2800CC 171CID Turbo Diesel			WL10371		WA10655	N/R			WF10509		58369 - 6L90 N/A - 8L90
V6 4.3L 262 CID			WL10255	WL10255XP	WA10836	N/R			N/S		58369 - 6L90
V8 6.6L 6600CC 401CID	L8T	7	WL10255	WL10255XP	WA10655	N/R			N/S		58369 - 6L90

EXPRESS 3500

L4 2.8L 2800CC 171CID Turbo Diesel			WL10371 ⁵³		WA10655	N/R			WF10509		58369 - 6L90
V6 4.3L 262 CID			WL10255	WL10255XP	WA10836	N/R			N/S		N/A
V8 6.6L 6600CC 401CID	L8T	7	WL10255	WL10255XP	WA10655	N/R			N/S		N/A

MALIBU

L4 1.5L 91 CID Turbo			WL10290 ⁵³	WL10290XP	WA10414	24211			N/S		N/A
L4 2.0L 1998cc 122 CID Turbo	LTG		WL10290 ⁵³	WL10290XP	WA10419	24211		3	N/S		N/A

SILVERADO 1500

L4 2.7L 2700CC 165CID Turbo	L3B		WL10351		WA10941 ¹⁵⁵ WA10942 ²⁸⁵	24211			N/S		
L6 3.0L 3000CC 183CID Turbo Diesel			WL10351		WA10942	24211			WF10451		
V6 4.3L 262 CID Flex	LV3		WL10255	WL10255XP	WA10941 ¹⁵⁵ WA10942 ²⁸⁵	24211			N/S		N/A - 6L80
V8 5.3L 5328cc 325 CID P*			WL10255	WL10255XP	WA10941 ¹⁵⁵ WA10942 ²⁸⁵	24211			N/S		N/A

N/A = Not Available N/R = Not Required N/S = Not Serviceable For cabin and fuel filter locator, see pages 5-15 See pages 16-19 for footnotes

N/A = Non disponible N/R = Non nécessaire N/S = Non réparable Para la ubicación de los filtros de aire de la cabina y de combustible, ver las páginas 5-15 Voir pages 16-19 pour des notes

N/A = No disponible N/R = No requiere N/S = No servible Voir les tableaux de repérage des filtres d'habitacle et à carburant aux pages 5-15 Ver las páginas 16-19 para las notas al pie de página

Italicized Part Numbers May Not Be Available. Wix XP Oil Filters Have Fully Synthetic Media.

Las piezas con números en *italicas* pueden no estar disponibles. Los filtros de aceite WIX XP son completamente de media sintética. Les numéros de pièce en *italiques* peuvent ne pas être disponibles. Les filtres à huile XP Wix contiennent un matériau 100 % synthétique.

Year/Año/Année Model/Modelo/Modèle Engine/Motor/Moteur	Eng. Code Código de motor Code moteur	VIN NIV NIV	Oil Aceite Huile	Oil XP Aceite XP Huile XP	Air Aire Air	Cabin Air Cabina Aire Cabine Air	Cabin Air XP Cabina Aire XP Cabine Air XP	Loc. Cabin Air Cabina Aire Cabine Air	Fuel Combustible Carburant	Loc. Fuel Combustible Carburant	Transmission Transmisión Transmission
--	---	-------------------	------------------------	---------------------------------	--------------------	--	---	--	----------------------------------	--	---

CHEVROLET (Cont'd/Suite)
2021 (Cont'd/Suite)
SILVERADO 1500 (Cont'd/Suite)

V8 6.2L 6162cc 376 CID	L86		WL10255	WL10255XP	WA10941 ¹⁵⁵ WA10942 ²⁸⁵	24211			N/S		N/A
------------------------	-----	--	---------	-----------	--	-------	--	--	-----	--	-----

SILVERADO 2500HD

V 8 6.6L 6599CC 403CID Turbo Diesel	L5P		WL10454		WA11057	24211			WF10451		57701 N/A
V8 6.6L 6600CC 401CID	L8T	7	WL10255	WL10255XP	WA10942	24211			N/S		N/S

SILVERADO 3500HD

V 8 6.6L 6599CC 403CID Turbo Diesel	L5P		WL10454		WA11057	WP10129	WP10129XP		WF10451		57701 N/A
V8 6.6L 6600CC 401CID	L8T	7	WL10255	WL10255XP	WA10942	24211			N/S		N/S

SPARK

L4 1.4L 85 CID	LV7	A	WL10290 ⁵³	WL10290XP	WA10415	24191	24191XP		N/S		
----------------	-----	---	-----------------------	-----------	---------	-------	---------	--	-----	--	--

SUBURBAN (ALL)

L6 3.0L 3000CC 183CID Turbo Diesel			WL10351		WA10942	24211			WF10451		N/S
V8 5.3L 5300CC 323CID	L84		WL10255	WL10255XP	WA10942	24211			N/S		N/S
V8 6.2L 6200CC 378CID	L87		WL10255	WL10255XP	WA10942	24211			N/S		N/S

TAHOE

L6 3.0L 3000CC 183CID Turbo Diesel			WL10351		WA10942	24211			WF10451		N/S
V8 5.3L 5300CC 323CID	L84		WL10255	WL10255XP	WA10942	24211			N/S		N/S
V8 6.2L 6200CC 378CID	L87		WL10255	WL10255XP	WA10942	24211			N/S		N/S

TRAILBLAZER

L3 1.2L 1200CC 73CID Turbo			WL10290 ⁵³	WL10290XP	N/A	24211			N/S		N/S
L3 1.3L 1300CC 79CID Turbo			WL10351		N/A	24211			N/S		N/S

TRAVERSE

V6 3.6L 217 CID	LLT		WL10255	WL10255XP	WA10718	24211			N/S		N/S
-----------------	-----	--	---------	-----------	---------	-------	--	--	-----	--	-----

TRAX

L4 1.4L 1364cc 83 CID Turbo	LUV		57674 ⁵⁰⁷ N/A ⁵⁰⁸	57674XP ⁵⁰⁷	WA10255	24590 ⁷⁹		3	N/S		N/A
L4 1.4L 85 CID Turbo	LE2		WL10290 ⁵³	WL10290XP	WA10255	24590 ⁷⁹		3	N/S		N/A

2020
BLAZER

L4 2.0L 2000CC 122CID Turbo	LSY		WL10351		WA10718	24211			N/S		N/A
L4 2.5L 2500CC 153CID	LCV		WL10290 ⁵³	WL10290XP	WA10718	24211			N/S		N/A
V6 3.6L 3600CC 220CID - LGX	LGX	S	WL10412		WA10718	24211			N/S		N/A

Bolt EV

Electric			N/R		N/S	24211			N/R		N/S
----------	--	--	-----	--	-----	-------	--	--	-----	--	-----

CAMARO

L4 2.0L 2000CC 122CID Turbo	LTG		WL10290 ⁵³	WL10290XP	49830	24211			N/S		N/A
V6 3.6L 3600CC 220CID	LGX	S	WL10412		49830	24211			N/S		N/S

CAMARO LT1

V8 6.2L 376 CID	LT1	7	WL10290 ⁵³	WL10290XP	WA10560	24211			N/S		N/S
-----------------	-----	---	-----------------------	-----------	---------	-------	--	--	-----	--	-----

CAMARO SS

V8 6.2L 376 CID	LT1	7	WL10290 ⁵³	WL10290XP	WA10560	24211			N/S		N/S
-----------------	-----	---	-----------------------	-----------	---------	-------	--	--	-----	--	-----

CAMARO ZL1

V8 6.2L 376 CID Super Charged	LT4	6	WL10290 ⁵³	WL10290XP	WA10560	24211			N/S		N/S
----------------------------------	-----	---	-----------------------	-----------	---------	-------	--	--	-----	--	-----

COLORADO

L 4 2.8L 2800CC 171CID Turbo Diesel		F	WL10286		WA10427	WP10192			WF10226		N/A - 6L50
L4 2.5L 153 CID			WL10290 ⁵³	WL10290XP	WA10256	WP10192			N/S		N/A - 6L50
V6 3.6L 217 CID			57674	57674XP	WA10256	WP10192			N/S		N/A - 6L50

CORVETTE

V8 6.2L 6200CC 378CID	LT2		WL10290 ⁵³	WL10290XP	N/A	24211			N/S		N/A
-----------------------	-----	--	-----------------------	-----------	-----	-------	--	--	-----	--	-----

N/A = Not Available N/R = Not Required N/S = Not Serviceable For cabin and fuel filter locator, see pages 5-15 See pages 16-19 for footnotes

N/A = Non disponible N/R = Non nécessaire N/S = Non réparable Para la ubicación de los filtros de aire de la cabina y de combustible, ver las páginas 5-15 Voir pages 16-19 pour des notes

N/A = No disponible N/R = No requiere N/S = No servible Voir les tableaux de repérage des filtres d'habitacle et à carburant aux pages 5-15 Ver las páginas 16-19 para las notas al pie de página

Italicized Part Numbers May Not Be Available. Wix XP Oil Filters Have Fully Synthetic Media.

Las piezas con números en *italicas* pueden no estar disponibles. Los filtros de aceite WIX XP son completamente de media sintética.

Les numéros de pièce en *italiques* peuvent ne pas être disponibles. Les filtres à huile XP Wix contiennent un matériau 100 % synthétique.

CHEVROLET 2020
Pass Car/Light Truck

Year/Año/Année Model/Modelo/Modèle Engine/Motor/Moteur	Eng. Code Código de motor Code moteur	VIN NIV NIV	Oil Aceite Huile	Oil XP Aceite XP Huile XP	Air Aire Air	Cabin Air Cabina Aire Cabine Air	Cabin Air XP Cabina Aire XP Cabine Air XP	Loc. Cabin Air Cabina Aire Cabine Air	Fuel Combustible Carburant	Loc. Fuel Combustible Carburant	Transmission Transmisión Transmission
--	---	-------------------	------------------------	---------------------------------	--------------------	--	---	--	----------------------------------	--	---

CHEVROLET (Cont'd/Suite)
2020 (Cont'd/Suite)
EQUINOX

L4 1.5L 91 CID Turbo			WL10290 ⁵³	WL10290XP	WA10771	24211			N/S		N/A
L4 1.6L Turbo Diesel			WL10331		WA10771	24211			WF10509		N/A
L4 2.0L Turbo		D	WL10290 ⁵³	WL10290XP	WA10771	24211			N/S		N/S

EXPRESS 2500

L4 2.8L 2800CC 171CID Turbo Diesel			WL10371		WA10655	N/R			WF10509		58369 - 6L90 N/A - 8L90
V6 4.3L 262 CID			WL10255	WL10255XP	WA10836	N/R			N/S		58369 - 6L90
V8 6.0L 5967cc 364 CID Flex		L96	57060 ⁵³	57060XP	WA10655	N/R			N/S		58369 - 6L90

EXPRESS 3500

L4 2.8L 2800CC 171CID Turbo Diesel			WL10371 ⁵³		WA10655	N/R			WF10509		58369 - 6L90
V6 4.3L 262 CID			WL10255	WL10255XP	WA10836	N/R			N/S		N/A
V8 6.0L 5967cc 364 CID Flex		L96	57060 ⁵³	57060XP	WA10655	N/R			N/S		N/A

IMPALA

L4 2.5L 2457cc		LCV	WL10290 ⁵³	WL10290XP	WA10254	WP10192 ⁷⁸			N/S		N/R
V6 3.6L 3600CC 220CID		LFX	WL10255	WL10255XP	WA10039	WP10192			N/S		N/S

LCF 3500

V8 6.0L 364 CID			57060 ⁵³	57060XP	46932	N/R			N/S		58369 - 6L90 - Primary
-----------------	--	--	---------------------	---------	-------	-----	--	--	-----	--	------------------------

MALIBU

L4 1.5L 91 CID Turbo			WL10290 ⁵³	WL10290XP	WA10414	24211			N/S		N/A
L4 1.8L 110 CID Electric/Gas			57674 ⁵⁰⁷	57674XP ⁵⁰⁷	WA10414	24211			N/S		N/A
L4 2.0L 1998cc 122 CID Turbo		LTG	WL10290 ⁵³	WL10290XP	WA10419	24211		3	N/S		N/A

SILVERADO 1500

L4 2.7L 2700CC 165CID Turbo		L3B	WL10351		WA10941 ⁵⁵⁵ WA10942 ²⁸⁵	24211			N/S		
L6 3.0L 3000CC 183CID Turbo Diesel			WL10351		WA10942	24211			WF10451		
V6 4.3L 262 CID Flex		LV3	WL10255	WL10255XP	WA10941 ⁵⁵⁵ WA10942 ²⁸⁵	24211			N/S		N/A - 6L80
V8 5.3L 5328cc 325 CID P*			WL10255	WL10255XP	WA10941 ⁵⁵⁵ WA10942 ²⁸⁵	24211			N/S		N/A
V8 6.2L 6162cc 376 CID		L86	WL10255	WL10255XP	WA10941 ⁵⁵⁵ WA10942 ²⁸⁵	24211			N/S		N/A

SILVERADO 2500HD

V 8 6.6L 6599CC 403CID Turbo Diesel		L5P	WL10454		WA11057	24211			WF10451		57701 N/A
V8 6.6L 6600CC 401CID		L8T	7 WL10255	WL10255XP	WA10942	24211			N/S		N/S

SILVERADO 3500HD

V 8 6.6L 6599CC 403CID Turbo Diesel		L5P	WL10454		WA11057	WP10129	WP10129XP		WF10451		57701 N/A
V8 6.6L 6600CC 401CID		L8T	7 WL10255	WL10255XP	WA10942	24211			N/S		N/S

SONIC

L4 1.4L 1364cc 83 CID Turbo		LUV	57674 ⁵⁰⁷ N/A ⁵⁰⁸	57674XP ⁵⁰⁷	49590	24211 - w/AC		3	33850		N/S
-----------------------------	--	-----	--	------------------------	-------	--------------	--	---	-------	--	-----

SPARK

L4 1.4L 85 CID		LV7	A WL10290 ⁵³	WL10290XP	WA10415	24191	24191XP		N/S		
----------------	--	-----	-------------------------	-----------	---------	-------	---------	--	-----	--	--

SUBURBAN (ALL)

V8 5.3L 325 CID Flex		L83	WL10255	WL10255XP	42488	WP10129	WP10129XP		N/S		N/A - 6L80
V8 6.2L 376 CID Flex		L9H	WL10255	WL10255XP	42488	WP10129	WP10129XP		N/S		N/A - 6L80

TAHOE

V8 5.3L 325 CID Flex		L83	WL10255	WL10255XP	42488	WP10129	WP10129XP		N/S		N/A - 6L80
V8 6.2L 376 CID Flex		L9H	WL10255	WL10255XP	42488	WP10129	WP10129XP		N/S		N/A - 6L80

TRAVERSE

V6 3.6L 217 CID		LLT	WL10255	WL10255XP	WA10718	24211			N/S		N/S
-----------------	--	-----	---------	-----------	---------	-------	--	--	-----	--	-----

N/A = Not Available N/R = Not Required N/S = Not Serviceable For cabin and fuel filter locator, see pages 5-15 See pages 16-19 for footnotes

N/A = Non disponible N/R = Non nécessaire N/S = Non réparable Para la ubicación de los filtros de aire de la cabina y de combustible, ver las páginas 5-15 Voir pages 16-19 pour des notes

N/A = No disponible N/R = No requiere N/S = No servible Voir les tableaux de repérage des filtres d'habitacle et à carburant aux pages 5-15 Ver las páginas 16-19 para las notas al pie de página

Italicized Part Numbers May Not Be Available. Wix XP Oil Filters Have Fully Synthetic Media.

Las piezas con números en *italicas* pueden no estar disponibles. Los filtros de aceite WIX XP son completamente de media sintética. Les numéros de pièce en *italiques* peuvent ne pas être disponibles. Les filtres à huile XP Wix contiennent un matériau 100 % synthétique.

Year/Año/Année Model/Modelo/Modèle Engine/Motor/Moteur	Eng. Code Código de motor Code moteur	VIN NIV NIV	Oil Aceite Huile	Oil XP Aceite XP Huile XP	Air Aire Air	Cabin Air Cabina Aire Cabine Air	Cabin Air XP Cabina Aire XP Cabine Air XP	Loc. Cabin Air Cabina Aire Cabine Air	Fuel Combustible Carburant	Loc. Fuel Combustible Carburant	Transmission Transmisión Transmission
--	---	-------------------	------------------------	---------------------------------	--------------------	--	---	---	----------------------------------	---------------------------------------	---

CHEVROLET (Cont'd/Suite)

2020 (Cont'd/Suite)

TRAX

L4 1.4L 1364cc 83 CID Turbo	LUV		57674 ⁵⁰⁷ N/A ⁵⁰⁸	57674XP ⁵⁰⁷	WA10255	24191 ⁷⁸ 24590 ⁷⁹	24191XP ⁷⁸	3	N/S		N/A
-----------------------------	-----	--	--	------------------------	---------	--	-----------------------	---	-----	--	-----

2019

BEAT

L4 1.2L 1206cc (Mex.)			WL10001		WA9672	24590			33850		N/R
-----------------------	--	--	---------	--	--------	-------	--	--	-------	--	-----

BLAZER

L4 2.5L 2500CC 153CID	LCV		WL10290 ⁵³	WL10290XP	WA10718	24211			N/S		N/A
V6 3.6L 3600CC 220CID - LGX	LGX	S	WL10412		WA10718	24211			N/S		N/A

Bolt EV

Electric			N/R		N/S	24211			N/R		N/S
----------	--	--	-----	--	-----	-------	--	--	-----	--	-----

CAMARO

L4 2.0L 2000CC 122CID Turbo	LTG		WL10290 ⁵³	WL10290XP	49830	24211			N/S		N/A
V6 3.6L 3600CC 220CID	LGX	S	WL10412		49830	24211			N/S		N/S

CAMARO SS

V8 6.2L 376 CID	LT1	7	WL10290 ⁵³	WL10290XP	WA10560	24211			N/S		N/S
-----------------	-----	---	-----------------------	-----------	---------	-------	--	--	-----	--	-----

CAMARO ZL1

V8 6.2L 376 CID Super Charged	LT4	6	WL10290 ⁵³	WL10290XP	WA10560	24211			N/S		N/S
-------------------------------	-----	---	-----------------------	-----------	---------	-------	--	--	-----	--	-----

CITY EXPRESS

L4 2.0L	LOA	3	51358 ⁵³	51358XP	49225	WP10277			N/S		N/S
---------	-----	---	---------------------	---------	-------	---------	--	--	-----	--	-----

COLORADO

L4 2.8L 2800CC 171CID Turbo Diesel		F	WL10286		WA10427	WP10192			WF10226		N/A - 6L50
L4 2.5L 153 CID			WL10290 ⁵³	WL10290XP	WA10256	WP10192			N/S		N/A - 6L50
V6 3.6L 217 CID			57674	57674XP	WA10256	WP10192			N/S		N/A - 6L50

CORVETTE

V8 6.2L 376 CID	LT1	7	WL10290 ⁵³	WL10290XP	WA10171	24480			N/S		N/S
-----------------	-----	---	-----------------------	-----------	---------	-------	--	--	-----	--	-----

CORVETTE Z06

V8 6.2L 376 CID Super Charged	LT4	6	WL10290 ⁵³	WL10290XP	WA10171	24480			N/S		N/S
-------------------------------	-----	---	-----------------------	-----------	---------	-------	--	--	-----	--	-----

CORVETTE ZR1

V8 6.2L 6200CC 376CID Super Charged	LT5		WL10290 ⁵³	WL10290XP	WA10171	24480			N/S		N/S
-------------------------------------	-----	--	-----------------------	-----------	---------	-------	--	--	-----	--	-----

CRUZE

L4 1.4L 85 CID Turbo	LE2		WL10290 ⁵³	WL10290XP	WA10646	24211			N/S		N/A
L4 1.6L Turbo Diesel			WL10331		WA10681	24211			WF10451		N/A

EQUINOX

L4 1.5L 91 CID Turbo			WL10290 ⁵³	WL10290XP	WA10771	24211			N/S		N/A
L4 1.6L Turbo Diesel			WL10331		WA10771	24211			WF10509		N/A
L4 2.0L Turbo		D	WL10290 ⁵³	WL10290XP	WA10771	24211			N/S		N/S

EXPRESS 2500

L4 2.8L 2800CC 171CID Turbo Diesel			WL10371		WA10655	N/R			WF10509		58369 - 6L90 N/A - 8L90
V6 4.3L		P	WL10255	WL10255XP	WA10836	N/R			N/S		58369 - 6L90
V8 6.0L 5967cc 364 CID Flex	L96		57060 ⁵³	57060XP	WA10655	N/R			N/S		58369 - 6L90

EXPRESS 3500

L4 2.8L 2800CC 171CID Turbo Diesel			WL10371 ⁵³		WA10655	N/R			WF10509		58369 - 6L90
V6 4.3L Flex			WL10255	WL10255XP	WA10836	N/R			N/S		N/A
V8 6.0L 5967cc 364 CID CNG	LC8		57060 ⁵³	57060XP	WA10655	N/R			N/S		58369 - 6L90
V8 6.0L 5967cc 364 CID Flex	L96		57060 ⁵³	57060XP	WA10655	N/R			N/S		N/A

EXPRESS 4500

V8 6.0L 5967cc 364 CID CNG	LC8		57060 ⁵³	57060XP	WA10655	N/R			N/S		58369 - 6L90
V8 6.0L 5967cc 364 CID Flex	L96		57060 ⁵³	57060XP	WA10655	N/R			N/S		N/A

N/A = Not Available N/R = Not Required N/S = Not Serviceable For cabin and fuel filter locator, see pages 5-15 See pages 16-19 for footnotes

N/A = Non disponible N/R = Non nécessaire N/S = Non réparable Para la ubicación de los filtros de aire de la cabina y de combustible, ver las páginas 5-15 Voir pages 16-19 pour des notes

N/A = No disponible N/R = No requiere N/S = No servible Voir les tableaux de repérage des filtres d'habitacle et à carburant aux pages 5-15 Ver las páginas 16-19 para las notas al pie de página

Italicized Part Numbers May Not Be Available. Wix XP Oil Filters Have Fully Synthetic Media.

Las piezas con números en *italicas* pueden no estar disponibles. Los filtros de aceite WIX XP son completamente de media sintética.

Les numéros de pièce en *italiques* peuvent ne pas être disponibles. Les filtres à huile Wix contiennent un matériau 100 % synthétique.

CHEVROLET 2019
Pass Car/Light Truck

Year/Año/Année Model/Modelo/Modèle Engine/Motor/Moteur	Eng. Code Código de motor Code moteur	VIN NIV NIV	Oil Aceite Huile	Oil XP Aceite XP Huile XP	Air Aire Air	Cabin Air Cabina Aire Cabine Air	Cabin Air XP Cabina Aire XP Cabine Air XP	Loc. Cabin Air Cabina Aire Cabine Air	Fuel Combustible Carburant	Loc. Fuel Combustible Carburant	Transmission Transmisión Transmission
--	---	-------------------	------------------------	---------------------------------	--------------------	--	---	--	----------------------------------	--	---

CHEVROLET (Cont'd/Suite)
2019 (Cont'd/Suite)
IMPALA

L4 2.5L 2457cc	LCV		WL10290 ⁵³	WL10290XP	WA10254	WP10192 ⁷⁸			N/S		N/R
V6 3.6L 3600CC 220CID	LFX		WL10255	WL10255XP	WA10039	WP10192			N/S		N/S

LCF 3500

V8 6.0L 364 CID			57060 ⁵³	57060XP	46932	N/R			N/S		58369 - 6L90
-----------------	--	--	---------------------	---------	-------	-----	--	--	-----	--	--------------

MALIBU

L4 1.5L 91 CID Turbo			WL10290 ⁵³	WL10290XP	WA10414	24211			N/S		N/A
L4 1.8L 110 CID Electric/Gas			57674 ⁵⁰⁷ N/A ⁵⁰⁸	57674XP ⁵⁰⁷	WA10414	24211			N/S		N/A
L4 2.0L 1998cc 122 CID Turbo	LTG		WL10290 ⁵³	WL10290XP	WA10419	24211		3	N/S		N/A

SILVERADO (UP TO 3500 SERIES)

V8 6.0L 5967cc 364 CID	LC8		57060 ⁵³	57060XP	42487 ²⁸⁴ 42488 ¹⁵⁵ 42488FR ³⁶⁰	WP10129	WP10129XP		N/S		58369 - 6L90
------------------------	-----	--	---------------------	---------	--	---------	-----------	--	-----	--	--------------

SILVERADO 1500

L4 2.7L 2700CC 165CID Turbo	L3B		WL10351		WA10941 ¹⁵⁵ WA10942 ²⁸⁵	24211			N/S		
L6 3.0L 3000CC 183CID Turbo Diesel			WL10351		WA10942	24211			WF10451		
V6 4.3L 262 CID Flex	LV3		WL10255	WL10255XP	WA10941 ¹⁵⁵ WA10942 ²⁸⁵	24211			N/S		N/A - 6L80
V8 5.3L 5328cc 325 CID P*			WL10255	WL10255XP	WA10941 ¹⁵⁵ WA10942 ²⁸⁵	24211			N/S		N/A
V8 6.2L 6162cc 376 CID	L86		WL10255	WL10255XP	WA10941 ¹⁵⁵ WA10942 ²⁸⁵	24211			N/S		N/A

SILVERADO 1500 LD

V8 5.3L 5328cc 325 CID P*			WL10255	WL10255XP	42487 ²⁸⁴ 42488 ¹⁵⁵ 42488FR ³⁶⁰	WP10129	WP10129XP		N/S		N/A
---------------------------	--	--	---------	-----------	--	---------	-----------	--	-----	--	-----

SILVERADO 2500HD

V 8 6.6L 6599CC 403CID Turbo Diesel	L5P		57202 ⁵³	57202XP	WA10695	WP10129	WP10129XP		WF10451		N/A 57701
V8 6.0L 5967cc 364 CID	LC8		57060 ⁵³	57060XP	42488	WP10129	WP10129XP		N/S		N/A - 6L80

SILVERADO 3500HD

V 8 6.6L 6599CC 403CID Turbo Diesel	L5P		57202 ⁵³	57202XP	WA10695	WP10129	WP10129XP		WF10451		57701
V8 6.0L 5967cc 364 CID	LC8		57060 ⁵³	57060XP	42488	WP10129	WP10129XP		N/S		N/A - 6L80

SONIC

L4 1.4L 1364cc 83 CID Turbo	LUV		57674 ⁵⁰⁷ N/A ⁵⁰⁸	57674XP ⁵⁰⁷	49590	24590 - w/AC 24191 - w/o AC	24191XP - w/o AC	3	33850		N/S
-----------------------------	-----	--	--	------------------------	-------	--------------------------------	------------------	---	-------	--	-----

SPARK

L4 1.4L 85 CID	LV7	A	WL10290 ⁵³	WL10290XP	WA10415	24191	24191XP		N/S		N/A
----------------	-----	---	-----------------------	-----------	---------	-------	---------	--	-----	--	-----

SUBURBAN (ALL)

V8 5.3L 325 CID Flex	L83		WL10255	WL10255XP	42487 ²⁸⁴ 42488 ¹⁵⁵ 42488FR ³⁶⁰	WP10129	WP10129XP		N/S		N/A - 6L80
V8 6.2L 376 CID Flex	L9H		WL10255	WL10255XP	42487 ²⁸⁴ 42488 ¹⁵⁵ 42488FR ³⁶⁰	WP10129	WP10129XP		N/S		N/A - 6L80

Suburban 3500 HD

V8 6.0L 5967cc 364 CID Flex	L77		57060 ⁵³	57060XP	42487 ²⁸⁴ 42488 ¹⁵⁵ 42488FR ³⁶⁰	WP10129	WP10129XP		N/S		N/S
-----------------------------	-----	--	---------------------	---------	--	---------	-----------	--	-----	--	-----

TAHOE

V8 5.3L 325 CID Flex	L83		WL10255	WL10255XP	42487 ²⁸⁴ 42488 ¹⁵⁵ 42488FR ³⁶⁰	WP10129	WP10129XP		N/S		N/A - 6L80
V8 6.2L 376 CID Flex	L9H		WL10255	WL10255XP	42487 ²⁸⁴ 42488 ¹⁵⁵ 42488FR ³⁶⁰	WP10129	WP10129XP		N/S		N/A - 6L80

N/A = Not Available N/R = Not Required N/S = Not Serviceable For cabin and fuel filter locator, see pages 5-15 See pages 16-19 for footnotes

N/A = Non disponible N/R = Non nécessaire N/S = Non réparable Para la ubicación de los filtros de aire de la cabina y de combustible, ver las páginas 5-15 Voir pages 16-19 pour des notes

N/A = No disponible N/R = No requiere N/S = No servible Voir les tableaux de repérage des filtres d'habitacle et à carburant aux pages 5-15 Ver las páginas 16-19 para las notas al pie de página

Italicized Part Numbers May Not Be Available. Wix XP Oil Filters Have Fully Synthetic Media.

Las piezas con números en *italicas* pueden no estar disponibles. Los filtros de aceite WIX XP son completamente de media sintética. Les numéros de pièce en *italiques* peuvent ne pas être disponibles. Les filtres à huile XP Wix contiennent un matériau 100 % synthétique.

Year/Año/Année Model/Modelo/Modèle Engine/Motor/Moteur	Eng. Code Código de motor Code moteur	VIN NIV NIV	Oil Aceite Huile	Oil XP Aceite XP Huile XP	Air Aire Air	Cabin Air Cabina Aire Cabine Air	Cabin Air XP Cabina Aire XP Cabine Air XP	Loc. Cabin Air Cabina Aire Cabine Air	Fuel Combustible Carburant	Loc. Fuel Combustible Carburant	Transmission Transmisión Transmission
--	--	-------------------	------------------------	---------------------------------	--------------------	--	---	--	----------------------------------	--	---

CHEVROLET (Cont'd/Suite)
2019 (Cont'd/Suite)
TRAVERSE

L4 2.0L Turbo		D	WL10290 ⁵³	WL10290XP	WA10718	24211			N/S		N/S
V6 3.6L 217 CID	LLT		WL10255	WL10255XP	WA10718	24211			N/S		N/S

TRAX

L4 1.4L Turbo			57674 ⁵⁰⁷ N/A ⁵⁰⁸	57674XP ⁵⁰⁷	WA10255	24191 ⁷⁸ 24590 ⁷⁹	24191XP ⁷⁸	3	N/S		N/A
---------------	--	--	--	------------------------	---------	--	-----------------------	---	-----	--	-----

VOLT

L4 1.5L HYBRID			WL10290 ⁵³	WL10290XP	WA10423	24211			N/S		N/A
----------------	--	--	-----------------------	-----------	---------	-------	--	--	-----	--	-----

2018
BEAT

L4 1.2L 1206cc (Mex.)			WL10001		WA9672	24590			33850		N/R
-----------------------	--	--	---------	--	--------	-------	--	--	-------	--	-----

Bolt EV

Electric			N/R		N/S	24211			N/R		N/S
----------	--	--	-----	--	-----	-------	--	--	-----	--	-----

CAMARO

L4 2.0L Turbo		D	WL10290 ⁵³	WL10290XP	49830	24211			N/A		N/A
V6 3.6L 3600CC 220CID	LGX	S	WL10412		49830	24211			N/S		N/A
V8 6.2L 376 CID			WL10290 ⁵³	WL10290XP	WA10560	24211		1	N/S		N/A
V8 6.2L 376 CID Super Charged		P	WL10290 ⁵³	WL10290XP	WA10560	24211		1	N/S		N/A

CHEYENNE

V8 5.3 L (Mex.)			N/S		N/S	WP10129	WP10129XP		N/S		N/S
V8 6.2L 376 CID (Mex.)			N/S		N/S	WP10129	WP10129XP		N/S		N/S

CITY EXPRESS

L4 2.0L	LOA	3	51358 ⁵³	51358XP	49225	WP10277			N/S		N/S
---------	-----	---	---------------------	---------	-------	---------	--	--	-----	--	-----

COLORADO

L 4 2.8L 2800CC 171CID Turbo Diesel		F	WL10286		WA10427	WP10192			WF10226		N/A - 6L50
L4 2.5L 153 CID			WL10290 ⁵³	WL10290XP	WA10256	WP10192			N/S		N/A - 6L50
V6 3.6L 217 CID			57674	57674XP	WA10256	WP10192			N/S		N/A - 6L50

CORVETTE

V8 6.2L 376 CID	LT1	7	WL10290 ⁵³	WL10290XP	WA10171	24480			N/S		N/A
V8 6.2L 376 CID Super Charged	LT4	6	WL10290 ⁵³	WL10290XP	WA10171	24480			N/S		N/A

CRUZE

L4 1.4L 85 CID Turbo	LE2		WL10290 ⁵³	WL10290XP	WA10646	24211			N/S		N/A
L4 1.6L Turbo Diesel			WL10331		WA10681	24211			WF10451		N/A

EQUINOX

L4 1.5L 91 CID Turbo			WL10290 ⁵³	WL10290XP	WA10771	24211			N/S		N/A
L4 1.6L Turbo Diesel			WL10331		WA10771	24211			WF10509		N/A
L4 2.0L Turbo		D	WL10290 ⁵³	WL10290XP	WA10771	24211			N/S		N/A

EXPRESS 2500

L4 2.8L 2800CC 171CID Turbo Diesel			WL10371		WA10655	N/R			WF10509		58369 - 6L90 N/A - 8L90
V6 4.3L		P	WL10255	WL10255XP	WA10836	N/R			N/S		58369 - 6L90
V8 6.0L 5967cc 364 CID Flex	L96		57060 ⁵³	57060XP	WA10655	N/R			N/S		58369 - 6L90

EXPRESS 3500

L4 2.8L 2800CC 171CID Turbo Diesel			WL10371 ⁵³		WA10655	N/R			WF10509		58369 - 6L90
V6 4.3L Flex			WL10255	WL10255XP	WA10836	N/R			N/S		N/A
V8 6.0L 5967cc 364 CID CNG	LC8		57060 ⁵³	57060XP	WA10655	N/R			N/S		58369 - 6L90
V8 6.0L 5967cc 364 CID Flex	L96		57060 ⁵³	57060XP	WA10655	N/R			N/S		N/A

EXPRESS 4500

V8 6.0L 5967cc 364 CID CNG	LC8		57060 ⁵³	57060XP	WA10655	N/R			N/S		58369 - 6L90
V8 6.0L 5967cc 364 CID Flex	L96		57060 ⁵³	57060XP	WA10655	N/R			N/S		N/A

N/A = Not Available N/R = Not Required N/S = Not Serviceable For cabin and fuel filter locator, see pages 5-15 See pages 16-19 for footnotes

N/A = Non disponible N/R = Non nécessaire N/S = Non réparable Para la ubicación de los filtros de aire de la cabina y de combustible, ver las páginas 5-15 Voir pages 16-19 pour des notes

N/A = No disponible N/R = No requiere N/S = No servible Voir les tableaux de repérage des filtres d'habitacle et à carburant aux pages 5-15 Ver las páginas 16-19 para las notas al pie de página

Italicized Part Numbers May Not Be Available. Wix XP Oil Filters Have Fully Synthetic Media.

Las piezas con números en *italicas* pueden no estar disponibles. Los filtros de aceite WIX XP son completamente de media sintética.

Les numéros de pièce en *italiques* peuvent ne pas être disponibles. Les filtres à huile Wix contiennent un matériau 100 % synthétique.

CHEVROLET 2018
Pass Car/Light Truck

Year/Año/Année Model/Modelo/Modèle Engine/Motor/Moteur	Eng. Code Código de motor Code moteur	VIN NIV NIV	Oil Aceite Huile	Oil XP Aceite XP Huile XP	Air Aire Air	Cabin Air Cabina Aire Cabine Air	Cabin Air XP Cabina Aire XP Cabine Air XP	Loc. Cabin Air Cabina Aire Cabine Air	Fuel Combustible Carburant	Loc. Fuel Combustible Carburant	Transmission Transmisión Transmission
--	---	-------------------	------------------------	---------------------------------	--------------------	--	---	--	----------------------------------	--	---

CHEVROLET (Cont'd/Suite)
2018 (Cont'd/Suite)
IMPALA

L4 2.5L 2457cc	LCV		WL10290 ⁵³	WL10290XP	WA10254	WP10192 ⁷⁸			N/S		N/R
V6 3.6L 3600CC 220CID	LFX		WL10255	WL10255XP	WA10039	WP10192			N/S		N/S

LCF 3500

V8 6.0L 364 CID			57060 ⁵³	57060XP	46932	N/R			N/S		58369 - 6L90
-----------------	--	--	---------------------	---------	-------	-----	--	--	-----	--	--------------

MALIBU

L4 1.5L 91 CID Turbo			WL10290 ⁵³	WL10290XP	WA10414	24211			N/S		N/A
L4 1.8L 110 CID Electric/Gas			57674 ⁵⁰⁷ N/A ⁵⁰⁸	57674XP ⁵⁰⁷	WA10414	24211			N/S		N/A
L4 2.0L 1998cc 122 CID Turbo	LTG		WL10290 ⁵³	WL10290XP	WA10419	24211		3	N/S		N/A

SILVERADO (UP TO 3500 SERIES)

V8 6.0L 5967cc 364 CID	LC8		57060 ⁵³	57060XP	42487 ²⁸⁴ 42488 ¹⁵⁵ 42488FR ³⁶⁰	WP10129	WP10129XP		N/S		58369 - 6L90
------------------------	-----	--	---------------------	---------	--	---------	-----------	--	-----	--	--------------

SILVERADO 1500

V6 4.3L 262 CID Flex	LV3		WL10255	WL10255XP	42487 ²⁸⁴ 42488 ¹⁵⁵ 42488FR ³⁶⁰	WP10129	WP10129XP		N/S		N/A - 6L80
V8 5.3L 5328cc 325 CID Electric/GasP*			WL10255	WL10255XP	42487 ²⁸⁴ 42488 ¹⁵⁵ 42488FR ³⁶⁰	WP10129	WP10129XP		N/S		N/R - 8L90 N/A - 8 Spd.
V8 5.3L 5328cc 325 CID P*			WL10255	WL10255XP	42487 ²⁸⁴ 42488 ¹⁵⁵ 42488FR ³⁶⁰	WP10129	WP10129XP		N/S		N/A
V8 6.2L 6162cc 376 CID	L86		WL10255	WL10255XP	42487 ²⁸⁴ 42488 ¹⁵⁵ 42488FR ³⁶⁰	WP10129	WP10129XP		N/S		N/A

SILVERADO 1500 Hybrid

V8 5.3L 5300CC 325CID eAssist	Hybrid eAssist		WL10255	WL10255XP	42487 ²⁸⁴ 42488 ¹⁵⁵ 42488FR ³⁶⁰	WP10129	WP10129XP		N/S		N/R - 8L90 N/A - 8L90
----------------------------------	----------------	--	---------	-----------	--	---------	-----------	--	-----	--	--------------------------

SILVERADO 2500HD

V 8 6.6L 6599CC 403CID Turbo Diesel	L5P		57202 ⁵³	57202XP	WA10695	WP10129	WP10129XP		WF10451		N/A 57701
V8 6.0L 5967cc 364 CID	LC8		57060 ⁵³	57060XP	42488	WP10129	WP10129XP		N/S		N/A - 6L80

SILVERADO 3500HD

V 8 6.6L 6599CC 403CID Turbo Diesel	L5P		57202 ⁵³	57202XP	WA10695	WP10129	WP10129XP		WF10451		57701
V8 6.0L 5967cc 364 CID	LC8		57060 ⁵³	57060XP	42488	WP10129	WP10129XP		N/S		N/A - 6L80

SONIC

L4 1.4L 1364cc 83 CID Turbo	LUV		57674 ⁵⁰⁷ N/A ⁵⁰⁸	57674XP ⁵⁰⁷	49590	24590 - w/AC 24191 - w/o AC	24191XP - w/o AC	3	33850		N/S
L4 1.8L 1796cc 110 CID	LWE		57674 ⁵⁰⁷ N/A ⁵⁰⁸	57674XP ⁵⁰⁷	49590	24191	24191XP	3	33850		N/S
L4 1.8L 1796cc 110 CID Flex	LUW		57674	57674XP	49590	24191	24191XP	3	33850		N/S

SPARK

L4 1.4L 85 CID	LV7	A	WL10290 ⁵³	WL10290XP	WA10415	24191	24191XP		N/S		N/A
----------------	-----	---	-----------------------	-----------	---------	-------	---------	--	-----	--	-----

SUBURBAN (ALL)

V8 5.3L 325 CID Flex	L83		WL10255	WL10255XP	42487 ²⁸⁴ 42488 ¹⁵⁵ 42488FR ³⁶⁰	WP10129	WP10129XP		N/S		N/A - 6L80
----------------------	-----	--	---------	-----------	--	---------	-----------	--	-----	--	------------

Suburban 3500 HD

V8 6.0L 5967cc 364 CID Flex	L77		57060 ⁵³	57060XP	42487 ²⁸⁴ 42488 ¹⁵⁵ 42488FR ³⁶⁰	WP10129	WP10129XP		N/S		N/S
-----------------------------	-----	--	---------------------	---------	--	---------	-----------	--	-----	--	-----

TAHOE

V8 5.3L 325 CID Flex	L83		WL10255	WL10255XP	42487 ²⁸⁴ 42488 ¹⁵⁵ 42488FR ³⁶⁰	WP10129	WP10129XP		N/S		N/A - 6L80
----------------------	-----	--	---------	-----------	--	---------	-----------	--	-----	--	------------

N/A = Not Available N/R = Not Required N/S = Not Serviceable For cabin and fuel filter locator, see pages 5-15 See pages 16-19 for footnotes

N/A = Non disponible N/R = Non nécessaire N/S = Non réparable Para la ubicación de los filtros de aire de la cabina y de combustible, ver las páginas 5-15 Voir pages 16-19 pour des notes

N/A = No disponible N/R = No requiere N/S = No servible Voir les tableaux de repérage des filtres d'habitacle et à carburant aux pages 5-15 Ver las páginas 16-19 para las notas al pie de página

Italicized Part Numbers May Not Be Available. Wix XP Oil Filters Have Fully Synthetic Media.

Las piezas con números en *italicas* pueden no estar disponibles. Los filtros de aceite WIX XP son completamente de media sintética. Les numéros de pièce en *italiques* peuvent ne pas être disponibles. Les filtres à huile XP Wix contiennent un matériau 100 % synthétique.

Year/Año/Année Model/Modelo/Modèle Engine/Motor/Moteur	Eng. Code Código de motor Code moteur	VIN NIV NIV	Oil Aceite Huile	Oil XP Aceite XP Huile XP	Air Aire Air	Cabin Air Cabina Aire Cabine Air	Cabin Air XP Cabina Aire XP Cabine Air XP	Loc. Cabin Air Cabina Aire Cabine Air	Fuel Combustible Carburant	Loc. Fuel Combustible Carburant	Transmission Transmisión Transmission
--	---	-------------------	------------------------	---------------------------------	--------------------	--	---	---	----------------------------------	---------------------------------------	---

CHEVROLET (Cont'd/Suite)

2018 (Cont'd/Suite)

TAHOE (Cont'd/Suite)

V8 6.2L 376 CID Flex	L9H		WL10255	WL10255XP	42487 ²⁸⁴ 42488 ¹⁵⁵ 42488FR ³⁶⁰	WP10129	WP10129XP		N/S		N/A - 6L80
----------------------	-----	--	---------	-----------	--	---------	-----------	--	-----	--	------------

TORNADO

L4 1.8L (Mex.)			51040 ⁵³	51040XP	N/A				33199		
----------------	--	--	---------------------	---------	-----	--	--	--	-------	--	--

TRAVERSE

L4 2.0L Turbo		D	WL10290 ⁵³	WL10290XP	WA10718	24211			N/S		N/S
V6 3.6L 217 CID	LLT		WL10255	WL10255XP	WA10718	24211			N/S		N/S

TRAX

L4 1.4L Turbo			57674 ⁵⁰⁷ N/A ⁵⁰⁸	57674XP ⁵⁰⁷	WA10255	24191 ⁷⁸ 24590 ⁷⁹	24191XP ⁷⁸	3	N/S		N/A
L4 1.8L 1796cc (Mex.)	2H0		57674 ⁵⁰⁷ N/A ⁵⁰⁸	57674XP ⁵⁰⁷	WA10255	24590					N/A

VOLT

L4 1.5L HYBRID			WL10290 ⁵³	WL10290XP	WA10423	24211			N/S		N/A
----------------	--	--	-----------------------	-----------	---------	-------	--	--	-----	--	-----

2017

AVEO

L4 1.6L 1598cc (Mex.)			51040 ⁵³	51040XP	42831	24685			33850		
-----------------------	--	--	---------------------	---------	-------	-------	--	--	-------	--	--

Bolt EV

Electric			N/R		N/S	24211			N/R		N/S
----------	--	--	-----	--	-----	-------	--	--	-----	--	-----

CAMARO

L4 2.0L Turbo		D	WL10290 ⁵³	WL10290XP	49830	24211			N/A		N/A
V6 3.6L 3600CC 220CID	LGX	S	WL10412		49830	24211			N/S		N/A
V8 6.2L 376 CID			WL10290 ⁵³	WL10290XP	WA10560	24211		1	N/S		N/A
V8 6.2L 376 CID Super Charged		P	WL10290 ⁵³	WL10290XP	WA10560	24211		1	N/S		N/A

CAPRICE

V6 3.6L 217 CID	LFX	3	57090	57090XP	49873	49248		1	N/S		WL10385
V8 6.0L 5967cc 364 CID Flex	L77	2	57060 ⁵³	57060XP	49873	49248		1	N/S		WL10385

CHEYENNE

V8 5.3L (Mex.)			57045 - Short 57060 - Long	57045XP - Short 57060XP - Long	42487	WP10129	WP10129XP		33481		
V8 6.2L 6162cc 376 CID (Mex.)	L86		57045 - Short 57060 - Long	57045XP - Short 57060XP - Long	42487	N/S			N/S		

CITY EXPRESS

L4 2.0L	LOA	3	51358 ⁵³	51358XP	49225	N/R			N/S		
---------	-----	---	---------------------	---------	-------	-----	--	--	-----	--	--

COLORADO

L4 2.8L 2800CC 171CID Turbo Diesel		F	WL10286		WA10427	WP10192			WF10226		N/A - 6L50
L4 2.5L 153 CID			WL10290 ⁵³	WL10290XP	WA10256	WP10192			N/S		N/A - 6L50
V6 3.6L 217 CID			57674	57674XP	WA10256	WP10192			N/S		N/A - 6L50

CORVETTE

V8 6.2L 376 CID	LT1	7	WL10290 ⁵³	WL10290XP	WA10171	24480 ⁷⁸			N/S		N/A
V8 6.2L 376 CID Super Charged	LT4	6	WL10290 ⁵³	WL10290XP	WA10171	24480 ⁷⁸			N/S		N/A

CRUZE

L4 1.4L 85 CID Turbo	LE2		WL10290 ⁵³	WL10290XP	WA10646	24211			N/S		N/A
L4 1.6L Turbo Diesel			WL10331		WA10681	24211			WF10451		N/A

EQUINOX

L4 2.4L 145 CID	LEA		57082	57082XP	49727	24013	24013XP	3	N/S		N/S
L4 2.4L 145 CID Flex	LEA		57082	57082XP	49727	24013	24013XP	3	N/S		N/S
V6 3.6L 217 CID	LFX	3	WL10255	WL10255XP	49727	24013	24013XP	3	N/S		N/S
V6 3.6L 217 CID Flex	LFX	3	WL10255	WL10255XP	49727	24013	24013XP	3	N/S		N/S

N/A = Not Available N/R = Not Required N/S = Not Serviceable For cabin and fuel filter locator, see pages 5-15 See pages 16-19 for footnotes

N/A = Non disponible N/R = Non nécessaire N/S = Non réparable Para la ubicación de los filtros de aire de la cabina y de combustible, ver las páginas 5-15 Voir pages 16-19 pour des notes

N/A = No disponible N/R = No requiere N/S = No servible Voir les tableaux de repérage des filtres d'habitacle et à carburant aux pages 5-15 Ver las páginas 16-19 para las notas al pie de página

Italicized Part Numbers May Not Be Available. Wix XP Oil Filters Have Fully Synthetic Media.

Las piezas con números en *italicas* pueden no estar disponibles. Los filtros de aceite WIX XP son completamente de media sintética.

Les numéros de pièce en *italiques* peuvent ne pas être disponibles. Les filtres à huile Wix contiennent un matériau 100 % synthétique.

CHEVROLET 2017
Pass Car/Light Truck

Year/Año/Année Model/Modelo/Modèle Engine/Motor/Moteur	Eng. Code Código de motor Code moteur	VIN NIV NIV	Oil Aceite Huile	Oil XP Aceite XP Huile XP	Air Aire Air	Cabin Air Cabina Aire Cabine Air	Cabin Air XP Cabina Aire XP Cabine Air XP	Loc. Cabin Air Cabina Aire Cabine Air	Fuel Combustible Carburant	Loc. Fuel Combustible Carburant	Transmission Transmisión Transmission
--	---	-------------------	------------------------	---------------------------------	--------------------	--	---	--	----------------------------------	--	---

CHEVROLET (Cont'd/Suite)
2017 (Cont'd/Suite)
EXPRESS 2500

L4 2.8L 2800CC 171CID Turbo Diesel			WL10371		WA10655	N/R			WF10509		58369 - 6L90 N/A - 8L90
V8 4.8L 294 CID Flex	L20	F	57060 ⁵³	57060XP	46573	N/R			N/S		58369 - 6L90
V8 6.0L 364 CID CNG	LC8	B	57060 ⁵³	57060XP	46573	N/R			N/S		58369 - 6L90
V8 6.0L 5967cc 364 CID Flex	L96	G	57060 ⁵³	57060XP	46573	N/R			N/S		58369 - 6L90

EXPRESS 3500

L4 2.8L 2800CC 171CID Turbo Diesel			WL10371		WA10655	N/R			WF10509		58369 - 6L90 N/A - 8L90
V8 4.8L 294 CID Flex	L20	F	57060 ⁵³	57060XP	46573	N/R			N/S		58369 - 6L90
V8 6.0L 5967cc 364 CID CNG	LC8	B	57060 ⁵³	57060XP	46573	N/R			N/S		58369 - 6L90
V8 6.0L 5967cc 364 CID Flex	L96	G	57060 ⁵³	57060XP	46573	N/R			N/S		N/A

EXPRESS 4500

V8 6.0L 5967cc 364 CID CNG	LC8	B	57060 ⁵³	57060XP	46573	N/R			N/S		58369 - 6L90
V8 6.0L 5967cc 364 CID Flex	L96	G	57060 ⁵³	57060XP	46573	N/R			N/S		N/A

IMPALA

L4 2.5L 2457cc	LCV		WL10290 ⁵³	WL10290XP	WA10254	24211 ⁷⁸			N/S		N/R
V6 3.6L 3600CC 220CID	LFX		WL10255	WL10255XP	WA10039	WP10192			N/S		N/S

LCF 3500

V8 6.0L 364 CID			57060 ⁵³	57060XP	46932	N/R			N/S		58369 - 6L90
-----------------	--	--	---------------------	---------	-------	-----	--	--	-----	--	--------------

MALIBU

L4 1.5L 91 CID Turbo			WL10290 ⁵³	WL10290XP	WA10414	24211			N/S		N/A
L4 1.8L 110 CID Electric/Gas			57674 ⁵⁰⁷ N/A ⁵⁰⁸	57674XP ⁵⁰⁷	WA10414	24211			N/S		N/A
L4 2.0L 1998cc 122 CID Turbo	LTG	X	WL10290 ⁵³	WL10290XP	WA10419	24211		3	N/S		N/A

S10 PICKUP

L4 2.5L 151 CID (Mex.)			57060 ⁵³	57060XP	WA10340	N/A			33199		N/A
------------------------	--	--	---------------------	---------	---------	-----	--	--	-------	--	-----

SILVERADO 1500

V6 4.3L 262 CID Flex	LV3		WL10255	WL10255XP	42487 ²⁸⁴ 42488 ¹⁵⁵ 42488FR ³⁶⁰	WP10129	WP10129XP		N/S		N/A - 6L80
V8 5.3L 5328cc FlexP*			WL10255	WL10255XP	42487 ²⁸⁴ 42488 ¹⁵⁵ 42488FR ³⁶⁰	WP10129	WP10129XP		N/S		N/A
V8 5.3L 5328cc 325 CID Electric/GasP*			WL10255	WL10255XP	42487 ²⁸⁴ 42488 ¹⁵⁵ 42488FR ³⁶⁰	WP10129	WP10129XP		N/S		N/R - 8L90 N/A - 8 Spd.
V8 5.3L 5328cc 325 CID P*			WL10255	WL10255XP	42487 ²⁸⁴ 42488 ¹⁵⁵ 42488FR ³⁶⁰	WP10129	WP10129XP		N/S		N/A
V8 6.2L 6162cc 376 CID	L86		WL10255	WL10255XP	42487 ²⁸⁴ 42488 ¹⁵⁵ 42488FR ³⁶⁰	WP10129	WP10129XP		N/S		N/A

SILVERADO 1500 Hybrid

V8 5.3L 5300CC 325CID eAssist	Hybrid eAssist		WL10255	WL10255XP	42487 ²⁸⁴ 42488 ¹⁵⁵ 42488FR ³⁶⁰	WP10129	WP10129XP		N/S		N/R - 8L90 N/A - 8L90
-------------------------------	----------------	--	---------	-----------	--	---------	-----------	--	-----	--	--------------------------

SILVERADO 2500HD

V8 6.6L 6599CC 403CID Turbo Diesel	L5P		57202 ⁵³	57202XP	WA10695	WP10129	WP10129XP		WF10451		N/A 57701
V8 6.0L 5967cc 364 CID Flex	L96	G	57060 ⁵³	57060XP	42487 ²⁸⁴ 42488 ¹⁵⁵ 42488FR ³⁶⁰	WP10129	WP10129XP		N/S		58369 - 6L90

SILVERADO 3500HD

V8 6.6L 6599CC 403CID Turbo Diesel	L5P		57202 ⁵³	57202XP	WA10695	WP10129	WP10129XP		WF10451		57701 N/A
V8 6.0L 5967cc 364 CID Flex	L96		57060	57060XP	42487 ²⁸⁴ 42488 ¹⁵⁵ 42488FR ³⁶⁰	WP10129	WP10129XP		N/S		58369 - 6L90

N/A = Not Available N/R = Not Required N/S = Not Serviceable For cabin and fuel filter locator, see pages 5-15 See pages 16-19 for footnotes

N/A = Non disponible N/R = Non nécessaire N/S = Non réparable Para la ubicación de los filtros de aire de la cabina y de combustible, ver las páginas 5-15 Voir pages 16-19 pour des notes

N/A = No disponible N/R = No requiere N/S = No servible Voir les tableaux de repérage des filtres d'habitacle et à carburant aux pages 5-15 Ver las páginas 16-19 para las notas al pie de página

Italicized Part Numbers May Not Be Available. Wix XP Oil Filters Have Fully Synthetic Media.

Las piezas con números en *italicas* pueden no estar disponibles. Los filtros de aceite WIX XP son completamente de media sintética. Les numéros de pièce en *italiques* peuvent ne pas être disponibles. Les filtres à huile XP Wix contiennent un matériau 100 % synthétique.

Year/Año/Année Model/Modelo/Modèle Engine/Motor/Moteur	Eng. Code Código de motor Code moteur	VIN NIV NIV	Oil Aceite Huile	Oil XP Aceite XP Huile XP	Air Aire Air	Cabin Air Cabina Aire Cabine Air	Cabin Air XP Cabina Aire XP Cabine Air XP	Loc. Cabin Air Cabina Aire Cabine Air	Fuel Combustible Carburant	Loc. Fuel Combustible Carburant	Transmission Transmisión Transmission
--	---	-------------------	------------------------	---------------------------------	--------------------	--	---	--	----------------------------------	--	---

CHEVROLET (Cont'd/Suite)

2017 (Cont'd/Suite)

SONIC

L4 1.4L 1364cc 83 CID Turbo	LUV	B	57674 ⁵⁰⁷ N/A ⁵⁰⁸	57674XP ⁵⁰⁷	49590	24590 - w/AC 24191 - w/o AC	24191XP - w/o AC	3	33850		N/S
L4 1.6L 1598cc (Mex.)			57674 ⁵⁰⁷ N/A ⁵⁰⁸	57674XP ⁵⁰⁷	49590				33425		
L4 1.8L 1796cc 110 CID	LWE	G	57674 ⁵⁰⁷ N/A ⁵⁰⁸	57674XP ⁵⁰⁷	49590	24590 ⁷⁹ - w/AC 24191 ⁷⁸ - w/o AC	24191XP ⁷⁸ - w/o AC	3	33850		N/S
L4 1.8L 1796cc 110 CID Flex	LUW		57674 ⁵⁰⁷ N/A ⁵⁰⁸	57674XP ⁵⁰⁷	49590	24590 ⁷⁹ - w/AC 24191 ⁷⁸ - w/o AC	24191XP ⁷⁸ - w/o AC	3	33850		N/S

SPARK

L4 1.4L 85 CID	LV7	A	WL10290 ⁵³	WL10290XP	WA10415	24191	24191XP		N/S		N/S
----------------	-----	---	-----------------------	-----------	---------	-------	---------	--	-----	--	-----

SPARK CLASSIC

L4 1.2L 1206cc (Mex.)			WL10001		WA9672	N/S			N/R		N/S
-----------------------	--	--	---------	--	--------	-----	--	--	-----	--	-----

SS

V8 6.2L 376 CID	LS3	W	57060 ⁵³	57060XP	49873	49248			N/S		WL10385
-----------------	-----	---	---------------------	---------	-------	-------	--	--	-----	--	---------

SUBURBAN (ALL)

V8 5.3L 325 CID Flex	L83		WL10255	WL10255XP	42487 ²⁸⁴ 42488 ¹⁵⁵ 42488FR ³⁶⁰	WP10129	WP10129XP		N/S		N/A - 6L80
----------------------	-----	--	---------	-----------	--	---------	-----------	--	-----	--	------------

Suburban 3500 HD

V8 6.0L 5967cc 364 CID Flex	L77		57060 ⁵³	57060XP	42487 ²⁸⁴ 42488 ¹⁵⁵ 42488FR ³⁶⁰	WP10129	WP10129XP		N/S		N/S
-----------------------------	-----	--	---------------------	---------	--	---------	-----------	--	-----	--	-----

TAHOE

V8 5.3L 325 CID Flex	L83	C	WL10255	WL10255XP	42487 ²⁸⁴ 42488 ¹⁵⁵ 42488FR ³⁶⁰	WP10129	WP10129XP		N/S		N/A - 6L80
----------------------	-----	---	---------	-----------	--	---------	-----------	--	-----	--	------------

TORNADO

L4 1.8L (Mex.)			51040 ⁵³	51040XP	N/A				33199		
----------------	--	--	---------------------	---------	-----	--	--	--	-------	--	--

TRAVERSE

V6 3.6L 217 CID	LLT	D	WL10255	WL10255XP	49634	WP10074			N/S		N/S
-----------------	-----	---	---------	-----------	-------	---------	--	--	-----	--	-----

TRAX

L4 1.4L 1364cc 83 CID Turbo	LUV		57674 ⁵⁰⁷ N/A ⁵⁰⁸	57674XP ⁵⁰⁷	WA10255	24191 ⁷⁸ 24590 ⁷⁹	24191XP ⁷⁸	3	N/S		N/A
L4 1.8L 1796cc (Mex.)	2H0		57674 ⁵⁰⁷ N/A ⁵⁰⁸	57674XP ⁵⁰⁷	WA10255	24590					N/A

VOLT

L4 1.5L HYBRID			WL10290 ⁵³	WL10290XP	WA10423	24211			N/S		N/A
----------------	--	--	-----------------------	-----------	---------	-------	--	--	-----	--	-----

2016

AVEO

L4 1.6L 1598cc (Mex.)			51040 ⁵³	51040XP	42831	24685			33850		
-----------------------	--	--	---------------------	---------	-------	-------	--	--	-------	--	--

CAMARO

L4 2.0L 122 CID Turbo			WL10290 ⁵³	WL10290XP	49830	24211			N/S		N/A
V6 3.6L 3600CC 220CID	LGX	S	WL10412		49830	24211			N/S		N/S
V8 6.2L 376 CID	LT1	7	WL10290 ⁵³	WL10290XP	49475	24211			N/S		N/A

CAPRICE

V6 3.6L 217 CID	LFX	3	57090	57090XP	49873	49248		1	N/S		WL10385
V8 6.0L 5967cc 364 CID Flex	L77	2	57060 ⁵³	57060XP	49873	49248		1	N/S		WL10385

CHEYENNE

V8 5.3L (Mex.)			57045 - Short 57060 - Long	57045XP - Short 57060XP - Long	42487	WP10129	WP10129XP		33481		
V8 6.2L 6162cc 376 CID (Mex.)	L86		57045 - Short 57060 - Long	57045XP - Short 57060XP - Long	42487	N/S			N/S		

CITY EXPRESS

L4 2.0L	LOA	3	51358 ⁵³	51358XP	49225	N/R			N/S		
---------	-----	---	---------------------	---------	-------	-----	--	--	-----	--	--

COLORADO

L4 2.5L 153 CID			WL10290 ⁵³	WL10290XP	WA10256	WP10192			N/S		N/A - 6L50
-----------------	--	--	-----------------------	-----------	---------	---------	--	--	-----	--	------------

N/A = Not Available N/R = Not Required N/S = Not Serviceable For cabin and fuel filter locator, see pages 5-15 See pages 16-19 for footnotes

N/A = Non disponible N/R = Non nécessaire N/S = Non réparable Para la ubicación de los filtros de aire de la cabina y de combustible, ver las páginas 5-15 Voir pages 16-19 pour des notes

N/A = No disponible N/R = No requiere N/S = No servible Voir les tableaux de repérage des filtres d'habitacle et à carburant aux pages 5-15 Ver las páginas 16-19 para las notas al pie de página

Italicized Part Numbers May Not Be Available. Wix XP Oil Filters Have Fully Synthetic Media.

Las piezas con números en *italicas* pueden no estar disponibles. Los filtros de aceite WIX XP son completamente de media sintética.

Les numéros de pièce en *italiques* peuvent ne pas être disponibles. Les filtres à huile Wix contiennent un matériau 100 % synthétique.

CHEVROLET 2016
Pass Car/Light Truck

Year/Año/Année Model/Modelo/Modèle Engine/Motor/Moteur	Eng. Code Código de motor Code moteur	VIN NIV NIV	Oil Aceite Huile	Oil XP Aceite XP Huile XP	Air Aire Air	Cabin Air Cabin Air Cabine Air	Cabin Air XP Cabina Aire XP Cabine Air XP	Loc. Cabin Air Cabina Aire Cabine Air	Fuel Combustible Carburant	Loc. Fuel Combustible Carburant	Transmission Transmisión Transmission
--	---	-------------------	------------------------	---------------------------------	--------------------	--------------------------------------	---	--	----------------------------------	--	---

CHEVROLET (Cont'd/Suite)
2016 (Cont'd/Suite)
COLORADO (Cont'd/Suite)

L4 2.8L 171 CID Diesel			WL10286		WA10427	WP10192			WF10226		N/A - 6L50
V6 3.6L 217 CID			57090	57090XP	WA10256	WP10192			N/S		N/A - 6L50

CORVETTE

V8 6.2L 376 CID	LT1	7	WL10290 ⁵³	WL10290XP	WA10171	24480 ⁷⁸			N/S		N/A
V8 6.2L 376 CID Super Charged	LT4	6	WL10290 ⁵³	WL10290XP	WA10171	24480 ⁷⁸			N/S		N/A

CRUZE

L4 1.4L 85 CID Turbo	LE2		WL10290 ⁵³	WL10290XP	49739 ²¹⁴ WA10646 ²⁰⁶	24211		3	N/S		N/S
----------------------	-----	--	-----------------------	-----------	--	-------	--	---	-----	--	-----

CRUZE LIMITED

L4 1.4L 1364cc 83 CID Turbo	LUV		57674 ⁵⁰⁷ N/A ⁵⁰⁸	57674XP ⁵⁰⁷	49739	24191 ⁷⁸ 24590 ⁷⁹	24191XP ⁷⁸	3	N/S		N/A
L4 1.8L 1796cc 110 CID	LWE	G	57674 ⁵⁰⁷ N/A ⁵⁰⁸	57674XP ⁵⁰⁷	WA9742	24191 ⁷⁸ 24590 ⁷⁹	24191XP ⁷⁸	3	N/S		N/S
L4 1.8L 1796cc 110 CID Flex	LUW		57674 ⁵⁰⁷ N/A ⁵⁰⁸	57674XP ⁵⁰⁷	WA9742	24191 ⁷⁸ 24590 ⁷⁹	24191XP ⁷⁸	3	N/S		N/S

EQUINOX

L4 2.4L 145 CID	LEA		57082	57082XP	49727	24013	24013XP	3	N/S		N/S
L4 2.4L 145 CID Flex	LEA		57082	57082XP	49727	24013	24013XP	3	N/S		N/S
V6 3.6L 217 CID	LFX	3	WL10255	WL10255XP	49727	24013	24013XP	3	N/S		N/S
V6 3.6L 217 CID Flex	LFX	3	WL10255	WL10255XP	49727	24013	24013XP	3	N/S		N/S

EXPRESS 2500

V8 4.8L 294 CID Flex	L20	F	57060 ⁵³	57060XP	46573	N/R			N/S		58369 - 6L90
V8 6.0L 364 CID CNG	LC8	B	57060 ⁵³	57060XP	46573	N/R			N/S		58369 - 6L90
V8 6.0L 5967cc 364 CID Flex	L96	G	57060 ⁵³	57060XP	46573	N/R			N/S		58369 - 6L90
V8 6.6L 400 CID Turbo Diesel	LGH	L	57202 ⁵³	57202XP	49154	N/R			WF10122		57701

EXPRESS 3500

V8 4.8L 294 CID Flex	L20	F	57060 ⁵³	57060XP	46573	N/R			N/S		58369 - 6L90
V8 6.0L 5967cc 364 CID CNG	LC8	B	57060 ⁵³	57060XP	46573	N/R			N/S		58369 - 6L90
V8 6.0L 5967cc 364 CID Flex	L96	G	57060 ⁵³	57060XP	46573	N/R			N/S		N/A
V8 6.6L 400 CID Turbo Diesel	LGH	L	57202 ⁵³	57202XP	49154	N/R			WF10122		57701

EXPRESS 4500

V8 6.0L 5967cc 364 CID CNG	LC8	B	57060 ⁵³	57060XP	46573	N/R			N/S		58369 - 6L90
V8 6.0L 5967cc 364 CID Flex	L96	G	57060 ⁵³	57060XP	46573	N/R			N/S		N/A
V8 6.6L 400 CID Turbo Diesel	LGH	L	57202 ⁵³	57202XP	49154	N/R			WF10122		57701

IMPALA

L4 2.5L 2457cc	LCV	A	WL10290 ⁵³	WL10290XP	WA10254	24211 ⁷⁹			N/S		N/R
V6 3.6L 217 CID BI-Fuel		N	WL10255	WL10255XP	WA10039	24211 ⁷⁹			N/S		N/S
V6 3.6L 217 CID Flex	LFX	3	WL10255	WL10255XP	WA10039	24211 ⁷⁹		1	N/S		N/S

IMPALA LIMITED

V6 3.6L 217 CID Flex	LFX	3	WL10255 WL10290 ⁵³ - Police	WL10255XP WL10290XP - Police	49288	24780	24780XP	1	N/S		N/S
----------------------	-----	---	---	---------------------------------	-------	-------	---------	---	-----	--	-----

LCF 3500

V8 6.0L 364 CID			57060 ⁵³	57060XP		N/R			N/S		58369 - 6L90
-----------------	--	--	---------------------	---------	--	-----	--	--	-----	--	--------------

MALIBU

L4 1.5L 91 CID			WL10290 ⁵³	WL10290XP	WA10414	24211			N/S		N/A
L4 1.8L 110 CID Electric/Gas			57674 ⁵⁰⁷ N/A ⁵⁰⁸	57674XP ⁵⁰⁷	WA10414	24211			N/S		N/A
L4 2.0L 1998cc 122 CID Turbo	LTG	X	WL10290 ⁵³	WL10290XP	WA10419	24211		3	N/S		N/S

MALIBU LIMITED

L4 2.5L 2457cc	LCV	A	WL10290 ⁵³	WL10290XP	WA10254	24590			N/S		N/S
----------------	-----	---	-----------------------	-----------	---------	-------	--	--	-----	--	-----

S10 PICKUP

L4 2.5L 151 CID (Mex.)			57060 ⁵³	57060XP	WA10340	N/A			33199		N/A
------------------------	--	--	---------------------	---------	---------	-----	--	--	-------	--	-----

N/A = Not Available N/R = Not Required N/S = Not Serviceable For cabin and fuel filter locator, see pages 5-15 See pages 16-19 for footnotes

N/A = Non disponible N/R = Non nécessaire N/S = Non réparable Para la ubicación de los filtros de aire de la cabina y de combustible, ver las páginas 5-15 Voir pages 16-19 pour des notes

N/A = No disponible N/R = No requiere N/S = No servible Voir les tableaux de repérage des filtres d'habitacle et à carburant aux pages 5-15 Ver las páginas 16-19 para las notas al pie de página

Italicized Part Numbers May Not Be Available. Wix XP Oil Filters Have Fully Synthetic Media.

Las piezas con números en *italicas* pueden no estar disponibles. Los filtros de aceite Wix XP son completamente de media sintética. Les numéros de pièce en *italiques* peuvent ne pas être disponibles. Les filtres à huile XP Wix contiennent un matériau 100 % synthétique.

Year/Año/Année Model/Modelo/Modèle Engine/Motor/Moteur	Eng. Code Código de motor Code moteur	VIN NIV NIV	Oil Aceite Huile	Oil XP Aceite XP Huile XP	Air Aire Air	Cabin Air Cabina Aire Cabine Air	Cabin Air XP Cabina Aire XP Cabine Air XP	Loc. Cabin Air Cabina Aire Cabine Air	Fuel Combustible Carburant	Loc. Fuel Combustible Carburant	Transmission Transmisión Transmission
--	---	-------------------	------------------------	---------------------------------	--------------------	--	---	--	----------------------------------	--	---

CHEVROLET (Cont'd/Suite)

2016 (Cont'd/Suite)

SILVERADO 1500

V6 4.3L 262 CID Flex	LV3		WL10255	WL10255XP	42487 ²⁸⁴ 42488 ¹⁵⁵ 42488FR ³⁶⁰	WP10129	WP10129XP		N/S		N/A - 6L80
V8 5.3L 5328cc 325 CID			WL10255	WL10255XP	42487 ²⁸⁴ 42488 ¹⁵⁵ 42488FR ³⁶⁰	WP10129	WP10129XP		N/S		N/A - 6L80
V8 6.2L 6162cc 376 CID	L86		WL10255	WL10255XP	42487 ²⁸⁴ 42488 ¹⁵⁵ 42488FR ³⁶⁰	WP10129	WP10129XP		N/S		N/A

SILVERADO 1500 Hybrid

V8 5.3L 5300CC 325CID eAssist	Hybrid eAssist		WL10255	WL10255XP	42487 ²⁸⁴ 42488 ¹⁵⁵ 42488FR ³⁶⁰	WP10129	WP10129XP		N/S		N/R - 8L90 N/A - 8L90
-------------------------------	----------------	--	---------	-----------	--	---------	-----------	--	-----	--	--------------------------

SILVERADO 2500HD

V8 6.0L 5967cc 364 CID CNG		G	57060 ⁵³	57060XP	42487 ²⁸⁴ 42488 ¹⁵⁵ 42488FR ³⁶⁰	WP10129	WP10129XP		N/S		58369 - 6L90
V8 6.0L 5967cc 364 CID Flex	L96	G	57060 ⁵³	57060XP	42487 ²⁸⁴ 42488 ¹⁵⁵ 42488FR ³⁶⁰	WP10129	WP10129XP		N/S		58369 - 6L90
V8 6.6L 400 CID Turbo Diesel	LML	8	57202 ⁵³	57202XP	49314	WP10129	WP10129XP				57701 - External N/A - Internal

SILVERADO 3500HD

V8 6.0L 5967cc 364 CID CNG		G	57060 ⁵³	57060XP	42487 ²⁸⁴ 42488 ¹⁵⁵ 42488FR ³⁶⁰	WP10129	WP10129XP		N/S		58369 - 6L90
V8 6.0L 5967cc 364 CID Flex	L96	G	57060 ⁵³	57060XP	42487 ²⁸⁴ 42488 ¹⁵⁵ 42488FR ³⁶⁰	WP10129	WP10129XP		N/S		58369 - 6L90
V8 6.6L 400 CID Turbo Diesel	LML	8	57202 ⁵³	57202XP	49314	WP10129	WP10129XP				57701 N/A

SONIC

L4 1.4L 1364cc 83 CID Turbo	LUV	B	57674 ⁵⁰⁷ N/A ⁵⁰⁸	57674XP ⁵⁰⁷	49590	24590 - w/AC 24191 - w/o AC	24191XP - w/o AC	3	33850		N/S
L4 1.6L 1598cc (Mex.)			57674 ⁵⁰⁷ N/A ⁵⁰⁸	57674XP ⁵⁰⁷	49590				33425		
L4 1.8L 1796cc 110 CID	LWE	G	57674 ⁵⁰⁷ N/A ⁵⁰⁸	57674XP ⁵⁰⁷	49590	24590 ⁷⁹ - w/AC 24191 ⁷⁸ - w/o AC	24191XP ⁷⁸ - w/o AC	3	33850		N/S
L4 1.8L 1796cc 110 CID Flex	LUW		57674 ⁵⁰⁷ N/A ⁵⁰⁸	57674XP ⁵⁰⁷	49590	24590 ⁷⁹ - w/AC 24191 ⁷⁸ - w/o AC	24191XP ⁷⁸ - w/o AC	3	33850		N/S

SPARK

L4 1.4L 85 CID	LV7	A	WL10290 ⁵³	WL10290XP	WA10415	24191	24191XP		N/S		N/S
----------------	-----	---	-----------------------	-----------	---------	-------	---------	--	-----	--	-----

SPARK CLASSIC

L4 1.2L 1206cc (Mex.)			WL10001		WA9672	N/S			N/R		N/S
-----------------------	--	--	---------	--	--------	-----	--	--	-----	--	-----

SPARK EV

130 HP/97 KW ELECTRIC Electric<>			N/R		N/R	24191	24191XP		N/R		N/A
----------------------------------	--	--	-----	--	-----	-------	---------	--	-----	--	-----

SS

V8 6.2L 376 CID	LS3	W	57060 ⁵³	57060XP	49873	49248			N/S		WL10385
-----------------	-----	---	---------------------	---------	-------	-------	--	--	-----	--	---------

SUBURBAN (ALL)

V8 5.3L 325 CID Flex	L83		WL10255	WL10255XP	42487 ²⁸⁴ 42488 ¹⁵⁵ 42488FR ³⁶⁰	WP10129	WP10129XP		N/S		N/A - 6L80
----------------------	-----	--	---------	-----------	--	---------	-----------	--	-----	--	------------

Suburban 3500 HD

V8 6.0L 5967cc 364 CID Flex	L77		57060 ⁵³	57060XP	42487 ²⁸⁴ 42488 ¹⁵⁵ 42488FR ³⁶⁰	WP10129	WP10129XP		N/S		N/S
-----------------------------	-----	--	---------------------	---------	--	---------	-----------	--	-----	--	-----

N/A = Not Available N/R = Not Required N/S = Not Serviceable For cabin and fuel filter locator, see pages 5-15 See pages 16-19 for footnotes

N/A = Non disponible N/R = Non nécessaire N/S = Non réparable Para la ubicación de los filtros de aire de la cabina y de combustible, ver las páginas 5-15 Voir pages 16-19 pour des notes

N/A = No disponible N/R = No requiere N/S = No servible Voir les tableaux de repérage des filtres d'habitacle et à carburant aux pages 5-15 Ver las páginas 16-19 para las notas al pie de página

Italicized Part Numbers May Not Be Available. Wix XP Oil Filters Have Fully Synthetic Media.

Las piezas con números en *italicas* pueden no estar disponibles. Los filtros de aceite WIX XP son completamente de media sintética.

Les numéros de pièce en *italiques* peuvent ne pas être disponibles. Les filtres à huile Wix contiennent un matériau 100 % synthétique.

CHEVROLET 2016-2015
Pass Car/Light Truck

Year/Año/Année Model/Modelo/Modèle Engine/Motor/Moteur	Eng. Code Código de motor Code moteur	VIN NIV NIV	Oil Aceite Huile	Oil XP Aceite XP Huile XP	Air Aire Air	Cabin Air Cabina Aire Cabine Air	Cabin Air XP Cabina Aire XP Cabine Air XP	Loc. Cabin Air Cabina Aire Cabine Air	Fuel Combustible Carburant	Loc. Fuel Combustible Carburant	Transmission Transmisión Transmission
--	---	-------------------	------------------------	---------------------------------	--------------------	--	---	--	----------------------------------	--	---

CHEVROLET (Cont'd/Suite)
2016 (Cont'd/Suite)
TAHOE

V8 5.3L 325 CID Flex	L83	C	WL10255	WL10255XP	42487 ²⁸⁴ 42488 ¹⁵⁵ 42488FR ³⁶⁰	WP10129	WP10129XP		N/S		N/A - 6L80
----------------------	-----	---	---------	-----------	--	---------	-----------	--	-----	--	------------

TORNADO

L4 1.8L (Mex.)			51040 ⁵³	51040XP	N/A				33199		
----------------	--	--	---------------------	---------	-----	--	--	--	-------	--	--

TRAVERSE

V6 3.6L 217 CID	LLT	D	WL10255	WL10255XP	49634	WP10074			N/S		N/S
-----------------	-----	---	---------	-----------	-------	---------	--	--	-----	--	-----

TRAX

L4 1.4L 1364cc 83 CID Turbo	LUV		57674 ⁵⁰⁷ N/A ⁵⁰⁸	57674XP ⁵⁰⁷	WA10255	24191 ⁷⁸ 24590 ⁷⁹	24191XP ⁷⁸	3	N/S		N/A
L4 1.8L 1796cc (Mex.)	2H0		57674 ⁵⁰⁷ N/A ⁵⁰⁸	57674XP ⁵⁰⁷	WA10255	24590					N/A

VOLT

L4 1.5L Electric/Gas	L3A	5	WL10290 ⁵³	WL10290XP	WA10423	24211			N/S		N/A
----------------------	-----	---	-----------------------	-----------	---------	-------	--	--	-----	--	-----

2015
AVEO

L4 1.6L 1598cc (Mex.)			51040 ⁵³	51040XP	42831	24685			33850		
-----------------------	--	--	---------------------	---------	-------	-------	--	--	-------	--	--

CAMARO

V6 3.6L 217 CID	LFX	3	57090	57090XP	49475	24014		1	N/S		58931
-----------------	-----	---	-------	---------	-------	-------	--	---	-----	--	-------

CAMARO SS

V8 6.2L 376 CID	L99	J	57060 ⁵³	57060XP	49475	24014			N/S		58931
	LS3	W	57060 ⁵³	57060XP	49475	24014			N/S		58931

CAMARO Z28

V8 7.0L 7011cc 427 CID	LS7	E	57060 ⁵³	57060XP	N/A	24014		1	N/S		N/A
------------------------	-----	---	---------------------	---------	-----	-------	--	---	-----	--	-----

CAMARO ZL1

V8 6.2L 376 CID Super Charged	LSA	P	57060 ⁵³	57060XP	49651	24014		1	N/S		N/A
-------------------------------	-----	---	---------------------	---------	-------	-------	--	---	-----	--	-----

CAPRICE PPV

V6 3.6L 217 CID	LFX	3	57090	57090XP	49873	49248		1	N/S		WL10385
V8 6.0L 5967cc 364 CID Flex	L77	2	57060 ⁵³	57060XP	49873	49248		1	N/S		WL10385

CAPTIVA SPORT

L4 2.4L 145 CID Flex	LEA	K	57082	57082XP	49102	24013	24013XP		N/S		N/A
V6 3.0L 182 CID	LFW	5	WL10255	WL10255XP	49102	24013	24013XP	3	N/S		N/A
V6 3.0L 182 CID (Mex.)			N/A		N/A	WP2030			33425		

CHEYENNE

V8 5.3L 5328cc 325 CID Flex (Mex.)	LC9		57060 ⁵³	57060XP	42487				33481		58847
V8 6.2L 6162cc 376 CID (Mex.)	L86		57045 - Short 57060 - Long	57045XP - Short 57060XP - Long	42487	N/S			N/S		

CITY EXPRESS

L4 2.0L	LOA	3	51358 ⁵³	51358XP	49225	N/R			N/S		
L4 2.0L 1997cc		3	51358 ⁵³	51358XP	49225	N/R			N/S		N/S

COLORADO

L4 2.5L 153 CID			WL10290 ⁵³	WL10290XP	WA10256	WP10192			N/S		N/A - 6L50
V6 3.6L 217 CID			57090	57090XP	WA10256	WP10192			N/S		N/A - 6L50

CORVETTE

V8 6.2L 6162cc 376CID Super Charged (Mex.)			WL10290 ⁵³	WL10290XP	N/A	N/A			N/S		
--	--	--	-----------------------	-----------	-----	-----	--	--	-----	--	--

CORVETTE Stingray

V8 6.2L 376 CID	LT1	7	WL10290 ⁵³	WL10290XP	WA10171	24480		1	N/S		N/A
-----------------	-----	---	-----------------------	-----------	---------	-------	--	---	-----	--	-----

CRUZE

L4 1.4L 1364cc 83 CID Turbo	LUV		57674 ⁵⁰⁷ N/A ⁵⁰⁸	57674XP ⁵⁰⁷	49739	24590		3	N/S		N/S
L4 1.8L 1796cc 110 CID			57674 ⁵⁰⁷ N/A ⁵⁰⁸	57674XP ⁵⁰⁷	WA9742	24590		3	N/S		N/S

N/A = Not Available N/R = Not Required N/S = Not Serviceable For cabin and fuel filter locator, see pages 5-15 See pages 16-19 for footnotes

N/A = Non disponible N/R = Non nécessaire N/S = Non réparable Para la ubicación de los filtros de aire de la cabina y de combustible, ver las páginas 5-15 Voir pages 16-19 pour des notes

N/A = No disponible N/R = No requiere N/S = No servible Voir les tableaux de repérage des filtres d'habitacle et à carburant aux pages 5-15 Ver las páginas 16-19 para las notas al pie de página

Italicized Part Numbers May Not Be Available. Wix XP Oil Filters Have Fully Synthetic Media.

Las piezas con números en *italicas* pueden no estar disponibles. Los filtros de aceite WIX XP son completamente de media sintética. Les numéros de pièce en *italiques* peuvent ne pas être disponibles. Les filtres à huile XP Wix contiennent un matériau 100 % synthétique.

Year/Año/Année Model/Modelo/Modèle Engine/Motor/Moteur	Eng. Code Código de motor Code moteur	VIN NIV NIV	Oil Aceite Huile	Oil XP Aceite XP Huile XP	Air Aire Air	Cabin Air Cabina Aire Cabine Air	Cabin Air XP Cabina Aire XP Cabine Air XP	Loc. Cabin Air Cabina Aire Cabine Air	Fuel Combustible Carburant	Loc. Fuel Combustible Carburant	Transmission Transmisión Transmission
--	---	-------------------	------------------------	---------------------------------	--------------------	--	---	--	----------------------------------	--	---

CHEVROLET (Cont'd/Suite)

2015 (Cont'd/Suite)

CRUZE (Cont'd/Suite)

L4 1.8L 1796cc 110 CID Flex			57674 ⁵⁰⁷ N/A ⁹⁰⁸	57674XP ⁵⁰⁷	WA9742	24590		3	N/S		N/S
L4 2.0L 1956cc 119 CID Turbo Diesel	LUZ	Z	WL10021		49739	24590			WF10451		N/S

EQUINOX

L4 2.4L 145 CID	LEA		57082	57082XP	49727	24013	24013XP	3	N/S		N/S
L4 2.4L 145 CID Flex	LEA		57082	57082XP	49727	24013	24013XP	3	N/S		N/S
V6 3.6L 217 CID	LFX	3	WL10255	WL10255XP	49727	24013	24013XP	3	N/S		N/S
V6 3.6L 217 CID Flex	LFX	3	WL10255	WL10255XP	49727	24013	24013XP	3	N/S		N/S

EXPRESS VAN (UP TO 4500 SERIES)

V8 4.8L 294 CID Flex	L20	A	57060 ⁵³	57060XP	46573	N/R			N/S		58369 - 6L90
V8 6.0L 5967cc 364 CID CNG	LC8	G	57060 ⁵³	57060XP	46573	N/R			N/S		58369 - 6L90
V8 6.0L 5967cc 364 CID Flex	L96	G	57060 ⁵³	57060XP	46573	N/R			N/S		58369 - 6L90
V8 6.6L 400 CID Turbo Diesel	LGH	L	57202 ⁵³	57202XP	49154	N/R			WF10122		58369 - 6L90

IMPALA

L4 2.5L 2457cc 153 CID	LKW	A	WL10290 ⁵³	WL10290XP	WA10254	24211			N/S		N/S
V6 3.6L 217 CID BI-Fuel		N	WL10255	WL10255XP	WA10039	24211			N/S		N/S
V6 3.6L 217 CID Flex	LFX	3	WL10255	WL10255XP	WA10039	24211		1	N/S		N/S

IMPALA LIMITED

V6 3.6L 217 CID Flex	LFX	3	WL10255 WL10290 ⁵³ - Police	WL10255XP WL10290XP - Police	WA10039 ²⁰⁶ 49288 ²¹⁴	24780	24780XP	1	N/S		N/S
----------------------	-----	---	---	---------------------------------	--	-------	---------	---	-----	--	-----

MALIBU

L4 2.0L 1998cc 122 CID Turbo	LTG	X	WL10290 ⁵³	WL10290XP	WA10253	24191	24191XP	3	N/S		N/R
L4 2.5L 2457cc 153 CID	LKW		WL10290 ⁵³	WL10290XP	WA10254	24191	24191XP	3	N/S		N/R

MATIZ

L4 1.0L (Mex.)			51394 ⁵³	51394XP	WA9639	N/A			33850		
----------------	--	--	---------------------	---------	--------	-----	--	--	-------	--	--

ORLANDO

L4 2.4L 145 CID Flex	LEA		57082	57082XP	49739	24191	24191XP	3	N/S		N/S
----------------------	-----	--	-------	---------	-------	-------	---------	---	-----	--	-----

SILVERADO (UP TO 3500 SERIES)

V6 4.3L 262 CID Flex	LV3		WL10255	WL10255XP	42487 ²⁸⁴ 42488 ¹⁵⁵ 42488FR ³⁶⁰	WP10129	WP10129XP		N/S		N/A - 6L80
V8 5.3L 5328cc 325 CID			WL10255	WL10255XP	42487 ²⁸⁴ 42488 ¹⁵⁵ 42488FR ³⁶⁰	WP10129	WP10129XP		N/S		N/A - 6L80
V8 6.0L 5967cc 364 CID	LC8	B	57060 ⁵³	57060XP	42487 ²⁸⁴ 42488 ¹⁵⁵ 42488FR ³⁶⁰	WP10129	WP10129XP		N/S		58369 - 6L90
V8 6.0L 5967cc 364 CID Flex	L96	G	57060 ⁵³	57060XP	42487 ²⁸⁴ 42488 ¹⁵⁵ 42488FR ³⁶⁰	WP10129	WP10129XP		N/S		58369 - 6L90
V8 6.2L 6162cc 376 CID	L86		WL10255	WL10255XP	42487 ²⁸⁴ 42488 ¹⁵⁵ 42488FR ³⁶⁰	WP10129	WP10129XP		N/S		N/A
V8 6.6L 400 CID Turbo Diesel	LML	8	57202 ⁵³	57202XP	49314	WP10129	WP10129XP				57701 - Allison-Spin-on 58970 - Allison-Pan Style

SONIC

L4 1.4L 1364cc 83 CID Turbo	LUV	B	57674 ⁵⁰⁷ N/A ⁹⁰⁸	57674XP ⁵⁰⁷	49590	24590 - w/AC 24191 - w/o AC	24191XP - w/o AC	3	N/S		N/S
L4 1.6L 1598cc (Mex.)			57674 ⁵⁰⁷ N/A ⁹⁰⁸	57674XP ⁵⁰⁷	49590				33425		
L4 1.8L 1796cc 110 CID	LWE	G	57674 ⁵⁰⁷ N/A ⁹⁰⁸	57674XP ⁵⁰⁷	49590	24590 ⁷⁹ - w/AC 24191 ⁷⁸ - w/o AC	24191XP ⁷⁸ - w/o AC	3	N/S		N/S
L4 1.8L 1796cc 110 CID Flex	LUW		57674 ⁵⁰⁷ N/A ⁹⁰⁸	57674XP ⁵⁰⁷	49590	24590 - w/AC 24191 - w/o AC	24191XP - w/o AC	3	N/S		N/S

SPARK

L4 1.2L 1206cc (Mex.)			WL10001		WA9672	WP2020			N/S		
-----------------------	--	--	---------	--	--------	--------	--	--	-----	--	--

N/A = Not Available N/R = Not Required N/S = Not Serviceable For cabin and fuel filter locator, see pages 5-15 See pages 16-19 for footnotes

N/A = Non disponible N/R = Non nécessaire N/S = Non réparable Para la ubicación de los filtros de aire de la cabina y de combustible, ver las páginas 5-15 Voir pages 16-19 pour des notes

N/A = No disponible N/R = No requiere N/S = No servible Voir les tableaux de repérage des filtres d'habitacle et à carburant aux pages 5-15 Ver las páginas 16-19 para las notas al pie de página

Italicized Part Numbers May Not Be Available. Wix XP Oil Filters Have Fully Synthetic Media.

Las piezas con números en *italicas* pueden no estar disponibles. Los filtros de aceite WIX XP son completamente de media sintética.

Les numéros de pièce en *italiques* peuvent ne pas être disponibles. Les filtres à huile Wix contiennent un matériau 100 % synthétique.

CHEVROLET 2015-2014
Pass Car/Light Truck

Year/Año/Année Model/Modelo/Modèle Engine/Motor/Moteur	Eng. Code Código de motor Code moteur	VIN NIV NIV	Oil Aceite Huile	Oil XP Aceite XP Huile XP	Air Aire Air	Cabin Air Cabina Aire Cabine Air	Cabin Air XP Cabina Aire XP Cabine Air XP	Loc. Cabin Air Cabina Aire Cabine Air	Fuel Combustible Carburant	Loc. Fuel Combustible Carburant	Transmission Transmisión Transmission
--	---	-------------------	------------------------	---------------------------------	--------------------	--	---	--	----------------------------------	--	---

CHEVROLET (Cont'd/Suite)
2015 (Cont'd/Suite)
SPARK (Cont'd/Suite)

L4 1.2L 1249cc 76 CID	LLO	9	WL10001		49264	24590 ⁷⁹ 24191 ⁷⁸	24191XP ⁷⁸	3	N/S		N/S
-----------------------	-----	---	---------	--	-------	--	-----------------------	---	-----	--	-----

SPARK EV

100 KW Electric Motor Electric		0	N/R		N/R	24590		3	N/R		N/A
--------------------------------	--	---	-----	--	-----	-------	--	---	-----	--	-----

SS

V8 6.2L 376 CID	LS3	W	57060 ⁵³	57060XP	49873	49248			N/S		N/S
-----------------	-----	---	---------------------	---------	-------	-------	--	--	-----	--	-----

SUBURBAN (ALL)

V8 5.3L 5328cc 325 CID		C	WL10255	WL10255XP	42487 ²⁸⁴ 42488 ¹⁵⁵ 42488FR ³⁶⁰	WP10129	WP10129XP		N/S		N/A - 6L80
------------------------	--	---	---------	-----------	--	---------	-----------	--	-----	--	------------

TAHOE

V8 5.3L 5328cc 325 CID		C	WL10255	WL10255XP	42487 ²⁸⁴ 42488 ¹⁵⁵ 42488FR ³⁶⁰	WP10129	WP10129XP		N/S		N/A - 6L80
------------------------	--	---	---------	-----------	--	---------	-----------	--	-----	--	------------

TORNADO

L4 1.8L (Mex.)			51040 ⁵³	51040XP	N/A				33199		
----------------	--	--	---------------------	---------	-----	--	--	--	-------	--	--

TRAVERSE

V6 3.6L 217 CID		D	WL10255	WL10255XP	49634	WP10074			N/S		N/S
-----------------	--	---	---------	-----------	-------	---------	--	--	-----	--	-----

TRAX

L4 1.4L 1364cc 83 CID Turbo	LUV		57674 ⁵⁰⁷ N/A ⁵⁰⁸	57674XP ⁵⁰⁷	WA10255	24191	24191XP	3	N/S		N/A
L4 1.8L 1796cc (Mex.)	2H0		57674 ⁵⁰⁷ N/A ⁵⁰⁸	57674XP ⁵⁰⁷	WA10255	24590					N/A

VOLT

L4 1.4L 1398cc 85 CID Electric/Gas	LUU	4	57143		49244	24590			N/S		N/A
---------------------------------------	-----	---	-------	--	-------	-------	--	--	-----	--	-----

2014
AVEO

L4 1.6L 1598cc (Mex.)			51040 ⁵³	51040XP	42831	24685			33850		
-----------------------	--	--	---------------------	---------	-------	-------	--	--	-------	--	--

CAMARO

V6 3.6L 217 CID	LFX	3	57090	57090XP	49475	24014		1	N/S		58931
-----------------	-----	---	-------	---------	-------	-------	--	---	-----	--	-------

CAMARO SS

V8 6.2L 376 CID	L99	J	57060 ⁵³	57060XP	49475	24014			N/S		58931
	LS3	W	57060 ⁵³	57060XP	49475	24014			N/S		58931

CAMARO Z28

V8 7.0L 7011cc 427 CID	LS7	E	57060 ⁵³	57060XP	N/A	24014 N/A		1	N/S		N/A
------------------------	-----	---	---------------------	---------	-----	--------------	--	---	-----	--	-----

CAMARO ZL1

V8 6.2L 376 CID Super Charged	LSA	P	57060 ⁵³	57060XP	49651	24014		1	N/S		58931
----------------------------------	-----	---	---------------------	---------	-------	-------	--	---	-----	--	-------

CAPRICE PPV

V6 3.6L 217 CID	LFX	3	57090	57090XP	49873	49248		1	N/S		WL10385
V8 6.0L 5967cc 364 CID Flex	L77	2	57060 ⁵³	57060XP	49873	49248		1	N/S		WL10385

CAPTIVA SPORT

L4 2.4L 145 CID Flex	LEA	K	57082	57082XP	49102	24013	24013XP		N/S		N/S
V6 3.0L 182 CID	LFW	5	WL10255	WL10255XP	49102	24013	24013XP	3	N/S		N/A
V6 3.0L 182 CID (Mex.)			N/A		N/A	WP2030			33425		

CHEYENNE

V8 5.3L 5328cc 325 CID Flex (Mex.)	LC9		57060 ⁵³	57060XP	42487				33481		58847
V8 6.2L 6162cc 376 CID (Mex.)	L86		57045 - Short 57060 - Long	57045XP - Short 57060XP - Long	42487	N/S			N/S		

CORVETTE

V8 6.2L 6162cc 376CID Super Charged (Mex.)			WL10290 ⁵³	WL10290XP	N/A	N/A			N/S		
---	--	--	-----------------------	-----------	-----	-----	--	--	-----	--	--

N/A = Not Available N/R = Not Required N/S = Not Serviceable For cabin and fuel filter locator, see pages 5-15 See pages 16-19 for footnotes

N/A = Non disponible N/R = Non nécessaire N/S = Non réparable Para la ubicación de los filtros de aire de la cabina y de combustible, ver las páginas 5-15 Voir pages 16-19 pour des notes

N/A = No disponible N/R = No requiere N/S = No servible Voir les tableaux de repérage des filtres d'habitacle et à carburant aux pages 5-15 Ver las páginas 16-19 para las notas al pie de página

Italicized Part Numbers May Not Be Available. Wix XP Oil Filters Have Fully Synthetic Media.

Las piezas con números en *italicas* pueden no estar disponibles. Los filtros de aceite WIX XP son completamente de media sintética. Les numéros de pièce en *italiques* peuvent ne pas être disponibles. Les filtres à huile XP Wix contiennent un matériau 100 % synthétique.

Year/Año/Année Model/Modelo/Modèle Engine/Motor/Moteur	Eng. Code Código de motor Code moteur	VIN NIV NIV	Oil Aceite Huile	Oil XP Aceite XP Huile XP	Air Aire Air	Cabin Air Cabina Aire Cabine Air	Cabin Air XP Cabina Aire XP Cabine Aire XP	Loc. Cabin Air Cabina Aire Cabine Air	Fuel Combustible Carburant	Loc. Fuel Combustible Carburant	Transmission Transmisión Transmission
--	---	-------------------	------------------------	---------------------------------	--------------------	--	--	---	----------------------------------	---------------------------------------	---

CHEVROLET (Cont'd/Suite)

2014 (Cont'd/Suite)

CORVETTE Stingray

V8 6.2L 376 CID	LT1	7	WL10290 ⁵³	WL10290XP	WA10171	24480 ¹⁶⁴		1	N/S		58931
-----------------	-----	---	-----------------------	-----------	---------	----------------------	--	---	-----	--	-------

CRUZE

L4 1.4L 1364cc 83 CID Turbo	LUV		57674 ⁵⁰⁷ N/A ⁹⁰⁸	57674XP ⁵⁰⁷	49739	24191	24191XP	3	N/S		N/S
L4 1.8L 1796cc 110 CID	LWE	G	57674 ⁵⁰⁷ N/A ⁹⁰⁸	57674XP ⁵⁰⁷	WA9742	24191	24191XP	3	N/S		N/S
L4 1.8L 1796cc 110 CID Flex	LUW		57674 ⁵⁰⁷ N/A ⁹⁰⁸	57674XP ⁵⁰⁷	WA9742	24191	24191XP	3	N/S		N/S
L4 2.0L 1956cc 119 CID Turbo Diesel	LUZ	Z	WL10021		49739	24590			WF10451		N/S

EQUINOX

L4 2.4L 145 CID	LEA		57082	57082XP	49727	24013	24013XP	3	N/S		N/A
L4 2.4L 145 CID Flex	LEA		57082	57082XP	49727	24013	24013XP	3	N/S		N/A
V6 3.6L 217 CID	LFX	3	WL10255	WL10255XP	49727	24013	24013XP	3	N/S		N/A
V6 3.6L 217 CID Flex	LFX	3	WL10255	WL10255XP	49727	24013	24013XP	3	N/S		N/A

EXPRESS VAN (UP TO 4500 SERIES)

V6 4.3L 4293cc 262 CID	LU3	X	51040 ⁵³	51040XP	46573	N/R			N/S		N/A - 4L60E-SP 58847 - 4L60E-DP N/A - 6L80
V8 4.8L 294 CID Flex	L20	A	57060 ⁵³	57060XP	46573	N/R			N/S		58369 - 6L90
V8 5.3L 5328cc 325 CID Flex	LMF	4	57060 ⁵³	57060XP	46573	N/R			N/S		N/A - 4L60E-SP 58847 - 4L60E-DP 58369 - 6L90
V8 6.0L 5967cc 364 CID	LC8	B	57060 ⁵³	57060XP	46573	N/R			N/S		58369 - 6L90
V8 6.0L 5967cc 364 CID Flex	L96	G	57060 ⁵³	57060XP	46573	N/R			N/S		58369 - 6L90
V8 6.6L 400 CID Turbo Diesel	LGH	L	57202 ⁵³	57202XP	49154	N/R			WF10122		57701 - Allison-Spin-on 58970 - Allison-Pan Style 58369 - 6L90

IMPALA

L4 2.5L 2457cc 153 CID	LKW	A	WL10290 ⁵³	WL10290XP	WA10254	24211			N/S		N/S
V6 3.6L 217 CID	LFX	3	WL10255 WL10290 ⁵³ - Engine	WL10255XP WL10290XP ⁵³ - Engine	WA10039	24211 ⁴¹⁸		1	N/S		N/S

IMPALA ECO

L4 2.4L 2384cc 145 CID Electrical/Gas	LUK	R	57082	57082XP	49894	24211			N/S		N/S
--	-----	---	-------	---------	-------	-------	--	--	-----	--	-----

IMPALA LIMITED

V6 3.6L 217 CID Flex	LFX	3	WL10255 WL10290 ⁵³ - Police	WL10255XP WL10290XP - Police	49288	24780	24780XP	1	N/S		N/S
----------------------	-----	---	---	---------------------------------	-------	-------	---------	---	-----	--	-----

MALIBU

L4 2.0L 1998cc 122 CID Turbo	LTG	X	WL10290 ⁵³	WL10290XP	WA10253	24191	24191XP	3	N/S		N/S
L4 2.5L 2457cc 153 CID	LKW	A	WL10290 ⁵³	WL10290XP	WA10254	24191	24191XP	3	N/S		N/S

MALIBU HYBRID

L4 2.4L 2384cc 145 CID Electrical/Gas	LUK	R	57082	57082XP	49894	24191	24191XP	3	N/S		N/S
--	-----	---	-------	---------	-------	-------	---------	---	-----	--	-----

MATIZ

L4 1.0L (Mex.)			51394 ⁵³	51394XP	WA9639	N/A			33850		
----------------	--	--	---------------------	---------	--------	-----	--	--	-------	--	--

ORLANDO

L4 2.4L 145 CID Flex	LEA		57082	57082XP	49739	24191	24191XP	3	N/S		N/S
----------------------	-----	--	-------	---------	-------	-------	---------	---	-----	--	-----

SILVERADO (UP TO 3500 SERIES)

V6 4.3L 262 CID Flex	LV3		WL10255	WL10255XP	42487 ²⁸⁴ 42488 ¹⁵⁵ 42488FR ³⁶⁰	WP10129	WP10129XP		N/S		N/A - 6L80
V8 5.3L 5328cc 325 CID			WL10255	WL10255XP	42487 ²⁸⁴ 42488 ¹⁵⁵ 42488FR ³⁶⁰	WP10129	WP10129XP		N/S		N/A - 6L80
V8 6.0L 5967cc 364 CID	LC8	B	57060 ⁵³	57060XP	42487 ²⁸⁴ 42488 ¹⁵⁵ 42488FR ³⁶⁰	WP10129	WP10129XP		N/S		58369 - 6L90

N/A = Not Available N/R = Not Required N/S = Not Serviceable For cabin and fuel filter locator, see pages 5-15 See pages 16-19 for footnotes
 N/A = Non disponible N/R = Non nécessaire N/S = Non réparable Para la ubicación de los filtros de aire de la cabina y de combustible, ver las páginas 5-15 Voir pages 16-19 pour des notes
 N/A = No disponible N/R = No requiere N/S = No servible Voir les tableaux de repérage des filtres d'habitacle et à carburant aux pages 5-15 Ver las páginas 16-19 para las notas al pie de página

Italicized Part Numbers May Not Be Available. Wix XP Oil Filters Have Fully Synthetic Media.

Las piezas con números en *italicas* pueden no estar disponibles. Los filtros de aceite WIX XP son completamente de media sintética.
 Les numéros de pièce en *italiques* peuvent ne pas être disponibles. Les filtres à huile XP Wix contiennent un matériau 100 % synthétique.

CHEVROLET 2014-2013
Pass Car/Light Truck

Year/Año/Année Model/Modelo/Modèle Engine/Motor/Moteur	Eng. Code Código de motor Code moteur	VIN NIV NIV	Oil Aceite Huile	Oil XP Aceite XP Huile XP	Air Aire Air	Cabin Air Cabina Aire Cabine Air	Cabin Air XP Cabina Aire XP Cabine Air XP	Loc. Cabin Air Cabina Aire Cabine Air	Fuel Combustible Carburant	Loc. Fuel Combustible Carburant	Transmission Transmisión Transmission
--	---	-------------------	------------------------	---------------------------------	--------------------	--	---	--	----------------------------------	--	---

CHEVROLET (Cont'd/Suite)
2014 (Cont'd/Suite)
SILVERADO (UP TO 3500 SERIES) (Cont'd/Suite)

V8 6.0L 5967cc 364 CID Flex	L96	G	57060 ⁵³	57060XP	42487 ²⁸⁴ 42488 ¹⁵⁵ 42488FR ³⁶⁰	WP10129	WP10129XP		N/S		58369 - 6L90
V8 6.2L 6162cc 376 CID	L86		WL10255	WL10255XP	42487 ²⁸⁴ 42488 ¹⁵⁵ 42488FR ³⁶⁰	WP10129	WP10129XP		N/S		N/A - 6L80
V8 6.6L 400 CID Turbo Diesel	LML	8	57202 ⁵³	57202XP	49314	WP10129	WP10129XP				57701 - Allison-Spin-on 58970 - Allison-Pan Style

SONIC

L4 1.4L 1364cc 83 CID Turbo	LUV	B	57674 ⁵⁰⁷ N/A ⁵⁰⁸	57674XP ⁵⁰⁷	49590	24590 - w/AC 24191 - w/o AC	24191XP - w/o AC	3	33850		N/S
L4 1.6L 1598cc (Mex.)			57674 ⁵⁰⁷ N/A ⁵⁰⁸	57674XP ⁵⁰⁷	49590				33425		
L4 1.8L 1796cc 110 CID	LWE	G	57674 ⁵⁰⁷ N/A ⁵⁰⁸	57674XP ⁵⁰⁷	49590	24590 - w/AC 24191 - w/o AC	24191XP - w/o AC	3	33850		N/S
L4 1.8L 1796cc 110 CID Flex	LUW	H	57674 ⁵⁰⁷ N/A ⁵⁰⁸	57674XP ⁵⁰⁷	49590	24590 - w/AC 24191 - w/o AC	24191XP - w/o AC	3	33850		N/S

SPARK

L4 1.2L 1206cc (Mex.)			WL10001		WA9672	WP2020			N/S		
L4 1.2L 1249cc 76 CID	LLO	9	WL10001		49264	24590		3	N/S		N/A

SPARK EV

100 KW Electric Motor Electric		0	N/R		N/R	24590		3	N/R		N/S
--------------------------------	--	---	-----	--	-----	-------	--	---	-----	--	-----

SS

V8 6.2L 376 CID	LS3	W	57060 ⁵³	57060XP	49873	49248			N/S		N/S
-----------------	-----	---	---------------------	---------	-------	-------	--	--	-----	--	-----

SUBURBAN (ALL)

V8 5.3L 5328cc 325 CID Flex	LC9	7	57060 ⁵³	57060XP	42487 ²⁸⁴ 42488 ¹⁵⁵ 42488FR ³⁶⁰	WP10428 ⁷⁹ N/A ⁷⁸			N/S		N/A - 6L80
	LMG	0	57060 ⁵³	57060XP	42487 ²⁸⁴ 42488 ¹⁵⁵ 42488FR ³⁶⁰	WP10428 ⁷⁹ N/A ⁷⁸			N/S		N/A - 6L80

TAHOE

V8 5.3L 5328cc 325 CID Flex	LMG	0	57060 ⁵³	57060XP	42487 ²⁸⁴ 42488 ¹⁵⁵ 42488FR ³⁶⁰	WP10428 N/A			N/S		N/A - 6L80
-----------------------------	-----	---	---------------------	---------	--	----------------	--	--	-----	--	------------

TORNADO

L4 1.8L (Mex.)			51040 ⁵³	51040XP	N/A				33199		
----------------	--	--	---------------------	---------	-----	--	--	--	-------	--	--

TRAVERSE

V6 3.6L 217 CID		D	WL10255	WL10255XP	49634	WP10074			N/S		N/S
-----------------	--	---	---------	-----------	-------	---------	--	--	-----	--	-----

TRAX

L4 1.4L 1364cc 83 CID Turbo	LUV		57674 ⁵⁰⁷ N/A ⁵⁰⁸	57674XP ⁵⁰⁷	WA10255	24191	24191XP	3	N/S		N/A
L4 1.8L 1796cc (Mex.)	2H0		57674 ⁵⁰⁷ N/A ⁵⁰⁸	57674XP ⁵⁰⁷	WA10255	24590					N/A

VOLT

L4 1.4L 1398cc 85 CID Electric/Gas	LUU	4	57143		49244	24590			N/S		N/A
---------------------------------------	-----	---	-------	--	-------	-------	--	--	-----	--	-----

2013
AVALANCHE

V8 5.3L 323 CID Flex		0,7	57060 ⁵³	57060XP	42487 ²⁸⁴ 42488 ¹⁵⁵ 42488FR ³⁶⁰	WP10428			N/S		N/A - 6L80
----------------------	--	-----	---------------------	---------	--	---------	--	--	-----	--	------------

AVEO

L4 1.6L 1598cc (Mex.)			51040 ⁵³	51040XP	42831	24685			33850		
-----------------------	--	--	---------------------	---------	-------	-------	--	--	-------	--	--

CAMARO

V6 3.6L 217 CID	LFX	3	57090	57090XP	49475	24014			1	N/S	58931
V8 6.2L 376 CID	L99	J	57060 ⁵³	57060XP	49475	24014			1	N/S	58931

N/A = Not Available N/R = Not Required N/S = Not Serviceable For cabin and fuel filter locator, see pages 5-15 See pages 16-19 for footnotes

N/A = Non disponible N/R = Non nécessaire N/S = Non réparable Para la ubicación de los filtros de aire de la cabina y de combustible, ver las páginas 5-15 Voir pages 16-19 pour des notes

N/A = No disponible N/R = No requiere N/S = No servible Voir les tableaux de repérage des filtres d'habitacle et à carburant aux pages 5-15 Ver las páginas 16-19 para las notas al pie de página

Italicized Part Numbers May Not Be Available. Wix XP Oil Filters Have Fully Synthetic Media.

Las piezas con números en *italicas* pueden no estar disponibles. Los filtros de aceite WIX XP son completamente de media sintética. Les numéros de pièce en *italiques* peuvent ne pas être disponibles. Les filtres à huile XP Wix contiennent un matériau 100 % synthétique.

Year/Año/Année Model/Modelo/Modèle Engine/Motor/Moteur	Eng. Code Código de motor Code moteur	VIN NIV NIV	Oil Aceite Huile	Oil XP Aceite XP Huile XP	Air Aire Air	Cabin Air Cabina Aire Cabine Air	Cabin Air XP Cabina Aire XP Cabine Air XP	Loc. Cabin Air Cabina Aire Cabine Air	Fuel Combustible Carburant	Loc. Fuel Combustible Carburant	Transmission Transmisión Transmission
--	--	-------------------	------------------------	---------------------------------	--------------------	--	---	--	----------------------------------	--	---

CHEVROLET (Cont'd/Suite)
2013 (Cont'd/Suite)
CAMARO (Cont'd/Suite)

V8 6.2L 376 CID	LS3	W	57060 ⁵³	57060XP	49475	24014		1	N/S		58931
-----------------	-----	---	---------------------	---------	-------	-------	--	---	-----	--	-------

CAMARO ZL1

V8 6.2L 376 CID Super Charged	LSA	P	57060 ⁵³	57060XP	49651	24014		1	N/S		N/A
-------------------------------	-----	---	---------------------	---------	-------	-------	--	---	-----	--	-----

CAPRICE PPV

V6 3.6L 217 CID	LFX	3	57090	57090XP	49873	24014		1	N/S		58931
V8 6.0L 5967cc 364 CID Flex	L77	2	57060 ⁵³	57060XP	49873	49248		1	N/S		WL10385

CAPTIVA

V6 3.2L 3195cc (Mex.)			N/A		WA9682 ⁵¹	WP2030			33425		
-----------------------	--	--	-----	--	----------------------	--------	--	--	-------	--	--

CAPTIVA SPORT

L4 2.4L 145 CID Flex	LEA	K	57082	57082XP	49102	24013	24013XP	3	N/S		N/A
V6 3.0L 182 CID	LFW	5	WL10255	WL10255XP	49102	24013	24013XP	3	N/S		N/A
V6 3.0L 182 CID (Mex.)			N/A		N/A	WP2030			33425		

CHEYENNE

V8 5.3L 5328cc 325 CID Flex (Mex.)	LC9		57060 ⁵³	57060XP	42487				N/A		58847
------------------------------------	-----	--	---------------------	---------	-------	--	--	--	-----	--	-------

CORVETTE

V8 6.2L 376 CID	LS3	W	57060 ⁵³	57060XP	49997	24480 ¹⁶⁴		1	N/S		58931 - 6 Spd.
V8 7.0L 427 CID	LS7	E	57060 ⁵³	57060XP	49997	24480 ¹⁶⁴		1	N/S		58931

CORVETTE ZR1

V8 6.2L 376 CID Super Charged	LS9	T	57060 ⁵³	57060XP	49997	24480 ¹⁶⁴		1	N/S		58931
-------------------------------	-----	---	---------------------	---------	-------	----------------------	--	---	-----	--	-------

CRUZE

L4 1.4L 1364cc 83 CID Turbo	LUV	B	57674 ⁵⁰⁷ N/A ⁹⁰⁸	57674XP ⁵⁰⁷	49739	24191	24191XP	3	N/S		N/S
L4 1.8L 1796cc 110 CID	LWE	G	57674 ⁵⁰⁷ N/A ⁹⁰⁸	57674XP ⁵⁰⁷	49730	24191	24191XP	3	N/S		N/S
L4 1.8L 1796cc 110 CID Flex	LUW		57674 ⁵⁰⁷ N/A ⁹⁰⁸	57674XP ⁵⁰⁷	49730	24191	24191XP	3	N/S		N/S

EQUINOX

L4 2.4L 145 CID	LEA	K	57082	57082XP	49727	24013	24013XP	3	N/S		N/A
L4 2.4L 145 CID Flex	LEA	K	57082	57082XP	49727	24013	24013XP	3	N/S		N/A
V6 3.6L 217 CID	LFX	3	WL10255	WL10255XP	49727	24013	24013XP	3	N/S		N/S
V6 3.6L 217 CID Flex	LFX	3	WL10255	WL10255XP	49727	24013	24013XP	3	N/S		N/A

EXPRESS VAN (UP TO 4500 SERIES)

V6 4.3L 4293cc 262 CID	LU3	X	51040 ⁵³	51040XP	46573	N/R			N/S		58904 - 4L60E-SP 58847 - 4L60E-DP N/A - 6L80
V8 4.8L 294 CID Flex	L20	A	57060 ⁵³	57060XP	46573	N/R			N/S		58369 - 6L90
V8 5.3L 5328cc 325 CID Flex	LMF	4	57060 ⁵³	57060XP	46573	N/R			N/S		58904 - 4L60E-SP 58847 - 4L60E-DP 58369 - 6L90
V8 6.0L 5967cc 364 CID	LC8	B	57060 ⁵³	57060XP	46573	N/R			N/S		58369 - 6L90
V8 6.0L 5967cc 364 CID Flex	L96	G	57060 ⁵³	57060XP	46573	N/R			N/S		58369 - 6L90
V8 6.6L 400 CID Turbo Diesel	LGH	L	57202 ⁵³	57202XP	49154	N/R			WF10122		57701 - Allison-Spin-on 58970 - Allison-Pan Style 58369 - 6L90

IMPALA

V6 3.6L 217 CID	LFX	3	WL10255 WL10290 ⁵³ - Engine	WL10255XP WL10290XP ⁵¹³ - Engine	49288	24780	24780XP	1	N/S		58931
V6 3.6L 217 CID Flex	LFX		WL10255 WL10290 ⁵³ - Engine	WL10255XP WL10290XP ⁵¹³ - Engine	49288	24780	24780XP	1	N/S		58931

MALIBU

L4 2.0L 1998cc 122 CID Turbo	LTG	X	WL10290 ⁵³	WL10290XP	WA10254	24191	24191XP	3	N/S		N/A
L4 2.5L 153 CID	LCV	A	WL10290 ⁵³	WL10290XP	WA10254	24191	24191XP	3	N/S		N/S

N/A = Not Available N/R = Not Required N/S = Not Serviceable For cabin and fuel filter locator, see pages 5-15 See pages 16-19 for footnotes

N/A = Non disponible N/R = Non nécessaire N/S = Non réparable Para la ubicación de los filtros de aire de la cabina y de combustible, ver las páginas 5-15 Voir pages 16-19 pour des notes

N/A = No disponible N/R = No requiere N/S = No servible Voir les tableaux de repérage des filtres d'habitacle et à carburant aux pages 5-15 Ver las páginas 16-19 para las notas al pie de página

Italicized Part Numbers May Not Be Available. Wix XP Oil Filters Have Fully Synthetic Media.

Las piezas con números en *italicas* pueden no estar disponibles. Los filtros de aceite WIX XP son completamente de media sintética.

Les numéros de pièce en *italiques* peuvent ne pas être disponibles. Les filtres à huile Wix contiennent un matériau 100 % synthétique.

CHEVROLET 2013
Pass Car/Light Truck

Year/Año/Année Model/Modelo/Modèle Engine/Motor/Moteur	Eng. Code Código de motor Code moteur	VIN NIV NIV	Oil Aceite Huile	Oil XP Aceite XP Huile XP	Air Aire Air	Cabin Air Cabina Aire Cabine Air	Cabin Air XP Cabina Aire XP Cabine Air XP	Loc. Cabin Air Cabina Aire Cabine Air	Fuel Combustible Carburant	Loc. Fuel Combustible Carburant	Transmission Transmisión Transmission
--	---	-------------------	------------------------	---------------------------------	--------------------	--	---	--	----------------------------------	--	---

CHEVROLET (Cont'd/Suite)
2013 (Cont'd/Suite)
MALIBU HYBRID

L4 2.4L 2384cc 145 CID Electric/Gas	LUK	R	57082	57082XP	49894	24191	24191XP	3	N/S	N/S
--	-----	---	-------	---------	-------	-------	---------	---	-----	-----

MATIZ

L4 1.0L (Mex.)			51394 ⁵³	51394XP	WA9639	N/A		33850		
----------------	--	--	---------------------	---------	--------	-----	--	-------	--	--

ORLANDO

L4 2.4L 145 CID			57082	57082XP	49739	24191	24191XP	3	N/S	N/S
-----------------	--	--	-------	---------	-------	-------	---------	---	-----	-----

SILVERADO (UP TO 3500 SERIES)

V6 4.3L 262CID	LU3	Z	51040 ⁵³	51040XP	42487 ²⁸⁴ 42488 ¹⁵⁵ 42488FR ³⁶⁰	N/A WP10428			N/S	58904 - 4L60E-SP 58847 - 4L60E-DP N/A - 6L80
V6 4.3L 4300cc (Mex.)	LV3		WL10255	WL10255XP	42487 ²⁸⁴ 42488 ¹⁵⁵ 42488FR ³⁶⁰				N/S	N/A - 6L80
V8 4.8L 294 CID	L20	A	57060 ⁵³	57060XP	42487 ²⁸⁴ 42488 ¹⁵⁵ 42488FR ³⁶⁰	N/A WP10428			N/S	58904 - 4L60E-SP 58847 - 4L60E-DP N/A - 6L80
V8 5.3L 323 CID Flex	LC9,LMG	0,3	57060 ⁵³	57060XP	42487 ²⁸⁴ 42488 ¹⁵⁵ 42488FR ³⁶⁰	N/A WP10428			N/S	58904 - 4L60E-SP 58847 - 4L60E-DP N/A - 6L80
V8 6.0L 364 CID	L96	B,G	57060 ⁵³	57060XP	42487 ²⁸⁴ 42488 ¹⁵⁵ 42488FR ³⁶⁰	N/A WP10428			N/S	58369 - 6L90
V8 6.0L 364 CID Electric/Gas	LZ1		57060 ⁵³	57060XP	42487 ²⁸⁴ 42488 ¹⁵⁵ 42488FR ³⁶⁰	N/A WP10428			N/S	WL10453
V8 6.2L 376 CID Flex	L9H	2	57060 ⁵³	57060XP	42487 ²⁸⁴ 42488 ¹⁵⁵ 42488FR ³⁶⁰	N/A WP10428			N/S	58847 - 4L60E-DP 58904 - 4L60E-SP N/A - 6L80
V8 6.6L 400 CID Turbo Diesel	LGH,LML	L,8	57202 ⁵³	57202XP	49314	N/A WP10428			N/S	57701 - Allison-Spin-on 58970 - Allison-Pan Style N/R - Allison 1000 6-Speed

SONIC

L4 1.4L 1364cc 83 CID Turbo	LUV	B	57674 ⁵⁰⁷ 57674 ⁵⁰⁷ N/A ⁵⁰⁸ N/A ⁵⁰⁸	57674XP ⁵⁰⁷ 57674XP ⁵⁰⁷	49590 49590	24191 24191	24191XP 24191XP	3	N/S N/S	N/S N/S
L4 1.6L 1598cc (Mex.)			57674 ⁵⁰⁷ N/A ⁵⁰⁸	57674XP ⁵⁰⁷	49590			33425		
L4 1.8L 1796cc 110 CID	LUW	H	57674 ⁵⁰⁷ N/A ⁵⁰⁸	57674XP ⁵⁰⁷	49590	24191	24191XP	3	N/S	N/S
	LWE	G	57674 ⁵⁰⁷ N/A ⁵⁰⁸	57674XP ⁵⁰⁷	49590	24191	24191XP	3	N/S	N/S

SPARK

L4 1.2L 1206cc (Mex.)			WL10001		WA9672	WP2020			N/S	
L4 1.2L 1249cc 76 CID	LLO	9	WL10001		49264	24590		3	N/S	N/A

SUBURBAN (ALL)

V8 5.3L 5328cc 325 CID Flex	LC9	7	57060 ⁵³	57060XP	42487 ²⁸⁴ 42488 ¹⁵⁵ 42488FR ³⁶⁰	WP10428 ⁷⁹ N/A ⁷⁸			N/S	N/A - 6L80
	LMG	0	57060 ⁵³	57060XP	42487 ²⁸⁴ 42488 ¹⁵⁵ 42488FR ³⁶⁰	WP10428 ⁷⁹ N/A ⁷⁸			N/S	N/A - 6L80
V8 6.0L 5967cc 364 CID Flex	L96	G	57060 ⁵³	57060XP	42487 ²⁸⁴ 42488 ¹⁵⁵ 42488FR ³⁶⁰	WP10428 ⁷⁹ N/A ⁷⁸			N/S	58369 - 6L90

TAHOE

V8 5.3L 5328cc 325 CID Flex	LMG	0	57060 ⁵³	57060XP	42487 ²⁸⁴ 42488 ¹⁵⁵ 42488FR ³⁶⁰	WP10428			N/S	N/A - 6L80
-----------------------------	-----	---	---------------------	---------	--	---------	--	--	-----	------------

N/A = Not Available N/R = Not Required N/S = Not Serviceable For cabin and fuel filter locator, see pages 5-15 See pages 16-19 for footnotes

N/A = Non disponible N/R = Non nécessaire N/S = Non réparable Para la ubicación de los filtros de aire de la cabina y de combustible, ver las páginas 5-15 Voir pages 16-19 pour des notes

N/A = No disponible N/R = No requiere N/S = No servible Voir les tableaux de repérage des filtres d'habitacle et à carburant aux pages 5-15 Ver las páginas 16-19 para las notas al pie de página

Italicized Part Numbers May Not Be Available. Wix XP Oil Filters Have Fully Synthetic Media.

Las piezas con números en *italicas* pueden no estar disponibles. Los filtros de aceite WIX XP son completamente de media sintética. Les numéros de pièce en *italiques* peuvent ne pas être disponibles. Les filtres à huile XP Wix contiennent un matériau 100 % synthétique.

Year/Año/Année Model/Modelo/Modèle Engine/Motor/Moteur	Eng. Code Código de motor Code moteur	VIN NIV NIV	Oil Aceite Huile	Oil XP Aceite XP Huile XP	Air Aire Air	Cabin Air Cabina Aire Cabine Air	Cabin Air XP Cabina Aire XP Cabine Air XP	Loc. Cabin Air Cabina Aire Cabine Air	Fuel Combustible Carburant	Loc. Fuel Combustible Carburant	Transmission Transmisión Transmission
--	---	-------------------	------------------------	---------------------------------	--------------------	--	---	--	----------------------------------	--	---

CHEVROLET (Cont'd/Suite)
2013 (Cont'd/Suite)
TAHOE HYBRID

V8 6.0L 364 CID Electric/Gas	LZ1	J	57060 ⁵³	57060XP	42487 ²⁸⁴ 42488 ¹⁵⁵ 42488FR ³⁶⁰	WP10428			N/S		WL10453
------------------------------	-----	---	---------------------	---------	--	---------	--	--	-----	--	---------

TORNADO

L4 1.8L (Mex.)			51040 ⁵³	51040XP	N/A				33199		
----------------	--	--	---------------------	---------	-----	--	--	--	-------	--	--

TRAVERSE

V6 3.6L 217 CID	LLT		WL10255	WL10255XP	49634	WP10074			N/S		N/S
-----------------	-----	--	---------	-----------	-------	---------	--	--	-----	--	-----

TRAX

L4 1.4L 1396cc 83 CID Turbo	LUV	B	57674 ⁵⁰⁷ N/A ⁵⁰⁸	57674XP ⁵⁰⁷	WA10255	24590			N/S		N/S
L4 1.8L 1796cc (Mex.)	2H0		57674 ⁵⁰⁷ N/A ⁵⁰⁸	57674XP ⁵⁰⁷	WA10255	24590					N/A

VOLT

L4 1.4L 1398cc 85 CID Electric/Gas	LUU	4	57143		49244	24590			N/S		N/A
------------------------------------	-----	---	-------	--	-------	-------	--	--	-----	--	-----

2012
AVALANCHE

V8 5.3L 323 CID Flex		0,7	57060 ⁵³	57060XP	42487 ²⁸⁴ 42488 ¹⁵⁵ 42488FR ³⁶⁰	WP10428			N/S		N/A - 6L80
----------------------	--	-----	---------------------	---------	--	---------	--	--	-----	--	------------

AVEO

L4 1.6L 1598cc (Mex.)			51040 ⁵³	51040XP	42831	24685			33850		
-----------------------	--	--	---------------------	---------	-------	-------	--	--	-------	--	--

CAMARO

V6 3.6L 217 CID	LFX	3	57090	57090XP	49475	24014		1	N/S		58931
V8 6.2L 376 CID	L99	J	57060 ⁵³	57060XP	49475	24014		1	N/S		58931
	LS3	W	57060 ⁵³	57060XP	49475	24014		1	N/S		58931

CAMARO ZL1

V8 6.2L 376 CID Super Charged	LSA	P	57060 ⁵³	57060XP	49651	24014		1	N/S		58931
-------------------------------	-----	---	---------------------	---------	-------	-------	--	---	-----	--	-------

CAPRICE PPV

V6 3.6L 217 CID	LFX	3	57090	57090XP	49873	49248		1	N/S		58931
V8 6.0L 5967cc 364 CID Flex	L77	2	57060 ⁵³	57060XP	49873	49248		1	N/S		WL10385

CAPTIVA

V6 3.0L 2994cc 182 CID Flex (Mex.)	LFW		WL10255	WL10255XP	49102	24013	24013XP		N/A		
------------------------------------	-----	--	---------	-----------	-------	-------	---------	--	-----	--	--

CAPTIVA SPORT

L4 2.4L 145 CID Flex	LEA	5	57082	57082XP	49102	24013	24013XP	3	N/S		N/A
V6 3.0L 182 CID	LFW	5	WL10255	WL10255XP	49102	24013	24013XP	3	N/S		N/A

CHEVY

L4 1.6L 1597cc (Mex.)			51040 ⁵³	51040XP	WA10038	24472			33199		
-----------------------	--	--	---------------------	---------	---------	-------	--	--	-------	--	--

CHEYENNE

V8 5.3L 5328cc 325 CID Flex (Mex.)	LMG		57060 ⁵³	57060XP	42487						58847
------------------------------------	-----	--	---------------------	---------	-------	--	--	--	--	--	-------

COLORADO

L4 2.9L 2921cc 178 CID		9	51042 ⁵³	51042XP	49429	N/R			N/S		58323 - 4L60E-SP 58847 - 4L60E-DP
L5 3.7L 3654cc 223 CID		E	51522 ⁵³	51522XP	49429	N/R			N/S		58323 - 4L60E-SP 58847 - 4L60E-DP
V8 5.3L 323CID	LH9	T	57060 ⁵³	57060XP	49429	N/R			N/S		58323 - 4L60E-SP 58847 - 4L60E-DP

CORVETTE

V8 6.2L 376 CID	LS3	W	57060 ⁵³	57060XP	49997	24480 ¹⁶⁴		1	N/S		58931 - 6 Spd.
V8 7.0L 427 CID		E	57060 ⁵³	57060XP	49997	24480 ¹⁶⁴		1	N/S		58931

CORVETTE ZR1

V8 6.2L 376 CID Super Charged	LS9	T	57060 ⁵³	57060XP	49997	24480 ¹⁶⁴		1	N/S		58931
-------------------------------	-----	---	---------------------	---------	-------	----------------------	--	---	-----	--	-------

N/A = Not Available N/R = Not Required N/S = Not Serviceable For cabin and fuel filter locator, see pages 5-15 See pages 16-19 for footnotes

N/A = Non disponible N/R = Non nécessaire N/S = Non réparable Para la ubicación de los filtros de aire de la cabina y de combustible, ver las páginas 5-15 Voir pages 16-19 pour des notes

N/A = No disponible N/R = No requiere N/S = No servible Voir les tableaux de repérage des filtres d'habitacle et à carburant aux pages 5-15 Ver las páginas 16-19 para las notas al pie de página

Italicized Part Numbers May Not Be Available. Wix XP Oil Filters Have Fully Synthetic Media.

Las piezas con números en *italicas* pueden no estar disponibles. Los filtros de aceite WIX XP son completamente de media sintética.

Les numéros de pièce en *italiques* peuvent ne pas être disponibles. Les filtres à huile Wix contiennent un matériau 100 % synthétique.

CHEVROLET 2012
Pass Car/Light Truck

Year/Año/Année Model/Modelo/Modèle Engine/Motor/Moteur	Eng. Code Código de motor Code moteur	VIN NIV NIV	Oil Aceite Huile	Oil XP Aceite XP Huile XP	Air Aire Air	Cabin Air Cabina Aire Cabine Air	Cabin Air XP Cabina Aire XP Cabine Air XP	Loc. Cabin Air Cabina Aire Cabine Air	Fuel Combustible Carburant	Loc. Fuel Combustible Carburant	Transmission Transmisión Transmission
--	---	-------------------	------------------------	---------------------------------	--------------------	--	---	--	----------------------------------	--	---

CHEVROLET (Cont'd/Suite)
2012 (Cont'd/Suite)
CRUZE

L4 1.4L 1364cc 83 CID Turbo	LUJ	C	57674 ⁵⁰⁷	57674XP ⁵⁰⁷	49739	24191	24191XP	3	N/S		N/S
L4 1.8L 1796cc 110 CID Flex	LUW		57674 ⁵⁰⁷	57674XP ⁵⁰⁷	49730	24191	24191XP	3	N/S		N/S

EQUINOX

L4 2.4L 145 CID	LEA	K	57082	57082XP	49727	24013	24013XP	3	N/S		N/A
L4 2.4L 145 CID Flex	LEA	K	57082	57082XP	49727	24013	24013XP	3	N/S		N/A
V6 3.0L 182 CID	LFW	5	WL10255	WL10255XP	49727	24013	24013XP	3	N/S		N/A
V6 3.0L 182 CID Flex	LFW	5	WL10255	WL10255XP	49727	24013	24013XP	3	N/S		N/A

EXPRESS VAN (UP TO 4500 SERIES)

V6 4.3L 262CID		Z	51040 ⁵³	51040XP	46573	N/R			N/S		58904 - 4L60E-SP 58847 - 4L60E-DP N/A - 6L80
V8 4.8L 294 CID		A	57060 ⁵³	57060XP	46573	N/R			N/S		58369 - 6L90
V8 5.3L 323 CID Flex		4	57060 ⁵³	57060XP	46573	N/R			N/S		58904 - 4L60E-SP 58847 - 4L60E-DP 58369 - 6L90
V8 6.0L 364 CID		G	57060 ⁵³	57060XP	46573	N/R			N/S		58369 - 6L90
V8 6.6L 400 CID Turbo Diesel		L	57202 ⁵³	57202XP	49154	N/R			WF10122		57701 - Allison-Spin-on 58970 - Allison-Pan Style 58369 - 6L90

IMPALA

V6 3.6L 217 CID	LFX	3	WL10255 WL10290 ⁵³ - Engine	WL10255XP WL10290XP ⁵³ - Engine	49288	24780	24780XP	1	N/S		N/S
-----------------	-----	---	---	---	-------	-------	---------	---	-----	--	-----

MALIBU

L4 2.4L 145 CID	LE5	0	57082	57082XP	46902	N/R			N/S		N/S
L4 2.4L 145 CID Flex	LE9	U	57082	57082XP	46902	N/R			N/S		N/S
V6 3.6L 217 CID		7	57060 ⁵³	57060XP	46902	N/R			N/S		N/S
V6 3.6L 3564cc 217 CID (Mex.)	LY7		57060 ⁵³	57060XP	46902	N/R			N/A		N/S

MATIZ

L4 1.0L (Mex.)			51394 ⁵³	51394XP	WA9639	N/A			33850		
----------------	--	--	---------------------	---------	--------	-----	--	--	-------	--	--

OPTRA

L4 1.8L 1799cc (Mex.)	L79		N/A		42826	24902			33850		N/A
	LDA		N/A		42826	24902			33850		N/A
L4 2.0L 1991cc Diesel (Mex.)	LMN		N/A		N/A	24902			N/A		N/A

ORLANDO

L4 2.4L 145 CID	LE5	C	57082	57082XP	49739	24191	24191XP	3	N/S		N/S
	LE9	C	57082	57082XP	49739	24191	24191XP	3	N/S		N/S

SILVERADO (UP TO 3500 SERIES)

V6 4.3L 262CID	LU3	Z	51040 ⁵³	51040XP	42487 ²⁸⁴ 42488 ¹⁵⁵ 42488FR ³⁶⁰	N/A WP10428			N/S		58904 - 4L60E-SP 58847 - 4L60E-DP N/A - 6L80
V8 4.8L 294 CID	L20	A	57060 ⁵³	57060XP	42487 ²⁸⁴ 42488 ¹⁵⁵ 42488FR ³⁶⁰	N/A WP10428			N/S		58904 - 4L60E-SP 58847 - 4L60E-DP N/A - 6L80
V8 5.3L 323 CID Flex	LC9,LMG	0,3	57060 ⁵³	57060XP	42487 ²⁸⁴ 42488 ¹⁵⁵ 42488FR ³⁶⁰	N/A WP10428			N/S		58904 - 4L60E-SP 58847 - 4L60E-DP N/A - 6L80
V8 6.0L 364 CID	L96	G	57060 ⁵³	57060XP	42487 ²⁸⁴ 42488 ¹⁵⁵ 42488FR ³⁶⁰	N/A WP10428			N/S		58369 - 6L90
V8 6.0L 364 CID Electric/Gas	LZ1		57060 ⁵³	57060XP	42487 ²⁸⁴ 42488 ¹⁵⁵ 42488FR ³⁶⁰	N/A WP10428			N/S		WL10453
V8 6.2L 376 CID Flex	L9H	2	57060 ⁵³	57060XP	42487 ²⁸⁴ 42488 ¹⁵⁵ 42488FR ³⁶⁰	N/A WP10428			N/S		58847 - 4L60E-DP 58904 - 4L60E-SP N/A - 6L80
V8 6.6L 400 CID Turbo Diesel	LGH,LML	L,8	57202 ⁵³	57202XP	49314	N/A WP10428					57701 - Allison-Spin-on 58970 - Allison-Pan Style N/R - Allison 1000 6-Speed

N/A = Not Available N/R = Not Required N/S = Not Serviceable For cabin and fuel filter locator, see pages 5-15 See pages 16-19 for footnotes

N/A = Non disponible N/R = Non nécessaire N/S = Non réparable Para la ubicación de los filtros de aire de la cabina y de combustible, ver las páginas 5-15 Voir pages 16-19 pour des notes

N/A = No disponible N/R = No requiere N/S = No servible Voir les tableaux de repérage des filtres d'habitacle et à carburant aux pages 5-15 Ver las páginas 16-19 para las notas al pie de página

Italicized Part Numbers May Not Be Available. Wix XP Oil Filters Have Fully Synthetic Media.

Las piezas con números en *italicas* pueden no estar disponibles. Los filtros de aceite WIX XP son completamente de media sintética. Les numéros de pièce en *italiques* peuvent ne pas être disponibles. Les filtres à huile XP Wix contiennent un matériau 100 % synthétique.

Year/Año/Année Model/Modelo/Modèle Engine/Motor/Moteur	Eng. Code Código de motor Code moteur	VIN NIV NIV	Oil Aceite Huile	Oil XP Aceite XP Huile XP	Air Aire Air	Cabin Air Cabina Aire Cabine Air	Cabin Air XP Cabina Aire XP Cabine Air XP	Loc. Cabin Air Cabina Aire Cabine Air	Fuel Combustible Carburant	Loc. Fuel Combustible Carburant	Transmission Transmisión Transmission
--	--	-------------------	------------------------	---------------------------------	--------------------	--	---	--	----------------------------------	--	---

CHEVROLET (Cont'd/Suite)
2012 (Cont'd/Suite)
SONIC

L4 1.4L 1364cc 83 CID Turbo	LUV	B	57674 ⁵⁰⁷	57674XP ⁵⁰⁷	49590	24191	24191XP	3	N/S		N/S
L4 1.6L 1598cc (Mex.)			57674 ⁵⁰⁷	57674XP ⁵⁰⁷	49590				33425		
L4 1.8L 1796cc 110 CID	LUW	H	57674 ⁵⁰⁷	57674XP ⁵⁰⁷	49590	24191	24191XP	3	N/S		N/S

SPARK

L4 1.2L 1206cc (Mex.)			WL10001		WA9672	WP2020			N/S		
-----------------------	--	--	---------	--	--------	--------	--	--	-----	--	--

SUBURBAN (ALL)

V8 5.3L 323 CID Flex	LC9,LMG	0,3	57060 ⁵³	57060XP	42487 ²⁸⁴ 42488 ¹⁵⁵ 42488FR ³⁶⁰	WP10428 ⁷⁹ N/A ⁷⁸			N/S		N/A - 6L80
V8 6.0L 364 CID	L96	G	57060 ⁵³	57060XP	42487 ²⁸⁴ 42488 ¹⁵⁵ 42488FR ³⁶⁰	WP10428 ⁷⁹ N/A ⁷⁸			N/S		58369 - 6L90

TAHOE

V8 5.3L 323 CID Flex	LC9,LMG	0,3	57060 ⁵³	57060XP	42487 ²⁸⁴ 42488 ¹⁵⁵ 42488FR ³⁶⁰	WP10428			N/S		N/A - 6L80
----------------------	---------	-----	---------------------	---------	--	---------	--	--	-----	--	------------

TAHOE HYBRID

V8 6.0L 364 CID Electric/Gas	LZ1	J	57060 ⁵³	57060XP	42487 ²⁸⁴ 42488 ¹⁵⁵ 42488FR ³⁶⁰	WP10428			N/S		WL10453
------------------------------	-----	---	---------------------	---------	--	---------	--	--	-----	--	---------

TORNADO

L4 1.8L (Mex.)			51040 ⁵³	51040XP	N/A				33199		
----------------	--	--	---------------------	---------	-----	--	--	--	-------	--	--

TRAVERSE

V6 3.6L 217 CID	LLT		WL10255	WL10255XP	49634	WP10074			N/S		N/A
-----------------	-----	--	---------	-----------	-------	---------	--	--	-----	--	-----

VOLT

L4 1.4L 85 CID Electric/Gas	LUU	4	57143		49244	24590			N/S		N/A
-----------------------------	-----	---	-------	--	-------	-------	--	--	-----	--	-----

2011
AVALANCHE

V8 5.3L 323 CID Flex		0,3	57060 ⁵³	57060XP	42487 ²⁸⁴ 42488 ¹⁵⁵ 42488FR ³⁶⁰	WP10428			N/S		N/A - 6L80
----------------------	--	-----	---------------------	---------	--	---------	--	--	-----	--	------------

AVEO

L4 1.6L 1598cc (Mex.)			51040 ⁵³	51040XP	42831	24685			33850		
L4 1.6L 98 CID	LXV	E	57674 ⁵⁰⁷	57674XP ⁵⁰⁷	42831	24685 ⁴⁰¹ WP10168 ⁴⁰⁰		3	N/S		WL10418

AVEO5

L4 1.6L 98 CID	LXV	E	57674 ⁵⁰⁷	57674XP ⁵⁰⁷	42831	24685		3	N/S		WL10418
----------------	-----	---	----------------------	------------------------	-------	-------	--	---	-----	--	---------

CAMARO

V6 3.6L 217 CID	LLT	D	57090	57090XP	49475	24014		1	N/S		N/A
V8 6.2L 376 CID	L99	J	57060 ⁵³	57060XP	49475	24014		1	N/S		58931 N/A ³⁶⁸ MT ³⁶⁸
	LS3	W	57060 ⁵³	57060XP	49475	24014		1	N/S		58931 N/A ³⁶⁸ MT ³⁶⁸

CAPRICE PPV

V8 6.0L 5967cc 364 CID Flex	L77	2	57060 ⁵³	57060XP	49873	49248		1	N/S		WL10385
-----------------------------	-----	---	---------------------	---------	-------	-------	--	---	-----	--	---------

CAPTIVA

L4 2.4L 2384cc (Mex.)			57082	57082XP	49102	24013	24013XP		N/A		
V6 3.2L 3195cc (Mex.)			N/A		WA9682 ⁵¹	WP2030			33425		

CAPTIVA SPORT

L4 2.4L 134 CID (Mex.)	L61		51040 ⁵³	51040XP	WA9682 ⁵¹	WP2030			33425		
V6 3.0L 182 CID (Mex.)			N/A		N/A	WP2030			33425		

CHEVY

L4 1.6L 1597cc (Mex.)			51040 ⁵³	51040XP	WA10038	24472			33199		
-----------------------	--	--	---------------------	---------	---------	-------	--	--	-------	--	--

N/A = Not Available N/R = Not Required N/S = Not Serviceable For cabin and fuel filter locator, see pages 5-15 See pages 16-19 for footnotes

N/A = Non disponible N/R = Non nécessaire N/S = Non Serviceable Para la ubicación de los filtros de aire de la cabina y de combustible, ver las páginas 5-15 Voir pages 16-19 pour des notes

N/A = No disponible N/R = No requiere N/S = No servible Voir les tableaux de repérage des filtres d'habitacle et à carburant aux pages 5-15 Ver las páginas 16-19 para las notas al pie de página

Italicized Part Numbers May Not Be Available. Wix XP Oil Filters Have Fully Synthetic Media.

Las piezas con números en *italicas* pueden no estar disponibles. Los filtros de aceite WIX XP son completamente de media sintética.

Les numéros de pièce en *italiques* peuvent ne pas être disponibles. Les filtres à huile XP Wix contiennent un matériau 100 % synthétique.

CHEVROLET 2011
Pass Car/Light Truck

Year/Año/Année Model/Modelo/Modèle Engine/Motor/Moteur	Eng. Code Código de motor Code moteur	VIN NIV NIV	Oil Aceite Huile	Oil XP Aceite XP Huile XP	Air Aire Air	Cabin Air Cabina Aire Cabine Air	Cabin Air XP Cabina Aire XP Cabine Air XP	Loc. Cabin Air Cabina Aire Cabine Air	Fuel Combustible Carburant	Loc. Fuel Combustible Carburant	Transmission Transmisión Transmission
--	---	-------------------	------------------------	---------------------------------	--------------------	--	---	--	----------------------------------	--	---

CHEVROLET (Cont'd/Suite)
2011 (Cont'd/Suite)
CHEYENNE

V8 5.3L 5328cc 325 CID Flex (Mex.)	LMG		57060 ⁵³	57060XP	42487						58847
------------------------------------	-----	--	---------------------	---------	-------	--	--	--	--	--	-------

COLORADO

L4 2.9L 2921cc 178 CID		9	51042 ⁵³	51042XP	49429	N/R			N/S		58323 - 4L60E-SP 58847 - 4L60E-DP
L5 3.7L 3654cc 223 CID		E	51522 ⁵³	51522XP	49429	N/R			N/S		58323 - 4L60E-SP 58847 - 4L60E-DP
V8 5.3L 323CID	LH9	T	57060 ⁵³	57060XP	49429	N/R			N/S		58323 - 4L60E-SP 58847 - 4L60E-DP

CORVETTE

V8 6.2L 376 CID	LS3	W	57060 ⁵³	57060XP	49997	24480 ⁶⁴		1	N/S		58931 - 6 Spd.
V8 7.0L 427 CID		E	57060 ⁵³	57060XP	49997	24480 ⁶⁴		1	N/S		58931

CORVETTE ZR1

V8 6.2L 376 CID Super Charged	LS9	T	57060 ⁵³	57060XP	49997	24480 ⁶⁴		1	N/S		58931
-------------------------------	-----	---	---------------------	---------	-------	---------------------	--	---	-----	--	-------

CRUZE

L4 1.4L 1364cc 83 CID Turbo	LUJ	9	57674 ⁵⁰⁷	57674XP ⁵⁰⁷	49739	24191	24191XP	3	N/S		N/S
L4 1.8L 1796cc 110 CID Flex	LUW		57674 ⁵⁰⁷	57674XP ⁵⁰⁷	49730	24191	24191XP	3	N/S		N/S

EQUINOX

L4 2.4L 2384cc 145 CID	LAF	C	57082	57082XP	49727	24013	24013XP	3	N/S		N/A
V6 3.0L 182 CID Flex	LFW	5	WL10255	WL10255XP	49727	24013	24013XP	3	N/S		N/A

EXPRESS VAN (UP TO 4500 SERIES)

V6 4.3L 262CID		Z	51040 ⁵³	51040XP	46573	N/R			N/S		58904 - 4L60E-SP 58847 - 4L60E-DP N/A - 6L80
V8 4.8L 294 CID		A	57060 ⁵³	57060XP	46573	N/R			N/S		58369 - 6L90
V8 5.3L 323 CID Flex		4	57060 ⁵³	57060XP	46573	N/R			N/S		58904 - 4L60E-SP 58847 - 4L60E-DP 58369 - 6L90
V8 6.0L 364 CID		G	57060 ⁵³	57060XP	46573	N/R			N/S		58369 - 6L90
V8 6.6L 400 CID Turbo Diesel		L	57202 ⁵³	57202XP	49154	N/R			33837 ⁵⁰⁴		58369 - 6L90

HHR

L4 2.2L 134 CID Flex	LE8	W	57082	57082XP	49064	24882	24882XP	3	N/S		58611
L4 2.4L 146 CID	LE9	U	57082	57082XP	49064	24882	24882XP	3	N/S		58611

IMPALA

V6 3.5L 213 CID		K	51522 ⁵³	51522XP	49115	24780	24780XP	1	N/S		58837
V6 3.9L 237 CID	LGD	M	51522 ⁵³	51522XP	49115	24780	24780XP	1	N/S		58837

MALIBU

L4 2.4L 145 CID	LE5	1	57082	57082XP	46902	N/R			N/S		N/S
L4 2.4L 145 CID Flex	LE9	U	57082	57082XP	46902	N/R			N/S		N/S
V6 3.6L 217 CID		7	57060 ⁵³	57060XP	46902	N/R			N/S		N/S
V6 3.6L 3564cc 217 CID (Mex.)	LY7		57060 ⁵³	57060XP	46902	N/R			N/A		N/S

MALIBU HYBRID

L4 2.4L 145 CID Electric/Gas	LAT	5	57082	57082XP	46902	N/R			N/S		58611
------------------------------	-----	---	-------	---------	-------	-----	--	--	-----	--	-------

MALTIZ

L4 1.0L 1000cc (Mex.)			51056			N/A			33850		
-----------------------	--	--	-------	--	--	-----	--	--	-------	--	--

MATIZ

L4 1.0L (Mex.)			51394 ⁵³	51394XP	WA9639	N/A			33850		
----------------	--	--	---------------------	---------	--------	-----	--	--	-------	--	--

OPTRA

L4 1.8L 1799cc (Mex.)	L79		N/A		42826	24902			33850		N/A
	LDA		N/A		42826	24902			33850		N/A
L4 2.0L 1991cc Diesel (Mex.)	LMN		N/A		N/A	24902			N/A		N/A

N/A = Not Available N/R = Not Required N/S = Not Serviceable For cabin and fuel filter locator, see pages 5-15 See pages 16-19 for footnotes

N/A = Non disponible N/R = Non nécessaire N/S = Non réparable Para la ubicación de los filtros de aire de la cabina y de combustible, ver las páginas 5-15 Voir pages 16-19 pour des notes

N/A = No disponible N/R = No requiere N/S = No servible Voir les tableaux de repérage des filtres d'habitacle et à carburant aux pages 5-15 Ver las páginas 16-19 para las notas al pie de página

Italicized Part Numbers May Not Be Available. Wix XP Oil Filters Have Fully Synthetic Media.

Las piezas con números en *italicas* pueden no estar disponibles. Los filtros de aceite WIX XP son completamente de media sintética. Les numéros de pièce en *italiques* peuvent ne pas être disponibles. Les filtres à huile XP Wix contiennent un matériau 100 % synthétique.

Year/Año/Année Model/Modelo/Modèle Engine/Motor/Moteur	Eng. Code Código de motor Code moteur	VIN NIV NIV	Oil Aceite Huile	Oil XP Aceite XP Huile XP	Air Aire Air	Cabin Air Cabina Aire Cabine Air	Cabin Air XP Cabina Aire XP Cabine Air XP	Loc. Cabin Air Cabina Aire Cabine Air	Fuel Combustible Carburant	Loc. Fuel Combustible Carburant	Transmission Transmisión Transmission
--	---	-------------------	------------------------	---------------------------------	--------------------	--	---	--	----------------------------------	--	---

CHEVROLET (Cont'd/Suite)

2011 (Cont'd/Suite)

SILVERADO (UP TO 3500 SERIES)

V6 4.3L 262CID	LU3	Z	51040 ⁵³	51040XP	42487 ²⁸⁴ 42488 ¹⁵⁵ 42488FR ³⁶⁰	N/A WP10428			N/S		58904 - 4L60E-SP 58847 - 4L60E-DP N/A - 6L80
V8 4.8L 294 CID	L20	A	57060 ⁵³	57060XP	42487 ²⁸⁴ 42488 ¹⁵⁵ 42488FR ³⁶⁰	N/A WP10428			N/S		58904 - 4L60E-SP 58847 - 4L60E-DP N/A - 6L80
V8 5.3L 323 CID Flex	LC9,LMG	0,3	57060 ⁵³	57060XP	42487 ²⁸⁴ 42488 ¹⁵⁵ 42488FR ³⁶⁰	N/A WP10428			N/S		58904 - 4L60E-SP 58847 - 4L60E-DP N/A - 6L80
V8 6.0L 364 CID	L96	G	57060 ⁵³	57060XP	42487 ²⁸⁴ 42488 ¹⁵⁵ 42488FR ³⁶⁰	N/A WP10428			N/S		58369 - 6L90
V8 6.0L 364 CID Electric/Gas	LZ1		57060 ⁵³	57060XP	42487 ²⁸⁴ 42488 ¹⁵⁵ 42488FR ³⁶⁰	N/A WP10428			N/S		WL10453
V8 6.2L 376 CID Flex	L9H	2	57060 ⁵³	57060XP	42487 ²⁸⁴ 42488 ¹⁵⁵ 42488FR ³⁶⁰	N/A WP10428			N/S		58847 - 4L60E-DP 58904 - 4L60E-SP N/A - 6L80
V8 6.6L 400 CID Turbo Diesel	LGH,LML	L,8	57202 ⁵³	57202XP	49314	N/A WP10428					57701 - Allison-Spin-on 58970 - Allison-Pan Style N/R - Allison 1000 6-Speed

SPARK

L4 1.2L 1206cc (Mex.)			WL10001		WA9672	WP2020			N/S		
-----------------------	--	--	---------	--	--------	--------	--	--	-----	--	--

SUBURBAN (ALL)

V8 5.3L 323 CID Flex	LC9,LMG	0,3	57060 ⁵³	57060XP	42487 ²⁸⁴ 42488 ¹⁵⁵ 42488FR ³⁶⁰	WP10428 ⁷⁹ N/A ⁷⁸			N/S		N/A - 6L80
V8 6.0L 364 CID	L96	G	57060 ⁵³	57060XP	42487 ²⁸⁴ 42488 ¹⁵⁵ 42488FR ³⁶⁰	WP10428 ⁷⁹ N/A ⁷⁸			N/S		58369 - 6L90

TAHOE

V8 5.3L 323 CID Flex	LC9,LMG	0,3	57060 ⁵³	57060XP	42487 ²⁸⁴ 42488 ¹⁵⁵ 42488FR ³⁶⁰	WP10428			N/S		N/A - 6L80
----------------------	---------	-----	---------------------	---------	--	---------	--	--	-----	--	------------

TAHOE HYBRID

V8 6.0L 364 CID Electric/Gas	LZ1	J	57060 ⁵³	57060XP	42487 ²⁸⁴ 42488 ¹⁵⁵ 42488FR ³⁶⁰	WP10428			N/S		WL10453
------------------------------	-----	---	---------------------	---------	--	---------	--	--	-----	--	---------

TORNADO

L4 1.8L 1796cc (Mex.)			51040 ⁵³	51040XP	N/A				33199		
-----------------------	--	--	---------------------	---------	-----	--	--	--	-------	--	--

TRAVERSE

V6 3.6L 217 CID	LLT		WL10255	WL10255XP	49634	WP10074			N/S		N/S
-----------------	-----	--	---------	-----------	-------	---------	--	--	-----	--	-----

VOLT

L4 1.4L 85 CID Electric/Gas	LUU	4	57143		49244	24590			N/S		N/A
-----------------------------	-----	---	-------	--	-------	-------	--	--	-----	--	-----

2010

AVALANCHE

V8 5.3L 323 CID Flex		0	57060 ⁵³	57060XP	42487 ²⁸⁴ 42488 ¹⁵⁵ 42488FR ³⁶⁰	WP10428			N/S		N/A - 6L80
----------------------	--	---	---------------------	---------	--	---------	--	--	-----	--	------------

AVEO

L4 1.6L 1598cc (Mex.)			51040 ⁵³	51040XP	42831	24685			33850		
L4 1.6L 98 CID	LXV	E	57674 ⁵⁰⁷	57674XP ⁵⁰⁷	42831	24685 ⁴⁰¹ WP10168 ⁴⁰⁰		3	N/S		WL10418

AVEO5

L4 1.6L 98 CID	LXV	E	57674 ⁵⁰⁷	57674XP ⁵⁰⁷	42831	24685		3	N/S		WL10418
----------------	-----	---	----------------------	------------------------	-------	-------	--	---	-----	--	---------

CAMARO

V6 3.6L 217 CID	LLT	D	57090	57090XP	49475	24014		1	N/S		N/A
-----------------	-----	---	-------	---------	-------	-------	--	---	-----	--	-----

N/A = Not Available N/R = Not Required N/S = Not Serviceable For cabin and fuel filter locator, see pages 5-15 See pages 16-19 for footnotes

N/A = Non disponible N/R = Non nécessaire N/S = Non réparable Para la ubicación de los filtros de aire de la cabina y de combustible, ver las páginas 5-15 Voir pages 16-19 pour des notes

N/A = No disponible N/R = No requiere N/S = No servible Voir les tableaux de repérage des filtres d'habitacle et à carburant aux pages 5-15 Ver las páginas 16-19 para las notas al pie de página

Italicized Part Numbers May Not Be Available. Wix XP Oil Filters Have Fully Synthetic Media.

Las piezas con números en *italicas* pueden no estar disponibles. Los filtros de aceite WIX XP son completamente de media sintética.

Les numéros de pièce en *italiques* peuvent ne pas être disponibles. Les filtres à huile Wix contiennent un matériau 100 % synthétique.

CHEVROLET 2010
Pass Car/Light Truck

Year/Año/Année Model/Modelo/Modèle Engine/Motor/Moteur	Eng. Code Código de motor Code moteur	VIN NIV NIV	Oil Aceite Huile	Oil XP Aceite XP Huile XP	Air Aire Air	Cabin Air Cabina Aire Cabine Air	Cabin Air XP Cabina Aire XP Cabine Air XP	Loc. Cabin Air Cabina Aire Cabine Air	Fuel Combustible Carburant	Loc. Fuel Combustible Carburant	Transmission Transmisión Transmission
--	---	-------------------	------------------------	---------------------------------	--------------------	--	---	--	----------------------------------	--	---

CHEVROLET (Cont'd/Suite)
2010 (Cont'd/Suite)
CAMARO (Cont'd/Suite)

V8 6.2L 376 CID	L99	J	57060 ⁵³	57060XP	49475	24014		1	N/S		58931 N/A ³⁶⁸ MT ³⁶⁸
	LS3	W	57060 ⁵³	57060XP	49475	24014		1	N/S		58931 N/A ³⁶⁸ MT ³⁶⁸

CAPTIVA

L4 2.4L 2384cc (Mex.)	LAF		57082	57082XP	49102	24013	24013XP		N/A		
	LE5		57082	57082XP	49102	24013	24013XP		N/A		

CAPTIVA SPORT

L4 2.4L 145 CID (Mex.)	LAF		57060	57060XP	49102	N/A			N/A		N/A
V6 3.6L 3600cc (Mex.)			57060	57060XP	49102	N/A			N/A		N/A

CHEVY

L4 1.6L 1597cc (Mex.)			51040 ⁵³	51040XP	WA10038	24472			33199		
-----------------------	--	--	---------------------	---------	---------	-------	--	--	-------	--	--

CHEVY SEDAN

L4 1.6L 98 CID (Mex.)	LXV		51040	51040XP	N/A	N/A					N/A
-----------------------	-----	--	-------	---------	-----	-----	--	--	--	--	-----

CHEYENNE

V8 5.3L 5328cc 325 CID Flex (Mex.)	LC9		51040	51040XP	42487				33481		N/A
------------------------------------	-----	--	-------	---------	-------	--	--	--	-------	--	-----

COBALT

L4 2.0L 122 CID Turbo		X	57082	57082XP	49265	24882	24882XP	3	33980		MT ⁷²
L4 2.2L 2198cc 134 CID	LAP	5	57082	57082XP	49117	24882	24882XP	3	33980		58611

COLORADO

L4 2.9L 2921cc 178 CID		9	51042 ⁵³	51042XP	49429	N/R			N/S		58323 - 4L60E-SP 58847 - 4L60E-DP
L5 3.7L 3654cc 223 CID		E	51522 ⁵³	51522XP	49429	N/R			N/S		58323 - 4L60E-SP 58847 - 4L60E-DP
V8 5.3L 323CID	LH9	T	57060 ⁵³	57060XP	49429	N/R			N/S		58323 - 4L60E-SP 58847 - 4L60E-DP

CORVETTE

V8 6.2L 376 CID	LS3	W	57060 ⁵³	57060XP	49997	24480 ¹⁵⁴		1	N/S		58931 - 6 Spd.
V8 7.0L 7011cc 427 CID	LS7	E	57060 ⁵³	57060XP	49997	24480 ¹⁵⁴		1	N/S		58931

CORVETTE ZR1

V8 6.2L 376 CID Super Charged	LS9	T	57060 ⁵³	57060XP	49997	24480 ¹⁵⁴		1	N/S		58931
-------------------------------	-----	---	---------------------	---------	-------	----------------------	--	---	-----	--	-------

CRUZE

L4 1.8L 1796cc (Mex.)	LUW		57674 ⁵⁰⁷	57674XP ⁵⁰⁷	49730	24191 ⁷⁸ 24590 ⁷⁹	24191XP ⁷⁸		N/S		
-----------------------	-----	--	----------------------	------------------------	-------	--	-----------------------	--	-----	--	--

EQUINOX

L4 2.4L 145 CID	LAF	W	57082	57082XP	49727	24013	24013XP	3	N/S		N/A
V6 3.0L 182 CID	LF1	Y	57060 ⁵³	57060XP	49727	24013	24013XP	3	N/S		N/A

EXPRESS VAN (UP TO 4500 SERIES)

V6 4.3L 262CID		Z	51040 ⁵³	51040XP	46573	N/R			N/S		58904 - 4L60E-SP 58847 - 4L60E-DP N/A - 6L80
V8 4.8L 294 CID		A	57060 ⁵³	57060XP	46573	N/R			N/S		58369 - 6L90
V8 5.3L 323 CID Flex		4	57060 ⁵³	57060XP	46573	N/R			N/S		58904 - 4L60E-SP 58847 - 4L60E-DP 58369 - 6L90
V8 6.0L 364 CID		G	57060 ⁵³	57060XP	46573	N/R			N/S		58369 - 6L90
V8 6.6L 400 CID Turbo Diesel		6	57202 ⁵³	57202XP	49154	N/R		33837 ⁵⁰⁴			57701 - Allison-Spin-on 58970 - Allison-Pan Style 58369 - 6L90

HHR

L4 2.0L 122 CID Turbo	LNF	M	57082	57082XP	49459	24882	24882XP	3	N/S		58611
L4 2.2L 134 CID Flex	LE8	B	57082	57082XP	49064	24882	24882XP	3	N/S		58611
L4 2.4L 146 CID	LE9	V	57082	57082XP	49064	24882	24882XP	3	N/S		58611

N/A = Not Available N/R = Not Required N/S = Not Serviceable For cabin and fuel filter locator, see pages 5-15 See pages 16-19 for footnotes

N/A = Non disponible N/R = Non nécessaire N/S = Non réparable Para la ubicación de los filtros de aire de la cabina y de combustible, ver las páginas 5-15 Voir pages 16-19 pour des notes

N/A = No disponible N/R = No requiere N/S = No servible Voir les tableaux de repérage des filtres d'habitacle et à carburant aux pages 5-15 Ver las páginas 16-19 para las notas al pie de página

Italicized Part Numbers May Not Be Available. Wix XP Oil Filters Have Fully Synthetic Media.

Las piezas con números en *italicas* pueden no estar disponibles. Los filtros de aceite WIX XP son completamente de media sintética. Les numéros de pièce en *italiques* peuvent ne pas être disponibles. Les filtres à huile XP Wix contiennent un matériau 100 % synthétique.

Year/Año/Année Model/Modelo/Modèle Engine/Motor/Moteur	Eng. Code Código de motor Code moteur	VIN NIV NIV	Oil Aceite Huile	Oil XP Aceite XP Huile XP	Air Aire Air	Cabin Air Cabina Aire Cabine Air	Cabin Air XP Cabina Aire XP Cabine Air XP	Loc. Cabin Air Cabina Aire Cabine Air	Fuel Combustible Carburant	Loc. Fuel Combustible Carburant	Transmission Transmisión Transmission
--	---	-------------------	------------------------	---------------------------------	--------------------	--	---	---	----------------------------------	---------------------------------------	---

CHEVROLET (Cont'd/Suite)

2010 (Cont'd/Suite)

IMPALA

V6 3.5L 213 CID		K,N	51522 ⁵³	51522XP	49115	24780	24780XP	1	N/S		58837
V6 3.9L 237 CID	LGD	M	51522 ⁵³	51522XP	49115	24780	24780XP	1	N/S		58837

MALIBU

L4 2.4L 145 CID		B	57082	57082XP	46902	N/R			N/S		58611
L4 2.4L 145 CID Flex	LE9	0	57082	57082XP	46902	N/R			N/S		58611
V6 3.5L 213 CID		N	51522 ⁵³	51522XP	46902	N/R		1	N/S		58611
V6 3.5L 213 CID Flex		K	51522 ⁵³	51522XP	46902	N/R		1	N/S		58611
V6 3.6L 217 CID		7	57060 ⁵³	57060XP	46902	N/R			N/S		N/S

MALIBU HYBRID

L4 2.4L 145 CID Electric/Gas		Z	57082	57082XP	46902	N/R			N/S		58611
------------------------------	--	---	-------	---------	-------	-----	--	--	-----	--	-------

OPTRA

L4 1.6L 16V (Mex.)			51040	51040XP	42826	N/A			N/S		N/A
L4 1.8L 1799cc (Mex.)	L79		N/A		42826	24902			33850		N/A
	LDA		N/A		42826	24902			33850		N/A
L4 2.0L 1991cc Diesel (Mex.)	LMN		N/A		N/A	24902			N/A		N/A
L4 2.0L 1998cc (Mex.)			51040 ⁵³	51040XP	42826	N/A			N/A		N/A

SILVERADO (UP TO 3500 SERIES)

V6 4.3L 262CID	LU3	Z	51040 ⁵³	51040XP	42487 ²⁸⁴ 42488 ¹⁵⁵ 42488FR ³⁶⁰	N/A WP10428			N/S		58904 - 4L60E-SP 58847 - 4L60E-DP N/A - 6L80
V8 4.8L 294 CID	L20	A	57060 ⁵³	57060XP	42487 ²⁸⁴ 42488 ¹⁵⁵ 42488FR ³⁶⁰	N/A WP10428			N/S		58904 - 4L60E-SP 58847 - 4L60E-DP N/A - 6L80
V8 5.3L 323 CID Flex	LC9,LMG	0,3	57060 ⁵³	57060XP	42487 ²⁸⁴ 42488 ¹⁵⁵ 42488FR ³⁶⁰	N/A WP10428			N/S		58904 - 4L60E-SP 58847 - 4L60E-DP N/A - 6L80
V8 6.0L 364 CID	L96	G,K	57060 ⁵³	57060XP	42487 ²⁸⁴ 42488 ¹⁵⁵ 42488FR ³⁶⁰	N/A WP10428			N/S		58369 - 6L90
V8 6.0L 364 CID Electric/Gas	LZ1		57060 ⁵³	57060XP	42487 ²⁸⁴ 42488 ¹⁵⁵ 42488FR ³⁶⁰	N/A WP10428			N/S		WL10453
V8 6.2L 376 CID Flex	L9H	2	57060 ⁵³	57060XP	42487 ²⁸⁴ 42488 ¹⁵⁵ 42488FR ³⁶⁰	N/A WP10428			N/S		58847 - 4L60E-DP 58904 - 4L60E-SP N/A - 6L80
V8 6.6L 400 CID Turbo Diesel	LMM	6	57202 ⁵³	57202XP	49184 ⁵⁰³	N/A WP10428					57701 - Allison-Spin-on 58970 - Allison-Pan Style N/R - Allison 1000 6-Speed

SPARK

L3 0.8L 796cc (Mex.)			51056 ⁵³		WA9639	WP9378 ⁵¹			33425		
L4 1.0L (Mex.)			51056 ⁵³		WA9639	WP9378 ⁵¹			33425		

SUBURBAN (ALL)

V8 5.3L 323 CID Flex	LC9,LMG	0,3	57060 ⁵³	57060XP	42487 ²⁸⁴ 42488 ¹⁵⁵ 42488FR ³⁶⁰	WP10428 ⁷⁹ N/A ⁷⁸			N/S		N/A - 6L80
V8 6.0L 364 CID	L96	G	57060 ⁵³	57060XP	42487 ²⁸⁴ 42488 ¹⁵⁵ 42488FR ³⁶⁰	WP10428 ⁷⁹ N/A ⁷⁸			N/S		58369 - 6L90

TAHOE

V8 4.8L 4800cc (Mex.)			57060 ⁵³	57060XP	42487				N/A		
V8 5.3L 323 CID	LC9,LMG	0,3	57060 ⁵³	57060XP	42487 ²⁸⁴ 42488 ¹⁵⁵ 42488FR ³⁶⁰	WP10428			N/S		N/A - 6L80
V8 6.2L 6200cc (Mex.)			57060 ⁵³	57060XP	42487				N/A		

TAHOE HYBRID

V8 6.0L 364 CID Electric/Gas	LZ1	J	57060 ⁵³	57060XP	42487 ²⁸⁴ 42488 ¹⁵⁵ 42488FR ³⁶⁰	WP10428			N/S		WL10453
------------------------------	-----	---	---------------------	---------	--	---------	--	--	-----	--	---------

N/A = Not Available N/R = Not Required N/S = Not Serviceable For cabin and fuel filter locator, see pages 5-15 See pages 16-19 for footnotes
 N/A = Non disponible N/R = Non nécessaire N/S = Non réparable Para la ubicación de los filtros de aire de la cabina y de combustible, ver las páginas 5-15 Voir pages 16-19 pour des notes
 N/A = No disponible N/R = No requiere N/S = No servible Voir les tableaux de repérage des filtres d'habitacle et à carburant aux pages 5-15 Ver las páginas 16-19 para las notas al pie de página

Italicized Part Numbers May Not Be Available. Wix XP Oil Filters Have Fully Synthetic Media.
 Las piezas con números en *italicas* pueden no estar disponibles. Los filtros de aceite WIX XP son completamente de media sintética.
 Les numéros de pièce en *italiques* peuvent ne pas être disponibles. Les filtres à huile Wix contiennent un matériau 100 % synthétique.

CHEVROLET 2010-2009
Pass Car/Light Truck

Year/Año/Année Model/Modelo/Modèle Engine/Motor/Moteur	Eng. Code Código de motor Code moteur	VIN NIV NIV	Oil Aceite Huile	Oil XP Aceite XP Huile XP	Air Aire Air	Cabin Air Cabina Aire Cabine Air	Cabin Air XP Cabina Aire XP Cabine Air XP	Loc. Cabin Air Cabina Aire Cabine Air	Fuel Combustible Carburant	Loc. Fuel Combustible Carburant	Transmission Transmisión Transmission
--	---	-------------------	------------------------	---------------------------------	--------------------	--	---	--	----------------------------------	--	---

CHEVROLET (Cont'd/Suite)
2010 (Cont'd/Suite)
TORNADO

L4 1.8L (Mex.)			51040 ⁵³	51040XP	42843 WA10120				33199 33425		
L4 1.8L 1796cc (Mex.)			51040 ⁵³	51040XP	WA10120	N/A			33078		

TRAVERSE

V6 3.6L 217 CID	LLT		57060 ⁵³	57060XP	49634	WP10074			N/S		N/S
-----------------	-----	--	---------------------	---------	-------	---------	--	--	-----	--	-----

UPLANDER

V6 3.9L (Mex.)			51522 ⁵³	51522XP	46302						
----------------	--	--	---------------------	---------	-------	--	--	--	--	--	--

2009
AVALANCHE

V8 5.3L 323CID	LY5,LMG,LC9	T	57060 ⁵³	57060XP	42487 ²⁸⁴ 42488 ¹⁵⁵ 42488FR ³⁶⁰	WP10428			N/S		N/A - 6L80
V8 6.0L 364 CID	L76	Y	57060 ⁵³	57060XP	42488 ¹⁵⁵ 42488FR ³⁶⁰	WP10428			N/S		N/A - 6L80

AVEO

L4 1.6L 1598cc (Mex.)			51040 ⁵³	51040XP	42831	24685			33850		
L4 1.6L 98 CID	LXV	E	57674 ⁵⁰⁷	57674XP ⁵⁰⁷	42831	24685 ⁴⁰¹ WP10168 ⁴⁰⁰		3	N/S		WL10418

AVEOS

L4 1.6L 98 CID	LXV	E	57674 ⁵⁰⁷	57674XP ⁵⁰⁷	42831	24685		3	N/S		WL10418
----------------	-----	---	----------------------	------------------------	-------	-------	--	---	-----	--	---------

CAPTIVA

L4 2.4L 2384cc (Mex.)	LAF		57082	57082XP	49102	24013	24013XP		N/A		N/S
	LE5		57082	57082XP	49102	24013	24013XP		N/A		

CAPTIVA SPORT

L4 2.4L 134 CID (Mex.)	L61		51040 ⁵³	51040XP	WA9682 ⁶¹	WP2030			33425		
V6 3.6L 3564cc 217 CID (Mex.)	LY7		57060 ⁵³	57060XP		24013	24013XP		N/A		

CELTA

L4 1.6L 1597cc (Mex.)			51040	51040XP	N/A				33199		
-----------------------	--	--	-------	---------	-----	--	--	--	-------	--	--

CHEVY

L4 1.6L 1597cc (Mex.)			51040 ⁵³	51040XP	WA10038	24472			33199		
-----------------------	--	--	---------------------	---------	---------	-------	--	--	-------	--	--

CHEVY C2

L4 1.6L 1597cc (Mex.)			51040	51040XP	N/A				33199		
-----------------------	--	--	-------	---------	-----	--	--	--	-------	--	--

CHEYENNE

V8 5.3L 325 CID (Mex.)			57060 ⁵³	57060XP	42487						58847
------------------------	--	--	---------------------	---------	-------	--	--	--	--	--	-------

COBALT

L4 2.0L 122 CID Turbo		X	57082	57082XP	49265	24882	24882XP	3	33980		MT ⁷²
L4 2.2L 2198cc 134 CID	LAP	H	57082	57082XP	49117	24882	24882XP	3	33980		58611

COLORADO

L4 2.9L 2921cc 178 CID		9	51042 ⁵³	51042XP	49429	N/R			N/S		58323 - 4L60E-SP 58847 - 4L60E-DP
L5 3.7L 3654cc 223 CID		E	51522 ⁵³	51522XP	49429	N/R			N/S		58323 - 4L60E-SP 58847 - 4L60E-DP
V8 5.3L 323CID	LH8	T	57060 ⁵³	57060XP	49429	N/R			N/S		58323 - 4L60E-SP 58847 - 4L60E-DP

CORVETTE

V8 6.2L 376 CID	LS3	W	57060 ⁵³	57060XP	49997	24480 ⁶⁴		1	N/S		58931
V8 7.0L 427 CID		E	57060 ⁵³	57060XP	49997	24480 ⁶⁴		1	N/S		58931

CORVETTE ZR1

V8 6.2L 376 CID Super Charged	LS9	R	57060 ⁵³	57060XP	49997	24480 ⁶⁴		1	N/S		58931
-------------------------------	-----	---	---------------------	---------	-------	---------------------	--	---	-----	--	-------

CRUZE

L4 1.8L 1796cc (Mex.)	LUW		57674 ⁵⁰⁷	57674XP ⁵⁰⁷	49730	24191 ⁷⁸ 24590 ⁷⁹	24191XP ⁷⁸		N/S		
-----------------------	-----	--	----------------------	------------------------	-------	--	-----------------------	--	-----	--	--

N/A = Not Available N/R = Not Required N/S = Not Serviceable For cabin and fuel filter locator, see pages 5-15 See pages 16-19 for footnotes

N/A = Non disponible N/R = Non nécessaire N/S = Non réparable Para la ubicación de los filtros de aire de la cabina y de combustible, ver las páginas 5-15 Voir pages 16-19 pour des notes

N/A = No disponible N/R = No requiere N/S = No servible Voir les tableaux de repérage des filtres d'habitacle et à carburant aux pages 5-15 Ver las páginas 16-19 para las notas al pie de página

Italicized Part Numbers May Not Be Available. Wix XP Oil Filters Have Fully Synthetic Media.

Las piezas con números en *italicas* pueden no estar disponibles. Los filtros de aceite WIX XP son completamente de media sintética. Les numéros de pièce en *italiques* peuvent ne pas être disponibles. Les filtres à huile XP Wix contiennent un matériau 100 % synthétique.

Year/Año/Année Model/Modelo/Modèle Engine/Motor/Moteur	Eng. Code Código de motor Code moteur	VIN NIV NIV	Oil Aceite Huile	Oil XP Aceite XP Huile XP	Air Aire Air	Cabin Air Cabina Aire Cabine Air	Cabin Air XP Cabina Aire XP Cabine Air XP	Loc. Cabin Air Cabina Aire Cabine Air	Fuel Combustible Carburant	Loc. Fuel Combustible Carburant	Transmission Transmisión Transmission
--	---	-------------------	------------------------	---------------------------------	--------------------	--	---	--	----------------------------------	--	---

CHEVROLET (Cont'd/Suite)
2009 (Cont'd/Suite)
EPICA

L6 2.5L 2492cc (Mex.)			51381		42838	24906			33425		
-----------------------	--	--	-------	--	-------	-------	--	--	-------	--	--

EQUINOX

V6 3.4L 207 CID		F	51040 ^{5S3}	51040XP	46902	24872		1	N/S		N/A
V6 3.6L 217 CID		7	57060 ^{5S3}	57060XP	46902	24872		1	N/S		N/A

EXPRESS VAN (UP TO 4500 SERIES)

V6 4.3L 262CID		Z	51040 ^{5S3}	51040XP	46573	N/R			N/S		58904 - 4L60E-SP 58847 - 4L60E-DP 58608 - 4L80E
V8 4.8L 294 CID		C	57060 ^{5S3}	57060XP	46573	N/R			N/S		58904 - 4L60E-SP 58847 - 4L60E-DP 58608 - 4L80E
V8 5.3L 323 CID Flex		4	57060 ^{5S3}	57060XP	46573	N/R			N/S		58904 - 4L60E-SP 58847 - 4L60E-DP 58608 - 4L80E
V8 6.0L 364 CID		K	57060 ^{5S3}	57060XP	46573	N/R			N/S		58904 - 4L60E-SP 58847 - 4L60E-DP 58608 - 4L80E
V8 6.6L 400 CID Turbo Diesel		6	57202 ^{5S3}	57202XP	49154	N/R			33837 ⁵⁰⁴		58904 - 4L60E-SP 58847 - 4L60E-DP 58608 - 4L80E

HHR

L4 2.0L 122 CID Turbo		X	57082	57082XP	49459	24882	24882XP	3	N/S		58611
L4 2.2L 134 CID Flex	LE8	B	57082	57082XP	49064	24882	24882XP	3	N/S		58611
L4 2.4L 146 CID	LE9	V	57082	57082XP	49064	24882	24882XP	3	N/S		58611

IMPALA

V6 3.5L 213 CID		N	51522 ^{5S3}	51522XP	49115	24780	24780XP	1	N/S		58837
V6 3.5L 213 CID Flex		K	51522 ^{5S3}	51522XP	49115	24780	24780XP	1	N/S		58837
V6 3.9L 237 CID	LGD	M	51522 ^{5S3}	51522XP	49115	24780	24780XP	1	N/S		58837
V8 5.3L 325 CID		C	57060 ^{5S3}	57060XP	49115	24780	24780XP	1	N/S		58837

JOY

L4 1.6L 1597cc (Mex.)			51040	51040XP	N/A				33199		
-----------------------	--	--	-------	---------	-----	--	--	--	-------	--	--

MALIBU

L4 2.4L 145 CID		B	57082	57082XP	46902	N/R			N/S		58611
V6 3.5L 213 CID		N	51522 ^{5S3}	51522XP	46902	N/R		1	N/S		58611
V6 3.5L 213 CID Flex		K	51522 ^{5S3}	51522XP	46902	N/R		1	N/S		58611
V6 3.6L 217 CID		7	57060 ^{5S3}	57060XP	46902	N/R			N/S		58611

MALIBU HYBRID

L4 2.4L 145 CID Electric/Gas		5	57082	57082XP	46902	N/R			N/S		58611
------------------------------	--	---	-------	---------	-------	-----	--	--	-----	--	-------

OPTRA

L4 1.8L 1799cc (Mex.)	L79		N/A		42826	24902			33850		N/A
	LDA		N/A		42826	24902			33850		N/A
L4 2.0L 1991cc Diesel (Mex.)	LMN		N/A		N/A	24902			N/A		N/A
L4 2.0L 1998cc (Mex.)			51040 ^{5S3}	51040XP	42826	N/A			33850		N/A

REZZO

L4 1.6L 1598cc (Mex.)			51040 ^{5S3}	51040XP	46831				33850		
-----------------------	--	--	----------------------	---------	-------	--	--	--	-------	--	--

SILVERADO (UP TO 3500 SERIES)

V6 4.3L 262CID	LU3	Z	51040 ^{5S3}	51040XP	42487 ²⁸⁴ 42488 ¹⁵⁵ 42488FR ³⁶⁰	N/A WP10428			N/S		58904 - 4L60E-SP 58847 - 4L60E-DP 58608 - 4L80E N/A - 6L80
V8 4.8L 294 CID	LY2	C	57060 ^{5S3}	57060XP	42487 ²⁸⁴ 42488 ¹⁵⁵ 42488FR ³⁶⁰	N/A WP10428			N/S		58904 - 4L60E-SP 58847 - 4L60E-DP 58608 - 4L80E N/A - 6L80
V8 4.8L 4807cc (Mex.)	LY2		57060 ^{5S3}	57060XP	42487				N/A		58847

N/A = Not Available N/R = Not Required N/S = Not Serviceable For cabin and fuel filter locator, see pages 5-15 See pages 16-19 for footnotes

N/A = Non disponible N/R = Non nécessaire N/S = Non réparable Para la ubicación de los filtros de aire de la cabina y de combustible, ver las páginas 5-15 Voir pages 16-19 pour des notes

N/A = No disponible N/R = No requiere N/S = No servible Voir les tableaux de repérage des filtres d'habitacle et à carburant aux pages 5-15 Ver las páginas 16-19 para las notas al pie de página

Italicized Part Numbers May Not Be Available. Wix XP Oil Filters Have Fully Synthetic Media.

Las piezas con números en *italicas* pueden no estar disponibles. Los filtros de aceite WIX XP son completamente de media sintética.

Les numéros de pièce en *italiques* peuvent ne pas être disponibles. Les filtres à huile Wix contiennent un matériau 100 % synthétique.

CHEVROLET 2009
Pass Car/Light Truck

Year/Año/Année Model/Modelo/Modèle Engine/Motor/Moteur	Eng. Code Código de motor Code moteur	VIN NIV NIV	Oil Aceite Huile	Oil XP Aceite XP Huile XP	Air Aire Air	Cabin Air Cabina Aire Cabine Air	Cabin Air XP Cabina Aire XP Cabine Air XP	Loc. Cabin Air Cabina Aire Cabine Air	Fuel Combustible Carburant	Loc. Fuel Combustible Carburant	Transmission Transmisión Transmission
--	---	-------------------	------------------------	---------------------------------	--------------------	--	---	--	----------------------------------	--	---

CHEVROLET (Cont'd/Suite)
2009 (Cont'd/Suite)
SILVERADO (UP TO 3500 SERIES) (Cont'd/Suite)

V8 5.3L 323CID	LY5,LH6	T	57060 ⁵³	57060XP	42487 ²⁸⁴ 42488 ¹⁵⁵ 42488FR ³⁶⁰	N/A WP10428			N/S		58904 - 4L60E-SP 58847 - 4L60E-DP 58608 - 4L80E N/A - 6L80
V8 5.3L 323 CID Flex	LC9,LMG	0,3	57060 ⁵³	57060XP	42487 ²⁸⁴ 42488 ¹⁵⁵ 42488FR ³⁶⁰	N/A WP10428			N/S		58904 - 4L60E-SP 58847 - 4L60E-DP 58608 - 4L80E N/A - 6L80
V8 6.0L 364 CID	LY6,L76	K,Y	57060 ⁵³	57060XP	42487 ²⁸⁴ 42488 ¹⁵⁵ 42488FR ³⁶⁰	N/A WP10428			N/S		58904 - 4L60E-SP 58847 - 4L60E-DP 58608 - 4L80E 58369 - 6L90
V8 6.0L 364 CID Electric/Gas	LZ1		57060 ⁵³	57060XP	42487 ²⁸⁴ 42488 ¹⁵⁵ 42488FR ³⁶⁰	N/A WP10428			N/S		WL10453
V8 6.2L 376 CID Flex	L9H	2	57060 ⁵³	57060XP	42487 ²⁸⁴ 42488 ¹⁵⁵ 42488FR ³⁶⁰	N/A WP10428			N/S		58847 - 4L60E N/A - 6L80
V8 6.6L 400 CID Turbo Diesel	LMM	6	57202 ⁵³	57202XP	49184 ⁵⁰³	N/A WP10428					57701 - Allison-Spin-on 58970 - Allison-SP N/R - Allison 1000 6-Speed 58966 - Allison-DP

SPARK

L3 0.8L 796cc (Mex.)			51056 ⁵³		WA9639	WP9378 ⁶¹			33425		
L4 1.0L (Mex.)			51056 ⁵³		WA9639	WP9378 ⁶¹			33425		

SUBURBAN (ALL)

V8 5.3L 323 CID	LY5,LMG,LC9	J,0,3	57060 ⁵³	57060XP	42487 ²⁸⁴ 42488 ¹⁵⁵ 42488FR ³⁶⁰	WP10428 ⁷⁹ N/A ⁷⁸			N/S		N/A - 6L80
V8 6.0L 364 CID	LY6,L76	K,Y	57060 ⁵³	57060XP	42487 ²⁸⁴ 42488 ¹⁵⁵ 42488FR ³⁶⁰	WP10428 ⁷⁹ N/A ⁷⁸			N/S		N/A - 6L80

TAHOE

V8 4.8L 294 CID	LY2	C	57060 ⁵³	57060XP	42487 ²⁸⁴ 42488 ¹⁵⁵ 42488FR ³⁶⁰	WP10428			N/S		58847 - 4L60E N/A - 6L80
V8 5.3L 323CID	LMG,LY5	T	57060 ⁵³	57060XP	42487 ²⁸⁴ 42488 ¹⁵⁵ 42488FR ³⁶⁰	WP10428			N/S		58847 - 4L60E N/A - 6L80
V8 6.2L 376 CID Flex	L9H	2	57060 ⁵³	57060XP	42487 ²⁸⁴ 42488 ¹⁵⁵ 42488FR ³⁶⁰	WP10428			N/S		N/A - 6L80

TAHOE HYBRID

V8 6.0L 364 CID Electric/Gas	LZ1	5	57060 ⁵³	57060XP	42487 ²⁸⁴ 42488 ¹⁵⁵ 42488FR ³⁶⁰	WP10428			N/S		WL10453
------------------------------	-----	---	---------------------	---------	--	---------	--	--	-----	--	---------

TORNADO

L4 1.8L (Mex.)			51040 ⁵³	51040XP	WA10120				33199		
----------------	--	--	---------------------	---------	---------	--	--	--	-------	--	--

TRAILBLAZER

L6 4.2L 256 CID		S	51522 ⁵³	51522XP	42729	N/R			N/S		58904 - 4L60E-SP 58847 - 4L60E-DP
V8 5.3L 323CID	LH6	T	57060 ⁵³	57060XP	42729	N/R			N/S		58904 - 4L60E-SP 58847 - 4L60E-DP
V8 6.0L 364 CID	LS2	H	57060 ⁵³	57060XP	42729	N/R			N/S		58847

TRAVERSE

V6 3.6L 217 CID	LLT		57060 ⁵³	57060XP	49634	WP10074			N/S		N/S
-----------------	-----	--	---------------------	---------	-------	---------	--	--	-----	--	-----

UPLANDER

V6 3.9L 3880cc 237 CID	LZ9	1	51522 ⁵³	51522XP	46302	24161 ⁷⁹		5	N/S		58837
V6 3.9L 3880cc 237 CID Flex	LGD	W	51522 ⁵³	51522XP	46302	24161 ⁷⁹		5	N/S		58837
V6 3.9L 3880cc 237 CID Flex (Mex.)	LGD		51522 ⁵³	51522XP	46302				N/S		

N/A = Not Available N/R = Not Required N/S = Not Serviceable For cabin and fuel filter locator, see pages 5-15 See pages 16-19 for footnotes

N/A = Non disponible N/R = Non nécessaire N/S = Non réparable Para la ubicación de los filtros de aire de la cabina y de combustible, ver las páginas 5-15 Voir pages 16-19 pour des notes

N/A = No disponible N/R = No requiere N/S = No servible Voir les tableaux de repérage des filtres d'habitacle et à carburant aux pages 5-15 Ver las páginas 16-19 para las notas al pie de página

Italicized Part Numbers May Not Be Available. Wix XP Oil Filters Have Fully Synthetic Media.

Las piezas con números en *italicas* pueden no estar disponibles. Los filtros de aceite WIX XP son completamente de media sintética. Les numéros de pièce en *italiques* peuvent ne pas être disponibles. Les filtres à huile XP Wix contiennent un matériau 100 % synthétique.

Year/Año/Année Model/Modelo/Modèle Engine/Motor/Moteur	Eng. Code Código de motor Code moteur	VIN NIV NIV	Oil Aceite Huile	Oil XP Aceite XP Huile XP	Air Aire Air	Cabin Air Cabina Aire Cabine Air	Cabin Air XP Cabina Aire XP Cabine Air XP	Loc. Cabin Air Cabina Aire Cabine Air	Fuel Combustible Carburant	Loc. Fuel Combustible Carburant	Transmission Transmisión Transmission
--	---	-------------------	------------------------	---------------------------------	--------------------	--	---	--	----------------------------------	--	---

CHEVROLET (Cont'd/Suite)

2008

ASTRA

L4 1.8L 1796cc 110 CID (Mex.)			57143		49522	49364			N/A		
L4 2.0L (Mex.)	LOA	3	N/A			49364			33199		
L4 2.0L 122 CID Turbo (Mex.)			57143		49522	49364			33199		

AVALANCHE

V8 5.3L 323CID	LY5,LMG,LC9	T	57060 ⁵³	57060XP	42487 ²⁸⁴ 42488 ¹⁵⁵ 42488FR ³⁶⁰	WP10428			N/S		58904 - 4L60E-SP 58847 - 4L60E-DP
V8 6.0L 364 CID	L76	Y	57060 ⁵³	57060XP	42487 ²⁸⁴ 42488 ¹⁵⁵ 42488FR ³⁶⁰	WP10428			N/S		58904 - 4L60E-SP 58847 - 4L60E-DP N/A - 6L80

AVEO

L4 1.4L 85CID (Mex.)	F14D3		51040 ⁵³	51040XP	42831	24685			33850		
L4 1.6L 1598cc (Mex.)			51040 ⁵³	51040XP	42831	24685			33850		
L4 1.6L 98 CID	LXV	6	51040 ⁵³	51040XP	42831	24685		3	N/S		WL10418

CAPTIVA

V6 3.6L 3564cc (Mex.)	LY7		57060	57060XP	49102	24013	24013XP				N/S
-----------------------	-----	--	-------	---------	-------	-------	---------	--	--	--	-----

CAPTIVA SPORT

L4 2.4L 2405cc (Mex.)			N/A		N/A				N/A		
V6 3.6L 3600cc (Mex.)			57060 ⁵³	57060XP	N/A				N/A		

CELTA

L4 1.6L 1597cc (Mex.)			51040	51040XP	N/A				33199		
-----------------------	--	--	-------	---------	-----	--	--	--	-------	--	--

CHEVY

L4 1.6L 1597cc (Mex.)			51040 ⁵³	51040XP	WA10038	24472			33199		
-----------------------	--	--	---------------------	---------	---------	-------	--	--	-------	--	--

CHEVY C2

L4 1.6L 1597cc (Mex.)			51040 ⁵³	51040XP	WA10038	24525			33199		
-----------------------	--	--	---------------------	---------	---------	-------	--	--	-------	--	--

CHEYENNE

V8 5.3L 5328cc 325 CID Flex (Mex.)	LH6		57060 ⁵³	57060XP	42487						58847
------------------------------------	-----	--	---------------------	---------	-------	--	--	--	--	--	-------

COBALT

L4 2.0L 122 CID Turbo		X	57082	57082XP	49265	24882	24882XP	3	33980		MT ⁷²
L4 2.2L 2198cc 134 CID	L61	F	57082	57082XP	49117	24882	24882XP	3	33980		58611
L4 2.4L 145 CID		B	57082	57082XP	49117	24882	24882XP	3	33980		58611

COLORADO

L4 2.9L 2921cc 178 CID		9	51042 ⁵³	51042XP	49429	N/R			N/S		58904 - 4L60E-SP 2WD 58847 - 4L60E-DP 2WD 58323 - 4L60E-4WD
L5 3.7L 3654cc 223 CID		E	51522 ⁵³	51522XP	49429	N/R			N/S		58904 - 4L60E-SP 2WD 58847 - 4L60E-DP 2WD 58323 - 4L60E-4WD

CORSA

L4 1.8L 1796cc (Mex.)			51040 ⁵³	51040XP	WA10120	24472 ⁷⁹ 24525 ⁷⁸			33199		
-----------------------	--	--	---------------------	---------	---------	--	--	--	-------	--	--

CORVETTE

V8 6.2L 376 CID	LS3	W	57060 ⁵³	57060XP	49997	24480 ¹⁶⁴		1	N/S		58931
V8 7.0L 427 CID		E	57060 ⁵³	57060XP	49997	24480 ¹⁶⁴		1	N/S		58931

EQUINOX

V6 3.4L 207 CID		F	51040 ⁵³	51040XP	46902	24872		1	N/S		N/A
V6 3.6L 217 CID		7	57060 ⁵³	57060XP	46902	24872		1	N/S		58837

EXPRESS VAN (UP TO 4500 SERIES)

V6 4.3L 262CID	LU3	Z	51040 ⁵³	51040XP	46573	N/R			N/S		58904 - 4L60E-SP 58847 - 4L60E-DP 58608 - 4L80E
V8 4.8L 294 CID	LY2	C	57060 ⁵³	57060XP	46573	N/R			N/S		58904 - 4L60E-SP 58847 - 4L60E-DP 58608 - 4L80E

N/A = Not Available N/R = Not Required N/S = Not Serviceable For cabin and fuel filter locator, see pages 5-15 See pages 16-19 for footnotes

N/A = Non disponible N/R = Non nécessaire N/S = Non réparable Para la ubicación de los filtros de aire de la cabina y de combustible, ver las páginas 5-15 Voir pages 16-19 pour des notes

N/A = No disponible N/R = No requiere N/S = No servible Voir les tableaux de repérage des filtres d'habitacle et à carburant aux pages 5-15 Ver las páginas 16-19 para las notas al pie de página

Italicized Part Numbers May Not Be Available. Wix XP Oil Filters Have Fully Synthetic Media.

Las piezas con números en *italicas* pueden no estar disponibles. Los filtros de aceite WIX XP son completamente de media sintética.

Les numéros de pièce en *italiques* peuvent ne pas être disponibles. Les filtres à huile Wix contiennent un matériau 100 % synthétique.

CHEVROLET 2008

Pass Car/Light Truck



Year/Año/Année Model/Modelo/Modèle Engine/Motor/Moteur	Eng. Code Código de motor Code moteur	VIN NIV NIV	Oil Aceite Huile	Oil XP Aceite XP Huile XP	Air Aire Air	Cabin Air Cabina Aire Cabine Air	Cabin Air XP Cabina Aire XP Cabine Air XP	Loc. Cabin Air Cabina Aire Cabine Air	Fuel Combustible Carburant	Loc. Fuel Combustible Carburant	Transmission Transmisión Transmission
--	---	-------------------	------------------------	---------------------------------	--------------------	--	---	--	----------------------------------	--	---

CHEVROLET (Cont'd/Suite)

2008 (Cont'd/Suite)

EXPRESS VAN (UP TO 4500 SERIES) (Cont'd/Suite)

V8 5.3L 323CID	LMF	T	57060 ⁵³	57060XP	46573	N/R			N/S		58904 - 4L60E-SP 58847 - 4L60E-DP 58608 - 4L80E
V8 6.0L 364 CID	LY6	K	57060 ⁵³	57060XP	46573	N/R			N/S		58904 - 4L60E-SP 58847 - 4L60E-DP 58608 - 4L80E
V8 6.6L 400 CID Turbo Diesel	LMM	6	57202 ⁵³	57202XP	49154	N/R			33837 ⁵⁰⁴		58904 - 4L60E-SP 58847 - 4L60E-DP 58608 - 4L80E

HHR

L4 2.0L 122 CID Turbo		X	57082	57082XP	49459	24882	24882XP	3	N/S		58611
L4 2.2L 2198cc 134 CID		D	57082	57082XP	49064	24882	24882XP	3	N/S		58611
L4 2.4L 145 CID		P	57082	57082XP	49064	24882	24882XP	3	N/S		58611

IMPALA

V6 3.5L 213 CID		N	51522 ⁵³	51522XP	49115	24780	24780XP	1	N/S		58837
V6 3.5L 213 CID Flex		K	51522 ⁵³	51522XP	49115	24780	24780XP	1	N/S		58837
V6 3.9L 237 CID	LZG	3	51522 ⁵³	51522XP	49115	24780	24780XP	1	N/S		58837
V8 5.3L 325 CID		C	57060 ⁵³	57060XP	49115	24780	24780XP	1	N/S		58837

JOY

L4 1.6L 1597cc (Mex.)			51040	51040XP	N/A				33199		
-----------------------	--	--	-------	---------	-----	--	--	--	-------	--	--

MALIBU

L4 2.2L 134 CID	L61	F	57082	57082XP	46302	N/R			N/S		58611
L4 2.4L 145 CID		B	57082	57082XP	46902	N/R			N/S		58611
V6 3.5L 213 CID		N	51522 ⁵³	51522XP	46917	N/R			N/S		58611
V6 3.6L 217 CID		7	57060 ⁵³	57060XP	46902	N/R			N/S		58611

MALIBU HYBRID

L4 2.4L 145 CID Electric/Gas		5	57082	57082XP	46902	N/R			N/S		58611
------------------------------	--	---	-------	---------	-------	-----	--	--	-----	--	-------

MERIVA

L4 1.8L 1796cc 110 CID (Mex.)			51040 ⁵³	51040XP	WA10120	24472 ⁷⁹ 24525 ⁷⁸			33199		
-------------------------------	--	--	---------------------	---------	---------	--	--	--	-------	--	--

OPTRA

L4 1.8L 1799cc (Mex.)	LDA		N/A		42826	24902			33850		N/A
L4 2.0L 1991cc Diesel (Mex.)	LMN		N/A		N/A	24902			N/A		N/A
L4 2.0L 1998cc (Mex.)			51040 ⁵³	51040XP	42826	N/A			33850		

REZZO

L4 1.6L 1598cc (Mex.)			51040 ⁵³	51040XP	46831				33850		
-----------------------	--	--	---------------------	---------	-------	--	--	--	-------	--	--

SILVERADO (UP TO 3500 SERIES)

V6 4.3L 262CID	LU3	Z	51040 ⁵³	51040XP	42487 ²⁸⁴ 42488 ¹⁵⁵ 42488FR ³⁶⁰	N/A WP10428			N/S		58904 - 4L60E-SP 58847 - 4L60E-DP 58608 - 4L80E N/A - 6L80
V8 4.8L 294 CID	LY2	C	57060 ⁵³	57060XP	42487 ²⁸⁴ 42488 ¹⁵⁵ 42488FR ³⁶⁰	N/A WP10428			N/S		58904 - 4L60E-SP 58847 - 4L60E-DP 58608 - 4L80E N/A - 6L80
V8 4.8L 4807cc (Mex.)	LY2		57060 ⁵³	57060XP	42487				N/A		58847
V8 5.3L 323CID	LY5,LH6	T	57060 ⁵³	57060XP	42487 ²⁸⁴ 42488 ¹⁵⁵ 42488FR ³⁶⁰	N/A WP10428			N/S		58904 - 4L60E-SP 58847 - 4L60E-DP 58608 - 4L80E N/A - 6L80
V8 5.3L 323 CID Flex	LC9,LMG	0,3	57060 ⁵³	57060XP	42487 ²⁸⁴ 42488 ¹⁵⁵ 42488FR ³⁶⁰	N/A WP10428			N/S		58904 - 4L60E-SP 58847 - 4L60E-DP 58608 - 4L80E N/A - 6L80
V8 6.0L 364 CID	LY6,L76	K,Y	57060 ⁵³	57060XP	42487 ²⁸⁴ 42488 ¹⁵⁵ 42488FR ³⁶⁰	N/A WP10428			N/S		58904 - 4L60E-SP 58847 - 4L60E-DP 58608 - 4L80E 58369 - 6L90

N/A = Not Available N/R = Not Required N/S = Not Serviceable For cabin and fuel filter locator, see pages 5-15 See pages 16-19 for footnotes

N/A = Non disponible N/R = Non nécessaire N/S = Non réparable Para la ubicación de los filtros de aire de la cabina y de combustible, ver las páginas 5-15 Voir pages 16-19 pour des notes

N/A = No disponible N/R = No requiere N/S = No servible Voir les tableaux de repérage des filtres d'habitacle et à carburant aux pages 5-15 Ver las páginas 16-19 para las notas al pie de página

Italicized Part Numbers May Not Be Available. Wix XP Oil Filters Have Fully Synthetic Media.

Las piezas con números en *italicas* pueden no estar disponibles. Los filtros de aceite WIX XP son completamente de media sintética. Les numéros de pièce en *italiques* peuvent ne pas être disponibles. Les filtres à huile XP Wix contiennent un matériau 100 % synthétique.

Year/Año/Année Model/Modelo/Modèle Engine/Motor/Moteur	Eng. Code Código de motor Code moteur	VIN NIV NIV	Oil Aceite Huile	Oil XP Aceite XP Huile XP	Air Aire Air	Cabin Air Cabina Aire Cabine Air	Cabin Air XP Cabina Aire XP Cabine Air XP	Loc. Cabin Air Cabina Aire Cabine Air	Fuel Combustible Carburant	Loc. Fuel Combustible Carburant	Transmission Transmisión Transmission
--	---	-------------------	------------------------	---------------------------------	--------------------	--	---	--	----------------------------------	--	---

CHEVROLET (Cont'd/Suite)

2008 (Cont'd/Suite)

SILVERADO (UP TO 3500 SERIES) (Cont'd/Suite)

V8 6.6L 400 CID Turbo Diesel	LMM	6	57202 ⁵³	57202XP	49184 ⁵⁰³	N/A WP10428					57701 - Allison-Spin-on 58970 - Allison-SP NR - Allison 1000 6-Speed 58966 - Allison-DP
------------------------------	-----	---	---------------------	---------	----------------------	----------------	--	--	--	--	--

SPARK

L4 1.0L (Mex.)			51056 ⁵³		WA9639	WP9378 ⁵¹			33425		
----------------	--	--	---------------------	--	--------	----------------------	--	--	-------	--	--

SUBURBAN (ALL)

V8 5.3L 323 CID	LY5,LMG,LC9	J,O,3	57060 ⁵³	57060XP	42487 ²⁸⁴ 42488 ¹⁵⁵ 42488FR ³⁶⁰	WP10428 ⁷⁹ N/A ⁷⁸			N/S		58904 - 4L60E-SP 58847 - 4L60E-DP 58608 - 4L80E
V8 6.0L 364 CID	LY6,L76	K,Y	57060 ⁵³	57060XP	42487 ²⁸⁴ 42488 ¹⁵⁵ 42488FR ³⁶⁰	WP10428 ⁷⁹ N/A ⁷⁸			N/S		58904 - 4L60E-SP 58847 - 4L60E-DP 58608 - 4L80E 58369 - 6L90

TAHOE

V8 4.8L 294 CID	LY2	C	57060 ⁵³	57060XP	42487 ²⁸⁴ 42488 ¹⁵⁵ 42488FR ³⁶⁰	WP10428			N/S		58847
V8 5.3L 323CID	LMG,LY5	T	57060 ⁵³	57060XP	42487 ²⁸⁴ 42488 ¹⁵⁵ 42488FR ³⁶⁰	WP10428			N/S		58847
V8 6.2L 376 CID Flex	L9H	2	57060 ⁵³	57060XP	42487 ²⁸⁴ 42488 ¹⁵⁵ 42488FR ³⁶⁰	WP10428			N/S		N/A - 6L80

TAHOE HYBRID

V8 6.0L 364 CID Electric/Gas	LZ1	5	57060 ⁵³	57060XP	42487 ²⁸⁴ 42488 ¹⁵⁵ 42488FR ³⁶⁰	WP10428			N/S		WL10453
------------------------------	-----	---	---------------------	---------	--	---------	--	--	-----	--	---------

TORNADO

L4 1.8L (Mex.)			51040 ⁵³	51040XP	WA10120				33199		
----------------	--	--	---------------------	---------	---------	--	--	--	-------	--	--

TRACKER

L4 2.0L (Mex.)			57145	57145XP	46195	N/A			33150		
----------------	--	--	-------	---------	-------	-----	--	--	-------	--	--

TRAILBLAZER

L6 4.2L 256 CID		S	51522 ⁵³	51522XP	42729	N/R			N/S		58904 - 4L60E-SP 58847 - 4L60E-DP
V8 5.3L 323CID	LH6	T	57060 ⁵³	57060XP	42729	N/R			N/S		58904 - 4L60E-SP 58847 - 4L60E-DP
V8 6.0L 364 CID	LS2	H	57060 ⁵³	57060XP	42729	N/R			N/S		58847

UPLANDER

V6 3.9L 3880cc 237 CID		1	51522 ⁵³	51522XP	46302	24161 ⁷⁹		5	N/S		58837
V6 3.9L 3880cc 237 CID Flex	LGD		51522 ⁵³	51522XP	46302	24161 ⁷⁹		5	N/S		58837

VECTRA

V6 2.8L 2792cc Turbo (Mex.)			57090	57090XP	WA6782	24472 ⁷⁹ 24525 ⁷⁸			33078		
-----------------------------	--	--	-------	---------	--------	--	--	--	-------	--	--

2007

ASTRA

L4 1.8L 1796cc 110 CID (Mex.)			57143		49522	49364			N/A		
L4 2.0L (Mex.)	LOA	3	N/A			49364			33199		
L4 2.0L 122 CID Turbo (Mex.)			57143		49522	49364			33199		

AVALANCHE

V8 5.3L 323CID	LY5,LMG,LC9	T	57060 ⁵³	57060XP	42487 ²⁸⁴ 42488 ¹⁵⁵ 42488FR ³⁶⁰	WP10428			N/S		58904 - 4L60E-SP 58847 - 4L60E-DP
V8 6.0L 364 CID	L76	Y	57060 ⁵³	57060XP	42487 ²⁸⁴ 42488 ¹⁵⁵ 42488FR ³⁶⁰	WP10428			N/S		58904 - 4L60E-SP 58847 - 4L60E-DP

N/A = Not Available N/R = Not Required N/S = Not Serviceable For cabin and fuel filter locator, see pages 5-15 See pages 16-19 for footnotes

N/A = Non disponible N/R = Non nécessaire N/S = Non réparable Para la ubicación de los filtros de aire de la cabina y de combustible, ver las páginas 5-15 Voir pages 16-19 pour des notes

N/A = No disponible N/R = No requiere N/S = No servible Voir les tableaux de repérage des filtres d'habitacle et à carburant aux pages 5-15 Ver las páginas 16-19 para las notas al pie de página

Italicized Part Numbers May Not Be Available. Wix XP Oil Filters Have Fully Synthetic Media.

Las piezas con números en *italicas* pueden no estar disponibles. Los filtros de aceite WIX XP son completamente de media sintética.

Les numéros de pièce en *italiques* peuvent ne pas être disponibles. Les filtres à huile Wix contiennent un matériau 100 % synthétique.

CHEVROLET 2007
Pass Car/Light Truck

Year/Año/Année Model/Modelo/Modèle Engine/Motor/Moteur	Eng. Code Código de motor Code moteur	VIN NIV NIV	Oil Aceite Huile	Oil XP Aceite XP Huile XP	Air Aire Air	Cabin Air Cabina Aire Cabine Air	Cabin Air XP Cabina Aire XP Cabine Air XP	Loc. Cabin Air Cabina Aire Cabine Air	Fuel Combustible Carburant	Loc. Fuel Combustible Carburant	Transmission Transmisión Transmission
--	---	-------------------	------------------------	---------------------------------	--------------------	--	---	--	----------------------------------	--	---

CHEVROLET (Cont'd/Suite)
2007 (Cont'd/Suite)
AVEO

L4 1.4L 85CID (Mex.)	F14D3		51040 ⁵³	51040XP	42831	24685			33850		
L4 1.6L 1598cc (Mex.)			51040 ⁵³	51040XP	42831	24685			33850		
L4 1.6L 98 CID		6	51040 ⁵³	51040XP	42831	24685		3	N/S		WL10418

CAPTIVA

V6 3.2L 3195cc (Mex.)			N/A		WA9682 ⁶¹	WP2030			33425		
-----------------------	--	--	-----	--	----------------------	--------	--	--	-------	--	--

CELTA

L4 1.6L 1597cc (Mex.)			51040	51040XP	N/A				33199		
-----------------------	--	--	-------	---------	-----	--	--	--	-------	--	--

CHEVY

L4 1.6L 1597cc (Mex.)			51040 ⁵³	51040XP	WA10038	24472			33199		
-----------------------	--	--	---------------------	---------	---------	-------	--	--	-------	--	--

CHEVY C2

L4 1.6L 1597cc (Mex.)			51040 ⁵³	51040XP	WA10038	24525			33199		
-----------------------	--	--	---------------------	---------	---------	-------	--	--	-------	--	--

CHEYENNE

V8 5.3L 325 CID (Mex.)			57060 ⁵³	57060XP	42487						58847
------------------------	--	--	---------------------	---------	-------	--	--	--	--	--	-------

COBALT

L4 2.0L 122 CID Super Charged		P	57082	57082XP	42736	24882	24882XP	3	33980		MT ⁷²
L4 2.2L 2198cc 134 CID	L61	F	57082	57082XP	49117	24882	24882XP	3	33980		58611
L4 2.4L 145 CID		B	57082	57082XP	49117	24882	24882XP	3	33980		58611

COLORADO

L4 2.9L 2921cc 178 CID		9	51042 ⁵³	51042XP	42013	N/R			N/S		58904 - 4L60E-SP 2WD 58847 - 4L60E-DP 2WD 58323 - 4L60E-4WD
L5 3.7L 3654cc 223 CID		E	51522 ⁵³	51522XP	42013	N/R			N/S		58904 - 4L60E-SP 2WD 58847 - 4L60E-DP 2WD 58323 - 4L60E-4WD

CORSA

L4 1.8L 1796cc (Mex.)			51040 ⁵³	51040XP	WA10120	24472 ⁷³ 24525 ⁷³			33199		
-----------------------	--	--	---------------------	---------	---------	--	--	--	-------	--	--

CORVETTE

V8 6.0L 5967cc 364 CID Flex	L77	U	57060 ⁵³	57060XP	42821	24480 ⁶⁴		1	N/S		58574 - 4 Spd. 58931 - 6 Spd.
V8 7.0L 427 CID	LS7	E	57060 ⁵³	57060XP	49997	24480 ⁶⁴		1	N/S		MT ⁷²

EPICA

V6 2.5L 152 CID		5	57046		42838	24906		1	33850		N/A
-----------------	--	---	-------	--	-------	-------	--	---	-------	--	-----

EQUINOX

V6 3.4L 207 CID		F	51040 ⁵³	51040XP	46902	24872		1	N/S		N/A
-----------------	--	---	---------------------	---------	-------	-------	--	---	-----	--	-----

EXPRESS VAN (UP TO 4500 SERIES)

V6 4.3L 262CID	LU3	Z	51040 ⁵³	51040XP	46573	N/R			N/S		58904 - 4L60E-SP 58847 - 4L60E-DP 58608 - 4L80E
V8 4.8L 294 CID	LR4	V	57060 ⁵³	57060XP	46573	N/R			N/S		58904 - 4L60E-SP 58847 - 4L60E-DP 58608 - 4L80E
V8 5.3L 323CID	LM7	T	57060 ⁵³	57060XP	46573	N/R			N/S		58904 - 4L60E-SP 58847 - 4L60E-DP 58608 - 4L80E
V8 5.3L 323 CID Flex	L59	Z	57060 ⁵³	57060XP	46573	N/R			N/S		58904 - 4L60E-SP 58847 - 4L60E-DP 58608 - 4L80E
V8 6.0L 364 CID	LQ4	U	57060 ⁵³	57060XP	46573	N/R			N/S		58904 - 4L60E-SP 58847 - 4L60E-DP 58608 - 4L80E
V8 6.6L 400 CID Turbo Diesel		2	57202 ⁵³	57202XP	49154	N/R			33837 ⁵⁰⁴		58904 - 4L60E-SP 58847 - 4L60E-DP 58608 - 4L80E

HHR

L4 2.2L 2198cc 134 CID	L61	D	57082	57082XP	49064	24882	24882XP	3	N/S		58611
L4 2.4L 145 CID		P	57082	57082XP	49064	24882	24882XP	3	N/S		58611

N/A = Not Available N/R = Not Required N/S = Not Serviceable For cabin and fuel filter locator, see pages 5-15 See pages 16-19 for footnotes

N/A = Non disponible N/R = Non nécessaire N/S = Non réparable Para la ubicación de los filtros de aire de la cabina y de combustible, ver las páginas 5-15 Voir pages 16-19 pour des notes

N/A = No disponible N/R = No requiere N/S = No servible Voir les tableaux de repérage des filtres d'habitacle et à carburant aux pages 5-15 Ver las páginas 16-19 para las notas al pie de página

Italicized Part Numbers May Not Be Available. Wix XP Oil Filters Have Fully Synthetic Media.

Las piezas con números en *italicas* pueden no estar disponibles. Los filtros de aceite WIX XP son completamente de media sintética. Les numéros de pièce en *italiques* peuvent ne pas être disponibles. Les filtres à huile XP Wix contiennent un matériau 100 % synthétique.

Year/Año/Année Model/Modelo/Modèle Engine/Motor/Moteur	Eng. Code Código de motor Code moteur	VIN NIV NIV	Oil Aceite Huile	Oil XP Aceite XP Huile XP	Air Aire Air	Cabin Air Cabina Aire Cabine Air	Cabin Air XP Cabina Aire XP Cabine Air XP	Loc. Cabin Air Cabina Aire Cabine Air	Fuel Combustible Carburant	Loc. Fuel Combustible Carburant	Transmission Transmisión Transmission
--	---	-------------------	------------------------	---------------------------------	--------------------	--	---	--	----------------------------------	--	---

CHEVROLET (Cont'd/Suite)
2007 (Cont'd/Suite)
IMPALA

V6 3.5L 213 CID		N	51522 ⁵³	51522XP	49115	24780	24780XP	1	N/S		58837
V6 3.5L 213 CID Flex		K	51522 ⁵³	51522XP	49115	24780	24780XP	1	N/S		58837
V6 3.9L 237 CID		R	51522 ⁵³	51522XP	49115	24780	24780XP	1	N/S		58837
V8 5.3L 325 CID		C	57060 ⁵³	57060XP	49115	24780	24780XP	1	N/S		58837

JOY

L4 1.6L 1597cc (Mex.)			51040	51040XP	N/A				33199		
-----------------------	--	--	-------	---------	-----	--	--	--	-------	--	--

LLV (U.S.P.S.)

L4 2.2L (Mex.)			51334 ⁵³	51334XP	46006				33199		
----------------	--	--	---------------------	---------	-------	--	--	--	-------	--	--

MALIBU

L4 2.2L 134 CID	L61	F	57082	57082XP	46302	N/R			N/S		58611
V6 3.5L 213 CID		N	51522 ⁵³	51522XP	46917	N/R			N/S		58611
V6 3.9L 237 CID		1	51522 ⁵³	51522XP	46917	N/R			N/S		58837

MERIVA

L4 1.8L 1796cc 110 CID (Mex.)			51040 ⁵³	51040XP	WA10120	24472 ⁷⁹ 24525 ⁷⁸			33199		
----------------------------------	--	--	---------------------	---------	---------	--	--	--	-------	--	--

MONTE CARLO

V6 3.5L 213 CID		N	51522 ⁵³	51522XP	49115	24780	24780XP	1	N/S		58837
V6 3.5L 213 CID Flex		K	51522 ⁵³	51522XP	49115	24780	24780XP	1	N/S		58837
V8 5.3L 325 CID		C	57060 ⁵³	57060XP	49115	24780	24780XP	1	N/S		58837

OPTRA

L4 1.8L 1799cc (Mex.)	L79 LDA		N/A N/A		42826 42826	24902 24902			33850 33850		N/A N/A
L4 2.0L 122 CID		Z	51040 ⁵³	51040XP	42826	24902			33850		N/A
L4 2.0L 1991cc Diesel (Mex.)	LMN		N/A		N/A	24902			N/A		N/A
L4 2.0L 1998cc (Mex.)			51040 ⁵³	51040XP	42826	N/A			33850		N/A

REZZO

L4 1.6L 1598cc (Mex.)			51040 ⁵³	51040XP	46831				33850		
-----------------------	--	--	---------------------	---------	-------	--	--	--	-------	--	--

SILVERADO (UP TO 3500 SERIES)

V8 5.3L 325 CID Electric/Gas	LM7		57060 ⁵³	57060XP	42487 ²⁸⁴ 42488 ¹⁵⁵ 42488FR ³⁶⁰	WP10428			N/S		58904 - 4L60E-SP 58847 - 4L60E-DP 58608 - 4L80E
------------------------------	-----	--	---------------------	---------	--	---------	--	--	-----	--	---

SILVERADO CLASSIC SERIES (UP TO 3500 SERIES) CLASSIC

V6 4.3L 262CID	LU3	Z	51040 ⁵³	51040XP	42487 ²⁸⁴ 42488 ¹⁵⁵ 42488FR ³⁶⁰	WP10428			33481		58904 - 4L60E-SP 58847 - 4L60E-DP 58608 - 4L80E
V8 4.8L 294 CID	LR4	V	57060 ⁵³	57060XP	42487 ²⁸⁴ 42488 ¹⁵⁵ 42488FR ³⁶⁰	N/R			N/S		58904 - 4L60E-SP 58847 - 4L60E-DP 58608 - 4L80E
V8 5.3L 323CID	LM7	T	57060 ⁵³	57060XP	42487 ²⁸⁴ 42488 ¹⁵⁵ 42488FR ³⁶⁰	N/R			N/S		58904 - 4L60E-SP 58847 - 4L60E-DP 58608 - 4L80E
V8 5.3L 323 CID Flex	L59	Z	57060 ⁵³	57060XP	42487 ²⁸⁴ 42488 ¹⁵⁵ 42488FR ³⁶⁰	N/R			N/S		58904 - 4L60E-SP 58847 - 4L60E-DP 58608 - 4L80E
V8 6.0L 364 CID	LQ4	U,N	57060 ⁵³	57060XP	42487 ²⁸⁴ 42488 ¹⁵⁵ 42488FR ³⁶⁰	N/R			N/S		58904 - 4L60E-SP 58847 - 4L60E-DP 58608 - 4L80E
V8 6.6L 400 CID Turbo Diesel	LBZ	D	57202 ⁵³	57202XP	49184 ⁹⁰³	N/R					57701 - Allison-Spin-on 58970 - Allison-SP 58966 - Allison-DP
V8 8.1L 496 CID		G	57099	57099XP	42487 ²⁸⁴ 42488 ¹⁵⁵ 42488FR ³⁶⁰	N/R			N/S		57701 - Allison-Spin-on 58970 - Allison-SP 58966 - Allison-DP

SILVERADO NEW SERIES (UP TO 3500 SERIES)

V6 4.3L 262CID	LU3	Z	51040 ⁵³	51040XP	42487 ²⁸⁴ 42488 ¹⁵⁵ 42488FR ³⁶⁰	WP10428			N/S		58904 - 4L60E-SP 58847 - 4L60E-DP 58608 - 4L80E
----------------	-----	---	---------------------	---------	--	---------	--	--	-----	--	---

N/A = Not Available N/R = Not Required N/S = Not Serviceable For cabin and fuel filter locator, see pages 5-15 See pages 16-19 for footnotes

N/A = Non disponible N/R = Non nécessaire N/S = Non réparable Para la ubicación de los filtros de aire de la cabina y de combustible, ver las páginas 5-15 Voir pages 16-19 pour des notes

N/A = No disponible N/R = No requiere N/S = No servible Voir les tableaux de repérage des filtres d'habitacle et à carburant aux pages 5-15 Ver las páginas 16-19 para las notas al pie de página

Italicized Part Numbers May Not Be Available. Wix XP Oil Filters Have Fully Synthetic Media.

Las piezas con números en *italicas* pueden no estar disponibles. Los filtros de aceite WIX XP son completamente de media sintética.

Les numéros de pièce en *italiques* peuvent ne pas être disponibles. Les filtres à huile XP Wix contiennent un matériau 100 % synthétique.

CHEVROLET 2007-2006
Pass Car/Light Truck

Year/Año/Année Model/Modelo/Modèle Engine/Motor/Moteur	Eng. Code Código de motor Code moteur	VIN NIV NIV	Oil Aceite Huile	Oil XP Aceite XP Huile XP	Air Aire Air	Cabin Air Cabina Aire Cabine Air	Cabin Air XP Cabina Aire XP Cabine Air XP	Loc. Cabin Air Cabina Aire Cabine Air	Fuel Combustible Carburant	Loc. Fuel Combustible Carburant	Transmission Transmisión Transmission
--	---	-------------------	------------------------	---------------------------------	--------------------	--	---	--	----------------------------------	--	---

CHEVROLET (Cont'd/Suite)
2007 (Cont'd/Suite)
SILVERADO NEW SERIES (UP TO 3500 SERIES) (Cont'd/Suite)

V8 4.8L 294 CID	LY2	C	57060 ⁵³	57060XP	42487 ²⁸⁴ 42488 ¹⁵⁵ 42488FR ³⁶⁰	WP10428			N/S		58904 - 4L60E-SP 58847 - 4L60E-DP 58608 - 4L80E
V8 5.3L 323CID	LY5,LH6	T	57060 ⁵³	57060XP	42487 ²⁸⁴ 42488 ¹⁵⁵ 42488FR ³⁶⁰	WP10428			N/S		58904 - 4L60E-SP 58847 - 4L60E-DP 58608 - 4L80E
V8 5.3L 323 CID Flex	LC9,LMG	0,3	57060 ⁵³	57060XP	42487 ²⁸⁴ 42488 ¹⁵⁵ 42488FR ³⁶⁰	WP10428			N/S		58904 - 4L60E-SP 58847 - 4L60E-DP 58608 - 4L80E
V8 6.0L 364 CID	LY6,L76	K,Y	57060 ⁵³	57060XP	42487 ²⁸⁴ 42488 ¹⁵⁵ 42488FR ³⁶⁰	WP10428			N/S		58904 - 4L60E-SP 58847 - 4L60E-DP 58608 - 4L80E
V8 6.6L 400 CID Turbo Diesel	LMM	6	57202 ⁵³	57202XP	49184 ⁵⁰³	WP10428					57701 - Allison-Spin-on 58970 - Allison-SP 58966 - Allison-DP

SUBURBAN (ALL)

V8 5.3L 323CID	LY5,LMG,LC9	T	57060 ⁵³	57060XP	42487 ²⁸⁴ 42488 ¹⁵⁵ 42488FR ³⁶⁰	WP10428 ⁷⁹ N/A ⁷⁸			N/S		58904 - 4L60E-SP 58847 - 4L60E-DP 58608 - 4L80E
V8 6.0L 364 CID	L76	K	57060 ⁵³	57060XP	42487 ²⁸⁴ 42488 ¹⁵⁵ 42488FR ³⁶⁰	WP10428 ⁷⁹ N/A ⁷⁸			N/S		58847 - 4L60E, 4L70E 58608 - 4L80E

TAHOE

V8 4.8L 294 CID	LY2	C	57060 ⁵³	57060XP	42487 ²⁸⁴ 42488 ¹⁵⁵ 42488FR ³⁶⁰	WP10428			N/S		58847
V8 5.3L 323CID	LMG,LY5	T	57060 ⁵³	57060XP	42487 ²⁸⁴ 42488 ¹⁵⁵ 42488FR ³⁶⁰	WP10428			N/S		58847

TORNADO

L4 1.8L (Mex.)			51040 ⁵³	51040XP	WA10120				33199		
----------------	--	--	---------------------	---------	---------	--	--	--	-------	--	--

TRACKER

L4 2.0L (Mex.)			57145	57145XP	46195	N/A			33150		
----------------	--	--	-------	---------	-------	-----	--	--	-------	--	--

TRAILBLAZER

L6 4.2L 256 CID		S	51522 ⁵³	51522XP	42729	N/R			N/S		58904 - 4L60E-SP 58847 - 4L60E-DP
V8 5.3L 323CID	LH6	T	57060 ⁵³	57060XP	42729	N/R			N/S		58904 - 4L60E-SP 58847 - 4L60E-DP
V8 6.0L 364 CID	LS2	H	57060 ⁵³	57060XP	42729	N/R			N/S		58847

UPLANDER

V6 3.9L 3880cc 237 CID		1	51522 ⁵³	51522XP	46302	24161 ⁷⁹		5	N/S		58837
V6 3.9L 3880cc 237 CID Flex	LGD		51522 ⁵³	51522XP	46302	24161 ⁷⁹		5	N/S		58837

VECTRA

V6 2.8L 2792cc Turbo (Mex.)			57090	57090XP	WA6782	24472 ⁷⁹ 24525 ⁷⁸			33078		
-----------------------------	--	--	-------	---------	--------	--	--	--	-------	--	--

2006
400SS

V8 5.7L 5700cc (Mex.)			51061 ⁵³		42098				33031		
-----------------------	--	--	---------------------	--	-------	--	--	--	-------	--	--

ASTRA

L4 1.8 L 1796cc (Mex.)			57143		49522	49364			N/A		
L4 2.0L 122 CID (Mex.)			51040 ⁵³	51040XP	49522	WP6800 ⁶¹			33199		
L4 2.0L 122 CID Turbo (Mex.)			57143		49522	49364			33199		
L4 2.4L 146 CID (Mex.)			51040 ⁵³	51040XP	N/A	N/A			33199		
L4 2.4L 2405cc BI-Fuel (Mex.)			51040 ⁵³	51040XP	49522	WP6800 ⁶¹			33199		

AVALANCHE

V8 5.3L 323 CID Flex		Z	51042 ⁵³	51042XP	42487 ²⁸⁴ 42488 ¹⁵⁵ 42488FR ³⁶⁰	N/R			N/S		58904 - 4L60E-SP 58847 - 4L60E-DP
----------------------	--	---	---------------------	---------	--	-----	--	--	-----	--	--------------------------------------

N/A = Not Available N/R = Not Required N/S = Not Serviceable For cabin and fuel filter locator, see pages 5-15 See pages 16-19 for footnotes

N/A = Non disponible N/R = Non nécessaire N/S = Non réparable Para la ubicación de los filtros de aire de la cabina y de combustible, ver las páginas 5-15 Voir pages 16-19 pour des notes

N/A = No disponible N/R = No requiere N/S = No servible Voir les tableaux de repérage des filtres d'habitacle et à carburant aux pages 5-15 Ver las páginas 16-19 para las notas al pie de página

Italicized Part Numbers May Not Be Available. Wix XP Oil Filters Have Fully Synthetic Media.

Las piezas con números en *italicas* pueden no estar disponibles. Los filtros de aceite WIX XP son completamente de media sintética. Les numéros de pièce en *italiques* peuvent ne pas être disponibles. Les filtres à huile XP Wix contiennent un matériau 100 % synthétique.

Year/Año/Année Model/Modelo/Modèle Engine/Motor/Moteur	Eng. Code Código de motor Code moteur	VIN NIV NIV	Oil Aceite Huile	Oil XP Aceite XP Huile XP	Air Aire Air	Cabin Air Cabina Aire Cabine Air	Cabin Air XP Cabina Aire XP Cabine Air XP	Loc. Cabin Air Cabina Aire Cabine Air	Fuel Combustible Carburant	Loc. Fuel Combustible Carburant	Transmission Transmisión Transmission
--	---	-------------------	------------------------	---------------------------------	--------------------	--	---	--	----------------------------------	--	---

CHEVROLET (Cont'd/Suite)

2006 (Cont'd/Suite)

AVALANCHE (Cont'd/Suite)

V8 8.1L 496 CID		G	57099	57099XP	42487 ²⁸⁴ 42488 ¹⁵⁵ 42488FR ³⁶⁰	N/R			N/S		58608 - 4L80E-DP 57701 - Allison-Spin-on 58970 - Allison-SP
-----------------	--	---	-------	---------	--	-----	--	--	-----	--	---

AVEO

L4 1.4L 85CID (Mex.)	F14D3		51040 ⁵³	51040XP	42831	24685			33850		
L4 1.6L 1598cc (Mex.)			51040 ⁵³	51040XP	42831	24685			33850		
L4 1.6L 98 CID		6	51040 ⁵³	51040XP	42831	24685		3	N/S		WL10418

CAPTIVA

V6 3.2L 3195cc (Mex.)			N/A		WA9682 ⁹¹	WP2030			33425		
-----------------------	--	--	-----	--	----------------------	--------	--	--	-------	--	--

CELTA

L4 1.6L 1597cc (Mex.)			51040	51040XP	N/A				33199		
-----------------------	--	--	-------	---------	-----	--	--	--	-------	--	--

CHEVY

L4 1.6L 1597cc (Mex.)			51040 ⁵³	51040XP	WA10038	24472			33199		
-----------------------	--	--	---------------------	---------	---------	-------	--	--	-------	--	--

CHEVY C2

L4 1.6L 1597cc (Mex.)			51040 ⁵³	51040XP	WA10038	24472 ⁷⁹ 24525 ⁷⁸			33199		
-----------------------	--	--	---------------------	---------	---------	--	--	--	-------	--	--

CHEYENNE

V8 5.3L 5328cc 325 CID Flex (Mex.)	LH6		57060 ⁵³	57060XP	42487						58847
------------------------------------	-----	--	---------------------	---------	-------	--	--	--	--	--	-------

COBALT

L4 2.0L 122 CID Super Charged		P	57082	57082XP	42736	24882	24882XP	3	33980		MT ⁷²
L4 2.2L 2198cc 134 CID	L61	F	57082	57082XP	49117	24882	24882XP	3	33980		58611
L4 2.4L 145 CID		B	57082	57082XP	49117	24882	24882XP	3	33980		58611

COLORADO

L4 2.8L 2770cc 169 CID		8	51042 ⁵³	51042XP	42013	N/R			N/S		58904 - 4L60E-SP 2WD 58847 - 4L60E-DP 2WD 58323 - 4L60E-4WD
L5 3.5L 3460cc 211 CID		6	51522 ⁵³	51522XP	42013	N/R			N/S		58904 - 4L60E-SP 2WD 58847 - 4L60E-DP 2WD 58323 - 4L60E-4WD

CORSA

L4 1.8L 1796cc (Mex.)			51040 ⁵³	51040XP	WA10120	24472 ⁷⁹ 24525 ⁷⁸			33199		
-----------------------	--	--	---------------------	---------	---------	--	--	--	-------	--	--

CORVETTE

V8 6.0L 5967cc 364 CID		U	51042 ⁵³	51042XP	42821	24480 ¹⁶⁴		1	N/S		58574 - 4 Spd. 58931 - 6 Spd.
V8 7.0L 427 CID		E	57060 ⁵³	57060XP	49997	24480 ¹⁶⁴		1	N/S		MT ⁷²

EPICA

V6 2.5L 152 CID		5	57046		42838	24906		1	33850	I	N/A
-----------------	--	---	-------	--	-------	-------	--	---	-------	---	-----

EQUINOX

V6 3.4L 207 CID		F	51040 ⁵³	51040XP	46902	24872		1	N/S		N/A
-----------------	--	---	---------------------	---------	-------	-------	--	---	-----	--	-----

EXPRESS VAN (UP TO 4500 SERIES)

V6 4.3L 262CID	LU3	Z	51040 ⁵³	51040XP	46573	N/R			N/S		58904 - 4L60E-SP 58847 - 4L60E-DP 58608 - 4L80E
V8 4.8L 294 CID	LR4	V	51042 ⁵³	51042XP	46573	N/R			N/S		58904 - 4L60E-SP 58847 - 4L60E-DP 58608 - 4L80E
V8 5.3L 323CID	LM7	T	51042 ⁵³	51042XP	46573	N/R			N/S		58904 - 4L60E-SP 58847 - 4L60E-DP 58608 - 4L80E
V8 6.0L 364 CID	LQ4	U	51042 ⁵³	51042XP	46573	N/R			N/S		58904 - 4L60E-SP 58847 - 4L60E-DP 58608 - 4L80E
V8 6.6L 400 CID Turbo Diesel		2	57202 ⁵³	57202XP	49154	N/R			33837 ⁵⁰⁴		58904 - 4L60E-SP 58847 - 4L60E-DP 58608 - 4L80E

N/A = Not Available N/R = Not Required N/S = Not Serviceable For cabin and fuel filter locator, see pages 5-15 See pages 16-19 for footnotes

N/A = Non disponible N/R = Non nécessaire N/S = Non réparable Para la ubicación de los filtros de aire de la cabina y de combustible, ver las páginas 5-15 Voir pages 16-19 pour des notes

N/A = No disponible N/R = No requiere N/S = No servible Voir les tableaux de repérage des filtres d'habitacle et à carburant aux pages 5-15 Ver las páginas 16-19 para las notas al pie de página

Italicized Part Numbers May Not Be Available. Wix XP Oil Filters Have Fully Synthetic Media.

Las piezas con números en *italicas* pueden no estar disponibles. Los filtros de aceite WIX XP son completamente de media sintética.

Les numéros de pièce en *italiques* peuvent ne pas être disponibles. Les filtres à huile Wix contiennent un matériau 100 % synthétique.

P
A
S
S
C
A
R
L
I
G
H
T
T
R
U
C
K

CHEVROLET 2006
Pass Car/Light Truck

Year/Año/Année Model/Modelo/Modèle Engine/Motor/Moteur	Eng. Code Código de motor Code moteur	VIN NIV NIV	Oil Aceite Huile	Oil XP Aceite XP Huile XP	Air Aire Air	Cabin Air Cabina Aire Cabine Air	Cabin Air XP Cabina Aire XP Cabine Air XP	Loc. Cabin Air Cabina Aire Cabine Air	Fuel Combustible Carburant	Loc. Fuel Combustible Carburant	Transmission Transmisión Transmission
--	---	-------------------	------------------------	---------------------------------	--------------------	--	---	--	----------------------------------	--	---

CHEVROLET (Cont'd/Suite)
2006 (Cont'd/Suite)
HHR

L4 2.2L 2189cc 134 CID		D	57082	57082XP	49064	24882	24882XP		3	N/S	58611
L4 2.4L 145 CID		P	57082	57082XP	49064	24882	24882XP		3	N/S	58611

IMPALA

V6 3.5L 213 CID		K	51522 ⁵³	51522XP	49115	24780	24780XP		1	N/S	58837
V6 3.9L 237 CID		1	51522 ⁵³	51522XP	49115	24780	24780XP		1	N/S	58837
V8 5.3L 325 CID		C	51042 ⁵³	51042XP	49115	24780	24780XP		1	N/S	58837

JOY

L4 1.6L 1597cc (Mex.)			51040	51040XP	N/A					33199	
-----------------------	--	--	-------	---------	-----	--	--	--	--	-------	--

LUV

L4 2.2L 2200cc (Mex.)			51334 ⁵³	51334XP	46006					33199	
-----------------------	--	--	---------------------	---------	-------	--	--	--	--	-------	--

MALIBU

L4 2.2L 134 CID	L61	F	57082	57082XP	46302	N/R				N/S	58611
V6 3.5L 213 CID		8	51040 ⁵³	51040XP	46302	N/R				N/S	58611
V6 3.5L 3490cc 213 CID (Mex.)	LZ4		51522 ⁵³	51522XP	46917						58611
V6 3.9L 237 CID		1	51522 ⁵³	51522XP	46917	N/R				N/S	58837

MALIBU MAXX

V6 3.5L 213 CID		8	51040 ⁵³	51040XP	46302	N/R				N/S	58611
V8 3.9L 238 CID		1	51522 ⁵³	51522XP	46917	N/R				N/S	58837

MATIZ

L4 1.0L (Mex.)			51056 ⁵³		WA9639	WP9378 ⁶¹				33425	
----------------	--	--	---------------------	--	--------	----------------------	--	--	--	-------	--

MERIVA

L4 1.8L 1796cc 110 CID (Mex.)			51040 ⁵³	51040XP	WA10120	24472 ⁷⁹ 24525 ⁷⁸				33199	
-------------------------------	--	--	---------------------	---------	---------	--	--	--	--	-------	--

MONTE CARLO

V6 3.5L 213 CID		N	51522 ⁵³	51522XP	49115	24780	24780XP		1	N/S	58837
V6 3.5L 213 CID Flex		K	51522 ⁵³	51522XP	49115	24780	24780XP		1	N/S	58837
V6 3.9L 237 CID		1	51522 ⁵³	51522XP	49115	24780	24780XP		1	N/S	58837
V8 5.3L 325 CID		C	51042 ⁵³	51042XP	49115	24780	24780XP		1	N/S	58837

OPTRA

L4 1.8L 1799cc (Mex.)	L79		N/A		42826	24902				33850	N/A
	LDA		N/A		42826	24902				33850	N/A
L4 2.0L 122 CID		Z	51040 ⁵³	51040XP	42826	24902				33850	N/A
L4 2.0L 1991cc Diesel (Mex.)	LMN		N/A		N/A	24902				N/A	N/A
L4 2.0L 1998cc (Mex.)			51040 ⁵³	51040XP	42826					33850	

REZZO

L4 1.6L 1598cc (Mex.)			51040 ⁵³	51040XP	46831					33850	
-----------------------	--	--	---------------------	---------	-------	--	--	--	--	-------	--

S10 PICKUP

V6 3.5L (Mex.)			51040 ⁵³	51040XP							
V6 3.9L (Mex.)			51522 ⁵³	51522XP							

SILVERADO (UP TO 3500 SERIES)

V6 4.3L 262CID	LU3	Z	51040 ⁵³	51040XP	42487 ²⁸⁴ 42488 ¹⁵⁵ 42488FR ³⁶⁰	24805 ¹⁶⁶	24805XP ¹⁶⁶			N/S	58904 - 4L60E-SP 58847 - 4L60E-DP 58608 - 4L80E
V8 4.8L 294 CID	LR4	V	51042 ⁵³	51042XP	42487 ²⁸⁴ 42488 ¹⁵⁵ 42488FR ³⁶⁰	24805 ¹⁶⁶	24805XP ¹⁶⁶			N/S	58904 - 4L60E-SP 58847 - 4L60E-DP 58608 - 4L80E
V8 4.8L 4807cc (Mex.)	LY2		57060 ⁵³	57060XP	42487					N/A	58847
V8 5.3L 323CID	L59	T	51042 ⁵³	51042XP	42487 ²⁸⁴ 42488 ¹⁵⁵ 42488FR ³⁶⁰	24805 ¹⁶⁶	24805XP ¹⁶⁶			N/S - Flex-Fuel	58904 - 4L60E-SP 58847 - 4L60E-DP 58608 - 4L80E
	LM7	T	51042 ⁵³	51042XP	42487 ²⁸⁴ 42488 ¹⁵⁵ 42488FR ³⁶⁰	24805 ¹⁶⁶	24805XP ¹⁶⁶			N/S - Std.	58904 - 4L60E-SP 58847 - 4L60E-DP 58608 - 4L80E

N/A = Not Available N/R = Not Required N/S = Not Serviceable For cabin and fuel filter locator, see pages 5-15 See pages 16-19 for footnotes

N/A = Non disponible N/R = Non nécessaire N/S = Non réparable Para la ubicación de los filtros de aire de la cabina y de combustible, ver las páginas 5-15 Voir pages 16-19 pour des notes

N/A = No disponible N/R = No requiere N/S = No servible Voir les tableaux de repérage des filtres d'habitacle et à carburant aux pages 5-15 Ver las páginas 16-19 para las notas al pie de página

Italicized Part Numbers May Not Be Available. Wix XP Oil Filters Have Fully Synthetic Media.

Las piezas con números en *italicas* pueden no estar disponibles. Los filtros de aceite WIX XP son completamente de media sintética. Les numéros de pièce en *italiques* peuvent ne pas être disponibles. Les filtres à huile XP Wix contiennent un matériau 100 % synthétique.

Year/Año/Année Model/Modelo/Modèle Engine/Motor/Moteur	Eng. Code Código de motor Code moteur	VIN NIV NIV	Oil Aceite Huile	Oil XP Aceite XP Huile XP	Air Aire Air	Cabin Air Cabina Aire Cabine Air	Cabin Air XP Cabina Aire XP Cabine Air XP	Loc. Cabin Air Cabina Aire Cabine Air	Fuel Combustible Carburant	Loc. Fuel Combustible Carburant	Transmission Transmisión Transmission
--	---	-------------------	------------------------	---------------------------------	--------------------	--	---	--	----------------------------------	--	---

CHEVROLET (Cont'd/Suite)
2006 (Cont'd/Suite)
SILVERADO (UP TO 3500 SERIES) (Cont'd/Suite)

V8 5.3L 325 CID Electric/Gas	LM7		51042 ⁵³	51042XP	42487 ²⁸⁴ 42488 ¹⁵⁵ 42488FR ³⁶⁰	24805 ¹⁶⁶	24805XP ¹⁶⁶		N/S		58904 - 4L60E-SP 58847 - 4L60E-DP 58608 - 4L80E 58608
V8 5.7L 5733cc 350 CID (Mex.)	L31		51060 ⁵³	51060XP	42487			33481			58904 - 4L60E-SP 58847 - 4L60E-DP 58608 - 4L80E 58608
V8 6.0L 364 CID	LQ4	U,N	51042 ⁵³	51042XP	42487 ²⁸⁴ 42488 ¹⁵⁵ 42488FR ³⁶⁰	24805 ¹⁶⁶	24805XP ¹⁶⁶		N/S		58904 - 4L60E-SP 58847 - 4L60E-DP 58608 - 4L80E
V8 6.6L 400 CID Turbo Diesel		2,D	57202 ⁵³	57202XP	49184 ⁵⁰³	24805 ¹⁶⁶	24805XP ¹⁶⁶				57701 - Allison-Spin-on 58970 - Allison-SP 58966 - Allison-DP
V8 8.1L 496 CID		G	57099	57099XP	42487 ²⁸⁴ 42488 ¹⁵⁵ 42488FR ³⁶⁰	24805 ¹⁶⁶	24805XP ¹⁶⁶		N/S		57701 - Allison-Spin-on 58970 - Allison-SP 58966 - Allison-DP

SONORA

V8 5.3L 5300cc (Mex.)			51522 ⁵³	51522XP	42487				33481		
V8 5.7L 5700cc (Mex.)			51060 ⁵³	51060XP	42487				33481		

SPARK

L4 1.0L (Mex.)			51056 ⁵³		WA9639	WP9378 ⁵¹			33425		
----------------	--	--	---------------------	--	--------	----------------------	--	--	-------	--	--

SSR

V8 6.0L 364 CID	LS2	H	51042 ⁵³	51042XP	46144	N/R			N/S		58847
-----------------	-----	---	---------------------	---------	-------	-----	--	--	-----	--	-------

SUBURBAN (ALL)

V8 5.3L 323 CID Flex	L59	Z	51042 ⁵³	51042XP	42487 ²⁸⁴ 42488 ¹⁵⁵ 42488FR ³⁶⁰	N/R			N/S - Flex-Fuel		58904 - 4L60E-SP 58847 - 4L60E-DP 58608 - 4L80E
V8 6.0L 364 CID	LQ4	U	51042 ⁵³	51042XP	42487 ²⁸⁴ 42488 ¹⁵⁵ 42488FR ³⁶⁰	N/R			N/S		58904 - 4L60E-SP 58847 - 4L60E-DP 58608 - 4L80E
V8 8.1L 496 CID		G	57099	57099XP	42487 ²⁸⁴ 42488 ¹⁵⁵ 42488FR ³⁶⁰	N/R			N/S		58608 - 4L80E-DP 57701 - Allison-Spin-on 58970 - Allison-SP

TAHOE

V8 4.8L 294 CID	LR4	V	51042 ⁵³	51042XP	42487 ²⁸⁴ 42488 ¹⁵⁵ 42488FR ³⁶⁰	N/R			N/S		58904 - 4L60E-SP 58847 - 4L60E-DP 58608 - 4L80E
V8 5.3L 323CID	LM7	T	51042 ⁵³	51042XP	42487 ²⁸⁴ 42488 ¹⁵⁵ 42488FR ³⁶⁰	N/R			N/S		58904 - 4L60E-SP 58847 - 4L60E-DP 58608 - 4L80E
V8 5.3L 323 CID Flex	L59	Z	51042 ⁵³	51042XP	42487 ²⁸⁴ 42488 ¹⁵⁵ 42488FR ³⁶⁰	N/R			N/S		58904 - 4L60E-SP 58847 - 4L60E-DP 58608 - 4L80E

TORNADO

L4 1.8L (Mex.)			51040 ⁵³	51040XP	WA10120				33199		
----------------	--	--	---------------------	---------	---------	--	--	--	-------	--	--

TRACKER

L4 2.0L (Mex.)			57145	57145XP	46195	N/A			33150		
----------------	--	--	-------	---------	-------	-----	--	--	-------	--	--

TRAILBLAZER

L6 4.2L 256 CID		S	51522 ⁵³	51522XP	42729	N/R			N/S		58904 - 4L60E-SP 58847 - 4L60E-DP
V8 5.3L 323CID	LH6	T	51042 ⁵³	51042XP	42729	N/R			N/S		58904 - 4L60E-SP 58847 - 4L60E-DP
V8 6.0L 364 CID	LS2	H	51042 ⁵³	51042XP	42729	N/R			N/S		58847

UPLANDER

V6 3.5L 213 CID		L	51040 ⁵³	51040XP	46302	24161 ⁷⁹		5	N/S		58837
V6 3.9L 3880cc 237 CID		1	51522 ⁵³	51522XP	46302	24161 ⁷⁹		5	N/S		58837

VECTRA

L4 2.2L 2171cc (Mex.)			57082	57082XP	WA6782	24525			33199		
V6 2.8L 2792cc Turbo (Mex.)			57090	57090XP	WA6782	24472 ⁷⁹ 24525 ⁷⁸			33078		
V6 3.2L 3175CC (Mex.)			57082	57082XP	WA6782	24525			33199		

N/A = Not Available N/R = Not Required N/S = Not Serviceable For cabin and fuel filter locator, see pages 5-15 See pages 16-19 for footnotes

N/A = Non disponible N/R = Non nécessaire N/S = Non réparable Para la ubicación de los filtros de aire de la cabina y de combustible, ver las páginas 5-15 Voir pages 16-19 pour des notes

N/A = No disponible N/R = No requiere N/S = No servible Voir les tableaux de repérage des filtres d'habitacle et à carburant aux pages 5-15 Ver las páginas 16-19 para las notas al pie de página

Italicized Part Numbers May Not Be Available. Wix XP Oil Filters Have Fully Synthetic Media.

Las piezas con números en *italicas* pueden no estar disponibles. Los filtros de aceite WIX XP son completamente de media sintética.

Les numéros de pièce en *italiques* peuvent ne pas être disponibles. Les filtres à huile Wix contiennent un matériau 100 % synthétique.

CHEVROLET 2006-2005
Pass Car/Light Truck

Year/Año/Année Model/Modelo/Modèle Engine/Motor/Moteur	Eng. Code Código de motor Code moteur	VIN NIV NIV	Oil Aceite Huile	Oil XP Aceite XP Huile XP	Air Aire Air	Cabin Air Cabina Aire Cabine Air	Cabin Air XP Cabina Aire XP Cabine Air XP	Loc. Cabin Air Cabina Aire Cabine Air	Fuel Combustible Carburant	Loc. Fuel Combustible Carburant	Transmission Transmisión Transmission
--	---	-------------------	------------------------	---------------------------------	--------------------	--	---	--	----------------------------------	--	---

CHEVROLET (Cont'd/Suite)
2006 (Cont'd/Suite)
ZAFIRA

L4 1.8 L 1796cc (Mex.)			51040 ⁵³ - Spin-on 57033 ⁵³ - Cartridge	51040XP - Spin-on	49522	49364			33199		
L4 2.2L 2198cc 134CID "ECOTEC" (Mex.)			57082	57082XP	49522	49364			33199		

2005
ASTRA

L4 1.8 L 1796cc (Mex.)			57033		49522	49364			33199		
L4 2.0L 122 CID (Mex.)			51040 ⁵³	51040XP	49522	WP6800 ⁶¹			33199		
L4 2.4L 146 CID (Mex.)			51040 ⁵³	51040XP	N/A	N/A			33199		
L4 2.4L 2405cc BI-Fuel (Mex.)			51040 ⁵³	51040XP	49522	WP6800 ⁶¹			33199		

ASTRO

V6 4.3L 262CID		Z	51040 ⁵³	51040XP	46117	N/R			33481		58904 - 4L60E-SP 58847 - 4L60E-DP
----------------	--	---	---------------------	---------	-------	-----	--	--	-------	--	--------------------------------------

AVALANCHE

V8 5.3L 323CID		T	51042 ⁵³	51042XP	42487 ²⁸⁴ 42488 ¹⁵⁵ 42488FR ³⁶⁰	N/R			N/S		58904 - 4L60E-SP 58847 - 4L60E-DP
V8 5.3L 323 CID Flex		Z	51042 ⁵³	51042XP	42487 ²⁸⁴ 42488 ¹⁵⁵ 42488FR ³⁶⁰	N/R			N/S		58904 - 4L60E-SP 58847 - 4L60E-DP
V8 8.1L 496 CID		G	57099	57099XP	42487 ²⁸⁴ 42488 ¹⁵⁵ 42488FR ³⁶⁰	N/R			33481		58608 - 4L80E-DP 57701 - Allison-Spin-on 58970 - Allison-SP

AVEO

L4 1.4L 85CID (Mex.)	F14D3		51040 ⁵³	51040XP	42831	24685			33850		
L4 1.6L 1598cc (Mex.)			51040 ⁵³	51040XP	42831	24685			33850		
L4 1.6L 98 CID		6	51040 ⁵³	51040XP	42831	24685		3	N/S		WL10418

BLAZER

V6 4.3L 262CID	LU3	Z	51036 ⁵³ - 4WD 51040 ⁵³ - 2WD	51036XP - 4WD 51040XP - 2WD	46117	N/R			33579		58904 - 4L60E-SP 58847 - 4L60E-DP
----------------	-----	---	--	--------------------------------	-------	-----	--	--	-------	--	--------------------------------------

CAVALIER

L4 2.2L 2190cc (Mex.)	LN2		51040 ⁵³	51040XP	46503				33311		58611
L4 2.2L 2198cc BioFuel (Mex.)	L61		57082	57082XP	46503	N/R			33311		N/A
L4 2.2L 2198cc 134 CID	L61	F	57082	57082XP	46503	N/R			33311		58611
L4 2.4L 145 CID			57082	57082XP	46503	N/R			33311	Q	58611

CELTA

L4 1.6L 1597cc (Mex.)			51040	51040XP	N/A				33199		
-----------------------	--	--	-------	---------	-----	--	--	--	-------	--	--

CHEVY

L4 1.6L 1597cc (Mex.)			51040 ⁵³	51040XP	WA10038	24472			33199		
-----------------------	--	--	---------------------	---------	---------	-------	--	--	-------	--	--

CHEVY C2

L4 1.6L 1597cc (Mex.)			51040 ⁵³	51040XP	WA10038	24472 ⁷⁹ 24525 ⁷⁹			33199		
-----------------------	--	--	---------------------	---------	---------	--	--	--	-------	--	--

CHEYENNE

V8 5.3L 5328cc 325 CID Flex (Mex.)	LMG		51042 ⁵³	51042XP	42487	N/A			33481		
---------------------------------------	-----	--	---------------------	---------	-------	-----	--	--	-------	--	--

CLASSIC

L4 2.2L 2198cc 134 CID	L61	F	57082	57082XP	46035	N/R			33311	Q	58611
------------------------	-----	---	-------	---------	-------	-----	--	--	-------	---	-------

COBALT

L4 2.0L 134 CID Super Charged		P	57082	57082XP	42736	24882	24882XP	3	33980		58611
L4 2.2L 2198cc 134 CID	L61	F	57082	57082XP	49117	24882	24882XP	3	33980		58611

COLORADO

L4 2.8L 2770cc 169 CID		8	51042 ⁵³	51042XP	42013	N/R			33484		58904 - 4L60E-SP 2WD 58847 - 4L60E-DP 2WD 58323 - 4L60E-4WD
------------------------	--	---	---------------------	---------	-------	-----	--	--	-------	--	---

N/A = Not Available N/R = Not Required N/S = Not Serviceable For cabin and fuel filter locator, see pages 5-15 See pages 16-19 for footnotes

N/A = Non disponible N/R = Non réparable N/S = Non serviceable Para la ubicación de los filtros de aire de la cabina y de combustible, ver las páginas 5-15 Voir pages 16-19 pour des notes

N/A = No disponible N/R = No requiere N/S = No servible Voir les tableaux de repérage des filtres d'habitacle et à carburant aux pages 5-15 Ver las páginas 16-19 para las notas al pie de página

Italicized Part Numbers May Not Be Available. Wix XP Oil Filters Have Fully Synthetic Media.

Las piezas con números en *italicas* pueden no estar disponibles. Los filtros de aceite WIX XP son completamente de media sintética. Les numéros de pièce en *italiques* peuvent ne pas être disponibles. Les filtres à huile XP Wix contiennent un matériau 100 % synthétique.

Year/Año/Année Model/Modelo/Modèle Engine/Motor/Moteur	Eng. Code Código de motor Code moteur	VIN NIV NIV	Oil Aceite Huile	Oil XP Aceite XP Huile XP	Air Aire Air	Cabin Air Cabina Aire Cabine Air	Cabin Air XP Cabina Aire XP Cabine Air XP	Loc. Cabin Air Cabina Aire Cabine Air	Fuel Combustible Carburant	Loc. Fuel Combustible Carburant	Transmission Transmisión Transmission
--	---	-------------------	------------------------	---------------------------------	--------------------	--	---	---	----------------------------------	---------------------------------------	---

CHEVROLET (Cont'd/Suite)

2005 (Cont'd/Suite)

COLORADO (Cont'd/Suite)

L5 3.5L 3460cc 211 CID		6	51522 ⁵³	51522XP	42013	N/R			33484		58904 - 4L60E-SP 2WD 58847 - 4L60E-DP 2WD 58323 - 4L60E-4WD
------------------------	--	---	---------------------	---------	-------	-----	--	--	-------	--	---

CORSA

L4 1.8L 1796cc (Mex.)			51040 ⁵³	51040XP	WA10120	24472 ⁷⁹ 24525 ⁷⁸			33199		
-----------------------	--	--	---------------------	---------	---------	--	--	--	-------	--	--

CORVETTE

V8 6.0L 5967cc 364 CID		U	51042 ⁵³	51042XP	42821	24480 ⁷⁸		1	N/S	I	58574 - 4L60E
------------------------	--	---	---------------------	---------	-------	---------------------	--	---	-----	---	---------------

EPICA

V6 2.5L 152 CID		5	57046		42838	24906		1	33850	I	N/A
-----------------	--	---	-------	--	-------	-------	--	---	-------	---	-----

EQUINOX

V6 3.4L 207 CID		E	51040 ⁵³	51040XP	46902	24872		1	N/S		N/A
-----------------	--	---	---------------------	---------	-------	-------	--	---	-----	--	-----

EXPRESS VAN (UP TO 4500 SERIES)

V6 4.3L 262CID	LU3	Z	51040 ⁵³	51040XP	46573	N/R			33481		58904 - 4L60E-SP 58847 - 4L60E-DP 58608 - 4L80E
V8 4.8L 294 CID	LR4	V	51042 ⁵³	51042XP	46573	N/R			N/S		58904 - 4L60E-SP 58847 - 4L60E-DP 58608 - 4L80E
V8 5.3L 323CID	LM7	T	51042 ⁵³	51042XP	46573	N/R			N/S		58904 - 4L60E-SP 58847 - 4L60E-DP 58608 - 4L80E
V8 6.0L 364 CID		U	51042 ⁵³	51042XP	46573	N/R			33311		58904 - 4L60E-SP 58847 - 4L60E-DP 58608 - 4L80E
V8 6.0L 364 CID CNG		U	51042 ⁵³	51042XP	46573	N/R			N/S		58904 - 4L60E-SP 58847 - 4L60E-DP 58608 - 4L80E

IMPALA

V6 3.4L 207 CID		E	51040 ⁵³	51040XP	46153	24780	24780XP	1	33311	Q	58837
V6 3.8L 231 CID		K	51040 ⁵³	51040XP	46153	24780	24780XP	1	33311	Q	58837
V6 3.8L 231 CID Super Charged		1	51040 ⁵³	51040XP	46153	24780	24780XP	1	33311	Q	58837

JOY

L4 1.6L 1597cc (Mex.)			51040	51040XP	N/A				33199		
-----------------------	--	--	-------	---------	-----	--	--	--	-------	--	--

LUV

L4 2.2L 2200cc (Mex.)			51334 ⁵³	51334XP	46006				33199		
-----------------------	--	--	---------------------	---------	-------	--	--	--	-------	--	--

MALIBU

L4 2.2L 134 CID	L61	F	57082	57082XP	46302 - New Body Style 46035 - Old Body Style	N/R			N/S		58611
V6 3.5L 213 CID		8	51040 ⁵³	51040XP	46302	N/R			N/S		58611

MALIBU MAXX

V6 3.5L 213 CID		8	51040 ⁵³	51040XP	46302	N/R			N/S		58611
-----------------	--	---	---------------------	---------	-------	-----	--	--	-----	--	-------

MATIZ

L4 1.0L (Mex.)			51056 ⁵³		WA6253	N/A			33425		
----------------	--	--	---------------------	--	--------	-----	--	--	-------	--	--

MERIVA

L4 1.8L 1796cc 110 CID (Mex.)			51040 ⁵³	51040XP	WA10120	24472 ⁷⁹ 24525 ⁷⁸			33199		
-------------------------------	--	--	---------------------	---------	---------	--	--	--	-------	--	--

MONTE CARLO

V6 3.4L 207 CID		E	51040 ⁵³	51040XP	46153	24780	24780XP	1	33311	Q	58837
V6 3.8L 231 CID		K	51040 ⁵³	51040XP	46153	24780	24780XP	1	33311	Q	58837
V6 3.8L 231 CID Super Charged		1	51040 ⁵³	51040XP	46153	24780	24780XP	1	33311	Q	58837

OPTRA

L4 1.8L 1799cc (Mex.)	L79 LDA		N/A N/A		42826 42826	24902 24902			33850 33850		N/A N/A
L4 2.0L 122 CID		Z	51040 ⁵³	51040XP	42826	24902					N/A

N/A = Not Available N/R = Not Required N/S = Not Serviceable For cabin and fuel filter locator, see pages 5-15 See pages 16-19 for footnotes
 N/A = Non disponible N/R = Non nécessaire N/S = Non réparable Para la ubicación de los filtros de aire de la cabina y de combustible, ver las páginas 5-15 Voir pages 16-19 pour des notes
 N/A = No disponible N/R = No requiere N/S = No servible Voir les tableaux de repérage des filtres d'habitacle et à carburant aux pages 5-15 Ver las páginas 16-19 para las notas al pie de página

Italicized Part Numbers May Not Be Available. Wix XP Oil Filters Have Fully Synthetic Media.
 Las piezas con números en *italicas* pueden no estar disponibles. Los filtros de aceite WIX XP son completamente de media sintética.
 Les numéros de pièce en *italiques* peuvent ne pas être disponibles. Les filtres à huile XP Wix contiennent un matériau 100 % synthétique.

CHEVROLET 2005
Pass Car/Light Truck

Year/Año/Année Model/Modelo/Modèle Engine/Motor/Moteur	Eng. Code Código de motor Code moteur	VIN NIV NIV	Oil Aceite Huile	Oil XP Aceite XP Huile XP	Air Aire Air	Cabin Air Cabina Aire Cabine Air	Cabin Air XP Cabina Aire XP Cabine Air XP	Loc. Cabin Air Cabina Aire Cabine Air	Fuel Combustible Carburant	Loc. Fuel Combustible Carburant	Transmission Transmisión Transmission
--	--	-------------------	------------------------	---------------------------------	--------------------	--	---	--	----------------------------------	--	---

CHEVROLET (Cont'd/Suite)
2005 (Cont'd/Suite)
OPTRA (Cont'd/Suite)

L4 2.0L 1998cc (Mex.)			51040 ⁵³	51040XP	42826	N/A			33850	
-----------------------	--	--	---------------------	---------	-------	-----	--	--	-------	--

REZZO

L4 1.6L 1598cc (Mex.)			51040 ⁵³	51040XP	46831				33850	
-----------------------	--	--	---------------------	---------	-------	--	--	--	-------	--

S10 PICKUP

L4 2.2L 2200cc (Mex.)			N/A		46139				33311	
-----------------------	--	--	-----	--	-------	--	--	--	-------	--

SILVERADO (UP TO 3500 SERIES)

V6 4.3L 262CID	LU3	Z	51040 ⁵³	51040XP	42487 ²⁸⁴ 42488 ¹⁵⁵ 42488FR ³⁶⁰	24805 ¹⁶⁶	24805XP ¹⁶⁶		33481	58904 - 4L60E-SP 58847 - 4L60E-DP 58608 - 4L80E
V8 4.8L 294 CID	LR4	V	51042 ⁵³	51042XP	42487 ²⁸⁴ 42488 ¹⁵⁵ 42488FR ³⁶⁰	24805 ¹⁶⁶	24805XP ¹⁶⁶		N/S	58904 - 4L60E-SP 58847 - 4L60E-DP 58608 - 4L80E
V8 5.3L 323CID	LM7	T	51042 ⁵³	51042XP	42487 ²⁸⁴ 42488 ¹⁵⁵ 42488FR ³⁶⁰	24805 ¹⁶⁶	24805XP ¹⁶⁶		N/S	58904 - 4L60E-SP 58847 - 4L60E-DP 58608 - 4L80E
V8 5.3L 323 CID Flex	L59	Z	51042 ⁵³	51042XP	42487 ²⁸⁴ 42488 ¹⁵⁵ 42488FR ³⁶⁰	24805 ¹⁶⁶	24805XP ¹⁶⁶		N/S	58904 - 4L60E-SP 58847 - 4L60E-DP 58608 - 4L80E
V8 5.3L 325 CID Electric/Gas	LM7		51042 ⁵³	51042XP	42487 ²⁸⁴ 42488 ¹⁵⁵ 42488FR ³⁶⁰	24805 ¹⁶⁶	24805XP ¹⁶⁶		N/S	58904 - 4L60E-SP 58847 - 4L60E-DP 58608 - 4L80E
V8 5.7L 5733cc 350 CID (Mex.)	L31		51060 ⁵³	51060XP	42487				33481	58608
V8 6.0L 364 CID	LQ4	U,N	51042 ⁵³	51042XP	42487 ²⁸⁴ 42488 ¹⁵⁵ 42488FR ³⁶⁰	24805 ¹⁶⁶	24805XP ¹⁶⁶		N/S	58904 - 4L60E-SP 58847 - 4L60E-DP 58608 - 4L80E
V8 6.6L 400 CID Turbo Diesel		1,2	57202 ⁵³	57202XP	46678	24805 ¹⁶⁶	24805XP ¹⁶⁶			57701 - Allison-Spin-on 58970 - Allison-SP 58966 - Allison-DP
V8 8.1L 496 CID	G		57099	57099XP	42487 ²⁸⁴ 42488 ¹⁵⁵ 42488FR ³⁶⁰	24805 ¹⁶⁶	24805XP ¹⁶⁶		N/S	57701 - Allison-Spin-on 58970 - Allison-SP 58966 - Allison-DP

SONORA

V8 5.3L 5300cc (Mex.)			51522 ⁵³	51522XP	42487				33481	
V8 5.7L 5700cc (Mex.)			51060 ⁵³	51060XP	42487				33481	

SPARK

L4 1.0L (Mex.)			51056 ⁵³		WA6253	WP9378 ⁶¹			33425	
----------------	--	--	---------------------	--	--------	----------------------	--	--	-------	--

SSR

V8 6.0L 364 CID	LS2	H	51042 ⁵³	51042XP	46144	N/R			33129	58847
-----------------	-----	---	---------------------	---------	-------	-----	--	--	-------	-------

SUBURBAN (ALL)

V8 5.3L 323CID	LM7	T	51042 ⁵³	51042XP	42487 ²⁸⁴ 42488 ¹⁵⁵ 42488FR ³⁶⁰	N/R			N/S - Std.	58904 - 4L60E-SP 58847 - 4L60E-DP 58608 - 4L80E
V8 5.3L 323 CID Flex	L59	Z	51042 ⁵³	51042XP	42487 ²⁸⁴ 42488 ¹⁵⁵ 42488FR ³⁶⁰	N/R			N/S	58904 - 4L60E-SP 58847 - 4L60E-DP 58608 - 4L80E
V8 6.0L 364 CID	LQ4	U	51042 ⁵³	51042XP	42487 ²⁸⁴ 42488 ¹⁵⁵ 42488FR ³⁶⁰	N/R			33481	58904 - 4L60E-SP 58847 - 4L60E-DP 58608 - 4L80E
V8 8.1L 496 CID	G		57099	57099XP	42487 ²⁸⁴ 42488 ¹⁵⁵ 42488FR ³⁶⁰	N/R			33481	58608 - 4L80E-DP 57701 - Allison-Spin-on 58970 - Allison-SP

TAHOE

V8 4.8L 294 CID	LR4	V	51042 ⁵³	51042XP	42487 ²⁸⁴ 42488 ¹⁵⁵ 42488FR ³⁶⁰	N/R			N/S	58904 - 4L60E-SP 58847 - 4L60E-DP 58608 - 4L80E
V8 5.3L 323CID	L59	T	51042 ⁵³	51042XP	42487 ²⁸⁴ 42488 ¹⁵⁵ 42488FR ³⁶⁰	N/R			N/S - Flex-Fuel	58904 - 4L60E-SP 58847 - 4L60E-DP 58608 - 4L80E

N/A = Not Available N/R = Not Required N/S = Not Serviceable For cabin and fuel filter locator, see pages 5-15 See pages 16-19 for footnotes

N/A = Non disponible N/R = Non nécessaire N/S = Non réparable Para la ubicación de los filtros de aire de la cabina y de combustible, ver las páginas 5-15 Voir pages 16-19 pour des notes

N/A = No disponible N/R = No requiere N/S = No servible Voir les tableaux de repérage des filtres d'habitacle et à carburant aux pages 5-15 Ver las páginas 16-19 para las notas al pie de página

Italicized Part Numbers May Not Be Available. Wix XP Oil Filters Have Fully Synthetic Media.

Las piezas con números en *italicas* pueden no estar disponibles. Los filtros de aceite WIX XP son completamente de media sintética. Les numéros de pièce en *italiques* peuvent ne pas être disponibles. Les filtres à huile XP Wix contiennent un matériau 100 % synthétique.

Year/Año/Année Model/Modelo/Modèle Engine/Motor/Moteur	Eng. Code Código de motor Code moteur	VIN NIV NIV	Oil Aceite Huile	Oil XP Aceite XP Huile XP	Air Aire Air	Cabin Air Cabina Aire Cabine Air	Cabin Air XP Cabina Aire XP Cabine Air XP	Loc. Cabin Air Cabina Aire Cabine Air	Fuel Combustible Carburant	Loc. Fuel Combustible Carburant	Transmission Transmisión Transmission
--	---	-------------------	------------------------	---------------------------------	--------------------	--	---	--	----------------------------------	--	---

CHEVROLET (Cont'd/Suite)
2005 (Cont'd/Suite)
TAHOE (Cont'd/Suite)

V8 5.3L 323CID	LM7	T	51042 ⁵³	51042XP	42487 ²⁸⁴ 42488 ¹⁵⁵ 42488FR ³⁶⁰	N/R			N/S - Std.		58904 - 4L60E-SP 58847 - 4L60E-DP 58608 - 4L80E
----------------	-----	---	---------------------	---------	--	-----	--	--	------------	--	---

TORNADO

L4 1.8L (Mex.)			51040 ⁵³	51040XP	WA10120	24472 ⁷⁹ 24525 ⁷⁸			33199		
----------------	--	--	---------------------	---------	---------	--	--	--	-------	--	--

TRACKER

L4 2.0L (Mex.)			57145	57145XP	46195	N/A			33150		
----------------	--	--	-------	---------	-------	-----	--	--	-------	--	--

TRAILBLAZER

L6 4.2L 256 CID		S	51522 ⁵³	51522XP	42729	N/R		N/S			58904 - 4L60E-SP 58847 - 4L60E-DP
V8 5.3L 323CID	LH6	T	51042 ⁵³	51042XP	42729	N/R		33129			58904 - 4L60E-SP 58847 - 4L60E-DP

UPLANDER

V6 3.5L 213 CID		L	51040 ⁵³	51040XP	46302	24161 ⁷⁹		5	N/S		58837
-----------------	--	---	---------------------	---------	-------	---------------------	--	---	-----	--	-------

VECTRA

L4 2.0L 1998cc (Mex.)			51040 ⁵³	51040XP	WA6337 ⁶¹	24865			33425		
L4 2.2L 2171cc (Mex.)			57082	57082XP	WA6782	24525			33199		
V6 3.2L 3175CC (Mex.)			57082	57082XP	WA6782	24525			33199		

VENTURE VAN

V6 3.4L 207 CID		E	51040 ⁵³	51040XP	46302	24161 ⁷⁹		5	33689		58837
-----------------	--	---	---------------------	---------	-------	---------------------	--	---	-------	--	-------

ZAFIRA

L4 1.8L 1796cc (Mex.)			51040 ⁵³ - Spin-on 57033 ⁵³ - Cartridge	51040XP - Spin-on	49522	49364			33199		
L4 2.2L 2198cc 134CID "ECOTEC" (Mex.)			57082	57082XP	49522	49364			33199		

2004
ASTRA

L4 1.8L 1796cc (Mex.)			57033		49522	49364			33199		
L4 2.0L 122 CID (Mex.)			51040 ⁵³	51040XP	49522	WP6800 ⁵¹			33199		
L4 2.2L 2198cc 134CID "ECOTEC" (Mex.)			57082	57082XP	49522				33199		
L4 2.4L 146 CID (Mex.)			51040 ⁵³	51040XP	49522	WP6800 ⁵¹			33199		
L4 2.4L 2405cc BI-Fuel (Mex.)			51040 ⁵³	51040XP	49522	WP6800 ⁵¹			33199		

ASTRO

V6 4.3L 262CID		Z	51040 ⁵³	51040XP	46117	N/R			33481		58904 - 4L60E-SP 58847 - 4L60E-DP
----------------	--	---	---------------------	---------	-------	-----	--	--	-------	--	--------------------------------------

AVALANCHE

V8 5.3L 323CID		T	51042 ⁵³	51042XP	42487 ²⁸⁴ 42488 ¹⁵⁵ 42488FR ³⁶⁰	24814		3	N/S		58904 - 4L60E-SP 58847 - 4L60E-DP
V8 5.3L 323 CID Flex		Z	51042 ⁵³	51042XP	42487 ²⁸⁴ 42488 ¹⁵⁵ 42488FR ³⁶⁰	24814		3	N/S		58904 - 4L60E-SP 58847 - 4L60E-DP
V8 8.1L 496 CID		G	57099	57099XP	42487 ²⁸⁴ 42488 ¹⁵⁵ 42488FR ³⁶⁰	24814		3	33481		58608 - 4L80E-DP 57701 - Allison-Spin-on 58970 - Allison-SP

AVEO

L4 1.6L 1598cc (Mex.)			51040 ⁵³	51040XP	42831	24685			33850		
L4 1.6L 98 CID		6	51040 ⁵³	51040XP	42831	24685		3	N/S		WL10418

BLAZER

V6 4.3L 262CID	LU3	Z	51036 ⁵³ - 4WD 51040 ⁵³ - 2WD	51036XP - 4WD 51040XP - 2WD	46117	N/R			33579	K	58904 - 4L60E-SP 58847 - 4L60E-DP
----------------	-----	---	--	--------------------------------	-------	-----	--	--	-------	---	--------------------------------------

CAVALIER

L4 2.2L 134 CID BioFuel		6	57082	57082XP	46503	N/R			33311		58611
L4 2.2L 2198cc 134 CID	L61	F	57082	57082XP	46503	N/R			33311	Q	58611

N/A = Not Available N/R = Not Required N/S = Not Serviceable For cabin and fuel filter locator, see pages 5-15 See pages 16-19 for footnotes

N/A = Non disponible N/R = Non nécessaire N/S = Non réparable Para la ubicación de los filtros de aire de la cabina y de combustible, ver las páginas 5-15 Voir pages 16-19 pour des notes

N/A = No disponible N/R = No requiere N/S = No servible Voir les tableaux de repérage des filtres d'habitacle et à carburant aux pages 5-15 Ver las páginas 16-19 para las notas al pie de página

Italicized Part Numbers May Not Be Available. Wix XP Oil Filters Have Fully Synthetic Media.

Las piezas con números en *italicas* pueden no estar disponibles. Los filtros de aceite WIX XP son completamente de media sintética.

Les numéros de pièce en *italiques* peuvent ne pas être disponibles. Les filtres à huile Wix contiennent un matériau 100 % synthétique.

CHEVROLET 2004
Pass Car/Light Truck

Year/Año/Année Model/Modelo/Modèle Engine/Motor/Moteur	Eng. Code Código de motor Code moteur	VIN NIV NIV	Oil Aceite Huile	Oil XP Aceite XP Huile XP	Air Aire Air	Cabin Air Cabina Aire Cabine Air	Cabin Air XP Cabina Aire XP Cabine Air XP	Loc. Cabin Air Cabina Aire Cabine Air	Fuel Combustible Carburant	Loc. Fuel Combustible Carburant	Transmission Transmisión Transmission
--	---	-------------------	------------------------	---------------------------------	--------------------	--	---	--	----------------------------------	--	---

CHEVROLET (Cont'd/Suite)
2004 (Cont'd/Suite)
CELTA

L4 1.6L 1597cc (Mex.)			51040	51040XP	N/A					33199	
-----------------------	--	--	-------	---------	-----	--	--	--	--	-------	--

CHEVY

L4 1.6L 1597cc (Mex.)			51040 ⁵³	51040XP	WA10038	24472				33199	
-----------------------	--	--	---------------------	---------	---------	-------	--	--	--	-------	--

CHEVY C2

L4 1.6L 1597cc (Mex.)			51040 ⁵³	51040XP	WA10038	24472 ¹⁹ 24525 ¹⁸				33199	
-----------------------	--	--	---------------------	---------	---------	--	--	--	--	-------	--

CHEVY SEDAN

L4 1.6L 1597cc (Mex.)			51040	51040XP	N/A					33425	
-----------------------	--	--	-------	---------	-----	--	--	--	--	-------	--

CHEYENNE

V8 5.3L 5328cc 325 CID Flex (Mex.)	LMG		51042 ⁵³	51042XP	42487	N/A				33481	
------------------------------------	-----	--	---------------------	---------	-------	-----	--	--	--	-------	--

CLASSIC

L4 2.2L 2198cc 134 CID	L61	F	57082	57082XP	46035	N/R				33311	Q 58611
------------------------	-----	---	-------	---------	-------	-----	--	--	--	-------	---------

COLORADO

L4 2.8L 2770cc 169 CID		8	51042 ⁵³	51042XP	42013	N/R				33484	58904 - 4L60E-SP 2WD 58847 - 4L60E-DP 2WD 58323 - 4L60E-4WD
L5 3.5L 3460cc 211 CID		6	51522 ⁵³	51522XP	42013	N/R				33484	58904 - 4L60E-SP 2WD 58847 - 4L60E-DP 2WD 58323 - 4L60E-4WD

CORSA

L4 1.8L 1796cc (Mex.)			51040 ⁵³	51040XP	WA10120	24472 ¹⁹ 24525 ¹⁸				33199	
-----------------------	--	--	---------------------	---------	---------	--	--	--	--	-------	--

CORVETTE

V8 5.7L 346 CID	G.S		51042 ⁵³	51042XP	46144	N/R				33737	I 58574 - 4L60E
-----------------	-----	--	---------------------	---------	-------	-----	--	--	--	-------	-----------------

EPICA

V6 2.5L 152 CID		5	57046		42838	24906			1	33850	I N/A
-----------------	--	---	-------	--	-------	-------	--	--	---	-------	-------

EQUINOX

V6 3.4L 207 CID (Mex.)		F	51040 ⁵³	51040XP	46902	24872			1	N/S	N/A
------------------------	--	---	---------------------	---------	-------	-------	--	--	---	-----	-----

EXPRESS VAN (UP TO 4500 SERIES)

V6 4.3L 262CID	LU3	Z	51040 ⁵³	51040XP	46573	N/R				33481	58904 - 4L60E-SP 58847 - 4L60E-DP 58608 - 4L80E
V8 4.8L 294 CID	LR4	V	51042 ⁵³	51042XP	46573	N/R				N/S	58904 - 4L60E-SP 58847 - 4L60E-DP 58608 - 4L80E
V8 5.3L 323CID	LM7	T	51042 ⁵³	51042XP	46573	N/R				N/S	58904 - 4L60E-SP 58847 - 4L60E-DP 58608 - 4L80E
V8 6.0L 364 CID		U	51042 ⁵³	51042XP	46573	N/R				33311 ²²³ 33481 ²²²	58904 - 4L60E-SP 58847 - 4L60E-DP 58608 - 4L80E
V8 6.0L 364 CID CNG		U	51042 ⁵³	51042XP	46573	N/R				33481	58904 - 4L60E-SP 58847 - 4L60E-DP 58608 - 4L80E

IMPALA

V6 3.4L 207 CID		E	51040 ⁵³	51040XP	46153	24780	24780XP	1		33311	Q 58837
V6 3.8L 231 CID		K	51040 ⁵³	51040XP	46153	24780	24780XP	1		33311	Q 58837
V6 3.8L 231 CID Super Charged		1	51040 ⁵³	51040XP	46153	24780	24780XP	1		33311	Q 58837

JOY

L4 1.6L 1597cc (Mex.)			51040	51040XP	N/A					33199	
-----------------------	--	--	-------	---------	-----	--	--	--	--	-------	--

LUV

L4 2.2L 2200cc (Mex.)			51334 ⁵³	51334XP	46006					33199	
-----------------------	--	--	---------------------	---------	-------	--	--	--	--	-------	--

MALIBU

L4 2.2L 134 CID	L61	F	57082	57082XP	46302 - New Body Style 46035 - Old Body Style	N/R				N/S	58611
V6 3.5L 213 CID		8	51040 ⁵³	51040XP	46302	N/R				N/S	58611

N/A = Not Available N/R = Not Required N/S = Not Serviceable For cabin and fuel filter locator, see pages 5-15 See pages 16-19 for footnotes

N/A = Non disponible N/R = Non nécessaire N/S = Non réparable Para la ubicación de los filtros de aire de la cabina y de combustible, ver las páginas 5-15 Voir pages 16-19 pour des notes

N/A = No disponible N/R = No requiere N/S = No servible Voir les tableaux de repérage des filtres d'habitacle et à carburant aux pages 5-15 Ver las páginas 16-19 para las notas al pie de página

Italicized Part Numbers May Not Be Available. Wix XP Oil Filters Have Fully Synthetic Media.

Las piezas con números en *italicas* pueden no estar disponibles. Los filtros de aceite WIX XP son completamente de media sintética. Les numéros de pièce en *italiques* peuvent ne pas être disponibles. Les filtres à huile XP Wix contiennent un matériau 100 % synthétique.

Year/Año/Année Model/Modelo/Modèle Engine/Motor/Moteur	Eng. Code Código de motor Code moteur	VIN NIV NIV	Oil Aceite Huile	Oil XP Aceite XP Huile XP	Air Aire Air	Cabin Air Cabina Aire Cabine Air	Cabin Air XP Cabina Aire XP Cabine Air XP	Loc. Cabin Air Cabina Aire Cabine Air	Fuel Combustible Carburant	Loc. Fuel Combustible Carburant	Transmission Transmisión Transmission
--	---	-------------------	------------------------	---------------------------------	--------------------	--	---	---	----------------------------------	---------------------------------------	---

CHEVROLET (Cont'd/Suite)

2004 (Cont'd/Suite)

MALIBU MAXX

V6 3.5L 213 CID		8	51040 ⁵³	51040XP	46302	N/R			N/S		58611
-----------------	--	---	---------------------	---------	-------	-----	--	--	-----	--	-------

MATIZ

L4 1.0L (Mex.)			51056 ⁵³		WA6253	N/A			33425		
----------------	--	--	---------------------	--	--------	-----	--	--	-------	--	--

MERIVA

L4 1.8L 1796cc 110 CID (Mex.)			51040 ⁵³	51040XP	WA10120	24472 ⁷⁹ 24525 ⁷⁸			33199		
-------------------------------	--	--	---------------------	---------	---------	--	--	--	-------	--	--

MONTE CARLO

V6 3.4L 207 CID		E	51040 ⁵³	51040XP	46153	24780	24780XP	1	33311	Q	58837
V6 3.8L 231 CID		K	51040 ⁵³	51040XP	46153	24780	24780XP	1	33311	Q	58837
V6 3.8L 231 CID Super Charged		1	51040 ⁵³	51040XP	46153	24780	24780XP	1	33311	Q	58837

OPTRA

L4 1.8L 1799cc (Mex.)	L79 LDA		N/A		42826	24902			33850		N/A
L4 2.0L 122 CID		Z	51040 ⁵³	51040XP	42826	24902			33850		N/A
L4 2.0L 1998cc (Mex.)			51040 ⁵³	51040XP	42826	N/A			33850		N/A

S10 PICKUP

L4 2.2L (Mex.)			57082	57082XP	46139				33311		
V6 4.3L 262CID	LU3	Z	51040 ⁵³ - 2WD 51036 ⁵³ - 4WD	51040XP - 2WD 51036XP - 4WD	46117	N/R			33579		58904 - 4L60E-SP 58847 - 4L60E-DP

SILVERADO (UP TO 3500 SERIES)

V6 4.3L 262CID	LU3	Z	51040 ⁵³	51040XP	42487 ²⁸⁴ 42488 ¹⁵⁵ 42488FR ³⁶⁰	24805 ¹⁶⁶	24805XP ¹⁶⁶	3	33481		58904 - 4L60E-SP 58847 - 4L60E-DP 58608 - 4L80E
V8 4.8L 294 CID	LR4	V	51042 ⁵³	51042XP	42487 ²⁸⁴ 42488 ¹⁵⁵ 42488FR ³⁶⁰	24805 ¹⁶⁶	24805XP ¹⁶⁶	3	N/S		58904 - 4L60E-SP 58847 - 4L60E-DP 58608 - 4L80E
V8 5.3L 323CID	LM7	T	51042 ⁵³	51042XP	42487	24805 ¹⁶⁶	24805XP ¹⁶⁶	3	33481 ⁵³		58847
V8 5.3L 323 CID Flex	L59	Z	51042 ⁵³	51042XP	42487 ²⁸⁴ 42488 ¹⁵⁵ 42488FR ³⁶⁰	24805 ¹⁶⁶	24805XP ¹⁶⁶	3	33579		58904 - 4L60E-SP 58847 - 4L60E-DP 58608 - 4L80E
V8 5.7L 350 CID			51060 ⁵³ - 2WD 51036 ⁵³ - 4WD	51060XP - 2WD 51036XP - 4WD	42098 ²³¹ 46220 ²³² 46166 ²³³				33481	K	58904 - 4L60E-SP 58847 - 4L60E-DP 58836 ²²⁶ - 4L80E-SP 58917 ²²⁷ - 4L80E-SP 58608 ²²⁷ - 4L80E-DP
V8 5.7L 350 CID (Mex.)			51060 ⁵³ - 2WD 51036 ⁵³ - 4WD	51060XP - 2WD 51036XP - 4WD	42098 ²³¹ 46220 ²³² 46166 ²³³				33481	K	58904 - 4L60E-SP 58847 - 4L60E-DP 58836 ²²⁶ - 4L80E-SP 58917 ²²⁷ - 4L80E-SP 58608 ²²⁷ - 4L80E-DP
V8 6.0L 364 CID	LQ4	U,N	51042 ⁵³	51042XP	42487 ²⁸⁴ 42488 ¹⁵⁵ 42488FR ³⁶⁰	24805 ¹⁶⁶	24805XP ¹⁶⁶	3	N/S - Std.		58904 - 4L60E-SP 58847 - 4L60E-DP 58608 - 4L80E
V8 6.6L 400 CID Turbo Diesel		1,2	57202 ⁵³	57202XP	46678	24805 ¹⁶⁶	24805XP ¹⁶⁶	3			57701 - Allison-Spin-on 58970 - Allison-SP 58966 - Allison-DP
V8 8.1L 496 CID		G	57099	57099XP	42487 ²⁸⁴ 42488 ¹⁵⁵ 42488FR ³⁶⁰	24805 ¹⁶⁶	24805XP ¹⁶⁶	3	33481		57701 - Allison-Spin-on 58970 - Allison-SP 58966 - Allison-DP

SONORA

V8 5.3L 5300cc (Mex.)			51522 ⁵³	51522XP	42487				33481		
V8 5.7L 5700cc (Mex.)			51060 ⁵³	51060XP	42487				33481		

SPARK

L4 1.0L (Mex.)			51056 ⁵³		WA6253	WP9378 ⁵¹			33425		
----------------	--	--	---------------------	--	--------	----------------------	--	--	-------	--	--

SSR

V8 5.3L 323CID	LM4	T	51042 ⁵³	51042XP	46144	N/R			33129		58847
----------------	-----	---	---------------------	---------	-------	-----	--	--	-------	--	-------

N/A = Not Available N/R = Not Required N/S = Not Serviceable For cabin and fuel filter locator, see pages 5-15 See pages 16-19 for footnotes

N/A = Non disponible N/R = Non nécessaire N/S = Non réparable Para la ubicación de los filtros de aire de la cabina y de combustible, ver las páginas 5-15 Voir pages 16-19 pour des notes

N/A = No disponible N/R = No requiere N/S = No servible Voir les tableaux de repérage des filtres d'habitacle et à carburant aux pages 5-15 Ver las páginas 16-19 para las notas al pie de página

Italicized Part Numbers May Not Be Available. Wix XP Oil Filters Have Fully Synthetic Media.

Las piezas con números en *italicas* pueden no estar disponibles. Los filtros de aceite WIX XP son completamente de media sintética.

Les numéros de pièce en *italiques* peuvent ne pas être disponibles. Les filtres à huile Wix contiennent un matériau 100 % synthétique.

CHEVROLET 2004-2003
Pass Car/Light Truck

Year/Año/Année Model/Modelo/Modèle Engine/Motor/Moteur	Eng. Code Código de motor Code moteur	VIN NIV NIV	Oil Aceite Huile	Oil XP Aceite XP Huile XP	Air Aire Air	Cabin Air Cabina Aire Cabine Air	Cabin Air XP Cabina Aire XP Cabine Air XP	Loc. Cabin Air Cabina Aire Cabine Air	Fuel Combustible Carburant	Loc. Fuel Combustible Carburant	Transmission Transmisión Transmission
--	---	-------------------	------------------------	---------------------------------	--------------------	--	---	--	----------------------------------	--	---

CHEVROLET (Cont'd/Suite)
2004 (Cont'd/Suite)
SUBURBAN (ALL)

V8 5.3L 323CID	LM7	T	51042 ⁵³	51042XP	42487 ²⁸⁴ 42488 ¹⁵⁵ 42488FR ³⁶⁰	N/R			N/S - Std.		58904 - 4L60E-SP 58847 - 4L60E-DP 58608 - 4L80E
V8 5.3L 323 CID Flex	L59	Z	51042 ⁵³	51042XP	42487 ²⁸⁴ 42488 ¹⁵⁵ 42488FR ³⁶⁰	N/R		33579 - Flex-Fuel			58904 - 4L60E-SP 58847 - 4L60E-DP 58608 - 4L80E
V8 6.0L 364 CID	LQ4	U	51042 ⁵³	51042XP	42487 ²⁸⁴ 42488 ¹⁵⁵ 42488FR ³⁶⁰	N/R		33481			58904 - 4L60E-SP 58847 - 4L60E-DP 58608 - 4L80E
V8 8.1L 496 CID		G	57099	57099XP	42487 ²⁸⁴ 42488 ¹⁵⁵ 42488FR ³⁶⁰	N/R		33481			58608 - 4L80E-DP 57701 - Allison-Spin-on 58970 - Allison-SP

TAHOE

V8 4.8L 294 CID	LR4	V	51042 ⁵³	51042XP	42487 ²⁸⁴ 42488 ¹⁵⁵ 42488FR ³⁶⁰	N/R			N/S		58904 - 4L60E-SP 58847 - 4L60E-DP 58608 - 4L80E
V8 5.3L 323CID	L59	T	51042 ⁵³	51042XP	42487 ²⁸⁴ 42488 ¹⁵⁵ 42488FR ³⁶⁰	N/R		33579 - Flex-Fuel			58904 - 4L60E-SP 58847 - 4L60E-DP 58608 - 4L80E
	LM7	T	51042 ⁵³	51042XP	42487 ²⁸⁴ 42488 ¹⁵⁵ 42488FR ³⁶⁰	N/R		33579 - Std.			58904 - 4L60E-SP 58847 - 4L60E-DP 58608 - 4L80E

TORNADO

L4 1.8L (Mex.)			51040 ⁵³	51040XP	WA10120	24472 ⁷⁹ 24525 ⁷⁸			33199		
----------------	--	--	---------------------	---------	---------	--	--	--	-------	--	--

TRACKER

L4 2.0L (Mex.)			57145	57145XP	46195	N/A			33150		
V6 2.5L 2500cc		4	51391		46195	24899		5	33150		58951

TRAILBLAZER

L6 4.2L 256 CID		S	51522 ⁵³	51522XP	42729	N/R			33129		58904 - 4L60E-SP 58847 - 4L60E-DP
V8 5.3L 323CID	LM4	T	51042 ⁵³	51042XP	42729	N/R			33129		58904 - 4L60E-SP 58847 - 4L60E-DP

UPLANDER

V6 3.5L 213 CID (Mex.)		L	51040 ⁵³	51040XP	46302	24161 ⁷⁹		5	N/S		
------------------------	--	---	---------------------	---------	-------	---------------------	--	---	-----	--	--

VECTRA

L4 2.0L 1998cc (Mex.)			51040 ⁵³	51040XP	WA6337 ⁶¹	24865			33425		
L4 2.2L 2171cc (Mex.)			57082	57082XP	WA6782	24525			33199		
V6 3.2L 3175CC (Mex.)			57082	57082XP	WA6782	24525			33199		

VENTURE VAN

V6 3.4L 207 CID		E	51040 ⁵³	51040XP	46302	24161 ⁷⁹		5	33689		58837
-----------------	--	---	---------------------	---------	-------	---------------------	--	---	-------	--	-------

ZAFIRA

L4 1.8L 1796cc (Mex.)			51040 ⁵³ - Spin-on 57033 ⁵³ - Cartridge	51040XP - Spin-on	49522	49364			33199		
L4 2.2L 2198cc 134CID "ECOTEC" (Mex.)			57082	57082XP	49522	49364			33199		

2003
ASTRA

L4 1.8L 1796cc (Mex.)			57033		49522	49364			33199		
L4 2.0L 122 CID (Mex.)			51040 ⁵³	51040XP	49522	WP6800 ⁶¹			33199		
L4 2.2L 2198cc 134CID "ECOTEC" (Mex.)			57082	57082XP	49522				33199		
L4 2.4L 2405cc BI-Fuel (Mex.)			57082	57082XP		49364			33199		

ASTRO

V6 4.3L 262CID		Z	51040 ⁵³	51040XP	46117	N/R			33481		58904 - 4L60E-SP 58847 - 4L60E-DP
----------------	--	---	---------------------	---------	-------	-----	--	--	-------	--	--------------------------------------

N/A = Not Available N/R = Not Required N/S = Not Serviceable For cabin and fuel filter locator, see pages 5-15 See pages 16-19 for footnotes

N/A = Non disponible N/R = Non nécessaire N/S = Non réparable Para la ubicación de los filtros de aire de la cabina y de combustible, ver las páginas 5-15 Voir pages 16-19 pour des notes

N/A = No disponible N/R = No requiere N/S = No servible Voir les tableaux de repérage des filtres d'habitacle et à carburant aux pages 5-15 Ver las páginas 16-19 para las notas al pie de página

Italicized Part Numbers May Not Be Available. Wix XP Oil Filters Have Fully Synthetic Media.

Las piezas con números en *italicas* pueden no estar disponibles. Los filtros de aceite WIX XP son completamente de media sintética. Les numéros de pièce en *italiques* peuvent ne pas être disponibles. Les filtres à huile XP Wix contiennent un matériau 100 % synthétique.

Year/Año/Année Model/Modelo/Modèle Engine/Motor/Moteur	Eng. Code Código de motor Code moteur	VIN NIV NIV	Oil Aceite Huile	Oil XP Aceite XP Huile XP	Air Aire Air	Cabin Air Cabina Aire Cabine Air	Cabin Air XP Cabina Aire XP Cabine Air XP	Loc. Cabin Air Cabina Aire Cabine Air	Fuel Combustible Carburant	Loc. Fuel Combustible Carburant	Transmission Transmisión Transmission
--	--	-------------------	------------------------	---------------------------------	--------------------	--	---	--	----------------------------------	--	---

CHEVROLET (Cont'd/Suite)
2003 (Cont'd/Suite)
AVALANCHE

V8 5.3L 323CID		T	51042 ⁵³	51042XP	42487 ²⁸⁴ 42488 ¹⁵⁵ 42488FR ³⁶⁰	24814		3	33481		58904 - 4L60E-SP 58847 - 4L60E-DP
V8 5.3L 323 CID Flex		T	51042 ⁵³	51042XP	42487 ²⁸⁴ 42488 ¹⁵⁵ 42488FR ³⁶⁰	24814		3	33579		58904 - 4L60E-SP 58847 - 4L60E-DP
V8 8.1L 496 CID		G	57099	57099XP	42487 ²⁸⁴ 42488 ¹⁵⁵ 42488FR ³⁶⁰	24814		3	33481		58608 - 4L80E-DP 57701 - Allison-Spin-on 58970 - Allison-SP

BLAZER

V6 4.3L 262CID	LU3	Z	51036 ⁵³ - 4WD 51040 ⁵³ - 2WD	51036XP - 4WD 51040XP - 2WD	46117	N/R			33579	K	58904 - 4L60E-SP 58847 - 4L60E-DP
----------------	-----	---	--	--------------------------------	-------	-----	--	--	-------	---	--------------------------------------

C3500

V8 5.7L 350 CID (Mex.)			N/S		N/S	24814			N/S		N/S
------------------------	--	--	-----	--	-----	-------	--	--	-----	--	-----

CAVALIER

L4 2.2L 134 CID BioFuel		6	57082	57082XP	46503	N/R			N/A		58611
L4 2.2L 2198cc 134 CID	L61	F	57082	57082XP	46503	N/R			33311	Q	58611

CELTA

L4 1.6L 1597cc (Mex.)			51040	51040XP	N/A				33199		
-----------------------	--	--	-------	---------	-----	--	--	--	-------	--	--

CHEVY

L4 1.4L 85 CID (Mex.)			51040 ⁵³	51040XP	WA10038				33425		
L4 1.6L 1597cc (Mex.)			51040 ⁵³	51040XP	WA10038	24472			33199		

CHEVY C2

L4 1.6L 1597cc (Mex.)			51040	51040XP	N/A				33199		
-----------------------	--	--	-------	---------	-----	--	--	--	-------	--	--

CHEVY SEDAN

L4 1.6L 1597cc (Mex.)			51040	51040XP	N/A				33425		
-----------------------	--	--	-------	---------	-----	--	--	--	-------	--	--

CHEVY SWING

L4 1.4L 1389cc (Mex.)			51040 ⁵³	51040XP	WA10038				33199		
L4 1.6L 1597cc (Mex.)			51040 ⁵³	51040XP	WA10038				33199		

CHEYENNE

V8 5.3L 5328cc 325 CID Flex (Mex.)	LMG		51042 ⁵³	51042XP	42487	N/A			33481		
------------------------------------	-----	--	---------------------	---------	-------	-----	--	--	-------	--	--

CORSA

L4 1.8L 1796cc (Mex.)			51040 ⁵³	51040XP	WA10120	24472 ⁷⁹ 24525 ⁷⁸			33199		
-----------------------	--	--	---------------------	---------	---------	--	--	--	-------	--	--

CORVETTE

V8 5.7L 346 CID		G,S	51042 ⁵³	51042XP	46144	N/R			33737	I	58574 - 4L60E
-----------------	--	-----	---------------------	---------	-------	-----	--	--	-------	---	---------------

EXPRESS VAN (UP TO 4500 SERIES)

V6 4.3L 262CID	LU3	Z	51040 ⁵³	51040XP	46573	N/R			33481		58904 - 4L60E-SP 58847 - 4L60E-DP
V8 4.8L 294 CID		V	51042 ⁵³	51042XP	46573	N/R			33311 ²²³ 33481 ²²²		58904 - 4L60E-SP 58847 - 4L60E-DP 58608 - 4L80E
V8 5.3L 323CID		T	51042 ⁵³	51042XP	46573	N/R			33311 ²²³ 33481 ²²²		58904 - 4L60E-SP 58847 - 4L60E-DP 58608 - 4L80E
V8 6.0L 364 CID		U	51042 ⁵³	51042XP	46573	N/R			33311 ²²³ 33481 ²²²		58608
V8 6.0L 364 CID CNG		U	51042 ⁵³	51042XP	46573	N/R			33481		58608

IMPALA

V6 3.4L 207 CID	LA1	E	51040 ⁵³	51040XP	46153	24780	24780XP	1	33311	Q	58837
V6 3.8L 231 CID	L36	1,K	51040 ⁵³	51040XP	46153	24780	24780XP	1	33311	Q	58837

JOY

L4 1.6L 1597cc (Mex.)			51040	51040XP	N/A				33199		
-----------------------	--	--	-------	---------	-----	--	--	--	-------	--	--

LUMINA

V6 3.4L 207 CID (Mex.)		F	51040 ⁵³	51040XP	N/S	N/S			33311		N/S
------------------------	--	---	---------------------	---------	-----	-----	--	--	-------	--	-----

N/A = Not Available N/R = Not Required N/S = Not Serviceable For cabin and fuel filter locator, see pages 5-15 See pages 16-19 for footnotes

N/A = Non disponible N/R = Non nécessaire N/S = Non réparable Para la ubicación de los filtros de aire de la cabina y de combustible, ver las páginas 5-15 Voir pages 16-19 pour des notes

N/A = No disponible N/R = No requiere N/S = No servible Voir les tableaux de repérage des filtres d'habitacle et à carburant aux pages 5-15 Ver las páginas 16-19 para las notas al pie de página

Italicized Part Numbers May Not Be Available. Wix XP Oil Filters Have Fully Synthetic Media.

Las piezas con números en *italicas* pueden no estar disponibles. Los filtros de aceite WIX XP son completamente de media sintética.

Les numéros de pièce en *italiques* peuvent ne pas être disponibles. Les filtres à huile Wix contiennent un matériau 100 % synthétique.

CHEVROLET 2003
Pass Car/Light Truck

Year/Año/Année Model/Modelo/Modèle Engine/Motor/Moteur	Eng. Code Código de motor Code moteur	VIN NIV NIV	Oil Aceite Huile	Oil XP Aceite XP Huile XP	Air Aire Air	Cabin Air Cabina Aire Cabine Air	Cabin Air XP Cabina Aire XP Cabine Air XP	Loc. Cabin Air Cabina Aire Cabine Air	Fuel Combustible Carburant	Loc. Fuel Combustible Carburant	Transmission Transmisión Transmission
--	---	-------------------	------------------------	---------------------------------	--------------------	--	---	--	----------------------------------	--	---

CHEVROLET (Cont'd/Suite)
2003 (Cont'd/Suite)
LUV

L4 2.2L 2200cc (Mex.)			51334 ⁵³	51334XP	46006				33199		
-----------------------	--	--	---------------------	---------	-------	--	--	--	-------	--	--

MALIBU

V6 3.1L 189 CID		J	51040 ⁵³	51040XP	46035	N/R			33311	Q	58611
-----------------	--	---	---------------------	---------	-------	-----	--	--	-------	---	-------

MERIVA

L4 1.8L 1796cc 110 CID (Mex.)			51040 ⁵³	51040XP	WA10120	24472 ¹⁹ 24525 ¹⁸			33199		
-------------------------------	--	--	---------------------	---------	---------	--	--	--	-------	--	--

MONTE CARLO

V6 3.4L 207 CID	LA1	E	51040 ⁵³	51040XP	46153	24780	24780XP	1	33311	Q	58837
V6 3.8L 231 CID	L36	K	51040 ⁵³	51040XP	46153	24780	24780XP	1	33311	Q	58837

MONZA

L4 1.4L 1400cc (Mex.)			51040 ⁵³	51040XP	WA10038				33199		
L4 1.6L 1597cc (Mex.)			51040 ⁵³	51040XP	WA10038				33199		

OPTRA

L4 1.8L 1799cc (Mex.)	L79		N/A		42826	24902			33850		N/A
	LDA		N/A		42826	24902			33850		N/A

POP

L4 1.4L 1389cc (Mex.)			51040 ⁵³	51040XP	WA10038				33199		
L4 1.6L 1597cc (Mex.)			51040 ⁵³	51040XP	WA10038				33199		

S10 PICKUP

L4 2.2L 2190cc 134 CID		H	51040 ⁵³	51040XP	46117	N/R			33100		58904 - 4L60E-SP 58847 - 4L60E-DP
V6 4.3L 262CID	LU3	Z	51040 ⁵³ - 2WD 51036 ⁵³ - 4WD	51040XP - 2WD 51036XP - 4WD	46117	N/R			33579		58904 - 4L60E-SP 58847 - 4L60E-DP

SILVERADO (UP TO 3500 SERIES)

V6 4.3L 262CID	LU3	Z	51040 ⁵³	51040XP	42487 ²⁸⁴ 42488 ¹⁵⁵ 42488FR ³⁶⁰	24805 ¹⁶⁶	24805XP ¹⁶⁶	3	33481		58904 - 4L60E-SP 58847 - 4L60E-DP
V8 4.8L 294 CID	LR4	V	51042 ⁵³	51042XP	42487 ²⁸⁴ 42488 ¹⁵⁵ 42488FR ³⁶⁰	24805 ¹⁶⁶	24805XP ¹⁶⁶	3	33481		58904 - 4L60E-SP 58847 - 4L60E-DP
V8 5.3L 323CID	LM7	T	51042 ⁵³	51042XP	42487 ²⁸⁴ 42488 ¹⁵⁵ 42488FR ³⁶⁰	24805 ¹⁶⁶	24805XP ¹⁶⁶	3	33481		58904 - 4L60E-SP 58847 - 4L60E-DP
V8 5.3L 323 CID Flex	L59	Z	51042 ⁵³	51042XP	42487 ²⁸⁴ 42488 ¹⁵⁵ 42488FR ³⁶⁰	24805 ¹⁶⁶	24805XP ¹⁶⁶	3	33579		58904 - 4L60E-SP 58847 - 4L60E-DP
V8 6.0L 364 CID	LQ4	U,N	51042 ⁵³	51042XP	42487 ²⁸⁴ 42488 ¹⁵⁵ 42488FR ³⁶⁰	24805 ¹⁶⁶	24805XP ¹⁶⁶	3	33481 - Std.		58608
V8 6.6L 400 CID Turbo Diesel		1	57202 ⁵³	57202XP	46678	24805 ¹⁶⁶	24805XP ¹⁶⁶	3			58970 - Allison-SP 57701 - Allison-Spin-on 58966 - Allison-DP
V8 8.1L 496 CID		G	57099	57099XP	42487 ²⁸⁴ 42488 ¹⁵⁵ 42488FR ³⁶⁰	24805 ¹⁶⁶	24805XP ¹⁶⁶	3	33481		57701 - Allison-Spin-on 58970 - Allison-SP 58966 - Allison-DP

SONORA

V8 5.3L 5300cc (Mex.)			51522 ⁵³	51522XP	42487				33481		
V8 5.7L 5700cc (Mex.)			51060 ⁵³	51060XP	42487				33481		
V8 6.0L 364 CID (Mex.)			57060 ⁵³	57060XP	42487				33481		

SPARK

L4 1.0L (Mex.)			51056 ⁵³		WA6253	WP9378 ⁶¹			33425		
----------------	--	--	---------------------	--	--------	----------------------	--	--	-------	--	--

SSR

V8 5.3L 323CID	LM4	T	51042 ⁵³	51042XP	46144	N/R			33129		58847
----------------	-----	---	---------------------	---------	-------	-----	--	--	-------	--	-------

SUBURBAN (ALL)

V8 5.3L 323CID	LM7	T	51042 ⁵³	51042XP	42487 ²⁸⁴ 42488 ¹⁵⁵ 42488FR ³⁶⁰	N/R			33481 - Std.		58904 - 4L60E-SP 58847 - 4L60E-DP
----------------	-----	---	---------------------	---------	--	-----	--	--	--------------	--	--------------------------------------

N/A = Not Available N/R = Not Required N/S = Not Serviceable For cabin and fuel filter locator, see pages 5-15 See pages 16-19 for footnotes

N/A = Non disponible N/R = Non nécessaire N/S = Non réparable Para la ubicación de los filtros de aire de la cabina y de combustible, ver las páginas 5-15 Voir pages 16-19 pour des notes

N/A = No disponible N/R = No requiere N/S = No servible Voir les tableaux de repérage des filtres d'habitacle et à carburant aux pages 5-15 Ver las páginas 16-19 para las notas al pie de página

Italicized Part Numbers May Not Be Available. Wix XP Oil Filters Have Fully Synthetic Media.

Las piezas con números en *italicas* pueden no estar disponibles. Los filtros de aceite WIX XP son completamente de media sintética. Les numéros de pièce en *italiques* peuvent ne pas être disponibles. Les filtres à huile XP Wix contiennent un matériau 100 % synthétique.

Year/Año/Année Model/Modelo/Modèle Engine/Motor/Moteur	Eng. Code Código de motor Code moteur	VIN NIV NIV	Oil Aceite Huile	Oil XP Aceite XP Huile XP	Air Aire Air	Cabin Air Cabina Aire Cabine Air	Cabin Air XP Cabina Aire XP Cabine Air XP	Loc. Cabin Air Cabina Aire Cabine Air	Fuel Combustible Carburant	Loc. Fuel Combustible Carburant	Transmission Transmisión Transmission
--	---	-------------------	------------------------	---------------------------------	--------------------	--	---	--	----------------------------------	--	---

CHEVROLET (Cont'd/Suite)

2003 (Cont'd/Suite)

SUBURBAN (ALL) (Cont'd/Suite)

V8 5.3L 323 CID Flex	L59	Z	51042 ⁵³	51042XP	42487 ²⁸⁴ 42488 ¹⁵⁵ 42488FR ³⁶⁰	N/R			33579 - Flex-Fuel		58904 - 4L60E-SP 58847 - 4L60E-DP
V8 6.0L 364 CID	LQ4	U	51042 ⁵³	51042XP	42487 ²⁸⁴ 42488 ¹⁵⁵ 42488FR ³⁶⁰	N/R			33481		58608
V8 8.1L 496 CID		G	57099	57099XP	42487 ²⁸⁴ 42488 ¹⁵⁵ 42488FR ³⁶⁰	N/R			33481		58608 - 4L80E-DP 57701 - Allison-Spin-on 58970 - Allison-SP

TAHOE

V8 4.8L 294 CID	LR4	V	51042 ⁵³	51042XP	42487 ²⁸⁴ 42488 ¹⁵⁵ 42488FR ³⁶⁰	N/R			33481		58904 - 4L60E-SP 58847 - 4L60E-DP
V8 5.3L 323CID	L59	T	51042 ⁵³	51042XP	42487 ²⁸⁴ 42488 ¹⁵⁵ 42488FR ³⁶⁰	N/R			33579 - Flex-Fuel		58904 - 4L60E-SP 58847 - 4L60E-DP
	LM7	T	51042 ⁵³	51042XP	42487 ²⁸⁴ 42488 ¹⁵⁵ 42488FR ³⁶⁰	N/R			33481 - Std.		58904 - 4L60E-SP 58847 - 4L60E-DP

TORNADO

L4 1.8L (Mex.)			51040 ⁵³	51040XP	WA10120	24472 ⁷⁹ 24525 ⁷⁸			33199		
----------------	--	--	---------------------	---------	---------	--	--	--	-------	--	--

TRACKER

L4 2.0L 1995cc		C	57145	57145XP	46195	24899		5	33150		58951
V6 2.5L 2500cc		4	51391		46195	24899		5	33150		58951

TRAILBLAZER

L6 4.2L 256 CID		S	51522 ⁵³	51522XP	42729	N/R			33129		58904 - 4L60E-SP 58847 - 4L60E-DP
V8 5.3L 323CID	LM4	T	51042 ⁵³	51042XP	42729	N/R			33129		58904 - 4L60E-SP 58847 - 4L60E-DP

VECTRA

L4 2.2L 2171cc (Mex.)			57082	57082XP	WA6782	24525			33199		
V6 3.2L 3175CC (Mex.)			57082	57082XP	WA6782	24525			33199		

VENTURE VAN

V6 3.4L 207 CID		E	51040 ⁵³	51040XP	46302	24161 ⁷⁹		5	33183 ²²⁹ 33689 ²³⁰		58837
-----------------	--	---	---------------------	---------	-------	---------------------	--	---	--	--	-------

ZAFIRA

L4 1.8L 1796cc (Mex.)			51040 ⁵³ - Spin-on 57033 ⁵³ - Cartridge	51040XP - Spin-on	49522	49364			33199		
L4 2.2L 2198cc 134CID "ECOTEC" (Mex.)			57082	57082XP	49522	49364			33199		

2002

ASTRA

L4 1.8L 1796cc (Mex.)			57033		49522	49364			33199		
L4 1.8L 1796cc (Mex.)			57033			49364			33199		
L4 2.0L 122 CID (Mex.)			51040 ⁵³	51040XP	49522	WP6800 ⁵¹			33199		
L4 2.2L 2198cc 134CID "ECOTEC" (Mex.)			57082	57082XP	49522				33199		
L4 2.4L 2405cc BI-Fuel (Mex.)			57082	57082XP		49364		3	33199		

ASTRO

V6 4.3L 262CID		Z	51040 ⁵³	51040XP	46117	N/R			33481		58904 - 4L60E-SP 58847 - 4L60E-DP
----------------	--	---	---------------------	---------	-------	-----	--	--	-------	--	--------------------------------------

AVALANCHE

V8 5.3L 323CID		T	51042 ⁵³	51042XP	42487 ²⁸⁴ 42488 ¹⁵⁵ 42488FR ³⁶⁰	24805	24805XP	6	33481		58904 - 4L60E-SP 58847 - 4L60E-DP
----------------	--	---	---------------------	---------	--	-------	---------	---	-------	--	--------------------------------------

N/A = Not Available N/R = Not Required N/S = Not Serviceable For cabin and fuel filter locator, see pages 5-15 See pages 16-19 for footnotes

N/A = Non disponible N/R = Non nécessaire N/S = Non réparable Para la ubicación de los filtros de aire de la cabina y de combustible, ver las páginas 5-15 Voir pages 16-19 pour des notes

N/A = No disponible N/R = No requiere N/S = No servible Voir les tableaux de repérage des filtres d'habitacle et à carburant aux pages 5-15 Ver las páginas 16-19 para las notas al pie de página

Italicized Part Numbers May Not Be Available. Wix XP Oil Filters Have Fully Synthetic Media.

Las piezas con números en *italicas* pueden no estar disponibles. Los filtros de aceite WIX XP son completamente de media sintética.

Les numéros de pièce en *italiques* peuvent ne pas être disponibles. Les filtres à huile Wix contiennent un matériau 100 % synthétique.

CHEVROLET 2002
Pass Car/Light Truck

Year/Año/Année Model/Modelo/Modèle Engine/Motor/Moteur	Eng. Code Código de motor Code moteur	VIN NIV NIV	Oil Aceite Huile	Oil XP Aceite XP Huile XP	Air Aire Air	Cabin Air Cabina Aire Cabine Air	Cabin Air XP Cabina Aire XP Cabine Air XP	Loc. Cabin Air Cabina Aire Cabine Air	Fuel Combustible Carburant	Loc. Fuel Combustible Carburant	Transmission Transmisión Transmission
--	---	-------------------	------------------------	---------------------------------	--------------------	--	---	--	----------------------------------	--	---

CHEVROLET (Cont'd/Suite)
2002 (Cont'd/Suite)
AVALANCHE (Cont'd/Suite)

V8 5.3L 323 CID Flex			51042 ⁵³	51042XP	42487 ²⁸⁴ 42488 ¹⁵⁵ 42488FR ³⁶⁰	24805	24805XP	6	33579		58904 - 4L60E-SP 58847 - 4L60E-DP
V8 8.1L 496 CID		G	57099	57099XP	42487 ²⁸⁴ 42488 ¹⁵⁵ 42488FR ³⁶⁰	24805	24805XP	6	33481		58608 - 4L80E-DP 57701 - Allison-Spin-on 58970 - Allison-SP

BLAZER

V6 4.2L 4157CC 254CID (Mex.)			51522	51522XP	42729	N/S			33129		N/S
V6 4.3L 262CID		Z	51036 ⁵³ - 4WD 51040 ⁵³ - 2WD	51036XP - 4WD 51040XP - 2WD	46117	N/R			33579	K	58904 - 4L60E-SP 58847 - 4L60E-DP

C3500HD CHASSIS CAB

V8 6.5L 395 CID Turbo Diesel		F	51060	51060XP	46441 ²⁸⁵	N/R			33976 ²³⁷		58608
V8 8.1L 496 CID		G	57099	57099XP	46441 ²⁸⁵	24805	24805XP	6	33481		58608

CAMARO

V6 3.8L 231 CID	L36	K	51040 ⁵³	51040XP	46144	N/R			33311	O	58904 - 4L60E-SP 58847 - 4L60E-DP
V8 5.7L 346 CID		G	51042 ⁵³	51042XP	46144	N/R			33311	O	58904 - 4L60E-SP 58847 - 4L60E-DP

CAVALIER

L4 2.2L (Mex.)			51040 ⁵³	51040XP	46139				33311	Q	58952 - 3T40 58611 - 3T40
L4 2.2L 134 CID		4	51040 ⁵³	51040XP	46503	N/R			33311	Q	58952 - 3T40 58611 - 4T40E
L4 2.2L 2190cc 134 CID CNG		5	51040 ⁵³	51040XP	46503	N/R			N/A		58952 - 3T40 58611 - 4T40E
L4 2.2L 2198cc BioFuel (Mex.)	L61		57082	57082XP	46503				33311		N/A
L4 2.2L 2198cc 134 CID	L61	F	57082	57082XP	46503	N/R			33311	Q	58611
L4 2.4L 146 CID		T	51042 ⁵³	51042XP	46503	N/R			33311	Q	58611

CELTA

L4 1.6L 1597cc (Mex.)			51040	51040XP	N/A				33199		
-----------------------	--	--	-------	---------	-----	--	--	--	-------	--	--

CHEVY

L4 1.4L 85 CID (Mex.)			51040 ⁵³	51040XP	WA10038				33425		
L4 1.6L 1597cc (Mex.)			51040 ⁵³	51040XP	WA10038	24472			33199		

CHEVY C2

L4 1.6L 1597cc (Mex.)			51040	51040XP	N/A				33199		
-----------------------	--	--	-------	---------	-----	--	--	--	-------	--	--

CHEVY SEDAN

L4 1.6L 1597cc (Mex.)			51040	51040XP	N/A				33425		
-----------------------	--	--	-------	---------	-----	--	--	--	-------	--	--

CHEVY SWING

L4 1.4L 1389cc (Mex.)			51040 ⁵³	51040XP	WA10038				33199		
L4 1.6L 1597cc (Mex.)			51040 ⁵³	51040XP	WA10038				33199		

CORSA

L4 1.4L 1389cc (Mex.)			51040 ⁵³	51040XP	WA10120	24472 ⁷⁹ 24525 ⁷⁸			33199		
L4 1.8L 1796cc (Mex.)			51040 ⁵³	51040XP	WA10120	24472 ⁷⁹ 24525 ⁷⁸			33199		

CORVETTE

V8 5.7L 346 CID		G,S	51042 ⁵³	51042XP	46144	N/R			33737	I	58574 - 4L60E
-----------------	--	-----	---------------------	---------	-------	-----	--	--	-------	---	---------------

EXPRESS VAN (UP TO 4500 SERIES)

V6 4.3L 262CID		Z	51040 ⁵³	51040XP	46573	N/R			33484		58904 - 4L60E-SP 58847 - 4L60E-DP
V8 5.0L 305 CID		M	51060 ⁵³	51060XP	46573	N/R			33484		58904 - 4L60E-SP 58847 - 4L60E-DP 58608 - 4L80E
V8 5.7L 350 CID		R	51060 ⁵³	51060XP	46573	N/R			33484		58904 - 4L60E-SP 58847 - 4L60E-DP 58608 - 4L80E
V8 6.5L 395 CID Turbo Diesel		F	51060 ⁵³	51060XP	46144	N/R					58608

N/A = Not Available N/R = Not Required N/S = Not Serviceable For cabin and fuel filter locator, see pages 5-15 See pages 16-19 for footnotes

N/A = Non disponible N/R = Non nécessaire N/S = Non réparable Para la ubicación de los filtros de aire de la cabina y de combustible, ver las páginas 5-15 Voir pages 16-19 pour des notes

N/A = No disponible N/R = No requiere N/S = No servible Voir les tableaux de repérage des filtres d'habitacle et à carburant aux pages 5-15 Ver las páginas 16-19 para las notas al pie de página

Italicized Part Numbers May Not Be Available. Wix XP Oil Filters Have Fully Synthetic Media.

Las piezas con números en *italicas* pueden no estar disponibles. Los filtros de aceite WIX XP son completamente de media sintética.
Les numéros de pièce en *italiques* peuvent ne pas être disponibles. Les filtres à huile XP Wix contiennent un matériau 100 % synthétique.

Year/Año/Année Model/Modelo/Modèle Engine/Motor/Moteur	Eng. Code Código de motor Code moteur	VIN NIV NIV	Oil Aceite Huile	Oil XP Aceite XP Huile XP	Air Aire Air	Cabin Air Cabina Aire Cabine Air	Cabin Air XP Cabina Aire XP Cabine Air XP	Loc. Cabin Air Cabina Aire Cabine Air	Fuel Combustible Carburant	Loc. Fuel Combustible Carburant	Transmission Transmisión Transmission
--	--	-------------------	------------------------	---------------------------------	--------------------	--	---	--	----------------------------------	--	---

CHEVROLET (Cont'd/Suite)
2002 (Cont'd/Suite)
EXPRESS VAN (UP TO 4500 SERIES) (Cont'd/Suite)

V8 8.1L 496 CID		G	57099	57099XP	46573	N/R			33484		58608
-----------------	--	---	-------	---------	-------	-----	--	--	-------	--	-------

IMPALA

V6 3.4L 207 CID	LA1	E	51040 ⁵³	51040XP	46153	24780	24780XP	1	33311	Q	58837
V6 3.8L 231 CID	L36	K	51040 ⁵³	51040XP	46153	24780	24780XP	1	33311	Q	58837

JOY

L4 1.6L 1597cc (Mex.)			51040	51040XP	N/A				33199		
-----------------------	--	--	-------	---------	-----	--	--	--	-------	--	--

LUMINA

V6 3.4L 207 CID (Mex.)		F	51040 ⁵³	51040XP	N/S	N/S			33311		N/S
------------------------	--	---	---------------------	---------	-----	-----	--	--	-------	--	-----

LUV

L4 2.2L 2200cc (Mex.)			51334 ⁵³	51334XP	46006				33199		
-----------------------	--	--	---------------------	---------	-------	--	--	--	-------	--	--

MALIBU

L4 2.4L 2392cc 146 CID (Mex.)	LD9		51042 ⁵³	51042XP	46035				33311	Q	58611
V6 3.1L 189 CID		J	51040 ⁵³	51040XP	46035	N/R			33311	Q	58611

MONTE CARLO

V6 3.4L 207 CID	LA1	E	51040 ⁵³	51040XP	46153	24780	24780XP	1	33311	Q	58837
V6 3.8L 231 CID	L36	K	51040 ⁵³	51040XP	46153	24780	24780XP	1	33311	Q	58837

MONZA

L4 1.4L 1400cc (Mex.)			51040 ⁵³	51040XP	WA10038				33199		
L4 1.6L 1597cc (Mex.)			51040 ⁵³	51040XP	WA10038				33199		

P30 VAN

V8 5.7L 350 CID (Mex.)			N/A		N/A				N/A		
------------------------	--	--	-----	--	-----	--	--	--	-----	--	--

PICKUP C & K SERIES (UP TO 3500 SERIES)

V6 4.3L 262CID (Mex.)		Z	51036 ⁵³ - 4WD 51040 ⁵³ - 2WD	51036XP - 4WD 51040XP - 2WD	46440				33481		58904
V8 5.7L 350 CID (Mex.)		R	51060 ⁵³ - 2WD	51060XP - 2WD	46440 ²⁸⁴ 46441 ²⁸⁵	N/R		6	33481		N/A

POP

L4 1.4L 1389cc (Mex.)			51040 ⁵³	51040XP	WA10038				33199		
L4 1.6L 1597cc (Mex.)			51040 ⁵³	51040XP	WA10038				33199		

PRIZM

L4 1.8L 1762cc		8	51394 ⁵³	51394XP	46273	N/R			N/S		58994 - 3 Spd. 58605 - 4 Spd.
----------------	--	---	---------------------	---------	-------	-----	--	--	-----	--	----------------------------------

S10 PICKUP

L4 2.2L 2190cc 134 CID Flex		5	51040 ⁵³	51040XP	46117	N/R			33100		58904 - 4L60E-SP 58847 - 4L60E-DP
V6 4.3L 262CID		Z	51040 ⁵³ - 2WD 51036 ⁵³ - 4WD	51040XP - 2WD 51036XP - 4WD	46117	N/R			33579		58904 - 4L60E-SP 58847 - 4L60E-DP

SILVERADO (UP TO 3500 SERIES)

V6 4.3L 262CID		Z	51040 ⁵³	51040XP	42487 ²⁸⁴ 42488 ¹⁵⁵ 42488FR ²⁶⁰	24805 ¹⁶⁶	24805XP ¹⁶⁶	6	33481		58904 - 4L60E-SP 58847 - 4L60E-DP
V8 4.8L 294 CID	LR4	V	51522 ⁵³	51522XP	42487 ²⁸⁴ 42488 ¹⁵⁵ 42488FR ²⁶⁰	24805 ¹⁶⁶	24805XP ¹⁶⁶	6	33481		58904 - 4L60E-SP 58847 - 4L60E-DP
V8 5.3L 323CID	LM7	T	51042 ⁵³	51042XP	42487 ²⁸⁴ 42488 ¹⁵⁵ 42488FR ²⁶⁰	24805 ¹⁶⁶	24805XP ¹⁶⁶	6	33481		58904 - 4L60E-SP 58847 - 4L60E-DP 58608 - 4L80E
V8 5.3L 323 CID Flex	L59	Z	51042 ⁵³	51042XP	42487 ²⁸⁴ 42488 ¹⁵⁵ 42488FR ²⁶⁰	24805 ¹⁶⁶	24805XP ¹⁶⁶	6	33579		58904 - 4L60E-SP 58847 - 4L60E-DP 58608 - 4L80E
V8 5.7L 350 CID (Mex.)			51060 ⁵³ - 2WD 51036 ⁵³ - 4WD	51060XP - 2WD 51036XP - 4WD	42098 ²³¹ 46220 ²³² 46166 ²³³				33481	K	58904 - 4L60E-SP 58847 - 4L60E-DP 58836 ²²⁶ - 4L80E-SP 58917 ²²⁷ - 4L80E-SP 58608 ²²⁷ - 4L80E-DP

N/A = Not Available N/R = Not Required N/S = Not Serviceable For cabin and fuel filter locator, see pages 5-15 See pages 16-19 for footnotes

N/A = Non disponible N/R = Non nécessaire N/S = Non réparable Para la ubicación de los filtros de aire de la cabina y de combustible, ver las páginas 5-15 Voir pages 16-19 pour des notes

N/A = No disponible N/R = No requiere N/S = No servible Voir les tableaux de repérage des filtres d'habitacle et à carburant aux pages 5-15 Ver las páginas 16-19 para las notas al pie de página

Italicized Part Numbers May Not Be Available. Wix XP Oil Filters Have Fully Synthetic Media.

Las piezas con números en *italicas* pueden no estar disponibles. Los filtros de aceite WIX XP son completamente de media sintética.

Les numéros de pièce en *italiques* peuvent ne pas être disponibles. Les filtres à huile Wix contiennent un matériau 100 % synthétique.

PASS CAR LIGHT TRUCK

CHEVROLET 2002 — CHRYSLER 2021
Pass Car/Light Truck

Year/Año/Année Model/Modelo/Modèle Engine/Motor/Moteur	Eng. Code Código de motor Code moteur	VIN NIV NIV	Oil Aceite Huile	Oil XP Aceite XP Huile XP	Air Aire Air	Cabin Air Cabina Aire Cabine Air	Cabin Air XP Cabina Aire XP Cabine Air XP	Loc. Cabin Air Cabina Aire Cabine Air	Fuel Combustible Carburant	Loc. Fuel Combustible Carburant	Transmission Transmisión Transmission
--	---	-------------------	------------------------	---------------------------------	--------------------	--	---	--	----------------------------------	--	---

CHEVROLET (Cont'd/Suite)
2002 (Cont'd/Suite)
SILVERADO (UP TO 3500 SERIES) (Cont'd/Suite)

V8 6.0L 364 CID	LQ4	U	51522 ⁵³	51522XP	42487 ²⁸⁴ 42488 ¹⁵⁵ 42488FR ³⁶⁰	24805 ¹⁶⁶	24805XP ¹⁶⁶	6	33481		58608 - 4L80E
V8 6.6L 400 CID Turbo Diesel		1	57202 ⁵³	57202XP	46678	24805 ¹⁶⁶	24805XP ¹⁶⁶	6			58970 - Allison-SP 57701 - Allison-Spin-on 58608 - 4L80E-DP 58966 - Allison-DP
V8 8.1L 496 CID		G	57099	57099XP	42487 ²⁸⁴ 42488 ¹⁵⁵ 42488FR ³⁶⁰	24805	24805XP	6	33481		58970 - Allison-Pan Style 57701 - Allison-Spin-on

SONORA

V8 5.7L 5700cc (Mex.)			51060 ⁵³	51060XP	42487				33481		
-----------------------	--	--	---------------------	---------	-------	--	--	--	-------	--	--

SUBURBAN (ALL)

V8 5.3L 323CID	LM7	T	51042 ⁵³	51042XP	42487 ²⁸⁴ 42488 ¹⁵⁵ 42488FR ³⁶⁰	24805	24805XP	6	33481 - Std.		58904 - 4L60E-SP 58847 - 4L60E-DP
V8 5.3L 323 CID Flex	L59	Z	51042 ⁵³	51042XP	42487 ²⁸⁴ 42488 ¹⁵⁵ 42488FR ³⁶⁰	24805	24805XP	6	33579 - Flex-Fuel		58904 - 4L60E-SP 58847 - 4L60E-DP
V8 5.7L 5700cc (Mex.)			51522 ⁵³	51522XP	42487				33481		
V8 6.0L 364 CID	LQ4	U	51522 ⁵³	51522XP	42487 ²⁸⁴ 42488 ¹⁵⁵ 42488FR ³⁶⁰	24805	24805XP	6	33481		58608
V8 8.1L 496 CID		G	57099	57099XP	42487 ²⁸⁴ 42488 ¹⁵⁵ 42488FR ³⁶⁰	24805	24805XP	6	33481		58608 - 4L80E-DP 57701 - Allison-Spin-on 58970 - Allison-SP

TAHOE

V8 4.8L 294 CID	LR4	V	51522 ⁵³	51522XP	42487 ²⁸⁴ 42488 ¹⁵⁵ 42488FR ³⁶⁰	24805	24805XP	6	33481		58904 - 4L60E-SP 58847 - 4L60E-DP
V8 5.3L 323CID	L59	T	51042 ⁵³	51042XP	42487 ²⁸⁴ 42488 ¹⁵⁵ 42488FR ³⁶⁰	24805	24805XP	6	33579 - Flex-Fuel		58904 - 4L60E-SP 58847 - 4L60E-DP
	LM7	T	51042 ⁵³	51042XP	42487 ²⁸⁴ 42488 ¹⁵⁵ 42488FR ³⁶⁰	24805	24805XP	6	33481 - Std.		58904 - 4L60E-SP 58847 - 4L60E-DP

TRACKER

L4 1.6L 1588cc 98 CID			51348 ⁵³	51348XP	46195	24899		5	33150		58951
L4 2.0L 1995cc		C	57145	57145XP	46195	24899		5	33150		58951
V6 2.5L 2500cc		4	51391		46195	24899		5	33150		58951

TRAILBLAZER

L6 4.2L 256 CID		S	51522 ⁵³	51522XP	42729	N/R			33129		58904 - 4L60E-SP 58847 - 4L60E-DP
-----------------	--	---	---------------------	---------	-------	-----	--	--	-------	--	--------------------------------------

VENTURE VAN

V6 3.4L 207 CID		E	51040 ⁵³	51040XP	46302	24161 ⁷⁹		5	33183		58837
-----------------	--	---	---------------------	---------	-------	---------------------	--	---	-------	--	-------

ZAFIRA

L4 1.8 L 1796cc (Mex.)			51040 ⁵³ - Spin-on 57033 ⁵³ - Cartridge	51040XP - Spin-on	49522	49364			33199		
L4 2.2L 2198cc 134CID "ECOTEC" (Mex.)			57082	57082XP	49522	49364			33199		

CHRYSLER
2021
300

V6 3.6L 3604CC 220CID			WL10010	WL10010XP	49746	24048	24048XP	1	N/S		N/A - 62TE
V8 5.7L HEMI		G	57060	57060XP	49746	24048	24048XP	1	N/S		N/A

PACIFICA

V6 3.6L 3604CC 220CID			WL10010	WL10010XP	WA10649	WP10316		4	N/S		58128
-----------------------	--	--	---------	-----------	---------	---------	--	---	-----	--	-------

N/A = Not Available N/R = Not Required N/S = Not Serviceable For cabin and fuel filter locator, see pages 5-15 See pages 16-19 for footnotes

N/A = Non disponible N/R = Non nécessaire N/S = Non réparable Para la ubicación de los filtros de aire de la cabina y de combustible, ver las páginas 5-15 Voir pages 16-19 pour des notes

N/A = No disponible N/R = No requiere N/S = No servible Voir les tableaux de repérage des filtres d'habitacle et à carburant aux pages 5-15 Ver las páginas 16-19 para las notas al pie de página

Italicized Part Numbers May Not Be Available. Wix XP Oil Filters Have Fully Synthetic Media.

Las piezas con números en *italicas* pueden no estar disponibles. Los filtros de aceite WIX XP son completamente de media sintética. Les numéros de pièce en *italiques* peuvent ne pas être disponibles. Les filtres à huile XP Wix contiennent un matériau 100 % synthétique.

Year/Año/Année Model/Modelo/Modèle Engine/Motor/Moteur	Eng. Code Código de motor Code moteur	VIN NIV NIV	Oil Aceite Huile	Oil XP Aceite XP Huile XP	Air Aire Air	Cabin Air Cabina Aire Cabine Air	Cabin Air XP Cabina Aire XP Cabine Air XP	Loc. Cabin Air Cabina Aire Cabine Air	Fuel Combustible Carburant	Loc. Fuel Combustible Carburant	Transmission Transmisión Transmission
--	---	-------------------	------------------------	---------------------------------	--------------------	--	---	--	----------------------------------	--	---

CHRYSLER (Cont'd/Suite)

2021 (Cont'd/Suite)

PACIFICA Hybrid

V 6 3.6L 3604cc 220 CID Electric/Gas	EH3		WL10010	WL10010XP	WA10772	WP10316		4	N/S		58128
---	-----	--	---------	-----------	---------	---------	--	---	-----	--	-------

VOYAGER

V6 3.6L 3604CC 220CID			WL10010	WL10010XP	WA10649	WP10316		4	N/S		58128
-----------------------	--	--	---------	-----------	---------	---------	--	---	-----	--	-------

2020

300

V6 3.6L 3604CC 220CID			WL10010	WL10010XP	49746	24048	24048XP	1	N/S		N/A - 62TE
V8 5.7L HEMI		G	57060	57060XP	49746	24048	24048XP	1	N/S		N/A

PACIFICA

V6 3.6L 3604CC 220CID			WL10010	WL10010XP	WA10649	WP10316		4	N/S		58128
-----------------------	--	--	---------	-----------	---------	---------	--	---	-----	--	-------

PACIFICA Hybrid

V 6 3.6L 3604cc 220 CID Electric/Gas	EH3		WL10010	WL10010XP	WA10772	WP10316		4	N/S		58128
---	-----	--	---------	-----------	---------	---------	--	---	-----	--	-------

VOYAGER

V6 3.6L 3604CC 220CID			WL10010	WL10010XP	WA10649	WP10316		4	N/S		58128
-----------------------	--	--	---------	-----------	---------	---------	--	---	-----	--	-------

2019

300

V6 3.6L 3604CC 220CID			WL10010	WL10010XP	49746	24048	24048XP	1	N/S		N/A - 62TE
V8 5.7L HEMI		G	57060	57060XP	49746	24048	24048XP	1	N/S		N/A

PACIFICA

V6 3.6L 3604CC 220CID			WL10010	WL10010XP	WA10649	WP10316		4	N/S		58128
-----------------------	--	--	---------	-----------	---------	---------	--	---	-----	--	-------

PACIFICA Hybrid

V 6 3.6L 3604cc 220 CID Electric/Gas	EH3		WL10010	WL10010XP	WA10772	WP10316		4	N/S		58128
---	-----	--	---------	-----------	---------	---------	--	---	-----	--	-------

2018

300

V6 3.6L 3604CC 220CID			WL10010	WL10010XP	49746	24048	24048XP	1	N/S		N/A - 62TE
V8 5.7L HEMI		G	57060	57060XP	49746	24048	24048XP	1	N/S		N/A

PACIFICA

V6 3.6L 3604CC 220CID			WL10010	WL10010XP	WA10649	WP10316		4	N/S		58128
-----------------------	--	--	---------	-----------	---------	---------	--	---	-----	--	-------

PACIFICA Hybrid

V 6 3.6L 3604cc 220 CID Electric/Gas	EH3		WL10010	WL10010XP	WA10772	WP10316		4	N/S		58128
---	-----	--	---------	-----------	---------	---------	--	---	-----	--	-------

2017

200

L4 2.4L 2360cc 144 CID			57060 ⁵³	57060XP	WA10296	WP10142		3	N/S		N/A
V6 3.6L 3604CC 220CID		G	WL10010	WL10010XP	WA10270	WP10142		3	N/S		N/S

300

V6 3.6L 3604CC 220CID		G	WL10010	WL10010XP	49746	24048	24048XP	1	N/S		N/A - 62TE
V8 5.7L 345 CID			57060 ⁵³	57060XP	49746	24048	24048XP		N/S		N/A

PACIFICA

V6 3.6L 3604CC 220CID		G	WL10010	WL10010XP	WA10649	WP10316		4	N/S		58128
-----------------------	--	---	---------	-----------	---------	---------	--	---	-----	--	-------

PACIFICA Hybrid

V 6 3.6L 3604cc 220 CID Electric/Gas	EH3		WL10010	WL10010XP	WA10772	WP10316			N/S		N/S
---	-----	--	---------	-----------	---------	---------	--	--	-----	--	-----

2016

200

L4 2.4L 2360cc 144 CID			57060 ⁵³	57060XP	WA10296	WP10142		3	N/S		N/A
V6 3.6L 3604CC 220CID		G	WL10010	WL10010XP	WA10270	WP10142		3	N/S		N/S

300

V6 3.6L 3604CC 220CID		G	WL10010	WL10010XP	49746	24048	24048XP	1	N/S		N/A - 62TE
V8 5.7L 345 CID			57060 ⁵³	57060XP	49746	24048	24048XP		N/S		N/A

N/A = Not Available N/R = Not Required N/S = Not Serviceable For cabin and fuel filter locator, see pages 5-15 See pages 16-19 for footnotes

N/A = Non disponible N/R = Non nécessaire N/S = Non réparable Para la ubicación de los filtros de aire de la cabina y de combustible, ver las páginas 5-15 Voir pages 16-19 pour des notes

N/A = No disponible N/R = No requiere N/S = No servible Voir les tableaux de repérage des filtres d'habitacle et à carburant aux pages 5-15 Ver las páginas 16-19 para las notas al pie de página

Italicized Part Numbers May Not Be Available. Wix XP Oil Filters Have Fully Synthetic Media.

Las piezas con números en *italicas* pueden no estar disponibles. Los filtros de aceite WIX XP son completamente de media sintética.

Les numéros de pièce en *italiques* peuvent ne pas être disponibles. Les filtres à huile Wix contiennent un matériau 100 % synthétique.

CHRYSLER 2016-2012

Pass Car/Light Truck

Year/Año/Année Model/Modelo/Modèle Engine/Motor/Moteur	Eng. Code Código de motor Code moteur	VIN NIV NIV	Oil Aceite Huile	Oil XP Aceite XP Huile XP	Air Aire Air	Cabin Air Cabina Aire Cabine Air	Cabin Air XP Cabina Aire XP Cabine Air XP	Loc. Cabin Air Cabina Aire Cabine Air	Fuel Combustible Carburant	Loc. Fuel Combustible Carburant	Transmission Transmisión Transmission
--	---	-------------------	------------------------	---------------------------------	--------------------	--	---	--	----------------------------------	--	---

CHRYSLER (Cont'd/Suite)

2016 (Cont'd/Suite)

TOWN & COUNTRY

V6 3.6L 3604CC 220CID <->		G	WL10010	WL10010XP	49737	24479	24479XP	4	N/S	58128
---------------------------	--	---	---------	-----------	-------	-------	---------	---	-----	-------

2015

200

L4 2.4L 2360cc 144 CID			57060 ⁵³	57060XP	WA10296	WP10142		3	N/S	
V6 3.6L 3604CC 220CID		G	WL10010	WL10010XP	WA10270	WP10142		3	N/S	N/S

300

V6 3.6L 3604CC 220CID		G	WL10010	WL10010XP	49746	24048	24048XP	1	N/S	N/A - 62TE
V8 5.7L 345 CID		T	57899	57899XP	49746	24048	24048XP	1	N/S	N/A

TOWN & COUNTRY

V6 3.6L 3604CC 220CID		G	WL10010	WL10010XP	49737	24479	24479XP	4	N/S	58128
-----------------------	--	---	---------	-----------	-------	-------	---------	---	-----	-------

2014

200

L4 2.4L 2360cc 144 CID	ED3	B	57060 ⁵³	57060XP	49926	24313	24313XP	3	N/S	58934 - 4 Spd. 58128 - 6 Spd.
	EDG	B	57060 ⁵³	57060XP	49926	24313	24313XP	3	N/S	58934 - 4 Spd. 58128 - 6 Spd.
V6 3.6L 3604CC 220CID		G	WL10010	WL10010XP	49049	24313	24313XP	3	N/S	58128 - 6 Spd. 58934 - 4 Spd.

300

V6 3.6L 3604CC 220CID		G	WL10010	WL10010XP	49746	24048	24048XP	1	N/S	58128 - 62TE
V8 5.7L 345 CID	EZH	T	57899	57899XP	49746	24048	24048XP	1	N/S	N/A

300 SRT8

V8 6.4L 6424cc 392 CID	ESG	J	57899	57899XP	49746	24048	24048XP	1	N/S	58845
------------------------	-----	---	-------	---------	-------	-------	---------	---	-----	-------

300C

V8 5.7L 345 CID (Mex.)	EZH		51372 ⁵³	51372XP	42843	N/A			N/A	
------------------------	-----	--	---------------------	---------	-------	-----	--	--	-----	--

TOWN & COUNTRY

V6 3.6L 3604CC 220CID		G	WL10010	WL10010XP	49737	24479	24479XP	4	N/S	58128
-----------------------	--	---	---------	-----------	-------	-------	---------	---	-----	-------

2013

200

L4 2.4L 2360cc 144 CID	ED3	B	57060 ⁵³	57060XP	49926	24313	24313XP	3	N/S	58934
	EDG	B	57060 ⁵³	57060XP	49926	24313	24313XP	3	N/S	58934
V6 3.6L 3604CC 220CID		G	57526	57526XP	49049	24313	24313XP	3	N/S	58128

300

V6 3.6L 3604CC 220CID		G	57526	57526XP	49746	24048	24048XP	1	N/S	58845
V8 5.7L 345 CID	EZH	T	57899	57899XP	49746	24048	24048XP	1	N/S	58845 - 5 Spd.

300 SRT8

V8 6.4L 6424cc 392 CID	ESG	J	57899	57899XP	49746	24048	24048XP	1	N/S	58845
------------------------	-----	---	-------	---------	-------	-------	---------	---	-----	-------

300C

V8 5.7L 345 CID (Mex.)	EZH		51372 ⁵³	51372XP	42843	N/A			N/A	
------------------------	-----	--	---------------------	---------	-------	-----	--	--	-----	--

TOWN & COUNTRY

V6 3.6L 3604CC 220CID		G	57526	57526XP	49737	24479	24479XP	4	N/S	58128
-----------------------	--	---	-------	---------	-------	-------	---------	---	-----	-------

2012

200

L4 2.4L 144 CID	ED3	B	57060 ⁵³	57060XP	49926	24313	24313XP	3	N/S	58934
	EDG	B	57060 ⁵³	57060XP	49926	24313	24313XP	3	N/S	58934
V6 3.6L 3604CC 220CID	ERB	G	57526	57526XP	49049	24313	24313XP	3	N/S	58128

300

V6 3.6L 3604CC 220CID		G	57526	57526XP	49746	24048	24048XP	1	N/S	58845
V8 5.7L 345 CID	EZH	T	57899	57899XP	49746	24048	24048XP	1	N/S	58845 - 5 Spd.

300 SRT8

V8 6.4L 6424cc 392 CID	ESG	J	57899	57899XP	49746	24048	24048XP	1	N/S	58845
------------------------	-----	---	-------	---------	-------	-------	---------	---	-----	-------

N/A = Not Available N/R = Not Required N/S = Not Serviceable For cabin and fuel filter locator, see pages 5-15 See pages 16-19 for footnotes
 N/A = Non disponible N/R = Non nécessaire N/S = Non réparable Para la ubicación de los filtros de aire de la cabina y de combustible, ver las páginas 5-15 Voir pages 16-19 pour des notes
 N/A = No disponible N/R = No requiere N/S = No servible Voir les tableaux de repérage des filtres d'habitacle et à carburant aux pages 5-15 Ver las páginas 16-19 para las notas al pie de página

Italicized Part Numbers May Not Be Available. Wix XP Oil Filters Have Fully Synthetic Media.

Las piezas con números en *italicas* pueden no estar disponibles. Los filtros de aceite WIX XP son completamente de media sintética.
 Les numéros de pièce en *italiques* peuvent ne pas être disponibles. Les filtres à huile XP Wix contiennent un matériau 100 % synthétique.

Year/Año/Année Model/Modelo/Modèle Engine/Motor/Moteur	Eng. Code Código de motor Code moteur	VIN NIV	Oil Aceite Huile	Oil XP Aceite XP Huile XP	Air Aire Air	Cabin Air Cabina Aire Cabine Air	Cabin Air XP Cabina Aire XP Cabine Air XP	Loc. Cabin Air Cabina Aire Cabine Air	Fuel Combustible Carburant	Loc. Fuel Combustible Carburant	Transmission Transmisión Transmission
--	---	------------	------------------------	---------------------------------	--------------------	--	---	--	----------------------------------	--	---

CHRYSLER (Cont'd/Suite)

2012 (Cont'd/Suite)

TOWN & COUNTRY

V6 3.6L 3604CC 220CID	ERB	G	57526	57526XP	49737	24479	24479XP	4	N/S	58128
-----------------------	-----	---	-------	---------	-------	-------	---------	---	-----	-------

2011

200

L4 2.4L 144 CID	ED3	B	57060 ⁵³	57060XP	49926	24313	24313XP	3	N/S	58934
	EDG	B	57060 ⁵³	57060XP	49926	24313	24313XP	3	N/S	58934
V6 3.6L 3604CC 220CID		G	57526	57526XP	49049	24313	24313XP	3	N/S	58128

300

V6 3.6L 3604CC 220CID		G	57526	57526XP	49746	24048	24048XP	1	N/S	58845
V8 5.7L 345 CID	EZH	T	57899	57899XP	49746	24048	24048XP	1	N/S	58845 - 5 Spd.

TOWN & COUNTRY

V6 3.6L 3604CC 220CID		G	57526	57526XP	49737	24479	24479XP	4	N/S	58128
-----------------------	--	---	-------	---------	-------	-------	---------	---	-----	-------

2010

300

V6 2.7L 167 CID	EER	D	57060 ⁵³	57060XP	42843	24909		1	N/S	58013
V6 3.5L 215 CID		V	57060 ⁵³	57060XP	42843	24909		1	N/S	58013 - 4 Spd. 58845 - 5 Spd.
V8 5.7L 345 CID		T	57899	57899XP	42843	24909		1	N/S	58845 - 5 Spd.
V8 6.1L 370 CID	EZH	W	57899	57899XP	42843	24909		1	N/S	58845 - 5 Spd.

300C

V6 2.7L FI 2700cc (Mex.)			57060 ⁵³	57060XP	42843					
V6 3.5L 3500cc (Mex.)			51372 ⁵³	51372XP	42843					
V8 5.7L HEMI (Mex.)		G	51372 ⁵³	51372XP	42843					
V8 6.1L HEMI (Mex.)			51372 ⁵³	51372XP	42843					

ASPEN

V8 5.7L HEMI (Mex.)		G	51372 ⁵³	51372XP	42750					
---------------------	--	---	---------------------	---------	-------	--	--	--	--	--

CIRRUS

L4 2.4L 2360cc 144 CID (Mex.)	ED3		57060 ⁵³	57060XP	49926	24313	24313XP		N/A	
V6 3.5L 3500cc (Mex.)			57060 ⁵³	57060XP	49926	24313	24313XP		N/A	

CIRRUS SEDAN

L4 2.4L 144 CID (Mex.)	ED3		57060	57060XP	49926	24313	24313XP		N/S	N/A
	EDG		57060	57060XP	49926	24313	24313XP		N/S	N/A
V6 3.5L 215 CID (Mex.)	EGF		57060	57060XP	49926	24313	24313XP		N/S	N/A
	EGG		57060	57060XP	49926	24313	24313XP		N/S	N/A

PT CRUISER

L4 2.4L 148 CID	EDZ	9	51348 ⁵³	51348XP	49067	24725		2	N/S	58934
-----------------	-----	---	---------------------	---------	-------	-------	--	---	-----	-------

SEBRING

L4 2.4L 144 CID	ED3	B	57060 ⁵³	57060XP	49926	24313	24313XP	3	N/S	58934 - 4 Spd. 58128 - 62TE
	EDG	B	57060 ⁵³	57060XP	49926	24313	24313XP	3	N/S	58934 - 4 Spd. 58128 - 62TE
V6 2.7L 167 CID	EER	D	57060 ⁵³	57060XP	42389	24313	24313XP	3	N/S	58934 - 4 Spd. 58128 - 62TE
V6 3.5L 215 CID		V	57060 ⁵³	57060XP	42389	24313	24313XP	3	N/S	58128 - 62TE

TOWN & COUNTRY

V6 3.3L Flex (Mex.)			51348 ⁵³	51348XP	42389					
V6 3.3L 201 CID	EGV	E	51348 ⁵³	51348XP	42389	24479	24479XP	4	N/S	58934
V6 3.8L (Mex.)			51348 ⁵³	51348XP	42389					
V6 3.8L 230 CID		1	51348 ⁵³	51348XP	42389	24479	24479XP	4	N/S	58128
V6 4.0L (Mex.)			57060 ⁵³	57060XP	42389					
V6 4.0L 241 CID		X	51348 ⁵³ - 3/4-16 Thd. 57060 ⁵³ - 22x1.5mm Thd.	51348XP - 3/4-16 Thd. 57060XP - 22x1.5mm Thd.	42389	24479	24479XP	4	N/S	58128

N/A = Not Available N/R = Not Required N/S = Not Serviceable For cabin and fuel filter locator, see pages 5-15 See pages 16-19 for footnotes
 N/A = Non disponible N/R = Non nécessaire N/S = Non réparable Para la ubicación de los filtros de aire de la cabina y de combustible, ver las páginas 5-15 Voir pages 16-19 pour des notes
 N/A = No disponible N/R = No requiere N/S = No servible Voir les tableaux de repérage des filtres d'habitacle et à carburant aux pages 5-15 Ver las páginas 16-19 para las notas al pie de página

Italicized Part Numbers May Not Be Available. Wix XP Oil Filters Have Fully Synthetic Media.
 Las piezas con números en *italicas* pueden no estar disponibles. Los filtros de aceite WIX XP son completamente de media sintética.
 Les numéros de pièce en *italiques* peuvent ne pas être disponibles. Les filtres à huile Wix contiennent un matériau 100 % synthétique.

CHRYSLER 2009-2008
Pass Car/Light Truck

Year/Año/Année Model/Modelo/Modèle Engine/Motor/Moteur	Eng. Code Código de motor Code moteur	VIN NIV NIV	Oil Aceite Huile	Oil XP Aceite XP Huile XP	Air Aire Air	Cabin Air Cabina Aire Cabine Air	Cabin Air XP Cabina Aire XP Cabine Air XP	Loc. Cabin Air Cabina Aire Cabine Air	Fuel Combustible Carburant	Loc. Fuel Combustible Carburant	Transmission Transmisión Transmission
--	---	-------------------	------------------------	---------------------------------	--------------------	--	---	--	----------------------------------	--	---

CHRYSLER (Cont'd/Suite)
2009
300

V6 2.7L 167 CID	EER	D	57060 ⁵³	57060XP	42843	24909		1	N/S		58013
V6 3.5L 215 CID		V	57060 ⁵³ 57899 ²⁸⁷	57060XP ²⁸⁶ 57899XP ²⁸⁷	42843	24909		1	N/S		58013 - 4 Spd. 58845 - 5 Spd.
V8 5.7L 345 CID	EZD	T	57899	57899XP	42843	24909		1	N/S		58845 - 5 Spd.
V8 6.1L 372 CID	ESF	W	57899	57899XP	42843	24909		1	N/S		58845 - 5 Spd.

300C

V6 2.7L FI DOHC (Mex.)			57060 ⁵³	57060XP	42843				N/A		N/A
V6 3.5L (Mex.)			51372 ⁵³	51372XP	42843						

ASPEN

V8 4.7L 285 CID		P	57899	57899XP	42750	N/R			N/S		58846 - Shallow Pan 58843 - Deep Pan
V8 5.7L 345 CID		T	57899	57899XP	42750	N/R			N/S		58846 - Shallow Pan 58843 - Deep Pan

ASPEN HYBRID

V8 5.7L 345 CID HEMI Electric/Gas	EZE		57899	57899XP	WA10958	N/R			N/S		58843
--------------------------------------	-----	--	-------	---------	---------	-----	--	--	-----	--	-------

CIRRUS

L4 2.4L 2360cc 144 CID (Mex.)	ED3		57060 ⁵³	57060XP	49926	24313	24313XP		N/A		
V6 3.5L 3500cc (Mex.)			57060 ⁵³	57060XP	49926	24313	24313XP		N/A		

PT CRUISER

L4 2.4L 148 CID	EDZ	9	51348 ⁵³	51348XP	49067	24725		2	N/S		58934
L4 2.4L 148 CID Turbo	EDT	8	51516 ⁵³	51516XP	49067	24725		2	N/S		58934

SEBRING

L4 2.4L 144 CID	ED3	B	57060 ⁵³	57060XP	49926	24313	24313XP	3	N/S		58934
	EDG	B	57060 ⁵³	57060XP	49926	24313	24313XP	3	N/S		58934
V6 2.7L 167 CID	EER	D	57899	57899XP	42389	24313	24313XP	3	N/S		58934 58128 - 62TE
V6 3.5L 215 CID		V	57060 ⁵³ 57899 ²⁸⁷	57060XP ²⁸⁶ 57899XP ²⁸⁷	42389	24313	24313XP	3	N/S		58128 - 62TE

TOWN & COUNTRY

V6 3.3L 201 CID	EGV	E	51348 ⁵³	51348XP	42389	24479	24479XP	4	N/S		58934
V6 3.8L 230 CID	EGL	1	51348 ⁵³	51348XP	42389	24479	24479XP	4	N/S		58128
V6 4.0L 241 CID	EGQ	X	57060 ⁵³	57060XP	42389	24479	24479XP	4	N/S		58128

2008
300

V6 2.7L 167 CID	EER	R	57899	57899XP	42843	24909		1	N/S		58013
V6 3.5L 215 CID		G	57899	57899XP	42843	24909		1	N/S		58013 - 4 Spd. 58845 - 5 Spd.
V8 5.7L 345 CID	EZH	H	57899	57899XP	42843	24909		1	N/S		58845 - 5 Spd.
V8 6.1L 370 CID (SRT-8)		W	57899	57899XP	42843	24909		1	N/S		58845 - 5 Spd.

ASPEN

V8 4.7L 285 CID	EVE	P	57899	57899XP	42750	N/R			N/S		58846 - Shallow Pan 58843 - Deep Pan
V8 5.7L 345 CID	EZH	2	57899	57899XP	42750	N/R			N/S		58846 - Shallow Pan 58843 - Deep Pan

CIRRUS

L4 2.4L 2360cc 144 CID (Mex.)	ED3		57060 ⁵³	57060XP	49926	24313	24313XP		N/A		
V6 3.5L 215 CID (Mex.)			57899	57899XP	49926	24313	24313XP		N/A		

CROSSFIRE

V6 3.2L 195 CID F.I.		L	51226	51226XP	42822	24767 ¹⁸		4	33643		58845
----------------------	--	---	-------	---------	-------	---------------------	--	---	-------	--	-------

PACIFICA

V6 3.8L 230 CID	EGL	L	51085 ⁵³	51085XP	46879	24864		4	N/S		58934
V6 4.0L 241 CID	EGQ	X	51085 ⁵³	51085XP	46879	24864		4	N/S		58934

N/A = Not Available N/R = Not Required N/S = Not Serviceable For cabin and fuel filter locator, see pages 5-15 See pages 16-19 for footnotes

N/A = Non disponible N/R = Non nécessaire N/S = Non réparable Para la ubicación de los filtros de aire de la cabina y de combustible, ver las páginas 5-15 Voir pages 16-19 pour des notes

N/A = No disponible N/R = No requiere N/S = No servible Voir les tableaux de repérage des filtres d'habitacle et à carburant aux pages 5-15 Ver las páginas 16-19 para las notas al pie de página

Italicized Part Numbers May Not Be Available. Wix XP Oil Filters Have Fully Synthetic Media.

Las piezas con números en *italicas* pueden no estar disponibles. Los filtros de aceite WIX XP son completamente de media sintética. Les numéros de pièce en *italiques* peuvent ne pas être disponibles. Les filtres à huile XP Wix contiennent un matériau 100 % synthétique.

Year/Año/Année Model/Modelo/Modèle Engine/Motor/Moteur	Eng. Code Código de motor Code moteur	VIN NIV NIV	Oil Aceite Huile	Oil XP Aceite XP Huile XP	Air Aire Air	Cabin Air Cabina Aire Cabine Air	Cabin Air XP Cabina Aire XP Cabine Aire XP	Loc. Cabin Air Cabina Aire Cabine Air	Fuel Combustible Carburant	Loc. Fuel Combustible Carburant	Transmission Transmisión Transmission
--	--	-------------------	------------------------	---------------------------------	--------------------	--	--	--	----------------------------------	--	---

CHRYSLER (Cont'd/Suite)
2008 (Cont'd/Suite)
PT CRUISER

L4 2.4L 148 CID	EDZ	B,X	51348 ⁵³	51348XP	49067	24725		2	N/S		58934
L4 2.4L 148 CID Turbo	EDT	8,E	51516 ⁵³	51516XP	49067	24725		2	N/S		58934

PT CRUISER CONVERTIBLE

L4 2.4L 148 CID Turbo	EDT	E	51516 ⁵³	51516XP	49067	24725		2	N/S		58934
-----------------------	-----	---	---------------------	---------	-------	-------	--	---	-----	--	-------

SEBRING

L4 2.4L 144 CID		J,K	57060 ⁵³	57060XP	49926	24313	24313XP	3	N/S		58934
V6 2.7L 167 CID	EER	R	57899 - 22x1.5mm Thd 51085 ⁵³ - 3/4-16 Thd.	57899XP - 22x1.5mm Thd 51085XP - 3/4-16 Thd.	42389	24313	24313XP	3	N/S		58934 - 604 58128 - 62TE
V6 3.5L 215 CID		M	57899 - 22x1.5mm Thd 51085 ⁵³ - 3/4-16 Thd.	57899XP - 22x1.5mm Thd 51085XP - 3/4-16 Thd.	42389	24313	24313XP	3	N/S		58128 - 62TE

TOWN & COUNTRY

V6 3.3L 201 CID	EGV	H	51348 ⁵³	51348XP	42389	24479	24479XP	4	N/S		58934
V6 3.8L 230 CID	EGL	P	51348 ⁵³	51348XP	42389	24479	24479XP	4	N/S		58128
V6 4.0L 241 CID	EGQ	X	51085 ⁵³	51085XP	42389	24479	24479XP	4	N/S		58128

VOYAGER

V6 3.3L 3300cc (Mex.)			51085 ⁵³	51085XP	42389	24864			WF10020		58934
-----------------------	--	--	---------------------	---------	-------	-------	--	--	---------	--	-------

2007
300

V6 2.7L 167 CID	EER	R	51085 ⁵³	51085XP	42843	24909		1	N/S		58013
V6 3.5L 215 CID		G	51085 ⁵³	51085XP	42843	24909		1	N/S		58013 - 4 Spd. 58845 - 5 Spd.
V8 5.7L 345 CID	EZH	H	51085 ⁵³	51085XP	42843	24909		1	N/S		58845 - 5 Spd.
V8 6.1L 370 CID (SRT-8)		W	51085 ⁵³	51085XP	42843	24909		1	N/S		58845 - 5 Spd.

ASPEN

V8 4.7L 285 CID	EVE	N,P	51085 ⁵³	51085XP	42750	N/R			N/S		58846 - Shallow Pan 58843 - Deep Pan
V8 5.7L 345 CID	EZH	2	51085 ⁵³	51085XP	42750	N/R			N/S		58846 - Shallow Pan 58843 - Deep Pan

CIRRUS

L4 2.4L 2360cc 144 CID (Mex.)	ED3		57060 ⁵³	57060XP	49926	24313	24313XP		N/A		
V6 3.5L 3500cc (Mex.)			51085 ⁵³	51085XP	42389	24313	24313XP		N/A		

CROSSFIRE

V6 3.2L 195 CID F.I.		L	51226	51226XP	42822	24767 ⁷⁸		4	33643		58845
----------------------	--	---	-------	---------	-------	---------------------	--	---	-------	--	-------

PACIFICA

V6 3.8L 230 CID	EGL	L	51085 ⁵³	51085XP	46879	24864		4	N/S		58934
V6 4.0L 241 CID	EGQ	X	51085 ⁵³	51085XP	46879	24864		4	N/S		58934

PT CRUISER

L4 2.4L 148 CID	EDZ	B,X	51348 ⁵³	51348XP	49067	24725		2	N/S		58934
L4 2.4L 148 CID Turbo	EDT	8, E, G, S	51516 ⁵³	51516XP	49067	24725		2	N/S		58934

PT CRUISER CONVERTIBLE

L4 2.4L 148 CID	EDZ	B,X	51348 ⁵³	51348XP	49067	24725		2	N/S		58934
L4 2.4L 148 CID Turbo	EDT	E,G	51516 ⁵³	51516XP	49067	24725		2	N/S		58934

SEBRING

L4 2.4L 144 CID		K	57060 ⁵³	57060XP	49926	24313	24313XP	3	N/S		58934
L4 2.4L 2429cc (Mex.)		R	57060 ⁵³	57060XP	42389	24313	24313XP	3	N/A		58934
V6 2.7L 167 CID	EER	R	51085 ⁵³	51085XP	42389	24313	24313XP	3	N/S		58934
V6 3.5L 215 CID		M	51085 ⁵³	51085XP	42389	24313	24313XP	3	N/S		58934 - 5 Spd. 58128 - 62TE

TOWN & COUNTRY

V6 3.3L 201 CID	EGV	R	51348 ⁵³	51348XP	42389	24864		4	N/S		58934
V6 3.8L 230 CID	EGL	L	51348 ⁵³	51348XP	42389	24864		4	N/S		58934

VOYAGER

V6 3.3L 3300cc (Mex.)			51085 ⁵³	51085XP	42389	24864			WF10020		
-----------------------	--	--	---------------------	---------	-------	-------	--	--	---------	--	--

N/A = Not Available N/R = Not Required N/S = Not Serviceable For cabin and fuel filter locator, see pages 5-15 See pages 16-19 for footnotes

N/A = Non disponible N/R = Non nécessaire N/S = Non réparable Para la ubicación de los filtros de aire de la cabina y de combustible, ver las páginas 5-15 Voir pages 16-19 pour des notes

N/A = No disponible N/R = No requiere N/S = No servible Voir les tableaux de repérage des filtres d'habitacle et à carburant aux pages 5-15 Ver las páginas 16-19 para las notas al pie de página

Italicized Part Numbers May Not Be Available. Wix XP Oil Filters Have Fully Synthetic Media.

Las piezas con números en *italicas* pueden no estar disponibles. Los filtros de aceite WIX XP son completamente de media sintética.

Les numéros de pièce en *italiques* peuvent ne pas être disponibles. Les filtres à huile Wix contiennent un matériau 100 % synthétique.

CHRYSLER 2006-2005
Pass Car/Light Truck

Year/Año/Année Model/Modelo/Modèle Engine/Motor/Moteur	Eng. Code Código de motor Code moteur	VIN NIV NIV	Oil Aceite Huile	Oil XP Aceite XP Huile XP	Air Aire Air	Cabin Air Cabina Aire Cabine Air	Cabin Air XP Cabina Aire XP Cabine Air XP	Loc. Cabin Air Cabina Aire Cabine Air	Fuel Combustible Carburant	Loc. Fuel Combustible Carburant	Transmission Transmisión Transmission
--	---	-------------------	------------------------	---------------------------------	--------------------	--	---	--	----------------------------------	--	---

CHRYSLER (Cont'd/Suite)
2006
300

V6 2.7L 167 CID	EER	R	51085 ⁵³	51085XP	42843	24909		1	N/S		58013
V6 3.5L 215 CID		G	51085 ⁵³	51085XP	42843	24909		1	N/S		58013 - 4 Spd. 58845 - 5 Spd.
V8 5.7L 345 CID	EZH	H	51085 ⁵³	51085XP	42843	24909		1	N/S		58845 - 5 Spd.
V8 6.1L 370 CID (SRT-8)		W	51085 ⁵³	51085XP	42843	24909		1	N/S		58845 - 5 Spd.

CIRRUS

L4 2.4L 2429cc Turbo (Mex.)			51085 ⁵³	51085XP	46677				33347 ⁶¹		
V6 2.7L FI DOHC (Mex.)			51085 ⁵³	51085XP	46677	24313	24313XP		N/S		

CROSSFIRE

V6 3.2L 195 CID (SRT-6)		N	57078		46875	24767 ⁷⁸		4	33643		58845
V6 3.2L 195 CID F.I.		L	51226	51226XP	42822	24767 ⁷⁸		4	33643		58845

PACIFICA

V6 3.5L 215 CID		4	51085 ⁵³	51085XP	46879	24864		4	N/S		58934
V6 3.8L 230 CID	EGL	L	51085 ⁵³	51085XP	46879	24864		4	N/S		58934

PT CRUISER

L4 2.4L 148 CID	EDZ	B,X	51348 ⁵³	51348XP	49067	24725		2	N/S		58934
L4 2.4L 148 CID Turbo	EDT	8,G	51516 ⁵³	51516XP	49067	24725		2	N/S		58934

PT CRUISER CONVERTIBLE

L4 2.4L 148 CID	EDZ	B,X	51348 ⁵³	51348XP	49067	24725		2	N/S		58934
L4 2.4L 148 CID Turbo	EDT	E,S	51516 ⁵³	51516XP	49067	24725		2	N/S		58934

SEBRING

L4 2.4L 148 CID	EDZ	X,J	51348 ⁵³	51348XP	46677	N/R			N/S		58934
V6 2.7L 167 CID	EER	R,T	51085 ⁵³	51085XP	46677	N/R			N/S		58934

TOWN & COUNTRY

V6 3.3L 201 CID	EGV	R	51085 ⁵³	51085XP	42389	24864		4	N/S		58934
V6 3.8L 230 CID	EGL	L	51085 ⁵³	51085XP	42389	24864		4	N/S		58934

VOYAGER

V6 3.3L 3300cc (Mex.)			51085 ⁵³	51085XP	42389	24864			N/A		
-----------------------	--	--	---------------------	---------	-------	-------	--	--	-----	--	--

2005
300

V6 2.7L 167 CID	EER	R	51085 ⁵³	51085XP	42843	24909		1	N/S		58013
V6 3.5L 215 CID		G	51085 ⁵³	51085XP	42843	24909		1	N/S		58013 - 4 Spd. 58845 - 5 Spd.
V8 5.7L 345 CID	EZH	H	51085 ⁵³	51085XP	42843	24909		1	N/S		58845 - 5 Spd.
V8 6.1L 370 CID (SRT-8)		W	51085 ⁵³	51085XP	42843	24909		1	N/S		58845 - 5 Spd.

CIRRUS

L4 2.4L 2429cc Turbo (Mex.)			51085 ⁵³	51085XP	46677				33347 ⁶¹		
V6 2.7L FI DOHC (Mex.)			51085 ⁵³	51085XP	46677	24313	24313XP		N/S		

CROSSFIRE

V6 3.2L 195 CID (SRT-6)		N	57078		46875	24767 ⁷⁸		4	33643		58845
V6 3.2L 195 CID F.I.		L	51226	51226XP	42822	24767 ⁷⁸		4	33643		58845

PACIFICA

V6 3.5L 215 CID		4	51085 ⁵³	51085XP	46879	24864		4	N/S		58934
V6 3.8L 230 CID	EGL	L	51085 ⁵³	51085XP	46879	24864		4	N/S		58934

PT CRUISER

L4 2.4L 148 CID	EDZ	B,X	51348 ⁵³	51348XP	46699	24725		2	N/S		58934
L4 2.4L 148 CID Turbo	EDT	8,G	51516 ⁵³	51516XP	46699	24725		2	N/S		58934

PT CRUISER CONVERTIBLE

L4 2.4L 148 CID	EDZ	X	51348 ⁵³	51348XP	46699	24725		2	N/S		58934
L4 2.4L 148 CID Turbo	EDT	E,S	51516 ⁵³	51516XP	46699	24725		2	N/S		58934

SEBRING

I4 2.4L			51085 ⁵³	51085XP	N/A	N/R			N/S		58934
L4 2.4L 148 CID		G	51356	51356XP	46028	N/R			N/S		N/A
		X,J	51348 ⁵³	51348XP	46677	N/R			N/S		58934

N/A = Not Available N/R = Not Required N/S = Not Serviceable For cabin and fuel filter locator, see pages 5-15 See pages 16-19 for footnotes

N/A = Non disponible N/R = Non nécessaire N/S = Non réparable Para la ubicación de los filtros de aire de la cabina y de combustible, ver las páginas 5-15 Voir pages 16-19 pour des notes

N/A = No disponible N/R = No requiere N/S = No servible Voir les tableaux de repérage des filtres d'habitacle et à carburant aux pages 5-15 Ver las páginas 16-19 para las notas al pie de página

Italicized Part Numbers May Not Be Available. Wix XP Oil Filters Have Fully Synthetic Media.

Las piezas con números en *italicas* pueden no estar disponibles. Los filtros de aceite WIX XP son completamente de media sintética. Les numéros de pièce en *italiques* peuvent ne pas être disponibles. Les filtres à huile XP Wix contiennent un matériau 100 % synthétique.

Year/Año/Année Model/Modelo/Modèle Engine/Motor/Moteur	Eng. Code Código de motor Code moteur	VIN NIV NIV	Oil Aceite Huile	Oil XP Aceite XP Huile XP	Air Aire Air	Cabin Air Cabina Aire Cabine Air	Cabin Air XP Cabina Aire XP Cabine Air XP	Loc. Cabin Air Cabina Aire Cabine Air	Fuel Combustible Carburant	Loc. Fuel Combustible Carburant	Transmission Transmisión Transmission
--	---	-------------------	------------------------	---------------------------------	--------------------	--	---	--	----------------------------------	--	---

CHRYSLER (Cont'd/Suite)

2005 (Cont'd/Suite)

SEBRING (Cont'd/Suite)

V6 2.7L 167 CID	EER	R,T	51085 ⁵³	51085XP	46677		N/R			N/S	58934
V6 3.0L 181 CID		H	57092		46028		N/R			N/S	N/A
V6 3.0L 3000cc (Mex.)			51334 ⁵³	51334XP	46028					N/A	

TOWN & COUNTRY

V6 3.3L 201 CID	EGV	3,R	51085 ⁵³	51085XP	42389	24864		4		N/S	58934
V6 3.8L 230 CID	EGL	L	51085 ⁵³	51085XP	42389	24864		4		N/S	58934

VOYAGER

V6 3.3L 3300cc (Mex.)			51085 ⁵³	51085XP	42389	24864				N/A	
-----------------------	--	--	---------------------	---------	-------	-------	--	--	--	-----	--

2004

300M

V6 3.5L 215 CID		G,K	51085 ⁵³	51085XP	46472		N/R			N/S	58993
-----------------	--	-----	---------------------	---------	-------	--	-----	--	--	-----	-------

CIRRUS

L4 2.4L 2429cc Turbo (Mex.)			51085 ⁵³	51085XP	46677					33347 ⁶¹	
V6 2.7L FI DOHC (Mex.)			51085 ⁵³	51085XP	46677	24313		24313XP		N/S	

CONCORDE

V6 2.7L 167 CID	EER	R	51085 ⁵³	51085XP	46472		N/R			N/S	58993
V6 3.5L 215 CID		M,G	51085 ⁵³	51085XP	46472		N/R			N/S	58993

CROSSFIRE

V6 3.2L 195 CID F.I.		L	51226	51226XP	42822	24767 ⁷⁸			4	33643	58845
----------------------	--	---	-------	---------	-------	---------------------	--	--	---	-------	-------

INTREPID (CANADIAN)

V6 2.7L 167 CID	EER	R	51085 ⁵³	51085XP	46472					N/S	58993
V6 3.5L 215 CID	EGF	M,G	51085 ⁵³	51085XP	46472					N/S	58993
	EGF	V	51085 ⁵³	51085XP	46472					N/S	58993
	EGG	M,G	51085 ⁵³	51085XP	46472					N/S	58993
	EGG	V	51085 ⁵³	51085XP	46472					N/S	58993

PACIFICA

V6 3.5L 215 CID		4	51085 ⁵³	51085XP	46879	24864			4	N/S	58934
-----------------	--	---	---------------------	---------	-------	-------	--	--	---	-----	-------

PT CRUISER

L4 2.4L 148 CID	EDZ	B	51348 ⁵³	51348XP	46699	24725			2	N/S	58934
L4 2.4L 148 CID Turbo	EDT	8,G	51516 ⁵³	51516XP	46699	24725			2	N/S	58934

SEBRING

L4 2.4L 148 CID	EDZ	G	51356	51356XP	46028		N/R			N/S	N/A
	EDZ	X,J	51348 ⁵³	51348XP	46677		N/R			N/S	58934
V6 2.7L 167 CID	EER	R,T	51085 ⁵³	51085XP	46677		N/R			N/S	58934
V6 3.0L 181 CID SOHC		H	57092		46028		N/R			N/S	N/A
V6 3.0L 3000cc (Mex.)			51334 ⁵³	51334XP	46028					N/A	

TOWN & COUNTRY

V6 3.3L 201 CID	EGV	3,R	51085 ⁵³	51085XP	42389	24864			4	N/S	58934
V6 3.8L 230 CID	EGL	L	51085 ⁵³	51085XP	42389	24864			4	N/S	58934

VOYAGER

V6 3.3L 3300cc (Mex.)			51085 ⁵³	51085XP	42389	24864				N/A	
-----------------------	--	--	---------------------	---------	-------	-------	--	--	--	-----	--

2003

300M

V6 3.5L 215 CID		G,K	51085 ⁵³	51085XP	46472		N/R			N/S	58993
-----------------	--	-----	---------------------	---------	-------	--	-----	--	--	-----	-------

CIRRUS

L4 2.4L 2429cc Turbo (Mex.)			51085 ⁵³	51085XP	46677					33347 ⁶¹	
V6 2.7L FI DOHC (Mex.)			51085 ⁵³	51085XP	46677	24313		24313XP		N/S	

CONCORDE

V6 2.7L 167 CID	EER	R	51085 ⁵³	51085XP	46472		N/R			N/S	58993
V6 3.5L 215 CID		M,G	51085 ⁵³	51085XP	46472		N/R			N/S	58993

INTREPID (CANADIAN)

V6 2.7L 167 CID	EER	R	51085 ⁵³	51085XP	46472					N/S	58993
-----------------	-----	---	---------------------	---------	-------	--	--	--	--	-----	-------

N/A = Not Available N/R = Not Required N/S = Not Serviceable For cabin and fuel filter locator, see pages 5-15 See pages 16-19 for footnotes

N/A = Non disponible N/R = Non nécessaire N/S = Non réparable Para la ubicación de los filtros de aire de la cabina y de combustible, ver las páginas 5-15 Voir pages 16-19 pour des notes

N/A = No disponible N/R = No requiere N/S = No servible Voir les tableaux de repérage des filtres d'habitacle et à carburant aux pages 5-15 Ver las páginas 16-19 para las notas al pie de página

Italicized Part Numbers May Not Be Available. Wix XP Oil Filters Have Fully Synthetic Media.

Las piezas con números en *italicas* pueden no estar disponibles. Los filtros de aceite WIX XP son completamente de media sintética.

Les numéros de pièce en *italiques* peuvent ne pas être disponibles. Les filtres à huile Wix contiennent un matériau 100 % synthétique.

CHRYSLER 2003-2002

Pass Car/Light Truck

Year/Año/Année Model/Modelo/Modèle Engine/Motor/Moteur	Eng. Code Código de motor Code moteur	VIN NIV NIV	Oil Aceite Huile	Oil XP Aceite XP Huile XP	Air Aire Air	Cabin Air Cabina Aire Cabine Air	Cabin Air XP Cabina Aire XP Cabine Air XP	Loc. Cabin Air Cabina Aire Cabine Air	Fuel Combustible Carburant	Loc. Fuel Combustible Carburant	Transmission Transmisión Transmission
--	---	-------------------	------------------------	---------------------------------	--------------------	--	---	--	----------------------------------	--	---

CHRYSLER (Cont'd/Suite)

2003 (Cont'd/Suite)

INTREPID (CANADIAN) (Cont'd/Suite)

V6 3.5L 215 CID	EGF	M,G	51085 ⁵³	51085XP	46472				N/S		58993
	EGF	V	51085 ⁵³	51085XP	46472				N/S		58993
	EGG	M,G	51085 ⁵³	51085XP	46472				N/S		58993
	EGG	V	51085 ⁵³	51085XP	46472				N/S		58993

PT CRUISER

L4 2.4L 148 CID	EDZ	B	51348 ⁵³	51348XP	46699	24725		2	N/S		58934
L4 2.4L 148 CID Turbo	EDT	G	51516 ⁵³	51516XP	46699	24725		2	N/S		58934

SEBRING

L4 2.4L 148 CID	EDZ	G	51356	51356XP	46028				N/S		N/A
	EDZ	X	51348 ⁵³	51348XP	46677				N/S		58934
V6 2.7L 167 CID	EER	R,T	51085 ⁵³	51085XP	46677				N/S		58934
V6 3.0L 181 CID SOHC		H	57092		46028				N/S		N/A
V6 3.0L 3000cc (Mex.)			51334 ⁵³	51334XP	46028				N/A		

TOWN & COUNTRY

V6 3.3L 201 CID	EGV	3,R	51085 ⁵³	51085XP	42389	24864		4	WF10020		58934
V6 3.8L 230 CID	EGL	L	51085 ⁵³	51085XP	42389	24864		4	WF10020		58934

VOYAGER

L4 2.4L 148 CID	EDZ	B	51348 ⁵³	51348XP	42389	24864		4	WF10020		58934
V6 3.3L 201 CID	EGV	3,R	51085 ⁵³	51085XP	42389	24864		4	WF10020		58934

2002

300M

V6 3.5L 215 CID		G,K	51085 ⁵³	51085XP	46472				N/S		58993
-----------------	--	-----	---------------------	---------	-------	--	--	--	-----	--	-------

CIRRUS

L4 2.4L 2429cc Turbo (Mex.)			51085 ⁵³	51085XP	46677				33347 ⁵¹		
V6 2.7L FI DOHC (Mex.)			51085 ⁵³	51085XP	46677	24313	24313XP		N/S		

CONCORDE

V6 2.7L 167 CID	EER	R	51085 ⁵³	51085XP	46472				N/S		58993
V6 3.5L 215 CID		M,G	51085 ⁵³	51085XP	46472				N/S		58993

GRAND VOYAGER

V6 3.8L (Mex.)			N/S			N/S	24864		N/S		N/S
----------------	--	--	-----	--	--	-----	-------	--	-----	--	-----

INTREPID (CANADIAN)

V6 2.7L 167 CID	EER	R	51085 ⁵³	51085XP	46472				N/S		58993
V6 3.5L 215 CID	EGF	M,G	51085 ⁵³	51085XP	46472				N/S		58993
	EGG	M,G	51085 ⁵³	51085XP	46472				N/S		58993

PROWLER

V6 3.5L 215 CID		G	51085 ⁵³	51085XP	42133				N/S		58993
-----------------	--	---	---------------------	---------	-------	--	--	--	-----	--	-------

PT CRUISER

L4 2.4L 148 CID	EDZ	B	51348 ⁵³	51348XP	46699	24725		2	N/S		58934
-----------------	-----	---	---------------------	---------	-------	-------	--	---	-----	--	-------

SEBRING

L4 2.4L 148 CID		G	51356	51356XP	46028				N/S		N/A
	EDZ	X	51348 ⁵³	51348XP	46677				N/S		58934
V6 2.7L 167 CID	EER	R	51085 ⁵³	51085XP	46677				N/S		58934
V6 3.0L 181 CID		H	57092		46028				N/S		N/A
V6 3.0L 3000cc (Mex.)			51334 ⁵³	51334XP	46028				N/A		

TOWN & COUNTRY

V6 3.3L 201 CID	EGV	3,R	51085 ⁵³	51085XP	42389	24864		4	WF10020		58934
V6 3.8L 230 CID	EGL	L	51085 ⁵³	51085XP	42389	24864		4	WF10020		58934

VOYAGER

L4 2.4L 148 CID	EDZ	B	51348 ⁵³	51348XP	42389	24864		4	WF10020		58705
V6 3.3L 201 CID	EGV	3,R	51085 ⁵³	51085XP	42389	24864		4	WF10020		58934

N/A = Not Available N/R = Not Required N/S = Not Serviceable For cabin and fuel filter locator, see pages 5-15 See pages 16-19 for footnotes

N/A = Non disponible N/R = Non nécessaire N/S = Non réparable Para la ubicación de los filtros de aire de la cabina y de combustible, ver las páginas 5-15 Voir pages 16-19 pour des notes

N/A = No disponible N/R = No requiere N/S = No servible Voir les tableaux de repérage des filtres d'habitacle et à carburant aux pages 5-15 Ver las páginas 16-19 para las notas al pie de página

Italicized Part Numbers May Not Be Available. Wix XP Oil Filters Have Fully Synthetic Media.

Las piezas con números en *italicas* pueden no estar disponibles. Los filtros de aceite WIX XP son completamente de media sintética. Les numéros de pièce en *italiques* peuvent ne pas être disponibles. Les filtres à huile XP Wix contiennent un matériau 100 % synthétique.

Year/Año/Année Model/Modelo/Modèle Engine/Motor/Moteur	Eng. Code Código de motor Code moteur	VIN NIV NIV	Oil Aceite Huile	Oil XP Aceite XP Huile XP	Air Aire Air	Cabin Air Cabina Aire Cabine Air	Cabin Air XP Cabina Aire XP Cabine Air XP	Loc. Cabin Air Cabina Aire Cabine Air	Fuel Combustible Carburant	Loc. Fuel Combustible Carburant	Transmission Transmisión Transmission
--	--	-------------------	------------------------	---------------------------------	--------------------	--	---	--	----------------------------------	--	---

CITROËN
2015
JUMPY II (DISPATCH II)

1.6 HDi (Mex.)			WL7305		WA9470				WF8360		
----------------	--	--	--------	--	--------	--	--	--	--------	--	--

2014
JUMPY II (DISPATCH II)

1.6 HDi (Mex.)			WL7305		WA9470				WF8360		
----------------	--	--	--------	--	--------	--	--	--	--------	--	--

2013
JUMPY II (DISPATCH II)

1.6 HDi (Mex.)			WL7305		WA9470				WF8360		
----------------	--	--	--------	--	--------	--	--	--	--------	--	--

2012
C3 Picasso

L4 1.6L 1587cc (Mex.)			57512		WA6784	WP9113			WF8034		
-----------------------	--	--	-------	--	--------	--------	--	--	--------	--	--

JUMPY II (DISPATCH II)

1.6 HDi (Mex.)			WL7305		WA9470				WF8360		
----------------	--	--	--------	--	--------	--	--	--	--------	--	--

2011
C3 Picasso

L4 1.6L 1587cc (Mex.)			57512		WA6784	WP9113			WF8034		
-----------------------	--	--	-------	--	--------	--------	--	--	--------	--	--

JUMPY II (DISPATCH II)

1.6 HDi (Mex.)			WL7305		WA9470				WF8360		
----------------	--	--	--------	--	--------	--	--	--	--------	--	--

2010
C3 Picasso

L4 1.6L 1587cc (Mex.)			57512		WA6784	WP9113			WF8034		
-----------------------	--	--	-------	--	--------	--------	--	--	--------	--	--

JUMPY II (DISPATCH II)

1.6 HDi (Mex.)			WL7305		WA9470				WF8360		
----------------	--	--	--------	--	--------	--	--	--	--------	--	--

2009
JUMPY II (DISPATCH II)

1.6 HDi (Mex.)			WL7305		WA9470				WF8360		
----------------	--	--	--------	--	--------	--	--	--	--------	--	--

2008
JUMPY II (DISPATCH II)

1.6 HDi (Mex.)			WL7305		WA9470				WF8360		
----------------	--	--	--------	--	--------	--	--	--	--------	--	--

2007
JUMPY II (DISPATCH II)

1.6 HDi (Mex.)			WL7305		WA9470				WF8360		
----------------	--	--	--------	--	--------	--	--	--	--------	--	--

DAEWOO / CHEVROLET
2004
KALOS

L4 1.5L 1498cc (Mex.)			51040	51040XP	N/A	24685			33850		
-----------------------	--	--	-------	---------	-----	-------	--	--	-------	--	--

2003
KALOS

L4 1.5L 1498cc (Mex.)			51040	51040XP	N/A	24685			33850		
-----------------------	--	--	-------	---------	-----	-------	--	--	-------	--	--

2002
LANOS

L4 1.5L 1498cc			51040 ⁵³	51040XP	N/A				33425	A	N/A
L4 1.6L 1598cc	6		51040 ⁵³	51040XP	42605	N/R			33425	A	58611

LEGANZA

L4 2.2L 2198cc	2		51040 ⁵³	51040XP	42607	N/R			33425	F	N/A
----------------	---	--	---------------------	---------	-------	-----	--	--	-------	---	-----

NUBIRA

L4 2.0L 1998cc	Z		51040 ⁵³	51040XP	42606 ⁸¹	N/R			33425	F	58611
----------------	---	--	---------------------	---------	---------------------	-----	--	--	-------	---	-------

N/A = Not Available N/R = Not Required N/S = Not Serviceable For cabin and fuel filter locator, see pages 5-15 See pages 16-19 for footnotes

N/A = Non disponible N/R = Non nécessaire N/S = Non réparable Para la ubicación de los filtros de aire de la cabina y de combustible, ver las páginas 5-15 Voir pages 16-19 pour des notes

N/A = No disponible N/R = No requiere N/S = No servible Voir les tableaux de repérage des filtres d'habitacle et à carburant aux pages 5-15 Ver las páginas 16-19 para las notas al pie de página

Italicized Part Numbers May Not Be Available. Wix XP Oil Filters Have Fully Synthetic Media.

Las piezas con números en *italicas* pueden no estar disponibles. Los filtros de aceite WIX XP son completamente de media sintética.

Les numéros de pièce en *italiques* peuvent ne pas être disponibles. Les filtres à huile XP Wix contiennent un matériau 100 % synthétique.

DODGE (ALSO SEE RAM) 2021-2019
Pass Car/Light Truck

Year/Año/Année Model/Modelo/Modèle Engine/Motor/Moteur	Eng. Code Código de motor Code moteur	VIN NIV NIV	Oil Aceite Huile	Oil XP Aceite XP Huile XP	Air Aire Air	Cabin Air Cabina Aire Cabine Air	Cabin Air XP Cabina Aire XP Cabine Air XP	Loc. Cabin Air Cabina Aire Cabine Air	Fuel Combustible Carburant	Loc. Fuel Combustible Carburant	Transmission Transmisión Transmission
--	---	-------------------	------------------------	---------------------------------	--------------------	--	---	--	----------------------------------	--	---

DODGE (ALSO SEE RAM)
2021
CHALLENGER

V6 3.6L 3604cc 220 CID	ERB		WL10010	WL10010XP	49746	24048	24048XP	1	N/S	N/A
V8 5.7L		T	57060 ⁵³	57060XP	49746	24048	24048XP	1	N/S	N/A
V8 6.2L 376 CID Super Charged	ESD		57899	57899XP	N/A	24048	24048XP	1	N/S	N/A
V8 6.4L		J	57899 ⁵³	57899XP	49746	24048	24048XP	1	N/S	N/A

CHARGER

V6 3.6L 3604cc 220 CID Flex	ERB		WL10010	WL10010XP	49746	24048	24048XP	1	N/S	N/A
V8 5.7L 345 CID	EZH	T	57060 ⁵³	57060XP	49746	24048	24048XP	1	N/S	N/A
V8 6.2L 376 CID Super Charged	ESD		57899 ⁵³	57899XP	49746	24048	24048XP	1	N/S	N/A
V8 6.4L 6424cc 392 CID	ESG		57899 ⁵³	57899XP	49746	24048	24048XP	1	N/S	N/A

DURANGO

V6 3.6L 3604cc 220 CID Flex	ERB		WL10010	WL10010XP	49756 ¹⁵⁵ 49756FR ³⁶⁰	24017	24017XP	2	N/S	N/A
V8 5.7L 345 CID	EZH		57060 ⁵³	57060XP	49756 ¹⁵⁵ 49756FR ³⁶⁰	24017	24017XP	2	N/S	N/A
V8 6.4L			57899 ⁵³	57899XP	49756 ¹⁵⁵ 49756FR ³⁶⁰	24017	24017XP	2	N/S	N/A

GRAND CARAVAN

V6 3.6L 3604cc 220 CID Flex	ERB		WL10010	WL10010XP	49737	24479	24479XP	4	N/S	58128
-----------------------------	-----	--	---------	-----------	-------	-------	---------	---	-----	-------

JOURNEY

L4 2.4L 2360cc 144 CID	ED3	B	57060 ⁵³	57060XP	49016	24313	24313XP	3	N/S	58128
------------------------	-----	---	---------------------	---------	-------	-------	---------	---	-----	-------

2020
CHALLENGER

V6 3.6L 3604cc 220 CID	ERB		WL10010	WL10010XP	49746	24048	24048XP	1	N/S	N/A
V8 5.7L		T	57060 ⁵³	57060XP	49746	24048	24048XP	1	N/S	N/A
V8 6.2L 376 CID Super Charged	ESD		57899	57899XP	N/A	24048	24048XP	1	N/S	N/A
V8 6.4L		J	57899 ⁵³	57899XP	49746	24048	24048XP	1	N/S	N/A

CHARGER

V6 3.6L 3604cc 220 CID Flex	ERB		WL10010	WL10010XP	49746	24048	24048XP	1	N/S	N/A
V8 5.7L 345 CID	EZH	T	57060 ⁵³	57060XP	49746	24048	24048XP	1	N/S	N/A
V8 6.2L 376 CID Super Charged	ESD		57899 ⁵³	57899XP	49746	24048	24048XP	1	N/S	N/A
V8 6.4L 6424cc 392 CID	ESG		57899 ⁵³	57899XP	49746	24048	24048XP	1	N/S	N/A

DURANGO

V6 3.6L 3604cc 220 CID Flex	ERB		WL10010	WL10010XP	49756 ¹⁵⁵ 49756FR ³⁶⁰	24017	24017XP	2	N/S	N/A
V8 5.7L 345 CID	EZH		57060 ⁵³	57060XP	49756 ¹⁵⁵ 49756FR ³⁶⁰	24017	24017XP	2	N/S	N/A
V8 6.4L			57899 ⁵³	57899XP	49756 ¹⁵⁵ 49756FR ³⁶⁰	24017	24017XP	2	N/S	N/A

GRAND CARAVAN

V6 3.6L 3604cc 220 CID Flex	ERB		WL10010	WL10010XP	49737	24479	24479XP	4	N/S	58128
-----------------------------	-----	--	---------	-----------	-------	-------	---------	---	-----	-------

JOURNEY

L4 2.4L 2360cc 144 CID	ED3	B	57060 ⁵³	57060XP	49016	24313	24313XP	3	N/S	58128
------------------------	-----	---	---------------------	---------	-------	-------	---------	---	-----	-------

2019
CHALLENGER

V6 3.6L 3604cc 220 CID	ERB		WL10010	WL10010XP	49746	24048	24048XP	1	N/S	N/A
V8 5.7L		T	57060 ⁵³	57060XP	49746	24048	24048XP	1	N/S	N/A
V8 6.2L 376 CID Super Charged	ESD		57899	57899XP	N/A	24048	24048XP	1	N/S	N/A
V8 6.4L		J	57899 ⁵³	57899XP	49746	24048	24048XP	1	N/S	N/A

CHARGER

V6 3.6L 3604cc 220 CID Flex	ERB		WL10010	WL10010XP	49746	24048	24048XP	1	N/S	N/A
-----------------------------	-----	--	---------	-----------	-------	-------	---------	---	-----	-----

N/A = Not Available N/R = Not Required N/S = Not Serviceable For cabin and fuel filter locator, see pages 5-15 See pages 16-19 for footnotes

N/A = Non disponible N/R = Non nécessaire N/S = Non réparable Para la ubicación de los filtros de aire de la cabina y de combustible, ver las páginas 5-15 Voir pages 16-19 pour des notes

N/A = No disponible N/R = No requiere N/S = No servible Voir les tableaux de repérage des filtres d'habitacle et à carburant aux pages 5-15 Ver las páginas 16-19 para las notas al pie de página

Italicized Part Numbers May Not Be Available. Wix XP Oil Filters Have Fully Synthetic Media.

Las piezas con números en *italicas* pueden no estar disponibles. Los filtros de aceite WIX XP son completamente de media sintética. Les numéros de pièce en *italiques* peuvent ne pas être disponibles. Les filtres à huile XP Wix contiennent un matériau 100 % synthétique.

Year/Año/Année Model/Modelo/Modèle Engine/Motor/Moteur	Eng. Code Código de motor Code moteur	VIN NIV NIV	Oil Aceite Huile	Oil XP Aceite XP Huile XP	Air Aire Air	Cabin Air Cabina Aire Cabine Air	Cabin Air XP Cabina Aire XP Cabine Air XP	Loc. Cabin Air Cabina Aire Cabine Air	Fuel Combustible Carburant	Loc. Fuel Combustible Carburant	Transmission Transmisión Transmission
--	---	-------------------	------------------------	---------------------------------	--------------------	--	---	--	----------------------------------	--	---

DODGE (ALSO SEE RAM) (Cont'd/Suite)
2019 (Cont'd/Suite)
CHARGER (Cont'd/Suite)

V8 5.7L 345 CID	EZH	T	57060 ⁵³	57060XP	49746	24048	24048XP	1	N/S		N/A
V8 6.2L 376 CID Super Charged	ESD		57899 ⁵³	57899XP	49746	24048	24048XP	1	N/S		N/A
V8 6.4L 6424cc 392 CID	ESG		57899 ⁵³	57899XP	49746	24048	24048XP	1	N/S		N/A

CHARGER Pursuit

V8 5.7L 345 CID	EZH		57060 ⁵³	57060XP	49746	24048	24048XP	1	N/S		N/A
-----------------	-----	--	---------------------	---------	-------	-------	---------	---	-----	--	-----

DURANGO

V6 3.6L 3604cc 220 CID Flex	ERB		WL10010	WL10010XP	49756 ⁵⁵ 49756FR ³⁶⁰	24017	24017XP	2	N/S		N/A
V8 5.7L 345 CID	EZH		57060 ⁵³	57060XP	49756 ⁵⁵ 49756FR ³⁶⁰	24017	24017XP	2	N/S		N/A
V8 6.4L			57899 ⁵³	57899XP	49756 ⁵⁵ 49756FR ³⁶⁰	24017	24017XP	2	N/S		N/A

GRAND CARAVAN

V6 3.6L 3604cc 220 CID Flex	ERB		WL10010	WL10010XP	49737	24479	24479XP	4	N/S		58128
-----------------------------	-----	--	---------	-----------	-------	-------	---------	---	-----	--	-------

JOURNEY

L4 2.4L 2360cc 144 CID	ED3	B	57060 ⁵³	57060XP	49016	24313	24313XP	3	N/S		58128
V6 3.6L 3604cc 220 CID	ERB	G	WL10010	WL10010XP	49049	24313	24313XP	3	N/S		58128
V6 3.6L 3604cc 220 CID Flex	ERB	G	WL10010	WL10010XP	49049	24313	24313XP	3	N/S		58934

RAM 4000

V8 5.7L 345 CID HEMI (Mex.)			57060 ⁵³	57060XP	42725	24579			N/S		N/A
-----------------------------	--	--	---------------------	---------	-------	-------	--	--	-----	--	-----

2018
ATTITUDE

L3 1.2L 1193cc (Mex.)			57356 ⁵³	57356XP	WA10125	WP10125			N/A		
-----------------------	--	--	---------------------	---------	---------	---------	--	--	-----	--	--

CHALLENGER

V6 3.6L 3604cc 220 CID	ERB		WL10010	WL10010XP	49746	24048	24048XP	1	N/S		N/S
V8 5.7L		T	57060 ⁵³	57060XP	49746	24048	24048XP	1	N/S		N/S
V8 6.2L 376 CID Super Charged	ESD		57899	57899XP	49746	24048	24048XP	1	N/S		N/A
V8 6.4L			57899 ⁵³	57899XP	49746	24048	24048XP	1	N/S		N/S

CHALLENGER DEMON

V8 6.2L 6200CC 378CID Super Charged	Hemi Demon		57899 ⁵³	57899XP	N/A	24048	24048XP		N/S		N/A - Internal
-------------------------------------	------------	--	---------------------	---------	-----	-------	---------	--	-----	--	----------------

CHARGER

V6 3.6L 3604cc 220 CID Flex	ERB		WL10010	WL10010XP	49746	24048	24048XP	1	N/S		N/S
V8 5.7L 345 CID	EZH	T	57060 ⁵³	57060XP	49746	24048	24048XP	1	N/S		58845
V8 6.2L 376 CID Super Charged	ESD		57899 ⁵³	57899XP	49746	24048	24048XP	1	N/S		N/A
V8 6.4L 6424cc 392 CID	ESG		57899 ⁵³	57899XP	49746	24048	24048XP	1	N/S		N/S

CHARGER Pursuit

V8 5.7L 345 CID	EZH		57060 ⁵³	57060XP	49746	24048	24048XP	1	N/S		N/S
-----------------	-----	--	---------------------	---------	-------	-------	---------	---	-----	--	-----

DURANGO

V6 3.6L 3604cc 220 CID Flex	ERB		WL10010	WL10010XP	49756 ⁵⁵ 49756FR ³⁶⁰	24017	24017XP	2	N/S		N/A
V8 5.7L 345 CID	EZH		57060 ⁵³	57060XP	49756 ⁵⁵ 49756FR ³⁶⁰	24017	24017XP	2	N/S		N/A
V8 6.4L			57899 ⁵³	57899XP	49756 ⁵⁵ 49756FR ³⁶⁰	24017	24017XP	2	N/S		N/A

GRAND CARAVAN

V6 3.6L 3604cc 220 CID Flex	ERB		WL10010	WL10010XP	49737	24479	24479XP	4	N/S		58128
-----------------------------	-----	--	---------	-----------	-------	-------	---------	---	-----	--	-------

JOURNEY

L4 2.4L 2360cc 144 CID	ED3	B	57060 ⁵³	57060XP	49016	24313	24313XP	3	N/S		58128
V6 3.6L 3604cc 220 CID	ERB	G	WL10010	WL10010XP	49049	24313	24313XP	3	N/S		58128
V6 3.6L 3604cc 220 CID Flex	ERB	G	WL10010	WL10010XP	49049	24313	24313XP	3	N/S		58934

N/A = Not Available N/R = Not Required N/S = Not Serviceable For cabin and fuel filter locator, see pages 5-15 See pages 16-19 for footnotes

N/A = Non disponible N/R = Non nécessaire N/S = Non réparable Para la ubicación de los filtros de aire de la cabina y de combustible, ver las páginas 5-15 Voir pages 16-19 pour des notes

N/A = No disponible N/R = No requiere N/S = No servible Voir les tableaux de repérage des filtres d'habitacle et à carburant aux pages 5-15 Ver las páginas 16-19 para las notas al pie de página

Italicized Part Numbers May Not Be Available. Wix XP Oil Filters Have Fully Synthetic Media.

Las piezas con números en *italicas* pueden no estar disponibles. Los filtros de aceite WIX XP son completamente de media sintética.

Les numéros de pièce en *italiques* peuvent ne pas être disponibles. Les filtres à huile XP Wix contiennent un matériau 100 % synthétique.

DODGE (ALSO SEE RAM) 2018-2016
Pass Car/Light Truck

Year/Año/Année Model/Modelo/Modèle Engine/Motor/Moteur	Eng. Code Código de motor Code moteur	VIN NIV NIV	Oil Aceite Huile	Oil XP Aceite XP Huile XP	Air Aire Air	Cabin Air Cabina Aire Cabine Air	Cabin Air XP Cabina Aire XP Cabine Air XP	Loc. Cabin Air Cabina Aire Cabine Air	Fuel Combustible Carburant	Loc. Fuel Combustible Carburant	Transmission Transmisión Transmission
--	---	-------------------	------------------------	---------------------------------	--------------------	--	---	--	----------------------------------	--	---

DODGE (ALSO SEE RAM) (Cont'd/Suite)
2018 (Cont'd/Suite)
VISION

L4 1.6L 98 CID (Mex.)	ECA		N/S		N/R	N/S			N/S		N/S
-----------------------	-----	--	-----	--	-----	-----	--	--	-----	--	-----

2017
ATTITUDE

L3 1.2L 1193cc (Mex.)			57356 ⁵³	57356XP	WA10125	WP10125			N/A		
-----------------------	--	--	---------------------	---------	---------	---------	--	--	-----	--	--

CHALLENGER

V6 3.6L 3604cc 220 CID	ERB	G	WL10010	WL10010XP	49746	24048	24048XP	1	N/S		N/S
V8 5.7L 345 CID	EZC	T	57899 ⁵³	57899XP	49746	24048	24048XP	1	N/S		N/S
	EZH	T	57899 ⁵³	57899XP	49746	24048	24048XP	1	N/S		N/S
V8 6.2L 376 CID Super Charged	ESD	9	57063		49746	24048	24048XP	1	N/S		N/A
V8 6.4L 6424cc 392 CID	ESG	J	57899 ⁵³	57899XP	49746	24048	24048XP	1	N/S		N/S
	ESH	J	57899 ⁵³	57899XP	49746	24048	24048XP	1	N/S		N/S

CHARGER

V6 3.6L 3604cc 220 CID Flex	ERB	G	WL10010	WL10010XP	49746	24048	24048XP	1	N/S		N/S
V8 5.7L 345 CID	EZH	T	57899 ⁵³	57899XP	49746	24048	24048XP	1	N/S		N/S
V8 6.2L 376 CID Super Charged	ESD		57899 ⁵³	57899XP	49746	24048	24048XP	1	N/S		N/A
V8 6.4L 6424cc 392 CID	ESG	J	57899 ⁵³	57899XP	49746	24048	24048XP	1	N/S		N/S

CHARGER Pursuit

V8 5.7L 345 CID	EZH		57899 ⁵³	57899XP	49746	24048	24048XP	1	N/S		N/S
-----------------	-----	--	---------------------	---------	-------	-------	---------	---	-----	--	-----

DURANGO

V6 3.6L 3604cc 220 CID Flex	ERB		WL10010	WL10010XP	49756 ¹⁵⁵ 49756FR ³⁶⁰	24017	24017XP	2	N/S		N/A
V8 5.7L 345 CID	EZH		57060 ⁵³	57060XP	49756 ¹⁵⁵ 49756FR ³⁶⁰	24017	24017XP	2	N/S		N/A

GRAND CARAVAN

V6 3.6L 3604cc 220 CID	ERB	G	WL10010	WL10010XP	49737	24479	24479XP	4	N/S		58128
V6 3.6L 3604cc 220 CID Flex	ERB	G	WL10010	WL10010XP	49737	24479	24479XP	4	N/S		58128

JOURNEY

L4 2.4L 2360cc 144 CID	ED3	B	57060 ⁵³	57060XP	49016	24313	24313XP	3	N/S		58128
V6 3.6L 3604cc 220 CID	ERB	G	WL10010	WL10010XP	49049	24313	24313XP	3	N/S		58128
V6 3.6L 3604cc 220 CID Flex	ERB	G	WL10010	WL10010XP	49049	24313	24313XP	3	N/S		58934

VIPER

V10 8.4L 515 CID	EWE		57063		46835	N/R			N/S	P	MT ⁷²
------------------	-----	--	-------	--	-------	-----	--	--	-----	---	------------------

VISION

L4 1.6L 1595cc (Mex.)			51083		WA6340	WP9280			WF8152		N/S
-----------------------	--	--	-------	--	--------	--------	--	--	--------	--	-----

2016
ATTITUDE

L3 1.2L 1193cc (Mex.)			57356 ⁵³	57356XP	WA10125	WP10125			N/A		
-----------------------	--	--	---------------------	---------	---------	---------	--	--	-----	--	--

CHALLENGER

V6 3.6L 3604cc 220 CID	ERB	G	WL10010	WL10010XP	49746	24048	24048XP	1	N/S		N/S
V8 5.7L 345 CID	EZC	T	57899 ⁵³	57899XP	49746	24048	24048XP	1	N/S		N/S
	EZH	T	57899 ⁵³	57899XP	49746	24048	24048XP	1	N/S		N/S
V8 6.2L 376 CID Super Charged	ESD	9	57063		49746	24048	24048XP	1	N/S		N/A
V8 6.4L 6424cc 392 CID	ESG	J	57899 ⁵³	57899XP	49746	24048	24048XP	1	N/S		N/S
	ESH	J	57899 ⁵³	57899XP	49746	24048	24048XP	1	N/S		N/S

CHARGER

V6 3.6L 3604cc 220 CID Flex	ERB	G	WL10010	WL10010XP	49746	24048	24048XP	1	N/S		N/S
V8 5.7L 345 CID	EZH	T	57060 ⁵³	57060XP	49746	24048	24048XP	1	N/S		N/S
V8 6.2L 376 CID Super Charged	ESD	9	57899 ⁵³	57899XP	49746	24048	24048XP	1	N/S		N/A
V8 6.4L 6424cc 392 CID	ESG	J	57899 ⁵³	57899XP	49746	24048	24048XP	1	N/S		N/S

N/A = Not Available N/R = Not Required N/S = Not Serviceable For cabin and fuel filter locator, see pages 5-15 See pages 16-19 for footnotes

N/A = Non disponible N/R = Non nécessaire N/S = Non réparable Para la ubicación de los filtros de aire de la cabina y de combustible, ver las páginas 5-15 Voir pages 16-19 pour des notes

N/A = No disponible N/R = No requiere N/S = No servible Voir les tableaux de repérage des filtres d'habitacle et à carburant aux pages 5-15 Ver las páginas 16-19 para las notas al pie de página

Italicized Part Numbers May Not Be Available. Wix XP Oil Filters Have Fully Synthetic Media.

Las piezas con números en *italicas* pueden no estar disponibles. Los filtros de aceite WIX XP son completamente de media sintética. Les numéros de pièce en *italiques* peuvent ne pas être disponibles. Les filtres à huile XP Wix contiennent un matériau 100 % synthétique.



Pass Car/Light Truck

DODGE (ALSO SEE RAM) 2016-2015

Year/Año/Année Model/Modelo/Modèle Engine/Motor/Moteur	Eng. Code Código de motor Code moteur	VIN NIV NIV	Oil Aceite Huile	Oil XP Aceite XP Huile XP	Air Aire Air	Cabin Air Cabina Aire Cabine Air	Cabin Air XP Cabina Aire XP Cabine Air XP	Loc. Cabin Air Cabina Aire Cabine Air	Fuel Combustible Carburant	Loc. Fuel Combustible Carburant	Transmission Transmisión Transmission
--	--	-------------------	------------------------	---------------------------------	--------------------	--	---	--	----------------------------------	--	---

DODGE (ALSO SEE RAM) (Cont'd/Suite)

2016 (Cont'd/Suite)

CHARGER Pursuit

V8 5.7L 345 CID	EZH		57060 ⁵³	57060XP	49746	24048	24048XP	1	N/S		N/S
-----------------	-----	--	---------------------	---------	-------	-------	---------	---	-----	--	-----

DART

L4 1.4L 1368cc 83 CID Turbo	EAF	H	57341		WA10008	24871	24871XP		N/S		N/S
L4 2.0L 1995cc 122 CID	ECN		57060 ⁵³	57060XP	WA10008	24871	24871XP	3	N/S		N/S
L4 2.4L 2360cc 144 CID	ED6		57060 ⁵³	57060XP	WA10008	24871	24871XP	3	N/S		N/S

DURANGO

V6 3.6L 3604cc 220 CID Flex	ERB		WL10010	WL10010XP	49756 ¹⁵⁵ 49756FR ³⁶⁰	24017	24017XP	2	N/S		N/A
V8 5.7L 345 CID	EZH		57060 ⁵³	57060XP	49756 ¹⁵⁵ 49756FR ³⁶⁰	24017	24017XP	2	N/S		N/A

GRAND CARAVAN

V6 3.6L 3604cc 220 CID	ERB	G	WL10010	WL10010XP	49737	24479	24479XP	4	N/S		58128
V6 3.6L 3604cc 220 CID Flex	ERB	G	WL10010	WL10010XP	49737	24479	24479XP	4	N/S		58128

JOURNEY

L4 2.4L 2360cc 144 CID	ED3	B	57060 ⁵³	57060XP	49016	24313	24313XP	3	N/S		58128
V6 3.6L 3604cc 220 CID	ERB	G	WL10010	WL10010XP	49049	24313	24313XP	3	N/S		58128
V6 3.6L 3604cc 220 CID Flex	ERB	G	WL10010	WL10010XP	49049	24313	24313XP	3	N/S		58934

VIPER

V10 8.4L 515 CID	EWE		57063		46835	N/R			N/S	P	MT ⁷²
------------------	-----	--	-------	--	-------	-----	--	--	-----	---	------------------

VISION

L4 1.6L 1595cc (Mex.)			51083		WA6340	WP9280			WF8152		N/S
-----------------------	--	--	-------	--	--------	--------	--	--	--------	--	-----

2015

ATTITUDE

L3 1.2L 1193cc (Mex.)			57356 ⁵³	57356XP	WA10125	WP10125			N/A		
-----------------------	--	--	---------------------	---------	---------	---------	--	--	-----	--	--

CHALLENGER

V6 3.6L 3604cc 220 CID	ERB	G	WL10010	WL10010XP	49746	24048	24048XP	1	N/S		58845
V8 5.7L 345 CID	EZC	T	57899	57899XP	49746	24048	24048XP	1	N/S		58845 - 5 Spd.
V8 6.2L 376 CID Super Charged	ESD	9	57899	57899XP	49746	24048	24048XP	1	N/S		N/A
V8 6.4L 6424cc 392 CID	ESH	J	57899	57899XP	49746	24048	24048XP	1	N/S		N/A

CHARGER

V6 3.6L 3604cc 220 CID	ERB	G	WL10010	WL10010XP	49746	24048	24048XP	1	N/S		58845
V8 5.7L 345 CID	EZH	T	57899	57899XP	49746	24048	24048XP	1	N/S		58845
V8 6.2L 376 CID Super Charged	ESD	9	57899	57899XP	49746	24048	24048XP	1	N/S		N/A
V8 6.4L 6424cc 392 CID	ESG	J	57899	57899XP	49746	24048	24048XP	1	N/S		58845

DART

L4 1.4L 1368cc 83 CID Turbo	EAF	H	57341		WA10008	24871	24871XP		N/S		N/S
L4 2.0L 1995cc 122 CID	ECK		57060 ⁵³	57060XP	WA10008	24871	24871XP	3	N/S		N/S
L4 2.4L 2360cc 144 CID	ED6		57060 ⁵³	57060XP	WA10008	24871	24871XP	3	N/S		N/S

DURANGO

V6 3.6L 3604cc 220 CID Flex	ERB		WL10010	WL10010XP	49756 ¹⁵⁵ 49756FR ³⁶⁰	24017	24017XP	2	N/S		N/A
V8 5.7L 345 CID	EZH		57899	57899XP	49756 ¹⁵⁵ 49756FR ³⁶⁰	24017	24017XP	2	N/S		N/A

GRAND CARAVAN

V6 3.6L 3604cc 220 CID Flex	ERB	G	WL10010	WL10010XP	49737	24479	24479XP	4	N/S		58128
-----------------------------	-----	---	---------	-----------	-------	-------	---------	---	-----	--	-------

JOURNEY

L4 2.4L 2360cc 144 CID	ED3	B	57060 ⁵³	57060XP	49016	24313	24313XP	3	N/S		58934
V6 3.6L 3604cc 220 CID	ERB	G	WL10010	WL10010XP	49049	24313	24313XP	3	N/S		58128

VIPER

V10 8.4L 515 CID	EWE		57063		46835	N/R			N/S	P	MT ⁷²
------------------	-----	--	-------	--	-------	-----	--	--	-----	---	------------------

VISION

L4 1.6L 1595cc (Mex.)			51083		WA6340	WP9280			WF8152		N/S
-----------------------	--	--	-------	--	--------	--------	--	--	--------	--	-----

N/A = Not Available N/R = Not Required N/S = Not Serviceable For cabin and fuel filter locator, see pages 5-15 See pages 16-19 for footnotes

N/A = Non disponible N/R = Non nécessaire N/S = Non réparable Para la ubicación de los filtros de aire de la cabina y de combustible, ver las páginas 5-15 Voir pages 16-19 pour des notes

N/A = No disponible N/R = No requiere N/S = No servible Voir les tableaux de repérage des filtres d'habitacle et à carburant aux pages 5-15 Ver las páginas 16-19 para las notas al pie de página

Italicized Part Numbers May Not Be Available. Wix XP Oil Filters Have Fully Synthetic Media.

Las piezas con números en *italicas* pueden no estar disponibles. Los filtros de aceite WIX XP son completamente de media sintética.

Les numéros de pièce en *italiques* peuvent ne pas être disponibles. Les filtres à huile XP Wix contiennent un matériau 100 % synthétique.

PASS CAR LIGHT TRUCK



DODGE (ALSO SEE RAM) 2014-2013

Pass Car/Light Truck

Year/Año/Année Model/Modelo/Modèle Engine/Motor/Moteur	Eng. Code Código de motor Code moteur	VIN NIV NIV	Oil Aceite Huile	Oil XP Aceite XP Huile XP	Air Aire Air	Cabin Air Cabina Aire Cabine Air	Cabin Air XP Cabina Aire XP Cabine Air XP	Loc. Cabin Air Cabina Aire Cabine Air	Fuel Combustible Carburant	Loc. Fuel Combustible Carburant	Transmission Transmisión Transmission
--	---	-------------------	------------------------	---------------------------------	--------------------	--	---	--	----------------------------------	--	---

DODGE (ALSO SEE RAM) (Cont'd/Suite)

2014

ATTITUDE

L4 1.4L 1399cc (Mex.)			51334 ⁵³	51334XP	49069	24484			N/S		
L4 1.6L 1599cc (Mex.)			51334 ⁵³	51334XP	49069	24484			N/S		N/A

AVENGER

L4 2.4L 2360cc 144 CID	ED3	B	57060 ⁵³	57060XP	49926	24313	24313XP	3	N/S		58934
	EDG	B	57060 ⁵³	57060XP	49926	24313	24313XP	3	N/S		58934
V6 3.6L 3604cc 220 CID	ERB	G	WL10010	WL10010XP	49049	24313	24313XP	3	N/S		58128 - 62TE

CHALLENGER

V6 3.6L 3604cc 220 CID	ERB	G	WL10010	WL10010XP	49746	24048	24048XP	1	N/S		58845
V8 5.7L 345 CID	EZC	T	57899	57899XP	49746	24048	24048XP	1	N/S		58845 - 5 Spd.
	EZH	T	57899	57899XP	49746	24048	24048XP	1	N/S		58845 - 5 Spd.
V8 6.4L 6424cc 392 CID	ESG	J	57899	57899XP	49746	24048	24048XP	1	N/S		N/A
	ESH	J	57899	57899XP	49746	24048	24048XP	1	N/S		N/A

CHARGER

V6 3.6L 3604cc 220 CID	ERB	G	WL10010	WL10010XP	49746	24048	24048XP	1	N/S		58845
V8 5.7L 345 CID	EZH	T	57899	57899XP	49746	24048	24048XP	1	N/S		58845
V8 6.4L 6424cc 392 CID	ESG	J	57899	57899XP	49746	24048	24048XP	1	N/S		58845

DART

L4 1.4L 1368cc 83 CID Turbo	EAF	H	57341		WA10008	24871	24871XP		N/S		N/S
L4 2.0L 1995cc 122 CID	ECK		57060 ⁵³	57060XP	WA10008	24871	24871XP	3	N/S		N/S
L4 2.4L 2360cc 144 CID	ED6		57060 ⁵³	57060XP	WA10008	24871	24871XP	3	N/S		N/S

DURANGO

V6 3.6L 3604cc 220 CID Flex	ERB		WL10010	WL10010XP	49756 ¹⁵⁵ 49756FR ³⁶⁰	24017	24017XP	2	N/S		N/A
V8 5.7L 345 CID	EZH		57899	57899XP	49756 ¹⁵⁵ 49756FR ³⁶⁰	24017	24017XP	2	N/S		N/A

GRAND CARAVAN

V6 3.6L 3604cc 220 CID	ERB		WL10010	WL10010XP	49737	24479	24479XP	4	N/S		58128
V6 3.6L 3604cc 220 CID Flex	ERB	G	WL10010	WL10010XP	49737	24479	24479XP	4	N/S		58128

i10

L4 1.1L 1086CC 66CID (Mex.)					N/S	WP9344			N/S		N/S
-----------------------------	--	--	--	--	-----	--------	--	--	-----	--	-----

JOURNEY

L4 2.4L 2360cc 144 CID	ED3	B	57060 ⁵³	57060XP	49016	24313	24313XP	3	N/S		58934
V6 3.6L 3604cc 220 CID	ERB	G	WL10010	WL10010XP	49049	24313	24313XP	3	N/S		58128

2013

ATTITUDE

L4 1.4L 1399cc (Mex.)			51334 ⁵³	51334XP	49069	24484			N/S		
L4 1.6L 1599cc (Mex.)			51334 ⁵³	51334XP	49022	24484			N/S		N/A

AVENGER

L4 2.4L 2360cc 144 CID	ED3	B	57060 ⁵³	57060XP	49926	24313	24313XP	3	N/S		58934
	EDG	B	57060 ⁵³	57060XP	49926	24313	24313XP	3	N/S		58934
V6 3.6L 3604cc 220 CID	ERB	G	57526	57526XP	49049	24313	24313XP	3	N/S		58128 - 62TE

CHALLENGER

V6 3.6L 3604cc 220 CID	ERB	G	57526	57526XP	49746	24048	24048XP	1	N/S		58845
V8 5.7L 345 CID	EZC	T	57899	57899XP	49746	24048	24048XP	1	N/S		58845 - 5 Spd.
	EZH	T	57899	57899XP	49746	24048	24048XP	1	N/S		58845 - 5 Spd.
V8 6.4L 6424cc 392 CID	ESG	J	57899	57899XP	49746	24048	24048XP	1	N/S		58845
	ESH	J	57899	57899XP	49746	24048	24048XP	1	N/S		58845

CHARGER

V6 3.6L 3604cc 220 CID	ERB	G	57526	57526XP	49746	24048	24048XP	1	N/S		58845
V8 5.7L 345 CID	EZH	T	57899	57899XP	49746	24048	24048XP	1	N/S		58845
V8 6.4L 6424cc 392 CID	ESG	J	57899	57899XP	49746	24048	24048XP	1	N/S		58845

DART

L4 1.4L 1368cc 83 CID Turbo	EAF	H	57341		WA10008	24871	24871XP		N/S		N/S
-----------------------------	-----	---	-------	--	---------	-------	---------	--	-----	--	-----

N/A = Not Available N/R = Not Required N/S = Not Serviceable For cabin and fuel filter locator, see pages 5-15 See pages 16-19 for footnotes
 N/A = Non disponible N/R = Non nécessaire N/S = Non réparable Para la ubicación de los filtros de aire de la cabina y de combustible, ver las páginas 5-15 Voir pages 16-19 pour des notes
 N/A = No disponible N/R = No requiere N/S = No servible Voir les tableaux de repérage des filtres d'habitacle et à carburant aux pages 5-15 Ver las páginas 16-19 para las notas al pie de página

Italicized Part Numbers May Not Be Available. Wix XP Oil Filters Have Fully Synthetic Media.

Las piezas con números en *italicas* pueden no estar disponibles. Los filtros de aceite WIX XP son completamente de media sintética. Les numéros de pièce en *italiques* peuvent ne pas être disponibles. Les filtres à huile XP Wix contiennent un matériau 100 % synthétique.

Year/Año/Année Model/Modelo/Modèle Engine/Motor/Moteur	Eng. Code Código de motor Code moteur	VIN NIV NIV	Oil Aceite Huile	Oil XP Aceite XP Huile XP	Air Aire Air	Cabin Air Cabina Aire Cabine Air	Cabin Air XP Cabina Aire XP Cabine Air XP	Loc. Cabin Air Cabina Aire Cabine Air	Fuel Combustible Carburant	Loc. Fuel Combustible Carburant	Transmission Transmisión Transmission
--	---	-------------------	------------------------	---------------------------------	--------------------	--	---	--	----------------------------------	--	---

DODGE (ALSO SEE RAM) (Cont'd/Suite)
2013 (Cont'd/Suite)
DART (Cont'd/Suite)

L4 2.0L 1995cc 122 CID	ECK	A	57060 ⁵³	57060XP	WA10008	24871	24871XP	3	N/S	N/S
L4 2.4L 2360cc 144 CID	ED3		57060 ⁵³	57060XP	WA10008	24871	24871XP	3	N/S	N/S

DURANGO

V6 3.6L 3604cc 220 CID Flex	ERB		57526	57526XP	49756 ⁵⁵ 49756FR ³⁶⁰	24017	24017XP	2	N/S	58845
V8 5.7L 345 CID	EZH		57899	57899XP	49756 ⁵⁵ 49756FR ³⁶⁰	24017	24017XP	2	N/S	58845

GRAND CARAVAN

V6 3.6L 3604cc 220 CID	ERB		57526	57526XP	49737	24479	24479XP	4	N/S	58128
V6 3.6L 3604cc 220 CID Flex	ERB	G	57526	57526XP	49737	24479	24479XP	4	N/S	58128

JOURNEY

L4 2.4L 2360cc 144 CID	ED3	B	57060 ⁵³	57060XP	49016	24313	24313XP	3	N/S	58934
V6 3.6L 3604cc 220 CID	ERB	G	57526	57526XP	49049	24313	24313XP	3	N/S	58934

VIPER

V10 8.4L 515 CID (Mex.)	EWE		57063		N/A	N/A			N/S	
-------------------------	-----	--	-------	--	-----	-----	--	--	-----	--

VIPER SRT-10

V10 8.4L 515 CID	EWE		57063		46835	N/R			N/S	MT ²
------------------	-----	--	-------	--	-------	-----	--	--	-----	-----------------

2012
ATOS

L4 1.1L 1086cc (Mex.)			51358 ⁵³	51358XP	WA10040	N/A			WF8310	
-----------------------	--	--	---------------------	---------	---------	-----	--	--	--------	--

ATTITUDE

L4 1.4L 1399cc (Mex.)			51334 ⁵³	51334XP	49069	24484			N/S	
L4 1.6L 1599cc (Mex.)			51334 ⁵³	51334XP	49022	24484			N/S	N/A

AVENGER

L4 2.4L 2360cc 144 CID	ED3	B	57060 ⁵³	57060XP	49926	24313	24313XP	3	N/S	58934
V6 3.6L 3604cc 220 CID	ERB	G	57526	57526XP	49049	24313	24313XP	3	N/S	58128 - 62TE

CALIBER

L4 2.0L 1995cc 122 CID	ECN	A	57060 ⁵³	57060XP	49014	24313	24313XP	3	N/S	WL10390
L4 2.4L 2360CC 144CID (Mex.)			57045 - Long 57060 - Short	57045XP - Long 57060XP - Short	49014	N/S			N/S	

CHALLENGER

V6 3.6L 3604cc 220 CID	ERB	G	57526	57526XP	49746	24048	24048XP	1	N/S	58845
V8 5.7L 345 CID	EZC	T	57899	57899XP	49746	24048	24048XP	1	N/S	58845 - 5 Spd.
	EZH	T	57899	57899XP	49746	24048	24048XP	1	N/S	58845 - 5 Spd.
V8 6.4L 6424cc 392 CID	ESG	J	57899	57899XP	49746	24048	24048XP	1	N/S	58845
	ESH	J	57899	57899XP	49746	24048	24048XP	1	N/S	58845

CHARGER

V6 3.6L 3604cc 220 CID	ERB	G	57526	57526XP	49746	24048	24048XP	1	N/S	58845
V8 5.7L 345 CID	EZC	T	57899	57899XP	49746	24048	24048XP	1	N/S	58845
V8 6.4L 6424cc 392 CID	ESH	J	57899	57899XP	49746	24048	24048XP	1	N/S	58845

DAKOTA

V6 3.7L 226 CID	EKG				46077	N/R			N/S	
-----------------	-----	--	--	--	-------	-----	--	--	-----	--

DURANGO

V6 3.6L 3604cc 220 CID Flex	ERB		57526	57526XP	49756 ⁵⁵ 49756FR ³⁶⁰	24017	24017XP	2	N/S	58845
V8 5.7L 345 CID	EZH		57899	57899XP	49756 ⁵⁵ 49756FR ³⁶⁰	24017	24017XP	2	N/S	58845

GRAND CARAVAN

V6 3.6L 3604cc 220 CID	ERB		57526	57526XP	49737	24479	24479XP	4	N/S	58128
V6 3.6L 3604cc 220 CID Flex	ERB	G	57526	57526XP	49737	24479	24479XP	4	N/S	58128

JOURNEY

L4 2.4L 2360cc 144 CID	ED3	B	57060 ⁵³	57060XP	49016	24313	24313XP	3	N/S	58934
V6 3.6L 3604cc 220 CID	ERB	G	57526	57526XP	49049	24313	24313XP	3	N/S	58128

N/A = Not Available N/R = Not Required N/S = Not Serviceable For cabin and fuel filter locator, see pages 5-15 See pages 16-19 for footnotes

N/A = Non disponible N/R = Non nécessaire N/S = Non réparable Para la ubicación de los filtros de aire de la cabina y de combustible, ver las páginas 5-15 Voir pages 16-19 pour des notes

N/A = No disponible N/R = No requiere N/S = No servible Voir les tableaux de repérage des filtres d'habitacle et à carburant aux pages 5-15 Ver las páginas 16-19 para las notas al pie de página

Italicized Part Numbers May Not Be Available. Wix XP Oil Filters Have Fully Synthetic Media.

Las piezas con números en *italicas* pueden no estar disponibles. Los filtros de aceite WIX XP son completamente de media sintética.

Les numéros de pièce en *italiques* peuvent ne pas être disponibles. Les filtres à huile Wix contiennent un matériau 100 % synthétique.

DODGE (ALSO SEE RAM) 2012-2011
Pass Car/Light Truck

Year/Año/Année Model/Modelo/Modèle Engine/Motor/Moteur	Eng. Code Código de motor Code moteur	VIN NIV NIV	Oil Aceite Huile	Oil XP Aceite XP Huile XP	Air Aire Air	Cabin Air Cabina Aire Cabine Air	Cabin Air XP Cabina Aire XP Cabine Air XP	Loc. Cabin Air Cabina Aire Cabine Air	Fuel Combustible Carburant	Loc. Fuel Combustible Carburant	Transmission Transmisión Transmission
--	---	-------------------	------------------------	---------------------------------	--------------------	--	---	--	----------------------------------	--	---

DODGE (ALSO SEE RAM) (Cont'd/Suite)
2012 (Cont'd/Suite)
NITRO

V6 3.7L 225 CID	EKG	K	57045	57045XP	49933	49093		1	N/S		58013
V6 3.7L 225 CID (Mex.)	EKG	K	57045	57045XP	49933	49093		1	N/S		58013

RAM 2500

V8 5.7L 5700cc MDS VCT (Mex.)			57899	57899XP	42725 ¹⁵⁵ 42725FR ³⁶⁰				N/S		
-------------------------------	--	--	-------	---------	--	--	--	--	-----	--	--

RAM 2500 CREW CAB HD SLT

V8 6.7L 6700cc Turbo Diesel (Mex.)			57620 ⁵³	57620XP	46390				33255		
------------------------------------	--	--	---------------------	---------	-------	--	--	--	-------	--	--

RAM 2500 ST

V8 4.7L 4700cc (Mex.)			57899	57899XP	42725 ¹⁵⁵ 42725FR ³⁶⁰				N/S		
-----------------------	--	--	-------	---------	--	--	--	--	-----	--	--

RAM 4000 CHASIS CABINA DIESEL 4X2

V8 6.7L 6700cc Turbo Diesel (Mex.)			57620 ⁵³	57620XP	46390				33255		
------------------------------------	--	--	---------------------	---------	-------	--	--	--	-------	--	--

RAM 4000 CHASIS CABINA P 4X2

V8 5.7L 5700cc VVT (Mex.)			57899	57899XP	42725 ¹⁵⁵ 42725FR ³⁶⁰				N/S		
---------------------------	--	--	-------	---------	--	--	--	--	-----	--	--

RAM QUAD CAB SLT 4X2

V8 5.7L 5700cc MDS VCT (Mex.)			57899	57899XP	42725 ¹⁵⁵ 42725FR ³⁶⁰				N/S		
-------------------------------	--	--	-------	---------	--	--	--	--	-----	--	--

2011
ATOS

L4 1.1L 1086cc (Mex.)			51358 ⁵³	51358XP	WA10040	N/A			WF8310		
-----------------------	--	--	---------------------	---------	---------	-----	--	--	--------	--	--

ATTITUDE

L4 1.4L 1399cc (Mex.)			51334 ⁵³	51334XP	49069	24484			N/S		
L4 1.6L 1599cc (Mex.)			51334 ⁵³	51334XP	49069	24484			N/S		N/A

AVENGER

L4 2.0L 1998cc (Mex.)			57060 ⁵³	57060XP	N/A	24313	24313XP		N/S		
L4 2.4L 2360cc 144 CID	ED3	B	57060 ⁵³	57060XP	49926	24313	24313XP	3	N/S		58934
V6 3.6L 3604cc 220 CID	ERB	G	57526	57526XP	49049	24313	24313XP	3	N/S		58128 - 62TE

CALIBER

L4 2.0L 1995cc 122 CID	ECN	A	57060 ⁵³	57060XP	49014	24313	24313XP	3	N/S		WL10390
L4 2.4L 2360cc 144 CID	ED3	B	57060 ⁵³	57060XP	49014	24313	24313XP	3	N/S		WL10390

CHALLENGER

V6 3.6L 3604cc 220 CID	ERB	G	57526	57526XP	49746	24048	24048XP	1	N/S		58845
V8 5.7L 345 CID	EZC	T	57899	57899XP	49746	24048	24048XP	1	N/S		58845 - 5 Spd.
	EZH	T	57899	57899XP	49746	24048	24048XP	1	N/S		58845 - 5 Spd.
V8 6.4L 6424cc 392 CID	ESG	J	57899	57899XP	49746	24048	24048XP	1	N/S		58845
	ESH	J	57899	57899XP	49746	24048	24048XP	1	N/S		58845

CHARGER

V6 3.6L 3604cc 220 CID	ERB	G	57526	57526XP	49746	24048	24048XP	1	N/S		58845
V8 5.7L 345 CID	EZC	T	57899	57899XP	49746	24048	24048XP	1	N/S		58845

DAKOTA

V6 3.7L 226 CID	EKG		57045	57045XP	46077	N/R			N/S		58846 - 545RFE/68RFE-SP 58843 - 545RFE/68RFE-DP 58013 - 42RLLE
V8 4.7L 285 CID Flex	EVE	P	57899	57899XP	46077	N/R			N/S		58013 - 42RLLE 58843 - 545RFE/68RFE-DP 58846 - 545RFE/68RFE-SP

DURANGO

V6 3.6L 3604cc 220 CID Flex	ERB		57526	57526XP	49756 ¹⁵⁵ 49756FR ³⁶⁰	24017	24017XP	2	N/S		58845
V8 5.7L 345 CID	EZH		57899	57899XP	49756 ¹⁵⁵ 49756FR ³⁶⁰	24017	24017XP	2	N/S		58845

GRAND CARAVAN

V6 3.6L 3604cc 220 CID	ERB		57526	57526XP	49737	24479	24479XP	4	N/S		58128
------------------------	-----	--	-------	---------	-------	-------	---------	---	-----	--	-------

N/A = Not Available N/R = Not Required N/S = Not Serviceable For cabin and fuel filter locator, see pages 5-15 See pages 16-19 for footnotes

N/A = Non disponible N/R = Non nécessaire N/S = Non réparable Para la ubicación de los filtros de aire de la cabina y de combustible, ver las páginas 5-15 Voir pages 16-19 pour des notes

N/A = No disponible N/R = No requiere N/S = No servible Voir les tableaux de repérage des filtres d'habitacle et à carburant aux pages 5-15 Ver las páginas 16-19 para las notas al pie de página

Italicized Part Numbers May Not Be Available. Wix XP Oil Filters Have Fully Synthetic Media.

Las piezas con números en *italicas* pueden no estar disponibles. Los filtros de aceite WIX XP son completamente de media sintética. Les numéros de pièce en *italiques* peuvent ne pas être disponibles. Les filtres à huile XP Wix contiennent un matériau 100 % synthétique.

Year/Año/Année Model/Modelo/Modèle Engine/Motor/Moteur	Eng. Code Código de motor Code moteur	VIN NIV NIV	Oil Aceite Huile	Oil XP Aceite XP Huile XP	Air Aire Air	Cabin Air Cabina Aire Cabine Air	Cabin Air XP Cabina Aire XP Cabine Air XP	Loc. Cabin Air Cabina Aire Cabine Air	Fuel Combustible Carburant	Loc. Fuel Combustible Carburant	Transmission Transmisión Transmission
--	---	-------------------	------------------------	---------------------------------	--------------------	--	---	---	----------------------------------	---------------------------------------	---

DODGE (ALSO SEE RAM) (Cont'd/Suite)

2011 (Cont'd/Suite)

GRAND CARAVAN (Cont'd/Suite)

V6 3.6L 3604cc 220 CID Flex	ERB	G	57526	57526XP	49737	24479	24479XP	4	N/S		58128
-----------------------------	-----	---	-------	---------	-------	-------	---------	---	-----	--	-------

JOURNEY

L4 2.4L 2360cc 144 CID	ED3	B	57060 ⁵³	57060XP	49016	24313	24313XP	3	N/S		58934
V6 3.6L 3604cc 220 CID	ERB	G	57526	57526XP	49049	24313	24313XP	3	N/S		58934

NITRO

V6 3.7L 225 CID	EKG	K	57045	57045XP	49933	49093		1	N/S		58013
V6 4.0L 241 CID	EGS	X	51348 ⁵³ - 3/4-16 Thd. 57060 ⁵³ - 22x1.5mm Thd.	51348XP - 3/4-16 Thd. 57060XP - 22x1.5mm Thd.	49933	49093		1	N/S		58845 - 5 Spd.

PICKUP RAM SERIES (UP TO 5500 SERIES)

L6 3.7L 3687cc 225 CID	EKG	K	57045	57045XP	42725 ⁵⁵ 42725FR ³⁶⁰	N/R			N/S		58846 - 545RFE/68RFE-SP 58843 - 545RFE/68RFE-DP
L6 6.7L 408 CID Turbo Diesel	ETJ	L	57620 ⁵³	57620XP	46930 46930FR ³⁶⁰	24579			33255		58843 - 545RFE/68RFE-DP 58846 - 545RFE/68RFE-SP WL10415 - AS68RC N/A - 68RFE
V8 4.7L 287 CID	EVE	P	57899	57899XP	42725 ⁵⁵ 42725FR ³⁶⁰	24313	24313XP		N/S		58846 - 545RFE/68RFE-SP 58843 - 545RFE/68RFE-DP
V8 5.7L 345 CID	EZC	T	57899	57899XP	42725 ⁵⁵ 42725FR ³⁶⁰	24313	24313XP		N/S		58846 - 545RFE/68RFE-SP 58843 - 545RFE/68RFE-DP

2010

ATOS

L4 1.1L 1086cc (Mex.)			51358 ⁵³	51358XP	WA10040	N/A			WF8310		
-----------------------	--	--	---------------------	---------	---------	-----	--	--	--------	--	--

ATTITUDE

L4 1.4L 1399cc (Mex.)			51334 ⁵³	51334XP	49069	24484			N/S		N/A
L4 1.6L 1599cc (Mex.)			51334 ⁵³	51334XP	49069	24484			N/S		N/A

AVENGER

L4 2.0L 2000cc (Mex.)			57060 ⁵³	57060XP	49926	24313	24313XP		N/S		
L4 2.4L 2360cc 144 CID	ED3	B	57060 ⁵³	57060XP	49926	24313	24313XP	3	N/S		58934 - 4 Spd.
V6 2.7L 167 CID	EER	D	57899	57899XP	42389	24313	24313XP	3	N/S		58934
V6 3.5L 215 CID		V	57060 ⁵³	57060XP	42389	24313	24313XP	3	N/S		58128 - 62TE

CALIBER

L4 1.8L 1800cc (Mex.)			57060 ⁵³	57060XP	49192				N/A		
L4 2.0L 1995cc 122 CID	ECN	A	57060 ⁵³	57060XP	49192	24313	24313XP	3	N/S		WL10390
L4 2.4L 2360cc 144 CID	ED3	B	57060 ⁵³	57060XP	49192	24313	24313XP	3	N/S		WL10390

CHALLENGER

V6 3.5L 215 CID		V	57060 ⁵³	57060XP	42843	N/R			N/S		58013 - 42RLE
V8 5.7L 345 CID	EZC	T	57899	57899XP	42843	N/R			N/S		58845 - 5 Spd.
	EZH	T	57899	57899XP	42843	N/R			N/S		58845 - 5 Spd.
V8 6.1L 370 CID	ESF	W	57899	57899XP	42843	N/R			N/S		58845 - 5 Spd.

CHARGER

V6 2.7L 167 CID	EER	D	57060 ⁵³	57060XP	42843	24909		1	N/S		58013
V6 3.5L 215 CID		V	57060 ⁵³	57060XP	42843	24909		1	N/S		58845 - 5 Spd. 58013 - 4 Spd.
V8 5.7L 345 CID	EZC	T	57899	57899XP	42843	24909		1	N/S		58845
V8 6.1L 370 CID	ESF	W	57899	57899XP	42843	24909		1	N/S		58845

DAKOTA

V6 3.7L 226 CID			57045	57045XP	46077	N/R			N/S		58846 - 545RFE/68RFE-SP 58843 - 545RFE/68RFE-DP 58013 - 42RLE
V8 4.7L 285 CID Flex			57899	57899XP	46077	N/R			N/S		58013 - 42RLE 58843 - 545RFE/68RFE-DP 58846 - 545RFE/68RFE-SP

DURANGO

V8 5.7L 345 CID (Mex.)	EZC		51085 ⁵³	51085XP	42750	N/A			N/S		N/A
------------------------	-----	--	---------------------	---------	-------	-----	--	--	-----	--	-----

GRAND CARAVAN

V6 3.3L 3301cc 201 CID Flex	EGV	E	51348 ⁵³	51348XP	42389	24479	24479XP	4	N/S		58934
-----------------------------	-----	---	---------------------	---------	-------	-------	---------	---	-----	--	-------

N/A = Not Available N/R = Not Required N/S = Not Serviceable For cabin and fuel filter locator, see pages 5-15 See pages 16-19 for footnotes
 N/A = Non disponible N/R = Non nécessaire N/S = Non réparable Para la ubicación de los filtros de aire de la cabina y de combustible, ver las páginas 5-15 Voir pages 16-19 pour des notes
 N/A = No disponible N/R = No requiere N/S = No servible Voir les tableaux de repérage des filtres d'habitacle et à carburant aux pages 5-15 Ver las páginas 16-19 para las notas al pie de página

Italicized Part Numbers May Not Be Available. Wix XP Oil Filters Have Fully Synthetic Media.

Las piezas con números en *italicas* pueden no estar disponibles. Los filtros de aceite WIX XP son completamente de media sintética.
 Les numéros de pièce en *italiques* peuvent ne pas être disponibles. Les filtres à huile Wix contiennent un matériau 100 % synthétique.

DODGE (ALSO SEE RAM) 2010-2009
Pass Car/Light Truck

Year/Año/Année Model/Modelo/Modèle Engine/Motor/Moteur	Eng. Code Código de motor Code moteur	VIN NIV NIV	Oil Aceite Huile	Oil XP Aceite XP Huile XP	Air Aire Air	Cabin Air Cabina Aire Cabine Air	Cabin Air XP Cabina Aire XP Cabine Air XP	Loc. Cabin Air Cabina Aire Cabine Air	Fuel Combustible Carburant	Loc. Fuel Combustible Carburant	Transmission Transmisión Transmission
--	--	-------------------	------------------------	---------------------------------	--------------------	--	---	--	----------------------------------	--	---

DODGE (ALSO SEE RAM) (Cont'd/Suite)
2010 (Cont'd/Suite)
GRAND CARAVAN (Cont'd/Suite)

V6 3.8L 3778cc 231 CID		1	51348 ⁵³	51348XP	42389	24479	24479XP	4	N/S	58128
V6 4.0L 3952cc 241 CID		X	51348 ⁵³ - 3/4-16 Thd. 57060 ⁵³ - 22x1.5mm Thd.	51348XP - 3/4-16 Thd. 57060XP - 22x1.5mm Thd.	42389	24479	24479XP	3	N/S	58128

H100

L4 2.5L 2500cc Turbo Diesel (Mex.)			51067		N/A	N/A				N/A
---------------------------------------	--	--	-------	--	-----	-----	--	--	--	-----

H100 VAN

L4 2.5L 2500cc Turbo Diesel (Mex.)			WL10031		WA9702	N/A				N/A
---------------------------------------	--	--	---------	--	--------	-----	--	--	--	-----

JOURNEY

L4 2.4L 2360cc 144 CID	ED3	B	57060 ⁵³	57060XP	49016	24313	24313XP	3	N/S	58934
V6 3.5L 215 CID		V	57060 ⁵³	57060XP	49016	24313	24313XP	3	N/S	58128 - 62TE

NITRO

V6 3.7L 225 CID	EKG	K	57045	57045XP	49933	49093		1	N/S	58013
V6 4.0L 241 CID	EGS	X	51348 ⁵³ - 3/4-16 Thd. 57060 ⁵³ - 22x1.5mm Thd.	51348XP - 3/4-16 Thd. 57060XP - 22x1.5mm Thd.	49933	49093		1	N/S	58845 - 5 Spd.

PICKUP RAM SERIES (UP TO 5500 SERIES)

V8 4.7L 287 CID (Mex.)	EVE		51085 ⁵³	51085XP					N/A	N/A
V8 5.9L 5900cc Turbo Diesel (Mex.)			51607 ⁵³						N/A	N/A

RAM 1500

V6 3.7L 226 CID	EKG	K	57045	57045XP	42725 ¹⁵⁵ 42725FR ³⁶⁰	24313	24313XP		N/S	58846 - 545RFE/68RFE-SP 58843 - 545RFE/68RFE-DP
V8 4.7L 285 CID Flex	EVE	P	57899	57899XP	42725 ¹⁵⁵ 42725FR ³⁶⁰	24313	24313XP		N/S	58846 - 545RFE/68RFE-SP 58843 - 545RFE/68RFE-DP
V8 5.7L 345 CID	EZH	T	57899 ⁵³ 57899 ⁵³	57899XP 57899XP	42725 ¹⁵⁵ 42725FR ³⁶⁰	24313	24313XP		N/S	58846 - 545RFE/68RFE-SP 58843 - 545RFE/68RFE-DP

RAM 2500

L6 6.7L 408 CID Turbo Diesel	ETJ	L	57620 ⁵³	57620XP	46930 46930FR ³⁶⁰	N/R			33255	58843 - 545RFE/68RFE-DP 58846 - 545RFE/68RFE-SP WL10415 - AS68RC
V8 5.7L 345 CID	EZH	T	57899	57899XP	42725 ¹⁵⁵ 42725FR ³⁶⁰	N/R			N/S	58846 - 545RFE/68RFE-SP 58843 - 545RFE/68RFE-DP

RAM 3500

L6 6.7L 408 CID Turbo Diesel	ETJ	L	57620 ⁵³	57620XP	46930 46930FR ³⁶⁰	N/R			33255	58843 - 545RFE/68RFE-DP 58846 - 545RFE/68RFE-SP WL10415 - AS68RC
V8 5.7L 345 CID	EZH	T	57899	57899XP	42725 ¹⁵⁵ 42725FR ³⁶⁰	N/R			N/S	58846 - 545RFE/68RFE-SP 58843 - 545RFE/68RFE-DP

VAN 1000

L4 2.4L 2400cc (Mex.)			51334 ⁵³	51334XP	46264	N/A			33319	N/A
-----------------------	--	--	---------------------	---------	-------	-----	--	--	-------	-----

VIPER

V10 8.4L 515 CID (Mex.)	EWE		57063		N/A	N/A			N/S	
-------------------------	-----	--	-------	--	-----	-----	--	--	-----	--

VIPER SRT-10

V10 8.4L 515 CID	EWE	Z	57063		N/A	N/R			N/S	MT ⁷²
------------------	-----	---	-------	--	-----	-----	--	--	-----	------------------

2009
ATOS

L4 1.1L 1086cc (Mex.)			51358 ⁵³	51358XP	WA10040	N/A			WF8310	
-----------------------	--	--	---------------------	---------	---------	-----	--	--	--------	--

ATTITUDE

L4 1.4L 1399cc (Mex.)			51334 ⁵³	51334XP	49069	24484			N/S	
L4 1.6L 1599cc (Mex.)			51334 ⁵³	51334XP	49069	24484			N/S	N/A

AVENGER

L4 2.0L 2000cc (Mex.)			57060 ⁵³	57060XP	49926	24313	24313XP		N/S	
L4 2.4L 144 CID	EDG	B	57060 ⁵³	57060XP	49926	24313	24313XP	3	N/S	58934
V6 2.7L 167 CID	EER	D	57899	57899XP	42389	24313	24313XP	3	N/S	58934

N/A = Not Available N/R = Not Required N/S = Not Serviceable For cabin and fuel filter locator, see pages 5-15 See pages 16-19 for footnotes

N/A = Non disponible N/R = Non nécessaire N/S = Non réparable Para la ubicación de los filtros de aire de la cabina y de combustible, ver las páginas 5-15 Voir pages 16-19 pour des notes

N/A = No disponible N/R = No requiere N/S = No servible Voir les tableaux de repérage des filtres d'habitacle et à carburant aux pages 5-15 Ver las páginas 16-19 para las notas al pie de página

Italicized Part Numbers May Not Be Available. Wix XP Oil Filters Have Fully Synthetic Media.

Las piezas con números en *italicas* pueden no estar disponibles. Los filtros de aceite WIX XP son completamente de media sintética. Les numéros de pièce en *italiques* peuvent ne pas être disponibles. Les filtres à huile XP Wix contiennent un matériau 100 % synthétique.

Year/Año/Année Model/Modelo/Modèle Engine/Motor/Moteur	Eng. Code Código de motor Code moteur	VIN NIV NIV	Oil Aceite Huile	Oil XP Aceite XP Huile XP	Air Aire Air	Cabin Air Cabina Aire Cabine Air	Cabin Air XP Cabina Aire XP Cabine Air XP	Loc. Cabin Air Cabina Aire Cabine Air	Fuel Combustible Carburant	Loc. Fuel Combustible Carburant	Transmission Transmisión Transmission
--	---	-------------------	------------------------	---------------------------------	--------------------	--	---	--	----------------------------------	--	---

DODGE (ALSO SEE RAM) (Cont'd/Suite)
2009 (Cont'd/Suite)
AVENGER (Cont'd/Suite)

V6 3.5L 215 CID		V	57060 ⁵³ 57899 ²⁸⁷	57060XP ²⁸⁶ 57899XP ²⁸⁷	42389	24313	24313XP	3	N/S		58128 - 62TE
-----------------	--	---	---	--	-------	-------	---------	---	-----	--	--------------

CALIBER

L4 1.8L 110 CID	EBA	C	57060 ⁵³	57060XP	49192	24313	24313XP	3	N/S		WL10390
L4 2.0L 1995cc 122 CID	ECN	A	57060 ⁵³	57060XP	49192	24313	24313XP	3	N/S		WL10390
L4 2.4L 2360cc 144 CID	ED3	B	57060 ⁵³	57060XP	49192	24313	24313XP	3	N/S		WL10390

CALIBER SRT4

L4 2.4L 144 CID Turbo	ED4	F	57899	57899XP	49432 ⁸¹	24313	24313XP	3	N/S		MT ⁷²
-----------------------	-----	---	-------	---------	---------------------	-------	---------	---	-----	--	------------------

CHALLENGER

V6 3.5L 215 CID		V	57060 ⁵³ 57899 ²⁸⁷	57060XP ²⁸⁶ 57899XP ²⁸⁷	42843	N/R			N/S		58013 - 42RLE
V8 5.7L 345 CID	EZC	T	57899	57899XP	42843	N/R			N/S		58845 - 5 Spd.
V8 6.1L 370 CID	ESF	W	57899	57899XP	42843	N/R			N/S		58845 - 5 Spd.

CHARGER

V6 2.7L 167 CID	EER	D	57060 ⁵³	57060XP	42843	24909		1	N/S		58013
V6 3.5L 215 CID		V	57060 ⁵³ 57899 ²⁸⁷	57060XP ²⁸⁶ 57899XP ²⁸⁷	42843	24909		1	N/S		58845 - 5 Spd. 58013 - 4 Spd.
V6 3.5L 3500cc (Mex.)			51372 ²⁵³	51372XP	42843				N/A		
V8 5.7L 345 CID	EZC	T	57899	57899XP	42843	24909		1	N/S		58845
V8 6.1L 370 CID	ESF	W	57899	57899XP	42843	24909		1	N/S		58845

DAKOTA

V6 3.7L 226 CID			57045	57045XP	46077	N/R			N/S		58846 - 545RFE/68RFE-SP 58843 - 545RFE/68RFE-DP 58013 - 42RLE
V8 4.7L 285 CID Flex			57899	57899XP	46077	N/R			N/S		58013 - 42RLE 58843 - 545RFE/68RFE-DP 58846 - 545RFE/68RFE-SP

DURANGO

V6 3.7L 226 CID			57045	57045XP	42750	N/R			N/S		58846 - 545RFE/68RFE-SP 58843 - 545RFE/68RFE-DP 58013 - 42RLE
V8 4.7L 285 CID Flex			57899	57899XP	42750	N/R			N/S		58846 - 545RFE/68RFE-SP 58843 - 545RFE/68RFE-DP
V8 5.7L 345 CID	EZD	T	57899	57899XP	42750	N/R			N/S		58846 - 545RFE/68RFE-SP 58843 - 545RFE/68RFE-DP
	EZH		57899	57899XP	42750	N/R			N/S		58846 - 545RFE/68RFE-SP 58843 - 545RFE/68RFE-DP

DURANGO HYBRID

V8 5.7L 345 CID Electric/Gas	EZE	T	57899	57899XP	WA10958	N/R			N/S		N/S
------------------------------	-----	---	-------	---------	---------	-----	--	--	-----	--	-----

GRAND CARAVAN

V6 3.3L 3301cc 201 CID Flex		E	51348 ⁵³	51348XP	42389	24479	24479XP	4	N/S		58934
V6 3.8L 3778cc 231 CID		1	51348 ⁵³	51348XP	42389	24479	24479XP	4	N/S		58128
V6 4.0L 3952cc 241 CID		X	57060 ⁵³	57060XP	42389	24479	24479XP	3	N/S		58128

H100

L4 2.5L 2500cc Turbo Diesel (Mex.)			51067		N/A	N/A					N/A
------------------------------------	--	--	-------	--	-----	-----	--	--	--	--	-----

H100 VAN

L4 2.5L 2500cc Turbo Diesel (Mex.)			WL10031		WA9702	N/A					N/A
------------------------------------	--	--	---------	--	--------	-----	--	--	--	--	-----

JOURNEY

L4 2.4L 2360cc 144 CID	ED3	B	57060 ⁵³	57060XP	49016	24313	24313XP	3	N/S		58934
V6 3.5L 215 CID		V	57060 ⁵³ 57899 ²⁸⁷	57060XP ²⁸⁶ 57899XP ²⁸⁷	49016	24313	24313XP	3	N/S		58128 - 62TE

NITRO

V6 3.7L 225 CID	EKG	K	57045	57045XP	49933	49093		1	N/S		58013
V6 4.0L 241 CID	EGS	X	57060 ⁵³	57060XP	49933	49093		1	N/S		58013 - 4 Spd. 58845 - 5 Spd.

N/A = Not Available N/R = Not Required N/S = Not Serviceable For cabin and fuel filter locator, see pages 5-15 See pages 16-19 for footnotes

N/A = Non disponible N/R = Non nécessaire N/S = Non réparable Para la ubicación de los filtros de aire de la cabina y de combustible, ver las páginas 5-15 Voir pages 16-19 pour des notes

N/A = No disponible N/R = No requiere N/S = No servible Voir les tableaux de repérage des filtres d'habitacle et à carburant aux pages 5-15 Ver las páginas 16-19 para las notas al pie de página

Italicized Part Numbers May Not Be Available. Wix XP Oil Filters Have Fully Synthetic Media.

Las piezas con números en *italicas* pueden no estar disponibles. Los filtros de aceite WIX XP son completamente de media sintética.

Les numéros de pièce en *italiques* peuvent ne pas être disponibles. Les filtres à huile Wix contiennent un matériau 100 % synthétique.

DODGE (ALSO SEE RAM) 2009-2008
Pass Car/Light Truck

Year/Año/Année Model/Modelo/Modèle Engine/Motor/Moteur	Eng. Code Código de motor Code moteur	VIN NIV NIV	Oil Aceite Huile	Oil XP Aceite XP Huile XP	Air Aire Air	Cabin Air Cabina Aire Cabine Air	Cabin Air XP Cabina Aire XP Cabine Air XP	Loc. Cabin Air Cabina Aire Cabine Air	Fuel Combustible Carburant	Loc. Fuel Combustible Carburant	Transmission Transmisión Transmission
--	---	-------------------	------------------------	---------------------------------	--------------------	--	---	--	----------------------------------	--	---

DODGE (ALSO SEE RAM) (Cont'd/Suite)
2009 (Cont'd/Suite)
PICKUP RAM SERIES (UP TO 5500 SERIES)

L6 5.9L 359 CID Turbo Diesel		7	57620 ⁵³	57620XP	42846 ²⁵⁸ 49946 ²⁵⁹ 49946FR ³⁶⁰	N/R			33585XE ⁵³	F	58613
L6 6.7L 408 CID Turbo Diesel	ETJ	L	57620 ⁵³	57620XP	46930 46930FR ³⁶⁰	N/R			33733 ¹⁴⁶		58843 - 545RFE/68RFE-DP 58846 - 545RFE/68RFE-SP WL10415 - AS68RC
V6 3.7L 226 CID	EKG	K	57045	57045XP	42725 ¹⁵⁵ 42725FR ³⁶⁰	24313	24313XP		N/S		58846 - 545RFE/68RFE-SP 58843 - 545RFE/68RFE-DP
V8 4.7L 285 CID Flex	EVE	P	57899	57899XP	42725 ¹⁵⁵ 42725FR ³⁶⁰	24313	24313XP		N/S		58846 - 545RFE/68RFE-SP 58843 - 545RFE/68RFE-DP
V8 5.7L 345 CID	EZH	D,T	57899	57899XP	42725 ¹⁵⁵ 42725FR ³⁶⁰	24313	24313XP		N/S		58846 - 545RFE/68RFE-SP 58843 - 545RFE/68RFE-DP

SPRINTER VAN

V6 3.0L 2987cc Turbo Diesel	EXM	5	57062		49876	49366 ¹⁵⁵ N/A ²²⁸		3	33934 ¹⁷⁹ N/A ²⁸⁹		58845
-----------------------------	-----	---	-------	--	-------	--	--	---	--	--	-------

VAN 1000

L4 2.4L 2351cc (Mex.)			57356	57356XP	46264	N/S			33497		N/S
-----------------------	--	--	-------	---------	-------	-----	--	--	-------	--	-----

VIPER

V10 8.4L 515 CID (Mex.)	EWE		57063		N/A	N/A			N/S		
-------------------------	-----	--	-------	--	-----	-----	--	--	-----	--	--

VIPER SRT-10

V10 8.4L 515 CID	EWE	Z	57063		N/A	N/R			N/S		MT ⁷²
------------------	-----	---	-------	--	-----	-----	--	--	-----	--	------------------

2008
ATOS

L4 1.1L 1086cc (Mex.)			51358 ⁵³	51358XP	WA10040	N/A			WF8310		
-----------------------	--	--	---------------------	---------	---------	-----	--	--	--------	--	--

ATTITUDE

L4 1.4L 1399cc (Mex.)			51334 ⁵³	51334XP	49069	24484			N/S		
L4 1.6L 1599cc (Mex.)			51334 ⁵³	51334XP	49069	24484			N/S		N/A

AVENGER

L4 2.0L 2000cc (Mex.)			57060 ⁵³	57060XP	49926	24313	24313XP		N/S		
L4 2.4L 144 CID	EDG	K,J	57060 ⁵³	57060XP	49926	24313	24313XP	3	N/S		58934
V6 2.7L 167 CID	EER	R	57899 - 22x1.5mm Thd 51085 ⁵³ - 3/4-16 Thd	57899XP - 22x1.5mm Thd 51085XP - 3/4-16 Thd	42389	24313	24313XP	3	N/S		58934
V6 3.5L 215 CID		M	57899 - 22x1.5mm Thd 51085 ⁵³ - 3/4-16 Thd	57899XP - 22x1.5mm Thd 51085XP - 3/4-16 Thd	42389	24313	24313XP	3	N/S		58128 - 62TE

CALIBER

L4 1.8L 110 CID	EBA	C	57060 ⁵³	57060XP	49192	24313	24313XP	3	N/S		WL10390
L4 2.0L 1995cc 122 CID	ECN	B	57060 ⁵³	57060XP	49192	24313	24313XP	3	N/S		WL10390
L4 2.4L 2360cc 144 CID	ED3	K	57060 ⁵³	57060XP	49192	24313	24313XP	3	N/S		WL10390

CALIBER SRT4

L4 2.4L 144 CID Turbo	ED4	F	57899	57899XP	49432 ⁶¹	24313	24313XP	3	N/S		MT ⁷²
-----------------------	-----	---	-------	---------	---------------------	-------	---------	---	-----	--	------------------

CHALLENGER

V8 6.1L 370 CID	ESF	W	57899	57899XP	42843	N/R			N/S		58845 - 5 Spd.
-----------------	-----	---	-------	---------	-------	-----	--	--	-----	--	----------------

CHARGER

V6 2.7L 167 CID	EER	R	57899	57899XP	42843	24909		1	N/S		58013
V6 3.5L 215 CID		G	57899	57899XP	42843	24909		1	N/S		58845 - 5 Spd. 58013 - 4 Spd.
V8 5.7L 345 CID	EZC	H	57899 - 22x1.5mm Thd 51085 ⁵³ - 3/4-16 Thd	57899XP - 22x1.5mm Thd 51085XP - 3/4-16 Thd	42843	24909		1	N/S		58845
V8 6.1L 370 CID	ESF	W	57899	57899XP	42843	24909		1	N/S		58845

DAKOTA

V6 3.7L 226 CID			51516 ⁵³	51516XP	46077	N/R			N/S		58846 - 545RFE/68RFE-SP 58843 - 545RFE/68RFE-DP 58013 - 42RLE
V8 4.7L 0CC 285CID		N	57899	57899XP	46077	N/R			N/S		58013 - 42RLE 58843 - 545RFE/68RFE-DP 58846 - 545RFE/68RFE-SP

N/A = Not Available N/R = Not Required N/S = Not Serviceable For cabin and fuel filter locator, see pages 5-15 See pages 16-19 for footnotes

N/A = Non disponible N/R = Non nécessaire N/S = Non servicable Para la ubicación de los filtros de aire de la cabina y de combustible, ver las páginas 5-15 Voir pages 16-19 pour des notes

N/A = No disponible N/R = No requiere N/S = No servible Voir les tableaux de repérage des filtres d'habitacle et à carburant aux pages 5-15 Ver las páginas 16-19 para las notas al pie de página

Italicized Part Numbers May Not Be Available. Wix XP Oil Filters Have Fully Synthetic Media.

Las piezas con números en *italicas* pueden no estar disponibles. Los filtros de aceite WIX XP son completamente de media sintética. Les numéros de pièce en *italiques* peuvent ne pas être disponibles. Les filtres à huile XP Wix contiennent un matériau 100 % synthétique.

Year/Año/Année Model/Modelo/Modèle Engine/Motor/Moteur	Eng. Code Código de motor Code moteur	VIN NIV NIV	Oil Aceite Huile	Oil XP Aceite XP Huile XP	Air Aire Air	Cabin Air Cabina Aire Cabine Air	Cabin Air XP Cabina Aire XP Cabine Air XP	Loc. Cabin Air Cabina Aire Cabine Air	Fuel Combustible Carburant	Loc. Fuel Combustible Carburant	Transmission Transmisión Transmission
--	---	-------------------	------------------------	---------------------------------	--------------------	--	---	--	----------------------------------	--	---

DODGE (ALSO SEE RAM) (Cont'd/Suite)
2008 (Cont'd/Suite)
DAKOTA (Cont'd/Suite)

V8 4.7L OCC 285CID Flex		P	57899	57899XP	46077	N/R			N/S		58013 - 42RLE 58843 - 545RFE/68RFE-DP 58846 - 545RFE/68RFE-SP
-------------------------	--	---	-------	---------	-------	-----	--	--	-----	--	---

DURANGO

V6 3.7L 226 CID			51516 ⁵³	51516XP	42750	N/R			N/S		58846 - 545RFE/68RFE-SP 58843 - 545RFE/68RFE-DP 58013 - 42RLE
V8 4.7L OCC 285CID		N	57899	57899XP	42750	N/R			N/S		58846 - 545RFE/68RFE-SP 58843 - 545RFE/68RFE-DP 58013 - 42RLE
V8 4.7L OCC 285CID Flex		P	51516 ⁵³	51516XP	42750	N/R			N/S		58846 - 545RFE/68RFE-SP 58843 - 545RFE/68RFE-DP 58013 - 42RLE
V8 5.7L 345 CID			57899	57899XP	42750	N/R			N/S		58846 - 545RFE/68RFE-SP 58843 - 545RFE/68RFE-DP

GRAND CARAVAN

V6 3.3L 3301cc 201 CID		H	51348 ⁵³	51348XP	42389	24479	24479XP	4	N/S		58934
V6 3.3L 3301cc 201 CID Flex		H	51348 ⁵³	51348XP	42389	24479	24479XP	4	N/S		58934
V6 3.8L 230 CID		P	51348 ⁵³	51348XP	42389	24479	24479XP	4	N/S		58128
V6 4.0L 3952cc 241 CID			51085 ⁵³	51085XP	42389	24479	24479XP	3	N/S		58128

H100

L4 2.5L 2500cc Turbo Diesel (Mex.)			WL10031		N/A	N/A					N/A
------------------------------------	--	--	---------	--	-----	-----	--	--	--	--	-----

H100 VAN

L4 2.5L 2500cc Turbo Diesel (Mex.)			WL10031		WA9702	N/A					N/A
------------------------------------	--	--	---------	--	--------	-----	--	--	--	--	-----

MAGNUM

V6 2.7L 167 CID	EER	T	57899	57899XP	42843	24909		1	N/S		58013
V6 3.5L 215 CID		V	57899	57899XP	42843	24909		1	N/S		58845
V8 5.7L 345 CID	EZC	2	57899	57899XP	42843	24909		1	N/S		58845
V8 6.1L 370 CID	ESF	3	57899	57899XP	42843	24909		1	N/S		58845

NITRO

V6 3.7L 225 CID	EKG	K	51516 ⁵³	51516XP	49933	49093		1	N/S		58013
V6 4.0L 241 CID	EGS	6	51085 ⁵³	51085XP	49933	49093		1	N/S		58013 - 4 Spd. 58845 - 5 Spd.

PICKUP RAM SERIES (UP TO 5500 SERIES)

L6 5.9L 359 CID Turbo Diesel			57620 ⁵³	57620XP	42846 ²⁵⁸ 49946 ²⁵⁹ 49946FR ²⁶⁰	N/R			33585XE ⁵³	F	58613
L6 6.7L 408 CID Turbo Diesel		A	57620 ⁵³	57620XP	46930 46930FR ²⁶⁰	N/R			33733 ¹⁴⁶		58843 - 545RFE/68RFE-DP 58846 - 545RFE/68RFE-SP WL10415 - AS68RC
V6 3.7L 226 CID		K	51516 ⁵³	51516XP	42725 ¹⁵⁵ 42725FR ²⁶⁰	N/R			N/S		58846 - 545RFE/68RFE-SP 58843 - 545RFE/68RFE-DP
V8 4.7L OCC 285CID Flex		P	57899	57899XP	42725 ¹⁵⁵ 42725FR ²⁶⁰	N/R			N/S		58846 - 545RFE/68RFE-SP 58843 - 545RFE/68RFE-DP
V8 5.7L 345 CID		2	57899	57899XP	42725 ¹⁵⁵ 42725FR ²⁶⁰	N/R			N/S		58846 - 545RFE/68RFE-SP 58843 - 545RFE/68RFE-DP
		D	57899	57899XP	42725 ¹⁵⁵ 42725FR ²⁶⁰	N/R			N/S		58846 - 545RFE/68RFE-SP 58843 - 545RFE/68RFE-DP

RAM 2500

V8 5.7L 345 CID (Mex.)	EZH	T	51085 ⁵³	51085XP	42725 ¹⁵⁵ 42725FR ²⁶⁰				N/A		
------------------------	-----	---	---------------------	---------	--	--	--	--	-----	--	--

SPRINTER VAN

V6 3.0L 2987cc Turbo Diesel	EXM	5	57062		49876	49366 ¹⁵⁵ N/A ²²⁸		3	33934 ¹⁷⁹ N/A ²⁸⁹		58845
V6 3.5L 3497cc	EG2	6	57078		49876	49366 ¹⁵⁵ N/A ²²⁸		3	N/S		58845

VAN 1000

L4 2.4L 2400cc (Mex.)			51334 ⁵³	51334XP	46264	N/A			33319		N/A
-----------------------	--	--	---------------------	---------	-------	-----	--	--	-------	--	-----

N/A = Not Available N/R = Not Required N/S = Not Serviceable For cabin and fuel filter locator, see pages 5-15 See pages 16-19 for footnotes

N/A = Non disponible N/R = Non nécessaire N/S = Non réparable Para la ubicación de los filtros de aire de la cabina y de combustible, ver las páginas 5-15 Voir pages 16-19 pour des notes

N/A = No disponible N/R = No requiere N/S = No servible Voir les tableaux de repérage des filtres d'habitacle et à carburant aux pages 5-15 Ver las páginas 16-19 para las notas al pie de página

Italicized Part Numbers May Not Be Available. Wix XP Oil Filters Have Fully Synthetic Media.

Las piezas con números en *italicas* pueden no estar disponibles. Los filtros de aceite WIX XP son completamente de media sintética.

Les numéros de pièce en *italiques* peuvent ne pas être disponibles. Les filtres à huile XP Wix contiennent un matériau 100 % synthétique.

DODGE (ALSO SEE RAM) 2008-2007
Pass Car/Light Truck

Year/Año/Année Model/Modelo/Modèle Engine/Motor/Moteur	Eng. Code Código de motor Code moteur	VIN NIV NIV	Oil Aceite Huile	Oil XP Aceite XP Huile XP	Air Aire Air	Cabin Air Cabina Aire Cabine Air	Cabin Air XP Cabina Aire XP Cabine Air XP	Loc. Cabin Air Cabina Aire Cabine Air	Fuel Combustible Carburant	Loc. Fuel Combustible Carburant	Transmission Transmisión Transmission
--	---	-------------------	------------------------	---------------------------------	--------------------	--	---	--	----------------------------------	--	---

DODGE (ALSO SEE RAM) (Cont'd/Suite)
2008 (Cont'd/Suite)
VIPER SRT-10

V10 8.4L 515 CID	EWE	Z	57063		N/A	N/R			N/S		MT ²
------------------	-----	---	-------	--	-----	-----	--	--	-----	--	-----------------

2007
ATOS

L4 1.1L 1086cc (Mex.)			51358 ⁵³	51358XP	WA10040	N/A			WF8310		
-----------------------	--	--	---------------------	---------	---------	-----	--	--	--------	--	--

ATTITUDE

L4 1.4L 1399cc (Mex.)			51334 ⁵³	51334XP	49069	24484			N/S		
L4 1.6L 1599cc (Mex.)			51334 ⁵³	51334XP	49069	24484			N/S		N/A

CALIBER

L4 1.8L 110 CID	EBA	C	57060 ⁵³	57060XP	49192	24578		3	N/S		WL10390
L4 2.0L 1995cc 122 CID	ECN	B	57060 ⁵³	57060XP	49192	24578		3	N/S		WL10390
L4 2.4L 2360cc 144 CID	ED3	K	57060 ⁵³	57060XP	49192	24578		3	N/S		WL10390

CARAVAN

L4 2.4L 2429cc 148 CID		B	51348 ⁵³	51348XP	42389	24864		4	N/S		58934
V6 3.3L 3301cc 201 CID		R	51348 ⁵³	51348XP	42389	24864		3	N/S	N	58934 - A604 58705 - 404
V6 3.3L 3301cc 201 CID Flex	EGV	E	51348 ⁵³	51348XP	42389	24864		4	N/S		58934

CHARGER

V6 2.7L 167 CID	EER	R	51085 ⁵³	51085XP	42843	24909		1	N/S		58013
V6 3.5L 215 CID		G	51085 ⁵³	51085XP	42843	24909		1	N/S		58845
V8 5.7L 345 CID	EZC	H	51085 ⁵³	51085XP	42843	24909		1	N/S		58845
V8 6.1L 370 CID	ESF	W	51085 ⁵³	51085XP	42843	24909		1	N/S		58845

DAKOTA

V6 3.7L 226 CID			51516 ⁵³	51516XP	46077	N/R			N/S		58846 - 545RFE/68RFE-SP 58843 - 545RFE/68RFE-DP 58013 - 42RLE
V8 4.7L 285 CID		J	51085 ⁵³	51085XP	46077	N/R			N/S		58013 - 42RLE 58843 - 545RFE/68RFE-DP 58846 - 545RFE/68RFE-SP
		N	51085 ⁵³	51085XP	46077	N/R			N/S		58013 - 42RLE 58843 - 545RFE/68RFE-DP 58846 - 545RFE/68RFE-SP
V8 4.7L 285 CID Flex		P	51085 ⁵³	51085XP	46077	N/R			N/S		58013 - 42RLE 58843 - 545RFE/68RFE-DP 58846 - 545RFE/68RFE-SP

DURANGO

V6 3.7L 226 CID			51516 ⁵³	51516XP	42750	N/R			N/S		58846 - 545RFE/68RFE-SP 58843 - 545RFE/68RFE-DP 58013 - 42RLE
V8 4.7L OCC 285CID		N	51085 ⁵³	51085XP	42750	N/R			N/S		58846 - 545RFE/68RFE-SP 58843 - 545RFE/68RFE-DP
V8 4.7L 285 CID Flex			51085 ⁵³	51085XP	42750	N/R			N/S		58846 - 545RFE/68RFE-SP 58843 - 545RFE/68RFE-DP
V8 5.7L 345 CID			51085 ⁵³	51085XP	42750	N/R			N/S		58846 - 545RFE/68RFE-SP 58843 - 545RFE/68RFE-DP

GRAND CARAVAN

V6 3.3L 3301cc 201 CID		R	51348 ⁵³	51348XP	42389	24864		4	N/S		58934
V6 3.3L 3301cc 201 CID Flex	EGV	E	51348 ⁵³	51348XP	42389	24864		4	N/S		58934
V6 3.8L 230 CID		L	51348 ⁵³	51348XP	42389	24864		4	N/S		58934

H100

L4 2.5L 2500cc Turbo Diesel (Mex.)			WL10031		N/A	N/A					N/A
------------------------------------	--	--	---------	--	-----	-----	--	--	--	--	-----

MAGNUM

V6 2.7L 167 CID	EER	T	51085 ⁵³	51085XP	42843	24909		1	N/S		58013
V6 3.5L 215 CID		V	51085 ⁵³	51085XP	42843	24909		1	N/S		58845
V8 5.7L 345 CID	EZC	2	51085 ⁵³	51085XP	42843	24909		1	N/S		58845
V8 6.1L 370 CID	ESF	3	51085 ⁵³	51085XP	42843	24909		1	N/S		58845

N/A = Not Available N/R = Not Required N/S = Not Serviceable For cabin and fuel filter locator, see pages 5-15 See pages 16-19 for footnotes

N/A = Non disponible N/R = Non nécessaire N/S = Non réparable Para la ubicación de los filtros de aire de la cabina y de combustible, ver las páginas 5-15 Voir pages 16-19 pour des notes

N/A = No disponible N/R = No requiere N/S = No servible Voir les tableaux de repérage des filtres d'habitacle et à carburant aux pages 5-15 Ver las páginas 16-19 para las notas al pie de página

Italicized Part Numbers May Not Be Available. Wix XP Oil Filters Have Fully Synthetic Media.

Las piezas con números en *italicas* pueden no estar disponibles. Los filtros de aceite WIX XP son completamente de media sintética. Les numéros de pièce en *italiques* peuvent ne pas être disponibles. Les filtres à huile XP Wix contiennent un matériau 100 % synthétique.

Year/Año/Année Model/Modelo/Modèle Engine/Motor/Moteur	Eng. Code Código de motor Code moteur	VIN NIV NIV	Oil Aceite Huile	Oil XP Aceite XP Huile XP	Air Aire Air	Cabin Air Cabina Aire Cabine Air	Cabin Air XP Cabina Aire XP Cabine Air XP	Loc. Cabin Air Cabina Aire Cabine Air	Fuel Combustible Carburant	Loc. Fuel Combustible Carburant	Transmission Transmisión Transmission
--	--	-------------------	------------------------	---------------------------------	--------------------	--	---	--	----------------------------------	--	---

DODGE (ALSO SEE RAM) (Cont'd/Suite)
2007 (Cont'd/Suite)
NITRO

V6 3.7L 225 CID	EKG	K	51516 ⁵³	51516XP	49933				N/S		58013
V6 4.0L 241 CID	EGS	6	51085 ⁵³	51085XP	49933				N/S		58013 - 4 Spd. 58845 - 5 Spd.

PICKUP RAM SERIES (UP TO 5500 SERIES)

L6 5.9L 359 CID Turbo Diesel			57620 ⁵³	57620XP	42846 ²⁵⁸ 49946 ²⁵⁹ 49946FR ²⁶⁰		N/R		33585XE ⁵³	F	58613
L6 6.7L 408 CID Turbo Diesel		A	57620 ⁵³	57620XP	46930 ¹⁵⁵ 46930FR ²⁶⁰		N/R		33733 ¹⁴⁶		58843 - 545RFE/68RFE-DP 58846 - 545RFE/68RFE-SP
V6 3.7L 226 CID			51516 ⁵³	51516XP	42725 ¹⁵⁵ 42725FR ²⁶⁰		N/R		N/S		58846 - 545RFE/68RFE-SP 58843 - 545RFE/68RFE-DP
V8 4.7L OCC 285CID		N	51085 ⁵³	51085XP	42725 ¹⁵⁵ 42725FR ²⁶⁰		N/R		N/S		58846 - 545RFE/68RFE-SP 58843 - 545RFE/68RFE-DP
V8 4.7L 285 CID Flex			51085 ⁵³	51085XP	42725 ¹⁵⁵ 42725FR ²⁶⁰		N/R		N/S		58846 - 545RFE/68RFE-SP 58843 - 545RFE/68RFE-DP
V8 5.7L 345 CID			51085 ⁵³	51085XP	42725 ¹⁵⁵ 42725FR ²⁶⁰		N/R		N/S		58846 - 545RFE/68RFE-SP 58843 - 545RFE/68RFE-DP

RAM 2500

V8 5.7L 345 CID (Mex.)	EZH	T	51085 ⁵³	51085XP	42725 ¹⁵⁵ 42725FR ²⁶⁰				N/A		
------------------------	-----	---	---------------------	---------	--	--	--	--	-----	--	--

SPRINTER VAN

V6 3.0L 2987cc Turbo Diesel	EXM	5	57062		49876	49366		3	33934 ¹⁷⁹ N/A ²⁸⁹		58845
V6 3.5L 3497cc	EG2		57078		49876	49366		3	N/S		58845

2006
ATOS

L4 1.1L 1086cc (Mex.)			51358 ⁵³	51358XP	WA10040	N/A			WF8310		
-----------------------	--	--	---------------------	---------	---------	-----	--	--	--------	--	--

ATTITUDE

L4 1.4L 1399cc (Mex.)			51334 ⁵³	51334XP	49069	24484			N/S		
L4 1.6L 1599cc (Mex.)			51334 ⁵³	51334XP	49069	24484			N/S		N/A

CARAVAN

L4 2.4L 2429cc/148 CID		B	51348 ⁵³	51348XP	42389	24864		4	N/S		58934
V6 3.3L 3301cc 201 CID		R	51085 ⁵³	51085XP	42389	24864		3	WF10018 - Std. Wb WF10019 - Ext. Wb	N N	58934 - A604 58705 - 404
V6 3.3L 3301cc 201 CID Flex	EGV	E	51085 ⁵³	51085XP	42389	24864		4	N/S	B	58934

CHARGER

V6 2.7L 167 CID	EER	R	51085 ⁵³	51085XP	42843	24909		1	N/S		58013
V6 3.5L 215 CID		G	51085 ⁵³	51085XP	42843	24909		1	N/S		58845
V8 5.7L 345 CID	EZC	H	51085 ⁵³	51085XP	42843	24909		1	N/S		58845
V8 6.1L 370 CID	ESF	W	51085 ⁵³	51085XP	42843	24909		1	N/S		58845

DAKOTA

V6 3.7L 226 CID			51516 ⁵³	51516XP	46077		N/R		N/S		58846 - 545RFE/68RFE-SP 58843 - 545RFE/68RFE-DP 58013 - 42RLE
V8 4.7L 285 CID		J	51085 ⁵³	51085XP	46077		N/R		N/S		58846 - 545RFE/68RFE-SP 58843 - 545RFE/68RFE-DP
		N	51085 ⁵³	51085XP	46077		N/R		N/S		58846 - 545RFE/68RFE-SP 58843 - 545RFE/68RFE-DP

DURANGO

V6 3.7L 226 CID			51516 ⁵³	51516XP	42750		N/R		N/S		58846 - 545RFE/68RFE-SP 58843 - 545RFE/68RFE-DP 58013 - 42RLE
V8 4.7L OCC 285CID		N	51085 ⁵³	51085XP	42750		N/R		N/S		58846 - 545RFE/68RFE-SP 58843 - 545RFE/68RFE-DP
V8 4.7L 285 CID Flex			51085 ⁵³	51085XP	42750		N/R		N/S		58846 - 545RFE/68RFE-SP 58843 - 545RFE/68RFE-DP
V8 5.7L 345 CID			51085 ⁵³	51085XP	42750		N/R		N/S		58846 - 545RFE/68RFE-SP 58843 - 545RFE/68RFE-DP

N/A = Not Available N/R = Not Required N/S = Not Serviceable For cabin and fuel filter locator, see pages 5-15 See pages 16-19 for footnotes

N/A = Non disponible N/R = Non nécessaire N/S = Non réparable Para la ubicación de los filtros de aire de la cabina y de combustible, ver las páginas 5-15 Voir pages 16-19 pour des notes

N/A = No disponible N/R = No requiere N/S = No servible Voir les tableaux de repérage des filtres d'habitacle et à carburant aux pages 5-15 Ver las páginas 16-19 para las notas al pie de página

Italicized Part Numbers May Not Be Available. Wix XP Oil Filters Have Fully Synthetic Media.

Las piezas con números en *italicas* pueden no estar disponibles. Los filtros de aceite WIX XP son completamente de media sintética.

Les numéros de pièce en *italiques* peuvent ne pas être disponibles. Les filtres à huile Wix contiennent un matériau 100 % synthétique.

DODGE (ALSO SEE RAM) 2006-2005
Pass Car/Light Truck

Year/Año/Année Model/Modelo/Modèle Engine/Motor/Moteur	Eng. Code Código de motor Code moteur	VIN NIV NIV	Oil Aceite Huile	Oil XP Aceite XP Huile XP	Air Aire Air	Cabin Air Cabina Aire Cabine Air	Cabin Air XP Cabina Aire XP Cabine Air XP	Loc. Cabin Air Cabina Aire Cabine Air	Fuel Combustible Carburant	Loc. Fuel Combustible Carburant	Transmission Transmisión Transmission
--	---	-------------------	------------------------	---------------------------------	--------------------	--	---	--	----------------------------------	--	---

DODGE (ALSO SEE RAM) (Cont'd/Suite)
2006 (Cont'd/Suite)
GRAND CARAVAN

V6 3.3L 3301cc 201 CID		R	51085 ⁵³	51085XP	42389	24864					58934
V6 3.3L 3301cc 201 CID Flex	EGV	E	51085 ⁵³	51085XP	42389	24864					58934
V6 3.8L 230 CID		L	51085 ⁵³	51085XP	42389	24864					58934

H100

L4 2.5L 2500cc Turbo Diesel (Mex.)			51334 ⁵³	51334XP	46264	N/A			33500		N/A
------------------------------------	--	--	---------------------	---------	-------	-----	--	--	-------	--	-----

MAGNUM

V6 2.7L 167 CID	EER	T	51085 ⁵³	51085XP	42843	24909			1	N/S	58013
V6 3.5L 215 CID		V	51085 ⁵³	51085XP	42843	24909			1	N/S	58845
V8 5.7L 345 CID	EZC	2	51085 ⁵³	51085XP	42843	24909			1	N/S	58845
V8 6.1L 370 CID	ESF	3	51085 ⁵³	51085XP	42843	24909			1	N/S	58845

PICKUP RAM SERIES (UP TO 5500 SERIES)

L6 5.9L 359 CID Turbo Diesel			57620 ⁵³	57620XP	42846 ²⁵⁸ 49946 ²⁵⁹ 49946FR ³⁶⁰	N/R				33585XE ⁵³	F	58613
V10 8.3L 8285cc 505 CID (Mex.)			51085 ⁵³	51085XP	N/A					N/A		
V6 3.7L 226 CID			51516 ⁵³	51516XP	42725 ¹⁵⁵ 42725FR ³⁶⁰	N/R				N/S		58846 - 545RFE/68RFE-SP 58843 - 545RFE/68RFE-DP
V8 4.7L 0CC 285CID		N	51085 ⁵³	51085XP	42725 ¹⁵⁵ 42725FR ³⁶⁰	N/R				N/S		58846 - 545RFE/68RFE-SP 58843 - 545RFE/68RFE-DP
V8 4.7L 285 CID Flex			51085 ⁵³	51085XP	42725 ¹⁵⁵ 42725FR ³⁶⁰	N/R				N/S		58846 - 545RFE/68RFE-SP 58843 - 545RFE/68RFE-DP
V8 5.7L 345 CID			51085 ⁵³	51085XP	42725 ¹⁵⁵ 42725FR ³⁶⁰	N/R				N/S		58846 - 545RFE/68RFE-SP 58843 - 545RFE/68RFE-DP

RAM 2500

V8 5.7L 345 CID (Mex.)	EZH	T	51085 ⁵³	51085XP	42725 ¹⁵⁵ 42725FR ³⁶⁰					N/A		
------------------------	-----	---	---------------------	---------	--	--	--	--	--	-----	--	--

RAM SRT-10 PICKUP

V10 8.3L 8275cc 505 CID		H	51085 ⁵³	51085XP	N/A ⁶¹	N/R				N/S		58613
-------------------------	--	---	---------------------	---------	-------------------	-----	--	--	--	-----	--	-------

SPRINTER VAN

L5 2.7L 2687cc 165 CID Turbo Diesel		4	57038		42351	49262			1	33934 ¹⁷⁹		58845
-------------------------------------	--	---	-------	--	-------	-------	--	--	---	----------------------	--	-------

STRATUS

L4 2.0L 122 CID (Mex.)			51348 ⁵³	51348XP	46677	N/A				33347 ⁶¹		
L4 2.4L 2429cc		X,J	51348 ⁵³	51348XP	46677	N/R				N/S		58934
V6 2.7L 167 CID	EER	R,T	51085 ⁵³	51085XP	46677	N/R				N/S		58934

VERNA

L4 1.5L 91 CID (Mex.)			51334 ⁵³	51334XP	46674	N/A				33235		
L4 1.6L 98 CID (Mex.)			51334 ⁵³	51334XP	46674	N/A				33235		

VIPER SRT-10

V10 8.3L 505 CID	EWC	Z	51085 ⁵³	51085XP	N/A	N/R				N/A		MT ⁷²
------------------	-----	---	---------------------	---------	-----	-----	--	--	--	-----	--	------------------

2005
ATOS

L4 1.1L 1086cc (Mex.)			51358 ⁵³	51358XP	WA10040	N/A				WF8310		
-----------------------	--	--	---------------------	---------	---------	-----	--	--	--	--------	--	--

CARAVAN

L4 2.4L 2429cc 148 CID		B	51348 ⁵³	51348XP	42389	24864			4	N/S		58934 - 4 Spd.
V6 3.3L 3301cc 201 CID		R	51085 ⁵³	51085XP	42389	24864			3	WF10018 - Std. Wb WF10019 - Ext. Wb	N	58934 - A604 58705 - 404
V6 3.3L 3301cc 201 CID Flex	EGV	E	51085 ⁵³	51085XP	42389	24864			4	N/S	B	58934

DAKOTA

V6 3.7L 226 CID	EKG	K	51516 ⁵³	51516XP	46077	N/R				N/S		58013 - 42RLE 58846 - 545RFE/68RFE-SP 58843 - 545RFE/68RFE-DP
V8 4.7L 285 CID	EVE	J	51085 ⁵³	51085XP	46077	N/R				N/S		58846 - 545RFE/68RFE-SP 58843 - 545RFE/68RFE-DP

N/A = Not Available N/R = Not Required N/S = Not Serviceable For cabin and fuel filter locator, see pages 5-15 See pages 16-19 for footnotes

N/A = Non disponible N/R = Non nécessaire N/S = Non servicable Para la ubicación de los filtros de aire de la cabina y de combustible, ver las páginas 5-15 Voir pages 16-19 pour des notes

N/A = No disponible N/R = No requiere N/S = No servible Voir les tableaux de repérage des filtres d'habitacle et à carburant aux pages 5-15 Ver las páginas 16-19 para las notas al pie de página

Italicized Part Numbers May Not Be Available. Wix XP Oil Filters Have Fully Synthetic Media.

Las piezas con números en *italicas* pueden no estar disponibles. Los filtros de aceite WIX XP son completamente de media sintética. Les numéros de pièce en *italiques* peuvent ne pas être disponibles. Les filtres à huile XP Wix contiennent un matériau 100 % synthétique.

Pass Car/Light Truck
DODGE (ALSO SEE RAM) 2005

Year/Año/Année Model/Modelo/Modèle Engine/Motor/Moteur	Eng. Code Código de motor Code moteur	VIN NIV NIV	Oil Aceite Huile	Oil XP Aceite XP Huile XP	Air Aire Air	Cabin Air Cabina Aire Cabine Air	Cabin Air XP Cabina Aire XP Cabine Air XP	Loc. Cabin Air Cabina Aire Cabine Air	Fuel Combustible Carburant	Loc. Fuel Combustible Carburant	Transmission Transmisión Transmission
--	---	-------------------	------------------------	---------------------------------	--------------------	--	---	--	----------------------------------	--	---

DODGE (ALSO SEE RAM) (Cont'd/Suite)
2005 (Cont'd/Suite)
DAKOTA (Cont'd/Suite)

V8 4.7L 285 CID	EVE	N	51085 ⁵³	51085XP	46077		N/R		N/S		58013 - 42RLE 58843 - 545RFE/68RFE-DP 58846 - 545RFE/68RFE-SP
-----------------	-----	---	---------------------	---------	-------	--	-----	--	-----	--	---

DURANGO

V6 3.7L 226 CID			51516 ⁵³	51516XP	42750		N/R		N/S		58846 - 545RFE/68RFE-SP 58843 - 545RFE/68RFE-DP 58013 - 42RLE
V8 4.7L OCC 285CID		N	51085 ⁵³	51085XP	42750		N/R		N/S		58846 - 545RFE/68RFE-SP 58843 - 545RFE/68RFE-DP
V8 5.7L 345 CID			51085 ⁵³	51085XP	42750		N/R		N/S		58846 - 545RFE/68RFE-SP 58843 - 545RFE/68RFE-DP

GRAND CARAVAN

V6 3.3L 3301cc 201 CID		R	51085 ⁵³	51085XP	42389	24864		4	WF10020	Q	58934
V6 3.3L 3301cc 201 CID Flex	EGV	E	51085 ⁵³	51085XP	42389	24864		4	N/S	B	58934
V6 3.8L 230 CID		L	51085 ⁵³	51085XP	42389	24864		4	N/S		58934

H100

L4 2.4L 2389CC (Mex.)			51334 ⁵³	51334XP	46264		N/A		33500		
L4 2.5L 2500cc Turbo Diesel (Mex.)			51334 ⁵³	51334XP	46264		N/A		33500		N/A

MAGNUM

V6 2.7L 167 CID	EER	T	51085 ⁵³	51085XP	42843	24909		1	N/S		58013 - 4 Spd.
V6 3.5L 215 CID		V	51085 ⁵³	51085XP	42843	24909		1	N/S		58013 - 4 Spd. 58845 - 5 Spd.
V8 5.7L 345 CID	EZC	2	51085 ⁵³	51085XP	42843	24909		1	N/S		58845 - 5 Spd.

NEON

L4 2.0L 1996cc		F	51348 ⁵³	51348XP	42384		N/R		N/S		MT ⁷²
		C	51348 ⁵³	51348XP	42384		N/R		N/S		MT ⁷²
		S	51516 ⁵³	51516XP	42384		N/R		N/S		58934
L4 2.4L 2429cc		S	51516 ⁵³	51516XP	42384		N/R		N/S		MT ⁷²

PICKUP RAM SERIES (UP TO 5500 SERIES)

L6 5.9L 359 CID Turbo Diesel		6,C	57620 ⁵³	57620XP	42846 ²⁵⁸ 49946 ²⁵⁹ 49946FR ²⁶⁰		N/R		33585XE ⁵³	F	58613
V10 8.3L 8285cc 505 CID (Mex.)			51085 ⁵³	51085XP	N/A				N/A		
V6 3.7L 226 CID			51516 ⁵³	51516XP	42725 ¹⁵⁵ 42725FR ²⁶⁰		N/R		N/S		58846 - 545RFE/68RFE-SP 58843 - 545RFE/68RFE-DP
V8 4.7L OCC 285CID		N	51085 ⁵³	51085XP	42725 ¹⁵⁵ 42725FR ²⁶⁰		N/R		N/S		58846 - 545RFE/68RFE-SP 58843 - 545RFE/68RFE-DP
V8 4.7L 285 CID Flex		N,P	51085 ⁵³	51085XP	42725 ¹⁵⁵ 42725FR ²⁶⁰		N/R		N/S		58846 - 545RFE/68RFE-SP 58843 - 545RFE/68RFE-DP
V8 5.7L 345 CID		D	51085 ⁵³	51085XP	42725 ¹⁵⁵ 42725FR ²⁶⁰		N/R		N/S		58846 - 545RFE/68RFE-SP 58843 - 545RFE/68RFE-DP

RAM 2500

V8 5.7L 345 CID (Mex.)	EZH	T	51085 ⁵³	51085XP	42725 ¹⁵⁵ 42725FR ²⁶⁰				N/A		
------------------------	-----	---	---------------------	---------	--	--	--	--	-----	--	--

RAM SRT-10 PICKUP

V10 8.3L 8275cc 505 CID		H	51085 ⁵³	51085XP	N/A ⁶¹		N/R		N/S		58613
-------------------------	--	---	---------------------	---------	-------------------	--	-----	--	-----	--	-------

SPRINTER VAN

L5 2.7L 2687cc 165 CID Turbo Diesel		4	57038		42351	49262		1	33934 ¹⁷⁹		58845
-------------------------------------	--	---	-------	--	-------	-------	--	---	----------------------	--	-------

STRATUS

L4 2.0L 122 CID (Mex.)			51348 ⁵³	51348XP	46677		N/A		33347 ⁶¹		
L4 2.4L 2351cc		G	51356	51356XP	46028		N/R		N/S		N/A
L4 2.4L 2429cc		X,J	51348 ⁵³	51348XP	46677		N/R		N/S		58934
V6 2.7L 167 CID	EER	R,T	51085 ⁵³	51085XP	46677		N/R		N/S		58934
V6 3.0L 181 CID		H	57092		46028		N/R		N/S		N/A

N/A = Not Available N/R = Not Required N/S = Not Serviceable For cabin and fuel filter locator, see pages 5-15 See pages 16-19 for footnotes

N/A = Non disponible N/R = Non nécessaire N/S = Non réparable Para la ubicación de los filtros de aire de la cabina y de combustible, ver las páginas 5-15 Voir pages 16-19 pour des notes

N/A = No disponible N/R = No requiere N/S = No servible Voir les tableaux de repérage des filtres d'habitacle et à carburant aux pages 5-15 Ver las páginas 16-19 para las notas al pie de página

Italicized Part Numbers May Not Be Available. Wix XP Oil Filters Have Fully Synthetic Media.

Las piezas con números en *italicas* pueden no estar disponibles. Los filtros de aceite WIX XP son completamente de media sintética.

Les numéros de pièce en *italiques* peuvent ne pas être disponibles. Les filtres à huile Wix contiennent un matériau 100 % synthétique.

DODGE (ALSO SEE RAM) 2005-2004
Pass Car/Light Truck

Year/Año/Année Model/Modelo/Modèle Engine/Motor/Moteur	Eng. Code Código de motor Code moteur	VIN NIV NIV	Oil Aceite Huile	Oil XP Aceite XP Huile XP	Air Aire Air	Cabin Air Cabina Aire Cabine Air	Cabin Air XP Cabina Aire XP Cabine Air XP	Loc. Cabin Air Cabina Aire Cabine Air	Fuel Combustible Carburant	Loc. Fuel Combustible Carburant	Transmission Transmisión Transmission
--	--	-------------------	------------------------	---------------------------------	--------------------	--	---	--	----------------------------------	--	---

DODGE (ALSO SEE RAM) (Cont'd/Suite)
2005 (Cont'd/Suite)
SX

L4 2.0L 1996cc	ECF	C,F	51348 ⁵³	51348XP	42384				N/S		MT
----------------	-----	-----	---------------------	---------	-------	--	--	--	-----	--	----

VERNA

L4 1.5L 91 CID (Mex.)			51334 ⁵³	51334XP	46674	N/A			33235		
L4 1.6L 98 CID (Mex.)			51334 ⁵³	51334XP	46674	N/A			33235		

VIPER SRT-10

V10 8.3L 505 CID	EWC	Z	51085 ⁵³	51085XP	N/A	N/R			N/A		MT ⁷²
------------------	-----	---	---------------------	---------	-----	-----	--	--	-----	--	------------------

2004
ATOS

L4 1.0L 1000cc (Mex.)			51358 ⁵³	51358XP	WA6594 ⁶¹	N/A			WF8229		
-----------------------	--	--	---------------------	---------	----------------------	-----	--	--	--------	--	--

CARAVAN

L4 2.4L 2429cc/148 CID		B	51348 ⁵³	51348XP	42389	24864		4	N/S	Q	58705 - 3 Spd. 58934 - 4 Spd.
V6 3.3L 3301cc 201 CID		R	51085 ⁵³	51085XP	42389	24864		4	N/S	Q	58934

DAKOTA

V6 3.7L 226 CID	EKG	K	51516 ⁵³	51516XP	46077	N/R			N/S		58013 - 42RLE 58846 - 545RFE/68RFE-SP 58843 - 545RFE/68RFE-DP
V8 4.7L 285 CID	EVE	N	51085 ⁵³	51085XP	46077	N/R			N/S		58013 - 42RLE 58846 - 545RFE/68RFE-SP 58843 - 545RFE/68RFE-DP

DURANGO

V6 3.7L 226 CID			51516 ⁵³	51516XP	42750	N/R			N/S		58013 - 42RLE 58846 - 545RFE/68RFE-SP 58843 - 545RFE/68RFE-DP
V8 4.7L 0CC 285CID		N	51085 ⁵³	51085XP	42750	N/R			N/S		58846 - 545RFE/68RFE-SP 58843 - 545RFE/68RFE-DP
V8 5.7L 345 CID			51085 ⁵³	51085XP	42750	N/R			N/S		58846 - 545RFE/68RFE-SP 58843 - 545RFE/68RFE-DP

GRAND CARAVAN

V6 3.3L 3301cc 201 CID		R	51085 ⁵³	51085XP	42389	24864		4	WF10020	Q	58934
V6 3.3L 3301cc 201 CID Flex		3	51085 ⁵³	51085XP	42389	24864		4	N/S	B	58934
V6 3.8L 230 CID		L	51085 ⁵³	51085XP	42389	24864		4	N/S		58934

H100

L4 2.4L 2389CC (Mex.)			51334 ⁵³	51334XP	46264	N/A			33500		
L4 2.5L 2500cc Turbo Diesel (Mex.)			51334 ⁵³	51334XP	46264	N/A			33500		N/A

INTREPID

V6 2.7L 167 CID	EER	R	51085 ⁵³	51085XP	46472	N/R			N/S		58993
V6 3.5L 215 CID		M,G	51085 ⁵³	51085XP	46472	N/R			N/S		58993
		V	51085 ⁵³	51085XP	46472	N/R			N/S		58993

NEON

L4 2.0L 1996cc	ECF	C	51348 ⁵³	51348XP	42384	N/R			N/S		58934
	ECF	F	51348 ⁵³	51348XP	42384	N/R			N/S		MT ⁷²
L4 2.4L 2429cc		S	51516 ⁵³	51516XP	42384	N/R			N/S		MT ⁷²

PICKUP RAM SERIES (UP TO 5500 SERIES)

L6 5.9L 359 CID Turbo Diesel			57620 ⁵³	57620XP	42846 ²⁵⁸ 49946 ²⁵⁹ 49946FR ³⁶⁰	N/R			33585XE ⁵³	F	58613
		6	57620 ⁵³	57620XP	42846 ²⁵⁸ 49946 ²⁵⁹ 49946FR ³⁶⁰	N/R			33585XE ⁵³	F	58613
V6 3.7L 226 CID			51516 ⁵³	51516XP	42725 ¹⁵⁵ 42725FR ³⁶⁰	N/R			N/S		58846 - 545RFE/68RFE-SP 58843 - 545RFE/68RFE-DP
V8 4.7L 0CC 285CID		N	51085 ⁵³	51085XP	42725 ¹⁵⁵ 42725FR ³⁶⁰	N/R			N/S		58846 - 545RFE/68RFE-SP 58843 - 545RFE/68RFE-DP
V8 4.7L 287 CID Flex		P	51085 ⁵³	51085XP	42725 ¹⁵⁵ 42725FR ³⁶⁰	N/R			N/S		58846 - 545RFE/68RFE-SP 58843 - 545RFE/68RFE-DP

N/A = Not Available N/R = Not Required N/S = Not Serviceable For cabin and fuel filter locator, see pages 5-15 See pages 16-19 for footnotes

N/A = Non disponible N/R = Non nécessaire N/S = Non réparable Para la ubicación de los filtros de aire de la cabina y de combustible, ver las páginas 5-15 Voir pages 16-19 pour des notes

N/A = No disponible N/R = No requiere N/S = No servible Voir les tableaux de repérage des filtres d'habitacle et à carburant aux pages 5-15 Ver las páginas 16-19 para las notas al pie de página

Italicized Part Numbers May Not Be Available. Wix XP Oil Filters Have Fully Synthetic Media.

Las piezas con números en *italicas* pueden no estar disponibles. Los filtros de aceite WIX XP son completamente de media sintética. Les numéros de pièce en *italiques* peuvent ne pas être disponibles. Les filtres à huile XP Wix contiennent un matériau 100 % synthétique.

Year/Año/Année Model/Modelo/Modèle Engine/Motor/Moteur	Eng. Code Código de motor Code moteur	VIN NIV NIV	Oil Aceite Huile	Oil XP Aceite XP Huile XP	Air Aire Air	Cabin Air Cabina Aire Cabine Air	Cabin Air XP Cabina Aire XP Cabine Air XP	Loc. Cabin Air Cabina Aire Cabine Air	Fuel Combustible Carburant	Loc. Fuel Combustible Carburant	Transmission Transmisión Transmission
--	---	-------------------	------------------------	---------------------------------	--------------------	--	---	--	----------------------------------	--	---

DODGE (ALSO SEE RAM) (Cont'd/Suite)
2004 (Cont'd/Suite)
PICKUP RAM SERIES (UP TO 5500 SERIES) (Cont'd/Suite)

V8 5.7L 345 CID			51085 ⁵³	51085XP	42725 ¹⁵⁵ 42725FR ³⁶⁰	N/R			N/S		58846 - 545RFE/68RFE-SP 58843 - 545RFE/68RFE-DP
-----------------	--	--	---------------------	---------	--	-----	--	--	-----	--	--

RAM 2500

V8 5.7L 345 CID (Mex.)	EZH	T	51085 ⁵³	51085XP	42725 ¹⁵⁵ 42725FR ³⁶⁰				N/A		
------------------------	-----	---	---------------------	---------	--	--	--	--	-----	--	--

RAM SRT-10 PICKUP

V10 8.3L 8275cc 505 CID		H	51085 ⁵³	51085XP	N/A ⁶¹	N/R			N/S		58613
-------------------------	--	---	---------------------	---------	-------------------	-----	--	--	-----	--	-------

SPRINTER VAN

L5 2.7L 2687cc 165 CID Turbo Diesel		4	57038		42351	49262		1	33934 ¹⁷⁹		58845
-------------------------------------	--	---	-------	--	-------	-------	--	---	----------------------	--	-------

STRATUS

L4 2.0L 2000cc (Mex.)			51348 ⁵³	51348XP	46425				N/A		
L4 2.4L 2351cc SOHC		G	51356	51356XP	46028		N/R		N/S		N/A
L4 2.4L 2429cc DOHC		X,J	51348 ⁵³	51348XP	46677		N/R		N/S		58934
V6 2.7L 167 CID	EER	R,T	51085 ⁵³	51085XP	46677		N/R		N/S		58934
V6 3.0L 181 CID SOHC		H	57092		46028		N/R		N/S		N/A

SX

L4 2.0L 1996cc	ECF	C,F	51348 ⁵³	51348XP	42384				N/S		MT
----------------	-----	-----	---------------------	---------	-------	--	--	--	-----	--	----

VERNA

L4 1.5L 91 CID (Mex.)			51334 ⁵³	51334XP	46674		N/A		33235		
L4 1.6L 98 CID (Mex.)			51334 ⁵³	51334XP	46674		N/A		33235		

VIPER SRT-10

V10 8.3L 505 CID	EWC	Z	51085 ⁵³	51085XP	N/A	N/R			N/A		MT ⁷²
------------------	-----	---	---------------------	---------	-----	-----	--	--	-----	--	------------------

2003
ATOS

L4 1.0L 1000cc (Mex.)			51358 ⁵³	51358XP	WA6594 ⁶¹		N/A		WF8229		
-----------------------	--	--	---------------------	---------	----------------------	--	-----	--	--------	--	--

CARAVAN

L4 2.4L 2429cc 148 CID		B	51348 ⁵³	51348XP	42389	24864		4	WF10020	Q	58705 - 3 Spd. 58934 - 4 Spd.
V6 3.3L 3301cc 201 CID			51085 ⁵³	51085XP	42389	24864		3	WF10020	N	58934 - A604 58705 - 404
V6 3.3L 3301cc 201 CID Flex		3	51085 ⁵³	51085XP	42389	24864		4	WF10020	Q	58934

DAKOTA

V6 3.9L 3906cc 239 CID		X	51085 ⁵³	51085XP	46077		N/R		N/S		58613
V8 4.7L 285 CID	EVE	N	51085 ⁵³	51085XP	46077		N/R		N/S		58846 - 545RFE/68RFE-SP 58843 - 545RFE/68RFE-DP
V8 5.9L 360 CID		Z	51085 ⁵³	51085XP	46077		N/R		N/S		58613

DURANGO

V8 4.7L 0CC 285CID		N	51085 ⁵³	51085XP	46077		N/R		N/S		58846 - 545RFE/68RFE-SP 58843 - 545RFE/68RFE-DP
V8 5.9L 360 CID		Z	51085 ⁵³	51085XP	46077		N/R		N/S		58613

GRAND CARAVAN

V6 3.3L 3301cc 201 CID		R	51085 ⁵³	51085XP	42389	24864		4	WF10020	Q	58934
V6 3.3L 3301cc 201 CID Flex		3	51085 ⁵³	51085XP	42389	24864		4	WF10020	Q	58934
V6 3.8L 230 CID		L	51085 ⁵³	51085XP	42389	24864		4	WF10020	Q	58934

H100

L4 2.4L 2389CC (Mex.)			51334 ⁵³	51334XP	46264		N/A		33500		
L4 2.5L 2500cc Turbo Diesel (Mex.)			51334 ⁵³	51334XP	46264		N/A		33500		N/A

INTREPID

V6 2.7L 167 CID	EER	R	51085 ⁵³	51085XP	46472		N/R		N/S		58993
V6 3.5L 215 CID		M,G	51085 ⁵³	51085XP	46472		N/R		N/S		58993
		V	51085 ⁵³	51085XP	46472		N/R		N/S		58993

NEON

L4 2.0L 1996cc	ECF	C	51348 ⁵³	51348XP	42384		N/R		N/S		58934
----------------	-----	---	---------------------	---------	-------	--	-----	--	-----	--	-------

N/A = Not Available N/R = Not Required N/S = Not Serviceable For cabin and fuel filter locator, see pages 5-15 See pages 16-19 for footnotes

N/A = Non disponible N/R = Non nécessaire N/S = Non réparable Para la ubicación de los filtros de aire de la cabina y de combustible, ver las páginas 5-15 Voir pages 16-19 pour des notes

N/A = No disponible N/R = No requiere N/S = No servible Voir les tableaux de repérage des filtres d'habitacle et à carburant aux pages 5-15 Ver las páginas 16-19 para las notas al pie de página

Italicized Part Numbers May Not Be Available. Wix XP Oil Filters Have Fully Synthetic Media.

Las piezas con números en *italicas* pueden no estar disponibles. Los filtros de aceite WIX XP son completamente de media sintética.

Les numéros de pièce en *italiques* peuvent ne pas être disponibles. Les filtres à huile Wix contiennent un matériau 100 % synthétique.

DODGE (ALSO SEE RAM) 2003-2002
Pass Car/Light Truck

Year/Año/Année Model/Modelo/Modèle Engine/Motor/Moteur	Eng. Code Código de motor Code moteur	VIN NIV NIV	Oil Aceite Huile	Oil XP Aceite XP Huile XP	Air Aire Air	Cabin Air Cabina Aire Cabine Air	Cabin Air XP Cabina Aire XP Cabine Air XP	Loc. Cabin Air Cabina Aire Cabine Air	Fuel Combustible Carburant	Loc. Fuel Combustible Carburant	Transmission Transmisión Transmission
--	---	-------------------	------------------------	---------------------------------	--------------------	--	---	--	----------------------------------	--	---

DODGE (ALSO SEE RAM) (Cont'd/Suite)
2003 (Cont'd/Suite)
NEON (Cont'd/Suite)

L4 2.0L 1996cc	ECF	F	51348 ⁵³	51348XP	42384	N/R			N/S		MT ⁷²
----------------	-----	---	---------------------	---------	-------	-----	--	--	-----	--	------------------

NEON SRT4

L4 2.4L 2429cc		S	51516 ⁵³	51516XP	42384	N/R			N/S		MT ⁷²
----------------	--	---	---------------------	---------	-------	-----	--	--	-----	--	------------------

PICKUP RAM SERIES (UP TO 5500 SERIES)

L6 5.9L 359 CID Turbo Diesel		6	57620 ⁵³	57620XP	42846 ²⁵⁸ 49946 ²⁵⁹ 49946FR ³⁶⁰	N/R			33585XE ⁵³	F	58613
			57620 ⁵³	57620XP	42846 ²⁵⁸ 49946 ²⁵⁹ 49946FR ³⁶⁰	N/R			33585XE ⁵³	F	58613
V10 8.0L 7990cc 488 CID			51085 ⁵³	51085XP	42725 ¹⁵⁵ 42725FR ³⁶⁰	N/R			N/S		58613
V6 3.7L 226 CID			51516 ⁵³	51516XP	42725 ¹⁵⁵ 42725FR ³⁶⁰	N/R			N/S		58846 - 45RFE-SP 58843 - 45RFE-DP
V8 4.7L 0CC 285CID		N	51085 ⁵³	51085XP	42725 ¹⁵⁵ 42725FR ³⁶⁰	N/R			N/S		58846 - 45RFE-SP 58843 - 45RFE-DP
V8 5.7L 345 CID			51085 ⁵³	51085XP	42725 ¹⁵⁵ 42725FR ³⁶⁰	N/R			N/S		58846 - 45RFE-SP 58843 - 45RFE-DP
V8 5.9L 360 CID		Z	51085 ⁵³	51085XP	42725 ¹⁵⁵ 42725FR ³⁶⁰	N/R			N/S		58613

RAM 2500

V8 5.7L 345 CID (Mex.)	EZH	T	51085 ⁵³	51085XP	42725 ¹⁵⁵ 42725FR ³⁶⁰				N/A		
------------------------	-----	---	---------------------	---------	--	--	--	--	-----	--	--

RAM VAN & WAGON (UP TO 3500 SERIES)

V6 3.9L 3906cc 239 CID		X	51085 ⁵³	51085XP	42020	N/R			N/S		58613
V8 5.2L 5211cc 318 CID		Y	51085 ⁵³	51085XP	42020	N/R			N/S		58613
V8 5.2L 5211cc 318 CID CNG		T	51085 ⁵³	51085XP	42020	N/R			N/S		58613
V8 5.9L 360 CID		Z	51085 ⁵³	51085XP	42020	N/R			N/S		58613

SPRINTER VAN

L5 2.7L 2687cc 165 CID Turbo Diesel		1,2	57038		42351	N/R			33140		58845
-------------------------------------	--	-----	-------	--	-------	-----	--	--	-------	--	-------

STRATUS

L4 2.0L 2000cc (Mex.)			51348 ⁵³	51348XP	46425				N/A		
L4 2.4L 2351cc SOHC		G	51356	51356XP	46028	N/R			N/S		N/A
L4 2.4L 2429cc DOHC		X	51348 ⁵³	51348XP	46677	N/R			N/S		58934
V6 2.7L 167 CID	EER	R,T	51085 ⁵³	51085XP	46677	N/R			N/S		58934
V6 3.0L 181 CID SOHC		H	57092		46028	N/R			N/S		N/A

SX

L4 2.0L 1996cc	ECF	C,F	51348 ⁵³	51348XP	42384				N/S		MT
----------------	-----	-----	---------------------	---------	-------	--	--	--	-----	--	----

VIPER SRT-10

V10 8.3L 505 CID	EWC	Z	51085 ⁵³	51085XP	N/A	N/R			N/A		MT ⁷²
------------------	-----	---	---------------------	---------	-----	-----	--	--	-----	--	------------------

2002
ATOS

L4 1.0L 1000cc (Mex.)			51358 ⁵³	51358XP	WA6594 ⁶¹	N/A			WF8229		
-----------------------	--	--	---------------------	---------	----------------------	-----	--	--	--------	--	--

CARAVAN

L4 2.4L 2429cc148 CID		B	51348 ⁵³	51348XP	42389	24864		4	WF10020	Q	58705 - 3 Spd. 58934 - 4 Spd.
V6 3.3L 3301cc 201 CID			51085 ⁵³	51085XP	42389	24864		3	WF10020	N	58934 - A604 58705 - 404
V6 3.3L 3301cc 201 CID Flex		3	51085 ⁵³	51085XP	42389	24864		4	WF10020	Q	58934

DAKOTA

L4 2.5L 2507cc 153 CID		P	51085 ⁵³	51085XP	46077	N/R			N/S		N/S
V6 3.9L 3906cc 239 CID		X	51085 ⁵³	51085XP	46077	N/R			N/S		58613
V8 4.7L 287 CID	EVE	N	51085 ⁵³	51085XP	46077	N/R			N/S		58846 - 45RFE-SP 58843 - 45RFE-DP
V8 5.9L 360 CID		Z	51085 ⁵³	51085XP	46077	N/R			N/S		58613

N/A = Not Available N/R = Not Required N/S = Not Serviceable For cabin and fuel filter locator, see pages 5-15 See pages 16-19 for footnotes

N/A = Non disponible N/R = Non nécessaire N/S = Non réparable Para la ubicación de los filtros de aire de la cabina y de combustible, ver las páginas 5-15 Voir pages 16-19 pour des notes

N/A = No disponible N/R = No requiere N/S = No servible Voir les tableaux de repérage des filtres d'habitacle et à carburant aux pages 5-15 Ver las páginas 16-19 para las notas al pie de página

Italicized Part Numbers May Not Be Available. Wix XP Oil Filters Have Fully Synthetic Media.

Las piezas con números en *italicas* pueden no estar disponibles. Los filtros de aceite WIX XP son completamente de media sintética. Les numéros de pièce en *italiques* peuvent ne pas être disponibles. Les filtres à huile XP Wix contiennent un matériau 100 % synthétique.

Year/Año/Année Model/Modelo/Modèle Engine/Motor/Moteur	Eng. Code Código de motor Code moteur	VIN NIV NIV	Oil Aceite Huile	Oil XP Aceite XP Huile XP	Air Aire Air	Cabin Air Cabina Aire Cabine Air	Cabin Air XP Cabina Aire XP Cabine Air XP	Loc. Cabin Air Cabina Aire Cabine Air	Fuel Combustible Carburant	Loc. Fuel Combustible Carburant	Transmission Transmisión Transmission
--	---	-------------------	------------------------	---------------------------------	--------------------	--	---	---	----------------------------------	---------------------------------------	---

DODGE (ALSO SEE RAM) (Cont'd/Suite)
2002 (Cont'd/Suite)
DURANGO

V8 4.7L OCC 285CID		N	51085 ⁵³	51085XP	46077	N/R			N/S		58846 - 45RFE-SP 58843 - 45RFE-DP
V8 5.9L 360 CID		Z	51085 ⁵³	51085XP	46077	N/R			N/S		58613

GRAND CARAVAN

V6 3.3L 3301cc 201 CID		R	51085 ⁵³	51085XP	42389	24864		4	WF10020	Q	58934
V6 3.3L 3301cc 201 CID Flex		3	51085 ⁵³	51085XP	42389	24864		4	WF10020	Q	58934
V6 3.8L 230 CID		L	51085 ⁵³	51085XP	42389	24864		4	WF10020	Q	58934

INTREPID

V6 2.7L 167 CID	EER	R	51085 ⁵³	51085XP	46472	N/R			N/S		58993
V6 3.5L 215 CID		M,G,V	51085 ⁵³	51085XP	46472	N/R			N/S		58993

NEON

L4 2.0L 1996cc	ECF	C	51348 ⁵³	51348XP	42384	N/R			N/S		58934
	ECF	F	51348 ⁵³	51348XP	42384	N/R			N/S		MT ⁷²

PICKUP RAM SERIES (UP TO 5500 SERIES)

L6 5.9L 359 CID Turbo Diesel			51607 ⁵³		46272	N/R			33585XE ⁵³	F	58613
V10 8.0L 7990cc 488 CID			51085 ⁵³	51085XP	46298	N/R			N/S		58613
V6 3.7L 226 CID			51516 ⁵³	51516XP	42725 ¹⁵⁵	N/R			N/S		58846 - 45RFE-SP 58843 - 45RFE-DP
					42725FR ³⁶⁰						58846 - 45RFE-SP 58843 - 45RFE-DP
V8 4.7L OCC 285CID		N	51085 ⁵³	51085XP	42725 ¹⁵⁵	N/R			N/S		58846 - 45RFE-SP 58843 - 45RFE-DP
					42725FR ³⁶⁰						58846 - 45RFE-SP 58843 - 45RFE-DP
V8 5.2L 5211cc 318 CID		Y	51085 ⁵³	51085XP	46077	N/R			N/S		58613
V8 5.9L 360 CID			51085 ⁵³	51085XP	42725 ¹⁵⁸	N/R			N/S		58613
					42725FR ¹⁵⁸						
					46077 ¹⁵⁹						
		5,Z	51085 ⁵³	51085XP	42725 ¹⁵⁸	N/R			N/S		58613
					42725FR ¹⁵⁸						
					46077 ¹⁵⁹						

RAM 1500

V6 3.9L 239 CID			51085 ⁵³	51085XP	46077	N/A			N/A		
V6 3.9L 239 CID (Mex.)			51085 ⁵³	51085XP	46077	N/A			N/A		

RAM VAN & WAGON (UP TO 3500 SERIES)

V6 3.9L 3906cc 239 CID		X	51085 ⁵³	51085XP	42020	N/R			N/S		58613
V8 5.2L 5211cc 318 CID		Y	51085 ⁵³	51085XP	42020	N/R			N/S		58613
V8 5.2L 5211cc 318 CID CNG		T	51085 ⁵³	51085XP	42020	N/R			N/S		58613
V8 5.9L 360 CID			51085 ⁵³	51085XP	42020	N/R			N/S		58613

STRATUS

L4 2.0L 2000cc (Mex.)			51348 ⁵³	51348XP	46425				N/A		
L4 2.4L 2351cc SOHC		G	51356	51356XP	46028	N/R			N/S		N/A
L4 2.4L 2429cc DOHC		X	51348 ⁵³	51348XP	46677	N/R			N/S		58934
V6 2.7L 167 CID	EER	R	51085 ⁵³	51085XP	46677	N/R			N/S		58934
V6 3.0L 181 CID SOHC		H	57092		46028	N/R			N/S		N/A

VAN - B SERIES (UP TO 3500 SERIES)

V8 5.9L 360 CID (Mex.)			51085 ⁵³	51085XP	42020						
------------------------	--	--	---------------------	---------	-------	--	--	--	--	--	--

VIPER

V10 8.0L 488 CID		E	51085 ⁵³	51085XP	N/A	N/R			N/A	P	MT ⁷²
------------------	--	---	---------------------	---------	-----	-----	--	--	-----	---	------------------

FIAT
2021
124 Spider

L4 1.4L 1368CC Turbo			57341		WA10424	N/A			N/S		N/S
----------------------	--	--	-------	--	---------	-----	--	--	-----	--	-----

500L

L4 1.4L 1368CC 83CID Turbo		H	57341		WA10084	WP10106			33176		N/S
----------------------------	--	---	-------	--	---------	---------	--	--	-------	--	-----

500X

L4 1.3L 1300CC 79CID Turbo			N/A		N/A	WP10106			N/S		N/S
----------------------------	--	--	-----	--	-----	---------	--	--	-----	--	-----

N/A = Not Available N/R = Not Required N/S = Not Serviceable For cabin and fuel filter locator, see pages 5-15 See pages 16-19 for footnotes

N/A = Non disponible N/R = Non nécessaire N/S = Non réparable Para la ubicación de los filtros de aire de la cabina y de combustible, ver las páginas 5-15 Voir pages 16-19 pour des notes

N/A = No disponible N/R = No requiere N/S = No servible Voir les tableaux de repérage des filtres d'habitacle et à carburant aux pages 5-15 Ver las páginas 16-19 para las notas al pie de página

Italicized Part Numbers May Not Be Available. Wix XP Oil Filters Have Fully Synthetic Media.

Las piezas con números en *italicas* pueden no estar disponibles. Los filtros de aceite WIX XP son completamente de media sintética.

Les numéros de pièce en *italiques* peuvent ne pas être disponibles. Les filtres à huile Wix contiennent un matériau 100 % synthétique.

FIAT 2020-2017
Pass Car/Light Truck

Year/Año/Année Model/Modelo/Modèle Engine/Motor/Moteur	Eng. Code Código de motor Code moteur	VIN NIV NIV	Oil Aceite Huile	Oil XP Aceite XP Huile XP	Air Aire Air	Cabin Air Cabina Aire Cabine Air	Cabin Air XP Cabina Aire XP Cabine Air XP	Loc. Cabin Air Cabina Aire Cabine Air	Fuel Combustible Carburant	Loc. Fuel Combustible Carburant	Transmission Transmisión Transmission
--	---	-------------------	------------------------	---------------------------------	--------------------	--	---	--	----------------------------------	--	---

FIAT (Cont'd/Suite)
2020
124 Spider

L4 1.4L 1368CC Turbo			57341		WA10424	N/A			N/S		N/S
----------------------	--	--	-------	--	---------	-----	--	--	-----	--	-----

500L

L4 1.4L 1368CC 83CID Turbo		H	57341		WA10084	WP10106			33176		N/S
----------------------------	--	---	-------	--	---------	---------	--	--	-------	--	-----

500X

L4 1.3L 1300CC 79CID Turbo			N/A		N/A	WP10106			N/S		N/S
----------------------------	--	--	-----	--	-----	---------	--	--	-----	--	-----

2019
124 Spider

L4 1.4L 1368CC 83CID Turbo			57341		WA10424	N/A			N/S		N/S
----------------------------	--	--	-------	--	---------	-----	--	--	-----	--	-----

500

L4 1.4L 1368CC 83CID Turbo			57341		N/A	24053			N/S		N/A
----------------------------	--	--	-------	--	-----	-------	--	--	-----	--	-----

500 ABARTH

L4 1.4L 1368CC 83CID Turbo		R	57341		N/A	24053			N/S		N/A
----------------------------	--	---	-------	--	-----	-------	--	--	-----	--	-----

500 e

Electric 29k Wh 11 hp Electric			N/R		N/R	24053			N/R		N/R
--------------------------------	--	--	-----	--	-----	-------	--	--	-----	--	-----

500C

L4 1.4L 1368CC 83CID Turbo		R	57341		N/A	24053			N/S		N/A
----------------------------	--	---	-------	--	-----	-------	--	--	-----	--	-----

500L

L4 1.4L 1368CC 83CID Turbo		H	57341		WA10084	WP10106			33176		N/S
----------------------------	--	---	-------	--	---------	---------	--	--	-------	--	-----

500X

L4 1.3L 1300CC 79CID Turbo			N/A		N/A	WP10106			N/S		N/S
L4 1.4L 1368CC 83CID Turbo			57341		WA10337	WP10106			N/A		N/S
L4 2.4L 2360cc 144 CID		T	57060 ⁵³	57060XP	WA10337	WP10106			N/A		N/S

2018
124 Spider

L4 1.4L 1368CC Turbo			57341		WA10424	N/A			N/S		N/S
----------------------	--	--	-------	--	---------	-----	--	--	-----	--	-----

500

L4 1.4L 1368cc 83 CID	EAB		57341		49048	24053			N/S		N/A
L4 1.4L 1368CC 83CID Turbo			57341		N/A	24053			N/S		N/A

500 e

Electric 29k Wh 11 hp Electric			N/R		N/R	24053			N/R		N/R
--------------------------------	--	--	-----	--	-----	-------	--	--	-----	--	-----

500L

L4 1.4L 1368CC 83CID Turbo		H	57341		WA10084	WP10106			33176		N/S
----------------------------	--	---	-------	--	---------	---------	--	--	-------	--	-----

500X

L4 1.4L 1368CC 83CID Turbo			57341		WA10337	WP10106			N/S		N/S
L4 2.4L 2360cc 144 CID		T	57060 ⁵³	57060XP	WA10337	WP10106			N/S		N/S

DUCATO

L4 2.3L 2287cc JTD Turbo Diesel (Mex.)			N/R		WA10266	N/S			WF8366 ²¹		N/S
--	--	--	-----	--	---------	-----	--	--	----------------------	--	-----

MOBI

L4 1.0L (Mex.)			57356	57356XP	N/S	N/S			N/S		N/S
----------------	--	--	-------	---------	-----	-----	--	--	-----	--	-----

2017
124 Spider

L4 1.4L 1368CC Turbo			57341		WA10424	N/A			N/S		N/S
----------------------	--	--	-------	--	---------	-----	--	--	-----	--	-----

500

L4 1.4L 1368cc 83 CID	EAB	R	57341		49048	24053			N/S		N/A
L4 1.4L 1368CC 83CID Turbo			57341		WA10006	24053			N/S		N/A

500 ABARTH

L4 1.4L 1368CC 83CID Turbo		R	57341		N/A	24053			N/S		N/A
----------------------------	--	---	-------	--	-----	-------	--	--	-----	--	-----

500 e

Electric 29k Wh 11 hp Electric			N/R		N/R	24053			N/R		N/R
--------------------------------	--	--	-----	--	-----	-------	--	--	-----	--	-----

500C

L4 1.4L 1368cc 83 CID	EAB	R	57341		49048	24053			N/S		N/A
-----------------------	-----	---	-------	--	-------	-------	--	--	-----	--	-----

N/A = Not Available N/R = Not Required N/S = Not Serviceable For cabin and fuel filter locator, see pages 5-15 See pages 16-19 for footnotes

N/A = Non disponible N/R = Non nécessaire N/S = Non réparable Para la ubicación de los filtros de aire de la cabina y de combustible, ver las páginas 5-15 Voir pages 16-19 pour des notes

N/A = No disponible N/R = No requiere N/S = No servible Voir les tableaux de repérage des filtres d'habitacle et à carburant aux pages 5-15 Ver las páginas 16-19 para las notas al pie de página

Italicized Part Numbers May Not Be Available. Wix XP Oil Filters Have Fully Synthetic Media.

Las piezas con números en *italicas* pueden no estar disponibles. Los filtros de aceite WIX XP son completamente de media sintética. Les numéros de pièce en *italiques* peuvent ne pas être disponibles. Les filtres à huile XP Wix contiennent un matériau 100 % synthétique.

Year/Año/Année Model/Modelo/Modèle Engine/Motor/Moteur	Eng. Code Código de motor Code moteur	VIN NIV NIV	Oil Aceite Huile	Oil XP Aceite XP Huile XP	Air Aire Air	Cabin Air Cabina Aire Cabine Air	Cabin Air XP Cabina Aire XP Cabine Air XP	Loc. Cabin Air Cabina Aire Cabine Air	Fuel Combustible Carburant	Loc. Fuel Combustible Carburant	Transmission Transmisión Transmission
--	--	-------------------	------------------------	---------------------------------	--------------------	--	---	--	----------------------------------	--	---

FIAT (Cont'd/Suite)
2017 (Cont'd/Suite)
500C (Cont'd/Suite)

L4 1.4L 1368CC 83CID Turbo		R	57341		N/A	24053			N/S		N/A
----------------------------	--	---	-------	--	-----	-------	--	--	-----	--	-----

500L

L4 1.4L 1368CC 83CID Turbo		H	57341		WA10084	WP10106			33176		N/A
----------------------------	--	---	-------	--	---------	---------	--	--	-------	--	-----

500X

L4 1.4L 1368CC 83CID Turbo			57341		WA10337	WP10106			N/S		
L4 2.4L 2360cc 144 CID		T	57060 ⁵³	57060XP	WA10337	WP10106			N/S		

DUCATO

L4 2.3L Diesel (Mex.)			N/R		WA10266	N/S			WF8366 ⁶¹		N/S
-----------------------	--	--	-----	--	---------	-----	--	--	----------------------	--	-----

MOBI

L4 1.0L (Mex.)			WL7252		N/S	N/S			N/S		N/S
----------------	--	--	--------	--	-----	-----	--	--	-----	--	-----

PALIO

L4 1.6L (Mex.)			N/S		N/R	N/S			N/S		N/S
----------------	--	--	-----	--	-----	-----	--	--	-----	--	-----

UNO

L4 1.4L 1438cc (Mex.)			WL7252		N/S	N/S			WF8152		N/S
-----------------------	--	--	--------	--	-----	-----	--	--	--------	--	-----

2016
500

L4 1.4L 1368cc 83 CID	EAB	R	57341		49048 - (Non-Turbo) WA10006 - (w/Turbo)	24053			N/S		N/A
-----------------------	-----	---	-------	--	--	-------	--	--	-----	--	-----

500 e

Electric 29k Wh 11 hp Electric			N/R		N/R	24053			N/R		N/R
--------------------------------	--	--	-----	--	-----	-------	--	--	-----	--	-----

500C

L4 1.4L 1368cc 83 CID	EAB	R	57341		49048	24053			N/S		N/A
L4 1.4L 1368CC 83CID Turbo		R	57341		N/A	24053			N/S		N/A

500L

L4 1.4L 1368CC 83CID Turbo		H	57341		WA10084	WP10106			33176		N/A
----------------------------	--	---	-------	--	---------	---------	--	--	-------	--	-----

500X

L4 1.4L 1368CC 83CID Turbo			57341		WA10337	WP10106			N/S		
L4 2.4L 2360cc 144 CID		T	57060 ⁵³	57060XP	WA10337	WP10106			N/S		

DUCATO

L4 2.3L 2287cc Turbo Diesel (Mex.)			WL7443		WA10266	WP9368 ⁶¹			WF8366 ⁶¹		
------------------------------------	--	--	--------	--	---------	----------------------	--	--	----------------------	--	--

PALIO

L4 1.6L 1598cc (Mex.)			51381 ⁴⁶		WA6340	WP9280			WF8152		
-----------------------	--	--	---------------------	--	--------	--------	--	--	--------	--	--

UNO

L4 1.4L 1438cc (Mex.)			WL7252		N/S	N/S			WF8152		N/S
-----------------------	--	--	--------	--	-----	-----	--	--	--------	--	-----

2015
500

L4 1.4L 1368cc 83 CID	EAB	R	57341		49048	24053			33176		N/A
L4 1.4L 1368CC 83CID Turbo			57341		WA10006	24053			33176		N/A

500 e

Electric 29k Wh 11 hp Electric			N/R		N/R	24053			N/R		N/R
--------------------------------	--	--	-----	--	-----	-------	--	--	-----	--	-----

500L

L4 1.4L 1368CC 83CID Turbo		H	57341		WA10084	WP10106			33176		N/A
----------------------------	--	---	-------	--	---------	---------	--	--	-------	--	-----

DUCATO

L4 2.3L 2287cc Turbo Diesel (Mex.)			WL7443		WA10266	WP9368 ⁶¹			WF8366 ⁶¹		
------------------------------------	--	--	--------	--	---------	----------------------	--	--	----------------------	--	--

PALIO

L4 1.6L 1598cc (Mex.)			51381 ⁴⁶		WA6340	WP9280			WF8152		
-----------------------	--	--	---------------------	--	--------	--------	--	--	--------	--	--

PUNTO

L4 1.4L 1368cc (Mex.)			51356	51356XP	WA6769	WP9250			N/S		
L4 1.4L 1368cc 83 CID Turbo (Mex.)			57341		WA9560	WP9250			N/S		

N/A = Not Available N/R = Not Required N/S = Not Serviceable For cabin and fuel filter locator, see pages 5-15 See pages 16-19 for footnotes

N/A = Non disponible N/R = Non nécessaire N/S = Non réparable Para la ubicación de los filtros de aire de la cabina y de combustible, ver las páginas 5-15 Voir pages 16-19 pour des notes

N/A = No disponible N/R = No requiere N/S = No servible Voir les tableaux de repérage des filtres d'habitacle et à carburant aux pages 5-15 Ver las páginas 16-19 para las notas al pie de página

Italicized Part Numbers May Not Be Available. Wix XP Oil Filters Have Fully Synthetic Media.

Las piezas con números en *italicas* pueden no estar disponibles. Los filtros de aceite WIX XP son completamente de media sintética.

Les numéros de pièce en *italiques* peuvent ne pas être disponibles. Les filtres à huile XP Wix contiennent un matériau 100 % synthétique.

FIAT 2015-2012
Pass Car/Light Truck

Year/Año/Année Model/Modelo/Modèle Engine/Motor/Moteur	Eng. Code Código de motor Code moteur	VIN NIV NIV	Oil Aceite Huile	Oil XP Aceite XP Huile XP	Air Aire Air	Cabin Air Cabina Aire Cabine Air	Cabin Air XP Cabina Aire XP Cabine Air XP	Loc. Cabin Air Cabina Aire Cabine Air	Fuel Combustible Carburant	Loc. Fuel Combustible Carburant	Transmission Transmisión Transmission
--	---	-------------------	------------------------	---------------------------------	--------------------	--	---	--	----------------------------------	--	---

FIAT (Cont'd/Suite)
2015 (Cont'd/Suite)
STRADA

L4 1.6L 1580cc (Mex.)			N/A		WA6340	WP9242			WF8152		
-----------------------	--	--	-----	--	--------	--------	--	--	--------	--	--

UNO

L4 1.4L 1438cc (Mex.)			WL7252		N/S	N/S			WF8152		N/S
-----------------------	--	--	--------	--	-----	-----	--	--	--------	--	-----

2014
500

L4 1.4L 1368cc 83 CID	EAB	R	57341		49048	24053			33176		N/A
L4 1.4L 1368CC 83CID Turbo			57341		WA10006	24053			33176		N/A

500 e

Electric 29k Wh 11 hp Electric			N/R		N/R	24053			N/R		N/R
--------------------------------	--	--	-----	--	-----	-------	--	--	-----	--	-----

500L

L4 1.4L 1368CC 83CID Turbo		H	57341		WA10084	WP10106			33176		N/A
----------------------------	--	---	-------	--	---------	---------	--	--	-------	--	-----

DUCATO

L4 2.3L 2287cc Turbo Diesel (Mex.)			WL7443		WA10266	WP9368 ⁶¹			WF8366 ⁶¹		
------------------------------------	--	--	--------	--	---------	----------------------	--	--	----------------------	--	--

PALIO

L4 1.6L 1598cc (Mex.)			51381 ⁴⁶		WA6340	WP9280			WF8152		
-----------------------	--	--	---------------------	--	--------	--------	--	--	--------	--	--

PUNTO

L4 1.4L 1368cc (Mex.)			51356	51356XP	WA6769	WP9250			N/S		
L4 1.4L 1368cc 83 CID Turbo (Mex.)			57341		WA9560	WP9250			N/S		

UNO

L4 1.4L 1438cc (Mex.)			WL7252		N/S	N/S			WF8152		N/S
-----------------------	--	--	--------	--	-----	-----	--	--	--------	--	-----

2013
500

L4 1.4L 1368cc 83 CID	EAB	R	57341		49048	24053			33176		N/A
L4 1.4L 1368cc 83 CID Turbo		H	57341		WA10006	24053			33176		N/A

DUCATO

L4 2.3L 2287cc Turbo Diesel (Mex.)			WL7443		WA10266	WP9368 ⁶¹			WF8366 ⁶¹		
------------------------------------	--	--	--------	--	---------	----------------------	--	--	----------------------	--	--

PALIO

L4 1.6L 1598cc (Mex.)			51381 ⁴⁶			WP9280			WF8152		
-----------------------	--	--	---------------------	--	--	--------	--	--	--------	--	--

PUNTO

L4 1.4L 1368cc (Mex.)			51356	51356XP	WA6769	WP9250			N/S		
L4 1.4L 1368cc 83 CID Turbo (Mex.)			57341		WA9560	WP9250			N/S		

2012
500

L4 1.4L 1368cc 83 CID	EAB	R	57341		49048	24053			33176		N/A
L4 1.4L 1368cc 83 CID Turbo		H	57341		WA10006	24053			33176		N/A

DUCATO

L4 2.3L 2287cc JTD Turbo Diesel (Mex.)			WL7443		WA10266	WP9368 ⁶¹			WF8366 ⁶¹		
L4 3.0L Diesel (Mex.)					WA10266	N/S			WF8366 ⁶¹		N/S

DUCATO CARGO VAN L1 H1

L4 2.3L 2988cc Diesel (Mex.)			51381		N/A				N/A		
------------------------------	--	--	-------	--	-----	--	--	--	-----	--	--

DUCATO CARGO VAN L4 H2

L4 2.3L 2988cc Diesel (Mex.)			51381		N/A				N/A		
------------------------------	--	--	-------	--	-----	--	--	--	-----	--	--

LINEA

L4 1.4L 1368cc (Mex.)			WL7252		WA9556 ⁶¹	WP9320			N/R ⁷¹		
L4 1.4L 1368cc 83 CID Turbo (Mex.)			57341		WA9560	WP9320			N/S		

PALIO

L4 1.8L 1756cc (Mex.)			57046		WA6340	N/S			N/A		N/S
-----------------------	--	--	-------	--	--------	-----	--	--	-----	--	-----

N/A = Not Available N/R = Not Required N/S = Not Serviceable For cabin and fuel filter locator, see pages 5-15 See pages 16-19 for footnotes

N/A = Non disponible N/R = Non nécessaire N/S = Non réparable Para la ubicación de los filtros de aire de la cabina y de combustible, ver las páginas 5-15 Voir pages 16-19 pour des notes

N/A = No disponible N/R = No requiere N/S = No servible Voir les tableaux de repérage des filtres d'habitacle et à carburant aux pages 5-15 Ver las páginas 16-19 para las notas al pie de página

Italicized Part Numbers May Not Be Available. Wix XP Oil Filters Have Fully Synthetic Media.

Las piezas con números en *italicas* pueden no estar disponibles. Los filtros de aceite WIX XP son completamente de media sintética. Les numéros de pièce en *italiques* peuvent ne pas être disponibles. Les filtres à huile XP Wix contiennent un matériau 100 % synthétique.

Year/Año/Année Model/Modelo/Modèle Engine/Motor/Moteur	Eng. Code Código de motor Code moteur	VIN NIV NIV	Oil Aceite Huile	Oil XP Aceite XP Huile XP	Air Aire Air	Cabin Air Cabina Aire Cabine Air	Cabin Air XP Cabina Aire XP Cabine Air XP	Loc. Cabin Air Cabina Aire Cabine Air	Fuel Combustible Carburant	Loc. Fuel Combustible Carburant	Transmission Transmisión Transmission
--	---	-------------------	------------------------	---------------------------------	--------------------	--	---	--	----------------------------------	--	---

FIAT (Cont'd/Suite)
2012 (Cont'd/Suite)
PANDA

L4 1.2L 1242cc			WL7252		WA9400	WP9210				N/R		N/A
L4 1.2L 1242cc (Mex.)			WL7252		WA9400	WP9210				N/R		N/A

PUNTO

L4 1.4L 1368cc (Mex.)			51356	51356XP	WA6769	WP9250				N/S		
L4 1.4L 1368cc 83 CID Turbo (Mex.)			57341		WA9560	WP9250				N/S		

STRADA

L4 1.6L 1580cc (Mex.)			51083		WA6340	WP9242				WF8152		
-----------------------	--	--	-------	--	--------	--------	--	--	--	--------	--	--

2011
500

L4 1.4L 1368cc			51356	51356XP	WA9557	WP9210				N/S		
L4 1.4L 1368cc (Mex.)			51356	51356XP	WA9557	WP9210				N/S		

DUCATO

L4 2.3L 2287cc JTD Turbo Diesel (Mex.)			WL7443		WA9741 ⁶¹	WP9368 ⁶¹				WF8366 ⁶¹		
L4 3L 2999cc JTD Turbo Diesel (Mex.)			WL7445		WA9741 ⁶¹	WP9368 ⁶¹				WF8366 ⁶¹		

LINEA

L4 1.4L 1368cc (Mex.)			WL7252		WA9556 ⁶¹	WP9320				N/R ⁷¹		
L4 1.4L 1368cc 83 CID Turbo (Mex.)			57341		WA9560	WP9320				N/S		

PALIO

L4 1.8L 1756cc (Mex.)			57046		WA6340	N/S				N/A		N/S
-----------------------	--	--	-------	--	--------	-----	--	--	--	-----	--	-----

PANDA

L4 1.2L 1242cc			WL7252		WA9400	WP9210				N/R		N/A
L4 1.2L 1242cc (Mex.)			WL7252		WA9400	WP9210				N/R		N/A
L4 1.4L 1368cc (Mex.)			51356	51356XP	WA9557	WP9210				N/S		N/A

PUNTO

L4 1.4L 1368cc (Mex.)			51356	51356XP	WA9556 ⁶¹	WP9250				N/S		
L4 1.4L 1368cc 83 CID Turbo (Mex.)			57341		WA9560	WP9250				N/S		

STRADA

L4 1.2L 1242cc (Mex.)			51356	51356XP	WA6340	WP9280				WF8152		
L4 1.6L 1580cc (Mex.)			51083		WA6340	WP9242				WF8152		

2010
500

L4 1.4L 1368cc			51356	51356XP	WA9557	WP9210				N/S		
L4 1.4L 1368cc (Mex.)			51356	51356XP	WA9557	WP9210				N/S		

DUCATO

L4 2.3L 2287cc Turbo Diesel (Mex.)			WL7443		WA10266	WP9368 ⁶¹				WF8366 ⁶¹		
L4 2.3L 2287cc JTD Turbo Diesel (Mex.)			WL7443		WA9741 ⁶¹	WP9368 ⁶¹				WF8366 ⁶¹		
L4 3L 2999cc JTD Turbo Diesel (Mex.)			WL7445		WA9741 ⁶¹	WP9368 ⁶¹				WF8366 ⁶¹		

GRANDE PUNTO

L4 1.4L 1368cc			51356	51356XP	WA6769	WP9250				N/S		
L4 1.4L 1368cc (Mex.)			51356	51356XP	WA6769	WP9250				N/S		

LINEA

L4 1.4L 1368cc (Mex.)			WL7252		WA9556 ⁶¹	WP9320				N/R ⁷¹		
L4 1.4L 1368cc 83 CID Turbo (Mex.)			57341		WA9560	WP9320				N/S		

PALIO

L4 1.8L 1756cc (Mex.)			57046		WA6340	N/S				N/A		N/S
-----------------------	--	--	-------	--	--------	-----	--	--	--	-----	--	-----

N/A = Not Available N/R = Not Required N/S = Not Serviceable For cabin and fuel filter locator, see pages 5-15 See pages 16-19 for footnotes

N/A = Non disponible N/R = Non nécessaire N/S = Non réparable Para la ubicación de los filtros de aire de la cabina y de combustible, ver las páginas 5-15 Voir pages 16-19 pour des notes

N/A = No disponible N/R = No requiere N/S = No servible Voir les tableaux de repérage des filtres d'habitacle et à carburant aux pages 5-15 Ver las páginas 16-19 para las notas al pie de página

Italicized Part Numbers May Not Be Available. Wix XP Oil Filters Have Fully Synthetic Media.

Las piezas con números en *italicas* pueden no estar disponibles. Los filtros de aceite WIX XP son completamente de media sintética.

Les numéros de pièce en *italiques* peuvent ne pas être disponibles. Les filtres à huile XP Wix contiennent un matériau 100 % synthétique.

FIAT 2010-2008
Pass Car/Light Truck

Year/Año/Année Model/Modelo/Modèle Engine/Motor/Moteur	Eng. Code Código de motor Code moteur	VIN NIV NIV	Oil Aceite Huile	Oil XP Aceite XP Huile XP	Air Aire Air	Cabin Air Cabina Aire Cabine Air	Cabin Air XP Cabina Aire XP Cabine Air XP	Loc. Cabin Air Cabina Aire Cabine Air	Fuel Combustible Carburant	Loc. Fuel Combustible Carburant	Transmission Transmisión Transmission
--	---	-------------------	------------------------	---------------------------------	--------------------	--	---	--	----------------------------------	--	---

FIAT (Cont'd/Suite)
2010 (Cont'd/Suite)
PANDA

L4 1.2L 1242cc			WL7252		WA9400	WP9210				N/R	N/A
L4 1.2L 1242cc (Mex.)			WL7252		WA9400	WP9210				N/R	N/A
L4 1.4L 1368cc (Mex.)			51356	51356XP	WA9557	WP9210				N/S	N/A

PUNTO

L4 1.4L 1368cc (Mex.)			51356	51356XP	WA9556 ⁶¹	WP9250				N/S	
L4 1.4L 1368cc 83 CID Turbo (Mex.)			57341		WA9560	WP9250				N/S	

STRADA

L4 1.2L 1242cc (Mex.)			51356	51356XP	WA6340	WP9280			WF8152		
L4 1.6L 1580cc (Mex.)			51083		WA6340	WP9242			WF8152		

2009
500

L4 1.4L 1368cc			51356 57356 ⁵³	51356XP 57356XP	WA9557 WA9557	WP9210				N/A N/S	
L4 1.4L 1368cc (Mex.)			51356	51356XP	WA9557	WP9210				N/S	
L4 1.4L 1368cc (Mex.)			57356 ⁵³	57356XP	WA9557	WP9210				N/A	

DUCATO

L4 2.3L 2287cc JTD Turbo Diesel (Mex.)			WL7445		WA9741 ⁶¹	WP9368 ⁶¹				WF8366 ⁶¹	
L4 3L 2999cc JTD Turbo Diesel (Mex.)			WL7445		WA9741 ⁶¹	WP9368 ⁶¹				WF8366 ⁶¹	

IDEA

L4 1.8 L (Mex.)			N/S		N/S WA6340					N/S	N/S
-----------------	--	--	-----	--	---------------	--	--	--	--	-----	-----

LINEA

L4 1.4L 1368cc (Mex.)			WL7252		WA9556 ⁶¹	WP9320				N/R ⁷¹	
L4 1.4L 1368cc 83 CID Turbo (Mex.)			57341		WA9560	WP9320				N/S	

PALIO

L4 1.8L 1756cc (Mex.)			57046		WA6340	N/S				N/A	N/S
-----------------------	--	--	-------	--	--------	-----	--	--	--	-----	-----

PANDA

L4 1.2L 1242cc			WL7252		WA9400	WP9210				N/R	N/A
L4 1.2L 1242cc (Mex.)			WL7252		WA9400	WP9210				N/R	N/A

PUNTO

L4 1.4L 1368cc (Mex.)			51356	51356XP	WA9556 ⁶¹	WP9250				N/S	
L4 1.4L 1368cc (Mex.)			51356	51356XP	WA6769	WP9250				N/S	
L4 1.4L 1368cc 83 CID Turbo (Mex.)			57341		WA9560	WP9250				N/S	

2008
500

L4 1.4L 1368cc (Mex.)			51356	51356XP	WA9557	WP9210				N/A	
-----------------------	--	--	-------	---------	--------	--------	--	--	--	-----	--

DUCATO

L4 2.3L 2287cc JTD Turbo Diesel (Mex.)			WL7443		WA9741 ⁶¹	WP9368 ⁶¹				WF8366 ⁶¹	
L4 3L 2999cc JTD Turbo Diesel (Mex.)			WL7445		WA9741 ⁶¹	WP9368 ⁶¹				WF8366 ⁶¹	

GRANDE PUNTO

L4 1.4L 1368cc			51356	51356XP	WA6769	WP9250				N/S	
L4 1.4L 1368cc (Mex.)			51356	51356XP	WA6769	WP9250				N/S	

IDEA ADVENTURE

L4 1.8L 1796cc (Mex.)			51040 ⁵³	51040XP	WA6340	N/A				33425	
-----------------------	--	--	---------------------	---------	--------	-----	--	--	--	-------	--

LINEA

L4 1.4L 1368cc (Mex.)			WL7252		WA9556 ⁶¹	WP9320				N/R ⁷¹	
L4 1.4L 1368CC Turbo (Mex.)			57341		WA9560	WP9320				N/S	

N/A = Not Available N/R = Not Required N/S = Not Serviceable For cabin and fuel filter locator, see pages 5-15 See pages 16-19 for footnotes

N/A = Non disponible N/R = Non nécessaire N/S = Non réparable Para la ubicación de los filtros de aire de la cabina y de combustible, ver las páginas 5-15 Voir pages 16-19 pour des notes

N/A = No disponible N/R = No requiere N/S = No servible Voir les tableaux de repérage des filtres d'habitacle et à carburant aux pages 5-15 Ver las páginas 16-19 para las notas al pie de página

Italicized Part Numbers May Not Be Available. Wix XP Oil Filters Have Fully Synthetic Media.

Las piezas con números en *italicas* pueden no estar disponibles. Los filtros de aceite WIX XP son completamente de media sintética. Les numéros de pièce en *italiques* peuvent ne pas être disponibles. Les filtres à huile XP Wix contiennent un matériau 100 % synthétique.

Year/Año/Année Model/Modelo/Modèle Engine/Motor/Moteur	Eng. Code Código de motor Code moteur	VIN NIV NIV	Oil Aceite Huile	Oil XP Aceite XP Huile XP	Air Aire Air	Cabin Air Cabina Aire Cabine Air	Cabin Air XP Cabina Aire XP Cabine Air XP	Loc. Cabin Air Cabina Aire Cabine Air	Fuel Combustible Carburant	Loc. Fuel Combustible Carburant	Transmission Transmisión Transmission
--	---	-------------------	------------------------	---------------------------------	--------------------	--	---	--	----------------------------------	--	---

FIAT (Cont'd/Suite)
2008 (Cont'd/Suite)
PALIO

L4 1.8L 1796cc (Mex.)		51381			WA6340	WP9242			WF8152		
-----------------------	--	-------	--	--	--------	--------	--	--	--------	--	--

PALIO ADVENTURE

L4 1.8L 1796cc (Mex.)		51381			WA6340	WP9242			WF8152		
-----------------------	--	-------	--	--	--------	--------	--	--	--------	--	--

PANDA

L4 1.2L 1242cc			WL7252		WA9400	WP9210			N/R		N/A
L4 1.2L 1242cc (Mex.)			WL7252		WA9400	WP9210			N/R		N/A
L4 1.4L 1368cc (Mex.)			51356	51356XP	WA9557	WP9210			N/A		

PUNTO

L4 1.4L 1368cc (Mex.)			51356	51356XP	WA6769	WP9250			N/S		
-----------------------	--	--	-------	---------	--------	--------	--	--	-----	--	--

STILO

L5 2.4L 2446cc (Mex.)			WL7083 ⁶¹		WA6771 ⁶¹	WP9117			N/R		
-----------------------	--	--	----------------------	--	----------------------	--------	--	--	-----	--	--

STRADA

L4 1.8L 1796cc (Mex.)			51040 ⁵³	51040XP	WA6340	N/A			33199		
-----------------------	--	--	---------------------	---------	--------	-----	--	--	-------	--	--

2007
GRANDE PUNTO

L4 1.4L 1368cc			51356	51356XP	WA6769	WP9250			N/S		
L4 1.4L 1368cc (Mex.)			51356	51356XP	WA6769	WP9250			N/S		

LINEA

L4 1.4L 1368cc (Mex.)			WL7252		WA9556 ⁶¹	WP9320			N/R ⁷¹		
-----------------------	--	--	--------	--	----------------------	--------	--	--	-------------------	--	--

PALIO

L4 1.8L 1796cc (Mex.)			51381		WA6340	WP9242			WF8152		
-----------------------	--	--	-------	--	--------	--------	--	--	--------	--	--

PALIO ADVENTURE

L4 1.8L 1796cc (Mex.)			51381		WA6340	WP9242			WF8152		
-----------------------	--	--	-------	--	--------	--------	--	--	--------	--	--

PANDA

L4 1.2L 1242cc (Mex.)			WL7252		WA9400	WP9210			N/R		N/A
L4 1.4L 1368cc (Mex.)			51356	51356XP	WA9557	WP9210			N/A		

PUNTO

L4 1.4L 1368cc (Mex.)			51356	51356XP	WA6769	WP9250			N/S		
-----------------------	--	--	-------	---------	--------	--------	--	--	-----	--	--

STILO

L5 2.4L 2446cc (Mex.)			WL7083 ⁶¹		WA6771 ⁶¹	WP9117			N/R		
-----------------------	--	--	----------------------	--	----------------------	--------	--	--	-----	--	--

STRADA

L4 1.8L 1796cc (Mex.)			51040 ⁵³	51040XP	WA6340	N/A			33199		
-----------------------	--	--	---------------------	---------	--------	-----	--	--	-------	--	--

2006
PALIO

L4 1.8L 1796cc (Mex.)			51381		WA6340	WP9242			WF8152		
-----------------------	--	--	-------	--	--------	--------	--	--	--------	--	--

PALIO ADVENTURE

L4 1.8L 1796cc (Mex.)			51381		WA6340	WP9242			WF8152		
-----------------------	--	--	-------	--	--------	--------	--	--	--------	--	--

2005
PALIO

L4 1.6L 1596cc (Mex.)			57046		WA6340	WP9242			WF8152		N/A
L4 1.8L 1796cc (Mex.)			51381		WA6340	WP9242			WF8152		

PALIO ADVENTURE

L4 1.6L 1596cc (Mex.)			57046		WA6340	WP9242			WF8152		
L4 1.8L 1796cc (Mex.)			51381		WA6340	WP9242			WF8152		

2004
PALIO

L4 1.6L 1596cc (Mex.)			57046		WA6340	WP9242			WF8152		N/A
-----------------------	--	--	-------	--	--------	--------	--	--	--------	--	-----

PALIO ADVENTURE

L4 1.6L 1596cc (Mex.)			57046		WA6340	WP9242			WF8152		
L4 1.8L 1796cc (Mex.)			51381		WA6340	WP9242			WF8152		

N/A = Not Available N/R = Not Required N/S = Not Serviceable For cabin and fuel filter locator, see pages 5-15 See pages 16-19 for footnotes

N/A = Non disponible N/R = Non nécessaire N/S = Non réparable Para la ubicación de los filtros de aire de la cabina y de combustible, ver las páginas 5-15 Voir pages 16-19 pour des notes

N/A = No disponible N/R = No requiere N/S = No servible Voir les tableaux de repérage des filtres d'habitacle et à carburant aux pages 5-15 Ver las páginas 16-19 para las notas al pie de página

Italicized Part Numbers May Not Be Available. Wix XP Oil Filters Have Fully Synthetic Media.

Las piezas con números en *italicas* pueden no estar disponibles. Los filtros de aceite WIX XP son completamente de media sintética.

Les numéros de pièce en *italiques* peuvent ne pas être disponibles. Les filtres à huile XP Wix contiennent un matériau 100 % synthétique.

FIAT 2003 — FORD 2021
Pass Car/Light Truck

Year/Año/Année Model/Modelo/Modèle Engine/Motor/Moteur	Eng. Code Código de motor Code moteur	VIN NIV NIV	Oil Aceite Huile	Oil XP Aceite XP Huile XP	Air Aire Air	Cabin Air Cabina Aire Cabine Air	Cabin Air XP Cabina Aire XP Cabine Air XP	Loc. Cabin Air Cabina Aire Cabine Air	Fuel Combustible Carburant	Loc. Fuel Combustible Carburant	Transmission Transmisión Transmission
--	---	-------------------	------------------------	---------------------------------	--------------------	--	---	--	----------------------------------	--	---

FIAT (Cont'd/Suite)
2003
PALIO

L4 1.6L 1596cc (Mex.)			57046		WA6340	WP9242			WF8152		N/A
-----------------------	--	--	-------	--	--------	--------	--	--	--------	--	-----

PALIO ADVENTURE

L4 1.6L 1596cc (Mex.)			57046		WA6340	WP9242			WF8152		
-----------------------	--	--	-------	--	--------	--------	--	--	--------	--	--

FORD
2021
Bronco Sport

L4 1.5L 1499cc 91 CID Turbo	GDI I-4		51348 ⁵³	51348XP	WA10981	N/A			N/S		N/S
L4 2.0L 2000CC 122CID Turbo			51348 ⁵³	51348XP	WA10981	N/A			N/S		N/S

E-350 SUPER DUTY

V8 7.3L 7300CC 445CID			51372 ⁵³	51372XP	49902	N/S			N/S		WL10373
-----------------------	--	--	---------------------	---------	-------	-----	--	--	-----	--	---------

E-450 Super Duty

V8 7.3L 7300CC 445CID			51372 ⁵³	51372XP	49902	N/S			N/S		WL10373
-----------------------	--	--	---------------------	---------	-------	-----	--	--	-----	--	---------

ECOSPORT

L3 1.0L	E		51348 ⁵³	51348XP	WA10831	24619		3	N/S		N/S
L4 2.0L 122CID			51348 ⁵³	51348XP	WA10831	24619		3	N/S		N/A

EDGE

L4 2.0L 1999cc 122 CID Turbo			51348 ⁵³	51348XP	WA10048	WP10084	WP10084XP	3	33243		N/A
V6 2.7L 164 CID Turbo			WL10050		WA10048	WP10084	WP10084XP	3	33243		WL10378

ESCAPE

L4 1.5L 1499cc 91 CID Turbo P*			51348 ⁵³	51348XP	WA10981	N/A			N/S		N/A
L4 2.0L 1999cc 122 CID Turbo	9		51348 ⁵³	51348XP	WA10981	N/A		1	N/S		N/A

ESCAPE HYBRID

L4 2.5L 2488cc 152 CID	7		51348 ⁵³	51348XP	N/A	N/A		1	N/S		N/A
------------------------	---	--	---------------------	---------	-----	-----	--	---	-----	--	-----

EXPEDITION

V6 3.5L 3496cc 213 CID Turbo			57502 ⁵³	57502XP	49883 49883FR ³⁶⁰	WP10266			N/S	M	N/A
------------------------------	--	--	---------------------	---------	---------------------------------	---------	--	--	-----	---	-----

EXPLORER

L4 2.3L 2300CC 140CID EcoBoost Turbo	EcoBoost		51348 ⁵³	51348XP	46935	N/A			N/S		N/S
V6 3.0L 3000CC 183CID Turbo			WL10050		46935	N/A			N/S		N/A
V6 3.3L 3300CC 201CID			57502 ⁵³	57502XP	WA10910	N/A			N/S		N/S

EXPLORER HYBRID

V6 3.3L 3300CC 201CID			57502 ⁵³	57502XP	WA10910	N/A			N/S		N/S
-----------------------	--	--	---------------------	---------	---------	-----	--	--	-----	--	-----

MUSTANG

L4 2.3L 140 CID Turbo	99H		51348 ⁵³	51348XP	WA10315	WP10195			N/S		N/A
V8 5.0L 4951cc 302 CID	99F		57502 ⁵³	57502XP	WA10315 WA10429 ⁵²³	WP10195			N/S		N/A

Mustang Mach-E

ELECTRIC			N/S		N/S	N/A			N/S		N/S
----------	--	--	-----	--	-----	-----	--	--	-----	--	-----

MUSTANG SHELBY GT500

V8 5.2L 5200CC 317CID Super Charged			N/A		WA10429	WP10195			N/A		N/S
--	--	--	-----	--	---------	---------	--	--	-----	--	-----

PICKUP F150 ALL

V6 2.7L 164 CID Turbo			WL10050		49883 ¹⁵⁵ 49883FR ³⁶⁰	WP10266			N/S		N/S
V6 3.0L 3000CC 183CID(Turbo Diesel HP250 Ford)			WL7490		49883	WP10266			N/A - In-Line		N/S
V6 3.3L 200 CID			57502 ⁵³	57502XP	49883	WP10266			N/S		WL10377
V6 3.5L Turbo			57502 ⁵³	57502XP	49883 ¹⁵⁵ 49883FR ³⁶⁰	WP10266			N/S		WL10377
V8 5.0L			57502 ⁵³	57502XP	49883 ¹⁵⁵ 49883FR ³⁶⁰	WP10266			N/S		WL10377

N/A = Not Available N/R = Not Required N/S = Not Serviceable For cabin and fuel filter locator, see pages 5-15 See pages 16-19 for footnotes

N/A = Non disponible N/R = Non nécessaire N/S = Non réparable Para la ubicación de los filtros de aire de la cabina y de combustible, ver las páginas 5-15 Voir pages 16-19 pour des notes

N/A = No disponible N/R = No requiere N/S = No servible Voir les tableaux de repérage des filtres d'habitacle et à carburant aux pages 5-15 Ver las páginas 16-19 para las notas al pie de página

Italicized Part Numbers May Not Be Available. Wix XP Oil Filters Have Fully Synthetic Media.

Las piezas con números en *italicas* pueden no estar disponibles. Los filtros de aceite WIX XP son completamente de media sintética. Les numéros de pièce en *italiques* peuvent ne pas être disponibles. Les filtres à huile XP Wix contiennent un matériau 100 % synthétique.

Year/Año/Année Model/Modelo/Modèle Engine/Motor/Moteur	Eng. Code Código de motor Code moteur	VIN NIV NIV	Oil Aceite Huile	Oil XP Aceite XP Huile XP	Air Aire Air	Cabin Air Cabina Aire Cabine Air	Cabin Air XP Cabina Aire XP Cabine Air XP	Loc. Cabin Air Cabina Aire Cabine Air	Fuel Combustible Carburant	Loc. Fuel Combustible Carburant	Transmission Transmisión Transmission
--	--	-------------------	------------------------	---------------------------------	--------------------	--	---	--	----------------------------------	--	---

FORD (Cont'd/Suite)
2021 (Cont'd/Suite)
PICKUP F-SERIES SUPER DUTY (UP TO 550 SERIES)

V8 6.2L 6210cc 379 CID Flex			51372 ⁵³	51372XP	WA10906	WP10266			N/S	M	N/A WL10377
V8 6.7L 6651cc 406 CID Turbo Diesel			57151 ⁵³	57151XP	WA10905	WP10266			N/A WF10458	M M	N/A WL10377
V8 7.3L 7300CC 445CID			51372 ⁵³	51372XP	WA10906	WP10266			N/S		N/A

POLICE INTERCEPTOR UTILITY

V6 3.0L 3000CC 183CID Turbo			WL10050		46935	N/A			N/S		N/A
V6 3.3L 3300CC 201CID			57502 ⁵³	57502XP	WA10910	N/A			N/S		N/S

RANGER

L4 2.3L 2300CC 140CID EcoBoost Turbo	EcoBoost		51348	51348XP	WA10909	WP10410			N/S		N/A
--------------------------------------	----------	--	-------	---------	---------	---------	--	--	-----	--	-----

TRANSIT CONNECT

L4 2.0L 2000CC 122CID Turbo	GDI I-4		51348 ⁵³	51348XP	WA10832	24419 N/A - Auxiliary	24419XP		N/S		N/S
L4 2.5L 152CID LPG/CNG/			51348 ⁵³	51348XP	WA10095	24419 N/A - Auxiliary	24419XP	1	N/S		N/S

TRANSIT-150

L4 2.0L 2000CC 122CID Turbo Diesel	TDCi		57502 ⁵³	57502XP	WA10316	N/A			N/A		N/A
V6 3.5L 3496cc 213 CID			57502 ⁵³	57502XP	WA10316	N/A			N/S		N/A
V6 3.5L 3496cc 213 CID Turbo	99G	G	57502 ⁵³	57502XP	WA10316 ¹⁴¹	N/R			N/S		N/A

TRANSIT-250

L4 2.0L 2000CC 122CID Turbo Diesel	TDCi		57502 ⁵³	57502XP	WA10316	N/A			N/A		N/A
V6 3.5L 3496cc 213 CID			57502 ⁵³	57502XP	WA10316	N/A			N/S		N/A
V6 3.5L 3496cc 213 CID Turbo	99G	G	57502 ⁵³	57502XP	WA10316 ¹⁴¹	N/R			N/S		N/A

TRANSIT-350

L4 2.0L 2000CC 122CID Turbo Diesel	TDCi		57502 ⁵³	57502XP	WA10316	N/A			N/A		N/A
V6 3.5L 3496cc 213 CID			57502 ⁵³	57502XP	WA10316	N/A			N/S		N/A
V6 3.5L 3496cc 213 CID Turbo	99G	G	57502 ⁵³	57502XP	WA10316 ¹⁴¹	N/R			N/S		N/A

2020
ECOSPORT

L3 1.0L		E	51348 ⁵³	51348XP	WA10831	24619		3	N/S		N/S
L4 2.0L 122CID			51348 ⁵³	51348XP	WA10831	24619		3	N/S		N/A

EDGE

L4 2.0L 1999cc 122 CID Turbo			51348 ⁵³	51348XP	WA10048	WP10084	WP10084XP	3	33243		N/A
V6 2.7L 164 CID Turbo			WL10050		WA10048	WP10084	WP10084XP	3	33243		WL10378

ESCAPE

L4 1.5L 1499cc 91 CID Turbo P*			51348 ⁵³	51348XP	WA10981	N/A			N/S		N/A
L4 2.0L 1999cc 122 CID Turbo		9	51348 ⁵³	51348XP	WA10981	N/A		1	N/S		N/A

ESCAPE HYBRID

L4 2.5L 2488cc 152 CID		7	51348 ⁵³	51348XP	N/A	N/A		1	N/S		N/A
------------------------	--	---	---------------------	---------	-----	-----	--	---	-----	--	-----

EXPEDITION

V6 3.5L 3496cc 213 CID Turbo			57502 ⁵³	57502XP	49883 49883FR ³⁶⁰	WP10266			N/S	M	N/A
------------------------------	--	--	---------------------	---------	---------------------------------	---------	--	--	-----	---	-----

EXPLORER

L4 2.3L 2300CC 140CID EcoBoost Turbo	EcoBoost		51348 ⁵³	51348XP	46935	N/A			N/S		N/S
V6 3.0L 3000CC 183CID Turbo			WL10050		46935	N/A			N/S		N/A
V6 3.3L 3300CC 201CID			57502 ⁵³	57502XP	WA10910	N/A			N/S		N/S

EXPLORER HYBRID

V6 3.3L 3300CC 201CID			57502 ⁵³	57502XP	WA10910	N/A			N/S		N/S
-----------------------	--	--	---------------------	---------	---------	-----	--	--	-----	--	-----

N/A = Not Available N/R = Not Required N/S = Not Serviceable For cabin and fuel filter locator, see pages 5-15 See pages 16-19 for footnotes

N/A = Non disponible N/R = Non nécessaire N/S = Non réparable Para la ubicación de los filtros de aire de la cabina y de combustible, ver las páginas 5-15 Voir pages 16-19 pour des notes

N/A = No disponible N/R = No requiere N/S = No servible Voir les tableaux de repérage des filtres d'habitacle et à carburant aux pages 5-15 Ver las páginas 16-19 para las notas al pie de página

Italicized Part Numbers May Not Be Available. Wix XP Oil Filters Have Fully Synthetic Media.

Las piezas con números en *italicas* pueden no estar disponibles. Los filtros de aceite WIX XP son completamente de media sintética.

Les numéros de pièce en *italiques* peuvent ne pas être disponibles. Les filtres à huile XP Wix contiennent un matériau 100 % synthétique.

FORD 2020

Pass Car/Light Truck

Year/Año/Année Model/Modelo/Modèle Engine/Motor/Moteur	Eng. Code Código de motor Code moteur	VIN NIV NIV	Oil Aceite Huile	Oil XP Aceite XP Huile XP	Air Aire Air	Cabin Air Cabina Aire Cabine Air	Cabin Air XP Cabina Aire XP Cabine Air XP	Loc. Cabin Air Cabina Aire Cabine Air	Fuel Combustible Carburant	Loc. Fuel Combustible Carburant	Transmission Transmisión Transmission
--	---	-------------------	------------------------	---------------------------------	--------------------	--	---	--	----------------------------------	--	---

FORD (Cont'd/Suite)

2020 (Cont'd/Suite)

F-59 Commercial Chassis

V8 7.3L 7300CC 445CID			51372 ⁵³	51372XP	49902	N/S			N/S		WL10373
-----------------------	--	--	---------------------	---------	-------	-----	--	--	-----	--	---------

FUSION

L4 1.5L 1499cc 91 CID Turbo			51348 ⁵³	51348XP	WA10048	WP10084	WP10084XP	1	N/S		N/A
L4 2.0L 1999cc 122 CID Electric/Gas			51348 ⁵³	51348XP	WA10036	WP10084	WP10084XP	1	N/S		N/A
L4 2.5L 2488cc 152 ID			51348 ⁵³	51348XP	WA10048	WP10084	WP10084XP	1	N/S		N/A
V6 2.7L 164 CID Turbo			WL10050		WA10048	WP10084	WP10084XP	1	N/S		N/A

MUSTANG

L4 2.3L 140 CID Turbo	99H		51348 ⁵³	51348XP	WA10315	WP10195			N/S		N/A
V8 5.0L 4951cc 302 CID	99F		57502 ⁵³	57502XP	WA10315 WA10429 ⁵²³	WP10195			N/S		N/A

MUSTANG Shelby GT350

V8 5.2L			N/A		WA10429	WP10195			33243		WL10377
---------	--	--	-----	--	---------	---------	--	--	-------	--	---------

MUSTANG SHELBY GT500

V8 5.2L 5200CC 317CID Super Charged			N/A		WA10429	WP10195			N/A		N/S
--	--	--	-----	--	---------	---------	--	--	-----	--	-----

PICKUP F150 ALL

V6 2.7L 164 CID Turbo			WL10050		49883 ¹⁵⁵ 49883FR ³⁶⁰	WP10266			N/S		N/S
V6 3.0L 3000CC 183CID(Turbo Diesel HP250 Ford)			WL7490		49883	WP10266			N/A - In-Line		N/S
V6 3.3L 200 CID			57502 ⁵³	57502XP	49883	WP10266			N/S		WL10377
V6 3.5L Turbo			57502 ⁵³	57502XP	49883 ¹⁵⁵ 49883FR ³⁶⁰	WP10266			N/S		WL10377
V8 5.0L			57502 ⁵³	57502XP	49883 ¹⁵⁵ 49883FR ³⁶⁰	WP10266			N/S		WL10377

PICKUP F-SERIES SUPER DUTY (UP TO 550 SERIES)

V8 6.2L 6210cc 379 CID Flex			51372 ⁵³	51372XP	WA10906	WP10266			N/S	M	N/A WL10377
V8 6.7L 6651cc 406 CID Turbo Diesel			57151 ⁵³	57151XP	WA10905	WP10266			N/A WF10458	M M	N/A WL10377
V8 7.3L 7300CC 445CID			51372 ⁵³	51372XP	WA10906	WP10266			N/S		N/A

POLICE INTERCEPTOR UTILITY

V6 3.0L 3000CC 183CID Turbo			WL10050		46935	N/A			N/S		N/A
V6 3.3L 3300CC 201CID			57502 ⁵³	57502XP	WA10910	N/A			N/S		N/S

RANGER

L4 2.3L 2300CC 140CID EcoBoost Turbo	EcoBoost		51348	51348XP	WA10909	WP10410			N/S		N/A
---	----------	--	-------	---------	---------	---------	--	--	-----	--	-----

Special Service Police Sedan

L4 2.0L 122 CID Turbo		8	51348 ⁵³	51348XP	46935	24068	24068XP		N/S		WL10378
-----------------------	--	---	---------------------	---------	-------	-------	---------	--	-----	--	---------

TRANSIT CONNECT

L4 1.5L 1500CC 92CID Turbo Diesel			WL10397		WA10832	24419	24419XP		WF10528		N/S
L4 2.0L 2000CC 122CID Turbo	GDI I-4		51348 ⁵³	51348XP	WA10832	24419 N/A - Auxiliary	24419XP		N/S		N/S
L4 2.5L 152CID LPG/CNG/			51348 ⁵³	51348XP	WA10095	24419 N/A - Auxiliary	24419XP	1	N/S		N/S

TRANSIT-150

L4 2.0L 2000CC 122CID Turbo Diesel	TDCi		57502 ⁵³	57502XP	WA10316	N/A			N/A		N/A
V6 3.5L 3496cc 213 CID			57502 ⁵³	57502XP	WA10316	N/A			N/S		N/A
V6 3.5L 3496cc 213 CID Turbo	99G	G	57502 ⁵³	57502XP	WA10316 ⁴⁴¹	N/R			N/S		N/A

TRANSIT-250

L4 2.0L 2000CC 122CID Turbo Diesel	TDCi		57502 ⁵³	57502XP	WA10316	N/A			N/A		N/A
V6 3.5L 3496cc 213 CID			57502 ⁵³	57502XP	WA10316	N/A			N/S		N/A
V6 3.5L 3496cc 213 CID Turbo	99G	G	57502 ⁵³	57502XP	WA10316 ⁴⁴¹	N/R			N/S		N/A

N/A = Not Available N/R = Not Required N/S = Not Serviceable For cabin and fuel filter locator, see pages 5-15 See pages 16-19 for footnotes

N/A = Non disponible N/R = Non nécessaire N/S = Non réparable Para la ubicación de los filtros de aire de la cabina y de combustible, ver las páginas 5-15 Voir pages 16-19 pour des notes

N/A = No disponible N/R = No requiere N/S = No servible Voir les tableaux de repérage des filtres d'habitacle et à carburant aux pages 5-15 Ver las páginas 16-19 para las notas al pie de página

Italicized Part Numbers May Not Be Available. Wix XP Oil Filters Have Fully Synthetic Media.

Las piezas con números en *italicas* pueden no estar disponibles. Los filtros de aceite WIX XP son completamente de media sintética. Les numéros de pièce en *italiques* peuvent ne pas être disponibles. Les filtres à huile XP Wix contiennent un matériau 100 % synthétique.

Year/Año/Année Model/Modelo/Modèle Engine/Motor/Moteur	Eng. Code Código de motor Code moteur	VIN NIV NIV	Oil Aceite Huile	Oil XP Aceite XP Huile XP	Air Aire Air	Cabin Air Cabina Aire Cabine Air	Cabin Air XP Cabina Aire XP Cabine Air XP	Loc. Cabin Air Cabina Aire Cabine Air	Fuel Combustible Carburant	Loc. Fuel Combustible Carburant	Transmission Transmisión Transmission
--	---	-------------------	------------------------	---------------------------------	--------------------	--	---	--	----------------------------------	--	---

FORD (Cont'd/Suite)

2020 (Cont'd/Suite)

TRANSIT-350

L4 2.0L 2000CC 122CID Turbo Diesel	TDCi		57502 ⁵³	57502XP	WA10316	N/A			N/A		N/A
V6 3.5L 3496cc 213 CID			57502 ⁵³	57502XP	WA10316	N/A			N/S		N/A
V6 3.5L 3496cc 213 CID Turbo	99G	G	57502 ⁵³	57502XP	WA10316 ¹⁴¹	N/R			N/S		N/A

2019

E350 SUPER DUTY CHASSIS CAB

V10 6.8L 415 CID		S	51372 ⁵³	51372XP	46418	N/R			N/S	M	58955
V10 6.8L 415 CID CNG/LPG			51372 ⁵³	51372XP	46418	N/R			N/S	M	58955
V8 6.2L 6200CC 378CID			51372 ⁵³	51372XP	46418	N/R			N/S		58180 - Internal

ECOSPORT

L3 1.0L		E	51348 ⁵³	51348XP	WA10831	24419	24419XP	3	N/S		N/S
L4 2.0L 122CID			51348 ⁵³	51348XP	WA10831	24619		3	N/S		N/A

EDGE

L4 2.0L 1999cc 122 CID Turbo			51348 ⁵³	51348XP	WA10048	WP10084	WP10084XP	3	33243		N/A
V6 2.7L 164 CID Turbo			WL10050		WA10048	WP10084	WP10084XP	3	33243		WL10378

ESCAPE

L4 1.5L 1499cc 91 CID Turbo P*			51348 ⁵³	51348XP	49017	24419	24419XP		N/S		N/A
L4 2.0L 1999cc 122 CID Turbo		9	51348 ⁵³	51348XP	49017	24419	24419XP	1	N/S		N/S
L4 2.5L 2488cc 152 CID		7	51348 ⁵³	51348XP	WA10095	24419	24419XP	1	N/S		N/A

EXPEDITION

V6 3.5L 3496cc 213 CID Turbo			57502 ⁵³	57502XP	49883 49883FR ³⁶⁰	WP10266			N/S	M	N/A
------------------------------	--	--	---------------------	---------	---------------------------------	---------	--	--	-----	---	-----

EXPLORER

L4 2.3L 140 CID Turbo			51348 ⁵³	51348XP	46935	24068	24068XP		N/S		WL10378
V6 3.5L 3496cc 213 CID Turbo			57502 ⁵³	57502XP	46935	24068	24068XP		N/S		N/A

EXPLORER SPORT

V6 3.5L 3496cc 213 CID Turbo			57502 ⁵³	57502XP	46935	24068	24068XP		N/S		N/A
------------------------------	--	--	---------------------	---------	-------	-------	---------	--	-----	--	-----

FIESTA

L4 1.6L 1596cc 97 CID			51348 ⁵³	51348XP	WA10261	24619		1	N/S		MT
L4 1.6L 1596cc 97 CID Turbo			51348 ⁵³	51348XP	WA10261	24619		1	N/S		MT

FLEX

V6 3.5L 3496cc 213 CID		8	57502 ⁵³	57502XP	46935	24068	24068XP	4	N/S		WL10378
V6 3.5L 3496cc 213 CID Turbo			57502 ⁵³	57502XP	46935	24068	24068XP	4	N/S		WL10378

FUSION

L4 1.5L 1499cc 91 CID Turbo			51348 ⁵³	51348XP	WA10048	WP10084	WP10084XP	1	N/S		N/A
L4 2.0L 1999cc 122 CID Electric/Gas			51348 ⁵³	51348XP	WA10036	WP10084	WP10084XP	1	N/S		N/A
L4 2.0L 1999cc 122 CID Turbo			51348 ⁵³	51348XP	WA10048	WP10084	WP10084XP	1	N/S		N/A
L4 2.5L 2488cc 152 ID			51348 ⁵³	51348XP	WA10048	WP10084	WP10084XP	1	N/S		N/A
V6 2.7L 164 CID Turbo			WL10050		WA10048	WP10084	WP10084XP	1	N/S		N/A

MUSTANG

L4 2.3L 140 CID Turbo	99H		51348 ⁵³	51348XP	WA10315	WP10195			N/S		N/A
V8 5.0L 4951cc 302 CID	99F		57502 ⁵³	57502XP	WA10315 WA10429 ⁵²³	WP10195			N/S		N/A

MUSTANG Shelby GT350

V8 5.2L			N/A		WA10429	WP10195			33243		WL10377
---------	--	--	-----	--	---------	---------	--	--	-------	--	---------

PICKUP F150 ALL

V6 2.7L 164 CID Turbo			WL10050		49883 ¹⁵⁵ 49883FR ³⁶⁰	WP10266			N/S		N/S
V6 3.0L 3000CC 183CID(Turbo Diesel HP250 Ford)			WL7490		49883	WP10266			N/A - In-Line		N/S
V6 3.3L 200 CID			57502 ⁵³	57502XP	49883	WP10266			N/S		WL10377
V6 3.5L Turbo			57502 ⁵³	57502XP	49883 ¹⁵⁵ 49883FR ³⁶⁰	WP10266			N/S		WL10377

N/A = Not Available N/R = Not Required N/S = Not Serviceable For cabin and fuel filter locator, see pages 5-15 See pages 16-19 for footnotes

N/A = Non disponible N/R = Non nécessaire N/S = Non réparable Para la ubicación de los filtros de aire de la cabina y de combustible, ver las páginas 5-15 Voir pages 16-19 pour des notes

N/A = No disponible N/R = No requiere N/S = No servible Voir les tableaux de repérage des filtres d'habitacle et à carburant aux pages 5-15 Ver las páginas 16-19 para las notas al pie de página

Italicized Part Numbers May Not Be Available. Wix XP Oil Filters Have Fully Synthetic Media.Las piezas con números en *italicas* pueden no estar disponibles. Los filtros de aceite WIX XP son completamente de media sintética.Les numéros de pièce en *italiques* peuvent ne pas être disponibles. Les filtres à huile XP Wix contiennent un matériau 100 % synthétique.

FORD 2019

Pass Car/Light Truck

Year/Año/Année Model/Modelo/Modèle Engine/Motor/Moteur	Eng. Code Código de motor Code moteur	VIN NIV NIV	Oil Aceite Huile	Oil XP Aceite XP Huile XP	Air Aire Air	Cabin Air Cabina Aire Cabine Air	Cabin Air XP Cabina Aire XP Cabine Air XP	Loc. Cabin Air Cabina Aire Cabine Air	Fuel Combustible Carburant	Loc. Fuel Combustible Carburant	Transmission Transmisión Transmission
--	--	-------------------	------------------------	---------------------------------	--------------------	--	---	--	----------------------------------	--	---

FORD (Cont'd/Suite)

2019 (Cont'd/Suite)

PICKUP F150 ALL (Cont'd/Suite)

V8 5.0L			57502 ⁵³	57502XP	49883 ¹⁵⁵ 49883FR ³⁶⁰	WP10266			N/S		WL10377
---------	--	--	---------------------	---------	--	---------	--	--	-----	--	---------

PICKUP F150 ALL Raptor

V6 3.5L Turbo			57502 ⁵³	57502XP	49883 ¹⁵⁵ 49883FR ³⁶⁰	WP10266			N/S		WL10377
---------------	--	--	---------------------	---------	--	---------	--	--	-----	--	---------

PICKUP F-SERIES SUPER DUTY (UP TO 550 SERIES)

V8 6.2L 6210cc 379 CID Flex			51372 ⁵³	51372XP	WA10697	WP10266			N/S	M	WL10373
V8 6.7L 6651cc 406 CID Turbo Diesel			57151 ⁵³	57151XP	WA10679	WP10266			WF10458	M	WL10377

POLICE INTERCEPTOR SEDAN

V6 3.5L 3496cc 213 CID FLEX/		8	57502 ⁵³	57502XP	46935	24068	24068XP		N/S		N/A
V6 3.5L 3496cc 213 CID Turbo			57502 ⁵³	57502XP	46935	24068	24068XP		N/S		N/A
V6 3.7L 3726cc 227 CID FLEX/			57502 ⁵³	57502XP	46935	24068	24068XP		N/S		WL10378

POLICE INTERCEPTOR UTILITY

V6 3.5L 3496cc 213 CID Turbo			57502 ⁵³	57502XP	46935	24068	24068XP		N/S		N/A
V6 3.7L 3726cc 227 CID Flex	99M	M	57502 ⁵³	57502XP	46935	24068	24068XP		N/S		N/A

RANGER

L4 2.3L 2300CC 140CID EcoBoost Turbo	EcoBoost		51348	51348XP	WA10909	WP10410			N/S		N/A
--------------------------------------	----------	--	-------	---------	---------	---------	--	--	-----	--	-----

Special Service Police Sedan

L4 2.0L 122 CID Turbo		8	51348 ⁵³	51348XP	46935	24068	24068XP		N/S		WL10378
-----------------------	--	---	---------------------	---------	-------	-------	---------	--	-----	--	---------

SSV Plug-In Hybrid

L4 2.0L			51348 ⁵³	51348XP	WA10036	WP10084	WP10084XP		N/A		N/A
---------	--	--	---------------------	---------	---------	---------	-----------	--	-----	--	-----

TAURUS

V6 3.5L 213 CID			57502 ⁵³	57502XP	46935	24068	24068XP	3	N/S		N/R
-----------------	--	--	---------------------	---------	-------	-------	---------	---	-----	--	-----

TRANSIT CONNECT

L4 1.5L 1500CC 92CID Turbo Diesel			WL10397		WA10832	24419	24419XP		WF10528		N/S
L4 2.0L 2000CC 122CID Turbo	GDI I-4		51348 ⁵³	51348XP	WA10832	24419	24419XP		N/S		N/S
L4 2.5L 152CID LPG/CNG/			51348 ⁵³	51348XP	WA10095	24419	24419XP	1	N/S		N/S

TRANSIT-150

L5 3.2L 195 CID Turbo Diesel	99V	V	57502 ⁵³	57502XP	WA10316 ¹⁴¹ WA10832 ^{141, Secondary}	N/R			WF10208		N/A
V6 3.5L 3496cc 213 CID Turbo	99G	G	57502 ⁵³	57502XP	WA10316 ¹⁴¹	N/R			N/S		N/A
V6 3.7L 3726cc 227 CID CNG	99M	M	57502 ⁵³	57502XP	WA10316 ¹⁴¹	N/R			N/S		N/A

TRANSIT-250

L5 3.2L 195 CID Turbo Diesel	99V	V	57502 ⁵³	57502XP	WA10316 ¹⁴¹ WA10652 ¹⁴¹	N/R			WF10208		N/A
V6 3.5L 3496cc 213 CID Turbo	99G	G	57502 ⁵³	57502XP	WA10316 ¹⁴¹	N/R			N/S		N/A
V6 3.7L 3726cc 227 CID CNG	99M	M	57502 ⁵³	57502XP	WA10316 ¹⁴¹	N/R			N/S		N/A

TRANSIT-350

L5 3.2L 195 CID Turbo Diesel	99V	V	57502 ⁵³	57502XP	WA10316 ¹⁴¹ WA10652 ³¹⁸	N/R			WF10208		N/A
V6 3.5L 3496cc 213 CID Turbo	99G	G	57502 ⁵³	57502XP	WA10316 ¹⁴¹	N/R			N/S		N/A
V6 3.7L 3726cc 227 CID CNG	99M	M	57502 ⁵³	57502XP	WA10316 ¹⁴¹	N/R			N/S		N/A

TRANSIT-350 HD

L5 3.2L 195 CID Turbo Diesel	99V	V	57502 ⁵³	57502XP	WA10316 ¹⁴¹	N/R			WF10208		N/A
V6 3.5L 3496cc 213 CID Turbo	99G	G	57502 ⁵³	57502XP	WA10316 ¹⁴¹	N/R			N/S		N/A
V6 3.7L 3726cc 227 CID	99M		57502 ⁵³	57502XP	WA10316 ¹⁴¹	N/R			N/S		N/A
V6 3.7L 3726cc 227 CID CNG	99M	M	57502 ⁵³	57502XP	WA10316 ¹⁴¹	N/R			N/S		N/A
V6 3.7L 3726cc 227 CID Flex	99M	M	57502 ⁵³	57502XP	WA10316 ¹⁴¹	N/R			N/S		N/A
V6 3.7L 3726cc 227 CID LPG	99M	M	57502 ⁵³	57502XP	WA10316 ¹⁴¹	N/R			N/S		N/A

VAN E-SERIES (UP TO 450 SERIES) Cutaway

V10 6.8L 415 CID LPG/CNG/			51372 ⁵³	51372XP	46418	N/R			N/S	M	N/S
---------------------------	--	--	---------------------	---------	-------	-----	--	--	-----	---	-----

N/A = Not Available N/R = Not Required N/S = Not Serviceable For cabin and fuel filter locator, see pages 5-15 See pages 16-19 for footnotes
 N/A = Non disponible N/R = Non nécessaire N/S = Non réparable Para la ubicación de los filtros de aire de la cabina y de combustible, ver las páginas 5-15 Voir pages 16-19 pour des notes
 N/A = No disponible N/R = No requiere N/S = No servible Voir les tableaux de repérage des filtres d'habitacle et à carburant aux pages 5-15 Ver las páginas 16-19 para las notas al pie de página

Italicized Part Numbers May Not Be Available. Wix XP Oil Filters Have Fully Synthetic Media.

Las piezas con números en *italicas* pueden no estar disponibles. Los filtros de aceite WIX XP son completamente de media sintética.
 Les numéros de pièce en *italiques* peuvent ne pas être disponibles. Les filtres à huile XP Wix contiennent un matériau 100 % synthétique.

Pass Car/Light Truck

FORD 2019-2018

Year/Año/Année Model/Modelo/Modèle Engine/Motor/Moteur	Eng. Code Código de motor Code moteur	VIN NIV NIV	Oil Aceite Huile	Oil XP Aceite XP Huile XP	Air Aire Air	Cabin Air Cabina Aire Cabine Air	Cabin Air XP Cabina Aire XP Cabine Air XP	Loc. Cabin Air Cabina Aire Cabine Air	Fuel Combustible Carburant	Loc. Fuel Combustible Carburant	Transmission Transmisión Transmission
--	--	-------------------	------------------------	---------------------------------	--------------------	--	---	--	----------------------------------	--	---

FORD (Cont'd/Suite)

2019 (Cont'd/Suite)

VAN E-SERIES (UP TO 450 SERIES) Cutaway (Cont'd/Suite)

V8 6.2L 6210cc 379 CID Flex			51372 ⁵³	51372XP	46418	N/R			N/S	M	N/S
-----------------------------	--	--	---------------------	---------	-------	-----	--	--	-----	---	-----

2018

C-MAX

L4 2.0L 1999cc 122 CID Electric/Gas			51348 ⁵³	51348XP	WA10036	24419	24419XP	1	N/S		N/A
--	--	--	---------------------	---------	---------	-------	---------	---	-----	--	-----

E350 SUPER DUTY CHASSIS CAB

V10 6.8L 415 CID		S	51372 ⁵³	51372XP	46418	N/R			N/S	M	58955
V10 6.8L 415 CID CNG/LPG			51372 ⁵³	51372XP	46418	N/R			N/S	M	58955
V8 6.2L 6200CC 378CID			51372 ⁵³	51372XP	46418	N/R			N/S		58180 - Internal

ECOSPORT

L3 1.0L		E	51348 ⁵³	51348XP	WA10831	24419	24419XP	3	N/S		N/S
L3 1.5L 1497CC 91CID (Mex.)			57503		WA9606	WP9360			N/S		N/S
L4 2.0L 122CID			51348 ⁵³	51348XP	WA10831	24619		3	N/S		N/A

EDGE

L4 2.0L 1999cc 122 CID Turbo			51348 ⁵³	51348XP	WA10048	WP10084	WP10084XP	3	33243		N/A
V6 2.7L 164 CID Turbo			WL10050		WA10048	WP10084	WP10084XP	3	33243		WL10378
V6 3.5L 3496cc 213 CID			57502 ⁵³	57502XP	WA10048	WP10084	WP10084XP	3	33243		WL10378

ESCAPE

L4 1.5L 1499cc 91 CID Turbo P*			51348 ⁵³	51348XP	49017	24419	24419XP		N/S		N/A
L4 2.0L 1999cc 122 CID Turbo		9	51348 ⁵³	51348XP	49017	24419	24419XP	1	N/S		N/S
L4 2.5L 2488cc 152 CID		7	51348 ⁵³	51348XP	WA10095	24419	24419XP	1	N/S		N/A

EXPEDITION

V6 3.5L 3496cc 213 CID Turbo			57502 ⁵³	57502XP	49883 ¹⁵⁵ 49883FR ¹⁶⁰	WP10266			33242	M	N/A
------------------------------	--	--	---------------------	---------	--	---------	--	--	-------	---	-----

EXPLORER

L4 2.3L 140 CID Turbo			51348 ⁵³	51348XP	46935	24068	24068XP		N/S		WL10378
V6 3.5L 3496cc 213 CID			57502 ⁵³	57502XP	46935	24068	24068XP		N/S		N/A
V6 3.5L 3496cc 213 CID Turbo			57502 ⁵³	57502XP	46935	24068	24068XP		N/S		N/A

EXPLORER SPORT

V6 3.5L 3496cc 213 CID Turbo			57502 ⁵³	57502XP	46935	24068	24068XP		N/S		N/A
------------------------------	--	--	---------------------	---------	-------	-------	---------	--	-----	--	-----

FIESTA

L3 1.0L 999cc 61 CID Turbo		E	51348 ⁵³	51348XP	WA10261	24619		1	N/S		MT
L4 1.6L 1596cc 97 CID			51348 ⁵³	51348XP	WA10261	24619		1	N/S		MT
L4 1.6L 1596cc 97 CID Turbo			51348 ⁵³	51348XP	WA10261	24619		1	N/S		MT

FIGO

L4 1.5L 1498CC 92CID (Mex.)			51348	51348XP	49604	24619			N/S		N/S
--------------------------------	--	--	-------	---------	-------	-------	--	--	-----	--	-----

FLEX

V6 3.5L 3496cc 213 CID		8	57502 ⁵³	57502XP	46935	24068	24068XP	4	N/S		WL10378
V6 3.5L 3496cc 213 CID Turbo			57502 ⁵³	57502XP	46935	24068	24068XP	4	N/S		WL10378

FOCUS

L3 1.0L 999cc 61 CID Turbo			51348 ⁵³	51348XP	49017	24419	24419XP	3	N/S		N/S
L4 2.0L 122CID Flex			51348 ⁵³	51348XP	49017	24419	24419XP	3	N/S		N/S
L4 2.0L 1999cc 122 CID Turbo			51348 ⁵³	51348XP	49017	24419	24419XP	3	N/S		N/S

FOCUS Electric

Electric Electric			N/R		N/R	24419	24419XP	3	N/R		N/A
-------------------	--	--	-----	--	-----	-------	---------	---	-----	--	-----

FOCUS RS

L4 2.3L 140 CID Turbo			51348 ⁵³	51348XP	49017	24419	24419XP		33243		N/S
-----------------------	--	--	---------------------	---------	-------	-------	---------	--	-------	--	-----

FUSION

L4 1.5L 1499cc 91 CID Turbo			51348 ⁵³	51348XP	WA10048	WP10084	WP10084XP	1	N/S		N/A
L4 2.0L 1999cc 122 CID Electric/Gas			51348 ⁵³	51348XP	WA10036	WP10084	WP10084XP	1	N/S		N/A

N/A = Not Available N/R = Not Required N/S = Not Serviceable For cabin and fuel filter locator, see pages 5-15 See pages 16-19 for footnotes

N/A = Non disponible N/R = Non nécessaire N/S = Non Serviceable Para la ubicación de los filtros de aire de la cabina y de combustible, ver las páginas 5-15 Voir pages 16-19 pour des notes

N/A = No disponible N/R = No requiere N/S = No servible Voir les tableaux de repérage des filtres d'habitacle et à carburant aux pages 5-15 Ver las páginas 16-19 para las notas al pie de página

Italicized Part Numbers May Not Be Available. Wix XP Oil Filters Have Fully Synthetic Media.

Las piezas con números en *italicas* pueden no estar disponibles. Los filtros de aceite WIX XP son completamente de media sintética.

Les numéros de pièce en *italiques* peuvent ne pas être disponibles. Les filtres à huile Wix contiennent un matériau 100 % synthétique.

FORD 2018
Pass Car/Light Truck

Year/Año/Année Model/Modelo/Modèle Engine/Motor/Moteur	Eng. Code Código de motor Code moteur	VIN NIV NIV	Oil Aceite Huile	Oil XP Aceite XP Huile XP	Air Aire Air	Cabin Air Cabina Aire Cabine Air	Cabin Air XP Cabina Aire XP Cabine Air XP	Loc. Cabin Air Cabina Aire Cabine Air	Fuel Combustible Carburant	Loc. Fuel Combustible Carburant	Transmission Transmisión Transmission
--	---	-------------------	------------------------	---------------------------------	--------------------	--	---	--	----------------------------------	--	---

FORD (Cont'd/Suite)
2018 (Cont'd/Suite)
FUSION (Cont'd/Suite)

L4 2.0L 1999cc 122 CID Turbo			51348 ⁵³	51348XP	WA10048	WP10084	WP10084XP	1	N/S		N/A
L4 2.5L 2488cc 152 ID			51348 ⁵³	51348XP	WA10048	WP10084	WP10084XP	1	N/S		N/A
V6 2.7L 164 CID Turbo			WL10050		WA10048	WP10084	WP10084XP	1	N/S		N/A

MUSTANG

L4 2.3L 140 CID Turbo	99H		51348 ⁵³	51348XP	WA10315	WP10195			N/S		
V8 5.0L 4951cc 302 CID	99F		57502 ⁵³	57502XP	WA10315	WP10195			N/S		N/A

MUSTANG Shelby GT350

V8 5.2L			N/A		WA10429	WP10195			33243		WL10377
---------	--	--	-----	--	---------	---------	--	--	-------	--	---------

PICKUP F150 ALL

V6 2.7L 164 CID Turbo			WL10050		49883 ¹⁵⁵ 49883FR ³⁶⁰	WP10266			N/S		N/S
V6 3.0L 3000CC 183CID(Turbo Diesel HP250 Ford)			WL7490		49883	WP10266			N/A - In-Line		N/S
V6 3.3L 200 CID			57502 ⁵³	57502XP	49883	WP10266			N/S		WL10377
V8 5.0L			57502 ⁵³	57502XP	49883 ¹⁵⁵ 49883FR ³⁶⁰	WP10266			N/S		WL10377

PICKUP F150 ALL Raptor

V6 3.5L Turbo			57502 ⁵³	57502XP	49883 ¹⁵⁵ 49883FR ³⁶⁰	WP10266			N/S		WL10377
---------------	--	--	---------------------	---------	--	---------	--	--	-----	--	---------

PICKUP F-SERIES SUPER DUTY (UP TO 550 SERIES)

V8 6.2L 6210cc 379 CID Flex			51372 ⁵³	51372XP	WA10697	WP10266			N/S	M	WL10373
V8 6.7L 6651cc 406 CID Turbo Diesel			57151 ⁵³	57151XP	WA10679	WP10266			WF10458	M	WL10377

POLICE INTERCEPTOR SEDAN

V6 3.5L 3496cc 213 CID FLEX/		8	57502 ⁵³	57502XP	46935	24068	24068XP		N/S		N/A
V6 3.5L 3496cc 213 CID Turbo			57502 ⁵³	57502XP	46935	24068	24068XP		N/S		N/A
V6 3.7L 3726cc 227 CID FLEX/			57502 ⁵³	57502XP	46935	24068	24068XP		N/S		WL10378

POLICE INTERCEPTOR UTILITY

V6 3.5L 3496cc 213 CID Turbo			57502 ⁵³	57502XP	46935	24068	24068XP		N/S		N/A
V6 3.7L 3726cc 227 CID Flex	99M	M	57502 ⁵³	57502XP	46935	24068	24068XP		N/S		N/A

RANGER

L4 2.5L 152 CID (Mex.)			51372 ⁵³	51372XP	WA9763	N/A			N/A		N/A
------------------------	--	--	---------------------	---------	--------	-----	--	--	-----	--	-----

Special Service Police Sedan

L4 2.0L 122 CID Turbo		8	51348 ⁵³	51348XP	46935	24068	24068XP		N/S		WL10378
-----------------------	--	---	---------------------	---------	-------	-------	---------	--	-----	--	---------

TAURUS

L4 2.0L 1999cc 122 CID Turbo			51348 ⁵³	51348XP	46935	24068	24068XP	3	N/S		N/S
V6 3.5L 213 CID			57502 ⁵³	57502XP	46935	24068	24068XP	3	N/S		N/R
V6 3.5L 3496cc 213 CID Turbo			57502 ⁵³	57502XP	46935	24068	24068XP	4	N/S		N/S

TAURUS POLICE SEDAN

V6 3.7L 3726CC 227CID	Duratec 37		57502 ⁵³	57502XP	46935	24068	24068XP		N/S		
-----------------------	------------	--	---------------------	---------	-------	-------	---------	--	-----	--	--

TRANSIT

L4 2.2L 2198cc Turbo Diesel			WL7523		WA9758	N/A					
L4 2.2L 2198cc Turbo Diesel (Mex.)			WL7523		WA9758	N/A					

TRANSIT CONNECT

L4 2.5L 152CID LPG/CNG/			51348 ⁵³	51348XP	WA10095	24419	24419XP	1	N/S		N/S
-------------------------	--	--	---------------------	---------	---------	-------	---------	---	-----	--	-----

TRANSIT-150

L5 3.2L 195 CID Turbo Diesel	99V	V	57502 ⁵³	57502XP	WA10316 ⁴⁴¹	N/R			WF10208		N/A
V6 3.5L 3496cc 213 CID Turbo	99G	G	57502 ⁵³	57502XP	WA10316 ⁴⁴¹	N/R			N/S		N/A
V6 3.7L 3726cc 227 CID	99M		57502 ⁵³	57502XP	WA10316 ⁴⁴¹	N/R			N/S		N/A
V6 3.7L 3726cc 227 CID CNG	99M	M	57502 ⁵³	57502XP	WA10316 ⁴⁴¹	N/R			N/S		N/A
V6 3.7L 3726cc 227 CID Flex	99M	M	57502 ⁵³	57502XP	WA10316 ⁴⁴¹	N/R			N/S		N/A
V6 3.7L 3726cc 227 CID LPG	99M	M	57502 ⁵³	57502XP	WA10316 ⁴⁴¹	N/R			N/S		N/A

N/A = Not Available N/R = Not Required N/S = Not Serviceable For cabin and fuel filter locator, see pages 5-15 See pages 16-19 for footnotes

N/A = Non disponible N/R = Non nécessaire N/S = Non réparable Para la ubicación de los filtros de aire de la cabina y de combustible, ver las páginas 5-15 Voir pages 16-19 pour des notes

N/A = No disponible N/R = No requiere N/S = No servible Voir les tableaux de repérage des filtres d'habitacle et à carburant aux pages 5-15 Ver las páginas 16-19 para las notas al pie de página

Italicized Part Numbers May Not Be Available. Wix XP Oil Filters Have Fully Synthetic Media.

Las piezas con números en *italicas* pueden no estar disponibles. Los filtros de aceite WIX XP son completamente de media sintética. Les numéros de pièce en *italiques* peuvent ne pas être disponibles. Les filtres à huile XP Wix contiennent un matériau 100 % synthétique.

Year/Año/Année Model/Modelo/Modèle Engine/Motor/Moteur	Eng. Code Código de motor Code moteur	VIN NIV NIV	Oil Aceite Huile	Oil XP Aceite XP Huile XP	Air Aire Air	Cabin Air Cabina Aire Cabine Air	Cabin Air XP Cabina Aire XP Cabine Air XP	Loc. Cabin Air Cabina Aire Cabine Air	Fuel Combustible Carburant	Loc. Fuel Combustible Carburant	Transmission Transmisión Transmission
--	--	-------------------	------------------------	---------------------------------	--------------------	--	---	--	----------------------------------	--	---

FORD (Cont'd/Suite)

2018 (Cont'd/Suite)

TRANSIT-250

L5 3.2L 195 CID Turbo Diesel	99V	V	57502 ²⁵³	57502XP	WA10316 ¹⁴¹	N/R			WF10208		N/A
V6 3.5L 3496cc 213 CID Turbo	99G	G	57502 ²⁵³	57502XP	WA10316 ¹⁴¹	N/R			N/S		N/A
V6 3.7L 3726cc 227 CID	99M		57502 ²⁵³	57502XP	WA10316 ¹⁴¹	N/R			N/S		N/A
V6 3.7L 3726cc 227 CID CNG	99M	M	57502 ²⁵³	57502XP	WA10316 ¹⁴¹	N/R			N/S		N/A
V6 3.7L 3726cc 227 CID Flex	99M	M	57502 ²⁵³	57502XP	WA10316 ¹⁴¹	N/R			N/S		N/A
V6 3.7L 3726cc 227 CID LPG	99M	M	57502 ²⁵³	57502XP	WA10316 ¹⁴¹	N/R			N/S		N/A

TRANSIT-350

L5 3.2L 195 CID Turbo Diesel	99V	V	57502 ²⁵³	57502XP	WA10316 ¹⁴¹	N/R			WF10208		N/A
V6 3.5L 3496cc 213 CID Turbo	99G	G	57502 ²⁵³	57502XP	WA10316 ¹⁴¹	N/R			N/S		N/A
V6 3.7L 3726cc 227 CID	99M		57502 ²⁵³	57502XP	WA10316 ¹⁴¹	N/R			N/S		N/A
V6 3.7L 3726cc 227 CID CNG	99M	M	57502 ²⁵³	57502XP	WA10316 ¹⁴¹	N/R			N/S		N/A
V6 3.7L 3726cc 227 CID Flex	99M	M	57502 ²⁵³	57502XP	WA10316 ¹⁴¹	N/R			N/S		N/A
V6 3.7L 3726cc 227 CID LPG	99M	M	57502 ²⁵³	57502XP	WA10316 ¹⁴¹	N/R			N/S		N/A

TRANSIT-350 HD

L5 3.2L 195 CID Turbo Diesel	99V	V	57502 ²⁵³	57502XP	WA10316 ¹⁴¹	N/R			WF10208		N/A
V6 3.5L 3496cc 213 CID Turbo	99G	G	57502 ²⁵³	57502XP	WA10316 ¹⁴¹	N/R			N/S		N/A
V6 3.7L 3726cc 227 CID	99M		57502 ²⁵³	57502XP	WA10316 ¹⁴¹	N/R			N/S		N/A
V6 3.7L 3726cc 227 CID CNG	99M	M	57502 ²⁵³	57502XP	WA10316 ¹⁴¹	N/R			N/S		N/A
V6 3.7L 3726cc 227 CID Flex	99M	M	57502 ²⁵³	57502XP	WA10316 ¹⁴¹	N/R			N/S		N/A
V6 3.7L 3726cc 227 CID LPG	99M	M	57502 ²⁵³	57502XP	WA10316 ¹⁴¹	N/R			N/S		N/A

VAN E-SERIES (UP TO 450 SERIES)

V10 6.8L 415 CID LPG/CNG/			51372 ²⁵³	51372XP	46418	N/R			N/S	M	N/S
V8 6.2L 6210cc 379 CID Flex			51372 ²⁵³	51372XP	46418	N/R			N/S	M	N/S

2017

C-MAX

L4 2.0L 1999cc 122 CID Electric/Gas			51348 ⁵³	51348XP	WA10036	24419	24419XP	1	N/S		N/A
--	--	--	---------------------	---------	---------	-------	---------	---	-----	--	-----

E350 SUPER DUTY CHASSIS CAB

V10 6.8L 415 CID		S	51372 ²⁵³	51372XP	46418	N/R			N/S	M	58955
V10 6.8L 415 CID CNG/LPG			51372 ²⁵³	51372XP	46418	N/R			N/S	M	58955
V8 6.2L 6200CC 378CID			51372 ²⁵³	51372XP	46418	N/R			N/S		58180 - Internal

ECOSPORT

L4 2.0L (Mex.)			51348	51348XP	N/A	24619			N/S		N/S
----------------	--	--	-------	---------	-----	-------	--	--	-----	--	-----

EDGE

L4 2.0L 1999cc 122 CID Turbo		9	51348 ⁵³	51348XP	WA10048	WP10084	WP10084XP	3	33243		N/A
V6 2.7L 164 CID Turbo		P	WL10050		WA10048	WP10084	WP10084XP	3	N/S		N/A
V6 3.5L 3496cc 213 CID			57502 ²⁵³	57502XP	WA10048	WP10084	WP10084XP	3	33243		N/S

ESCAPE

L4 1.5L 1499cc 91 CID Turbo P*			51348 ⁵³	51348XP	49017	24419	24419XP		N/S		N/A
L4 2.0L 1999cc 122 CID Turbo		9	51348 ⁵³	51348XP	49017	24419	24419XP	1	N/S		N/S
L4 2.5L 2488cc 152 CID		7	51348 ⁵³	51348XP	WA10095	24419	24419XP	1	N/S		N/A

EXPEDITION

V6 3.5L 3496cc 213 CID Turbo			57502 ²⁵³	57502XP	49883 ¹⁵⁵ 49883FR ²⁶⁰	N/R			33424	M	N/A
------------------------------	--	--	----------------------	---------	--	-----	--	--	-------	---	-----

EXPLORER

L4 2.3L 140 CID Turbo			51348 ⁵³	51348XP	46935	24068	24068XP		N/S		WL10378
V6 3.5L 3496cc 213 CID			57502 ²⁵³	57502XP	46935	24068	24068XP		N/S		N/A
V6 3.5L 3496cc 213 CID Turbo			57502 ²⁵³	57502XP	46935	24068	24068XP		N/S		N/A

EXPLORER SPORT

V6 3.5L 3496cc 213 CID Turbo			57502 ²⁵³	57502XP	46935	24068	24068XP		N/S		N/A
------------------------------	--	--	----------------------	---------	-------	-------	---------	--	-----	--	-----

FIESTA

L3 1.0L 999cc 61 CID Turbo		E	51348 ⁵³	51348XP	WA10261	24619		1	N/S		MT
----------------------------	--	---	---------------------	---------	---------	-------	--	---	-----	--	----

N/A = Not Available N/R = Not Required N/S = Not Serviceable For cabin and fuel filter locator, see pages 5-15 See pages 16-19 for footnotes
 N/A = Non disponible N/R = Non nécessaire N/S = Non réparable Para la ubicación de los filtros de aire de la cabina y de combustible, ver las páginas 5-15 Voir pages 16-19 pour des notes
 N/A = No disponible N/R = No requiere N/S = No servible Voir les tableaux de repérage des filtres d'habitacle et à carburant aux pages 5-15 Ver las páginas 16-19 para las notas al pie de página

Italicized Part Numbers May Not Be Available. Wix XP Oil Filters Have Fully Synthetic Media.
 Las piezas con números en *italicas* pueden no estar disponibles. Los filtros de aceite WIX XP son completamente de media sintetica.
 Les numéros de pièce en *italiques* peuvent ne pas être disponibles. Les filtres à huile Wix contiennent un matériau 100 % synthétique.

P
A
S
S
C
A
R
L
I
G
H
T
T
R
U
C
K

FORD 2017

Pass Car/Light Truck

Year/Año/Année Model/Modelo/Modèle Engine/Motor/Moteur	Eng. Code Código de motor Code moteur	VIN NIV NIV	Oil Aceite Huile	Oil XP Aceite XP Huile XP	Air Aire Air	Cabin Air Cabina Aire Cabine Air	Cabin Air XP Cabina Aire XP Cabine Air XP	Loc. Cabin Air Cabina Aire Cabine Air	Fuel Combustible Carburant	Loc. Fuel Combustible Carburant	Transmission Transmisión Transmission
--	---	-------------------	------------------------	---------------------------------	--------------------	--	---	--	----------------------------------	--	---

FORD (Cont'd/Suite)

2017 (Cont'd/Suite)

FIESTA (Cont'd/Suite)

L4 1.6L 1596cc 97 CID		J	51348 ⁵³	51348XP	WA10261	24619		1	N/S		MT
L4 1.6L 1596cc 97 CID Turbo		X	51348 ⁵³	51348XP	WA10261	24619		1	N/S		MT

FIGO

L4 1.5L 1498CC 92CID (Mex.)			51348	51348XP	49604	24619			N/S		N/S
--------------------------------	--	--	-------	---------	-------	-------	--	--	-----	--	-----

FLEX

V6 3.5L 3496cc 213 CID		8	57502 ⁵³	57502XP	46935	24068	24068XP	4	N/S		WL10378
V6 3.5L 3496cc 213 CID Turbo		T	57502 ⁵³	57502XP	46935	24068	24068XP	4	N/S		WL10378

FOCUS

L3 1.0L 999cc 61 CID Turbo		E	51348 ⁵³	51348XP	49017	24419	24419XP	3	N/S		N/S
L4 2.0L 121 CID		2	51348 ⁵³	51348XP	49017	24419	24419XP	3	N/S		N/S
L4 2.0L 1999cc 122 CID Turbo		9	51348 ⁵³	51348XP	49017	24419	24419XP	3	N/S		N/S

FOCUS Electric

Electric Electric		4	N/R		N/R	24419	24419XP	3	N/R		N/A
-------------------	--	---	-----	--	-----	-------	---------	---	-----	--	-----

FOCUS RS

L4 2.3L 140 CID Turbo			51348 ⁵³	51348XP	49017	24419	24419XP			33243	N/S
-----------------------	--	--	---------------------	---------	-------	-------	---------	--	--	-------	-----

FUSION

L4 1.5L 1499cc 91 CID Turbo		D	51348 ⁵³	51348XP	WA10048	WP10084	WP10084XP	1	N/S		N/A
L4 2.0L 1999cc 122 CID Electric/Gas		U	51348 ⁵³	51348XP	WA10036	WP10084	WP10084XP	1	N/S		N/A
L4 2.0L 1999cc 122 CID Turbo		9	51348 ⁵³	51348XP	WA10048	WP10084	WP10084XP	1	N/S		N/A
L4 2.5L 2488cc 152 ID		7	51348 ⁵³	51348XP	WA10048	WP10084	WP10084XP	1	N/S		N/A
V6 2.7L 164 CID Turbo			WL10050		WA10048	WP10084	WP10084XP	1	N/S		N/A

MUSTANG

L4 2.3L 140 CID Turbo	99H	H	51348 ⁵³	51348XP	WA10315	WP10195			N/S		N/A
V6 3.7L 3726cc 227 CID	99M	M	57502 ⁵³	57502XP	WA10315	WP10195			N/S		N/A
V8 5.0L 4951cc 302 CID	99F	F	57502 ⁵³	57502XP	WA10315	WP10195			N/S		N/A

MUSTANG Shelby GT350

V8 5.2L			N/A ²⁹⁰ - (Spin On) N/A ²⁹¹ - (Cartridge)		WA10429	WP10195				33243	WL10377
---------	--	--	--	--	---------	---------	--	--	--	-------	---------

PICKUP F150 ALL

V6 2.7L 164 CID Turbo		P	WL10050		49883 ¹⁵⁵ 49883FR ³⁶⁰	WP10266				N/S	N/S
V6 3.5L 3496cc 213 CID TIVCT		8	57502 ⁵³	57502XP	49883 ¹⁵⁵ 49883FR ³⁶⁰	WP10266				N/S	WL10377
V6 3.5L 3496cc 213 CID Turbo			57502 ⁵³	57502XP	49883 ¹⁵⁵ 49883FR ³⁶⁰	WP10266				N/S	WL10377
V8 302 5.0L TIVCT		F	57502 ⁵³	57502XP	49883 ¹⁵⁵ 49883FR ³⁶⁰	WP10266				N/S	WL10377
V8 5.0L			57502 ⁵³	57502XP	49883 ¹⁵⁵ 49883FR ³⁶⁰	WP10266				N/S	WL10377

PICKUP F150 ALL Raptor

V6 3.5L Turbo			57502 ⁵³	57502XP	49883 49883FR	WP10266				N/S	WL10377
---------------	--	--	---------------------	---------	------------------	---------	--	--	--	-----	---------

PICKUP F-SERIES SUPER DUTY (UP TO 550 SERIES)

V8 6.2L 6210cc 379 CID Flex			51372 ⁵³	51372XP	WA10697	WP10266				N/S	M WL10373
V8 6.7L 6651cc 406 CID Turbo Diesel			57151 ⁵³	57151XP	WA10679	WP10266			WF10458	M	WL10377

POLICE INTERCEPTOR SEDAN

V6 3.5L 3496cc 213 CID FLEX/		8	57502 ⁵³	57502XP	46935	24068	24068XP			N/S	N/A
V6 3.5L 3496cc 213 CID Turbo		T	57502 ⁵³	57502XP	46935	24068	24068XP			N/S	N/A
V6 3.7L 3726cc 227 CID FLEX/			57502 ⁵³	57502XP	46935	24068	24068XP			N/S	N/A

POLICE INTERCEPTOR UTILITY

V6 3.5L 3496cc 213 CID Turbo			57502 ⁵³	57502XP	46935	24068	24068XP			N/S	N/A
------------------------------	--	--	---------------------	---------	-------	-------	---------	--	--	-----	-----

N/A = Not Available N/R = Not Required N/S = Not Serviceable For cabin and fuel filter locator, see pages 5-15 See pages 16-19 for footnotes

N/A = Non disponible N/R = Non nécessaire N/S = Non réparable Para la ubicación de los filtros de aire de la cabina y de combustible, ver las páginas 5-15 Voir pages 16-19 pour des notes

N/A = No disponible N/R = No requiere N/S = No servible Voir les tableaux de repérage des filtres d'habitacle et à carburant aux pages 5-15 Ver las páginas 16-19 para las notas al pie de página

Italicized Part Numbers May Not Be Available. Wix XP Oil Filters Have Fully Synthetic Media.

Las piezas con números en *italicas* pueden no estar disponibles. Los filtros de aceite WIX XP son completamente de media sintética. Les numéros de pièce en *italiques* peuvent ne pas être disponibles. Les filtres à huile XP Wix contiennent un matériau 100 % synthétique.

Year/Año/Année Model/Modelo/Modèle Engine/Motor/Moteur	Eng. Code Código de motor Code moteur	VIN NIV NIV	Oil Aceite Huile	Oil XP Aceite XP Huile XP	Air Aire Air	Cabin Air Cabina Aire Cabine Air	Cabin Air XP Cabina Aire XP Cabine Air XP	Loc. Cabin Air Cabina Aire Cabine Air	Fuel Combustible Carburant	Loc. Fuel Combustible Carburant	Transmission Transmisión Transmission
--	---	-------------------	------------------------	---------------------------------	--------------------	--	---	--	----------------------------------	--	---

FORD (Cont'd/Suite)
2017 (Cont'd/Suite)
POLICE INTERCEPTOR UTILITY (Cont'd/Suite)

V6 3.7L 3726cc 227 CID Flex	99M	M	57502 ⁵³	57502XP	46935	24068	24068XP		N/S		N/A
-----------------------------	-----	---	---------------------	---------	-------	-------	---------	--	-----	--	-----

RANGER

L4 2.2L 2198cc Turbo Diesel (Mex.)			WL7508		WA9763	WP2094			WF10224		
L4 2.5L 152 CID (Mex.)			51372 ⁵³	51372XP	WA9763	N/A			N/A		N/A
L5 3.2L 3200cc Turbo Diesel (Mex.)			WL7508		WA9763	WP2094			N/A		

Special Service Police Sedan

L4 2.0L 122 CID Turbo		8	51348 ⁵³	51348XP	46935	24068	24068XP		N/S		N/A
-----------------------	--	---	---------------------	---------	-------	-------	---------	--	-----	--	-----

TAURUS

L4 2.0L 1999cc 122 CID Turbo		9	51348 ⁵³	51348XP	46935	24068	24068XP	3	N/S		N/S
V6 3.5L 213 CID		8	57502 ⁵³	57502XP	46935	24068	24068XP	3	N/S		N/R
V6 3.5L 3496cc 213 CID Turbo			57502 ⁵³	57502XP	46935	24068	24068XP	4	N/S		N/S

TRANSIT

L4 2.2L 2198cc Turbo Diesel			WL7523		WA9758	N/A					
L4 2.2L 2198cc Turbo Diesel (Mex.)			WL7523		WA9758	N/A					

TRANSIT CONNECT

L4 2.5L 2488cc 152 CID		7	51348 ⁵³	51348XP	WA10095	24419	24419XP	1	N/S		N/A
L4 2.5L 2488cc 152 CID CNG/LPG			51348 ⁵³	51348XP	WA10095	24419	24419XP	1	N/S		WL10387

TRANSIT-150

L5 3.2L 195 CID Turbo Diesel	99V	V	57502 ⁵³	57502XP	WA10316 ¹⁴¹	N/R			WF10208		N/A
V6 3.5L 3496cc 213 CID Turbo	99G	G	57502 ⁵³	57502XP	WA10316 ¹⁴¹	N/R			N/S		N/A
V6 3.7L 3726cc 227 CID CNG	99M	M	57502 ⁵³	57502XP	WA10316 ¹⁴¹	N/R			N/S		N/A
V6 3.7L 3726cc 227 CID Flex	99M	M	57502 ⁵³	57502XP	WA10316 ¹⁴¹	N/R			N/S		N/A
V6 3.7L 3726cc 227 CID LPG	99M	M	57502 ⁵³	57502XP	WA10316 ¹⁴¹	N/R			N/S		N/A

TRANSIT-250

L5 3.2L 195 CID Turbo Diesel	99V	V	57502 ⁵³	57502XP	WA10316 ¹⁴¹	N/R			WF10208		N/A
V6 3.5L 3496cc 213 CID Turbo	99G	G	57502 ⁵³	57502XP	WA10316 ¹⁴¹	N/R			N/S		N/A
V6 3.7L 3726cc 227 CID CNG	99M	M	57502 ⁵³	57502XP	WA10316 ¹⁴¹	N/R			N/S		N/A
V6 3.7L 3726cc 227 CID Flex	99M	M	57502 ⁵³	57502XP	WA10316 ¹⁴¹	N/R			N/S		N/A
V6 3.7L 3726cc 227 CID LPG	99M	M	57502 ⁵³	57502XP	WA10316 ¹⁴¹	N/R			N/S		N/A

TRANSIT-350

L5 3.2L 195 CID Turbo Diesel	99V	V	57502 ⁵³	57502XP	WA10316 ¹⁴¹	N/R			WF10208		N/A
V6 3.5L 3496cc 213 CID Turbo	99G	G	57502 ⁵³	57502XP	WA10316 ¹⁴¹	N/R			N/S		N/A
V6 3.7L 3726cc 227 CID CNG	99M	M	57502 ⁵³	57502XP	WA10316 ¹⁴¹	N/R			N/S		N/A
V6 3.7L 3726cc 227 CID Flex	99M	M	57502 ⁵³	57502XP	WA10316 ¹⁴¹	N/R			N/S		N/A
V6 3.7L 3726cc 227 CID LPG	99M	M	57502 ⁵³	57502XP	WA10316 ¹⁴¹	N/R			N/S		N/A

TRANSIT-350 HD

L5 3.2L 195 CID Turbo Diesel	99V	V	57502 ⁵³	57502XP	WA10316 ¹⁴¹	N/R			WF10208		N/A
V6 3.5L 3496cc 213 CID Turbo	99G	G	57502 ⁵³	57502XP	WA10316 ¹⁴¹	N/R			N/S		N/A
V6 3.7L 3726cc 227 CID CNG	99M	M	57502 ⁵³	57502XP	WA10316 ¹⁴¹	N/R			N/S		N/A
V6 3.7L 3726cc 227 CID Flex	99M	M	57502 ⁵³	57502XP	WA10316 ¹⁴¹	N/R			N/S		N/A

N/A = Not Available N/R = Not Required N/S = Not Serviceable For cabin and fuel filter locator, see pages 5-15 See pages 16-19 for footnotes

N/A = Non disponible N/R = Non nécessaire N/S = Non réparable Para la ubicación de los filtros de aire de la cabina y de combustible, ver las páginas 5-15 Voir pages 16-19 pour des notes

N/A = No disponible N/R = No requiere N/S = No servible Voir les tableaux de repérage des filtres d'habitacle et à carburant aux pages 5-15 Ver las páginas 16-19 para las notas al pie de página

Italicized Part Numbers May Not Be Available. Wix XP Oil Filters Have Fully Synthetic Media.

Las piezas con números en *italicas* pueden no estar disponibles. Los filtros de aceite WIX XP son completamente de media sintética.

Les numéros de pièce en *italiques* peuvent ne pas être disponibles. Les filtres à huile Wix contiennent un matériau 100 % synthétique.

FORD 2017-2016
Pass Car/Light Truck

Year/Año/Année Model/Modelo/Modèle Engine/Motor/Moteur	Eng. Code Código de motor Code moteur	VIN NIV NIV	Oil Aceite Huile	Oil XP Aceite XP Huile XP	Air Aire Air	Cabin Air Cabina Aire Cabine Air	Cabin Air XP Cabina Aire XP Cabine Air XP	Loc. Cabin Air Cabina Aire Cabine Air	Fuel Combustible Carburant	Loc. Fuel Combustible Carburant	Transmission Transmisión Transmission
--	---	-------------------	------------------------	---------------------------------	--------------------	--	---	--	----------------------------------	--	---

FORD (Cont'd/Suite)
2017 (Cont'd/Suite)
TRANSIT-350 HD (Cont'd/Suite)

V6 3.7L 3726cc 227 CID LPG	99M	M	57502 ⁵³	57502XP	WA10316 ¹⁴¹ WA10652 ³¹⁸	N/R			N/S		N/A
----------------------------	-----	---	---------------------	---------	--	-----	--	--	-----	--	-----

VAN E-SERIES (UP TO 450 SERIES)

V10 6.8L 415 CID LPG/CNG/			51372 ⁵³	51372XP	46418	N/R			N/S	M	N/S
V8 6.2L 6210cc 379 CID Flex			51372 ⁵³	51372XP	46418	N/R			N/S	M	N/S

2016
C-MAX

L4 2.0L 1999cc 122 CID Electric/Gas			51348 ⁵³	51348XP	WA10036	24419	24419XP	1	N/S		N/A
--	--	--	---------------------	---------	---------	-------	---------	---	-----	--	-----

E350 SUPER DUTY CHASSIS CAB

V10 6.8L 415 CID		S	51372 ⁵³	51372XP	46418	N/R			N/S	M	58180
V10 6.8L 415 CID CNG/LPG		S	51372 ⁵³	51372XP	46418	N/R			N/S	M	58180
V8 5.4L 330 CID Flex		L	51372 ⁵³	51372XP	46418	N/R			N/S		58180

ECOSPORT

L4 2.0L 1999cc (Mex.)			51348 ⁵³	51348XP	N/A	N/A			N/A		
-----------------------	--	--	---------------------	---------	-----	-----	--	--	-----	--	--

EDGE

L4 2.0L 1999cc 122 CID Turbo		9	51348 ⁵³	51348XP	WA10048	WP10084	WP10084XP	3	33243		N/A
V6 2.7L 164 CID Turbo		P	WL10050		WA10048	WP10084	WP10084XP	3	N/S		N/A
V6 3.5L 3496cc 213 CID			57502 ⁵³	57502XP	WA10048	WP10084	WP10084XP	3	33243		N/S

ESCAPE

L4 1.6L 1601cc 98 CID Turbo		X	51348 ⁵³	51348XP	49017	24419	24419XP	1	N/S		N/S
L4 2.0L 1999cc 122 CID Turbo		9	51348 ⁵³	51348XP	49017	24419	24419XP	1	N/S		N/S
L4 2.5L 2488cc 152 CID		7	51348 ⁵³	51348XP	WA10095	24419	24419XP	1	N/S		N/A

EXPEDITION

V6 3.5L 3496cc 213 CID Turbo		T	57502 ⁵³	57502XP	49883 ¹⁵⁵ 49883FR ³⁶⁰	N/R			33424	M	N/A
------------------------------	--	---	---------------------	---------	--	-----	--	--	-------	---	-----

EXPLORER

L4 2.3L 140 CID		H	51348 ⁵³	51348XP	46935	24068	24068XP		N/S		WL10378
V6 3.5L 3496cc 213 CID			57502 ⁵³	57502XP	46935	24068	24068XP		N/S		N/A
V6 3.5L 3496cc 213 CID Turbo			57502 ⁵³	57502XP	46935	24068	24068XP		N/S		N/A

FIESTA

L3 1.0L 999cc 61 CID Turbo		E	51348 ⁵³	51348XP	WA10261	24619		1	N/S		MT
L4 1.6L 1596cc 97 CID		J	51348 ⁵³	51348XP	WA10261	24619		1	N/S		MT
L4 1.6L 1596cc 97 CID Turbo		X	51348 ⁵³	51348XP	WA10261	24619		1	N/S		MT

FIGO

L4 1.5L 1498CC 92CID (Mex.)			51348	51348XP	49604	24619			N/S		N/S
--------------------------------	--	--	-------	---------	-------	-------	--	--	-----	--	-----

FLEX

V6 3.5L 3496cc 213 CID		8	57502 ⁵³	57502XP	46935	24068	24068XP	4	N/S		WL10378
V6 3.5L 3496cc 213 CID Turbo		T	57502 ⁵³	57502XP	46935	24068	24068XP	4	N/S		WL10378

FOCUS

L3 1.0L 999cc 61 CID Turbo		E	51348 ⁵³	51348XP	49017	24419	24419XP	3	N/S		N/S
L4 2.0L 121 CID		2	51348 ⁵³	51348XP	49017	24419	24419XP	3	N/S		N/S
L4 2.0L 122 CID FLEX/		2	51348 ⁵³	51348XP	49017	24419	24419XP	3	N/S		58617
L4 2.0L 1999cc 122 CID Turbo		9	51348 ⁵³	51348XP	49017	24419	24419XP	3	N/S		N/S
L4 2.3L 140 CID			51348 ⁵³	51348XP	49017	24419	24419XP		N/S		N/S

FOCUS Electric

Electric Electric		4	N/R		N/R	24419	24419XP	3	N/R		N/A
-------------------	--	---	-----	--	-----	-------	---------	---	-----	--	-----

FOCUS RS

L4 2.3L 140 CID Turbo			51348 ⁵³	51348XP	49017	24419	24419XP		33243		N/S
-----------------------	--	--	---------------------	---------	-------	-------	---------	--	-------	--	-----

FUSION

L4 1.5L 1499cc 91 CID Turbo		D	51348 ⁵³	51348XP	WA10048	WP10084	WP10084XP	1	N/S		N/A
L4 2.0L 1999cc 122 CID Electric/Gas		U	51348 ⁵³	51348XP	WA10036	WP10084	WP10084XP	1	N/S		N/A

N/A = Not Available N/R = Not Required N/S = Not Serviceable For cabin and fuel filter locator, see pages 5-15 See pages 16-19 for footnotes

N/A = Non disponible N/R = Non nécessaire N/S = Non réparable Para la ubicación de los filtros de aire de la cabina y de combustible, ver las páginas 5-15 Voir pages 16-19 pour des notes

N/A = No disponible N/R = No requiere N/S = No servible Voir les tableaux de repérage des filtres d'habitacle et à carburant aux pages 5-15 Ver las páginas 16-19 para las notas al pie de página

Italicized Part Numbers May Not Be Available. Wix XP Oil Filters Have Fully Synthetic Media.

Las piezas con números en *italicas* pueden no estar disponibles. Los filtros de aceite WIX XP son completamente de media sintética. Les numéros de pièce en *italiques* peuvent ne pas être disponibles. Les filtres à huile XP Wix contiennent un matériau 100 % synthétique.

P
A
S
S
C
A
R
L
I
G
H
T
T
R
U
C
K

Year/Año/Année Model/Modelo/Modèle Engine/Motor/Moteur	Eng. Code Código de motor Code moteur	VIN NIV NIV	Oil Aceite Huile	Oil XP Aceite XP Huile XP	Air Aire Air	Cabin Air Cabina Aire Cabine Air	Cabin Air XP Cabina Aire XP Cabine Aire XP	Loc. Cabin Air Cabina Aire Cabine Air	Fuel Combustible Carburant	Loc. Fuel Combustible Carburant	Transmission Transmisión Transmission
--	---	-------------------	------------------------	---------------------------------	--------------------	--	--	--	----------------------------------	--	---

FORD (Cont'd/Suite)

2016 (Cont'd/Suite)

FUSION (Cont'd/Suite)

L4 2.0L 1999cc 122 CID Turbo		9	51348 ⁵³	51348XP	WA10048	WP10084	WP10084XP	1	N/S		N/A
L4 2.5L 2488cc 152 ID		7	51348 ⁵³	51348XP	WA10048	WP10084	WP10084XP	1	N/S		N/A

MUSTANG

L4 2.3L 140 CID Turbo	99H	H	51348 ⁵³	51348XP	WA10315	WP10195			N/S		N/A
V6 3.7L 3726cc 227 CID	99M	M	57502 ⁵³	57502XP	WA10315	WP10195			N/S		N/A
V8 5.0L 4951cc 302 CID	99F	F	57502 ⁵³	57502XP	WA10315	WP10195			N/S		N/A

MUSTANG Shelby GT350

V8 5.2L			N/A		WA10429	WP10195			33243		WL10377
---------	--	--	-----	--	---------	---------	--	--	-------	--	---------

PICKUP F150 ALL

V6 2.7L 164 CID Turbo		P	WL10050		49883 ¹⁵⁵ 49883FR ³⁶⁰	WP10266			N/S		N/S
V6 3.5L 3496cc 213 CID TIVCT		8	57502 ⁵³	57502XP	49883 ¹⁵⁵ 49883FR ³⁶⁰	WP10266			N/S		WL10377
V6 3.5L 3496cc 213 CID Turbo			57502 ⁵³	57502XP	49883 ¹⁵⁵ 49883FR ³⁶⁰	WP10266			N/S		WL10377
V8 302 5.0L TIVCT		F	57502 ⁵³	57502XP	49883 ¹⁵⁵ 49883FR ³⁶⁰	WP10266			N/S		WL10377

PICKUP F-SERIES SUPER DUTY (UP TO 550 SERIES)

V8 6.2L 6210cc 379 CID Flex		6	51372 ⁵³	51372XP	49883 ¹⁵⁵ 49883FR ³⁶⁰	N/R			N/S	M	WL10373 - 6 Spd.
V8 6.7L 6651cc 406 CID Turbo Diesel		T	57151 ⁵³	57151XP	49902 ¹⁵⁵ 49902FR ³⁶⁰ WA10139FR ³⁶⁰	N/R			33615	M	WL10373 - 6 Spd.

POLICE INTERCEPTOR SEDAN

L4 2.0L 122 CID Turbo		8	51348 ⁵³	51348XP	46935	24068	24068XP		N/S		N/A
V6 3.5L 3496cc 213 CID Flex		8	57502 ⁵³	57502XP	46935	24068	24068XP		N/S		N/S
V6 3.5L 3496cc 213 CID Turbo		T	57502 ⁵³	57502XP	46935	24068	24068XP		N/S		N/S
V6 3.7L 3726cc 227 CID TIVCT Flex		M	57502 ⁵³	57502XP	46935	24068	24068XP		N/S		N/S

POLICE INTERCEPTOR UTILITY

V6 227 3.7L TIVCT Flex		M	57502 ⁵³	57502XP	46935	24068	24068XP		N/S		N/S
V6 3.5L 3496cc 213 CID Turbo			57502 ⁵³	57502XP	46935	24068	24068XP		N/S		N/R
V6 3.7L 3726cc 227 CID	99M	M	57502 ⁵³	57502XP	46935	24068	24068XP		N/S		N/A

RANGER

L4 2.2L 2198cc Turbo Diesel (Mex.)			WL7508		WA9763	WP2094			33395		
L4 2.5L 152 CID (Mex.)			51372 ⁵³	51372XP	WA9763	N/A			N/A		N/A

TAURUS

L4 2.0L 1999cc 122 CID Turbo		9	51348 ⁵³	51348XP	46935	24068	24068XP	3	N/S		N/S
V6 3.5L 213 CID		8	57502 ⁵³	57502XP	46935	24068	24068XP	3	N/S		N/R
V6 3.5L 3496cc 213 CID Turbo			57502 ⁵³	57502XP	46935	24068	24068XP	4	N/S		N/S

TAURUS POLICE SEDAN

L4 2.0L 122 CID			51348 ⁵³	51348XP	46935	24068	24068XP		N/S		N/S
-----------------	--	--	---------------------	---------	-------	-------	---------	--	-----	--	-----

TRANSIT

L4 2.2L 2198cc Turbo Diesel			WL7523		WA9758	N/A					
L4 2.2L 2198cc Turbo Diesel (Mex.)			WL7523		WA9758	N/A					

TRANSIT CONNECT

L4 1.6L 1596cc 97 CID Turbo		X	51348 ⁵³	51348XP	49017	24419	24419XP	1	N/S		N/A
L4 2.5L 2488cc 152 CID		7	51348 ⁵³	51348XP	WA10095	24419	24419XP	1	N/S		N/A

TRANSIT-150

L5 3.2L 195 CID Turbo Diesel	99V	V	57502 ⁵³	57502XP	WA10316 ¹⁴¹	N/R			WF10208		N/A
V6 3.5L 3496cc 213 CID Turbo	99G	G	57502 ⁵³	57502XP	WA10316 ¹⁴¹	N/R			N/S		N/A
V6 3.7L 3726cc 227 CID CNG	99M	M	57502 ⁵³	57502XP	WA10316 ¹⁴¹	N/R			N/S		N/A
V6 3.7L 3726cc 227 CID Flex	99M	M	57502 ⁵³	57502XP	WA10316 ¹⁴¹	N/R			N/S		N/A
V6 3.7L 3726cc 227 CID LPG	99M	M	57502 ⁵³	57502XP	WA10316 ¹⁴¹	N/R			N/S		N/A

N/A = Not Available N/R = Not Required N/S = Not Serviceable For cabin and fuel filter locator, see pages 5-15 See pages 16-19 for footnotes

N/A = Non disponible N/R = Non nécessaire N/S = Non réparable Para la ubicación de los filtros de aire de la cabina y de combustible, ver las páginas 5-15 Voir pages 16-19 pour des notes

N/A = No disponible N/R = No requiere N/S = No servible Voir les tableaux de repérage des filtres d'habitacle et à carburant aux pages 5-15 Ver las páginas 16-19 para las notas al pie de página

Italicized Part Numbers May Not Be Available. Wix XP Oil Filters Have Fully Synthetic Media.

Las piezas con números en *italicas* pueden no estar disponibles. Los filtros de aceite WIX XP son completamente de media sintética.

Les numéros de pièce en *italiques* peuvent ne pas être disponibles. Les filtres à huile XP Wix contiennent un matériau 100 % synthétique.

FORD 2016-2015
Pass Car/Light Truck

Year/Año/Année Model/Modelo/Modèle Engine/Motor/Moteur	Eng. Code Código de motor Code moteur	VIN NIV NIV	Oil Aceite Huile	Oil XP Aceite XP Huile XP	Air Aire Air	Cabin Air Cabina Aire Cabine Air	Cabin Air XP Cabina Aire XP Cabine Air XP	Loc. Cabin Air Cabina Aire Cabine Air	Fuel Combustible Carburant	Loc. Fuel Combustible Carburant	Transmission Transmisión Transmission
--	---	-------------------	------------------------	---------------------------------	--------------------	--	---	--	----------------------------------	--	---

FORD (Cont'd/Suite)
2016 (Cont'd/Suite)
TRANSIT-250

L5 3.2L 195 CID Turbo Diesel	99V	V	57502 ⁵³	57502XP	WA10316 ⁴⁴¹ WA10652 ³¹⁸	N/R			WF10208 - Primary		N/A
V6 3.5L 3496cc 213 CID Turbo	99G	G	57502 ⁵³	57502XP	WA10316 WA10652 ³¹⁸	N/R			N/S		N/A
V6 3.7L 3726cc 227 CID CNG	99M	M	57502 ⁵³	57502XP	WA10316 ⁴⁴¹ WA10652 ³¹⁸	N/R			N/S		N/A
V6 3.7L 3726cc 227 CID Flex	99M	M	57502 ⁵³	57502XP	WA10316 ⁴⁴¹ WA10652 ³¹⁸	N/R			N/S		N/A
V6 3.7L 3726cc 227 CID LPG	99M	M	57502 ⁵³	57502XP	WA10316 ⁴⁴¹ WA10652 ³¹⁸	N/R			N/S		N/A

TRANSIT-350

L5 3.2L 195 CID Turbo Diesel	99V	V	57502 ⁵³	57502XP	WA10316 ⁴⁴¹ WA10652 ³¹⁸	N/R			WF10208		N/A
V6 3.5L 3496cc 213 CID Turbo	99G	G	57502 ⁵³	57502XP	WA10316 ⁴⁴¹ WA10652 ³¹⁸	N/R			N/S		N/A
V6 3.7L 3726cc 227 CID CNG	99M	M	57502 ⁵³	57502XP	WA10316 ⁴⁴¹ WA10652 ³¹⁸	N/R			N/S		N/A
V6 3.7L 3726cc 227 CID Flex	99M	M	57502 ⁵³	57502XP	WA10316 ⁴⁴¹ WA10652 ³¹⁸	N/R			N/S		N/A
V6 3.7L 3726cc 227 CID LPG	99M	M	57502 ⁵³	57502XP	WA10316 ⁴⁴¹ WA10652 ³¹⁸	N/R			N/S		N/A

TRANSIT-350 HD

L5 3.2L 195 CID Turbo Diesel	99V	V	57502 ⁵³	57502XP	WA10316 ⁴⁴¹ WA10652 ³¹⁸	N/R			WF10208		N/A
V6 3.5L 3496cc 213 CID Turbo	99G	G	57502 ⁵³	57502XP	WA10316 ⁴⁴¹ WA10652 ³¹⁸	N/R			N/S		N/A
V6 3.7L 3726cc 227 CID CNG	99M	M	57502 ⁵³	57502XP	WA10316 ⁴⁴¹ WA10652 ³¹⁸	N/R			N/S		N/A
V6 3.7L 3726cc 227 CID Flex	99M	M	57502 ⁵³	57502XP	WA10316 ⁴⁴¹ WA10652 ³¹⁸	N/R			N/S		N/A
V6 3.7L 3726cc 227 CID LPG	99M	M	57502 ⁵³	57502XP	WA10316 ⁴⁴¹ WA10652 ³¹⁸	N/R			N/S		N/A

VAN E-SERIES (UP TO 450 SERIES)

V10 6.8L 415 CID		S	51372 ⁵³	51372XP	46418	N/R			N/S	M	58180
V10 6.8L 415 CID CNG/LPG		S	51372 ⁵³	51372XP	46418	N/R			N/S	M	58180
V8 5.4L 330 CID CNG/LPG		L	51372 ⁵³	51372XP	46418	N/R			N/S		58180 - 5R110W 58955 - 4R75W WL10373 - 6 Spd.

2015
C-MAX

L4 2.0L 1999cc 122 CID Electric/Gas			51348 ⁵³	51348XP	WA10036	24419	24419XP	1	N/S		N/A
-------------------------------------	--	--	---------------------	---------	---------	-------	---------	---	-----	--	-----

ECOSPORT

L4 2.0L 1999cc (Mex.)			51348 ⁵³	51348XP	N/A	N/A			N/A		
-----------------------	--	--	---------------------	---------	-----	-----	--	--	-----	--	--

EDGE

L4 2.0L 1999cc 122 CID Turbo	9		51348 ⁵³	51348XP	WA10048	WP10084	WP10084XP	3	33243		N/A
V6 2.7L 164 CID Turbo	P		WL10050		WA10048	WP10084	WP10084XP	3	N/S		
V6 3.5L 3496cc 213 CID	C		57502 ⁵³	57502XP	WA10048	WP10084	WP10084XP	3	N/S		N/S

ESCAPE

L4 1.6L 1601cc 98 CID Turbo	X		51348 ⁵³	51348XP	49017	24419	24419XP	1	N/S		N/S
L4 2.0L 1999cc 122 CID Turbo	9		51348 ⁵³	51348XP	49017	24419	24419XP	1	N/S		N/S
L4 2.5L 2488cc 152 CID	7		51348 ⁵³	51348XP	WA10095	24419	24419XP	1	N/S		N/S

EXPEDITION

V6 3.5L 3496cc 213 CID Turbo		T	57502 ⁵³	57502XP	49883 ¹⁵⁵ 49883FR ³⁶⁰	N/R			33424	M	WL10377 - 6R80W
------------------------------	--	---	---------------------	---------	--	-----	--	--	-------	---	-----------------

EXPLORER

L4 2.0L 1999cc 122 CID Turbo		9	51348 ⁵³	51348XP	46935	24068	24068XP		N/S		WL10378
V6 3.5L 3496cc 213 CID			57502 ⁵³	57502XP	46935	24068	24068XP		N/S		N/A

N/A = Not Available N/R = Not Required N/S = Not Serviceable For cabin and fuel filter locator, see pages 5-15 See pages 16-19 for footnotes

N/A = Non disponible N/R = Non nécessaire N/S = Non réparable Para la ubicación de los filtros de aire de la cabina y de combustible, ver las páginas 5-15 Voir pages 16-19 pour des notes

N/A = No disponible N/R = No requiere N/S = No servible Voir les tableaux de repérage des filtres d'habitacle et à carburant aux pages 5-15 Ver las páginas 16-19 para las notas al pie de página

Italicized Part Numbers May Not Be Available. Wix XP Oil Filters Have Fully Synthetic Media.

Las piezas con números en *italicas* pueden no estar disponibles. Los filtros de aceite WIX XP son completamente de media sintética. Les numéros de pièce en *italiques* peuvent ne pas être disponibles. Les filtres à huile XP Wix contiennent un matériau 100 % synthétique.

Year/Año/Année Model/Modelo/Modèle Engine/Motor/Moteur	Eng. Code Código de motor Code moteur	VIN NIV NIV	Oil Aceite Huile	Oil XP Aceite XP Huile XP	Air Aire Air	Cabin Air Cabina Aire Cabine Air	Cabin Air XP Cabina Aire XP Cabine Air XP	Loc. Cabin Air Cabina Aire Cabine Air	Fuel Combustible Carburant	Loc. Fuel Combustible Carburant	Transmission Transmisión Transmission
--	---	-------------------	------------------------	---------------------------------	--------------------	--	---	--	----------------------------------	--	---

FORD (Cont'd/Suite)

2015 (Cont'd/Suite)

EXPLORER SPORT

V6 3.5L 3496cc 213 CID Turbo			57502 ⁵³	57502XP	46935	24068	24068XP		N/S		N/A
------------------------------	--	--	---------------------	---------	-------	-------	---------	--	-----	--	-----

FIESTA

L3 1.0L 999cc 61 CID Turbo	E	51348 ⁵³	51348XP	WA10261	24619			1	N/S		MT
L4 1.6L 1596cc 97 CID	J	51348 ⁵³	51348XP	WA10261	24619			1	N/S		MT
L4 1.6L 1596cc 97 CID Turbo	X	51348 ⁵³	51348XP	WA10261	24619			1	N/S		MT

FIGO

L4 1.5L 1498CC 92CID (Mex.)			51348	51348XP	49604	N/S			N/S		N/S
--------------------------------	--	--	-------	---------	-------	-----	--	--	-----	--	-----

FLEX

V6 3.5L 3496cc 213 CID	8	57502 ⁵³	57502XP	46935	24068	24068XP		4	N/S		WL10378
V6 3.5L 3496cc 213 CID Turbo	T	57502 ⁵³	57502XP	46935	24068	24068XP		4	N/S		WL10378

FOCUS

L3 1.0L 999cc 61 CID Turbo	E	51348 ⁵³	51348XP	49017	24419	24419XP		3	N/S		N/S
L4 2.0L 122 CID	2	51348 ⁵³	51348XP	49017	24419	24419XP		3	N/S	58617	N/S
L4 2.0L 1999cc 122 CID Turbo	9	51348 ⁵³	51348XP	49017	24419	24419XP		3	N/S		N/S

FOCUS Electric

Electric Electric	4	N/R		N/R	24419	24419XP		3	N/R		N/A
-------------------	---	-----	--	-----	-------	---------	--	---	-----	--	-----

FUSION

L4 1.5L 1499cc 91 CID Turbo	D	51348 ⁵³	51348XP	WA10048	WP10084	WP10084XP		1	N/S		N/A
L4 1.6L 1596cc 97 CID Turbo	R	51348 ⁵³	51348XP	WA10048	WP10084	WP10084XP		1	N/S		N/A
L4 2.0L 1999cc 122 CID Electric/Gas	U	51348 ⁵³	51348XP	WA10036	WP10084	WP10084XP		1	N/S		N/A
L4 2.0L 1999cc 122 CID Turbo	9	51348 ⁵³	51348XP	WA10048	WP10084	WP10084XP		1	N/S		N/A
L4 2.5L 2488cc 152 ID	7	51348 ⁵³	51348XP	WA10048	WP10084	WP10084XP		1	N/S		N/A

IKON

L4 1.6L 1558cc (Mex.)			51516 ⁵³	51516XP	46156				33097		N/S
-----------------------	--	--	---------------------	---------	-------	--	--	--	-------	--	-----

MUSTANG

L4 2.3L 140 CID Turbo	99H	H	51348 ⁵³	51348XP	WA10315	WP10195			N/S		WL10377
V6 3.7L 3726cc 227 CID	99M	M	57502 ⁵³	57502XP	WA10315	WP10195			N/S		WL10377
V8 5.0L 4951cc 302 CID	99F	F	57502 ⁵³	57502XP	WA10315	WP10195			N/S		N/A

MUSTANG Shelby GT350

V8 5.2L			N/A		WA10429	WP10195			33243		WL10377
---------	--	--	-----	--	---------	---------	--	--	-------	--	---------

PICKUP F150 ALL

V6 2.7L 164 CID Turbo	P	WL10050		49883 ¹⁵⁵ 49883FR ³⁶⁰	WP10266				N/S		WL10377
V6 3.5L 3496cc 213 CID	8	57502 ⁵³	57502XP	49883 ¹⁵⁵ 49883FR ³⁶⁰	WP10266				N/S		WL10377
V6 3.5L 3496cc 213 CID Turbo	G	57502 ⁵³	57502XP	49883 ¹⁵⁵ 49883FR ³⁶⁰	WP10266				N/S		WL10377
V8 5.0L 4951cc 302 CID Flex	F	57502 ⁵³	57502XP	49883 ¹⁵⁵ 49883FR ³⁶⁰	WP10266				N/S		WL10377

PICKUP F-SERIES SUPER DUTY (UP TO 550 SERIES)

V8 6.2L 6210cc 379 CID Flex	6	51372 ⁵³	51372XP	49883 ¹⁵⁵ 49883FR ³⁶⁰	N/R				N/S	M	58180 - 5 Spd. WL10373 - 6 Spd.
V8 6.7L 6651cc 406 CID Turbo Diesel	T	57151 ⁵³	57151XP	49902 ¹⁵⁵ 49902FR ³⁶⁰ WA10139FR ³⁶⁰	N/R				33615	M	58180 - 5 Spd. WL10373 - 6 Spd.

POLICE INTERCEPTOR SEDAN

L4 2.0L 122 CID Turbo	8	51348 ⁵³	51348XP	46935	24068	24068XP			N/S		N/A
V6 3.5L 3496cc 213 CID	8	57502 ⁵³	57502XP	46935	24068	24068XP			N/S		N/S
V6 3.5L 3496cc 213 CID Turbo	T	57502 ⁵³	57502XP	46935	24068	24068XP			N/S		N/S
V6 3.7L 3726cc 227 CID	99M	M	57502 ⁵³	57502XP	46935	24068	24068XP		N/S		N/S

POLICE INTERCEPTOR UTILITY

V6 3.5L 3496cc 213 CID Turbo			57502 ⁵³	57502XP	46935	24068	24068XP		N/S		N/A
V6 3.7L 3726cc 227 CID	99M	M	57502 ⁵³	57502XP	46935	24068	24068XP		N/S		N/S

N/A = Not Available N/R = Not Required N/S = Not Serviceable For cabin and fuel filter locator, see pages 5-15 See pages 16-19 for footnotes

N/A = Non disponible N/R = Non nécessaire N/S = Non Serviceable Para la ubicación de los filtros de aire de la cabina y de combustible, ver las páginas 5-15 Voir pages 16-19 pour des notes

N/A = No disponible N/R = No requiere N/S = No servible Voir les tableaux de repérage des filtres d'habitacle et à carburant aux pages 5-15 Ver las páginas 16-19 para las notas al pie de página

Italicized Part Numbers May Not Be Available. Wix XP Oil Filters Have Fully Synthetic Media.

Las piezas con números en *italicas* pueden no estar disponibles. Los filtros de aceite WIX XP son completamente de media sintética.

Les numéros de pièce en *italiques* peuvent ne pas être disponibles. Les filtres à huile Wix contiennent un matériau 100 % synthétique.

FORD 2015-2014
Pass Car/Light Truck

Year/Año/Année Model/Modelo/Modèle Engine/Motor/Moteur	Eng. Code Código de motor Code moteur	VIN NIV NIV	Oil Aceite Huile	Oil XP Aceite XP Huile XP	Air Aire Air	Cabin Air Cabina Aire Cabine Air	Cabin Air XP Cabina Aire XP Cabine Air XP	Loc. Cabin Air Cabina Aire Cabine Air	Fuel Combustible Carburant	Loc. Fuel Combustible Carburant	Transmission Transmisión Transmission
--	---	-------------------	------------------------	---------------------------------	--------------------	--	---	--	----------------------------------	--	---

FORD (Cont'd/Suite)
2015 (Cont'd/Suite)
RANGER

L4 2.2L 2198cc Turbo Diesel (Mex.)			WL7508		WA9763	WP2094			33395		
L4 2.5L 2488cc 152 CID (Mex.)			51348	51348XP	WA9763	WP2094			N/S		

TAURUS

L4 2.0L 1999cc 122 CID Turbo		9	51348 ⁵³	51348XP	46935	24068	24068XP	3	N/S		N/A
V6 3.5L 3496cc 213 CID		8	57502 ⁵³	57502XP	46935	24068	24068XP	4	N/S		N/S
V6 3.5L 3496cc 213 CID Turbo			57502 ⁵³	57502XP	46935	24068	24068XP	4	N/S		N/S

TRANSIT

L4 2.2L 2198cc Turbo Diesel			WL7523		WA9758	N/A					
L4 2.2L 2198cc Turbo Diesel (Mex.)			WL7523		WA9758	N/A					

TRANSIT CONNECT

L4 1.6L 1596cc 97 CID Turbo		X	51348 ⁵³	51348XP	49017	24419	24419XP	1	N/S		N/S
L4 2.5L 2488cc 152 CID		7	51348 ⁵³	51348XP	WA10095	24419	24419XP	1	N/S		N/S

TRANSIT-150

L5 3.2L 195 CID Turbo Diesel	99V	V	57502 ⁵³	57502XP	WA10316 ⁴⁴¹	N/R			WF10208		
V6 3.5L 3496cc 213 CID Turbo	99G	G	57502 ⁵³	57502XP	WA10316 ⁴⁴¹	N/R			N/S		
V6 3.7L 3726cc 227 CID Flex	99M	M	57502 ⁵³	57502XP	WA10316 ⁴⁴¹	N/R			N/S		

TRANSIT-250

L5 3.2L 195 CID Turbo Diesel	99V	V	57502 ⁵³	57502XP	WA10316 ⁴⁴¹ WA10652 ³¹⁸	N/R			WF10208		
V6 3.5L 3496cc 213 CID Turbo	99G	G	57502 ⁵³	57502XP	WA10316 ⁴⁴¹ WA10652 ³¹⁸	N/R			N/S		
V6 3.7L 3726cc 227 CID Flex	99M	M	57502 ⁵³	57502XP	WA10316 ⁴⁴¹ WA10652 ³¹⁸	N/R			N/S		

TRANSIT-350

L5 3.2L 195 CID Turbo Diesel	99V	V	57502 ⁵³	57502XP	WA10316 ⁴⁴¹ WA10652 ³¹⁸	N/R			WF10208		
V6 3.5L 3496cc 213 CID Turbo	99G	G	57502 ⁵³	57502XP	WA10316 ⁴⁴¹ WA10652 ³¹⁸	N/R			N/S		
V6 3.7L 3726cc 227 CID Flex	99M	M	57502 ⁵³	57502XP	WA10316 ⁴⁴¹ WA10652 ³¹⁸	N/R			N/S		

TRANSIT-350 HD

L5 3.2L 195 CID Turbo Diesel	99V	V	57502 ⁵³	57502XP	WA10316 ⁴⁴¹ WA10652 ³¹⁸	N/R			WF10208		
V6 3.5L 3496cc 213 CID Turbo	99G	G	57502 ⁵³	57502XP	WA10316 ⁴⁴¹ WA10652 ³¹⁸	N/R			N/S		
V6 3.7L 3726cc 227 CID Flex	99M	M	57502 ⁵³	57502XP	WA10316 ⁴⁴¹ WA10652 ³¹⁸	N/R			N/S		

VAN E-SERIES (UP TO 450 SERIES)

V10 6.8L 415 CID		S	51372 ⁵³	51372XP	46418	N/R			33595	M	58180 - 5R110W 58099 - 6R80
V8 5.4L 330 CID		L	51372 ⁵³	51372XP	46418	N/R			33595		58180 - 5R110W 58955 - 4R75W 58099 - 6R80

2014
C-MAX

L4 2.0L 1999cc 122 CID Electric/Gas			51348 ⁵³	51348XP	WA10036	24419	24419XP	1	N/S		N/A
-------------------------------------	--	--	---------------------	---------	---------	-------	---------	---	-----	--	-----

ECOSPORT

L4 2.0L 1999cc (Mex.)			51348 ⁵³	51348XP	N/A	N/A			N/A		
-----------------------	--	--	---------------------	---------	-----	-----	--	--	-----	--	--

EDGE

L4 2.0L 1999cc 122 CID Turbo		9	51348 ⁵³	51348XP	46935	24065		3	N/S		N/A
V6 3.5L 3496cc 213 CID		C	57502 ⁵³	57502XP	46935	24065		3	N/S		N/S
V6 3.7L 3726cc 227 CID	99M	K	57502 ⁵³	57502XP	46935	24065		3	N/S		N/S

N/A = Not Available N/R = Not Required N/S = Not Serviceable For cabin and fuel filter locator, see pages 5-15 See pages 16-19 for footnotes

N/A = Non disponible N/R = Non nécessaire N/S = Non réparable Para la ubicación de los filtros de aire de la cabina y de combustible, ver las páginas 5-15 Voir pages 16-19 pour des notes

N/A = No disponible N/R = No requiere N/S = No servible Voir les tableaux de repérage des filtres d'habitacle et à carburant aux pages 5-15 Ver las páginas 16-19 para las notas al pie de página

Italicized Part Numbers May Not Be Available. Wix XP Oil Filters Have Fully Synthetic Media.

Las piezas con números en *italicas* pueden no estar disponibles. Los filtros de aceite WIX XP son completamente de media sintética. Les numéros de pièce en *italiques* peuvent ne pas être disponibles. Les filtres à huile XP Wix contiennent un matériau 100 % synthétique.

Year/Año/Année Model/Modelo/Modèle Engine/Motor/Moteur	Eng. Code Código de motor Code moteur	VIN NIV NIV	Oil Aceite Huile	Oil XP Aceite XP Huile XP	Air Aire Air	Cabin Air Cabina Aire Cabine Air	Cabin Air XP Cabina Aire XP Cabine Air XP	Loc. Cabin Air Cabina Aire Cabine Air	Fuel Combustible Carburant	Loc. Fuel Combustible Carburant	Transmission Transmisión Transmission
--	---	-------------------	------------------------	---------------------------------	--------------------	--	---	--	----------------------------------	--	---

FORD (Cont'd/Suite)
2014 (Cont'd/Suite)
ESCAPE

L4 1.6L 1601cc 98 CID Turbo		X	51348 ⁵³	51348XP	49017	24419	24419XP	1	N/S		N/S
L4 2.0L 1999cc 122 CID Turbo		9	51348 ⁵³	51348XP	49017	24419	24419XP	1	N/S		N/S
L4 2.5L 2488cc 152 CID		7	51348 ⁵³	51348XP	WA10095	24419	24419XP	1	33296		N/S

EXPEDITION

V8 5.4L 330 CID Flex		5	51372 ⁵³	51372XP	49883 ¹⁵⁵ 49883FR ³⁶⁰	N/R			33424	M	WL10377 - 6R80W
----------------------	--	---	---------------------	---------	--	-----	--	--	-------	---	-----------------

EXPLORER

L4 2.0L 1999cc 122 CID Turbo		9	51348 ⁵³	51348XP	46935	24068	24068XP		N/S		WL10378
V6 3.5L 3496cc 213 CID			57502 ⁵³	57502XP	46935	24068	24068XP		N/S		N/A

EXPLORER SPORT

V6 3.5L 3496cc 213 CID Turbo			57502 ⁵³	57502XP	46935	24068	24068XP		N/S		N/A
------------------------------	--	--	---------------------	---------	-------	-------	---------	--	-----	--	-----

FIESTA

L3 1.0L 999cc 61 CID Turbo		E	51348 ⁵³	51348XP	WA10261	24619		1	N/S		MT
L4 1.5L 1591cc (Mex.)			51348 ⁵³	51348XP	49604				WF8266		
L4 1.6L 1596cc 97 CID		J	51348 ⁵³	51348XP	WA10261	24619		1	N/S		MT
L4 1.6L 1596cc 97 CID Turbo		X	51348 ⁵³	51348XP	WA10261	24619		1	N/S		MT

FLEX

V6 3.5L 3496cc 213 CID		8	57502 ⁵³	57502XP	46935	24068	24068XP	4	N/S		WL10378
V6 3.5L 3496cc 213 CID Turbo		T	57502 ⁵³	57502XP	46935	24068	24068XP	4	N/S		WL10378

FOCUS

L4 2.0L 121 CID		2	51348 ⁵³	51348XP	49017	24419	24419XP	3	N/S		58617
L4 2.0L 1999cc 122 CID Turbo		9	51348 ⁵³	51348XP	49017	24419	24419XP	3	N/S		N/S

FOCUS Electric

Electric Electric		4	N/R		N/R	24419	24419XP	3	N/R		N/A
-------------------	--	---	-----	--	-----	-------	---------	---	-----	--	-----

FUSION

L4 1.5L 1499cc 91 CID Turbo		D	51348 ⁵³	51348XP	WA10048	WP10084	WP10084XP	1	N/S		N/A
L4 1.6L 1596cc 97 CID Turbo		R	51348 ⁵³	51348XP	WA10048	WP10084	WP10084XP	1	N/S		N/A
L4 2.0L 1999cc 122 CID Electric/Gas		U	51348 ⁵³	51348XP	WA10036	WP10084	WP10084XP	1	N/S		N/A
L4 2.0L 1999cc 122 CID Turbo		9	51348 ⁵³	51348XP	WA10048	WP10084	WP10084XP	1	N/S		N/A
L4 2.5L 2488cc 152 ID		7	51348 ⁵³	51348XP	WA10048	WP10084	WP10084XP	1	N/S		N/A

IKON

L4 1.6L 1558cc (Mex.)			51516 ⁵³	51516XP	46156				33097		N/S
-----------------------	--	--	---------------------	---------	-------	--	--	--	-------	--	-----

LOBO

V8 6.2L 6200cc (Mex.)			51372 ⁵³	51372XP	49883 ¹⁵⁵ 49883FR ³⁶⁰				33243		
-----------------------	--	--	---------------------	---------	--	--	--	--	-------	--	--

MUSTANG

V6 3.7L 3726cc 227 CID	99M	M	57502 ⁵³	57502XP	49201	WP10105			33243		WL10377
------------------------	-----	---	---------------------	---------	-------	---------	--	--	-------	--	---------

MUSTANG GT

V8 5.0L 4951cc 302 CID	99F	F	57502 ⁵³	57502XP	49201	WP10105			33243		WL10377
------------------------	-----	---	---------------------	---------	-------	---------	--	--	-------	--	---------

MUSTANG SHELBY GT500

V8 5.8L 5812cc 355 CID Super Charged	99Z	Z	51372 ⁵³	51372XP	49896	WP10105			33243		MT
---	-----	---	---------------------	---------	-------	---------	--	--	-------	--	----

PICKUP F150 ALL

V6 3.5L 3496cc 213 CID Turbo		T	57502 ⁵³	57502XP	49883 ¹⁵⁵ 49883FR ³⁶⁰	N/R			N/S		WL10377
V6 3.7L 3726cc 227 CID	99M	M	57502 ⁵³	57502XP	49883 ¹⁵⁵ 49883FR ³⁶⁰	N/R			N/S		WL10377
V8 5.0L 4951cc 302 CID Flex		F	57502 ⁵³	57502XP	49883 ¹⁵⁵ 49883FR ³⁶⁰	N/R			N/S		WL10377
V8 6.2L 6210cc 379 CID Flex		6	51372 ⁵³	51372XP	49883 ¹⁵⁵ 49883FR ³⁶⁰	N/R			33243	M	WL10377

PICKUP F-SERIES SUPER DUTY (UP TO 550 SERIES)

V8 6.2L 6210cc 379 CID Flex		6	51372 ⁵³	51372XP	49883 ¹⁵⁵ 49883FR ³⁶⁰	N/R			N/S	M	58180 - 5 Spd. WL10373 - 6 Spd.
-----------------------------	--	---	---------------------	---------	--	-----	--	--	-----	---	------------------------------------

N/A = Not Available N/R = Not Required N/S = Not Serviceable For cabin and fuel filter locator, see pages 5-15 See pages 16-19 for footnotes

N/A = Non disponible N/R = Non nécessaire N/S = Non réparable Para la ubicación de los filtros de aire de la cabina y de combustible, ver las páginas 5-15 Voir pages 16-19 pour des notes

N/A = No disponible N/R = No requiere N/S = No servible Voir les tableaux de repérage des filtres d'habitacle et à carburant aux pages 5-15 Ver las páginas 16-19 para las notas al pie de página

Italicized Part Numbers May Not Be Available. Wix XP Oil Filters Have Fully Synthetic Media.

Las piezas con números en *italicas* pueden no estar disponibles. Los filtros de aceite WIX XP son completamente de media sintética.

Les numéros de pièce en *italiques* peuvent ne pas être disponibles. Les filtres à huile Wix contiennent un matériau 100 % synthétique.

FORD 2014-2013
Pass Car/Light Truck

Year/Año/Année Model/Modelo/Modèle Engine/Motor/Moteur	Eng. Code Código de motor Code moteur	VIN NIV NIV	Oil Aceite Huile	Oil XP Aceite XP Huile XP	Air Aire Air	Cabin Air Cabina Aire Cabine Air	Cabin Air XP Cabina Aire XP Cabine Air XP	Loc. Cabin Air Cabina Aire Cabine Air	Fuel Combustible Carburant	Loc. Fuel Combustible Carburant	Transmission Transmisión Transmission
--	---	-------------------	------------------------	---------------------------------	--------------------	--	---	--	----------------------------------	--	---

FORD (Cont'd/Suite)
2014 (Cont'd/Suite)
PICKUP F-SERIES SUPER DUTY (UP TO 550 SERIES) (Cont'd/Suite)

V8 6.7L 6651cc 406 CID Turbo Diesel		T	57151 ⁵³	57151XP	49902 ¹⁵⁵ 49902FR ³⁶⁰ WA10139FR ³⁶⁰	N/R			33615	M	58180 - 5 Spd. WL10373 - 6 Spd.
-------------------------------------	--	---	---------------------	---------	--	-----	--	--	-------	---	------------------------------------

POLICE INTERCEPTOR SEDAN

L4 2.0L 122 CID Turbo		8	51348 ⁵³	51348XP	46935	24068	24068XP		N/S		N/A
V6 3.5L 3496cc 213 CID		8	57502 ⁵³	57502XP	46935	24068	24068XP		N/S		N/S
V6 3.5L 3496cc 213 CID Turbo		T	57502 ⁵³	57502XP	46935	24068	24068XP		N/S		N/S
V6 3.7L 3726cc 227 CID	99M	M	57502 ⁵³	57502XP	46935	24068	24068XP		N/S		N/S
V6 3.7L 3726cc 227 CID Flex		K	57502 ⁵³	57502XP	46935	24068	24068XP		N/S		N/S

POLICE INTERCEPTOR UTILITY

V6 3.7L 3726cc 227 CID	99M	M	57502 ⁵³	57502XP	46935	24068	24068XP		N/S		N/S
------------------------	-----	---	---------------------	---------	-------	-------	---------	--	-----	--	-----

RANGER

L4 2.2L 2198cc Turbo Diesel (Mex.)			WL7508		WA9763	WP2094			33395		
L4 2.5L 2488cc 152 CID (Mex.)			51348	51348XP	WA9763	WP2094			N/S		
L5 3.2L 3200cc Turbo Diesel (Mex.)			WL7508		WA9763	WP2094			N/A		

TAURUS

L4 2.0L 1999cc 122 CID Turbo		9	51348 ⁵³	51348XP	46935	24068	24068XP	3	N/S		N/A
V6 3.5L 3496cc 213 CID		8	57502 ⁵³	57502XP	46935	24068	24068XP	4	N/S		N/S
V6 3.5L 3496cc 213 CID Turbo			57502 ⁵³	57502XP	46935	24068	24068XP	4	N/S		N/S

TRANSIT

L4 2.2L 2198cc Turbo Diesel			WL7523		WA9758	N/A					
L4 2.2L 2198cc Turbo Diesel (Mex.)			WL7523		WA9758	N/A					

TRANSIT CONNECT

L4 1.6L 1596cc 97 CID Turbo		X	51348 ⁵³	51348XP	49017	24419	24419XP	1	N/S		N/S
L4 2.5L 2488cc 152 CID CNG		7	51348 ⁵³	51348XP	WA10095	24419	24419XP	1	N/S		N/S

VAN E-SERIES (UP TO 450 SERIES)

V10 6.8L 415 CID		S	51372 ⁵³	51372XP	46418	N/R			33595	M	58180 - 5R110W 58099 - 6R80
V8 4.6L 281CID Flex		W	51372 ⁵³	51372XP	46418	N/R			33595	M	58955
V8 5.4L 330 CID		L	51372 ⁵³	51372XP	46418	N/R			33595 - Std.		58180 - 5R110W 58955 - 4R75W 58099 - 6R80

2013
C-MAX

L4 2.0L 1999cc 122 CID Electric/Gas		U	51348 ⁵³	51348XP	WA10036	24419	24419XP	1	N/S		N/A
-------------------------------------	--	---	---------------------	---------	---------	-------	---------	---	-----	--	-----

ECOSPORT

L4 2.0L 1999cc (Mex.)			51348 ⁵³	51348XP	N/A	N/A			N/A		
-----------------------	--	--	---------------------	---------	-----	-----	--	--	-----	--	--

EDGE

L4 2.0L 1999cc 122 CID Turbo		9	51348 ⁵³	51348XP	46935	24065		3	N/S		N/A
V6 3.5L 3496cc 213 CID		C	57502 ⁵³	57502XP	46935	24065		3	N/S		N/S
V6 3.7L 3726cc 227 CID	99M	K	57502 ⁵³	57502XP	46935	24065		3	N/S		N/S

ESCAPE

L4 1.6L 1601cc 98 CID Turbo		X	51348 ⁵³	51348XP	49017	24419	24419XP	1	N/S		N/A
L4 2.0L 1999cc 122 CID Turbo		9	51348 ⁵³	51348XP	49017	24419	24419XP	1	N/S		N/A
L4 2.5L 2488cc 152 CID		7	51348 ⁵³	51348XP	WA10095	24419	24419XP	1	33296		N/S

EXPEDITION

V8 5.4L 330 CID Flex		5	51372 ⁵³	51372XP	49883 ¹⁵⁵ 49883FR ³⁶⁰	N/R			33424	M	WL10377 - 6R80W
----------------------	--	---	---------------------	---------	--	-----	--	--	-------	---	-----------------

EXPLORER

L4 2.0L 1999cc 122 CID Turbo		9	51348 ⁵³	51348XP	46935	24068	24068XP	1	N/S		N/S
V6 3.5L 3496cc 213 CID			57502 ⁵³	57502XP	46935	24068	24068XP	1	N/S		N/A

N/A = Not Available N/R = Not Required N/S = Not Serviceable For cabin and fuel filter locator, see pages 5-15 See pages 16-19 for footnotes

N/A = Non disponible N/R = Non nécessaire N/S = Non réparable Para la ubicación de los filtros de aire de la cabina y de combustible, ver las páginas 5-15 Voir pages 16-19 pour des notes

N/A = No disponible N/R = No requiere N/S = No servible Voir les tableaux de repérage des filtres d'habitacle et à carburant aux pages 5-15 Ver las páginas 16-19 para las notas al pie de página

Italicized Part Numbers May Not Be Available. Wix XP Oil Filters Have Fully Synthetic Media.

Las piezas con números en *italicas* pueden no estar disponibles. Los filtros de aceite WIX XP son completamente de media sintética. Les numéros de pièce en *italiques* peuvent ne pas être disponibles. Les filtres à huile XP Wix contiennent un matériau 100 % synthétique.

Year/Año/Année Model/Modelo/Modèle Engine/Motor/Moteur	Eng. Code Código de motor Code moteur	VIN NIV NIV	Oil Aceite Huile	Oil XP Aceite XP Huile XP	Air Aire Air	Cabin Air Cabina Aire Cabine Air	Cabin Air XP Cabina Aire XP Cabine Air XP	Loc. Cabin Air Cabina Aire Cabine Air	Fuel Combustible Carburant	Loc. Fuel Combustible Carburant	Transmission Transmisión Transmission
--	---	-------------------	------------------------	---------------------------------	--------------------	--	---	--	----------------------------------	--	---

FORD (Cont'd/Suite)

2013 (Cont'd/Suite)

EXPLORER SPORT

V6 3.5L 3496cc 213 CID Turbo			57502 ⁵³	57502XP	46935	24068	24068XP	4	N/S		N/A
------------------------------	--	--	---------------------	---------	-------	-------	---------	---	-----	--	-----

FIESTA

L4 1.5L 1591cc (Mex.)			51348 ⁵³	51348XP	49604				WF8266		
L4 1.6L 1596cc 97 CID		J	51348 ⁵³	51348XP	49604	24619		1	N/S		MT

FLEX

V6 3.5L 3496cc 213 CID		8	57502 ⁵³	57502XP	46935	24068	24068XP	4	N/S		WL10378
V6 3.5L 3496cc 213 CID Turbo		T	57502 ⁵³	57502XP	46935	24068	24068XP	4	N/S		WL10378

FOCUS

L4 2.0L 121 CID		2	51348 ⁵³	51348XP	49017	24419	24419XP	3	33424		N/S
L4 2.0L 1999cc 122 CID Turbo		9	51348 ⁵³	51348XP	49017	24419	24419XP	3	33424		N/S

FOCUS Electric

Electric Electric		4	N/R		N/R	24419	24419XP	3	N/R		N/A
-------------------	--	---	-----	--	-----	-------	---------	---	-----	--	-----

FUSION

L4 1.6L 1596cc 97 CID Turbo		R	51348 ⁵³	51348XP	WA10048	WP10084	WP10084XP	1	N/S		N/A
L4 2.0L 1999cc 122 CID Electric/Gas		U	51348 ⁵³	51348XP	WA10036	WP10084	WP10084XP	1	N/S		N/A
L4 2.0L 1999cc 122 CID Turbo		9	51348 ⁵³	51348XP	WA10048	WP10084	WP10084XP	1	N/S		N/A
L4 2.5L 2488cc 152 ID		7	51348 ⁵³	51348XP	WA10048	WP10084	WP10084XP	1	N/S		N/A

IKON

L4 1.6L 1558cc (Mex.)			51516 ⁵³	51516XP	46156				33097		N/S
-----------------------	--	--	---------------------	---------	-------	--	--	--	-------	--	-----

MUSTANG

V6 3.7L 3726cc 227 CID	99M		57502 ⁵³	57502XP	49201	WP10105 - From 6/16/12 24687 - Up to 6/16/12		4	33243		WL10377
V8 5.0L 302 CID	99F		57502 ⁵³	57502XP	49201	24687 - Up to 6/16/12 WP10105 - From 6/16/12		4	33243		WL10377

MUSTANG LUJO

V6 3.7L (Mex.)			57502 ⁵³	57502XP	49201	24687			33243		
----------------	--	--	---------------------	---------	-------	-------	--	--	-------	--	--

MUSTANG SHELBY GT500

V8 5.8L 355 CID Super Charged	99Z		51372 ⁵³	51372XP	49896	24687 - Up to 6/16/12 WP10105 - From 6/16/12		4	33243		MT ²
-------------------------------	-----	--	---------------------	---------	-------	---	--	---	-------	--	-----------------

PICKUP F150 ALL

V6 3.5L 3496cc 213 CID Turbo		T	57502 ⁵³	57502XP	49883 ¹⁵⁵ 49883FR ³⁶⁰	N/R			N/S		WL10377
V6 3.7L 3726cc 227 CID	99M	M	57502 ⁵³	57502XP	49883 ¹⁵⁵ 49883FR ³⁶⁰	N/R			33243		WL10377
V8 5.0L 4951cc 302 CID Flex		F	57502 ⁵³	57502XP	49883 ¹⁵⁵ 49883FR ³⁶⁰	N/R			N/S		WL10377
V8 6.2L 6210cc 379 CID Flex		6	51372 ⁵³	51372XP	49883 ¹⁵⁵ 49883FR ³⁶⁰	N/R			33243	M	WL10377

PICKUP F-SERIES SUPER DUTY (UP TO 550 SERIES)

V8 6.2L 6210cc 379 CID Flex		6	51372 ⁵³	51372XP	49883 ¹⁵⁵ 49883FR ³⁶⁰	N/R			N/S	M	WL10373
V8 6.7L 6651cc 406 CID Turbo Diesel		T	57151 ⁵³	57151XP	49902 ¹⁵⁵ 49902FR ³⁶⁰ WA10139FR ³⁶⁰	N/R			33615	M	WL10373

POLICE INTERCEPTOR SEDAN

V6 3.5L 3496cc 213 CID		8	57502 ⁵³	57502XP	46935	24068	24068XP		N/S		N/S
V6 3.5L 3496cc 213 CID Turbo		T	57502 ⁵³	57502XP	46935	24068	24068XP		N/S		N/S
V6 3.7L 3726cc 227 CID	99M	M	57502 ⁵³	57502XP	46935	24068	24068XP		N/S		N/S

POLICE INTERCEPTOR UTILITY

V6 3.7L 227 CID	99M	R	57502 ⁵³	57502XP	46935	24068	24068XP		N/S		N/S
V6 3.7L 3726cc 227 CID	99M	M	57502 ⁵³	57502XP	46935	24068	24068XP		N/S		N/S

RANGER

L4 2.2L 2198cc Turbo Diesel (Mex.)			WL7508		WA9763	WP2094			33395		
------------------------------------	--	--	--------	--	--------	--------	--	--	-------	--	--

N/A = Not Available N/R = Not Required N/S = Not Serviceable For cabin and fuel filter locator, see pages 5-15 See pages 16-19 for footnotes
 N/A = Non disponible N/R = Non nécessaire N/S = Non Serviceable Para la ubicación de los filtros de aire de la cabina y de combustible, ver las páginas 5-15 Voir pages 16-19 pour des notes
 N/A = No disponible N/R = No requiere N/S = No servible Voir les tableaux de repérage des filtres d'habitacle et à carburant aux pages 5-15 Ver las páginas 16-19 para las notas al pie de página

Italicized Part Numbers May Not Be Available. Wix XP Oil Filters Have Fully Synthetic Media.
 Las piezas con números en *italicas* pueden no estar disponibles. Los filtros de aceite WIX XP son completamente de media sintética.
 Les numéros de pièce en *italiques* peuvent ne pas être disponibles. Les filtres à huile XP Wix contiennent un matériau 100 % synthétique.

FORD 2013-2012
Pass Car/Light Truck

Year/Año/Année Model/Modelo/Modèle Engine/Motor/Moteur	Eng. Code Código de motor Code moteur	VIN NIV NIV	Oil Aceite Huile	Oil XP Aceite XP Huile XP	Air Aire Air	Cabin Air Cabina Aire Cabine Air	Cabin Air XP Cabina Aire XP Cabine Air XP	Loc. Cabin Air Cabina Aire Cabine Air	Fuel Combustible Carburant	Loc. Fuel Combustible Carburant	Transmission Transmisión Transmission
--	---	-------------------	------------------------	---------------------------------	--------------------	--	---	--	----------------------------------	--	---

FORD (Cont'd/Suite)
2013 (Cont'd/Suite)
RANGER (Cont'd/Suite)

L4 2.5L 2488cc 152 CID (Mex.)			51348	51348XP	WA9763	WP2094			N/S		
L5 3.2L 3200cc Turbo Diesel (Mex.)			WL7508		WA9763	WP2094			N/A		

TAURUS

L4 2.0L 1999cc 122 CID Turbo		9	51348 ⁵³	51348XP	46935	24068	24068XP	3	N/S		N/A
V6 3.5L 3496cc 213 CID		8	57502 ⁵³	57502XP	46935	24068	24068XP	4	N/S		N/S
V6 3.5L 3496cc 213 CID Turbo			57502 ⁵³	57502XP	46935	24068	24068XP	4	N/S		N/S

TRANSIT

L4 2.2L 2198cc Turbo Diesel			WL7523		WA9758	N/A					
L4 2.2L 2198cc Turbo Diesel (Mex.)			WL7523		WA9758	N/A					

TRANSIT CONNECT

L4 2.0L 121 CID	99N	N	51348 ⁵³	51348XP	49901	24808		1	N/S		58617
-----------------	-----	---	---------------------	---------	-------	-------	--	---	-----	--	-------

VAN E-SERIES (UP TO 450 SERIES)

V10 6.8L 415 CID			51372 ⁵³	51372XP	46418	N/R			33595	M	58180 - 5R110W 58955 - 4R70W 58099 - 6R80
V8 4.6L 281CID Flex		W	51372 ⁵³	51372XP	46418	N/R			33595	M	58955
V8 5.4L 330 CID			51372 ⁵³	51372XP	46418	N/R			33595		58180 - 5R110W 58955 - 4R75W 58099 - 6R80

2012
COURIER

L4 1.6L 1598cc (Mex.)			51516 ⁵³	51516XP	46156	N/A			33296		N/A
-----------------------	--	--	---------------------	---------	-------	-----	--	--	-------	--	-----

COURIER L/L PLUS

L4 1.6L 1597cc (Mex.)			51516 ⁵³	51516XP	N/A				33296		
-----------------------	--	--	---------------------	---------	-----	--	--	--	-------	--	--

COURIER XL

L4 1.6L 1597cc (Mex.)			51516 ⁵³	51516XP	N/A				33296		
-----------------------	--	--	---------------------	---------	-----	--	--	--	-------	--	--

ECOSPORT

L4 2.0L 1999cc (Mex.)			51348 ⁵³	51348XP	N/A	N/A			33595		
-----------------------	--	--	---------------------	---------	-----	-----	--	--	-------	--	--

EDGE

L4 2.0L 1999cc 122 CID Turbo		9	51348 ⁵³	51348XP	46935	24065		3	N/S		N/S
V6 3.5L 213 CID		C	57502 ⁵³	57502XP	46935	24065		3	N/S		N/S
V6 3.7L 3726cc 227 CID	99M	K	57502 ⁵³	57502XP	46935	24065		3	N/S		N/S

ESCAPE

L4 2.5L 2488cc 152 CID	997		51348 ⁵³	51348XP	42793	49466		1	33296		N/S
V6 3.0L 3000CC 183CID	99G	G	57502 ⁵³	57502XP	49893	49466		1	N/S	M	N/A

ESCAPE HYBRID

L4 2.5L 2488cc 152 CID Electric/Gas	993	3	51348 ⁵³	51348XP	49187	24477 ⁶⁵ 49466 ⁶⁴		1	33296		N/A
-------------------------------------	-----	---	---------------------	---------	-------	--	--	---	-------	--	-----

EXPEDITION

V8 5.4L 330 CID Flex		5	51372 ⁵³	51372XP	49883 ¹⁵⁵ 49883FR ³⁶⁰	N/R			33424	M	WL10377 - 6R80
----------------------	--	---	---------------------	---------	--	-----	--	--	-------	---	----------------

EXPLORER

L4 2.0L 1999cc 122 CID Turbo		9	51348 ⁵³	51348XP	46935	24068	24068XP	1	N/S		N/S
V6 3.5L 3496cc 213 CID			57502 ⁵³	57502XP	46935	24068	24068XP		N/S		N/A

FIESTA

L4 1.5L 1591cc (Mex.)			51348 ⁵³	51348XP	49604				WF8266		
L4 1.6L 1596cc 97 CID		J	51348 ⁵³	51348XP	49604	24619		1	N/S		MT

FLEX

V6 3.5L 3496cc 213 CID		C	57502 ⁵³	57502XP	46935	24068	24068XP	4	N/S		WL10378
V6 3.5L 3496cc 213 CID Turbo		T	57502 ⁵³	57502XP	46935	24068	24068XP	4	N/S		WL10378

FOCUS

L4 2.0L 121 CID		2,9	51348 ⁵³	51348XP	49017	24419	24419XP		N/S		N/A
-----------------	--	-----	---------------------	---------	-------	-------	---------	--	-----	--	-----

N/A = Not Available N/R = Not Required N/S = Not Serviceable For cabin and fuel filter locator, see pages 5-15 See pages 16-19 for footnotes

N/A = Non disponible N/R = Non nécessaire N/S = Non réparable Para la ubicación de los filtros de aire de la cabina y de combustible, ver las páginas 5-15 Voir pages 16-19 pour des notes

N/A = No disponible N/R = No requiere N/S = No servible Voir les tableaux de repérage des filtres d'habitacle et à carburant aux pages 5-15 Ver las páginas 16-19 para las notas al pie de página

Italicized Part Numbers May Not Be Available. Wix XP Oil Filters Have Fully Synthetic Media.

Las piezas con números en *italicas* pueden no estar disponibles. Los filtros de aceite WIX XP son completamente de media sintética. Les numéros de pièce en *italiques* peuvent ne pas être disponibles. Les filtres à huile XP Wix contiennent un matériau 100 % synthétique.

Year/Año/Année Model/Modelo/Modèle Engine/Motor/Moteur	Eng. Code Código de motor Code moteur	VIN NIV NIV	Oil Aceite Huile	Oil XP Aceite XP Huile XP	Air Aire Air	Cabin Air Cabina Aire Cabine Air	Cabin Air XP Cabina Aire XP Cabine Air XP	Loc. Cabin Air Cabina Aire Cabine Air	Fuel Combustible Carburant	Loc. Fuel Combustible Carburant	Transmission Transmisión Transmission
--	---	-------------------	------------------------	---------------------------------	--------------------	--	---	--	----------------------------------	--	---

FORD (Cont'd/Suite)
2012 (Cont'd/Suite)
FOCUS Electric

Electric Electric		4	N/R		N/R	24419	24419XP		N/R		N/R
-------------------	--	---	-----	--	-----	-------	---------	--	-----	--	-----

FUSION

L4 2.5L 152 CID		A	51348 ⁵³	51348XP	49114	24367		3	N/S		N/S
V6 3.0L 183 CID	99G	G	57502 ⁵³	57502XP	49053	24367		3	N/S		N/S
V6 3.5L 213 CID		C	57502 ⁵³	57502XP	46935	24367		3	N/S		N/S

FUSION HYBRID

L4 2.5L 152 CID Electric/Gas		3	51348 ⁵³	51348XP	N/S - Lifetime	24367		3	N/S		N/S
------------------------------	--	---	---------------------	---------	----------------	-------	--	---	-----	--	-----

IKON

L4 1.6L 1558cc (Mex.)			51516 ⁵³	51516XP	46156				33097		N/S
-----------------------	--	--	---------------------	---------	-------	--	--	--	-------	--	-----

LOBO

V8 5.0L 5000cc (Mex.)			57502 ⁵³	57502XP	49883 ¹⁵⁵ 49883FR ³⁶⁰				33243		
-----------------------	--	--	---------------------	---------	--	--	--	--	-------	--	--

LOBO HARLEY DAVIDSON

V8 6.2L 6200cc (Mex.)			51372 ⁵³	51372XP	46418				33243		
-----------------------	--	--	---------------------	---------	-------	--	--	--	-------	--	--

LOBO RAPTOR SVT

V8 6.2L 6200cc (Mex.)			51372 ⁵³	51372XP	46418				33243		
-----------------------	--	--	---------------------	---------	-------	--	--	--	-------	--	--

MUSTANG

V6 3.7L 3726cc 227 CID	99M	M	57502 ⁵³	57502XP	49201	24687		4	N/S		WL10377
V8 5.0L 302 CID	99F	F,U	57502 ⁵³	57502XP	49201	24687		4	N/S		WL10377

MUSTANG LUJO

V6 3.7L (Mex.)			57502 ⁵³	57502XP	49201	24687			33243		
----------------	--	--	---------------------	---------	-------	-------	--	--	-------	--	--

MUSTANG SHELBY GT500

V8 5.4L 330 CID Super Charged	99S	S	51372 ⁵³	51372XP	49896	24687		4	33243		MT ²
-------------------------------	-----	---	---------------------	---------	-------	-------	--	---	-------	--	-----------------

PICKUP F150 ALL

V6 3.5L 213 CID Turbo	99T	T	57502 ⁵³	57502XP	49883 ¹⁵⁵ 49883FR ³⁶⁰	N/R			N/S		WL10377
V6 3.7 3700cc (Mex.)			57502 ⁵³	57502XP	49883 ¹⁵⁵ 49883FR ³⁶⁰				33243		
V6 3.7L 227 CID	99M	M	57502 ⁵³	57502XP	49883 ¹⁵⁵ 49883FR ³⁶⁰	N/R			N/S		WL10377
V8 5.0L 302 CID		F	57502 ⁵³	57502XP	49883 ¹⁵⁵ 49883FR ³⁶⁰	N/R			N/S		WL10377
V8 5.0L 5000cc (Mex.)			57502 ⁵³	57502XP	49883 ¹⁵⁵ 49883FR ³⁶⁰				N/S		
V8 6.2L 6210cc 379 CID Flex		6	51372 ⁵³	51372XP	49883 ¹⁵⁵ 49883FR ³⁶⁰	N/R			N/S	M	58099

PICKUP F-SERIES SUPER DUTY (UP TO 550 SERIES)

V8 6.2L 6200cc (Mex.)		6	51372 ⁵³	51372XP	46418				33243	M	
V8 6.2L 6210cc 379 CID Flex		6	51372 ⁵³	51372XP	49883 ¹⁵⁵ 49883FR ³⁶⁰	N/R			N/S	M	WL10373
V8 6.7L 6651cc 406 CID Turbo Diesel		T	57151 ⁵³	57151XP	49902 ¹⁵⁵ 49902FR ³⁶⁰ WA10139FR ³⁶⁰	N/R			33615	M	WL10373
V8 6.7L 6700cc Turbo Diesel (Mex.)		T	57151 ⁵³	57151XP	49886				33615	M	

RANGER

L4 2.2L 2198cc Turbo Diesel (Mex.)			WL7508		WA9763	WP2094			33395		
L4 2.5L 2499cc Turbo Diesel (Mex.)			WL7492		WA9644	N/A			33138		
L5 3.2L 3200cc Turbo Diesel (Mex.)			WL7508		WA9763	WP2094			N/A		

RANGER CABINA REGULAR XL

L4 2.3L 2300cc (Mex.)			51348 ⁵³	51348XP	46253				N/A		
-----------------------	--	--	---------------------	---------	-------	--	--	--	-----	--	--

RANGER CHASIS CABINA

L4 2.3L 2300cc (Mex.)			51348 ⁵³	51348XP	46253				N/A		
-----------------------	--	--	---------------------	---------	-------	--	--	--	-----	--	--

N/A = Not Available N/R = Not Required N/S = Not Serviceable For cabin and fuel filter locator, see pages 5-15 See pages 16-19 for footnotes

N/A = Non disponible N/R = Non nécessaire N/S = Non réparable Para la ubicación de los filtros de aire de la cabina y de combustible, ver las páginas 5-15 Voir pages 16-19 pour des notes

N/A = No disponible N/R = No requiere N/S = No servible Voir les tableaux de repérage des filtres d'habitacle et à carburant aux pages 5-15 Ver las páginas 16-19 para las notas al pie de página

Italicized Part Numbers May Not Be Available. Wix XP Oil Filters Have Fully Synthetic Media.

Las piezas con números en *italicas* pueden no estar disponibles. Los filtros de aceite WIX XP son completamente de media sintética.

Les numéros de pièce en *italiques* peuvent ne pas être disponibles. Les filtres à huile XP Wix contiennent un matériau 100 % synthétique.

FORD 2012-2011
Pass Car/Light Truck

Year/Año/Année Model/Modelo/Modèle Engine/Motor/Moteur	Eng. Code Código de motor Code moteur	VIN NIV NIV	Oil Aceite Huile	Oil XP Aceite XP Huile XP	Air Aire Air	Cabin Air Cabina Aire Cabine Air	Cabin Air XP Cabina Aire XP Cabine Air XP	Loc. Cabin Air Cabina Aire Cabine Air	Fuel Combustible Carburant	Loc. Fuel Combustible Carburant	Transmission Transmisión Transmission
--	---	-------------------	------------------------	---------------------------------	--------------------	--	---	--	----------------------------------	--	---

FORD (Cont'd/Suite)
2012 (Cont'd/Suite)
RANGER DOBLE CABINA XL

L4 2.3L 2300cc (Mex.)			51348 ⁵³	51348XP	46253				N/A		
-----------------------	--	--	---------------------	---------	-------	--	--	--	-----	--	--

RANGER DOBLE CABINA XLT

L4 2.3L 2300cc (Mex.)			51348 ⁵³	51348XP	46253				N/A		
-----------------------	--	--	---------------------	---------	-------	--	--	--	-----	--	--

TAURUS

V6 3.5L 3496cc 213 CID		W	57502 ⁵³	57502XP	46935	24068	24068XP	4	N/S		WL10378
------------------------	--	---	---------------------	---------	-------	-------	---------	---	-----	--	---------

TAURUS SHO

V6 3.5L 3496cc 213 CID Turbo			57502 ⁵³	57502XP	46935	24068	24068XP	4	N/S		WL10378
------------------------------	--	--	---------------------	---------	-------	-------	---------	---	-----	--	---------

TRANSIT

L4 2.2L 2198cc Turbo Diesel			WL7523		WA9758	N/A					
L4 2.2L 2198cc Turbo Diesel (Mex.)			WL7523		WA9758	N/A					

TRANSIT CONNECT

Electric Electric			N/R		N/R	24808		1	N/R		N/R
L4 2.0L 121 CID	99N	N	51348 ⁵³	51348XP	49901	24808		1	N/S		58617

VAN E-SERIES (UP TO 450 SERIES)

V10 6.8L 415 CID	99S		51372 ⁵³	51372XP	46418	N/R			33595	M	58180 - 5R110W 58955 - 4R70W 58099 - 6R80
V8 4.6L 281CID Flex	99W	W	51372 ⁵³	51372XP	46418	N/R			33595	M	58955
V8 5.4L 330 CID	99L		51372 ⁵³	51372XP	46418	N/R			33595		58180 - 5R110W 58955 - 4R75W 58099 - 6R80

2011
CLUB WAGON ECONOLINE

V8 4.6L 4600cc (Mex.)			51372 ⁵³	51372XP	46418	N/A			N/A		
V8 5.4L 5400cc (Mex.)			51372 ⁵³	51372XP	46418	N/A			N/A		

COURIER

L4 1.6L 1598cc (Mex.)			51516 ⁵³	51516XP	46156	N/A			33296		N/A
-----------------------	--	--	---------------------	---------	-------	-----	--	--	-------	--	-----

CROWN VICTORIA

V8 4.6L 281 CID		W	51372 ⁵³ - Std. 51348 ⁵³ - Police	51372XP - Std. 51348XP - Police	46814	N/R			33595		58955
V8 4.6L 281 CID Flex		V	51372 ⁵³ - Std. 51348 ⁵³ - Police	51372XP - Std. 51348XP - Police	46814	N/R			33595		58955

ECONOLINE

V8 4.6L 4600cc (Mex.)			51372 ⁵³	51372XP	46418	N/A			33595		
-----------------------	--	--	---------------------	---------	-------	-----	--	--	-------	--	--

ECOSPORT

L4 2.0L (Mex.)			51348 ⁵³	51348XP	WA10702				33595		
----------------	--	--	---------------------	---------	---------	--	--	--	-------	--	--

EDGE

V6 3.5L 213 CID		C	57502 ⁵³	57502XP	46935	24065		3	N/S		N/S
V6 3.7L 3726cc 227 CID	99M	K	57502 ⁵³	57502XP	46935	24065		3	N/S		N/S

ESCAPE

L4 2.3L 138 CID (Mex.)			51348 ⁵³	51348XP	42793	49466			33296		
L4 2.5L 2488cc 152 CID	997	7	51348 ⁵³	51348XP	42793	49466		1	N/S		N/S
V6 3.0L 3000CC 183CID	99G	G	57502 ⁵³	57502XP	49893	49466		1	N/S	M	N/A

ESCAPE HYBRID

L4 2.5L 2488cc 152 CID Electric/Gas	993	3	51348 ⁵³	51348XP	49187	24477 ⁶⁵ 49466 ⁶⁴		1	33296		N/A
--	-----	---	---------------------	---------	-------	--	--	---	-------	--	-----

EXPEDITION

V8 5.4L 330 CID Flex		5	51372 ⁵³	51372XP	49883 ¹⁵⁵ 49883FR ³⁶⁰	N/R			33424	M	58099 - 6R80
----------------------	--	---	---------------------	---------	--	-----	--	--	-------	---	--------------

EXPLORER

L4 2.0L 1999cc 122 CID Turbo		9	51348 ⁵³	51348XP	46935	24068	24068XP	1	N/S		N/S
V6 3.5L 213 CID			57502 ⁵³	57502XP	46935	24068	24068XP		N/S		
V6 4.0L 244 CID (Mex.)			51372 ⁵³	51372XP	42484	24068	24068XP		33243		
V8 4.6L 281 CID (Mex.)			51372 ⁵³	51372XP	46935	24068	24068XP		N/A		

N/A = Not Available N/R = Not Required N/S = Not Serviceable For cabin and fuel filter locator, see pages 5-15 See pages 16-19 for footnotes

N/A = Non disponible N/R = Non nécessaire N/S = Non réparable Para la ubicación de los filtros de aire de la cabina y de combustible, ver las páginas 5-15 Voir pages 16-19 pour des notes

N/A = No disponible N/R = No requiere N/S = No servible Voir les tableaux de repérage des filtres d'habitacle et à carburant aux pages 5-15 Ver las páginas 16-19 para las notas al pie de página

Italicized Part Numbers May Not Be Available. Wix XP Oil Filters Have Fully Synthetic Media.

Las piezas con números en *italicas* pueden no estar disponibles. Los filtros de aceite WIX XP son completamente de media sintética. Les numéros de pièce en *italiques* peuvent ne pas être disponibles. Les filtres à huile XP Wix contiennent un matériau 100 % synthétique.

Year/Año/Année Model/Modelo/Modèle Engine/Motor/Moteur	Eng. Code Código de motor Code moteur	VIN NIV	Oil Aceite Huile	Oil XP Aceite XP Huile XP	Air Aire Air	Cabin Air Cabina Aire Cabine Air	Cabin Air XP Cabina Aire XP Cabine Air XP	Loc. Cabin Air Cabina Aire Cabine Air	Fuel Combustible Carburant	Loc. Fuel Combustible Carburant	Transmission Transmisión Transmission
--	--	------------	------------------------	---------------------------------	--------------------	--	---	--	----------------------------------	--	---

FORD (Cont'd/Suite)
2011 (Cont'd/Suite)
FIESTA

L4 1.5L 1591cc (Mex.)			51348 ⁵³	51348XP	49604				WF8266		
L4 1.6L 1596cc 97 CID		J	51348 ⁵³	51348XP	49604	24619		1	N/S		MT
L4 1.6L 1596cc 97 CID (Mex.)			51348 ⁵³	51348XP	WA10833 ⁶¹	N/A			33595 ⁵³		

FLEX

V6 3.5L 3496cc 213 CID		C	57502 ⁵³	57502XP	46935	24068	24068XP	4	N/S		WL10378
V6 3.5L 3496cc 213 CID Turbo		T	57502 ⁵³	57502XP	46935	24068	24068XP	4	N/S		WL10378

FOCUS

L4 2.0L 121 CID		N	51348 ⁵³	51348XP	49890	N/R			33424 ⁶		58617
L5 2.5L 2521cc (Mex.)			57186	57186XP	49017	49354			N/S		

FOCUS RS

V6 2.5L 155 CID (Mex.)			57186	57186XP	46938				33595		
------------------------	--	--	-------	---------	-------	--	--	--	-------	--	--

FOCUS ST

V6 2.5L 155 CID (Mex.)			57186	57186XP	46938				33595		
------------------------	--	--	-------	---------	-------	--	--	--	-------	--	--

FUSION

L4 2.5L 152 CID	99A	A	51348 ⁵³	51348XP	49114	24367		3	N/S		N/S
V6 3.0L 183 CID	99G	G	57502 ⁵³	57502XP	49053	24367		3	N/S		N/S
V6 3.5L 213 CID		C	57502 ⁵³	57502XP	46935	24367		3	N/S		N/S

FUSION HYBRID

L4 2.5L 152 CID Electric/Gas		3	51348 ⁵³	51348XP	N/S - Lifetime	24367		3	N/S		N/S
------------------------------	--	---	---------------------	---------	----------------	-------	--	---	-----	--	-----

IKON

L4 1.6L 1558cc (Mex.)			51516 ⁵³	51516XP	46156				33097		N/S
-----------------------	--	--	---------------------	---------	-------	--	--	--	-------	--	-----

LOBO

V8 4.6L 281CID Flex (Mex.)		W	51372 ⁵³	51372XP	49883 ^{155}} 49883FR ^{360}}	N/A			33243		N/A
V8 5.0L 302 CID (Mex.)			51372 ⁵³	51372XP	49883 ^{155}} 49883FR ^{360}}	N/A			33243		N/A
V8 5.4L 330 CID (Mex.)			51372 ⁵³	51372XP	49883 ^{155}} 49883FR ^{360}}	N/A			33243		N/A
V8 6.2L 6210cc 379 CID Flex (Mex.)			51372 ⁵³	51372XP	49883 ^{155}} 49883FR ^{360}}	N/A			33243		N/A

MUSTANG

V6 3.7L 3726cc 227 CID	99M	M	57502 ⁵³	57502XP	49201	24687		4	N/S		WL10377
V8 5.0L 302 CID	99F	F	57502 ⁵³	57502XP	49201	24687		4	N/S		WL10377

MUSTANG LUJO

V6 3.7L (Mex.)			57502 ⁵³	57502XP	49201	24687			33243		
----------------	--	--	---------------------	---------	-------	-------	--	--	-------	--	--

MUSTANG SHELBY GT500

V8 5.4L 330 CID Super Charged	99S	S	51372 ⁵³	51372XP	49896	24687		4	33243		MT ²
-------------------------------	-----	---	---------------------	---------	-------	-------	--	---	-------	--	-----------------

PICKUP F150 ALL

V6 3.5L 213 CID Turbo	99T	T	57502 ⁵³	57502XP	49883 ^{155}} 49883FR ^{360}}	N/R			N/S		WL10377
V6 3.7L 227 CID	99M	M	57502 ⁵³	57502XP	49883 ^{155}} 49883FR ^{360}}	N/R			N/S		WL10377
V8 5.0L 302 CID		F	57502 ⁵³	57502XP	49883 ^{155}} 49883FR ^{360}}	N/R			N/S		WL10377
V8 6.2L 6210cc 379 CID Flex		6	51372 ⁵³	51372XP	49883 ^{155}} 49883FR ^{360}}	N/R			N/S	M	58099

PICKUP F-SERIES SUPER DUTY (UP TO 550 SERIES)

V8 6.2L 6210cc 379 CID Flex		6	51372 ⁵³	51372XP	49883 ^{155}} 49883FR ^{360}}	N/R			N/S	M	WL10373
V8 6.7L 6651cc 406 CID Turbo Diesel		T	57151 ⁵³	57151XP	49902 ^{155}} 49902FR ^{360}} WA10139FR ^{360}}	N/R			33615	M	WL10373

RANGER

L4 2.2L 2198cc Turbo Diesel (Mex.)			WL7508		WA9763	WP2094			33395		
------------------------------------	--	--	--------	--	--------	--------	--	--	-------	--	--

N/A = Not Available N/R = Not Required N/S = Not Serviceable For cabin and fuel filter locator, see pages 5-15 See pages 16-19 for footnotes

N/A = Non disponible N/R = Non nécessaire N/S = Non réparable Para la ubicación de los filtros de aire de la cabina y de combustible, ver las páginas 5-15 Voir pages 16-19 pour des notes

N/A = No disponible N/R = No requiere N/S = No servible Voir les tableaux de repérage des filtres d'habitacle et à carburant aux pages 5-15 Ver las páginas 16-19 para las notas al pie de página

Italicized Part Numbers May Not Be Available. Wix XP Oil Filters Have Fully Synthetic Media.

Las piezas con números en *italicas* pueden no estar disponibles. Los filtros de aceite WIX XP son completamente de media sintética.

Les numéros de pièce en *italiques* peuvent ne pas être disponibles. Les filtres à huile Wix contiennent un matériau 100 % synthétique.

FORD 2011-2010
Pass Car/Light Truck

Year/Año/Année Model/Modelo/Modèle Engine/Motor/Moteur	Eng. Code Código de motor Code moteur	VIN NIV NIV	Oil Aceite Huile	Oil XP Aceite XP Huile XP	Air Aire Air	Cabin Air Cabina Aire Cabine Air	Cabin Air XP Cabina Aire XP Cabine Air XP	Loc. Cabin Air Cabina Aire Cabine Air	Fuel Combustible Carburant	Loc. Fuel Combustible Carburant	Transmission Transmisión Transmission
--	---	-------------------	------------------------	---------------------------------	--------------------	--	---	--	----------------------------------	--	---

FORD (Cont'd/Suite)
2011 (Cont'd/Suite)
RANGER (Cont'd/Suite)

L4 2.3L 140 CID	99D	D	51348 ⁵³	51348XP	46253	N/R			33424		58840 - 5R55E 2WD 58841 - 5R55E 4WD
L4 2.5L 2499cc Turbo Diesel (Mex.)			WL7492		WA9644	N/A			33138		
V6 4.0L 244 CID	99E	E	51372 ⁵³	51372XP	46253	N/R			33424		58840 - 5R55E 2WD 58841 - 5R55E 4WD

TAURUS

V6 3.5L 3496cc 213 CID		W	57502 ⁵³	57502XP	46935	24068	24068XP	4	N/S		WL10378
------------------------	--	---	---------------------	---------	-------	-------	---------	---	-----	--	---------

TAURUS SHO

V6 3.5L 3496cc 213 CID Turbo			57502 ⁵³	57502XP	46935	24068	24068XP	4	N/S		WL10378
------------------------------	--	--	---------------------	---------	-------	-------	---------	---	-----	--	---------

TRANSIT

L4 2.2L 2198cc Turbo Diesel			57512		WA9558	N/A					
L4 2.2L 2198cc Turbo Diesel (Mex.)			57512		WA9558	N/A					

TRANSIT CONNECT

L4 2.0L 121 CID	99N	N	51348 ⁵³	51348XP	49901	24808		1	N/S		58617
-----------------	-----	---	---------------------	---------	-------	-------	--	---	-----	--	-------

VAN E-SERIES (UP TO 450 SERIES)

V10 6.8L 415 CID	99S		51372 ⁵³	51372XP	46418	N/R			33595	M	58180 - 5R110W 58955 - 4R70W
V8 4.6L 281CID Flex	99W	W	51372 ⁵³	51372XP	46418	N/R			33595	M	58955
V8 5.4L 330 CID	99L		51372 ⁵³	51372XP	46418	N/R			33595		58180 - 5R110W 58955 - 4R75W

2010
CLUB WAGON ECONOLINE

V8 4.6L 4600cc (Mex.)			51372 ⁵³	51372XP	46418	N/A			N/A		
V8 5.4L 5400cc (Mex.)			51372 ⁵³	51372XP	46418	N/A			N/A		

COURIER

L4 1.6L 1596cc (Mex.)			51516 ⁵³	51516XP	46156	N/A			33296		
L4 1.6L 1598cc (Mex.)			51516 ⁵³	51516XP	46156	N/A			33296		N/A

CROWN VICTORIA

V8 4.6L 281 CID Flex		V	51372 ⁵³ - Std. 51348 ⁵³ - Police	51372XP - Std. 51348XP - Police	46814	N/R			33595		58955
----------------------	--	---	--	------------------------------------	-------	-----	--	--	-------	--	-------

ECONOLINE

V8 4.6L 4600cc (Mex.)			51372 ⁵³	51372XP	46418	N/A			33595		
V8 5.4L 5400cc (Mex.)			51372 ⁵³	51372XP	46418	N/A			33595		

ECOSPORT

L4 1.6L 1596cc (Mex.)			51516 ⁵³	51516XP	42790	WP9110					
L4 2.0L (Mex.)			51348 ⁵³	51348XP	WA10702	N/A			33595		

EDGE

V6 3.5L 213 CID		C	57502 ⁵³	57502XP	46935	24065		3	N/S		WL10378
-----------------	--	---	---------------------	---------	-------	-------	--	---	-----	--	---------

ESCAPE

L4 2.3L 138 CID (Mex.)			51348 ⁵³	51348XP	42793	49466			33296		
L4 2.5L 2488cc 152 CID	997		51348 ⁵³	51348XP	42793	49466		1	33296		N/S
V6 3.0L 3000CC 183CID	99G	G	57502 ⁵³	57502XP	49893	49466		1	N/S	M	N/A

ESCAPE HYBRID

L4 2.5L 2488cc 152 CID Electric/Gas	993	3	51348 ⁵³	51348XP	49187	24477 ⁶⁵ 49466 ⁶⁴		1	33296		N/A
--	-----	---	---------------------	---------	-------	--	--	---	-------	--	-----

EXPEDITION

V8 5.4L 330 CID Flex		5	51372 ⁵³	51372XP	49883 ¹⁵⁵ 49883FR ³⁶⁰	N/R			33424	M	58099 - 6R80
----------------------	--	---	---------------------	---------	--	-----	--	--	-------	---	--------------

EXPLORER

V6 4.0L 244 CID	99E	E	51372 ⁵³	51372XP	42484	N/R			33243	M	58898 - 5R55S 58099 ²⁷⁹ - 6R60 N/A ²⁷⁸ - 6R60
-----------------	-----	---	---------------------	---------	-------	-----	--	--	-------	---	---

N/A = Not Available N/R = Not Required N/S = Not Serviceable For cabin and fuel filter locator, see pages 5-15 See pages 16-19 for footnotes

N/A = Non disponible N/R = Non nécessaire N/S = Non réparable Para la ubicación de los filtros de aire de la cabina y de combustible, ver las páginas 5-15 Voir pages 16-19 pour des notes

N/A = No disponible N/R = No requiere N/S = No servible Voir les tableaux de repérage des filtres d'habitacle et à carburant aux pages 5-15 Ver las páginas 16-19 para las notas al pie de página

Italicized Part Numbers May Not Be Available. Wix XP Oil Filters Have Fully Synthetic Media.

Las piezas con números en *italicas* pueden no estar disponibles. Los filtros de aceite WIX XP son completamente de media sintética. Les numéros de pièce en *italiques* peuvent ne pas être disponibles. Les filtres à huile XP Wix contiennent un matériau 100 % synthétique.

Year/Año/Année Model/Modelo/Modèle Engine/Motor/Moteur	Eng. Code Código de motor Code moteur	VIN NIV NIV	Oil Aceite Huile	Oil XP Aceite XP Huile XP	Air Aire Air	Cabin Air Cabina Aire Cabine Air	Cabin Air XP Cabina Aire XP Cabine Air XP	Loc. Cabin Air Cabina Aire Cabine Air	Fuel Combustible Carburant	Loc. Fuel Combustible Carburant	Transmission Transmisión Transmission
--	---	-------------------	------------------------	---------------------------------	--------------------	--	---	--	----------------------------------	--	---

FORD (Cont'd/Suite)

2010 (Cont'd/Suite)

EXPLORER (Cont'd/Suite)

V8 4.6L 281CID Flex	998	W	51372 ⁵³	51372XP	49145	N/R			33243	M	58898 - 5R55S 58099 ²⁷⁹ - 6R60 N/A ²⁷⁸ - 6R60
---------------------	-----	---	---------------------	---------	-------	-----	--	--	-------	---	---

EXPLORER SPORT TRAC

V6 4.0L 244 CID		E	51372 ⁵³	51372XP	42484	N/R			33243	M	58898 - 5R55S 58099 ²⁷⁹ - 6R60 N/A ²⁷⁸ - 6R60
V8 4.6L 281 CID		8	51372 ⁵³	51372XP	49145	N/R			33243	M	58099 ²⁷⁹ - 6R60 58898 ²⁷⁹ - 5R55S N/A ²⁷⁸ - 6R60

FIESTA

L4 1.5L 1591cc (Mex.)			51348 ⁵³	51348XP	49604				WF8266		
L4 1.6L 1596cc 97 CID (Mex.)			51348 ⁵³	51348XP	WA10833 ⁶¹	N/A			33595 ⁵³		

FLEX

V6 3.5L 3496cc 213 CID		C	57502 ⁵³	57502XP	46935	24068	24068XP	4	N/S		WL10378
V6 3.5L 3496cc 213 CID Turbo		T	57502 ⁵³	57502XP	46935	24068	24068XP	4	N/S		WL10378

FOCUS

L4 2.0L 121 CID		N	51348 ⁵³	51348XP	49890	N/R			N/S		58617
L5 2.5L 2521cc (Mex.)			57186	57186XP	49017	49354			N/S		

FUSION

L4 2.3L 140 CID (Mex.)			N/S		N/S	WP9250			N/S		N/S
L4 2.5L 152 CID		A	51348 ⁵³	51348XP	49114	24367		3	N/S		N/S
V6 3.0L 183 CID	99G	G	57502 ⁵³	57502XP	49053	24367		3	N/S		N/S
V6 3.5L 213 CID		C	57502 ⁵³	57502XP	46935	24367		3	N/S		N/S

FUSION HYBRID

L4 2.5L 152 CID Electric/Gas		3	51348 ⁵³	51348XP	N/R - Lifetime	24367		3	N/S		N/S
------------------------------	--	---	---------------------	---------	----------------	-------	--	---	-----	--	-----

IKON

L4 1.6L 1558cc (Mex.)			51516 ⁵³	51516XP	46156				33097		N/S
-----------------------	--	--	---------------------	---------	-------	--	--	--	-------	--	-----

LOBO

V8 4.6L 281CID Flex (Mex.)		W	51372 ⁵³	51372XP	49883 ¹⁵⁵ 49883FR ³⁶⁰	N/A			33243		N/A
----------------------------	--	---	---------------------	---------	--	-----	--	--	-------	--	-----

MUSTANG

V6 4.0L 244 CID		N	51372 ⁵³	51372XP	46975	24687		4	33243	P	58844
V8 4.6L 281 CID		H	51372 ⁵³	51372XP	49201	24687		4	33243	P	58844

MUSTANG LUJO

V6 3.7L (Mex.)			57502 ⁵³	57502XP	49201	24687			33243		
----------------	--	--	---------------------	---------	-------	-------	--	--	-------	--	--

MUSTANG SHELBY GT500

V8 5.4L 330 CID Super Charged		S	51372 ⁵³	51372XP	49896	24687		4	33243		MT ⁷²
-------------------------------	--	---	---------------------	---------	-------	-------	--	---	-------	--	------------------

PICKUP F150 ALL

V6 4.2L 256 CID (Mex.)					46418	N/A			N/S	M	N/A
V8 4.6L 281CID Flex	998	8	51372 ⁵³	51372XP	49883 ¹⁵⁵ 49883FR ³⁶⁰	N/R			N/S	M	58955 - 4R75E
	99W	W	51372 ⁵³	51372XP	49883 ¹⁵⁵ 49883FR ³⁶⁰	N/R			N/S	M	58955 - 4R75E
V8 5.4L 330 CID	99V	V	51372 ⁵³	51372XP	49883 ¹⁵⁵ 49883FR ³⁶⁰	N/R			N/S	M	58099 - 6R80 58955 - 4R75E
V8 6.2L 6210cc 379 CID Flex		6	51372 ⁵³	51372XP	49883 ¹⁵⁵ 49883FR ³⁶⁰	N/R			N/S	M	58099

PICKUP F-SERIES SUPER DUTY (UP TO 550 SERIES)

V10 6.8L 415 CID	99Y	Y	51372 ⁵³	51372XP	49883 ¹⁵⁵ 49883FR ³⁶⁰	N/R			33243	M	58180 - 5R110W
V8 5.4L 330 CID	995		51372 ⁵³	51372XP	49883 ¹⁵⁵ 49883FR ³⁶⁰	N/R			33243	M	58180 - 5R110W
V8 6.2L 6210cc 379 CID Flex		6	51372 ⁵³	51372XP	49883 ¹⁵⁵ 49883FR ³⁶⁰	N/R			N/S	M	N/S
V8 6.4L 391 CID Turbo Diesel	99R	R	57312 ⁵³	57312XP ¹⁸⁴	49886	N/R			33963 ³¹⁰		58180 - 5R110W

N/A = Not Available N/R = Not Required N/S = Not Serviceable For cabin and fuel filter locator, see pages 5-15 See pages 16-19 for footnotes
 N/A = Non disponible N/R = Non nécessaire N/S = Non réparable Para la ubicación de los filtros de aire de la cabina y de combustible, ver las páginas 5-15 Voir pages 16-19 pour des notes
 N/A = No disponible N/R = No requiere N/S = No servible Voir les tableaux de repérage des filtres d'habitacle et à carburant aux pages 5-15 Ver las páginas 16-19 para las notas al pie de página

Italicized Part Numbers May Not Be Available. Wix XP Oil Filters Have Fully Synthetic Media.
 Las piezas con números en *italicas* pueden no estar disponibles. Los filtros de aceite WIX XP son completamente de media sintética.
 Les numéros de pièce en *italiques* peuvent ne pas être disponibles. Les filtres à huile XP Wix contiennent un matériau 100 % synthétique.

FORD 2010-2009
Pass Car/Light Truck

Year/Año/Année Model/Modelo/Modèle Engine/Motor/Moteur	Eng. Code Código de motor Code moteur	VIN NIV NIV	Oil Aceite Huile	Oil XP Aceite XP Huile XP	Air Aire Air	Cabin Air Cabina Aire Cabine Air	Cabin Air XP Cabina Aire XP Cabine Air XP	Loc. Cabin Air Cabina Aire Cabine Air	Fuel Combustible Carburant	Loc. Fuel Combustible Carburant	Transmission Transmisión Transmission
--	---	-------------------	------------------------	---------------------------------	--------------------	--	---	--	----------------------------------	--	---

FORD (Cont'd/Suite)
2010 (Cont'd/Suite)
RANGER

L4 2.3L 140 CID	99D	D	51348 ⁵³	51348XP	46253	N/R			33424		58840 - 5R55E 2WD 58841 - 5R55E 4WD
L4 2.5L 2499cc Turbo Diesel (Mex.)			WL7492		WA9644	N/A			33138		
V6 4.0L 244 CID	99E	E	51372 ⁵³	51372XP	46253	N/R			33424		58840 - 5R55E 2WD 58841 - 5R55E 4WD

TAURUS

V6 3.5L 3496cc 213 CID		W	57502 ⁵³	57502XP	46935	24068	24068XP	4	N/S		WL10378
------------------------	--	---	---------------------	---------	-------	-------	---------	---	-----	--	---------

TAURUS SHO

V6 3.5L 3496cc 213 CID Turbo			57502 ⁵³	57502XP	46935	24068	24068XP	4	N/S		WL10378
------------------------------	--	--	---------------------	---------	-------	-------	---------	---	-----	--	---------

TRANSIT

L4 2.2L 2198cc Turbo Diesel			57512		WA9558	N/A					
L4 2.2L 2198cc Turbo Diesel (Mex.)			57512		WA9558	N/A					
L4 2.3L 138 CID (Mex.)			51215		WA6675				WF8251		
L4 2.4L 2402cc Diesel (Mex.)			WL7441 ⁶¹		WA6675				WF10084		
L5 3.2L 3199cc Diesel (Mex.)			WL7441 ⁶¹		N/A	N/A			WF10084		

TRANSIT CONNECT

L4 2.0L 121 CID	99N	N	51348 ⁵³	51348XP	49901	24808		1	N/S		58617
-----------------	-----	---	---------------------	---------	-------	-------	--	---	-----	--	-------

VAN E-SERIES (UP TO 450 SERIES)

V10 6.8L 415 CID	99S		51372 ⁵³	51372XP	46418	N/R			33595	M	58180 - 5R110W 57702 - Bypass Element 58955 - 4R75W
V8 4.6L 281CID Flex	99W	W	51372 ⁵³	51372XP	46418	N/R			33595	M	58180 - 5R110W 58955 - 4R75W
V8 5.4L 330 CID Flex		L	51372 ⁵³	51372XP	46418	N/R			33595		58180 - 5R110W 57702 - Bypass Element 58955 - 4R75W
V8 6.0L 364 CID Turbo Diesel	99P	P	WL10111 ⁵³		46807	N/R			33600		58180 - 5R110W 57702 - Bypass Element 58955 - 4R75W

2009
CLUB WAGON ECONOLINE

V8 4.6L 4600cc (Mex.)			51372 ⁵³	51372XP	46418	N/A			33959		
V8 5.4L 5400cc (Mex.)			51372 ⁵³	51372XP	46418	N/A			33595		

COURIER

L4 1.6L 1596cc (Mex.)			51516 ⁵³	51516XP	46156	N/A			33296		
-----------------------	--	--	---------------------	---------	-------	-----	--	--	-------	--	--

CROWN VICTORIA

V8 4.6L 281 CID Flex		V	51372 ⁵³ - Std. 51348 ⁵³ - Police	51372XP - Std. 51348XP - Police	46814	N/R			33595		58955
----------------------	--	---	--	------------------------------------	-------	-----	--	--	-------	--	-------

ECONOLINE

V8 4.6L 4600cc (Mex.)			51372 ⁵³	51372XP	46418	N/A			33595		
-----------------------	--	--	---------------------	---------	-------	-----	--	--	-------	--	--

ECOSPORT

L4 1.6L 1596cc (Mex.)			51516 ⁵³	51516XP	42790	WP9110					
L4 2.0L (Mex.)			51348 ⁵³	51348XP	WA10702	N/A			33595		

EDGE

V6 3.5L 213 CID		C	51516 ⁵³ 57502 ⁵³	51516XP ²⁵⁶ 57502XP ²⁵⁷	46935	24065		3	N/S		WL10378
-----------------	--	---	--	--	-------	-------	--	---	-----	--	---------

ESCAPE

L4 2.5L 2488cc 152 CID	997	7	57203 - Cartridge 51348 ⁵³ - Spin-on	57203XP - Cartridge 51348XP - Spin-on	42793	49466		1	33296		N/S
V6 3.0L 3000CC 183CID	99G	G	57502 ⁵³	57502XP	49893	49466		1	N/S	M	N/A

ESCAPE HYBRID

L4 2.5L 2488cc 152 CID Electric/Gas	993	3	57203 - Cartridge 51348 ⁵³ - Spin-on	57203XP - Cartridge 51348XP - Spin-on	49187	24477 ⁶⁵ 49466 ⁶⁴		1	33296		N/A
-------------------------------------	-----	---	--	--	-------	--	--	---	-------	--	-----

N/A = Not Available N/R = Not Required N/S = Not Serviceable For cabin and fuel filter locator, see pages 5-15 See pages 16-19 for footnotes

N/A = Non disponible N/R = Non nécessaire N/S = Non réparable Para la ubicación de los filtros de aire de la cabina y de combustible, ver las páginas 5-15 Voir pages 16-19 pour des notes

N/A = No disponible N/R = No requiere N/S = No servible Voir les tableaux de repérage des filtres d'habitacle et à carburant aux pages 5-15 Ver las páginas 16-19 para las notas al pie de página

Italicized Part Numbers May Not Be Available. Wix XP Oil Filters Have Fully Synthetic Media.

Las piezas con números en *italicas* pueden no estar disponibles. Los filtros de aceite WIX XP son completamente de media sintética. Les numéros de pièce en *italiques* peuvent ne pas être disponibles. Les filtres à huile XP Wix contiennent un matériau 100 % synthétique.

Year/Año/Année Model/Modelo/Modèle Engine/Motor/Moteur	Eng. Code Código de motor Code moteur	VIN NIV NIV	Oil Aceite Huile	Oil XP Aceite XP Huile XP	Air Aire Air	Cabin Air Cabina Aire Cabine Air	Cabin Air XP Cabina Aire XP Cabine Air XP	Loc. Cabin Air Cabina Aire Cabine Air	Fuel Combustible Carburant	Loc. Fuel Combustible Carburant	Transmission Transmisión Transmission
--	---	-------------------	------------------------	---------------------------------	--------------------	--	---	--	----------------------------------	--	---

FORD (Cont'd/Suite)
2009 (Cont'd/Suite)
EXPEDITION

V8 5.4L 330 CID Flex		5	51372 ⁵³	51372XP	49883 ¹⁵⁵ 49883FR ³⁶⁰	N/R			33424	M	58099 - 6R80
----------------------	--	---	---------------------	---------	--	-----	--	--	-------	---	--------------

EXPLORER

V6 4.0L 244 CID	99E	E	51372 ⁵³	51372XP	42484	N/R			33243	M	58898 - 5R55S 58099 ²⁷⁹ - 6R60 N/A ²⁷⁸ - 6R60
V8 4.6L 281CID Flex	998	W	51372 ⁵³	51372XP	49145	N/R			33243	M	58898 - 5R55S 58099 ²⁷⁹ - 6R60 N/A ²⁷⁸ - 6R60

EXPLORER SPORT TRAC

V6 4.0L 244 CID		E	51372 ⁵³	51372XP	42484	N/R			33243	M	58898 - 5R55S 58099 ²⁷⁹ - 6R60 N/A ²⁷⁸ - 6R60
V8 4.6L 281 CID		8	51372 ⁵³	51372XP	49145	N/R			33243	M	58099 ²⁷⁹ - 6R60 58898 ²⁷⁹ - 5R55S N/A ²⁷⁸ - 6R60

FIESTA

L4 1.5L 1591cc (Mex.)			51348 ⁵³	51348XP	49604				WF8266		
L4 1.6L 1596cc 97 CID (Mex.)			51348 ⁵³	51348XP	WA10833 ⁶¹	N/A			33595 ⁵³		

FLEX

V6 3.5L 3496cc 213 CID			51516 ⁵³ 57502 ⁵³	51516XP ²⁵⁶ 57502XP ²⁵⁷	46935	24068	24068XP	4	N/S		WL10378
------------------------	--	--	--	--	-------	-------	---------	---	-----	--	---------

FOCUS

L4 2.0L 121 CID		N	51348 ⁵³	51348XP	49890	N/R			33424 ⁶		58617
L5 2.5L 2521cc (Mex.)			N/S		N/S	24688			N/S		N/S

FUSION

L4 2.3L 140 CID		Z	57203	57203XP	49114	N/R			N/S		N/A
V6 3.0L 183 CID		1	57502 ⁵³ 51372 ⁵³	57502XP ²⁵⁵ 51372XP ²⁵⁴	49053	N/R			N/S		N/A

IKON

L4 1.6L 1558cc (Mex.)			51516 ⁵³	51516XP	46156				33097		N/S
-----------------------	--	--	---------------------	---------	-------	--	--	--	-------	--	-----

LOBO

V8 4.6L 281CID Flex (Mex.)		W	51372 ⁵³	51372XP	49883 ¹⁵⁵ 49883FR ³⁶⁰	N/A			33243		N/A
----------------------------	--	---	---------------------	---------	--	-----	--	--	-------	--	-----

MUSTANG

V6 4.0L 244 CID		N	51372 ⁵³	51372XP	46975	24687		4	33243	P	58844
V8 4.6L 281 CID		H	51372 ⁵³	51372XP	46975	24687		4	33243	P	58844

MUSTANG BULLITT

V8 4.6L 281 CID		H	51372 ⁵³	51372XP	49601 ⁶¹	24687		4	33243	P	58844
-----------------	--	---	---------------------	---------	---------------------	-------	--	---	-------	---	-------

MUSTANG SHELBY GT500

V8 5.4L 330 CID Super Charged		S	51372 ⁵³	51372XP	46936	24687		4	33243		MT ⁷²
-------------------------------	--	---	---------------------	---------	-------	-------	--	---	-------	--	------------------

PICKUP F150 ALL

V6 4.2L 256 CID		2	51516 ⁵³	51516XP	46418	N/R			N/S	M	58955
V6 4.2L 256 CID (Mex.)		2	51516 ⁵³	51516XP	46418	N/R			N/S	M	58955
V8 4.6L 281CID Flex	998	W	51372 ⁵³	51372XP	49883 ¹⁵⁵ 49883FR ³⁶⁰	N/R			N/S	M	58955 - 4R75E
	99W	8	51372 ⁵³	51372XP	49883 ¹⁵⁵ 49883FR ³⁶⁰	N/R			N/S	M	58955 - 4R75E
V8 5.4L 330 CID		5	51372 ⁵³	51372XP	46804	N/R			N/S	M	58955
	99V	V	51372 ⁵³	51372XP	49883 ¹⁵⁵ 49883FR ³⁶⁰	N/R			N/S	M	58099 - 6R80 58955 - 4R75E

PICKUP F-SERIES SUPER DUTY (UP TO 550 SERIES)

V10 6.8L 415 CID	99Y	Y	51372 ⁵³	51372XP	49883 ¹⁵⁵ 49883FR ³⁶⁰	N/R			33243	M	58180 - 5R110W
V8 5.4L 330 CID	995	5	51372 ⁵³	51372XP	49883 ¹⁵⁵ 49883FR ³⁶⁰	N/R			33243	M	58180 - 5R110W
V8 6.4L 391 CID Turbo Diesel	99R	R	57312 ⁵³	57312XP ¹⁸⁴	49886	N/R			33963 ³¹⁰		58180 - 5R110W

N/A = Not Available N/R = Not Required N/S = Not Serviceable For cabin and fuel filter locator, see pages 5-15 See pages 16-19 for footnotes

N/A = Non disponible N/R = Non nécessaire N/S = Non réparable Para la ubicación de los filtros de aire de la cabina y de combustible, ver las páginas 5-15 Voir pages 16-19 pour des notes

N/A = No disponible N/R = No requiere N/S = No servible Voir les tableaux de repérage des filtres d'habitacle et à carburant aux pages 5-15 Ver las páginas 16-19 para las notas al pie de página

Italicized Part Numbers May Not Be Available. Wix XP Oil Filters Have Fully Synthetic Media.

Las piezas con números en *italicas* pueden no estar disponibles. Los filtros de aceite WIX XP son completamente de media sintética.

Les numéros de pièce en *italiques* peuvent ne pas être disponibles. Les filtres à huile Wix contiennent un matériau 100 % synthétique.

FORD 2009-2008
Pass Car/Light Truck

Year/Año/Année Model/Modelo/Modèle Engine/Motor/Moteur	Eng. Code Código de motor Code moteur	VIN NIV NIV	Oil Aceite Huile	Oil XP Aceite XP Huile XP	Air Aire Air	Cabin Air Cabina Aire Cabine Air	Cabin Air XP Cabina Aire XP Cabine Air XP	Loc. Cabin Air Cabina Aire Cabine Air	Fuel Combustible Carburant	Loc. Fuel Combustible Carburant	Transmission Transmisión Transmission
--	---	-------------------	------------------------	---------------------------------	--------------------	--	---	--	----------------------------------	--	---

FORD (Cont'd/Suite)
2009 (Cont'd/Suite)
RANGER

L4 2.3L 140 CID	99D	D	51348 ⁵³	51348XP	46253	N/R			33424		58840 - 5R55E 2WD 58841 - 5R55E 4WD
V6 4.0L 244 CID	99E	E	51372 ⁵³	51372XP	46253	N/R			33424		58840 - 5R55E 2WD 58841 - 5R55E 4WD

TAURUS

V6 3.5L 213 CID		W	51516 ⁵³ 57502 ⁵³	51516XP ²⁵⁶ 57502XP ²⁵⁷	46935	N/R			N/S		WL10378
-----------------	--	---	--	--	-------	-----	--	--	-----	--	---------

TAURUS X

V6 3.5L 213 CID		W	51516 ⁵³ 57502 ⁵³	51516XP ²⁵⁶ 57502XP ²⁵⁷	46935	N/R			N/S		WL10378
-----------------	--	---	--	--	-------	-----	--	--	-----	--	---------

TRANSIT

L4 2.2L 2198cc Turbo Diesel			57512		WA9558	N/A					
L4 2.2L 2198cc Turbo Diesel (Mex.)			57512		WA9558	N/A					
L4 2.3L 138 CID (Mex.)			51215		WA6675				WF8251		
L4 2.4L 2402cc Diesel (Mex.)			WL7441 ⁶¹		WA6675				WF10084		
L5 3.2L 3199cc Diesel (Mex.)			WL7441 ⁶¹		N/A	N/A			WF10084		

VAN E-SERIES (UP TO 450 SERIES)

V10 6.8L 415 CID	99S	S	51372 ⁵³	51372XP	46418	N/R			33595	M	58180 - 5R110W 57702 - Bypass Element 58955 - 4R75E
V8 4.6L 281CID Flex	99W	W	51372 ⁵³	51372XP	46418	N/R			33595	M	58180 - 5R110W 58967 - 4R100 2WD 58968 - 4R100 4WD 58955 - 4R75W
V8 5.4L 330 CID			51372 ⁵³	51372XP	46418	N/R			33595		58180 - 5R110W 58955 - 4R75W
V8 6.0L 364 CID Turbo Diesel	99P	P	WL10111 ⁵³		46807	N/R			33600		57702 - Bypass Element 58180 - 5R110W 57702 - Bypass Element 58955 - 4R75W

2008
CLUB WAGON ECONOLINE

V8 4.6L 4600cc (Mex.)			51372 ⁵³	51372XP	46418	N/A			33959		
V8 5.4L 5400cc (Mex.)			51372 ⁵³	51372XP	46418	N/A			33959		

COURIER

L4 1.6L 1596cc (Mex.)			51516 ⁵³	51516XP	46156	N/A			33296		
-----------------------	--	--	---------------------	---------	-------	-----	--	--	-------	--	--

CROWN VICTORIA

V8 4.6L 281 CID		W	51372 ⁵³	51372XP	46814	N/R			33595	P	58955
V8 4.6L 281 CID Flex		V	51372 ⁵³	51372XP	46814	N/R			33595		58955

ECONOLINE

V8 4.6L 4600cc (Mex.)			51372 ⁵³	51372XP	46418	N/A			33595		
-----------------------	--	--	---------------------	---------	-------	-----	--	--	-------	--	--

ECOSPORT

L4 1.6L 1596cc (Mex.)			51516 ⁵³	51516XP	42790	WP9110					
L4 2.0L (Mex.)			51348 ⁵³	51348XP	WA10702	N/A			33595		

EDGE

V6 3.5L 213 CID		C	51516 ⁵³	51516XP	46935	24065		3	N/S		WL10378
-----------------	--	---	---------------------	---------	-------	-------	--	---	-----	--	---------

ESCAPE

L4 2.3L 141 CID		Z	51348 ⁵³ - Spin-on 57203 ⁵³ - Cartridge	51348XP - Spin-on 57203XP - Cartridge	42793	49466		1	33296		N/A
V6 3.0L 3000CC 183CID		1	51372 ⁵³	51372XP	42793	49466		1	33296	M	N/A

ESCAPE HYBRID

L4 2.3L 140 CID Electric/Gas		H	57203	57203XP	49187	24477 ⁶⁵ 49466 ⁶⁴		1	33296		N/A
------------------------------	--	---	-------	---------	-------	--	--	---	-------	--	-----

EXPEDITION

V8 5.4L 330 CID		5	51372 ⁵³	51372XP	49883 ¹⁵⁵ 49883FR ³⁶⁰	N/R			33424	M	58099 - 6R80
-----------------	--	---	---------------------	---------	--	-----	--	--	-------	---	--------------

N/A = Not Available N/R = Not Required N/S = Not Serviceable For cabin and fuel filter locator, see pages 5-15 See pages 16-19 for footnotes

N/A = Non disponible N/R = Non nécessaire N/S = Non réparable Para la ubicación de los filtros de aire de la cabina y de combustible, ver las páginas 5-15 Voir pages 16-19 pour des notes

N/A = No disponible N/R = No requiere N/S = No servible Voir les tableaux de repérage des filtres d'habitacle et à carburant aux pages 5-15 Ver las páginas 16-19 para las notas al pie de página

Italicized Part Numbers May Not Be Available. Wix XP Oil Filters Have Fully Synthetic Media.

Las piezas con números en *italicas* pueden no estar disponibles. Los filtros de aceite WIX XP son completamente de media sintética. Les numéros de pièce en *italiques* peuvent ne pas être disponibles. Les filtres à huile XP Wix contiennent un matériau 100 % synthétique.

Year/Año/Année Model/Modelo/Modèle Engine/Motor/Moteur	Eng. Code Código de motor Code moteur	VIN NIV NIV	Oil Aceite Huile	Oil XP Aceite XP Huile XP	Air Aire Air	Cabin Air Cabina Aire Cabine Air	Cabin Air XP Cabina Aire XP Cabine Air XP	Loc. Cabin Air Cabina Aire Cabine Air	Fuel Combustible Carburant	Loc. Fuel Combustible Carburant	Transmission Transmisión Transmission
--	--	-------------------	------------------------	---------------------------------	--------------------	--	---	--	----------------------------------	--	---

FORD (Cont'd/Suite)
2008 (Cont'd/Suite)
EXPLORER

V6 4.0L 244 CID		E	51372 ⁵³	51372XP	42484	N/R			33243	M	58898 - 5R55S 58099 ²⁷⁹ - 6R60 N/A ²⁷⁸ - 6R60
V8 4.6L 281CID Flex		W	51372 ⁵³	51372XP	49145	N/R			33243	M	58898 - 5R55S 58099 ²⁷⁹ - 6R60 N/A ²⁷⁸ - 6R60

EXPLORER SPORT TRAC

V6 4.0L 244 CID		E	51372 ⁵³	51372XP	42484	N/R			33243	M	58898 - 5R55S 58099 ²⁷⁹ - 6R60 N/A ²⁷⁸ - 6R60
V8 4.6L 281 CID		8	51372 ⁵³	51372XP	49145	N/R			33243	M	58099 ²⁷⁹ - 6R60 58898 ²⁷⁹ - 5R55S N/A ²⁷⁸ - 6R60

F250

V8 4.6L 4600cc (Mex.)			51372 ⁵³	51372XP	46418	24876			N/A		
-----------------------	--	--	---------------------	---------	-------	-------	--	--	-----	--	--

FIESTA

L4 1.6L 1596cc 97 CID (Mex.)			51348 ⁵³	51348XP	WA10833 ⁶¹	N/A			33595 ⁵³		
L4 2.0L 1999CC 122CID (Mex.)			N/A		N/A	N/A			N/A		

FIESTA IKON

L4 1.6L 1596cc (Mex.)			51516 ⁵³	51516XP	N/A				N/A		
-----------------------	--	--	---------------------	---------	-----	--	--	--	-----	--	--

FOCUS

L4 2.0L 121 CID		N	51348 ⁵³	51348XP	49890	N/R			33424 ⁶ 33595 ⁶		58617
L5 2.5L 2521cc (Mex.)			57186	57186XP	49017	49354			N/S		

FUSION

L4 2.3L 140 CID	99Z	Z	57203 - Cartridge 51348 ⁵³ - Spin-on	57203XP - Cartridge 51348XP - Spin-on	49114	N/R			N/S		N/A
V6 3.0L 183 CID	991	1	51372 ⁵³	51372XP	49053	N/R			N/S		N/A

IKON

L4 1.6L 1558cc (Mex.)			51516 ⁵³	51516XP	46156				33097		N/S
-----------------------	--	--	---------------------	---------	-------	--	--	--	-------	--	-----

KA

L4 1.6L 1596cc (Mex.)			51315		WA9416	WP6820			33097 ⁵³		
-----------------------	--	--	-------	--	--------	--------	--	--	---------------------	--	--

LOBO

V8 4.6L 281CID Flex (Mex.)		W	51372 ⁵³	51372XP	49883 ¹⁵⁵ 49883FR ³⁶⁰	N/A			33243		N/A
V8 5.4L 5400cc (Mex.)			51372 ⁵³	51372XP					N/A		N/A

MUSTANG

V6 4.0L 244 CID	99N	N	51372 ⁵³	51372XP	46975	24687		4	33243	P	58844
V8 4.6L 281 CID	99H	H	51372 ⁵³	51372XP	46975	24687		4	33243	P	58844

MUSTANG BULLITT

V8 4.6L 281 CID	99H	H	51372 ⁵³	51372XP	49601 ⁶¹	24687		4	33243	P	58844
-----------------	-----	---	---------------------	---------	---------------------	-------	--	---	-------	---	-------

MUSTANG SHELBY GT500

V8 5.4L 330 CID Super Charged	99S	S	51372 ⁵³	51372XP	46936	24687		4	33243		MT ⁷²
-------------------------------	-----	---	---------------------	---------	-------	-------	--	---	-------	--	------------------

PICKUP F150 ALL

V6 4.2L 256 CID		2	51516 ⁵³	51516XP	46418	N/R			33243	M	58955
V8 4.6L 281CID Flex		W	51372 ⁵³ - Metric Thd. 51516 ⁵³ - Std. Thd.	51372XP - Metric Thd. 51516XP - Std. Thd.	46418	N/R			33243	M	58955 - 4R75W
V8 5.4L 330 CID		5	51372 ⁵³	51372XP	46804	N/R			33243	M	58955 - 4R75W
		V	51372 ⁵³	51372XP	46804	N/R			33243	M	58955 - 4R75W

PICKUP F-SERIES SUPER DUTY (UP TO 550 SERIES)

V10 6.8L 415 CID		Y	51372 ⁵³	51372XP	49883 ¹⁵⁵ 49883FR ³⁶⁰	N/R			33243	M	58624 ³⁶⁵ - before 5-20-07 58180 ³⁶⁶ - after 5-20-07
V8 5.4L 330 CID		5	51372 ⁵³	51372XP	49883 ¹⁵⁵ 49883FR ³⁶⁰	N/R			33243	M	58624 ³⁶³ 58180 ³⁶⁴ 57702 ³⁶⁴ - Bypass Element

N/A = Not Available N/R = Not Required N/S = Not Serviceable For cabin and fuel filter locator, see pages 5-15 See pages 16-19 for footnotes

N/A = Non disponible N/R = Non nécessaire N/S = Non réparable Para la ubicación de los filtros de aire de la cabina y de combustible, ver las páginas 5-15 Voir pages 16-19 pour des notes

N/A = No disponible N/R = No requiere N/S = No servible Voir les tableaux de repérage des filtres d'habitacle et à carburant aux pages 5-15 Ver las páginas 16-19 para las notas al pie de página

Italicized Part Numbers May Not Be Available. Wix XP Oil Filters Have Fully Synthetic Media.

Las piezas con números en *italicas* pueden no estar disponibles. Los filtros de aceite WIX XP son completamente de media sintética.

Les numéros de pièce en *italiques* peuvent ne pas être disponibles. Les filtres à huile Wix contiennent un matériau 100 % synthétique.

FORD 2008-2007
Pass Car/Light Truck

Year/Año/Année Model/Modelo/Modèle Engine/Motor/Moteur	Eng. Code Código de motor Code moteur	VIN NIV NIV	Oil Aceite Huile	Oil XP Aceite XP Huile XP	Air Aire Air	Cabin Air Cabina Aire Cabine Air	Cabin Air XP Cabina Aire XP Cabine Air XP	Loc. Cabin Air Cabina Aire Cabine Air	Fuel Combustible Carburant	Loc. Fuel Combustible Carburant	Transmission Transmisión Transmission
--	---	-------------------	------------------------	---------------------------------	--------------------	--	---	--	----------------------------------	--	---

FORD (Cont'd/Suite)
2008 (Cont'd/Suite)
PICKUP F-SERIES SUPER DUTY (UP TO 550 SERIES) (Cont'd/Suite)

V8 6.4L 391 CID Turbo Diesel		R	57312 ⁵³	57312XP ¹⁶⁴	49886	N/R			33963 ³¹⁰		58624 ³⁶³ 58180 ³⁶⁴
------------------------------	--	---	---------------------	------------------------	-------	-----	--	--	----------------------	--	--

RANGER

L4 2.3L 140 CID		D	51348 ⁵³	51348XP	46253	N/R			33424		58840 - 5R55E 2WD 58841 - 5R55E 4WD
V6 3.0L 3000CC 183CID		U	51516 ⁵³	51516XP	46253	N/R			33424	K	58840 - 5R55E 2WD 58841 - 5R55E 4WD
V6 4.0L 244 CID		E	51372 ⁵³	51372XP	46253	N/R			33424		58840 - 5R55E 2WD 58841 - 5R55E 4WD

TAURUS

V6 3.5L 213 CID		W	51516 ⁵³	51516XP	46935	N/R			N/S		WL10378
-----------------	--	---	---------------------	---------	-------	-----	--	--	-----	--	---------

TAURUS X

V6 3.5L 213 CID	998	W	51516 ⁵³	51516XP	46935	N/R			N/S		WL10378
-----------------	-----	---	---------------------	---------	-------	-----	--	--	-----	--	---------

TRANSIT

L4 2.2L 2198cc Turbo Diesel			57512		WA9558	N/A					
L4 2.2L 2198cc Turbo Diesel (Mex.)			57512		WA9558	N/A					
L4 2.3L 138 CID (Mex.)			51215		WA6675				WF8251		
L4 2.4L 2402cc Diesel (Mex.)			WL7441 ⁶¹		WA6675				WF10084		
L5 3.2L 3199cc Diesel (Mex.)			WL7441 ⁶¹		N/A	N/A			WF10084		

VAN E-SERIES (UP TO 450 SERIES)

V10 6.8L 415 CID		S	51372 ⁵³	51372XP	46418	N/R			33595	M	58180 - 5R110W 57702 - Bypass Element 58955 - 4R75W
V8 4.6L 281CID Flex		W	51372 ⁵³	51372XP	46418	N/R			33595	M	58180 - 5R110W 58955 - 4R75W 58968 - 4R100 4WD 58967 - 4R100 2WD
V8 5.4L 330 CID			51372 ⁵³	51372XP	46418	N/R			33595		58180 - 5R110W 58955 - 4R75W 57702 - Bypass Element
V8 6.0L 364 CID Turbo Diesel		P	WL10111 ⁵³		46807	N/R			33600		58180 - 5R110W 57702 - Bypass Element 58955 - 4R75W

2007
CLUB WAGON ECONOLINE

V8 4.6L 4600cc (Mex.)			51372 ⁵³	51372XP	46418	N/A			33959		
V8 5.4L 5400cc (Mex.)			51372 ⁵³	51372XP	46418	N/A			33595		
V8 6.0L Diesel (Mex.)			51372 ⁵³	51372XP	46418	N/A			33595		

COURIER

L4 1.6L 1596cc (Mex.)			51516 ⁵³	51516XP	46156	WP6820			33296		
-----------------------	--	--	---------------------	---------	-------	--------	--	--	-------	--	--

CROWN VICTORIA

V8 4.6L 281 CID		W	51372 ⁵³	51372XP	46134 - Std. 46814 - Police	N/R			33595	P	58955
V8 4.6L 281 CID Flex		V	51372 ⁵³	51372XP	46134	N/R			33595		58955

ECONOLINE

V8 4.6L 4600cc (Mex.)			51372 ⁵³	51372XP	46418	N/A			33595		
-----------------------	--	--	---------------------	---------	-------	-----	--	--	-------	--	--

ECOSPORT

L4 1.6L 1596cc (Mex.)			51516 ⁵³	51516XP	42790	WP9110					
L4 2.0L (Mex.)			51348 ⁵³	51348XP	WA10702	N/A			33595		

EDGE

V6 3.5L 213 CID		C	51516 ⁵³	51516XP	46935	24065		3	N/S		WL10378
-----------------	--	---	---------------------	---------	-------	-------	--	---	-----	--	---------

ESCAPE

L4 2.3L 141 CID		Z	51348 ⁵³ - Spin-on 57203 ⁵³ - Cartridge	51348XP - Spin-on 57203XP - Cartridge	42793	49466 ³⁷⁷ 24816 ⁴⁴¹		1	33097 ⁴⁴⁷		N/A
V6 3.0L 3000CC 183CID		1	51372 ⁵³	51372XP	42793	49466 ³⁷⁷ 24816 ⁴⁴¹		1	33097 ⁴⁴⁷	M	N/A

N/A = Not Available N/R = Not Required N/S = Not Serviceable For cabin and fuel filter locator, see pages 5-15 See pages 16-19 for footnotes

N/A = Non disponible N/R = Non nécessaire N/S = Non réparable Para la ubicación de los filtros de aire de la cabina y de combustible, ver las páginas 5-15 Voir pages 16-19 pour des notes

N/A = No disponible N/R = No requiere N/S = No servible Voir les tableaux de repérage des filtres d'habitacle et à carburant aux pages 5-15 Ver las páginas 16-19 para las notas al pie de página

Italicized Part Numbers May Not Be Available. Wix XP Oil Filters Have Fully Synthetic Media.

Las piezas con números en *italicas* pueden no estar disponibles. Los filtros de aceite WIX XP son completamente de media sintética. Les numéros de pièce en *italiques* peuvent ne pas être disponibles. Les filtres à huile XP Wix contiennent un matériau 100 % synthétique.

Year/Año/Année Model/Modelo/Modèle Engine/Motor/Moteur	Eng. Code Código de motor Code moteur	VIN NIV NIV	Oil Aceite Huile	Oil XP Aceite XP Huile XP	Air Aire Air	Cabin Air Cabina Aire Cabine Air	Cabin Air XP Cabina Aire XP Cabine Air XP	Loc. Cabin Air Cabina Aire Cabine Air	Fuel Combustible Carburant	Loc. Fuel Combustible Carburant	Transmission Transmisión Transmission
--	--	-------------------	------------------------	---------------------------------	--------------------	--	---	--	----------------------------------	--	---

FORD (Cont'd/Suite)
2007 (Cont'd/Suite)
ESCAPE HYBRID

L4 2.3L 140 CID Electric/Gas		H	57203	57203XP	49187	24816 ¹⁶⁴ 24477 ¹⁶⁵		1	33097 ⁴⁴⁷		N/A
------------------------------	--	---	-------	---------	-------	--	--	---	----------------------	--	-----

EXPEDITION

V8 5.4L 330 CID		5	51372 ⁵³	51372XP	49883 ¹⁵⁵ 49883FR ¹⁶⁰	N/R			33424	M	58099
-----------------	--	---	---------------------	---------	--	-----	--	--	-------	---	-------

EXPLORER

V6 4.0L 244 CID		E	51372 ⁵³	51372XP	42484	N/R			33243	M	58898 - 5R55S 58099 ²⁷⁹ - 6R60 58127 ²⁷⁹ - 6R60
V8 4.6L 281CID Flex		W	51372 ⁵³	51372XP	49145	N/R			33243	M	58898 - 5R55S 58099 ²⁷⁹ - 6R60 58127 ²⁷⁹ - 6R60

EXPLORER SPORT TRAC

V6 4.0L 244 CID		K	51372 ⁵³	51372XP	42484	N/R			33243	M	58898 - 5R55S 58099 ²⁷⁹ - 6R60 N/A ²⁷⁸ - 6R60
V8 4.6L 281CID Flex		W	51372 ⁵³	51372XP	49145	N/R			33243	M	58099 ²⁷⁹ - 6R60 58898 ²⁷⁹ - 5R55S N/A ²⁷⁸ - 6R60

F250

V8 4.6L 4600cc (Mex.)			51372 ⁵³	51372XP	46418	24876			N/A		
-----------------------	--	--	---------------------	---------	-------	-------	--	--	-----	--	--

FIESTA

L4 1.5L 1591cc (Mex.)			51516 ⁵³	51516XP	42799				N/A		
L4 1.6L 1596cc 97 CID (Mex.)			51348 ⁵³	51348XP	WA10833 ⁶¹	N/A			33595 ⁵³		

FIESTA IKON

L4 1.6L 1596cc (Mex.)			51516 ⁵³	51516XP	46156				33097		
-----------------------	--	--	---------------------	---------	-------	--	--	--	-------	--	--

FIVE HUNDRED

V6 3.0L 183 CID	991	1	51372 ⁵³	51372XP	46924	N/R			33595		58118 - Pan Style 58121 - Cartridge
-----------------	-----	---	---------------------	---------	-------	-----	--	--	-------	--	--

FOCUS

L4 2.0L 121 CID		N	51348 ⁵³	51348XP	N/R ¹⁷⁴	N/R		1	33595	Q	58617
L4 2.3L 140 CID		Z	51348 ⁵³	51348XP	N/R ¹⁷⁴	N/R			33595	Q	58617
L5 2.5L 2521cc (Mex.)			57186	57186XP	49017	49354			N/S		

FREESTAR

V6 3.9L 241 CID		6	51516 ⁵³	51516XP	42341	24807		1	33424		58815 - Shallow Pan 58822 - Deep Pan
V6 4.2L 256 CID		2	51516 ⁵³	51516XP	42341	24807		1	33424		58815 - Shallow Pan 58822 - Deep Pan

FREESTYLE

V6 3.0L 3000CC 183CID		1	51372 ⁵³	51372XP	46924	N/R			33595		58121 - Cartridge 58118 - Pan Style
-----------------------	--	---	---------------------	---------	-------	-----	--	--	-------	--	--

FUSION

L4 2.3L 140 CID		Z	57203 - Cartridge 51348 ⁵³ - Spin-on	57203XP - Cartridge 51348XP - Spin-on	49114	N/R			N/S		N/A
V6 3.0L 183 CID	991	1	51372 ⁵³	51372XP	49053	N/R			N/S		N/A

GRAND MARQUIS

V8 4.6L 281 CID	99H	W	51372 ⁵³	51372XP	46134				33595		58955
-----------------	-----	---	---------------------	---------	-------	--	--	--	-------	--	-------

IKON

L4 1.6L 1558cc (Mex.)			51516 ⁵³	51516XP	46156				33097		N/S
-----------------------	--	--	---------------------	---------	-------	--	--	--	-------	--	-----

KA

L4 1.6L 1596cc (Mex.)			51315		WA9416	WP6820			33097 ⁵³		
-----------------------	--	--	-------	--	--------	--------	--	--	---------------------	--	--

LOBO

V8 4.6L 4600cc (Mex.)			51372 ⁵³	51372XP	46418				33595		
V8 5.4L 5400cc (Mex.)			51372 ⁵³	51372XP	46804				N/A		

MONDEO

L4 2.0L 122 CID (Mex.)			51348 ⁵³	51348XP	WA6674	24771			WF8251		
V6 2.5L 2544cc (Mex.)			57203	57203XP	N/A	24771			N/A		

N/A = Not Available N/R = Not Required N/S = Not Serviceable For cabin and fuel filter locator, see pages 5-15 See pages 16-19 for footnotes

N/A = Non disponible N/R = Non nécessaire N/S = Non réparable Para la ubicación de los filtros de aire de la cabina y de combustible, ver las páginas 5-15 Voir pages 16-19 pour des notes

N/A = No disponible N/R = No requiere N/S = No servible Voir les tableaux de repérage des filtres d'habitacle et à carburant aux pages 5-15 Ver las páginas 16-19 para las notas al pie de página

Italicized Part Numbers May Not Be Available. Wix XP Oil Filters Have Fully Synthetic Media.

Las piezas con números en *italicas* pueden no estar disponibles. Los filtros de aceite WIX XP son completamente de media sintética.

Les numéros de pièce en *italiques* peuvent ne pas être disponibles. Les filtres à huile Wix contiennent un matériau 100 % synthétique.

FORD 2007
Pass Car/Light Truck

Year/Año/Année Model/Modelo/Modèle Engine/Motor/Moteur	Eng. Code Código de motor Code moteur	VIN NIV NIV	Oil Aceite Huile	Oil XP Aceite XP Huile XP	Air Aire Air	Cabin Air Cabina Aire Cabine Air	Cabin Air XP Cabina Aire XP Cabine Air XP	Loc. Cabin Air Cabina Aire Cabine Air	Fuel Combustible Carburant	Loc. Fuel Combustible Carburant	Transmission Transmisión Transmission
--	---	-------------------	------------------------	---------------------------------	--------------------	--	---	--	----------------------------------	--	---

FORD (Cont'd/Suite)
2007 (Cont'd/Suite)
MONDEO (Cont'd/Suite)

V6 3.0L 183 CID (Mex.)			51372 ⁵³	51372XP	WA6674	WP9162 ⁶¹			WF8251		
------------------------	--	--	---------------------	---------	--------	----------------------	--	--	--------	--	--

MUSTANG

V6 4.0L 244 CID	99N	N	51372 ⁵³	51372XP	46975	24687		4	33243	P	58844
V8 4.6L 281 CID	99H	H	51372 ⁵³	51372XP	46975	24687		4	33243	P	58844

MUSTANG SHELBY GT500

V8 5.4L 330 CID Super Charged	99S	S	51372 ⁵³	51372XP	46936	24687		4	33243		58844
-------------------------------	-----	---	---------------------	---------	-------	-------	--	---	-------	--	-------

PICKUP F150 ALL

V6 4.2L 256 CID			51516 ⁵³	51516XP	46418	N/R			33243	M	58955
V8 4.6L 281 CID			51372 ⁵³ - Metric Thd. 51516 ⁵³ - Std. Thd.	51372XP - Metric Thd. 51516XP - Std. Thd.	46418	N/R			33243	M	58955 - 4R75W
V8 5.4L 330 CID		5	51372 ⁵³	51372XP	46804	N/R			33243	M	58955
V8 5.4L 330 CID Flex		V	51372 ⁵³	51372XP	46804	N/R			33595	M	58955

PICKUP F-SERIES SUPER DUTY (UP TO 550 SERIES)

V10 6.8L 415 CID		Y	51372 ⁵³	51372XP	49136	N/R			33243	M	58624 ³⁶³ 58180 ³⁶⁴ 58968 ³⁶⁴ - 4R100 57702 ³⁶⁴ - Bypass Element
V8 5.4L 330 CID		5	51372 ⁵³	51372XP	46804	N/R			33243	M	58968 - 4R100 58955 - 4R75W 58624 ³⁶³ - 4R75W 58180 ³⁶⁴ - 4R75W 57702 ³⁶⁴ - Bypass Element
V8 6.0L 364 CID Turbo Diesel		P	57312 ⁵³	57312XP ¹⁸⁴	42731 ¹³⁷ 49490 ¹⁴²	N/R					58624 ³⁶³ 58180 ³⁶⁴ 57702 ³⁶⁴ - Bypass Element

RANGER

L4 2.3L 140 CID		D	51348 ⁵³	51348XP	46253	N/R			33424		58840 - 5R55E 2WD 58841 - 5R55E 4WD
V6 3.0L 3000CC 183CID		U	51516 ⁵³	51516XP	46253	N/R			33424	K	58840 - 5R55E 2WD 58841 - 5R55E 4WD
V6 4.0L 244 CID		E	51372 ⁵³	51372XP	46253	N/R			33424		58840 - 5R55E 2WD 58841 - 5R55E 4WD

TAURUS

V6 3.0L 183 CID	991	U	51516 ⁵³	51516XP	42385	24773		1	33097 ⁴⁴⁷	P	58815 - Shallow Pan 58822 - Deep Pan
-----------------	-----	---	---------------------	---------	-------	-------	--	---	----------------------	---	---

TRANSIT

L4 2.2L 2198cc Turbo Diesel			57512		WA9558	N/A					
L4 2.2L 2198cc Turbo Diesel (Mex.)			57512		WA9558	N/A					
L4 2.3L 138 CID (Mex.)			51215		WA6675				WF8251		
L4 2.4L 2402cc Diesel (Mex.)			WL744 ⁶¹		WA6675				WF10084		
L5 3.2L 3199cc Diesel (Mex.)			WL744 ⁶¹		N/A	N/A			WF10084		

VAN E-SERIES (UP TO 450 SERIES)

V10 6.8L 415 CID		S	51372 ⁵³	51372XP	46418	N/R			33595	M	58180 ³⁶⁶ - w/SR110W after 5-20-07 58624 ³⁶⁵ - w/SR110W before 5-20-07 58955 ³⁶⁵ - 4R75W 57702 ³⁶⁵ - Bypass Element
V8 4.6L 281CID Flex		W	51372 ⁵³	51372XP	46418	N/R			33595	M	58967 - 4R100 2WD 58968 - 4R100 4WD 58955 - 4R75W 58624 ³⁶⁵ - w/SR110W before 5-20-07 58180 ³⁶⁶ - w/SR110W after 5-20-07
V8 5.4L 330 CID			51372 ⁵³	51372XP	46418	N/R			33595 - Std. N/A - Flex-Fuel		58624 ³⁶⁵ 58180 ³⁶⁶ 58955 ³⁶⁶ - 4R75W 57702 ³⁶⁶ - Bypass Element

N/A = Not Available N/R = Not Required N/S = Not Serviceable For cabin and fuel filter locator, see pages 5-15 See pages 16-19 for footnotes

N/A = Non disponible N/R = Non nécessaire N/S = Non réparable Para la ubicación de los filtros de aire de la cabina y de combustible, ver las páginas 5-15 Voir pages 16-19 pour des notes

N/A = No disponible N/R = No requiere N/S = No servible Voir les tableaux de repérage des filtres d'habitacle et à carburant aux pages 5-15 Ver las páginas 16-19 para las notas al pie de página

Italicized Part Numbers May Not Be Available. Wix XP Oil Filters Have Fully Synthetic Media.

Las piezas con números en *italicas* pueden no estar disponibles. Los filtros de aceite WIX XP son completamente de media sintética. Les numéros de pièce en *italiques* peuvent ne pas être disponibles. Les filtres à huile XP Wix contiennent un matériau 100 % synthétique.

Year/Año/Année Model/Modelo/Modèle Engine/Motor/Moteur	Eng. Code Código de motor Code moteur	VIN NIV NIV	Oil Aceite Huile	Oil XP Aceite XP Huile XP	Air Aire Air	Cabin Air Cabina Aire Cabine Air	Cabin Air XP Cabina Aire XP Cabine Air XP	Loc. Cabin Air Cabina Aire Cabine Air	Fuel Combustible Carburant	Loc. Fuel Combustible Carburant	Transmission Transmisión Transmission
--	---	-------------------	------------------------	---------------------------------	--------------------	--	---	--	----------------------------------	--	---

FORD (Cont'd/Suite)
2007 (Cont'd/Suite)
VAN E-SERIES (UP TO 450 SERIES) (Cont'd/Suite)

V8 6.0L 364 CID Turbo Diesel		P	WL10111 ⁵³		46807		N/R		33600		58624 ⁵⁶⁵ - w/5R110W before 5-20-07 58180 ⁵⁶⁶ - w/5R110W after 5-20-07 58955 ⁵⁶⁶ - 4R75W 57702 ⁵⁶⁶ - Bypass Element
------------------------------	--	---	-----------------------	--	-------	--	-----	--	-------	--	--

2006
CLUB WAGON ECONOLINE

V8 4.6L 4600cc (Mex.)			51372 ⁵³	51372XP	46418		N/A		33959		
V8 5.4L 5400cc (Mex.)			51372 ⁵³	51372XP	46418		N/A		33595		
V8 6.0L Diesel (Mex.)			51372 ⁵³	51372XP	46418		N/A		33595		

COURIER

L4 1.6L 1596cc (Mex.)			51516 ⁵³	51516XP	46156	WP6820			33296		
-----------------------	--	--	---------------------	---------	-------	--------	--	--	-------	--	--

CROWN VICTORIA

V8 4.6L 281 CID		W	51372 ⁵³	51372XP	46134		N/R		33595	P	58955
V8 4.6L 281 CID CNG		9	51372 ⁵³	51372XP	46134		N/R		N/A		58955
V8 4.6L 281 CID Flex		V	51372 ⁵³	51372XP	46134		N/R		33595		58955

ECONOLINE

V8 4.6L 4600cc (Mex.)			51372 ⁵³	51372XP	46418		N/A		33595		
-----------------------	--	--	---------------------	---------	-------	--	-----	--	-------	--	--

ECOSPORT

L4 2.0L (Mex.)			51348 ⁵³	51348XP	WA10702		N/A		33595		
----------------	--	--	---------------------	---------	---------	--	-----	--	-------	--	--

ESCAPE

L4 2.3L 141 CID		Z	51348 ⁵³ - Spin-on 57203 ⁵³ - Cartridge	51348XP - Spin-on 57203XP - Cartridge	42793	24816		1	33097 ⁴⁴⁷		N/A
V6 3.0L 182 CID Flex (Mex.)			51372 ⁵³	51372XP	N/S	N/S			N/S		N/S
V6 3.0L 3000CC 183CID		1	51372 ⁵³	51372XP	42793	24816		1	33097 ⁴⁴⁷	M	N/A

ESCAPE HYBRID

L4 2.3L 140 CID Electric/Gas		H	57203	57203XP	49187	24816 ¹⁶⁴ 24477 ¹⁶⁵		1	33097 ⁴⁴⁷		N/A
------------------------------	--	---	-------	---------	-------	--	--	---	----------------------	--	-----

EXPEDITION

V8 5.4L 330 CID		5	51372 ⁵³	51372XP	46804		N/R		33595	M	58955
-----------------	--	---	---------------------	---------	-------	--	-----	--	-------	---	-------

EXPLORER

V6 4.0L 244 CID		E	51372 ⁵³	51372XP	42484		N/R		33243	M	58898 - 5R55S 58099 ²⁷⁹ - 6R60 58127 ²⁷⁹ - 6R60
V8 4.6L 281CID Flex		W	51372 ⁵³	51372XP	49145		N/R		33243	M	58898 - 5R55S 58099 ²⁷⁹ - 6R60 58127 ²⁷⁹ - 6R60

F250

V6 4.2L 4200cc (Mex.)			51516 ⁵³	51516XP	46418	24876			N/A		
V8 4.6L 4600cc (Mex.)			51372 ⁵³	51372XP	46418	24876			N/A		

FIESTA

L4 1.5L 1591cc (Mex.)			51516 ⁵³	51516XP	42799				N/A		
L4 1.6L 1596cc 97 CID (Mex.)			51348 ⁵³	51348XP	WA10833 ⁶¹		N/A		33595 ⁵³		

FIESTA IKON

L4 1.6L 1596cc (Mex.)			51516 ⁵³	51516XP	46156				33097		
-----------------------	--	--	---------------------	---------	-------	--	--	--	-------	--	--

FIVE HUNDRED

V6 3.0L 183 CID	991	1	51372 ⁵³	51372XP	46924		N/R		33595		58118 - Pan Style 58121 - Cartridge
-----------------	-----	---	---------------------	---------	-------	--	-----	--	-------	--	--

FOCUS

L4 2.0L 121 CID		N	51348 ⁵³	51348XP	N/R - Lifetime	24808		1	33595	Q	58617
L4 2.3L 140 CID		Z	51348 ⁵³	51348XP	N/R ¹⁷⁴	24808			33595	Q	58617

FREESTAR

V6 3.9L 241 CID		6	51516 ⁵³	51516XP	42341	24807		1	33424		58815 - Shallow Pan 58822 - Deep Pan
V6 4.2L 256 CID		2	51516 ⁵³	51516XP	42341	24807		1	33424		58815 - Shallow Pan 58822 - Deep Pan

N/A = Not Available N/R = Not Required N/S = Not Serviceable For cabin and fuel filter locator, see pages 5-15 See pages 16-19 for footnotes

N/A = Non disponible N/R = Non nécessaire N/S = Non réparable Para la ubicación de los filtros de aire de la cabina y de combustible, ver las páginas 5-15 Voir pages 16-19 pour des notes

N/A = No disponible N/R = No requiere N/S = No servible Voir les tableaux de repérage des filtres d'habitacle et à carburant aux pages 5-15 Ver las páginas 16-19 para las notas al pie de página

Italicized Part Numbers May Not Be Available. Wix XP Oil Filters Have Fully Synthetic Media.

Las piezas con números en *italicas* pueden no estar disponibles. Los filtros de aceite WIX XP son completamente de media sintética.

Les numéros de pièce en *italiques* peuvent ne pas être disponibles. Les filtres à huile Wix contiennent un matériau 100 % synthétique.

FORD 2006
Pass Car/Light Truck

Year/Año/Année Model/Modelo/Modèle Engine/Motor/Moteur	Eng. Code Código de motor Code moteur	VIN NIV NIV	Oil Aceite Huile	Oil XP Aceite XP Huile XP	Air Aire Air	Cabin Air Cabina Aire Cabine Air	Cabin Air XP Cabina Aire XP Cabine Air XP	Loc. Cabin Air Cabina Aire Cabine Air	Fuel Combustible Carburant	Loc. Fuel Combustible Carburant	Transmission Transmisión Transmission
--	--	-------------------	------------------------	---------------------------------	--------------------	--	---	--	----------------------------------	--	---

FORD (Cont'd/Suite)
2006 (Cont'd/Suite)
FREESTYLE

V6 3.0L 3000CC 183CID		1	51372 ⁵³	51372XP	46924	N/R			33595		58121 - Cartridge 58118 - Pan Style
-----------------------	--	---	---------------------	---------	-------	-----	--	--	-------	--	--

FUSION

L4 2.3L 140 CID	99Z	Z	57203 - Cartridge 51348 ⁵³ - Spin-on	57203XP - Cartridge 51348XP - Spin-on	49114	N/R			N/S		N/A
V6 3.0L 183 CID	991	1	51372 ⁵³	51372XP	49053	N/R			N/S		N/A

GRAND MARQUIS

V8 4.6L 281 CID	99H	W	51372 ⁵³	51372XP	46134				33595		58955
-----------------	-----	---	---------------------	---------	-------	--	--	--	-------	--	-------

GT

V8 5.4L 330 CID Super Charged	99S	S	57806		42572	N/R			N/A		MT ⁷²
----------------------------------	-----	---	-------	--	-------	-----	--	--	-----	--	------------------

IKON

L4 1.6L 1558cc (Mex.)			51516 ⁵³	51516XP	46156				33097		N/S
-----------------------	--	--	---------------------	---------	-------	--	--	--	-------	--	-----

KA

L4 1.6L 1596cc (Mex.)			51315		WA9416	WP6820			33097 ⁵³		
-----------------------	--	--	-------	--	--------	--------	--	--	---------------------	--	--

LOBO

V8 4.6L 4600cc (Mex.)			51372 ⁵³	51372XP	46418				N/A		
V8 5.4L 5400cc (Mex.)			51372 ⁵³	51372XP	46804				N/A		

MONDEO

L4 2.0L 122 CID (Mex.)					WA6674	24771			WF8251		51348 ⁵³
V6 2.5L 2544cc (Mex.)			57203	57203XP	N/A	24771			N/A		
V6 3.0L 183 CID (Mex.)			51372 ⁵³	51372XP	WA6674	WP9162 ⁶¹			WF8251		

MUSTANG

V6 4.0L 244 CID	99N	N	51372 ⁵³	51372XP	46975	24687		4	33243	P	58844
V8 4.6L 281 CID	99H	H	51372 ⁵³	51372XP	46975	24687		4	33243	P	58844

PICKUP F150 ALL

V6 4.2L 256 CID		2	51516 ⁵³	51516XP	46418	N/R			33595 - To 12/05 33243 - 12/05-on	M	58955
V8 4.6L 281CID Flex		W	51372 ⁵³ - Metric Thd. 51516 ⁵³ - Std. Thd.	51372XP - Metric Thd. 51516XP - Std. Thd.	46418	N/R			33595 - To 12/05 33243 - 12/05-on	M	58955 - 4R75W
V8 5.4L 330 CID		5,V	51372 ⁵³	51372XP	46804	N/R			33595 - To 12/05 33243 - 12/05-on	M	58967 - 4R100 2WD 58968 - 4R100 4WD 58955 - 4R75W 58624 - 5R110W

PICKUP F-SERIES SUPER DUTY (UP TO 550 SERIES)

V10 6.8L 415 CID		Y	51372 ⁵³	51372XP	49136	N/R			33243	M	58968 58624 57702
V8 5.4L 330 CID		5,V	51372 ⁵³	51372XP	46804	N/R			33243	M	58968 - 4R100 58624 - 5R110W 57702 - Bypass Element
V8 6.0L 364 CID Turbo Diesel		P	57312 ⁵³	57312XP ¹⁸⁴	42731 ¹³⁷ 49490 ¹⁴²	N/R					58624 - 5R110W 57702 - Bypass Element

RANGER

L4 2.3L 140 CID		D	51348 ⁵³	51348XP	46253	N/R			33424		58840 - 5R55E 2WD 58841 - 5R55E 4WD
V6 3.0L 3000CC 183CID		U	51516 ⁵³	51516XP	46253	N/R			33424	K	58840 - 5R55E 2WD 58841 - 5R55E 4WD
V6 4.0L 244 CID		E	51372 ⁵³	51372XP	46253	N/R			33424		58840 - 5R55E 2WD 58841 - 5R55E 4WD

TAURUS

V6 3.0L 183 CID	991	U,2	51516 ⁵³	51516XP	42385	24773		1	33097 ⁴⁴⁷	P	58815 - Shallow Pan 58822 - Deep Pan
-----------------	-----	-----	---------------------	---------	-------	-------	--	---	----------------------	---	---

VAN E-SERIES (UP TO 450 SERIES)

V10 6.8L 415 CID		S	51372 ⁵³	51372XP	46418	N/R			33595	M	58624 - 5R110W 57702 - Bypass Element 58955 - 4R75W
------------------	--	---	---------------------	---------	-------	-----	--	--	-------	---	---

N/A = Not Available N/R = Not Required N/S = Not Serviceable For cabin and fuel filter locator, see pages 5-15 See pages 16-19 for footnotes

N/A = Non disponible N/R = Non nécessaire N/S = Non réparable Para la ubicación de los filtros de aire de la cabina y de combustible, ver las páginas 5-15 Voir pages 16-19 pour des notes

N/A = No disponible N/R = No requiere N/S = No servible Voir les tableaux de repérage des filtres d'habitacle et à carburant aux pages 5-15 Ver las páginas 16-19 para las notas al pie de página

Italicized Part Numbers May Not Be Available. Wix XP Oil Filters Have Fully Synthetic Media.

Las piezas con números en *italicas* pueden no estar disponibles. Los filtros de aceite WIX XP son completamente de media sintética. Les numéros de pièce en *italiques* peuvent ne pas être disponibles. Les filtres à huile XP Wix contiennent un matériau 100 % synthétique.

Year/Año/Année Model/Modelo/Modèle Engine/Motor/Moteur	Eng. Code Código de motor Code moteur	VIN NIV NIV	Oil Aceite Huile	Oil XP Aceite XP Huile XP	Air Aire Air	Cabin Air Cabina Aire Cabine Air	Cabin Air XP Cabina Aire XP Cabine Air XP	Loc. Cabin Air Cabina Aire Cabine Air	Fuel Combustible Carburant	Loc. Fuel Combustible Carburant	Transmission Transmisión Transmission
--	---	-------------------	------------------------	---------------------------------	--------------------	--	---	--	----------------------------------	--	---

FORD (Cont'd/Suite)

2006 (Cont'd/Suite)

VAN E-SERIES (UP TO 450 SERIES) (Cont'd/Suite)

V8 4.6L 281 CID		W	51372 ⁵³	51372XP	46418		N/R		33595	M	58967 - 4R100 2WD 58968 - 4R100 4WD 58955 - 4R75W
V8 5.4L 330 CID		L	51372 ⁵³	51372XP	46418		N/R		33595		58624 - 5R110W 57702 - Bypass Element 58955 - 4R75W
V8 6.0L 364 CID Turbo Diesel		P	WL10111 ⁵³		46807		N/R		33600		58624 - 5R110W 57702 - Bypass Element 58955 - 4R75W

2005

CLUB WAGON ECONOLINE

V8 4.6L 4600cc (Mex.)			51372 ⁵³	51372XP	46418		N/A		33959		
V8 5.4L Diesel (Mex.)			51372 ⁵³	51372XP	46418		N/A		33595		
V8 5.4L 5400cc (Mex.)			51372 ⁵³	51372XP	46418		N/A		33595		

COURIER

L4 1.6L 1596cc (Mex.)			51516 ⁵³	51516XP	46156	WP6820			33296		
-----------------------	--	--	---------------------	---------	-------	--------	--	--	-------	--	--

CROWN VICTORIA

V8 4.6L 281 CID		W	51372 ⁵³	51372XP	46134		N/R		33595	P	58955
V8 4.6L 281 CID CNG		9	51372 ⁵³	51372XP	46134		N/R		N/A		58955

ECONOLINE

V8 4.6L 4600cc (Mex.)			51372 ⁵³	51372XP	46418		N/A		33595		
-----------------------	--	--	---------------------	---------	-------	--	-----	--	-------	--	--

ECOSPORT

L4 2.0L (Mex.)			51348 ⁵³	51348XP	WA10702		N/A		33595		N/A
----------------	--	--	---------------------	---------	---------	--	-----	--	-------	--	-----

ESCAPE

L4 2.3L 140 CID		Z	51348 ⁵³	51348XP	42793	24816		1	33097 ⁴⁴⁷		N/A
V6 3.0L 182 CID		1	51372 ⁵³	51372XP	42793	24816		1	33097 ⁴⁴⁷	M	N/A

ESCAPE HYBRID

L4 2.3L 140 CID Electric/Gas		H	57203	57203XP	49187	24816 ¹⁶⁴ 24477 ¹⁶⁵		1	33097 ⁴⁴⁷		N/A
------------------------------	--	---	-------	---------	-------	--	--	---	----------------------	--	-----

EXCURSION

V10 6.8L 415 CID		S	51372 ⁵³	51372XP	46418		N/R		33296		58967 - 4R100 2WD 58968 - 4R100 4WD
V8 5.4L 330 CID		L	51372 ⁵³	51372XP	46418		N/R		33296		58968
V8 6.0L 364 CID Turbo Diesel		P	57312 ⁵³	57312XP ⁸⁴	42731		N/R				58624 - 5R110W 57702 - Bypass Element

EXPEDITION

V8 5.4L 330 CID		5	51372 ⁵³	51372XP	46804		N/R		33749 - 3 Lines 33595 - 2 Lines	M M	58955
-----------------	--	---	---------------------	---------	-------	--	-----	--	------------------------------------	--------	-------

EXPLORER

V6 4.0L 244 CID		E,K	51372 ⁵³	51372XP	42484		N/R		33243	M	58898
V8 4.6L 281 CID		W	51372 ⁵³	51372XP	42484		N/R		33243	M	58898

EXPLORER SPORT TRAC

V6 4.0L 244 CID		K	51372 ⁵³	51372XP	46253		N/R		33243	M	58840 - 5R55E 2WD 58841 - 5R55E 4WD
-----------------	--	---	---------------------	---------	-------	--	-----	--	-------	---	--

F250

V6 4.2L 4200cc (Mex.)			51516 ⁵³	51516XP	46418	24876			N/A		
V8 4.6L 4600cc (Mex.)			51372 ⁵³	51372XP	46418	24876			N/A		

FIESTA

L4 1.5L 1591cc (Mex.)			51516 ⁵³	51516XP	42799				N/A		
L4 1.6L 1596cc 97 CID (Mex.)			51348 ⁵³	51348XP	WA10833 ⁶¹		N/A		33595 ⁵³		

FIESTA IKON

L4 1.6L 1596cc (Mex.)			51516 ⁵³	51516XP	46156				33097		
-----------------------	--	--	---------------------	---------	-------	--	--	--	-------	--	--

FIVE HUNDRED

V6 3.0L 183 CID		1	51372 ⁵³	51372XP	46924		N/R		33595		58118 - Pan Style 58121 - Cartridge
-----------------	--	---	---------------------	---------	-------	--	-----	--	-------	--	--

N/A = Not Available N/R = Not Required N/S = Not Serviceable For cabin and fuel filter locator, see pages 5-15 See pages 16-19 for footnotes

N/A = Non disponible N/R = Non nécessaire N/S = Non réparable Para la ubicación de los filtros de aire de la cabina y de combustible, ver las páginas 5-15 Voir pages 16-19 pour des notes

N/A = No disponible N/R = No requiere N/S = No servible Voir les tableaux de repérage des filtres d'habitacle et à carburant aux pages 5-15 Ver las páginas 16-19 para las notas al pie de página

Italicized Part Numbers May Not Be Available. Wix XP Oil Filters Have Fully Synthetic Media.

Las piezas con números en *italicas* pueden no estar disponibles. Los filtros de aceite WIX XP son completamente de media sintética.

Les numéros de pièce en *italiques* peuvent ne pas être disponibles. Les filtres à huile Wix contiennent un matériau 100 % synthétique.

FORD 2005
Pass Car/Light Truck

Year/Año/Année Model/Modelo/Modèle Engine/Motor/Moteur	Eng. Code Código de motor Code moteur	VIN NIV NIV	Oil Aceite Huile	Oil XP Aceite XP Huile XP	Air Aire Air	Cabin Air Cabina Aire Cabine Air	Cabin Air XP Cabina Aire XP Cabine Air XP	Loc. Cabin Air Cabina Aire Cabine Air	Fuel Combustible Carburant	Loc. Fuel Combustible Carburant	Transmission Transmisión Transmission
--	---	-------------------	------------------------	---------------------------------	--------------------	--	---	--	----------------------------------	--	---

FORD (Cont'd/Suite)
2005 (Cont'd/Suite)
FOCUS

L4 2.0L 121 CID		N	51348 ⁵³	51348XP	N/R - Lifetime	24808			33595	Q	58617
L4 2.3L 140 CID		Z	51348 ⁵³	51348XP	N/R - Lifetime	24808			33595		58617

FREESTAR

V6 3.9L 241 CID		6	51516 ⁵³	51516XP	42341	24807		1	33595		58822
V6 4.2L 256 CID		2	51516 ⁵³	51516XP	42341	24807		1	33595		58822

FREESTYLE

V6 3.0L 3000CC 183CID		1	51372 ⁵³	51372XP	46924	N/R			33595		58121 - Cartridge 58118 - Pan Style
-----------------------	--	---	---------------------	---------	-------	-----	--	--	-------	--	--

GRAND MARQUIS

V8 4.6L 281 CID	99H	W	51372 ⁵³	51372XP	46134				33595		58995
-----------------	-----	---	---------------------	---------	-------	--	--	--	-------	--	-------

GT

V8 5.4L 330 CID Super Charged		S	57806		42572	N/R			N/A		MT ⁷²
-------------------------------	--	---	-------	--	-------	-----	--	--	-----	--	------------------

IKON

L4 1.6L 1558cc (Mex.)			51516 ⁵³	51516XP	46156				33097		N/S
-----------------------	--	--	---------------------	---------	-------	--	--	--	-------	--	-----

KA

L4 1.6L 1596cc (Mex.)			51315		WA9416	WP6820			33097 ⁵³		
-----------------------	--	--	-------	--	--------	--------	--	--	---------------------	--	--

LOBO

V8 4.6L 4600cc (Mex.)			51372 ⁵³	51372XP	46418				N/A		
V8 5.4L 5400cc (Mex.)			51372 ⁵³	51372XP	46804				N/A		

MARAUDER

V8 4.6L 281 CID	99H	V	51372 ⁵³	51372XP	46814				33595		58995
-----------------	-----	---	---------------------	---------	-------	--	--	--	-------	--	-------

MONDEO

L4 2.0L 122 CID (Mex.)			51348 ⁵³	51348XP	WA6674	24771			WF8251		
V6 2.5L 2544cc (Mex.)			57203	57203XP	N/A	24771			N/A		
V6 3.0L 183 CID (Mex.)			51372 ⁵³	51372XP	WA6674	WP9162 ⁶¹			WF8251		

MUSTANG

V6 4.0L 244 CID		N	51372 ⁵³	51372XP	46975	24687		4	33243	P	58844
V8 4.6L 281 CID		H	51372 ⁵³	51372XP	46975	24687		4	33243	P	58844

PICKUP F150 ALL

V6 4.2L 256 CID		2	51516 ⁵³	51516XP	46418	N/R			33595	M	58955
V8 4.6L 281 CID		W	51372 ⁵³ - Metric Thd. 51516 ⁵³ - Std. Thd.	51372XP - Metric Thd. 51516XP - Std. Thd.	46418	N/R			33595	M	58624 - 5R110W 58967 - 4R100 2WD 58968 - 4R100 4WD
V8 5.4L 330 CID		5	51372 ⁵³	51372XP	46804	N/R			33595	M	58624 - 5R110W 58968 - 4R100 58955 - 4R75W

PICKUP F-SERIES SUPER DUTY (UP TO 550 SERIES)

V10 6.8L 415 CID		Y	51372 ⁵³	51372XP	49136	N/R			33243	M	58624 - 4R100 2WD 58968 - 4R100 4WD
V8 5.4L 330 CID		5	51372 ⁵³	51372XP	46804	N/R			33243	M	58624 - 4R100 2WD 58968 - 4R100 4WD
V8 6.0L 364 CID Turbo Diesel		P	57312 ⁵³	57312XP ¹⁶⁴	42731 ¹³⁷ 49490 ¹⁴²	N/R		4			58624 - Pan Style 57702 - Bypass Element

RANGER

L4 2.3L 140 CID		D	51516 ⁵³	51516XP	46253	N/R			33424		58840 - 5R55E 2WD 58841 - 5R55E 4WD
V6 3.0L 3000CC 183CID		U	51516 ⁵³	51516XP	46253	N/R			33424	K	58840 - 5R55E 2WD 58841 - 5R55E 4WD
V6 4.0L 244 CID		E	51372 ⁵³	51372XP	46253	N/R			33424		58840 - 5R55E 2WD 58841 - 5R55E 4WD

TAURUS

V6 3.0L 183 CID		U,2	51516 ⁵³	51516XP	42385	24773		1	33097 ⁴⁴⁷	P	58815 - Shallow Pan 58822 - Deep Pan
V6 3.0L 183 CID Duratec		S	51372 ⁵³	51372XP	42385	24773		1	33097 ⁴⁴⁷	P	58815 - Shallow Pan 58822 - Deep Pan

N/A = Not Available N/R = Not Required N/S = Not Serviceable For cabin and fuel filter locator, see pages 5-15 See pages 16-19 for footnotes

N/A = Non disponible N/R = Non nécessaire N/S = Non réparable Para la ubicación de los filtros de aire de la cabina y de combustible, ver las páginas 5-15 Voir pages 16-19 pour des notes

N/A = No disponible N/R = No requiere N/S = No servible Voir les tableaux de repérage des filtres d'habitacle et à carburant aux pages 5-15 Ver las páginas 16-19 para las notas al pie de página

Italicized Part Numbers May Not Be Available. Wix XP Oil Filters Have Fully Synthetic Media.

Las piezas con números en *italicas* pueden no estar disponibles. Los filtros de aceite WIX XP son completamente de media sintética. Les numéros de pièce en *italiques* peuvent ne pas être disponibles. Les filtres à huile XP Wix contiennent un matériau 100 % synthétique.

Year/Año/Année Model/Modelo/Modèle Engine/Motor/Moteur	Eng. Code Código de motor Code moteur	VIN NIV NIV	Oil Aceite Huile	Oil XP Aceite XP Huile XP	Air Aire Air	Cabin Air Cabina Aire Cabine Air	Cabin Air XP Cabina Aire XP Cabine Air XP	Loc. Cabin Air Cabina Aire Cabine Air	Fuel Combustible Carburant	Loc. Fuel Combustible Carburant	Transmission Transmisión Transmission
--	---	-------------------	------------------------	---------------------------------	--------------------	--	---	--	----------------------------------	--	---

FORD (Cont'd/Suite)

2005 (Cont'd/Suite)

THUNDERBIRD

V8 3.9L 242 CID		A	57302		42341	24884		1	33243	K	58844
-----------------	--	---	-------	--	-------	-------	--	---	-------	---	-------

VAN E-SERIES (UP TO 450 SERIES)

V10 6.8L 415 CID		S	51372 ⁵³	51372XP	46418	N/R			33595	M	58955 - 4R75W 57702 - Bypass Element 58624 - 5R110W 58968 - 4R100 4WD 58967 - 4R100 2WD
V8 4.6L 281CID Flex		W	51372 ⁵³	51372XP	46418	N/R			33595	M	58967 - 4R100 2WD 58968 - 4R100 4WD 58955 - 4R70W
V8 5.4L 330 CID		L,M,Z	51372 ⁵³	51372XP	46418	N/R			33595 - Std. N/A - CNG N/A - Flex-Fuel	M M M	58967 - 4R100 2WD 58968 - 4R100 4WD 58955 - 4R70W
V8 6.0L 364 CID Turbo Diesel		P	WL10111 ⁵³		46807	N/R			33600		57702 - Bypass Element 58624 - 5R110W 58955 - 4R75W 58624 - 5R110W 57702 - Bypass Element 58968 - 4R100 4WD 58967 - 4R100 2WD

2004

CLUB WAGON ECONOLINE

V8 4.6L 4600cc (Mex.)			51372 ⁵³	51372XP	46418	N/A			33959		
V8 5.4L Diesel (Mex.)			51372 ⁵³	51372XP	46418	N/A			33595		
V8 5.4L 5400cc (Mex.)			51372 ⁵³	51372XP	46418	N/A			33595		

COURIER

L4 1.6L 1596cc (Mex.)			51516 ⁵³	51516XP	46156	WP6820			33296		
-----------------------	--	--	---------------------	---------	-------	--------	--	--	-------	--	--

CROWN VICTORIA

V8 4.6L 281 CID	99H	W	51372 ⁵³	51372XP	46134 - Std. 46814 - Police	N/R			33595	P	58955
V8 4.6L 281 CID CNG		9	51372 ⁵³	51372XP	46134	N/R			N/A		58955

ECONOLINE

V8 4.6L 4600cc (Mex.)			51372 ⁵³	51372XP	46418	N/A			33595		
-----------------------	--	--	---------------------	---------	-------	-----	--	--	-------	--	--

ECOSPORT

L4 2.0L (Mex.)			51348 ⁵³	51348XP	WA10702	N/A			33595		N/A
----------------	--	--	---------------------	---------	---------	-----	--	--	-------	--	-----

ESCAPE

L4 2.0L 1989cc 121 CID		B	51315		42793	24816		1	33097 ⁴⁴⁷	M	N/A
V6 3.0L 182 CID		1	51372 ⁵³	51372XP	42793	24816		1	33097 ⁴⁴⁷	M	N/A

EXCURSION

V10 6.8L 415 CID		S	51372 ⁵³	51372XP	46418	N/R			33296		58967 - 4R100 2WD 58968 - 4R100 4WD
V8 5.4L 330 CID		L	51372 ⁵³	51372XP	46418	N/R			33296		58968
V8 6.0L 364 CID Turbo Diesel		P	57312 ⁵³	57312XP ⁶⁴	42731	N/R					58624 - Pan Style 57702 - Bypass Element

EXPEDITION

V8 4.6L 281 CID		W	51372 ⁵³	51372XP	46418	24876		4	33749		58955 - 4R70W 58967 - 4R100 2WD 58968 - 4R100 4WD
V8 5.4L 330 CID		L	51372 ⁵³	51372XP	46418	24876		4	33749		58955

EXPLORER

V6 4.0L 244 CID		E,K	51372 ⁵³	51372XP	42484	N/R			33243	M	58898
V8 4.6L 281CID Flex		W	51372 ⁵³	51372XP	42484	N/R			33243	M	58898

EXPLORER SPORT TRAC

V6 4.0L 244 CID		K	51372 ⁵³	51372XP	46253	N/R			33243	M	58840 - 5R55E 2WD 58841 - 5R55E 4WD
-----------------	--	---	---------------------	---------	-------	-----	--	--	-------	---	--

F250

V6 4.2L 4200cc (Mex.)			51516 ⁵³	51516XP	46418	24876			N/A		
-----------------------	--	--	---------------------	---------	-------	-------	--	--	-----	--	--

N/A = Not Available N/R = Not Required N/S = Not Serviceable For cabin and fuel filter locator, see pages 5-15 See pages 16-19 for footnotes
 N/A = Non disponible N/R = Non nécessaire N/S = Non réparable Para la ubicación de los filtros de aire de la cabina y de combustible, ver las páginas 5-15 Voir pages 16-19 pour des notes
 N/A = No disponible N/R = No requiere N/S = No servible Voir les tableaux de repérage des filtres d'habitacle et à carburant aux pages 5-15 Ver las páginas 16-19 para las notas al pie de página

Italicized Part Numbers May Not Be Available. Wix XP Oil Filters Have Fully Synthetic Media.

Las piezas con números en *italicas* pueden no estar disponibles. Los filtros de aceite WIX XP son completamente de media sintética.
 Les numéros de pièce en *italiques* peuvent ne pas être disponibles. Les filtres à huile Wix contiennent un matériau 100 % synthétique.

P
A
S
S
C
A
R
L
I
G
H
T
T
R
U
C
K

FORD 2004

Pass Car/Light Truck

Year/Año/Année Model/Modelo/Modèle Engine/Motor/Moteur	Eng. Code Código de motor Code moteur	VIN NIV NIV	Oil Aceite Huile	Oil XP Aceite XP Huile XP	Air Aire Air	Cabin Air Cabina Aire Cabine Air	Cabin Air XP Cabina Aire XP Cabine Air XP	Loc. Cabin Air Cabina Aire Cabine Air	Fuel Combustible Carburant	Loc. Fuel Combustible Carburant	Transmission Transmisión Transmission
--	---	-------------------	------------------------	---------------------------------	--------------------	--	---	--	----------------------------------	--	---

FORD (Cont'd/Suite)

2004 (Cont'd/Suite)

F250 (Cont'd/Suite)

V8 4.6L 4600cc (Mex.)			51372 ⁵³	51372XP	46418	24876			N/A		
-----------------------	--	--	---------------------	---------	-------	-------	--	--	-----	--	--

FIESTA

L4 1.5L 1591cc (Mex.)			51516 ⁵³	51516XP	42799				N/A		
L4 1.6L 1596cc 97 CID (Mex.)			51348 ⁵³	51348XP	WA10833 ⁵¹	N/A			33595 ⁵³		

FIESTA IKON

L4 1.6L 1596cc (Mex.)			51516 ⁵³	51516XP	46156				33097		
-----------------------	--	--	---------------------	---------	-------	--	--	--	-------	--	--

FOCUS

L4 2.0L 121 CID		3	51315		42524	24808		1	33595	Q	58617
		P	51516 ⁵³	51516XP	42524	24808		1	33595	Q	58617
L4 2.3L 140 CID		Z	51348 ⁵³	51348XP	N/R ¹⁷⁴	24808			33595 - 4/04-on N/A ⁵¹ - To 4/04		58617

FOCUS SVT

L4 2.0L 121 CID		5	51315		42524	24808		1	33595	Q	N/S
-----------------	--	---	-------	--	-------	-------	--	---	-------	---	-----

FREESTAR

V6 3.9L 241 CID		6	51516 ⁵³	51516XP	42341	24807		1	33595		58822
V6 4.2L 256 CID		2	51516 ⁵³	51516XP	42341	24807		1	33595		58822

GRAND MARQUIS

V8 4.6L 281 CID	99H	W	51372 ⁵³	51372XP	46134				33595		58995
-----------------	-----	---	---------------------	---------	-------	--	--	--	-------	--	-------

IKON

L4 1.6L 1558cc (Mex.)			51516 ⁵³	51516XP	46156				33097		N/S
-----------------------	--	--	---------------------	---------	-------	--	--	--	-------	--	-----

KA

L4 1.6L 1596cc (Mex.)			51315		WA9416	WP6820			33097 ⁵³		
-----------------------	--	--	-------	--	--------	--------	--	--	---------------------	--	--

LOBO

V8 4.6L 4600cc (Mex.)			51372 ⁵³	51372XP	46418				N/A		
V8 5.4L 5400cc (Mex.)			51372 ⁵³	51372XP	46804				N/A		

MARAUDER

V8 4.6L 281 CID	99H	V	51372 ⁵³	51372XP	46814				33595		58995
-----------------	-----	---	---------------------	---------	-------	--	--	--	-------	--	-------

MONDEO

L4 2.0L 122 CID (Mex.)			51348 ⁵³	51348XP	WA6674	24771			WF8251		
V6 2.5L 2544cc (Mex.)			57203	57203XP	N/A	24771			N/A		
V6 3.0L 183 CID (Mex.)			51372 ⁵³	51372XP	WA6674	WP9162 ⁵¹			WF8251		

MUSTANG

V6 3.8L 232 CID		4	51516 ⁵³	51516XP	46289	N/R			33595	P	58955
V6 3.9L 238 CID		6	51516 ⁵³	51516XP	46289	N/R			33595	P	N/A
V8 4.6L 281 CID	99H	R,X	51372 ⁵³	51372XP	46418	N/R			33595	P	58955
V8 4.6L 281 CID Super Charged		Y	51372 ⁵³	51372XP	46418	N/R			33595	P	N/S

PICKUP F150 ALL

V6 4.2L 256 CID		2	51516 ⁵³	51516XP	46418	24876 ¹⁵⁴		4	33595	M	58955
V8 4.6L 281CID Flex		W	51372 ⁵³ - Metric Thd. 51516 ⁵³ - Std. Thd.	51372XP - Metric Thd. 51516XP - Std. Thd.	46418	24876 ¹⁵⁴		4	33595	M	58955 58624 - 5R110W 58967 - 4R100 2WD 58968 - 4R100 4WD
V8 5.4L 330 CID			51372 ⁵³	51372XP	46804	24876 ¹⁵⁴		4	33595	M	58955

PICKUP F150 ALL Lightning

V8 5.4L 330 CID Super Charged		3	51372 ⁵³	51372XP	42572	24876 ¹⁵⁴		4	33595	M	58955
-------------------------------	--	---	---------------------	---------	-------	----------------------	--	---	-------	---	-------

PICKUP F150 HERITAGE

V8 4.6L 281CID Flex		W	51372 ⁵³	51372XP	46418	24876 ¹⁵⁴		4	33595	M	58955 - 4R70W 58967 - 4R100 2WD 58968 - 4R100 4WD
V8 5.4L 330 CID			51372 ⁵³	51372XP	46418	24876 ¹⁵⁴		4	33595 - Std. N/A - CNG N/A - Flex-Fuel	M M M	58955 - 4R70W 58967 - 4R100 2WD 58968 - 4R100 4WD

N/A = Not Available N/R = Not Required N/S = Not Serviceable For cabin and fuel filter locator, see pages 5-15 See pages 16-19 for footnotes

N/A = Non disponible N/R = Non nécessaire N/S = Non réparable Para la ubicación de los filtros de aire de la cabina y de combustible, ver las páginas 5-15 Voir pages 16-19 pour des notes

N/A = No disponible N/R = No requiere N/S = No servible Voir les tableaux de repérage des filtres d'habitacle et à carburant aux pages 5-15 Ver las páginas 16-19 para las notas al pie de página

Italicized Part Numbers May Not Be Available. Wix XP Oil Filters Have Fully Synthetic Media.

Las piezas con números en *italicas* pueden no estar disponibles. Los filtros de aceite WIX XP son completamente de media sintética. Les numéros de pièce en *italiques* peuvent ne pas être disponibles. Les filtres à huile XP Wix contiennent un matériau 100 % synthétique.

Year/Año/Année Model/Modelo/Modèle Engine/Motor/Moteur	Eng. Code Código de motor Code moteur	VIN NIV NIV	Oil Aceite Huile	Oil XP Aceite XP Huile XP	Air Aire Air	Cabin Air Cabina Aire Cabine Air	Cabin Air XP Cabina Aire XP Cabine Air XP	Loc. Cabin Air Cabina Aire Cabine Air	Fuel Combustible Carburant	Loc. Fuel Combustible Carburant	Transmission Transmisión Transmission
--	---	-------------------	------------------------	---------------------------------	--------------------	--	---	--	----------------------------------	--	---

FORD (Cont'd/Suite)

2004 (Cont'd/Suite)

PICKUP F150 SUPERCREW

V8 4.6L 281CID Flex		W	51372 ⁵³ - Metric Thd. 51516 ⁵³ - Std. Thd.	51372XP - Metric Thd. 51516XP - Std. Thd.	46418	24876 ¹⁶⁴		4	33595	M	58624 - 5R110W 58967 - 4R100 2WD 58968 - 4R100 4WD
V8 5.4L 330 CID		5	51372 ⁵³	51372XP	46804	24876 ¹⁶⁴		4	33595	M	58624 - 5R110W 58968 - 4R100

PICKUP F-SERIES SUPER DUTY (UP TO 550 SERIES)

V10 6.8L 415 CID			51372 ⁵³	51372XP	46418	24876 ¹⁶⁴		4	33296	M	58967 - 4R100 2WD 58968 - 4R100 4WD
V8 5.4L 330 CID			51372 ⁵³	51372XP	46418	24876 ¹⁶⁴		4	33296	M	58967 - 4R100 2WD 58968 - 4R100 4WD
V8 6.0L 364 CID Turbo Diesel			57312 ⁵³ 57311 ²¹⁹	57312XP ²¹⁷	42731 ¹³⁷ 49490 ¹⁴²	N/R		4			57702 - Bypass Element 58624 - Pan Style

RANGER

L4 2.3L 140 CID		D	51516 ⁵³	51516XP	46253	N/R			33424		58840 - 5R55E 2WD 58841 - 5R55E 4WD
V6 3.0L 182 CID Flex			51516 ⁵³	51516XP	46253	N/R			33667	K	58840 - 5R55E 2WD 58841 - 5R55E 4WD
V6 3.0L 3000CC 183CID		U	51516 ⁵³	51516XP	46253	N/R			33424	K	58840 - 5R55E 2WD 58841 - 5R55E 4WD
V6 4.0L 244 CID		E	51372 ⁵³	51372XP	46253	N/R			33424		58840 - 5R55E 2WD 58841 - 5R55E 4WD

TAURUS

V6 3.0L 183 CID	991	S	51372 ⁵³	51372XP	42385	24773		1	33097 ⁴⁴⁷	P	58815 - Shallow Pan 58822 - Deep Pan
	991	U,2	51516 ⁵³	51516XP	42385	24773		1	33097 ⁴⁴⁷	P	58815 - Shallow Pan 58822 - Deep Pan

THUNDERBIRD

V8 3.9L 242 CID		A	57302		42341	24884		1	33243	K	58117
-----------------	--	---	-------	--	-------	-------	--	---	-------	---	-------

VAN E-SERIES (UP TO 450 SERIES)

V10 6.8L 415 CID		S	51372 ⁵³	51372XP	46418	N/R			33595	M	58955 - 4R75W 57702 - Bypass Element 58624 - 5R110W 58968 - 4R100 4WD 58967 - 4R100 2WD
V8 4.6L 281 CID		W	51372 ⁵³	51372XP	46418	N/R			33595	M	58967 - 4R100 2WD 58968 - 4R100 4WD 58955 - 4R70W
V8 5.4L 330 CID		L,M,Z	51372 ⁵³	51372XP	46418	N/R			33595 - Std. N/A - CNG N/A - Flex-Fuel	M M M	58967 - 4R100 2WD 58968 - 4R100 4WD 58955 - 4R70W
V8 6.0L 364 CID Turbo Diesel		P	WL10111 ⁵³		46807	N/R			33600		58955 - 4R75W 57702 - Bypass Element 58624 - 5R110W 58968 - 4R100 4WD 58967 - 4R100 2WD

2003

CLUB WAGON ECONOLINE

V6 4.2L 4200cc (Mex.)			51516 ⁵³	51516XP	46418	N/A			33595		
V8 5.0L (Mex.)			51515 ⁵³	51515XP	46418	N/A			33595		
V8 5.0L Diesel (Mex.)			51372 ⁵³	51372XP	46418	N/A			33595		

COURIER

L4 1.6L 1596cc (Mex.)			51516 ⁵³	51516XP	46156	WP6820			33296		
-----------------------	--	--	---------------------	---------	-------	--------	--	--	-------	--	--

CROWN VICTORIA

V8 4.6L 281 CID		W	51372 ⁵³	51372XP	46134 - Std. 46814 - Police	N/R			33595	P	58955
V8 4.6L 281 CID CNG		9	51372 ⁵³	51372XP	46134	N/R			N/A		58955

ECONOLINE

V6 4.2L 4200cc (Mex.)			51515 ⁵³	51515XP	46418	N/A			33296		
V8 5.4L 5400cc (Mex.)			51372	51372XP	46418	N/A			33296		

N/A = Not Available N/R = Not Required N/S = Not Serviceable For cabin and fuel filter locator, see pages 5-15 See pages 16-19 for footnotes

N/A = Non disponible N/R = Non nécessaire N/S = Non réparable Para la ubicación de los filtros de aire de la cabina y de combustible, ver las páginas 5-15 Voir pages 16-19 pour des notes

N/A = No disponible N/R = No requiere N/S = No servible Voir les tableaux de repérage des filtres d'habitacle et à carburant aux pages 5-15 Ver las páginas 16-19 para las notas al pie de página

Italicized Part Numbers May Not Be Available. Wix XP Oil Filters Have Fully Synthetic Media.

Las piezas con números en *italicas* pueden no estar disponibles. Los filtros de aceite WIX XP son completamente de media sintética.

Les numéros de pièce en *italiques* peuvent ne pas être disponibles. Les filtres à huile Wix contiennent un matériau 100 % synthétique.

FORD 2003

Pass Car/Light Truck



Year/Año/Année Model/Modelo/Modèle Engine/Motor/Moteur	Eng. Code Código de motor Code moteur	VIN NIV NIV	Oil Aceite Huile	Oil XP Aceite XP Huile XP	Air Aire Air	Cabin Air Cabina Aire Cabine Air	Cabin Air XP Cabina Aire XP Cabine Air XP	Loc. Cabin Air Cabina Aire Cabine Air	Fuel Combustible Carburant	Loc. Fuel Combustible Carburant	Transmission Transmisión Transmission
--	---	-------------------	------------------------	---------------------------------	--------------------	--	---	--	----------------------------------	--	---

FORD (Cont'd/Suite)

2003 (Cont'd/Suite)

ESCAPE

L4 2.0L 1989cc 121 CID		B	51315		42793	24816			1	33097 ⁴⁴⁷	M	N/A
V6 3.0L 182 CID		1	51372 ⁵³	51372XP	42793	24816			1	33097 ⁴⁴⁷	M	N/A

EXCURSION

V10 6.8L 415 CID		S	51372 ⁵³	51372XP	46418	N/R				33296	M	58967 - 4R100 2WD 58968 - 4R100 4WD
V8 5.4L 330 CID		L	51372 ⁵³	51372XP	46418	N/R				33296	M	58968
V8 6.0L 364 CID Turbo Diesel		P	57311 ²¹⁹ 57312 ⁵³	57312XP ²¹⁷	42731	N/R						58624 - 5R110W 57702 - Bypass Element
V8 7.3L 445 CID Turbo Diesel		F	51734 ⁵³	51734XP	46728 ¹⁴¹ 49090 ³⁸⁹	N/R				33818 ⁵³	B	58967 - 4R100 2WD 58968 - 4R100 4WD

EXPEDITION

V8 4.6L 281 CID		W	51372 ⁵³	51372XP	46418	24876 ⁶⁴			4	33749	M	58955 - 4R70W 58967 - 4R100 2WD 58968 - 4R100 4WD
V8 5.4L 330 CID		L	51372 ⁵³	51372XP	46418	24876 ⁶⁴			4	33749	M	58955

EXPLORER

V6 4.0L 244 CID		E	51372 ⁵³	51372XP	42484	N/R				33424 - 3 Lines 33243 - 2 Lines	M	58898
V6 4.0L 244 CID Flex-Fuel		K	51372 ⁵³	51372XP	42484	N/R				33424 - 3 Lines	M	58898 - 5R55W 58841 - 5R55E-DP
V8 4.6L 281CID Flex		W	51372 ⁵³	51372XP	42484	N/R				33424 - 3 Lines 33243 - 2 Lines	M	58898

EXPLORER SPORT

V6 4.0L 244 CID		E	51372 ⁵³	51372XP	46253	N/R				33424 - Std. 33667 - Flex-Fuel	M	58840 - 5R55E 2WD 58841 - 5R55E 4WD
-----------------	--	---	---------------------	---------	-------	-----	--	--	--	-----------------------------------	---	--

EXPLORER SPORT TRAC

V6 4.0L 244 CID		E	51372 ⁵³	51372XP	46253	N/R				33424 - (From 3/4/02) 33667 - (To 3/4/02)	M	58840 - 5R55E 2WD 58841 - 5R55E 4WD
-----------------	--	---	---------------------	---------	-------	-----	--	--	--	--	---	--

F250

V6 4.2L 4200cc (Mex.)			51516 ⁵³	51516XP	46418	24876				N/A		
V8 4.6L 4600cc (Mex.)			51372 ⁵³	51372XP	46418	24876				N/A		

FIESTA

L4 1.5L 1591cc (Mex.)			51516 ⁵³	51516XP	42799					N/A		
L4 1.6L 1596cc 97 CID (Mex.)			51348 ⁵³	51348XP	WA10833 ⁹¹	N/A				33595 ⁵³		

FIESTA IKON

L4 1.6L 1596cc (Mex.)			51516 ⁵³	51516XP	46156					33097		
-----------------------	--	--	---------------------	---------	-------	--	--	--	--	-------	--	--

FOCUS

L4 2.0L 121 CID		3	51315		42524	24808			1	33595	Q	58617
		P	51516 ⁵³	51516XP	42524	24808			1	33595	Q	58617
L4 2.3L 140 CID		Z	51348 ⁵³	51348XP	42524	24808				33595 - To 9/03 N/A ⁶¹ - 9/03 on		58617

FOCUS SVT

L4 2.0L 121 CID		5	51315		42524	24808			1	33595	Q	N/S
-----------------	--	---	-------	--	-------	-------	--	--	---	-------	---	-----

GRAND MARQUIS

V8 4.6L 281 CID	99H	W	51372 ⁵³	51372XP	46134					33595		58995
-----------------	-----	---	---------------------	---------	-------	--	--	--	--	-------	--	-------

IKON

L4 1.6L 1558cc (Mex.)			51516 ⁵³	51516XP	46156					33097		N/S
-----------------------	--	--	---------------------	---------	-------	--	--	--	--	-------	--	-----

KA

L4 1.6L 1596cc (Mex.)			51315		WA9416	WP6820				33097 ⁵³		
-----------------------	--	--	-------	--	--------	--------	--	--	--	---------------------	--	--

LOBO

V8 4.6L 281CID Flex (Mex.)		W	51372 ⁵³	51372XP	49883 ¹⁵⁵ 49883FR ³⁶⁰	N/A				33243		N/A
V8 5.4L 5400cc (Mex.)			51372 ⁵³	51372XP	46804					N/A		

MONDEO

L4 2.0L 122 CID (Mex.)			51348 ⁵³	51348XP	WA6674	24771				WF8251		
V6 2.5L 2544cc (Mex.)			57203	57203XP	N/A	24771				N/A		

N/A = Not Available N/R = Not Required N/S = Not Serviceable For cabin and fuel filter locator, see pages 5-15 See pages 16-19 for footnotes
 N/A = Non disponible N/R = Non nécessaire N/S = Non réparable Para la ubicación de los filtros de aire de la cabina y de combustible, ver las páginas 5-15 Voir pages 16-19 pour des notes
 N/A = No disponible N/R = No requiere N/S = No servible Voir les tableaux de repérage des filtres d'habitacle et à carburant aux pages 5-15 Ver las páginas 16-19 para las notas al pie de página

Italicized Part Numbers May Not Be Available. Wix XP Oil Filters Have Fully Synthetic Media.

Las piezas con números en *italicas* pueden no estar disponibles. Los filtros de aceite WIX XP son completamente de media sintética.
 Les numéros de pièce en *italiques* peuvent ne pas être disponibles. Les filtres à huile XP Wix contiennent un matériau 100 % synthétique.

Year/Año/Année Model/Modelo/Modèle Engine/Motor/Moteur	Eng. Code Código de motor Code moteur	VIN NIV NIV	Oil Aceite Huile	Oil XP Aceite XP Huile XP	Air Aire Air	Cabin Air Cabina Aire Cabine Air	Cabin Air XP Cabina Aire XP Cabine Air XP	Loc. Cabin Air Cabina Aire Cabine Air	Fuel Combustible Carburant	Loc. Fuel Combustible Carburant	Transmission Transmisión Transmission
--	---	-------------------	------------------------	---------------------------------	--------------------	--	---	--	----------------------------------	--	---

FORD (Cont'd/Suite)

2003 (Cont'd/Suite)

MUSTANG

V6 3.8L 232 CID		4	51516 ⁵³	51516XP	46289	N/R			33595	P	58955
V8 4.6L 281 CID		R,X	51372 ⁵³	51372XP	46418	N/R			33595	P	58955
V8 4.6L 281 CID Super Charged		Y	51372 ⁵³	51372XP	46418	N/R			33595	P	N/S

PICKUP F150 ALL

V6 4.2L 256 CID		2	51516 ⁵³	51516XP	46418	24876 ¹⁶⁴		4	33595	M	58955 - 4R70W
V8 4.6L 281 CID		6	51372 ⁵³	51372XP	46418	24876 ¹⁶⁴		4	33595	M	58955 - 4R70W 58967 - 4R100 2WD 58968 - 4R100 4WD
		W	51372 ⁵³	51372XP	46418	24876 ¹⁶⁴		4	33595	M	58955 - 4R70W 58967 - 4R100 2WD 58968 - 4R100 4WD
V8 5.4L 330 CID		L,M,Z	51372 ⁵³	51372XP	46418	24876 ¹⁶⁴		4	33595 - Std. N/A - CNG N/A - Flex-Fuel	M M M	58955 - 4R70W 58967 - 4R100 2WD 58968 - 4R100 4WD

PICKUP F150 ALL Harley Davidson

V8 5.4L 330 CID Super Charged		3	51372 ⁵³	51372XP	42572	24876 ¹⁶⁴		4	33595	M	58955 - 4R70W 58967 - 4R100 2WD 58968 - 4R100 4WD
-------------------------------	--	---	---------------------	---------	-------	----------------------	--	---	-------	---	---

PICKUP F150 ALL Lightning

V8 5.4L 330 CID Super Charged		3	51372 ⁵³	51372XP	42572	24876 ¹⁶⁴		4	33595	M	58955 - 4R70W 58967 - 4R100 2WD 58968 - 4R100 4WD
-------------------------------	--	---	---------------------	---------	-------	----------------------	--	---	-------	---	---

PICKUP F-SERIES SUPER DUTY (UP TO 550 SERIES)

V10 6.8L 415 CID		S	51372 ⁵³	51372XP	46418	24876 ¹⁶⁴		4	33296	M	58967 - 4R100 2WD 58968 - 4R100 4WD
V8 5.4L 330 CID		L	51372 ⁵³	51372XP	46418	24876 ¹⁶⁴		4	33296	M	58967 - 4R100 2WD 58968 - 4R100 4WD
V8 6.0L 364 CID Turbo Diesel		P	57311 ²¹⁹ 57312 ⁵³	57312XP ²¹⁷	42731 ¹³⁷ 49490 ¹⁴²	24876 ¹⁶⁴		4			58624 - Pan Style 57702 - Bypass Element
V8 7.3L 445 CID Turbo Diesel		F	51734 ⁵³	51734XP	49090 ³⁸⁹ 46728 ¹⁴¹	24876 ¹⁶⁴		4	33818 ⁵³	B	58967 - 4R100 2WD 58968 - 4R100 4WD

RANGER

L4 2.3L 140 CID		D	51516 ⁵³	51516XP	46253	N/R			33409 - Flex-Fuel 33591 - Std.	K K	58840 - 5R55E 2WD 58841 - 5R55E 4WD
V6 3.0L 182 CID Flex		V	51516 ⁵³	51516XP	46253	N/R			33667	K	58840 - 5R55E 2WD 58841 - 5R55E 4WD
V6 3.0L 3000CC 183CID		U	51516 ⁵³	51516XP	46253	N/R			33591	K	58840 - 5R55E 2WD 58841 - 5R55E 4WD
V6 4.0L 245 CID		E	51372 ⁵³	51372XP	46253	N/R			33591	B	58840 - 5R55E 2WD 58841 - 5R55E 4WD

TAURUS

V6 3.0L 183 CID		U,2	51516 ⁵³	51516XP	42385	24773		1	33097 ⁴⁴⁷	P	58815 - Shallow Pan 58822 - Deep Pan
V6 3.0L 183 CID Duratec		S	51372 ⁵³	51372XP	42385	24773		1	33097 ⁴⁴⁷	P	58815 - Shallow Pan 58822 - Deep Pan

THUNDERBIRD

V8 3.9L 242 CID		A	57302 ²⁸⁷ 51228 ²⁸⁶		42341	24884		1	33243	K	58117
-----------------	--	---	--	--	-------	-------	--	---	-------	---	-------

VAN E-SERIES (UP TO 450 SERIES)

V10 6.8L 415 CID		S	51372 ⁵³	51372XP	46418	N/R			33595	M	58967 - 4R100 2WD 58968 - 4R100 4WD 58955 - 4R70W
V6 4.2L 256 CID		2	51516 ⁵³	51516XP	46418	N/R			33595	M	58955 - 4R70W 58967 - 4R100
V8 4.6L 281 CID		W	51372 ⁵³	51372XP	46418	N/R			33595	M	58955 - 4R70W 58967 - 4R100
V8 5.4L 330 CID		L,M,Z	51372 ⁵³	51372XP	46418	N/R			33595 - Std. N/A - CNG N/A - Flex-Fuel	M M M	58955 - 4R70W 58967 - 4R100

N/A = Not Available N/R = Not Required N/S = Not Serviceable For cabin and fuel filter locator, see pages 5-15 See pages 16-19 for footnotes

N/A = Non disponible N/R = Non nécessaire N/S = Non réparable Para la ubicación de los filtros de aire de la cabina y de combustible, ver las páginas 5-15 Voir pages 16-19 pour des notes

N/A = No disponible N/R = No requiere N/S = No servible Voir les tableaux de repérage des filtres d'habitacle et à carburant aux pages 5-15 Ver las páginas 16-19 para las notas al pie de página

Italicized Part Numbers May Not Be Available. Wix XP Oil Filters Have Fully Synthetic Media.

Las piezas con números en *italicas* pueden no estar disponibles. Los filtros de aceite WIX XP son completamente de media sintética.

Les numéros de pièce en *italiques* peuvent ne pas être disponibles. Les filtres à huile Wix contiennent un matériau 100 % synthétique.

FORD 2003-2002
Pass Car/Light Truck

Year/Año/Année Model/Modelo/Modèle Engine/Motor/Moteur	Eng. Code Código de motor Code moteur	VIN NIV NIV	Oil Aceite Huile	Oil XP Aceite XP Huile XP	Air Aire Air	Cabin Air Cabina Aire Cabine Air	Cabin Air XP Cabina Aire XP Cabine Air XP	Loc. Cabin Air Cabina Aire Cabine Air	Fuel Combustible Carburant	Loc. Fuel Combustible Carburant	Transmission Transmisión Transmission
--	---	-------------------	------------------------	---------------------------------	--------------------	--	---	--	----------------------------------	--	---

FORD (Cont'd/Suite)
2003 (Cont'd/Suite)
VAN E-SERIES (UP TO 450 SERIES) (Cont'd/Suite)

V8 7.3L 445 CID Turbo Diesel		F	51734 ⁵³	51734XP	46390	N/R			33818 ⁵³	B	58967 - 4R100 2WD 58968 - 4R100 4WD
------------------------------	--	---	---------------------	---------	-------	-----	--	--	---------------------	---	--

WINDSTAR

V6 3.8L 232 CID		4	51516 ⁵³	51516XP	46416	24807		1	33595	O	58815 - Shallow Pan 58822 - Deep Pan
-----------------	--	---	---------------------	---------	-------	-------	--	---	-------	---	---

ZX-2

L4 2.0L 121 CID		3	51315		46416	24808		1	33293	F	58995
-----------------	--	---	-------	--	-------	-------	--	---	-------	---	-------

2002
CLUB WAGON ECONOLINE

V6 4.2L 4200cc (Mex.)			51516 ⁵³	51516XP	46418	N/A			33595		
V8 5.0L (Mex.)			51515 ⁵³	51515XP	46418	N/A			33595		

COURIER

L4 1.6L 1596cc (Mex.)			51516 ⁵³	51516XP	46156	WP6820			33296		
-----------------------	--	--	---------------------	---------	-------	--------	--	--	-------	--	--

CROWN VICTORIA

V8 4.6L 281 CID	99H	W	51372 ⁵³	51372XP	46134	N/R			33595	P	58955
V8 4.6L 281 CID CNG		9	51372 ⁵³	51372XP	46134	N/R			N/A		58955

ECONOLINE

V6 4.2L 4200cc (Mex.)			51515 ⁵³	51515XP	46418	N/A			33296		
V8 5.4L 5400cc (Mex.)			N/A		46418	N/A			33296		

ESCAPE

L4 2.0L 1989cc 121 CID		B	51315		42793	24816		1	33097 ⁴⁴⁷	M	N/A
V6 3.0L 182 CID		1	51372 ⁵³	51372XP	42793	24816		1	33097 ⁴⁴⁷	M	N/A

ESCORT

L4 2.0L 121 CID		P	51315 - DOHC 51516 ⁵³ - SOHC	51516XP - SOHC	46416	N/R			33293	F	58995
-----------------	--	---	--	----------------	-------	-----	--	--	-------	---	-------

EXPEDITION

V10 6.8L 415 CID		S	51372 ⁵³	51372XP	46418	N/R			33296	M	58967 - 4R100 2WD 58968 - 4R100 4WD
V8 5.4L 330 CID		L	51372 ⁵³	51372XP	46418	N/R			33296	M	58967 - 4R100 2WD 58968 - 4R100 4WD
V8 7.3L 445 CID Turbo Diesel		F	51734 ⁵³	51734XP	46728 ¹⁴¹ 49090 ³⁸⁹	N/R			33818 ¹⁸⁴	B	58967 - 4R100 2WD 58968 - 4R100 4WD

EXPLORER

V8 4.6L 281 CID		W	51372 ⁵³	51372XP	46418	24876 ¹⁶⁴		4	33595	O	58955 - 4R70W 58967 - 4R100 2WD 58968 - 4R100 4WD
V8 5.4L 330 CID		L	51372 ⁵³	51372XP	46418	24876 ¹⁶⁴		4	33595	O	58967 - 4R100 2WD 58968 - 4R100 4WD

EXPLORER

V6 4.0L 244 CID		E,K	51372 ⁵³	51372XP	42484	N/R			33424 - 3 Lines 33233 - 2 Lines	M	58840 - 5R55E 2WD 58841 - 5R55E 4WD
V8 4.6L 281CID Flex		W	51372 ⁵³	51372XP	42484	N/R			33424	M	58898

EXPLORER SPORT TRAC

V6 4.0L 244 CID		E	51372 ⁵³	51372XP	46253	N/R			33424 - (From 3/4/02) 33667 - (To 3/4/02)		58840 - 5R55E 2WD 58841 - 5R55E 4WD
-----------------	--	---	---------------------	---------	-------	-----	--	--	--	--	--

F250

V6 4.2L 4200cc (Mex.)			51516 ⁵³	51516XP	46418	24876			N/A		
V8 4.6L 4600cc (Mex.)			51372 ⁵³	51372XP	46418	24876			N/A		

FIESTA

L4 1.5L 1591cc (Mex.)			51348 ⁵³	51348XP	N/A				N/A		
-----------------------	--	--	---------------------	---------	-----	--	--	--	-----	--	--

FIESTA IKON

L4 1.6L 1596cc (Mex.)			51516 ⁵³	51516XP	46156				33097		
-----------------------	--	--	---------------------	---------	-------	--	--	--	-------	--	--

FOCUS

L4 2.0L 121 CID		3	51315		42524	24808		1	33595	Q	58617
		P	51516 ⁵³	51516XP	42524	24808		1	33595	Q	58617

N/A = Not Available N/R = Not Required N/S = Not Serviceable For cabin and fuel filter locator, see pages 5-15 See pages 16-19 for footnotes

N/A = Non disponible N/R = Non nécessaire N/S = Non réparable Para la ubicación de los filtros de aire de la cabina y de combustible, ver las páginas 5-15 Voir pages 16-19 pour des notes

N/A = No disponible N/R = No requiere N/S = No servible Voir les tableaux de repérage des filtres d'habitacle et à carburant aux pages 5-15 Ver las páginas 16-19 para las notas al pie de página

Italicized Part Numbers May Not Be Available. Wix XP Oil Filters Have Fully Synthetic Media.

Las piezas con números en *italicas* pueden no estar disponibles. Los filtros de aceite WIX XP son completamente de media sintética. Les numéros de pièce en *italiques* peuvent ne pas être disponibles. Les filtres à huile XP Wix contiennent un matériau 100 % synthétique.

FORD 2002 — FREIGHTLINER 2020
Pass Car/Light Truck

Year/Año/Année Model/Modelo/Modèle Engine/Motor/Moteur	Eng. Code Código de motor Code moteur	VIN NIV NIV	Oil Aceite Huile	Oil XP Aceite XP Huile XP	Air Aire Air	Cabin Air Cabina Aire Cabine Air	Cabin Air XP Cabina Aire XP Cabine Air XP	Loc. Cabin Air Cabina Aire Cabine Air	Fuel Combustible Carburant	Loc. Fuel Combustible Carburant	Transmission Transmisión Transmission
--	---	-------------------	------------------------	---------------------------------	--------------------	--	---	--	----------------------------------	--	---

FORD (Cont'd/Suite)
2002 (Cont'd/Suite)
VAN E-SERIES (UP TO 450 SERIES)

V10 6.8L 415 CID		S	51372 ⁵³ 51372 ⁵³	51372XP 51372XP	46418 46418		N/R N/R		33296 33296	M M	58967 - 4R100 2WD 58967 - 4R100 2WD 58968 - 4R100 4WD 58968 - 4R100 4WD
V6 4.2L 256 CID		2	51516 ⁵³	51516XP	46418		N/R		33595	M	58955 - 4R70W 58967 - 4R100
V8 4.6L 281 CID		W	51372 ⁵³	51372XP	46418		N/R		33595	M	58955 - 4R70W 58967 - 4R100
V8 5.4L 330 CID		L,M,Z	51372 ⁵³ 51372 ⁵³	51372XP 51372XP	46418 46418		N/R N/R		33296 - Std. 33296 - Std. N/A - CNG N/A - CNG N/A - Flex-Fuel N/A - Flex-Fuel	M M M M M	58955 - 4R70W 58955 - 4R70W 58967 - 4R100 58967 - 4R100
V8 7.3L 445 CID Turbo Diesel		F	51734 ⁵³ 51734 ⁵³	51734XP 51734XP	46390 46390		N/R N/R		33818 ¹⁸⁴ 33818 ¹⁸⁴	B B	58967 - 4R100 2WD 58967 - 4R100 2WD 58968 - 4R100 4WD 58968 - 4R100 4WD

WINDSTAR

V6 3.8L 232 CID		4	51516 ⁵³	51516XP	46416	24807			1	33595	O	58815 - Shallow Pan 58822 - Deep Pan
-----------------	--	---	---------------------	---------	-------	-------	--	--	---	-------	---	---

ZX-2

L4 2.0L 121 CID DOHC		3	51315		46416	24808			1	33293	F	58995
----------------------	--	---	-------	--	-------	-------	--	--	---	-------	---	-------

FOTON
2010
OLN 4500

V6 4.0L (Mex.)			51806		N/A	N/A				N/A		N/A
----------------	--	--	-------	--	-----	-----	--	--	--	-----	--	-----

OLN 5500

V6 4.0L (Mex.)			51806		N/A	N/A				N/A		N/A
----------------	--	--	-------	--	-----	-----	--	--	--	-----	--	-----

FREIGHTLINER
2021
SPRINTER VAN 1500

L4 2.0L 2000CC 122CID Turbo			WL7515		N/A	N/A						N/A
-----------------------------	--	--	--------	--	-----	-----	--	--	--	--	--	-----

SPRINTER VAN 2500

L4 2.0L 2000CC 122CID Turbo			WL7515		N/A	N/A						N/A
V6 3.0L 2987cc Turbo Diesel		5	57062		49876	49366			3	33934 ¹⁷⁹ 33250 ³⁸⁴ 33251 ³⁸³ N/A ²⁸⁹ WF8513 ⁵²⁴		58845

SPRINTER VAN 3500

V6 3.0L 2987cc Turbo Diesel		5	57062		49876	49366			3	33934 ¹⁷⁹ 33250 ³⁸⁴ 33251 ³⁸³ N/A ²⁸⁹ WF8513 ⁵²⁴		58845
-----------------------------	--	---	-------	--	-------	-------	--	--	---	---	--	-------

2020
SPRINTER VAN 1500

L4 2.0L 2000CC 122CID Turbo			WL7515		N/A	N/A						N/A
-----------------------------	--	--	--------	--	-----	-----	--	--	--	--	--	-----

SPRINTER VAN 2500

L4 2.0L 2000CC 122CID Turbo			WL7515		N/A	N/A						N/A
V6 3.0L 2987cc Turbo Diesel		5	57062		49876	49366			3	33934 ¹⁷⁹ 33250 ³⁸⁴ 33251 ³⁸³ N/A ²⁸⁹ WF8513 ⁵²⁴		58845

N/A = Not Available N/R = Not Required N/S = Not Serviceable For cabin and fuel filter locator, see pages 5-15 See pages 16-19 for footnotes

N/A = Non disponible N/R = Non nécessaire N/S = Non réparable Para la ubicación de los filtros de aire de la cabina y de combustible, ver las páginas 5-15 Voir pages 16-19 pour des notes

N/A = No disponible N/R = No requiere N/S = No servible Voir les tableaux de repérage des filtres d'habitacle et à carburant aux pages 5-15 Ver las páginas 16-19 para las notas al pie de página

Italicized Part Numbers May Not Be Available. Wix XP Oil Filters Have Fully Synthetic Media.

Las piezas con números en *italicas* pueden no estar disponibles. Los filtros de aceite WIX XP son completamente de media sintética. Les numéros de pièce en *italiques* peuvent ne pas être disponibles. Les filtres à huile XP Wix contiennent un matériau 100 % synthétique.

Year/Año/Année Model/Modelo/Modèle Engine/Motor/Moteur	Eng. Code Código de motor Code moteur	VIN NIV NIV	Oil Aceite Huile	Oil XP Aceite XP Huile XP	Air Aire Air	Cabin Air Cabina Aire Cabine Air	Cabin Air XP Cabina Aire XP Cabine Air XP	Loc. Cabin Air Cabina Aire Cabine Air	Fuel Combustible Carburant	Loc. Fuel Combustible Carburant	Transmission Transmisión Transmission
--	---	-------------------	------------------------	---------------------------------	--------------------	--	---	--	----------------------------------	--	---

FREIGHTLINER (Cont'd/Suite)

2020 (Cont'd/Suite)

SPRINTER VAN 3500

V6 3.0L 2987cc Turbo Diesel		5	57062		49876	49366		3	33934 ¹⁷⁹ 33250 ³⁸⁴ 33251 ³⁸³ N/A ²⁸⁹ WF8513 ⁵²⁴		58845
-----------------------------	--	---	-------	--	-------	-------	--	---	---	--	-------

2019

SPRINTER VAN 1500

L4 2.0L 2000CC 122CID Turbo			WL7515		N/A	N/A					N/A
-----------------------------	--	--	--------	--	-----	-----	--	--	--	--	-----

SPRINTER VAN 2500

L4 2.0L 2000CC 122CID Turbo			WL7515		N/A	N/A					N/A
V6 3.0L 2987cc Turbo Diesel		5	57062		49876	49366		3	33934 ¹⁷⁹ 33250 ³⁸⁴ 33251 ³⁸³ N/A ²⁸⁹ WF8513 ⁵²⁴		58845

SPRINTER VAN 3500

V6 3.0L 2987cc Turbo Diesel		5	57062		49876	49366		3	33934 ¹⁷⁹ 33250 ³⁸⁴ 33251 ³⁸³ N/A ²⁸⁹ WF8513 ⁵²⁴		58845
-----------------------------	--	---	-------	--	-------	-------	--	---	---	--	-------

2018

SPRINTER VAN

V6 3.0L 2987cc Turbo Diesel		5	57062		49876	49366		3	33934 ¹⁷⁹ 33250 ³⁸⁴ 33251 ³⁸³ N/A ²⁸⁹ WF8513 ⁵²⁴		58845
-----------------------------	--	---	-------	--	-------	-------	--	---	---	--	-------

2017

SPRINTER VAN

L4 2.1L 2143cc 131 CID Turbo Diesel			WL10026		49876	49366			33251 N/A ¹⁶² N/A ⁵¹⁸		N/A
V6 3.0L 2987cc Turbo Diesel		5	57062		49876	49366		3	33934 ¹⁷⁹ 33250 ³⁸⁴ 33251 ³⁸³ N/A ²⁸⁹ WF8513 ⁵²⁴		58845

2016

SPRINTER VAN

L4 2.1L 2143cc 131 CID Turbo Diesel			WL10026		49876	49366			33251 N/A ¹⁶² N/A ⁵¹⁸		N/A
V6 3.0L 2987cc Turbo Diesel		5	57062		49876	49366 ¹⁵⁵ N/A ²²⁸		3	33934 ¹⁷⁹ 33250 ³⁸⁴ 33251 ³⁸³ N/A ²⁸⁹ WF8513 ⁵²⁴		58845

2015

SPRINTER VAN

L4 2.1L 2143cc 131 CID Turbo Diesel			WL10026		49876	49366			33251 N/A ¹⁶² N/A ⁵¹⁸		N/A
V6 3.0L 2987cc Turbo Diesel		5	57062		49876	49366 ¹⁵⁵ N/A ²²⁸		3	33934 ¹⁷⁹ 33250 ³⁸⁴ 33251 ³⁸³ N/A ²⁸⁹ WF8513 ⁵²⁴		58845

N/A = Not Available N/R = Not Required N/S = Not Serviceable For cabin and fuel filter locator, see pages 5-15 See pages 16-19 for footnotes
 N/A = Non disponible N/R = Non nécessaire N/S = Non réparable Para la ubicación de los filtros de aire de la cabina y de combustible, ver las páginas 5-15 Voir pages 16-19 pour des notes
 N/A = No disponible N/R = No requiere N/S = No servible Voir les tableaux de repérage des filtres d'habitacle et à carburant aux pages 5-15 Ver las páginas 16-19 para las notas al pie de página

Italicized Part Numbers May Not Be Available. Wix XP Oil Filters Have Fully Synthetic Media.
 Las piezas con números en *italicas* pueden no estar disponibles. Los filtros de aceite WIX XP son completamente de media sintética.
 Les numéros de pièce en *italiques* peuvent ne pas être disponibles. Les filtres à huile XP Wix contiennent un matériau 100 % synthétique.

FREIGHTLINER 2014-2006
Pass Car/Light Truck

Year/Año/Année Model/Modelo/Modèle Engine/Motor/Moteur	Eng. Code Código de motor Code moteur	VIN NIV NIV	Oil Aceite Huile	Oil XP Aceite XP Huile XP	Air Aire Air	Cabin Air Cabina Aire Cabine Air	Cabin Air XP Cabina Aire XP Cabine Air XP	Loc. Cabin Air Cabina Aire Cabine Air	Fuel Combustible Carburant	Loc. Fuel Combustible Carburant	Transmission Transmisión Transmission
--	---	-------------------	------------------------	---------------------------------	--------------------	--	---	--	----------------------------------	--	---

FREIGHTLINER (Cont'd/Suite)
2014
SPRINTER VAN

L4 2.1L 2143cc 131 CID Turbo Diesel			WL10026		49876	49366				33251 N/A ¹⁶² N/A ⁵¹⁸	N/A
V6 3.0L 2987cc Turbo Diesel	EXM	5	57062		49876	49366 ¹⁵⁵ N/A ²²⁸		3		33934 ¹⁷⁹ 33250 ³⁸⁴ 33251 ³⁸³ N/A ²⁸⁹ WF8513 ⁵²⁴	58845

2013
SPRINTER VAN

V6 3.0L 2987cc Turbo Diesel	EXM	5	57062		49876	49366 ¹⁵⁵ N/A ²²⁸		3		33934 ¹⁷⁹ 33250 ³⁸⁴ 33251 ³⁸³ N/A ²⁸⁹ WF8513 ⁵²⁴	58845
-----------------------------	-----	---	-------	--	-------	--	--	---	--	---	-------

2012
SPRINTER VAN

V6 3.0L 2987cc Turbo Diesel	EXM	5	57062		49876	49366 ¹⁵⁵ N/A ²²⁸		3		33934 ¹⁷⁹ 33250 ³⁸⁴ 33251 ³⁸³ N/A ²⁸⁹ WF8513 ⁵²⁴	58845
-----------------------------	-----	---	-------	--	-------	--	--	---	--	---	-------

2011
SPRINTER VAN

V6 3.0L 2987cc Turbo Diesel	EXM	5	57062		49876	49366 ¹⁵⁵ N/A ²²⁸		3		33934 ¹⁷⁹ 33250 ³⁸⁴ 33251 ³⁸³ N/A ²⁸⁹ WF8513 ⁵²⁴	58845
-----------------------------	-----	---	-------	--	-------	--	--	---	--	---	-------

2010
SPRINTER VAN

V6 3.0L 2987cc Turbo Diesel	EXM	5	57062		49876	49366 ¹⁵⁵ N/A ²²⁸		3		33934 ¹⁷⁹ 33250 ³⁸⁴ 33251 ³⁸³ N/A ²⁸⁹ WF8513 ⁵²⁴	58845
-----------------------------	-----	---	-------	--	-------	--	--	---	--	---	-------

2009
SPRINTER VAN

V6 3.0L 2987cc Turbo Diesel	EXM	5	57062		49876	49366 ¹⁵⁵ N/A ²²⁸		3	33934 ¹⁷⁹		58845
-----------------------------	-----	---	-------	--	-------	--	--	---	----------------------	--	-------

2008
SPRINTER VAN

V6 3.0L 2987cc Turbo Diesel	EXM	5	57062		49876	49366 ¹⁵⁵ N/A ²²⁸		3	33934 ¹⁷⁹		58845
V6 3.5L 3498cc	EG2	6	57078		49876	49366 ¹⁵⁵ N/A ²²⁸		3	N/S		58845

2007
SPRINTER VAN

V6 3.0L 2987cc Turbo Diesel	EXM	5	57062		49876	49366		3	33934 ¹⁷⁹		58845
V6 3.5L 3498cc	EG2	6	57078		49876	49366		3	N/S		58845

2006
SPRINTER VAN

L5 2.7L 2687cc 165 CID Turbo Diesel		4	57038		42351	49262		1	33934 ¹⁷⁹		58845
-------------------------------------	--	---	-------	--	-------	-------	--	---	----------------------	--	-------

N/A = Not Available N/R = Not Required N/S = Not Serviceable For cabin and fuel filter locator, see pages 5-15 See pages 16-19 for footnotes

N/A = Non disponible N/R = Non nécessaire N/S = Non réparable Para la ubicación de los filtros de aire de la cabina y de combustible, ver las páginas 5-15 Voir pages 16-19 pour des notes

N/A = No disponible N/R = No requiere N/S = No servible Voir les tableaux de repérage des filtres d'habitacle et à carburant aux pages 5-15 Ver las páginas 16-19 para las notas al pie de página

Italicized Part Numbers May Not Be Available. Wix XP Oil Filters Have Fully Synthetic Media.

Las piezas con números en *italicas* pueden no estar disponibles. Los filtros de aceite WIX XP son completamente de media sintética. Les numéros de pièce en *italiques* peuvent ne pas être disponibles. Les filtres à huile XP Wix contiennent un matériau 100 % synthétique.

Year/Año/Année Model/Modelo/Modèle Engine/Motor/Moteur	Eng. Code Código de motor Code moteur	VIN NIV NIV	Oil Aceite Huile	Oil XP Aceite XP Huile XP	Air Aire Air	Cabin Air Cabina Aire Cabine Air	Cabin Air XP Cabina Aire XP Cabine Air XP	Loc. Cabin Air Cabina Aire Cabine Air	Fuel Combustible Carburant	Loc. Fuel Combustible Carburant	Transmission Transmisión Transmission
--	---	-------------------	------------------------	---------------------------------	--------------------	--	---	--	----------------------------------	--	---

FREIGHTLINER (Cont'd/Suite)

2005

SPRINTER VAN

L5 2.7L 2687cc 165 CID Turbo Diesel		4	57038		42351	49262		1	33934 ¹⁷⁹		58845
-------------------------------------	--	---	-------	--	-------	-------	--	---	----------------------	--	-------

2004

SPRINTER VAN

L5 2.7L 2687cc 165 CID Turbo Diesel		4	57038		42351	49262		1	33934 ¹⁷⁹		58845
-------------------------------------	--	---	-------	--	-------	-------	--	---	----------------------	--	-------

2003

SPRINTER VAN

L5 2.7L 2687cc 165 CID Turbo Diesel		1	57038		42351	N/R			33140		58845
		2	57038		42351	N/R			33140		58845

2002

SPRINTER VAN

L5 2.7L 2687cc 165 CID Turbo Diesel		1	57038		42351	N/R			33140		58845
		2	57038		42351	N/R			33140		58845

GENESIS

2021

G70

L4 2.0L 2000CC 122CID Turbo	GDI		51334 ⁵³	51334XP	WA10834	WP10367			N/S		N/S
V6 3.3L Turbo			WL10237		WA10837	WP10367			N/S		N/S
					WA10838						

G80

L4 2.5L 2500CC 153CID Turbo			N/A		N/A	24300			N/S		N/S
V6 3.5L 3500CC 214CID Turbo			N/A		N/A	24300			N/S		N/S

G90

V6 3.3L Turbo			WL10237		WA10237 - Right WA10070 - Left	24300			N/S		N/S
V8 5.0L			WL10067		WA10237 - Right WA10070 - Left	24300			N/S		N/S

GV80

L4 2.5L 2500CC 153CID Turbo			N/A		N/A	24300			N/S		N/S
V6 3.5L 3500CC 214CID Turbo			N/A		N/A	24300			N/S		N/S

2020

G70

L4 2.0L 2000CC 122CID Turbo	GDI		51334 ⁵³	51334XP	WA10834	WP10367			N/S		N/S
V6 3.3L Turbo			WL10237		WA10837	WP10367			N/S		N/S
					WA10838						

G80

V6 3.3L Turbo			WL10237		WA10070 - Left WA10237 - Right	24300			N/S		N/S
V6 3.8L			WL10033		WA10163	24300			N/S		N/S
V8 5.0L			WL10067		WA10163 - Right WA10070 - Left	24300			N/S		N/S

G90

V6 3.3L Turbo			WL10237		WA10237 - Right WA10070 - Left	24300			N/S		N/S
V8 5.0L			WL10067		WA10237 - Right WA10070 - Left	24300			N/S		N/S

2019

G70

L4 2.0L 2000CC 122CID Turbo	GDI		51334 ⁵³	51334XP	WA10834	WP10367			N/S		N/S
-----------------------------	-----	--	---------------------	---------	---------	---------	--	--	-----	--	-----

N/A = Not Available N/R = Not Required N/S = Not Serviceable For cabin and fuel filter locator, see pages 5-15 See pages 16-19 for footnotes
 N/A = Non disponible N/R = Non nécessaire N/S = Non réparable Para la ubicación de los filtros de aire de la cabina y de combustible, ver las páginas 5-15 Voir pages 16-19 pour des notes
 N/A = No disponible N/R = No requiere N/S = No servible Voir les tableaux de repérage des filtres d'habitacle et à carburant aux pages 5-15 Ver las páginas 16-19 para las notas al pie de página

Italicized Part Numbers May Not Be Available. Wix XP Oil Filters Have Fully Synthetic Media.
 Las piezas con números en *italicas* pueden no estar disponibles. Los filtros de aceite WIX XP son completamente de media sintética.
 Les numéros de pièce en *italiques* peuvent ne pas être disponibles. Les filtres à huile XP Wix contiennent un matériau 100 % synthétique.

GENESIS 2019 — GMC 2021

Pass Car/Light Truck

Year/Año/Année Model/Modelo/Modèle Engine/Motor/Moteur	Eng. Code Código de motor Code moteur	VIN NIV NIV	Oil Aceite Huile	Oil XP Aceite XP Huile XP	Air Aire Air	Cabin Air Cabina Aire Cabine Air	Cabin Air XP Cabina Aire XP Cabine Air XP	Loc. Cabin Air Cabina Aire Cabine Air	Fuel Combustible Carburant	Loc. Fuel Combustible Carburant	Transmission Transmisión Transmission
--	---	-------------------	------------------------	---------------------------------	--------------------	--	---	--	----------------------------------	--	---

GENESIS (Cont'd/Suite)

2019 (Cont'd/Suite)

G70 (Cont'd/Suite)

V6 3.3L Turbo			WL10237		WA10837 WA10838	WP10367			N/S		N/S
---------------	--	--	---------	--	--------------------	---------	--	--	-----	--	-----

G80

V6 3.3L Turbo			WL10237		WA10070 - Left WA10237 - Right	24300			N/S		N/S
V6 3.8L			WL10033		WA10163	24300			N/S		N/S
V8 5.0L			WL10067		WA10163 - Right WA10070 - Left	24300			N/S		N/S

G90

V6 3.3L Turbo			WL10237		WA10237 - Right WA10070 - Left	24300			N/S		N/S
V8 5.0L			WL10067		WA10237 - Right WA10070 - Left	24300			N/S		N/S

2018

G80

V6 3.3L Turbo			WL10237		WA10070 - Left WA10237 - Right	24300			N/S		N/S
V6 3.8L			WL10033		WA10163	24300			N/S		N/S
V8 5.0L			WL10067		WA10163 - Right WA10070 - Left	24300			N/S		N/S

G90

V6 3.3L Turbo			WL10237		WA10237 - Right WA10070 - Left	24300			N/S		N/S
V8 5.0L			WL10067		WA10237 - Right WA10070 - Left	24300			N/S		N/S

2017

G80

V6 3.8L			WL10033		WA10163	24300			N/S		N/S
V8 5.0L			WL10067		WA10163	24300			N/S		N/S

G90

V6 3.3L Turbo			WL10237		WA10237 - Right WA10070 - Left	24300			N/S		N/S
V8 5.0L			57029		49004	N/A			N/S		N/S

GIANT MOTORS

2008

GF3600

L4 3.2L 3168cc Diesel (Mex.)			51347								
------------------------------	--	--	-------	--	--	--	--	--	--	--	--

GMC

2021

ACADIA

L4 2.0L 2000CC 122CID Turbo P*			WL10351		WA10718	24211			N/S		N/S
L4 2.5L 2500CC 153CID	LCV		WL10290 ⁵³	WL10290XP	WA10718	24211			N/S		N/S
V6 3.6L 3600CC 220CID	LGX	S	WL10412		WA10718	24211			N/S		N/S

CANYON

L4 2.5L 153 CID			WL10290 ⁵³	WL10290XP	WA10256	WP10192			N/S		N/A - 6L50
L4 2.8L 2800CC 171CID Turbo Diesel			WL10286		WA10427	WP10192			WF10226		N/A - 6L50
V6 3.6L 217 CID			57674	57674XP	WA10256	WP10192			N/S		N/A - 6L50

SAVANA 2500

L4 2.8L 2800CC 171CID Turbo Diesel			WL10371 ⁵³		WA10655	N/R			WF10509		58369 - 6L90
V6 4.3L 262CID		Z	WL10255	WL10255XP	WA10836	N/R			N/S		58369 - 6L90
V8 6.6L 6600CC 403CID	L8T	7	57060 ⁵³	57060XP	WA10655	N/R			N/S		58369 - 6L90

N/A = Not Available N/R = Not Required N/S = Not Serviceable For cabin and fuel filter locator, see pages 5-15 See pages 16-19 for footnotes

N/A = Non disponible N/R = Non nécessaire N/S = Non réparable Para la ubicación de los filtros de aire de la cabina y de combustible, ver las páginas 5-15 Voir pages 16-19 pour des notes

N/A = No disponible N/R = No requiere N/S = No servible Voir les tableaux de repérage des filtres d'habitacle et à carburant aux pages 5-15 Ver las páginas 16-19 para las notas al pie de página

Italicized Part Numbers May Not Be Available. Wix XP Oil Filters Have Fully Synthetic Media.

Las piezas con números en *italicas* pueden no estar disponibles. Los filtros de aceite WIX XP son completamente de media sintética. Les numéros de pièce en *italiques* peuvent ne pas être disponibles. Les filtres à huile XP Wix contiennent un matériau 100 % synthétique.

Year/Año/Année Model/Modelo/Modèle Engine/Motor/Moteur	Eng. Code Código de motor Code moteur	VIN NIV NIV	Oil Aceite Huile	Oil XP Aceite XP Huile XP	Air Aire Air	Cabin Air Cabina Aire Cabine Air	Cabin Air XP Cabina Aire XP Cabine Air XP	Loc. Cabin Air Cabina Aire Cabine Air	Fuel Combustible Carburant	Loc. Fuel Combustible Carburant	Transmission Transmisión Transmission
--	---	-------------------	------------------------	---------------------------------	--------------------	--	---	--	----------------------------------	--	---

GMC (Cont'd/Suite)

2021 (Cont'd/Suite)

SAVANA 3500

L4 2.8L 2800CC 171CID Turbo Diesel		F	WL10371		WA10655	N/R			WF10509		N/A - 6L50
V6 4.3L 262CID		Z	WL10255	WL10255XP	WA10836	N/R			N/S		N/A
V8 6.6L 6600CC 403CID	L8T	7	57060 ⁵³	57060XP	WA10655	N/R			N/S		58369 - 6L90

SIERRA 1500

L4 2.7L 2700CC 165CID Turbo Diesel	L3B		WL10351		WA10941 ¹⁵⁵ WA10942 ²⁸⁵	24211			N/S		
L6 3.0L 3000CC 183CID Turbo Diesel			WL10351		WA10942	24211			WF10451		
V6 4.3L 262 CID Flex	LV3		WL10255	WL10255XP	WA10941 ¹⁵⁵ WA10942 ²⁸⁵	24211			N/S		N/A - 6L80
V8 5.3L 323 CID			WL10255	WL10255XP	WA10941 ¹⁵⁵ WA10942 ²⁸⁵	24211			N/S		N/A - 6L80 N/A - 8 Spd.
V8 6.2L 376 CID			WL10255	WL10255XP	WA10942 ²⁸⁵ WA10941 ¹⁵⁵	24211			N/S		N/A - 6L80 N/A - 8 Spd.

SIERRA 2500HD

V 8 6.6L 6599CC 403CID Turbo Diesel Diesel	L5P	Y	WL10454		WA11057	24211			WF10451		57701 N/A
V8 6.6L 6600CC 403CID	L8T	7	WL10255	WL10255XP	WA10941 WA10942	24211			N/S		N/S

SIERRA 3500HD

V 8 6.6L 6599CC 403CID Turbo Diesel Diesel	L5P	Y	WL10454		WA11057	24211			WF10451		57701 N/A
V8 6.6L 6600CC 403CID	L8T	7	WL10255	WL10255XP	WA10941 WA10942	24211			N/S		N/S

TERRAIN

L4 1.5L 1500CC 92CID Turbo			WL10290 ⁵³	WL10290XP	WA10771	24211			N/S		N/A
----------------------------	--	--	-----------------------	-----------	---------	-------	--	--	-----	--	-----

YUKON

L6 3.0L 3000CC 183CID Turbo Diesel			WL10351		WA10942	24211			WF10451		N/S
V8 5.3L 5300CC 323CID	L84		WL10255	WL10255XP	WA10942	24211			N/S		N/S
V8 6.2L 6200CC 378CID	L87		WL10255	WL10255XP	WA10942	24211			N/S		N/S

YUKON XL

L6 3.0L 3000CC 183CID Turbo Diesel			WL10351		WA10942	24211			WF10451		N/S
V8 5.3L 5300CC 323CID	L84		WL10255	WL10255XP	WA10942	24211			N/S		N/S
V8 6.2L 6200CC 378CID	L87		WL10255	WL10255XP	WA10942	24211			N/S		N/S

2020

ACADIA

L4 2.0L 2000CC 122CID Turbo P*			WL10351		WA10718	24211			N/S		N/S
L4 2.5L 2500CC 153CID	LCV		WL10290 ⁵³	WL10290XP	WA10718	24211			N/S		N/S
V6 3.6L 3600CC 220CID	LGX	S	WL10412		WA10718	24211			N/S		N/S

CANYON

L4 2.5L 153 CID			WL10290 ⁵³	WL10290XP	WA10256	WP10192			N/S		N/A - 6L50
L4 2.8L 2800CC 171CID Turbo Diesel			WL10286		WA10427	WP10192			WF10226		N/A - 6L50
V6 3.6L 217 CID			57674	57674XP	WA10256	WP10192			N/S		N/A - 6L50

SAVANA 2500

L4 2.8L 2800CC 171CID Turbo Diesel			WL10371 ⁵³		WA10655	N/R			WF10509		58369 - 6L90
V6 4.3L 262CID		Z	WL10255	WL10255XP	WA10836	N/R			N/S		58369 - 6L90
V8 6.0L 5967cc 364 CID	L96		57060 ⁵³	57060XP	WA10655	N/R			N/S		58369 - 6L90

SAVANA 3500

L4 2.8L 2800CC 171CID Turbo Diesel		F	WL10371		WA10655	N/R			WF10509		N/A - 6L50
V6 4.3L 262CID		Z	WL10255	WL10255XP	WA10836	N/R			N/S		N/A

N/A = Not Available N/R = Not Required N/S = Not Serviceable For cabin and fuel filter locator, see pages 5-15 See pages 16-19 for footnotes

N/A = Non disponible N/R = Non nécessaire N/S = Non réparable Para la ubicación de los filtros de aire de la cabina y de combustible, ver las páginas 5-15 Voir pages 16-19 pour des notes

N/A = No disponible N/R = No requiere N/S = No servible Voir les tableaux de repérage des filtres d'habitacle et à carburant aux pages 5-15 Ver las páginas 16-19 para las notas al pie de página

Italicized Part Numbers May Not Be Available. Wix XP Oil Filters Have Fully Synthetic Media.

Las piezas con números en *italicas* pueden no estar disponibles. Los filtros de aceite WIX XP son completamente de media sintética.

Les numéros de pièce en *italiques* peuvent ne pas être disponibles. Les filtres à huile XP Wix contiennent un matériau 100 % synthétique.

GMC 2020-2019

Pass Car/Light Truck

Year/Año/Année Model/Modelo/Modèle Engine/Motor/Moteur	Eng. Code Código de motor Code moteur	VIN NIV NIV	Oil Aceite Huile	Oil XP Aceite XP Huile XP	Air Aire Air	Cabin Air Cabina Aire Cabine Air	Cabin Air XP Cabina Aire XP Cabine Air XP	Loc. Cabin Air Cabina Aire Cabine Air	Fuel Combustible Carburant	Loc. Fuel Combustible Carburant	Transmission Transmisión Transmission
--	---	-------------------	------------------------	---------------------------------	--------------------	--	---	--	----------------------------------	--	---

GMC (Cont'd/Suite)

2020 (Cont'd/Suite)

SAVANA 3500 (Cont'd/Suite)

V8 6.0L 5967cc 364 CID Flex	L96		57060 ⁵³	57060XP	WA10655	N/R			N/S		58369 - 6L90
-----------------------------	-----	--	---------------------	---------	---------	-----	--	--	-----	--	--------------

SIERRA 1500

L4 2.7L 2700CC 165CID Turbo	L3B		WL10351		WA10941 ¹⁵⁵ WA10942 ²⁸⁵	24211			N/S		
L6 3.0L 3000CC 183CID Turbo Diesel			WL10351		WA10942	24211		WF10451			
V6 4.3L 262 CID Flex	LV3		WL10255	WL10255XP	WA10941 ¹⁵⁵ WA10942 ²⁸⁵	24211		N/S			N/A - 6L80
V8 5.3L 323 CID			WL10255	WL10255XP	WA10941 ¹⁵⁵ WA10942 ²⁸⁵	24211		N/S			N/A - 6L80 N/A - 8 Spd.
V8 6.2L 376 CID			WL10255	WL10255XP	WA10942 ²⁸⁵ WA10941 ¹⁵⁵	24211		N/S			N/A - 6L80 N/A - 8 Spd.

SIERRA 2500HD

V 8 6.6L 6599CC 403CID Turbo Diesel Diesel	L5P	Y	WL10454		WA11057	24211			WF10451		57701 N/A
V8 6.6L 6600CC 403CID	L8T	7	WL10255	WL10255XP	WA10941 WA10942	24211			N/S		N/S

SIERRA 3500HD

V 8 6.6L 6599CC 403CID Turbo Diesel Diesel	L5P	Y	WL10454		WA11057	24211			WF10451		57701 N/A
V8 6.6L 6600CC 403CID	L8T	7	WL10255	WL10255XP	WA10941 WA10942	24211			N/S		N/S

TERRAIN

L 4 2.0L Turbo			WL10290 ⁵³	WL10290XP	WA10771	24211			N/S		N/A
L4 1.5L 1500CC 92CID Turbo			WL10290 ⁵³	WL10290XP	WA10771	24211			N/S		N/A
L4 1.6L Turbo Diesel			WL10331		WA10771	24211		WF10509			N/A

YUKON

V8 5.3L 323 CID			WL10255	WL10255XP	42488	WP10129	WP10129XP		N/S		N/A - 6L80
V8 6.2L 376 CID			WL10255	WL10255XP	42488	WP10129	WP10129XP		N/S		N/A

YUKON XL

V8 5.3L 5328cc 325 CID Flex	L83	C	WL10255	WL10255XP	42488	WP10129	WP10129XP		N/S		N/A - 6L80
V8 6.2L 6162cc 376 CID Flex	L86	J	WL10255	WL10255XP	42488	WP10129	WP10129XP		N/S		N/A

2019

ACADIA

L4 2.5L 2500CC 153CID	LCV		WL10290 ⁵³	WL10290XP	WA10718	24211			N/S		N/S
V6 3.6L 3600CC 220CID	LGX	S	WL10255	WL10255XP	WA10718	24211			N/S		N/S

CANYON

L4 2.5L 153 CID			WL10290 ⁵³	WL10290XP	WA10256	WP10192			N/S		N/A - 6L50
L4 2.8L 2800CC 171CID Turbo Diesel			WL10286		WA10427	WP10192		WF10226			N/A - 6L50
V6 3.6L 217 CID			57674	57674XP	WA10256	WP10192			N/S		N/A - 6L50

SAVANA 2500

L4 2.8L 2800CC 171CID Turbo Diesel			WL10371 ⁵³		WA10655	N/R			WF10509		58369 - 6L90
V6 4.3L Flex			WL10255	WL10255XP	WA10836	N/R			N/S		58369 - 6L90
V8 6.0L 5967cc 364 CID	L96		57060 ⁵³	57060XP	WA10655	N/R			N/S		58369 - 6L90

SAVANA 3500

L4 2.8L 2800CC 171CID Turbo Diesel		F	WL10371		WA10655	N/R			WF10509		N/A - 6L50
V6 4.3L 262CID Flex			WL10255	WL10255XP	WA10836	N/R			N/S		N/A
V8 6.0L 5967cc 364 CID Flex	L96		57060 ⁵³	57060XP	WA10655	N/R			N/S		58369 - 6L90

SIERRA 1500

L4 2.7L 2700CC 165CID Turbo	L3B		WL10351		WA10941 ¹⁵⁵ WA10942 ²⁸⁵	24211			N/S		
L6 3.0L 3000CC 183CID Turbo Diesel			WL10351		WA10942	24211		WF10451			

N/A = Not Available N/R = Not Required N/S = Not Serviceable For cabin and fuel filter locator, see pages 5-15 See pages 16-19 for footnotes

N/A = Non disponible N/R = Non nécessaire N/S = Non réparable Para la ubicación de los filtros de aire de la cabina y de combustible, ver las páginas 5-15 Voir pages 16-19 pour des notes

N/A = No disponible N/R = No requiere N/S = No servible Voir les tableaux de repérage des filtres d'habitacle et à carburant aux pages 5-15 Ver las páginas 16-19 para las notas al pie de página

Italicized Part Numbers May Not Be Available. Wix XP Oil Filters Have Fully Synthetic Media.

Las piezas con números en *italicas* pueden no estar disponibles. Los filtros de aceite WIX XP son completamente de media sintética. Les numéros de pièce en *italiques* peuvent ne pas être disponibles. Les filtres à huile XP Wix contiennent un matériau 100 % synthétique.

Year/Año/Année Model/Modelo/Modèle Engine/Motor/Moteur	Eng. Code Código de motor Code moteur	VIN NIV NIV	Oil Aceite Huile	Oil XP Aceite XP Huile XP	Air Aire Air	Cabin Air Cabina Aire Cabine Air	Cabin Air XP Cabina Aire XP Cabine Air XP	Loc. Cabin Air Cabina Aire Cabine Air	Fuel Combustible Carburant	Loc. Fuel Combustible Carburant	Transmission Transmisión Transmission
--	---	-------------------	------------------------	---------------------------------	--------------------	--	---	--	----------------------------------	--	---

GMC (Cont'd/Suite)

2019 (Cont'd/Suite)

SIERRA 1500 (Cont'd/Suite)

V6 4.3L 262 CID Flex	LV3		WL10255	WL10255XP	WA10941 ¹⁵⁵ WA10942 ²⁸⁵	24211			N/S		N/A - 6L80
V8 5.3L 323 CID			WL10255	WL10255XP	WA10941 ¹⁵⁵ WA10942 ²⁸⁵	24211			N/S		N/A - 6L80 N/A - 8 Spd.
V8 6.2L 376 CID			WL10255	WL10255XP	WA10942 ²⁸⁵ WA10941 ¹⁵⁵	24211			N/S		N/A - 6L80 N/A - 8 Spd.

SIERRA 1500 Limited

V8 5.3L 323 CID			WL10255	WL10255XP	42487 ²⁸⁴ 42488 ¹⁵⁵ 42488FR ³⁶⁰	WP10129	WP10129XP		N/S		N/A - 6L80 N/A - 8 Spd.
-----------------	--	--	---------	-----------	--	---------	-----------	--	-----	--	----------------------------

SIERRA 2500HD

V 8 6.6L 6599CC 403CID Turbo Diesel Diesel	L5P	Y	57202	57202XP	WA10695	WP10129	WP10129XP		WF10451		N/A
V8 6.0L 5967cc 364 CID	L96		57060	57060XP	42488 ¹⁵⁵ 42488FR ³⁶⁰	WP10129	WP10129XP		N/S		58369 - 6L90

SIERRA 3500HD

V 8 6.6L 6599CC 403CID Turbo Diesel	L5P		57202 ⁵³	57202XP	WA10695	WP10129	WP10129XP		WF10451		57701
V8 6.0L 5967cc 364 CID	L96		57060	57060XP	42488	WP10129	WP10129XP		N/S		58369 - 6L90 - Internal

SIERRA PICKUPS (UP TO 3500 SERIES)

V8 6.0L 5967cc 364 CID	LC8		57060 ⁵³	57060XP	42487 ²⁸⁴ 42488 ¹⁵⁵ 42488FR ³⁶⁰	WP10129	WP10129XP		N/S		58369 - 6L90
------------------------	-----	--	---------------------	---------	--	---------	-----------	--	-----	--	--------------

TERRAIN

L 4 2.0L Turbo			WL10290 ⁵³	WL10290XP	WA10771	24211			N/S		N/A
L4 1.5L 1500CC 92CID Turbo			WL10290 ⁵³	WL10290XP	WA10771	24211			N/S		N/A
L4 1.6L Turbo Diesel			WL10331		WA10771	24211		WF10509			N/A

YUKON

V8 5.3L FLEX/			WL10255	WL10255XP	42487 ²⁸⁴ 42488 ²⁸⁴ 42488FR ³⁶⁰	WP10129	WP10129XP		N/S		N/A - 6L80
V8 6.2L FLEX/			WL10255	WL10255XP	42487 ²⁸⁴ 42488 ²⁸⁴ 42488FR ³⁶⁰	WP10129	WP10129XP		N/S		N/A

YUKON XL

V8 5.3L 5328cc 325 CID Flex	L83	C	WL10255	WL10255XP	42487 ²⁸⁴ 42488 ¹⁵⁵ 42488FR ³⁶⁰	WP10129	WP10129XP		N/S		N/A - 6L80
V8 6.2L 6162cc 376 CID Flex	L86	J	WL10255	WL10255XP	42487 ²⁸⁴ 42488 ¹⁵⁵ 42488FR ³⁶⁰	WP10129	WP10129XP		N/S		N/A

2018

ACADIA

L4 2.5L 2500CC 153CID	LCV	S	WL10290 ⁵³	WL10290XP	WA10718	24211			N/S		N/S
V6 3.6L 3600CC 220CID	LGX	S	WL10255	WL10255XP	WA10718	24211			N/S		N/S

CANYON

L4 2.5L 153 CID			WL10290 ⁵³	WL10290XP	WA10256	WP10192			N/S		N/A - 6L50
L4 2.8L 2800CC 171CID Turbo Diesel			WL10286		WA10427	WP10192		WF10226			N/A - 6L50
V6 3.6L 217 CID			57674	57674XP	WA10256	WP10192			N/S		N/A - 6L50

SAVANA 2500

L4 2.8L 2800CC 171CID Turbo Diesel			WL10371 ⁵³		WA10655	N/R			WF10509		58369 - 6L90
V6 4.3L Flex			WL10255	WL10255XP	WA10836	N/R			N/S		58369 - 6L90
V8 6.0L 5967cc 364 CID	L96		57060 ⁵³	57060XP	WA10655	N/R			N/S		58369 - 6L90

SAVANA 3500

L4 2.8L 2800CC 171CID Turbo Diesel			WL10371		WA10655	N/R			WF10509		N/A - 6L50
------------------------------------	--	--	---------	--	---------	-----	--	--	---------	--	------------

N/A = Not Available N/R = Not Required N/S = Not Serviceable For cabin and fuel filter locator, see pages 5-15 See pages 16-19 for footnotes

N/A = Non disponible N/R = Non nécessaire N/S = Non réparable Para la ubicación de los filtros de aire de la cabina y de combustible, ver las páginas 5-15 Voir pages 16-19 pour des notes

N/A = No disponible N/R = No requiere N/S = No servible Voir les tableaux de repérage des filtres d'habitacle et à carburant aux pages 5-15 Ver las páginas 16-19 para las notas al pie de página

Italicized Part Numbers May Not Be Available. Wix XP Oil Filters Have Fully Synthetic Media.

Las piezas con números en *italicas* pueden no estar disponibles. Los filtros de aceite WIX XP son completamente de media sintética.

Les numéros de pièce en *italiques* peuvent ne pas être disponibles. Les filtres à huile Wix contiennent un matériau 100 % synthétique.

GMC 2018-2017
Pass Car/Light Truck

Year/Año/Année Model/Modelo/Modèle Engine/Motor/Moteur	Eng. Code Código de motor Code moteur	VIN NIV NIV	Oil Aceite Huile	Oil XP Aceite XP Huile XP	Air Aire Air	Cabin Air Cabina Aire Cabine Air	Cabin Air XP Cabina Aire XP Cabine Air XP	Loc. Cabin Air Cabina Aire Cabine Air	Fuel Combustible Carburant	Loc. Fuel Combustible Carburant	Transmission Transmisión Transmission
--	---	-------------------	------------------------	---------------------------------	--------------------	--	---	--	----------------------------------	--	---

GMC (Cont'd/Suite)
2018 (Cont'd/Suite)
SAVANA 3500 (Cont'd/Suite)

V6 4.3L 262CID Flex			WL10255	WL10255XP	WA10836	N/R			N/S		N/A
V8 6.0L 5967cc 364 CID Flex	L96		57060 ⁵³	57060XP	WA10655	N/R			N/S		58369 - 6L90

SIERRA 1500

V6 4.3L 262 CID Flex	LV3		WL10255	WL10255XP	42487 ²⁸⁴ 42488 ¹⁵⁵ 42488FR ³⁶⁰	WP10129	WP10129XP		N/S		N/A - 6L80
V8 5.3L 323 CID			WL10255	WL10255XP	42487 ²⁸⁴ 42488 ¹⁵⁵ 42488FR ³⁶⁰	WP10129	WP10129XP		N/S		N/A - 6L80 N/A - 8 Spd.
V8 6.2L 376 CID			WL10255	WL10255XP	42487 ²⁸⁴ 42488 ¹⁵⁵ 42488FR ³⁶⁰	WP10129	WP10129XP		N/S		N/A - 6L80 N/A - 8 Spd.

SIERRA 1500 Hybrid

V8 5.3L 5300CC 325CID eAssist	Hybrid eAssist		WL10255	WL10255XP	42487 ²⁸⁴ 42488 ¹⁵⁵ 42488FR ³⁶⁰	WP10129	WP10129XP		N/S		N/R - 8L90 N/A - 8 Spd.
-------------------------------	----------------	--	---------	-----------	--	---------	-----------	--	-----	--	----------------------------

SIERRA 2500HD

V8 6.6L 6599CC 403CID Turbo Diesel Diesel	L5P	Y	57202	57202XP	WA10695	WP10129	WP10129XP		WF10451		N/A
V8 6.0L 5967cc 364 CID	L96		57060 ⁵³	57060XP	42487 ²⁸⁴ 42488 ¹⁵⁵ 42488FR ³⁶⁰	WP10129	WP10129XP		N/S		58369 - 6L90

SIERRA 3500HD

V8 6.6L 6599CC 403CID Turbo Diesel	L5P		57202 ⁵³	57202XP	WA10695	WP10129	WP10129XP		WF10451		57701
V8 6.0L 5967cc 364 CID	L96		57060 ⁵³	57060XP	42488	WP10129	WP10129XP		N/S		58369 - 6L90 - Internal

TERRAIN

L4 2.0L Turbo			WL10290 ⁵³	WL10290XP	WA10771	24211			N/S		N/A
L4 1.5L 1500CC 92CID Turbo			WL10290 ⁵³	WL10290XP	WA10771	24211			N/S		N/A
L4 1.6L Turbo Diesel			WL10331		WA10771	24211			WF10509		N/A

YUKON

V8 5.3L FLEX/			WL10255	WL10255XP	42487 ²⁸⁴ 42488 ²⁸⁴ 42488FR ³⁶⁰	WP10129	WP10129XP		N/S		N/A - 6L80
V8 6.2L FLEX/			WL10255	WL10255XP	42487 ²⁸⁴ 42488 ²⁸⁴ 42488FR ³⁶⁰	WP10129	WP10129XP		N/S		N/A

YUKON XL

V8 5.3L 5328cc 325 CID Flex	L83	C	WL10255	WL10255XP	42487 ²⁸⁴ 42488 ¹⁵⁵ 42488FR ³⁶⁰	WP10129	WP10129XP		N/S		N/A - 6L80
V8 6.2L 6162cc 376 CID Flex	L86	J	WL10255	WL10255XP	42487 ²⁸⁴ 42488 ¹⁵⁵ 42488FR ³⁶⁰	WP10129	WP10129XP		N/S		N/A

2017
ACADIA

L4 2.5L 2500CC 153CID	LCV		WL10290 ⁵³	WL10290XP	WA10718	24211			N/S		N/S
V6 3.6L 3600CC 220CID	LGX	S	WL10255	WL10255XP	WA10718	24211			N/S		N/S

Acadia Limited

V6 3.6L 217 CID	LLT	D	WL10255	WL10255XP	49634	WP10074			N/S		N/S
-----------------	-----	---	---------	-----------	-------	---------	--	--	-----	--	-----

CANYON

L4 2.5L 153 CID			WL10290 ⁵³	WL10290XP	WA10256	WP10192			N/S		N/A - 6L50
L4 2.8L 2800CC 171CID Turbo Diesel			WL10286		WA10427	WP10192			WF10226		N/A - 6L50
V6 3.6L 217 CID			57674	57674XP	WA10256	WP10192			N/S		N/A - 6L50

SAVANA 2500

L4 2.8L 2800CC 171CID Turbo Diesel			WL10371 ⁵³		WA10655	N/R			WF10509		58369 - 6L90
------------------------------------	--	--	-----------------------	--	---------	-----	--	--	---------	--	--------------

N/A = Not Available N/R = Not Required N/S = Not Serviceable For cabin and fuel filter locator, see pages 5-15 See pages 16-19 for footnotes

N/A = Non disponible N/R = Non nécessaire N/S = Non réparable Para la ubicación de los filtros de aire de la cabina y de combustible, ver las páginas 5-15 Voir pages 16-19 pour des notes

N/A = No disponible N/R = No requiere N/S = No servible Voir les tableaux de repérage des filtres d'habitacle et à carburant aux pages 5-15 Ver las páginas 16-19 para las notas al pie de página

Italicized Part Numbers May Not Be Available. Wix XP Oil Filters Have Fully Synthetic Media.

Las piezas con números en *italicas* pueden no estar disponibles. Los filtros de aceite WIX XP son completamente de media sintética. Les numéros de pièce en *italiques* peuvent ne pas être disponibles. Les filtres à huile XP Wix contiennent un matériau 100 % synthétique.

Year/Año/Année Model/Modelo/Modèle Engine/Motor/Moteur	Eng. Code Código de motor Code moteur	VIN NIV NIV	Oil Aceite Huile	Oil XP Aceite XP Huile XP	Air Aire Air	Cabin Air Cabina Aire Cabine Air	Cabin Air XP Cabina Aire XP Cabine Air XP	Loc. Cabin Air Cabina Aire Cabine Air	Fuel Combustible Carburant	Loc. Fuel Combustible Carburant	Transmission Transmisión Transmission
--	---	-------------------	------------------------	---------------------------------	--------------------	--	---	--	----------------------------------	--	---

GMC (Cont'd/Suite)

2017 (Cont'd/Suite)

SAVANA 2500 (Cont'd/Suite)

V8 4.8L 294 CID Flex	L20		57060 ⁵³	57060XP	WA10655	N/R			N/S		58369 - 6L90
V8 6.0L 5967cc 364 CID	L96		57060 ⁵³	57060XP	WA10655	N/R			N/S		58369 - 6L90

SAVANA 3500

L4 2.8L 2800CC 171CID Turbo Diesel			WL10371		WA10655	N/R			WF10509		N/A - 6L50
V8 4.8L 294 CID Flex	L20	F	57060 ⁵³	57060XP	WA10655	N/R			N/S		58369 - 6L90
V8 6.0L 5967cc 364 CID Flex	L96	G	57060 ⁵³	57060XP	WA10655	N/R			N/S		58369 - 6L90

SIERRA 1500

V6 4.3L 262 CID Flex	LV3		WL10255	WL10255XP	42487 ²⁸⁴ 42488 ¹⁵⁵ 42488FR ³⁶⁰	WP10129	WP10129XP		N/S		N/A - 6L80
V8 5.3L 325 CID Flex			WL10255	WL10255XP	42487 ²⁸⁴ 42488 ¹⁵⁵ 42488FR ³⁶⁰	WP10129	WP10129XP		N/S		N/A - 6L80 N/A - 8 Spd.
V8 5.3L 325 CID Gas/Electric P*			WL10255	WL10255XP	42487 ²⁸⁴ 42488 ¹⁵⁵ 42488FR ³⁶⁰	WP10129	WP10129XP		N/S		N/A - 6L80 N/A - 8 Spd.
V8 6.2L 376 CID			WL10255	WL10255XP	42487 ²⁸⁴ 42488 ¹⁵⁵ 42488FR ³⁶⁰	WP10129	WP10129XP		N/S		N/A - 6L80 N/A - 8 Spd.

SIERRA 1500 Hybrid

V8 5.3L 5300CC 325CID eAssist	Hybrid eAssist		WL10255	WL10255XP	42487 ²⁸⁴ 42488 ¹⁵⁵ 42488FR ³⁶⁰	WP10129	WP10129XP		N/S		N/R - 8L90 N/A - 8 Spd.
-------------------------------	----------------	--	---------	-----------	--	---------	-----------	--	-----	--	----------------------------

SIERRA 2500HD

V 8 6.6L 6599CC 403CID Turbo Diesel Diesel	L5P	Y	57202	57202XP	WA10695	WP10129	WP10129XP		WF10451		N/A
V8 6.0L 5967cc 364 CID	L96	G	57060	57060XP	42487 ²⁸⁴ 42488 ²⁸⁴	WP10129	WP10129XP		N/S		58369 - 6L90

SIERRA 3500HD

V 8 6.6L 6599CC 403CID Turbo Diesel	L5P		57202 ⁵³	57202XP	WA10695	WP10129	WP10129XP		WF10451		57701
V8 6.0L 5967cc 364 CID	L96	G	57060 ⁵³	57060XP	42487 ²⁸⁴ 42488 ¹⁵⁵ 42488FR ³⁶⁰	WP10129	WP10129XP		N/S		58369 - 6L90

TERRAIN

L4 2.4L 145 CID Flex	LEA	K	57082	57082XP	49727	24013	24013XP	3	N/S		N/A
V6 3.6L 217 CID	LFX	3	WL10255	WL10255XP	49727	24013	24013XP		N/S		N/A

TERRAIN Nightfall Edition

L4 2.4L 145 CID Flex	LEA	K	57082	57082XP	49727	24013	24013XP	3	N/S		N/A
V6 3.6L 217 CID	LFX	3	WL10255	WL10255XP	49727	24013	24013XP		N/S		N/A

YUKON

V8 5.3L 328cc 325 CID Flex	L83	C	WL10255	WL10255XP	42487 ²⁸⁴ 42488 ²⁸⁴ 42488FR ³⁶⁰	WP10129	WP10129XP		N/S		N/A - 6L80
V8 6.2L 6162cc 376 CID Flex	L86	J	WL10255	WL10255XP	42487 ²⁸⁴ 42488 ²⁸⁴ 42488FR ³⁶⁰	WP10129	WP10129XP		N/S		N/A - 6L80

YUKON XL

V8 5.3L 5328cc 325 CID Flex	L83	C	WL10255	WL10255XP	42487 ²⁸⁴ 42488 ¹⁵⁵ 42488FR ³⁶⁰	WP10129	WP10129XP		N/S		N/A - 6L80
V8 6.2L 6162cc 376 CID Flex	L86	J	WL10255	WL10255XP	42487 ²⁸⁴ 42488 ¹⁵⁵ 42488FR ³⁶⁰	WP10129	WP10129XP		N/S		N/A - 6L80

2016

ACADIA

V6 3.6L 217 CID	LLT	D	WL10255	WL10255XP	49634	WP10074			N/S		N/S
-----------------	-----	---	---------	-----------	-------	---------	--	--	-----	--	-----

N/A = Not Available N/R = Not Required N/S = Not Serviceable For cabin and fuel filter locator, see pages 5-15 See pages 16-19 for footnotes
 N/A = Non disponible N/R = Non nécessaire N/S = Non réparable Para la ubicación de los filtros de aire de la cabina y de combustible, ver las páginas 5-15 Voir pages 16-19 pour des notes
 N/A = No disponible N/R = No requiere N/S = No servible Voir les tableaux de repérage des filtres d'habitacle et à carburant aux pages 5-15 Ver las páginas 16-19 para las notas al pie de página

Italicized Part Numbers May Not Be Available. Wix XP Oil Filters Have Fully Synthetic Media.

Las piezas con números en *italicas* pueden no estar disponibles. Los filtros de aceite WIX XP son completamente de media sintética.
 Les numéros de pièce en *italiques* peuvent ne pas être disponibles. Les filtres à huile XP Wix contiennent un matériau 100 % synthétique.

GMC 2016
Pass Car/Light Truck

Year/Año/Année Model/Modelo/Modèle Engine/Motor/Moteur	Eng. Code Código de motor Code moteur	VIN NIV NIV	Oil Aceite Huile	Oil XP Aceite XP Huile XP	Air Aire Air	Cabin Air Cabina Aire Cabine Air	Cabin Air XP Cabina Aire XP Cabine Air XP	Loc. Cabin Air Cabina Aire Cabine Air	Fuel Combustible Carburant	Loc. Fuel Combustible Carburant	Transmission Transmisión Transmission
--	---	-------------------	------------------------	---------------------------------	--------------------	--	---	--	----------------------------------	--	---

GMC (Cont'd/Suite)
2016 (Cont'd/Suite)
CANYON

L4 2.5L 153 CID			WL10290 ⁵³	WL10290XP	WA10256	WP10192			N/S		N/A - 6L50
L4 2.8L 2800CC 171CID Turbo Diesel			WL10286		WA10427	WP10192			WF10226		N/A - 6L50
V6 3.6L 217 CID			57090	57090XP	WA10256	WP10192			N/S		N/A - 6L50

SAVANA 2500

V8 4.8L 294 CID Flex	L20	F	57060 ⁵³	57060XP	46573	N/R			N/S		58369 - 6L90
V8 6.0L 5967cc 364 CID Flex	L96	G	57060 ⁵³	57060XP	46573	N/R			N/S		58369 - 6L90
V8 6.0L 5967cc 364 CID CNG		B	57060 ⁵³	57060XP	46573	N/R			N/S		58369 - 6L90
V8 6.6L 400 CID Turbo Diesel	LGH	L	57202 ⁵³	57202XP	49154	N/R			WF10122		58369 - 6L90

SAVANA 3500

V8 4.8L 294 CID Flex	L20	F	57060 ⁵³	57060XP	46573	N/R			N/S		58369 - 6L90
V8 6.0L 5967cc 364 CID Flex	L96	G	57060 ⁵³	57060XP	46573	N/R			N/S		58369 - 6L90
V8 6.0L 5967cc 364 CID CNG		B	57060 ⁵³	57060XP	46573	N/R			N/S		58369 - 6L90
V8 6.6L 400 CID Turbo Diesel	LGH	L	57202 ⁵³	57202XP	49154	N/R			WF10122		58369 - 6L90

SIERRA 1500

V6 4.3L 262 CID Flex	LV3		WL10255	WL10255XP	42487 ²⁸⁴ 42488 ¹⁵⁵ 42488FR ³⁶⁰	WP10129	WP10129XP		N/S		N/A
V8 5.3L 325 CID			WL10255	WL10255XP	42487 ²⁸⁴ 42488 ¹⁵⁵ 42488FR ³⁶⁰	WP10129	WP10129XP		N/S		N/A - 6L80
V8 6.2L 376 CID			WL10255	WL10255XP	42487 ²⁸⁴ 42488 ¹⁵⁵ 42488FR ³⁶⁰	WP10129	WP10129XP		N/S		N/A - 6L80

SIERRA 1500 Hybrid

V8 5.3L 5300CC 325CID eAssist	Hybrid eAssist		WL10255	WL10255XP	42487 ²⁸⁴ 42488 ¹⁵⁵ 42488FR ³⁶⁰	WP10129	WP10129XP		N/S		N/R - 8L90 N/A - 8 Spd.
-------------------------------	----------------	--	---------	-----------	--	---------	-----------	--	-----	--	----------------------------

SIERRA 2500HD

V8 6.0L 5967cc 364 CID	L96	G	57060 ⁵³	57060XP	42487 ²⁸⁴ 42488 ¹⁵⁵ 42488FR ³⁶⁰	WP10129	WP10129XP		N/S		58369 - 6L90
V8 6.0L 5967cc 364 CID CNG		B	57060 ⁵³	57060XP	42487 ²⁸⁴ 42488 ¹⁵⁵ 42488FR ³⁶⁰	WP10129	WP10129XP		N/S		58369 - 6L90

SIERRA 3500HD

V8 6.0L 5967cc 364 CID	L96	G	57060 ⁵³	57060XP	42487 ²⁸⁴ 42488 ¹⁵⁵ 42488FR ³⁶⁰	WP10129	WP10129XP		N/S		58369 - 6L90
V8 6.0L 5967cc 364 CID CNG		B	57060 ⁵³	57060XP	42487 ²⁸⁴ 42488 ¹⁵⁵ 42488FR ³⁶⁰	WP10129	WP10129XP		N/S		58369 - 6L90
V8 6.6L 400 CID Turbo Diesel	LML	8	57202 ⁵³	57202XP	49314	WP10129	WP10129XP				57701 - Allison-Spin-on

TERRAIN

L4 2.4L 145 CID Flex	LEA	K	57082	57082XP	49727	24013	24013XP	3	N/S		N/A
V6 3.6L 217 CID	LFX	3	WL10255	WL10255XP	49727	24013	24013XP		N/S		N/A

YUKON

V8 5.3L 5328cc 325 CID Flex	L83	C	WL10255	WL10255XP	42488 ¹⁵⁵ 42488FR ³⁶⁰ 42487 ²⁸⁴	WP10129	WP10129XP		N/S		N/A - 6L80
V8 6.2L 6162cc 376 CID Flex	L86	J	WL10255	WL10255XP	42487 ²⁸⁴ 42488 ¹⁵⁵ 42488FR ³⁶⁰	WP10129	WP10129XP		N/S		N/A - 6L80

YUKON XL

V8 5.3L 5328cc 325 CID Flex	L83	C	WL10255	WL10255XP	42488 ¹⁵⁵ 42488FR ³⁶⁰ 42487 ²⁸⁴	WP10129	WP10129XP		N/S		N/A - 6L80
-----------------------------	-----	---	---------	-----------	--	---------	-----------	--	-----	--	------------

N/A = Not Available N/R = Not Required N/S = Not Serviceable For cabin and fuel filter locator, see pages 5-15 See pages 16-19 for footnotes

N/A = Non disponible N/R = Non nécessaire N/S = Non réparable Para la ubicación de los filtros de aire de la cabina y de combustible, ver las páginas 5-15 Voir pages 16-19 pour des notes

N/A = No disponible N/R = No requiere N/S = No servible Voir les tableaux de repérage des filtres d'habitacle et à carburant aux pages 5-15 Ver las páginas 16-19 para las notas al pie de página

Italicized Part Numbers May Not Be Available. Wix XP Oil Filters Have Fully Synthetic Media.

Las piezas con números en *italicas* pueden no estar disponibles. Los filtros de aceite WIX XP son completamente de media sintética. Les numéros de pièce en *italiques* peuvent ne pas être disponibles. Les filtres à huile XP Wix contiennent un matériau 100 % synthétique.

Year/Año/Année Model/Modelo/Modèle Engine/Motor/Moteur	Eng. Code Código de motor Code moteur	VIN NIV NIV	Oil Aceite Huile	Oil XP Aceite XP Huile XP	Air Aire Air	Cabin Air Cabina Aire Cabine Air	Cabin Air XP Cabina Aire XP Cabine Air XP	Loc. Cabin Air Cabina Aire Cabine Air	Fuel Combustible Carburant	Loc. Fuel Combustible Carburant	Transmission Transmisión Transmission
--	---	-------------------	------------------------	---------------------------------	--------------------	--	---	---	----------------------------------	---------------------------------------	---

GMC (Cont'd/Suite)

2016 (Cont'd/Suite)

YUKON XL (Cont'd/Suite)

V8 6.2L 6162cc 376 CID Flex	L86	J	WL10255	WL10255XP	42487 ²⁸⁴ 42488 ¹⁵⁵ 42488FR ³⁶⁰	WP10129	WP10129XP		N/S		N/A - 6L80
-----------------------------	-----	---	---------	-----------	--	---------	-----------	--	-----	--	------------

2015

ACADIA

V6 3.6L 217 CID	LLT	D	WL10255	WL10255XP	49634	WP10074			N/S		N/S
-----------------	-----	---	---------	-----------	-------	---------	--	--	-----	--	-----

CANYON

L4 2.5L 153 CID			WL10290 ⁵³	WL10290XP	WA10256	WP10192			N/S		N/A - 6L50
V6 3.6L 217 CID			57090	57090XP	WA10256	WP10192			N/S		N/A - 6L50

SAVANA VAN (UP TO 3500 SERIES)

V8 4.8L 294 CID Flex	L20	A	57060 ⁵³	57060XP	46573	N/R			N/S		58369 - 6L90
V8 6.0L 5967cc 364 CID	L96	G	57060 ⁵³	57060XP	46573	N/R			N/S		N/A - 6L80
V8 6.6L 400 CID Turbo Diesel	LGH	L	57202 ⁵³	57202XP	49154	N/R			WF10122 - In-Line		58970 - Allison-Pan Style 58369 - 6L90

SIERRA PICKUPS (UP TO 3500 SERIES)

V6 4.3L 262 CID Flex	LV3		WL10255	WL10255XP	42487 ²⁸⁴ 42488 ¹⁵⁵ 42488FR ³⁶⁰	WP10129	WP10129XP		N/S		N/A - 6L80
V8 5.3L 5328cc 325 CID Flex	L83	C	WL10255	WL10255XP	42487 ²⁸⁴ 42488 ¹⁵⁵ 42488FR ³⁶⁰	WP10129	WP10129XP		N/S		N/A - 6L80
V8 6.0L 5967cc 364 CID	L96	G	57060 ⁵³	57060XP	42487 ²⁸⁴ 42488 ¹⁵⁵ 42488FR ³⁶⁰	WP10129	WP10129XP		N/S		58369 - 6L90
	LC8	B	57060 ⁵³	57060XP	42487 ²⁸⁴ 42488 ¹⁵⁵ 42488FR ³⁶⁰	WP10129	WP10129XP		N/S		58369 - 6L90
V8 6.2L 6162cc 376 CID Flex	L86		WL10255	WL10255XP	42487 ²⁸⁴ 42488 ¹⁵⁵ 42488FR ³⁶⁰	WP10129	WP10129XP		N/S		N/A - 6L80
V8 6.6L 400 CID Turbo Diesel	LML	8	57202 ⁵³	57202XP	49314	WP10129	WP10129XP				57701 - Allison-Spin-on

TERRAIN

L4 2.4L 145 CID Flex	LEA	K	57082	57082XP	49727	24013	24013XP	3	N/S		N/A
V6 3.6L 217 CID	LFX	3	WL10255	WL10255XP	49727	24013	24013XP		N/S		N/A

YUKON (ALL)

V8 5.3L 5328cc 325 CID Flex	L83	C	WL10255	WL10255XP	42488 ¹⁵⁵ 42488FR ³⁶⁰ 42487 ²⁸⁴	WP10129	WP10129XP		N/S		N/A - 6L80
V8 6.2L 6162cc 376 CID Flex	L86	J	WL10255	WL10255XP	42487 ²⁸⁴ 42488 ¹⁵⁵ 42488FR ³⁶⁰	WP10129	WP10129XP		N/S		N/A - 6L80

2014

ACADIA

V6 3.6L 217 CID	LLT	D	WL10255	WL10255XP	49634	WP10074			N/S		N/S
-----------------	-----	---	---------	-----------	-------	---------	--	--	-----	--	-----

SAVANA VAN (UP TO 3500 SERIES)

V6 4.3L 262 CID	LU3	X	51040 ⁵³	51040XP	46573	N/R			N/S		58904 - 4L60E-SP 58847 - 4L60E-DP
V8 4.8L 294 CID Flex	L20	A	57060 ⁵³	57060XP	46573	N/R			N/S		58369 - 6L90
V8 5.3L 5328cc 325 CID Flex	LMF	4	57060 ⁵³	57060XP	46573	N/R			N/S		58904 - 4L60E-SP 58847 - 4L60E-DP
V8 6.0L 5967cc 364 CID	L96	G	57060 ⁵³	57060XP	46573	N/R			N/S		58369 - 6L90
	LC8	B	57060 ⁵³	57060XP	46573	N/R			N/S		58369 - 6L90
V8 6.6L 400 CID Turbo Diesel	LGH	L	57202 ⁵³	57202XP	49154	N/R			WF10122		57701 - Allison-Spin-on 58970 - Allison-Pan Style 58369 - 6L90

N/A = Not Available N/R = Not Required N/S = Not Serviceable For cabin and fuel filter locator, see pages 5-15 See pages 16-19 for footnotes

N/A = Non disponible N/R = Non nécessaire N/S = Non réparable Para la ubicación de los filtros de aire de la cabina y de combustible, ver las páginas 5-15 Voir pages 16-19 pour des notes

N/A = No disponible N/R = No requiere N/S = No servible Voir les tableaux de repérage des filtres d'habitacle et à carburant aux pages 5-15 Ver las páginas 16-19 para las notas al pie de página

Italicized Part Numbers May Not Be Available. Wix XP Oil Filters Have Fully Synthetic Media.

Las piezas con números en *italicas* pueden no estar disponibles. Los filtros de aceite WIX XP son completamente de media sintética.

Les numéros de pièce en *italiques* peuvent ne pas être disponibles. Les filtres à huile Wix contiennent un matériau 100 % synthétique.

GMC 2014-2013

Pass Car/Light Truck

Year/Año/Année Model/Modelo/Modèle Engine/Motor/Moteur	Eng. Code Código de motor Code moteur	VIN NIV NIV	Oil Aceite Huile	Oil XP Aceite XP Huile XP	Air Aire Air	Cabin Air Cabina Aire Cabine Air	Cabin Air XP Cabina Aire XP Cabine Air XP	Loc. Cabin Air Cabina Aire Cabine Air	Fuel Combustible Carburant	Loc. Fuel Combustible Carburant	Transmission Transmisión Transmission
--	---	-------------------	------------------------	---------------------------------	--------------------	--	---	--	----------------------------------	--	---

GMC (Cont'd/Suite)

2014 (Cont'd/Suite)

SIERRA PICKUPS (UP TO 3500 SERIES)

V6 4.3L 262 CID Flex	LV3		WL10255	WL10255XP	42488 ¹⁵⁵ 42488FR ³⁶⁰ 42487 ²⁸⁴	WP10129	WP10129XP		N/S		N/A - 6L80
V8 5.3L 5328cc 325 CID Flex	L83	C	WL10255	WL10255XP	42488 ¹⁵⁵ 42488FR ³⁶⁰ 42487 ²⁸⁴	WP10129	WP10129XP		N/S		N/A - 6L80
V8 6.0L 5967cc 364 CID	L96	G	57060 ⁵³	57060XP	42487 ²⁸⁴ 42488 ¹⁵⁵ 42488FR ³⁶⁰	WP10129	WP10129XP		N/S		58369 - 6L90
	LC8	B	57060 ⁵³	57060XP	42487 ²⁸⁴ 42488 ¹⁵⁵ 42488FR ³⁶⁰	WP10129	WP10129XP		N/S		58369 - 6L90
V8 6.2L 6162cc 376 CID Flex	L86		WL10255	WL10255XP	42487 ²⁸⁴ 42488 ¹⁵⁵ 42488FR ³⁶⁰	WP10129	WP10129XP		N/S		N/A - 6L80
V8 6.6L 400 CID Turbo Diesel	LML	8	57202 ⁵³	57202XP	49314	WP10129	WP10129XP				57701 - Allison-Spin-on 58970 - Allison-Pan Style

TERRAIN

L4 2.4L 145 CID	LEA	K	57082	57082XP	49727	24013	24013XP	3	N/S		N/A
L4 2.4L 145 CID Flex	LEA	K	57082	57082XP	49727	24013	24013XP	3	N/S		N/A
V6 3.6L 217 CID	LFX	3	WL10255	WL10255XP	49727	24013	24013XP		N/S		N/A
V6 3.6L 217 CID Flex	LFX	3	WL10255	WL10255XP	49727	24013	24013XP		N/S		N/A

YUKON (ALL)

V8 5.3L 5328cc 325 CID Flex	LC9	7	57060 ⁵³	57060XP	42487 ²⁸⁴ 42488 ¹⁵⁵ 42488FR ³⁶⁰	N/A WP10428 ⁷⁹			N/S		N/A - 6L80
	LMG	0	57060 ⁵³	57060XP	42487 ²⁸⁴ 42488 ¹⁵⁵ 42488FR ³⁶⁰	N/A WP10428 ⁷⁹			N/S		N/A - 6L80
V8 6.2L 376 CID Flex	L94	F	57060 ⁵³	57060XP	42487 ²⁸⁴ 42488 ¹⁵⁵ 42488FR ³⁶⁰	N/A WP10428 ⁷⁹			N/S		N/A - 6L80

2013

ACADIA

V6 3.6L 217 CID	LLT	D	WL10255	WL10255XP	49634	WP10074			N/S		N/S
-----------------	-----	---	---------	-----------	-------	---------	--	--	-----	--	-----

SAVANA VAN (UP TO 3500 SERIES)

V6 4.3L 262 CID	LU3	X	51040 ⁵³	51040XP	46573	N/R			N/S		58904 - 4L60E-SP 58847 - 4L60E-DP
V8 4.8L 294 CID Flex	L20	A	57060 ⁵³	57060XP	46573	N/R			N/S		58369 - 6L90
V8 5.3L 5328cc 325 CID Flex	LMF	4	57060 ⁵³	57060XP	46573	N/R			N/S		58904 - 4L60E-SP 58847 - 4L60E-DP
V8 6.0L 5967cc 364 CID	L96	G	57060 ⁵³	57060XP	46573	N/R			N/S		58369 - 6L90
	LC8	B	57060 ⁵³	57060XP	46573	N/R			N/S		58369 - 6L90
V8 6.6L 400 CID Turbo Diesel	LGH	L	57202 ⁵³	57202XP	49154	N/R			WF10122		57701 - Allison-Spin-on 58970 - Allison-Pan Style 58369 - 6L90

SIERRA HYBRID

V8 6.0L 364 CID Gas/Electric	LZ1	J	57060 ⁵³	57060XP	42487 ²⁸⁴ 42488 ¹⁵⁵ 42488FR ³⁶⁰	WP10428			N/S		WL10453
------------------------------	-----	---	---------------------	---------	--	---------	--	--	-----	--	---------

SIERRA PICKUPS (UP TO 3500 SERIES)

V6 4.3L 262CID	LU3	Z	51040 ⁵³	51040XP	42487 ²⁸⁴ 42488 ¹⁵⁵ 42488FR ³⁶⁰	WP10428			N/S		58904 - 4L60E-SP 58847 - 4L60E-DP N/A - 6L80
V8 4.8L 294 CID Flex	L20	A	57060 ⁵³	57060XP	42487 ²⁸⁴ 42488 ¹⁵⁵ 42488FR ³⁶⁰	WP10428			N/S		58904 - 4L60E-SP 58847 - 4L60E-DP N/A - 6L80
V8 5.3L 325 CID Flex	LC9,LMG	0,7	57060 ⁵³	57060XP	42487 ²⁸⁴ 42488 ¹⁵⁵ 42488FR ³⁶⁰	WP10428			N/S		58904 - 4L60E-SP 58847 - 4L60E-DP N/A - 6L80

N/A = Not Available N/R = Not Required N/S = Not Serviceable For cabin and fuel filter locator, see pages 5-15 See pages 16-19 for footnotes

N/A = Non disponible N/R = Non nécessaire N/S = Non réparable Para la ubicación de los filtros de aire de la cabina y de combustible, ver las páginas 5-15 Voir pages 16-19 pour des notes

N/A = No disponible N/R = No requiere N/S = No servible Voir les tableaux de repérage des filtres d'habitacle et à carburant aux pages 5-15 Ver las páginas 16-19 para las notas al pie de página

Italicized Part Numbers May Not Be Available. Wix XP Oil Filters Have Fully Synthetic Media.

Las piezas con números en *italicas* pueden no estar disponibles. Los filtros de aceite WIX XP son completamente de media sintética. Les numéros de pièce en *italiques* peuvent ne pas être disponibles. Les filtres à huile XP Wix contiennent un matériau 100 % synthétique.

Year/Año/Année Model/Modelo/Modèle Engine/Motor/Moteur	Eng. Code Código de motor Code moteur	VIN NIV NIV	Oil Aceite Huile	Oil XP Aceite XP Huile XP	Air Aire Air	Cabin Air Cabina Aire Cabine Air	Cabin Air XP Cabina Aire XP Cabine Air XP	Loc. Cabin Air Cabina Aire Cabine Air	Fuel Combustible Carburant	Loc. Fuel Combustible Carburant	Transmission Transmisión Transmission
--	---	-------------------	------------------------	---------------------------------	--------------------	--	---	--	----------------------------------	--	---

GMC (Cont'd/Suite)

2013 (Cont'd/Suite)

SIERRA PICKUPS (UP TO 3500 SERIES) (Cont'd/Suite)

V8 6.0L 5967cc 364 CID	L96	G	57060 ⁵³	57060XP	42487 ²⁸⁴ 42488 ¹⁵⁵ 42488FR ³⁶⁰	WP10428			N/S		58369 - 6L90
V8 6.2L 376 CID Flex	L9H	2	57060 ⁵³	57060XP	42487 ²⁸⁴ 42488 ¹⁵⁵ 42488FR ³⁶⁰	WP10428			N/S		N/A - 6L80
V8 6.6L 400 CID Turbo Diesel	LML	8	57202 ⁵³	57202XP	49314	WP10428					57701 - Allison-Spin-on 58970 - Allison-Pan Style N/R - Allison 1000 6-Speed

TERRAIN

L4 2.4L 145 CID	LEA	K	57082	57082XP	49727	24013	24013XP	3	N/S		N/A
L4 2.4L 145 CID Flex	LEA	K	57082	57082XP	49727	24013	24013XP	3	N/S		N/A
V6 3.6L 217 CID	LFX	3	WL10255	WL10255XP	49727	24013	24013XP		N/S		N/A
V6 3.6L 217 CID Flex	LFX	3	WL10255	WL10255XP	49727	24013	24013XP		N/S		N/A

YUKON (ALL)

V8 5.3L 5328cc 325 CID Flex	LC9	7	57060 ⁵³	57060XP	42487 ²⁸⁴ 42488 ¹⁵⁵ 42488FR ³⁶⁰	WP10428			N/S		N/A - 6L80
	LMG	0	57060 ⁵³	57060XP	42487 ²⁸⁴ 42488 ¹⁵⁵ 42488FR ³⁶⁰	WP10428			N/S		N/A - 6L80
V8 6.0L 5967cc 364 CID	L96	G	57060 ⁵³	57060XP	42487 ²⁸⁴ 42488 ¹⁵⁵ 42488FR ³⁶⁰	WP10428			N/S		58369 - 6L90
V8 6.2L 376 CID Flex	L94	F	57060 ⁵³	57060XP	42487 ²⁸⁴ 42488 ¹⁵⁵ 42488FR ³⁶⁰	WP10428			N/S		N/A - 6L80

YUKON HYBRID

V8 6.0L 364 CID Gas/Electric	LZ1	J	57060 ⁵³	57060XP	42487 ²⁸⁴ 42488 ¹⁵⁵ 42488FR ³⁶⁰	WP10428			N/S		WL10453
------------------------------	-----	---	---------------------	---------	--	---------	--	--	-----	--	---------

2012

ACADIA

V6 3.6L 217 CID	LLT	D	WL10255	WL10255XP	49634	WP10074			N/S		N/S
-----------------	-----	---	---------	-----------	-------	---------	--	--	-----	--	-----

CANYON

L4 2.9L 178 CID		9	51042 ⁵³	51042XP	49429	N/R			N/S		58323 - 4L60E-SP 58847 - 4L60E-DP
L5 3.7L 3654cc 223 CID		E	51522 ⁵³	51522XP	49429	N/R			N/S		58323 - 4L60E-SP 58847 - 4L60E-DP
V8 5.3L 325 CID		P	57060 ⁵³	57060XP	49429	N/R			N/S		58323 - 4L60E-SP 58847 - 4L60E-DP

SAVANA VAN (UP TO 3500 SERIES)

V6 4.3L 262CID		Z	51040 ⁵³	51040XP	46573	N/R			N/S		58904 - 4L60E-SP 58847 - 4L60E-DP
V8 4.8L 294 CID Flex	L20	A	57060 ⁵³	57060XP	46573	N/R			N/S		58369 - 6L90
V8 5.3L 5328cc 325 CID Flex	LMF	4	57060 ⁵³	57060XP	46573	N/R			N/S		58904 - 4L60E-SP 58847 - 4L60E-DP
V8 6.0L 5967cc 364 CID	L96	G	57060 ⁵³	57060XP	46573	N/R			N/S		58369 - 6L90
	LC8	B	57060 ⁵³	57060XP	46573	N/R			N/S		58369 - 6L90
V8 6.6L 400 CID Turbo Diesel	LGH	L	57202 ⁵³	57202XP	49154	N/R			WF10122		57701 - Allison-Spin-on 58970 - Allison-Pan Style 58369 - 6L90

SIERRA HYBRID

V8 6.0L 364 CID Gas/Electric	LZ1	J	57060 ⁵³	57060XP	42487 ²⁸⁴ 42488 ¹⁵⁵ 42488FR ³⁶⁰	WP10428			N/S		WL10453
------------------------------	-----	---	---------------------	---------	--	---------	--	--	-----	--	---------

N/A = Not Available N/R = Not Required N/S = Not Serviceable For cabin and fuel filter locator, see pages 5-15 See pages 16-19 for footnotes

N/A = Non disponible N/R = Non nécessaire N/S = Non réparable Para la ubicación de los filtros de aire de la cabina y de combustible, ver las páginas 5-15 Voir pages 16-19 pour des notes

N/A = No disponible N/R = No requiere N/S = No servible Voir les tableaux de repérage des filtres d'habitacle et à carburant aux pages 5-15 Ver las páginas 16-19 para las notas al pie de página

Italicized Part Numbers May Not Be Available. Wix XP Oil Filters Have Fully Synthetic Media.

Las piezas con números en *italicas* pueden no estar disponibles. Los filtros de aceite WIX XP son completamente de media sintética.

Les numéros de pièce en *italiques* peuvent ne pas être disponibles. Les filtres à huile Wix contiennent un matériau 100 % synthétique.

GMC 2012-2011

Pass Car/Light Truck

Year/Año/Année Model/Modelo/Modèle Engine/Motor/Moteur	Eng. Code Código de motor Code moteur	VIN NIV NIV	Oil Aceite Huile	Oil XP Aceite XP Huile XP	Air Aire Air	Cabin Air Cabina Aire Cabine Air	Cabin Air XP Cabina Aire XP Cabine Air XP	Loc. Cabin Air Cabina Aire Cabine Air	Fuel Combustible Carburant	Loc. Fuel Combustible Carburant	Transmission Transmisión Transmission
--	---	-------------------	------------------------	---------------------------------	--------------------	--	---	--	----------------------------------	--	---

GMC (Cont'd/Suite)

2012 (Cont'd/Suite)

SIERRA PICKUPS (UP TO 3500 SERIES)

V6 4.3L 262CID	LU3	Z	51040 ⁵³	51040XP	42487 ²⁸⁴ 42488 ¹⁵⁵ 42488FR ³⁶⁰	WP10428			N/S		58904 - 4L60E-SP 58847 - 4L60E-DP N/A - 6L80
V8 4.8L 294 CID Flex	L20	A	57060 ⁵³	57060XP	42487 ²⁸⁴ 42488 ¹⁵⁵ 42488FR ³⁶⁰	WP10428			N/S		58904 - 4L60E-SP 58847 - 4L60E-DP N/A - 6L80
V8 5.3L 325 CID Flex		0,7	57060 ⁵³	57060XP	42487 ²⁸⁴ 42488 ¹⁵⁵ 42488FR ³⁶⁰	WP10428			N/S		58904 - 4L60E-SP 58847 - 4L60E-DP N/A - 6L80
V8 6.0L 5967cc 364 CID	L96	G	57060 ⁵³	57060XP	42487 ²⁸⁴ 42488 ¹⁵⁵ 42488FR ³⁶⁰	WP10428			N/S		58904 - 4L60E-SP 58847 - 4L60E-DP N/A - 6L80 58369 - 6L90
V8 6.2L 376 CID Flex	L9H	2	57060 ⁵³	57060XP	42487 ²⁸⁴ 42488 ¹⁵⁵ 42488FR ³⁶⁰	WP10428			N/S		58847 - 4L60E-DP N/A - 6L80 58904 - 4L60E-SP
V8 6.6L 400 CID Turbo Diesel	LGH	L,8	57202 ⁵³	57202XP	49314	WP10428					57701 - Allison-Spin-on 58970 - Allison-Pan Style N/R - Allison 1000 6-Speed

TERRAIN

L4 2.4L 145 CID	LEA	K	57082	57082XP	49727	24013	24013XP	3	N/S		N/A
L4 2.4L 145 CID Flex	LEA	K	57082	57082XP	49727	24013	24013XP	3	N/S		N/A
V6 3.0L 182 CID	LFW	5	WL10255	WL10255XP	49727	24013	24013XP	3	N/S		N/A

YUKON (ALL)

V8 5.3L 5328cc 325 CID Flex	LC9	7	57060 ⁵³	57060XP	42487 ²⁸⁴ 42488 ¹⁵⁵ 42488FR ³⁶⁰	WP10428			N/S		N/A - 6L80
	LMG	0	57060 ⁵³	57060XP	42487 ²⁸⁴ 42488 ¹⁵⁵ 42488FR ³⁶⁰	WP10428			N/S		N/A - 6L80
V8 6.0L 5967cc 364 CID	L96	G	57060 ⁵³	57060XP	42487 ²⁸⁴ 42488 ¹⁵⁵ 42488FR ³⁶⁰	WP10428			N/S		58369 - 6L90
V8 6.2L 376 CID Flex	L94	F	57060 ⁵³	57060XP	42487 ²⁸⁴ 42488 ¹⁵⁵ 42488FR ³⁶⁰	WP10428			N/S		N/A - 6L80

YUKON HYBRID

V8 6.0L 364 CID Gas/Electric	LZ1	J	57060 ⁵³	57060XP	42487 ²⁸⁴ 42488 ¹⁵⁵ 42488FR ³⁶⁰	WP10428			N/S		WL10453
------------------------------	-----	---	---------------------	---------	--	---------	--	--	-----	--	---------

2011

ACADIA

V6 3.6L 217 CID	LLT	D	WL10255	WL10255XP	49634	WP10074			N/S		N/S
-----------------	-----	---	---------	-----------	-------	---------	--	--	-----	--	-----

CANYON

L4 2.9L 178 CID		9	51042 ⁵³	51042XP	49429	N/R			N/S		58323 - 4L60E-SP 58847 - 4L60E-DP
L5 3.7L 3654cc 223 CID		E	51522 ⁵³	51522XP	49429	N/R			N/S		58323 - 4L60E-SP 58847 - 4L60E-DP
V8 5.3L 325 CID		P	57060 ⁵³	57060XP	49429	N/R			N/S		58323 - 4L60E-SP 58847 - 4L60E-DP

SAVANA VAN (UP TO 3500 SERIES)

V6 4.3L 262CID		Z	51040 ⁵³	51040XP	46573	N/R			N/S		58904 - 4L60E-SP 58847 - 4L60E-DP
V8 4.8L 294 CID Flex	L20	A	57060 ⁵³	57060XP	46573	N/R			N/S		58369 - 6L90
V8 5.3L 5328cc 325 CID Flex	LMF	4	57060 ⁵³	57060XP	46573	N/R			N/S		58904 - 4L60E-SP 58847 - 4L60E-DP
V8 6.0L 5967cc 364 CID	L96	G	57060 ⁵³	57060XP	46573	N/R			N/S		58369 - 6L90
	LC8	B	57060 ⁵³	57060XP	46573	N/R			N/S		58369 - 6L90
V8 6.6L 400 CID Turbo Diesel	LGH	L	57202 ⁵³	57202XP	49154	N/R			33837 ⁵⁰⁴		58369 - 6L90

N/A = Not Available N/R = Not Required N/S = Not Serviceable For cabin and fuel filter locator, see pages 5-15 See pages 16-19 for footnotes

N/A = Non disponible N/R = Non nécessaire N/S = Non réparable Para la ubicación de los filtros de aire de la cabina y de combustible, ver las páginas 5-15 Voir pages 16-19 pour des notes

N/A = No disponible N/R = No requiere N/S = No servible Voir les tableaux de repérage des filtres d'habitacle et à carburant aux pages 5-15 Ver las páginas 16-19 para las notas al pie de página

Italicized Part Numbers May Not Be Available. Wix XP Oil Filters Have Fully Synthetic Media.

Las piezas con números en *italicas* pueden no estar disponibles. Los filtros de aceite WIX XP son completamente de media sintética. Les numéros de pièce en *italiques* peuvent ne pas être disponibles. Les filtres à huile XP Wix contiennent un matériau 100 % synthétique.

Year/Año/Année Model/Modelo/Modèle Engine/Motor/Moteur	Eng. Code Código de motor Code moteur	VIN NIV NIV	Oil Aceite Huile	Oil XP Aceite XP Huile XP	Air Aire Air	Cabin Air Cabina Aire Cabine Air	Cabin Air XP Cabina Aire XP Cabine Air XP	Loc. Cabin Air Cabina Aire Cabine Air	Fuel Combustible Carburant	Loc. Fuel Combustible Carburant	Transmission Transmisión Transmission
--	---	-------------------	------------------------	---------------------------------	--------------------	--	---	--	----------------------------------	--	---

GMC (Cont'd/Suite)

2011 (Cont'd/Suite)

SIERRA HYBRID

V8 6.0L 364 CID Gas/Electric	LZ1	J	57060 ⁵³	57060XP	42487 ²⁸⁴ 42488 ¹⁵⁵ 42488FR ³⁶⁰	WP10428			N/S		WL10453
------------------------------	-----	---	---------------------	---------	--	---------	--	--	-----	--	---------

SIERRA PICKUPS (UP TO 3500 SERIES)

V6 4.3L 262CID	LU3	Z	51040 ⁵³	51040XP	42487 ²⁸⁴ 42488 ¹⁵⁵ 42488FR ³⁶⁰	WP10428			N/S		58904 - 4L60E-SP 58847 - 4L60E-DP N/A - 6L80
V8 4.8L 294 CID Flex	L20	A	57060 ⁵³	57060XP	42487 ²⁸⁴ 42488 ¹⁵⁵ 42488FR ³⁶⁰	WP10428			N/S		58904 - 4L60E-SP 58847 - 4L60E-DP N/A - 6L80
V8 5.3L 325 CID Flex		0,3	57060 ⁵³	57060XP	42487 ²⁸⁴ 42488 ¹⁵⁵ 42488FR ³⁶⁰	WP10428			N/S		58904 - 4L60E-SP 58847 - 4L60E-DP N/A - 6L80
V8 6.0L 5967cc 364 CID	L96	G	57060 ⁵³	57060XP	42487 ²⁸⁴ 42488 ¹⁵⁵ 42488FR ³⁶⁰	WP10428			N/S		58369 - 6L90
V8 6.2L 376 CID Flex	L9H	2	57060 ⁵³	57060XP	42487 ²⁸⁴ 42488 ¹⁵⁵ 42488FR ³⁶⁰	WP10428			N/S		58847 - 4L60E-DP N/A - 6L80 58904 - 4L60E-SP
V8 6.6L 400 CID Turbo Diesel	LGH	L,8	57202 ⁵³	57202XP	49314	WP10428					57701 - Allison-Spin-on 58970 - Allison-Pan Style N/R - Allison 1000 6-Speed

TERRAIN

L4 2.4L 2384cc 145 CID	LAF	C	57082	57082XP	49727	24013	24013XP	3	N/S		N/A
V6 3.0L 182 CID	LFW	5	WL10255	WL10255XP	49727	24013	24013XP	3	N/S		N/A

YUKON (ALL)

V8 5.3L 5328cc 325 CID Flex	LC9	3	57060 ⁵³	57060XP	42487 ²⁸⁴ 42488 ¹⁵⁵ 42488FR ³⁶⁰	WP10428			N/S		N/A - 6L80
	LMG	0	57060 ⁵³	57060XP	42487 ²⁸⁴ 42488 ¹⁵⁵ 42488FR ³⁶⁰	WP10428			N/S		N/A - 6L80
V8 6.0L 5967cc 364 CID	L96	G	57060 ⁵³	57060XP	42487 ²⁸⁴ 42488 ¹⁵⁵ 42488FR ³⁶⁰	WP10428			N/S		58369 - 6L90
V8 6.2L 376 CID Flex	L94	F	57060 ⁵³	57060XP	42487 ²⁸⁴ 42488 ¹⁵⁵ 42488FR ³⁶⁰	WP10428			N/S		N/A - 6L80

YUKON HYBRID

V8 6.0L 364 CID Gas/Electric	LZ1	J	57060 ⁵³	57060XP	42487 ²⁸⁴ 42488 ¹⁵⁵ 42488FR ³⁶⁰	WP10428			N/S		WL10453
------------------------------	-----	---	---------------------	---------	--	---------	--	--	-----	--	---------

2010

ACADIA

V6 3.6L 217 CID	LLT	D	57060 ⁵³	57060XP	49634	WP10074			N/S		N/S
-----------------	-----	---	---------------------	---------	-------	---------	--	--	-----	--	-----

CANYON

L4 2.9L 178 CID		9	51042 ⁵³	51042XP	49429	N/R			N/S		58323 - 4L60E-SP 58847 - 4L60E-DP
L5 3.7L 3654cc 223 CID		E	51522 ⁵³	51522XP	49429	N/R			N/S		58323 - 4L60E-SP 58847 - 4L60E-DP
V8 5.3L 325 CID		P	57060 ⁵³	57060XP	49429	N/R			N/S		58323 - 4L60E-SP 58847 - 4L60E-DP

SAVANA VAN (UP TO 3500 SERIES)

V6 4.3L 262CID		Z	51040 ⁵³	51040XP	46573	N/R			N/S		58904 - 4L60E-SP 58847 - 4L60E-DP
V8 4.8L 294 CID Flex	L20		57060 ⁵³	57060XP	46573	N/R			N/S		58904 - 4L60E-SP 58847 - 4L60E-DP 58369 - 6L90
V8 5.3L 5328cc 325 CID Flex	LMF	4	57060 ⁵³	57060XP	46573	N/R			N/S		58904 - 4L60E-SP 58847 - 4L60E-DP

N/A = Not Available N/R = Not Required N/S = Not Serviceable For cabin and fuel filter locator, see pages 5-15 See pages 16-19 for footnotes
 N/A = Non disponible N/R = Non nécessaire N/S = Non réparable Para la ubicación de los filtros de aire de la cabina y de combustible, ver las páginas 5-15 Voir pages 16-19 pour des notes
 N/A = No disponible N/R = No requiere N/S = No servible Voir les tableaux de repérage des filtres d'habitacle et à carburant aux pages 5-15 Ver las páginas 16-19 para las notas al pie de página

Italicized Part Numbers May Not Be Available. Wix XP Oil Filters Have Fully Synthetic Media.
 Las piezas con números en *italicas* pueden no estar disponibles. Los filtros de aceite WIX XP son completamente de media sintética.
 Les numéros de pièce en *italiques* peuvent ne pas être disponibles. Les filtres à huile Wix contiennent un matériau 100 % synthétique.

GMC 2010-2009
Pass Car/Light Truck

Year/Año/Année Model/Modelo/Modèle Engine/Motor/Moteur	Eng. Code Código de motor Code moteur	VIN NIV NIV	Oil Aceite Huile	Oil XP Aceite XP Huile XP	Air Aire Air	Cabin Air Cabina Aire Cabine Air	Cabin Air XP Cabina Aire XP Cabine Air XP	Loc. Cabin Air Cabina Aire Cabine Air	Fuel Combustible Carburant	Loc. Fuel Combustible Carburant	Transmission Transmisión Transmission
--	---	-------------------	------------------------	---------------------------------	--------------------	--	---	--	----------------------------------	--	---

GMC (Cont'd/Suite)
2010 (Cont'd/Suite)
SAVANA VAN (UP TO 3500 SERIES) (Cont'd/Suite)

V8 6.0L 5967cc 364 CID	L96	G	57060 ⁵³	57060XP	46573	N/R			N/S		58369 - 6L90
V8 6.6L 400 CID Turbo Diesel	LGH	L	57202 ⁵³	57202XP	49154	N/R			33837 ⁵⁰⁴		57701 - Allison-Spin-on 58970 - Allison-Pan Style 58369 - 6L90
	LMM	6	57202 ⁵³	57202XP	49154	N/R			33837 ⁵⁰⁴		57701 - Allison-Spin-on 58970 - Allison-Pan Style 58369 - 6L90

SIERRA HYBRID

V8 6.0L 364 CID Gas/Electric	LZ1	J	57060 ⁵³	57060XP	42487 ²⁸⁴ 42488 ¹⁵⁵ 42488FR ³⁶⁰	WP10428			N/S		WL10453
------------------------------	-----	---	---------------------	---------	--	---------	--	--	-----	--	---------

SIERRA PICKUPS (UP TO 3500 SERIES)

V6 4.3L 262CID	LU3	Z	51040 ⁵³	51040XP	42487 ²⁸⁴ 42488 ¹⁵⁵ 42488FR ³⁶⁰	WP10428			N/S		58904 - 4L60E-SP 58847 - 4L60E-DP N/A - 6L80
V8 4.8L 294 CID Flex	L20	A	57060 ⁵³	57060XP	42487 ²⁸⁴ 42488 ¹⁵⁵ 42488FR ³⁶⁰	WP10428			N/S		58904 - 4L60E-SP 58847 - 4L60E-DP N/A - 6L80
V8 5.3L 325 CID Flex		0,3	57060 ⁵³	57060XP	42487 ²⁸⁴ 42488 ¹⁵⁵ 42488FR ³⁶⁰	WP10428			N/S		58904 - 4L60E-SP 58847 - 4L60E-DP N/A - 6L80
V8 6.0L 5967cc 364 CID	L96	G,K	57060 ⁵³	57060XP	42487 ²⁸⁴ 42488 ¹⁵⁵ 42488FR ³⁶⁰	WP10428			N/S		58369 - 6L90
V8 6.2L 376 CID Flex	L9H	2	57060 ⁵³	57060XP	42487 ²⁸⁴ 42488 ¹⁵⁵ 42488FR ³⁶⁰	WP10428			N/S		58847 - 4L60E-DP N/A - 6L80 58904 - 4L60E-SP
V8 6.6L 400 CID Turbo Diesel	LMM	6	57202 ⁵³	57202XP	49184 ⁵⁰³	WP10428					57701 - Allison-Spin-on 58970 - Allison-SP N/R - Allison 1000 6-Speed 58966 - Allison-DP

TERRAIN

L4 2.4L 145 CID	LAF	W	57082	57082XP	49727	24013	24013XP	3	N/S		N/A
V6 3.0L 182 CID	LF1	Y	57060 ⁵³	57060XP	49727	24013	24013XP	3	N/S		N/A

YUKON (ALL)

V8 5.3L 5328cc 325 CID Flex	LC9	3	57060 ⁵³	57060XP	42487 ²⁸⁴ 42488 ¹⁵⁵ 42488FR ³⁶⁰	WP10428			N/S		N/A - 6L80
	LMG	0	57060 ⁵³	57060XP	42487 ²⁸⁴ 42488 ¹⁵⁵ 42488FR ³⁶⁰	WP10428			N/S		N/A - 6L80
V8 6.0L 5967cc 364 CID	L96	G	57060 ⁵³	57060XP	42487 ²⁸⁴ 42488 ¹⁵⁵ 42488FR ³⁶⁰	WP10428			N/S		58369 - 6L90
V8 6.2L 376 CID Flex	L94	F	57060 ⁵³	57060XP	42487 ²⁸⁴ 42488 ¹⁵⁵ 42488FR ³⁶⁰	WP10428			N/S		N/A - 6L80

YUKON HYBRID

V8 6.0L 364 CID Gas/Electric	LZ1	J	57060 ⁵³	57060XP	42487 ²⁸⁴ 42488 ¹⁵⁵ 42488FR ³⁶⁰	WP10428			N/S		WL10453
------------------------------	-----	---	---------------------	---------	--	---------	--	--	-----	--	---------

2009
ACADIA

V6 3.6L 217 CID	LLT	D	57060 ⁵³	57060XP	49634	WP10074			N/S		N/S
-----------------	-----	---	---------------------	---------	-------	---------	--	--	-----	--	-----

CANYON

L4 2.9L 178 CID		9	51042 ⁵³	51042XP	49429	N/R			N/S		58323 - 4L60E-SP 58847 - 4L60E-DP
L5 3.7L 3654cc 223 CID		E	51522 ⁵³	51522XP	49429	N/R			N/S		58323 - 4L60E-SP 58847 - 4L60E-DP

N/A = Not Available N/R = Not Required N/S = Not Serviceable For cabin and fuel filter locator, see pages 5-15 See pages 16-19 for footnotes

N/A = Non disponible N/R = Non nécessaire N/S = Non réparable Para la ubicación de los filtros de aire de la cabina y de combustible, ver las páginas 5-15 Voir pages 16-19 pour des notes

N/A = No disponible N/R = No requiere N/S = No servible Voir les tableaux de repérage des filtres d'habitacle et à carburant aux pages 5-15 Ver las páginas 16-19 para las notas al pie de página

Italicized Part Numbers May Not Be Available. Wix XP Oil Filters Have Fully Synthetic Media.

Las piezas con números en *italicas* pueden no estar disponibles. Los filtros de aceite WIX XP son completamente de media sintética. Les numéros de pièce en *italiques* peuvent ne pas être disponibles. Les filtres à huile XP Wix contiennent un matériau 100 % synthétique.

Pass Car/Light Truck

GMC 2009

Year/Año/Année Model/Modelo/Modèle Engine/Motor/Moteur	Eng. Code Código de motor Code moteur	VIN NIV NIV	Oil Aceite Huile	Oil XP Aceite XP Huile XP	Air Aire Air	Cabin Air Cabina Aire Cabine Air	Cabin Air XP Cabina Aire XP Cabine Air XP	Loc. Cabin Air Cabina Aire Cabine Air	Fuel Combustible Carburant	Loc. Fuel Combustible Carburant	Transmission Transmisión Transmission
--	---	-------------------	------------------------	---------------------------------	--------------------	--	---	--	----------------------------------	--	---

GMC (Cont'd/Suite)

2009 (Cont'd/Suite)

CANYON (Cont'd/Suite)

V8 5.3L 325 CID		L	57060 ⁵³	57060XP	49429	N/R			N/S		58323 - 4L60E-SP 58847 - 4L60E-DP
-----------------	--	---	---------------------	---------	-------	-----	--	--	-----	--	--------------------------------------

ENVOY

L6 4.2L 256 CID		S	51522 ⁵³	51522XP	42729	N/R			N/S		58904 - 4L60E-SP 58847 - 4L60E-DP
V8 5.3L 325 CID		M	57060 ⁵³	57060XP	42729	N/R			N/S		58904 - 4L60E-SP 58847 - 4L60E-DP

SAVANA VAN (UP TO 3500 SERIES)

V6 4.3L 262CID		Z	51040 ⁵³	51040XP	46573	N/R			N/S		58904 - 4L60E-SP 58847 - 4L60E-DP 58608 - 4L80E
V8 4.8L 294 CID Flex	L20	C	57060 ⁵³	57060XP	46573	N/R			N/S		58904 - 4L60E-SP 58847 - 4L60E-DP 58608 - 4L80E
V8 5.3L 5328cc 325 CID Flex	LMF	4	57060 ⁵³	57060XP	46573	N/R			N/S		58904 - 4L60E-SP 58847 - 4L60E-DP 58608 - 4L80E
V8 6.0L 5967cc 364 CID		K	57060 ⁵³	57060XP	46573	N/R			N/S		58904 - 4L60E-SP 58847 - 4L60E-DP 58608 - 4L80E
V8 6.6L 400 CID Turbo Diesel	LMM	6	57202 ⁵³	57202XP	49154	N/R			33837 ⁵⁰⁴		58904 - 4L60E-SP 58847 - 4L60E-DP 58608 - 4L80E

SIERRA HYBRID

V8 6.0L 364 CID Gas/Electric	LFA	5	57060 ⁵³	57060XP	42487 ²⁸⁴ 42488 ¹⁵⁵ 42488FR ³⁶⁰	WP10428			N/S		WL10453
------------------------------	-----	---	---------------------	---------	--	---------	--	--	-----	--	---------

SIERRA PICKUPS (UP TO 3500 SERIES)

V6 4.3L 262CID	LU3	Z	51040 ⁵³	51040XP	42487 ²⁸⁴ 42488 ¹⁵⁵ 42488FR ³⁶⁰	WP10428			N/S		58904 - 4L60E-SP 58847 - 4L60E-DP N/A - 6L80
V8 4.8L 294 CID Flex	L20	C	57060 ⁵³	57060XP	42487 ²⁸⁴ 42488 ¹⁵⁵ 42488FR ³⁶⁰	WP10428			N/S		58904 - 4L60E-SP 58847 - 4L60E-DP N/A - 6L80
V8 5.3L 325 CID		J,M	57060 ⁵³	57060XP	42487 ²⁸⁴ 42488 ¹⁵⁵ 42488FR ³⁶⁰	WP10428			N/S		58904 - 4L60E-SP 58847 - 4L60E-DP N/A - 6L80
V8 5.3L 325 CID Flex		0,3	57060 ⁵³	57060XP	42487 ²⁸⁴ 42488 ¹⁵⁵ 42488FR ³⁶⁰	WP10428			N/S		58904 - 4L60E-SP 58847 - 4L60E-DP N/A - 6L80
V8 6.0L 5967cc 364 CID		K	57060 ⁵³	57060XP	42487 ²⁸⁴ 42488 ¹⁵⁵ 42488FR ³⁶⁰	WP10428			N/S		58904 - 4L60E-SP 58847 - 4L60E-DP 58369 - 6L90
	L76	Y	57060 ⁵³	57060XP	42487 ²⁸⁴ 42488 ¹⁵⁵ 42488FR ³⁶⁰	WP10428			N/S		58904 - 4L60E-SP 58847 - 4L60E-DP 58369 - 6L90
V8 6.2L 376 CID Flex	L9H	2	57060 ⁵³	57060XP	42487 ²⁸⁴ 42488 ¹⁵⁵ 42488FR ³⁶⁰	WP10428			N/S		58847 - 4L60E N/A - 6L80
V8 6.6L 400 CID Turbo Diesel	LMM	6	57202 ⁵³	57202XP	49184 ³⁰³	WP10428					57701 - Allison-Spin-on 58970 - Allison-SP N/R - Allison 1000 6-Speed 58966 - Allison-DP

YUKON (ALL)

V8 4.8L 294 CID Flex	L20	C	57060 ⁵³	57060XP	42487 ²⁸⁴ 42488 ¹⁵⁵ 42488FR ³⁶⁰	WP10428			N/S		58904 - 4L60E-SP 58847 - 4L60E-DP N/A - 6L80
V8 5.3L 5328cc 325 CID	LY5	J	57060 ⁵³	57060XP	42487 ²⁸⁴ 42488 ¹⁵⁵ 42488FR ³⁶⁰	WP10428			N/S		58904 - 4L60E-SP 58847 - 4L60E-DP N/A - 6L80
V8 5.3L 5328cc 325 CID Flex	LC9	3	57060 ⁵³	57060XP	42487 ²⁸⁴ 42488 ¹⁵⁵ 42488FR ³⁶⁰	WP10428			N/S		58904 - 4L60E-SP 58847 - 4L60E-DP N/A - 6L80

N/A = Not Available N/R = Not Required N/S = Not Serviceable For cabin and fuel filter locator, see pages 5-15 See pages 16-19 for footnotes

N/A = Non disponible N/R = Non nécessaire N/S = Non réparable Para la ubicación de los filtros de aire de la cabina y de combustible, ver las páginas 5-15 Voir pages 16-19 pour des notes

N/A = No disponible N/R = No requiere N/S = No servible Voir les tableaux de repérage des filtres d'habitacle et à carburant aux pages 5-15 Ver las páginas 16-19 para las notas al pie de página

Italicized Part Numbers May Not Be Available. Wix XP Oil Filters Have Fully Synthetic Media.

Las piezas con números en *italicas* pueden no estar disponibles. Los filtros de aceite WIX XP son completamente de media sintética.

Les numéros de pièce en *italiques* peuvent ne pas être disponibles. Les filtres à huile Wix contiennent un matériau 100 % synthétique.

P
A
S
S
C
A
R
L
I
G
H
T
T
R
U
C
K

GMC 2009-2008

Pass Car/Light Truck

Year/Año/Année Model/Modelo/Modèle Engine/Motor/Moteur	Eng. Code Código de motor Code moteur	VIN NIV NIV	Oil Aceite Huile	Oil XP Aceite XP Huile XP	Air Aire Air	Cabin Air Cabina Aire Cabine Air	Cabin Air XP Cabina Aire XP Cabine Air XP	Loc. Cabin Air Cabina Aire Cabine Air	Fuel Combustible Carburant	Loc. Fuel Combustible Carburant	Transmission Transmisión Transmission
--	---	-------------------	------------------------	---------------------------------	--------------------	--	---	--	----------------------------------	--	---

GMC (Cont'd/Suite)

2009 (Cont'd/Suite)

YUKON (ALL) (Cont'd/Suite)

V8 5.3L 5328cc 325 CID Flex	LMG	0	57060 ⁵³	57060XP	42487 ²⁸⁴ 42488 ¹⁵⁵ 42488FR ³⁶⁰	WP10428			N/S		58904 - 4L60E-SP 58847 - 4L60E-DP N/A - 6L80
V8 6.0L 5967cc 364 CID		K	57060 ⁵³	57060XP	42487 ²⁸⁴ 42488 ¹⁵⁵ 42488FR ³⁶⁰	WP10428			N/S		N/A - 6L80
V8 6.2L 376 CID Flex	L9H	2	57060 ⁵³	57060XP	42487 ²⁸⁴ 42488 ¹⁵⁵ 42488FR ³⁶⁰	WP10428			N/S		N/A - 6L80

YUKON HYBRID

V8 6.0L 364 CID Gas/Electric	LFA	5	57060 ⁵³	57060XP	42487 ²⁸⁴ 42488 ¹⁵⁵ 42488FR ³⁶⁰	WP10428			N/S		WL10453
------------------------------	-----	---	---------------------	---------	--	---------	--	--	-----	--	---------

2008

ACADIA

V6 3.6L 217 CID		7	57060 ⁵³	57060XP	49634	WP10074			N/S		N/S
-----------------	--	---	---------------------	---------	-------	---------	--	--	-----	--	-----

CANYON

L4 2.9L 178 CID		9	51042 ⁵³	51042XP	49429	N/R			N/S		58904 - 4L60E-SP 2WD 58847 - 4L60E-DP 2WD 58323 - 4L60E-4WD
L5 3.7L 3654cc 223 CID		E	51522 ⁵³	51522XP	49429	N/R			N/S		58904 - 4L60E-SP 2WD 58847 - 4L60E-DP 2WD 58323 - 4L60E-4WD

ENVOY

L6 4.2L 256 CID		S	51522 ⁵³	51522XP	42729	N/R			N/S		58904 - 4L60E-SP 58847 - 4L60E-DP
V8 5.3L 325 CID		M	57060 ⁵³	57060XP	42729	N/R			N/S		58904 - 4L60E-SP 58847 - 4L60E-DP

SAVANNAH VAN (UP TO 3500 SERIES)

V6 4.3L 262CID		Z	51040 ⁵³	51040XP	46573	N/R			N/S		58904 - 4L60E-SP 58847 - 4L60E-DP 58608 - 4L80E
V8 4.8L 294 CID Flex	L20	C	57060 ⁵³	57060XP	46573	N/R			N/S		58904 - 4L60E-SP 58847 - 4L60E-DP 58608 - 4L80E
V8 5.3L 5328cc 325 CID Flex	LMF	4	57060 ⁵³	57060XP	46573	N/R			N/S		58904 - 4L60E-SP 58847 - 4L60E-DP 58608 - 4L80E
V8 6.0L 5967cc 364 CID	LY6	K	57060 ⁵³	57060XP	46573	N/R			N/S		58904 - 4L60E-SP 58847 - 4L60E-DP 58608 - 4L80E
V8 6.6L 400 CID Turbo Diesel	LMM	6	57202 ⁵³	57202XP	49154	N/R			33837 ⁵⁰⁴		58904 - 4L60E-SP 58847 - 4L60E-DP 58608 - 4L80E

SIERRA PICKUPS (UP TO 3500 SERIES)

V6 4.3L 262CID	LU3	Z	51040 ⁵³	51040XP	42487 ²⁸⁴ 42488 ¹⁵⁵ 42488FR ³⁶⁰	WP10428			N/S		58904 - 4L60E-SP 58847 - 4L60E-DP 58608 - 4L80E
V8 4.8L 294 CID Flex	L20	C	57060 ⁵³	57060XP	42487 ²⁸⁴ 42488 ¹⁵⁵ 42488FR ³⁶⁰	WP10428			N/S		58904 - 4L60E-SP 58847 - 4L60E-DP 58608 - 4L80E
V8 5.3L 325 CID	LY5,LH6	J,M	57060 ⁵³	57060XP	42487 ²⁸⁴ 42488 ¹⁵⁵ 42488FR ³⁶⁰	WP10428			N/S		58904 - 4L60E-SP 58847 - 4L60E-DP 58608 - 4L80E
V8 5.3L 325 CID Flex	LC9,LMG	0,3	57060 ⁵³	57060XP	42487 ²⁸⁴ 42488 ¹⁵⁵ 42488FR ³⁶⁰	WP10428			N/S		58904 - 4L60E-SP 58847 - 4L60E-DP 58608 - 4L80E
V8 6.0L 5967cc 364 CID		K	57060 ⁵³	57060XP	42487 ²⁸⁴ 42488 ¹⁵⁵ 42488FR ³⁶⁰	WP10428			N/S		58904 - 4L60E-SP 58847 - 4L60E-DP 58608 - 4L80E

N/A = Not Available N/R = Not Required N/S = Not Serviceable For cabin and fuel filter locator, see pages 5-15 See pages 16-19 for footnotes

N/A = Non disponible N/R = Non nécessaire N/S = Non réparable Para la ubicación de los filtros de aire de la cabina y de combustible, ver las páginas 5-15 Voir pages 16-19 pour des notes

N/A = No disponible N/R = No requiere N/S = No servible Voir les tableaux de repérage des filtres d'habitacle et à carburant aux pages 5-15 Ver las páginas 16-19 para las notas al pie de página

Italicized Part Numbers May Not Be Available. Wix XP Oil Filters Have Fully Synthetic Media.

Las piezas con números en *italicas* pueden no estar disponibles. Los filtros de aceite WIX XP son completamente de media sintética. Les numéros de pièce en *italiques* peuvent ne pas être disponibles. Les filtres à huile XP Wix contiennent un matériau 100 % synthétique.

Year/Año/Année Model/Modelo/Modèle Engine/Motor/Moteur	Eng. Code Código de motor Code moteur	VIN NIV NIV	Oil Aceite Huile	Oil XP Aceite XP Huile XP	Air Aire Air	Cabin Air Cabina Aire Cabine Air	Cabin Air XP Cabina Aire XP Cabine Air XP	Loc. Cabin Air Cabina Aire Cabine Air	Fuel Combustible Carburant	Loc. Fuel Combustible Carburant	Transmission Transmisión Transmission
--	---	-------------------	------------------------	---------------------------------	--------------------	--	---	--	----------------------------------	--	---

GMC (Cont'd/Suite)

2008 (Cont'd/Suite)

SIERRA PICKUPS (UP TO 3500 SERIES) (Cont'd/Suite)

V8 6.0L 5967cc 364 CID	L76	Y	57060 ⁵³	57060XP	42487 ²⁸⁴ 42488 ¹⁵⁵ 42488FR ³⁶⁰	WP10428			N/S		58904 - 4L60E-SP 58847 - 4L60E-DP 58608 - 4L80E
V8 6.2L 376 CID Flex	L94	8	57060 ⁵³	57060XP	42487 ²⁸⁴ 42488 ¹⁵⁵ 42488FR ³⁶⁰	WP10428			N/S		N/A - 6L80
V8 6.6L 400 CID Turbo Diesel	LGH	6	57202 ⁵³	57202XP	49184 ⁵⁰³	WP10428					57701 - Allison-Spin-on 58970 - Allison-SP 58966 - Allison-DP

YUKON (ALL)

V8 4.8L 294 CID Flex	L20	C	57060 ⁵³	57060XP	42487 ²⁸⁴ 42488 ¹⁵⁵ 42488FR ³⁶⁰	WP10428			N/S		58904 - 4L60E-SP 58847 - 4L60E-DP 58608 - 4L80E
V8 5.3L 5328cc 325 CID	LY5	J	57060 ⁵³	57060XP	42487 ²⁸⁴ 42488 ¹⁵⁵ 42488FR ³⁶⁰	WP10428			N/S		58904 - 4L60E-SP 58847 - 4L60E-DP 58608 - 4L80E
V8 5.3L 5328cc 325 CID Flex	LC9	3	57060 ⁵³	57060XP	42487 ²⁸⁴ 42488 ¹⁵⁵ 42488FR ³⁶⁰	WP10428			N/S		58904 - 4L60E-SP 58847 - 4L60E-DP 58608 - 4L80E
	LMG	0	57060 ⁵³	57060XP	42487 ²⁸⁴ 42488 ¹⁵⁵ 42488FR ³⁶⁰	WP10428			N/S		58904 - 4L60E-SP 58847 - 4L60E-DP 58608 - 4L80E
V8 6.0L 5967cc 364 CID		K	57060 ⁵³	57060XP	42487 ²⁸⁴ 42488 ¹⁵⁵ 42488FR ³⁶⁰	WP10428			N/S		58904 - 4L60E-SP 58847 - 4L60E-DP 58608 - 4L80E
V8 6.2L 6199cc 378 CID	L92	8	57060 ⁵³	57060XP	42487 ²⁸⁴ 42488 ¹⁵⁵ 42488FR ³⁶⁰	WP10428			N/S		N/A - 6L80 58847 - 4L60E, 4L70E

YUKON HYBRID

V8 6.0L 364 CID Gas/Electric		5	57060 ⁵³	57060XP	42487 ²⁸⁴ 42488 ¹⁵⁵ 42488FR ³⁶⁰	WP10428			N/S		WL10453
------------------------------	--	---	---------------------	---------	--	---------	--	--	-----	--	---------

2007

ACADIA

V6 3.6L 217 CID		7	57060 ⁵³	57060XP	49634	WP10074			N/S		N/S
-----------------	--	---	---------------------	---------	-------	---------	--	--	-----	--	-----

CANYON

L4 2.9L 178 CID		9	51042 ⁵³	51042XP	42013	N/R			N/S		58904 - 4L60E-SP 2WD 58847 - 4L60E-DP 2WD 58323 - 4L60E-4WD
L5 3.7L 3654cc 223 CID		E	51522 ⁵³	51522XP	42013	N/R			N/S		58904 - 4L60E-SP 2WD 58847 - 4L60E-DP 2WD 58323 - 4L60E-4WD

ENVOY

L6 4.2L 256 CID		S	51522 ⁵³	51522XP	42729	N/R			N/S		58904 - 4L60E-SP 58847 - 4L60E-DP
V8 5.3L 325 CID		M	57060 ⁵³	57060XP	42729	N/R			N/S		58904 - 4L60E-SP 58847 - 4L60E-DP

SAVANA VAN (UP TO 3500 SERIES)

V6 4.3L 262CID	LU3	Z	51040 ⁵³	51040XP	46573	N/R			N/S		58904 - 4L60E-SP 58847 - 4L60E-DP 58608 - 4L80E
V8 4.8L 294 CID Flex	L20	V	57060 ⁵³	57060XP	46573	N/R			N/S		58904 - 4L60E-SP 58847 - 4L60E-DP 58608 - 4L80E
V8 5.3L 325 CID		T	57060 ⁵³	57060XP	46573	N/R			N/S - Std.		58904 - 4L60E-SP 58847 - 4L60E-DP 58608 - 4L80E
V8 5.3L 325 CID Flex		Z	57060 ⁵³	57060XP	46573	N/R			N/S - Flex-Fuel		58904 - 4L60E-SP 58847 - 4L60E-DP 58608 - 4L80E

N/A = Not Available N/R = Not Required N/S = Not Serviceable For cabin and fuel filter locator, see pages 5-15 See pages 16-19 for footnotes

N/A = Non disponible N/R = Non nécessaire N/S = Non réparable Para la ubicación de los filtros de aire de la cabina y de combustible, ver las páginas 5-15 Voir pages 16-19 pour des notes

N/A = No disponible N/R = No requiere N/S = No servible Voir les tableaux de repérage des filtres d'habitacle et à carburant aux pages 5-15 Ver las páginas 16-19 para las notas al pie de página

Italicized Part Numbers May Not Be Available. Wix XP Oil Filters Have Fully Synthetic Media.

Las piezas con números en *italicas* pueden no estar disponibles. Los filtros de aceite WIX XP son completamente de media sintética.

Les numéros de pièce en *italiques* peuvent ne pas être disponibles. Les filtres à huile Wix contiennent un matériau 100 % synthétique.

GMC 2007
Pass Car/Light Truck

Year/Año/Année Model/Modelo/Modèle Engine/Motor/Moteur	Eng. Code Código de motor Code moteur	VIN NIV NIV	Oil Aceite Huile	Oil XP Aceite XP Huile XP	Air Aire Air	Cabin Air Cabina Aire Cabine Air	Cabin Air XP Cabina Aire XP Cabine Air XP	Loc. Cabin Air Cabina Aire Cabine Air	Fuel Combustible Carburant	Loc. Fuel Combustible Carburant	Transmission Transmisión Transmission
--	---	-------------------	------------------------	---------------------------------	--------------------	--	---	--	----------------------------------	--	---

GMC (Cont'd/Suite)
2007 (Cont'd/Suite)
SAVANA VAN (UP TO 3500 SERIES) (Cont'd/Suite)

V8 6.0L 5967cc 364 CID	LQ4	U	57060 ⁵³	57060XP	46573	N/R			N/S		58904 - 4L60E-SP 58847 - 4L60E-DP 58608 - 4L80E
V8 6.6L 400 CID Turbo Diesel	LMM	2	57202 ⁵³	57202XP	49154	N/R			33837 ⁵⁰⁴		58904 - 4L60E-SP 58847 - 4L60E-DP 58608 - 4L80E

SIERRA 1500

V6 4.3L 262CID	LU3	Z	51040 ⁵³	51040XP	42487 ²⁸⁴ 42488 ¹⁵⁵ 42488FR ³⁶⁰	WP10428			N/S		58904 - 4L60E-SP 58847 - 4L60E-DP 58608 - 4L80E
V8 4.8L 294 CID Flex	L20	C	57060 ⁵³	57060XP	42487 ²⁸⁴ 42488 ¹⁵⁵ 42488FR ³⁶⁰	WP10428			N/S		58904 - 4L60E-SP 58847 - 4L60E-DP 58608 - 4L80E
V8 5.3L 325 CID		J,M	57060 ⁵³	57060XP	42487 ²⁸⁴ 42488 ¹⁵⁵ 42488FR ³⁶⁰	WP10428			N/S		58904 - 4L60E-SP 58847 - 4L60E-DP 58608 - 4L80E
V8 5.3L 325 CID Flex		0,3	57060 ⁵³	57060XP	42487 ²⁸⁴ 42488 ¹⁵⁵ 42488FR ³⁶⁰	WP10428			N/S		58904 - 4L60E-SP 58847 - 4L60E-DP 58608 - 4L80E
V8 6.0L 5967cc 364 CID		K,Y	57060 ⁵³	57060XP	42487 ²⁸⁴ 42488 ¹⁵⁵ 42488FR ³⁶⁰	WP10428			N/S		58904 - 4L60E-SP 58847 - 4L60E-DP 58608 - 4L80E

SIERRA 1500 CLASSIC

V6 4.3L 262CID	LU3	Z	51040 ⁵³	51040XP	42487 ²⁸⁴ 42488 ¹⁵⁵ 42488FR ³⁶⁰	N/R			N/S		58904 - 4L60E-SP 58847 - 4L60E-DP 58608 - 4L80E
V8 4.8L 294 CID Flex	L20	V	57060 ⁵³	57060XP	42487 ²⁸⁴ 42488 ¹⁵⁵ 42488FR ³⁶⁰	N/R			N/S		58904 - 4L60E-SP 58847 - 4L60E-DP 58608 - 4L80E
V8 5.3L 325 CID		B,T	57060 ⁵³	57060XP	42487 ²⁸⁴ 42488 ¹⁵⁵ 42488FR ³⁶⁰	N/R			N/S - Std.		58904 - 4L60E-SP 58847 - 4L60E-DP 58608 - 4L80E
V8 5.3L 325 CID Flex		Z	57060 ⁵³	57060XP	42487 ²⁸⁴ 42488 ¹⁵⁵ 42488FR ³⁶⁰	N/R			N/S - Flex-Fuel		58904 - 4L60E-SP 58847 - 4L60E-DP 58608 - 4L80E
V8 6.0L 5967cc 364 CID		U,N	57060 ⁵³	57060XP	42487 ²⁸⁴ 42488 ¹⁵⁵ 42488FR ³⁶⁰	N/R			N/S		58904 - 4L60E-SP 58847 - 4L60E-DP 58608 - 4L80E

SIERRA CLASSIC SERIES (UP TO 3500 SERIES)

V6 4.3L 262CID	LU3	Z	51040 ⁵³	51040XP	42487 ²⁸⁴ 42488 ¹⁵⁵ 42488FR ³⁶⁰	N/R			N/S		58904 - 4L60E-SP 58847 - 4L60E-DP 58608 - 4L80E
V8 4.8L 294 CID Flex	L20	V	57060 ⁵³	57060XP	42487 ²⁸⁴ 42488 ¹⁵⁵ 42488FR ³⁶⁰	N/R			N/S		58904 - 4L60E-SP 58847 - 4L60E-DP 58608 - 4L80E
V8 5.3L 325 CID		B,T	57060 ⁵³	57060XP	42487 ²⁸⁴ 42488 ¹⁵⁵ 42488FR ³⁶⁰	N/R			N/S - Std.		58904 - 4L60E-SP 58847 - 4L60E-DP 58608 - 4L80E
V8 5.3L 325 CID Flex		Z	57060 ⁵³	57060XP	42487 ²⁸⁴ 42488 ¹⁵⁵ 42488FR ³⁶⁰	N/R			N/S - Flex-Fuel		58904 - 4L60E-SP 58847 - 4L60E-DP 58608 - 4L80E
V8 6.0L 5967cc 364 CID		N	57060 ⁵³	57060XP	42487 ²⁸⁴ 42488 ¹⁵⁵ 42488FR ³⁶⁰	N/R			N/S		58904 - 4L60E-SP 58847 - 4L60E-DP 58608 - 4L80E
		U	57060 ⁵³	57060XP	42487 ²⁸⁴ 42488 ¹⁵⁵ 42488FR ³⁶⁰	N/R			N/S		58904 - 4L60E-SP 58847 - 4L60E-DP 58608 - 4L80E
V8 6.6L 400 CID Turbo Diesel	LGH	D	57202 ⁵³	57202XP	49184 ⁵⁰³	N/R					57701 - Allison-Spin-on 58970 - Allison-SP 58966 - Allison-DP
V8 8.1L 496 CID		G	57099	57099XP	42487 ²⁸⁴ 42488 ¹⁵⁵ 42488FR ³⁶⁰	N/R			N/S		57701 - Allison-Spin-on 58970 - Allison-SP 58966 - Allison-DP

N/A = Not Available N/R = Not Required N/S = Not Serviceable For cabin and fuel filter locator, see pages 5-15 See pages 16-19 for footnotes

N/A = Non disponible N/R = Non nécessaire N/S = Non réparable Para la ubicación de los filtros de aire de la cabina y de combustible, ver las páginas 5-15 Voir pages 16-19 pour des notes

N/A = No disponible N/R = No requiere N/S = No servible Voir les tableaux de repérage des filtres d'habitacle et à carburant aux pages 5-15 Ver las páginas 16-19 para las notas al pie de página

Italicized Part Numbers May Not Be Available. Wix XP Oil Filters Have Fully Synthetic Media.

Las piezas con números en *italicas* pueden no estar disponibles. Los filtros de aceite WIX XP son completamente de media sintética. Les numéros de pièce en *italiques* peuvent ne pas être disponibles. Les filtres à huile XP Wix contiennent un matériau 100 % synthétique.

Year/Año/Année Model/Modelo/Modèle Engine/Motor/Moteur	Eng. Code Código de motor Code moteur	VIN NIV NIV	Oil Aceite Huile	Oil XP Aceite XP Huile XP	Air Aire Air	Cabin Air Cabina Aire Cabine Air	Cabin Air XP Cabina Aire XP Cabine Air XP	Loc. Cabin Air Cabina Aire Cabine Air	Fuel Combustible Carburant	Loc. Fuel Combustible Carburant	Transmission Transmisión Transmission
--	---	-------------------	------------------------	---------------------------------	--------------------	--	---	--	----------------------------------	--	---

GMC (Cont'd/Suite)

2007 (Cont'd/Suite)

SIERRA HYBRID

V8 5.3L 325 CID Gas/Electric	LM7	T	57060 ⁵³	57060XP	42487 ²⁸⁴ 42488 ¹⁵⁵ 42488FR ³⁶⁰	WP10428			N/S		58904 - 4L60E-SP 58847 - 4L60E-DP 58608 - 4L80E
------------------------------	-----	---	---------------------	---------	--	---------	--	--	-----	--	---

SIERRA NEW SERIES (UP TO 3500 SERIES)

V6 4.3L 262CID	LU3	Z	51040 ⁵³	51040XP	42487 ²⁸⁴ 42488 ¹⁵⁵ 42488FR ³⁶⁰	WP10428			N/S		58904 - 4L60E-SP 58847 - 4L60E-DP 58608 - 4L80E
V8 4.8L 294 CID Flex	L20	C	57060 ⁵³	57060XP	42487 ²⁸⁴ 42488 ¹⁵⁵ 42488FR ³⁶⁰	WP10428			N/S		58904 - 4L60E-SP 58847 - 4L60E-DP 58608 - 4L80E
V8 5.3L 325 CID		J,M	57060 ⁵³	57060XP	42487 ²⁸⁴ 42488 ¹⁵⁵ 42488FR ³⁶⁰	N/R			N/S		58904 - 4L60E-SP 58847 - 4L60E-DP 58608 - 4L80E
V8 5.3L 325 CID Flex		Q,3	57060 ⁵³	57060XP	42487 ²⁸⁴ 42488 ¹⁵⁵ 42488FR ³⁶⁰	WP10428			N/S		58904 - 4L60E-SP 58847 - 4L60E-DP 58608 - 4L80E
V8 6.0L 5967cc 364 CID		K	57060 ⁵³	57060XP	42487 ²⁸⁴ 42488 ¹⁵⁵ 42488FR ³⁶⁰	WP10428			N/S		58904 - 4L60E-SP 58847 - 4L60E-DP 58608 - 4L80E
	L76	Y	57060 ⁵³	57060XP	42487 ²⁸⁴ 42488 ¹⁵⁵ 42488FR ³⁶⁰	WP10428			N/S		58904 - 4L60E-SP 58847 - 4L60E-DP 58608 - 4L80E
V8 6.2L 376 CID Flex	L94	8	57060 ⁵³	57060XP	42487 ²⁸⁴ 42488 ¹⁵⁵ 42488FR ³⁶⁰	WP10428			N/S		N/A - 6L80
V8 6.6L 400 CID Turbo Diesel	LGH	6	57202 ⁵³	57202XP	49184 ⁵⁰³	WP10428					57701 - Allison-Spin-on 58970 - Allison-SP 58966 - Allison-DP

YUKON (ALL)

V8 4.8L 294 CID Flex	L20	C	57060 ⁵³	57060XP	42487 ²⁸⁴ 42488 ¹⁵⁵ 42488FR ³⁶⁰	WP10428			N/S		58904 - 4L60E-SP 58847 - 4L60E-DP 58608 - 4L80E
V8 5.3L 5328cc 325 CID	LY5	J	57060 ⁵³	57060XP	42487 ²⁸⁴ 42488 ¹⁵⁵ 42488FR ³⁶⁰	WP10428			N/S		58904 - 4L60E-SP 58847 - 4L60E-DP 58608 - 4L80E
V8 5.3L 5328cc 325 CID Flex	LC9	3	57060 ⁵³	57060XP	42487 ²⁸⁴ 42488 ¹⁵⁵ 42488FR ³⁶⁰	WP10428			N/S		58904 - 4L60E-SP 58847 - 4L60E-DP 58608 - 4L80E
	LMG	0	57060 ⁵³	57060XP	42487 ²⁸⁴ 42488 ¹⁵⁵ 42488FR ³⁶⁰	WP10428			N/S		58904 - 4L60E-SP 58847 - 4L60E-DP 58608 - 4L80E
V8 6.0L 5967cc 364 CID		K	57060 ⁵³	57060XP	42487 ²⁸⁴ 42488 ¹⁵⁵ 42488FR ³⁶⁰	WP10428			N/S		58904 - 4L60E-SP 58847 - 4L60E-DP 58608 - 4L80E
V8 6.2L 6199cc 378 CID	L92	8	57060 ⁵³	57060XP	42487 ²⁸⁴ 42488 ¹⁵⁵ 42488FR ³⁶⁰	WP10428			N/S		N/A - 6L80

2006

CANYON

L4 2.8L 2770cc 169 CID	LK5	8	51042 ⁵³	51042XP	42013	N/R			N/S		58904 - 4L60E-SP 2WD 58847 - 4L60E-DP 2WD 58323 - 4L60E-4WD
L5 3.5L 3460cc 211 CID		6	51522 ⁵³	51522XP	42013	N/R			N/S		58904 - 4L60E-SP 2WD 58847 - 4L60E-DP 2WD 58323 - 4L60E-4WD

ENVOY

L6 4.2L 256 CID		S	51522 ⁵³ - Long 51042 ⁵³ - Short	51522XP - Long 51042XP - Short	42729	N/R			N/S		58904 - 4L60E-SP 58847 - 4L60E-DP
V8 5.3L 325 CID	LC9	M	51042 ⁵³	51042XP	42729	N/R			N/S		58904 - 4L60E-SP 58847 - 4L60E-DP
	LMF	M	51042 ⁵³	51042XP	42729	N/R			N/S		58904 - 4L60E-SP 58847 - 4L60E-DP

N/A = Not Available N/R = Not Required N/S = Not Serviceable For cabin and fuel filter locator, see pages 5-15 See pages 16-19 for footnotes
 N/A = Non disponible N/R = Non nécessaire N/S = Non réparable Para la ubicación de los filtros de aire de la cabina y de combustible, ver las páginas 5-15 Voir pages 16-19 pour des notes
 N/A = No disponible N/R = No requiere N/S = No servible Voir les tableaux de repérage des filtres d'habitacle et à carburant aux pages 5-15 Ver las páginas 16-19 para las notas al pie de página

Italicized Part Numbers May Not Be Available. Wix XP Oil Filters Have Fully Synthetic Media.
 Las piezas con números en *italicas* pueden no estar disponibles. Los filtros de aceite WIX XP son completamente de media sintética.
 Les numéros de pièce en *italiques* peuvent ne pas être disponibles. Les filtres à huile Wix contiennent un matériau 100 % synthétique.

GMC 2006

Pass Car/Light Truck

Year/Año/Année Model/Modelo/Modèle Engine/Motor/Moteur	Eng. Code Código de motor Code moteur	VIN NIV NIV	Oil Aceite Huile	Oil XP Aceite XP Huile XP	Air Aire Air	Cabin Air Cabina Aire Cabine Air	Cabin Air XP Cabina Aire XP Cabine Air XP	Loc. Cabin Air Cabina Aire Cabine Air	Fuel Combustible Carburant	Loc. Fuel Combustible Carburant	Transmission Transmisión Transmission
--	---	-------------------	------------------------	---------------------------------	--------------------	--	---	--	----------------------------------	--	---

GMC (Cont'd/Suite)

2006 (Cont'd/Suite)

ENVOY (Cont'd/Suite)

V8 5.3L 325 CID	LMG	M	51042 ⁵³	51042XP	42729	N/R			N/S		58904 - 4L60E-SP 58847 - 4L60E-DP
-----------------	-----	---	---------------------	---------	-------	-----	--	--	-----	--	--------------------------------------

SAVANA VAN (UP TO 3500 SERIES)

V6 4.3L 262CID	LU3	Z	51040 ⁵³	51040XP	46573	N/R			N/S		58904 - 4L60E-SP 58847 - 4L60E-DP 58608 - 4L80E
V8 4.8L 294 CID Flex	L20	V	51042 ⁵³	51042XP	46573	N/R			N/S		58904 - 4L60E-SP 58847 - 4L60E-DP 58608 - 4L80E
V8 5.3L 325 CID	LC9	T	51042 ⁵³	51042XP	46573	N/R			N/S		58904 - 4L60E-SP 58847 - 4L60E-DP 58608 - 4L80E
	LMF	T	51042 ⁵³	51042XP	46573	N/R			N/S		58904 - 4L60E-SP 58847 - 4L60E-DP 58608 - 4L80E
	LMG	T	51042 ⁵³	51042XP	46573	N/R			N/S		58904 - 4L60E-SP 58847 - 4L60E-DP 58608 - 4L80E
V8 6.0L 5967cc 364 CID	LQ4	U,N	51042 ⁵³	51042XP	46573	N/R			N/S		58904 - 4L60E-SP 58847 - 4L60E-DP 58608 - 4L80E
V8 6.6L 400 CID Turbo Diesel	LGH	2,D	57202 ⁵³	57202XP	49154	N/R			33837 ⁵⁰⁴		58904 - 4L60E-SP 58847 - 4L60E-DP 58608 - 4L80E

SIERRA HYBRID

V8 5.3L 325 CID Gas/Electric	LM7	T	51042 ⁵³	51042XP	42487 ²⁸⁴ 42488 ¹⁵⁵ 42488FR ³⁶⁰	24814 ¹⁶⁶			N/S		58904 - 4L60E-SP 58847 - 4L60E-DP 58608 - 4L80E
------------------------------	-----	---	---------------------	---------	--	----------------------	--	--	-----	--	---

SIERRA PICKUPS (UP TO 3500 SERIES)

V6 4.3L 262CID	LU3	Z	51040 ⁵³	51040XP	42487 ²⁸⁴ 42488 ¹⁵⁵ 42488FR ³⁶⁰	24805 ¹⁶⁶	24805XP ¹⁶⁶		N/S		58904 - 4L60E-SP 58847 - 4L60E-DP 58608 - 4L80E
V8 4.8L 294 CID Flex	L20	V	51042 ⁵³	51042XP	42487 ²⁸⁴ 42488 ¹⁵⁵ 42488FR ³⁶⁰	24805 ¹⁶⁶	24805XP ¹⁶⁶		N/S		58904 - 4L60E-SP 58847 - 4L60E-DP 58608 - 4L80E
V8 5.3L 325 CID	LC9	B,T	51042 ⁵³	51042XP	42487 ²⁸⁴ 42488 ¹⁵⁵ 42488FR ³⁶⁰	24805 ¹⁶⁶	24805XP ¹⁶⁶		N/S - Std.		58904 - 4L60E-SP 58847 - 4L60E-DP 58608 - 4L80E
	LC9	Z	51042 ⁵³	51042XP	42487 ²⁸⁴ 42488 ¹⁵⁵ 42488FR ³⁶⁰	24805 ¹⁶⁶	24805XP ¹⁶⁶		N/S - Flex-Fuel		58904 - 4L60E-SP 58847 - 4L60E-DP 58608 - 4L80E
	LMF	B,T	51042 ⁵³	51042XP	42487 ²⁸⁴ 42488 ¹⁵⁵ 42488FR ³⁶⁰	24805 ¹⁶⁶	24805XP ¹⁶⁶		N/S - Std.		58904 - 4L60E-SP 58847 - 4L60E-DP 58608 - 4L80E
	LMF	Z	51042 ⁵³	51042XP	42487 ²⁸⁴ 42488 ¹⁵⁵ 42488FR ³⁶⁰	24805 ¹⁶⁶	24805XP ¹⁶⁶		N/S - Flex-Fuel		58904 - 4L60E-SP 58847 - 4L60E-DP 58608 - 4L80E
	LMG	B,T	51042 ⁵³	51042XP	42487 ²⁸⁴ 42488 ¹⁵⁵ 42488FR ³⁶⁰	24805 ¹⁶⁶	24805XP ¹⁶⁶		N/S - Std.		58904 - 4L60E-SP 58847 - 4L60E-DP 58608 - 4L80E
	LMG	Z	51042 ⁵³	51042XP	42487 ²⁸⁴ 42488 ¹⁵⁵ 42488FR ³⁶⁰	24805 ¹⁶⁶	24805XP ¹⁶⁶		N/S - Flex-Fuel		58904 - 4L60E-SP 58847 - 4L60E-DP 58608 - 4L80E
V8 6.0L 5967cc 364 CID		U,N	51042 ⁵³	51042XP	42487 ²⁸⁴ 42488 ¹⁵⁵ 42488FR ³⁶⁰	24805 ¹⁶⁶	24805XP ¹⁶⁶		N/S		58904 - 4L60E-SP 58847 - 4L60E-DP 58608 - 4L80E
V8 6.6L 400 CID Turbo Diesel	LGH	2,D	57202 ⁵³	57202XP	49184 ⁵⁰³	24805 ¹⁶⁶	24805XP ¹⁶⁶				57701 - Allison-Spin-on 58970 - Allison-SP 58966 - Allison-DP
V8 8.1L 496 CID	G		57099	57099XP	42487 ²⁸⁴ 42488 ¹⁵⁵ 42488FR ³⁶⁰	24805 ¹⁶⁶	24805XP ¹⁶⁶		N/S		57701 - Allison-Spin-on 58970 - Allison-SP 58966 - Allison-DP

N/A = Not Available N/R = Not Required N/S = Not Serviceable For cabin and fuel filter locator, see pages 5-15 See pages 16-19 for footnotes
 N/A = Non disponible N/R = Non nécessaire N/S = Non réparable Para la ubicación de los filtros de aire de la cabina y de combustible, ver las páginas 5-15 Voir pages 16-19 pour des notes
 N/A = No disponible N/R = No requiere N/S = No servible Voir les tableaux de repérage des filtres d'habitacle et à carburant aux pages 5-15 Ver las páginas 16-19 para las notas al pie de página

Italicized Part Numbers May Not Be Available. Wix XP Oil Filters Have Fully Synthetic Media.

Las piezas con números en *italicas* pueden no estar disponibles. Los filtros de aceite WIX XP son completamente de media sintética.
 Les numéros de pièce en *italiques* peuvent ne pas être disponibles. Les filtres à huile XP Wix contiennent un matériau 100 % synthétique.

Pass Car/Light Truck

GMC 2006-2005

Year/Año/Année Model/Modelo/Modèle Engine/Motor/Moteur	Eng. Code Código de motor Code moteur	VIN NIV NIV	Oil Aceite Huile	Oil XP Aceite XP Huile XP	Air Aire Air	Cabin Air Cabina Aire Cabine Air	Cabin Air XP Cabina Aire XP Cabine Air XP	Loc. Cabin Air Cabina Aire Cabine Air	Fuel Combustible Carburant	Loc. Fuel Combustible Carburant	Transmission Transmisión Transmission
--	---	-------------------	------------------------	---------------------------------	--------------------	--	---	---	----------------------------------	---------------------------------------	---

GMC (Cont'd/Suite)

2006 (Cont'd/Suite)

YUKON (ALL)

V8 4.8L 294 CID Flex	L20	V	51042 ⁵³	51042XP	42487 ²⁸⁴ 42488 ¹⁵⁵ 42488FR ³⁶⁰	N/R			N/S		58904 - 4L60E-SP 58847 - 4L60E-DP 58608 - 4L80E
V8 5.3L 325 CID	LC9	T	51042 ⁵³	51042XP	42487 ²⁸⁴ 42488 ¹⁵⁵ 42488FR ³⁶⁰	N/R			N/S - Std.		58904 - 4L60E-SP 58847 - 4L60E-DP 58608 - 4L80E
	LMF	T	51042 ⁵³	51042XP	42487 ²⁸⁴ 42488 ¹⁵⁵ 42488FR ³⁶⁰	N/R			N/S - Std.		58904 - 4L60E-SP 58847 - 4L60E-DP 58608 - 4L80E
	LMG	T	51042 ⁵³	51042XP	42487 ²⁸⁴ 42488 ¹⁵⁵ 42488FR ³⁶⁰	N/R			N/S - Std.		58904 - 4L60E-SP 58847 - 4L60E-DP 58608 - 4L80E
V8 5.3L 5328cc 325 CID Flex	L59	Z	51042 ⁵³	51042XP	42487 ²⁸⁴ 42488 ¹⁵⁵ 42488FR ³⁶⁰	N/R			N/S - Flex-Fuel		58904 - 4L60E-SP 58847 - 4L60E-DP 58608 - 4L80E
V8 6.0L 5967cc 364 CID		U	51042 ⁵³	51042XP	42487 ²⁸⁴ 42488 ¹⁵⁵ 42488FR ³⁶⁰	N/R			N/S		58904 - 4L60E-SP 58847 - 4L60E-DP 58608 - 4L80E
V8 8.1L 496 CID		G	57099	57099XP	42487 ²⁸⁴ 42488 ¹⁵⁵ 42488FR ³⁶⁰	N/R			N/S		58608

2005

CANYON

L4 2.8L 2770cc 169 CID		8	51042 ⁵³	51042XP	42013	N/R			33484		58904 - 4L60E-SP 2WD 58847 - 4L60E-DP 2WD 58323 - 4L60E-4WD
L5 3.5L 3460cc 211 CID		6	51522 ⁵³	51522XP	42013	N/R			33484		58904 - 4L60E-SP 2WD 58847 - 4L60E-DP 2WD 58323 - 4L60E-4WD

ENVOY

L6 4.2L 256 CID		S	51522 ⁵³	51522XP	42729	N/R			N/S		58904 - 4L60E-SP 58847 - 4L60E-DP
V8 5.3L 323 CID		M	51042 ⁵³	51042XP	42729	N/R			33129		58904 - 4L60E-SP 58847 - 4L60E-DP

JIMMY

V6 4.3L 262CID		Z	51040 ⁵³ - 2WD 51036 ⁵³ - 4WD	51040XP - 2WD 51036XP - 4WD	46117				33579		58904
----------------	--	---	--	--------------------------------	-------	--	--	--	-------	--	-------

SAFARI-VAN

V6 4.3L 262CID		Z	51040 ⁵³	51040XP	46117	N/R			33481		58904 - 4L60E-SP 58847 - 4L60E-DP
----------------	--	---	---------------------	---------	-------	-----	--	--	-------	--	--------------------------------------

SAVANA VAN (UP TO 3500 SERIES)

V6 4.3L 262CID		Z	51040 ⁵³	51040XP	46573	N/R			33481		58904 - 4L60E-SP 58847 - 4L60E-DP 58608 - 4L80E
V8 4.8L 294 CID		V	51042 ⁵³	51042XP	46573	N/R			33311		58904 - 4L60E-SP 58847 - 4L60E-DP 58608 - 4L80E
V8 5.3L 323 CID		T	51042 ⁵³	51042XP	46573	N/R			N/S		58904 - 4L60E-SP 58847 - 4L60E-DP 58608 - 4L80E
V8 6.0L 5967cc 364 CID		U	51042 ⁵³	51042XP	46573	N/R			33311		58904 - 4L60E-SP 58847 - 4L60E-DP 58608 - 4L80E
V8 6.0L 5967cc 364 CID CNG		U	51042 ⁵³	51042XP	46573	N/R			N/S		58904 - 4L60E-SP 58847 - 4L60E-DP 58608 - 4L80E

SIERRA HYBRID

V8 5.3L 325 CID Gas/Electric		T	51042 ⁵³	51042XP	42487 ²⁸⁴ 42488 ¹⁵⁵ 42488FR ³⁶⁰	24814 ¹⁶⁶		3	N/S		58904 - 4L60E-SP 58847 - 4L60E-DP 58608 - 4L80E
------------------------------	--	---	---------------------	---------	--	----------------------	--	---	-----	--	---

N/A = Not Available N/R = Not Required N/S = Not Serviceable For cabin and fuel filter locator, see pages 5-15 See pages 16-19 for footnotes

N/A = Non disponible N/R = Non nécessaire N/S = Non réparable Para la ubicación de los filtros de aire de la cabina y de combustible, ver las páginas 5-15 Voir pages 16-19 pour des notes

N/A = No disponible N/R = No requiere N/S = No servible Voir les tableaux de repérage des filtres d'habitacle et à carburant aux pages 5-15 Ver las páginas 16-19 para las notas al pie de página

Italicized Part Numbers May Not Be Available. Wix XP Oil Filters Have Fully Synthetic Media.

Las piezas con números en *italicas* pueden no estar disponibles. Los filtros de aceite WIX XP son completamente de media sintética.

Les numéros de pièce en *italiques* peuvent ne pas être disponibles. Les filtres à huile Wix contiennent un matériau 100 % synthétique.

GMC 2005-2004

Pass Car/Light Truck

Year/Año/Année Model/Modelo/Modèle Engine/Motor/Moteur	Eng. Code Código de motor Code moteur	VIN NIV NIV	Oil Aceite Huile	Oil XP Aceite XP Huile XP	Air Aire Air	Cabin Air Cabina Aire Cabine Air	Cabin Air XP Cabina Aire XP Cabine Air XP	Loc. Cabin Air Cabina Aire Cabine Air	Fuel Combustible Carburant	Loc. Fuel Combustible Carburant	Transmission Transmisión Transmission
--	---	-------------------	------------------------	---------------------------------	--------------------	--	---	--	----------------------------------	--	---

GMC (Cont'd/Suite)

2005 (Cont'd/Suite)

SIERRA PICKUPS (UP TO 3500 SERIES)

V6 4.3L 262CID		Z	51040 ⁵³	51040XP	42487 ²⁸⁴ 42488 ¹⁵⁵ 42488FR ³⁶⁰	24805 ¹⁶⁶	24805XP ¹⁶⁶		33481		58904 - 4L60E-SP 58847 - 4L60E-DP 58608 - 4L80E
V8 4.8L 294 CID		V	51042 ⁵³	51042XP	42487 ²⁸⁴ 42488 ¹⁵⁵ 42488FR ³⁶⁰	24805 ¹⁶⁶	24805XP ¹⁶⁶		N/S		58904 - 4L60E-SP 58847 - 4L60E-DP 58608 - 4L80E
V8 5.3L 323 CID		B,T	51042 ⁵³	51042XP	42487 ²⁸⁴ 42488 ¹⁵⁵ 42488FR ³⁶⁰	24805 ¹⁶⁶	24805XP ¹⁶⁶		N/S		58904 - 4L60E-SP 58847 - 4L60E-DP 58608 - 4L80E
V8 5.3L 323 CID Flex		Z	51042 ⁵³	51042XP	42487 ²⁸⁴ 42488 ¹⁵⁵ 42488FR ³⁶⁰	24805 ¹⁶⁶	24805XP ¹⁶⁶		N/S		58904 - 4L60E-SP 58847 - 4L60E-DP 58608 - 4L80E
V8 6.0L 597cc 364 CID		U	51042 ⁵³	51042XP	42487 ²⁸⁴ 42488 ¹⁵⁵ 42488FR ³⁶⁰	24805 ¹⁶⁶	24805XP ¹⁶⁶		N/S		58904 - 4L60E-SP 58847 - 4L60E-DP 58608 - 4L80E
V8 6.6L 400 CID Turbo Diesel		2	57202 ⁵³	57202XP	46678	24805 ¹⁶⁶	24805XP ¹⁶⁶				57701 - Allison-Spin-on 58970 - Allison-SP 58966 - Allison-DP
V8 8.1L 496 CID		G	57099	57099XP	42487 ²⁸⁴ 42488 ¹⁵⁵ 42488FR ³⁶⁰	24805 ¹⁶⁶	24805XP ¹⁶⁶		N/S		57701 - Allison-Spin-on 58970 - Allison-SP 58966 - Allison-DP

YUKON (ALL)

V8 4.8L 294 CID		V	51042 ⁵³	51042XP	42487 ²⁸⁴ 42488 ¹⁵⁵ 42488FR ³⁶⁰	N/R		3	N/S		58904 - 4L60E-SP 58847 - 4L60E-DP 58608 - 4L80E
V8 5.3L 323 CID		T	51042 ⁵³	51042XP	42487 ²⁸⁴ 42488 ¹⁵⁵ 42488FR ³⁶⁰	N/R		3	N/S - Std.		58904 - 4L60E-SP 58847 - 4L60E-DP 58608 - 4L80E
V8 5.3L 5328cc 325 CID Flex	L59	Z	51042 ⁵³	51042XP	42487 ²⁸⁴ 42488 ¹⁵⁵ 42488FR ³⁶⁰	N/R		3	N/S - Flex-Fuel		58904 - 4L60E-SP 58847 - 4L60E-DP 58608 - 4L80E
V8 6.0L 597cc 364 CID		U	51042 ⁵³	51042XP	42487 ²⁸⁴ 42488 ¹⁵⁵ 42488FR ³⁶⁰	N/R		3	N/S		58904 - 4L60E-SP 58847 - 4L60E-DP 58608 - 4L80E
V8 8.1L 496 CID		G	57099	57099XP	42487 ²⁸⁴ 42488 ¹⁵⁵ 42488FR ³⁶⁰	N/R		3	33481		58608 - 4L80E

2004

CANYON

L4 2.8L 2770cc 169 CID		8	51042 ⁵³	51042XP	42013	N/R			33484		58904 - 4L60E-SP 2WD 58847 - 4L60E-DP 2WD 58323 - 4L60E-4WD
L5 3.5L 3460cc 211 CID		6	51522 ⁵³	51522XP	42013	N/R			33484		58904 - 4L60E-SP 2WD 58847 - 4L60E-DP 2WD 58323 - 4L60E-4WD

ENVOY

L6 4.2L 256 CID		S	51522 ⁵³	51522XP	42729	N/R			33129		58904 - 4L60E-SP 58847 - 4L60E-DP
V8 5.3L 323 CID		P	51042 ⁵³	51042XP	42729	N/R			33129		58904 - 4L60E-SP 58847 - 4L60E-DP

JIMMY

V6 4.3L 262CID		Z	51040 ⁵³ - 2WD 51036 ⁵³ - 4WD	51040XP - 2WD 51036XP - 4WD	46117				33579		58904
----------------	--	---	--	--------------------------------	-------	--	--	--	-------	--	-------

SAFARI-VAN

V6 4.3L 262CID	LU3	Z	51040 ⁵³	51040XP	46117	N/R			33481		58904 - 4L60E-SP 58847 - 4L60E-DP
----------------	-----	---	---------------------	---------	-------	-----	--	--	-------	--	--------------------------------------

SAVANA VAN (UP TO 3500 SERIES)

V6 4.3L 262CID		Z	51040 ⁵³	51040XP	46573	N/R			33481		58904 - 4L60E-SP 58847 - 4L60E-DP 58608 - 4L80E
----------------	--	---	---------------------	---------	-------	-----	--	--	-------	--	---

N/A = Not Available N/R = Not Required N/S = Not Serviceable For cabin and fuel filter locator, see pages 5-15 See pages 16-19 for footnotes

N/A = Non disponible N/R = Non nécessaire N/S = Non réparable Para la ubicación de los filtros de aire de la cabina y de combustible, ver las páginas 5-15 Voir pages 16-19 pour des notes

N/A = No disponible N/R = No requiere N/S = No servible Voir les tableaux de repérage des filtres d'habitacle et à carburant aux pages 5-15 Ver las páginas 16-19 para las notas al pie de página

Italicized Part Numbers May Not Be Available. Wix XP Oil Filters Have Fully Synthetic Media.

Las piezas con números en *italicas* pueden no estar disponibles. Los filtros de aceite WIX XP son completamente de media sintética. Les numéros de pièce en *italiques* peuvent ne pas être disponibles. Les filtres à huile XP Wix contiennent un matériau 100 % synthétique.

Year/Año/Année Model/Modelo/Modèle Engine/Motor/Moteur	Eng. Code Código de motor Code moteur	VIN NIV NIV	Oil Aceite Huile	Oil XP Aceite XP Huile XP	Air Aire Air	Cabin Air Cabina Aire Cabine Air	Cabin Air XP Cabina Aire XP Cabine Air XP	Loc. Cabin Air Cabina Aire Cabine Air	Fuel Combustible Carburant	Loc. Fuel Combustible Carburant	Transmission Transmisión Transmission
--	---	-------------------	------------------------	---------------------------------	--------------------	--	---	---	----------------------------------	---------------------------------------	---

GMC (Cont'd/Suite)

2004 (Cont'd/Suite)

SAVANA VAN (UP TO 3500 SERIES) (Cont'd/Suite)

V8 4.8L 294 CID		V	51042 ⁵³	51042XP	46573	N/R			33311		58904 - 4L60E-SP 58847 - 4L60E-DP 58608 - 4L80E
V8 5.3L 323 CID		T	51042 ⁵³	51042XP	46573	N/R			N/S		58904 - 4L60E-SP 58847 - 4L60E-DP 58608 - 4L80E
V8 6.0L 5967cc 364 CID		U	51042 ⁵³	51042XP	46573	N/R			33311		58904 - 4L60E-SP 58847 - 4L60E-DP 58608 - 4L80E
V8 6.0L 5967cc 364 CID CNG		N	51042 ⁵³	51042XP	46573	N/R			33481		58904 - 4L60E-SP 58847 - 4L60E-DP 58608 - 4L80E

SIERRA PICKUPS (UP TO 3500 SERIES)

V6 4.3L 262CID	LU3	Z	51040 ⁵³	51040XP	42487 ²⁸⁴ 42488 ¹⁵⁵ 42488FR ³⁶⁰	24805 ¹⁶⁶	24805XP ¹⁶⁶	3	33481		58904 - 4L60E-SP 58847 - 4L60E-DP 58608 - 4L80E
V8 4.8L 294 CID Flex	L20	V	51042 ⁵³	51042XP	42487 ²⁸⁴ 42488 ¹⁵⁵ 42488FR ³⁶⁰	24805 ¹⁶⁶	24805XP ¹⁶⁶		33481		58904 - 4L60E-SP 58847 - 4L60E-DP 58608 - 4L80E
V8 5.3L 323 CID		T	51042 ⁵³	51042XP	42487 ²⁸⁴ 42488 ¹⁵⁵ 42488FR ³⁶⁰	24805 ¹⁶⁶	24805XP ¹⁶⁶		N/S		58904 - 4L60E-SP 58847 - 4L60E-DP 58608 - 4L80E
V8 5.3L 323 CID Flex		Z	51042 ⁵³	51042XP	42487 ²⁸⁴ 42488 ¹⁵⁵ 42488FR ³⁶⁰	24805 ¹⁶⁶	24805XP ¹⁶⁶		33579		58904 - 4L60E-SP 58847 - 4L60E-DP 58608 - 4L80E
V8 6.0L 5967cc 364 CID		U	51042 ⁵³	51042XP	42487 ²⁸⁴ 42488 ¹⁵⁵ 42488FR ³⁶⁰	24805 ¹⁶⁶	24805XP ¹⁶⁶		N/S		58904 - 4L60E-SP 58847 - 4L60E-DP 58608 - 4L80E
V8 6.6L 400 CID Turbo Diesel	LGH	1,2	57202 ⁵³	57202XP	46678	24805 ¹⁶⁶	24805XP ¹⁶⁶				57701 - Allison-Spin-on 58970 - Allison-SP 58966 - Allison-DP
V8 8.1L 496 CID		G	57099	57099XP	42487 ²⁸⁴ 42488 ¹⁵⁵ 42488FR ³⁶⁰	24805 ¹⁶⁶	24805XP ¹⁶⁶		33481		57701 - Allison-Spin-on 58970 - Allison-SP 58966 - Allison-DP

SONOMA

V6 4.3L 262CID	LU3	Z	51040 ⁵³ - 2WD 51036 ⁵³ - 4WD	51040XP - 2WD 51036XP - 4WD	46117	N/R			33579		58904 - 4L60E-SP 58847 - 4L60E-DP
----------------	-----	---	--	--------------------------------	-------	-----	--	--	-------	--	--------------------------------------

YUKON (ALL)

V8 4.8L 294 CID Flex	L20	V	51042 ⁵³	51042XP	42487 ²⁸⁴ 42488 ¹⁵⁵ 42488FR ³⁶⁰	N/R		3	N/S		58904 - 4L60E-SP 58847 - 4L60E-DP 58608 - 4L80E
V8 5.3L 323 CID		T	51042 ⁵³	51042XP	42487 ²⁸⁴ 42488 ¹⁵⁵ 42488FR ³⁶⁰	N/R			N/S		58904 - 4L60E-SP 58847 - 4L60E-DP 58608 - 4L80E
V8 5.3L 325 CID	LC9	Z	51042 ⁵³	51042XP	42487 ²⁸⁴ 42488 ¹⁵⁵ 42488FR ³⁶⁰	N/R			33579		58904 - 4L60E-SP 58847 - 4L60E-DP 58608 - 4L80E
V8 6.0L 5967cc 364 CID		U	51042 ⁵³	51042XP	42487 ²⁸⁴ 42488 ¹⁵⁵ 42488FR ³⁶⁰	N/R			N/S		58904 - 4L60E-SP 58847 - 4L60E-DP 58608 - 4L80E
V8 8.1L 496 CID		G	57099	57099XP	42487 ²⁸⁴ 42488 ¹⁵⁵ 42488FR ³⁶⁰	N/R			N/S		58608

2003

ENVOY

L6 4.2L 256 CID		S	51522 ⁵³	51522XP	42729	N/R			33129		58904 - 4L60E-SP 58847 - 4L60E-DP
V8 5.3L 323 CID		P	51042 ⁵³	51042XP	42729	N/R			33129		58904 - 4L60E-SP 58847 - 4L60E-DP

N/A = Not Available N/R = Not Required N/S = Not Serviceable For cabin and fuel filter locator, see pages 5-15 See pages 16-19 for footnotes

N/A = Non disponible N/R = Non nécessaire N/S = Non réparable Para la ubicación de los filtros de aire de la cabina y de combustible, ver las páginas 5-15 Voir pages 16-19 pour des notes

N/A = No disponible N/R = No requiere N/S = No servible Voir les tableaux de repérage des filtres d'habitacle et à carburant aux pages 5-15 Ver las páginas 16-19 para las notas al pie de página

Italicized Part Numbers May Not Be Available. Wix XP Oil Filters Have Fully Synthetic Media.

Las piezas con números en *italicas* pueden no estar disponibles. Los filtros de aceite WIX XP son completamente de media sintética.

Les numéros de pièce en *italiques* peuvent ne pas être disponibles. Les filtres à huile Wix contiennent un matériau 100 % synthétique.

GMC 2003
Pass Car/Light Truck

Year/Año/Année Model/Modelo/Modèle Engine/Motor/Moteur	Eng. Code Código de motor Code moteur	VIN NIV NIV	Oil Aceite Huile	Oil XP Aceite XP Huile XP	Air Aire Air	Cabin Air Cabina Aire Cabine Air	Cabin Air XP Cabina Aire XP Cabine Air XP	Loc. Cabin Air Cabina Aire Cabine Air	Fuel Combustible Carburant	Loc. Fuel Combustible Carburant	Transmission Transmisión Transmission
--	---	-------------------	------------------------	---------------------------------	--------------------	--	---	--	----------------------------------	--	---

GMC (Cont'd/Suite)
2003 (Cont'd/Suite)
JIMMY

V6 4.3L 262CID		Z	51040 ⁵³ - 2WD 51036 ⁵³ - 4WD	51040XP - 2WD 51036XP - 4WD	46117				33579		58904
----------------	--	---	--	--------------------------------	-------	--	--	--	-------	--	-------

SAFARI-VAN

V6 4.3L 262CID		Z	51040 ⁵³	51040XP	46117	N/R			33481		58904 - 4L60E-SP 58847 - 4L60E-DP
----------------	--	---	---------------------	---------	-------	-----	--	--	-------	--	--------------------------------------

SAVANA VAN (UP TO 3500 SERIES)

V6 4.3L 262CID		Z	51040 ⁵³	51040XP	46573	N/R			33481		58904 - 4L60E-SP 58847 - 4L60E-DP 58608 - 4L80E
V8 4.8L 294 CID Flex	L20	V	51042 ⁵³	51042XP	46573	N/R			33311 33481 ²²²		58904 - 4L60E-SP 58847 - 4L60E-DP 58608 - 4L80E
V8 5.3L 323 CID		T	51042 ⁵³	51042XP	46573	N/R			33311 33481 ²²²		58904 - 4L60E-SP 58847 - 4L60E-DP 58608 - 4L80E
V8 6.0L 5967cc 364 CID		U	51042 ⁵³	51042XP	46573	N/R			33311 ²²³ 33481 ²²²		58904 - 4L60E-SP 58847 - 4L60E-DP 58608 - 4L80E
V8 6.0L 5967cc 364 CID CNG		U	51042 ⁵³	51042XP	46573	N/R			33481		58904 - 4L60E-SP 58847 - 4L60E-DP 58608 - 4L80E

SIERRA PICKUPS (UP TO 3500 SERIES)

V6 4.3L 262CID		Z	51040 ⁵³	51040XP	42487 ²⁸⁴ 42488 ¹⁵⁵ 42488FR ³⁶⁰	24805	24805XP	3	33481		58904 - 4L60E-SP 58847 - 4L60E-DP 58608 - 4L80E
V8 4.8L 294 CID		V	51042 ⁵³	51042XP	42487 ²⁸⁴ 42488 ¹⁵⁵ 42488FR ³⁶⁰	24805	24805XP	3	33481		58904 - 4L60E-SP 58847 - 4L60E-DP 58608 - 4L80E
V8 5.3L 323 CID		T	51042 ⁵³	51042XP	42487 ²⁸⁴ 42488 ¹⁵⁵ 42488FR ³⁶⁰	24805 ¹⁶⁶	24805XP ¹⁶⁶	3	33481		58904 - 4L60E-SP 58847 - 4L60E-DP 58608 - 4L80E
V8 5.3L 323 CID Flex		Z	51042 ⁵³	51042XP	42487 ²⁸⁴ 42488 ¹⁵⁵ 42488FR ³⁶⁰	24805 ¹⁶⁶	24805XP ¹⁶⁶	3	33579		58904 - 4L60E-SP 58847 - 4L60E-DP 58608 - 4L80E
V8 6.0L 5967cc 364 CID		U	51042 ⁵³	51042XP	42487 ²⁸⁴ 42488 ¹⁵⁵ 42488FR ³⁶⁰	24805 ¹⁶⁶	24805XP ¹⁶⁶	3	33481		58904 - 4L60E-SP 58847 - 4L60E-DP 58608 - 4L80E
V8 6.6L 400 CID Turbo Diesel	LGH	1	57202 ⁵³	57202XP	46678	24805 ¹⁶⁶	24805XP ¹⁶⁶	3			58966 - Allison-DP 57701 - Allison-Spin-on 58970 - Allison-SP
V8 8.1L 496 CID		G	57099	57099XP	42487 ²⁸⁴ 42488 ¹⁵⁵ 42488FR ³⁶⁰	24805 ¹⁶⁶	24805XP ¹⁶⁶	3	33481		57701 - Allison-Spin-on 58970 - Allison-SP 58966 - Allison-DP

SONOMA

L4 2.2L 2190cc134 CID		H	51040 ⁵³	51040XP	46117	N/R			33100		58904 - 4L60E-SP 58847 - 4L60E-DP
V6 4.3L 262CID		Z	51040 ⁵³ - 2WD 51036 ⁵³ - 4WD	51040XP - 2WD 51036XP - 4WD	46117	N/R			33579		58904 - 4L60E-SP 58847 - 4L60E-DP

YUKON (ALL)

V8 4.8L 294 CID		V	51042 ⁵³	51042XP	42487 ²⁸⁴ 42488 ¹⁵⁵ 42488FR ³⁶⁰	N/R		3	33481		58904 - 4L60E-SP 58847 - 4L60E-DP 58608 - 4L80E
V8 5.3L 323 CID		T	51042 ⁵³	51042XP	42487 ²⁸⁴ 42488 ¹⁵⁵ 42488FR ³⁶⁰	N/R		3	33481		58904 - 4L60E-SP 58847 - 4L60E-DP 58608 - 4L80E
V8 5.3L 323 CID Flex		Z	51042 ⁵³	51042XP	42487 ²⁸⁴ 42488 ¹⁵⁵ 42488FR ³⁶⁰	N/R		3	33579		58904 - 4L60E-SP 58847 - 4L60E-DP 58608 - 4L80E
V8 6.0L 5967cc 364 CID		U	51042 ⁵³	51042XP	42487 ²⁸⁴ 42488 ¹⁵⁵ 42488FR ³⁶⁰	N/R		3	33481		58904 - 4L60E-SP 58847 - 4L60E-DP 58608 - 4L80E

N/A = Not Available N/R = Not Required N/S = Not Serviceable For cabin and fuel filter locator, see pages 5-15 See pages 16-19 for footnotes

N/A = Non disponible N/R = Non nécessaire N/S = Non réparable Para la ubicación de los filtros de aire de la cabina y de combustible, ver las páginas 5-15 Voir pages 16-19 pour des notes

N/A = No disponible N/R = No requiere N/S = No servible Voir les tableaux de repérage des filtres d'habitacle et à carburant aux pages 5-15 Ver las páginas 16-19 para las notas al pie de página

Italicized Part Numbers May Not Be Available. Wix XP Oil Filters Have Fully Synthetic Media.

Las piezas con números en *italicas* pueden no estar disponibles. Los filtros de aceite WIX XP son completamente de media sintética. Les numéros de pièce en *italiques* peuvent ne pas être disponibles. Les filtres à huile XP Wix contiennent un matériau 100 % synthétique.

Year/Año/Année Model/Modelo/Modèle Engine/Motor/Moteur	Eng. Code Código de motor Code moteur	VIN NIV NIV	Oil Aceite Huile	Oil XP Aceite XP Huile XP	Air Aire Air	Cabin Air Cabina Aire Cabine Air	Cabin Air XP Cabina Aire XP Cabine Air XP	Loc. Cabin Air Cabina Aire Cabine Air	Fuel Combustible Carburant	Loc. Fuel Combustible Carburant	Transmission Transmisión Transmission
--	---	-------------------	------------------------	---------------------------------	--------------------	--	---	--	----------------------------------	--	---

GMC (Cont'd/Suite)

2003 (Cont'd/Suite)

YUKON (ALL) (Cont'd/Suite)

V8 8.1L 496 CID		G	57099	57099XP	42487 ²⁸⁴ 42488 ¹⁵⁵ 42488FR ³⁶⁰	N/R		3	33481		58608
-----------------	--	---	-------	---------	--	-----	--	---	-------	--	-------

2002

C3500HD CHASSIS CAB

V8 6.5L 395 CID Turbo Diesel		F	51060 ⁵³	51060XP	46440 ²⁸⁴ 46441 ²⁸⁵	N/R			33976 ²³⁷		58608
V8 8.1L 496 CID		G	57099	57099XP	46440 ²⁸⁴ 46441 ²⁸⁵	24805	24805XP	6	33481		58608

ENVOY

L6 4.2L 256 CID		S	51522 ⁵³	51522XP	42729	N/R			33129		58904 - 4L60E-SP 58847 - 4L60E-DP
-----------------	--	---	---------------------	---------	-------	-----	--	--	-------	--	--------------------------------------

JIMMY

V6 4.3L 262CID		Z	51040 ⁵³ - 2WD 51036 ⁵³ - 4WD	51040XP - 2WD 51036XP - 4WD	46117				33579		58904
----------------	--	---	--	--------------------------------	-------	--	--	--	-------	--	-------

SAFARI-VAN

V6 4.3L 262CID		Z	51040 ⁵³	51040XP	46117	N/R			33481		58904 - 4L60E-SP 58847 - 4L60E-DP
----------------	--	---	---------------------	---------	-------	-----	--	--	-------	--	--------------------------------------

SAVANA VAN (UP TO 3500 SERIES)

V6 4.3L 262CID		Z	51040 ⁵³	51040XP	46573	N/R			33484		58904 - 4L60E-SP 58847 - 4L60E-DP 58608 - 4L80E
V8 5.0L 305 CID		M	51060 ⁵³	51060XP	46573	N/R			33484		58904 - 4L60E-SP 58847 - 4L60E-DP 58608 - 4L80E
V8 5.7L 350 CID		R	51060 ⁵³	51060XP	46573	N/R			33484		58904 - 4L60E-SP 58847 - 4L60E-DP 58608 - 4L80E
V8 5.7L 350 CID BI-Fuel		R	51060 ⁵³	51060XP	46573	N/R			33484		58904 - 4L60E-SP 58847 - 4L60E-DP 58608 - 4L80E
V8 6.5L 395 CID Turbo Diesel	L65	F	51060 ⁵³	51060XP	46316 ²⁸⁵ 46144 ²⁸⁴	N/R					58904 - 4L60E-SP 58847 - 4L60E-DP 58608 - 4L80E
V8 8.1L 496 CID		G	57099	57099XP	46573	N/R			33484		58904 - 4L60E-SP 58847 - 4L60E-DP 58608 - 4L80E

SIERRA PICKUPS (UP TO 3500 SERIES)

V6 4.3L 262CID		Z	51040 ⁵³	51040XP	42487 ²⁸⁴ 42488 ¹⁵⁵ 42488FR ³⁶⁰	24805 ¹⁶⁶	24805XP ¹⁶⁶	6	33481		58904 - 4L60E-SP 58847 - 4L60E-DP 58608 - 4L80E
V8 4.8L 294 CID		V	51522 ⁵³	51522XP	42487 ²⁸⁴ 42488 ¹⁵⁵ 42488FR ³⁶⁰	24805 ¹⁶⁶	24805XP ¹⁶⁶	6	33481		58904 - 4L60E-SP 58847 - 4L60E-DP 58608 - 4L80E
V8 5.3L 323 CID		T	51042 ⁵³	51042XP	42487 ²⁸⁴ 42488 ¹⁵⁵ 42488FR ³⁶⁰	24805 ¹⁶⁶	24805XP ¹⁶⁶	6	33481		58904 - 4L60E-SP 58847 - 4L60E-DP 58608 - 4L80E
V8 5.3L 323 CID Flex		Z	51042 ⁵³	51042XP	42487 ²⁸⁴ 42488 ¹⁵⁵ 42488FR ³⁶⁰	24805 ¹⁶⁶	24805XP ¹⁶⁶	6	33579		58904 - 4L60E-SP 58847 - 4L60E-DP 58608 - 4L80E
V8 6.0L 5967cc 364 CID		U	51522 ⁵³	51522XP	42487 ²⁸⁴ 42488 ¹⁵⁵ 42488FR ³⁶⁰	24805 ¹⁶⁶	24805XP ¹⁶⁶	6	33481		58904 - 4L60E-SP 58847 - 4L60E-DP 58608 - 4L80E
V8 6.6L 400 CID Turbo Diesel	LGH	1	57202 ⁵³	57202XP	46678	24805 ¹⁶⁶	24805XP ¹⁶⁶	6			57701 - Allison-Spin-on 58970 - Allison-SP 58608 - 4L80E-DP 58966 - Allison-DP
V8 8.1L 496 CID		G	57099	57099XP	42487 ²⁸⁴ 42488 ¹⁵⁵ 42488FR ³⁶⁰	24805 ¹⁶⁶	24805XP ¹⁶⁶	6	33481		57701 - Allison-Spin-on 58970 - Allison-SP 58966 - Allison-DP 58608 - 4L80E-DP

N/A = Not Available N/R = Not Required N/S = Not Serviceable For cabin and fuel filter locator, see pages 5-15 See pages 16-19 for footnotes

N/A = Non disponible N/R = Non nécessaire N/S = Non réparable Para la ubicación de los filtros de aire de la cabina y de combustible, ver las páginas 5-15 Voir pages 16-19 pour des notes

N/A = No disponible N/R = No requiere N/S = No servible Voir les tableaux de repérage des filtres d'habitacle et à carburant aux pages 5-15 Ver las páginas 16-19 para las notas al pie de página

Italicized Part Numbers May Not Be Available. Wix XP Oil Filters Have Fully Synthetic Media.

Las piezas con números en *italicas* pueden no estar disponibles. Los filtros de aceite WIX XP son completamente de media sintética.

Les numéros de pièce en *italiques* peuvent ne pas être disponibles. Les filtres à huile Wix contiennent un matériau 100 % synthétique.

GMC 2002 — HONDA 2021
Pass Car/Light Truck

Year/Año/Année Model/Modelo/Modèle Engine/Motor/Moteur	Eng. Code Código de motor Code moteur	VIN NIV NIV	Oil Aceite Huile	Oil XP Aceite XP Huile XP	Air Aire Air	Cabin Air Cabina Aire Cabine Air	Cabin Air XP Cabina Aire XP Cabine Air XP	Loc. Cabin Air Cabina Aire Cabine Air	Fuel Combustible Carburant	Loc. Fuel Combustible Carburant	Transmission Transmisión Transmission
--	---	-------------------	------------------------	---------------------------------	--------------------	--	---	--	----------------------------------	--	---

GMC (Cont'd/Suite)
2002 (Cont'd/Suite)
SONOMA

L4 2.2L 2190cc 134 CID Flex		5	51040 ⁵³	51040XP	46117	N/R			33100		58904 - 4L60E-SP 58847 - 4L60E-DP
V6 4.3L 262CID		Z	51040 ⁵³ - 2WD 51036 ⁵³ - 4WD	51040XP - 2WD 51036XP - 4WD	46117	N/R			33579		58904 - 4L60E-SP 58847 - 4L60E-DP

YUKON (ALL)

V8 4.8L 294 CID		V	51522 ⁵³	51522XP	42487 ²⁸⁴ 42488 ¹⁵⁵ 42488FR ³⁶⁰	24805	24805XP	6	33481		58904 - 4L60E-SP 58847 - 4L60E-DP 58608 - 4L80E
V8 5.3L 323 CID		T	51042 ⁵³	51042XP	42487 ²⁸⁴ 42488 ¹⁵⁵ 42488FR ³⁶⁰	24805	24805XP	6	33481		58904 - 4L60E-SP 58847 - 4L60E-DP 58608 - 4L80E
V8 5.3L 323 CID Flex		Z	51042 ⁵³	51042XP	42487 ²⁸⁴ 42488 ¹⁵⁵ 42488FR ³⁶⁰	24805	24805XP	6	33579		58904 - 4L60E-SP 58847 - 4L60E-DP 58608 - 4L80E
V8 6.0L 5967cc 364 CID		U	51522 ⁵³	51522XP	42487 ²⁸⁴ 42488 ¹⁵⁵ 42488FR ³⁶⁰	24805	24805XP	6	33481		58904 - 4L60E-SP 58847 - 4L60E-DP 58608 - 4L80E
V8 8.1L 496 CID		G	57099	57099XP	42487 ²⁸⁴ 42488 ¹⁵⁵ 42488FR ³⁶⁰	24805	24805XP	6	33481		58608

HOLDEN
2005
ADVENTRA VZ

V6 3.6L 3600cc	ALLOY T190		57090	57090XP	46913				N/A		
----------------	------------	--	-------	---------	-------	--	--	--	-----	--	--

2004
ADVENTRA VZ

V8 5.7L 5700cc	Gen3		51085 ⁵³	51085XP	46913				N/A		
----------------	------	--	---------------------	---------	-------	--	--	--	-----	--	--

HONDA
2021
ACCORD

L4 1.5L 1497cc Turbo			57356 ⁵³	57356XP	WA10813	24815	24815XP		N/S		N/S
L4 2.0L 2000CC 122CID Turbo			57356 ⁵³	57356XP	WA10872	24815	24815XP		N/S		N/S

ACCORD HYBRID

L4 2.0L 2000CC 122CID Turbo			57356 ⁵³	57356XP	WA10124	24815	24815XP		N/S		N/S
-----------------------------	--	--	---------------------	---------	---------	-------	---------	--	-----	--	-----

CIVIC

L4 1.5L 1497cc Turbo			57356 ⁵³	57356XP	WA10417	24201			N/S		58732
L4 2.0L 1996cc 122 CID			57356 ⁵³	57356XP	WA10416	24201			N/S		58732

CIVIC Type R

L4 2L 2000CC 122CID Turbo	K20C1		57356	57356XP	WA10967	24201			N/S		N/S
---------------------------	-------	--	-------	---------	---------	-------	--	--	-----	--	-----

Clarity EV

Electric			N/R		N/A	24201			N/S		N/S
----------	--	--	-----	--	-----	-------	--	--	-----	--	-----

Clarity Plug-in Hybrid

L4 1.5L 1500CC 92CID			57356	57356XP	WA10839	24201			N/S		N/S
----------------------	--	--	-------	---------	---------	-------	--	--	-----	--	-----

CR-V

L4 1.5L 1497cc			57356 ⁵³	57356XP	WA10417	49101		3	N/S		58732
L4 2.4L 2354cc	K24Z7		57356 ⁵³	57356XP	WA10269	49101		3	N/S		58732

CR-V Hybrid

L4 2.0L 2000CC 122CID	LFA1		57356 ⁵³	57356XP	WA10124	49101		3	N/S		N/R
-----------------------	------	--	---------------------	---------	---------	-------	--	---	-----	--	-----

HR-V

L4 1.8L 1799cc			57356 ⁵³	57356XP	WA10394	49101		3	N/S		N/S
----------------	--	--	---------------------	---------	---------	-------	--	---	-----	--	-----

INSIGHT

L4 1.5L 1500CC 92CID	Hybrid		57356	57356XP	WA10936	24201			N/S		N/S
----------------------	--------	--	-------	---------	---------	-------	--	--	-----	--	-----

ODYSSEY

V6 3.5L 3471cc	J35Z8		57356 ⁵³	57356XP	WA10339	49101		3	N/S		N/S
----------------	-------	--	---------------------	---------	---------	-------	--	---	-----	--	-----

N/A = Not Available N/R = Not Required N/S = Not Serviceable For cabin and fuel filter locator, see pages 5-15 See pages 16-19 for footnotes

N/A = Non disponible N/R = Non nécessaire N/S = Non réparable Para la ubicación de los filtros de aire de la cabina y de combustible, ver las páginas 5-15 Voir pages 16-19 pour des notes

N/A = No disponible N/R = No requiere N/S = No servible Voir les tableaux de repérage des filtres d'habitacle et à carburant aux pages 5-15 Ver las páginas 16-19 para las notas al pie de página

Italicized Part Numbers May Not Be Available. Wix XP Oil Filters Have Fully Synthetic Media.

Las piezas con números en *italicas* pueden no estar disponibles. Los filtros de aceite WIX XP son completamente de media sintética. Les numéros de pièce en *italiques* peuvent ne pas être disponibles. Les filtres à huile XP Wix contiennent un matériau 100 % synthétique.

Year/Año/Année Model/Modelo/Modèle Engine/Motor/Moteur	Eng. Code Código de motor Code moteur	VIN NIV NIV	Oil Aceite Huile	Oil XP Aceite XP Huile XP	Air Aire Air	Cabin Air Cabina Aire Cabine Air	Cabin Air XP Cabina Aire XP Cabine Air XP	Loc. Cabin Air Cabina Aire Cabine Air	Fuel Combustible Carburant	Loc. Fuel Combustible Carburant	Transmission Transmisión Transmission
--	---	-------------------	------------------------	---------------------------------	--------------------	--	---	--	----------------------------------	--	---

HONDA (Cont'd/Suite)

2021 (Cont'd/Suite)

PASSPORT

V6 3.5L 3500CC 214CID	J35Y6 VCM		57356 ⁵³	57356XP	WA10339	24815	24815XP		N/S		N/S
-----------------------	-----------	--	---------------------	---------	---------	-------	---------	--	-----	--	-----

PILOT

V6 3.5L 3471cc	J35Z4		57356 ⁵³	57356XP	WA10339	24815	24815XP	3	N/S		N/S
----------------	-------	--	---------------------	---------	---------	-------	---------	---	-----	--	-----

RIDGELINE

V6 3.5L 3500CC 214CID	J35Y6 VCM		57356 ⁵³	57356XP	WA10339	24815	24815XP		N/S		N/A
-----------------------	-----------	--	---------------------	---------	---------	-------	---------	--	-----	--	-----

2020

ACCORD

L4 1.5L 1497cc Turbo			57356 ⁵³	57356XP	WA10813	24815	24815XP		N/S		N/S
L4 2.0L 2000CC 122CID Turbo			57356 ⁵³	57356XP	WA10872	24815	24815XP		N/S		N/S

ACCORD HYBRID

L4 2.0L 2000CC 122CID Turbo			57356 ⁵³	57356XP	WA10124	24815	24815XP		N/S		N/S
-----------------------------	--	--	---------------------	---------	---------	-------	---------	--	-----	--	-----

CIVIC

L4 1.5L 1497cc Turbo			57356 ⁵³	57356XP	WA10417	24201			N/S		58732
L4 2.0L 1996cc 122 CID			57356 ⁵³	57356XP	WA10416	24201			N/S		58732

CIVIC Type R

L4 2L 2000CC 122CID Turbo	K20C1		57356	57356XP	WA10967	24201			N/S		N/S
---------------------------	-------	--	-------	---------	---------	-------	--	--	-----	--	-----

Clarity EV

Electric			N/R		N/A	24201			N/S		N/S
----------	--	--	-----	--	-----	-------	--	--	-----	--	-----

Clarity Plug-in Hybrid

L4 1.5L 1500CC 92CID			57356	57356XP	WA10839	24201			N/S		N/S
----------------------	--	--	-------	---------	---------	-------	--	--	-----	--	-----

CR-V

L4 1.5L 1497cc			57356 ⁵³	57356XP	WA10417	49101		3	N/S		58732
L4 2.4L 2354cc	K24Z7		57356 ⁵³	57356XP	WA10269	49101		3	N/S		58732

CR-V Hybrid

L4 2.0L 2000CC 122CID	LFA1		57356 ⁵³	57356XP	WA10124	49101		3	N/S		N/R
-----------------------	------	--	---------------------	---------	---------	-------	--	---	-----	--	-----

FIT

L4 1.5L 1497cc			57356 ⁵³	57356XP	WA10212	49101		3	N/S		N/S
----------------	--	--	---------------------	---------	---------	-------	--	---	-----	--	-----

HR-V

L4 1.8L 1799cc			57356 ⁵³	57356XP	WA10394	49101		3	N/S		N/S
----------------	--	--	---------------------	---------	---------	-------	--	---	-----	--	-----

INSIGHT

L4 1.5L 1500CC 92CID	Hybrid		57356	57356XP	WA10936	24201			N/S		N/S
----------------------	--------	--	-------	---------	---------	-------	--	--	-----	--	-----

ODYSSEY

V6 3.5L 3471cc	J35Z8		57356 ⁵³	57356XP	WA10339	49101		3	N/S		N/S
----------------	-------	--	---------------------	---------	---------	-------	--	---	-----	--	-----

PASSPORT

V6 3.5L 3500CC 214CID	J35Y6 VCM		57356 ⁵³	57356XP	WA10339	24815	24815XP		N/S		N/S
-----------------------	-----------	--	---------------------	---------	---------	-------	---------	--	-----	--	-----

PILOT

V6 3.5L 3471cc	J35Z4		57356 ⁵³	57356XP	WA10339	24815	24815XP	3	N/S		N/S
----------------	-------	--	---------------------	---------	---------	-------	---------	---	-----	--	-----

RIDGELINE

V6 3.5L 3500CC 214CID	J35Y6 VCM		57356 ⁵³	57356XP	WA10339	24815	24815XP		N/S		N/A
-----------------------	-----------	--	---------------------	---------	---------	-------	---------	--	-----	--	-----

2019

ACCORD

L4 1.5L 1497cc Turbo			57356 ⁵³	57356XP	WA10813	24815	24815XP		N/S		N/S
L4 2.0L 1993cc 122 CID Electric/Gas	LFA1		57356 ⁵³	57356XP	WA10124	24815	24815XP		N/S		N/S
L4 2.0L 2000CC 122CID Turbo			57356 ⁵³	57356XP	WA10872	24815	24815XP		N/S		N/S

CIVIC

L4 1.5L 1497cc Turbo			57356 ⁵³	57356XP	WA10417	24201			N/S		58732
L4 2.0L 1996cc 122 CID			57356 ⁵³	57356XP	WA10416	24201			N/S		58732

CIVIC Type R

L4 2L 2000CC 122CID Turbo	K20C1		57356	57356XP	WA10967	24201			N/S		N/S
---------------------------	-------	--	-------	---------	---------	-------	--	--	-----	--	-----

Clarity EV

Electric			N/R		N/A	24201			N/S		N/S
----------	--	--	-----	--	-----	-------	--	--	-----	--	-----

N/A = Not Available N/R = Not Required N/S = Not Serviceable For cabin and fuel filter locator, see pages 5-15 See pages 16-19 for footnotes

N/A = Non disponible N/R = Non nécessaire N/S = Non réparable Para la ubicación de los filtros de aire de la cabina y de combustible, ver las páginas 5-15 Voir pages 16-19 pour des notes

N/A = No disponible N/R = No requiere N/S = No servible Voir les tableaux de repérage des filtres d'habitacle et à carburant aux pages 5-15 Ver las páginas 16-19 para las notas al pie de página

Italicized Part Numbers May Not Be Available. Wix XP Oil Filters Have Fully Synthetic Media.

Las piezas con números en *italicas* pueden no estar disponibles. Los filtros de aceite WIX XP son completamente de media sintética.

Les numéros de pièce en *italiques* peuvent ne pas être disponibles. Les filtres à huile XP Wix contiennent un matériau 100 % synthétique.

HONDA 2019-2017
Pass Car/Light Truck

Year/Año/Année Model/Modelo/Modèle Engine/Motor/Moteur	Eng. Code Código de motor Code moteur	VIN NIV NIV	Oil Aceite Huile	Oil XP Aceite XP Huile XP	Air Aire Air	Cabin Air Cabina Aire Cabine Air	Cabin Air XP Cabina Aire XP Cabine Air XP	Loc. Cabin Air Cabina Aire Cabine Air	Fuel Combustible Carburant	Loc. Fuel Combustible Carburant	Transmission Transmisión Transmission
--	---	-------------------	------------------------	---------------------------------	--------------------	--	---	--	----------------------------------	--	---

HONDA (Cont'd/Suite)
2019 (Cont'd/Suite)
Clarity Plug-in Hybrid

L4 1.5L 1500CC 92CID			57356	57356XP	WA10839	24201			N/S		N/S
----------------------	--	--	-------	---------	---------	-------	--	--	-----	--	-----

CR-V

L4 1.5L 1497cc			57356 ⁵³	57356XP	WA10417	49101		3	N/S		58732
L4 2.4L 2354cc	K24Z7		57356 ⁵³	57356XP	N/A	49101		3	N/S		58732

FIT

L4 1.5L 1497cc			57356 ⁵³	57356XP	WA10212	49101		3	N/S		N/S
----------------	--	--	---------------------	---------	---------	-------	--	---	-----	--	-----

HR-V

L4 1.8L 1799cc			57356 ⁵³	57356XP	WA10394	49101		3	N/S		N/S
----------------	--	--	---------------------	---------	---------	-------	--	---	-----	--	-----

INSIGHT

L4 1.5L 1500CC 92CID	Hybrid		57356	57356XP	WA10936	24201			N/S		N/S
----------------------	--------	--	-------	---------	---------	-------	--	--	-----	--	-----

ODYSSEY

V6 3.5L 3471cc	J35Z8		57356 ⁵³	57356XP	WA10339	49101		3	N/S		N/S
----------------	-------	--	---------------------	---------	---------	-------	--	---	-----	--	-----

PASSPORT

V6 3.5L 3500CC 214CID	J35Y6 VCM		57356 ⁵³	57356XP	WA10339	24815	24815XP		N/S		N/S
-----------------------	-----------	--	---------------------	---------	---------	-------	---------	--	-----	--	-----

PILOT

V6 3.5L 3471cc	J35Z4		57356 ⁵³	57356XP	WA10339	24815	24815XP	3	N/S		N/S
----------------	-------	--	---------------------	---------	---------	-------	---------	---	-----	--	-----

RIDGELINE

V6 3.5 L May			57356 ⁵³	57356XP	WA10339	24815	24815XP		N/S		N/A
--------------	--	--	---------------------	---------	---------	-------	---------	--	-----	--	-----

2018
ACCORD

L4 1.5L 1497cc Turbo			57356 ⁵³	57356XP	WA10813	24815	24815XP		N/S		N/S
L4 2.0L 1993cc 122 CID Electric/Gas	LFA1		57356 ⁵³	57356XP	WA10124	24815	24815XP		N/S		N/S
L4 2.0L 2000CC 122CID Turbo			57356 ⁵³	57356XP	WA10872	24815	24815XP		N/S		N/S

CIVIC

L4 1.5L 1497cc Turbo			57356 ⁵³	57356XP	WA10417	24201			N/S		58732
L4 2.0L 1996cc 122 CID			57356 ⁵³	57356XP	WA10416	24201			N/S		58732

CIVIC Type R

L4 2L 2000CC 122CID Turbo	K20C1		57356	57356XP	WA10967	24201			N/S		N/S
---------------------------	-------	--	-------	---------	---------	-------	--	--	-----	--	-----

Clarity EV

Electric			N/R		N/A	24201			N/S		N/S
----------	--	--	-----	--	-----	-------	--	--	-----	--	-----

Clarity Plug-in Hybrid

L4 1.5L 1500CC 92CID			57356	57356XP	WA10839	24201			N/S		N/S
----------------------	--	--	-------	---------	---------	-------	--	--	-----	--	-----

CR-V

L4 1.5L 1497cc			57356 ⁵³	57356XP	WA10417	49101		3	N/S		58732
L4 2.4L 2354cc	K24Z7		57356 ⁵³	57356XP	N/A	49101		3	N/S		58732

FIT

L4 1.5L 1497cc			57356 ⁵³	57356XP	WA10212	49101		3	N/S		N/S
----------------	--	--	---------------------	---------	---------	-------	--	---	-----	--	-----

HR-V

L4 1.8L 1799cc			57356 ⁵³	57356XP	WA10394	49101		3	N/S		N/S
----------------	--	--	---------------------	---------	---------	-------	--	---	-----	--	-----

ODYSSEY

V6 3.5L 3471cc	J35Z8		57356 ⁵³	57356XP	WA10339	49101		3	N/S		N/S
----------------	-------	--	---------------------	---------	---------	-------	--	---	-----	--	-----

PILOT

V6 3.5L 3471cc	J35Z4		57356 ⁵³	57356XP	WA10339	24815	24815XP	3	N/S		N/S
----------------	-------	--	---------------------	---------	---------	-------	---------	---	-----	--	-----

RIDGELINE

V6 3.5 L May			57356 ⁵³	57356XP	WA10339	24815	24815XP		N/S		N/A
--------------	--	--	---------------------	---------	---------	-------	---------	--	-----	--	-----

2017
ACCORD

L4 2.0L 1993cc 122 CID Electric/Gas	LFA1		57356 ⁵³	57356XP	WA10124	24815	24815XP		N/S		N/S
L4 2.4L 2356cc 144 CID	K24W1		57356 ⁵³	57356XP	49750	24815	24815XP	3	N/S		N/S
V6 3.5L 3471cc 212 CID	J35Y1		57356 ⁵³	57356XP	49760	24815	24815XP	3	N/S		N/S

N/A = Not Available N/R = Not Required N/S = Not Serviceable For cabin and fuel filter locator, see pages 5-15 See pages 16-19 for footnotes

N/A = Non disponible N/R = Non nécessaire N/S = Non réparable Para la ubicación de los filtros de aire de la cabina y de combustible, ver las páginas 5-15 Voir pages 16-19 pour des notes

N/A = No disponible N/R = No requiere N/S = No servible Voir les tableaux de repérage des filtres d'habitacle et à carburant aux pages 5-15 Ver las páginas 16-19 para las notas al pie de página

Italicized Part Numbers May Not Be Available. Wix XP Oil Filters Have Fully Synthetic Media.

Las piezas con números en *italicas* pueden no estar disponibles. Los filtros de aceite WIX XP son completamente de media sintética. Les numéros de pièce en *italiques* peuvent ne pas être disponibles. Les filtres à huile XP Wix contiennent un matériau 100 % synthétique.

Year/Año/Année Model/Modelo/Modèle Engine/Motor/Moteur	Eng. Code Código de motor Code moteur	VIN NIV NIV	Oil Aceite Huile	Oil XP Aceite XP Huile XP	Air Aire Air	Cabin Air Cabina Aire Cabine Air	Cabin Air XP Cabina Aire XP Cabine Air XP	Loc. Cabin Air Cabina Aire Cabine Air	Fuel Combustible Carburant	Loc. Fuel Combustible Carburant	Transmission Transmisión Transmission
--	--	-------------------	------------------------	---------------------------------	--------------------	--	---	--	----------------------------------	--	---

HONDA (Cont'd/Suite)

2017 (Cont'd/Suite)

CITY

L4 1.5L 1497cc (Mex.)			N/S		N/S	49101			N/S		N/S
-----------------------	--	--	-----	--	-----	-------	--	--	-----	--	-----

CIVIC

L4 1.5L 1497cc Turbo			57356 ⁵³	57356XP	WA10417	24201			N/S		58732
L4 2.0L 1996cc 122 CID			57356 ⁵³	57356XP	WA10416	24201			N/S		58732

CIVIC Type R

L4 2L 2000CC 122CID Turbo	K20C1		57356	57356XP	WA10967	24201			N/S		N/S
---------------------------	-------	--	-------	---------	---------	-------	--	--	-----	--	-----

Clarity EV

Electric			N/R		N/A	24201			N/S		N/S
----------	--	--	-----	--	-----	-------	--	--	-----	--	-----

Clarity Plug-in Hybrid

L4 1.5L 1500CC 92CID			57356	57356XP	WA10839	24201			N/S		N/S
----------------------	--	--	-------	---------	---------	-------	--	--	-----	--	-----

CR-V

L4 1.5L 1497cc			57356 ⁵³	57356XP	WA10417	49101		3	N/S		58732
L4 2.4L 2354cc	K24Z7		57356 ⁵³	57356XP	N/A	49101		3	N/S		58732

FIT

L4 1.5L 1497cc			57356 ⁵³	57356XP	WA10212	49101		3	N/S		N/S
----------------	--	--	---------------------	---------	---------	-------	--	---	-----	--	-----

HR-V

L4 1.8L 1799cc			57356 ⁵³	57356XP	WA10394	49101		3	N/S		N/S
----------------	--	--	---------------------	---------	---------	-------	--	---	-----	--	-----

ODYSSEY

V6 3.5L 3471cc	J35Z8		57356 ⁵³	57356XP	49009	24815	24815XP	3	N/S		N/S
----------------	-------	--	---------------------	---------	-------	-------	---------	---	-----	--	-----

PILOT

V6 3.5L 3471cc	J35Z4		57356 ⁵³	57356XP	WA10339	24815	24815XP	3	N/S		N/S
----------------	-------	--	---------------------	---------	---------	-------	---------	---	-----	--	-----

RIDGELINE

V6 3.5 L May			57356 ⁵³	57356XP	WA10339	24815	24815XP		N/S		N/A
--------------	--	--	---------------------	---------	---------	-------	---------	--	-----	--	-----

2016

ACCORD

L4 2.4L 2356cc 144 CID	K24W1		57356 ⁵³	57356XP	49750	24815	24815XP	3	N/S		N/S
V6 3.5L 3471cc 212 CID	J35Y1		57356 ⁵³	57356XP	49760	24815	24815XP	3	N/S		N/S

CITY

L4 1.5L 1497cc (Mex.)	L15A7		51083			24201			N/S		
-----------------------	-------	--	-------	--	--	-------	--	--	-----	--	--

CIVIC

L4 1.5L 1497cc Turbo			57356 ⁵³	57356XP	WA10417	24201			N/S		58732
L4 2.0L 1996cc 122 CID			57356 ⁵³	57356XP	WA10416	24201			N/S		58732

CR-V

L4 2.4L 2354cc	K24Z7		57356 ⁵³	57356XP	WA10269	24815	24815XP	3	N/S		58732
----------------	-------	--	---------------------	---------	---------	-------	---------	---	-----	--	-------

CR-Z

L4 1.5L 1497cc 91 CID Electric/Gas	LEA1		57356 ⁵³	57356XP	49390	24201			N/S		N/A
---------------------------------------	------	--	---------------------	---------	-------	-------	--	--	-----	--	-----

FIT

L4 1.5L 1497cc			57356 ⁵³	57356XP	WA10212	49101		3	N/S		N/S
----------------	--	--	---------------------	---------	---------	-------	--	---	-----	--	-----

HR-V

L4 1.8L 1799cc			57356 ⁵³	57356XP	WA10394	49101		3	N/S		N/S
----------------	--	--	---------------------	---------	---------	-------	--	---	-----	--	-----

ODYSSEY

V6 3.5L 3471cc	J35Z8		57356 ⁵³	57356XP	49009	24815	24815XP	3	N/S		N/S
----------------	-------	--	---------------------	---------	-------	-------	---------	---	-----	--	-----

PILOT

V6 3.5L 3471cc	J35Z4		57356 ⁵³	57356XP	WA10339	24815	24815XP	3	N/S		N/S
----------------	-------	--	---------------------	---------	---------	-------	---------	---	-----	--	-----

2015

ACCORD

L4 2.4L 2356cc 144 CID	K24W1		57356 ⁵³	57356XP	49750	24815	24815XP	3	N/S		N/S
V6 3.5L 3471cc 212 CID	J35Y1		57356 ⁵³	57356XP	49760	24815	24815XP	3	N/S		58732

ACCORD PLUG-IN

L4 2.0L 1993cc 122 CID Electric/Gas	LFA1		57356 ⁵³	57356XP	WA10124	24815	24815XP		N/S		N/S
--	------	--	---------------------	---------	---------	-------	---------	--	-----	--	-----

N/A = Not Available N/R = Not Required N/S = Not Serviceable For cabin and fuel filter locator, see pages 5-15 See pages 16-19 for footnotes
 N/A = Non disponible N/R = Non nécessaire N/S = Non réparable Para la ubicación de los filtros de aire de la cabina y de combustible, ver las páginas 5-15 Voir pages 16-19 pour des notes
 N/A = No disponible N/R = No requiere N/S = No servible Voir les tableaux de repérage des filtres d'habitacle et à carburant aux pages 5-15 Ver las páginas 16-19 para las notas al pie de página

Italicized Part Numbers May Not Be Available. Wix XP Oil Filters Have Fully Synthetic Media.
 Las piezas con números en *italicas* pueden no estar disponibles. Los filtros de aceite WIX XP son completamente de media sintética.
 Les numéros de pièce en *italiques* peuvent ne pas être disponibles. Les filtres à huile XP Wix contiennent un matériau 100 % synthétique.

P
A
S
S
C
A
R
L
I
G
H
T
T
R
U
C
K

HONDA 2015-2014
Pass Car/Light Truck

Year/Año/Année Model/Modelo/Modèle Engine/Motor/Moteur	Eng. Code Código de motor Code moteur	VIN NIV NIV	Oil Aceite Huile	Oil XP Aceite XP Huile XP	Air Aire Air	Cabin Air Cabina Aire Cabine Air	Cabin Air XP Cabina Aire XP Cabine Air XP	Loc. Cabin Air Cabina Aire Cabine Air	Fuel Combustible Carburant	Loc. Fuel Combustible Carburant	Transmission Transmisión Transmission
--	---	-------------------	------------------------	---------------------------------	--------------------	--	---	--	----------------------------------	--	---

HONDA (Cont'd/Suite)
2015 (Cont'd/Suite)
CITY

L4 1.5L 1497cc (Mex.)	L15A7		51083		49460	24201			N/S		
-----------------------	-------	--	-------	--	-------	-------	--	--	-----	--	--

CIVIC

L4 1.8L 1799cc	R18Z1		57356 ⁵³	57356XP	49031	24815	24815XP	3	N/S		N/S
L4 1.8L 1799cc CNG	R18A9		57356 ⁵³	57356XP	49065	24815	24815XP	3	N/S		N/S
L4 2.4L 2354cc	K24Z7		57356 ⁵³	57356XP	49530	24815	24815XP	3	N/S		MT

CIVIC HYBRID

L4 1.5L 1497cc Electric/Gas	LEA2		57356 ⁵³	57356XP	49091	24815	24815XP	3	N/S		N/S
-----------------------------	------	--	---------------------	---------	-------	-------	---------	---	-----	--	-----

CROSSTOUR

L4 2.4L 2354cc i-VTEC	K24Y2		57356 ⁵³	57356XP	49040	24815	24815XP	3	N/S		N/S
V6 3.5L 3471cc 212 CID	J35Y1		57356 ⁵³	57356XP	49041	24815	24815XP	3	N/S		N/S

CR-V

L4 2.4L 2354cc	K24Z7		57356 ⁵³	57356XP	WA10269	24815	24815XP	3	N/S		N/S
----------------	-------	--	---------------------	---------	---------	-------	---------	---	-----	--	-----

CR-Z

L4 1.5L 1497cc 91 CID Electric/Gas	LEA1		57356 ⁵³	57356XP	49390	24201		3	N/S		N/A
---------------------------------------	------	--	---------------------	---------	-------	-------	--	---	-----	--	-----

FIT

L4 1.5L 1497cc			57356 ⁵³	57356XP	WA10212	49101		3	N/S		N/S
----------------	--	--	---------------------	---------	---------	-------	--	---	-----	--	-----

ODYSSEY

V6 3.5L 3471cc	J35Z8		57356 ⁵³	57356XP	49009	24815	24815XP	3	N/S		N/S
----------------	-------	--	---------------------	---------	-------	-------	---------	---	-----	--	-----

PILOT

V6 3.5L 3471cc	J35Z4		57356 ⁵³	57356XP	49042	24815	24815XP	3	N/S		N/S
----------------	-------	--	---------------------	---------	-------	-------	---------	---	-----	--	-----

2014
ACCORD

L4 2.4L 2356cc 144 CID	K24W1		57356 ⁵³	57356XP	49750	24815	24815XP	3	N/S		N/S
V6 3.5L 3471cc 212 CID	J35Y1		57356 ⁵³	57356XP	49760	24815	24815XP	3	N/S		58732

ACCORD PLUG-IN

L4 2.0L 1993cc 122 CID Electric/Gas	LFA1		57356 ⁵³	57356XP	WA10124	24815	24815XP		N/S		N/S
--	------	--	---------------------	---------	---------	-------	---------	--	-----	--	-----

CITY

L4 1.5L 1497cc i-VTEC (Mex.)			51083		49460	24201			N/S		
------------------------------	--	--	-------	--	-------	-------	--	--	-----	--	--

CIVIC

L4 1.8L 1799cc	R18Z1		57356 ⁵³	57356XP	49031	24815	24815XP	3	N/S		N/S
L4 1.8L 1799cc CNG	R18A9		57356 ⁵³	57356XP	49065	24815	24815XP	3	N/S		N/S
L4 2.4L 2354cc	K24Z7		57356 ⁵³	57356XP	49530	24815	24815XP	3	N/S		MT

CIVIC HYBRID

L4 1.5L 1497cc Electric/Gas	LEA2		57356 ⁵³	57356XP	49091	24815	24815XP	3	N/S		N/S
-----------------------------	------	--	---------------------	---------	-------	-------	---------	---	-----	--	-----

CROSSTOUR

L4 2.4L 2354cc i-VTEC	K24Y2		57356 ⁵³	57356XP	49040	24815	24815XP	3	N/S		N/S
V6 3.5L 3471cc 212 CID	J35Y1		57356 ⁵³	57356XP	49041	24815	24815XP	3	N/S		N/S

CR-V

L4 2.4L 2354cc	K24Z7		57356 ⁵³	57356XP	49630	24815	24815XP	3	N/S		N/S
----------------	-------	--	---------------------	---------	-------	-------	---------	---	-----	--	-----

CR-Z

L4 1.5L 1497cc 91 CID Electric/Gas	LEA1		57356 ⁵³	57356XP	49390	24201		3	N/S		N/A
---------------------------------------	------	--	---------------------	---------	-------	-------	--	---	-----	--	-----

FIT

L4 1.5L 1497cc	L15A7		57356 ⁵³	57356XP	49460	49101		3	N/S		N/S
----------------	-------	--	---------------------	---------	-------	-------	--	---	-----	--	-----

FIT EV

20kWh Electric Electric	MCF31		N/R		N/R	49101		3	N/S		N/S
-------------------------	-------	--	-----	--	-----	-------	--	---	-----	--	-----

INSIGHT

L4 1.3L 1339cc Electric/Gas	LDA3		57356 ⁵³	57356XP	49270	24201		3	N/S		N/S
-----------------------------	------	--	---------------------	---------	-------	-------	--	---	-----	--	-----

ODYSSEY

V6 3.5L 3471cc	J35Z8		57356 ⁵³	57356XP	49009	24815	24815XP	3	N/S		N/S
----------------	-------	--	---------------------	---------	-------	-------	---------	---	-----	--	-----

N/A = Not Available N/R = Not Required N/S = Not Serviceable For cabin and fuel filter locator, see pages 5-15 See pages 16-19 for footnotes

N/A = Non disponible N/R = Non nécessaire N/S = Non réparable Para la ubicación de los filtros de aire de la cabina y de combustible, ver las páginas 5-15 Voir pages 16-19 pour des notes

N/A = No disponible N/R = No requiere N/S = No servible Voir les tableaux de repérage des filtres d'habitacle et à carburant aux pages 5-15 Ver las páginas 16-19 para las notas al pie de página

Italicized Part Numbers May Not Be Available. Wix XP Oil Filters Have Fully Synthetic Media.

Las piezas con números en *italicas* pueden no estar disponibles. Los filtros de aceite WIX XP son completamente de media sintética. Les numéros de pièce en *italiques* peuvent ne pas être disponibles. Les filtres à huile XP Wix contiennent un matériau 100 % synthétique.

Year/Año/Année Model/Modelo/Modèle Engine/Motor/Moteur	Eng. Code Código de motor Code moteur	VIN NIV NIV	Oil Aceite Huile	Oil XP Aceite XP Huile XP	Air Aire Air	Cabin Air Cabina Aire Cabine Air	Cabin Air XP Cabina Aire XP Cabine Air XP	Loc. Cabin Air Cabina Aire Cabine Air	Fuel Combustible Carburant	Loc. Fuel Combustible Carburant	Transmission Transmisión Transmission
--	---	-------------------	------------------------	---------------------------------	--------------------	--	---	--	----------------------------------	--	---

HONDA (Cont'd/Suite)

2014 (Cont'd/Suite)

PILOT

V6 3.5L 3471cc	J35Z4		57356 ⁵³	57356XP	49042	24815	24815XP	3	N/S		N/S
----------------	-------	--	---------------------	---------	-------	-------	---------	---	-----	--	-----

RIDGELINE

V6 3.5L 3471cc	J35Z5		57356 ⁵³	57356XP	49119	24815	24815XP	3	N/S		N/S
----------------	-------	--	---------------------	---------	-------	-------	---------	---	-----	--	-----

2013

ACCORD

L4 2.4L 2356cc 144 CID	K24W1		57356 ⁵³	57356XP	49750	24815	24815XP	3	N/S		N/S
V6 3.5L 3471cc 212 CID	J35Y1		57356 ⁵³	57356XP	49760	24815	24815XP	3	N/S		N/S

CITY

L4 1.5L 1497cc i-VTEC (Mex.)			51083		49460	24201			WF8034		N/A
------------------------------	--	--	-------	--	-------	-------	--	--	--------	--	-----

CIVIC

L4 1.8L 1799cc	R18Z1		57356 ⁵³	57356XP	49031	24815	24815XP	3	N/S		N/S
L4 1.8L 1799cc CNG	R18A9		57356 ⁵³	57356XP	49031	24815	24815XP	3	N/S		N/S
L4 2.4L 2354cc	K24Z7		57356 ⁵³	57356XP	49530	24815	24815XP	3	N/S		N/S

CIVIC HYBRID

L4 1.5L 1497cc Electric/Gas	LEA2		57356 ⁵³	57356XP	49091	24815	24815XP	3	N/S		N/S
-----------------------------	------	--	---------------------	---------	-------	-------	---------	---	-----	--	-----

CROSSTOUR

L4 2.4L 2354cc i-VTEC	K24Y2		57356 ⁵³	57356XP	49040	24815	24815XP	3	N/S		N/S
V6 3.5L 3471cc 212 CID	J35Y1		57356 ⁵³	57356XP	49041	24815	24815XP	3	N/S		N/S

CR-V

L4 2.4L 2354cc	K24Z7		57356 ⁵³	57356XP	49630	24815	24815XP	3	N/S		N/S
----------------	-------	--	---------------------	---------	-------	-------	---------	---	-----	--	-----

CR-Z

L4 1.5L 1497cc 91 CID Electric/Gas	LEA1		57356 ⁵³	57356XP	49390	24201		3	N/S		N/S
---------------------------------------	------	--	---------------------	---------	-------	-------	--	---	-----	--	-----

FIT

L4 1.5L 1497cc	L15A7		57356 ⁵³	57356XP	49460	49101		3	N/S		N/S
----------------	-------	--	---------------------	---------	-------	-------	--	---	-----	--	-----

INSIGHT

L4 1.3L 1339cc Electric/Gas	LDA3		57356 ⁵³	57356XP	49270	24201		3	N/S		N/S
-----------------------------	------	--	---------------------	---------	-------	-------	--	---	-----	--	-----

ODYSSEY

V6 3.5L 3471cc	J35Z8		57356 ⁵³	57356XP	49009	24815	24815XP	3	N/S		N/S
----------------	-------	--	---------------------	---------	-------	-------	---------	---	-----	--	-----

PILOT

V6 3.5L 3471cc	J35Z4		57356 ⁵³	57356XP	49042	24815	24815XP	3	N/S		N/S
----------------	-------	--	---------------------	---------	-------	-------	---------	---	-----	--	-----

RIDGELINE

V6 3.5L 3471cc	J35Z5		57356 ⁵³	57356XP	49119	24815	24815XP	3	N/S		N/S
----------------	-------	--	---------------------	---------	-------	-------	---------	---	-----	--	-----

2012

ACCORD

L4 2.4L 2354cc	K24Z2		57356 ⁵³	57356XP	49040	24815	24815XP	3	N/S		N/S
	K24Z3		57356 ⁵³	57356XP	49040	24815	24815XP	3	N/S		N/S
V6 3.5L 3471cc	J35Z2		57356 ⁵³	57356XP	49041	24815	24815XP	3	N/S		N/S
	J35Z3		57356 ⁵³	57356XP	49041	24815	24815XP	3	N/S		N/S

CITY

L4 1.5L 1497cc i-VTEC (Mex.)			51083		49460	24201			WF8034		N/A
------------------------------	--	--	-------	--	-------	-------	--	--	--------	--	-----

CIVIC

L4 1.8L 1799cc	R18Z1		57356 ⁵³	57356XP	49031	24815	24815XP	3	N/S		N/S
L4 1.8L 1799cc CNG	R18A9		57356 ⁵³	57356XP	49065	24815	24815XP	3	N/S		N/S
L4 2.4L 2354cc	K24Z7		57356 ⁵³	57356XP	49530	24815	24815XP	3	N/S		N/S

CIVIC HYBRID

L4 1.5L 1497cc Electric/Gas	LEA2		57356 ⁵³	57356XP	49091	24815	24815XP	3	N/S		N/S
-----------------------------	------	--	---------------------	---------	-------	-------	---------	---	-----	--	-----

CROSSTOUR

L4 2.4L 2354cc	K24Y2		57356 ⁵³	57356XP	49040	24815	24815XP		N/S		N/S
V6 3.5L 3471cc	J35Z2		57356 ⁵³	57356XP	49041	24815	24815XP	3	N/S		N/S

CR-V

L4 2.4L 2354cc	K24Z7		57356 ⁵³	57356XP	49630	24815	24815XP	3	N/S		N/S
----------------	-------	--	---------------------	---------	-------	-------	---------	---	-----	--	-----

N/A = Not Available N/R = Not Required N/S = Not Serviceable For cabin and fuel filter locator, see pages 5-15 See pages 16-19 for footnotes
 N/A = Non disponible N/R = Non nécessaire N/S = Non réparable Para la ubicación de los filtros de aire de la cabina y de combustible, ver las páginas 5-15 Voir pages 16-19 pour des notes
 N/A = No disponible N/R = No requiere N/S = No servible Voir les tableaux de repérage des filtres d'habitacle et à carburant aux pages 5-15 Ver las páginas 16-19 para las notas al pie de página

Italicized Part Numbers May Not Be Available. Wix XP Oil Filters Have Fully Synthetic Media.
 Las piezas con números en *italicas* pueden no estar disponibles. Los filtros de aceite WIX XP son completamente de media sintética.
 Les numéros de pièce en *italiques* peuvent ne pas être disponibles. Les filtres à huile XP Wix contiennent un matériau 100 % synthétique.

HONDA 2012-2010
Pass Car/Light Truck

Year/Año/Année Model/Modelo/Modèle Engine/Motor/Moteur	Eng. Code Código de motor Code moteur	VIN NIV NIV	Oil Aceite Huile	Oil XP Aceite XP Huile XP	Air Aire Air	Cabin Air Cabina Aire Cabine Air	Cabin Air XP Cabina Aire XP Cabine Air XP	Loc. Cabin Air Cabina Aire Cabine Air	Fuel Combustible Carburant	Loc. Fuel Combustible Carburant	Transmission Transmisión Transmission
--	---	-------------------	------------------------	---------------------------------	--------------------	--	---	--	----------------------------------	--	---

HONDA (Cont'd/Suite)
2012 (Cont'd/Suite)
CR-Z HYBRID

L4 1.5L 1497cc 91 CID Electric/Gas	LEA1		57356 ⁵³	57356XP	49390	24201		3	N/S		N/S
---------------------------------------	------	--	---------------------	---------	-------	-------	--	---	-----	--	-----

FIT

L4 1.5L 1497cc	L15A7		57356 ⁵³	57356XP	49460	49101		3	N/S		N/S
----------------	-------	--	---------------------	---------	-------	-------	--	---	-----	--	-----

INSIGHT

L4 1.3L 1339cc Electric/Gas	LDA3		57356 ⁵³	57356XP	49270	24201		3	N/S		N/S
-----------------------------	------	--	---------------------	---------	-------	-------	--	---	-----	--	-----

ODYSSEY

V6 3.5L 3471cc	J35Z8		57356 ⁵³	57356XP	49009	24815	24815XP	3	N/S		N/S
----------------	-------	--	---------------------	---------	-------	-------	---------	---	-----	--	-----

PILOT

V6 3.5L 3471cc	J35Z4		57356 ⁵³	57356XP	49042	24815	24815XP	3	N/S		N/S
----------------	-------	--	---------------------	---------	-------	-------	---------	---	-----	--	-----

RIDGELINE

V6 3.5L 3471cc	J35Z5		57356 ⁵³	57356XP	49119	24815	24815XP	3	N/S		N/S
----------------	-------	--	---------------------	---------	-------	-------	---------	---	-----	--	-----

2011
ACCORD

L4 2.4L 2354cc	K24Z2		57356 ⁵³	57356XP	49040	24815	24815XP	3	N/S		N/S
	K24Z3		57356 ⁵³	57356XP	49040	24815	24815XP	3	N/S		N/S
V6 3.5L 3471cc	J35Z2		57356 ⁵³	57356XP	49041	24815	24815XP	3	N/S		N/S
	J35Z3		57356 ⁵³	57356XP	49041	24815	24815XP	3	N/S		N/S

ACCORD CROSSTOUR

V6 3.5L 3471cc	J35Z2		57356 ⁵³	57356XP	49041	24815	24815XP	3	N/S		N/S
----------------	-------	--	---------------------	---------	-------	-------	---------	---	-----	--	-----

CITY

L4 1.5L 1497cc i-VTEC (Mex.)			51083		49460	24201			WF8034		N/A
------------------------------	--	--	-------	--	-------	-------	--	--	--------	--	-----

CIVIC

L4 1.8L 1799cc	R18A1		57356 ⁵³	57356XP	49065	24815	24815XP	3	N/S		N/S
L4 1.8L 1799cc CNG	R18A4		57356 ⁵³	57356XP	49065	24815	24815XP	3	N/S		N/S
L4 2.0L 1998cc	K20Z3		57356 ⁵³	57356XP	49120	24815	24815XP	3	N/S		MT ⁷²

CIVIC HYBRID

L4 1.3L 1339cc Electric/Gas	LDA2		57356 ⁵³	57356XP	49157	24815	24815XP	3	N/S		N/S
-----------------------------	------	--	---------------------	---------	-------	-------	---------	---	-----	--	-----

CR-V

L4 2.4L 2354cc	K24Z6		57356 ⁵³	57356XP	49230	24815	24815XP	3	N/S		N/S
----------------	-------	--	---------------------	---------	-------	-------	---------	---	-----	--	-----

CR-Z HYBRID

L4 1.5L 1497cc 91 CID Electric/Gas	LEA1		57356 ⁵³	57356XP	49390	24201		3	N/S		N/S
---------------------------------------	------	--	---------------------	---------	-------	-------	--	---	-----	--	-----

ELEMENT

L4 2.4L 2354cc	K24A8		57356 ⁵³	57356XP	49120	24817		3	N/S		N/S
----------------	-------	--	---------------------	---------	-------	-------	--	---	-----	--	-----

FIT

L4 1.5L 1497cc	L15A7		57356 ⁵³	57356XP	49460	49101		3	N/S		N/S
----------------	-------	--	---------------------	---------	-------	-------	--	---	-----	--	-----

INSIGHT

L4 1.3L 1339cc Electric/Gas	LDA3		57356 ⁵³	57356XP	49270	24201		3	N/S		N/S
-----------------------------	------	--	---------------------	---------	-------	-------	--	---	-----	--	-----

ODYSSEY

V6 3.5L 3471cc	J35Z8		57356 ⁵³	57356XP	49009	24815	24815XP	3	N/S		N/S
----------------	-------	--	---------------------	---------	-------	-------	---------	---	-----	--	-----

PILOT

V6 3.5L 3471cc	J35Z4		57356 ⁵³	57356XP	49042	24815	24815XP	3	N/S		N/S
----------------	-------	--	---------------------	---------	-------	-------	---------	---	-----	--	-----

RIDGELINE

V6 3.5L 3471cc	J35Z5		57356 ⁵³	57356XP	49119	24815	24815XP	3	N/S		N/S
----------------	-------	--	---------------------	---------	-------	-------	---------	---	-----	--	-----

2010
ACCORD

L4 2.4L 2354cc	K24Z2		57356 ⁵³	57356XP	49040	24815	24815XP	3	N/S		N/S
	K24Z3		57356 ⁵³	57356XP	49040	24815	24815XP	3	N/S		N/S
V6 3.5L 3471cc	J35Z2		57356 ⁵³	57356XP	49041	24815	24815XP	3	N/S		N/S
	J35Z3		57356 ⁵³	57356XP	49041	24815	24815XP	3	N/S		N/S

N/A = Not Available N/R = Not Required N/S = Not Serviceable For cabin and fuel filter locator, see pages 5-15 See pages 16-19 for footnotes

N/A = Non disponible N/R = Non nécessaire N/S = Non réparable Para la ubicación de los filtros de aire de la cabina y de combustible, ver las páginas 5-15 Voir pages 16-19 pour des notes

N/A = No disponible N/R = No requiere N/S = No servible Voir les tableaux de repérage des filtres d'habitacle et à carburant aux pages 5-15 Ver las páginas 16-19 para las notas al pie de página

Italicized Part Numbers May Not Be Available. Wix XP Oil Filters Have Fully Synthetic Media.

Las piezas con números en *italicas* pueden no estar disponibles. Los filtros de aceite WIX XP son completamente de media sintética. Les numéros de pièce en *italiques* peuvent ne pas être disponibles. Les filtres à huile XP Wix contiennent un matériau 100 % synthétique.

Year/Año/Année Model/Modelo/Modèle Engine/Motor/Moteur	Eng. Code Código de motor Code moteur	VIN NIV NIV	Oil Aceite Huile	Oil XP Aceite XP Huile XP	Air Aire Air	Cabin Air Cabina Aire Cabine Air	Cabin Air XP Cabina Aire XP Cabine Air XP	Loc. Cabin Air Cabina Aire Cabine Air	Fuel Combustible Carburant	Loc. Fuel Combustible Carburant	Transmission Transmisión Transmission
--	--	-------------------	------------------------	---------------------------------	--------------------	--	---	--	----------------------------------	--	---

HONDA (Cont'd/Suite)
2010 (Cont'd/Suite)
ACCORD CROSSTOUR

V6 3.5L 3471cc	J35Z2		57356 ⁵³	57356XP	49041	24815	24815XP	3	N/S		N/S
----------------	-------	--	---------------------	---------	-------	-------	---------	---	-----	--	-----

CITY

L4 1.5L 1497cc i-VTEC (Mex.)			51083		49460	24201			WF8034		N/A
------------------------------	--	--	-------	--	-------	-------	--	--	--------	--	-----

CIVIC

L4 1.8L 1799cc	R18A1		57356 ⁵³	57356XP	49065	24815	24815XP	3	N/S		N/S
L4 1.8L 1799cc CNG	R18A4		57356 ⁵³	57356XP	49065	24815	24815XP	3	N/S		N/S
L4 2.0L 1998cc	K20Z3		57356 ⁵³	57356XP	49120	24815	24815XP	3	N/S		MT ⁷²

CIVIC HYBRID

L4 1.3L 1339cc Electric/Gas	LDA2		57356 ⁵³	57356XP	49157	24815	24815XP	3	N/S		N/S
-----------------------------	------	--	---------------------	---------	-------	-------	---------	---	-----	--	-----

CR-V

L4 2.4L 2354cc	K24Z6		57356 ⁵³	57356XP	49230	24815	24815XP	3	N/S		N/S
----------------	-------	--	---------------------	---------	-------	-------	---------	---	-----	--	-----

ELEMENT

L4 2.4L 2354cc	K24A8		57356 ⁵³	57356XP	49120	24817		3	N/S		N/S
----------------	-------	--	---------------------	---------	-------	-------	--	---	-----	--	-----

FIT

L4 1.5L 1497cc	L15A7		57356 ⁵³	57356XP	49460	49101		3	N/S		N/S
----------------	-------	--	---------------------	---------	-------	-------	--	---	-----	--	-----

INSIGHT

L4 1.3L 1339cc Electric/Gas	LDA3		57356 ⁵³	57356XP	49270	24201		3	N/S		N/S
-----------------------------	------	--	---------------------	---------	-------	-------	--	---	-----	--	-----

ODYSSEY

V6 3.5L 3471cc	J35A6		57356 ⁵³	57356XP	49170	24815	24815XP	3	N/S		N/S
	J35A7		57356 ⁵³	57356XP	49170	24815	24815XP	3	N/S		N/S

PILOT

V6 3.5L 3471cc	J35Z4		57356 ⁵³	57356XP	49042	24815	24815XP	3	N/S		N/S
----------------	-------	--	---------------------	---------	-------	-------	---------	---	-----	--	-----

RIDGELINE

V6 3.5L 3471cc	J35Z5		57356 ⁵³	57356XP	49119	24815	24815XP	3	N/S		N/S
----------------	-------	--	---------------------	---------	-------	-------	---------	---	-----	--	-----

2009
ACCORD

L4 2.4L 2354cc	K24Z2		57356 ⁵³	57356XP	49040	24815	24815XP	3	N/S		N/S
	K24Z3		57356 ⁵³	57356XP	49040	24815	24815XP	3	N/S		N/S
V6 3.5L 3471cc	J35Z2		57356 ⁵³	57356XP	49041	24815	24815XP	3	N/S		N/S
	J35Z3		57356 ⁵³	57356XP	49041	24815	24815XP	3	N/S		N/S

CIVIC

L4 1.8L 1799cc	R18A1		57356 ⁵³	57356XP	49065	24815	24815XP	3	N/S		N/S
L4 1.8L 1799cc CNG	R18A4		57356 ⁵³	57356XP	49065	24815	24815XP	3	N/S		N/S
L4 2.0L 1998cc	K20Z3		57356 ⁵³	57356XP	49120	24815	24815XP	3	N/S		MT ⁷²

CIVIC HYBRID

L4 1.3L 1339cc Electric/Gas	LDA2		57356 ⁵³	57356XP	49157	24815	24815XP	3	N/S		N/S
-----------------------------	------	--	---------------------	---------	-------	-------	---------	---	-----	--	-----

CR-V

L4 2.4L 2354cc	K24Z1		57356 ⁵³	57356XP	49058	24815	24815XP	3	N/S		N/S
----------------	-------	--	---------------------	---------	-------	-------	---------	---	-----	--	-----

ELEMENT

L4 2.4L 2354cc	K24A8		57356 ⁵³	57356XP	49120	24817		3	N/S		N/S
----------------	-------	--	---------------------	---------	-------	-------	--	---	-----	--	-----

FIT

L4 1.5L 1497cc	L15A7		57356 ⁵³	57356XP	49460	49101		3	N/S		N/S
----------------	-------	--	---------------------	---------	-------	-------	--	---	-----	--	-----

ODYSSEY

V6 3.5L 3471cc	J35A6		57356 ⁵³	57356XP	42844	24815	24815XP	3	N/S		N/S
	J35A7		57356 ⁵³	57356XP	42844	24815	24815XP	3	N/S		N/S

PILOT

V6 3.5L 3471cc	J35Z4		57356 ⁵³	57356XP	49042	24815	24815XP	3	N/S		N/S
----------------	-------	--	---------------------	---------	-------	-------	---------	---	-----	--	-----

RIDGELINE

V6 3.5L 3471cc	J35Z5		57356 ⁵³	57356XP	49119	24815	24815XP	3	N/S		N/S
----------------	-------	--	---------------------	---------	-------	-------	---------	---	-----	--	-----

S2000

L4 2.2L 2157cc			51334 ⁵³	51334XP	49003	24803		6	N/S		MT ⁷²
----------------	--	--	---------------------	---------	-------	-------	--	---	-----	--	------------------

S2000 CR

L4 2.2L 2157cc			51334 ⁵³	51334XP	49003	24803		6	N/S		MT ⁷²
----------------	--	--	---------------------	---------	-------	-------	--	---	-----	--	------------------

N/A = Not Available N/R = Not Required N/S = Not Serviceable For cabin and fuel filter locator, see pages 5-15 See pages 16-19 for footnotes

N/A = Non disponible N/R = Non nécessaire N/S = Non réparable Para la ubicación de los filtros de aire de la cabina y de combustible, ver las páginas 5-15 Voir pages 16-19 pour des notes

N/A = No disponible N/R = No requiere N/S = No servible Voir les tableaux de repérage des filtres d'habitacle et à carburant aux pages 5-15 Ver las páginas 16-19 para las notas al pie de página

Italicized Part Numbers May Not Be Available. Wix XP Oil Filters Have Fully Synthetic Media.

Las piezas con números en *italicas* pueden no estar disponibles. Los filtros de aceite WIX XP son completamente de media sintética.

Les numéros de pièce en *italiques* peuvent ne pas être disponibles. Les filtres à huile XP Wix contiennent un matériau 100 % synthétique.

HONDA 2008-2007
Pass Car/Light Truck

Year/Año/Année Model/Modelo/Modèle Engine/Motor/Moteur	Eng. Code Código de motor Code moteur	VIN NIV NIV	Oil Aceite Huile	Oil XP Aceite XP Huile XP	Air Aire Air	Cabin Air Cabina Aire Cabine Air	Cabin Air XP Cabina Aire XP Cabine Air XP	Loc. Cabin Air Cabina Aire Cabine Air	Fuel Combustible Carburant	Loc. Fuel Combustible Carburant	Transmission Transmisión Transmission
--	---	-------------------	------------------------	---------------------------------	--------------------	--	---	--	----------------------------------	--	---

HONDA (Cont'd/Suite)
2008
ACCORD

L4 2.4L 2354cc	K24Z2		57356 ⁵³	57356XP	49040	24815	24815XP	3	N/S		N/S
	K24Z3		57356 ⁵³	57356XP	49040	24815	24815XP	3	N/S		N/S
V6 3.5L 3471cc	J35Z2		57356 ⁵³	57356XP	49041	24815	24815XP	3	N/S		N/S
	J35Z3		57356 ⁵³	57356XP	49041	24815	24815XP	3	N/S		N/S

CIVIC

L4 1.8L 1799cc	R18A1		57356 ⁵³	57356XP	49065	24815	24815XP	3	N/S		N/S
L4 1.8L 1799cc CNG	R18A4		57356 ⁵³	57356XP	49065	24815	24815XP	3	N/S		N/S
L4 2.0L 1998cc	K20Z3		57356 ⁵³	57356XP	49120	24815	24815XP	3	N/S		MT ⁷²

CIVIC HYBRID

L4 1.3L 1339cc Electric/Gas	LDA2		57356 ⁵³	57356XP	49157	24815	24815XP	3	N/S		N/S
-----------------------------	------	--	---------------------	---------	-------	-------	---------	---	-----	--	-----

CR-V

L4 2.4L 2354cc	K24Z1		57356 ⁵³	57356XP	49058	24815	24815XP	3	N/S		N/S
----------------	-------	--	---------------------	---------	-------	-------	---------	---	-----	--	-----

ELEMENT

L4 2.4L 2354cc	K24A8		57356 ⁵³	57356XP	49120	24817		3	N/S		N/S
----------------	-------	--	---------------------	---------	-------	-------	--	---	-----	--	-----

FIT

L4 1.5L 1497cc	L15A1		57356 ⁵³	57356XP	49086	24524		3	N/S		N/S
----------------	-------	--	---------------------	---------	-------	-------	--	---	-----	--	-----

ODYSSEY

V6 3.5L 3471cc	J35A6		57356 ⁵³	57356XP	42844	24815	24815XP	3	N/S		N/S
	J35A7		57356 ⁵³	57356XP	42844	24815	24815XP	3	N/S		N/S

PILOT

V6 3.5L 3471cc	J35A9		57356 ⁵³	57356XP	46802	24897		3	N/S		N/S
	J35Z1		57356 ⁵³	57356XP	46802	24897		3	N/S		N/S

RIDGELINE

V6 3.5L 3471cc	J35A9		57356 ⁵³	57356XP	49119	24815	24815XP	3	N/S		N/S
----------------	-------	--	---------------------	---------	-------	-------	---------	---	-----	--	-----

S2000

L4 2.2L 2157cc			51334 ⁵³	51334XP	49003	24803		6	N/S		MT ⁷²
----------------	--	--	---------------------	---------	-------	-------	--	---	-----	--	------------------

S2000 CR

L4 2.2L 2157cc			51334 ⁵³	51334XP	49003	24803		6	N/S		MT ⁷²
----------------	--	--	---------------------	---------	-------	-------	--	---	-----	--	------------------

2007
ACCORD

L4 2.4L 2354cc	K24A8		57356 ⁵³	57356XP	46831	24815	24815XP	3	N/S		58129
V6 3.0L 2997cc	J30A5		57356 ⁵³	57356XP	49063	24815	24815XP	3	N/S		58129 - In-Line

ACCORD HYBRID

V6 3.0L 2997cc Electric/Gas	JNA1		57356 ⁵³	57356XP	49220	24815	24815XP	3	N/S		58129 - In-Line
-----------------------------	------	--	---------------------	---------	-------	-------	---------	---	-----	--	-----------------

CIVIC

L4 1.8L 1799cc	R18A1		57356 ⁵³	57356XP	49065	24815	24815XP	3	N/S		N/S
L4 1.8L 1799cc CNG	R18A4		57356 ⁵³	57356XP	49065	24815	24815XP	3	N/S		N/S
L4 2.0L 1958cc	K20Z3		57356 ⁵³	57356XP	49120	24815	24815XP	3	N/S		MT ⁷²

CIVIC HYBRID

L4 1.3L 1339cc Electric/Gas	LDA2		57356 ⁵³	57356XP	49157	24815	24815XP	3	N/S		N/S
-----------------------------	------	--	---------------------	---------	-------	-------	---------	---	-----	--	-----

CR-V

L4 2.4L 2354cc	K24Z1		57356 ⁵³	57356XP	49058	24815	24815XP	3	N/S		N/S
----------------	-------	--	---------------------	---------	-------	-------	---------	---	-----	--	-----

ELEMENT

L4 2.4L 2354cc	K24A8		57356 ⁵³	57356XP	49120	24817		3	N/S		N/S
----------------	-------	--	---------------------	---------	-------	-------	--	---	-----	--	-----

FIT

L4 1.5L 1497cc	L15A1		57356 ⁵³	57356XP	49086	24524		3	N/S		N/S
----------------	-------	--	---------------------	---------	-------	-------	--	---	-----	--	-----

ODYSSEY

V6 3.5L 3471cc	J35A6		57356 ⁵³	57356XP	42844	24815	24815XP	3	N/S		N/S
	J35A7		57356 ⁵³	57356XP	42844	24815	24815XP	3	N/S		N/S

PILOT

V6 3.5L 3471cc	J35A9		57356 ⁵³	57356XP	46802	24897		3	N/S		N/S
	J35Z1		57356 ⁵³	57356XP	46802	24897		3	N/S		N/S

N/A = Not Available N/R = Not Required N/S = Not Serviceable For cabin and fuel filter locator, see pages 5-15 See pages 16-19 for footnotes

N/A = Non disponible N/R = Non nécessaire N/S = Non servicable Para la ubicación de los filtros de aire de la cabina y de combustible, ver las páginas 5-15 Voir pages 16-19 pour des notes

N/A = No disponible N/R = No requiere N/S = No servible Voir les tableaux de repérage des filtres d'habitacle et à carburant aux pages 5-15 Ver las páginas 16-19 para las notas al pie de página

Italicized Part Numbers May Not Be Available. Wix XP Oil Filters Have Fully Synthetic Media.

Las piezas con números en *italicas* pueden no estar disponibles. Los filtros de aceite WIX XP son completamente de media sintética. Les numéros de pièce en *italiques* peuvent ne pas être disponibles. Les filtres à huile XP Wix contiennent un matériau 100 % synthétique.

Year/Año/Année Model/Modelo/Modèle Engine/Motor/Moteur	Eng. Code Código de motor Code moteur	VIN NIV NIV	Oil Aceite Huile	Oil XP Aceite XP Huile XP	Air Aire Air	Cabin Air Cabina Aire Cabine Air	Cabin Air XP Cabina Aire XP Cabine Air XP	Loc. Cabin Air Cabina Aire Cabine Air	Fuel Combustible Carburant	Loc. Fuel Combustible Carburant	Transmission Transmisión Transmission
--	---	-------------------	------------------------	---------------------------------	--------------------	--	---	--	----------------------------------	--	---

HONDA (Cont'd/Suite)

2007 (Cont'd/Suite)
RIDGELINE

V6 3.5L 3471cc	J35A9		57356 ⁵³	57356XP	49119	24815	24815XP	3	N/S		N/S
----------------	-------	--	---------------------	---------	-------	-------	---------	---	-----	--	-----

S2000

L4 2.2L 2157cc			51334 ⁵³	51334XP	49003	24803		6	N/S		MT ⁷²
----------------	--	--	---------------------	---------	-------	-------	--	---	-----	--	------------------

2006
ACCORD

L4 2.4L 2354cc	K24A8		57356 ⁵³	57356XP	46831	24815	24815XP	3	N/S		58129 - In-Line
V6 3.0L 2997cc	J30A5		57356 ⁵³	57356XP	49063	24815	24815XP	3	N/S		58129 - In-Line

ACCORD HYBRID

V6 3.0L 2997cc Electric/Gas	JNA1		57356 ⁵³	57356XP	49220	24815	24815XP	3	N/S		58129 - In-Line
-----------------------------	------	--	---------------------	---------	-------	-------	---------	---	-----	--	-----------------

CIVIC

L4 1.8L 1799cc	R18A1		57356 ⁵³	57356XP	49065	24815	24815XP	3	N/S		N/S
L4 1.8L 1799cc CNG	R18A4		57356 ⁵³	57356XP	49065	24815	24815XP	3	N/S		N/S
L4 2.0L 1998cc	K20Z3		57356 ⁵³	57356XP	49120	24815	24815XP	3	N/S		MT ⁷²

CIVIC HYBRID

L4 1.3L 1339cc Electric/Gas	LDA2		57356 ⁵³	57356XP	49157	24815	24815XP	3	N/S		N/S
-----------------------------	------	--	---------------------	---------	-------	-------	---------	---	-----	--	-----

CR-V

L4 2.4L 2354cc	K24A1		57356 ⁵³	57356XP	42188	24817		3	N/S		N/S
----------------	-------	--	---------------------	---------	-------	-------	--	---	-----	--	-----

ELEMENT

L4 2.4L 2354cc	K24A4		57356 ⁵³	57356XP	42188	24817		3	N/S		N/S
----------------	-------	--	---------------------	---------	-------	-------	--	---	-----	--	-----

FIT

L4 1.5L 1497cc (Mex.)			51334 ⁵³	51334XP	N/A	N/A			N/A		
-----------------------	--	--	---------------------	---------	-----	-----	--	--	-----	--	--

INSIGHT

L3 1.0L 995cc Electric/Gas	ECA1		51365	51365XP	46499	24877		3	N/S		N/S
----------------------------	------	--	-------	---------	-------	-------	--	---	-----	--	-----

ODYSSEY

V6 3.5L 3471cc	J35A6		57356 ⁵³	57356XP	42844	24815	24815XP	3	N/S		58129 - In-Line 58139 - Cartridge
	J35A7		57356 ⁵³	57356XP	42844	24815	24815XP	3	N/S		58129 - In-Line 58139 - Cartridge

PILOT

V6 3.5L 3471cc	J35A9		57356 ⁵³	57356XP	46802	24897		3	N/S		58129 - In-Line 58139 - Cartridge
	J35Z1		57356 ⁵³	57356XP	46802	24897		3	N/S		58129 - In-Line 58139 - Cartridge

RIDGELINE

V6 3.5L 3471cc	J35A9		57356 ⁵³	57356XP	49119	24815	24815XP	3	N/S		N/S
----------------	-------	--	---------------------	---------	-------	-------	---------	---	-----	--	-----

S2000

L4 2.2L 2157cc			51334 ⁵³	51334XP	49003	24803		6	N/S		MT ⁷²
----------------	--	--	---------------------	---------	-------	-------	--	---	-----	--	------------------

2005
ACCORD

L4 2.4L 2354cc	K24A4		57356 ⁵³	57356XP	46831	24815	24815XP	3	N/S		58129 - In-Line
V6 3.0L 2997cc	J30A4		57356 ⁵³	57356XP	46832	24815	24815XP	3	N/S		58139 - Cartridge

ACCORD HYBRID

V6 3.0L 2997cc Electric/Gas	JNA1		57356 ⁵³	57356XP	49220	24815	24815XP	3	N/S		58129 - In-Line
-----------------------------	------	--	---------------------	---------	-------	-------	---------	---	-----	--	-----------------

CIVIC

L4 1.7L 1700cc			57356 ⁵³	57356XP	42564	24817		3	N/S		58732
L4 2.0L 1998cc	K20A3		57356 ⁵³	57356XP	42188	24817		3	N/S		MT ⁷²

CIVIC HYBRID

L4 1.3L 1339cc Electric/Gas	LDA1		57356 ⁵³	57356XP	49051	24817		3	N/S		N/S
-----------------------------	------	--	---------------------	---------	-------	-------	--	---	-----	--	-----

CR-V

L4 2.4L 2354cc	K24A1		57356 ⁵³	57356XP	42188	24817		3	N/S		N/S
----------------	-------	--	---------------------	---------	-------	-------	--	---	-----	--	-----

ELEMENT

L4 2.4L 2354cc	K24A4		57356 ⁵³	57356XP	42188	24817		3	N/S		N/S
----------------	-------	--	---------------------	---------	-------	-------	--	---	-----	--	-----

N/A = Not Available N/R = Not Required N/S = Not Serviceable For cabin and fuel filter locator, see pages 5-15 See pages 16-19 for footnotes

N/A = Non disponible N/R = Non nécessaire N/S = Non réparable Para la ubicación de los filtros de aire de la cabina y de combustible, ver las páginas 5-15 Voir pages 16-19 pour des notes

N/A = No disponible N/R = No requiere N/S = No servible Voir les tableaux de repérage des filtres d'habitacle et à carburant aux pages 5-15 Ver las páginas 16-19 para las notas al pie de página

Italicized Part Numbers May Not Be Available. Wix XP Oil Filters Have Fully Synthetic Media.

Las piezas con números en *italicas* pueden no estar disponibles. Los filtros de aceite WIX XP son completamente de media sintética.

Les numéros de pièce en *italiques* peuvent ne pas être disponibles. Les filtres à huile XP Wix contiennent un matériau 100 % synthétique.

HONDA 2005-2003
Pass Car/Light Truck

Year/Año/Année Model/Modelo/Modèle Engine/Motor/Moteur	Eng. Code Código de motor Code moteur	VIN NIV NIV	Oil Aceite Huile	Oil XP Aceite XP Huile XP	Air Aire Air	Cabin Air Cabina Aire Cabine Air	Cabin Air XP Cabina Aire XP Cabine Air XP	Loc. Cabin Air Cabina Aire Cabine Air	Fuel Combustible Carburant	Loc. Fuel Combustible Carburant	Transmission Transmisión Transmission
--	--	-------------------	------------------------	---------------------------------	--------------------	--	---	--	----------------------------------	--	---

HONDA (Cont'd/Suite)
2005 (Cont'd/Suite)
INSIGHT

L3 1.0L 995cc Electric/Gas	ECA1		51365	51365XP	46499	24877		3	N/S		N/S
----------------------------	------	--	-------	---------	-------	-------	--	---	-----	--	-----

ODYSSEY

V6 3.5L 3471cc	J35A6		57356 ⁵³	57356XP	42844	24815	24815XP	3	N/S		58129 - In-Line 58139 - Cartridge
	J35A7		57356 ⁵³	57356XP	42844	24815	24815XP	3	N/S		58129 - In-Line 58139 - Cartridge

PILOT

V6 3.5L 3471cc	J35A6		57356 ⁵³	57356XP	46802	24897		3	N/S		58129 - In-Line 58139 - Cartridge
----------------	-------	--	---------------------	---------	-------	-------	--	---	-----	--	--------------------------------------

S2000

L4 2.2L 2157cc			51334 ⁵³	51334XP	42726 ⁶¹	24803		6	N/S		MT ⁷²
----------------	--	--	---------------------	---------	---------------------	-------	--	---	-----	--	------------------

2004
ACCORD

L4 2.4L 2354cc	K24A4		57356 ⁵³	57356XP	46831	24815	24815XP	3	N/S		58129 - In-Line
V6 3.0L 2997cc	J30A4		57356 ⁵³	57356XP	46832	24815	24815XP	3	N/S		58139 - Cartridge

CIVIC

L4 1.7L 1700cc			57356 ⁵³	57356XP	42564	24817		3	N/S		58732
L4 2.0L 1998cc	K20A3		57356 ⁵³	57356XP	42188	24817		3	N/S		MT ⁷²

CIVIC HYBRID

L4 1.3L 1339cc Electric/Gas	LDA1		57356 ⁵³	57356XP	49051	24817		3	N/S		N/S
-----------------------------	------	--	---------------------	---------	-------	-------	--	---	-----	--	-----

CR-V

L4 2.4L 2354cc	K24A1		57356 ⁵³	57356XP	42188	24817		3	N/S		N/S
----------------	-------	--	---------------------	---------	-------	-------	--	---	-----	--	-----

ELEMENT

L4 2.4L 2354cc	K24A4		57356 ⁵³	57356XP	42188	24817		3	N/S		N/S
----------------	-------	--	---------------------	---------	-------	-------	--	---	-----	--	-----

INSIGHT

L3 1.0L 995cc Electric/Gas	ECA1		51365	51365XP	46499	24877		3	N/S		N/S
----------------------------	------	--	-------	---------	-------	-------	--	---	-----	--	-----

ODYSSEY

V6 3.5L 3474cc	J35A4		57356 ⁵³	57356XP	46803	24897		3	N/S		58129 - In-Line
----------------	-------	--	---------------------	---------	-------	-------	--	---	-----	--	-----------------

PILOT

V6 3.5L 3471cc	J35A4		57356 ⁵³	57356XP	46802	24897		3	N/S		58129 - In-Line 58139 - Cartridge
----------------	-------	--	---------------------	---------	-------	-------	--	---	-----	--	--------------------------------------

S2000

L4 2.2L 2157cc			51334 ⁵³	51334XP	42726 ⁶¹	24803		6	N/S		MT ⁷²
----------------	--	--	---------------------	---------	---------------------	-------	--	---	-----	--	------------------

2003
ACCORD

L4 2.4L 2354cc	K24A4		57356 ⁵³	57356XP	46831	24815	24815XP	3	N/S		58129 - In-Line
V6 3.0L 2997cc	J30A4		57356 ⁵³	57356XP	46832	24815	24815XP	3	N/S		58139 - Cartridge

CIVIC

L4 1.7L 1700cc			57356 ⁵³	57356XP	42564	24817		3	N/S		58732
L4 2.0L 1998cc 122 CID			57356 ⁵³	57356XP	42188	24817		3	N/S		MT ⁷²

CIVIC HYBRID

L4 1.3L 1339cc Electric/Gas	LDA1		57356 ⁵³	57356XP	49051	24817		3	N/S		N/S
-----------------------------	------	--	---------------------	---------	-------	-------	--	---	-----	--	-----

CR-V

L4 2.4L 2354cc	K24A1		57356 ⁵³	57356XP	42188	24817		3	N/S		N/S
----------------	-------	--	---------------------	---------	-------	-------	--	---	-----	--	-----

ELEMENT

L4 2.4L 2354cc	K24A4		57356 ⁵³	57356XP	42188	24817		3	N/S		N/S
----------------	-------	--	---------------------	---------	-------	-------	--	---	-----	--	-----

INSIGHT

L3 1.0L 995cc Electric/Gas	ECA1		51365	51365XP	46499	24877		3	N/S		N/S
----------------------------	------	--	-------	---------	-------	-------	--	---	-----	--	-----

ODYSSEY

V6 3.5L 3474cc	J35A4		57356 ⁵³	57356XP	46803	24897		3	N/S		58129 - In-Line
----------------	-------	--	---------------------	---------	-------	-------	--	---	-----	--	-----------------

PILOT

V6 3.5L 3471cc	J35A4		57356 ⁵³	57356XP	46802	24897		3	N/S		58129 - In-Line 58139 - Cartridge
----------------	-------	--	---------------------	---------	-------	-------	--	---	-----	--	--------------------------------------

N/A = Not Available N/R = Not Required N/S = Not Serviceable For cabin and fuel filter locator, see pages 5-15 See pages 16-19 for footnotes

N/A = Non disponible N/R = Non nécessaire N/S = Non réparable Para la ubicación de los filtros de aire de la cabina y de combustible, ver las páginas 5-15 Voir pages 16-19 pour des notes

N/A = No disponible N/R = No requiere N/S = No servible Voir les tableaux de repérage des filtres d'habitacle et à carburant aux pages 5-15 Ver las páginas 16-19 para las notas al pie de página

Italicized Part Numbers May Not Be Available. Wix XP Oil Filters Have Fully Synthetic Media.

Las piezas con números en *italicas* pueden no estar disponibles. Los filtros de aceite WIX XP son completamente de media sintética. Les numéros de pièce en *italiques* peuvent ne pas être disponibles. Les filtres à huile XP Wix contiennent un matériau 100 % synthétique.

Year/Año/Année Model/Modelo/Modèle Engine/Motor/Moteur	Eng. Code Código de motor Code moteur	VIN NIV NIV	Oil Aceite Huile	Oil XP Aceite XP Huile XP	Air Aire Air	Cabin Air Cabina Aire Cabine Air	Cabin Air XP Cabina Aire XP Cabine Air XP	Loc. Cabin Air Cabina Aire Cabine Air	Fuel Combustible Carburant	Loc. Fuel Combustible Carburant	Transmission Transmisión Transmission
--	--	-------------------	------------------------	---------------------------------	--------------------	--	---	--	----------------------------------	--	---

HONDA (Cont'd/Suite)
2003 (Cont'd/Suite)
S2000

L4 2.0L 1997cc			51334 ⁵³	51334XP	42726 ⁶¹	24803		6	N/S		MT ⁷²
----------------	--	--	---------------------	---------	---------------------	-------	--	---	-----	--	------------------

2002
ACCORD

L4 2.3L 2254cc			51334 ⁵³	51334XP	46443	24752		3	N/S		N/S
V6 3.0L 2997cc	J30A1		51334 ⁵³	51334XP	46444	24752		3	N/S		N/S

CIVIC

L4 1.7L 1700cc			57356 ⁵³	57356XP	42564	24817		3	N/S		58732
L4 2.0L 1998cc 122 CID			57356 ⁵³	57356XP	42188	24817		3	N/S		MT ⁷²

CR-V

L4 2.4L 2354cc	K24A1		57356 ⁵³	57356XP	42188	24817		3	N/S		N/S
----------------	-------	--	---------------------	---------	-------	-------	--	---	-----	--	-----

INSIGHT

L3 1.0L 995cc Electric/Gas	ECA1		51365	51365XP	46499	24877		3	N/S		MT ⁷²
----------------------------	------	--	-------	---------	-------	-------	--	---	-----	--	------------------

ODYSSEY

V6 3.5L 3474cc	J35A4		51334 ⁵³	51334XP	46803	24897		3	N/S		58129 - In-Line
----------------	-------	--	---------------------	---------	-------	-------	--	---	-----	--	-----------------

PASSPORT

V6 3.2L 3165cc	6VD1		51334 ⁵³	51334XP	46006	N/R			33310	N	58876
----------------	------	--	---------------------	---------	-------	-----	--	--	-------	---	-------

S2000

L4 2.0L 1997cc			51334 ⁵³	51334XP	42726 ⁶¹	24803		6	N/S		MT ⁷²
----------------	--	--	---------------------	---------	---------------------	-------	--	---	-----	--	------------------

HUMMER
2010
H2

V8 6.2L 376 CID Flex	L9H		57060 ⁵³	57060XP	46889	24814		3	N/S		N/A - 6L80
----------------------	-----	--	---------------------	---------	-------	-------	--	---	-----	--	------------

H3

L5 3.7L 3654cc 223 CID		E	51522 ⁵³	51522XP	49429	N/R			N/S		58323
------------------------	--	---	---------------------	---------	-------	-----	--	--	-----	--	-------

H3 ALPHA

V8 5.3L 325 CID Flex	LH9	P	57060 ⁵³	57060XP	49429	N/R			N/S		58323
V8 5.3L 5328cc 325 CID	LH8	P	57060 ⁵³	57060XP	49429	N/R			N/S		58323

H3T

L5 3.7L 3654cc 223 CID		E	51522 ⁵³	51522XP	49429	N/R			N/S		58323
------------------------	--	---	---------------------	---------	-------	-----	--	--	-----	--	-------

H3T ALPHA

V8 5.3L 325 CID Flex	LH9	P	57060 ⁵³	57060XP	49429	N/R			N/S		58323
----------------------	-----	---	---------------------	---------	-------	-----	--	--	-----	--	-------

2009
H2

V8 6.2L 376 CID Flex	L9H	2	57060 ⁵³	57060XP	46889	24814		3	N/S		N/A - 6L80
----------------------	-----	---	---------------------	---------	-------	-------	--	---	-----	--	------------

H3

L5 3.7L 3654cc 223 CID		E	51522 ⁵³	51522XP	49429	N/R			N/S		58323
------------------------	--	---	---------------------	---------	-------	-----	--	--	-----	--	-------

H3 ALPHA

V8 5.3L 5328cc 325 CID	LH8	L	57060 ⁵³	57060XP	49429	N/R			N/S		58323
------------------------	-----	---	---------------------	---------	-------	-----	--	--	-----	--	-------

H3T

L5 3.7L 3654cc 223 CID		E	51522 ⁵³	51522XP	49429	N/R			N/S		58323
------------------------	--	---	---------------------	---------	-------	-----	--	--	-----	--	-------

H3T ALPHA

V8 5.3L 5328cc 325 CID	LH8	L	57060 ⁵³	57060XP	49429	N/R			N/S		58323
------------------------	-----	---	---------------------	---------	-------	-----	--	--	-----	--	-------

H3X

L5 3.7L 3654cc 223 CID		E	51522 ⁵³	51522XP	49429	N/R			N/S		58323
------------------------	--	---	---------------------	---------	-------	-----	--	--	-----	--	-------

2008
H2

V8 6.2L 6199cc 378 CID	L92	8	57060 ⁵³	57060XP	46889	24814		3	N/S		N/A - 6L80
------------------------	-----	---	---------------------	---------	-------	-------	--	---	-----	--	------------

H3

L5 3.7L 3654cc 223 CID		E	51522 ⁵³	51522XP	49429	N/R			N/S		58323
------------------------	--	---	---------------------	---------	-------	-----	--	--	-----	--	-------

N/A = Not Available N/R = Not Required N/S = Not Serviceable For cabin and fuel filter locator, see pages 5-15 See pages 16-19 for footnotes

N/A = Non disponible N/R = Non nécessaire N/S = Non réparable Para la ubicación de los filtros de aire de la cabina y de combustible, ver las páginas 5-15 Voir pages 16-19 pour des notes

N/A = No disponible N/R = No requiere N/S = No servible Voir les tableaux de repérage des filtres d'habitacle et à carburant aux pages 5-15 Ver las páginas 16-19 para las notas al pie de página

Italicized Part Numbers May Not Be Available. Wix XP Oil Filters Have Fully Synthetic Media.

Las piezas con números en *italicas* pueden no estar disponibles. Los filtros de aceite WIX XP son completamente de media sintética.

Les numéros de pièce en *italiques* peuvent ne pas être disponibles. Les filtres à huile Wix contiennent un matériau 100 % synthétique.

HUMMER 2008 — HYUNDAI 2021
Pass Car/Light Truck

Year/Año/Année Model/Modelo/Modèle Engine/Motor/Moteur	Eng. Code Código de motor Code moteur	VIN NIV NIV	Oil Aceite Huile	Oil XP Aceite XP Huile XP	Air Aire Air	Cabin Air Cabina Aire Cabine Air	Cabin Air XP Cabina Aire XP Cabine Air XP	Loc. Cabin Air Cabina Aire Cabine Air	Fuel Combustible Carburant	Loc. Fuel Combustible Carburant	Transmission Transmisión Transmission
--	---	-------------------	------------------------	---------------------------------	--------------------	--	---	--	----------------------------------	--	---

HUMMER (Cont'd/Suite)
2008 (Cont'd/Suite)
H3 ALPHA

V8 5.3L 5328cc 325 CID	LH8	L	57060 ⁵³	57060XP	49429	N/R			N/S		58847
------------------------	-----	---	---------------------	---------	-------	-----	--	--	-----	--	-------

2007
H2

V8 6.0L 5967cc 364 CID		U	57060 ⁵³	57060XP	46889	N/R			N/S		58847
------------------------	--	---	---------------------	---------	-------	-----	--	--	-----	--	-------

H3

L5 3.7L 3654cc 223 CID		E	51522 ⁵³	51522XP	42013	N/R			N/S		58323
------------------------	--	---	---------------------	---------	-------	-----	--	--	-----	--	-------

2006
H1

V8 6.6L 400 CID Turbo Diesel		3	57202 ⁵³	57202XP	42105 - Round N/A - Conical	N/R			33976 ²³⁷		57701
------------------------------	--	---	---------------------	---------	--------------------------------	-----	--	--	----------------------	--	-------

H2

V8 6.0L 5967cc 364 CID		U	51042 ⁵³	51042XP	46889	N/R			N/S		58847
------------------------	--	---	---------------------	---------	-------	-----	--	--	-----	--	-------

H3

L5 3.5L 3460cc 211 CID		6	51522 ⁵³	51522XP	42013	N/R			N/S		58323
------------------------	--	---	---------------------	---------	-------	-----	--	--	-----	--	-------

2005
H2

V8 6.0L 5967cc 364 CID		U	51042 ⁵³	51042XP	46889	24814		3	33129		58847
------------------------	--	---	---------------------	---------	-------	-------	--	---	-------	--	-------

2004
H1

V8 6.5L 395 CID Turbo Diesel		F	51060 ⁵³	51060XP	42105	N/R			33976 ²³⁷		58608
------------------------------	--	---	---------------------	---------	-------	-----	--	--	----------------------	--	-------

H2

V8 6.0L 5967cc 364 CID		U	51042 ⁵³	51042XP	46889	24814		3	33129		58847
------------------------	--	---	---------------------	---------	-------	-------	--	---	-------	--	-------

2003
H1

V8 6.5L 395 CID Turbo Diesel		F	51060 ⁵³	51060XP	42105	N/R			33976 ²³⁷		58608
------------------------------	--	---	---------------------	---------	-------	-----	--	--	----------------------	--	-------

H2

V8 6.0L 5967cc 364 CID		U	51042 ⁵³	51042XP	46889	24814		3	33129		58847
------------------------	--	---	---------------------	---------	-------	-------	--	---	-------	--	-------

2002
H1

V8 6.5L 395 CID Turbo Diesel		F	51060 ⁵³	51060XP	42105	N/R			33976 ²³⁷		58608
------------------------------	--	---	---------------------	---------	-------	-----	--	--	----------------------	--	-------

HYUNDAI
2021
ACCENT

L4 1.6L 1600CC 98CID			WL10473 ⁵³		WA10835	WP10319			N/S		N/S
----------------------	--	--	-----------------------	--	---------	---------	--	--	-----	--	-----

ELANTRA

L4 2.0L 1999cc		H	51334 ⁵³	51334XP	WA10420	WP10319			N/S		
----------------	--	---	---------------------	---------	---------	---------	--	--	-----	--	--

IONIQ Hybrid

L4 1.6L 1580CC 96CID Electric/Gas			51334 ⁵³	51334XP	WA10770	WP2064			N/S		N/S
--------------------------------------	--	--	---------------------	---------	---------	--------	--	--	-----	--	-----

Kona

Electric Electric		E	N/R		N/S	WP10416 ¹⁷¹ WP10265 ¹⁷²		3	N/R	0	
L4 1.6L Turbo		E	51334 ⁵³	51334XP	WA10420	WP10416 ¹⁷¹ WP10265 ¹⁷²		3	N/S	0	N/S
L4 2.0L 1999cc		E	51334 ⁵³	51334XP	WA10420	WP10416 ¹⁷¹ WP10265 ¹⁷¹		3	N/S	0	N/S

NEXO

Electric Electric			N/S		N/S	N/A			N/S		N/S
-------------------	--	--	-----	--	-----	-----	--	--	-----	--	-----

PALISADE

V6 3.8L 3778cc			WL10033		WA10271	N/A			N/S		N/A
----------------	--	--	---------	--	---------	-----	--	--	-----	--	-----

N/A = Not Available N/R = Not Required N/S = Not Serviceable For cabin and fuel filter locator, see pages 5-15 See pages 16-19 for footnotes

N/A = Non disponible N/R = Non nécessaire N/S = Non réparable Para la ubicación de los filtros de aire de la cabina y de combustible, ver las páginas 5-15 Voir pages 16-19 pour des notes

N/A = No disponible N/R = No requiere N/S = No servible Voir les tableaux de repérage des filtres d'habitacle et à carburant aux pages 5-15 Ver las páginas 16-19 para las notas al pie de página

Italicized Part Numbers May Not Be Available. Wix XP Oil Filters Have Fully Synthetic Media.

Las piezas con números en *italicas* pueden no estar disponibles. Los filtros de aceite WIX XP son completamente de media sintética. Les numéros de pièce en *italiques* peuvent ne pas être disponibles. Les filtres à huile XP Wix contiennent un matériau 100 % synthétique.

Year/Año/Année Model/Modelo/Modèle Engine/Motor/Moteur	Eng. Code Código de motor Code moteur	VIN NIV NIV	Oil Aceite Huile	Oil XP Aceite XP Huile XP	Air Aire Air	Cabin Air Cabina Aire Cabine Air	Cabin Air XP Cabina Aire XP Cabine Air XP	Loc. Cabin Air Cabina Aire Cabine Air	Fuel Combustible Carburant	Loc. Fuel Combustible Carburant	Transmission Transmisión Transmission
--	---	-------------------	------------------------	---------------------------------	--------------------	--	---	--	----------------------------------	--	---

HYUNDAI (Cont'd/Suite)
2021 (Cont'd/Suite)
SANTA FE

L4 2.5L 2500CC 153CID			N/A		WA11090	24270			N/S		N/S
L4 2.5L 2500CC 153CID Turbo			N/A		WA11090	24270			N/S		N/S

SONATA

L4 1.6L 1600CC 98CID Turbo			WL10473		WA11090	24270			N/S		N/S
L4 2.5L 2500CC 153CID			N/A ⁵³		WA11090	24270			N/S		N/S

SONATA HYBRID

L4 2.0L 1999cc Electric/Gas			N/A		N/A	24270			N/S		N/S
-----------------------------	--	--	-----	--	-----	-------	--	--	-----	--	-----

TUCSON

L4 2.0L 1999cc			51334 ⁵³	51334XP	WA10335	WP10265			N/S		N/A
L4 2.4L 2351cc			51334 ⁵³	51334XP	WA10335	WP10265			N/S		N/S

VELOSTER

L4 1.6L 1591cc 97 CID Turbo			51334 ⁵³	51334XP	WA10420	WP10265			N/S		N/S
L4 2L 2000CC 122CID			51334 ⁵³	51334XP	WA10420	WP10265			N/S		N/S

VELOSTER N Performance Package

L4 2.0L 2000CC 122CID Turbo	GDI		51334 ⁵³	51334XP	WA11112	WP10265			N/S		N/S
-----------------------------	-----	--	---------------------	---------	---------	---------	--	--	-----	--	-----

VENUE

L4 1.6L 1600CC 98CID	GAMMA		WL10473		N/A	WP10265			N/S		N/S
----------------------	-------	--	---------	--	-----	---------	--	--	-----	--	-----

2020
ACCENT

L4 1.6L 1600CC 98CID			WL10473 ⁵³		WA10835	WP10319			N/S		N/S
----------------------	--	--	-----------------------	--	---------	---------	--	--	-----	--	-----

ELANTRA

L4 1.4L Turbo			51334 ⁵³	51334XP	WA10420	WP10319			N/S - 9/4/17-on N/S - 4/7/17 to 9/3/17		N/A
L4 1.6L Turbo			51334 ⁵³	51334XP	WA10420	WP10319			N/S		N/A
L4 2.0L 1999cc	H		51334 ⁵³	51334XP	WA10420	WP10319			N/S		N/A

IONIQ Hybrid

L4 1.6L 1580CC 96CID Electric/Gas			51334 ⁵³	51334XP	WA10770	WP2064			N/S		N/S
-----------------------------------	--	--	---------------------	---------	---------	--------	--	--	-----	--	-----

Kona

Electric Electric		E	N/R		N/S	WP10416 ⁷¹ WP10265 ⁷²		3	N/R	0	
L4 1.6L Turbo		E	51334 ⁵³	51334XP	WA10420	WP10416 ⁷¹ WP10265 ⁷²		3	N/S	0	N/S
L4 2.0L 1999cc		E	51334 ⁵³	51334XP	WA10420	WP10416 ⁷¹ WP10265 ⁷¹		3	N/S	0	N/S

NEXO

Electric Electric			N/S		N/S	N/A			N/S		N/S
-------------------	--	--	-----	--	-----	-----	--	--	-----	--	-----

PALISADE

V6 3.8L 3778cc			WL10033		WA10271	N/A			N/S		N/A
----------------	--	--	---------	--	---------	-----	--	--	-----	--	-----

SANTA FE SPORT

L4 2.0L 1998cc 122 CID Turbo		A	51334 ⁵³	51334XP	WA10271	WP10367		3	N/S		N/S
L4 2.4L 2359cc		B	51334 ⁵³	51334XP	WA10271	WP10367		3	N/S		N/S

SANTA FE XL

V6 3.3L 3342cc		F	WL10164		49670	24013	24013XP	3	N/S		N/S
----------------	--	---	---------	--	-------	-------	---------	---	-----	--	-----

SONATA

L4 1.6L 1600CC 98CID Turbo			WL10473		WA11090	N/A			N/S		N/S
L4 2.5L 2500CC 153CID			N/A ⁵³		WA11090	N/A			N/S		N/S

TUCSON

L4 2.0L 1999cc			51334 ⁵³	51334XP	WA10335	WP10265			N/S		N/A
L4 2.4L 2351cc			51334 ⁵³	51334XP	WA10335	WP10265			N/S		N/S

VELOSTER

L4 1.6L 1591cc 97 CID Turbo			51334 ⁵³	51334XP	WA10420	WP10265			N/S		N/S
L4 2L 2000CC 122CID			51334 ⁵³	51334XP	WA10420	WP10265			N/S		N/S

N/A = Not Available N/R = Not Required N/S = Not Serviceable For cabin and fuel filter locator, see pages 5-15 See pages 16-19 for footnotes

N/A = Non disponible N/R = Non nécessaire N/S = Non réparable Para la ubicación de los filtros de aire de la cabina y de combustible, ver las páginas 5-15 Voir pages 16-19 pour des notes

N/A = No disponible N/R = No requiere N/S = No servible Voir les tableaux de repérage des filtres d'habitacle et à carburant aux pages 5-15 Ver las páginas 16-19 para las notas al pie de página

Italicized Part Numbers May Not Be Available. Wix XP Oil Filters Have Fully Synthetic Media.

Las piezas con números en *italicas* pueden no estar disponibles. Los filtros de aceite WIX XP son completamente de media sintética.

Les numéros de pièce en *italiques* peuvent ne pas être disponibles. Les filtres à huile Wix contiennent un matériau 100 % synthétique.

HYUNDAI 2020-2018
Pass Car/Light Truck

Year/Año/Année Model/Modelo/Modèle Engine/Motor/Moteur	Eng. Code Código de motor Code moteur	VIN NIV NIV	Oil Aceite Huile	Oil XP Aceite XP Huile XP	Air Aire Air	Cabin Air Cabina Aire Cabine Air	Cabin Air XP Cabina Aire XP Cabine Air XP	Loc. Cabin Air Cabina Aire Cabine Air	Fuel Combustible Carburant	Loc. Fuel Combustible Carburant	Transmission Transmisión Transmission
--	---	-------------------	------------------------	---------------------------------	--------------------	--	---	--	----------------------------------	--	---

HYUNDAI (Cont'd/Suite)
2020 (Cont'd/Suite)
VELOSTER N Performance Package

L4 2.0L 2000CC 122CID Turbo	GDI		51334 ⁵³	51334XP	WA11112	WP10265			N/S		N/S
-----------------------------	-----	--	---------------------	---------	---------	---------	--	--	-----	--	-----

VENUE

L4 1.6L 1600CC 98CID	GAMMA		WL10473		N/A	WP10265			N/S		N/S
----------------------	-------	--	---------	--	-----	---------	--	--	-----	--	-----

2019
ACCENT

L4 1.6L 1600CC 98CID			51334 ⁵³	51334XP	WA10835	WP10319			N/S		N/S
----------------------	--	--	---------------------	---------	---------	---------	--	--	-----	--	-----

CRETA

L4 1.6L 1591cc 97 CID (Mex.)			51334 ⁵³	51334XP	N/R	24484			N/R		N/R
------------------------------	--	--	---------------------	---------	-----	-------	--	--	-----	--	-----

ELANTRA

L4 1.4L Turbo			51334 ⁵³	51334XP	WA10420	WP10319			N/S - 9/4/17-on N/S - 4/7/17 to 9/3/17		N/A
---------------	--	--	---------------------	---------	---------	---------	--	--	---	--	-----

L4 1.6L Turbo			51334 ⁵³	51334XP	WA10420	WP10319			N/S - 9/4/17-on N/S - 4/7/17 to 9/3/17		N/A
---------------	--	--	---------------------	---------	---------	---------	--	--	---	--	-----

L4 2.0L 1999cc		H	51334 ⁵³	51334XP	WA10420	WP10319			N/S		
----------------	--	---	---------------------	---------	---------	---------	--	--	-----	--	--

IONIQ Hybrid

L4 1.6L 1580CC 96CID Electric/Gas			51334 ⁵³	51334XP	WA10770	WP2064			N/S		N/S
--------------------------------------	--	--	---------------------	---------	---------	--------	--	--	-----	--	-----

Kona

Electric Electric		E	N/R		N/S	WP10416 ¹⁷¹ WP10265 ¹⁷²		3	N/R	0	
-------------------	--	---	-----	--	-----	--	--	---	-----	---	--

L4 1.6L Turbo		E	51334 ⁵³	51334XP	WA10420	WP10416 ¹⁷¹ WP10265 ¹⁷²		3	N/S	0	N/S
---------------	--	---	---------------------	---------	---------	--	--	---	-----	---	-----

L4 2.0L 1999cc		E	51334 ⁵³	51334XP	WA10420	WP10416 ¹⁷¹ WP10265 ¹⁷¹		3	N/S	0	N/S
----------------	--	---	---------------------	---------	---------	--	--	---	-----	---	-----

SANTA FE SPORT

L4 2.0L 1998cc 122 CID Turbo		A	51334 ⁵³	51334XP	WA10271	WP10367		3	N/S		N/S
------------------------------	--	---	---------------------	---------	---------	---------	--	---	-----	--	-----

L4 2.4L 2359cc		B	51334 ⁵³	51334XP	WA10271	WP10367		3	N/S		N/S
----------------	--	---	---------------------	---------	---------	---------	--	---	-----	--	-----

SANTA FE XL

V6 3.3L 3342cc		F	WL10164		49670	24013	24013XP	3	N/S		N/S
----------------	--	---	---------	--	-------	-------	---------	---	-----	--	-----

SONATA

L4 1.6L 1591cc 97 CID Turbo			51334 ⁵³	51334XP	WA10301	WP10155			N/S		N/S
-----------------------------	--	--	---------------------	---------	---------	---------	--	--	-----	--	-----

L4 2.0L 1998cc 122 CID Turbo			51334 ⁵³	51334XP	WA10301	WP10155			N/S		N/A
------------------------------	--	--	---------------------	---------	---------	---------	--	--	-----	--	-----

L4 2.4L 2359cc			51334 ⁵³	51334XP	WA10127	WP10155			N/S		N/A
----------------	--	--	---------------------	---------	---------	---------	--	--	-----	--	-----

SONATA HYBRID

L4 2.0L 1999cc Electric/Gas			51334 ⁵³	51334XP	WA10127	WP10155			N/S		N/A
-----------------------------	--	--	---------------------	---------	---------	---------	--	--	-----	--	-----

TUCSON

L4 2.0L 1999cc			51334 ⁵³	51334XP	WA10335	WP10265			N/S		N/A
----------------	--	--	---------------------	---------	---------	---------	--	--	-----	--	-----

L4 2.4L 2351cc			51334 ⁵³	51334XP	WA10335	WP10265			N/S		N/S
----------------	--	--	---------------------	---------	---------	---------	--	--	-----	--	-----

VELOSTER

L4 1.6L 1591cc 97 CID Turbo			51334 ⁵³	51334XP	WA10420	WP10265			N/S		N/S
-----------------------------	--	--	---------------------	---------	---------	---------	--	--	-----	--	-----

L4 2L 2000CC 122CID			51334 ⁵³	51334XP	WA10420	WP10265			N/S		N/S
---------------------	--	--	---------------------	---------	---------	---------	--	--	-----	--	-----

VELOSTER N Performance Package

L4 2.0L 2000CC 122CID Turbo	GDI		51334 ⁵³	51334XP	WA11112	WP10265			N/S		N/S
-----------------------------	-----	--	---------------------	---------	---------	---------	--	--	-----	--	-----

2018
ACCENT

L4 1.6L 1591cc 97 CID		E	51334 ⁵³	51334XP	WA10835	WP10319		3	N/S	0	N/S
-----------------------	--	---	---------------------	---------	---------	---------	--	---	-----	---	-----

CRETA

L4 1.6L 1591cc 97 CID (Mex.)			51334 ⁵³	51334XP		24484			N/S		N/S
------------------------------	--	--	---------------------	---------	--	-------	--	--	-----	--	-----

ELANTRA

L4 1.4L Turbo			51334 ⁵³	51334XP	WA10420	WP10319			N/S - 9/4/17-on N/S - 4/7/17 to 9/3/17		N/A
---------------	--	--	---------------------	---------	---------	---------	--	--	---	--	-----

L4 1.6L Turbo			51334 ⁵³	51334XP	WA10420	WP10319			N/S - 9/4/17-on N/S - 4/7/17 to 9/3/17		N/A
---------------	--	--	---------------------	---------	---------	---------	--	--	---	--	-----

L4 2.0L 1999cc		H	51334 ⁵³	51334XP	WA10420	WP10319			N/S		
----------------	--	---	---------------------	---------	---------	---------	--	--	-----	--	--

N/A = Not Available N/R = Not Required N/S = Not Serviceable For cabin and fuel filter locator, see pages 5-15 See pages 16-19 for footnotes

N/A = Non disponible N/R = Non nécessaire N/S = Non réparable Para la ubicación de los filtros de aire de la cabina y de combustible, ver las páginas 5-15 Voir pages 16-19 pour des notes

N/A = No disponible N/R = No requiere N/S = No servible Voir les tableaux de repérage des filtres d'habitacle et à carburant aux pages 5-15 Ver las páginas 16-19 para las notas al pie de página

Italicized Part Numbers May Not Be Available. Wix XP Oil Filters Have Fully Synthetic Media.

Las piezas con números en *italicas* pueden no estar disponibles. Los filtros de aceite WIX XP son completamente de media sintética. Les numéros de pièce en *italiques* peuvent ne pas être disponibles. Les filtres à huile XP Wix contiennent un matériau 100 % synthétique.

Year/Año/Année Model/Modelo/Modèle Engine/Motor/Moteur	Eng. Code Código de motor Code moteur	VIN NIV NIV	Oil Aceite Huile	Oil XP Aceite XP Huile XP	Air Aire Air	Cabin Air Cabina Aire Cabine Air	Cabin Air XP Cabina Aire XP Cabine Air XP	Loc. Cabin Air Cabina Aire Cabine Air	Fuel Combustible Carburant	Loc. Fuel Combustible Carburant	Transmission Transmisión Transmission
--	---	-------------------	------------------------	---------------------------------	--------------------	--	---	--	----------------------------------	--	---

HYUNDAI (Cont'd/Suite)
2018 (Cont'd/Suite)
ELANTRA GT

L4 1.6L Turbo			51334 ⁵³	51334XP	WA10420	WP10319			N/S - 9/4/17-on N/S - 4/7/17 to 9/3/17		N/A
---------------	--	--	---------------------	---------	---------	---------	--	--	---	--	-----

H200

L4 2.5L 2497cc Diesel Turbo (Mex.)			51067		WA6570 ⁶¹	N/S					N/S
------------------------------------	--	--	-------	--	----------------------	-----	--	--	--	--	-----

IONIQ Hybrid

L4 1.6L 1580CC 96CID Electric/Gas			51334 ⁵³	51334XP	WA10770	WP2064			N/S		N/S
-----------------------------------	--	--	---------------------	---------	---------	--------	--	--	-----	--	-----

Kona

L4 1.6L Turbo		E	51334 ⁵³	51334XP	WA10420	WP10416 ¹⁷¹ WP10265 ¹⁷²		3	N/S	0	N/S
L4 2.0L 1999cc		E	51334 ⁵³	51334XP	WA10420	WP10416 ¹⁷¹ WP10265 ¹⁷¹		3	N/S	0	N/S

SANTA FE

V6 3.3L 3342cc		F	WL10164		49670	24013	24013XP	3	N/S		N/S
----------------	--	---	---------	--	-------	-------	---------	---	-----	--	-----

SANTA FE SPORT

L4 2.0L 1998cc 122 CID Turbo		A	51334 ⁵³	51334XP	WA10271	24013	24013XP	3	N/S		N/S
L4 2.4L 2359cc		B	51334 ⁵³	51334XP	WA10271	24013	24013XP	3	N/S		N/S

SONATA

L4 1.6L 1591cc 97 CID Turbo			51334 ⁵³	51334XP	WA10301	WP10155			N/S		N/S
L4 2.0L 1998cc 122 CID Turbo			51334 ⁵³	51334XP	WA10301	WP10155			N/S		N/A
L4 2.0L 1999cc Electric/Gas			51334 ⁵³	51334XP	WA10127	WP10155			N/S		N/A
L4 2.4L 2359cc			51334 ⁵³	51334XP	WA10127	WP10155			N/S		N/A

SONATA HYBRID

L4 2.4L 2359cc Electric/Gas			51334 ⁵³	51334XP	WA10127	WP10275		3	N/S		N/S
-----------------------------	--	--	---------------------	---------	---------	---------	--	---	-----	--	-----

TUCSON

L4 1.6L 1591cc 97 CID Turbo			51334 ⁵³	51334XP	WA10335	WP10265			N/S		N/S
L4 2.0L 1999cc			51334 ⁵³	51334XP	WA10335	WP10265			N/S		N/A

TUCSON Sport

L4 2.4L 2351cc			51334 ⁵³	51334XP	WA10335	WP10265			N/S		N/S
----------------	--	--	---------------------	---------	---------	---------	--	--	-----	--	-----

2017
ACCENT

L4 1.6L 1591cc 97 CID		E	51334 ⁵³	51334XP	49022	24684	24684XP	3	N/S	0	N/S
-----------------------	--	---	---------------------	---------	-------	-------	---------	---	-----	---	-----

AZERA

V6 3.3L 3342cc		G	WL10164		49250	24013	24013XP	3	N/S		N/S
----------------	--	---	---------	--	-------	-------	---------	---	-----	--	-----

CRETA

L4 1.6L 1591cc 97 CID (Mex.)			51334 ⁵³	51334XP		24484			N/S		N/S
------------------------------	--	--	---------------------	---------	--	-------	--	--	-----	--	-----

ELANTRA

L4 1.4L Turbo			51334 ⁵³	51334XP	WA10420	WP10319			N/S		N/S
L4 1.6L Turbo			51334 ⁵³	51334XP	WA10420	WP10319			N/S		N/S
L4 2.0L 1999cc		H	51334 ⁵³	51334XP	WA10420	WP10319			N/S		N/S

ELANTRA GT

L4 2.0L 1999cc		H	51334 ⁵³	51334XP	49480	49377	49377XP		N/S		
----------------	--	---	---------------------	---------	-------	-------	---------	--	-----	--	--

GRAND i10

L4 1.2i L 1248cc (Mex.)			51334 ⁵³	51334XP	N/S	N/S			N/S		N/S
-------------------------	--	--	---------------------	---------	-----	-----	--	--	-----	--	-----

H200

L4 2.5L 2497cc Diesel Turbo (Mex.)			51067		WA6570 ⁶¹	N/S					N/S
------------------------------------	--	--	-------	--	----------------------	-----	--	--	--	--	-----

IONIQ Hybrid

L4 1.6L 1580CC 96CID Electric/Gas			51334 ⁵³	51334XP	WA10770	WP2064			N/S		N/S
-----------------------------------	--	--	---------------------	---------	---------	--------	--	--	-----	--	-----

SANTA FE

V6 3.3L 3342cc		F	WL10164		49670	24013	24013XP	3	N/S		N/S
----------------	--	---	---------	--	-------	-------	---------	---	-----	--	-----

N/A = Not Available N/R = Not Required N/S = Not Serviceable For cabin and fuel filter locator, see pages 5-15 See pages 16-19 for footnotes

N/A = Non disponible N/R = Non nécessaire N/S = Non réparable Para la ubicación de los filtros de aire de la cabina y de combustible, ver las páginas 5-15 Voir pages 16-19 pour des notes

N/A = No disponible N/R = No requiere N/S = No servible Voir les tableaux de repérage des filtres d'habitacle et à carburant aux pages 5-15 Ver las páginas 16-19 para las notas al pie de página

Italicized Part Numbers May Not Be Available. Wix XP Oil Filters Have Fully Synthetic Media.

Las piezas con números en *italicas* pueden no estar disponibles. Los filtros de aceite WIX XP son completamente de media sintética.

Les numéros de pièce en *italiques* peuvent ne pas être disponibles. Les filtres à huile Wix contiennent un matériau 100 % synthétique.

HYUNDAI 2017-2016
Pass Car/Light Truck

Year/Año/Année Model/Modelo/Modèle Engine/Motor/Moteur	Eng. Code Código de motor Code moteur	VIN NIV NIV	Oil Aceite Huile	Oil XP Aceite XP Huile XP	Air Aire Air	Cabin Air Cabina Aire Cabine Air	Cabin Air XP Cabina Aire XP Cabine Air XP	Loc. Cabin Air Cabina Aire Cabine Air	Fuel Combustible Carburant	Loc. Fuel Combustible Carburant	Transmission Transmisión Transmission
--	---	-------------------	------------------------	---------------------------------	--------------------	--	---	--	----------------------------------	--	---

HYUNDAI (Cont'd/Suite)
2017 (Cont'd/Suite)
SANTA FE SPORT

L4 2.0L 1998cc 122 CID Turbo		A	51334 ⁵³	51334XP	WA10271	24013	24013XP	3	N/S		N/S
L4 2.4L 2359cc		B	51334 ⁵³	51334XP	WA10271	24013	24013XP	3	N/S		N/S

SONATA

L4 1.6L 1591cc 97 CID Turbo			51334 ⁵³	51334XP	WA10301	WP10155			N/S		N/A
L4 2.0L 1998cc 122 CID Turbo			51334 ⁵³	51334XP	WA10301	WP10155			N/S		N/A
L4 2.4L 2359cc			51334 ⁵³	51334XP	WA10127	WP10155			N/S		N/A

SONATA HYBRID

L4 2.0L 1999cc Electric/Gas			51334 ⁵³	51334XP	WA10127	WP10275			N/S		N/A
L4 2.4L 2359cc Electric/Gas		1	51334 ⁵³	51334XP	WA10127	WP10275		3	N/S		N/S

TUCSON

L4 1.6L 1591cc 97 CID Turbo			51334 ⁵³	51334XP	WA10335	WP10265 ²²⁰ N/A ²²¹			N/S		N/A
L4 2.0L 1999cc			51334 ⁵³	51334XP	WA10335	WP10265 ²²⁰ N/A ²²¹			N/S		N/A

VELOSTER

L4 1.6L 1591cc 97 CID			51334 ⁵³	51334XP	49022	24684	24684XP	3	N/S	0	N/S
L4 1.6L 1591cc 97 CID Turbo			51334 ⁵³	51334XP	49022	24684	24684XP	3	N/S	0	N/S

2016
ACCENT

L4 1.6L 1591cc 97 CID		E	51334 ⁵³	51334XP	49022	24684	24684XP	3	N/S	0	N/S
-----------------------	--	---	---------------------	---------	-------	-------	---------	---	-----	---	-----

AZERA

V6 3.3L 3342cc		G	WL10164		49250	24013	24013XP	3	N/S		N/S
----------------	--	---	---------	--	-------	-------	---------	---	-----	--	-----

ELANTRA

L4 1.8L 1797cc		E	51334 ⁵³	51334XP	49480	49377	49377XP	3	N/S		N/S
L4 2.0L 1999cc		H	51334 ⁵³	51334XP	49480	49377	49377XP		N/S		

ELANTRA GT

L4 2.0L 1999cc		H	51334 ⁵³	51334XP	49480	49377	49377XP		N/S		
----------------	--	---	---------------------	---------	-------	-------	---------	--	-----	--	--

EQUUS

V8 5.0L 5038cc </>			57029		49004	24300		3	N/S		N/S
--------------------	--	--	-------	--	-------	-------	--	---	-----	--	-----

GENESIS

V6 3.8L 3778cc </>			WL10033		WA10163	24300			N/S		N/A
V8 5.0L 5038cc </>			WL10033		WA10163	24300			N/S		N/A

GENESIS COUPE

V6 3.8L 3778cc		J	WL10033		WA10163	24684	24684XP	3	N/S		N/S
----------------	--	---	---------	--	---------	-------	---------	---	-----	--	-----

GRAND i10

L4 1.2L 1248cc (Mex.)			51334 ⁵³	51334XP	N/S	N/S			N/S		N/S
-----------------------	--	--	---------------------	---------	-----	-----	--	--	-----	--	-----

H200

L4 2.5L 2497cc Diesel Turbo (Mex.)			51067		WA6570 ⁶¹	N/S					N/S
------------------------------------	--	--	-------	--	----------------------	-----	--	--	--	--	-----

SANTA FE

L4 2.0L 1998cc 122 CID Turbo		A	51334 ⁵³	51334XP	49670	24013	24013XP	3	N/S		N/S
L4 2.4L 2359cc		B	51334 ⁵³	51334XP	49670	24013	24013XP	3	N/S		N/S
V6 3.3L 3342cc		F	WL10164		49670	24013	24013XP	3	N/S		N/S

SONATA

L4 1.6L 1591cc 97 CID Turbo			51334 ⁵³	51334XP	WA10301	WP10155			N/S		N/A
L4 2.0L 1998cc 122 CID Turbo			51334 ⁵³	51334XP	WA10301	WP10155			N/S		N/A
L4 2.4L 2359cc			51334 ⁵³	51334XP	WA10127	WP10155			N/S		N/A

SONATA HYBRID

L4 2.0L 1999cc Electric/Gas			51334 ⁵³	51334XP	WA10127	WP10275			N/S		N/A
-----------------------------	--	--	---------------------	---------	---------	---------	--	--	-----	--	-----

TUCSON

134HP Electric Hydrogen Fuel Cell Hydrogen			N/R		N/A	49377	49377XP		N/R		N/S
L4 1.6L 1591cc 97 CID Turbo			51334 ⁵³	51334XP	WA10335	WP10265 ²²⁰ N/A ²²¹			N/S		N/A

N/A = Not Available N/R = Not Required N/S = Not Serviceable For cabin and fuel filter locator, see pages 5-15 See pages 16-19 for footnotes

N/A = Non disponible N/R = Non nécessaire N/S = Non réparable Para la ubicación de los filtros de aire de la cabina y de combustible, ver las páginas 5-15 Voir pages 16-19 pour des notes

N/A = No disponible N/R = No requiere N/S = No servible Voir les tableaux de repérage des filtres d'habitacle et à carburant aux pages 5-15 Ver las páginas 16-19 para las notas al pie de página

Italicized Part Numbers May Not Be Available. Wix XP Oil Filters Have Fully Synthetic Media.

Las piezas con números en *italicas* pueden no estar disponibles. Los filtros de aceite WIX XP son completamente de media sintética. Les numéros de pièce en *italiques* peuvent ne pas être disponibles. Les filtres à huile XP Wix contiennent un matériau 100 % synthétique.

Year/Año/Année Model/Modelo/Modèle Engine/Motor/Moteur	Eng. Code Código de motor Code moteur	VIN NIV NIV	Oil Aceite Huile	Oil XP Aceite XP Huile XP	Air Aire Air	Cabin Air Cabina Aire Cabine Air	Cabin Air XP Cabina Aire XP Cabine Air XP	Loc. Cabin Air Cabina Aire Cabine Air	Fuel Combustible Carburant	Loc. Fuel Combustible Carburant	Transmission Transmisión Transmission
--	---	-------------------	------------------------	---------------------------------	--------------------	--	---	--	----------------------------------	--	---

HYUNDAI (Cont'd/Suite)
2016 (Cont'd/Suite)
TUCSON (Cont'd/Suite)

L4 2.0L 1999cc			51334 ⁵³	51334XP	WA10335	WP10265 ²²⁰ N/A ²²¹			N/S		N/A
----------------	--	--	---------------------	---------	---------	--	--	--	-----	--	-----

VELOSTER

L4 1.6L 1591cc 97 CID			51334 ⁵³	51334XP	49022	24684	24684XP	3	N/S	0	N/S
L4 1.6L 1591cc 97 CID Turbo			51334 ⁵³	51334XP	49022	24684	24684XP	3	N/S	0	N/S

2015
ACCENT

L4 1.6L 1591cc 97 CID		E	51334 ⁵³	51334XP	49022	24684	24684XP	3	N/S	0	N/S
-----------------------	--	---	---------------------	---------	-------	-------	---------	---	-----	---	-----

AZERA

V6 3.3L 3342cc		G	WL10164		49250	24013	24013XP	3	N/S		N/S
----------------	--	---	---------	--	-------	-------	---------	---	-----	--	-----

ELANTRA

L4 1.8L 1797cc		E	51334 ⁵³	51334XP	49480	49377	49377XP	3	N/S		N/S
L4 2.0L 1999cc		H	51334 ⁵³	51334XP	49480	49377	49377XP		N/S		N/S

EQUUS

V8 5.0L 5038cc		H	57029		49004 - Primary	24300		3	N/S		N/S
----------------	--	---	-------	--	-----------------	-------	--	---	-----	--	-----

GENESIS

V6 3.8L 3778cc			WL10033		WA10163	24300			N/S - Primary		N/S
V8 5.0L 5038cc			WL10067		WA10070 - Right WA10237 - Left	24300			N/S		N/S

GENESIS COUPE

V6 3.8L 3778cc		J	57029		WA10164	24684	24684XP	3	N/S		N/S
----------------	--	---	-------	--	---------	-------	---------	---	-----	--	-----

GRAND i10

L4 1.2i L 1248cc (Mex.)			51083		N/A	WP9344			N/R		
-------------------------	--	--	-------	--	-----	--------	--	--	-----	--	--

i10

L4 1.1i L 1086cc (Mex.)		G4HD	51083		WA9640	WP9344			N/R		
-------------------------	--	------	-------	--	--------	--------	--	--	-----	--	--

ix35

L4 2.0L 1998cc 122 CID Turbo (Mex.)		G4KF	D	WL7512		49210	WP2064		N/S		
-------------------------------------	--	------	---	--------	--	-------	--------	--	-----	--	--

SANTA FE

L4 2.0L 1998cc 122 CID Turbo		A	51334 ⁵³	51334XP	49670	24013	24013XP	3	N/S		N/S
L4 2.4L 2359cc		B	51334 ⁵³	51334XP	49670	24013	24013XP	3	N/S		N/S
V6 3.3L 3342cc		F	WL10164		49670	24013	24013XP	3	N/S		N/S

SONATA

L4 2.0L 1998cc 122 CID Turbo			51334 ⁵³	51334XP	WA10301	WP10155			N/S		N/S
L4 2.4L 2359cc			51334 ⁵³	51334XP	WA10127	WP10155			N/S		N/S

SONATA ECO

L4 1.6L 1591cc 97 CID Turbo			51334 ⁵³	51334XP	WA10301	WP10155			N/S		N/S
-----------------------------	--	--	---------------------	---------	---------	---------	--	--	-----	--	-----

SONATA HYBRID

L4 2.4L 2359cc Electric/Gas		4	51334 ⁵³	51334XP	49450	24013	24013XP	3	N/S		N/S
-----------------------------	--	---	---------------------	---------	-------	-------	---------	---	-----	--	-----

TUCSON

L4 2.0L 1999cc		B	51334 ⁵³	51334XP	49210	24684	24684XP	3	N/S		N/S
L4 2.4L 2359cc		G	51334 ⁵³	51334XP	49210	24684	24684XP	3	N/S		N/S

VELOSTER

L4 1.6L 1591cc 97 CID		D	51334 ⁵³	51334XP	49022	24684	24684XP	3	N/S	0	N/S
L4 1.6L 1591cc 97 CID Turbo		E	51334 ⁵³	51334XP	49022	24684	24684XP		N/S		N/A

2014
ACCENT

L4 1.6L 1591cc 97 CID		E	51334 ⁵³	51334XP	49022	24684	24684XP	3	N/S	0	N/S
-----------------------	--	---	---------------------	---------	-------	-------	---------	---	-----	---	-----

AZERA

V6 3.3L 3342cc		G	WL10164		49250	24013	24013XP	3	N/S		N/S
----------------	--	---	---------	--	-------	-------	---------	---	-----	--	-----

ELANTRA

L4 1.8L 1797cc		E	51334 ⁵³	51334XP	49480	49377	49377XP	3	N/S		N/S
L4 2.0L 1999cc		H	51334 ⁵³	51334XP	49480	49377	49377XP		N/S		N/S

N/A = Not Available N/R = Not Required N/S = Not Serviceable For cabin and fuel filter locator, see pages 5-15 See pages 16-19 for footnotes

N/A = Non disponible N/R = Non nécessaire N/S = Non réparable Para la ubicación de los filtros de aire de la cabina y de combustible, ver las páginas 5-15 Voir pages 16-19 pour des notes

N/A = No disponible N/R = No requiere N/S = No servible Voir les tableaux de repérage des filtres d'habitacle et à carburant aux pages 5-15 Ver las páginas 16-19 para las notas al pie de página

Italicized Part Numbers May Not Be Available. Wix XP Oil Filters Have Fully Synthetic Media.

Las piezas con números en *italicas* pueden no estar disponibles. Los filtros de aceite WIX XP son completamente de media sintética.

Les numéros de pièce en *italiques* peuvent ne pas être disponibles. Les filtres à huile XP Wix contiennent un matériau 100 % synthétique.

HYUNDAI 2014-2013
Pass Car/Light Truck

Year/Año/Année Model/Modelo/Modèle Engine/Motor/Moteur	Eng. Code Código de motor Code moteur	VIN NIV NIV	Oil Aceite Huile	Oil XP Aceite XP Huile XP	Air Aire Air	Cabin Air Cabina Aire Cabine Air	Cabin Air XP Cabina Aire XP Cabine Air XP	Loc. Cabin Air Cabina Aire Cabine Air	Fuel Combustible Carburant	Loc. Fuel Combustible Carburant	Transmission Transmisión Transmission
--	---	-------------------	------------------------	---------------------------------	--------------------	--	---	--	----------------------------------	--	---

HYUNDAI (Cont'd/Suite)
2014 (Cont'd/Suite)
ELANTRA COUPE

L4 2.0L 1999cc		H	51334 ⁵³	51334XP	49480	49377	49377XP		N/S		
----------------	--	---	---------------------	---------	-------	-------	---------	--	-----	--	--

ELANTRA GT

L4 2.0L 1999cc		H	51334 ⁵³	51334XP	49480	49377	49377XP		N/S		
----------------	--	---	---------------------	---------	-------	-------	---------	--	-----	--	--

EQUUS

V8 5.0L 5038cc		H	57029		49004 - Primary	24300		3	N/S		N/S
----------------	--	---	-------	--	-----------------	-------	--	---	-----	--	-----

GENESIS

V6 3.8L 3778cc		D	57029		WA10163	24300		3	N/S		N/S
----------------	--	---	-------	--	---------	-------	--	---	-----	--	-----

V8 5.0L 5038cc		H	57029		49004 - Primary 49650 - Secondary	24300		3	N/S		N/S
----------------	--	---	-------	--	--------------------------------------	-------	--	---	-----	--	-----

GENESIS COUPE

L4 2.0L 1998cc 122 CID Turbo		D	51334 ⁵³	51334XP	WA10022	24684	24684XP	3	N/S		N/S
------------------------------	--	---	---------------------	---------	---------	-------	---------	---	-----	--	-----

V6 3.8L 3778cc		J	57029		WA10164	24684	24684XP	3	N/S		N/S
----------------	--	---	-------	--	---------	-------	---------	---	-----	--	-----

i10

L4 1.1i L 1086cc (Mex.)	G4HD		51083		WA9640	WP9344			N/R		
-------------------------	------	--	-------	--	--------	--------	--	--	-----	--	--

L4 1.2i L 1248cc (Mex.)			51083		N/A	WP9344			N/R		
-------------------------	--	--	-------	--	-----	--------	--	--	-----	--	--

SANTA FE

L4 2.0L 1998cc 122 CID Turbo		A	51334 ⁵³	51334XP	49670	24013	24013XP	3	N/S		N/S
------------------------------	--	---	---------------------	---------	-------	-------	---------	---	-----	--	-----

L4 2.4L 2359cc		B	51334 ⁵³	51334XP	49670	24013	24013XP	3	N/S		N/S
----------------	--	---	---------------------	---------	-------	-------	---------	---	-----	--	-----

V6 3.3L 3342cc		F	WL10164		49670	24013	24013XP	3	N/S		N/S
----------------	--	---	---------	--	-------	-------	---------	---	-----	--	-----

SONATA

L4 2.0L 1998cc 122 CID Turbo		B	51334 ⁵³	51334XP	49250	24013	24013XP	3	N/S		WL10405
------------------------------	--	---	---------------------	---------	-------	-------	---------	---	-----	--	---------

L4 2.4L 2359cc		C	51334 ⁵³	51334XP	49250	24013	24013XP	3	N/S		N/S
----------------	--	---	---------------------	---------	-------	-------	---------	---	-----	--	-----

SONATA HYBRID

L4 2.4L 2359cc Electric/Gas		4	51334 ⁵³	51334XP	49450	24013	24013XP	3	N/S		N/S
-----------------------------	--	---	---------------------	---------	-------	-------	---------	---	-----	--	-----

TUCSON

L4 2.0L 1999cc		B	51334 ⁵³	51334XP	49210	24684	24684XP	3	N/S		N/S
----------------	--	---	---------------------	---------	-------	-------	---------	---	-----	--	-----

L4 2.4L 2359cc		G	51334 ⁵³	51334XP	49210	24684	24684XP	3	N/S		N/S
----------------	--	---	---------------------	---------	-------	-------	---------	---	-----	--	-----

VELOSTER

L4 1.6L 1591cc 97 CID		D	51334 ⁵³	51334XP	49022	24684	24684XP	3	N/S	O	N/S
-----------------------	--	---	---------------------	---------	-------	-------	---------	---	-----	---	-----

L4 1.6L 1591cc 97 CID Turbo		E	51334 ⁵³	51334XP	49022	24684	24684XP		N/S		N/A
-----------------------------	--	---	---------------------	---------	-------	-------	---------	--	-----	--	-----

2013
ACCENT

L4 1.6L 1591cc 97 CID		E	51334 ⁵³	51334XP	49022	24684	24684XP	3	N/S	O	N/S
-----------------------	--	---	---------------------	---------	-------	-------	---------	---	-----	---	-----

AZERA

V6 3.3L 3342cc		G	WL10164		49250	24013	24013XP	3	N/S		N/S
----------------	--	---	---------	--	-------	-------	---------	---	-----	--	-----

ELANTRA

L4 1.8L 1797cc		E	51334 ⁵³	51334XP	49480	49377	49377XP	3	N/S		N/S
----------------	--	---	---------------------	---------	-------	-------	---------	---	-----	--	-----

EQUUS

V8 5.0L 5038cc		H	57029		49004 - Primary 49650 - Secondary	24300		3	N/S		N/S
----------------	--	---	-------	--	--------------------------------------	-------	--	---	-----	--	-----

GENESIS

V6 3.8L 3778cc		D	57029		49004	24300		3	N/S		N/S
----------------	--	---	-------	--	-------	-------	--	---	-----	--	-----

V8 4.6L 4627cc		F	57029		49004	24300		3	N/S		N/S
----------------	--	---	-------	--	-------	-------	--	---	-----	--	-----

V8 5.0L 5038cc		H	57029		49650 - Secondary 49004 - Primary	24300		3	N/S		N/S
----------------	--	---	-------	--	--------------------------------------	-------	--	---	-----	--	-----

GENESIS COUPE

L4 2.0L 1998cc 122 CID Turbo		D	51334 ⁵³	51334XP	WA10022	24684	24684XP	3	N/S		N/S
------------------------------	--	---	---------------------	---------	---------	-------	---------	---	-----	--	-----

V6 3.8L 3778cc		J	57029		WA10164	24684	24684XP	3	N/S		N/S
----------------	--	---	-------	--	---------	-------	---------	---	-----	--	-----

i10

L4 1.1i L 1086cc (Mex.)	G4HD		51083		WA9640	WP9344			N/R		
-------------------------	------	--	-------	--	--------	--------	--	--	-----	--	--

L4 1.2i L 1248cc (Mex.)			51083		N/A	WP9344			N/R		
-------------------------	--	--	-------	--	-----	--------	--	--	-----	--	--

SANTA FE

L4 2.0L 1998cc 122 CID Turbo		A	51334 ⁵³	51334XP	49670	24013	24013XP	3	N/S		N/S
------------------------------	--	---	---------------------	---------	-------	-------	---------	---	-----	--	-----

N/A = Not Available N/R = Not Required N/S = Not Serviceable For cabin and fuel filter locator, see pages 5-15 See pages 16-19 for footnotes

N/A = Non disponible N/R = Non nécessaire N/S = Non réparable Para la ubicación de los filtros de aire de la cabina y de combustible, ver las páginas 5-15 Voir pages 16-19 pour des notes

N/A = No disponible N/R = No requiere N/S = No servible Voir les tableaux de repérage des filtres d'habitacle et à carburant aux pages 5-15 Ver las páginas 16-19 para las notas al pie de página

Italicized Part Numbers May Not Be Available. Wix XP Oil Filters Have Fully Synthetic Media.

Las piezas con números en *italicas* pueden no estar disponibles. Los filtros de aceite WIX XP son completamente de media sintética. Les numéros de pièce en *italiques* peuvent ne pas être disponibles. Les filtres à huile XP Wix contiennent un matériau 100 % synthétique.

Year/Año/Année Model/Modelo/Modèle Engine/Motor/Moteur	Eng. Code Código de motor Code moteur	VIN NIV	Oil Aceite Huile	Oil XP Aceite XP Huile XP	Air Aire Air	Cabin Air Cabina Aire Cabine Air	Cabin Air XP Cabina Aire XP Cabine Aire XP	Loc. Cabin Air Cabina Aire Cabine Air	Fuel Combustible Carburant	Loc. Fuel Combustible Carburant	Transmission Transmisión Transmission
--	---	------------	------------------------	---------------------------------	--------------------	--	--	--	----------------------------------	--	---

HYUNDAI (Cont'd/Suite)
2013 (Cont'd/Suite)
SANTA FE (Cont'd/Suite)

L4 2.4L 2359cc		B	51334 ⁵³	51334XP	49670	24013	24013XP	3	N/S		N/S
V6 3.3L 3342cc		F	WL10164		49670	24013	24013XP	3	N/S		N/S

SONATA

L4 2.0L 1998cc 122 CID Turbo		B	51334 ⁵³	51334XP	49450	24013	24013XP	3	N/S		N/S
L4 2.4L 2359cc		C	51334 ⁵³	51334XP	49450	24013	24013XP	3	N/S		N/S

SONATA HYBRID

L4 2.4L 2359cc Electric/Gas	G4KK	4	51334 ⁵³	51334XP	49450	24013	24013XP	3	N/S		N/S
-----------------------------	------	---	---------------------	---------	-------	-------	---------	---	-----	--	-----

TUCSON

L4 2.0L 1975cc		B	51334 ⁵³	51334XP	49210	24684	24684XP	3	N/S		N/S
L4 2.4L 2359cc		C	51334 ⁵³	51334XP	49210	24684	24684XP	3	N/S		N/S

VELOSTER

L4 1.6L 1591cc 97 CID		D	51334 ⁵³	51334XP	49022	24684	24684XP	3	N/S	0	N/S
L4 1.6L 1591cc 97 CID Turbo		E	51334 ⁵³	51334XP	49022	24684	24684XP		N/S		N/A

2012
ACCENT

L4 1.6L 1600cc		E	51334 ⁵³	51334XP	49022	24684	24684XP	3	N/S	0	N/S
----------------	--	---	---------------------	---------	-------	-------	---------	---	-----	---	-----

AZERA

V6 3.3L 3342cc		G	WL10164		49250	24013	24013XP	3	N/S		N/S
----------------	--	---	---------	--	-------	-------	---------	---	-----	--	-----

ELANTRA

L4 1.8L 1797cc		E	51334 ⁵³	51334XP	49480	49377	49377XP	3	N/S		N/S
----------------	--	---	---------------------	---------	-------	-------	---------	---	-----	--	-----

ELANTRA TOURING

L4 2.0L 1975cc		E	51334 ⁵³	51334XP	49070	24270		3	N/S		N/S
----------------	--	---	---------------------	---------	-------	-------	--	---	-----	--	-----

EQUUS

V8 5.0L 5038cc		H	57029		49004 - Primary 49650 - Secondary	24300		3	N/S		N/S
----------------	--	---	-------	--	--------------------------------------	-------	--	---	-----	--	-----

GENESIS

V6 3.8L 3778cc		D	57029		49004	24300		3	N/S		N/S
V8 4.6L 4627cc		F	57029		49004	24300		3	N/S		N/S
V8 5.0L 5038cc		H	57029		49650 - Secondary 49004 - Primary	24300		3	N/S		N/S

GENESIS COUPE

L4 2.0L 1998cc 122 CID Turbo		D	51334 ⁵³	51334XP	49110	24684	24684XP	3	N/S		N/S
V6 3.8L 3778cc		H	57029		49006	24684	24684XP	3	N/S		N/S

i10

L4 1.1i L 1086cc (Mex.)	G4HD		51083		WA9640	WP9344			N/R		
-------------------------	------	--	-------	--	--------	--------	--	--	-----	--	--

SANTA FE

L4 2.4L 2359cc		B	51334 ⁵³	51334XP	49250	24015		3	N/S		N/S
V6 3.5L 3500cc		G	WL10164		49250	24015		3	N/S		N/S

SONATA

L4 2.0L 1998cc 122 CID Turbo		B	51334 ⁵³	51334XP	49450	24013	24013XP	3	N/S		N/S
L4 2.4L 2359cc		C	51334 ⁵³	51334XP	49450	24013	24013XP	3	N/S		N/S

SONATA HYBRID

L4 2.4L 2359cc Electric/Gas		4	51334 ⁵³	51334XP	49450	24013	24013XP	3	N/S		N/S
-----------------------------	--	---	---------------------	---------	-------	-------	---------	---	-----	--	-----

TUCSON

L4 2.0L 1975cc		B	51334 ⁵³	51334XP	49210	24684	24684XP	3	N/S		N/S
L4 2.4L 2359cc		C	51334 ⁵³	51334XP	49210	24684	24684XP	3	N/S		N/S

VELOSTER

L4 1.6L 1600cc		D	51334 ⁵³	51334XP	49022	24684	24684XP	3	N/S	0	N/S
----------------	--	---	---------------------	---------	-------	-------	---------	---	-----	---	-----

VERACRUZ

V6 3.8L 3778cc		C	57250		49059	24753		3	N/S		N/S
----------------	--	---	-------	--	-------	-------	--	---	-----	--	-----

2011
ACCENT

L4 1.6L 1600cc		C	51334 ⁵³	51334XP	49069	49377	49377XP	3	N/S	0	58731
----------------	--	---	---------------------	---------	-------	-------	---------	---	-----	---	-------

N/A = Not Available N/R = Not Required N/S = Not Serviceable For cabin and fuel filter locator, see pages 5-15 See pages 16-19 for footnotes

N/A = Non disponible N/R = Non nécessaire N/S = Non réparable Para la ubicación de los filtros de aire de la cabina y de combustible, ver las páginas 5-15 Voir pages 16-19 pour des notes

N/A = No disponible N/R = No requiere N/S = No servible Voir les tableaux de repérage des filtres d'habitacle et à carburant aux pages 5-15 Ver las páginas 16-19 para las notas al pie de página

Italicized Part Numbers May Not Be Available. Wix XP Oil Filters Have Fully Synthetic Media.

Las piezas con números en *italicas* pueden no estar disponibles. Los filtros de aceite WIX XP son completamente de media sintética.

Les numéros de pièce en *italiques* peuvent ne pas être disponibles. Les filtres à huile Wix contiennent un matériau 100 % synthétique.

HYUNDAI 2011-2010
Pass Car/Light Truck

Year/Año/Année Model/Modelo/Modèle Engine/Motor/Moteur	Eng. Code Código de motor Code moteur	VIN NIV NIV	Oil Aceite Huile	Oil XP Aceite XP Huile XP	Air Aire Air	Cabin Air Cabina Aire Cabine Air	Cabin Air XP Cabina Aire XP Cabine Air XP	Loc. Cabin Air Cabina Aire Cabine Air	Fuel Combustible Carburant	Loc. Fuel Combustible Carburant	Transmission Transmisión Transmission
--	---	-------------------	------------------------	---------------------------------	--------------------	--	---	--	----------------------------------	--	---

HYUNDAI (Cont'd/Suite)
2011 (Cont'd/Suite)
AZERA

V6 3.3L 3342cc		D	57250		49052	24013	24013XP	3	N/S		N/S
V6 3.8L 3778cc		F	57250		49052	24015		3	N/S		N/S

ELANTRA

L4 1.8L 1797cc		E	51334 ⁵³	51334XP	49480	49377	49377XP	3	N/S		N/S
----------------	--	---	---------------------	---------	-------	-------	---------	---	-----	--	-----

ELANTRA TOURING

L4 2.0L 1975cc		E	51334 ⁵³	51334XP	49070	24270		3	N/S		N/S
----------------	--	---	---------------------	---------	-------	-------	--	---	-----	--	-----

EQUUS

V8 4.6L 4627cc		F	57029		49004	24300		3	N/S		N/S
----------------	--	---	-------	--	-------	-------	--	---	-----	--	-----

GENESIS

V6 3.8L 3778cc		E	57250		49100 - Up to 3/15/11 49004 - 3/15/11 - on	24300		3	N/S		N/S
V8 4.6L 4627cc		F	57029		49004	24300		3	N/S		N/S

GENESIS COUPE

L4 2.0L 1998cc 122 CID Turbo		D	51334 ⁵³	51334XP	49110	24684	24684XP	3	N/S		N/S
V6 3.8L 3778cc		H	57250		49006	24684	24684XP	3	N/S		N/S

i10

L4 1.1L 1086cc (Mex.)	G4HD		51083		WA9640	WP9344			N/R		
-----------------------	------	--	-------	--	--------	--------	--	--	-----	--	--

SANTA FE

L4 2.4L 2359cc		B	51334 ⁵³	51334XP	49250	24015 - 12/8/10-on 24080 - To 12/8/10		3	N/S		N/S
V6 3.5L 3500cc		G	WL10164		49250	24015		3	N/S		N/S

SONATA

L4 2.0L 1998cc 122 CID Turbo		B	51334 ⁵³	51334XP	49250	24013	24013XP	3	N/S		N/S
L4 2.4L 2359cc		C	51334 ⁵³	51334XP	49250	24013	24013XP	3	N/S		N/S

SONATA HYBRID

L4 2.4L 2359cc Electric/Gas		4	51334 ⁵³	51334XP	49450	24013	24013XP	3	N/S		N/S
-----------------------------	--	---	---------------------	---------	-------	-------	---------	---	-----	--	-----

TUCSON

L4 2.0L 1975cc		B	51334 ⁵³	51334XP	49210	24684	24684XP	3	N/S		N/S
L4 2.4L 2359cc		C	51334 ⁵³	51334XP	49210	24684	24684XP	3	N/S		N/S

VERACRUZ

V6 3.8L 3778cc		C	57250		49059	24753		3	N/S		N/S
----------------	--	---	-------	--	-------	-------	--	---	-----	--	-----

2010
ACCENT

L4 1.6L 1600cc		C	51334 ⁵³	51334XP	49069	24484		3	N/S	O	58731
----------------	--	---	---------------------	---------	-------	-------	--	---	-----	---	-------

AZERA

V6 3.3L 3342cc		D	57250 ²⁶⁷ 57061 ²⁶⁶		49052	24015		3	N/S		N/S
V6 3.8L 3778cc		F	57250 ²⁶⁷ 57061 ²⁶⁶		49052	24015		3	N/S		N/S

ELANTRA

L4 2.0L 1975cc		D	51334 ⁵³	51334XP	49070	49377	49377XP	3	N/S		N/S
----------------	--	---	---------------------	---------	-------	-------	---------	---	-----	--	-----

ELANTRA TOURING

L4 2.0L 1975cc		E	51334 ⁵³	51334XP	49070	24270		3	N/S		N/S
----------------	--	---	---------------------	---------	-------	-------	--	---	-----	--	-----

ENTOURAGE

V6 3.8L 3778cc		3	57061		49113	24689		2	N/S		N/S
----------------	--	---	-------	--	-------	-------	--	---	-----	--	-----

GENESIS

V6 3.8L 3778cc		E	57250		49100	24300		3	N/S		N/S
V8 4.6L 4627cc		F	57029		49004	24300		3	N/S		N/S

GENESIS COUPE

L4 2.0L 1998cc 122 CID Turbo		D	51334 ⁵³	51334XP	49110	24684	24684XP	3	N/S		N/S
V6 3.8L 3778cc		H	57250		49006	24684	24684XP	3	N/S		N/S

i10

L4 1.1L 1086cc (Mex.)	G4HD		51083		WA9640	WP9344			N/R		
L4 1.2L 1248cc (Mex.)	G4LA		51083		WA9750	WP9344			N/R		

N/A = Not Available N/R = Not Required N/S = Not Serviceable For cabin and fuel filter locator, see pages 5-15 See pages 16-19 for footnotes

N/A = Non disponible N/R = Non nécessaire N/S = Non réparable Para la ubicación de los filtros de aire de la cabina y de combustible, ver las páginas 5-15 Voir pages 16-19 pour des notes

N/A = No disponible N/R = No requiere N/S = No servible Voir les tableaux de repérage des filtres d'habitacle et à carburant aux pages 5-15 Ver las páginas 16-19 para las notas al pie de página

Italicized Part Numbers May Not Be Available. Wix XP Oil Filters Have Fully Synthetic Media.

Las piezas con números en *italicas* pueden no estar disponibles. Los filtros de aceite WIX XP son completamente de media sintética. Les numéros de pièce en *italiques* peuvent ne pas être disponibles. Les filtres à huile XP Wix contiennent un matériau 100 % synthétique.

Year/Año/Année Model/Modelo/Modèle Engine/Motor/Moteur	Eng. Code Código de motor Code moteur	VIN NIV NIV	Oil Aceite Huile	Oil XP Aceite XP Huile XP	Air Aire Air	Cabin Air Cabina Aire Cabine Air	Cabin Air XP Cabina Aire XP Cabine Air XP	Loc. Cabin Air Cabina Aire Cabine Air	Fuel Combustible Carburant	Loc. Fuel Combustible Carburant	Transmission Transmisión Transmission
--	---	-------------------	------------------------	---------------------------------	--------------------	--	---	--	----------------------------------	--	---

HYUNDAI (Cont'd/Suite)
2010 (Cont'd/Suite)
SANTA FE

L4 2.4L 2359cc		B	51334 ⁵³	51334XP	49250	24080		3	N/S		N/S
V6 3.5L 3500cc		G	WL10164		49250	24080		3	N/S		N/S

SONATA

L4 2.4L 2359cc		C	51334 ⁵³	51334XP	49156	24015		3	N/S		N/S
V6 3.3L 3342cc		F	57250 ²⁶⁷ 57061 ²⁶⁶		49052	24015		3	N/S		N/S

TUCSON

L4 2.0L Diesel (Mex.)		S,8	WL7426		42834	24761 ²⁷⁶ 24684 ²⁷⁷	24684XP ²⁷⁷	3	WF8395		WL10417
L4 2.4L 2359cc		C	51334 ⁵³	51334XP	49210	24684	24684XP	3	N/S		N/S

TUCSON 10MY (IX35)

L4 2.0L Turbo Diesel (Mex.)		C	WL7478		49210	24761 N/A		3			WL10405
-----------------------------	--	---	--------	--	-------	--------------	--	---	--	--	---------

VERACRUZ

V6 3.8L 3778cc		C	57250		49059	24753		3	N/S		N/S
----------------	--	---	-------	--	-------	-------	--	---	-----	--	-----

2009
ACCENT

L4 1.6L 1600cc		C	51334 ⁵³	51334XP	49069	24484		3	N/S	0	58731
----------------	--	---	---------------------	---------	-------	-------	--	---	-----	---	-------

AZERA

V6 3.3L 3342cc		D	57061 ²⁶⁶ 57250 ²⁶⁷		49052	24517		3	N/S		N/S
V6 3.8L 3778cc		F	57061 ²⁶⁶ 57250 ²⁶⁷		49052	24517		3	N/S		N/S

CENTENNIAL

V6 3.5L 3497cc (Mex.)			51334 ⁵³	51334XP	N/A	N/A			N/A		
-----------------------	--	--	---------------------	---------	-----	-----	--	--	-----	--	--

ELANTRA

L4 2.0L 1975cc		D	51334 ⁵³	51334XP	49070	49377	49377XP	3	N/S		N/S
----------------	--	---	---------------------	---------	-------	-------	---------	---	-----	--	-----

ELANTRA TOURING

L4 2.0L 1975cc		E	51334 ⁵³	51334XP	49070	24270		3	N/S		N/S
----------------	--	---	---------------------	---------	-------	-------	--	---	-----	--	-----

ENTOURAGE

V6 3.8L 3778cc		3	57061		49113	24689		2	N/S		N/S
----------------	--	---	-------	--	-------	-------	--	---	-----	--	-----

GENESIS

V6 3.8L 3778cc		E	57250		49100	24300		3	N/S		N/S
V8 4.6L 4627cc		F	57029		49004	24300		3	N/S		N/S

i10

L4 1.1i L 1086cc (Mex.)	G4HD		51083		WA9640	WP9344			N/R		
L4 1.2i L 1248cc (Mex.)	G4LA		51083		WA9750	WP9344			N/R		

SANTA FE

V6 2.7L 2700cc		D	51334 ⁵³ 57356 ⁵³	51334XP ³⁰⁴ 57356XP ³⁰⁵	49191	24517		3	N/S		N/S
V6 3.3L 3342cc		E	57061 ²⁶⁶ 57250 ²⁶⁷		49191	24517		3	N/S		N/S

SONATA

L4 2.4L 2359cc		C	51334 ⁵³	51334XP	49156	24015		3	N/S		N/S
V6 3.3L 3342cc		F	57061 ²⁶⁶ 57250 ²⁶⁷		49052	24015		3	N/S		N/S

TUCSON

L4 2.0L Diesel (Mex.)		S,8	WL7426		42834	24761 ²⁷⁶ 24684 ²⁷⁷	24684XP ²⁷⁷	3	WF8395		WL10417
L4 2.0L 1975cc		B	51334 ⁵³	51334XP	42834	24761		3	N/S		N/S
V6 2.7L 2700cc		D	51334 ⁵³	51334XP	42834	24684	24684XP	3	N/S		N/S

VERACRUZ

V6 3.8L 3778cc		C	57250 ²⁶⁷ 57061 ²⁶⁶		49059	24753		3	N/S		N/S
----------------	--	---	--	--	-------	-------	--	---	-----	--	-----

N/A = Not Available N/R = Not Required N/S = Not Serviceable For cabin and fuel filter locator, see pages 5-15 See pages 16-19 for footnotes

N/A = Non disponible N/R = Non nécessaire N/S = Non réparable Para la ubicación de los filtros de aire de la cabina y de combustible, ver las páginas 5-15 Voir pages 16-19 pour des notes

N/A = No disponible N/R = No requiere N/S = No servible Voir les tableaux de repérage des filtres d'habitacle et à carburant aux pages 5-15 Ver las páginas 16-19 para las notas al pie de página

Italicized Part Numbers May Not Be Available. Wix XP Oil Filters Have Fully Synthetic Media.

Las piezas con números en *italicas* pueden no estar disponibles. Los filtros de aceite WIX XP son completamente de media sintética.

Les numéros de pièce en *italiques* peuvent ne pas être disponibles. Les filtres à huile XP Wix contiennent un matériau 100 % synthétique.

HYUNDAI 2008-2007

Pass Car/Light Truck

Year/Año/Année Model/Modelo/Modèle Engine/Motor/Moteur	Eng. Code Código de motor Code moteur	VIN NIV NIV	Oil Aceite Huile	Oil XP Aceite XP Huile XP	Air Aire Air	Cabin Air Cabina Aire Cabine Air	Cabin Air XP Cabina Aire XP Cabine Air XP	Loc. Cabin Air Cabina Aire Cabine Air	Fuel Combustible Carburant	Loc. Fuel Combustible Carburant	Transmission Transmisión Transmission
--	---	-------------------	------------------------	---------------------------------	--------------------	--	---	--	----------------------------------	--	---

HYUNDAI (Cont'd/Suite)

2008

ACCENT

L4 1.6L 1600cc		C	51334 ⁵³	51334XP	49069	24484		3	N/S		58731
----------------	--	---	---------------------	---------	-------	-------	--	---	-----	--	-------

AZERA

V6 3.3L 3342cc		D	57061		49052	24517		3	N/S		N/S
V6 3.8L 3778cc		F	57061		49052	24517		3	N/S		N/S

CENTENNIAL

V6 3.5L 3497cc (Mex.)			51334 ⁵³	51334XP	N/A	N/A			N/A		
-----------------------	--	--	---------------------	---------	-----	-----	--	--	-----	--	--

ELANTRA

L4 2.0L 1975cc		D	51334 ⁵³	51334XP	49070	49377	49377XP	3	N/S		N/S
----------------	--	---	---------------------	---------	-------	-------	---------	---	-----	--	-----

ENTOURAGE

V6 3.8L 3778cc		3	57061		49113	24689		2	N/S		N/S
----------------	--	---	-------	--	-------	-------	--	---	-----	--	-----

i10

L4 1.1i L 1086cc (Mex.)	G4HD		51083		WA9640	WP9344			N/R		
L4 1.2i L 1248cc (Mex.)	G4LA		51083		WA9750	WP9344			N/R		

SANTA FE

V6 2.7L 2700cc		D	51334 ⁵³ 57356 ⁵³	51334XP ³⁰⁴ 57356XP ³⁰⁵	49191	24517		3	N/S		51064 ⁵³ - Spin-on
V6 3.3L 3342cc		E	57061		49191	24517		3	N/S		51064 ⁵³ - Spin-on

SONATA

L4 2.4L 2359cc		C	51334 ⁵³	51334XP	49156	24517		3	N/S		N/S
V6 3.3L 3342cc		F	57061		49052	24517		3	N/S		N/S

TIBURON

L4 2.0L 1975cc		D	51334 ⁵³	51334XP	42551	24689		2	N/S		51064 ⁵³ - Spin-on
V6 2.7L 2656cc		F	51334 ⁵³	51334XP	42551	24689		2	N/S		51064 ⁵³ - Spin-on

TUCSON

L4 2.0L Diesel (Mex.)		S,8	WL7426		42834	24761 ²⁷⁶ 24684 ²⁷⁷	24684XP ²⁷⁷	3	WF8395		WL10417
L4 2.0L 1975cc		B	51334 ⁵³	51334XP	42834	24684	24684XP	3	N/S		N/S
V6 2.7L 2700cc		D	51334 ⁵³	51334XP	42834	24684	24684XP	3	N/S		N/S

VERACRUZ

V6 3.8L 3778cc		C	57250 ²⁶⁷ 57061 ²⁶⁶		49059	24753		3	N/S		N/S
----------------	--	---	--	--	-------	-------	--	---	-----	--	-----

2007

ACCENT

L4 1.6L 1600cc		C	51334 ⁵³	51334XP	49069	24484		3	N/S	O	58731
----------------	--	---	---------------------	---------	-------	-------	--	---	-----	---	-------

AZERA

V6 3.3L 3342cc		D	57061		49052	24517		3	N/S		N/S
V6 3.8L 3778cc		F	57061		49052	24517		3	N/S		N/S

CENTENNIAL

V6 3.5L 3497cc (Mex.)			51334 ⁵³	51334XP	N/A	N/A			N/A		
-----------------------	--	--	---------------------	---------	-----	-----	--	--	-----	--	--

ELANTRA

L4 2.0L 1975cc		D	51334 ⁵³	51334XP	49070	49377	49377XP	3	N/S		N/S
----------------	--	---	---------------------	---------	-------	-------	---------	---	-----	--	-----

ENTOURAGE

V6 3.8L 3778cc		3	57061		49113	24689		2	N/S		N/S
----------------	--	---	-------	--	-------	-------	--	---	-----	--	-----

SANTA FE

V6 2.7L 2700cc		D	51334 ⁵³ 57356 ⁵³	51334XP ³⁰⁴ 57356XP ³⁰⁵	49191	24517		3	N/S		51064 ⁵³ - Spin-on
V6 3.3L 3342cc		E	57061		49191	24517		3	N/S		51064 ⁵³ - Spin-on

SONATA

L4 2.4L 2359cc		C	51334 ⁵³	51334XP	49156	24517		3	N/S		N/S
V6 3.3L 3342cc		F	57061		49052	24517		3	N/S		N/S

TIBURON

L4 2.0L 1975cc		D	51334 ⁵³	51334XP	42551	24689		2	N/S		51064 ⁵³ - Spin-on
V6 2.7L 2656cc		F	51334 ⁵³	51334XP	42551	24689		2	N/S		51064 ⁵³ - Spin-on

N/A = Not Available N/R = Not Required N/S = Not Serviceable For cabin and fuel filter locator, see pages 5-15 See pages 16-19 for footnotes
 N/A = Non disponible N/R = Non nécessaire N/S = Non réparable Para la ubicación de los filtros de aire de la cabina y de combustible, ver las páginas 5-15 Voir pages 16-19 pour des notes
 N/A = No disponible N/R = No requiere N/S = No servible Voir les tableaux de repérage des filtres d'habitacle et à carburant aux pages 5-15 Ver las páginas 16-19 para las notas al pie de página

Italicized Part Numbers May Not Be Available. Wix XP Oil Filters Have Fully Synthetic Media.

Las piezas con números en *italicas* pueden no estar disponibles. Los filtros de aceite WIX XP son completamente de media sintética. Les numéros de pièce en *italiques* peuvent ne pas être disponibles. Les filtres à huile XP Wix contiennent un matériau 100 % synthétique.

Year/Año/Année Model/Modelo/Modèle Engine/Motor/Moteur	Eng. Code Código de motor Code moteur	VIN NIV NIV	Oil Aceite Huile	Oil XP Aceite XP Huile XP	Air Aire Air	Cabin Air Cabina Aire Cabine Air	Cabin Air XP Cabina Aire XP Cabine Air XP	Loc. Cabin Air Cabina Aire Cabine Air	Fuel Combustible Carburant	Loc. Fuel Combustible Carburant	Transmission Transmisión Transmission
--	---	-------------------	------------------------	---------------------------------	--------------------	--	---	--	----------------------------------	--	---

HYUNDAI (Cont'd/Suite)
2007 (Cont'd/Suite)
TUCSON

L4 2.0L Diesel (Mex.)		S,8	WL7426		42834	24761 ²⁷⁶ 24684 ²⁷⁷	24684XP ²⁷⁷	3	WF8395		WL10417
L4 2.0L 1975cc		B	51334 ⁵³	51334XP	42834	24761 ²⁷⁶ 24684 ²⁷⁷	24684XP ²⁷⁷	3	N/S		N/S
V6 2.7L 2700cc		D	51334 ⁵³	51334XP	42834	24761 ²⁷⁶ 24684 ²⁷⁷	24684XP ²⁷⁷	3	N/S		N/S

VERACRUZ

V6 3.8L 3778cc		C	57061 ²⁶⁶ 57250 ²⁶⁷		49059	24753		3	N/S		N/S
----------------	--	---	--	--	-------	-------	--	---	-----	--	-----

2006
ACCENT

L4 1.6L 1600cc		C	51334 ⁵³	51334XP	49069	24484		3	N/S	0	58731
----------------	--	---	---------------------	---------	-------	-------	--	---	-----	---	-------

AZERA

V6 3.8L 3778cc		F	57061		49052	24517		3	N/S		N/S
----------------	--	---	-------	--	-------	-------	--	---	-----	--	-----

CENTENNIAL

V6 3.5L 3497cc (Mex.)			51334 ⁵³	51334XP	N/A	N/A			N/A		
V8 4.5L 4498cc (Mex.)			51334 ⁵³	51334XP	N/A	24809			N/A		

ELANTRA

L4 2.0L 1975cc		D	51334 ⁵³	51334XP	42551	24689		2	N/S		51064 ⁵³ - Spin-on
----------------	--	---	---------------------	---------	-------	-------	--	---	-----	--	-------------------------------

SANTA FE

L4 2.4L 2351cc		B	51334 ⁵³	51334XP	42740	24853		3	N/S		51064 ⁵³ - Spin-on
V6 2.7L 2700cc		D	51334 ⁵³	51334XP	42740	24853		3	N/S		51064 ⁵³ - Spin-on
V6 3.5L 3500cc		E	51334 ⁵³	51334XP	42879	24853		3	N/S		51064 ⁵³ - Spin-on

SONATA

L4 2.4L 2359cc		C	51334 ⁵³	51334XP	49156	24517		3	N/S		N/S
V6 3.3L 3342cc		F	57061		49052	24517		3	N/S		N/S

TIBURON

L4 2.0L 1975cc		D	51334 ⁵³	51334XP	42551	24689		2	N/S		51064 ⁵³ - Spin-on
V6 2.7L 2656cc		F	51334 ⁵³	51334XP	42551	24689		2	N/S		51064 ⁵³ - Spin-on

TUCSON

L4 2.0L Diesel (Mex.)		S,8	WL7426		42834	24761 ²⁷⁶ 24684 ²⁷⁷	24684XP ²⁷⁷	3	WF8395		WL10417
L4 2.0L 1975cc		B	51334 ⁵³	51334XP	42834	24761 ²⁷⁶ 24684 ²⁷⁷	24684XP ²⁷⁷	3	N/S		N/S
V6 2.7L 2700cc		D	51334 ⁵³	51334XP	42834	24761 ²⁷⁶ 24684 ²⁷⁷	24684XP ²⁷⁷	3	N/S		N/S

2005
ACCENT

L4 1.6L 1600cc		C	51334 ⁵³	51334XP	46674	24879		3	33235	0	58731
----------------	--	---	---------------------	---------	-------	-------	--	---	-------	---	-------

CENTENNIAL

V6 3.5L 3497cc (Mex.)			51334 ⁵³	51334XP	N/A	N/A			N/A		
V8 4.5L 4498cc (Mex.)			51334 ⁵³	51334XP	N/A	24809			N/A		

ELANTRA

L4 2.0L 1975cc		D	51334 ⁵³	51334XP	42551	24689		2	N/S		51064 ⁵³ - Spin-on
----------------	--	---	---------------------	---------	-------	-------	--	---	-----	--	-------------------------------

SANTA FE

L4 2.4L 2351cc		B	51334 ⁵³	51334XP	42740	24853		3	N/S		51064 ⁵³ - Spin-on
V6 2.7L 2700cc		D	51334 ⁵³	51334XP	42740	24853		3	N/S		51064 ⁵³ - Spin-on
V6 3.5L 3500cc		E	51334 ⁵³	51334XP	42879	24853		3	N/S		51064 ⁵³ - Spin-on

SONATA

L4 2.4L 2351cc		S	51334 ⁵³	51334XP	42797	24853		3	N/S		51064 ⁵³ - Spin-on
V6 2.7L 2656cc		H	51334 ⁵³	51334XP	42797	24853		3	N/S		51064 ⁵³ - Spin-on

TIBURON

L4 2.0L 1975cc		D	51334 ⁵³	51334XP	42551	24689		2	N/S		51064 ⁵³ - Spin-on
V6 2.7L 2656cc		F	51334 ⁵³	51334XP	42551	24689		2	N/S		51064 ⁵³ - Spin-on

N/A = Not Available N/R = Not Required N/S = Not Serviceable For cabin and fuel filter locator, see pages 5-15 See pages 16-19 for footnotes

N/A = Non disponible N/R = Non nécessaire N/S = Non réparable Para la ubicación de los filtros de aire de la cabina y de combustible, ver las páginas 5-15 Voir pages 16-19 pour des notes

N/A = No disponible N/R = No requiere N/S = No servible Voir les tableaux de repérage des filtres d'habitacle et à carburant aux pages 5-15 Ver las páginas 16-19 para las notas al pie de página

Italicized Part Numbers May Not Be Available. Wix XP Oil Filters Have Fully Synthetic Media.

Las piezas con números en *italicas* pueden no estar disponibles. Los filtros de aceite WIX XP son completamente de media sintética.

Les numéros de pièce en *italiques* peuvent ne pas être disponibles. Les filtres à huile Wix contiennent un matériau 100 % synthétique.

HYUNDAI 2005-2003

Pass Car/Light Truck

Year/Año/Année Model/Modelo/Modèle Engine/Motor/Moteur	Eng. Code Código de motor Code moteur	VIN NIV NIV	Oil Aceite Huile	Oil XP Aceite XP Huile XP	Air Aire Air	Cabin Air Cabina Aire Cabine Air	Cabin Air XP Cabina Aire XP Cabine Air XP	Loc. Cabin Air Cabina Aire Cabine Air	Fuel Combustible Carburant	Loc. Fuel Combustible Carburant	Transmission Transmisión Transmission
--	---	-------------------	------------------------	---------------------------------	--------------------	--	---	--	----------------------------------	--	---

HYUNDAI (Cont'd/Suite)

2005 (Cont'd/Suite)

TUCSON

L4 2.0L Diesel (Mex.)		S,8	WL7426		42834	24761 ²⁷⁶ 24684 ²⁷⁷	24684XP ²⁷⁷	3	WF8395		WL10417
L4 2.0L 1975cc		B	51334 ⁵³	51334XP	42834	24684	24684XP	3	N/S		N/S
V6 2.7L 2700cc		D	51334 ⁵³	51334XP	42834	24684	24684XP	3	N/S		N/S

XG350

V6 3.5L 3500cc		E	51334 ⁵³	51334XP	42727	24853		3	N/S		51064 ⁵³ - Spin-on
----------------	--	---	---------------------	---------	-------	-------	--	---	-----	--	-------------------------------

2004

ACCENT

L4 1.6L 1600cc		C	51334 ⁵³	51334XP	46674	24879		3	33235	O	58731
----------------	--	---	---------------------	---------	-------	-------	--	---	-------	---	-------

CENTENNIAL

V6 3.5L 3497cc (Mex.)			51334 ⁵³	51334XP	N/A	N/A			N/A		
V8 4.5L 4498cc (Mex.)			51334 ⁵³	51334XP	N/A	24809			N/A		

ELANTRA

L4 2.0L 1975cc		D	51334 ⁵³	51334XP	42551	24689		2	N/S		51064 ⁵³ - Spin-on
----------------	--	---	---------------------	---------	-------	-------	--	---	-----	--	-------------------------------

SANTA FE

L4 2.4L 2351cc		B	51334 ⁵³	51334XP	42740	24853		3	N/S		51064 ⁵³ - Spin-on
V6 2.7L 2700cc		D	51334 ⁵³	51334XP	42740 ²⁹⁰ 42879 ²⁹¹	24853		3	N/S		51064 ⁵³ - Spin-on
V6 3.5L 3500cc		E	51334 ⁵³	51334XP	42879	24853		3	N/S		51064 ⁵³ - Spin-on

SONATA

L4 2.4L 2351cc		S	51334 ⁵³	51334XP	42797	24853		3	N/S		51064 ⁵³ - Spin-on
V6 2.7L 2656cc		H	51334 ⁵³	51334XP	42797	24853		3	N/S		51064 ⁵³ - Spin-on

TIBURON

L4 2.0L 1975cc		D	51334 ⁵³	51334XP	42551	24689		2	N/S	O	51064 ⁵³ - Spin-on
V6 2.7L 2656cc		F	51334 ⁵³	51334XP	42551	24689		2	N/S	O	N/S

TUCSON

L4 2.0L Diesel (Mex.)		S,8	WL7426		42834	24761 ²⁷⁶ 24684 ²⁷⁷	24684XP ²⁷⁷	3	WF8395		WL10417
-----------------------	--	-----	--------	--	-------	--	------------------------	---	--------	--	---------

XG350

V6 3.5L 3500cc		E	51334 ⁵³	51334XP	42727	24853		3	N/S	G	51064 ⁵³ - Spin-on
----------------	--	---	---------------------	---------	-------	-------	--	---	-----	---	-------------------------------

2003

ACCENT

L4 1.5L 1495cc		N	51334 ⁵³	51334XP	46674	N/R			33235		
			51334 ⁵³	51334XP	46674	N/R			33235		
L4 1.6L 1600cc		C	51334 ⁵³	51334XP	46674	24879		3	33235	O	58731

CENTENNIAL

V6 3.5L 3497cc (Mex.)			51334 ⁵³	51334XP	N/A	N/A			N/A		
V8 4.5L 4498cc (Mex.)			51334 ⁵³	51334XP	N/A	24809			N/A		

ELANTRA

L4 2.0L 1975cc		D	51334 ⁵³	51334XP	42551	24689		2	N/S		51064 ⁵³ - Spin-on
----------------	--	---	---------------------	---------	-------	-------	--	---	-----	--	-------------------------------

SANTA FE

L4 2.4L 2351cc		B	51334 ⁵³	51334XP	42740	24853		3	N/S		51064 ⁵³ - Spin-on
V6 2.7L 2700cc		D	51334 ⁵³	51334XP	42740	24853		3	N/S		51064 ⁵³ - Spin-on
V6 3.5L 3500cc		E	51334 ⁵³	51334XP	42879	24853		3	N/S		51064 ⁵³ - Spin-on

SONATA

L4 2.4L 2351cc		S	51334 ⁵³	51334XP	42797	24881 24853		3	N/S		51064 ⁵³ - Spin-on
V6 2.7L 2656cc		H	51334 ⁵³	51334XP	42797	24881 24853		3	N/S		N/S

TIBURON

L4 2.0L 1975cc		D	51334 ⁵³	51334XP	42551	24689		2	N/S	O	51064 ⁵³ - Spin-on
V6 2.7L 2656cc		F	51334 ⁵³	51334XP	42551	24689		2	N/S	O	51064 ⁵³ - Spin-on

XG350

V6 3.5L 3500cc		E	51334 ⁵³	51334XP	42727	24881		3	N/S	G	51064 ⁵³ - Spin-on
----------------	--	---	---------------------	---------	-------	-------	--	---	-----	---	-------------------------------

N/A = Not Available N/R = Not Required N/S = Not Serviceable For cabin and fuel filter locator, see pages 5-15 See pages 16-19 for footnotes

N/A = Non disponible N/R = Non nécessaire N/S = Non réparable Para la ubicación de los filtros de aire de la cabina y de combustible, ver las páginas 5-15 Voir pages 16-19 pour des notes

N/A = No disponible N/R = No requiere N/S = No servible Voir les tableaux de repérage des filtres d'habitacle et à carburant aux pages 5-15 Ver las páginas 16-19 para las notas al pie de página

Italicized Part Numbers May Not Be Available. Wix XP Oil Filters Have Fully Synthetic Media.

Las piezas con números en *italicas* pueden no estar disponibles. Los filtros de aceite WIX XP son completamente de media sintética. Les numéros de pièce en *italiques* peuvent ne pas être disponibles. Les filtres à huile XP Wix contiennent un matériau 100 % synthétique.

Year/Año/Année Model/Modelo/Modèle Engine/Motor/Moteur	Eng. Code Código de motor Code moteur	VIN NIV NIV	Oil Aceite Huile	Oil XP Aceite XP Huile XP	Air Aire Air	Cabin Air Cabina Aire Cabine Air	Cabin Air XP Cabina Aire XP Cabine Air XP	Loc. Cabin Air Cabina Aire Cabine Air	Fuel Combustible Carburant	Loc. Fuel Combustible Carburant	Transmission Transmisión Transmission
--	---	-------------------	------------------------	---------------------------------	--------------------	--	---	--	----------------------------------	--	---

HYUNDAI (Cont'd/Suite)

2002

ACCENT

L4 1.5L 1495cc		N	51334 ⁵³	51334XP	46674	24880		3	33235	O	58731
L4 1.6L 1600cc		C	51334 ⁵³	51334XP	46674	24880		3	33235	O	58731

CENTENNIAL

V6 3.5L 3497cc (Mex.)			51334 ⁵³	51334XP	N/A	N/A			N/A		
V8 4.5L 4498cc (Mex.)			51334 ⁵³	51334XP	N/A	24809			N/A		

ELANTRA

L4 2.0L 1975cc		D	51334 ⁵³	51334XP	42551	24689		2	N/S		51064 ⁵³ - Spin-on
----------------	--	---	---------------------	---------	-------	-------	--	---	-----	--	-------------------------------

SANTA FE

L4 2.4L 2351cc		B	51334 ⁵³	51334XP	42740	24853		3	N/S		51064 ⁵³ - Spin-on Trans.
V6 2.7L 2700cc		D	51334 ⁵³	51334XP	42740	24853		3	N/S		51064 ⁵³ - Spin-on

SONATA

L4 2.4L 2351cc		S	51334 ⁵³	51334XP	42797	24881		3	N/S	G	51064 ⁵³ - Spin-on
V6 2.7L 2656cc		H	51334 ⁵³	51334XP	42797	24881		3	N/S	G	51064 ⁵³ - Spin-on

UX350

V6 3.5L 3500cc		E	51334 ⁵³	51334XP	42727	24881		3	N/S	G	51064 ⁵³ - Spin-on
----------------	--	---	---------------------	---------	-------	-------	--	---	-----	---	-------------------------------

INFINITI

2021

Q50

V6 3.0L 2997cc Turbo			51358 ⁵³	51358XP	46044	24479 ⁷⁹ N/A ⁷⁸	24479XP ⁷⁹	3	N/S		N/S
----------------------	--	--	---------------------	---------	-------	--	-----------------------	---	-----	--	-----

Q60

L4 2.0L Turbo			WL7515		WA11062	WP10426		3	N/S		N/S
V6 3.0L Turbo			51358 ⁵³	51358XP	46044	WP10426		3	N/S		N/S

QX50

L4 2.0L Turbo			51358 ⁵³	51358XP	WA11153	WP10447			N/S		N/A
---------------	--	--	---------------------	---------	---------	---------	--	--	-----	--	-----

QX60

V6 3.5L 3498cc	VQ35DE		51358 ⁵³	51358XP	46116	WP10009	WP10009XP	3	N/S		N/S
----------------	--------	--	---------------------	---------	-------	---------	-----------	---	-----	--	-----

QX80

V8 5.6L 5552cc	VK56VD		57356 ⁵³	57356XP	WA10298	24479 ⁷⁹ N/A ⁷⁹	24479XP ⁷⁹	3	N/S		N/S
----------------	--------	--	---------------------	---------	---------	--	-----------------------	---	-----	--	-----

2020

Q50

V6 3.0L 2997cc Turbo			51358 ⁵³	51358XP	46044	24479 ⁷⁹ N/A ⁷⁸	24479XP ⁷⁹	3	N/S		N/S
----------------------	--	--	---------------------	---------	-------	--	-----------------------	---	-----	--	-----

Q60

L4 2.0L Turbo			WL7515		WA11062	WP10426		3	N/S		N/S
V6 3.0L Turbo			51358 ⁵³	51358XP	46044	WP10426		3	N/S		N/S

QX50

L4 2.0L Turbo			51358 ⁵³	51358XP	WA11153	WP10447			N/S		N/A
---------------	--	--	---------------------	---------	---------	---------	--	--	-----	--	-----

QX60

V6 3.5L 3498cc	VQ35DE		51358 ⁵³	51358XP	46116	WP10009	WP10009XP	3	N/S		N/S
----------------	--------	--	---------------------	---------	-------	---------	-----------	---	-----	--	-----

QX80

V8 5.6L 5552cc	VK56VD		57356 ⁵³	57356XP	WA10298	24479 ⁷⁹ N/A ⁷⁹	24479XP ⁷⁹	3	N/S		N/S
----------------	--------	--	---------------------	---------	---------	--	-----------------------	---	-----	--	-----

2019

Q50

L4 2.0L 1991cc Turbo			WL7515		WA11062	WP10426			N/S		N/S
V6 3.0L 2997cc Turbo			51358 ⁵³	51358XP	46044	24479 ⁷⁹ N/A ⁷⁸	24479XP ⁷⁹	3	N/S		N/S

Q60

L4 2.0L Turbo			WL7515		WA11062	WP10426		3	N/S		N/S
V6 3.0L Turbo			51358 ⁵³	51358XP	46044	WP10426		3	N/S		N/S

N/A = Not Available N/R = Not Required N/S = Not Serviceable For cabin and fuel filter locator, see pages 5-15 See pages 16-19 for footnotes

N/A = Non disponible N/R = Non nécessaire N/S = Non réparable Para la ubicación de los filtros de aire de la cabina y de combustible, ver las páginas 5-15 Voir pages 16-19 pour des notes

N/A = No disponible N/R = No requiere N/S = No servible Voir les tableaux de repérage des filtres d'habitacle et à carburant aux pages 5-15 Ver las páginas 16-19 para las notas al pie de página

Italicized Part Numbers May Not Be Available. Wix XP Oil Filters Have Fully Synthetic Media.

Las piezas con números en *italicas* pueden no estar disponibles. Los filtros de aceite WIX XP son completamente de media sintética.

Les numéros de pièce en *italiques* peuvent ne pas être disponibles. Les filtres à huile Wix contiennent un matériau 100 % synthétique.

INFINITI 2019-2017
Pass Car/Light Truck

Year/Año/Année Model/Modelo/Modèle Engine/Motor/Moteur	Eng. Code Código de motor Code moteur	VIN NIV NIV	Oil Aceite Huile	Oil XP Aceite XP Huile XP	Air Aire Air	Cabin Air Cabina Aire Cabine Air	Cabin Air XP Cabina Aire XP Cabine Air XP	Loc. Cabin Air Cabina Aire Cabine Air	Fuel Combustible Carburant	Loc. Fuel Combustible Carburant	Transmission Transmisión Transmission
--	---	-------------------	------------------------	---------------------------------	--------------------	--	---	--	----------------------------------	--	---

INFINITI (Cont'd/Suite)
2019 (Cont'd/Suite)
Q70

V6 3.7L 3696cc	VQ37VHR		51358 ⁵³	51358XP	49570	24021			3	N/S	N/S
V8 5.6L 5552cc	VK56VD		57356 ⁵³	57356XP	46044	24021			3	N/S	N/S

Q70L

V6 3.7L 3696cc	VQ37VHR		51358 ⁵³	51358XP	49570	24021			3	N/S	N/S
V8 5.6L 5552cc	VK56VD		57356 ⁵³	57356XP	46044	24021			3	N/S	N/S

QX30

L4 2.0L Turbo			WL7515		WA10312	WP10130				N/S	N/A
---------------	--	--	--------	--	---------	---------	--	--	--	-----	-----

QX50

L4 2.0L Turbo			51358 ⁵³	51358XP	WA11153	WP10447				N/S	N/A
---------------	--	--	---------------------	---------	---------	---------	--	--	--	-----	-----

QX60

L4 2.5L Super Charged Electric/Gas	VQ35DD		51358 ⁵³	51358XP	46116	N/A				N/S	N/A
V6 3.5L 3498cc	VQ35DE		51358 ⁵³	51358XP	46116	WP10009	WP10009XP	3		N/S	N/S

QX80

V8 5.6L 5552cc	VK56VD		57356 ⁵³	57356XP	WA10298	24479 ⁷⁹ N/A ⁷⁹	24479XP ⁷⁹	3		N/S	N/S
----------------	--------	--	---------------------	---------	---------	--	-----------------------	---	--	-----	-----

2018
Q30

L4 2.0L Turbo			WL7515		WA10312	WP10130				N/S	N/A
---------------	--	--	--------	--	---------	---------	--	--	--	-----	-----

Q50

L4 2.0L 1991cc Turbo			WL7515		WA11062	WP10426				N/S	N/S
V6 3.0L 2997cc Turbo			51358 ⁵³	51358XP	46044	24479 ⁷⁹ N/A ⁷⁸	24479XP ⁷⁹	3		N/S	N/S
V6 3.5L 3498cc Electric/Gas			51358 ⁵³	51358XP	49225	24479 ⁷⁹ N/A ⁷⁸	24479XP ⁷⁹	3		N/S	N/S

Q60

L4 2.0L Turbo			WL7515		WA11062	WP10426			3	N/S	N/S
V6 3.0L Turbo			51358 ⁵³	51358XP	46044	WP10426			3	N/S	N/S

Q70

V6 3.7L 3696cc	VQ37VHR		51358 ⁵³	51358XP	49570	24021			3	N/S	N/S
V8 5.6L 5552cc	VK56VD		57356 ⁵³	57356XP	46044	24021			3	N/S	N/S

Q70 HYBRID

V6 3.5L 3498cc Electric/Gas	VQ35HR		51358 ⁵³	51358XP	N/A	24021			3	N/S	N/S
-----------------------------	--------	--	---------------------	---------	-----	-------	--	--	---	-----	-----

Q70L

V6 3.7L 3696cc	VQ37VHR		51358 ⁵³	51358XP	49570	24021			3	N/S	N/S
V8 5.6L 5552cc	VK56VD		57356 ⁵³	57356XP	46044	24021			3	N/S	N/S

QX30

L4 2.0L Turbo			WL7515		WA10312	WP10130				N/S	N/A
---------------	--	--	--------	--	---------	---------	--	--	--	-----	-----

QX60

L4 2.5L Super Charged Electric/Gas	VQ35DD		51358 ⁵³	51358XP	46116	N/A				N/S	N/A
V6 3.5L 3498cc	VQ35DE		51358 ⁵³	51358XP	46116	WP10009	WP10009XP	3		N/S	N/S

QX70

V8 5.0L 5026cc (Mex.)	VK50VE		51358	51358XP	46358	N/S				N/S	N/S
-----------------------	--------	--	-------	---------	-------	-----	--	--	--	-----	-----

QX80

V8 5.6L 5552cc	VK56VD		57356 ⁵³	57356XP	WA10298	24479 ⁷⁹ N/A ⁷⁸	24479XP ⁷⁹	3		N/S	N/S
----------------	--------	--	---------------------	---------	---------	--	-----------------------	---	--	-----	-----

2017
Q50

L4 2.0L 1991cc Turbo			WL7515		WA11062	WP10426				N/S	N/S
V6 3.0L 2997cc Turbo			51358 ⁵³	51358XP	46044	24479 ⁷⁹ N/A ⁷⁸	24479XP ⁷⁹	3		N/S	N/S
V6 3.5L 3498cc Electric/Gas			51358 ⁵³	51358XP	49225	24479 ⁷⁹ N/A ⁷⁸	24479XP ⁷⁹	3		N/S	N/S

N/A = Not Available N/R = Not Required N/S = Not Serviceable For cabin and fuel filter locator, see pages 5-15 See pages 16-19 for footnotes

N/A = Non disponible N/R = Non nécessaire N/S = Non réparable Para la ubicación de los filtros de aire de la cabina y de combustible, ver las páginas 5-15 Voir pages 16-19 pour des notes

N/A = No disponible N/R = No requiere N/S = No servible Voir les tableaux de repérage des filtres d'habitacle et à carburant aux pages 5-15 Ver las páginas 16-19 para las notas al pie de página

Italicized Part Numbers May Not Be Available. Wix XP Oil Filters Have Fully Synthetic Media.

Las piezas con números en *italicas* pueden no estar disponibles. Los filtros de aceite WIX XP son completamente de media sintética. Les numéros de pièce en *italiques* peuvent ne pas être disponibles. Les filtres à huile XP Wix contiennent un matériau 100 % synthétique.

Year/Año/Année Model/Modelo/Modèle Engine/Motor/Moteur	Eng. Code Código de motor Code moteur	VIN NIV NIV	Oil Aceite Huile	Oil XP Aceite XP Huile XP	Air Aire Air	Cabin Air Cabina Aire Cabine Air	Cabin Air XP Cabina Aire XP Cabine Air XP	Loc. Cabin Air Cabina Aire Cabine Air	Fuel Combustible Carburant	Loc. Fuel Combustible Carburant	Transmission Transmisión Transmission
--	--	-------------------	------------------------	---------------------------------	--------------------	--	---	--	----------------------------------	--	---

INFINITI (Cont'd/Suite)
2017 (Cont'd/Suite)
Q60

L4 2.0L Turbo			WL7515		WA11062	WP10426		3	N/S		N/S
V6 3.0L Turbo			51358 ⁵³	51358XP	46044	WP10426		3	N/S		N/S

Q70

V6 3.7L 3696cc	VQ37VHR		51358 ⁵³	51358XP	49570	24021		3	N/S		N/S
V8 5.6L 5552cc	VK56VD		57356 ⁵³	57356XP	46044	24021		3	N/S		N/S

Q70 HYBRID

V6 3.5L 3498cc Electric/Gas	VQ35HR		51358 ⁵³	51358XP	N/A	24021		3	N/S		N/S
-----------------------------	--------	--	---------------------	---------	-----	-------	--	---	-----	--	-----

Q70L

V6 3.7L 3696cc	VQ37VHR		51358 ⁵³	51358XP	49570	24021		3	N/S		N/S
V8 5.6L 5552cc	VK56VD		57356 ⁵³	57356XP	46044	24021		3	N/S		N/S

QX30

L4 2.0L Turbo			WL7515		WA10312	WP10130			N/S		N/A
---------------	--	--	--------	--	---------	---------	--	--	-----	--	-----

QX50

V6 3.7L 3696cc	VQ37VHR	C	51358 ⁵³	51358XP	49362	24479 ⁷⁹ N/A ⁷⁸	24479XP ⁷⁹	3	N/S		N/S
----------------	---------	---	---------------------	---------	-------	--	-----------------------	---	-----	--	-----

QX60

L4 2.5L 2488cc Electric/Gas	QR25DER		51358 ⁵³	51358XP	WA10267	N/A			N/S		N/A
V6 3.5L 3498cc	VQ35DE		51358 ⁵³	51358XP	46116	WP10009	WP10009XP	3	N/S		N/S

QX70

V6 3.7L 3696cc	VQ37VHR		51358 ⁵³	51358XP	46044	WP10426		3	N/S		N/S
V8 5.0L 5026cc (Mex.)	VK50VE		51358	51358XP	46358	N/S			N/S		N/S

QX80

V8 5.6L 5552cc	VK56VD		57356 ⁵³	57356XP	WA10298	24479 ⁷⁹ N/A ⁷⁸	24479XP ⁷⁹	3	N/S		N/S
----------------	--------	--	---------------------	---------	---------	--	-----------------------	---	-----	--	-----

2016
Q50

L4 2.0L 1991cc Turbo			WL7515		WA11062	WP10426			N/S		N/S
V6 3.0L 2997cc Turbo			51358 ⁵³	51358XP	46044	24479 ⁷⁹ N/A ⁷⁸	24479XP ⁷⁹	3	N/S		N/S
V6 3.5L 3498cc Electric/Gas			51358 ⁵³	51358XP	49225	24479 ⁷⁹ N/A ⁷⁸	24479XP ⁷⁹	3	N/S		N/S
V6 3.7L 3696cc			51358 ⁵³	51358XP	49225 ⁷⁹	24479 ⁷⁹ N/A ⁷⁸	24479XP ⁷⁹	3	N/S		N/S

Q70

V6 3.7L 3696cc	VQ37VHR		51358 ⁵³	51358XP	49570	24021		3	N/S		N/S
V8 5.6L 5552cc	VK56VD		57356 ⁵³	57356XP	46044	24021		3	N/S		N/S

Q70 HYBRID

V6 3.5L 3498cc Electric/Gas	VQ35HR		51358 ⁵³	51358XP	N/A	24021		3	N/S		N/S
-----------------------------	--------	--	---------------------	---------	-----	-------	--	---	-----	--	-----

Q70L

V6 3.7L 3696cc	VQ37VHR		51358 ⁵³	51358XP	49570	24021		3	N/S		N/S
V8 5.6L 5552cc	VK56VD		57356 ⁵³	57356XP	46044	24021		3	N/S		N/S

QX50

V6 3.7L 3696cc	VQ37VHR	C	51358 ⁵³	51358XP	49362	24479 ⁷⁹ N/A ⁷⁸	24479XP ⁷⁹	3	N/S		N/S
----------------	---------	---	---------------------	---------	-------	--	-----------------------	---	-----	--	-----

QX60

L4 2.5L 2488cc Electric/Gas	QR25DER		51358 ⁵³	51358XP	WA10267	N/A			N/S		N/A
V6 3.5L 3498cc	VQ35DE		51358 ⁵³	51358XP	46116	WP10009	WP10009XP	3	N/S		N/S

QX70

V6 3.7L 3696cc	VQ37VHR		51358 ⁵³	51358XP	46044	WP10426		3	N/S		N/S
V8 5.0L 5026cc (Mex.)	VK50VE		51358	51358XP	46358	N/S			N/S		N/S

QX80

V8 5.6L 5552cc	VK56VD		57356 ⁵³	57356XP	WA10298	24479 ⁷⁹ N/A ⁷⁸	24479XP ⁷⁹	3	N/S		N/S
----------------	--------	--	---------------------	---------	---------	--	-----------------------	---	-----	--	-----

N/A = Not Available N/R = Not Required N/S = Not Serviceable For cabin and fuel filter locator, see pages 5-15 See pages 16-19 for footnotes

N/A = Non disponible N/R = Non nécessaire N/S = Non réparable Para la ubicación de los filtros de aire de la cabina y de combustible, ver las páginas 5-15 Voir pages 16-19 pour des notes

N/A = No disponible N/R = No requiere N/S = No servible Voir les tableaux de repérage des filtres d'habitacle et à carburant aux pages 5-15 Ver las páginas 16-19 para las notas al pie de página

Italicized Part Numbers May Not Be Available. Wix XP Oil Filters Have Fully Synthetic Media.

Las piezas con números en *italicas* pueden no estar disponibles. Los filtros de aceite WIX XP son completamente de media sintética.

Les numéros de pièce en *italiques* peuvent ne pas être disponibles. Les filtres à huile XP Wix contiennent un matériau 100 % synthétique.

INFINITI 2015-2013
Pass Car/Light Truck

Year/Año/Année Model/Modelo/Modèle Engine/Motor/Moteur	Eng. Code Código de motor Code moteur	VIN NIV NIV	Oil Aceite Huile	Oil XP Aceite XP Huile XP	Air Aire Air	Cabin Air Cabina Aire Cabine Air	Cabin Air XP Cabina Aire XP Cabine Air XP	Loc. Cabin Air Cabina Aire Cabine Air	Fuel Combustible Carburant	Loc. Fuel Combustible Carburant	Transmission Transmisión Transmission
--	---	-------------------	------------------------	---------------------------------	--------------------	--	---	--	----------------------------------	--	---

INFINITI (Cont'd/Suite)
2015
Q40

V6 3.7L 3696cc	VQ37VHR	C	51358 ⁵³	51358XP	49362	24479	24479XP	3	N/S	N/S
----------------	---------	---	---------------------	---------	-------	-------	---------	---	-----	-----

Q50

V6 3.5L 3498cc Electric/Gas	VQ35HR		51358 ⁵³	51358XP	49225	24479	24479XP	3	N/S	N/S
V6 3.7L 3696cc	VQ37VHR		51358 ⁵³	51358XP	49225	24479	24479XP	3	N/S	N/S

Q60

V6 3.7L 3696cc	VQ37VHR	C	51358 ⁵³	51358XP	49362	24479	24479XP	3	N/S	N/S
----------------	---------	---	---------------------	---------	-------	-------	---------	---	-----	-----

Q70

V6 3.7L 3696cc	VQ37VHR		51358 ⁵³	51358XP	49570	24021		3	N/S	N/S
V8 5.6L 5552cc	VK56VD		57356 ⁵³	57356XP	46044	24021		3	N/S	N/S

Q70 HYBRID

V6 3.5L 3498cc Electric/Gas	VQ35HR		51358 ⁵³	51358XP	N/A	24021		3	N/S	N/S
-----------------------------	--------	--	---------------------	---------	-----	-------	--	---	-----	-----

QX50

V6 3.7L 3696cc	VQ37VHR	C	51358 ⁵³	51358XP	49362	24479	24479XP	3	N/S	N/S
----------------	---------	---	---------------------	---------	-------	-------	---------	---	-----	-----

QX50 Journey

V6 3.7L 3696cc	VQ37VHR	B	51358 ⁵³	51358XP	49362	24479	24479XP	3	N/S	N/S
----------------	---------	---	---------------------	---------	-------	-------	---------	---	-----	-----

QX60

L4 2.5L 2488cc Electric/Gas	QR25DER		51358 ⁵³	51358XP	WA10267	WP10009	WP10009XP		N/S	N/A
V8 3.5L 3498cc	VQ35DE		51358 ⁵³	51358XP	46116	WP10009	WP10009XP	3	N/S	N/S

QX70

V6 3.7L 3696cc	VQ37VHR	C	51358 ⁵³	51358XP	46044	24479	24479XP	3	N/S	N/S
V8 5.0L 5026cc (Mex.)	VK50VE		51358	51358XP	46358	N/S			N/S	N/S

QX80

V8 5.6L 5552cc	VK56VD		57356 ⁵³	57356XP	WA10298	24479	24479XP	3	N/S	N/S
----------------	--------	--	---------------------	---------	---------	-------	---------	---	-----	-----

2014
Q50

V6 3.5L 3498cc Electric/Gas	VQ35HR		51358 ⁵³	51358XP	49225	24479	24479XP	3	N/S	N/S
V6 3.7L 3696cc	VQ37VHR		51358 ⁵³	51358XP	49225	24479XP		3	N/S	N/S

Q60

V6 3.7L 3696cc	VQ37VHR	C	51358 ⁵³	51358XP	49362	24479	24479XP	3	N/S	N/S
----------------	---------	---	---------------------	---------	-------	-------	---------	---	-----	-----

Q70

V6 3.7L 3696cc	VQ37VHR		51358 ⁵³	51358XP	49570	24021		3	N/S	N/S
V8 5.6L 5552cc	VK56VD		57356 ⁵³	57356XP	46044	24021		3	N/S	N/S

Q70 HYBRID

V6 3.5L 3498cc Electric/Gas	VQ35HR		51358 ⁵³	51358XP	N/A	24021		3	N/S	N/S
-----------------------------	--------	--	---------------------	---------	-----	-------	--	---	-----	-----

QX50

V6 3.7L 3696cc	VQ37VHR	C	51358 ⁵³	51358XP	49362	N/A		3	N/S	N/S
----------------	---------	---	---------------------	---------	-------	-----	--	---	-----	-----

QX50 Journey

V6 3.7L 3696cc	VQ37VHR	B	51358 ⁵³	51358XP	49362	N/A		3	N/S	N/S
----------------	---------	---	---------------------	---------	-------	-----	--	---	-----	-----

QX60

L4 2.5L 2488cc Electric/Gas	QR25DER		51358 ⁵³	51358XP	WA10267	WP10009	WP10009XP		N/S	N/A
V8 3.5L 3498cc	VQ35DE		51358 ⁵³	51358XP	46116	WP10009	WP10009XP	3	N/S	N/S

QX70

V6 3.7L 3696cc	VQ37VHR	C	51358 ⁵³	51358XP	46044	N/A		3	N/S	N/S
V8 5.0L 5026cc	VK50VE	A	57356 ⁵³	57356XP	46044	N/A		3	N/S	N/S

QX80

V8 5.6L 5552cc	VK56VD		57356 ⁵³	57356XP	WA10298	24479	24479XP	3	N/S	N/S
----------------	--------	--	---------------------	---------	---------	-------	---------	---	-----	-----

2013
EX37

V6 3.7L 3696cc	VQ37VHR	B,C	51358 ⁵³	51358XP	49362	24479	24479XP	3	N/S	N/S
----------------	---------	-----	---------------------	---------	-------	-------	---------	---	-----	-----

FX37

V6 3.7L 3696cc	VQ37VHR		51358 ⁵³	51358XP	46044	24479	24479XP	3	N/S	N/S
----------------	---------	--	---------------------	---------	-------	-------	---------	---	-----	-----

N/A = Not Available N/R = Not Required N/S = Not Serviceable For cabin and fuel filter locator, see pages 5-15 See pages 16-19 for footnotes

N/A = Non disponible N/R = Non nécessaire N/S = Non réparable Para la ubicación de los filtros de aire de la cabina y de combustible, ver las páginas 5-15 Voir pages 16-19 pour des notes

N/A = No disponible N/R = No requiere N/S = No servible Voir les tableaux de repérage des filtres d'habitacle et à carburant aux pages 5-15 Ver las páginas 16-19 para las notas al pie de página

Italicized Part Numbers May Not Be Available. Wix XP Oil Filters Have Fully Synthetic Media.

Las piezas con números en *italicas* pueden no estar disponibles. Los filtros de aceite WIX XP son completamente de media sintética. Les numéros de pièce en *italiques* peuvent ne pas être disponibles. Les filtres à huile XP Wix contiennent un matériau 100 % synthétique.

Year/Año/Année Model/Modelo/Modèle Engine/Motor/Moteur	Eng. Code Código de motor Code moteur	VIN NIV NIV	Oil Aceite Huile	Oil XP Aceite XP Huile XP	Air Aire Air	Cabin Air Cabina Aire Cabine Air	Cabin Air XP Cabina Aire XP Cabine Air XP	Loc. Cabin Air Cabina Aire Cabine Air	Fuel Combustible Carburant	Loc. Fuel Combustible Carburant	Transmission Transmisión Transmission
--	---	-------------------	------------------------	---------------------------------	--------------------	--	---	--	----------------------------------	--	---

INFINITI (Cont'd/Suite)
2013 (Cont'd/Suite)
FX50

V8 5.0L 5026cc	VK50VE	B	57356 ⁵³	57356XP	46044	24007		3	N/S		N/S
----------------	--------	---	---------------------	---------	-------	-------	--	---	-----	--	-----

G37

V6 3.7L 3696cc	VQ37VHR	C	51358 ⁵³	51358XP	49362	24479	24479XP	3	N/S		N/S
----------------	---------	---	---------------------	---------	-------	-------	---------	---	-----	--	-----

JX35

V6 3.5L 3498cc	VQ35DE		51358 ⁵³	51358XP	46116	WP10009	WP10009XP	3	N/S		N/S
----------------	--------	--	---------------------	---------	-------	---------	-----------	---	-----	--	-----

M35H

V6 3.5L 3498cc Electric/Gas	VQ35HR		51358 ⁵³	51358XP	N/A	24021 ³²³ N/A ³²⁴		3	N/S		N/S
-----------------------------	--------	--	---------------------	---------	-----	--	--	---	-----	--	-----

M37

V6 3.7L 3696cc	VQ37VHR		51358 ⁵³	51358XP	49570	24021 ³²³ N/A ³²⁴		3	N/S		N/S
----------------	---------	--	---------------------	---------	-------	--	--	---	-----	--	-----

M56

V8 5.6L 5552cc	VK56VDS	A	57356 ⁵³	57356XP	46044	24021 ³²³		3	N/S		N/S
----------------	---------	---	---------------------	---------	-------	----------------------	--	---	-----	--	-----

QX56

V8 5.6L 5552cc	VK56VD	A	57356 ⁵³	57356XP	WA10298	24479	24479XP	2	N/S		N/S
----------------	--------	---	---------------------	---------	---------	-------	---------	---	-----	--	-----

2012
EX35

V6 3.5L 3498cc	VQ35HR	A	51358 ⁵³	51358XP	N/A	24021 ³²³ N/A ³²⁴		3	N/S		N/S
----------------	--------	---	---------------------	---------	-----	--	--	---	-----	--	-----

FX35

V6 3.5L 3498cc	VQ35HR	A	51358 ⁵³	51358XP	46044	24479	24479XP	3	N/S		N/S
----------------	--------	---	---------------------	---------	-------	-------	---------	---	-----	--	-----

FX50

V8 5.0L 5026cc	VK50VE	B	57356 ⁵³	57356XP	46044	24007		3	N/S		N/S
----------------	--------	---	---------------------	---------	-------	-------	--	---	-----	--	-----

G25

L4 2.5L 2500cc	QR25DE	A	51358 ⁵³	51358XP	49362	24479	24479XP	3	N/S		N/S
----------------	--------	---	---------------------	---------	-------	-------	---------	---	-----	--	-----

G37

V6 3.7L 3696cc	VQ37VHR	C	51358 ⁵³	51358XP	49362	24479	24479XP	3	N/S		N/S
----------------	---------	---	---------------------	---------	-------	-------	---------	---	-----	--	-----

M35H

V6 3.5L 3498cc Electric/Gas	VQ35HR		51358 ⁵³	51358XP	N/A	24021 ³²³ N/A ³²⁴		3	N/S		N/S
-----------------------------	--------	--	---------------------	---------	-----	--	--	---	-----	--	-----

M37

V6 3.7L 3696cc	VQ37VHR	B	51358 ⁵³	51358XP	49570	24021 ³²³ N/A ³²⁴		3	N/S		N/S
----------------	---------	---	---------------------	---------	-------	--	--	---	-----	--	-----

M56

V8 5.6L 5552cc	VK56VDS	A	57356 ⁵³	57356XP	46044	24021 ³²³		3	N/S		N/S
----------------	---------	---	---------------------	---------	-------	----------------------	--	---	-----	--	-----

QX56

V8 5.6L 5552cc	VK56VD	A	57356 ⁵³	57356XP	WA10298	24479	24479XP	2	N/S		N/S
----------------	--------	---	---------------------	---------	---------	-------	---------	---	-----	--	-----

2011
EX35

V6 3.5L 3498cc	VQ35HR	A	51358 ⁵³	51358XP	49362	24479	24479XP	3	N/S		N/S
----------------	--------	---	---------------------	---------	-------	-------	---------	---	-----	--	-----

FX35

V6 3.5L 3498cc	VQ35HR	A	51358 ⁵³	51358XP	46044	24479	24479XP	3	N/S		N/S
----------------	--------	---	---------------------	---------	-------	-------	---------	---	-----	--	-----

FX50

V8 5.0L 5026cc	VK50VE	B	57356 ⁵³	57356XP	46044	24007		3	N/S		N/S
----------------	--------	---	---------------------	---------	-------	-------	--	---	-----	--	-----

G25

L4 2.5L 2500cc	VQ25HR	D	51358 ⁵³	51358XP	49362	24479	24479XP	3	N/S		N/S
----------------	--------	---	---------------------	---------	-------	-------	---------	---	-----	--	-----

G37

V6 3.7L 3696cc	VQ37VHR	C	51358 ⁵³	51358XP	49362	24479	24479XP	3	N/S		N/S
----------------	---------	---	---------------------	---------	-------	-------	---------	---	-----	--	-----

M37

V6 3.7L 3696cc	VQ37VHR	B	51358 ⁵³	51358XP	49570	24021 ³²³ N/A ³²⁴		3	N/S		N/S
----------------	---------	---	---------------------	---------	-------	--	--	---	-----	--	-----

M56

V8 5.6L 5552cc	VK56VDS	A	57356 ⁵³	57356XP	46044	24021 ³²³		3	N/S		N/S
----------------	---------	---	---------------------	---------	-------	----------------------	--	---	-----	--	-----

N/A = Not Available N/R = Not Required N/S = Not Serviceable For cabin and fuel filter locator, see pages 5-15 See pages 16-19 for footnotes

N/A = Non disponible N/R = Non nécessaire N/S = Non réparable Para la ubicación de los filtros de aire de la cabina y de combustible, ver las páginas 5-15 Voir pages 16-19 pour des notes

N/A = No disponible N/R = No requiere N/S = No servible Voir les tableaux de repérage des filtres d'habitacle et à carburant aux pages 5-15 Ver las páginas 16-19 para las notas al pie de página

Italicized Part Numbers May Not Be Available. Wix XP Oil Filters Have Fully Synthetic Media.

Las piezas con números en *italicas* pueden no estar disponibles. Los filtros de aceite WIX XP son completamente de media sintética.

Les numéros de pièce en *italiques* peuvent ne pas être disponibles. Les filtres à huile XP Wix contiennent un matériau 100 % synthétique.

INFINITI 2011-2008
Pass Car/Light Truck

Year/Año/Année Model/Modelo/Modèle Engine/Motor/Moteur	Eng. Code Código de motor Code moteur	VIN NIV NIV	Oil Aceite Huile	Oil XP Aceite XP Huile XP	Air Aire Air	Cabin Air Cabina Aire Cabine Air	Cabin Air XP Cabina Aire XP Cabine Air XP	Loc. Cabin Air Cabina Aire Cabine Air	Fuel Combustible Carburant	Loc. Fuel Combustible Carburant	Transmission Transmisión Transmission
--	---	-------------------	------------------------	---------------------------------	--------------------	--	---	--	----------------------------------	--	---

INFINITI (Cont'd/Suite)
2011 (Cont'd/Suite)
QX56

V8 5.6L 5552cc	VK56VD	A	57356 ⁵³	57356XP	WA10298	24479	24479XP	2	N/S	N/S
----------------	--------	---	---------------------	---------	---------	-------	---------	---	-----	-----

2010
EX35

V6 3.5L 3498cc	VQ35HR	A	51358 ⁵³	51358XP	49362	24479	24479XP	3	N/S	N/S
----------------	--------	---	---------------------	---------	-------	-------	---------	---	-----	-----

FX35

V6 3.5L 3498cc	VQ35HR	A	51358 ⁵³	51358XP	46044	24479	24479XP	3	N/S	N/S
----------------	--------	---	---------------------	---------	-------	-------	---------	---	-----	-----

FX50

V8 5.0L 5026cc	VK50VE	B	57356 ⁵³	57356XP	46044	24007		3	N/S	N/S
----------------	--------	---	---------------------	---------	-------	-------	--	---	-----	-----

G37

V6 3.7L 3696cc	VQ37VHR	C	51358 ⁵³	51358XP	49362	24479	24479XP	3	N/S	N/S
----------------	---------	---	---------------------	---------	-------	-------	---------	---	-----	-----

M35

V6 3.5L 3500cc	VQ35HR	A	51358 ⁵³	51358XP	49570	24479	24479XP	3	N/S	N/S
----------------	--------	---	---------------------	---------	-------	-------	---------	---	-----	-----

M45

V8 4.5L 4494cc		B	57356 ⁵³	57356XP	49290	24479	24479XP	3	N/S	N/S
----------------	--	---	---------------------	---------	-------	-------	---------	---	-----	-----

QX56

V8 5.6L 5552cc	VK56DE	A	57356 ⁵³	57356XP	46213	24854		2	N/S	N/S
----------------	--------	---	---------------------	---------	-------	-------	--	---	-----	-----

2009
EX35

V6 3.5L 3498cc	VQ35HR	A	51358 ⁵³	51358XP	49362	24479	24479XP	3	N/S	N/S
----------------	--------	---	---------------------	---------	-------	-------	---------	---	-----	-----

FX35

V6 3.5L 3498cc	VQ35HR	A	51358 ⁵³	51358XP	46044	24479	24479XP	3	N/S	N/S
----------------	--------	---	---------------------	---------	-------	-------	---------	---	-----	-----

FX50

V8 5.0L 5026cc	VK50VE	B	57356 ⁵³	57356XP	46044	24007		3	N/S	N/S
----------------	--------	---	---------------------	---------	-------	-------	--	---	-----	-----

G37

V6 3.7L 3696cc	VQ37VHR	C	51358 ⁵³	51358XP	49362	24479	24479XP	3	N/S	N/S
----------------	---------	---	---------------------	---------	-------	-------	---------	---	-----	-----

M35

V6 3.5L 3500cc	VQ35HR	A	51358 ⁵³	51358XP	49570	24479	24479XP	3	N/S	N/S
----------------	--------	---	---------------------	---------	-------	-------	---------	---	-----	-----

M45

V8 4.5L 4494cc		B	57356 ⁵³	57356XP	49290	24479	24479XP	3	N/S	N/S
----------------	--	---	---------------------	---------	-------	-------	---------	---	-----	-----

QX56

V8 5.6L 5552cc	VK56DE	A	57356 ⁵³	57356XP	46213	24854		2	N/S	N/S
----------------	--------	---	---------------------	---------	-------	-------	--	---	-----	-----

2008
EX35

V6 3.5L 3498cc	VQ35HR	A	51358 ⁵³	51358XP	49362	24479	24479XP	3	N/S	N/S
----------------	--------	---	---------------------	---------	-------	-------	---------	---	-----	-----

FX35

V6 3.5L 3498cc	VQ35DE	A	51358 ⁵³	51358XP	46116 ³⁷⁰ 46044 ³⁷¹	24857	24857XP	3	N/S	N/S
----------------	--------	---	---------------------	---------	--	-------	---------	---	-----	-----

FX45

V8 4.5L 4494cc		B	57356 ⁵³	57356XP	46053	24857	24857XP	3	N/S	N/S
----------------	--	---	---------------------	---------	-------	-------	---------	---	-----	-----

G35

V6 3.5L 3498cc	VQ35HR	B	51358 ⁵³	51358XP	49362	24857	24857XP	3	N/S	N/S
----------------	--------	---	---------------------	---------	-------	-------	---------	---	-----	-----

G37

V6 3.7L 3696cc	VQ37VHR	C	51358 ⁵³	51358XP	49362	24479	24479XP	3	N/S	N/S
----------------	---------	---	---------------------	---------	-------	-------	---------	---	-----	-----

M35

V6 3.5L 3500cc	VQ35DE	A	51358 ⁵³	51358XP	49001 ³¹⁴ 49570 ³¹³	24479	24479XP	3	N/S	N/S
----------------	--------	---	---------------------	---------	--	-------	---------	---	-----	-----

M45

V8 4.5L 4494cc		B	57356 ⁵³	57356XP	49290	24479	24479XP	3	N/S	N/S
----------------	--	---	---------------------	---------	-------	-------	---------	---	-----	-----

QX56

V8 5.6L 5552cc	VK56DE	A	57356 ⁵³	57356XP	46213	24854		2	N/S	N/S
----------------	--------	---	---------------------	---------	-------	-------	--	---	-----	-----

N/A = Not Available N/R = Not Required N/S = Not Serviceable For cabin and fuel filter locator, see pages 5-15 See pages 16-19 for footnotes

N/A = Non disponible N/R = Non nécessaire N/S = Non réparable Para la ubicación de los filtros de aire de la cabina y de combustible, ver las páginas 5-15 Voir pages 16-19 pour des notes

N/A = No disponible N/R = No requiere N/S = No servible Voir les tableaux de repérage des filtres d'habitacle et à carburant aux pages 5-15 Ver las páginas 16-19 para las notas al pie de página

Italicized Part Numbers May Not Be Available. Wix XP Oil Filters Have Fully Synthetic Media.

Las piezas con números en *italicas* pueden no estar disponibles. Los filtros de aceite WIX XP son completamente de media sintética. Les numéros de pièce en *italiques* peuvent ne pas être disponibles. Les filtres à huile XP Wix contiennent un matériau 100 % synthétique.

Year/Año/Année Model/Modelo/Modèle Engine/Motor/Moteur	Eng. Code Código de motor Code moteur	VIN NIV NIV	Oil Aceite Huile	Oil XP Aceite XP Huile XP	Air Aire Air	Cabin Air Cabina Aire Cabine Air	Cabin Air XP Cabina Aire XP Cabine Air XP	Loc. Cabin Air Cabina Aire Cabine Air	Fuel Combustible Carburant	Loc. Fuel Combustible Carburant	Transmission Transmisión Transmission
--	---	-------------------	------------------------	---------------------------------	--------------------	--	---	--	----------------------------------	--	---

INFINITI (Cont'd/Suite)
2007
FX35

V6 3.5L 3498cc	VQ35DE	A	51358 ⁵³	51358XP	46116	24857	24857XP	3	N/S		N/S
----------------	--------	---	---------------------	---------	-------	-------	---------	---	-----	--	-----

FX45

V8 4.5L 4494cc		B	57356 ⁵³	57356XP	46053	24857	24857XP	3	N/S		N/S
----------------	--	---	---------------------	---------	-------	-------	---------	---	-----	--	-----

G35 COUPE

V6 3.5L 3498cc	VQ35DE	C	51358 ⁵³	51358XP	46116	24857	24857XP	3	N/S		N/S
	VQ35HR	C	51358 ⁵³	51358XP	46116	24857	24857XP	3	N/S		N/S

G35 SEDAN

V6 3.5L 3498cc	VQ35DE	B	51358 ⁵³	51358XP	49362	24857	24857XP	3	N/S		N/S
	VQ35HR	B	51358 ⁵³	51358XP	49362	24857	24857XP	3	N/S		N/S

M35

V6 3.5L 3500cc	VQ35DE	A	51358 ⁵³	51358XP	49001 ³¹⁴ 49570 ³¹³	24479	24479XP	3	N/S		N/S
----------------	--------	---	---------------------	---------	--	-------	---------	---	-----	--	-----

M45

V8 4.5L 4494cc		B	57356 ⁵³	57356XP	49290	24479	24479XP	3	N/S		N/S
----------------	--	---	---------------------	---------	-------	-------	---------	---	-----	--	-----

QX56

V8 5.6L 5552cc	VK56DE	A	57356 ⁵³	57356XP	46213	24854		2	N/S		N/S
----------------	--------	---	---------------------	---------	-------	-------	--	---	-----	--	-----

2006
FX35

V6 3.5L 3498cc	VQ35DE	A	51358 ⁵³	51358XP	46116	24857	24857XP	3	N/S		N/S
----------------	--------	---	---------------------	---------	-------	-------	---------	---	-----	--	-----

FX45

V8 4.5L 4494cc		B	57356 ⁵³	57356XP	46053	24857	24857XP	3	N/S		N/S
----------------	--	---	---------------------	---------	-------	-------	---------	---	-----	--	-----

G35

V6 3.5L 3498cc	VQ35DE	C	51358 ⁵³	51358XP	46116	24857	24857XP	3	N/S		N/S
----------------	--------	---	---------------------	---------	-------	-------	---------	---	-----	--	-----

M35

V6 3.5L 3500cc	VQ35DE	A	51358 ⁵³	51358XP	49001	24479	24479XP	3	N/S		N/S
----------------	--------	---	---------------------	---------	-------	-------	---------	---	-----	--	-----

M45

V8 4.5L 4494cc		B	57356 ⁵³	57356XP	49290	24479	24479XP	3	N/S		N/S
----------------	--	---	---------------------	---------	-------	-------	---------	---	-----	--	-----

Q45

V8 4.5L 4494cc		B	57356 ⁵³	57356XP	46053	24479	24479XP		N/S		N/S
----------------	--	---	---------------------	---------	-------	-------	---------	--	-----	--	-----

QX56

V8 5.6L 5552cc	VK56DE	A	57356 ⁵³	57356XP	46213	24854		2	N/S		N/S
----------------	--------	---	---------------------	---------	-------	-------	--	---	-----	--	-----

2005
FX35

V6 3.5L 3498cc	VQ35DE	A	51358 ⁵³	51358XP	46116	24857	24857XP	3	N/S		N/A
----------------	--------	---	---------------------	---------	-------	-------	---------	---	-----	--	-----

FX45

V8 4.5L 4494cc		B	57356 ⁵³	57356XP	46053	24857	24857XP	3	N/S		N/A
----------------	--	---	---------------------	---------	-------	-------	---------	---	-----	--	-----

G35

V6 3.5L 3498cc	VQ35DE	C	51358 ⁵³	51358XP	46116	24857	24857XP	3	N/S		N/S
----------------	--------	---	---------------------	---------	-------	-------	---------	---	-----	--	-----

Q45

V8 4.5L 4494cc		B	57356 ⁵³	57356XP	46053	24479	24479XP		N/S		N/S
----------------	--	---	---------------------	---------	-------	-------	---------	--	-----	--	-----

QX56

V8 5.6L 5552cc	VK56DE	A	57356 ⁵³	57356XP	46213	24854		2	N/S		N/S
----------------	--------	---	---------------------	---------	-------	-------	--	---	-----	--	-----

2004
FX35

V6 3.5L 3498cc	VQ35DE	A	57356 ⁵³	57356XP	46116	24857	24857XP	3	N/S		N/A
----------------	--------	---	---------------------	---------	-------	-------	---------	---	-----	--	-----

FX45

V8 4.5L 4494cc		B	57356 ⁵³	57356XP	46053	24857	24857XP	3	N/S		N/A
----------------	--	---	---------------------	---------	-------	-------	---------	---	-----	--	-----

G35

V6 3.5L 3498cc	VQ35DE	C	51358 ⁵³	51358XP	46116	24857	24857XP	3	N/S		N/S
----------------	--------	---	---------------------	---------	-------	-------	---------	---	-----	--	-----

I35

V6 3.5L 3500cc	VQ35DE	D	57356 ⁵³	57356XP	46116	24823		3	N/S		58602
----------------	--------	---	---------------------	---------	-------	-------	--	---	-----	--	-------

N/A = Not Available N/R = Not Required N/S = Not Serviceable For cabin and fuel filter locator, see pages 5-15 See pages 16-19 for footnotes

N/A = Non disponible N/R = Non nécessaire N/S = Non réparable Para la ubicación de los filtros de aire de la cabina y de combustible, ver las páginas 5-15 Voir pages 16-19 pour des notes

N/A = No disponible N/R = No requiere N/S = No servible Voir les tableaux de repérage des filtres d'habitacle et à carburant aux pages 5-15 Ver las páginas 16-19 para las notas al pie de página

Italicized Part Numbers May Not Be Available. Wix XP Oil Filters Have Fully Synthetic Media.

Las piezas con números en *italicas* pueden no estar disponibles. Los filtros de aceite WIX XP son completamente de media sintética.

Les numéros de pièce en *italiques* peuvent ne pas être disponibles. Les filtres à huile XP Wix contiennent un matériau 100 % synthétique.

INFINITI 2004 — ISUZU 2016
Pass Car/Light Truck

Year/Año/Année Model/Modelo/Modèle Engine/Motor/Moteur	Eng. Code Código de motor Code moteur	VIN NIV NIV	Oil Aceite Huile	Oil XP Aceite XP Huile XP	Air Aire Air	Cabin Air Cabina Aire Cabine Air	Cabin Air XP Cabina Aire XP Cabine Air XP	Loc. Cabin Air Cabina Aire Cabine Air	Fuel Combustible Carburant	Loc. Fuel Combustible Carburant	Transmission Transmisión Transmission
--	---	-------------------	------------------------	---------------------------------	--------------------	--	---	--	----------------------------------	--	---

INFINITI (Cont'd/Suite)
2004 (Cont'd/Suite)
M45

V8 4.5L 4494cc		A	57356 ⁵³	57356XP	46053	24479	24479XP		N/S ⁷¹		N/A
----------------	--	---	---------------------	---------	-------	-------	---------	--	-------------------	--	-----

Q45

V8 4.5L 4494cc		B	57356 ⁵³	57356XP	46053	24479	24479XP		N/S		N/S
----------------	--	---	---------------------	---------	-------	-------	---------	--	-----	--	-----

QX56

V8 5.6L 5552cc	VK56DE	A	57356 ⁵³	57356XP	46213	24854		2	N/S		N/A
----------------	--------	---	---------------------	---------	-------	-------	--	---	-----	--	-----

2003
FX35

V6 3.5L 3498cc	VQ35DE	A	57356 ⁵³	57356XP	46116	24857	24857XP	3	N/S		N/A
----------------	--------	---	---------------------	---------	-------	-------	---------	---	-----	--	-----

FX45

V8 4.5L 4494cc		B	57356 ⁵³	57356XP	46053	24857	24857XP	3	N/S		N/A
----------------	--	---	---------------------	---------	-------	-------	---------	---	-----	--	-----

G35

V6 3.5L 3498cc	VQ35DE	C	51358 ⁵³	51358XP	46116	24857	24857XP	3	N/S		N/S
----------------	--------	---	---------------------	---------	-------	-------	---------	---	-----	--	-----

I35

V6 3.5L 3500cc	VQ35DE	D	57356 ⁵³	57356XP	46116	24823		3	N/S		58602
----------------	--------	---	---------------------	---------	-------	-------	--	---	-----	--	-------

M45

V8 4.5L 4494cc		A	57356 ⁵³	57356XP	46053	24479	24479XP		N/S ⁷¹		N/A
----------------	--	---	---------------------	---------	-------	-------	---------	--	-------------------	--	-----

Q45

V8 4.5L 4494cc		B	57356 ⁵³	57356XP	46053	24479	24479XP		N/S		N/A
----------------	--	---	---------------------	---------	-------	-------	---------	--	-----	--	-----

QX4

V6 3.5L 3500cc	VQ35DE	D	51358 ⁵³	51358XP	46116	24863		3	33023	P	58906
----------------	--------	---	---------------------	---------	-------	-------	--	---	-------	---	-------

2002
G20

L4 2.0L 2000cc	SR20DE	C	51358 ⁵³	51358XP	46116	24863		3	33477	F	58996
----------------	--------	---	---------------------	---------	-------	-------	--	---	-------	---	-------

I35

V6 3.5L 3500cc	VQ35DE	D	51358 ⁵³	51358XP	46116	24823		3	N/S		58602
----------------	--------	---	---------------------	---------	-------	-------	--	---	-----	--	-------

Q45

V8 4.5L 4494cc		B	57356 ⁵³	57356XP	46053	24479	24479XP		N/S		N/A
----------------	--	---	---------------------	---------	-------	-------	---------	--	-----	--	-----

QX4

V6 3.5L 3500cc	VQ35DE	D	51358 ⁵³	51358XP	46116	24863		3	33023	P	58978 - 2WD
----------------	--------	---	---------------------	---------	-------	-------	--	---	-------	---	-------------

ISUZU
2018
ELF 100

L4 3.0L Diesel (Mex.)			WL10007		46932	N/S			33937 - Cartridge		N/S
-----------------------	--	--	---------	--	-------	-----	--	--	-------------------	--	-----

ELF 200

L4 3.0L Diesel (Mex.)			WL10007		46932	N/S			33937 - Cartridge		N/S
-----------------------	--	--	---------	--	-------	-----	--	--	-------------------	--	-----

ELF 300

L4 3.0L Diesel (Mex.)			WL10007		46932	N/S			33937 - Cartridge		N/S
-----------------------	--	--	---------	--	-------	-----	--	--	-------------------	--	-----

2017
ELF 100

L4 3.0L Diesel (Mex.)			WL10007		46932	N/S			33937 - Cartridge		N/S
-----------------------	--	--	---------	--	-------	-----	--	--	-------------------	--	-----

ELF 200

L4 3.0L Diesel (Mex.)			WL10007		46932	N/S			33937 - Cartridge		N/S
-----------------------	--	--	---------	--	-------	-----	--	--	-------------------	--	-----

ELF 300

L4 3.0L Diesel (Mex.)			WL10007		46932	N/S			33937 - Cartridge		N/S
-----------------------	--	--	---------	--	-------	-----	--	--	-------------------	--	-----

2016
ELF 100

L4 3.0L Diesel (Mex.)			WL10007		46932	N/S			33937 - Cartridge		N/S
-----------------------	--	--	---------	--	-------	-----	--	--	-------------------	--	-----

ELF 200

L4 3.0L Diesel (Mex.)			WL10007		46932	N/S			33937 - Cartridge		N/S
-----------------------	--	--	---------	--	-------	-----	--	--	-------------------	--	-----

N/A = Not Available N/R = Not Required N/S = Not Serviceable For cabin and fuel filter locator, see pages 5-15 See pages 16-19 for footnotes

N/A = Non disponible N/R = Non nécessaire N/S = Non réparable Para la ubicación de los filtros de aire de la cabina y de combustible, ver las páginas 5-15 Voir pages 16-19 pour des notes

N/A = No disponible N/R = No requiere N/S = No servible Voir les tableaux de repérage des filtres d'habitacle et à carburant aux pages 5-15 Ver las páginas 16-19 para las notas al pie de página

Italicized Part Numbers May Not Be Available. Wix XP Oil Filters Have Fully Synthetic Media.

Las piezas con números en *italicas* pueden no estar disponibles. Los filtros de aceite WIX XP son completamente de media sintética. Les numéros de pièce en *italiques* peuvent ne pas être disponibles. Les filtres à huile XP Wix contiennent un matériau 100 % synthétique.

Year/Año/Année Model/Modelo/Modèle Engine/Motor/Moteur	Eng. Code Código de motor Code moteur	VIN NIV NIV	Oil Aceite Huile	Oil XP Aceite XP Huile XP	Air Aire Air	Cabin Air Cabina Aire Cabine Air	Cabin Air XP Cabina Aire XP Cabine Air XP	Loc. Cabin Air Cabina Aire Cabine Air	Fuel Combustible Carburant	Loc. Fuel Combustible Carburant	Transmission Transmisión Transmission
--	--	-------------------	------------------------	---------------------------------	--------------------	--	---	--	----------------------------------	--	---

ISUZU (Cont'd/Suite)
2016 (Cont'd/Suite)
ELF 300

L4 3.0L Diesel (Mex.)			WL10007		46932	N/S			33937 - Cartridge		N/S
-----------------------	--	--	---------	--	-------	-----	--	--	-------------------	--	-----

2015
ELF 200

L4 3.0L Diesel (Mex.)			WL10007		46932	N/S			33937 - Cartridge		N/S
-----------------------	--	--	---------	--	-------	-----	--	--	-------------------	--	-----

ELF 300

L4 3.0L Diesel (Mex.)			WL10007		46932	N/S			33937 - Cartridge		N/S
-----------------------	--	--	---------	--	-------	-----	--	--	-------------------	--	-----

2008
ASCENDER

L6 4.2L 256 CID		S	51522 ⁵³	51522XP	42729	N/R			N/S		58904 - 4L60E-SP 58847 - 4L60E-DP
-----------------	--	---	---------------------	---------	-------	-----	--	--	-----	--	--------------------------------------

I290

L4 2.9L 178 CID		9	51042 ⁵³	51042XP	49429	N/R			N/S		58323 - Shallow Pan 58847 - Deep Pan
-----------------	--	---	---------------------	---------	-------	-----	--	--	-----	--	---

I370

L5 3.7L 226 CID		E	51522 ⁵³	51522XP	42013	N/R			N/S		58323 - Shallow Pan 58847 - Deep Pan
-----------------	--	---	---------------------	---------	-------	-----	--	--	-----	--	---

2007
ASCENDER

L6 4.2L 256 CID		S	51522 ⁵³	51522XP	42729	N/R			N/S		58904 - 4L60E-SP 58847 - 4L60E-DP
-----------------	--	---	---------------------	---------	-------	-----	--	--	-----	--	--------------------------------------

I290

L4 2.9L 178 CID		9	51042 ⁵³	51042XP	42013	N/R			N/S		58323 - Shallow Pan 58847 - Deep Pan
-----------------	--	---	---------------------	---------	-------	-----	--	--	-----	--	---

I370

L5 3.7L 226 CID		E	51522 ⁵³	51522XP	42013	N/R			N/S		58323 - Shallow Pan 58847 - Deep Pan
-----------------	--	---	---------------------	---------	-------	-----	--	--	-----	--	---

2006
ASCENDER

L6 4.2L 256 CID		S	51522 ⁵³	51522XP	42729	N/R			N/S		58904 - 4L60E-SP 58847 - 4L60E-DP
V8 5.3L 327 CID		M	51042 ⁵³	51042XP	42729	N/R			N/S		58904 - 4L60E-SP 58847 - 4L60E-DP

I280

L4 2.8L 169 CID		8	51042 ⁵³	51042XP	42013	N/R			N/S		58323 - Shallow Pan 58847 - Deep Pan
-----------------	--	---	---------------------	---------	-------	-----	--	--	-----	--	---

I350

L5 3.5L 211 CID		6	51522 ⁵³	51522XP	42013	N/R			N/S		58323 - Shallow Pan 58847 - Deep Pan
-----------------	--	---	---------------------	---------	-------	-----	--	--	-----	--	---

2005
ASCENDER

L6 4.2L 256 CID		S	51522 ⁵³	51522XP	42729	N/R			33129		58904 - 4L60E-SP 58847 - 4L60E-DP
V8 5.3L 327 CID		M	51042 ⁵³	51042XP	42729	N/R			33129		58904 - 4L60E-SP 58847 - 4L60E-DP

2004
ASCENDER

L6 4.2L 256 CID		S	51522 ⁵³	51522XP	42729	N/R			33129		58904 - 4L60E-SP 58847 - 4L60E-DP
V8 5.3L 327 CID		M	51042 ⁵³	51042XP	42729	N/R			33129		58904 - 4L60E-SP 58847 - 4L60E-DP

AXIOM

V6 3.5L 3475cc	6VE1	Y	51334 ⁵³	51334XP	46006	N/R			33199	N	58876
----------------	------	---	---------------------	---------	-------	-----	--	--	-------	---	-------

N/A = Not Available N/R = Not Required N/S = Not Serviceable For cabin and fuel filter locator, see pages 5-15 See pages 16-19 for footnotes

N/A = Non disponible N/R = Non nécessaire N/S = Non réparable Para la ubicación de los filtros de aire de la cabina y de combustible, ver las páginas 5-15 Voir pages 16-19 pour des notes

N/A = No disponible N/R = No requiere N/S = No servible Voir les tableaux de repérage des filtres d'habitacle et à carburant aux pages 5-15 Ver las páginas 16-19 para las notas al pie de página

Italicized Part Numbers May Not Be Available. Wix XP Oil Filters Have Fully Synthetic Media.

Las piezas con números en *italicas* pueden no estar disponibles. Los filtros de aceite WIX XP son completamente de media sintética.

Les numéros de pièce en *italiques* peuvent ne pas être disponibles. Les filtres à huile Wix contiennent un matériau 100 % synthétique.

Year/Año/Année Model/Modelo/Modèle Engine/Motor/Moteur	Eng. Code Código de motor Code moteur	VIN NIV NIV	Oil Aceite Huile	Oil XP Aceite XP Huile XP	Air Aire Air	Cabin Air Cabina Aire Cabine Air	Cabin Air XP Cabina Aire XP Cabine Air XP	Loc. Cabin Air Cabina Aire Cabine Air	Fuel Combustible Carburant	Loc. Fuel Combustible Carburant	Transmission Transmisión Transmission
--	---	-------------------	------------------------	---------------------------------	--------------------	--	---	--	----------------------------------	--	---

ISUZU (Cont'd/Suite)

2004 (Cont'd/Suite)

RODEO

V6 3.2L 3165cc	6VD1	W	51334 ⁵³	51334XP	46006	N/R			33199 ²⁸¹ 33310 ²⁸²	N N	58876 - 4L30E 58030 - A343F
V6 3.5L 3475cc	6VE1	Y	51334 ⁵³	51334XP	46006	N/R			33199	N	58876 - 4L30E 58030 - A343F

2003

ASCENDER

L6 4.2L 256 CID		S	51522 ⁵³	51522XP	42729	N/R			33129		58904 - 4L60E-SP 58847 - 4L60E-DP
V8 5.3L 327 CID		T	51042 ⁵³	51042XP	42729	N/R			33129		58904 - 4L60E-SP 58847 - 4L60E-DP

AXIOM

V6 3.5L 3475cc	6VE1	X	51334 ⁵³	51334XP	46006	N/R			33310	N	58876
----------------	------	---	---------------------	---------	-------	-----	--	--	-------	---	-------

RODEO

L4 2.2L 2180cc		D	51036 ⁵³	51036XP	46006	N/R			33310	N	58876 - 4L30E 58030 - A343F
V6 3.2L 3165cc	6VD1	W	51334 ⁵³	51334XP	46006	N/R			33310	N	58876 - 4L30E 58030 - A343F

RODEO SPORT

L4 2.2L 2180cc		D	51036 ⁵³	51036XP	46006	N/R			33310	N	58876 - 4L30E 58030 - A343F
V6 3.2L 3165cc	6VD1	W	51334 ⁵³	51334XP	46006	N/R			33310	N	58876 - 4L30E 58030 - A343F

2002

AXIOM

V6 3.5L 3475cc	6VE1	X	51334 ⁵³	51334XP	46006	N/R			33310	N	58876
----------------	------	---	---------------------	---------	-------	-----	--	--	-------	---	-------

RODEO

L4 2.2L 2180cc		D	51040 ⁵³	51040XP	46006	N/R			33310	N	58876
V6 3.2L 3165cc	6VD1	W	51334 ⁵³	51334XP	46006	N/R			33310	N	58876

TROOPER

V6 3.5L 3475cc	6VE1	X	51334 ⁵³	51334XP	46006	N/R			33310	N	58876
----------------	------	---	---------------------	---------	-------	-----	--	--	-------	---	-------

JAGUAR

2021

E-Pace

L4 2.0L Turbo			WL10419		WA10888	N/A				N/S	N/S
---------------	--	--	---------	--	---------	-----	--	--	--	-----	-----

F-Pace

L4 2.0L Turbo			WL10419		WA10895	49381			N/A - FOR VIN 048833 N/A - FOR VIN 048834		
V6 3.0L 2995cc 183 CID Super Charged			57279		WA10565 - Right WA10566 - Left	24511 ⁷⁸			N/S		N/S
V8 5.0L 5000cc Super Charged			57279		WA10565 - Left WA10566 - Right	24511			N/S		N/S

F-TYPE

L4 2.0L Turbo			WL10419		WA10895	49381			N/S		N/S
V6 3.0L 2995cc 183 CID Super Charged			57279		WA10894 - Left WA10895 - Right	49381			N/S		N/S
V8 5.0L 5000cc Super Charged		A	57279		WA10894 - Left WA10895 - Right	49381			N/S		N/S

I-Pace

0L (Electric HP394 KW90 Jaguar) Electric			N/R N/R		N/R N/R	24511 24511			N/R N/R		
--	--	--	------------	--	------------	----------------	--	--	------------	--	--

XE

L4 2.0 Turbo Diesel			WL10419		WA10566	24511 ⁷⁸			N/A - FOR VIN 944911 N/A - FOR VIN 944912		
L4 2.0L 1999cc 122 CID Turbo			WL10419 ⁵³		WA10566	24511 ⁷⁸			N/S		N/S

N/A = Not Available N/R = Not Required N/S = Not Serviceable For cabin and fuel filter locator, see pages 5-15 See pages 16-19 for footnotes

N/A = Non disponible N/R = Non nécessaire N/S = Non réparable Para la ubicación de los filtros de aire de la cabina y de combustible, ver las páginas 5-15 Voir pages 16-19 pour des notes

N/A = No disponible N/R = No requiere N/S = No servible Voir les tableaux de repérage des filtres d'habitacle et à carburant aux pages 5-15 Ver las páginas 16-19 para las notas al pie de página

Italicized Part Numbers May Not Be Available. Wix XP Oil Filters Have Fully Synthetic Media.

Las piezas con números en *italicas* pueden no estar disponibles. Los filtros de aceite WIX XP son completamente de media sintética. Les numéros de pièce en *italiques* peuvent ne pas être disponibles. Les filtres à huile XP Wix contiennent un matériau 100 % synthétique.

Year/Año/Année Model/Modelo/Modèle Engine/Motor/Moteur	Eng. Code Código de motor Code moteur	VIN NIV NIV	Oil Aceite Huile	Oil XP Aceite XP Huile XP	Air Aire Air	Cabin Air Cabina Aire Cabine Air	Cabin Air XP Cabina Aire XP Cabine Air XP	Loc. Cabin Air Cabina Aire Cabine Air	Fuel Combustible Carburant	Loc. Fuel Combustible Carburant	Transmission Transmisión Transmission
--	---	-------------------	------------------------	---------------------------------	--------------------	--	---	--	----------------------------------	--	---

JAGUAR (Cont'd/Suite)
2021 (Cont'd/Suite)
XF

L4 2.0L 1999cc 122 CID Turbo			WL10419		WA10566	24511 ⁷⁸			N/S		N/A
------------------------------	--	--	---------	--	---------	---------------------	--	--	-----	--	-----

2020
E-Pace

L4 2.0L Turbo			WL10419		WA10888	N/A			N/S		N/S
---------------	--	--	---------	--	---------	-----	--	--	-----	--	-----

F-Pace

L4 2.0 Turbo Diesel			WL10419		WA10566	24511 ⁷⁸			WA - FOR VIN 048833 NA - FOR VIN 048834		
L4 2.0L Turbo			WL10419		WA10895	49381			WA - FOR VIN 048833 NA - FOR VIN 048834		
V6 3.0L 2995cc 183 CID Super Charged			57279		WA10565 - Right WA10566 - Left	24511 ⁷⁸			N/S		N/S
V8 5.0L 5000cc Super Charged			57279		WA10565 - Left WA10566 - Right	24511			N/S		N/S

F-TYPE

L4 2.0L Turbo			WL10419		WA10895	49381			N/S		N/S
V6 3.0L 2995cc 183 CID Super Charged			57279		WA10894 - Left WA10895 - Right	49381			N/S		N/S
V8 5.0L 5000cc Super Charged	A		57279		WA10894 - Left WA10895 - Right	49381			N/S		N/S

I-Pace

0L (Electric HP394 KW90 Jaguar) Electric			N/R		N/R	24511			N/R		
			N/R		N/R	24511			N/R		

XE

L4 2.0 Turbo Diesel			WL10419		WA10566	24511 ⁷⁸			NA - FOR VIN 044911 NA - FOR VIN 044912		
L4 2.0L 1999cc 122 CID Turbo			WL10419 ⁸³		WA10566	24511 ⁷⁸			N/S		N/S
V6 3.0L 2995cc 183 CID Super Charged			57279		WA10565 - Right WA10566 - Left	24511 ⁷⁸			N/S		N/S
V8 5.0L 5000CC 305CID Super Charged	AJ133		57279		WA10565 - Right WA10566 - Left	24511			N/S		N/S

XF

L4 2.0L 1999cc 122 CID Turbo			WL10419		WA10566	24511 ⁷⁸			N/S		N/A
V6 3.0L 2995cc 183 CID Super Charged			57279		WA10565 - Right WA10566 - Left	24511 ⁷⁸			N/S		N/S

2019
E-Pace

L4 2.0L Turbo			WL10419		WA10888	N/A			N/S		N/S
---------------	--	--	---------	--	---------	-----	--	--	-----	--	-----

F-Pace

L4 2.0 Turbo Diesel			WL10419		WA10566	24511 ⁷⁸			WA - FOR VIN 048833 NA - FOR VIN 048834		
L4 2.0L Turbo			WL10419		WA10895	49381			WA - FOR VIN 048833 NA - FOR VIN 048834		
V6 3.0L 2995cc 183 CID Super Charged			57279		WA10565 - Right WA10566 - Left	24511 ⁷⁸			N/S		N/S
V8 5.0L 5000cc Super Charged			57279		WA10565 - Left WA10566 - Right	24511			N/S		N/S

F-TYPE

L4 2.0L Turbo			WL10419		WA10895	49381			N/S		N/S
V6 3.0L 2995cc 183 CID Super Charged			57279		WA10894 - Left WA10895 - Right	49381			N/S		N/S
V8 5.0L 5000CC 305CID Super Charged	AJ133		57279		WA10894 - Left WA10895 - Right	49381			N/S		N/S
V8 5.0L 5000cc Super Charged	A		57279		WA10894 - Left WA10895 - Right	49381			N/S		N/S

I-Pace

0L (Electric HP394 KW90 Jaguar) Electric			N/R		N/R	24511			N/R		
			N/R		N/R	24511			N/R		

N/A = Not Available N/R = Not Required N/S = Not Serviceable For cabin and fuel filter locator, see pages 5-15 See pages 16-19 for footnotes

NA = Non disponible N/R = Non nécessaire N/S = Non réparable Para la ubicación de los filtros de aire de la cabina y de combustible, ver las páginas 5-15 Voir pages 16-19 pour des notes

N/A = No disponible N/R = No requiere N/S = No servible Voir les tableaux de repérage des filtres d'habitacle et à carburant aux pages 5-15 Ver las páginas 16-19 para las notas al pie de página

Italicized Part Numbers May Not Be Available. Wix XP Oil Filters Have Fully Synthetic Media.

Las piezas con números en *italicas* pueden no estar disponibles. Los filtros de aceite WIX XP son completamente de media sintética.

Les numéros de pièce en *italiques* peuvent ne pas être disponibles. Les filtres à huile XP Wix contiennent un matériau 100 % synthétique.

JAGUAR 2019-2018
Pass Car/Light Truck

Year/Año/Année Model/Modelo/Modèle Engine/Motor/Moteur	Eng. Code Código de motor Code moteur	VIN NIV NIV	Oil Aceite Huile	Oil XP Aceite XP Huile XP	Air Aire Air	Cabin Air Cabina Aire Cabine Air	Cabin Air XP Cabina Aire XP Cabine Air XP	Loc. Cabin Air Cabina Aire Cabine Air	Fuel Combustible Carburant	Loc. Fuel Combustible Carburant	Transmission Transmisión Transmission
--	---	-------------------	------------------------	---------------------------------	--------------------	--	---	--	----------------------------------	--	---

JAGUAR (Cont'd/Suite)
2019 (Cont'd/Suite)
XE

L4 2.0 Turbo Diesel			WL10419		WA10566	24511 ^{7B}			N/A - FOR VIN 944911 N/A - FOR VIN 944912		
L4 2.0L 1999cc 122 CID Turbo			WL10419 ⁶³		WA10566	24511 ^{7B}			N/S		N/S
V6 3.0L 2995cc 183 CID Super Charged			57279		WA10565 - Right WA10566 - Left	24511 ^{7B}			N/S		N/S
V8 5.0L 5000CC 305CID Super Charged	AJ133		57279		WA10565 - Right WA10566 - Left	24511			N/S		N/S

XF

L4 2.0 Turbo Diesel			WL10419		WA10566	24511 ^{7B}			N/A - FOR VIN Y24768 N/A - FOR VIN Y24796		N/A
L4 2.0L 1999cc 122 CID Turbo			WL10419		WA10566	24511 ^{7B}			N/S		N/A
V6 3.0L 2995cc 183 CID Super Charged			57279		WA10565 - Right WA10566 - Left	24511 ^{7B}			N/S		N/S

XJ

V6 3.0L 2995cc 183 CID Super Charged			57279		42261	49525		1	N/S		N/S
V6 3.0L 2995cc 183 CID Super Charged Flex			57279		42261	49525		1	N/S		N/S
V8 5.0L 5000cc Super Charged			57279		42261	49525		1	N/S		N/S

XJR575 Long Wheelbase

V8 5.0L 5000cc Super Charged			57279		42261	49525		1	N/S		N/S
------------------------------	--	--	-------	--	-------	-------	--	---	-----	--	-----

2018
E-Pace

L4 2.0L Turbo			WL10419		WA10888	N/A			N/S		N/S
---------------	--	--	---------	--	---------	-----	--	--	-----	--	-----

F-Pace

L4 2.0 Turbo Diesel			WL10419		WA10566	24511 ^{7B}			N/A - FOR VIN 048833 N/A - FOR VIN 048834		
L4 2.0L Turbo			WL10419		WA10895	49381			N/A - FOR VIN 048833 N/A - FOR VIN 048834		
V6 3.0L 2995cc 183 CID Super Charged			57279		WA10565 - Right WA10566 - Left	24511 ^{7B}			N/S		N/S

F-TYPE

L4 2.0L Turbo			WL10419		WA10895	49381			N/S		N/S
V6 3.0L 2995cc 183 CID Super Charged			57279		WA10894 - Left WA10895 - Right	49381			N/S		N/S
V8 5.0L 5000cc Super Charged	A		57279		WA10894 - Left WA10895 - Right	49381			N/S		N/S

XE

L4 2.0 Turbo Diesel			WL10419		WA10566	24511 ^{7B}			N/A - FOR VIN 944911 N/A - FOR VIN 944912		
L4 2.0L 1999cc 122 CID Turbo			WL10419 ⁶³		WA10566	24511 ^{7B}			N/S		N/S
V6 3.0L 2995cc 183 CID Super Charged			57279		WA10565 - Right WA10566 - Left	24511 ^{7B}			N/S		N/S
V8 5.0L 5000CC 305CID Super Charged	AJ133		57279		WA10565 - Right WA10566 - Left	24511			N/S		N/S

XF

L4 2.0 Turbo Diesel			WL10419		WA10566	24511 ^{7B}			N/A - FOR VIN Y24768 N/A - FOR VIN Y24796		N/A
L4 2.0L 1999cc 122 CID Turbo			WL10419		WA10566	24511 ^{7B}			N/S		N/A
V6 3.0L 2995cc 183 CID Super Charged			57279		WA10565 - Right WA10566 - Left	24511 ^{7B}			N/S		N/S

XJ

V6 3.0L 2995cc 183 CID Super Charged			57279		42261	49525		1	N/S		N/S
V6 3.0L 2995cc 183 CID Super Charged Flex			57279		42261	49525		1	N/S		N/S
V8 5.0L 5000cc Super Charged			57279		42261	49525		1	N/S		N/S

N/A = Not Available N/R = Not Required N/S = Not Serviceable For cabin and fuel filter locator, see pages 5-15 See pages 16-19 for footnotes

N/A = Non disponible N/R = Non nécessaire N/S = Non réparable Para la ubicación de los filtros de aire de la cabina y de combustible, ver las páginas 5-15 Voir pages 16-19 pour des notes

N/A = No disponible N/R = No requiere N/S = No servible Voir les tableaux de repérage des filtres d'habitacle et à carburant aux pages 5-15 Ver las páginas 16-19 para las notas al pie de página

Italicized Part Numbers May Not Be Available. Wix XP Oil Filters Have Fully Synthetic Media.

Las piezas con números en *italicas* pueden no estar disponibles. Los filtros de aceite WIX XP son completamente de media sintética. Les numéros de pièce en *italiques* peuvent ne pas être disponibles. Les filtres à huile XP Wix contiennent un matériau 100 % synthétique.

Year/Año/Année Model/Modelo/Modèle Engine/Motor/Moteur	Eng. Code Código de motor Code moteur	VIN NIV	Oil Aceite Huile	Oil XP Aceite XP Huile XP	Air Aire Air	Cabin Air Cabina Aire Cabine Air	Cabin Air XP Cabina Aire XP Cabine Air XP	Loc. Cabin Air Cabina Aire Cabine Air	Fuel Combustible Carburant	Loc. Fuel Combustible Carburant	Transmission Transmisión Transmission
--	---	------------	------------------------	---------------------------------	--------------------	--	---	---	----------------------------------	---------------------------------------	---

JAGUAR (Cont'd/Suite)

2018 (Cont'd/Suite)

XJR575 Long Wheelbase

V8 5.0L 5000cc Super Charged			57279		42261	49525			1	N/S	N/S
------------------------------	--	--	-------	--	-------	-------	--	--	---	-----	-----

2017

F-Pace

L4 2.0 Turbo Diesel			WL10419		WA10566	24511 ⁷⁸				N/A - FOR VIN 048833 N/A - FOR VIN 048834	
V6 3.0L 2995cc 183 CID Super Charged			57279		WA10565 - Right WA10566 - Left	24511 ⁷⁸				N/S	N/S

F-TYPE

V6 3.0L 2995cc 183 CID Super Charged		C	57279		WA10894 - Left WA10895 - Right	49381				N/S	N/S
V8 5.0L 5000cc Super Charged		A	57279		WA10894 - Left WA10895 - Right	49381				N/S	N/S

XE

L4 2.0 Turbo Diesel			WL10419		WA10566	24511 ⁷⁸				N/A - FOR VIN 944911 N/A - FOR VIN 944912	
L4 2.0L 1999cc 122 CID Turbo			51348 ⁵³	51348XP	WA10566	24511 ⁷⁸				N/S	N/S
V6 3.0L 2995cc 183 CID Super Charged			57279		WA10565 - Right WA10566 - Left	24511 ⁷⁸				N/S	N/S

XF

L4 2.0 Turbo Diesel			WL10419		WA10566	24511 ⁷⁸				N/A - FOR VIN Y24768 N/A - FOR VIN Y24796	
V6 3.0L 2995cc 183 CID Super Charged			57279		WA10565 - Right WA10566 - Left	24511 ⁷⁸				N/S	N/S

XJ

V6 3.0L 2995cc 183 CID Super Charged		D	57279		42261	49525			1	33595	N/S
V8 5.0L 5000cc Super Charged		T	57279		42261	49525			1	N/S	N/S
		Z	57279		42261	49525			1	N/S	N/S

XJR

V8 5.0L 5000cc Super Charged			57279		42261	49525				N/S	N/A
------------------------------	--	--	-------	--	-------	-------	--	--	--	-----	-----

2016

F-TYPE

V6 3.0L 2995cc 183 CID Super Charged		T	57279		WA10894 - Left WA10895 - Right	49381				N/S	N/S
V8 5.0L 5000cc Super Charged		L	57279		WA10894 - Left WA10895 - Right	49381				N/S	N/S

XF

V6 3.0L 2995cc 183 CID Super Charged			57279		42261	24511 ⁷⁸			1	N/S	N/S
--------------------------------------	--	--	-------	--	-------	---------------------	--	--	---	-----	-----

XJ

V6 3.0L 2995cc 183 CID Super Charged Flex		D	57279		42261	49525			1	N/S	N/S
V8 5.0L 5000cc Super Charged		T	57279		42261	49525			1	N/S	N/S

XJR

V8 5.0L 5000cc Super Charged		K	57279		42261	49525				N/S	N/S
------------------------------	--	---	-------	--	-------	-------	--	--	--	-----	-----

2015

F-TYPE

V6 3.0L 2995cc 183 CID Super Charged		C	57279		WA10894 - Left WA10895 - Right	49381				N/S	N/S
V8 5.0L 5000cc Super Charged		L	57279		WA10894 - Left WA10895 - Right	49381				N/S	N/S

XF

L4 2.0L 1999cc 122 CID Turbo		S	51348 ⁵³	51348XP	42261	49525			1	N/S	N/S
V6 3.0L 2995cc 183 CID Super Charged		X	57279		42261	49525			1	N/S	N/S

N/A = Not Available N/R = Not Required N/S = Not Serviceable For cabin and fuel filter locator, see pages 5-15 See pages 16-19 for footnotes

N/A = Non disponible N/R = Non nécessaire N/S = Non réparable Para la ubicación de los filtros de aire de la cabina y de combustible, ver las páginas 5-15 Voir pages 16-19 pour des notes

N/A = No disponible N/R = No requiere N/S = No servible Voir les tableaux de repérage des filtres d'habitacle et à carburant aux pages 5-15 Ver las páginas 16-19 para las notas al pie de página

Italicized Part Numbers May Not Be Available. Wix XP Oil Filters Have Fully Synthetic Media.

Las piezas con números en *italicas* pueden no estar disponibles. Los filtros de aceite WIX XP son completamente de media sintética.

Les numéros de pièce en *italiques* peuvent ne pas être disponibles. Les filtres à huile XP Wix contiennent un matériau 100 % synthétique.

JAGUAR 2015-2013
Pass Car/Light Truck

Year/Año/Année Model/Modelo/Modèle Engine/Motor/Moteur	Eng. Code Código de motor Code moteur	VIN NIV NIV	Oil Aceite Huile	Oil XP Aceite XP Huile XP	Air Aire Air	Cabin Air Cabina Aire Cabine Air	Cabin Air XP Cabina Aire XP Cabine Air XP	Loc. Cabin Air Cabina Aire Cabine Air	Fuel Combustible Carburant	Loc. Fuel Combustible Carburant	Transmission Transmisión Transmission
--	---	-------------------	------------------------	---------------------------------	--------------------	--	---	--	----------------------------------	--	---

JAGUAR (Cont'd/Suite)
2015 (Cont'd/Suite)
XF (Cont'd/Suite)

V8 5.0L 5000cc Super Charged		P	57279		42261	49525		1	33595		N/S
------------------------------	--	---	-------	--	-------	-------	--	---	-------	--	-----

XFR

V8 5.0L 5000cc Super Charged		C	57279		42261	49525		1	33595		N/S
------------------------------	--	---	-------	--	-------	-------	--	---	-------	--	-----

XFR-S

V8 5.0L 5000cc Super Charged		Z	57279		42261	49525		1	33595		N/S
------------------------------	--	---	-------	--	-------	-------	--	---	-------	--	-----

XJ

V6 3.0L 2995cc 183 CID Super Charged		Z	57279		42261	49525		1	33595		N/S
--------------------------------------	--	---	-------	--	-------	-------	--	---	-------	--	-----

V8 5.0L 5000cc Super Charged		T	57279		42261	49525		1	33595		N/S
------------------------------	--	---	-------	--	-------	-------	--	---	-------	--	-----

XJR

V8 5.0L 5000cc Super Charged		K	57279		42261	49525			N/S		N/S
------------------------------	--	---	-------	--	-------	-------	--	--	-----	--	-----

XK

V8 5.0L 5000cc		B	57279		49033	49381		1	N/A		N/S
----------------	--	---	-------	--	-------	-------	--	---	-----	--	-----

XKR

V8 5.0L 5000cc Super Charged		C	57279		49033	49381		1	N/A		N/S
------------------------------	--	---	-------	--	-------	-------	--	---	-----	--	-----

XKR-S

V8 5.0L 5000cc Super Charged		A	57279		49033	49381		1	N/A		N/S
------------------------------	--	---	-------	--	-------	-------	--	---	-----	--	-----

2014
F-TYPE

V6 3.0L 2995cc 183 CID Super Charged		7	57279		WA10894 - Left WA10895 - Right	49381			N/S		N/S
--------------------------------------	--	---	-------	--	-----------------------------------	-------	--	--	-----	--	-----

		C	57279		WA10894 - Left WA10895 - Right	49381			N/S		N/S
--	--	---	-------	--	-----------------------------------	-------	--	--	-----	--	-----

V8 5.0L 5000cc Super Charged		L	57279		WA10894 - Left WA10895 - Right	49381			N/S		N/S
------------------------------	--	---	-------	--	-----------------------------------	-------	--	--	-----	--	-----

XF

L4 2.0L 1999cc 122 CID Turbo		S	51348 ⁵³	51348XP	42261	49525		1	N/S		N/S
------------------------------	--	---	---------------------	---------	-------	-------	--	---	-----	--	-----

V6 3.0L 2995cc 183 CID Super Charged		F	57279		42261	49525		1	N/S		N/S
--------------------------------------	--	---	-------	--	-------	-------	--	---	-----	--	-----

		X	57279		42261	49525		1	N/S		N/S
--	--	---	-------	--	-------	-------	--	---	-----	--	-----

V8 5.0L 5000cc Super Charged		P	57279		42261	49525		1	33595		N/S
------------------------------	--	---	-------	--	-------	-------	--	---	-------	--	-----

XFR

V8 5.0L 5000cc Super Charged		C	57279		42261	49525		1	33595		N/S
------------------------------	--	---	-------	--	-------	-------	--	---	-------	--	-----

XFR-S

V8 5.0L 5000cc Super Charged		Z	57279		42261	49525		1	33595		N/S
------------------------------	--	---	-------	--	-------	-------	--	---	-------	--	-----

XJ

V6 3.0L 2995cc 183 CID Super Charged		D	57279		42261	49525		1	33595		N/S
--------------------------------------	--	---	-------	--	-------	-------	--	---	-------	--	-----

V8 5.0L 5000cc Super Charged		T	57279		42261	49525		1	33595		N/S
------------------------------	--	---	-------	--	-------	-------	--	---	-------	--	-----

XJR

V8 5.0L 5000cc Super Charged		K	57279		42261	49525			N/S		N/S
------------------------------	--	---	-------	--	-------	-------	--	--	-----	--	-----

XK

V8 5.0L 5000cc		B	57279		49033	49381		1	N/A		N/S
----------------	--	---	-------	--	-------	-------	--	---	-----	--	-----

XKR

V8 5.0L 5000cc Super Charged		C	57279		49033	49381		1	N/A		N/S
------------------------------	--	---	-------	--	-------	-------	--	---	-----	--	-----

XKR-S

V8 5.0L 5000cc Super Charged		A	57279		49033	49381		1	N/A		N/S
------------------------------	--	---	-------	--	-------	-------	--	---	-----	--	-----

2013
XF

L4 2.0L 1999cc 122 CID Turbo		S	51348 ⁵³	51348XP	42261	49525		1	N/S		N/S
------------------------------	--	---	---------------------	---------	-------	-------	--	---	-----	--	-----

V6 3.0L 2995cc 183 CID Super Charged			57279		42261	49525		1	33595		N/S
--------------------------------------	--	--	-------	--	-------	-------	--	---	-------	--	-----

V8 5.0L 5000cc Super Charged		C	57279		42261	49525		1	N/S		N/S
------------------------------	--	---	-------	--	-------	-------	--	---	-----	--	-----

N/A = Not Available N/R = Not Required N/S = Not Serviceable For cabin and fuel filter locator, see pages 5-15 See pages 16-19 for footnotes

N/A = Non disponible N/R = Non nécessaire N/S = Non réparable Para la ubicación de los filtros de aire de la cabina y de combustible, ver las páginas 5-15 Voir pages 16-19 pour des notes

N/A = No disponible N/R = No requiere N/S = No servible Voir les tableaux de repérage des filtres d'habitacle et à carburant aux pages 5-15 Ver las páginas 16-19 para las notas al pie de página

Italicized Part Numbers May Not Be Available. Wix XP Oil Filters Have Fully Synthetic Media.

Las piezas con números en *italicas* pueden no estar disponibles. Los filtros de aceite WIX XP son completamente de media sintética. Les numéros de pièce en *italiques* peuvent ne pas être disponibles. Les filtres à huile XP Wix contiennent un matériau 100 % synthétique.

Year/Año/Année Model/Modelo/Modèle Engine/Motor/Moteur	Eng. Code Código de motor Code moteur	VIN NIV NIV	Oil Aceite Huile	Oil XP Aceite XP Huile XP	Air Aire Air	Cabin Air Cabina Aire Cabine Air	Cabin Air XP Cabina Aire XP Cabine Air XP	Loc. Cabin Air Cabina Aire Cabine Air	Fuel Combustible Carburant	Loc. Fuel Combustible Carburant	Transmission Transmisión Transmission
--	---	-------------------	------------------------	---------------------------------	--------------------	--	---	--	----------------------------------	--	---

JAGUAR (Cont'd/Suite)

2013 (Cont'd/Suite)

XFR

V8 5.0L 5000cc Super Charged		C	57279		42261	49525		1	N/S		N/S
------------------------------	--	---	-------	--	-------	-------	--	---	-----	--	-----

XFR-S

V8 5.0L 5000cc Super Charged		A	57279		42261	49525		1	33595		N/S
------------------------------	--	---	-------	--	-------	-------	--	---	-------	--	-----

XJ

V6 3.0L 2995cc 183 CID Super Charged			57279		42261	49525		1	33595		N/S
V8 5.0L 5000cc Super Charged		B	57279		42261	49525		1	N/S		N/S
		C	57279		42261	49525		1	N/S		N/S

XK

V8 5.0L 5000cc		B	57279		49033	49381		1	N/S		N/S
----------------	--	---	-------	--	-------	-------	--	---	-----	--	-----

XKR

V8 5.0L 5000cc Super Charged		C	57279		49033	49381		1	N/S		N/S
------------------------------	--	---	-------	--	-------	-------	--	---	-----	--	-----

XKR-S

V8 5.0L 5000cc Super Charged		C	57279		49033	49381		1	N/S		N/S
------------------------------	--	---	-------	--	-------	-------	--	---	-----	--	-----

2012

XF

V8 5.0L 5000cc		B	57279		42261	49525		1	N/S		N/S
V8 5.0L 5000cc Super Charged		C	57279		42261	49525		1	N/S		N/S

XFR

V8 5.0L 5000cc Super Charged		C	57279		42261	49525		1	N/S		N/S
------------------------------	--	---	-------	--	-------	-------	--	---	-----	--	-----

XJ

V8 5.0L 5000cc		B	57279		42261	49525		1	N/S		N/S
V8 5.0L 5000cc Super Charged		C	57279		42261	49525		1	N/S		N/S

XK

V8 5.0L 5000cc		B	57279		49033	49381		1	N/S		N/S
----------------	--	---	-------	--	-------	-------	--	---	-----	--	-----

XKR

V8 5.0L 5000cc Super Charged		C	57279		49033	49381		1	N/S		N/S
------------------------------	--	---	-------	--	-------	-------	--	---	-----	--	-----

XKR-S

V8 5.0L 5000cc Super Charged		C	57279		49033	49381		1	N/S		N/S
------------------------------	--	---	-------	--	-------	-------	--	---	-----	--	-----

2011

XF

V8 4.2L 4196cc (Mex.)			51228		42261				N/R		
V8 5.0L 5000cc		B	57279		42261	49525		1	N/S		N/S
V8 5.0L 5000cc Super Charged		C	57279		42261	49525		1	N/S		N/S

XFR

V8 5.0L 5000cc Super Charged		C	57279		42261	49525		1	N/S		N/S
------------------------------	--	---	-------	--	-------	-------	--	---	-----	--	-----

XJ

V8 5.0L 5000cc		B	57279		42261	49525		1	N/S		N/S
V8 5.0L 5000cc Super Charged		C	57279		42261	49525		1	N/S		N/S

XJL

V8 5.0L 5000cc		B	57279		42261	49525		1	N/S		N/S
V8 5.0L 5000cc Super Charged		C	57279		42261	49525		1	N/S		N/S

XK

V8 5.0L 5000cc		B	57279		49033	49381		1	N/S		N/S
----------------	--	---	-------	--	-------	-------	--	---	-----	--	-----

XKR

V8 5.0L 5000cc Super Charged		C	57279		49033	49381		1	N/S		N/S
------------------------------	--	---	-------	--	-------	-------	--	---	-----	--	-----

2010

XF

V8 4.2L 4196cc		B	57302		42261	49525		1	33595		N/S
V8 5.0L 5000cc		B	57279		42261	49525		1	N/S		N/S
V8 5.0L 5000cc Super Charged		C	57279		42261	49525		1	N/S		N/S

N/A = Not Available N/R = Not Required N/S = Not Serviceable For cabin and fuel filter locator, see pages 5-15 See pages 16-19 for footnotes
 N/A = Non disponible N/R = Non nécessaire N/S = Non réparable Para la ubicación de los filtros de aire de la cabina y de combustible, ver las páginas 5-15 Voir pages 16-19 pour des notes
 N/A = No disponible N/R = No requiere N/S = No servible Voir les tableaux de repérage des filtres d'habitacle et à carburant aux pages 5-15 Ver las páginas 16-19 para las notas al pie de página

Italicized Part Numbers May Not Be Available. Wix XP Oil Filters Have Fully Synthetic Media.
 Las piezas con números en *italicas* pueden no estar disponibles. Los filtros de aceite WIX XP son completamente de media sintética.
 Les numéros de pièce en *italiques* peuvent ne pas être disponibles. Les filtres à huile XP Wix contiennent un matériau 100 % synthétique.

JAGUAR 2010-2007
Pass Car/Light Truck

Year/Año/Année Model/Modelo/Modèle Engine/Motor/Moteur	Eng. Code Código de motor Code moteur	VIN NIV NIV	Oil Aceite Huile	Oil XP Aceite XP Huile XP	Air Aire Air	Cabin Air Cabina Aire Cabine Air	Cabin Air XP Cabina Aire XP Cabine Air XP	Loc. Cabin Air Cabina Aire Cabine Air	Fuel Combustible Carburant	Loc. Fuel Combustible Carburant	Transmission Transmisión Transmission
--	---	-------------------	------------------------	---------------------------------	--------------------	--	---	--	----------------------------------	--	---

JAGUAR (Cont'd/Suite)
2010 (Cont'd/Suite)
XFR

V8 5.0L 5000cc Super Charged		C	57279		42261	49525		1	N/S		N/S
------------------------------	--	---	-------	--	-------	-------	--	---	-----	--	-----

XJ

V8 5.0L 5000cc		B	57279		42261	49525		1	N/S		N/S
V8 5.0L 5000cc Super Charged		C	57279		42261	49525		1	N/S		N/S

XJL

V8 5.0L 5000cc		B	57279		42261	49525		1	N/S		N/S
V8 5.0L 5000cc Super Charged		C	57279		42261	49525		1	N/S		N/S

XK

V8 5.0L 5000cc		B	57279		49033	49381		1	N/S		N/S
----------------	--	---	-------	--	-------	-------	--	---	-----	--	-----

XKR

V8 5.0L 5000cc Super Charged		C	57279		49033	49381		1	N/S		N/S
------------------------------	--	---	-------	--	-------	-------	--	---	-----	--	-----

2009
SUPER V8

V8 4.2L 4196cc Super Charged		C	57302		42261	49379		1	33481		N/S
------------------------------	--	---	-------	--	-------	-------	--	---	-------	--	-----

VANDENPLAS

V8 4.2L 4196cc		B	57302		42261	49379		1	33481		N/A
----------------	--	---	-------	--	-------	-------	--	---	-------	--	-----

XF

V8 4.2L 4196cc		B	57302		42261	49525		1	33595		N/S
V8 4.2L 4196cc Super Charged		C	57302		42261	49525		1	33595		N/S

XJ8

V8 4.2L 4196cc		B	57302		42261	49379		1	33481		N/A
----------------	--	---	-------	--	-------	-------	--	---	-------	--	-----

XJR

V8 4.2L 4196cc Super Charged		C	57302		42261	49379		1	33481		N/A
------------------------------	--	---	-------	--	-------	-------	--	---	-------	--	-----

XK

V8 4.2L 4196cc		B	57302		49500	49381		1	N/A		N/A
----------------	--	---	-------	--	-------	-------	--	---	-----	--	-----

XKR

V8 4.2L 4196cc Super Charged		C	57302		49500	49381		1	N/A		N/A
------------------------------	--	---	-------	--	-------	-------	--	---	-----	--	-----

2008
S-TYPE

V6 3.0L 183 CID		A	57301		42261	24757		1	33595		N/A
V8 4.2L 4196cc		B	57302		42261	24757		1	33595		N/A

S-TYPE R

V8 4.2L 4196cc Super Charged		C	57302		42261	24757		1	33595		N/A
------------------------------	--	---	-------	--	-------	-------	--	---	-------	--	-----

SUPER V8

V8 4.2L 4196cc Super Charged		C	57302		42261	49379		1	33481		N/S
------------------------------	--	---	-------	--	-------	-------	--	---	-------	--	-----

VANDENPLAS

V8 4.2L 4196cc		B	57302		42261	49379		1	33481		N/A
----------------	--	---	-------	--	-------	-------	--	---	-------	--	-----

XJ8

V8 4.2L 4196cc		B	57302		42261	49379		1	33481		N/A
----------------	--	---	-------	--	-------	-------	--	---	-------	--	-----

XJR

V8 4.2L 4196cc Super Charged		C	57302		42261	49379		1	33481		N/A
------------------------------	--	---	-------	--	-------	-------	--	---	-------	--	-----

XK

V8 4.2L 4196cc		B	57302		49500	49381		1	N/A		N/A
----------------	--	---	-------	--	-------	-------	--	---	-----	--	-----

XKR

V8 4.2L 4196cc Super Charged		C	57302		49500	49381		1	N/A		N/A
------------------------------	--	---	-------	--	-------	-------	--	---	-----	--	-----

X-TYPE

V6 3.0L 2967cc		X,V	57301		42625	WP9162 ⁶¹			33078		58117
----------------	--	-----	-------	--	-------	----------------------	--	--	-------	--	-------

2007
S-TYPE

V6 3.0L 183 CID		A	57301		42261	24757		1	N/S		N/A
V8 4.2L 4196cc		B	57302		42261	24757		1	33595		N/A

N/A = Not Available N/R = Not Required N/S = Not Serviceable For cabin and fuel filter locator, see pages 5-15 See pages 16-19 for footnotes

N/A = Non disponible N/R = Non nécessaire N/S = Non réparable Para la ubicación de los filtros de aire de la cabina y de combustible, ver las páginas 5-15 Voir pages 16-19 pour des notes

N/A = No disponible N/R = No requiere N/S = No servible Voir les tableaux de repérage des filtres d'habitacle et à carburant aux pages 5-15 Ver las páginas 16-19 para las notas al pie de página

Italicized Part Numbers May Not Be Available. Wix XP Oil Filters Have Fully Synthetic Media.

Las piezas con números en *italicas* pueden no estar disponibles. Los filtros de aceite WIX XP son completamente de media sintética. Les numéros de pièce en *italiques* peuvent ne pas être disponibles. Les filtres à huile XP Wix contiennent un matériau 100 % synthétique.

Year/Año/Année Model/Modelo/Modèle Engine/Motor/Moteur	Eng. Code Código de motor Code moteur	VIN NIV NIV	Oil Aceite Huile	Oil XP Aceite XP Huile XP	Air Aire Air	Cabin Air Cabina Aire Cabine Air	Cabin Air XP Cabina Aire XP Cabine Air XP	Loc. Cabin Air Cabina Aire Cabine Air	Fuel Combustible Carburant	Loc. Fuel Combustible Carburant	Transmission Transmisión Transmission
--	---	-------------------	------------------------	---------------------------------	--------------------	--	---	--	----------------------------------	--	---

JAGUAR (Cont'd/Suite)
2007 (Cont'd/Suite)
S-TYPE R

V8 4.2L 4196cc Super Charged		C	57302		42261	24757		1	33595		N/A
------------------------------	--	---	-------	--	-------	-------	--	---	-------	--	-----

SUPER V8

V8 4.2L 4196cc Super Charged		C	57302		42261	49379		1	33595		N/S
------------------------------	--	---	-------	--	-------	-------	--	---	-------	--	-----

VANDENPLAS

V8 4.2L 4196cc		B	57302		42261	49379		1	33481		N/A
----------------	--	---	-------	--	-------	-------	--	---	-------	--	-----

XJ8

V8 4.2L 4196cc		B	57302		42261	49379		1	33481		N/A
----------------	--	---	-------	--	-------	-------	--	---	-------	--	-----

XJR

V8 4.2L 4196cc Super Charged		C	57302		42261	49379		1	33481		N/A
------------------------------	--	---	-------	--	-------	-------	--	---	-------	--	-----

XK

V8 4.2L 4196cc		B	57302		49500	49381		1	N/A		N/A
----------------	--	---	-------	--	-------	-------	--	---	-----	--	-----

XKR

V8 4.2L 4196cc Super Charged		C	57302		49500	49381		1	N/A		N/A
------------------------------	--	---	-------	--	-------	-------	--	---	-----	--	-----

X-TYPE

V6 3.0L 2967cc		X,V	57301		42625	WP9162 ⁶¹			33078		58117
----------------	--	-----	-------	--	-------	----------------------	--	--	-------	--	-------

2006
S-TYPE

V6 3.0L 183 CID		A	57301		42261	24757		1	33595		N/A
V8 4.2L 4196cc		B	57302		42261	24757		1	33595		N/A

S-TYPE R

V8 4.2L 4196cc Super Charged		C	57302		42261	24757		1	33595		N/A
------------------------------	--	---	-------	--	-------	-------	--	---	-------	--	-----

SUPER V8

V8 4.2L 4196cc Super Charged		C	57302		42261	49379		1	33595		N/S
------------------------------	--	---	-------	--	-------	-------	--	---	-------	--	-----

VANDENPLAS

V8 4.2L 4196cc		B	57302		42261	49379		1	33481		N/A
----------------	--	---	-------	--	-------	-------	--	---	-------	--	-----

XJ8

V8 4.2L 4196cc		B	57302		42261	49379		1	33481		N/A
----------------	--	---	-------	--	-------	-------	--	---	-------	--	-----

XJR

V8 4.2L 4196cc Super Charged		C	57302		42261	49379		1	33481		N/A
------------------------------	--	---	-------	--	-------	-------	--	---	-------	--	-----

XK8

V8 4.2L 4196cc		X,V	57302		42461	N/A			33481		N/A
----------------	--	-----	-------	--	-------	-----	--	--	-------	--	-----

XKR

V8 4.2L 4196cc Super Charged		B	57302		42461	N/R			33481		N/A
------------------------------	--	---	-------	--	-------	-----	--	--	-------	--	-----

X-TYPE

V6 3.0L 2967cc		X,V	57301		42625	WP9162 ⁶¹			33078		58117
----------------	--	-----	-------	--	-------	----------------------	--	--	-------	--	-------

2005
S-TYPE

V6 3.0L 183 CID		T	51214		42261	24757		1	33595		N/A
V8 4.2L 4196cc		U	51228		42261	24757		1	33595		N/A

S-TYPE R

V8 4.2L 4196cc Super Charged		V	51228		42261	24757		1	33595		N/A
------------------------------	--	---	-------	--	-------	-------	--	---	-------	--	-----

SUPER V8

V8 4.2L 4196cc Super Charged		C	57302		42261	49379		1	33595		N/S
------------------------------	--	---	-------	--	-------	-------	--	---	-------	--	-----

VANDENPLAS

V8 4.2L 4196cc		C	51228		42261	24757		1	33481		58109
----------------	--	---	-------	--	-------	-------	--	---	-------	--	-------

XJ8

V8 4.2L 4196cc			51228		42261	49379		1	33481		58109
----------------	--	--	-------	--	-------	-------	--	---	-------	--	-------

XJR

V8 4.2L 4196cc Super Charged		B	51228		42261	49379		1	33481		N/A
------------------------------	--	---	-------	--	-------	-------	--	---	-------	--	-----

XK8

V8 4.2L 4196cc		X,V	51228		42461	N/A ⁷⁹ N/A ⁷⁸			33481		N/A
----------------	--	-----	-------	--	-------	--	--	--	-------	--	-----

N/A = Not Available N/R = Not Required N/S = Not Serviceable For cabin and fuel filter locator, see pages 5-15 See pages 16-19 for footnotes

N/A = Non disponible N/R = Non nécessaire N/S = Non réparable Para la ubicación de los filtros de aire de la cabina y de combustible, ver las páginas 5-15 Voir pages 16-19 pour des notes

N/A = No disponible N/R = No requiere N/S = No servible Voir les tableaux de repérage des filtres d'habitacle et à carburant aux pages 5-15 Ver las páginas 16-19 para las notas al pie de página

Italicized Part Numbers May Not Be Available. Wix XP Oil Filters Have Fully Synthetic Media.

Las piezas con números en *italicas* pueden no estar disponibles. Los filtros de aceite WIX XP son completamente de media sintética.

Les numéros de pièce en *italiques* peuvent ne pas être disponibles. Les filtres à huile Wix contiennent un matériau 100 % synthétique.

JAGUAR 2005-2002
Pass Car/Light Truck

Year/Año/Année Model/Modelo/Modèle Engine/Motor/Moteur	Eng. Code Código de motor Code moteur	VIN NIV NIV	Oil Aceite Huile	Oil XP Aceite XP Huile XP	Air Aire Air	Cabin Air Cabina Aire Cabine Air	Cabin Air XP Cabina Aire XP Cabine Air XP	Loc. Cabin Air Cabina Aire Cabine Air	Fuel Combustible Carburant	Loc. Fuel Combustible Carburant	Transmission Transmisión Transmission
--	---	-------------------	------------------------	---------------------------------	--------------------	--	---	--	----------------------------------	--	---

JAGUAR (Cont'd/Suite)
2005 (Cont'd/Suite)
XKR

V8 4.2L 4196cc Super Charged		B	51228		42461	N/R			33481		N/A
------------------------------	--	---	-------	--	-------	-----	--	--	-------	--	-----

X-TYPE

V6 2.5L 2495cc		D	57301		42625	WP9162 ⁶¹ WP9162 ⁶¹			33078		N/A
V6 3.0L 2967cc		C	57301		42625	WP9162 ⁶¹ WP9162 ⁶¹			33078		N/A

2004
S-TYPE

V6 3.0L 183 CID		T	51214		42261	24757		1	33595		N/A
V8 4.2L 4196cc		U	51228		42261	24757		1	33595		N/A

S-TYPE R

V8 4.2L 4196cc Super Charged		V	51228		42261	24757		1	33595		N/A
------------------------------	--	---	-------	--	-------	-------	--	---	-------	--	-----

VANDENPLAS

V8 4.2L 4196cc		C	51228		42261	49379		1	33481		58109
----------------	--	---	-------	--	-------	-------	--	---	-------	--	-------

XJ8

V8 4.2L 4196cc			51228		42261	49379		1	33481		58109
----------------	--	--	-------	--	-------	-------	--	---	-------	--	-------

XJR

V8 4.2L 4196cc Super Charged		B	51228		42261	N/R			33481		N/A
------------------------------	--	---	-------	--	-------	-----	--	--	-------	--	-----

XK8

V8 4.2L 4196cc			51228		42461	N/A ⁷⁹ N/A ⁷⁸			33481		N/A
----------------	--	--	-------	--	-------	--	--	--	-------	--	-----

XKR

V8 4.2L 4196cc Super Charged		B	51228		42461	N/R			33481		N/A
------------------------------	--	---	-------	--	-------	-----	--	--	-------	--	-----

X-TYPE

V6 2.5L 2495cc		D	57301		42625	N/R			33078		58117
V6 3.0L 2967cc		C	57301		42625	N/R			33078		58117

2003
S-TYPE

V6 3.0L 183 CID		T	51214		42261 ¹⁶⁸ 42341 ¹⁶⁷	24757		1	33595		N/A
V8 4.2L 4196cc		U,V	51228		42261	24757		1	33595		N/A

S-TYPE R

V8 4.2L 4196cc Super Charged			51228		42261	24757		1	33595		N/A
------------------------------	--	--	-------	--	-------	-------	--	---	-------	--	-----

VANDENPLAS

V8 4.0L 3996cc 244 CID		C	51228		42461	N/R			33481		58109
V8 4.0L 3996cc 244 CID Super Charged		B	51228		42461	N/R			33481		58109

XJ8

V8 4.0L 3996cc	AJV8	C	51228		42461	49379		1	33481		58109
----------------	------	---	-------	--	-------	-------	--	---	-------	--	-------

XJR

V8 4.0L 3996cc 244 CID Super Charged		B	51228		42461	N/R			33481		N/A
--------------------------------------	--	---	-------	--	-------	-----	--	--	-------	--	-----

XK8

V8 4.2L 4196cc		C	51228		42461	N/A			33481		N/A
----------------	--	---	-------	--	-------	-----	--	--	-------	--	-----

XKR

V8 4.2L 4196cc Super Charged		B	51228		42461	N/A			33481		N/A
------------------------------	--	---	-------	--	-------	-----	--	--	-------	--	-----

X-TYPE

V6 2.5L 2495cc		D	57301		42625	WP9162 ⁶¹			33078		58117
V6 3.0L 2967cc		C	57301		42625	WP9162 ⁶¹			33078		58117

2002
S-TYPE

V6 3.0L 183 CID		F	51214		42261 ¹⁶⁸ 42341 ¹⁶⁷	24884 ¹⁶⁷ 24757 ¹⁶⁸		1	33595		N/A
-----------------	--	---	-------	--	--	--	--	---	-------	--	-----

N/A = Not Available N/R = Not Required N/S = Not Serviceable For cabin and fuel filter locator, see pages 5-15 See pages 16-19 for footnotes

N/A = Non disponible N/R = Non nécessaire N/S = Non réparable Para la ubicación de los filtros de aire de la cabina y de combustible, ver las páginas 5-15 Voir pages 16-19 pour des notes

N/A = No disponible N/R = No requiere N/S = No servible Voir les tableaux de repérage des filtres d'habitacle et à carburant aux pages 5-15 Ver las páginas 16-19 para las notas al pie de página

Italicized Part Numbers May Not Be Available. Wix XP Oil Filters Have Fully Synthetic Media.

Las piezas con números en *italicas* pueden no estar disponibles. Los filtros de aceite WIX XP son completamente de media sintética. Les numéros de pièce en *italiques* peuvent ne pas être disponibles. Les filtres à huile XP Wix contiennent un matériau 100 % synthétique.

Year/Año/Année Model/Modelo/Modèle Engine/Motor/Moteur	Eng. Code Código de motor Code moteur	VIN NIV NIV	Oil Aceite Huile	Oil XP Aceite XP Huile XP	Air Aire Air	Cabin Air Cabina Aire Cabine Air	Cabin Air XP Cabina Aire XP Cabine Air XP	Loc. Cabin Air Cabina Aire Cabine Air	Fuel Combustible Carburant	Loc. Fuel Combustible Carburant	Transmission Transmisión Transmission
--	---	-------------------	------------------------	---------------------------------	--------------------	--	---	--	----------------------------------	--	---

JAGUAR (Cont'd/Suite)

2002 (Cont'd/Suite)

S-TYPE (Cont'd/Suite)

V8 4.0L 3996cc	AJV8	G	51228		42341	24884 ¹⁶⁷ 24757 ¹⁶⁸		1	33595		N/A
----------------	------	---	-------	--	-------	--	--	---	-------	--	-----

VANDENPLAS

V8 4.0L 3996cc	AJV8	C	51228		42461	N/R			33481		N/A
V8 4.0L 3996cc 244 CID Super Charged		B	51228		42461	N/R			33481		N/A

XJ8

V8 4.0L 3996cc	AJV8	C	51228		42461	49379		1	33481		N/A
----------------	------	---	-------	--	-------	-------	--	---	-------	--	-----

XJR

V8 4.0L 3996cc 244 CID Super Charged		B	51228		42461	N/R			33481		N/A
--------------------------------------	--	---	-------	--	-------	-----	--	--	-------	--	-----

XK8

V8 4.0L 3996cc	AJV8	C	51228		42461	N/R			33481		N/A
----------------	------	---	-------	--	-------	-----	--	--	-------	--	-----

XKR

V8 4.0L 3996cc 244 CID Super Charged		B	51228		42461	N/R			33481		N/A
--------------------------------------	--	---	-------	--	-------	-----	--	--	-------	--	-----

X-TYPE

V6 2.5L 2495cc		D	57301		42625	WP9162 ⁶¹			33078		58117
V6 3.0L 2967cc		C	57301		42625	WP9162 ⁶¹			33078		58117

JEEP

2021

CHEROKEE

L4 2.0L 2000CC 122CID Turbo			57060 ⁵³	57060XP	WA11042	WP10448			N/S		N/S
L4 2.4L 2360cc 144 CID	ED6		57060 ⁵³	57060XP	WA10937	WP10448		3	N/S		N/A
V6 3.2L 3239cc 198 CID	EHB		WL10010	WL10010XP	WA10937	WP10448		3	N/S		N/S

COMPASS

L4 2.4L 2360cc 144 CID	ED3	B	57060 ⁵³	57060XP	WA10337	WP10106		3	N/S		N/A
------------------------	-----	---	---------------------	---------	---------	---------	--	---	-----	--	-----

GLADIATOR

V6 3.0L 3000CC 183CID Turbo Diesel			N/A		N/A	WP10371			N/S		N/S
V6 3.6L 3604cc 220 CID Flex	ERB		WL10010	WL10010XP	WA10841	WP10371			N/S		N/A

GRAND CHEROKEE

V6 3.6L 3604cc 220 CID Flex	ERB		WL10010	WL10010XP	49756 ¹⁵⁵ 49756FR ¹⁶⁰	24017	24017XP	2	N/S		N/A
V8 5.7L 345 CID	EZH		57060 ⁵³	57060XP	49756 ¹⁵⁵ 49756FR ¹⁶⁰	24017	24017XP		N/S		N/S
V8 6.4L 6424cc 392 CID	ESG		57899 ⁵³	57899XP	49756 ¹⁵⁵ 49756FR ¹⁶⁰	24017	24017XP		N/S		N/S

GRAND CHEROKEE TRACKHAWK

V8 6.2L 6200CC 378CID Super Charged	ESD		57899 ⁵³	57899XP	N/A	24017	24017XP		N/S		N/S
-------------------------------------	-----	--	---------------------	---------	-----	-------	---------	--	-----	--	-----

RENEGADE

L4 1.3L 1300CC 79CID Turbo			N/A		N/A	WP10106			N/S		N/S
L4 2.4L 2360cc 144 CID			57060 ⁵³	57060XP	WA10337	WP10106			N/S		N/S

WRANGLER JL

L4 2.0L 2000CC 122CID Turbo			57060	57060XP	WA10841	WP10371			N/S		N/S
V6 3.0L 3000CC 183CID Turbo Diesel	A630		N/A	57060XP	WA10841	WP10371			N/S		N/S
V6 3.6L 3600CC 220CID			WL10010	WL10010XP	WA10841	WP10371		2	N/S		58845 - W5A580

2020

CHEROKEE

L4 2.0L 2000CC 122CID Turbo			57060 ⁵³	57060XP	WA11042	WP10448			N/S		N/S
L4 2.4L 2360cc 144 CID	ED6		57060 ⁵³	57060XP	WA10937	WP10448		3	N/S		N/A

N/A = Not Available N/R = Not Required N/S = Not Serviceable For cabin and fuel filter locator, see pages 5-15 See pages 16-19 for footnotes

N/A = Non disponible N/R = Non nécessaire N/S = Non réparable Para la ubicación de los filtros de aire de la cabina y de combustible, ver las páginas 5-15 Voir pages 16-19 pour des notes

N/A = No disponible N/R = No requiere N/S = No servible Voir les tableaux de repérage des filtres d'habitacle et à carburant aux pages 5-15 Ver las páginas 16-19 para las notas al pie de página

Italicized Part Numbers May Not Be Available. Wix XP Oil Filters Have Fully Synthetic Media.

Las piezas con números en *italicas* pueden no estar disponibles. Los filtros de aceite WIX XP son completamente de media sintética.

Les numéros de pièce en *italiques* peuvent ne pas être disponibles. Les filtres à huile Wix contiennent un matériau 100 % synthétique.

JEEP 2020-2018
Pass Car/Light Truck

Year/Año/Année Model/Modelo/Modèle Engine/Motor/Moteur	Eng. Code Código de motor Code moteur	VIN NIV NIV	Oil Aceite Huile	Oil XP Aceite XP Huile XP	Air Aire Air	Cabin Air Cabina Aire Cabine Air	Cabin Air XP Cabina Aire XP Cabine Air XP	Loc. Cabin Air Cabina Aire Cabine Air	Fuel Combustible Carburant	Loc. Fuel Combustible Carburant	Transmission Transmisión Transmission
--	--	-------------------	------------------------	---------------------------------	--------------------	--	---	--	----------------------------------	--	---

JEEP (Cont'd/Suite)
2020 (Cont'd/Suite)
CHEROKEE (Cont'd/Suite)

V6 3.2L 3239cc 198 CID	EHB		WL10010	WL10010XP	WA10937	WP10448			3	N/S	N/S
------------------------	-----	--	---------	-----------	---------	---------	--	--	---	-----	-----

COMPASS

L4 2.4L 2360cc 144 CID	ED3	B	57060 ⁵³	57060XP	WA10337	WP10106			3	N/S	N/A
------------------------	-----	---	---------------------	---------	---------	---------	--	--	---	-----	-----

GLADIATOR

V6 3.6L 3604cc 220 CID Flex	ERB		WL10010	WL10010XP	WA10841	WP10371				N/S	N/A
-----------------------------	-----	--	---------	-----------	---------	---------	--	--	--	-----	-----

GRAND CHEROKEE

V6 3.6L 3604cc 220 CID Flex	ERB		WL10010	WL10010XP	49756 ¹⁵⁵ 49756FR ³⁶⁰	24017	24017XP		2	N/S	N/A
-----------------------------	-----	--	---------	-----------	--	-------	---------	--	---	-----	-----

V8 5.7L 345 CID	EZH		57060 ⁵³	57060XP	49756 ¹⁵⁵ 49756FR ³⁶⁰	24017	24017XP			N/S	N/S
-----------------	-----	--	---------------------	---------	--	-------	---------	--	--	-----	-----

V8 6.4L 6424cc 392 CID	ESG		57899 ⁵³	57899XP	49756 ¹⁵⁵ 49756FR ³⁶⁰	24017	24017XP			N/S	N/S
------------------------	-----	--	---------------------	---------	--	-------	---------	--	--	-----	-----

GRAND CHEROKEE TRACKHAWK

V8 6.2L 6200CC 378CID Super Charged	ESD		57899 ⁵³	57899XP	N/A	24017	24017XP			N/S	N/S
-------------------------------------	-----	--	---------------------	---------	-----	-------	---------	--	--	-----	-----

RENEGADE

L4 1.3L 1300CC 79CID Turbo			N/A		N/A	WP10106				N/S	N/S
----------------------------	--	--	-----	--	-----	---------	--	--	--	-----	-----

L4 2.4L 2360cc 144 CID			57060 ⁵³	57060XP	WA10337	WP10106				N/S	N/S
------------------------	--	--	---------------------	---------	---------	---------	--	--	--	-----	-----

WRANGLER JL

L4 2.0L 2000CC 122CID Turbo			57060 57060	57060XP 57060XP	WA10841 WA10841	WP10371 WP10371				N/S N/S	N/S N/S
-----------------------------	--	--	----------------	--------------------	--------------------	--------------------	--	--	--	------------	------------

V6 3.0L 3000CC 183CID Turbo Diesel	A630		N/A		N/A	N/A				N/A	N/S
------------------------------------	------	--	-----	--	-----	-----	--	--	--	-----	-----

V6 3.6L 3600CC 220CID			WL10010	WL10010XP	WA10841	WP10371			2	N/S	58845 - W5A580
-----------------------	--	--	---------	-----------	---------	---------	--	--	---	-----	----------------

2019
CHEROKEE

L4 2.0L 2000CC 122CID Turbo			57060 ⁵³	57060XP	WA11042	WP10448				N/S	N/S
-----------------------------	--	--	---------------------	---------	---------	---------	--	--	--	-----	-----

L4 2.4L 2360cc 144 CID	ED6		57060 ⁵³	57060XP	WA10937	WP10142			3	N/S	N/A
------------------------	-----	--	---------------------	---------	---------	---------	--	--	---	-----	-----

V6 3.2L 3239cc 198 CID	EHB		WL10010	WL10010XP	WA10937	WP10142			3	N/S	N/S
------------------------	-----	--	---------	-----------	---------	---------	--	--	---	-----	-----

COMPASS

L4 2.4L 2360cc 144 CID	ED3	B	57060 ⁵³	57060XP	WA10337	WP10106			3	N/S	N/A
------------------------	-----	---	---------------------	---------	---------	---------	--	--	---	-----	-----

GRAND CHEROKEE

V6 3.0L 2987cc 182 CID Turbo Diesel	EXF		WL10060		WA10318	24017	24017XP			WF10165	N/S
-------------------------------------	-----	--	---------	--	---------	-------	---------	--	--	---------	-----

V6 3.6L 3604cc 220 CID Flex	ERB		WL10010	WL10010XP	49756 ¹⁵⁵ 49756FR ³⁶⁰	24017	24017XP		2	N/S	N/A
-----------------------------	-----	--	---------	-----------	--	-------	---------	--	---	-----	-----

V8 5.7L 345 CID	EZH		57060 ⁵³	57060XP	49756 ¹⁵⁵ 49756FR ³⁶⁰	24017	24017XP			N/S	N/S
-----------------	-----	--	---------------------	---------	--	-------	---------	--	--	-----	-----

V8 6.4L 6424cc 392 CID	ESG		57899 ⁵³	57899XP	49756 ¹⁵⁵ 49756FR ³⁶⁰	24017	24017XP			N/S	N/S
------------------------	-----	--	---------------------	---------	--	-------	---------	--	--	-----	-----

GRAND CHEROKEE TRACKHAWK

V8 6.2L 6200CC 378CID Super Charged	ESD		57899 ⁵³	57899XP	N/A	24017	24017XP			N/S	N/S
-------------------------------------	-----	--	---------------------	---------	-----	-------	---------	--	--	-----	-----

RENEGADE

L4 1.3L 1300CC 79CID Turbo			N/A		N/A	WP10106				N/S	N/S
----------------------------	--	--	-----	--	-----	---------	--	--	--	-----	-----

L4 2.4L 2360cc 144 CID			57060 ⁵³	57060XP	WA10337	WP10106				N/S	N/S
------------------------	--	--	---------------------	---------	---------	---------	--	--	--	-----	-----

WRANGLER JL

L4 2.0L 2000CC 122CID Turbo			57060 57060	57060XP 57060XP	WA10841 WA10841	WP10371 WP10371				N/S N/S	N/S N/S
-----------------------------	--	--	----------------	--------------------	--------------------	--------------------	--	--	--	------------	------------

V6 3.6L 3600CC 220CID			WL10010	WL10010XP	WA10841	WP10371			2	N/S	58845 - W5A580
-----------------------	--	--	---------	-----------	---------	---------	--	--	---	-----	----------------

2018
CHEROKEE

L4 2.4L 2360cc 144 CID	ED6		57060 ⁵³	57060XP	WA10096	WP10142			3	N/S	N/A
------------------------	-----	--	---------------------	---------	---------	---------	--	--	---	-----	-----

V6 3.2L 3239cc 198 CID	EHB		WL10010	WL10010XP	WA10096	WP10142			3	N/S	N/S
------------------------	-----	--	---------	-----------	---------	---------	--	--	---	-----	-----

N/A = Not Available N/R = Not Required N/S = Not Serviceable For cabin and fuel filter locator, see pages 5-15 See pages 16-19 for footnotes

N/A = Non disponible N/R = Non nécessaire N/S = Non réparable Para la ubicación de los filtros de aire de la cabina y de combustible, ver las páginas 5-15 Voir pages 16-19 pour des notes

N/A = No disponible N/R = No requiere N/S = No servible Voir les tableaux de repérage des filtres d'habitacle et à carburant aux pages 5-15 Ver las páginas 16-19 para las notas al pie de página

Italicized Part Numbers May Not Be Available. Wix XP Oil Filters Have Fully Synthetic Media.

Las piezas con números en *italicas* pueden no estar disponibles. Los filtros de aceite WIX XP son completamente de media sintética. Les numéros de pièce en *italiques* peuvent ne pas être disponibles. Les filtres à huile XP Wix contiennent un matériau 100 % synthétique.

Year/Año/Année Model/Modelo/Modèle Engine/Motor/Moteur	Eng. Code Código de motor Code moteur	VIN NIV	Oil Aceite Huile	Oil XP Aceite XP Huile XP	Air Aire Air	Cabin Air Cabina Aire Cabine Air	Cabin Air XP Cabina Aire XP Cabine Air XP	Loc. Cabin Air Cabina Aire Cabine Air	Fuel Combustible Carburant	Loc. Fuel Combustible Carburant	Transmission Transmisión Transmission
--	---	------------	------------------------	---------------------------------	--------------------	--	---	--	----------------------------------	--	---

JEEP (Cont'd/Suite)

2018 (Cont'd/Suite)

COMPASS

L4 2.4L 2360cc 144 CID	ED3	B	57060 ⁵³	57060XP	WA10337	WP10106		3	N/S		N/A
------------------------	-----	---	---------------------	---------	---------	---------	--	---	-----	--	-----

GRAND CHEROKEE

V6 3.0L 2987cc 182 CID Turbo Diesel	EXF		WL10060		WA10318	24017	24017XP		WF10165		N/S
V6 3.6L 3604cc 220 CID Flex	ERB		WL10010	WL10010XP	49756 ¹⁵⁵ 49756FR ³⁶⁰	24017	24017XP	2	N/S		N/A
V8 5.7L 345 CID	EZH		57060 ⁵³	57060XP	49756 ¹⁵⁵ 49756FR ³⁶⁰	24017	24017XP		N/S		N/S
V8 6.4L 6424cc 392 CID	ESG		57899 ⁵³	57899XP	49756 ¹⁵⁵ 49756FR ³⁶⁰	24017	24017XP		N/S		N/S

GRAND CHEROKEE TRACKHAWK

V8 6.2L 6200CC 378CID Super Charged	ESD		57899 ⁵³	57899XP	N/A	24017	24017XP		N/S		N/S
-------------------------------------	-----	--	---------------------	---------	-----	-------	---------	--	-----	--	-----

RENEGADE

L4 1.4L 1368cc 83 CID Turbo			57341		WA10337	WP10106			N/S		N/S
L4 2.4L 2360cc 144 CID			57060 ⁵³	57060XP	WA10337	WP10106			N/S		N/S

WRANGLER JK

V6 3.6L 3600CC 220CID			WL10010	WL10010XP	49018	24302		2	N/S		58845 - W5A580
-----------------------	--	--	---------	-----------	-------	-------	--	---	-----	--	----------------

WRANGLER JL

L4 2.0L 2000CC 122CID Turbo			57060 57060	57060XP 57060XP	WA10841 WA10841	WP10371 WP10371			N/S N/S		N/S N/S
V6 3.6L 3600CC 220CID			WL10010	WL10010XP	WA10841	WP10371		2	N/S		58845 - W5A580

2017

CHEROKEE

L4 2.4L 2360cc 144 CID	ED6	B	57060 ⁵³	57060XP	WA10096	WP10142		3	N/S		N/A
V6 3.2L 3239cc 198 CID	EHB	S	WL10010	WL10010XP	WA10096	WP10142		3	N/S		N/S

COMPASS

L4 2.0L 1998cc 122 CID	ECN	A	57060 ⁵³	57060XP	49014	24313	24313XP	3	N/S		N/S
L4 2.4L 2360cc 144 CID	ED3	B	57060 ⁵³	57060XP	49014 ⁵²² WA10337 ⁵²¹	24313 ⁵²² WP10106 ⁵²¹	24313XP ⁵²²	3	N/S		N/A

GRAND CHEROKEE

V6 3.0L 2987cc 182 CID Turbo Diesel	EXF	M	WL10060		WA10318	24017	24017XP		WF10165		N/S
V6 3.6L 3604cc 220 CID Flex	ERB		WL10010	WL10010XP	49756 ¹⁵⁵ 49756FR ³⁶⁰	24017	24017XP	2	N/S		N/A
V8 5.7L 345 CID	EZH	T	57060 ⁵³	57060XP	49756 ¹⁵⁵ 49756FR ³⁶⁰	24017	24017XP		N/S		N/S
V8 6.4L 6424cc 392 CID	ESG	J	57899 ⁵³	57899XP	49756 ¹⁵⁵ 49756FR ³⁶⁰	24017	24017XP		N/S		N/S

PATRIOT

L4 2.0L 1998cc 122 CID	ECN	A	57060 ⁵³	57060XP	49014	24313	24313XP	3	N/S		N/S
L4 2.4L 2360cc 144 CID	ED3	B	57060 ⁵³	57060XP	49014	24313	24313XP	3	N/S		N/A

RENEGADE

L4 1.4L 1368cc 83 CID Turbo			57341		WA10337	WP10106			N/S		N/S
L4 2.4L 2360cc 144 CID			57060 ⁵³	57060XP	WA10337	WP10106			N/S		N/S

WRANGLER

V6 3.6L 3600CC 220CID		G	WL10010	WL10010XP	49018	24302		2	N/S		58845 - W5A580
-----------------------	--	---	---------	-----------	-------	-------	--	---	-----	--	----------------

2016

CHEROKEE

L4 2.4L 2360cc 144 CID	ED6	B	57060 ⁵³	57060XP	WA10096	WP10142		3	N/S		N/A
V6 3.2L 3239cc 198 CID	EHB	S	WL10010	WL10010XP	WA10096	WP10142		3	N/S		N/S

COMPASS

L4 2.0L 1998cc 122 CID	ECN	A	57060 ⁵³	57060XP	49014	24313	24313XP	3	N/S		N/S
L4 2.4L 2360cc 144 CID	ED3	B	57060 ⁵³	57060XP	49014	24313	24313XP	3	N/S		N/A

N/A = Not Available N/R = Not Required N/S = Not Serviceable For cabin and fuel filter locator, see pages 5-15 See pages 16-19 for footnotes
 N/A = Non disponible N/R = Non nécessaire N/S = Non réparable Para la ubicación de los filtros de aire de la cabina y de combustible, ver las páginas 5-15 Voir pages 16-19 pour des notes
 N/A = No disponible N/R = No requiere N/S = No servible Voir les tableaux de repérage des filtres d'habitacle et à carburant aux pages 5-15 Ver las páginas 16-19 para las notas al pie de página

Italicized Part Numbers May Not Be Available. Wix XP Oil Filters Have Fully Synthetic Media.
 Las piezas con números en *italicas* pueden no estar disponibles. Los filtros de aceite WIX XP son completamente de media sintética.
 Les numéros de pièce en *italiques* peuvent ne pas être disponibles. Les filtres à huile Wix contiennent un matériau 100 % synthétique.

JEEP 2016-2014
Pass Car/Light Truck

Year/Año/Année Model/Modelo/Modèle Engine/Motor/Moteur	Eng. Code Código de motor Code moteur	VIN NIV NIV	Oil Aceite Huile	Oil XP Aceite XP Huile XP	Air Aire Air	Cabin Air Cabina Aire Cabine Air	Cabin Air XP Cabina Aire XP Cabine Air XP	Loc. Cabin Air Cabina Aire Cabine Air	Fuel Combustible Carburant	Loc. Fuel Combustible Carburant	Transmission Transmisión Transmission
--	---	-------------------	------------------------	---------------------------------	--------------------	--	---	--	----------------------------------	--	---

JEEP (Cont'd/Suite)
2016 (Cont'd/Suite)
GRAND CHEROKEE

V6 3.0L 2987cc 182 CID Turbo Diesel	EXF	M	WL10060		WA10318	24017	24017XP		WF10165		N/S
V6 3.6L 3604cc 220 CID Flex	ERB		WL10010	WL10010XP	49756 ¹⁵⁵ 49756FR ³⁶⁰	24017	24017XP	2	N/S		N/A
V8 5.7L 345 CID	EZH	T	57899 ⁵³	57899XP	49756 ¹⁵⁵ 49756FR ³⁶⁰	24017	24017XP		N/S		N/S
V8 6.4L 6424cc 392 CID	ESG	J	57899 ⁵³	57899XP	49756 ¹⁵⁵ 49756FR ³⁶⁰	24017	24017XP		N/S		N/S

PATRIOT

L4 2.0L 1998cc 122 CID	ECN	A	57060 ⁵³	57060XP	49014	24313	24313XP	3	N/S		N/S
L4 2.4L 2360cc 144 CID	ED3	B	57060 ⁵³	57060XP	49014	24313	24313XP	3	N/S		N/A

RENEGADE

L4 1.4L 1368cc 83 CID Turbo			57341		WA10337	WP10106			N/S		N/S
L4 2.4L 2360cc 144 CID			57060 ⁵³	57060XP	WA10337	WP10106			N/S		N/S

WRANGLER

V6 3.6L 3600CC 220CID		G	WL10010	WL10010XP	49018	24302		2	N/S		58845 - W5A580
-----------------------	--	---	---------	-----------	-------	-------	--	---	-----	--	----------------

2015
CHEROKEE

L4 2.4L 2360cc 144 CID	ED6	B	57060 ⁵³	57060XP	WA10096	WP10142		3	N/S		N/A
V6 3.2L 3239cc 198 CID	EHB	S	WL10010	WL10010XP	WA10096	WP10142		3	N/S		N/A

COMPASS

L4 2.0L 1998cc 122 CID	ECN	A	57060 ⁵³	57060XP	49014	24313	24313XP	3	N/S		WL10390
L4 2.4L 2360cc 144 CID	ED3	B	57060 ⁵³	57060XP	49014	24313	24313XP	3	N/S		WL10390

GRAND CHEROKEE

V6 3.0L 2987cc 182 CID Turbo Diesel	EXF	M	WL10060		WA10318	24017	24017XP		WF10165		N/S
V6 3.6L 3604cc 220 CID Flex	ERB		WL10010	WL10010XP	49756 ¹⁵⁵ 49756FR ³⁶⁰	24017	24017XP	2	N/S		N/A
V8 5.7L 345 CID	EZH	T	57899	57899XP	49756 ¹⁵⁵ 49756FR ³⁶⁰	24017	24017XP		N/S		N/S
V8 6.4L 6424cc 392 CID	ESG	J	57899	57899XP	49756 ¹⁵⁵ 49756FR ³⁶⁰	24017	24017XP		N/S		N/S

PATRIOT

L4 2.0L 1998cc 122 CID	ECN	A	57060 ⁵³	57060XP	49014	24313	24313XP	3	N/S		WL10390
L4 2.4L 2360cc 144 CID	ED3	B	57060 ⁵³	57060XP	49014	24313	24313XP	3	N/S		WL10390

RENEGADE

L4 1.4L 1368cc 83 CID Turbo			57341		WA10337	WP10106			N/S		
L4 2.4L 2360cc 144 CID			57060 ⁵³	57060XP	WA10337	WP10106			N/S		

WRANGLER

V6 3.6L 3600CC 220CID		G	WL10010	WL10010XP	49018	24302		2	N/S		58845 - W5A580
-----------------------	--	---	---------	-----------	-------	-------	--	---	-----	--	----------------

2014
CHEROKEE

L4 2.4L 2360cc 144 CID	ED6	B	57060 ⁵³	57060XP	WA10096	WP10142		3	N/S		N/A
V6 3.2L 3239cc 198 CID	EHB	S	WL10010	WL10010XP	WA10096	WP10142		3	N/S		N/A

COMPASS

L4 2.0L 1998cc 122 CID	ECN	A	57060 ⁵³	57060XP	49014	24313	24313XP	3	N/S		WL10390
L4 2.4L 2360cc 144 CID	ED3	B	57060 ⁵³	57060XP	49014	24313	24313XP	3	N/S		WL10390

GRAND CHEROKEE

V6 3.0L 2987cc 182 CID Turbo Diesel	EXF	M	WL10060		WA10318	24017	24017XP		WF10165		N/S
V6 3.6L 3604cc 220 CID Flex	ERB		WL10010	WL10010XP	49756 ¹⁵⁵ 49756FR ³⁶⁰	24017	24017XP	2	N/S		N/A
V8 5.7L 345 CID	EZH	T	57899	57899XP	49756 ¹⁵⁵ 49756FR ³⁶⁰	24017	24017XP		N/S		N/S

N/A = Not Available N/R = Not Required N/S = Not Serviceable For cabin and fuel filter locator, see pages 5-15 See pages 16-19 for footnotes

N/A = Non disponible N/R = Non nécessaire N/S = Non réparable Para la ubicación de los filtros de aire de la cabina y de combustible, ver las páginas 5-15 Voir pages 16-19 pour des notes

N/A = No disponible N/R = No requiere N/S = No servible Voir les tableaux de repérage des filtres d'habitacle et à carburant aux pages 5-15 Ver las páginas 16-19 para las notas al pie de página

Italicized Part Numbers May Not Be Available. Wix XP Oil Filters Have Fully Synthetic Media.

Las piezas con números en *italicas* pueden no estar disponibles. Los filtros de aceite WIX XP son completamente de media sintética. Les numéros de pièce en *italiques* peuvent ne pas être disponibles. Les filtres à huile XP Wix contiennent un matériau 100 % synthétique.

Year/Año/Année Model/Modelo/Modèle Engine/Motor/Moteur	Eng. Code Código de motor Code moteur	VIN NIV NIV	Oil Aceite Huile	Oil XP Aceite XP Huile XP	Air Aire Air	Cabin Air Cabina Aire Cabine Air	Cabin Air XP Cabina Aire XP Cabine Air XP	Loc. Cabin Air Cabina Aire Cabine Air	Fuel Combustible Carburant	Loc. Fuel Combustible Carburant	Transmission Transmisión Transmission
--	---	-------------------	------------------------	---------------------------------	--------------------	--	---	--	----------------------------------	--	---

JEEP (Cont'd/Suite)

2014 (Cont'd/Suite)

GRAND CHEROKEE (Cont'd/Suite)

V8 6.4L 6424cc 392 CID	ESG	J	57899	57899XP	49756 ¹⁵⁵ 49756FR ³⁶⁰	24017	24017XP		N/S		N/S
------------------------	-----	---	-------	---------	--	-------	---------	--	-----	--	-----

PATRIOT

L4 2.0L 1998cc 122 CID	ECN	A	57060 ⁵³	57060XP	49014	24313	24313XP	3	N/S		WL10390
L4 2.4L 2360cc 144 CID	ED3	B	57060 ⁵³	57060XP	49014	24313	24313XP	3	N/S		WL10390

WRANGLER

V6 3.6L 3600CC 220CID		G	WL10010	WL10010XP	49018	24302		2	N/S		58845 - W5A580
-----------------------	--	---	---------	-----------	-------	-------	--	---	-----	--	----------------

2013

COMPASS

L4 2.0L 1998cc 122 CID	ECN	A	57060 ⁵³	57060XP	49014	24313	24313XP	3	N/S		WL10390
L4 2.4L 2360cc 144 CID	ED3	B	57060 ⁵³	57060XP	49014	24313	24313XP	3	N/S		WL10390

GRAND CHEROKEE

V6 3.6L 3604cc 220 CID Flex	ERB	G	57526	57526XP	49756 ¹⁵⁵ 49756FR ³⁶⁰	24017	24017XP	2	N/S		58845 - W5A580
V8 5.7L 345 CID	EZH	T	57899	57899XP	49756 ¹⁵⁵ 49756FR ³⁶⁰	24017	24017XP	2	N/S		58845 - W5A580
V8 6.4L 6424cc 392 CID	ESG	J	57899	57899XP	49756 ¹⁵⁵ 49756FR ³⁶⁰	24017	24017XP	2	N/S		58845 - W5A580

LIBERTY

V6 3.7L 226 CID (Mex.)	EKG	K	51516 ⁵³	51516XP	49933	49093		1	N/S		58013
------------------------	-----	---	---------------------	---------	-------	-------	--	---	-----	--	-------

PATRIOT

L4 2.0L 1998cc 122 CID	ECN	A	57060 ⁵³	57060XP	49014	24313	24313XP	3	N/S		WL10390
L4 2.4L 2360cc 144 CID	ED3	B	57060 ⁵³	57060XP	49014	24313	24313XP	3	N/S		WL10390

WRANGLER

V6 3.6L 3600CC 220CID		G	57526	57526XP	49018	24302		2	N/S		58845 - W5A580
-----------------------	--	---	-------	---------	-------	-------	--	---	-----	--	----------------

2012

COMPASS

L4 2.0L 1998cc 122 CID	ECN	A	57060 ⁵³	57060XP	49014	24313	24313XP	3	N/S		WL10390
L4 2.4L 2360cc 144 CID	ED3	B	57060 ⁵³	57060XP	49014	24313	24313XP	3	N/S		WL10390

GRAND CHEROKEE

V6 3.6L 3604cc 220 CID Flex	ERB	G	57526	57526XP	49756 ¹⁵⁵ 49756FR ³⁶⁰	24017	24017XP	2	N/S		58843 - 545RFE/68RFE-DP 58846 - 545RFE/68RFE-SP 58845 - W5A580
V8 5.7L 345 CID	EZH	T	57899	57899XP	49756 ¹⁵⁵ 49756FR ³⁶⁰	24017	24017XP	2	N/S		58846 - 545RFE/68RFE-SP 58843 - 545RFE/68RFE-DP
V8 6.4L 6424cc 392 CID	ESG	J	57899	57899XP	49756 ¹⁵⁵ 49756FR ³⁶⁰	24017	24017XP	2	N/S		58845 - W5A580

LIBERTY

V6 3.7L 226 CID	EKG	K	57045	57045XP	49933	49093		1	N/S		58013
-----------------	-----	---	-------	---------	-------	-------	--	---	-----	--	-------

PATRIOT

L4 2.0L 1998cc 122 CID	ECN	A	57060 ⁵³	57060XP	49014	24313	24313XP	3	N/S		WL10390
L4 2.4L 2360cc 144 CID	ED3	B	57060 ⁵³	57060XP	49014	24313	24313XP	3	N/S		WL10390

WRANGLER

V6 3.6L 3600CC 220CID		G	57526	57526XP	49018	24302		2	N/S		58845 - W5A580
-----------------------	--	---	-------	---------	-------	-------	--	---	-----	--	----------------

2011

COMPASS

L4 2.0L 1998cc 122 CID	ECN	A	57060 ⁵³	57060XP	49014	24313	24313XP	3	N/S		WL10390
L4 2.4L 2360cc 144 CID	ED3	B	57060 ⁵³	57060XP	49014	24313	24313XP	3	N/S		WL10390

GRAND CHEROKEE

V6 3.6L 3604cc 220 CID Flex	ERB	G	57526	57526XP	49756 ¹⁵⁵ 49756FR ³⁶⁰	24017	24017XP	2	N/S		58843 - 545RFE/68RFE-DP 58846 - 545RFE/68RFE-SP 58845 - W5A580
V8 5.7L 345 CID	EZH	T	57899	57899XP	49756 ¹⁵⁵ 49756FR ³⁶⁰	24017	24017XP	2	N/S		58846 - 545RFE/68RFE-SP 58843 - 545RFE/68RFE-DP

N/A = Not Available N/R = Not Required N/S = Not Serviceable For cabin and fuel filter locator, see pages 5-15 See pages 16-19 for footnotes

N/A = Non disponible N/R = Non nécessaire N/S = Non réparable Para la ubicación de los filtros de aire de la cabina y de combustible, ver las páginas 5-15 Voir pages 16-19 pour des notes

N/A = No disponible N/R = No requiere N/S = No servible Voir les tableaux de repérage des filtres d'habitacle et à carburant aux pages 5-15 Ver las páginas 16-19 para las notas al pie de página

Italicized Part Numbers May Not Be Available. Wix XP Oil Filters Have Fully Synthetic Media.

Las piezas con números en *italicas* pueden no estar disponibles. Los filtros de aceite WIX XP son completamente de media sintética.

Les numéros de pièce en *italiques* peuvent ne pas être disponibles. Les filtres à huile XP Wix contiennent un matériau 100 % synthétique.

JEEP 2011-2009
Pass Car/Light Truck

Year/Año/Année Model/Modelo/Modèle Engine/Motor/Moteur	Eng. Code Código de motor Code moteur	VIN NIV NIV	Oil Aceite Huile	Oil XP Aceite XP Huile XP	Air Aire Air	Cabin Air Cabina Aire Cabine Air	Cabin Air XP Cabina Aire XP Cabine Air XP	Loc. Cabin Air Cabina Aire Cabine Air	Fuel Combustible Carburant	Loc. Fuel Combustible Carburant	Transmission Transmisión Transmission
--	---	-------------------	------------------------	---------------------------------	--------------------	--	---	--	----------------------------------	--	---

JEEP (Cont'd/Suite)
2011 (Cont'd/Suite)
LIBERTY

V6 3.7L 226 CID	EKG	K	57045	57045XP	49933	49093			1	N/S	58013
-----------------	-----	---	-------	---------	-------	-------	--	--	---	-----	-------

PATRIOT

L4 2.0L 1998cc 122 CID	ECN	A	57060 ⁵³	57060XP	49014	24313	24313XP		3	N/S	WL10390
L4 2.4L 2360cc 144 CID	ED3	B	57060 ⁵³	57060XP	49014	24313	24313XP		3	N/S	WL10390

WRANGLER

V6 3.8L 3778cc 231 CID	EGT	1	51348 ⁵³	51348XP	49018	24302			2	N/S	58013
------------------------	-----	---	---------------------	---------	-------	-------	--	--	---	-----	-------

2010
COMMANDER

V6 3.7L 226 CID	EKG	K	57045	57045XP	42329	N/R				N/S	58845 - W5A580 58846 - 545RFE/68RFE-SP 58843 - 545RFE/68RFE-DP
V8 5.7L 345 CID	EZH	T	57899	57899XP	42329	N/R				N/S	58846 - 545RFE/68RFE-SP 58843 - 545RFE/68RFE-DP 58845 - W5A580

COMPASS

L4 2.0L 1998cc 122 CID	ECN	A	57060 ⁵³	57060XP	49192	24313	24313XP		3	N/S	WL10390
L4 2.4L 2360cc 144 CID	ED3	B	57060 ⁵³	57060XP	49192	24313	24313XP		3	N/S	WL10390

GRAND CHEROKEE

V6 3.0L 2985CC 182CID (Mex.)			N/S		N/S	24903				N/S	N/S
V6 3.7L 226 CID	EKG	K	57045	57045XP	42329	24903			2	N/S	58845
V8 4.7L 287CID (Mex.)			N/S		N/S	24903				N/S	N/S
V8 5.7L 345 CID	EZH	T	57899	57899XP	42329	24903			2	N/S	58846 - 545RFE/68RFE-SP 58843 - 545RFE/68RFE-DP
V8 6.1L 6059cc 372 CID	ESF	W	57899	57899XP	42329	24903			2	N/S	58845 - 5 Speed

LIBERTY

V6 3.7L 226 CID	EKG	K	57045	57045XP	49933	49093			1	N/S	58013
-----------------	-----	---	-------	---------	-------	-------	--	--	---	-----	-------

PATRIOT

L4 2.0L 1998cc 122 CID	ECN	A	57060 ⁵³	57060XP	49192	24313	24313XP		3	N/S	WL10390
L4 2.4L 2360cc 144 CID	ED3	B	57060 ⁵³	57060XP	49192	24313	24313XP		3	N/S	WL10390

WRANGLER

V6 3.8L 3778cc 231 CID	EGT	1	51348 ⁵³	51348XP	49018	N/R				N/S	58013
------------------------	-----	---	---------------------	---------	-------	-----	--	--	--	-----	-------

2009
COMMANDER

V6 3.7L 226 CID	EKG	K	57045	57045XP	42329	N/R				N/S	58845 - 5 Spd. 58846 - 545RFE/68RFE-SP 58843 - 545RFE/68RFE-DP
V8 4.7L 287 CID		N	51085 ⁵³	51085XP	42329	N/R				N/S	58846 - 545RFE/68RFE-SP 58843 - 545RFE/68RFE-DP 58845 - 5 Spd.
V8 4.7L 287 CID Flex	EVE	P	57899	57899XP	42329	N/R				N/S	58846 - 545RFE/68RFE-SP 58843 - 545RFE/68RFE-DP
V8 5.7L 345 CID	EZD	T	57899	57899XP	42329	N/R				N/S	58846 - 545RFE/68RFE-SP 58843 - 545RFE/68RFE-DP 58845 - 5 Spd.
	EZH		57899	57899XP	42329	N/R				N/S	58846 - 545RFE/68RFE-SP 58843 - 545RFE/68RFE-DP 58845 - 5 Spd.

COMPASS

L4 2.0L 1998cc 122 CID	ECN	A	57060 ⁵³	57060XP	49192	24313	24313XP		3	N/S	WL10390
L4 2.4L 2360cc 144 CID	ED3	B	57060 ⁵³	57060XP	49192	24313	24313XP		3	N/S	WL10390

GRAND CHEROKEE

V6 3.0L 2985cc 182 CID Turbo Diesel	EXL	M	57062		42329	N/R				33934	58845
V6 3.7L 226 CID	EKG	K	57045	57045XP	42329	24903			2	N/S	58845

N/A = Not Available N/R = Not Required N/S = Not Serviceable For cabin and fuel filter locator, see pages 5-15 See pages 16-19 for footnotes

N/A = Non disponible N/R = Non nécessaire N/S = Non réparable Para la ubicación de los filtros de aire de la cabina y de combustible, ver las páginas 5-15 Voir pages 16-19 pour des notes

N/A = No disponible N/R = No requiere N/S = No servible Voir les tableaux de repérage des filtres d'habitacle et à carburant aux pages 5-15 Ver las páginas 16-19 para las notas al pie de página

Italicized Part Numbers May Not Be Available. Wix XP Oil Filters Have Fully Synthetic Media.

Las piezas con números en *italicas* pueden no estar disponibles. Los filtros de aceite WIX XP son completamente de media sintética. Les numéros de pièce en *italiques* peuvent ne pas être disponibles. Les filtres à huile XP Wix contiennent un matériau 100 % synthétique.

Year/Año/Année Model/Modelo/Modèle Engine/Motor/Moteur	Eng. Code Código de motor Code moteur	VIN NIV NIV	Oil Aceite Huile	Oil XP Aceite XP Huile XP	Air Aire Air	Cabin Air Cabina Aire Cabine Air	Cabin Air XP Cabina Aire XP Cabine Air XP	Loc. Cabin Air Cabina Aire Cabine Air	Fuel Combustible Carburant	Loc. Fuel Combustible Carburant	Transmission Transmisión Transmission
--	--	-------------------	------------------------	---------------------------------	--------------------	--	---	--	----------------------------------	--	---

JEEP (Cont'd/Suite)

2009 (Cont'd/Suite)

GRAND CHEROKEE (Cont'd/Suite)

V8 4.7L 287 CID Flex	EVE	P	57899	57899XP	42329	24903		2	N/S		58846 - 545RFE/68RFE-SP 58843 - 545RFE/68RFE-DP
V8 5.7L 345 CID	EZD	T	57899	57899XP	42329	24903		2	N/S		58846 - 545RFE/68RFE-SP 58843 - 545RFE/68RFE-DP
	EZH	T	57899	57899XP	42329	24903		2	N/S		58846 - 545RFE/68RFE-SP 58843 - 545RFE/68RFE-DP
V8 6.1L 6059cc 372 CID	ESF	W	57899	57899XP	42329	24903		2	N/S		58845 - 5 Speed

LIBERTY

V6 3.7L 226 CID	EKG	K	57045	57045XP	49933	49093		1	N/S		58013
-----------------	-----	---	-------	---------	-------	-------	--	---	-----	--	-------

PATRIOT

L4 2.0L 1998cc 122 CID	ECN	A	57060 ⁵³	57060XP	49192	24313	24313XP	3	N/S		WL10390
L4 2.4L 2360cc 144 CID	ED3	B	57060 ⁵³	57060XP	49192	24313	24313XP	3	N/S		WL10390

WRANGLER

V6 3.8L 3778cc 231 CID	EGT	1	51348 ⁵³	51348XP	49018	N/R			N/S		58013
------------------------	-----	---	---------------------	---------	-------	-----	--	--	-----	--	-------

2008

COMMANDER

V6 3.7L 226 CID	EKG	K	51516 ⁵³	51516XP	42329	N/R			N/S		58845 - 5 Spd. 58846 - 545RFE/68RFE-SP 58843 - 545RFE/68RFE-DP
V8 4.7L 287 CID		N	51085 ⁵³	51085XP	42329	N/R			N/S		58846 - 545RFE/68RFE-SP 58843 - 545RFE/68RFE-DP 58845 - 5 Spd.
V8 4.7L 287 CID Flex	EVE	N	57899	57899XP	42329	N/R			N/S		58846 - 545RFE/68RFE-SP 58843 - 545RFE/68RFE-DP
V8 5.7L 345 CID	EZB	2	57899	57899XP	42329	N/R			N/S		58846 - 545RFE/68RFE-SP 58843 - 545RFE/68RFE-DP 58845 - 5 Spd.

COMPASS

L4 2.0L 1998cc 122 CID	ECN	0	57060 ⁵³	57060XP	49192	24313	24313XP	3	N/S		WL10390
L4 2.4L 2360cc 144 CID	ED3	W	57060 ⁵³	57060XP	49192	24313	24313XP	3	N/S		WL10390

GRAND CHEROKEE

V6 3.0L 2985cc 182 CID Turbo Diesel	EXL	M	57062		42329	N/R			33934		58845
V6 3.7L 226 CID	EKG	K	51516 ⁵³	51516XP	42329	24903		2	N/S		58845
V8 4.7L 287 CID		N	57899	57899XP	42329	24903		2	N/S		58846 - 545RFE/68RFE-SP 58843 - 545RFE/68RFE-DP
V8 4.7L 287 CID Flex	EVE	N	57899	57899XP	42329	24903		2	N/S		58846 - 545RFE/68RFE-SP 58843 - 545RFE/68RFE-DP
V8 5.7L 345 CID	EZB	2	57899	57899XP	42329	24903		2	N/S		58846 - 545RFE/68RFE-SP 58843 - 545RFE/68RFE-DP
V8 6.1L 6059cc 372 CID	ESF	3	57899	57899XP	42329	24903		2	N/S		58845 - 5 Speed

LIBERTY

V6 3.7L 226 CID	EKG	K	51516 ⁵³	51516XP	49933	49093		1	N/S		58013
-----------------	-----	---	---------------------	---------	-------	-------	--	---	-----	--	-------

PATRIOT

L4 2.0L 1998cc 122 CID	ECN	0	57060 ⁵³	57060XP	49192	24313	24313XP	3	N/S		WL10390
L4 2.4L 2360cc 144 CID	ED3	W	57060 ⁵³	57060XP	49192	24313	24313XP	3	N/S		WL10390

WRANGLER

V6 3.8L 3778cc 231 CID	EGT	1	51348 ⁵³	51348XP	49018	N/R			N/S		58013
------------------------	-----	---	---------------------	---------	-------	-----	--	--	-----	--	-------

2007

COMMANDER

V6 3.7L 226 CID	EKG	K	51516 ⁵³	51516XP	42329	N/R			N/S		58845 - 5 Spd. 58846 - 545RFE/68RFE-SP 58843 - 545RFE/68RFE-DP
V8 4.7L 287 CID	EVA	N	51085 ⁵³	51085XP	42329	N/R			N/S		58846 - 545RFE/68RFE-SP 58843 - 545RFE/68RFE-DP 58845 - 5 Spd.

N/A = Not Available N/R = Not Required N/S = Not Serviceable For cabin and fuel filter locator, see pages 5-15 See pages 16-19 for footnotes

N/A = Non disponible N/R = Non nécessaire N/S = Non réparable Para la ubicación de los filtros de aire de la cabina y de combustible, ver las páginas 5-15 Voir pages 16-19 pour des notes

N/A = No disponible N/R = No requiere N/S = No servible Voir les tableaux de repérage des filtres d'habitacle et à carburant aux pages 5-15 Ver las páginas 16-19 para las notas al pie de página

Italicized Part Numbers May Not Be Available. Wix XP Oil Filters Have Fully Synthetic Media.

Las piezas con números en *italicas* pueden no estar disponibles. Los filtros de aceite WIX XP son completamente de media sintética.

Les numéros de pièce en *italiques* peuvent ne pas être disponibles. Les filtres à huile Wix contiennent un matériau 100 % synthétique.

JEEP 2007-2006
Pass Car/Light Truck

Year/Año/Année Model/Modelo/Modèle Engine/Motor/Moteur	Eng. Code Código de motor Code moteur	VIN NIV NIV	Oil Aceite Huile	Oil XP Aceite XP Huile XP	Air Aire Air	Cabin Air Cabina Aire Cabine Air	Cabin Air XP Cabina Aire XP Cabine Air XP	Loc. Cabin Air Cabina Aire Cabine Air	Fuel Combustible Carburant	Loc. Fuel Combustible Carburant	Transmission Transmisión Transmission
--	---	-------------------	------------------------	---------------------------------	--------------------	--	---	--	----------------------------------	--	---

JEEP (Cont'd/Suite)
2007 (Cont'd/Suite)
COMMANDER (Cont'd/Suite)

V8 4.7L 287 CID Flex	EVD	P	51085 ⁵³	51085XP	42329	N/R			N/S		58846 - 545RFE/68RFE-SP 58843 - 545RFE/68RFE-DP 58845 - 5 Spd.
V8 5.7L 345 CID	EZB	2	51085 ⁵³	51085XP	42329	N/R			N/S		58846 - 545RFE/68RFE-SP 58843 - 545RFE/68RFE-DP 58845 - 5 Spd.

COMPASS

L4 2.0L 1998cc 122 CID	ECN	0	57060 ⁵³	57060XP	49192	24578			3	N/S	WL10390
L4 2.4L 2360cc 144 CID	ED3	W	57060 ⁵³	57060XP	49192	24578			3	N/S	WL10390

GRAND CHEROKEE

V6 3.0L 2985cc 182 CID Turbo Diesel	EXL	M	57062		42329	N/R				33934	58845
V6 3.7L 226 CID	EKG	K	51516 ⁵³	51516XP	42329	24903			2	N/S	58845
V8 4.7L 287 CID	EVA	N	51085 ⁵³	51085XP	42329	24903			2	N/S	58846 - 545RFE/68RFE-SP 58843 - 545RFE/68RFE-DP
V8 4.7L 287 CID Flex	EVD	P	51085 ⁵³	51085XP	42329	24903			2	N/S	58846 - 545RFE/68RFE-SP 58843 - 545RFE/68RFE-DP
V8 5.7L 345 CID	EZB	2	51085 ⁵³	51085XP	42329	24903			2	N/S	58846 - 545RFE/68RFE-SP 58843 - 545RFE/68RFE-DP
V8 6.1L 6059cc 372 CID	ESF	3	51085 ⁵³	51085XP	42329	24903			2	N/S	58845 - 5 Speed

LIBERTY

V6 3.7L 226 CID	EKG	K	51516 ⁵³	51516XP	42329	N/R				N/S	58846 - 545RFE/68RFE-SP 58843 - 545RFE/68RFE-DP 58013 - 42RL
-----------------	-----	---	---------------------	---------	-------	-----	--	--	--	-----	--

PATRIOT

L4 2.0L 1998cc 122 CID	ECN	0	57060 ⁵³	57060XP	49192	24313	24313XP		3	N/S	WL10390
L4 2.4L 2360cc 144 CID	ED3	W	57060 ⁵³	57060XP	49192	24578			3	N/S	WL10390

WRANGLER

V6 3.8L 3778cc 231 CID	EGT	1	51348 ⁵³	51348XP	49018	N/R				N/S	58013
------------------------	-----	---	---------------------	---------	-------	-----	--	--	--	-----	-------

2006
COMMANDER

V6 3.7L 226 CID	EKG	K	51516 ⁵³	51516XP	42329	N/R				N/S	58845
V8 4.7L 287 CID		N	51085 ⁵³	51085XP	42329	N/R				N/S	58846 - 545RFE/68RFE-SP 58843 - 545RFE/68RFE-DP 58845 - 5 Spd.
V8 5.7L 345 CID		2	51085 ⁵³	51085XP	42329	N/R				N/S	58846 - 545RFE/68RFE-SP 58843 - 545RFE/68RFE-DP 58845 - 5 Spd.

GRAND CHEROKEE

V6 3.7L 226 CID	EKG	K	51516 ⁵³	51516XP	42329	24903			2	N/S	58845
V8 4.7L 287 CID		N	51085 ⁵³	51085XP	42329	24903			2	N/S	58846 - 545RFE/68RFE-SP 58843 - 545RFE/68RFE-DP
V8 5.7L 345 CID		2	51085 ⁵³	51085XP	42329	24903			2	N/S	58846 - 545RFE/68RFE-SP 58843 - 545RFE/68RFE-DP
V8 6.1L 6059cc 372 CID		3	51085 ⁵³	51085XP	42329	24903			2	N/S	58846 - 545RFE/68RFE-SP 58843 - 545RFE/68RFE-DP 58845 - 5 Speed

LIBERTY

L4 2.8L 2768cc 171 CID Turbo Diesel		5	51516 ⁵³	51516XP	42329	N/R					58843
V6 3.7L 226 CID	EKG	K	51516 ⁵³	51516XP	42329	N/R				N/S	58846 - 545RFE/68RFE-SP 58843 - 545RFE/68RFE-DP 58013 - 42RL

TJ

L4 2.4L 148 CID		1	51348 ⁵³	51348XP	42156					N/S	58013
L6 4.0L 242 CID		S	51085 ⁵³	51085XP	46081					N/S	58013

WRANGLER

L4 2.4L 148 CID		1	51348 ⁵³	51348XP	42156	N/R				N/S	58013
-----------------	--	---	---------------------	---------	-------	-----	--	--	--	-----	-------

N/A = Not Available N/R = Not Required N/S = Not Serviceable For cabin and fuel filter locator, see pages 5-15 See pages 16-19 for footnotes

N/A = Non disponible N/R = Non nécessaire N/S = Non réparable Para la ubicación de los filtros de aire de la cabina y de combustible, ver las páginas 5-15 Voir pages 16-19 pour des notes

N/A = No disponible N/R = No requiere N/S = No servible Voir les tableaux de repérage des filtres d'habitacle et à carburant aux pages 5-15 Ver las páginas 16-19 para las notas al pie de página

Italicized Part Numbers May Not Be Available. Wix XP Oil Filters Have Fully Synthetic Media.

Las piezas con números en *italicas* pueden no estar disponibles. Los filtros de aceite WIX XP son completamente de media sintética. Les numéros de pièce en *italiques* peuvent ne pas être disponibles. Les filtres à huile XP Wix contiennent un matériau 100 % synthétique.

Year/Año/Année Model/Modelo/Modèle Engine/Motor/Moteur	Eng. Code Código de motor Code moteur	VIN NIV	Oil Aceite Huile	Oil XP Aceite XP Huile XP	Air Aire Air	Cabin Air Cabina Aire Cabine Air	Cabin Air XP Cabina Aire XP Cabine Air XP	Loc. Cabin Air Cabina Aire Cabine Air	Fuel Combustible Carburant	Loc. Fuel Combustible Carburant	Transmission Transmisión Transmission
--	---	------------	------------------------	---------------------------------	--------------------	--	---	---	----------------------------------	---------------------------------------	---

JEEP (Cont'd/Suite)

2006 (Cont'd/Suite)

WRANGLER (Cont'd/Suite)

L6 4.0L 242 CID		S	51085 ⁵³	51085XP	46081	N/R			N/S		58013
-----------------	--	---	---------------------	---------	-------	-----	--	--	-----	--	-------

2005

GRAND CHEROKEE

V6 3.7L 226 CID	EKG	K	51516 ⁵³	51516XP	42329	24903		2	N/S		58845
V8 4.7L 287 CID		N	51085 ⁵³	51085XP	42329	24903		2	N/S		58846 - 545RFE/68RFE-SP 58843 - 545RFE/68RFE-DP
V8 5.7L 345 CID		2	51085 ⁵³	51085XP	42329	24903		2	N/S		58846 - 545RFE/68RFE-SP 58843 - 545RFE/68RFE-DP

LIBERTY

L4 2.4L 148 CID		1	51348 ⁵³	51348XP	42156	N/R			N/S		58013
L4 2.8L 2768cc 171 CID Turbo Diesel		5	51516 ⁵³	51516XP	42329	N/R					58843
V6 3.7L 226 CID	EKG	K	51516 ⁵³	51516XP	42329	N/R			N/S		58846 - 545RFE/68RFE-SP 58843 - 545RFE/68RFE-DP 58013 - 42RLE

TJ

L4 2.4L 148 CID		1	51348 ⁵³	51348XP	42156				N/S		58013
L6 4.0L 242 CID		S	51085 ⁵³	51085XP	46081				N/S		58013

WRANGLER

L4 2.4L 148 CID		1	51348 ⁵³	51348XP	42156	N/R			N/S		58013
L6 4.0L 242 CID		S	51085 ⁵³	51085XP	46081	N/R			N/S		58013

2004

GRAND CHEROKEE

L6 4.0L 242 CID		S	51085 ⁵³	51085XP	46213	24903		2	33750		58613
V8 4.7L 287 CID		J	51085 ⁵³	51085XP	42190 - High Output	24903		2	33750		58846 - 45RFE-SP 58843 - 45RFE-DP
		N	51085 ⁵³	51085XP	46213 - Std.	24903		2	33750		58846 - 45RFE-SP 58843 - 45RFE-DP

LIBERTY

L4 2.4L 148 CID		1	51348 ⁵³	51348XP	42156	N/R			N/S		58013
V6 3.7L 226 CID	EKG	K	51516 ⁵³	51516XP	42329	N/R			N/S		58846 - 45RFE-SP 58843 - 45RFE-DP

TJ

L4 2.4L 148 CID		1	51348 ⁵³	51348XP	42156				N/S		58013
L6 4.0L 242 CID		S	51085 ⁵³	51085XP	46081				N/S		58013

WRANGLER

L4 2.4L 148 CID		1	51348 ⁵³	51348XP	42156	N/R			N/S		58013
L6 4.0L 242 CID		S	51085 ⁵³	51085XP	46081	N/R			N/S		58013

2003

GRAND CHEROKEE

L6 4.0L 242 CID		S	51085 ⁵³	51085XP	46213	24903		2	33750		58613
V8 4.7L 287 CID		J	51085 ⁵³	51085XP	42190 - High Output	24903		2	33750		58846 - 45RFE-SP 58843 - 45RFE-DP
		N	51085 ⁵³	51085XP	46213 - Std.	24903		2	33750		58846 - 45RFE-SP 58843 - 45RFE-DP

LIBERTY

L4 2.4L 148 CID		1	51348 ⁵³	51348XP	42156	N/R			N/A		58013
V6 3.7L 226 CID	EKG	K	51516 ⁵³	51516XP	42329	N/R			N/A		58846 - 45RFE-SP 58843 - 45RFE-DP

TJ

L4 2.4L 148 CID		1	51348 ⁵³	51348XP	42156				N/S		58013
L6 4.0L 242 CID		S	51085 ⁵³	51085XP	46081				N/S		58013

WRANGLER

L4 2.4L 148 CID		1	51348 ⁵³	51348XP	42156	N/R			N/S		58013
-----------------	--	---	---------------------	---------	-------	-----	--	--	-----	--	-------

N/A = Not Available N/R = Not Required N/S = Not Serviceable For cabin and fuel filter locator, see pages 5-15 See pages 16-19 for footnotes
 N/A = Non disponible N/R = Non nécessaire N/S = Non réparable Para la ubicación de los filtros de aire de la cabina y de combustible, ver las páginas 5-15 Voir pages 16-19 pour des notes
 N/A = No disponible N/R = No requiere N/S = No servible Voir les tableaux de repérage des filtres d'habitacle et à carburant aux pages 5-15 Ver las páginas 16-19 para las notas al pie de página

Italicized Part Numbers May Not Be Available. Wix XP Oil Filters Have Fully Synthetic Media.
 Las piezas con números en *italicas* pueden no estar disponibles. Los filtros de aceite WIX XP son completamente de media sintética.
 Les numéros de pièce en *italiques* peuvent ne pas être disponibles. Les filtres à huile XP Wix contiennent un matériau 100 % synthétique.

JEEP 2003 — KIA 2021
Pass Car/Light Truck

Year/Año/Année Model/Modelo/Modèle Engine/Motor/Moteur	Eng. Code Código de motor Code moteur	VIN NIV NIV	Oil Aceite Huile	Oil XP Aceite XP Huile XP	Air Aire Air	Cabin Air Cabina Aire Cabine Air	Cabin Air XP Cabina Aire XP Cabine Air XP	Loc. Cabin Air Cabina Aire Cabine Air	Fuel Combustible Carburant	Loc. Fuel Combustible Carburant	Transmission Transmisión Transmission
--	---	-------------------	------------------------	---------------------------------	--------------------	--	---	--	----------------------------------	--	---

JEEP (Cont'd/Suite)
2003 (Cont'd/Suite)
WRANGLER (Cont'd/Suite)

L6 4.0L 242 CID		S	51085 ⁵³	51085XP	46081	N/R			N/S		58013
-----------------	--	---	---------------------	---------	-------	-----	--	--	-----	--	-------

2002
GRAND CHEROKEE

L6 4.0L 242 CID		S	51085 ⁵³	51085XP	46213	24903		2	33750		58613
V8 4.7L 287 CID		J	51085 ⁵³	51085XP	42190 - High Output	24903		2	33750		58846 - 45RFE-SP 58843 - 45RFE-DP
		N	51085 ⁵³	51085XP	46213 - Std.	24903		2	33750		58846 - 45RFE-SP 58843 - 45RFE-DP

LIBERTY

L4 2.4L 148 CID		1	51348 ⁵³	51348XP	42156	N/R			N/A		MT ⁷²
V6 3.7L 226 CID	EKG	K	51516 ⁵³	51516XP	42329	N/R			N/A		58846 - 45RFE-SP 58843 - 45RFE-DP

TJ

L4 2.5L 150 CID			51085 ⁵³	51085XP	46081				N/S		58707
L6 4.0L 242 CID			51085 ⁵³	51085XP	46081				N/S		58707

WRANGLER

L4 2.5L 150 CID		P	51085 ⁵³	51085XP	46081	N/R			N/S		58707
L6 4.0L 242 CID		S	51085 ⁵³	51085XP	46081	N/R			N/S		58707

KIA
2021
CADENZA

V6 3.3L 3342cc			WL10033		WA10698	WP10155			N/S		N/S
----------------	--	--	---------	--	---------	---------	--	--	-----	--	-----

FORTE

L4 2.0L 1999cc 122 CID			51334 ⁵³	51334XP	WA10420	WP10319			N/S		N/S
------------------------	--	--	---------------------	---------	---------	---------	--	--	-----	--	-----

FORTE GT

L4 1.6L 1600CC 98CID Turbo			51334 ⁵³	51334XP	WA10420	WP10319			N/S		N/S
----------------------------	--	--	---------------------	---------	---------	---------	--	--	-----	--	-----

K5

L4 1.6L 1600CC 98CID Turbo			WL10473		WA11090	24270			N/S		N/S
----------------------------	--	--	---------	--	---------	-------	--	--	-----	--	-----

K900

V6 3.3L 3342CC Turbo			WL10237		WA10070 - Left WA10237 - Right	N/A			N/S		N/S
V6 3.8L 3778cc			57029		49004	WP10276			N/S		N/S
V8 5.0L 5038cc			57029		49004 - Left 49650 - Right	WP10276			N/S		N/A

NIRO

ELECTRIC Electric						WP2064			N/S		N/S
L4 1.6L Electric/Gas			51334 ⁵³	51334XP	WA10770	WP2064			N/S		N/S

RIO

L4 1.6L 1600CC 98CID			WL10473		WA10835	WP10319		3	N/S		N/S
----------------------	--	--	---------	--	---------	---------	--	---	-----	--	-----

SEDONA

V6 3.3L 3342cc			WL10033		WA10271	WP10234		2	N/S		N/A
----------------	--	--	---------	--	---------	---------	--	---	-----	--	-----

SELTOS

L4 1.6L 1600CC 98CID Turbo			51334 ⁵³	51334XP	N/A	WP10265			N/S		N/S
L4 2.0L 1999CC 122CID			51334 ⁵³	51334XP	N/A	WP10265			N/S		N/S

SOUL

L4 1.6L 1591cc Turbo			51334 ⁵³	51334XP	WA10420	WP10265		3	N/S		N/A
L4 2.0L 1999cc 122 CID			51334 ⁵³	51334XP	WA10420	WP10265		3	N/S		N/A

SPORTAGE

L4 2.0L 1998cc 122 CID Turbo			51334 ⁵³	51334XP	WA10335	WP10265		3	N/S		N/S
L4 2.4L 2359cc		C	51334 ⁵³	51334XP	WA10335	WP10265		3	N/S		N/S

Stinger

L4 2.0L 1998cc Turbo			51334 ⁵³	51334XP	WA10834	WP10367			N/S		N/S
----------------------	--	--	---------------------	---------	---------	---------	--	--	-----	--	-----

N/A = Not Available N/R = Not Required N/S = Not Serviceable For cabin and fuel filter locator, see pages 5-15 See pages 16-19 for footnotes

N/A = Non disponible N/R = Non nécessaire N/S = Non réparable Para la ubicación de los filtros de aire de la cabina y de combustible, ver las páginas 5-15 Voir pages 16-19 pour des notes

N/A = No disponible N/R = No requiere N/S = No servible Voir les tableaux de repérage des filtres d'habitacle et à carburant aux pages 5-15 Ver las páginas 16-19 para las notas al pie de página

Italicized Part Numbers May Not Be Available. Wix XP Oil Filters Have Fully Synthetic Media.

Las piezas con números en *italicas* pueden no estar disponibles. Los filtros de aceite WIX XP son completamente de media sintética. Les numéros de pièce en *italiques* peuvent ne pas être disponibles. Les filtres à huile XP Wix contiennent un matériau 100 % synthétique.

Year/Año/Année Model/Modelo/Modèle Engine/Motor/Moteur	Eng. Code Código de motor Code moteur	VIN NIV NIV	Oil Aceite Huile	Oil XP Aceite XP Huile XP	Air Aire Air	Cabin Air Cabina Aire Cabine Air	Cabin Air XP Cabina Aire XP Cabine Air XP	Loc. Cabin Air Cabina Aire Cabine Air	Fuel Combustible Carburant	Loc. Fuel Combustible Carburant	Transmission Transmisión Transmission
--	---	-------------------	------------------------	---------------------------------	--------------------	--	---	--	----------------------------------	--	---

KIA (Cont'd/Suite)
2021 (Cont'd/Suite)
Stinger (Cont'd/Suite)

V6 3.3L 3342CC Turbo		WL10237			WA10837 - Right WA10838 - Left	WP10367			N/S		N/S
----------------------	--	---------	--	--	-----------------------------------	---------	--	--	-----	--	-----

Telluride

V6 3.8L 3800CC 232CID		WL10033			WA10271	WP10367			N/S		N/A
-----------------------	--	---------	--	--	---------	---------	--	--	-----	--	-----

2020
CADENZA

V6 3.3L 3342cc		WL10033			WA10698	WP10155			N/S		N/S
----------------	--	---------	--	--	---------	---------	--	--	-----	--	-----

FORTE

L4 2.0L 1999cc 122 CID		51334 ⁵³	51334XP	WA10420	WP10319				N/S		N/S
------------------------	--	---------------------	---------	---------	---------	--	--	--	-----	--	-----

FORTE GT

L4 1.6L 1600CC 98CID Turbo		51334 ⁵³	51334XP	WA10420	WP10319				N/S		N/S
----------------------------	--	---------------------	---------	---------	---------	--	--	--	-----	--	-----

K900

V6 3.3L 3342CC Turbo		WL10237			WA10070 - Left WA10237 - Right	N/A			N/S		N/S
V6 3.8L 3778cc		57029			49004	WP10276			N/S		N/S
V8 5.0L 5038cc		57029			49004 - Left 49650 - Right	WP10276			N/S		N/A

NIRO

ELECTRIC Electric						WP2064			N/S		N/S
L4 1.6L Electric/Gas		51334 ⁵³	51334XP	WA10770	WP2064				N/S		N/S

OPTIMA

L4 1.6L 1591CC 97CID Turbo		51334 ⁵³	51334XP	WA10301	WP10275		3	N/S			N/S
L4 2.0L 1998cc 122 CID Turbo		51334 ⁵³	51334XP	WA10301	WP10275		3	N/S			N/S
L4 2.4L 2359cc	7	51334 ⁵³	51334XP	WA10127	WP10275		3	N/S			N/S

OPTIMA HYBRID

L4 2.0L 1999cc 122 CID Electric/Gas		51334 ⁵³	51334XP	WA10127	WP10275		3	N/S			N/S
--	--	---------------------	---------	---------	---------	--	---	-----	--	--	-----

RIO

L4 1.6L 1600CC 98CID		WL10473			WA10835	WP10319		3	N/S		N/S
----------------------	--	---------	--	--	---------	---------	--	---	-----	--	-----

SEDONA

V6 3.3L 3342cc		WL10033			WA10271	WP10234		2	N/S		N/A
----------------	--	---------	--	--	---------	---------	--	---	-----	--	-----

SORENTO

L4 2.4L 2351cc		51334 ⁵³	51334XP	WA10271	WP10370				N/S		N/S
V6 3.3L 3345cc		WL10033			WA10271	WP10370			N/S		N/S

SOUL

L4 1.6L 1591cc Turbo		51334 ⁵³	51334XP	WA10420	WP10265		3	N/S			N/A
L4 2.0L 1999cc 122 CID		51334 ⁵³	51334XP	WA10420	WP10265		3	N/S			N/A

SPORTAGE

L4 2.0L 1998cc 122 CID Turbo		51334 ⁵³	51334XP	WA10335	WP10265		3	N/S			N/S
L4 2.4L 2359cc	C	51334 ⁵³	51334XP	WA10335	WP10265		3	N/S			N/S

Stinger

L4 2.0L 1998cc Turbo		51334 ⁵³	51334XP	WA10834	WP10367				N/S		N/S
V6 3.3L 3342CC Turbo		WL10237			WA10837 - Right WA10838 - Left	WP10367			N/S		N/S

Telluride

V6 3.8L 3800CC 232CID		WL10033			WA10271	WP10367			N/S		N/A
-----------------------	--	---------	--	--	---------	---------	--	--	-----	--	-----

2019
CADENZA

V6 3.3L 3342cc		WL10033			WA10698	WP10155			N/S		N/S
----------------	--	---------	--	--	---------	---------	--	--	-----	--	-----

FORTE

L4 2.0L 1999cc 122 CID		51334 ⁵³	51334XP	WA10420	WP10319				N/S		N/S
------------------------	--	---------------------	---------	---------	---------	--	--	--	-----	--	-----

N/A = Not Available N/R = Not Required N/S = Not Serviceable For cabin and fuel filter locator, see pages 5-15 See pages 16-19 for footnotes

N/A = Non disponible N/R = Non nécessaire N/S = Non réparable Para la ubicación de los filtros de aire de la cabina y de combustible, ver las páginas 5-15 Voir pages 16-19 pour des notes

N/A = No disponible N/R = No requiere N/S = No servible Voir les tableaux de repérage des filtres d'habitacle et à carburant aux pages 5-15 Ver las páginas 16-19 para las notas al pie de página

Italicized Part Numbers May Not Be Available. Wix XP Oil Filters Have Fully Synthetic Media.

Las piezas con números en *italicas* pueden no estar disponibles. Los filtros de aceite WIX XP son completamente de media sintética.

Les numéros de pièce en *italiques* peuvent ne pas être disponibles. Les filtres à huile XP Wix contiennent un matériau 100 % synthétique.

KIA 2019-2018
Pass Car/Light Truck

Year/Año/Année Model/Modelo/Modèle Engine/Motor/Moteur	Eng. Code Código de motor Code moteur	VIN NIV NIV	Oil Aceite Huile	Oil XP Aceite XP Huile XP	Air Aire Air	Cabin Air Cabina Aire Cabine Air	Cabin Air XP Cabina Aire XP Cabine Air XP	Loc. Cabin Air Cabina Aire Cabine Air	Fuel Combustible Carburant	Loc. Fuel Combustible Carburant	Transmission Transmisión Transmission
--	---	-------------------	------------------------	---------------------------------	--------------------	--	---	--	----------------------------------	--	---

KIA (Cont'd/Suite)
2019 (Cont'd/Suite)
K900

V6 3.3L 3342CC Turbo			WL10237		WA10070 - Left WA10237 - Right	N/A			N/S		N/S
V6 3.8L 3778cc			57029		49004	WP10276			N/S		N/S
V8 5.0L 5038cc			57029		49004 - Left 49650 - Right	WP10276			N/S		N/A

NIRO

L4 1.6L Electric/Gas			51334 ⁵³	51334XP	WA10770	WP2064			N/S		N/S
----------------------	--	--	---------------------	---------	---------	--------	--	--	-----	--	-----

OPTIMA

L4 1.6L 1591CC 97CID Turbo			51334 ⁵³	51334XP	WA10301	WP10275		3	N/S		N/S
L4 2.0L 1998cc 122 CID Turbo			51334 ⁵³	51334XP	WA10301	WP10275		3	N/S		N/S
L4 2.4L 2359cc		7	51334 ⁵³	51334XP	WA10127	WP10275		3	N/S		N/S

OPTIMA HYBRID

L4 2.0L 1999cc 122 CID Electric/Gas			51334 ⁵³	51334XP	WA10127	WP10275		3	N/S		N/S
--	--	--	---------------------	---------	---------	---------	--	---	-----	--	-----

RIO

L4 1.6L 1591cc 97 CID	G4FD		51334 ⁵³	51334XP	WA10835	WP10319		3	N/S		N/S
-----------------------	------	--	---------------------	---------	---------	---------	--	---	-----	--	-----

SEDONA

V6 3.3L 3342cc			WL10033		WA10271	WP10234		2	N/S		N/A
----------------	--	--	---------	--	---------	---------	--	---	-----	--	-----

SORENTO

L4 2.4L 2351cc			51334 ⁵³	51334XP	WA10271	WP10370			N/S		N/S
V6 3.3L 3345cc			WL10033		WA10271	WP10370			N/S		N/S

SOUL

L4 1.6L 1591cc Turbo			51334 ⁵³	51334XP	49022	WP10178		3	N/S		N/A
L4 2.0L 1999cc 122 CID			51334 ⁵³	51334XP	49022	WP10178		3	N/S		N/A
L4 2.0L 2000CC 122CID			51334 ⁵³	51334XP	49022	WP10178			N/S		N/S

SOUL EV

ELECTRIC Electric			N/R		N/A	WP10178			N/R		N/A
-------------------	--	--	-----	--	-----	---------	--	--	-----	--	-----

SPORTAGE

L4 2.0L 1998cc 122 CID Turbo			51334 ⁵³	51334XP	WA10335	WP10265		3	N/S		N/S
L4 2.4L 2359cc		C	51334 ⁵³	51334XP	WA10335	WP10265		3	N/S		N/S

Stinger

L4 2.0L 1998cc Turbo			51334 ⁵³	51334XP	WA10834	WP10367			N/S		N/S
V6 3.3L 3342CC Turbo			WL10237		WA10837 - Right WA10838 - Left	WP10367			N/S		N/S

2018
CADENZA

V6 3.3L 3342cc			WL10033		WA10698	WP10155			N/S		N/S
----------------	--	--	---------	--	---------	---------	--	--	-----	--	-----

FORTE

L4 2.0L 1999cc 122 CID			51334 ⁵³	51334XP	49480	WP10083			N/S		N/S
------------------------	--	--	---------------------	---------	-------	---------	--	--	-----	--	-----

FORTE 5

L4 1.6L 1591cc Turbo			51334 ⁵³	51334XP	49480	WP10083			N/S		N/S
L4 2.0L 1999cc 122 CID			51334 ⁵³	51334XP	49480	WP10083			N/S		N/S

K900

V6 3.8L 3778cc			57029		49004	WP10276			N/S		N/S
V8 5.0L 5038cc			57029		49004 49650	WP10276			N/S		N/A

NIRO

L4 1.6L Electric/Gas			51334 ⁵³	51334XP	WA10770	WP2064			N/S		N/S
----------------------	--	--	---------------------	---------	---------	--------	--	--	-----	--	-----

OPTIMA

L4 1.6L 1591CC 97CID Turbo			51334 ⁵³	51334XP	WA10301	WP10275		3	N/S		N/S
L4 2.0L 1998cc 122 CID Turbo			51334 ⁵³	51334XP	WA10301	WP10275		3	N/S		N/S
L4 2.4L 2359cc		7	51334 ⁵³	51334XP	WA10127	WP10275		3	N/S		N/S

N/A = Not Available N/R = Not Required N/S = Not Serviceable For cabin and fuel filter locator, see pages 5-15 See pages 16-19 for footnotes

N/A = Non disponible N/R = Non nécessaire N/S = Non réparable Para la ubicación de los filtros de aire de la cabina y de combustible, ver las páginas 5-15 Voir pages 16-19 pour des notes

N/A = No disponible N/R = No requiere N/S = No servible Voir les tableaux de repérage des filtres d'habitacle et à carburant aux pages 5-15 Ver las páginas 16-19 para las notas al pie de página

Italicized Part Numbers May Not Be Available. Wix XP Oil Filters Have Fully Synthetic Media.

Las piezas con números en *italicas* pueden no estar disponibles. Los filtros de aceite WIX XP son completamente de media sintética. Les numéros de pièce en *italiques* peuvent ne pas être disponibles. Les filtres à huile XP Wix contiennent un matériau 100 % synthétique.

Year/Año/Année Model/Modelo/Modèle Engine/Motor/Moteur	Eng. Code Código de motor Code moteur	VIN NIV	Oil Aceite Huile	Oil XP Aceite XP Huile XP	Air Aire Air	Cabin Air Cabina Aire Cabine Air	Cabin Air XP Cabina Aire XP Cabine Aire XP	Loc. Cabin Air Cabina Aire Cabine Air	Fuel Combustible Carburant	Loc. Fuel Combustible Carburant	Transmission Transmisión Transmission
--	---	------------	------------------------	---------------------------------	--------------------	--	--	--	----------------------------------	--	---

KIA (Cont'd/Suite)
2018 (Cont'd/Suite)
OPTIMA HYBRID

L4 2.0L 1999cc 122 CID Electric/Gas			51334 ⁵³	51334XP	49450	WP10275		3	N/S		N/S
--	--	--	---------------------	---------	-------	---------	--	---	-----	--	-----

RIO

L4 1.6L 1591cc 97 CID	G4FD		51334 ⁵³	51334XP	WA10835	WP10319		3	N/S		N/S
-----------------------	------	--	---------------------	---------	---------	---------	--	---	-----	--	-----

RONDO

L4 2.0L 1998cc 122 CID		3	51334 ⁵³	51334XP	49210	WP10083		3	N/S		N/A - Pan Style
------------------------	--	---	---------------------	---------	-------	---------	--	---	-----	--	-----------------

SEDONA

V6 3.3L 3342cc			WL10164		WA10271	WP10234		2	N/S		N/A
----------------	--	--	---------	--	---------	---------	--	---	-----	--	-----

SORENTO

L4 2.0L 1998cc Turbo			51334 ⁵³	51334XP	WA10271	WP10370		3	N/S		N/S
L4 2.4L 2359cc			51334 ⁵³	51334XP	WA10271	WP10370		3	N/S		N/S
V6 3.3L 3342cc			WL10164		WA10271	WP10370		3	N/S		N/S

SOUL

L4 1.6L 1591cc			51334 ⁵³	51334XP	49022	WP10178		3	N/S		N/S
L4 1.6L 1591cc Turbo			51334 ⁵³	51334XP	49022	WP10178		3	N/S		N/A
L4 2.0L 1999cc 122 CID			51334 ⁵³	51334XP	49022	WP10178		3	N/S		N/A

SOUL EV

ELECTRIC Electric			N/R		N/A	WP10178			N/R		N/A
-------------------	--	--	-----	--	-----	---------	--	--	-----	--	-----

SPORTAGE

L4 2.0L 1998cc 122 CID Turbo			51334 ⁵³	51334XP	WA10335	WP10265		3	N/S		N/S
L4 2.4L 2359cc		C	51334 ⁵³	51334XP	WA10335	WP10265		3	N/S		N/S

Stinger

L4 2.0L 1998cc Turbo			51334 ⁵³	51334XP	WA10834	WP10367			N/S		N/S
V6 3.3L 3342CC Turbo			WL10237		WA10837 - Right WA10838 - Left	WP10367			N/S		N/S

2017
CADENZA

V6 3.3L 3342cc		7	WL10033		WA10698	WP10155			N/S		N/S
----------------	--	---	---------	--	---------	---------	--	--	-----	--	-----

FORTE

L4 2.0L 1999cc 122 CID			51334 ⁵³	51334XP	49480	WP10083			N/S		N/S
------------------------	--	--	---------------------	---------	-------	---------	--	--	-----	--	-----

FORTE 5

L4 1.6L 1591cc Turbo			51334 ⁵³	51334XP	49480	WP10083			N/S		N/S
L4 2.0L 1999cc 122 CID			51334 ⁵³	51334XP	49480	WP10083			N/S		N/S

FORTE KOUP

L4 1.6L 1591cc Turbo		3	51334 ⁵³	51334XP	WA10059	WP10083			N/S		N/S
L4 2.0L 1999cc 122 CID		8	51334 ⁵³	51334XP	49480	WP10083		3	N/S		N/S

K900

V6 3.8L 3778cc			57029		49004	WP10276			N/S		N/S
V8 5.0L 5038cc			57029		49004 49650	WP10276			N/S		N/A

NIRO

L4 1.6L Electric/Gas			51334 ⁵³	51334XP	WA10770	WP2064			N/S		N/S
----------------------	--	--	---------------------	---------	---------	--------	--	--	-----	--	-----

OPTIMA

L4 1.6L 1591CC 97CID Turbo		6	51334 ⁵³	51334XP	WA10301	WP10275		3	N/S		N/S
L4 2.0L 1998cc 122 CID Turbo		6	51334 ⁵³	51334XP	WA10301	WP10275		3	N/S		N/S
L4 2.0L 1999cc 122 CID Electric/Gas			51334 ⁵³	51334XP	WA10301	WP10275		3	N/S		N/S
L4 2.4L 2359cc		7	51334 ⁵³	51334XP	WA10127	WP10275		3	N/S		N/S

OPTIMA HYBRID

L4 2.4L 2359cc Electric/Gas	D		51334 ⁵³	51334XP	49450	WP10275		3	N/S		N/S
-----------------------------	---	--	---------------------	---------	-------	---------	--	---	-----	--	-----

RIO

L4 1.6L 1591cc 97 CID	G4FD	3	51334 ⁵³	51334XP	49022	24684	24684XP	3	N/S		N/S
-----------------------	------	---	---------------------	---------	-------	-------	---------	---	-----	--	-----

RONDO

L4 2.0L 1998cc 122 CID		3	51334 ⁵³	51334XP	49210	WP10083		3	N/S		N/A - Pan Style
------------------------	--	---	---------------------	---------	-------	---------	--	---	-----	--	-----------------

N/A = Not Available N/R = Not Required N/S = Not Serviceable For cabin and fuel filter locator, see pages 5-15 See pages 16-19 for footnotes

N/A = Non disponible N/R = Non nécessaire N/S = Non réparable Para la ubicación de los filtros de aire de la cabina y de combustible, ver las páginas 5-15 Voir pages 16-19 pour des notes

N/A = No disponible N/R = No requiere N/S = No servible Voir les tableaux de repérage des filtres d'habitacle et à carburant aux pages 5-15 Ver las páginas 16-19 para las notas al pie de página

Italicized Part Numbers May Not Be Available. Wix XP Oil Filters Have Fully Synthetic Media.

Las piezas con números en *italicas* pueden no estar disponibles. Los filtros de aceite WIX XP son completamente de media sintética.

Les numéros de pièce en *italiques* peuvent ne pas être disponibles. Les filtres à huile Wix contiennent un matériau 100 % synthétique.

KIA 2017-2016
Pass Car/Light Truck

Year/Año/Année Model/Modelo/Modèle Engine/Motor/Moteur	Eng. Code Código de motor Code moteur	VIN NIV NIV	Oil Aceite Huile	Oil XP Aceite XP Huile XP	Air Aire Air	Cabin Air Cabina Aire Cabine Air	Cabin Air XP Cabina Aire XP Cabine Air XP	Loc. Cabin Air Cabina Aire Cabine Air	Fuel Combustible Carburant	Loc. Fuel Combustible Carburant	Transmission Transmisión Transmission
--	---	-------------------	------------------------	---------------------------------	--------------------	--	---	--	----------------------------------	--	---

KIA (Cont'd/Suite)
2017 (Cont'd/Suite)
SEDONA

V6 3.3L 3342cc		1	WL10164		WA10271	WP10234			2	N/S	N/A
----------------	--	---	---------	--	---------	---------	--	--	---	-----	-----

SORENTO

L4 2.0L 1998cc Turbo			51334 ⁵³	51334XP	WA10271	WP10370			3	N/S	N/S
L4 2.4L 2359cc			51334 ⁵³	51334XP	WA10271	WP10370			3	N/S	N/S
V6 3.3L 3342cc			WL10164		WA10271	WP10370			3	N/S	N/S

SOUL

L4 1.6L 1591cc		2	51334 ⁵³	51334XP	49022	WP10178			3	N/S	N/S
L4 1.6L 1591cc Turbo			51334 ⁵³	51334XP	49022	WP10178			3	N/S	N/A
L4 2.0L 1999cc 122 CID		5	51334 ⁵³	51334XP	49022	WP10178			3	N/S	N/A

SOUL EV

ELECTRIC Electric			N/R		N/A	WP10178			N/R		N/A
-------------------	--	--	-----	--	-----	---------	--	--	-----	--	-----

SPORTAGE

L4 2.0L 1998cc 122 CID Turbo		6	51334 ⁵³	51334XP	WA10335	24684	24684XP		3	N/S	N/S
L4 2.4L 2359cc		C	51334 ⁵³	51334XP	WA10335	WP10265			3	N/S	N/S

2016
CADENZA

V6 3.3L 3342cc		7	WL10164		49450	24013	24013XP			N/S	N/S
----------------	--	---	---------	--	-------	-------	---------	--	--	-----	-----

FORTE

L4 1.6L 1591cc Turbo			51334 ⁵³	51334XP	WA10059	WP10083				N/S	N/S
L4 1.8L 1797cc		6	51334 ⁵³	51334XP	49480	WP10083				N/S	N/S
L4 2.0L 1999cc 122 CID			51334 ⁵³	51334XP	49480	WP10083				N/S	N/S

FORTE 5

L4 1.6L 1591cc Turbo			51334 ⁵³	51334XP	49480	WP10083				N/S	N/S
L4 2.0L 1999cc 122 CID			51334 ⁵³	51334XP	49480	WP10083				N/S	N/S

FORTE KOUP

L4 1.6L 1591cc Turbo		3	51334 ⁵³	51334XP	WA10059	WP10083				N/S	N/S
L4 2.0L 1999cc 122 CID		8	51334 ⁵³	51334XP	49480	WP10083			3	N/S	N/S

K900

V6 3.8L 3778cc			57029		49004	WP10276				N/S	N/S
V8 5.0L 5038cc			57029		49004	WP10276				N/S	N/A
					49650						

OPTIMA

L4 1.6L 1591CC 97CID Turbo		6	51334 ⁵³	51334XP	WA10301	WP10361			3	N/S	N/S
L4 2.0L 1998cc 122 CID Turbo		6	51334 ⁵³	51334XP	WA10301	WP10361			3	N/S	N/S
L4 2.4L 2359cc		7	51334 ⁵³	51334XP	WA10127	WP10361			3	N/S	N/S

OPTIMA HYBRID

L4 2.4L 2359cc Electric/Gas		D	51334 ⁵³	51334XP	WA10127	WP10361			3	N/S	N/S
-----------------------------	--	---	---------------------	---------	---------	---------	--	--	---	-----	-----

RIO

L4 1.6L 1591cc 97 CID	G4FD	3	51334 ⁵³	51334XP	49022	24684	24684XP		3	N/S	N/S
-----------------------	------	---	---------------------	---------	-------	-------	---------	--	---	-----	-----

RONDO

L4 2.0L 1998cc 122 CID		3	51334 ⁵³	51334XP	49210	WP10083			3	N/S	N/A - Pan Style
------------------------	--	---	---------------------	---------	-------	---------	--	--	---	-----	-----------------

SEDONA

V6 3.3L 3342cc		1	WL10164		WA10271	WP10234			2	N/S	N/A
----------------	--	---	---------	--	---------	---------	--	--	---	-----	-----

SORENTO

L4 2.0L 1998cc Turbo			51334 ⁵³	51334XP	WA10271	WP10370			3	N/S	N/S
L4 2.4L 2359cc			51334 ⁵³	51334XP	WA10271	WP10370			3	N/S	N/S
V6 3.3L 3342cc			WL10164		WA10271	WP10370			3	N/S	N/S

SOUL

L4 1.6L 1591cc		2	51334 ⁵³	51334XP	49022	WP10178			3	N/S	N/S
L4 2.0L 1999cc 122 CID		5	51334 ⁵³	51334XP	49022	WP10178			3	N/S	N/S

SOUL EV

ELECTRIC Electric			N/R		N/A	WP10178			N/R		N/A
-------------------	--	--	-----	--	-----	---------	--	--	-----	--	-----

N/A = Not Available N/R = Not Required N/S = Not Serviceable For cabin and fuel filter locator, see pages 5-15 See pages 16-19 for footnotes

N/A = Non disponible N/R = Non nécessaire N/S = Non réparable Para la ubicación de los filtros de aire de la cabina y de combustible, ver las páginas 5-15 Voir pages 16-19 pour des notes

N/A = No disponible N/R = No requiere N/S = No servible Voir les tableaux de repérage des filtres d'habitacle et à carburant aux pages 5-15 Ver las páginas 16-19 para las notas al pie de página

Italicized Part Numbers May Not Be Available. Wix XP Oil Filters Have Fully Synthetic Media.

Las piezas con números en *italicas* pueden no estar disponibles. Los filtros de aceite WIX XP son completamente de media sintética. Les numéros de pièce en *italiques* peuvent ne pas être disponibles. Les filtres à huile XP Wix contiennent un matériau 100 % synthétique.

Year/Año/Année Model/Modelo/Modèle Engine/Motor/Moteur	Eng. Code Código de motor Code moteur	VIN NIV NIV	Oil Aceite Huile	Oil XP Aceite XP Huile XP	Air Aire Air	Cabin Air Cabina Aire Cabine Air	Cabin Air XP Cabina Aire XP Cabine Air XP	Loc. Cabin Air Cabina Aire Cabine Air	Fuel Combustible Carburant	Loc. Fuel Combustible Carburant	Transmission Transmisión Transmission
--	--	-------------------	------------------------	---------------------------------	--------------------	--	---	--	----------------------------------	--	---

KIA (Cont'd/Suite)
2016 (Cont'd/Suite)
SPORTAGE

L4 2.0L 1998cc 122 CID Turbo		6	51334 ⁵³	51334XP	49047	24684	24684XP	3	N/S		N/S
L4 2.4L 2359cc		C	51334 ⁵³	51334XP	49210	24684	24684XP	3	N/S		N/S

2015
CADENZA

V6 3.3L 3342cc		7	WL10164		49450	24013	24013XP		N/S		N/S
----------------	--	---	---------	--	-------	-------	---------	--	-----	--	-----

FORTE

L4 1.6L 1591cc Turbo			51334 ⁵³	51334XP	WA10059	WP10083			N/S		N/S
L4 1.8L 1797cc		6	51334 ⁵³	51334XP	49480	WP10083			N/S		N/S
L4 2.0L 1999cc 122 CID		7	51334 ⁵³	51334XP	49480	WP10083			N/S		N/S

FORTE KOUP EX

L4 2.0L 1999cc 122 CID			51334 ⁵³	51334XP	49480	WP10083		3	N/S		N/S
------------------------	--	--	---------------------	---------	-------	---------	--	---	-----	--	-----

FORTE KOUP SX

L4 1.6L 1591cc Turbo		6	51334 ⁵³	51334XP	WA10059	WP10083			N/S		N/S
----------------------	--	---	---------------------	---------	---------	---------	--	--	-----	--	-----

K900

V6 3.8L 3778cc			57029		49004	N/A			N/S		N/S
V8 5.0L 5038cc			57029		49004	WP10276			N/S		N/A
					49650						

OPTIMA

L4 2.0L 1998cc 122 CID Turbo		6	51334 ⁵³	51334XP	49250	WP10361		3	N/S		N/S
L4 2.4L 2359cc		7	51334 ⁵³	51334XP	49250	WP10361		3	N/S		N/S

OPTIMA HYBRID

L4 2.4L 2359cc Electric/Gas		D	51334 ⁵³	51334XP	49250	WP10361		3	N/S		N/S
-----------------------------	--	---	---------------------	---------	-------	---------	--	---	-----	--	-----

RIO

L4 1.6L 1591cc 97 CID	G4FD	3	51334 ⁵³	51334XP	49022	24684	24684XP	3	N/S		N/S
-----------------------	------	---	---------------------	---------	-------	-------	---------	---	-----	--	-----

RONDO

L4 2.0L 1998cc 122 CID		3	51334 ⁵³	51334XP	49210	WP10083		3	N/S		N/A - Pan Style
------------------------	--	---	---------------------	---------	-------	---------	--	---	-----	--	-----------------

SEDONA

V6 3.3L 3342cc		1	WL10164		WA10271	WP10234		2	N/S		N/A
----------------	--	---	---------	--	---------	---------	--	---	-----	--	-----

SORENTO

L4 2.4L 2359cc		6	51334 ⁵³	51334XP	49670	24080		3	N/S		N/S
V6 3.3L 3342cc		8	WL10164		49670	24080		3	N/S		N/S

SOUL

L4 1.6L 1591cc		2	51334 ⁵³	51334XP	49022	WP10178		3	N/S		N/S
L4 2.0L 1999cc 122 CID		5	51334 ⁵³	51334XP	49022	WP10178		3	N/S		N/S

SOUL EV

ELECTRIC Electric			N/R		N/A	WP10178			N/R		N/A
-------------------	--	--	-----	--	-----	---------	--	--	-----	--	-----

SPORTAGE

L4 2.0L 1998cc 122 CID Turbo		6	51334 ⁵³	51334XP	49047	24684	24684XP	3	N/S		N/S
L4 2.4L 2359cc		2	51334 ⁵³	51334XP	49210	24684	24684XP	3	N/S		N/S

2014
CADENZA

V6 3.3L 3342cc		7	WL10164		49450	24013	24013XP		N/S		N/S
----------------	--	---	---------	--	-------	-------	---------	--	-----	--	-----

FORTE

L4 1.6L 1591cc Turbo			51334 ⁵³	51334XP	WA10059	WP10083			N/S		N/S
L4 1.8L 1797cc		6	51334 ⁵³	51334XP	49480	WP10083			N/S		N/S
L4 2.0L 1999cc 122 CID		7	51334 ⁵³	51334XP	49480	WP10083			N/S		N/S

FORTE 5

L4 2.0L 1998cc	FED		51334 ⁵³	51334XP	49070	24684	24684XP	3	N/S		N/S
L4 2.4L 2359cc			51334 ⁵³	51334XP	N/A	24684	24684XP	3	N/S		N/S

FORTE KOUP EX

L4 2.0L 1999cc 122 CID			51334 ⁵³	51334XP	49480	WP10083		3	N/S		N/S
------------------------	--	--	---------------------	---------	-------	---------	--	---	-----	--	-----

N/A = Not Available N/R = Not Required N/S = Not Serviceable For cabin and fuel filter locator, see pages 5-15 See pages 16-19 for footnotes

N/A = Non disponible N/R = Non nécessaire N/S = Non réparable Para la ubicación de los filtros de aire de la cabina y de combustible, ver las páginas 5-15 Voir pages 16-19 pour des notes

N/A = No disponible N/R = No requiere N/S = No servible Voir les tableaux de repérage des filtres d'habitacle et à carburant aux pages 5-15 Ver las páginas 16-19 para las notas al pie de página

Italicized Part Numbers May Not Be Available. Wix XP Oil Filters Have Fully Synthetic Media.

Las piezas con números en *italicas* pueden no estar disponibles. Los filtros de aceite WIX XP son completamente de media sintética.

Les numéros de pièce en *italiques* peuvent ne pas être disponibles. Les filtres à huile XP Wix contiennent un matériau 100 % synthétique.

KIA 2014-2013
Pass Car/Light Truck

Year/Año/Année Model/Modelo/Modèle Engine/Motor/Moteur	Eng. Code Código de motor Code moteur	VIN NIV NIV	Oil Aceite Huile	Oil XP Aceite XP Huile XP	Air Aire Air	Cabin Air Cabina Aire Cabine Air	Cabin Air XP Cabina Aire XP Cabine Air XP	Loc. Cabin Air Cabina Aire Cabine Air	Fuel Combustible Carburant	Loc. Fuel Combustible Carburant	Transmission Transmisión Transmission
--	---	-------------------	------------------------	---------------------------------	--------------------	--	---	--	----------------------------------	--	---

KIA (Cont'd/Suite)
2014 (Cont'd/Suite)
FORTE KOUP SX

L4 1.6L 1591cc Turbo		6	51334 ⁵³	51334XP	WA10059	WP10083			N/S		N/S
----------------------	--	---	---------------------	---------	---------	---------	--	--	-----	--	-----

OPTIMA

L4 2.0L 1998cc 122 CID Turbo		6	51334 ⁵³	51334XP	49250	WP10361		3	N/S		N/S
L4 2.4L 2359cc		7	51334 ⁵³	51334XP	49450	WP10361		3	N/S		N/S

OPTIMA HYBRID

L4 2.4L 2359cc Electric/Gas		D	51334 ⁵³	51334XP	49250	WP10361		3	N/S		N/S
-----------------------------	--	---	---------------------	---------	-------	---------	--	---	-----	--	-----

RIO

L4 1.6L 1591cc 97 CID	G4FD	3	51334 ⁵³	51334XP	49022	24684	24684XP	3	N/S		N/S
-----------------------	------	---	---------------------	---------	-------	-------	---------	---	-----	--	-----

RONDO

L4 2.0L 1998cc 122 CID		3	51334 ⁵³	51334XP	49210	WP10083		3	N/S		N/A
------------------------	--	---	---------------------	---------	-------	---------	--	---	-----	--	-----

SEDONA

V6 3.5L 3470cc		7	WL10164		49113	24013	24013XP	2	N/S		51064 ⁵³ - Spin-on
----------------	--	---	---------	--	-------	-------	---------	---	-----	--	-------------------------------

SORENTO

L4 2.4L 2359cc		6	51334 ⁵³	51334XP	49670	24080		3	N/S		N/S
V6 3.3L 3342cc		8	WL10164		49670	24080		3	N/S		N/S

SOUL

L4 1.6L 1591cc		2	51334 ⁵³	51334XP	49022	WP10178		3	N/S		N/S
L4 2.0L 1999cc 122 CID		5	51334 ⁵³	51334XP	49022	WP10178		3	N/S		N/S

SPORTAGE

L4 2.0L 1998cc 122 CID Turbo		6	51334 ⁵³	51334XP	49047	24684	24684XP	3	N/S		N/S
L4 2.4L 2359cc		2	51334 ⁵³	51334XP	49210	24684	24684XP	3	N/S		N/S

2013
FORTE

L4 2.0L 1998cc	FED	2	51334 ⁵³	51334XP	49070	24684	24684XP	3	N/S		N/S
L4 2.4L 2359cc		3	51334 ⁵³	51334XP	49070	24684	24684XP	3	N/S		N/S

FORTE 5

L4 2.0L 1998cc 122 CID		2	51334 ⁵³	51334XP	49070	24684	24684XP	3	N/S		N/S
L4 2.4L 2359cc		3	51334 ⁵³	51334XP	49070	24684	24684XP	3	N/S		N/S

FORTE KOUP

L4 2.0L 1998cc	FED	2	51334 ⁵³	51334XP	49070	24684	24684XP	3	N/S		N/S
L4 2.4L 2359cc		3	51334 ⁵³	51334XP	49070	24684	24684XP	3	N/S		N/S

OPTIMA

L4 2.0L 1998cc 122 CID Turbo		6	51334 ⁵³	51334XP	49450	WP10361		3	N/S		N/S
L4 2.4L 2359cc		7	51334 ⁵³	51334XP	49450	WP10361		3	N/S		N/S

OPTIMA HYBRID

L4 2.4L 2359cc Electric/Gas		D	51334 ⁵³	51334XP	49450	WP10361		3	N/S		N/S
-----------------------------	--	---	---------------------	---------	-------	---------	--	---	-----	--	-----

RIO

L4 1.6L 1591cc 97 CID		3	51334 ⁵³	51334XP	49022	24684	24684XP	3	N/S		N/A
-----------------------	--	---	---------------------	---------	-------	-------	---------	---	-----	--	-----

RIO 5

L4 1.6L 1599cc		3	51334 ⁵³	51334XP	49022	24684	24684XP	3	N/S		N/A
----------------	--	---	---------------------	---------	-------	-------	---------	---	-----	--	-----

RONDO

L4 2.4L 2359cc		8	51334 ⁵³	51334XP	49175	24684	24684XP	3	N/S		51064 ⁵³ - Spin-on N/A ⁵³ - Pan Style
V6 2.7L 2656cc		6	57356 ⁵³	57356XP	49175	24684	24684XP	3	N/S		51064 ⁵³ - Spin-on WL10417 ⁵³ - Pan Style

SORENTO

L4 2.4L 2359cc		1,6	51334 ⁵³	51334XP	49250	24080		3	N/S		N/S
V6 3.5L 3470cc		2	WL10164		49250	24080		3	N/S		N/S

SOUL

L4 1.6L 1591cc		5	51334 ⁵³	51334XP	49022	24600		3	N/S		MT ⁷²
L4 2.0L 1975cc		6	51334 ⁵³	51334XP	49022	24600		3	N/S		N/S

SPORTAGE

L4 2.0L 1998cc 122 CID Turbo		6	51334 ⁵³	51334XP	49047	24684	24684XP	3	N/S		N/S
------------------------------	--	---	---------------------	---------	-------	-------	---------	---	-----	--	-----

N/A = Not Available N/R = Not Required N/S = Not Serviceable For cabin and fuel filter locator, see pages 5-15 See pages 16-19 for footnotes

N/A = Non disponible N/R = Non nécessaire N/S = Non réparable Para la ubicación de los filtros de aire de la cabina y de combustible, ver las páginas 5-15 Voir pages 16-19 pour des notes

N/A = No disponible N/R = No requiere N/S = No servible Voir les tableaux de repérage des filtres d'habitacle et à carburant aux pages 5-15 Ver las páginas 16-19 para las notas al pie de página

Italicized Part Numbers May Not Be Available. Wix XP Oil Filters Have Fully Synthetic Media.

Las piezas con números en *italicas* pueden no estar disponibles. Los filtros de aceite WIX XP son completamente de media sintética. Les numéros de pièce en *italiques* peuvent ne pas être disponibles. Les filtres à huile XP Wix contiennent un matériau 100 % synthétique.

Year/Año/Année Model/Modelo/Modèle Engine/Motor/Moteur	Eng. Code Código de motor Code moteur	VIN NIV NIV	Oil Aceite Huile	Oil XP Aceite XP Huile XP	Air Aire Air	Cabin Air Cabina Aire Cabine Air	Cabin Air XP Cabina Aire XP Cabine Air XP	Loc. Cabin Air Cabina Aire Cabine Air	Fuel Combustible Carburant	Loc. Fuel Combustible Carburant	Transmission Transmisión Transmission
--	---	-------------------	------------------------	---------------------------------	--------------------	--	---	--	----------------------------------	--	---

KIA (Cont'd/Suite)
2013 (Cont'd/Suite)
SPORTAGE (Cont'd/Suite)

L4 2.4L 2359cc		2	51334 ⁵³	51334XP	49210	24684	24684XP	3	N/S		N/S
----------------	--	---	---------------------	---------	-------	-------	---------	---	-----	--	-----

2012
BORREGO

V6 3.8L 3778cc		1	57029 ⁹¹¹ 57250 ⁹¹²		49600	49353		3	N/S		N/S
V8 4.6L 4627cc		2	57029		49600	49353		3	N/S		N/S

FORTE

L4 2.0L 1998cc	FED	2	51334 ⁵³	51334XP	49070	24684	24684XP	3	N/S		N/S
L4 2.4L 2359cc		3	51334 ⁵³	51334XP	49070	24684	24684XP	3	N/S		N/S

FORTE 5

L4 2.0L 1998cc 122 CID		2	51334 ⁵³	51334XP	49070	24684	24684XP	3	N/S		N/S
L4 2.4L 2359cc		3	51334 ⁵³	51334XP	49070	24684	24684XP	3	N/S		N/S

FORTE KOUP

L4 2.0L 1998cc	FED	2	51334 ⁵³	51334XP	49070	24684	24684XP	3	N/S		N/S
L4 2.4L 2359cc		3	51334 ⁵³	51334XP	49070	24684	24684XP	3	N/S		N/S

MAGENTIS

L4 2.4L 2351cc		6	51334 ⁵³	51334XP	49175	24517			N/S	Q	51064 ⁵³ - Spin-on
V6 2.7L 2656cc		8	51334 ⁵³	51334XP	49175	24517			N/S	Q	51064 ⁵³ - Spin-on

OPTIMA

L4 2.0L 1998cc Turbo		6	51334 ⁵³	51334XP	49450	WP10361		3	N/S		N/S
L4 2.4L 2359cc		7	51334 ⁵³	51334XP	49450	WP10361		3	N/S		N/S

OPTIMA HYBRID

L4 2.4L 2359cc Electric/Gas		D	51334 ⁵³	51334XP	49450	WP10361		3	N/S		N/S
-----------------------------	--	---	---------------------	---------	-------	---------	--	---	-----	--	-----

RIO

L4 1.6L 1591cc 97 CID		3	51334 ⁵³	51334XP	49022	24684	24684XP	3	N/S		N/A
-----------------------	--	---	---------------------	---------	-------	-------	---------	---	-----	--	-----

RIO 5

L4 1.6L 1599cc		3	51334 ⁵³	51334XP	49022	24684	24684XP	3	N/S		N/A
----------------	--	---	---------------------	---------	-------	-------	---------	---	-----	--	-----

RONDO

L4 2.4L 2359cc		8	51334 ⁵³	51334XP	49175	24684	24684XP	3	N/S		51064 ⁵³ - Spin-on N/A ⁵³ - Pan Style
V6 2.7L 2656cc		6	57356 ⁵³	57356XP	49175	24684	24684XP	3	N/S		51064 ⁵³ - Spin-on WL10417 ⁵³ - Pan Style

SEDONA

V6 3.5L 3470cc		7	WL10164		49113	24013	24013XP	2	N/S		51064 ⁵³ - Spin-on
----------------	--	---	---------	--	-------	-------	---------	---	-----	--	-------------------------------

SORENTO

L4 2.4L 2359cc		1,6	51334 ⁵³	51334XP	49250	24080		3	N/S		N/S
V6 3.5L 3470cc		2	WL10164		49250	24080		3	N/S		N/S

SOUL

L4 1.6L 1591cc		5	51334 ⁵³	51334XP	49022	24600		3	N/S		MT ⁷²
L4 2.0L 1975cc		6	51334 ⁵³	51334XP	49022	24600		3	N/S		N/S

SPORTAGE

L4 2.0L 1998cc 122 CID Turbo		6	51334 ⁵³	51334XP	49047	24684	24684XP	3	N/S		N/S
L4 2.4L 2359cc		2	51334 ⁵³	51334XP	49210	24684	24684XP	3	N/S		N/S

2011
BORREGO

V6 3.8L 3778cc		1	57029 ⁹¹¹ 57250 ⁹²⁹		49600	49353		3	N/S		N/S
V8 4.6L 4627cc		2	57029		49600	49353		3	N/S		N/S

FORTE

L4 2.0L 1998cc	FED	2	51334 ⁵³	51334XP	49070	24684	24684XP	3	N/S		N/S
L4 2.4L 2359cc		3	51334 ⁵³	51334XP	49070	24684	24684XP	3	N/S		N/S

FORTE KOUP

L4 2.0L 1998cc	FED	2	51334 ⁵³	51334XP	49070	24684	24684XP	3	N/S		N/S
----------------	-----	---	---------------------	---------	-------	-------	---------	---	-----	--	-----

N/A = Not Available N/R = Not Required N/S = Not Serviceable For cabin and fuel filter locator, see pages 5-15 See pages 16-19 for footnotes

N/A = Non disponible N/R = Non nécessaire N/S = Non réparable Para la ubicación de los filtros de aire de la cabina y de combustible, ver las páginas 5-15 Voir pages 16-19 pour des notes

N/A = No disponible N/R = No requiere N/S = No servible Voir les tableaux de repérage des filtres d'habitacle et à carburant aux pages 5-15 Ver las páginas 16-19 para las notas al pie de página

Italicized Part Numbers May Not Be Available. Wix XP Oil Filters Have Fully Synthetic Media.

Las piezas con números en *italicas* pueden no estar disponibles. Los filtros de aceite WIX XP son completamente de media sintética.

Les numéros de pièce en *italiques* peuvent ne pas être disponibles. Les filtres à huile Wix contiennent un matériau 100 % synthétique.

KIA 2011-2010
Pass Car/Light Truck

Year/Año/Année Model/Modelo/Modèle Engine/Motor/Moteur	Eng. Code Código de motor Code moteur	VIN NIV NIV	Oil Aceite Huile	Oil XP Aceite XP Huile XP	Air Aire Air	Cabin Air Cabina Aire Cabine Air	Cabin Air XP Cabina Aire XP Cabine Air XP	Loc. Cabin Air Cabina Aire Cabine Air	Fuel Combustible Carburant	Loc. Fuel Combustible Carburant	Transmission Transmisión Transmission
--	---	-------------------	------------------------	---------------------------------	--------------------	--	---	--	----------------------------------	--	---

KIA (Cont'd/Suite)
2011 (Cont'd/Suite)
FORTE KOUP (Cont'd/Suite)

L4 2.4L 2359cc		3	51334 ⁵³	51334XP	49070	24684	24684XP	3	N/S		N/S
----------------	--	---	---------------------	---------	-------	-------	---------	---	-----	--	-----

MAGENTIS

L4 2.4L 2351cc		6	51334 ⁵³	51334XP	49175	24517			N/S	Q	51064 ⁵³ - Spin-on
V6 2.7L 2656cc		8	51334 ⁵³	51334XP	49175	24517			N/S	Q	51064 ⁵³ - Spin-on

OPTIMA

L4 2.0L 1998cc Turbo		6	51334 ⁵³	51334XP	49450	WP10361		3	N/S		N/S
L4 2.4L 2359cc		7	51334 ⁵³	51334XP	49450	WP10361		3	N/S		N/S

OPTIMA HYBRID

L4 2.4L 2359cc Electric/Gas		D	51334 ⁵³	51334XP	49450	WP10361		3	N/S		N/S
-----------------------------	--	---	---------------------	---------	-------	---------	--	---	-----	--	-----

RIO

L4 1.6L 1599cc		3	51334 ⁵³	51334XP	49069	24684	24684XP	3	N/S		N/A
----------------	--	---	---------------------	---------	-------	-------	---------	---	-----	--	-----

RIO 5

L4 1.6L 1599cc		3	51334 ⁵³	51334XP	49069	24684	24684XP	3	N/S		N/A
----------------	--	---	---------------------	---------	-------	-------	---------	---	-----	--	-----

RONDO

L4 2.4L 2359cc		8	51334 ⁵³	51334XP	49175	24684	24684XP	3	N/S		51064 ⁵³ - Spin-on N/A ⁵³ - Pan Style
V6 2.7L 2656cc		6	57356 ⁵³	57356XP	49175	24684	24684XP	3	N/S		51064 ⁵³ - Spin-on WL10417 ⁵³ - Pan Style

SEDONA

V6 3.5L 3470cc		7	WL10164		49113	24013	24013XP	3	N/S		51064 ⁵³ - Spin-on
----------------	--	---	---------	--	-------	-------	---------	---	-----	--	-------------------------------

SORENTO

L4 2.4L 2359cc		1	51334 ⁵³	51334XP	49250	24080		3	N/S		N/S
V6 3.5L 3470cc		2	WL10164		49250	24080		3	N/S		N/S

SOUL

L4 1.6L 1591cc		1	51334 ⁵³	51334XP	49400	24600		3	N/S		MT ⁷²
L4 2.0L 1975cc		2	51334 ⁵³	51334XP	49400	24600		3	N/S		N/S

SPORTAGE

L4 2.0L 1998cc 122 CID Turbo		6	51334 ⁵³	51334XP	49047	24684	24684XP	3	N/S		N/S
L4 2.4L 2359cc		2	51334 ⁵³	51334XP	49210	24684	24684XP	3	N/S		N/S

2010
BORREGO

V6 3.8L 3778cc		1	57029 ³¹¹ 57250 ³²⁹		49600	49353		3	N/S		N/S
V8 4.6L 4627cc		2	57029		49600	49353		3	N/S		N/S

FORTE

L4 2.0L 1998cc	FED	2	51334 ⁵³	51334XP	49070	24684	24684XP	3	N/S		N/S
L4 2.4L 2359cc		3	51334 ⁵³	51334XP	49070	24684	24684XP	3	N/S		N/S

FORTE KOUP

L4 2.0L 1998cc	FED	2	51334 ⁵³	51334XP	49070	24684	24684XP	3	N/S		N/S
L4 2.4L 2359cc		3	51334 ⁵³	51334XP	49070	24684	24684XP	3	N/S		N/S

MAGENTIS

L4 2.4L 2351cc		6	51334 ⁵³	51334XP	49175	24517			N/S	Q	51064 ⁵³ - Spin-on
V6 2.7L 2656cc		8	51334 ⁵³	51334XP	49175	24517			N/S	Q	51064 ⁵³ - Spin-on

OPTIMA

L4 2.4L 2359cc		8	51334 ⁵³	51334XP	49175	24517		3	N/S		51064 ⁵³ - Spin-on WL10417 ⁵³ - Pan Style
V6 2.7L 2656cc		4	51334 ⁵³	51334XP	49175	24517		3	N/S		51064 ⁵³ - Spin-on WL10417 ⁵³ - Pan Style

RIO

L4 1.6L 1599cc		3	51334 ⁵³	51334XP	49069	24684	24684XP	3	N/S		N/A
----------------	--	---	---------------------	---------	-------	-------	---------	---	-----	--	-----

RIO 5

L4 1.6L 1599cc		3	51334 ⁵³	51334XP	49069	24684	24684XP	3	N/S		N/A
----------------	--	---	---------------------	---------	-------	-------	---------	---	-----	--	-----

N/A = Not Available N/R = Not Required N/S = Not Serviceable For cabin and fuel filter locator, see pages 5-15 See pages 16-19 for footnotes

N/A = Non disponible N/R = Non nécessaire N/S = Non réparable Para la ubicación de los filtros de aire de la cabina y de combustible, ver las páginas 5-15 Voir pages 16-19 pour des notes

N/A = No disponible N/R = No requiere N/S = No servible Voir les tableaux de repérage des filtres d'habitacle et à carburant aux pages 5-15 Ver las páginas 16-19 para las notas al pie de página

Italicized Part Numbers May Not Be Available. Wix XP Oil Filters Have Fully Synthetic Media.

Las piezas con números en *italicas* pueden no estar disponibles. Los filtros de aceite WIX XP son completamente de media sintética. Les numéros de pièce en *italiques* peuvent ne pas être disponibles. Les filtres à huile XP Wix contiennent un matériau 100 % synthétique.

Year/Año/Année Model/Modelo/Modèle Engine/Motor/Moteur	Eng. Code Código de motor Code moteur	VIN NIV NIV	Oil Aceite Huile	Oil XP Aceite XP Huile XP	Air Aire Air	Cabin Air Cabina Aire Cabine Air	Cabin Air XP Cabina Aire XP Cabine Air XP	Loc. Cabin Air Cabina Aire Cabine Air	Fuel Combustible Carburant	Loc. Fuel Combustible Carburant	Transmission Transmisión Transmission
--	---	-------------------	------------------------	---------------------------------	--------------------	--	---	--	----------------------------------	--	---

KIA (Cont'd/Suite)
2010 (Cont'd/Suite)
RONDO

L4 2.4L 2359cc		8	51334 ⁵³	51334XP	49175	24684	24684XP	3	N/S		51064 ⁵³ - Spin-on WL10417 ⁵³ - Pan Style
V6 2.7L 2656cc		6	51334 ⁵³	51334XP	49175	24684	24684XP	3	N/S		51064 ⁵³ - Spin-on WL10417 ⁵³ - Pan Style

SEDONA

V6 3.8L 3778cc		3	57250 ³²⁹ 57061 ²⁶⁶ 57029 ³¹¹		49113	24689		2	N/S		51064 ⁵³ - Spin-on
----------------	--	---	--	--	-------	-------	--	---	-----	--	-------------------------------

SOUL

L4 1.6L 1591cc		1	51334 ⁵³	51334XP	49400	24600		3	N/S		MT ⁷²
L4 2.0L 1975cc		2	51334 ⁵³	51334XP	49400	24600		3	N/S		N/S

SPORTAGE

L4 2.0L 1975cc		2,4	51334 ⁵³	51334XP	42834	24684	24684XP	3	N/S		WL10417
V6 2.7L 2656cc		3	51334 ⁵³	51334XP	42834	24684	24684XP	3	N/S		WL10417

2009
AMANTI

V6 3.8L 3778cc		5	57061		49900	24809		3	N/S		51064 ⁵³ - Spin-on WL10417 ⁵³ - Pan Style
----------------	--	---	-------	--	-------	-------	--	---	-----	--	--

BORREGO

V6 3.8L 3778cc		1	57029 ³¹¹ 57250 ³²⁹		49600	49353		3	N/S		N/S
V8 4.6L 4627cc		2	57029		49600	49353		3	N/S		N/S

MAGENTIS

L4 2.4L 2351cc		6	51334 ⁵³	51334XP	49175	24517			N/S	Q	51064 ⁵³ - Spin-on
V6 2.7L 2656cc		8	51334 ⁵³	51334XP	49175	24517			33319	Q	51064 ⁵³ - Spin-on

OPTIMA

L4 2.4L 2359cc		8	51334 ⁵³	51334XP	49175	24517		3	N/S		51064 ⁵³ - Spin-on WL10417 ⁵³ - Pan Style
V6 2.7L 2656cc		4	51334 ⁵³	51334XP	49175	24517		3	N/S		51064 ⁵³ - Spin-on WL10417 ⁵³ - Pan Style

RIO

L4 1.6L 1599cc		3	51334 ⁵³	51334XP	49069	24684	24684XP	3	N/S		N/A
----------------	--	---	---------------------	---------	-------	-------	---------	---	-----	--	-----

RIO 5

L4 1.6L 1599cc		3	51334 ⁵³	51334XP	49069	24684	24684XP	3	N/S		N/A
----------------	--	---	---------------------	---------	-------	-------	---------	---	-----	--	-----

RONDO

L4 2.4L 2359cc		8	51334 ⁵³	51334XP	49175	24684	24684XP	3	N/S		51064 ⁵³ - Spin-on WL10417 ⁵³ - Pan Style
V6 2.7L 2656cc		6	51334 ⁵³	51334XP	49175	24684	24684XP	3	N/S		51064 ⁵³ - Spin-on WL10417 ⁵³ - Pan Style

SEDONA

V6 3.8L 3778cc		3	57061 ²⁶⁶ 57029 ³¹¹ 57250 ³²⁹		49113	24689		2	N/S		51064 ⁵³ - Spin-on
----------------	--	---	--	--	-------	-------	--	---	-----	--	-------------------------------

SORENTO

V6 3.3L 3345cc		5	57061 ²⁶⁶ 57029 ²⁶⁷		49180	24794		3	N/S		WL10417
V6 3.8L 3778cc		6	57061 ²⁶⁶ 57029 ²⁶⁷		49180	24794		3	N/S		N/S

SPECTRA

L4 2.0L 1975cc		1,2	51334 ⁵³	51334XP	42551	49353		3	N/S		WL10417
----------------	--	-----	---------------------	---------	-------	-------	--	---	-----	--	---------

SPECTRA5

L4 2.0L 1975cc		1,2	51334 ⁵³	51334XP	42551	49353		3	N/S		WL10417
----------------	--	-----	---------------------	---------	-------	-------	--	---	-----	--	---------

SPORTAGE

L4 2.0L 1975cc		2	51334 ⁵³	51334XP	42834	24684	24684XP	3	N/S		WL10417
		4	51334 ⁵³	51334XP	42834	24684	24684XP	3	N/S		WL10417
V6 2.7L 2656cc		3	51334 ⁵³	51334XP	42834	24684	24684XP	3	N/S		WL10417

N/A = Not Available N/R = Not Required N/S = Not Serviceable For cabin and fuel filter locator, see pages 5-15 See pages 16-19 for footnotes

N/A = Non disponible N/R = Non nécessaire N/S = Non réparable Para la ubicación de los filtros de aire de la cabina y de combustible, ver las páginas 5-15 Voir pages 16-19 pour des notes

N/A = No disponible N/R = No requiere N/S = No servible Voir les tableaux de repérage des filtres d'habitacle et à carburant aux pages 5-15 Ver las páginas 16-19 para las notas al pie de página

Italicized Part Numbers May Not Be Available. Wix XP Oil Filters Have Fully Synthetic Media.

Las piezas con números en *italicas* pueden no estar disponibles. Los filtros de aceite WIX XP son completamente de media sintética.

Les numéros de pièce en *italiques* peuvent ne pas être disponibles. Les filtres à huile Wix contiennent un matériau 100 % synthétique.

KIA 2008-2007
Pass Car/Light Truck

Year/Año/Année Model/Modelo/Modèle Engine/Motor/Moteur	Eng. Code Código de motor Code moteur	VIN NIV NIV	Oil Aceite Huile	Oil XP Aceite XP Huile XP	Air Aire Air	Cabin Air Cabina Aire Cabine Air	Cabin Air XP Cabina Aire XP Cabine Air XP	Loc. Cabin Air Cabina Aire Cabine Air	Fuel Combustible Carburant	Loc. Fuel Combustible Carburant	Transmission Transmisión Transmission
--	---	-------------------	------------------------	---------------------------------	--------------------	--	---	--	----------------------------------	--	---

KIA (Cont'd/Suite)
2008
AMANTI

V6 3.8L 3778cc		5	57061		49900	24809		3	N/S		51064 ⁵³ - Spin-on WL10417 ⁵³ - Pan Style
----------------	--	---	-------	--	-------	-------	--	---	-----	--	--

MAGENTIS

L4 2.4L 2351cc		6	51334 ⁵³	51334XP	49175	24517			N/S	Q	51064 ⁵³ - Spin-on
V6 2.7L 2656cc		8	51334 ⁵³	51334XP	49175	24517			33319	Q	51064 ⁵³ - Spin-on

OPTIMA

L4 2.4L 2359cc		3	51334 ⁵³	51334XP	49175	24517		3	N/S		51064 ⁵³ - Spin-on WL10417 ⁵³ - Pan Style
V6 2.7L 2656cc		4	51334 ⁵³	51334XP	49175	24517		3	N/S		51064 ⁵³ - Spin-on WL10417 ⁵³ - Pan Style

RIO

L4 1.6L 1599cc		3	51334 ⁵³	51334XP	49069	24684	24684XP	3	N/S		N/A
----------------	--	---	---------------------	---------	-------	-------	---------	---	-----	--	-----

RIO 5

L4 1.6L 1599cc		3	51334 ⁵³	51334XP	49069	24684	24684XP	3	N/S		N/A
----------------	--	---	---------------------	---------	-------	-------	---------	---	-----	--	-----

RONDO

L4 2.4L 2359cc		5	51334 ⁵³	51334XP	49175	24684	24684XP	3	N/S		51064 ⁵³ - Spin-on WL10417 ⁵³ - Pan Style
V6 2.7L 2656cc		6	51334 ⁵³	51334XP	49175	24684	24684XP	3	N/S		51064 ⁵³ - Spin-on WL10417 ⁵³ - Pan Style

SEDONA

V6 3.8L 3778cc		3	57061 ²⁶⁶ 57250 ³²⁹ 57029 ³¹¹		49113	24689		2	N/S		51064 ⁵³ - Spin-on
----------------	--	---	--	--	-------	-------	--	---	-----	--	-------------------------------

SORENTO

V6 3.3L 3345cc		5	57061 ²⁶⁶ 57029 ²⁶⁷		49180	24794		3	N/S		WL10417
V6 3.8L 3778cc		6	57061 ²⁶⁶ 57029 ²⁶⁷		49180	24794		3	N/S		N/S

SPECTRA

L4 2.0L 1975cc		1,2	51334 ⁵³	51334XP	42551	49353		3	N/S		WL10417
----------------	--	-----	---------------------	---------	-------	-------	--	---	-----	--	---------

SPECTRA5

L4 2.0L 1975cc		1,2	51334 ⁵³	51334XP	42551	49353		3	N/S		WL10417
----------------	--	-----	---------------------	---------	-------	-------	--	---	-----	--	---------

SPORTAGE

L4 2.0L 1975cc		4	51334 ⁵³	51334XP	42834	24684	24684XP	3	N/S		WL10417
V6 2.7L 2656cc		3	51334 ⁵³	51334XP	42834	24684	24684XP	3	N/S		WL10417

2007
AMANTI

V6 3.8L 3778cc		5	57061		49900	24809		3	N/S		51064 ⁵³ - Spin-on
----------------	--	---	-------	--	-------	-------	--	---	-----	--	-------------------------------

MAGENTIS

L4 2.4L 2351cc		6	51334 ⁵³	51334XP	42797	24517			33319	Q	51064 ⁵³ - Spin-on
V6 2.7L 2656cc		8	51334 ⁵³	51334XP	42797	24517			33319	Q	51064 ⁵³ - Spin-on

OPTIMA

L4 2.4L 2359cc		3	51334 ⁵³	51334XP	49175	24517		3	N/S		51064 ⁵³ - Spin-on
V6 2.7L 2656cc		4	51334 ⁵³	51334XP	49175	24517		3	N/S		51064 ⁵³ - Spin-on

RIO

L4 1.6L 1599cc		3	51334 ⁵³	51334XP	49069	24684	24684XP	3	N/S		N/A
----------------	--	---	---------------------	---------	-------	-------	---------	---	-----	--	-----

RIO 5

L4 1.6L 1599cc		3	51334 ⁵³	51334XP	49069	24684	24684XP	3	N/S		N/A
----------------	--	---	---------------------	---------	-------	-------	---------	---	-----	--	-----

RONDO

L4 2.4L 2359cc		5	51334 ⁵³	51334XP	49175	24684	24684XP	3	N/S		51064 ⁵³ - Spin-on WL10417 ⁵³ - Pan Style
V6 2.7L 2656cc		6	51334 ⁵³	51334XP	49175	24684	24684XP	3	N/S		51064 ⁵³ - Spin-on WL10417 ⁵³ - Pan Style

N/A = Not Available N/R = Not Required N/S = Not Serviceable For cabin and fuel filter locator, see pages 5-15 See pages 16-19 for footnotes

N/A = Non disponible N/R = Non nécessaire N/S = Non réparable Para la ubicación de los filtros de aire de la cabina y de combustible, ver las páginas 5-15 Voir pages 16-19 pour des notes

N/A = No disponible N/R = No requiere N/S = No servible Voir les tableaux de repérage des filtres d'habitacle et à carburant aux pages 5-15 Ver las páginas 16-19 para las notas al pie de página

Italicized Part Numbers May Not Be Available. Wix XP Oil Filters Have Fully Synthetic Media.

Las piezas con números en *italicas* pueden no estar disponibles. Los filtros de aceite WIX XP son completamente de media sintética. Les numéros de pièce en *italiques* peuvent ne pas être disponibles. Les filtres à huile XP Wix contiennent un matériau 100 % synthétique.

Pass Car/Light Truck
KIA 2007-2005

Year/Año/Année Model/Modelo/Modèle Engine/Motor/Moteur	Eng. Code Código de motor Code moteur	VIN NIV NIV	Oil Aceite Huile	Oil XP Aceite XP Huile XP	Air Aire Air	Cabin Air Cabina Aire Cabine Air	Cabin Air XP Cabina Aire XP Cabine Air XP	Loc. Cabin Air Cabina Aire Cabine Air	Fuel Combustible Carburant	Loc. Fuel Combustible Carburant	Transmission Transmisión Transmission
--	--	-------------------	------------------------	---------------------------------	--------------------	--	---	--	----------------------------------	--	---

KIA (Cont'd/Suite)
2007 (Cont'd/Suite)
SEDONA

V6 3.8L 3778cc		3	57061 ²⁶⁶ 57250 ³²⁹ 57029 ³¹¹		49113	24689		2	N/S		N/S
----------------	--	---	--	--	-------	-------	--	---	-----	--	-----

SORENTO

V6 3.8L 3778cc		6	57061		49180	24794		3	N/S		N/S
----------------	--	---	-------	--	-------	-------	--	---	-----	--	-----

SPECTRA

L4 2.0L 1975cc		1,2	51334 ⁵³	51334XP	42551	49353		3	N/S		WL10417
----------------	--	-----	---------------------	---------	-------	-------	--	---	-----	--	---------

SPECTRA5

L4 2.0L 1975cc		1,2	51334 ⁵³	51334XP	42551	49353		3	N/S		WL10417
----------------	--	-----	---------------------	---------	-------	-------	--	---	-----	--	---------

SPORTAGE

L4 2.0L 1975cc		4	51334 ⁵³	51334XP	42834	24684	24684XP	3	N/S		WL10417
V6 2.7L 2656cc		3	51334 ⁵³	51334XP	42834	24684	24684XP	7	N/S		WL10417

2006
AMANTI

V6 3.5L 3497cc		1	51334 ⁵³	51334XP	42727	24809		3	N/S		51064 ⁵³ - Spin-on
----------------	--	---	---------------------	---------	-------	-------	--	---	-----	--	-------------------------------

MAGENTIS

L4 2.4L 2351cc		6	51334 ⁵³	51334XP	42797	24517			33319	Q	51064 ⁵³ - Spin-on
V6 2.7L 2656cc		8	51334 ⁵³	51334XP	42797	24517			33319	Q	51064 ⁵³ - Spin-on

OPTIMA

L4 2.4L 2351cc		6	51334 ⁵³	51334XP		24517		3	33319	Q	51064 ⁵³ - Spin-on
L4 2.4L 2359cc		3	51334 ⁵³	51334XP	49175	24517		3	33319	Q	51064 ⁵³ - Spin-on
V6 2.7L 2656cc		4	51334 ⁵³	51334XP	49175	24517		3	N/S	Q	51064 ⁵³ - Spin-on
		8	51334 ⁵³	51334XP	42797	24517		3	N/S	Q	51064 ⁵³ - Spin-on

RIO

L4 1.6L 1599cc		3	51334 ⁵³	51334XP	49069	24684	24684XP	3	N/S		N/A
----------------	--	---	---------------------	---------	-------	-------	---------	---	-----	--	-----

RIO 5

L4 1.6L 1599cc		3	51334 ⁵³	51334XP	49069	24684	24684XP	3	N/S		N/A
----------------	--	---	---------------------	---------	-------	-------	---------	---	-----	--	-----

SEDONA

V6 3.8L 3778cc		1	51334 ⁵³ - Spin-on 57061 ⁵³ - Cartridge	51334XP - Spin-on	49113	24689		2	N/S		N/S
----------------	--	---	--	-------------------	-------	-------	--	---	-----	--	-----

SORENTO

V6 3.5L 3497cc		3	51334 ⁵³	51334XP	42164	N/R			N/S		N/S
----------------	--	---	---------------------	---------	-------	-----	--	--	-----	--	-----

SPECTRA

L4 2.0L 1975cc		1,2	51334 ⁵³	51334XP	42551	49353		3	N/S		WL10417
----------------	--	-----	---------------------	---------	-------	-------	--	---	-----	--	---------

SPECTRA5

L4 2.0L 1975cc		1,2	51334 ⁵³	51334XP	42551	49353		3	N/S		WL10417
----------------	--	-----	---------------------	---------	-------	-------	--	---	-----	--	---------

SPORTAGE

L4 2.0L 1975cc		4	51334 ⁵³	51334XP	42834	24684	24684XP	3	N/S		WL10417
V6 2.7L 2656cc		3	51334 ⁵³	51334XP	42834	24684	24684XP	3	N/S		WL10417

2005
AMANTI

V6 3.5L 3497cc		1	51334 ⁵³	51334XP	42727	24809		3	N/S		51064 ⁵³ - Spin-on
----------------	--	---	---------------------	---------	-------	-------	--	---	-----	--	-------------------------------

MAGENTIS

L4 2.4L 2351cc		6	51334 ⁵³	51334XP	42797				N/S	Q	51064 ⁵³ - Spin-on
V6 2.7L 2656cc		8	51334 ⁵³	51334XP	42797				N/S	Q	51064 ⁵³ - Spin-on

OPTIMA

L4 2.4L 2351cc		6	51334 ⁵³	51334XP	42797	24015			33319	Q	51064 ⁵³ - Spin-on
V6 2.7L 2656cc		8	51334 ⁵³	51334XP	42797	24015			N/S	Q	51064 ⁵³ - Spin-on

RIO

L4 1.6L 1594cc		5	51358 ⁵³	51358XP	46340	N/R			33883 ¹³⁹ 33618 ¹³⁸	O O	N/A
----------------	--	---	---------------------	---------	-------	-----	--	--	--	--------	-----

SEDONA

V6 3.5L 3497cc		1	51334 ⁵³	51334XP	42086	N/R			N/S		N/S
----------------	--	---	---------------------	---------	-------	-----	--	--	-----	--	-----

N/A = Not Available N/R = Not Required N/S = Not Serviceable For cabin and fuel filter locator, see pages 5-15 See pages 16-19 for footnotes

N/A = Non disponible N/R = Non nécessaire N/S = Non réparable Para la ubicación de los filtros de aire de la cabina y de combustible, ver las páginas 5-15 Voir pages 16-19 pour des notes

N/A = No disponible N/R = No requiere N/S = No servible Voir les tableaux de repérage des filtres d'habitacle et à carburant aux pages 5-15 Ver las páginas 16-19 para las notas al pie de página

Italicized Part Numbers May Not Be Available. Wix XP Oil Filters Have Fully Synthetic Media.

Las piezas con números en *italicas* pueden no estar disponibles. Los filtros de aceite WIX XP son completamente de media sintética.

Les numéros de pièce en *italiques* peuvent ne pas être disponibles. Les filtres à huile Wix contiennent un matériau 100 % synthétique.

Year/Año/Année Model/Modelo/Modèle Engine/Motor/Moteur	Eng. Code Código de motor Code moteur	VIN NIV NIV	Oil Aceite Huile	Oil XP Aceite XP Huile XP	Air Aire Air	Cabin Air Cabina Aire Cabine Air	Cabin Air XP Cabina Aire XP Cabine Air XP	Loc. Cabin Air Cabina Aire Cabine Air	Fuel Combustible Carburant	Loc. Fuel Combustible Carburant	Transmission Transmisión Transmission
--	---	-------------------	------------------------	---------------------------------	--------------------	--	---	--	----------------------------------	--	---

KIA (Cont'd/Suite)
2005 (Cont'd/Suite)
SORENTO

V6 3.5L 3497cc		3	51334 ⁵³	51334XP	42164	N/R			N/S		N/S
----------------	--	---	---------------------	---------	-------	-----	--	--	-----	--	-----

SPECTRA

L4 2.0L 1975cc		1,2	51334 ⁵³	51334XP	42551	49353		3	N/S		WL10417
----------------	--	-----	---------------------	---------	-------	-------	--	---	-----	--	---------

SPECTRA5

L4 2.0L 1975cc		1,2	51334 ⁵³	51334XP	42551	49353		3	N/S		WL10417
----------------	--	-----	---------------------	---------	-------	-------	--	---	-----	--	---------

SPORTAGE

L4 2.0L 1975cc		4	51334 ⁵³	51334XP	42834	24684	24684XP	3	N/S		WL10417
----------------	--	---	---------------------	---------	-------	-------	---------	---	-----	--	---------

V6 2.7L 2656cc		3	51334 ⁵³	51334XP	42834	24684	24684XP	3	N/S		WL10417
----------------	--	---	---------------------	---------	-------	-------	---------	---	-----	--	---------

2004
AMANTI

V6 3.5L 3497cc		1	51334 ⁵³	51334XP	42727	24809		3	N/S		N/A
----------------	--	---	---------------------	---------	-------	-------	--	---	-----	--	-----

MAGENTIS

L4 2.4L 2351cc		6	51334 ⁵³	51334XP	42797				N/S	Q	51064 ⁵³ - Spin-on
----------------	--	---	---------------------	---------	-------	--	--	--	-----	---	-------------------------------

V6 2.7L 2656cc		8	51334 ⁵³	51334XP	42797				N/S	Q	51064 ⁵³ - Spin-on
----------------	--	---	---------------------	---------	-------	--	--	--	-----	---	-------------------------------

OPTIMA

L4 2.4L 2351cc		6	51334 ⁵³	51334XP	42797	N/R			33319		51064 ⁵³ - Spin-on
----------------	--	---	---------------------	---------	-------	-----	--	--	-------	--	-------------------------------

V6 2.7L 2656cc		8	51334 ⁵³	51334XP	42797	N/R			N/S	Q	51064 ⁵³ - Spin-on
----------------	--	---	---------------------	---------	-------	-----	--	--	-----	---	-------------------------------

RIO

L4 1.6L 1594cc		5	51358 ⁵³	51358XP	46340	N/R			33883 ¹³⁹	O	N/A
----------------	--	---	---------------------	---------	-------	-----	--	--	----------------------	---	-----

									33618 ¹³⁸	O	
--	--	--	--	--	--	--	--	--	----------------------	---	--

SEDONA

V6 3.5L 3497cc		1	51334 ⁵³	51334XP	42086	N/R			N/S		N/A
----------------	--	---	---------------------	---------	-------	-----	--	--	-----	--	-----

SORENTO

V6 3.5L 3497cc		3	51334 ⁵³	51334XP	42164	N/R			N/S		N/A
----------------	--	---	---------------------	---------	-------	-----	--	--	-----	--	-----

SPECTRA

L4 1.8L 1793cc	5BP	1	51358 ⁵³	51358XP	46462 ⁶¹	49353		5	33901 ¹³⁹	K	WL10417
----------------	-----	---	---------------------	---------	---------------------	-------	--	---	----------------------	---	---------

									33598 ¹³⁸	K	
--	--	--	--	--	--	--	--	--	----------------------	---	--

L4 2.0L 1975cc		1,2	51334 ⁵³	51334XP	42551	49353		5	N/S	K	WL10417
----------------	--	-----	---------------------	---------	-------	-------	--	---	-----	---	---------

2003
MAGENTIS

L4 2.4L 2351cc		6	51334 ⁵³	51334XP	42797				N/S	Q	51064 ⁵³ - Spin-on
----------------	--	---	---------------------	---------	-------	--	--	--	-----	---	-------------------------------

V6 2.7L 2656cc		8	51334 ⁵³	51334XP	42797				N/S	Q	51064 ⁵³ - Spin-on
----------------	--	---	---------------------	---------	-------	--	--	--	-----	---	-------------------------------

OPTIMA

L4 2.4L 2351cc		6	51334 ⁵³	51334XP	42797 - Outer	N/R			33319 - Secondary	Q	51064 ⁵³ - Spin-on
----------------	--	---	---------------------	---------	---------------	-----	--	--	-------------------	---	-------------------------------

V6 2.7L 2656cc		8	51334 ⁵³	51334XP	42797	N/R			N/S		51064 ⁵³ - Spin-on
----------------	--	---	---------------------	---------	-------	-----	--	--	-----	--	-------------------------------

RIO

L4 1.6L 1594cc		5	51358 ⁵³	51358XP	46340	N/R			33883 ¹³⁹	O	N/A
----------------	--	---	---------------------	---------	-------	-----	--	--	----------------------	---	-----

									33618 ¹³⁸	O	
--	--	--	--	--	--	--	--	--	----------------------	---	--

SEDONA

V6 3.5L 3497cc		1	51334 ⁵³	51334XP	42086	N/R			N/S		N/A
----------------	--	---	---------------------	---------	-------	-----	--	--	-----	--	-----

SORENTO

V6 3.5L 3497cc		3	51334 ⁵³	51334XP	42164	N/R			N/S		N/A
----------------	--	---	---------------------	---------	-------	-----	--	--	-----	--	-----

SPECTRA

L4 1.8L 1793cc	5BP	1	51358 ⁵³	51358XP	46462 ⁶¹	N/R			33901 ¹³⁹	K	WL10417
----------------	-----	---	---------------------	---------	---------------------	-----	--	--	----------------------	---	---------

									33598 ¹³⁸	K	
--	--	--	--	--	--	--	--	--	----------------------	---	--

2002
MAGENTIS

L4 2.4L 2351cc		6	51334 ⁵³	51334XP	42797				N/S	Q	N/A
----------------	--	---	---------------------	---------	-------	--	--	--	-----	---	-----

V6 2.7L 2656cc			51334 ⁵³	51334XP	42797				N/S	Q	N/A
----------------	--	--	---------------------	---------	-------	--	--	--	-----	---	-----

OPTIMA

L4 2.4L 2351cc		6	51334 ⁵³	51334XP	42797	N/R			33319		51064 ⁵³ - Spin-on
----------------	--	---	---------------------	---------	-------	-----	--	--	-------	--	-------------------------------

V6 2.7L 2656cc		8	51334 ⁵³	51334XP	42797	N/R			N/S	Q	51064 ⁵³ - Spin-on
----------------	--	---	---------------------	---------	-------	-----	--	--	-----	---	-------------------------------

N/A = Not Available N/R = Not Required N/S = Not Serviceable For cabin and fuel filter locator, see pages 5-15 See pages 16-19 for footnotes

N/A = Non disponible N/R = Non nécessaire N/S = Non réparable Para la ubicación de los filtros de aire de la cabina y de combustible, ver las páginas 5-15 Voir pages 16-19 pour des notes

N/A = No disponible N/R = No requiere N/S = No servible Voir les tableaux de repérage des filtres d'habitacle et à carburant aux pages 5-15 Ver las páginas 16-19 para las notas al pie de página

Italicized Part Numbers May Not Be Available. Wix XP Oil Filters Have Fully Synthetic Media.

Las piezas con números en *italicas* pueden no estar disponibles. Los filtros de aceite WIX XP son completamente de media sintética. Les numéros de pièce en *italiques* peuvent ne pas être disponibles. Les filtres à huile XP Wix contiennent un matériau 100 % synthétique.

Year/Año/Année Model/Modelo/Modèle Engine/Motor/Moteur	Eng. Code Código de motor Code moteur	VIN NIV NIV	Oil Aceite Huile	Oil XP Aceite XP Huile XP	Air Aire Air	Cabin Air Cabina Aire Cabine Air	Cabin Air XP Cabina Aire XP Cabine Air XP	Loc. Cabin Air Cabina Aire Cabine Air	Fuel Combustible Carburant	Loc. Fuel Combustible Carburant	Transmission Transmisión Transmission
--	---	-------------------	------------------------	---------------------------------	--------------------	--	---	---	----------------------------------	---------------------------------------	---

KIA (Cont'd/Suite)
2002 (Cont'd/Suite)
RIO

L4 1.5L 1500cc		3	51358 ⁵³	51358XP	46340	N/R			33883 ¹³⁹ 33618 ¹³⁸	0 0	N/A
----------------	--	---	---------------------	---------	-------	-----	--	--	--	--------	-----

SEDONA

V6 3.5L 3497cc		1	51334 ⁵³	51334XP	42086	N/R			N/S		N/A
----------------	--	---	---------------------	---------	-------	-----	--	--	-----	--	-----

SPECTRA

L4 1.8L 1793cc	5BP	1	51358 ⁵³	51358XP	46462 ⁵¹	N/R			33901 ¹³⁹ 33598 ¹³⁸	K K	58995
----------------	-----	---	---------------------	---------	---------------------	-----	--	--	--	--------	-------

SPORTAGE

L4 2.0L 1998cc	FED	3	51357		42015	N/R			33631 33631 ¹³⁸		58951
----------------	-----	---	-------	--	-------	-----	--	--	-------------------------------	--	-------

LAND ROVER
2021
DEFENDER 110

L4 2.0L 1997CC 122CID Turbo			WL10419		N/A	N/S			N/S		N/S
L6 3.0L 2996CC 183CID Turbo			N/A		N/A	N/A			N/S		N/S

DEFENDER 90

L4 2.0L 1997CC 122CID Turbo			WL10419		N/A	N/S			N/S		N/S
L6 3.0L 2996CC 183CID Turbo			N/A		N/A	N/A			N/S		N/S

DISCOVERY

V6 3.0L 183 CID Turbo Diesel		K	WL7490		49593	24511 ⁷⁸			N/A		N/A
V6 3.0L 2995cc 183 CID Super Charged			57279		49593	24511 ⁷⁸			N/S		N/A

DISCOVERY SPORT

L4 2.0L 1999cc 122 CID Turbo		G	WL10419		WA10888	WP9309			N/S		N/S
------------------------------	--	---	---------	--	---------	--------	--	--	-----	--	-----

RANGE ROVER

L6 3.0L 2996CC 183CID Turbo			57279		49593	24511			N/S		N/S
V6 3.0L 183 CID Turbo Diesel		K	WL7490		49593	24511 ⁷⁸		8	N/A		N/S
V8 5.0L 5000cc 305 CID Super Charged		E	57279		49593	24511 ⁷⁸		8	N/S		N/S

RANGE ROVER EVOQUE

L4 2.0L 1999cc 122 CID Turbo		G	WL10419		WA10888	WP9309		1	N/S		N/S
------------------------------	--	---	---------	--	---------	--------	--	---	-----	--	-----

RANGE ROVER SPORT

L6 3.0L 2996CC 183CID Turbo			N/A		49593	24511			N/S		N/S
V6 3.0L 183 CID Turbo Diesel		K	WL7490		49593	24511 ⁷⁸		8	N/A		N/S
V8 5.0L 5000cc 305 CID Super Charged		E	57279		49593	24511 ⁷⁸		8	N/S		N/S

Range Rover Velar

L4 2.0L 1997CC 122CID Turbo			WL10419		WA10566	24511			N/S		N/S
L4 2L Turbo Diesel			WL10419		WA10566	24511			N/A		N/S
V6 3.0L 2995cc 183 CID Super Charged			57279		WA10566 - Left WA10565 - Right	24511 ⁷⁸		8	N/S		N/A
V8 5.0L 5000cc 305 CID Super Charged		E	57279		49593	24511			N/S		N/S

2020
DEFENDER 110

L4 2.0L 1997CC 122CID Turbo			WL10419		N/A	N/S			N/S		N/S
L6 3.0L 2996CC 183CID Turbo			N/A		N/A	N/A			N/S		N/S

DEFENDER 90

L6 3.0L 2996CC 183CID Turbo			N/A		N/A	N/A			N/S		N/S
-----------------------------	--	--	-----	--	-----	-----	--	--	-----	--	-----

DISCOVERY

V6 3.0L 183 CID Turbo Diesel		K	WL7490		49593	24511 ⁷⁸			N/A		N/A
V6 3.0L 2995cc 183 CID Super Charged			57279		49593	24511 ⁷⁸			N/S		N/A

N/A = Not Available N/R = Not Required N/S = Not Serviceable For cabin and fuel filter locator, see pages 5-15 See pages 16-19 for footnotes

N/A = Non disponible N/R = Non nécessaire N/S = Non réparable Para la ubicación de los filtros de aire de la cabina y de combustible, ver las páginas 5-15 Voir pages 16-19 pour des notes

N/A = No disponible N/R = No requiere N/S = No servible Voir les tableaux de repérage des filtres d'habitacle et à carburant aux pages 5-15 Ver las páginas 16-19 para las notas al pie de página

Italicized Part Numbers May Not Be Available. Wix XP Oil Filters Have Fully Synthetic Media.

Las piezas con números en *italicas* pueden no estar disponibles. Los filtros de aceite WIX XP son completamente de media sintética.

Les numéros de pièce en *italiques* peuvent ne pas être disponibles. Les filtres à huile XP Wix contiennent un matériau 100 % synthétique.

LAND ROVER 2020-2018
Pass Car/Light Truck

Year/Año/Année Model/Modelo/Modèle Engine/Motor/Moteur	Eng. Code Código de motor Code moteur	VIN NIV NIV	Oil Aceite Huile	Oil XP Aceite XP Huile XP	Air Aire Air	Cabin Air Cabina Aire Cabine Air	Cabin Air XP Cabina Aire XP Cabine Air XP	Loc. Cabin Air Cabina Aire Cabine Air	Fuel Combustible Carburant	Loc. Fuel Combustible Carburant	Transmission Transmisión Transmission
--	---	-------------------	------------------------	---------------------------------	--------------------	--	---	--	----------------------------------	--	---

LAND ROVER (Cont'd/Suite)
2020 (Cont'd/Suite)
DISCOVERY SPORT

L4 2.0L 1999cc 122 CID Turbo		G	WL10419		WA10888	WP9309			N/S		N/S
------------------------------	--	---	---------	--	---------	--------	--	--	-----	--	-----

RANGE ROVER

L6 3.0L 2996CC 183CID Turbo			57279		49593	24511			N/S		N/S
V6 3.0L 183 CID Turbo Diesel		K	WL7490		49593	24511 ⁷⁹		8	N/A		N/S
V8 5.0L 5000cc 305 CID Super Charged		E	57279		49593	24511 ⁷⁹		8	N/S		N/S

RANGE ROVER EVOQUE

L4 2.0L 1999cc 122 CID Turbo		G	WL10419		WA10888	WP9309		1	N/S		N/S
------------------------------	--	---	---------	--	---------	--------	--	---	-----	--	-----

RANGE ROVER SPORT

L6 3.0L 2996CC 183CID Turbo			N/A		49593	24511			N/S		N/S
V6 3.0L 183 CID Turbo Diesel		K	WL7490		49593	24511 ⁷⁹		8	N/A		N/S
V8 5.0L 5000cc 305 CID Super Charged		E	57279		49593	24511 ⁷⁹		8	N/S		N/S

Range Rover Velar

L4 2.0L 1997CC 122CID Turbo			WL10419		WA10566	24511			N/S		N/S
L4 2L Turbo Diesel			WL10419		WA10566	24511			N/A		N/S
V6 3.0L 2995cc 183 CID Super Charged			57279		WA10566 - Left WA10565 - Right	24511 ⁷⁹		8	N/S		N/A
V8 5.0L 5000cc 305 CID Super Charged		E	57279		49593	24511			N/S		N/S

2019
DISCOVERY

V6 3.0L 183 CID Turbo Diesel		K	WL7490		49593	24511 ⁷⁹			N/A		N/A
V6 3.0L 2995cc 183 CID Super Charged			57279		49593	24511 ⁷⁹			N/S		N/A

DISCOVERY SPORT

L4 2.0L 1999cc 122 CID Turbo		G	WL10419		WA10888	WP9309			N/S		N/S
------------------------------	--	---	---------	--	---------	--------	--	--	-----	--	-----

RANGE ROVER

V6 3.0L 183 CID Turbo Diesel		K	WL7490		49593	24511 ⁷⁹		8	N/A		N/S
V6 3.0L 2995cc 183 CID Super Charged			57279		49593	24511 ⁷⁹		8	N/S		N/S
V8 5.0L 5000cc 305 CID Super Charged		E	57279		49593	24511 ⁷⁹		8	N/S		N/S

RANGE ROVER EVOQUE

L4 2.0L 1999cc 122 CID Turbo		G	WL10419		WA10888	WP9309		1	N/S		N/S
------------------------------	--	---	---------	--	---------	--------	--	---	-----	--	-----

RANGE ROVER SPORT

L4 2.0L			WL10419		49593	24483 ⁷⁹ 24511 ⁷⁹	24483XP ⁷⁹		N/S		N/A
L6 3.0L 2996CC 183CID Turbo			N/A		49593	24511			N/S		N/S
V6 3.0L 183 CID Turbo Diesel		K	WL7490		49593	24511 ⁷⁹		8	N/A		N/S
V6 3.0L 2995cc 183 CID Super Charged			57279		49593	24511 ⁷⁹		8	N/S		N/A
V8 5.0L 5000cc 305 CID Super Charged		E	57279		49593	24511 ⁷⁹		8	N/S		N/S

Range Rover Velar

L4 2.0L 1997CC 122CID Turbo			WL10419		WA10566	24511			N/S		N/S
L4 2L Turbo Diesel			WL10419		WA10566	24511 ⁷⁹		1	N/S		N/A
V6 3.0L 2995cc 183 CID Super Charged			57279		WA10566 - Left WA10565 - Right	24511 ⁷⁹		8	N/S		N/A

2018
DISCOVERY

V6 3.0L 183 CID Turbo Diesel		K	WL7490		49593	24511 ⁷⁹			N/A		N/A
V6 3.0L 2995cc 183 CID Super Charged			57279		49593	24511 ⁷⁹			N/S		N/A

N/A = Not Available N/R = Not Required N/S = Not Serviceable For cabin and fuel filter locator, see pages 5-15 See pages 16-19 for footnotes

N/A = Non disponible N/R = Non nécessaire N/S = Non réparable Para la ubicación de los filtros de aire de la cabina y de combustible, ver las páginas 5-15 Voir pages 16-19 pour des notes

N/A = No disponible N/R = No requiere N/S = No servible Voir les tableaux de repérage des filtres d'habitacle et à carburant aux pages 5-15 Ver las páginas 16-19 para las notas al pie de página

Italicized Part Numbers May Not Be Available. Wix XP Oil Filters Have Fully Synthetic Media.

Las piezas con números en *italicas* pueden no estar disponibles. Los filtros de aceite WIX XP son completamente de media sintética. Les numéros de pièce en *italiques* peuvent ne pas être disponibles. Les filtres à huile XP Wix contiennent un matériau 100 % synthétique.

Year/Año/Année Model/Modelo/Modèle Engine/Motor/Moteur	Eng. Code Código de motor Code moteur	VIN NIV NIV	Oil Aceite Huile	Oil XP Aceite XP Huile XP	Air Aire Air	Cabin Air Cabina Aire Cabine Air	Cabin Air XP Cabina Aire XP Cabine Air XP	Loc. Cabin Air Cabina Aire Cabine Air	Fuel Combustible Carburant	Loc. Fuel Combustible Carburant	Transmission Transmisión Transmission
--	---	-------------------	------------------------	---------------------------------	--------------------	--	---	--	----------------------------------	--	---

LAND ROVER (Cont'd/Suite)
2018 (Cont'd/Suite)
DISCOVERY SPORT

L4 2.0L 1999cc 122 CID Turbo		G	WL10419		WA10007	WP9309			N/S		N/S
------------------------------	--	---	---------	--	---------	--------	--	--	-----	--	-----

RANGE ROVER

V6 3.0L 183 CID Turbo Diesel		K	WL7490		49593	24511 ⁷⁸		8	N/A		N/S
V6 3.0L 2995cc 183 CID Super Charged			57279		49593	24511 ⁷⁸		8	N/S		N/S
V8 5.0L 5000cc 305 CID Super Charged		E	57279		49593	24511 ⁷⁸		8	N/S		N/S

RANGE ROVER EVOQUE

L4 2.0L 1999cc 122 CID Turbo		G	WL10419		WA10888	WP9309		1	N/S		N/S
------------------------------	--	---	---------	--	---------	--------	--	---	-----	--	-----

RANGE ROVER SPORT

V6 3.0L 183 CID Turbo Diesel		K	WL7490		49593	24511 ⁷⁸		8	N/A		N/S
V6 3.0L 2995cc 183 CID Super Charged			57279		49593	24511 ⁷⁸		8	N/S		N/A
V8 5.0L 5000cc 305 CID Super Charged		E	57279		49593	24511 ⁷⁸		8	N/S		N/S

Range Rover Velar

L4 2.0L 1999cc 122 CID Turbo		G	WL10419		WA10566	24511 ⁷⁸		1	N/S		N/S
L4 2L Turbo Diesel			WL10419		WA10566	24511 ⁷⁸		1	N/S		N/A
V6 3.0L 2995cc 183 CID Super Charged			57279		WA10566 - Left	24511 ⁷⁸		8	N/S		N/A
					WA10565 - Right						

2017
DISCOVERY

V6 3.0L 183 CID Turbo Diesel		K	WL7490		49593	24511 ⁷⁸			N/A		N/A
V6 3.0L 2995cc 183 CID Super Charged			57279		49593	24511 ⁷⁸			N/S		N/A

DISCOVERY SPORT

L4 2.0L 1999cc 122 CID Turbo		G	51348	51348XP	WA10007	WP9309			N/A		N/S
------------------------------	--	---	-------	---------	---------	--------	--	--	-----	--	-----

RANGE ROVER

V6 3.0L 183 CID Turbo Diesel		K	WL7490		49593	24511 ⁷⁸		8	N/A		N/S
V6 3.0L 2995cc 183 CID Super Charged			57279		49593	24511 ⁷⁸		8	N/S		N/A
V8 5.0L 5000cc 305 CID Super Charged		E	57279		49593	24511 ⁷⁸		8	N/S		N/S

RANGE ROVER EVOQUE

L4 2.0L 1999cc 122 CID Turbo		G	51348 ⁵³	51348XP	WA10007	WP9309		1	N/S		N/S
------------------------------	--	---	---------------------	---------	---------	--------	--	---	-----	--	-----

RANGE ROVER SPORT

V6 3.0L 183 CID Turbo Diesel		K	WL7490		49593	24511 ⁷⁸		8	N/A		N/S
V6 3.0L 2995cc 183 CID Super Charged			57279		49593	24511 ⁷⁸		8	N/S		N/A
V8 5.0L 5000cc 305 CID Super Charged		E	57279		49593	24511 ⁷⁸		8	N/S		N/S

2016
DISCOVERY SPORT

L4 2.0L 1999cc 122 CID Turbo		G	51348	51348XP	WA10007	WP9309			N/S		
------------------------------	--	---	-------	---------	---------	--------	--	--	-----	--	--

LR4

V6 3.0L 2995cc 183 CID Super Charged </>			57279		49593	49369		3	N/S		N/S
--	--	--	-------	--	-------	-------	--	---	-----	--	-----

RANGE ROVER

V6 3.0L 2993cc 183 CID Diesel			WL7490		49593	24511 ⁷⁸		8	N/A		N/S
V6 3.0L 2995cc 183 CID Super Charged			57279		49593	24511 ⁷⁸		8	N/S		N/S
V8 5.0L 5000cc 305 CID Super Charged		E	57279		49593	24511 ⁷⁸		8	N/S		N/S

RANGE ROVER EVOQUE

L4 2.0L 1999cc 122 CID Turbo		G	51348 ⁵³	51348XP	WA10007	WP9309		1	N/S		N/S
------------------------------	--	---	---------------------	---------	---------	--------	--	---	-----	--	-----

N/A = Not Available N/R = Not Required N/S = Not Serviceable For cabin and fuel filter locator, see pages 5-15 See pages 16-19 for footnotes

N/A = Non disponible N/R = Non nécessaire N/S = Non réparable Para la ubicación de los filtros de aire de la cabina y de combustible, ver las páginas 5-15 Voir pages 16-19 pour des notes

N/A = No disponible N/R = No requiere N/S = No servible Voir les tableaux de repérage des filtres d'habitacle et à carburant aux pages 5-15 Ver las páginas 16-19 para las notas al pie de página

Italicized Part Numbers May Not Be Available. Wix XP Oil Filters Have Fully Synthetic Media.

Las piezas con números en *italicas* pueden no estar disponibles. Los filtros de aceite WIX XP son completamente de media sintética.

Les numéros de pièce en *italiques* peuvent ne pas être disponibles. Les filtres à huile XP Wix contiennent un matériau 100 % synthétique.

LAND ROVER 2016-2013
Pass Car/Light Truck

Year/Año/Année Model/Modelo/Modèle Engine/Motor/Moteur	Eng. Code Código de motor Code moteur	VIN NIV NIV	Oil Aceite Huile	Oil XP Aceite XP Huile XP	Air Aire Air	Cabin Air Cabina Aire Cabine Air	Cabin Air XP Cabina Aire XP Cabine Air XP	Loc. Cabin Air Cabina Aire Cabine Air	Fuel Combustible Carburant	Loc. Fuel Combustible Carburant	Transmission Transmisión Transmission
--	---	-------------------	------------------------	---------------------------------	--------------------	--	---	--	----------------------------------	--	---

LAND ROVER (Cont'd/Suite)
2016 (Cont'd/Suite)
RANGE ROVER SPORT

V6 3.0L 2993cc 183 CID Diesel			WL7490		49593	49369		8	N/A		N/S
V6 3.0L 2995cc 183 CID Super Charged			57279		49593	49369		3	N/S		N/S
V8 5.0L 5000cc 305 CID Super Charged		E	57279		49593	49369		3	N/S		N/S

2015
DISCOVERY

V6 3.0L 2995CC 183CID (Mex.)			N/S		N/S	24827			N/S		N/S
------------------------------	--	--	-----	--	-----	-------	--	--	-----	--	-----

DISCOVERY SPORT

L4 2.0L 1999cc 122 CID Turbo		G	51348 ⁵³	51348XP	WA10007	WP9309		1	N/S		N/S
------------------------------	--	---	---------------------	---------	---------	--------	--	---	-----	--	-----

LR2

L4 2.0L 1999cc 122 CID Turbo		G	51348 ⁵³	51348XP	WA10007	WP9309		1	N/S		N/S
------------------------------	--	---	---------------------	---------	---------	--------	--	---	-----	--	-----

LR4

V6 3.0L 2995cc 183 CID Super Charged		V	57279		49593	49369		3	N/S		N/S
--------------------------------------	--	---	-------	--	-------	-------	--	---	-----	--	-----

RANGE ROVER

V6 3.0L 2995cc 183 CID Super Charged			57279		49593	24511		8	N/S		N/S
V8 5.0L 5000cc 305 CID Super Charged		E	57279		49593	24511		8	N/S		N/S

RANGE ROVER EVOQUE

L4 2.0L 1999cc 122 CID Turbo		G	51348 ⁵³	51348XP	WA10007	WP9309		1	N/S		N/S
------------------------------	--	---	---------------------	---------	---------	--------	--	---	-----	--	-----

RANGE ROVER SPORT

V6 3.0L 2995cc 183 CID Super Charged			57279		49593	49369		3	N/S		N/S
V8 5.0L 5000cc 305 CID Super Charged		E	57279		49593	49369		3	N/S		N/S

2014
LR2

L4 2.0L 1999cc 122 CID Turbo		G	51348 ⁵³	51348XP	WA10007	49355		1	N/S		N/S
------------------------------	--	---	---------------------	---------	---------	-------	--	---	-----	--	-----

LR4

V6 3.0L 2995cc 183 CID Super Charged		V	57279		49593	49369		3	N/S		N/S
--------------------------------------	--	---	-------	--	-------	-------	--	---	-----	--	-----

RANGE ROVER

V6 3.0L 2995cc 183 CID Super Charged			57279		49593	24511		8	N/S		N/S
V8 5.0L 5000cc 305 CID Super Charged		E	57279		49593	24511		8	N/S		N/S

RANGE ROVER EVOQUE

L4 2.0L 1999cc 122 CID Turbo		G	51348 ⁵³	51348XP	WA10007	49355		1	N/S		N/S
------------------------------	--	---	---------------------	---------	---------	-------	--	---	-----	--	-----

RANGE ROVER SPORT

V6 3.0L 2995cc 183 CID Super Charged			57279		49593	24511		3	N/S		N/S
V8 5.0L 5000cc 305 CID Super Charged		E	57279		49593	24511		3	N/S		N/S

2013
LR2

L4 2.0L 1999cc 122 CID Turbo		G	51348 ⁵³	51348XP	WA10007	49355		1	N/S		N/S
------------------------------	--	---	---------------------	---------	---------	-------	--	---	-----	--	-----

LR4

V8 5.0L 5000cc		D	57279		49593	49369		3	N/S		N/S
----------------	--	---	-------	--	-------	-------	--	---	-----	--	-----

RANGE ROVER

V8 5.0L 5000cc		D	57279		49593	24827		8	N/S		N/S
V8 5.0L 5000cc Super Charged		E	57279		49593	24827		8	N/S		N/S

N/A = Not Available N/R = Not Required N/S = Not Serviceable For cabin and fuel filter locator, see pages 5-15 See pages 16-19 for footnotes

N/A = Non disponible N/R = Non nécessaire N/S = Non réparable Para la ubicación de los filtros de aire de la cabina y de combustible, ver las páginas 5-15 Voir pages 16-19 pour des notes

N/A = No disponible N/R = No requiere N/S = No servible Voir les tableaux de repérage des filtres d'habitacle et à carburant aux pages 5-15 Ver las páginas 16-19 para las notas al pie de página

Italicized Part Numbers May Not Be Available. Wix XP Oil Filters Have Fully Synthetic Media.

Las piezas con números en *italicas* pueden no estar disponibles. Los filtros de aceite WIX XP son completamente de media sintética. Les numéros de pièce en *italiques* peuvent ne pas être disponibles. Les filtres à huile XP Wix contiennent un matériau 100 % synthétique.

Year/Año/Année Model/Modelo/Modèle Engine/Motor/Moteur	Eng. Code Código de motor Code moteur	VIN NIV NIV	Oil Aceite Huile	Oil XP Aceite XP Huile XP	Air Aire Air	Cabin Air Cabina Aire Cabine Air	Cabin Air XP Cabina Aire XP Cabine Air XP	Loc. Cabin Air Cabina Aire Cabine Air	Fuel Combustible Carburant	Loc. Fuel Combustible Carburant	Transmission Transmisión Transmission
--	---	-------------------	------------------------	---------------------------------	--------------------	--	---	--	----------------------------------	--	---

LAND ROVER (Cont'd/Suite)

2013 (Cont'd/Suite)

RANGE ROVER EVOQUE

L4 2.0L 1999cc 122 CID Turbo		G	51348 ⁵³	51348XP	WA10007	49355		1	N/S		N/S
------------------------------	--	---	---------------------	---------	---------	-------	--	---	-----	--	-----

RANGE ROVER SPORT

V8 5.0L 5000cc		D	57279		49593	49369		3	N/S		N/S
V8 5.0L 5000cc Super Charged		E	57279		49593	49369		3	N/S		N/S

2012

LR2

L6 3.2L 3192cc		N	57806		42827	49355 ⁷⁹		6	N/S		N/S
----------------	--	---	-------	--	-------	---------------------	--	---	-----	--	-----

LR4

V8 5.0L 5000cc		D	57279		49593	49369		3	N/S		N/S
----------------	--	---	-------	--	-------	-------	--	---	-----	--	-----

RANGE ROVER

V8 5.0L 5000cc		D	57279		49593	24827		8	N/S		N/S
V8 5.0L 5000cc Super Charged		E	57279		49593	24827		8	N/S		N/S

RANGE ROVER EVOQUE

L4 2.0L 1999cc 122 CID Turbo		G	51348 ⁵³	51348XP	WA10007	49355		1	N/S		N/S
------------------------------	--	---	---------------------	---------	---------	-------	--	---	-----	--	-----

RANGE ROVER SPORT

V8 5.0L 5000cc		D	57279		49593	49369		3	N/S		N/S
V8 5.0L 5000cc Super Charged		E	57279		49593	49369		3	N/S		N/S

2011

LR2

L6 3.2L 3192cc		N	57806		42827	49355 ⁷⁹		6	N/S		N/S
----------------	--	---	-------	--	-------	---------------------	--	---	-----	--	-----

LR4

V8 5.0L 5000cc		D	57279		49593	49369		3	N/S		N/S
----------------	--	---	-------	--	-------	-------	--	---	-----	--	-----

RANGE ROVER

V8 5.0L 5000cc		D	57279		49593	24827		8	N/S		N/S
V8 5.0L 5000cc Super Charged		E	57279		49593	24827		8	N/S		N/S

RANGE ROVER SPORT

V8 5.0L 5000cc		D	57279		49593	49369		3	N/S		N/S
V8 5.0L 5000cc Super Charged		E	57279		49593	49369		3	N/S		N/S

2010

LR2

L6 3.2L 3192cc		N	57806		42827	49355 ⁷⁹		6	N/S		N/S
----------------	--	---	-------	--	-------	---------------------	--	---	-----	--	-----

LR4

V8 5.0L 5000cc		D	57279		49593	49369		3	N/S		N/S
----------------	--	---	-------	--	-------	-------	--	---	-----	--	-----

RANGE ROVER

V8 5.0L 5000cc		D	57279		49593	24827		8	N/S		N/S
V8 5.0L 5000cc Super Charged		E	57279		49593	24827		8	N/S		N/S

RANGE ROVER SPORT

V8 5.0L 5000cc		D	57279		49593	49369		3	N/S		N/S
V8 5.0L 5000cc Super Charged		E	57279		49593	49369		3	N/S		N/S

2009

LR2

L6 3.2L 3192cc		N	57806		42827	49355 ⁷⁹		6	N/S		N/S
----------------	--	---	-------	--	-------	---------------------	--	---	-----	--	-----

LR3

V6 4.0L 4009cc 245 CID		4	51372 ⁵³ 51372 ⁵³	51372XP 51372XP	49112 49112	49369 ⁷⁸ 49369 ⁷⁸		3 3	N/S N/S		N/S N/S
V8 4.4L 4394cc		5	57302		49112	49369 ⁷⁸		3	N/S		N/S

RANGE ROVER

V8 4.2L 4196cc Super Charged		3	57302		42859	24827		8	N/S		N/S
V8 4.4L 4394cc		5	57302		42859	24827		8	N/S		N/S

RANGE ROVER SPORT

V8 4.2L 4196cc Super Charged		3	57302		49112	49369 ⁷⁸		3	N/S		N/S
------------------------------	--	---	-------	--	-------	---------------------	--	---	-----	--	-----

N/A = Not Available N/R = Not Required N/S = Not Serviceable For cabin and fuel filter locator, see pages 5-15 See pages 16-19 for footnotes
 N/A = Non disponible N/R = Non nécessaire N/S = Non réparable Para la ubicación de los filtros de aire de la cabina y de combustible, ver las páginas 5-15 Voir pages 16-19 pour des notes
 N/A = No disponible N/R = No requiere N/S = No servible Voir les tableaux de repérage des filtres d'habitacle et à carburant aux pages 5-15 Ver las páginas 16-19 para las notas al pie de página

Italicized Part Numbers May Not Be Available. Wix XP Oil Filters Have Fully Synthetic Media.
 Las piezas con números en *italicas* pueden no estar disponibles. Los filtros de aceite WIX XP son completamente de media sintética.
 Les numéros de pièce en *italiques* peuvent ne pas être disponibles. Les filtres à huile Wix contiennent un matériau 100 % synthétique.

LAND ROVER 2009-2004
Pass Car/Light Truck

Year/Año/Année Model/Modelo/Modèle Engine/Motor/Moteur	Eng. Code Código de motor Code moteur	VIN NIV	Oil Aceite Huile	Oil XP Aceite XP Huile XP	Air Aire Air	Cabin Air Cabina Aire Cabine Air	Cabin Air XP Cabina Aire XP Cabine Air XP	Loc. Cabin Air Cabina Aire Cabine Air	Fuel Combustible Carburant	Loc. Fuel Combustible Carburant	Transmission Transmisión Transmission
--	---	------------	------------------------	---------------------------------	--------------------	--	---	--	----------------------------------	--	---

LAND ROVER (Cont'd/Suite)
2009 (Cont'd/Suite)
RANGE ROVER SPORT (Cont'd/Suite)

V8 4.4L 4394cc		5	57302		49112	49369 [®]		3	N/S		N/S
----------------	--	---	-------	--	-------	--------------------	--	---	-----	--	-----

2008
LR2

L6 3.2L 3192cc		N	57806		42827	49355 [®]		6	N/S		N/S
----------------	--	---	-------	--	-------	--------------------	--	---	-----	--	-----

LR3

V6 4.0L 4009cc 245 CID		4	51372 ⁵³	51372XP	49112	49369 [®]		3	N/S		N/S
V8 4.4L 4394cc		5	57302		49112	49369 [®]		3	N/S		N/S

RANGE ROVER

V8 4.2L 4196cc Super Charged		3	57302		42859	24827		8	N/S		N/S
V8 4.4L 4394cc		5	57302		42859	24827		8	N/S		N/S

RANGE ROVER SPORT

V8 4.2L 4196cc Super Charged		3	57302		49112	49369 [®]		3	N/S		N/S
V8 4.4L 4394cc		5	57302		49112	49369 [®]		3	N/S		N/S

2007
LR3

V6 4.0L 4009cc 245 CID		4	51372 ⁵³	51372XP	49112	49369 [®]		3	N/S		N/S
V8 4.4L 4394cc		5	57302		49112	49369 [®]		3	N/S		N/S

RANGE ROVER

V8 4.2L 4196cc Super Charged		3	57302		42859	24827		8	N/S		N/S
V8 4.4L 4394cc		5	57302		42859	24827		8	N/S		N/A

RANGE ROVER SPORT

V8 4.2L 4196cc Super Charged		3	57302		49112	49369 [®]		3	N/S		N/S
V8 4.4L 4394cc		5	57302		49112	49369 [®]		3	N/S		N/S

2006
FREELANDER

V6 2.5L 2500cc 153 CID			57241		46798	24523		4	N/R		N/A
V6 2.5L 2500cc 153 CID (Mex.)			57241		46798	24523		4	N/R		N/A

LR3

V6 4.0L 4009cc 245 CID		4	51372 ⁵³	51372XP	49112	49369 [®]		3	N/S		N/A
V8 4.4L 4394cc		5	57302		49112	49369 [®]		3	N/S		N/A

RANGE ROVER

V8 4.2L 4196cc Super Charged		3	57302		42859	24827		8	N/S		N/S
V8 4.4L 4394cc		5	57302		42859	24827		8	N/S		N/A

RANGE ROVER SPORT

V8 4.2L 4196cc Super Charged		3	57302		49112	49369 [®]		3	N/S		N/S
V8 4.4L 4394cc		5	57302		49112	49369 [®]		3	N/S		N/S

2005
FREELANDER

V6 2.5L 2500cc 153 CID			57241		46798	24523		4	N/A		N/A
------------------------	--	--	-------	--	-------	-------	--	---	-----	--	-----

LR3

V6 4.0L 4009cc 245 CID		4	51372 ⁵³	51372XP	49112	49369 [®]		3	N/S		N/S
V8 4.4L 4394cc			57302		49112	49369 [®]		3	N/S		N/A

RANGE ROVER

V8 4.4L 4398cc			51186		42892	24827		8	N/S		N/A
----------------	--	--	-------	--	-------	-------	--	---	-----	--	-----

2004
DISCOVERY

V8 4.6L 4554cc 278 CID		9	51068 ⁵³		46798	N/R			33481	P	58100
------------------------	--	---	---------------------	--	-------	-----	--	--	-------	---	-------

FREELANDER

V6 2.5L 2500cc 153 CID			57241		46798	24523		4	N/A		N/A
------------------------	--	--	-------	--	-------	-------	--	---	-----	--	-----

N/A = Not Available N/R = Not Required N/S = Not Serviceable For cabin and fuel filter locator, see pages 5-15 See pages 16-19 for footnotes

N/A = Non disponible N/R = Non nécessaire N/S = Non réparable Para la ubicación de los filtros de aire de la cabina y de combustible, ver las páginas 5-15 Voir pages 16-19 pour des notes

N/A = No disponible N/R = No requiere N/S = No servible Voir les tableaux de repérage des filtres d'habitacle et à carburant aux pages 5-15 Ver las páginas 16-19 para las notas al pie de página

Italicized Part Numbers May Not Be Available. Wix XP Oil Filters Have Fully Synthetic Media.

Las piezas con números en *italicas* pueden no estar disponibles. Los filtros de aceite WIX XP son completamente de media sintética. Les numéros de pièce en *italiques* peuvent ne pas être disponibles. Les filtres à huile XP Wix contiennent un matériau 100 % synthétique.

Year/Año/Année Model/Modelo/Modèle Engine/Motor/Moteur	Eng. Code Código de motor Code moteur	VIN NIV NIV	Oil Aceite Huile	Oil XP Aceite XP Huile XP	Air Aire Air	Cabin Air Cabina Aire Cabine Air	Cabin Air XP Cabina Aire XP Cabine Air XP	Loc. Cabin Air Cabina Aire Cabine Air	Fuel Combustible Carburant	Loc. Fuel Combustible Carburant	Transmission Transmisión Transmission
--	---	-------------------	------------------------	---------------------------------	--------------------	--	---	--	----------------------------------	--	---

LAND ROVER (Cont'd/Suite)
2004 (Cont'd/Suite)
RANGE ROVER

V8 4.4L 4398cc	M62	1	51186		42892	24827			8	N/A		N/A
----------------	-----	---	-------	--	-------	-------	--	--	---	-----	--	-----

2003
DISCOVERY

V8 4.6L 4554cc 278 CID		4	51068 ⁵³		46798	N/R				33481	P	58100
		6	51068 ⁵³		46798	N/R				33481	P	58100

FREELANDER

V6 2.5L 2500cc 153 CID			57241		46798	24523			4	N/A		N/A
------------------------	--	--	-------	--	-------	-------	--	--	---	-----	--	-----

RANGE ROVER

V8 4.4L 4398cc	M62	1	51186		42892	24827			8	N/A		N/A
----------------	-----	---	-------	--	-------	-------	--	--	---	-----	--	-----

2002
DISCOVERY

V8 4.0L 3950cc (Mex.)			51068		46798					33481		
-----------------------	--	--	-------	--	-------	--	--	--	--	-------	--	--

DISCOVERY SERIES II

V8 4.0L 3950cc		2	51068 ⁵³		46798	N/R				33481	P	58100
		5	51068 ⁵³		46798	N/R				33481	P	58100

FREELANDER

V6 2.5L 2500cc 153 CID			57241		46798	24523			4	N/A		N/A
------------------------	--	--	-------	--	-------	-------	--	--	---	-----	--	-----

RANGE ROVER

V8 4.6L 4554cc 278 CID		6	51068 ⁵³		46798	24898			1	33481	N	58100
------------------------	--	---	---------------------	--	-------	-------	--	--	---	-------	---	-------

LEXUS
2021
ES 250

L4 2.5L 2500CC 153CID			N/A		WA10807	WP10322				N/S		N/S
-----------------------	--	--	-----	--	---------	---------	--	--	--	-----	--	-----

ES 300h

L4 2.5L 2494cc 152 CID Electric/Gas	2ARFXE		WL10332		WA10807	WP10320 ⁷⁹ WP10322 ⁷⁸				N/S		N/A
--	--------	--	---------	--	---------	--	--	--	--	-----	--	-----

ES 350

V6 3.5L 3456cc	2GRFE		57047	57047XP	WA10859	WP10320 ⁷⁹ WP10322 ⁷⁸			3	N/S		N/S
----------------	-------	--	-------	---------	---------	--	--	--	---	-----	--	-----

ES 350 F Sport

V6 3.5L 3456cc	2GRFE		57047	57047XP	WA10859	WP10320 ⁷⁹ WP10322 ⁷⁸			3	N/S		N/S
----------------	-------	--	-------	---------	---------	--	--	--	---	-----	--	-----

GX 460

V8 4.6L 4608cc	1URFE		57173		49350	24483 ⁷⁹ 24511 ⁷⁸	24483XP ⁷⁹		3	N/S		N/S
----------------	-------	--	-------	--	-------	--	-----------------------	--	---	-----	--	-----

IS 300

L4 2.0L 1998cc Turbo			57173		49240	WP10099			3	N/S		N/S
----------------------	--	--	-------	--	-------	---------	--	--	---	-----	--	-----

IS 300 AWD

V6 3.5L 3500CC 214CID	2GRFSE		57173		49240	WP10099			3	N/S		N/A
-----------------------	--------	--	-------	--	-------	---------	--	--	---	-----	--	-----

IS 350

V6 3.5L 3500CC 214CID	2GRFSE		57173		49240	WP10099			3	N/S		N/A
-----------------------	--------	--	-------	--	-------	---------	--	--	---	-----	--	-----

LC 500

V8 5.0L 4969cc			57310		WA10961	WP10443				N/S		N/S
----------------	--	--	-------	--	---------	---------	--	--	--	-----	--	-----

LC 500h

V6 3.5L Electric/Gas			57047	57047XP	WA10946	WP10443				N/S		N/S
----------------------	--	--	-------	---------	---------	---------	--	--	--	-----	--	-----

LS500

V6 3.5L 3445CC Turbo			57173		WA10961	N/A				N/S		N/S
----------------------	--	--	-------	--	---------	-----	--	--	--	-----	--	-----

LS500h

V6 3.5L Electric/Gas			57047	57047XP	WA10946	N/A				N/S		N/S
----------------------	--	--	-------	---------	---------	-----	--	--	--	-----	--	-----

LX 570

V8 5.7L 5663cc 345 CID	3URFE		57041	57041XP	49030	24483 ⁷⁹ 24511 ⁷⁸	24483XP ⁷⁹		3	33526		N/A
------------------------	-------	--	-------	---------	-------	--	-----------------------	--	---	-------	--	-----

N/A = Not Available N/R = Not Required N/S = Not Serviceable For cabin and fuel filter locator, see pages 5-15 See pages 16-19 for footnotes

N/A = Non disponible N/R = Non nécessaire N/S = Non réparable Para la ubicación de los filtros de aire de la cabina y de combustible, ver las páginas 5-15 Voir pages 16-19 pour des notes

N/A = No disponible N/R = No requiere N/S = No servible Voir les tableaux de repérage des filtres d'habitacle et à carburant aux pages 5-15 Ver las páginas 16-19 para las notas al pie de página

Italicized Part Numbers May Not Be Available. Wix XP Oil Filters Have Fully Synthetic Media.

Las piezas con números en *italicas* pueden no estar disponibles. Los filtros de aceite WIX XP son completamente de media sintética.

Les numéros de pièce en *italiques* peuvent ne pas être disponibles. Les filtres à huile Wix contiennent un matériau 100 % synthétique.

LEXUS 2021-2020
Pass Car/Light Truck

Year/Año/Année Model/Modelo/Modèle Engine/Motor/Moteur	Eng. Code Código de motor Code moteur	VIN NIV NIV	Oil Aceite Huile	Oil XP Aceite XP Huile XP	Air Aire Air	Cabin Air Cabina Aire Cabine Air	Cabin Air XP Cabina Aire XP Cabine Air XP	Loc. Cabin Air Cabina Aire Cabine Air	Fuel Combustible Carburant	Loc. Fuel Combustible Carburant	Transmission Transmisión Transmission
--	---	-------------------	------------------------	---------------------------------	--------------------	--	---	--	----------------------------------	--	---

LEXUS (Cont'd/Suite)
2021 (Cont'd/Suite)
NX 300H

L4 2.5L 2494cc 152 CID Electric/Gas	2ARFXE		57047	57047XP	49320	24511 ⁷⁹		3	N/S		N/S
--	--------	--	-------	---------	-------	---------------------	--	---	-----	--	-----

NX300

L4 2.0L 1998cc Turbo			57047	57047XP	49430	24511 ⁷⁹		3	N/S		N/A
----------------------	--	--	-------	---------	-------	---------------------	--	---	-----	--	-----

RC 300

L4 2.0L 1998cc Turbo			57047	57047XP	49240	WP10099			N/S		N/A
V6 3.5L 3456cc			57173		49240	WP10099			N/S		N/S

RC 350

V6 3.5L			57173		49240	WP10099			N/S		N/S
---------	--	--	-------	--	-------	---------	--	--	-----	--	-----

RC F

V8 5.0L 4969cc 303 CID	2URGSE		57310		49150	WP10099			N/S		N/S
------------------------	--------	--	-------	--	-------	---------	--	--	-----	--	-----

RX 350

V6 3.5L	2GRFKS		57047	57047XP	49430	WP10320 ⁷⁹ WP10322 ⁷⁸		3	N/S		N/A
---------	--------	--	-------	---------	-------	--	--	---	-----	--	-----

RX 450H

V6 3.5L 3456cc Electric/Gas	2GRFXE		57047	57047XP	WA10716	WP10320 ⁷⁹ WP10322 ⁷⁸		3	N/A		N/A
-----------------------------	--------	--	-------	---------	---------	--	--	---	-----	--	-----

RX350L

V6 3.5L			57047	57047XP	49430	WP10320 ⁷⁹ WP10322 ⁷⁸		3	N/S		N/A
---------	--	--	-------	---------	-------	--	--	---	-----	--	-----

RX450hL

V6 3.5L Electric/Gas			57047	57047XP	WA10716	WP10320 ⁷⁹ WP10322 ⁷⁸		3	N/S		N/A
----------------------	--	--	-------	---------	---------	--	--	---	-----	--	-----

UX 200

L4 2.0L 2000CC 122CID Turbo			WL10332		WA10807	24160 ⁷⁸			N/S		N/S
-----------------------------	--	--	---------	--	---------	---------------------	--	--	-----	--	-----

UX 250h Hybrid

L4 2.0L 2000CC 122CID Turbo			51394 ⁵³	51394XP	N/A	WP10320 ⁷⁹ WP10322 ⁷⁸			N/S		N/S
-----------------------------	--	--	---------------------	---------	-----	--	--	--	-----	--	-----

2020
ES 300H

L4 2.5L 2494cc 152 CID Electric/Gas	2ARFXE		WL10332		WA10807	WP10320 ⁷⁹ WP10322 ⁷⁸			N/S		N/A
--	--------	--	---------	--	---------	--	--	--	-----	--	-----

ES 350

V6 3.5L 3456cc	2GRFE		57047	57047XP	WA10859	WP10320 ⁷⁹ WP10322 ⁷⁸		3	N/S		N/S
----------------	-------	--	-------	---------	---------	--	--	---	-----	--	-----

ES 350 F Sport

V6 3.5L 3456cc	2GRFE		57047	57047XP	WA10859	WP10320 ⁷⁹ WP10322 ⁷⁸		3	N/S		N/S
----------------	-------	--	-------	---------	---------	--	--	---	-----	--	-----

GS 300

L4 2.0L 2000CC 122CID Turbo			57047 ⁵³	57047XP	49240	WP10099			N/S		N/S
-----------------------------	--	--	---------------------	---------	-------	---------	--	--	-----	--	-----

GS 350

V6 3.5L			57173		49240	WP10099		3	N/S		N/A
---------	--	--	-------	--	-------	---------	--	---	-----	--	-----

GS F

V8 5.0L 4969cc 303 CID			57310		49150	WP10099			N/S		N/S
------------------------	--	--	-------	--	-------	---------	--	--	-----	--	-----

GX 460

V8 4.6L 4608cc	1URFE		57173		49350	24483 ⁷⁹ 24511 ⁷⁸	24483XP ⁷⁹	3	N/S		N/S
----------------	-------	--	-------	--	-------	--	-----------------------	---	-----	--	-----

IS 300

L4 2.0L 1998cc Turbo			57173		49240	WP10099		3	N/S		N/S
----------------------	--	--	-------	--	-------	---------	--	---	-----	--	-----

IS 300 AWD

V6 3.5L 3500CC 214CID	2GRFSE		57173		49240	WP10099		3	N/S		N/A
-----------------------	--------	--	-------	--	-------	---------	--	---	-----	--	-----

IS 350

V6 3.5L 3500CC 214CID	2GRFSE		57173		49240	WP10099		3	N/S		N/A
-----------------------	--------	--	-------	--	-------	---------	--	---	-----	--	-----

LC 500

V8 5.0L 4969cc			57310		WA10961	WP10443			N/S		N/S
----------------	--	--	-------	--	---------	---------	--	--	-----	--	-----

N/A = Not Available N/R = Not Required N/S = Not Serviceable For cabin and fuel filter locator, see pages 5-15 See pages 16-19 for footnotes

N/A = Non disponible N/R = Non nécessaire N/S = Non réparable Para la ubicación de los filtros de aire de la cabina y de combustible, ver las páginas 5-15 Voir pages 16-19 pour des notes

N/A = No disponible N/R = No requiere N/S = No servible Voir les tableaux de repérage des filtres d'habitacle et à carburant aux pages 5-15 Ver las páginas 16-19 para las notas al pie de página

Italicized Part Numbers May Not Be Available. Wix XP Oil Filters Have Fully Synthetic Media.

Las piezas con números en *italicas* pueden no estar disponibles. Los filtros de aceite WIX XP son completamente de media sintética. Les numéros de pièce en *italiques* peuvent ne pas être disponibles. Les filtres à huile XP Wix contiennent un matériau 100 % synthétique.

Year/Año/Année Model/Modelo/Modèle Engine/Motor/Moteur	Eng. Code Código de motor Code moteur	VIN NIV NIV	Oil Aceite Huile	Oil XP Aceite XP Huile XP	Air Aire Air	Cabin Air Cabina Aire Cabine Air	Cabin Air XP Cabina Aire XP Cabine Air XP	Loc. Cabin Air Cabina Aire Cabine Air	Fuel Combustible Carburant	Loc. Fuel Combustible Carburant	Transmission Transmisión Transmission
--	--	-------------------	------------------------	---------------------------------	--------------------	--	---	--	----------------------------------	--	---

LEXUS (Cont'd/Suite)
2020 (Cont'd/Suite)
LC 500h

V6 3.5L Electric/Gas			57047	57047XP	WA10946	WP10443			N/S		N/S
----------------------	--	--	-------	---------	---------	---------	--	--	-----	--	-----

LS500

V6 3.5L 3445CC Turbo			57173		WA10961	N/A			N/S		N/S
----------------------	--	--	-------	--	---------	-----	--	--	-----	--	-----

LS500h

V6 3.5L Electric/Gas			57047	57047XP	WA10946	N/A			N/S		N/S
----------------------	--	--	-------	---------	---------	-----	--	--	-----	--	-----

LX 570

V8 5.7L 5663cc 345 CID	3URFE		57041	57041XP	49030	24483 ⁷⁹ 24511 ⁷⁸	24483XP ⁷⁹	3	33526		N/A
------------------------	-------	--	-------	---------	-------	--	-----------------------	---	-------	--	-----

NX 300H

L4 2.5L 2494cc 152 CID Electric/Gas	2ARFXE		57047	57047XP	49320	24511 ⁷⁸		3	N/S		N/S
--	--------	--	-------	---------	-------	---------------------	--	---	-----	--	-----

NX300

L4 2.0L 1998cc Turbo			57047	57047XP	49430	24511 ⁷⁸		3	N/S		N/A
----------------------	--	--	-------	---------	-------	---------------------	--	---	-----	--	-----

RC 300

L4 2.0L 1998cc Turbo			57047	57047XP	49240	WP10099			N/S		N/A
V6 3.5L 3456cc			57173		49240	WP10099			N/S		N/S

RC 350

V6 3.5L			57173		49240	WP10099			N/S		N/S
---------	--	--	-------	--	-------	---------	--	--	-----	--	-----

RC F

V8 5.0L 4969cc 303 CID	2URGSE		57310		49150	WP10099			N/S		N/S
------------------------	--------	--	-------	--	-------	---------	--	--	-----	--	-----

RX 350

V6 3.5L	2GRFKS		57047	57047XP	49430	WP10320 ⁷⁹ WP10322 ⁷⁸		3	N/S		N/A
---------	--------	--	-------	---------	-------	--	--	---	-----	--	-----

RX 450H

V6 3.5L 3456cc Electric/Gas	2GRFXE		57047	57047XP	WA10716	WP10320 ⁷⁹ WP10322 ⁷⁸		3	N/A		N/A
-----------------------------	--------	--	-------	---------	---------	--	--	---	-----	--	-----

RX350L

V6 3.5L			57047	57047XP	49430	WP10320 ⁷⁹ WP10322 ⁷⁸		3	N/S		N/A
---------	--	--	-------	---------	-------	--	--	---	-----	--	-----

RX450hL

V6 3.5L Electric/Gas			57047	57047XP	WA10716	WP10320 ⁷⁹ WP10322 ⁷⁸		3	N/S		N/A
----------------------	--	--	-------	---------	---------	--	--	---	-----	--	-----

UX 200

L4 2.0L 2000CC 122CID Turbo			WL10332		WA10807	24160 ⁷⁸			N/S		N/S
-----------------------------	--	--	---------	--	---------	---------------------	--	--	-----	--	-----

UX 250h Hybrid

L4 2.0L 2000CC 122CID Turbo			51394 ⁵³	51394XP	N/A	WP10320 ⁷⁹ WP10322 ⁷⁸			N/S		N/S
-----------------------------	--	--	---------------------	---------	-----	--	--	--	-----	--	-----

2019
ES 300H

L4 2.5L 2494cc 152 CID Electric/Gas	2ARFXE		WL10332		WA10807	WP10320 ⁷⁹ WP10322 ⁷⁸			N/S		N/A
--	--------	--	---------	--	---------	--	--	--	-----	--	-----

ES 350

V6 3.5L 3456cc	2GRFE		57047	57047XP	WA10859	WP10320 ⁷⁹ WP10322 ⁷⁸		3	N/S		N/S
----------------	-------	--	-------	---------	---------	--	--	---	-----	--	-----

ES 350 F Sport

V6 3.5L 3456cc	2GRFE		57047	57047XP	WA10859	WP10320 ⁷⁹ WP10322 ⁷⁸		3	N/S		N/S
----------------	-------	--	-------	---------	---------	--	--	---	-----	--	-----

GS 300

L4 2.0L 2000CC 122CID Turbo			57047 ⁵³	57047XP	49240	WP10099			N/S		N/S
-----------------------------	--	--	---------------------	---------	-------	---------	--	--	-----	--	-----

GS 350

V6 3.5L			57173		49240	WP10099		3	N/S		N/A
---------	--	--	-------	--	-------	---------	--	---	-----	--	-----

GS F

V8 5.0L 4969cc 303 CID			57310		49150	WP10099			N/S		N/S
------------------------	--	--	-------	--	-------	---------	--	--	-----	--	-----

N/A = Not Available N/R = Not Required N/S = Not Serviceable For cabin and fuel filter locator, see pages 5-15 See pages 16-19 for footnotes

N/A = Non disponible N/R = Non nécessaire N/S = Non réparable Para la ubicación de los filtros de aire de la cabina y de combustible, ver las páginas 5-15 Voir pages 16-19 pour des notes

N/A = No disponible N/R = No requiere N/S = No servible Voir les tableaux de repérage des filtres d'habitacle et à carburant aux pages 5-15 Ver las páginas 16-19 para las notas al pie de página

Italicized Part Numbers May Not Be Available. Wix XP Oil Filters Have Fully Synthetic Media.

Las piezas con números en *italicas* pueden no estar disponibles. Los filtros de aceite WIX XP son completamente de media sintética.

Les numéros de pièce en *italiques* peuvent ne pas être disponibles. Les filtres à huile XP Wix contiennent un matériau 100 % synthétique.

LEXUS 2019-2018
Pass Car/Light Truck

Year/Año/Année Model/Modelo/Modèle Engine/Motor/Moteur	Eng. Code Código de motor Code moteur	VIN NIV NIV	Oil Aceite Huile	Oil XP Aceite XP Huile XP	Air Aire Air	Cabin Air Cabina Aire Cabine Air	Cabin Air XP Cabina Aire XP Cabine Air XP	Loc. Cabin Air Cabina Aire Cabine Air	Fuel Combustible Carburant	Loc. Fuel Combustible Carburant	Transmission Transmisión Transmission
--	---	-------------------	------------------------	---------------------------------	--------------------	--	---	--	----------------------------------	--	---

LEXUS (Cont'd/Suite)
2019 (Cont'd/Suite)
GX 460

V8 4.6L 4608cc	1URFE		57173		49350	24483 ⁷⁹ 24511 ⁷⁸	24483XP ⁷⁹	3	N/S		N/S
----------------	-------	--	-------	--	-------	--	-----------------------	---	-----	--	-----

IS 300

L4 2.0L 1998cc Turbo			57173		49240	WP10099		3	N/S		N/S
----------------------	--	--	-------	--	-------	---------	--	---	-----	--	-----

IS 300 AWD

V6 3.5L 3500CC 214CID	2GRFSE		57173		49240	WP10099		3	N/S		N/A
-----------------------	--------	--	-------	--	-------	---------	--	---	-----	--	-----

IS 350

V6 3.5L 3500CC 214CID	2GRFSE		57173		49240	WP10099		3	N/S		N/A
-----------------------	--------	--	-------	--	-------	---------	--	---	-----	--	-----

LC 500

V8 5.0L 4969cc			57310		WA10961	WP10443			N/S		N/S
----------------	--	--	-------	--	---------	---------	--	--	-----	--	-----

LC 500h

V6 3.5L Electric/Gas			57047	57047XP	WA10946	WP10443			N/S		N/S
----------------------	--	--	-------	---------	---------	---------	--	--	-----	--	-----

LS500

V6 3.5L 3445CC Turbo			57173		WA10961	N/A			N/S		N/S
----------------------	--	--	-------	--	---------	-----	--	--	-----	--	-----

LS500h

V6 3.5L Electric/Gas			57047	57047XP	WA10946	N/A			N/S		N/S
----------------------	--	--	-------	---------	---------	-----	--	--	-----	--	-----

LX 570

V8 5.7L 5663cc 345 CID	3URFE		57041	57041XP	49030	24483 ⁷⁹ 24511 ⁷⁸	24483XP ⁷⁹	3	33526		N/A
------------------------	-------	--	-------	---------	-------	--	-----------------------	---	-------	--	-----

NX 300H

L4 2.5L 2494cc 152 CID Electric/Gas	2ARFXE		57047	57047XP	49320	24511 ⁷⁸ WP10099 ⁷⁹		3	N/S		N/S
--	--------	--	-------	---------	-------	--	--	---	-----	--	-----

NX300

L4 2.0L 1998cc			57047	57047XP	49430	24511 ⁷⁸		3	N/S		N/A
----------------	--	--	-------	---------	-------	---------------------	--	---	-----	--	-----

RC 300

L4 2.0L 1998cc Turbo			57173		49240	WP10099			N/S		N/A
V6 3.5L 3456cc			57173		49240	WP10099			N/S		N/S

RC 350

V6 3.5L			57173		49240	WP10099			N/S		N/S
---------	--	--	-------	--	-------	---------	--	--	-----	--	-----

RC F

V8 5.0L 4969cc 303 CID	2URGSE		57310		49150	WP10099			N/S		N/S
------------------------	--------	--	-------	--	-------	---------	--	--	-----	--	-----

RX 350

V6 3.5L	2GRFKS		57047	57047XP	49430	WP10320 ⁷⁹ WP10322 ⁷⁸		3	N/S		N/A
---------	--------	--	-------	---------	-------	--	--	---	-----	--	-----

RX 450H

V6 3.5L 3456cc Electric/Gas	2GRFXE		57047	57047XP	WA10716	WP10320 ⁷⁹ WP10322 ⁷⁸		3	N/A		N/A
-----------------------------	--------	--	-------	---------	---------	--	--	---	-----	--	-----

RX350L

V6 3.5L			57047	57047XP	49430	WP10320 ⁷⁹ WP10322 ⁷⁸		3	N/S		N/A
---------	--	--	-------	---------	-------	--	--	---	-----	--	-----

RX450hL

V6 3.5L Electric/Gas			57047	57047XP	WA10716	WP10320 ⁷⁹ WP10322 ⁷⁸		3	N/S		N/A
----------------------	--	--	-------	---------	---------	--	--	---	-----	--	-----

UX 200

L4 2.0L 2000CC 122CID Turbo			WL10332		WA10807	24160 ⁷⁸			N/S		N/S
-----------------------------	--	--	---------	--	---------	---------------------	--	--	-----	--	-----

UX 250h Hybrid

L4 2.0L 2000CC 122CID Turbo			51394 ⁵³	51394XP	N/A	WP10320 ⁷⁹ WP10322 ⁷⁸			N/S		N/S
-----------------------------	--	--	---------------------	---------	-----	--	--	--	-----	--	-----

2018
ES 300H

L4 2.5L 2494cc 152 CID Electric/Gas	2ARFXE		57047	57047XP	WA10807	24483 24160 ⁷⁸	24483XP		N/S		N/A
--	--------	--	-------	---------	---------	------------------------------	---------	--	-----	--	-----

ES 350

V6 3.5L 3456cc	2GRFE		57047	57047XP	49430	24483 ⁷⁹ 24511 ⁷⁸	24483XP ⁷⁹	3	N/S		N/S
----------------	-------	--	-------	---------	-------	--	-----------------------	---	-----	--	-----

N/A = Not Available N/R = Not Required N/S = Not Serviceable For cabin and fuel filter locator, see pages 5-15 See pages 16-19 for footnotes

N/A = Non disponible N/R = Non nécessaire N/S = Non réparable Para la ubicación de los filtros de aire de la cabina y de combustible, ver las páginas 5-15 Voir pages 16-19 pour des notes

N/A = No disponible N/R = No requiere N/S = No servible Voir les tableaux de repérage des filtres d'habitacle et à carburant aux pages 5-15 Ver las páginas 16-19 para las notas al pie de página

Italicized Part Numbers May Not Be Available. Wix XP Oil Filters Have Fully Synthetic Media.

Las piezas con números en *italicas* pueden no estar disponibles. Los filtros de aceite WIX XP son completamente de media sintética. Les numéros de pièce en *italiques* peuvent ne pas être disponibles. Les filtres à huile XP Wix contiennent un matériau 100 % synthétique.

Year/Año/Année Model/Modelo/Modèle Engine/Motor/Moteur	Eng. Code Código de motor Code moteur	VIN NIV NIV	Oil Aceite Huile	Oil XP Aceite XP Huile XP	Air Aire Air	Cabin Air Cabina Aire Cabine Air	Cabin Air XP Cabina Aire XP Cabine Air XP	Loc. Cabin Air Cabina Aire Cabine Air	Fuel Combustible Carburant	Loc. Fuel Combustible Carburant	Transmission Transmisión Transmission
--	--	-------------------	------------------------	---------------------------------	--------------------	--	---	--	----------------------------------	--	---

LEXUS (Cont'd/Suite)

2018 (Cont'd/Suite)

GS 300

L4 2.0L 2000CC 122CID Turbo			57047 ⁷⁹	57047XP	49240	WP10099			N/S		N/S
-----------------------------	--	--	---------------------	---------	-------	---------	--	--	-----	--	-----

GS 350

V6 3.5L			57173		49240	WP10099		3	N/S		N/A
---------	--	--	-------	--	-------	---------	--	---	-----	--	-----

GS 450H

V6 3.5L Electric/Gas			57173		49240	WP10099		3	N/S		N/A
----------------------	--	--	-------	--	-------	---------	--	---	-----	--	-----

GS F

V8 5.0L 4969cc 303 CID			57310		49150	WP10099			N/S		N/S
------------------------	--	--	-------	--	-------	---------	--	--	-----	--	-----

GX 460

V8 4.6L 4608cc	1URFE		57173		49350	24483 ⁷⁹ 24511 ⁷⁸	24483XP ⁷⁹	3	N/S		N/S
----------------	-------	--	-------	--	-------	--	-----------------------	---	-----	--	-----

IS 300

L4 2.0L 1998cc Turbo			57173		49240	WP10099		3	N/S		N/S
----------------------	--	--	-------	--	-------	---------	--	---	-----	--	-----

V6 3.5L 3500CC 214CID	2GRFSE		57173		49240	WP10099		3	N/S		N/A
-----------------------	--------	--	-------	--	-------	---------	--	---	-----	--	-----

IS 350

V6 3.5L 3500CC 214CID	2GRFSE		57173		49240	WP10099		3	N/S		N/A
-----------------------	--------	--	-------	--	-------	---------	--	---	-----	--	-----

LC 500

V8 5.0L 4969cc			57310		WA10961	WP10443			N/S		N/S
----------------	--	--	-------	--	---------	---------	--	--	-----	--	-----

LC 500h

V6 3.5L Electric/Gas			57047	57047XP	WA10946	WP10443			N/S		N/S
----------------------	--	--	-------	---------	---------	---------	--	--	-----	--	-----

LS500

V6 3.5L 3445CC Turbo			57047	57047XP	WA10946	N/A			N/S		N/A
----------------------	--	--	-------	---------	---------	-----	--	--	-----	--	-----

LS500h

V6 3.5L Electric/Gas			57047	57047XP	WA10946	N/A			N/S		N/A
----------------------	--	--	-------	---------	---------	-----	--	--	-----	--	-----

LX 570

V8 5.7L 5663cc 345 CID	3URFE		57041	57041XP	49030	24483 ⁷⁹ 24511 ⁷⁸	24483XP ⁷⁹	3	33526		N/A
------------------------	-------	--	-------	---------	-------	--	-----------------------	---	-------	--	-----

NX 300H

L4 2.5L 2494cc 152 CID Electric/Gas	2ARFXE		57047	57047XP	49320	24511 ⁷⁸ WP10099 ⁷⁹		3	N/S		N/S
--	--------	--	-------	---------	-------	--	--	---	-----	--	-----

NX300

L4 2.0L 1998cc			57047	57047XP	49430	24511 ⁷⁸		3	N/S		N/A
----------------	--	--	-------	---------	-------	---------------------	--	---	-----	--	-----

RC 300

L4 2.0L 1998cc Turbo			57173		49240	WP10099			N/S		N/A
----------------------	--	--	-------	--	-------	---------	--	--	-----	--	-----

V6 3.5L 3456cc			57173		49240	WP10099			N/S		N/S
----------------	--	--	-------	--	-------	---------	--	--	-----	--	-----

RC 350

V6 3.5L			57173		49240	WP10099			N/S		N/S
---------	--	--	-------	--	-------	---------	--	--	-----	--	-----

RC F

V8 5.0L 4969cc 303 CID	2URGSE		57310		49150	WP10099			N/S		N/S
------------------------	--------	--	-------	--	-------	---------	--	--	-----	--	-----

RX 350

V6 3.5L	2GRFKS		57047	57047XP	49430	WP10320 ⁷⁹ WP10322 ⁷⁸		3	N/S		N/A
---------	--------	--	-------	---------	-------	--	--	---	-----	--	-----

RX 450H

V6 3.5L 3456cc Electric/Gas	2GRFXE		57047	57047XP	WA10716	WP10320 ⁷⁹ WP10322 ⁷⁸		3	N/A		N/A
-----------------------------	--------	--	-------	---------	---------	--	--	---	-----	--	-----

RX350L

V6 3.5L			57047	57047XP	49430	WP10320 ⁷⁹ WP10322 ⁷⁸		3	N/S		N/A
---------	--	--	-------	---------	-------	--	--	---	-----	--	-----

RX450hL

V6 3.5L Electric/Gas			57047	57047XP	WA10716	WP10320 ⁷⁹ WP10322 ⁷⁸		3	N/S		N/A
----------------------	--	--	-------	---------	---------	--	--	---	-----	--	-----

2017

CT 200H

L4 1.8L 1798cc Electric/Gas	2ZRFXE		57064	57064XP	49320	24483 ⁷⁹ 24511 ⁷⁸	24483XP ⁷⁹	3	N/S		N/S
-----------------------------	--------	--	-------	---------	-------	--	-----------------------	---	-----	--	-----

N/A = Not Available N/R = Not Required N/S = Not Serviceable For cabin and fuel filter locator, see pages 5-15 See pages 16-19 for footnotes

N/A = Non disponible N/R = Non nécessaire N/S = Non réparable Para la ubicación de los filtros de aire de la cabina y de combustible, ver las páginas 5-15 Voir pages 16-19 pour des notes

N/A = No disponible N/R = No requiere N/S = No servible Voir les tableaux de repérage des filtres d'habitacle et à carburant aux pages 5-15 Ver las páginas 16-19 para las notas al pie de página

Italicized Part Numbers May Not Be Available. Wix XP Oil Filters Have Fully Synthetic Media.

Las piezas con números en *italicas* pueden no estar disponibles. Los filtros de aceite WIX XP son completamente de media sintética.

Les numéros de pièce en *italiques* peuvent ne pas être disponibles. Les filtres à huile Wix contiennent un matériau 100 % synthétique.

LEXUS 2017-2016
Pass Car/Light Truck

Year/Año/Année Model/Modelo/Modèle Engine/Motor/Moteur	Eng. Code Código de motor Code moteur	VIN NIV NIV	Oil Aceite Huile	Oil XP Aceite XP Huile XP	Air Aire Air	Cabin Air Cabina Aire Cabine Air	Cabin Air XP Cabina Aire XP Cabine Air XP	Loc. Cabin Air Cabina Aire Cabine Air	Fuel Combustible Carburant	Loc. Fuel Combustible Carburant	Transmission Transmisión Transmission
--	---	-------------------	------------------------	---------------------------------	--------------------	--	---	--	----------------------------------	--	---

LEXUS (Cont'd/Suite)
2017 (Cont'd/Suite)
ES 300H

L4 2.5L 2494cc 152 CID Electric/Gas	2ARFXE	W	57047	57047XP	49310	24483 ⁷⁹ 24511 ⁷⁸	24483XP ⁷⁹		N/S		N/A
--	--------	---	-------	---------	-------	--	-----------------------	--	-----	--	-----

ES 350

V6 3.5L 3456cc	2GRFE		57047 ⁵³	57047XP	49430	24483 ⁷⁹ 24511 ⁷⁸	24483XP ⁷⁹	3	N/S		N/S
----------------	-------	--	---------------------	---------	-------	--	-----------------------	---	-----	--	-----

GS 350

V6 3.5L		E	57173		49240	WP10099		3	N/S		N/S
---------	--	---	-------	--	-------	---------	--	---	-----	--	-----

GS 450H

V6 3.5L Electric/Gas		C	57173		49240	WP10099		3	N/S		N/S
----------------------	--	---	-------	--	-------	---------	--	---	-----	--	-----

GS F

V8 5.0L 4969cc 303 CID			57310		49150	WP10099			N/S		N/S
------------------------	--	--	-------	--	-------	---------	--	--	-----	--	-----

GS Turbo

L4 2.0L 1998cc Turbo			57173		49240	WP10099			N/S		N/S
----------------------	--	--	-------	--	-------	---------	--	--	-----	--	-----

GS200t

L4 2.0L 1998cc			57047	57047XP	49240	WP10099			N/S		N/S
----------------	--	--	-------	---------	-------	---------	--	--	-----	--	-----

GX 460

V8 4.6L 4608cc	1URFE		57173		49350	24511 ⁷⁸		3	N/S		N/A
----------------	-------	--	-------	--	-------	---------------------	--	---	-----	--	-----

IS 300

V6 3.5L 3500CC 214CID	2GRFSE		57173		49240	WP10099		3	N/S		N/S
-----------------------	--------	--	-------	--	-------	---------	--	---	-----	--	-----

IS 350

V6 3.5L 3500CC 214CID	2GRFSE		57173		49240	WP10099		3	N/S		N/A
-----------------------	--------	--	-------	--	-------	---------	--	---	-----	--	-----

IS200t

L4 2.0L 1998cc Turbo			57047	57047XP	49240	WP10099			N/S		N/S
----------------------	--	--	-------	---------	-------	---------	--	--	-----	--	-----

LS 460

V8 4.6L 4608cc	1URFSE		57173		49310	N/A - Rear		5	N/S		N/A
----------------	--------	--	-------	--	-------	------------	--	---	-----	--	-----

LX 570

V8 5.7L 5663cc 345 CID	3URFE		57041	57041XP	49030	24483 ⁷⁹ 24511 ⁷⁸	24483XP ⁷⁹	3	33526		N/A
------------------------	-------	--	-------	---------	-------	--	-----------------------	---	-------	--	-----

NX 200T

L4 2.0L 1998cc Turbo			57047	57047XP	49430	24511 ⁷⁸ WP10099 ⁷⁸		3	N/S		N/S
----------------------	--	--	-------	---------	-------	--	--	---	-----	--	-----

NX 300H

L4 2.5L 2494cc 152 CID Electric/Gas	2ARFXE		57047	57047XP	49320	24511 ⁷⁸ WP10099 ⁷⁹		3	N/S		N/S
--	--------	--	-------	---------	-------	--	--	---	-----	--	-----

RC 200T

L4 2.0L 1998cc Turbo			57047	57047XP	49240	WP10099			N/S		N/S
----------------------	--	--	-------	---------	-------	---------	--	--	-----	--	-----

RC 300

V6 3.5L 3456cc			57173		49240	WP10099			N/S		N/S
----------------	--	--	-------	--	-------	---------	--	--	-----	--	-----

RC 350

V6 3.5L			57173		49240	WP10099			N/S		N/S
---------	--	--	-------	--	-------	---------	--	--	-----	--	-----

RC F

V8 5.0L 4969cc 303 CID	2URGSE		57310		49150	WP10099			N/S		N/S
------------------------	--------	--	-------	--	-------	---------	--	--	-----	--	-----

RX 350

V6 3.5L	2GRFKS	K	57047	57047XP	49430	WP10320 ⁷⁹ WP10322 ⁷⁸		3	N/S		N/A
---------	--------	---	-------	---------	-------	--	--	---	-----	--	-----

RX 450H

V6 3.5L 3456cc Electric/Gas	2GRFXE	C	57047	57047XP	WA10716	WP10320 ⁷⁹ WP10322 ⁷⁸		3	N/S		N/S
-----------------------------	--------	---	-------	---------	---------	--	--	---	-----	--	-----

2016
CT 200H

L4 1.8L 1798cc Electric/Gas	2ZRFXE		57064	57064XP	49320	24483 ⁷⁹ 24511 ⁷⁸	24483XP ⁷⁹	3	N/S		N/S
-----------------------------	--------	--	-------	---------	-------	--	-----------------------	---	-----	--	-----

N/A = Not Available N/R = Not Required N/S = Not Serviceable For cabin and fuel filter locator, see pages 5-15 See pages 16-19 for footnotes

N/A = Non disponible N/R = Non nécessaire N/S = Non réparable Para la ubicación de los filtros de aire de la cabina y de combustible, ver las páginas 5-15 Voir pages 16-19 pour des notes

N/A = No disponible N/R = No requiere N/S = No servible Voir les tableaux de repérage des filtres d'habitacle et à carburant aux pages 5-15 Ver las páginas 16-19 para las notas al pie de página

Italicized Part Numbers May Not Be Available. Wix XP Oil Filters Have Fully Synthetic Media.

Las piezas con números en *italicas* pueden no estar disponibles. Los filtros de aceite WIX XP son completamente de media sintética. Les numéros de pièce en *italiques* peuvent ne pas être disponibles. Les filtres à huile XP Wix contiennent un matériau 100 % synthétique.

Year/Año/Année Model/Modelo/Modèle Engine/Motor/Moteur	Eng. Code Código de motor Code moteur	VIN NIV NIV	Oil Aceite Huile	Oil XP Aceite XP Huile XP	Air Aire Air	Cabin Air Cabina Aire Cabine Air	Cabin Air XP Cabina Aire XP Cabine Air XP	Loc. Cabin Air Cabina Aire Cabine Air	Fuel Combustible Carburant	Loc. Fuel Combustible Carburant	Transmission Transmisión Transmission
--	---	-------------------	------------------------	---------------------------------	--------------------	--	---	--	----------------------------------	--	---

LEXUS (Cont'd/Suite)
2016 (Cont'd/Suite)
ES 300H

L4 2.5L 2494cc 152 CID Electric/Gas	2ARFXE	W	57047	57047XP	49310	24483 ⁷⁹ 24511 ⁷⁸	24483XP ⁷⁹		N/S		N/A
--	--------	---	-------	---------	-------	--	-----------------------	--	-----	--	-----

ES 350

V6 3.5L 3456cc	2GRFE		57047 ⁷³	57047XP	49430	24483 ⁷⁹ 24511 ⁷⁸	24483XP ⁷⁹	3	N/S		N/S
----------------	-------	--	---------------------	---------	-------	--	-----------------------	---	-----	--	-----

GS 350

V6 3.5L		E	57173		49240	WP10099		3	N/S		N/S
---------	--	---	-------	--	-------	---------	--	---	-----	--	-----

GS 450H

V6 3.5L Electric/Gas		C	57173		49240	WP10099		3	N/S		N/S
----------------------	--	---	-------	--	-------	---------	--	---	-----	--	-----

GS F

V8 5.0L 4969cc 303 CID			57310		49150	WP10099			N/S		N/S
------------------------	--	--	-------	--	-------	---------	--	--	-----	--	-----

GS200t

L4 2.0L 1998cc			57047	57047XP	49240	WP10099			N/S		N/S
----------------	--	--	-------	---------	-------	---------	--	--	-----	--	-----

GX 460

V8 4.6L 4608cc	1URFE		57173		49350	24483 ⁷⁹ 24511 ⁷⁸	24483XP ⁷⁹	3	N/S		N/A
----------------	-------	--	-------	--	-------	--	-----------------------	---	-----	--	-----

IS 300

V6 3.5L 3500CC 214CID	2GRFSE		57173		49240	WP10099		3	N/S		N/S
-----------------------	--------	--	-------	--	-------	---------	--	---	-----	--	-----

IS 350

V6 3.5L 3500CC 214CID	2GRFSE		57173		49240	WP10099		3	N/S		N/A
-----------------------	--------	--	-------	--	-------	---------	--	---	-----	--	-----

IS200T

L4 2.0L 1998cc Turbo			57047	57047XP	49240	WP10099			N/S		N/S
----------------------	--	--	-------	---------	-------	---------	--	--	-----	--	-----

LS 460

V8 4.6L 4608cc	1URFSE		57173		49310	N/A - Rear		5	N/S		N/A
----------------	--------	--	-------	--	-------	------------	--	---	-----	--	-----

LS 600H

V8 5.0L 4968cc Electric/Gas	2URSFE	L	57041	57041XP	49310	24511 ⁷⁸ - Front		5	N/S		N/S
-----------------------------	--------	---	-------	---------	-------	-----------------------------	--	---	-----	--	-----

LS 570

V8 5.7L 5663cc 345 CID	3URFE		57041	57041XP	49030	24483 ⁷⁹ 24511 ⁷⁸	24483XP ⁷⁹	3	33526		N/A
------------------------	-------	--	-------	---------	-------	--	-----------------------	---	-------	--	-----

NX 200T

L4 2.0L 1998cc Turbo			57047	57047XP	49430	24511 ⁷⁸ WP10099 ⁷⁸		3	N/S		N/S
----------------------	--	--	-------	---------	-------	--	--	---	-----	--	-----

NX 300H

L4 2.5L 2494cc 152 CID Electric/Gas	2ARFXE		57047	57047XP	49320	24511 ⁷⁸ WP10099 ⁷⁹		3	N/S		N/S
--	--------	--	-------	---------	-------	--	--	---	-----	--	-----

RC 200T

L4 2.0L 1998cc Turbo			57047	57047XP	49240	WP10099			N/S		N/S
----------------------	--	--	-------	---------	-------	---------	--	--	-----	--	-----

RC 300

V6 3.5L 3456cc			57173		49240	WP10099			N/S		N/S
----------------	--	--	-------	--	-------	---------	--	--	-----	--	-----

RC 350

V6 3.5L			57173		49240	WP10099			N/S		N/S
---------	--	--	-------	--	-------	---------	--	--	-----	--	-----

RC F

V8 5.0L 4969cc 303 CID	2URGSE		57310		49150	WP10099			N/S		N/A
------------------------	--------	--	-------	--	-------	---------	--	--	-----	--	-----

RX 350

V6 3.5L	2GRFKS	K	57047	57047XP	49430	WP10320 ⁷⁹ WP10322 ⁷⁸		3	N/S		N/A
---------	--------	---	-------	---------	-------	--	--	---	-----	--	-----

RX 450H

V6 3.5L 3456cc Electric/Gas	2GRFXE	C	57047	57047XP	WA10716	WP10320 ⁷⁹ WP10322 ⁷⁸ 24511 ⁷⁸		3	N/S		N/A
-----------------------------	--------	---	-------	---------	---------	---	--	---	-----	--	-----

2015
CT 200H

L4 1.8L 1798cc Electric/Gas	2ZRFXE		57064	57064XP	49320	24483 ⁷⁹ 24511 ⁷⁸	24483XP ⁷⁹	3	N/S		N/S
-----------------------------	--------	--	-------	---------	-------	--	-----------------------	---	-----	--	-----

N/A = Not Available N/R = Not Required N/S = Not Serviceable For cabin and fuel filter locator, see pages 5-15 See pages 16-19 for footnotes

N/A = Non disponible N/R = Non nécessaire N/S = Non réparable Para la ubicación de los filtros de aire de la cabina y de combustible, ver las páginas 5-15 Voir pages 16-19 pour des notes

N/A = No disponible N/R = No requiere N/S = No servible Voir les tableaux de repérage des filtres d'habitacle et à carburant aux pages 5-15 Ver las páginas 16-19 para las notas al pie de página

Italicized Part Numbers May Not Be Available. Wix XP Oil Filters Have Fully Synthetic Media.

Las piezas con números en *italicas* pueden no estar disponibles. Los filtros de aceite WIX XP son completamente de media sintética.

Les numéros de pièce en *italiques* peuvent ne pas être disponibles. Les filtres à huile XP Wix contiennent un matériau 100 % synthétique.

LEXUS 2015-2014
Pass Car/Light Truck

Year/Año/Année Model/Modelo/Modèle Engine/Motor/Moteur	Eng. Code Código de motor Code moteur	VIN NIV NIV	Oil Aceite Huile	Oil XP Aceite XP Huile XP	Air Aire Air	Cabin Air Cabina Aire Cabine Air	Cabin Air XP Cabina Aire XP Cabine Air XP	Loc. Cabin Air Cabina Aire Cabine Air	Fuel Combustible Carburant	Loc. Fuel Combustible Carburant	Transmission Transmisión Transmission
--	--	-------------------	------------------------	---------------------------------	--------------------	--	---	--	----------------------------------	--	---

LEXUS (Cont'd/Suite)
2015 (Cont'd/Suite)
ES 300H

L4 2.5L 2494cc 152 CID Electric/Gas	2ARFXE	W	57047	57047XP	49310	24483 ⁷⁹ 24511 ⁷⁸	24483XP ⁷⁹			N/S	N/A
--	--------	---	-------	---------	-------	--	-----------------------	--	--	-----	-----

ES 350

V6 3.5L 3456cc	2GRFE		57047	57047XP	49430	24483 ⁷⁹ 24511 ⁷⁸	24483XP ⁷⁹	3		N/S	N/A
----------------	-------	--	-------	---------	-------	--	-----------------------	---	--	-----	-----

GS 350

V6 3.5L 3500CC 214CID	2GRFSE	E	57173		49240	WP10099		3		N/S	N/S
-----------------------	--------	---	-------	--	-------	---------	--	---	--	-----	-----

GS 450H

V6 3.5L 3456cc Electric/Gas	2GRFXE	C	57173		49240	WP10099		3		N/S	N/S
-----------------------------	--------	---	-------	--	-------	---------	--	---	--	-----	-----

GX 460

V8 4.6L 4608cc	1URFE		57173		49350	24483 ⁷⁹ 24511 ⁷⁸	24483XP ⁷⁹	3		N/S	N/S
----------------	-------	--	-------	--	-------	--	-----------------------	---	--	-----	-----

IS 250

V6 2.5L 2499cc	4GRFSE	K	57173		49240	WP10099		3		N/S	N/A
----------------	--------	---	-------	--	-------	---------	--	---	--	-----	-----

IS 250 C

V6 2.5L 2499cc	4GRFSE	F	57173		49240	WP10099		3		N/S	N/A
----------------	--------	---	-------	--	-------	---------	--	---	--	-----	-----

IS 350

V6 3.5L 3500CC 214CID	2GRFSE	E	57173		49240	WP10099		3		N/S	N/A
-----------------------	--------	---	-------	--	-------	---------	--	---	--	-----	-----

IS 350 C

V6 3.5L 3500CC 214CID	2GRFSE	E	57173		49240	WP10099		3		N/S	N/A
-----------------------	--------	---	-------	--	-------	---------	--	---	--	-----	-----

LS 460

V8 4.6L 4608cc	1URFSE	L	57173		49310	N/A - Rear		5		N/S	N/A
----------------	--------	---	-------	--	-------	------------	--	---	--	-----	-----

LS 600H L

V8 5.0L 4968cc Electric/Gas	2URSFSE	L	57173		49310	N/A - Rear		5		N/S	N/S
-----------------------------	---------	---	-------	--	-------	------------	--	---	--	-----	-----

LX 570

V8 5.7L 5663cc 345 CID	3URFE	Y	57041	57041XP	49030	24483 ⁷⁹ 24511 ⁷⁸	24483XP ⁷⁹	3	33526		58122
------------------------	-------	---	-------	---------	-------	--	-----------------------	---	-------	--	-------

NX 200T

L4 2.0L 1998cc Turbo			57047	57047XP	49430	24511 ⁷⁸		3		N/S	N/S
----------------------	--	--	-------	---------	-------	---------------------	--	---	--	-----	-----

NX 300H

L4 2.5L 2494cc 152 CID Electric/Gas	2ARFXE		57047	57047XP	49320	24511		3		N/S	N/S
--	--------	--	-------	---------	-------	-------	--	---	--	-----	-----

RC 350

V6 3.5L			57173		49240	WP10099				N/S	N/S
---------	--	--	-------	--	-------	---------	--	--	--	-----	-----

RC F

V8 5.0L 4969cc 303 CID	2URGSE		57310		49150	WP10099				N/S	N/A
------------------------	--------	--	-------	--	-------	---------	--	--	--	-----	-----

RX 350

V6 3.5L 3456cc	2GRFE	K	57047	57047XP	49430	24483 ⁷⁹	24483XP ⁷⁹	3		N/S	N/A
----------------	-------	---	-------	---------	-------	---------------------	-----------------------	---	--	-----	-----

RX 450H

V6 3.5L 3456cc Electric/Gas	2GRFXE	C	57047	57047XP	WA10313	24483 ⁷⁹ 24511 ⁷⁸	24483XP ⁷⁹	3		N/S	N/A
-----------------------------	--------	---	-------	---------	---------	--	-----------------------	---	--	-----	-----

2014
CT 200H

L4 1.8L 1798cc Electric/Gas	2ZRFXE		57064	57064XP	49320	24483 ⁷⁹ 24511 ⁷⁸	24483XP ⁷⁹	3		N/S	N/S
-----------------------------	--------	--	-------	---------	-------	--	-----------------------	---	--	-----	-----

ES 300H

L4 2.5L 2494cc 152 CID Electric/Gas	2ARFXE	W	57047	57047XP	49310	24483 ⁷⁹ 24511 ⁷⁸	24483XP ⁷⁹			N/S	N/A
--	--------	---	-------	---------	-------	--	-----------------------	--	--	-----	-----

ES 350

V6 3.5L 3456cc	2GRFE		57047	57047XP	49430	24483 ⁷⁹ 24511 ⁷⁸	24483XP ⁷⁹	3		N/S	N/A
----------------	-------	--	-------	---------	-------	--	-----------------------	---	--	-----	-----

GS 350

V6 3.5L 3500CC 214CID	2GRFSE	E	57173		49240	WP10099		3		N/S	N/S
-----------------------	--------	---	-------	--	-------	---------	--	---	--	-----	-----

N/A = Not Available N/R = Not Required N/S = Not Serviceable For cabin and fuel filter locator, see pages 5-15 See pages 16-19 for footnotes

N/A = Non disponible N/R = Non nécessaire N/S = Non réparable Para la ubicación de los filtros de aire de la cabina y de combustible, ver las páginas 5-15 Voir pages 16-19 pour des notes

N/A = No disponible N/R = No requiere N/S = No servible Voir les tableaux de repérage des filtres d'habitacle et à carburant aux pages 5-15 Ver las páginas 16-19 para las notas al pie de página

Italicized Part Numbers May Not Be Available. Wix XP Oil Filters Have Fully Synthetic Media.

Las piezas con números en *italicas* pueden no estar disponibles. Los filtros de aceite WIX XP son completamente de media sintética. Les numéros de pièce en *italiques* peuvent ne pas être disponibles. Les filtres à huile XP Wix contiennent un matériau 100 % synthétique.

Year/Año/Année Model/Modelo/Modèle Engine/Motor/Moteur	Eng. Code Código de motor Code moteur	VIN NIV NIV	Oil Aceite Huile	Oil XP Aceite XP Huile XP	Air Aire Air	Cabin Air Cabina Aire Cabine Air	Cabin Air XP Cabina Aire XP Cabine Air XP	Loc. Cabin Air Cabina Aire Cabine Air	Fuel Combustible Carburant	Loc. Fuel Combustible Carburant	Transmission Transmisión Transmission
--	--	-------------------	------------------------	---------------------------------	--------------------	--	---	--	----------------------------------	--	---

LEXUS (Cont'd/Suite)

2014 (Cont'd/Suite)
GS 450H

V6 3.5L 3456cc Electric/Gas	2GRFSE	C	57173		49240	WP10099		3	N/S		N/S
-----------------------------	--------	---	-------	--	-------	---------	--	---	-----	--	-----

GX 460

V8 4.6L 4608cc	1URFE		57173		49350	24483 ⁷⁹ 24511 ⁷⁸	24483XP ⁷⁹	3	N/S		N/S
----------------	-------	--	-------	--	-------	--	-----------------------	---	-----	--	-----

IS 250

V6 2.5L 2499cc	4GRFSE	K	57173 ³¹⁵		49240	WP10099		3	N/S		N/A
----------------	--------	---	----------------------	--	-------	---------	--	---	-----	--	-----

IS 250 C

V6 2.5L 2499cc	4GRFSE	F	57173		49240	WP10099		3	N/S		N/A
----------------	--------	---	-------	--	-------	---------	--	---	-----	--	-----

IS 350

V6 3.5L 3500CC 214CID	2GRFSE	E	57173		49240	WP10099		3	N/S		N/A
-----------------------	--------	---	-------	--	-------	---------	--	---	-----	--	-----

IS 350 C

V6 3.5L 3500CC 214CID	2GRFSE	E	57173		49240	WP10099		3	N/S		N/A
-----------------------	--------	---	-------	--	-------	---------	--	---	-----	--	-----

IS F

V8 5.0L 4969cc 303 CID	2URGSE	P	57310		49150	24483 ⁷⁹ 24511 ⁷⁸	24483XP ⁷⁹	3	N/S		N/A
------------------------	--------	---	-------	--	-------	--	-----------------------	---	-----	--	-----

LS 460

V8 4.6L 4608cc	1URFSE	L	57173		49310	N/A - Rear		5	N/S		N/A
----------------	--------	---	-------	--	-------	------------	--	---	-----	--	-----

LS 600H L

V8 5.0L 4968cc Electric/Gas	2URSFE	L	57173		49310	N/A - Rear		5	N/S		N/S
-----------------------------	--------	---	-------	--	-------	------------	--	---	-----	--	-----

LX 570

V8 5.7L 5663cc 345 CID	3URFE	Y	57041	57041XP	49030	24483 ⁷⁹ 24511 ⁷⁸	24483XP ⁷⁹	3	33526		58122
------------------------	-------	---	-------	---------	-------	--	-----------------------	---	-------	--	-------

RX 350

V6 3.5L 3456cc	2GRFE	K	57047	57047XP	49430	24483 ⁷⁹	24483XP ⁷⁹	3	N/S		N/A
----------------	-------	---	-------	---------	-------	---------------------	-----------------------	---	-----	--	-----

RX 450H

V6 3.5L 3456cc Electric/Gas	2GRFXE	C	57047	57047XP	WA10313	24483 ⁷⁹ 24511 ⁷⁸	24483XP ⁷⁹	3	N/S		N/A
-----------------------------	--------	---	-------	---------	---------	--	-----------------------	---	-----	--	-----

2013
CT 200H

L4 1.8L 1798cc Electric/Gas	2ZRFXE		57064	57064XP	49320	24483 ⁷⁹ 24511 ⁷⁸	24483XP ⁷⁹	3	N/S		N/S
-----------------------------	--------	--	-------	---------	-------	--	-----------------------	---	-----	--	-----

ES 300H

L4 2.5L 2494cc 152 CID Electric/Gas	2ARFXE	W	57047	57047XP	49310	24483 ⁷⁹ 24511 ⁷⁸	24483XP ⁷⁹		N/S		N/A
--	--------	---	-------	---------	-------	--	-----------------------	--	-----	--	-----

ES 350

V6 3.5L 3456cc	2GRFE		57047	57047XP	49430	24483 ⁷⁹ 24511 ⁷⁸	24483XP ⁷⁹	3	N/S		N/A
----------------	-------	--	-------	---------	-------	--	-----------------------	---	-----	--	-----

GS 350

V6 3.5L 3500CC 214CID	2GRFSE	E	57173		49240	WP10099		3	N/S		N/A
-----------------------	--------	---	-------	--	-------	---------	--	---	-----	--	-----

GS 450H

V6 3.5L 3456cc Electric/Gas	2GRFSE	C	57173		49240	WP10099		3	N/S		N/S
-----------------------------	--------	---	-------	--	-------	---------	--	---	-----	--	-----

GX 460

V8 4.6L 4608cc	1URFE		57173		49350	24483 ⁷⁹ 24511 ⁷⁸	24483XP ⁷⁹	3	N/S		N/S
----------------	-------	--	-------	--	-------	--	-----------------------	---	-----	--	-----

IS 250

V6 2.5L 2499cc	4GRFSE	K	57173		49146	24483 ⁷⁹ 24511 ⁷⁸	24483XP ⁷⁹	3	N/S		N/S
----------------	--------	---	-------	--	-------	--	-----------------------	---	-----	--	-----

IS 250 C

V6 2.5L 2499cc	4GRFSE	F	57173		49146	24483 ⁷⁹ 24511 ⁷⁸	24483XP ⁷⁹	3	N/S		N/S
----------------	--------	---	-------	--	-------	--	-----------------------	---	-----	--	-----

IS 350

V6 3.5L 3500CC 214CID	2GRFSE	E	57173		49146	24483 ⁷⁹ 24511 ⁷⁸	24483XP ⁷⁹	3	N/S		N/S
-----------------------	--------	---	-------	--	-------	--	-----------------------	---	-----	--	-----

N/A = Not Available N/R = Not Required N/S = Not Serviceable For cabin and fuel filter locator, see pages 5-15 See pages 16-19 for footnotes

N/A = Non disponible N/R = Non nécessaire N/S = Non réparable Para la ubicación de los filtros de aire de la cabina y de combustible, ver las páginas 5-15 Voir pages 16-19 pour des notes

N/A = No disponible N/R = No requiere N/S = No servible Voir les tableaux de repérage des filtres d'habitacle et à carburant aux pages 5-15 Ver las páginas 16-19 para las notas al pie de página

Italicized Part Numbers May Not Be Available. Wix XP Oil Filters Have Fully Synthetic Media.

Las piezas con números en *italicas* pueden no estar disponibles. Los filtros de aceite WIX XP son completamente de media sintética.

Les numéros de pièce en *italiques* peuvent ne pas être disponibles. Les filtres à huile XP Wix contiennent un matériau 100 % synthétique.

LEXUS 2013-2012
Pass Car/Light Truck

Year/Año/Année Model/Modelo/Modèle Engine/Motor/Moteur	Eng. Code Código de motor Code moteur	VIN NIV NIV	Oil Aceite Huile	Oil XP Aceite XP Huile XP	Air Aire Air	Cabin Air Cabina Aire Cabine Air	Cabin Air XP Cabina Aire XP Cabine Air XP	Loc. Cabin Air Cabina Aire Cabine Air	Fuel Combustible Carburant	Loc. Fuel Combustible Carburant	Transmission Transmisión Transmission
--	---	-------------------	------------------------	---------------------------------	--------------------	--	---	--	----------------------------------	--	---

LEXUS (Cont'd/Suite)
2013 (Cont'd/Suite)
IS 350 C

V6 3.5L 3500CC 214CID	2GRFSE	E	57173		49146	24483 ⁷⁹ 24511 ⁷⁸	24483XP ⁷⁹	3	N/S		N/S
-----------------------	--------	---	-------	--	-------	--	-----------------------	---	-----	--	-----

IS F

V8 5.0L 4969cc 303 CID	2URGSE		57310		49150	24483 ⁷⁹ 24511 ⁷⁸	24483XP ⁷⁹	3	N/S		N/A
------------------------	--------	--	-------	--	-------	--	-----------------------	---	-----	--	-----

LS 460

V8 4.6L 4608cc	1URFSE	L	57173		49310	24160 - Front N/A - Rear		5	N/S		N/A
----------------	--------	---	-------	--	-------	-----------------------------	--	---	-----	--	-----

LS 600H L

V8 5.0L 4968cc Electric/Gas	2URSFSE	L	57173		49310	24160 - Front N/A - Rear		5	N/S		N/S
-----------------------------	---------	---	-------	--	-------	-----------------------------	--	---	-----	--	-----

LX 570

V8 5.7L 5663cc 345 CID	3URFE	Y	57041	57041XP	49030	24483 ⁷⁹ 24511 ⁷⁸	24483XP ⁷⁹	3	N/S		58122
------------------------	-------	---	-------	---------	-------	--	-----------------------	---	-----	--	-------

RX 350

V6 3.5L 3456cc	2GRFE	K	57047	57047XP	49430	24483 ⁷⁹	24483XP ⁷⁹	3	N/S		N/A
----------------	-------	---	-------	---------	-------	---------------------	-----------------------	---	-----	--	-----

RX 450H

V6 3.5L 3456cc Electric/Gas	2GRFXE	C	57047	57047XP	WA10313	24483 ⁷⁹ 24511 ⁷⁸	24483XP ⁷⁹	3	N/S		58010
-----------------------------	--------	---	-------	---------	---------	--	-----------------------	---	-----	--	-------

2012
CT 200H

L4 1.8L 1798cc Electric/Gas	2ZRFXE		57064	57064XP	49320	24483 ⁷⁹ 24511 ⁷⁸	24483XP ⁷⁹	3	N/S		N/S
-----------------------------	--------	--	-------	---------	-------	--	-----------------------	---	-----	--	-----

ES 350

V6 3.5L 3456cc	2GRFE	J	57047	57047XP	49172	24483 ⁷⁹ 24511 ⁷⁸	24483XP ⁷⁹	3	N/S		N/A
----------------	-------	---	-------	---------	-------	--	-----------------------	---	-----	--	-----

GX 460

V8 4.6L 4608cc	1URFE		57173		49350	24483 ⁷⁹ 24511 ⁷⁸	24483XP ⁷⁹	3	N/S		N/S
----------------	-------	--	-------	--	-------	--	-----------------------	---	-----	--	-----

HS 250H

L4 2.4L 2362cc Electric/Gas	2AZFXE	B	57145	57145XP	49310	24483 ⁷⁹ 24511 ⁷⁸	24483XP ⁷⁹	3	N/S		N/S
-----------------------------	--------	---	-------	---------	-------	--	-----------------------	---	-----	--	-----

IS 250

V6 2.5L 2499cc	4GRFSE	K	57173		49146	24483 ⁷⁹ 24511 ⁷⁸	24483XP ⁷⁹	3	N/S		N/S
----------------	--------	---	-------	--	-------	--	-----------------------	---	-----	--	-----

IS 250 C

V6 2.5L 2499cc	4GRFSE	F	57173		49146	24483 ⁷⁹ 24511 ⁷⁸	24483XP ⁷⁹	3	N/S		N/S
----------------	--------	---	-------	--	-------	--	-----------------------	---	-----	--	-----

IS 350

V6 3.5L 3500CC 214CID	2GRFSE	E	57173		49146	24483 ⁷⁹ 24511 ⁷⁸	24483XP ⁷⁹	3	N/S		N/S
-----------------------	--------	---	-------	--	-------	--	-----------------------	---	-----	--	-----

IS 350 C

V6 3.5L 3500CC 214CID	2GRFSE	E	57173		49146	24483 ⁷⁹ 24511 ⁷⁸	24483XP ⁷⁹	3	N/S		N/S
-----------------------	--------	---	-------	--	-------	--	-----------------------	---	-----	--	-----

IS F

V8 5.0L 4969cc 303 CID	2URGSE	P	57310		49150	24483 ⁷⁹ 24511 ⁷⁸	24483XP ⁷⁹	3	N/S		N/A
------------------------	--------	---	-------	--	-------	--	-----------------------	---	-----	--	-----

LFA

V10 4.8L 4805cc	1LRGUE		N/A		N/A	24483 ⁷⁹ 24511 ⁷⁸	24483XP ⁷⁹	3	N/S		N/S
-----------------	--------	--	-----	--	-----	--	-----------------------	---	-----	--	-----

LS 460

V8 4.6L 4608cc	1URFSE	L	57173		49310	24160 - Front N/A - Rear		5	N/S		N/A
----------------	--------	---	-------	--	-------	-----------------------------	--	---	-----	--	-----

LS 600H L

V8 5.0L 4968cc Electric/Gas	2URSFSE	L	57173		49310	24160 - Front N/A - Rear		5	N/S		N/S
-----------------------------	---------	---	-------	--	-------	-----------------------------	--	---	-----	--	-----

N/A = Not Available N/R = Not Required N/S = Not Serviceable For cabin and fuel filter locator, see pages 5-15 See pages 16-19 for footnotes

N/A = Non disponible N/R = Non nécessaire N/S = Non réparable Para la ubicación de los filtros de aire de la cabina y de combustible, ver las páginas 5-15 Voir pages 16-19 pour des notes

N/A = No disponible N/R = No requiere N/S = No servible Voir les tableaux de repérage des filtres d'habitacle et à carburant aux pages 5-15 Ver las páginas 16-19 para las notas al pie de página

Italicized Part Numbers May Not Be Available. Wix XP Oil Filters Have Fully Synthetic Media.

Las piezas con números en *italicas* pueden no estar disponibles. Los filtros de aceite WIX XP son completamente de media sintética. Les numéros de pièce en *italiques* peuvent ne pas être disponibles. Les filtres à huile XP Wix contiennent un matériau 100 % synthétique.

Year/Año/Année Model/Modelo/Modèle Engine/Motor/Moteur	Eng. Code Código de motor Code moteur	VIN NIV NIV	Oil Aceite Huile	Oil XP Aceite XP Huile XP	Air Aire Air	Cabin Air Cabina Aire Cabine Air	Cabin Air XP Cabina Aire XP Cabine Air XP	Loc. Cabin Air Cabina Aire Cabine Air	Fuel Combustible Carburant	Loc. Fuel Combustible Carburant	Transmission Transmisión Transmission
--	--	-------------------	------------------------	---------------------------------	--------------------	--	---	--	----------------------------------	--	---

LEXUS (Cont'd/Suite)
2012 (Cont'd/Suite)
LX 570

V8 5.7L 5663cc 345 CID	3URFE	Y	57041	57041XP	49030	24483 ⁷⁹ 24511 ⁷⁸	24483XP ⁷⁹	3	N/S		58122
------------------------	-------	---	-------	---------	-------	--	-----------------------	---	-----	--	-------

RX 350

V6 3.5L 3456cc	2GRFE	K	57047	57047XP	49430	24483 ⁷⁹ 24511 ⁷⁸	24483XP ⁷⁹	3	N/S		N/A
----------------	-------	---	-------	---------	-------	--	-----------------------	---	-----	--	-----

RX 450H

V6 3.5L 3456cc Electric/Gas	2GRFXE		57047	57047XP	WA10313	24483 ⁷⁹ 24511 ⁷⁸	24483XP ⁷⁹	3	N/S		58010
-----------------------------	--------	--	-------	---------	---------	--	-----------------------	---	-----	--	-------

2011
CT 200H

L4 1.8L 1798cc Electric/Gas	2ZRFXE		57064	57064XP	49320	24483 ⁷⁹ 24511 ⁷⁸	24483XP ⁷⁹	3	N/S		N/S
-----------------------------	--------	--	-------	---------	-------	--	-----------------------	---	-----	--	-----

ES 350

V6 3.5L 3456cc	2GRFE	J	57047	57047XP	49172	24483 ⁷⁹ 24511 ⁷⁸	24483XP ⁷⁹	3	N/S		N/A
----------------	-------	---	-------	---------	-------	--	-----------------------	---	-----	--	-----

GS 350

V6 3.5L 3500CC 214CID	2GRFSE	E	57173		49146	24483 ⁷⁹ 24511 ⁷⁸	24483XP ⁷⁹	3	N/S		58122 - RWD N/A - AWD
-----------------------	--------	---	-------	--	-------	--	-----------------------	---	-----	--	--------------------------

GS 450H

V6 3.5L 3456cc Electric/Gas	2GRFSE	E	57173		46493	24483 ⁷⁹ 24511 ⁷⁸	24483XP ⁷⁹	3	N/S		N/S
-----------------------------	--------	---	-------	--	-------	--	-----------------------	---	-----	--	-----

GS 460

V8 4.6L 4608cc	1URFE	L	57173		49240	24483 ⁷⁹ 24511 ⁷⁸	24483XP ⁷⁹	3	N/S		N/S
----------------	-------	---	-------	--	-------	--	-----------------------	---	-----	--	-----

GX 460

V8 4.6L 4608cc	1URFE		57173		49350	24483 ⁷⁹ 24511 ⁷⁸	24483XP ⁷⁹	3	N/S		N/S
----------------	-------	--	-------	--	-------	--	-----------------------	---	-----	--	-----

HS 250H

L4 2.4L 2362cc Electric/Gas	2AZFXE	B	57145	57145XP	49310	24483 ⁷⁹ 24511 ⁷⁸	24483XP ⁷⁹	3	N/S		N/S
-----------------------------	--------	---	-------	---------	-------	--	-----------------------	---	-----	--	-----

IS 250

V6 2.5L 2499cc	4GRFSE	K	57173		49146	24483 ⁷⁹ 24511 ⁷⁸	24483XP ⁷⁹	3	N/S		N/S
----------------	--------	---	-------	--	-------	--	-----------------------	---	-----	--	-----

IS 250 C

V6 2.5L 2499cc	4GRFSE	F	57173		49146	24483 ⁷⁹ 24511 ⁷⁸	24483XP ⁷⁹	3	N/S		N/S
----------------	--------	---	-------	--	-------	--	-----------------------	---	-----	--	-----

IS 350

V6 3.5L 3500CC 214CID	2GRFSE	E	57173		49146	24483 ⁷⁹ 24511 ⁷⁸	24483XP ⁷⁹	3	N/S		N/S
-----------------------	--------	---	-------	--	-------	--	-----------------------	---	-----	--	-----

IS 350 C

V6 3.5L 3500CC 214CID	2GRFSE	E	57173		49146	24483 ⁷⁹ 24511 ⁷⁸	24483XP ⁷⁹	3	N/S		N/S
-----------------------	--------	---	-------	--	-------	--	-----------------------	---	-----	--	-----

IS F

V8 5.0L 4969cc 303 CID	2URGSE	P	57310		49150	24483 ⁷⁹ 24511 ⁷⁸	24483XP ⁷⁹	3	N/S		N/A
------------------------	--------	---	-------	--	-------	--	-----------------------	---	-----	--	-----

LS 460

V8 4.6L 4608cc	1URFSE	L	57173		49310	24160 - Front N/A - Rear		5	N/S		N/A
----------------	--------	---	-------	--	-------	-----------------------------	--	---	-----	--	-----

LS 600H L

V8 5.0L 4968cc Electric/Gas	2URSFE	L	57173		49310	24160 - Front N/A - Rear		5	N/S		N/S
-----------------------------	--------	---	-------	--	-------	-----------------------------	--	---	-----	--	-----

LX 570

V8 5.7L 5663cc 345 CID	3URFE	Y	57041	57041XP	49030	24483 ⁷⁹ 24511 ⁷⁸	24483XP ⁷⁹	3	N/S		58122
------------------------	-------	---	-------	---------	-------	--	-----------------------	---	-----	--	-------

RX 350

V6 3.5L 3456cc	2GRFE	K	57047	57047XP	49430	24483 ⁷⁹ 24511 ⁷⁸	24483XP ⁷⁹	3	N/S		N/A
----------------	-------	---	-------	---------	-------	--	-----------------------	---	-----	--	-----

N/A = Not Available N/R = Not Required N/S = Not Serviceable For cabin and fuel filter locator, see pages 5-15 See pages 16-19 for footnotes

N/A = Non disponible N/R = Non nécessaire N/S = Non réparable Para la ubicación de los filtros de aire de la cabina y de combustible, ver las páginas 5-15 Voir pages 16-19 pour des notes

N/A = No disponible N/R = No requiere N/S = No servible Voir les tableaux de repérage des filtres d'habitacle et à carburant aux pages 5-15 Ver las páginas 16-19 para las notas al pie de página

Italicized Part Numbers May Not Be Available. Wix XP Oil Filters Have Fully Synthetic Media.

Las piezas con números en *italicas* pueden no estar disponibles. Los filtros de aceite WIX XP son completamente de media sintética.

Les numéros de pièce en *italiques* peuvent ne pas être disponibles. Les filtres à huile Wix contiennent un matériau 100 % synthétique.

LEXUS 2011-2009
Pass Car/Light Truck

Year/Año/Année Model/Modelo/Modèle Engine/Motor/Moteur	Eng. Code Código de motor Code moteur	VIN NIV NIV	Oil Aceite Huile	Oil XP Aceite XP Huile XP	Air Aire Air	Cabin Air Cabina Aire Cabine Air	Cabin Air XP Cabina Aire XP Cabine Air XP	Loc. Cabin Air Cabina Aire Cabine Air	Fuel Combustible Carburant	Loc. Fuel Combustible Carburant	Transmission Transmisión Transmission
--	---	-------------------	------------------------	---------------------------------	--------------------	--	---	--	----------------------------------	--	---

LEXUS (Cont'd/Suite)
2011 (Cont'd/Suite)
RX 450H

V6 3.5L 3456cc	Electric/Gas	2GRFXE	57047	57047XP	WA10313	24483 ⁷⁹ 24511 ⁷⁸	24483XP ⁷⁹	3	N/S	58010
----------------	--------------	--------	-------	---------	---------	--	-----------------------	---	-----	-------

2010
ES 350

V6 3.5L 3456cc		2GRFE	J	57047	57047XP	49172	24483 ⁷⁹ 24511 ⁷⁸	24483XP ⁷⁹	3	N/S	N/A
----------------	--	-------	---	-------	---------	-------	--	-----------------------	---	-----	-----

GS 350

V6 3.5L 3500CC 214CID		2GRFSE	E	57173		49146	24483 ⁷⁹ 24511 ⁷⁸	24483XP ⁷⁹	3	N/S	58122 - RWD N/A - AWD
-----------------------	--	--------	---	-------	--	-------	--	-----------------------	---	-----	--------------------------

GS 450H

V6 3.5L 3456cc	Electric/Gas	2GRFSE	E	57173		46493	24483 ⁷⁹ 24511 ⁷⁸	24483XP ⁷⁹	3	N/S	N/S
----------------	--------------	--------	---	-------	--	-------	--	-----------------------	---	-----	-----

GS 460

V8 4.6L 4608cc		1URFE	L	57173		49240	24483 ⁷⁹ 24511 ⁷⁸	24483XP ⁷⁹	3	N/S	N/S
----------------	--	-------	---	-------	--	-------	--	-----------------------	---	-----	-----

GX 460

V8 4.6L 4608cc		1URFE		57173		49350	24483 ⁷⁹ 24511 ⁷⁸	24483XP ⁷⁹	3	N/S	N/S
----------------	--	-------	--	-------	--	-------	--	-----------------------	---	-----	-----

HS 250H

L4 2.4L 2362cc	Electric/Gas	2AZFXE	B	57145	57145XP	49310	24483 ⁷⁹ 24511 ⁷⁸	24483XP ⁷⁹	3	N/S	N/S
----------------	--------------	--------	---	-------	---------	-------	--	-----------------------	---	-----	-----

IS 250

V6 2.5L 2499cc		4GRFSE	K	57173		49146	24483 ⁷⁹ 24511 ⁷⁸	24483XP ⁷⁹	3	N/S	N/S
----------------	--	--------	---	-------	--	-------	--	-----------------------	---	-----	-----

IS 250 C

V6 2.5L 2499cc		4GRFSE	F	57173		49146	24483 ⁷⁹ 24511 ⁷⁸	24483XP ⁷⁹	3	N/S	N/S
----------------	--	--------	---	-------	--	-------	--	-----------------------	---	-----	-----

IS 350

V6 3.5L 3500CC 214CID		2GRFSE	E	57173		49146	24483 ⁷⁹ 24511 ⁷⁸	24483XP ⁷⁹	3	N/S	N/S
-----------------------	--	--------	---	-------	--	-------	--	-----------------------	---	-----	-----

IS 350 C

V6 3.5L 3500CC 214CID		2GRFSE	E	57173		49146	24483 ⁷⁹ 24511 ⁷⁸	24483XP ⁷⁹	3	N/S	N/S
-----------------------	--	--------	---	-------	--	-------	--	-----------------------	---	-----	-----

IS F

V8 5.0L 4969cc 303 CID		2URGSE	P	57310		49150	24483 ⁷⁹ 24511 ⁷⁸	24483XP ⁷⁹	3	N/S	N/A
------------------------	--	--------	---	-------	--	-------	--	-----------------------	---	-----	-----

LS 460

V8 4.6L 4608cc		1URFSE	L	57173		49310	24160 - Front N/A - Rear		5	N/S	N/A
----------------	--	--------	---	-------	--	-------	-----------------------------	--	---	-----	-----

LS 600H L

V8 5.0L 4968cc	Electric/Gas	2URSFSE	L	57173		49310	24160 - Front N/A - Rear		5	N/S	N/S
----------------	--------------	---------	---	-------	--	-------	-----------------------------	--	---	-----	-----

LX 570

V8 5.7L 5663cc 345 CID		3URFE	Y	57041	57041XP	49030	24483 ⁷⁹ 24511 ⁷⁸	24483XP ⁷⁹	3	N/S	58122
------------------------	--	-------	---	-------	---------	-------	--	-----------------------	---	-----	-------

RX 350

V6 3.5L 3456cc		2GRFE	K	57047	57047XP	49430	24483 ⁷⁹	24483XP ⁷⁹	3	N/S	N/A
----------------	--	-------	---	-------	---------	-------	---------------------	-----------------------	---	-----	-----

RX 450H

V6 3.5L 3456cc	Electric/Gas	2GRFXE		57047	57047XP	WA10313	24483 ⁷⁹ 24511 ⁷⁸	24483XP ⁷⁹	3	N/S	58010
----------------	--------------	--------	--	-------	---------	---------	--	-----------------------	---	-----	-------

SC 430

V8 4.3L 4293cc		3UZFE	N	51348 ⁵³	51348XP	46493	24893		5	N/S	N/S
----------------	--	-------	---	---------------------	---------	-------	-------	--	---	-----	-----

2009
ES 350

V6 3.5L 3456cc		2GRFE	J	57047	57047XP	49172	24483 ⁷⁹ 24511 ⁷⁸	24483XP ⁷⁹	3	N/S	N/A
----------------	--	-------	---	-------	---------	-------	--	-----------------------	---	-----	-----

N/A = Not Available N/R = Not Required N/S = Not Serviceable For cabin and fuel filter locator, see pages 5-15 See pages 16-19 for footnotes

N/A = Non disponible N/R = Non nécessaire N/S = Non réparable Para la ubicación de los filtros de aire de la cabina y de combustible, ver las páginas 5-15 Voir pages 16-19 pour des notes

N/A = No disponible N/R = No requiere N/S = No servible Voir les tableaux de repérage des filtres d'habitacle et à carburant aux pages 5-15 Ver las páginas 16-19 para las notas al pie de página

Italicized Part Numbers May Not Be Available. Wix XP Oil Filters Have Fully Synthetic Media.

Las piezas con números en *italicas* pueden no estar disponibles. Los filtros de aceite WIX XP son completamente de media sintética. Les numéros de pièce en *italiques* peuvent ne pas être disponibles. Les filtres à huile XP Wix contiennent un matériau 100 % synthétique.

Year/Año/Année Model/Modelo/Modèle Engine/Motor/Moteur	Eng. Code Código de motor Code moteur	VIN NIV NIV	Oil Aceite Huile	Oil XP Aceite XP Huile XP	Air Aire Air	Cabin Air Cabina Aire Cabine Air	Cabin Air XP Cabina Aire XP Cabine Air XP	Loc. Cabin Air Cabina Aire Cabine Air	Fuel Combustible Carburant	Loc. Fuel Combustible Carburant	Transmission Transmisión Transmission
--	---	-------------------	------------------------	---------------------------------	--------------------	--	---	--	----------------------------------	--	---

LEXUS (Cont'd/Suite)

2009 (Cont'd/Suite)

GS 350

V6 3.5L 3500CC 214CID	2GRFSE	E	57173		49146	24483 ⁷⁹ 24511 ⁷⁸	24483XP ⁷⁹	3	N/S		58122 - RWD N/A - AWD
-----------------------	--------	---	-------	--	-------	--	-----------------------	---	-----	--	--------------------------

GS 450H

V6 3.5L 3456cc Electric/Gas	2GRFSE	E	57173		46493	24483 ⁷⁹ 24511 ⁷⁸	24483XP ⁷⁹	3	N/S		N/S
-----------------------------	--------	---	-------	--	-------	--	-----------------------	---	-----	--	-----

GS 460

V8 4.6L 4608cc	1URFE	L	57173		49240	24483 ⁷⁹ 24511 ⁷⁸	24483XP ⁷⁹	3	N/S		N/S
----------------	-------	---	-------	--	-------	--	-----------------------	---	-----	--	-----

GX 470

V8 4.7L 4663cc	2UZFE	T	51348 ⁵³	51348XP	42476	24905		3	N/S		N/S
----------------	-------	---	---------------------	---------	-------	-------	--	---	-----	--	-----

IS 250

V6 2.5L 2499cc	4GRFSE	K	57173		49146	24483 ⁷⁹ 24511 ⁷⁸	24483XP ⁷⁹	3	N/S		N/S
----------------	--------	---	-------	--	-------	--	-----------------------	---	-----	--	-----

IS 350

V6 3.5L 3500CC 214CID	2GRFSE	E	57173		49146	24483 ⁷⁹ 24511 ⁷⁸	24483XP ⁷⁹	3	N/S		N/S
-----------------------	--------	---	-------	--	-------	--	-----------------------	---	-----	--	-----

IS F

V8 5.0L 4969cc 303 CID	2URGSE	P	57310		49150	24483 ⁷⁹ 24511 ⁷⁸	24483XP ⁷⁹	3	N/S		N/A
------------------------	--------	---	-------	--	-------	--	-----------------------	---	-----	--	-----

LS 460

V8 4.6L 4608cc	1URFSE	L	57173		49310	24160 - Front N/A - Rear		5	N/S		N/A
----------------	--------	---	-------	--	-------	-----------------------------	--	---	-----	--	-----

LS 600H L

V8 5.0L 4968cc Electric/Gas	2URSFE	L	57173		49310	24160 - Front N/A - Rear		5	N/S		N/S
-----------------------------	--------	---	-------	--	-------	-----------------------------	--	---	-----	--	-----

LX 570

V8 5.7L 5663cc 345 CID	3URFE	Y	57041	57041XP	49030	24483 ⁷⁹ 24511 ⁷⁸	24483XP ⁷⁹	3	N/S		58122
------------------------	-------	---	-------	---------	-------	--	-----------------------	---	-----	--	-------

RX 350

V6 3.5L 3456cc	2GRFE	K	57047	57047XP	46673	24883	24883XP	3	N/S		58010
----------------	-------	---	-------	---------	-------	-------	---------	---	-----	--	-------

RX 400H

V6 3.3L 3300cc Electric/Gas	3MZFE	W	51348 ⁵³	51348XP	49185	24883	24883XP	3	N/S		N/S
-----------------------------	-------	---	---------------------	---------	-------	-------	---------	---	-----	--	-----

SC 430

V8 4.3L 4293cc	3UZFE	N	51348 ⁵³	51348XP	46493	24893		5	N/S		N/S
----------------	-------	---	---------------------	---------	-------	-------	--	---	-----	--	-----

2008

ES 350

V6 3.5L 3456cc	2GRFE	J	57047	57047XP	49172	24483 ⁷⁹ 24511 ⁷⁸	24483XP ⁷⁹	3	N/S		N/A
----------------	-------	---	-------	---------	-------	--	-----------------------	---	-----	--	-----

GS 350

V6 3.5L 3500CC 214CID	2GRFSE	E	57173		49146	24483 ⁷⁹ 24511 ⁷⁸	24483XP ⁷⁹	3	N/S		58122 - RWD N/A - AWD
-----------------------	--------	---	-------	--	-------	--	-----------------------	---	-----	--	--------------------------

GS 450H

V6 3.5L 3456cc Electric/Gas	2GRFSE	E	57173		46493	24483 ⁷⁹ 24511 ⁷⁸	24483XP ⁷⁹	3	N/S		N/S
-----------------------------	--------	---	-------	--	-------	--	-----------------------	---	-----	--	-----

GS 460

V8 4.6L 4608cc	1URFE	L	57173		49240	24483 ⁷⁹ 24511 ⁷⁸	24483XP ⁷⁹	3	N/S		N/S
----------------	-------	---	-------	--	-------	--	-----------------------	---	-----	--	-----

GX 470

V8 4.7L 4663cc	2UZFE	T	51348 ⁵³	51348XP	42476	24905		3	N/S		N/S
----------------	-------	---	---------------------	---------	-------	-------	--	---	-----	--	-----

IS 250

V6 2.5L 2499cc	4GRFSE	K	57173		49146	24483 ⁷⁹ 24511 ⁷⁸	24483XP ⁷⁹	3	N/S		N/S
----------------	--------	---	-------	--	-------	--	-----------------------	---	-----	--	-----

IS 350

V6 3.5L 3500CC 214CID	2GRFSE	E	57173		49146	24483 ⁷⁹ 24511 ⁷⁸	24483XP ⁷⁹	3	N/S		N/S
-----------------------	--------	---	-------	--	-------	--	-----------------------	---	-----	--	-----

N/A = Not Available N/R = Not Required N/S = Not Serviceable For cabin and fuel filter locator, see pages 5-15 See pages 16-19 for footnotes

N/A = Non disponible N/R = Non nécessaire N/S = Non réparable Para la ubicación de los filtros de aire de la cabina y de combustible, ver las páginas 5-15 Voir pages 16-19 pour des notes

N/A = No disponible N/R = No requiere N/S = No servible Voir les tableaux de repérage des filtres d'habitacle et à carburant aux pages 5-15 Ver las páginas 16-19 para las notas al pie de página

Italicized Part Numbers May Not Be Available. Wix XP Oil Filters Have Fully Synthetic Media.

Las piezas con números en *italicas* pueden no estar disponibles. Los filtros de aceite WIX XP son completamente de media sintética.

Les numéros de pièce en *italiques* peuvent ne pas être disponibles. Les filtres à huile XP Wix contiennent un matériau 100 % synthétique.

LEXUS 2008-2006
Pass Car/Light Truck

Year/Año/Année Model/Modelo/Modèle Engine/Motor/Moteur	Eng. Code Código de motor Code moteur	VIN NIV NIV	Oil Aceite Huile	Oil XP Aceite XP Huile XP	Air Aire Air	Cabin Air Cabina Aire Cabine Air	Cabin Air XP Cabina Aire XP Cabine Air XP	Loc. Cabin Air Cabina Aire Cabine Air	Fuel Combustible Carburant	Loc. Fuel Combustible Carburant	Transmission Transmisión Transmission
--	---	-------------------	------------------------	---------------------------------	--------------------	--	---	--	----------------------------------	--	---

LEXUS (Cont'd/Suite)
2008 (Cont'd/Suite)
IS F

V8 5.0L 4969cc 303 CID	2URGSE	P	57310		49150	24483 ⁷⁹ 24511 ⁷⁸	24483XP ⁷⁹	3	N/S		N/A
------------------------	--------	---	-------	--	-------	--	-----------------------	---	-----	--	-----

LS 460

V8 4.6L 4608cc	1URFSE	L	57173		49310	24160 - Front N/A - Rear		5	N/S		N/A
----------------	--------	---	-------	--	-------	-----------------------------	--	---	-----	--	-----

LS 600H L

V8 5.0L 4968cc Electric/Gas	2URSFE	L	57173		49310	24160 - Front N/A - Rear		5	N/S		N/S
-----------------------------	--------	---	-------	--	-------	-----------------------------	--	---	-----	--	-----

LX 570

V8 5.7L 5663cc 345 CID	3URFE	Y	57041	57041XP	49030	24483 ⁷⁹ 24511 ⁷⁸	24483XP ⁷⁹	3	N/S		58122
------------------------	-------	---	-------	---------	-------	--	-----------------------	---	-----	--	-------

RX 350

V6 3.5L 3456cc	2GRFE	K	57047	57047XP	46673	24883	24883XP	3	N/S		58010
----------------	-------	---	-------	---------	-------	-------	---------	---	-----	--	-------

RX 400H

V6 3.3L 3300cc Electric/Gas	3MZFE	W	51348 ⁵³	51348XP	49185	24883	24883XP	3	N/S		N/S
-----------------------------	-------	---	---------------------	---------	-------	-------	---------	---	-----	--	-----

SC 430

V8 4.3L 4293cc	3UZFE	N	51348 ⁵³	51348XP	46493	24893		5	N/S		N/S
----------------	-------	---	---------------------	---------	-------	-------	--	---	-----	--	-----

2007
ES 350

V6 3.5L 3456cc	2GRFE	J	57047	57047XP	49172	24483 ⁷⁹ 24511 ⁷⁸	24483XP ⁷⁹	3	N/S		N/A
----------------	-------	---	-------	---------	-------	--	-----------------------	---	-----	--	-----

GS 350

V6 3.5L 3500CC 214CID	2GRFSE	E	57173		49146	24483 ⁷⁹ 24511 ⁷⁸	24483XP ⁷⁹	3	N/S		58122 - RWD N/A - AWD
-----------------------	--------	---	-------	--	-------	--	-----------------------	---	-----	--	--------------------------

GS 430

V8 4.3L 4293cc	3UZFE	N	51348 ⁵³	51348XP	49146	24483 ⁷⁹ 24511 ⁷⁸	24483XP ⁷⁹	3	N/S		58122
----------------	-------	---	---------------------	---------	-------	--	-----------------------	---	-----	--	-------

GS 450H

V6 3.5L 3456cc Electric/Gas	2GRFSE	E	57173		46493	24483 ⁷⁹ 24511 ⁷⁸	24483XP ⁷⁹	3	N/S		N/S
-----------------------------	--------	---	-------	--	-------	--	-----------------------	---	-----	--	-----

GX 470

V8 4.7L 4663cc	2UZFE	T	51348 ⁵³	51348XP	42476	24905		3	N/S		N/S
----------------	-------	---	---------------------	---------	-------	-------	--	---	-----	--	-----

IS 250

V6 2.5L 2499cc	4GRFSE	K	57173		49146	24483 ⁷⁹ 24511 ⁷⁸	24483XP ⁷⁹	3	N/S		N/S
----------------	--------	---	-------	--	-------	--	-----------------------	---	-----	--	-----

IS 350

V6 3.5L 3500CC 214CID	2GRFSE	E	57173		49146	24483 ⁷⁹ 24511 ⁷⁸	24483XP ⁷⁹	3	N/S		N/S
-----------------------	--------	---	-------	--	-------	--	-----------------------	---	-----	--	-----

LS 460

V8 4.6L 4608cc	1URFSE	L	57173		49310	24160 - Front N/A - Rear		5	N/S		N/A
----------------	--------	---	-------	--	-------	-----------------------------	--	---	-----	--	-----

LX 470

V8 4.7L 4663cc	2UZFE	T	51348 ⁵³	51348XP	42476	24908		3	33875 ¹³⁹ 33526 ¹³⁸	P P	58136
----------------	-------	---	---------------------	---------	-------	-------	--	---	--	--------	-------

RX 350

V6 3.5L 3456cc	2GRFE	K	57047	57047XP	46673	24883	24883XP	3	N/S		58010
----------------	-------	---	-------	---------	-------	-------	---------	---	-----	--	-------

RX 400H

V6 3.3L 3300cc Electric/Gas	3MZFE	W	51348 ⁵³	51348XP	49185	24883	24883XP	3	N/S		N/S
-----------------------------	-------	---	---------------------	---------	-------	-------	---------	---	-----	--	-----

SC 430

V8 4.3L 4293cc	3UZFE	N	51348 ⁵³	51348XP	46493	24893		5	N/S		58122
----------------	-------	---	---------------------	---------	-------	-------	--	---	-----	--	-------

2006
ES 330

V6 3.3L 3300cc	3MZFE	A	51348 ⁵³	51348XP	46673	24883	24883XP	3	N/S		58010
----------------	-------	---	---------------------	---------	-------	-------	---------	---	-----	--	-------

N/A = Not Available N/R = Not Required N/S = Not Serviceable For cabin and fuel filter locator, see pages 5-15 See pages 16-19 for footnotes

N/A = Non disponible N/R = Non nécessaire N/S = Non réparable Para la ubicación de los filtros de aire de la cabina y de combustible, ver las páginas 5-15 Voir pages 16-19 pour des notes

N/A = No disponible N/R = No requiere N/S = No servible Voir les tableaux de repérage des filtres d'habitacle et à carburant aux pages 5-15 Ver las páginas 16-19 para las notas al pie de página

Italicized Part Numbers May Not Be Available. Wix XP Oil Filters Have Fully Synthetic Media.

Las piezas con números en *italicas* pueden no estar disponibles. Los filtros de aceite WIX XP son completamente de media sintética. Les numéros de pièce en *italiques* peuvent ne pas être disponibles. Les filtres à huile XP Wix contiennent un matériau 100 % synthétique.

Year/Año/Année Model/Modelo/Modèle Engine/Motor/Moteur	Eng. Code Código de motor Code moteur	VIN NIV NIV	Oil Aceite Huile	Oil XP Aceite XP Huile XP	Air Aire Air	Cabin Air Cabina Aire Cabine Air	Cabin Air XP Cabina Aire XP Cabine Air XP	Loc. Cabin Air Cabina Aire Cabine Air	Fuel Combustible Carburant	Loc. Fuel Combustible Carburant	Transmission Transmisión Transmission
--	---	-------------------	------------------------	---------------------------------	--------------------	--	---	--	----------------------------------	--	---

LEXUS (Cont'd/Suite)
2006 (Cont'd/Suite)
GS 300

L6 3.0L 2997cc		H	57173		46493	24483 ⁷⁹ 24511 ⁷⁸	24483XP ⁷⁹	3	N/S		N/S
----------------	--	---	-------	--	-------	--	-----------------------	---	-----	--	-----

GS 430

V8 4.3L 4293cc	3UZFE	N	51348 ⁵³	51348XP	49146	24483 ⁷⁹ 24511 ⁷⁸	24483XP ⁷⁹	3	N/S		58122
----------------	-------	---	---------------------	---------	-------	--	-----------------------	---	-----	--	-------

GX 470

V8 4.7L 4663cc	2UZFE	T	51348 ⁵³	51348XP	42476	24905		3	N/S		N/S
----------------	-------	---	---------------------	---------	-------	-------	--	---	-----	--	-----

IS 250

V6 2.5L 2499cc	4GRFSE	K	57173		49146	24483 ⁷⁹ 24511 ⁷⁸	24483XP ⁷⁹	3	N/S		N/S
----------------	--------	---	-------	--	-------	--	-----------------------	---	-----	--	-----

IS 350

V6 3.5L 3500CC 214CID	2GRFSE	E	57173		49146	24483 ⁷⁹ 24511 ⁷⁸	24483XP ⁷⁹	3	N/S		N/S
-----------------------	--------	---	-------	--	-------	--	-----------------------	---	-----	--	-----

LS 430

V8 4.3L 4293cc	3UZFE	N	51348 ⁵³	51348XP	46464	24893		5	N/S		58122
----------------	-------	---	---------------------	---------	-------	-------	--	---	-----	--	-------

LX 470

V8 4.7L 4663cc	2UZFE	T	51348 ⁵³	51348XP	42476	24908		3	33875 ¹³⁹ 33526 ¹³⁸	P P	58136
----------------	-------	---	---------------------	---------	-------	-------	--	---	--	--------	-------

RX 330

V6 3.3L 3300cc	3MZFE	K	51348 ⁵³	51348XP	46673	24905		3	N/S		58010
----------------	-------	---	---------------------	---------	-------	-------	--	---	-----	--	-------

RX 400H

V6 3.3L 3300cc Electric/Gas	3MZFE	W	51348 ⁵³	51348XP	49185	24883	24883XP	3	N/S		N/S
-----------------------------	-------	---	---------------------	---------	-------	-------	---------	---	-----	--	-----

SC 430

V8 4.3L 4293cc	3UZFE	N	51348 ⁵³	51348XP	46493	24893		5	N/S		58122
----------------	-------	---	---------------------	---------	-------	-------	--	---	-----	--	-------

2005
ES 330

V6 3.3L 3300cc	3MZFE		51348 ⁵³	51348XP	46673	24883	24883XP	3	N/S		58010
----------------	-------	--	---------------------	---------	-------	-------	---------	---	-----	--	-------

GS 300

L6 3.0L 2997cc			51348 ⁵³	51348XP	46465	24893		5	N/S		58070 - A650E
----------------	--	--	---------------------	---------	-------	-------	--	---	-----	--	---------------

GS 430

V8 4.3L 4293cc	3UZFE		51348 ⁵³	51348XP	46493	24893		5	N/S		58070 - A650E
----------------	-------	--	---------------------	---------	-------	-------	--	---	-----	--	---------------

GX 470

V8 4.7L 4663cc	2UZFE		51348 ⁵³	51348XP	42476	24905		3	N/S		58136
----------------	-------	--	---------------------	---------	-------	-------	--	---	-----	--	-------

IS 300

L6 3.0L 2997cc			51348 ⁵³	51348XP	46465	24901		3	N/S		58070 - A650E
----------------	--	--	---------------------	---------	-------	-------	--	---	-----	--	---------------

LS 430

V8 4.3L 4293cc	3UZFE		51348 ⁵³	51348XP	46464	24893		5	N/S		58070
----------------	-------	--	---------------------	---------	-------	-------	--	---	-----	--	-------

LX 470

V8 4.7L 4663cc	2UZFE		51348 ⁵³	51348XP	42476	24908		3	33875 ¹³⁹ 33526 ¹³⁸	P P	58136
----------------	-------	--	---------------------	---------	-------	-------	--	---	--	--------	-------

RX 330

V6 3.3L 3300cc	3MZFE		51348 ⁵³	51348XP	46673	24905		3	N/S		58010
----------------	-------	--	---------------------	---------	-------	-------	--	---	-----	--	-------

SC 430

V8 4.3L 4293cc	3UZFE		51348 ⁵³	51348XP	46493	24893		5	N/S		58070 - A650E
----------------	-------	--	---------------------	---------	-------	-------	--	---	-----	--	---------------

2004
ES 330

V6 3.3L 3300cc	3MZFE	A	51348 ⁵³	51348XP	46673	24883	24883XP	3	N/S		58010
----------------	-------	---	---------------------	---------	-------	-------	---------	---	-----	--	-------

GS 300

L6 3.0L 2997cc			51348 ⁵³	51348XP	46465	24893		5	N/S		58070 - A650E
----------------	--	--	---------------------	---------	-------	-------	--	---	-----	--	---------------

GS 430

V8 4.3L 4293cc	3UZFE		51348 ⁵³	51348XP	46493	24893		5	N/S		58070 - A650E
----------------	-------	--	---------------------	---------	-------	-------	--	---	-----	--	---------------

GX 470

V8 4.7L 4663cc	2UZFE		51348 ⁵³	51348XP	42476	24905		3	N/S		58136
----------------	-------	--	---------------------	---------	-------	-------	--	---	-----	--	-------

N/A = Not Available N/R = Not Required N/S = Not Serviceable For cabin and fuel filter locator, see pages 5-15 See pages 16-19 for footnotes

N/A = Non disponible N/R = Non nécessaire N/S = Non réparable Para la ubicación de los filtros de aire de la cabina y de combustible, ver las páginas 5-15 Voir pages 16-19 pour des notes

N/A = No disponible N/R = No requiere N/S = No servible Voir les tableaux de repérage des filtres d'habitacle et à carburant aux pages 5-15 Ver las páginas 16-19 para las notas al pie de página

Italicized Part Numbers May Not Be Available. Wix XP Oil Filters Have Fully Synthetic Media.

Las piezas con números en *italicas* pueden no estar disponibles. Los filtros de aceite WIX XP son completamente de media sintética.

Les numéros de pièce en *italiques* peuvent ne pas être disponibles. Les filtres à huile Wix contiennent un matériau 100 % synthétique.

LEXUS 2004-2002
Pass Car/Light Truck

Year/Año/Année Model/Modelo/Modèle Engine/Motor/Moteur	Eng. Code Código de motor Code moteur	VIN NIV NIV	Oil Aceite Huile	Oil XP Aceite XP Huile XP	Air Aire Air	Cabin Air Cabina Aire Cabine Air	Cabin Air XP Cabina Aire XP Cabine Air XP	Loc. Cabin Air Cabina Aire Cabine Air	Fuel Combustible Carburant	Loc. Fuel Combustible Carburant	Transmission Transmisión Transmission
--	---	-------------------	------------------------	---------------------------------	--------------------	--	---	--	----------------------------------	--	---

LEXUS (Cont'd/Suite)
2004 (Cont'd/Suite)
IS 300

L6 3.0L 2997cc			51348 ⁵³	51348XP	46465	24901		3	N/S		58070 - A650E
----------------	--	--	---------------------	---------	-------	-------	--	---	-----	--	---------------

LS 430

V8 4.3L 4293cc	3UZFE		51348 ⁵³	51348XP	46464	24893		5	N/S		58070
----------------	-------	--	---------------------	---------	-------	-------	--	---	-----	--	-------

LX 470

V8 4.7L 4663cc	2UZFE		51348 ⁵³	51348XP	42476	24908		3	33875 ¹³⁹ 33526 ¹³⁸	P P	58030
----------------	-------	--	---------------------	---------	-------	-------	--	---	--	--------	-------

RX 330

V6 3.3L 3300cc	3MZFE		51348 ⁵³	51348XP	46673	24905		3	N/S		58010
----------------	-------	--	---------------------	---------	-------	-------	--	---	-----	--	-------

SC 430

V8 4.3L 4293cc	3UZFE		51348 ⁵³	51348XP	46493	24893		5	N/S		58070 - A650E
----------------	-------	--	---------------------	---------	-------	-------	--	---	-----	--	---------------

2003
ES 300

V6 3.0L 2995cc			51348 ⁵³	51348XP	46673	24905		3	N/S		N/S
----------------	--	--	---------------------	---------	-------	-------	--	---	-----	--	-----

GS 300

L6 3.0L 2997cc			51348 ⁵³	51348XP	46465	24893		5	N/S		58070 - A650E
----------------	--	--	---------------------	---------	-------	-------	--	---	-----	--	---------------

GS 430

V8 4.3L 4293cc	3UZFE		51348 ⁵³	51348XP	46493	24893		5	N/S		58070 - A650E
----------------	-------	--	---------------------	---------	-------	-------	--	---	-----	--	---------------

GX 470

V8 4.7L 4663cc	2UZFE		51348 ⁵³	51348XP	42476	24905		3	N/S		58030
----------------	-------	--	---------------------	---------	-------	-------	--	---	-----	--	-------

IS 300

L6 3.0L 2997cc			51348 ⁵³	51348XP	46465	24901		3	N/S		58070 - A650E
----------------	--	--	---------------------	---------	-------	-------	--	---	-----	--	---------------

LS 430

V8 4.3L 4293cc	3UZFE		51348 ⁵³	51348XP	46464	24893		5	N/S		58070 - A650E
----------------	-------	--	---------------------	---------	-------	-------	--	---	-----	--	---------------

LX 470

V8 4.7L 4663cc	2UZFE		51348 ⁵³	51348XP	42476	24908		3	33875 ¹³⁹ 33526 ¹³⁸	P P	58030
----------------	-------	--	---------------------	---------	-------	-------	--	---	--	--------	-------

RX 300

V6 3.0L 2995cc			51348 ⁵³	51348XP	46017	24901		3	N/S		58618 - U140E
----------------	--	--	---------------------	---------	-------	-------	--	---	-----	--	---------------

SC 430

V8 4.3L 4293cc	3UZFE		51348 ⁵³	51348XP	46493	24893		5	N/S		58070 - A650E
----------------	-------	--	---------------------	---------	-------	-------	--	---	-----	--	---------------

2002
ES 300

V6 3.0L 2995cc			51348 ⁵³	51348XP	46673	24905			N/S		58614
----------------	--	--	---------------------	---------	-------	-------	--	--	-----	--	-------

GS 300

L6 3.0L 2997cc			51348 ⁵³	51348XP	46465	24893		5	N/S		58070 - A650E
----------------	--	--	---------------------	---------	-------	-------	--	---	-----	--	---------------

GS 430

V8 4.3L 4293cc	3UZFE		51348 ⁵³	51348XP	46493	24893		5	N/S		58070 - A650E
----------------	-------	--	---------------------	---------	-------	-------	--	---	-----	--	---------------

IS 300

L6 3.0L 2997cc			51348 ⁵³	51348XP	46465	24901		3	N/S		58070 - A650E
----------------	--	--	---------------------	---------	-------	-------	--	---	-----	--	---------------

LS 430

V8 4.3L 4293cc	3UZFE		51348 ⁵³	51348XP	46464	24893		5	N/S		58070 - A650E
----------------	-------	--	---------------------	---------	-------	-------	--	---	-----	--	---------------

LX 470

V8 4.7L 4663cc	2UZFE		51348 ⁵³	51348XP	42476	24908		3	33875 ¹³⁹ 33526 ¹³⁸	P P	58030
----------------	-------	--	---------------------	---------	-------	-------	--	---	--	--------	-------

RX 300

V6 3.0L 2995cc			51348 ⁵³	51348XP	46017	24901		3	N/S		58618 - U140E
----------------	--	--	---------------------	---------	-------	-------	--	---	-----	--	---------------

SC 430

V8 4.3L 4293cc	3UZFE		51348 ⁵³	51348XP	46493	24893		5	N/S		58070 - A650E
----------------	-------	--	---------------------	---------	-------	-------	--	---	-----	--	---------------

N/A = Not Available N/R = Not Required N/S = Not Serviceable For cabin and fuel filter locator, see pages 5-15 See pages 16-19 for footnotes

N/A = Non disponible N/R = Non nécessaire N/S = Non réparable Para la ubicación de los filtros de aire de la cabina y de combustible, ver las páginas 5-15 Voir pages 16-19 pour des notes

N/A = No disponible N/R = No requiere N/S = No servible Voir les tableaux de repérage des filtres d'habitacle et à carburant aux pages 5-15 Ver las páginas 16-19 para las notas al pie de página

Italicized Part Numbers May Not Be Available. Wix XP Oil Filters Have Fully Synthetic Media.

Las piezas con números en *italicas* pueden no estar disponibles. Los filtros de aceite WIX XP son completamente de media sintética. Les numéros de pièce en *italiques* peuvent ne pas être disponibles. Les filtres à huile XP Wix contiennent un matériau 100 % synthétique.

Year/Año/Année Model/Modelo/Modèle Engine/Motor/Moteur	Eng. Code Código de motor Code moteur	VIN NIV NIV	Oil Aceite Huile	Oil XP Aceite XP Huile XP	Air Aire Air	Cabin Air Cabina Aire Cabine Air	Cabin Air XP Cabina Aire XP Cabine Air XP	Loc. Cabin Air Cabina Aire Cabine Air	Fuel Combustible Carburant	Loc. Fuel Combustible Carburant	Transmission Transmisión Transmission
--	---	-------------------	------------------------	---------------------------------	--------------------	--	---	--	----------------------------------	--	---

LINCOLN

2021

AVIATOR

V6 3.0L 3000CC 183CID Turbo			WL10050		46935	N/A			N/S		N/S
-----------------------------	--	--	---------	--	-------	-----	--	--	-----	--	-----

AVIATOR Hybrid

V6 3.0L 3000CC 183CID Turbo			WL10050		46935	N/A			N/S		N/S
-----------------------------	--	--	---------	--	-------	-----	--	--	-----	--	-----

CONTINENTAL

V6 2.7L 164 CID Turbo			WL10050		WA10048	WP10084	WP10084XP		N/S		WL10378
V6 3.0L Turbo			WL10050		WA10048	WP10084	WP10084XP		33243		WL10378
V6 3.7L 3726cc 227 CID			57502 ⁵³	57502XP	WA10048	WP10084	WP10084XP		N/S		WL10378

Corsair

L4 2.0L 122 CID Turbo			51348 ⁵³	51348XP	WA10981	N/A			N/S		N/A
L4 2.3L OCC OCID Turbo			51348 ⁵³	51348XP	49017	24419	24419XP		N/S		N/A

Nautilus

L4 2.0L 2000CC 122CID Turbo			51348 ⁵³	51348XP	WA10048	WP10084	WP10084XP		33243		N/S
V6 2.7L 2700CC 165CID Turbo			WL10050		WA10048	WP10084	WP10084XP		N/S		N/S

NAVIGATOR

V6 3.5L 3496cc 213 CID Turbo			57502 ⁵³	57502XP	49883	N/A			N/S		N/A
------------------------------	--	--	---------------------	---------	-------	-----	--	--	-----	--	-----

2020

AVIATOR

V6 3.0L 3000CC 183CID Turbo			WL10050		46935	N/A			N/S		N/S
-----------------------------	--	--	---------	--	-------	-----	--	--	-----	--	-----

CONTINENTAL

V6 2.7L 164 CID Turbo			WL10050		WA10048	WP10084	WP10084XP		N/S		WL10378
V6 3.0L Turbo			WL10050		WA10048	WP10084	WP10084XP		33243		WL10378
V6 3.7L 3726cc 227 CID			57502 ⁵³	57502XP	WA10048	WP10084	WP10084XP		N/S		WL10378

Corsair

L4 2.0L 122 CID Turbo			51348 ⁵³	51348XP	WA10981	N/A			N/S		N/A
L4 2.3L OCC OCID Turbo			51348 ⁵³	51348XP	49017	24419	24419XP		N/S		N/A

MKZ

L4 2.0L 2000CC 122CID Turbo			51348	51348XP	WA10048	WP10084	WP10084XP		N/S		N/S
V6 3.0L 3000CC 183CID Turbo	EcoBoost		WL10050		WA10048	WP10084	WP10084XP		N/S		N/S

MKZ HYBRID

L4 2.0L 2000CC 122CID	Hybrid		51348	51348XP	WA10036	WP10084	WP10084XP		N/S		N/S
-----------------------	--------	--	-------	---------	---------	---------	-----------	--	-----	--	-----

Nautilus

L4 2.0L 2000CC 122CID Turbo			51348 ⁵³	51348XP	WA10048	WP10084	WP10084XP		33243		N/S
V6 2.7L 2700CC 165CID Turbo			WL10050		WA10048	WP10084	WP10084XP		N/S		N/S

NAVIGATOR

V6 3.5L 3496cc 213 CID Turbo			57502 ⁵³	57502XP	49883	N/A			N/S		N/A
------------------------------	--	--	---------------------	---------	-------	-----	--	--	-----	--	-----

2019

CONTINENTAL

V6 2.7L 164 CID Turbo			WL10050		WA10048	WP10084	WP10084XP		N/S		WL10378
V6 3.0L Turbo			WL10050		WA10048	WP10084	WP10084XP		33243		WL10378
V6 3.7L 3726cc 227 CID			57502 ⁵³	57502XP	WA10048	WP10084	WP10084XP		N/S		WL10378

MKC

L4 2.0L 122 CID Turbo			51348 ⁵³	51348XP	49017	24419	24419XP		N/S		N/A
L4 2.3L OCC OCID Turbo			51348 ⁵³	51348XP	49017	24419	24419XP		N/S		N/A

MKT

V6 3.5L 3496cc 213 CID Turbo		T	57502 ⁵³	57502XP	46935	24068	24068XP	4	N/S		WL10378
------------------------------	--	---	---------------------	---------	-------	-------	---------	---	-----	--	---------

MKT Fleet Model

V6 3.7L 3726cc 227 CID			57502 ⁵³	57502XP	46935	24068	24068XP	4	N/S		WL10378
------------------------	--	--	---------------------	---------	-------	-------	---------	---	-----	--	---------

MKZ

L4 2.0L 2000CC 122CID Turbo			51348	51348XP	WA10048	WP10084	WP10084XP		N/S		N/S
V6 3.0L 3000CC 183CID Turbo	EcoBoost		WL10050		WA10048	WP10084	WP10084XP		N/S		N/S

MKZ HYBRID

L4 2.0L 2000CC 122CID	Hybrid		51348	51348XP	WA10036	WP10084	WP10084XP		N/S		N/S
-----------------------	--------	--	-------	---------	---------	---------	-----------	--	-----	--	-----

N/A = Not Available N/R = Not Required N/S = Not Serviceable For cabin and fuel filter locator, see pages 5-15 See pages 16-19 for footnotes

N/A = Non disponible N/R = Non nécessaire N/S = Non réparable Para la ubicación de los filtros de aire de la cabina y de combustible, ver las páginas 5-15 Voir pages 16-19 pour des notes

N/A = No disponible N/R = No requiere N/S = No servible Voir les tableaux de repérage des filtres d'habitacle et à carburant aux pages 5-15 Ver las páginas 16-19 para las notas al pie de página

Italicized Part Numbers May Not Be Available. Wix XP Oil Filters Have Fully Synthetic Media.

Las piezas con números en *italicas* pueden no estar disponibles. Los filtros de aceite WIX XP son completamente de media sintética.

Les numéros de pièce en *italiques* peuvent ne pas être disponibles. Les filtres à huile XP Wix contiennent un matériau 100 % synthétique.

LINCOLN 2019-2017
Pass Car/Light Truck

Year/Año/Année Model/Modelo/Modèle Engine/Motor/Moteur	Eng. Code Código de motor Code moteur	VIN NIV NIV	Oil Aceite Huile	Oil XP Aceite XP Huile XP	Air Aire Air	Cabin Air Cabina Aire Cabine Air	Cabin Air XP Cabina Aire XP Cabine Air XP	Loc. Cabin Air Cabina Aire Cabine Air	Fuel Combustible Carburant	Loc. Fuel Combustible Carburant	Transmission Transmisión Transmission
--	---	-------------------	------------------------	---------------------------------	--------------------	--	---	--	----------------------------------	--	---

LINCOLN (Cont'd/Suite)
2019 (Cont'd/Suite)
Nautilus

L4 2.0L 2000CC 122CID Turbo			51348	51348XP	WA10048	WP10084	WP10084XP		33243		N/S
V6 2.7L 2700CC 165CID Turbo			WL10050		WA10048	WP10084	WP10084XP		N/S		N/S

NAVIGATOR

V6 3.5L 3496cc 213 CID Turbo			57502 ⁵³	57502XP	49883	N/A			N/S		N/A
------------------------------	--	--	---------------------	---------	-------	-----	--	--	-----	--	-----

2018
CONTINENTAL

V6 2.7L 164 CID Turbo			WL10050		WA10048	WP10084	WP10084XP		N/S		WL10378
V6 3.0L Turbo			WL10050		WA10048	WP10084	WP10084XP		33243		WL10378
V6 3.7L 3726cc 227 CID			57502 ⁵³	57502XP	WA10048	WP10084	WP10084XP		N/S		WL10378

MKC

L4 2.0L 122 CID Turbo			51348 ⁵³	51348XP	49017	24419	24419XP		N/S		N/A
L4 2.3L 0CC 0CID Turbo			51348 ⁵³	51348XP	49017	24419	24419XP		N/S		N/A

MKT

L4 2.0L 1999cc 122 CID Turbo			51348 ⁵³	51348XP	46935	24068	24068XP	4	N/S		N/S
V6 3.5L 3496cc 213 CID Turbo		T	57502 ⁵³	57502XP	46935	24068	24068XP	4	N/S		WL10378
V6 3.7L 3726cc 227 CID			57502 ⁵³	57502XP	46935	24068	24068XP	4	N/S		WL10378

MKX

V6 2.7L 164 CID Turbo			WL10050		WA10048	WP10084	WP10084XP	3	33243		WL10378
V6 3.7L 3726cc 227 CID			57502 ⁵³	57502XP	WA10048	WP10084	WP10084XP	3	N/S		WL10378

MKZ

L4 2.0L 122 CID Turbo			51348 ⁵³	51348XP	WA10048	WP10084	WP10084XP		N/S		N/A
V6 3.0L Turbo			WL10050		WA10048	WP10084	WP10084XP		N/S		N/A

MKZ HYBRID

L4 2.0L 1999cc 122 CID Electric/Gas			51348 ⁵³	51348XP	WA10036	WP10084	WP10084XP	3	N/S		N/S
-------------------------------------	--	--	---------------------	---------	---------	---------	-----------	---	-----	--	-----

NAVIGATOR

V6 3.5L 3496cc 213 CID Turbo			57502 ⁵³	57502XP	49883	WP10266			N/S		N/A
------------------------------	--	--	---------------------	---------	-------	---------	--	--	-----	--	-----

2017
CONTINENTAL

V6 2.7L 164 CID Turbo			WL10050		WA10048	WP10084	WP10084XP		N/S		WL10378
V6 3.0L Turbo			WL10050		WA10048	WP10084	WP10084XP		33243		WL10378
V6 3.7L 3726cc 227 CID			57502 ⁵³	57502XP	WA10048	WP10084	WP10084XP		N/S		WL10378

MKC

L4 2.0L 122 CID Turbo			51348 ⁵³	51348XP	49017	24419	24419XP		N/S		N/A
L4 2.3L 0CC 0CID Turbo			51348 ⁵³	51348XP	49017	24419	24419XP		N/S		N/A

MKT

L4 2.0L 1999cc 122 CID Turbo		9	51348 ⁵³	51348XP	46935	24068	24068XP	4	N/S		N/S
V6 3.5L 3496cc 213 CID Turbo		T	57502 ⁵³	57502XP	46935	24068	24068XP	4	N/S		WL10378
V6 3.7L 3726cc 227 CID		K	57502 ⁵³	57502XP	46935	24068	24068XP	4	N/S		WL10378

MKX

V6 2.7L 164 CID Turbo			WL10050		WA10048	WP10084	WP10084XP	3	33243		WL10378
V6 3.7L 3726cc 227 CID		K	57502 ⁵³	57502XP	WA10048	WP10084	WP10084XP	3	N/S		WL10378

MKZ

L4 2.0L 122 CID Turbo			51348 ⁵³	51348XP	WA10048	WP10084	WP10084XP		N/S		N/A
L4 2.0L 1999cc 122 CID Electric/Gas			51348 ⁵³	51348XP	WA10036	WP10084	WP10084XP		N/S		N/A
V6 3.0L Turbo			WL10050		WA10048	WP10084	WP10084XP		N/S		N/A

MKZ HYBRID

L4 2.0L 1999cc 122 CID Electric/Gas		U	51348 ⁵³	51348XP	WA10036	WP10084	WP10084XP	3	N/S		N/S
-------------------------------------	--	---	---------------------	---------	---------	---------	-----------	---	-----	--	-----

NAVIGATOR

V6 3.5L 3496cc 213 CID Turbo			57502 ⁵³	57502XP	49883	N/R			N/S		N/A
------------------------------	--	--	---------------------	---------	-------	-----	--	--	-----	--	-----

N/A = Not Available N/R = Not Required N/S = Not Serviceable For cabin and fuel filter locator, see pages 5-15 See pages 16-19 for footnotes

N/A = Non disponible N/R = Non nécessaire N/S = Non servicable Para la ubicación de los filtros de aire de la cabina y de combustible, ver las páginas 5-15 Voir pages 16-19 pour des notes

N/A = No disponible N/R = No requiere N/S = No servible Voir les tableaux de repérage des filtres d'habitacle et à carburant aux pages 5-15 Ver las páginas 16-19 para las notas al pie de página

Italicized Part Numbers May Not Be Available. Wix XP Oil Filters Have Fully Synthetic Media.

Las piezas con números en *italicas* pueden no estar disponibles. Los filtros de aceite WIX XP son completamente de media sintética. Les numéros de pièce en *italiques* peuvent ne pas être disponibles. Les filtres à huile XP Wix contiennent un matériau 100 % synthétique.

Year/Año/Année Model/Modelo/Modèle Engine/Motor/Moteur	Eng. Code Código de motor Code moteur	VIN NIV NIV	Oil Aceite Huile	Oil XP Aceite XP Huile XP	Air Aire Air	Cabin Air Cabina Aire Cabine Air	Cabin Air XP Cabina Aire XP Cabine Air XP	Loc. Cabin Air Cabina Aire Cabine Air	Fuel Combustible Carburant	Loc. Fuel Combustible Carburant	Transmission Transmisión Transmission
--	---	-------------------	------------------------	---------------------------------	--------------------	--	---	--	----------------------------------	--	---

LINCOLN (Cont'd/Suite)
2016
MKC

L4 2.0L 122 CID Turbo			51348 ⁵³	51348XP	49017	24419	24419XP		N/S		N/A
L4 2.3L 100 CCID Turbo			51348 ⁵³	51348XP	49017	24419	24419XP		N/S		N/A

MKS

V6 3.5L 3496cc 213 CID Turbo <>	T		57502 ⁵³	57502XP	46935	24068	24068XP	4	N/S		WL10378
V6 3.7L 3726cc 227 CID <>	K		57502 ⁵³	57502XP	46935	24068	24068XP	4	N/S		WL10378

MKT

L4 2.0L 1999cc 122 CID Turbo		9	51348 ⁵³	51348XP	46935	24068	24068XP	4	N/S		N/S
V6 3.5L 3496cc 213 CID Turbo		T	57502 ⁵³	57502XP	46935	24068	24068XP	4	N/S		WL10378
V6 3.7L 3726cc 227 CID		K	57502 ⁵³	57502XP	46935	24068	24068XP	4	N/S		WL10378

MKX

V6 2.7L 164 CID Turbo			WL10050		WA10048	WP10084	WP10084XP	3	33243		WL10378
V6 3.7L 3726cc 227 CID		K	57502 ⁵³	57502XP	WA10048	WP10084	WP10084XP	3	N/S		WL10378

MKZ

L4 2.0L 1999cc 122 CID Turbo		9	51348 ⁵³	51348XP	WA10048	WP10084	WP10084XP		N/S		N/A
V6 3.7L 3726cc 227 CID		K	57502 ⁵³	57502XP	WA10048	WP10084	WP10084XP	3	N/S		N/A

MKZ HYBRID

L4 2.0L 1999cc 122 CID Electric/Gas		U	51348 ⁵³	51348XP	WA10036	WP10084	WP10084XP	3	N/S		N/A
--	--	---	---------------------	---------	---------	---------	-----------	---	-----	--	-----

NAVIGATOR

V6 3.5L 3496cc 213 CID Turbo		T	57502 ⁵³	57502XP	49883 ¹⁵⁵ 49883FR ³⁶⁰	N/R		4	N/S	N	WL10377
------------------------------	--	---	---------------------	---------	--	-----	--	---	-----	---	---------

2015
MKC

L4 2.0L 122 CID Turbo			51348 ⁵³	51348XP	49017	24419	24419XP		N/S		N/A
L4 2.3L 140 CID Turbo			51348 ⁵³	51348XP	49017	24419	24419XP		N/S		N/A

MKS

V6 3.5L 3496cc 213 CID Turbo	T		57502 ⁵³	57502XP	46935	24068	24068XP	4	N/S		WL10378
V6 3.7L 3726cc 227 CID	K		57502 ⁵³	57502XP	46935	24068	24068XP	4	N/S		WL10378

MKT

L4 2.0L 1999cc 122 CID Turbo		9	51348 ⁵³	51348XP	46935	24068	24068XP	4	N/S		WL10378
V6 3.5L 3496cc 213 CID Turbo		T	57502 ⁵³	57502XP	46935	24068	24068XP	4	N/S		WL10378
V6 3.7L 3726cc 227 CID		K	57502 ⁵³	57502XP	46935	24068	24068XP	4	N/S		WL10378

MKX

V6 3.7L 3726cc 227 CID		K	57502 ⁵³	57502XP	46935	24065		3	N/S		WL10378
------------------------	--	---	---------------------	---------	-------	-------	--	---	-----	--	---------

MKZ

L4 2.0L 1999cc 122 CID Turbo		9	51348 ⁵³	51348XP	WA10048	WP10084	WP10084XP		N/S		N/A
V6 3.7L 3726cc 227 CID		K	57502 ⁵³	57502XP	WA10048	WP10084	WP10084XP	3	N/S		N/A

MKZ HYBRID

L4 2.0L 1999cc 122 CID Electric/Gas		U	51348 ⁵³	51348XP	WA10036	WP10084	WP10084XP	3	N/S		N/A
--	--	---	---------------------	---------	---------	---------	-----------	---	-----	--	-----

NAVIGATOR

V6 3.5L 3496cc 213 CID Turbo		T	57502 ⁵³	57502XP	49883 ¹⁵⁵ 49883FR ³⁶⁰	N/R		4	N/S	N	N/A
------------------------------	--	---	---------------------	---------	--	-----	--	---	-----	---	-----

2014
MKS

V6 3.5L 3496cc 213 CID Turbo	T		57502 ⁵³	57502XP	46935	24068	24068XP	4	N/S		WL10378
V6 3.7L 3726cc 227 CID	K		57502 ⁵³	57502XP	46935	24068	24068XP	4	N/S		WL10378

MKT

L4 2.0L 1999cc 122 CID Turbo		9	51348 ⁵³	51348XP	46935	24068	24068XP	4	N/S		WL10378
V6 3.5L 3496cc 213 CID Turbo		T	57502 ⁵³	57502XP	46935	24068	24068XP	4	N/S		WL10378
V6 3.7L 3726cc 227 CID		K	57502 ⁵³	57502XP	46935	24068	24068XP	4	N/S		WL10378

N/A = Not Available N/R = Not Required N/S = Not Serviceable For cabin and fuel filter locator, see pages 5-15 See pages 16-19 for footnotes

N/A = Non disponible N/R = Non nécessaire N/S = Non réparable Para la ubicación de los filtros de aire de la cabina y de combustible, ver las páginas 5-15 Voir pages 16-19 pour des notes

N/A = No disponible N/R = No requiere N/S = No servible Voir les tableaux de repérage des filtres d'habitacle et à carburant aux pages 5-15 Ver las páginas 16-19 para las notas al pie de página

Italicized Part Numbers May Not Be Available. Wix XP Oil Filters Have Fully Synthetic Media.

Las piezas con números en *italicas* pueden no estar disponibles. Los filtros de aceite WIX XP son completamente de media sintética.

Les numéros de pièce en *italiques* peuvent ne pas être disponibles. Les filtres à huile XP Wix contiennent un matériau 100 % synthétique.

LINCOLN 2014-2011
Pass Car/Light Truck

Year/Año/Année Model/Modelo/Modèle Engine/Motor/Moteur	Eng. Code Código de motor Code moteur	VIN NIV NIV	Oil Aceite Huile	Oil XP Aceite XP Huile XP	Air Aire Air	Cabin Air Cabina Aire Cabine Air	Cabin Air XP Cabina Aire XP Cabine Air XP	Loc. Cabin Air Cabina Aire Cabine Air	Fuel Combustible Carburant	Loc. Fuel Combustible Carburant	Transmission Transmisión Transmission
--	--	-------------------	------------------------	---------------------------------	--------------------	--	---	--	----------------------------------	--	---

LINCOLN (Cont'd/Suite)
2014 (Cont'd/Suite)
MKX

V6 3.7L 3726cc 227 CID		K	57502 ⁵³	57502XP	46935	24065			3	N/S	WL10378
------------------------	--	---	---------------------	---------	-------	-------	--	--	---	-----	---------

MKZ

L4 2.0L 1999cc 122 CID Turbo		9	51348 ⁵³	51348XP	WA10048	WP10084	WP10084XP			N/S	N/A
V6 3.7L 3726cc 227 CID		K	57502 ⁵³	57502XP	WA10048	WP10084	WP10084XP	3		N/S	N/A

MKZ HYBRID

L4 2.0L 1999cc 122 CID Electric/Gas		U	51348 ⁵³	51348XP	WA10036	WP10084	WP10084XP	3		N/S	N/A
--	--	---	---------------------	---------	---------	---------	-----------	---	--	-----	-----

NAVIGATOR

V8 5.4L 330 CID	995	5	51372 ⁵³	51372XP	49883 ¹⁵⁵ 49883FR ³⁶⁰	N/R			4	33424	N	N/A
-----------------	-----	---	---------------------	---------	--	-----	--	--	---	-------	---	-----

2013
MKS

V6 3.5L 3496cc 213 CID Turbo		T	57502 ⁵³	57502XP	46935	24068	24068XP		4	N/S	WL10378
V6 3.7L 3726cc 227 CID		K	57502 ⁵³	57502XP	46935	24068	24068XP		4	N/S	WL10378

MKT

L4 2.0L 1999cc 122 CID Turbo		9	51348 ⁵³	51348XP	46935	24068	24068XP		4	N/S	WL10378
V6 3.5L 3496cc 213 CID Turbo		T	57502 ⁵³	57502XP	46935	24068	24068XP		4	N/S	WL10378
V6 3.7L 3726cc 227 CID		K	57502 ⁵³	57502XP	46935	24068	24068XP		4	N/S	WL10378

MKX

V6 3.7L 3726cc 227 CID		K	57502 ⁵³	57502XP	46935	24065			3	N/S	WL10378
------------------------	--	---	---------------------	---------	-------	-------	--	--	---	-----	---------

MKZ

L4 2.0L 1999cc 122 CID Turbo		9	51348 ⁵³	51348XP	WA10048	WP10084	WP10084XP			N/S	N/A
V6 3.7L 3726cc 227 CID		K	57502 ⁵³	57502XP	WA10048	24367		3		N/S	N/A

MKZ HYBRID

L4 2.0L 1999cc 122 CID Electric/Gas		U	51348 ⁵³	51348XP	WA10036	WP10084	WP10084XP	3		N/S	N/A
--	--	---	---------------------	---------	---------	---------	-----------	---	--	-----	-----

NAVIGATOR

V8 5.4L 330 CID	995	5	51372 ⁵³	51372XP	49883 ¹⁵⁵ 49883FR ³⁶⁰	N/R			4	33424	N	N/A
-----------------	-----	---	---------------------	---------	--	-----	--	--	---	-------	---	-----

2012
MKS

V6 3.5L 3496cc 213 CID Turbo	99T	T	57502 ⁵³	57502XP	46935	24068	24068XP		4	N/S	WL10378
V6 3.7L 3726cc 227 CID	99R	R	57502 ⁵³	57502XP	46935	24068	24068XP		4	N/S	WL10378

MKT

V6 3.5L 3496cc 213 CID Turbo	99T	T	57502 ⁵³	57502XP	46935	24068	24068XP		4	N/S	WL10378
V6 3.7L 3726cc 227 CID	99R	R	57502 ⁵³	57502XP	46935	24068	24068XP		4	N/S	WL10378

MKX

V6 3.7L 3726cc 227 CID	99K	K	57502 ⁵³	57502XP	46935	24065			3	N/S	WL10378
------------------------	-----	---	---------------------	---------	-------	-------	--	--	---	-----	---------

MKZ

V6 3.5L 213 CID	99C	C	57502 ⁵³	57502XP	46935	24367			3	N/S	N/S
-----------------	-----	---	---------------------	---------	-------	-------	--	--	---	-----	-----

MKZ HYBRID

L4 2.5L 152 CID Electric/Gas	993	3	51348 ⁵³	51348XP	N/S	24367			3	N/S	N/S
------------------------------	-----	---	---------------------	---------	-----	-------	--	--	---	-----	-----

NAVIGATOR

V8 5.4L 330 CID	995	5	51372 ⁵³	51372XP	49883 ¹⁵⁵ 49883FR ³⁶⁰	N/R			4	33424	N	N/A
-----------------	-----	---	---------------------	---------	--	-----	--	--	---	-------	---	-----

2011
MARK LT

V8 5.4L 330 CID (Mex.)	995		51372 ⁵³	51372XP	46804	N/A				33243		N/A
------------------------	-----	--	---------------------	---------	-------	-----	--	--	--	-------	--	-----

MKS

V6 3.5L 3496cc 213 CID Turbo	99T	T	57502 ⁵³	57502XP	46935	24068	24068XP		4	N/S	WL10378
V6 3.7L 3726cc 227 CID	99R	R	57502 ⁵³	57502XP	46935	24068	24068XP		4	N/S	WL10378

MKT

V6 3.5L 3496cc 213 CID Turbo	99T	T	57502 ⁵³	57502XP	46935	24068	24068XP		4	N/S	WL10378
------------------------------	-----	---	---------------------	---------	-------	-------	---------	--	---	-----	---------

N/A = Not Available N/R = Not Required N/S = Not Serviceable For cabin and fuel filter locator, see pages 5-15 See pages 16-19 for footnotes

N/A = Non disponible N/R = Non nécessaire N/S = Non réparable Para la ubicación de los filtros de aire de la cabina y de combustible, ver las páginas 5-15 Voir pages 16-19 pour des notes

N/A = No disponible N/R = No requiere N/S = No servible Voir les tableaux de repérage des filtres d'habitacle et à carburant aux pages 5-15 Ver las páginas 16-19 para las notas al pie de página

Italicized Part Numbers May Not Be Available. Wix XP Oil Filters Have Fully Synthetic Media.

Las piezas con números en *italicas* pueden no estar disponibles. Los filtros de aceite WIX XP son completamente de media sintética. Les numéros de pièce en *italiques* peuvent ne pas être disponibles. Les filtres à huile XP Wix contiennent un matériau 100 % synthétique.

Year/Año/Année Model/Modelo/Modèle Engine/Motor/Moteur	Eng. Code Código de motor Code moteur	VIN NIV NIV	Oil Aceite Huile	Oil XP Aceite XP Huile XP	Air Aire Air	Cabin Air Cabina Aire Cabine Air	Cabin Air XP Cabina Aire XP Cabine Air XP	Loc. Cabin Air Cabina Aire Cabine Air	Fuel Combustible Carburant	Loc. Fuel Combustible Carburant	Transmission Transmisión Transmission
--	--	-------------------	------------------------	---------------------------------	--------------------	--	---	--	----------------------------------	--	---

LINCOLN (Cont'd/Suite)

2011 (Cont'd/Suite)

MKT (Cont'd/Suite)

V6 3.7L 3726cc 227 CID	99R	R	57502 ⁵³	57502XP	46935	24068	24068XP	4	N/S		WL10378
------------------------	-----	---	---------------------	---------	-------	-------	---------	---	-----	--	---------

MKX

V6 3.7L 3726cc 227 CID	99K	K	57502 ⁵³	57502XP	46935	24065		3	N/S		WL10378
------------------------	-----	---	---------------------	---------	-------	-------	--	---	-----	--	---------

MKZ

V6 3.5L 213 CID	99C	C	57502 ⁵³	57502XP	46935	24367		3	N/S		N/S
-----------------	-----	---	---------------------	---------	-------	-------	--	---	-----	--	-----

MKZ HYBRID

L4 2.5L 152 CID Electric/Gas	993	3	51348 ⁵³	51348XP		N/S	24367	3	N/S		N/S
------------------------------	-----	---	---------------------	---------	--	-----	-------	---	-----	--	-----

NAVIGATOR

V8 5.4L 330 CID	995	5	51372 ⁵³	51372XP	49883 ¹⁵⁵ 49883FR ³⁶⁰	N/R		4	33424	N	N/A
-----------------	-----	---	---------------------	---------	--	-----	--	---	-------	---	-----

TOWN CAR

V8 4.6L 281 CID		V,W	51372 ⁵³	51372XP	46134	N/R			33595	P	58955
-----------------	--	-----	---------------------	---------	-------	-----	--	--	-------	---	-------

2010

MARK LT

V8 5.4L 330 CID (Mex.)	995		51372 ⁵³	51372XP	46804	N/A			33243		N/A
------------------------	-----	--	---------------------	---------	-------	-----	--	--	-------	--	-----

MKS

V6 3.5L 3496cc 213 CID Turbo	99T	T	57502 ⁵³	57502XP	46935	24068	24068XP	3	N/S		WL10378
------------------------------	-----	---	---------------------	---------	-------	-------	---------	---	-----	--	---------

V6 3.7L 3726cc 227 CID	99R	R	57502 ⁵³	57502XP	46935	24068	24068XP	3	N/S		WL10378
------------------------	-----	---	---------------------	---------	-------	-------	---------	---	-----	--	---------

MKT

V6 3.5L 3496cc 213 CID Turbo	99T	T	57502 ⁵³	57502XP	46935	24065		3	N/S		WL10378
------------------------------	-----	---	---------------------	---------	-------	-------	--	---	-----	--	---------

V6 3.7L 3726cc 227 CID			57502 ⁵³	57502XP	46935	24068	24068XP	3	N/S		WL10378
------------------------	--	--	---------------------	---------	-------	-------	---------	---	-----	--	---------

MKX

V6 3.5L 213 CID	99C	C	57502 ⁵³	57502XP	46935	24065		3	N/S		WL10378
-----------------	-----	---	---------------------	---------	-------	-------	--	---	-----	--	---------

MKZ

V6 3.5L 213 CID	99C	C	57502 ⁵³	57502XP	46935	24367		3	N/S		N/S
-----------------	-----	---	---------------------	---------	-------	-------	--	---	-----	--	-----

NAVIGATOR

V8 5.4L 330 CID	995	5	51372 ⁵³	51372XP	49883 ¹⁵⁵ 49883FR ³⁶⁰	N/R		4	33424	N	N/A
-----------------	-----	---	---------------------	---------	--	-----	--	---	-------	---	-----

TOWN CAR

V8 4.6L 281 CID		V	51372 ⁵³	51372XP	46134	N/R			33595	P	58955
-----------------	--	---	---------------------	---------	-------	-----	--	--	-------	---	-------

2009

MKS

V6 3.7L 3726cc 227 CID		R	57502 ⁵³ 51516 ⁵³	57502XP ²⁶⁹ 51516XP ²⁶⁸	46935	24065		3	N/S		WL10378
------------------------	--	---	--	--	-------	-------	--	---	-----	--	---------

MKX

V6 3.5L 213 CID		C	51516 ⁵³ 57502 ⁵³	51516XP ²⁵⁶ 57502XP ²⁵⁷	46935	24065		3	N/S		WL10378
-----------------	--	---	--	--	-------	-------	--	---	-----	--	---------

MKZ

V6 3.5L 213 CID		T	51516 ⁵³ 57502 ⁵³	51516XP ²⁵⁶ 57502XP ²⁵⁷	46935	24065		3	N/S		WL10378
-----------------	--	---	--	--	-------	-------	--	---	-----	--	---------

NAVIGATOR

V8 5.4L 330 CID		5	51372 ⁵³	51372XP	49883 ¹⁵⁵ 49883FR ³⁶⁰	N/R		4	33424	N	N/A
-----------------	--	---	---------------------	---------	--	-----	--	---	-------	---	-----

TOWN CAR

V8 4.6L 281 CID		V	51372 ⁵³	51372XP	46134	N/R			33595	P	58955
-----------------	--	---	---------------------	---------	-------	-----	--	--	-------	---	-------

2008

MARK LT

V8 5.4L 330 CID	995	5	51372 ⁵³	51372XP	46804	N/R			33243		58955
-----------------	-----	---	---------------------	---------	-------	-----	--	--	-------	--	-------

MKX

V6 3.5L 213 CID		C	51516 ⁵³	51516XP	46935	24065		3	N/S		WL10378
-----------------	--	---	---------------------	---------	-------	-------	--	---	-----	--	---------

MKZ

V6 3.5L 213 CID		T	51516 ⁵³	51516XP	46935	24065		3	N/S		WL10378
-----------------	--	---	---------------------	---------	-------	-------	--	---	-----	--	---------

N/A = Not Available N/R = Not Required N/S = Not Serviceable For cabin and fuel filter locator, see pages 5-15 See pages 16-19 for footnotes

N/A = Non disponible N/R = Non nécessaire N/S = Non réparable Para la ubicación de los filtros de aire de la cabina y de combustible, ver las páginas 5-15 Voir pages 16-19 pour des notes

N/A = No disponible N/R = No requiere N/S = No servible Voir les tableaux de repérage des filtres d'habitacle et à carburant aux pages 5-15 Ver las páginas 16-19 para las notas al pie de página

Italicized Part Numbers May Not Be Available. Wix XP Oil Filters Have Fully Synthetic Media.

Las piezas con números en *italicas* pueden no estar disponibles. Los filtros de aceite WIX XP son completamente de media sintética.

Les numéros de pièce en *italiques* peuvent ne pas être disponibles. Les filtres à huile XP Wix contiennent un matériau 100 % synthétique.

LINCOLN 2008-2004
Pass Car/Light Truck

Year/Año/Année Model/Modelo/Modèle Engine/Motor/Moteur	Eng. Code Código de motor Code moteur	VIN NIV NIV	Oil Aceite Huile	Oil XP Aceite XP Huile XP	Air Aire Air	Cabin Air Cabina Aire Cabine Air	Cabin Air XP Cabina Aire XP Cabine Air XP	Loc. Cabin Air Cabina Aire Cabine Air	Fuel Combustible Carburant	Loc. Fuel Combustible Carburant	Transmission Transmisión Transmission
--	---	-------------------	------------------------	---------------------------------	--------------------	--	---	--	----------------------------------	--	---

LINCOLN (Cont'd/Suite)
2008 (Cont'd/Suite)
NAVIGATOR

V8 5.4L 330 CID	995	5	51372 ⁵³	51372XP	49883 ¹⁵⁵ 49883FR ³⁶⁰	N/R		4	33424	N	N/A
-----------------	-----	---	---------------------	---------	--	-----	--	---	-------	---	-----

TOWN CAR

V8 4.6L 281 CID		V,W	51372 ⁵³	51372XP	46134	N/R			33595	P	58955
-----------------	--	-----	---------------------	---------	-------	-----	--	--	-------	---	-------

2007
MARK LT

V8 5.4L 330 CID	995	5	51372 ⁵³	51372XP	46804	N/R			33243		58955
-----------------	-----	---	---------------------	---------	-------	-----	--	--	-------	--	-------

MKX

V6 3.5L 213 CID		C	51516 ⁵³	51516XP	46935	24065		3	N/S		WL10378
-----------------	--	---	---------------------	---------	-------	-------	--	---	-----	--	---------

MKZ

V6 3.5L 213 CID		T	51516 ⁵³	51516XP	46935	N/R			N/S		WL10378
-----------------	--	---	---------------------	---------	-------	-----	--	--	-----	--	---------

NAVIGATOR

V8 5.4L 330 CID	995	5	51372 ⁵³	51372XP	49883 ¹⁵⁵ 49883FR ³⁶⁰	N/R		4	33424	N	N/A
-----------------	-----	---	---------------------	---------	--	-----	--	---	-------	---	-----

TOWN CAR

V8 4.6L 281 CID		V,W	51372 ⁵³	51372XP	46134	N/R			33595	P	58955
-----------------	--	-----	---------------------	---------	-------	-----	--	--	-------	---	-------

2006
LS

V8 3.9L 242 CID		A	57302		42341	49378		1	33243	K	58844 - 5R55S
-----------------	--	---	-------	--	-------	-------	--	---	-------	---	---------------

MARK LT

V8 5.4L 330 CID	995	5	51372 ⁵³	51372XP	46804	N/R			33595 - To 12/05 33243 - 12/05-on		58955
-----------------	-----	---	---------------------	---------	-------	-----	--	--	--------------------------------------	--	-------

NAVIGATOR

V8 5.4L 330 CID	995	5	51372 ⁵³	51372XP	46804	N/R		4	33629 ²⁴⁵ 33595 ²⁴⁵	N N	58967 58968
-----------------	-----	---	---------------------	---------	-------	-----	--	---	--	--------	----------------

TOWN CAR

V8 4.6L 281 CID		V,W	51372 ⁵³	51372XP	46134	N/R			33595	P	58955
-----------------	--	-----	---------------------	---------	-------	-----	--	--	-------	---	-------

ZEPHYR

V6 3.0L 181 CID		1	51372 ⁵³	51372XP	49053	N/R			N/S		N/A
-----------------	--	---	---------------------	---------	-------	-----	--	--	-----	--	-----

2005
AVIATOR

V8 4.6L 281 CID		H	51372 ⁵³	51372XP	42484	N/R			33243	M	58898
-----------------	--	---	---------------------	---------	-------	-----	--	--	-------	---	-------

LS

V6 3.0L 182 CID		S	51516 ⁵³	51516XP	42341	49378		1	33243		58844 - 5R55S 58117 - 5R55N
V8 3.9L 242 CID		A	57302		42341	49378		1	33243	K	58844 - 5R55S 58117 - 5R55N

NAVIGATOR

V8 5.4L 330 CID	995	5	51372 ⁵³	51372XP	46804	N/R		4	33629 ²⁴⁵ 33595 ²⁴⁵	N N	58967 58968
-----------------	-----	---	---------------------	---------	-------	-----	--	---	--	--------	----------------

TOWN CAR

V8 4.6L 281 CID		W	51372 ⁵³	51372XP	46134	N/R			33595	P	58955
-----------------	--	---	---------------------	---------	-------	-----	--	--	-------	---	-------

2004
AVIATOR

V8 4.6L 281 CID		H	51372 ⁵³	51372XP	42484	N/R			33243	M	58898
-----------------	--	---	---------------------	---------	-------	-----	--	--	-------	---	-------

LS

V6 3.0L 182 CID		S	51516 ⁵³	51516XP	42341	49378		1	33243	K	58117
V8 3.9L 242 CID		A	57302		42341	49378		1	33243	K	58117

NAVIGATOR

V8 5.4L 330 CID	995	R	51372 ⁵³	51372XP	46418	N/R		4	33629	N	58967 58968
-----------------	-----	---	---------------------	---------	-------	-----	--	---	-------	---	----------------

TOWN CAR

V8 4.6L 281 CID		W	51372 ⁵³	51372XP	46134	N/R			33595	P	58955
-----------------	--	---	---------------------	---------	-------	-----	--	--	-------	---	-------

N/A = Not Available N/R = Not Required N/S = Not Serviceable For cabin and fuel filter locator, see pages 5-15 See pages 16-19 for footnotes

N/A = Non disponible N/R = Non nécessaire N/S = Non réparable Para la ubicación de los filtros de aire de la cabina y de combustible, ver las páginas 5-15 Voir pages 16-19 pour des notes

N/A = No disponible N/R = No requiere N/S = No servible Voir les tableaux de repérage des filtres d'habitacle et à carburant aux pages 5-15 Ver las páginas 16-19 para las notas al pie de página

Italicized Part Numbers May Not Be Available. Wix XP Oil Filters Have Fully Synthetic Media.

Las piezas con números en *italicas* pueden no estar disponibles. Los filtros de aceite WIX XP son completamente de media sintética. Les numéros de pièce en *italiques* peuvent ne pas être disponibles. Les filtres à huile XP Wix contiennent un matériau 100 % synthétique.

Year/Año/Année Model/Modelo/Modèle Engine/Motor/Moteur	Eng. Code Código de motor Code moteur	VIN NIV NIV	Oil Aceite Huile	Oil XP Aceite XP Huile XP	Air Aire Air	Cabin Air Cabina Aire Cabine Air	Cabin Air XP Cabina Aire XP Cabine Air XP	Loc. Cabin Air Cabina Aire Cabine Air	Fuel Combustible Carburant	Loc. Fuel Combustible Carburant	Transmission Transmisión Transmission
--	--	-------------------	------------------------	---------------------------------	--------------------	--	---	--	----------------------------------	--	---

LINCOLN (Cont'd/Suite)
2003
AVIATOR

V8 4.6L 281 CID		H	51372 ⁵³	51372XP	42484	N/R			33243	M	58898
-----------------	--	---	---------------------	---------	-------	-----	--	--	-------	---	-------

BLACKWOOD

V8 5.4L 5400cc (Mex.)			51372 ⁵³	51372XP	46418	24876		4	N/A	N	
-----------------------	--	--	---------------------	---------	-------	-------	--	---	-----	---	--

LS

V6 3.0L 182 CID		S	51516 ⁵³	51516XP	42341	49378		1	33243	P	58117
V8 3.9L 242 CID		A	57302		42341	49378		1	33243	K	58117

NAVIGATOR

V8 5.4L 330 CID	995	R	51372 ⁵³	51372XP	46418	N/R		4	33629	N	58967 58968
-----------------	-----	---	---------------------	---------	-------	-----	--	---	-------	---	----------------

TOWN CAR

V8 4.6L 281 CID		W	51372 ⁵³	51372XP	46134	N/R			33595	P	58955
-----------------	--	---	---------------------	---------	-------	-----	--	--	-------	---	-------

2002
BLACKWOOD

V8 5.4L 330 CID	995	A	51372 ⁵³	51372XP	46418	24876 ¹⁶⁴		4	33595	N	58967
-----------------	-----	---	---------------------	---------	-------	----------------------	--	---	-------	---	-------

CONTINENTAL

V8 4.6L 281 CID		V	51372 ⁵³	51372XP	46418	24806 ⁶¹		1	33097 ⁴⁴⁷	P	58822
-----------------	--	---	---------------------	---------	-------	---------------------	--	---	----------------------	---	-------

LS

V6 3.0L 182 CID		S	51516 ⁵³	51516XP	42341	24884		1	33595	K	N/A - In-Line 58117 - 5R55N
V8 3.9L 242 CID		A	51228 - To 7/15/02 57302 - 7/16/02-on		42341	24884		1	33595	K	N/A - In-Line 58117 - 5R55N

NAVIGATOR

V8 5.4L 330 CID	995	R	51372 ⁵³	51372XP	46418	24876		4	33595	N	58967 - 4R100 2WD 58968 - 4R100 4WD
-----------------	-----	---	---------------------	---------	-------	-------	--	---	-------	---	--

TOWN CAR

V8 4.6L 281 CID		W	51372 ⁵³	51372XP	46134	N/R			33595	P	58955
-----------------	--	---	---------------------	---------	-------	-----	--	--	-------	---	-------

LOTUS
2009
ELISE

L4 1.8L 1795 Super Charged	2ZZGE		57145	57145XP	N/A	N/R		3	N/S		MT ⁷²
L4 1.8L 1795cc	2ZZGE	Y	57145	57145XP	N/A	N/R		3	N/S		MT ⁷²

EXIGE

L4 1.8L 1795 Super Charged	2ZZGE		57145	57145XP	N/A	N/R		3	N/S		MT ⁷²
----------------------------	-------	--	-------	---------	-----	-----	--	---	-----	--	------------------

2008
ELISE

L4 1.8L 1795 Super Charged	2ZZGE		57145	57145XP	N/A	N/R		3	N/S		MT ⁷²
L4 1.8L 1795cc	2ZZGE	Y	57145	57145XP	46834	N/R		3	N/S		MT ⁷²

EXIGE

L4 1.8L 1795 Super Charged	2ZZGE		57145	57145XP	N/A	N/R		3	N/S		MT ⁷²
----------------------------	-------	--	-------	---------	-----	-----	--	---	-----	--	------------------

2007
ELISE

L4 1.8L 1795cc	2ZZGE	Y	57145	57145XP	N/A	N/R		3	N/S		MT ⁷²
----------------	-------	---	-------	---------	-----	-----	--	---	-----	--	------------------

EXIGE

L4 1.8L 1795cc	2ZZGE	Y	57145	57145XP	N/A	N/R		3	N/S		MT ⁷²
----------------	-------	---	-------	---------	-----	-----	--	---	-----	--	------------------

2006
ELISE

L4 1.8L 1795cc	2ZZGE	Y	57145	57145XP	N/A	N/R		3	N/S		MT ⁷²
----------------	-------	---	-------	---------	-----	-----	--	---	-----	--	------------------

EXIGE

L4 1.8L 1795cc	2ZZGE	Y	57145	57145XP	N/A	N/R		3	N/S		MT ⁷²
----------------	-------	---	-------	---------	-----	-----	--	---	-----	--	------------------

N/A = Not Available N/R = Not Required N/S = Not Serviceable For cabin and fuel filter locator, see pages 5-15 See pages 16-19 for footnotes

N/A = Non disponible N/R = Non nécessaire N/S = Non réparable Para la ubicación de los filtros de aire de la cabina y de combustible, ver las páginas 5-15 Voir pages 16-19 pour des notes

N/A = No disponible N/R = No requiere N/S = No servible Voir les tableaux de repérage des filtres d'habitacle et à carburant aux pages 5-15 Ver las páginas 16-19 para las notas al pie de página

Italicized Part Numbers May Not Be Available. Wix XP Oil Filters Have Fully Synthetic Media.

Las piezas con números en *italicas* pueden no estar disponibles. Los filtros de aceite WIX XP son completamente de media sintética.

Les numéros de pièce en *italiques* peuvent ne pas être disponibles. Les filtres à huile Wix contiennent un matériau 100 % synthétique.

LOTUS 2005 — MAZDA 2021

Pass Car/Light Truck

Year/Año/Année Model/Modelo/Modèle Engine/Motor/Moteur	Eng. Code Código de motor Code moteur	VIN NIV NIV	Oil Aceite Huile	Oil XP Aceite XP Huile XP	Air Aire Air	Cabin Air Cabina Aire Cabine Air	Cabin Air XP Cabina Aire XP Cabine Air XP	Loc. Cabin Air Cabina Aire Cabine Air	Fuel Combustible Carburant	Loc. Fuel Combustible Carburant	Transmission Transmisión Transmission
--	---	-------------------	------------------------	---------------------------------	--------------------	--	---	--	----------------------------------	--	---

LOTUS (Cont'd/Suite)

2005

ELISE

L4 1.8L 1795cc	2ZZGE	Y	57145	57145XP	N/A	N/R		3	N/S		MT ⁷²
----------------	-------	---	-------	---------	-----	-----	--	---	-----	--	------------------

MASERATI

2020

GHIBLI

V6 3.0L 3000CC 183CID - F160 Turbo	F160		WL10474		N/A	N/A			N/S		N/S
------------------------------------	------	--	---------	--	-----	-----	--	--	-----	--	-----

Levante

V6 3.0L 3000CC 183CID - F160 Turbo	F160		WL10474		N/A	N/A			N/S		N/S
------------------------------------	------	--	---------	--	-----	-----	--	--	-----	--	-----

2019

GHIBLI

V6 3.0L 3000CC 183CID - F160 Turbo	F160		WL10474		N/A	N/A			N/S		N/S
------------------------------------	------	--	---------	--	-----	-----	--	--	-----	--	-----

2018

GHIBLI

V6 3.0L 3000CC 183CID - F160 Turbo	F160		WL10474		N/A	N/A			N/S		N/S
------------------------------------	------	--	---------	--	-----	-----	--	--	-----	--	-----

2017

GHIBLI

V6 3.0L 3000CC 183CID - F160 Turbo	F160		WL10474		N/A	N/A			N/S		N/S
------------------------------------	------	--	---------	--	-----	-----	--	--	-----	--	-----

2016

GHIBLI

V6 3.0L 3000CC 183CID - F160 Turbo	F160		WL10474		N/A	N/A			N/S		N/S
------------------------------------	------	--	---------	--	-----	-----	--	--	-----	--	-----

2015

GHIBLI

V6 3.0L 3000CC 183CID - F160 Turbo	F160		WL10474		N/A	N/A			N/S		N/S
------------------------------------	------	--	---------	--	-----	-----	--	--	-----	--	-----

2014

GHIBLI

V6 3.0L 3000CC 183CID - F160 Turbo	F160		WL10474		N/A	N/A			N/S		N/S
------------------------------------	------	--	---------	--	-----	-----	--	--	-----	--	-----

MAZDA

2021

3

L4 2.0L 1998cc (SKYACTIV)			57002		WA11107	N/A			N/S		N/S
L4 2.5L 2488cc (SKYACTIV)			57002		WA11107	N/A			N/S		N/S

6

L4 2.5L 2488cc (SKYACTIV)		5	57002 ⁵³		49247	24103			N/S		WL10379
L4 2.5L 2500CC 153CID - Turbo			57002		WA9790	24103			N/S		

CX-3

L4 2.0L 1998cc (SKYACTIV)			57002		WA10395	WP10267			N/S		WL10379
---------------------------	--	--	-------	--	---------	---------	--	--	-----	--	---------

CX-30

L4 2.5L 2488cc (SKYACTIV)			57002		WA11107	N/A			N/S		N/S
---------------------------	--	--	-------	--	---------	-----	--	--	-----	--	-----

CX-5

L4 2.5L 2488cc (SKYACTIV)		Y	57002		49247	24103			N/S - In-Tank		WL10379
L4 2.5L 2500CC 153CID - Turbo			57002		49247	24103			N/S - In-Tank		WL10379
L4 2.5L 2500CC 153CID - Turbo Dynamic Pressure Turbo DOH			57002		WA9790	24103			N/S		WL10379

N/A = Not Available N/R = Not Required N/S = Not Serviceable For cabin and fuel filter locator, see pages 5-15 See pages 16-19 for footnotes
 N/A = Non disponible N/R = Non nécessaire N/S = Non réparable Para la ubicación de los filtros de aire de la cabina y de combustible, ver las páginas 5-15 Voir pages 16-19 pour des notes
 N/A = No disponible N/R = No requiere N/S = No servible Voir les tableaux de repérage des filtres d'habitacle et à carburant aux pages 5-15 Ver las páginas 16-19 para las notas al pie de página

Italicized Part Numbers May Not Be Available. Wix XP Oil Filters Have Fully Synthetic Media.

Las piezas con números en *italicas* pueden no estar disponibles. Los filtros de aceite WIX XP son completamente de media sintética. Les numéros de pièce en *italiques* peuvent ne pas être disponibles. Les filtres à huile XP Wix contiennent un matériau 100 % synthétique.

Year/Año/Année Model/Modelo/Modèle Engine/Motor/Moteur	Eng. Code Código de motor Code moteur	VIN NIV NIV	Oil Aceite Huile	Oil XP Aceite XP Huile XP	Air Aire Air	Cabin Air Cabina Aire Cabine Air	Cabin Air XP Cabina Aire XP Cabine Air XP	Loc. Cabin Air Cabina Aire Cabine Air	Fuel Combustible Carburant	Loc. Fuel Combustible Carburant	Transmission Transmisión Transmission
--	---	-------------------	------------------------	---------------------------------	--------------------	--	---	--	----------------------------------	--	---

MAZDA (Cont'd/Suite)

2021 (Cont'd/Suite)
CX-5-D

L4 2.2L 2200CC 134CID Turbo Diesel			51348 ⁵³	51348XP	WA9790	24103				N/S		N/S
------------------------------------	--	--	---------------------	---------	--------	-------	--	--	--	-----	--	-----

CX-9

L4 2.5L 2500CC 153CID - Turbo			57002		WA9790	N/A				N/S		N/S
-------------------------------	--	--	-------	--	--------	-----	--	--	--	-----	--	-----

MX-5 MIATA

L4 2.0L 2000cc 122 CID			57002		WA10424	N/A				N/S		N/S
------------------------	--	--	-------	--	---------	-----	--	--	--	-----	--	-----

2020
3

L4 2.5L 2488cc (SKYACTIV)			57002		WA11107	N/A				N/S		N/S
---------------------------	--	--	-------	--	---------	-----	--	--	--	-----	--	-----

6

L4 2.5L 2488cc (SKYACTIV)		5	57002 ²³		49247	24103				N/S		WL10379
L4 2.5L 2500CC 153CID - Turbo			57002		WA9790	24103				N/S		

CX-3

L4 2.0L 1998cc (SKYACTIV)			57002		WA10395	WP10267				N/S		WL10379
---------------------------	--	--	-------	--	---------	---------	--	--	--	-----	--	---------

CX-30

L4 2.5L 2488cc (SKYACTIV)			57002		WA11107	N/A				N/S		N/S
---------------------------	--	--	-------	--	---------	-----	--	--	--	-----	--	-----

CX-5

L4 2.5L 2488cc (SKYACTIV)		Y	57002		49247	24103				N/S - In-Tank		WL10379
			57002		49247	24103				N/S - In-Tank		WL10379
L4 2.5L 2500CC 153CID Turbo DQHC Y			57002		WA9790	24103				N/S		WL10379

CX-5-D

L4 2.2L 2200CC 134CID Turbo Diesel			51348 ⁵³	51348XP	WA9790	24103				N/S		N/S
------------------------------------	--	--	---------------------	---------	--------	-------	--	--	--	-----	--	-----

CX-9

L4 2.5L 2500CC 153CID - Turbo			57002		WA9790	N/A				N/S		N/S
-------------------------------	--	--	-------	--	--------	-----	--	--	--	-----	--	-----

MX-5 MIATA

L4 2.0L 2000cc 122 CID			57002		WA10424	N/A				N/S		N/S
------------------------	--	--	-------	--	---------	-----	--	--	--	-----	--	-----

2019
3

L4 2.5L 2488cc (SKYACTIV)			57002		WA11107	N/A				N/S		N/S
---------------------------	--	--	-------	--	---------	-----	--	--	--	-----	--	-----

6

L4 2.5L 2488cc (SKYACTIV)		5	57002 ²³		49247	24103				N/S		WL10379
L4 2.5L 2500CC 153CID - Turbo			51365 ⁵³	51365XP	WA9790	24103				N/S		

CX-3

L4 2.0L 1998cc (SKYACTIV)			57002		WA10395	WP10267				N/S		WL10379
---------------------------	--	--	-------	--	---------	---------	--	--	--	-----	--	---------

CX-5

L4 2.0L 1998cc (SKYACTIV)		E	57002		49247	24103				N/S		WL10379
L4 2.5L 2488cc (SKYACTIV)		Y	57002		49247	24103				N/S - In-Tank		WL10379
			57002		49247	24103				N/S - In-Tank		WL10379

CX-5-D

L4 2.2L 2200CC 134CID Turbo Diesel			51348 ⁵³	51348XP	WA9790	24103				N/S		N/S
------------------------------------	--	--	---------------------	---------	--------	-------	--	--	--	-----	--	-----

CX-9

L4 2.5L 2500CC 153CID - Turbo			57002		WA9790	N/A				N/S		N/S
-------------------------------	--	--	-------	--	--------	-----	--	--	--	-----	--	-----

MX-5 MIATA

L4 2.0L 2000cc 122 CID			57002		WA10424	N/A				N/S		N/S
------------------------	--	--	-------	--	---------	-----	--	--	--	-----	--	-----

N/A = Not Available N/R = Not Required N/S = Not Serviceable For cabin and fuel filter locator, see pages 5-15 See pages 16-19 for footnotes

N/A = Non disponible N/R = Non nécessaire N/S = Non réparable Para la ubicación de los filtros de aire de la cabina y de combustible, ver las páginas 5-15 Voir pages 16-19 pour des notes

N/A = No disponible N/R = No requiere N/S = No servible Voir les tableaux de repérage des filtres d'habitacle et à carburant aux pages 5-15 Ver las páginas 16-19 para las notas al pie de página

Italicized Part Numbers May Not Be Available. Wix XP Oil Filters Have Fully Synthetic Media.

Las piezas con números en *italicas* pueden no estar disponibles. Los filtros de aceite WIX XP son completamente de media sintética.

Les numéros de pièce en *italiques* peuvent ne pas être disponibles. Les filtres à huile Wix contiennent un matériau 100 % synthétique.

MAZDA 2018-2016
Pass Car/Light Truck

Year/Año/Année Model/Modelo/Modèle Engine/Motor/Moteur	Eng. Code Código de motor Code moteur	VIN NIV NIV	Oil Aceite Huile	Oil XP Aceite XP Huile XP	Air Aire Air	Cabin Air Cabina Aire Cabine Air	Cabin Air XP Cabina Aire XP Cabine Air XP	Loc. Cabin Air Cabina Aire Cabine Air	Fuel Combustible Carburant	Loc. Fuel Combustible Carburant	Transmission Transmisión Transmission
--	---	-------------------	------------------------	---------------------------------	--------------------	--	---	--	----------------------------------	--	---

MAZDA (Cont'd/Suite)
2018

2											
L4 1.5L 1496CC 91CID (Mex.)			N/S		N/S	24036			N/S		N/S
3											
L4 2.0L 1998cc (SKYACTIV)			57002		49247	24103		3	N/S		WL10379
L4 2.5L 2488cc		3	57002		49247	24103		2	N/S		WL10379
6											
L4 2.5L 2488cc (SKYACTIV)		5	57002 ⁵³		49247	24103			N/S		WL10379
L4 2.5L 2500CC 153CID - Turbo			51365 ⁵³	51365XP	WA9790	24103			N/S		
CX-3											
L4 2.0L 1998cc (SKYACTIV)			57002		WA10395	WP10267			N/S		WL10379
CX-5											
L4 2.0L 1998cc (SKYACTIV)		E	57002		49247	24103			N/S		WL10379
L4 2.5L 2488cc (SKYACTIV)		Y	57002		49247	24103			N/S - In-Tank		WL10379
			57002		49247	24103			N/S - In-Tank		WL10379
CX-9											
L4 2.5L 152CID Turbo			57002		WA9790	N/A			N/S		N/S
MX-5 MIATA											
L4 2.0L 2000cc 122 CID			57002		WA10424	N/A			N/S		N/S

2017

2											
L4 1.5L 1496CC 91CID (Mex.)			N/S		N/S	24036			N/S		N/S
3											
L4 2.0L 1998cc (SKYACTIV)		7	57002		49247	24103		3	N/S		WL10379
L4 2.5L 2488cc		3	57002		49247	24103		2	N/S		WL10379
5											
L4 2.5L 2488cc		L	51348 ⁵³	51348XP	42612	24482		3	N/S		58113
6											
L4 2.5L 2488cc (SKYACTIV)		5	57002 ⁵³		49247	24103			N/S		WL10379
CX-3											
L4 2.0L 1998cc (SKYACTIV)		5	57002		WA10395	WP10267			N/S		WL10379
CX-5											
L4 2.0L 1998cc (SKYACTIV)		E	57002		49247	24103			N/S		WL10379
L4 2.5L 2488cc (SKYACTIV)		Y	57002		49247	24103			N/S		WL10379
			57002		49247	24103			N/S		WL10379
CX-9											
L4 2.5L 152CID Turbo			57002		WA9790	N/A			N/S		N/S
MX-5 MIATA											
L4 2.0L 2000cc 122 CID		F	57002		WA10424	N/A			N/S		N/S

2016

2											
L4 1.5L 1496CC 91CID (Mex.)			51358	51358XP	49640	24036			N/S		N/S
3											
L4 2.0L 1998cc (SKYACTIV)		7	57002		49247	24103		3	N/S		WL10379
L4 2.5L 2488cc		3	57002		49247	24103		2	N/S		WL10379
5											
L4 2.5L 2488cc		L	51348 ⁵³	51348XP	42612	24482		3	N/S		58113
6											
L4 2.5L 2488cc (SKYACTIV)		5	57002		49247	24103			N/S		WL10379
CX-3											
L4 2.0L 1998cc (SKYACTIV)		5	57002		WA10395	WP10267			N/S		WL10379

N/A = Not Available N/R = Not Required N/S = Not Serviceable For cabin and fuel filter locator, see pages 5-15 See pages 16-19 for footnotes

N/A = Non disponible N/R = Non nécessaire N/S = Non réparable Para la ubicación de los filtros de aire de la cabina y de combustible, ver las páginas 5-15 Voir pages 16-19 pour des notes

N/A = No disponible N/R = No requiere N/S = No servible Voir les tableaux de repérage des filtres d'habitacle et à carburant aux pages 5-15 Ver las páginas 16-19 para las notas al pie de página

Italicized Part Numbers May Not Be Available. Wix XP Oil Filters Have Fully Synthetic Media.

Las piezas con números en *italicas* pueden no estar disponibles. Los filtros de aceite WIX XP son completamente de media sintética. Les numéros de pièce en *italiques* peuvent ne pas être disponibles. Les filtres à huile XP Wix contiennent un matériau 100 % synthétique.

Year/Año/Année Model/Modelo/Modèle Engine/Motor/Moteur	Eng. Code Código de motor Code moteur	VIN NIV NIV	Oil Aceite Huile	Oil XP Aceite XP Huile XP	Air Aire Air	Cabin Air Cabina Aire Cabine Air	Cabin Air XP Cabina Aire XP Cabine Air XP	Loc. Cabin Air Cabina Aire Cabine Air	Fuel Combustible Carburant	Loc. Fuel Combustible Carburant	Transmission Transmisión Transmission
--	---	-------------------	------------------------	---------------------------------	--------------------	--	---	--	----------------------------------	--	---

MAZDA (Cont'd/Suite)
2016 (Cont'd/Suite)
CX-5

L4 2.0L 1998cc (SKYACTIV)		E	57002		49247	24103			N/S		WL10379
L4 2.5L 2488cc (SKYACTIV)		Y	57002 57002		49247 49247	24103 24103			N/S N/S		WL10379 WL10379

CX-9

L4 2.5L 152CID Turbo			57002		WA9790	N/A			N/S		N/S
----------------------	--	--	-------	--	--------	-----	--	--	-----	--	-----

MX5

2.0 Skyactiv-G (Mex.)			51348 ⁵³	51348XP	N/S	N/S			N/S		N/S
-----------------------	--	--	---------------------	---------	-----	-----	--	--	-----	--	-----

MX-5 MIATA

L4 2.0L 2000cc 122 CID		F	57002		WA10424	N/A			N/S		N/S
------------------------	--	---	-------	--	---------	-----	--	--	-----	--	-----

2015
2

L4 1.5L 1498cc 91 CID	MZR	Y,Z	51365	51365XP	49640	24036		2	N/S		58113
-----------------------	-----	-----	-------	---------	-------	-------	--	---	-----	--	-------

3

L4 2.0L 1998cc (SKYACTIV)		7	57002		49247	24103		3	N/S		WL10379 ⁵³⁰
L4 2.0L 1998cc 122 CID		8	57002		49247	24103		3	N/S		WL10379
L4 2.5L 2488cc		3	57002		49247	24103		2	N/S		58113

5

L4 2.5L 2488cc		L	51348 ⁵³	51348XP	42612	24482		3	N/S		58113
----------------	--	---	---------------------	---------	-------	-------	--	---	-----	--	-------

6

L4 2.5L 2488cc (SKYACTIV)		5	57002		49247	24103			N/S		WL10379
---------------------------	--	---	-------	--	-------	-------	--	--	-----	--	---------

CX-5

L4 2.0L 1998cc (SKYACTIV)		E	57002		49247	24103			N/S		WL10379
L4 2.5L 2488cc (SKYACTIV)		Y	57002 57002		49247 49247	24103 24103			N/S N/S		WL10379 WL10379

CX-9

V6 3.7L 3726cc 227 CID		A,V	51516 ⁵³	51516XP	46935	24065		3	N/S		N/S
------------------------	--	-----	---------------------	---------	-------	-------	--	---	-----	--	-----

MX5

2.0 Skyactiv-G (Mex.)			51348 ⁵³	51348XP	N/S	N/S			N/S		N/S
-----------------------	--	--	---------------------	---------	-----	-----	--	--	-----	--	-----

MX-5 MIATA

L4 2.0L 2000cc 122 CID		F	51348 ⁵³	51348XP	42863	N/R			N/S		N/S
------------------------	--	---	---------------------	---------	-------	-----	--	--	-----	--	-----

2014
2

L4 1.5L 1498cc 91 CID	MZR	Y,Z	51365	51365XP	49640	24036		2	N/S		58113
-----------------------	-----	-----	-------	---------	-------	-------	--	---	-----	--	-------

3

L4 2.0L 1998cc (SKYACTIV)		7	57002		49247	24103		3	N/S		WL10379 ⁵³⁰
L4 2.5L 2488cc		3	57002		49247	24103		2	N/S		58113

3 SPORT

L4 2.0L 1998cc (SKYACTIV)		7,8	57002		49247	24046		3	WF8373		58113
---------------------------	--	-----	-------	--	-------	-------	--	---	--------	--	-------

5

L4 2.5L 2488cc		L	51348 ⁵³	51348XP	42612	24482		3	N/S		58113
----------------	--	---	---------------------	---------	-------	-------	--	---	-----	--	-------

6

L4 2.5L 2488cc		5	57002		49247	24103			N/S		WL10379
----------------	--	---	-------	--	-------	-------	--	--	-----	--	---------

CX-5

L4 2.0L 1998cc (SKYACTIV)		E	57002		49247	24103			N/S		WL10379
L4 2.5L 2488cc (SKYACTIV)		Y	57002 57002		49247 49247	24103 24103			N/S N/S		WL10379 WL10379

CX-9

V6 3.7L 3726cc 227 CID		A,V	51516 ⁵³	51516XP	46935	24065		3	N/S		N/S
------------------------	--	-----	---------------------	---------	-------	-------	--	---	-----	--	-----

MX5

2.0 Skyactiv-G (Mex.)			51348 ⁵³	51348XP	N/S	N/S			N/S		N/S
-----------------------	--	--	---------------------	---------	-----	-----	--	--	-----	--	-----

MX-5 MIATA

L4 2.0L 2000cc 122 CID			51348 ⁵³	51348XP	42863	N/R			N/S		N/S
------------------------	--	--	---------------------	---------	-------	-----	--	--	-----	--	-----

N/A = Not Available N/R = Not Required N/S = Not Serviceable For cabin and fuel filter locator, see pages 5-15 See pages 16-19 for footnotes

N/A = Non disponible N/R = Non nécessaire N/S = Non réparable Para la ubicación de los filtros de aire de la cabina y de combustible, ver las páginas 5-15 Voir pages 16-19 pour des notes

N/A = No disponible N/R = No requiere N/S = No servible Voir les tableaux de repérage des filtres d'habitacle et à carburant aux pages 5-15 Ver las páginas 16-19 para las notas al pie de página

Italicized Part Numbers May Not Be Available. Wix XP Oil Filters Have Fully Synthetic Media.

Las piezas con números en *italicas* pueden no estar disponibles. Los filtros de aceite WIX XP son completamente de media sintética.

Les numéros de pièce en *italiques* peuvent ne pas être disponibles. Les filtres à huile Wix contiennent un matériau 100 % synthétique.

MAZDA 2013-2012
Pass Car/Light Truck

Year/Año/Année Model/Modelo/Modèle Engine/Motor/Moteur	Eng. Code Código de motor Code moteur	VIN NIV NIV	Oil Aceite Huile	Oil XP Aceite XP Huile XP	Air Aire Air	Cabin Air Cabina Aire Cabine Air	Cabin Air XP Cabina Aire XP Cabine Air XP	Loc. Cabin Air Cabina Aire Cabine Air	Fuel Combustible Carburant	Loc. Fuel Combustible Carburant	Transmission Transmisión Transmission
--	---	-------------------	------------------------	---------------------------------	--------------------	--	---	--	----------------------------------	--	---

MAZDA (Cont'd/Suite)
2013

2											
L4 1.5L 1498cc 91 CID	MZR	Y,Z	51365	51365XP	49640	24036			2	N/S	58113
3											
L4 2.0L 1998cc (SKYACTIV)		7	57002		49247	24046			3	N/S	58113 ⁵²⁹ WL10379 ⁵³⁰
L4 2.0L 2000cc 122 CID		F,G	51348 ⁵³	51348XP	42612	24046			2	N/S	58113
L4 2.5L 2488cc		5,6	51348 ⁵³	51348XP	42612	24046			2	N/S	58113
3 MAZDASPEED											
L4 2.3L 2260cc Turbo	MZR	3,4	51348 ⁵³	51348XP	42612	24046			2	N/S	MT ⁷²
3 SPORT											
L4 2.0L 1998cc (SKYACTIV)		7,8	57002		49247	24046			3	WF8373	58113
L4 2.0L 1998cc 122 CID		8	57002		49247	24046			3	N/A	58113
L4 2.0L 2000cc 122 CID		F	51348 ⁵³	51348XP	42612	24046			2	N/A	58113
L4 2.5L 2488cc 152 CID		5	51348 ⁵³	51348XP	42612	24046			2	N/A	58113
5											
L4 2.5L 2488cc		L	51348 ⁵³	51348XP	42612	24482			3	N/S	58113
6											
L4 2.5L 2488cc		H	51348 ⁵³	51348XP	49114	24148			3	N/S	58113
V6 3.7L 3726cc 227 CID		B	51516 ⁵³	51516XP	46935	24148			3	N/S	N/S
CX-5											
L4 2.0L 1998cc (SKYACTIV)		E	57002		49247	24103				N/S	N/S
CX-7											
L4 2.3L 2260cc Turbo (Mex.)	MZR	3,L	51348 ⁵³	51348XP	N/A	N/A			7	N/S	N/A
CX-9											
V6 3.7L 3726cc 227 CID		A,V	51516 ⁵³	51516XP	46935	24065			3	N/S	N/S
MX5											
2.0 Skyactiv-G (Mex.)			51348 ⁵³	51348XP	N/S	N/S				N/S	N/S
MX-5 MIATA											
L4 2.0L 2000cc 122 CID		F	51348 ⁵³	51348XP	42863	N/R				N/S	N/S

2012

2											
L4 1.5L 1498cc 91 CID	MZR	Y,Z	51358 ⁵³	51358XP	49640	24036			2	N/S	58113
3											
L4 2.0L 1998cc (SKYACTIV)		7,8	57002		49247	24046			3	WF8373	58113 ⁵²⁹
L4 2.0L 2000cc 122 CID		F,G	51348 ⁵³	51348XP	42612	24046			2	WF8373	58113
L4 2.5L 2488cc		5,6	51348 ⁵³	51348XP	42612	24046			2	N/S	58113
3 MAZDASPEED											
L4 2.3L 2260cc Turbo	MZR	3,4	51348 ⁵³	51348XP	42612	24046			2	N/S	MT ⁷²
3 SPORT											
L4 2.0L 1998cc (SKYACTIV)		7,8	57002		49247	24046			3	WF8373	58113
5											
L4 2.5L 2488cc		L	57203 - Cartridge 51348 ⁵³ - Spin-on	57203XP - Cartridge 51348XP - Spin-on	42612	24482			3	N/S	58113
6											
L4 2.5L 2488cc		H	57203 - Cartridge 51348 ⁵³ - Spin-on	57203XP - Cartridge 51348XP - Spin-on	49114	24148			3	N/S	58113
V6 3.7L 3726cc 227 CID		B	51516 ⁵³	51516XP	46935	24148			3	N/S	N/S
CX-7											
L4 2.3L 2260cc Turbo	MZR	3,L	51348 ⁵³	51348XP	42885	24579			7	N/S	N/A
L4 2.5L 2488cc		M,5	57203 - Cartridge 51348 ⁵³ - Spin-on	57203XP - Cartridge 51348XP - Spin-on	42885	24579			7	N/S	58113
CX-9											
V6 3.7L 3726cc 227 CID		A,V	51516 ⁵³	51516XP	46935	24065			3	N/S	N/S
MX5											
2.0 Skyactiv-G (Mex.)			51348 ⁵³	51348XP	N/S	N/S				N/S	N/S

N/A = Not Available N/R = Not Required N/S = Not Serviceable For cabin and fuel filter locator, see pages 5-15 See pages 16-19 for footnotes

N/A = Non disponible N/R = Non nécessaire N/S = Non Serviceable Para la ubicación de los filtros de aire de la cabina y de combustible, ver las páginas 5-15 Voir pages 16-19 pour des notes

N/A = No disponible N/R = No requiere N/S = No servible Voir les tableaux de repérage des filtres d'habitacle et à carburant aux pages 5-15 Ver las páginas 16-19 para las notas al pie de página

Italicized Part Numbers May Not Be Available. Wix XP Oil Filters Have Fully Synthetic Media.

Las piezas con números en *italicas* pueden no estar disponibles. Los filtros de aceite WIX XP son completamente de media sintética. Les numéros de pièce en *italiques* peuvent ne pas être disponibles. Les filtres à huile XP Wix contiennent un matériau 100 % synthétique.

Year/Año/Année Model/Modelo/Modèle Engine/Motor/Moteur	Eng. Code Código de motor Code moteur	VIN NIV NIV	Oil Aceite Huile	Oil XP Aceite XP Huile XP	Air Aire Air	Cabin Air Cabina Aire Cabine Air	Cabin Air XP Cabina Aire XP Cabine Air XP	Loc. Cabin Air Cabina Aire Cabine Air	Fuel Combustible Carburant	Loc. Fuel Combustible Carburant	Transmission Transmisión Transmission
--	---	-------------------	------------------------	---------------------------------	--------------------	--	---	--	----------------------------------	--	---

MAZDA (Cont'd/Suite)

2012 (Cont'd/Suite)

MX-5 MIATA

L4 2.0L 2000cc 122 CID		F	51348 ⁵³	51348XP	42863	N/R			N/S		N/S
------------------------	--	---	---------------------	---------	-------	-----	--	--	-----	--	-----

2011

2

L4 1.5L 1498cc 91 CID	MZR	Y,Z	51358 ⁵³	51358XP	49640	24036		2	N/S		58113
-----------------------	-----	-----	---------------------	---------	-------	-------	--	---	-----	--	-------

3

L4 2.0L 2000cc 122 CID		F,G	51348 ⁵³	51348XP	42612	24046		2	WF8373		58113
L4 2.5L 2488cc		5,6	51348 ⁵³	51348XP	42612	24046		2	N/S		58113

3 MAZDASPEED

L4 2.3L 2260cc Turbo	MZR	3,4	51348 ⁵³	51348XP	42612	24046		2	N/S		MT ²
----------------------	-----	-----	---------------------	---------	-------	-------	--	---	-----	--	-----------------

3 SPORT

L4 2.0L 1998cc (SKYACTIV)			51365 ⁵³	51365XP	N/S	N/A			N/S		N/S
---------------------------	--	--	---------------------	---------	-----	-----	--	--	-----	--	-----

6

L4 2.5L 2488cc		A,H	57203 - Cartridge 51348 ⁵³ - Spin-on	57203XP - Cartridge 51348XP - Spin-on	49114	24148		3	N/S		58113
V6 3.7L 3726cc 227 CID		B	51516 ⁵³	51516XP	46935	24148		3	N/S		N/S

BT-50

L4 2.5L 2499cc Turbo Diesel (Mex.)			51348 ⁵³	51348XP	WA9644	N/A			33138		
L4 3.0L 2953cc Turbo Diesel (Mex.)			51348 ⁵³	51348XP	WA9644	N/A			33138		

CX-7

L4 2.3L 2260cc Turbo	MZR	3,L	51348 ⁵³	51348XP	42885	24579		7	N/S		N/A
L4 2.5L 2488cc		M,5	57203 - Cartridge 51348 ⁵³ - Spin-on	57203XP - Cartridge 51348XP - Spin-on	42885	24579		7	N/S		58113

CX-9

V6 3.7L 3726cc 227 CID		A,V	51516 ⁵³	51516XP	46935	24065		3	N/S		N/S
------------------------	--	-----	---------------------	---------	-------	-------	--	---	-----	--	-----

MX5

2.0 Skyactiv-G (Mex.)			51348 ⁵³	51348XP	N/S	N/S			N/S		N/S
-----------------------	--	--	---------------------	---------	-----	-----	--	--	-----	--	-----

MX-5 MIATA

L4 2.0L 2000cc 122 CID		F	51348 ⁵³	51348XP	42863	N/R			N/S		N/S
------------------------	--	---	---------------------	---------	-------	-----	--	--	-----	--	-----

RX-8

R2 1.3L 1308cc		P,4	57356 ⁵³	57356XP	46835	24826		3	N/S		N/S
----------------	--	-----	---------------------	---------	-------	-------	--	---	-----	--	-----

TRIBUTE

L4 2.5L 2488cc		7	51348 ⁵³	51348XP	42793	49466		1	33296		N/S
V6 3.0L 2954cc	99G	G	57502 ⁵³	57502XP	49893	49466		1	N/S	K	N/S

TRIBUTE HYBRID

L4 2.5L 152 CID Electric/Gas		3	57203	57203XP	49187	49466		1	33296		N/S
------------------------------	--	---	-------	---------	-------	-------	--	---	-------	--	-----

2010

3

L4 2.0L 2000cc 122 CID		F,G	51348 ⁵³	51348XP	42612	24046		2	N/S		58113
L4 2.5L 2488cc		5,6	51348 ⁵³	51348XP	42612	24046		2	N/S		58113

3 MAZDASPEED

L4 2.3L 2260cc Turbo	MZR	3	51348 ⁵³	51348XP	42612	24046		2	N/S		MT ²
----------------------	-----	---	---------------------	---------	-------	-------	--	---	-----	--	-----------------

5

L4 2.3L 2260cc		3,L	57203 - Cartridge 51348 ⁵³ - Spin-on	57203XP - Cartridge 51348XP - Spin-on	42612	24482		3	N/S		58113
----------------	--	-----	--	--	-------	-------	--	---	-----	--	-------

6

L4 2.5L 2488cc		A	57203 - Cartridge 51348 ⁵³ - Spin-on	57203XP - Cartridge 51348XP - Spin-on	49114	24148		3	N/S		58113
V6 3.7L 3726cc 227 CID		B	51516 ⁵³	51516XP	46935	24148		3	N/S		N/S

BT-50

L4 2.5L 2499cc Turbo Diesel (Mex.)			51348 ⁵³	51348XP	WA9644	N/A			33138		
------------------------------------	--	--	---------------------	---------	--------	-----	--	--	-------	--	--

N/A = Not Available N/R = Not Required N/S = Not Serviceable For cabin and fuel filter locator, see pages 5-15 See pages 16-19 for footnotes

N/A = Non disponible N/R = Non nécessaire N/S = Non réparable Para la ubicación de los filtros de aire de la cabina y de combustible, ver las páginas 5-15 Voir pages 16-19 pour des notes

N/A = No disponible N/R = No requiere N/S = No servible Voir les tableaux de repérage des filtres d'habitacle et à carburant aux pages 5-15 Ver las páginas 16-19 para las notas al pie de página

Italicized Part Numbers May Not Be Available. Wix XP Oil Filters Have Fully Synthetic Media.

Las piezas con números en *italicas* pueden no estar disponibles. Los filtros de aceite WIX XP son completamente de media sintética.

Les numéros de pièce en *italiques* peuvent ne pas être disponibles. Les filtres à huile Wix contiennent un matériau 100 % synthétique.

MAZDA 2010-2009
Pass Car/Light Truck

Year/Año/Année Model/Modelo/Modèle Engine/Motor/Moteur	Eng. Code Código de motor Code moteur	VIN NIV NIV	Oil Aceite Huile	Oil XP Aceite XP Huile XP	Air Aire Air	Cabin Air Cabina Aire Cabine Air	Cabin Air XP Cabina Aire XP Cabine Air XP	Loc. Cabin Air Cabina Aire Cabine Air	Fuel Combustible Carburant	Loc. Fuel Combustible Carburant	Transmission Transmisión Transmission
--	--	-------------------	------------------------	---------------------------------	--------------------	--	---	--	----------------------------------	--	---

MAZDA (Cont'd/Suite)
2010 (Cont'd/Suite)
BT-50 (Cont'd/Suite)

L4 3.0L 2953cc Turbo Diesel (Mex.)			51348	51348XP	WA9644	N/A			33138		
------------------------------------	--	--	-------	---------	--------	-----	--	--	-------	--	--

CX-7

L4 2.3L 2260cc Turbo	MZR	3,L	51348 ⁵³	51348XP	42885	24579		7	N/S		N/A
L4 2.5L 2488cc	MZR	M,5	57203 - Cartridge 51348 ⁵³ - Spin-on	57203XP - Cartridge 51348XP - Spin-on	42885	24579		7	N/S		58113

CX-9

V6 3.7L 3726cc 227 CID		A,V	51516 ⁵³	51516XP	46935	24065		3	N/S		N/S
------------------------	--	-----	---------------------	---------	-------	-------	--	---	-----	--	-----

MX5

2.0 Skyactiv-G (Mex.)			51348 ⁵³	51348XP	N/S	N/S			N/S		N/S
-----------------------	--	--	---------------------	---------	-----	-----	--	--	-----	--	-----

MX-5 MIATA

L4 2.0L 2000cc 122 CID		F	51348 ⁵³	51348XP	42863	N/R			N/S		N/S
------------------------	--	---	---------------------	---------	-------	-----	--	--	-----	--	-----

PICKUP B2300

L4 2.3L 2300cc		D	51348 ⁵³	51348XP	46253	N/R			33424		58840 - 2WD 58841 - 4WD
----------------	--	---	---------------------	---------	-------	-----	--	--	-------	--	----------------------------

PICKUP B4000

V6 4.0L 4016cc		E	51372 ⁵³	51372XP	46253	N/R			33424		58840 - 5R55E 2WD 58841 - 5R55E 4WD
----------------	--	---	---------------------	---------	-------	-----	--	--	-------	--	--

RX-8

R2 1.3L 1308cc		2,4,M,P	57356 ⁵³	57356XP	46835	24826		3	N/S		N/S
----------------	--	---------	---------------------	---------	-------	-------	--	---	-----	--	-----

TRIBUTE

L4 2.5L 2488cc		7	57203 - Cartridge 51348 ⁵³ - Spin-on	57203XP - Cartridge 51348XP - Spin-on	42793	49466		1	33296		N/S
V6 3.0L 2954cc	99G	G	57502 ⁵³	57502XP	49893	49466		1	N/S	K	N/S

TRIBUTE HYBRID

L4 2.5L 152 CID Electric/Gas		3	51348 ⁵³ - Spin-on 57203 ⁵³ - Cartridge	51348XP - Spin-on 57203XP - Cartridge	49187	49466		1	33296		N/S
------------------------------	--	---	--	--	-------	-------	--	---	-------	--	-----

2009
3

L4 2.0L 2000cc 122 CID		F,G	51348 ⁵³	51348XP	42612	24482		3	N/S		58617 ²²⁴ - 4 Spd.
L4 2.3L 2260cc		3,4	57203	57203XP	42612	24482		3	N/S		58113

3 MAZDASPEED

L4 2.3L 2260cc Turbo	MZR	L,M	57203	57203XP	42612	24482		3	N/S		MT ⁷²
----------------------	-----	-----	-------	---------	-------	-------	--	---	-----	--	------------------

5

L4 2.3L 2260cc		3,L	57203 - Cartridge 51348 ⁵³ - Spin-on	57203XP - Cartridge 51348XP - Spin-on	42612	24482		3	N/S		58113
----------------	--	-----	--	--	-------	-------	--	---	-----	--	-------

6

L4 2.5L 2488cc		A	57203 - Cartridge 51348 ⁵³ - Spin-on	57203XP - Cartridge 51348XP - Spin-on	49114	24148		3	N/S		58113
V6 3.7L 3726cc 227 CID		B	51516 ⁵³	51516XP	46935	24148		3	N/S		N/S

BT-50

L4 2.5L 2499cc Turbo Diesel (Mex.)			51348 ⁵³	51348XP	WA9644	N/A			33138		
L4 3.0L 2953cc Turbo Diesel (Mex.)			51348 ⁵³	51348XP	WA9644	N/A			33138		

CX-7

L4 2.3L 2260cc Turbo	MZR	3,L	57203	57203XP	42885	24579		7	N/S		N/A
----------------------	-----	-----	-------	---------	-------	-------	--	---	-----	--	-----

CX-9

V6 3.7L 3726cc 227 CID		A,V	51516 ⁵³	51516XP	46935	24065		3	N/S		N/S
------------------------	--	-----	---------------------	---------	-------	-------	--	---	-----	--	-----

MX5

2.0 Skyactiv-G (Mex.)			51348 ⁵³	51348XP	N/S	N/S			N/S		N/S
-----------------------	--	--	---------------------	---------	-----	-----	--	--	-----	--	-----

MX-5 MIATA

L4 2.0L 2000cc 122 CID		F	51348 ⁵³	51348XP	42863	N/R			N/S		N/S
------------------------	--	---	---------------------	---------	-------	-----	--	--	-----	--	-----

N/A = Not Available N/R = Not Required N/S = Not Serviceable For cabin and fuel filter locator, see pages 5-15 See pages 16-19 for footnotes

N/A = Non disponible N/R = Non nécessaire N/S = Non réparable Para la ubicación de los filtros de aire de la cabina y de combustible, ver las páginas 5-15 Voir pages 16-19 pour des notes

N/A = No disponible N/R = No requiere N/S = No servible Voir les tableaux de repérage des filtres d'habitacle et à carburant aux pages 5-15 Ver las páginas 16-19 para las notas al pie de página

Italicized Part Numbers May Not Be Available. Wix XP Oil Filters Have Fully Synthetic Media.

Las piezas con números en *italicas* pueden no estar disponibles. Los filtros de aceite WIX XP son completamente de media sintética. Les numéros de pièce en *italiques* peuvent ne pas être disponibles. Les filtres à huile XP Wix contiennent un matériau 100 % synthétique.

Year/Año/Année Model/Modelo/Modèle Engine/Motor/Moteur	Eng. Code Código de motor Code moteur	VIN NIV NIV	Oil Aceite Huile	Oil XP Aceite XP Huile XP	Air Aire Air	Cabin Air Cabina Aire Cabine Air	Cabin Air XP Cabina Aire XP Cabine Air XP	Loc. Cabin Air Cabina Aire Cabine Air	Fuel Combustible Carburant	Loc. Fuel Combustible Carburant	Transmission Transmisión Transmission
--	---	-------------------	------------------------	---------------------------------	--------------------	--	---	--	----------------------------------	--	---

MAZDA (Cont'd/Suite)
2009 (Cont'd/Suite)
PICKUP B2300

L4 2.3L 2300cc		D	51348 ⁵³	51348XP	46253		N/R		33424		58840 - 2WD 58841 - 4WD
----------------	--	---	---------------------	---------	-------	--	-----	--	-------	--	----------------------------

PICKUP B4000

V6 4.0L 4016cc		E	51372 ⁵³	51372XP	46253		N/R		33424		58840 - 5R55E 2WD 58841 - 5R55E 4WD
----------------	--	---	---------------------	---------	-------	--	-----	--	-------	--	--

RX-8

R2 1.3L 1308cc		P,4	57356 ⁵³	57356XP	46835	24826			3	N/S	N/S
----------------	--	-----	---------------------	---------	-------	-------	--	--	---	-----	-----

TRIBUTE

L4 2.5L 2488cc		7	57203 - Cartridge 51348 ⁵³ - Spin-on	57203XP - Cartridge 51348XP - Spin-on	42793	49466		1	33296		N/S
V6 3.0L 2954cc	99G	G	57502 ⁵³	57502XP	49893	49466		1	N/S	K	N/S

TRIBUTE HYBRID

L4 2.5L 152 CID Electric/Gas		3	57203 - Cartridge 51348 ⁵³ - Spin-on	57203XP - Cartridge 51348XP - Spin-on	49187	49466		1	33296		N/S
------------------------------	--	---	--	--	-------	-------	--	---	-------	--	-----

2008
3

L4 2.0L 2000cc 122 CID		F,G	51348 ⁵³	51348XP	42612	24482		3	N/S		58617 ²²⁴ - 4 Spd.
L4 2.3L 2260cc		3,4	57203	57203XP	42612	24482		3	N/S		58113

3 MAZDASPEED

L4 2.3L 2260cc Turbo	MZR	L,M	57203	57203XP	42612	24482		3	N/S		MT ⁷²
----------------------	-----	-----	-------	---------	-------	-------	--	---	-----	--	------------------

5

L4 2.3L 2260cc		3	57203	57203XP	42612	24482		3	N/S		58617
----------------	--	---	-------	---------	-------	-------	--	---	-----	--	-------

6

L4 2.3L 2260cc		C	57203	57203XP	42825	24907		3	N/S		58113
V6 3.0L 2968cc		D	51372 ⁵³	51372XP	42885	24907		3	N/S		N/S ²²⁴ - 6 Spd.

BT-50

L4 2.5L 2499cc Turbo Diesel (Mex.)			51348 ⁵³	51348XP	WA9644	N/A			33138		
L4 3.0L 2953cc Turbo Diesel (Mex.)			51348 ⁵³	51348XP	WA9644	N/A			33138		

CX-7

L4 2.3L 2260cc Turbo	MZR	3,L	57203	57203XP	42885	24579		7	N/S		N/A
----------------------	-----	-----	-------	---------	-------	-------	--	---	-----	--	-----

CX-9

V6 3.7L 3726cc 227 CID		A,V	51516 ⁵³	51516XP	46935	24065		3	N/S		N/S
------------------------	--	-----	---------------------	---------	-------	-------	--	---	-----	--	-----

MX5

2.0 Skyactiv-G (Mex.)			51348 ⁵³	51348XP	N/S	N/S			N/S		N/S
-----------------------	--	--	---------------------	---------	-----	-----	--	--	-----	--	-----

MX-5 MIATA

L4 2.0L 2000cc 122 CID		F	51348 ⁵³	51348XP	42863	N/R			N/S		N/S
------------------------	--	---	---------------------	---------	-------	-----	--	--	-----	--	-----

PICKUP B2300

L4 2.3L 2300cc		D	51348 ⁵³	51348XP	46253	N/R			33424		58840 - 2WD 58841 - 4WD
----------------	--	---	---------------------	---------	-------	-----	--	--	-------	--	----------------------------

PICKUP B3000

V6 3.0L 183 CID		U	51516 ⁵³	51516XP	46253	N/R			33424		58840 - 2WD
-----------------	--	---	---------------------	---------	-------	-----	--	--	-------	--	-------------

PICKUP B4000

V6 4.0L 4016cc		E	51372 ⁵³	51372XP	46253	N/R			33424		58840 - 5R55E 2WD 58841 - 5R55E 4WD
----------------	--	---	---------------------	---------	-------	-----	--	--	-------	--	--

RX-8

R2 1.3L 1308cc		3	51365	51365XP	46835	24826		3	N/S		N/S
----------------	--	---	-------	---------	-------	-------	--	---	-----	--	-----

TRIBUTE

L4 2.3L 2260cc		Z	51348 ⁵³ - Spin-on 57203 ⁵³ - Cartridge	51348XP - Spin-on 57203XP - Cartridge	42793	24816		1	33296		N/A
V6 3.0L 2954cc	99G	1	51372 ⁵³	51372XP	42793	24816		1	33296	K	N/A

TRIBUTE HYBRID

L4 2.3L 140 CID Electric/Gas		H	57203	57203XP	49187	49466		1	33296		N/S
------------------------------	--	---	-------	---------	-------	-------	--	---	-------	--	-----

N/A = Not Available N/R = Not Required N/S = Not Serviceable For cabin and fuel filter locator, see pages 5-15 See pages 16-19 for footnotes

N/A = Non disponible N/R = Non nécessaire N/S = Non réparable Para la ubicación de los filtros de aire de la cabina y de combustible, ver las páginas 5-15 Voir pages 16-19 pour des notes

N/A = No disponible N/R = No requiere N/S = No servible Voir les tableaux de repérage des filtres d'habitacle et à carburant aux pages 5-15 Ver las páginas 16-19 para las notas al pie de página

Italicized Part Numbers May Not Be Available. Wix XP Oil Filters Have Fully Synthetic Media.

Las piezas con números en *italicas* pueden no estar disponibles. Los filtros de aceite WIX XP son completamente de media sintética.

Les numéros de pièce en *italiques* peuvent ne pas être disponibles. Les filtres à huile Wix contiennent un matériau 100 % synthétique.

MAZDA 2007-2006
Pass Car/Light Truck

Year/Año/Année Model/Modelo/Modèle Engine/Motor/Moteur	Eng. Code Código de motor Code moteur	VIN NIV NIV	Oil Aceite Huile	Oil XP Aceite XP Huile XP	Air Aire Air	Cabin Air Cabina Aire Cabine Air	Cabin Air XP Cabina Aire XP Cabine Air XP	Loc. Cabin Air Cabina Aire Cabine Air	Fuel Combustible Carburant	Loc. Fuel Combustible Carburant	Transmission Transmisión Transmission
--	---	-------------------	------------------------	---------------------------------	--------------------	--	---	--	----------------------------------	--	---

MAZDA (Cont'd/Suite)
2007

3											
L4 2.0L 2000cc 122 CID		F,G	51348 ⁵³	51348XP	42612	24482		3	N/S		58617 ²²⁴ - 4 Spd.
L4 2.3L 2260cc		3,4	57203	57203XP	42612	24482		3	N/S		58113 - 5 Spd.
3 MAZDASPEED											
L4 2.3L 2260cc Turbo	MZR	L,M	57203	57203XP	42612	24482		3	N/S		MT ⁷²
5											
L4 2.3L 2260cc		3	57203	57203XP	42612	24482		3	N/S		58617 ²²⁴ - 4 Spd.
6											
L4 2.3L 2260cc		C	57203	57203XP	42825	24907		3	N/S		58113
V6 3.0L 2968cc		D	51372 ⁵³	51372XP	42885	24907		3	N/S		N/S ²²⁴ - 6 Spd.
6 MAZDASPEED											
L4 2.3L 2260cc Turbo	MZR	L	57203	57203XP	42885	24579			N/S		MT ⁷²
BT-50											
L4 2.5L 2499cc Turbo Diesel (Mex.)			51348	51348XP	WA9644	N/A			33138		
L4 3.0L 2953cc Turbo Diesel (Mex.)			51348 ⁵³	51348XP	WA9644	N/A			33138		
CX-7											
L4 2.3L 2260cc Turbo	MZR	3,L	57203	57203XP	42885	24579		7	N/S		N/A
CX-9											
V6 3.5L 3500cc		Y	51516 ⁵³	51516XP	46935	24065		3	N/S		N/S
MX5											
2.0 Skyactiv-G (Mex.)			51348 ⁵³	51348XP	N/S	N/S			N/S		N/S
MX-5 MIATA											
L4 2.0L 2000cc 122 CID		F	51348 ⁵³	51348XP	42863	N/R			N/S		N/S
PICKUP B2300											
L4 2.3L 2300cc		D	51348 ⁵³	51348XP	46253	N/R			33424		58840 - 2WD 58841 - 4WD
PICKUP B3000											
V6 3.0L 2954cc	99G	U	51516 ⁵³	51516XP	46253	N/R			33424		58840 - 2WD 58841 - 4WD
PICKUP B4000											
V6 4.0L 4016cc		E	51372 ⁵³	51372XP	46253	N/R			33424		58840 - 5R55E 2WD 58841 - 5R55E 4WD
RX-8											
R2 1.3L 1308cc		3	51365	51365XP	46835	24826		3	N/S		N/S
TRIBUTE											
V6 3.0L 3000cc (Mex.)			51372 ⁵³	51372XP	42385	N/A		1	33097 ⁴⁴⁷	K	

2006

3											
L4 2.0L 2000cc 122 CID		F,G	51348 ⁵³	51348XP	42612	24482		3	N/S		58617 ²²⁴ - 4 Spd.
L4 2.3L 2260cc		3,4	57203	57203XP	42612	24482		3	N/S		58113
5											
L4 2.3L 2260cc		3	57203	57203XP	42612	24482		3	N/S		58617 ²²⁴ - 4 Spd.
6											
L4 2.3L 2260cc		C	57203	57203XP	42825	24907		3	N/S		58113
V6 3.0L 2968cc		D	51372 ⁵³	51372XP	42885	24907		3	N/S		N/S ²²⁴ - 6 Spd.
6 MAZDASPEED											
L4 2.3L 2260cc Turbo	MZR	C	57203	57203XP	42885	24579			N/S		MT ⁷²
MPV											
V6 3.0L 2954cc	99G	A	51372 ⁵³	51372XP	42825	24826		3	N/S		N/A
MX5											
2.0 Skyactiv-G (Mex.)			51348 ⁵³	51348XP	N/S	N/S			N/S		N/S
MX-5 MIATA											
L4 2.0L 2000cc 122 CID		F	51348 ⁵³	51348XP	42863	N/R			N/S		N/S

N/A = Not Available N/R = Not Required N/S = Not Serviceable For cabin and fuel filter locator, see pages 5-15 See pages 16-19 for footnotes

N/A = Non disponible N/R = Non nécessaire N/S = Non réparable Para la ubicación de los filtros de aire de la cabina y de combustible, ver las páginas 5-15 Voir pages 16-19 pour des notes

N/A = No disponible N/R = No requiere N/S = No servible Voir les tableaux de repérage des filtres d'habitacle et à carburant aux pages 5-15 Ver las páginas 16-19 para las notas al pie de página

Italicized Part Numbers May Not Be Available. Wix XP Oil Filters Have Fully Synthetic Media.

Las piezas con números en *italicas* pueden no estar disponibles. Los filtros de aceite WIX XP son completamente de media sintética. Les numéros de pièce en *italiques* peuvent ne pas être disponibles. Les filtres à huile XP Wix contiennent un matériau 100 % synthétique.

Year/Año/Année Model/Modelo/Modèle Engine/Motor/Moteur	Eng. Code Código de motor Code moteur	VIN NIV NIV	Oil Aceite Huile	Oil XP Aceite XP Huile XP	Air Aire Air	Cabin Air Cabina Aire Cabine Air	Cabin Air XP Cabina Aire XP Cabine Air XP	Loc. Cabin Air Cabina Aire Cabine Air	Fuel Combustible Carburant	Loc. Fuel Combustible Carburant	Transmission Transmisión Transmission
--	---	-------------------	------------------------	---------------------------------	--------------------	--	---	--	----------------------------------	--	---

MAZDA (Cont'd/Suite)

2006 (Cont'd/Suite)

PICKUP B2300

L4 2.3L 2300cc		D	51348 ⁵³	51348XP	46253		N/R		33424		58840 - 2WD 58841 - 4WD
----------------	--	---	---------------------	---------	-------	--	-----	--	-------	--	----------------------------

PICKUP B3000

V6 3.0L 2954cc	99G	U	51516 ⁵³	51516XP	46253		N/R		33424		58840 - 2WD 58841 - 4WD
----------------	-----	---	---------------------	---------	-------	--	-----	--	-------	--	----------------------------

PICKUP B4000

V6 4.0L 4016cc		E	51372 ⁵³	51372XP	46253		N/R		33424		58840 - 5R55E 2WD 58841 - 5R55E 4WD
----------------	--	---	---------------------	---------	-------	--	-----	--	-------	--	--

RX-8

R2 1.3L 1308cc		3	51365	51365XP	46835	24826			3	N/S	N/S
----------------	--	---	-------	---------	-------	-------	--	--	---	-----	-----

TRIBUTE

L4 2.3L 2260cc		Z	51348 ⁵³	51348XP	42793	24816			1	33097 ⁴⁴⁷	N/A
V6 3.0L 2954cc	99G	1	51372 ⁵³	51372XP	42793	24816			1	33097 ⁴⁴⁷	K N/A

2005

3

L4 2.0L 2000cc 122 CID		F	51348 ⁵³	51348XP	42612	24482			3	N/S	58617 ²²⁴ - 4 Spd.
L4 2.3L 2260cc		3	57203	57203XP	42612	24482			3	N/S	58617 ²²⁴ - 4 Spd.

6

L4 2.3L 2260cc		C	57203	57203XP	42825	24907			3	N/S	58617 ²²⁴ - 4 Spd.
V6 3.0L 2968cc		D	51372 ⁵³	51372XP	42885	24907			3	N/S	N/S ²²⁴ - 6 Spd.

MIATA

L4 1.8L 1839cc		3	51365	51365XP	42486	N/R			33538	P	N/A
----------------	--	---	-------	---------	-------	-----	--	--	-------	---	-----

MIATA MAZDASPEED

L4 1.8L 1839cc Turbo		4	51365	51365XP	42486	N/R			33538	P	MT ²
----------------------	--	---	-------	---------	-------	-----	--	--	-------	---	-----------------

MPV

V6 3.0L 2954cc	99G	A,J	51372 ⁵³	51372XP	42825	24875 ²⁰³ 24826 ²⁰⁴			3	N/S	N/A
----------------	-----	-----	---------------------	---------	-------	--	--	--	---	-----	-----

PICKUP B2300

L4 2.3L 2300cc		D	51516 ⁵³	51516XP	46253		N/R		33424		58840 - 2WD 58841 - 4WD
----------------	--	---	---------------------	---------	-------	--	-----	--	-------	--	----------------------------

PICKUP B3000

V6 3.0L 2954cc	99G	U	51516 ⁵³	51516XP	46253		N/R		33424		58840 - 2WD 58841 - 4WD
----------------	-----	---	---------------------	---------	-------	--	-----	--	-------	--	----------------------------

PICKUP B4000

V6 4.0L 4016cc		E	51372 ⁵³	51372XP	46253		N/R		33424		58840 - 5R55E 2WD 58841 - 5R55E 4WD
----------------	--	---	---------------------	---------	-------	--	-----	--	-------	--	--

RX-8

R2 1.3L 1308cc		3,N	51365	51365XP	46835	24826			3	N/S	N/S
----------------	--	-----	-------	---------	-------	-------	--	--	---	-----	-----

TRIBUTE

L4 2.3L 2260cc		Z	51348 ⁵³	51348XP	42793	24816			1	33097 ⁴⁴⁷	N/A
V6 3.0L 2954cc	99G	1	51372 ⁵³	51372XP	42793	24816			1	33097 ⁴⁴⁷	K N/A

2004

3

L4 2.0L 2000cc 122 CID		F	51348 ⁵³	51348XP	42612	24482			3	N/S	58617 ²²⁴ - 4 Spd.
L4 2.3L 2260cc		3	57203	57203XP	42612	24482			3	N/S	58617 ²²⁴ - 4 Spd.

6

L4 2.3L 2260cc		C	57203	57203XP	42825	24907			3	N/S	58617 ²²⁴ - 4 Spd.
V6 3.0L 2968cc		D	51372 ⁵³	51372XP	42885	24907			3	N/S	58113

AXELA

L4 2.0L 1999cc (Mex.)			51215		42612	24482				WF8373	
-----------------------	--	--	-------	--	-------	-------	--	--	--	--------	--

MIATA

L4 1.8L 1839cc		3	51365	51365XP	42486	N/R			33538	P	N/A
----------------	--	---	-------	---------	-------	-----	--	--	-------	---	-----

MIATA MAZDASPEED

L4 1.8L 1839cc Turbo		4	51365	51365XP	42486	N/R			33538	P	MT
----------------------	--	---	-------	---------	-------	-----	--	--	-------	---	----

N/A = Not Available N/R = Not Required N/S = Not Serviceable For cabin and fuel filter locator, see pages 5-15 See pages 16-19 for footnotes

N/A = Non disponible N/R = Non nécessaire N/S = Non réparable Para la ubicación de los filtros de aire de la cabina y de combustible, ver las páginas 5-15 Voir pages 16-19 pour des notes

N/A = No disponible N/R = No requiere N/S = No servible Voir les tableaux de repérage des filtres d'habitacle et à carburant aux pages 5-15 Ver las páginas 16-19 para las notas al pie de página

Italicized Part Numbers May Not Be Available. Wix XP Oil Filters Have Fully Synthetic Media.

Las piezas con números en *italicas* pueden no estar disponibles. Los filtros de aceite WIX XP son completamente de media sintética.

Les numéros de pièce en *italiques* peuvent ne pas être disponibles. Les filtres à huile Wix contiennent un matériau 100 % synthétique.

MAZDA 2004-2002
Pass Car/Light Truck

Year/Año/Année Model/Modelo/Modèle Engine/Motor/Moteur	Eng. Code Código de motor Code moteur	VIN NIV NIV	Oil Aceite Huile	Oil XP Aceite XP Huile XP	Air Aire Air	Cabin Air Cabina Aire Cabine Air	Cabin Air XP Cabina Aire XP Cabine Air XP	Loc. Cabin Air Cabina Aire Cabine Air	Fuel Combustible Carburant	Loc. Fuel Combustible Carburant	Transmission Transmisión Transmission
--	---	-------------------	------------------------	---------------------------------	--------------------	--	---	--	----------------------------------	--	---

MAZDA (Cont'd/Suite)
2004 (Cont'd/Suite)
MPV

V6 3.0L 2954cc	99G	A,J	51372 ⁵³	51372XP	42825	24875 ²⁰³ 24826 ²⁰⁴		3	N/S		N/A
----------------	-----	-----	---------------------	---------	-------	--	--	---	-----	--	-----

PICKUP B2300

L4 2.3L 2300cc		D	51516 ⁵³	51516XP	46253	N/R			33424	G	58840 - 2WD 58841 - 4WD
----------------	--	---	---------------------	---------	-------	-----	--	--	-------	---	----------------------------

PICKUP B3000

V6 3.0L 2954cc	99G	U	51516 ⁵³	51516XP	46253	N/R			33424	G	58840 - 2WD 58841 - 4WD
V6 3.0L 2954cc Flex	99G	V	51516 ⁵³	51516XP	46253	N/R			33667	G	58840 - 2WD 58841 - 4WD

PICKUP B4000

V6 4.0L 4016cc		E	51372 ⁵³	51372XP	46253	N/R			33424	M	58840 - 2WD 58841 - 4WD
----------------	--	---	---------------------	---------	-------	-----	--	--	-------	---	----------------------------

RX-8

R2 1.3L 1308cc			51365	51365XP	46835	24826		3	N/S		N/S
----------------	--	--	-------	---------	-------	-------	--	---	-----	--	-----

TRIBUTE

L4 2.0L 1991cc		B	51315		42793	24816		1	33097 ⁴⁴⁷	K	N/A
V6 3.0L 2954cc	99G	1	51372 ⁵³	51372XP	42793	24816		1	33097 ⁴⁴⁷	K	N/A

2003
6

L4 2.3L 2260cc		C	57203	57203XP	42825	24907		3	N/S		58617 ²²⁴ - 4 Spd.
V6 3.0L 2968cc		D	51372 ⁵³	51372XP	42885	24907		3	N/S		58113

MIATA

L4 1.8L 1839cc		3	51365	51365XP	42486	N/R			33538	P	N/A
----------------	--	---	-------	---------	-------	-----	--	--	-------	---	-----

MPV

V6 3.0L 2954cc	99G	A,J	51372 ⁵³	51372XP	42825	24875 ²⁰³ 24826 ²⁰⁴		3	N/S		N/A
----------------	-----	-----	---------------------	---------	-------	--	--	---	-----	--	-----

PICKUP B2300

L4 2.3L 2300cc		D	51516 ⁵³	51516XP	46253	N/R			33409	G	58840 - 2WD 58841 - 4WD
----------------	--	---	---------------------	---------	-------	-----	--	--	-------	---	----------------------------

PICKUP B3000

V6 3.0L 2954cc	99G	U	51516 ⁵³	51516XP	46253	N/R			33591		58840 - 2WD 58841 - 4WD
V6 3.0L 2954cc Flex	99G	V	51516 ⁵³	51516XP	46253	N/R			33667		58840 - 2WD 58841 - 4WD

PICKUP B4000

V6 4.0L 4016cc		E	51372 ⁵³	51372XP	46253	N/R			33591		58840 - 2WD 58841 - 4WD
----------------	--	---	---------------------	---------	-------	-----	--	--	-------	--	----------------------------

PROTEGE

L4 1.6L 1598cc		2	51365	51365XP	46105	N/R			N/S		58617
L4 2.0L 2000cc 122 CID		5	51365	51365XP	46105	N/R			N/S		58617

TRIBUTE

L4 2.0L 1991cc		B	51315		42793	24816		1	33097 ⁴⁴⁷	K	N/A
V6 3.0L 2954cc	99G	1	51372 ⁵³	51372XP	42793	24816		1	33097 ⁴⁴⁷	K	N/A

2002
626

L4 2.0L 1991cc			51365	51365XP	46463 ⁵¹	24486		6	33099 ¹³⁸	D	N/A
V6 2.5L 2497cc			51356	51356XP	46463 ⁵¹	24486		6	33099 ¹³⁸	F	58875

MIATA

L4 1.8L 1839cc			51365	51365XP	42486	N/R			33538	P	N/A
----------------	--	--	-------	---------	-------	-----	--	--	-------	---	-----

MILLENNIA

V6 2.3L 225cc Super Charged			51356	51356XP	46273	24487		3	33308 ⁵¹	Q	58606
V6 2.5L 2497cc			51356	51356XP	46028	24487		3	33308 ⁵¹	Q	58875

N/A = Not Available N/R = Not Required N/S = Not Serviceable For cabin and fuel filter locator, see pages 5-15 See pages 16-19 for footnotes

N/A = Non disponible N/R = Non nécessaire N/S = Non réparable Para la ubicación de los filtros de aire de la cabina y de combustible, ver las páginas 5-15 Voir pages 16-19 pour des notes

N/A = No disponible N/R = No requiere N/S = No servible Voir les tableaux de repérage des filtres d'habitacle et à carburant aux pages 5-15 Ver las páginas 16-19 para las notas al pie de página

Italicized Part Numbers May Not Be Available. Wix XP Oil Filters Have Fully Synthetic Media.

Las piezas con números en *italicas* pueden no estar disponibles. Los filtros de aceite WIX XP son completamente de media sintética. Les numéros de pièce en *italiques* peuvent ne pas être disponibles. Les filtres à huile XP Wix contiennent un matériau 100 % synthétique.

Year/Año/Année Model/Modelo/Modèle Engine/Motor/Moteur	Eng. Code Código de motor Code moteur	VIN NIV NIV	Oil Aceite Huile	Oil XP Aceite XP Huile XP	Air Aire Air	Cabin Air Cabina Aire Cabine Air	Cabin Air XP Cabina Aire XP Cabine Air XP	Loc. Cabin Air Cabina Aire Cabine Air	Fuel Combustible Carburant	Loc. Fuel Combustible Carburant	Transmission Transmisión Transmission
--	--	-------------------	------------------------	---------------------------------	--------------------	--	---	--	----------------------------------	--	---

MAZDA (Cont'd/Suite)
2002 (Cont'd/Suite)
MPV

V6 3.0L 2954cc	99G	A,J	51372 ⁵³	51372XP	42825	24875 ²⁰³ 24826 ²⁰⁴		3	N/S		58875
----------------	-----	-----	---------------------	---------	-------	--	--	---	-----	--	-------

PICKUP B2300

L4 2.3L 2300cc		D	51516 ⁵³	51516XP	46253	N/R			33409	G	58840 - 2WD 58841 - 4WD
----------------	--	---	---------------------	---------	-------	-----	--	--	-------	---	----------------------------

PICKUP B3000

V6 3.0L 2954cc	99G	U	51516 ⁵³	51516XP	46253	N/R			33409	M	58840 - 2WD 58841 - 4WD
V6 3.0L 2954cc Flex	99G	V	51516 ⁵³	51516XP	46253	N/R			33667	M	58840 - 2WD 58841 - 4WD

PICKUP B4000

V6 4.0L 4016cc		E	51372 ⁵³	51372XP	46253	N/R			33409	M	58840 - 2WD 58841 - 4WD
----------------	--	---	---------------------	---------	-------	-----	--	--	-------	---	----------------------------

PROTEGE

L4 1.6L 1598cc		2	51365	51365XP	46105	N/R			N/S		58617
L4 2.0L 2000cc 122 CID			51365	51365XP	46105	N/R			N/S		58617

TRIBUTE

L4 2.0L 1991cc		B	51315		42793	24816		1	33097 ⁴⁴⁷	K	58617
V6 3.0L 2954cc	99G	1	51372 ⁵³	51372XP	42793	24816		1	33097 ⁴⁴⁷	K	58617

MERCEDES BENZ
2021
A 220

L4 2.0L 2000CC 122CID Turbo	M260 DE20 LA		WL7515		WA11038	N/A			N/S		N/S
-----------------------------	--------------	--	--------	--	---------	-----	--	--	-----	--	-----

A 220 4MATIC

L4 2.0L 2000CC 122CID Turbo	M260 DE20 LA		WL7515		WA11038	N/A			N/S		N/S
-----------------------------	--------------	--	--------	--	---------	-----	--	--	-----	--	-----

A250

L4 2.0L 2000CC 122CID Turbo			WL7515 WL7515		WA11038 WA11038	N/A N/A			N/S N/S		N/S N/S
-----------------------------	--	--	------------------	--	--------------------	------------	--	--	------------	--	------------

AMG A35 4matic

L4 2.0L 2000CC 122CID Turbo			WL7515		WA11038	N/A			N/S		N/S
-----------------------------	--	--	--------	--	---------	-----	--	--	-----	--	-----

AMG GT

V8 4.0L 3982cc Turbo			WL10077		WA10389	49357			N/S		N/A
----------------------	--	--	---------	--	---------	-------	--	--	-----	--	-----

AMG GT 43

L6 3.0L 3000CC 183CID Turbo			WL10433		N/A	N/A			N/S		N/A
-----------------------------	--	--	---------	--	-----	-----	--	--	-----	--	-----

AMG GT 53

L6 3.0L 3000CC 183CID Turbo			WL10433		N/A	N/A			N/S		N/A
-----------------------------	--	--	---------	--	-----	-----	--	--	-----	--	-----

AMG GT 63

V8 4.0L 3982cc Turbo			WL10077		WA11086 - Right WA11087 - Left	N/A			N/S		N/S
----------------------	--	--	---------	--	-----------------------------------	-----	--	--	-----	--	-----

AMG GT C

V8 4.0L 3982cc Turbo			WL10077		WA10389	49357			N/S		N/A
----------------------	--	--	---------	--	---------	-------	--	--	-----	--	-----

AMG GT R

V8 4.0L 3982cc Turbo			WL10077		WA10389	49357			N/S		N/S
----------------------	--	--	---------	--	---------	-------	--	--	-----	--	-----

C300

L4 2.0L Turbo			WL7515		WA10548	WP10124			N/S		N/S
---------------	--	--	--------	--	---------	---------	--	--	-----	--	-----

C43 AMG

V6 3.0L 2996cc Turbo			57059		WA10359	N/A ⁷⁸ WP10124 ⁷⁹			N/S		N/A
----------------------	--	--	-------	--	---------	--	--	--	-----	--	-----

C63 AMG

V8 4.0L 3982cc Turbo			WL10077		WA10412	WP10124		6	N/S		N/A
----------------------	--	--	---------	--	---------	---------	--	---	-----	--	-----

C63 AMG S

V8 4.0L 3982cc Turbo			WL10077		WA10412	WP10124		6	N/S		N/A
----------------------	--	--	---------	--	---------	---------	--	---	-----	--	-----

CLA250

L4 2.0L 1991cc Turbo	270.920		WL7515		WA10312	WP10130		6	N/S		N/A
----------------------	---------	--	--------	--	---------	---------	--	---	-----	--	-----

N/A = Not Available N/R = Not Required N/S = Not Serviceable For cabin and fuel filter locator, see pages 5-15 See pages 16-19 for footnotes

N/A = Non disponible N/R = Non nécessaire N/S = Non réparable Para la ubicación de los filtros de aire de la cabina y de combustible, ver las páginas 5-15 Voir pages 16-19 pour des notes

N/A = No disponible N/R = No requiere N/S = No servible Voir les tableaux de repérage des filtres d'habitacle et à carburant aux pages 5-15 Ver las páginas 16-19 para las notas al pie de página

Italicized Part Numbers May Not Be Available. Wix XP Oil Filters Have Fully Synthetic Media.

Las piezas con números en *italicas* pueden no estar disponibles. Los filtros de aceite WIX XP son completamente de media sintética.

Les numéros de pièce en *italiques* peuvent ne pas être disponibles. Les filtres à huile Wix contiennent un matériau 100 % synthétique.

MERCEDES BENZ 2021
Pass Car/Light Truck

Year/Año/Année Model/Modelo/Modèle Engine/Motor/Moteur	Eng. Code Código de motor Code moteur	VIN NIV NIV	Oil Aceite Huile	Oil XP Aceite XP Huile XP	Air Aire Air	Cabin Air Cabina Aire Cabine Air	Cabin Air XP Cabina Aire XP Cabine Air XP	Loc. Cabin Air Cabina Aire Cabine Air	Fuel Combustible Carburant	Loc. Fuel Combustible Carburant	Transmission Transmisión Transmission
--	---	-------------------	------------------------	---------------------------------	--------------------	--	---	--	----------------------------------	--	---

MERCEDES BENZ (Cont'd/Suite)
2021 (Cont'd/Suite)
CLA35 AMG

L4 2.0L 1991cc Turbo	270.920		WL7515		WA10312	WP10130		6	N/S		N/A
----------------------	---------	--	--------	--	---------	---------	--	---	-----	--	-----

CLA45 AMG

L4 2.0L 1991cc Turbo	270.920		WL10077		WA10952	WP10130		6	N/S		N/A
----------------------	---------	--	---------	--	---------	---------	--	---	-----	--	-----

CLS 450

L6 3.0L 3000CC 183CID Turbo			WL10433		N/A	WP10124			N/S		N/S
-----------------------------	--	--	---------	--	-----	---------	--	--	-----	--	-----

CLS 450 4MATIC

L6 3.0L 3000CC 183CID Turbo			WL10433		N/S	WP10124			N/S		N/S
-----------------------------	--	--	---------	--	-----	---------	--	--	-----	--	-----

CLS 53 AMG

L6 3.0L 3000CC 183CID Turbo			WL10433		N/A	WP10124			N/S		N/S
-----------------------------	--	--	---------	--	-----	---------	--	--	-----	--	-----

E350

L4 2.0L Turbo			WL7515		WA10548	N/A			N/S		N/S
---------------	--	--	--------	--	---------	-----	--	--	-----	--	-----

E450

V6 3.0L 3000CC 183CID Turbo	V6 BiTurbo	57059			WA10359	N/A			N/S		N/S
-----------------------------	------------	-------	--	--	---------	-----	--	--	-----	--	-----

E53 AMG

L6 3.0L 3000CC 183CID Turbo			WL10433		N/A	WP10124			N/S		N/S
-----------------------------	--	--	---------	--	-----	---------	--	--	-----	--	-----

E63 AMG S

V8 4.0L 3982cc Turbo			WL10077		WA11086 - Right WA11087 - Left	WP10124			N/S		N/S
----------------------	--	--	---------	--	-----------------------------------	---------	--	--	-----	--	-----

G550

V8 4.0L 3982cc Turbo			WL10077 WL10077		WA11089 WA11089	WP9037 WP9037			N/S N/S		N/A N/A
----------------------	--	--	--------------------	--	--------------------	------------------	--	--	------------	--	------------

G63 AMG

V8 4.0L 3982cc Turbo			WL10077 WL10077		WA10412 WA10412	WP9037 WP9037			N/S N/S		N/A N/A
----------------------	--	--	--------------------	--	--------------------	------------------	--	--	------------	--	------------

GLA250

L4 2.0L 1991cc Turbo	270.920		WL7515		WA10312	WP10130		6	N/S		N/A
----------------------	---------	--	--------	--	---------	---------	--	---	-----	--	-----

GLA35 AMG

L4 2.0L 1991cc Turbo	133.980		WL10077		WA10952	WP10130		6	N/S		N/A
----------------------	---------	--	---------	--	---------	---------	--	---	-----	--	-----

GLA45 AMG

L4 2.0L 1991cc Turbo	133.980		WL10077		WA10952	WP10130		6	N/S		N/A
----------------------	---------	--	---------	--	---------	---------	--	---	-----	--	-----

GLB 250

L4 2.0L 2000CC 122CID Turbo			WL7515		WA11038	WP10130			N/S		N/S
-----------------------------	--	--	--------	--	---------	---------	--	--	-----	--	-----

GLB35 AMG

L4 2.0L 2000CC 122CID Turbo			WL7515		WA11038	WP10130			N/S		N/S
-----------------------------	--	--	--------	--	---------	---------	--	--	-----	--	-----

GLC300

I4 2.0L Turbo			WL7515		WA10548	WP10124			N/S		N/A
---------------	--	--	--------	--	---------	---------	--	--	-----	--	-----

GLC350e

L4 2.0L 2000CC 122CID Turbo			WL7515 WL7515		WA10548 WA10548	WP10124 WP10124			N/S N/S		N/S N/S
-----------------------------	--	--	------------------	--	--------------------	--------------------	--	--	------------	--	------------

GLC43 AMG

V6 3.0L 2996cc Turbo	276.823		57059		WA10359	WP10124			N/S		N/A
----------------------	---------	--	-------	--	---------	---------	--	--	-----	--	-----

GLC63 AMG

V8 4.0L 4000CC 244CID Turbo	V8 BiTurbo		WL10077		WA10412	WP10124			N/S		N/S
-----------------------------	------------	--	---------	--	---------	---------	--	--	-----	--	-----

GLC63 S AMG

V8 4.0L 4000CC 244CID Turbo	V8 BiTurbo		WL10077		WA10412	WP10124			N/S		N/S
-----------------------------	------------	--	---------	--	---------	---------	--	--	-----	--	-----

GLE350 4MATIC

L4 2.0L 2000CC 122CID Turbo			WL7515		WA11088	N/A			N/S		N/A
-----------------------------	--	--	--------	--	---------	-----	--	--	-----	--	-----

GLE450

L6 3.0L 3000CC 183CID Turbo			WL10433		N/A	N/A			N/S		N/S
-----------------------------	--	--	---------	--	-----	-----	--	--	-----	--	-----

GLE53 AMG

L6 3.0L 3000CC 183CID Turbo			WL10433		N/A	N/A			N/S		N/S
-----------------------------	--	--	---------	--	-----	-----	--	--	-----	--	-----

GLE63 AMG

V8 4.0L 4000CC 244CID Turbo	V8 BiTurbo		WL10077		49704	N/A			N/S		N/S
-----------------------------	------------	--	---------	--	-------	-----	--	--	-----	--	-----

N/A = Not Available N/R = Not Required N/S = Not Serviceable For cabin and fuel filter locator, see pages 5-15 See pages 16-19 for footnotes

N/A = Non disponible N/R = Non nécessaire N/S = Non réparable Para la ubicación de los filtros de aire de la cabina y de combustible, ver las páginas 5-15 Voir pages 16-19 pour des notes

N/A = No disponible N/R = No requiere N/S = No servible Voir les tableaux de repérage des filtres d'habitacle et à carburant aux pages 5-15 Ver las páginas 16-19 para las notas al pie de página

Italicized Part Numbers May Not Be Available. Wix XP Oil Filters Have Fully Synthetic Media.

Las piezas con números en *italicas* pueden no estar disponibles. Los filtros de aceite WIX XP son completamente de media sintética. Les numéros de pièce en *italiques* peuvent ne pas être disponibles. Les filtres à huile XP Wix contiennent un matériau 100 % synthétique.

Year/Año/Année Model/Modelo/Modèle Engine/Motor/Moteur	Eng. Code Código de motor Code moteur	VIN NIV NIV	Oil Aceite Huile	Oil XP Aceite XP Huile XP	Air Aire Air	Cabin Air Cabina Aire Cabine Air	Cabin Air XP Cabina Aire XP Cabine Air XP	Loc. Cabin Air Cabina Aire Cabine Air	Fuel Combustible Carburant	Loc. Fuel Combustible Carburant	Transmission Transmisión Transmission
--	---	-------------------	------------------------	---------------------------------	--------------------	--	---	--	----------------------------------	--	---

MERCEDES BENZ (Cont'd/Suite)
2021 (Cont'd/Suite)
GLE63 AMG S 4MATIC

V8 4.0L 4000CC 244CID Turbo	V8 BiTurbo		WL10077		49704	N/A			N/S		N/S
-----------------------------	------------	--	---------	--	-------	-----	--	--	-----	--	-----

GLS 450

L6 3.0L 3000CC 183CID Turbo			WL10433		WA10359	WP10124			N/S		N/A
-----------------------------	--	--	---------	--	---------	---------	--	--	-----	--	-----

GLS 580

V8 4.0L 3982cc Turbo			WL10399		WA11089	WP10124			N/S		N/S
----------------------	--	--	---------	--	---------	---------	--	--	-----	--	-----

GLS63 AMG

V8 4.0L 3982cc Turbo			WL10399		WA11089	WP10124			N/S		N/S
----------------------	--	--	---------	--	---------	---------	--	--	-----	--	-----

METRIS

L4 2.0L 1991cc Turbo			WL7515		WA10559	N/A			N/S		N/R
----------------------	--	--	--------	--	---------	-----	--	--	-----	--	-----

S450

V6 3.0L 3000CC 183CID Turbo	V6 BiTurbo		57059		WA10359	N/A			N/S		N/S
-----------------------------	------------	--	-------	--	---------	-----	--	--	-----	--	-----

S560

V8 4.0L 4000CC 244CID Turbo	V8 BiTurbo		WL10399		WA11089	N/A			N/S		N/S
-----------------------------	------------	--	---------	--	---------	-----	--	--	-----	--	-----

S63 AMG

V8 4.0L 4000CC 244CID Turbo	V8 BiTurbo		WL10077		WA11086 - Right WA11087 - Left	N/A			N/S		
-----------------------------	------------	--	---------	--	-----------------------------------	-----	--	--	-----	--	--

S65 AMG

V12 6.0L 6000CC 366CID Turbo			57198		49404	N/A			N/S		
------------------------------	--	--	-------	--	-------	-----	--	--	-----	--	--

SL450

V6 3.0L Turbo			57059		WA10359	49357			N/S		
---------------	--	--	-------	--	---------	-------	--	--	-----	--	--

SL550

V8 4.7L 4700CC 287CID Turbo			57059 ⁹⁰⁰ WL10077 ⁹⁰¹		49704	49357		4	N/S		58144
-----------------------------	--	--	--	--	-------	-------	--	---	-----	--	-------

SL63 AMG

V8 5.5L 5461cc Turbo	157.983		WL10077		49704	49357 ⁷⁸		1	N/S		N/A
----------------------	---------	--	---------	--	-------	---------------------	--	---	-----	--	-----

SLC300

L4 2.0L 1991cc Turbo	274.92		WL7515		WA10548	49373			N/S		N/S
----------------------	--------	--	--------	--	---------	-------	--	--	-----	--	-----

SLC43 AMG

V6 3.0L 2996cc Turbo			57059		WA10359	49373			N/S		N/S
----------------------	--	--	-------	--	---------	-------	--	--	-----	--	-----

SPRINTER 2500

L4 2.0L 2000CC 122CID Turbo			WL7515		49876	WP9330			N/S		58144
V6 3.0L 2987cc Turbo Diesel	642.896		57062		49876	49366		3	33934 ¹⁷⁹ 33251 ³⁸³ - In-Line WF8513 ⁵²⁴ - In-Line		N/A

SPRINTER 3500

V6 3.0L 2987cc Turbo Diesel	642.896		57062		49876	49366		3	33934 ¹⁷⁹ 33250 ³⁸⁴ 33251 ³⁸³ - In-Line WF8513 ⁵²⁴ - In-Line		N/A
-----------------------------	---------	--	-------	--	-------	-------	--	---	---	--	-----

SPRINTER 4500

V6 3.0L 2987cc Turbo Diesel	642.896		57062		49876	49366		3	WF8513 ⁵²⁴ N/A ⁵²⁴ N/A ⁵²⁴		N/A
-----------------------------	---------	--	-------	--	-------	-------	--	---	---	--	-----

2020
A 220

L4 2.0L 2000CC 122CID Turbo	M260 DE20 LA		WL7515		WA11038	N/A			N/S		N/S
-----------------------------	--------------	--	--------	--	---------	-----	--	--	-----	--	-----

A 220 4MATIC

L4 2.0L 2000CC 122CID Turbo	M260 DE20 LA		WL7515		WA11038	N/A			N/S		N/S
-----------------------------	--------------	--	--------	--	---------	-----	--	--	-----	--	-----

A250

L4 2.0L 2000CC 122CID Turbo			WL7515 WL7515		WA11038 WA11038	N/A N/A			N/S N/S		N/S N/S
-----------------------------	--	--	------------------	--	--------------------	------------	--	--	------------	--	------------

AMG GT

V8 4.0L 3982cc Turbo			WL10077		WA10389	49357			N/S		N/A
----------------------	--	--	---------	--	---------	-------	--	--	-----	--	-----

N/A = Not Available N/R = Not Required N/S = Not Serviceable For cabin and fuel filter locator, see pages 5-15 See pages 16-19 for footnotes

N/A = Non disponible N/R = Non nécessaire N/S = Non réparable Para la ubicación de los filtros de aire de la cabina y de combustible, ver las páginas 5-15 Voir pages 16-19 pour des notes

N/A = No disponible N/R = No requiere N/S = No servible Voir les tableaux de repérage des filtres d'habitacle et à carburant aux pages 5-15 Ver las páginas 16-19 para las notas al pie de página

Italicized Part Numbers May Not Be Available. Wix XP Oil Filters Have Fully Synthetic Media.

Las piezas con números en *italicas* pueden no estar disponibles. Los filtros de aceite WIX XP son completamente de media sintética.

Les numéros de pièce en *italiques* peuvent ne pas être disponibles. Les filtres à huile Wix contiennent un matériau 100 % synthétique.

MERCEDES BENZ 2020
Pass Car/Light Truck

Year/Año/Année Model/Modelo/Modèle Engine/Motor/Moteur	Eng. Code Código de motor Code moteur	VIN NIV NIV	Oil Aceite Huile	Oil XP Aceite XP Huile XP	Air Aire Air	Cabin Air Cabina Aire Cabine Air	Cabin Air XP Cabina Aire XP Cabine Air XP	Loc. Cabin Air Cabina Aire Cabine Air	Fuel Combustible Carburant	Loc. Fuel Combustible Carburant	Transmission Transmisión Transmission
--	---	-------------------	------------------------	---------------------------------	--------------------	--	---	--	----------------------------------	--	---

MERCEDES BENZ (Cont'd/Suite)
2020 (Cont'd/Suite)
AMG GT 53

L6 3.0L 3000CC 183CID Turbo			WL10433		N/A	N/A			N/S		N/A
-----------------------------	--	--	---------	--	-----	-----	--	--	-----	--	-----

AMG GT 63

V8 4.0L 3982cc Turbo			WL10077		WA11086 - Right WA11087 - Left	N/A			N/S		N/S
----------------------	--	--	---------	--	-----------------------------------	-----	--	--	-----	--	-----

AMG GT C

V8 4.0L 3982cc Turbo			WL10077		WA10389	49357			N/S		N/A
----------------------	--	--	---------	--	---------	-------	--	--	-----	--	-----

AMG GT R

V8 4.0L 3982cc Turbo			WL10077		WA10389	49357			N/S		N/S
----------------------	--	--	---------	--	---------	-------	--	--	-----	--	-----

C300

L4 2.0L Turbo			WL7515		WA10548	WP10124			N/S		N/S
---------------	--	--	--------	--	---------	---------	--	--	-----	--	-----

C43 AMG

V6 3.0L 2996cc Turbo			57059		WA10359	WP10124 ⁹			N/S		N/A
----------------------	--	--	-------	--	---------	----------------------	--	--	-----	--	-----

C63 AMG

V8 4.0L 3982cc Turbo			WL10077		WA10412	WP10124		6	N/S		N/A
----------------------	--	--	---------	--	---------	---------	--	---	-----	--	-----

C63 AMG S

V8 4.0L 3982cc Turbo			WL10077		WA10412	WP10124		6	N/S		N/A
----------------------	--	--	---------	--	---------	---------	--	---	-----	--	-----

CLA250

L4 2.0L 1991cc Turbo	270.920		WL7515		WA10312	WP10130		6	N/S		N/A
----------------------	---------	--	--------	--	---------	---------	--	---	-----	--	-----

CLA35 AMG

L4 2.0L 1991cc Turbo	270.920		WL7515		WA10312	WP10130		6	N/S		N/A
----------------------	---------	--	--------	--	---------	---------	--	---	-----	--	-----

CLA45 AMG

L4 2.0L 1991cc Turbo	270.920		WL10077		WA10952	WP10130		6	N/S		N/A
----------------------	---------	--	---------	--	---------	---------	--	---	-----	--	-----

CLS 450

L6 3.0L 3000CC 183CID Turbo			WL10433		N/A	WP10124			N/S		N/S
-----------------------------	--	--	---------	--	-----	---------	--	--	-----	--	-----

CLS 450 4MATIC

L6 3.0L 3000CC 183CID Turbo			WL10433		N/S	WP10124			N/S		N/S
-----------------------------	--	--	---------	--	-----	---------	--	--	-----	--	-----

CLS 53 AMG

L6 3.0L 3000CC 183CID Turbo			WL10433		N/A	WP10124			N/S		N/S
-----------------------------	--	--	---------	--	-----	---------	--	--	-----	--	-----

E350

L4 2.0L Turbo			WL7515		WA10548	N/A			N/S		N/S
---------------	--	--	--------	--	---------	-----	--	--	-----	--	-----

E450

V6 3.0L 3000CC 183CID Turbo	V6 BiTurbo		57059		WA10359	N/A			N/S		N/S
-----------------------------	------------	--	-------	--	---------	-----	--	--	-----	--	-----

E53 AMG

L6 3.0L 3000CC 183CID Turbo			WL10433		N/A	WP10124			N/S		N/S
-----------------------------	--	--	---------	--	-----	---------	--	--	-----	--	-----

E63 AMG S

V8 4.0L 3982cc Turbo			WL10077		WA11086 - Right WA11087 - Left	N/A WP10124			N/S		N/S
----------------------	--	--	---------	--	-----------------------------------	----------------	--	--	-----	--	-----

G550

V8 4.0L 3982cc Turbo			WL10077 WL10077		WA11089 WA11089	WP9037 WP9037			N/S N/S		N/A N/A
----------------------	--	--	--------------------	--	--------------------	------------------	--	--	------------	--	------------

G63 AMG

V8 4.0L 3982cc Turbo			WL10077 WL10077		WA10412 WA10412	WP9037 WP9037			N/S N/S		N/A N/A
----------------------	--	--	--------------------	--	--------------------	------------------	--	--	------------	--	------------

GLA250

L4 2.0L 1991cc Turbo	270.920		WL7515		WA10312	WP10130		6	N/S		N/A
----------------------	---------	--	--------	--	---------	---------	--	---	-----	--	-----

GLA45 AMG

L4 2.0L 1991cc Turbo	133.980		WL10077		WA10952	WP10130		6	N/S		N/A
----------------------	---------	--	---------	--	---------	---------	--	---	-----	--	-----

GLB 250

L4 2.0L 2000CC 122CID Turbo			WL7515		WA11038	WP10130			N/S		N/S
-----------------------------	--	--	--------	--	---------	---------	--	--	-----	--	-----

GLC300

I4 2.0L Turbo			WL7515		WA10548	WP10124			N/S		N/A
---------------	--	--	--------	--	---------	---------	--	--	-----	--	-----

GLC350e

L4 2.0L 2000CC 122CID Turbo			WL7515 WL7515		WA10548 WA10548	WP10124 WP10124			N/S N/S		N/S N/S
-----------------------------	--	--	------------------	--	--------------------	--------------------	--	--	------------	--	------------

N/A = Not Available N/R = Not Required N/S = Not Serviceable For cabin and fuel filter locator, see pages 5-15 See pages 16-19 for footnotes

N/A = Non disponible N/R = Non nécessaire N/S = Non réparable Para la ubicación de los filtros de aire de la cabina y de combustible, ver las páginas 5-15 Voir pages 16-19 pour des notes

N/A = No disponible N/R = No requiere N/S = No servible Voir les tableaux de repérage des filtres d'habitacle et à carburant aux pages 5-15 Ver las páginas 16-19 para las notas al pie de página

Italicized Part Numbers May Not Be Available. Wix XP Oil Filters Have Fully Synthetic Media.

Las piezas con números en *italicas* pueden no estar disponibles. Los filtros de aceite WIX XP son completamente de media sintética. Les numéros de pièce en *italiques* peuvent ne pas être disponibles. Les filtres à huile XP Wix contiennent un matériau 100 % synthétique.

Year/Año/Année Model/Modelo/Modèle Engine/Motor/Moteur	Eng. Code Código de motor Code moteur	VIN NIV NIV	Oil Aceite Huile	Oil XP Aceite XP Huile XP	Air Aire Air	Cabin Air Cabina Aire Cabine Air	Cabin Air XP Cabina Aire XP Cabine Air XP	Loc. Cabin Air Cabina Aire Cabine Air	Fuel Combustible Carburant	Loc. Fuel Combustible Carburant	Transmission Transmisión Transmission
--	---	-------------------	------------------------	---------------------------------	--------------------	--	---	--	----------------------------------	--	---

MERCEDES BENZ (Cont'd/Suite)
2020 (Cont'd/Suite)
GLC43 AMG

V6 3.0L 2996cc Turbo	276.823	57059			WA10359	WP10124			N/S		N/A
----------------------	---------	-------	--	--	---------	---------	--	--	-----	--	-----

GLC63 AMG

V8 4.0L 4000CC 244CID Turbo	V8 BiTurbo	WL10077			WA10412	WP10124			N/S		N/S
-----------------------------	------------	---------	--	--	---------	---------	--	--	-----	--	-----

GLC63 S AMG

V8 4.0L 4000CC 244CID Turbo	V8 BiTurbo	WL10077			WA10412	WP10124			N/S		N/S
-----------------------------	------------	---------	--	--	---------	---------	--	--	-----	--	-----

GLE350 4MATIC

L4 2.0L 2000CC 122CID Turbo		WL7515			WA11088	N/A			N/S		N/A
-----------------------------	--	--------	--	--	---------	-----	--	--	-----	--	-----

GLE450

L6 3.0L 3000CC 183CID Turbo		WL10433			N/A	N/A			N/S		N/S
-----------------------------	--	---------	--	--	-----	-----	--	--	-----	--	-----

GLE63 AMG

V8 4.0L 4000CC 244CID Turbo	V8 BiTurbo	WL10077			49704	N/A			N/S		N/S
-----------------------------	------------	---------	--	--	-------	-----	--	--	-----	--	-----

GLE63 AMG S 4MATIC

V8 4.0L 4000CC 244CID Turbo	V8 BiTurbo	WL10077			49704	N/A			N/S		N/S
-----------------------------	------------	---------	--	--	-------	-----	--	--	-----	--	-----

GLS 450

L6 3.0L 3000CC 183CID Turbo		WL10433			WA10359	WP10124 N/A			N/S		N/A
-----------------------------	--	---------	--	--	---------	----------------	--	--	-----	--	-----

GLS 580

V8 4.0L 3982cc Turbo		WL10399			WA11089	WP10124			N/S		N/S
----------------------	--	---------	--	--	---------	---------	--	--	-----	--	-----

METRIS

L4 2.0L 1991cc Turbo		WL7515			WA10559	N/A			N/S		N/R
----------------------	--	--------	--	--	---------	-----	--	--	-----	--	-----

S450

V6 3.0L 3000CC 183CID Turbo	V6 BiTurbo	57059			WA10359	N/A			N/S		N/S
-----------------------------	------------	-------	--	--	---------	-----	--	--	-----	--	-----

S560

V8 4.0L 4000CC 244CID Turbo	V8 BiTurbo	WL10399			WA11089	N/A			N/S		N/S
-----------------------------	------------	---------	--	--	---------	-----	--	--	-----	--	-----

S63 AMG

V8 4.0L 4000CC 244CID Turbo	V8 BiTurbo	WL10077			WA11086 - Right WA11087 - Left	N/A			N/S		
-----------------------------	------------	---------	--	--	-----------------------------------	-----	--	--	-----	--	--

S65 AMG

V12 6.0L 6000CC 366CID Turbo		57198			49404	N/A			N/S		
------------------------------	--	-------	--	--	-------	-----	--	--	-----	--	--

SL450

V6 3.0L Turbo		57059			WA10359	49357			N/S		
---------------	--	-------	--	--	---------	-------	--	--	-----	--	--

SL550

V8 4.7L 4700CC 287CID Turbo		57059 ⁹⁰⁰ WL10077 ⁹⁰¹			49704	49357		4	N/S		58144
-----------------------------	--	--	--	--	-------	-------	--	---	-----	--	-------

SL63 AMG

V8 5.5L 5461cc Turbo	157.983	WL10077			49704	49357 ⁷⁶		1	N/S		N/A
----------------------	---------	---------	--	--	-------	---------------------	--	---	-----	--	-----

SLC300

L4 2.0L 1991cc Turbo	274.92	WL7515			WA10548	49373			N/S		N/S
----------------------	--------	--------	--	--	---------	-------	--	--	-----	--	-----

SLC43 AMG

V6 3.0L 2996cc Turbo		57059			WA10359	49373			N/S		N/S
----------------------	--	-------	--	--	---------	-------	--	--	-----	--	-----

SPRINTER 2500

L4 2.0L 2000CC 122CID Turbo		WL7515			49876	WP9330			N/S		58144
-----------------------------	--	--------	--	--	-------	--------	--	--	-----	--	-------

V6 3.0L 2987cc Turbo Diesel	642.896	57062			49876	49366		3	33934 ¹⁷⁹ 33251 ³⁸³ - In-Line WF8513 ⁵²⁴ - In-Line		N/A
-----------------------------	---------	-------	--	--	-------	-------	--	---	---	--	-----

SPRINTER 3500

V6 3.0L 2987cc Turbo Diesel	642.896	57062			49876	49366		3	33934 ¹⁷⁹ 33250 ³⁸⁴ 33251 ³⁸³ - In-Line WF8513 ⁵²⁴ - In-Line		N/A
-----------------------------	---------	-------	--	--	-------	-------	--	---	---	--	-----

SPRINTER 4500

V6 3.0L 2987cc Turbo Diesel	642.896	57062			49876	49366		3	WF8513 ⁵²⁴ N/A ⁵²⁴ N/A ⁵²⁴		N/A
-----------------------------	---------	-------	--	--	-------	-------	--	---	---	--	-----

N/A = Not Available N/R = Not Required N/S = Not Serviceable For cabin and fuel filter locator, see pages 5-15 See pages 16-19 for footnotes

N/A = Non disponible N/R = Non nécessaire N/S = Non réparable Para la ubicación de los filtros de aire de la cabina y de combustible, ver las páginas 5-15 Voir pages 16-19 pour des notes

N/A = No disponible N/R = No requiere N/S = No servible Voir les tableaux de repérage des filtres d'habitacle et à carburant aux pages 5-15 Ver las páginas 16-19 para las notas al pie de página

Italicized Part Numbers May Not Be Available. Wix XP Oil Filters Have Fully Synthetic Media.

Las piezas con números en *italicas* pueden no estar disponibles. Los filtros de aceite WIX XP son completamente de media sintética.

Les numéros de pièce en *italiques* peuvent ne pas être disponibles. Les filtres à huile Wix contiennent un matériau 100 % synthétique.

MERCEDES BENZ 2019
Pass Car/Light Truck

Year/Año/Année Model/Modelo/Modèle Engine/Motor/Moteur	Eng. Code Código de motor Code moteur	VIN NIV NIV	Oil Aceite Huile	Oil XP Aceite XP Huile XP	Air Aire Air	Cabin Air Cabina Aire Cabine Air	Cabin Air XP Cabina Aire XP Cabine Air XP	Loc. Cabin Air Cabina Aire Cabine Air	Fuel Combustible Carburant	Loc. Fuel Combustible Carburant	Transmission Transmisión Transmission
--	---	-------------------	------------------------	---------------------------------	--------------------	--	---	--	----------------------------------	--	---

MERCEDES BENZ (Cont'd/Suite)
2019
220

Electric Drive Electric			N/R		N/A	49351		3	N/S		N/S
-------------------------	--	--	-----	--	-----	-------	--	---	-----	--	-----

A 220

L4 2.0L 2000CC 122CID Turbo	M260 DE20 LA		WL7515		WA11038	N/A			N/S		N/S
-----------------------------	--------------	--	--------	--	---------	-----	--	--	-----	--	-----

A 220 4MATIC

L4 2.0L 2000CC 122CID Turbo	M260 DE20 LA		WL7515		WA11038	N/A			N/S		N/S
-----------------------------	--------------	--	--------	--	---------	-----	--	--	-----	--	-----

A250

L4 2.0L 2000CC 122CID Turbo			WL7515 WL7515		WA11038 WA11038	N/A N/A			N/S N/S		N/S N/S
-----------------------------	--	--	------------------	--	--------------------	------------	--	--	------------	--	------------

AMG GT

V8 4.0L 3982cc Turbo			WL10077		WA10389	49357			N/S		N/A
----------------------	--	--	---------	--	---------	-------	--	--	-----	--	-----

AMG GT 53

L6 3.0L 3000CC 183CID Turbo			WL10433		N/A	N/A			N/S		N/A
-----------------------------	--	--	---------	--	-----	-----	--	--	-----	--	-----

AMG GT C

V8 4.0L 3982cc Turbo			WL10077		WA10389	49357			N/S		N/A
----------------------	--	--	---------	--	---------	-------	--	--	-----	--	-----

AMG GT R

V8 4.0L 3982cc Turbo			WL10077		WA10389	49357			N/S		N/S
----------------------	--	--	---------	--	---------	-------	--	--	-----	--	-----

AMG GT S

V8 4.0L 3982cc Turbo			WL10077		WA10389	49357			N/S		N/A
----------------------	--	--	---------	--	---------	-------	--	--	-----	--	-----

B250

L4 2.0L 2000CC 122CID Turbo			WL7515		WA10312	WP10130			N/S		N/S
-----------------------------	--	--	--------	--	---------	---------	--	--	-----	--	-----

C300

L4 2.0L Turbo			WL7515		WA10548	WP10124			N/S		N/S
---------------	--	--	--------	--	---------	---------	--	--	-----	--	-----

C350e

L4 2.0L 1991cc Turbo Electric/Gas	274.92		WL7515		N/A	N/A			N/S		N/A
--------------------------------------	--------	--	--------	--	-----	-----	--	--	-----	--	-----

C43 AMG

V6 3.0L 2996cc Turbo			57059		WA10359	WP10124 ⁹			N/S		N/A
----------------------	--	--	-------	--	---------	----------------------	--	--	-----	--	-----

C63 AMG

V8 4.0L 3982cc Turbo			WL10077		WA10412	WP10124		6	N/S		N/A
----------------------	--	--	---------	--	---------	---------	--	---	-----	--	-----

C63 AMG S

V8 4.0L 3982cc Turbo			WL10077		WA10412	WP10124		6	N/S		N/A
----------------------	--	--	---------	--	---------	---------	--	---	-----	--	-----

CLA250

L4 2.0L 1991cc Turbo	270.920		WL7515		WA10312	WP10130		6	N/S		N/A
----------------------	---------	--	--------	--	---------	---------	--	---	-----	--	-----

CLA45 AMG

L4 2.0L 1991cc Turbo	270.920		WL10077		WA10952	WP10130		6	N/S		N/A
----------------------	---------	--	---------	--	---------	---------	--	---	-----	--	-----

CLS 450

L6 3.0L 3000CC 183CID Turbo			WL10433		N/A	WP10124			N/S		N/S
-----------------------------	--	--	---------	--	-----	---------	--	--	-----	--	-----

CLS 450 4MATIC

L6 3.0L 3000CC 183CID Turbo			WL10433		N/S	WP10124			N/S		N/S
-----------------------------	--	--	---------	--	-----	---------	--	--	-----	--	-----

CLS 53 AMG

L6 3.0L 3000CC 183CID Turbo			WL10433		N/A	WP10124			N/S		N/S
-----------------------------	--	--	---------	--	-----	---------	--	--	-----	--	-----

E300

L4 2.0L Turbo			WL7515		WA10548	N/A			N/S		N/S
---------------	--	--	--------	--	---------	-----	--	--	-----	--	-----

E400

V6 3.0L 2996cc Turbo			57059		WA10359	WP10124		1	N/S		N/A
----------------------	--	--	-------	--	---------	---------	--	---	-----	--	-----

E450

V6 3.0L 3000CC 183CID Turbo	V6 BiTurbo		57059		WA10359	N/A			N/S		N/S
-----------------------------	------------	--	-------	--	---------	-----	--	--	-----	--	-----

E53 AMG

L6 3.0L 3000CC 183CID Turbo			WL10433		N/A	WP10124			N/S		N/S
-----------------------------	--	--	---------	--	-----	---------	--	--	-----	--	-----

E63 AMG S

V8 4.0L 3982cc Turbo			WL10077		WA11086 - Right WA11087 - Left	WP10124			N/S		N/S
----------------------	--	--	---------	--	-----------------------------------	---------	--	--	-----	--	-----

N/A = Not Available N/R = Not Required N/S = Not Serviceable For cabin and fuel filter locator, see pages 5-15 See pages 16-19 for footnotes

N/A = Non disponible N/R = Non nécessaire N/S = Non réparable Para la ubicación de los filtros de aire de la cabina y de combustible, ver las páginas 5-15 Voir pages 16-19 pour des notes

N/A = No disponible N/R = No requiere N/S = No servible Voir les tableaux de repérage des filtres d'habitacle et à carburant aux pages 5-15 Ver las páginas 16-19 para las notas al pie de página

Italicized Part Numbers May Not Be Available. Wix XP Oil Filters Have Fully Synthetic Media.

Las piezas con números en *italicas* pueden no estar disponibles. Los filtros de aceite WIX XP son completamente de media sintética. Les numéros de pièce en *italiques* peuvent ne pas être disponibles. Les filtres à huile XP Wix contiennent un matériau 100 % synthétique.

Year/Año/Année Model/Modelo/Modèle Engine/Motor/Moteur	Eng. Code Código de motor Code moteur	VIN NIV NIV	Oil Aceite Huile	Oil XP Aceite XP Huile XP	Air Aire Air	Cabin Air Cabina Aire Cabine Air	Cabin Air XP Cabina Aire XP Cabine Air XP	Loc. Cabin Air Cabina Aire Cabine Air	Fuel Combustible Carburant	Loc. Fuel Combustible Carburant	Transmission Transmisión Transmission
--	---	-------------------	------------------------	---------------------------------	--------------------	--	---	--	----------------------------------	--	---

MERCEDES BENZ (Cont'd/Suite)
2019 (Cont'd/Suite)
G550

V8 4.0L 3982cc Turbo			WL10077		WA11089	WP9037			N/S		N/A
			WL10077		WA11089	WP9037			N/S		N/A

G63 AMG

V8 4.0L 3982cc Turbo			WL10077		WA10412	WP9037			N/S		N/A
			WL10077		WA10412	WP9037			N/S		N/A

GL63 AMG

V8 5.5L 5461cc Turbo	157.982		WL10077		49704	WP10124		1	N/S		58144
----------------------	---------	--	---------	--	-------	---------	--	---	-----	--	-------

GLA250

L4 2.0L 1991cc Turbo	270.920		WL7515		WA10312	WP10130		6	N/S		N/A
----------------------	---------	--	--------	--	---------	---------	--	---	-----	--	-----

GLA45 AMG

L4 2.0L 1991cc Turbo	133.980		WL10077		WA10952	WP10130		6	N/S		N/A
----------------------	---------	--	---------	--	---------	---------	--	---	-----	--	-----

GLC300

I4 2.0L Turbo			WL7515		WA10548	N/A			N/S		N/A
---------------	--	--	--------	--	---------	-----	--	--	-----	--	-----

GLC350e

L4 2.0L 2000CC 122CID Turbo			WL7515		WA10548	WP10124			N/S		N/S
			WL7515		WA10548	WP10124			N/S		N/S

GLC43 AMG

V6 3.0L 2996cc Turbo	276.823		57059		WA10359	WP10124			N/S		N/A
----------------------	---------	--	-------	--	---------	---------	--	--	-----	--	-----

GLC63 AMG

V8 4.0L 4000CC 244CID Turbo	V8 BiTurbo		WL10077		WA10412	WP10124			N/S		N/S
-----------------------------	------------	--	---------	--	---------	---------	--	--	-----	--	-----

GLC63 S AMG

V8 4.0L 4000CC 244CID Turbo	V8 BiTurbo		WL10077		WA10412	WP10124			N/S		N/S
-----------------------------	------------	--	---------	--	---------	---------	--	--	-----	--	-----

GLE350

V6 3.5L 3498cc FLEX/	276.955		57059		49034	WP10124		3	N/S		N/A
----------------------	---------	--	-------	--	-------	---------	--	---	-----	--	-----

GLE400

V6 3.0L 3000CC 183CID Turbo			57059		WA10359	WP10124			N/S		N/S
-----------------------------	--	--	-------	--	---------	---------	--	--	-----	--	-----

GLE43 AMG

V6 3.0L 2996cc Turbo	276.821		57059		WA10359	N/A			N/S		N/A
----------------------	---------	--	-------	--	---------	-----	--	--	-----	--	-----

GLE550e

V6 3.0L 2996cc Turbo Electric/Gas	276.821		57059		WA10359	WP10124 ⁷⁹		4	N/S		N/A
			57059		WA10359	WP10124 ⁷⁹			N/S		N/A

GLE63 AMG

V8 5.5L 5461cc Turbo	157.982		WL10077		49704	WP10124 ⁷⁹			N/S		N/A
----------------------	---------	--	---------	--	-------	-----------------------	--	--	-----	--	-----

GLE63 AMG S

V8 5.5L 5461cc Turbo	157.982		WL10077		49704	WP10124			N/S		N/A
----------------------	---------	--	---------	--	-------	---------	--	--	-----	--	-----

GLS 450

V6 3.0L 2996cc Turbo	276.821		57059		WA10359	WP10124			N/S		N/A
----------------------	---------	--	-------	--	---------	---------	--	--	-----	--	-----

GLS550

V8 4.6L 4663cc Turbo	278.928		57059 ⁹⁰⁰		49704	N/A			N/S		N/S
			WL10077 ⁹⁰¹								

GLS63 AMG

V8 5.5L 5461cc Turbo	157.982		WL10077		49704	N/A			N/S		N/A
----------------------	---------	--	---------	--	-------	-----	--	--	-----	--	-----

METRIS

L4 2.0L 1991cc Turbo			WL7515		WA10559	N/A			N/S		N/R
----------------------	--	--	--------	--	---------	-----	--	--	-----	--	-----

S450

V6 3.0L 3000CC 183CID Turbo	V6 BiTurbo		57059		WA10359	N/A			N/S		N/S
-----------------------------	------------	--	-------	--	---------	-----	--	--	-----	--	-----

S560

V8 4.0L 4000CC 244CID Turbo	V8 BiTurbo		WL10399		WA11089	N/A			N/S		N/S
-----------------------------	------------	--	---------	--	---------	-----	--	--	-----	--	-----

S63 AMG

V8 4.0L 4000CC 244CID Turbo	V8 BiTurbo		WL10077		WA11086 - Right WA11087 - Left	N/A			N/S		
-----------------------------	------------	--	---------	--	-----------------------------------	-----	--	--	-----	--	--

S65 AMG

V12 6.0L 6000CC 366CID Turbo			57198		49404	N/A			N/S		
------------------------------	--	--	-------	--	-------	-----	--	--	-----	--	--

N/A = Not Available N/R = Not Required N/S = Not Serviceable For cabin and fuel filter locator, see pages 5-15 See pages 16-19 for footnotes

N/A = Non disponible N/R = Non nécessaire N/S = Non réparable Para la ubicación de los filtros de aire de la cabina y de combustible, ver las páginas 5-15 Voir pages 16-19 pour des notes

N/A = No disponible N/R = No requiere N/S = No servible Voir les tableaux de repérage des filtres d'habitacle et à carburant aux pages 5-15 Ver las páginas 16-19 para las notas al pie de página

Italicized Part Numbers May Not Be Available. Wix XP Oil Filters Have Fully Synthetic Media.

Las piezas con números en *italicas* pueden no estar disponibles. Los filtros de aceite WIX XP son completamente de media sintética.

Les numéros de pièce en *italiques* peuvent ne pas être disponibles. Les filtres à huile XP Wix contiennent un matériau 100 % synthétique.

MERCEDES BENZ 2019-2018
Pass Car/Light Truck

Year/Año/Année Model/Modelo/Modèle Engine/Motor/Moteur	Eng. Code Código de motor Code moteur	VIN NIV NIV	Oil Aceite Huile	Oil XP Aceite XP Huile XP	Air Aire Air	Cabin Air Cabina Aire Cabine Air	Cabin Air XP Cabina Aire XP Cabine Air XP	Loc. Cabin Air Cabina Aire Cabine Air	Fuel Combustible Carburant	Loc. Fuel Combustible Carburant	Transmission Transmisión Transmission
--	---	-------------------	------------------------	---------------------------------	--------------------	--	---	--	----------------------------------	--	---

MERCEDES BENZ (Cont'd/Suite)
2019 (Cont'd/Suite)
SL450

V6 3.0L Turbo			57059		WA10359	49357			N/S		
---------------	--	--	-------	--	---------	-------	--	--	-----	--	--

SL550

V8 4.7L 4700CC 287CID Turbo			57059 ⁵⁰⁰ WL10077 ⁵⁰¹		49704	49357		4	N/S		58144
-----------------------------	--	--	--	--	-------	-------	--	---	-----	--	-------

SL63 AMG

V8 5.5L 5461cc Turbo	157.983		WL10077		49704	49357 ⁷³		1	N/S		N/A
----------------------	---------	--	---------	--	-------	---------------------	--	---	-----	--	-----

SL65 AMG

V12 6.0L 5980cc 365 CID Turbo	279.981		57198		49404 ³⁰⁴	49357		4	N/S		N/A
-------------------------------	---------	--	-------	--	----------------------	-------	--	---	-----	--	-----

SLC300

L4 2.0L 1991cc Turbo	274.92		WL7515		WA10548	49373			N/S		N/S
----------------------	--------	--	--------	--	---------	-------	--	--	-----	--	-----

SLC43 AMG

V6 3.0L 2996cc Turbo			57059		WA10359	49373			N/S		N/S
----------------------	--	--	-------	--	---------	-------	--	--	-----	--	-----

SPRINTER 2500

L4 2.0L 2000CC 122CID Turbo			WL7515		49876	WP9330			N/S		58144
V6 3.0L 2987cc Turbo Diesel	642.896		57062		49876	49366		3	33934 ¹⁷⁹ 33251 ³⁸³ - In-Line WF8513 ⁵²⁴ - In-Line		N/A

SPRINTER 3500

V6 3.0L 2987cc Turbo Diesel	642.896		57062		49876	49366		3	33934 ¹⁷⁹ 33250 ³⁸⁴ 33251 ³⁸³ - In-Line WF8513 ⁵²⁴ - In-Line		N/A
-----------------------------	---------	--	-------	--	-------	-------	--	---	---	--	-----

SPRINTER 4500

V6 3.0L 2987cc Turbo Diesel	642.896		57062		49876	49366		3	WF8513 ⁵²⁴ N/A ⁵²⁴ N/A ⁵²⁴		N/A
-----------------------------	---------	--	-------	--	-------	-------	--	---	---	--	-----

2018
AMG GT

V8 4.0L 3982cc Turbo			WL10077		WA10389	49357			N/S		N/A
----------------------	--	--	---------	--	---------	-------	--	--	-----	--	-----

AMG GT C

V8 4.0L 3982cc Turbo			WL10077		WA10389	49357			N/S		N/A
----------------------	--	--	---------	--	---------	-------	--	--	-----	--	-----

AMG GT R

V8 4.0L 3982cc Turbo			WL10077		WA10389	49357			N/S		N/S
----------------------	--	--	---------	--	---------	-------	--	--	-----	--	-----

AMG GT S

V8 4.0L 3982cc Turbo			WL10077		WA10389	49357			N/S		N/A
----------------------	--	--	---------	--	---------	-------	--	--	-----	--	-----

B250

L4 2.0L 2000CC 122CID Turbo			WL7515		WA10312	WP10130			N/S		N/S
-----------------------------	--	--	--------	--	---------	---------	--	--	-----	--	-----

C250

L4 2.0L Turbo			WL7515		N/A	N/A		6	N/S		58144
---------------	--	--	--------	--	-----	-----	--	---	-----	--	-------

C300

L4 2.0L 1991cc Turbo			WL7515		WA10548	N/A WP10124		6	N/S		N/A
----------------------	--	--	--------	--	---------	----------------	--	---	-----	--	-----

C350e

L4 2.0L 1991cc Turbo Electric/Gas	274.92		WL7515		N/A	N/A			N/S		N/A
--------------------------------------	--------	--	--------	--	-----	-----	--	--	-----	--	-----

C43 AMG

V6 3.0L 2996cc Turbo			57059		WA10359	WP10124			N/S		N/A
----------------------	--	--	-------	--	---------	---------	--	--	-----	--	-----

C63 AMG

V8 4.0L 3982cc Turbo			WL10077		WA10412	WP10124		6	N/S		N/A
----------------------	--	--	---------	--	---------	---------	--	---	-----	--	-----

C63 AMG S

V8 4.0L 3982cc Turbo			WL10077		WA10412	WP10124		6	N/S		N/A
----------------------	--	--	---------	--	---------	---------	--	---	-----	--	-----

CLA250

L4 2.0L 1991cc Turbo	270.920		WL7515		WA10312	WP10130		6	N/S		N/A
----------------------	---------	--	--------	--	---------	---------	--	---	-----	--	-----

N/A = Not Available N/R = Not Required N/S = Not Serviceable For cabin and fuel filter locator, see pages 5-15 See pages 16-19 for footnotes

N/A = Non disponible N/R = Non nécessaire N/S = Non réparable Para la ubicación de los filtros de aire de la cabina y de combustible, ver las páginas 5-15 Voir pages 16-19 pour des notes

N/A = No disponible N/R = No requiere N/S = No servible Voir les tableaux de repérage des filtres d'habitacle et à carburant aux pages 5-15 Ver las páginas 16-19 para las notas al pie de página

Italicized Part Numbers May Not Be Available. Wix XP Oil Filters Have Fully Synthetic Media.

Las piezas con números en *italicas* pueden no estar disponibles. Los filtros de aceite WIX XP son completamente de media sintética. Les numéros de pièce en *italiques* peuvent ne pas être disponibles. Les filtres à huile XP Wix contiennent un matériau 100 % synthétique.

Year/Año/Année Model/Modelo/Modèle Engine/Motor/Moteur	Eng. Code Código de motor Code moteur	VIN NIV NIV	Oil Aceite Huile	Oil XP Aceite XP Huile XP	Air Aire Air	Cabin Air Cabina Aire Cabine Air	Cabin Air XP Cabina Aire XP Cabine Air XP	Loc. Cabin Air Cabina Aire Cabine Air	Fuel Combustible Carburant	Loc. Fuel Combustible Carburant	Transmission Transmisión Transmission
--	--	-------------------	------------------------	---------------------------------	--------------------	--	---	--	----------------------------------	--	---

MERCEDES BENZ (Cont'd/Suite)
2018 (Cont'd/Suite)
CLA45 AMG

L4 2.0L 1991cc Turbo	270.920		WL10077		WA10952	WP10130		6	N/S		N/A
----------------------	---------	--	---------	--	---------	---------	--	---	-----	--	-----

CLS400

V6 3.0L Turbo			57059		WA10359	49357		1	N/S		N/A
---------------	--	--	-------	--	---------	-------	--	---	-----	--	-----

CLS550

V8 4.6L 4663cc Turbo	278.922		57059 ⁹⁰⁰ WL10077 ⁹⁰¹		49704	49357		4	N/S		58144
----------------------	---------	--	--	--	-------	-------	--	---	-----	--	-------

CLS63 AMG S

V8 5.5L 5461cc Turbo	157.981		WL10077		49704	49357		1	N/S		N/A
----------------------	---------	--	---------	--	-------	-------	--	---	-----	--	-----

E300

L4 2.0L Turbo			WL7515		WA10548	N/A			N/S		N/S
---------------	--	--	--------	--	---------	-----	--	--	-----	--	-----

E400

V6 3.0L			57059		WA10359	WP10124		1	N/S		N/A
V6 3.0L 2996cc Turbo			57059		WA10359	WP10124		1	N/S		N/A

E43 AMG

V6 3.0L 2996cc Turbo			WL10077		WA10359	WP10124		6	N/S		N/A
----------------------	--	--	---------	--	---------	---------	--	---	-----	--	-----

E63 AMG

V8 4.0L 3982cc Turbo			WL10077		WA11086 - Right WA11087 - Left	WP10124			N/S		N/S
V8 5.5L 5461cc Turbo	157.981		WL10077		WA11086 - Right WA11087 - Left	49357		1	N/S		N/A

G550

V8 4.0L 3982cc Turbo			WL10077 WL10077		WA10412 WA10412	WP9037 WP9037			N/S N/S		N/A N/A
----------------------	--	--	--------------------	--	--------------------	------------------	--	--	------------	--	------------

G63 AMG

V8 5.5L 5461cc Turbo	157.984		WL10077		49704	49356 ⁷⁹ WP9037 ⁷⁸		1	N/S		N/A
----------------------	---------	--	---------	--	-------	---	--	---	-----	--	-----

G65 AMG

V12 6.0L 5980cc 365 CID Turbo			57198		49404	WP9037			N/S		N/A
-------------------------------	--	--	-------	--	-------	--------	--	--	-----	--	-----

GL63 AMG

V8 5.5L 5461cc Turbo	157.982		WL10077		49704	WP10124 ⁷⁹		1	N/S		58144
----------------------	---------	--	---------	--	-------	-----------------------	--	---	-----	--	-------

GLA250

L4 2.0L 1991cc Turbo	270.920		WL7515		WA10312	WP10130		6	N/S		N/A
----------------------	---------	--	--------	--	---------	---------	--	---	-----	--	-----

GLA45 AMG

L4 2.0L 1991cc Turbo	133.980		WL10077		WA10952	WP10130		6	N/S		N/A
----------------------	---------	--	---------	--	---------	---------	--	---	-----	--	-----

GLC300

I4 2.0L Turbo			WL7515		WA10548	N/A			N/S		N/A
---------------	--	--	--------	--	---------	-----	--	--	-----	--	-----

GLC350e

L4 2.0L 2000CC 122CID Turbo			WL7515 WL7515		WA10548 WA10548	WP10124 WP10124			N/S N/S		N/S N/S
-----------------------------	--	--	------------------	--	--------------------	--------------------	--	--	------------	--	------------

GLC43 AMG

V6 3.0L 2996cc Turbo	276.823		57059		WA10359	WP10124			N/S		N/A
----------------------	---------	--	-------	--	---------	---------	--	--	-----	--	-----

GLC63

V8 4.0L 4000CC 244CID Turbo	V8 BiTurbo		WL10077		WA10412	WP10124			N/S		N/S
-----------------------------	------------	--	---------	--	---------	---------	--	--	-----	--	-----

GLC63 S

V8 4.0L 4000CC 244CID Turbo	V8 BiTurbo		WL10077		WA10412	WP10124			N/S		N/S
-----------------------------	------------	--	---------	--	---------	---------	--	--	-----	--	-----

GLE350

V6 3.5L 3498cc FLEX/	276.955		57059		49034	WP10124		3	N/S		N/A
----------------------	---------	--	-------	--	-------	---------	--	---	-----	--	-----

GLE400

V6 3.0L 2996cc Turbo			57059		WA10359	WP10124 ⁷⁹		6	N/S		N/A
----------------------	--	--	-------	--	---------	-----------------------	--	---	-----	--	-----

GLE43 AMG

V6 3.0L 2996cc Turbo	276.821		57059		WA10359	WP10124			N/S		N/A
----------------------	---------	--	-------	--	---------	---------	--	--	-----	--	-----

GLE550

V8 4.6L 4663cc Turbo	278.928		WL10077		49704	N/A			N/S		
----------------------	---------	--	---------	--	-------	-----	--	--	-----	--	--

N/A = Not Available N/R = Not Required N/S = Not Serviceable For cabin and fuel filter locator, see pages 5-15 See pages 16-19 for footnotes

N/A = Non disponible N/R = Non nécessaire N/S = Non réparable Para la ubicación de los filtros de aire de la cabina y de combustible, ver las páginas 5-15 Voir pages 16-19 pour des notes

N/A = No disponible N/R = No requiere N/S = No servible Voir les tableaux de repérage des filtres d'habitacle et à carburant aux pages 5-15 Ver las páginas 16-19 para las notas al pie de página

Italicized Part Numbers May Not Be Available. Wix XP Oil Filters Have Fully Synthetic Media.

Las piezas con números en *italicas* pueden no estar disponibles. Los filtros de aceite WIX XP son completamente de media sintética.

Les numéros de pièce en *italiques* peuvent ne pas être disponibles. Les filtres à huile XP Wix contiennent un matériau 100 % synthétique.

MERCEDES BENZ 2018-2017
Pass Car/Light Truck

Year/Año/Année Model/Modelo/Modèle Engine/Motor/Moteur	Eng. Code Código de motor Code moteur	VIN NIV NIV	Oil Aceite Huile	Oil XP Aceite XP Huile XP	Air Aire Air	Cabin Air Cabina Aire Cabine Air	Cabin Air XP Cabina Aire XP Cabine Air XP	Loc. Cabin Air Cabina Aire Cabine Air	Fuel Combustible Carburant	Loc. Fuel Combustible Carburant	Transmission Transmisión Transmission
--	---	-------------------	------------------------	---------------------------------	--------------------	--	---	--	----------------------------------	--	---

MERCEDES BENZ (Cont'd/Suite)
2018 (Cont'd/Suite)
GLE550e

V6 3.0L 2996cc Turbo Electric/Gas	276.821		57059 57059		WA10359 WA10359	WP10124 ⁷⁹ WP10124 ⁷⁹		4	N/S N/S		N/A N/A
-----------------------------------	---------	--	----------------	--	--------------------	--	--	---	------------	--	------------

GLE63 AMG

V8 5.5L 5461cc Turbo	157.982		WL10077		49704	WP10124 ⁷⁹			N/S		N/A
----------------------	---------	--	---------	--	-------	-----------------------	--	--	-----	--	-----

GLE63 AMG S

V8 5.5L 5461cc Turbo	157.982		WL10077		49704	WP10124			N/S		N/A
----------------------	---------	--	---------	--	-------	---------	--	--	-----	--	-----

GLS 450

V6 3.0L 2996cc Turbo	276.821		57059		WA10359	WP10124			N/S		N/A
----------------------	---------	--	-------	--	---------	---------	--	--	-----	--	-----

GLS550

V8 4.6L 4663cc Turbo	278.928		57059 ⁵⁰⁰ WL10077 ⁵⁰¹		49704	N/A			N/S		N/S
----------------------	---------	--	--	--	-------	-----	--	--	-----	--	-----

GLS63 AMG

V8 5.5L 5461cc Turbo	157.982		WL10077		49704	N/A			N/S		N/A
----------------------	---------	--	---------	--	-------	-----	--	--	-----	--	-----

Maybach S560

V8 4.0L 3982cc Turbo			57198		49404	N/A			N/S		N/A
----------------------	--	--	-------	--	-------	-----	--	--	-----	--	-----

METRIS

L4 2.0L 1991cc Turbo			WL7515		WA10559	N/A			N/S		N/R
----------------------	--	--	--------	--	---------	-----	--	--	-----	--	-----

S450

V6 3.0L 3000CC 183CID Turbo	V6 Biturbo		57059		WA10359	N/A			N/S		N/S
-----------------------------	------------	--	-------	--	---------	-----	--	--	-----	--	-----

S560

V8 4.0L 4000CC 244CID Turbo	V8 Biturbo		WL10399		WA11089	N/A			N/S		
-----------------------------	------------	--	---------	--	---------	-----	--	--	-----	--	--

S63 AMG

V8 4.0L 4000CC 244CID Turbo	V8 Biturbo		WL10077		WA11086 - Right WA11087 - Left	N/A			N/S		
-----------------------------	------------	--	---------	--	-----------------------------------	-----	--	--	-----	--	--

S65 AMG

V12 6.0L 6000CC 366CID Turbo			57198			N/A			N/S		
------------------------------	--	--	-------	--	--	-----	--	--	-----	--	--

SL450

V6 3.0L Turbo			57059		WA10359	49357			N/S		
---------------	--	--	-------	--	---------	-------	--	--	-----	--	--

SL550

V8 4.6L 4663cc Turbo	278.927		57059 ⁵⁰⁰ WL10077 ⁵⁰¹		49704	49357		4	N/S		58144
----------------------	---------	--	--	--	-------	-------	--	---	-----	--	-------

SL63 AMG

V8 5.5L 5461cc Turbo	157.983		WL10077		49704	49357 ⁷⁸		1	N/S		N/S
----------------------	---------	--	---------	--	-------	---------------------	--	---	-----	--	-----

SL65 AMG

V12 6.0L 5980cc 365 CID Turbo	279.981		57198		49404 ³⁵⁴	49357		4	N/S		N/A
-------------------------------	---------	--	-------	--	----------------------	-------	--	---	-----	--	-----

SLC300

L4 2.0L 1991cc Turbo	274.92		WL7515		WA10548	49373			N/S		N/S
----------------------	--------	--	--------	--	---------	-------	--	--	-----	--	-----

SLC43 AMG

V6 3.0L 2996cc Turbo			57059		WA10359	49373			N/S		N/S
----------------------	--	--	-------	--	---------	-------	--	--	-----	--	-----

SPRINTER 2500

V6 3.0L 2987cc Turbo Diesel	642.896		57062		49876	49366		3	33934 ¹⁷⁹ 33251 ³⁸³ - In-Line WF8513 ³²⁴ - In-Line		N/A
-----------------------------	---------	--	-------	--	-------	-------	--	---	---	--	-----

SPRINTER 3500

V6 3.0L 2987cc Turbo Diesel	642.896		57062		49876	49366		3	33934 ¹⁷⁹ 33251 ³⁸⁴ 33251 ³⁸³ - In-Line WF8513 ³²⁴ - In-Line		N/A
-----------------------------	---------	--	-------	--	-------	-------	--	---	---	--	-----

2017
AMG GT

V8 4.0L 3982cc Turbo			WL10077		WA10389	49357			N/S		N/A
----------------------	--	--	---------	--	---------	-------	--	--	-----	--	-----

AMG GT S

V8 4.0L 3982cc Turbo			WL10077		WA10389	49357			N/S		N/A
----------------------	--	--	---------	--	---------	-------	--	--	-----	--	-----

N/A = Not Available N/R = Not Required N/S = Not Serviceable For cabin and fuel filter locator, see pages 5-15 See pages 16-19 for footnotes

N/A = Non disponible N/R = Non nécessaire N/S = Non réparable Para la ubicación de los filtros de aire de la cabina y de combustible, ver las páginas 5-15 Voir pages 16-19 pour des notes

N/A = No disponible N/R = No requiere N/S = No servible Voir les tableaux de repérage des filtres d'habitacle et à carburant aux pages 5-15 Ver las páginas 16-19 para las notas al pie de página

Italicized Part Numbers May Not Be Available. Wix XP Oil Filters Have Fully Synthetic Media.

Las piezas con números en *italicas* pueden no estar disponibles. Los filtros de aceite WIX XP son completamente de media sintética. Les numéros de pièce en *italiques* peuvent ne pas être disponibles. Les filtres à huile XP Wix contiennent un matériau 100 % synthétique.

Year/Año/Année Model/Modelo/Modèle Engine/Motor/Moteur	Eng. Code Código de motor Code moteur	VIN NIV NIV	Oil Aceite Huile	Oil XP Aceite XP Huile XP	Air Aire Air	Cabin Air Cabina Aire Cabine Air	Cabin Air XP Cabina Aire XP Cabine Air XP	Loc. Cabin Air Cabina Aire Cabine Air	Fuel Combustible Carburant	Loc. Fuel Combustible Carburant	Transmission Transmisión Transmission
--	---	-------------------	------------------------	---------------------------------	--------------------	--	---	--	----------------------------------	--	---

MERCEDES BENZ (Cont'd/Suite)
2017 (Cont'd/Suite)
B250

L4 2.0L 2000CC 122CID Turbo			WL7515		WA10312	WP10130			N/S		N/S
-----------------------------	--	--	--------	--	---------	---------	--	--	-----	--	-----

B250e

- Electric			N/R		N/S	WP10130			N/S		N/S
------------	--	--	-----	--	-----	---------	--	--	-----	--	-----

C300

L4 2.0L 1991cc Turbo			WL7515		WA10548	WP10124		6	N/S		N/A
----------------------	--	--	--------	--	---------	---------	--	---	-----	--	-----

C350e

L4 2.0L 1991cc Turbo Electric/Gas	274.92		WL7515		WA10548	N/A			N/S		N/A
--------------------------------------	--------	--	--------	--	---------	-----	--	--	-----	--	-----

C43 AMG

V6 3.0L 2996cc Turbo			57059		WA10359	WP10124 ⁷⁹			N/S		N/A
----------------------	--	--	-------	--	---------	-----------------------	--	--	-----	--	-----

C63 AMG

V8 4.0L 3982cc Turbo			WL10077		WA10412	WP10124		6	N/S		N/A
----------------------	--	--	---------	--	---------	---------	--	---	-----	--	-----

C63 AMG S

V8 4.0L 3982cc Turbo			WL10077		WA10412	WP10124		6	N/S		N/A
----------------------	--	--	---------	--	---------	---------	--	---	-----	--	-----

CLA250

L4 2.0L 1991cc Turbo	270.920		WL7515		WA10312	WP10130		6	N/S		N/A
L4 2.0L 1991cc Turbo Flex	270.920		WL7515		WA10312	WP10130		6	N/S		N/A

CLA45 AMG

L4 2.0L 1991cc Turbo	270.920		WL10077		WA10952	WP10130		6	N/S		N/A
----------------------	---------	--	---------	--	---------	---------	--	---	-----	--	-----

CLS400

V6 3.0L Turbo			57059		WA10359	49357		1	N/S		N/A
---------------	--	--	-------	--	---------	-------	--	---	-----	--	-----

CLS550

V8 4.6L 4663cc Turbo	278.922		57059 ⁹⁰⁰ WL10077 ⁹⁰¹		49704	49357		4	N/S		58144
----------------------	---------	--	--	--	-------	-------	--	---	-----	--	-------

CLS63 AMG S

V8 5.5L 5461cc Turbo	157.981		57010		49504	24726		1	N/S		N/A
----------------------	---------	--	-------	--	-------	-------	--	---	-----	--	-----

E300

L4 2.0L Turbo			WL7515		WA10548	N/A			N/S		N/S
---------------	--	--	--------	--	---------	-----	--	--	-----	--	-----

E400

V6 3.0L			57059		WA10359	49357		1	N/S		N/A
---------	--	--	-------	--	---------	-------	--	---	-----	--	-----

E43 AMG

V6 3.0L 2996cc Turbo			WL10077		WA10359	WP10124		6	N/S		N/A
----------------------	--	--	---------	--	---------	---------	--	---	-----	--	-----

E550

V8 4.6L 4663cc Turbo	278.922		57059 ⁹⁰⁰ WL10077 ⁹⁰¹		49704	49357		4	N/S		58144
----------------------	---------	--	--	--	-------	-------	--	---	-----	--	-------

G550

V8 4.0L 3982cc Turbo			WL10077 WL10077		WA10412 WA10412	WP9037 WP9037			N/S N/S		N/A N/A
----------------------	--	--	--------------------	--	--------------------	------------------	--	--	------------	--	------------

G63 AMG

V8 5.5L 5461cc Turbo	157.984		WL10077		49704	49356 ⁷⁹ WP9037 ⁷⁸		1	N/S		N/A
----------------------	---------	--	---------	--	-------	---	--	---	-----	--	-----

G65 AMG

V12 6.0L 5980cc 365 CID Turbo			57198		49404	WP9037			N/S		N/A
----------------------------------	--	--	-------	--	-------	--------	--	--	-----	--	-----

GL63 AMG

V8 5.5L 5461cc Turbo	157.982		WL10077		49704	WP10124 ⁷⁹		1	N/S		58144
----------------------	---------	--	---------	--	-------	-----------------------	--	---	-----	--	-------

GLA250

L4 2.0L 1991cc Turbo	270.920		WL7515		WA10312	WP10130		6	N/S		N/A
L4 2.0L 1991cc Turbo Flex	270.920		WL7515		WA10312	WP10130		6	N/S		N/A

GLA45 AMG

L4 2.0L 1991cc Turbo	133.980		WL10077		WA10952	WP10130		6	N/S		N/A
----------------------	---------	--	---------	--	---------	---------	--	---	-----	--	-----

GLC300

I4 2.0L Turbo			WL7515		WA10548	N/A			N/S		N/A
---------------	--	--	--------	--	---------	-----	--	--	-----	--	-----

N/A = Not Available N/R = Not Required N/S = Not Serviceable For cabin and fuel filter locator, see pages 5-15 See pages 16-19 for footnotes

N/A = Non disponible N/R = Non nécessaire N/S = Non réparable Para la ubicación de los filtros de aire de la cabina y de combustible, ver las páginas 5-15 Voir pages 16-19 pour des notes

N/A = No disponible N/R = No requiere N/S = No servible Voir les tableaux de repérage des filtres d'habitacle et à carburant aux pages 5-15 Ver las páginas 16-19 para las notas al pie de página

Italicized Part Numbers May Not Be Available. Wix XP Oil Filters Have Fully Synthetic Media.

Las piezas con números en *italicas* pueden no estar disponibles. Los filtros de aceite WIX XP son completamente de media sintética.

Les numéros de pièce en *italiques* peuvent ne pas être disponibles. Les filtres à huile XP Wix contiennent un matériau 100 % synthétique.

MERCEDES BENZ 2017
Pass Car/Light Truck

Year/Año/Année Model/Modelo/Modèle Engine/Motor/Moteur	Eng. Code Código de motor Code moteur	VIN NIV NIV	Oil Aceite Huile	Oil XP Aceite XP Huile XP	Air Aire Air	Cabin Air Cabina Aire Cabine Air	Cabin Air XP Cabina Aire XP Cabine Air XP	Loc. Cabin Air Cabina Aire Cabine Air	Fuel Combustible Carburant	Loc. Fuel Combustible Carburant	Transmission Transmisión Transmission
--	---	-------------------	------------------------	---------------------------------	--------------------	--	---	--	----------------------------------	--	---

MERCEDES BENZ (Cont'd/Suite)
2017 (Cont'd/Suite)
GLC43 AMG

V6 3.0L 2996cc Turbo	276.823		57059		WA10359	N/A			N/S		N/A
----------------------	---------	--	-------	--	---------	-----	--	--	-----	--	-----

GLE300d BlueTEC

L4 2.1L 2143cc 131 CID Turbo Diesel			WL10026		N/A	WP10124 ⁷⁹		6	N/S		N/A
-------------------------------------	--	--	---------	--	-----	-----------------------	--	---	-----	--	-----

GLE350

V6 3.5L 3498cc FLEX/	276.955		57059		49034	WP10124 ⁷⁹		3	N/S		N/A
----------------------	---------	--	-------	--	-------	-----------------------	--	---	-----	--	-----

GLE400

V6 3.0L 2996cc Turbo			57059		49034	WP10124 ⁷⁹		6	N/S		N/A
----------------------	--	--	-------	--	-------	-----------------------	--	---	-----	--	-----

GLE43 AMG

V6 3.0L 2996cc Turbo	276.821		57059		WA10359	WP10124			N/S		N/A
----------------------	---------	--	-------	--	---------	---------	--	--	-----	--	-----

GLE550

V8 4.7L 4663cc			57059						N/S		N/S
----------------	--	--	-------	--	--	--	--	--	-----	--	-----

GLE550e

V6 3.0L 2996cc Turbo Electric/Gas	276.821		57059		WA10359	WP10124		4	N/S		N/A
-----------------------------------	---------	--	-------	--	---------	---------	--	---	-----	--	-----

GLE63 AMG

V8 5.5L 5461cc Turbo	157.982		WL10077		49704	WP10124			N/S		N/A
----------------------	---------	--	---------	--	-------	---------	--	--	-----	--	-----

GLE63 AMG S

V8 5.5L 5461cc Turbo	157.982		WL10077		49704	WP10124			N/S		N/A
----------------------	---------	--	---------	--	-------	---------	--	--	-----	--	-----

GLS 450

V6 3.0L 2996cc Turbo	276.821		57059		WA10359	WP10124			N/S		N/A
----------------------	---------	--	-------	--	---------	---------	--	--	-----	--	-----

GLS350d

V6 3.0L 2987cc Turbo Diesel	642.826		57062		N/A	N/A			WF8513		N/A
-----------------------------	---------	--	-------	--	-----	-----	--	--	--------	--	-----

GLS550

V8 4.6L 4663cc Turbo	278.928		57059 ⁵⁰⁰ WL10077 ⁵⁰¹		49704	N/A			N/S		N/S
----------------------	---------	--	--	--	-------	-----	--	--	-----	--	-----

GLS63 AMG

V8 5.5L 5461cc Turbo	157.982		WL10077		49704	N/A			N/S		N/A
----------------------	---------	--	---------	--	-------	-----	--	--	-----	--	-----

Maybach S550

V8 4.6L 4663cc Turbo	278.932		WL10077		49704	N/A			N/S		N/S
----------------------	---------	--	---------	--	-------	-----	--	--	-----	--	-----

MAYBACH S600

V12 6.0L Turbo			57198		49404	N/A			N/S		N/A
----------------	--	--	-------	--	-------	-----	--	--	-----	--	-----

METRIS

L4 2.0L 1991cc Turbo			WL7515		WA10559	N/A			N/S		N/R
----------------------	--	--	--------	--	---------	-----	--	--	-----	--	-----

S550

V8 4.6L 4663cc Turbo	278.932		57059 ⁵⁰⁰ WL10077 ⁵⁰¹		49704	N/A		4	N/S		58144
----------------------	---------	--	--	--	-------	-----	--	---	-----	--	-------

S550E

V6 3.0L 2996cc Turbo Electric/Gas	276.821		57059		WA10359	N/A		4	N/S		N/A
-----------------------------------	---------	--	-------	--	---------	-----	--	---	-----	--	-----

S600

V12 6.0L 5980cc 365 CID Turbo			57198		49404	N/A ⁷⁸		6	N/S		N/A
-------------------------------	--	--	-------	--	-------	-------------------	--	---	-----	--	-----

S63 AMG

V8 5.5L 5461cc Turbo	157.985		WL10077		49704	N/A ⁹³		4	N/S		N/A
----------------------	---------	--	---------	--	-------	-------------------	--	---	-----	--	-----

S65 AMG

V12 6.0L 5980cc 365 CID Turbo			57198		49404	N/A		6	N/S		N/A
-------------------------------	--	--	-------	--	-------	-----	--	---	-----	--	-----

SL450

V6 3.0L Turbo			57059		WA10359	49357			N/S		
---------------	--	--	-------	--	---------	-------	--	--	-----	--	--

SL550

V8 4.6L 4663cc Turbo	278.927		57059 ⁵⁰⁰ WL10077 ⁵⁰¹		49704	49357			N/S		58144
----------------------	---------	--	--	--	-------	-------	--	--	-----	--	-------

SL63 AMG

V8 5.5L 5461cc Turbo	157.983		WL10077		49704	49357 ⁷⁸		1	N/S		N/S
----------------------	---------	--	---------	--	-------	---------------------	--	---	-----	--	-----

N/A = Not Available N/R = Not Required N/S = Not Serviceable For cabin and fuel filter locator, see pages 5-15 See pages 16-19 for footnotes

N/A = Non disponible N/R = Non nécessaire N/S = Non réparable Para la ubicación de los filtros de aire de la cabina y de combustible, ver las páginas 5-15 Voir pages 16-19 pour des notes

N/A = No disponible N/R = No requiere N/S = No servible Voir les tableaux de repérage des filtres d'habitacle et à carburant aux pages 5-15 Ver las páginas 16-19 para las notas al pie de página

Italicized Part Numbers May Not Be Available. Wix XP Oil Filters Have Fully Synthetic Media.

Las piezas con números en *italicas* pueden no estar disponibles. Los filtros de aceite WIX XP son completamente de media sintética. Les numéros de pièce en *italiques* peuvent ne pas être disponibles. Les filtres à huile XP Wix contiennent un matériau 100 % synthétique.

Year/Año/Année Model/Modelo/Modèle Engine/Motor/Moteur	Eng. Code Código de motor Code moteur	VIN NIV NIV	Oil Aceite Huile	Oil XP Aceite XP Huile XP	Air Aire Air	Cabin Air Cabina Aire Cabine Air	Cabin Air XP Cabina Aire XP Cabine Air XP	Loc. Cabin Air Cabina Aire Cabine Air	Fuel Combustible Carburant	Loc. Fuel Combustible Carburant	Transmission Transmisión Transmission
--	--	-------------------	------------------------	---------------------------------	--------------------	--	---	--	----------------------------------	--	---

MERCEDES BENZ (Cont'd/Suite)
2017 (Cont'd/Suite)
SL65 AMG

V12 6.0L 5980cc 365 CID Turbo	279.981		57198		49404 ³⁹⁴	49357		4	N/S		N/A
-------------------------------	---------	--	-------	--	----------------------	-------	--	---	-----	--	-----

SLC300

L4 2.0L 1991cc Turbo	274.92		WL7515		WA10548	49373			N/S		N/S
----------------------	--------	--	--------	--	---------	-------	--	--	-----	--	-----

SLC43 AMG

V6 3.0L 2996cc Turbo			57059		WA10359	49373			N/S		N/S
----------------------	--	--	-------	--	---------	-------	--	--	-----	--	-----

SPRINTER 2500

L4 2.1L 2143cc 131 CID Turbo Diesel	651.955		WL10026		49876	49366		3	N/A		N/A
V6 3.0L 2987cc Turbo Diesel	642.896		57062		49876	49366		3	33934 ¹⁷⁹ 33250 ³⁸⁴ 33251 ³⁸³ WF8513 ⁵²⁴		N/A

SPRINTER 3500

L4 2.1L 2143cc 131 CID Turbo Diesel	651.955		WL10026		49876	49366		3	N/A		N/A
V6 3.0L 2987cc Turbo Diesel	642.896		57062		49876	49366		3	33934 ¹⁷⁹ 33250 ³⁸⁴ 33251 ³⁸³ WF8513 ⁵²⁴		N/A

2016
AMG GT S

V8 4.0L 3982cc Turbo			WL10077		WA10389	49357			N/S		N/A
----------------------	--	--	---------	--	---------	-------	--	--	-----	--	-----

B ELECTRIC DRIVE

ELECTRIC Electric			N/R		N/S	WP10130			N/S		N/S
-------------------	--	--	-----	--	-----	---------	--	--	-----	--	-----

B250

L4 2.0L 2000CC 122CID Turbo			WL7515		WA10312	WP10130			N/S		
-----------------------------	--	--	--------	--	---------	---------	--	--	-----	--	--

B250e

- Electric			N/R		N/S	WP10130			N/S		N/S
------------	--	--	-----	--	-----	---------	--	--	-----	--	-----

C250

L4 2.0L 1991CC 121CID (Mex.)			N/S		N/S	49357			N/S		N/S
------------------------------	--	--	-----	--	-----	-------	--	--	-----	--	-----

C300

L4 2.0L 1991cc Turbo			WL7515			WP10124		6	N/S		N/A
----------------------	--	--	--------	--	--	---------	--	---	-----	--	-----

C350

V6 3.5L 3498cc	276.957		57059		49034	49357		6	33643		58845
----------------	---------	--	-------	--	-------	-------	--	---	-------	--	-------

C350e

L4 2.0L 1991cc Turbo Electric/Gas	274.92		WL7515		WA10548	N/A			N/S		N/A
-----------------------------------	--------	--	--------	--	---------	-----	--	--	-----	--	-----

C450 AMG

V6 3.0L 3000CC 183CID Turbo	M276 Biturbo		57059		WA10359	N/A ⁴⁹³ N/A ⁴⁹²			N/S		N/A
-----------------------------	--------------	--	-------	--	---------	--	--	--	-----	--	-----

C63 AMG

V8 4.0L 3982cc Turbo			WL10077		WA10412	N/A		6	N/S		N/A
----------------------	--	--	---------	--	---------	-----	--	---	-----	--	-----

C63 AMG 507 Edition

V8 4.0L 3982cc Turbo			WL10077		WA10412	N/A		6	N/S		N/A
----------------------	--	--	---------	--	---------	-----	--	---	-----	--	-----

C63 AMG S

V8 4.0L 3982cc Turbo			WL10077		WA10412	N/A		6	N/S		N/A
----------------------	--	--	---------	--	---------	-----	--	---	-----	--	-----

CLA200

L4 1.6L 1595cc Turbo (Mex.)			WL7515		WA10312	WP10130			33251		
-----------------------------	--	--	--------	--	---------	---------	--	--	-------	--	--

CLA250

L4 2.0L 1991cc Turbo	270.920		WL7515		WA10312	WP10130		6	N/S		N/A
----------------------	---------	--	--------	--	---------	---------	--	---	-----	--	-----

CLA45 AMG

L4 2.0L 1991cc Turbo	270.920		WL10077		WA10952	WP10130		6	N/S		N/A
----------------------	---------	--	---------	--	---------	---------	--	---	-----	--	-----

N/A = Not Available N/R = Not Required N/S = Not Serviceable For cabin and fuel filter locator, see pages 5-15 See pages 16-19 for footnotes

N/A = Non disponible N/R = Non nécessaire N/S = Non réparable Para la ubicación de los filtros de aire de la cabina y de combustible, ver las páginas 5-15 Voir pages 16-19 pour des notes

N/A = No disponible N/R = No requiere N/S = No servible Voir les tableaux de repérage des filtres d'habitacle et à carburant aux pages 5-15 Ver las páginas 16-19 para las notas al pie de página

Italicized Part Numbers May Not Be Available. Wix XP Oil Filters Have Fully Synthetic Media.

Las piezas con números en *italicas* pueden no estar disponibles. Los filtros de aceite WIX XP son completamente de media sintética.

Les numéros de pièce en *italiques* peuvent ne pas être disponibles. Les filtres à huile Wix contiennent un matériau 100 % synthétique.

MERCEDES BENZ 2016
Pass Car/Light Truck

Year/Año/Année Model/Modelo/Modèle Engine/Motor/Moteur	Eng. Code Código de motor Code moteur	VIN NIV NIV	Oil Aceite Huile	Oil XP Aceite XP Huile XP	Air Aire Air	Cabin Air Cabina Aire Cabine Air	Cabin Air XP Cabina Aire XP Cabine Air XP	Loc. Cabin Air Cabina Aire Cabine Air	Fuel Combustible Carburant	Loc. Fuel Combustible Carburant	Transmission Transmisión Transmission
--	---	-------------------	------------------------	---------------------------------	--------------------	--	---	--	----------------------------------	--	---

MERCEDES BENZ (Cont'd/Suite)
2016 (Cont'd/Suite)
CLS400

V6 3.0L Turbo			57059		WA10359	49357		1	N/S		58144
---------------	--	--	-------	--	---------	-------	--	---	-----	--	-------

CLS500

V8 4.6L 4663cc Turbo (Mex.)	278.922		57059		49704	49357			N/A		
-----------------------------	---------	--	-------	--	-------	-------	--	--	-----	--	--

CLS550

V8 4.6L 4663cc Turbo	278.922		57059 ⁵⁰⁰ WL10077 ⁵⁰¹		49704	49357		4	N/S		58144
----------------------	---------	--	--	--	-------	-------	--	---	-----	--	-------

CLS63 AMG

V8 5.5L 5461cc Turbo	157.981		WL10077		49704	49357		1	N/S		
----------------------	---------	--	---------	--	-------	-------	--	---	-----	--	--

E250

L4 1.8L 1767cc 110 CID			WL10026		N/A	49357			N/S		N/A
L4 2.1L 2143cc 131 CID Turbo Diesel	651.924		WL10026			49357		4	N/A		N/R

E300

V6 3.5L 3498cc			57059		46799	49357			N/S		N/A
----------------	--	--	-------	--	-------	-------	--	--	-----	--	-----

E350

V6 3.5L 3498cc Flex	276.952		57059		49034	49357		1	N/S		
---------------------	---------	--	-------	--	-------	-------	--	---	-----	--	--

E400

V6 3.0L			57059		WA10359	49357		1	N/S		N/A
---------	--	--	-------	--	---------	-------	--	---	-----	--	-----

E550

V8 4.6L 4663cc Turbo	278.922		57059 ⁵⁰⁰ WL10077 ⁵⁰¹		49704	49357		4	N/S		58144
----------------------	---------	--	--	--	-------	-------	--	---	-----	--	-------

E63 AMG

V8 5.5L 5461cc Turbo	157.981		WL10077		49704	49357		1	N/S		N/A
----------------------	---------	--	---------	--	-------	-------	--	---	-----	--	-----

G550

V8 4.0L 3982cc Turbo			WL10077 WL10077		WA10412 WA10412	WP9037 WP9037			N/S N/S		N/A N/A
----------------------	--	--	--------------------	--	--------------------	------------------	--	--	------------	--	------------

G63 AMG

V8 5.5L 5461cc Turbo	157.984		WL10077		49704	49356 ⁷⁹ WP9037 ⁷⁸		1	N/S		N/A
----------------------	---------	--	---------	--	-------	---	--	---	-----	--	-----

G65 AMG

V12 6.0L 5980cc 365 CID Turbo	275.982		57198		49404	WP9037			N/S		N/A
-------------------------------	---------	--	-------	--	-------	--------	--	--	-----	--	-----

GL350 BLUETEC 4MATIC

V6 3.0L 2987cc Turbo Diesel	642.826		57062		N/A - Right N/A - Left	WP10124		3	WF8513		58144
-----------------------------	---------	--	-------	--	---------------------------	---------	--	---	--------	--	-------

GL450

V6 3.0L 2996cc Turbo			57059 ¹⁴⁴		WA10359	WP10124 ⁷⁹		3	N/S		58144
----------------------	--	--	----------------------	--	---------	-----------------------	--	---	-----	--	-------

GL550

V8 4.6L 4663cc Turbo	278.928		57059 ⁵⁰⁰ WL10077 ⁵⁰¹		49704	WP10124 ⁷⁹		4	N/S		58144
----------------------	---------	--	--	--	-------	-----------------------	--	---	-----	--	-------

GL63 AMG

V8 5.5L 5461cc Turbo	157.982		WL10077		49704	WP10124 ⁷⁹		1	N/S		58144
----------------------	---------	--	---------	--	-------	-----------------------	--	---	-----	--	-------

GLA200

L4 1.6L 1595cc Turbo (Mex.)			WL7515		WA10312	WP10130			N/S		
-----------------------------	--	--	--------	--	---------	---------	--	--	-----	--	--

GLA250

L4 2.0L 1991cc Turbo	270.920		WL7515		WA10312	WP10130		6	N/S		N/A
----------------------	---------	--	--------	--	---------	---------	--	---	-----	--	-----

GLA45 AMG

L4 2.0L 1991cc Turbo	270.920		WL10077		WA10952	WP10130		6	N/S		N/A
----------------------	---------	--	---------	--	---------	---------	--	---	-----	--	-----

GLC300

I4 2.0L Turbo			WL7515		WA10548	WP10124 ⁷⁹			N/S		N/A
---------------	--	--	--------	--	---------	-----------------------	--	--	-----	--	-----

GLE300d BlueTEC

L4 2.1L 2143cc 131 CID Turbo Diesel			WL10026		N/A	WP10124 ⁷⁹		6	N/S		58144
-------------------------------------	--	--	---------	--	-----	-----------------------	--	---	-----	--	-------

GLE350

V6 3.5L 3498cc	276.955		57059		49034	WP10124 ⁷⁹		3	N/S		N/A
----------------	---------	--	-------	--	-------	-----------------------	--	---	-----	--	-----

N/A = Not Available N/R = Not Required N/S = Not Serviceable For cabin and fuel filter locator, see pages 5-15 See pages 16-19 for footnotes

N/A = Non disponible N/R = Non nécessaire N/S = Non réparable Para la ubicación de los filtros de aire de la cabina y de combustible, ver las páginas 5-15 Voir pages 16-19 pour des notes

N/A = No disponible N/R = No requiere N/S = No servible Voir les tableaux de repérage des filtres d'habitacle et à carburant aux pages 5-15 Ver las páginas 16-19 para las notas al pie de página

Italicized Part Numbers May Not Be Available. Wix XP Oil Filters Have Fully Synthetic Media.

Las piezas con números en *italicas* pueden no estar disponibles. Los filtros de aceite WIX XP son completamente de media sintética. Les numéros de pièce en *italiques* peuvent ne pas être disponibles. Les filtres à huile XP Wix contiennent un matériau 100 % synthétique.

Year/Año/Année Model/Modelo/Modèle Engine/Motor/Moteur	Eng. Code Código de motor Code moteur	VIN NIV NIV	Oil Aceite Huile	Oil XP Aceite XP Huile XP	Air Aire Air	Cabin Air Cabina Aire Cabine Air	Cabin Air XP Cabina Aire XP Cabine Air XP	Loc. Cabin Air Cabina Aire Cabine Air	Fuel Combustible Carburant	Loc. Fuel Combustible Carburant	Transmission Transmisión Transmission
--	--	-------------------	------------------------	---------------------------------	--------------------	--	---	--	----------------------------------	--	---

MERCEDES BENZ (Cont'd/Suite)
2016 (Cont'd/Suite)
GLE350d

V6 3.0L 2987cc Turbo Diesel			57062		N/A	WP10124 ⁷⁹			WF8513		N/A
-----------------------------	--	--	-------	--	-----	-----------------------	--	--	--------	--	-----

GLE400 4Matic

V6 3.0L 2996cc Turbo			57059		WA10359	WP10124 ⁷⁹		6	N/S		N/A
----------------------	--	--	-------	--	---------	-----------------------	--	---	-----	--	-----

GLE450 AMG

V6 3.0L 2996cc Turbo			57059		WA10359	WP10124 ⁷⁹		4	N/S		58144
----------------------	--	--	-------	--	---------	-----------------------	--	---	-----	--	-------

GLE550

V6 3.0L 2996cc Turbo			57059		WA10359	WP10124 ⁷⁹		4	N/S		
----------------------	--	--	-------	--	---------	-----------------------	--	---	-----	--	--

V8 4.6L 4663cc Turbo	278.928		WL10077			N/A ⁷⁸ WP10124					
----------------------	---------	--	---------	--	--	------------------------------	--	--	--	--	--

GLE550e

V6 3.0L 2996cc Turbo Electric/Gas	276.821		57059		WA10359	WP10124			N/S		
--------------------------------------	---------	--	-------	--	---------	---------	--	--	-----	--	--

GLE63 AMG

V8 5.5L 5461cc Turbo	157.982		WL10077		49704	WP10124 ⁷⁹			N/S		N/A
----------------------	---------	--	---------	--	-------	-----------------------	--	--	-----	--	-----

GLE63 AMG S

V8 5.5L 5461cc Turbo			WL10077 WL10077		49704 49704	N/A N/A			N/S N/S		N/A N/A
----------------------	--	--	--------------------	--	----------------	------------	--	--	------------	--	------------

MAYBACH S600

V12 6.0L Turbo			57198		49404	N/A ⁴⁹²			N/S		N/A
----------------	--	--	-------	--	-------	--------------------	--	--	-----	--	-----

METRIS

L4 2.0L 1991cc Turbo			WL7515		WA10559	N/A			N/S		N/R
----------------------	--	--	--------	--	---------	-----	--	--	-----	--	-----

S550

V8 4.6L 4663cc Turbo	278.932		57059 ⁹⁰⁰ WL10077 ⁹⁰¹		49704	N/A ⁷⁸		4	N/S		N/A
----------------------	---------	--	--	--	-------	-------------------	--	---	-----	--	-----

S550E

V6 3.0L Turbo			57059		WA10359	N/A ⁴⁹³		4	N/S		N/A
---------------	--	--	-------	--	---------	--------------------	--	---	-----	--	-----

S600

V12 6.0L 5980cc 365 CID Turbo			57198		49404	N/A ⁷⁹		6	N/S		58144
----------------------------------	--	--	-------	--	-------	-------------------	--	---	-----	--	-------

S63 AMG

V8 5.5L 5461cc Turbo	157.985		WL10077		49704	N/A ⁴⁹³		4	N/S		N/A
----------------------	---------	--	---------	--	-------	--------------------	--	---	-----	--	-----

S65 AMG

V12 6.0L 5980cc 365 CID Turbo			57198		49404	N/A ⁴⁹²		6	N/S		N/A
----------------------------------	--	--	-------	--	-------	--------------------	--	---	-----	--	-----

SL400

V6 3.0L 2996cc Turbo			57059		WA10359	49357		6	N/S		N/A
----------------------	--	--	-------	--	---------	-------	--	---	-----	--	-----

SL550

V8 4.6L 4663cc Turbo	278.927		57059 ⁹⁰⁰ WL10077 ⁹⁰¹		49704	49357		4	N/S		58144
----------------------	---------	--	--	--	-------	-------	--	---	-----	--	-------

SL63 AMG

V8 5.5L 5461cc Turbo	157.983		WL10077		49704	49357 ⁷⁸		1	N/S		58144
----------------------	---------	--	---------	--	-------	---------------------	--	---	-----	--	-------

SL65 AMG

V12 6.0L 5980cc 365 CID Turbo	279.981		57198		49404 ⁹⁹⁴	49357		4	N/S		N/A
----------------------------------	---------	--	-------	--	----------------------	-------	--	---	-----	--	-----

SLK300

L4 2.0L 1991cc Turbo			WL7515		WA10548	49373		6	N/S		N/S
----------------------	--	--	--------	--	---------	-------	--	---	-----	--	-----

SLK350

V6 3.5L 3498cc	276.956		57059		49034	49373		4	N/S		58144
----------------	---------	--	-------	--	-------	-------	--	---	-----	--	-------

SLK55 AMG

V8 5.5L 5461cc	152.980		WL10077		WA10945	49373		4	N/S		N/A
----------------	---------	--	---------	--	---------	-------	--	---	-----	--	-----

SPRINTER 2500

L4 2.1L 2143cc 131 CID Diesel	651.955		WL10026		49876	49366		3	N/A		N/A
----------------------------------	---------	--	---------	--	-------	-------	--	---	-----	--	-----

N/A = Not Available N/R = Not Required N/S = Not Serviceable For cabin and fuel filter locator, see pages 5-15 See pages 16-19 for footnotes

N/A = Non disponible N/R = Non nécessaire N/S = Non réparable Para la ubicación de los filtros de aire de la cabina y de combustible, ver las páginas 5-15 Voir pages 16-19 pour des notes

N/A = No disponible N/R = No requiere N/S = No servible Voir les tableaux de repérage des filtres d'habitacle et à carburant aux pages 5-15 Ver las páginas 16-19 para las notas al pie de página

Italicized Part Numbers May Not Be Available. Wix XP Oil Filters Have Fully Synthetic Media.

Las piezas con números en *italicas* pueden no estar disponibles. Los filtros de aceite WIX XP son completamente de media sintética.

Les numéros de pièce en *italiques* peuvent ne pas être disponibles. Les filtres à huile XP Wix contiennent un matériau 100 % synthétique.

MERCEDES BENZ 2016-2015
Pass Car/Light Truck

Year/Año/Année Model/Modelo/Modèle Engine/Motor/Moteur	Eng. Code Código de motor Code moteur	VIN NIV NIV	Oil Aceite Huile	Oil XP Aceite XP Huile XP	Air Aire Air	Cabin Air Cabina Aire Cabine Air	Cabin Air XP Cabina Aire XP Cabine Air XP	Loc. Cabin Air Cabina Aire Cabine Air	Fuel Combustible Carburant	Loc. Fuel Combustible Carburant	Transmission Transmisión Transmission
--	---	-------------------	------------------------	---------------------------------	--------------------	--	---	--	----------------------------------	--	---

MERCEDES BENZ (Cont'd/Suite)
2016 (Cont'd/Suite)
SPRINTER 2500 (Cont'd/Suite)

V6 3.0L 2987cc Turbo Diesel	642.896		57062		49876	49366 N/A ²²⁸		3	33934 ¹⁷⁹ 33250 ³⁸⁴ 33251 ³⁸³ WF8513 ⁵²⁴		58845
-----------------------------	---------	--	-------	--	-------	-----------------------------	--	---	---	--	-------

SPRINTER 3500

L4 2.1L 2143cc 131 CID Turbo Diesel	651.955		WL10026		49876	49366		3	N/A		N/A
V6 3.0L 2987cc Turbo Diesel	642.896		57062		49876	49366 N/A ²²⁸		3	33934 ¹⁷⁹ 33250 ³⁸⁴ 33251 ³⁸³ WF8513 ⁵²⁴		58845

2015
A200

L4 1.6L 1595cc Turbo (Mex.)			WL7515		WA10312	WP10130			N/A		
-----------------------------	--	--	--------	--	---------	---------	--	--	-----	--	--

A45 AMG

L4 2.0L 1991cc Turbo (Mex.)			N/A		N/A	WP10130			N/A		
-----------------------------	--	--	-----	--	-----	---------	--	--	-----	--	--

B180

L4 1.6L 1595cc Turbo (Mex.)			WL7515		WA10312	WP10130			N/S		
-----------------------------	--	--	--------	--	---------	---------	--	--	-----	--	--

B250

L4 2.0L 1991cc Turbo	270.920		WL7515		WA10312	WP10130					
----------------------	---------	--	--------	--	---------	---------	--	--	--	--	--

C180

L4 1.6L 1595cc Turbo (Mex.)			N/A		49094	49357			N/A		
-----------------------------	--	--	-----	--	-------	-------	--	--	-----	--	--

C200

L4 1.8L 1796cc Turbo (Mex.)	271.860		57009		49094	49357			N/A		
-----------------------------	---------	--	-------	--	-------	-------	--	--	-----	--	--

C250

L4 1.8L 1796cc Turbo	271.860		WL10059		49094	49357		6	N/S		58845
----------------------	---------	--	---------	--	-------	-------	--	---	-----	--	-------

C300

L4 2.0L 1991cc Turbo			WL7515		WA10548	WP10124 - Primary		6	N/S		58144
----------------------	--	--	--------	--	---------	-------------------	--	---	-----	--	-------

C350

V6 3.5L 3498cc	276.957		57059		49034	49357		6	33643		58845
----------------	---------	--	-------	--	-------	-------	--	---	-------	--	-------

C400

V6 3.0L 2996cc Turbo			57059		WA10359	WP10124 - Primary N/A - Sec.		6	N/S		N/A
----------------------	--	--	-------	--	---------	---------------------------------	--	---	-----	--	-----

C63 AMG

V8 6.3L 6208cc	156.985		57010		49504	49357		6	N/S		N/A
----------------	---------	--	-------	--	-------	-------	--	---	-----	--	-----

C63 AMG Mid Year Engine Change

V8 4.0L 3982cc Turbo			WL10077		WA10412	N/A		6	N/S		N/A
----------------------	--	--	---------	--	---------	-----	--	---	-----	--	-----

CLA200

L4 1.6L 1595cc Turbo (Mex.)			WL7515		WA10312	WP10130			33251		
-----------------------------	--	--	--------	--	---------	---------	--	--	-------	--	--

CLA250

L4 2.0L 1991cc Turbo	270.920		WL7515		WA10312	WP10130		6	N/S		58144
----------------------	---------	--	--------	--	---------	---------	--	---	-----	--	-------

CLA45 AMG

L4 2.0L 1991cc Turbo	133.980		WL10077		WA10952	WP10130		6	N/S		N/S
----------------------	---------	--	---------	--	---------	---------	--	---	-----	--	-----

CLS400

V6 3.0L Turbo			57059		WA10359	49357		1	N/S		58144
---------------	--	--	-------	--	---------	-------	--	---	-----	--	-------

CLS500

V8 4.6L 4663cc Turbo (Mex.)	278.922		57059		49704	49357			N/A		
-----------------------------	---------	--	-------	--	-------	-------	--	--	-----	--	--

CLS550

V8 4.6L 4663cc Turbo	278.922		57059 ⁵⁰⁰ WL10077 ⁵⁰¹		49704	49357		4	N/S		58144
----------------------	---------	--	--	--	-------	-------	--	---	-----	--	-------

CLS63 AMG

V8 5.5L 5461cc Turbo	157.981		WL10077		49704	49357		1	N/S		58144
----------------------	---------	--	---------	--	-------	-------	--	---	-----	--	-------

E200

L4 2.0L 1991cc Turbo (Mex.)			WL7515		N/A	49357			N/A		
-----------------------------	--	--	--------	--	-----	-------	--	--	-----	--	--

N/A = Not Available N/R = Not Required N/S = Not Serviceable For cabin and fuel filter locator, see pages 5-15 See pages 16-19 for footnotes

N/A = Non disponible N/R = Non nécessaire N/S = Non réparable Para la ubicación de los filtros de aire de la cabina y de combustible, ver las páginas 5-15 Voir pages 16-19 pour des notes

N/A = No disponible N/R = No requiere N/S = No servible Voir les tableaux de repérage des filtres d'habitacle et à carburant aux pages 5-15 Ver las páginas 16-19 para las notas al pie de página

Italicized Part Numbers May Not Be Available. Wix XP Oil Filters Have Fully Synthetic Media.

Las piezas con números en *italicas* pueden no estar disponibles. Los filtros de aceite WIX XP son completamente de media sintética. Les numéros de pièce en *italiques* peuvent ne pas être disponibles. Les filtres à huile XP Wix contiennent un matériau 100 % synthétique.

Year/Año/Année Model/Modelo/Modèle Engine/Motor/Moteur	Eng. Code Código de motor Code moteur	VIN NIV NIV	Oil Aceite Huile	Oil XP Aceite XP Huile XP	Air Aire Air	Cabin Air Cabina Aire Cabine Air	Cabin Air XP Cabina Aire XP Cabine Air XP	Loc. Cabin Air Cabina Aire Cabine Air	Fuel Combustible Carburant	Loc. Fuel Combustible Carburant	Transmission Transmisión Transmission
--	---	-------------------	------------------------	---------------------------------	--------------------	--	---	--	----------------------------------	--	---

MERCEDES BENZ (Cont'd/Suite)
2015 (Cont'd/Suite)
E250

L4 2.0L 1991cc Turbo (Mex.)	651.924		WL7515		N/A	49357			N/S		
L4 2.1L 2143cc 131 CID Turbo Diesel			WL10026			49357		4	N/A		58144

E300

V6 3.5L 3498CC			57059		49034	49357			N/S		N/S
----------------	--	--	-------	--	-------	-------	--	--	-----	--	-----

E350

V6 3.5L 3498cc Flex	276.952		57059		49034	49357		1	N/S		58144
---------------------	---------	--	-------	--	-------	-------	--	---	-----	--	-------

E400

V6 3.0L 2987cc Turbo Diesel (Mex.)	642.820		57059		N/A	49357			N/S		
------------------------------------	---------	--	-------	--	-----	-------	--	--	-----	--	--

E400 HYBRID

V6 3.5L 3498cc Electric/Gas	276.952		57059		49034	49357		1	N/S		N/A
-----------------------------	---------	--	-------	--	-------	-------	--	---	-----	--	-----

E500

V8 4.6L 4663cc Turbo (Mex.)	278.922		57059		49704	49357			N/S		
-----------------------------	---------	--	-------	--	-------	-------	--	--	-----	--	--

E550

V8 4.6L 4663cc Turbo	278.922		57059 ⁹⁰⁰ WL10077 ⁹⁰¹		49704	49357		4	N/S		58144
----------------------	---------	--	--	--	-------	-------	--	---	-----	--	-------

E63 AMG

V8 5.5L 5461cc Turbo	157.981		WL10077		49704	49357		1	N/S		58144
----------------------	---------	--	---------	--	-------	-------	--	---	-----	--	-------

G500

V8 5.5L 5461cc (Mex.)	273.963		57078		46799	WP9037			33643		
-----------------------	---------	--	-------	--	-------	--------	--	--	-------	--	--

G550

V8 5.5L 5461cc	273.963		57078		46799 ³⁹⁴	WP9037		3	33643		58144
----------------	---------	--	-------	--	----------------------	--------	--	---	-------	--	-------

G63 AMG

V8 5.5L 5461cc Turbo	157.984		WL10077		49704	WP9037		1	N/S		N/A
----------------------	---------	--	---------	--	-------	--------	--	---	-----	--	-----

G65 AMG

V12 6.0L 5980cc 365 CID Turbo (Mex.)	275.982		57198		49404	49356			N/S		
--------------------------------------	---------	--	-------	--	-------	-------	--	--	-----	--	--

GL350

V6 3.0L 2987cc Turbo Diesel	642.826		57062		N/A - Right N/A - Left	WP10124		3	33934 ¹⁷⁹ 33250 ³⁸⁴ 33251 ³⁸³ N/A ²⁸⁹		58144
-----------------------------	---------	--	-------	--	---------------------------	---------	--	---	--	--	-------

GL450

V6 3.0L 2996cc Turbo			57059 ¹⁴⁴		49034	WP10124 ⁷⁹		3	N/S		N/A
----------------------	--	--	----------------------	--	-------	-----------------------	--	---	-----	--	-----

GL500

V8 4.6L 4663cc Turbo (Mex.)	278.928		N/A		49704	N/A			N/S		
-----------------------------	---------	--	-----	--	-------	-----	--	--	-----	--	--

GL550

V8 4.6L 4663cc Turbo	278.928		57059 ⁹⁰⁰ WL10077 ⁹⁰¹		49704	WP10124		4	N/S		58144
----------------------	---------	--	--	--	-------	---------	--	---	-----	--	-------

GL63 AMG

V8 5.5L 5461cc Turbo	157.982		WL10077		49704	WP10124		1	N/S		N/A
----------------------	---------	--	---------	--	-------	---------	--	---	-----	--	-----

GLA200

L4 1.6L 1595cc Turbo (Mex.)			WL7515		WA10312	WP10130			N/S		
-----------------------------	--	--	--------	--	---------	---------	--	--	-----	--	--

GLA250

L4 2.0L 1991cc Turbo			WL7515		WA10312	WP10130		6	N/S		N/A
----------------------	--	--	--------	--	---------	---------	--	---	-----	--	-----

GLA45 AMG

L4 2.0L 1991cc Turbo			WL10077		WA10952	WP10130		6	N/S		N/A
----------------------	--	--	---------	--	---------	---------	--	---	-----	--	-----

GLK250

L4 2.1L 2143cc 131 CID Turbo Diesel	651.912		WL10026		WA9727 ⁶¹	49357		4	N/A		58144
-------------------------------------	---------	--	---------	--	----------------------	-------	--	---	-----	--	-------

GLK350

V6 3.5L 3498cc	276.957		57059		49034	49357		6	N/S		58144
----------------	---------	--	-------	--	-------	-------	--	---	-----	--	-------

N/A = Not Available N/R = Not Required N/S = Not Serviceable For cabin and fuel filter locator, see pages 5-15 See pages 16-19 for footnotes

N/A = Non disponible N/R = Non nécessaire N/S = Non réparable Para la ubicación de los filtros de aire de la cabina y de combustible, ver las páginas 5-15 Voir pages 16-19 pour des notes

N/A = No disponible N/R = No requiere N/S = No servible Voir les tableaux de repérage des filtres d'habitacle et à carburant aux pages 5-15 Ver las páginas 16-19 para las notas al pie de página

Italicized Part Numbers May Not Be Available. Wix XP Oil Filters Have Fully Synthetic Media.

Las piezas con números en *italicas* pueden no estar disponibles. Los filtros de aceite WIX XP son completamente de media sintética.

Les numéros de pièce en *italiques* peuvent ne pas être disponibles. Les filtres à huile Wix contiennent un matériau 100 % synthétique.

MERCEDES BENZ 2015
Pass Car/Light Truck

Year/Año/Année Model/Modelo/Modèle Engine/Motor/Moteur	Eng. Code Código de motor Code moteur	VIN NIV NIV	Oil Aceite Huile	Oil XP Aceite XP Huile XP	Air Aire Air	Cabin Air Cabina Aire Cabine Air	Cabin Air XP Cabina Aire XP Cabine Air XP	Loc. Cabin Air Cabina Aire Cabine Air	Fuel Combustible Carburant	Loc. Fuel Combustible Carburant	Transmission Transmisión Transmission
--	---	-------------------	------------------------	---------------------------------	--------------------	--	---	--	----------------------------------	--	---

MERCEDES BENZ (Cont'd/Suite)
2015 (Cont'd/Suite)
ML250

L4 2.1L 2143cc 131 CID Turbo Diesel			WL10026		N/A	WP10124		6	N/A		58144
-------------------------------------	--	--	---------	--	-----	---------	--	---	-----	--	-------

ML350

V6 3.5L 3498cc	276.955		57059		49034	WP10124		3	N/S		58144
----------------	---------	--	-------	--	-------	---------	--	---	-----	--	-------

ML350 BLUETEC 4MATIC

V6 3.0L 2987cc Turbo Diesel	642.826		57062		N/A - Right	WP10124		3	33934 ¹⁷⁹ N/A ²⁸⁹ WF8513 ⁴³⁸ 33250 ³⁸⁴		58144
-----------------------------	---------	--	-------	--	-------------	---------	--	---	---	--	-------

ML400

V6 3.0L 2996cc Turbo			57059		WA10359	N/A WP10124		6	N/S		N/A
----------------------	--	--	-------	--	---------	----------------	--	---	-----	--	-----

ML550

V8 4.6L 4663cc Turbo	278.928		57059 ⁵⁰⁰ WL10077 ⁵⁰¹		49704	WP10124		4	N/S		N/A
----------------------	---------	--	--	--	-------	---------	--	---	-----	--	-----

ML63 AMG

V8 5.5L 5461cc Turbo	157.982		WL10077		49704	WP10124		1	N/S		N/A
----------------------	---------	--	---------	--	-------	---------	--	---	-----	--	-----

S550

V8 4.6L 4663cc Turbo	278.932		57059 ⁵⁰⁰ WL10077 ⁵⁰¹		49704	N/A		4	N/S		N/A
----------------------	---------	--	--	--	-------	-----	--	---	-----	--	-----

S550E

V6 3.0L 2996cc Turbo Electric/Gas	276.821		57059		WA10359	N/A			N/S		
-----------------------------------	---------	--	-------	--	---------	-----	--	--	-----	--	--

S600

V12 6.0L 5980cc 365 CID Turbo			57198		49404	N/A		6	N/S		N/A
-------------------------------	--	--	-------	--	-------	-----	--	---	-----	--	-----

S63 AMG

V8 5.5L 5461cc Turbo	157.985		WL10077		49704	N/A		4	N/S		58144
----------------------	---------	--	---------	--	-------	-----	--	---	-----	--	-------

S65 AMG

V12 6.0L 5980cc 365 CID Turbo			57198		49404	N/A		6	N/S		N/A
-------------------------------	--	--	-------	--	-------	-----	--	---	-----	--	-----

SL400

V6 3.0L 2996cc Turbo			57059		WA10359	49357		6	N/S		N/A
----------------------	--	--	-------	--	---------	-------	--	---	-----	--	-----

SL550

V8 4.6L 4663cc Turbo	278.927		57059 ⁵⁰⁰ WL10077 ⁵⁰¹		49704	49357		4	33643		58144
----------------------	---------	--	--	--	-------	-------	--	---	-------	--	-------

SL63 AMG

V8 5.5L 5461cc Turbo	157.983		WL10077		49704	49357		1	N/S		58144
----------------------	---------	--	---------	--	-------	-------	--	---	-----	--	-------

SL65 AMG

V12 6.0L 5980cc 365 CID Turbo	279.981		57198		49404 ³⁶⁴	49357		4	N/S		58845
-------------------------------	---------	--	-------	--	----------------------	-------	--	---	-----	--	-------

SLK200

L4 1.8L 1796cc Turbo (Mex.)	271.861		57009		49094	49373			N/S		
-----------------------------	---------	--	-------	--	-------	-------	--	--	-----	--	--

SLK250

L4 1.8L 1796cc Turbo	271.861		WL10059		49094	49373		6	N/S		N/A
----------------------	---------	--	---------	--	-------	-------	--	---	-----	--	-----

SLK350

V6 3.5L 3498cc	276.956		57059		49034	49373		4	N/S		58144
----------------	---------	--	-------	--	-------	-------	--	---	-----	--	-------

SLK55 AMG

V8 5.5L 5461cc	152.980		WL10077		WA10945	49373		4	N/S		N/A
----------------	---------	--	---------	--	---------	-------	--	---	-----	--	-----

SLS AMG

V8 6.2L 6208cc	159.980		57010		N/A	49357		4	N/S		N/A
----------------	---------	--	-------	--	-----	-------	--	---	-----	--	-----

SPRINTER VAN

L4 2.1L 2143cc 131 CID Turbo Diesel	651.955		WL10026		49876	49366		3	33251 N/A ¹⁶² N/A ⁵¹⁸		N/A
-------------------------------------	---------	--	---------	--	-------	-------	--	---	---	--	-----

N/A = Not Available N/R = Not Required N/S = Not Serviceable For cabin and fuel filter locator, see pages 5-15 See pages 16-19 for footnotes

N/A = Non disponible N/R = Non nécessaire N/S = Non réparable Para la ubicación de los filtros de aire de la cabina y de combustible, ver las páginas 5-15 Voir pages 16-19 pour des notes

N/A = No disponible N/R = No requiere N/S = No servible Voir les tableaux de repérage des filtres d'habitacle et à carburant aux pages 5-15 Ver las páginas 16-19 para las notas al pie de página

Italicized Part Numbers May Not Be Available. Wix XP Oil Filters Have Fully Synthetic Media.

Las piezas con números en *italicas* pueden no estar disponibles. Los filtros de aceite WIX XP son completamente de media sintética. Les numéros de pièce en *italiques* peuvent ne pas être disponibles. Les filtres à huile XP Wix contiennent un matériau 100 % synthétique.

Year/Año/Année Model/Modelo/Modèle Engine/Motor/Moteur	Eng. Code Código de motor Code moteur	VIN NIV NIV	Oil Aceite Huile	Oil XP Aceite XP Huile XP	Air Aire Air	Cabin Air Cabina Aire Cabine Air	Cabin Air XP Cabina Aire XP Cabine Air XP	Loc. Cabin Air Cabina Aire Cabine Air	Fuel Combustible Carburant	Loc. Fuel Combustible Carburant	Transmission Transmisión Transmission
--	---	-------------------	------------------------	---------------------------------	--------------------	--	---	--	----------------------------------	--	---

MERCEDES BENZ (Cont'd/Suite)
2015 (Cont'd/Suite)
SPRINTER VAN (Cont'd/Suite)

V6 3.0L 2987cc Turbo Diesel	642.896		57062		49876	49366 N/A ²²⁸		3	33934 ¹⁷⁹ 33250 ³⁸⁴ 33251 ³⁸³ N/A ²⁸⁹ WF8513 ⁵²⁴		58845
-----------------------------	---------	--	-------	--	-------	-----------------------------	--	---	---	--	-------

2014
A200

L4 1.6L 1595cc Turbo (Mex.)			WL7515		WA10312	WP10130			N/A		
-----------------------------	--	--	--------	--	---------	---------	--	--	-----	--	--

A250

L4 2.0L 1991cc Turbo (Mex.)			WL7515		WA10312	WP10130			N/A		
-----------------------------	--	--	--------	--	---------	---------	--	--	-----	--	--

A45 AMG

L4 2.0L 1991cc Turbo (Mex.)			N/A		N/A	WP10130			N/A		
-----------------------------	--	--	-----	--	-----	---------	--	--	-----	--	--

B180

L4 1.6L 1595cc Turbo (Mex.)			WL7515		WA10312	WP10130			N/S		
-----------------------------	--	--	--------	--	---------	---------	--	--	-----	--	--

B250

L4 2.0L 1991cc Turbo	270.920		WL7515		WA10312	WP10130					
----------------------	---------	--	--------	--	---------	---------	--	--	--	--	--

C180

L4 1.6L 1595cc Turbo (Mex.)			N/A		49094	49357			N/A		
-----------------------------	--	--	-----	--	-------	-------	--	--	-----	--	--

C200

L4 1.8L 1796cc Turbo (Mex.)	271.860		57009		49094	49357			N/A		
-----------------------------	---------	--	-------	--	-------	-------	--	--	-----	--	--

C250

L4 1.8L 1796cc Turbo	271.860		WL10059		49094	49357		6	N/S		58845
----------------------	---------	--	---------	--	-------	-------	--	---	-----	--	-------

C300

V6 3.5L 3498cc	276.957		57059		49034	49357		6	33643		58845
----------------	---------	--	-------	--	-------	-------	--	---	-------	--	-------

C350

V6 3.5L 3498cc	276.957		57059		49034	49357		6	33643		58845
----------------	---------	--	-------	--	-------	-------	--	---	-------	--	-------

C63 AMG

V8 6.2L 6200cc 378 CID (Mex.)			N/S		N/S	49357			N/S		N/S
V8 6.3L 6208cc	156.985		57010		49504	49357		6	N/S		58144

CL550

V8 4.6L 4663cc Turbo	278.920		57059 ⁹⁰⁰ WL10077 ⁹⁰¹		49704	24218		4	N/S		58144
----------------------	---------	--	--	--	-------	-------	--	---	-----	--	-------

CL600

V12 5.5L 5513cc 336 CID Turbo	275.953		57198		49404 ⁹⁹⁴	24218		4	N/S		58144
-------------------------------	---------	--	-------	--	----------------------	-------	--	---	-----	--	-------

CL63 AMG

V8 5.5L 5461cc Turbo	157.980		WL10077		49704	24218		4	N/S		58144
----------------------	---------	--	---------	--	-------	-------	--	---	-----	--	-------

CL65 AMG

V12 6.0L 5980cc 365 CID Turbo	275.982		57198		49404 ⁹⁹⁴	24218		4	N/S		58144
-------------------------------	---------	--	-------	--	----------------------	-------	--	---	-----	--	-------

CLA200

L4 1.6L 1595cc Turbo (Mex.)			WL7515		WA10312	WP10130			33251		
-----------------------------	--	--	--------	--	---------	---------	--	--	-------	--	--

CLA250

L4 2.0L 1991cc Turbo	270.920		WL7515		WA10312	WP10130		6	N/S		58144
----------------------	---------	--	--------	--	---------	---------	--	---	-----	--	-------

CLA45 AMG

L4 2.0L 1991cc Turbo	133.980		WL10077		WA10952	WP10130		6	N/S		N/S
----------------------	---------	--	---------	--	---------	---------	--	---	-----	--	-----

CLS350

V6 3.5L 3498cc (Mex.)	276.952		57059		49034	49357			N/A		
-----------------------	---------	--	-------	--	-------	-------	--	--	-----	--	--

CLS500

V8 4.6L 4663cc Turbo (Mex.)	278.922		57059		49704	49357			N/A		
-----------------------------	---------	--	-------	--	-------	-------	--	--	-----	--	--

CLS550

V8 4.6L 4663cc Turbo	278.922		57059 ⁹⁰⁰ WL10077 ⁹⁰¹		49704	49357		4	N/S		58144
----------------------	---------	--	--	--	-------	-------	--	---	-----	--	-------

N/A = Not Available N/R = Not Required N/S = Not Serviceable For cabin and fuel filter locator, see pages 5-15 See pages 16-19 for footnotes

N/A = Non disponible N/R = Non nécessaire N/S = Non réparable Para la ubicación de los filtros de aire de la cabina y de combustible, ver las páginas 5-15 Voir pages 16-19 pour des notes

N/A = No disponible N/R = No requiere N/S = No servible Voir les tableaux de repérage des filtres d'habitacle et à carburant aux pages 5-15 Ver las páginas 16-19 para las notas al pie de página

Italicized Part Numbers May Not Be Available. Wix XP Oil Filters Have Fully Synthetic Media.

Las piezas con números en *italicas* pueden no estar disponibles. Los filtros de aceite WIX XP son completamente de media sintética.

Les numéros de pièce en *italiques* peuvent ne pas être disponibles. Les filtres à huile XP Wix contiennent un matériau 100 % synthétique.

MERCEDES BENZ 2014
Pass Car/Light Truck

Year/Año/Année Model/Modelo/Modèle Engine/Motor/Moteur	Eng. Code Código de motor Code moteur	VIN NIV NIV	Oil Aceite Huile	Oil XP Aceite XP Huile XP	Air Aire Air	Cabin Air Cabina Aire Cabine Air	Cabin Air XP Cabina Aire XP Cabine Air XP	Loc. Cabin Air Cabina Aire Cabine Air	Fuel Combustible Carburant	Loc. Fuel Combustible Carburant	Transmission Transmisión Transmission
--	---	-------------------	------------------------	---------------------------------	--------------------	--	---	--	----------------------------------	--	---

MERCEDES BENZ (Cont'd/Suite)
2014 (Cont'd/Suite)
CLS63 AMG

V8 5.5L 5461cc Turbo	157.981		WL10077		49704	49357		1	N/S		58144
----------------------	---------	--	---------	--	-------	-------	--	---	-----	--	-------

E200

L4 1.8L 1796cc Turbo (Mex.)	271.860		57009		49094	49357			N/A		
-----------------------------	---------	--	-------	--	-------	-------	--	--	-----	--	--

E250

L4 2.0L 1991cc Turbo (Mex.)			WL7515		N/A	49357			N/S		
L4 2.1L 2143cc 131 CID Turbo Diesel	651.924		WL10026		N/A	49357		4	N/A		58144

E300

V6 3.5L 3498CC			57059		N/S	N/S			N/S		N/S
----------------	--	--	-------	--	-----	-----	--	--	-----	--	-----

E350

V6 3.5L 3498cc	276.952		57059		49034	49357		1	N/S		N/A
	276.957		57059		49034	49357		1	N/S		58144

E400

V6 3.0L 2987cc Turbo Diesel (Mex.)	642.820		57059		N/A	49357			N/S		
------------------------------------	---------	--	-------	--	-----	-------	--	--	-----	--	--

E400 HYBRID

V6 3.5L 3498cc Electric/Gas	276.952		57059		49034	49357		1	N/S		58144
-----------------------------	---------	--	-------	--	-------	-------	--	---	-----	--	-------

E500

V8 4.6L 4663cc Turbo (Mex.)	278.922		57059		49704	49357			N/S		
-----------------------------	---------	--	-------	--	-------	-------	--	--	-----	--	--

E550

V8 4.6L 4663cc Turbo	278.922		57059 ⁵⁰⁰ WL10077 ⁵⁰¹		49034	49357		4	N/S		58144
----------------------	---------	--	--	--	-------	-------	--	---	-----	--	-------

E63 AMG

V8 5.5L 5461cc Turbo	157.981		WL10077		49704	49357		1	N/S		58144
----------------------	---------	--	---------	--	-------	-------	--	---	-----	--	-------

G500

V8 5.5L 5461cc (Mex.)	273.963		57078		46799	WP9037			33643		
-----------------------	---------	--	-------	--	-------	--------	--	--	-------	--	--

G550

V8 5.5L 5461cc	273.963		57078		46799 ³⁵⁴	WP9037		3	33643		58144
----------------	---------	--	-------	--	----------------------	--------	--	---	-------	--	-------

G63 AMG

V8 5.5L 5461cc Turbo	157.984		WL10077		49704	WP9037		1	N/S		N/A
----------------------	---------	--	---------	--	-------	--------	--	---	-----	--	-----

G65 AMG

V12 6.0L 5980cc 365 CID Turbo (Mex.)	275.982		57198		49404	49356			N/S		
--------------------------------------	---------	--	-------	--	-------	-------	--	--	-----	--	--

GL350

V6 3.0L 2987cc Turbo Diesel	642.826		57062		N/A - Right N/A - Left	N/A WP10124		3	33934 ¹⁷⁹ 33250 ³⁸⁴ 33251 ³⁸³ N/A ²⁸⁹		58144
-----------------------------	---------	--	-------	--	---------------------------	----------------	--	---	--	--	-------

GL450

V8 4.6L 4663cc Turbo	278.928		57059 ⁵⁰⁰ WL10077 ⁵⁰¹		49704	WP10124		3	N/S		58144
----------------------	---------	--	--	--	-------	---------	--	---	-----	--	-------

GL500

V8 4.6L 4663cc Turbo (Mex.)	278.928		N/A		49704	N/A			N/S		
-----------------------------	---------	--	-----	--	-------	-----	--	--	-----	--	--

GL550

V8 4.6L 4663cc Turbo	278.928		57059 ⁵⁰⁰ WL10077 ⁵⁰¹		49704	WP10124		4	N/S		58144
----------------------	---------	--	--	--	-------	---------	--	---	-----	--	-------

GL63 AMG

V8 5.5L 5461cc Turbo	157.982		WL10077		49704	WP10124		1	N/S		N/A
----------------------	---------	--	---------	--	-------	---------	--	---	-----	--	-----

GLA200

L4 1.6L 1595cc Turbo (Mex.)			WL7515		WA10312	WP10130			N/S		
-----------------------------	--	--	--------	--	---------	---------	--	--	-----	--	--

GLA250

L4 2.0L 1991cc Turbo (Mex.)	270.920		WL7515		N/A	N/A			N/S		
-----------------------------	---------	--	--------	--	-----	-----	--	--	-----	--	--

GLK250

L4 2.1L 2143cc 131 CID Turbo Diesel	651.912		WL10026		WA9727 ⁶¹	49357		4	N/A		58144
-------------------------------------	---------	--	---------	--	----------------------	-------	--	---	-----	--	-------

N/A = Not Available N/R = Not Required N/S = Not Serviceable For cabin and fuel filter locator, see pages 5-15 See pages 16-19 for footnotes

N/A = Non disponible N/R = Non nécessaire N/S = Non réparable Para la ubicación de los filtros de aire de la cabina y de combustible, ver las páginas 5-15 Voir pages 16-19 pour des notes

N/A = No disponible N/R = No requiere N/S = No servible Voir les tableaux de repérage des filtres d'habitacle et à carburant aux pages 5-15 Ver las páginas 16-19 para las notas al pie de página

Italicized Part Numbers May Not Be Available. Wix XP Oil Filters Have Fully Synthetic Media.

Las piezas con números en *italicas* pueden no estar disponibles. Los filtros de aceite WIX XP son completamente de media sintética. Les numéros de pièce en *italiques* peuvent ne pas être disponibles. Les filtres à huile XP Wix contiennent un matériau 100 % synthétique.

Year/Año/Année Model/Modelo/Modèle Engine/Motor/Moteur	Eng. Code Código de motor Code moteur	VIN NIV NIV	Oil Aceite Huile	Oil XP Aceite XP Huile XP	Air Aire Air	Cabin Air Cabina Aire Cabine Air	Cabin Air XP Cabina Aire XP Cabine Air XP	Loc. Cabin Air Cabina Aire Cabine Air	Fuel Combustible Carburant	Loc. Fuel Combustible Carburant	Transmission Transmisión Transmission
--	---	-------------------	------------------------	---------------------------------	--------------------	--	---	--	----------------------------------	--	---

MERCEDES BENZ (Cont'd/Suite)
2014 (Cont'd/Suite)
GLK350

V6 3.5L 3498cc	276.957	57059			49034	49357		6	N/S		58144
----------------	---------	-------	--	--	-------	-------	--	---	-----	--	-------

ML350

V6 3.5L 3498cc	276.955	57059			49034	WP10124		3	N/S		58144
----------------	---------	-------	--	--	-------	---------	--	---	-----	--	-------

ML350 BLUETEC 4MATIC

V6 3.0L 2987cc Turbo Diesel	642.826	57062			N/A - Right N/A - Left	WP10124		3	33934 ¹⁷⁹ N/A ²⁸⁹ WF8513 ⁴³⁸ 33250 ³⁸⁴		58144
-----------------------------	---------	-------	--	--	---------------------------	---------	--	---	---	--	-------

ML550

V8 4.6L 4663cc Turbo	278.928	57059 ⁵⁰⁰ WL10077 ⁵⁰¹			49704	WP10124		4	N/S		N/A
----------------------	---------	--	--	--	-------	---------	--	---	-----	--	-----

ML63 AMG

V8 5.5L 5461cc Turbo	157.982	WL10077			49704	N/A WP10124		1	N/S		N/A
----------------------	---------	---------	--	--	-------	----------------	--	---	-----	--	-----

S350

V6 3.5L 3498cc (Mex.)	272.965	57078				24218			N/S		
-----------------------	---------	-------	--	--	--	-------	--	--	-----	--	--

S550

V8 4.6L 4663cc Turbo	278.929	57059 ⁵⁰⁰ WL10077 ⁵⁰¹			49704	24218		4	N/S		58144
----------------------	---------	--	--	--	-------	-------	--	---	-----	--	-------

S63 AMG

V8 5.5L 5461cc Turbo	157.985	WL10077			49704	24218		4	N/S		58144
----------------------	---------	---------	--	--	-------	-------	--	---	-----	--	-------

SL550

V8 4.6L 4663cc Turbo	278.927	57059 ⁵⁰⁰ WL10077 ⁵⁰¹			49704	49357		4	33643		58144
----------------------	---------	--	--	--	-------	-------	--	---	-------	--	-------

SL63 AMG

V8 5.5L 5461cc Turbo	157.983	WL10077			49704	49357		1	N/S		58144
----------------------	---------	---------	--	--	-------	-------	--	---	-----	--	-------

SL65 AMG

V12 6.0L 5980cc 365 CID Turbo	279.981	57198			49404 ³⁹⁴	49357		4	N/S		58845
-------------------------------	---------	-------	--	--	----------------------	-------	--	---	-----	--	-------

SLK200

L4 1.8L 1796cc Turbo (Mex.)	271.861	57009			49094	49373			N/S		
-----------------------------	---------	-------	--	--	-------	-------	--	--	-----	--	--

SLK250

L4 1.8L 1796cc Turbo	271.861	WL10059			49094	49373		6	N/S		58144
----------------------	---------	---------	--	--	-------	-------	--	---	-----	--	-------

SLK350

V6 3.5L 3498cc	276.956	57059			49034	49373		4	N/S		58144
----------------	---------	-------	--	--	-------	-------	--	---	-----	--	-------

SLK55 AMG

V8 5.5L 5461cc	152.980	WL10077			WA10945	49373		4	N/S		58144
----------------	---------	---------	--	--	---------	-------	--	---	-----	--	-------

SLS AMG

V8 6.2L 6208cc	159.980	57010			N/A	49357		4	N/S		58144
V8 6.2L 6208cc (Mex.)	159.980	57010			N/R	49357			N/S		

SPRINTER VAN

L4 2.1L 2143cc 131 CID Turbo Diesel	651.955	WL10026			49876	49366		3	33251 N/A ¹⁶² N/A ⁵¹⁸		N/A
V6 3.0L 2987cc Turbo Diesel	642.896	57062			49876	49366 N/A ²²⁸		3	33934 ¹⁷⁹ 33250 ³⁸⁴ 33251 ³⁸³ N/A ²⁸⁹ WF8513 ⁵²⁴		58845

VIANO

L4 2.1L 2143cc 131 CID Turbo Diesel (Mex.)	651.940	WL10026			WA9420	WP9222			33251		
--	---------	---------	--	--	--------	--------	--	--	-------	--	--

2013
A200

L4 1.6L 1595cc Turbo (Mex.)		WL7515			WA10312	WP10130			N/A		
-----------------------------	--	--------	--	--	---------	---------	--	--	-----	--	--

N/A = Not Available N/R = Not Required N/S = Not Serviceable For cabin and fuel filter locator, see pages 5-15 See pages 16-19 for footnotes

N/A = Non disponible N/R = Non nécessaire N/S = Non réparable Para la ubicación de los filtros de aire de la cabina y de combustible, ver las páginas 5-15 Voir pages 16-19 pour des notes

N/A = No disponible N/R = No requiere N/S = No servible Voir les tableaux de repérage des filtres d'habitacle et à carburant aux pages 5-15 Ver las páginas 16-19 para las notas al pie de página

Italicized Part Numbers May Not Be Available. Wix XP Oil Filters Have Fully Synthetic Media.

Las piezas con números en *italicas* pueden no estar disponibles. Los filtros de aceite WIX XP son completamente de media sintética.

Les numéros de pièce en *italiques* peuvent ne pas être disponibles. Les filtres à huile XP Wix contiennent un matériau 100 % synthétique.

MERCEDES BENZ 2013
Pass Car/Light Truck

Year/Año/Année Model/Modelo/Modèle Engine/Motor/Moteur	Eng. Code Código de motor Code moteur	VIN NIV NIV	Oil Aceite Huile	Oil XP Aceite XP Huile XP	Air Aire Air	Cabin Air Cabina Aire Cabine Air	Cabin Air XP Cabina Aire XP Cabine Air XP	Loc. Cabin Air Cabina Aire Cabine Air	Fuel Combustible Carburant	Loc. Fuel Combustible Carburant	Transmission Transmisión Transmission
--	--	-------------------	------------------------	---------------------------------	--------------------	--	---	--	----------------------------------	--	---

MERCEDES BENZ (Cont'd/Suite)
2013 (Cont'd/Suite)
A250

L4 2.0L 1991cc Turbo (Mex.)			WL7515		WA10312	WP10130			N/A		
-----------------------------	--	--	--------	--	---------	---------	--	--	-----	--	--

B180

L4 1.6L 1595cc Turbo (Mex.)			WL7515		WA10312	WP10130			N/S		
-----------------------------	--	--	--------	--	---------	---------	--	--	-----	--	--

B250

L4 2.0L 1991cc Turbo	270.920		WL7515		WA10312	WP10130					
----------------------	---------	--	--------	--	---------	---------	--	--	--	--	--

C180

L4 1.6L 1595cc Turbo (Mex.)			N/A		49094	49357			N/A		
-----------------------------	--	--	-----	--	-------	-------	--	--	-----	--	--

C200

L4 1.8L 1796cc Turbo (Mex.)	271.860		57009		49094	49357			N/A		
-----------------------------	---------	--	-------	--	-------	-------	--	--	-----	--	--

C250

L4 1.8L 1796cc Turbo	271.860		WL10059		49094	49357		6	N/S		58845
----------------------	---------	--	---------	--	-------	-------	--	---	-----	--	-------

C300

V6 3.5L 3498cc	276.957		57059		49034	49357		6	N/S		58144
----------------	---------	--	-------	--	-------	-------	--	---	-----	--	-------

C350

V6 3.5L 3498cc	276.957		57059		46799 ⁵⁰⁴	49357		6	N/S		58144
----------------	---------	--	-------	--	----------------------	-------	--	---	-----	--	-------

C63 AMG

V8 6.2L 6200cc 378 CID (Mex.)			N/S		N/S	49357			N/S		N/S
-------------------------------	--	--	-----	--	-----	-------	--	--	-----	--	-----

V8 6.3L 6208cc	156.985		57010		49504	49357		6	N/S		58144
----------------	---------	--	-------	--	-------	-------	--	---	-----	--	-------

CL550

V8 4.6L 4663cc Turbo	278.920		57059 ⁵⁰⁰ WL10077 ⁵⁰¹		49704	24218		4	N/S		58144
----------------------	---------	--	--	--	-------	-------	--	---	-----	--	-------

CL600

V12 5.5L 5513cc 336 CID Turbo	275.953		57198		49404 ³⁵⁴	24218		4	N/S		58845
-------------------------------	---------	--	-------	--	----------------------	-------	--	---	-----	--	-------

CL63 AMG

V8 5.5L 5461cc Turbo	157.980		WL10077		49704	24218		4	N/S		N/S
----------------------	---------	--	---------	--	-------	-------	--	---	-----	--	-----

CL65 AMG

V12 6.0L 5980cc 365 CID Turbo	275.982		57198		49404 ³⁵⁴	24218		4	N/S		58845
-------------------------------	---------	--	-------	--	----------------------	-------	--	---	-----	--	-------

CLA200

L4 1.6L 1595cc Turbo (Mex.)			WL7515		WA10312	WP10130			33251		
-----------------------------	--	--	--------	--	---------	---------	--	--	-------	--	--

CLA250

L4 2.0L 1991cc Turbo (Mex.)	270.920		WL7515		WA10312	WP10130			N/A		
-----------------------------	---------	--	--------	--	---------	---------	--	--	-----	--	--

CLS350

V6 3.5L 3498cc (Mex.)	276.952		57059		49034	49357			N/A		
-----------------------	---------	--	-------	--	-------	-------	--	--	-----	--	--

CLS500

V8 4.6L 4663cc Turbo (Mex.)	278.922		57059		49704	49357			N/A		
-----------------------------	---------	--	-------	--	-------	-------	--	--	-----	--	--

CLS550

V8 4.6L 4663cc Turbo	278.922		57059 ⁵⁰⁰ WL10077 ⁵⁰¹		49704	49357		4	N/S		58144
----------------------	---------	--	--	--	-------	-------	--	---	-----	--	-------

CLS63 AMG

V8 5.5L 5461cc Turbo	157.981		WL10077		49704	49357		1	N/S		58144
----------------------	---------	--	---------	--	-------	-------	--	---	-----	--	-------

E200

L4 1.8L 1796cc Turbo (Mex.)	271.860		57009		49094	49357			N/A		
-----------------------------	---------	--	-------	--	-------	-------	--	--	-----	--	--

E250

L4 1.8L 1796cc Turbo (Mex.)	271.860		57009		49094	49357			N/S		
-----------------------------	---------	--	-------	--	-------	-------	--	--	-----	--	--

E300

V6 3.5L 3498cc	276.952		57059		49034	49357					
----------------	---------	--	-------	--	-------	-------	--	--	--	--	--

E350

V6 3.5L 3498cc	276.952		57059		49034	49357		1	N/S		58144
----------------	---------	--	-------	--	-------	-------	--	---	-----	--	-------

	276.957		57059		49034	49357		1	N/S		58144
--	---------	--	-------	--	-------	-------	--	---	-----	--	-------

N/A = Not Available N/R = Not Required N/S = Not Serviceable For cabin and fuel filter locator, see pages 5-15 See pages 16-19 for footnotes

N/A = Non disponible N/R = Non nécessaire N/S = Non réparable Para la ubicación de los filtros de aire de la cabina y de combustible, ver las páginas 5-15 Voir pages 16-19 pour des notes

N/A = No disponible N/R = No requiere N/S = No servible Voir les tableaux de repérage des filtres d'habitacle et à carburant aux pages 5-15 Ver las páginas 16-19 para las notas al pie de página

Italicized Part Numbers May Not Be Available. Wix XP Oil Filters Have Fully Synthetic Media.

Las piezas con números en *italicas* pueden no estar disponibles. Los filtros de aceite WIX XP son completamente de media sintética. Les numéros de pièce en *italiques* peuvent ne pas être disponibles. Les filtres à huile XP Wix contiennent un matériau 100 % synthétique.

Year/Año/Année Model/Modelo/Modèle Engine/Motor/Moteur	Eng. Code Código de motor Code moteur	VIN NIV NIV	Oil Aceite Huile	Oil XP Aceite XP Huile XP	Air Aire Air	Cabin Air Cabina Aire Cabine Air	Cabin Air XP Cabina Aire XP Cabine Air XP	Loc. Cabin Air Cabina Aire Cabine Air	Fuel Combustible Carburant	Loc. Fuel Combustible Carburant	Transmission Transmisión Transmission
--	---	-------------------	------------------------	---------------------------------	--------------------	--	---	--	----------------------------------	--	---

MERCEDES BENZ (Cont'd/Suite)
2013 (Cont'd/Suite)
E350 BLUETEC 4MATIC

V6 3.0L 2987cc Turbo Diesel	642.850		57062		42468	49357		3	33934 ¹⁷⁹ 33250 ³⁸⁴ 33251 ³⁸³ N/A ²⁸⁹		58144
-----------------------------	---------	--	-------	--	-------	-------	--	---	--	--	-------

E400 HYBRID

V6 3.5L 3498cc Electric/Gas	276.952		57059		49034	49357		1	N/S		58144
-----------------------------	---------	--	-------	--	-------	-------	--	---	-----	--	-------

E500

V8 4.6L 4663cc Turbo (Mex.)	278.922		57059		49704	49357			N/S		
-----------------------------	---------	--	-------	--	-------	-------	--	--	-----	--	--

E550

V8 4.6L 4663cc Turbo	278.922		57059 ⁵⁰⁰ WL10077 ⁵⁰¹		49704	49357		4	N/S		58144
----------------------	---------	--	--	--	-------	-------	--	---	-----	--	-------

E63 AMG

V8 5.5L 5461cc Turbo	157.981		WL10077		49704	49357		1	N/S		58144
----------------------	---------	--	---------	--	-------	-------	--	---	-----	--	-------

G500

V8 5.5L 5461cc (Mex.)	273.963		57078		46799	WP9037			33643		
-----------------------	---------	--	-------	--	-------	--------	--	--	-------	--	--

G550

V8 5.5L 5461cc	273.963		57078		46799 ³⁹⁴	49376		3	33643		58144
----------------	---------	--	-------	--	----------------------	-------	--	---	-------	--	-------

G63 AMG

V8 5.5L 5461cc Turbo	157.984		WL10077		49704	WP9037		1	N/S		N/S
----------------------	---------	--	---------	--	-------	--------	--	---	-----	--	-----

GL350 BLUETEC 4MATIC

V6 3.0L 2987cc Turbo Diesel	642.826		57062		42468	49376		3	33934 ¹⁷⁹ 33250 ³⁸⁴ 33251 ³⁸³ N/A ²⁸⁹		58144
-----------------------------	---------	--	-------	--	-------	-------	--	---	--	--	-------

GL450

V8 4.6L 4663cc Turbo	278.928		57059 ⁵⁰⁰ WL10077 ⁵⁰¹		49704	WP10124		3	N/S		58144
----------------------	---------	--	--	--	-------	---------	--	---	-----	--	-------

GL500

V8 4.6L 4663cc Turbo (Mex.)	278.928		N/A		49704	N/A			N/S		
-----------------------------	---------	--	-----	--	-------	-----	--	--	-----	--	--

GL550

V8 4.6L 4663cc Turbo	278.928		57059 ⁵⁰⁰ WL10077 ⁵⁰¹		N/A	WP10124		4	N/S		58144
----------------------	---------	--	--	--	-----	---------	--	---	-----	--	-------

GL63 AMG

V8 5.5L 5461cc Turbo	157.982		WL10077		49704	N/A		1	N/S		58144
----------------------	---------	--	---------	--	-------	-----	--	---	-----	--	-------

GLK200

L4 2.1L 2143cc 131 CID Turbo Diesel (Mex.)	651.916		N/A		N/A	49357			33250		
--	---------	--	-----	--	-----	-------	--	--	-------	--	--

GLK250

L4 2.1L 2143cc 131 CID Turbo Diesel	651.912		WL10026		WA9727 ⁶¹	49357		4	N/A		58144
-------------------------------------	---------	--	---------	--	----------------------	-------	--	---	-----	--	-------

GLK300

V6 3.5L 3498cc (Mex.)			N/A		N/A	N/A			N/A		
-----------------------	--	--	-----	--	-----	-----	--	--	-----	--	--

GLK350

V6 3.5L 3498cc	276.957		57059		49034	49357		6	N/S		58144
----------------	---------	--	-------	--	-------	-------	--	---	-----	--	-------

ML350

V6 3.5L 3498cc	276.955		57059		49034	49376		3	N/S		58144
----------------	---------	--	-------	--	-------	-------	--	---	-----	--	-------

ML350 BLUETEC 4MATIC

V6 3.0L 2987cc Turbo Diesel	642.826		57062		42468	49376		3	33934 ¹⁷⁹ 33250 ³⁸⁴ 33251 ³⁸³ N/A ²⁸⁹		58144
-----------------------------	---------	--	-------	--	-------	-------	--	---	--	--	-------

ML550

V8 4.6L 4663cc Turbo	278.928		57059 ⁵⁰⁰ WL10077 ⁵⁰¹		49704	WP10124		4	N/S		58144
----------------------	---------	--	--	--	-------	---------	--	---	-----	--	-------

ML63 AMG

V8 5.5L 5461cc Turbo	157.982		WL10077		49704	N/A		1	N/S		58144
----------------------	---------	--	---------	--	-------	-----	--	---	-----	--	-------

N/A = Not Available N/R = Not Required N/S = Not Serviceable For cabin and fuel filter locator, see pages 5-15 See pages 16-19 for footnotes

N/A = Non disponible N/R = Non nécessaire N/S = Non réparable Para la ubicación de los filtros de aire de la cabina y de combustible, ver las páginas 5-15 Voir pages 16-19 pour des notes

N/A = No disponible N/R = No requiere N/S = No servible Voir les tableaux de repérage des filtres d'habitacle et à carburant aux pages 5-15 Ver las páginas 16-19 para las notas al pie de página

Italicized Part Numbers May Not Be Available. Wix XP Oil Filters Have Fully Synthetic Media.

Las piezas con números en *italicas* pueden no estar disponibles. Los filtros de aceite WIX XP son completamente de media sintética.

Les numéros de pièce en *italiques* peuvent ne pas être disponibles. Les filtres à huile Wix contiennent un matériau 100 % synthétique.

MERCEDES BENZ 2013-2012
Pass Car/Light Truck

Year/Año/Année Model/Modelo/Modèle Engine/Motor/Moteur	Eng. Code Código de motor Code moteur	VIN NIV NIV	Oil Aceite Huile	Oil XP Aceite XP Huile XP	Air Aire Air	Cabin Air Cabina Aire Cabine Air	Cabin Air XP Cabina Aire XP Cabine Air XP	Loc. Cabin Air Cabina Aire Cabine Air	Fuel Combustible Carburant	Loc. Fuel Combustible Carburant	Transmission Transmisión Transmission
--	---	-------------------	------------------------	---------------------------------	--------------------	--	---	--	----------------------------------	--	---

MERCEDES BENZ (Cont'd/Suite)
2013 (Cont'd/Suite)
R350

V6 3.5L 3498cc	276.958		57059		46799 ³⁶⁴	49376		3	N/S		58144
----------------	---------	--	-------	--	----------------------	-------	--	---	-----	--	-------

R350 BLUETEC 4MATIC

V6 3.0L 2987cc Turbo Diesel	642.820		57062		42468	49376		3	33934 ¹⁷⁹ 33250 ³⁸⁴ 33251 ³⁸³ N/A ²⁸⁹		58144
-----------------------------	---------	--	-------	--	-------	-------	--	---	--	--	-------

S350

V6 3.5L 3498cc (Mex.)	272.965		57078		46799	24218			N/S		
-----------------------	---------	--	-------	--	-------	-------	--	--	-----	--	--

S350 BLUETEC 4MATIC

V6 3.0L 2987cc Turbo Diesel	642.868		57062		42468	24218		3	33934 ¹⁷⁹ N/A ²⁸⁹		58144
-----------------------------	---------	--	-------	--	-------	-------	--	---	--	--	-------

S400 HYBRID

V6 3.5L 3498cc Electric/Gas	272.974		57078		46799 ³⁶⁴	24218		4	N/S		58144
-----------------------------	---------	--	-------	--	----------------------	-------	--	---	-----	--	-------

S550

V8 4.6L 4663cc Turbo	278.932		57059 ⁵⁰⁰ WL10077 ⁵⁰¹		49704	24218		4	N/S		58144
----------------------	---------	--	--	--	-------	-------	--	---	-----	--	-------

S600

V12 5.5L 5513cc 336 CID Turbo	275.953		57198		49404 ³⁶⁴	24218		4	N/S		58845
-------------------------------	---------	--	-------	--	----------------------	-------	--	---	-----	--	-------

S63 AMG

V8 5.5L 5461cc Turbo	157.980		WL10077		49704	24218		4	N/S		58144
----------------------	---------	--	---------	--	-------	-------	--	---	-----	--	-------

S65 AMG

V12 6.0L 5980cc 365 CID Turbo	275.982		57198		49404 ³⁶⁴	24218		4	N/S		58845
-------------------------------	---------	--	-------	--	----------------------	-------	--	---	-----	--	-------

SL550

V8 4.6L 4663cc Turbo	278.927		WL10077		49704	49356		4	N/S		58144
----------------------	---------	--	---------	--	-------	-------	--	---	-----	--	-------

SL63 AMG

V8 5.5L 5461cc Turbo	157.983		WL10077		49704	49357		1	N/S		58144
----------------------	---------	--	---------	--	-------	-------	--	---	-----	--	-------

SL65 AMG

V12 6.0L 5980cc 365 CID Turbo	279.981		57198		49404 ³⁶⁴	49356		4	N/A		58845
-------------------------------	---------	--	-------	--	----------------------	-------	--	---	-----	--	-------

SLK200

L4 1.8L 1796cc Turbo (Mex.)	271.861		57009		49094	49373			N/S		
-----------------------------	---------	--	-------	--	-------	-------	--	--	-----	--	--

SLK250

L4 1.8L 1796cc Turbo	271.861		WL10059		49094	49373		6	N/S		58845
----------------------	---------	--	---------	--	-------	-------	--	---	-----	--	-------

SLK350

V6 3.5L 3498cc	276.956		57059		49034	49373		4	N/S		58144
----------------	---------	--	-------	--	-------	-------	--	---	-----	--	-------

SLK55 AMG

V8 5.5L 5461cc	152.980		WL10077		WA10945	49373		4	N/S		58144
----------------	---------	--	---------	--	---------	-------	--	---	-----	--	-------

SLS AMG

V8 6.2L 6208cc	159.980		57010		N/A	49357		4	N/S		58144
----------------	---------	--	-------	--	-----	-------	--	---	-----	--	-------

SPRINTER VAN

L4 2.1L 2148CC DOHC 16 Valve Turbo Diesel (Mex.)			57038		49876	49366			33934		
V6 3.0L 2987cc Turbo Diesel	642.896		57062		49876	49366 N/A ²²⁸		3	33934 ¹⁷⁹ 33250 ³⁸⁴ 33251 ³⁸³ N/A ²⁸⁹ WF8513 ⁵²⁴		58845

VIANO

L4 2.1L 2143cc 131 CID Turbo Diesel (Mex.)	651.940		WL10026		WA9420	WP9222			33251		
--	---------	--	---------	--	--------	--------	--	--	-------	--	--

2012
B180

L4 1.6L 1595cc Turbo (Mex.)			WL7515		WA10312	WP10130			N/S		
-----------------------------	--	--	--------	--	---------	---------	--	--	-----	--	--

N/A = Not Available N/R = Not Required N/S = Not Serviceable For cabin and fuel filter locator, see pages 5-15 See pages 16-19 for footnotes

N/A = Non disponible N/R = Non nécessaire N/S = Non réparable Para la ubicación de los filtros de aire de la cabina y de combustible, ver las páginas 5-15 Voir pages 16-19 pour des notes

N/A = No disponible N/R = No requiere N/S = No servible Voir les tableaux de repérage des filtres d'habitacle et à carburant aux pages 5-15 Ver las páginas 16-19 para las notas al pie de página

Italicized Part Numbers May Not Be Available. Wix XP Oil Filters Have Fully Synthetic Media.

Las piezas con números en *italicas* pueden no estar disponibles. Los filtros de aceite WIX XP son completamente de media sintética. Les numéros de pièce en *italiques* peuvent ne pas être disponibles. Les filtres à huile XP Wix contiennent un matériau 100 % synthétique.

Year/Año/Année Model/Modelo/Modèle Engine/Motor/Moteur	Eng. Code Código de motor Code moteur	VIN NIV NIV	Oil Aceite Huile	Oil XP Aceite XP Huile XP	Air Aire Air	Cabin Air Cabina Aire Cabine Air	Cabin Air XP Cabina Aire XP Cabine Air XP	Loc. Cabin Air Cabina Aire Cabine Air	Fuel Combustible Carburant	Loc. Fuel Combustible Carburant	Transmission Transmisión Transmission
--	---	-------------------	------------------------	---------------------------------	--------------------	--	---	--	----------------------------------	--	---

MERCEDES BENZ (Cont'd/Suite)
2012 (Cont'd/Suite)
C180

L4 1.8L 1796cc Super Charged (Mex.)			57009		49214	49357			N/A		
-------------------------------------	--	--	-------	--	-------	-------	--	--	-----	--	--

C200

L4 1.8L 1796cc CDI BLUE EFFICIENCY (Mex.)			WL10026		49094	49357			N/R		
---	--	--	---------	--	-------	-------	--	--	-----	--	--

C250

L4 1.8L 1796cc Turbo	271.860		WL10059		49094	49373		6	N/S		58845
V6 2.5L 2496cc	272.92		57078		46799 ³⁹⁴	24686 ⁷⁸ 24118 ⁷⁹		4	33643		58845

C300

V6 3.0L 2996cc	272.947		57078		46799 ³⁹⁴	49357		6	N/S		58144
----------------	---------	--	-------	--	----------------------	-------	--	---	-----	--	-------

C300 4MATIC

V6 3.0L 2996cc	272.948		57078		46799 ³⁹⁴	49357		6	N/S		58144
----------------	---------	--	-------	--	----------------------	-------	--	---	-----	--	-------

C350

V6 3.5L 3498cc	276.957		57059		46799 ³⁹⁴	49357		6	N/S		58144
----------------	---------	--	-------	--	----------------------	-------	--	---	-----	--	-------

C63 AMG

V8 6.2L 6200cc 378 CID (Mex.)			N/S		N/S	49357			N/S		N/S
V8 6.3L 6208cc	156.985		57010		49504	49357		6	N/S		58144

CL550

V8 4.6L 4663cc Turbo	278.920		57059 ⁹⁰⁰ WL10077 ⁹⁰¹		49704	24218		4	N/S		58144
----------------------	---------	--	--	--	-------	-------	--	---	-----	--	-------

CL600

V12 5.5L 5513cc 336 CID Turbo	275.953		57198		49404 ³⁹⁴	24218		4	N/S		58845
-------------------------------	---------	--	-------	--	----------------------	-------	--	---	-----	--	-------

CL63 AMG

V8 5.5L 5461cc Turbo	157.980		WL10077		49704	24218		4	N/S		N/S
----------------------	---------	--	---------	--	-------	-------	--	---	-----	--	-----

CL65 AMG

V12 6.0L 5980cc 365 CID Turbo	275.982		57198		49404 ³⁹⁴	24218		4	N/S		58845
-------------------------------	---------	--	-------	--	----------------------	-------	--	---	-----	--	-------

CLS350

V6 3.5L 3498cc (Mex.)	276.952		57059		49034	49357			N/A		
-----------------------	---------	--	-------	--	-------	-------	--	--	-----	--	--

CLS500

V8 4.6L 4663cc Turbo (Mex.)	278.922		57059		49704	49357			N/A		
-----------------------------	---------	--	-------	--	-------	-------	--	--	-----	--	--

CLS550

V8 4.6L 4663cc Turbo	278.922		57059 ⁹⁰⁰ WL10077 ⁹⁰¹		49704	49357		4	N/S		58144
----------------------	---------	--	--	--	-------	-------	--	---	-----	--	-------

CLS63 AMG

V8 5.5L 5461cc Turbo	157.981		WL10077		49704	49357		1	N/S		58144
----------------------	---------	--	---------	--	-------	-------	--	---	-----	--	-------

E200

L4 1.8L 1796cc Turbo (Mex.)	271.860		57009		49094	49357			N/A		
-----------------------------	---------	--	-------	--	-------	-------	--	--	-----	--	--

E250

L4 1.8L 1796cc Turbo (Mex.)	271.860		57009		49094	49357			N/S		
-----------------------------	---------	--	-------	--	-------	-------	--	--	-----	--	--

E300

V6 3.5L 3498cc	276.952		57059		49034	49357					
----------------	---------	--	-------	--	-------	-------	--	--	--	--	--

E350

V6 3.5L 3498cc	276.952		57059		49034	49357		1	N/S		58144
	276.957		57059		49034	49357		1	N/S		58144

E350 BLUETEC 4MATIC

V6 3.0L 2987cc Turbo Diesel	642.850		57062		42468	49357		3	33934 ¹⁷⁹ 33250 ³⁸⁴ 33251 ³⁸³ N/A ²⁸⁹		58144
-----------------------------	---------	--	-------	--	-------	-------	--	---	--	--	-------

E550

V8 4.6L 4663cc Turbo	278.922		57059 ⁹⁰⁰ WL10077 ⁹⁰¹		49704	49357		4	N/S		58144
----------------------	---------	--	--	--	-------	-------	--	---	-----	--	-------

N/A = Not Available N/R = Not Required N/S = Not Serviceable For cabin and fuel filter locator, see pages 5-15 See pages 16-19 for footnotes

N/A = Non disponible N/R = Non nécessaire N/S = Non réparable Para la ubicación de los filtros de aire de la cabina y de combustible, ver las páginas 5-15 Voir pages 16-19 pour des notes

N/A = No disponible N/R = No requiere N/S = No servible Voir les tableaux de repérage des filtres d'habitacle et à carburant aux pages 5-15 Ver las páginas 16-19 para las notas al pie de página

Italicized Part Numbers May Not Be Available. Wix XP Oil Filters Have Fully Synthetic Media.

Las piezas con números en *italicas* pueden no estar disponibles. Los filtros de aceite WIX XP son completamente de media sintética.

Les numéros de pièce en *italiques* peuvent ne pas être disponibles. Les filtres à huile Wix contiennent un matériau 100 % synthétique.

MERCEDES BENZ 2012
Pass Car/Light Truck

Year/Año/Année Model/Modelo/Modèle Engine/Motor/Moteur	Eng. Code Código de motor Code moteur	VIN NIV NIV	Oil Aceite Huile	Oil XP Aceite XP Huile XP	Air Aire Air	Cabin Air Cabina Aire Cabine Air	Cabin Air XP Cabina Aire XP Cabine Air XP	Loc. Cabin Air Cabina Aire Cabine Air	Fuel Combustible Carburant	Loc. Fuel Combustible Carburant	Transmission Transmisión Transmission
--	---	-------------------	------------------------	---------------------------------	--------------------	--	---	--	----------------------------------	--	---

MERCEDES BENZ (Cont'd/Suite)
2012 (Cont'd/Suite)
E63 AMG

V8 5.5L 5461cc Turbo	157.981		WL10077		49704	49357		1	N/S		58144
----------------------	---------	--	---------	--	-------	-------	--	---	-----	--	-------

G550

V8 5.5L 5461cc	273.963		57078		WA10899	49376		3	N/S		58144
----------------	---------	--	-------	--	---------	-------	--	---	-----	--	-------

GL350 BLUETEC 4MATIC

V6 3.0L 2987cc Turbo Diesel	642.820		57062		42468	49376		3	33934 ¹⁷⁹ 33250 ³⁸⁴ 33251 ³⁸³ N/A ²⁸⁹		58144
-----------------------------	---------	--	-------	--	-------	-------	--	---	--	--	-------

GL450

V8 4.6L 4663cc	273.923		57078		46799 ³⁸⁴	49376		3	N/S		58144
----------------	---------	--	-------	--	----------------------	-------	--	---	-----	--	-------

GL550

V8 5.5L 5461cc	273.963		57078		46799 ³⁸⁴	49376		3	N/S		58144
----------------	---------	--	-------	--	----------------------	-------	--	---	-----	--	-------

GLK350

V6 3.5L 3498cc	272.991		57078		46799 ³⁸⁴	49357		6	N/S		58144
----------------	---------	--	-------	--	----------------------	-------	--	---	-----	--	-------

GLK350 4MATIC

V6 3.5L 3498cc	272.971		57078		46799 ³⁸⁴	49357		6	N/S		58144
----------------	---------	--	-------	--	----------------------	-------	--	---	-----	--	-------

ML350

V6 3.5L 3498cc	276.955		57059		49034	49376		3	N/S		58144
----------------	---------	--	-------	--	-------	-------	--	---	-----	--	-------

ML350 BLUETEC 4MATIC

V6 3.0L 2987cc Turbo Diesel	642.826		57062		42468	49376		3	33934 ¹⁷⁹ 33250 ³⁸⁴ 33251 ³⁸³ N/A ²⁸⁹		58144
-----------------------------	---------	--	-------	--	-------	-------	--	---	--	--	-------

ML550

V8 4.6L 4663cc Turbo	278.928		WL10077 ⁵⁰¹ 57059 ⁵⁰⁰		49704	49376		3	N/S		58144
----------------------	---------	--	--	--	-------	-------	--	---	-----	--	-------

ML63 AMG

V8 5.5L 5461cc Turbo	157.982		57010		49704	49376		3	N/S		58144
----------------------	---------	--	-------	--	-------	-------	--	---	-----	--	-------

R350

V6 3.5L 3498cc	276.958		57059		49034	49376		3	N/S		58144
----------------	---------	--	-------	--	-------	-------	--	---	-----	--	-------

R350 BLUETEC 4MATIC

V6 3.0L 2987cc Turbo Diesel	642.870		57062		42468	49376		3	33934 ¹⁷⁹ 33250 ³⁸⁴ 33251 ³⁸³ N/A ²⁸⁹		58144
-----------------------------	---------	--	-------	--	-------	-------	--	---	--	--	-------

S350

V6 3.5L 3498cc (Mex.)	272.965		57078		46799	24218			N/S		
-----------------------	---------	--	-------	--	-------	-------	--	--	-----	--	--

S350 BLUETEC 4MATIC

V6 3.0L 2987cc Turbo Diesel	642.868		57062		42468	49376		3	33934 ¹⁷⁹ N/A ²⁸⁹		58144
-----------------------------	---------	--	-------	--	-------	-------	--	---	--	--	-------

S400 HYBRID

V6 3.5L 3498cc Electric/Gas	272.974		57078		46799 ³⁸⁴	24218		4	N/S		58144
-----------------------------	---------	--	-------	--	----------------------	-------	--	---	-----	--	-------

S550

V8 4.6L 4663cc Turbo	278.932		57059 ⁵⁰⁰ WL10077 ⁵⁰¹		49704	24218		4	N/S		58144
----------------------	---------	--	--	--	-------	-------	--	---	-----	--	-------

S600

V12 5.5L 5513cc 336 CID Turbo	275.953		57198		49404 ³⁸⁴	24218		4	N/S		58845
-------------------------------	---------	--	-------	--	----------------------	-------	--	---	-----	--	-------

S63 AMG

V8 5.5L 5461cc Turbo	157.980		WL10077		49704	24218		4	N/S		58144
V8 6.3L 6208cc (Mex.)	156.984		57010		49504	24218			N/S		

S65 AMG

V12 6.0L 5980cc 365 CID Turbo	275.982		57198		49404 ³⁸⁴	24218		4	N/S		58845
-------------------------------	---------	--	-------	--	----------------------	-------	--	---	-----	--	-------

SL550

V8 5.5L 5461cc	273.965		57078		46799 ³⁸⁴	49356		4	N/S		58144
----------------	---------	--	-------	--	----------------------	-------	--	---	-----	--	-------

N/A = Not Available N/R = Not Required N/S = Not Serviceable For cabin and fuel filter locator, see pages 5-15 See pages 16-19 for footnotes

N/A = Non disponible N/R = Non nécessaire N/S = Non réparable Para la ubicación de los filtros de aire de la cabina y de combustible, ver las páginas 5-15 Voir pages 16-19 pour des notes

N/A = No disponible N/R = No requiere N/S = No servible Voir les tableaux de repérage des filtres d'habitacle et à carburant aux pages 5-15 Ver las páginas 16-19 para las notas al pie de página

Italicized Part Numbers May Not Be Available. Wix XP Oil Filters Have Fully Synthetic Media.

Las piezas con números en *italicas* pueden no estar disponibles. Los filtros de aceite WIX XP son completamente de media sintética. Les numéros de pièce en *italiques* peuvent ne pas être disponibles. Les filtres à huile XP Wix contiennent un matériau 100 % synthétique.

Year/Año/Année Model/Modelo/Modèle Engine/Motor/Moteur	Eng. Code Código de motor Code moteur	VIN NIV NIV	Oil Aceite Huile	Oil XP Aceite XP Huile XP	Air Aire Air	Cabin Air Cabina Aire Cabine Air	Cabin Air XP Cabina Aire XP Cabine Air XP	Loc. Cabin Air Cabina Aire Cabine Air	Fuel Combustible Carburant	Loc. Fuel Combustible Carburant	Transmission Transmisión Transmission
--	--	-------------------	------------------------	---------------------------------	--------------------	--	---	--	----------------------------------	--	---

MERCEDES BENZ (Cont'd/Suite)
2012 (Cont'd/Suite)
SL600

V12 5.5L 5513cc 336 CID Turbo (Mex.)	275.954		57198		49404	49356			33643		
---	---------	--	-------	--	-------	-------	--	--	-------	--	--

SL63 AMG

V8 6.3L 6208cc	156.981		57010		49504	49356		4	N/S		58144
----------------	---------	--	-------	--	-------	-------	--	---	-----	--	-------

SL65 AMG

V12 6.0L 5980cc 365 CID Turbo (Mex.)	275.981		57198		49404	49356			33643		
---	---------	--	-------	--	-------	-------	--	--	-------	--	--

SLK200

L4 1.8L 1796cc Turbo (Mex.)	271.861		57009		49094	49373			N/S		
-----------------------------	---------	--	-------	--	-------	-------	--	--	-----	--	--

SLK250

L4 1.8L 1796cc Turbo	271.861		WL10059		49094	49373		6	N/S		58845
----------------------	---------	--	---------	--	-------	-------	--	---	-----	--	-------

SLK350

V6 3.5L 3498cc	276.956		57059		49034	49373		4	N/S		58144
----------------	---------	--	-------	--	-------	-------	--	---	-----	--	-------

SLK55 AMG

V8 5.5L 5461cc	152.980		WL10077		46799	49373		4	N/S		58144
----------------	---------	--	---------	--	-------	-------	--	---	-----	--	-------

SLS AMG

V8 6.2L 6208cc	159.980		57010		N/A	49357		4	N/S		58144
----------------	---------	--	-------	--	-----	-------	--	---	-----	--	-------

SPRINTER VAN

L4 2.1L 2148CC DOHC 16 Valve Turbo Diesel (Mex.)			57038		49876	49366			33934		
V6 3.0L 2987cc Turbo Diesel	642.898		57062		49876	49366 N/A ²²⁸		3	33934 ¹⁷⁹ 33250 ³⁸⁴ 33251 ³⁸³ N/A ²⁸⁹ WF8513 ⁵²⁴		58845

VITO

L4 2.1L 2148CC DOHC 16 Valve Turbo Diesel (Mex.)			57038		WA9420	WP9222			33934		
---	--	--	-------	--	--------	--------	--	--	-------	--	--

2011
B200

L4 2.0L			51009		49024	24418 ⁶¹			N/S		
L4 2.0L 2034cc (Mex.)					49024				N/R		
L4 2.0L Turbo			51009		49024	24418 ⁶¹			N/S		

C200

L4 1.8L 1796cc (Mex.)			51006		49214	24118			N/R		
L4 1.8L 1796cc CDI BLUE EFFICIENCY (Mex.)			WL10026		49094	49357			N/R		

C250

L4 1.8L 1796cc Super Charged (Mex.)			57009		49094	49357			N/A		
V6 2.5L 2496cc	272.92		57078		46799 ³⁹⁴	24686 ⁷⁸ 24118 ⁷⁹		4	33643		N/A

C300

V6 3.0L 2996cc	272.947		57078		46799 ³⁹⁴	49357		6	N/S		58144
V6 3.0L 2996cc Flex	272.947		57078		46799 ³⁹⁴	49357		6	N/S		58144
V6 3.5L (Mex.)			N/S		N/S	49357			N/S		N/S

C300 4MATIC

V6 3.0L 2996cc	272.948		57078		46799 ³⁹⁴	49357		6	N/S		58144
V6 3.0L 2996cc Flex	272.948		57078		46799 ³⁹⁴	49357		6	N/S		58144

C350

V6 3.5L 3498cc	272.961		57078		46799 ³⁹⁴	49357		6	N/S		58144
----------------	---------	--	-------	--	----------------------	-------	--	---	-----	--	-------

C63 AMG

V8 6.2L 6200cc 378 CID (Mex.)			N/S		N/S	49357			N/S		N/S
V8 6.3L 6208cc	156.985		57010		49504	49357		6	N/S		58144

N/A = Not Available N/R = Not Required N/S = Not Serviceable For cabin and fuel filter locator, see pages 5-15 See pages 16-19 for footnotes

N/A = Non disponible N/R = Non nécessaire N/S = Non réparable Para la ubicación de los filtros de aire de la cabina y de combustible, ver las páginas 5-15 Voir pages 16-19 pour des notes

N/A = No disponible N/R = No requiere N/S = No servible Voir les tableaux de repérage des filtres d'habitacle et à carburant aux pages 5-15 Ver las páginas 16-19 para las notas al pie de página

Italicized Part Numbers May Not Be Available. Wix XP Oil Filters Have Fully Synthetic Media.

Las piezas con números en *italicas* pueden no estar disponibles. Los filtros de aceite WIX XP son completamente de media sintética.

Les numéros de pièce en *italiques* peuvent ne pas être disponibles. Les filtres à huile XP Wix contiennent un matériau 100 % synthétique.

MERCEDES BENZ 2011
Pass Car/Light Truck

Year/Año/Année Model/Modelo/Modèle Engine/Motor/Moteur	Eng. Code Código de motor Code moteur	VIN NIV NIV	Oil Aceite Huile	Oil XP Aceite XP Huile XP	Air Aire Air	Cabin Air Cabina Aire Cabine Air	Cabin Air XP Cabina Aire XP Cabine Air XP	Loc. Cabin Air Cabina Aire Cabine Air	Fuel Combustible Carburant	Loc. Fuel Combustible Carburant	Transmission Transmisión Transmission
--	---	-------------------	------------------------	---------------------------------	--------------------	--	---	--	----------------------------------	--	---

MERCEDES BENZ (Cont'd/Suite)
2011 (Cont'd/Suite)
CL500

V8 4.6L 4663cc (Mex.)	273.923		57078		49404	24218			N/S		
-----------------------	---------	--	-------	--	-------	-------	--	--	-----	--	--

CL550

V8 4.6L 4663cc Turbo	278.920		57059 WL10077 ⁵⁰¹		49704	24218		4	N/S		58144
----------------------	---------	--	---------------------------------	--	-------	-------	--	---	-----	--	-------

CL600

V12 5.5L 5513cc 336 CID Turbo	275.953		57198		49404 ³⁶⁴	24218		4	N/S		58845
-------------------------------	---------	--	-------	--	----------------------	-------	--	---	-----	--	-------

CL63 AMG

V8 5.5L 5461cc Turbo	157.980		WL10077		49704	24218		4	N/S		N/S
V8 6.3L 6208cc (Mex.)	156.980		N/A		49504	49357			N/A		

CL65 AMG

V12 6.0L 5980cc 365 CID Turbo	275.982		57198		49404 ³⁶⁴	24218		4	N/S		58845
-------------------------------	---------	--	-------	--	----------------------	-------	--	---	-----	--	-------

CLS250

L4 2.1L 2143cc 131 CID Turbo Diesel (Mex.)	651.924		N/A		WA9727 ⁶¹	49357				33250	
--	---------	--	-----	--	----------------------	-------	--	--	--	-------	--

CLS350

V6 3.0L 2987cc Turbo Diesel (Mex.)	642.853		57062		N/A	49357			N/A		
V6 3.5L 3498cc (Mex.)			57078		49404				N/R		

CLS500

V8 4.6L 4663cc Turbo (Mex.)	278.922		57059		49704	49357			N/A		
-----------------------------	---------	--	-------	--	-------	-------	--	--	-----	--	--

CLS550

V8 5.5L 5461cc	273.960		57078		46799 ³⁶⁴	24797 ⁶¹ 24726 ⁷⁸		1	N/S		58144
----------------	---------	--	-------	--	----------------------	--	--	---	-----	--	-------

CLS63 AMG

V8 6.3L 6208cc	156.983		57010		49504	24726 ⁷⁸ 24797 ⁶¹		1	N/S		58144
----------------	---------	--	-------	--	-------	--	--	---	-----	--	-------

E300

V6 3.0L 2987cc Turbo Diesel (Mex.)	642.896		57078		49404					33643	
------------------------------------	---------	--	-------	--	-------	--	--	--	--	-------	--

E350

V6 3.5L 3498cc	272.980		57078		46799 ³⁶⁴	49357		1	N/S		58144
	272.988		57078		46799 ³⁶⁴	49357		1	N/S		58144

E350 4MATIC

V6 3.5L 3498cc	272.977		57078		46799 ³⁶⁴	49357		1	N/S		58144
----------------	---------	--	-------	--	----------------------	-------	--	---	-----	--	-------

E350 BLUETEC 4MATIC

V6 3.0L 2987cc Turbo Diesel	642.850		57062		42468	49357		3	33934 ¹⁷⁹ 33250 ³⁸⁴ 33251 ³⁸³ N/A ²⁸⁹		58144
-----------------------------	---------	--	-------	--	-------	-------	--	---	--	--	-------

E500

V8 5.5L 5461cc (Mex.)	273.971		57078		49404	49357			N/R		
-----------------------	---------	--	-------	--	-------	-------	--	--	-----	--	--

E550

V8 5.5L 5461cc	273.966		57078		46799 ³⁶⁴	49357		1	N/S		58144
	273.971		57078		46799 ³⁶⁴	49357		1	N/S		58144

E550 4MATIC

V8 5.5L 5461cc	273.970		57078		46799 ³⁶⁴	49357		1	N/S		58144
----------------	---------	--	-------	--	----------------------	-------	--	---	-----	--	-------

E63 AMG

V8 6.3L 6208cc	156.985		57010		49504	24797 ⁶¹ 24726 ⁷⁸		1	N/S		58144
----------------	---------	--	-------	--	-------	--	--	---	-----	--	-------

G500

V8 5.5L 5461cc (Mex.)	273.971		57078		49404	N/A				33643	
-----------------------	---------	--	-------	--	-------	-----	--	--	--	-------	--

G55 AMG

V8 5.5L 5439cc 335 CID Super Charged	113.993		57078		WA10899	WP9037 ⁷⁸				33643	58845
--------------------------------------	---------	--	-------	--	---------	----------------------	--	--	--	-------	-------

N/A = Not Available N/R = Not Required N/S = Not Serviceable For cabin and fuel filter locator, see pages 5-15 See pages 16-19 for footnotes

N/A = Non disponible N/R = Non nécessaire N/S = Non réparable Para la ubicación de los filtros de aire de la cabina y de combustible, ver las páginas 5-15 Voir pages 16-19 pour des notes

N/A = No disponible N/R = No requiere N/S = No servible Voir les tableaux de repérage des filtres d'habitacle et à carburant aux pages 5-15 Ver las páginas 16-19 para las notas al pie de página

Italicized Part Numbers May Not Be Available. Wix XP Oil Filters Have Fully Synthetic Media.

Las piezas con números en *italicas* pueden no estar disponibles. Los filtros de aceite WIX XP son completamente de media sintética. Les numéros de pièce en *italiques* peuvent ne pas être disponibles. Les filtres à huile XP Wix contiennent un matériau 100 % synthétique.

Year/Año/Année Model/Modelo/Modèle Engine/Motor/Moteur	Eng. Code Código de motor Code moteur	VIN NIV NIV	Oil Aceite Huile	Oil XP Aceite XP Huile XP	Air Aire Air	Cabin Air Cabina Aire Cabine Air	Cabin Air XP Cabina Aire XP Cabine Air XP	Loc. Cabin Air Cabina Aire Cabine Air	Fuel Combustible Carburant	Loc. Fuel Combustible Carburant	Transmission Transmisión Transmission
--	---	-------------------	------------------------	---------------------------------	--------------------	--	---	--	----------------------------------	--	---

MERCEDES BENZ (Cont'd/Suite)
2011 (Cont'd/Suite)
G550

V8 5.5L 5461cc	273.963	57078			WA10899	49376		3	N/S		58144
----------------	---------	-------	--	--	---------	-------	--	---	-----	--	-------

GL350 BLUETEC 4MATIC

V6 3.0L 2987cc Turbo Diesel	642.820	57062			42468	49376		3	33934 ¹⁷⁹ 33250 ³⁸⁴ 33251 ³⁸³ N/A ²⁸⁹		58144
-----------------------------	---------	-------	--	--	-------	-------	--	---	--	--	-------

GL450

V8 4.6L 4663cc	273.923	57078			46799 ³⁹⁴	49376		3	N/S		58144
----------------	---------	-------	--	--	----------------------	-------	--	---	-----	--	-------

GL550

V8 5.5L 5461cc	273.963	57078			46799 ³⁹⁴	49376		3	N/S		58144
----------------	---------	-------	--	--	----------------------	-------	--	---	-----	--	-------

GLK300

V6 3.0L 2996cc (Mex.)	272.948	57078			46799	49357			33643		
-----------------------	---------	-------	--	--	-------	-------	--	--	-------	--	--

GLK350

V6 3.5L 3498cc	272.991	57078			46799 ³⁹⁴	49357		6	N/S		58144
----------------	---------	-------	--	--	----------------------	-------	--	---	-----	--	-------

GLK350 4MATIC

V6 3.5L 3498cc	272.971	57078			46799 ³⁹⁴	49357		6	N/S		58144
----------------	---------	-------	--	--	----------------------	-------	--	---	-----	--	-------

ML300

V6 3.0L 2987cc Turbo Diesel (Mex.)	642.832	57062			42468	49376			33251		
------------------------------------	---------	-------	--	--	-------	-------	--	--	-------	--	--

ML350

V6 3.5L 3498cc	272.967	57078			46799 ³⁹⁴	49376		3	N/S		58144
----------------	---------	-------	--	--	----------------------	-------	--	---	-----	--	-------

ML350 BLUETEC 4MATIC

V6 3.0L 2987cc Turbo Diesel	642.820	57062			42468	49376		3	33934 ¹⁷⁹ 33250 ³⁸⁴ 33251 ³⁸³ N/A ²⁸⁹		58144
-----------------------------	---------	-------	--	--	-------	-------	--	---	--	--	-------

ML450 HYBRID

V6 3.5L 3498cc Electric/Gas	272.973	57078			46799 ³⁹⁴	49376		3	N/S		58144
-----------------------------	---------	-------	--	--	----------------------	-------	--	---	-----	--	-------

ML500

V8 5.0L 4973cc (Mex.)	113.961	57078			46799	49376			N/R		
-----------------------	---------	-------	--	--	-------	-------	--	--	-----	--	--

ML550

V8 5.5L 5461cc	273.963	57078			46799 ³⁹⁴	49376		3	N/S		58144
----------------	---------	-------	--	--	----------------------	-------	--	---	-----	--	-------

ML63 AMG

V8 6.3L 6208cc	156.980	57010			49504	49376		3	N/S		58144
----------------	---------	-------	--	--	-------	-------	--	---	-----	--	-------

R300

V6 3.0L 2987cc Turbo Diesel (Mex.)	642.950	57062			42468	49376			33251		
V6 3.0L 2996cc (Mex.)	272.945	57078			46799	49376			N/S		

R350

V6 3.5L 3498cc	272.967	57078			46799 ³⁹⁴	49376		3	N/S		58144
----------------	---------	-------	--	--	----------------------	-------	--	---	-----	--	-------

R350 BLUETEC 4MATIC

V6 3.0L 2987cc Turbo Diesel	642.870	57062			42468	49376		3	33934 ¹⁷⁹ 33251 ³⁸³ 33250 ³⁸⁴ N/A ²⁸⁹		58144
-----------------------------	---------	-------	--	--	-------	-------	--	---	--	--	-------

R500

V8 5.5L 5461cc (Mex.)	273.963	57038			46799	49376			N/S		
-----------------------	---------	-------	--	--	-------	-------	--	--	-----	--	--

S350

V6 3.5L 3498cc (Mex.)	272.965	57078			46799	24218			N/S		
-----------------------	---------	-------	--	--	-------	-------	--	--	-----	--	--

S400 HYBRID

V6 3.5L 3498cc Electric/Gas	272.974	57078			46799 ³⁹⁴	24218		4	N/S		58144
-----------------------------	---------	-------	--	--	----------------------	-------	--	---	-----	--	-------

S450

V8 4.6L 4663cc	273.923	57078			46799 ³⁹⁴	24218			N/S		58144
----------------	---------	-------	--	--	----------------------	-------	--	--	-----	--	-------

S550

V8 5.5L 5461cc	273.961	57078			46799 ³⁹⁴	24218		4	N/S		58144
----------------	---------	-------	--	--	----------------------	-------	--	---	-----	--	-------

N/A = Not Available N/R = Not Required N/S = Not Serviceable For cabin and fuel filter locator, see pages 5-15 See pages 16-19 for footnotes

N/A = Non disponible N/R = Non nécessaire N/S = Non réparable Para la ubicación de los filtros de aire de la cabina y de combustible, ver las páginas 5-15 Voir pages 16-19 pour des notes

N/A = No disponible N/R = No requiere N/S = No servible Voir les tableaux de repérage des filtres d'habitacle et à carburant aux pages 5-15 Ver las páginas 16-19 para las notas al pie de página

Italicized Part Numbers May Not Be Available. Wix XP Oil Filters Have Fully Synthetic Media.

Las piezas con números en *italicas* pueden no estar disponibles. Los filtros de aceite WIX XP son completamente de media sintética.

Les numéros de pièce en *italiques* peuvent ne pas être disponibles. Les filtres à huile XP Wix contiennent un matériau 100 % synthétique.

MERCEDES BENZ 2011-2010
Pass Car/Light Truck

Year/Año/Année Model/Modelo/Modèle Engine/Motor/Moteur	Eng. Code Código de motor Code moteur	VIN NIV NIV	Oil Aceite Huile	Oil XP Aceite XP Huile XP	Air Aire Air	Cabin Air Cabina Aire Cabine Air	Cabin Air XP Cabina Aire XP Cabine Air XP	Loc. Cabin Air Cabina Aire Cabine Air	Fuel Combustible Carburant	Loc. Fuel Combustible Carburant	Transmission Transmisión Transmission
--	---	-------------------	------------------------	---------------------------------	--------------------	--	---	--	----------------------------------	--	---

MERCEDES BENZ (Cont'd/Suite)
2011 (Cont'd/Suite)
S550 4MATIC

V8 5.5L 5461cc	273.968		57078		46799 ³⁹⁴	24218		4	N/S		58144
----------------	---------	--	-------	--	----------------------	-------	--	---	-----	--	-------

S600

V12 5.5L 5513cc 336 CID Turbo	275.953		57198		49404 ³⁹⁴	24218		4	N/S		58845
----------------------------------	---------	--	-------	--	----------------------	-------	--	---	-----	--	-------

S63 AMG

V8 5.5L 5461cc Turbo	157.980		WL10077		49704	24218		4	N/S		58144
V8 6.3L 6208cc (Mex.)	156.984		57010		49504	24218			N/S		

S65 AMG

V12 6.0L 5980cc 365 CID Turbo	275.982		57198		49404 ³⁹⁴	24218		4	N/S		58845
----------------------------------	---------	--	-------	--	----------------------	-------	--	---	-----	--	-------

SL300

V6 3.0L 2996cc (Mex.)	272.949		57078		46799	49356			33643		
-----------------------	---------	--	-------	--	-------	-------	--	--	-------	--	--

SL350

V6 3.5L 3498cc (Mex.)	272.968		57078		46799	49356			33643		
-----------------------	---------	--	-------	--	-------	-------	--	--	-------	--	--

SL500

V8 5.5L 5461cc (Mex.)	273.971		57078		49404				33643		
-----------------------	---------	--	-------	--	-------	--	--	--	-------	--	--

SL550

V8 5.5L 5461cc	273.965		57078		46799 ³⁹⁴	49356		4	N/S		58144
----------------	---------	--	-------	--	----------------------	-------	--	---	-----	--	-------

SL600

V12 5.5L 5513cc 336 CID Turbo	275.954		57198		49404 ³⁹⁴	49356		4	N/A		58845
----------------------------------	---------	--	-------	--	----------------------	-------	--	---	-----	--	-------

SL63 AMG

V8 6.3L 6208cc	156.981		57010		49504	49356		4	N/S		58144
----------------	---------	--	-------	--	-------	-------	--	---	-----	--	-------

SL65 AMG

V12 6.0L 5980cc 365 CID Turbo	275.981		57198		49404 ³⁹⁴	49356		4	N/A		58845
----------------------------------	---------	--	-------	--	----------------------	-------	--	---	-----	--	-------

SLK200

L4 1.8L 1796cc (Mex.)			57009		49214	49373			N/S		
-----------------------	--	--	-------	--	-------	-------	--	--	-----	--	--

SLK300

V6 3.0L 2996cc	272.942		57078		46799 ³⁹⁴	49373		6	N/S		58144
----------------	---------	--	-------	--	----------------------	-------	--	---	-----	--	-------

SLK350

V6 3.5L 3498cc	272.969		57078		46799 ³⁹⁴	49373		4	N/S		58144
----------------	---------	--	-------	--	----------------------	-------	--	---	-----	--	-------

SLK55 AMG

V8 5.5L 5439cc	113.989		57049		46799 ³⁹⁴	49373		4	N/S		N/A
----------------	---------	--	-------	--	----------------------	-------	--	---	-----	--	-----

SLS AMG

V8 6.2L 6208cc	159.980		57010		N/A	49357		4	N/S		58144
----------------	---------	--	-------	--	-----	-------	--	---	-----	--	-------

SPRINTER VAN

L4 2.1L 2148CC DOHC 16 Valve Turbo Diesel (Mex.)			57038		49876	49366			33934		
V6 3.0L 2987cc Turbo Diesel	642.898		57062		49876	49366 N/A ²²⁸		3	33934 ¹⁷⁹ 33250 ³⁸⁴ 33251 ³⁸³ N/A ²⁸⁹ WF8513 ³²⁴		58845

VITO

L4 2.1L 2148CC DOHC 16 Valve Turbo Diesel (Mex.)			57038		WA9420	WP9222			33934		
---	--	--	-------	--	--------	--------	--	--	-------	--	--

2010
B200

L4 2.0L			51009		49024	24418 ⁸¹			N/S		
L4 2.0L Turbo			51009		49024	24418 ⁸¹			N/S		

C 200 KOMPRESSOR

L4 1.8L 1796cc (Mex.)			57009		49212	N/A					
-----------------------	--	--	-------	--	-------	-----	--	--	--	--	--

N/A = Not Available N/R = Not Required N/S = Not Serviceable For cabin and fuel filter locator, see pages 5-15 See pages 16-19 for footnotes

N/A = Non disponible N/R = Non nécessaire N/S = Non réparable Para la ubicación de los filtros de aire de la cabina y de combustible, ver las páginas 5-15 Voir pages 16-19 pour des notes

N/A = No disponible N/R = No requiere N/S = No servible Voir les tableaux de repérage des filtres d'habitacle et à carburant aux pages 5-15 Ver las páginas 16-19 para las notas al pie de página

Italicized Part Numbers May Not Be Available. Wix XP Oil Filters Have Fully Synthetic Media.

Las piezas con números en *italicas* pueden no estar disponibles. Los filtros de aceite WIX XP son completamente de media sintética. Les numéros de pièce en *italiques* peuvent ne pas être disponibles. Les filtres à huile XP Wix contiennent un matériau 100 % synthétique.

Year/Año/Année Model/Modelo/Modèle Engine/Motor/Moteur	Eng. Code Código de motor Code moteur	VIN NIV NIV	Oil Aceite Huile	Oil XP Aceite XP Huile XP	Air Aire Air	Cabin Air Cabina Aire Cabine Air	Cabin Air XP Cabina Aire XP Cabine Air XP	Loc. Cabin Air Cabina Aire Cabine Air	Fuel Combustible Carburant	Loc. Fuel Combustible Carburant	Transmission Transmisión Transmission
--	--	-------------------	------------------------	---------------------------------	--------------------	--	---	--	----------------------------------	--	---

MERCEDES BENZ (Cont'd/Suite)
2010 (Cont'd/Suite)
C250

V6 2.5L 2496cc	272.92	57078			46799 ³⁹⁴	24686 ⁷⁸ 24118 ⁷⁹		4	33643		58845
----------------	--------	-------	--	--	----------------------	--	--	---	-------	--	-------

C300

V6 3.0L 2996cc	272.947	57078			46799 ³⁹⁴	49357		6	N/S		58144
V6 3.0L 2996cc Flex	272.947	57078			46799 ³⁹⁴	49357		6	N/S		58144
V6 3.5L (Mex.)		N/S			N/S	49357			N/S		N/S

C300 4MATIC

V6 3.0L 2996cc	272.948	57078			46799 ³⁹⁴	49357		6	N/S		58144
V6 3.0L 2996cc Flex	272.948	57078			46799 ³⁹⁴	49357		6	N/S		58144

C350

V6 3.5L 3498cc	272.961	57078			46799 ³⁹⁴	49357		6	N/S		58144
----------------	---------	-------	--	--	----------------------	-------	--	---	-----	--	-------

C63 AMG

V8 6.2L 6200cc 378 CID (Mex.)		N/S			N/S	49357			N/S		N/S
V8 6.3L 6208cc	156.985	57010			49504	49357		6	N/S		58144

CL500

V8 5.5L 5461cc (Mex.)	273.971	57078			49404	24218			N/S		
-----------------------	---------	-------	--	--	-------	-------	--	--	-----	--	--

CL550

V8 5.5L 5461cc	273.968	57078			46799 ³⁹⁴	24218		4	N/S		58144
----------------	---------	-------	--	--	----------------------	-------	--	---	-----	--	-------

CL600

V12 5.5L 5513cc 336 CID Turbo	275.953	57198			49404 ³⁹⁴	24218		4	N/S		58845
----------------------------------	---------	-------	--	--	----------------------	-------	--	---	-----	--	-------

CL63 AMG

V8 6.3L 6208cc	156.984	57010			49504	24218		4	N/S		58144
----------------	---------	-------	--	--	-------	-------	--	---	-----	--	-------

CL65 AMG

V12 6.0L 5980cc 365 CID Turbo	275.982	57198			49404 ³⁹⁴	24218		4	N/S		58845
----------------------------------	---------	-------	--	--	----------------------	-------	--	---	-----	--	-------

CLK500

V8 5.5L 5461cc (Mex.)	273.971	57078			49404						
-----------------------	---------	-------	--	--	-------	--	--	--	--	--	--

CLS550

V8 5.5L 5461cc	273.960	57078			46799 ³⁹⁴	24797 ⁶¹ 24726 ⁷⁸		1	N/S		58144
----------------	---------	-------	--	--	----------------------	--	--	---	-----	--	-------

CLS63 AMG

V8 6.3L 6208cc	156.983	57010			49504	24726 ⁷⁸ 24797 ⁶¹		1	N/S		58144
----------------	---------	-------	--	--	-------	--	--	---	-----	--	-------

E350

V6 3.5L 3498cc	272.980 272.988	57078 57078			46799 ³⁹⁴ 46799 ³⁹⁴	49357 49357		1 1	N/S N/S		58144 58144
----------------	--------------------	----------------	--	--	--	----------------	--	--------	------------	--	----------------

E350 4MATIC

V6 3.5L 3498cc	272.977	57078			46799 ³⁹⁴	49357		1	N/S		58144
----------------	---------	-------	--	--	----------------------	-------	--	---	-----	--	-------

E550

V8 5.5L 5461cc	273.966 273.971	57078 57078			46799 ³⁹⁴ 46799 ³⁹⁴	49357 49357		1 1	N/S N/S		58144 58144
----------------	--------------------	----------------	--	--	--	----------------	--	--------	------------	--	----------------

E550 4MATIC

V8 5.5L 5461cc	273.970	57078			46799 ³⁹⁴	49357		1	N/S		58144
----------------	---------	-------	--	--	----------------------	-------	--	---	-----	--	-------

E63 AMG

V8 6.2L 6200cc 378 CID (Mex.)						24579					
V8 6.3L 6208cc	156.985	57010			49504	24797 ⁶¹ 24726 ⁷⁸		1	N/S		58144

G55 AMG

V8 5.5L 5439cc 335 CID Super Charged	113.993	57078			WA10899	WP9037 ⁷⁸			33643		58845
---	---------	-------	--	--	---------	----------------------	--	--	-------	--	-------

G550

V8 5.5L 5461cc	273.963	57078			WA10899	49376		3	N/S		58144
----------------	---------	-------	--	--	---------	-------	--	---	-----	--	-------

N/A = Not Available N/R = Not Required N/S = Not Serviceable For cabin and fuel filter locator, see pages 5-15 See pages 16-19 for footnotes

N/A = Non disponible N/R = Non nécessaire N/S = Non réparable Para la ubicación de los filtros de aire de la cabina y de combustible, ver las páginas 5-15 Voir pages 16-19 pour des notes

N/A = No disponible N/R = No requiere N/S = No servible Voir les tableaux de repérage des filtres d'habitacle et à carburant aux pages 5-15 Ver las páginas 16-19 para las notas al pie de página

Italicized Part Numbers May Not Be Available. Wix XP Oil Filters Have Fully Synthetic Media.

Las piezas con números en *italicas* pueden no estar disponibles. Los filtros de aceite WIX XP son completamente de media sintética.

Les numéros de pièce en *italiques* peuvent ne pas être disponibles. Les filtres à huile XP Wix contiennent un matériau 100 % synthétique.

MERCEDES BENZ 2010
Pass Car/Light Truck

Year/Año/Année Model/Modelo/Modèle Engine/Motor/Moteur	Eng. Code Código de motor Code moteur	VIN NIV NIV	Oil Aceite Huile	Oil XP Aceite XP Huile XP	Air Aire Air	Cabin Air Cabina Aire Cabine Air	Cabin Air XP Cabina Aire XP Cabine Air XP	Loc. Cabin Air Cabina Aire Cabine Air	Fuel Combustible Carburant	Loc. Fuel Combustible Carburant	Transmission Transmisión Transmission
--	---	-------------------	------------------------	---------------------------------	--------------------	--	---	--	----------------------------------	--	---

MERCEDES BENZ (Cont'd/Suite)
2010 (Cont'd/Suite)
GL350 BLUETEC 4MATIC

V6 3.0L 2987cc Turbo Diesel	642.820		57062		42468	49376		3	33934 ¹⁷⁹ 33250 ³⁸⁴ 33251 ³⁸³ N/A ²⁸⁹		58144
-----------------------------	---------	--	-------	--	-------	-------	--	---	--	--	-------

GL450

V8 4.6L 4663cc	273.923		57078		46799 ³⁸⁴	49376		3	N/S		58144
----------------	---------	--	-------	--	----------------------	-------	--	---	-----	--	-------

GL550

V8 5.5L 5461cc	273.963		57078		46799 ³⁸⁴	49376		3	N/S		58144
----------------	---------	--	-------	--	----------------------	-------	--	---	-----	--	-------

GLK300

V6 3.0L 2996cc (Mex.)	272.948		57078		46799	49357			33643		
-----------------------	---------	--	-------	--	-------	-------	--	--	-------	--	--

GLK350

V6 3.5L 3498cc	272.991		57078		46799 ³⁸⁴	49357		6	N/S		58144
----------------	---------	--	-------	--	----------------------	-------	--	---	-----	--	-------

GLK350 4MATIC

V6 3.5L 3498cc	272.971		57078		46799 ³⁸⁴	49357		6	N/S		58144
----------------	---------	--	-------	--	----------------------	-------	--	---	-----	--	-------

ML350

V6 3.5L 3498cc	272.967		57078		46799 ³⁸⁴	49376		3	N/S		58144
----------------	---------	--	-------	--	----------------------	-------	--	---	-----	--	-------

ML350 BLUETEC 4MATIC

V6 3.0L 2987cc Turbo Diesel	642.820		57062		42468	49376		3	33934 ¹⁷⁹ 33250 ³⁸⁴ 33251 ³⁸³ N/A ²⁸⁹		58144
-----------------------------	---------	--	-------	--	-------	-------	--	---	--	--	-------

ML450 HYBRID

V6 3.5L 3498cc Electric/Gas	272.973		57078		46799 ³⁸⁴	49376		3	N/S		58144
-----------------------------	---------	--	-------	--	----------------------	-------	--	---	-----	--	-------

ML550

V8 5.5L 5461cc	273.963		57078		46799 ³⁸⁴	49376		3	N/S		58144
----------------	---------	--	-------	--	----------------------	-------	--	---	-----	--	-------

ML63 AMG

V8 6.3L 6208cc	156.980		57010		49504	49376		3	N/S		58144
----------------	---------	--	-------	--	-------	-------	--	---	-----	--	-------

R350

V6 3.5L 3498cc	272.967		57078		46799 ³⁸⁴	49376		3	N/S		58144
----------------	---------	--	-------	--	----------------------	-------	--	---	-----	--	-------

R350 BLUETEC 4MATIC

V6 3.0L 2987cc Turbo Diesel	642.870		57062		42468	49376		3	33934 ¹⁷⁹ 33250 ³⁸⁴ 33251 ³⁸³ N/A ²⁸⁹		58144
-----------------------------	---------	--	-------	--	-------	-------	--	---	--	--	-------

S400 HYBRID

V6 3.5L 3498cc Electric/Gas	272.974		57078		46799 ³⁸⁴	24218		4	N/S		58144
-----------------------------	---------	--	-------	--	----------------------	-------	--	---	-----	--	-------

S450

V8 4.6L 4663cc	273.923		57078		46799 ³⁸⁴	24218			N/S		58144
----------------	---------	--	-------	--	----------------------	-------	--	--	-----	--	-------

S550

V8 5.5L 5461cc	273.961		57078		46799 ³⁸⁴	24218		4	N/S		58144
----------------	---------	--	-------	--	----------------------	-------	--	---	-----	--	-------

S550 4MATIC

V8 5.5L 5461cc	273.968		57078		46799 ³⁸⁴	24218		4	N/S		58144
----------------	---------	--	-------	--	----------------------	-------	--	---	-----	--	-------

S600

V12 5.5L 5513cc 336 CID Turbo	275.953		57198		49404 ³⁸⁴	24218		4	N/S		58845
-------------------------------	---------	--	-------	--	----------------------	-------	--	---	-----	--	-------

S63 AMG

V8 6.3L 6208cc	156.984		57010		49504	24218		4	N/S		58144
----------------	---------	--	-------	--	-------	-------	--	---	-----	--	-------

S65 AMG

V12 6.0L 5980cc 365 CID Turbo	275.982		57198		49404 ³⁸⁴	24218		4	N/S		58845
-------------------------------	---------	--	-------	--	----------------------	-------	--	---	-----	--	-------

SL550

V8 5.5L 5461cc	273.965		57078		46799 ³⁸⁴	49356		4	N/S		58144
----------------	---------	--	-------	--	----------------------	-------	--	---	-----	--	-------

SL600

V12 5.5L 5513cc 336 CID Turbo	275.954		57198		49404 ³⁸⁴	49356		4	N/A		58845
-------------------------------	---------	--	-------	--	----------------------	-------	--	---	-----	--	-------

N/A = Not Available N/R = Not Required N/S = Not Serviceable For cabin and fuel filter locator, see pages 5-15 See pages 16-19 for footnotes

N/A = Non disponible N/R = Non nécessaire N/S = Non réparable Para la ubicación de los filtros de aire de la cabina y de combustible, ver las páginas 5-15 Voir pages 16-19 pour des notes

N/A = No disponible N/R = No requiere N/S = No servible Voir les tableaux de repérage des filtres d'habitacle et à carburant aux pages 5-15 Ver las páginas 16-19 para las notas al pie de página

Italicized Part Numbers May Not Be Available. Wix XP Oil Filters Have Fully Synthetic Media.

Las piezas con números en *italicas* pueden no estar disponibles. Los filtros de aceite WIX XP son completamente de media sintética. Les numéros de pièce en *italiques* peuvent ne pas être disponibles. Les filtres à huile XP Wix contiennent un matériau 100 % synthétique.

Year/Año/Année Model/Modelo/Modèle Engine/Motor/Moteur	Eng. Code Código de motor Code moteur	VIN NIV NIV	Oil Aceite Huile	Oil XP Aceite XP Huile XP	Air Aire Air	Cabin Air Cabina Aire Cabine Air	Cabin Air XP Cabina Aire XP Cabine Air XP	Loc. Cabin Air Cabina Aire Cabine Air	Fuel Combustible Carburant	Loc. Fuel Combustible Carburant	Transmission Transmisión Transmission
--	--	-------------------	------------------------	---------------------------------	--------------------	--	---	--	----------------------------------	--	---

MERCEDES BENZ (Cont'd/Suite)
2010 (Cont'd/Suite)
SL63 AMG

V8 6.3L 6208cc	156.981	57010			49504	49356		4	N/S		58144
----------------	---------	-------	--	--	-------	-------	--	---	-----	--	-------

SL65 AMG

V12 6.0L 5980cc 365 CID Turbo	275.981	57198			49404 ³⁹⁴	49356		4	N/A		58845
----------------------------------	---------	-------	--	--	----------------------	-------	--	---	-----	--	-------

SLK300

V6 3.0L 2996cc	272.942	57078			46799 ³⁹⁴	49373		6	N/S		58144
----------------	---------	-------	--	--	----------------------	-------	--	---	-----	--	-------

SLK350

V6 3.5L 3498cc	272.969	57078			46799 ³⁹⁴	49373		4	N/S		58144
----------------	---------	-------	--	--	----------------------	-------	--	---	-----	--	-------

SLK55 AMG

V8 5.5L 5439cc	113.989	57049			46799 ³⁹⁴	49373		4	N/S		N/A
----------------	---------	-------	--	--	----------------------	-------	--	---	-----	--	-----

SPRINTER VAN

L4 2.1L 2148CC DOHC 16 Valve Turbo Diesel (Mex.)		57038			49876	49366			33934		
V6 3.0L 2987cc Turbo Diesel	642.898	57062			49876	49366 N/A ²²⁸		3	33934 ¹⁷⁹ 33251 ³⁸³ 33250 ³⁸⁴ N/A ²⁸⁹ WF8513 ⁵²⁴		58845

VITO

L4 2.1L 2148CC DOHC 16 Valve Turbo Diesel (Mex.)		57038			WA9420	WP9222			33934		
---	--	-------	--	--	--------	--------	--	--	-------	--	--

2009
B200

L4 2.0L		51009			49024	24418 ⁶¹			N/S		
L4 2.0L Turbo		51009			49024	24418 ⁶¹			N/S		

C230

V6 2.5L 2496cc	272.92	57078			46799 ³⁹⁴	49357		4	33643		58845
----------------	--------	-------	--	--	----------------------	-------	--	---	-------	--	-------

C300

V6 3.0L 2996cc	272.947	57078			46799 ³⁹⁴	49357		6	N/S		58144
V6 3.0L 2996cc Flex	272.947	57078			46799 ³⁹⁴	49357		6	N/S		58144

C300 4MATIC

V6 3.0L 2996cc	272.948	57078			46799 ³⁹⁴	49357		6	N/S		58144
V6 3.0L 2996cc Flex	272.948	57078			46799 ³⁹⁴	49357		6	N/S		58144

C350

V6 3.5L 3498cc	272.961	57078			46799 ³⁹⁴	49357		6	N/S		58144
----------------	---------	-------	--	--	----------------------	-------	--	---	-----	--	-------

C63 AMG

V8 6.2L 6200cc 378 CID (Mex.)		N/S			N/S	49357			N/S		N/S
V8 6.3L 6208cc	156.985	57010			49504	49357		6	N/S		58144

CL550

V8 5.5L 5461cc	273.968	57078			46799 ³⁹⁴	24218		4	N/S		N/A
----------------	---------	-------	--	--	----------------------	-------	--	---	-----	--	-----

CL600

V12 5.5L 5513cc 336 CID Turbo	275.953	57198			49404 ³⁹⁴	24218		4	N/S		58845
----------------------------------	---------	-------	--	--	----------------------	-------	--	---	-----	--	-------

CL63 AMG

V8 6.3L 6208cc	156.984	57010			49504	24218		4	N/S		58144
----------------	---------	-------	--	--	-------	-------	--	---	-----	--	-------

CL65 AMG

V12 6.0L 5980cc 365 CID Turbo	275.982	57198			49404 ³⁹⁴	24218		4	N/S		58845
----------------------------------	---------	-------	--	--	----------------------	-------	--	---	-----	--	-------

CLK350

V6 3.5L 3498cc	272.960	57078			46799 ³⁹⁴	24686 ⁷⁸ 24118 ⁷⁹		4	N/S		N/A
----------------	---------	-------	--	--	----------------------	--	--	---	-----	--	-----

CLK550

V8 5.5L 5461cc	273.967	57078			46799 ³⁹⁴	24686 ⁷⁸ 24118 ⁷⁹		4	N/S		N/A
----------------	---------	-------	--	--	----------------------	--	--	---	-----	--	-----

N/A = Not Available N/R = Not Required N/S = Not Serviceable For cabin and fuel filter locator, see pages 5-15 See pages 16-19 for footnotes

N/A = Non disponible N/R = Non nécessaire N/S = Non réparable Para la ubicación de los filtros de aire de la cabina y de combustible, ver las páginas 5-15 Voir pages 16-19 pour des notes

N/A = No disponible N/R = No requiere N/S = No servible Voir les tableaux de repérage des filtres d'habitacle et à carburant aux pages 5-15 Ver las páginas 16-19 para las notas al pie de página

Italicized Part Numbers May Not Be Available. Wix XP Oil Filters Have Fully Synthetic Media.

Las piezas con números en *italicas* pueden no estar disponibles. Los filtros de aceite WIX XP son completamente de media sintética.

Les numéros de pièce en *italiques* peuvent ne pas être disponibles. Les filtres à huile Wix contiennent un matériau 100 % synthétique.

MERCEDES BENZ 2009
Pass Car/Light Truck

Year/Año/Année Model/Modelo/Modèle Engine/Motor/Moteur	Eng. Code Código de motor Code moteur	VIN NIV NIV	Oil Aceite Huile	Oil XP Aceite XP Huile XP	Air Aire Air	Cabin Air Cabina Aire Cabine Air	Cabin Air XP Cabina Aire XP Cabine Air XP	Loc. Cabin Air Cabina Aire Cabine Air	Fuel Combustible Carburant	Loc. Fuel Combustible Carburant	Transmission Transmisión Transmission
--	---	-------------------	------------------------	---------------------------------	--------------------	--	---	--	----------------------------------	--	---

MERCEDES BENZ (Cont'd/Suite)
2009 (Cont'd/Suite)
CLK63 AMG

V8 6.3L 6208cc	156.983		57010		49504	24686 ^{7B} 24118 ^{7B}		4	N/S		N/A
----------------	---------	--	-------	--	-------	--	--	---	-----	--	-----

CLS550

V8 5.5L 5461cc	273.960		57078		46799 ³⁵⁴	24797 ⁶¹ 24726 ^{7B}		1	N/S		N/A
----------------	---------	--	-------	--	----------------------	--	--	---	-----	--	-----

CLS63 AMG

V8 6.3L 6208cc	156.983		57010		49504	24726 ^{7B} 24797 ⁶¹		1	N/S		N/A
----------------	---------	--	-------	--	-------	--	--	---	-----	--	-----

E300

V6 3.0L 2996CC			57078		46298	49357			33643		N/S
----------------	--	--	-------	--	-------	-------	--	--	-------	--	-----

E320 BLUETEC

V6 3.0L 2987cc Turbo Diesel	642.920		57062		42468	24797 ⁶¹ 24726 ^{7B}		1	33934 ¹⁷⁹ 33250 ³⁸⁴ 33251 ³⁸³ N/A ²⁸⁹		N/A
-----------------------------	---------	--	-------	--	-------	--	--	---	--	--	-----

E350

V6 3.5L 3498cc	272.964		57078		46799 ³⁵⁴	24726 ^{7B} 24797 ⁶¹		1	N/S		58845 - 5 Spd. AWD N/A - 7 Spd. RWD
----------------	---------	--	-------	--	----------------------	--	--	---	-----	--	--

E350 4MATIC

V6 3.5L 3498cc	272.972		57078		46799 ³⁵⁴	24726 ^{7B} 24797 ⁶¹		1	N/S		58845 - 5 Spd. AWD N/A - 7 Spd. RWD
----------------	---------	--	-------	--	----------------------	--	--	---	-----	--	--

E550

V8 5.5L 5461cc	273.960		57078		46799 ³⁵⁴	24726 ^{7B} 24797 ⁶¹		1	N/S		58845 - 5 Spd. AWD N/A - 7 Spd. RWD
----------------	---------	--	-------	--	----------------------	--	--	---	-----	--	--

E550 4MATIC

V8 5.5L 5461cc	273.962		57078		46799 ³⁵⁴	24726 ^{7B} 24797 ⁶¹		1	N/S		58845 - 5 Spd. AWD N/A - 7 Spd. RWD
----------------	---------	--	-------	--	----------------------	--	--	---	-----	--	--

E63 AMG

V8 6.3L 6208cc	156.983		57010		49504	24797 ⁶¹ 24726 ^{7B}		1	N/S		N/A
----------------	---------	--	-------	--	-------	--	--	---	-----	--	-----

G55 AMG

V8 5.5L 5439cc 335 CID Super Charged	113.993		57078		WA10899	WP9037 ^{7B}			33643		58845
--------------------------------------	---------	--	-------	--	---------	----------------------	--	--	-------	--	-------

G550

V8 5.5L 5461cc	273.963		57078		WA10899	49376		3	N/S		58144
----------------	---------	--	-------	--	---------	-------	--	---	-----	--	-------

GL320 BLUETEC 4MATIC

V6 3.0L 2987cc Turbo Diesel	642.820		57062		42468	49376		3	33934 ¹⁷⁹ 33250 ³⁸⁴ 33251 ³⁸³ N/A ²⁸⁹		N/A
-----------------------------	---------	--	-------	--	-------	-------	--	---	--	--	-----

GL450

V8 4.6L 4663cc	273.923		57078		46799 ³⁵⁴	49376		3	N/S		N/A - 7 Spd. RWD
----------------	---------	--	-------	--	----------------------	-------	--	---	-----	--	------------------

GL550

V8 5.5L 5461cc	273.963		57078		46799 ³⁵⁴	49376		3	N/S		58144
----------------	---------	--	-------	--	----------------------	-------	--	---	-----	--	-------

GLK280

V6 3.0L 2996cc Flex (Mex.)	272.948		51226	51226XP	46799	49357			N/S		
----------------------------	---------	--	-------	---------	-------	-------	--	--	-----	--	--

GLK300

V6 3.0L 2996cc (Mex.)	272.948		57078		46799	49357			33643		
-----------------------	---------	--	-------	--	-------	-------	--	--	-------	--	--

ML320 BLUETEC 4MATIC

V6 3.0L 2987cc Turbo Diesel	642.820		57062		42468	49376		3	33934 ¹⁷⁹ 33250 ³⁸⁴ 33251 ³⁸³ N/A ²⁸⁹		58144
-----------------------------	---------	--	-------	--	-------	-------	--	---	--	--	-------

ML350

V6 3.5L 3498cc	272.967		57078		46799 ³⁵⁴	49376		3	N/S		58144
----------------	---------	--	-------	--	----------------------	-------	--	---	-----	--	-------

ML550

V8 5.5L 5461cc	273.963		57078		46799 ³⁵⁴	49376		3	N/S		58144
----------------	---------	--	-------	--	----------------------	-------	--	---	-----	--	-------

N/A = Not Available N/R = Not Required N/S = Not Serviceable For cabin and fuel filter locator, see pages 5-15 See pages 16-19 for footnotes

N/A = Non disponible N/R = Non nécessaire N/S = Non réparable Para la ubicación de los filtros de aire de la cabina y de combustible, ver las páginas 5-15 Voir pages 16-19 pour des notes

N/A = No disponible N/R = No requiere N/S = No servible Voir les tableaux de repérage des filtres d'habitacle et à carburant aux pages 5-15 Ver las páginas 16-19 para las notas al pie de página

Italicized Part Numbers May Not Be Available. Wix XP Oil Filters Have Fully Synthetic Media.

Las piezas con números en *italicas* pueden no estar disponibles. Los filtros de aceite WIX XP son completamente de media sintética. Les numéros de pièce en *italiques* peuvent ne pas être disponibles. Les filtres à huile XP Wix contiennent un matériau 100 % synthétique.

Year/Año/Année Model/Modelo/Modèle Engine/Motor/Moteur	Eng. Code Código de motor Code moteur	VIN NIV NIV	Oil Aceite Huile	Oil XP Aceite XP Huile XP	Air Aire Air	Cabin Air Cabina Aire Cabine Air	Cabin Air XP Cabina Aire XP Cabine Air XP	Loc. Cabin Air Cabina Aire Cabine Air	Fuel Combustible Carburant	Loc. Fuel Combustible Carburant	Transmission Transmisión Transmission
--	--	-------------------	------------------------	---------------------------------	--------------------	--	---	--	----------------------------------	--	---

MERCEDES BENZ (Cont'd/Suite)
2009 (Cont'd/Suite)
ML63 AMG

V8 6.3L 6208cc	156.980	57010			49504	49376		3	N/S		58144
----------------	---------	-------	--	--	-------	-------	--	---	-----	--	-------

R320 BLUETEC

V6 3.0L 2987cc Turbo Diesel	642.870	57062			42468	49376		3	33934 ¹⁷⁹ N/A ²⁸⁹ 33251 ³⁸³ 33250 ³⁸⁴		N/A
-----------------------------	---------	-------	--	--	-------	-------	--	---	--	--	-----

R350

V6 3.5L 3498cc	272.967	57078			46799 ³⁹⁴	49376		3	N/S		58144
----------------	---------	-------	--	--	----------------------	-------	--	---	-----	--	-------

S450

V8 4.6L 4663cc	273.923	57078 57078			46799 46799	24218 24218			N/S N/S		N/S N/S
----------------	---------	----------------	--	--	----------------	----------------	--	--	------------	--	------------

S550

V8 5.5L 5461cc	273.961	57078			46799 ³⁹⁴	24218		4	N/S		58144
----------------	---------	-------	--	--	----------------------	-------	--	---	-----	--	-------

S550 4MATIC

V8 5.5L 5461cc	273.968	57078			46799 ³⁹⁴	24218		4	N/S		58144
----------------	---------	-------	--	--	----------------------	-------	--	---	-----	--	-------

S600

V12 5.5L 5513cc 336 CID Turbo	275.953	57198			49404 ³⁹⁴	24218		4	N/S		58845
----------------------------------	---------	-------	--	--	----------------------	-------	--	---	-----	--	-------

S63 AMG

V8 6.3L 6208cc	156.984	57010			49504	24218		4	N/S		58144
----------------	---------	-------	--	--	-------	-------	--	---	-----	--	-------

S65 AMG

V12 6.0L 5980cc 365 CID Turbo	275.982	57198			49404 ³⁹⁴	24218		4	N/S		58845
----------------------------------	---------	-------	--	--	----------------------	-------	--	---	-----	--	-------

SL550

V8 5.5L 5461cc	273.965	57078			46799 ³⁹⁴	49356		4	33643		58144
----------------	---------	-------	--	--	----------------------	-------	--	---	-------	--	-------

SL600

V12 5.5L 5513cc 336 CID Turbo	275.954	57198			49404 ³⁹⁴	49356		4	N/A		58845
----------------------------------	---------	-------	--	--	----------------------	-------	--	---	-----	--	-------

SL63 AMG

V8 6.3L 6208cc	156.981	57010			49504	49356		4	N/S		58144
----------------	---------	-------	--	--	-------	-------	--	---	-----	--	-------

SL65 AMG

V12 6.0L 5980cc 365 CID Turbo	275.981	57198			49404 ³⁹⁴	49356		4	N/A		58845
	275.983	57198			49404 ³⁹⁴	49356		4	N/A		58845

SLK300

V6 3.0L 2996cc	272.942	57078			46799 ³⁹⁴	49373		6	N/S		N/A
----------------	---------	-------	--	--	----------------------	-------	--	---	-----	--	-----

SLK350

V6 3.5L 3498cc	272.969	57078			46799 ³⁹⁴	49373		4	N/S		58144
----------------	---------	-------	--	--	----------------------	-------	--	---	-----	--	-------

SLK55 AMG

V8 5.5L 5439cc	113.989	57049			46799 ³⁹⁴	49373		4	N/S		N/A
----------------	---------	-------	--	--	----------------------	-------	--	---	-----	--	-----

SLR MCLAREN

V8 5.5L 5439cc 335 CID Super Charged	155.980	N/A			42525	49356		4	N/S		58845
---	---------	-----	--	--	-------	-------	--	---	-----	--	-------

SPRINTER VAN

L4 2.1L 2148CC DOHC 16 Valve Turbo Diesel (Mex.)		57038			49876	49366			33934		
---	--	-------	--	--	-------	-------	--	--	-------	--	--

VITO

L4 2.1L 2148CC DOHC 16 Valve Turbo Diesel (Mex.)		57038			WA9420	WP9222			33934		
---	--	-------	--	--	--------	--------	--	--	-------	--	--

2008
A150

L4 1.5L 1498cc (Mex.)		51009			49024	24418 ⁶¹			33179		
-----------------------	--	-------	--	--	-------	---------------------	--	--	-------	--	--

A180

L4 2.0L 1991cc Diesel (Mex.)		WL7288 ⁶¹			WA9493 ⁶¹	24418 ⁶¹			33934		
------------------------------	--	----------------------	--	--	----------------------	---------------------	--	--	-------	--	--

N/A = Not Available N/R = Not Required N/S = Not Serviceable For cabin and fuel filter locator, see pages 5-15 See pages 16-19 for footnotes

N/A = Non disponible N/R = Non nécessaire N/S = Non réparable Para la ubicación de los filtros de aire de la cabina y de combustible, ver las páginas 5-15 Voir pages 16-19 pour des notes

N/A = No disponible N/R = No requiere N/S = No servible Voir les tableaux de repérage des filtres d'habitacle et à carburant aux pages 5-15 Ver las páginas 16-19 para las notas al pie de página

Italicized Part Numbers May Not Be Available. Wix XP Oil Filters Have Fully Synthetic Media.

Las piezas con números en *italicas* pueden no estar disponibles. Los filtros de aceite WIX XP son completamente de media sintética.

Les numéros de pièce en *italiques* peuvent ne pas être disponibles. Les filtres à huile XP Wix contiennent un matériau 100 % synthétique.

MERCEDES BENZ 2008
Pass Car/Light Truck

Year/Año/Année Model/Modelo/Modèle Engine/Motor/Moteur	Eng. Code Código de motor Code moteur	VIN NIV NIV	Oil Aceite Huile	Oil XP Aceite XP Huile XP	Air Aire Air	Cabin Air Cabina Aire Cabine Air	Cabin Air XP Cabina Aire XP Cabine Air XP	Loc. Cabin Air Cabina Aire Cabine Air	Fuel Combustible Carburant	Loc. Fuel Combustible Carburant	Transmission Transmisión Transmission
--	--	-------------------	------------------------	---------------------------------	--------------------	--	---	--	----------------------------------	--	---

MERCEDES BENZ (Cont'd/Suite)
2008 (Cont'd/Suite)
A200

L4 2.0L 1991cc Diesel (Mex.)			WL7288 ⁶¹		WA9493 ⁶¹	24418 ⁶¹			33934		
------------------------------	--	--	----------------------	--	----------------------	---------------------	--	--	-------	--	--

B200

L4 2.0L			51009		49024	24418 ⁶¹			N/S		
L4 2.0L Turbo			51009		49024	24418 ⁶¹			N/S		

C230

V6 2.5L 2496cc	272.92		57078		46799 ³⁶⁴	49357		4	33643		58845
----------------	--------	--	-------	--	----------------------	-------	--	---	-------	--	-------

C280

V6 3.0L 2996cc (Mex.)	272.947		57038		46799	49357			N/A		
-----------------------	---------	--	-------	--	-------	-------	--	--	-----	--	--

C300

V6 3.0L 2996cc	272.947		57078		46799 ³⁶⁴	49357		6	N/S		58144
V6 3.0L 2996cc Flex	272.947		57078		46799 ³⁶⁴	49357		6	N/S		58144

C300 4MATIC

V6 3.0L 2996cc	272.948		57078		46799 ³⁶⁴	49357		6	N/S		58144
V6 3.0L 2996cc Flex	272.948		57078		46799 ³⁶⁴	49357		6	N/S		58144

C350

V6 3.5L 3498cc	272.961		57078		46799 ³⁶⁴	49357		6	N/S		58144
----------------	---------	--	-------	--	----------------------	-------	--	---	-----	--	-------

C63 AMG

V8 6.3L 6208cc	156.985		57010		49504	49357		6	N/S		58144
----------------	---------	--	-------	--	-------	-------	--	---	-----	--	-------

CL550

V8 5.5L 5461cc	273.961		57078		46799 ³⁶⁴	24218		4	N/S		N/A
----------------	---------	--	-------	--	----------------------	-------	--	---	-----	--	-----

CL600

V12 5.5L 5513cc 336 CID Turbo	275.953		57198		49404 ³⁶⁴	24218		4	N/S		58845
-------------------------------	---------	--	-------	--	----------------------	-------	--	---	-----	--	-------

CL63 AMG

V8 6.3L 6208cc	156.984		57010		49504	24218		4	N/S		58144
----------------	---------	--	-------	--	-------	-------	--	---	-----	--	-------

CL65 AMG

V12 6.0L 5980cc 365 CID Turbo	275.982		57198		49404 ³⁶⁴	24218		4	N/S		58845
-------------------------------	---------	--	-------	--	----------------------	-------	--	---	-----	--	-------

CLK280

V6 3.0L 2996cc (Mex.)	272.940	51226	51226XP	46799	24118				33643		
-----------------------	---------	-------	---------	-------	-------	--	--	--	-------	--	--

CLK350

V6 3.5L 3498cc	272.960	57078		46799 ³⁶⁴	24686 ⁷⁸ 24118 ⁷⁹			4	N/S		N/A
----------------	---------	-------	--	----------------------	--	--	--	---	-----	--	-----

CLK550

V8 5.5L 5461cc	273.967	57078		46799 ³⁶⁴	24686 ⁷⁸ 24118 ⁷⁹			4	N/S		N/A
----------------	---------	-------	--	----------------------	--	--	--	---	-----	--	-----

CLK63 AMG

V8 6.3L 6208cc	156.982	57010		49504	24686 ⁷⁸ 24118 ⁷⁹			4	N/S		N/A
----------------	---------	-------	--	-------	--	--	--	---	-----	--	-----

CLS350

V6 3.5L 3498cc (Mex.)	272.985	51226	51226XP	46799	24726				N/A		
-----------------------	---------	-------	---------	-------	-------	--	--	--	-----	--	--

CLS550

V8 5.5L 5461cc	273.960	57078		46799 ³⁶⁴	24797 ⁶¹ 24726 ⁷⁸			1	N/S		N/A
----------------	---------	-------	--	----------------------	--	--	--	---	-----	--	-----

CLS63 AMG

V8 6.3L 6208cc	156.983	57010		49504	24726 ⁷⁸ 24797 ⁶¹			1	N/S		N/A
----------------	---------	-------	--	-------	--	--	--	---	-----	--	-----

E230

V6 2.5L 2496cc (Mex.)	272.922	51226	51226XP	46799	24726				N/A		
-----------------------	---------	-------	---------	-------	-------	--	--	--	-----	--	--

E280

V6 3.0L 2996cc (Mex.)	272.943	51226	51226XP	46799	24726				N/S		
-----------------------	---------	-------	---------	-------	-------	--	--	--	-----	--	--

E300

V6 3.0L 2996cc	272.944	57078		46799 ³⁶⁴	24686 ⁷⁸ 24118 ⁷⁹			4	33643		58845 - 5 Spd. AWD N/A - 7 Spd. RWD
----------------	---------	-------	--	----------------------	--	--	--	---	-------	--	--

N/A = Not Available N/R = Not Required N/S = Not Serviceable For cabin and fuel filter locator, see pages 5-15 See pages 16-19 for footnotes

N/A = Non disponible N/R = Non nécessaire N/S = Non réparable Para la ubicación de los filtros de aire de la cabina y de combustible, ver las páginas 5-15 Voir pages 16-19 pour des notes

N/A = No disponible N/R = No requiere N/S = No servible Voir les tableaux de repérage des filtres d'habitacle et à carburant aux pages 5-15 Ver las páginas 16-19 para las notas al pie de página

Italicized Part Numbers May Not Be Available. Wix XP Oil Filters Have Fully Synthetic Media.

Las piezas con números en *italicas* pueden no estar disponibles. Los filtros de aceite WIX XP son completamente de media sintética. Les numéros de pièce en *italiques* peuvent ne pas être disponibles. Les filtres à huile XP Wix contiennent un matériau 100 % synthétique.

Year/Año/Année Model/Modelo/Modèle Engine/Motor/Moteur	Eng. Code Código de motor Code moteur	VIN NIV	Oil Aceite Huile	Oil XP Aceite XP Huile XP	Air Aire Air	Cabin Air Cabina Aire Cabine Air	Cabin Air XP Cabina Aire XP Cabine Air XP	Loc. Cabin Air Cabina Aire Cabine Air	Fuel Combustible Carburant	Loc. Fuel Combustible Carburant	Transmission Transmisión Transmission
--	---	------------	------------------------	---------------------------------	--------------------	--	---	--	----------------------------------	--	---

MERCEDES BENZ (Cont'd/Suite)
2008 (Cont'd/Suite)
E320 BLUETEC

V6 3.0L 2987cc Turbo Diesel	642.920		57062		42468	24797 ⁶¹ 24726 ⁷⁸		1	33934 ¹⁷⁹ 33250 ³⁸⁴ 33251 ³⁸³ N/A ²⁸⁹		N/A
-----------------------------	---------	--	-------	--	-------	--	--	---	--	--	-----

E350

V6 3.5L 3498cc	272.964		57078		46799 ³⁹⁴	24726 ⁷⁸ 24797 ⁶¹		1	N/S		58845 - 5 Spd. AWD N/A - 7 Spd. RWD
----------------	---------	--	-------	--	----------------------	--	--	---	-----	--	--

E350 4MATIC

V6 3.5L 3498cc	272.972		57078		46799 ³⁹⁴	24726 ⁷⁸ 24797 ⁶¹		1	N/S		58845 - 5 Spd. AWD N/A - 7 Spd. RWD
----------------	---------	--	-------	--	----------------------	--	--	---	-----	--	--

E550

V8 5.5L 5461cc	273.960		57078		46799 ³⁹⁴	24726 ⁷⁸ 24797 ⁶¹		1	N/S		58845 - 5 Spd. AWD N/A - 7 Spd. RWD
----------------	---------	--	-------	--	----------------------	--	--	---	-----	--	--

E550 4MATIC

V8 5.5L 5461cc	273.962		57078		46799 ³⁹⁴	24726 ⁷⁸ 24797 ⁶¹		1	N/S		58845 - 5 Spd. AWD N/A - 7 Spd. RWD
----------------	---------	--	-------	--	----------------------	--	--	---	-----	--	--

E63 AMG

V8 6.3L 6208cc	156.983		57010		49504	24797 ⁶¹ 24726 ⁷⁸		1	N/S		N/A
----------------	---------	--	-------	--	-------	--	--	---	-----	--	-----

G500

V8 5.0L 4966cc	113.962		57078		46799 ³⁹⁴	WP9037 ⁷⁸			33643		58845
----------------	---------	--	-------	--	----------------------	----------------------	--	--	-------	--	-------

G55 AMG

V8 5.5L 5439cc 335 CID Super Charged	113.993		57078		WA10899	WP9037 ⁷⁸			33643		58845
--------------------------------------	---------	--	-------	--	---------	----------------------	--	--	-------	--	-------

GL320 CDI

V6 3.0L 2987cc Turbo Diesel	642.940		57062		42468	49376		3	33934 ¹⁷⁹ 33250 ³⁸⁴ 33251 ³⁸³ N/A ²⁸⁹		N/A
-----------------------------	---------	--	-------	--	-------	-------	--	---	--	--	-----

GL450

V8 4.6L 4663cc	273.923		57078		46799 ³⁹⁴	49376		3	N/S		N/A - 7 Spd. RWD
----------------	---------	--	-------	--	----------------------	-------	--	---	-----	--	------------------

GL550

V8 5.5L 5461cc	273.963		57078		46799 ³⁹⁴	49376		3	N/S		58144
----------------	---------	--	-------	--	----------------------	-------	--	---	-----	--	-------

ML320 CDI

V6 3.0L 2987cc Turbo Diesel	642.940		57062		42468	49376		3	33934 ¹⁷⁹ 33250 ³⁸⁴ N/A ²⁸⁹ 33251 ³⁸³		58144
-----------------------------	---------	--	-------	--	-------	-------	--	---	--	--	-------

ML350

V6 3.5L 3498cc	272.967		57078		46799 ³⁹⁴	49376		3	N/S		58144
----------------	---------	--	-------	--	----------------------	-------	--	---	-----	--	-------

ML550

V8 5.5L 5461cc	273.963		57078		46799 ³⁹⁴	49376		3	N/S		58144
----------------	---------	--	-------	--	----------------------	-------	--	---	-----	--	-------

ML63 AMG

V8 6.3L 6208cc	156.980		57010		49504	49376		3	N/S		58144
----------------	---------	--	-------	--	-------	-------	--	---	-----	--	-------

R320 CDI

V6 3.0L 2987cc Turbo Diesel	642.950		57062		42468	49376		3	33934 ¹⁷⁹ 33250 ³⁸⁴ 33251 ³⁸³ N/A ²⁸⁹		N/A
-----------------------------	---------	--	-------	--	-------	-------	--	---	--	--	-----

R350

V6 3.5L 3498cc	272.967		57078		46799 ³⁹⁴	49376		3	N/S		58144
----------------	---------	--	-------	--	----------------------	-------	--	---	-----	--	-------

R500

V8 5.0L 4966cc (Mex.)	113.971		51226	51226XP	46799	49376			N/S		
-----------------------	---------	--	-------	---------	-------	-------	--	--	-----	--	--

R550

V8 5.5L 5461cc	273.965		57078		46799 ³⁹⁴	24218			N/S		58144
----------------	---------	--	-------	--	----------------------	-------	--	--	-----	--	-------

S450

V8 4.6L 4663cc	273.923		57078		46799	N/R			N/S		N/S
----------------	---------	--	-------	--	-------	-----	--	--	-----	--	-----

N/A = Not Available N/R = Not Required N/S = Not Serviceable For cabin and fuel filter locator, see pages 5-15 See pages 16-19 for footnotes

N/A = Non disponible N/R = Non nécessaire N/S = Non réparable Para la ubicación de los filtros de aire de la cabina y de combustible, ver las páginas 5-15 Voir pages 16-19 pour des notes

N/A = No disponible N/R = No requiere N/S = No servible Voir les tableaux de repérage des filtres d'habitacle et à carburant aux pages 5-15 Ver las páginas 16-19 para las notas al pie de página

Italicized Part Numbers May Not Be Available. Wix XP Oil Filters Have Fully Synthetic Media.

Las piezas con números en *italicas* pueden no estar disponibles. Los filtros de aceite WIX XP son completamente de media sintética.

Les numéros de pièce en *italiques* peuvent ne pas être disponibles. Les filtres à huile XP Wix contiennent un matériau 100 % synthétique.

MERCEDES BENZ 2008-2007
Pass Car/Light Truck

Year/Año/Année Model/Modelo/Modèle Engine/Motor/Moteur	Eng. Code Código de motor Code moteur	VIN NIV NIV	Oil Aceite Huile	Oil XP Aceite XP Huile XP	Air Aire Air	Cabin Air Cabina Aire Cabine Air	Cabin Air XP Cabina Aire XP Cabine Air XP	Loc. Cabin Air Cabina Aire Cabine Air	Fuel Combustible Carburant	Loc. Fuel Combustible Carburant	Transmission Transmisión Transmission
--	---	-------------------	------------------------	---------------------------------	--------------------	--	---	--	----------------------------------	--	---

MERCEDES BENZ (Cont'd/Suite)
2008 (Cont'd/Suite)

S500											
V8 5.5L 5461cc (Mex.)	273.961		57038		46799	24218				N/S	
S550											
V8 5.5L 5461cc	273.961		57078		46799 ³⁶⁴	24218		4	N/S		58144
S550 4MATIC											
V8 5.5L 5461cc	273.968		57078		46799	24218		4	N/S		58144
S600											
V12 5.5L 5513cc 336 CID Turbo	275.953		57198		49404 ³⁶⁴	24218		4	N/S		58845
S63 AMG											
V8 6.3L 6208cc	156.984		57010		49504	24218		4	N/S		58144
S65 AMG											
V12 6.0L 5980cc 365 CID Turbo	275.982		57198		49404 ³⁶⁴	24218		4	N/S		58845
SL55 AMG											
V8 5.5L 5439cc 335 CID Super Charged	113.995		57078		WA10899	49356		4	33594		58845
SL550											
V8 5.5L 5461cc	273.965		57078		46799 ³⁶⁴	49356		4	33643		58144
SL600											
V12 5.5L 5513cc 336 CID Turbo	275.954		57198		49404 ³⁶⁴	49356		4	N/A		58845
SL65 AMG											
V12 6.0L 5980cc 365 CID Turbo	275.981		57198		49404 ³⁶⁴	49356		4	N/A		58845
SLK200											
L4 2.0L 1998cc (Mex.)			51145		42620	24767				33179	
SLK280											
V6 3.0L 2996cc	272.942		57078		46799 ³⁶⁴	49373		4	N/S		N/A
SLK350											
V6 3.5L 3498cc	272.963		57078		46799 ³⁶⁴	49373		4	N/S		58144
SLK55 AMG											
V8 5.5L 5439cc	113.989		57049		46799 ³⁶⁴	49373		4	N/S		N/A
SLR MCLAREN											
V8 5.5L 5439cc 335 CID Super Charged	155.980		N/A		42525	49356		4	N/S		58845
SPRINTER VAN											
L4 2.1L 2148CC DOHC 16 Valve Turbo Diesel (Mex.)			57038		49876	49366				33934	
VITO											
L4 2.1L 2148CC DOHC 16 Valve Turbo Diesel (Mex.)			57038		WA9420	WP9222				33934	

2007

A150											
L4 1.5L 1498cc (Mex.)			51009		49024	24418 ⁶¹				33179	
A180											
L4 2.0L 1991cc Diesel (Mex.)			WL7288 ⁶¹		WA9493 ⁶¹	24418 ⁶¹				33934	
A200											
L4 2.0L 1991cc Diesel (Mex.)			WL7288 ⁶¹		WA9493 ⁶¹	24418 ⁶¹				33934	
B200											
L4 2.0L			51009		49024	24418 ⁶¹				N/S	
L4 2.0L Turbo			51009		49024	24418 ⁶¹				N/S	
C230											
V6 2.5L 2496cc	272.920		57078		46799 ³⁶⁴	24686 ⁷⁸ 24118 ⁷⁹		4	33643		58845

N/A = Not Available N/R = Not Required N/S = Not Serviceable For cabin and fuel filter locator, see pages 5-15 See pages 16-19 for footnotes

N/A = Non disponible N/R = Non nécessaire N/S = Non réparable Para la ubicación de los filtros de aire de la cabina y de combustible, ver las páginas 5-15 Voir pages 16-19 pour des notes

N/A = No disponible N/R = No requiere N/S = No servible Voir les tableaux de repérage des filtres d'habitacle et à carburant aux pages 5-15 Ver las páginas 16-19 para las notas al pie de página

Italicized Part Numbers May Not Be Available. Wix XP Oil Filters Have Fully Synthetic Media.

Las piezas con números en *italicas* pueden no estar disponibles. Los filtros de aceite WIX XP son completamente de media sintética. Les numéros de pièce en *italiques* peuvent ne pas être disponibles. Les filtres à huile XP Wix contiennent un matériau 100 % synthétique.

Year/Año/Année Model/Modelo/Modèle Engine/Motor/Moteur	Eng. Code Código de motor Code moteur	VIN NIV NIV	Oil Aceite Huile	Oil XP Aceite XP Huile XP	Air Aire Air	Cabin Air Cabina Aire Cabine Air	Cabin Air XP Cabina Aire XP Cabine Air XP	Loc. Cabin Air Cabina Aire Cabine Air	Fuel Combustible Carburant	Loc. Fuel Combustible Carburant	Transmission Transmisión Transmission
--	---	-------------------	------------------------	---------------------------------	--------------------	--	---	--	----------------------------------	--	---

MERCEDES BENZ (Cont'd/Suite)
2007 (Cont'd/Suite)
C230 (Cont'd/Suite)

V6 2.5L 2496cc Flex	272.920		57078		46799 ³⁹⁴	24686 ⁷⁸ 24118 ⁷⁹		4	33643		58845
---------------------	---------	--	-------	--	----------------------	--	--	---	-------	--	-------

C280

V6 3.0L 2996cc	272.940		57078		46799 ³⁹⁴	24686 ⁷⁸ 24118 ⁷⁹		4	33643		58845 - 5 Spd. AWD N/A - 7 Spd. RWD
----------------	---------	--	-------	--	----------------------	--	--	---	-------	--	--

C280 4MATIC

V6 3.0L 2996cc	272.941		57078		46799 ³⁹⁴	24686 ⁷⁸ 24118 ⁷⁹		4	33643		58845 - 5 Spd. AWD N/A - 7 Spd. RWD
----------------	---------	--	-------	--	----------------------	--	--	---	-------	--	--

C350

V6 3.5L 3498cc	272.960		57078		46799 ³⁹⁴	24686 ⁷⁸ 24118 ⁷⁹		4	N/S		58845 - 5 Spd. AWD N/A - 7 Spd. RWD
----------------	---------	--	-------	--	----------------------	--	--	---	-----	--	--

C350 4MATIC

V6 3.5L 3498cc	272.970		57078		46799 ³⁹⁴	24686 ⁷⁸ 24118 ⁷⁹		4	N/S		58845 - 5 Spd. AWD N/A - 7 Spd. RWD
----------------	---------	--	-------	--	----------------------	--	--	---	-----	--	--

C55 AMG

V8 5.5L 5439cc (Mex.)	113.986		51226	51226XP	46799	WP9347 ⁶¹			33643		
-----------------------	---------	--	-------	---------	-------	----------------------	--	--	-------	--	--

CL550

V8 5.5L 5461cc	273.961		57078		46799 ³⁹⁴	24218		4	N/S		N/A
----------------	---------	--	-------	--	----------------------	-------	--	---	-----	--	-----

CL600

V12 5.5L 5513cc 336 CID Turbo	275.953		57198		49404 ³⁹⁴	24218		4	N/S		58845
-------------------------------	---------	--	-------	--	----------------------	-------	--	---	-----	--	-------

CLK280

V6 3.0L 2996cc (Mex.)	272.940		51226	51226XP	46799	24118			33643		
-----------------------	---------	--	-------	---------	-------	-------	--	--	-------	--	--

CLK350

V6 3.5L 3498cc	272.960		57078		46799 ³⁹⁴	24686 ⁷⁸ 24118 ⁷⁹		4	N/S		N/A
----------------	---------	--	-------	--	----------------------	--	--	---	-----	--	-----

CLK550

V8 5.5L 5461cc	273.967		57078		46799 ³⁹⁴	24686 ⁷⁸		4	N/S		N/A
----------------	---------	--	-------	--	----------------------	---------------------	--	---	-----	--	-----

CLK63 AMG

V8 6.3L 6208cc	156.982		57010		49504	24118 ⁷⁸ 24686 ⁷⁸		4	N/S		N/A
----------------	---------	--	-------	--	-------	--	--	---	-----	--	-----

CLS350

V6 3.5L 3498cc (Mex.)	272.985		51226	51226XP	46799	24726			N/A		
-----------------------	---------	--	-------	---------	-------	-------	--	--	-----	--	--

CLS550

V8 5.5L 5461cc	273.960		57078		46799 ³⁹⁴	24797 ⁶¹ 24726 ⁷⁸		1	N/S		N/A
----------------	---------	--	-------	--	----------------------	--	--	---	-----	--	-----

CLS63 AMG

V8 6.3L 6208cc	156.983		57010		49504	24726 ⁷⁸ 24797 ⁶¹		1	N/S		N/A
----------------	---------	--	-------	--	-------	--	--	---	-----	--	-----

E230

V6 2.5L 2496cc (Mex.)	272.922		51226	51226XP	46799	24726			N/A		
-----------------------	---------	--	-------	---------	-------	-------	--	--	-----	--	--

E280

V6 3.0L 2996cc	272.944		57078		46799 ³⁹⁴	24686 ⁷⁸ 24118 ⁷⁹		4	33643		58845 - 5 Spd. AWD N/A - 7 Spd. RWD
----------------	---------	--	-------	--	----------------------	--	--	---	-------	--	--

E320 BLUETEC

V6 3.0L 2987cc Turbo Diesel	642.920		57062		42468	24797 ⁶¹ 24726 ⁷⁸		1	33934 ¹⁷⁹ 33250 ³⁸⁴ 33251 ³⁸³ N/A ²⁸⁹		N/A
-----------------------------	---------	--	-------	--	-------	--	--	---	--	--	-----

E350

V6 3.5L 3498cc	272.964		57078		46799 ³⁹⁴	24726 ⁷⁸ 24797 ⁶¹		1	N/S		N/A
----------------	---------	--	-------	--	----------------------	--	--	---	-----	--	-----

E350 4MATIC

V6 3.5L 3498cc	272.972		57078		46799 ³⁹⁴	24726 ⁷⁸ 24797 ⁶¹		1	N/S		N/A
----------------	---------	--	-------	--	----------------------	--	--	---	-----	--	-----

N/A = Not Available N/R = Not Required N/S = Not Serviceable For cabin and fuel filter locator, see pages 5-15 See pages 16-19 for footnotes

N/A = Non disponible N/R = Non nécessaire N/S = Non réparable Para la ubicación de los filtros de aire de la cabina y de combustible, ver las páginas 5-15 Voir pages 16-19 pour des notes

N/A = No disponible N/R = No requiere N/S = No servible Voir les tableaux de repérage des filtres d'habitacle et à carburant aux pages 5-15 Ver las páginas 16-19 para las notas al pie de página

Italicized Part Numbers May Not Be Available. Wix XP Oil Filters Have Fully Synthetic Media.

Las piezas con números en *italicas* pueden no estar disponibles. Los filtros de aceite WIX XP son completamente de media sintética.

Les numéros de pièce en *italiques* peuvent ne pas être disponibles. Les filtres à huile Wix contiennent un matériau 100 % synthétique.

MERCEDES BENZ 2007
Pass Car/Light Truck

Year/Año/Année Model/Modelo/Modèle Engine/Motor/Moteur	Eng. Code Código de motor Code moteur	VIN NIV NIV	Oil Aceite Huile	Oil XP Aceite XP Huile XP	Air Aire Air	Cabin Air Cabina Aire Cabine Air	Cabin Air XP Cabina Aire XP Cabine Air XP	Loc. Cabin Air Cabina Aire Cabine Air	Fuel Combustible Carburant	Loc. Fuel Combustible Carburant	Transmission Transmisión Transmission
--	---	-------------------	------------------------	---------------------------------	--------------------	--	---	--	----------------------------------	--	---

MERCEDES BENZ (Cont'd/Suite)
2007 (Cont'd/Suite)
E550

V8 5.5L 5461cc	273.960		57078		46799 ³⁵⁴	24726 ⁷⁸ 24797 ⁸¹		1	N/S		58845 - 5 Spd. AWD N/A - 7 Spd. RWD
----------------	---------	--	-------	--	----------------------	--	--	---	-----	--	--

E550 4MATIC

V8 5.5L 5461cc	273.962		57078		46799 ³⁵⁴	24726 ⁷⁸ 24797 ⁸¹		1	N/S		58845 - 5 Spd. AWD N/A - 7 Spd. RWD
----------------	---------	--	-------	--	----------------------	--	--	---	-----	--	--

E63 AMG

V8 6.3L 6208cc	156.983		57010		49504	24797 ⁸¹ 24726 ⁷⁸		1	N/S		N/A
----------------	---------	--	-------	--	-------	--	--	---	-----	--	-----

G500

V8 5.0L 4966cc	113.962		57078		46799 ³⁵⁴	WP9037			33643		58845
----------------	---------	--	-------	--	----------------------	--------	--	--	-------	--	-------

G55 AMG

V8 5.5L 5439cc 335 CID Super Charged	113.993		57078		WA10899	WP9037			33643		58845
--------------------------------------	---------	--	-------	--	---------	--------	--	--	-------	--	-------

GL320 CDI

V6 3.0L 2987cc Turbo Diesel	642.940		57062		42468	49376		3	33934 ¹⁷⁹ 33250 ³⁸⁴ 33251 ³⁸³ N/A ²⁸⁹		N/A
-----------------------------	---------	--	-------	--	-------	-------	--	---	--	--	-----

GL450

V8 4.6L 4663cc	273.923		57078		46799 ³⁵⁴	49376		3	N/S		N/A - 7 Spd. RWD
----------------	---------	--	-------	--	----------------------	-------	--	---	-----	--	------------------

ML320 CDI

V6 3.0L 2987cc Turbo Diesel	642.940		57062		42468	49376		7	33934 ¹⁷⁹ 33250 ³⁸⁴ 33251 ³⁸³ N/A ²⁸⁹		N/A
-----------------------------	---------	--	-------	--	-------	-------	--	---	--	--	-----

ML350

V6 3.5L 3498cc	272.967		57078		46799 ³⁵⁴	49376		3	N/S		58144
----------------	---------	--	-------	--	----------------------	-------	--	---	-----	--	-------

ML500

V8 5.0L 4973cc	113.964		57078		46799 ³⁵⁴	49376		3	N/S		N/A
----------------	---------	--	-------	--	----------------------	-------	--	---	-----	--	-----

ML63 AMG

V8 6.3L 6208cc	156.980		57010		49504	49376		3	N/S		58144
----------------	---------	--	-------	--	-------	-------	--	---	-----	--	-------

R320 CDI

V6 3.0L 2987cc Turbo Diesel	642.950		57062		42468	49376		3	33934 ¹⁷⁹ 33250 ³⁸⁴ 33251 ³⁸³ N/A ²⁸⁹		N/A
-----------------------------	---------	--	-------	--	-------	-------	--	---	--	--	-----

R350

V6 3.5L 3498cc	272.967		57078		46799 ³⁵⁴	49376		3	N/S		58144
----------------	---------	--	-------	--	----------------------	-------	--	---	-----	--	-------

R500

V8 5.0L 4973cc	113.971		57078		46799 ³⁵⁴	49376		3	N/S		58144
----------------	---------	--	-------	--	----------------------	-------	--	---	-----	--	-------

R63 AMG

V8 6.3L 6208cc	156.980		57010		49504	49376		3	N/S		58144
----------------	---------	--	-------	--	-------	-------	--	---	-----	--	-------

S500

V8 5.5L 5461cc (Mex.)	273.961		57038		46799	24218			N/S		
-----------------------	---------	--	-------	--	-------	-------	--	--	-----	--	--

S550

V8 5.5L 5461cc	273.961		57078 57078		46799 ³⁵⁴ 46799 ³⁵⁴	24218 24218		4	N/S N/S		58144 58144
----------------	---------	--	----------------	--	--	----------------	--	---	------------	--	----------------

S550 4MATIC

V8 5.5L 5461cc	273.968		57078 57078		46799 46799	24218 24218		4	N/S N/S		58144 58144
----------------	---------	--	----------------	--	----------------	----------------	--	---	------------	--	----------------

S600

V12 5.5L 5513cc 336 CID Turbo	275.953		57198		49404 ³⁵⁴	24218		4	N/S		58845
-------------------------------	---------	--	-------	--	----------------------	-------	--	---	-----	--	-------

S65 AMG

V12 6.0L 5980cc 365 CID Turbo	275.982		57198		49404 ³⁵⁴	24218		4	N/S		58845
-------------------------------	---------	--	-------	--	----------------------	-------	--	---	-----	--	-------

N/A = Not Available N/R = Not Required N/S = Not Serviceable For cabin and fuel filter locator, see pages 5-15 See pages 16-19 for footnotes

N/A = Non disponible N/R = Non nécessaire N/S = Non réparable Para la ubicación de los filtros de aire de la cabina y de combustible, ver las páginas 5-15 Voir pages 16-19 pour des notes

N/A = No disponible N/R = No requiere N/S = No servible Voir les tableaux de repérage des filtres d'habitacle et à carburant aux pages 5-15 Ver las páginas 16-19 para las notas al pie de página

Italicized Part Numbers May Not Be Available. Wix XP Oil Filters Have Fully Synthetic Media.

Las piezas con números en *italicas* pueden no estar disponibles. Los filtros de aceite WIX XP son completamente de media sintética. Les numéros de pièce en *italiques* peuvent ne pas être disponibles. Les filtres à huile XP Wix contiennent un matériau 100 % synthétique.

Year/Año/Année Model/Modelo/Modèle Engine/Motor/Moteur	Eng. Code Código de motor Code moteur	VIN NIV NIV	Oil Aceite Huile	Oil XP Aceite XP Huile XP	Air Aire Air	Cabin Air Cabina Aire Cabine Air	Cabin Air XP Cabina Aire XP Cabine Air XP	Loc. Cabin Air Cabina Aire Cabine Air	Fuel Combustible Carburant	Loc. Fuel Combustible Carburant	Transmission Transmisión Transmission
--	---	-------------------	------------------------	---------------------------------	--------------------	--	---	--	----------------------------------	--	---

MERCEDES BENZ (Cont'd/Suite)
2007 (Cont'd/Suite)
SL55 AMG

V8 5.5L 5439cc 335 CID Super Charged	113.995		57078		WA10899	49356		4	33594		58845
--------------------------------------	---------	--	-------	--	---------	-------	--	---	-------	--	-------

SL550

V8 5.5L 5461cc	273.965		57078		46799 ³⁹⁴	49356		4	33643		58144
----------------	---------	--	-------	--	----------------------	-------	--	---	-------	--	-------

SL600

V12 5.5L 5513cc 336 CID Turbo	275.954		57198		49404 ³⁹⁴	49356		4	N/A		58845
-------------------------------	---------	--	-------	--	----------------------	-------	--	---	-----	--	-------

SL65 AMG

V12 6.0L 5980cc 365 CID Turbo	275.981		57198		49404 ³⁹⁴	49356		4	N/A		58845
-------------------------------	---------	--	-------	--	----------------------	-------	--	---	-----	--	-------

SLK200

L4 2.0L 1998cc (Mex.)			51145		42620	24767			33179		
-----------------------	--	--	-------	--	-------	-------	--	--	-------	--	--

SLK280

V6 3.0L 2996cc	272.942		57078		46799 ³⁹⁴	49373		4	N/S		58144
----------------	---------	--	-------	--	----------------------	-------	--	---	-----	--	-------

SLK350

V6 3.5L 3498cc	272.963		57078		46799 ³⁹⁴	49373		4	N/S		58144
----------------	---------	--	-------	--	----------------------	-------	--	---	-----	--	-------

SLK55 AMG

V8 5.5L 5439cc 335 CID	113.989		57049		46799 ³⁹⁴	49373		4	N/S		58144
------------------------	---------	--	-------	--	----------------------	-------	--	---	-----	--	-------

SLR MCLAREN

V8 5.5L 5439cc 335 CID Super Charged	155.980		N/A		42525	49356		4	N/S		58845
--------------------------------------	---------	--	-----	--	-------	-------	--	---	-----	--	-------

SPRINTER VAN

L4 2.1L 2148CC DOHC 16 Valve Turbo Diesel (Mex.)			57038		49876	49366			33934		
--	--	--	-------	--	-------	-------	--	--	-------	--	--

VITO

L4 2.1L 2148CC DOHC 16 Valve Turbo Diesel (Mex.)			57038		WA9420	WP9222			33934		
--	--	--	-------	--	--------	--------	--	--	-------	--	--

2006
A150

L4 1.5L 1498cc (Mex.)			51009		49024	24418 ⁶¹			33179		
-----------------------	--	--	-------	--	-------	---------------------	--	--	-------	--	--

A180

L4 2.0L 1991cc Diesel (Mex.)			WL7288 ⁶¹		WA9493 ⁶¹	24418 ⁶¹			33934		
------------------------------	--	--	----------------------	--	----------------------	---------------------	--	--	-------	--	--

A200

L4 2.0L 1991cc Diesel (Mex.)			WL7288 ⁶¹		WA9493 ⁶¹	24418 ⁶¹			33934		
------------------------------	--	--	----------------------	--	----------------------	---------------------	--	--	-------	--	--

B200

L4 2.0L			51009		49024	24418 ⁶¹			N/S		
L4 2.0L Turbo			51009		49024	24418 ⁶¹			N/S		

C230

V6 2.5L 2496cc	272.920		57078		46799 ³⁹⁴	24686 ⁷⁸ 24118 ⁷⁹		4	33643		58845
----------------	---------	--	-------	--	----------------------	--	--	---	-------	--	-------

C280

V6 3.0L 2996cc	272.940		57078		46799 ³⁹⁴	24686 ⁷⁸ 24118 ⁷⁹		4	33643		58845 - 5 Spd. AWD N/A - 7 Spd. RWD
----------------	---------	--	-------	--	----------------------	--	--	---	-------	--	--

C280 4MATIC

V6 3.0L 2996cc	272.941		57078		46799 ³⁹⁴	24686 ⁷⁸ 24118 ⁷⁹		4	33643		58845 - 5 Spd. AWD N/A - 7 Spd. RWD
----------------	---------	--	-------	--	----------------------	--	--	---	-------	--	--

C350

V6 3.5L 3498cc	272.960		57078		46799 ³⁹⁴	24686 ⁷⁸ 24118 ⁷⁹		4	33643		58845
----------------	---------	--	-------	--	----------------------	--	--	---	-------	--	-------

C350 4MATIC

V6 3.5L 3498cc	272.970		57078		46799 ³⁹⁴	24686 ⁷⁸ 24118 ⁷⁹		4	33643		58845
----------------	---------	--	-------	--	----------------------	--	--	---	-------	--	-------

C55 AMG

V8 5.4L 5439CC 332CID (Mex.)			51223	51223XP	46799	24118			33643		N/S
------------------------------	--	--	-------	---------	-------	-------	--	--	-------	--	-----

N/A = Not Available N/R = Not Required N/S = Not Serviceable For cabin and fuel filter locator, see pages 5-15 See pages 16-19 for footnotes

N/A = Non disponible N/R = Non nécessaire N/S = Non réparable Para la ubicación de los filtros de aire de la cabina y de combustible, ver las páginas 5-15 Voir pages 16-19 pour des notes

N/A = No disponible N/R = No requiere N/S = No servible Voir les tableaux de repérage des filtres d'habitacle et à carburant aux pages 5-15 Ver las páginas 16-19 para las notas al pie de página

Italicized Part Numbers May Not Be Available. Wix XP Oil Filters Have Fully Synthetic Media.

Las piezas con números en *italicas* pueden no estar disponibles. Los filtros de aceite WIX XP son completamente de media sintética.

Les numéros de pièce en *italiques* peuvent ne pas être disponibles. Les filtres à huile XP Wix contiennent un matériau 100 % synthétique.

MERCEDES BENZ 2006
Pass Car/Light Truck

Year/Año/Année Model/Modelo/Modèle Engine/Motor/Moteur	Eng. Code Código de motor Code moteur	VIN NIV NIV	Oil Aceite Huile	Oil XP Aceite XP Huile XP	Air Aire Air	Cabin Air Cabina Aire Cabine Air	Cabin Air XP Cabina Aire XP Cabine Air XP	Loc. Cabin Air Cabina Aire Cabine Air	Fuel Combustible Carburant	Loc. Fuel Combustible Carburant	Transmission Transmisión Transmission
--	---	-------------------	------------------------	---------------------------------	--------------------	--	---	--	----------------------------------	--	---

MERCEDES BENZ (Cont'd/Suite)
2006 (Cont'd/Suite)
C55 AMG (Cont'd/Suite)

V8 5.5L 5439cc 335 CID	113.988		57078		46799 ³⁵⁴	24686 ⁷⁹ 24118 ⁷⁹		4	33643		58845
------------------------	---------	--	-------	--	----------------------	--	--	---	-------	--	-------

CL500

V8 5.0L 4966cc	113.960		57078		46799 ³⁵⁴	24783 ⁷⁹ 24778 ⁷⁹		4	33643		58845
----------------	---------	--	-------	--	----------------------	--	--	---	-------	--	-------

CL55 AMG

V8 5.5L 5439cc 335 CID Super Charged	113.991		57078		WA10899	24783 ⁷⁹ 24778 ⁷⁹		4	33594		58845
--------------------------------------	---------	--	-------	--	---------	--	--	---	-------	--	-------

CL600

V12 5.5L 5513cc 336 CID Turbo	275.950		57198		49404 ³⁵⁴	24783 ⁷⁹ 24778 ⁷⁹		4	N/A		58845
-------------------------------	---------	--	-------	--	----------------------	--	--	---	-----	--	-------

CL65 AMG

V12 6.0L 5980cc 365 CID Turbo	275.980		57198		49404 ³⁵⁴	24783 ⁷⁹ 24778 ⁷⁹		4	N/A		58845
-------------------------------	---------	--	-------	--	----------------------	--	--	---	-----	--	-------

CLK350

V6 3.5L 3498cc	272.960		57078		46799 ³⁵⁴	24686 ⁷⁹ 24118 ⁷⁹		4	33643		58845
----------------	---------	--	-------	--	----------------------	--	--	---	-------	--	-------

CLK500

V8 5.0L 4966cc	113.968		57078		46799 ³⁵⁴	24686 ⁷⁹ 24118 ⁷⁹		4	33643		58845
----------------	---------	--	-------	--	----------------------	--	--	---	-------	--	-------

CLK55 AMG

V8 5.5L 5439cc 335 CID	113.987		57078		WA10899	24686 ⁷⁹ 24118 ⁷⁹		4	N/S		58845
------------------------	---------	--	-------	--	---------	--	--	---	-----	--	-------

CLS500

V8 5.0L 4966cc			57078		46799 ³⁵⁴	24797 ⁶¹ 24726 ⁷⁹		1	N/S		N/A
----------------	--	--	-------	--	----------------------	--	--	---	-----	--	-----

CLS55 AMG

V8 5.5L 5439cc 335 CID Super Charged			57078		WA10899	24726		1	N/S		58845
--------------------------------------	--	--	-------	--	---------	-------	--	---	-----	--	-------

E320 CDI

L6 3.2L 3222cc Turbo Diesel	648.961		57328		49405	24726 ⁷⁹ 24797 ⁶¹		1	33934 ¹⁷⁹ N/A ²⁸⁹		58845
-----------------------------	---------	--	-------	--	-------	--	--	---	--	--	-------

E350

V6 3.5L 3498cc			57078		46799 ³⁵⁴	24726 ⁷⁹ 24797 ⁶¹		1	N/S		58845
----------------	--	--	-------	--	----------------------	--	--	---	-----	--	-------

E500

V8 5.0L 4966cc	113.967		57078		46799 ³⁵⁴	24797 ⁶¹ 24726 ⁷⁹		1	N/S		58845
----------------	---------	--	-------	--	----------------------	--	--	---	-----	--	-------

E55 AMG

V8 5.5L 5439cc 335 CID Super Charged	113.990		57078		WA10899	24726 ⁷⁹ 24797 ⁶¹		1	N/S		58845
--------------------------------------	---------	--	-------	--	---------	--	--	---	-----	--	-------

G500

V8 5.0L 4966cc	113.962		57078		46799 ³⁵⁴	N/R			33643		58845
----------------	---------	--	-------	--	----------------------	-----	--	--	-------	--	-------

G55 AMG

V8 5.5L 5439cc 335 CID Super Charged	113.993		57078		WA10899	WP9037			33643		58845
--------------------------------------	---------	--	-------	--	---------	--------	--	--	-------	--	-------

ML350

V6 3.5L 3498cc			57078		46799 ³⁵⁴	49376		3	N/S		58845
----------------	--	--	-------	--	----------------------	-------	--	---	-----	--	-------

ML500

V8 5.0L 4966cc			57078		46799 ³⁵⁴	24867		7	N/S		N/A
----------------	--	--	-------	--	----------------------	-------	--	---	-----	--	-----

R350

V6 3.5L 3498cc			57078		46799 ³⁵⁴	N/R			N/S		N/A
----------------	--	--	-------	--	----------------------	-----	--	--	-----	--	-----

R500

V8 5.0L 4966cc			57078		46799 ³⁵⁴	49376		3	N/S		N/A
----------------	--	--	-------	--	----------------------	-------	--	---	-----	--	-----

S350

V6 3.7L 3724cc			57078		46799 ³⁵⁴	24218		4	33643		58845
----------------	--	--	-------	--	----------------------	-------	--	---	-------	--	-------

N/A = Not Available N/R = Not Required N/S = Not Serviceable For cabin and fuel filter locator, see pages 5-15 See pages 16-19 for footnotes
 N/A = Non disponible N/R = Non nécessaire N/S = Non réparable Para la ubicación de los filtros de aire de la cabina y de combustible, ver las páginas 5-15 Voir pages 16-19 pour des notes
 N/A = No disponible N/R = No requiere N/S = No servible Voir les tableaux de repérage des filtres d'habitacle et à carburant aux pages 5-15 Ver las páginas 16-19 para las notas al pie de página

Italicized Part Numbers May Not Be Available. Wix XP Oil Filters Have Fully Synthetic Media.

Las piezas con números en *italicas* pueden no estar disponibles. Los filtros de aceite Wix XP son completamente de media sintética.
 Les numéros de pièce en *italiques* peuvent ne pas être disponibles. Les filtres à huile XP Wix contiennent un matériau 100 % synthétique.

P
A
S
S
C
A
R
L
I
G
H
T
T
R
U
C
K

Year/Año/Année Model/Modelo/Modèle Engine/Motor/Moteur	Eng. Code Código de Code moteur	VIN NIV NIV	Oil Aceite Huile	Oil XP Aceite XP Huile XP	Air Aire Air	Cabin Air Cabina Aire Cabine Air	Cabin Air XP Cabina Aire XP Cabine Air XP	Loc. Cabin Air Cabina Aire Cabine Air	Fuel Combustible Carburant	Loc. Fuel Combustible Carburant	Transmission Transmisión Transmission
--	---------------------------------------	-------------------	------------------------	---------------------------------	--------------------	--	---	--	----------------------------------	--	---

MERCEDES BENZ (Cont'd/Suite)
2006 (Cont'd/Suite)
S430

V8 4.3L 4266cc			57078		46799 ³⁹⁴	24783		4	33643		58845
----------------	--	--	-------	--	----------------------	-------	--	---	-------	--	-------

S430 4MATIC

V8 4.3L 4266cc	113.948		57078		46799 ³⁹⁴	24783		4	33643		58845
----------------	---------	--	-------	--	----------------------	-------	--	---	-------	--	-------

S500

V8 5.0L 4966cc	113.960		57078		46799 ³⁹⁴	24783		4	33643		58845
V8 5.5L 5461cc (Mex.)	273.961		57038		46799	24218			N/S		

S500 4MATIC

V8 5.0L 4966cc	113.966		57078		46799 ³⁹⁴	24783		4	33643		58845
----------------	---------	--	-------	--	----------------------	-------	--	---	-------	--	-------

S55 AMG

V8 5.5L 5439cc 335 CID Super Charged			57078		WA10899	24783		4	N/A		58845
--------------------------------------	--	--	-------	--	---------	-------	--	---	-----	--	-------

S600

V12 5.5L 5513cc 336 CID Turbo			57198		49404 ³⁹⁴	24218		4	N/S		58845
-------------------------------	--	--	-------	--	----------------------	-------	--	---	-----	--	-------

S65 AMG

V12 6.0L 5980cc 365 CID Turbo	275.980		57198		49404 ³⁹⁴	24783		4	N/S		58845
-------------------------------	---------	--	-------	--	----------------------	-------	--	---	-----	--	-------

SL500

V8 5.0L 4966cc	113.963		57078		46799 ³⁹⁴	49356		4	33643		58845
----------------	---------	--	-------	--	----------------------	-------	--	---	-------	--	-------

SL55 AMG

V8 5.5L 5439cc 335 CID Super Charged	113.992		57078		WA10899	49356		4	33594		58845
--------------------------------------	---------	--	-------	--	---------	-------	--	---	-------	--	-------

SL600

V12 5.5L 5513cc 336 CID Turbo	275.951		57198		49404 ³⁹⁴	49356		4	N/A		58845
-------------------------------	---------	--	-------	--	----------------------	-------	--	---	-----	--	-------

SL65 AMG

V12 6.0L 5980cc 365 CID Turbo	275.981		57198		49404 ³⁹⁴	49356		4	N/A		58845
-------------------------------	---------	--	-------	--	----------------------	-------	--	---	-----	--	-------

SLK200

L4 2.0L 1998cc (Mex.)			51145		42620	24767			33179		
-----------------------	--	--	-------	--	-------	-------	--	--	-------	--	--

SLK280

V6 3.0L 2996cc	272.942		57078		46799 ³⁹⁴	49373		4	N/S		N/A
----------------	---------	--	-------	--	----------------------	-------	--	---	-----	--	-----

SLK350

V6 3.5L 3498cc	272.963		57078		46799 ³⁹⁴	49373		4	N/S		N/A
----------------	---------	--	-------	--	----------------------	-------	--	---	-----	--	-----

SLK55 AMG

V8 5.5L 5439cc 335 CID	113.989		57078		46799 ³⁹⁴	49373		4	N/S		N/A
------------------------	---------	--	-------	--	----------------------	-------	--	---	-----	--	-----

SLR MCLAREN

V8 5.5L 5439cc 335 CID Super Charged	155.980		N/A		42525	49356		4	N/S		58845
--------------------------------------	---------	--	-----	--	-------	-------	--	---	-----	--	-------

SPRINTER VAN

L5 2.7L 2685cc Diesel (Mex.)			57038		42351	49262			33140		
------------------------------	--	--	-------	--	-------	-------	--	--	-------	--	--

VITO

L4 2.1L 2148CC DOHC 16 Valve Turbo Diesel (Mex.)			57038		WA9420	WP9222			33934		
--	--	--	-------	--	--------	--------	--	--	-------	--	--

2005
A 160

L4 1.6L 1598cc M166.960 (Mex.)Automoviles			WL7227		WA6538	WP6914 ⁶¹ WP6915 ⁶¹			WF8170 ⁶¹		
---	--	--	--------	--	--------	--	--	--	----------------------	--	--

A 190

L4 1.9L 1898cc M166 (Mex.)Automoviles			WL7227		WA6538	WP6915			WF8170 ⁶¹		
---------------------------------------	--	--	--------	--	--------	--------	--	--	----------------------	--	--

A150

L4 1.5L 1498cc (Mex.)			51009		49024	24418 ⁶¹			33179		
-----------------------	--	--	-------	--	-------	---------------------	--	--	-------	--	--

A180

L4 2.0L 1991cc Diesel (Mex.)			WL7288 ⁶¹		WA9493 ⁶¹	24418 ⁶¹			33934		
------------------------------	--	--	----------------------	--	----------------------	---------------------	--	--	-------	--	--

N/A = Not Available N/R = Not Required N/S = Not Serviceable For cabin and fuel filter locator, see pages 5-15 See pages 16-19 for footnotes

N/A = Non disponible N/R = Non nécessaire N/S = Non réparable Para la ubicación de los filtros de aire de la cabina y de combustible, ver las páginas 5-15 Voir pages 16-19 pour des notes

N/A = No disponible N/R = No requiere N/S = No servible Voir les tableaux de repérage des filtres d'habitacle et à carburant aux pages 5-15 Ver las páginas 16-19 para las notas al pie de página

Italicized Part Numbers May Not Be Available. Wix XP Oil Filters Have Fully Synthetic Media.

Las piezas con números en *italicas* pueden no estar disponibles. Los filtros de aceite WIX XP son completamente de media sintética.

Les numéros de pièce en *italiques* peuvent ne pas être disponibles. Les filtres à huile XP Wix contiennent un matériau 100 % synthétique.

MERCEDES BENZ 2005
Pass Car/Light Truck

Year/Año/Année Model/Modelo/Modèle Engine/Motor/Moteur	Eng. Code Código de motor Code moteur	VIN NIV NIV	Oil Aceite Huile	Oil XP Aceite XP Huile XP	Air Aire Air	Cabin Air Cabina Aire Cabine Air	Cabin Air XP Cabina Aire XP Cabine Air XP	Loc. Cabin Air Cabina Aire Cabine Air	Fuel Combustible Carburant	Loc. Fuel Combustible Carburant	Transmission Transmisión Transmission
--	---	-------------------	------------------------	---------------------------------	--------------------	--	---	--	----------------------------------	--	---

MERCEDES BENZ (Cont'd/Suite)
2005 (Cont'd/Suite)
A190

L4 1.9L 1898cc M166 (Mex.)			WL7227		WA6538	WP6914 ⁶¹				WF8170 ⁶¹	
----------------------------	--	--	--------	--	--------	----------------------	--	--	--	----------------------	--

A200

L4 2.0L 1991cc Diesel (Mex.)			WL7288 ⁶¹		WA9493 ⁶¹	24418 ⁶¹				33934	
------------------------------	--	--	----------------------	--	----------------------	---------------------	--	--	--	-------	--

C230

L4 1.8L 1796cc Super Charged			57009		49214	24686 ⁷⁸ 24118 ⁷⁹		4		33643	58845
------------------------------	--	--	-------	--	-------	--	--	---	--	-------	-------

C240

V6 2.6L 2597cc	112.912		57078		46799 ³⁶⁴	24686 ⁷⁸ 24118 ⁷⁹		4		33643	58845
----------------	---------	--	-------	--	----------------------	--	--	---	--	-------	-------

C240 4MATIC

V6 2.6L 2597cc	112.916		57078		46799 ³⁶⁴	24686 ⁷⁸ 24118 ⁷⁹		4		33643	58845
----------------	---------	--	-------	--	----------------------	--	--	---	--	-------	-------

C320

V6 3.2L 3199cc			57078		46799 ³⁶⁴	24686 ⁷⁸ 24118 ⁷⁹		4		33643	58845
----------------	--	--	-------	--	----------------------	--	--	---	--	-------	-------

C320 Flex

V6 3.2L 3199cc Flex			57078		46799 ³⁶⁴	24686 ⁷⁸ 24118 ⁷⁹		4		33643	58845
---------------------	--	--	-------	--	----------------------	--	--	---	--	-------	-------

C320 4MATIC

V6 3.2L 3199cc	112.953		57078		46799 ³⁶⁴	24686 ⁷⁸ 24118 ⁷⁹		4		33643	58845
----------------	---------	--	-------	--	----------------------	--	--	---	--	-------	-------

C55 AMG

V8 5.4L 5439CC 332CID (Mex.)			51223	51223XP	46799	24118				33643	N/S
------------------------------	--	--	-------	---------	-------	-------	--	--	--	-------	-----

C55 AMG

V8 5.5L 5439cc 335 CID			57078		46799 ³⁶⁴	24686 ⁷⁸ 24118 ⁷⁹		4		33643	58845
------------------------	--	--	-------	--	----------------------	--	--	---	--	-------	-------

CL500

V8 5.0L 4973cc			57078		46799 ³⁶⁴	24778 24783 ⁷⁹		4		33643	58845
----------------	--	--	-------	--	----------------------	------------------------------	--	---	--	-------	-------

CL55 AMG

V8 5.5L 5439cc 335 CID Super Charged			57078		WA10899	24783 ⁷⁹ 24778 ⁷⁸		4		33594	58845
--------------------------------------	--	--	-------	--	---------	--	--	---	--	-------	-------

CL600

V12 5.5L 5513cc 336 CID Turbo			57198		49404 ³⁶⁴	24783 ⁷⁹ 24778 ⁷⁸		4		N/A	58845
-------------------------------	--	--	-------	--	----------------------	--	--	---	--	-----	-------

CL65 AMG

V12 6.0L 5980cc 365 CID Turbo	275.980		57198		49404 ³⁶⁴	24783 ⁷⁹ 24778 ⁷⁸		4		N/A	58845
-------------------------------	---------	--	-------	--	----------------------	--	--	---	--	-----	-------

CLK320

V6 3.2L 3199cc			51226	51226XP	46799 ³⁶⁴	24686 ⁷⁸ 24118 ⁷⁹		4		33643	58845
----------------	--	--	-------	---------	----------------------	--	--	---	--	-------	-------

CLK500

V8 5.0L 4973cc			57078		46799 ³⁶⁴	24686 ⁷⁸ 24118 ⁷⁹		4		33643	58845
----------------	--	--	-------	--	----------------------	--	--	---	--	-------	-------

CLK55 AMG

V8 5.5L 5439cc 335 CID			57078		WA10899	24686 ⁷⁸ 24118 ⁷⁹		4		N/S	58845
------------------------	--	--	-------	--	---------	--	--	---	--	-----	-------

CLS500

V8 5.0L 4966cc			57078		46799 ³⁶⁴	24726 ⁷⁸ 24797 ⁶¹		1		N/S	N/A
----------------	--	--	-------	--	----------------------	--	--	---	--	-----	-----

E320

V6 3.2L 3199cc	112.949		57078		46799 ³⁶⁴	24726 ⁷⁸ 24797 ⁶¹		4		N/S	58845
----------------	---------	--	-------	--	----------------------	--	--	---	--	-----	-------

E320 4MATIC

V6 3.2L 3199cc	112.954		57078		46799 ³⁶⁴	24726 ⁷⁸ 24797 ⁶¹		4		N/S	58845
----------------	---------	--	-------	--	----------------------	--	--	---	--	-----	-------

N/A = Not Available N/R = Not Required N/S = Not Serviceable For cabin and fuel filter locator, see pages 5-15 See pages 16-19 for footnotes

N/A = Non disponible N/R = Non nécessaire N/S = Non réparable Para la ubicación de los filtros de aire de la cabina y de combustible, ver las páginas 5-15 Voir pages 16-19 pour des notes

N/A = No disponible N/R = No requiere N/S = No servible Voir les tableaux de repérage des filtres d'habitacle et à carburant aux pages 5-15 Ver las páginas 16-19 para las notas al pie de página

Italicized Part Numbers May Not Be Available. Wix XP Oil Filters Have Fully Synthetic Media.

Las piezas con números en *italicas* pueden no estar disponibles. Los filtros de aceite WIX XP son completamente de media sintética. Les numéros de pièce en *italiques* peuvent ne pas être disponibles. Les filtres à huile XP Wix contiennent un matériau 100 % synthétique.

Year/Año/Année Model/Modelo/Modèle Engine/Motor/Moteur	Eng. Code Código de motor Code moteur	VIN NIV NIV	Oil Aceite Huile	Oil XP Aceite XP Huile XP	Air Aire Air	Cabin Air Cabina Aire Cabine Air	Cabin Air XP Cabina Aire XP Cabine Air XP	Loc. Cabin Air Cabina Aire Cabine Air	Fuel Combustible Carburant	Loc. Fuel Combustible Carburant	Transmission Transmisión Transmission
--	---	-------------------	------------------------	---------------------------------	--------------------	--	---	--	----------------------------------	--	---

MERCEDES BENZ (Cont'd/Suite)
2005 (Cont'd/Suite)
E320 CDI

L6 3.2L 3222cc Turbo Diesel	648.961		57328		49405	24726 ⁷⁸ 24797 ⁶¹		1	33934 ¹⁷⁹ N/A ²⁸⁹		58845
-----------------------------	---------	--	-------	--	-------	--	--	---	--	--	-------

E350

V6 3.5L 3498cc			57078		46799 ³⁹⁴	24797 ⁶¹ 24726 ⁷⁸		1	N/S		58845
----------------	--	--	-------	--	----------------------	--	--	---	-----	--	-------

E500

V8 5.0L 4973cc			57078		46799 ³⁹⁴	24726 ⁷⁸ 24797 ⁶¹		1	N/S		58845
----------------	--	--	-------	--	----------------------	--	--	---	-----	--	-------

E500 4MATIC

V8 5.0L 4966cc	113.969		57078		46799 ³⁹⁴	24726 ⁷⁸ 24797 ⁶¹		1	N/S		58845
----------------	---------	--	-------	--	----------------------	--	--	---	-----	--	-------

E55 AMG

V8 5.5L 5439cc 335 CID Super Charged			57078		WA10899	24726 ⁷⁸ 24797 ⁶¹		1	N/S		58845
--------------------------------------	--	--	-------	--	---------	--	--	---	-----	--	-------

G500

V8 5.0L 4973cc			57078		46799	WP9037			33643		58845
----------------	--	--	-------	--	-------	--------	--	--	-------	--	-------

G55 AMG

V8 5.5L 5439cc 335 CID Super Charged			57078		46799 ³⁹⁴	WP9037			33643		58845
--------------------------------------	--	--	-------	--	----------------------	--------	--	--	-------	--	-------

ML350

V6 3.7L 3699cc			57078		46321	24867		7	N/S		58845
----------------	--	--	-------	--	-------	-------	--	---	-----	--	-------

ML500

V8 5.0L 4973cc			57078		46321	24867		7	N/S		58845
----------------	--	--	-------	--	-------	-------	--	---	-----	--	-------

S430

V8 4.3L 4266cc			57078		46799 ³⁹⁴	24783		4	33643		58845
----------------	--	--	-------	--	----------------------	-------	--	---	-------	--	-------

S430 4MATIC

V8 4.3L 4266cc	113.948		57078		46799 ³⁹⁴	24783		4	33643		58845
----------------	---------	--	-------	--	----------------------	-------	--	---	-------	--	-------

S500

V8 5.0L 4966cc	113.960		57078		46799 ³⁹⁴	24783		4	33643		58845
----------------	---------	--	-------	--	----------------------	-------	--	---	-------	--	-------

S500 4MATIC

V8 5.0L 4966cc	113.966		57078		46799 ³⁹⁴	24783		4	33643		58845
----------------	---------	--	-------	--	----------------------	-------	--	---	-------	--	-------

S55 AMG

V8 5.5L 5439cc 335 CID Super Charged			57078		WA10899	24783		4	33643		58845
--------------------------------------	--	--	-------	--	---------	-------	--	---	-------	--	-------

S600

V12 5.5L 5513cc 336 CID Turbo			57198		49404 ³⁹⁴	24783 ⁷⁹ 24778 ⁷⁸		4	N/A		58845
-------------------------------	--	--	-------	--	----------------------	--	--	---	-----	--	-------

S65 AMG

V12 6.0L 5980cc 365 CID Turbo (Mex.)	275.982		57198		49404	24218			N/S		
--------------------------------------	---------	--	-------	--	-------	-------	--	--	-----	--	--

SL500

V8 5.0L 4973cc			57078		46799	49356		4	33643		58845
----------------	--	--	-------	--	-------	-------	--	---	-------	--	-------

SL55 AMG

V8 5.5L 5439cc 335 CID Super Charged			57078		WA10899	49356		4	33594		58845
--------------------------------------	--	--	-------	--	---------	-------	--	---	-------	--	-------

SL600

V12 5.5L 5513cc 336 CID Turbo			57198		49404 ³⁹⁴	49356		4	N/A		58845
-------------------------------	--	--	-------	--	----------------------	-------	--	---	-----	--	-------

SL65 AMG

V12 6.0L 5980cc 365 CID Turbo	275.981		57198		49404 ³⁹⁴	49356		4	N/A		58845
-------------------------------	---------	--	-------	--	----------------------	-------	--	---	-----	--	-------

SLK200

L4 2.0L 1998cc (Mex.)			51145		42620	24767			33179		
-----------------------	--	--	-------	--	-------	-------	--	--	-------	--	--

SLK350

V6 3.5L 3498cc	272.963		57078		46799 ³⁹⁴	49373		4	N/S		58845
----------------	---------	--	-------	--	----------------------	-------	--	---	-----	--	-------

N/A = Not Available N/R = Not Required N/S = Not Serviceable For cabin and fuel filter locator, see pages 5-15 See pages 16-19 for footnotes

N/A = Non disponible N/R = Non nécessaire N/S = Non réparable Para la ubicación de los filtros de aire de la cabina y de combustible, ver las páginas 5-15 Voir pages 16-19 pour des notes

N/A = No disponible N/R = No requiere N/S = No servible Voir les tableaux de repérage des filtres d'habitacle et à carburant aux pages 5-15 Ver las páginas 16-19 para las notas al pie de página

Italicized Part Numbers May Not Be Available. Wix XP Oil Filters Have Fully Synthetic Media.

Las piezas con números en *italicas* pueden no estar disponibles. Los filtros de aceite WIX XP son completamente de media sintética.

Les numéros de pièce en *italiques* peuvent ne pas être disponibles. Les filtres à huile Wix contiennent un matériau 100 % synthétique.

MERCEDES BENZ 2005-2004
Pass Car/Light Truck

Year/Año/Année Model/Modelo/Modèle Engine/Motor/Moteur	Eng. Code Código de motor Code moteur	VIN NIV NIV	Oil Aceite Huile	Oil XP Aceite XP Huile XP	Air Aire Air	Cabin Air Cabina Aire Cabine Air	Cabin Air XP Cabina Aire XP Cabine Air XP	Loc. Cabin Air Cabina Aire Cabine Air	Fuel Combustible Carburant	Loc. Fuel Combustible Carburant	Transmission Transmisión Transmission
--	---	-------------------	------------------------	---------------------------------	--------------------	--	---	--	----------------------------------	--	---

MERCEDES BENZ (Cont'd/Suite)
2005 (Cont'd/Suite)
SLK55 AMG

V8 5.5L 5439cc 335 CID			57078		46799 ³⁵⁴	49373		4	N/S		58845
------------------------	--	--	-------	--	----------------------	-------	--	---	-----	--	-------

SLR MCLAREN

V8 5.5L 5439cc 335 CID Super Charged	155.980		N/A		42525	49356		4	N/S		58845
--------------------------------------	---------	--	-----	--	-------	-------	--	---	-----	--	-------

SPRINTER VAN

L5 2.7L 2685cc Diesel (Mex.)			57038		42351	49262			33140		
------------------------------	--	--	-------	--	-------	-------	--	--	-------	--	--

VITO

L4 2.1L 2148CC DOHC 16 Valve Turbo Diesel (Mex.)			57038		WA9420	WP9222			33934		
--	--	--	-------	--	--------	--------	--	--	-------	--	--

2004
A 160

L4 1.6L 1598cc M166.960 (Mex.)Automoviles			WL7227		WA6538	WP6914 ⁶¹ WP6915 ⁶¹			WF8170 ⁶¹		
---	--	--	--------	--	--------	--	--	--	----------------------	--	--

A 190

L4 1.9L 1898cc M166 (Mex.)Automoviles			WL7227		WA6538	WP6915			WF8170 ⁶¹		
---------------------------------------	--	--	--------	--	--------	--------	--	--	----------------------	--	--

A140

L4 1.4L 1397cc (Mex.)			WL7227		WA6538	WP6914 ⁶¹			WF8170 ⁶¹		
L4 1.6L 1598cc M166.960 (Mex.)			57038		WA6538	WP6914 ⁶¹			WF8170 ⁶¹		

A190

L4 1.9L 1898cc M166 (Mex.)			WL7227		WA6538	WP6914 ⁶¹			WF8170 ⁶¹		
----------------------------	--	--	--------	--	--------	----------------------	--	--	----------------------	--	--

A210

L4 2.1L 2084cc (Mex.)			WL7227		WA6538	WP6914 ⁶¹			WF8170 ⁶¹		
-----------------------	--	--	--------	--	--------	----------------------	--	--	----------------------	--	--

C160

L4 1.8L 1796cc Super Charged (Mex.)			57009		49214	WP9347 ⁶¹			33643		
-------------------------------------	--	--	-------	--	-------	----------------------	--	--	-------	--	--

C200

L4 1.8L 1796cc Super Charged (Mex.)			57009		42156	WP9347 ⁶¹			33643		
-------------------------------------	--	--	-------	--	-------	----------------------	--	--	-------	--	--

C230

L4 1.8L 1796cc Super Charged			57009		49214	24686 ⁷⁸ 24118 ⁷⁹		4	33643		58845
------------------------------	--	--	-------	--	-------	--	--	---	-------	--	-------

C240

V6 2.6L 2597cc	112.912		51226	51226XP	46799 ³⁵⁴	24686 ⁷⁸ 24118 ⁷⁹		4	33643		58845
----------------	---------	--	-------	---------	----------------------	--	--	---	-------	--	-------

C240 4MATIC

V6 2.6L 2597cc	112.916		51226	51226XP	46799 ³⁵⁴	24686 ⁷⁸ 24118 ⁷⁹		4	33643		58845
----------------	---------	--	-------	---------	----------------------	--	--	---	-------	--	-------

C32 AMG

V6 3.2L 3199cc Super Charged			51226	51226XP	46875	24686 ⁷⁸ 24118 ⁷⁹		4	33643		58845
------------------------------	--	--	-------	---------	-------	--	--	---	-------	--	-------

C320

V6 3.2L 3199cc	112.946		51226	51226XP	46799 ³⁵⁴	24686 ⁷⁸ 24118 ⁷⁹		4	33643		58845
V6 3.2L 3199cc Flex	112.946		51226	51226XP	46799 ³⁵⁴	24686 ⁷⁸ 24118 ⁷⁹		4	33643		58845

C320 4MATIC

V6 3.2L 3199cc	112.953		51226	51226XP	46799 ³⁵⁴	24686 ⁷⁸ 24118 ⁷⁹		4	33643		58845
----------------	---------	--	-------	---------	----------------------	--	--	---	-------	--	-------

CL500

V8 5.0L 4973cc	113.960		51226	51226XP	46799 ³⁵⁴	24778 ⁷⁸ 24783 ⁷⁹		4	33643		58845
----------------	---------	--	-------	---------	----------------------	--	--	---	-------	--	-------

CL55 AMG

V8 5.5L 5439cc 335 CID Super Charged			51226	51226XP	WA10899	24783 ⁷⁹ 24778 ⁷⁸		4	33643		58845
--------------------------------------	--	--	-------	---------	---------	--	--	---	-------	--	-------

N/A = Not Available N/R = Not Required N/S = Not Serviceable For cabin and fuel filter locator, see pages 5-15 See pages 16-19 for footnotes

N/A = Non disponible N/R = Non nécessaire N/S = Non réparable Para la ubicación de los filtros de aire de la cabina y de combustible, ver las páginas 5-15 Voir pages 16-19 pour des notes

N/A = No disponible N/R = No requiere N/S = No servible Voir les tableaux de repérage des filtres d'habitacle et à carburant aux pages 5-15 Ver las páginas 16-19 para las notas al pie de página

Italicized Part Numbers May Not Be Available. Wix XP Oil Filters Have Fully Synthetic Media.

Las piezas con números en *italicas* pueden no estar disponibles. Los filtros de aceite WIX XP son completamente de media sintética. Les numéros de pièce en *italiques* peuvent ne pas être disponibles. Les filtres à huile XP Wix contiennent un matériau 100 % synthétique.

Year/Año/Année Model/Modelo/Modèle Engine/Motor/Moteur	Eng. Code Código de motor Code moteur	VIN NIV NIV	Oil Aceite Huile	Oil XP Aceite XP Huile XP	Air Aire Air	Cabin Air Cabina Aire Cabine Air	Cabin Air XP Cabina Aire XP Cabine Air XP	Loc. Cabin Air Cabina Aire Cabine Air	Fuel Combustible Carburant	Loc. Fuel Combustible Carburant	Transmission Transmisión Transmission
--	--	-------------------	------------------------	---------------------------------	--------------------	--	---	--	----------------------------------	--	---

MERCEDES BENZ (Cont'd/Suite)
2004 (Cont'd/Suite)
CL600

V12 5.5L 5513cc 336 CID Turbo			51226	51226XP	46645 ⁶¹	24783 ⁷⁹ 24778 ⁷⁸		4	33643		58845
-------------------------------	--	--	-------	---------	---------------------	--	--	---	-------	--	-------

CLK320

V6 3.2L 3199cc			51226	51226XP	46799 ³⁹⁴	24686 ⁷⁸ 24118 ⁷⁹		4	33643		58845
----------------	--	--	-------	---------	----------------------	--	--	---	-------	--	-------

CLK500

V8 5.0L 4973cc			51226	51226XP	46799 ³⁹⁴	24118 ⁷⁹ 24686 ⁷⁸		4	33643		58845
----------------	--	--	-------	---------	----------------------	--	--	---	-------	--	-------

CLK55 AMG

V8 5.5L 5439cc 335 CID			51226	51226XP	WA10899	24686 ⁷⁸ 24118 ⁷⁹		4	33643		58845
------------------------	--	--	-------	---------	---------	--	--	---	-------	--	-------

E320

V6 3.2L 3199cc	112.949		51226	51226XP	46799 ³⁹⁴	24726 ⁷⁸ 24797 ⁶¹		4	N/S		58845
----------------	---------	--	-------	---------	----------------------	--	--	---	-----	--	-------

E320 4MATIC

V6 3.2L 3199cc	112.954		51226	51226XP	46799 ³⁹⁴	24726 ⁷⁸ 24797 ⁶¹		4	N/S		58845
----------------	---------	--	-------	---------	----------------------	--	--	---	-----	--	-------

E500

V8 5.0L 4973cc			51226	51226XP	46799 ³⁹⁴	24797 ⁶¹ 24726 ⁷⁸		1	N/S		58845
----------------	--	--	-------	---------	----------------------	--	--	---	-----	--	-------

E500 4MATIC

V8 5.0L 4966cc	113.969		51226	51226XP	46799 ³⁹⁴	24797 ⁶¹ 24726 ⁷⁸		1	N/S		58845
----------------	---------	--	-------	---------	----------------------	--	--	---	-----	--	-------

E55 AMG

V8 5.5L 5439cc 335 CID Super Charged			51226	51226XP	WA10899	24797 ⁶¹ 24726 ⁷⁸		1	N/S		58845
--------------------------------------	--	--	-------	---------	---------	--	--	---	-----	--	-------

G500

V8 5.0L 4966cc			51226	51226XP	46799	N/R			33643		58845
----------------	--	--	-------	---------	-------	-----	--	--	-------	--	-------

G55 AMG

V8 5.5L 5439cc 335 CID			51226	51226XP	46799	WP9037			33643		58845
------------------------	--	--	-------	---------	-------	--------	--	--	-------	--	-------

ML350

V6 3.7L 3699cc			51226	51226XP	42525	24867		7	N/A		58845
----------------	--	--	-------	---------	-------	-------	--	---	-----	--	-------

ML500

V8 5.0L 4973cc			51226	51226XP	42525	24867		7	N/A		58845
----------------	--	--	-------	---------	-------	-------	--	---	-----	--	-------

S430

V8 4.3L 4266cc			51226	51226XP	46799 ³⁹⁴	24783 ⁷⁹ 24778 ⁷⁸		4	33643		58845
----------------	--	--	-------	---------	----------------------	--	--	---	-------	--	-------

S430 4MATIC

V8 4.3L 4266cc	113.948		51226	51226XP	46799 ³⁹⁴	24783 ⁷⁹ 24778 ⁷⁸		4	33643		58845
----------------	---------	--	-------	---------	----------------------	--	--	---	-------	--	-------

S500

V8 5.0L 4966cc	113.960		51226	51226XP	46799 ³⁹⁴	24783 ⁷⁹ 24778 ⁷⁸		4	33643		58845
----------------	---------	--	-------	---------	----------------------	--	--	---	-------	--	-------

S500 4MATIC

V8 5.0L 4966cc	113.966		51226	51226XP	46799 ³⁹⁴	24783 ⁷⁹ 24778 ⁷⁸		4	33643		58845
----------------	---------	--	-------	---------	----------------------	--	--	---	-------	--	-------

S55 AMG

V8 5.5L 5439cc 335 CID Super Charged			51226	51226XP	WA10899	24783 ⁷⁹ 24778 ⁷⁸		4	33643		58845
--------------------------------------	--	--	-------	---------	---------	--	--	---	-------	--	-------

S600

V12 5.5L 5513cc 336 CID Turbo			51226	51226XP	49404	24783 ⁷⁹ 24778 ⁷⁸		4	N/S		58845
-------------------------------	--	--	-------	---------	-------	--	--	---	-----	--	-------

SL500

V8 5.0L 4973cc			51226	51226XP	46799	49356		4	33643		58845
----------------	--	--	-------	---------	-------	-------	--	---	-------	--	-------

N/A = Not Available N/R = Not Required N/S = Not Serviceable For cabin and fuel filter locator, see pages 5-15 See pages 16-19 for footnotes

N/A = Non disponible N/R = Non nécessaire N/S = Non réparable Para la ubicación de los filtros de aire de la cabina y de combustible, ver las páginas 5-15 Voir pages 16-19 pour des notes

N/A = No disponible N/R = No requiere N/S = No servible Voir les tableaux de repérage des filtres d'habitacle et à carburant aux pages 5-15 Ver las páginas 16-19 para las notas al pie de página

Italicized Part Numbers May Not Be Available. Wix XP Oil Filters Have Fully Synthetic Media.

Las piezas con números en *italicas* pueden no estar disponibles. Los filtros de aceite WIX XP son completamente de media sintética.

Les numéros de pièce en *italiques* peuvent ne pas être disponibles. Les filtres à huile Wix contiennent un matériau 100 % synthétique.

MERCEDES BENZ 2004-2003
Pass Car/Light Truck

Year/Año/Année Model/Modelo/Modèle Engine/Motor/Moteur	Eng. Code Código de motor Code moteur	VIN NIV NIV	Oil Aceite Huile	Oil XP Aceite XP Huile XP	Air Aire Air	Cabin Air Cabina Aire Cabine Air	Cabin Air XP Cabina Aire XP Cabine Air XP	Loc. Cabin Air Cabina Aire Cabine Air	Fuel Combustible Carburant	Loc. Fuel Combustible Carburant	Transmission Transmisión Transmission
--	---	-------------------	------------------------	---------------------------------	--------------------	--	---	--	----------------------------------	--	---

MERCEDES BENZ (Cont'd/Suite)
2004 (Cont'd/Suite)
SL55 AMG

V8 5.5L 5439cc 335 CID Super Charged			51226	51226XP	WA10899	49356		4	33643		58845
--------------------------------------	--	--	-------	---------	---------	-------	--	---	-------	--	-------

SL600

V12 5.5L 5513cc 336 CID Turbo			57198		49404	49356		4	N/A		58845
-------------------------------	--	--	-------	--	-------	-------	--	---	-----	--	-------

SLK200

L4 2.0L 1998cc (Mex.)			51145		42620	24767			33179		
-----------------------	--	--	-------	--	-------	-------	--	--	-------	--	--

SLK230

L4 2.3L 2295cc Super Charged	111.983		51145		42620	24767 ^{7B}		4	33643		58845
------------------------------	---------	--	-------	--	-------	---------------------	--	---	-------	--	-------

SLK32 AMG

V6 3.2L 3199cc Super Charged			51226	51226XP	46875	24767 ^{7B}		4	33643		58845
------------------------------	--	--	-------	---------	-------	---------------------	--	---	-------	--	-------

SLK320

V6 3.2L 3199cc			51226	51226XP	42822	24767 ^{7B}		4	33643		58845
----------------	--	--	-------	---------	-------	---------------------	--	---	-------	--	-------

SPRINTER VAN

L5 2.7L 2685cc Diesel (Mex.)			57038		42351	49262			33140		
------------------------------	--	--	-------	--	-------	-------	--	--	-------	--	--

VITO

L4 2.1L 2148CC DOHC 16 Valve Turbo Diesel (Mex.)			57038		WA9420	WP9222			33934		
--	--	--	-------	--	--------	--------	--	--	-------	--	--

2003
A 160

L4 1.6L 1598cc M166.960 (Mex.)Automoviles			WL7227		WA6538	WP6914 ⁶¹ WP6915 ⁶¹			WF8170 ⁶¹		
---	--	--	--------	--	--------	--	--	--	----------------------	--	--

A 190

L4 1.9L 1898cc M166 (Mex.)Automoviles			WL7227		WA6538	WP6915			WF8170 ⁶¹		
---------------------------------------	--	--	--------	--	--------	--------	--	--	----------------------	--	--

A140

L4 1.6L 1598cc M166.960 (Mex.)			57038		WA6538	WP6914 ⁶¹			WF8170 ⁶¹		
--------------------------------	--	--	-------	--	--------	----------------------	--	--	----------------------	--	--

A190

L4 1.9L 1898cc M166 (Mex.)			WL7227		WA6538	WP6914 ⁶¹			WF8170 ⁶¹		
----------------------------	--	--	--------	--	--------	----------------------	--	--	----------------------	--	--

C160

L4 1.8L 1796cc Super Charged (Mex.)			57009		49214	WP9347 ⁶¹			33643		
-------------------------------------	--	--	-------	--	-------	----------------------	--	--	-------	--	--

C200

L4 1.8L 1796cc Super Charged (Mex.)			57009		42156	WP9347 ⁶¹			33643		
-------------------------------------	--	--	-------	--	-------	----------------------	--	--	-------	--	--

C230

L4 1.8L 1796cc Super Charged			57009		49214	24686 ^{7B} 24118 ^{7B}		4	33643		58845
------------------------------	--	--	-------	--	-------	--	--	---	-------	--	-------

C240

V6 2.6L 2597cc	112.912		51226	51226XP	46799 ³⁵⁴	24686 ^{7B} 24118 ^{7B}		4	33643		58845
----------------	---------	--	-------	---------	----------------------	--	--	---	-------	--	-------

C240 4MATIC

V6 2.6L 2597cc	112.916		51226	51226XP	46799 ³⁵⁴	24686 ^{7B} 24118 ^{7B}		4	33643		58845
----------------	---------	--	-------	---------	----------------------	--	--	---	-------	--	-------

C32 AMG

V6 3.2L 3199cc Super Charged			51226	51226XP	46875	24118 ^{7B} 24686 ^{7B}		4	33643		58845
------------------------------	--	--	-------	---------	-------	--	--	---	-------	--	-------

C320

V6 3.2L 3199cc	112.946		51226	51226XP	46799 ³⁵⁴	24686 ^{7B} 24118 ^{7B}		4	33643		58845
----------------	---------	--	-------	---------	----------------------	--	--	---	-------	--	-------

C320 4MATIC

V6 3.2L 3199cc	112.953		51226	51226XP	46799 ³⁵⁴	24686 ^{7B} 24118 ^{7B}		4	33643		58845
----------------	---------	--	-------	---------	----------------------	--	--	---	-------	--	-------

N/A = Not Available N/R = Not Required N/S = Not Serviceable For cabin and fuel filter locator, see pages 5-15 See pages 16-19 for footnotes

N/A = Non disponible N/R = Non nécessaire N/S = Non réparable Para la ubicación de los filtros de aire de la cabina y de combustible, ver las páginas 5-15 Voir pages 16-19 pour des notes

N/A = No disponible N/R = No requiere N/S = No servible Voir les tableaux de repérage des filtres d'habitacle et à carburant aux pages 5-15 Ver las páginas 16-19 para las notas al pie de página

Italicized Part Numbers May Not Be Available. Wix XP Oil Filters Have Fully Synthetic Media.

Las piezas con números en *italicas* pueden no estar disponibles. Los filtros de aceite WIX XP son completamente de media sintética. Les numéros de pièce en *italiques* peuvent ne pas être disponibles. Les filtres à huile XP Wix contiennent un matériau 100 % synthétique.

Year/Año/Année Model/Modelo/Modèle Engine/Motor/Moteur	Eng. Code Código de motor Code moteur	VIN NIV NIV	Oil Aceite Huile	Oil XP Aceite XP Huile XP	Air Aire Air	Cabin Air Cabina Aire Cabine Air	Cabin Air XP Cabina Aire XP Cabine Air XP	Loc. Cabin Air Cabina Aire Cabine Air	Fuel Combustible Carburant	Loc. Fuel Combustible Carburant	Transmission Transmisión Transmission
--	---	-------------------	------------------------	---------------------------------	--------------------	--	---	--	----------------------------------	--	---

MERCEDES BENZ (Cont'd/Suite)
2003 (Cont'd/Suite)
CL500

V8 5.0L 4973cc	113.960		51226	51226XP	46799 ³⁹⁴	24778 24783 ⁷⁹		4	33643		58845
----------------	---------	--	-------	---------	----------------------	------------------------------	--	---	-------	--	-------

CL55 AMG

V8 5.5L 5439cc 335 CID Super Charged			51226	51226XP	WA10899	24783 ⁷⁹ 24778 ⁷⁸		4	33643		58845
--------------------------------------	--	--	-------	---------	---------	--	--	---	-------	--	-------

CL600

V12 5.5L 5513cc 336 CID Turbo			51226	51226XP	46645 ⁶¹	24783 ⁷⁹ 24778 ⁷⁸		4	33643		58845
-------------------------------	--	--	-------	---------	---------------------	--	--	---	-------	--	-------

CLK320

V6 3.2L 3199cc	112.940		51226	51226XP	46799 ³⁹⁴	24686 ⁷⁸ 24118 ⁷⁹		4	33643		58845
	112.955		51226	51226XP	46799 ³⁹⁴	24686 ⁷⁸ 24118 ⁷⁹		4	33643		58845

CLK430

V8 4.3L 4266cc	113.943		51226	51226XP	42052	24767 ⁷⁸		4	33643		58845
----------------	---------	--	-------	---------	-------	---------------------	--	---	-------	--	-------

CLK500

V8 5.0L 4973cc			51226	51226XP	46799 ³⁹⁴	24118 ⁷⁹ 24686 ⁷⁸		4	33643		58845
----------------	--	--	-------	---------	----------------------	--	--	---	-------	--	-------

CLK55 AMG

V8 5.5L 5439cc 335 CID			51226	51226XP	WA10899	24686 ⁷⁸ 24118 ⁷⁹		4	33643		58845
------------------------	--	--	-------	---------	---------	--	--	---	-------	--	-------

E320

V6 3.2L 3199cc	112.941		51226	51226XP	46799 ³⁹⁴ 42213 ²⁵¹	24797 ⁶¹ 24726 ⁷⁸		1	33643		58845
	112.949		51226	51226XP	46799 ³⁹⁴ 42213 ²⁵¹	24797 ⁶¹ 24726 ⁷⁸		1	33643		58845

E500

V8 5.0L 4973cc			51226	51226XP	46799 ³⁹⁴	24797 ⁶¹ 24726 ⁷⁸		1	N/S		58845
----------------	--	--	-------	---------	----------------------	--	--	---	-----	--	-------

E55 AMG

V8 5.5L 5439cc 335 CID Super Charged	113.990		51226	51226XP	46799 ³⁹⁴	24797 ⁶¹ 24726 ⁷⁸		1	N/S		58845
--------------------------------------	---------	--	-------	---------	----------------------	--	--	---	-----	--	-------

G500

V8 5.0L 4966cc			51226	51226XP	46799	N/R			33643		58845
----------------	--	--	-------	---------	-------	-----	--	--	-------	--	-------

G55 AMG

V8 5.5L 5439cc 335 CID			51226	51226XP	46799	WP9037			33643		58845
------------------------	--	--	-------	---------	-------	--------	--	--	-------	--	-------

ML320

V6 3.2L 3199cc	112.942		51226	51226XP	46321	24867		7	N/A		58845
----------------	---------	--	-------	---------	-------	-------	--	---	-----	--	-------

ML350

V6 3.7L 3699cc			51226	51226XP	42525	24867		7	N/A		58845
----------------	--	--	-------	---------	-------	-------	--	---	-----	--	-------

ML500

V8 5.0L 4973cc			51226	51226XP	46321	24867		7	N/A		58845
----------------	--	--	-------	---------	-------	-------	--	---	-----	--	-------

ML55 AMG

V8 5.5L 5439cc 335 CID			51226	51226XP	42525	N/A			N/A		58845
------------------------	--	--	-------	---------	-------	-----	--	--	-----	--	-------

S280

V6 2.8L 2799cc (Mex.)	112.922		51226	51226XP	46799	24783			33643		
-----------------------	---------	--	-------	---------	-------	-------	--	--	-------	--	--

S430

V8 4.3L 4266cc	113.941		51226	51226XP	46799 ³⁹⁴	24783 ⁷⁹ 24778 ⁷⁸		4	33643		58845
----------------	---------	--	-------	---------	----------------------	--	--	---	-------	--	-------

S430 4MATIC

V8 4.3L 4266cc	113.948		51226	51226XP	46799 ³⁹⁴	24783 ⁷⁹ 24778 ⁷⁸		4	33643		58845
----------------	---------	--	-------	---------	----------------------	--	--	---	-------	--	-------

S500

V8 5.0L 4966cc	113.960		51226	51226XP	46799 ³⁹⁴	24783 ⁷⁹ 24778 ⁷⁸		4	33643		58845
----------------	---------	--	-------	---------	----------------------	--	--	---	-------	--	-------

N/A = Not Available N/R = Not Required N/S = Not Serviceable For cabin and fuel filter locator, see pages 5-15 See pages 16-19 for footnotes

N/A = Non disponible N/R = Non nécessaire N/S = Non réparable Para la ubicación de los filtros de aire de la cabina y de combustible, ver las páginas 5-15 Voir pages 16-19 pour des notes

N/A = No disponible N/R = No requiere N/S = No servible Voir les tableaux de repérage des filtres d'habitacle et à carburant aux pages 5-15 Ver las páginas 16-19 para las notas al pie de página

Italicized Part Numbers May Not Be Available. Wix XP Oil Filters Have Fully Synthetic Media.

Las piezas con números en *italicas* pueden no estar disponibles. Los filtros de aceite WIX XP son completamente de media sintética.

Les numéros de pièce en *italiques* peuvent ne pas être disponibles. Les filtres à huile Wix contiennent un matériau 100 % synthétique.

MERCEDES BENZ 2003-2002
Pass Car/Light Truck

Year/Año/Année Model/Modelo/Modèle Engine/Motor/Moteur	Eng. Code Código de motor Code moteur	VIN NIV NIV	Oil Aceite Huile	Oil XP Aceite XP Huile XP	Air Aire Air	Cabin Air Cabina Aire Cabine Air	Cabin Air XP Cabina Aire XP Cabine Air XP	Loc. Cabin Air Cabina Aire Cabine Air	Fuel Combustible Carburant	Loc. Fuel Combustible Carburant	Transmission Transmisión Transmission
--	---	-------------------	------------------------	---------------------------------	--------------------	--	---	--	----------------------------------	--	---

MERCEDES BENZ (Cont'd/Suite)
2003 (Cont'd/Suite)
S500 4MATIC

V8 5.0L 4966cc	113.966		51226	51226XP	46799 ³⁵⁴	24783 ⁷⁹ 24778 ⁷⁸		4	33643		58845
----------------	---------	--	-------	---------	----------------------	--	--	---	-------	--	-------

S55 AMG

V8 5.5L 5439cc 335 CID Super Charged			51226	51226XP	WA10899	24783 ⁷⁹ 24778 ⁷⁸		4	33643		58845
--------------------------------------	--	--	-------	---------	---------	--	--	---	-------	--	-------

S600

V12 5.5L 5513cc 336 CID Turbo			51226	51226XP	49404	24783 ⁷⁹ 24778 ⁷⁸		4	33643		58845
-------------------------------	--	--	-------	---------	-------	--	--	---	-------	--	-------

SL500

V8 5.0L 4973cc			51226	51226XP	46799	49356		4	33643		58845
----------------	--	--	-------	---------	-------	-------	--	---	-------	--	-------

SL55 AMG

V8 5.5L 5439cc 335 CID Super Charged			51226	51226XP	WA10899	49356		3	33643		58845
--------------------------------------	--	--	-------	---------	---------	-------	--	---	-------	--	-------

SL600

V12 5.5L 5513cc 336 CID Turbo (Mex.)	275.951		57198		49404	49356			33643		
--------------------------------------	---------	--	-------	--	-------	-------	--	--	-------	--	--

SLK200

L4 2.0L 1998cc (Mex.)			51145		42620	24767			33179		
-----------------------	--	--	-------	--	-------	-------	--	--	-------	--	--

SLK230

L4 2.3L 2295cc Super Charged	111.983		51145		42620	24767 ⁷⁸		4	33643		58845
------------------------------	---------	--	-------	--	-------	---------------------	--	---	-------	--	-------

SLK32 AMG

V6 3.2L 3199cc Super Charged			51226	51226XP	46875	24767 ⁷⁸		4	33643		58845
------------------------------	--	--	-------	---------	-------	---------------------	--	---	-------	--	-------

SLK320

V6 3.2L 3199cc			51226	51226XP	42822	24767 ⁷⁸		4	33643		58845
----------------	--	--	-------	---------	-------	---------------------	--	---	-------	--	-------

VITO

L4 2.1L 2148CC DOHC 16 Valve Turbo Diesel (Mex.)			57038		WA9420	WP9222			33934		
--	--	--	-------	--	--------	--------	--	--	-------	--	--

2002
A 160

L4 1.6L 1598cc M166.960 (Mex.)Automoviles			WL7227		WA6538	WP6914 ⁶¹ WP6915 ⁵¹			WF8170 ⁶¹		
---	--	--	--------	--	--------	--	--	--	----------------------	--	--

A 190

L4 1.9L 1898cc M166 (Mex.)Automoviles			WL7227		WA6538	WP6915			WF8170 ⁶¹		
---------------------------------------	--	--	--------	--	--------	--------	--	--	----------------------	--	--

A140

L4 1.6L 1598cc M166.960 (Mex.)			57038		WA6538	WP6914 ⁶¹			WF8170 ⁶¹		
--------------------------------	--	--	-------	--	--------	----------------------	--	--	----------------------	--	--

A190

L4 1.9L 1898cc M166 (Mex.)			WL7227		WA6538	WP6914 ⁶¹			WF8170 ⁶¹		
----------------------------	--	--	--------	--	--------	----------------------	--	--	----------------------	--	--

C160

L4 1.8L 1796cc Super Charged (Mex.)			57009		49214	WP9347 ⁶¹			33643		
-------------------------------------	--	--	-------	--	-------	----------------------	--	--	-------	--	--

C200

L4 2.0L 1998cc (Mex.)			51145		49204	WP9347 ⁶¹			33643		
-----------------------	--	--	-------	--	-------	----------------------	--	--	-------	--	--

C230

L4 2.3L 2295cc Super Charged	111.981		51145		49204	24686 ⁷⁸ 24118 ⁷⁹		4	33643		58845
------------------------------	---------	--	-------	--	-------	--	--	---	-------	--	-------

C240

V6 2.6L 2597cc	112.912		51226	51226XP	46799 ³⁵⁴	24686 ⁷⁸ 24118 ⁷⁹		4	33643		58845
----------------	---------	--	-------	---------	----------------------	--	--	---	-------	--	-------

C32 AMG

V6 3.2L 3199cc Super Charged			51226	51226XP	46875	24686 ⁷⁸ 24118 ⁷⁹		4	33643		58845
------------------------------	--	--	-------	---------	-------	--	--	---	-------	--	-------

N/A = Not Available N/R = Not Required N/S = Not Serviceable For cabin and fuel filter locator, see pages 5-15 See pages 16-19 for footnotes

N/A = Non disponible N/R = Non nécessaire N/S = Non réparable Para la ubicación de los filtros de aire de la cabina y de combustible, ver las páginas 5-15 Voir pages 16-19 pour des notes

N/A = No disponible N/R = No requiere N/S = No servible Voir les tableaux de repérage des filtres d'habitacle et à carburant aux pages 5-15 Ver las páginas 16-19 para las notas al pie de página

Italicized Part Numbers May Not Be Available. Wix XP Oil Filters Have Fully Synthetic Media.

Las piezas con números en *italicas* pueden no estar disponibles. Los filtros de aceite WIX XP son completamente de media sintética. Les numéros de pièce en *italiques* peuvent ne pas être disponibles. Les filtres à huile XP Wix contiennent un matériau 100 % synthétique.

Year/Año/Année Model/Modelo/Modèle Engine/Motor/Moteur	Eng. Code Código de motor Code moteur	VIN NIV NIV	Oil Aceite Huile	Oil XP Aceite XP Huile XP	Air Aire Air	Cabin Air Cabina Aire Cabine Air	Cabin Air XP Cabina Aire XP Cabine Air XP	Loc. Cabin Air Cabina Aire Cabine Air	Fuel Combustible Carburant	Loc. Fuel Combustible Carburant	Transmission Transmisión Transmission
--	--	-------------------	------------------------	---------------------------------	--------------------	--	---	--	----------------------------------	--	---

MERCEDES BENZ (Cont'd/Suite)
2002 (Cont'd/Suite)
C320

V6 3.2L 3199cc	112.946		51226	51226XP	46799 ³⁹⁴	24686 ⁷⁸ 24118 ⁷⁹		4	33643		58845
----------------	---------	--	-------	---------	----------------------	--	--	---	-------	--	-------

CL500

V8 5.0L 4973cc	113.960		51226	51226XP	46799 ³⁹⁴	24778 24783 ⁷⁹		4	33643		58845
----------------	---------	--	-------	---------	----------------------	------------------------------	--	---	-------	--	-------

CL55 AMG

V8 5.5L 5439cc 335 CID			51226	51226XP	46799 ³⁹⁴	24783 ⁷⁹ 24778 ⁷⁸		4	33643		58845
------------------------	--	--	-------	---------	----------------------	--	--	---	-------	--	-------

CL600

V12 5.8L 5786cc			51226	51226XP	46645 ⁶¹	24783 ⁷⁹ 24778 ⁷⁸		4	33643		58845
-----------------	--	--	-------	---------	---------------------	--	--	---	-------	--	-------

CLK320

V6 3.2L 3199cc	112.940		51226	51226XP	42525	24767 ⁷⁸		4	33643		58845
----------------	---------	--	-------	---------	-------	---------------------	--	---	-------	--	-------

CLK430

V8 4.3L 4266cc	113.943		51226	51226XP	42052	24767 ⁷⁸		4	33643		58845
----------------	---------	--	-------	---------	-------	---------------------	--	---	-------	--	-------

CLK55 AMG

V8 5.5L 5439cc 335 CID			51226	51226XP	WA10898	24767		4	33643		58845
------------------------	--	--	-------	---------	---------	-------	--	---	-------	--	-------

E320

V6 3.2L 3199cc	112.941		51226	51226XP	42213	24783 ⁷⁹ 24778 ⁷⁸		4	33643		58845
----------------	---------	--	-------	---------	-------	--	--	---	-------	--	-------

E430

V8 4.3L 4266cc	113.940		51226	51226XP	42213	24783 ⁷⁹ 24778 ⁷⁸		4	33643		58845
----------------	---------	--	-------	---------	-------	--	--	---	-------	--	-------

E55 AMG

V8 5.5L 5439cc 335 CID			51226	51226XP	WA10898	24778		4	33643		58845
------------------------	--	--	-------	---------	---------	-------	--	---	-------	--	-------

G500

V8 5.0L 4966cc			51226	51226XP	46799	N/R		3	33643		58845
----------------	--	--	-------	---------	-------	-----	--	---	-------	--	-------

ML320

V6 3.2L 3199cc	112.942		51226	51226XP	46321	24867		7	N/A		58845
----------------	---------	--	-------	---------	-------	-------	--	---	-----	--	-------

ML500

V8 5.0L 4973cc			51226	51226XP	42525	24867		7	N/A		58845
----------------	--	--	-------	---------	-------	-------	--	---	-----	--	-------

ML55 AMG

V8 5.5L 5439cc 335 CID			51226	51226XP	42525	N/A			N/A		58845
------------------------	--	--	-------	---------	-------	-----	--	--	-----	--	-------

S280

V6 2.8L 2799cc (Mex.)	112.922		51226	51226XP	46799	24783			33643		
-----------------------	---------	--	-------	---------	-------	-------	--	--	-------	--	--

S430

V8 4.3L 4266cc			51226	51226XP	46799 ³⁹⁴	24783 ⁷⁹ 24778 ⁷⁸		4	33643		58845
----------------	--	--	-------	---------	----------------------	--	--	---	-------	--	-------

S500

V8 5.0L 4966cc	113.960		51226	51226XP	46799 ³⁹⁴	24783 ⁷⁹ 24778 ⁷⁸		4	33643		58845
----------------	---------	--	-------	---------	----------------------	--	--	---	-------	--	-------

S55 AMG

V8 5.5L 5439cc	113.986		51226	51226XP	46799 ³⁹⁴	24783 ⁷⁹ 24778 ⁷⁸		4	33643		58845
----------------	---------	--	-------	---------	----------------------	--	--	---	-------	--	-------

S600

V12 5.8L 5786cc			51226	51226XP	46645 ⁶¹	24783 ⁷⁹ 24778 ⁷⁸		4	33643		58845
-----------------	--	--	-------	---------	---------------------	--	--	---	-------	--	-------

SL500

V8 5.0L 4973cc	113.961		51226	51226XP	46799 ³⁹⁴	N/A		4	33643		58845
	113.963		51226	51226XP	46799 ³⁹⁴	N/A		4	33643		58845

SL55 AMG

V8 5.5L 5439cc 335 CID Super Charged (Mex.)	113.992		51226	51226XP	46799	49356			33594		
--	---------	--	-------	---------	-------	-------	--	--	-------	--	--

SL600

V12 6.0L 5987cc	120.983		51230		42364	N/R			33643		58845
-----------------	---------	--	-------	--	-------	-----	--	--	-------	--	-------

N/A = Not Available N/R = Not Required N/S = Not Serviceable For cabin and fuel filter locator, see pages 5-15 See pages 16-19 for footnotes

N/A = Non disponible N/R = Non nécessaire N/S = Non serviceable Para la ubicación de los filtros de aire de la cabina y de combustible, ver las páginas 5-15 Voir pages 16-19 pour des notes

N/A = No disponible N/R = No requiere N/S = No servible Voir les tableaux de repérage des filtres d'habitacle et à carburant aux pages 5-15 Ver las páginas 16-19 para las notas al pie de página

Italicized Part Numbers May Not Be Available. Wix XP Oil Filters Have Fully Synthetic Media.

Las piezas con números en *italicas* pueden no estar disponibles. Los filtros de aceite WIX XP son completamente de media sintética.

Les numéros de pièce en *italiques* peuvent ne pas être disponibles. Les filtres à huile Wix contiennent un matériau 100 % synthétique.

MERCEDES BENZ 2002 — MERCURY 2009
Pass Car/Light Truck

Year/Año/Année Model/Modelo/Modèle Engine/Motor/Moteur	Eng. Code Código de motor Code moteur	VIN NIV NIV	Oil Aceite Huile	Oil XP Aceite XP Huile XP	Air Aire Air	Cabin Air Cabina Aire Cabine Air	Cabin Air XP Cabina Aire XP Cabine Air XP	Loc. Cabin Air Cabina Aire Cabine Air	Fuel Combustible Carburant	Loc. Fuel Combustible Carburant	Transmission Transmisión Transmission
--	---	-------------------	------------------------	---------------------------------	--------------------	--	---	--	----------------------------------	--	---

MERCEDES BENZ (Cont'd/Suite)
2002 (Cont'd/Suite)
SLK230

L4 2.3L 2295cc Super Charged	111.983		51145		42620	24767 ⁷⁸		4	33643		58845
------------------------------	---------	--	-------	--	-------	---------------------	--	---	-------	--	-------

SLK32 AMG

V6 3.2L 3199cc Super Charged			51226	51226XP	46875	24767 ⁷⁸		4	33643		58845
------------------------------	--	--	-------	---------	-------	---------------------	--	---	-------	--	-------

SLK320

V6 3.2L 3199cc			51226	51226XP	42822	24767 ⁷⁸		4	33643		58845
----------------	--	--	-------	---------	-------	---------------------	--	---	-------	--	-------

VANEO

L4 1.9L 1898cc M166 (Mex.)			WL7227		WA6538	WP6914 ⁶¹			WF8170 ⁶¹		
----------------------------	--	--	--------	--	--------	----------------------	--	--	----------------------	--	--

MERCURY
2011
GRAND MARQUIS

V8 4.6L 281 CID		V	51372 ⁵³	51372XP	46814	N/R			33595		58955
-----------------	--	---	---------------------	---------	-------	-----	--	--	-------	--	-------

MARINER

L4 2.5L 152 CID		7	51348 ⁵³	51348XP	42793	49466		1	33296		N/S
-----------------	--	---	---------------------	---------	-------	-------	--	---	-------	--	-----

V6 3.0L 183 CID	99G	G	57502 ⁵³	57502XP	49893	49466		1	N/S		N/S
-----------------	-----	---	---------------------	---------	-------	-------	--	---	-----	--	-----

MARINER HYBRID

L4 2.5L 152 CID Electric/Gas		3	51348 ⁵³	51348XP	49187	49466 ⁶⁴ 24477 ⁶⁵		1	33296		N/S
------------------------------	--	---	---------------------	---------	-------	--	--	---	-------	--	-----

MILAN

L4 2.5L 152 CID		A	51348 ⁵³	51348XP	49114	24367		3	N/S		N/S
-----------------	--	---	---------------------	---------	-------	-------	--	---	-----	--	-----

V6 3.0L 183 CID	99G	G	57502 ⁵³	57502XP	49053	24367		3	N/S		N/S
-----------------	-----	---	---------------------	---------	-------	-------	--	---	-----	--	-----

MILAN HYBRID

L4 2.5L 152 CID Electric/Gas		3	51348 ⁵³	51348XP	N/S - Lifetime	24367		3	N/S		N/S
------------------------------	--	---	---------------------	---------	----------------	-------	--	---	-----	--	-----

2010
GRAND MARQUIS

V8 4.6L 281 CID		V	51372 ⁵³	51372XP	46814	N/R			33595		58955
-----------------	--	---	---------------------	---------	-------	-----	--	--	-------	--	-------

MARINER

L4 2.5L 152 CID	997	7	51348 ⁵³ - Spin-on 57203 ⁵³ - Cartridge	51348XP - Spin-on 57203XP - Cartridge	42793	49466		1	33296		N/S
-----------------	-----	---	--	--	-------	-------	--	---	-------	--	-----

V6 3.0L 183 CID	99G	G	57502 ⁵³	57502XP	49893	49466		1	N/S		N/S
-----------------	-----	---	---------------------	---------	-------	-------	--	---	-----	--	-----

MARINER HYBRID

L4 2.5L 152 CID Electric/Gas	993	3	57203 - Cartridge 51348 ⁵³ - Spin-on	57203XP - Cartridge 51348XP - Spin-on	49187	49466 ⁶⁴ 24477 ⁶⁵		1	33296		N/S
------------------------------	-----	---	--	--	-------	--	--	---	-------	--	-----

MILAN

L4 2.5L 152 CID		A	51348 ⁵³	51348XP	49114	24367		3	N/S		N/S
-----------------	--	---	---------------------	---------	-------	-------	--	---	-----	--	-----

V6 3.0L 183 CID	99G	G	57502 ⁵³	57502XP	49053	24367		3	N/S		N/S
-----------------	-----	---	---------------------	---------	-------	-------	--	---	-----	--	-----

MILAN HYBRID

L4 2.5L 152 CID Electric/Gas		3	51348 ⁵³	51348XP	N/S	24367		3	N/S		N/S
------------------------------	--	---	---------------------	---------	-----	-------	--	---	-----	--	-----

MOUNTAINEER

V6 4.0L 244 CID		E	51372 ⁵³	51372XP	42484	N/R			33243		58898 - 5R55S 58099 ²⁷⁹ - 6R60 N/A ²⁷⁸ - 6R60
-----------------	--	---	---------------------	---------	-------	-----	--	--	-------	--	---

V8 4.6L 281 CID		8	51372 ⁵³	51372XP	49145	N/R			33243		58898 - 5R55S 58099 ²⁷⁹ - 6R60 N/A ²⁷⁸ - 6R60
-----------------	--	---	---------------------	---------	-------	-----	--	--	-------	--	---

2009
GRAND MARQUIS

V8 4.6L 281 CID		V	51372 ⁵³	51372XP	46814	N/R			33595		58955
-----------------	--	---	---------------------	---------	-------	-----	--	--	-------	--	-------

MARINER

L4 2.5L 152 CID	997	7	57203 - Cartridge 51348 ⁵³ - Spin-on	57203XP - Cartridge 51348XP - Spin-on	42793	49466		1	33296		N/S
-----------------	-----	---	--	--	-------	-------	--	---	-------	--	-----

V6 3.0L 183 CID		G	57502 ⁵³ 51372 ⁵³	57502XP ²⁶³ 51372XP ²⁶²	49893	49466		1	N/S		N/S
-----------------	--	---	--	--	-------	-------	--	---	-----	--	-----

N/A = Not Available N/R = Not Required N/S = Not Serviceable For cabin and fuel filter locator, see pages 5-15 See pages 16-19 for footnotes

N/A = Non disponible N/R = Non nécessaire N/S = Non réparable Para la ubicación de los filtros de aire de la cabina y de combustible, ver las páginas 5-15 Voir pages 16-19 pour des notes

N/A = No disponible N/R = No requiere N/S = No servible Voir les tableaux de repérage des filtres d'habitacle et à carburant aux pages 5-15 Ver las páginas 16-19 para las notas al pie de página

Italicized Part Numbers May Not Be Available. Wix XP Oil Filters Have Fully Synthetic Media.

Las piezas con números en *italicas* pueden no estar disponibles. Los filtros de aceite WIX XP son completamente de media sintética. Les numéros de pièce en *italiques* peuvent ne pas être disponibles. Les filtres à huile XP Wix contiennent un matériau 100 % synthétique.

Year/Año/Année Model/Modelo/Modèle Engine/Motor/Moteur	Eng. Code Código de motor Code moteur	VIN NIV NIV	Oil Aceite Huile	Oil XP Aceite XP Huile XP	Air Aire Air	Cabin Air Cabina Aire Cabine Air	Cabin Air XP Cabina Aire XP Cabine Aire XP	Loc. Cabin Air Cabina Aire Cabine Air	Fuel Combustible Carburant	Loc. Fuel Combustible Carburant	Transmission Transmisión Transmission
--	---	-------------------	------------------------	---------------------------------	--------------------	--	--	--	----------------------------------	--	---

MERCURY (Cont'd/Suite)

2009 (Cont'd/Suite)

MARINER HYBRID

L4 2.5L 152 CID Electric/Gas	993	3	57203 - Cartridge 51348 ⁵³ - Spin-on	57203XP - Cartridge 51348XP - Spin-on	49187	49466 ¹⁶⁴ 24477 ¹⁶⁵		1	33296		N/S
------------------------------	-----	---	--	--	-------	--	--	---	-------	--	-----

MILAN

L4 2.3L 140 CID	99Z	Z	57203	57203XP	49114	N/R			N/S		N/A
V6 3.0L 183 CID	991	1	57502 ⁵³ 51372 ⁵³	57502XP ²⁶⁵ 51372XP ²⁶⁴	49053	N/R			N/S		N/A

MOUNTAINEER

V6 4.0L 244 CID	99E	E	51372 ⁵³	51372XP	42484	N/R			33243		58898 - 5R55S 58099 ²⁷⁹ - 6R60 N/A ²⁷⁸ - 6R60
V8 4.6L 281 CID	998	8	51372 ⁵³	51372XP	49145	N/R			33243		58898 ²⁷⁹ - 5R55S 58099 ²⁷⁹ - 6R60 N/A ²⁷⁸ - 6R60

SABLE

V6 3.5L 213 CID	99W	W	51516 ⁵³ 57502 ⁵³	51516XP ²⁵⁶ 57502XP ²⁵⁷	46935	N/R			N/S		WL10378
-----------------	-----	---	--	--	-------	-----	--	--	-----	--	---------

2008

GRAND MARQUIS

V8 4.6L 281 CID	998	V,W	51372 ⁵³	51372XP	46814	N/R			33595		58955
-----------------	-----	-----	---------------------	---------	-------	-----	--	--	-------	--	-------

MARINER

L4 2.3L 140 CID	99Z	Z	51348 ⁵³ - Spin-on 57203 ⁵³ - Cartridge	51348XP - Spin-on 57203XP - Cartridge	42793	49466		1	33296		N/A
V6 3.0L 183 CID	991	1	51372 ⁵³	51372XP	42793	49466		1	33296		N/A

MARINER HYBRID

L4 2.3L 140 CID Electric/Gas		H	57203	57203XP	49187	49466 ¹⁶⁴ 24477 ¹⁶⁵		1	33296		N/A
------------------------------	--	---	-------	---------	-------	--	--	---	-------	--	-----

MILAN

L4 2.3L 140 CID	99Z	Z	57203 - Cartridge 51348 ⁵³ - Spin-on	57203XP - Cartridge 51348XP - Spin-on	49114	N/R			N/S		N/A
V6 3.0L 183 CID	991	1	51372 ⁵³	51372XP	49053	N/R			N/S		N/A

MOUNTAINEER

V6 4.0L 244 CID	99E	E,K	51372 ⁵³	51372XP	42484	N/R			33243		58898 - 5R55S 58099 ²⁷⁹ - 6R60 N/A ²⁷⁸ - 6R60
V8 4.6L 281 CID	998	8	51372 ⁵³	51372XP	49145	N/R			33243		58898 - 5R55S 58099 ²⁷⁹ - 6R60 N/A ²⁷⁸ - 6R60

SABLE

V6 3.5L 213 CID	99W	W	51516 ⁵³	51516XP	46935	N/R			N/S		WL10378
-----------------	-----	---	---------------------	---------	-------	-----	--	--	-----	--	---------

2007

GRAND MARQUIS

V8 4.6L 281 CID	998	V,W	51372 ⁵³	51372XP	46814	N/R			33595		58955
-----------------	-----	-----	---------------------	---------	-------	-----	--	--	-------	--	-------

MARINER

L4 2.3L 140 CID	99Z	Z	51348 ⁵³ - Spin-on 57203 ⁵³ - Cartridge	51348XP - Spin-on 57203XP - Cartridge	42793	49466 ³⁷⁷ 24816 ¹⁴¹		1	33097 ⁴⁴⁷		N/A
V6 3.0L 183 CID	991	1	51372 ⁵³	51372XP	42793	49466 ³⁷⁷ 24816 ¹⁴¹		1	33097 ⁴⁴⁷		N/A

MARINER HYBRID

L4 2.3L 140 CID Electric/Gas		H	57203	57203XP	49187	24477 ¹⁶⁵ 24816 ¹⁶⁴		1	33097 ⁴⁴⁷		N/A
------------------------------	--	---	-------	---------	-------	--	--	---	----------------------	--	-----

MILAN

L4 2.3L 140 CID	99Z	Z	57203 - Cartridge 51348 ⁵³ - Spin-on	57203XP - Cartridge 51348XP - Spin-on	49114	N/R			N/S		N/A
V6 3.0L 183 CID	991	1	51372 ⁵³	51372XP	49053	N/R			N/S		N/A

N/A = Not Available N/R = Not Required N/S = Not Serviceable For cabin and fuel filter locator, see pages 5-15 See pages 16-19 for footnotes
 N/A = Non disponible N/R = Non nécessaire N/S = Non réparable Para la ubicación de los filtros de aire de la cabina y de combustible, ver las páginas 5-15 Voir pages 16-19 pour des notes
 N/A = No disponible N/R = No requiere N/S = No servible Voir les tableaux de repérage des filtres d'habitacle et à carburant aux pages 5-15 Ver las páginas 16-19 para las notas al pie de página

Italicized Part Numbers May Not Be Available. Wix XP Oil Filters Have Fully Synthetic Media.
 Las piezas con números en *italicas* pueden no estar disponibles. Los filtros de aceite WIX XP son completamente de media sintética.
 Les numéros de pièce en *italiques* peuvent ne pas être disponibles. Les filtres à huile Wix contiennent un matériau 100 % synthétique.

MERCURY 2007-2005
Pass Car/Light Truck

Year/Año/Année Model/Modelo/Modèle Engine/Motor/Moteur	Eng. Code Código de motor Code moteur	VIN NIV NIV	Oil Aceite Huile	Oil XP Aceite XP Huile XP	Air Aire Air	Cabin Air Cabina Aire Cabine Air	Cabin Air XP Cabina Aire XP Cabine Air XP	Loc. Cabin Air Cabina Aire Cabine Air	Fuel Combustible Carburant	Loc. Fuel Combustible Carburant	Transmission Transmisión Transmission
--	---	-------------------	------------------------	---------------------------------	--------------------	--	---	--	----------------------------------	--	---

MERCURY (Cont'd/Suite)
2007 (Cont'd/Suite)
MONTEGO

V6 3.0L 183 CID	991	1	51372 ⁵³	51372XP	46924	N/R			33595		58121 - Cartridge 58118 - Pan Style
-----------------	-----	---	---------------------	---------	-------	-----	--	--	-------	--	--

MONTEREY

V6 4.2L 256 CID		2	51516 ⁵³	51516XP	42341	24807		1	33424		58822
-----------------	--	---	---------------------	---------	-------	-------	--	---	-------	--	-------

MOUNTAINEER

V6 4.0L 244 CID	99E	E,K	51372 ⁵³	51372XP	42484	N/R			33243		58898 - 5R55S 58127 - 6R60
V8 4.6L 281 CID	998	8	51372 ⁵³	51372XP	49145	N/R			33243		58898 - 5R55S 58127 - 6R60

2006
GRAND MARQUIS

V8 4.6L 281 CID	998	V,W	51372 ⁵³	51372XP	46134	N/R			33595		58955
-----------------	-----	-----	---------------------	---------	-------	-----	--	--	-------	--	-------

MARINER

L4 2.3L 140 CID	99Z	Z	51348 ⁵³ - Spin-on 57203 ⁵³ - Cartridge	51348XP - Spin-on 57203XP - Cartridge	42793	24816		1	33097 ⁴⁴⁷		N/A
V6 3.0L 183 CID	991	1	51372 ⁵³	51372XP	42793	24816		1	33097 ⁴⁴⁷		N/A

MARINER HYBRID

L4 2.3L 140 CID Electric/Gas		H	57203	57203XP	49187	24477 ⁶⁵ 24816 ⁶⁴		1	33097 ⁴⁴⁷		N/A
------------------------------	--	---	-------	---------	-------	--	--	---	----------------------	--	-----

MILAN

L4 2.3L 140 CID	99Z	Z	57203 - Cartridge 51348 ⁵³ - Spin-on	57203XP - Cartridge 51348XP - Spin-on	49114	N/R			N/S		N/A
V6 3.0L 183 CID	991	1	51372 ⁵³	51372XP	49053	N/R			N/S		N/A

MONTEGO

V6 3.0L 183 CID	991	1	51372 ⁵³	51372XP	46924	N/R			33595		58121 - Cartridge 58118 - Pan Style
-----------------	-----	---	---------------------	---------	-------	-----	--	--	-------	--	--

MONTEREY

V6 4.2L 256 CID		2	51516 ⁵³	51516XP	42341	24807		1	33424		58822
-----------------	--	---	---------------------	---------	-------	-------	--	---	-------	--	-------

MOUNTAINEER

V6 4.0L 244 CID	99E	E	51372 ⁵³	51372XP	42484	N/R			33243		58898 - 5R55S 58127 - 6R60
V8 4.6L 281 CID	998	8	51372 ⁵³	51372XP	49145	N/R			33243		58898 - 5R55S

2005
GRAND MARQUIS

V8 4.6L 281 CID	998	W	51372 ⁵³	51372XP	46134	N/R			33595		58955
-----------------	-----	---	---------------------	---------	-------	-----	--	--	-------	--	-------

MARINER

L4 2.3L 140 CID	99Z	Z	51348 ⁵³	51348XP	42793	24816		1	33097 ⁴⁴⁷		N/A
V6 3.0L 183 CID	991	1	51372 ⁵³	51372XP	42793	24816		1	33097 ⁴⁴⁷		N/A

MONTEGO

V6 3.0L 183 CID	991	1	51372 ⁵³	51372XP	46924	N/R			33595		58121 - Cartridge 58118 - Pan Style
-----------------	-----	---	---------------------	---------	-------	-----	--	--	-------	--	--

MONTEREY

V6 4.2L 256 CID		2	51516 ⁵³	51516XP	42341	24807		1	33595		58822
-----------------	--	---	---------------------	---------	-------	-------	--	---	-------	--	-------

MOUNTAINEER

V6 4.0L 244 CID	99E	E	51372 ⁵³	51372XP	42484	N/R			33243		N/A
	99E	K	51372 ⁵³	51372XP	42484	N/R			33243		58898
V8 4.6L 281 CID	998	W	51372 ⁵³	51372XP	42484	N/R			33243		58898

SABLE

V6 3.0L 183 CID	991	S	51372 ⁵³	51372XP	42385	24773		1	33097 ⁴⁴⁷		58815 - Shallow Pan 58822 - Deep Pan
	991	U,2	51516 ⁵³	51516XP	42385	24773		1	33097 ⁴⁴⁷		58815 - Shallow Pan 58822 - Deep Pan

N/A = Not Available N/R = Not Required N/S = Not Serviceable For cabin and fuel filter locator, see pages 5-15 See pages 16-19 for footnotes

N/A = Non disponible N/R = Non nécessaire N/S = Non réparable Para la ubicación de los filtros de aire de la cabina y de combustible, ver las páginas 5-15 Voir pages 16-19 pour des notes

N/A = No disponible N/R = No requiere N/S = No servible Voir les tableaux de repérage des filtres d'habitacle et à carburant aux pages 5-15 Ver las páginas 16-19 para las notas al pie de página

Italicized Part Numbers May Not Be Available. Wix XP Oil Filters Have Fully Synthetic Media.

Las piezas con números en *italicas* pueden no estar disponibles. Los filtros de aceite WIX XP son completamente de media sintética. Les numéros de pièce en *italiques* peuvent ne pas être disponibles. Les filtres à huile XP Wix contiennent un matériau 100 % synthétique.

Year/Año/Année Model/Modelo/Modèle Engine/Motor/Moteur	Eng. Code Código de motor Code moteur	VIN NIV NIV	Oil Aceite Huile	Oil XP Aceite XP Huile XP	Air Aire Air	Cabin Air Cabina Aire Cabine Air	Cabin Air XP Cabina Aire XP Cabine Air XP	Loc. Cabin Air Cabina Aire Cabine Air	Fuel Combustible Carburant	Loc. Fuel Combustible Carburant	Transmission Transmisión Transmission
--	---	-------------------	------------------------	---------------------------------	--------------------	--	---	--	----------------------------------	--	---

MERCURY (Cont'd/Suite)

2004

GRAND MARQUIS

V8 4.6L 281 CID	998	W	51372 ⁵³	51372XP	46134	N/R			33595		58955
-----------------	-----	---	---------------------	---------	-------	-----	--	--	-------	--	-------

MARAUDER

V8 4.6L 281 CID	998	V	51372 ⁵³	51372XP	46814	N/R			33595		58955
-----------------	-----	---	---------------------	---------	-------	-----	--	--	-------	--	-------

MONTEREY

V6 4.2L 256 CID		2	51516 ⁵³	51516XP	42341	24807		1	33595		58822
-----------------	--	---	---------------------	---------	-------	-------	--	---	-------	--	-------

MOUNTAINEER

V6 4.0L 244 CID	99E	E	51372 ⁵³	51372XP	42484	N/R			33424 - 3 Lines 33243 - 2 Lines		58898
	99E	K	51372 ⁵³	51372XP	42484	N/R			33243		58898
V8 4.6L 281 CID	998	W	51372 ⁵³	51372XP	42484	N/R			33243		58898

SABLE

V6 3.0L 183 CID	991	S	51372 ⁵³	51372XP	42385	24773		1	33097 ⁴⁴⁷		58815 - Shallow Pan 58822 - Deep Pan
	991	U,2	51516 ⁵³	51516XP	42385	24773		1	33097 ⁴⁴⁷		58815 - Shallow Pan 58822 - Deep Pan

2003

GRAND MARQUIS

V8 4.6L 281 CID	998	W	51372 ⁵³	51372XP	46134	N/R			33595		58955
-----------------	-----	---	---------------------	---------	-------	-----	--	--	-------	--	-------

MARAUDER

V8 4.6L 281 CID	998	V	51372 ⁵³	51372XP	46814	N/R			33595		58955
-----------------	-----	---	---------------------	---------	-------	-----	--	--	-------	--	-------

MOUNTAINEER

V6 4.0L 244 CID	99E	E	51372 ⁵³	51372XP	42484	N/R			33424 - 3 Lines 33243 - 2 Lines		58898
	99E	K	51372 ⁵³	51372XP	42484	N/R			33243		58898
V8 4.6L 281 CID	998	W	51372 ⁵³	51372XP	42484	N/R			33424 - 3 Lines 33243 - 2 Lines		58898

SABLE

V6 3.0L 183 CID	991	S	51372 ⁵³	51372XP	42385	24773		1	33097 ⁴⁴⁷		58815 - Shallow Pan 58822 - Deep Pan
	991	U,2	51516 ⁵³	51516XP	42385	24773		1	33097 ⁴⁴⁷		58815 - Shallow Pan 58822 - Deep Pan

2002

COUGAR

L4 2.0L 1989cc		3	51315		46349 ⁶¹	24771		1	33097 ⁴⁴⁷		N/A
V6 2.5L 2544cc		G,L	51372 ⁵³	51372XP	46339 ⁶¹	24771		1	33097 ⁴⁴⁷		N/A

GRAND MARQUIS

V8 4.6L 281 CID	998	W	51372 ⁵³	51372XP	46134	N/R			33595		58955
-----------------	-----	---	---------------------	---------	-------	-----	--	--	-------	--	-------

MOUNTAINEER

V6 4.0L 244 CID	99E	E	51372 ⁵³	51372XP	42484	N/R			33424		58898
	99E	K	51372 ⁵³	51372XP	42484	N/R			33233		58898
V8 4.6L 281 CID	998	W	51372 ⁵³	51372XP	42484	N/R			33424		58898

SABLE

V6 3.0L 183 CID	991	S	51372 ⁵³	51372XP	42385	24773		1	33097 ⁴⁴⁷		58815 - Shallow Pan 58822 - Deep Pan
	991	U	51516 ⁵³	51516XP	42385	24773		1	33097 ⁴⁴⁷		58815 - Shallow Pan 58822 - Deep Pan

VILLAGER

V6 3.3L 3275cc		T	51356	51356XP	46095	24896		1	33023		58602
----------------	--	---	-------	---------	-------	-------	--	---	-------	--	-------

MINI

2021

COOPER

L3 1.5 Turbo			N/A		WA9792	WP2131		4	N/S		N/S
L4 2.0L 1998cc Turbo			N/A		WA9792	WP2131		4	N/S		N/S

N/A = Not Available N/R = Not Required N/S = Not Serviceable For cabin and fuel filter locator, see pages 5-15 See pages 16-19 for footnotes
 N/A = Non disponible N/R = Non nécessaire N/S = Non réparable Para la ubicación de los filtros de aire de la cabina y de combustible, ver las páginas 5-15 Voir pages 16-19 pour des notes
 N/A = No disponible N/R = No requiere N/S = No servible Voir les tableaux de repérage des filtres d'habitacle et à carburant aux pages 5-15 Ver las páginas 16-19 para las notas al pie de página

Italicized Part Numbers May Not Be Available. Wix XP Oil Filters Have Fully Synthetic Media.
 Las piezas con números en *italicas* pueden no estar disponibles. Los filtros de aceite WIX XP son completamente de media sintética.
 Les numéros de pièce en *italiques* peuvent ne pas être disponibles. Les filtres à huile Wix contiennent un matériau 100 % synthétique.

MINI 2021-2018
Pass Car/Light Truck

Year/Año/Année Model/Modelo/Modèle Engine/Motor/Moteur	Eng. Code Código de motor Code moteur	VIN NIV NIV	Oil Aceite Huile	Oil XP Aceite XP Huile XP	Air Aire Air	Cabin Air Cabina Aire Cabine Air	Cabin Air XP Cabina Aire XP Cabine Air XP	Loc. Cabin Air Cabina Aire Cabine Air	Fuel Combustible Carburant	Loc. Fuel Combustible Carburant	Transmission Transmisión Transmission
--	---	-------------------	------------------------	---------------------------------	--------------------	--	---	--	----------------------------------	--	---

MINI (Cont'd/Suite)
2021 (Cont'd/Suite)
COOPER CLUBMAN

L3 1.5 Turbo			N/A N/A		WA9792 WA9792	WP2131 WP2131			N/S N/S		N/S N/S
--------------	--	--	------------	--	------------------	------------------	--	--	------------	--	------------

COOPER CLUBMAN S

L4 2.0L 1998cc Turbo			N/A N/A		WA9792 WA9792	WP2131 ²²¹ WP2131 ²²¹			N/S N/S		N/S N/S
----------------------	--	--	------------	--	------------------	--	--	--	------------	--	------------

COOPER COUNTRYMAN

L3 1.5 Turbo			N/A		WA9792	WP2131			N/S		N/S
--------------	--	--	-----	--	--------	--------	--	--	-----	--	-----

COOPER COUNTRYMAN S

L4 2.0L 1998cc Turbo			N/A		WA9792	WP2131			N/S		N/S
----------------------	--	--	-----	--	--------	--------	--	--	-----	--	-----

COOPER JCW

L4 2.0L 1998cc Turbo			N/A		WA9792	WP2131			N/S		
----------------------	--	--	-----	--	--------	--------	--	--	-----	--	--

Electric

0L Electric			N/S		N/S	WP2131			N/S		N/S
-------------	--	--	-----	--	-----	--------	--	--	-----	--	-----

2020
COOPER

L3 1.5 Turbo			N/A		WA9792	WP2131		4	N/S		N/S
L4 2.0L 1998cc Turbo			N/A		WA9792	WP2131		4	N/S		N/S

COOPER CLUBMAN

L3 1.5 Turbo			N/A N/A		WA9792 WA9792	WP2131 WP2131			N/S N/S		N/S N/S
--------------	--	--	------------	--	------------------	------------------	--	--	------------	--	------------

COOPER CLUBMAN S

L4 2.0L 1998cc Turbo			N/A N/A		WA9792 WA9792	WP2131 ²²¹ WP2131 ²²¹			N/S N/S		N/S N/S
----------------------	--	--	------------	--	------------------	--	--	--	------------	--	------------

COOPER COUNTRYMAN

L3 1.5 Turbo			N/A		WA9792	WP2131			N/S		N/S
--------------	--	--	-----	--	--------	--------	--	--	-----	--	-----

COOPER COUNTRYMAN S

L4 2.0L 1998cc Turbo			N/A		WA9792	WP2131			N/S		N/S
----------------------	--	--	-----	--	--------	--------	--	--	-----	--	-----

COOPER JCW

L4 2.0L 1998cc Turbo			N/A		WA9792	WP2131			N/S		
----------------------	--	--	-----	--	--------	--------	--	--	-----	--	--

Electric

0L Electric			N/S		N/S	WP2131			N/S		N/S
-------------	--	--	-----	--	-----	--------	--	--	-----	--	-----

2019
COOPER

L3 1.5 Turbo		WL7522			WA9792	WP2131		4	N/S		N/S
L4 2.0L 1998cc Turbo		WL7522			WA9792	WP2131		4	N/S		N/S

COOPER CLUBMAN

L3 1.5 Turbo		WL7522 WL7522			WA9792 WA9792	WP2131 WP2131			N/S N/S		N/S N/S
--------------	--	------------------	--	--	------------------	------------------	--	--	------------	--	------------

COOPER CLUBMAN S

L4 2.0L 1998cc Turbo		WL7522 WL7522			WA9792 WA9792	WP2131 ²²¹ WP2131 ²²¹			N/S N/S		N/S N/S
----------------------	--	------------------	--	--	------------------	--	--	--	------------	--	------------

COOPER COUNTRYMAN

L3 1.5 Turbo		WL7522			WA9792	WP2131			N/S		N/S
--------------	--	--------	--	--	--------	--------	--	--	-----	--	-----

COOPER COUNTRYMAN Hybrid

L3 1.5L 1500CC 92CID Turbo		WL7522			WA9792	WP2131			N/S		N/S
----------------------------	--	--------	--	--	--------	--------	--	--	-----	--	-----

COOPER COUNTRYMAN S

L4 2.0L 1998cc Turbo		WL7522			WA9792	WP2131			N/S		N/S
----------------------	--	--------	--	--	--------	--------	--	--	-----	--	-----

COOPER JCW

L4 2.0L 1998cc Turbo		WL7522			WA9792	WP2131			N/S		
----------------------	--	--------	--	--	--------	--------	--	--	-----	--	--

2018
COOPER

L3 1.5 Turbo		WL7522			WA9792	WP2131		4	N/S		N/S
L4 2.0L 1998cc Turbo		WL7522			WA9792	WP2131		4	N/S		N/S

N/A = Not Available N/R = Not Required N/S = Not Serviceable For cabin and fuel filter locator, see pages 5-15 See pages 16-19 for footnotes

N/A = Non disponible N/R = Non nécessaire N/S = Non réparable Para la ubicación de los filtros de aire de la cabina y de combustible, ver las páginas 5-15 Voir pages 16-19 pour des notes

N/A = No disponible N/R = No requiere N/S = No servible Voir les tableaux de repérage des filtres d'habitacle et à carburant aux pages 5-15 Ver las páginas 16-19 para las notas al pie de página

Italicized Part Numbers May Not Be Available. Wix XP Oil Filters Have Fully Synthetic Media.

Las piezas con números en *italicas* pueden no estar disponibles. Los filtros de aceite WIX XP son completamente de media sintética. Les numéros de pièce en *italiques* peuvent ne pas être disponibles. Les filtres à huile XP Wix contiennent un matériau 100 % synthétique.

Year/Año/Année Model/Modelo/Modèle Engine/Motor/Moteur	Eng. Code Código de motor Code moteur	VIN NIV NIV	Oil Aceite Huile	Oil XP Aceite XP Huile XP	Air Aire Air	Cabin Air Cabina Aire Cabine Air	Cabin Air XP Cabina Aire XP Cabine Air XP	Loc. Cabin Air Cabina Aire Cabine Air	Fuel Combustible Carburant	Loc. Fuel Combustible Carburant	Transmission Transmisión Transmission
--	---	-------------------	------------------------	---------------------------------	--------------------	--	---	--	----------------------------------	--	---

MINI (Cont'd/Suite)

2018 (Cont'd/Suite)

COOPER CLUBMAN

L3 1.5 Turbo			WL7522 WL7522		WA9792 WA9792	WP2131 WP2131			N/S N/S		N/S N/S
--------------	--	--	------------------	--	------------------	------------------	--	--	------------	--	------------

COOPER CLUBMAN S

L4 2.0L 1998cc Turbo			WL7522 WL7522		WA9792 WA9792	WP2131 ²²¹ WP2131 ²²¹			N/S N/S		N/S N/S
----------------------	--	--	------------------	--	------------------	--	--	--	------------	--	------------

COOPER COUNTRYMAN

L3 1.5 Turbo			WL7522		WA9792	WP2131			N/S		N/S
--------------	--	--	--------	--	--------	--------	--	--	-----	--	-----

COOPER COUNTRYMAN Hybrid

L3 1.5L 1500CC 92CID Turbo			WL7522		WA9792	WP2131			N/S		N/S
----------------------------	--	--	--------	--	--------	--------	--	--	-----	--	-----

COOPER COUNTRYMAN S

L4 2.0L 1998cc Turbo			WL7522		WA9792	WP2131			N/S		N/S
----------------------	--	--	--------	--	--------	--------	--	--	-----	--	-----

COOPER JCW

L4 2.0L 1998cc Turbo			WL7522		WA9792	WP2131			N/S		
----------------------	--	--	--------	--	--------	--------	--	--	-----	--	--

2017

COOPER

L3 1.5 Turbo			WL7522		WA9791	WP2131		4	N/S		N/S
L4 2.0L 1998cc Turbo			WL7522		WA9792	WP2131		4	N/S		N/S

COOPER CLUBMAN

L3 1.5 Turbo			WL7522 WL7522		WA9791 WA9791	N/R N/R			N/S N/S		N/S N/S
--------------	--	--	------------------	--	------------------	------------	--	--	------------	--	------------

COOPER CLUBMAN S

L4 2.0L 1998cc Turbo			WL7522 WL7522		WA9792 WA9792	WP2131 ²²¹ WP2131 ²²¹			N/S N/S		N/S N/S
----------------------	--	--	------------------	--	------------------	--	--	--	------------	--	------------

COOPER COUNTRYMAN

L3 1.5 Turbo			WL7522		WA9792	WP2131			N/S		N/S
--------------	--	--	--------	--	--------	--------	--	--	-----	--	-----

COOPER COUNTRYMAN S

L4 2.0L 1998cc Turbo			WL7522		WA9792	WP2131			N/S		N/S
----------------------	--	--	--------	--	--------	--------	--	--	-----	--	-----

COOPER JCW

L4 2.0L 1998cc Turbo			WL7522		WA9792	WP2131			N/S		
----------------------	--	--	--------	--	--------	--------	--	--	-----	--	--

2016

COOPER

L3 1.5 Turbo			WL7522		WA9791	WP2130 ⁶¹		4	N/S		N/S
L3 1.5L 1500CC 92CID Turbo			WL7522		49235 ²²⁴ 49825 ⁷²	WP2131 49367			N/S N/S		N/S
L4 1.6L 1598cc Turbo	N14B16A		57512					4	N/S		N/S

COOPER CLUBMAN

L3 1.5 Turbo			WL7522 WL7522 WL7522		WA9791 WA9791	N/R N/R			N/S N/S N/S		N/S N/S N/S
L4 2.0L 1998cc Turbo			WL7522			WP2131			N/S		N/S

COOPER CLUBMAN S

L4 2.0L 1998cc Turbo			WL7522 WL7522		WA9792 WA9792	WP2131 ²²¹ WP2131 ²²¹			N/S N/S		N/S N/S
----------------------	--	--	------------------	--	------------------	--	--	--	------------	--	------------

COOPER COUNTRYMAN

L4 1.6L 1598cc	N16B16A		57512		49235	49367		4	N/S		WL10416
----------------	---------	--	-------	--	-------	-------	--	---	-----	--	---------

COOPER COUNTRYMAN John Cooper Works

L4 1.6L 1598cc Turbo	N18B16A		57512		49728	49367		4	N/S		WL10416
----------------------	---------	--	-------	--	-------	-------	--	---	-----	--	---------

COOPER COUNTRYMAN S

L4 1.6L 1598cc Turbo	N18B16A		57512		49728	49367		4	N/S		WL10416
----------------------	---------	--	-------	--	-------	-------	--	---	-----	--	---------

COOPER John Cooper Works

L4 1.6L 1598cc Turbo	N18B16C		57512		49728	49367		4	N/S		N/S
----------------------	---------	--	-------	--	-------	-------	--	---	-----	--	-----

COOPER S

L4 1.6L 1598cc Turbo	N18B16A		57512		49728	49367		4	N/S		WL10416
L4 2.0L 1998cc Turbo			WL7522		WA9792	WP2131 ⁷⁸		4	N/S		N/S

N/A = Not Available N/R = Not Required N/S = Not Serviceable For cabin and fuel filter locator, see pages 5-15 See pages 16-19 for footnotes
 N/A = Non disponible N/R = Non nécessaire N/S = Non réparable Para la ubicación de los filtros de aire de la cabina y de combustible, ver las páginas 5-15 Voir pages 16-19 pour des notes
 N/A = No disponible N/R = No requiere N/S = No servible Voir les tableaux de repérage des filtres d'habitacle et à carburant aux pages 5-15 Ver las páginas 16-19 para las notas al pie de página

Italicized Part Numbers May Not Be Available. Wix XP Oil Filters Have Fully Synthetic Media.
 Las piezas con números en *italicas* pueden no estar disponibles. Los filtros de aceite WIX XP son completamente de media sintética.
 Les numéros de pièce en *italiques* peuvent ne pas être disponibles. Les filtres à huile Wix contiennent un matériau 100 % synthétique.

MINI 2016-2013
Pass Car/Light Truck

Year/Año/Année Model/Modelo/Modèle Engine/Motor/Moteur	Eng. Code Código de motor Code moteur	VIN NIV NIV	Oil Aceite Huile	Oil XP Aceite XP Huile XP	Air Aire Air	Cabin Air Cabina Aire Cabine Air	Cabin Air XP Cabina Aire XP Cabine Air XP	Loc. Cabin Air Cabina Aire Cabine Air	Fuel Combustible Carburant	Loc. Fuel Combustible Carburant	Transmission Transmisión Transmission
--	---	-------------------	------------------------	---------------------------------	--------------------	--	---	--	----------------------------------	--	---

MINI (Cont'd/Suite)
2016 (Cont'd/Suite)
PACEMAN

L4 1.6L 1598cc	N16B16A		57512		49235	49367		4	N/S		N/A
----------------	---------	--	-------	--	-------	-------	--	---	-----	--	-----

PACEMAN John Cooper Works

L4 1.6L 1598cc Turbo	N18B16A		57512		49728	49367		4	N/S		N/S
----------------------	---------	--	-------	--	-------	-------	--	---	-----	--	-----

PACEMAN S

L4 1.6L 1598cc Turbo	N18B16A		57512		49728	49367		4	N/S		N/A
----------------------	---------	--	-------	--	-------	-------	--	---	-----	--	-----

2015
COOPER

L3 1.5L 1499CC Turbo			WL7522		WA9791	WP2131		4	N/S		N/A
----------------------	--	--	--------	--	--------	--------	--	---	-----	--	-----

L4 1.6L 1598cc	N16B16A		57512		49235 ²²⁴ 49825 ⁷²	49367		4	N/S		N/A
----------------	---------	--	-------	--	---	-------	--	---	-----	--	-----

L4 2.0L 1998cc Turbo			WL7522		N/A	WP2131		4	N/S		N/A
----------------------	--	--	--------	--	-----	--------	--	---	-----	--	-----

COOPER COUNTRYMAN

L4 1.6L 1598cc	N16B16A		57512		49235 ²²⁴ 49825 ⁷²	49367		4	N/S		WL10416
----------------	---------	--	-------	--	---	-------	--	---	-----	--	---------

COOPER COUNTRYMAN S

L4 1.6L 1598cc Turbo	N18B16A		57512		49728	49367		4	N/S		WL10416
----------------------	---------	--	-------	--	-------	-------	--	---	-----	--	---------

COOPER S

L4 1.6L 1598cc Turbo	N18B16A		57512		42800 ¹⁶¹ WA9657 ¹⁶⁰	49367		4	N/S		WL10416
----------------------	---------	--	-------	--	---	-------	--	---	-----	--	---------

PACEMAN

L4 1.6L 1598cc	N16B16A		57512		49728	49367		4	N/S		N/A
----------------	---------	--	-------	--	-------	-------	--	---	-----	--	-----

PACEMAN S

L4 1.6L 1598cc Turbo	N18B16A		57512		49728	49367		4	N/S		N/A
----------------------	---------	--	-------	--	-------	-------	--	---	-----	--	-----

2014
COOPER

L3 1.5L 1499CC Turbo			WL7522		WA9791	WP2131		4	N/S		N/A
----------------------	--	--	--------	--	--------	--------	--	---	-----	--	-----

L4 1.6L 1598cc	N16B16A		57512		49235 ²²⁴ 49825 ⁷²	49367		4	N/S		N/A
----------------	---------	--	-------	--	---	-------	--	---	-----	--	-----

L4 1.6L 1598cc Turbo	N18B16C		57512		49728 ⁴²⁴ 49260 ¹⁶⁰	49367		4	N/S		MT
----------------------	---------	--	-------	--	--	-------	--	---	-----	--	----

L4 2.0L 1998cc Turbo			WL7522		WA9792	49367			N/S		N/S
----------------------	--	--	--------	--	--------	-------	--	--	-----	--	-----

COOPER Clubman

L4 1.6L 1598cc	N16B16A		57512		49825 ²⁴⁰ 49235 ²²⁴	49367		4	N/S		N/A
----------------	---------	--	-------	--	--	-------	--	---	-----	--	-----

COOPER COUNTRYMAN

L4 1.6L 1598cc	N16B16A		57512		49235 ²²⁴ 49825 ⁷²	49367		4	N/S		WL10416
----------------	---------	--	-------	--	---	-------	--	---	-----	--	---------

L4 1.6L 1598cc Turbo	N18B16C		57512		49728	49367		4	N/S		WL10416
----------------------	---------	--	-------	--	-------	-------	--	---	-----	--	---------

COOPER COUNTRYMAN S

L4 1.6L 1598cc Turbo	N18B16A		57512		49728	49367		4	N/S		WL10416
----------------------	---------	--	-------	--	-------	-------	--	---	-----	--	---------

COOPER S

L4 1.6L 1598cc Turbo	N18B16A		57512		42800 ¹⁶¹ WA9657 ¹⁶⁰	49367		4	N/S		WL10416
----------------------	---------	--	-------	--	---	-------	--	---	-----	--	---------

PACEMAN

L4 1.6L 1598cc	N16B16A		57512		49728	49367		4	N/S		N/A
----------------	---------	--	-------	--	-------	-------	--	---	-----	--	-----

PACEMAN John Cooper Works

L4 1.6L 1598cc Turbo	N18B16C		57512		49728	49367		4	N/S		N/A
----------------------	---------	--	-------	--	-------	-------	--	---	-----	--	-----

PACEMAN S

L4 1.6L 1598cc Turbo	N18B16A		57512		49728	49367		4	N/S		N/A
----------------------	---------	--	-------	--	-------	-------	--	---	-----	--	-----

2013
CLUBMAN JCW

L4 1.6L 1598cc Turbo	N18B16C		57512		49260 ¹⁶¹	49367		4	N/S		MT ⁷²
----------------------	---------	--	-------	--	----------------------	-------	--	---	-----	--	------------------

N/A = Not Available N/R = Not Required N/S = Not Serviceable For cabin and fuel filter locator, see pages 5-15 See pages 16-19 for footnotes

N/A = Non disponible N/R = Non nécessaire N/S = Non réparable Para la ubicación de los filtros de aire de la cabina y de combustible, ver las páginas 5-15 Voir pages 16-19 pour des notes

N/A = No disponible N/R = No requiere N/S = No servible Voir les tableaux de repérage des filtres d'habitacle et à carburant aux pages 5-15 Ver las páginas 16-19 para las notas al pie de página

Italicized Part Numbers May Not Be Available. Wix XP Oil Filters Have Fully Synthetic Media.

Las piezas con números en *italicas* pueden no estar disponibles. Los filtros de aceite WIX XP son completamente de media sintética. Les numéros de pièce en *italiques* peuvent ne pas être disponibles. Les filtres à huile XP Wix contiennent un matériau 100 % synthétique.

Year/Año/Année Model/Modelo/Modèle Engine/Motor/Moteur	Eng. Code Código de motor Code moteur	VIN NIV NIV	Oil Aceite Huile	Oil XP Aceite XP Huile XP	Air Aire Air	Cabin Air Cabina Aire Cabine Air	Cabin Air XP Cabina Aire XP Cabine Air XP	Loc. Cabin Air Cabina Aire Cabine Air	Fuel Combustible Carburant	Loc. Fuel Combustible Carburant	Transmission Transmisión Transmission
--	---	-------------------	------------------------	---------------------------------	--------------------	--	---	--	----------------------------------	--	---

MINI (Cont'd/Suite)
2013 (Cont'd/Suite)
CLUBMAN S

L4 1.6L 1598cc Turbo	N18B16A		57512		49728	49367		4	N/S		WL10416
----------------------	---------	--	-------	--	-------	-------	--	---	-----	--	---------

COOPER

L4 1.6L 1598cc	N16B16A		57512		49235 ²²⁴ 49825 ⁷²	49367		4	N/S		N/A
----------------	---------	--	-------	--	---	-------	--	---	-----	--	-----

COOPER Clubman

L4 1.6L 1598cc	N16B16A		57512		49825 ²⁴⁰ 49235 ²²⁴	49367		4	N/S		N/A
----------------	---------	--	-------	--	--	-------	--	---	-----	--	-----

COOPER COUNTRYMAN

L4 1.6L 1598cc	N16B16A		57512		49235 ²²⁴ 49825 ⁷²	49367		4	N/S		N/A
----------------	---------	--	-------	--	---	-------	--	---	-----	--	-----

COOPER COUNTRYMAN S

L4 1.6L 1598cc Turbo	N18B16A		57512		49728	49367		4	N/S		N/A
----------------------	---------	--	-------	--	-------	-------	--	---	-----	--	-----

COOPER JCW

L4 1.6L 1598cc Turbo	N18B16C		57512		49728	49367		4	N/S		MT ⁷²
----------------------	---------	--	-------	--	-------	-------	--	---	-----	--	------------------

COOPER S

L4 1.6L 1598cc Turbo	N18B16A		57512		49728	49367		4	N/S		WL10416
----------------------	---------	--	-------	--	-------	-------	--	---	-----	--	---------

PACEMAN

L4 1.6L 1598cc	N16B16A		57512		49728	49367		4	N/S		N/A
----------------	---------	--	-------	--	-------	-------	--	---	-----	--	-----

PACEMAN John Cooper Works

L4 1.6L 1598cc Turbo	N18B16C		57512		49728	49367		4	N/S		N/A
----------------------	---------	--	-------	--	-------	-------	--	---	-----	--	-----

PACEMAN S

L4 1.6L 1598cc Turbo	N18B16A		57512		49728	49367		4	N/S		N/A
----------------------	---------	--	-------	--	-------	-------	--	---	-----	--	-----

2012
CLUBMAN JCW

L4 1.6L 1598cc Turbo	N14B16C		57512		49260 ¹⁶¹	49367		4	N/S		MT ⁷²
----------------------	---------	--	-------	--	----------------------	-------	--	---	-----	--	------------------

CLUBMAN S

L4 1.6L 1598cc Turbo	N18B16A		57512		49728	49367		4	N/S		WL10416
----------------------	---------	--	-------	--	-------	-------	--	---	-----	--	---------

COOPER

L4 1.6L 1598cc	N16B16A		57512		49235 ²²⁴ 49260 ²²⁵ 49825 ⁷²	49367		4	N/S		N/A
----------------	---------	--	-------	--	---	-------	--	---	-----	--	-----

COOPER Clubman

L4 1.6L 1598cc	N16B16A		57512		49825 ²⁴⁰ 49235 ²²⁴ 49260 ²²⁵	49367		4	N/S		N/A
----------------	---------	--	-------	--	--	-------	--	---	-----	--	-----

COOPER COUNTRYMAN

L4 1.6L 1598cc	N16B16A		57512		49235 ²²⁴ 49260 ²²⁵ 49825 ⁷²	49367		4	N/S		N/A
----------------	---------	--	-------	--	---	-------	--	---	-----	--	-----

COOPER COUNTRYMAN S

L4 1.6L 1598cc Turbo	N18B16A		57512		49728	49367		4	N/S		N/A
----------------------	---------	--	-------	--	-------	-------	--	---	-----	--	-----

COOPER JCW

L4 1.6L 1598cc Turbo	N14B16C		57512		49260	49367		4	N/S		MT ⁷²
----------------------	---------	--	-------	--	-------	-------	--	---	-----	--	------------------

COOPER S

L4 1.6L 1598cc Turbo	N18B16A		57512		49728	49367		4	N/S		WL10416
----------------------	---------	--	-------	--	-------	-------	--	---	-----	--	---------

2011
CLUBMAN JCW

L4 1.6L 1598cc Turbo	N14B16C		57512		49260 ¹⁶¹	49367		4	N/S		MT ⁷²
----------------------	---------	--	-------	--	----------------------	-------	--	---	-----	--	------------------

CLUBMAN S

L4 1.6L 1598cc Turbo	N18B16A		57512		49728	49367		4	N/S		WL10416
----------------------	---------	--	-------	--	-------	-------	--	---	-----	--	---------

COOPER

L4 1.6L 1598cc	N16B16A		57512		49235 ²²⁴ 49260 ²²⁵ 49825 ⁷²	49367		4	N/S		N/A
----------------	---------	--	-------	--	---	-------	--	---	-----	--	-----

N/A = Not Available N/R = Not Required N/S = Not Serviceable For cabin and fuel filter locator, see pages 5-15 See pages 16-19 for footnotes

N/A = Non disponible N/R = Non nécessaire N/S = Non réparable Para la ubicación de los filtros de aire de la cabina y de combustible, ver las páginas 5-15 Voir pages 16-19 pour des notes

N/A = No disponible N/R = No requiere N/S = No servible Voir les tableaux de repérage des filtres d'habitacle et à carburant aux pages 5-15 Ver las páginas 16-19 para las notas al pie de página

Italicized Part Numbers May Not Be Available. Wix XP Oil Filters Have Fully Synthetic Media.

Las piezas con números en *italicas* pueden no estar disponibles. Los filtros de aceite WIX XP son completamente de media sintética.

Les numéros de pièce en *italiques* peuvent ne pas être disponibles. Les filtres à huile Wix contiennent un matériau 100 % synthétique.

MINI 2011-2008
Pass Car/Light Truck

Year/Año/Année Model/Modelo/Modèle Engine/Motor/Moteur	Eng. Code Código de motor Code moteur	VIN NIV NIV	Oil Aceite Huile	Oil XP Aceite XP Huile XP	Air Aire Air	Cabin Air Cabina Aire Cabine Air	Cabin Air XP Cabina Aire XP Cabine Air XP	Loc. Cabin Air Cabina Aire Cabine Air	Fuel Combustible Carburant	Loc. Fuel Combustible Carburant	Transmission Transmisión Transmission
--	---	-------------------	------------------------	---------------------------------	--------------------	--	---	--	----------------------------------	--	---

MINI (Cont'd/Suite)
2011 (Cont'd/Suite)
COOPER Clubman

L4 1.6L 1598cc	N16B16A		57512		49825 ²⁴⁰ 49235 ²²⁴ 49260 ²²⁵	49367		4	N/S		N/A
----------------	---------	--	-------	--	--	-------	--	---	-----	--	-----

COOPER COUNTRYMAN

L4 1.6L 1598cc	N16B16A		57512		49235 ²²⁴ 49260 ²²⁵ 49825 ⁷²	49367		4	N/S		N/A
----------------	---------	--	-------	--	---	-------	--	---	-----	--	-----

COOPER COUNTRYMAN S

L4 1.6L 1598cc Turbo	N18B16A		57512		49728	49367		4	N/S		N/A
----------------------	---------	--	-------	--	-------	-------	--	---	-----	--	-----

COOPER JCW

L4 1.6L 1598cc Turbo	N14B16C		57512		49260	49367		4	N/S		MT ⁷²
----------------------	---------	--	-------	--	-------	-------	--	---	-----	--	------------------

COOPER S

L4 1.6L 1598cc Turbo	N18B16A		57512		49728	49367		4	N/S		WL10416
----------------------	---------	--	-------	--	-------	-------	--	---	-----	--	---------

2010
CLUBMAN JCW

L4 1.6L 1598cc Turbo	N14B16C		57512		49260 ¹⁶¹	49367		4	N/S		MT ⁷²
----------------------	---------	--	-------	--	----------------------	-------	--	---	-----	--	------------------

CLUBMAN S

L4 1.6L 1598cc Turbo	N14B16A		57512		49728	49367		4	N/S		WL10416
----------------------	---------	--	-------	--	-------	-------	--	---	-----	--	---------

COOPER

L4 1.6L 1598cc	N12B16A		57512		49235 ²²⁴ 49260 ²²⁵ 49825 ⁷²	49367		4	N/S		N/A
----------------	---------	--	-------	--	---	-------	--	---	-----	--	-----

COOPER Clubman

L4 1.6L 1598cc	N12B16A		57512		49825 ²⁴⁰ 49235 ²²⁴ 49260 ²²⁵	49367		4	N/S		N/A
----------------	---------	--	-------	--	--	-------	--	---	-----	--	-----

COOPER JCW

L4 1.6L 1598cc Turbo	N14B16C		57512		49260	49367		4	N/S		MT ⁷²
----------------------	---------	--	-------	--	-------	-------	--	---	-----	--	------------------

COOPER S

L4 1.6L 1598cc Turbo	N14B16A		57512		49728	49367		4	N/S		WL10416
----------------------	---------	--	-------	--	-------	-------	--	---	-----	--	---------

2009
CLUBMAN JCW

L4 1.6L 1598cc Turbo	N14B16C		57512		49260 ¹⁶¹	49367		4	N/S		MT ⁷²
----------------------	---------	--	-------	--	----------------------	-------	--	---	-----	--	------------------

CLUBMAN S

L4 1.6L 1598cc Turbo	N14B16A		57512		49728	49367		4	N/S		WL10416
----------------------	---------	--	-------	--	-------	-------	--	---	-----	--	---------

COOPER

L4 1.6L 1598cc	N12B16A		57512		49235 ²²⁴ 49260 ²²⁵ 49825 ⁷²	49367		4	N/S		N/A
----------------	---------	--	-------	--	---	-------	--	---	-----	--	-----

COOPER Clubman

L4 1.6L 1598cc	N12B16A		57512		49825 ²⁴⁰ 49235 ²²⁴ 49260 ²²⁵	49367		4	N/S		N/A
----------------	---------	--	-------	--	--	-------	--	---	-----	--	-----

COOPER JCW

L4 1.6L 1598cc Turbo	N14B16C		57512		49260	49367		4	N/S		MT ⁷²
----------------------	---------	--	-------	--	-------	-------	--	---	-----	--	------------------

COOPER S

L4 1.6L 1598cc Turbo	N14B16A		57512		49728	49367		4	N/S		WL10416
----------------------	---------	--	-------	--	-------	-------	--	---	-----	--	---------

2008
CLUBMAN S

L4 1.6L 1598cc Turbo	N14B16A		57512		49728 ⁴¹⁴	49367		4	N/S		N/A
----------------------	---------	--	-------	--	----------------------	-------	--	---	-----	--	-----

COOPER

L4 1.6L 1598cc	N12B16A		57512		49235 ²²⁴ 49260 ²²⁵ 49825 ²⁴⁰	49367		4	N/S		
----------------	---------	--	-------	--	--	-------	--	---	-----	--	--

N/A = Not Available N/R = Not Required N/S = Not Serviceable For cabin and fuel filter locator, see pages 5-15 See pages 16-19 for footnotes

N/A = Non disponible N/R = Non nécessaire N/S = Non réparable Para la ubicación de los filtros de aire de la cabina y de combustible, ver las páginas 5-15 Voir pages 16-19 pour des notes

N/A = No disponible N/R = No requiere N/S = No servible Voir les tableaux de repérage des filtres d'habitacle et à carburant aux pages 5-15 Ver las páginas 16-19 para las notas al pie de página

Italicized Part Numbers May Not Be Available. Wix XP Oil Filters Have Fully Synthetic Media.

Las piezas con números en *italicas* pueden no estar disponibles. Los filtros de aceite WIX XP son completamente de media sintética. Les numéros de pièce en *italiques* peuvent ne pas être disponibles. Les filtres à huile XP Wix contiennent un matériau 100 % synthétique.

Year/Año/Année Model/Modelo/Modèle Engine/Motor/Moteur	Eng. Code Código de motor Code moteur	VIN NIV NIV	Oil Aceite Huile	Oil XP Aceite XP Huile XP	Air Aire Air	Cabin Air Cabina Aire Cabine Air	Cabin Air XP Cabina Aire XP Cabine Air XP	Loc. Cabin Air Cabina Aire Cabine Air	Fuel Combustible Carburant	Loc. Fuel Combustible Carburant	Transmission Transmisión Transmission
--	---	-------------------	------------------------	---------------------------------	--------------------	--	---	--	----------------------------------	--	---

MINI (Cont'd/Suite)
2008 (Cont'd/Suite)
COOPER (Cont'd/Suite)

L4 1.6L 1598cc	W10B16A		57303		42799 ²²⁴ 49260 ²⁴⁰	24758 ⁷⁸		4	N/S		
----------------	---------	--	-------	--	--	---------------------	--	---	-----	--	--

COOPER Clubman

L4 1.6L 1598cc	N12B16A		57512		49825 ²⁴⁰ 49235 ²²⁴ 49260 ²²⁵	49367		4	N/S		N/A
----------------	---------	--	-------	--	--	-------	--	---	-----	--	-----

COOPER S

L4 1.6L 1598cc Super Charged	W11B16A		57303		42800 ¹⁶¹	24758 ⁷⁸		4	N/S		MT ⁷²
L4 1.6L 1598cc Turbo	N14B16A		57512		49728	49367		4	N/S		WL10416

2007
COOPER

L4 1.6L 1598cc	N12B16A		57512		49235 ²²⁴ 49260 ²²⁵ 49825 ²⁴⁰	49367		4	N/S		
	W10B16A		57303		42799 ²²⁴ 49260 ²⁴⁰	24758 ⁷⁸		4	N/S		

COOPER S

L4 1.6L 1598cc Super Charged	W11B16A		57303		42800 ¹⁶¹	24758 ⁷⁸		4	N/S		MT ⁷²
L4 1.6L 1598cc Turbo	N14B16A		57512		49728 ¹¹⁴	49367		4	N/S		WL10416

2006
COOPER

L4 1.6L 1598cc	N12B16A		57303		42799 ²²⁴ 49260 ²⁴⁰	24758 ⁷⁸		4	N/S		
	W10B16A		57303		42799 ²²⁴ 49260 ²⁴⁰	24758 ⁷⁸		4	N/S		

COOPER S

L4 1.6L 1598cc Super Charged	W11B16A		57303		42800 ¹⁶¹	24758 ⁷⁸		4	N/S		MT ⁷²
------------------------------	---------	--	-------	--	----------------------	---------------------	--	---	-----	--	------------------

2005
COOPER

L4 1.6L 1598cc	N12B16A		57303		42799 ²²⁴ 49260 ²⁴⁰	24758 ⁷⁸		4	N/S		
	W10B16A		57303		42799 ²²⁴ 49260 ²⁴⁰	24758 ⁷⁸		4	N/S		

COOPER S

L4 1.6L 1598cc Super Charged	W11B16A		57303		42800 ¹⁶¹	24758 ⁷⁸		4	N/S		MT ⁷²
------------------------------	---------	--	-------	--	----------------------	---------------------	--	---	-----	--	------------------

2004
COOPER

L4 1.6L 1598cc	N12B16A		57303		42799	24758 ⁷⁸		4	N/S		
	W10B16A		57303		42799	24758 ⁷⁸		4	N/S		

COOPER S

L4 1.6L 1598cc Super Charged	W11B16A		57303		42800 ¹⁶¹	24758 ⁷⁸		4	N/S		MT ⁷²
------------------------------	---------	--	-------	--	----------------------	---------------------	--	---	-----	--	------------------

2003
COOPER

L4 1.6L 1598cc	N12B16A		57303		42799	24758 ⁷⁸		4	N/S		
	W10B16A		57303		42799	24758 ⁷⁸		4	N/S		

COOPER S

L4 1.6L 1598cc Super Charged	W11B16A		57303		42800 ¹⁶¹	24758 ⁷⁸		4	N/S		MT ⁷²
------------------------------	---------	--	-------	--	----------------------	---------------------	--	---	-----	--	------------------

2002
COOPER

L4 1.6L 1598cc	N12B16A		57303		42799	24758 ⁷⁸		4	N/S		N/A
	W10B16A		57303		42799	24758 ⁷⁸		4	N/S		N/A

N/A = Not Available N/R = Not Required N/S = Not Serviceable For cabin and fuel filter locator, see pages 5-15 See pages 16-19 for footnotes

N/A = Non disponible N/R = Non nécessaire N/S = Non réparable Para la ubicación de los filtros de aire de la cabina y de combustible, ver las páginas 5-15 Voir pages 16-19 pour des notes

N/A = No disponible N/R = No requiere N/S = No servible Voir les tableaux de repérage des filtres d'habitacle et à carburant aux pages 5-15 Ver las páginas 16-19 para las notas al pie de página

Italicized Part Numbers May Not Be Available. Wix XP Oil Filters Have Fully Synthetic Media.

Las piezas con números en *italicas* pueden no estar disponibles. Los filtros de aceite WIX XP son completamente de media sintética.

Les numéros de pièce en *italiques* peuvent ne pas être disponibles. Les filtres à huile XP Wix contiennent un matériau 100 % synthétique.

MINI 2002 — MITSUBISHI 2019
Pass Car/Light Truck

Year/Año/Année Model/Modelo/Modèle Engine/Motor/Moteur	Eng. Code Código de motor Code moteur	VIN NIV NIV	Oil Aceite Huile	Oil XP Aceite XP Huile XP	Air Aire Air	Cabin Air Cabina Aire Cabine Air	Cabin Air XP Cabina Aire XP Cabine Air XP	Loc. Cabin Air Cabina Aire Cabine Air	Fuel Combustible Carburant	Loc. Fuel Combustible Carburant	Transmission Transmisión Transmission
--	---	-------------------	------------------------	---------------------------------	--------------------	--	---	--	----------------------------------	--	---

MINI (Cont'd/Suite)
2002 (Cont'd/Suite)
COOPER S

L4 1.6L 1598cc Super Charged	W11B16A		57303		42800 ¹⁶¹	24758 ¹⁹		4	N/S		MT ⁷²
------------------------------	---------	--	-------	--	----------------------	---------------------	--	---	-----	--	------------------

MITSUBISHI
2021
Eclipse Cross

L4 1.5L 1500CC 92CID Turbo	4B40TC		57356 ⁵³	57356XP	N/A	49363			N/S		N/S
----------------------------	--------	--	---------------------	---------	-----	-------	--	--	-----	--	-----

MIRAGE

L3 1.2L 1193cc 73 CID	3A92		57356 ⁵³	57356XP	WA10125	WP10125			N/S	F	N/S
-----------------------	------	--	---------------------	---------	---------	---------	--	--	-----	---	-----

Mirage G4

L3 1.2L 1193cc 73 CID	3A92		57356 ⁵³	57356XP	WA10125	WP10125			N/A	F	N/S
-----------------------	------	--	---------------------	---------	---------	---------	--	--	-----	---	-----

OUTLANDER

L4 2.4L 2360cc 144 CID	4B12		57356 ⁵³	57356XP	WA10058	49363		3	N/A		N/A
------------------------	------	--	---------------------	---------	---------	-------	--	---	-----	--	-----

V6 3.0L 2998cc 182 CID	6B31		57356 ⁵³	57356XP	WA10058	49363		3	N/A		N/A
------------------------	------	--	---------------------	---------	---------	-------	--	---	-----	--	-----

Outlander PHEV Hybrid

L4 2.0L 1997cc			57356 ⁵³	57356XP	N/A	49363			N/S		N/S
----------------	--	--	---------------------	---------	-----	-------	--	--	-----	--	-----

OUTLANDER SPORT

L4 2.0L 1998cc 122 CID	4B11	U	57356 ⁵³	57356XP	WA10058	49363			N/A		N/A
------------------------	------	---	---------------------	---------	---------	-------	--	--	-----	--	-----

L4 2.4L 2360cc 144 CID	4B12		57356 ⁵³	57356XP	WA10058	49363			N/S		N/A
------------------------	------	--	---------------------	---------	---------	-------	--	--	-----	--	-----

RVR

L4 2.0L 1998cc 122 CID	4B11	U	57356 ⁵³	57356XP	WA10058	49363			N/A		N/A
------------------------	------	---	---------------------	---------	---------	-------	--	--	-----	--	-----

			57356 ⁵³	57356XP	WA10058	49363			N/A		N/A - Internal
--	--	--	---------------------	---------	---------	-------	--	--	-----	--	----------------

L4 2.4L 2360cc 144 CID	4B12		57356 ⁵³	57356XP	WA10058	49363			N/S		N/A
------------------------	------	--	---------------------	---------	---------	-------	--	--	-----	--	-----

			57356 ⁵³	57356XP	WA10058	49363			N/S		N/A
--	--	--	---------------------	---------	---------	-------	--	--	-----	--	-----

2020
Eclipse Cross

L4 1.5L 1500CC 92CID Turbo	4B40TC		57356 ⁵³	57356XP	N/A	49363			N/S		N/S
----------------------------	--------	--	---------------------	---------	-----	-------	--	--	-----	--	-----

MIRAGE

L3 1.2L 1193cc 73 CID	3A92		57356 ⁵³	57356XP	WA10125	WP10125			N/S	F	N/S
-----------------------	------	--	---------------------	---------	---------	---------	--	--	-----	---	-----

Mirage G4

L3 1.2L 1193cc 73 CID	3A92		57356 ⁵³	57356XP	WA10125	WP10125			N/A	F	N/S
-----------------------	------	--	---------------------	---------	---------	---------	--	--	-----	---	-----

OUTLANDER

L4 2.4L 2360cc 144 CID	4B12		57356 ⁵³	57356XP	WA10058	49363		3	N/A		N/A
------------------------	------	--	---------------------	---------	---------	-------	--	---	-----	--	-----

V6 3.0L 2998cc 182 CID	6B31		57356 ⁵³	57356XP	WA10058	49363		3	N/A		N/A
------------------------	------	--	---------------------	---------	---------	-------	--	---	-----	--	-----

Outlander PHEV Hybrid

L4 2.0L 1997cc			57356 ⁵³	57356XP	N/A	49363			N/S		N/S
----------------	--	--	---------------------	---------	-----	-------	--	--	-----	--	-----

OUTLANDER SPORT

L4 2.0L 1998cc 122 CID	4B11	U	57356 ⁵³	57356XP	WA10058	49363			N/A		N/A
------------------------	------	---	---------------------	---------	---------	-------	--	--	-----	--	-----

L4 2.4L 2360cc 144 CID	4B12		57356 ⁵³	57356XP	WA10058	49363			N/S		N/A
------------------------	------	--	---------------------	---------	---------	-------	--	--	-----	--	-----

RVR

L4 2.0L 1998cc 122 CID	4B11	U	57356 ⁵³	57356XP	WA10058	49363			N/A		N/A
------------------------	------	---	---------------------	---------	---------	-------	--	--	-----	--	-----

			57356 ⁵³	57356XP	WA10058	49363			N/A		N/A - Internal
--	--	--	---------------------	---------	---------	-------	--	--	-----	--	----------------

L4 2.4L 2360cc 144 CID	4B12		57356 ⁵³	57356XP	WA10058	49363			N/S		N/A
------------------------	------	--	---------------------	---------	---------	-------	--	--	-----	--	-----

			57356 ⁵³	57356XP	WA10058	49363			N/S		N/A
--	--	--	---------------------	---------	---------	-------	--	--	-----	--	-----

2019
Eclipse Cross

L4 1.5L 1500CC 92CID Turbo	4B40TC		57356 ⁵³	57356XP	N/A	49363			N/S		N/S
----------------------------	--------	--	---------------------	---------	-----	-------	--	--	-----	--	-----

MIRAGE

L3 1.2L 1193cc 73 CID	3A92		57356 ⁵³	57356XP	WA10125	WP10125			N/S	F	N/S
-----------------------	------	--	---------------------	---------	---------	---------	--	--	-----	---	-----

Mirage G4

L3 1.2L 1193cc 73 CID	3A92		57356 ⁵³	57356XP	WA10125	WP10125			N/A	F	N/S
-----------------------	------	--	---------------------	---------	---------	---------	--	--	-----	---	-----

OUTLANDER

L4 2.4L 2360cc 144 CID	4B12		57356 ⁵³	57356XP	WA10058	49363		3	N/A		N/A
------------------------	------	--	---------------------	---------	---------	-------	--	---	-----	--	-----

V6 3.0L 2998cc 182 CID	6B31		57356 ⁵³	57356XP	WA10058	49363		3	N/A		N/A
------------------------	------	--	---------------------	---------	---------	-------	--	---	-----	--	-----

N/A = Not Available N/R = Not Required N/S = Not Serviceable For cabin and fuel filter locator, see pages 5-15 See pages 16-19 for footnotes

N/A = Non disponible N/R = Non nécessaire N/S = Non réparable Para la ubicación de los filtros de aire de la cabina y de combustible, ver las páginas 5-15 Voir pages 16-19 pour des notes

N/A = No disponible N/R = No requiere N/S = No servible Voir les tableaux de repérage des filtres d'habitacle et à carburant aux pages 5-15 Ver las páginas 16-19 para las notas al pie de página

Italicized Part Numbers May Not Be Available. Wix XP Oil Filters Have Fully Synthetic Media.

Las piezas con números en *italicas* pueden no estar disponibles. Los filtros de aceite WIX XP son completamente de media sintética. Les numéros de pièce en *italiques* peuvent ne pas être disponibles. Les filtres à huile XP Wix contiennent un matériau 100 % synthétique.

Year/Año/Année Model/Modelo/Modèle Engine/Motor/Moteur	Eng. Code Código de motor Code moteur	VIN NIV NIV	Oil Aceite Huile	Oil XP Aceite XP Huile XP	Air Aire Air	Cabin Air Cabina Aire Cabine Air	Cabin Air XP Cabina Aire XP Cabine Air XP	Loc. Cabin Air Cabina Aire Cabine Air	Fuel Combustible Carburant	Loc. Fuel Combustible Carburant	Transmission Transmisión Transmission
--	---	-------------------	------------------------	---------------------------------	--------------------	--	---	--	----------------------------------	--	---

MITSUBISHI (Cont'd/Suite)

2019 (Cont'd/Suite)

Outlander PHEV Hybrid

L4 2.0L 1997cc			57356 ⁵³	57356XP		49363			N/S		N/S
----------------	--	--	---------------------	---------	--	-------	--	--	-----	--	-----

OUTLANDER SPORT

L4 2.0L 1998cc 122 CID	4B11	U	57356 ⁵³	57356XP	WA10058	49363			N/A		N/A
L4 2.4L 2360cc 144 CID	4B12		57356 ⁵³	57356XP	WA10058	49363			N/S		

RVR

L4 2.0L 1998cc 122 CID	4B11	U	57356 ⁵³	57356XP	WA10058	49363			N/A		N/A
			57356 ⁵³	57356XP	WA10058	49363			N/A		N/A - Internal
L4 2.4L 2360cc 144 CID	4B12		57356 ⁵³	57356XP	WA10058	49363			N/S		
			57356 ⁵³	57356XP	WA10058	49363			N/S		

2018

Eclipse Cross

L4 1.5L 1500CC 92CID Turbo	4B40TC		57356 ⁵³	57356XP	N/A	49363			N/S		N/S
----------------------------	--------	--	---------------------	---------	-----	-------	--	--	-----	--	-----

L200

L4 2.5L 2477cc 136 HP Diesel (Mex.)			51067		WA9589	24756			33128 ⁵¹⁴ WF8429 ²⁷⁵		
-------------------------------------	--	--	-------	--	--------	-------	--	--	---	--	--

MIRAGE

L3 1.2L 1193cc 73 CID	3A92		57356 ⁵³	57356XP	WA10125	WP10125			N/S	F	N/S
-----------------------	------	--	---------------------	---------	---------	---------	--	--	-----	---	-----

Mirage G4

L3 1.2L 1193cc 73 CID	3A92		57356 ⁵³	57356XP	WA10125	WP10125			N/A	F	N/S
-----------------------	------	--	---------------------	---------	---------	---------	--	--	-----	---	-----

OUTLANDER

L4 2.4L 2360cc 144 CID	4B12		57356 ⁵³	57356XP	WA10058	49363		3	N/A		N/A
V6 3.0L 2998cc 182 CID	6B31		57356 ⁵³	57356XP	WA10058	49363		3	N/A		N/A

Outlander PHEV

L4 2.0L 1997cc			57356 ⁵³	57356XP	N/A	49363			N/S		N/S
----------------	--	--	---------------------	---------	-----	-------	--	--	-----	--	-----

OUTLANDER SPORT

L4 2.0L 1998cc 122 CID	4B11	U	57356 ⁵³	57356XP	WA10058	49363			N/A		N/A
L4 2.4L 2360cc 144 CID	4B12		57356 ⁵³	57356XP	WA10058	49363			N/S		

RVR

L4 2.0L 1998cc 122 CID	4B11	U	57356 ⁵³	57356XP	WA10058	49363			N/A		N/A
			57356 ⁵³	57356XP	WA10058	49363			N/A		N/A - Internal
L4 2.4L 2360cc 144 CID	4B12		57356 ⁵³	57356XP	WA10058	49363			N/S		
			57356 ⁵³	57356XP	WA10058	49363			N/S		

2017

L200

L4 2.4 2400cc (Mex.)			57356	57356XP	WA9589	24756			N/A		
L4 2.5L 2477cc 136 HP Diesel (Mex.)			51067		WA9589	24756			33128 ⁵¹⁴ WF8429 ²⁷⁵		

LANCER

L4 2.0L 1998cc 122 CID	4B11	U	57356 ⁵³	57356XP	WA10058	49363		3	N/S		MT
L4 2.4L 2360cc 144 CID	4B12		51356	51356XP	49023	49363		3	N/S		N/A

LANCER SPORTBACK

L4 2.0L 1998cc 122 CID	4B11		57356 ⁵³	57356XP	WA10058	49363		3	N/S		N/A
------------------------	------	--	---------------------	---------	---------	-------	--	---	-----	--	-----

MIRAGE

L3 1.2L 1193cc 73 CID	3A92		57356 ⁵³	57356XP	WA10125	WP10125			N/S	F	N/S
-----------------------	------	--	---------------------	---------	---------	---------	--	--	-----	---	-----

Mirage G4

L3 1.2L 1193cc 73 CID	3A92		57356 ⁵³	57356XP	WA10125	WP10125			N/A	F	N/S
-----------------------	------	--	---------------------	---------	---------	---------	--	--	-----	---	-----

OUTLANDER

L4 2.4L 2360cc 144 CID	4B12	3	57356 ⁵³	57356XP	WA10058	49363		3	N/A		N/A
V6 3.0L 2998cc 182 CID	6B31		57356 ⁵³	57356XP	WA10058	49363		3	N/A		N/A

OUTLANDER SPORT

L4 2.0L 1998cc 122 CID	4B11	U	57356 ⁵³	57356XP	WA10058	49363			N/A		N/A
L4 2.4L 2360cc 144 CID	4B12		57356 ⁵³	57356XP	WA10058	49363		3	N/A		N/A

N/A = Not Available N/R = Not Required N/S = Not Serviceable For cabin and fuel filter locator, see pages 5-15 See pages 16-19 for footnotes

N/A = Non disponible N/R = Non nécessaire N/S = Non réparable Para la ubicación de los filtros de aire de la cabina y de combustible, ver las páginas 5-15 Voir pages 16-19 pour des notes

N/A = No disponible N/R = No requiere N/S = No servible Voir les tableaux de repérage des filtres d'habitacle et à carburant aux pages 5-15 Ver las páginas 16-19 para las notas al pie de página

Italicized Part Numbers May Not Be Available. Wix XP Oil Filters Have Fully Synthetic Media.

Las piezas con números en *italicas* pueden no estar disponibles. Los filtros de aceite WIX XP son completamente de media sintética.

Les numéros de pièce en *italiques* peuvent ne pas être disponibles. Les filtres à huile XP Wix contiennent un matériau 100 % synthétique.

MITSUBISHI 2017-2014
Pass Car/Light Truck

Year/Año/Année Model/Modelo/Modèle Engine/Motor/Moteur	Eng. Code Código de motor Code moteur	VIN NIV NIV	Oil Aceite Huile	Oil XP Aceite XP Huile XP	Air Aire Air	Cabin Air Cabina Aire Cabine Air	Cabin Air XP Cabina Aire XP Cabine Air XP	Loc. Cabin Air Cabina Aire Cabine Air	Fuel Combustible Carburant	Loc. Fuel Combustible Carburant	Transmission Transmisión Transmission
--	---	-------------------	------------------------	---------------------------------	--------------------	--	---	--	----------------------------------	--	---

MITSUBISHI (Cont'd/Suite)
2017 (Cont'd/Suite)
RVR

L4 2.0L 1998cc 122 CID	4B11	U	57356 ⁵³ 57356 ⁵³	57356XP 57356XP	WA10058 WA10058	49363 49363			N/A N/A		N/A N/A - Internal
L4 2.4L 2360cc 144 CID	4B12		57356 ⁵³ 57356 ⁵³	57356XP 57356XP	WA10058 WA10058	49363 49363			N/A N/A		N/A N/A - Internal

2016
L200

L4 2.4 2400cc (Mex.)			57356	57356XP	WA9589	24756			N/A		
L4 2.5L 2477cc 136 HP Diesel (Mex.)			51067		WA9589	24756			33128 ⁵¹⁴ WF8429 ²⁷⁵		

LANCER

L4 2.0L 1998cc 122 CID	4B11		57356 ⁵³	57356XP	WA10058	49363		3	N/S		N/A
L4 2.4L 2360cc 144 CID	4B12		51356	51356XP	49023	49363		3	N/S		N/A

LANCER SPORTBACK

L4 2.0L 1998cc 122 CID	4B11		57356 ⁵³	57356XP	WA10058	49363		3	N/S		N/A
------------------------	------	--	---------------------	---------	---------	-------	--	---	-----	--	-----

MIRAGE

L3 1.2L 1193cc 73 CID	3A92		57356 ⁵³	57356XP	WA10125	WP10125			N/S	F	N/S
-----------------------	------	--	---------------------	---------	---------	---------	--	--	-----	---	-----

MONTERO

V6 3.8L 3828cc (Mex.)	6G75		51334 ⁵³	51334XP	42369	WP2020			N/S		
-----------------------	------	--	---------------------	---------	-------	--------	--	--	-----	--	--

OUTLANDER

L4 2.4L 2360cc 144 CID	4B12	3	57356 ⁵³	57356XP	WA10058	49363		3	N/A		N/A
V6 3.0L 2998cc 182 CID	6B31		57356 ⁵³	57356XP	WA10058	49363		3	N/A		N/A

OUTLANDER SPORT

L4 2.0L 1998cc 122 CID	4B11	U	57356 ⁵³	57356XP	WA10058	49363			N/A		N/A
L4 2.4L 2360cc 144 CID	4B12		57356 ⁵³	57356XP	WA10058	49363		3	N/A		N/A

RVR

L4 2.0L 1998cc 122 CID	4B11	U	57356 ⁵³	57356XP	WA10058	49363		3	N/A		N/A
L4 2.4L 2360cc 144 CID	4B12	3	57356 ⁵³	57356XP	WA10058	49363		3	N/A		N/A

2015
L200

L4 2.4 2400cc (Mex.)			57356	57356XP	WA9589	24756			N/A		
L4 2.5L 2477cc 136 HP Diesel (Mex.)			51067		WA9589	24756			33128 ⁵¹⁴ WF8429 ²⁷⁵		

LANCER

L4 2.0L 1998cc 122 CID	4B11		57092		WA10058	49363		3	N/S		N/A
L4 2.0L 1998cc 122 CID Turbo	4B11		57092		WA10058	49363		3	N/S	MT	N/A
L4 2.4L 2360cc 144 CID	4B12		57092		49023	49363		3	N/S		N/A

LANCER SPORTBACK

L4 2.0L 1998cc 122 CID	4B11		57356 ⁵³	57356XP	WA10058	49363		3	N/S		N/A
------------------------	------	--	---------------------	---------	---------	-------	--	---	-----	--	-----

MIRAGE

L3 1.2L 1193cc 73 CID	3A92		57356 ⁵³	57356XP	WA10125	WP10125			N/S	F	N/S
-----------------------	------	--	---------------------	---------	---------	---------	--	--	-----	---	-----

MONTERO

V6 3.8L 3828cc (Mex.)	6G75		51334 ⁵³	51334XP	42369	WP2020			N/S		
-----------------------	------	--	---------------------	---------	-------	--------	--	--	-----	--	--

OUTLANDER

L4 2.4L 2360cc 144 CID	4B12		57356 ⁵³	57356XP	WA10058	49363		3	N/S		N/A
V6 3.0L 2998cc 182 CID	6B31		57356 ⁵³	57356XP	WA10058	49363		3	N/S		N/S

OUTLANDER SPORT

L4 2.0L 1998cc 122 CID	4B11		57356 ⁵³	57356XP	WA10058	49363		3	N/S		N/A
------------------------	------	--	---------------------	---------	---------	-------	--	---	-----	--	-----

RVR

L4 2.0L 1998cc 122 CID	4B11	U	51356	51356XP	WA10058	49363		3	N/S		N/A
L4 2.4L 2360cc 144 CID	4B12	3	57356 ⁵³	57356XP	WA10058	49363		3	N/S		N/A

2014
L200

L4 2.4 2400cc (Mex.)			57356	57356XP	WA9589	24756			N/A		
----------------------	--	--	-------	---------	--------	-------	--	--	-----	--	--

N/A = Not Available N/R = Not Required N/S = Not Serviceable For cabin and fuel filter locator, see pages 5-15 See pages 16-19 for footnotes

N/A = Non disponible N/R = Non nécessaire N/S = Non réparable Para la ubicación de los filtros de aire de la cabina y de combustible, ver las páginas 5-15 Voir pages 16-19 pour des notes

N/A = No disponible N/R = No requiere N/S = No servible Voir les tableaux de repérage des filtres d'habitacle et à carburant aux pages 5-15 Ver las páginas 16-19 para las notas al pie de página

Italicized Part Numbers May Not Be Available. Wix XP Oil Filters Have Fully Synthetic Media.

Las piezas con números en *italicas* pueden no estar disponibles. Los filtros de aceite WIX XP son completamente de media sintética. Les numéros de pièce en *italiques* peuvent ne pas être disponibles. Les filtres à huile XP Wix contiennent un matériau 100 % synthétique.

Year/Año/Année Model/Modelo/Modèle Engine/Motor/Moteur	Eng. Code Código de motor Code moteur	VIN NIV NIV	Oil Aceite Huile	Oil XP Aceite XP Huile XP	Air Aire Air	Cabin Air Cabina Aire Cabine Air	Cabin Air XP Cabina Aire XP Cabine Air XP	Loc. Cabin Air Cabina Aire Cabine Air	Fuel Combustible Carburant	Loc. Fuel Combustible Carburant	Transmission Transmisión Transmission
--	---	-------------------	------------------------	---------------------------------	--------------------	--	---	--	----------------------------------	--	---

MITSUBISHI (Cont'd/Suite)

2014 (Cont'd/Suite)

L200 (Cont'd/Suite)

L4 2.5L 2477cc 136 HP Diesel (Mex.)			51067		WA9589 ⁵¹⁴	24756			33128 ⁵¹⁴ WF8429 ²⁷⁵		
-------------------------------------	--	--	-------	--	-----------------------	-------	--	--	---	--	--

LANCER

L4 2.0L 1998cc 122 CID	4B11		57092		WA10058	49363		3	N/S		N/A
L4 2.0L 1998cc 122 CID Turbo	4B11		57092		49023	49363		3	N/S	MT	N/A
L4 2.4L 2360cc 144 CID	4B12		57092		49023	49363		3	N/S		N/A

LANCER SPORTBACK

L4 2.0L 1998cc 122 CID	4B11		57356 ⁵³	57356XP	WA10058	49363		3	N/S		N/A
------------------------	------	--	---------------------	---------	---------	-------	--	---	-----	--	-----

MIRAGE

L3 1.2L 1193cc 73 CID	3A92		57356 ⁵³	57356XP	WA10125	WP10125			N/S	F	N/S
-----------------------	------	--	---------------------	---------	---------	---------	--	--	-----	---	-----

MONTERO

V6 3.8L 3828cc (Mex.)			57092		42369	N/A			N/A		
-----------------------	--	--	-------	--	-------	-----	--	--	-----	--	--

OUTLANDER

L4 2.4L 2360cc 144 CID	4B12	3	57356 ⁵³	57356XP	WA10058	49363		3	N/S		N/A
V6 3.0L 2998cc 182 CID	6B31		57356 ⁵³	57356XP	WA10058	49363		3	N/S		N/S

OUTLANDER SPORT

L4 2.0L 1998cc 122 CID	4B11		57356 ⁵³	57356XP	WA10058	49363		3	N/S		N/A
------------------------	------	--	---------------------	---------	---------	-------	--	---	-----	--	-----

RVR

L4 2.0L 1998cc 122 CID	4B11	U	51356	51356XP	WA10058	49363		3	N/S		N/A
------------------------	------	---	-------	---------	---------	-------	--	---	-----	--	-----

2013

I-MIEV

Electric Electric	Y4F1	1	N/R		N/R	N/A			N/R		N/R
-------------------	------	---	-----	--	-----	-----	--	--	-----	--	-----

L200

L4 2.4 2400cc (Mex.)			57356	57356XP	WA9589	24756			N/A		
L4 2.5L 2477cc 136 HP Diesel (Mex.)			51067		WA9589	24756			33128 ⁵¹⁴ WF8429 ²⁷⁵		

LANCER

L4 2.0L 1998cc 122 CID	4B11	U	51356	51356XP	WA10058	49363		3	N/S		N/A
------------------------	------	---	-------	---------	---------	-------	--	---	-----	--	-----

LANCER EVOLUTION

L4 2.0L 1998cc Turbo	4B11T	V	57092		49023	49363		3	N/S		MT ⁷²
----------------------	-------	---	-------	--	-------	-------	--	---	-----	--	------------------

LANCER SPORTBACK

L4 2.0L 1998cc 122 CID	4B11	U	57092		WA10058	49363		3	N/S		MT ⁷²
L4 2.4L 2360cc 144 CID	4B12	W	51356	51356XP	49023	49363		3	N/S		N/A

MONTERO

V6 3.8L 3828cc (Mex.)			57092		42369	N/A			N/A		
-----------------------	--	--	-------	--	-------	-----	--	--	-----	--	--

OUTLANDER

L4 2.4L 2360cc 144 CID	4B12		51356	51356XP	49023	49363		3	N/S		N/A
V6 3.0L 2998cc 182 CID	6B31		57356 ⁵³	57356XP	49023	49363		3	N/S		N/A

OUTLANDER SPORT

L4 2.0L 1998cc 122 CID	4B11		57356 ⁵³	57356XP	WA10058	49363		3	N/S		MT ⁷²
------------------------	------	--	---------------------	---------	---------	-------	--	---	-----	--	------------------

RVR

L4 2.0L 1998cc 122 CID	4B11	U	51356	51356XP	WA10058	49363		3	N/S		N/A
------------------------	------	---	-------	---------	---------	-------	--	---	-----	--	-----

2012

ECLIPSE

L4 2.4L 2378cc	4G69	F	51356	51356XP	46873	N/R			N/S		N/A
V6 3.8L 3828cc	6G75	T	51356	51356XP	46873	N/R			N/S		N/A

ECLIPSE SPYDER

L4 2.4L 2378cc	4G69	F	57092		46873	N/R			N/S		N/A
V6 3.8L 3828cc	6G75	T	51356	51356XP	46873	N/R		3	N/S		N/A

GALANT

L4 2.4L 2378cc	4G69	F	57092		46873	24875		3	N/S		N/A
----------------	------	---	-------	--	-------	-------	--	---	-----	--	-----

N/A = Not Available N/R = Not Required N/S = Not Serviceable For cabin and fuel filter locator, see pages 5-15 See pages 16-19 for footnotes
 N/A = Non disponible N/R = Non nécessaire N/S = Non réparable Para la ubicación de los filtros de aire de la cabina y de combustible, ver las páginas 5-15 Voir pages 16-19 pour des notes
 N/A = No disponible N/R = No requiere N/S = No servible Voir les tableaux de repérage des filtres d'habitacle et à carburant aux pages 5-15 Ver las páginas 16-19 para las notas al pie de página

Italicized Part Numbers May Not Be Available. Wix XP Oil Filters Have Fully Synthetic Media.
 Las piezas con números en *italicas* pueden no estar disponibles. Los filtros de aceite WIX XP son completamente de media sintética.
 Les numéros de pièce en *italiques* peuvent ne pas être disponibles. Les filtres à huile XP Wix contiennent un matériau 100 % synthétique.

MITSUBISHI 2012-2011
Pass Car/Light Truck

Year/Año/Année Model/Modelo/Modèle Engine/Motor/Moteur	Eng. Code Código de motor Code moteur	VIN NIV NIV	Oil Aceite Huile	Oil XP Aceite XP Huile XP	Air Aire Air	Cabin Air Cabina Aire Cabine Air	Cabin Air XP Cabina Aire XP Cabine Air XP	Loc. Cabin Air Cabina Aire Cabine Air	Fuel Combustible Carburant	Loc. Fuel Combustible Carburant	Transmission Transmisión Transmission
--	---	-------------------	------------------------	---------------------------------	--------------------	--	---	--	----------------------------------	--	---

MITSUBISHI (Cont'd/Suite)
2012 (Cont'd/Suite)
I-MIEV

Electric Electric	Y4F1	1	N/R		N/R	N/A			N/R		N/R
-------------------	------	---	-----	--	-----	-----	--	--	-----	--	-----

L200

L4 2.4 2400cc (Mex.)			57356	57356XP	WA9589	24756			N/A		
L4 2.5L 2477cc 136 HP Diesel (Mex.)			51067		WA9589	24756			33128 ⁵¹⁴ WF8429 ²⁷⁵		

LANCER

L4 2.0L 1998cc 122 CID	4B11	U	51356	51356XP	49023	49363		3	N/S		N/A
------------------------	------	---	-------	---------	-------	-------	--	---	-----	--	-----

LANCER EVOLUTION

L4 2.0L 1998cc Turbo	4B11T	V	57092		49023	49363		3	N/S		MT ⁷²
----------------------	-------	---	-------	--	-------	-------	--	---	-----	--	------------------

LANCER RALLIART

L4 2.0L 1998cc Turbo	4B11T	V	57092		49023	49363		3	N/S		MT ⁷²
----------------------	-------	---	-------	--	-------	-------	--	---	-----	--	------------------

LANCER SPORTBACK

L4 2.0L 1998cc Turbo	4B11T	V	57092		49023	49363		3	N/S		MT ⁷²
L4 2.4L 2360cc 144 CID	4B12	W	51356	51356XP	49023	49363		3	N/S		N/A

MONTERO

V6 3.8L 3828cc (Mex.)			57092		42369	N/A			N/A		
-----------------------	--	--	-------	--	-------	-----	--	--	-----	--	--

OUTLANDER

L4 2.4L 2360cc 144 CID	4B12	W	51356	51356XP	49023	49363		3	N/S		N/A
V6 3.0L 2998cc 182 CID	6B31	X	57356 ⁵³	57356XP	49023	49363		3	N/S		N/A

OUTLANDER SPORT

L4 2.0L 1998cc 122 CID	4B11	4	57356 ⁵³	57356XP	49023	49363		3	N/S		MT ⁷²
------------------------	------	---	---------------------	---------	-------	-------	--	---	-----	--	------------------

RVR

L4 2.0L 1998cc 122 CID	4B11	U	51356	51356XP	49023	49363		3	N/S		N/A
------------------------	------	---	-------	---------	-------	-------	--	---	-----	--	-----

2011
ASX

L4 2.0L 1998cc MIVEC (Mex.)			51083		49023	49363			N/S		
-----------------------------	--	--	-------	--	-------	-------	--	--	-----	--	--

ECLIPSE

L4 2.4L 2378cc	4G69	F	57092		46873	N/R			N/S		N/A
V6 3.8L 3828cc	6G75	T	51356	51356XP	46873	N/R			N/S		N/A

ECLIPSE SPYDER

L4 2.4L 2378cc	4G69	F	57092		46873	N/R			N/S		N/A
V6 3.8L 3828cc	6G75	T	51356	51356XP	46873	N/R		3	N/S		N/A

ENDEAVOR

V6 3.8L 3828cc	6G75	S	51356	51356XP	46873	24875 ¹⁶⁴		3	N/S		N/A
----------------	------	---	-------	---------	-------	----------------------	--	---	-----	--	-----

GALANT

L4 2.4L 2378cc	4G69	F	57092		46873	24875		3	N/S		N/A
----------------	------	---	-------	--	-------	-------	--	---	-----	--	-----

L200

L4 2.4 2400cc (Mex.)			57356	57356XP	WA9589	24756			N/A		
L4 2.5L 2477cc 136 HP Diesel (Mex.)			51067		WA9589	24756			33128 ⁵¹⁴ WF8429 ²⁷⁵		

LANCER

L4 2.0L 1998cc	4B11	U	51356	51356XP	49023	49363		3	N/S		N/A
L4 2.4L 2360cc 144 CID	4B12	W	51356	51356XP	49023	49363		3	N/S		N/A

LANCER EVOLUTION

L4 2.0L 1998cc Turbo	4B11T	V	57092		49023	49363		3	N/S		MT ⁷²
----------------------	-------	---	-------	--	-------	-------	--	---	-----	--	------------------

LANCER EVOLUTION GSR

L4 2.0L 1998cc Turbo	4B11T	V	57092		49023	49363		3	N/S		MT ⁷²
----------------------	-------	---	-------	--	-------	-------	--	---	-----	--	------------------

LANCER EVOLUTION MR TOURING

L4 2.0L 1998cc Turbo	4B11T	V	57092		49023	49363		3	N/S		MT ⁷²
----------------------	-------	---	-------	--	-------	-------	--	---	-----	--	------------------

LANCER RALLIART

L4 2.0L 1998cc 122 CID Turbo	4B11	V	57092		46215	49363		3	N/S		MT ⁷²
L4 2.0L 1998cc Turbo	4B11T	V	57092		49023	49363		3	N/S		MT ⁷²

N/A = Not Available N/R = Not Required N/S = Not Serviceable For cabin and fuel filter locator, see pages 5-15 See pages 16-19 for footnotes

N/A = Non disponible N/R = Non nécessaire N/S = Non réparable Para la ubicación de los filtros de aire de la cabina y de combustible, ver las páginas 5-15 Voir pages 16-19 pour des notes

N/A = No disponible N/R = No requiere N/S = No servible Voir les tableaux de repérage des filtres d'habitacle et à carburant aux pages 5-15 Ver las páginas 16-19 para las notas al pie de página

Italicized Part Numbers May Not Be Available. Wix XP Oil Filters Have Fully Synthetic Media.

Las piezas con números en *italicas* pueden no estar disponibles. Los filtros de aceite WIX XP son completamente de media sintética. Les numéros de pièce en *italiques* peuvent ne pas être disponibles. Les filtres à huile XP Wix contiennent un matériau 100 % synthétique.

Year/Año/Année Model/Modelo/Modèle Engine/Motor/Moteur	Eng. Code Código de motor Code moteur	VIN NIV NIV	Oil Aceite Huile	Oil XP Aceite XP Huile XP	Air Aire Air	Cabin Air Cabina Aire Cabine Air	Cabin Air XP Cabina Aire XP Cabine Aire XP	Loc. Cabin Air Cabina Aire Cabine Air	Fuel Combustible Carburant	Loc. Fuel Combustible Carburant	Transmission Transmisión Transmission
--	---	-------------------	------------------------	---------------------------------	--------------------	--	--	--	----------------------------------	--	---

MITSUBISHI (Cont'd/Suite)
2011 (Cont'd/Suite)
LANCER SPORTBACK

L4 2.0L 1998cc Turbo	4B11T	V	57092		49023	49363		3	N/S		MT ⁷²
L4 2.4L 2360cc 144 CID	4B12	W	51356	51356XP	49023	49363		3	N/S		N/A

MONTERO

V6 3.8L 3800cc (Mex.)			N/A		42369	N/A			N/R		
-----------------------	--	--	-----	--	-------	-----	--	--	-----	--	--

MONTERO SPORT

V6 3.5L 3500cc (Mex.)			N/A		46308	N/A			33580		
-----------------------	--	--	-----	--	-------	-----	--	--	-------	--	--

OUTLANDER

L4 2.4L 2360cc 144 CID	4B12	W	51356	51356XP	49023	49363		3	N/S		N/A
V6 3.0L 2998cc 182 CID	6B31	X	57356 ⁵³	57356XP	49023	49363		3	N/S		N/A

OUTLANDER SPORT

L4 2.0L 1998cc 122 CID	4B11	4	57356 ⁵³	57356XP	49023	49363		3	N/S		MT ⁷²
------------------------	------	---	---------------------	---------	-------	-------	--	---	-----	--	------------------

RVR

L4 2.0L 1998cc 122 CID	4B11	U	51356	51356XP	49023	49363		3	N/S		N/A
------------------------	------	---	-------	---------	-------	-------	--	---	-----	--	-----

2010
ECLIPSE

L4 2.4L 2378cc	4G69	F	57092		46873	N/R			N/S		N/A
V6 3.8L 3828cc	6G75	T	51356	51356XP	46873	N/R			N/S		N/A

ECLIPSE SPYDER

L4 2.4L 2378cc	4G69	F	57092		46873	N/R			N/S		N/A
V6 3.8L 3828cc	6G75	T	51356	51356XP	46873	N/R		3	N/S		N/A

ENDEAVOR

V6 3.8L 3828cc	6G75	S	51356	51356XP	46873	24875 ¹⁶⁴		3	N/S		N/A
----------------	------	---	-------	---------	-------	----------------------	--	---	-----	--	-----

GALANT

L4 2.4L 2378cc	4G69	F	57092		46873	24875		3	N/S		N/A
----------------	------	---	-------	--	-------	-------	--	---	-----	--	-----

GRANDIS

L4 2.4L 2378cc			51334 ⁵³	51334XP	WA10058	24756 ⁷⁸			N/A		
L4 2.4L 2378cc (Mex.)			51334 ⁵³	51334XP	WA10058	24756 ⁷⁸			N/A		

L200

L4 2.4 2400cc (Mex.)			57356	57356XP	WA9589	24756			N/A		
L4 2.5L 2477cc 136 HP Diesel (Mex.)			51067		WA9589	24756			33128 ⁵¹⁴ WF8429 ²⁷⁵		

LANCER

L4 2.0L 1998cc	4B11	U	51356	51356XP	49023	49363		3	N/S		N/A
L4 2.4L 2360cc 144 CID	4B12	W	51356	51356XP	49023	49363		3	N/S		N/A

LANCER EVOLUTION

L4 2.0L 1998cc Turbo	4B11T	V	57092		49023	49363		3	N/S		MT ⁷²
----------------------	-------	---	-------	--	-------	-------	--	---	-----	--	------------------

LANCER RALLIART

L4 2.0L 1998cc Turbo	4B11T	V	57092		49023	49363		3	N/S		MT ⁷²
----------------------	-------	---	-------	--	-------	-------	--	---	-----	--	------------------

LANCER SPORTBACK

L4 2.0L 1998cc Turbo	4B11T	V	57092		49023	49363		3	N/S		MT ⁷²
L4 2.4L 2360cc 144 CID	4B12	W	51356	51356XP	49023	49363		3	N/S		N/A

MONTERO

V6 3.8L 3828CC 234CID (Mex.)			51334 ⁵³	51334XP	42369	N/S			N/S		N/S
------------------------------	--	--	---------------------	---------	-------	-----	--	--	-----	--	-----

OUTLANDER

L4 2.4L 2360cc 144 CID	4B12	W	51356	51356XP	49023	49363		3	N/S		N/A
V6 3.0L 2998cc 182 CID	6B31	X	57356 ⁵³	57356XP	49023	49363		3	N/S		N/A

2009
ECLIPSE

L4 2.4L 2378cc	4G69	F	57092		46873	N/R			N/S		N/A
V6 3.8L 3828cc	6G75	T	51356	51356XP	46873	N/R			N/S		N/A

ECLIPSE SPYDER

L4 2.4L 2378cc	4G69	F	57092		46873	N/R			N/S		N/A
----------------	------	---	-------	--	-------	-----	--	--	-----	--	-----

N/A = Not Available N/R = Not Required N/S = Not Serviceable For cabin and fuel filter locator, see pages 5-15 See pages 16-19 for footnotes

N/A = Non disponible N/R = Non nécessaire N/S = Non réparable Para la ubicación de los filtros de aire de la cabina y de combustible, ver las páginas 5-15 Voir pages 16-19 pour des notes

N/A = No disponible N/R = No requiere N/S = No servible Voir les tableaux de repérage des filtres d'habitacle et à carburant aux pages 5-15 Ver las páginas 16-19 para las notas al pie de página

Italicized Part Numbers May Not Be Available. Wix XP Oil Filters Have Fully Synthetic Media.

Las piezas con números en *italicas* pueden no estar disponibles. Los filtros de aceite WIX XP son completamente de media sintética.

Les numéros de pièce en *italiques* peuvent ne pas être disponibles. Les filtres à huile Wix contiennent un matériau 100 % synthétique.

MITSUBISHI 2009-2008
Pass Car/Light Truck

Year/Año/Année Model/Modelo/Modèle Engine/Motor/Moteur	Eng. Code Código de motor Code moteur	VIN NIV NIV	Oil Aceite Huile	Oil XP Aceite XP Huile XP	Air Aire Air	Cabin Air Cabina Aire Cabine Air	Cabin Air XP Cabina Aire XP Cabine Air XP	Loc. Cabin Air Cabina Aire Cabine Air	Fuel Combustible Carburant	Loc. Fuel Combustible Carburant	Transmission Transmisión Transmission
--	---	-------------------	------------------------	---------------------------------	--------------------	--	---	--	----------------------------------	--	---

MITSUBISHI (Cont'd/Suite)
2009 (Cont'd/Suite)
ECLIPSE SPYDER (Cont'd/Suite)

V6 3.8L 3828cc	6G75	T	51356	51356XP	46873	N/R		3	N/S		N/A
----------------	------	---	-------	---------	-------	-----	--	---	-----	--	-----

ENDEAVOR

V6 3.8L 3828cc	6G75	S	51356	51356XP	46873	24875 ¹⁶⁴		3	N/S		N/A
----------------	------	---	-------	---------	-------	----------------------	--	---	-----	--	-----

GALANT

L4 2.4L 2378cc	4G69	F	57092		46873	24875		3	N/S		N/A
V6 3.8L 3828cc	6G75	S,T	51356	51356XP	46873	24875		3	N/S		N/A

GRANDIS

L4 2.4L 2378cc			51334 ⁵³	51334XP	WA10058	24756 ⁷⁸			N/A		
L4 2.4L 2378cc (Mex.)			51334 ⁵³	51334XP	WA10058	24756 ⁷⁸			N/A		

L200

L4 2.4 2400cc (Mex.)			57356	57356XP	WA9589	24756			N/A		
L4 2.5L 2477cc 136 HP Diesel (Mex.)			51067		WA9589	24756			33128 ⁵¹⁴ WF8429 ²⁷⁵		

LANCER

L4 2.0L 1998cc	4B11	U	51356	51356XP	49023	49363		3	N/S		N/A
L4 2.4L 2360cc 144 CID	4B12	W	51356	51356XP	49023	49363		3	N/S		N/A

LANCER RALLIART

L4 2.0L 1998cc Turbo	4B11T	V	57092		49023	49363		3	N/S		MT ⁷²
----------------------	-------	---	-------	--	-------	-------	--	---	-----	--	------------------

OUTLANDER

L4 2.4L 2360cc 144 CID	4B12	W	51356	51356XP	49023	49363		3	N/S		N/A
V6 3.0L 2998cc 182 CID	6B31	X	57356 ⁵³	57356XP	49023	49363		3	N/S		N/A

RAIDER

V6 3.7L 225 CID		K	57045	57045XP	46077	N/R			N/S		58013
-----------------	--	---	-------	---------	-------	-----	--	--	-----	--	-------

2008
ECLIPSE

L4 2.4L 2378cc	4G69	F	57092		46873	N/R			N/S		N/A
V6 3.8L 3828cc	6G75	T	51356	51356XP	46873	N/R			N/S		N/A

ECLIPSE SPYDER

L4 2.4L 2378cc	4G69	F	57092		46873	N/R			N/S		N/A
V6 3.8L 3828cc	6G75	T	51356	51356XP	46873	N/R		3	N/S		N/A

ENDEAVOR

V6 3.8L 3828cc	6G75	S	51356	51356XP	46873	24875 ¹⁶⁴		3	N/S		N/A
----------------	------	---	-------	---------	-------	----------------------	--	---	-----	--	-----

GALANT

L4 2.4L 2378cc	4G69	F	57092		46873	24875		3	N/S		51064 ⁵³ - Spin-on
V6 3.8L 3828cc	6G75	S,T	51356	51356XP	46873	24875		3	N/S		51064 ⁵³ - Spin-on

GRANDIS

L4 2.4L 2378cc			51334 ⁵³	51334XP	WA10058	24756 ⁷⁸			N/A		
L4 2.4L 2378cc (Mex.)			51334 ⁵³	51334XP	WA10058	24756 ⁷⁸			N/A		

L200

L4 2.4 2400cc (Mex.)			57356	57356XP	WA9589				N/S		
L4 2.5L 2477cc 136 HP Diesel (Mex.)			51067		WA9589	24756			33128 ⁵¹⁴ WF8429 ²⁷⁵		

L200 DIESEL

L4 2.4 2400cc (Mex.)			51067		WA9589				33138		
----------------------	--	--	-------	--	--------	--	--	--	-------	--	--

LANCER

L4 2.0L 1998cc	4B11	U	51356	51356XP	49023	49363		3	N/S		N/A
----------------	------	---	-------	---------	-------	-------	--	---	-----	--	-----

LANCER EVOLUTION

L4 2.0L 1998cc Turbo	4B11T	V	57092		49023	24756		3	N/S		MT ⁷²
----------------------	-------	---	-------	--	-------	-------	--	---	-----	--	------------------

MONTERO

V6 3.8L 3828cc (Mex.)			57092		42369	N/A			N/A		
-----------------------	--	--	-------	--	-------	-----	--	--	-----	--	--

MONTERO SPORT

V6 3.5L 3497cc (Mex.)			57092		46264	N/A			33580 ¹³⁸ 33905 ¹³⁹		
-----------------------	--	--	-------	--	-------	-----	--	--	--	--	--

N/A = Not Available N/R = Not Required N/S = Not Serviceable For cabin and fuel filter locator, see pages 5-15 See pages 16-19 for footnotes

N/A = Non disponible N/R = Non nécessaire N/S = Non servicable Para la ubicación de los filtros de aire de la cabina y de combustible, ver las páginas 5-15 Voir pages 16-19 pour des notes

N/A = No disponible N/R = No requiere N/S = No servible Voir les tableaux de repérage des filtres d'habitacle et à carburant aux pages 5-15 Ver las páginas 16-19 para las notas al pie de página

Italicized Part Numbers May Not Be Available. Wix XP Oil Filters Have Fully Synthetic Media.

Las piezas con números en *italicas* pueden no estar disponibles. Los filtros de aceite WIX XP son completamente de media sintética. Les numéros de pièce en *italiques* peuvent ne pas être disponibles. Les filtres à huile XP Wix contiennent un matériau 100 % synthétique.

Year/Año/Année Model/Modelo/Modèle Engine/Motor/Moteur	Eng. Code Código de motor Code moteur	VIN NIV NIV	Oil Aceite Huile	Oil XP Aceite XP Huile XP	Air Aire Air	Cabin Air Cabina Aire Cabine Air	Cabin Air XP Cabina Aire XP Cabine Air XP	Loc. Cabin Air Cabina Aire Cabine Air	Fuel Combustible Carburant	Loc. Fuel Combustible Carburant	Transmission Transmisión Transmission
--	---	-------------------	------------------------	---------------------------------	--------------------	--	---	--	----------------------------------	--	---

MITSUBISHI (Cont'd/Suite)
2008 (Cont'd/Suite)
OUTLANDER

L4 2.4L 2378cc	4B12	W	51356	51356XP	49023	49363		3	N/S		N/A
V6 3.0L 2998cc 182 CID	6B31	X	51356	51356XP	49023	24756		3	N/S		N/A

RAIDER

V6 3.7L 225 CID		K	51516 ⁵³	51516XP	46077	N/R			N/S		58013
-----------------	--	---	---------------------	---------	-------	-----	--	--	-----	--	-------

2007
ECLIPSE

L4 2.4L 2378cc	4G69	F	57092		46873	N/R			N/S		N/A
V6 3.8L 3828cc	6G75	T	51356	51356XP	46873	N/R			N/S		N/A

ECLIPSE SPYDER

L4 2.4L 2378cc	4G69	F	57092		46873	N/R			N/S		N/A
V6 3.8L 3828cc	6G75	T	51356	51356XP	46873	N/R		3	N/S		N/A

ENDEAVOR

V6 3.8L 3828cc	6G75	S	51356	51356XP	46873	24875 ¹⁶⁴		3	N/S		N/A
----------------	------	---	-------	---------	-------	----------------------	--	---	-----	--	-----

GALANT

L4 2.4L 2378cc	4G69	F	57092		46873	24875		3	N/S		N/A
V6 3.8L 3828cc	6G75	S,T	51356	51356XP	46873	24875		3	N/S		N/A

GRANDIS

L4 2.4L 2378cc			51334 ⁵³	51334XP	WA10058	24756 ⁷⁸			N/A		
L4 2.4L 2378cc (Mex.)			51334 ⁵³	51334XP	WA10058	24756 ⁷⁸			N/A		

L200

L4 2.5L (4D56) Diesel (Mex.)			51067		WA9589				WF8429 ²⁷⁵ 33128 ⁵¹⁴		
------------------------------	--	--	-------	--	--------	--	--	--	---	--	--

L300

L4 2.5L (4D56) Diesel (Mex.)			51067		42222						
------------------------------	--	--	-------	--	-------	--	--	--	--	--	--

LANCER

L4 2.0L 1998cc	4G94	E	51356	51356XP	46215	49363		3	N/S		N/A
----------------	------	---	-------	---------	-------	-------	--	---	-----	--	-----

MONTERO

V6 3.5L 3497cc (Mex.)			51334 ⁵³	51334XP	46308	N/A			N/A		
-----------------------	--	--	---------------------	---------	-------	-----	--	--	-----	--	--

MONTERO SPORT

V6 3.5L 3497cc (Mex.)			57092		46264	N/A			33580 ¹³⁸ 33905 ¹³⁹		
-----------------------	--	--	-------	--	-------	-----	--	--	--	--	--

OUTLANDER

V6 3.0L 2998cc 182 CID	6B31	X	51356	51356XP	49023	49363			N/S		N/S
------------------------	------	---	-------	---------	-------	-------	--	--	-----	--	-----

RAIDER

V6 3.7L 225 CID		K	51516 ⁵³	51516XP	46077	N/R			N/S		58013
V8 4.7L 287 CID		N,P	51085 ⁵³	51085XP	46077	N/R			N/S		58843 - 545RFE/68RFE-DP 58846 - 545RFE/68RFE-SP

2006
ECLIPSE

L4 2.4L 2378cc		F	57092		46873	N/R			N/S		N/A
V6 3.8L 3828cc	6G75	T	51356	51356XP	46873	N/R			N/S		N/A

ENDEAVOR

V6 3.8L 3828cc	6G75	S	51356	51356XP	46873	24875 ¹⁶⁴		3	N/S		N/A
----------------	------	---	-------	---------	-------	----------------------	--	---	-----	--	-----

GALANT

L4 2.4L 2378cc		F	57092		46873	24875		3	N/S		N/A
V6 3.8L 3828cc	6G75	S	51356	51356XP	46873	24875		3	N/S		N/A

L200

L4 2.5L (4D56) Diesel (Mex.)			51067		WA6579						
------------------------------	--	--	-------	--	--------	--	--	--	--	--	--

L300

L4 2.5L (4D56) Diesel (Mex.)			51067		42222						
------------------------------	--	--	-------	--	-------	--	--	--	--	--	--

LANCER

L4 2.0L 1998cc	4G94	E	51356	51356XP	46215	24756		3	N/S		N/A
L4 2.4L 2378cc		F	57092		46215	24756		3	N/S		N/A

N/A = Not Available N/R = Not Required N/S = Not Serviceable For cabin and fuel filter locator, see pages 5-15 See pages 16-19 for footnotes

N/A = Non disponible N/R = Non nécessaire N/S = Non réparable Para la ubicación de los filtros de aire de la cabina y de combustible, ver las páginas 5-15 Voir pages 16-19 pour des notes

N/A = No disponible N/R = No requiere N/S = No servible Voir les tableaux de repérage des filtres d'habitacle et à carburant aux pages 5-15 Ver las páginas 16-19 para las notas al pie de página

Italicized Part Numbers May Not Be Available. Wix XP Oil Filters Have Fully Synthetic Media.

Las piezas con números en *italicas* pueden no estar disponibles. Los filtros de aceite WIX XP son completamente de media sintética.

Les numéros de pièce en *italiques* peuvent ne pas être disponibles. Les filtres à huile XP Wix contiennent un matériau 100 % synthétique.

MITSUBISHI 2006-2004
Pass Car/Light Truck

Year/Año/Année Model/Modelo/Modèle Engine/Motor/Moteur	Eng. Code Código de motor Code moteur	VIN NIV NIV	Oil Aceite Huile	Oil XP Aceite XP Huile XP	Air Aire Air	Cabin Air Cabina Aire Cabine Air	Cabin Air XP Cabina Aire XP Cabine Air XP	Loc. Cabin Air Cabina Aire Cabine Air	Fuel Combustible Carburant	Loc. Fuel Combustible Carburant	Transmission Transmisión Transmission
--	---	-------------------	------------------------	---------------------------------	--------------------	--	---	--	----------------------------------	--	---

MITSUBISHI (Cont'd/Suite)
2006 (Cont'd/Suite)
LANCER EVOLUTION

L4 2.0L 1997cc Turbo	4G63	C	57092		46215	24756		3	N/S		MT ⁷²
----------------------	------	---	-------	--	-------	-------	--	---	-----	--	------------------

MONTERO

V6 3.8L 3828cc	6G75	S	57092		42369	N/R			N/S		WL10374
----------------	------	---	-------	--	-------	-----	--	--	-----	--	---------

MONTERO SPORT

V6 3.5L 3497cc (Mex.)			57092		46264	N/A			33580 ¹³⁸ 33905 ¹³⁹		
-----------------------	--	--	-------	--	-------	-----	--	--	--	--	--

OUTLANDER

L4 2.4L 2378cc		F	57092		46215	24756		3	N/S		N/S
----------------	--	---	-------	--	-------	-------	--	---	-----	--	-----

RAIDER

V6 3.7L 225 CID		K	51516 ⁵³	51516XP	46077	N/R			N/S		58013
V8 4.7L 287 CID		N	51085 ⁵³	51085XP	46077	N/R			N/S		58843 - 545RFE/68RFE-DP 58846 - 545RFE/68RFE-SP

2005
ECLIPSE

L4 2.4L 2351cc	4G64	G	51356	51356XP	46028	24682		3	N/S		N/A - F4A42-2 51064 ⁵³ - Spin-on
V6 3.0L 2972cc	6G72	H	57092		46028	24682		3	N/S		N/A - F4A51-2 51064 ⁵³ - Spin-on

ENDEAVOR

V6 3.8L 3828cc	6G75	S	51356	51356XP	46873	24875 ¹⁶⁴		3	N/S		N/A
----------------	------	---	-------	---------	-------	----------------------	--	---	-----	--	-----

GALANT

L4 2.4L 2378cc		F	57092		46873	24875		3	N/S		N/A
V6 3.8L 3828cc	6G75	S	51356	51356XP	46873	24875		3	N/S		N/A

L200

L4 2.5L (4D56) Diesel (Mex.)			51067		WA6579						
------------------------------	--	--	-------	--	--------	--	--	--	--	--	--

L300

L4 2.5L (4D56) Diesel (Mex.)			51067		42222						
------------------------------	--	--	-------	--	-------	--	--	--	--	--	--

LANCER

L4 2.0L 1998cc	4G94	E	51356	51356XP	46215	24756		3	N/S		N/A
L4 2.4L 2378cc		F	57092		46215	24756		3	N/S		N/A

LANCER EVOLUTION

L4 2.0L 1997cc Turbo	4G63	D	57092		46215	24756		3	N/S		MT ⁷²
----------------------	------	---	-------	--	-------	-------	--	---	-----	--	------------------

LANCER EVOLUTION MR

L4 2.0L 1997cc Turbo	4G63	D	57092		46215	N/A			N/S		MT ⁷²
----------------------	------	---	-------	--	-------	-----	--	--	-----	--	------------------

LANCER SPORTBACK

L4 2.4L 2378cc		F	57092		46215				N/S		N/A
----------------	--	---	-------	--	-------	--	--	--	-----	--	-----

MONTERO

L4 2.5L (4D56) Diesel (Mex.)			51067								
V6 3.8L 3828CC 234CID			57092		42369	N/R			N/S		WL10374

MONTERO SPORT

V6 3.5L 3497cc (Mex.)			57092		46264	N/A			33580 ¹³⁸ 33905 ¹³⁹		
-----------------------	--	--	-------	--	-------	-----	--	--	--	--	--

OUTLANDER

L4 2.4L 2378cc		F	57092		46215	24756		3	N/S		N/S
----------------	--	---	-------	--	-------	-------	--	---	-----	--	-----

2004
DIAMANTE

V6 3.5L 3497cc		P	51356	51356XP	46456	N/R			33550 ¹³⁸	K	51064 ⁵³ - Spin-on
----------------	--	---	-------	---------	-------	-----	--	--	----------------------	---	-------------------------------

ECLIPSE

L4 2.4L 2351cc	4G64	G	51356	51356XP	46028	24682		3	N/S		N/A - F4A42-2 51064 ⁵³ - Spin-on
V6 3.0L 2972cc	6G72	H	57092		46028	24682		3	N/S		N/A - F4A51-2 51064 ⁵³ - Spin-on

ENDEAVOR

V6 3.8L 3828CC 234CID		S	51356	51356XP	46873	24875 ¹⁶⁴		3	N/S		N/A
-----------------------	--	---	-------	---------	-------	----------------------	--	---	-----	--	-----

N/A = Not Available N/R = Not Required N/S = Not Serviceable For cabin and fuel filter locator, see pages 5-15 See pages 16-19 for footnotes

N/A = Non disponible N/R = Non nécessaire N/S = Non réparable Para la ubicación de los filtros de aire de la cabina y de combustible, ver las páginas 5-15 Voir pages 16-19 pour des notes

N/A = No disponible N/R = No requiere N/S = No servible Voir les tableaux de repérage des filtres d'habitacle et à carburant aux pages 5-15 Ver las páginas 16-19 para las notas al pie de página

Italicized Part Numbers May Not Be Available. Wix XP Oil Filters Have Fully Synthetic Media.

Las piezas con números en *italicas* pueden no estar disponibles. Los filtros de aceite WIX XP son completamente de media sintética. Les numéros de pièce en *italiques* peuvent ne pas être disponibles. Les filtres à huile XP Wix contiennent un matériau 100 % synthétique.

Year/Año/Année Model/Modelo/Modèle Engine/Motor/Moteur	Eng. Code Código de motor Code moteur	VIN NIV NIV	Oil Aceite Huile	Oil XP Aceite XP Huile XP	Air Aire Air	Cabin Air Cabina Aire Cabine Air	Cabin Air XP Cabina Aire XP Cabine Air XP	Loc. Cabin Air Cabina Aire Cabine Air	Fuel Combustible Carburant	Loc. Fuel Combustible Carburant	Transmission Transmisión Transmission
--	--	-------------------	------------------------	---------------------------------	--------------------	--	---	--	----------------------------------	--	---

mitsubishi (Cont'd/Suite)
2004 (Cont'd/Suite)
GALANT

L4 2.4L 2351cc	4G64	G	51356	51356XP	46873	24682		3	N/S		51064 ⁵³ - Spin-on
V6 3.8L 3828cc	6G75	S	51356	51356XP	46873	24682		3	N/S		N/A

L200

L4 2.5L (4D56) Diesel (Mex.)			51067		WA6579						
------------------------------	--	--	-------	--	--------	--	--	--	--	--	--

L300

L4 2.5L (4D56) Diesel (Mex.)			51067		42222						
------------------------------	--	--	-------	--	-------	--	--	--	--	--	--

LANCER

L4 2.0L 1998cc		E	51356	51356XP	46215	24756		3	N/S		N/A
----------------	--	---	-------	---------	-------	-------	--	---	-----	--	-----

LANCER EVOLUTION

L4 2.0L 1997cc Turbo	4G63	D	57092		46215	24756		3	N/S		MT ⁷²
----------------------	------	---	-------	--	-------	-------	--	---	-----	--	------------------

LANCER SPORTBACK

L4 2.4L 2351cc	4G64	F	57092		46215	N/R			N/S		N/A
----------------	------	---	-------	--	-------	-----	--	--	-----	--	-----

MONTERO

L4 2.5L (4D56) Diesel (Mex.)			51067								
V6 3.8L 3828CC 234CID			57092		42369	N/R			N/S		WL10374

MONTERO SPORT

V6 3.5L 3497cc		R	57092		46308	N/R			33580 ¹³⁸	Q	WL10374
----------------	--	---	-------	--	-------	-----	--	--	----------------------	---	---------

OUTLANDER

L4 2.4L 2351cc	4G64	G	57092		46215	24756		5	N/S		N/A
----------------	------	---	-------	--	-------	-------	--	---	-----	--	-----

SPACE STAR

L4 1.8L 1834cc (Mex.)			51334 ⁵³	51334XP	WA6367	WP9288			N/A		
-----------------------	--	--	---------------------	---------	--------	--------	--	--	-----	--	--

2003
DIAMANTE

V6 3.5L 3497cc		P	51356	51356XP	46456	N/R			33550 ¹³⁸	K	51064 ⁵³ - Spin-on
----------------	--	---	-------	---------	-------	-----	--	--	----------------------	---	-------------------------------

ECLIPSE

L4 2.4L 2351cc	4G64	G	51356	51356XP	46028	24682		3	N/S		N/A - F4A42-2 51064 ⁵³ - Spin-on
V6 3.0L 2972cc	6G72	H	57092		46028	24682		3	N/S		N/A - F4A51-2 51064 ⁵³ - Spin-on

ENDEAVOR

V6 3.8L 3828CC 234CID (Mex.)			51334 ⁵³	51334XP	46873	N/A		3	N/A		
------------------------------	--	--	---------------------	---------	-------	-----	--	---	-----	--	--

GALANT

L4 2.4L 2351cc	4G64	G	51356	51356XP	46028	24682		3	N/S		51064 ⁵³ - Spin-on
V6 3.0L 2972cc	6G72	L	57092		46028	24682		3	N/S		51064 ⁵³ - Spin-on

L200

L4 2.5L (4D56) Diesel (Mex.)			51067		WA6579						
------------------------------	--	--	-------	--	--------	--	--	--	--	--	--

L300

L4 2.5L (4D56) Diesel (Mex.)			51067		42222						
------------------------------	--	--	-------	--	-------	--	--	--	--	--	--

LANCER

L4 2.0L 1998cc		E	51356	51356XP	46215	24756		3	N/S		N/A
----------------	--	---	-------	---------	-------	-------	--	---	-----	--	-----

LANCER EVOLUTION

L4 2.0L 1997cc Turbo	4G63	F	57092		46215	24756		3	N/S		MT ⁷²
----------------------	------	---	-------	--	-------	-------	--	---	-----	--	------------------

MONTERO

L4 2.5L (4D56) Diesel (Mex.)			51067								
V6 3.8L 3828CC 234CID			57092		42369	N/R			N/S		WL10374

MONTERO SPORT

V6 3.0L 2972cc	6G72	H	57092		46057	N/R			33580 ¹³⁸	Q	WL10374
V6 3.5L 3497cc		R	57092		46308	N/R			33580 ¹³⁸	Q	WL10374

OUTLANDER

L4 2.4L 2351cc	4G64	G	57092		46215	24756		5	N/S		N/A
----------------	------	---	-------	--	-------	-------	--	---	-----	--	-----

SPACE STAR

L4 1.8L 1834cc (Mex.)			51334 ⁵³	51334XP	WA6367	WP9288			N/A		
-----------------------	--	--	---------------------	---------	--------	--------	--	--	-----	--	--

N/A = Not Available N/R = Not Required N/S = Not Serviceable For cabin and fuel filter locator, see pages 5-15 See pages 16-19 for footnotes

N/A = Non disponible N/R = Non nécessaire N/S = Non réparable Para la ubicación de los filtros de aire de la cabina y de combustible, ver las páginas 5-15 Voir pages 16-19 pour des notes

N/A = No disponible N/R = No requiere N/S = No servible Voir les tableaux de repérage des filtres d'habitacle et à carburant aux pages 5-15 Ver las páginas 16-19 para las notas al pie de página

Italicized Part Numbers May Not Be Available. Wix XP Oil Filters Have Fully Synthetic Media.

Las piezas con números en *italicas* pueden no estar disponibles. Los filtros de aceite WIX XP son completamente de media sintética.

Les numéros de pièce en *italiques* peuvent ne pas être disponibles. Les filtres à huile Wix contiennent un matériau 100 % synthétique.

MITSUBISHI 2002 — MOBILITY VENTURES 2011 Pass Car/Light Truck

Year/Año/Année Model/Modelo/Modèle Engine/Motor/Moteur	Eng. Code Código de motor Code moteur	VIN NIV NIV	Oil Aceite Huile	Oil XP Aceite XP Huile XP	Air Aire Air	Cabin Air Cabina Aire Cabine Air	Cabin Air XP Cabina Aire XP Cabine Air XP	Loc. Cabin Air Cabina Aire Cabine Air	Fuel Combustible Carburant	Loc. Fuel Combustible Carburant	Transmission Transmisión Transmission
--	---	-------------------	------------------------	---------------------------------	--------------------	--	---	--	----------------------------------	--	---

MITSUBISHI (Cont'd/Suite)
2002
DIAMANTE

V6 3.5L 3497cc		P	51356	51356XP	46456	N/R			33550 ¹³⁸	K	51064 ⁵³ - Spin-on
----------------	--	---	-------	---------	-------	-----	--	--	----------------------	---	-------------------------------

ECLIPSE

L4 2.4L 2351cc	4G64	G	51356	51356XP	46028	24682		3	N/S		N/A - F4A42-2 51064 ⁵³ - Spin-on
V6 3.0L 2972cc	6G72	H	57092		46028	24682		3	N/S		N/A - F4A51-2 51064 ⁵³ - Spin-on

GALANT

L4 2.4L 2351cc	4G64	G	51356	51356XP	46028	24682		3	N/S		51064 ⁵³ - Spin-on
V6 3.0L 2972cc	6G72	L	57092		46028	24682		3	N/S		51064 ⁵³ - Spin-on

L200

L4 2.5L (4D56) Diesel (Mex.)			51067		WA6579						
------------------------------	--	--	-------	--	--------	--	--	--	--	--	--

L300

L4 2.5L (4D56) Diesel (Mex.)			51067		42222						
------------------------------	--	--	-------	--	-------	--	--	--	--	--	--

LANCER

L4 2.0L 1998cc		E	51356	51356XP	46215	24756		3	N/S		N/A
----------------	--	---	-------	---------	-------	-------	--	---	-----	--	-----

MIRAGE

L4 1.5L 1468cc	4G15	A	51356	51356XP	46215	N/R			33553 ¹³⁸	F	51064 ⁵³ - Spin-on
L4 1.8L 1834cc	4G93	C	51356	51356XP	46215	N/R			33553 ¹³⁸	F	51064 ⁵³ - Spin-on

MONTERO

L4 2.5L (4D56) Diesel (Mex.)			51067								
V6 3.5L 3497cc		R	57092		42369	N/R			N/S		N/A

MONTERO SPORT

V6 3.0L 2972cc	6G72	H	57092		46057	N/R			33580 ¹³⁸	Q	58884
V6 3.5L 3497cc		R	57092		46308	N/R			33580 ¹³⁸	Q	58884

MOBILITY VENTURES
2017
MV-1

V6 3.7L 3700CC 226CID			N/S		49883	N/S			N/S		N/S
-----------------------	--	--	-----	--	-------	-----	--	--	-----	--	-----

2016
MV-1

V6 3.7L 3700CC 226CID			N/S		49883	N/S			N/S		N/S
-----------------------	--	--	-----	--	-------	-----	--	--	-----	--	-----

2015
MV-1

V6 3.7L 3700CC 226CID			N/S		49883	N/S			N/S		N/S
V8 4.6L 4600CC 281CID			51372 ⁵³	51372XP	49883	N/S			N/S		N/S

2014
MV-1

V8 4.6L 4600CC 281CID			51372 ⁵³	51372XP	49883	N/S			N/S		N/S
-----------------------	--	--	---------------------	---------	-------	-----	--	--	-----	--	-----

2013
MV-1

V8 4.6L 4600CC 281CID			51372 ⁵³	51372XP	49883	N/S			N/S		N/S
-----------------------	--	--	---------------------	---------	-------	-----	--	--	-----	--	-----

2012
MV-1

V8 4.6L 4600CC 281CID			51372 ⁵³	51372XP	49883	N/S			N/S		N/S
-----------------------	--	--	---------------------	---------	-------	-----	--	--	-----	--	-----

2011
MV-1

V8 4.6L 4600CC 281CID			51372 ⁵³	51372XP	49883	N/S			N/S		N/S
-----------------------	--	--	---------------------	---------	-------	-----	--	--	-----	--	-----

N/A = Not Available N/R = Not Required N/S = Not Serviceable For cabin and fuel filter locator, see pages 5-15 See pages 16-19 for footnotes

N/A = Non disponible N/R = Non nécessaire N/S = Non réparable Para la ubicación de los filtros de aire de la cabina y de combustible, ver las páginas 5-15 Voir pages 16-19 pour des notes

N/A = No disponible N/R = No requiere N/S = No servible Voir les tableaux de repérage des filtres d'habitacle et à carburant aux pages 5-15 Ver las páginas 16-19 para las notas al pie de página

Italicized Part Numbers May Not Be Available. Wix XP Oil Filters Have Fully Synthetic Media.

Las piezas con números en *italicas* pueden no estar disponibles. Los filtros de aceite WIX XP son completamente de media sintética. Les numéros de pièce en *italiques* peuvent ne pas être disponibles. Les filtres à huile XP Wix contiennent un matériau 100 % synthétique.

Year/Año/Année Model/Modelo/Modèle Engine/Motor/Moteur	Eng. Code Código de motor Code moteur	VIN NIV NIV	Oil Aceite Huile	Oil XP Aceite XP Huile XP	Air Aire Air	Cabin Air Cabina Aire Cabine Air	Cabin Air XP Cabina Aire XP Cabine Air XP	Loc. Cabin Air Cabina Aire Cabine Air	Fuel Combustible Carburant	Loc. Fuel Combustible Carburant	Transmission Transmisión Transmission
--	---	-------------------	------------------------	---------------------------------	--------------------	--	---	--	----------------------------------	--	---

NISSAN
2021
ALTIMA

L4 2.0L 2000CC 122CID Turbo	VC-Turbo		51358 ⁵³	51358XP	N/A	WP10447			N/S		N/S
L4 2.5L 2500CC 153CID	QR25DE		51358 ⁵³	51358XP	WA10947	WP10447			N/S		N/S

ARMADA

V8 5.6L 5552cc	VK56DE		57356 ⁵³	57356XP	WA10298	24854		2	N/S		N/S
----------------	--------	--	---------------------	---------	---------	-------	--	---	-----	--	-----

FRONTIER

V6 3.8L 3800CC 232CID	VQ38DD		57356 ⁵³	57356XP	N/A	24683XP			N/S		N/S
-----------------------	--------	--	---------------------	---------	-----	---------	--	--	-----	--	-----

GT-R

V6 3.8L 3799cc Turbo	VR38DETT		57356 ⁵³	57356XP	N/A	24479	24479XP	3	N/S		N/S
			57356 ⁵³	57356XP	N/A	24479	24479XP		N/S		N/S

KICKS

L4 1.6L 1618cc Turbo	MR16DDT		51358 ⁵³	51358XP	WA10908	WP10425			N/S		N/S
----------------------	---------	--	---------------------	---------	---------	---------	--	--	-----	--	-----

LEAF

Electric Electric	EM57		N/R		N/R	24012		3	N/R		N/R
-------------------	------	--	-----	--	-----	-------	--	---	-----	--	-----

MAXIMA

V6 3.5L 3498cc	VQ35DE		51358 ⁵³	51358XP	46116	WP10009	WP10009XP	3	N/S		N/A
----------------	--------	--	---------------------	---------	-------	---------	-----------	---	-----	--	-----

MURANO

V6 3.5L 3498cc	VQ35DE		51358 ⁵³	51358XP	46116	WP10009	WP10009XP	6	N/S		N/A
----------------	--------	--	---------------------	---------	-------	---------	-----------	---	-----	--	-----

NV1500

V6 4.0L 3954cc	VQ40DE		57356 ⁵³	57356XP	46213	N/R		3	N/S		N/R
----------------	--------	--	---------------------	---------	-------	-----	--	---	-----	--	-----

NV200

L4 2.0L 1997cc	MR20DE		51358 ⁵³	51358XP	49225	WP2026 ⁵¹			N/S		N/S
----------------	--------	--	---------------------	---------	-------	----------------------	--	--	-----	--	-----

NV2500

V6 4.0L 3954cc	VQ40DE		57356 ⁵³	57356XP	46213	24683	24683XP	3	N/S		N/R
V8 5.6L 5552cc	VK56DE		57356 ⁵³	57356XP	WA10680	24683	24683XP	2	N/S		N/R

NV3500

V6 4.0L 3954cc	VQ40DE		57356 ⁵³	57356XP	46213	24857	24857XP		N/S		N/R
V8 5.6L 5552cc	VK56DE		57356 ⁵³	57356XP	WA10680	24857	24857XP	2	N/S		N/S

PATHFINDER

V6 3.5L 3498cc	VQ35DE		51358 ⁵³	51358XP	46116	WP10009	WP10009XP	2	N/S		N/S
----------------	--------	--	---------------------	---------	-------	---------	-----------	---	-----	--	-----

QASHQAI

L4 2.0L 1997cc			51358 ⁵³	51358XP	WA10215	WP2100			N/S		N/S
			51358 ⁵³	51358XP	WA10215	WP2100			N/S		N/S

ROGUE

L4 2.5L 2500cc	QR25DE		51358 ⁵³	51358XP	WA10215	WP10179		3	N/S		N/S
----------------	--------	--	---------------------	---------	---------	---------	--	---	-----	--	-----

Rogue Sport

L4 2.0L 1997cc			51358 ⁵³	51358XP	WA10215	WP10179		3	N/S		N/S
----------------	--	--	---------------------	---------	---------	---------	--	---	-----	--	-----

SENTRA

L4 1.6L 1618cc Turbo			51358 ⁵³	51358XP	46044	24012			N/S		N/S
L4 1.8L 1798cc	MRA8DE		51358 ⁵³	51358XP	46044	24012			N/S		N/S
L4 2.0L 2000CC 122CID	MR20DD		51358 ⁵³	51358XP	N/A	WP10447			N/S		N/S

TITAN

V8 5.6L 5552cc	VK56DE		57356 ⁵³	57356XP	WA11040	24854		2	N/S		N/A
----------------	--------	--	---------------------	---------	---------	-------	--	---	-----	--	-----

TITAN XD

V8 5.6L 5552cc			57356 ⁵³	57356XP	WA10680	24854			N/S		N/S
----------------	--	--	---------------------	---------	---------	-------	--	--	-----	--	-----

VERSA

L4 1.6L 1598cc	HR16DE		51358 ⁵³	51358XP	WA10908	WP10277		3	N/S		N/S
----------------	--------	--	---------------------	---------	---------	---------	--	---	-----	--	-----

2020
370Z

V6 3.7L 3696cc	VQ37VHR		51358 ⁵³	51358XP	49362	24099			N/S		N/S
----------------	---------	--	---------------------	---------	-------	-------	--	--	-----	--	-----

ALTIMA

L4 2.0L 2000CC 122CID Turbo	VC-Turbo		51358 ⁵³	51358XP	N/A	WP10447			N/S		N/S
L4 2.5L 2500CC 153CID	QR25DE		51358 ⁵³	51358XP	WA10947	WP10447			N/S		N/S

N/A = Not Available N/R = Not Required N/S = Not Serviceable For cabin and fuel filter locator, see pages 5-15 See pages 16-19 for footnotes

N/A = Non disponible N/R = Non nécessaire N/S = Non réparable Para la ubicación de los filtros de aire de la cabina y de combustible, ver las páginas 5-15 Voir pages 16-19 pour des notes

N/A = No disponible N/R = No requiere N/S = No servible Voir les tableaux de repérage des filtres d'habitacle et à carburant aux pages 5-15 Ver las páginas 16-19 para las notas al pie de página

Italicized Part Numbers May Not Be Available. Wix XP Oil Filters Have Fully Synthetic Media.

Las piezas con números en *italicas* pueden no estar disponibles. Los filtros de aceite WIX XP son completamente de media sintética.

Les numéros de pièce en *italiques* peuvent ne pas être disponibles. Les filtres à huile XP Wix contiennent un matériau 100 % synthétique.

NISSAN 2020-2019
Pass Car/Light Truck

Year/Año/Année Model/Modelo/Modèle Engine/Motor/Moteur	Eng. Code Código de motor Code moteur	VIN NIV NIV	Oil Aceite Huile	Oil XP Aceite XP Huile XP	Air Aire Air	Cabin Air Cabina Aire Cabine Air	Cabin Air XP Cabina Aire XP Cabine Air XP	Loc. Cabin Air Cabina Aire Cabine Air	Fuel Combustible Carburant	Loc. Fuel Combustible Carburant	Transmission Transmisión Transmission
--	---	-------------------	------------------------	---------------------------------	--------------------	--	---	--	----------------------------------	--	---

NISSAN (Cont'd/Suite)
2020 (Cont'd/Suite)
ARMADA

V8 5.6L 5552cc	VK56DE		57356 ⁵³	57356XP	WA10298	24854			2	N/S	N/S
----------------	--------	--	---------------------	---------	---------	-------	--	--	---	-----	-----

FRONTIER

L4 2.5L 2500cc	QR25DE		51358 ⁵³	51358XP	46916	24683	24683XP		3	N/S	N/A
V6 3.8L 3800CC 232CID	VQ38DD		57356 ⁵³	57356XP	N/A	24683XP				N/S	N/S
V6 4.0L 3954cc	VQ40DE		57356 ⁵³	57356XP	46213	24683	24683XP		3	N/S	N/S

GT-R

V6 3.8L 3799cc Turbo	VR38DETT		57356 ⁵³	57356XP	N/A	24479	24479XP		3	N/S	N/S
			57356 ⁵³	57356XP	N/A	24479	24479XP			N/S	N/S

KICKS

L4 1.6L 1618cc Turbo	MR16DDT		51358 ⁵³	51358XP	WA10908	WP10425				N/S	N/S
----------------------	---------	--	---------------------	---------	---------	---------	--	--	--	-----	-----

LEAF

Electric Electric	EM57		N/R		N/R	24012			3	N/R	N/R
-------------------	------	--	-----	--	-----	-------	--	--	---	-----	-----

MAXIMA

V6 3.5L 3498cc	VQ35DE		51358 ⁵³	51358XP	46116	WP10009	WP10009XP		3	N/S	N/A
----------------	--------	--	---------------------	---------	-------	---------	-----------	--	---	-----	-----

MURANO

V6 3.5L 3498cc	VQ35DE		51358 ⁵³	51358XP	46116	WP10009	WP10009XP		6	N/S	N/A
----------------	--------	--	---------------------	---------	-------	---------	-----------	--	---	-----	-----

NV1500

V6 4.0L 3954cc	VQ40DE		57356 ⁵³	57356XP	46213	N/R			3	N/S	N/R
----------------	--------	--	---------------------	---------	-------	-----	--	--	---	-----	-----

NV200

L4 2.0L 1997cc	MR20DE		51358 ⁵³	51358XP	49225	WP2026 ⁶¹				N/S	N/S
----------------	--------	--	---------------------	---------	-------	----------------------	--	--	--	-----	-----

NV2500

V6 4.0L 3954cc	VQ40DE		57356 ⁵³	57356XP	46213	24683	24683XP		3	N/S	N/R
V8 5.6L 5552cc	VK56DE		57356 ⁵³	57356XP	WA10680	24683	24683XP		2	N/S	N/R

NV3500

V6 4.0L 3954cc	VQ40DE		57356 ⁵³	57356XP	46213	24857	24857XP			N/S	N/R
V8 5.6L 5552cc	VK56DE		57356 ⁵³	57356XP	WA10680	24857	24857XP		2	N/S	N/S

PATHFINDER

V6 3.5L 3498cc	VQ35DE		51358 ⁵³	51358XP	46116	WP10009	WP10009XP		2	N/S	N/S
----------------	--------	--	---------------------	---------	-------	---------	-----------	--	---	-----	-----

QASHQAI

L4 2.0L 1997cc			51358 ⁵³	51358XP	WA10215	WP2100				N/S	N/S
			51358 ⁵³	51358XP	WA10215	WP2100				N/S	N/S

ROGUE

L4 2.0L Electric/Gas			51358 ⁵³	51358XP	WA10215	WP10179			3	N/S	N/S
L4 2.5L 2500cc	QR25DE		51358 ⁵³	51358XP	WA10215	WP10179			3	N/S	N/S

Rogue Sport

L4 2.0L 1997cc			51358 ⁵³	51358XP	WA10215	WP10179			3	N/S	N/S
----------------	--	--	---------------------	---------	---------	---------	--	--	---	-----	-----

SENTRA

L4 1.6L 1618cc Turbo			51358 ⁵³	51358XP	46044	24012				N/S	N/S
L4 1.8L 1798cc	MRA8DE		51358 ⁵³	51358XP	46044	24012				N/S	N/S
L4 2.0L 2000CC 122CID	MR20DD		51358 ⁵³	51358XP	N/A	WP10447				N/S	N/S

TITAN

V8 5.6L 5552cc	VK56DE		57356 ⁵³	57356XP	WA11040	24854			2	N/S	N/A
----------------	--------	--	---------------------	---------	---------	-------	--	--	---	-----	-----

TITAN XD

V8 5.6L 5552cc			57356 ⁵³	57356XP	WA10680	24854				N/S	N/S
----------------	--	--	---------------------	---------	---------	-------	--	--	--	-----	-----

VERSA

L4 1.6L 1598cc	HR16DE		51358 ⁵³	51358XP	WA10908	WP10277			3	N/S	N/S
----------------	--------	--	---------------------	---------	---------	---------	--	--	---	-----	-----

VERSA NOTE

L4 1.6L 1598cc	HR16DE		51358 ⁵³	51358XP	49038	WP10277			3	N/S	N/R
----------------	--------	--	---------------------	---------	-------	---------	--	--	---	-----	-----

2019
370Z

V6 3.7L 3696cc	VQ37VHR		51358 ⁵³	51358XP	49362	24099				N/S	N/S
----------------	---------	--	---------------------	---------	-------	-------	--	--	--	-----	-----

ALTIMA

L4 2.0L 2000CC 122CID Turbo	VC-Turbo		51358 ⁵³	51358XP	N/A	WP10447				N/S	N/S
-----------------------------	----------	--	---------------------	---------	-----	---------	--	--	--	-----	-----

N/A = Not Available N/R = Not Required N/S = Not Serviceable For cabin and fuel filter locator, see pages 5-15 See pages 16-19 for footnotes

N/A = Non disponible N/R = Non nécessaire N/S = Non réparable Para la ubicación de los filtros de aire de la cabina y de combustible, ver las páginas 5-15 Voir pages 16-19 pour des notes

N/A = No disponible N/R = No requiere N/S = No servible Voir les tableaux de repérage des filtres d'habitacle et à carburant aux pages 5-15 Ver las páginas 16-19 para las notas al pie de página

Italicized Part Numbers May Not Be Available. Wix XP Oil Filters Have Fully Synthetic Media.

Las piezas con números en *italicas* pueden no estar disponibles. Los filtros de aceite WIX XP son completamente de media sintética. Les numéros de pièce en *italiques* peuvent ne pas être disponibles. Les filtres à huile XP Wix contiennent un matériau 100 % synthétique.

Year/Año/Année Model/Modelo/Modèle Engine/Motor/Moteur	Eng. Code Código de motor Code moteur	VIN NIV NIV	Oil Aceite Huile	Oil XP Aceite XP Huile XP	Air Aire Air	Cabin Air Cabina Aire Cabine Air	Cabin Air XP Cabina Aire XP Cabine Air XP	Loc. Cabin Air Cabina Aire Cabine Air	Fuel Combustible Carburant	Loc. Fuel Combustible Carburant	Transmission Transmisión Transmission
--	---	-------------------	------------------------	---------------------------------	--------------------	--	---	--	----------------------------------	--	---

NISSAN (Cont'd/Suite)

2019 (Cont'd/Suite)

ALTIMA (Cont'd/Suite)

L4 2.5L 2500CC 153CID	QR25DE		51358 ⁵³	51358XP	WA10947	WP10447			N/S		N/S
-----------------------	--------	--	---------------------	---------	---------	---------	--	--	-----	--	-----

ARMADA

V8 5.6L 5552cc	VK56DE		57356 ⁵³	57356XP	WA10298	24854		2	N/S		N/S
----------------	--------	--	---------------------	---------	---------	-------	--	---	-----	--	-----

FRONTIER

L4 2.5L 2500cc	QR25DE		51358 ⁵³	51358XP	46916	24683	24683XP	3	N/S		N/A
V6 4.0L 3954cc	VQ40DE		57356 ⁵³	57356XP	46213	24683	24683XP	3	N/S		N/S

GT-R

V6 3.8L 3799cc Turbo	VR38DETT		57356 ⁵³ 57356 ⁵³	57356XP 57356XP	N/A N/A	24479 24479	24479XP 24479XP	3	N/S N/S		N/S N/S
----------------------	----------	--	--	--------------------	------------	----------------	--------------------	---	------------	--	------------

KICKS

L4 1.6L 1618cc Turbo	MR16DDT		51358 ⁵³	51358XP	WA10908	WP10425			N/S		N/S
----------------------	---------	--	---------------------	---------	---------	---------	--	--	-----	--	-----

LEAF

Electric Electric	EM57		N/R		N/R	24012		3	N/R		N/R
-------------------	------	--	-----	--	-----	-------	--	---	-----	--	-----

MAXIMA

V6 3.5L 3498cc	VQ35DE		51358 ⁵³	51358XP	46116	WP10009	WP10009XP	3	N/S		N/A
----------------	--------	--	---------------------	---------	-------	---------	-----------	---	-----	--	-----

MICRA

L4 1.6L 1598cc	HR16DE		51365 ⁵³ 51365 ⁵³	51365XP 51365XP	49038 49038	WP10277 WP10277			N/S N/S		N/S N/S
----------------	--------	--	--	--------------------	----------------	--------------------	--	--	------------	--	------------

MURANO

V6 3.5L 3498cc	VQ35DE		51358 ⁵³	51358XP	46116	WP10009	WP10009XP	6	N/S		N/A
----------------	--------	--	---------------------	---------	-------	---------	-----------	---	-----	--	-----

NV1500

V6 4.0L 3954cc	VQ40DE		57356 ⁵³	57356XP	46213	N/R		3	N/S		N/R
----------------	--------	--	---------------------	---------	-------	-----	--	---	-----	--	-----

NV200

L4 2.0L 1997cc	MR20DE		51358 ⁵³	51358XP	49225	WP2026 ⁵¹			N/S		N/S
----------------	--------	--	---------------------	---------	-------	----------------------	--	--	-----	--	-----

NV2500

V6 4.0L 3954cc	VQ40DE		57356 ⁵³	57356XP	46213	24683	24683XP	3	N/S		N/R
V8 5.6L 5552cc	VK56DE		57356 ⁵³	57356XP	WA10680	24683	24683XP	2	N/S		N/A N/R

NV3500

V6 4.0L 3954cc	VQ40DE		57356 ⁵³	57356XP	46213	24857	24857XP		N/S		N/R
V8 5.6L 5552cc	VK56DE		57356 ⁵³	57356XP	WA10680	24857	24857XP	2	N/S		N/S

PATHFINDER

V6 3.5L 3498cc	VQ35DE		51358 ⁵³	51358XP	46116	WP10009	WP10009XP	2	N/S		N/S
----------------	--------	--	---------------------	---------	-------	---------	-----------	---	-----	--	-----

QASHQAI

L4 2.0L 1997cc			51358 ⁵³ 51358 ⁵³	51358XP 51358XP	WA10215 WA10215	WP2100 WP2100			N/S N/S		N/S N/S
----------------	--	--	--	--------------------	--------------------	------------------	--	--	------------	--	------------

ROGUE

L4 2.0L Electric/Gas			51358 ⁵³	51358XP	WA10215	WP10179		3	N/S		N/S
L4 2.5L 2500cc	QR25DE		51358 ⁵³	51358XP	WA10215	WP10179		3	N/S		N/S

Rogue Sport

L4 2.0L 1997cc			51358 ⁵³	51358XP	WA10215	WP10179		3	N/S		N/S
----------------	--	--	---------------------	---------	---------	---------	--	---	-----	--	-----

SENTRA

L4 1.6L 1618cc Turbo			51358 ⁵³	51358XP	46044	24012			N/S		N/S
L4 1.8L 1798cc	MRA8DE		51358 ⁵³	51358XP	46044	24012			N/S		N/S

TITAN

V8 5.6L 5552cc	VK56DE		57356 ⁵³	57356XP	WA11040	24854		2	N/S		N/A
----------------	--------	--	---------------------	---------	---------	-------	--	---	-----	--	-----

TITAN XD

V8 5.0L Turbo Diesel			WL10242		WA10437	24479	24479XP		WS10150 ⁵¹ WF10442 ⁵¹		N/S
V8 5.6L 5552cc			57356 ⁵³	57356XP	WA10680	24854			N/S		N/S

VERSA

L4 1.6L 1598cc	HR16DE		51358 ⁵³	51358XP	49038	WP10277		3	N/S		N/S
----------------	--------	--	---------------------	---------	-------	---------	--	---	-----	--	-----

VERSA NOTE

L4 1.6L 1598cc	HR16DE		51358 ⁵³	51358XP	49038	WP10277		3	N/S		N/A
----------------	--------	--	---------------------	---------	-------	---------	--	---	-----	--	-----

N/A = Not Available N/R = Not Required N/S = Not Serviceable For cabin and fuel filter locator, see pages 5-15 See pages 16-19 for footnotes
 N/A = Non disponible N/R = Non nécessaire N/S = Non Serviceable Para la ubicación de los filtros de aire de la cabina y de combustible, ver las páginas 5-15 Voir pages 16-19 pour des notes
 N/A = No disponible N/R = No requiere N/S = No servible Voir les tableaux de repérage des filtres d'habitacle et à carburant aux pages 5-15 Ver las páginas 16-19 para las notas al pie de página

Italicized Part Numbers May Not Be Available. Wix XP Oil Filters Have Fully Synthetic Media.
 Las piezas con números en *italicas* pueden no estar disponibles. Los filtros de aceite WIX XP son completamente de media sintética.
 Les numéros de pièce en *italiques* peuvent ne pas être disponibles. Les filtres à huile XP Wix contiennent un matériau 100 % synthétique.

NISSAN 2018
Pass Car/Light Truck

Year/Año/Année Model/Modelo/Modèle Engine/Motor/Moteur	Eng. Code Código de motor Code moteur	VIN NIV NIV	Oil Aceite Huile	Oil XP Aceite XP Huile XP	Air Aire Air	Cabin Air Cabina Aire Cabine Air	Cabin Air XP Cabina Aire XP Cabine Air XP	Loc. Cabin Air Cabina Aire Cabine Air	Fuel Combustible Carburant	Loc. Fuel Combustible Carburant	Transmission Transmisión Transmission
--	---	-------------------	------------------------	---------------------------------	--------------------	--	---	--	----------------------------------	--	---

NISSAN (Cont'd/Suite)
2018
370Z

V6 3.7L 3696cc	VQ37VHR		51358 ⁵³	51358XP	49362	24099			N/S		N/S
----------------	---------	--	---------------------	---------	-------	-------	--	--	-----	--	-----

ALTIMA

L4 2.5L 2500cc		A	51358 ⁵³	51358XP	49073	WP10009	WP10009XP	3	N/S		N/A
V6 3.5L 3498cc	VQ35DE	B	51358 ⁵³	51358XP	46116	WP10009	WP10009XP	3	N/S		N/A

ARMADA

V8 5.6L 5552cc	VK56DE		57356 ⁵³	57356XP	WA10298	24854		2	N/S		N/S
----------------	--------	--	---------------------	---------	---------	-------	--	---	-----	--	-----

FRONTIER

L4 2.5L 2500cc	QR25DE		51358 ⁵³	51358XP	46916	24683	24683XP	3	N/S		N/A
V6 4.0L 3954cc	VQ40DE		57356 ⁵³	57356XP	46213	24683	24683XP	3	N/S		N/S

GT-R

V6 3.8L 3799cc Turbo	VR38DETT		57356 ⁵³	57356XP	N/A	24479	24479XP	3	N/S		N/S
			57356 ⁵³	57356XP	N/A	24479	24479XP		N/S		N/S

KICKS

L4 1.6L 1618cc Turbo	MR16DDT		51358 ⁵³	51358XP	WA10908	WP10425			N/S		N/S
----------------------	---------	--	---------------------	---------	---------	---------	--	--	-----	--	-----

LEAF

Electric Electric	EM57		N/R		N/R	24012		3	N/R		N/R
-------------------	------	--	-----	--	-----	-------	--	---	-----	--	-----

MAXIMA

V6 3.5L 3498cc	VQ35DE		51358 ⁵³	51358XP	46116	WP10009	WP10009XP	3	N/S		N/A
----------------	--------	--	---------------------	---------	-------	---------	-----------	---	-----	--	-----

MICRA

L4 1.6L 1598cc	HR16DE		51365 ⁵³	51365XP	49038	WP10277			N/S		N/S
			51365 ⁵³	51365XP	49038	WP10277			N/S		N/S

MURANO

V6 3.5L 3498cc	VQ35DE		51358 ⁵³	51358XP	46116	WP10009	WP10009XP	6	N/S		N/A
----------------	--------	--	---------------------	---------	-------	---------	-----------	---	-----	--	-----

NP300

L4 2.5L 2488cc (Mex.)			51521		WA9540	N/A			N/A		
-----------------------	--	--	-------	--	--------	-----	--	--	-----	--	--

NV1500

V6 4.0L 3954cc	VQ40DE		57356 ⁵³	57356XP	46213	N/R		3	N/S		N/R
----------------	--------	--	---------------------	---------	-------	-----	--	---	-----	--	-----

NV200

L4 2.0L 1997cc	MR20DE		51358 ⁵³	51358XP	49225	WP2026 ⁶¹			N/S		N/S
----------------	--------	--	---------------------	---------	-------	----------------------	--	--	-----	--	-----

NV2500

V6 4.0L 3954cc	VQ40DE		57356 ⁵³	57356XP	46213	24683	24683XP	3	N/S		N/R
V8 5.6L 5552cc	VK56DE		57356 ⁵³	57356XP	WA10680	24683	24683XP	2	N/S		N/A
											N/R

NV2500 HD

V6 4.0L		B	57356 ⁵³	57356XP	46213	N/R			N/S		N/R
---------	--	---	---------------------	---------	-------	-----	--	--	-----	--	-----

NV3500

V6 4.0L 3954cc	VQ40DE		57356 ⁵³	57356XP	46213	24857	24857XP		N/S		N/R
V8 5.6L 5552cc	VK56DE		57356 ⁵³	57356XP	WA10680	24857	24857XP	2	N/S		N/S

NV3500 HD

V6 4.0L		B	57356 ⁵³	57356XP	46213	N/R			N/S		N/R
---------	--	---	---------------------	---------	-------	-----	--	--	-----	--	-----

PATHFINDER

V6 3.5L 3498cc	VQ35DE		51358 ⁵³	51358XP	46116	WP10009	WP10009XP	2	N/S		N/S
----------------	--------	--	---------------------	---------	-------	---------	-----------	---	-----	--	-----

QASHQAI

L4 2.0L 1997cc			51358 ⁵³	51358XP	WA10215	WP2100			N/S		N/S
			51358 ⁵³	51358XP	WA10215	WP2100			N/S		N/S

ROGUE

L4 2.0L Electric/Gas			51358 ⁵³	51358XP	WA10215	WP10179		3	N/S		N/S
L4 2.5L 2500cc	QR25DE		51358 ⁵³	51358XP	WA10215	WP10179		3	N/S		N/S

Rogue Sport

L4 2.0L 1997cc			51358 ⁵³	51358XP	WA10215	WP10179		3	N/S		N/S
----------------	--	--	---------------------	---------	---------	---------	--	---	-----	--	-----

SENTRA

L4 1.6L 1618cc Turbo			51358 ⁵³	51358XP	46044	24012			N/S		N/S
L4 1.8L 1798cc	MRA8DE		51358 ⁵³	51358XP	46044	24012			N/S		N/S

N/A = Not Available N/R = Not Required N/S = Not Serviceable For cabin and fuel filter locator, see pages 5-15 See pages 16-19 for footnotes

N/A = Non disponible N/R = Non nécessaire N/S = Non réparable Para la ubicación de los filtros de aire de la cabina y de combustible, ver las páginas 5-15 Voir pages 16-19 pour des notes

N/A = No disponible N/R = No requiere N/S = No servible Voir les tableaux de repérage des filtres d'habitacle et à carburant aux pages 5-15 Ver las páginas 16-19 para las notas al pie de página

Italicized Part Numbers May Not Be Available. Wix XP Oil Filters Have Fully Synthetic Media.

Las piezas con números en *italicas* pueden no estar disponibles. Los filtros de aceite WIX XP son completamente de media sintética. Les numéros de pièce en *italiques* peuvent ne pas être disponibles. Les filtres à huile XP Wix contiennent un matériau 100 % synthétique.

Year/Año/Année Model/Modelo/Modèle Engine/Motor/Moteur	Eng. Code Código de motor Code moteur	VIN NIV NIV	Oil Aceite Huile	Oil XP Aceite XP Huile XP	Air Aire Air	Cabin Air Cabina Aire Cabine Air	Cabin Air XP Cabina Aire XP Cabine Air XP	Loc. Cabin Air Cabina Aire Cabine Air	Fuel Combustible Carburant	Loc. Fuel Combustible Carburant	Transmission Transmisión Transmission
--	---	-------------------	------------------------	---------------------------------	--------------------	--	---	--	----------------------------------	--	---

NISSAN (Cont'd/Suite)
2018 (Cont'd/Suite)
TIIDA

L4 1.8L 1798cc (Mex.)	MR18DE		51358 ⁵³	51358XP	49225	24829				N/S	
-----------------------	--------	--	---------------------	---------	-------	-------	--	--	--	-----	--

TITAN

V8 5.6L 5552cc	VK56DE		57356 ⁵³	57356XP	WA11040	24854		2		N/S	N/A
----------------	--------	--	---------------------	---------	---------	-------	--	---	--	-----	-----

TITAN XD

V8 5.0L Turbo Diesel			WL10242		WA10437	24479	24479XP			WS10150 ⁵¹ WF10442 ⁵¹	N/S
----------------------	--	--	---------	--	---------	-------	---------	--	--	--	-----

V8 5.6L 5552cc			57356 ⁵³	57356XP	WA10680	24854				N/S	N/S
----------------	--	--	---------------------	---------	---------	-------	--	--	--	-----	-----

VERSA

L4 1.6L 1598cc	HR16DE		51358 ⁵³	51358XP	49038	WP10277		3		N/S	N/S
----------------	--------	--	---------------------	---------	-------	---------	--	---	--	-----	-----

VERSA NOTE

L4 1.6L 1598cc	HR16DE		51358 ⁵³	51358XP	49038	WP10277		3		N/S	N/A
----------------	--------	--	---------------------	---------	-------	---------	--	---	--	-----	-----

2017
370Z

V6 3.7L 3696cc	VQ37VHR	A	51358 ⁵³	51358XP	49362	24099				N/S	N/S
----------------	---------	---	---------------------	---------	-------	-------	--	--	--	-----	-----

ALTIMA

L4 2.5L 2500cc		A	51358 ⁵³	51358XP	49073	WP10009	WP10009XP	3		N/S	N/A
----------------	--	---	---------------------	---------	-------	---------	-----------	---	--	-----	-----

V6 3.5L 3498cc	VQ35DE	B	51358 ⁵³	51358XP	46116	WP10009	WP10009XP	3		N/S	N/A
----------------	--------	---	---------------------	---------	-------	---------	-----------	---	--	-----	-----

ARMADA

V8 5.6L 5552cc	VK56DE		57356 ⁵³	57356XP	WA10298	24854		2		N/S	N/S
----------------	--------	--	---------------------	---------	---------	-------	--	---	--	-----	-----

FRONTIER

L4 2.5L 2500cc	QR25DE		51358 ⁵³	51358XP	46916	24683	24683XP	3		N/S	N/A
----------------	--------	--	---------------------	---------	-------	-------	---------	---	--	-----	-----

V6 4.0L 3954cc	VQ40DE		57356 ⁵³	57356XP	46213	24683	24683XP	3		N/S	N/S
----------------	--------	--	---------------------	---------	-------	-------	---------	---	--	-----	-----

GT-R

V6 3.8L 3799cc Turbo	VR38DETT		57356 ⁵³ 57356 ⁵³	57356XP 57356XP	N/A N/A	24479 24479	24479XP 24479XP	3		N/S N/S	N/S N/S
----------------------	----------	--	--	--------------------	------------	----------------	--------------------	---	--	------------	------------

JUKE

L4 1.6L 1618cc Turbo	MR16DDT		51358 ⁵³	51358XP	46044	24012		3		N/S	N/A
----------------------	---------	--	---------------------	---------	-------	-------	--	---	--	-----	-----

LEAF

Electric Electric	EM57		N/R		N/R	24012		3		N/R	N/R
-------------------	------	--	-----	--	-----	-------	--	---	--	-----	-----

MARCH

L4 1.6L 1598cc (Mex.)	HR16DE		51358 ⁵³	51358XP		WP6990				N/S	N/A
-----------------------	--------	--	---------------------	---------	--	--------	--	--	--	-----	-----

MAXIMA

V6 3.5L 3498cc	VQ35DE	B	51358 ⁵³	51358XP	46116	WP10009	WP10009XP	3		N/S	N/A
----------------	--------	---	---------------------	---------	-------	---------	-----------	---	--	-----	-----

MICRA

1.2i 12V			51358	51358XP	WA9707	WP2026 ⁵¹				N/S	
----------	--	--	-------	---------	--------	----------------------	--	--	--	-----	--

1.2i 12V (Mex.)			51358	51358XP	WA9707	WP2026 ⁵¹				N/S	
-----------------	--	--	-------	---------	--------	----------------------	--	--	--	-----	--

L4 1.6L 1598cc	HR16DE		51365 ⁵³ 51365 ⁵³	51365XP 51365XP	49038 49038	WP10277 WP10277				N/S N/S	N/S N/S
----------------	--------	--	--	--------------------	----------------	--------------------	--	--	--	------------	------------

MURANO

V6 3.5L 3498cc	VQ35DE	A	51358 ⁵³	51358XP	46116	WP10009	WP10009XP	6		N/S	N/A
----------------	--------	---	---------------------	---------	-------	---------	-----------	---	--	-----	-----

NP300

L4 2.5L 2488cc (Mex.)	QR25DE		51358	51358XP	N/A	N/A					N/S
-----------------------	--------	--	-------	---------	-----	-----	--	--	--	--	-----

NV1500

V6 4.0L 3954cc	VQ40DE		57356 ⁵³	57356XP	46213	N/R		3		N/S	N/R
----------------	--------	--	---------------------	---------	-------	-----	--	---	--	-----	-----

NV200

L4 2.0L 1997cc	MR20DE		51358 ⁵³	51358XP	49225	WP2026 ⁵¹				N/S	N/S
----------------	--------	--	---------------------	---------	-------	----------------------	--	--	--	-----	-----

NV2500

V6 4.0L 3954cc	VQ40DE		57356 ⁵³	57356XP	46213	24683	24683XP	3		N/S	N/R
----------------	--------	--	---------------------	---------	-------	-------	---------	---	--	-----	-----

V8 5.6L 5552cc	VK56DE		57356 ⁵³	57356XP	WA10680	24683	24683XP	2		N/S	N/A N/R
----------------	--------	--	---------------------	---------	---------	-------	---------	---	--	-----	------------

NV3500

V6 4.0L 3954cc	VQ40DE	B	57356 ⁵³	57356XP	46213	24857	24857XP			N/S	N/R
----------------	--------	---	---------------------	---------	-------	-------	---------	--	--	-----	-----

V8 5.6L 5552cc	VK56DE		57356 ⁵³	57356XP	46213 WA10680 ³⁸⁵	24857	24857XP	2		N/S	N/S
----------------	--------	--	---------------------	---------	---------------------------------	-------	---------	---	--	-----	-----

N/A = Not Available N/R = Not Required N/S = Not Serviceable For cabin and fuel filter locator, see pages 5-15 See pages 16-19 for footnotes

N/A = Non disponible N/R = Non nécessaire N/S = Non réparable Para la ubicación de los filtros de aire de la cabina y de combustible, ver las páginas 5-15 Voir pages 16-19 pour des notes

N/A = No disponible N/R = No requiere N/S = No servible Voir les tableaux de repérage des filtres d'habitacle et à carburant aux pages 5-15 Ver las páginas 16-19 para las notas al pie de página

Italicized Part Numbers May Not Be Available. Wix XP Oil Filters Have Fully Synthetic Media.

Las piezas con números en *italicas* pueden no estar disponibles. Los filtros de aceite WIX XP son completamente de media sintética.

Les numéros de pièce en *italiques* peuvent ne pas être disponibles. Les filtres à huile Wix contiennent un matériau 100 % synthétique.

NISSAN 2017-2016
Pass Car/Light Truck

Year/Año/Année Model/Modelo/Modèle Engine/Motor/Moteur	Eng. Code Código de motor Code moteur	VIN NIV NIV	Oil Aceite Huile	Oil XP Aceite XP Huile XP	Air Aire Air	Cabin Air Cabina Aire Cabine Air	Cabin Air XP Cabina Aire XP Cabine Air XP	Loc. Cabin Air Cabina Aire Cabine Air	Fuel Combustible Carburant	Loc. Fuel Combustible Carburant	Transmission Transmisión Transmission
--	--	-------------------	------------------------	---------------------------------	--------------------	--	---	--	----------------------------------	--	---

NISSAN (Cont'd/Suite)
2017 (Cont'd/Suite)
PATHFINDER

V6 3.5L 3498cc	VQ35DE		51358 ⁵³	51358XP	46116	WP10009	WP10009XP	2	N/S		N/S
----------------	--------	--	---------------------	---------	-------	---------	-----------	---	-----	--	-----

QASHQAI

L4 2.0L 1997cc			51358 ⁵³	51358XP	WA10215	WP2100			N/S		N/S
			51358 ⁵³	51358XP	WA10215	WP2100			N/S		N/S

QUEST

V6 3.5L 3498cc	VQ35DE		51358 ⁵³	51358XP	46116	24400	24400XP	6	N/S		N/S
----------------	--------	--	---------------------	---------	-------	-------	---------	---	-----	--	-----

ROGUE

L4 2.0L Electric/Gas			51358 ⁵³	51358XP	WA10215	WP10179		3	N/S		N/S
L4 2.5L 2500cc	QR25DE		51358 ⁵³	51358XP	WA10215	WP10179		3	N/S		N/S

Rogue Sport

L4 2.0L 1997cc			51358 ⁵³	51358XP	WA10215	WP10179		3	N/S		N/S
----------------	--	--	---------------------	---------	---------	---------	--	---	-----	--	-----

SENTRA

L4 1.6L 1618cc Turbo			51358 ⁵³	51358XP	46044	24012			N/S		N/S
L4 1.8L 1798cc	MRA8DE		51358 ⁵³	51358XP	46044	24012			N/S		N/S

TIIDA

L4 1.8L 1798cc (Mex.)	MR18DE		51358 ⁵³	51358XP	49225	24829			N/S		
-----------------------	--------	--	---------------------	---------	-------	-------	--	--	-----	--	--

TITAN

V8 5.6L 5552cc	VK56DE	A,B	57356 ⁵³	57356XP	WA11040	24854		2	N/S		N/A
----------------	--------	-----	---------------------	---------	---------	-------	--	---	-----	--	-----

TITAN XD

V8 5.0L Turbo Diesel			WL10242		WA10437	24479	24479XP		WS10150 ⁶¹	WF10442 ⁶¹	N/S
V8 5.6L 5552cc			57356 ⁵³	57356XP	WA10680	24854			N/S		N/S

TSURU

L4 1.6L 1597cc (Mex.)			51361		N/A				33477 ⁵³	N/A ⁵³	
-----------------------	--	--	-------	--	-----	--	--	--	---------------------	-------------------	--

VERSA

L4 1.6L 1598cc	HR16DE		51358 ⁵³	51358XP	49038	WP10277		3	N/S		N/S
----------------	--------	--	---------------------	---------	-------	---------	--	---	-----	--	-----

VERSA NOTE

L4 1.6L 1598cc	HR16DE		51358 ⁵³	51358XP	49038	WP10277		3	N/S		N/A
----------------	--------	--	---------------------	---------	-------	---------	--	---	-----	--	-----

X-TRAIL

L4 2.5L 2488cc (Mex.)	QR25DE		51358 ⁵³	51358XP	WA10215				N/S		
-----------------------	--------	--	---------------------	---------	---------	--	--	--	-----	--	--

2016
370Z

V6 3.7L 3696cc	VQ37VHR	A	51358 ⁵³	51358XP	49362	24099			N/S		N/S
----------------	---------	---	---------------------	---------	-------	-------	--	--	-----	--	-----

ALTIMA

L4 2.5L 2500cc		A	51358 ⁵³	51358XP	49073	WP10009	WP10009XP	3	N/S		N/A
V6 3.5L 3498cc	VQ35DE	B	51358 ⁵³	51358XP	46116	WP10009	WP10009XP	3	N/S		N/A

CABSTAR

L4 2.5L (Mex.)			51521		N/S	N/S			N/S		N/S
----------------	--	--	-------	--	-----	-----	--	--	-----	--	-----

FRONTIER

L4 2.5L 2500cc	QR25DE		51358 ⁵³	51358XP	46916	24683	24683XP	3	N/S		N/A
V6 4.0L 3954cc	VQ40DE		57356 ⁵³	57356XP	46213	24683	24683XP	3	N/S		N/S

GT-R

V6 3.8L 3799cc Turbo	VR38DETT	A	57356 ⁵³	57356XP	N/A	24479	24479XP	3	N/S		MT ⁷²
----------------------	----------	---	---------------------	---------	-----	-------	---------	---	-----	--	------------------

JUKE

L4 1.6L 1618cc Turbo	MR16DDT		51358 ⁵³	51358XP	46044	24012		3	N/S		N/A
----------------------	---------	--	---------------------	---------	-------	-------	--	---	-----	--	-----

LEAF

Electric Electric	EM57		N/R		N/R	24012		3	N/R		N/R
-------------------	------	--	-----	--	-----	-------	--	---	-----	--	-----

MARCH

L4 1.6L 1598cc (Mex.)	HR16DE		51358 ⁵³	51358XP		WP6990			N/S		N/A
-----------------------	--------	--	---------------------	---------	--	--------	--	--	-----	--	-----

MAXIMA

V6 3.5L 3498cc	VQ35DE	B	51358 ⁵³	51358XP	46116	WP10009	WP10009XP	3	N/S		N/A
----------------	--------	---	---------------------	---------	-------	---------	-----------	---	-----	--	-----

N/A = Not Available N/R = Not Required N/S = Not Serviceable For cabin and fuel filter locator, see pages 5-15 See pages 16-19 for footnotes

N/A = Non disponible N/R = Non nécessaire N/S = Non réparable Para la ubicación de los filtros de aire de la cabina y de combustible, ver las páginas 5-15 Voir pages 16-19 pour des notes

N/A = No disponible N/R = No requiere N/S = No servible Voir les tableaux de repérage des filtres d'habitacle et à carburant aux pages 5-15 Ver las páginas 16-19 para las notas al pie de página

Italicized Part Numbers May Not Be Available. Wix XP Oil Filters Have Fully Synthetic Media.

Las piezas con números en *italicas* pueden no estar disponibles. Los filtros de aceite WIX XP son completamente de media sintética. Les numéros de pièce en *italiques* peuvent ne pas être disponibles. Les filtres à huile XP Wix contiennent un matériau 100 % synthétique.

Year/Año/Année Model/Modelo/Modèle Engine/Motor/Moteur	Eng. Code Código de motor Code moteur	VIN NIV NIV	Oil Aceite Huile	Oil XP Aceite XP Huile XP	Air Aire Air	Cabin Air Cabina Aire Cabine Air	Cabin Air XP Cabina Aire XP Cabine Air XP	Loc. Cabin Air Cabina Aire Cabine Air	Fuel Combustible Carburant	Loc. Fuel Combustible Carburant	Transmission Transmisión Transmission
--	---	-------------------	------------------------	---------------------------------	--------------------	--	---	--	----------------------------------	--	---

NISSAN (Cont'd/Suite)

2016 (Cont'd/Suite)
MICRA

1.2i 12V			51358	51358XP	WA9707	WP2026 ⁵¹			N/S		
1.2i 12V (Mex.)			51358	51358XP	WA9707	WP2026 ⁵¹			N/S		
L4 1.6L 1598cc	HR16DE		51358 ⁵³	51358XP	49038				N/S		N/S

MURANO

V6 3.5L 3498cc	VQ35DE	A	51358 ⁵³	51358XP	46116	WP10009	WP10009XP	6	N/S		N/A
----------------	--------	---	---------------------	---------	-------	---------	-----------	---	-----	--	-----

MURANO Hybrid

L4 2.5L (QR25DE)	FI		51358 ⁵³	51358XP	WA10267	WP10009	WP10009XP		N/S		N/S
------------------	----	--	---------------------	---------	---------	---------	-----------	--	-----	--	-----

NOTE

L4 1.6L 1598cc (Mex.)			51358 ⁵³	51358XP	49038	WP6990			N/S		
-----------------------	--	--	---------------------	---------	-------	--------	--	--	-----	--	--

NP300

L4 2.5L 2488cc (Mex.)	QR25DE		51358	51358XP	N/A	N/A					N/S
L4 2.5L 2488cc Turbo Diesel (Mex.)	YD25DDTI		51358 ⁵³	51358XP	49175	N/S					N/S

NV1500

V6 4.0L 3954cc	VQ40DE		57356 ⁵³	57356XP	46213	N/R		3	N/S		N/R
----------------	--------	--	---------------------	---------	-------	-----	--	---	-----	--	-----

NV200

L4 2.0L 1997cc	MR20DE		51358 ⁵³	51358XP	49225	N/R			N/S		N/S
----------------	--------	--	---------------------	---------	-------	-----	--	--	-----	--	-----

NV2500

V6 4.0L 3954cc	VQ40DE		57356 ⁵³	57356XP	46213	24683	24683XP	3	N/S		N/R
V8 5.6L 5552cc	VK56DE		57356 ⁵³	57356XP	46213	24683	24683XP	2	N/S		N/A N/R

NV350 URVAN

L4 2.5L (Mex.)			51521 - Diesel 57356 - Gas	57356XP - Gas	42222	N/S			N/S		
----------------	--	--	-------------------------------	---------------	-------	-----	--	--	-----	--	--

NV3500

V6 4.0L 3954cc	VQ40DE	B	57356 ⁵³	57356XP	46213	24857	24857XP		N/S		N/R
V8 5.6L 5552cc	VK56DE		57356 ⁵³	57356XP	46213	24857	24857XP	2	N/S		N/S

PATHFINDER

V6 3.5L 3498cc	VQ35DE		51358 ⁵³	51358XP	46116	WP10009	WP10009XP	2	N/S		N/S
----------------	--------	--	---------------------	---------	-------	---------	-----------	---	-----	--	-----

QUEST

V6 3.5L 3498cc	VQ35DE		51358 ⁵³	51358XP	46116	24400	24400XP	6	N/S		N/S
----------------	--------	--	---------------------	---------	-------	-------	---------	---	-----	--	-----

ROGUE

L4 2.5L 2500cc	QR25DE		51358 ⁵³	51358XP	WA10215	WP10179		3	N/S		N/S
----------------	--------	--	---------------------	---------	---------	---------	--	---	-----	--	-----

SENTRA

L4 1.8L 1798cc	MRA8DE		51358 ⁵³	51358XP	46044	24012			N/S		N/S
----------------	--------	--	---------------------	---------	-------	-------	--	--	-----	--	-----

TIIDA

L4 1.8L 1798cc (Mex.)	MR18DE		51358 ⁵³	51358XP	49225	24829			N/S		
-----------------------	--------	--	---------------------	---------	-------	-------	--	--	-----	--	--

TITAN XD

V8 5.0L Turbo Diesel			WL10242		WA10437	24479	24479XP		WS10150 ⁵¹ WF10442 ⁵¹		N/S
V8 5.6L 5552cc			57356 ⁵³	57356XP	WA10680	24854			N/S		

TSURU

L4 1.6L 1597cc (Mex.)			51361		46044				33477		
-----------------------	--	--	-------	--	-------	--	--	--	-------	--	--

VERSA

L4 1.6L 1598cc	HR16DE		51358 ⁵³	51358XP	49038	WP10277		3	N/S		N/S
----------------	--------	--	---------------------	---------	-------	---------	--	---	-----	--	-----

VERSA NOTE

L4 1.6L 1598cc	HR16DE		51358 ⁵³	51358XP	49038	WP10277		3	N/S		N/A
----------------	--------	--	---------------------	---------	-------	---------	--	---	-----	--	-----

X-TRAIL

L4 2.5L 2488cc (Mex.)	QR25DE		51358 ⁵³	51358XP	WA10215				N/S		
-----------------------	--------	--	---------------------	---------	---------	--	--	--	-----	--	--

2015
370Z

V6 3.7L 3696cc	VQ37VHR	A	51358 ⁵³	51358XP	49362	24099			N/S		N/S
----------------	---------	---	---------------------	---------	-------	-------	--	--	-----	--	-----

N/A = Not Available N/R = Not Required N/S = Not Serviceable For cabin and fuel filter locator, see pages 5-15 See pages 16-19 for footnotes

N/A = Non disponible N/R = Non nécessaire N/S = Non réparable Para la ubicación de los filtros de aire de la cabina y de combustible, ver las páginas 5-15 Voir pages 16-19 pour des notes

N/A = No disponible N/R = No requiere N/S = No servible Voir les tableaux de repérage des filtres d'habitacle et à carburant aux pages 5-15 Ver las páginas 16-19 para las notas al pie de página

Italicized Part Numbers May Not Be Available. Wix XP Oil Filters Have Fully Synthetic Media.

Las piezas con números en *italicas* pueden no estar disponibles. Los filtros de aceite WIX XP son completamente de media sintética.

Les numéros de pièce en *italiques* peuvent ne pas être disponibles. Les filtres à huile Wix contiennent un matériau 100 % synthétique.

NISSAN 2015
Pass Car/Light Truck

Year/Año/Année Model/Modelo/Modèle Engine/Motor/Moteur	Eng. Code Código de motor Code moteur	VIN NIV NIV	Oil Aceite Huile	Oil XP Aceite XP Huile XP	Air Aire Air	Cabin Air Cabina Aire Cabine Air	Cabin Air XP Cabina Aire XP Cabine Air XP	Loc. Cabin Air Cabina Aire Cabine Air	Fuel Combustible Carburant	Loc. Fuel Combustible Carburant	Transmission Transmisión Transmission
--	---	-------------------	------------------------	---------------------------------	--------------------	--	---	--	----------------------------------	--	---

NISSAN (Cont'd/Suite)
2015 (Cont'd/Suite)
ALTIMA

L4 2.5L 2500cc	QR25DE	A	51358 ⁵³	51358XP	49073	WP10009	WP10009XP	3	N/S	N/A
V6 3.5L 3498cc	VQ35DE	B	51358 ⁵³	51358XP	46116	WP10009	WP10009XP	3	N/S	N/S

ARMADA

V8 5.6L 5552cc	VK56DE	A,B	57356 ⁵³	57356XP	46213	24854		2	N/S	N/S
----------------	--------	-----	---------------------	---------	-------	-------	--	---	-----	-----

CABSTAR

L4 2.5L (Mex.)			51521		N/S	N/S			N/S	N/S
----------------	--	--	-------	--	-----	-----	--	--	-----	-----

FRONTIER

L4 2.5L 2500cc	QR25DE	B	51358 ⁵³	51358XP	46916	24683	24683XP	3	N/S	N/S
V6 4.0L 3954cc	VQ40DE	A	57356 ⁵³	57356XP	46213	24683	24683XP	3	N/S	N/S

GT-R

V6 3.8L 3799cc Turbo	VR38DETT	A	57356 ⁵³	57356XP	N/A	24479	24479XP	3	N/S	MT ⁷²
----------------------	----------	---	---------------------	---------	-----	-------	---------	---	-----	------------------

JUKE

L4 1.6L 1618cc Turbo	MR16DDT		51358 ⁵³	51358XP	46044	24012		3	N/S	N/S
----------------------	---------	--	---------------------	---------	-------	-------	--	---	-----	-----

LEAF

Electric Electric	EM57		N/R		N/R	24012		3	N/R	N/R
-------------------	------	--	-----	--	-----	-------	--	---	-----	-----

MARCH

L4 1.6L 1598cc (Mex.)	HR16DE		51358 ⁵³	51358XP		N/A WP6990			N/S	N/A
-----------------------	--------	--	---------------------	---------	--	---------------	--	--	-----	-----

MAXIMA

V6 3.5L (Mex.)			51358	51358XP	46116	24400	24400XP		N/S	N/S
----------------	--	--	-------	---------	-------	-------	---------	--	-----	-----

MICRA

1.2i 12V			51358	51358XP	WA9707	WP2026 ⁶¹			N/S	
1.2i 12V (Mex.)			51358	51358XP	WA9707	WP2026 ⁶¹			N/S	
L4 1.6L 1598cc	HR16DE		51358 ⁵³	51358XP	49038				N/S	N/S

MURANO

V6 3.5L 3498cc	VQ35DE	A	51358 ⁵³	51358XP	46116	24400	24400XP	6	N/S	N/S
----------------	--------	---	---------------------	---------	-------	-------	---------	---	-----	-----

NOTE

L4 1.6L 1598cc (Mex.)			51358 ⁵³	51358XP	49038	WP6990			N/S	
-----------------------	--	--	---------------------	---------	-------	--------	--	--	-----	--

NP300

L4 2.4L (KA24DEN) (Mex.)			57356 ⁵³	57356XP	46027				33023	
L4 2.5L 2488cc Turbo Diesel (Mex.)	YD25DDTI		51358 ⁵³	51358XP	46027	N/S			33477 ⁵³	

NV1500

V6 4.0L 3954cc	VQ40DE		57356 ⁵³	57356XP	46213	24683	24683XP	3	N/S	N/A
----------------	--------	--	---------------------	---------	-------	-------	---------	---	-----	-----

NV200

L4 2.0L 1997cc	MR20DE	C	51358 ⁵³	51358XP	49225	N/R			N/S	N/S
----------------	--------	---	---------------------	---------	-------	-----	--	--	-----	-----

NV2500

V6 4.0L 3954cc	VQ40DE	B	57356 ⁵³	57356XP	46213	24683	24683XP	3	N/S	N/A
V8 5.6L 5552cc	VK56DE	A	57356 ⁵³	57356XP	46213	24683	24683XP	2	N/S	N/A

NV350 URVAN

L4 2.5L 2488cc (Mex.)	QR25DE		57356 ⁵³	57356XP	42222					
L4 2.5L 2488cc Turbo Diesel (Mex.)	YD25DDTI		51307		42222					

NV3500

V6 4.0L 3954cc	VQ40DE	B	57356 ⁵³	57356XP	46213	24857	24857XP		N/S	N/A
V8 5.6L 5552cc	VK56DE	A	57356 ⁵³	57356XP	46213	24857	24857XP	2	N/S	N/A

PATHFINDER

L4 2.5L 2488cc Electric/Gas	QR25DER	C	51358 ⁵³	51358XP	WA10267	WP10009	WP10009XP	2	N/S	N/S
V6 3.5L 3498cc	VQ35DE	A	51358 ⁵³	51358XP	46116	WP10009	WP10009XP	2	N/S	N/S

QUEST

V6 3.5L 3498cc	VQ35DE	A	51358 ⁵³	51358XP	46116	24400	24400XP	6	N/S	N/S
----------------	--------	---	---------------------	---------	-------	-------	---------	---	-----	-----

ROGUE

L4 2.5L 2500cc	QR25DE		51358 ⁵³	51358XP	WA10215	WP10179		3	N/S	N/S
----------------	--------	--	---------------------	---------	---------	---------	--	---	-----	-----

N/A = Not Available N/R = Not Required N/S = Not Serviceable For cabin and fuel filter locator, see pages 5-15 See pages 16-19 for footnotes

N/A = Non disponible N/R = Non nécessaire N/S = Non réparable Para la ubicación de los filtros de aire de la cabina y de combustible, ver las páginas 5-15 Voir pages 16-19 pour des notes

N/A = No disponible N/R = No requiere N/S = No servible Voir les tableaux de repérage des filtres d'habitacle et à carburant aux pages 5-15 Ver las páginas 16-19 para las notas al pie de página

Italicized Part Numbers May Not Be Available. Wix XP Oil Filters Have Fully Synthetic Media.

Las piezas con números en *italicas* pueden no estar disponibles. Los filtros de aceite WIX XP son completamente de media sintética. Les numéros de pièce en *italiques* peuvent ne pas être disponibles. Les filtres à huile XP Wix contiennent un matériau 100 % synthétique.

Year/Año/Année Model/Modelo/Modèle Engine/Motor/Moteur	Eng. Code Código de motor Code moteur	VIN NIV NIV	Oil Aceite Huile	Oil XP Aceite XP Huile XP	Air Aire Air	Cabin Air Cabina Aire Cabine Air	Cabin Air XP Cabina Aire XP Cabine Air XP	Loc. Cabin Air Cabina Aire Cabine Air	Fuel Combustible Carburant	Loc. Fuel Combustible Carburant	Transmission Transmisión Transmission
--	---	-------------------	------------------------	---------------------------------	--------------------	--	---	--	----------------------------------	--	---

NISSAN (Cont'd/Suite)
2015 (Cont'd/Suite)
ROGUE SELECT

L4 2.5L 2500cc	QR25DE		51358 ⁵³	51358XP	46044	WP10233		3	N/S		N/S
----------------	--------	--	---------------------	---------	-------	---------	--	---	-----	--	-----

SENTRA

L4 1.8L 1798cc	MRA8DE		51358 ⁵³	51358XP	46044	24012			N/S		N/S
----------------	--------	--	---------------------	---------	-------	-------	--	--	-----	--	-----

TIIDA

L4 1.8L 1798cc (Mex.)	MR18DE		51358 ⁵³	51358XP	49225	24829			N/S		
-----------------------	--------	--	---------------------	---------	-------	-------	--	--	-----	--	--

TITAN

V8 5.6L 5552cc	VK56DE	A,B	57356 ⁵³	57356XP	46213	24854		2	N/S		N/A
----------------	--------	-----	---------------------	---------	-------	-------	--	---	-----	--	-----

TSURU

L4 1.6L 1597cc (Mex.)			51361		46044				33477		
-----------------------	--	--	-------	--	-------	--	--	--	-------	--	--

VERSA

L4 1.6L 1598cc	HR16DE		51358 ⁵³	51358XP	49038	WP10277		3	N/S		58996
----------------	--------	--	---------------------	---------	-------	---------	--	---	-----	--	-------

VERSA NOTE

L4 1.6L 1598cc	HR16DE	C	51358 ⁵³	51358XP	49038	WP10277		3	N/S		N/A
----------------	--------	---	---------------------	---------	-------	---------	--	---	-----	--	-----

XTERRA

V6 4.0L 3954cc	VQ40DE	A	57356 ⁵³	57356XP	46213	24683	24683XP	3	N/S		N/A
----------------	--------	---	---------------------	---------	-------	-------	---------	---	-----	--	-----

X-TRAIL

L4 2.5L 2488cc (Mex.)	QR25DE		51358 ⁵³	51358XP	46044				N/S		
-----------------------	--------	--	---------------------	---------	-------	--	--	--	-----	--	--

2014
370Z

V6 3.7L 3696cc	VQ37VHR	A	51358 ⁵³	51358XP	49362	24099			N/S		N/S
----------------	---------	---	---------------------	---------	-------	-------	--	--	-----	--	-----

ALTIMA

L4 2.5L 2500cc	QR25DE	A	51358 ⁵³	51358XP	49073	WP10009	WP10009XP	3	N/S		N/A
V6 3.5L 3498cc	VQ35DE	B	51358 ⁵³	51358XP	46116	WP10009	WP10009XP	3	N/S		N/S

ARMADA

V8 5.6L 5552cc	VK56DE	A,B	57356 ⁵³	57356XP	46213	24854		2	N/S		N/S
----------------	--------	-----	---------------------	---------	-------	-------	--	---	-----	--	-----

CUBE

L4 1.8L 1798cc	MR18DE	B	51358 ⁵³	51358XP	49225	24012		3	N/S		58996
----------------	--------	---	---------------------	---------	-------	-------	--	---	-----	--	-------

FRONTIER

L4 2.5L 2500cc	QR25DE	B	51358 ⁵³	51358XP	46916	24683	24683XP	3	N/S		N/S
V6 4.0L 3954cc	VQ40DE	A	57356 ⁵³	57356XP	46213	24683	24683XP	3	33023		N/S

GT-R

V6 3.8L 3799cc Turbo	VR38DETT	A	57356 ⁵³	57356XP	N/A	24479	24479XP	3	N/S		MT ⁷²
----------------------	----------	---	---------------------	---------	-----	-------	---------	---	-----	--	------------------

JUKE

L4 1.6L 1618cc Turbo	MR16DDT		51358 ⁵³	51358XP	46044	24012		3	N/S		N/S
----------------------	---------	--	---------------------	---------	-------	-------	--	---	-----	--	-----

LEAF

Electric Electric	EM57		N/R		N/R	24012		3	N/R		N/R
-------------------	------	--	-----	--	-----	-------	--	---	-----	--	-----

MARCH

L4 1.6L 1598cc (Mex.)	HR16DE		51358 ⁵³	51358XP	N/A	WP6990			N/S		N/A
-----------------------	--------	--	---------------------	---------	-----	--------	--	--	-----	--	-----

MAXIMA

V6 3.5L 3498cc	VQ35DE	B	51358 ⁵³	51358XP	46116	24400	24400XP	3	N/S		N/S
----------------	--------	---	---------------------	---------	-------	-------	---------	---	-----	--	-----

MICRA

1.2i 12V			51358	51358XP	WA9707	WP2026 ⁵¹			N/S		
1.2i 12V (Mex.)			51358	51358XP	WA9707	WP2026 ⁵¹			N/S		

MURANO

V6 3.5L 3498cc	VQ35DE	A	51358 ⁵³	51358XP	46116	24400	24400XP	6	N/S		N/S
----------------	--------	---	---------------------	---------	-------	-------	---------	---	-----	--	-----

MURANO Cross Cabriolet

V6 3.5L 3498cc	VQ35DE	A	51358 ⁵³	51358XP	46116	24400	24400XP	6	N/S		N/S
----------------	--------	---	---------------------	---------	-------	-------	---------	---	-----	--	-----

NOTE

L4 1.6L 1598cc (Mex.)			51358 ⁵³	51358XP	49038	WP6990			N/S		
-----------------------	--	--	---------------------	---------	-------	--------	--	--	-----	--	--

NP300

L4 2.4L (KA24DEN) (Mex.)			57356 ⁵³	57356XP	46027				33023		
L4 2.5L 2488cc Turbo Diesel (Mex.)	YD25DDTI		51358 ⁵³	51358XP	46027	N/S			33477 ⁵³		

N/A = Not Available N/R = Not Required N/S = Not Serviceable For cabin and fuel filter locator, see pages 5-15 See pages 16-19 for footnotes

N/A = Non disponible N/R = Non nécessaire N/S = Non réparable Para la ubicación de los filtros de aire de la cabina y de combustible, ver las páginas 5-15 Voir pages 16-19 pour des notes

N/A = No disponible N/R = No requiere N/S = No servible Voir les tableaux de repérage des filtres d'habitacle et à carburant aux pages 5-15 Ver las páginas 16-19 para las notas al pie de página

Italicized Part Numbers May Not Be Available. Wix XP Oil Filters Have Fully Synthetic Media.

Las piezas con números en *italicas* pueden no estar disponibles. Los filtros de aceite WIX XP son completamente de media sintética.

Les numéros de pièce en *italiques* peuvent ne pas être disponibles. Les filtres à huile XP Wix contiennent un matériau 100 % synthétique.

NISSAN 2014-2013

Pass Car/Light Truck

Year/Año/Année Model/Modelo/Modèle Engine/Motor/Moteur	Eng. Code Código de motor Code moteur	VIN NIV NIV	Oil Aceite Huile	Oil XP Aceite XP Huile XP	Air Aire Air	Cabin Air Cabina Aire Cabine Air	Cabin Air XP Cabina Aire XP Cabine Air XP	Loc. Cabin Air Cabina Aire Cabine Air	Fuel Combustible Carburant	Loc. Fuel Combustible Carburant	Transmission Transmisión Transmission
--	---	-------------------	------------------------	---------------------------------	--------------------	--	---	--	----------------------------------	--	---

NISSAN (Cont'd/Suite)

2014 (Cont'd/Suite)

NV1500

V6 4.0L 3954cc	VQ40DE		57356 ⁵³	57356XP	46213	N/R		3	N/S		N/A
----------------	--------	--	---------------------	---------	-------	-----	--	---	-----	--	-----

NV200

L4 2.0L 1997cc	MR20DE	C	51358 ⁵³	51358XP	49225	N/R			N/S		N/S
----------------	--------	---	---------------------	---------	-------	-----	--	--	-----	--	-----

NV2500

V6 4.0L 3954cc	VQ40DE	B	57356 ⁵³	57356XP	46213	24683	24683XP	3	N/S		N/A
V8 5.6L 5552cc	VK56DE	A	57356 ⁵³	57356XP	46213	24683	24683XP	2	N/S		N/A

NV350 URVAN

L4 2.5L 2488cc (Mex.)	QR25DE		57356 ⁵³	57356XP	42222						
L4 2.5L 2488cc Turbo Diesel (Mex.)	YD25DDTI		51307		42222						

NV3500

V6 4.0L 3954cc	VQ40DE	B	57356 ⁵³	57356XP	46213	24857	24857XP		N/S		N/A
V8 5.6L 5552cc	VK56DE	A	57356 ⁵³	57356XP	46213	24857	24857XP	2	N/S		N/A

PATHFINDER

L4 2.5L 2488cc Electric/Gas	QR25DER	C	51358 ⁵³	51358XP	WA10267	WP10009	WP10009XP	2	N/S		N/S
V6 3.5L 3498cc	VQ35DE	A	51358 ⁵³	51358XP	46116	WP10009	WP10009XP	2	N/S		N/S

PICK UP NP300

L4 2.5L 2488cc Turbo Diesel (Mex.)			51521		WA9540				33138		
------------------------------------	--	--	-------	--	--------	--	--	--	-------	--	--

QUEST

V6 3.5L 3498cc	VQ35DE	A	51358 ⁵³	51358XP	46116	24400	24400XP	6	N/S		N/S
----------------	--------	---	---------------------	---------	-------	-------	---------	---	-----	--	-----

ROGUE

L4 2.5L 2500cc	QR25DE		51358 ⁵³	51358XP	WA10215	WP10179		3	N/S		N/S
----------------	--------	--	---------------------	---------	---------	---------	--	---	-----	--	-----

ROGUE SELECT

L4 2.5L 2500cc	QR25DE		51358 ⁵³	51358XP	46044	WP10233		3	N/S		N/S
----------------	--------	--	---------------------	---------	-------	---------	--	---	-----	--	-----

SENTRA

L4 1.8L 1798cc	MRA8DE		51358 ⁵³	51358XP	46044	24012			N/S		N/S
----------------	--------	--	---------------------	---------	-------	-------	--	--	-----	--	-----

TIIDA

L4 1.8L 1798cc (Mex.)	MR18DE		51358 ⁵³	51358XP	49225	24829			N/S		
-----------------------	--------	--	---------------------	---------	-------	-------	--	--	-----	--	--

TITAN

V8 5.6L 5552cc	VK56DE	A,B	57356 ⁵³	57356XP	46213	24854		2	N/S		N/A
----------------	--------	-----	---------------------	---------	-------	-------	--	---	-----	--	-----

TSURU

L4 1.6L 1597cc (Mex.)			51356	51356XP	46044				33477		
-----------------------	--	--	-------	---------	-------	--	--	--	-------	--	--

VERSA

L4 1.6L 1598cc	HR16DE	C	51358 ⁵³	51358XP	49038	WP10277		3	N/S		58996
----------------	--------	---	---------------------	---------	-------	---------	--	---	-----	--	-------

VERSA NOTE

L4 1.6L 1598cc	HR16DE	C	51358 ⁵³	51358XP	49038	WP10277		3	N/S		N/A
----------------	--------	---	---------------------	---------	-------	---------	--	---	-----	--	-----

XTERRA

V6 4.0L 3954cc	VQ40DE	A	57356 ⁵³	57356XP	46213	24683	24683XP	3	N/S		58906
----------------	--------	---	---------------------	---------	-------	-------	---------	---	-----	--	-------

X-TRAIL

L4 2.5L 2488cc (Mex.)	QR25DE		51358 ⁵³	51358XP	WA10215				N/S		
-----------------------	--------	--	---------------------	---------	---------	--	--	--	-----	--	--

2013

370Z

V6 3.7L 3696cc	VQ37VHR	A	51358 ⁵³	51358XP	49362	24099			N/S		N/S
----------------	---------	---	---------------------	---------	-------	-------	--	--	-----	--	-----

ALTIMA

L4 2.5L 2500cc	QR25DE	A	51358 ⁵³	51358XP	49073	WP10009	WP10009XP	3	N/S		N/A
V6 3.5L 3498cc	VQ35DE	B	51358 ⁵³	51358XP	46116	WP10009	WP10009XP	3	N/S		N/S

ALTIMA COUPE

L4 2.5L 2500cc	QR25DE	A	51358 ⁵³	51358XP	49057	24400	24400XP	3	N/S		58140
----------------	--------	---	---------------------	---------	-------	-------	---------	---	-----	--	-------

ARMADA

V8 5.6L 5552cc	VK56DE	A,B	57356 ⁵³	57356XP	46213	24854		2	N/S		N/S
----------------	--------	-----	---------------------	---------	-------	-------	--	---	-----	--	-----

CUBE

L4 1.8L 1798cc	MR18DE	B	51358 ⁵³	51358XP	49225	24012		3	N/S		58996
----------------	--------	---	---------------------	---------	-------	-------	--	---	-----	--	-------

N/A = Not Available N/R = Not Required N/S = Not Serviceable For cabin and fuel filter locator, see pages 5-15 See pages 16-19 for footnotes
 N/A = Non disponible N/R = Non réparable N/S = Non serviceable Para la ubicación de los filtros de aire de la cabina y de combustible, ver las páginas 5-15 Voir pages 16-19 pour des notes
 N/A = No disponible N/R = No requiere N/S = No servible Voir les tableaux de repérage des filtres d'habitacle et à carburant aux pages 5-15 Ver las páginas 16-19 para las notas al pie de página

Italicized Part Numbers May Not Be Available. Wix XP Oil Filters Have Fully Synthetic Media.

Las piezas con números en *italicas* pueden no estar disponibles. Los filtros de aceite Wix XP son completamente de media sintética. Les numéros de pièce en *italiques* peuvent ne pas être disponibles. Les filtres à huile XP Wix contiennent un matériau 100 % synthétique.

Year/Año/Année Model/Modelo/Modèle Engine/Motor/Moteur	Eng. Code Código de motor Code moteur	VIN NIV NIV	Oil Aceite Huile	Oil XP Aceite XP Huile XP	Air Aire Air	Cabin Air Cabina Aire Cabine Air	Cabin Air XP Cabina Aire XP Cabine Air XP	Loc. Cabin Air Cabina Aire Cabine Air	Fuel Combustible Carburant	Loc. Fuel Combustible Carburant	Transmission Transmisión Transmission
--	--	-------------------	------------------------	---------------------------------	--------------------	--	---	--	----------------------------------	--	---

NISSAN (Cont'd/Suite)

2013 (Cont'd/Suite)
FRONTIER

L4 2.5L 2500cc	QR25DE	B	51358 ⁵³	51358XP	46916	24683	24683XP	3	N/S		N/S
V6 4.0L 3954cc	VQ40DE	A	57356 ⁵³	57356XP	46213	24683	24683XP	3	33023		N/S

GT-R

V6 3.8L 3799cc Turbo	VR38DETT	A	57356 ⁵³	57356XP	N/A	24479	24479XP	3	N/S		MT ²
----------------------	----------	---	---------------------	---------	-----	-------	---------	---	-----	--	-----------------

JUKE

L4 1.6L 1618cc Turbo	MR16DDT		51358 ⁵³	51358XP	46044	24012		3	N/S		N/S
----------------------	---------	--	---------------------	---------	-------	-------	--	---	-----	--	-----

LEAF

Electric Electric	EM61		N/R		N/R	24012		3	N/R		N/R
-------------------	------	--	-----	--	-----	-------	--	---	-----	--	-----

MARCH

L4 1.6L 1598cc (Mex.)	HR16DE		51358 ⁵³	51358XP		WP6990			N/S		N/A
-----------------------	--------	--	---------------------	---------	--	--------	--	--	-----	--	-----

MAXIMA

V6 3.5L 3498cc	VQ35DE	B	51358 ⁵³	51358XP	46116	24400	24400XP	3	N/S		N/S
----------------	--------	---	---------------------	---------	-------	-------	---------	---	-----	--	-----

MICRA

1.2i 12V			51358	51358XP	WA9707	WP2026 ⁵¹			N/S		
1.2i 12V (Mex.)			51358	51358XP	WA9707	WP2026 ⁵¹			N/S		

MURANO

V6 3.5L 3498cc	VQ35DE	A	51358 ⁵³	51358XP	46116	24400	24400XP	6	N/S		N/S
----------------	--------	---	---------------------	---------	-------	-------	---------	---	-----	--	-----

NP300

L4 2.4L (KA24DEN) (Mex.)			57356 ⁵³	57356XP	46027				N/R		
L4 2.5L 2488cc Turbo Diesel (Mex.)	YD25DDTI		WL7302		WA9540	N/S			33343 N/A		N/S

NV1500

V6 4.0L 3954cc	VQ40DE		57356 ⁵³	57356XP	46213	24683	24683XP	3	N/S		N/S
----------------	--------	--	---------------------	---------	-------	-------	---------	---	-----	--	-----

NV200

L4 2.0L 1997cc	MR20DE		51358 ⁵³	51358XP	49225	N/R			N/S		N/S
----------------	--------	--	---------------------	---------	-------	-----	--	--	-----	--	-----

NV2500

V6 4.0L 3954cc	VQ40DE		57356 ⁵³	57356XP	46213	24683	24683XP	3	N/S		N/S
V8 5.6L 5552cc	VK56DE		57356 ⁵³	57356XP	46213	24683	24683XP	2	N/S		N/S

NV350 URVAN

L4 2.5L 2488cc (Mex.)	QR25DE		57356 ⁵³	57356XP	42222						
L4 2.5L 2488cc Turbo Diesel (Mex.)	YD25DDTI		51307		42222						

NV3500

V6 4.0L 3954cc	VQ40DE		57356 ⁵³	57356XP	46213	24857	24857XP		N/S		N/S
V8 5.6L 5552cc	VK56DE		57356 ⁵³	57356XP	46213	24857	24857XP	2	N/S		N/S

PATHFINDER

V6 3.5L 3498cc	VQ35DE	A	51358 ⁵³	51358XP	46116	WP10009	WP10009XP	2	N/S		N/S
----------------	--------	---	---------------------	---------	-------	---------	-----------	---	-----	--	-----

PICK UP NP300

L4 2.4L 2389cc (Mex.)			57356 ⁵³	57356XP	46027	N/A			33477		
L4 2.5L 2488cc Turbo Diesel (Mex.)			WL7302		WA9540	N/A			N/A		

QUEST

V6 3.5L 3498cc	VQ35DE	A	51358 ⁵³	51358XP	46116	24400	24400XP	6	N/S		N/S
----------------	--------	---	---------------------	---------	-------	-------	---------	---	-----	--	-----

ROGUE

L4 2.5L 2500cc	QR25DE	A	51358 ⁵³	51358XP	46044	49352	49352XP	3	N/S		N/S
----------------	--------	---	---------------------	---------	-------	-------	---------	---	-----	--	-----

SENTRA

L4 1.8L 1798cc	MRA8DE		51358 ⁵³	51358XP	46044	24012			N/S		N/S
----------------	--------	--	---------------------	---------	-------	-------	--	--	-----	--	-----

TIIDA

L4 1.5L 1461cc Diesel (Mex.)	K9K		57207		N/A	24829			N/A		
L4 1.6L 1598cc (Mex.)	HR16DE		N/A		49225	24829					58996
L4 1.8L 1798cc (Mex.)	MR18DE		51358 ⁵³	51358XP	49225	24829			N/S		

TITAN

V8 5.6L 5552cc	VK56DE	A,B	57356 ⁵³	57356XP	46213	24854		2	N/S		N/S
----------------	--------	-----	---------------------	---------	-------	-------	--	---	-----	--	-----

N/A = Not Available N/R = Not Required N/S = Not Serviceable For cabin and fuel filter locator, see pages 5-15 See pages 16-19 for footnotes

N/A = Non disponible N/R = Non nécessaire N/S = Non réparable Para la ubicación de los filtros de aire de la cabina y de combustible, ver las páginas 5-15 Voir pages 16-19 pour des notes

N/A = No disponible N/R = No requiere N/S = No servible Voir les tableaux de repérage des filtres d'habitacle et à carburant aux pages 5-15 Ver las páginas 16-19 para las notas al pie de página

Italicized Part Numbers May Not Be Available. Wix XP Oil Filters Have Fully Synthetic Media.

Las piezas con números en *italicas* pueden no estar disponibles. Los filtros de aceite WIX XP son completamente de media sintética.

Les numéros de pièce en *italiques* peuvent ne pas être disponibles. Les filtres à huile XP Wix contiennent un matériau 100 % synthétique.

NISSAN 2013-2012
Pass Car/Light Truck

Year/Año/Année Model/Modelo/Modèle Engine/Motor/Moteur	Eng. Code Código de motor Code moteur	VIN NIV NIV	Oil Aceite Huile	Oil XP Aceite XP Huile XP	Air Aire Air	Cabin Air Cabina Aire Cabine Air	Cabin Air XP Cabina Aire XP Cabine Air XP	Loc. Cabin Air Cabina Aire Cabine Air	Fuel Combustible Carburant	Loc. Fuel Combustible Carburant	Transmission Transmisión Transmission
--	---	-------------------	------------------------	---------------------------------	--------------------	--	---	--	----------------------------------	--	---

NISSAN (Cont'd/Suite)
2013 (Cont'd/Suite)
TSURU

L4 1.6L 1597cc (Mex.)			51356	51356XP	46044				33477		
-----------------------	--	--	-------	---------	-------	--	--	--	-------	--	--

URVAN

L4 2.5L (QR25DE) (Mex.)	FI		57356 ⁵³	57356XP	42222						
L4 3.0L DDTI Diesel (Mex.)			WL7418		42222				N/A		

VERSA

L4 1.6L 1598cc	HR16DE		51358 ⁵³	51358XP	49038	24829		3	N/S		58996
----------------	--------	--	---------------------	---------	-------	-------	--	---	-----	--	-------

XTERRA

V6 4.0L 3954cc	VQ40DE	A	57356 ⁵³	57356XP	46213	24683	24683XP	3	N/S		58906
----------------	--------	---	---------------------	---------	-------	-------	---------	---	-----	--	-------

X-TRAIL

L4 2.5L 2488cc (Mex.)	QR25DE		57356 ⁵³	57356XP	WA10033	24857	24857XP		N/S		
-----------------------	--------	--	---------------------	---------	---------	-------	---------	--	-----	--	--

2012
370Z

V6 3.7L 3696cc	VQ37VHR	A	51358 ⁵³	51358XP	49362	24099 ⁶⁴			N/S		N/S
----------------	---------	---	---------------------	---------	-------	---------------------	--	--	-----	--	-----

ALTIMA

L4 2.5L 2488cc Electric/Gas (Mex.)	QR25DER		51358 ⁵³	51358XP	49057	24400	24400XP		N/S		
L4 2.5L 2500cc	QR25DE	A	51358 ⁵³	51358XP	49057	24400	24400XP	3	N/S		N/A
V6 3.5L 3498cc	VQ35DE	B	51358 ⁵³	51358XP	46116	24400	24400XP	3	N/S		N/S

ARMADA

V8 5.6L 5552cc	VK56DE	A,B	51358 ⁵³	51358XP	46213	24854		2	N/S		N/S
----------------	--------	-----	---------------------	---------	-------	-------	--	---	-----	--	-----

CABSTAR

L4 2.5L 2488cc (Mex.)			51521		WA10160	N/A			WF8439		
-----------------------	--	--	-------	--	---------	-----	--	--	--------	--	--

CUBE

L4 1.8L 1798cc	MR18DE	B	51358 ⁵³	51358XP	49225	24012		3	N/S		58996
----------------	--------	---	---------------------	---------	-------	-------	--	---	-----	--	-------

FRONTIER

L4 2.4L 2389cc (Mex.)	KA24DEN		N/A		46027	N/A			N/A		
L4 2.5L 2500cc	QR25DE	B	51358 ⁵³	51358XP	46916	24683	24683XP	3	N/S		N/S
V6 4.0L 3954cc	VQ40DE	A	57356 ⁵³	57356XP	46213	24683	24683XP	3	N/S		N/S

GT-R

V6 3.8L 3799cc Turbo	VR38DETT	A	57356 ⁵³	57356XP	N/A	24479	24479XP	3	N/S		MT ⁷²
----------------------	----------	---	---------------------	---------	-----	-------	---------	---	-----	--	------------------

JUKE

L4 1.6L 1618cc Turbo	MR16DDT		51358 ⁵³	51358XP	46044	24012		3	N/S		N/S
----------------------	---------	--	---------------------	---------	-------	-------	--	---	-----	--	-----

LEAF

Electric Electric	EM61		N/R		N/R	24012		3	N/R		N/R
-------------------	------	--	-----	--	-----	-------	--	---	-----	--	-----

MARCH

L4 1.6L 1598cc (Mex.)	HR16DE		51358 ⁵³	51358XP	49038	WP6990					N/A
-----------------------	--------	--	---------------------	---------	-------	--------	--	--	--	--	-----

MAXIMA

V6 3.5L 3498cc	VQ35DE	B	51358 ⁵³	51358XP	46116	24400	24400XP	3	N/S		N/S
----------------	--------	---	---------------------	---------	-------	-------	---------	---	-----	--	-----

MICRA

1.2i 12V			51358	51358XP	WA9707	WP2026 ⁶¹			N/S		
1.2i 12V (Mex.)			51358	51358XP	WA9707	WP2026 ⁶¹			N/S		

MURANO

V6 3.5L 3498cc	VQ35DE	A	51358 ⁵³	51358XP	46116	24400	24400XP	6	N/S		N/S
----------------	--------	---	---------------------	---------	-------	-------	---------	---	-----	--	-----

NP300

L4 2.4L (KA24DEN) (Mex.)			57356 ⁵³	57356XP	46027				N/R		
L4 2.5L 2488cc Turbo Diesel (Mex.)	YD25DDTI		WL7302		WA9540	N/S			33343 N/A		N/S

NV1500

V6 4.0L 3954cc	VQ40DE		51358 ⁵³	51358XP	46213	24683	24683XP	3	N/S		N/S
----------------	--------	--	---------------------	---------	-------	-------	---------	---	-----	--	-----

NV2500

V6 4.0L 3954cc	VQ40DE	A	51358 ⁵³	51358XP	46213	24683	24683XP	3	N/S		58906
V8 5.6L 5552cc	VK56DE	A,B	51358 ⁵³	51358XP	46213	24683	24683XP	2	N/S		N/S

N/A = Not Available N/R = Not Required N/S = Not Serviceable For cabin and fuel filter locator, see pages 5-15 See pages 16-19 for footnotes

N/A = Non disponible N/R = Non nécessaire N/S = Non réparable Para la ubicación de los filtros de aire de la cabina y de combustible, ver las páginas 5-15 Voir pages 16-19 pour des notes

N/A = No disponible N/R = No requiere N/S = No servible Voir les tableaux de repérage des filtres d'habitacle et à carburant aux pages 5-15 Ver las páginas 16-19 para las notas al pie de página

Italicized Part Numbers May Not Be Available. Wix XP Oil Filters Have Fully Synthetic Media.

Las piezas con números en *italicas* pueden no estar disponibles. Los filtros de aceite WIX XP son completamente de media sintética. Les numéros de pièce en *italiques* peuvent ne pas être disponibles. Les filtres à huile XP Wix contiennent un matériau 100 % synthétique.

Year/Año/Année Model/Modelo/Modèle Engine/Motor/Moteur	Eng. Code Código de motor Code moteur	VIN NIV NIV	Oil Aceite Huile	Oil XP Aceite XP Huile XP	Air Aire Air	Cabin Air Cabina Aire Cabine Air	Cabin Air XP Cabina Aire XP Cabine Air XP	Loc. Cabin Air Cabina Aire Cabine Air	Fuel Combustible Carburant	Loc. Fuel Combustible Carburant	Transmission Transmisión Transmission
--	---	-------------------	------------------------	---------------------------------	--------------------	--	---	--	----------------------------------	--	---

NISSAN (Cont'd/Suite)
2012 (Cont'd/Suite)
NV3500

V6 4.0L 3954cc	VQ40DE		57356 ⁵³	57356XP	46213	24857	24857XP		N/S		N/S
V8 5.6L 5552cc	VK56DE	A,B	51358 ⁵³	51358XP	46213	24857	24857XP	2	N/S		N/S

PATHFINDER

V6 4.0L 3954cc	VQ40DE	A	57356 ⁵³	57356XP	46213	24683	24683XP	3	N/S		N/S
V8 5.6L 5552cc	VK56DE	B	57356 ⁵³	57356XP	46213	24683	24683XP	2	N/S		N/S

PICK UP NP300

L4 2.4L 2389cc (Mex.)			57356 ⁵³	57356XP	46027	N/A			33477		
L4 2.5L 2488cc Turbo Diesel (Mex.)			WL7302		WA9540	N/A			N/A		

QUEST

V6 3.5L 3498cc	VQ35DE	A	51358 ⁵³	51358XP	46116	24400	24400XP	6	N/S		N/S
----------------	--------	---	---------------------	---------	-------	-------	---------	---	-----	--	-----

ROGUE

L4 2.5L 2500cc	QR25DE	A	51358 ⁵³	51358XP	46044	49352	49352XP	3	N/S		N/S
----------------	--------	---	---------------------	---------	-------	-------	---------	---	-----	--	-----

SENTRA

L4 2.0L 1997cc (Mex.)			51358 ⁵³	51358XP	49000	49352	49352XP		N/S		
L4 2.0L 1998cc	MR20DE	A	51358 ⁵³	51358XP	49000	49352	49352XP	3	N/S		N/S
L4 2.5L 2500cc	QR25DE	B	51358 ⁵³	51358XP	46044	49352	49352XP	3	N/S		N/S

TIIDA

L4 1.5L 1461cc Diesel (Mex.)	K9K		57207		N/A	24829			N/A		
L4 1.6L 1598cc (Mex.)	HR16DE		51358 ⁵³	51358XP	N/A	24829					58996
L4 1.8L 1798cc (Mex.)	MR18DE		51358 ⁵³	51358XP	49225	N/A			N/R		

TITAN

V8 5.6L 5552cc	VK56DE	A,B	57356 ⁵³	57356XP	46213	24854		2	N/S		N/S
----------------	--------	-----	---------------------	---------	-------	-------	--	---	-----	--	-----

TSURU

L4 1.6L 1597cc (Mex.)			51356	51356XP	46044				33477		
-----------------------	--	--	-------	---------	-------	--	--	--	-------	--	--

URVAN

L4 2.5L 2500cc (Mex.)	QR25DE		57356 ⁵³	57356XP	N/A				N/A		
L4 3.0L DDTI Diesel (Mex.)			WL7418		42222				N/A		
L4 3.0L Di 2953cc (ZD30DDTI) Turbo Diesel (Mex.)			N/A		42222				N/R		

VERSA

L4 1.6L 1598cc	HR16DE	C	51358 ⁵³	51358XP	49038	24829		3	N/S		58996
L4 1.8L 1798cc	MR18DE	B	51358 ⁵³	51358XP	49225	24829		3	N/S		N/R

XTERRA

V6 4.0L 3954cc	VQ40DE	A	57356 ⁵³	57356XP	46213	24683	24683XP	3	N/S		58906
----------------	--------	---	---------------------	---------	-------	-------	---------	---	-----	--	-------

X-TRAIL

L4 2.5L 2488cc (Mex.)	QR25DE		57356 ⁵³	57356XP	WA10033	24857	24857XP		N/S		
-----------------------	--------	--	---------------------	---------	---------	-------	---------	--	-----	--	--

2011
370Z

V6 3.7L 3696cc	VQ37VHR	A	51358 ⁵³	51358XP	49362	24099 ¹⁶⁴			N/S		N/S
----------------	---------	---	---------------------	---------	-------	----------------------	--	--	-----	--	-----

ALTIMA

L4 2.5L 2488cc Electric/Gas (Mex.)	QR25DER		51358 ⁵³	51358XP	49057	24400	24400XP		N/S		
L4 2.5L 2500cc	QR25DE	A	51358 ⁵³	51358XP	49057	24400	24400XP	3	N/S		N/S
V6 3.5L 3498cc	VQ35DE	B	51358 ⁵³	51358XP	46116	24400	24400XP	3	N/S		N/S

ALTIMA HYBRID

L4 2.5L 2500cc Super Charged Electric/Gas	QR25DE	C	51358 ⁵³	51358XP	49057	24400	24400XP	3	N/S		N/S
---	--------	---	---------------------	---------	-------	-------	---------	---	-----	--	-----

ARMADA

V8 5.6L 5552cc	VK56DE	A,B	51358 ⁵³	51358XP	46213	24854		2	N/S		N/S
----------------	--------	-----	---------------------	---------	-------	-------	--	---	-----	--	-----

CABSTAR

L4 2.5L 2488cc (Mex.)			51521		WA10160	N/A			WF8439		
-----------------------	--	--	-------	--	---------	-----	--	--	--------	--	--

CUBE

L4 1.8L 1798cc	MR18DE	B	51358 ⁵³	51358XP	49225	24012		3	N/S		58996
----------------	--------	---	---------------------	---------	-------	-------	--	---	-----	--	-------

N/A = Not Available N/R = Not Required N/S = Not Serviceable For cabin and fuel filter locator, see pages 5-15 See pages 16-19 for footnotes

N/A = Non disponible N/R = Non nécessaire N/S = Non réparable Para la ubicación de los filtros de aire de la cabina y de combustible, ver las páginas 5-15 Voir pages 16-19 pour des notes

N/A = No disponible N/R = No requiere N/S = No servible Voir les tableaux de repérage des filtres d'habitacle et à carburant aux pages 5-15 Ver las páginas 16-19 para las notas al pie de página

Italicized Part Numbers May Not Be Available. Wix XP Oil Filters Have Fully Synthetic Media.

Las piezas con números en *italicas* pueden no estar disponibles. Los filtros de aceite WIX XP son completamente de media sintética.

Les numéros de pièce en *italiques* peuvent ne pas être disponibles. Les filtres à huile XP Wix contiennent un matériau 100 % synthétique.

NISSAN 2011
Pass Car/Light Truck

Year/Año/Année Model/Modelo/Modèle Engine/Motor/Moteur	Eng. Code Código de motor Code moteur	VIN NIV NIV	Oil Aceite Huile	Oil XP Aceite XP Huile XP	Air Aire Air	Cabin Air Cabina Aire Cabine Air	Cabin Air XP Cabina Aire XP Cabine Air XP	Loc. Cabin Air Cabina Aire Cabine Air	Fuel Combustible Carburant	Loc. Fuel Combustible Carburant	Transmission Transmisión Transmission
--	---	-------------------	------------------------	---------------------------------	--------------------	--	---	--	----------------------------------	--	---

NISSAN (Cont'd/Suite)
2011 (Cont'd/Suite)
FRONTIER

L4 2.4L (KA24DEN) (Mex.)			57356 ⁵³	57356XP	46027	N/A			33023		
L4 2.5L 2500cc	QR25DE	B	51358 ⁵³	51358XP	46916	24683	24683XP	3	N/S		N/S
V6 4.0L 3954cc	VQ40DE	A	57356 ⁵³	57356XP	46213	24683	24683XP	3	N/S		N/S

GT-R

V6 3.8L 3799cc Turbo	VR38DETT	A	57356 ⁵³	57356XP	N/A	24479	24479XP	3	N/S		MT ⁷²
----------------------	----------	---	---------------------	---------	-----	-------	---------	---	-----	--	------------------

JUKE

L4 1.6L 1618cc Turbo	MR16DDT		51358 ⁵³	51358XP	46044	24012		3	N/S		N/S
----------------------	---------	--	---------------------	---------	-------	-------	--	---	-----	--	-----

LEAF

Electric Electric	EM61		N/R		N/R	24012		3	N/R		N/R
-------------------	------	--	-----	--	-----	-------	--	---	-----	--	-----

MARCH

L4 1.6L 1598cc (Mex.)	HR16DE		51358 ⁵³	51358XP	49225	WP6990			N/S		N/A
-----------------------	--------	--	---------------------	---------	-------	--------	--	--	-----	--	-----

MAXIMA

V6 3.5L 3498cc	VQ35DE	B	51358 ⁵³	51358XP	46116	24400	24400XP	3	N/S		N/S
----------------	--------	---	---------------------	---------	-------	-------	---------	---	-----	--	-----

MICRA

1.2i 12V			51358	51358XP	WA9707	WP2026 ⁶¹			N/S		
1.2i 12V (Mex.)			51358	51358XP	WA9707	WP2026 ⁶¹			N/S		

MURANO

V6 3.5L 3498cc	VQ35DE	A	51358 ⁵³	51358XP	46116	24400	24400XP	6	N/S		N/S
----------------	--------	---	---------------------	---------	-------	-------	---------	---	-----	--	-----

NP300

L4 2.4L (KA24DEN) (Mex.)			57356 ⁵³	57356XP	46027				N/R		
L4 2.5L 2488cc Turbo Diesel (Mex.)	YD25DDTI		WL7302		WA9540	N/S			33343 N/A		N/S

PATHFINDER

V6 4.0L 3954cc	VQ40DE	A	51358 ⁵³	51358XP	46213	24683	24683XP	3	N/S		N/S
V8 5.6L 5552cc	VK56DE	B	51358 ⁵³	51358XP	46213	24683	24683XP	2	N/S		N/S

PICK UP

L4 2.5L (TD25) Turbo Diesel (Mex.)			51515	51515XP							
------------------------------------	--	--	-------	---------	--	--	--	--	--	--	--

PICK UP D22

L4 2.5L 2488cc Turbo Diesel (Mex.)			51521		WA9540				33138		
------------------------------------	--	--	-------	--	--------	--	--	--	-------	--	--

PICK UP NP300

L4 2.4L 2389cc (Mex.)			57356 ⁵³	57356XP	46027	N/A			33477		
L4 2.5L 2488cc Turbo Diesel (Mex.)			WL7302		WA9540	N/A			N/A		

QUEST

V6 3.5L 3498cc	VQ35DE	A	51358 ⁵³	51358XP	46116	24400	24400XP	6	N/S		N/S
----------------	--------	---	---------------------	---------	-------	-------	---------	---	-----	--	-----

ROGUE

L4 2.5L 2500cc	QR25DE	A	51358 ⁵³	51358XP	46044	49352	49352XP	3	N/S		N/S
----------------	--------	---	---------------------	---------	-------	-------	---------	---	-----	--	-----

SENTRA

L4 2.0L 1997cc (Mex.)			51358 ⁵³	51358XP	49000	49352	49352XP		N/S		
L4 2.0L 1998cc	MR20DE	A	51358 ⁵³	51358XP	49000	49352	49352XP	3	N/S		N/S
L4 2.5L 2500cc	QR25DE	B	51358 ⁵³	51358XP	46044	49352	49352XP	3	N/S		N/S

TIIDA

L4 1.5L 1461cc Diesel (Mex.)	K9K		57207		N/A	24829			N/A		
L4 1.6L 1598cc (Mex.)	HR16DE		51358 ⁵³	51358XP	N/A	24829					58996
L4 1.8L 1798cc (Mex.)	MR18DE		51358 ⁵³	51358XP	49225	N/A			N/R		

TITAN

V8 5.6L 5552cc	VK56DE	A,B	57356 ⁵³	57356XP	46213	24854		2	N/S		N/S
----------------	--------	-----	---------------------	---------	-------	-------	--	---	-----	--	-----

TSURU

L4 1.6L 1597cc (Mex.)			51356	51356XP	46044				33477		58996
-----------------------	--	--	-------	---------	-------	--	--	--	-------	--	-------

URVAN

L4 2.5L (QR25DE) (Mex.)	FI		57356 ⁵³	57356XP	42222	N/A			N/A		
L4 3.0L DDTI Diesel (Mex.)			WL7418		42222				N/A		

N/A = Not Available N/R = Not Required N/S = Not Serviceable For cabin and fuel filter locator, see pages 5-15 See pages 16-19 for footnotes

N/A = Non disponible N/R = Non nécessaire N/S = Non réparable Para la ubicación de los filtros de aire de la cabina y de combustible, ver las páginas 5-15 Voir pages 16-19 pour des notes

N/A = No disponible N/R = No requiere N/S = No servible Voir les tableaux de repérage des filtres d'habitacle et à carburant aux pages 5-15 Ver las páginas 16-19 para las notas al pie de página

Italicized Part Numbers May Not Be Available. Wix XP Oil Filters Have Fully Synthetic Media.

Las piezas con números en *italicas* pueden no estar disponibles. Los filtros de aceite WIX XP son completamente de media sintética. Les numéros de pièce en *italiques* peuvent ne pas être disponibles. Les filtres à huile XP Wix contiennent un matériau 100 % synthétique.

Year/Año/Année Model/Modelo/Modèle Engine/Motor/Moteur	Eng. Code Código de motor Code moteur	VIN NIV NIV	Oil Aceite Huile	Oil XP Aceite XP Huile XP	Air Aire Air	Cabin Air Cabina Aire Cabine Air	Cabin Air XP Cabina Aire XP Cabine Air XP	Loc. Cabin Air Cabina Aire Cabine Air	Fuel Combustible Carburant	Loc. Fuel Combustible Carburant	Transmission Transmisión Transmission
--	---	-------------------	------------------------	---------------------------------	--------------------	--	---	--	----------------------------------	--	---

NISSAN (Cont'd/Suite)
2011 (Cont'd/Suite)
URVAN (Cont'd/Suite)

L4 3.0L Di 2953cc (ZD30DDTi) Turbo Diesel (Mex.)			N/A		42222					N/R	
---	--	--	-----	--	-------	--	--	--	--	-----	--

VERSA

L4 1.6L 1598cc	HR16DE	C	51358 ⁵³	51358XP	49225	24829		3	N/S		58996
L4 1.8L 1798cc	MR18DE	B	51358 ⁵³	51358XP	49225	24829		3	N/S		N/R

XTERRA

V6 4.0L 3954cc	VQ40DE	A	51358 ⁵³	51358XP	46213	24683	24683XP	3	N/S		58906
----------------	--------	---	---------------------	---------	-------	-------	---------	---	-----	--	-------

X-TRAIL

L4 2.5L 2488cc (Mex.)	QR25DE		57356 ⁵³	57356XP	WA10033	24857	24857XP		N/S		
-----------------------	--------	--	---------------------	---------	---------	-------	---------	--	-----	--	--

2010
370Z

V6 3.7L 3696cc	VQ37VHR	A	51358 ⁵³	51358XP	49362	24099 ¹⁶⁴			N/S		N/S
----------------	---------	---	---------------------	---------	-------	----------------------	--	--	-----	--	-----

ALMERA

L4 1.6L (QG16DE) (Mex.)			51394 ⁵³	51394XP							
-------------------------	--	--	---------------------	---------	--	--	--	--	--	--	--

ALTIMA

L4 2.5L 2500cc	QR25DE	A	51358 ⁵³	51358XP	49057	24400	24400XP	3	N/S		N/S
V6 3.5L 3498cc	VQ35DE	B	51358 ⁵³	51358XP	46116	24400	24400XP	3	N/S		N/S

ALTIMA HYBRID

L4 2.5L 2500cc Super Charged Electric/Gas	QR25DE	C	57356 ⁵³	57356XP	49057	24400	24400XP	3	N/S		N/S
--	--------	---	---------------------	---------	-------	-------	---------	---	-----	--	-----

APRIO

L4 1.6L 1598cc (Mex.)			57207		WA6595				WF8034		
L4 1.6L 1598cc (Mex.)			57207		WA6595				WF8034		

ARMADA

V8 5.6L 5552cc	VK56DE	A,B	57356 ⁵³	57356XP	46213	24854		2	N/S		N/S
----------------	--------	-----	---------------------	---------	-------	-------	--	---	-----	--	-----

CABSTAR

L4 2.5L 2488cc (Mex.)			51521		WA10160				WF8439		
-----------------------	--	--	-------	--	---------	--	--	--	--------	--	--

CUBE

L4 1.8L 1798cc	MR18DE	B	51358 ⁵³	51358XP	49225	24012		3	N/S		58996
----------------	--------	---	---------------------	---------	-------	-------	--	---	-----	--	-------

FRONTIER

L4 2.5L 2500cc	QR25DE	B	51358 ⁵³	51358XP	46916	24683	24683XP	3	N/S		N/S
V6 4.0L 3954cc	VQ40DE	A	57356 ⁵³	57356XP	46213	24683	24683XP	3	N/S		N/S

GT-R

V6 3.8L 3799cc Turbo	VR38DETT	A	57356 ⁵³	57356XP	N/A	24479	24479XP	3	N/S		MT ⁷²
----------------------	----------	---	---------------------	---------	-----	-------	---------	---	-----	--	------------------

MAXIMA

V6 3.5L 3498cc	VQ35DE	B	51358 ⁵³	51358XP	46116	24400	24400XP	3	N/S		N/S
----------------	--------	---	---------------------	---------	-------	-------	---------	---	-----	--	-----

MICRA

1.2i 12V			51358	51358XP	WA9707	WP2026 ⁵¹			N/S		
1.2i 12V (Mex.)			51358	51358XP	WA9707	WP2026 ⁵¹			N/S		

MURANO

V6 3.5L 3498cc	VQ35DE	A	51358 ⁵³	51358XP	46116	24400	24400XP	6	N/S		N/S
----------------	--------	---	---------------------	---------	-------	-------	---------	---	-----	--	-----

NP300

L4 2.4L (KA24DEN) (Mex.)	YD25DDTI		57356 ⁵³	57356XP	46027				N/R		
L4 2.5L 2488cc Turbo Diesel (Mex.)			51085 ⁵³	51085XP	WA9540	N/S			33343 N/A		N/S
L4 2.7L (TD27) Turbo Diesel (Mex.)			51515	51515XP							
L4 3.2L (QD32) Turbo Diesel (Mex.)			51515	51515XP							

PATHFINDER

L4 2.5L 2488cc Turbo Diesel (Mex.)	YD25DDTI		51521		N/A	24683	24683XP		N/A		
V6 4.0L 3954cc	VQ40DE	A	57356 ⁵³	57356XP	46213	24683	24683XP	3	N/S		N/S
V8 5.6L 5552cc	VK56DE	B	57356 ⁵³	57356XP	46213	24683	24683XP	2	N/S		N/S

N/A = Not Available N/R = Not Required N/S = Not Serviceable For cabin and fuel filter locator, see pages 5-15 See pages 16-19 for footnotes

N/A = Non disponible N/R = Non nécessaire N/S = Non réparable Para la ubicación de los filtros de aire de la cabina y de combustible, ver las páginas 5-15 Voir pages 16-19 pour des notes

N/A = No disponible N/R = No requiere N/S = No servible Voir les tableaux de repérage des filtres d'habitacle et à carburant aux pages 5-15 Ver las páginas 16-19 para las notas al pie de página

Italicized Part Numbers May Not Be Available. Wix XP Oil Filters Have Fully Synthetic Media.

Las piezas con números en *italicas* pueden no estar disponibles. Los filtros de aceite WIX XP son completamente de media sintética.

Les numéros de pièce en *italiques* peuvent ne pas être disponibles. Les filtres à huile Wix contiennent un matériau 100 % synthétique.

NISSAN 2010-2009
Pass Car/Light Truck

Year/Año/Année Model/Modelo/Modèle Engine/Motor/Moteur	Eng. Code Código de motor Code moteur	VIN NIV NIV	Oil Aceite Huile	Oil XP Aceite XP Huile XP	Air Aire Air	Cabin Air Cabina Aire Cabine Air	Cabin Air XP Cabina Aire XP Cabine Air XP	Loc. Cabin Air Cabina Aire Cabine Air	Fuel Combustible Carburant	Loc. Fuel Combustible Carburant	Transmission Transmisión Transmission
--	---	-------------------	------------------------	---------------------------------	--------------------	--	---	--	----------------------------------	--	---

NISSAN (Cont'd/Suite)
2010 (Cont'd/Suite)
PATROL

L6 4.20 (TD42) Turbo Diesel (Mex.)			51515	51515XP							
------------------------------------	--	--	-------	---------	--	--	--	--	--	--	--

PICK UP

L4 2.5L (TD25) Turbo Diesel (Mex.)			51515	51515XP							
------------------------------------	--	--	-------	---------	--	--	--	--	--	--	--

PICK UP D-21

L4 2.4L 2389cc (Mex.)			57356 ⁵³	57356XP	46027				33477		
-----------------------	--	--	---------------------	---------	-------	--	--	--	-------	--	--

PICK UP D22

L4 2.5L 2488cc Turbo Diesel (Mex.)			51521		WA9540				33180		
------------------------------------	--	--	-------	--	--------	--	--	--	-------	--	--

PICK UP NP300

L4 2.4L 2389cc (Mex.)			57356 ⁵³	57356XP	46027	N/A			33477		
L4 2.5L 2488cc Turbo Diesel (Mex.)			WL7302		WA9540	N/A			N/A		

PLATINA

L4 1.6L 1598cc DOHC 16V (Mex.)			57207		WA6595	WP6928			WF8034		
--------------------------------	--	--	-------	--	--------	--------	--	--	--------	--	--

QASHQAI

L4 2.0L (MR20DE) (Mex.)			51358 ⁵³	51358XP							
-------------------------	--	--	---------------------	---------	--	--	--	--	--	--	--

ROGUE

L4 2.5L 2500cc	QR25DE	A	51358 ⁵³	51358XP	46044	49352	49352XP	3	N/S		N/S
----------------	--------	---	---------------------	---------	-------	-------	---------	---	-----	--	-----

SENTRA

L4 1.6L (GA16DNE) (Mex.)			51361								
L4 2.0L 1998cc	MR20DE	A	51358 ⁵³	51358XP	49000	49352	49352XP	3	N/S		N/S
L4 2.5L 2500cc	QR25DE	B	51358 ⁵³	51358XP	46044	49352	49352XP	3	N/S		N/S
	QR25DE	C	51358 ⁵³	51358XP	46044	49352	49352XP	3	N/S		MT ⁷²

TEANA

L4 2.0L (MR20DE) (Mex.)			51358 ⁵³	51358XP							
V6 3.5L 3498cc (Mex.)	VQ35DE		51358 ⁵³	51358XP							

TIIDA

L4 1.5L 1461cc Diesel (Mex.)	K9K		57207		N/A	24829			N/A		
L4 1.6L 1598cc (Mex.)	HR16DE		51358 ⁵³	51358XP	N/A	24829					58996
L4 1.8L 1798cc (Mex.)	MR18DE		51358 ⁵³	51358XP	49225	24829					58996

TITAN

V8 5.6L 5552cc	VK56DE	A,B	57356 ⁵³	57356XP	46213	24854			2	N/S	N/S
----------------	--------	-----	---------------------	---------	-------	-------	--	--	---	-----	-----

TSURU

L4 1.6L 1597cc (Mex.)			51356	51356XP	46044				33477		58996
-----------------------	--	--	-------	---------	-------	--	--	--	-------	--	-------

URVAN

L4 2.5L (QR25DE) (Mex.)	FI		57356 ⁵³	57356XP	42222	N/A			N/A		
L4 3.0L DDTI Diesel (Mex.)			WL7418		42222				N/A		
L4 3.0L Turbo Diesel (Mex.)					42222						

VERSA

L4 1.6L 1598cc	HR16DE	C	51358 ⁵³	51358XP	49225	24829			3	N/S	58996
L4 1.8L 1798cc	MR18DE	B	51358 ⁵³	51358XP	49225	24829			3	N/S	N/R

XTERRA

V6 4.0L 3954cc	VQ40DE	A	57356 ⁵³	57356XP	46213	24683	24683XP	3	N/S		58906
----------------	--------	---	---------------------	---------	-------	-------	---------	---	-----	--	-------

X-TRAIL

L4 2.2L (YD22DDTI) Turbo Diesel (Mex.)			51381		46116						
L4 2.5L 2488cc (Mex.)	QR25DE		57356 ⁵³	57356XP	WA10033	24857	24857XP		N/S		

2009
350Z

V6 3.5L 3498cc	VQ35HR	B	51358 ⁵³	51358XP	49362	N/R				N/S	N/S
----------------	--------	---	---------------------	---------	-------	-----	--	--	--	-----	-----

N/A = Not Available N/R = Not Required N/S = Not Serviceable For cabin and fuel filter locator, see pages 5-15 See pages 16-19 for footnotes

N/A = Non disponible N/R = Non nécessaire N/S = Non réparable Para la ubicación de los filtros de aire de la cabina y de combustible, ver las páginas 5-15 Voir pages 16-19 pour des notes

N/A = No disponible N/R = No requiere N/S = No servible Voir les tableaux de repérage des filtres d'habitacle et à carburant aux pages 5-15 Ver las páginas 16-19 para las notas al pie de página

Italicized Part Numbers May Not Be Available. Wix XP Oil Filters Have Fully Synthetic Media.

Las piezas con números en *italicas* pueden no estar disponibles. Los filtros de aceite WIX XP son completamente de media sintética. Les numéros de pièce en *italiques* peuvent ne pas être disponibles. Les filtres à huile XP Wix contiennent un matériau 100 % synthétique.

Year/Año/Année Model/Modelo/Modèle Engine/Motor/Moteur	Eng. Code Código de motor Code moteur	VIN NIV NIV	Oil Aceite Huile	Oil XP Aceite XP Huile XP	Air Aire Air	Cabin Air Cabina Aire Cabine Air	Cabin Air XP Cabina Aire XP Cabine Air XP	Loc. Cabin Air Cabina Aire Cabine Air	Fuel Combustible Carburant	Loc. Fuel Combustible Carburant	Transmission Transmisión Transmission
--	--	-------------------	------------------------	---------------------------------	--------------------	--	---	--	----------------------------------	--	---

NISSAN (Cont'd/Suite)

2009 (Cont'd/Suite)

370Z

V6 3.7L 3696cc	VQ37VHR	A	51358 ⁵³	51358XP	49362	24099 ¹⁶⁴			N/S		N/S
----------------	---------	---	---------------------	---------	-------	----------------------	--	--	-----	--	-----

ALTIMA

L4 2.5L 2500cc	QR25DE	A	51358 ⁵³	51358XP	49057	24400	24400XP	3	N/S		N/S
V6 3.5L 3498cc	VQ35DE	B	51358 ⁵³	51358XP	46116	24400	24400XP	3	N/S		N/S

ALTIMA HYBRID

L4 2.5L 2500cc Super Charged Electrical/Gas	QR25DE	C	57356 ⁵³	57356XP	49057	24400	24400XP	3	N/S		N/S
--	--------	---	---------------------	---------	-------	-------	---------	---	-----	--	-----

APRIO

L4 1.6L 1598cc (Mex.)			57207		WA6595				WF8034		
-----------------------	--	--	-------	--	--------	--	--	--	--------	--	--

ARMADA

V8 5.6L 5552cc	VK56DE	A,B	57356 ⁵³	57356XP	46213	24854		2	N/S		N/S
----------------	--------	-----	---------------------	---------	-------	-------	--	---	-----	--	-----

CABSTAR

L4 2.5L 2488cc Turbo Diesel (Mex.)	YD25DDTI		51521		WA10160				WF8439		
---------------------------------------	----------	--	-------	--	---------	--	--	--	--------	--	--

CUBE

L4 1.8L 1798cc	MR18DE	B	51358 ⁵³	51358XP	49225	24012		3	N/S		58996
----------------	--------	---	---------------------	---------	-------	-------	--	---	-----	--	-------

FRONTIER

L4 2.5L 2500cc	QR25DE	B	51358 ⁵³	51358XP	46916	24683	24683XP	3	N/S		N/S
V6 4.0L 3954cc	VQ40DE	A	57356 ⁵³	57356XP	46213	24683	24683XP	3	N/S		N/S

GT-R

V6 3.8L 3799cc Turbo	VR38DETT	A	57356 ⁵³	57356XP	N/A	24479	24479XP	3	N/S		MT ⁷²
----------------------	----------	---	---------------------	---------	-----	-------	---------	---	-----	--	------------------

MAXIMA

V6 3.5L 3498cc	VQ35DE	B	51358 ⁵³	51358XP	46116	24400	24400XP	3	N/S		N/S
----------------	--------	---	---------------------	---------	-------	-------	---------	---	-----	--	-----

MICRA

L4 1.4L 1386cc (Mex.)			51394 ⁵³ 57145 ⁵³⁰	51394XP ⁵³¹ 57145XP ⁵³⁰	WA6305	WP6990			N/S		
-----------------------	--	--	---	--	--------	--------	--	--	-----	--	--

MURANO

V6 3.5L 3498cc	VQ35DE	A	51358 ⁵³	51358XP	46116	24400	24400XP	6	N/S		N/A - Internal N/A - External
----------------	--------	---	---------------------	---------	-------	-------	---------	---	-----	--	----------------------------------

NP300

L4 2.4L (KA24DEN) (Mex.)			57356 ⁵³	57356XP	46027				N/R		
L4 2.5L 2488cc Turbo Diesel (Mex.)	YD25DDTI		51085 ⁵³	51085XP	WA9540	N/S			33343 N/A		N/S

PATHFINDER

L4 2.5L 2488cc Turbo Diesel (Mex.)	YD25DDTI		51521		N/A	24683	24683XP		N/A		
V6 4.0L 3954cc	VQ40DE	A	57356 ⁵³	57356XP	46213	24683	24683XP	3	N/S		N/A
V8 5.6L 5552cc	VK56DE	B	57356 ⁵³	57356XP	46213	24683	24683XP	2	N/S		N/A

PICK UP

L4 2.4L 2389cc KA24E (Mex.)			57356 ⁵³	57356XP	46027				33477		
L4 2.5L (TD25) Turbo Diesel (Mex.)			51515	51515XP							
L4 2.5L 2488cc Turbo Diesel (Mex.)			WL7302		WA9540				N/A		
L4 2.7L (TD27) Turbo Diesel (Mex.)			51515	51515XP							

PICK UP D-21

L4 2.4L 2389cc (Mex.)			57356 ⁵³	57356XP	46027				33477		
-----------------------	--	--	---------------------	---------	-------	--	--	--	-------	--	--

PICK UP D22

L4 2.5L 2488cc Turbo Diesel (Mex.)			51521		WA9540				33138		
---------------------------------------	--	--	-------	--	--------	--	--	--	-------	--	--

PICK UP NP300

L4 2.4L 2389cc (Mex.)			57356 ⁵³	57356XP	46027	N/A			33477		
L4 2.5L 2488cc Turbo Diesel (Mex.)			WL7302		WA9540	N/A			N/A		

N/A = Not Available N/R = Not Required N/S = Not Serviceable For cabin and fuel filter locator, see pages 5-15 See pages 16-19 for footnotes

N/A = Non disponible N/R = Non nécessaire N/S = Non réparable Para la ubicación de los filtros de aire de la cabina y de combustible, ver las páginas 5-15 Voir pages 16-19 pour des notes

N/A = No disponible N/R = No requiere N/S = No servible Voir les tableaux de repérage des filtres d'habitacle et à carburant aux pages 5-15 Ver las páginas 16-19 para las notas al pie de página

Italicized Part Numbers May Not Be Available. Wix XP Oil Filters Have Fully Synthetic Media.

Las piezas con números en *italicas* pueden no estar disponibles. Los filtros de aceite WIX XP son completamente de media sintética.

Les numéros de pièce en *italiques* peuvent ne pas être disponibles. Les filtres à huile XP Wix contiennent un matériau 100 % synthétique.

NISSAN 2009-2008
Pass Car/Light Truck

Year/Año/Année Model/Modelo/Modèle Engine/Motor/Moteur	Eng. Code Código de motor Code moteur	VIN NIV NIV	Oil Aceite Huile	Oil XP Aceite XP Huile XP	Air Aire Air	Cabin Air Cabina Aire Cabine Air	Cabin Air XP Cabina Aire XP Cabine Air XP	Loc. Cabin Air Cabina Aire Cabine Air	Fuel Combustible Carburant	Loc. Fuel Combustible Carburant	Transmission Transmisión Transmission
--	---	-------------------	------------------------	---------------------------------	--------------------	--	---	--	----------------------------------	--	---

NISSAN (Cont'd/Suite)
2009 (Cont'd/Suite)
PLATINA

L4 1.6L 1598cc DOHC 16V (Mex.)			57207		WA6595	WP6928			WF8034		
--------------------------------	--	--	-------	--	--------	--------	--	--	--------	--	--

QUEST

V6 3.5L 3498cc	VQ35DE	B	51358 ⁵³	51358XP	46116	24855		3	N/S		58140
----------------	--------	---	---------------------	---------	-------	-------	--	---	-----	--	-------

ROGUE

L4 2.5L 2500cc	QR25DE	A	51358 ⁵³	51358XP	46044	49352	49352XP	3	N/S		N/S
----------------	--------	---	---------------------	---------	-------	-------	---------	---	-----	--	-----

SENTRA

L4 2.0L 1998cc	MR20DE	A	51358 ⁵³	51358XP	49000	49352	49352XP	3	N/S		N/S
L4 2.5L 2500cc	QR25DE	B	51358 ⁵³	51358XP	46044	49352	49352XP	3	N/S		N/S
	QR25DE	C	51358 ⁵³	51358XP	46044	49352	49352XP	3	N/S		MT ⁷²

TIIDA

L4 1.5L 1461cc Diesel (Mex.)	K9K		57207		N/A	24829			N/A		
L4 1.6L 1598cc (Mex.)	HR16DE		51358 ⁵³	51358XP	N/A	24829					58996
L4 1.8L 1798cc (Mex.)	MR18DE		51358 ⁵³	51358XP	49225	24829			N/S		58996

TITAN

V8 5.6L 5552cc	VK56DE	A,B	57356 ⁵³	57356XP	46213	24854		2	N/S		N/S
----------------	--------	-----	---------------------	---------	-------	-------	--	---	-----	--	-----

TSURU

L4 1.6L (GA16DNE) (Mex.)	FI		51361		46044				33477		
L4 1.6L 1597cc (Mex.)			51361		46044				33477		58996

URVAN

L4 2.5L 2488cc (Mex.)	QR25DE		57356 ⁵³	57356XP	42222	N/A			N/A		
L4 3.0L (ZD30DDTI) Turbo Diesel (Mex.)					42222						
L4 3.0L DDTI Diesel (Mex.)			WL7418		42222				N/A		

VERSA

L4 1.6L 1598cc	HR16DE	C	51358 ⁵³	51358XP	49225	24829		3	N/S		58996
L4 1.8L 1798cc	MR18DE	B	51358 ⁵³	51358XP	49225	24829		3	N/S		N/R

XTERRA

V6 4.0L 3954cc	VQ40DE	A	57356 ⁵³	57356XP	46213	24683	24683XP	3	N/S		58906
----------------	--------	---	---------------------	---------	-------	-------	---------	---	-----	--	-------

X-TRAIL

L4 2.5L 2488cc (Mex.)	QR25DE		57356 ⁵³	57356XP	WA10033	24857	24857XP		N/S		
-----------------------	--------	--	---------------------	---------	---------	-------	---------	--	-----	--	--

2008
350Z

V6 3.5L 3498cc	VQ35HR	B	51358 ⁵³	51358XP	49362	N/R			N/S		N/S
----------------	--------	---	---------------------	---------	-------	-----	--	--	-----	--	-----

ALTIMA

L4 2.5L 2500cc	QR25DE	A	51358 ⁵³	51358XP	49057	24400	24400XP	3	N/S		N/S
V6 3.5L 3498cc	VQ35DE	B	51358 ⁵³	51358XP	46116	24400	24400XP	3	N/S		N/S

ALTIMA HYBRID

L4 2.5L 2500cc Super Charged Electric/Gas	QR25DE	C	57356 ⁵³	57356XP	49057	24400	24400XP	3	N/S		N/S
---	--------	---	---------------------	---------	-------	-------	---------	---	-----	--	-----

APRIO

L4 1.6L 1598cc (Mex.)			57207		WA6595				WF8034		
L4 1.6L 1600cc (Mex.)			57207		N/A				N/A		

ARMADA

V8 5.6L 5552cc	VK56DE	A,B	57356 ⁵³	57356XP	46213	24854		2	N/S		N/S
----------------	--------	-----	---------------------	---------	-------	-------	--	---	-----	--	-----

CABSTAR

L4 2.5L 2488cc Turbo Diesel (Mex.)	YD25DDTI		51521		WA10160				WF8439		
------------------------------------	----------	--	-------	--	---------	--	--	--	--------	--	--

CABSTAR III

L4 2.5L 2488cc Turbo Diesel (Mex.)			51521		WA10160				WF8439		
------------------------------------	--	--	-------	--	---------	--	--	--	--------	--	--

ESTACAS

L4 2.4L 2389cc (Mex.)			57356 ⁵³	57356XP	46027				33477		
-----------------------	--	--	---------------------	---------	-------	--	--	--	-------	--	--

N/A = Not Available N/R = Not Required N/S = Not Serviceable For cabin and fuel filter locator, see pages 5-15 See pages 16-19 for footnotes

N/A = Non disponible N/R = Non nécessaire N/S = Non réparable Para la ubicación de los filtros de aire de la cabina y de combustible, ver las páginas 5-15 Voir pages 16-19 pour des notes

N/A = No disponible N/R = No requiere N/S = No servible Voir les tableaux de repérage des filtres d'habitacle et à carburant aux pages 5-15 Ver las páginas 16-19 para las notas al pie de página

Italicized Part Numbers May Not Be Available. Wix XP Oil Filters Have Fully Synthetic Media.

Las piezas con números en *italicas* pueden no estar disponibles. Los filtros de aceite WIX XP son completamente de media sintética. Les numéros de pièce en *italiques* peuvent ne pas être disponibles. Les filtres à huile XP Wix contiennent un matériau 100 % synthétique.

Year/Año/Année Model/Modelo/Modèle Engine/Motor/Moteur	Eng. Code Código de motor Code moteur	VIN NIV NIV	Oil Aceite Huile	Oil XP Aceite XP Huile XP	Air Aire Air	Cabin Air Cabina Aire Cabine Air	Cabin Air XP Cabina Aire XP Cabine Air XP	Loc. Cabin Air Cabina Aire Cabine Air	Fuel Combustible Carburant	Loc. Fuel Combustible Carburant	Transmission Transmisión Transmission
--	--	-------------------	------------------------	---------------------------------	--------------------	--	---	--	----------------------------------	--	---

NISSAN (Cont'd/Suite)
2008 (Cont'd/Suite)
FRONTIER

L4 2.4L 2389cc (Mex.)	KA24DE		N/A		46027	N/A			33023		N/A
L4 2.5L 2500cc	QR25DE	B	51358 ⁵³	51358XP	46916	24683	24683XP	3	N/S		N/S
V6 4.0L 3954cc	VQ40DE	A	57356 ⁵³	57356XP	46213	24683	24683XP	3	N/S		N/S

MAXIMA

V6 3.0L 2987cc (Mex.)			51358 ⁵³	51358XP	46116	24857	24857XP	3	N/S		58140
V6 3.5L 3498cc	VQ35DE	B	51358 ⁵³	51358XP	46116	24857	24857XP	3	N/S		N/S

MICRA

L4 1.4L 1386cc (Mex.)			51394 ⁵³ 57145 ³³⁰	51394XP ³³¹ 57145XP ³³⁰	WA6305	WP6990			N/S		
-----------------------	--	--	---	--	--------	--------	--	--	-----	--	--

MURANO

V6 3.5L 3498cc	VQ35DE	A	51358 ⁵³	51358XP	46116	24857	24857XP	3	N/S		N/A - Internal N/A - External
----------------	--------	---	---------------------	---------	-------	-------	---------	---	-----	--	----------------------------------

PATHFINDER

L4 2.5L 2488cc Turbo Diesel (Mex.)	YD25DDTI		51521		N/A	24683	24683XP		N/A		
V6 4.0L 3954cc	VQ40DE	A	57356 ⁵³	57356XP	46213	24683	24683XP	3	N/S		N/A
V8 5.6L 5552cc	VK56DE	B	57356 ⁵³	57356XP	46213	24683	24683XP	2	N/S		N/A

PICK UP

L4 2.4L 2389cc (Mex.)			57356 ⁵³	57356XP	46027				33477		
L4 2.5L (TD25) Turbo Diesel (Mex.)			51515	51515XP							
L4 2.5L 2488cc Turbo Diesel (Mex.)			WL7302		WA9540				N/A		
L4 2.7L (TD27) Turbo Diesel (Mex.)			51515	51515XP							
L4 3.0L (ZD30DDT) Turbo Diesel (Mex.)			57356 ⁵³	57356XP					33138		

PICK UP D-21

L4 2.4L 2389cc (Mex.)			57356 ⁵³	57356XP	46027				33477		
-----------------------	--	--	---------------------	---------	-------	--	--	--	-------	--	--

PICK UP D22

L4 2.5L 2488cc Turbo Diesel (Mex.)			51521		WA9540				33138		
------------------------------------	--	--	-------	--	--------	--	--	--	-------	--	--

PICK UP NP300

L4 2.4L 2389cc (Mex.)			57356 ⁵³	57356XP	46027	N/A			33477		
L4 2.5L 2488cc Turbo Diesel (Mex.)			WL7302		WA9540	N/A			N/A		

PLATINA

L4 1.6L (K4M) (Mex.)			57207								
L4 1.6L 1598cc DOHC 16V (Mex.)			57207		WA6595	WP6928			WF8034		

QUEST

V6 3.5L 3498cc	VQ35DE	B	51358 ⁵³	51358XP	46116	24855		3	N/S		58140
----------------	--------	---	---------------------	---------	-------	-------	--	---	-----	--	-------

ROGUE

L4 2.5L 2500cc	QR25DE	A	51358 ⁵³	51358XP	46044	49352	49352XP	3	N/S		N/S
L4 2.5LX (Mex.)			51358 ⁵³	51358XP	46044	49352	49352XP	3	N/S		N/S

SENTRA

L4 2.0L 1997cc (Mex.)			51358 ⁵³	51358XP	49000	49352	49352XP		N/S		
L4 2.0L 1998cc	MR20DE	A	51358 ⁵³	51358XP	49000	49352	49352XP	6	N/S		N/S
L4 2.5L 2500cc	QR25DE	B	51358 ⁵³	51358XP	46044	49352	49352XP	6	N/S		N/S
	QR25DE	C	51358 ⁵³	51358XP	46044	49352	49352XP	3	N/S		MT ⁷²

TIIDA

L4 1.5L 1461cc Diesel (Mex.)	K9K		57207		N/A	24829			N/A		
L4 1.6L 1598cc (Mex.)	HR16DE		51358 ⁵³	51358XP	N/A	24829					58996
L4 1.8L 1798cc (Mex.)	MR18DE		51358 ⁵³	51358XP	49225	24829			N/S		58996

TITAN

V8 5.6L 5552cc	VK56DE	A,B	57356 ⁵³	57356XP	46213	24854		2	N/S		N/S
----------------	--------	-----	---------------------	---------	-------	-------	--	---	-----	--	-----

N/A = Not Available N/R = Not Required N/S = Not Serviceable For cabin and fuel filter locator, see pages 5-15 See pages 16-19 for footnotes

N/A = Non disponible N/R = Non nécessaire N/S = Non réparable Para la ubicación de los filtros de aire de la cabina y de combustible, ver las páginas 5-15 Voir pages 16-19 pour des notes

N/A = No disponible N/R = No requiere N/S = No servible Voir les tableaux de repérage des filtres d'habitacle et à carburant aux pages 5-15 Ver las páginas 16-19 para las notas al pie de página

Italicized Part Numbers May Not Be Available. Wix XP Oil Filters Have Fully Synthetic Media.

Las piezas con números en *italicas* pueden no estar disponibles. Los filtros de aceite WIX XP son completamente de media sintética.

Les numéros de pièce en *italiques* peuvent ne pas être disponibles. Les filtres à huile XP Wix contiennent un matériau 100 % synthétique.

NISSAN 2008-2007
Pass Car/Light Truck

Year/Año/Année Model/Modelo/Modèle Engine/Motor/Moteur	Eng. Code Código de motor Code moteur	VIN NIV NIV	Oil Aceite Huile	Oil XP Aceite XP Huile XP	Air Aire Air	Cabin Air Cabina Aire Cabine Air	Cabin Air XP Cabina Aire XP Cabine Air XP	Loc. Cabin Air Cabina Aire Cabine Air	Fuel Combustible Carburant	Loc. Fuel Combustible Carburant	Transmission Transmisión Transmission
--	---	-------------------	------------------------	---------------------------------	--------------------	--	---	--	----------------------------------	--	---

NISSAN (Cont'd/Suite)
2008 (Cont'd/Suite)
TSURU

L4 1.6L 1597cc (Mex.)			51361		46044				33477		58996
-----------------------	--	--	-------	--	-------	--	--	--	-------	--	-------

URVAN

L4 2.4L (Mex.)	FI		57356 ⁵³	57356XP	N/A				33023			
L4 2.5L (QR25DE) (Mex.)			57356 ⁵³	57356XP	42222	N/A			N/A			
L4 3.0L (MR18DE) 3.0L 3000cc (Mex.)						42222						
L4 3.0L DDTI Diesel (Mex.)			WL7418			42222				N/A		

VERSA

L4 1.8L 1798cc	MR18DE	B	51358 ⁵³	51358XP	49225	24829			3	N/S	N/R
----------------	--------	---	---------------------	---------	-------	-------	--	--	---	-----	-----

XTERRA

V6 4.0L 3954cc	VQ40DE	A	57356 ⁵³	57356XP	46213	24683	24683XP		3	N/S	58906
----------------	--------	---	---------------------	---------	-------	-------	---------	--	---	-----	-------

X-TRAIL

L4 2.4L (Mex.)	QR25DE		51358 ⁵³	51358XP	46116					N/A	
L4 2.5L 2488cc (Mex.)			57356 ⁵³	57356XP	WA10033	24857	24857XP			N/S	

2007
350Z

V6 3.5L 3498cc	VQ35HR	B	51358 ⁵³	51358XP	46116 - To 11/06 4982 - From 11/06 (2)	N/R				N/S	N/S
----------------	--------	---	---------------------	---------	---	-----	--	--	--	-----	-----

ALTIMA

L4 2.5L 2500cc	QR25DE	A	51358 ⁵³	51358XP	49057	24400	24400XP		3	N/S	N/S
V6 3.5L 3498cc	VQ35DE	B	51358 ⁵³	51358XP	46116	24400	24400XP		3	N/S	N/S

ALTIMA HYBRID

L4 2.5L 2500cc Super Charged Electric/Gas	QR25DE	C	57356 ⁵³	57356XP	49057	24400	24400XP		3	N/S	N/S
--	--------	---	---------------------	---------	-------	-------	---------	--	---	-----	-----

ARMADA

V8 5.6L 5552cc	VK56DE	A,B	57356 ⁵³	57356XP	46213	24854			2	N/S	N/S
----------------	--------	-----	---------------------	---------	-------	-------	--	--	---	-----	-----

CABSTAR

L4 2.5L 2488cc Turbo Diesel (Mex.)	YD25DDTI		51521		WA10160					WF8439	
---------------------------------------	----------	--	-------	--	---------	--	--	--	--	--------	--

CABSTAR III

L4 2.5L 2488cc Turbo Diesel Diesel (Mex.)			51521		WA10160					WF8439	
--	--	--	-------	--	---------	--	--	--	--	--------	--

ESTACAS

L4 2.4L 2389cc (Mex.)			57356 ⁵³	57356XP	46027					33477	
-----------------------	--	--	---------------------	---------	-------	--	--	--	--	-------	--

FRONTIER

L4 2.4L 2389cc (Mex.)	KA24DE		N/A		46027	N/A				33023	N/A
L4 2.5L 2500cc	QR25DE	B	51358 ⁵³	51358XP	46916	24683	24683XP		3	N/S	58604
V6 4.0L 3954cc	VQ40DE	A	57356 ⁵³	57356XP	46213	24683	24683XP		3	N/S	N/A

MAXIMA

V6 3.0L 2987cc (Mex.)			51358 ⁵³	51358XP	46116	24857	24857XP		3	N/S	58140
V6 3.5L 3498cc	VQ35DE	B	51358 ⁵³	51358XP	46116	24857	24857XP		3	N/S	58140

MICRA

L4 1.4L 1386cc (Mex.)			51394 ⁵³ 57145 ³³⁰	51394XP ³³¹ 57145XP ³³⁰	WA6305	WP6990				N/S	
-----------------------	--	--	---	--	--------	--------	--	--	--	-----	--

MURANO

L4 2.5L 2500cc (Mex.)	QR25DE		51358 ⁵³	51358XP	N/A					N/A	
V6 3.5L 3498cc	VQ35DE	A	51358 ⁵³	51358XP	46116	24857	24857XP		3	N/S	N/A - External N/A - Internal

PATHFINDER

L4 2.5L 2488cc Turbo Diesel (Mex.)	YD25DDTI		51521		N/A	24683	24683XP			N/A	
V6 4.0L 3954cc	VQ40DE	A	57356 ⁵³	57356XP	46213	24683	24683XP		3	N/S	N/A

PICK UP

L4 2.4L 2389cc (Mex.)			57356 ⁵³	57356XP	46027					33477	
-----------------------	--	--	---------------------	---------	-------	--	--	--	--	-------	--

N/A = Not Available N/R = Not Required N/S = Not Serviceable For cabin and fuel filter locator, see pages 5-15 See pages 16-19 for footnotes

N/A = Non disponible N/R = Non nécessaire N/S = Non réparable Para la ubicación de los filtros de aire de la cabina y de combustible, ver las páginas 5-15 Voir pages 16-19 pour des notes

N/A = No disponible N/R = No requiere N/S = No servible Voir les tableaux de repérage des filtres d'habitacle et à carburant aux pages 5-15 Ver las páginas 16-19 para las notas al pie de página

Italicized Part Numbers May Not Be Available. Wix XP Oil Filters Have Fully Synthetic Media.

Las piezas con números en *italicas* pueden no estar disponibles. Los filtros de aceite WIX XP son completamente de media sintética. Les numéros de pièce en *italiques* peuvent ne pas être disponibles. Les filtres à huile XP Wix contiennent un matériau 100 % synthétique.

Year/Año/Année Model/Modelo/Modèle Engine/Motor/Moteur	Eng. Code Código de motor Code moteur	VIN NIV NIV	Oil Aceite Huile	Oil XP Aceite XP Huile XP	Air Aire Air	Cabin Air Cabina Aire Cabine Air	Cabin Air XP Cabina Aire XP Cabine Air XP	Loc. Cabin Air Cabina Aire Cabine Air	Fuel Combustible Carburant	Loc. Fuel Combustible Carburant	Transmission Transmisión Transmission
--	---	-------------------	------------------------	---------------------------------	--------------------	--	---	--	----------------------------------	--	---

NISSAN (Cont'd/Suite)
2007 (Cont'd/Suite)
PICK UP (Cont'd/Suite)

L4 2.5L (TD25) Turbo Diesel (Mex.)			51515	51515XP							
L4 2.7L (TD27) Turbo Diesel (Mex.)			51515	51515XP							
L4 3.0L (ZD30DDT) Turbo Diesel (Mex.)			57356 ⁵³	57356XP					33138		

PICK UP D-21

L4 2.4L 2389cc (Mex.)			57356 ⁵³	57356XP	46027				33477		
L4 2.4L 2389cc KA24E (Mex.)			51361		46027				33477		

PLATINA

L4 1.6L 1598cc DOHC 16V (Mex.)			57207		WA6595	WP6928			WF8034		
--------------------------------	--	--	-------	--	--------	--------	--	--	--------	--	--

QUEST

V6 3.5L 3498cc	VQ35DE	B	51358 ⁵³	51358XP	46116	24855		3	N/S		58140
----------------	--------	---	---------------------	---------	-------	-------	--	---	-----	--	-------

SENTRA

L4 2.0L 1997cc (Mex.)			51358 ⁵³	51358XP	49000	49352	49352XP		N/S		
L4 2.0L 1998cc	MR20DE	A	51358 ⁵³	51358XP	49000	49352	49352XP	3	N/S		N/S
L4 2.5L 2500cc	QR25DE	C	51358 ⁵³	51358XP	46044	49352	49352XP	6	N/S		N/S

TIIDA

L4 1.5L 1461cc Diesel (Mex.)	K9K		57207		N/A	24829			N/A		
L4 1.6L 1598cc (Mex.)	HR16DE		51358 ⁵³	51358XP	N/A	24829					58996
L4 1.8L 1798cc (Mex.)	MR18DE		51358 ⁵³	51358XP	49225	24829			N/S		58996

TITAN

V8 5.6L 5552cc	VK56DE	A,B	57356 ⁵³	57356XP	46213	24854		2	N/S		N/S
----------------	--------	-----	---------------------	---------	-------	-------	--	---	-----	--	-----

TSURU

L4 1.6L 1597cc (Mex.)			51361		46044				33477		58996
-----------------------	--	--	-------	--	-------	--	--	--	-------	--	-------

URVAN

L4 2.4L (Mex.)			57356 ⁵³	57356XP	N/A				33023		
----------------	--	--	---------------------	---------	-----	--	--	--	-------	--	--

VERSA

L4 1.8L 1798cc	MR18DE	B	51358 ⁵³	51358XP	49225	24829		3	N/S		N/R
----------------	--------	---	---------------------	---------	-------	-------	--	---	-----	--	-----

XTERRA

V6 4.0L 3954cc	VQ40DE	A	57356 ⁵³	57356XP	46213	24683	24683XP	3	N/S		58906
----------------	--------	---	---------------------	---------	-------	-------	---------	---	-----	--	-------

X-TRAIL

L4 2.4L (Mex.)			51358 ⁵³	51358XP	46116				N/A		
L4 2.5L 2488cc			51358 ⁵³	51358XP	46116	24857	24857XP		N/A		MT ⁷²
L4 2.5L 2488cc (Mex.)	QR25DE		51358 ⁵³	51358XP	46116	24857	24857XP		N/S		

2006
350Z

V6 3.5L 3498cc	VQ35DE	A	51358 ⁵³	51358XP	46116	N/R			N/S		N/S
----------------	--------	---	---------------------	---------	-------	-----	--	--	-----	--	-----

ALMERA

L4 1.8L 1769cc (Mex.)			51358 ⁵³	51358XP	46116	WP9104			33477		
-----------------------	--	--	---------------------	---------	-------	--------	--	--	-------	--	--

ALTIMA

L4 2.5L 2500cc	QR25DE	A	57356 ⁵³	57356XP	46116	24857	24857XP	3	N/S		58140
V6 3.5L 3498cc	VQ35DE	B	51358 ⁵³	51358XP	46116	24857	24857XP	3	N/S		58140

ARMADA

V8 5.6L 5552cc	VK56DE	A	57356 ⁵³	57356XP	46213	24854		2	N/S		N/S
----------------	--------	---	---------------------	---------	-------	-------	--	---	-----	--	-----

ESTACAS

L4 2.4L 2389cc (Mex.)			57356 ⁵³	57356XP	46027				33477		
-----------------------	--	--	---------------------	---------	-------	--	--	--	-------	--	--

FRONTIER

L4 2.4L 2389cc (Mex.)	KA24DE		N/A		46027	N/A			33023		N/A
L4 2.5L 2500cc	QR25DE	B	51358 ⁵³	51358XP	46916	24683	24683XP	3	N/S		58604
V6 4.0L 3954cc	VQ40DE	A	57356 ⁵³	57356XP	46213	24683	24683XP	3	N/S		N/A

MAXIMA

V6 3.0L 2987cc (Mex.)			51358 ⁵³	51358XP	46116	24857	24857XP	3	N/S		58140
-----------------------	--	--	---------------------	---------	-------	-------	---------	---	-----	--	-------

N/A = Not Available N/R = Not Required N/S = Not Serviceable For cabin and fuel filter locator, see pages 5-15 See pages 16-19 for footnotes

N/A = Non disponible N/R = Non nécessaire N/S = Non réparable Para la ubicación de los filtros de aire de la cabina y de combustible, ver las páginas 5-15 Voir pages 16-19 pour des notes

N/A = No disponible N/R = No requiere N/S = No servible Voir les tableaux de repérage des filtres d'habitacle et à carburant aux pages 5-15 Ver las páginas 16-19 para las notas al pie de página

Italicized Part Numbers May Not Be Available. Wix XP Oil Filters Have Fully Synthetic Media.

Las piezas con números en *italicas* pueden no estar disponibles. Los filtros de aceite WIX XP son completamente de media sintética.

Les numéros de pièce en *italiques* peuvent ne pas être disponibles. Les filtres à huile Wix contiennent un matériau 100 % synthétique.

NISSAN 2006-2005
Pass Car/Light Truck

Year/Año/Année Model/Modelo/Modèle Engine/Motor/Moteur	Eng. Code Código de motor Code moteur	VIN NIV NIV	Oil Aceite Huile	Oil XP Aceite XP Huile XP	Air Aire Air	Cabin Air Cabina Aire Cabine Air	Cabin Air XP Cabina Aire XP Cabine Air XP	Loc. Cabin Air Cabina Aire Cabine Air	Fuel Combustible Carburant	Loc. Fuel Combustible Carburant	Transmission Transmisión Transmission
--	---	-------------------	------------------------	---------------------------------	--------------------	--	---	--	----------------------------------	--	---

NISSAN (Cont'd/Suite)
2006 (Cont'd/Suite)
MAXIMA (Cont'd/Suite)

V6 3.5L 3498cc	VQ35DE	B	51358 ⁵³	51358XP	46116	24857	24857XP	3	N/S	58140
----------------	--------	---	---------------------	---------	-------	-------	---------	---	-----	-------

MICRA

L4 1.4L 1386cc (Mex.)			51394 ⁵³ 57145 ³³⁰	51394XP ³³¹ 57145XP ³³⁰	WA6305	WP6990			N/S	
-----------------------	--	--	---	--	--------	--------	--	--	-----	--

MURANO

V6 3.5L 3498cc	VQ35DE	A	51358 ⁵³	51358XP	46116	24857	24857XP	3	N/S	N/S
----------------	--------	---	---------------------	---------	-------	-------	---------	---	-----	-----

PATHFINDER

L4 2.5L 2488cc Turbo Diesel (Mex.)	YD25DDTI		51521		N/A	24683	24683XP		N/A	
V6 4.0L 3954cc	VQ40DE	A	57356 ⁵³	57356XP	46213	24683	24683XP	3	N/S	N/A

PICK UP

L4 2.4L 2389cc (Mex.)			57356 ⁵³	57356XP	46027				33477	
L4 2.5L (TD25) Turbo Diesel (Mex.)			51515	51515XP						
L4 3.0L (ZD30DDT) Turbo Diesel (Mex.)			57356 ⁵³	57356XP					33138	

PICK UP D-21

L4 2.4L 2389cc (Mex.)			57356 ⁵³	57356XP	46027				33477	
L4 2.4L 2389cc KA24E (Mex.)			51361		46027				33477	

PLATINA

L4 1.6L 1598cc DOHC 16V (Mex.)			57207		WA6595	WP6928			WF8034	
--------------------------------	--	--	-------	--	--------	--------	--	--	--------	--

QUEST

V6 3.5L 3498cc	VQ35DE	B	51358 ⁵³	51358XP	46116	24855		3	N/S	58140
----------------	--------	---	---------------------	---------	-------	-------	--	---	-----	-------

SENTRA

L4 1.8L 1769cc (Mex.)			57356 ⁵³	57356XP	46116	24857	24857XP		33023	58996
L4 1.8L 1809cc	QG18DE	C	51358 ⁵³	51358XP	46116	24857	24857XP	3	N/S	58996
L4 2.0L 1998cc (Mex.)			51358 ⁵³	51358XP	46116				33023	
L4 2.5L 2500cc	QR25DE	A	57356 ⁵³	57356XP	46116	24857	24857XP	3	N/S	58602

TIIDA

L4 1.6L 1598cc (Mex.)	HR16DE		51358 ⁵³	51358XP	N/A	24829				58996
-----------------------	--------	--	---------------------	---------	-----	-------	--	--	--	-------

TITAN

V8 5.6L 5552cc	VK56DE	A,B	57356 ⁵³	57356XP	46213	24854		2	N/S	N/S
----------------	--------	-----	---------------------	---------	-------	-------	--	---	-----	-----

TSURU

L4 1.6L 1597cc (Mex.)			51361		46044				33477	58996
-----------------------	--	--	-------	--	-------	--	--	--	-------	-------

URVAN

L4 2.4L (Mex.)			57356 ⁵³	57356XP	N/A				33023	
----------------	--	--	---------------------	---------	-----	--	--	--	-------	--

XTERRA

V6 4.0L 3954cc	VQ40DE	A	57356 ⁵³	57356XP	46213	24683	24683XP	3	N/S	58906
----------------	--------	---	---------------------	---------	-------	-------	---------	---	-----	-------

X-TRAIL

L4 2.4L (Mex.)			51358 ⁵³	51358XP	46116				N/A	
L4 2.5L 2488cc			51358 ⁵³	51358XP	46116	24857	24857XP		N/A	MT ⁷²
L4 2.5L 2488cc (Mex.)	QR25DE		51358 ⁵³	51358XP	46116	24857	24857XP		N/S	

2005
350Z

V6 3.5L 3498cc	VQ35DE	A	51358 ⁵³	51358XP	46116	N/R			N/S	N/S
----------------	--------	---	---------------------	---------	-------	-----	--	--	-----	-----

ALMERA

L4 1.8L 1769cc (Mex.)			51358 ⁵³	51358XP	46116	WP9104			33477	
-----------------------	--	--	---------------------	---------	-------	--------	--	--	-------	--

ALTIMA

L4 2.5L 2500cc	QR25DE	A	57356 ⁵³	57356XP	46116	24857	24857XP	3	N/S	58140
V6 3.5L 3498cc	VQ35DE	B	51358 ⁵³	51358XP	46116	24857	24857XP	3	N/S	58140

ARMADA

V8 5.6L 5552cc	VK56DE	A	57356 ⁵³	57356XP	46213	24854		2	N/S	N/S
----------------	--------	---	---------------------	---------	-------	-------	--	---	-----	-----

N/A = Not Available N/R = Not Required N/S = Not Serviceable For cabin and fuel filter locator, see pages 5-15 See pages 16-19 for footnotes

N/A = Non disponible N/R = Non nécessaire N/S = Non serviceable Para la ubicación de los filtros de aire de la cabina y de combustible, ver las páginas 5-15 Voir pages 16-19 pour des notes

N/A = No disponible N/R = No requiere N/S = No servible Voir les tableaux de repérage des filtres d'habitacle et à carburant aux pages 5-15 Ver las páginas 16-19 para las notas al pie de página

Italicized Part Numbers May Not Be Available. Wix XP Oil Filters Have Fully Synthetic Media.

Las piezas con números en *italicas* pueden no estar disponibles. Los filtros de aceite WIX XP son completamente de media sintética. Les numéros de pièce en *italiques* peuvent ne pas être disponibles. Les filtres à huile XP Wix contiennent un matériau 100 % synthétique.

Year/Año/Année Model/Modelo/Modèle Engine/Motor/Moteur	Eng. Code Código de motor Code moteur	VIN NIV NIV	Oil Aceite Huile	Oil XP Aceite XP Huile XP	Air Aire Air	Cabin Air Cabina Aire Cabine Air	Cabin Air XP Cabina Aire XP Cabine Air XP	Loc. Cabin Air Cabina Aire Cabine Air	Fuel Combustible Carburant	Loc. Fuel Combustible Carburant	Transmission Transmisión Transmission
--	---	-------------------	------------------------	---------------------------------	--------------------	--	---	--	----------------------------------	--	---

NISSAN (Cont'd/Suite)
2005 (Cont'd/Suite)
ESTACAS

L4 2.4L 2389cc (Mex.)			57356 ⁵³	57356XP	46027				33477		
-----------------------	--	--	---------------------	---------	-------	--	--	--	-------	--	--

FRONTIER

L4 2.4L 2389cc (Mex.)	KA24DE		N/A		46027	N/A			33023		N/A
L4 2.5L 2500cc	QR25DE	B	57358 ⁵³	57358XP	46916	24683	24683XP	3	N/S		58604 - 2WD
V6 4.0L 3954cc	VQ40DE		57356 ⁵³	57356XP	46213	24683	24683XP	3	N/S		N/A

MAXIMA

V6 3.0L 2987cc (Mex.)			51358 ⁵³	51358XP	46116	24857	24857XP	3	N/S		58140
V6 3.5L 3498cc	VQ35DE	X,V	51358 ⁵³	51358XP	46116	24857	24857XP	3	N/S		58140

MICRA

L4 1.4L 1386cc (Mex.)			51394 ⁵³ 57145 ⁵³⁰	51394XP ⁵³¹ 57145XP ⁵³⁰	WA6305	WP6990			N/S		
-----------------------	--	--	---	--	--------	--------	--	--	-----	--	--

MURANO

V6 3.5L 3498cc	VQ35DE		51358 ⁵³	51358XP	46116	24857	24857XP	3	N/S		N/A
----------------	--------	--	---------------------	---------	-------	-------	---------	---	-----	--	-----

PATHFINDER

L4 2.5L 2488cc Turbo Diesel (Mex.)	YD25DDTI		51521		N/A	24683	24683XP		N/A		
V6 4.0L 3954cc	VQ40DE	X,V	57356 ⁵³	57356XP	46213	24683	24683XP	3	N/S		N/A

PICK UP

L4 2.4L 2389cc (Mex.)			57356 ⁵³	57356XP	46027				33477		
L4 2.5L (TD25) Turbo Diesel (Mex.)			51515	51515XP							

PICK UP D-21

L4 2.4L 2389cc (Mex.)			57356 ⁵³	57356XP	46027				33477		
L4 2.4L 2389cc KA24E (Mex.)			51361		46027				33477		

PLATINA

L4 1.6L 1598cc DOHC 16V (Mex.)			57207		WA6595	WP6928			WF8034		
--------------------------------	--	--	-------	--	--------	--------	--	--	--------	--	--

QUEST

V6 3.5L 3498cc	VQ35DE		51358 ⁵³	51358XP	46116	24855		3	N/S		58140
----------------	--------	--	---------------------	---------	-------	-------	--	---	-----	--	-------

SENTRA

L4 1.8L 1809cc	QG18DE		51358 ⁵³	51358XP	46116	24857	24857XP	3	N/S		58996
L4 2.0L 1998cc (Mex.)			51358 ⁵³	51358XP	46116				33023		
L4 2.5L 2500cc	QR25DE		57356 ⁵³	57356XP	46116	24857	24857XP	3	N/S		58602

TIIDA

L4 1.6L 1598cc (Mex.)	HR16DE		51358 ⁵³	51358XP	N/A	24829					58996
-----------------------	--------	--	---------------------	---------	-----	-------	--	--	--	--	-------

TITAN

V8 5.6L 5552cc	VK56DE	A	57356 ⁵³	57356XP	46213	24854		2	N/S		N/S
----------------	--------	---	---------------------	---------	-------	-------	--	---	-----	--	-----

TSURU

L4 1.6L 1597cc (Mex.)			51361		46044				33477		58996
-----------------------	--	--	-------	--	-------	--	--	--	-------	--	-------

URVAN

L4 2.4L (Mex.)			57356 ⁵³	57356XP	N/A				33023		
----------------	--	--	---------------------	---------	-----	--	--	--	-------	--	--

XTERRA

L4 2.5L (Mex.)			N/S		N/S	24683	24683XP		N/S		N/S
V6 4.0L 3954cc	VQ40DE		57356 ⁵³	57356XP	46213	24683	24683XP	3	N/S		MT ⁷²

X-TRAIL

L4 2.4L (Mex.)			51358 ⁵³	51358XP	46116				N/A		
L4 2.5L 2488cc			51358 ⁵³	51358XP	46116	24857	24857XP		N/S		MT ⁷²
L4 2.5L 2488cc (Mex.)	QR25DE		51358 ⁵³	51358XP	46116	24857	24857XP		N/S		

2004
350Z

V6 3.5L 3498cc	VQ35DE	A	51358 ⁵³	51358XP	46116	N/R			N/S		N/S
----------------	--------	---	---------------------	---------	-------	-----	--	--	-----	--	-----

ALMERA

L4 1.8L 1769cc (Mex.)			51358 ⁵³	51358XP	46116	WP9104			33477		
-----------------------	--	--	---------------------	---------	-------	--------	--	--	-------	--	--

N/A = Not Available N/R = Not Required N/S = Not Serviceable For cabin and fuel filter locator, see pages 5-15 See pages 16-19 for footnotes

N/A = Non disponible N/R = Non nécessaire N/S = Non réparable Para la ubicación de los filtros de aire de la cabina y de combustible, ver las páginas 5-15 Voir pages 16-19 pour des notes

N/A = No disponible N/R = No requiere N/S = No servible Voir les tableaux de repérage des filtres d'habitacle et à carburant aux pages 5-15 Ver las páginas 16-19 para las notas al pie de página

Italicized Part Numbers May Not Be Available. Wix XP Oil Filters Have Fully Synthetic Media.

Las piezas con números en *italicas* pueden no estar disponibles. Los filtros de aceite WIX XP son completamente de media sintética.

Les numéros de pièce en *italiques* peuvent ne pas être disponibles. Les filtres à huile XP Wix contiennent un matériau 100 % synthétique.

NISSAN 2004
Pass Car/Light Truck

Year/Año/Année Model/Modelo/Modèle Engine/Motor/Moteur	Eng. Code Código de motor Code moteur	VIN NIV NIV	Oil Aceite Huile	Oil XP Aceite XP Huile XP	Air Aire Air	Cabin Air Cabina Aire Cabine Air	Cabin Air XP Cabina Aire XP Cabine Air XP	Loc. Cabin Air Cabina Aire Cabine Air	Fuel Combustible Carburant	Loc. Fuel Combustible Carburant	Transmission Transmisión Transmission
--	---	-------------------	------------------------	---------------------------------	--------------------	--	---	--	----------------------------------	--	---

NISSAN (Cont'd/Suite)
2004 (Cont'd/Suite)
ALTIMA

L4 2.5L 2500cc	QR25DE	A	57356 ⁵³	57356XP	46116	24857	24857XP	3	N/S		58140
V6 3.5L 3498cc	VQ35DE	B	51358 ⁵³	51358XP	46116	24857	24857XP	3	N/S		58140

ARMADA

V8 5.6L SFI (Mex.)			51334 ⁵³	51334XP	46213						
--------------------	--	--	---------------------	---------	-------	--	--	--	--	--	--

ESTACAS

L4 2.4L 2389cc (Mex.)			57356 ⁵³	57356XP	46027				33477		
-----------------------	--	--	---------------------	---------	-------	--	--	--	-------	--	--

FRONTIER

L4 2.4L 2389cc	KA24DE		57356 ⁵³	57356XP	46027	24856		3	33023		58604
V6 3.3L 3275cc	VG33E		57356 ⁵³	57356XP	46116	24856		3	33023	Q	58604 - 2WD 58906 - 4WD
V6 3.3L 3275cc Super Charged	VG33ER		57356 ⁵³	57356XP	46116	24856		3	33023	Q	58604 - 2WD 58906 - 4WD

MAXIMA

V6 3.0L 2987cc (Mex.)			51358 ⁵³	51358XP	46116	24857	24857XP	3	N/S		58140
V6 3.5L 3498cc	VQ35DE	X,V	51358 ⁵³	51358XP	46116	24857	24857XP	3	N/S		58140

MURANO

V6 3.5L 3498cc	VQ35DE		57356 ⁵³	57356XP	46116	24857	24857XP	3	N/S		N/A
----------------	--------	--	---------------------	---------	-------	-------	---------	---	-----	--	-----

PATHFINDER

V6 3.5L 3498cc	VQ35DE	D	57356 ⁵³	57356XP	46116	24863		3	33023		58978 - 2WD 58906 - 4WD
----------------	--------	---	---------------------	---------	-------	-------	--	---	-------	--	----------------------------

PATHFINDER ARMADA

V8 5.6L 5552cc	VK56DE	A	57356 ⁵³	57356XP	46213	24854		2	N/S		N/S
----------------	--------	---	---------------------	---------	-------	-------	--	---	-----	--	-----

PICK UP

L4 2.4L 2389cc (Mex.)			57356 ⁵³	57356XP	46027				33477		
L4 2.5L (TD25) Turbo Diesel (Mex.)			51515	51515XP	WA10348						

PICK UP D-21

L4 2.4L 2389cc (Mex.)			51361		46027				33477		
L4 2.4L 2389cc KA24E (Mex.)			51361		46027				33477		

PLATINA

L4 1.6L 1598cc DOHC 16V (Mex.)			57207		WA6595	WP6928			WF8034		
--------------------------------	--	--	-------	--	--------	--------	--	--	--------	--	--

QUEST

V6 3.5L 3498cc	VQ35DE		51358 ⁵³	51358XP	46116	24855		3	N/S		58140
----------------	--------	--	---------------------	---------	-------	-------	--	---	-----	--	-------

SENTRA

L4 1.8L 1809cc	QG18DE		51358 ⁵³	51358XP	46116	24857	24857XP	3	N/S		58996
L4 2.0L 1998cc (Mex.)			51358 ⁵³	51358XP	46116				33023		
L4 2.5L 2500cc	QR25DE		57356 ⁵³	57356XP	46116	24857	24857XP	3	N/S		58602

TIIDA

L4 1.6L 1598cc (Mex.)	HR16DE		51358 ⁵³	51358XP	N/A	24829					58996
-----------------------	--------	--	---------------------	---------	-----	-------	--	--	--	--	-------

TITAN

V8 5.6L 5552cc	VK56DE	A	57356 ⁵³	57356XP	46213	24854		2	N/S		N/S
----------------	--------	---	---------------------	---------	-------	-------	--	---	-----	--	-----

TSUBAME

L4 1.6L 1598cc DOHC 16V (Mex.)			51361		46116				33023		
--------------------------------	--	--	-------	--	-------	--	--	--	-------	--	--

TSURU

L4 1.6L 1597cc (Mex.)			51361		46044				33477		58996
-----------------------	--	--	-------	--	-------	--	--	--	-------	--	-------

URVAN

L4 2.4L (Mex.)			57356 ⁵³	57356XP	N/A				33023		
----------------	--	--	---------------------	---------	-----	--	--	--	-------	--	--

XTERRA

L4 2.4L 2389cc	KA24DE		57356 ⁵³	57356XP	46027	24856		3	33023	Q	MT ⁷²
V6 3.3L 3275cc	VG33E		57356 ⁵³	57356XP	46116	24856		3	33023	Q	58978 - 2WD 58906 - 4WD
V6 3.3L 3275cc Super Charged	VG33ER		57356 ⁵³	57356XP	46116	24856		3	33023	Q	58978 - 2WD 58906 - 4WD

N/A = Not Available N/R = Not Required N/S = Not Serviceable For cabin and fuel filter locator, see pages 5-15 See pages 16-19 for footnotes

N/A = Non disponible N/R = Non nécessaire N/S = Non réparable Para la ubicación de los filtros de aire de la cabina y de combustible, ver las páginas 5-15 Voir pages 16-19 pour des notes

N/A = No disponible N/R = No requiere N/S = No servible Voir les tableaux de repérage des filtres d'habitacle et à carburant aux pages 5-15 Ver las páginas 16-19 para las notas al pie de página

Italicized Part Numbers May Not Be Available. Wix XP Oil Filters Have Fully Synthetic Media.

Las piezas con números en *italicas* pueden no estar disponibles. Los filtros de aceite WIX XP son completamente de media sintética. Les numéros de pièce en *italiques* peuvent ne pas être disponibles. Les filtres à huile XP Wix contiennent un matériau 100 % synthétique.

Year/Año/Année Model/Modelo/Modèle Engine/Motor/Moteur	Eng. Code Código de motor Code moteur	VIN NIV NIV	Oil Aceite Huile	Oil XP Aceite XP Huile XP	Air Aire Air	Cabin Air Cabina Aire Cabine Air	Cabin Air XP Cabina Aire XP Cabine Air XP	Loc. Cabin Air Cabina Aire Cabine Air	Fuel Combustible Carburant	Loc. Fuel Combustible Carburant	Transmission Transmisión Transmission
--	--	-------------------	------------------------	---------------------------------	--------------------	--	---	--	----------------------------------	--	---

NISSAN (Cont'd/Suite)
2004 (Cont'd/Suite)
X-TRAIL

L4 2.5L 2488cc (Mex.)	QR25DE		51358 ⁵³	51358XP	46116	24857	24857XP		N/S		
-----------------------	--------	--	---------------------	---------	-------	-------	---------	--	-----	--	--

2003
350Z

V6 3.5L 3498cc	VQ35DE	A	51358 ⁵³	51358XP	46116	N/R			N/S		N/S
----------------	--------	---	---------------------	---------	-------	-----	--	--	-----	--	-----

ALMERA

L4 1.8L 1769cc (Mex.)			51358 ⁵³	51358XP	46116	WP9104			33477		
-----------------------	--	--	---------------------	---------	-------	--------	--	--	-------	--	--

ALTIMA

L4 2.5L 2500cc	QR25DE	A	57356 ⁵³	57356XP	46116	24857	24857XP	3	N/S		58140
V6 3.5L 3498cc	VQ35DE	B	51358 ⁵³	51358XP	46116	24857	24857XP	3	N/S		58140

ESTACAS

L4 2.4L 2389cc (Mex.)			51361		46027				33477		
-----------------------	--	--	-------	--	-------	--	--	--	-------	--	--

FRONTIER

L4 2.4L 2389cc	KA24DE		57356 ⁵³	57356XP	46027	24856		3	33023		58604
V6 3.3L 3275cc	VG33E		57356 ⁵³	57356XP	46116	24856		3	33023	Q	58604 - 2WD 58906 - 4WD
V6 3.3L 3275cc Super Charged	VG33ER		57356 ⁵³	57356XP	46116	24856		3	33023	Q	58604 - 2WD 58906 - 4WD

MAXIMA

V6 3.5L 3498cc	VQ35DE		57356 ⁵³	57356XP	46116	24823		3	N/S		N/A
----------------	--------	--	---------------------	---------	-------	-------	--	---	-----	--	-----

MURANO

V6 3.5L 3498cc	VQ35DE	W	57356 ⁵³	57356XP	46116	24857	24857XP	3	N/S		N/A
----------------	--------	---	---------------------	---------	-------	-------	---------	---	-----	--	-----

PATHFINDER

V6 3.5L 3498cc	VQ35DE	D	57356 ⁵³	57356XP	46116	24863		3	33023		58978 - 2WD 58906 - 4WD
----------------	--------	---	---------------------	---------	-------	-------	--	---	-------	--	----------------------------

PICK UP

L4 2.4L 2389cc KA24E (Mex.)			51361		46027				33470		
L4 2.5L (TD25) Turbo Diesel (Mex.)			51515	51515XP	WA10348						

PICK UP D-21

L4 2.4L 2389cc (Mex.)			51361		46027				33477		
L4 2.4L 2389cc KA24E (Mex.)			51361		46027				33477		

PLATINA

L4 1.6L 1598cc DOHC 16V (Mex.)			57207		WA6595	WP6928			WF8034		
--------------------------------	--	--	-------	--	--------	--------	--	--	--------	--	--

SENTRA

L4 1.8L 1809cc	QG18DE		51358 ⁵³	51358XP	46116	24857	24857XP	3	N/S		N/A
L4 2.0L 1998cc (Mex.)			51358 ⁵³	51358XP	46116				33023		
L4 2.5L 2500cc	QR25DE		57356 ⁵³	57356XP	46116	24857	24857XP	3	N/S		58602

TSUBAME

L4 1.6L 1598cc DOHC 16V (Mex.)			51361		46116				33023		
--------------------------------	--	--	-------	--	-------	--	--	--	-------	--	--

TSURU

L4 1.6L 1597cc (Mex.)			51361		46044				33477		58996
-----------------------	--	--	-------	--	-------	--	--	--	-------	--	-------

URVAN

L4 2.4L (Mex.)			57356 ⁵³	57356XP	46284				33023		
----------------	--	--	---------------------	---------	-------	--	--	--	-------	--	--

XTERRA

L4 2.4L 2389cc	KA24DE		57356 ⁵³	57356XP	46027	24856		3	33023	Q	MT ²
V6 3.3L 3275cc	VG33E		57356 ⁵³	57356XP	46116	24856		3	33023	Q	58978 - 2WD 58906 - 4WD
V6 3.3L 3275cc Super Charged	VG33ER		57356 ⁵³	57356XP	46116	24856		3	33023	Q	58978 - 2WD 58906 - 4WD

X-TRAIL

L4 2.5L 2488cc (Mex.)	QR25DE		51358 ⁵³	51358XP	46116	24857	24857XP		N/S		
-----------------------	--------	--	---------------------	---------	-------	-------	---------	--	-----	--	--

N/A = Not Available N/R = Not Required N/S = Not Serviceable For cabin and fuel filter locator, see pages 5-15 See pages 16-19 for footnotes

N/A = Non disponible N/R = Non nécessaire N/S = Non réparable Para la ubicación de los filtros de aire de la cabina y de combustible, ver las páginas 5-15 Voir pages 16-19 pour des notes

N/A = No disponible N/R = No requiere N/S = No servible Voir les tableaux de repérage des filtres d'habitacle et à carburant aux pages 5-15 Ver las páginas 16-19 para las notas al pie de página

Italicized Part Numbers May Not Be Available. Wix XP Oil Filters Have Fully Synthetic Media.

Las piezas con números en *italicas* pueden no estar disponibles. Los filtros de aceite WIX XP son completamente de media sintética.

Les numéros de pièce en *italiques* peuvent ne pas être disponibles. Les filtres à huile Wix contiennent un matériau 100 % synthétique.

NISSAN 2002
Pass Car/Light Truck

Year/Año/Année Model/Modelo/Modèle Engine/Motor/Moteur	Eng. Code Código de motor Code moteur	VIN NIV NIV	Oil Aceite Huile	Oil XP Aceite XP Huile XP	Air Aire Air	Cabin Air Cabina Aire Cabine Air	Cabin Air XP Cabina Aire XP Cabine Air XP	Loc. Cabin Air Cabina Aire Cabine Air	Fuel Combustible Carburant	Loc. Fuel Combustible Carburant	Transmission Transmisión Transmission
--	---	-------------------	------------------------	---------------------------------	--------------------	--	---	--	----------------------------------	--	---

NISSAN (Cont'd/Suite)
2002
ALMERA

L4 1.8L 1769cc (Mex.)			51358 ⁵³	51358XP	46116	WP9104			33477		
-----------------------	--	--	---------------------	---------	-------	--------	--	--	-------	--	--

ALTIMA

L4 2.5L 2500cc	QR25DE	A	57356 ⁵³	57356XP	46116	24857	24857XP	3	N/S	F	58140
V6 3.5L 3498cc	VQ35DE	B	51358 ⁵³	51358XP	46116	24857	24857XP	3	N/S		58140

ESTACAS

L4 2.4L 2389cc (Mex.)			51361		46027				33477		
-----------------------	--	--	-------	--	-------	--	--	--	-------	--	--

FRONTIER

L4 2.4L 2389cc	KA24DE		57356 ⁵³	57356XP	46027	24856		3	33023	Q	58978 - 2WD 58604 - 4WD
V6 3.3L 3275cc	VG33E		57356 ⁵³	57356XP	46116	24856		3	33023	Q	58978 - 2WD 58906 - 4WD
V6 3.3L 3275cc Super Charged	VG33ER		57356 ⁵³	57356XP	46116	24856		3	33023	Q	58978 - 2WD 58906 - 4WD

MAXIMA

V6 3.0L 2987cc (Mex.)			57356 ⁵³	57356XP	46116	24823		3	N/S		58602
V6 3.5L 3498cc	VQ35DE		57356 ⁵³	57356XP	46116	24823		3	N/S	Q	58602

PATHFINDER

V6 3.5L 3498cc	VQ35DE	D	57356 ⁵³	57356XP	46116	24863		3	33023	E	58978 - 2WD 58906 - 4WD
----------------	--------	---	---------------------	---------	-------	-------	--	---	-------	---	----------------------------

PICK UP

L4 2.4L 2389cc KA24E (Mex.)			51361		46027				33470		
L4 2.5L (TD25) Turbo Diesel (Mex.)			51515	51515XP	WA10348						

PICK UP D-21

L4 2.4L 2389cc (Mex.)			51361		46027				33477		
L4 2.4L 2389cc KA24E (Mex.)			51361		46027				33477		

PLATINA

L4 1.6L 1598cc DOHC 16V (Mex.)			57207		WA6595	WP6928			WF8034		
--------------------------------	--	--	-------	--	--------	--------	--	--	--------	--	--

QUEST

V6 3.3L 3275cc	VG33E		57356 ⁵³	57356XP	46095	24896		1	33023	F	58602
----------------	-------	--	---------------------	---------	-------	-------	--	---	-------	---	-------

SENTRA

L4 1.8L 1769cc (Mex.)			51358 ⁵³	51358XP	46116	24857	24857XP		33023		58996
L4 1.8L 1809cc	QG18DE		51358 ⁵³	51358XP	46116	24857	24857XP	3	N/S		58996
L4 2.0L 1998cc (Mex.)			51358 ⁵³	51358XP	46116				33023		
L4 2.5L 2500cc	QR25DE		57356 ⁵³	57356XP	46116	24857	24857XP	3	N/S		N/A

TSUBAME

L4 1.6L 1598cc DOHC 16V (Mex.)			51361		46116				33023		
--------------------------------	--	--	-------	--	-------	--	--	--	-------	--	--

TSURU

L4 1.6L 1597cc (Mex.)			51361		46044				33477		58996
-----------------------	--	--	-------	--	-------	--	--	--	-------	--	-------

URVAN

L4 2.4L (Mex.)			57356 ⁵³	57356XP	46284				33023		
----------------	--	--	---------------------	---------	-------	--	--	--	-------	--	--

XTERRA

L4 2.4L 2389cc	KA24DE		57356 ⁵³	57356XP	46027	24856		3	33023	Q	MT ⁷²
V6 3.3L 3275cc	VG33E		57356 ⁵³	57356XP	46116	24856		3	33023	Q	58978 - 2WD 58906 - 4WD
V6 3.3L 3275cc Super Charged	VG33ER		57356 ⁵³	57356XP	46116	24856		3	33023	Q	58978 - 2WD 58906 - 4WD

X-TRAIL

L4 2.5L 2488cc (Mex.)	QR25DE		51358 ⁵³	51358XP	46116	24857	24857XP		N/S		
-----------------------	--------	--	---------------------	---------	-------	-------	---------	--	-----	--	--

N/A = Not Available N/R = Not Required N/S = Not Serviceable For cabin and fuel filter locator, see pages 5-15 See pages 16-19 for footnotes

N/A = Non disponible N/R = Non nécessaire N/S = Non réparable Para la ubicación de los filtros de aire de la cabina y de combustible, ver las páginas 5-15 Voir pages 16-19 pour des notes

N/A = No disponible N/R = No requiere N/S = No servible Voir les tableaux de repérage des filtres d'habitacle et à carburant aux pages 5-15 Ver las páginas 16-19 para las notas al pie de página

Italicized Part Numbers May Not Be Available. Wix XP Oil Filters Have Fully Synthetic Media.

Las piezas con números en *italicas* pueden no estar disponibles. Los filtros de aceite WIX XP son completamente de media sintética. Les numéros de pièce en *italiques* peuvent ne pas être disponibles. Les filtres à huile XP Wix contiennent un matériau 100 % synthétique.

Year/Año/Année Model/Modelo/Modèle Engine/Motor/Moteur	Eng. Code Código de motor Code moteur	VIN NIV NIV	Oil Aceite Huile	Oil XP Aceite XP Huile XP	Air Aire Air	Cabin Air Cabina Aire Cabine Air	Cabin Air XP Cabina Aire XP Cabine Air XP	Loc. Cabin Air Cabina Aire Cabine Air	Fuel Combustible Carburant	Loc. Fuel Combustible Carburant	Transmission Transmisión Transmission
--	--	-------------------	------------------------	---------------------------------	--------------------	--	---	--	----------------------------------	--	---

OLDSMOBILE
2004
ALERO

L4 2.2L 134 CID	L61	F	57082	57082XP	46035	N/R			33311		58611
V6 3.4L 207 CID		E	51040 ⁵³	51040XP	46035	N/R			33311		58611

BRAVADA

L6 4.2L 256 CID		S	51522 ⁵³	51522XP	42729	N/R			33129		58904 - 4L60E-SP 58847 - 4L60E-DP
-----------------	--	---	---------------------	---------	-------	-----	--	--	-------	--	--------------------------------------

SILHOUETTE

V6 3.4L 207 CID		E	51040 ⁵³	51040XP	46302	24161 ⁷⁹		5	33689		58837
-----------------	--	---	---------------------	---------	-------	---------------------	--	---	-------	--	-------

2003
ALERO

L4 2.2L 134 CID	L61	F	57082	57082XP	46035	N/R			33311		58611
V6 3.4L 207 CID		E	51040 ⁵³	51040XP	46035	N/R			33311		58611

AURORA

V8 4.0L 244 CID		C	51522 ⁵³	51522XP	46302	24812 ⁷⁹ 24474 ¹⁴⁷	24812XP ⁷⁹	2	33311		58895
-----------------	--	---	---------------------	---------	-------	---	-----------------------	---	-------	--	-------

BRAVADA

L6 4.2L 256 CID		S	51522 ⁵³	51522XP	42729	N/R			33129		58904 - 4L60E-SP 58847 - 4L60E-DP
-----------------	--	---	---------------------	---------	-------	-----	--	--	-------	--	--------------------------------------

SILHOUETTE

V6 3.4L 207 CID		E	51040 ⁵³	51040XP	46302	24161 ⁷⁹		5	33183 - w/1 Male End 33689 - w/2 Male Ends		58837
-----------------	--	---	---------------------	---------	-------	---------------------	--	---	---	--	-------

2002
ALERO

L4 2.2L 134 CID	L61	F	57082	57082XP	46035	N/R			33311		58611
V6 3.4L 207 CID		E	51040 ⁵³	51040XP	46035	N/R			33311		58611

AURORA

V6 3.5L 214 CID		H	57090	57090XP	46302	24812 ⁷⁹ 24474 ¹⁴⁷	24812XP ⁷⁹	2	33311		58837
V8 4.0L 244 CID		C	51522 ⁵³	51522XP	46302	24812 ⁷⁹ 24474 ¹⁴⁷	24812XP ⁷⁹	2	33311		58895

BRAVADA

L6 4.2L 256 CID		S	51522 ⁵³	51522XP	42729	N/R			33129		58904 - 4L60E-SP 58847 - 4L60E-DP
-----------------	--	---	---------------------	---------	-------	-----	--	--	-------	--	--------------------------------------

INTRIGUE

V6 3.5L 214 CID		H	57090	57090XP	46153	24780	24780XP	1	33311		58837
-----------------	--	---	-------	---------	-------	-------	---------	---	-------	--	-------

SILHOUETTE

V6 3.4L 207 CID		E	51040 ⁵³	51040XP	46302	24161 ⁷⁹		5	33183		58837
-----------------	--	---	---------------------	---------	-------	---------------------	--	---	-------	--	-------

OPEL
2010
ASTRA

L4 1.6L 1598cc CNG (Mex.)			N/A		49522	49364			N/A		
---------------------------	--	--	-----	--	-------	-------	--	--	-----	--	--

2009
ASTRA

L4 1.6L 1598cc CNG (Mex.)			N/A		49522	49364			N/A		
---------------------------	--	--	-----	--	-------	-------	--	--	-----	--	--

2005
ASTRA

L4 1.8L 1796cc (Mex.)			57143		49522	49364			N/S		
-----------------------	--	--	-------	--	-------	-------	--	--	-----	--	--

2004
ASTRA

L4 1.6L 1598cc CNG (Mex.)			57143		49522	49364			33078		
L4 1.8L 1796cc (Mex.)			57143		49522	49364			N/S		

N/A = Not Available N/R = Not Required N/S = Not Serviceable For cabin and fuel filter locator, see pages 5-15 See pages 16-19 for footnotes

N/A = Non disponible N/R = Non nécessaire N/S = Non réparable Para la ubicación de los filtros de aire de la cabina y de combustible, ver las páginas 5-15 Voir pages 16-19 pour des notes

N/A = No disponible N/R = No requiere N/S = No servible Voir les tableaux de repérage des filtres d'habitacle et à carburant aux pages 5-15 Ver las páginas 16-19 para las notas al pie de página

Italicized Part Numbers May Not Be Available. Wix XP Oil Filters Have Fully Synthetic Media.

Las piezas con números en *italicas* pueden no estar disponibles. Los filtros de aceite WIX XP son completamente de media sintética.

Les numéros de pièce en *italiques* peuvent ne pas être disponibles. Les filtres à huile Wix contiennent un matériau 100 % synthétique.

OPEL 2003 — PEUGEOT 2016

Pass Car/Light Truck

Year/Año/Année Model/Modelo/Modèle Engine/Motor/Moteur	Eng. Code Código de motor Code moteur	VIN NIV NIV	Oil Aceite Huile	Oil XP Aceite XP Huile XP	Air Aire Air	Cabin Air Cabina Aire Cabine Air	Cabin Air XP Cabina Aire XP Cabine Air XP	Loc. Cabin Air Cabina Aire Cabine Air	Fuel Combustible Carburant	Loc. Fuel Combustible Carburant	Transmission Transmisión Transmission
--	---	-------------------	------------------------	---------------------------------	--------------------	--	---	--	----------------------------------	--	---

OPEL (Cont'd/Suite)

2003

ASTRA

L4 1.6L 1598cc CNG (Mex.)			57143		49522	49364				33078	
---------------------------	--	--	-------	--	-------	-------	--	--	--	-------	--

2002

ASTRA

L4 1.6L 1598cc CNG (Mex.)			57143		49522	49364				33078	
---------------------------	--	--	-------	--	-------	-------	--	--	--	-------	--

PEUGEOT

2018

MANAGER

L4 2.2L 2198CC 134CID (Mex.)			WL7305		WA10266	N/S				N/S	N/S
------------------------------	--	--	--------	--	---------	-----	--	--	--	-----	-----

2017

208

L4 1.6L 1560CC 95CID (Mex.)			WL7305		N/S	N/S				N/S	N/S
-----------------------------	--	--	--------	--	-----	-----	--	--	--	-----	-----

3008

L4 1.6L THP1598cc Turbo (Mex.)	EP6DT		57512			WP9318 WP9319 ⁷⁸				WF8034	
--------------------------------	-------	--	-------	--	--	--------------------------------	--	--	--	--------	--

301

L4 1.6L 1587cc (Mex.)			57512		WA6784	WP9256				N/S	
-----------------------	--	--	-------	--	--------	--------	--	--	--	-----	--

308

L4 1.6L 1598cc Turbo (Mex.)			57512		49825	WP9112				WF8034	
-----------------------------	--	--	-------	--	-------	--------	--	--	--	--------	--

508

L4 1.6L 1598cc (Mex.)			57512		N/S	N/S				WF8034	N/S
-----------------------	--	--	-------	--	-----	-----	--	--	--	--------	-----

MANAGER

L4 2.2L 2198CC 134CID (Mex.)			WL7305		WA10266	N/S				N/S	N/S
------------------------------	--	--	--------	--	---------	-----	--	--	--	-----	-----

PARTNER

L4 1.6L 1560cc HDI Diesel (Mex.)			WL7305		WA9411	WP9318					
----------------------------------	--	--	--------	--	--------	--------	--	--	--	--	--

RCZ

L4 1.6L 1598cc Turbo (Mex.)			57512		49728	WP9112				N/S	
-----------------------------	--	--	-------	--	-------	--------	--	--	--	-----	--

2016

2008

L4 1.6L 1598cc Turbo (Mex.)			57512		49825	WP9256				WF8034	
-----------------------------	--	--	-------	--	-------	--------	--	--	--	--------	--

208

L4 1.6L THP 1598cc Turbo (Mex.)	EP6CDT		57512		49728	WP9256				WF8034	
---------------------------------	--------	--	-------	--	-------	--------	--	--	--	--------	--

3008

L4 1.6L THP1598cc Turbo (Mex.)	EP6DT		57512		49728 ⁴⁴⁴ WA9657 ⁴⁴³	WP9318 WP9319 ⁷⁸				WF8034	
--------------------------------	-------	--	-------	--	---	--------------------------------	--	--	--	--------	--

301

L4 1.6L 1560cc Diesel (Mex.)			WL7305		WA9663	WP9256				N/A	
L4 1.6L 1587cc (Mex.)			57512		WA6784					WF8034	

308

L4 1.6L 1598cc Turbo (Mex.)			57512		49825	WP9112				WF8034	
-----------------------------	--	--	-------	--	-------	--------	--	--	--	--------	--

508

L4 1.6L THP1598cc Turbo (Mex.)	EP6DT		WL7305		49728	WP2073 ⁶¹				WF8034	
--------------------------------	-------	--	--------	--	-------	----------------------	--	--	--	--------	--

MANAGER

L4 2.2L 2198cc Diesel (Mex.)			57512		WA10266	WP9368 ⁶¹				WF8366 ⁶¹	
------------------------------	--	--	-------	--	---------	----------------------	--	--	--	----------------------	--

PARTNER

L4 1.6L 1560cc HDI Diesel (Mex.)			WL7305		WA9411	WP9318					
----------------------------------	--	--	--------	--	--------	--------	--	--	--	--	--

N/A = Not Available N/R = Not Required N/S = Not Serviceable For cabin and fuel filter locator, see pages 5-15 See pages 16-19 for footnotes
 N/A = Non disponible N/R = Non nécessaire N/S = Non réparable Para la ubicación de los filtros de aire de la cabina y de combustible, ver las páginas 5-15 Voir pages 16-19 pour des notes
 N/A = No disponible N/R = No requiere N/S = No servible Voir les tableaux de repérage des filtres d'habitacle et à carburant aux pages 5-15 Ver las páginas 16-19 para las notas al pie de página

Italicized Part Numbers May Not Be Available. Wix XP Oil Filters Have Fully Synthetic Media.

Las piezas con números en *italicas* pueden no estar disponibles. Los filtros de aceite WIX XP son completamente de media sintética. Les numéros de pièce en *italiques* peuvent ne pas être disponibles. Les filtres à huile XP Wix contiennent un matériau 100 % synthétique.

Year/Año/Année Model/Modelo/Modèle Engine/Motor/Moteur	Eng. Code Código de motor Code moteur	VIN NIV NIV	Oil Aceite Huile	Oil XP Aceite XP Huile XP	Air Aire Air	Cabin Air Cabina Aire Cabine Air	Cabin Air XP Cabina Aire XP Cabine Air XP	Loc. Cabin Air Cabina Aire Cabine Air	Fuel Combustible Carburant	Loc. Fuel Combustible Carburant	Transmission Transmisión Transmission
--	--	-------------------	------------------------	---------------------------------	--------------------	--	---	--	----------------------------------	--	---

PEUGEOT (Cont'd/Suite)

2016 (Cont'd/Suite)

RCZ

L4 1.6L 1598cc Turbo (Mex.)			57512		49728	WP9112			N/S		
-----------------------------	--	--	-------	--	-------	--------	--	--	-----	--	--

2015

2008

L4 1.6L 1598cc Turbo (Mex.)			57512		49825	WP9256			WF8034		
-----------------------------	--	--	-------	--	-------	--------	--	--	--------	--	--

208

L4 1.6L THP 1598cc Turbo (Mex.)	EP6CDT		57512		49728	WP9256			WF8034		
---------------------------------	--------	--	-------	--	-------	--------	--	--	--------	--	--

L4 1.6L THP1598cc Turbo (Mex.)	EP6DT		57512		49825	WP9256			WF8034		
--------------------------------	-------	--	-------	--	-------	--------	--	--	--------	--	--

3008

L4 1.6L THP 1598cc Turbo (Mex.)	EP6CDT		57512		49728 ⁴⁴⁴ WA9657 ⁴⁴³	WP9318 WP9319 ⁷⁸			WF8030		
---------------------------------	--------	--	-------	--	---	--------------------------------	--	--	--------	--	--

L4 1.6L THP1598cc Turbo (Mex.)	EP6DT		57512		49728 ⁴⁴⁴ WA9657 ⁴⁴³	WP9318 WP9319 ⁷⁸			WF8034		
--------------------------------	-------	--	-------	--	---	--------------------------------	--	--	--------	--	--

301

L4 1.6L 1587cc (Mex.)			57512		WA6784	WP9256			N/S		
-----------------------	--	--	-------	--	--------	--------	--	--	-----	--	--

508

L4 1.6L THP1598cc Turbo (Mex.)	EP6DT		WL7305		49728	WP2073 ⁵¹			WF8034		
--------------------------------	-------	--	--------	--	-------	----------------------	--	--	--------	--	--

MANAGER

L4 2.2L 2198cc Diesel (Mex.)			57512		WA10266	WP9368 ⁵¹			WF8366 ⁵¹		
------------------------------	--	--	-------	--	---------	----------------------	--	--	----------------------	--	--

L4 3.0L HDI TURBO DIESEL (Mex.)			WL7445		WA10266	WP9368 ⁵¹			WF8366 ⁵¹		
---------------------------------	--	--	--------	--	---------	----------------------	--	--	----------------------	--	--

PARTNER

L4 1.6L 1560cc HDI Diesel (Mex.)			WL7305		WA9411	WP9318					
----------------------------------	--	--	--------	--	--------	--------	--	--	--	--	--

RCZ

L4 1.6L 1598cc Turbo (Mex.)			57512		49728	WP9112			N/S		
-----------------------------	--	--	-------	--	-------	--------	--	--	-----	--	--

2014

2008

L4 1.6L 1598cc Turbo (Mex.)			57512		49825	WP9256			WF8034		
-----------------------------	--	--	-------	--	-------	--------	--	--	--------	--	--

207

L4 1.6L 1598cc Turbo (Mex.)			57512		49728 ⁴⁴⁴ WA9657 ⁴⁴³	WP9256			N/S		
-----------------------------	--	--	-------	--	---	--------	--	--	-----	--	--

208

L4 1.6L THP 1598cc Turbo (Mex.)	EP6CDT		57512		49728	WP9256			WF8034		
---------------------------------	--------	--	-------	--	-------	--------	--	--	--------	--	--

L4 1.6L THP1598cc Turbo (Mex.)	EP6DT		57512		49825	WP9256			WF8034		
--------------------------------	-------	--	-------	--	-------	--------	--	--	--------	--	--

3008

L4 1.6L THP 1598cc Turbo (Mex.)	EP6CDT		57512		49728 ⁴⁴⁴ WA9657 ⁴⁴³	WP9318 WP9319 ⁷⁸			N/S		
---------------------------------	--------	--	-------	--	---	--------------------------------	--	--	-----	--	--

L4 1.6L THP1598cc Turbo (Mex.)	EP6DT		57512		49728 ⁴⁴⁴ WA9657 ⁴⁴³	WP9318 WP9319 ⁷⁸			N/S		
--------------------------------	-------	--	-------	--	---	--------------------------------	--	--	-----	--	--

301

L4 1.6L 1587cc (Mex.)			57512		WA6784	N/A			N/S		
-----------------------	--	--	-------	--	--------	-----	--	--	-----	--	--

308

L4 1.6L THP 1598cc Turbo (Mex.)	EP6CDT		57512		49825	WP9112			WF8034		
---------------------------------	--------	--	-------	--	-------	--------	--	--	--------	--	--

508

L4 1.6L THP1598cc Turbo (Mex.)	EP6DT		WL7305		49728	WP2073 ⁵¹			WF8034		
--------------------------------	-------	--	--------	--	-------	----------------------	--	--	--------	--	--

MANAGER

L4 2.2L 2198cc Diesel (Mex.)			57512		WA10266	WP9368 ⁵¹			WF8366 ⁵¹		
------------------------------	--	--	-------	--	---------	----------------------	--	--	----------------------	--	--

N/A = Not Available N/R = Not Required N/S = Not Serviceable For cabin and fuel filter locator, see pages 5-15 See pages 16-19 for footnotes

N/A = Non disponible N/R = Non nécessaire N/S = Non réparable Para la ubicación de los filtros de aire de la cabina y de combustible, ver las páginas 5-15 Voir pages 16-19 pour des notes

N/A = No disponible N/R = No requiere N/S = No servible Voir les tableaux de repérage des filtres d'habitacle et à carburant aux pages 5-15 Ver las páginas 16-19 para las notas al pie de página

Italicized Part Numbers May Not Be Available. Wix XP Oil Filters Have Fully Synthetic Media.

Las piezas con números en *italicas* pueden no estar disponibles. Los filtros de aceite WIX XP son completamente de media sintética.

Les numéros de pièce en *italiques* peuvent ne pas être disponibles. Les filtres à huile XP Wix contiennent un matériau 100 % synthétique.

PEUGEOT 2014-2012

Pass Car/Light Truck

Year/Año/Année Model/Modelo/Modèle Engine/Motor/Moteur	Eng. Code Código de motor Code moteur	VIN NIV NIV	Oil Aceite Huile	Oil XP Aceite XP Huile XP	Air Aire Air	Cabin Air Cabina Aire Cabine Air	Cabin Air XP Cabina Aire XP Cabine Air XP	Loc. Cabin Air Cabina Aire Cabine Air	Fuel Combustible Carburant	Loc. Fuel Combustible Carburant	Transmission Transmisión Transmission
--	---	-------------------	------------------------	---------------------------------	--------------------	--	---	--	----------------------------------	--	---

PEUGEOT (Cont'd/Suite)

2014 (Cont'd/Suite)

MANAGER (Cont'd/Suite)

L4 3.0L HDI TURBO DIESEL (Mex.)			WL7445		WA10266	WP9368 ⁶¹			WF8366 ⁶¹		
---------------------------------	--	--	--------	--	---------	----------------------	--	--	----------------------	--	--

PARTNER

L4 1.6L 1560cc HDI Diesel (Mex.)			WL7305		WA9411	WP9318					
----------------------------------	--	--	--------	--	--------	--------	--	--	--	--	--

RCZ

L4 1.6L 1598cc Turbo (Mex.)			57512		49728	WP9112			N/S		
-----------------------------	--	--	-------	--	-------	--------	--	--	-----	--	--

2013

207

L4 1.6L 1598cc (Mex.)			57512		WA6784	WP9256			N/S		
L4 1.6L 1598cc 98 CID Turbo (Mex.)	EP6DT		57512		49728 ⁴⁴⁴ WA9657 ⁴⁴³	WP9256			N/S		

3008

L4 1.6L THP 1598cc Turbo (Mex.)	EP6CDT		57512		49728 ⁴⁴⁴ WA9657 ⁴⁴³	WP9318 WP9319 ⁷⁸			N/S		
L4 1.6L THP 1598cc Turbo (Mex.)	EP6DT		57512		49728 ⁴⁴⁴ WA9657 ⁴⁴³	WP9318 WP9319 ⁷⁸			N/S		

301

L4 1.6L 1587cc (Mex.)			57512		WA6784	N/A			N/S		
-----------------------	--	--	-------	--	--------	-----	--	--	-----	--	--

308

L4 1.6L THP 1598cc Turbo (Mex.)	EP6CDT		57512		49825	WP9112			WF8034		
---------------------------------	--------	--	-------	--	-------	--------	--	--	--------	--	--

508

L4 1.6L THP 1598cc Turbo (Mex.)	EP6DT		WL7305		49728	WP2073 ⁶¹			WF8034		
---------------------------------	-------	--	--------	--	-------	----------------------	--	--	--------	--	--

MANAGER

L4 2.2L 2198cc Diesel (Mex.)			57512		WA10266	WP9368 ⁶¹			WF8366 ⁶¹		
L4 3.0L HDI TURBO DIESEL (Mex.)			WL7445		WA10266	WP9368 ⁶¹			WF8366 ⁶¹		

PARTNER

L4 1.6L 1560cc HDI Diesel (Mex.)			WL7305		WA9411	WP9318					
----------------------------------	--	--	--------	--	--------	--------	--	--	--	--	--

RCZ

L4 1.6L 1598cc Turbo (Mex.)			57512		49728	WP9112			N/S		
-----------------------------	--	--	-------	--	-------	--------	--	--	-----	--	--

2012

207

L4 1.6L 1598cc (Mex.)			57512		WA6784	WP9256			N/S		
L4 1.6L 1598cc 98 CID Turbo (Mex.)	EP6DT		57512		49728 ⁴⁴⁴ WA9657 ⁴⁴³	WP9256			N/S		

3008

L4 1.6L THP 1598cc Turbo (Mex.)	EP6CDT		57512		49728 ⁴⁴⁴ WA9657 ⁴⁴³	WP9318 WP9319 ⁷⁸			N/S		
L4 1.6L THP 1598cc Turbo (Mex.)	EP6DT		57512		49728 ⁴⁴⁴ WA9657 ⁴⁴³	WP9318 WP9319 ⁷⁸			N/S		

308

L4 1.6L THP 1598cc Turbo (Mex.)	EP6CDT		57512		49825	WP9112			WF8034		
---------------------------------	--------	--	-------	--	-------	--------	--	--	--------	--	--

508

L4 1.6L THP 1598cc Turbo (Mex.)	EP6DT		WL7305		49728	WP2073 ⁶¹			WF8034		
---------------------------------	-------	--	--------	--	-------	----------------------	--	--	--------	--	--

EXPERT TEEPEE

L4 2.0L 1997cc HDI Diesel (Mex.)			57512		WA9559	WP9310 ⁶¹			WF8321		
----------------------------------	--	--	-------	--	--------	----------------------	--	--	--------	--	--

GRAND RAID

L4 1.6L 1598cc (Mex.)			WL7299		WA6784	24688			WF8034		
-----------------------	--	--	--------	--	--------	-------	--	--	--------	--	--

N/A = Not Available N/R = Not Required N/S = Not Serviceable For cabin and fuel filter locator, see pages 5-15 See pages 16-19 for footnotes
 N/A = Non disponible N/R = Non nécessaire N/S = Non réparable Para la ubicación de los filtros de aire de la cabina y de combustible, ver las páginas 5-15 Voir pages 16-19 pour des notes
 N/A = No disponible N/R = No requiere N/S = No servible Voir les tableaux de repérage des filtres d'habitacle et à carburant aux pages 5-15 Ver las páginas 16-19 para las notas al pie de página

Italicized Part Numbers May Not Be Available. Wix XP Oil Filters Have Fully Synthetic Media.

Las piezas con números en *italicas* pueden no estar disponibles. Los filtros de aceite WIX XP son completamente de media sintética. Les numéros de pièce en *italiques* peuvent ne pas être disponibles. Les filtres à huile XP Wix contiennent un matériau 100 % synthétique.

Year/Año/Année Model/Modelo/Modèle Engine/Motor/Moteur	Eng. Code Código de motor Code moteur	VIN NIV NIV	Oil Aceite Huile	Oil XP Aceite XP Huile XP	Air Aire Air	Cabin Air Cabina Aire Cabine Air	Cabin Air XP Cabina Aire XP Cabine Air XP	Loc. Cabin Air Cabina Aire Cabine Air	Fuel Combustible Carburant	Loc. Fuel Combustible Carburant	Transmission Transmisión Transmission
--	--	-------------------	------------------------	---------------------------------	--------------------	--	---	--	----------------------------------	--	---

PEUGEOT (Cont'd/Suite)
2012 (Cont'd/Suite)
MANAGER

L4 2.2L 2198cc Diesel (Mex.)			57512		WA10266	WP9368 ⁶¹			WF8366 ⁶¹		
L4 3.0L HDI TURBO DIESEL (Mex.)			WL7445		WA10266	WP9368 ⁶¹			WF8366 ⁶¹		

RCZ

L4 1.6L 1598cc Turbo (Mex.)			57512		49728	WP9112			N/S		
-----------------------------	--	--	-------	--	-------	--------	--	--	-----	--	--

2011
207

L4 1.4L 1360CC TU3AE5 (Mex.)			57512		WA9735 ⁶¹	WP9256			N/S		
L4 1.6L 1598cc 98 CID (Mex.)	5FX		57512		WA9503 ⁶¹	WP6926			WF8034		

3008

L4 1.6L 1587cc (Mex.)			57512		WA9657				N/S		
L4 1.6L THP 1598cc Turbo (Mex.)	EP6CDT		57512		49728 ⁴⁴⁴ WA9657 ⁴⁴³	WP9318 WP9319 ⁷⁸			N/S		

307

L4 2.0L 1998cc (Mex.)			57512		WA6727	WP9112			WF8034		
-----------------------	--	--	-------	--	--------	--------	--	--	--------	--	--

EXPERT TEPEE

L4 2.0L 1997cc HDI Diesel (Mex.)			57512		WA9559	WP9310 ⁶¹			WF8321		
----------------------------------	--	--	-------	--	--------	----------------------	--	--	--------	--	--

GRAND RAID

L4 1.6L 1598cc (Mex.)			WL7299		WA6784	24688			WF8034		
-----------------------	--	--	--------	--	--------	-------	--	--	--------	--	--

MANAGER

L4 3.0L HDI TURBO DIESEL (Mex.)			WL7445		WA10266	WP9368 ⁶¹			WF8366 ⁶¹		
---------------------------------	--	--	--------	--	---------	----------------------	--	--	----------------------	--	--

2010
207

L4 1.4L 1360CC 83CID (Mex.)			57512		N/S	N/S			WF8034		N/S
L4 1.6L 1598cc 98 CID (Mex.)			57512		WA9503 ⁶¹	WP6926			WF8034		

3008

L4 1.6L 1587cc (Mex.)			57512		WA9657				N/S		
L4 1.6L THP 1598cc Turbo (Mex.)	EP6CDT		57512		49728 ⁴⁴⁴ WA9657 ⁴⁴³	WP9318 WP9319 ⁷⁸			N/S		

307

L4 2.0L 1998cc (Mex.)			57512		WA6727	WP9112			WF8034		
-----------------------	--	--	-------	--	--------	--------	--	--	--------	--	--

308

L4 1.6L 1587CC 97CID (Mex.)			57512		WA9657	WP9112 WP9113					N/S
-----------------------------	--	--	-------	--	--------	------------------	--	--	--	--	-----

EXPERT TEPEE

L4 2.0L 1997cc HDI Diesel (Mex.)			57512		WA9559	WP9310 ⁶¹			WF8321		
----------------------------------	--	--	-------	--	--------	----------------------	--	--	--------	--	--

GRAND RAID

L4 1.6L 1598cc (Mex.)			WL7299		WA6784	24688			WF8034		
-----------------------	--	--	--------	--	--------	-------	--	--	--------	--	--

MANAGER

L4 3.0L 2998CC 183CID (Mex.)			WL7445		N/S	WP9368 ⁶¹			N/S		N/S
------------------------------	--	--	--------	--	-----	----------------------	--	--	-----	--	-----

PARTNER

L4 1.6L 1560cc HDI Diesel (Mex.)			WL7305		WA9411	WP9318			WF8360		
----------------------------------	--	--	--------	--	--------	--------	--	--	--------	--	--

PARTNER GRAND RAID

L4 1.6L 1587cc (Mex.)			WL7299		WA6784	24688			WF8034		
-----------------------	--	--	--------	--	--------	-------	--	--	--------	--	--

2009
107

L4 1.4L 1398cc Diesel (Mex.)			WL7305		WA6738 ⁶¹	WP9276 ⁶¹			WF8302 ⁶¹		
------------------------------	--	--	--------	--	----------------------	----------------------	--	--	----------------------	--	--

N/A = Not Available N/R = Not Required N/S = Not Serviceable For cabin and fuel filter locator, see pages 5-15 See pages 16-19 for footnotes

N/A = Non disponible N/R = Non nécessaire N/S = Non réparable Para la ubicación de los filtros de aire de la cabina y de combustible, ver las páginas 5-15 Voir pages 16-19 pour des notes

N/A = No disponible N/R = No requiere N/S = No servible Voir les tableaux de repérage des filtres d'habitacle et à carburant aux pages 5-15 Ver las páginas 16-19 para las notas al pie de página

Italicized Part Numbers May Not Be Available. Wix XP Oil Filters Have Fully Synthetic Media.

Las piezas con números en *italicas* pueden no estar disponibles. Los filtros de aceite WIX XP son completamente de media sintética.

Les numéros de pièce en *italiques* peuvent ne pas être disponibles. Les filtres à huile XP Wix contiennent un matériau 100 % synthétique.

PEUGEOT 2009
Pass Car/Light Truck

Year/Año/Année Model/Modelo/Modèle Engine/Motor/Moteur	Eng. Code Código de motor Code moteur	VIN NIV NIV	Oil Aceite Huile	Oil XP Aceite XP Huile XP	Air Aire Air	Cabin Air Cabina Aire Cabine Air	Cabin Air XP Cabina Aire XP Cabine Air XP	Loc. Cabin Air Cabina Aire Cabine Air	Fuel Combustible Carburant	Loc. Fuel Combustible Carburant	Transmission Transmisión Transmission
--	---	-------------------	------------------------	---------------------------------	--------------------	--	---	--	----------------------------------	--	---

PEUGEOT (Cont'd/Suite)
2009 (Cont'd/Suite)
206

L4 1.4i L 1360cc (Mex.)	TU3JP		57512		N/A	N/A			N/A		
L4 1.6L 1587cc (Mex.)			57512		N/A				N/A		

206+

L4 1.4L 1398cc Diesel (Mex.)			WL7305		WA6738 ⁶¹	WP6926			WF8302 ⁶¹		
------------------------------	--	--	--------	--	----------------------	--------	--	--	----------------------	--	--

207

L4 1.4L (Mex.)			57512								
L4 1.6L 1598cc 98 CID Turbo (Mex.)	EP6DT		57512		49728 ⁴⁴⁴ WA9657 ⁴⁴³	WP9256			WF8034		

207 SW

L4 1.4L 1360cc (Mex.)	ET3J4		57512		WA6779	WP9256			N/S		
L4 1.6L 1598cc (Mex.)			57512		WA6784	WP9256			N/S		

307

L4 1.4L 1360cc (Mex.)	ET3J4		57512		WA9452 ⁶¹	WP9112			WF8034		
L4 1.6L 1560cc Diesel (Mex.)			WL7305		WA9411	WP9112 WP9113			WF8360		
L4 1.6L 1598cc (Mex.)			57512		WA9503 ⁶¹	WP9112			WF8034		
L4 2.0L 1997cc Diesel (Mex.)			57512		WA6741	WP9112			WF8321		
L4 2.0L 1998cc (Mex.)			57512		WA6727	WP9112			WF8034		

308

L4 1.6L 1598cc 98 CID Turbo (Mex.)	EP6DT		57512		49728 ⁴⁴⁴ WA9657 ⁴⁴³	WP9112			WF8034		
L4 2.0L 1997cc Diesel (Mex.)			57512		WA9595 ⁶¹	WP9112			WF8321		

308 SW

L4 1.4L 1397cc (Mex.)			57512		49825	WP9112			N/S		
L4 1.6L 1560cc Diesel (Mex.)			WL7305		WA9411	WP9112			WF8360		
L4 1.6L 1598cc (Mex.)			WL7305		49825	WP9112			WF8034		
L4 2.0L 1997cc Diesel (Mex.)			WL7305		WA9595 ⁶¹	WP9112			WF8321		

407

L4 1.6L 1560cc Diesel (Mex.)			WL7305		WA9470	WP9365			WF8360		
L4 2.0L 1997cc Diesel (Mex.)			57512		WA9453	WP9365			WF8321		
L4 2.2L 2179cc Diesel (Mex.)			57512		WA9597 ⁶¹	WP9365			WF8397		
V6 2.7L 2721cc Diesel (Mex.)			WL7454 ⁶¹		WA9571 ⁶¹	WP9365			WF8401 ⁶¹		

607

V6 2.7L 2721cc Diesel (Mex.)			WL7454 ⁶¹		N/A	WP9171			WF8401 ⁶¹		
------------------------------	--	--	----------------------	--	-----	--------	--	--	----------------------	--	--

BOXER

L4 2.2L 2198cc Diesel (Mex.)			57512		WA10266	WP9368 ⁶¹			WF8366 ⁶¹		
L4 3.0L 2998cc Diesel (Mex.)			WL7445		WA10266	WP9368 ⁶¹			WF8366 ⁶¹		

EXPERT

L4 2.0L 1997cc Turbo Diesel (Mex.)			57512		WA9559	WP9310 ⁶¹ WP9311 ⁷⁸			WF8321		
------------------------------------	--	--	-------	--	--------	--	--	--	--------	--	--

EXPERT TEPEE

L4 2.0L 1997cc HDI Diesel (Mex.)			57512		WA9559	WP9310 ⁶¹			WF8321		
----------------------------------	--	--	-------	--	--------	----------------------	--	--	--------	--	--

GRAND RAID

L4 1.6L 1587cc (Mex.)			WL7299		WA6784	24688			WF8034		
-----------------------	--	--	--------	--	--------	-------	--	--	--------	--	--

MANAGER

L4 3.0L HDI TURBO DIESEL (Mex.)			WL7445		WA10266	WP9368 ⁶¹			WF8366 ⁶¹		
---------------------------------	--	--	--------	--	---------	----------------------	--	--	----------------------	--	--

PARTNER

L4 1.6L 1560cc HDI Diesel (Mex.)			WL7305		WA9411	WP9319			WF8360		
----------------------------------	--	--	--------	--	--------	--------	--	--	--------	--	--

PARTNER GRAND RAID

L4 1.6L 1587cc (Mex.)			WL7299		WA6784	24688			WF8034		
-----------------------	--	--	--------	--	--------	-------	--	--	--------	--	--

N/A = Not Available N/R = Not Required N/S = Not Serviceable For cabin and fuel filter locator, see pages 5-15 See pages 16-19 for footnotes

N/A = Non disponible N/R = Non nécessaire N/S = Non réparable Para la ubicación de los filtros de aire de la cabina y de combustible, ver las páginas 5-15 Voir pages 16-19 pour des notes

N/A = No disponible N/R = No requiere N/S = No servible Voir les tableaux de repérage des filtres d'habitacle et à carburant aux pages 5-15 Ver las páginas 16-19 para las notas al pie de página

Italicized Part Numbers May Not Be Available. Wix XP Oil Filters Have Fully Synthetic Media.

Las piezas con números en *italicas* pueden no estar disponibles. Los filtros de aceite WIX XP son completamente de media sintética. Les numéros de pièce en *italiques* peuvent ne pas être disponibles. Les filtres à huile XP Wix contiennent un matériau 100 % synthétique.

Year/Año/Année Model/Modelo/Modèle Engine/Motor/Moteur	Eng. Code Código de motor Code moteur	VIN NIV NIV	Oil Aceite Huile	Oil XP Aceite XP Huile XP	Air Aire Air	Cabin Air Cabina Aire Cabine Air	Cabin Air XP Cabina Aire XP Cabine Air XP	Loc. Cabin Air Cabina Aire Cabine Air	Fuel Combustible Carburant	Loc. Fuel Combustible Carburant	Transmission Transmisión Transmission
--	---	-------------------	------------------------	---------------------------------	--------------------	--	---	--	----------------------------------	--	---

PEUGEOT (Cont'd/Suite)
2008
1007

L4 1.4L 1398cc Diesel (Mex.)			WL7305		WA6738 ⁶¹	WP9112			WF8302 ⁶¹		
L4 1.6L 1560cc Diesel (Mex.)			WL7305		WA9411	WP9112			WF8360		

107

L4 1.4L 1398cc Diesel (Mex.)			WL7305		WA6738 ⁶¹	WP9276 ⁶¹			WF8302 ⁶¹		
------------------------------	--	--	--------	--	----------------------	----------------------	--	--	----------------------	--	--

206

L4 1.4i L 1360cc (Mex.)	TU3JP		57512		N/A	N/A			N/A		
L4 1.6L 1587cc (Mex.)			57512		WA9503 ⁶¹	WP6926			WF8034		

206 SW

L4 1.6L 1587cc (Mex.)			57512		WA9503 ⁶¹	WP6926			WF8034		
-----------------------	--	--	-------	--	----------------------	--------	--	--	--------	--	--

206 XR

L4 1.6L 1587cc (Mex.)			57512		WA6539 ⁶¹	WP6926			WF8034		
-----------------------	--	--	-------	--	----------------------	--------	--	--	--------	--	--

207

L4 1.4L (Mex.)			57502 ⁵³	57502XP							
L4 1.6L 1598cc 98 CID Turbo (Mex.)	EP6DT		57512		49728 ⁴⁴⁴ WA9657 ⁴⁴³	WP9256			WF8034		

207 SW

L4 1.4L 1360cc (Mex.)	ET3J4		57512		WA6779	WP9256			N/S		
L4 1.6L 1598cc (Mex.)			57512		WA6784	WP9256			N/S		

307

L4 1.4L 1360cc (Mex.)	ET3J4		57512		WA9452 ⁶¹	WP9112			WF8034		
L4 1.6L 1560cc Diesel (Mex.)			WL7305		WA9411	WP9112 WP9113			WF8360		
L4 1.6L 1598cc (Mex.)			57512		WA9503 ⁶¹	WP9112			WF8034		
L4 2.0L 1997cc Diesel (Mex.)			57512		WA6741	WP9112			WF8321		
L4 2.0L 1998cc (Mex.)			57512		WA6727	WP9112			WF8034		
L4 2.0L 1998cc EW10A (Mex.)			57512		WA9526 ⁶¹	WP9112			WF8034		

308

L4 1.6L 1560cc Diesel (Mex.)			WL7305		WA9411	WP9112			WF8360		
L4 2.0L 1997cc Diesel (Mex.)			57512		WA9595 ⁶¹	WP9112			WF8321		

308 SW

L4 1.4L 1397cc (Mex.)			57512		49825	WP9112			N/S		
L4 1.6L 1560cc Diesel (Mex.)			WL7305		WA9411	WP9112			WF8360		
L4 1.6L 1598cc (Mex.)			WL7305		49825	WP9112			WF8034		
L4 2.0L 1997cc Diesel (Mex.)			WL7305		WA9595 ⁶¹	WP9112			WF8321		

407

L4 1.6L 1560cc Diesel (Mex.)			WL7305		WA9470	WP9183 ⁶¹			WF8360		
L4 2.0L 1997cc Diesel (Mex.)			57512		WA9453	WP9183 ⁶¹			WF8321		
L4 2.2L 2179cc Diesel (Mex.)			57512		WA9597 ⁶¹	WP9183 ⁶¹			WF8397		
L4 2.2L 2230cc (Mex.)			57046		WA9471	WP9365			WF8034		
V6 2.7L 2721cc Diesel (Mex.)			WL7454 ⁶¹		WA9571 ⁶¹	WP9365			WF8401 ⁶¹		
V6 3.0L 2946cc (Mex.)			51381		WA9471	WP9365			WF8034		

607

V6 2.7L 2721cc Diesel (Mex.)			WL7454 ⁶¹		N/A	WP9171			WF8401 ⁶¹		
V6 3.0L 2946cc (Mex.)			51381		WA6262	WP9171			WF8034		

BOXER

L4 2.2L 2198cc Diesel (Mex.)			57512		WA10266	WP9368 ⁶¹			WF8366 ⁶¹		
L4 3.0L 2998cc Diesel (Mex.)			WL7445		WA10266	WP9368 ⁶¹			WF8366 ⁶¹		

EXPERT

L4 2.0L 1997cc Turbo Diesel (Mex.)			57512		WA9559	WP9310 ⁶¹ WP9311 ⁶¹			WF8321		
------------------------------------	--	--	-------	--	--------	--	--	--	--------	--	--

EXPERT TEPEE

L4 2.0L 1997cc HDI Diesel (Mex.)			57512		WA9559	WP9310 ⁶¹			WF8321		
----------------------------------	--	--	-------	--	--------	----------------------	--	--	--------	--	--

N/A = Not Available N/R = Not Required N/S = Not Serviceable For cabin and fuel filter locator, see pages 5-15 See pages 16-19 for footnotes

N/A = Non disponible N/R = Non nécessaire N/S = Non réparable Para la ubicación de los filtros de aire de la cabina y de combustible, ver las páginas 5-15 Voir pages 16-19 pour des notes

N/A = No disponible N/R = No requiere N/S = No servible Voir les tableaux de repérage des filtres d'habitacle et à carburant aux pages 5-15 Ver las páginas 16-19 para las notas al pie de página

Italicized Part Numbers May Not Be Available. Wix XP Oil Filters Have Fully Synthetic Media.

Las piezas con números en *italicas* pueden no estar disponibles. Los filtros de aceite WIX XP son completamente de media sintética.

Les numéros de pièce en *italiques* peuvent ne pas être disponibles. Les filtres à huile XP Wix contiennent un matériau 100 % synthétique.

PEUGEOT 2008-2007

Pass Car/Light Truck

Year/Año/Année Model/Modelo/Modèle Engine/Motor/Moteur	Eng. Code Código de motor Code moteur	VIN NIV NIV	Oil Aceite Huile	Oil XP Aceite XP Huile XP	Air Aire Air	Cabin Air Cabina Aire Cabine Air	Cabin Air XP Cabina Aire XP Cabine Air XP	Loc. Cabin Air Cabina Aire Cabine Air	Fuel Combustible Carburant	Loc. Fuel Combustible Carburant	Transmission Transmisión Transmission
--	---	-------------------	------------------------	---------------------------------	--------------------	--	---	--	----------------------------------	--	---

PEUGEOT (Cont'd/Suite)

2008 (Cont'd/Suite)

GRAND RAID

L4 1.6L (Mex.)			WL7299		WA6784	24688			WF8034		
----------------	--	--	--------	--	--------	-------	--	--	--------	--	--

PARTNER

L4 1.6L 1587cc TU5JP4 (Mex.)			57512		WA6784	WP9142 ⁶¹			WF8034		
------------------------------	--	--	-------	--	--------	----------------------	--	--	--------	--	--

PARTNER GRAND RAID

L4 1.6L 1587cc (Mex.)			WL7299		WA6784	24688			WF8034		
-----------------------	--	--	--------	--	--------	-------	--	--	--------	--	--

2007

1007

L4 1.4L 1398cc Diesel (Mex.)			WL7305		WA6738 ⁶¹	WP9112			WF8302 ⁶¹		
L4 1.6L 1560cc Diesel (Mex.)			WL7305		WA9411	WP9112			WF8360		

107

L4 1.4L 1398cc Diesel (Mex.)			WL7305		WA6738 ⁶¹	WP9276 ⁶¹			WF8302 ⁶¹		
------------------------------	--	--	--------	--	----------------------	----------------------	--	--	----------------------	--	--

206

L4 1.4i L 1360cc (Mex.)	TU3JP		57512 ²¹ WL7299 ²²		WA6668	WP6926 ⁷⁹ WP6927 ⁷⁸			WF8034		
L4 1.6L 1587cc (Mex.)			57512		WA9503 ⁶¹	WP6926			WF8034		
L4 1.6L HDI 1587cc Diesel (Mex.)	DV6TEDA		WL7305		WA9411	WP6926 WP6927 ⁷⁸			WF8360		
L4 2.0L 1997cc Diesel (Mex.)			57046		WA6668 ⁴⁵⁰	WP6926			WF8195 ⁶¹ WF8256 ⁶¹		

206 CC

L4 1.6L 1587cc (Mex.)			57512		WA6668	WP6926 WP6927			WF8034		
L4 2.0L 1998cc (Mex.)			51381		WA6540 ⁶¹	WP6926			WF8034		

206 SW

L4 1.1L 1124cc (Mex.)			57512 ⁴⁴⁶ WL7299 ⁴⁴⁶		WA6668	WP6926			WF8034		
L4 1.4i L 1360cc (Mex.)	TU3JP		57512 ²¹ WL7299 ²²		N/A WA6668 ⁴⁴⁸	WP6926 ⁷⁹ WP6927 ⁷⁸			WF8034		
L4 1.4L 1398cc Diesel (Mex.)			WL7305		WA6738 ⁶¹	WP6926			WF8302 ⁶¹		
L4 1.6L 1587cc (Mex.)			57512		WA9503 ⁶¹	WP6926			WF8034		
L4 1.6L HDI 1587cc Diesel (Mex.)	DV6TEDA		WL7305		WA9411	WP6926 WP6927 ⁷⁸			WF8360		
L4 2.0L 1997cc Diesel (Mex.)			51381		WA6668	WP6926			WF8195 ⁶¹ WF8256 ⁶¹		
L4 2.0L 1998cc Turbo (Mex.)			51381		WA6540 ⁶¹	WP6926			WF8034		

206 X LINE

L4 1.6L 1587cc (Mex.)			57512		WA6539 ⁶¹	WP6926			WF8034		
-----------------------	--	--	-------	--	----------------------	--------	--	--	--------	--	--

206 XR

L4 1.6L 1587cc (Mex.)			57512		WA6539 ⁶¹	WP6926			WF8034		
-----------------------	--	--	-------	--	----------------------	--------	--	--	--------	--	--

206 XS

L4 1.6L 1587cc (Mex.)			57512		WA6539 ⁶¹	WP6926 WP6927 ⁷⁸			WF8034		
-----------------------	--	--	-------	--	----------------------	--------------------------------	--	--	--------	--	--

206 XT

L4 1.6L 1587cc (Mex.)			57512		WA6539 ⁶¹	WP6926			WF8034		
-----------------------	--	--	-------	--	----------------------	--------	--	--	--------	--	--

207

L4 1.4L 1398cc Diesel (Mex.)			WL7305		WA6738 ⁶¹	WP9256			WF8302 ⁶¹		
L4 1.6L 1560cc Diesel (Mex.)			WL7305		WA9411	WP9256			WF8360		

207 SW

L4 1.4L 1360cc (Mex.)	ET3J4		57512		WA6779	WP9256			N/S		
L4 1.6L 1598cc (Mex.)			57512		WA6784	WP9256			N/S		

307

L4 1.4L 1360cc (Mex.)	ET3J4		57512		WA9452 ⁶¹	WP9112			WF8034		
L4 1.6L 1560cc Diesel (Mex.)			WL7305		WA9411	WP9112 WP9113			WF8360		

N/A = Not Available N/R = Not Required N/S = Not Serviceable For cabin and fuel filter locator, see pages 5-15 See pages 16-19 for footnotes
 N/A = Non disponible N/R = Non nécessaire N/S = Non réparable Para la ubicación de los filtros de aire de la cabina y de combustible, ver las páginas 5-15 Voir pages 16-19 pour des notes
 N/A = No disponible N/R = No requiere N/S = No servible Voir les tableaux de repérage des filtres d'habitacle et à carburant aux pages 5-15 Ver las páginas 16-19 para las notas al pie de página

Italicized Part Numbers May Not Be Available. Wix XP Oil Filters Have Fully Synthetic Media.

Las piezas con números en *italicas* pueden no estar disponibles. Los filtros de aceite WIX XP son completamente de media sintética. Les numéros de pièce en *italiques* peuvent ne pas être disponibles. Les filtres à huile XP Wix contiennent un matériau 100 % synthétique.

P
A
S
S
C
A
R
L
I
G
H
T
T
R
U
C
K

Year/Año/Année Model/Modelo/Modèle Engine/Motor/Moteur	Eng. Code Código de motor Code moteur	VIN NIV NIV	Oil Aceite Huile	Oil XP Aceite XP Huile XP	Air Aire Air	Cabin Air Cabina Aire Cabine Air	Cabin Air XP Cabina Aire XP Cabine Air XP	Loc. Cabin Air Cabina Aire Cabine Air	Fuel Combustible Carburant	Loc. Fuel Combustible Carburant	Transmission Transmisión Transmission
--	--	-------------------	------------------------	---------------------------------	--------------------	--	---	--	----------------------------------	--	---

PEUGEOT (Cont'd/Suite)

2007 (Cont'd/Suite)
307 (Cont'd/Suite)

L4 1.6L 1598cc (Mex.)			57512		WA9503 ⁵¹	WP9112			WF8034		
L4 2.0L 1997cc Diesel (Mex.)			57512		WA6741	WP9112			WF8321		
L4 2.0L 1998cc (Mex.)			57512		WA6727	WP9112			WF8034		
L4 2.0L 1998cc EW10A (Mex.)			57512		WA9526 ⁵¹	WP9112			WF8034		

308

L4 1.6L 1560cc Diesel (Mex.)			WL7305		WA9411	WP9112			WF8360		
L4 2.0L 1997cc Diesel (Mex.)			57512		WA9595 ⁵¹	WP9112			WF8321		

308 SW

L4 1.4L 1397cc (Mex.)			57512		49825	WP9112			N/S		
L4 1.6L 1560cc Diesel (Mex.)			WL7305		WA9411	WP9112			WF8360		
L4 1.6L 1598cc (Mex.)			WL7305		49825	WP9112			WF8034		
L4 2.0L 1997cc Diesel (Mex.)			WL7305		WA9595 ⁵¹	WP9112			WF8321		

407

L4 1.6L 1560cc Diesel (Mex.)			WL7305		WA9470	WP9183 ⁵¹			WF8360		
L4 2.0L 1997cc Diesel (Mex.)			57512		WA9453	WP9183 ⁵¹			WF8321		
L4 2.2L 2179cc Diesel (Mex.)			57512		WA9597 ⁵¹	WP9183 ⁵¹			WF8397		
L4 2.2L 2230cc (Mex.)			57046		WA9471	WP9183 ⁵¹			WF8034		
V6 2.7L 2721cc Diesel (Mex.)			WL7454 ⁵¹		WA9571 ⁵¹	WP9183 ⁵¹			WF8401 ⁵¹		
V6 3.0L 3000cc (Mex.)			51064 ⁵³ 51381 ⁵³								

607

V6 2.7L 2721cc Diesel (Mex.)			WL7454 ⁵¹		N/A	WP9171			WF8401 ⁵¹		
V6 3.0L 2946cc (Mex.)			51381		WA6262	WP9171			WF8034		

BOXER

L4 2.2L 2198cc Diesel (Mex.)			57512		WA10266	WP9368 ⁵¹			WF8366 ⁵¹		
L4 3.0L 2998cc Diesel (Mex.)			WL7445		WA10266	WP9368 ⁵¹			WF8366 ⁵¹		

EXPERT TEPEE

L4 2.0L 1997cc HDI Diesel (Mex.)			57512		WA9559	WP9310 ⁵¹			WF8321		
----------------------------------	--	--	-------	--	--------	----------------------	--	--	--------	--	--

GRAND RAID

L4 1.6L (Mex.)			WL7299		WA6784	24688			WF8034		
----------------	--	--	--------	--	--------	-------	--	--	--------	--	--

PARTNER

L4 1.6iL 1587cc TU5JP4 (Mex.)			57512		WA6784	WP9142 ⁵¹			WF8034		
-------------------------------	--	--	-------	--	--------	----------------------	--	--	--------	--	--

PARTNER FURGON

L4 1.6L 1587cc (Mex.)			WL7299		WA6749				WF8034		
-----------------------	--	--	--------	--	--------	--	--	--	--------	--	--

PARTNER GRAND RAID

L4 1.6L 1587cc (Mex.)			WL7299		WA6784	24688			WF8034		
-----------------------	--	--	--------	--	--------	-------	--	--	--------	--	--

2006
1007

L4 1.4L 1398cc Diesel (Mex.)			WL7305		WA6738 ⁵¹	WP9112			WF8302 ⁵¹		
L4 1.6L 1560cc Diesel (Mex.)			N/A		WA9411	N/A			N/A		

106

L4 1.4L 1360cc Diesel (Mex.)			57046		WA6185 ⁵¹	N/A					
------------------------------	--	--	-------	--	----------------------	-----	--	--	--	--	--

107

L4 1.4L 1398cc Diesel (Mex.)			WL7305		WA6738 ⁵¹	WP9276 ⁵¹			WF8302 ⁵¹		
------------------------------	--	--	--------	--	----------------------	----------------------	--	--	----------------------	--	--

206

L4 1.4iL 1360cc (Mex.)	TU3JP		57512 ²¹ WL7299 ²¹		WA6668	WP6926 WP6927			WF8034		
L4 1.6L 1587cc (Mex.)			57512		WA9503 ⁵¹	WP6926			WF8034		
L4 1.6L HDI 1587cc Diesel (Mex.)	DV6TEDA		WL7305		WA9411	WP6926 WP6927 ⁸			WF8360		
L4 2.0L 1997cc Diesel (Mex.)			57046		WA6668	WP6926			WF8195 ⁵¹ WF8256 ⁵¹		

N/A = Not Available N/R = Not Required N/S = Not Serviceable For cabin and fuel filter locator, see pages 5-15 See pages 16-19 for footnotes

N/A = Non disponible N/R = Non nécessaire N/S = Non réparable Para la ubicación de los filtros de aire de la cabina y de combustible, ver las páginas 5-15 Voir pages 16-19 pour des notes

N/A = No disponible N/R = No requiere N/S = No servible Voir les tableaux de repérage des filtres d'habitacle et à carburant aux pages 5-15 Ver las páginas 16-19 para las notas al pie de página

Italicized Part Numbers May Not Be Available. Wix XP Oil Filters Have Fully Synthetic Media.

Las piezas con números en *italicas* pueden no estar disponibles. Los filtros de aceite WIX XP son completamente de media sintética.

Les numéros de pièce en *italiques* peuvent ne pas être disponibles. Les filtres à huile XP Wix contiennent un matériau 100 % synthétique.

PEUGEOT 2006
Pass Car/Light Truck

Year/Año/Année Model/Modelo/Modèle Engine/Motor/Moteur	Eng. Code Código de motor Code moteur	VIN NIV NIV	Oil Aceite Huile	Oil XP Aceite XP Huile XP	Air Aire Air	Cabin Air Cabina Aire Cabine Air	Cabin Air XP Cabina Aire XP Cabine Air XP	Loc. Cabin Air Cabina Aire Cabine Air	Fuel Combustible Carburant	Loc. Fuel Combustible Carburant	Transmission Transmisión Transmission
--	---	-------------------	------------------------	---------------------------------	--------------------	--	---	--	----------------------------------	--	---

PEUGEOT (Cont'd/Suite)
2006 (Cont'd/Suite)
206 CC

L4 1.6L 1587cc (Mex.)			57512		WA6668	WP6926 WP6927			WF8034		
L4 2.0L 1998cc (Mex.)			51381		WA6540 ⁶¹	WP6926			WF8034		

206 SW

L4 1.1L 1124cc (Mex.)			57512 ⁴⁴⁶ WL7299 ⁴⁴⁶		WA6668	WP6926			WF8034		
L4 1.4i L 1360cc (Mex.)	TU3JP		57512 ²¹ WL7299 ²²		N/A WA6668 ⁴⁴⁸	WP6926 ⁷⁹ WP6927 ⁷⁹			WF8034		
L4 1.4L 1398cc Diesel (Mex.)			WL7305		WA6738 ⁶¹	WP6926			WF8302 ⁶¹		
L4 1.6L 1587cc (Mex.)			57512		WA9503 ⁶¹	WP6926			WF8034		
L4 1.6L HDI 1587cc Diesel (Mex.)	DV6TEDA		WL7305		WA9411	WP6926 WP6927 ⁷⁸			WF8360		
L4 2.0L 1997cc Diesel (Mex.)			51381		WA6668	WP6926			WF8195 ⁶¹ WF8256 ⁶¹		
L4 2.0L 1998cc Turbo (Mex.)			51381		WA6540 ⁶¹	WP6926			WF8034		

206 X LINE

L4 1.6L 1587cc (Mex.)			57512		WA6539 ⁶¹	WP6926			WF8034		
-----------------------	--	--	-------	--	----------------------	--------	--	--	--------	--	--

206 XR

L4 1.6L 1587cc (Mex.)			57512		WA6539 ⁶¹	WP6926			WF8034		
-----------------------	--	--	-------	--	----------------------	--------	--	--	--------	--	--

206 XS

L4 1.6L 1587cc (Mex.)			57512		WA6539 ⁶¹	WP6926 ⁷⁹ WP6927 ⁷⁸			WF8034		
-----------------------	--	--	-------	--	----------------------	--	--	--	--------	--	--

206 XT

L4 1.6L 1587cc (Mex.)			57512		WA6539 ⁶¹	WP6926			WF8034		
-----------------------	--	--	-------	--	----------------------	--------	--	--	--------	--	--

207

L4 1.4L 1398cc Diesel (Mex.)			WL7305		WA6738 ⁶¹	WP9256			WF8302 ⁶¹		
L4 1.6L 1560cc Diesel (Mex.)			WL7305		WA9411	WP9256			WF8360		

307

L4 2.0L 1998cc (Mex.)			57512		WA6727	WP9112			WF8034		
L4 2.0L 1998cc EW10A (Mex.)			57512		WA9526 ⁶¹	WP9112			WF8034		

407

L4 1.6L 1560cc Diesel (Mex.)			WL7305		WA9470	WP9183 ⁶¹			WF8360		
L4 2.0L 1997cc Diesel (Mex.)			57512		WA9453	WP9183 ⁶¹			WF8321		
L4 2.2L 2179cc Diesel (Mex.)			57512		WA9597 ⁶¹	WP9183 ⁶¹			WF8397		
L4 2.2L 2230cc (Mex.)			57046		WA9471	WP9183 ⁶¹			WF8034		
V6 2.7L 2721cc Diesel (Mex.)			WL7454 ⁶¹		WA9571 ⁶¹	WP9183 ⁶¹			WF8401 ⁶¹		
V6 2.9L 2946CC 180CID (Mex.)			57046		WA9471	N/S			WF8034		N/S
V6 3.0L (Mex.)	FI		51064 ⁵³ 51381 ⁵³								

607

L4 2.2L 2179cc Diesel (Mex.)			51381		WA6262	WP9171			WF8195 ⁶¹ WF8256 ⁶¹		
V6 2.7L 2721cc Diesel (Mex.)			WL7454 ⁶¹		N/A	WP9171			WF8401 ⁶¹		
V6 3.0L 2946cc (Mex.)			51381		WA6262	WP9171			WF8034		

BOXER

L4 2.0L 1997cc Diesel (Mex.)			51381		WA6487 ⁶¹	WP6912 ⁶¹			WF8366 ⁶¹		
L4 2.2L 2179cc Diesel (Mex.)			51381		WA6487 ⁶¹	WP6912 ⁶¹			WF8366 ⁶¹		
L4 2.2L 2198cc Diesel (Mex.)			57512		WA10266	WP9368 ⁶¹			WF8366 ⁶¹		
L4 3.0L 2998cc Diesel (Mex.)			WL7445		WA10266	WP9368 ⁶¹			WF8366 ⁶¹		

PARTNER

L4 1.6iL 1587cc TU5JP4 (Mex.)			57512		WA6784	WP9142 ⁶¹			WF8034		
-------------------------------	--	--	-------	--	--------	----------------------	--	--	--------	--	--

PARTNER FURGON

L4 1.6L 1587cc (Mex.)			WL7299		WA6749				WF8034		
-----------------------	--	--	--------	--	--------	--	--	--	--------	--	--

N/A = Not Available N/R = Not Required N/S = Not Serviceable For cabin and fuel filter locator, see pages 5-15 See pages 16-19 for footnotes

N/A = Non disponible N/R = Non nécessaire N/S = Non réparable Para la ubicación de los filtros de aire de la cabina y de combustible, ver las páginas 5-15 Voir pages 16-19 pour des notes

N/A = No disponible N/R = No requiere N/S = No servible Voir les tableaux de repérage des filtres d'habitacle et à carburant aux pages 5-15 Ver las páginas 16-19 para las notas al pie de página

Italicized Part Numbers May Not Be Available. Wix XP Oil Filters Have Fully Synthetic Media.

Las piezas con números en *italicas* pueden no estar disponibles. Los filtros de aceite WIX XP son completamente de media sintética. Les numéros de pièce en *italiques* peuvent ne pas être disponibles. Les filtres à huile XP Wix contiennent un matériau 100 % synthétique.

Year/Año/Année Model/Modelo/Modèle Engine/Motor/Moteur	Eng. Code Código de motor Code moteur	VIN NIV NIV	Oil Aceite Huile	Oil XP Aceite XP Huile XP	Air Aire Air	Cabin Air Cabina Aire Cabine Air	Cabin Air XP Cabina Aire XP Cabine Air XP	Loc. Cabin Air Cabina Aire Cabine Air	Fuel Combustible Carburant	Loc. Fuel Combustible Carburant	Transmission Transmisión Transmission
--	--	-------------------	------------------------	---------------------------------	--------------------	--	---	--	----------------------------------	--	---

PEUGEOT (Cont'd/Suite)

2006 (Cont'd/Suite)

PARTNER GRAND RAID

L4 1.6L 1587cc (Mex.)		WL7299			WA6784	24688			WF8034		
-----------------------	--	--------	--	--	--------	-------	--	--	--------	--	--

2005

1007

L4 1.4L 1398cc Diesel (Mex.)		WL7305			WA6738 ⁵¹	WP9112			WF8302 ⁵¹		
L4 1.6L 1560cc Diesel (Mex.)		N/A			WA9411	N/A			N/A		

106

L4 1.4L 1360cc Diesel (Mex.)		57046			WA6185 ⁵¹	N/A					
------------------------------	--	-------	--	--	----------------------	-----	--	--	--	--	--

107

L4 1.4L 1398cc Diesel (Mex.)		WL7305			WA6738 ⁵¹	WP9276 ⁵¹			WF8302 ⁵¹		
------------------------------	--	--------	--	--	----------------------	----------------------	--	--	----------------------	--	--

206

L4 1.4i L 1360cc (Mex.)	TU3JP	57512 ²¹ WL7299 ²²			WA6668	WP6926 ⁷⁹ WP6927 ⁷⁸			WF8034		
L4 1.6L 1587cc (Mex.)		57512			WA9503 ⁵¹	WP6926			WF8034		
L4 1.6L HDI 1587cc Diesel (Mex.)	DV6TEDA	WL7305			WA9411	WP6926 WP6927 ⁷⁸			WF8360		
L4 1.9L 1868cc Diesel (Mex.)		57046			WA6540 ⁵¹	WP6926			WF8177		
L4 2.0L 1997cc Diesel (Mex.)		57046			WA6668	WP6926			WF8195 ⁵¹ WF8256 ⁵¹		

206 CC

L4 1.6L 1587cc (Mex.)		57512			WA6668	WP6926 WP6927			WF8034		
L4 2.0L 1998cc (Mex.)		51381			WA6540 ⁵¹	WP6926			WF8034		

206 SW

L4 1.1L 1124cc (Mex.)		57512 ⁴⁴⁶ WL7299 ⁴⁴⁶			WA6668	WP6926			WF8034		
L4 1.4i L 1360cc (Mex.)	TU3JP	57512 ²¹ WL7299 ²²			N/A WA6668 ⁴⁴⁶	WP6926 ⁷⁹ WP6927 ⁷⁸			WF8034		
L4 1.4L 1398cc Diesel (Mex.)		WL7305			WA6738 ⁵¹	WP6926			WF8302 ⁵¹		
L4 1.6L 1587cc (Mex.)		57512			WA9503 ⁵¹	WP6926			WF8034		
L4 1.6L HDI 1587cc Diesel (Mex.)	DV6TEDA	WL7305			WA9411	WP6926 WP6927 ⁷⁸			WF8360		
L4 2.0L 1997cc Diesel (Mex.)		51381			WA6668	WP6926			WF8195 ⁵¹ WF8256 ⁵¹		
L4 2.0L 1998cc Turbo (Mex.)		51381			WA6540 ⁵¹	WP6926			WF8034		

206 X LINE

L4 1.6L 1587cc (Mex.)		57512			WA6539 ⁵¹	WP6926			WF8034		
-----------------------	--	-------	--	--	----------------------	--------	--	--	--------	--	--

206 XR

L4 1.4i L 1360cc (Mex.)	TU3JP	57512			WA6539 ⁵¹	WP6926			WF8034		
L4 1.6L 1587cc (Mex.)		57512			WA6539 ⁵¹	WP6926			WF8034		

206 XS

L4 1.6L 1587cc (Mex.)		57512			WA6539 ⁵¹	WP6926 WP6927 ⁷⁸			WF8034		
-----------------------	--	-------	--	--	----------------------	--------------------------------	--	--	--------	--	--

206 XT

L4 1.6L 1587cc (Mex.)		57512			WA6539 ⁵¹	WP6926			WF8034		
-----------------------	--	-------	--	--	----------------------	--------	--	--	--------	--	--

307

L4 2.0L 1998cc (Mex.)		57512			WA6727	WP9112			WF8034		
L4 2.0L 1998cc EW10J4 (Mex.)		51381			WA6727	WP9112			WF8034		

406

L4 2.0L (Mex.)		51381			WA6185 ⁵¹	N/A			N/A		
V6 3.0 (Mex.)		51381 ³³¹ 57046 ³³⁰			WA6185 ⁵¹	N/A			WF8034		

407

L4 1.6L 1560cc Diesel (Mex.)		WL7305			WA9470	WP9183 ⁵¹			WF8360		
L4 2.0L 1997cc Diesel (Mex.)		57512			WA9453	WP9183 ⁵¹			WF8321		
V6 2.7L 2721cc Diesel (Mex.)		WL7454 ⁵¹			WA9571 ⁵¹	WP9183 ⁵¹			WF8401 ⁵¹		

N/A = Not Available N/R = Not Required N/S = Not Serviceable For cabin and fuel filter locator, see pages 5-15 See pages 16-19 for footnotes
 N/A = Non disponible N/R = Non nécessaire N/S = Non réparable Para la ubicación de los filtros de aire de la cabina y de combustible, ver las páginas 5-15 Voir pages 16-19 pour des notes
 N/A = No disponible N/R = No requiere N/S = No servible Voir les tableaux de repérage des filtres d'habitacle et à carburant aux pages 5-15 Ver las páginas 16-19 para las notas al pie de página

Italicized Part Numbers May Not Be Available. Wix XP Oil Filters Have Fully Synthetic Media.

Las piezas con números en *italicas* pueden no estar disponibles. Los filtros de aceite WIX XP son completamente de media sintética.
 Les numéros de pièce en *italiques* peuvent ne pas être disponibles. Les filtres à huile Wix contiennent un matériau 100 % synthétique.

PEUGEOT 2005-2004
Pass Car/Light Truck

Year/Año/Année Model/Modelo/Modèle Engine/Motor/Moteur	Eng. Code Código de motor Code moteur	VIN NIV NIV	Oil Aceite Huile	Oil XP Aceite XP Huile XP	Air Aire Air	Cabin Air Cabina Aire Cabine Air	Cabin Air XP Cabina Aire XP Cabine Air XP	Loc. Cabin Air Cabina Aire Cabine Air	Fuel Combustible Carburant	Loc. Fuel Combustible Carburant	Transmission Transmisión Transmission
--	---	-------------------	------------------------	---------------------------------	--------------------	--	---	--	----------------------------------	--	---

PEUGEOT (Cont'd/Suite)
2005 (Cont'd/Suite)
607

L4 2.0L 1997cc Diesel (Mex.)			51381		WA6262	WP9171			WF8195 ⁶¹ WF8256 ⁶¹		
L4 2.2L 2179cc Diesel (Mex.)			51381		WA6262	WP9171			WF8195 ⁶¹ WF8256 ⁶¹		
V6 2.7L 2721cc Diesel (Mex.)			WL7454 ⁶¹		N/A	WP9171			WF8401 ⁶¹		
V6 3.0L 2946cc (Mex.)			51381		WA6262	WP9171			WF8034		

BOXER

L4 2.0L 1997cc Diesel (Mex.)			51381		WA6487 ⁶¹	WP6912 ⁶¹			WF8366 ⁶¹		
L4 2.2L 2179cc Diesel (Mex.)			51381		WA6487 ⁶¹	WP6912 ⁶¹					
L4 2.8L 2798cc HDI Diesel (Mex.)			WL7401		WA6487 ⁶¹	WP6912 ⁶¹			N/A		

PARTNER

L4 1.6L 1587cc TU5JP4 (Mex.)			57512		WA6784	WP9142 ⁶¹			WF8034		
------------------------------	--	--	-------	--	--------	----------------------	--	--	--------	--	--

PARTNER FURGON

L4 1.6L 1587cc (Mex.)			WL7299		WA6749				WF8034		
-----------------------	--	--	--------	--	--------	--	--	--	--------	--	--

2004
106

L4 1.4L 1360cc Diesel (Mex.)			57046		WA6185 ⁶¹	N/A					
------------------------------	--	--	-------	--	----------------------	-----	--	--	--	--	--

206

L4 1.4i L 1360cc (Mex.)	TU3JP		57512 ²¹ WL7299 ²²		WA6668	WP6926 ⁷⁹ WP6927 ⁷⁸			WF8034		
L4 1.6L 1587cc (Mex.)			57512		WA6668	WP6926			WF8034		
L4 1.6L HDI 1587cc Diesel (Mex.)	DV6TEDA		WL7305		WA9411	WP6926 WP6927 ⁷⁸			WF8360		
L4 1.9L 1868cc Diesel (Mex.)			57046		WA6540 ⁶¹	WP6926			WF8177		
L4 2.0L 1997cc Diesel (Mex.)			57046		WA6540 ⁶¹	WP6926			WF8195 ⁶¹ WF8256 ⁶¹		

206 CC

L4 1.6L 1587cc (Mex.)			57512 ⁴⁵³ WL7299 ⁴⁵³		WA6668	WP6926			WF8034		
L4 2.0L 1998cc (Mex.)			51381		WA6540 ⁶¹	WP6926			WF8034		

206 SW

L4 1.1L 1124cc (Mex.)			57512 ⁴⁴⁶ WL7299 ⁴⁴⁶		WA6668	WP6926			WF8034		
L4 1.4i L 1360cc (Mex.)	TU3JP		57512 ²¹ WL7299 ²²		N/A WA6668 ⁴⁴⁸	WP6926 ⁷⁹ WP6927 ⁷⁸			WF8034		
L4 1.4L 1398cc Diesel (Mex.)			WL7305		WA6738 ⁶¹	WP6926			WF8302 ⁶¹		
L4 1.6L 1587cc (Mex.)			57512		WA6668	WP6926			WF8034		
L4 1.6L HDI 1587cc Diesel (Mex.)	DV6TEDA		WL7305		WA9411	WP6926 WP6927 ⁷⁸			WF8360		
L4 2.0L 1997cc Diesel (Mex.)			51381		WA6540 ⁶¹	WP6926			WF8195 ⁶¹ WF8256 ⁶¹		
L4 2.0L 1998cc Turbo (Mex.)			51381		WA6540 ⁶¹	WP6926			WF8034		

206 X LINE

L4 1.6L 1587cc (Mex.)			57512		WA6539 ⁶¹	WP6926			WF8034		
-----------------------	--	--	-------	--	----------------------	--------	--	--	--------	--	--

206 XR

L4 1.4i L 1360cc (Mex.)	TU3JP		57512		WA6539 ⁶¹	WP6926			WF8034		
L4 1.6L 1587cc (Mex.)			57512		WA6539 ⁶¹	WP6926			WF8034		

206 XS

L4 1.6L 1587cc (Mex.)			57512		WA6539 ⁶¹	WP6926 WP6927 ⁷⁸			WF8034		
-----------------------	--	--	-------	--	----------------------	--------------------------------	--	--	--------	--	--

206 XT

L4 1.6L 1587cc (Mex.)			57512		WA6539 ⁶¹	WP6926			WF8034		
-----------------------	--	--	-------	--	----------------------	--------	--	--	--------	--	--

307

L4 2.0L 1998cc (Mex.)			57512		WA6727	WP9112			WF8034		
-----------------------	--	--	-------	--	--------	--------	--	--	--------	--	--

N/A = Not Available N/R = Not Required N/S = Not Serviceable For cabin and fuel filter locator, see pages 5-15 See pages 16-19 for footnotes

N/A = Non disponible N/R = Non nécessaire N/S = Non réparable Para la ubicación de los filtros de aire de la cabina y de combustible, ver las páginas 5-15 Voir pages 16-19 pour des notes

N/A = No disponible N/R = No requiere N/S = No servible Voir les tableaux de repérage des filtres d'habitacle et à carburant aux pages 5-15 Ver las páginas 16-19 para las notas al pie de página

Italicized Part Numbers May Not Be Available. Wix XP Oil Filters Have Fully Synthetic Media.

Las piezas con números en *italicas* pueden no estar disponibles. Los filtros de aceite WIX XP son completamente de media sintética. Les numéros de pièce en *italiques* peuvent ne pas être disponibles. Les filtres à huile XP Wix contiennent un matériau 100 % synthétique.

Year/Año/Année Model/Modelo/Modèle Engine/Motor/Moteur	Eng. Code Código de motor Code moteur	VIN NIV	Oil Aceite Huile	Oil XP Aceite XP Huile XP	Air Aire Air	Cabin Air Cabina Aire Cabine Air	Cabin Air XP Cabina Aire XP Cabine Air XP	Loc. Cabin Air Cabina Aire Cabine Air	Fuel Combustible Carburant	Loc. Fuel Combustible Carburant	Transmission Transmisión Transmission
--	---	------------	------------------------	---------------------------------	--------------------	--	---	---	----------------------------------	---------------------------------------	---

PEUGEOT (Cont'd/Suite)

2004 (Cont'd/Suite)

406

L4 2.0L (Mex.)			51381		WA6185 ⁵¹	N/A			N/A		
L4 2.2L 2179cc Diesel (Mex.)			57046		WA6262	24202 ⁴⁶			WF8195 ⁶¹ WF8256 ⁶¹		
V6 3.0 (Mex.)			51381 ³³¹ 57046 ³³⁰		WA6185 ⁵¹	N/A			WF8034		

407

L4 1.6L 1560cc Diesel (Mex.)			WL7305		WA9470	WP9183 ⁶¹			WF8360		
L4 2.0L 1997cc Diesel (Mex.)			57512		WA9453	WP9183 ⁶¹			WF8321		

607

L4 2.0L 1997cc Diesel (Mex.)			51381		WA6262	WP9171			WF8195 ⁶¹ WF8256 ⁶¹		
L4 2.2L 2179cc Diesel (Mex.)			51381		WA6262	WP9171			WF8195 ⁶¹ WF8256 ⁶¹		
V6 3.0L 2946cc (Mex.)			51381		WA6262	WP9171			WF8034		

BOXER

L4 2.0L 1997cc Diesel (Mex.)			51381		WA6487 ⁶¹	WP6912 ⁶¹					
L4 2.2L 2179cc Diesel (Mex.)			51381		WA6487 ⁶¹	WP6912 ⁶¹					
L4 2.8L 2798cc HDI Diesel (Mex.)			51431		WA6487 ⁶¹	WP6912 ⁶¹			WF8329 ⁶¹		

PARTNER

L4 1.6L 1587cc TU5JP4 (Mex.)			57512		WA6784	WP9142 ⁶¹			WF8034		
------------------------------	--	--	-------	--	--------	----------------------	--	--	--------	--	--

PARTNER FURGON

L4 1.6L 1587cc (Mex.)			WL7299		WA6749				WF8034		
-----------------------	--	--	--------	--	--------	--	--	--	--------	--	--

2003

106

L4 1.4L 1360cc Diesel (Mex.)			57046		WA6185 ⁵¹	N/A					
L4 1.5L 1527cc Diesel (Mex.)			57046		WA6021 ⁶¹	N/A					

206

L4 1.4i L 1360cc (Mex.)	TU3JP		57512 ²¹ WL7299 ²²		WA6668	WP6926 ⁷⁹ WP6927 ⁷⁸			WF8034		
L4 1.6L 1587cc (Mex.)			57512		WA6668	WP6926			WF8034		
L4 1.9L 1868cc Diesel (Mex.)			57046		WA6540 ⁶¹	WP6926			WF8177		
L4 2.0L 1997cc Diesel (Mex.)			57046		WA6540 ⁶¹	WP6926			WF8195 ⁶¹ WF8256 ⁶¹		

206 CC

L4 1.6L 1587cc (Mex.)			WL7299		WA6668	WP6926 WP6927			WF8034		
L4 2.0L 1998cc (Mex.)			51381		WA6540 ⁶¹	WP6926			WF8034		

206 SW

L4 1.1L 1124cc (Mex.)			57512 ⁴⁴⁶ WL7299 ⁴⁴⁶		WA6668	WP6926			WF8034		
L4 1.4i L 1360cc (Mex.)	TU3JP		57512 ²¹ WL7299 ²²		N/A WA6668 ⁴⁴⁸	WP6926 WP6927 ⁷⁸			WF8034		
L4 1.4L 1398cc Diesel (Mex.)			WL7305		WA6738 ⁶¹	WP6926			WF8302 ⁶¹		
L4 1.6L 1587cc (Mex.)			WL7299		WA6668	WP6926			WF8034		
L4 2.0L 1997cc Diesel (Mex.)			51381		WA6540 ⁶¹	WP6926			WF8195 ⁶¹ WF8256 ⁶¹		
L4 2.0L 1998cc Turbo (Mex.)			51381		WA6540 ⁶¹	WP6926			WF8034		

206 XR

L4 1.6L 1587cc (Mex.)			57512		WA6539 ⁶¹	WP6926			WF8034		
-----------------------	--	--	-------	--	----------------------	--------	--	--	--------	--	--

206 XS

L4 1.6L 1587cc (Mex.)			57512		WA6539 ⁶¹	WP6926 ⁷⁹ WP6927 ⁷⁸			WF8034		
-----------------------	--	--	-------	--	----------------------	--	--	--	--------	--	--

307

L4 2.0L 1998cc (Mex.)			57512		WA6727	WP9112			WF8034		
-----------------------	--	--	-------	--	--------	--------	--	--	--------	--	--

N/A = Not Available N/R = Not Required N/S = Not Serviceable For cabin and fuel filter locator, see pages 5-15 See pages 16-19 for footnotes

N/A = Non disponible N/R = Non nécessaire N/S = Non réparable Para la ubicación de los filtros de aire de la cabina y de combustible, ver las páginas 5-15 Voir pages 16-19 pour des notes

N/A = No disponible N/R = No requiere N/S = No servible Voir les tableaux de repérage des filtres d'habitacle et à carburant aux pages 5-15 Ver las páginas 16-19 para las notas al pie de página

Italicized Part Numbers May Not Be Available. Wix XP Oil Filters Have Fully Synthetic Media.

Las piezas con números en *italicas* pueden no estar disponibles. Los filtros de aceite WIX XP son completamente de media sintética.

Les numéros de pièce en *italiques* peuvent ne pas être disponibles. Les filtres à huile XP Wix contiennent un matériau 100 % synthétique.

PEUGEOT 2003-2002
Pass Car/Light Truck

Year/Año/Année Model/Modelo/Modèle Engine/Motor/Moteur	Eng. Code Código de motor Code moteur	VIN NIV NIV	Oil Aceite Huile	Oil XP Aceite XP Huile XP	Air Aire Air	Cabin Air Cabina Aire Cabine Air	Cabin Air XP Cabina Aire XP Cabine Air XP	Loc. Cabin Air Cabina Aire Cabine Air	Fuel Combustible Carburant	Loc. Fuel Combustible Carburant	Transmission Transmisión Transmission
--	---	-------------------	------------------------	---------------------------------	--------------------	--	---	--	----------------------------------	--	---

PEUGEOT (Cont'd/Suite)
2003 (Cont'd/Suite)
406

L4 2.0L (Mex.)			51381		WA6185 ⁶¹	N/A			N/A		
L4 2.2L 2179cc Diesel (Mex.)			57046		WA6262	24202 ⁶⁵			WF8195 ⁶¹ WF8256 ⁶¹		
V6 3.0 (Mex.)			51381 ³³¹ 57046 ³³⁰		WA6185 ⁶¹	N/A			WF8034		

607

L4 2.0L 1997cc Diesel (Mex.)			51381		WA6262	WP9171			WF8195 ⁶¹ WF8256 ⁶¹		
L4 2.2L 2179cc Diesel (Mex.)			51381		WA6262	WP9171			WF8195 ⁶¹ WF8256 ⁶¹		
V6 3.0L 2946cc (Mex.)			51381		WA6262	WP9171			WF8034		

BOXER

L4 2.0L 1997cc Diesel (Mex.)			51381		WA6487 ⁶¹	WP6912 ⁶¹					
L4 2.2L 2179cc Diesel (Mex.)			51381		WA6487 ⁶¹	WP6912 ⁶¹					
L4 2.8L 2798cc HDI Diesel (Mex.)			51431		WA6487 ⁶¹	WP6912 ⁶¹			WF8329 ⁶¹		

PARTNER

L4 1.6L 1587cc TU5JP4 (Mex.)			WL7299		WA6784	WP9142 ⁶¹			WF8034		
------------------------------	--	--	--------	--	--------	----------------------	--	--	--------	--	--

PARTNER FURGON

L4 1.6L 1587cc (Mex.)			WL7299		WA6749				WF8034		
-----------------------	--	--	--------	--	--------	--	--	--	--------	--	--

2002
106

L4 1.5L 1527cc Diesel (Mex.)			57046		WA6021 ⁶¹	N/A					
------------------------------	--	--	-------	--	----------------------	-----	--	--	--	--	--

206

L4 1.4i L 1360cc (Mex.)	TU3JP		57512 ²¹ WL7299 ²²		WA6668	WP6926 ⁷⁹ WP6927 ⁷⁸			WF8034		
L4 1.6L 1587cc (Mex.)			57512		WA6668	WP6926			WF8034		
L4 1.9L 1868cc Diesel (Mex.)			57046		WA6540 ⁶¹	WP6926			WF8177		
L4 2.0L 1997cc Diesel (Mex.)			57046		WA6540 ⁶¹	WP6926			WF8195 ⁶¹ WF8256 ⁶¹		

206 CC

L4 1.6L 1587cc (Mex.)			WL7299		WA6668	WP6926 WP6927			WF8034		
L4 2.0L 1998cc (Mex.)			51381		WA6540 ⁶¹	WP6926			WF8034		

206 SW

L4 1.1L 1124cc (Mex.)			57512 ⁴⁴⁶ WL7299 ⁴⁴⁶		WA6668	WP6926			WF8034		
L4 1.4i L 1360cc (Mex.)	TU3JP		57512 ²¹ WL7299 ²¹		WA6668 ⁴⁴⁸ N/A ⁴⁴⁸	WP6926 WP6927 ⁷⁸			WF8034		
L4 1.4L 1398cc Diesel (Mex.)			WL7305		WA6738 ⁶¹	WP6926			WF8302 ⁶¹		
L4 1.6L 1587cc (Mex.)			WL7299		WA6668	WP6926			WF8034		
L4 2.0L 1997cc Diesel (Mex.)			51381		WA6540 ⁶¹	WP6926			WF8195 ⁶¹ WF8256 ⁶¹		
L4 2.0L 1998cc Turbo (Mex.)			51381		WA6540 ⁶¹	WP6926			WF8034		

206 XR

L4 1.6L 1587cc (Mex.)			57512		WA6539 ⁶¹	WP6926			WF8034		
-----------------------	--	--	-------	--	----------------------	--------	--	--	--------	--	--

206 XS

L4 1.6L 1587cc (Mex.)			57512		WA6539 ⁶¹	WP6926 WP6927 ⁷⁸			WF8034		
-----------------------	--	--	-------	--	----------------------	--------------------------------	--	--	--------	--	--

306

L4 1.8L 1762cc (Mex.)			57046		WA6246	WP6946			WF8034		
L4 2.0L (Mex.)			57046		WA6561 ⁶¹	WP6946			WF8034		

406

L4 2.0L (Mex.)			51381		WA6185 ⁶¹	N/A			N/A		
----------------	--	--	-------	--	----------------------	-----	--	--	-----	--	--

N/A = Not Available N/R = Not Required N/S = Not Serviceable For cabin and fuel filter locator, see pages 5-15 See pages 16-19 for footnotes

N/A = Non disponible N/R = Non nécessaire N/S = Non réparable Para la ubicación de los filtros de aire de la cabina y de combustible, ver las páginas 5-15 Voir pages 16-19 pour des notes

N/A = No disponible N/R = No requiere N/S = No servible Voir les tableaux de repérage des filtres d'habitacle et à carburant aux pages 5-15 Ver las páginas 16-19 para las notas al pie de página

Italicized Part Numbers May Not Be Available. Wix XP Oil Filters Have Fully Synthetic Media.

Las piezas con números en *italicas* pueden no estar disponibles. Los filtros de aceite WIX XP son completamente de media sintética. Les numéros de pièce en *italiques* peuvent ne pas être disponibles. Les filtres à huile XP Wix contiennent un matériau 100 % synthétique.

Pass Car/Light Truck

PEUGEOT 2002 — PONTIAC 2010

Year/Año/Année Model/Modelo/Modèle Engine/Motor/Moteur	Eng. Code Código de motor Code moteur	VIN NIV NIV	Oil Aceite Huile	Oil XP Aceite XP Huile XP	Air Aire Air	Cabin Air Cabina Aire Cabine Air	Cabin Air XP Cabina Aire XP Cabine Air XP	Loc. Cabin Air Cabina Aire Cabine Air	Fuel Combustible Carburant	Loc. Fuel Combustible Carburant	Transmission Transmisión Transmission
--	---	-------------------	------------------------	---------------------------------	--------------------	--	---	--	----------------------------------	--	---

PEUGEOT (Cont'd/Suite)

2002 (Cont'd/Suite)

406 (Cont'd/Suite)

L4 2.2L 2179cc Diesel (Mex.)			57046		WA6262	24202 ⁴⁶			WF8195 ⁶¹ WF8256 ⁶¹		
V6 3.0 (Mex.)			51381 ³³¹ 57046 ³³⁰		WA6185 ⁵¹	N/A			WF8034		

607

L4 2.0L 1997cc Diesel (Mex.)			51381		WA6262	WP9171			WF8195 ⁶¹ WF8256 ⁶¹		
L4 2.2L 2179cc Diesel (Mex.)			51381		WA6262	WP9171			WF8195 ⁶¹ WF8256 ⁶¹		
V6 3.0L 2946cc (Mex.)			51381		WA6262	WP9171			WF8034		

BOXER

L4 1.9L 1905cc Diesel (Mex.)			51381		WA6441 ⁶¹	WP6912 ⁶¹			33166 ⁵³		
L4 2.0L 1997cc Diesel (Mex.)			51381		WA6487 ⁶¹	WP6912 ⁶¹					
L4 2.2L 2179cc Diesel (Mex.)			51381		WA6487 ⁶¹	WP6912 ⁶¹					
L4 2.8L 2798cc HDI Diesel (Mex.)			51431		WA6487 ⁶¹	WP6912 ⁶¹					

PARTNER

L4 1.8L 1761cc XU7JB (Mex.)			57046		WA6246	WP6814 ⁶¹			WF8034		
-----------------------------	--	--	-------	--	--------	----------------------	--	--	--------	--	--

PARTNER FURGON

L4 1.6L 1587cc (Mex.)			WL7299		WA6749				WF8034		
-----------------------	--	--	--------	--	--------	--	--	--	--------	--	--

RANCH

L4 1.6L 1587cc Diesel (Mex.)			WL7299		WA6749	WP6814 ⁶¹			WF8034		
L4 1.9L 1868cc Diesel (Mex.)			57046		WA6483 ⁶¹ WA6565 ⁶¹	WP6814 ⁶¹			WF8177		
L4 2.0L 1997cc Diesel (Mex.)			57046		WA6669	WP6814 ⁶¹			WF8195 ⁶¹ WF8256 ⁶¹		

PLYMOUTH

2002

GRAND VOYAGER

V6 3.8L 230 CID		L	51085 ⁵³	51085XP	42133	N/R			WF10019		58705 - 3 Spd. 58934 - 4 Spd.
-----------------	--	---	---------------------	---------	-------	-----	--	--	---------	--	----------------------------------

PONTIAC

2010

G3

L4 1.6L 98 CID	LXV	E	57674 ⁵⁰⁷	57674XP ⁵⁰⁷	42831	24685		3	33980		WL10418
----------------	-----	---	----------------------	------------------------	-------	-------	--	---	-------	--	---------

G5

L4 2.2L 134 CID	LAP	H	57082	57082XP	49117	24882	24882XP	3	33980		58611
-----------------	-----	---	-------	---------	-------	-------	---------	---	-------	--	-------

G6

L4 2.4L 145 CID		B,0	57082	57082XP	46902	N/R			N/S		58611
V6 3.5L 213 CID		K,N	51522 ⁵³	51522XP	46917	N/R			N/S		58611 - 4T45E 58837 - 4T65E
V6 3.6L 217 CID	LY7	7	57060 ⁵³	57060XP	46902	N/R			N/S		58611 - 4T45E 58837 - 4T65E
V6 3.9L 237 CID	LZ9	1	51522 ⁵³	51522XP	46917	N/R			N/S		58611 - 4T45E 58837 - 4T65E

MATIZ

L4 1.0L 995 cc 61 CID (Mex.)			51394 ⁵³	51394XP	WA6253	N/A			33850		N/A
------------------------------	--	--	---------------------	---------	--------	-----	--	--	-------	--	-----

MATIZ G2

L4 1.0L 61CID (Mex.)			51394 ⁵³	51394XP	WA9639	N/A			33850		
----------------------	--	--	---------------------	---------	--------	-----	--	--	-------	--	--

SOLSTICE

L4 2.0L 122 CID Turbo	LNF	X	57082	57082XP	49071	N/R			N/S		58545
L4 2.4L 145 CID	LE5	B	57082	57082XP	49066	N/R			N/S		58545

N/A = Not Available N/R = Not Required N/S = Not Serviceable For cabin and fuel filter locator, see pages 5-15 See pages 16-19 for footnotes

N/A = Non disponible N/R = Non nécessaire N/S = Non réparable Para la ubicación de los filtros de aire de la cabina y de combustible, ver las páginas 5-15 Voir pages 16-19 pour des notes

N/A = No disponible N/R = No requiere N/S = No servible Voir les tableaux de repérage des filtres d'habitacle et à carburant aux pages 5-15 Ver las páginas 16-19 para las notas al pie de página

Italicized Part Numbers May Not Be Available. Wix XP Oil Filters Have Fully Synthetic Media.

Las piezas con números en *italicas* pueden no estar disponibles. Los filtros de aceite WIX XP son completamente de media sintética.

Les numéros de pièce en *italiques* peuvent ne pas être disponibles. Les filtres à huile Wix contiennent un matériau 100 % synthétique.

PONTIAC 2010-2008
Pass Car/Light Truck

Year/Año/Année Model/Modelo/Modèle Engine/Motor/Moteur	Eng. Code Código de motor Code moteur	VIN NIV NIV	Oil Aceite Huile	Oil XP Aceite XP Huile XP	Air Aire Air	Cabin Air Cabina Aire Cabine Air	Cabin Air XP Cabina Aire XP Cabine Air XP	Loc. Cabin Air Cabina Aire Cabine Air	Fuel Combustible Carburant	Loc. Fuel Combustible Carburant	Transmission Transmisión Transmission
--	---	-------------------	------------------------	---------------------------------	--------------------	--	---	--	----------------------------------	--	---

PONTIAC (Cont'd/Suite)
2010 (Cont'd/Suite)
VIBE

L4 1.8L 1798cc	LAY	8	57064	57064XP	49104	24483 ⁷⁹ 24511 ⁷⁸	24483XP ⁷⁹	3	N/S	58324
L4 2.4L 2362cc	LAX	0	51394 ⁵³	51394XP	49172	24483 ⁷⁹ 24511 ⁷⁸	24483XP ⁷⁹	3	N/S	58010 - 5 Spd. N/A - 4 Spd.

2009
G3

L4 1.6L 98 CID	LXV	E	57674 ⁵⁰⁷	57674XP ⁵⁰⁷	42831	24685		3	33980	WL10418
----------------	-----	---	----------------------	------------------------	-------	-------	--	---	-------	---------

G5

L4 2.2L 134 CID	LAP	H	57082	57082XP	49117	24882	24882XP	3	33980	58611
-----------------	-----	---	-------	---------	-------	-------	---------	---	-------	-------

G6

L4 2.4L 145 CID		B	57082	57082XP	46902	N/R			N/S	58611
V6 3.5L 213 CID		K,N	51522 ⁵³	51522XP	46917 ³²¹ 46902 ³²²	N/R			N/S	58611 - 4T45E 58837 - 4T65E
V6 3.6L 217 CID	LY7	7	57060 ⁵³	57060XP	46902	N/R			N/S	58611 - 4T45E 58837 - 4T65E
V6 3.9L 237 CID	LZ9	1	51522 ⁵³	51522XP	46917	N/R			N/S	58611 - 4T45E 58837 - 4T65E

G8

V6 3.6L 217 CID	LY7	7	57090	57090XP	49873	49248		1	N/S	58116 - 5L40E-SP 58545 - 5L40E-DP
V8 6.0L 364 CID	L76	Y	57060 ⁵³	57060XP	49873	49248		1	N/S	58116 - 5L40E-SP 58545 - 5L40E-DP WL10385 - 6L80
V8 6.2L 376 CID	LS3	W	57060 ⁵³	57060XP	49873	49248		1	N/S	58116 - 5L40E-SP 58545 - 5L40E-DP WL10385 - 6L80

MATIZ

L4 1.0L 995 cc 61 CID (Mex.)			51394 ⁵³	51394XP	WA6253	N/A			33850	N/A
------------------------------	--	--	---------------------	---------	--------	-----	--	--	-------	-----

MATIZ G2

L4 1.0L 61CID (Mex.)			51394 ⁵³	51394XP	WA9639	N/A			33850	
----------------------	--	--	---------------------	---------	--------	-----	--	--	-------	--

MONTANA SV6 SV6

V6 3.9L 237 CID	LZ9	W,1	51522 ⁵³	51522XP	46302	24161 ⁷⁹		2	N/S	58837
-----------------	-----	-----	---------------------	---------	-------	---------------------	--	---	-----	-------

SOLSTICE

L4 2.0L 122 CID Turbo	LNF	X	57082	57082XP	49071	N/R			N/S	58545
L4 2.4L 145 CID	B		57082	57082XP	49066	N/R			N/S	58545

TORRENT

V6 3.4L 207 CID	LNJ	F	51040 ⁵³	51040XP	46902	24872		1	N/S	N/A
V6 3.6L 217 CID	LY7	7	57060 ⁵³	57060XP	46902	24872		1	N/S	N/A

VIBE

L4 1.8L 1798cc	LAY	8	57064	57064XP	49104	24483 ⁷⁹ 24511 ⁷⁸	24483XP ⁷⁹	3	N/S	58324
L4 2.4L 2362cc	LAX	0	51394 ⁵³	51394XP	49172	24483 ⁷⁹ 24511 ⁷⁸	24483XP ⁷⁹	3	N/S	58010 - 5 Spd. N/A - 4 Spd.

WAVE5

L4 1.6L 98 CID	LXV	E	57674 ⁵⁰⁷	57674XP ⁵⁰⁷	42831	24685		3	N/S	WL10418
----------------	-----	---	----------------------	------------------------	-------	-------	--	---	-----	---------

2008
G3

L4 1.6L 1606CC 98CID (Mex.)			51040 ⁵³	51040XP	42831	N/A			N/A	
-----------------------------	--	--	---------------------	---------	-------	-----	--	--	-----	--

G4

L4 2.2L 2198cc (Mex.)			57082	57082XP	49117	N/A			N/A	
L4 2.4L 2394cc (Mex.)			57082	57082XP	49117	N/A			N/A	58611

G5

L4 2.2L 134 CID	L61	F	57082	57082XP	49117	24882	24882XP	3	33980	58611
L4 2.4L 145 CID		B	57082	57082XP	49117	24882	24882XP	3	33980	58611

N/A = Not Available N/R = Not Required N/S = Not Serviceable For cabin and fuel filter locator, see pages 5-15 See pages 16-19 for footnotes

N/A = Non disponible N/R = Non nécessaire N/S = Non réparable Para la ubicación de los filtros de aire de la cabina y de combustible, ver las páginas 5-15 Voir pages 16-19 pour des notes

N/A = No disponible N/R = No requiere N/S = No servible Voir les tableaux de repérage des filtres d'habitacle et à carburant aux pages 5-15 Ver las páginas 16-19 para las notas al pie de página

Italicized Part Numbers May Not Be Available. Wix XP Oil Filters Have Fully Synthetic Media.

Las piezas con números en *italicas* pueden no estar disponibles. Los filtros de aceite WIX XP son completamente de media sintética. Les numéros de pièce en *italiques* peuvent ne pas être disponibles. Les filtres à huile XP Wix contiennent un matériau 100 % synthétique.

Year/Año/Année Model/Modelo/Modèle Engine/Motor/Moteur	Eng. Code Código de motor Code moteur	VIN NIV NIV	Oil Aceite Huile	Oil XP Aceite XP Huile XP	Air Aire Air	Cabin Air Cabina Aire Cabine Air	Cabin Air XP Cabina Aire XP Cabine Air XP	Loc. Cabin Air Cabina Aire Cabine Air	Fuel Combustible Carburant	Loc. Fuel Combustible Carburant	Transmission Transmisión Transmission
--	--	-------------------	------------------------	---------------------------------	--------------------	--	---	--	----------------------------------	--	---

PONTIAC (Cont'd/Suite)**2008 (Cont'd/Suite)****G6**

L4 2.4L 145 CID		B	57082	57082XP	46902 ³³⁹ 46917 ³³⁸	N/R			N/S		58611
V6 3.5L 213 CID		N	51522 ⁵³	51522XP	46917	N/R			N/S		58611 - 4T45E 58837 - 4T65E
V6 3.6L 217 CID	LY7	7	57060 ⁵³	57060XP	46902	N/R			N/S		58611 - 4T45E 58837 - 4T65E
V6 3.9L 237 CID	LZ9	1	51522 ⁵³	51522XP	46917	N/R			N/S		58611 - 4T45E 58837 - 4T65E

G8

V6 3.6L 217 CID	LY7	7	57090	57090XP	49873	49248		1	N/S		58116 - 5L40E-SP 58545 - 5L40E-DP
V8 6.0L 364 CID	L76	Y	57060 ⁵³	57060XP	49873	49248		1	N/S		58116 - 5L40E-SP 58545 - 5L40E-DP

GRAND PRIX

V6 3.8L 231 CID	L26	2	51040 ⁵³	51040XP	46153	24780	24780XP	1	N/S		58837
V8 5.3L 326 CID	LS4	C	57060 ⁵³	57060XP	49115	24780	24780XP	1	N/S		58837

MATIZ

L4 1.0L 995 cc 61 CID (Mex.)			51394 ⁵³	51394XP	WA6253	N/A			33850		N/A
------------------------------	--	--	---------------------	---------	--------	-----	--	--	-------	--	-----

MATIZ G2

L4 1.0L 61CID (Mex.)			51394 ⁵³	51394XP	WA9639	N/A			33850		
----------------------	--	--	---------------------	---------	--------	-----	--	--	-------	--	--

MONTANA SV6

V6 3.9 (Mex.)			51522	51522XP	46302	24868 ⁷⁸ - Cabin 24161 ⁷⁹ - Cabin		2	N/S		58837
---------------	--	--	-------	---------	-------	--	--	---	-----	--	-------

MONTANA SV6 SV6

V6 3.9L 237 CID	LZ9	W,1	51522 ⁵³	51522XP	46302	24161 ⁷⁹		2	N/S		58837
-----------------	-----	-----	---------------------	---------	-------	---------------------	--	---	-----	--	-------

SOLSTICE

L4 2.0L 122 CID Turbo	LNF	X	57082	57082XP	49071	N/R			N/S		58545
L4 2.4L 145 CID	B		57082	57082XP	49066	N/R			N/S		58545

TORRENT

V6 3.4L 207 CID	LNJ	F	51040 ⁵³	51040XP	46902	24872		1	N/S		N/A
V6 3.6L 217 CID	LY7	7	57060 ⁵³	57060XP	46902	24872		1	N/S		N/A

VIBE

L4 1.8L 1794cc	1ZZFE	8	51394 ⁵³	51394XP	46834	24871	24871XP	3	N/S		58040 - FWD
----------------	-------	---	---------------------	---------	-------	-------	---------	---	-----	--	-------------

WAVE

L4 1.6L 98 CID	LXV	6	51040 ⁵³	51040XP	42831	24685		3	N/S		WL10418
----------------	-----	---	---------------------	---------	-------	-------	--	---	-----	--	---------

2007**G3**

L4 1.6L 1606CC 98CID (Mex.)			51040 ⁵³	51040XP	42831	N/A			N/A		
-----------------------------	--	--	---------------------	---------	-------	-----	--	--	-----	--	--

G4

L4 2.2L 2198cc (Mex.)			57082	57082XP	49117	N/A			N/A		
L4 2.4L 2394cc (Mex.)			57082	57082XP	49117	N/A			N/A		58611

G5

L4 2.2L 134 CID	L61	F	57082	57082XP	49117	24882	24882XP	3	33980		58611
L4 2.4L 145 CID	B		57082	57082XP	49117	24882	24882XP	3	33980		58611

G6

L4 2.4L 145 CID		B	57082	57082XP	46917	N/R			N/S		58611
V6 3.5L 213 CID		N	51522 ⁵³	51522XP	46917	N/R			N/S		58837 - M15 58611 - MN5
V6 3.6L 217 CID	LY7	7	57060 ⁵³	57060XP	46902	N/R			N/S		58611
V6 3.9L 237 CID	LZ9	1	51522 ⁵³	51522XP	46917	N/R			N/S		58837

GRAND PRIX

V6 3.8L 231 CID	L26	2	51040 ⁵³	51040XP	46153	24780	24780XP	1	N/S		58837
V6 3.8L 231 CID Super Charged	L32	4	51040 ⁵³	51040XP	46153	24780	24780XP	1	N/S		58837

N/A = Not Available N/R = Not Required N/S = Not Serviceable For cabin and fuel filter locator, see pages 5-15 See pages 16-19 for footnotes

N/A = Non disponible N/R = Non nécessaire N/S = Non réparable Para la ubicación de los filtros de aire de la cabina y de combustible, ver las páginas 5-15 Voir pages 16-19 pour des notes

N/A = No disponible N/R = No requiere N/S = No servible Voir les tableaux de repérage des filtres d'habitacle et à carburant aux pages 5-15 Ver las páginas 16-19 para las notas al pie de página

Italicized Part Numbers May Not Be Available. Wix XP Oil Filters Have Fully Synthetic Media.

Las piezas con números en *italicas* pueden no estar disponibles. Los filtros de aceite WIX XP son completamente de media sintética.

Les numéros de pièce en *italiques* peuvent ne pas être disponibles. Les filtres à huile XP Wix contiennent un matériau 100 % synthétique.

PONTIAC 2007-2006
Pass Car/Light Truck

Year/Año/Année Model/Modelo/Modèle Engine/Motor/Moteur	Eng. Code Código de motor Code moteur	VIN NIV NIV	Oil Aceite Huile	Oil XP Aceite XP Huile XP	Air Aire Air	Cabin Air Cabina Aire Cabine Air	Cabin Air XP Cabina Aire XP Cabine Air XP	Loc. Cabin Air Cabina Aire Cabine Air	Fuel Combustible Carburant	Loc. Fuel Combustible Carburant	Transmission Transmisión Transmission
--	---	-------------------	------------------------	---------------------------------	--------------------	--	---	--	----------------------------------	--	---

PONTIAC (Cont'd/Suite)
2007 (Cont'd/Suite)
GRAND PRIX (Cont'd/Suite)

V8 5.3L 326 CID	LS4	C	57060 ⁵³	57060XP	49115	24780	24780XP	1	N/S		58837
-----------------	-----	---	---------------------	---------	-------	-------	---------	---	-----	--	-------

MATIZ

L4 1.0L 995 cc 61 CID (Mex.)			51394 ⁵³	51394XP	WA6253	N/A			33850		N/A
------------------------------	--	--	---------------------	---------	--------	-----	--	--	-------	--	-----

MATIZ G2

L4 1.0L 61CID (Mex.)			51394 ⁵³	51394XP	WA9639	N/A			33850		
----------------------	--	--	---------------------	---------	--------	-----	--	--	-------	--	--

MONTANA SV6

V6 3.9 (Mex.)			51522	51522XP	46302	24868 ⁷⁹ - Cabin 24161 ⁷⁹ - Cabin		2	N/S		
---------------	--	--	-------	---------	-------	--	--	---	-----	--	--

MONTANA SV6 SV6

V6 3.9L 237 CID	LZ9		51522 ⁵³	51522XP	46302	24161 ⁷⁹		2	N/S		
-----------------	-----	--	---------------------	---------	-------	---------------------	--	---	-----	--	--

SOLSTICE

L4 2.0L 122 CID Turbo	LNF	X	57082	57082XP	49071	N/R			N/S		58545
L4 2.4L 145 CID		B	57082	57082XP	49066	N/R			N/S		58545

TORRENT

V6 3.4L 207 CID	LNJ	F	51040 ⁵³	51040XP	46902	24872		1	N/S		N/A
-----------------	-----	---	---------------------	---------	-------	-------	--	---	-----	--	-----

VIBE

L4 1.8L 1794cc	1ZZFE	8	51394 ⁵³	51394XP	46834	24871	24871XP	3	N/S		58040 - FWD
----------------	-------	---	---------------------	---------	-------	-------	---------	---	-----	--	-------------

WAVE

L4 1.6L 98 CID	LXV	6	51040 ⁵³	51040XP	42831	24685		3	N/S		WL10418
----------------	-----	---	---------------------	---------	-------	-------	--	---	-----	--	---------

2006
G T O

V8 6.0L 364 CID		U	51042 ⁵³	51042XP	46913	N/R			N/S		58847
-----------------	--	---	---------------------	---------	-------	-----	--	--	-----	--	-------

G3

L4 1.6L 1606CC 98CID (Mex.)			51040 ⁵³	51040XP	42831	N/A			N/A		
-----------------------------	--	--	---------------------	---------	-------	-----	--	--	-----	--	--

G4

L4 2.2L 2198cc (Mex.)			51040 ⁵³	51040XP	46302				N/A		
L4 2.4L 2394cc (Mex.)			57082	57082XP	49117	N/A			N/A		58611

G6

L4 2.4L 145 CID		B	57082	57082XP	46917	N/R			N/S		58611
V6 3.5L 213 CID		8	51040 ⁵³	51040XP	46917	N/R			N/S		58837 - M15 58611 - MN5
V6 3.9L 237 CID	LZ9	1	51522 ⁵³	51522XP	46917	N/R			N/S		58837

GRAND PRIX

V6 3.8L 231 CID	L26	2	51040 ⁵³	51040XP	46153	24780	24780XP	1	N/S		58837
V6 3.8L 231 CID Super Charged	L32	4	51040 ⁵³	51040XP	46153	24780	24780XP	1	N/S		58837
V8 5.3L 326 CID	LS4	C	51042 ⁵³	51042XP	49115	24780	24780XP	1	N/S		58837

MATIZ

L4 1.0L 995 cc 61 CID (Mex.)			51394 ⁵³	51394XP	WA6253	N/A			33850		N/A
------------------------------	--	--	---------------------	---------	--------	-----	--	--	-------	--	-----

MATIZ G2

L4 1.0L 61CID (Mex.)			51394 ⁵³	51394XP	WA9639	N/A			33850		
----------------------	--	--	---------------------	---------	--------	-----	--	--	-------	--	--

MONTANA

V6 3.5L 213 CID		L	51040 ⁵³	51040XP	46302	24161 ⁷⁹		5	N/S		58837
V6 3.9L 237 CID	LZ9	1	51522 ⁵³	51522XP	46302	24161 ⁷⁹		5	N/S		58837

PURSUIT

L4 2.0L 134 CID Super Charged		P	57082	57082XP	42736	24882	24882XP	3	33980		58611
L4 2.2L 134 CID	L61	F	57082	57082XP	49117	24882	24882XP	3	33980		58611
L4 2.4L 145 CID	LE5	B	57082	57082XP	49117	24882	24882XP	3	33980		58611
	LE9	B	57082	57082XP	49117	24882	24882XP	3	33980		58611

SOLSTICE

L4 2.4L 145 CID		B	57082	57082XP	49066	N/R			N/S		58116 - 5L40E-SP 58545 - 5L40E-DP
-----------------	--	---	-------	---------	-------	-----	--	--	-----	--	--------------------------------------

N/A = Not Available N/R = Not Required N/S = Not Serviceable For cabin and fuel filter locator, see pages 5-15 See pages 16-19 for footnotes

N/A = Non disponible N/R = Non nécessaire N/S = Non réparable Para la ubicación de los filtros de aire de la cabina y de combustible, ver las páginas 5-15 Voir pages 16-19 pour des notes

N/A = No disponible N/R = No requiere N/S = No servible Voir les tableaux de repérage des filtres d'habitacle et à carburant aux pages 5-15 Ver las páginas 16-19 para las notas al pie de página

Italicized Part Numbers May Not Be Available. Wix XP Oil Filters Have Fully Synthetic Media.

Las piezas con números en *italicas* pueden no estar disponibles. Los filtros de aceite WIX XP son completamente de media sintética. Les numéros de pièce en *italiques* peuvent ne pas être disponibles. Les filtres à huile XP Wix contiennent un matériau 100 % synthétique.

Year/Año/Année Model/Modelo/Modèle Engine/Motor/Moteur	Eng. Code Código de motor Code moteur	VIN NIV NIV	Oil Aceite Huile	Oil XP Aceite XP Huile XP	Air Aire Air	Cabin Air Cabina Aire Cabine Air	Cabin Air XP Cabina Aire XP Cabine Air XP	Loc. Cabin Air Cabina Aire Cabine Air	Fuel Combustible Carburant	Loc. Fuel Combustible Carburant	Transmission Transmisión Transmission
--	--	-------------------	------------------------	---------------------------------	--------------------	--	---	--	----------------------------------	--	---

PONTIAC (Cont'd/Suite)

2006 (Cont'd/Suite)

TORRENT

V6 3.4L 207 CID	LNJ	F	51040 ⁵³	51040XP	46902	24872		1	N/S		N/A
-----------------	-----	---	---------------------	---------	-------	-------	--	---	-----	--	-----

VIBE

L4 1.8L 1794cc	1ZZFE	8	51394 ⁵³	51394XP	46834	24871	24871XP	3	N/S		58324 - AWD 58040 - FWD
L4 1.8L 1795cc	2ZZGE	L	57145	57145XP	46834	24871	24871XP	3	N/S		58324 - AWD

WAVE

L4 1.6L 98 CID	LXV	6	51040 ⁵³	51040XP	42831	24685		3	N/S		WL10418
----------------	-----	---	---------------------	---------	-------	-------	--	---	-----	--	---------

2005

AZTEK

V6 3.4L 207 CID	LNJ	E	51040 ⁵³	51040XP	46302	24161 ⁷⁹		5	33689		58837
-----------------	-----	---	---------------------	---------	-------	---------------------	--	---	-------	--	-------

BONNEVILLE

V6 3.8L 231 CID		K	51040 ⁵³	51040XP	46153	24812 ¹⁴⁶ 24474 ¹⁴⁷	24812XP ¹⁴⁶	2	33311		58837
V8 4.6L 281 CID	LD8	Y	51522 ⁵³	51522XP	46302	24474 ¹⁴⁷ 24812 ¹⁴⁶	24812XP ¹⁴⁶	2	33311		58895

G T O

V8 6.0L 364 CID	L76	U	51042 ⁵³	51042XP	46913	N/R			N/S		58847
-----------------	-----	---	---------------------	---------	-------	-----	--	--	-----	--	-------

G4

L4 2.2L 2198cc (Mex.)			51040 ⁵³	51040XP	46302				N/A		
-----------------------	--	--	---------------------	---------	-------	--	--	--	-----	--	--

G6

V6 3.5L 213 CID		8	51040 ⁵³	51040XP	46917	N/R			N/S		58837 - M15 58611 - MN5
-----------------	--	---	---------------------	---------	-------	-----	--	--	-----	--	----------------------------

GRAND AM

L4 2.2L 134 CID	L61	F	57082	57082XP	46035	N/R			33311		58611
V6 3.4L 207 CID	LNJ	E	51040 ⁵³	51040XP	46035	N/R			33311		58611

GRAND PRIX

V6 3.8L 231 CID	L26	2	51040 ⁵³	51040XP	46153	24780	24780XP	1	N/S		58837
V6 3.8L 231 CID Super Charged	L32	4	51040 ⁵³	51040XP	46153	24780	24780XP	1	N/S		58837
V8 5.3L 326 CID	LS4	C	51042 ⁵³	51042XP	49115	24780	24780XP	1	N/S		58837

MATIZ

L4 1.0L 995 cc 61 CID (Mex.)			51394 ⁵³	51394XP	WA6253	N/A			33850		N/A
------------------------------	--	--	---------------------	---------	--------	-----	--	--	-------	--	-----

MONTANA

V6 3.4L 207 CID	LNJ	E	51040 ⁵³	51040XP	46302	24161 ⁷⁹		5	33689		58837
V6 3.5L 213 CID		L	51040 ⁵³	51040XP	46302	24161 ⁷⁹		5	33689		58837

PURSUIT

L4 2.0L 134 CID Super Charged		P	57082	57082XP	42729	24882	24882XP	3	33980		58611
L4 2.2L 134 CID	L61	F	57082	57082XP	49117	24882	24882XP	3	33980		58611
L4 2.4L 145 CID	LE5	B	57082	57082XP	49117	24882	24882XP	3	33980		N/A
	LE9	B	57082	57082XP	49117	24882	24882XP	3	33980		N/A

SUNFIRE

L4 2.2L 134 CID	L61	F	57082	57082XP	46503	N/R			33311		58611
-----------------	-----	---	-------	---------	-------	-----	--	--	-------	--	-------

VIBE

L4 1.8L 1794cc	1ZZFE	8	51394 ⁵³	51394XP	46834	24871	24871XP	3	N/S		58324 - AWD 58040 - FWD
L4 1.8L 1795cc	2ZZGE	L	57145	57145XP	46834	24871	24871XP	3	N/S		N/A

WAVE

L4 1.6L 98 CID	LXV	6	51040 ⁵³	51040XP	42831	24685		3	N/S		WL10418
----------------	-----	---	---------------------	---------	-------	-------	--	---	-----	--	---------

2004

AZTEK

V6 3.4L 207 CID	LNJ	E	51040 ⁵³	51040XP	46302	24161 ⁷⁹		5	33689 - w/2 Male Ends 33183 - w/1 Male End		58837
-----------------	-----	---	---------------------	---------	-------	---------------------	--	---	---	--	-------

N/A = Not Available N/R = Not Required N/S = Not Serviceable For cabin and fuel filter locator, see pages 5-15 See pages 16-19 for footnotes
 N/A = Non disponible N/R = Non nécessaire N/S = Non réparable Para la ubicación de los filtros de aire de la cabina y de combustible, ver las páginas 5-15 Voir pages 16-19 pour des notes
 N/A = No disponible N/R = No requiere N/S = No servible Voir les tableaux de repérage des filtres d'habitacle et à carburant aux pages 5-15 Ver las páginas 16-19 para las notas al pie de página

Italicized Part Numbers May Not Be Available. Wix XP Oil Filters Have Fully Synthetic Media.
 Las piezas con números en *italicas* pueden no estar disponibles. Los filtros de aceite WIX XP son completamente de media sintética.
 Les numéros de pièce en *italiques* peuvent ne pas être disponibles. Les filtres à huile Wix contiennent un matériau 100 % synthétique.

PONTIAC 2004-2002
Pass Car/Light Truck

Year/Año/Année Model/Modelo/Modèle Engine/Motor/Moteur	Eng. Code Código de motor Code moteur	VIN NIV NIV	Oil Aceite Huile	Oil XP Aceite XP Huile XP	Air Aire Air	Cabin Air Cabina Aire Cabine Air	Cabin Air XP Cabina Aire XP Cabine Air XP	Loc. Cabin Air Cabina Aire Cabine Air	Fuel Combustible Carburant	Loc. Fuel Combustible Carburant	Transmission Transmisión Transmission
--	---	-------------------	------------------------	---------------------------------	--------------------	--	---	--	----------------------------------	--	---

PONTIAC (Cont'd/Suite)
2004 (Cont'd/Suite)
BONNEVILLE

V6 3.8L 231 CID		K	51040 ⁵³	51040XP	46153	24812 ¹⁴⁶ 24474 ¹⁴⁷	24812XP ¹⁴⁶	2	33311		58837
V8 4.6L 281 CID	LD8	Y	51522 ⁵³	51522XP	46302	24474 ¹⁴⁷ 24812 ¹⁴⁶	24812XP ¹⁴⁶	2	33311		58895

G T O

V8 5.7L 350 CID		G	51042 ⁵³	51042XP	46913	N/R			N/S		58847
-----------------	--	---	---------------------	---------	-------	-----	--	--	-----	--	-------

GRAND AM

L4 2.2L 134 CID	L61	F	57082	57082XP	46035	N/R			33311		58611
V6 3.4L 207 CID	LNJ	E	51040 ⁵³	51040XP	46035	N/R			33311		58611

GRAND PRIX

V6 3.8L 231 CID	L26	2	51040 ⁵³	51040XP	46153	24780	24780XP	1	33946		58837
V6 3.8L 231 CID Super Charged	L32	4	51040 ⁵³	51040XP	46153	24780	24780XP	1	33946		58837

MATIZ

L4 1.0L 995 cc 61 CID (Mex.)			51394 ⁵³	51394XP	WA6253	N/A			33850		N/A
------------------------------	--	--	---------------------	---------	--------	-----	--	--	-------	--	-----

MONTANA

V6 3.4L 207 CID	LNJ	E	51040 ⁵³	51040XP	46302	24161 ⁷⁹		5	33689		58837
-----------------	-----	---	---------------------	---------	-------	---------------------	--	---	-------	--	-------

SUNFIRE

L4 2.2L 134 CID	L61	F	57082	57082XP	46503	N/R			33311		58611
-----------------	-----	---	-------	---------	-------	-----	--	--	-------	--	-------

VIBE

L4 1.8L 1794cc	1ZZFE	8	51394 ⁵³	51394XP	46834	24871	24871XP	3	N/S		58324 - AWD 58040 - FWD
L4 1.8L 1795cc	2ZZGE	L	57145	57145XP	46834	24871	24871XP	3	N/S		N/A

2003
AZTEK

V6 3.4L 207 CID	LNJ	E	51040 ⁵³	51040XP	46302	24161 ⁷⁹		5	33183		58837
-----------------	-----	---	---------------------	---------	-------	---------------------	--	---	-------	--	-------

BONNEVILLE

V6 3.8L 231 CID		K	51040 ⁵³	51040XP	46153	24812 ⁷⁹ 24474 ¹⁴⁷	24812XP ⁷⁹	2	33311		58837
V6 3.8L 231 CID Super Charged		1	51040 ⁵³	51040XP	46153	24812 ⁷⁹ 24474 ¹⁴⁷	24812XP ⁷⁹	2	33311		58837

GRAND AM

L4 2.2L 134 CID	L61	F	57082	57082XP	46035	N/R			33311		58611
V6 3.4L 207 CID	LNJ	E	51040 ⁵³	51040XP	46035	N/R			33311		58611

GRAND PRIX

V6 3.1L 189 CID	LG8	J	51040 ⁵³	51040XP	46153	N/A			33311		58837
V6 3.8L 231 CID		K	51040 ⁵³	51040XP	46153	N/A			33311		58837
V6 3.8L 231 CID Super Charged		1	51040 ⁵³	51040XP	46153	N/A			33311		58837

MATIZ

L4 1.0L 995 cc 61 CID (Mex.)			51394 ⁵³	51394XP	WA6253	N/A			33850		N/A
------------------------------	--	--	---------------------	---------	--------	-----	--	--	-------	--	-----

MONTANA

V6 3.4L 207 CID	LNJ	E	51040 ⁵³	51040XP	46302	24161 ⁷⁹		5	33183 - w/1 Male End 33689 - w/2 Male Ends		58837
-----------------	-----	---	---------------------	---------	-------	---------------------	--	---	---	--	-------

SUNFIRE

L4 2.2L 134 CID	L61	F	57082	57082XP	46503	N/R			33311		58611
-----------------	-----	---	-------	---------	-------	-----	--	--	-------	--	-------

VIBE

L4 1.8L 1794cc	1ZZFE	8	51394 ⁵³	51394XP	46834	24871	24871XP	3	N/S		58324 - AWD 58040 - FWD
L4 1.8L 1795cc	2ZZGE	L	57145	57145XP	46834	24871	24871XP	3	N/S		N/A

2002
AZTEK

V6 3.4L 207 CID	LNJ	E	51040 ⁵³	51040XP	46302	24161 ⁷⁹		5	33183		58837
-----------------	-----	---	---------------------	---------	-------	---------------------	--	---	-------	--	-------

N/A = Not Available N/R = Not Required N/S = Not Serviceable For cabin and fuel filter locator, see pages 5-15 See pages 16-19 for footnotes

N/A = Non disponible N/R = Non nécessaire N/S = Non serviceable Para la ubicación de los filtros de aire de la cabina y de combustible, ver las páginas 5-15 Voir pages 16-19 pour des notes

N/A = No disponible N/R = No requiere N/S = No servible Voir les tableaux de repérage des filtres d'habitacle et à carburant aux pages 5-15 Ver las páginas 16-19 para las notas al pie de página

Italicized Part Numbers May Not Be Available. Wix XP Oil Filters Have Fully Synthetic Media.

Las piezas con números en *italicas* pueden no estar disponibles. Los filtros de aceite WIX XP son completamente de media sintética. Les numéros de pièce en *italiques* peuvent ne pas être disponibles. Les filtres à huile XP Wix contiennent un matériau 100 % synthétique.

Year/Año/Année Model/Modelo/Modèle Engine/Motor/Moteur	Eng. Code Código de motor Code moteur	VIN NIV NIV	Oil Aceite Huile	Oil XP Aceite XP Huile XP	Air Aire Air	Cabin Air Cabina Aire Cabine Air	Cabin Air XP Cabina Aire XP Cabine Air XP	Loc. Cabin Air Cabina Aire Cabine Air	Fuel Combustible Carburant	Loc. Fuel Combustible Carburant	Transmission Transmisión Transmission
--	---	-------------------	------------------------	---------------------------------	--------------------	--	---	--	----------------------------------	--	---

PONTIAC (Cont'd/Suite)
2002 (Cont'd/Suite)
BONNEVILLE

V6 3.8L 231 CID		K	51040 ⁵³	51040XP	46153	24812 ⁷⁹ 24474 ¹⁴⁷	24812XP ⁷⁹	2	33311		58837
V6 3.8L 231 CID Super Charged		1	51040 ⁵³	51040XP	46153	24812 ⁷⁹ 24474 ¹⁴⁷	24812XP ⁷⁹	2	33311		58837

FIREBIRD

V6 3.8L 231 CID	L26	K	51040 ⁵³	51040XP	46144	N/R			33311		58904 - 4L60E-SP 58847 - 4L60E-DP
V8 5.7L 346 CID		G	51042 ⁵³	51042XP	46144	N/R			33311		58904 - 4L60E-SP 58847 - 4L60E-DP

GRAND AM

L4 2.2L 134 CID	L61	F	57082	57082XP	46035	N/R			33311		58611
V6 3.4L 207 CID	LNJ	E	51040 ⁵³	51040XP	46035	N/R			33311		58611

GRAND PRIX

V6 3.1L 189 CID	LG8	J	51040 ⁵³	51040XP	46153	N/A			33311		58837
V6 3.8L 231 CID		K	51040 ⁵³	51040XP	46153	N/A			33311		58837
V6 3.8L 231 CID Super Charged		1	51040 ⁵³	51040XP	46153	N/A			33311		58837

MONTANA

V6 3.4L 207 CID	LNJ	E	51040 ⁵³	51040XP	46302	24161 ⁷⁹		5	33183		58837
-----------------	-----	---	---------------------	---------	-------	---------------------	--	---	-------	--	-------

SUNFIRE

L4 2.2L 134 CID	L61	4	51040 ⁵³	51040XP	46503	N/R			33311		58611
	L61	F	57082	57082XP	46503	N/R			33311		58611
L4 2.4L 145 CID		T	51042 ⁵³	51042XP	46503	N/R			33311		58611

PORSCHE
2021
718 Boxster

H4 2.0L 1988cc 121 CID Turbo	MA2.20		WL10359		WA10986	24255 N/A - (Pre-Filter)			N/S		N/S
H4 2.5L 2497CC 152CID Turbo			WL10359		WA10986	24255			N/S		N/S

718 Boxster Spyder

H6 4.0L 4000CC 244CID			57070		WA10986	24255			N/S		N/S
-----------------------	--	--	-------	--	---------	-------	--	--	-----	--	-----

718 Cayman

H4 2.0L 1988CC 121CID Turbo			WL10359		WA10986	24255			N/A		N/S
H4 2.5L 2497cc 152 CID Turbo	MA2.22		WL10359		WA10986	24255			N/S		N/S

718 Cayman GT4

H6 4.0L 4000CC 244CID			57070		WA10986	24255			N/S		N/S
-----------------------	--	--	-------	--	---------	-------	--	--	-----	--	-----

911

H6 3.0L 3000CC 183CID Turbo			WL10372		N/A	N/A			N/S		N/S
-----------------------------	--	--	---------	--	-----	-----	--	--	-----	--	-----

CAYENNE

V6 2.9L 2894CC 177CID Turbo	2894 cc,petrol		WL10438		WA11100	WP10337			N/S		N/S
V6 3.0L 3000CC 183CID Turbo	FSI		WL10438		WA11100	WP10337			N/S		N/S
V8 4.0L 4000CC 244CID Turbo			WL10438		WA11100	WP10337			N/S		N/S

MACAN

L4 2.0L 1984cc 121 CID Turbo			N/A		WA10875	24227			N/S		N/S
V6 2.9L 2894CC 177CID Turbo	2894 cc,petrol		WL10438		N/A	24227			N/S		N/S
V6 3.0L 2997cc 183 CID Turbo			WL10438		WA10875	24227			N/S		N/A

PANAMERA

V 8 4.0L Turbo			WL10438		N/A	24110		4	N/S		N/A
V6 3.0L Turbo			WL10438		N/A	24110			N/S		N/S

PANAMERA 4S

V6 2.9L 2894CC 177CID Turbo	2894 cc,petrol		WL10438		49055	24110			N/S		N/S
-----------------------------	----------------	--	---------	--	-------	-------	--	--	-----	--	-----

PANAMERA HYBRID

V6 2.9L 2894CC 177CID Turbo	2894 cc,petrol		WL10438		N/A	24110			N/S		N/S
-----------------------------	----------------	--	---------	--	-----	-------	--	--	-----	--	-----

N/A = Not Available N/R = Not Required N/S = Not Serviceable For cabin and fuel filter locator, see pages 5-15 See pages 16-19 for footnotes

N/A = Non disponible N/R = Non nécessaire N/S = Non réparable Para la ubicación de los filtros de aire de la cabina y de combustible, ver las páginas 5-15 Voir pages 16-19 pour des notes

N/A = No disponible N/R = No requiere N/S = No servible Voir les tableaux de repérage des filtres d'habitacle et à carburant aux pages 5-15 Ver las páginas 16-19 para las notas al pie de página

Italicized Part Numbers May Not Be Available. Wix XP Oil Filters Have Fully Synthetic Media.

Las piezas con números en *italicas* pueden no estar disponibles. Los filtros de aceite WIX XP son completamente de media sintética.

Les numéros de pièce en *italiques* peuvent ne pas être disponibles. Les filtres à huile Wix contiennent un matériau 100 % synthétique.

PORSCHE 2020-2018
Pass Car/Light Truck

Year/Año/Année Model/Modelo/Modèle Engine/Motor/Moteur	Eng. Code Código de motor Code moteur	VIN NIV NIV	Oil Aceite Huile	Oil XP Aceite XP Huile XP	Air Aire Air	Cabin Air Cabina Aire Cabine Air	Cabin Air XP Cabina Aire XP Cabine Air XP	Loc. Cabin Air Cabina Aire Cabine Air	Fuel Combustible Carburant	Loc. Fuel Combustible Carburant	Transmission Transmisión Transmission
--	---	-------------------	------------------------	---------------------------------	--------------------	--	---	--	----------------------------------	--	---

PORSCHE (Cont'd/Suite)
2020
718 Boxster

H4 2.0L 1988cc 121 CID Turbo	MA2.20		WL10359		WA10986	24255 N/A - (Pre-Filter)			N/S		N/S
H4 2.5L 2497CC 152CID Turbo			WL10359		WA10986	24255			N/S		N/S

718 Boxster Spyder

H6 4.0L 4000CC 244CID			57070		WA10986	24255			N/S		N/S
-----------------------	--	--	-------	--	---------	-------	--	--	-----	--	-----

718 Cayman

H4 2.0L 1988CC 121CID Turbo			WL10359		WA10986	24255			N/A		N/S
H4 2.5L 2497cc 152 CID Turbo	MA2.22		WL10359		WA10986	24255			N/S		N/S

718 Cayman GT4

H6 4.0L 4000CC 244CID			57070		WA10986	24255			N/S		N/S
-----------------------	--	--	-------	--	---------	-------	--	--	-----	--	-----

911

H6 3.0L 3000CC 183CID Turbo			WL10372		N/A	N/A			N/S		N/S
-----------------------------	--	--	---------	--	-----	-----	--	--	-----	--	-----

CAYENNE

V6 2.9L 2894CC 177CID Turbo	2894 cc,petrol		WL10438		WA11100	WP10337			N/S		N/S
V6 3.0L 3000CC 183CID Turbo	FSI		WL10438		WA11100	WP10337			N/S		N/S
V8 4.0L 4000CC 244CID Turbo			WL10438		WA11100	WP10337			N/S		N/S

MACAN

L4 2.0L 1984cc 121 CID Turbo			WL10024 ⁶¹ WL10396 ⁹⁴		WA10875	24227			N/S		N/A
V6 3.0L 2997cc 183 CID Turbo			WL10438		WA10875	24227			N/S		N/A

MACAN Turbo

V6 2.9L 2894CC 177CID Turbo	2894 cc,petrol		WL10438		N/A	24227			N/S		N/S
-----------------------------	----------------	--	---------	--	-----	-------	--	--	-----	--	-----

PANAMERA

V 8 4.0L Turbo			WL10438		N/A	24110		4	N/S		N/A
V6 3.0L Turbo			WL10438		N/A	24110			N/S		N/S

PANAMERA 4S

V6 2.9L 2894CC 177CID Turbo	2894 cc,petrol		WL10438		49055	24110			N/S		N/S
-----------------------------	----------------	--	---------	--	-------	-------	--	--	-----	--	-----

PANAMERA HYBRID

V6 2.9L 2894CC 177CID Turbo	2894 cc,petrol		WL10438		N/A	24110			N/S		N/S
-----------------------------	----------------	--	---------	--	-----	-------	--	--	-----	--	-----

2019
718 Boxster

H4 2.0L 1988cc 121 CID Turbo	MA2.20		WL10359		WA10986	24255 N/A - (Pre-Filter)			N/S		N/S
H4 2.5L 2497CC 152CID Turbo			WL10359		WA10986	24255			N/S		N/S

718 Cayman

H4 2.0L 1988CC 121CID Turbo			WL10359		WA10986	24255			N/A		N/S
H4 2.5L 2497cc 152 CID Turbo	MA2.22		WL10359		WA10986	24255			N/S		N/S

911

H6 3.0L 3000CC 183CID Turbo			WL10372		N/A	24255 N/A			N/S		N/S
H6 3.8L 3800cc			WL10372		WA10410	24255 ⁹³			N/S		N/S
H6 4.0L 4000CC 244CID			N/A		WA10518	N/A			N/S		N/S

CAYENNE

V6 2.9L 2894CC 177CID Turbo	2894 cc,petrol		WL10438		WA11100	WP10337			N/S		N/S
V6 3.0L 3000CC 183CID Turbo	FSI		WL10438		WA11100	WP10337			N/S		N/S
V8 4.0L 4000CC 244CID Turbo			WL10438		WA11100	WP10337			N/S		N/S

MACAN

L4 2.0L 1984cc 121 CID Turbo			WL10024 ⁶¹ WL10396 ⁹⁴		WA10875	24227			N/S		N/A
V6 3.0L 2997cc 183 CID Turbo			WL10438		WA10875	24227			N/S		N/A

2018
718 Boxster

H4 2.0L 1988cc 121 CID Turbo	MA2.20		WL10359		WA10986	24255 N/A - (Pre-Filter)			N/S		N/S
------------------------------	--------	--	---------	--	---------	-----------------------------	--	--	-----	--	-----

N/A = Not Available N/R = Not Required N/S = Not Serviceable For cabin and fuel filter locator, see pages 5-15 See pages 16-19 for footnotes

N/A = Non disponible N/R = Non nécessaire N/S = Non réparable Para la ubicación de los filtros de aire de la cabina y de combustible, ver las páginas 5-15 Voir pages 16-19 pour des notes

N/A = No disponible N/R = No requiere N/S = No servible Voir les tableaux de repérage des filtres d'habitacle et à carburant aux pages 5-15 Ver las páginas 16-19 para las notas al pie de página

Italicized Part Numbers May Not Be Available. Wix XP Oil Filters Have Fully Synthetic Media.

Las piezas con números en *italicas* pueden no estar disponibles. Los filtros de aceite WIX XP son completamente de media sintética. Les numéros de pièce en *italiques* peuvent ne pas être disponibles. Les filtres à huile XP Wix contiennent un matériau 100 % synthétique.

Year/Año/Année Model/Modelo/Modèle Engine/Motor/Moteur	Eng. Code Código de motor Code moteur	VIN NIV NIV	Oil Aceite Huile	Oil XP Aceite XP Huile XP	Air Aire Air	Cabin Air Cabina Aire Cabine Air	Cabin Air XP Cabina Aire XP Cabine Air XP	Loc. Cabin Air Cabina Aire Cabine Air	Fuel Combustible Carburant	Loc. Fuel Combustible Carburant	Transmission Transmisión Transmission
--	---	-------------------	------------------------	---------------------------------	--------------------	--	---	--	----------------------------------	--	---

PORSCHE (Cont'd/Suite)

2018 (Cont'd/Suite)

718 Boxster (Cont'd/Suite)

H4 2.5L 2497CC 152CID Turbo			WL10359		WA10986	24255			N/S		N/S
-----------------------------	--	--	---------	--	---------	-------	--	--	-----	--	-----

718 Cayman

H4 2.0L 1988CC 121CID Turbo			WL10359		WA10986	24255			N/S		N/S
H4 2.5L 2497cc 152 CID Turbo	MA2.22		WL10359		WA10986	24255			N/S		N/S

911

H6 3.0L 2981CC Turbo			WL10372		WA10410	24255			N/S		N/S
H6 4.0L 3996CC Turbo			WL10372		WA10410	24255			N/S		N/S

911 Turbo S

H6 3.8L 3800cc			WL10372		WA10410	24255 ⁷⁸			N/S		N/S
----------------	--	--	---------	--	---------	---------------------	--	--	-----	--	-----

CAYENNE

V6 3.0L 2997CC 183CID Turbo/Super Charged Electric/Gas			57204		42859 ^{155}} 49920 ⁴²³	24631			WF10120		N/A
V6 3.6L 3597cc 219 CID	MCE.YA		57462		42859	24631			N/S		N/S
V6 3.6L 3605cc 220 CID Turbo			WL10372		42859	24631			WF10120		N/A
V8 4.8L4806cc Turbo	MCY.XA		WL10372		42859	24631			N/S		N/S

MACAN

L4 2.0L 1984cc 121 CID Turbo			WL10024 ^{61}} WL10396 ^{194}}		WA10875	24227			N/S		N/A
V6 3.0L 2997cc 183 CID Turbo			WL10372		WA10875	24227			N/S		N/A
V6 3.6L 3605cc 220 CID Turbo			WL10372		WA10875	24227			N/S		N/S

PANAMERA

V 8 4.0L Turbo			WL10438		N/A	N/A		4	N/S		N/A
V6 3.0L Turbo			WL10438		N/A	24110		4	N/S		N/A

2017

718 Boxster

H4 2.0L 1988cc 121 CID Turbo	MA2.20		WL10359		WA10986	24255			N/S		N/S
H4 2.5L 2497cc 152 CID Turbo	MA2.22		WL10359		WA10986	24255			N/S		N/S

718 Cayman

H4 2.0L 1988cc 121 CID Turbo	MA2.20		WL10359		WA10986	24255			N/S		N/S
H4 2.5L 2497cc 152 CID Turbo	MA2.22		WL10359		WA10986	24255			N/S		N/S

911

H6 3.8L 3800cc Turbo	MA1.71S/MA1.71		WL10372		N/A	24255			N/S		N/S
H6 4.0L 3996cc	MA1.76		WL10372		N/A	24255			N/S		N/S

911 CARRERA

H6 3.0L 2981cc Turbo	MA2.01/MA2.02		WL10372		WA10518	24255			N/S		N/S
----------------------	---------------	--	---------	--	---------	-------	--	--	-----	--	-----

911 TARGA 4

H6 3.0L 2981cc Turbo	MA2.01/MA2.02		WL10372		WA10518	24255			N/S		N/S
----------------------	---------------	--	---------	--	---------	-------	--	--	-----	--	-----

911 TARGA 4S

H6 3.0L 2981cc Turbo	MA2.01/MA2.02		WL10372		WA10518	24255			N/S		N/S
----------------------	---------------	--	---------	--	---------	-------	--	--	-----	--	-----

911 TURBO

H6 3.8L 3824cc Turbo			WL10372		N/A	24255 ^{78}} N/A ^{79}}			N/S		N/S
----------------------	--	--	---------	--	-----	--	--	--	-----	--	-----

911 Turbo S

H6 3.8L 3800cc			WL10372		WA10410	24255 ^{78}}			N/S		N/S
----------------	--	--	---------	--	---------	----------------------	--	--	-----	--	-----

CAYENNE

V6 3.0L 2997cc 183 CID Super Charged Electric/Gas	MCG.FA		57204		42859 ^{155}} 49920 ^{423}}	24631			N/S		N/R
V6 3.6L 3597cc 219 CID	MCE.YA		57462		42859	24631			N/S		N/S
V6 3.6L 3605cc 220 CID Turbo	MCU.RA/MCX.ZA		WL10372		42859	24631			N/S		N/S
V8 4.8L4806cc Turbo	MCY.XA		WL10372		42859	24631			N/S		N/S
V8 4.8L4806cc Turbo	MCF.TB		WL10372		42859	24631			N/S		N/S

N/A = Not Available N/R = Not Required N/S = Not Serviceable For cabin and fuel filter locator, see pages 5-15 See pages 16-19 for footnotes

N/A = Non disponible N/R = Non nécessaire N/S = Non réparable Para la ubicación de los filtros de aire de la cabina y de combustible, ver las páginas 5-15 Voir pages 16-19 pour des notes

N/A = No disponible N/R = No requiere N/S = No servible Voir les tableaux de repérage des filtres d'habitacle et à carburant aux pages 5-15 Ver las páginas 16-19 para las notas al pie de página

Italicized Part Numbers May Not Be Available. Wix XP Oil Filters Have Fully Synthetic Media.

Las piezas con números en *italicas* pueden no estar disponibles. Los filtros de aceite WIX XP son completamente de media sintética.

Les numéros de pièce en *italiques* peuvent ne pas être disponibles. Les filtres à huile Wix contiennent un matériau 100 % synthétique.

PORSCHE 2017-2016

Pass Car/Light Truck

Year/Año/Année Model/Modelo/Modèle Engine/Motor/Moteur	Eng. Code Código de motor Code moteur	VIN NIV NIV	Oil Aceite Huile	Oil XP Aceite XP Huile XP	Air Aire Air	Cabin Air Cabina Aire Cabine Air	Cabin Air XP Cabina Aire XP Cabine Air XP	Loc. Cabin Air Cabina Aire Cabine Air	Fuel Combustible Carburant	Loc. Fuel Combustible Carburant	Transmission Transmisión Transmission
--	---	-------------------	------------------------	---------------------------------	--------------------	--	---	--	----------------------------------	--	---

PORSCHE (Cont'd/Suite)

2017 (Cont'd/Suite)

MACAN

L4 2.0L 1984cc 121 CID Turbo			WL10024 ⁶¹ WL10396 ¹⁹⁴		WA10875	24227			N/S		N/S
V6 3.0L 2997cc 183 CID Turbo			WL10372		WA10875	24227			N/S		N/A
V6 3.6L 3605cc 220 CID Turbo			WL10024 ⁶¹ WL10396 ¹⁹⁴		WA10875	24227			N/S		N/S

PANAMERA

V8 4.0L 4000CC 244CID Turbo			WL10438 WL10438		N/A N/A	N/A N/A			N/S N/S		N/S N/S
-----------------------------	--	--	--------------------	--	------------	------------	--	--	------------	--	------------

PANAMERA 4S

V6 3.0L Turbo			WL10438		49055	24110		4	N/S		N/A
---------------	--	--	---------	--	-------	-------	--	---	-----	--	-----

PANAMERA HYBRID

V6 2.9L 2894CC 177CID Turbo	2894 cc,petrol		WL10438		N/A	N/A			N/S		N/S
-----------------------------	----------------	--	---------	--	-----	-----	--	--	-----	--	-----

2016

911

H6 3.4L 3436cc		A	WL10372		WA10518	24255		2	N/A		N/S
H6 3.8L 3800cc			WL10372		WA10518	24255 ⁷⁸ N/A ⁷⁹		2	N/S		N/S

911 CARRERA

H6 3.4L 3436cc		A	WL10372		WA10518	24255		2	N/A		N/S
----------------	--	---	---------	--	---------	-------	--	---	-----	--	-----

911 CARRERA 4

H6 3.4L 3436cc		A	WL10372		WA10518	24255		2	N/A		N/S
----------------	--	---	---------	--	---------	-------	--	---	-----	--	-----

911 CARRERA 4 GTS

H6 3.8L 3800cc		A	WL10372		WA10518	24255 ⁷⁸		2	N/S		N/S
----------------	--	---	---------	--	---------	---------------------	--	---	-----	--	-----

911 CARRERA 4S

H6 3.8L 3800cc		A	WL10372		WA10518	24255		2	N/S		N/S
----------------	--	---	---------	--	---------	-------	--	---	-----	--	-----

911 CARRERA CABRIOLET

H6 3.4L 3436cc		A	WL10372		WA10518	24255		2	N/A		N/S
----------------	--	---	---------	--	---------	-------	--	---	-----	--	-----

911 CARRERA CABRIOLET 4

H6 3.4L 3436cc		A	WL10372		WA10518	24255		2	N/A		N/S
----------------	--	---	---------	--	---------	-------	--	---	-----	--	-----

911 CARRERA CABRIOLET 4 GTS

H6 3.8L 3800cc		A	WL10372		WA10518	24255 ⁷⁸ N/A ⁷⁹		2	N/S		N/S
----------------	--	---	---------	--	---------	--	--	---	-----	--	-----

911 CARRERA CABRIOLET 4S

H6 3.8L 3800cc		A	WL10372		WA10518	24255 ⁷⁸ N/A ⁷⁹		2	N/S		N/S
----------------	--	---	---------	--	---------	--	--	---	-----	--	-----

911 CARRERA CABRIOLET GTS

H6 3.8L 3800cc		A	WL10372		WA10518	N/A		2	N/S		N/S
----------------	--	---	---------	--	---------	-----	--	---	-----	--	-----

911 CARRERA CABRIOLET S

H6 3.8L 3800cc		A	WL10372		WA10518	N/A		2	N/S		N/S
----------------	--	---	---------	--	---------	-----	--	---	-----	--	-----

911 CARRERA S

H6 3.8L 3800cc		A	WL10372			24255		2	N/S		N/S
----------------	--	---	---------	--	--	-------	--	---	-----	--	-----

911 CARRERA S GTS

H6 3.8L 3800cc		A	WL10372		WA10518	24255		2	N/S		N/S
----------------	--	---	---------	--	---------	-------	--	---	-----	--	-----

911 GT3

H6 3.8L 3800cc			N/A		WA10518	24255 ⁷⁸ N/A ⁷⁹			N/S		N/S
----------------	--	--	-----	--	---------	--	--	--	-----	--	-----

911 GT3 RS 4.0

H6 4.0L 3996cc			N/A		WA10518	N/A			N/S		
----------------	--	--	-----	--	---------	-----	--	--	-----	--	--

911 TARGA 4

H6 3.4L 3387cc			WL10372		WA10518	24255 ⁷⁸ N/A ⁷⁹			N/S		N/S
----------------	--	--	---------	--	---------	--	--	--	-----	--	-----

911 TARGA 4 GTS

H6 3.4L 3387cc			WL10372		WA10518	24255 ⁷⁸ N/A ⁷⁹			N/S		N/S
----------------	--	--	---------	--	---------	--	--	--	-----	--	-----

N/A = Not Available N/R = Not Required N/S = Not Serviceable For cabin and fuel filter locator, see pages 5-15 See pages 16-19 for footnotes

N/A = Non disponible N/R = Non nécessaire N/S = Non réparable Para la ubicación de los filtros de aire de la cabina y de combustible, ver las páginas 5-15 Voir pages 16-19 pour des notes

N/A = No disponible N/R = No requiere N/S = No servible Voir les tableaux de repérage des filtres d'habitacle et à carburant aux pages 5-15 Ver las páginas 16-19 para las notas al pie de página

Italicized Part Numbers May Not Be Available. Wix XP Oil Filters Have Fully Synthetic Media.

Las piezas con números en *italicas* pueden no estar disponibles. Los filtros de aceite WIX XP son completamente de media sintética. Les numéros de pièce en *italiques* peuvent ne pas être disponibles. Les filtres à huile XP Wix contiennent un matériau 100 % synthétique.

Year/Año/Année Model/Modelo/Modèle Engine/Motor/Moteur	Eng. Code Código de motor Code moteur	VIN NIV NIV	Oil Aceite Huile	Oil XP Aceite XP Huile XP	Air Aire Air	Cabin Air Cabina Aire Cabine Air	Cabin Air XP Cabina Aire XP Cabine Air XP	Loc. Cabin Air Cabina Aire Cabine Air	Fuel Combustible Carburant	Loc. Fuel Combustible Carburant	Transmission Transmisión Transmission
--	---	-------------------	------------------------	---------------------------------	--------------------	--	---	--	----------------------------------	--	---

PORSCHE (Cont'd/Suite)

2016 (Cont'd/Suite)

911 TARGA 4S

H6 3.4L 3387cc			WL10372		WA10518	24255 ⁷⁸ N/A ⁷⁹			N/S		N/S
----------------	--	--	---------	--	---------	--	--	--	-----	--	-----

911 TURBO

H6 3.8L 3824cc Turbo			WL10372		WA10410	24255 ⁷⁸ N/A ⁷⁹			N/S		N/S
----------------------	--	--	---------	--	---------	--	--	--	-----	--	-----

BOXSTER

H6 2.7L 2687cc		A	57070		N/A	24202		2	N/A		N/A
H6 3.8L 3800cc		B	57070		N/A	24255		2	N/S		N/S

BOXSTER S

H6 3.4L 3387cc		B	57070		N/A	24255		2	N/S		N/S
----------------	--	---	-------	--	-----	-------	--	---	-----	--	-----

BOXSTER Spyder

H6 3.8L 3800cc		B	57070		N/A	24255		2	N/S		N/S
----------------	--	---	-------	--	-----	-------	--	---	-----	--	-----

CAYENNE

V6 3.6L 3597cc	M55.02	A	57462		42859 ¹⁵⁵ 49920 ¹²³	24631		4	N/S		N/A
V6 3.6L 3605cc 220 CID Turbo			WL10372		42859 ¹⁵⁵ 49920 ¹²³	24631			N/S		
V8 4.8L 4806cc Turbo	MCF.TB	C	WL10372		42859	24631		4	N/S		N/A

CAYENNE DIESEL

V6 3.0L 2967cc Turbo Diesel	MCN.RB		WL10008		42859 ¹⁵⁵ 49920 ¹²³	24631			WF10120		N/S
-----------------------------	--------	--	---------	--	--	-------	--	--	---------	--	-----

CAYENNE GTS

V8 4.8L 4806cc Turbo	MCF.TB	C	WL10372		42859 ¹⁵⁵ 49920 ¹²³	24631		4	N/S		N/R
----------------------	--------	---	---------	--	--	-------	--	---	-----	--	-----

CAYENNE S

V8 4.8L 4806cc Turbo	MCF.TB	C	WL10372		42859 ¹⁵⁵ 49920 ¹²³	24631		4	N/S		N/R
----------------------	--------	---	---------	--	--	-------	--	---	-----	--	-----

CAYENNE S HYBRID

V6 3.0L 2997cc 183 CID Super Charged Electric/Gas	MCG.FA	E	57204		42859 ¹⁵⁵ 49920 ¹²³	24631			N/S		N/R
---	--------	---	-------	--	--	-------	--	--	-----	--	-----

CAYMAN

H6 2.7L 2687cc 24 Valve DOHC		A	57070		N/A	24255 ⁷⁸ N/A ⁷⁹		2	N/S		N/S
------------------------------	--	---	-------	--	-----	--	--	---	-----	--	-----

CAYMAN GT4

H6 3.8L 24 Valve DOHC		B	57070		N/A	24255		2	N/S		N/S
-----------------------	--	---	-------	--	-----	-------	--	---	-----	--	-----

CAYMAN S

H6 3.4L 3387cc 24 Valve DOHC		B	57070		N/A	24255		2	N/S		N/R
------------------------------	--	---	-------	--	-----	-------	--	---	-----	--	-----

MACAN

V6 3.0L 2997cc 183 CID			WL10372		WA10875	24227			N/S		N/A
V6 3.6L 3605cc			WL10372		WA10875	24227			N/S		N/A

PANAMERA

V6 3.6L 3605cc			WL10372		49055	24110		4	N/S		N/A
----------------	--	--	---------	--	-------	-------	--	---	-----	--	-----

PANAMERA 4

V6 3.6L 3605cc			WL10372		49055	24110		4	N/S		N/A
----------------	--	--	---------	--	-------	-------	--	---	-----	--	-----

PANAMERA 4S

V6 3.0L Turbo			WL10372		49055	24110		4	N/S		N/A
---------------	--	--	---------	--	-------	-------	--	---	-----	--	-----

PANAMERA 4S EXECUTIVE

V6 3.0L Turbo			WL10372		49055	24110		4	N/S		N/A
---------------	--	--	---------	--	-------	-------	--	---	-----	--	-----

PANAMERA GTS

V8 4.8L			WL10372		49055	24110		4	N/S		N/A
---------	--	--	---------	--	-------	-------	--	---	-----	--	-----

PANAMERA HYBRID

V6 3.0L 2997cc 183 CID Super Charged Electric/Gas	M06.EC		WL10372		49055	24110		4	N/S		N/A
---	--------	--	---------	--	-------	-------	--	---	-----	--	-----

N/A = Not Available N/R = Not Required N/S = Not Serviceable For cabin and fuel filter locator, see pages 5-15 See pages 16-19 for footnotes

N/A = Non disponible N/R = Non nécessaire N/S = Non réparable Para la ubicación de los filtros de aire de la cabina y de combustible, ver las páginas 5-15 Voir pages 16-19 pour des notes

N/A = No disponible N/R = No requiere N/S = No servible Voir les tableaux de repérage des filtres d'habitacle et à carburant aux pages 5-15 Ver las páginas 16-19 para las notas al pie de página

Italicized Part Numbers May Not Be Available. Wix XP Oil Filters Have Fully Synthetic Media.

Las piezas con números en *italicas* pueden no estar disponibles. Los filtros de aceite WIX XP son completamente de media sintética.

Les numéros de pièce en *italiques* peuvent ne pas être disponibles. Les filtres à huile XP Wix contiennent un matériau 100 % synthétique.

PORSCHE 2016-2014
Pass Car/Light Truck

Year/Año/Année Model/Modelo/Modèle Engine/Motor/Moteur	Eng. Code Código de motor Code moteur	VIN NIV NIV	Oil Aceite Huile	Oil XP Aceite XP Huile XP	Air Aire Air	Cabin Air Cabina Aire Cabine Air	Cabin Air XP Cabina Aire XP Cabine Air XP	Loc. Cabin Air Cabina Aire Cabine Air	Fuel Combustible Carburant	Loc. Fuel Combustible Carburant	Transmission Transmisión Transmission
--	---	-------------------	------------------------	---------------------------------	--------------------	--	---	--	----------------------------------	--	---

PORSCHE (Cont'd/Suite)
2016 (Cont'd/Suite)
PANAMERA S

V6 3.0L Turbo			WL10372		49055	24110			4	N/S	N/A
---------------	--	--	---------	--	-------	-------	--	--	---	-----	-----

PANAMERA TURBO

V8 4.8L			WL10372		49055	24110			4	N/S	N/A
---------	--	--	---------	--	-------	-------	--	--	---	-----	-----

PANAMERA TURBO S

V8 4.8L			WL10372		49055	24110			4	N/S	N/A
---------	--	--	---------	--	-------	-------	--	--	---	-----	-----

2015
911 SERIES

H6 3.4L 3436cc		A	WL10372		WA10518	N/A			2	N/A	N/A
H6 3.8L 3800cc		B	WL10372		49330	24202			2	N/A	N/A
H6 3.8L 3824cc Turbo		D	WL10372		49330	24202			2	N/A	N/A

911 SERIES GT3

H6 3.8L 3800cc		B	N/A		49330	N/A			2	N/A	N/A
----------------	--	---	-----	--	-------	-----	--	--	---	-----	-----

BOXSTER

H6 2.7L 2687cc		A	57070		N/A	24202			2	N/A	N/A
----------------	--	---	-------	--	-----	-------	--	--	---	-----	-----

BOXSTER S

H6 3.4L 3387cc		B	57070		N/A	24202			2	N/A	N/A
----------------	--	---	-------	--	-----	-------	--	--	---	-----	-----

CAYENNE

V6 3.6L 3597cc	M55.02	A	57462		42859	24631			4	N/S	N/A
V8 4.8L 4806cc Turbo	MCF.TB	C	WL10372		42859	24631			4	N/S	N/A

CAYENNE DIESEL

V6 3.0L 2967cc Turbo Diesel	MCN.RB		WL10008		42859	24631				WF10120	N/S
-----------------------------	--------	--	---------	--	-------	-------	--	--	--	---------	-----

CAYENNE S HYBRID

V6 3.0L 2997cc 183 CID Super Charged Electric/Gas	MCG.FA	E	57204		42859	24631				N/S	N/S
---	--------	---	-------	--	-------	-------	--	--	--	-----	-----

CAYMAN

H6 2.7L 2687cc 24 Valve DOHC		A	57070		N/A	N/A			2	N/S	N/A
------------------------------	--	---	-------	--	-----	-----	--	--	---	-----	-----

CAYMAN S

H6 3.4L 3387cc 24 Valve DOHC		B	57070		49015	24202			2	N/S	N/A
------------------------------	--	---	-------	--	-------	-------	--	--	---	-----	-----

MACAN

V6 3.0L 2997cc 183 CID			WL10372		WA10875	24227				N/S	
V6 3.6L 3605cc			WL10372		WA10875	24227				N/S	

PANAMERA

V6 3.0L 2997cc 183 CID Turbo			WL10372		49055	24110				N/S	N/S
V6 3.6L 3605cc			WL10372		49055	24110			4	N/S	N/A
V8 4.8L 4806cc Turbo			WL10372		49055	24110			4	N/S	N/S

PANAMERA HYBRID

V6 3.0L 2997cc 183 CID Super Charged Electric/Gas	MCG.FA		WL10372		49055	24110				N/S	N/S
---	--------	--	---------	--	-------	-------	--	--	--	-----	-----

2014
911 SERIES

H6 3.4L 3436cc		A	WL10372		N/A	N/A			2	N/A	N/A
H6 3.8L 3800cc		B	WL10372		49330	24202			2	N/A	N/A
H6 3.8L 3824cc Turbo		D	WL10372		49330	24202			2	N/A	N/A

911 SERIES GT3

H6 3.8L 3800cc		B	N/A		49330	N/A			2	N/A	N/A
----------------	--	---	-----	--	-------	-----	--	--	---	-----	-----

BOXSTER

H6 2.7L 2687cc		A	57070		N/A	24255 N/A			2	N/A	N/A
----------------	--	---	-------	--	-----	--------------	--	--	---	-----	-----

BOXSTER S

H6 3.4L 3387cc		B	57070		N/A	24202			2	N/A	N/A
----------------	--	---	-------	--	-----	-------	--	--	---	-----	-----

N/A = Not Available N/R = Not Required N/S = Not Serviceable For cabin and fuel filter locator, see pages 5-15 See pages 16-19 for footnotes

N/A = Non disponible N/R = Non nécessaire N/S = Non réparable Para la ubicación de los filtros de aire de la cabina y de combustible, ver las páginas 5-15 Voir pages 16-19 pour des notes

N/A = No disponible N/R = No requiere N/S = No servible Voir les tableaux de repérage des filtres d'habitacle et à carburant aux pages 5-15 Ver las páginas 16-19 para las notas al pie de página

Italicized Part Numbers May Not Be Available. Wix XP Oil Filters Have Fully Synthetic Media.

Las piezas con números en *italicas* pueden no estar disponibles. Los filtros de aceite WIX XP son completamente de media sintética. Les numéros de pièce en *italiques* peuvent ne pas être disponibles. Les filtres à huile XP Wix contiennent un matériau 100 % synthétique.

Year/Año/Année Model/Modelo/Modèle Engine/Motor/Moteur	Eng. Code Código de motor Code moteur	VIN NIV NIV	Oil Aceite Huile	Oil XP Aceite XP Huile XP	Air Aire Air	Cabin Air Cabina Aire Cabine Air	Cabin Air XP Cabina Aire XP Cabine Air XP	Loc. Cabin Air Cabina Aire Cabine Air	Fuel Combustible Carburant	Loc. Fuel Combustible Carburant	Transmission Transmisión Transmission
--	---	-------------------	------------------------	---------------------------------	--------------------	--	---	--	----------------------------------	--	---

PORSCHE (Cont'd/Suite)

2014 (Cont'd/Suite)

CAYENNE

V6 3.6L 3597cc	M55.02	A	57462		42859	24631		4	N/S		N/A
V8 4.8L 4806cc	M48.02	B,D	WL10372		42859	24631		4	N/S		N/A
V8 4.8L 4806cc Turbo	M48.52	C	WL10372		42859	24631		4	N/S		N/A

CAYENNE DIESEL

V6 3.0L 2967cc Turbo Diesel	MCN.RB		WL10008		42859	24631			WF10120		N/S
-----------------------------	--------	--	---------	--	-------	-------	--	--	---------	--	-----

CAYENNE S HYBRID

V6 3.0L 2997cc 183 CID Super Charged Electric/Gas	MCG.FA	E	57204		42859	24631			N/S		N/S
---	--------	---	-------	--	-------	-------	--	--	-----	--	-----

CAYMAN

H6 2.7L 2687cc 24 Valve DOHC		A	57070		N/A	N/A		2	N/S		N/A
------------------------------	--	---	-------	--	-----	-----	--	---	-----	--	-----

CAYMAN S

H6 3.4L 3387cc 24 Valve DOHC		B	57070		49015	24202		2	N/S		N/A
------------------------------	--	---	-------	--	-------	-------	--	---	-----	--	-----

PANAMERA

V6 3.0L 2997cc 183 CID Turbo			WL10372		49055	24110			N/S		N/S
V6 3.6L 3605cc			WL10372		49055	24110		4	N/S		N/A
V8 4.8L 4806cc Turbo			WL10372		49055	24110		4	N/S		N/S

PANAMERA HYBRID

V6 3.0L 2997cc 183 CID Super Charged Electric/Gas	M06.EC		WL10372		49055	24110			N/S		N/S
---	--------	--	---------	--	-------	-------	--	--	-----	--	-----

2013

911 SERIES

H6 3.4L 3436cc		A	WL10372		N/A	N/A		2	N/A		N/A
H6 3.8L 3800cc		B	WL10372		49330	24202		2	N/A		N/A
H6 3.8L 3824cc Turbo		D	WL10372		49330	24202		2	N/A		N/A

BOXSTER

H6 2.7L 2687cc		A	57070		N/A	24202		2	N/A		N/A
----------------	--	---	-------	--	-----	-------	--	---	-----	--	-----

BOXSTER S

H6 3.4L 3387cc		B	57070		49015	24202		2	N/A		N/A
----------------	--	---	-------	--	-------	-------	--	---	-----	--	-----

CAYENNE

V6 3.6L 3597cc	M55.02	A	57462		42859	24631		4	N/S		N/A
V8 4.8L 4806cc	M48.20	B	WL10372		42859	24631		4	N/S		N/A
V8 4.8L 4806cc Turbo	M48.70	C	WL10372		42859	24631		4	N/S		N/A

CAYENNE DIESEL

V6 3.0L 2967cc Turbo Diesel	MCN.RB		WL10008		42859	24631			WF10120		N/S
-----------------------------	--------	--	---------	--	-------	-------	--	--	---------	--	-----

CAYENNE S HYBRID

V6 3.0L 2997cc 183 CID Super Charged Electric/Gas	M06.EC	E	57204		42859	24631			N/S		N/S
---	--------	---	-------	--	-------	-------	--	--	-----	--	-----

PANAMERA

V6 3.6L 3605cc	M46.20		WL10372		49055	24110		4	N/S		N/A
V8 4.8L 4806cc	M48.20		WL10372		49055	24110		4	N/S		N/S
V8 4.8L 4806cc Turbo	M48.70		WL10372		49055	24110		4	N/S		N/S

PANAMERA HYBRID

V6 3.0L 2997cc 183 CID Super Charged Electric/Gas	M06.EC		57204		49055	24110			N/S		N/S
---	--------	--	-------	--	-------	-------	--	--	-----	--	-----

2012

911 SERIES

H6 3.4L 3436cc			WL10372		WA10518	24255			N/S		N/S
H6 3.6L 3614cc		A	WL10372		49330	24202		2	N/A		N/A
H6 3.8L 3800cc		B	WL10372		49171	24202		2	WF10523		N/S
H6 3.8L 3824cc Turbo		D	WL10372		WA11059	24202		2	WF10523		N/A

BOXSTER

H6 2.9L 2893cc		A	57070		49015	24202		2	N/A		N/A
----------------	--	---	-------	--	-------	-------	--	---	-----	--	-----

N/A = Not Available N/R = Not Required N/S = Not Serviceable For cabin and fuel filter locator, see pages 5-15 See pages 16-19 for footnotes

N/A = Non disponible N/R = Non nécessaire N/S = Non réparable Para la ubicación de los filtros de aire de la cabina y de combustible, ver las páginas 5-15 Voir pages 16-19 pour des notes

N/A = No disponible N/R = No requiere N/S = No servible Voir les tableaux de repérage des filtres d'habitacle et à carburant aux pages 5-15 Ver las páginas 16-19 para las notas al pie de página

Italicized Part Numbers May Not Be Available. Wix XP Oil Filters Have Fully Synthetic Media.

Las piezas con números en *italicas* pueden no estar disponibles. Los filtros de aceite WIX XP son completamente de media sintética.

Les numéros de pièce en *italiques* peuvent ne pas être disponibles. Les filtres à huile XP Wix contiennent un matériau 100 % synthétique.

PORSCHE 2012-2011
Pass Car/Light Truck

Year/Año/Année Model/Modelo/Modèle Engine/Motor/Moteur	Eng. Code Código de motor Code moteur	VIN NIV NIV	Oil Aceite Huile	Oil XP Aceite XP Huile XP	Air Aire Air	Cabin Air Cabina Aire Cabine Air	Cabin Air XP Cabina Aire XP Cabine Air XP	Loc. Cabin Air Cabina Aire Cabine Air	Fuel Combustible Carburant	Loc. Fuel Combustible Carburant	Transmission Transmisión Transmission
--	---	-------------------	------------------------	---------------------------------	--------------------	--	---	--	----------------------------------	--	---

PORSCHE (Cont'd/Suite)
2012 (Cont'd/Suite)
BOXSTER S

H6 3.4L 3387cc		B	57070		49015	24202			2	N/A	N/A
----------------	--	---	-------	--	-------	-------	--	--	---	-----	-----

CAYENNE

V6 3.0L 2967cc Diesel (Mex.)			N/A		42859	N/A				N/A	
V6 3.6L 3597cc	M55.02	A	57462		42859	24631		4	N/S		N/A
V8 4.8L 4806cc	M48.20	B	WL10372		42859	24631		4	N/S		N/A
V8 4.8L 4806cc Turbo	M48.70	C	WL10372		42859	24631		4	N/S		N/A

CAYENNE S HYBRID

V6 3.0L 2997cc 183 CID Super Charged Electric/Gas	M06.EC	E	57204		42859	24631				N/S	N/S
---	--------	---	-------	--	-------	-------	--	--	--	-----	-----

CAYMAN

H6 2.9L 2893cc		A	57070		49015	24202			2	N/A	N/A
----------------	--	---	-------	--	-------	-------	--	--	---	-----	-----

CAYMAN R

H6 3.4L 3387cc			57070		49015	24202			2	N/A	N/A
----------------	--	--	-------	--	-------	-------	--	--	---	-----	-----

CAYMAN S

H6 3.4L 3387cc		B	57070		49015	24202			2	N/A	N/A
----------------	--	---	-------	--	-------	-------	--	--	---	-----	-----

PANAMERA

V6 3.6L 3605cc	M46.20		WL10372		49055	24110		4	N/S		N/A
V8 4.8L 4806cc	M48.20		WL10372		49055	24110		4	N/S		N/S
V8 4.8L 4806cc Turbo	M48.70		WL10372		49055	24110		4	N/S		N/S

PANAMERA HYBRID

V6 3.0L 2997cc 183 CID Super Charged Electric/Gas	MCG.FA	D	57204		49055	24110				N/S	N/S
---	--------	---	-------	--	-------	-------	--	--	--	-----	-----

2011
911 GT2

H6 3.6L 3596cc Turbo			57211		49171	24202			2	WF10523	N/S
----------------------	--	--	-------	--	-------	-------	--	--	---	---------	-----

911 GT3

H6 3.8L 3800cc		B	57211		49171	24202			2	WF10523	N/S
----------------	--	---	-------	--	-------	-------	--	--	---	---------	-----

911 GT3 RS 4.0

H6 4.0L 3996cc			57211		49171	24202			2	N/S	N/S
----------------	--	--	-------	--	-------	-------	--	--	---	-----	-----

911 SERIES

H6 3.6L 3614cc		A	WL10372		49330	24202			2	N/A	N/A
H6 3.8L 3800cc		B	57211		49171	24202			2	WF10523	N/S
H6 3.8L 3824cc Turbo		D	WL10372		WA11059	24202			2	WF10523	N/A

BOXSTER

H6 2.9L 2893cc		A	57070		49015	24202			2	N/A	N/A
----------------	--	---	-------	--	-------	-------	--	--	---	-----	-----

BOXSTER S

H6 3.4L 3387cc		B	57070		49015	24202			2	N/A	N/A
----------------	--	---	-------	--	-------	-------	--	--	---	-----	-----

CAYENNE

V6 3.0L 2967cc Diesel (Mex.)			N/A		42859	N/A				N/A	
V6 3.6L 3597cc	M55.02	A	51212		42859	24631		4	N/S		N/A
V8 4.8L 4806cc	M48.02	B	WL10372		42859	24631		4	N/S		N/A
V8 4.8L 4806cc Turbo	M48.52	C	WL10372		42859	24631		4	N/S		N/A

CAYENNE S HYBRID

V6 3.0L 2997cc 183 CID Super Charged Electric/Gas	M06.EC	E	57204		42859	24631				N/S	N/A
---	--------	---	-------	--	-------	-------	--	--	--	-----	-----

CAYMAN

H6 2.9L 2893cc		A	57070		49015	24202			2	N/A	N/A
----------------	--	---	-------	--	-------	-------	--	--	---	-----	-----

CAYMAN R

H6 3.4L 3387cc (Mex.)			57071		42859	N/A			2	N/R	N/A
-----------------------	--	--	-------	--	-------	-----	--	--	---	-----	-----

CAYMAN S

H6 3.4L 3387cc		B	57070		49015	24202			2	N/A	N/A
----------------	--	---	-------	--	-------	-------	--	--	---	-----	-----

PANAMERA

V6 3.6L 3605cc	M46.20		WL10372		49055	24110		4	N/S		N/A
----------------	--------	--	---------	--	-------	-------	--	---	-----	--	-----

N/A = Not Available N/R = Not Required N/S = Not Serviceable For cabin and fuel filter locator, see pages 5-15 See pages 16-19 for footnotes

N/A = Non disponible N/R = Non nécessaire N/S = Non réparable Para la ubicación de los filtros de aire de la cabina y de combustible, ver las páginas 5-15 Voir pages 16-19 pour des notes

N/A = No disponible N/R = No requiere N/S = No servible Voir les tableaux de repérage des filtres d'habitacle et à carburant aux pages 5-15 Ver las páginas 16-19 para las notas al pie de página

Italicized Part Numbers May Not Be Available. Wix XP Oil Filters Have Fully Synthetic Media.

Las piezas con números en *italicas* pueden no estar disponibles. Los filtros de aceite WIX XP son completamente de media sintética. Les numéros de pièce en *italiques* peuvent ne pas être disponibles. Les filtres à huile XP Wix contiennent un matériau 100 % synthétique.

Year/Año/Année Model/Modelo/Modèle Engine/Motor/Moteur	Eng. Code Código de motor Code moteur	VIN NIV NIV	Oil Aceite Huile	Oil XP Aceite XP Huile XP	Air Aire Air	Cabin Air Cabina Aire Cabine Air	Cabin Air XP Cabina Aire XP Cabine Air XP	Loc. Cabin Air Cabina Aire Cabine Air	Fuel Combustible Carburant	Loc. Fuel Combustible Carburant	Transmission Transmisión Transmission
--	--	-------------------	------------------------	---------------------------------	--------------------	--	---	--	----------------------------------	--	---

PORSCHE (Cont'd/Suite)
2011 (Cont'd/Suite)
PANAMERA (Cont'd/Suite)

V8 4.8L 4806cc	M48.20		WL10372		49055	24110		4	N/S		N/S
V8 4.8L 4806cc Turbo	M48.70		WL10372		49055	24110		4	N/S		N/S

2010
911 GT3

H6 3.8L 3800cc			57211		49171	24202		2	WF10523		N/S
----------------	--	--	-------	--	-------	-------	--	---	---------	--	-----

911 SERIES

H6 3.6L 3614cc			WL10372		49330	24202		2	N/A		N/A
H6 3.8L 3800cc			WL10372		49330	24202		2	N/A		N/A
H6 3.8L 3824cc Turbo			WL10372		WA11059	24202		2	WF10523		N/A

BOXSTER

H6 2.9L 2893cc			57070		49015	24202		2	N/A		N/A
----------------	--	--	-------	--	-------	-------	--	---	-----	--	-----

BOXSTER S

H6 3.4L 3387cc			57070		49015	24202		2	N/A		N/A
----------------	--	--	-------	--	-------	-------	--	---	-----	--	-----

CAYENNE

V6 3.6L 3597cc 219 CID	M55.01	A	51212		42859	24631		4	N/S		N/A
V8 4.8L 4806cc	M48.01	B	WL10372		42859	24631		4	N/S		N/A
	M48.01	D	WL10372		42859	24631		4	N/S		N/A
V8 4.8L 4806cc Turbo	M48.51	C	WL10372		42859	24631		4	N/S		N/A

CAYMAN

H6 2.9L 2893cc			57070		49015	24202		2	N/A		N/A
----------------	--	--	-------	--	-------	-------	--	---	-----	--	-----

CAYMAN S

H6 3.4L 3387cc			57070		49015	24202		2	N/A		N/A
----------------	--	--	-------	--	-------	-------	--	---	-----	--	-----

PANAMERA

V8 4.8L 4806cc	M48.20		WL10372		49055	24110		4	N/S		N/S
	M48.40		WL10372		49055	24110		4	N/S		N/S
V8 4.8L 4806cc Turbo	M48.70		WL10372		49055	24110		4	N/S		N/S

2009
911 GT2

H6 3.6L 3596cc Turbo			57211		N/A	24202		2	WF10523		N/A
----------------------	--	--	-------	--	-----	-------	--	---	---------	--	-----

911 SERIES

H6 3.6L 3596cc Turbo			WL10372		49330	24202		2	WF10523		N/A
H6 3.6L 3614cc			WL10372		49330	24202		2	N/A		N/A
H6 3.8L 3800cc			WL10372		49330	24202		2	N/A		N/A

BOXSTER

H6 2.9L 2893cc			57070		49015	24202		2	N/A		N/A
----------------	--	--	-------	--	-------	-------	--	---	-----	--	-----

BOXSTER S

H6 3.4L 3387cc			57070		49015	24202		2	N/A		N/A
----------------	--	--	-------	--	-------	-------	--	---	-----	--	-----

CAYENNE

V6 3.6L 3597cc 219 CID	M55.01	A	51212		42859	24631		4	N/S		N/A
V8 4.8L 4806cc	M48.01	B	WL10372		42859	24631		4	N/S		N/A
	M48.01	D	WL10372		42859	24631		4	N/S		N/A
V8 4.8L 4806cc Turbo	M48.51	C	WL10372		42859	24631		4	N/S		N/A

CAYMAN

H6 2.9L 2893cc			57070		49015	24202		2	N/A		N/A
----------------	--	--	-------	--	-------	-------	--	---	-----	--	-----

CAYMAN S

H6 3.4L 3387cc			57070		49015	24202		2	N/A		N/A
----------------	--	--	-------	--	-------	-------	--	---	-----	--	-----

2008
911 GT2

H6 3.6L 3596cc Turbo			57211		N/A	24202		2	WF10523		N/A
----------------------	--	--	-------	--	-----	-------	--	---	---------	--	-----

911 GT3

H6 3.6L 3598cc			57211		49171	24202		2	WF10523		N/S
----------------	--	--	-------	--	-------	-------	--	---	---------	--	-----

N/A = Not Available N/R = Not Required N/S = Not Serviceable For cabin and fuel filter locator, see pages 5-15 See pages 16-19 for footnotes

N/A = Non disponible N/R = Non nécessaire N/S = Non réparable Para la ubicación de los filtros de aire de la cabina y de combustible, ver las páginas 5-15 Voir pages 16-19 pour des notes

N/A = No disponible N/R = No requiere N/S = No servible Voir les tableaux de repérage des filtres d'habitacle et à carburant aux pages 5-15 Ver las páginas 16-19 para las notas al pie de página

Italicized Part Numbers May Not Be Available. Wix XP Oil Filters Have Fully Synthetic Media.

Las piezas con números en *italicas* pueden no estar disponibles. Los filtros de aceite WIX XP son completamente de media sintética.

Les numéros de pièce en *italiques* peuvent ne pas être disponibles. Les filtres à huile XP Wix contiennent un matériau 100 % synthétique.

PORSCHE 2008-2005

Pass Car/Light Truck

Year/Año/Année Model/Modelo/Modèle Engine/Motor/Moteur	Eng. Code Código de motor Code moteur	VIN NIV NIV	Oil Aceite Huile	Oil XP Aceite XP Huile XP	Air Aire Air	Cabin Air Cabina Aire Cabine Air	Cabin Air XP Cabina Aire XP Cabine Air XP	Loc. Cabin Air Cabina Aire Cabine Air	Fuel Combustible Carburant	Loc. Fuel Combustible Carburant	Transmission Transmisión Transmission
--	---	-------------------	------------------------	---------------------------------	--------------------	--	---	--	----------------------------------	--	---

PORSCHE (Cont'd/Suite)

2008 (Cont'd/Suite)

911 SERIES

H6 3.6L 3596cc			57211		WA10897	24202		2	N/A		N/A
H6 3.6L 3596cc Turbo			57211		N/A	24202		2	WF10523		N/A
H6 3.8L 3824cc			57211		WA10897	24202		2	N/A		N/A

BOXSTER

H6 2.7L 2687cc			57211		49015	24202		2	N/A		N/A
H6 3.4L 3387cc			57211		49015	24202		2	N/A		N/A

CAYENNE

V6 3.6L 3597cc 219 CID	M55.01	A	51212		42859	24631		4	N/S		N/A
V8 4.8L 4806cc	M48.01	B	WL10372		42859	24631		4	N/S		N/A
	M48.01	D	WL10372		42859	24631		4	N/S		N/A
V8 4.8L 4806cc Turbo	M48.51	C	WL10372		42859	24631		4	N/S		N/A

CAYMAN

H6 2.7L 2687cc			57211		49015	24202		2	N/A		N/A
----------------	--	--	-------	--	-------	-------	--	---	-----	--	-----

CAYMAN S

H6 3.4L 3387cc			57211		49015	24202		2	N/A		N/A
----------------	--	--	-------	--	-------	-------	--	---	-----	--	-----

2007

911 GT3

H6 3.6L 3598cc			57211		49171	24202		2	WF10523		N/S
----------------	--	--	-------	--	-------	-------	--	---	---------	--	-----

911 SERIES

H6 3.6L 3596cc			57211		WA10897	24202		2	N/A		N/A
H6 3.6L 3596cc Turbo			57211		N/A	24202		2	WF10523		N/A
H6 3.8L 3824cc			57211		N/A	24202		2	N/S		N/A

BOXSTER

H6 2.7L 2687cc			57211		49015	24202		2	N/S		N/A
----------------	--	--	-------	--	-------	-------	--	---	-----	--	-----

BOXSTER S

H6 3.4L 3387cc			57211		49015	24202		2	N/S		N/A
----------------	--	--	-------	--	-------	-------	--	---	-----	--	-----

CAYMAN

H6 2.7L 2687cc			57211		49015	24202		2	N/S		N/A
----------------	--	--	-------	--	-------	-------	--	---	-----	--	-----

CAYMAN S

H6 3.4L 3387cc			57211		49015	24202		2	N/S		N/A
----------------	--	--	-------	--	-------	-------	--	---	-----	--	-----

2006

911 SERIES

H6 3.6L 3596cc		A	57211		WA10897	24202		2	N/A		N/A
H6 3.8L 3800cc		B	57211		WA10897	24202		2	N/S		N/A

BOXSTER

H6 2.7L 2687cc		A	57211		49015	24202		2	N/S		N/A
H6 3.2L 3179cc		B	57211		49015	24202		2	N/S		N/A

CARRERA GT

V10 5.7L 5733cc	M80.01		57211		N/A	N/A			N/S		MT ⁷²
-----------------	--------	--	-------	--	-----	-----	--	--	-----	--	------------------

CAYENNE

V6 3.2L 3189cc		A	51212		42859	24631		4	N/S		N/A
V8 4.5L 4511cc		B	57211		42859	24631		4	N/S		N/A
V8 4.5L 4511cc Turbo		C	57211		42859	24631		4	N/S		N/A

CAYMAN S

H6 3.4L 3387cc		B	57211		49015	24202		2	N/A		N/A
----------------	--	---	-------	--	-------	-------	--	---	-----	--	-----

2005

911 SERIES

H6 3.6L 3596cc			57211		WA10897	24202		2	N/A		N/A
H6 3.6L 3606cc			57211		49171	24202		2	WF10523		N/A
H6 3.6L 3606cc Turbo			57211		49171	24202		2	WF10523		N/A
H6 3.8L 3824cc			57211		WA10897	24202		2	N/S		N/A

N/A = Not Available N/R = Not Required N/S = Not Serviceable For cabin and fuel filter locator, see pages 5-15 See pages 16-19 for footnotes
 N/A = Non disponible N/R = Non nécessaire N/S = Non réparable Para la ubicación de los filtros de aire de la cabina y de combustible, ver las páginas 5-15 Voir pages 16-19 pour des notes
 N/A = No disponible N/R = No requiere N/S = No servible Voir les tableaux de repérage des filtres d'habitacle et à carburant aux pages 5-15 Ver las páginas 16-19 para las notas al pie de página

Italicized Part Numbers May Not Be Available. Wix XP Oil Filters Have Fully Synthetic Media.

Las piezas con números en *italicas* pueden no estar disponibles. Los filtros de aceite WIX XP son completamente de media sintética.
 Les numéros de pièce en *italiques* peuvent ne pas être disponibles. Les filtres à huile XP Wix contiennent un matériau 100 % synthétique.

Year/Año/Année Model/Modelo/Modèle Engine/Motor/Moteur	Eng. Code Código de motor Code moteur	VIN NIV NIV	Oil Aceite Huile	Oil XP Aceite XP Huile XP	Air Aire Air	Cabin Air Cabina Aire Cabine Air	Cabin Air XP Cabina Aire XP Cabine Air XP	Loc. Cabin Air Cabina Aire Cabine Air	Fuel Combustible Carburant	Loc. Fuel Combustible Carburant	Transmission Transmisión Transmission
--	---	-------------------	------------------------	---------------------------------	--------------------	--	---	--	----------------------------------	--	---

PORSCHE (Cont'd/Suite)

2005 (Cont'd/Suite)

BOXSTER

H6 2.7L 2687cc			57211		49015	24202		2	N/S		N/A
H6 3.2L 3179cc			57211		49015	24202		2	N/S		N/A

CARRERA GT

V10 5.7L 5733cc	M80.01		57211		N/A	N/A			N/S		MT ²
-----------------	--------	--	-------	--	-----	-----	--	--	-----	--	-----------------

CAYENNE

V6 3.2L 3189cc 195 CID		A	51212		42859	24631 ^{7B}		4	N/S		N/A
V8 4.5L 4511cc		B	57211		42859	24631 ^{7B}		4	N/S		N/A
V8 4.5L 4511cc Turbo		C	57211		42859	24631 ^{7B}		4	N/S		N/A

2004

911 SERIES

H6 3.6L 3596cc			57211		WA10897	24202		2	N/A		N/A
H6 3.6L 3606cc			57211		WA10897	24202		2	WF10523		N/A
H6 3.6L 3606cc Turbo			57211		49171	24202		2	WF10523		N/A

BOXSTER

H6 2.7L 2687cc			57211		42475	24202		2	N/A		N/A
H6 3.2L 3179cc			57211		42475	24202		2	N/A		N/A

CARRERA GT

V10 5.7L 5733cc	M80.01		57211		WA10897	N/A			WF10523		MT ²
-----------------	--------	--	-------	--	---------	-----	--	--	---------	--	-----------------

CAYENNE

V6 3.2L 3189cc 195 CID		A	51212		42859	24631		4	N/S		N/A
V8 4.5L 4511cc		B	57211		42859	24631		4	N/S		N/A
V8 4.5L 4511cc Turbo		C	57211		42859	24631		4	N/S		N/A

2003

911 SERIES

H6 3.6L 3596cc		A	57211		WA10897	24202		2	N/A		N/A
H6 3.6L 3606cc Turbo		B	57211		49171	24202		2	WF10523		N/A

BOXSTER

H6 2.7L 2687cc		A	57211		42475	24202		2	N/A		N/A
H6 3.2L 3179cc		B	57211		42475	24202		2	N/A		N/A

CAYENNE

V8 4.5L 4511cc		B	57211		42859	24631		4	N/S		N/A
V8 4.5L 4511cc Turbo		C	57211		42859	24631		4	N/S		N/A

2002

911 SERIES

H6 3.6L 3596cc		A	57211		WA10897	24202		2	N/A		N/A
H6 3.6L 3606cc Turbo		B	57211		49171	24202		2	N/A		N/A

BOXSTER

H6 2.7L 2687cc		A	57211		42475	24202		2	N/A		N/A
H6 3.2L 3179cc		B	57211		42475	24202		2	N/A		N/A

RAM

2021

1500

V6 3.0L 3000CC 183CID Turbo Diesel		M	N/A		42725	24579					N/A
V8 5.7L 345 CID	EZH	T	57060 ⁵³	57060XP	42725 42725FR ³⁶⁰	24579			N/S		N/A

1500 eTorque Hybrid

V6 3.6L 3600CC 220CID eTorque Electric/Gas	eTorque		WL10010	WL10010XP	42725 ¹⁵⁵ 42725FR ³⁶⁰	24579			N/S		N/S
V8 5.7L 345 CID	EZH	T	57060 ⁵³	57060XP	42725 ¹⁵⁵ 42725FR ³⁶⁰	24579			N/S		N/A

N/A = Not Available N/R = Not Required N/S = Not Serviceable For cabin and fuel filter locator, see pages 5-15 See pages 16-19 for footnotes

N/A = Non disponible N/R = Non nécessaire N/S = Non réparable Para la ubicación de los filtros de aire de la cabina y de combustible, ver las páginas 5-15 Voir pages 16-19 pour des notes

N/A = No disponible N/R = No requiere N/S = No servible Voir les tableaux de repérage des filtres d'habitacle et à carburant aux pages 5-15 Ver las páginas 16-19 para las notas al pie de página

Italicized Part Numbers May Not Be Available. Wix XP Oil Filters Have Fully Synthetic Media.

Las piezas con números en *italicas* pueden no estar disponibles. Los filtros de aceite WIX XP son completamente de media sintética.

Les numéros de pièce en *italiques* peuvent ne pas être disponibles. Les filtres à huile XP Wix contiennent un matériau 100 % synthétique.



Year/Año/Année Model/Modelo/Modèle Engine/Motor/Moteur	Eng. Code Código de motor Code moteur	VIN NIV NIV	Oil Aceite Huile	Oil XP Aceite XP Huile XP	Air Aire Air	Cabin Air Cabina Aire Cabine Air	Cabin Air XP Cabina Aire XP Cabine Air XP	Loc. Cabin Air Cabina Aire Cabine Air	Fuel Combustible Carburant	Loc. Fuel Combustible Carburant	Transmission Transmisión Transmission
--	---	-------------------	------------------------	---------------------------------	--------------------	--	---	--	----------------------------------	--	---

RAM (Cont'd/Suite)

2021 (Cont'd/Suite)

2500

L6 6.7L 408 CID Turbo Diesel	ETK	L	57620 ⁵³	57620XP	46930 ¹⁵⁵ 46930FR ³⁶⁰	24579			WF1025NP - Cartridge		N/A
V8 6.4L 6424cc 392 CID	ESA	J	57060 ⁵³	57060XP	46930	24579			N/S		58846 - 545RFE/68RFE-SP

3500

L6 6.7L 408 CID Turbo Diesel	ETK	L	57620 ⁵³	57620XP	46930 ¹⁵⁵ 46930FR ³⁶⁰	24579			WF1025NP - Cartridge		WL10415
V8 6.4L 6424cc 392 CID	ESA	J	57060 ⁵³	57060XP	46930	24579			N/S		58846 - 545RFE/68RFE-SP

PROMASTER 1500

V6 3.6L 3604cc 220 CID Flex		G	WL10010	WL10010XP	WA10304	WP10263			N/S		N/R
-----------------------------	--	---	---------	-----------	---------	---------	--	--	-----	--	-----

PROMASTER 2500

V6 3.6L 3604cc 220 CID Flex		G	WL10010	WL10010XP	WA10304	WP10263			N/S		58128
-----------------------------	--	---	---------	-----------	---------	---------	--	--	-----	--	-------

PROMASTER 3500

V6 3.6L 3604cc 220 CID Flex		G	WL10010	WL10010XP	WA10304	WP10263			N/S		N/R
-----------------------------	--	---	---------	-----------	---------	---------	--	--	-----	--	-----

PROMASTER CITY

L4 2.4L			57060 ⁵³	57060XP	WA10337	WP9320			N/S		N/S
---------	--	--	---------------------	---------	---------	--------	--	--	-----	--	-----

2020

1500

V6 3.0L 3000CC 183CID Turbo Diesel		M	N/A		42725	24579					N/A
V8 5.7L 345 CID	EZH	T	57060 ⁵³	57060XP	42725 42725FR ³⁶⁰	24579			N/S		N/A

1500 Classic

V6 3.6L 3604cc 220 CID Flex	ERB		WL10010	WL10010XP	42725 ¹⁵⁵	24579			N/S		N/S
V8 5.7L 345 CID	EZH	T	57060 ⁵³	57060XP	42725 ¹⁵⁵ 42725FR ³⁶⁰	24579			N/S		N/A

1500 eTorque Hybrid

V6 3.6L 3600CC 220CID eTorque Electric/Gas	eTorque		WL10010	WL10010XP	42725 ¹⁵⁵ 42725FR ³⁶⁰	24579			N/S		N/S
V8 5.7L 345 CID	EZH	T	57060 ⁵³	57060XP	42725 ¹⁵⁵ 42725FR ³⁶⁰	24579			N/S		N/A

2500

L6 6.7L 408 CID Turbo Diesel	ETK	L	57620 ⁵³	57620XP	46930 ¹⁵⁵ 46930FR ³⁶⁰	24579			WF1025NP - Cartridge		N/A
V8 6.4L 6424cc 392 CID	ESA	J	57060 ⁵³	57060XP	46930	24579			N/S		58846 - 545RFE/68RFE-SP

3500

L6 6.7L 408 CID Turbo Diesel	ETK	L	57620 ⁵³	57620XP	46930 ¹⁵⁵ 46930FR ³⁶⁰	24579			WF1025NP - Cartridge		WL10415
V8 6.4L 6424cc 392 CID	ESA	J	57060 ⁵³	57060XP	46930	24579			N/S		58846 - 545RFE/68RFE-SP

PROMASTER 1500

V6 3.6L 3604cc 220 CID Flex		G	WL10010	WL10010XP	WA10304	WP10263			N/S		N/R
-----------------------------	--	---	---------	-----------	---------	---------	--	--	-----	--	-----

PROMASTER 2500

V6 3.6L 3604cc 220 CID Flex		G	WL10010	WL10010XP	WA10304	WP10263			N/S		58128
-----------------------------	--	---	---------	-----------	---------	---------	--	--	-----	--	-------

PROMASTER 3500

V6 3.6L 3604cc 220 CID Flex		G	WL10010	WL10010XP	WA10304	WP10263			N/S		N/R
-----------------------------	--	---	---------	-----------	---------	---------	--	--	-----	--	-----

PROMASTER CITY

L4 2.4L			57060 ⁵³	57060XP	WA10337	WP9320			N/S		N/S
---------	--	--	---------------------	---------	---------	--------	--	--	-----	--	-----

2019

1500

V8 5.7L 345 CID	EZH	T	57060 ⁵³	57060XP	42725 ¹⁵⁵ 42725FR ³⁶⁰	24579			N/S		N/A
-----------------	-----	---	---------------------	---------	--	-------	--	--	-----	--	-----

1500 Classic

V6 3.0L 2987cc 182 CID Turbo Diesel	EXF	M	WL10060		42725 ¹⁵⁵ 42725FR ³⁶⁰	24579			WF10245		N/A
V6 3.6L 3604cc 220 CID Flex	ERB		WL10010	WL10010XP	42725 ¹⁵⁵	24579			N/S		N/S

N/A = Not Available N/R = Not Required N/S = Not Serviceable For cabin and fuel filter locator, see pages 5-15 See pages 16-19 for footnotes

N/A = Non disponible N/R = Non nécessaire N/S = Non réparable Para la ubicación de los filtros de aire de la cabina y de combustible, ver las páginas 5-15 Voir pages 16-19 pour des notes

N/A = No disponible N/R = No requiere N/S = No servible Voir les tableaux de repérage des filtres d'habitacle et à carburant aux pages 5-15 Ver las páginas 16-19 para las notas al pie de página

Italicized Part Numbers May Not Be Available. Wix XP Oil Filters Have Fully Synthetic Media.

Las piezas con números en *italicas* pueden no estar disponibles. Los filtros de aceite WIX XP son completamente de media sintética. Les numéros de pièce en *italiques* peuvent ne pas être disponibles. Les filtres à huile XP Wix contiennent un matériau 100 % synthétique.

Year/Año/Année Model/Modelo/Modèle Engine/Motor/Moteur	Eng. Code Código de motor Code moteur	VIN NIV NIV	Oil Aceite Huile	Oil XP Aceite XP Huile XP	Air Aire Air	Cabin Air Cabina Aire Cabine Air	Cabin Air XP Cabina Aire XP Cabine Air XP	Loc. Cabin Air Cabina Aire Cabine Air	Fuel Combustible Carburant	Loc. Fuel Combustible Carburant	Transmission Transmisión Transmission
--	---	-------------------	------------------------	---------------------------------	--------------------	--	---	--	----------------------------------	--	---

RAM (Cont'd/Suite)
2019 (Cont'd/Suite)
1500 Classic (Cont'd/Suite)

V8 5.7L 345 CID	EZH	T	57060 ^{5S}	57060XP	42725 ^{15S} 42725FR ³⁶⁰	24579			N/S		N/A
-----------------	-----	---	---------------------	---------	--	-------	--	--	-----	--	-----

1500 eTorque Hybrid

V6 3.6L 3600CC 220CID eTorque Electric/Gas	eTorque		WL10010	WL10010XP	42725 ^{15S} 42725FR ³⁶⁰	24579			N/S		N/S
V8 5.7L 345 CID	EZH	T	57060 ^{5S}	57060XP	42725 ^{15S} 42725FR ³⁶⁰	24579			N/S		N/A

1500 Sport

V8 5.7L 345 CID	EZH	T	57060 ^{5S}	57060XP	42725 ^{15S} 42725FR ³⁶⁰	24579			N/S		N/A
-----------------	-----	---	---------------------	---------	--	-------	--	--	-----	--	-----

2500

L6 6.7L 408 CID Turbo Diesel	ETK	L	57620 ^{5S}	57620XP	46930 ^{15S} 46930FR ³⁶⁰	24579			WF1025NP - Cartridge		N/A
V8 5.7L 5700CC 345CID			57060 ^{5S}	57060XP	42725 ^{15S} 42725FR ³⁶⁰	24579			N/S		N/A
V8 6.4L 6424cc 392 CID	ESA	J	57060 ^{5S}	57060XP	46930	24579			N/S		58846 - 545RFE/68RFE-SP

3500

L6 6.7L 408 CID Turbo Diesel	ETK	L	57620 ^{5S}	57620XP	46930 ^{15S} 46930FR ³⁶⁰	24579			WF1025NP - Cartridge		N/A WL10415
V8 5.7L 5700CC 345CID			57060 ^{5S}	57060XP	42725 ^{15S} 42725FR ³⁶⁰	24579			N/S		N/A
V8 6.4L 6424cc 392 CID	ESA	J	57060 ^{5S}	57060XP	46930	24579			N/S		58846 - 545RFE/68RFE-SP

PROMASTER 1500

V6 3.6L 3604cc 220 CID Flex		G	WL10010	WL10010XP	WA10304	WP10263			N/S		N/R
-----------------------------	--	---	---------	-----------	---------	---------	--	--	-----	--	-----

PROMASTER 2500

V6 3.6L 3604cc 220 CID Flex		G	WL10010	WL10010XP	WA10304	WP10263			N/S		58128
-----------------------------	--	---	---------	-----------	---------	---------	--	--	-----	--	-------

PROMASTER 3500

V6 3.6L 3604cc 220 CID Flex		G	WL10010	WL10010XP	WA10304	WP10263			N/S		N/R
-----------------------------	--	---	---------	-----------	---------	---------	--	--	-----	--	-----

PROMASTER CITY

L4 2.4L 2360cc 144 CID			57060 ^{5S}	57060XP	WA10337	WP9320			N/S		N/A
------------------------	--	--	---------------------	---------	---------	--------	--	--	-----	--	-----

RAM POWER WAGON

V8 6.4L			57060 ^{5S}	57060XP	42725 ^{15S}	24579			N/S		
---------	--	--	---------------------	---------	----------------------	-------	--	--	-----	--	--

2018
1500

V6 3.0L 2987cc 182 CID Turbo Diesel	EXF	M	WL10060		42725 ^{15S} 42725FR ³⁶⁰	24579			WF10245		N/A
V6 3.6L 3604cc 220 CID Flex	ERB		WL10010	WL10010XP	42725 ^{15S} 42725FR ³⁶⁰	24579			N/S		N/S
V8 5.7L 345 CID	EZH	T	57060 ^{5S}	57060XP	42725 ^{15S} 42725FR ³⁶⁰	24579			N/S		N/A

2500

L6 6.7L 408 CID Turbo Diesel	ETK	L	57620 ^{5S}	57620XP	46930 ^{15S} 46930FR ³⁶⁰	24579			WF1025NP - Cartridge		N/A
V8 5.7L 5700CC 345CID			57060 ^{5S}	57060XP	42725 ^{15S} 42725FR ³⁶⁰	24579			N/S		N/A
V8 6.4L 6424cc 392 CID	ESA	J	57060 ^{5S}	57060XP	42725 ^{15S} 42725FR ³⁶⁰	24579			N/S		58846 - 545RFE/68RFE-SP

3500

L6 6.7L 408 CID Turbo Diesel	ETK	L	57620 ^{5S}	57620XP	46930 ^{15S} 46930FR ³⁶⁰	24579			WF1025NP - Cartridge		N/A WL10415
V8 5.7L 345 CID	EZC	T	57060 ^{5S}	57060XP	42725 ^{15S} 42725FR ³⁶⁰	24579			N/S		N/A
V8 6.4L 6424cc 392 CID	ESB	J	57060 ^{5S} - 3.45 In. High	57060XP - 3.45 In. High	42725 ^{15S} 42725FR ³⁶⁰	24579			N/S		N/A

700

L4 1.6L 1598CC 98CID (Mex.)			N/S		N/S	WP9280			N/S		N/S
-----------------------------	--	--	-----	--	-----	--------	--	--	-----	--	-----

N/A = Not Available N/R = Not Required N/S = Not Serviceable For cabin and fuel filter locator, see pages 5-15 See pages 16-19 for footnotes

N/A = Non disponible N/R = Non nécessaire N/S = Non réparable Para la ubicación de los filtros de aire de la cabina y de combustible, ver las páginas 5-15 Voir pages 16-19 pour des notes

N/A = No disponible N/R = No requiere N/S = No servible Voir les tableaux de repérage des filtres d'habitacle et à carburant aux pages 5-15 Ver las páginas 16-19 para las notas al pie de página

Italicized Part Numbers May Not Be Available. Wix XP Oil Filters Have Fully Synthetic Media.

Las piezas con números en *italicas* pueden no estar disponibles. Los filtros de aceite WIX XP son completamente de media sintética.

Les numéros de pièce en *italiques* peuvent ne pas être disponibles. Les filtres à huile Wix contiennent un matériau 100 % synthétique.

RAM 2018-2017

Pass Car/Light Truck

Year/Año/Année Model/Modelo/Modèle Engine/Motor/Moteur	Eng. Code Código de motor Code moteur	VIN NIV NIV	Oil Aceite Huile	Oil XP Aceite XP Huile XP	Air Aire Air	Cabin Air Cabina Aire Cabine Air	Cabin Air XP Cabina Aire XP Cabine Air XP	Loc. Cabin Air Cabina Aire Cabine Air	Fuel Combustible Carburant	Loc. Fuel Combustible Carburant	Transmission Transmisión Transmission
--	---	-------------------	------------------------	---------------------------------	--------------------	--	---	--	----------------------------------	--	---

RAM (Cont'd/Suite)

2018 (Cont'd/Suite)

PROMASTER 1500

L4 3.0L 2998cc 183 CID Turbo Diesel		D	WL10058		WA10266	WP10263			WF10433		N/A
V6 3.6L 3604cc 220 CID Flex		G	WL10010	WL10010XP	WA10304	WP10263			N/S		N/R

PROMASTER 2500

L4 3.0L 2998cc 183 CID Turbo Diesel		D	WL10058		WA10266	WP10263			WF10433		N/A
V6 3.6L 3604cc 220 CID Flex		G	WL10010	WL10010XP	WA10304	WP10263			N/S		58128

PROMASTER 3500

L4 3.0L 2998cc 183 CID Turbo Diesel		D	WL10058		WA10266	WP10263			WF10433		N/A
V6 3.6L 3604cc 220 CID Flex		G	WL10010	WL10010XP	WA10304	WP10263			N/S		N/R

PROMASTER CITY

L4 2.4L 2360cc 144 CID			57060 ⁵³	57060XP	WA10337	WP9320			N/S		N/A
------------------------	--	--	---------------------	---------	---------	--------	--	--	-----	--	-----

2017

1500

V6 3.0L 2987cc 182 CID Turbo Diesel	EXF	M	WL10060		42725 ¹⁵⁵ 42725FR ³⁶⁰	24579			WF10245		N/A
V6 3.6L 3604cc 220 CID Flex	ERB		WL10010	WL10010XP	42725 ¹⁵⁵ 42725FR ³⁶⁰	24579			N/S		N/S
V8 5.7L 345 CID	EZH	T	57060 ⁵³	57060XP	42725 ¹⁵⁵ 42725FR ³⁶⁰	24579			N/S		N/A

2500

L6 6.7L 408 CID Turbo Diesel	ETK	L	57620 ⁵³	57620XP	46930 ¹⁵⁵ 46930FR ³⁶⁰	24579			WF1025NP - Cartridge		WL10415
V8 5.7L 345 CID	EZC	T	57060 ⁵³	57060XP	42725 ¹⁵⁵ 42725FR ³⁶⁰	24579			N/A		N/A 58846 N/A - Spin-on N/A
V8 5.7L 345 CID CNG			57060 ⁵³	57060XP	42725 ¹⁵⁵ 42725FR ³⁶⁰	24579			N/S		N/A
V8 6.4L 6424cc 392 CID	ESA	J	57060 ⁵³	57060XP	42725 ¹⁵⁵ 42725FR ³⁶⁰	24579			N/S		58846 - 545RFE/68RFE-SP

3500

L6 6.7L 408 CID Turbo Diesel	ETK	L	57620 ⁵³	57620XP	46930	24579			WF1025NP - Cartridge		N/A WL10415
V8 5.7L 345 CID	EZC	T	57060 ⁵³	57060XP	42725 ¹⁵⁵ 42725FR ³⁶⁰	24579			N/A		58846 N/A N/A - Spin-on 58846 - 545RFE/68RFE-SP
V8 6.4L 6424cc 392 CID	ESB	J	57060 ⁵³ - 3.45 In. High	57060XP - 3.45 In. High	42725 ¹⁵⁵ 42725FR ³⁶⁰	24579			N/S		58846 - 545RFE/68RFE-SP

700

L4 1.6L Natural Aspirated (Mex.)			57303		N/S	WP9280			WF8408		N/S
----------------------------------	--	--	-------	--	-----	--------	--	--	--------	--	-----

PROMASTER 1500

L4 3.0L 2998cc 183 CID Turbo Diesel		D	WL10058		WA10266	WP10263			WF10433		N/A
V6 3.6L 3604cc 220 CID Flex		G	WL10010	WL10010XP	WA10304	WP10263			N/S		N/R

PROMASTER 2500

L4 3.0L 2998cc 183 CID Turbo Diesel		D	WL10058		WA10266	WP10263			WF10433		N/A
V6 3.6L 3604cc 220 CID Flex		G	WL10010	WL10010XP	WA10304	WP10263			N/S		58128

PROMASTER 3500

L4 3.0L 2998cc 183 CID Turbo Diesel		D	WL10058		WA10266	WP10263			WF10433		N/A
V6 3.6L 3604cc 220 CID Flex		G	WL10010	WL10010XP	WA10304	WP10263			N/S		N/R

PROMASTER CITY

L4 2.4L 2360cc 144 CID			57060 ⁵³	57060XP	WA10337	WP9320			N/S		N/A
------------------------	--	--	---------------------	---------	---------	--------	--	--	-----	--	-----

N/A = Not Available N/R = Not Required N/S = Not Serviceable For cabin and fuel filter locator, see pages 5-15 See pages 16-19 for footnotes

N/A = Non disponible N/R = Non nécessaire N/S = Non réparable Para la ubicación de los filtros de aire de la cabina y de combustible, ver las páginas 5-15 Voir pages 16-19 pour des notes

N/A = No disponible N/R = No requiere N/S = No servible Voir les tableaux de repérage des filtres d'habitacle et à carburant aux pages 5-15 Ver las páginas 16-19 para las notas al pie de página

Italicized Part Numbers May Not Be Available. Wix XP Oil Filters Have Fully Synthetic Media.

Las piezas con números en *italicas* pueden no estar disponibles. Los filtros de aceite WIX XP son completamente de media sintética. Les numéros de pièce en *italiques* peuvent ne pas être disponibles. Les filtres à huile XP Wix contiennent un matériau 100 % synthétique.

Year/Año/Année Model/Modelo/Modèle Engine/Motor/Moteur	Eng. Code Código de motor Code moteur	VIN NIV NIV	Oil Aceite Huile	Oil XP Aceite XP Huile XP	Air Aire Air	Cabin Air Cabina Aire Cabine Air	Cabin Air XP Cabina Aire XP Cabine Air XP	Loc. Cabin Air Cabina Aire Cabine Air	Fuel Combustible Carburant	Loc. Fuel Combustible Carburant	Transmission Transmisión Transmission
--	---	-------------------	------------------------	---------------------------------	--------------------	--	---	--	----------------------------------	--	---

RAM (Cont'd/Suite)

2016

1500

V6 3.0L 2987cc 182 CID Turbo Diesel	EXF	M	WL10060		42725 ¹⁵⁵ 42725FR ³⁶⁰	24579			WF10245		N/A
V6 3.6L 3604cc 220 CID Flex	ERB		WL10010	WL10010XP	42725 ¹⁵⁵ 42725FR ³⁶⁰	24579			N/S		N/S
V8 5.7L 345 CID	EZH	T	57060 ⁵³	57060XP	42725 ¹⁵⁵ 42725FR ³⁶⁰	24579			N/S		N/A

2500

L6 6.7L 408 CID Turbo Diesel	ETK	L	57620 ⁵³	57620XP	46930 46930FR ³⁶⁰	24579			WF10253NP - Cartridge		
V8 5.7L 345 CID	EZC	T	57060 ⁵³	57060XP	42725 ¹⁵⁵ 42725FR ³⁶⁰	24579			N/S		N/R N/A - Spin-on
V8 5.7L 345 CID CNG			57060 ⁵³	57060XP	42725 ¹⁵⁵ 42725FR ³⁶⁰	24579			N/S		N/A
V8 6.4L 6424cc 392 CID	ESA	J	57060 ⁵³ - 3.45 In. High	57060XP - 3.45 In. High	42725 ¹⁵⁵ 42725FR ³⁶⁰	24579			N/S		58846 - 545RFE/68RFE-SP

3500

L6 6.7L 408 CID Turbo Diesel	ETK	L	57620 ⁵³	57620XP	46930	24579			WF10253NP - Cartridge		N/R
V8 5.7L 345 CID	EZC	T	57060 ⁵³	57060XP	42725 ¹⁵⁵ 42725FR ³⁶⁰	24579			N/S		N/R N/A - Spin-on
V8 6.4L 6424cc 392 CID	ESB	J	57060 ⁵³ - 3.45 In. High	57060XP - 3.45 In. High	42725 ¹⁵⁵ 42725FR ³⁶⁰	24579			N/S		58846 - 545RFE/68RFE-SP

700

L4 1.6L Natural Aspirated (Mex.)			57303		N/S	WP9280			WF8408		N/S
----------------------------------	--	--	-------	--	-----	--------	--	--	--------	--	-----

PROMASTER 1500

L4 3.0L 2998cc 183 CID Turbo Diesel		D	WL10058		WA10266	WP10263			WF10433		N/A
V6 3.6L 3604cc 220 CID Flex		G	WL10010	WL10010XP	WA10304	WP10263			N/S		N/R

PROMASTER 2500

L4 3.0L 2998cc 183 CID Turbo Diesel		D	WL10058		WA10266	WP10263			WF10433		N/A
V6 3.6L 3604cc 220 CID Flex		G	WL10010	WL10010XP	WA10304	WP10263			N/S		58128

PROMASTER 3500

L4 3.0L 2998cc 183 CID Turbo Diesel		D	WL10058		WA10266	WP10263			WF10433		N/A
V6 3.6L 3604cc 220 CID Flex		G	WL10010	WL10010XP	WA10304	WP10263			N/S		N/R

PROMASTER CITY

L4 2.4L 2360cc 144 CID			57060 ⁵³	57060XP	WA10337	WP9320			N/S		N/A
------------------------	--	--	---------------------	---------	---------	--------	--	--	-----	--	-----

2015

1500

V6 3.0L 2987cc 182 CID Turbo Diesel	EXF	M	WL10060		42725 ¹⁵⁵ 42725FR ³⁶⁰	24313 ⁵²⁸	24313XP ⁵²⁸		WF10245		N/A
V6 3.6L 3604cc 220 CID Flex	ERB		WL10010	WL10010XP	42725 ¹⁵⁵ 42725FR ³⁶⁰	24313 ⁵²⁸	24313XP ⁵²⁸		N/S		N/S
V8 5.7L 345 CID	EZH	T	57060 ⁵³	57060XP	42725 ¹⁵⁵ 42725FR ³⁶⁰	24313	24313XP		N/S		58846 - 545RFE/68RFE-SP 58843 - 545RFE/68RFE-DP N/A - Spin-on

2500

L6 6.7L 408 CID Turbo Diesel	ETK	L	57620 ⁵³	57620XP	46930 46930FR ³⁶⁰	24579			WF10253NP - Cartridge		N/A
V8 5.7L 345 CID	EZC	T	57060 ⁵³	57060XP	42725 ¹⁵⁵ 42725FR ³⁶⁰	24579			N/S		58846 - 545RFE/68RFE-SP 58843 - 545RFE/68RFE-DP N/A - Spin-on
V8 6.4L 6424cc 392 CID	ESA	J	57060 ⁵³	57060XP	42725 ¹⁵⁵ 42725FR ³⁶⁰	24579			N/S		58846 - 545RFE/68RFE-SP N/A - 545RFE/68RFE-DP

3500

L6 6.7L 408 CID Turbo Diesel	ETK	L	57620 ⁵³	57620XP	46930 46930FR ³⁶⁰	24579			WF10253NP - Cartridge		N/A
------------------------------	-----	---	---------------------	---------	---------------------------------	-------	--	--	-----------------------	--	-----

N/A = Not Available N/R = Not Required N/S = Not Serviceable For cabin and fuel filter locator, see pages 5-15 See pages 16-19 for footnotes

N/A = Non disponible N/R = Non nécessaire N/S = Non réparable Para la ubicación de los filtros de aire de la cabina y de combustible, ver las páginas 5-15 Voir pages 16-19 pour des notes

N/A = No disponible N/R = No requiere N/S = No servible Voir les tableaux de repérage des filtres d'habitacle et à carburant aux pages 5-15 Ver las páginas 16-19 para las notas al pie de página

Italicized Part Numbers May Not Be Available. Wix XP Oil Filters Have Fully Synthetic Media.

Las piezas con números en *italicas* pueden no estar disponibles. Los filtros de aceite WIX XP son completamente de media sintética.

Les numéros de pièce en *italiques* peuvent ne pas être disponibles. Les filtres à huile Wix contiennent un matériau 100 % synthétique.

RAM 2015-2014

Pass Car/Light Truck

Year/Año/Année Model/Modelo/Modèle Engine/Motor/Moteur	Eng. Code Código de motor Code moteur	VIN NIV NIV	Oil Aceite Huile	Oil XP Aceite XP Huile XP	Air Aire Air	Cabin Air Cabina Aire Cabine Air	Cabin Air XP Cabina Aire XP Cabine Air XP	Loc. Cabin Air Cabina Aire Cabine Air	Fuel Combustible Carburant	Loc. Fuel Combustible Carburant	Transmission Transmisión Transmission
--	---	-------------------	------------------------	---------------------------------	--------------------	--	---	--	----------------------------------	--	---

RAM (Cont'd/Suite)

2015 (Cont'd/Suite)

3500 (Cont'd/Suite)

V8 5.7L 345 CID	EZC	T	57060 ⁵³	57060XP	42725 ¹⁵⁵ 42725FR ³⁶⁰	24579			N/S		58846 - 545RFE/68RFE-SP 58843 - 545RFE/68RFE-DP N/A - Spin-on
V8 6.4L 6424cc 392 CID	ESA	J	57060 ⁵³	57060XP	42725 ¹⁵⁵ 42725FR ³⁶⁰	24579			N/S		58846 - 545RFE/68RFE-SP N/A - 545RFE/68RFE-DP
	ESB	J	57060 ⁵³	57060XP	42725 ¹⁵⁵ 42725FR ³⁶⁰	24579			N/S		58846 - 545RFE/68RFE-SP N/A - 545RFE/68RFE-DP

700

L4 1.6L Natural Aspirated (Mex.)			57303		N/S	WP9280			WF8408		N/S
----------------------------------	--	--	-------	--	-----	--------	--	--	--------	--	-----

C/V

V6 3.6L 3604cc 220 CID Flex	ERB	G	WL10010	WL10010XP	49737	24479	24479XP		N/S		58128
-----------------------------	-----	---	---------	-----------	-------	-------	---------	--	-----	--	-------

PROMASTER 1500

L4 3.0L 2998cc 183 CID Turbo Diesel		D	WL10058		WA10266	WP10263			WF10433		N/A
V6 3.6L 3604cc 220 CID Flex		G	WL10010	WL10010XP	WA10304	WP10263			N/S		N/R

PROMASTER 2500

L4 3.0L 2998cc 183 CID Turbo Diesel		D	WL10058		WA10266	WP10263			WF10433		N/A
V6 3.6L 3604cc 220 CID Flex		G	WL10010	WL10010XP	WA10304	WP10263			N/S		N/R

PROMASTER 3500

L4 3.0L 2998cc 183 CID Turbo Diesel		D	WL10058		WA10266	WP10263			WF10433		N/A
V6 3.6L 3604cc 220 CID Flex		G	WL10010	WL10010XP	WA10304	WP10263			N/S		N/R

PROMASTER CITY

L4 2.4L 2360cc 144 CID		T	57060 ⁵³	57060XP	WA10337	WP9320			N/S		
------------------------	--	---	---------------------	---------	---------	--------	--	--	-----	--	--

2014

1500

V6 3.0L 2987cc 182 CID Turbo Diesel	EXF	M	WL10060		42725 ¹⁵⁵ 42725FR ³⁶⁰	24313 ⁵²⁸	24313XP ⁵²⁸		WF10245		N/A
V6 3.6L 3604cc 220 CID Flex	ERB		WL10010	WL10010XP	42725 ¹⁵⁵ 42725FR ³⁶⁰	24313 ⁵²⁸	24313XP ⁵²⁸		N/S		N/S
V8 5.7L 345 CID	EZH	T	57060 ⁵³	57060XP	42725 ¹⁵⁵ 42725FR ³⁶⁰	24313 ⁵²⁸	24313XP ⁵²⁸		N/S		58846 - 545RFE/68RFE-SP 58843 - 545RFE/68RFE-DP N/A - Spin-on

2500

L6 6.7L 408 CID Turbo Diesel	ETK	L	57620 ⁵³	57620XP	46930 46930FR ³⁶⁰	24579			WF1025NP - Cartridge		N/A
V8 5.7L 345 CID	EZC	T	57060 ⁵³	57060XP	42725 ¹⁵⁵ 42725FR ³⁶⁰	24579			N/S		58846 - 545RFE/68RFE-SP 58843 - 545RFE/68RFE-DP N/A - Spin-on
V8 6.4L 6424cc 392 CID	ESA	J	57060 ⁵³ - 3.45 In. High	57060XP - 3.45 In. High	42725 ¹⁵⁵ 42725FR ³⁶⁰	24579			N/S		58846 - 545RFE/68RFE-SP N/A - 545RFE/68RFE-DP

3500

L6 6.7L 408 CID Turbo Diesel	ETK	L	57620 ⁵³	57620XP	46930 46930FR ³⁶⁰	24579			WF1025NP - Cartridge		N/R
V8 5.7L 345 CID	EZC	T	57060 ⁵³	57060XP	42725 ¹⁵⁵ 42725FR ³⁶⁰	24579			N/S		58846 - 545RFE/68RFE-SP 58843 - 545RFE/68RFE-DP N/A - Spin-on
V8 6.4L 6424cc 392 CID	ESA	J	57060 ⁵³ - 3.45 In. High	57060XP - 3.45 In. High	42725 ¹⁵⁵ 42725FR ³⁶⁰	24579			N/S		58846 - 545RFE/68RFE-SP N/A - 545RFE/68RFE-DP
	ESB	J	57060 ⁵³ - 3.45 In. High	57060XP - 3.45 In. High	42725 ¹⁵⁵ 42725FR ³⁶⁰	24579			N/S		58846 - 545RFE/68RFE-SP N/A - 545RFE/68RFE-DP

C/V

V6 3.6L 3604cc 220 CID Flex	ERB	G	WL10010	WL10010XP	49737	24479	24479XP		N/S		58128
-----------------------------	-----	---	---------	-----------	-------	-------	---------	--	-----	--	-------

H100

L4 2.4L 2359CC 144CID (Mex.)			51334 ⁵³	51334XP	N/S	N/S			N/S		N/S
------------------------------	--	--	---------------------	---------	-----	-----	--	--	-----	--	-----

N/A = Not Available N/R = Not Required N/S = Not Serviceable For cabin and fuel filter locator, see pages 5-15 See pages 16-19 for footnotes

N/A = Non disponible N/R = Non nécessaire N/S = Non réparable Para la ubicación de los filtros de aire de la cabina y de combustible, ver las páginas 5-15 Voir pages 16-19 pour des notes

N/A = No disponible N/R = No requiere N/S = No servible Voir les tableaux de repérage des filtres d'habitacle et à carburant aux pages 5-15 Ver las páginas 16-19 para las notas al pie de página

Italicized Part Numbers May Not Be Available. Wix XP Oil Filters Have Fully Synthetic Media.

Las piezas con números en *italicas* pueden no estar disponibles. Los filtros de aceite WIX XP son completamente de media sintética. Les numéros de pièce en *italiques* peuvent ne pas être disponibles. Les filtres à huile XP Wix contiennent un matériau 100 % synthétique.

Year/Año/Année Model/Modelo/Modèle Engine/Motor/Moteur	Eng. Code Código de motor Code moteur	VIN NIV NIV	Oil Aceite Huile	Oil XP Aceite XP Huile XP	Air Aire Air	Cabin Air Cabina Aire Cabine Air	Cabin Air XP Cabina Aire XP Cabine Air XP	Loc. Cabin Air Cabina Aire Cabine Air	Fuel Combustible Carburant	Loc. Fuel Combustible Carburant	Transmission Transmisión Transmission
--	---	-------------------	------------------------	---------------------------------	--------------------	--	---	--	----------------------------------	--	---

RAM (Cont'd/Suite)

2014 (Cont'd/Suite)

PROMASTER 1500

L4 3.0L 2998cc 183 CID Turbo Diesel		D	WL10058		WA10266	WP10263			WF10433		N/A
V6 3.6L 3604cc 220 CID Flex		G	WL10010	WL10010XP	WA10304	WP10263			N/S		N/R

PROMASTER 2500

L4 3.0L 2998cc 183 CID Turbo Diesel		D	WL10058		WA10266	WP10263			WF10433		N/A
V6 3.6L 3604cc 220 CID Flex		G	WL10010	WL10010XP	WA10304	WP10263			N/S		N/R

PROMASTER 3500

L4 3.0L 2998cc 183 CID Turbo Diesel		D	WL10058		WA10266	WP10263			WF10433		N/A
V6 3.6L 3604cc 220 CID Flex		G	WL10010	WL10010XP	WA10304	WP10263			N/S		N/R

2013

1500

V6 3.6L 3600cc (Mex.)			57045	57045XP	42725 ¹⁵⁵ 42725FR ³⁶⁰	N/A			N/A		
V6 3.6L 3604cc 220 CID Flex	ERB		57526	57526XP	42725 ¹⁵⁵ 42725FR ³⁶⁰	24313 ⁵²⁸	24313XP ⁵²⁸		N/S		58846 - 545RFE/68RFE-SP 58843 - 545RFE/68RFE-DP
V6 3.7L 3700cc (Mex.)			57045	57045XP	42725 ¹⁵⁵ 42725FR ³⁶⁰	24313	24313XP		N/A		
V8 4.7L 285 CID Flex		P	57899	57899XP	42725 ¹⁵⁵ 42725FR ³⁶⁰	24313 ⁵²⁸	24313XP ⁵²⁸		N/S		58846 - 545RFE/68RFE-SP 58843 - 545RFE/68RFE-DP
V8 5.7L 345 CID	EZH	T	57060 ⁵³	57060XP	42725 ¹⁵⁵ 42725FR ³⁶⁰	24313 ⁵²⁸	24313XP ⁵²⁸		N/S		58846 - 545RFE/68RFE-SP 58843 - 545RFE/68RFE-DP

2500

L6 6.7L 408 CID Turbo Diesel	ETK	L	57620 ⁵³	57620XP	46930 46930FR ³⁶⁰	24579			WF10255NP - Cartridge		N/A
V8 5.7L 345 CID	EZC	T	57060 ⁵³	57060XP	42725 ¹⁵⁵ 42725FR ³⁶⁰	24579			N/S		58846 - 545RFE/68RFE-SP 58843 - 545RFE/68RFE-DP

3500

L6 6.7L 408 CID Turbo Diesel	ETK	L	57620 ⁵³	57620XP	46930 46930FR ³⁶⁰	24579			WF10255NP - Cartridge		N/A
V8 5.7L 345 CID	EZC	T	57060 ⁵³	57060XP	42725 ¹⁵⁵ 42725FR ³⁶⁰	24579			N/S		58846 - 545RFE/68RFE-SP 58843 - 545RFE/68RFE-DP

C/V

V6 3.6L 3604cc 220 CID Flex	ERB	G	57526	57526XP	49737	24479	24479XP		N/S		N/A
-----------------------------	-----	---	-------	---------	-------	-------	---------	--	-----	--	-----

2012

1500

V6 3.7L 226 CID		K	57045	57045XP	42725 ¹⁵⁵ 42725FR ³⁶⁰	24313 ⁵²⁸	24313XP ⁵²⁸		N/S		58846 - 545RFE/68RFE-SP 58843 - 545RFE/68RFE-DP
V6 3.7L 3700cc (Mex.)			57045	57045XP	42725 ¹⁵⁵ 42725FR ³⁶⁰	N/A			N/A		
V8 4.7L 285 CID Flex		P	57899	57899XP	42725 ¹⁵⁵ 42725FR ³⁶⁰	24313 ⁵²⁸	24313XP ⁵²⁸		N/S		58846 - 545RFE/68RFE-SP 58843 - 545RFE/68RFE-DP
V8 5.7L 345 CID	EZC	T	57899	57899XP	42725 ¹⁵⁵ 42725FR ³⁶⁰	24313 ⁵²⁸	24313XP ⁵²⁸		N/S		58846 - 545RFE/68RFE-SP 58843 - 545RFE/68RFE-DP
	EZH	T	57899	57899XP	42725 ¹⁵⁵ 42725FR ³⁶⁰	24313 ⁵²⁸	24313XP ⁵²⁸		N/S		58846 - 545RFE/68RFE-SP 58843 - 545RFE/68RFE-DP

2500

L6 6.7L 408 CID Turbo Diesel	ETJ	L	57620 ⁵³	57620XP	46930 46930FR ³⁶⁰	24579			33255		58843 - 545RFE/68RFE-DP 58846 - 545RFE/68RFE-SP WL10415 - AS68RC
V8 5.7L 345 CID	EZC	T	57899	57899XP	42725 ¹⁵⁵ 42725FR ³⁶⁰	24579			N/S		58846 - 545RFE/68RFE-SP 58843 - 545RFE/68RFE-DP
V8 5.7L 345 CID BI-Fuel	EZF	2	57899	57899XP	42725 ¹⁵⁵ 42725FR ³⁶⁰	24579			N/S		N/A

N/A = Not Available N/R = Not Required N/S = Not Serviceable For cabin and fuel filter locator, see pages 5-15 See pages 16-19 for footnotes

N/A = Non disponible N/R = Non nécessaire N/S = Non réparable Para la ubicación de los filtros de aire de la cabina y de combustible, ver las páginas 5-15 Voir pages 16-19 pour des notes

N/A = No disponible N/R = No requiere N/S = No servible Voir les tableaux de repérage des filtres d'habitacle et à carburant aux pages 5-15 Ver las páginas 16-19 para las notas al pie de página

Italicized Part Numbers May Not Be Available. Wix XP Oil Filters Have Fully Synthetic Media.

Las piezas con números en *italicas* pueden no estar disponibles. Los filtros de aceite WIX XP son completamente de media sintética.

Les numéros de pièce en *italiques* peuvent ne pas être disponibles. Les filtres à huile Wix contiennent un matériau 100 % synthétique.

RAM 2012 — RENAULT 2017

Pass Car/Light Truck

Year/Año/Année Model/Modelo/Modèle Engine/Motor/Moteur	Eng. Code Código de motor Code moteur	VIN NIV NIV	Oil Aceite Huile	Oil XP Aceite XP Huile XP	Air Aire Air	Cabin Air Cabina Aire Cabine Air	Cabin Air XP Cabina Aire XP Cabine Air XP	Loc. Cabin Air Cabina Aire Cabine Air	Fuel Combustible Carburant	Loc. Fuel Combustible Carburant	Transmission Transmisión Transmission
--	---	-------------------	------------------------	---------------------------------	--------------------	--	---	--	----------------------------------	--	---

RAM (Cont'd/Suite)

2012 (Cont'd/Suite)

3500

L6 6.7L 408 CID Turbo Diesel	ETJ	L	57620 ⁵³	57620XP	46930 46930FR ³⁶⁰	24579			33255		58843 - 545RFE/68RFE-SP 58846 - 545RFE/68RFE-SP WL10415 - AS68RC
V8 5.7L 345 CID	EZC	T	57899	57899XP	42725 ¹⁵⁵ 42725FR ³⁶⁰	24579			N/S		58846 - 545RFE/68RFE-SP 58843 - 545RFE/68RFE-DP

C/V

V6 3.6L 360cc 220 CID Flex	ERB		57526	57526XP	49737	24479	24479XP		N/S		N/A
----------------------------	-----	--	-------	---------	-------	-------	---------	--	-----	--	-----

2011

1500

V6 3.7L 226 CID		K	57045	57045XP	42725 ¹⁵⁵ 42725FR ³⁶⁰	24313 ³²⁸	24313XP ⁵²⁸		N/S		58846 - 545RFE/68RFE-SP 58843 - 545RFE/68RFE-DP
V8 4.7L 285 CID Flex		P	57899	57899XP	42725 ¹⁵⁵ 42725FR ³⁶⁰	24313 ³²⁸	24313XP ⁵²⁸		N/S		58846 - 545RFE/68RFE-SP 58843 - 545RFE/68RFE-DP
V8 5.7L 345 CID	EZH	T	57899	57899XP	42725 ¹⁵⁵ 42725FR ³⁶⁰	24313 ³²⁸	24313XP ⁵²⁸		N/S		58846 - 545RFE/68RFE-SP 58843 - 545RFE/68RFE-DP

2500

L6 6.7L 408 CID Turbo Diesel	ETJ	L	57620 ⁵³	57620XP	46930 46930FR ³⁶⁰	24579			33255		58843 - 545RFE/68RFE-DP 58846 - 545RFE/68RFE-SP WL10415 - AS68RC N/A - 68RFE
Turbo Diesel		L							33255		
V8 5.7L 345 CID	EZC	T	57899	57899XP	42725 ¹⁵⁵ 42725FR ³⁶⁰	24579			N/S		58846 - 545RFE/68RFE-SP 58843 - 545RFE/68RFE-DP

3500

L6 6.7L 408 CID Turbo Diesel	ETJ	L	57620 ⁵³	57620XP	46930 46930FR ³⁶⁰	24579			33255		58843 - 545RFE/68RFE-DP 58846 - 545RFE/68RFE-SP WL10415 - AS68RC N/A - 68RFE
Turbo Diesel		L							33255		
V8 5.7L 345 CID	EZC	T	57899	57899XP	42725 ¹⁵⁵ 42725FR ³⁶⁰	24579			N/S		58846 - 545RFE/68RFE-SP 58843 - 545RFE/68RFE-DP

DAKOTA

V6 3.7L 226 CID		K	57045	57045XP	46077	N/R			N/S		58846 - 545RFE/68RFE-SP 58843 - 545RFE/68RFE-DP 58013 - 42RLE
V8 4.7L 285 CID Flex		P	57899	57899XP	46077	N/R			N/S		58013 - 42RLE 58843 - 545RFE/68RFE-DP 58846 - 545RFE/68RFE-SP

2010

2500

V8 5.7L 345CID (Mex.)			51372	51372XP	42725	N/S			N/S		N/S
-----------------------	--	--	-------	---------	-------	-----	--	--	-----	--	-----

RENAULT

2018

CAPTUR

L4 2.0L 1998CID (Mex.)			57207		WA9770	N/S			N/S		N/S
------------------------	--	--	-------	--	--------	-----	--	--	-----	--	-----

DUSTER

L4 2.0L 1998cc (Mex.)			57207		WA6595	WP6990			WF8034		
-----------------------	--	--	-------	--	--------	--------	--	--	--------	--	--

2017

CLIO

L4 1.6L 1598cc (Mex.)			57207		WA6595				WF8034		
-----------------------	--	--	-------	--	--------	--	--	--	--------	--	--

DUSTER

L4 2.0L 1998cc (Mex.)			57207		WA6595	WP6990			WF8034		
-----------------------	--	--	-------	--	--------	--------	--	--	--------	--	--

FLUENCE

L4 2.0L 1997cc (Mex.)			51365	51365XP	WA9655				WF8034		
-----------------------	--	--	-------	---------	--------	--	--	--	--------	--	--

N/A = Not Available N/R = Not Required N/S = Not Serviceable For cabin and fuel filter locator, see pages 5-15 See pages 16-19 for footnotes

N/A = Non disponible N/R = Non nécessaire N/S = Non réparable Para la ubicación de los filtros de aire de la cabina y de combustible, ver las páginas 5-15 Voir pages 16-19 pour des notes

N/A = No disponible N/R = No requiere N/S = No servible Voir les tableaux de repérage des filtres d'habitacle et à carburant aux pages 5-15 Ver las páginas 16-19 para las notas al pie de página

Italicized Part Numbers May Not Be Available. Wix XP Oil Filters Have Fully Synthetic Media.

Las piezas con números en *italicas* pueden no estar disponibles. Los filtros de aceite WIX XP son completamente de media sintética. Les numéros de pièce en *italiques* peuvent ne pas être disponibles. Les filtres à huile XP Wix contiennent un matériau 100 % synthétique.

Year/Año/Année Model/Modelo/Modèle Engine/Motor/Moteur	Eng. Code Código de motor Code moteur	VIN NIV NIV	Oil Aceite Huile	Oil XP Aceite XP Huile XP	Air Aire Air	Cabin Air Cabina Aire Cabine Air	Cabin Air XP Cabina Aire XP Cabine Air XP	Loc. Cabin Air Cabina Aire Cabine Air	Fuel Combustible Carburant	Loc. Fuel Combustible Carburant	Transmission Transmisión Transmission
--	--	-------------------	------------------------	---------------------------------	--------------------	--	---	--	----------------------------------	--	---

RENAULT (Cont'd/Suite)

2017 (Cont'd/Suite)
KANGOO EXPRESS

L4 1.6L 1598cc (Mex.)		57207			WA6595	WP6928			WF8034		
-----------------------	--	-------	--	--	--------	--------	--	--	--------	--	--

KOLEOS

L4 2.5L 2488cc (Mex.)		51365	51365XP	46358	WP2004				N/S		
-----------------------	--	-------	---------	-------	--------	--	--	--	-----	--	--

LOGAN

L4 1.6L 1598cc (Mex.)		57207			WA6697 ⁹¹	WP6990			WF8034		
-----------------------	--	-------	--	--	----------------------	--------	--	--	--------	--	--

SANDERO

L4 1.6L 1598cc (Mex.)		57207			WA6697 ⁹¹	N/A			WF8034		
-----------------------	--	-------	--	--	----------------------	-----	--	--	--------	--	--

2016
CLIO

L4 1.6L 1598cc (Mex.)		57207			WA6595				WF8034		
-----------------------	--	-------	--	--	--------	--	--	--	--------	--	--

DUSTER

L4 2.0L 1998cc (Mex.)		57207			WA6595	WP6990			WF8034		
-----------------------	--	-------	--	--	--------	--------	--	--	--------	--	--

FLUENCE

L4 2.0L 1997cc (Mex.)		51365	51365XP	WA9655	N/A				WF8034		
-----------------------	--	-------	---------	--------	-----	--	--	--	--------	--	--

KANGOO EXPRESS

L4 1.6L 1598cc (Mex.)		57207			WA6595	WP6928			WF8034		
-----------------------	--	-------	--	--	--------	--------	--	--	--------	--	--

KOLEOS

L4 2.5L 2488cc (Mex.)		51365	51365XP	46358	WP2004				N/S		
-----------------------	--	-------	---------	-------	--------	--	--	--	-----	--	--

LOGAN

L4 1.6L 1598cc (Mex.)		57207			WA6697 ⁹¹	WP6990			WF8034		
-----------------------	--	-------	--	--	----------------------	--------	--	--	--------	--	--

SANDERO

L4 1.6L 1598cc (Mex.)		57207			WA6697 ⁹¹	N/A			WF8034		
-----------------------	--	-------	--	--	----------------------	-----	--	--	--------	--	--

STEPWAY

L4 1.6L 1598cc (Mex.)		57207			WA6595	N/A			WF8034		
-----------------------	--	-------	--	--	--------	-----	--	--	--------	--	--

2015
CLIO

L4 1.6L 1598cc (Mex.)		57207			WA6595				WF8034		
-----------------------	--	-------	--	--	--------	--	--	--	--------	--	--

DUSTER

L4 2.0L 1998cc (Mex.)		57207			WA6595	WP6990			WF8034		
-----------------------	--	-------	--	--	--------	--------	--	--	--------	--	--

FLUENCE

L4 2.0L 1997cc (Mex.)		51365	51365XP	WA9655	N/A				WF8034		
-----------------------	--	-------	---------	--------	-----	--	--	--	--------	--	--

KANGOO EXPRESS

L4 1.6L 1598cc (Mex.)		57207			WA6595	WP6928			WF8034		
-----------------------	--	-------	--	--	--------	--------	--	--	--------	--	--

KOLEOS

L4 2.5L 2488cc (Mex.)		51365	51365XP	46358	WP2004				N/S		
-----------------------	--	-------	---------	-------	--------	--	--	--	-----	--	--

LOGAN

L4 1.6L 1598cc (Mex.)		57207			WA6697 ⁹¹	N/A WP6990					
-----------------------	--	-------	--	--	----------------------	---------------	--	--	--	--	--

SANDERO

L4 1.6L 1598cc (Mex.)		57207			WA6697 ⁹¹	N/A			WF8034		
-----------------------	--	-------	--	--	----------------------	-----	--	--	--------	--	--

STEPWAY

L4 1.6L 1598cc (Mex.)		57207			WA6595	N/A			WF8034		
-----------------------	--	-------	--	--	--------	-----	--	--	--------	--	--

2014
DUSTER

L4 2.0L 1998cc (Mex.)		57207			WA6595	WP6990			WF8034		
-----------------------	--	-------	--	--	--------	--------	--	--	--------	--	--

FLUENCE

L4 2.0L 1997cc (Mex.)		51365	51365XP	WA9655	N/A				WF8034		
-----------------------	--	-------	---------	--------	-----	--	--	--	--------	--	--

KANGOO EXPRESS

L4 1.6L 1598cc (Mex.)		57207			WA6595	WP6928			WF8034		
-----------------------	--	-------	--	--	--------	--------	--	--	--------	--	--

KOLEOS

L4 2.5L 2488cc (Mex.)		51365	51365XP	46358	WP2004				N/S		
-----------------------	--	-------	---------	-------	--------	--	--	--	-----	--	--

N/A = Not Available N/R = Not Required N/S = Not Serviceable For cabin and fuel filter locator, see pages 5-15 See pages 16-19 for footnotes

N/A = Non disponible N/R = Non nécessaire N/S = Non réparable Para la ubicación de los filtros de aire de la cabina y de combustible, ver las páginas 5-15 Voir pages 16-19 pour des notes

N/A = No disponible N/R = No requiere N/S = No servible Voir les tableaux de repérage des filtres d'habitacle et à carburant aux pages 5-15 Ver las páginas 16-19 para las notas al pie de página

Italicized Part Numbers May Not Be Available. Wix XP Oil Filters Have Fully Synthetic Media.

Las piezas con números en *italicas* pueden no estar disponibles. Los filtros de aceite WIX XP son completamente de media sintética.

Les numéros de pièce en *italiques* peuvent ne pas être disponibles. Les filtres à huile XP Wix contiennent un matériau 100 % synthétique.

RENAULT 2014-2011
Pass Car/Light Truck

Year/Año/Année Model/Modelo/Modèle Engine/Motor/Moteur	Eng. Code Código de motor Code moteur	VIN NIV NIV	Oil Aceite Huile	Oil XP Aceite XP Huile XP	Air Aire Air	Cabin Air Cabina Aire Cabine Air	Cabin Air XP Cabina Aire XP Cabine Air XP	Loc. Cabin Air Cabina Aire Cabine Air	Fuel Combustible Carburant	Loc. Fuel Combustible Carburant	Transmission Transmisión Transmission
--	---	-------------------	------------------------	---------------------------------	--------------------	--	---	--	----------------------------------	--	---

RENAULT (Cont'd/Suite)
2014 (Cont'd/Suite)
SANDERO

L4 1.6L 1598cc (Mex.)			57207		WA6595	N/A			WF8034		
-----------------------	--	--	-------	--	--------	-----	--	--	--------	--	--

STEPWAY

L4 1.6L 1598cc (Mex.)			57207		WA6595				WF8034		N/A
-----------------------	--	--	-------	--	--------	--	--	--	--------	--	-----

TRAFIC

L4 2.0L 1998cc (Mex.)			57207		WA6595	WP9246			WF8034		
-----------------------	--	--	-------	--	--------	--------	--	--	--------	--	--

2013
DUSTER

L4 2.0L 1998cc (Mex.)			57207		WA6595	WP6990			WF8034		
-----------------------	--	--	-------	--	--------	--------	--	--	--------	--	--

FLUENCE

L4 2.0L 1997cc (Mex.)			51365	51365XP	WA9655	N/A			WF8034		
-----------------------	--	--	-------	---------	--------	-----	--	--	--------	--	--

KANGOO EXPRESS

L4 1.6L 1598cc (Mex.)			57207		WA6595	WP6928			WF8034		
-----------------------	--	--	-------	--	--------	--------	--	--	--------	--	--

KOLEOS

L4 2.5L 2488cc (Mex.)			51365	51365XP	46358	WP2004			N/S		
-----------------------	--	--	-------	---------	-------	--------	--	--	-----	--	--

SANDERO

L4 1.6L 1598cc (Mex.)			57207		WA6595	N/A			WF8034		
-----------------------	--	--	-------	--	--------	-----	--	--	--------	--	--

SCALA

L4 1.6L 1597cc (Mex.)			51358 ⁵³	51358XP	N/A	N/A			N/A		
-----------------------	--	--	---------------------	---------	-----	-----	--	--	-----	--	--

STEPWAY

L4 1.6L 1598cc (Mex.)			57207		WA6595				WF8034		N/A
-----------------------	--	--	-------	--	--------	--	--	--	--------	--	-----

TRAFIC

L4 1.9L 1870cc Turbo Diesel (Mex.)			57207		WA6684	WP9246			WF8300		
------------------------------------	--	--	-------	--	--------	--------	--	--	--------	--	--

L4 2.0L 1998cc (Mex.)			57207		WA6595	WP9246			WF8034		
-----------------------	--	--	-------	--	--------	--------	--	--	--------	--	--

2012
FLUENCE

L4 2.0L 1997cc (Mex.)			51365	51365XP	WA9655	N/A			WF8034		
-----------------------	--	--	-------	---------	--------	-----	--	--	--------	--	--

KANGOO EXPRESS

L4 1.6L 1598cc (Mex.)			57207		WA6595	WP6928			WF8034		
-----------------------	--	--	-------	--	--------	--------	--	--	--------	--	--

KOLEOS

L4 2.5L 2488cc (Mex.)			51365	51365XP	46358	WP2004			N/S		
-----------------------	--	--	-------	---------	-------	--------	--	--	-----	--	--

SANDERO

L4 1.6L 1598cc (Mex.)			57207		WA6595	N/A			WF8034		
-----------------------	--	--	-------	--	--------	-----	--	--	--------	--	--

SCALA

L4 1.6L 1597cc (Mex.)			51358 ⁵³	51358XP	N/A	N/A			N/A		
-----------------------	--	--	---------------------	---------	-----	-----	--	--	-----	--	--

STEPWAY

L4 1.6L 1598cc (Mex.)			57207		WA6595	N/A			WF8034		N/A
-----------------------	--	--	-------	--	--------	-----	--	--	--------	--	-----

TRAFIC

L4 1.9L 1870cc Turbo Diesel (Mex.)			57207		WA6684	WP9246			WF8300		
------------------------------------	--	--	-------	--	--------	--------	--	--	--------	--	--

L4 2.0L 1998cc (Mex.)			57207		WA6595	WP9246			WF8034		
-----------------------	--	--	-------	--	--------	--------	--	--	--------	--	--

2011
FLUENCE

1.6i 16V (Mex.)			57207		WA9655	WP2010 N/A - or WP2037 ⁶¹ - or N/A			WF8034		
-----------------	--	--	-------	--	--------	--	--	--	--------	--	--

L4 2.0L 1997cc (Mex.)			51365 ⁵³	51365XP	WA9655	N/A			WF8034		
-----------------------	--	--	---------------------	---------	--------	-----	--	--	--------	--	--

KANGOO

L4 1.6L 1598cc (Mex.)			57207		WA6595	N/A			WF8034		
-----------------------	--	--	-------	--	--------	-----	--	--	--------	--	--

KANGOO EXPRESS

L4 1.6L 1598cc (Mex.)			57207		WA6595	WP6928			WF8034		
-----------------------	--	--	-------	--	--------	--------	--	--	--------	--	--

N/A = Not Available N/R = Not Required N/S = Not Serviceable For cabin and fuel filter locator, see pages 5-15 See pages 16-19 for footnotes

N/A = Non disponible N/R = Non nécessaire N/S = Non réparable Para la ubicación de los filtros de aire de la cabina y de combustible, ver las páginas 5-15 Voir pages 16-19 pour des notes

N/A = No disponible N/R = No requiere N/S = No servible Voir les tableaux de repérage des filtres d'habitacle et à carburant aux pages 5-15 Ver las páginas 16-19 para las notas al pie de página

Italicized Part Numbers May Not Be Available. Wix XP Oil Filters Have Fully Synthetic Media.

Las piezas con números en *italicas* pueden no estar disponibles. Los filtros de aceite WIX XP son completamente de media sintética. Les numéros de pièce en *italiques* peuvent ne pas être disponibles. Les filtres à huile XP Wix contiennent un matériau 100 % synthétique.

Pass Car/Light Truck

RENAULT 2011-2009

Year/Año/Année Model/Modelo/Modèle Engine/Motor/Moteur	Eng. Code Código de motor Code moteur	VIN NIV NIV	Oil Aceite Huile	Oil XP Aceite XP Huile XP	Air Aire Air	Cabin Air Cabina Aire Cabine Air	Cabin Air XP Cabina Aire XP Cabine Air XP	Loc. Cabin Air Cabina Aire Cabine Air	Fuel Combustible Carburant	Loc. Fuel Combustible Carburant	Transmission Transmisión Transmission
--	---	-------------------	------------------------	---------------------------------	--------------------	--	---	--	----------------------------------	--	---

RENAULT (Cont'd/Suite)

2011 (Cont'd/Suite)

KOLEOS

L4 2.5L 2488cc (Mex.)			51365	51365XP	46358	WP2004			N/S		
-----------------------	--	--	-------	---------	-------	--------	--	--	-----	--	--

MEGANE

1.4i 16V (Mex.)			57207		WA9655	WP2037 ⁵¹			WF8034		
1.5 dCi FAP (Mex.)			57207		WA9655	WP2037 ⁵¹			N/A		

SANDERO

L4 1.6L 1598cc (Mex.)			57207		N/A WA6595	N/A			WF8034		
-----------------------	--	--	-------	--	---------------	-----	--	--	--------	--	--

SCALA

L4 1.6L 1597cc (Mex.)			51358 ⁵³	51358XP	N/A	N/A			N/A		
-----------------------	--	--	---------------------	---------	-----	-----	--	--	-----	--	--

SCENIC

1.4i 16V (Mex.)			57207		WA9655	WP9383 ⁵¹ N/A ⁶¹ - or WP2037 ⁵¹			N/S		
1.6 dCi (Mex.)			WL7424		WA9655	WP9383 ⁵¹					
1.9 dCi FAP (Mex.)			WL7482		WA9655	WP9383 ⁵¹			N/A		

STEPWAY

L4 1.6L 1598cc (Mex.)			57207		WA6595	N/A			WF8034		
-----------------------	--	--	-------	--	--------	-----	--	--	--------	--	--

TRAFIC

L4 1.9L 1870cc Turbo Diesel (Mex.)			57207		WA6684	WP9246			WF8300		
------------------------------------	--	--	-------	--	--------	--------	--	--	--------	--	--

2010

FLUENCE

1.6i 16V (Mex.)			57207		WA9655	WP2010 N/A - or WP2037 ⁵¹ - or WP2037 ⁵¹			WF8034		
L4 2.0L 1997cc (Mex.)			51365 ⁵³	51365XP	WA9655	N/A			WF8034		

MEGANE

1.4i 16V (Mex.)			57207		WA9655	WP2037 ⁵¹			WF8034		
1.5 dCi FAP (Mex.)			57207		WA9655	WP2037 ⁵¹			N/A		
L4 2.0L 2000cc (Mex.)	FI		57207								

SANDERO

L4 1.6L 1598cc (Mex.)			57207		WA6595	N/A			WF8034		
-----------------------	--	--	-------	--	--------	-----	--	--	--------	--	--

SCALA

L4 1.6L 1597cc (Mex.)			51358 ⁵³	51358XP	N/A	N/A			N/A		
-----------------------	--	--	---------------------	---------	-----	-----	--	--	-----	--	--

SCENIC

1.4i 16V (Mex.)			57207		WA9655	WP9383 ⁵¹ N/A ⁶¹ - or WP2037 ⁵¹			N/S		
1.6i 16V (Mex.)			57207		WA9655	WP9383 ⁵¹			N/A		
1.9 dCi FAP (Mex.)			WL7482		WA9655	WP9383 ⁵¹			N/A		

STEPWAY

L4 1.6L 1598cc (Mex.)			57207		WA6595	N/A			WF8034		N/A
-----------------------	--	--	-------	--	--------	-----	--	--	--------	--	-----

2009

CLIO

L4 1.5L 1461cc Diesel (Mex.)	K9K		57207		WA6761	WP6928			WF8357		
L4 1.6L 1600cc (Mex.)	FI		57207								

KANGOO

L4 1.4L 1390cc (Mex.)			57207		WA6697 ⁵¹ - Round WA6246 ⁵¹ - Panel	WP6922 ⁵¹ - w/o AC WP6928 ⁵¹ - w/AC			WF8034		
L4 1.6L 1600cc (Mex.)	FI		57207		WA6595	N/A			WF8034		

KANGOO EXPRESS

L4 1.5L 1461cc Diesel (Mex.)	K9K		57207		WA6761	WP6928			WF8357		
L4 1.6L 1598cc (Mex.)			57207		WA6595	WP6928			WF8034		

KOLEOS

L4 2.0L 1995cc Turbo Diesel (Mex.)			WL7424		WA9563	WP2004			WF8478		
------------------------------------	--	--	--------	--	--------	--------	--	--	--------	--	--

N/A = Not Available N/R = Not Required N/S = Not Serviceable For cabin and fuel filter locator, see pages 5-15 See pages 16-19 for footnotes

N/A = Non disponible N/R = Non nécessaire N/S = Non réparable Para la ubicación de los filtros de aire de la cabina y de combustible, ver las páginas 5-15 Voir pages 16-19 pour des notes

N/A = No disponible N/R = No requiere N/S = No servible Voir les tableaux de repérage des filtres d'habitacle et à carburant aux pages 5-15 Ver las páginas 16-19 para las notas al pie de página

Italicized Part Numbers May Not Be Available. Wix XP Oil Filters Have Fully Synthetic Media.

Las piezas con números en *italicas* pueden no estar disponibles. Los filtros de aceite WIX XP son completamente de media sintética.

Les numéros de pièce en *italiques* peuvent ne pas être disponibles. Les filtres à huile XP Wix contiennent un matériau 100 % synthétique.

RENAULT 2009-2008
Pass Car/Light Truck

Year/Año/Année Model/Modelo/Modèle Engine/Motor/Moteur	Eng. Code Código de motor Code moteur	VIN NIV NIV	Oil Aceite Huile	Oil XP Aceite XP Huile XP	Air Aire Air	Cabin Air Cabina Aire Cabine Air	Cabin Air XP Cabina Aire XP Cabine Air XP	Loc. Cabin Air Cabina Aire Cabine Air	Fuel Combustible Carburant	Loc. Fuel Combustible Carburant	Transmission Transmisión Transmission
--	---	-------------------	------------------------	---------------------------------	--------------------	--	---	--	----------------------------------	--	---

RENAULT (Cont'd/Suite)
2009 (Cont'd/Suite)
KOLEOS (Cont'd/Suite)

L4 2.5L 2488cc (Mex.)			51365	51365XP	46358	WP2004			N/S		
-----------------------	--	--	-------	---------	-------	--------	--	--	-----	--	--

LAGUNA

V6 3.0L 2993cc Turbo Diesel (Mex.)			WL7482		WA9706	WP9307 ⁶¹					
------------------------------------	--	--	--------	--	--------	----------------------	--	--	--	--	--

MEGANE

L4 1.5L 1461cc Diesel (Mex.)	K9K		57207		49000	WP9174			WF8394		
L4 1.6L 1598cc (Mex.)			57207		WA6595	N/A			WF8034		
L4 2.0L 1998cc (Mex.)			57207		WA9458	WP9174			WF8034		

SANDERO

L4 1.6L 1598cc (Mex.)			57207		WA6595	N/A			WF8034		
-----------------------	--	--	-------	--	--------	-----	--	--	--------	--	--

SYMBOL

L4 1.5L 1461cc Diesel (Mex.)	K9K		57207		WA9425	WP6928			WF8362		
------------------------------	-----	--	-------	--	--------	--------	--	--	--------	--	--

THALIA

L4 1.5L 1461cc Diesel (Mex.)	K9K		57207		WA9425	WP6928			WF8362		
------------------------------	-----	--	-------	--	--------	--------	--	--	--------	--	--

TRAFIC

L4 1.9L 1870cc Turbo Diesel (Mex.)			57207		WA6684	WP9246			WF8300		
------------------------------------	--	--	-------	--	--------	--------	--	--	--------	--	--

2008
CLIO

L4 1.5L 1461cc Diesel (Mex.)	K9K		57207		WA6761	WP6928			WF8357		
L4 1.6L (Mex.)			57207		WA6595				WF8034		

GRAND SCENIC

L4 1.6L 1598cc (Mex.)			57207		49000	WP9212			WF8034		
L4 2.0L 1998cc (Mex.)			57207		WA9458	WP9212			WF8034		

KANGOO

L4 1.4L 1390cc (Mex.)			57207		WA6697 ⁶¹ - Round WA6246 ⁶¹ - Panel	WP6922 ⁶¹ - w/o AC WP6928 ⁶¹ - w/AC			WF8034		
L4 1.6L (Mex.)			57207		WA6595	WP6922 ⁶¹			WF8034		

KANGOO EXPRESS

L4 1.6L 1598cc (Mex.)			57207		WA6595	WP6928			WF8034		
-----------------------	--	--	-------	--	--------	--------	--	--	--------	--	--

KOLEOS

L4 2.0L 1995cc Turbo Diesel (Mex.)			WL7424		WA9563	WP2004			WF8478		
------------------------------------	--	--	--------	--	--------	--------	--	--	--------	--	--

LAGUNA

V6 3.0L 2993cc Turbo Diesel (Mex.)			WL7482		WA9706	WP9307 ⁶¹					
------------------------------------	--	--	--------	--	--------	----------------------	--	--	--	--	--

MEGANE

L4 1.5L 1461cc Diesel (Mex.)	K9K		57207		49000	WP9174			WF8394		
L4 1.6L 1598cc (Mex.)			57207		WA6595	N/A			WF8034		
L4 2.0L 1998cc (Mex.)			57207		WA9458	WP9174			WF8034		

MEGANE SPORT

L4 2.0L 2000cc (Mex.)			57207		WA9458				N/A		
-----------------------	--	--	-------	--	--------	--	--	--	-----	--	--

SANDERO

L4 1.6L 1598cc (Mex.)			57207		WA6595	N/A			WF8034		
-----------------------	--	--	-------	--	--------	-----	--	--	--------	--	--

SCENIC

L4 2.0L 2000cc (Mex.)			57207		N/A				WF8034		
-----------------------	--	--	-------	--	-----	--	--	--	--------	--	--

SYMBOL

L4 1.5L 1461cc Diesel (Mex.)	K9K		57207		WA9425	WP6928			WF8362		
------------------------------	-----	--	-------	--	--------	--------	--	--	--------	--	--

THALIA

L4 1.5L 1461cc Diesel (Mex.)	K9K		57207		WA9425	WP6928			WF8362		
------------------------------	-----	--	-------	--	--------	--------	--	--	--------	--	--

TRAFIC

L4 1.9L 1870cc Turbo Diesel (Mex.)			57207		WA6684	WP9246			WF8300		
------------------------------------	--	--	-------	--	--------	--------	--	--	--------	--	--

N/A = Not Available N/R = Not Required N/S = Not Serviceable For cabin and fuel filter locator, see pages 5-15 See pages 16-19 for footnotes

N/A = Non disponible N/R = Non nécessaire N/S = Non réparable Para la ubicación de los filtros de aire de la cabina y de combustible, ver las páginas 5-15 Voir pages 16-19 pour des notes

N/A = No disponible N/R = No requiere N/S = No servible Voir les tableaux de repérage des filtres d'habitacle et à carburant aux pages 5-15 Ver las páginas 16-19 para las notas al pie de página

Italicized Part Numbers May Not Be Available. Wix XP Oil Filters Have Fully Synthetic Media.

Las piezas con números en *italicas* pueden no estar disponibles. Los filtros de aceite WIX XP son completamente de media sintética. Les numéros de pièce en *italiques* peuvent ne pas être disponibles. Les filtres à huile XP Wix contiennent un matériau 100 % synthétique.

Year/Año/Année Model/Modelo/Modèle Engine/Motor/Moteur	Eng. Code Código de motor Code moteur	VIN NIV NIV	Oil Aceite Huile	Oil XP Aceite XP Huile XP	Air Aire Air	Cabin Air Cabina Aire Cabine Air	Cabin Air XP Cabina Aire XP Cabine Air XP	Loc. Cabin Air Cabina Aire Cabine Air	Fuel Combustible Carburant	Loc. Fuel Combustible Carburant	Transmission Transmisión Transmission
--	---	-------------------	------------------------	---------------------------------	--------------------	--	---	--	----------------------------------	--	---

RENAULT (Cont'd/Suite)
2007
CLIO

L4 1.5L 1461cc Diesel (Mex.)	K9K	57207			WA6761	WP6928				WF8357	
L4 1.6L 1598cc (Mex.)		57207			WA6595	WP6928				WF8034	

CLIO SPORT

L4 2.0L 1998cc (Mex.)		57207			N/A	WP6928				WF8034	
-----------------------	--	-------	--	--	-----	--------	--	--	--	--------	--

GRAND SCENIC

L4 1.6L 1598cc (Mex.)		57207			49000	WP9212				WF8034	
L4 1.9L 1870cc Turbo Diesel (Mex.)		57207			WA9458	WP9212				WF8178	
L4 2.0L 1998cc (Mex.)		57207			WA9458	WP9212				WF8034	

KANGOO

L4 1.6L (Mex.)		57207			WA6595	WP6922 ⁵¹				WF8034	
----------------	--	-------	--	--	--------	----------------------	--	--	--	--------	--

KANGOO EXPRESS

L4 1.6L 1598cc (Mex.)		57207			WA6595	WP6928				WF8034	
-----------------------	--	-------	--	--	--------	--------	--	--	--	--------	--

LAGUNA

L4 2.0L 2000cc (Mex.)	FI	57207			N/A					N/A	
V6 3.0L 3000cc (Mex.)		51626									

MEGANE

L4 2.0L 1998cc (Mex.)		57207			WA9458	WP9174				WF8034	
-----------------------	--	-------	--	--	--------	--------	--	--	--	--------	--

MEGANE SPORT

L4 2.0L 2000cc (Mex.)		57207			WA9458					N/A	
-----------------------	--	-------	--	--	--------	--	--	--	--	-----	--

SCENIC

L4 2.0L 2000cc (Mex.)		57207			N/A					WF8034	
-----------------------	--	-------	--	--	-----	--	--	--	--	--------	--

TRAFIC

L4 1.9L 1870cc Turbo Diesel (Mex.)		57207			WA6684	WP9246				WF8300	
------------------------------------	--	-------	--	--	--------	--------	--	--	--	--------	--

2006
CLIO

L4 1.5L 1461cc Diesel (Mex.)	K9K	57207			WA6761	WP6928				WF8357	
L4 1.6L 1598cc (Mex.)		57207			WA6595	WP6928				WF8034	
L4 2.0L 2000cc (Mex.)	FI	57207									

CLIO SPORT

L4 2.0L 1998cc (Mex.)		57207			N/A	WP6928				WF8034	
-----------------------	--	-------	--	--	-----	--------	--	--	--	--------	--

GRAND SCENIC

L4 1.6L 1598cc (Mex.)		57207			49000	WP9212				WF8034	
L4 1.9L 1870cc Turbo Diesel (Mex.)		57207			WA9458	WP9212				WF8178	
L4 2.0L 1998cc (Mex.)		57207			WA9458	WP9212				WF8034	

KANGOO

L4 1.6L (Mex.)		57207			WA6595	WP6922 ⁵¹				WF8034	
----------------	--	-------	--	--	--------	----------------------	--	--	--	--------	--

KANGOO EXPRESS

L4 1.6L 1598cc (Mex.)		57207			WA6595	WP6928				WF8034	
-----------------------	--	-------	--	--	--------	--------	--	--	--	--------	--

LAGUNA

L4 2.0L 1995cc Turbo Diesel (Mex.)		WL7424			WA6734	WP9106				WF8178	
L4 2.0L 1998cc (Mex.)		57207			WA6595	N/A				WF8034	
V6 3.0L (Mex.)		57207			WA6734					WF8034	

MEGANE

L4 2.0L 1998cc (Mex.)		57207			WA9458	WP9174				WF8034	
-----------------------	--	-------	--	--	--------	--------	--	--	--	--------	--

MEGANE SPORT

L4 2.0L 2000cc (Mex.)		57207			WA9458					N/A	
-----------------------	--	-------	--	--	--------	--	--	--	--	-----	--

SCENIC

L4 2.0L 2000cc (Mex.)		57207			N/A					WF8034	
-----------------------	--	-------	--	--	-----	--	--	--	--	--------	--

N/A = Not Available N/R = Not Required N/S = Not Serviceable For cabin and fuel filter locator, see pages 5-15 See pages 16-19 for footnotes

N/A = Non disponible N/R = Non nécessaire N/S = Non réparable Para la ubicación de los filtros de aire de la cabina y de combustible, ver las páginas 5-15 Voir pages 16-19 pour des notes

N/A = No disponible N/R = No requiere N/S = No servible Voir les tableaux de repérage des filtres d'habitacle et à carburant aux pages 5-15 Ver las páginas 16-19 para las notas al pie de página

Italicized Part Numbers May Not Be Available. Wix XP Oil Filters Have Fully Synthetic Media.

Las piezas con números en *italicas* pueden no estar disponibles. Los filtros de aceite WIX XP son completamente de media sintética.

Les numéros de pièce en *italiques* peuvent ne pas être disponibles. Les filtres à huile XP Wix contiennent un matériau 100 % synthétique.

RENAULT 2005-2004
Pass Car/Light Truck

Year/Año/Année Model/Modelo/Modèle Engine/Motor/Moteur	Eng. Code Código de motor Code moteur	VIN NIV NIV	Oil Aceite Huile	Oil XP Aceite XP Huile XP	Air Aire Air	Cabin Air Cabina Aire Cabine Air	Cabin Air XP Cabina Aire XP Cabine Air XP	Loc. Cabin Air Cabina Aire Cabine Air	Fuel Combustible Carburant	Loc. Fuel Combustible Carburant	Transmission Transmisión Transmission
--	---	-------------------	------------------------	---------------------------------	--------------------	--	---	--	----------------------------------	--	---

RENAULT (Cont'd/Suite)
2005
CLIO

L4 1.5L 1461cc Diesel (Mex.)	K9K		57207		WA6761	WP6928			WF8357		
L4 1.6L 1598cc (Mex.)			57207		WA6595	WP6928			WF8034		
L4 2.0L 2000cc (Mex.)	FI		57207								

CLIO SPORT

L4 2.0L 1998cc (Mex.)			57207		N/A	WP6928			WF8034		
-----------------------	--	--	-------	--	-----	--------	--	--	--------	--	--

GRAND SCENIC

L4 1.6L 1598cc (Mex.)			57207		49000	WP9212			WF8034		
L4 1.9L 1870cc Turbo Diesel (Mex.)			57207		WA9458	WP9212			WF8178		
L4 2.0L 1998cc (Mex.)			57207		WA9458	WP9212			WF8034		

KANGOO

L4 1.6L (Mex.)			57207		WA6595				WF8034		
----------------	--	--	-------	--	--------	--	--	--	--------	--	--

KANGOO EXPRESS

L4 1.6L 1598cc (Mex.)			57207		WA6595	WP6928			WF8034		
-----------------------	--	--	-------	--	--------	--------	--	--	--------	--	--

LAGUNA

L4 2.0L 1995cc Turbo Diesel (Mex.)			WL7424		WA6734	WP9106			WF8178		
V6 3.0L (Mex.)			57207		WA6734				WF8034		

MEGANE

L4 2.0L 1998cc (Mex.)			57207		WA9458	WP9174			WF8034		
-----------------------	--	--	-------	--	--------	--------	--	--	--------	--	--

MEGANE SPORT

L4 2.0L 2000cc (Mex.)			57207		WA9458				N/A		
-----------------------	--	--	-------	--	--------	--	--	--	-----	--	--

SCENIC

L4 2.0L 2000cc (Mex.)			57207		N/A				WF8034		
-----------------------	--	--	-------	--	-----	--	--	--	--------	--	--

2004
CLIO

L4 1.5L 1461cc Diesel (Mex.)	K9K		57207		WA6761	WP6928			WF8357		
L4 1.6L 1598cc (Mex.)			57207		WA6595	WP6928			WF8034		
L4 2.0L 1600cc (Mex.)	FI		57207								

CLIO SPORT

L4 2.0L 1998cc (Mex.)			57207		N/A	WP6928			WF8034		
-----------------------	--	--	-------	--	-----	--------	--	--	--------	--	--

GRAND SCENIC

L4 1.6L 1598cc (Mex.)			57207		49000	WP9212			WF8034		
L4 1.9L 1870cc Turbo Diesel (Mex.)			57207		WA9458	WP9212			WF8178		
L4 2.0L 1998cc (Mex.)			57207		WA9458	WP9212			WF8034		

KANGOO

L4 1.6L (Mex.)			57207		WA6595				WF8034		
----------------	--	--	-------	--	--------	--	--	--	--------	--	--

KANGOO EXPRESS

L4 1.6L 1598cc (Mex.)			57207		WA6595	WP6928			WF8034		
-----------------------	--	--	-------	--	--------	--------	--	--	--------	--	--

LAGUNA

V6 3.0L (Mex.)			57207		WA6734				WF8034		
----------------	--	--	-------	--	--------	--	--	--	--------	--	--

MASTER

L4 3.0L 2953cc Turbo Diesel (Mex.)			WL7418		WA9519	N/A			WF8300		
------------------------------------	--	--	--------	--	--------	-----	--	--	--------	--	--

MEGANE

L4 2.0L 2000cc (Mex.)			57207		WA9458	WP9174			WF8034		
-----------------------	--	--	-------	--	--------	--------	--	--	--------	--	--

SCENIC

L4 2.0L 2000cc (Mex.)			57207		WA6595				WF8034		
-----------------------	--	--	-------	--	--------	--	--	--	--------	--	--

TWINGO

L4 1.2L 1149cc (Mex.)			51365	51365XP	WA6728 ⁶¹	WP6924			WF8034		
-----------------------	--	--	-------	---------	----------------------	--------	--	--	--------	--	--

N/A = Not Available N/R = Not Required N/S = Not Serviceable For cabin and fuel filter locator, see pages 5-15 See pages 16-19 for footnotes

N/A = Non disponible N/R = Non nécessaire N/S = Non réparable Para la ubicación de los filtros de aire de la cabina y de combustible, ver las páginas 5-15 Voir pages 16-19 pour des notes

N/A = No disponible N/R = No requiere N/S = No servible Voir les tableaux de repérage des filtres d'habitacle et à carburant aux pages 5-15 Ver las páginas 16-19 para las notas al pie de página

Italicized Part Numbers May Not Be Available. Wix XP Oil Filters Have Fully Synthetic Media.

Las piezas con números en *italicas* pueden no estar disponibles. Los filtros de aceite WIX XP son completamente de media sintética. Les numéros de pièce en *italiques* peuvent ne pas être disponibles. Les filtres à huile XP Wix contiennent un matériau 100 % synthétique.

Year/Año/Année Model/Modelo/Modèle Engine/Motor/Moteur	Eng. Code Código de motor Code moteur	VIN NIV NIV	Oil Aceite Huile	Oil XP Aceite XP Huile XP	Air Aire Air	Cabin Air Cabina Aire Cabine Air	Cabin Air XP Cabina Aire XP Cabine Air XP	Loc. Cabin Air Cabina Aire Cabine Air	Fuel Combustible Carburant	Loc. Fuel Combustible Carburant	Transmission Transmisión Transmission
--	--	-------------------	------------------------	---------------------------------	--------------------	--	---	--	----------------------------------	--	---

RENAULT (Cont'd/Suite)

2003

CLIO

L4 1.5L 1461cc Diesel (Mex.)	K9K		57207		WA6761	WP6928				WF8357	
L4 1.6L 1598cc (Mex.)			57207		WA6595	WP6928				WF8034	
L4 2.0L 1600cc (Mex.)	FI		57207								

CLIO SPORT

L4 2.0L 1998cc (Mex.)			57207		N/A	WP6928				WF8034	
-----------------------	--	--	-------	--	-----	--------	--	--	--	--------	--

KANGOO

L4 1.6L (Mex.)			57207		WA6595					WF8034	
----------------	--	--	-------	--	--------	--	--	--	--	--------	--

KANGOO EXPRESS

L4 1.6L 1598cc (Mex.)			57207		WA6595	WP6928				WF8034	
-----------------------	--	--	-------	--	--------	--------	--	--	--	--------	--

LAGUNA

V6 3.0L (Mex.)			57207		WA6734					WF8034	
----------------	--	--	-------	--	--------	--	--	--	--	--------	--

MEGANE

L4 2.0L 1998cc (Mex.)			57207		WA6455 ⁵¹	WP6860 ⁵¹				WF8034	
-----------------------	--	--	-------	--	----------------------	----------------------	--	--	--	--------	--

SCENIC

L4 2.0L 2000cc (Mex.)			57207		WA6595					WF8034	
-----------------------	--	--	-------	--	--------	--	--	--	--	--------	--

TWINGO

L4 1.2L 1149cc (Mex.)			51365	51365XP	WA6728 ⁶¹	WP6924				WF8034	
-----------------------	--	--	-------	---------	----------------------	--------	--	--	--	--------	--

2002

CLIO

L4 1.5L 1461cc Diesel (Mex.)	K9K		57207		WA6761	WP6928				WF8357	
L4 1.6L 1598cc (Mex.)			57207		WA6595	WP6928				WF8034	
L4 2.0L 1600cc (Mex.)	FI		57207								

CLIO SPORT

L4 2.0L 1998cc (Mex.)			57207		N/A	WP6928				WF8034	
-----------------------	--	--	-------	--	-----	--------	--	--	--	--------	--

MEGANE

L4 1.9L 1870cc Turbo Diesel (Mex.)			57207		N/A	WP6928				N/A	
L4 2.0L 1998cc (Mex.)			57207		WA9458	WP9174				WF8034	

SCENIC

L4 2.0L 1998cc (Mex.)			57207		N/A					N/A	
-----------------------	--	--	-------	--	-----	--	--	--	--	-----	--

TWINGO

L4 1.2L 1149cc (Mex.)			51365	51365XP	WA6728 ⁶¹	WP6924				WF8034	
-----------------------	--	--	-------	---------	----------------------	--------	--	--	--	--------	--

SAAB

2012

9-3

L4 2.0L 1985cc Turbo		Y	57082	57082XP	46915	24472 ⁷⁹ 24525 ⁷⁸		1	N/S		N/A
----------------------	--	---	-------	---------	-------	--	--	---	-----	--	-----

2011

9-3

L4 2.0L 1985cc Turbo	B207R	Y	57082	57082XP	46915	24472 ⁷⁹ 24525 ⁷⁸		1	N/S		N/A
----------------------	-------	---	-------	---------	-------	--	--	---	-----	--	-----

9-3X

L4 2.0L 1985cc Turbo	B207R	Y	57082	57082XP	46915	24472 ⁷⁹ 24525 ⁷⁸		1	N/S		N/A
----------------------	-------	---	-------	---------	-------	--	--	---	-----	--	-----

9-4X

V6 2.8L 2792cc Turbo	LAU	U	57090	57090XP	46915	24472 ⁷⁹ 24525 ⁷⁸		1	N/S		N/A
V6 3.0L 2962cc	LF1	Y	57060 ⁵³	57060XP	49158	24191	24191XP	1	N/S		N/S

9-5

L4 2.0L 1985cc Turbo	A20NFT		57082	57082XP	49421	24191	24191XP	1	N/S		N/S
V6 2.8L 2792cc Turbo	A28NER	J	57090	57090XP	49421	24191	24191XP	1	N/S		N/S

N/A = Not Available N/R = Not Required N/S = Not Serviceable For cabin and fuel filter locator, see pages 5-15 See pages 16-19 for footnotes

N/A = Non disponible N/R = Non nécessaire N/S = Non réparable Para la ubicación de los filtros de aire de la cabina y de combustible, ver las páginas 5-15 Voir pages 16-19 pour des notes

N/A = No disponible N/R = No requiere N/S = No servible Voir les tableaux de repérage des filtres d'habitacle et à carburant aux pages 5-15 Ver las páginas 16-19 para las notas al pie de página

Italicized Part Numbers May Not Be Available. Wix XP Oil Filters Have Fully Synthetic Media.

Las piezas con números en *italicas* pueden no estar disponibles. Los filtros de aceite WIX XP son completamente de media sintética.

Les numéros de pièce en *italiques* peuvent ne pas être disponibles. Les filtres à huile Wix contiennent un matériau 100 % synthétique.

SAAB 2010-2007
Pass Car/Light Truck

Year/Año/Année Model/Modelo/Modèle Engine/Motor/Moteur	Eng. Code Código de motor Code moteur	VIN NIV NIV	Oil Aceite Huile	Oil XP Aceite XP Huile XP	Air Aire Air	Cabin Air Cabina Aire Cabine Air	Cabin Air XP Cabina Aire XP Cabine Air XP	Loc. Cabin Air Cabina Aire Cabine Air	Fuel Combustible Carburant	Loc. Fuel Combustible Carburant	Transmission Transmisión Transmission
--	---	-------------------	------------------------	---------------------------------	--------------------	--	---	--	----------------------------------	--	---

SAAB (Cont'd/Suite)
2010
9-3

L4 2.0L 1985cc Turbo	B207R	Y	57082	57082XP	46915	24472 ¹⁹ 24525 ¹⁸		1	N/S		N/A
----------------------	-------	---	-------	---------	-------	--	--	---	-----	--	-----

9-3X

L4 2.0L 1985cc Turbo	B207R	Y	57082	57082XP	46915	24472 ¹⁹ 24525 ¹⁸		1	N/S		N/A
----------------------	-------	---	-------	---------	-------	--	--	---	-----	--	-----

9-5

V6 2.8L 2792cc Turbo	A28NER	J	57090	57090XP	49421	24191	24191XP	1	N/S		N/S
----------------------	--------	---	-------	---------	-------	-------	---------	---	-----	--	-----

2009
9-3

L4 2.0L 1985cc Turbo	B207R	Y	57082	57082XP	46915	24472 ¹⁹ 24525 ¹⁸		1	N/S		N/A
V6 2.8L 2792cc Turbo	B284R	U,R	57090	57090XP	46915	24472 ¹⁹ 24525 ¹⁸		1	N/S		N/A

9-5

L4 2.3L 2290cc Turbo	B235R	G	51348 ⁵³	51348XP	42830	49370 ²²¹ N/A ²²⁰		4	33279		N/A
----------------------	-------	---	---------------------	---------	-------	--	--	---	-------	--	-----

9-7X

L6 4.2L 256 CID		S	51522 ⁵³	51522XP	42729	N/R			N/S		58904 - 4L60E-SP 58847 - 4L60E-DP
V8 5.3L 325 CID		M	57060 ⁵³	57060XP	42729	N/R			N/S		58904 - 4L60E-SP 58847 - 4L60E-DP
V8 6.0L 365 CID		H	57060 ⁵³	57060XP	42729	N/R			N/S		58904 - 4L60E-SP 58847 - 4L60E-DP

2008
9-3

L4 2.0L 1985cc Turbo	B207R	Y	57082	57082XP	46915	24472 ¹⁹ 24525 ¹⁸		1	N/S		N/A
V6 2.8L 2792cc Turbo	B284	U	57090	57090XP	46915	24472 ¹⁹ 24525 ¹⁸		1	N/S		N/A
	B284R	U	57090	57090XP	46915	24472 ¹⁹ 24525 ¹⁸		1	N/S		N/A

9-5

L4 2.3L 2290cc Turbo	B235R	G	51348 ⁵³	51348XP	42830	49370 ²²¹ N/A ²²⁰		4	33279		N/A
----------------------	-------	---	---------------------	---------	-------	--	--	---	-------	--	-----

9-7X

L6 4.2L 256 CID		S	51522 ⁵³	51522XP	42729	N/R			N/S		58904 - 4L60E-SP 58847 - 4L60E-DP
V8 5.3L 325 CID		M	57060 ⁵³	57060XP	42729	N/R			N/S		58904 - 4L60E-SP 58847 - 4L60E-DP
V8 6.0L 365 CID		H	57060 ⁵³	57060XP	42729	N/R			N/S		58904 - 4L60E-SP 58847 - 4L60E-DP

2007
9-3

L4 2.0L 1985cc Turbo	B207R	Y	57082	57082XP	46915	24472 ¹⁹ 24525 ¹⁸		1	N/S		N/A
V6 2.8L 2792cc Turbo	B284	U	57090	57090XP	46915	24472 ¹⁹ 24525 ¹⁸		1	N/S		N/A

9-5

L4 2.3L 2290cc Turbo	B235R	G	51348 ⁵³	51348XP	42830	49370 ²²¹ N/A ²²⁰		4	33279		N/A
----------------------	-------	---	---------------------	---------	-------	--	--	---	-------	--	-----

9-7X

L6 4.2L 256 CID		S	51522 ⁵³	51522XP	42729	N/R			N/S		58904 - 4L60E-SP 58847 - 4L60E-DP
V8 5.3L 325 CID		M	57060 ⁵³	57060XP	42729	N/R			N/S		58904 - 4L60E-SP 58847 - 4L60E-DP

N/A = Not Available N/R = Not Required N/S = Not Serviceable For cabin and fuel filter locator, see pages 5-15 See pages 16-19 for footnotes

N/A = Non disponible N/R = Non nécessaire N/S = Non réparable Para la ubicación de los filtros de aire de la cabina y de combustible, ver las páginas 5-15 Voir pages 16-19 pour des notes

N/A = No disponible N/R = No requiere N/S = No servible Voir les tableaux de repérage des filtres d'habitacle et à carburant aux pages 5-15 Ver las páginas 16-19 para las notas al pie de página

Italicized Part Numbers May Not Be Available. Wix XP Oil Filters Have Fully Synthetic Media.

Las piezas con números en *italicas* pueden no estar disponibles. Los filtros de aceite WIX XP son completamente de media sintética. Les numéros de pièce en *italiques* peuvent ne pas être disponibles. Les filtres à huile XP Wix contiennent un matériau 100 % synthétique.

Year/Año/Année Model/Modelo/Modèle Engine/Motor/Moteur	Eng. Code Código de motor Code moteur	VIN NIV NIV	Oil Aceite Huile	Oil XP Aceite XP Huile XP	Air Aire Air	Cabin Air Cabina Aire Cabine Air	Cabin Air XP Cabina Aire XP Cabine Air XP	Loc. Cabin Air Cabina Aire Cabine Air	Fuel Combustible Carburant	Loc. Fuel Combustible Carburant	Transmission Transmisión Transmission
--	---	-------------------	------------------------	---------------------------------	--------------------	--	---	--	----------------------------------	--	---

SAAB (Cont'd/Suite)
2006
9-2X

H4 2.5L 2458cc	EJ253	6	57712	57712XP	46116	24485		5	33558		N/A
H4 2.5L 2458cc Turbo	EJ255	7	57712	57712XP	46116	24485		5	33558		N/A

9-3

L4 2.0L 1985cc Turbo	B207R	Y	57082	57082XP	46915	24472 ⁷⁹ 24525 ⁷⁸		1	N/A		N/A
V6 2.8L 2792cc Turbo	B284	U	57090	57090XP	46915	24472 ⁷⁹ 24525 ⁷⁸		1	N/S		N/A

9-5

L4 2.3L 2290cc Turbo	B235R	G	51348 ⁵³	51348XP	42830	49370 ²²¹ N/A ²²⁰		4	33279		N/A
----------------------	-------	---	---------------------	---------	-------	--	--	---	-------	--	-----

9-7X

L6 4.2L 256 CID		S	51522 ⁵³	51522XP	42729	N/R			N/S		58904 - 4L60E-SP 58847 - 4L60E-DP
V8 5.3L 325 CID		M	51042 ⁵³	51042XP	42729	N/R			N/S		58904 - 4L60E-SP 58847 - 4L60E-DP

2005
9-2X

H4 2.0L 1994cc Turbo	EJ205	2	57712	57712XP	46116	24485		5	33558		N/A
H4 2.5L 2458cc	EJ253	6	57712	57712XP	46116	24485		5	33558		N/A

9-3

L4 2.0L 1985cc Turbo	B207L		57082	57082XP	46915	24472 ⁷⁹ 24525 ⁷⁸		1	N/S		N/A
	B207R		57082	57082XP	46915	24472 ⁷⁹ 24525 ⁷⁸		1	N/S		N/A

9-5

L4 2.3L 2290cc Turbo	B235E		51348 ⁵³	51348XP	42830	49370 ²²¹ N/A ²²⁰		4	33279		N/A
	B235L		51348 ⁵³	51348XP	42830	49370 ²²¹ N/A ²²⁰		4	33279		N/A
	B235R		51348 ⁵³	51348XP	42830	49370 ²²¹ N/A ²²⁰		4	33279		N/A

9-7X

L6 4.2L 256 CID		S	51522 ⁵³	51522XP	42729	N/R			N/S		58904 - 4L60E-SP 58847 - 4L60E-DP
V8 5.3L 325 CID		M	51042 ⁵³	51042XP	42729	N/R			N/S		58904 - 4L60E-SP 58847 - 4L60E-DP

2004
9-3

L4 2.0L 1985cc Turbo	B207L		57082	57082XP	46915	24472 ⁷⁹ 24525 ⁷⁸		1	N/S	M	N/A
	B207R		57082	57082XP	46915	24472 ⁷⁹ 24525 ⁷⁸		1	N/S	M	N/A

9-5

L4 2.3L 2290cc Turbo	B235E	E	51348 ⁵³	51348XP	42830	49370 ²²¹ N/A ²²⁰		4	33279	M	N/A
	B235L		51348 ⁵³	51348XP	42830	49370 ²²¹ N/A ²²⁰		4	33279	M	N/A
	B235R		51348 ⁵³	51348XP	42830	49370 ²²¹ N/A ²²⁰		4	33279	M	N/A

2003
9-3

L4 2.0L 1985cc Turbo	B207L		57082	57082XP	49074 ²¹⁴ 46915 ²⁰⁶	24681		1	33279		N/A
	B207R		51348 ⁵³	51348XP	49074	24681		1	33279	M	N/A

N/A = Not Available N/R = Not Required N/S = Not Serviceable For cabin and fuel filter locator, see pages 5-15 See pages 16-19 for footnotes

N/A = Non disponible N/R = Non nécessaire N/S = Non réparable Para la ubicación de los filtros de aire de la cabina y de combustible, ver las páginas 5-15 Voir pages 16-19 pour des notes

N/A = No disponible N/R = No requiere N/S = No servible Voir les tableaux de repérage des filtres d'habitacle et à carburant aux pages 5-15 Ver las páginas 16-19 para las notas al pie de página

Italicized Part Numbers May Not Be Available. Wix XP Oil Filters Have Fully Synthetic Media.

Las piezas con números en *italicas* pueden no estar disponibles. Los filtros de aceite WIX XP son completamente de media sintética.

Les numéros de pièce en *italiques* peuvent ne pas être disponibles. Les filtres à huile XP Wix contiennent un matériau 100 % synthétique.

SAAB 2003 — SATURN 2009
Pass Car/Light Truck

Year/Año/Année Model/Modelo/Modèle Engine/Motor/Moteur	Eng. Code Código de motor Code moteur	VIN NIV NIV	Oil Aceite Huile	Oil XP Aceite XP Huile XP	Air Aire Air	Cabin Air Cabina Aire Cabine Air	Cabin Air XP Cabina Aire XP Cabine Air XP	Loc. Cabin Air Cabina Aire Cabine Air	Fuel Combustible Carburant	Loc. Fuel Combustible Carburant	Transmission Transmisión Transmission
--	---	-------------------	------------------------	---------------------------------	--------------------	--	---	--	----------------------------------	--	---

SAAB (Cont'd/Suite)
2003 (Cont'd/Suite)
9-3 SE

L4 2.0L 1985cc Turbo	B205R		51348 ⁵³	51348XP	49074 ²¹⁴ 46915 ²⁰⁶	24681			2	33279	M	N/A
----------------------	-------	--	---------------------	---------	--	-------	--	--	---	-------	---	-----

9-5

L4 2.3L 2290cc Turbo	B235E	E	51348 ⁵³	51348XP	42830	49370 ²²¹ N/A ²²⁰			4	33279	M	N/A
	B235R		51348 ⁵³	51348XP	42830	49370 ²²¹ N/A ²²⁰			4	33279	M	N/A
V6 3.0L 2962cc	B308E	Z	51348 ⁵³	51348XP	42830	49370 ²²¹ N/A ²²⁰			4	33279	M	N/A

2002
9-3

L4 2.0L 1985cc Turbo			51348 ⁵³	51348XP	49074	24681			1	33279	M	N/A
L4 2.3L 2290cc Turbo	B235R		51348 ⁵³	51348XP	49074	24681			1	33279	M	N/A

9-3 SE

L4 2.0L 1985cc Turbo	B205R	K	51348 ⁵³	51348XP	49074	24681			2	33279	M	N/A
----------------------	-------	---	---------------------	---------	-------	-------	--	--	---	-------	---	-----

9-5

L4 2.3L 2290cc Turbo	B235E	E	51348 ⁵³	51348XP	42830	49370 ²²¹ N/A ²²⁰			4	33279	M	N/A
	B235R		51348 ⁵³	51348XP	42830	49370 ²²¹ N/A ²²⁰			4	33279	M	N/A
V6 3.0L 2962cc	B308E	Z	51348 ⁵³	51348XP	42830	49370 ²²¹ N/A ²²⁰			4	33279	M	N/A

SATURN
2010
AURA

L4 2.4L 145 CID	LE5	B	57082	57082XP	46902	N/R				N/S		58611
V6 3.6L 217 CID	LY7	7	57060 ⁵³	57060XP	46902	N/R				N/S		58611

AURA HYBRID

L4 2.4L 145 CID Electric/Gas	LAT	5	57082	57082XP	46902	N/R				N/S		58611
------------------------------	-----	---	-------	---------	-------	-----	--	--	--	-----	--	-------

OUTLOOK

V6 3.6L 217 CID	LLT	D	57060 ⁵³	57060XP	49634	WP10074				N/S		58611
-----------------	-----	---	---------------------	---------	-------	---------	--	--	--	-----	--	-------

SKY

L4 2.4L 145 CID	LE5	B	57082	57082XP	49066	N/R				N/S		58545
-----------------	-----	---	-------	---------	-------	-----	--	--	--	-----	--	-------

SKY RED LINE

L4 2.0L 122 CID Turbo	LNF	X	57082	57082XP	49071	N/R				N/S		58545
-----------------------	-----	---	-------	---------	-------	-----	--	--	--	-----	--	-------

VUE

L4 2.4L 145 CID		P	57082	57082XP	49102	24013	24013XP	3	N/S			58611
V6 3.5L 213 CID		N	51522 ⁵³	51522XP	49102	24013	24013XP	3	N/S			58611
V6 3.6L 217 CID		7	57060 ⁵³	57060XP	49102	24013	24013XP	3	N/S			58611

VUE HYBRID

L4 2.4L 145 CID Electric/Gas		Z	57082	57082XP	49102	24013	24013XP	3	N/S			58611 - 4T40E
------------------------------	--	---	-------	---------	-------	-------	---------	---	-----	--	--	---------------

2009
ASTRA

L4 1.8L 110 CID	2H0	1	57674 ⁵⁰⁷	57674XP ⁵⁰⁷	49522	49364			3	N/S		N/S
-----------------	-----	---	----------------------	------------------------	-------	-------	--	--	---	-----	--	-----

AURA

L4 2.4L 145 CID		B	57082	57082XP	46902	N/R				N/S		58611
V6 3.6L 217 CID	LLT	7	57060 ⁵³	57060XP	46902	N/R				N/S		58611

AURA HYBRID

L4 2.4L 145 CID Electric/Gas		5	57082	57082XP	46902	N/R				N/S		58611
------------------------------	--	---	-------	---------	-------	-----	--	--	--	-----	--	-------

OUTLOOK

V6 3.6L 217 CID	LLT	D	57060 ⁵³	57060XP	49634	WP10074				N/S		58611
-----------------	-----	---	---------------------	---------	-------	---------	--	--	--	-----	--	-------

SKY

L4 2.4L 145 CID		B	57082	57082XP	49066	N/R				N/S		58545
-----------------	--	---	-------	---------	-------	-----	--	--	--	-----	--	-------

N/A = Not Available N/R = Not Required N/S = Not Serviceable For cabin and fuel filter locator, see pages 5-15 See pages 16-19 for footnotes

N/A = Non disponible N/R = Non nécessaire N/S = Non réparable Para la ubicación de los filtros de aire de la cabina y de combustible, ver las páginas 5-15 Voir pages 16-19 pour des notes

N/A = No disponible N/R = No requiere N/S = No servible Voir les tableaux de repérage des filtres d'habitacle et à carburant aux pages 5-15 Ver las páginas 16-19 para las notas al pie de página

Italicized Part Numbers May Not Be Available. Wix XP Oil Filters Have Fully Synthetic Media.

Las piezas con números en *italicas* pueden no estar disponibles. Los filtros de aceite WIX XP son completamente de media sintética. Les numéros de pièce en *italiques* peuvent ne pas être disponibles. Les filtres à huile XP Wix contiennent un matériau 100 % synthétique.



Pass Car/Light Truck

SATURN 2009-2007

Year/Año/Année Model/Modelo/Modèle Engine/Motor/Moteur	Eng. Code Código de motor Code moteur	VIN NIV NIV	Oil Aceite Huile	Oil XP Aceite XP Huile XP	Air Aire Air	Cabin Air Cabina Aire Cabine Air	Cabin Air XP Cabina Aire XP Cabine Air XP	Loc. Cabin Air Cabina Aire Cabine Air	Fuel Combustible Carburant	Loc. Fuel Combustible Carburant	Transmission Transmisión Transmission
--	---	-------------------	------------------------	---------------------------------	--------------------	--	---	---	----------------------------------	---------------------------------------	---

SATURN (Cont'd/Suite)

2009 (Cont'd/Suite)

SKY RED LINE

L4 2.0L 122 CID Turbo		X	57082	57082XP	49071	N/R			N/S		58545
-----------------------	--	---	-------	---------	-------	-----	--	--	-----	--	-------

VUE

L4 2.4L 145 CID		P	57082	57082XP	49102	24013	24013XP	3	N/S		58611
V6 3.5L 213 CID		N	51522 ⁵³	51522XP	49102	24013	24013XP	3	N/S		N/S
V6 3.6L 217 CID	LLT	7	57060 ⁵³	57060XP	49102	24013	24013XP	3	N/S		N/S

VUE HYBRID

L4 2.4L 145 CID Electric/Gas		Z	57082	57082XP	49102	24013	24013XP	3	N/S		58611 - 4T40E
V6 3.6L 217 CID Electric/Gas		B	57082	57082XP	49102	24013	24013XP	3	N/S		N/S

VUE RED LINE

V6 3.6L 217 CID		7	57060 ⁵³	57060XP	49102	24013	24013XP	3	N/S		N/S
-----------------	--	---	---------------------	---------	-------	-------	---------	---	-----	--	-----

2008

ASTRA

L4 1.8L 110 CID	2H0	1	57674 ⁵⁰⁷	57674XP ⁵⁰⁷	49522	49364		3	N/S		N/S
-----------------	-----	---	----------------------	------------------------	-------	-------	--	---	-----	--	-----

AURA

L4 2.4L 145 CID		B	57082	57082XP	46902	N/R			N/S		58611
V6 3.5L 213 CID		N	51522 ⁵³	51522XP	46902	N/R		1	N/S		58611
V6 3.6L 217 CID		7	57060 ⁵³	57060XP	46902	N/R			N/S		58611

AURA HYBRID

L4 2.4L 145 CID Electric/Gas		5	57082	57082XP	46902	N/R			N/S		58611
------------------------------	--	---	-------	---------	-------	-----	--	--	-----	--	-------

OUTLOOK

V6 3.6L 217 CID	LLT	7	57060 ⁵³	57060XP	49634	WP10074			N/S		58611
-----------------	-----	---	---------------------	---------	-------	---------	--	--	-----	--	-------

SKY

L4 2.4L 145 CID		B	57082	57082XP	49066	N/R			N/S		58545
-----------------	--	---	-------	---------	-------	-----	--	--	-----	--	-------

SKY RED LINE

L4 2.0L 122 CID Turbo		X	57082	57082XP	49071	N/R			N/S		58545
-----------------------	--	---	-------	---------	-------	-----	--	--	-----	--	-------

VUE

L4 2.4L 145 CID		P	57082	57082XP	49102	24013	24013XP	3	N/S		58611
V6 3.5L 213 CID		N	51522 ⁵³	51522XP	49102	24013	24013XP	3	N/S		N/S
V6 3.6L 217 CID	LLT	7	57060 ⁵³	57060XP	49102	24013	24013XP	3	N/S		N/S

VUE GREEN LINE

L4 2.4L 145 CID Electric/Gas		Z	57082	57082XP	49102	24013	24013XP	3	N/S		58611 - 4T40E
------------------------------	--	---	-------	---------	-------	-------	---------	---	-----	--	---------------

VUE RED LINE

V6 3.6L 217 CID	LLT	7	57060 ⁵³	57060XP	49102	24013	24013XP	3	N/S		N/S
-----------------	-----	---	---------------------	---------	-------	-------	---------	---	-----	--	-----

2007

AURA

V6 3.5L 213 CID		N	51522 ⁵³	51522XP	46902	N/R			N/S		58611
V6 3.6L 217 CID	LLT	7	57060 ⁵³	57060XP	46902	N/R			N/S		58611

AURA HYBRID

L4 2.4L 145 CID Electric/Gas		5	57082	57082XP	46902	N/R			N/S		58611
------------------------------	--	---	-------	---------	-------	-----	--	--	-----	--	-------

ION

L4 2.2L 134 CID	L61	F	57082	57082XP	49054	24882	24882XP	3	33980		N/A
L4 2.4L 145 CID		B	57082	57082XP	49054	24882	24882XP	3	33980		N/A

ION RED LINE

L4 2.0L 122 CID Super Charged		P	57082	57082XP	42729	24882	24882XP	3	33980		MT ⁷²
-------------------------------	--	---	-------	---------	-------	-------	---------	---	-------	--	------------------

OUTLOOK

V6 3.6L 217 CID	LLT	7	57060 ⁵³	57060XP	49634	WP10074			N/S		58611
-----------------	-----	---	---------------------	---------	-------	---------	--	--	-----	--	-------

RELAY

V6 3.9L 237 CID		1	51522 ⁵³	51522XP	46302	24161 ⁷⁹		5	N/S		58837
-----------------	--	---	---------------------	---------	-------	---------------------	--	---	-----	--	-------

SKY

L4 2.4L 145 CID		B	57082	57082XP	49066	N/R			N/S		58545
-----------------	--	---	-------	---------	-------	-----	--	--	-----	--	-------

N/A = Not Available N/R = Not Required N/S = Not Serviceable For cabin and fuel filter locator, see pages 5-15 See pages 16-19 for footnotes

N/A = Non disponible N/R = Non nécessaire N/S = Non réparable Para la ubicación de los filtros de aire de la cabina y de combustible, ver las páginas 5-15 Voir pages 16-19 pour des notes

N/A = No disponible N/R = No requiere N/S = No servible Voir les tableaux de repérage des filtres d'habitacle et à carburant aux pages 5-15 Ver las páginas 16-19 para las notas al pie de página

Italicized Part Numbers May Not Be Available. Wix XP Oil Filters Have Fully Synthetic Media.

Las piezas con números en *italicas* pueden no estar disponibles. Los filtros de aceite WIX XP son completamente de media sintetica.

Les numéros de pièce en *italiques* peuvent ne pas être disponibles. Les filtres à huile XP Wix contiennent un matériau 100 % synthétique.

PASS CAR LIGHT TRUCK

SATURN 2007-2004
Pass Car/Light Truck

Year/Año/Année Model/Modelo/Modèle Engine/Motor/Moteur	Eng. Code Código de motor Code moteur	VIN NIV NIV	Oil Aceite Huile	Oil XP Aceite XP Huile XP	Air Aire Air	Cabin Air Cabina Aire Cabine Air	Cabin Air XP Cabina Aire XP Cabine Air XP	Loc. Cabin Air Cabina Aire Cabine Air	Fuel Combustible Carburant	Loc. Fuel Combustible Carburant	Transmission Transmisión Transmission
--	---	-------------------	------------------------	---------------------------------	--------------------	--	---	--	----------------------------------	--	---

SATURN (Cont'd/Suite)
2007 (Cont'd/Suite)
SKY RED LINE

L4 2.0L 122 CID Turbo		X	57082	57082XP	49071		N/R			N/S		58545
-----------------------	--	---	-------	---------	-------	--	-----	--	--	-----	--	-------

VUE

L4 2.2L 134 CID	L61	D	57082	57082XP	46902	24872			1	33705		N/A
V6 3.5L 213 CID		4	51356	51356XP	46902	24872			1	33705		N/A

VUE GREEN LINE

L4 2.4L 145 CID Electric/Gas		Z	57082	57082XP	46902	24872			1	N/S		58611 - 4T40E
------------------------------	--	---	-------	---------	-------	-------	--	--	---	-----	--	---------------

VUE RED LINE

V6 3.5L 213 CID		4	51356	51356XP	46902	24872			1	33705		N/A
-----------------	--	---	-------	---------	-------	-------	--	--	---	-------	--	-----

2006
ION

L4 2.2L 134 CID	L61	F	57082	57082XP	49054	24882	24882XP		3	33980		58611
L4 2.4L 145 CID		B	57082	57082XP	49054	24882	24882XP		3	33980		58611

ION RED LINE

L4 2.0L 122 CID Super Charged		P	57082	57082XP	42729	24882	24882XP		3	33980		MT ⁷²
-------------------------------	--	---	-------	---------	-------	-------	---------	--	---	-------	--	------------------

RELAY

V6 3.5L 213 CID		L	51040 ⁵³	51040XP	46302	24161 ⁷⁹			5	N/S		58837
V6 3.9L 237 CID		1	51522 ⁵³	51522XP	46302	24161 ⁷⁹			5	N/S		58837

VUE

L4 2.2L 134 CID	L61	D	57082	57082XP	46902	24872			1	33705		N/A
V6 3.5L 213 CID		4	51356	51356XP	46902	24872			1	33705		N/A

VUE RED LINE

V6 3.5L 213 CID		4	51356	51356XP	46902	24872			1	33705		N/A
-----------------	--	---	-------	---------	-------	-------	--	--	---	-------	--	-----

2005
ION

L4 2.2L 134 CID	L61	F	57082	57082XP	46887	24882	24882XP		3	33980		N/A
-----------------	-----	---	-------	---------	-------	-------	---------	--	---	-------	--	-----

ION RED LINE

L4 2.0L 122 CID Super Charged		P	57082	57082XP	42729	24882	24882XP		3	33980		MT ⁷²
-------------------------------	--	---	-------	---------	-------	-------	---------	--	---	-------	--	------------------

L SERIES

V6 3.0L 181 CID		R	57033		42891	24865			1	33484	P	58611
-----------------	--	---	-------	--	-------	-------	--	--	---	-------	---	-------

RELAY

V6 3.5L 213 CID		L	51040 ⁵³	51040XP	46302	24161 ⁷⁹			5	N/S		58837
-----------------	--	---	---------------------	---------	-------	---------------------	--	--	---	-----	--	-------

VUE

L4 2.2L 134 CID	L61	D	57082	57082XP	46902	24872			1	33705		N/A
V6 3.5L 213 CID		4	51356	51356XP	46902	24872			1	33705		N/A

VUE RED LINE

V6 3.5L 213 CID		4	51356	51356XP	46902	24872			1	33705		N/A
-----------------	--	---	-------	---------	-------	-------	--	--	---	-------	--	-----

2004
ION

L4 2.2L 134 CID	L61	F	57082	57082XP	46887	24882	24882XP		3	33980		N/A
-----------------	-----	---	-------	---------	-------	-------	---------	--	---	-------	--	-----

ION RED LINE

L4 2.0L 122 CID Super Charged		P	57082	57082XP	42729	24882	24882XP		3	33980		MT ⁷²
-------------------------------	--	---	-------	---------	-------	-------	---------	--	---	-------	--	------------------

L SERIES

L4 2.2L 134 CID	L61	F	57082	57082XP	42891	24865			1	33484	P	58611
V6 3.0L 181 CID		R	57033		42891	24865			1	33484	P	58611

VUE

L4 2.2L 134 CID	L61	D	57082	57082XP	46902	24872			1	33705		N/A
V6 3.5L 213 CID		4	51356	51356XP	46902	24872			1	33705		N/A

VUE RED LINE

V6 3.5L 213 CID		4	51356	51356XP	46902	24872			1	33705		N/A
-----------------	--	---	-------	---------	-------	-------	--	--	---	-------	--	-----

N/A = Not Available N/R = Not Required N/S = Not Serviceable For cabin and fuel filter locator, see pages 5-15 See pages 16-19 for footnotes

N/A = Non disponible N/R = Non nécessaire N/S = Non serviceable Para la ubicación de los filtros de aire de la cabina y de combustible, ver las páginas 5-15 Voir pages 16-19 pour des notes

N/A = No disponible N/R = No requiere N/S = No servible Voir les tableaux de repérage des filtres d'habitacle et à carburant aux pages 5-15 Ver las páginas 16-19 para las notas al pie de página

Italicized Part Numbers May Not Be Available. Wix XP Oil Filters Have Fully Synthetic Media.

Las piezas con números en *italicas* pueden no estar disponibles. Los filtros de aceite WIX XP son completamente de media sintética. Les numéros de pièce en *italiques* peuvent ne pas être disponibles. Les filtres à huile XP Wix contiennent un matériau 100 % synthétique.

Year/Año/Année Model/Modelo/Modèle Engine/Motor/Moteur	Eng. Code Código de motor Code moteur	VIN NIV NIV									
			Oil Aceite Huile	Oil XP Aceite XP Huile XP	Air Aire Air	Cabin Air Cabina Aire Cabine Air	Cabin Air XP Cabina Aire XP Cabine Air XP	Loc. Cabin Air Cabina Aire Cabine Air	Fuel Combustible Carburant	Loc. Fuel Combustible Carburant	Transmission Transmisión Transmission

SATURN (Cont'd/Suite)
2003
ION

L4 2.2L 134 CID	L61	F	57082	57082XP	46887	24882	24882XP	3	33980		N/A
-----------------	-----	---	-------	---------	-------	-------	---------	---	-------	--	-----

L SERIES

L4 2.2L 134 CID	L61	F	57082	57082XP	42891	24865		1	33484	P	58611
V6 3.0L 181 CID		R	57033		42891	24865		1	33484	P	58611

VUE

L4 2.2L 134 CID	L61	D	57082	57082XP	46902	24872		1	33705		N/A
V6 3.0L 181 CID		B	57033		46902	24872		1	33705		N/A

2002
L SERIES

L4 2.2L 134 CID	L61	F	57082	57082XP	42891	24865		1	33484	P	58611
V6 3.0L 181 CID DOHC		R	57033		42891	24865		1	33484		58611

SC SERIES

L4 1.9L 116 CID		7,8	51348 ⁵³	51348XP	46108	N/R			33731		57101 - Spin-on
-----------------	--	-----	---------------------	---------	-------	-----	--	--	-------	--	-----------------

SL SERIES

L4 1.9L 116 CID		7,8	51348 ⁵³	51348XP	46108	N/R			33731		57101 - Spin-on
-----------------	--	-----	---------------------	---------	-------	-----	--	--	-------	--	-----------------

VUE

L4 2.2L 134 CID	L61	D	57082	57082XP	46902	24872		1	33705		N/A
V6 3.0L 181 CID		B	57033		46902	24872		1	33705		N/A

SCION
2016
FR-S

H4 2.0L 1998cc 122 CID	FA20		57830		46834	24212			N/S		N/S
------------------------	------	--	-------	--	-------	-------	--	--	-----	--	-----

IA

L4 1.5L			57002		WA10408	WP10267			N/S		N/S
---------	--	--	-------	--	---------	---------	--	--	-----	--	-----

IM

L4 1.8L			57064	57064XP	49104	24483 ⁷⁹ 24511 ⁷⁸	24483XP ⁷⁹		N/S		N/S
---------	--	--	-------	---------	-------	--	-----------------------	--	-----	--	-----

TC

L4 2.5L 2494cc 152 CID	2ARFE		57047	57047XP	49172	24483 ⁷⁹ 24511 ⁷⁸	24483XP ⁷⁹	3	N/S		N/A
------------------------	-------	--	-------	---------	-------	--	-----------------------	---	-----	--	-----

2015
FR-S

H4 2.0L 1998cc 122 CID	FA20		57830		46834	24212			N/S		N/S
------------------------	------	--	-------	--	-------	-------	--	--	-----	--	-----

IQ

L4 1.3L 1339cc	1NRFE	J	57260		49740	WP10073		3	N/S		N/S
----------------	-------	---	-------	--	-------	---------	--	---	-----	--	-----

TC

L4 2.5L 2494cc 152 CID	2ARFE		57047	57047XP	49172	24483 ⁷⁹ 24511 ⁷⁸	24483XP ⁷⁹	3	N/S		N/A
------------------------	-------	--	-------	---------	-------	--	-----------------------	---	-----	--	-----

XB

L4 2.4L 2362cc	2AZFE	E	57145	57145XP	49172	24483 ⁷⁹ 24511 ⁷⁸	24483XP ⁷⁹	3	N/S		58618
----------------	-------	---	-------	---------	-------	--	-----------------------	---	-----	--	-------

2014
FR-S

H4 2.0L 1998cc 122 CID	FA20		57830		46834	24212			N/S		N/S
------------------------	------	--	-------	--	-------	-------	--	--	-----	--	-----

IQ

L4 1.3L 1339cc	1NRFE	J	57260		49740	WP10073		3	N/S		N/S
----------------	-------	---	-------	--	-------	---------	--	---	-----	--	-----

TC

L4 2.5L 2494cc 152 CID	2ARFE		57047	57047XP	49172	24483 ⁷⁹ 24511 ⁷⁸	24483XP ⁷⁹	3	N/S		N/A
------------------------	-------	--	-------	---------	-------	--	-----------------------	---	-----	--	-----

XB

L4 2.4L 2362cc	2AZFE	E	57145	57145XP	49172	24483 ⁷⁹ 24511 ⁷⁸	24483XP ⁷⁹	3	N/S		58618
----------------	-------	---	-------	---------	-------	--	-----------------------	---	-----	--	-------

N/A = Not Available N/R = Not Required N/S = Not Serviceable For cabin and fuel filter locator, see pages 5-15 See pages 16-19 for footnotes

N/A = Non disponible N/R = Non nécessaire N/S = Non réparable Para la ubicación de los filtros de aire de la cabina y de combustible, ver las páginas 5-15 Voir pages 16-19 pour des notes

N/A = No disponible N/R = No requiere N/S = No servible Voir les tableaux de repérage des filtres d'habitacle et à carburant aux pages 5-15 Ver las páginas 16-19 para las notas al pie de página

Italicized Part Numbers May Not Be Available. Wix XP Oil Filters Have Fully Synthetic Media.

Las piezas con números en *italicas* pueden no estar disponibles. Los filtros de aceite WIX XP son completamente de media sintética.

Les numéros de pièce en *italiques* peuvent ne pas être disponibles. Les filtres à huile Wix contiennent un matériau 100 % synthétique.

SCION 2014-2009
Pass Car/Light Truck

Year/Año/Année Model/Modelo/Modèle Engine/Motor/Moteur	Eng. Code Código de motor Code moteur	VIN NIV NIV	Oil Aceite Huile	Oil XP Aceite XP Huile XP	Air Aire Air	Cabin Air Cabina Aire Cabine Air	Cabin Air XP Cabina Aire XP Cabine Air XP	Loc. Cabin Air Cabina Aire Cabine Air	Fuel Combustible Carburant	Loc. Fuel Combustible Carburant	Transmission Transmisión Transmission
--	---	-------------------	------------------------	---------------------------------	--------------------	--	---	--	----------------------------------	--	---

SCION (Cont'd/Suite)
2014 (Cont'd/Suite)
XD

L4 1.8L 1798cc	2ZRFE	U	57064	57064XP	49104	24483 ⁷⁹ 24511 ⁷⁸	24483XP ⁷⁹	3	N/S	58324
----------------	-------	---	-------	---------	-------	--	-----------------------	---	-----	-------

2013
FR-S

H4 2.0L 1998cc 122 CID	FA20		57830		46834	24212			N/S	N/S
------------------------	------	--	-------	--	-------	-------	--	--	-----	-----

IQ

L4 1.3L 1339cc	1NRFE	J	57260		49740	WP10073		3	N/S	N/S
----------------	-------	---	-------	--	-------	---------	--	---	-----	-----

TC

L4 2.5L 2494cc 152 CID	2ARFE		57047	57047XP	49172	24160		3	N/S	58618
------------------------	-------	--	-------	---------	-------	-------	--	---	-----	-------

XB

L4 2.4L 2362cc	2AZFE	E	57145	57145XP	49172	24483 ⁷⁹ 24511 ⁷⁸	24483XP ⁷⁹	3	N/S	58618
----------------	-------	---	-------	---------	-------	--	-----------------------	---	-----	-------

XD

L4 1.8L 1798cc	2ZRFE	U	57064	57064XP	49104	24483 ⁷⁹ 24511 ⁷⁸	24483XP ⁷⁹	3	N/S	58324
----------------	-------	---	-------	---------	-------	--	-----------------------	---	-----	-------

2012
IQ

L4 1.3L 1339cc	1NRFE	J	57260		49740	WP10073		3	N/S	N/S
----------------	-------	---	-------	--	-------	---------	--	---	-----	-----

TC

L4 2.5L 2494cc 152 CID	2ARFE		57047	57047XP	49172	24160		3	N/S	58618
------------------------	-------	--	-------	---------	-------	-------	--	---	-----	-------

XB

L4 2.4L 2362cc	2AZFE	E	57145	57145XP	49172	24483 ⁷⁹ 24511 ⁷⁸	24483XP ⁷⁹	3	N/S	58618
----------------	-------	---	-------	---------	-------	--	-----------------------	---	-----	-------

XD

L4 1.8L 1798cc	2ZRFE	U	57064	57064XP	49104	24483 ⁷⁹ 24511 ⁷⁸	24483XP ⁷⁹	3	N/S	58324
----------------	-------	---	-------	---------	-------	--	-----------------------	---	-----	-------

2011
TC

L4 2.5L 2494cc 152 CID	2ARFE		57047	57047XP	49172	24160		3	N/S	58618
------------------------	-------	--	-------	---------	-------	-------	--	---	-----	-------

XB

L4 2.4L 2362cc	2AZFE	E	57145	57145XP	49172	24483 ⁷⁹ 24511 ⁷⁸	24483XP ⁷⁹	3	N/S	58618
----------------	-------	---	-------	---------	-------	--	-----------------------	---	-----	-------

XD

L4 1.8L 1798cc	2ZRFE	U	57064	57064XP	49104	24483 ⁷⁹ 24511 ⁷⁸	24483XP ⁷⁹	3	N/S	58324
----------------	-------	---	-------	---------	-------	--	-----------------------	---	-----	-------

2010
TC

L4 2.4L 2362cc	2AZFE		51394 ⁵³	51394XP	46834	24900		3	N/S	58618 - U241E
----------------	-------	--	---------------------	---------	-------	-------	--	---	-----	---------------

XB

L4 2.4L 2362cc	2AZFE	E	57145	57145XP	49172	24483 ⁷⁹ 24511 ⁷⁸	24483XP ⁷⁹	3	N/S	58618
----------------	-------	---	-------	---------	-------	--	-----------------------	---	-----	-------

XD

L4 1.8L 1798cc	2ZRFE	U	57064	57064XP	49104	24483 ⁷⁹ 24511 ⁷⁸	24483XP ⁷⁹	3	N/S	58324
----------------	-------	---	-------	---------	-------	--	-----------------------	---	-----	-------

2009
TC

L4 2.4L 2362cc	2AZFE	E	51394 ⁵³	51394XP	46834	24900		3	N/S	58618 - U241E
----------------	-------	---	---------------------	---------	-------	-------	--	---	-----	---------------

XB

L4 2.4L 2362cc	2AZFE	E	57145	57145XP	49172	24483 ⁷⁹ 24511 ⁷⁸	24483XP ⁷⁹	3	N/S	58618
----------------	-------	---	-------	---------	-------	--	-----------------------	---	-----	-------

XD

L4 1.8L 1798cc	2ZRFE	U	57064	57064XP	49104	24483 ⁷⁹ 24511 ⁷⁸	24483XP ⁷⁹	3	N/S	58324
----------------	-------	---	-------	---------	-------	--	-----------------------	---	-----	-------

N/A = Not Available N/R = Not Required N/S = Not Serviceable For cabin and fuel filter locator, see pages 5-15 See pages 16-19 for footnotes

N/A = Non disponible N/R = Non nécessaire N/S = Non réparable Para la ubicación de los filtros de aire de la cabina y de combustible, ver las páginas 5-15 Voir pages 16-19 pour des notes

N/A = No disponible N/R = No requiere N/S = No servible Voir les tableaux de repérage des filtres d'habitacle et à carburant aux pages 5-15 Ver las páginas 16-19 para las notas al pie de página

Italicized Part Numbers May Not Be Available. Wix XP Oil Filters Have Fully Synthetic Media.

Las piezas con números en *italicas* pueden no estar disponibles. Los filtros de aceite WIX XP son completamente de media sintética. Les numéros de pièce en *italiques* peuvent ne pas être disponibles. Les filtres à huile XP Wix contiennent un matériau 100 % synthétique.

Year/Año/Année Model/Modelo/Modèle Engine/Motor/Moteur	Eng. Code Código de motor Code moteur	VIN NIV NIV	Oil Aceite Huile	Oil XP Aceite XP Huile XP	Air Aire Air	Cabin Air Cabina Aire Cabine Air	Cabin Air XP Cabina Aire XP Cabine Air XP	Loc. Cabin Air Cabina Aire Cabine Air	Fuel Combustible Carburant	Loc. Fuel Combustible Carburant	Transmission Transmisión Transmission
--	---	-------------------	------------------------	---------------------------------	--------------------	--	---	--	----------------------------------	--	---

SCION (Cont'd/Suite)

2008

TC

L4 2.4L 2362cc	2AZFE	E	51394 ⁵³	51394XP	46834	24900		3	N/S		58618 - U241E
----------------	-------	---	---------------------	---------	-------	-------	--	---	-----	--	---------------

XB

L4 2.4L 2362cc	2AZFE	E	51394 ⁵³	51394XP	49172	24483 ⁷⁹ 24511 ⁷⁸	24483XP ⁷⁹	3	N/S		58618 - U140E
----------------	-------	---	---------------------	---------	-------	--	-----------------------	---	-----	--	---------------

XD

L4 1.8L 1798cc	2ZRFE	U	57064	57064XP	49104	24483 ⁷⁹ 24511 ⁷⁸	24483XP ⁷⁹	3	N/S		58324
----------------	-------	---	-------	---------	-------	--	-----------------------	---	-----	--	-------

2007

TC

L4 2.4L 2362cc	2AZFE	E	51394 ⁵³	51394XP	46834	24900		3	N/S		58618 - U241E
----------------	-------	---	---------------------	---------	-------	-------	--	---	-----	--	---------------

2006

TC

L4 2.4L 2362cc	2AZFE	E	51394 ⁵³	51394XP	46834	24900		3	N/S		58618 - U241E
----------------	-------	---	---------------------	---------	-------	-------	--	---	-----	--	---------------

XA

L4 1.5L 1497cc	1NZFE	T	51394 ⁵³	51394XP	46646	24900		3	N/S		58324
----------------	-------	---	---------------------	---------	-------	-------	--	---	-----	--	-------

XB

L4 1.5L 1497cc	1NZFE	T	51394 ⁵³	51394XP	46646	24900		3	N/S		58324
----------------	-------	---	---------------------	---------	-------	-------	--	---	-----	--	-------

2005

TC

L4 2.4L 2362cc	2AZFE	E	51394 ⁵³	51394XP	46834	24900		3	N/S		58618 - U241E
----------------	-------	---	---------------------	---------	-------	-------	--	---	-----	--	---------------

XA

L4 1.5L 1497cc	1NZFE	T	51394 ⁵³	51394XP	46646	24900		3	N/S		58324
----------------	-------	---	---------------------	---------	-------	-------	--	---	-----	--	-------

XB

L4 1.5L 1497cc	1NZFE	T	51394 ⁵³	51394XP	46646	24900		3	N/S		58324
----------------	-------	---	---------------------	---------	-------	-------	--	---	-----	--	-------

2004

XA

L4 1.5L 1497cc	1NZFE	T	51394 ⁵³	51394XP	46646	24900		3	N/S		58324
----------------	-------	---	---------------------	---------	-------	-------	--	---	-----	--	-------

XB

L4 1.5L 1497cc	1NZFE	T	51394 ⁵³	51394XP	46646	24900		3	N/S		58324
----------------	-------	---	---------------------	---------	-------	-------	--	---	-----	--	-------

SEAT

2018

ATECA

L4 1.4L 1395CC 85CID (Mex.)			WL7503		WA10072	WP9036			N/S		N/S
--------------------------------	--	--	--------	--	---------	--------	--	--	-----	--	-----

2017

IBIZA

L4 1.2L 1197CC 73CID (Mex.)			WL7503		WA10072	WP9036			N/S		N/S
L4 1.4L 1390cc (Mex.)			WL7503		WA10072	WP9036			N/S		N/S
L4 1.6L (Mex.)			N/S		N/S	WP9036			N/S		N/S

LEON

L4 1.4L 1390cc (Mex.)			WL7503		WA10072	WP9036			N/S		N/S
L4 1.4L 1395CC 85CID (Mex.)			WL7503		WA10072	WP9036			N/S		N/S
L4 1.8L 1798CC 110CID (Mex.)			N/S		N/S	WP9036			N/S		N/S
L4 2.0L (Mex.)			WL10024 ⁶¹ WL10396 ¹⁹⁴		WA10268	WP9036			N/S		N/S

TOLEDO

L4 1.4L 1395CC 85CID (Mex.)			N/S		N/S	WP9036			N/S		N/S
--------------------------------	--	--	-----	--	-----	--------	--	--	-----	--	-----

N/A = Not Available N/R = Not Required N/S = Not Serviceable For cabin and fuel filter locator, see pages 5-15 See pages 16-19 for footnotes
 N/A = Non disponible N/R = Non nécessaire N/S = Non réparable Para la ubicación de los filtros de aire de la cabina y de combustible, ver las páginas 5-15 Voir pages 16-19 pour des notes
 N/A = No disponible N/R = No requiere N/S = No servible Voir les tableaux de repérage des filtres d'habitacle et à carburant aux pages 5-15 Ver las páginas 16-19 para las notas al pie de página

Italicized Part Numbers May Not Be Available. Wix XP Oil Filters Have Fully Synthetic Media.
 Las piezas con números en *italicas* pueden no estar disponibles. Los filtros de aceite WIX XP son completamente de media sintética.
 Les numéros de pièce en *italiques* peuvent ne pas être disponibles. Les filtres à huile XP Wix contiennent un matériau 100 % synthétique.

SEAT 2017-2014
Pass Car/Light Truck

Year/Año/Année Model/Modelo/Modèle Engine/Motor/Moteur	Eng. Code Código de motor Code moteur	VIN NIV NIV	Oil Aceite Huile	Oil XP Aceite XP Huile XP	Air Aire Air	Cabin Air Cabina Aire Cabine Air	Cabin Air XP Cabina Aire XP Cabine Air XP	Loc. Cabin Air Cabina Aire Cabine Air	Fuel Combustible Carburant	Loc. Fuel Combustible Carburant	Transmission Transmisión Transmission
--	---	-------------------	------------------------	---------------------------------	--------------------	--	---	--	----------------------------------	--	---

SEAT (Cont'd/Suite)
2017 (Cont'd/Suite)
TOLEDO (Cont'd/Suite)

L4 1.6L 1598cc (Mex.)			N/S		N/S	WP9036			N/S		N/S
-----------------------	--	--	-----	--	-----	--------	--	--	-----	--	-----

2016
IBIZA

L4 1.2L 1197CC 73CID (Mex.)			WL7503		WA10072	WP9036			N/S		N/S
L4 1.6L 1598cc (Mex.)			WL7410		WA9645	WP2086 ⁹			33833 ¹⁵⁴		

LEON

L4 1.4L 1395cc TSI Turbo (Mex.)			WL7503		WA10072	WP10159			N/S		
L4 1.8L 1798cc Turbo (Mex.)			57561		49020	24489	24489XP		33814		
L4 2.0L 1984cc TFSI Turbo (Mex.)	CCZB		57561		49020	24489	24489XP		33814		

LEON CUPRA

L4 2.0L 1984cc Turbo (Mex.)			57187	57187XP	49843	24489	24489XP		33814		
-----------------------------	--	--	-------	---------	-------	-------	---------	--	-------	--	--

TOLEDO

L4 1.4L 1395CC 85CID (Mex.)			N/S		N/S	WP9036			N/S		N/S
L4 1.6L 1598cc (Mex.)			WL7494		WA9545	WP2086			33833 ¹⁵⁴		

2015
ALTEA XL

L4 1.8L 1798cc Turbo (Mex.)			57561		49020	24489	24489XP		33814		
-----------------------------	--	--	-------	--	-------	-------	---------	--	-------	--	--

IBIZA

L4 1.2L 1197cc TSI (Mex.)			WL7494		WA9645	WP2086			33814		
L4 1.4L 1390cc (Mex.)			WL7203		WA9645	WP2086			33833 ¹⁵⁴		
L4 1.4L 1390cc TSI Turbo (Mex.)			WL7494		WA9645	WP2086			33814		
L4 1.6L 1598cc Turbo Diesel (Mex.)			57262		WA9645	WP2086			WF8379 ⁶¹		
L4 2.0L 1984cc (Mex.)			51393	51393XP	WA6702	WP2086			33833 ¹⁵⁴		

LEON

L4 1.4L TSI 1390cc Turbo (Mex.)			WL7494		49013	24489	24489XP		33833 ¹⁵⁴		
L4 1.8L 1798cc Turbo (Mex.)			57561		49020	24489	24489XP		33814		
L4 2.0L 1984cc Turbo (Mex.)			57187	57187XP	49020	24489	24489XP		33814		

TOLEDO

L4 1.2L 1197cc TSI (Mex.)			WL7494		WA9645	WP2086			33814		
L4 1.4L 1390cc TSI Turbo (Mex.)			WL7494		WA9645	WP2086			33814		
L4 1.6L 1598cc (Mex.)			WL7494		WA9545	WP2086			33833 ¹⁵⁴		

2014
ALTEA

L4 1.4L 1390cc (Mex.)			WL7203		WA9545	24489	24489XP		33833 ¹⁵⁴		
L4 1.4L 1390cc TSI Turbo (Mex.)	CAXC		WL7494		49013	24489	24489XP		33814		

ALTEA XL

L4 1.8L 1798cc Turbo (Mex.)			57561		49020	24489	24489XP		33814		
-----------------------------	--	--	-------	--	-------	-------	---------	--	-------	--	--

BOCANEGRA

L4 1.4L 1390cc TSI Turbo (Mex.)			WL7467		WA9645	N/A			33814		
---------------------------------	--	--	--------	--	--------	-----	--	--	-------	--	--

IBIZA

L4 1.2L 1197cc TSI (Mex.)			WL7494		WA9645	WP2086			33814		
L4 1.4L 1390cc (Mex.)			WL7203		WA9645	WP2086			33833 ¹⁵⁴		
L4 1.4L 1390cc TSI Turbo (Mex.)			WL7494		WA9645	WP2086			33814		

N/A = Not Available N/R = Not Required N/S = Not Serviceable For cabin and fuel filter locator, see pages 5-15 See pages 16-19 for footnotes

N/A = Non disponible N/R = Non nécessaire N/S = Non réparable Para la ubicación de los filtros de aire de la cabina y de combustible, ver las páginas 5-15 Voir pages 16-19 pour des notes

N/A = No disponible N/R = No requiere N/S = No servible Voir les tableaux de repérage des filtres d'habitacle et à carburant aux pages 5-15 Ver las páginas 16-19 para las notas al pie de página

Italicized Part Numbers May Not Be Available. Wix XP Oil Filters Have Fully Synthetic Media.

Las piezas con números en *italicas* pueden no estar disponibles. Los filtros de aceite WIX XP son completamente de media sintética. Les numéros de pièce en *italiques* peuvent ne pas être disponibles. Les filtres à huile XP Wix contiennent un matériau 100 % synthétique.

Year/Año/Année Model/Modelo/Modèle Engine/Motor/Moteur	Eng. Code Código de motor Code moteur	VIN NIV NIV	Oil Aceite Huile	Oil XP Aceite XP Huile XP	Air Aire Air	Cabin Air Cabina Aire Cabine Air	Cabin Air XP Cabina Aire XP Cabine Air XP	Loc. Cabin Air Cabina Aire Cabine Air	Fuel Combustible Carburant	Loc. Fuel Combustible Carburant	Transmission Transmisión Transmission
--	---	-------------------	------------------------	---------------------------------	--------------------	--	---	--	----------------------------------	--	---

SEAT (Cont'd/Suite)
2014 (Cont'd/Suite)
IBIZA (Cont'd/Suite)

L4 1.6L 1598cc Turbo Diesel (Mex.)			57262		WA9645	WP2086			WF8379 ⁶¹		
L4 2.0L 1984cc (Mex.)			51393	51393XP	WA6702	WP2086			33833 ¹⁵⁴		

LEON

L4 1.4L TSI 1390cc Turbo (Mex.)			WL7494		49013	24489	24489XP		33833 ¹⁵⁴		
L4 1.8L 1798cc Turbo (Mex.)			57561		49020	24489	24489XP		33814		
L4 2.0L 1984cc Turbo (Mex.)			57187	57187XP	49020	24489	24489XP		33814		

TOLEDO

L4 1.2L 1197cc TSI (Mex.)			WL7494		WA9645	WP2086			33814		
L4 1.4L 1390cc TSI Turbo (Mex.)			WL7494		WA9645	WP2086			33814		
L4 1.6L 1598cc (Mex.)			WL7494		WA9545	WP2086			33833 ¹⁵⁴		

2013
ALTEA

L4 1.4L 1390cc (Mex.)			WL7203		WA9545	24489	24489XP		33833 ¹⁵⁴		
L4 1.4L 1390cc TSI Turbo (Mex.)	CAXC		WL7494		49013	24489	24489XP		33814		

ALTEA XL

L4 1.8L 1798cc Turbo (Mex.)			57561		49020	24489	24489XP		33814		
-----------------------------	--	--	-------	--	-------	-------	---------	--	-------	--	--

BOCANEGRA

L4 1.4L 1390cc TSI Turbo (Mex.)			WL7467		WA9645	N/A			33814		
---------------------------------	--	--	--------	--	--------	-----	--	--	-------	--	--

IBIZA

L4 1.2L 1197cc TSI (Mex.)			WL7494		WA9645	WP2086			33814		
L4 1.4L 1390cc (Mex.)			WL7203		WA9645	WP2086			33833 ¹⁵⁴		
L4 1.4L 1390cc TSI Turbo (Mex.)			WL7494		WA9645	WP2086			33814		
L4 1.6L 1598cc Turbo Diesel (Mex.)			57262		WA9645	WP2086			WF8379 ⁶¹		
L4 2.0L 1984cc (Mex.)			51393	51393XP	WA6702	WP2086			33833 ¹⁵⁴		

LEON

L4 1.4L TSI 1390cc Turbo (Mex.)			WL7494		49013	24489	24489XP		33833 ¹⁵⁴		
L4 1.8L 1798cc Turbo (Mex.)			57561		49020	24489	24489XP		33814		
L4 2.0L 1984cc Turbo (Mex.)			57187	57187XP	49020	24489	24489XP		33814		

TOLEDO

L4 1.2L 1197cc TSI (Mex.)			WL7494		WA9645	WP2086			33814		
L4 1.4L 1390cc TSI Turbo (Mex.)			WL7494		WA9645	WP2086			33814		
L4 1.6L 1598cc (Mex.)			WL7494		WA9545	WP2086			33833 ¹⁵⁴		

2012
ALTEA

L4 1.4L 1390cc (Mex.)			WL7203		WA9545	24489	24489XP		33833 ¹⁵⁴		
L4 1.4L 1390cc TSI Turbo (Mex.)	CAXC		WL7494		49013	24489	24489XP		33814		

ALTEA XL

L4 1.8L 1798cc Turbo (Mex.)			57561		49020	24489	24489XP		33814		
-----------------------------	--	--	-------	--	-------	-------	---------	--	-------	--	--

BOCANEGRA

L4 1.4L 1390cc (Mex.)			WL7467		WA9645	N/A			33814		
-----------------------	--	--	--------	--	--------	-----	--	--	-------	--	--

IBIZA

L4 1.4L 1390cc (Mex.)			WL7203		WA9645	WP2086			33833 ¹⁵⁴		
L4 1.4L 1390cc TSI Turbo (Mex.)			WL7494		WA9645	WP2086			33814		
L4 1.6L 1598cc (Mex.)			51393	51393XP	WA6702	N/A			33833 ¹⁵⁴		

N/A = Not Available N/R = Not Required N/S = Not Serviceable For cabin and fuel filter locator, see pages 5-15 See pages 16-19 for footnotes

N/A = Non disponible N/R = Non nécessaire N/S = Non réparable Para la ubicación de los filtros de aire de la cabina y de combustible, ver las páginas 5-15 Voir pages 16-19 pour des notes

N/A = No disponible N/R = No requiere N/S = No servible Voir les tableaux de repérage des filtres d'habitacle et à carburant aux pages 5-15 Ver las páginas 16-19 para las notas al pie de página

Italicized Part Numbers May Not Be Available. Wix XP Oil Filters Have Fully Synthetic Media.

Las piezas con números en *italicas* pueden no estar disponibles. Los filtros de aceite WIX XP son completamente de media sintética.

Les numéros de pièce en *italiques* peuvent ne pas être disponibles. Les filtres à huile XP Wix contiennent un matériau 100 % synthétique.

SEAT 2012-2010
Pass Car/Light Truck

Year/Año/Année Model/Modelo/Modèle Engine/Motor/Moteur	Eng. Code Código de motor Code moteur	VIN NIV NIV	Oil Aceite Huile	Oil XP Aceite XP Huile XP	Air Aire Air	Cabin Air Cabina Aire Cabine Air	Cabin Air XP Cabina Aire XP Cabine Air XP	Loc. Cabin Air Cabina Aire Cabine Air	Fuel Combustible Carburant	Loc. Fuel Combustible Carburant	Transmission Transmisión Transmission
--	--	-------------------	------------------------	---------------------------------	--------------------	--	---	--	----------------------------------	--	---

SEAT (Cont'd/Suite)
2012 (Cont'd/Suite)
IBIZA (Cont'd/Suite)

L4 1.6L 1598cc Turbo Diesel (Mex.)			57262		WA9645	WP2086			WF8379 ^{P1}		
L4 2.0L 1984cc (Mex.)			51393	51393XP	WA6702	WP2086			33833 ¹⁵⁴		

LEON

L4 1.4L TSI 1390cc Turbo (Mex.)			WL7494		49013	24489	24489XP		33833 ¹⁵⁴		
L4 1.8L 1798cc Turbo (Mex.)			57561		49020	24489	24489XP		33814		
L4 2.0L 1984cc Turbo (Mex.)			57187	57187XP	49020	24489	24489XP		33814		

2011
ALTEA

L4 1.4L 1390cc (Mex.)			WL7203		WA9545	24489	24489XP		33833 ¹⁵⁴		
L4 1.4L 1390cc TSI Turbo (Mex.)	CAXC		WL7494		49013	24489	24489XP		33814		

ALTEA / ALTEA XL

L4 1.8L 1768cc (Mex.)			N/A		49020	N/A			33814		
-----------------------	--	--	-----	--	-------	-----	--	--	-------	--	--

ALTEA XL

L4 1.8L 1798cc Turbo (Mex.)			57561		49020	24489	24489XP		33814		
-----------------------------	--	--	-------	--	-------	-------	---------	--	-------	--	--

BOCANEGRA

L4 1.4L 1390cc TSI Turbo (Mex.)			WL7467		WA9645	N/A			33814		
---------------------------------	--	--	--------	--	--------	-----	--	--	-------	--	--

EXEO

L4 2.0L 1984cc (Mex.)			57187	57187XP	42972	N/A			33831		
-----------------------	--	--	-------	---------	-------	-----	--	--	-------	--	--

FREETRACK

L4 2.0L 1984cc (Mex.)			57561		49020	N/A			33814		
-----------------------	--	--	-------	--	-------	-----	--	--	-------	--	--

IBIZA

L4 1.4L 1390cc (Mex.)			WL7203		WA9645	WP2086			33833 ¹⁵⁴		
L4 1.4L 1390cc TSI Turbo (Mex.)			WL7494		WA9645	WP2086			33814		
L4 1.6L 1598cc (Mex.)			51393	51393XP	WA6702	N/A			33833 ¹⁵⁴		
L4 2.0L 1984cc (Mex.)			51393	51393XP	WA6702	WP2086			33833 ¹⁵⁴		

IBIZA DSG

L4 1.6L 1598cc (Mex.)			N/A			N/A			33833 ¹⁵⁴		
-----------------------	--	--	-----	--	--	-----	--	--	----------------------	--	--

LEON

L4 1.4L TSI 1390cc Turbo (Mex.)			WL7494		49013	24489	24489XP		33833 ¹⁵⁴		
L4 1.8L 1798cc Turbo (Mex.)			57561		49020	24489	24489XP		33814		
L4 2.0L 1984cc Turbo (Mex.)			57187	57187XP	49020	24489	24489XP		33814		

LEON CUPRA

L4 2.0L 1984cc (Mex.)			N/A		49843	N/A			33814		
-----------------------	--	--	-----	--	-------	-----	--	--	-------	--	--

LEON FR

L4 2.0L 1984cc (Mex.)			N/A		49013	N/A			33814		
-----------------------	--	--	-----	--	-------	-----	--	--	-------	--	--

2010
ALTEA

L4 1.4L 1390cc (Mex.)			WL7203		WA9545	24489	24489XP		33833 ¹⁵⁴		
L4 1.4L 1390cc TSI Turbo (Mex.)	CAXC		WL7494		49013	24489	24489XP		33814		
L4 1.8L 1800cc (Mex.)	FI				49020						
L4 2.0L 2000cc (Mex.)	FI		57187	57187XP							

CORDOBA

L4 2.0L 2000cc (Mex.)	FI		51088		WA9465	WP9036					
-----------------------	----	--	-------	--	--------	--------	--	--	--	--	--

CORDOBA II

L4 2.0L 2000cc (Mex.)	FI		51088								
-----------------------	----	--	-------	--	--	--	--	--	--	--	--

FREETRACK

L4 2.0L 1984cc (Mex.)			57561		49020	N/A			33814		
-----------------------	--	--	-------	--	-------	-----	--	--	-------	--	--

N/A = Not Available N/R = Not Required N/S = Not Serviceable For cabin and fuel filter locator, see pages 5-15 See pages 16-19 for footnotes

N/A = Non disponible N/R = Non nécessaire N/S = Non réparable Para la ubicación de los filtros de aire de la cabina y de combustible, ver las páginas 5-15 Voir pages 16-19 pour des notes

N/A = No disponible N/R = No requiere N/S = No servible Voir les tableaux de repérage des filtres d'habitacle et à carburant aux pages 5-15 Ver las páginas 16-19 para las notas al pie de página

Italicized Part Numbers May Not Be Available. Wix XP Oil Filters Have Fully Synthetic Media.

Las piezas con números en *italicas* pueden no estar disponibles. Los filtros de aceite WIX XP son completamente de media sintética. Les numéros de pièce en *italiques* peuvent ne pas être disponibles. Les filtres à huile XP Wix contiennent un matériau 100 % synthétique.

Year/Año/Année Model/Modelo/Modèle Engine/Motor/Moteur	Eng. Code Código de motor Code moteur	VIN NIV NIV	Oil Aceite Huile	Oil XP Aceite XP Huile XP	Air Aire Air	Cabin Air Cabina Aire Cabine Air	Cabin Air XP Cabina Aire XP Cabine Air XP	Loc. Cabin Air Cabina Aire Cabine Air	Fuel Combustible Carburant	Loc. Fuel Combustible Carburant	Transmission Transmisión Transmission
--	--	-------------------	------------------------	---------------------------------	--------------------	--	---	--	----------------------------------	--	---

SEAT (Cont'd/Suite)
2010 (Cont'd/Suite)
IBIZA

L4 1.6L 1598cc (Mex.)			51393	51393XP	WA6702	N/A			33833 ¹⁵⁴		
L4 2.0L 1984cc (Mex.)			51393	51393XP	WA6702	WP2086			33833 ¹⁵⁴		

LEON

L4 1.4L TSI 1390cc Turbo (Mex.)			WL7494		49013	24489	24489XP		33833 ¹⁵⁴		
L4 1.8L 1798cc Turbo (Mex.)			57561		49020	24489	24489XP		33814		
L4 2.0L 1984cc Turbo (Mex.)			57187	57187XP	49020	24489	24489XP		33814		

TOLEDO

L4 1.6L 1600cc (Mex.)	FI		51088		42472				33521		
-----------------------	----	--	-------	--	-------	--	--	--	-------	--	--

2009
ALTEA

L4 1.4L 1390cc (Mex.)			WL7203		WA9545	24489	24489XP		33833 ¹⁵⁴		
L4 1.4L 1390cc TSI Turbo (Mex.)	CAXC		WL7467		49013	24489	24489XP		33814		
L4 1.9L 1896cc TDI Diesel (Mex.)	BJB		57083		49020	24489	24489XP		33037		
L4 2.0L 1984cc (Mex.)			57187	57187XP	49013				N/A		

CORDOBA

L4 2.0L (Mex.)	FI		51088		WA9465	WP9036			33833 ¹⁵⁴		
----------------	----	--	-------	--	--------	--------	--	--	----------------------	--	--

FREETRACK

L4 2.0L 1984cc (Mex.)			57561		49020	N/A			33814		
-----------------------	--	--	-------	--	-------	-----	--	--	-------	--	--

IBIZA

L4 1.4L 1400cc (Mex.)	BBZ		WL7203		WA6688				33199		
L4 1.4L 1422cc TDI Turbo Diesel (Mex.)	AMF		57083		N/A				WF8269		
L4 1.6L 1598cc (Mex.)			51393	51393XP	WA6688	N/A			33833 ¹⁵⁴		
L4 1.8L 1781cc (Mex.)			51393	51393XP					33199		
L4 1.9L 1896cc Diesel (Mex.)	ASY		57083						WF8269		
L4 2.0L 1984cc (Mex.)			51393	51393XP	WA6702	WP9036			33833 ¹⁵⁴		

IBIZA DSG

L4 1.6L 1598cc (Mex.)			WL7410		WA9545	WP9036			33833 ¹⁵⁴		
-----------------------	--	--	--------	--	--------	--------	--	--	----------------------	--	--

LEON

L4 1.4L TSI 1390cc Turbo (Mex.)			WL7467		49013	24489	24489XP		33833 ¹⁵⁴		
L4 1.8L 1798cc Turbo (Mex.)			57561		49020	24489	24489XP		33814		
L4 2.0L 1984cc Turbo (Mex.)			57187	57187XP	49020	24489	24489XP		33814		

2008
ALHAMBRA

L4 1.8L 1781cc (Mex.)			51393	51393XP	WA6673				33179		
L4 1.8L Turbo (Mex.)			51342		WA6673	N/A			33521		
L4 1.9L 1896cc Diesel (Mex.)			57210		WA6673				N/A		
L4 2.0L 1984cc (Mex.)			51393	51393XP	WA6673				33179		
V6 2.8L 2792cc (Mex.)			57210		WA6673	WP6849			33179		

ALTEA

L4 1.4L 1390cc (Mex.)			WL7203		WA9545	24489	24489XP		33833 ¹⁵⁴		
L4 1.4L 1390cc TSI Turbo (Mex.)	CAXC		WL7467		49013	24489	24489XP		33814		
L4 1.6L 1595cc (Mex.)	BSF		51393	51393XP	49013	24489	24489XP		33833 ¹⁵⁴		
	CCSA		51393	51393XP	49013	24489	24489XP		33833 ¹⁵⁴		
L4 1.9L 1896cc TDI Diesel (Mex.)	BJB		57083		49020	24489	24489XP		33037		
L4 2.0L (Mex.)			57187	57187XP	49186	24489	24489XP		33814		
L4 2.0L 1984cc (Mex.)			57187	57187XP	49013				N/A		

N/A = Not Available N/R = Not Required N/S = Not Serviceable For cabin and fuel filter locator, see pages 5-15 See pages 16-19 for footnotes

N/A = Non disponible N/R = Non nécessaire N/S = Non réparable Para la ubicación de los filtros de aire de la cabina y de combustible, ver las páginas 5-15 Voir pages 16-19 pour des notes

N/A = No disponible N/R = No requiere N/S = No servible Voir les tableaux de repérage des filtres d'habitacle et à carburant aux pages 5-15 Ver las páginas 16-19 para las notas al pie de página

Italicized Part Numbers May Not Be Available. Wix XP Oil Filters Have Fully Synthetic Media.

Las piezas con números en *italicas* pueden no estar disponibles. Los filtros de aceite WIX XP son completamente de media sintética.

Les numéros de pièce en *italiques* peuvent ne pas être disponibles. Les filtres à huile Wix contiennent un matériau 100 % synthétique.

SEAT 2008-2007
Pass Car/Light Truck

Year/Año/Année Model/Modelo/Modèle Engine/Motor/Moteur	Eng. Code Código de motor Code moteur	VIN NIV NIV	Oil Aceite Huile	Oil XP Aceite XP Huile XP	Air Aire Air	Cabin Air Cabina Aire Cabine Air	Cabin Air XP Cabina Aire XP Cabine Air XP	Loc. Cabin Air Cabina Aire Cabine Air	Fuel Combustible Carburant	Loc. Fuel Combustible Carburant	Transmission Transmisión Transmission
--	--	-------------------	------------------------	---------------------------------	--------------------	--	---	--	----------------------------------	--	---

SEAT (Cont'd/Suite)
2008 (Cont'd/Suite)
ALTEA XL

L4 2.0L 1984cc (Mex.)			57187	57187XP	49013	24489	24489XP		33814	
-----------------------	--	--	-------	---------	-------	-------	---------	--	-------	--

CORDOBA

L4 2.0L (Mex.)	FI		51088		WA9465	WP9036			33833 ¹⁵⁴	
----------------	----	--	-------	--	--------	--------	--	--	----------------------	--

CORDOBA III

L4 2.0L (Mex.)			51342		WA9465	N/A			N/A	
----------------	--	--	-------	--	--------	-----	--	--	-----	--

IBIZA

L4 1.4L 1400cc (Mex.)	BBZ		WL7203		WA6688				33199	
L4 1.4L 1422cc TDI Turbo Diesel (Mex.)	AMF		57083		N/A				WF8269	
L4 1.6L 1598cc (Mex.)			51393	51393XP	WA6688	N/A			33833 ¹⁵⁴	
L4 1.8L 1781cc (Mex.)	BKV		51393	51393XP					33199	
L4 1.9L 1896cc Diesel (Mex.)	ASY		57083						WF8269	
L4 2.0L 1984cc (Mex.)	AZL		51393	51393XP					33199	

IBIZA CUPRA

L4 2.0L Turbo (Mex.)			51342		WA9465	N/A			33833	
----------------------	--	--	-------	--	--------	-----	--	--	-------	--

IBIZA DSG

L4 1.6L 1598cc (Mex.)			WL7410		WA9545	WP9036			33833 ¹⁵⁴	
-----------------------	--	--	--------	--	--------	--------	--	--	----------------------	--

IBIZA IV

L4 2.0L (Mex.)			51342		WA9465	N/A			N/A	
----------------	--	--	-------	--	--------	-----	--	--	-----	--

LEON

L4 1.4L TSI 1390cc Turbo (Mex.)			WL7410		49013	24489	24489XP		33833 ¹⁵⁴	
L4 1.8L 1781cc Turbo (Mex.)			51088		49020				33521	
L4 1.8L 1798cc Turbo (Mex.)			57561		49020	24489	24489XP		33814	
L4 2.0L Turbo (Mex.)			57187	57187XP	49843	24489	24489XP		33814	

TOLEDO

L4 2.0L Turbo (Mex.)			57187	57187XP	49186	24489	24489XP		33814	
----------------------	--	--	-------	---------	-------	-------	---------	--	-------	--

2007
ALHAMBRA

L4 1.8L 1781cc (Mex.)			51342		WA6673	WP6849			33179	
L4 1.8L Turbo (Mex.)			51342		WA6673	N/A			33521	
L4 1.9L 1896cc Diesel (Mex.)			57210		WA6673	WP6849			WF8264 ⁶¹	
L4 2.0L 1984cc (Mex.)			51393	51393XP	WA6673				33179	
V6 2.8L 2792cc (Mex.)			57210		WA6673	WP6849			33179	

ALTEA

L4 1.4L 1390cc (Mex.)			WL7203		WA9545	24489	24489XP		33833 ¹⁵⁴	
L4 1.4L 1390cc TSI Turbo (Mex.)	CAXC		WL7410		49013	24489	24489XP		33814	
L4 1.6L 1595cc (Mex.)	BSF		51393	51393XP	49013	24489	24489XP		33833 ¹⁵⁴	
L4 1.9L 1896cc TDI Diesel (Mex.)	BJB		57083		49020	24489	24489XP		33037	
L4 2.0L (Mex.)			57187	57187XP	49186	24489	24489XP		33814	
L4 2.0L 1984cc (Mex.)			57187	57187XP	49013				N/A	

CORDOBA

L4 2.0L (Mex.)	FI		51088		WA9465	WP9036			33833 ¹⁵⁴	
----------------	----	--	-------	--	--------	--------	--	--	----------------------	--

CORDOBA III

L4 2.0L (Mex.)			51342		WA9465	N/A			N/A	
----------------	--	--	-------	--	--------	-----	--	--	-----	--

IBIZA

L4 1.4L 1400cc (Mex.)	BBZ		WL7203		WA6688				33199	
L4 1.4L 1422cc TDI Turbo Diesel (Mex.)	AMF		57083		N/A				WF8269	
L4 1.6L 1598cc (Mex.)			51088		WA6688				33833 ¹⁵⁴	
L4 1.8L 1781cc (Mex.)	BBU		51393	51393XP					33199	
L4 1.9L 1896cc Diesel (Mex.)	ASY		57083						WF8269	

N/A = Not Available N/R = Not Required N/S = Not Serviceable For cabin and fuel filter locator, see pages 5-15 See pages 16-19 for footnotes

N/A = Non disponible N/R = Non nécessaire N/S = Non réparable Para la ubicación de los filtros de aire de la cabina y de combustible, ver las páginas 5-15 Voir pages 16-19 pour des notes

N/A = No disponible N/R = No requiere N/S = No servible Voir les tableaux de repérage des filtres d'habitacle et à carburant aux pages 5-15 Ver las páginas 16-19 para las notas al pie de página

Italicized Part Numbers May Not Be Available. Wix XP Oil Filters Have Fully Synthetic Media.

Las piezas con números en *italicas* pueden no estar disponibles. Los filtros de aceite WIX XP son completamente de media sintética. Les numéros de pièce en *italiques* peuvent ne pas être disponibles. Les filtres à huile XP Wix contiennent un matériau 100 % synthétique.

Year/Año/Année Model/Modelo/Modèle Engine/Motor/Moteur	Eng. Code Código de motor Code moteur	VIN NIV NIV	Oil Aceite Huile	Oil XP Aceite XP Huile XP	Air Aire Air	Cabin Air Cabina Aire Cabine Air	Cabin Air XP Cabina Aire XP Cabine Air XP	Loc. Cabin Air Cabina Aire Cabine Air	Fuel Combustible Carburant	Loc. Fuel Combustible Carburant	Transmission Transmisión Transmission
--	--	-------------------	------------------------	---------------------------------	--------------------	--	---	--	----------------------------------	--	---

SEAT (Cont'd/Suite)

2007 (Cont'd/Suite)

IBIZA (Cont'd/Suite)

L4 2.0L 1984cc (Mex.)	BBX		51393	51393XP						33199	
-----------------------	-----	--	-------	---------	--	--	--	--	--	-------	--

IBIZA CUPRA

L4 2.0L Turbo (Mex.)			51342		WA9465	N/A				33833	
----------------------	--	--	-------	--	--------	-----	--	--	--	-------	--

IBIZA IV

L4 2.0L (Mex.)			51342		WA9465	N/A			N/A		
----------------	--	--	-------	--	--------	-----	--	--	-----	--	--

LEON

L4 1.6L (Mex.)			N/S		N/S	24489	24489XP		N/S		N/S
----------------	--	--	-----	--	-----	-------	---------	--	-----	--	-----

L4 1.8L 1781cc Turbo (Mex.)			51088		42472				33521		
-----------------------------	--	--	-------	--	-------	--	--	--	-------	--	--

L4 2.0L Turbo (Mex.)			57187	57187XP	49843	24489	24489XP		33814		
----------------------	--	--	-------	---------	-------	-------	---------	--	-------	--	--

TOLEDO

L4 2.0L Turbo (Mex.)			57187	57187XP	49186	24489	24489XP		33814		
----------------------	--	--	-------	---------	-------	-------	---------	--	-------	--	--

2006

ALHAMBRA

L4 1.8L 1781cc (Mex.)			51342		WA6673	WP6849			33179		
-----------------------	--	--	-------	--	--------	--------	--	--	-------	--	--

L4 1.8L Turbo (Mex.)			51342		WA6673	N/A			33521		
----------------------	--	--	-------	--	--------	-----	--	--	-------	--	--

L4 1.9L 1896cc Diesel (Mex.)			57210		WA6673	WP6849			WF8264 ⁶¹		
------------------------------	--	--	-------	--	--------	--------	--	--	----------------------	--	--

L4 2.0L 1984cc (Mex.)			51393	51393XP	WA6673				33179		
-----------------------	--	--	-------	---------	--------	--	--	--	-------	--	--

ALTEA

L4 1.6L 1595cc (Mex.)	BSF		51393	51393XP	49013	24489	24489XP		33833 ¹⁵⁴		
-----------------------	-----	--	-------	---------	-------	-------	---------	--	----------------------	--	--

L4 1.9L 1896cc TDI Diesel (Mex.)	BJB		57083		49020	24489	24489XP		33037		
----------------------------------	-----	--	-------	--	-------	-------	---------	--	-------	--	--

L4 2.0L (Mex.)			57187	57187XP	49186	24489	24489XP		33814		
----------------	--	--	-------	---------	-------	-------	---------	--	-------	--	--

L4 2.0L 1984cc (Mex.)	BVY		57187	57187XP	49013				33833		
-----------------------	-----	--	-------	---------	-------	--	--	--	-------	--	--

	BVZ		57187	57187XP	49013				33833		
--	-----	--	-------	---------	-------	--	--	--	-------	--	--

CORDOBA

L4 1.6L 1598cc			WL7203		WA6688	N/R			33078		
----------------	--	--	--------	--	--------	-----	--	--	-------	--	--

L4 2.0L (Mex.)	FI		51088		WA9465	WP9036			33833 ¹⁵⁴		
----------------	----	--	-------	--	--------	--------	--	--	----------------------	--	--

CORDOBA III

L4 2.0L (Mex.)			51342		WA9465	N/A			N/A		
----------------	--	--	-------	--	--------	-----	--	--	-----	--	--

IBIZA

L4 1.4L 1400cc (Mex.)	BBY		WL7203		WA6688				33199		
-----------------------	-----	--	--------	--	--------	--	--	--	-------	--	--

L4 1.4L 1422cc TDI Turbo Diesel (Mex.)	AMF		57083		N/A				WF8269		
--	-----	--	-------	--	-----	--	--	--	--------	--	--

L4 1.6L 1598cc (Mex.)			51088		WA6688	WP9036			33833 ¹⁵⁴		
-----------------------	--	--	-------	--	--------	--------	--	--	----------------------	--	--

L4 1.8L 1781cc (Mex.)	BBU		51393	51393XP		WP9036			33199		
-----------------------	-----	--	-------	---------	--	--------	--	--	-------	--	--

L4 1.9L 1896cc Diesel (Mex.)	ASY		57083						WF8269		
------------------------------	-----	--	-------	--	--	--	--	--	--------	--	--

L4 2.0L 1984cc (Mex.)	AZL		51393	51393XP	WA6702	WP9036 ⁷⁹			N/A		
-----------------------	-----	--	-------	---------	--------	----------------------	--	--	-----	--	--

						WP9037 ⁷⁸					
--	--	--	--	--	--	----------------------	--	--	--	--	--

IBIZA CUPRA

L4 2.0L Turbo (Mex.)			51342		WA9465	N/A			33833		
----------------------	--	--	-------	--	--------	-----	--	--	-------	--	--

IBIZA IV

L4 2.0L (Mex.)			51342		WA9465	N/A			N/A		
----------------	--	--	-------	--	--------	-----	--	--	-----	--	--

LEON

L4 1.8L 1781cc (Mex.)			51393	51393XP	42472	WP9037			33521		
-----------------------	--	--	-------	---------	-------	--------	--	--	-------	--	--

L4 1.8L 1781cc Turbo (Mex.)			51088		42472				33521		
-----------------------------	--	--	-------	--	-------	--	--	--	-------	--	--

L4 2.0L Turbo (Mex.)			57187	57187XP	49843	24489	24489XP		33814		
----------------------	--	--	-------	---------	-------	-------	---------	--	-------	--	--

TOLEDO

L4 2.0L Turbo (Mex.)			57187	57187XP	49186	24489	24489XP		33814		
----------------------	--	--	-------	---------	-------	-------	---------	--	-------	--	--

2005

ALHAMBRA

L4 1.8L 1781cc (Mex.)			51342		WA6673	WP6849			33179		
-----------------------	--	--	-------	--	--------	--------	--	--	-------	--	--

L4 1.8L Turbo (Mex.)			51342		WA6673	N/A			33521		
----------------------	--	--	-------	--	--------	-----	--	--	-------	--	--

L4 1.9L 1896cc Diesel (Mex.)			57210		WA6673	WP6849			WF8264 ⁶¹		
------------------------------	--	--	-------	--	--------	--------	--	--	----------------------	--	--

N/A = Not Available N/R = Not Required N/S = Not Serviceable For cabin and fuel filter locator, see pages 5-15 See pages 16-19 for footnotes
N/A = Non disponible N/R = Non nécessaire N/S = Non réparable Para la ubicación de los filtros de aire de la cabina y de combustible, ver las páginas 5-15 Voir pages 16-19 pour des notes
N/A = No disponible N/R = No requiere N/S = No servible Voir les tableaux de repérage des filtres d'habitacle et à carburant aux pages 5-15 Ver las páginas 16-19 para las notas al pie de página

*Italicized Part Numbers May Not Be Available. Wix XP Oil Filters Have Fully Synthetic Media.
Las piezas con números en *italicas* pueden no estar disponibles. Los filtros de aceite WIX XP son completamente de media sintética.
Les numéros de pièce en *italiques* peuvent ne pas être disponibles. Les filtres à huile Wix contiennent un matériau 100 % synthétique.*

P
A
S
S
C
A
R
L
I
G
H
T
T
R
U
C
K

SEAT 2005-2004
Pass Car/Light Truck

Year/Año/Année Model/Modelo/Modèle Engine/Motor/Moteur	Eng. Code Código de motor Code moteur	VIN NIV NIV	Oil Aceite Huile	Oil XP Aceite XP Huile XP	Air Aire Air	Cabin Air Cabina Aire Cabine Air	Cabin Air XP Cabina Aire XP Cabine Air XP	Loc. Cabin Air Cabina Aire Cabine Air	Fuel Combustible Carburant	Loc. Fuel Combustible Carburant	Transmission Transmisión Transmission
--	---	-------------------	------------------------	---------------------------------	--------------------	--	---	--	----------------------------------	--	---

SEAT (Cont'd/Suite)
2005 (Cont'd/Suite)
ALHAMBRA (Cont'd/Suite)

L4 2.0L 1984cc (Mex.)			51393	51393XP	WA6673					33179	
V6 2.8L 2792cc (Mex.)			57210		WA6673	WP6849				33179	

ALTEA

L4 1.6L 1595cc (Mex.)	BSE		51393	51393XP	49013	24489	24489XP			33833 ¹⁵⁴	
	BSF		51393	51393XP	49013	24489	24489XP			33833 ¹⁵⁴	
L4 1.9L 1896cc TDI Diesel (Mex.)	BJB		57083		49020	24489	24489XP			33037	
L4 2.0L (Mex.)			57187	57187XP	49186	24489	24489XP			33814	
L4 2.0L 1984cc (Mex.)	BVY		57187	57187XP	49013					33833	
	BVZ		57187	57187XP	49013					33833	

CORDOBA

L4 1.6L 1600cc (Mex.)	FI									33272	
L4 2.0L (Mex.)	FI		51088		WA9465	WP9036				33833 ¹⁵⁴	

CORDOBA III

L4 2.0L (Mex.)			51342		WA9465	N/A				N/A	
----------------	--	--	-------	--	--------	-----	--	--	--	-----	--

IBIZA

L4 1.2L 1198cc (Mex.)	AZQ		WL7318							33078	
L4 1.4L 1400cc (Mex.)	BBY		WL7203		WA6688					33199	
L4 1.4L 1422cc TDI Turbo Diesel (Mex.)	AMF		57083		N/A					WF8269	
L4 1.6L 1598cc (Mex.)			51088		WA6688					33833	
L4 1.8L 1781cc (Mex.)	BKV		51393	51393XP						33199	
L4 1.9L 1896cc Diesel (Mex.)	ASY		57083							WF8269	
L4 2.0L 1984cc (Mex.)	AZL		51393	51393XP						33199	

IBIZA IV

L4 2.0L (Mex.)			51342		WA9465	N/A				N/A	
----------------	--	--	-------	--	--------	-----	--	--	--	-----	--

LEON

L4 1.8L 1781cc (Mex.)			51393	51393XP	42472	WP9037				33521	
L4 1.8L Turbo (Mex.)			51088		42472	24322				33521	

LEON CUPRA

L4 1.8L Turbo (Mex.)			51088		42472	24322				33521	
----------------------	--	--	-------	--	-------	-------	--	--	--	-------	--

TOLEDO

L4 1.8L Turbo (Mex.)			51342		42472	24822				33521	
----------------------	--	--	-------	--	-------	-------	--	--	--	-------	--

2004
ALHAMBRA

L4 1.8L 1781cc (Mex.)			51342		WA6673	WP6849				33179	
L4 1.8L Turbo (Mex.)			51342		WA6673	N/A				33521	
L4 1.9L 1896cc Diesel (Mex.)			57210		WA6673	WP6849				WF8264 ⁶¹	
L4 2.0L 1984cc (Mex.)			51393	51393XP	WA6673					33179	
V6 2.8L 2792cc (Mex.)			57210		WA6673	WP6849				33179	

ALTEA

L4 1.6L 1595cc (Mex.)	BSF		51393	51393XP	49013	24489	24489XP			33833 ¹⁵⁴	
L4 1.9L 1896cc TDI Diesel (Mex.)	BJB		57083		49020	24489	24489XP			33037	
L4 2.0L (Mex.)			57187	57187XP	49186	24489	24489XP			33814	
L4 2.0L 1984cc (Mex.)	BLR		57187	57187XP	49013					33833	
	BLY		57187	57187XP	49013					33833	

CORDOBA

L4 1.6L 1600cc (Mex.)	FI									33272	
L4 2.0L 2000cc (Mex.)	FI		51088		WA9465	WP9036				33833 ¹⁵⁴	

CORDOBA III

L4 2.0L (Mex.)			51342		WA9465	N/A				N/A	
----------------	--	--	-------	--	--------	-----	--	--	--	-----	--

IBIZA

L4 1.2L 1198cc (Mex.)	AZQ		WL7318							33078	
-----------------------	-----	--	--------	--	--	--	--	--	--	-------	--

N/A = Not Available N/R = Not Required N/S = Not Serviceable For cabin and fuel filter locator, see pages 5-15 See pages 16-19 for footnotes

N/A = Non disponible N/R = Non nécessaire N/S = Non réparable Para la ubicación de los filtros de aire de la cabina y de combustible, ver las páginas 5-15 Voir pages 16-19 pour des notes

N/A = No disponible N/R = No requiere N/S = No servible Voir les tableaux de repérage des filtres d'habitacle et à carburant aux pages 5-15 Ver las páginas 16-19 para las notas al pie de página

Italicized Part Numbers May Not Be Available. Wix XP Oil Filters Have Fully Synthetic Media.

Las piezas con números en *italicas* pueden no estar disponibles. Los filtros de aceite Wix XP son completamente de media sintética. Les numéros de pièce en *italiques* peuvent ne pas être disponibles. Les filtres à huile XP Wix contiennent un matériau 100 % synthétique.

Year/Año/Année Model/Modelo/Modèle Engine/Motor/Moteur	Eng. Code Código de motor Code moteur	VIN NIV NIV	Oil Aceite Huile	Oil XP Aceite XP Huile XP	Air Aire Air	Cabin Air Cabina Aire Cabine Air	Cabin Air XP Cabina Aire XP Cabine Air XP	Loc. Cabin Air Cabina Aire Cabine Air	Fuel Combustible Carburant	Loc. Fuel Combustible Carburant	Transmission Transmisión Transmission
--	--	-------------------	------------------------	---------------------------------	--------------------	--	---	--	----------------------------------	--	---

SEAT (Cont'd/Suite)
2004 (Cont'd/Suite)
IBIZA (Cont'd/Suite)

L4 1.4L 1400cc (Mex.)	BBY		WL7203		WA6688				33199		
L4 1.4L 1422cc TDI Turbo Diesel (Mex.)	AMF		57083		N/A				WF8269		
L4 1.6L 1598cc (Mex.)			51088		WA6688				33833		
L4 1.8L 1781cc (Mex.)	BLZ		51393	51393XP					33199		
L4 1.9L 1896cc Diesel (Mex.)	ASY		57083						WF8269		
L4 2.0L 1984cc (Mex.)	AZL		51393	51393XP					33199		

IBIZA IV

L4 2.0L (Mex.)			51342		WA9465	N/A			N/A		
----------------	--	--	-------	--	--------	-----	--	--	-----	--	--

LEON

L4 1.8L 1781cc (Mex.)			51393	51393XP	42472	WP9037			33521		
L4 1.8L Turbo (Mex.)			51088		42472	24322			33521		

LEON CUPRA

L4 1.8L Turbo (Mex.)			51088		42472	24322			33521		
----------------------	--	--	-------	--	-------	-------	--	--	-------	--	--

TOLEDO

L4 1.8L Turbo (Mex.)			51342		42472	24822			33521		
----------------------	--	--	-------	--	-------	-------	--	--	-------	--	--

2003
ALHAMBRA

L4 1.8L 1781cc (Mex.)			51342		WA6673	WP6849			33179		
L4 1.8L Turbo (Mex.)			51342		WA6673	N/A			33521		
L4 1.9L 1896cc Diesel (Mex.)			57210		WA6673	WP6849			WF8264 ⁶¹		
L4 2.0L 1984cc (Mex.)			51393	51393XP	WA6673				33179		
V6 2.8L 2792cc (Mex.)			57210		WA6673	WP6849			33179		

AROSA

L4 1.0L 999cc (AER, ALL, ALD) (Mex.)			WL7203			24322			33078		
--------------------------------------	--	--	--------	--	--	-------	--	--	-------	--	--

CORDOBA

L4 1.6L 1600cc (Mex.)	FI								33272		
L4 2.0L 2000cc (Mex.)	FI		51088		WA9465	WP9036			33833 ¹⁵⁴		

CORDOBA III

L4 2.0L (Mex.)			51342		WA9465	N/A					
----------------	--	--	-------	--	--------	-----	--	--	--	--	--

IBIZA

L4 1.2L 1198cc (Mex.)	AZQ		WL7318						33078		
L4 1.4L 1400cc (Mex.)	BBY		WL7203		WA6688				33199		
L4 1.4L 1422cc TDI Turbo Diesel (Mex.)	AMF		57083		N/A				WF8269		
L4 1.6L 1595cc (Mex.)	ALM		51393	51393XP					33310		
L4 1.6L 1598cc (Mex.)			51088		WA6704 ⁶¹	24322			33833 ¹⁵⁴		
L4 1.8L 1781cc (Mex.)	BJX		51393	51393XP					33199		
L4 1.9L 1896cc Diesel (Mex.)	ASY		57083						WF8269		
L4 2.0L 1984cc (Mex.)	AZL		51393	51393XP					33199		

IBIZA III

L4 1.6L (Mex.)			51342		WA6704 ⁶¹	24822			33199		
----------------	--	--	-------	--	----------------------	-------	--	--	-------	--	--

IBIZA IV

L4 2.0L (Mex.)			51342		WA9465	N/A			N/A		
----------------	--	--	-------	--	--------	-----	--	--	-----	--	--

LEON

L4 1.8L 1781cc (Mex.)			51393	51393XP	42472	WP9037			33521		
L4 1.8L Turbo (Mex.)			51088		42472	24322			33521		

LEON CUPRA

L4 1.8L Turbo (Mex.)			51088		42472	24322			33521		
----------------------	--	--	-------	--	-------	-------	--	--	-------	--	--

TOLEDO

L4 1.8L Turbo (Mex.)			51342		42472	24822			33521		
----------------------	--	--	-------	--	-------	-------	--	--	-------	--	--

N/A = Not Available N/R = Not Required N/S = Not Serviceable For cabin and fuel filter locator, see pages 5-15 See pages 16-19 for footnotes

N/A = Non disponible N/R = Non nécessaire N/S = Non réparable Para la ubicación de los filtros de aire de la cabina y de combustible, ver las páginas 5-15 Voir pages 16-19 pour des notes

N/A = No disponible N/R = No requiere N/S = No servible Voir les tableaux de repérage des filtres d'habitacle et à carburant aux pages 5-15 Ver las páginas 16-19 para las notas al pie de página

Italicized Part Numbers May Not Be Available. Wix XP Oil Filters Have Fully Synthetic Media.

Las piezas con números en *italicas* pueden no estar disponibles. Los filtros de aceite WIX XP son completamente de media sintética.

Les numéros de pièce en *italiques* peuvent ne pas être disponibles. Les filtres à huile XP Wix contiennent un matériau 100 % synthétique.

SEAT 2002 — SMART 2016
Pass Car/Light Truck

Year/Año/Année Model/Modelo/Modèle Engine/Motor/Moteur	Eng. Code Código de motor Code moteur	VIN NIV NIV	Oil Aceite Huile	Oil XP Aceite XP Huile XP	Air Aire Air	Cabin Air Cabina Aire Cabine Air	Cabin Air XP Cabina Aire XP Cabine Air XP	Loc. Cabin Air Cabina Aire Cabine Air	Fuel Combustible Carburant	Loc. Fuel Combustible Carburant	Transmission Transmisión Transmission
--	---	-------------------	------------------------	---------------------------------	--------------------	--	---	--	----------------------------------	--	---

SEAT (Cont'd/Suite)
2002
ALHAMBRA

L4 1.8L 1781cc (Mex.)			51342		WA6673	WP6849			33179		
L4 1.8L Turbo (Mex.)			51342		WA6673	WP6848			33521		
L4 1.9L 1896cc Diesel (Mex.)			57210		WA6673				N/A		
L4 2.0L 1984cc (Mex.)			51393	51393XP	WA6673				33179		
V6 2.8L 2792cc (Mex.)			57210		WA6673	WP6849			33179		

AROSA

L4 1.0L 999cc (AER, ALL, ALD) (Mex.)			WL7203			24322			33078		
--------------------------------------	--	--	--------	--	--	-------	--	--	-------	--	--

CORDOBA

L4 1.6L 1600cc (Mex.)	FI		51088			24322			N/A		
-----------------------	----	--	-------	--	--	-------	--	--	-----	--	--

CORDOBA II

L4 1.6L (Mex.)			51342		WA6704 ⁶¹	24822			33199		
----------------	--	--	-------	--	----------------------	-------	--	--	-------	--	--

IBIZA

L4 1.2L 1198cc (Mex.)	AZQ		WL7318						33078		
L4 1.4L 1400cc (Mex.)	BBY		WL7203		WA6688				33199		
L4 1.4L 1422cc TDI Turbo Diesel (Mex.)	AMF		57083		N/A				WF8269		
L4 1.6L 1595cc (Mex.)	ALM		51393	51393XP					33310		
L4 1.6L 1598cc (Mex.)			51088		WA6704 ⁶¹	24322			33833 ¹⁵⁴		
L4 1.8L 1781cc (Mex.)	AEH		51393	51393XP	WA6704 ⁶¹				33199		
L4 1.9L 1896cc Diesel (Mex.)	AGR		57083		WA6702	WP9036 ⁷⁹ WP9037 ⁷⁸			WF8269		

IBIZA III

L4 1.6L (Mex.)			51342		WA6704 ⁶¹	24822			33199		
----------------	--	--	-------	--	----------------------	-------	--	--	-------	--	--

LEON

L4 1.8L 1781cc (Mex.)			51393	51393XP	42472	WP9037			33521		
L4 1.8L Turbo (Mex.)			51088		42472	24322			33521		

LEON CUPRA

L4 1.8L Turbo (Mex.)			51088		42472	24322			33521		
----------------------	--	--	-------	--	-------	-------	--	--	-------	--	--

TOLEDO

L4 1.8L Turbo (Mex.)			51342		42472	24822			33521		
----------------------	--	--	-------	--	-------	-------	--	--	-------	--	--

SMART
2018
FORTWO

Electric Drive Electric			N/R		N/A	49351 ⁷⁸ 49351 ⁷⁹		3	N/S		N/S
L3 0.9L 898cc 55 CID Turbo			WL7506		WA10517	49351		3	N/S		N/S
L3 1.0L 1000cc 61 CID			57207		WA10517	49351		3	N/S		N/S

2017
FORTWO

Electric Drive Electric			N/R		N/A	49351 ⁷⁸ 49351 ⁷⁹		3	N/S		N/S
L3 0.9L 898cc 55 CID Turbo			WL7506		WA10517	49351		3	N/S		N/S

FORTWO PASSION

L3 1.0L 1000cc 61 CID			WL7506		WA10517	49351		3	N/S		N/S
-----------------------	--	--	--------	--	---------	-------	--	---	-----	--	-----

FORTWO PASSION CABRIOLET

L3 1.0L 1000cc 61 CID			WL7506		WA10517	49351		3	N/S		N/S
-----------------------	--	--	--------	--	---------	-------	--	---	-----	--	-----

FORTWO PURE

L3 1.0L 1000cc 61 CID			WL7506		WA10517	49351		3	N/S		N/S
-----------------------	--	--	--------	--	---------	-------	--	---	-----	--	-----

2016
FORTWO

Electric Drive Electric			N/R		N/A	49351 ⁷⁸ 49351 ⁷⁹		3	N/S		N/S
-------------------------	--	--	-----	--	-----	--	--	---	-----	--	-----

N/A = Not Available N/R = Not Required N/S = Not Serviceable For cabin and fuel filter locator, see pages 5-15 See pages 16-19 for footnotes

N/A = Non disponible N/R = Non nécessaire N/S = Non réparable Para la ubicación de los filtros de aire de la cabina y de combustible, ver las páginas 5-15 Voir pages 16-19 pour des notes

N/A = No disponible N/R = No requiere N/S = No servible Voir les tableaux de repérage des filtres d'habitacle et à carburant aux pages 5-15 Ver las páginas 16-19 para las notas al pie de página

Italicized Part Numbers May Not Be Available. Wix XP Oil Filters Have Fully Synthetic Media.

Las piezas con números en *italicas* pueden no estar disponibles. Los filtros de aceite WIX XP son completamente de media sintética. Les numéros de pièce en *italiques* peuvent ne pas être disponibles. Les filtres à huile XP Wix contiennent un matériau 100 % synthétique.

Year/Año/Année Model/Modelo/Modèle Engine/Motor/Moteur	Eng. Code Código de motor Code moteur	VIN NIV NIV	Oil Aceite Huile	Oil XP Aceite XP Huile XP	Air Aire Air	Cabin Air Cabina Aire Cabine Air	Cabin Air XP Cabina Aire XP Cabine Air XP	Loc. Cabin Air Cabina Aire Cabine Air	Fuel Combustible Carburant	Loc. Fuel Combustible Carburant	Transmission Transmisión Transmission
--	---	-------------------	------------------------	---------------------------------	--------------------	--	---	--	----------------------------------	--	---

SMART (Cont'd/Suite)

2016 (Cont'd/Suite)

FORTWO (Cont'd/Suite)

L3 0.9L 898cc 55 CID		WL7506			N/A	N/R		3	N/S		N/S
----------------------	--	--------	--	--	-----	-----	--	---	-----	--	-----

FORTWO PASSION

L3 1.0L 1000cc 61 CID		WL7506			WA10517	49351		3	N/S		N/S
-----------------------	--	--------	--	--	---------	-------	--	---	-----	--	-----

FORTWO PASSION CABRIOLET

L3 1.0L 1000cc 61 CID		WL7506			WA10517	49351		3	N/S		N/S
-----------------------	--	--------	--	--	---------	-------	--	---	-----	--	-----

FORTWO PURE

L3 1.0L 1000cc 61 CID		WL7506			WA10517	49351		3	N/S		N/S
-----------------------	--	--------	--	--	---------	-------	--	---	-----	--	-----

2015

FORTWO

Electric Drive Electric L3 1.0L 1000cc 61 CID			N/R 57040		N/A 49301	49351 49351		3 3	N/R N/S		N/A N/S
--	--	--	--------------	--	--------------	----------------	--	--------	------------	--	------------

2014

FORTWO

Electric Drive Electric L3 1.0L 1000cc 61 CID			N/R 57040		N/A 49301	49351 49351		3 3	N/R N/S		N/A N/S
--	--	--	--------------	--	--------------	----------------	--	--------	------------	--	------------

2013

FORTWO

Electric Drive Electric L3 1.0L 1000cc 61 CID			N/R 57040		N/A 49301	49351 49351		3 3	N/R N/S		N/A N/S
--	--	--	--------------	--	--------------	----------------	--	--------	------------	--	------------

2012

FORTWO

Electric Drive Electric L3 1.0L 1000cc 61 CID			N/R 57040		N/A 49301	49351 49351		3 3	N/R N/S		N/A N/S
--	--	--	--------------	--	--------------	----------------	--	--------	------------	--	------------

2011

FORTWO

Electric Electric L3 0.8L 799cc Turbo Diesel (Mex.) L3 1.0L 1000cc 61 CID			N/R 57077 57040		N/A N/A 49301	N/R N/A 49351		3 3	N/R N/S N/S		N/A N/S
--	--	--	-----------------------	--	---------------------	---------------------	--	--------	-------------------	--	------------

2010

FORTWO

L3 1.0L 1000cc 61 CID		57040			49301	49351		3	N/S		N/S
-----------------------	--	-------	--	--	-------	-------	--	---	-----	--	-----

2009

FORTWO

L3 1.0L 1000cc 61 CID		57040			49301	49351		3	N/S		N/S
-----------------------	--	-------	--	--	-------	-------	--	---	-----	--	-----

2008

FORTWO

L3 1.0L 1000cc 61 CID		57040			49301	49351		3	N/S		N/S
-----------------------	--	-------	--	--	-------	-------	--	---	-----	--	-----

2007

FORTWO

L3 799cc Turbo Diesel		57077			49068	49261					
-----------------------	--	-------	--	--	-------	-------	--	--	--	--	--

2006

FORFOUR

L4 1.5L 1499cc (Mex.)		51083			WA9522	N/A			N/S		
-----------------------	--	-------	--	--	--------	-----	--	--	-----	--	--

FORTWO

L3 799cc Turbo Diesel		57077			49068	49261					
-----------------------	--	-------	--	--	-------	-------	--	--	--	--	--

N/A = Not Available N/R = Not Required N/S = Not Serviceable For cabin and fuel filter locator, see pages 5-15 See pages 16-19 for footnotes
 N/A = Non disponible N/R = Non nécessaire N/S = Non réparable Para la ubicación de los filtros de aire de la cabina y de combustible, ver las páginas 5-15 Voir pages 16-19 pour des notes
 N/A = No disponible N/R = No requiere N/S = No servible Voir les tableaux de repérage des filtres d'habitacle et à carburant aux pages 5-15 Ver las páginas 16-19 para las notas al pie de página

Italicized Part Numbers May Not Be Available. Wix XP Oil Filters Have Fully Synthetic Media.
 Las piezas con números en *italicas* pueden no estar disponibles. Los filtros de aceite WIX XP son completamente de media sintética.
 Les numéros de pièce en *italiques* peuvent ne pas être disponibles. Les filtres à huile XP Wix contiennent un matériau 100 % synthétique.

SMART 2005 — SUBARU 2020
Pass Car/Light Truck

Year/Año/Année Model/Modelo/Modèle Engine/Motor/Moteur	Eng. Code Código de motor Code moteur	VIN NIV NIV	Oil Aceite Huile	Oil XP Aceite XP Huile XP	Air Aire Air	Cabin Air Cabina Aire Cabine Air	Cabin Air XP Cabina Aire XP Cabine Air XP	Loc. Cabin Air Cabina Aire Cabine Air	Fuel Combustible Carburant	Loc. Fuel Combustible Carburant	Transmission Transmisión Transmission
--	---	-------------------	------------------------	---------------------------------	--------------------	--	---	--	----------------------------------	--	---

SMART (Cont'd/Suite)
2005
FORFOUR

L4 1.5L 1499cc (Mex.)			51083		WA9522	N/A			N/S		
-----------------------	--	--	-------	--	--------	-----	--	--	-----	--	--

FORTWO

L3 799cc Turbo Diesel			57077		49068	49261					
-----------------------	--	--	-------	--	-------	-------	--	--	--	--	--

SRT
2014
VIPER

V10 8.4L 8448cc 515 CID			57063		46835	N/R			N/S	P	MT ⁷²
-------------------------	--	--	-------	--	-------	-----	--	--	-----	---	------------------

2013
VIPER

V10 8.4L 8448cc 515 CID			57063		46835	N/R			N/S	P	MT ⁷²
-------------------------	--	--	-------	--	-------	-----	--	--	-----	---	------------------

SUBARU
2021
ASCENT

H4 2.4L 2400CC 146CID - FA24 Turbo	FA24		57055	57055XP	WA10713	WP10320 ⁷⁹ WP10322 ⁷⁸			N/S		N/A
------------------------------------	------	--	-------	---------	---------	--	--	--	-----	--	-----

CROSSTREK

H4 2.0L 1995cc	FB20		57055	57055XP	WA10713	WP10320 ⁷⁹ WP10322 ⁷⁸			33558		N/S
----------------	------	--	-------	---------	---------	--	--	--	-------	--	-----

CROSSTREK HYBRID

H4 2.0L 1995cc	FB20		57055	57055XP	WA10713	WP10320 ⁷⁹ WP10322 ⁷⁸			33558		N/S
----------------	------	--	-------	---------	---------	--	--	--	-------	--	-----

FORESTER

H4 2.5L 2498			57055	57055XP	WA10713	N/A		3	N/S		N/S
--------------	--	--	-------	---------	---------	-----	--	---	-----	--	-----

IMPREZA

H4 2.0L 1995cc	FB20		57055	57055XP	WA10713	WP10320 ⁷⁹ WP10322 ⁷⁸		3	N/S	F	N/S
----------------	------	--	-------	---------	---------	--	--	---	-----	---	-----

LEGACY

H4 2.4L 2400CC 146CID Turbo			57055	57055XP	WA10713	WP10320 ⁷⁹ WP10322 ⁷⁸		3	N/S	F	N/A
H4 2.5L 2498cc 152 CID	FB25		57055	57055XP	WA10713	WP10320 ⁷⁹ WP10322 ⁷⁸		3	N/S	F	N/A

OUTBACK

H4 2.4L 2400CC 146CID Turbo			57055	57055XP	WA10713	WP10320 ⁷⁹ WP10322 ⁷⁸		3	N/A	F	N/A
H4 2.5L 2498cc 152 CID	FB25		57055	57055XP	WA10713	WP10320 ⁷⁹ WP10322 ⁷⁸		3	N/A	F	N/A

WRX

H4 2.0L 1998cc 122 CID Turbo/Intercooled	FA20F		WL10078		46914	24030		3	N/S	F	N/S
--	-------	--	---------	--	-------	-------	--	---	-----	---	-----

WRX STI

H4 2.5L 2458cc Turbo	EJ257		57712	57712XP	46914	24030		3	N/S	F	MT
----------------------	-------	--	-------	---------	-------	-------	--	---	-----	---	----

2020
ASCENT

H4 2.4L 2400CC 146CID - FA24 Turbo	FA24		57055	57055XP	WA10713	WP10320 ⁷⁹ WP10322 ⁷⁸			N/S		N/A
------------------------------------	------	--	-------	---------	---------	--	--	--	-----	--	-----

BRZ

H4 2.0L 1998cc 122 CID	FA20D	A	57830		46834 WA10807 ⁷²	24524		3	N/S	F	N/A
------------------------	-------	---	-------	--	--------------------------------	-------	--	---	-----	---	-----

CROSSTREK

H4 2.0L 1995cc	FB20		57055	57055XP	WA10713	WP10320 ⁷⁹ WP10322 ⁷⁸			33558		N/S
----------------	------	--	-------	---------	---------	--	--	--	-------	--	-----

N/A = Not Available N/R = Not Required N/S = Not Serviceable For cabin and fuel filter locator, see pages 5-15 See pages 16-19 for footnotes

N/A = Non disponible N/R = Non nécessaire N/S = Non réparable Para la ubicación de los filtros de aire de la cabina y de combustible, ver las páginas 5-15 Voir pages 16-19 pour des notes

N/A = No disponible N/R = No requiere N/S = No servible Voir les tableaux de repérage des filtres d'habitacle et à carburant aux pages 5-15 Ver las páginas 16-19 para las notas al pie de página

Italicized Part Numbers May Not Be Available. Wix XP Oil Filters Have Fully Synthetic Media.

Las piezas con números en *italicas* pueden no estar disponibles. Los filtros de aceite WIX XP son completamente de media sintética. Les numéros de pièce en *italiques* peuvent ne pas être disponibles. Les filtres à huile XP Wix contiennent un matériau 100 % synthétique.

Year/Año/Année Model/Modelo/Modèle Engine/Motor/Moteur	Eng. Code Código de motor Code moteur	VIN NIV NIV	Oil Aceite Huile	Oil XP Aceite XP Huile XP	Air Aire Air	Cabin Air Cabina Aire Cabine Air	Cabin Air XP Cabina Aire XP Cabine Air XP	Loc. Cabin Air Cabina Aire Cabine Air	Fuel Combustible Carburant	Loc. Fuel Combustible Carburant	Transmission Transmisión Transmission
--	--	-------------------	------------------------	---------------------------------	--------------------	--	---	--	----------------------------------	--	---

SUBARU (Cont'd/Suite)
2020 (Cont'd/Suite)
CROSSTREK HYBRID

H4 2.0L 1995cc	FB20		57055	57055XP	WA10713	WP10320 ⁷⁹ WP10322 ⁷⁸			33558		N/S
----------------	------	--	-------	---------	---------	--	--	--	-------	--	-----

FORESTER

H4 2.5L 2498			57055	57055XP	WA10713	N/A		3	N/S		N/S
--------------	--	--	-------	---------	---------	-----	--	---	-----	--	-----

IMPREZA

H4 2.0L 1995cc	FB20		57055	57055XP	WA10713	WP10320 ⁷⁹ WP10322 ⁷⁸		3	N/S	F	N/S
----------------	------	--	-------	---------	---------	--	--	---	-----	---	-----

LEGACY

H4 2.4L 2400CC 146CID Turbo			57055	57055XP	WA10713	WP10320 ⁷⁹ WP10322 ⁷⁸		3	N/S	F	N/A
H4 2.5L 2498cc 152 CID	FB25		57055	57055XP	WA10713	WP10320 ⁷⁹ WP10322 ⁷⁸		3	N/S	F	N/A

OUTBACK

H4 2.4L 2400CC 146CID Turbo			57055	57055XP	WA10713	WP10320 ⁷⁹ WP10322 ⁷⁸		3	N/A	F	N/A
H4 2.5L 2498cc 152 CID	FB25		57055	57055XP	WA10713	WP10320 ⁷⁹ WP10322 ⁷⁸		3	N/A	F	N/A

WRX

H4 2.0L 1998cc 122 CID Turbo/Intercooled	FA20F		WL10078		46914	24030		3	N/S	F	N/S
---	-------	--	---------	--	-------	-------	--	---	-----	---	-----

WRX STI

H4 2.5L 2458cc Turbo	EJ257		57712	57712XP	46914	24030		3	N/S	F	MT
----------------------	-------	--	-------	---------	-------	-------	--	---	-----	---	----

2019
ASCENT

H4 2.4L 2400CC 146CID - FA24 Turbo	FA24		57055	57055XP	WA10713	WP10320 ⁷⁹ WP10322 ⁷⁸			N/S		N/A
---------------------------------------	------	--	-------	---------	---------	--	--	--	-----	--	-----

BRZ

H4 2.0L 1998cc 122 CID	FA20D	A	57830		46834 WA10807 ⁷²	24524		3	N/S	F	N/A
------------------------	-------	---	-------	--	--------------------------------	-------	--	---	-----	---	-----

CROSSTREK

H4 2.0L 1995cc	FB20		57055	57055XP	WA10713	WP10320 ⁷⁹ WP10322 ⁷⁸			33558		N/S
----------------	------	--	-------	---------	---------	--	--	--	-------	--	-----

CROSSTREK HYBRID

H4 2.0L 1995cc Electric/Gas	FB20		57055	57055XP	WA10713	24030			N/S		N/S
-----------------------------	------	--	-------	---------	---------	-------	--	--	-----	--	-----

FORESTER

H4 2.0L 1998cc 122 CID Turbo/Intercooled	FA20F		57055	57055XP	49012	24030		3	N/S		N/S
H4 2.5L 2498			57055	57055XP	WA10713	N/A		3	N/S		N/S

IMPREZA

H4 2.0L 1995cc	FB20		57055	57055XP	WA10713	WP10320 ⁷⁹ WP10322 ⁷⁸		3	N/S	F	N/S
----------------	------	--	-------	---------	---------	--	--	---	-----	---	-----

LEGACY

H4 2.5L 2498cc 152 CID	FB25		57055	57055XP	46914	24483 ⁷⁹ 24511 ⁷⁸	24483XP ⁷⁹	3	N/S	F	N/A
H6 3.6L 3630cc	EZ36D		51334 ⁵³	51334XP	49012	24483 ⁷⁹ 24511 ⁷⁸	24483XP ⁷⁹	3	N/S		N/S

OUTBACK

H4 2.5L 2498cc 152 CID	FB25		57055	57055XP	49012	24483	24483XP	3	N/S	F	N/A
H6 3.6L 3630cc	EZ36D		51334 ⁵³	51334XP	46914	24483 ⁷⁹ 24511 ⁷⁸	24483XP ⁷⁹	3	N/S		N/S

WRX

H4 2.0L 1998cc 122 CID Turbo/Intercooled	FA20F		WL10078		46914	24030		3	N/S	F	N/S
---	-------	--	---------	--	-------	-------	--	---	-----	---	-----

WRX STI

H4 2.5L 2458cc Turbo	EJ257		57712	57712XP	46914	24030		3	N/S	F	MT
----------------------	-------	--	-------	---------	-------	-------	--	---	-----	---	----

N/A = Not Available N/R = Not Required N/S = Not Serviceable For cabin and fuel filter locator, see pages 5-15 See pages 16-19 for footnotes

N/A = Non disponible N/R = Non nécessaire N/S = Non réparable Para la ubicación de los filtros de aire de la cabina y de combustible, ver las páginas 5-15 Voir pages 16-19 pour des notes

N/A = No disponible N/R = No requiere N/S = No servible Voir les tableaux de repérage des filtres d'habitacle et à carburant aux pages 5-15 Ver las páginas 16-19 para las notas al pie de página

Italicized Part Numbers May Not Be Available. Wix XP Oil Filters Have Fully Synthetic Media.

Las piezas con números en *italicas* pueden no estar disponibles. Los filtros de aceite WIX XP son completamente de media sintética.

Les numéros de pièce en *italiques* peuvent ne pas être disponibles. Les filtres à huile XP Wix contiennent un matériau 100 % synthétique.

SUBARU 2018-2017
Pass Car/Light Truck

Year/Año/Année Model/Modelo/Modèle Engine/Motor/Moteur	Eng. Code Código de motor Code moteur	VIN NIV NIV	Oil Aceite Huile	Oil XP Aceite XP Huile XP	Air Aire Air	Cabin Air Cabina Aire Cabine Air	Cabin Air XP Cabina Aire XP Cabine Air XP	Loc. Cabin Air Cabina Aire Cabine Air	Fuel Combustible Carburant	Loc. Fuel Combustible Carburant	Transmission Transmisión Transmission
--	---	-------------------	------------------------	---------------------------------	--------------------	--	---	--	----------------------------------	--	---

SUBARU (Cont'd/Suite)
2018
BRZ

H4 2.0L 1998cc 122 CID	FA20D	A	57830		46834 WA10807 ²	24524		3	N/S	F	N/A
------------------------	-------	---	-------	--	-------------------------------	-------	--	---	-----	---	-----

CROSSTREK

H4 2.0L 1995cc	FB20		57055	57055XP	WA10713	WP10320 ⁹ WP10322 ⁷⁸			33558		N/S
----------------	------	--	-------	---------	---------	---	--	--	-------	--	-----

CROSSTREK HYBRID

H4 2.0L 1995cc Electric/Gas	FB20		57055	57055XP	WA10713	24030			N/S		N/S
-----------------------------	------	--	-------	---------	---------	-------	--	--	-----	--	-----

FORESTER

H4 2.0L 1998cc 122 CID Turbo/Intercooled	FA20F		57055	57055XP	49012	24030		3	N/S		N/S
H4 2.5L 2498			57055	57055XP	49012	24030		3	N/S		N/S

IMPREZA

H4 2.0L 1995cc	FB20		57055	57055XP	WA10713	WP10320 ⁹ WP10322 ⁷⁸		3	N/S	F	N/S
----------------	------	--	-------	---------	---------	---	--	---	-----	---	-----

LEGACY

H4 2.5L 2498cc 152 CID	FB25		57055	57055XP	46914	24483 ⁷⁹ 24511 ⁷⁸	24483XP ⁷⁹	3	N/S	F	N/A
H6 3.6L 3630cc	EZ36D		51334 ⁵³	51334XP	46914	24483 ⁷⁹ 24511 ⁷⁸	24483XP ⁷⁹	3	N/S		N/S

OUTBACK

H4 2.5L 2498cc 152 CID	FB25		57055	57055XP	49012	24483	24483XP	3	N/S	F	N/A
H6 3.6L 3630cc	EZ36D		51334 ⁵³	51334XP	46914	24483 ⁷⁹ 24511 ⁷⁸	24483XP ⁷⁹	3	N/S		N/S

WRX

H4 2.0L 1998cc 122 CID Turbo/Intercooled	FA20F		WL10078		49012	24030		3	N/S	F	N/S
---	-------	--	---------	--	-------	-------	--	---	-----	---	-----

WRX STI

H4 2.5L 2458cc Turbo	EJ257		57712	57712XP	46914	24030		3	N/S	F	MT
----------------------	-------	--	-------	---------	-------	-------	--	---	-----	---	----

2017
BRZ

H4 2.0L 1998cc 122 CID	FA20D	A	57830		46834 WA10807 ²	24524		3	N/S	F	N/A
------------------------	-------	---	-------	--	-------------------------------	-------	--	---	-----	---	-----

CROSSTREK

H4 2.0L 1995cc	FB20		57055	57055XP	49012	24030			33558		N/S
----------------	------	--	-------	---------	-------	-------	--	--	-------	--	-----

FORESTER

H4 2.0L 1998cc 122 CID Turbo/Intercooled	FA20F		57055	57055XP	49012	24030		3	N/S		N/S
H4 2.5L 2498			57055	57055XP	49012	24030		3	N/S		N/S

IMPREZA

H4 2.0L 1995cc	FB20		57055	57055XP	WA10713	WP10320 ⁹ WP10322 ⁷⁸		3	N/S	F	N/S
----------------	------	--	-------	---------	---------	---	--	---	-----	---	-----

LEGACY

H4 2.5L 2498cc 152 CID	FB25		57055	57055XP	49012	24483 ⁷⁹ 24511 ⁷⁸	24483XP ⁷⁹	3	N/S	F	N/A
H6 3.6L 3630cc	EZ36D	D	51334 ⁵³	51334XP	49012	24483 ⁷⁹ 24511 ⁷⁸	24483XP ⁷⁹	3	N/S		N/S

OUTBACK

H4 2.5L 2498cc 152 CID	FB25		57055	57055XP	49012	24483 ⁷⁹ 24511 ⁷⁸	24483XP ⁷⁹	3	N/S	F	N/A
H6 3.6L 3630cc	EZ36D		51334 ⁵³	51334XP	49012	24483 ⁷⁹ 24511 ⁷⁸	24483XP ⁷⁹	3	N/S		N/S

WRX

H4 2.0L 1998cc 122 CID Turbo/Intercooled	FA20F		WL10078		46914	24030		3	N/S	F	N/S
---	-------	--	---------	--	-------	-------	--	---	-----	---	-----

WRX STI

H4 2.5L 2458cc Turbo	EJ257		57712	57712XP	49012	24030		3	N/S	F	MT
----------------------	-------	--	-------	---------	-------	-------	--	---	-----	---	----

N/A = Not Available N/R = Not Required N/S = Not Serviceable For cabin and fuel filter locator, see pages 5-15 See pages 16-19 for footnotes

N/A = Non disponible N/R = Non nécessaire N/S = Non réparable Para la ubicación de los filtros de aire de la cabina y de combustible, ver las páginas 5-15 Voir pages 16-19 pour des notes

N/A = No disponible N/R = No requiere N/S = No servible Voir les tableaux de repérage des filtres d'habitacle et à carburant aux pages 5-15 Ver las páginas 16-19 para las notas al pie de página

Italicized Part Numbers May Not Be Available. Wix XP Oil Filters Have Fully Synthetic Media.

Las piezas con números en *italicas* pueden no estar disponibles. Los filtros de aceite WIX XP son completamente de media sintética. Les numéros de pièce en *italiques* peuvent ne pas être disponibles. Les filtres à huile XP Wix contiennent un matériau 100 % synthétique.

Pass Car/Light Truck

SUBARU 2016-2015

Year/Año/Année Model/Modelo/Modèle Engine/Motor/Moteur	Eng. Code Código de motor Code moteur	VIN NIV NIV	Oil Aceite Huile	Oil XP Aceite XP Huile XP	Air Aire Air	Cabin Air Cabina Aire Cabine Air	Cabin Air XP Cabina Aire XP Cabine Air XP	Loc. Cabin Air Cabina Aire Cabine Air	Fuel Combustible Carburant	Loc. Fuel Combustible Carburant	Transmission Transmisión Transmission
--	---	-------------------	------------------------	---------------------------------	--------------------	--	---	--	----------------------------------	--	---

SUBARU (Cont'd/Suite)

2016

BRZ

H4 2.0L 1998cc 122 CID	FA20D	A	57830		46834	24524		3	N/S	F	N/A
------------------------	-------	---	-------	--	-------	-------	--	---	-----	---	-----

CROSSTREK

H4 2.0L 1995cc	FB20		57055	57055XP	49012	24030			33558		N/S
----------------	------	--	-------	---------	-------	-------	--	--	-------	--	-----

CROSSTREK HYBRID

H4 2.0L 1995cc Electric/Gas	FB20		57055	57055XP	49340	24030			N/S		N/S
-----------------------------	------	--	-------	---------	-------	-------	--	--	-----	--	-----

FORESTER

H4 2.0L 1998cc 122 CID Turbo/Intercooled	FA20F		57055	57055XP	49012	24030		3	N/S		N/S
---	-------	--	-------	---------	-------	-------	--	---	-----	--	-----

H4 2.5L 2498			57055	57055XP	49012	24030		3	N/S		N/S
--------------	--	--	-------	---------	-------	-------	--	---	-----	--	-----

IMPREZA

H4 2.0L 1995cc	FB20		57055	57055XP	49012	24030		3	N/S	F	N/S
----------------	------	--	-------	---------	-------	-------	--	---	-----	---	-----

LEGACY

H4 2.5L 2498cc 152 CID	FB25		57055	57055XP	49012	24483 ⁷⁹ 24511 ⁷⁸	24483XP ⁷⁹	3	N/S	F	N/A
------------------------	------	--	-------	---------	-------	--	-----------------------	---	-----	---	-----

H6 3.6L 3630cc	EZ36D	D	51334 ⁵³	51334XP	49012	24483 ⁷⁹ 24511 ⁷⁸	24483XP ⁷⁹	3	N/S		N/S
----------------	-------	---	---------------------	---------	-------	--	-----------------------	---	-----	--	-----

OUTBACK

H4 2.5L 2498cc 152 CID	FB25		57055	57055XP	49012	24483 ⁷⁹ 24511 ⁷⁸	24483XP ⁷⁹	3	N/S	F	N/A
------------------------	------	--	-------	---------	-------	--	-----------------------	---	-----	---	-----

H6 3.6L 3630cc	EZ36D		51334 ⁵³	51334XP	49012	24483 ⁷⁹ 24511 ⁷⁸	24483XP ⁷⁹	3	N/S		N/S
----------------	-------	--	---------------------	---------	-------	--	-----------------------	---	-----	--	-----

WRX

H4 2.0L 1998cc 122 CID Turbo/Intercooled	FA20F		WL10078		46914	24030		3	N/S	F	N/S
---	-------	--	---------	--	-------	-------	--	---	-----	---	-----

WRX STI

H4 2.5L 2458cc Turbo	EJ257		57712	57712XP	49012	24030		3	N/S	F	MT
----------------------	-------	--	-------	---------	-------	-------	--	---	-----	---	----

XV

H4 2.0L 1995CC 122CID (Mex.)			57356	57356XP	42101	N/S			N/S		N/S
---------------------------------	--	--	-------	---------	-------	-----	--	--	-----	--	-----

2015

BRZ

H4 2.0L 1998cc 122 CID	FA20D	A	57830		46834	24524		3	N/S	F	N/A
------------------------	-------	---	-------	--	-------	-------	--	---	-----	---	-----

FORESTER

H4 2.0L 1998cc 122 CID Turbo/Intercooled	FA20F		57055	57055XP	49012	24030		3	N/S		N/S
---	-------	--	-------	---------	-------	-------	--	---	-----	--	-----

H4 2.5L 2498cc 152 CID	FB25BA		57055	57055XP	49012	24030		3	N/S		N/S
------------------------	--------	--	-------	---------	-------	-------	--	---	-----	--	-----

	FB25BC		57055	57055XP	49012	24030		3	N/S		N/S
--	--------	--	-------	---------	-------	-------	--	---	-----	--	-----

IMPREZA

H4 2.0L 1995cc	FB20		57055	57055XP	49012	24030		3	N/S	F	N/S
----------------	------	--	-------	---------	-------	-------	--	---	-----	---	-----

LEGACY

H4 2.5L 2498cc 152 CID	FB25		57055	57055XP	49012	24483 ⁷⁹ 24511 ⁷⁸	24483XP ⁷⁹	3	33558	F	N/A
------------------------	------	--	-------	---------	-------	--	-----------------------	---	-------	---	-----

H6 3.6L 3630cc	EZ36D	D	51334 ⁵³	51334XP	49012	24483 ⁷⁹ 24511 ⁷⁸	24483XP ⁷⁹	3	33558		N/S
----------------	-------	---	---------------------	---------	-------	--	-----------------------	---	-------	--	-----

OUTBACK

H4 2.5L 2498cc 152 CID	FB25		57055	57055XP	49012	24483 ⁷⁹ 24511 ⁷⁸	24483XP ⁷⁹	3	N/S	F	N/A
------------------------	------	--	-------	---------	-------	--	-----------------------	---	-----	---	-----

H6 3.6L 3630cc	EZ36D	D	51334 ⁵³	51334XP	49012	24483 ⁷⁹ 24511 ⁷⁸	24483XP ⁷⁹	3	N/S		N/A
----------------	-------	---	---------------------	---------	-------	--	-----------------------	---	-----	--	-----

WRX

H4 2.0L 1998cc 122 CID Turbo/Intercooled	FA20F		WL10078		46914	24030		3	N/S	F	N/S
---	-------	--	---------	--	-------	-------	--	---	-----	---	-----

WRX STI

H4 2.5L 2458cc Turbo	EJ257	8	57712	57712XP	49012	24030		3	N/S	F	MT
----------------------	-------	---	-------	---------	-------	-------	--	---	-----	---	----

XV CROSSTREK

H4 2.0L 1995cc	FB20		57055	57055XP	49012	24030			N/S		N/S
----------------	------	--	-------	---------	-------	-------	--	--	-----	--	-----

N/A = Not Available N/R = Not Required N/S = Not Serviceable For cabin and fuel filter locator, see pages 5-15 See pages 16-19 for footnotes

N/A = Non disponible N/R = Non nécessaire N/S = Non réparable Para la ubicación de los filtros de aire de la cabina y de combustible, ver las páginas 5-15 Voir pages 16-19 pour des notes

N/A = No disponible N/R = No requiere N/S = No servible Voir les tableaux de repérage des filtres d'habitacle et à carburant aux pages 5-15 Ver las páginas 16-19 para las notas al pie de página

Italicized Part Numbers May Not Be Available. Wix XP Oil Filters Have Fully Synthetic Media.

Las piezas con números en *italicas* pueden no estar disponibles. Los filtros de aceite WIX XP son completamente de media sintética.

Les numéros de pièce en *italiques* peuvent ne pas être disponibles. Les filtres à huile XP Wix contiennent un matériau 100 % synthétique.

SUBARU 2015-2013
Pass Car/Light Truck

Year/Año/Année Model/Modelo/Modèle Engine/Motor/Moteur	Eng. Code Código de motor Code moteur	VIN NIV NIV	Oil Aceite Huile	Oil XP Aceite XP Huile XP	Air Aire Air	Cabin Air Cabina Aire Cabine Air	Cabin Air XP Cabina Aire XP Cabine Air XP	Cabin Air XP Cabina Aire XP Cabine Air XP	Fuel Combustible Carburant	Loc. Fuel Combustible Carburant	Transmission Transmisión Transmission
--	---	-------------------	------------------------	---------------------------------	--------------------	--	---	---	----------------------------------	---------------------------------------	---

SUBARU (Cont'd/Suite)
2015 (Cont'd/Suite)
XV CROSSTREK Hybrid

H4 2.0L 1995cc	Electric/Gas	FB20	57055	57055XP	49340	24030			N/S		N/S
----------------	--------------	------	-------	---------	-------	-------	--	--	-----	--	-----

2014
BRZ

H4 2.0L 1998cc 122 CID	FA20D	A	57830		46834	24524		3	N/S	F	N/A
------------------------	-------	---	-------	--	-------	-------	--	---	-----	---	-----

FORESTER

H4 2.0L 1998cc 122 CID Turbo/Intercooled	FA20F		57055	57055XP	46914	24030		3	N/S		N/S
H4 2.5L 2498cc 152 CID	FB25BA		57055	57055XP	49012	24030		3	N/S		51365
	FB25BC		57055	57055XP	49012	24030		3	N/S		51365

IMPREZA

H4 2.0L 1995cc	FB20		57055	57055XP	49012	24030		3	N/S	F	N/S
----------------	------	--	-------	---------	-------	-------	--	---	-----	---	-----

IMPREZA WRX

H4 2.5L 2458cc Turbo	EJ255	7	57712	57712XP	49012	24030		3	N/S	F	51365 - Spin-on
----------------------	-------	---	-------	---------	-------	-------	--	---	-----	---	-----------------

IMPREZA WRX STI

H4 2.5L 2458cc Turbo	EJ257	8	57712	57712XP	49012	24030		3	N/S	F	MT
----------------------	-------	---	-------	---------	-------	-------	--	---	-----	---	----

LEGACY

H4 2.5L 2498cc 152 CID	FB25		57055	57055XP	49012	24483 ⁷⁹ 24511 ⁷⁸	24483XP ⁷⁹	3	33558	F	N/A
H6 3.6L 3630cc	EZ36D	D	51334 ⁵³	51334XP	49012	24483 ⁷⁹ 24511 ⁷⁸	24483XP ⁷⁹	3	33558		51365 - Spin-on

OUTBACK

H4 2.5L 2498cc 152 CID	FB25		57055	57055XP	49012	24483 ⁷⁹ 24511 ⁷⁸	24483XP ⁷⁹	3	33558	F	N/A
H6 3.6L 3630cc	EZ36D	D	51334 ⁵³	51334XP	49012	24483 ⁷⁹ 24511 ⁷⁸	24483XP ⁷⁹	3	33558		N/A

TRIBECA

H6 3.6L 3630cc	EZ36D	9	51334 ⁵³	51334XP	49012	24875		3	N/S		51365 - Spin-on
----------------	-------	---	---------------------	---------	-------	-------	--	---	-----	--	-----------------

WRX

H4 2.5L 2458CC Turbo			51358	51358XP	46914	24030			N/S		N/S
H4 2.5L 2458CC Turbo (Mex.)			51358	51358XP	46914	24030			N/S		N/S

WRX STI

H4 2.5L 2458CC Turbo			51358	51358XP	46914	24030			N/S		N/S
H4 2.5L 2458CC Turbo (Mex.)			51358	51358XP	46914	24030			N/S		N/S

XV CROSSTREK

H4 2.0L 1995cc	FB20		57055	57055XP	49012	24030			N/S		N/S
----------------	------	--	-------	---------	-------	-------	--	--	-----	--	-----

XV CROSSTREK Hybrid

H4 2.0L 1995cc	Electric/Gas	FB20	57055	57055XP	49340	24030			N/S		N/S
----------------	--------------	------	-------	---------	-------	-------	--	--	-----	--	-----

2013
BRZ

H4 2.0L 1998cc 122 CID	FA20D	A	57830		46834	24524		3	N/S	F	N/A
------------------------	-------	---	-------	--	-------	-------	--	---	-----	---	-----

FORESTER

H4 2.5L 2458cc Turbo	EJ255		57712	57712XP	49012	24030		3	N/S	F	51365 - Spin-on
H4 2.5L 2498cc 152 CID	FB25BA		57055	57055XP	49012	24030		3	N/S	F	51365 - Spin-on

IMPREZA

H4 2.0L 1995cc	FB20		57055	57055XP	49012	24030		3	N/S	F	N/S
----------------	------	--	-------	---------	-------	-------	--	---	-----	---	-----

IMPREZA WRX

H4 2.5L 2458cc Turbo	EJ255	7	57712	57712XP	49012	24030		3	N/S	F	51365 - Spin-on
	EJ255		57712	57712XP	49012	24030		3	N/S	F	51365 - Spin-on

IMPREZA WRX STI

H4 2.5L 2458cc Turbo	EJ257	8	57712	57712XP	49012	24030		3	N/S	F	MT
			57712	57712XP	49012	24030			N/S	F	MT

LEGACY

H4 2.5L 2458cc Turbo (Mex.)	EJ257		57055	57055XP	49012	24483 ⁷⁹ 24511 ⁷⁸	24483XP ⁷⁹	3	N/S	F	MT
-----------------------------	-------	--	-------	---------	-------	--	-----------------------	---	-----	---	----

N/A = Not Available N/R = Not Required N/S = Not Serviceable For cabin and fuel filter locator, see pages 5-15 See pages 16-19 for footnotes

N/A = Non disponible N/R = Non nécessaire N/S = Non réparable Para la ubicación de los filtros de aire de la cabina y de combustible, ver las páginas 5-15 Voir pages 16-19 pour des notes

N/A = No disponible N/R = No requiere N/S = No servible Voir les tableaux de repérage des filtres d'habitacle et à carburant aux pages 5-15 Ver las páginas 16-19 para las notas al pie de página

Italicized Part Numbers May Not Be Available. Wix XP Oil Filters Have Fully Synthetic Media.

Las piezas con números en *italicas* pueden no estar disponibles. Los filtros de aceite WIX XP son completamente de media sintética. Les numéros de pièce en *italiques* peuvent ne pas être disponibles. Les filtres à huile XP Wix contiennent un matériau 100 % synthétique.

Year/Año/Année Model/Modelo/Modèle Engine/Motor/Moteur	Eng. Code Código de motor Code moteur	VIN NIV NIV	Oil Aceite Huile	Oil XP Aceite XP Huile XP	Air Aire Air	Cabin Air Cabina Aire Cabine Air	Cabin Air XP Cabina Aire XP Cabine Air XP	Loc. Cabin Air Cabina Aire Cabine Air	Fuel Combustible Carburant	Loc. Fuel Combustible Carburant	Transmission Transmisión Transmission
--	---	-------------------	------------------------	---------------------------------	--------------------	--	---	--	----------------------------------	--	---

SUBARU (Cont'd/Suite)
2013 (Cont'd/Suite)
LEGACY (Cont'd/Suite)

H4 2.5L 2498cc 152 CID	FB25	B,C	57055	57055XP	49012	24483 ⁷⁹ 24511 ⁷⁸	24483XP ⁷⁹	3	N/S	F	N/A
H6 3.6L 3630cc	EZ36D	D	51334 ⁵³	51334XP	49012	24483 ⁷⁹ 24511 ⁷⁸	24483XP ⁷⁹	3	N/S		51365 - Spin-on

OUTBACK

H4 2.5L 2498cc 152 CID	FB25		57055	57055XP	49012	24483 ⁷⁹ 24511 ⁷⁸	24483XP ⁷⁹	3	N/S	F	N/A
H6 3.6L 3630cc	EZ36D	D	51334 ⁵³	51334XP	49012	24483 ⁷⁹ 24511 ⁷⁸	24483XP ⁷⁹	3	N/S		N/A

TRIBECA

H6 3.6L 3630cc	EZ36D	9	51334 ⁵³	51334XP	49012	24875		3	N/S		51365 - Spin-on
----------------	-------	---	---------------------	---------	-------	-------	--	---	-----	--	-----------------

WRX

H4 2.5L 2458CC Turbo			51358	51358XP	46914	24030			N/S		N/S
H4 2.5L 2458CC Turbo (Mex.)			51358	51358XP	46914	24030			N/S		N/S

WRX STI

H4 2.5L 2458CC Turbo			51358	51358XP	46914	24030			N/S		N/S
H4 2.5L 2458CC Turbo (Mex.)			51358	51358XP	46914	24030			N/S		N/S

XV CROSSTREK

H4 2.0L 1995cc	FB20		57055	57055XP	49012	24030			N/S		N/S
----------------	------	--	-------	---------	-------	-------	--	--	-----	--	-----

2012
FORESTER

H4 2.5L 2458cc Turbo	EJ255	6	57712	57712XP	49012	24030		3	N/S	F	51365 - Spin-on
H4 2.5L 2498cc 152 CID	FB25		57055	57055XP	46914	24030		3	N/S	F	51365 - Spin-on

IMPREZA

H4 2.0L 1995cc	FB20		57055	57055XP	49012	24030		3	N/S	F	N/S
----------------	------	--	-------	---------	-------	-------	--	---	-----	---	-----

IMPREZA WRX

H4 2.5L 2458cc Turbo	EJ255	7	57712	57712XP	49012	24030		3	N/S	F	51365 - Spin-on
----------------------	-------	---	-------	---------	-------	-------	--	---	-----	---	-----------------

IMPREZA WRX STI

H4 2.5L 2458cc Turbo	EJ257	8	57712	57712XP	49012	24030		3	N/S	F	MT
----------------------	-------	---	-------	---------	-------	-------	--	---	-----	---	----

LEGACY

H4 2.5L 2458cc	EJ253		57712	57712XP	49012	24483 ⁷⁹ 24511 ⁷⁸	24483XP ⁷⁹	3	N/S	F	51365 - Spin-on
H4 2.5L 2458cc Turbo	EJ255	F	57712	57712XP	49012	24483 ⁷⁹ 24511 ⁷⁸	24483XP ⁷⁹	3	N/S	F	MT
H6 3.6L 3630cc	EZ36D	D	51334 ⁵³	51334XP	49012	24483 ⁷⁹ 24511 ⁷⁸	24483XP ⁷⁹	3	N/S		51365 - Spin-on

OUTBACK

H4 2.5L 2458cc	EJ253		57712	57712XP	49012	24483 ⁷⁹ 24511 ⁷⁸	24483XP ⁷⁹	3	N/S	F	N/S
H6 3.6L 3630cc	EZ36D	D	51334 ⁵³	51334XP	49012	24483 ⁷⁹ 24511 ⁷⁸	24483XP ⁷⁹	3	N/S		51365 - Spin-on

TRIBECA

H6 3.6L 3630cc	EZ36D	9	51334 ⁵³	51334XP	49012	24875		3	N/S		51365 - Spin-on
----------------	-------	---	---------------------	---------	-------	-------	--	---	-----	--	-----------------

WRX

H4 2.5L (Mex.)			57356	57356XP	N/S	N/S			N/S		N/S
----------------	--	--	-------	---------	-----	-----	--	--	-----	--	-----

2011
FORESTER

H4 2.5L 2458cc Turbo	EJ255	6	57712	57712XP	49012	24030		3	N/S	F	51365 - Spin-on
H4 2.5L 2498cc 152 CID	FB25		57830 - Up to 4/2011 57055 - From 4/2011	57055XP - From 4/2011	46914	24030		3	N/S	F	51365 - Spin-on

IMPREZA

H4 2.5L 2458cc	EJ253	6	57712	57712XP	46914	24030		3	N/S	F	51365 - Spin-on
L4 2.0L 1994cc (Mex.)			57712	57712XP	46116	N/A			N/S		

N/A = Not Available N/R = Not Required N/S = Not Serviceable For cabin and fuel filter locator, see pages 5-15 See pages 16-19 for footnotes

N/A = Non disponible N/R = Non nécessaire N/S = Non réparable Para la ubicación de los filtros de aire de la cabina y de combustible, ver las páginas 5-15 Voir pages 16-19 pour des notes

N/A = No disponible N/R = No requiere N/S = No servible Voir les tableaux de repérage des filtres d'habitacle et à carburant aux pages 5-15 Ver las páginas 16-19 para las notas al pie de página

Italicized Part Numbers May Not Be Available. Wix XP Oil Filters Have Fully Synthetic Media.

Las piezas con números en *italicas* pueden no estar disponibles. Los filtros de aceite WIX XP son completamente de media sintética.

Les numéros de pièce en *italiques* peuvent ne pas être disponibles. Les filtres à huile Wix contiennent un matériau 100 % synthétique.

Year/Año/Année Model/Modelo/Modèle Engine/Motor/Moteur	Eng. Code Código de motor Code moteur	VIN NIV NIV	Oil Aceite Huile	Oil XP Aceite XP Huile XP	Air Aire Air	Cabin Air Cabina Aire Cabine Air	Cabin Air XP Cabina Aire XP Cabine Air XP	Loc. Cabin Air Cabina Aire Cabine Air	Fuel Combustible Carburant	Loc. Fuel Combustible Carburant	Transmission Transmisión Transmission
--	--	-------------------	------------------------	---------------------------------	--------------------	--	---	--	----------------------------------	--	---

SUBARU (Cont'd/Suite)

2009 (Cont'd/Suite)

IMPREZA WRX

H4 2.5L 2458cc Turbo	EJ255	7	57712	57712XP	49012	24030		3	N/S	F	51365 - Spin-on
----------------------	-------	---	-------	---------	-------	-------	--	---	-----	---	-----------------

IMPREZA WRX STI

H4 2.5L 2458cc Turbo	EJ257	8	57712	57712XP	49012	24030		3	N/S	F	MT ²
----------------------	-------	---	-------	---------	-------	-------	--	---	-----	---	-----------------

LEGACY

H4 2.0L 1994CC 122CID (Mex.)			N/S		N/S	24875			N/S		N/S
H4 2.5L 2458cc	EJ253	6	57712	57712XP	49012	24875		3	N/S	F	51365 - Spin-on
H4 2.5L 2458cc Turbo	EJ255	6	57712	57712XP	49012	24875		3	N/S	F	51365 - Spin-on
V6 3.0L 3000cc	EZ30D	8	51334 ⁵³	51334XP	49012	24875		3	N/S		51365 - Spin-on

OUTBACK

H4 2.5L 2458cc	EJ253	6	57712	57712XP	49012	24875		3	N/S	F	51365 - Spin-on
H4 2.5L 2458cc Turbo	EJ255	6	57712	57712XP	49012	24875		3	N/S	F	51365 - Spin-on
V6 3.0L 3000cc	EZ30D	8	51334 ⁵³	51334XP	49012	24875		3	N/S	F	51365 - Spin-on

TRIBECA

H6 3.6L 3630cc	EZ36D	9	51334 ⁵³	51334XP	49012	24875		3	N/S		51365 - Spin-on
----------------	-------	---	---------------------	---------	-------	-------	--	---	-----	--	-----------------

2008

FORESTER

H4 2.5L 2458cc	EJ253	6	57712	57712XP	46116	49359		3	N/S		51365 - Spin-on
H4 2.5L 2458cc Turbo	EJ255	6	57712	57712XP	46116	49359		3	N/S		51365 - Spin-on

IMPREZA

H4 2.5L 2458cc	EJ253	6	57712	57712XP	46914	24030		3	N/S		51365 - Spin-on
----------------	-------	---	-------	---------	-------	-------	--	---	-----	--	-----------------

IMPREZA OUTBACK SPORT

H4 2.5L 2458cc	EJ253	6	57712	57712XP	46914	24030		3	N/S		51365 - Spin-on
----------------	-------	---	-------	---------	-------	-------	--	---	-----	--	-----------------

IMPREZA WRX

H4 2.5L 2458cc Turbo	EJ255	7	57712	57712XP	49012	24030		3	N/S		51365 - Spin-on
----------------------	-------	---	-------	---------	-------	-------	--	---	-----	--	-----------------

IMPREZA WRX STI

H4 2.5L 2458cc Turbo	EJ257	8	57712	57712XP	49012	24030		3	N/S		MT ²
----------------------	-------	---	-------	---------	-------	-------	--	---	-----	--	-----------------

LEGACY

H4 2.0L 1994CC 122CID (Mex.)			N/S		N/S	24875			N/S		N/S
H4 2.5L 2458cc	EJ253	6	57712	57712XP	46914	24875		3	N/S		51365 - Spin-on
H4 2.5L 2458cc Turbo	EJ255	6	57712	57712XP	46914	24875		3	N/S		51365 - Spin-on
V6 3.0L 3000cc	EZ30D	8	51334 ⁵³	51334XP	46914	24875		3	N/S		51365 - Spin-on

OUTBACK

H4 2.5L 2458cc	EJ253	6	57712	57712XP	46914	24875		3	N/S		51365 - Spin-on
H4 2.5L 2458cc Turbo	EJ255	6	57712	57712XP	46914	24875		3	N/S		51365 - Spin-on
V6 3.0L 3000cc	EZ30D	8	51334 ⁵³	51334XP	46914	24875		3	N/S		51365 - Spin-on

TRIBECA

H6 3.6L 3630cc	EZ36D	9	51334 ⁵³	51334XP	49012	24875		3	N/S		51365 - Spin-on
----------------	-------	---	---------------------	---------	-------	-------	--	---	-----	--	-----------------

2007

B9 TRIBECA

V6 3.0L 3000cc	EZ30D	8	51334 ⁵³	51334XP	46914	24875		3	N/S	F	51365 - Spin-on
----------------	-------	---	---------------------	---------	-------	-------	--	---	-----	---	-----------------

FORESTER

H4 2.5L 2458cc	EJ253	6	57712	57712XP	46116	49359		3	N/S	F	51365 - Spin-on
H4 2.5L 2458cc Turbo	EJ255	6	57712	57712XP	46116	49359		3	N/S	F	51365 - Spin-on

IMPREZA

H4 2.5L 2458cc	EJ253	6	57712	57712XP	46116	24485		3	N/S	F	51365 - Spin-on
----------------	-------	---	-------	---------	-------	-------	--	---	-----	---	-----------------

IMPREZA WRX

H4 2.5L 2458cc Turbo	EJ255	7	57712	57712XP	46116	24485		3	N/S		51365 - Spin-on
----------------------	-------	---	-------	---------	-------	-------	--	---	-----	--	-----------------

IMPREZA WRX STI

H4 2.5L 2458cc Turbo	EJ257		57712	57712XP	46116	24485		3	N/S	F	MT ²
----------------------	-------	--	-------	---------	-------	-------	--	---	-----	---	-----------------

LEGACY

H4 2.5L 2458cc	EJ253	6	57712	57712XP	46914	24875		3	N/S	F	51365 - Spin-on
----------------	-------	---	-------	---------	-------	-------	--	---	-----	---	-----------------

N/A = Not Available N/R = Not Required N/S = Not Serviceable For cabin and fuel filter locator, see pages 5-15 See pages 16-19 for footnotes

N/A = Non disponible N/R = Non nécessaire N/S = Non réparable Para la ubicación de los filtros de aire de la cabina y de combustible, ver las páginas 5-15 Voir pages 16-19 pour des notes

N/A = No disponible N/R = No requiere N/S = No servible Voir les tableaux de repérage des filtres d'habitacle et à carburant aux pages 5-15 Ver las páginas 16-19 para las notas al pie de página

Italicized Part Numbers May Not Be Available. Wix XP Oil Filters Have Fully Synthetic Media.

Las piezas con números en *italicas* pueden no estar disponibles. Los filtros de aceite WIX XP son completamente de media sintética.

Les numéros de pièce en *italiques* peuvent ne pas être disponibles. Les filtres à huile Wix contiennent un matériau 100 % synthétique.

SUBARU 2007-2004
Pass Car/Light Truck

Year/Año/Année Model/Modelo/Modèle Engine/Motor/Moteur	Eng. Code Código de motor Code moteur	VIN NIV NIV	Oil Aceite Huile	Oil XP Aceite XP Huile XP	Air Aire Air	Cabin Air Cabina Aire Cabine Air	Cabin Air XP Cabina Aire XP Cabine Air XP	Loc. Cabin Air Cabina Aire Cabine Air	Fuel Combustible Carburant	Loc. Fuel Combustible Carburant	Transmission Transmisión Transmission
--	---	-------------------	------------------------	---------------------------------	--------------------	--	---	--	----------------------------------	--	---

SUBARU (Cont'd/Suite)
2007 (Cont'd/Suite)
LEGACY (Cont'd/Suite)

H4 2.5L 2458cc Turbo	EJ255	6	57712	57712XP	46914	24875		3	N/S	F	51365 - Spin-on
----------------------	-------	---	-------	---------	-------	-------	--	---	-----	---	-----------------

OUTBACK

H4 2.5L 2458cc	EJ253	6	57712	57712XP	46914	24875		3	N/S	F	51365 - Spin-on
H4 2.5L 2458cc Turbo	EJ255	6	57712	57712XP	46914	24875		3	N/S	F	51365 - Spin-on
V6 3.0L 3000cc	EZ30D	8	51334 ⁵³	51334XP	46914	24875		3	N/S	F	51365 - Spin-on

2006
B9 TRIBECA

V6 3.0L 3000cc	EZ30D	8	51334 ⁵³	51334XP	46914	24875		3	N/S	F	51365 - Spin-on
----------------	-------	---	---------------------	---------	-------	-------	--	---	-----	---	-----------------

BAJA

H4 2.5L 2458cc	EJ253	6	57712	57712XP	42728	N/A			N/S	F	51365 - Spin-on
H4 2.5L 2458cc Turbo	EJ255	6	57712	57712XP	46116 ¹⁴¹ 46914 ¹⁴⁰	N/A			N/S	F	51365 - Spin-on

FORESTER

H4 2.5L 2458cc	EJ253	6	57712	57712XP	46116	49359		3	N/S	F	51365 - Spin-on
H4 2.5L 2458cc Turbo	EJ255	6	57712	57712XP	46116	49359		3	N/S	F	51365 - Spin-on

IMPREZA

H4 2.5L 2458cc	EJ253	6	57712	57712XP	46116	24485		3	N/S	F	51365 - Spin-on
----------------	-------	---	-------	---------	-------	-------	--	---	-----	---	-----------------

IMPREZA WRX

H4 2.5L 2458cc Turbo	EJ255	7	57712	57712XP	46116	24485		3	N/S		51365 - Spin-on
----------------------	-------	---	-------	---------	-------	-------	--	---	-----	--	-----------------

IMPREZA WRX STI

H4 2.5L 2458cc Turbo	EJ257		57712	57712XP	46116	24485		3	N/S	F	MT ⁷²
----------------------	-------	--	-------	---------	-------	-------	--	---	-----	---	------------------

LEGACY

H4 2.5L 2458cc	EJ253	6	57712	57712XP	46914	24875		3	N/S	F	51365 - Spin-on
H4 2.5L 2458cc Turbo	EJ255	6	57712	57712XP	46914	24875		3	N/S	F	51365 - Spin-on

OUTBACK

H4 2.5L 2458cc	EJ253	6	57712	57712XP	46914	24875		3	N/S	F	51365 - Spin-on
H4 2.5L 2458cc Turbo	EJ255	6	57712	57712XP	46914	24875		3	N/S	F	51365 - Spin-on
V6 3.0L 3000cc	EZ30D	8	51334 ⁵³	51334XP	46914	24875		3	N/S	F	51365 - Spin-on

2005
BAJA

H4 2.5L 2458cc	EJ253	6	57712	57712XP	42728	N/A			N/S	F	51365 - Spin-on
H4 2.5L 2458cc Turbo	EJ255	6	57712	57712XP	46116 ¹⁴¹ 46914 ¹⁴⁰	N/A			N/S	F	51365 - Spin-on

FORESTER

H4 2.5L 2458cc	EJ253	6	57712	57712XP	46116	49359		3	N/S	F	51365 - Spin-on
H4 2.5L 2458cc Turbo	EJ255	6	57712	57712XP	46116	49359		3	N/S	F	51365 - Spin-on

IMPREZA

H4 2.5L 2458cc	EJ253	6	57712	57712XP	46116	24485		3	N/S	F	51365 - Spin-on
----------------	-------	---	-------	---------	-------	-------	--	---	-----	---	-----------------

IMPREZA WRX

H4 2.0L 1994cc Turbo	EJ205		57712	57712XP	46116	24485		3	33558	F	51365 - Spin-on
----------------------	-------	--	-------	---------	-------	-------	--	---	-------	---	-----------------

IMPREZA WRX STI

H4 2.5L 2458cc Turbo	EJ257		57712	57712XP	46116	24485		3	N/S	F	MT ⁷²
----------------------	-------	--	-------	---------	-------	-------	--	---	-----	---	------------------

LEGACY

H4 2.5L 2458cc	EJ253		57712	57712XP	46914	24875		3	N/S	F	51365 - Spin-on
H4 2.5L 2458cc Turbo	EJ255		57712	57712XP	46914	24875		3	N/S	F	51365 - Spin-on

OUTBACK

H4 2.5L 2458cc	EJ253		57712	57712XP	46914	24875		3	N/S	F	51365 - Spin-on
H4 2.5L 2458cc Turbo	EJ255		57712	57712XP	46914	24875		3	N/S	F	51365 - Spin-on
V6 3.0L 3000cc	EZ30D		51334 ⁵³	51334XP	46914	24875		3	N/S	F	51365 - Spin-on

2004
BAJA

H4 2.5L 2458cc	EJ253		57712	57712XP	42728	N/A			33558	F	51365 - Spin-on
----------------	-------	--	-------	---------	-------	-----	--	--	-------	---	-----------------

N/A = Not Available N/R = Not Required N/S = Not Serviceable For cabin and fuel filter locator, see pages 5-15 See pages 16-19 for footnotes
 N/A = Non disponible N/R = Non nécessaire N/S = Non réparable Para la ubicación de los filtros de aire de la cabina y de combustible, ver las páginas 5-15 Voir pages 16-19 pour des notes
 N/A = No disponible N/R = No requiere N/S = No servible Voir les tableaux de repérage des filtres d'habitacle et à carburant aux pages 5-15 Ver las páginas 16-19 para las notas al pie de página

Italicized Part Numbers May Not Be Available. Wix XP Oil Filters Have Fully Synthetic Media.

Las piezas con números en *italicas* pueden no estar disponibles. Los filtros de aceite WIX XP son completamente de media sintética. Les numéros de pièce en *italiques* peuvent ne pas être disponibles. Les filtres à huile XP Wix contiennent un matériau 100 % synthétique.

Year/Año/Année Model/Modelo/Modèle Engine/Motor/Moteur	Eng. Code Código de motor Code moteur	VIN NIV NIV	Oil Aceite Huile	Oil XP Aceite XP Huile XP	Air Aire Air	Cabin Air Cabina Aire Cabine Air	Cabin Air XP Cabina Aire XP Cabine Air XP	Loc. Cabin Air Cabina Aire Cabine Air	Fuel Combustible Carburant	Loc. Fuel Combustible Carburant	Transmission Transmisión Transmission
--	---	-------------------	------------------------	---------------------------------	--------------------	--	---	--	----------------------------------	--	---

SUBARU (Cont'd/Suite)

2004 (Cont'd/Suite)
BAJA (Cont'd/Suite)

H4 2.5L 2458cc Turbo	EJ255		57712	57712XP	42728	N/A			33558	F	51365 - Spin-on
----------------------	-------	--	-------	---------	-------	-----	--	--	-------	---	-----------------

FORESTER

H4 2.5L 2458cc	EJ251	6	57712	57712XP	42728	49359		3	33558	F	51365 - Spin-on
H4 2.5L 2458cc Turbo	EJ255	6	57712	57712XP	46116	49359		3	33558	F	51365 - Spin-on

IMPREZA

H4 2.5L 2458cc	EJ251	6	57712	57712XP	42728	24485		3	33558	F	51365 - Spin-on
----------------	-------	---	-------	---------	-------	-------	--	---	-------	---	-----------------

IMPREZA OUTBACK SPORT

H4 2.5L 2458cc	EJ251		57712	57712XP	42728	24485		3	33558	F	51365 - Spin-on
----------------	-------	--	-------	---------	-------	-------	--	---	-------	---	-----------------

IMPREZA WRX

H4 2.0L 1994cc Turbo	EJ205		57712	57712XP	46116	24485		3	33558	F	51365 - Spin-on
----------------------	-------	--	-------	---------	-------	-------	--	---	-------	---	-----------------

IMPREZA WRX STI

H4 2.5L 2458cc Turbo	EJ257		57712	57712XP	46116	24485		3	33558	F	MT ²
----------------------	-------	--	-------	---------	-------	-------	--	---	-------	---	-----------------

LEGACY

H4 2.5L 2458cc	EJ253		57712	57712XP	42728	N/A			33558	F	51365 - Spin-on
	EJ259		57712	57712XP	46116	N/A			33558	F	51365 - Spin-on

OUTBACK

H4 2.5L 2458cc	EJ253		57712	57712XP	42728	N/A			N/S	F	51365 - Spin-on
	EJ259		57712	57712XP	46116	N/A			N/S	F	51365 - Spin-on
V6 3.0L 3000cc	EZ30D		51334 ⁵³	51334XP	46116	N/A			33558	F	51365 - Spin-on

2003
BAJA

H4 2.5L 2458cc	EJ253	6	57712	57712XP	42728	N/A			33558	F	51365 - Spin-on
----------------	-------	---	-------	---------	-------	-----	--	--	-------	---	-----------------

FORESTER

H4 2.5L 2458cc	EJ251	6	57712	57712XP	42728	49359		3	33558	F	51365 - Spin-on 58050 - Pan Style
----------------	-------	---	-------	---------	-------	-------	--	---	-------	---	--------------------------------------

IMPREZA

H4 2.5L 2458cc	EJ251	6	57712	57712XP	42728	24485		3	33558	F	51365 - Spin-on
----------------	-------	---	-------	---------	-------	-------	--	---	-------	---	-----------------

IMPREZA OUTBACK SPORT

H4 2.5L 2458cc	EJ251	6	57712	57712XP	42728	24485		3	33558	F	51365 - Spin-on 58050 - Pan Style
----------------	-------	---	-------	---------	-------	-------	--	---	-------	---	--------------------------------------

IMPREZA WRX

H4 2.0L 1994cc Turbo	EJ205	2	57712	57712XP	46116	24485		3	33558	F	51365 - Spin-on
----------------------	-------	---	-------	---------	-------	-------	--	---	-------	---	-----------------

LEGACY

H4 2.5L 2458cc	EJ253	6	57712	57712XP	42728	N/A			33558	F	51365 - Spin-on 58050 - Pan Style
----------------	-------	---	-------	---------	-------	-----	--	--	-------	---	--------------------------------------

OUTBACK

H4 2.5L 2458cc	EJ253	6	57712	57712XP	42728	N/A			33558	F	51365 - Spin-on 58050 - Pan Style
V6 3.0L 3000cc	EZ30D	8	51334 ⁵³	51334XP	46116	N/A			33558	F	51365 - Spin-on 58050 - Pan Style

2002
FORESTER

H4 2.5L 2458cc	EJ251	6	57712	57712XP	42728	24010		4	33558	F	51365 - Spin-on 58050 - Pan Style
----------------	-------	---	-------	---------	-------	-------	--	---	-------	---	--------------------------------------

IMPREZA

H4 2.5L 2458cc	EJ251	6	57712	57712XP	42728	24485		3	33558	F	51365 - Spin-on
----------------	-------	---	-------	---------	-------	-------	--	---	-------	---	-----------------

IMPREZA OUTBACK SPORT

H4 2.5L 2458cc	EJ251	6	57712	57712XP	42728	24485		3	33558	F	51365 - Spin-on 58050 - Pan Style
----------------	-------	---	-------	---------	-------	-------	--	---	-------	---	--------------------------------------

IMPREZA WRX

H4 2.0L 1994cc Turbo	EJ205	2	57712	57712XP	46116	24485		3	33558	F	51365 - Spin-on
----------------------	-------	---	-------	---------	-------	-------	--	---	-------	---	-----------------

LEGACY

H4 2.5L 2458cc	EJ253	6	57712	57712XP	42728	N/A			33558	F	51365 - Spin-on 58050 - Pan Style
----------------	-------	---	-------	---------	-------	-----	--	--	-------	---	--------------------------------------

N/A = Not Available N/R = Not Required N/S = Not Serviceable For cabin and fuel filter locator, see pages 5-15 See pages 16-19 for footnotes

N/A = Non disponible N/R = Non nécessaire N/S = Non réparable Para la ubicación de los filtros de aire de la cabina y de combustible, ver las páginas 5-15 Voir pages 16-19 pour des notes

N/A = No disponible N/R = No requiere N/S = No servible Voir les tableaux de repérage des filtres d'habitacle et à carburant aux pages 5-15 Ver las páginas 16-19 para las notas al pie de página

Italicized Part Numbers May Not Be Available. Wix XP Oil Filters Have Fully Synthetic Media.

Las piezas con números en *italicas* pueden no estar disponibles. Los filtros de aceite WIX XP son completamente de media sintética.

Les numéros de pièce en *italiques* peuvent ne pas être disponibles. Les filtres à huile Wix contiennent un matériau 100 % synthétique.

Year/Año/Année Model/Modelo/Modèle Engine/Motor/Moteur	Eng. Code Código de motor Code moteur	VIN NIV NIV	Oil Aceite Huile	Oil XP Aceite XP Huile XP	Air Aire Air	Cabin Air Cabina Aire Cabine Air	Cabin Air XP Cabina Aire XP Cabine Air XP	Loc. Cabin Air Cabina Aire Cabine Air	Fuel Combustible Carburant	Loc. Fuel Combustible Carburant	Transmission Transmisión Transmission
--	---	-------------------	------------------------	---------------------------------	--------------------	--	---	--	----------------------------------	--	---

SUBARU (Cont'd/Suite)
2002 (Cont'd/Suite)
OUTBACK

H4 2.5L 2458cc	EJ253	6	57712	57712XP	42728	N/A			33558	F	51365 - Spin-on 58050 - Pan Style
H4 2.5L 2458cc Turbo	EJ257		57712	57712XP	42728	N/A			33558	F	51365 - Spin-on 58050 - Pan Style
V6 3.0L 3000cc	EZ30D	8	51334 ⁵³	51334XP	46116	N/A			33558		51365 - Spin-on 58050 - Pan Style

SUZUKI
2017
GRAND VITARA

L4 2.4L 2393CC (Mex.)			57145	57145XP	42101	N/S			N/S		N/S
-----------------------	--	--	-------	---------	-------	-----	--	--	-----	--	-----

VITARA

L4 1.6L (Mex.)			57145	57145XP	N/S	N/S			N/S		N/S
----------------	--	--	-------	---------	-----	-----	--	--	-----	--	-----

2016
GRAND VITARA

L4 2.4L 2393cc (Mex.)	J24B		57145	57145XP	49800	24200		4	N/S		N/S
-----------------------	------	--	-------	---------	-------	-------	--	---	-----	--	-----

KIZASHI

L4 2.4L 2393cc (Mex.)	J24B	9	57145	57145XP	49008	24120		4	N/S		N/S
-----------------------	------	---	-------	---------	-------	-------	--	---	-----	--	-----

S-CROSS

1.6i (Mex.)			57530		46116	N/S			N/S		N/S
-------------	--	--	-------	--	-------	-----	--	--	-----	--	-----

SWIFT

L4 1.4L 1372CC 84CID (Mex.)			57356	57356XP	N/S	N/S			N/S		N/S
-----------------------------	--	--	-------	---------	-----	-----	--	--	-----	--	-----

L4 1.6L (Mex.)			51358	51358XP	N/S	N/S			N/S		N/S
----------------	--	--	-------	---------	-----	-----	--	--	-----	--	-----

2015
GRAND VITARA

L4 2.4L 2393cc (Mex.)	J24B		57145	57145XP	49800	24200		4	N/S		N/S
-----------------------	------	--	-------	---------	-------	-------	--	---	-----	--	-----

KIZASHI

L4 2.4L 2393cc (Mex.)	J24B	9	57145	57145XP	49008	24120		4	N/S		N/S
-----------------------	------	---	-------	---------	-------	-------	--	---	-----	--	-----

S-CROSS

1.6i (Mex.)			57530		46116	N/S			N/S		N/S
-------------	--	--	-------	--	-------	-----	--	--	-----	--	-----

SWIFT

L4 1.4L 1372CC 84CID (Mex.)			57356	57356XP	N/S	N/S			N/S		N/S
-----------------------------	--	--	-------	---------	-----	-----	--	--	-----	--	-----

L4 1.6L (Mex.)			51358	51358XP	N/S	WP9320			N/S		N/S
----------------	--	--	-------	---------	-----	--------	--	--	-----	--	-----

2014
GRAND VITARA

L4 2.4L 2393cc (Mex.)	J24B		57145	57145XP	49800	24200		4	N/S		N/S
-----------------------	------	--	-------	---------	-------	-------	--	---	-----	--	-----

KIZASHI

L4 2.4L 2393cc (Mex.)	J24B	9	57145	57145XP	49008	24120		4	N/S		N/S
-----------------------	------	---	-------	---------	-------	-------	--	---	-----	--	-----

S-CROSS

1.6i (Mex.)			57530		46116	N/S			N/S		N/S
-------------	--	--	-------	--	-------	-----	--	--	-----	--	-----

SWIFT

L4 1.4L 1372CC 84CID (Mex.)			57356	57356XP	N/S	N/S			N/S		N/S
-----------------------------	--	--	-------	---------	-----	-----	--	--	-----	--	-----

L4 1.6L (Mex.)			51358	51358XP	N/S	WP9320			N/S		N/S
----------------	--	--	-------	---------	-----	--------	--	--	-----	--	-----

SX4

L4 2.0L 1995CC 122CID (Mex.)			57145	57145XP	49340	N/S			N/S		N/S
------------------------------	--	--	-------	---------	-------	-----	--	--	-----	--	-----

2013
GRAND VITARA

L4 2.4L 2393cc	J24B	0	57530		49800	24200		4	N/S		N/S
----------------	------	---	-------	--	-------	-------	--	---	-----	--	-----

N/A = Not Available N/R = Not Required N/S = Not Serviceable For cabin and fuel filter locator, see pages 5-15 See pages 16-19 for footnotes

N/A = Non disponible N/R = Non nécessaire N/S = Non réparable Para la ubicación de los filtros de aire de la cabina y de combustible, ver las páginas 5-15 Voir pages 16-19 pour des notes

N/A = No disponible N/R = No requiere N/S = No servible Voir les tableaux de repérage des filtres d'habitacle et à carburant aux pages 5-15 Ver las páginas 16-19 para las notas al pie de página

Italicized Part Numbers May Not Be Available. Wix XP Oil Filters Have Fully Synthetic Media.

Las piezas con números en *italicas* pueden no estar disponibles. Los filtros de aceite WIX XP son completamente de media sintética. Les numéros de pièce en *italiques* peuvent ne pas être disponibles. Les filtres à huile XP Wix contiennent un matériau 100 % synthétique.

Year/Año/Année Model/Modelo/Modèle Engine/Motor/Moteur	Eng. Code Código de motor Code moteur	VIN NIV NIV	Oil Aceite Huile	Oil XP Aceite XP Huile XP	Air Aire Air	Cabin Air Cabina Aire Cabine Air	Cabin Air XP Cabina Aire XP Cabine Air XP	Loc. Cabin Air Cabina Aire Cabine Air	Fuel Combustible Carburant	Loc. Fuel Combustible Carburant	Transmission Transmisión Transmission
--	--	-------------------	------------------------	---------------------------------	--------------------	--	---	--	----------------------------------	--	---

SUZUKI (Cont'd/Suite)
2013 (Cont'd/Suite)
KIZASHI

L4 2.4L 2393cc	J24B	9	57530		49008	24120		4	N/S		N/S
----------------	------	---	-------	--	-------	-------	--	---	-----	--	-----

SWIFT

L4 1.4L 1372CC 84CID (Mex.)			57356	57356XP	N/S	N/S			N/S		N/S
L4 1.6L (Mex.)			51358	51358XP	N/S	N/S			N/S		N/S

SX4

L4 2.0L 1995cc	J20B	5	57530		49340	49700		3	N/S		N/A
----------------	------	---	-------	--	-------	-------	--	---	-----	--	-----

2012
EQUATOR

L4 2.5L 2500cc	QR25DE	B	51365	51365XP	46916	24683	24683XP	3	N/S		58604
V6 4.0L 3954cc	VQ40DE	A	51356	51356XP	46213	24683	24683XP	3	N/S		58906

GRAND VITARA

L4 2.4L 2393cc	J24B	0	57530		49800	24200		4	N/S		N/S
----------------	------	---	-------	--	-------	-------	--	---	-----	--	-----

KIZASHI

L4 2.4L 2393cc	J24B	9	57530		49008	24120		4	N/S		N/S
----------------	------	---	-------	--	-------	-------	--	---	-----	--	-----

SWIFT

L4 1.4L 1372CC 84CID (Mex.)			57356	57356XP	N/S	N/S			N/S		N/S
--------------------------------	--	--	-------	---------	-----	-----	--	--	-----	--	-----

SX4

L4 2.0L 1995cc	J20B	5	57530		49340	49700		3	N/S		N/A
----------------	------	---	-------	--	-------	-------	--	---	-----	--	-----

2011
EQUATOR

L4 2.5L 2500cc	QR25DE	B	51365	51365XP	46916	24683	24683XP	3	N/S		58604
V6 4.0L 3954cc	VQ40DE	A	51356	51356XP	46213	24683	24683XP	3	N/S		58906

GRAND VITARA

L4 2.4L 2393cc	J24B	0	57530		49800	24200		4	N/S		N/S
----------------	------	---	-------	--	-------	-------	--	---	-----	--	-----

KIZASHI

L4 2.4L 2393cc	J24B	9	57530		49008	24120		4	N/S		N/S
----------------	------	---	-------	--	-------	-------	--	---	-----	--	-----

SWIFT

L4 1.5L 1490CC 91CID (Mex.)			51040	51040XP	N/S	N/S			N/S		N/S
V6 2.5L 2500cc (Mex.)			51040 ⁵³	51040XP	42831	N/A			N/S		N/A

SX4

L4 2.0L 1995cc	J20B	5	57530		49340	49700		3	N/S		N/A
----------------	------	---	-------	--	-------	-------	--	---	-----	--	-----

2010
EQUATOR

L4 2.5L 2500cc	QR25DE	B	51365	51365XP	46916	24683	24683XP	3	N/S		58604
V6 4.0L 3954cc	VQ40DE	A	51356	51356XP	46213	24683	24683XP	3	N/S		58906

GRAND VITARA

L4 2.4L 2393cc	J24B	0	57530		49800	24200		4	N/S		N/S
V6 3.2L 3195cc	N32A	1	57060 ⁵³	57060XP	49800	24200		4	N/S		N/S

KIZASHI

L4 2.4L 2393cc	J24B	9	57530		49008	24120		4	N/S		N/S
----------------	------	---	-------	--	-------	-------	--	---	-----	--	-----

SWIFT

L4 1.5L 1490cc (Mex.)			57145	57145XP	WA9730	WP9314			N/S		N/A
L4 1.6L 1590cc			57674 ⁵⁰⁷	57674XP ⁵⁰⁷	42831	N/A			N/S		N/A

SX4

L4 2.0L 1995cc	J20B	5	57530		49340	49700		3	N/S		N/A
----------------	------	---	-------	--	-------	-------	--	---	-----	--	-----

2009
EQUATOR

L4 2.5L 2500cc	QR25DE		51365	51365XP	46916	24683	24683XP	3	N/S		58604
V6 4.0L 3954cc	VQ40DE		51356	51356XP	46213	24683	24683XP	3	N/S		58906

N/A = Not Available N/R = Not Required N/S = Not Serviceable For cabin and fuel filter locator, see pages 5-15 See pages 16-19 for footnotes

N/A = Non disponible N/R = Non nécessaire N/S = Non réparable Para la ubicación de los filtros de aire de la cabina y de combustible, ver las páginas 5-15 Voir pages 16-19 pour des notes

N/A = No disponible N/R = No requiere N/S = No servible Voir les tableaux de repérage des filtres d'habitacle et à carburant aux pages 5-15 Ver las páginas 16-19 para las notas al pie de página

Italicized Part Numbers May Not Be Available. Wix XP Oil Filters Have Fully Synthetic Media.

Las piezas con números en *italicas* pueden no estar disponibles. Los filtros de aceite WIX XP son completamente de media sintética.

Les numéros de pièce en *italiques* peuvent ne pas être disponibles. Les filtres à huile Wix contiennent un matériau 100 % synthétique.

Year/Año/Année Model/Modelo/Modèle Engine/Motor/Moteur	Eng. Code Código de motor Code moteur	VIN NIV NIV	Oil Aceite Huile	Oil XP Aceite XP Huile XP	Air Aire Air	Cabin Air Cabina Aire Cabine Air	Cabin Air XP Cabina Aire XP Cabine Air XP	Loc. Cabin Air Cabina Aire Cabine Air	Fuel Combustible Carburant	Loc. Fuel Combustible Carburant	Transmission Transmisión Transmission
--	---	-------------------	------------------------	---------------------------------	--------------------	--	---	--	----------------------------------	--	---

SUZUKI (Cont'd/Suite)
2009 (Cont'd/Suite)
GRAND VITARA

L4 2.4L 2393cc	J24B	0	57530		49800	24200		4	N/S		N/S
V6 3.2L 3195cc	N32A	1	57060 ⁵³	57060XP	49800	24200		4	N/S		N/S

SWIFT

L4 1.5L 1490cc (Mex.)			57145	57145XP	WA9730	WP9314			N/S		
L4 1.6L 1590cc			57674 ⁵⁰⁷	57674XP ⁵⁰⁷	42831	N/A			N/S		N/A

SX4

L4 2.0L 1995cc	J20B	4	57530		49005	49700		3	N/S		N/A
----------------	------	---	-------	--	-------	-------	--	---	-----	--	-----

XL-7

V6 3.6L 3564cc	N36A	3	57060 ⁵³	57060XP	46902	24872		1	N/S		N/S
----------------	------	---	---------------------	---------	-------	-------	--	---	-----	--	-----

2008
FORENZA

L4 2.0L 1995cc	J20B	5	51040 ⁵³	51040XP	42826	24902		4	N/S		N/A
----------------	------	---	---------------------	---------	-------	-------	--	---	-----	--	-----

GRAND VITARA

V6 2.7L 2737cc		9	51391		49085	24200		4	N/S		N/S
----------------	--	---	-------	--	-------	-------	--	---	-----	--	-----

RENO

L4 2.0L 1995cc	J20B	6	51040 ⁵³	51040XP	42826	24902		4	N/S		N/A
----------------	------	---	---------------------	---------	-------	-------	--	---	-----	--	-----

SWIFT

L4 1.5L 1490cc (Mex.)			57145	57145XP	WA9730	WP9314			N/S		
L4 1.6L 1590cc			51040 ⁵³	51040XP	42831	N/A			N/S		N/A

SX4

L4 2.0L 1995cc	J20B	4	57530		49005	49700		3	N/S		N/A
----------------	------	---	-------	--	-------	-------	--	---	-----	--	-----

XL-7

V6 3.6L 3564cc	N36A	3	57060 ⁵³	57060XP	46902	24872		1	N/S		N/S
----------------	------	---	---------------------	---------	-------	-------	--	---	-----	--	-----

2007
AERIO

L4 2.3L 2300cc		6	57145	57145XP	42752	N/R			N/S		N/A
----------------	--	---	-------	---------	-------	-----	--	--	-----	--	-----

FORENZA

L4 2.0L 1995cc	J20B	5	51040 ⁵³	51040XP	42826	24902		4	N/S		N/A
----------------	------	---	---------------------	---------	-------	-------	--	---	-----	--	-----

GRAND VITARA

V6 2.7L 2737cc		9	51391		49085	24200		4	N/S		N/S
----------------	--	---	-------	--	-------	-------	--	---	-----	--	-----

RENO

L4 2.0L 1995cc	J20B	6	51040 ⁵³	51040XP	42826	24902		4	N/S		N/A
----------------	------	---	---------------------	---------	-------	-------	--	---	-----	--	-----

SWIFT

L4 1.5L 1490cc (Mex.)			57145	57145XP	WA9730	WP9314			N/S		
L4 1.6L 1590cc			51040 ⁵³	51040XP	42831				N/S		N/A

SX4

L4 2.0L 1995cc	J20B	4	57530		49005	49700		3	N/S		N/A
----------------	------	---	-------	--	-------	-------	--	---	-----	--	-----

XL-7

V6 3.6L 3564cc	N36A	2,7,9	57060 ⁵³	57060XP	46902	24872		1	N/S		N/S
----------------	------	-------	---------------------	---------	-------	-------	--	---	-----	--	-----

2006
AERIO

L4 2.3L 2300cc		6	57145	57145XP	42752	N/R			N/S		N/A
----------------	--	---	-------	---------	-------	-----	--	--	-----	--	-----

FORENZA

L4 2.0L 1995cc	J20B	5	51040 ⁵³	51040XP	42826	24902		4	N/S		N/A
----------------	------	---	---------------------	---------	-------	-------	--	---	-----	--	-----

GRAND VITARA

V6 2.7L 2737cc		6	51391		49085	24200		4	N/S		N/S
----------------	--	---	-------	--	-------	-------	--	---	-----	--	-----

RENO

L4 2.0L 1995cc	J20B	6	51040 ⁵³	51040XP	42826	24902		4	N/S		N/A
----------------	------	---	---------------------	---------	-------	-------	--	---	-----	--	-----

SWIFT

L4 1.6L 1590cc			51040 ⁵³	51040XP	42831				N/S		N/A
----------------	--	--	---------------------	---------	-------	--	--	--	-----	--	-----

N/A = Not Available N/R = Not Required N/S = Not Serviceable For cabin and fuel filter locator, see pages 5-15 See pages 16-19 for footnotes

N/A = Non disponible N/R = Non nécessaire N/S = Non réparable Para la ubicación de los filtros de aire de la cabina y de combustible, ver las páginas 5-15 Voir pages 16-19 pour des notes

N/A = No disponible N/R = No requiere N/S = No servible Voir les tableaux de repérage des filtres d'habitacle et à carburant aux pages 5-15 Ver las páginas 16-19 para las notas al pie de página

Italicized Part Numbers May Not Be Available. Wix XP Oil Filters Have Fully Synthetic Media.

Las piezas con números en *italicas* pueden no estar disponibles. Los filtros de aceite WIX XP son completamente de media sintética. Les numéros de pièce en *italiques* peuvent ne pas être disponibles. Les filtres à huile XP Wix contiennent un matériau 100 % synthétique.

Year/Año/Année Model/Modelo/Modèle Engine/Motor/Moteur	Eng. Code Código de motor Code moteur	VIN NIV NIV	Oil Aceite Huile	Oil XP Aceite XP Huile XP	Air Aire Air	Cabin Air Cabina Aire Cabine Air	Cabin Air XP Cabina Aire XP Cabine Air XP	Loc. Cabin Air Cabina Aire Cabine Air	Fuel Combustible Carburant	Loc. Fuel Combustible Carburant	Transmission Transmisión Transmission
--	--	-------------------	------------------------	---------------------------------	--------------------	--	---	--	----------------------------------	--	---

SUZUKI (Cont'd/Suite)

2006 (Cont'd/Suite)

VERONA

V6 2.5L 2494cc		5	57046		42838	24906		1	33850		N/A
----------------	--	---	-------	--	-------	-------	--	---	-------	--	-----

XL-7

V6 2.7L 2737cc		9	51391		42737	24475		1	WF10009 ⁹¹		N/S
----------------	--	---	-------	--	-------	-------	--	---	-----------------------	--	-----

2005

AERIO

L4 2.3L 2300cc		6	57145	57145XP	42752	N/R			N/S		N/A
----------------	--	---	-------	---------	-------	-----	--	--	-----	--	-----

FORENZA

L4 2.0L 1995cc	J20B		51040 ⁹³	51040XP	42826	24902		4	N/S		N/A
----------------	------	--	---------------------	---------	-------	-------	--	---	-----	--	-----

GRAND VITARA

V6 2.5L 2500cc		6	51391		46195	24475		1	33597 33597 ^{13B}	Q Q	58951
----------------	--	---	-------	--	-------	-------	--	---	-------------------------------	--------	-------

RENO

L4 2.0L 1995cc	J20B		51040 ⁹³	51040XP	42826	24902		4	N/S		N/A
----------------	------	--	---------------------	---------	-------	-------	--	---	-----	--	-----

SWIFT

L4 1.6L 1590cc			51040 ⁹³	51040XP	42831						N/A
----------------	--	--	---------------------	---------	-------	--	--	--	--	--	-----

VERONA

V6 2.5L 2494cc		5	57046		42838	24906		1	33850		N/A
----------------	--	---	-------	--	-------	-------	--	---	-------	--	-----

XL-7

V6 2.7L 2737cc		9	51391		42737	24475		1	WF10009 ⁹¹		N/S
----------------	--	---	-------	--	-------	-------	--	---	-----------------------	--	-----

2004

AERIO

L4 2.3L 2300cc		6	57145	57145XP	42752	N/R			N/S		N/A
----------------	--	---	-------	---------	-------	-----	--	--	-----	--	-----

FORENZA

L4 2.0L 1995cc	J20B		51040 ⁹³	51040XP	42826	24902		4	N/S		
----------------	------	--	---------------------	---------	-------	-------	--	---	-----	--	--

GRAND VITARA

V6 2.5L 2500cc		6	51391		46195	24475		1	33597 33597 ^{13B}	Q Q	58951
----------------	--	---	-------	--	-------	-------	--	---	-------------------------------	--------	-------

SWIFT

L4 1.6L 1590cc			51040 ⁹³	51040XP	42831						N/A
----------------	--	--	---------------------	---------	-------	--	--	--	--	--	-----

VERONA

V6 2.5L 2494cc		5	57046		42838	24906		1	33850		N/A
----------------	--	---	-------	--	-------	-------	--	---	-------	--	-----

VITARA

V6 2.5L 2500cc		5	51391		46195	24899		5	33150	Q	58951
----------------	--	---	-------	--	-------	-------	--	---	-------	---	-------

XL-7

V6 2.7L 2737cc		9	51391		42737	24475		1	WF10009 ⁹¹		N/S
----------------	--	---	-------	--	-------	-------	--	---	-----------------------	--	-----

2003

AERIO

L4 2.0L 1995cc	J20B	4	57145	57145XP	42752	N/R			N/S		N/A
----------------	------	---	-------	---------	-------	-----	--	--	-----	--	-----

GRAND VITARA

V6 2.5L 2500cc		6	51391		46195	24475		5	33597 33597 ^{13B}	Q Q	58951
----------------	--	---	-------	--	-------	-------	--	---	-------------------------------	--------	-------

VITARA

L4 2.0L 1995cc	J20B	5	57145	57145XP	46195	24899		5	33150	Q	58951
----------------	------	---	-------	---------	-------	-------	--	---	-------	---	-------

XL-7

V6 2.7L 2737cc		9	51391		46195	24899		5	WF10009 ⁹¹		58951
----------------	--	---	-------	--	-------	-------	--	---	-----------------------	--	-------

2002

AERIO

L4 2.0L 1995cc	J20B	4	57145	57145XP	42182	N/R			N/S		N/A
----------------	------	---	-------	---------	-------	-----	--	--	-----	--	-----

ESTEEM

L4 1.8L 1790cc		4	57145	57145XP	46193	N/R			N/S		N/A
----------------	--	---	-------	---------	-------	-----	--	--	-----	--	-----

N/A = Not Available N/R = Not Required N/S = Not Serviceable For cabin and fuel filter locator, see pages 5-15 See pages 16-19 for footnotes
 N/A = Non disponible N/R = Non nécessaire N/S = Non réparable Para la ubicación de los filtros de aire de la cabina y de combustible, ver las páginas 5-15 Voir pages 16-19 pour des notes
 N/A = No disponible N/R = No requiere N/S = No servible Voir les tableaux de repérage des filtres d'habitacle et à carburant aux pages 5-15 Ver las páginas 16-19 para las notas al pie de página

Italicized Part Numbers May Not Be Available. Wix XP Oil Filters Have Fully Synthetic Media.
 Las piezas con números en *italicas* pueden no estar disponibles. Los filtros de aceite WIX XP son completamente de media sintética.
 Les numéros de pièce en *italiques* peuvent ne pas être disponibles. Les filtres à huile Wix contiennent un matériau 100 % synthétique.

SUZUKI 2002 — TESLA 2014

Pass Car/Light Truck

Year/Año/Année Model/Modelo/Modèle Engine/Motor/Moteur	Eng. Code Código de motor Code moteur	VIN NIV NIV	Oil Aceite Huile	Oil XP Aceite XP Huile XP	Air Aire Air	Cabin Air Cabina Aire Cabine Air	Cabin Air XP Cabina Aire XP Cabine Air XP	Loc. Cabin Air Cabina Aire Cabine Air	Fuel Combustible Carburant	Loc. Fuel Combustible Carburant	Transmission Transmisión Transmission
--	---	-------------------	------------------------	---------------------------------	--------------------	--	---	--	----------------------------------	--	---

SUZUKI (Cont'd/Suite)

2002 (Cont'd/Suite)

GRAND VITARA

V6 2.5L 2500cc		6	51391		46195	24899		1	33597 33597 ³⁸	Q Q	58951
----------------	--	---	-------	--	-------	-------	--	---	------------------------------	--------	-------

VITARA

L4 1.6L 1590cc (Mex.)		0	57145	57145XP	46195				33150	Q	
L4 2.0L 1995cc	J20B	5	57145	57145XP	46195	24899		5	33150	Q	58951

VITARA (CANADIAN)

L4 1.6L 1590cc			51348 ⁵³	51348XP	46195	24899		5	33150	Q	58951
----------------	--	--	---------------------	---------	-------	-------	--	---	-------	---	-------

XL-7

V6 2.7L 2737cc		9	51391		46195	24899		5	WF10009 ⁶¹		58951
----------------	--	---	-------	--	-------	-------	--	---	-----------------------	--	-------

TESLA

2021

3	Electric		N/R		N/A	WP10016			N/R		
----------	----------	--	-----	--	-----	---------	--	--	-----	--	--

S	Electric		N/R		N/S	WP10176			N/S		
----------	----------	--	-----	--	-----	---------	--	--	-----	--	--

X	Electric		N/R		N/A	N/A			N/R		
----------	----------	--	-----	--	-----	-----	--	--	-----	--	--

Y	Electric		N/S		N/S	WP10016			N/S		N/S
----------	----------	--	-----	--	-----	---------	--	--	-----	--	-----

2020

3	Electric		N/R		N/A	WP10016			N/R		
----------	----------	--	-----	--	-----	---------	--	--	-----	--	--

S	Electric		N/R		N/S	WP10176			N/S		
----------	----------	--	-----	--	-----	---------	--	--	-----	--	--

X	Electric		N/R		N/A	N/A			N/R		
----------	----------	--	-----	--	-----	-----	--	--	-----	--	--

Y	Electric		N/S		N/S	WP10016			N/S		N/S
----------	----------	--	-----	--	-----	---------	--	--	-----	--	-----

2019

S	Electric		N/R		N/S	WP10176			N/S		
----------	----------	--	-----	--	-----	---------	--	--	-----	--	--

2018

S	Electric		N/R		N/S	WP10176			N/S		
----------	----------	--	-----	--	-----	---------	--	--	-----	--	--

2017

S	Electric		N/R		N/R	WP10176			N/R		N/S
----------	----------	--	-----	--	-----	---------	--	--	-----	--	-----

2016

S	Electric		N/R		N/R	WP10176			N/R		N/S
----------	----------	--	-----	--	-----	---------	--	--	-----	--	-----

2015

S	Electric		N/R		N/R	WP10176			N/R		N/S
----------	----------	--	-----	--	-----	---------	--	--	-----	--	-----

2014

S	Electric		N/R		N/R	WP10176			N/R		N/S
----------	----------	--	-----	--	-----	---------	--	--	-----	--	-----

N/A = Not Available N/R = Not Required N/S = Not Serviceable For cabin and fuel filter locator, see pages 5-15 See pages 16-19 for footnotes

N/A = Non disponible N/R = Non nécessaire N/S = Non réparable Para la ubicación de los filtros de aire de la cabina y de combustible, ver las páginas 5-15 Voir pages 16-19 pour des notes

N/A = No disponible N/R = No requiere N/S = No servible Voir les tableaux de repérage des filtres d'habitacle et à carburant aux pages 5-15 Ver las páginas 16-19 para las notas al pie de página

Italicized Part Numbers May Not Be Available. Wix XP Oil Filters Have Fully Synthetic Media.

Las piezas con números en *italicas* pueden no estar disponibles. Los filtros de aceite WIX XP son completamente de media sintética. Les numéros de pièce en *italiques* peuvent ne pas être disponibles. Les filtres à huile XP Wix contiennent un matériau 100 % synthétique.

Year/Año/Année Model/Modelo/Modèle Engine/Motor/Moteur	Eng. Code Código de motor Code moteur	VIN NIV NIV	Oil Aceite Huile	Oil XP Aceite XP Huile XP	Air Aire Air	Cabin Air Cabina Aire Cabine Air	Cabin Air XP Cabina Aire XP Cabine Air XP	Loc. Cabin Air Cabina Aire Cabine Air	Fuel Combustible Carburant	Loc. Fuel Combustible Carburant	Transmission Transmisión Transmission
--	---	-------------------	------------------------	---------------------------------	--------------------	--	---	--	----------------------------------	--	---

TESLA (Cont'd/Suite)
2013
S

Electric			N/R		N/R	WP10176			N/R		N/S
----------	--	--	-----	--	-----	---------	--	--	-----	--	-----

2012
S

Electric			N/R		N/R	WP10176			N/R		N/S
----------	--	--	-----	--	-----	---------	--	--	-----	--	-----

TOYOTA
2021
4 RUNNER

V6 4.0L 3956cc 241 CID	1GRFE		57173		49350	24483 ⁷⁹ 24511 ⁷⁸	24483XP ⁷⁹	3	N/S		58122
------------------------	-------	--	-------	--	-------	--	-----------------------	---	-----	--	-------

AVALON

L4 2.5L 2494cc	2ARFE	K	WL10332		WA10807	WP10320 ⁷⁹ WP10322 ⁷⁸		3	N/S		N/S
V6 3.5L 3456cc	2GRFE	K	57047	57047XP	WA10859	WP10320 ⁷⁹ WP10322 ⁷⁸		3	N/S		N/A

AVALON HYBRID

L4 2.5L 2494cc Electric/Gas	2ARFXE	K	WL10332		WA10807	WP10320 ⁷⁹ WP10322 ⁷⁸		3	N/S		N/S
-----------------------------	--------	---	---------	--	---------	--	--	---	-----	--	-----

CAMRY

L4 2.5L 2494cc	2ARFE		WL10332		WA10859	WP10320 ⁷⁹ WP10322 ⁷⁸		3	N/S		N/A
V6 3.5L 3456cc	2GRFE		57047	57047XP	WA10859	WP10320 ⁷⁹ WP10322 ⁷⁸		3	N/S		N/A

CAMRY HYBRID

L4 2.5L 2494cc Electric/Gas	2ARFXE		WL10332		WA10807	WP10320 ⁷⁹ WP10322 ⁷⁸		3	N/S		N/S
-----------------------------	--------	--	---------	--	---------	--	--	---	-----	--	-----

C-HR

L4 2.0L			51394 ⁵¹⁴ 57064 ²⁷⁵	51394XP ⁵¹⁴ 57064XP ²⁷⁵	WA10807	WP10320 ⁷⁹ WP10369 ³²² WP10322 ⁷⁸			N/S		N/S
---------	--	--	--	--	---------	--	--	--	-----	--	-----

COROLLA

L4 1.8L 1800CC 110CID	2ZR-FAE		51394 ⁵³	51394XP	WA10807	WP10320 ⁷⁹ WP10322 ⁷⁸		3	N/S		N/A
L4 2.0L 2000CC 122CID	M20A-FKS		51394 ⁵³	51394XP	WA10807	WP10320 ⁷⁹ WP10322 ⁷⁸			N/S		N/S

COROLLA Hybrid

L4 1.8L 1800CC 110CID	2ZR-FAE		51394 ⁵³	51394XP	WA10000	WP10320 ⁷⁹ WP10322 ⁷⁸			N/S		N/S
-----------------------	---------	--	---------------------	---------	---------	--	--	--	-----	--	-----

HIGHLANDER

V6 3.5L 3500CC 214CID	2GR-FKS		57047	57047XP	WA10859	WP10320 ⁷⁹ WP10322 ⁷⁸			N/S		N/S
-----------------------	---------	--	-------	---------	---------	--	--	--	-----	--	-----

HIGHLANDER HYBRID

L4 2.5L 2500CC 153CID	A25A-FKS I4		51394 ⁵³	51394XP	WA10807	WP10320 ⁷⁹ WP10322 ⁷⁸			N/S		N/S
-----------------------	-------------	--	---------------------	---------	---------	--	--	--	-----	--	-----

LAND CRUISER

V8 5.7L 5663cc 345 CID	3URFE		57041	57041XP	49030	24483 ⁷⁹ 24511 ⁷⁸	24483XP ⁷⁹	3	33526		N/A
------------------------	-------	--	-------	---------	-------	--	-----------------------	---	-------	--	-----

PRIUS

L4 1.8L 1798cc 110 CID Electric/Gas	2ZRFXE		51394 ⁴²⁵	51394XP ⁴²⁵	WA10000	WP10320 ⁷⁹ WP10322 ⁷⁸ 24483 ⁷⁹	24483XP ⁷⁹	3	N/S		N/S
--	--------	--	----------------------	------------------------	---------	---	-----------------------	---	-----	--	-----

PRIUS C

L4 1.5L 1497cc 91 CID Electric/Gas	1NZFXE		51394 ⁵³	51394XP	WA10000	24483 ⁷⁹ 24511 ⁷⁸	24483XP ⁷⁹	3	N/S		N/S
---------------------------------------	--------	--	---------------------	---------	---------	--	-----------------------	---	-----	--	-----

Prius Prime

L4 1.8L 1798cc 110 CID Electric/Gas	2ZRFXE		51394 ⁵³	51394XP	WA10000	WP10320 ⁷⁹ WP10322 ⁷⁸		3	N/S		N/S
--	--------	--	---------------------	---------	---------	--	--	---	-----	--	-----

N/A = Not Available N/R = Not Required N/S = Not Serviceable For cabin and fuel filter locator, see pages 5-15 See pages 16-19 for footnotes

N/A = Non disponible N/R = Non nécessaire N/S = Non réparable Para la ubicación de los filtros de aire de la cabina y de combustible, ver las páginas 5-15 Voir pages 16-19 pour des notes

N/A = No disponible N/R = No requiere N/S = No servible Voir les tableaux de repérage des filtres d'habitacle et à carburant aux pages 5-15 Ver las páginas 16-19 para las notas al pie de página

Italicized Part Numbers May Not Be Available. Wix XP Oil Filters Have Fully Synthetic Media.

Las piezas con números en *italicas* pueden no estar disponibles. Los filtros de aceite WIX XP son completamente de media sintética.

Les numéros de pièce en *italiques* peuvent ne pas être disponibles. Les filtres à huile Wix contiennent un matériau 100 % synthétique.

TOYOTA 2021-2020
Pass Car/Light Truck

Year/Año/Année Model/Modelo/Modèle Engine/Motor/Moteur	Eng. Code Código de motor Code moteur	VIN NIV NIV	Oil Aceite Huile	Oil XP Aceite XP Huile XP	Air Aire Air	Cabin Air Cabina Aire Cabine Air	Cabin Air XP Cabina Aire XP Cabine Air XP	Loc. Cabin Air Cabina Aire Cabine Air	Fuel Combustible Carburant	Loc. Fuel Combustible Carburant	Transmission Transmisión Transmission
--	---	-------------------	------------------------	---------------------------------	--------------------	--	---	--	----------------------------------	--	---

TOYOTA (Cont'd/Suite)
2021 (Cont'd/Suite)
RAV4

L4 2.5L 2500CC 153CID	A25A-FKS I4		51394 ⁵³	51394XP	WA10859	WP10320 ⁷⁹ WP10322 ⁷⁸			N/S		N/S
-----------------------	-------------	--	---------------------	---------	---------	--	--	--	-----	--	-----

RAV4 Hybrid

L4 2.5L 2500CC 153CID	A25A-FKS I4		51394 ⁵³	51394XP	WA10859	WP10320 ⁷⁹ WP10322 ⁷⁸			N/S		N/S
-----------------------	-------------	--	---------------------	---------	---------	--	--	--	-----	--	-----

SEQUOIA

V8 5.7L 5663cc 345 CID Flex	3URFBE		57041	57041XP	WA10085	24483 ⁷⁹ 24511 ⁷⁸	24483XP ⁷⁹	3	N/S		N/A
-----------------------------	--------	--	-------	---------	---------	--	-----------------------	---	-----	--	-----

SUPRA

L4 2.0L 122CID Turbo	B48B20		N/S		N/S	WP10427			N/S		N/S
L6 3.0L 3000CC 183CID Turbo	B58B30		WL10342		WA11035	WP10427			N/S		N/S

TACOMA

L4 2.7L 2694cc	2TRFE	X	51348 ⁵³	51348XP	49155	24871 ⁷⁹	24871XP ⁷⁹	3	N/S		N/A
V6 3.5L			57047	57047XP	WA10085	49358		3	N/S		N/A

TUNDRA

V8 5.7L 5700CC 348CID FLEX/			57041	57041XP	WA10085	24483 ⁷⁹ 24511 ⁷⁸	24483XP ⁷⁹	3	N/S		N/A
-----------------------------	--	--	-------	---------	---------	--	-----------------------	---	-----	--	-----

2020
4 RUNNER

V6 4.0L 3956cc 241 CID	1GRFE		57173		49350	24483 ⁷⁹ 24511 ⁷⁸	24483XP ⁷⁹	3	N/S		58122
------------------------	-------	--	-------	--	-------	--	-----------------------	---	-----	--	-------

86

H4 2.0L 1998cc 122 CID	FA20		57830		46834	24212			N/S		N/S
------------------------	------	--	-------	--	-------	-------	--	--	-----	--	-----

AVALON

V6 3.5L 3456cc	2GRFE	K	57047	57047XP	WA10859	WP10320 ⁷⁹ WP10322 ⁷⁸		3	N/S		N/A
----------------	-------	---	-------	---------	---------	--	--	---	-----	--	-----

AVALON HYBRID

L4 2.5L 2494cc Electric/Gas	2ARFXE	K	WL10332		WA10807	WP10320 ⁷⁹ WP10322 ⁷⁸		3	N/S		N/S
-----------------------------	--------	---	---------	--	---------	--	--	---	-----	--	-----

CAMRY

L4 2.5L 2494cc	2ARFE		WL10332		WA10859	WP10320 ⁷⁹ WP10322 ⁷⁸		3	N/S		N/A
V6 3.5L 3456cc	2GRFE		57047	57047XP	WA10859	WP10320 ⁷⁹ WP10322 ⁷⁸		3	N/S		N/A

CAMRY HYBRID

L4 2.5L 2494cc Electric/Gas	2ARFXE		WL10332		WA10807	WP10320 ⁷⁹ WP10322 ⁷⁸		3	N/S		N/S
-----------------------------	--------	--	---------	--	---------	--	--	---	-----	--	-----

C-HR

L4 2.0L			51394 ⁵¹⁴ 57064 ²⁷⁵	51394XP ⁵¹⁴ 57064XP ²⁷⁵	WA10807	WP10320 ⁷⁹ WP10369 ³²² WP10322 ⁷⁸			N/S		N/S
---------	--	--	--	--	---------	--	--	--	-----	--	-----

COROLLA

L4 1.8L 1800CC 110CID	2ZR-FAE		51394 ⁵³	51394XP	WA10807	WP10320 ⁷⁹ WP10322 ⁷⁸		3	N/S		N/A
L4 2.0L 2000CC 122CID	M20A-FKS		51394 ⁵³	51394XP	WA10807	WP10320 ⁷⁹ WP10322 ⁷⁸			N/S		N/S

COROLLA Hybrid

L4 1.8L 1800CC 110CID	2ZR-FXE		51394 ⁵³	51394XP	WA10000	WP10320 ⁷⁹ WP10322 ⁷⁸			N/S		N/A
-----------------------	---------	--	---------------------	---------	---------	--	--	--	-----	--	-----

HIGHLANDER

V6 3.5L 3500CC 214CID	2GR-FKS		57047	57047XP	WA10859	WP10320 ⁷⁹ WP10322 ⁷⁸			N/S		N/S
-----------------------	---------	--	-------	---------	---------	--	--	--	-----	--	-----

HIGHLANDER HYBRID

L4 2.5L 2500CC 153CID	A25A-FKS I4		51394 ⁵³	51394XP	WA10807	WP10320 ⁷⁹ WP10322 ⁷⁸			N/S		N/S
-----------------------	-------------	--	---------------------	---------	---------	--	--	--	-----	--	-----

N/A = Not Available N/R = Not Required N/S = Not Serviceable For cabin and fuel filter locator, see pages 5-15 See pages 16-19 for footnotes

N/A = Non disponible N/R = Non nécessaire N/S = Non réparable Para la ubicación de los filtros de aire de la cabina y de combustible, ver las páginas 5-15 Voir pages 16-19 pour des notes

N/A = No disponible N/R = No requiere N/S = No servible Voir les tableaux de repérage des filtres d'habitacle et à carburant aux pages 5-15 Ver las páginas 16-19 para las notas al pie de página

Italicized Part Numbers May Not Be Available. Wix XP Oil Filters Have Fully Synthetic Media.

Las piezas con números en *italicas* pueden no estar disponibles. Los filtros de aceite WIX XP son completamente de media sintética. Les numéros de pièce en *italiques* peuvent ne pas être disponibles. Les filtres à huile XP Wix contiennent un matériau 100 % synthétique.

Year/Año/Année Model/Modelo/Modèle Engine/Motor/Moteur	Eng. Code Código de motor Code moteur	VIN NIV NIV	Oil Aceite Huile	Oil XP Aceite XP Huile XP	Air Aire Air	Cabin Air Cabina Aire Cabine Air	Cabin Air XP Cabina Aire XP Cabine Air XP	Loc. Cabin Air Cabina Aire Cabine Air	Fuel Combustible Carburant	Loc. Fuel Combustible Carburant	Transmission Transmisión Transmission
--	---	-------------------	------------------------	---------------------------------	--------------------	--	---	---	----------------------------------	---------------------------------------	---

TOYOTA (Cont'd/Suite)
2020 (Cont'd/Suite)
LAND CRUISER

V8 5.7L 5663cc 345 CID	3URFE		57041	57041XP	49030	24483 ⁷⁹ 24511 ⁷⁸	24483XP ⁷⁹	3	33526		N/A
------------------------	-------	--	-------	---------	-------	--	-----------------------	---	-------	--	-----

MIRAI

w / Electric/Hydrogen Eng. Electric/GasHydrogen			N/R		N/S	24483 ⁷⁹ 24511 ⁷⁸	24483XP ⁷⁹		N/S		N/S
--	--	--	-----	--	-----	--	-----------------------	--	-----	--	-----

PRIUS

L4 1.8L 1798cc 110 CID Electric/Gas	2ZRFXE		51394 ⁴²⁵	51394XP ⁴²⁵	WA10000	WP10320 ⁷⁹ WP10322 ⁷⁸ 24483 ⁷⁹	24483XP ⁷⁹	3	N/S		N/S
--	--------	--	----------------------	------------------------	---------	---	-----------------------	---	-----	--	-----

PRIUS C

L4 1.5L 1497cc 91 CID Electric/Gas	1NZFXE		51394 ⁵³	51394XP	WA10000	24483 ⁷⁹ 24511 ⁷⁸	24483XP ⁷⁹	3	N/S		N/S
---------------------------------------	--------	--	---------------------	---------	---------	--	-----------------------	---	-----	--	-----

Prius Prime

L4 1.8L 1798cc 110 CID Electric/Gas	2ZRFXE		51394 ⁵³	51394XP	WA10000	WP10320 ⁷⁹ WP10322 ⁷⁸		3	N/S		N/S
--	--------	--	---------------------	---------	---------	--	--	---	-----	--	-----

RAV4

L4 2.5L 2500CC 153CID	A25A-FKS I4		51394 ⁵³	51394XP	WA10859	WP10320 ⁷⁹ WP10322 ⁷⁸			N/S		N/S
-----------------------	-------------	--	---------------------	---------	---------	--	--	--	-----	--	-----

RAV4 Hybrid

L4 2.5L 2500CC 153CID	A25A-FKS I4		51394 ⁵³	51394XP	WA10859	WP10320 ⁷⁹ WP10322 ⁷⁸			N/S		N/S
-----------------------	-------------	--	---------------------	---------	---------	--	--	--	-----	--	-----

SEQUOIA

V8 5.7L 5663cc 345 CID Flex	3URFBE		57041	57041XP	WA10085	24483 ⁷⁹ 24511 ⁷⁸	24483XP ⁷⁹	3	N/S		N/A
-----------------------------	--------	--	-------	---------	---------	--	-----------------------	---	-----	--	-----

SIENNA

V6 3.5L 3456cc	2GRFE		57047	57047XP	49430	24483	24483XP	3	N/S		N/A
----------------	-------	--	-------	---------	-------	-------	---------	---	-----	--	-----

SUPRA

L6 3.0L 3000CC 183CID Turbo	B58B30		WL10342		WA11035	WP10427			N/S		N/S
-----------------------------	--------	--	---------	--	---------	---------	--	--	-----	--	-----

TACOMA

L4 2.7L 2694cc	2TRFE	X	51348 ⁵³	51348XP	49155	24871 ⁷⁹	24871XP ⁷⁹	3	N/S		N/A
V6 3.5L			57047	57047XP	WA10085	49358		3	N/S		N/A

TUNDRA

V8 5.7L 5700CC 348CID FLEX/			57041	57041XP	WA10085	24483 ⁷⁹ 24511 ⁷⁸	24483XP ⁷⁹	3	N/S		N/A
--------------------------------	--	--	-------	---------	---------	--	-----------------------	---	-----	--	-----

YARIS

L4 1.5L 1497cc	1NZFE		57002 ⁵³		WA10408	WP10267		3	N/S		58324
----------------	-------	--	---------------------	--	---------	---------	--	---	-----	--	-------

YARIS iA

L4 1.5L 1497cc	1NZFE		57002		WA10408	WP10267			N/S		N/S
----------------	-------	--	-------	--	---------	---------	--	--	-----	--	-----

2019
4 RUNNER

V6 4.0L 3956cc 241 CID	1GRFE		57173		49350	24483 ⁷⁹ 24511 ⁷⁸	24483XP ⁷⁹	3	N/S		58122
------------------------	-------	--	-------	--	-------	--	-----------------------	---	-----	--	-------

86

H4 2.0L 1998cc 122 CID	FA20		57830		46834	24212			N/S		N/S
------------------------	------	--	-------	--	-------	-------	--	--	-----	--	-----

AVALON

V6 3.5L 3456cc	2GRFE	K	57047	57047XP	WA10859	24483 ⁷⁹ 24511 ⁷⁸	24483XP ⁷⁹	3	N/S		N/A
----------------	-------	---	-------	---------	---------	--	-----------------------	---	-----	--	-----

AVALON HYBRID

L4 2.5L 2494cc Electric/Gas	2ARFXE	K	WL10332		WA10807	WP10320 ⁷⁹ WP10322 ⁷⁸		3	N/S		N/S
-----------------------------	--------	---	---------	--	---------	--	--	---	-----	--	-----

CAMRY

L4 2.5L 2494cc	2ARFE		WL10332		WA10859	WP10320 ⁷⁹ WP10322 ⁷⁸		3	N/S		N/A
V6 3.5L 3456cc	2GRFE		57047	57047XP	WA10859	WP10320 ⁷⁹ WP10322 ⁷⁸		3	N/S		N/A

N/A = Not Available N/R = Not Required N/S = Not Serviceable For cabin and fuel filter locator, see pages 5-15 See pages 16-19 for footnotes

N/A = Non disponible N/R = Non nécessaire N/S = Non réparable Para la ubicación de los filtros de aire de la cabina y de combustible, ver las páginas 5-15 Voir pages 16-19 pour des notes

N/A = No disponible N/R = No requiere N/S = No servible Voir les tableaux de repérage des filtres d'habitacle et à carburant aux pages 5-15 Ver las páginas 16-19 para las notas al pie de página

Italicized Part Numbers May Not Be Available. Wix XP Oil Filters Have Fully Synthetic Media.

Las piezas con números en *italicas* pueden no estar disponibles. Los filtros de aceite WIX XP son completamente de media sintética.

Les numéros de pièce en *italiques* peuvent ne pas être disponibles. Les filtres à huile XP Wix contiennent un matériau 100 % synthétique.

TOYOTA 2019
Pass Car/Light Truck

Year/Año/Année Model/Modelo/Modèle Engine/Motor/Moteur	Eng. Code Código de motor Code moteur	VIN NIV NIV	Oil Aceite Huile	Oil XP Aceite XP Huile XP	Air Aire Air	Cabin Air Cabina Aire Cabine Air	Cabin Air XP Cabina Aire XP Cabine Air XP	Loc. Cabin Air Cabina Aire Cabine Air	Fuel Combustible Carburant	Loc. Fuel Combustible Carburant	Transmission Transmisión Transmission
--	--	-------------------	------------------------	---------------------------------	--------------------	--	---	--	----------------------------------	--	---

TOYOTA (Cont'd/Suite)
2019 (Cont'd/Suite)
CAMRY HYBRID

L4 2.5L 2494cc Electric/Gas	2ARFXE		WL10332		WA10807	WP10320 ⁷⁹ WP10322 ⁷⁸		3	N/S		N/S
-----------------------------	--------	--	---------	--	---------	--	--	---	-----	--	-----

C-HR

L4 2.0L			51394 ⁵¹⁴ 57064 ²⁷⁵	51394XP ⁵¹⁴ 57064XP ²⁷⁵	WA10807	WP10320 ⁷⁹ WP10369 ³²² WP10322 ⁷⁸			N/S		N/S
---------	--	--	--	--	---------	--	--	--	-----	--	-----

COROLLA

L4 1.8L 1798cc	2ZRFE/2ZRFAE		51394 ⁵³	51394XP	49104	24483 ⁷⁹ 24511 ⁷⁸	24483XP ⁷⁹	3	N/S		N/A
L4 2.0L			WL10332		WA10807	WP10320 ⁷⁹ WP10322 ⁷⁸			N/S		N/S

COROLLA HatchBack

L4 2.5L 2500CC 153CID	A25A-FKS I4		WL10332		WA10807	WP10320 ⁷⁹ WP10322 ⁷⁸			N/S		N/S
-----------------------	-------------	--	---------	--	---------	--	--	--	-----	--	-----

HIGHLANDER

L4 2.7L 2672cc 163 CID	1ARFE	A	57047	57047XP	49430	24483 ⁷⁹ 24511 ⁷⁸	24483XP ⁷⁹	3	N/S		N/A
V6 3.5L 3456cc	2GRFE		57047	57047XP	49430	24483 ⁷⁹ 24511 ⁷⁸	24483XP ⁷⁹	3	N/S		N/A

HIGHLANDER HYBRID

V6 3.5L 3456cc Electric/Gas	2GRFXE		57047	57047XP	WA10716	24483 ⁷⁹ 24511 ⁷⁸	24483XP ⁷⁹	3	N/S		N/S
-----------------------------	--------	--	-------	---------	---------	--	-----------------------	---	-----	--	-----

LAND CRUISER

V8 5.7L 5663cc 345 CID	3URFE		57041	57041XP	49010	24483 ⁷⁹ 24511 ⁷⁸	24483XP ⁷⁹	3	33526		58122
------------------------	-------	--	-------	---------	-------	--	-----------------------	---	-------	--	-------

MIRAI

w / Electric/Hydrogen Eng. Electric/Gas/Hydrogen			N/R		WA10807	24483 ⁷⁹ 24511 ⁷⁸	24483XP ⁷⁹		N/S		N/S
---	--	--	-----	--	---------	--	-----------------------	--	-----	--	-----

PRIUS

L4 1.8L 1798cc 110 CID Electric/Gas	2ZRFXE		51394 ⁴²⁵ 57064 ³²	51394XP ⁴²⁵ 57064XP ³²	WA10000	WP10320 ⁷⁹ 24483 ⁷⁹ WP10322 ⁷⁸	24483XP ⁷⁹	3	N/S		N/S
--	--------	--	---	---	---------	---	-----------------------	---	-----	--	-----

PRIUS C

L4 1.5L 1497cc 91 CID Electric/Gas	1NZFXE		51394 ⁵³	51394XP	WA10000	WP10320 ⁷⁹ WP10322 ⁷⁸		3	N/S		N/S
---------------------------------------	--------	--	---------------------	---------	---------	--	--	---	-----	--	-----

Prius Prime

L4 1.8L 1798cc 110 CID Electric/Gas	2ZRFXE		57064	57064XP	WA10000	WP10320 ⁷⁹ WP10322 ⁷⁸		3	N/S		N/S
--	--------	--	-------	---------	---------	--	--	---	-----	--	-----

RAV4

L4 2.5L 2500CC 153CID	A25A-FKS I4		51394 ⁵³	51394XP	WA10859	WP10320 ⁷⁹ WP10322 ⁷⁸			N/S		N/S
-----------------------	-------------	--	---------------------	---------	---------	--	--	--	-----	--	-----

RAV4 Hybrid

L4 2.5L 2500CC 153CID	A25A-FKS I4		51394 ⁵³	51394XP	WA10807 WA10859	WP10320 ⁷⁹ WP10322 ⁷⁸			N/S		N/S
-----------------------	-------------	--	---------------------	---------	--------------------	--	--	--	-----	--	-----

SEQUOIA

V8 5.7L 5663cc 345 CID Flex	3URFBE		57041	57041XP	WA10085	24483 ⁷⁹ 24511 ⁷⁸	24483XP ⁷⁹	3	N/S		N/A
-----------------------------	--------	--	-------	---------	---------	--	-----------------------	---	-----	--	-----

SIENNA

V6 3.5L 3456cc	2GRFE		57047	57047XP	49430	24483	24483XP	3	N/S		N/A
----------------	-------	--	-------	---------	-------	-------	---------	---	-----	--	-----

TACOMA

L4 2.7L 2694cc	2TRFE	X	51348 ⁵³	51348XP	49155	24871 ⁷⁹	24871XP ⁷⁹	3	N/S		N/A
V6 3.5L			57047	57047XP	WA10085	49358		3	N/S		N/A

TACOMA TRD Pro

V6 3.5L			57047	57047XP	WA10085	49358		3	N/S		N/A
---------	--	--	-------	---------	---------	-------	--	---	-----	--	-----

TUNDRA

V8 4.6L 4608cc	1URFE		57041	57041XP	WA10085	24483 ⁷⁹ 24511 ⁷⁸	24483XP ⁷⁹	3	N/S		N/A
----------------	-------	--	-------	---------	---------	--	-----------------------	---	-----	--	-----

N/A = Not Available N/R = Not Required N/S = Not Serviceable For cabin and fuel filter locator, see pages 5-15 See pages 16-19 for footnotes

N/A = Non disponible N/R = Non nécessaire N/S = Non réparable Para la ubicación de los filtros de aire de la cabina y de combustible, ver las páginas 5-15 Voir pages 16-19 pour des notes

N/A = No disponible N/R = No requiere N/S = No servible Voir les tableaux de repérage des filtres d'habitacle et à carburant aux pages 5-15 Ver las páginas 16-19 para las notas al pie de página

Italicized Part Numbers May Not Be Available. Wix XP Oil Filters Have Fully Synthetic Media.

Las piezas con números en *italicas* pueden no estar disponibles. Los filtros de aceite WIX XP son completamente de media sintética. Les numéros de pièce en *italiques* peuvent ne pas être disponibles. Les filtres à huile XP Wix contiennent un matériau 100 % synthétique.

Year/Año/Année Model/Modelo/Modèle Engine/Motor/Moteur	Eng. Code Código de motor Code moteur	VIN NIV NIV	Oil Aceite Huile	Oil XP Aceite XP Huile XP	Air Aire Air	Cabin Air Cabina Aire Cabine Air	Cabin Air XP Cabina Aire XP Cabine Air XP	Loc. Cabin Air Cabina Aire Cabine Air	Fuel Combustible Carburant	Loc. Fuel Combustible Carburant	Transmission Transmisión Transmission
--	---	-------------------	------------------------	---------------------------------	--------------------	--	---	--	----------------------------------	--	---

TOYOTA (Cont'd/Suite)
2019 (Cont'd/Suite)
TUNDRA (Cont'd/Suite)

V8 5.7L 5700CC 348CID FLEX/		57041	57041XP	WA10085	24483 ⁷⁹ 24511 ⁷⁸	24483XP ⁷⁹	3	N/S		N/A
--------------------------------	--	-------	---------	---------	--	-----------------------	---	-----	--	-----

YARIS

L4 1.5L 1497cc	1NZFE	57002 ⁵³		WA10408	WP10267		3	N/S		58324
----------------	-------	---------------------	--	---------	---------	--	---	-----	--	-------

YARIS iA

L4 1.5L 1497cc	1NZFE	57002		WA10408	WP10267			N/S		N/S
----------------	-------	-------	--	---------	---------	--	--	-----	--	-----

2018
4 RUNNER

V6 4.0L 3956cc 241 CID	1GRFE	57173		49350	24483 ⁷⁹ 24511 ⁷⁸	24483XP ⁷⁹	3	N/S		58136
------------------------	-------	-------	--	-------	--	-----------------------	---	-----	--	-------

86

H4 2.0L 1998cc 122 CID	FA20	57830		46834	24212			N/S		N/S
------------------------	------	-------	--	-------	-------	--	--	-----	--	-----

AVALON

L4 2.5L 2494cc	2ARFE	57047	57047XP	49310	24483 ⁷⁹ 24511 ⁷⁸	24483XP ⁷⁹	3	N/S		N/S
V6 3.5L 3456cc	2GRFE	K 57047	57047XP	49430	24483 ⁷⁹ 24511 ⁷⁸	24483XP ⁷⁹	3	N/S		N/A

AVALON HYBRID

L4 2.5L 2494cc Electric/Gas	2ARFXE	K 57047	57047XP	49310	24483 ⁷⁹ 24511 ⁷⁸	24483XP ⁷⁹	3	N/S		N/S
-----------------------------	--------	---------	---------	-------	--	-----------------------	---	-----	--	-----

AVANZA

L4 1.5L (Mex.)		51394	51394XP	WA10125	N/S			N/S		N/S
----------------	--	-------	---------	---------	-----	--	--	-----	--	-----

CAMRY

L4 2.5L 2494cc	2ARFE	WL10332		WA10859	WP10320 ⁷⁹ WP10322 ⁷⁸		3	N/S		N/A
V6 3.5L 3456cc	2GRFE	57047	57047XP	WA10859	WP10320 ⁷⁹ WP10322 ⁷⁸		3	N/S		N/A

CAMRY HYBRID

L4 2.5L 2494cc Electric/Gas	2ARFXE	WL10332		WA10807	WP10320 ⁷⁹ WP10322 ⁷⁸		3	N/S		N/S
-----------------------------	--------	---------	--	---------	--	--	---	-----	--	-----

C-HR

L4 2.0L		57064 ²⁷⁵ 51394 ⁵¹⁴	57064XP ²⁷⁵ 51394XP ⁵¹⁴	WA10807	WP10369			N/S		N/S
---------	--	--	--	---------	---------	--	--	-----	--	-----

COROLLA

L4 1.8L 1798cc	2ZRFE/2ZRFAE	57064 51394 ⁵³	57064XP 51394XP	49104	24483 ⁷⁹ 24511 ⁷⁸	24483XP ⁷⁹	3	N/S		N/A
----------------	--------------	------------------------------	--------------------	-------	--	-----------------------	---	-----	--	-----

COROLLA iM

L4 1.8L 1798cc	2ZRFAE	57064 - (Cartridge) 51394 ⁵³ - (Spin-on)	57064XP - (Cartridge) 51394XP - (Spin-on)	49104	24511 ⁷⁸			N/S		N/S
----------------	--------	--	--	-------	---------------------	--	--	-----	--	-----

HIGHLANDER

L4 2.7L 2672cc 163 CID	1ARFE	A 57047	57047XP	49430	24483 ⁷⁹ 24511 ⁷⁸	24483XP ⁷⁹	3	N/S		N/A
V6 3.5L 3456cc	2GRFE	57047	57047XP	49430	24483 ⁷⁹ 24511 ⁷⁸	24483XP ⁷⁹	3	N/S		N/A

HIGHLANDER HYBRID

V6 3.5L 3456cc Electric/Gas	2GRFXE	57047	57047XP	WA10716	24483 ⁷⁹ 24511 ⁷⁸	24483XP ⁷⁹	3	N/S		N/S
-----------------------------	--------	-------	---------	---------	--	-----------------------	---	-----	--	-----

LAND CRUISER

V8 5.7L 5663cc 345 CID	3URFE	57041	57041XP	49010	24483 ⁷⁹ 24511 ⁷⁸	24483XP ⁷⁹	3	33526		58122
------------------------	-------	-------	---------	-------	--	-----------------------	---	-------	--	-------

MIRAI

w / Electric/Hydrogen Eng. Electric/GasHydrogen		N/R		WA10807	24483 ⁷⁹ 24511 ⁷⁸	24483XP ⁷⁹		N/S		N/S
--	--	-----	--	---------	--	-----------------------	--	-----	--	-----

PRIUS

L4 1.8L 1798cc 110 CID Electric/Gas	2ZRFXE	51394 ⁴²⁵ 57064 ³²	51394XP ⁴²⁵ 57064XP ³²	WA10000	WP10320 ⁷⁹ WP10322 ⁷⁸		3	N/S		N/S
--	--------	---	---	---------	--	--	---	-----	--	-----

N/A = Not Available N/R = Not Required N/S = Not Serviceable For cabin and fuel filter locator, see pages 5-15 See pages 16-19 for footnotes

N/A = Non disponible N/R = Non nécessaire N/S = Non réparable Para la ubicación de los filtros de aire de la cabina y de combustible, ver las páginas 5-15 Voir pages 16-19 pour des notes

N/A = No disponible N/R = No requiere N/S = No servible Voir les tableaux de repérage des filtres d'habitacle et à carburant aux pages 5-15 Ver las páginas 16-19 para las notas al pie de página

Italicized Part Numbers May Not Be Available. Wix XP Oil Filters Have Fully Synthetic Media.

Las piezas con números en *italicas* pueden no estar disponibles. Los filtros de aceite WIX XP son completamente de media sintética.

Les numéros de pièce en *italiques* peuvent ne pas être disponibles. Les filtres à huile XP Wix contiennent un matériau 100 % synthétique.

TOYOTA 2018-2017
Pass Car/Light Truck

Year/Año/Année Model/Modelo/Modèle Engine/Motor/Moteur	Eng. Code Código de motor Code moteur	VIN NIV NIV	Oil Aceite Huile	Oil XP Aceite XP Huile XP	Air Aire Air	Cabin Air Cabina Aire Cabine Air	Cabin Air XP Cabina Aire XP Cabine Air XP	Loc. Cabin Air Cabina Aire Cabine Air	Fuel Combustible Carburant	Loc. Fuel Combustible Carburant	Transmission Transmisión Transmission
--	---	-------------------	------------------------	---------------------------------	--------------------	--	---	--	----------------------------------	--	---

TOYOTA (Cont'd/Suite)
2018 (Cont'd/Suite)
PRIUS C

L4 1.5L 1497cc 91 CID Electric/Gas	1NZFXE		51394 ⁵³	51394XP	WA10000	WP10320 ⁷⁹ WP10322 ⁷⁸		3	N/S		N/S
---------------------------------------	--------	--	---------------------	---------	---------	--	--	---	-----	--	-----

Prius Prime

L4 1.8L 1798cc 110 CID Electric/Gas	2ZRFXE		57064	57064XP	WA10000	WP10320 ⁷⁹ WP10322 ⁷⁸		3	N/S		N/S
--	--------	--	-------	---------	---------	--	--	---	-----	--	-----

RAV4

L4 2.5L 2494cc	2ARFE		57047	57047XP	49310	24483 ⁷⁹ 24511 ⁷⁸	24483XP ⁷⁹	3	N/S		N/A
L4 2.5L 2494cc Electric/Gas	2ARFXE		57047	57047XP	49320	24483 ⁷⁹ 24511 ⁷⁸	24483XP ⁷⁹	3	N/S		N/A

SEQUOIA

V8 5.7L 5663cc 345 CID	3URFE		57041	57041XP	WA10085	24483 ⁷⁹ 24511 ⁷⁸	24483XP ⁷⁹	3	N/S		N/A
V8 5.7L 5663cc 345 CID Flex	3URFBE		57041	57041XP	WA10085	24483 ⁷⁹ 24511 ⁷⁸	24483XP ⁷⁹	3	N/S		N/A

SIENNA

V6 3.5L 3456cc	2GRFE		57047	57047XP	49430	24483	24483XP	3	N/S		N/A
----------------	-------	--	-------	---------	-------	-------	---------	---	-----	--	-----

TACOMA

L4 2.7L 2694cc	2TRFE	X	51348 ⁵³	51348XP	49155	24871 ⁷⁹	24871XP ⁷⁹	3	N/S		N/A
V6 3.5L			57047	57047XP	WA10085	49358		3	N/S		N/A

TACOMA TRD Pro

V6 3.5L			57047	57047XP	WA10085	49358		3	N/S		N/A
---------	--	--	-------	---------	---------	-------	--	---	-----	--	-----

TUNDRA

V8 4.6L 4608cc	1URFE		57041	57041XP	WA10085	24483 ⁷⁹ 24511 ⁷⁸	24483XP ⁷⁹	3	N/S		N/A
V8 5.7L 5700CC 348CID FLEX/			57041	57041XP	WA10085	24483 ⁷⁹ 24511 ⁷⁸	24483XP ⁷⁹	3	N/S		N/A

YARIS

L4 1.5L 1497cc	1NZFE		51394 ⁵³	51394XP	49104	24483 ⁷⁹ 24511 ⁷⁸	24483XP ⁷⁹	3	N/S		58324
----------------	-------	--	---------------------	---------	-------	--	-----------------------	---	-----	--	-------

YARIS iA

L4 1.5L 1			57002		WA10408	WP10267			N/S		N/S
-----------	--	--	-------	--	---------	---------	--	--	-----	--	-----

2017
4 RUNNER

V6 4.0L 3956cc 241 CID	1GRFE	U	57173		49350	24483 ⁷⁹ 24511 ⁷⁸	24483XP ⁷⁹	3	N/S		58136
------------------------	-------	---	-------	--	-------	--	-----------------------	---	-----	--	-------

86

H4 2.0L 1998cc 122 CID	FA20		57830		46834	24212			N/S		N/S
------------------------	------	--	-------	--	-------	-------	--	--	-----	--	-----

AVALON

V6 3.5L 3456cc	2GRFE	K	57047	57047XP	49430	24483 ⁷⁹ 24511 ⁷⁸	24483XP ⁷⁹	3	N/S		N/A
----------------	-------	---	-------	---------	-------	--	-----------------------	---	-----	--	-----

AVALON HYBRID

L4 2.5L 2494cc Electric/Gas	2ARFXE	K	57047	57047XP	49310	24483 ⁷⁹ 24511 ⁷⁸	24483XP ⁷⁹	3	N/S		N/S
-----------------------------	--------	---	-------	---------	-------	--	-----------------------	---	-----	--	-----

AVANZA

L4 1.5L (Mex.)			51394	51394XP	WA10125	N/S			N/S		N/S
----------------	--	--	-------	---------	---------	-----	--	--	-----	--	-----

CAMRY

L4 2.5L 2494cc	2ARFE		57047	57047XP	49223	24483	24483XP	3	N/S		N/A
V6 3.5L 3456cc	2GRFE		57047	57047XP	49430	24483	24483XP	3	N/S		N/A

CAMRY HYBRID

L4 2.5L 2494cc Electric/Gas	2ARFXE		57047	57047XP	49310	24483	24483XP	3	N/S		N/S
-----------------------------	--------	--	-------	---------	-------	-------	---------	---	-----	--	-----

COROLLA

L4 1.8L 1798cc	2ZRFE/2ZRFAE		57064 51394 ⁵³	57064XP 51394XP	49104	24483 ⁷⁹ 24511 ⁷⁸	24483XP ⁷⁹	3	N/S		N/A
----------------	--------------	--	------------------------------	--------------------	-------	--	-----------------------	---	-----	--	-----

N/A = Not Available N/R = Not Required N/S = Not Serviceable For cabin and fuel filter locator, see pages 5-15 See pages 16-19 for footnotes

N/A = Non disponible N/R = Non nécessaire N/S = Non réparable Para la ubicación de los filtros de aire de la cabina y de combustible, ver las páginas 5-15 Voir pages 16-19 pour des notes

N/A = No disponible N/R = No requiere N/S = No servible Voir les tableaux de repérage des filtres d'habitacle et à carburant aux pages 5-15 Ver las páginas 16-19 para las notas al pie de página

Italicized Part Numbers May Not Be Available. Wix XP Oil Filters Have Fully Synthetic Media.

Las piezas con números en *italicas* pueden no estar disponibles. Los filtros de aceite WIX XP son completamente de media sintética. Les numéros de pièce en *italiques* peuvent ne pas être disponibles. Les filtres à huile XP Wix contiennent un matériau 100 % synthétique.

Year/Año/Année Model/Modelo/Modèle Engine/Motor/Moteur	Eng. Code Código de motor Code moteur	VIN NIV NIV	Oil Aceite Huile	Oil XP Aceite XP Huile XP	Air Aire Air	Cabin Air Cabina Aire Cabine Air	Cabin Air XP Cabina Aire XP Cabine Air XP	Loc. Cabin Air Cabina Aire Cabine Air	Fuel Combustible Carburant	Loc. Fuel Combustible Carburant	Transmission Transmisión Transmission
--	---	-------------------	------------------------	---------------------------------	--------------------	--	---	--	----------------------------------	--	---

TOYOTA (Cont'd/Suite)

2017 (Cont'd/Suite)

COROLLA iM

L4 1.8L 1798cc	2ZRFAE		57064 - (Cartridge) 51394 ⁵³ - (Spin-on)	57064XP - (Cartridge) 51394XP - (Spin-on)	49104	24483	24483XP		N/S		N/S
----------------	--------	--	--	--	-------	-------	---------	--	-----	--	-----

HIGHLANDER

L4 2.7L 2672cc 163 CID	1ARFE	A	57047	57047XP	49430	24483 ⁷⁹ 24511 ⁷⁸	24483XP ⁷⁹	3	N/S		N/A
V6 3.5L 3456cc	2GRFE		57047	57047XP	49430	24483 ⁷⁹ 24511 ⁷⁸	24483XP ⁷⁹	3	N/S		N/A

HIGHLANDER HYBRID

V6 3.5L 3456cc Electric/Gas	2GRFXE		57047	57047XP	WA10716	24483 ⁷⁹ 24511 ⁷⁸	24483XP ⁷⁹	3	N/S		N/S
-----------------------------	--------	--	-------	---------	---------	--	-----------------------	---	-----	--	-----

HILUX

L4 2.7L 2694cc (Mex.)			51348 ⁵³	51348XP	N/A	N/A			WF10426		
-----------------------	--	--	---------------------	---------	-----	-----	--	--	---------	--	--

LAND CRUISER

V8 5.7L 5663cc 345 CID	3URFE		57041	57041XP	49030	24483 ⁷⁹ 24511 ⁷⁸	24483XP ⁷⁹	3	33526		58122
------------------------	-------	--	-------	---------	-------	--	-----------------------	---	-------	--	-------

MIRAI

w / Electric/Hydrogen Eng. Electric/GasHydrogen			N/R		WA10807	24483 ⁷⁹ 24511 ⁷⁸	24483XP ⁷⁹		N/S		N/S
--	--	--	-----	--	---------	--	-----------------------	--	-----	--	-----

PRIUS

L4 1.8L 1798cc 110 CID Electric/Gas	2ZRFXE	N	57064	57064XP	WA10000	WP10320 ⁷⁹ WP10322 ⁷⁸		3	N/S		N/S
--	--------	---	-------	---------	---------	--	--	---	-----	--	-----

PRIUS C

L4 1.5L 1497cc 91 CID Electric/Gas	1NZFXE		51394 ⁵³	51394XP	WA10000	WP10320 ⁷⁹ WP10322 ⁷⁸		3	N/S		N/S
---------------------------------------	--------	--	---------------------	---------	---------	--	--	---	-----	--	-----

Prius Prime

L4 1.8L 1798cc 110 CID Electric/Gas	2ZRFXE	N	57064	57064XP	WA10000	WP10320 ⁷⁹ WP10322 ⁷⁸		3	N/S		N/S
--	--------	---	-------	---------	---------	--	--	---	-----	--	-----

PRIUS V

L4 1.8L 1798cc 110 CID Electric/Gas	2ZRFXE	N	57064	57064XP	49320	WP10320 ⁷⁹ WP10322 ⁷⁸		3	N/S		N/S
--	--------	---	-------	---------	-------	--	--	---	-----	--	-----

RAV4

L4 2.5L 2494cc	2ARFE	F	57047	57047XP	49310	24483 ⁷⁹ 24511 ⁷⁸	24483XP ⁷⁹	3	N/S		N/A
L4 2.5L 2494cc Electric/Gas	2ARFXE	F	57047	57047XP	49320	24483 ⁷⁹ 24511 ⁷⁸	24483XP ⁷⁹	3	N/S		N/A

RAV4 Hybrid

L4 2.5L 2500CC 153CID	A25A-FKS I4		57047	57047XP	49320	24483	24483XP	3	N/S		N/S
-----------------------	-------------	--	-------	---------	-------	-------	---------	---	-----	--	-----

SEQUOIA

V8 5.7L 5663cc 345 CID	3URFE	Y	57041	57041XP	WA10085	24483 ⁷⁹ 24511 ⁷⁸	24483XP ⁷⁹	3	N/S		N/A
V8 5.7L 5663cc 345 CID Flex	3URFBE	W	57041	57041XP	WA10085	24483 ⁷⁹ 24511 ⁷⁸	24483XP ⁷⁹	3	N/S		N/A

SIENNA

V6 3.5L 3456cc	2GRFE	K	57047	57047XP	49430	24483	24483XP	3	N/S		N/A
----------------	-------	---	-------	---------	-------	-------	---------	---	-----	--	-----

TACOMA

L4 2.7L 2694cc	2TRFE	X	51348 ⁵³	51348XP	49155	24871 ⁷⁹	24871XP ⁷⁹	3	N/S		N/A
V6 3.5L			57047	57047XP	WA10085	49358		3	N/S		N/A

TACOMA TRD Pro

V6 3.5L			57047	57047XP	WA10085	49358		3	N/S		N/A
---------	--	--	-------	---------	---------	-------	--	---	-----	--	-----

TUNDRA

V8 4.6L 4608cc	1URFE		57041	57041XP	WA10085	24483 ⁷⁹ 24511 ⁷⁸	24483XP ⁷⁹	3	N/S		N/A
V8 5.7L 5663cc 345 CID	3URFE		57041	57041XP	WA10085	24483 ⁷⁹ 24511 ⁷⁸	24483XP ⁷⁹	3	N/S		N/A
V8 5.7L 5663cc 345 CID Flex	3URFBE		57041	57041XP	WA10085	24483 ⁷⁹ 24511 ⁷⁸	24483XP ⁷⁹	3	N/S		N/A

N/A = Not Available N/R = Not Required N/S = Not Serviceable For cabin and fuel filter locator, see pages 5-15 See pages 16-19 for footnotes

N/A = Non disponible N/R = Non nécessaire N/S = Non réparable Para la ubicación de los filtros de aire de la cabina y de combustible, ver las páginas 5-15 Voir pages 16-19 pour des notes

N/A = No disponible N/R = No requiere N/S = No servible Voir les tableaux de repérage des filtres d'habitacle et à carburant aux pages 5-15 Ver las páginas 16-19 para las notas al pie de página

Italicized Part Numbers May Not Be Available. Wix XP Oil Filters Have Fully Synthetic Media.

Las piezas con números en *italicas* pueden no estar disponibles. Los filtros de aceite WIX XP son completamente de media sintética.

Les numéros de pièce en *italiques* peuvent ne pas être disponibles. Les filtres à huile Wix contiennent un matériau 100 % synthétique.

TOYOTA 2017-2016
Pass Car/Light Truck

Year/Año/Année Model/Modelo/Modèle Engine/Motor/Moteur	Eng. Code Código de motor Code moteur	VIN NIV NIV	Oil Aceite Huile	Oil XP Aceite XP Huile XP	Air Aire Air	Cabin Air Cabina Aire Cabine Air	Cabin Air XP Cabina Aire XP Cabine Air XP	Loc. Cabin Air Cabina Aire Cabine Air	Fuel Combustible Carburant	Loc. Fuel Combustible Carburant	Transmission Transmisión Transmission
--	---	-------------------	------------------------	---------------------------------	--------------------	--	---	--	----------------------------------	--	---

TOYOTA (Cont'd/Suite)
2017 (Cont'd/Suite)
YARIS

L4 1.5L 1497cc	1NZFE		51394 ⁵³	51394XP	49104	24483 ⁷⁹ 24511 ⁷⁸	24483XP ⁷⁹	3	N/S		58324
----------------	-------	--	---------------------	---------	-------	--	-----------------------	---	-----	--	-------

YARIS iA

L4 1.5L 1			57002		WA10408	WP10267			N/S		N/S
-----------	--	--	-------	--	---------	---------	--	--	-----	--	-----

2016
4 RUNNER

V6 4.0L 3956cc 241 CID	1GRFE	U	57173		49350	24483 ⁷⁹ 24511 ⁷⁸	24483XP ⁷⁹	3	N/S		58136
------------------------	-------	---	-------	--	-------	--	-----------------------	---	-----	--	-------

AVALON

V6 3.5L 3456cc	2GRFE	K	57047	57047XP	49430	24483 ⁷⁹ 24511 ⁷⁸	24483XP ⁷⁹	3	N/S		N/A
----------------	-------	---	-------	---------	-------	--	-----------------------	---	-----	--	-----

AVALON HYBRID

L4 2.5L 2494cc Electric/Gas	2ARFXE	K	57047	57047XP	49310	24483 ⁷⁹ 24511 ⁷⁸	24483XP ⁷⁹	3	N/S		N/S
-----------------------------	--------	---	-------	---------	-------	--	-----------------------	---	-----	--	-----

AVANZA

L4 1.5L 1495cc (Mex.)			51394 ⁵³	51394XP	N/A	N/A			N/S		
-----------------------	--	--	---------------------	---------	-----	-----	--	--	-----	--	--

CAMRY

L4 2.5L 2494cc	2ARFE	F	57047	57047XP	49223	24483 ⁷⁹ 24511 ⁷⁸	24483XP ⁷⁹	3	N/S		N/A
V6 3.5L 3456cc	2GRFE	K	57047	57047XP	49430	24483 ⁷⁹ 24511 ⁷⁸	24483XP ⁷⁹	3	N/S		N/A

CAMRY HYBRID

L4 2.5L 2494cc Electric/Gas	2ARFXE	D	57047	57047XP	49310	24483 ⁷⁹ 24511 ⁷⁸	24483XP ⁷⁹	3	N/S		N/S
-----------------------------	--------	---	-------	---------	-------	--	-----------------------	---	-----	--	-----

COROLLA

L4 1.8L 1798cc	2ZRFE	K	57064 51394 ⁵³	57064XP 51394XP	49104	24483 ⁷⁹ 24511 ⁷⁸	24483XP ⁷⁹	3	N/S		58324
----------------	-------	---	------------------------------	--------------------	-------	--	-----------------------	---	-----	--	-------

HIACE

L4 2.7L 2694cc (Mex.)			51348 ⁵³	51348XP	WA6118	N/A			N/S		
-----------------------	--	--	---------------------	---------	--------	-----	--	--	-----	--	--

HIGHLANDER

L4 2.7L 2672cc 163 CID	1ARFE	A	57047	57047XP	49430	24483 ⁷⁹ 24511 ⁷⁸	24483XP ⁷⁹	3	N/S		N/A
V6 3.5L 3456cc	2GRFE		57047	57047XP	49430	24483 ⁷⁹ 24511 ⁷⁸	24483XP ⁷⁹	3	N/S		58010 - U151E

HIGHLANDER HYBRID

V6 3.5L 3456cc Electric/Gas	2GRFXE		57047	57047XP	WA10313	24483 ⁷⁹ 24511 ⁷⁸	24483XP ⁷⁹	3	N/S		N/S
-----------------------------	--------	--	-------	---------	---------	--	-----------------------	---	-----	--	-----

HILUX

L4 2.7L 2694cc (Mex.)			51348 ⁵³	51348XP	WA9644	24483	24483XP		N/A		
-----------------------	--	--	---------------------	---------	--------	-------	---------	--	-----	--	--

LAND CRUISER

V8 5.7L 5663cc 345 CID	3URFE		57041	57041XP	49030	24483 ⁷⁹ 24511 ⁷⁸	24483XP ⁷⁹	3	33526		58122
------------------------	-------	--	-------	---------	-------	--	-----------------------	---	-------	--	-------

MIRAI

w/ Electric/Hydrogen Eng. Electric/GasHydrogen			N/R		WA10807	24483 ⁷⁹ 24511 ⁷⁸	24483XP ⁷⁹		N/S		N/S
---	--	--	-----	--	---------	--	-----------------------	--	-----	--	-----

PRIUS

L4 1.8L 1798cc 110 CID Electric/Gas	2ZRFXE	N	57064	57064XP	WA10000	WP10320 ⁷⁹ WP10322 ⁷⁸		3	N/S		N/S
--	--------	---	-------	---------	---------	--	--	---	-----	--	-----

PRIUS C

L4 1.5L 1497cc 91 CID Electric/Gas	1NZFXE		51394 ⁵³	51394XP	WA10000	WP10320 ⁷⁹ WP10322 ⁷⁸		3	N/S		N/S
---------------------------------------	--------	--	---------------------	---------	---------	--	--	---	-----	--	-----

PRIUS PLUG-IN

L4 1.8L 1798cc 110 CID Electric/Gas	2ZRFXE		57064	57064XP	49320	WP10320 ⁷⁹ WP10322 ⁷⁸		3	N/S		N/A
--	--------	--	-------	---------	-------	--	--	---	-----	--	-----

N/A = Not Available N/R = Not Required N/S = Not Serviceable For cabin and fuel filter locator, see pages 5-15 See pages 16-19 for footnotes

N/A = Non disponible N/R = Non nécessaire N/S = Non réparable Para la ubicación de los filtros de aire de la cabina y de combustible, ver las páginas 5-15 Voir pages 16-19 pour des notes

N/A = No disponible N/R = No requiere N/S = No servible Voir les tableaux de repérage des filtres d'habitacle et à carburant aux pages 5-15 Ver las páginas 16-19 para las notas al pie de página

Italicized Part Numbers May Not Be Available. Wix XP Oil Filters Have Fully Synthetic Media.

Las piezas con números en *italicas* pueden no estar disponibles. Los filtros de aceite WIX XP son completamente de media sintética. Les numéros de pièce en *italiques* peuvent ne pas être disponibles. Les filtres à huile XP Wix contiennent un matériau 100 % synthétique.

Year/Año/Année Model/Modelo/Modèle Engine/Motor/Moteur	Eng. Code Código de motor Code moteur	VIN NIV NIV	Oil Aceite Huile	Oil XP Aceite XP Huile XP	Air Aire Air	Cabin Air Cabina Aire Cabine Air	Cabin Air XP Cabina Aire XP Cabine Air XP	Loc. Cabin Air Cabina Aire Cabine Air	Fuel Combustible Carburant	Loc. Fuel Combustible Carburant	Transmission Transmisión Transmission
--	---	-------------------	------------------------	---------------------------------	--------------------	--	---	--	----------------------------------	--	---

TOYOTA (Cont'd/Suite)

2016 (Cont'd/Suite)

PRIUS V

L4 1.8L 1798cc 110 CID Electric/Gas	2ZRFXE	N	57064	57064XP	49320	WP10320 ⁷⁹ WP10322 ⁷⁸		3	N/S		N/S
--	--------	---	-------	---------	-------	--	--	---	-----	--	-----

RAV4

L4 2.5L 2494cc	2ARFE	F	57047	57047XP	49310	24483 ⁷⁹ 24511 ⁷⁸	24483XP ⁷⁹	3	N/S		N/A
L4 2.5L 2494cc Electric/Gas	2ARFXE	F	57047	57047XP	49320	24483 ⁷⁹ 24511 ⁷⁸	24483XP ⁷⁹	3	N/S		N/A

RAV4 Hybrid

L4 2.5L 2500CC 153CID	A25A-FKS I4		57047	57047XP	49320	24483	24483XP	3	N/S		N/S
-----------------------	-------------	--	-------	---------	-------	-------	---------	---	-----	--	-----

SEQUOIA

V8 5.7L 5663cc 345 CID	3URFE	Y	57041	57041XP	WA10085	24483 ⁷⁹ 24511 ⁷⁸	24483XP ⁷⁹	3	N/S		N/A
V8 5.7L 5663cc 345 CID Flex	3URFBE	W	57041	57041XP	WA10085	24483 ⁷⁹ 24511 ⁷⁸	24483XP ⁷⁹	3	N/S		N/A

SIENNA

V6 3.5L 3456cc	2GRFE	K	57047	57047XP	49430	24483 ⁷⁹ 24511 ⁷⁸	24483XP ⁷⁹	3	N/S		N/A
----------------	-------	---	-------	---------	-------	--	-----------------------	---	-----	--	-----

TACOMA

L4 2.7L 2694cc	2TRFE	X	51348 ⁵³	51348XP	49155	24871	24871XP	3	N/S		N/A
V6 3.5L		U	57047	57047XP	WA10085	24871 ⁷⁹	24871XP ⁷⁹	3	N/S		N/A 58136 - A750

TUNDRA

V8 4.6L 4608cc	1URFE		57041	57041XP	WA10085	24483 ⁷⁹ 24511 ⁷⁸	24483XP ⁷⁹	3	N/S		N/A
V8 5.7L 5663cc 345 CID	3URFE		57041	57041XP	WA10085	24483 ⁷⁹ 24511 ⁷⁸	24483XP ⁷⁹	3	N/S		N/A
V8 5.7L 5663cc 345 CID Flex	3URFBE		57041	57041XP	WA10085	24483 ⁷⁹ 24511 ⁷⁸	24483XP ⁷⁹	3	N/S		N/A

VENZA

L4 2.7L 2672cc 163 CID	1ARFE	E	57047	57047XP	49223	24483 ⁷⁹ 24511 ⁷⁸	24483XP ⁷⁹	3	N/S		N/S
V6 3.5L 3456cc	2GRFE	K	57047	57047XP	49172	24483 ⁷⁹ 24511 ⁷⁸	24483XP ⁷⁹	3	N/S		N/A

YARIS

L4 1.5L 1497cc	1NZFE		51394 ⁵³	51394XP ⁵⁰⁹	49104	24483 ⁷⁹ 24511 ⁷⁸	24483XP ⁷⁹	3	N/S		58324
----------------	-------	--	---------------------	------------------------	-------	--	-----------------------	---	-----	--	-------

2015

4 RUNNER

V6 4.0L 3956cc 241 CID	1GRFE	U	57173		49350	24483 ⁷⁹ 24511 ⁷⁸	24483XP ⁷⁹	3	N/S		58136
------------------------	-------	---	-------	--	-------	--	-----------------------	---	-----	--	-------

AVALON

V6 3.5L 3456cc	2GRFE	K	57047	57047XP	49430	24483 ⁷⁹ 24511 ⁷⁸	24483XP ⁷⁹	3	N/S		N/A
----------------	-------	---	-------	---------	-------	--	-----------------------	---	-----	--	-----

AVALON HYBRID

L4 2.5L 2494cc Electric/Gas	2ARFXE	K	57047	57047XP	49310	24483 ⁷⁹ 24511 ⁷⁸	24483XP ⁷⁹	3	N/S		N/S
-----------------------------	--------	---	-------	---------	-------	--	-----------------------	---	-----	--	-----

AVANZA

L4 1.5L 1495cc (Mex.)			51394 ⁵³	51394XP	N/A	N/A			N/S		
-----------------------	--	--	---------------------	---------	-----	-----	--	--	-----	--	--

CAMRY

L4 2.5L 2494cc	2ARFE	F	57047	57047XP	49223	24483 ⁷⁹ 24511 ⁷⁸	24483XP ⁷⁹	3	N/S		N/A
V6 3.5L 3456cc	2GRFE	K	57047	57047XP	49430	24483 ⁷⁹ 24511 ⁷⁸	24483XP ⁷⁹	3	N/S		N/A

CAMRY HYBRID

L4 2.5L 2494cc Electric/Gas	2ARFXE	D	57047	57047XP	49310	24483 ⁷⁹ 24511 ⁷⁸	24483XP ⁷⁹	3	N/S		N/A
-----------------------------	--------	---	-------	---------	-------	--	-----------------------	---	-----	--	-----

N/A = Not Available N/R = Not Required N/S = Not Serviceable For cabin and fuel filter locator, see pages 5-15 See pages 16-19 for footnotes

N/A = Non disponible N/R = Non nécessaire N/S = Non réparable Para la ubicación de los filtros de aire de la cabina y de combustible, ver las páginas 5-15 Voir pages 16-19 pour des notes

N/A = No disponible N/R = No requiere N/S = No servible Voir les tableaux de repérage des filtres d'habitacle et à carburant aux pages 5-15 Ver las páginas 16-19 para las notas al pie de página

Italicized Part Numbers May Not Be Available. Wix XP Oil Filters Have Fully Synthetic Media.

Las piezas con números en *italicas* pueden no estar disponibles. Los filtros de aceite WIX XP son completamente de media sintética.

Les numéros de pièce en *italiques* peuvent ne pas être disponibles. Les filtres à huile XP Wix contiennent un matériau 100 % synthétique.

TOYOTA 2015
Pass Car/Light Truck

Year/Año/Année Model/Modelo/Modèle Engine/Motor/Moteur	Eng. Code Código de motor Code moteur	VIN NIV NIV	Oil Aceite Huile	Oil XP Aceite XP Huile XP	Air Aire Air	Cabin Air Cabina Aire Cabine Air	Cabin Air XP Cabina Aire XP Cabine Air XP	Loc. Cabin Air Cabina Aire Cabine Air	Fuel Combustible Carburant	Loc. Fuel Combustible Carburant	Transmission Transmisión Transmission
--	---	-------------------	------------------------	---------------------------------	--------------------	--	---	--	----------------------------------	--	---

TOYOTA (Cont'd/Suite)
2015 (Cont'd/Suite)
COROLLA

L4 1.8L 1798cc	2ZRFAE	P	57064	57064XP	49104	24483 ⁷⁹ 24511 ⁷⁸	24483XP ⁷⁹	3	N/S		58324
	2ZRFE	K	57064	57064XP	49104	24483 ⁷⁹ 24511 ⁷⁸	24483XP ⁷⁹	3	N/S		58324

HIACE

L4 2.7L 2694cc (Mex.)			51348 ⁵³	51348XP	WA6118	N/A			N/S		
-----------------------	--	--	---------------------	---------	--------	-----	--	--	-----	--	--

HIGHLANDER

L4 2.7L 2672cc 163 CID	1ARFE	A	57047	57047XP	49430	24483 ⁷⁹ 24511 ⁷⁸	24483XP ⁷⁹	3	N/S		N/A
V6 3.5L 3456cc	2GRFE		57047	57047XP	49430	24483 ⁷⁹ 24511 ⁷⁸	24483XP ⁷⁹	3	N/S		58010 - U151E

HIGHLANDER HYBRID

V6 3.5L 3456cc Electric/Gas	2GRFXE		57047	57047XP	WA10313	24483 ⁷⁹ 24511 ⁷⁸	24483XP ⁷⁹	3	N/S		58618
-----------------------------	--------	--	-------	---------	---------	--	-----------------------	---	-----	--	-------

HILUX

L4 2.7L 2694cc (Mex.)			51348 ⁵³	51348XP	WA9644	24483	24483XP		N/A		
-----------------------	--	--	---------------------	---------	--------	-------	---------	--	-----	--	--

LAND CRUISER

V8 5.7L 5663cc 345 CID	3URFE		57041	57041XP	49030	24483 ⁷⁹ 24511 ⁷⁸	24483XP ⁷⁹	3	33526		N/A
------------------------	-------	--	-------	---------	-------	--	-----------------------	---	-------	--	-----

PRIUS

L4 1.8L 1798cc 110 CID Electric/Gas	2ZRFXE	N	57064	57064XP	49320	24483 ⁷⁹ 24511 ⁷⁸	24483XP ⁷⁹	3	N/S		N/S
--	--------	---	-------	---------	-------	--	-----------------------	---	-----	--	-----

PRIUS C

L4 1.5L 1497cc 91 CID Electric/Gas	1NZFXE		51394 ⁵³	51394XP	WA10000	24483 ⁷⁹ 24511 ⁷⁸	24483XP ⁷⁹	3	N/S		N/S
---------------------------------------	--------	--	---------------------	---------	---------	--	-----------------------	---	-----	--	-----

PRIUS PLUG-IN

L4 1.8L 1798cc 110 CID Electric/Gas	2ZRFXE		57064	57064XP	49320	24483 ⁷⁹ 24511 ⁷⁸	24483XP ⁷⁹	3	N/S		N/A
--	--------	--	-------	---------	-------	--	-----------------------	---	-----	--	-----

PRIUS V

L4 1.8L 1798cc 110 CID Electric/Gas	2ZRFXE	N	57064	57064XP	49320	24483 24511	24483XP	3	N/S		N/S
--	--------	---	-------	---------	-------	----------------	---------	---	-----	--	-----

RAV4

L4 2.5L 2494cc	2ARFE	F	57047	57047XP	49310	24483 ⁷⁹ 24511 ⁷⁸	24483XP ⁷⁹	3	N/S		N/A
----------------	-------	---	-------	---------	-------	--	-----------------------	---	-----	--	-----

SEQUOIA

V8 5.7L 5663cc 345 CID	3URFE	Y	57041	57041XP	WA10085	24483 ⁷⁹ 24511 ⁷⁸	24483XP ⁷⁹	3	N/S		N/A
V8 5.7L 5663cc 345 CID Flex	3URFBE	W	57041	57041XP	WA10085	24483 ⁷⁹ 24511 ⁷⁸	24483XP ⁷⁹	3	N/S		N/A

SIENNA

V6 3.5L 3456cc	2GRFE	K	57047	57047XP	49430	24483 ⁷⁹ 24511 ⁷⁸	24483XP ⁷⁹	3	N/S		N/A
----------------	-------	---	-------	---------	-------	--	-----------------------	---	-----	--	-----

TACOMA

L4 2.7L 2694cc	2TRFE	X	51348 ⁵³	51348XP	49155	24871	24871XP	3	N/S		58030 - A340E
V6 4.0L 3956cc 241 CID	1GRFE	U	51348 ⁵³	51348XP	46888	24871	24871XP	3	N/S		58136 - A750

TUNDRA

V8 4.6L 4608cc	1URFE		57041	57041XP	WA10085	24483 ⁷⁹ 24511 ⁷⁸	24483XP ⁷⁹	3	N/S		
V8 5.7L 5663cc 345 CID	3URFE		57041	57041XP	WA10085	24483 ⁷⁹ 24511 ⁷⁸	24483XP ⁷⁹	3	N/S		
V8 5.7L 5663cc 345 CID Flex	3URFBE		57041	57041XP	WA10085	24483 ⁷⁹ 24511 ⁷⁸	24483XP ⁷⁹	3	N/S		

VENZA

L4 2.7L 2672cc 163 CID	1ARFE	E	57047	57047XP	49223	24483 ⁷⁹ 24511 ⁷⁸	24483XP ⁷⁹	3	N/S		N/S
V6 3.5L 3456cc	2GRFE	K	57047	57047XP	49172	24483 ⁷⁹ 24511 ⁷⁸	24483XP ⁷⁹	3	N/S		N/A

N/A = Not Available N/R = Not Required N/S = Not Serviceable For cabin and fuel filter locator, see pages 5-15 See pages 16-19 for footnotes

N/A = Non disponible N/R = Non nécessaire N/S = Non réparable Para la ubicación de los filtros de aire de la cabina y de combustible, ver las páginas 5-15 Voir pages 16-19 pour des notes

N/A = No disponible N/R = No requiere N/S = No servible Voir les tableaux de repérage des filtres d'habitacle et à carburant aux pages 5-15 Ver las páginas 16-19 para las notas al pie de página

Italicized Part Numbers May Not Be Available. Wix XP Oil Filters Have Fully Synthetic Media.

Las piezas con números en *italicas* pueden no estar disponibles. Los filtros de aceite WIX XP son completamente de media sintética. Les numéros de pièce en *italiques* peuvent ne pas être disponibles. Les filtres à huile XP Wix contiennent un matériau 100 % synthétique.

Year/Año/Année Model/Modelo/Modèle Engine/Motor/Moteur	Eng. Code Código de motor Code moteur	VIN NIV NIV	Oil Aceite Huile	Oil XP Aceite XP Huile XP	Air Aire Air	Cabin Air Cabina Aire Cabine Air	Cabin Air XP Cabina Aire XP Cabine Air XP	Loc. Cabin Air Cabina Aire Cabine Air	Fuel Combustible Carburant	Loc. Fuel Combustible Carburant	Transmission Transmisión Transmission
--	---	-------------------	------------------------	---------------------------------	--------------------	--	---	--	----------------------------------	--	---

TOYOTA (Cont'd/Suite)
2015 (Cont'd/Suite)
YARIS

L4 1.5L 1497cc	1NZFE		51394 ⁵³	51394XP	49104	24483 ⁷⁹ 24511 ⁷⁸	24483XP ⁷⁹	3	N/S		58324
----------------	-------	--	---------------------	---------	-------	--	-----------------------	---	-----	--	-------

2014
4 RUNNER

V6 4.0L 3956cc 241 CID	1GRFE	U	57173		49350	24483 ⁷⁹ 24511 ⁷⁸	24483XP ⁷⁹	3	N/S		58136
------------------------	-------	---	-------	--	-------	--	-----------------------	---	-----	--	-------

AVALON

V6 3.5L 3456cc	2GRFE	K	57047	57047XP	49430	24483 ⁷⁹ 24511 ⁷⁸	24483XP ⁷⁹	3	N/S		N/A
----------------	-------	---	-------	---------	-------	--	-----------------------	---	-----	--	-----

AVALON HYBRID

L4 2.5L 2494cc Electric/Gas	2ARFXE	K	57047	57047XP	49310	24483 ⁷⁹ 24511 ⁷⁸	24483XP ⁷⁹	3	N/S		N/S
-----------------------------	--------	---	-------	---------	-------	--	-----------------------	---	-----	--	-----

AVANZA

L4 1.5L 1495cc (Mex.)			51394 ⁵³	51394XP	N/A	N/A			N/S		
-----------------------	--	--	---------------------	---------	-----	-----	--	--	-----	--	--

CAMRY

L4 2.5L 2494cc	2ARFE	F	57047	57047XP	49223	24483 ⁷⁹ 24511 ⁷⁸	24483XP ⁷⁹	3	N/S		N/A
V6 3.5L 3456cc	2GRFE	K	57047	57047XP	49430	24483 ⁷⁹ 24511 ⁷⁸	24483XP ⁷⁹	3	N/S		N/A

CAMRY HYBRID

L4 2.5L 2494cc Electric/Gas	2ARFXE	D	57047	57047XP	49310	24483 ⁷⁹ 24511 ⁷⁸	24483XP ⁷⁹	3	N/S		N/A
-----------------------------	--------	---	-------	---------	-------	--	-----------------------	---	-----	--	-----

COROLLA

L4 1.8L 1798cc	2ZRFAE	P	57064	57064XP	49104	24483 ⁷⁹ 24511 ⁷⁸	24483XP ⁷⁹	3	N/S		58324
	2ZRFE	U	57064	57064XP	49104	24483 ⁷⁹ 24511 ⁷⁸	24483XP ⁷⁹	3	N/S		58324

FJ CRUISER

V6 4.0L 3956cc 241 CID	1GRFE	U	57173		49350	24875		3	N/A		58136
------------------------	-------	---	-------	--	-------	-------	--	---	-----	--	-------

HIACE

L4 2.7L 2694cc (Mex.)			51348 ⁵³	51348XP	WA6118	N/A			N/S		
-----------------------	--	--	---------------------	---------	--------	-----	--	--	-----	--	--

HIGHLANDER

L4 2.7L 2672cc 163 CID	1ARFE	A	57047	57047XP	49430	24483 ⁷⁹ 24511 ⁷⁸	24483XP ⁷⁹	3	N/S		N/A
V6 3.5L 3456cc	2GRFE		57047	57047XP	49430	24483 ⁷⁹ 24511 ⁷⁸	24483XP ⁷⁹	3	N/S		58010 - U151E

HIGHLANDER HYBRID

V6 3.5L 3456cc Electric/Gas	2GRFXE		57047	57047XP	WA10313	24483 ⁷⁹ 24511 ⁷⁸	24483XP ⁷⁹	3	N/S		58618
-----------------------------	--------	--	-------	---------	---------	--	-----------------------	---	-----	--	-------

HILUX

L4 2.7L 2694cc (Mex.)			51348 ⁵³	51348XP	WA9644	N/A			N/A		
L4 3.0L (1KDFTV) Diesel (Mex.)			51348 ⁵³	51348XP	WA9644	24483 ⁷⁹ 24511 ⁷⁸	24483XP ⁷⁹		WF8429		

LAND CRUISER

V8 4.6L 4608cc (Mex.)	1URFE		N/A		N/A	24483 ⁷⁹ 24511 ⁷⁸	24483XP ⁷⁹		N/A		
V8 5.7L 5663cc 345 CID	3URFE		57041	57041XP	49030	24483 ⁷⁹ 24511 ⁷⁸	24483XP ⁷⁹	3	33526		58122

MATRIX

L4 1.8L 1798cc	2ZRFE	U	57064	57064XP	49104	24483 ⁷⁹ 24511 ⁷⁸	24483XP ⁷⁹	3	N/S		58324
----------------	-------	---	-------	---------	-------	--	-----------------------	---	-----	--	-------

PRIUS

L4 1.8L 1798cc 110 CID Electric/Gas	2ZRFXE	N	57064	57064XP	49320	24483 ⁷⁹ 24511 ⁷⁸	24483XP ⁷⁹	3	N/S		N/S
-------------------------------------	--------	---	-------	---------	-------	--	-----------------------	---	-----	--	-----

PRIUS C

L4 1.5L 1497cc 91 CID Electric/Gas	1NZFXE		51394 ⁵³	51394XP	WA10000	24483 ⁷⁹ 24511 ⁷⁸	24483XP ⁷⁹	3	N/S		N/S
------------------------------------	--------	--	---------------------	---------	---------	--	-----------------------	---	-----	--	-----

N/A = Not Available N/R = Not Required N/S = Not Serviceable For cabin and fuel filter locator, see pages 5-15 See pages 16-19 for footnotes

N/A = Non disponible N/R = Non nécessaire N/S = Non réparable Para la ubicación de los filtros de aire de la cabina y de combustible, ver las páginas 5-15 Voir pages 16-19 pour des notes

N/A = No disponible N/R = No requiere N/S = No servible Voir les tableaux de repérage des filtres d'habitacle et à carburant aux pages 5-15 Ver las páginas 16-19 para las notas al pie de página

Italicized Part Numbers May Not Be Available. Wix XP Oil Filters Have Fully Synthetic Media.

Las piezas con números en *italicas* pueden no estar disponibles. Los filtros de aceite WIX XP son completamente de media sintética.

Les numéros de pièce en *italiques* peuvent ne pas être disponibles. Les filtres à huile XP Wix contiennent un matériau 100 % synthétique.

TOYOTA 2014-2013
Pass Car/Light Truck

Year/Año/Année Model/Modelo/Modèle Engine/Motor/Moteur	Eng. Code Código de motor Code moteur	VIN NIV NIV	Oil Aceite Huile	Oil XP Aceite XP Huile XP	Air Aire Air	Cabin Air Cabina Aire Cabine Air	Cabin Air XP Cabina Aire XP Cabine Air XP	Loc. Cabin Air Cabina Aire Cabine Air	Fuel Combustible Carburant	Loc. Fuel Combustible Carburant	Transmission Transmisión Transmission
--	---	-------------------	------------------------	---------------------------------	--------------------	--	---	--	----------------------------------	--	---

TOYOTA (Cont'd/Suite)
2014 (Cont'd/Suite)
PRIUS PLUG-IN

L4 1.8L 1798cc 110 CID Electric/Gas	2ZRFXE		57064	57064XP	49320	24483 ⁷⁹ 24511 ⁷⁸	24483XP ⁷⁹	3	N/S		N/R
--	--------	--	-------	---------	-------	--	-----------------------	---	-----	--	-----

PRIUS V

L4 1.8L 1798cc 110 CID Electric/Gas	2ZRFXE	N	57064	57064XP	49320	24483 24511	24483XP	3	N/S		N/S
--	--------	---	-------	---------	-------	----------------	---------	---	-----	--	-----

RAV4

L4 2.5L 2494cc	2ARFE	F	57047	57047XP	49310	24483 ⁷⁹ 24511 ⁷⁸	24483XP ⁷⁹	3	N/S		N/A
----------------	-------	---	-------	---------	-------	--	-----------------------	---	-----	--	-----

SEQUOIA

V8 5.7L 5663cc 345 CID	3URFE	Y	57041	57041XP	WA10085	24483 ⁷⁹ 24511 ⁷⁸	24483XP ⁷⁹	3	N/S		58122
V8 5.7L 5663cc 345 CID Flex	3URFBE	W	57041	57041XP	WA10085	24483 ⁷⁹ 24511 ⁷⁸	24483XP ⁷⁹	3	N/S		58122

SIENNA

V6 3.5L 3456cc	2GRFE	K	57047	57047XP	49430	24483 ⁷⁹ 24511 ⁷⁸	24483XP ⁷⁹	3	N/S		N/A
----------------	-------	---	-------	---------	-------	--	-----------------------	---	-----	--	-----

TACOMA

L4 2.7L 2694cc	2TRFE	X	51348 ⁵³	51348XP	49155	24871	24871XP	3	N/S		58030 - A340E
V6 4.0L 3956cc 241 CID	1GRFE	U	51348 ⁵³	51348XP	46888	24871	24871XP	3	N/S		58136 - A750

TUNDRA

V6 4.0L 3956cc 241 CID	1GRFE		57173		49010	24483 ⁷⁹ 24511 ⁷⁸	24483XP ⁷⁹	3	N/S		58136 - 5 Spd. 58122 - 6 Spd.
V8 4.6L 4608cc	1URFE		57041	57041XP	WA10085	24483 ⁷⁹ 24511 ⁷⁸	24483XP ⁷⁹	3	N/S		58136 - 5 Spd. 58122 - 6 Spd.
V8 5.7L 5663cc 345 CID	3URFE		57041	57041XP	WA10085	24483 ⁷⁹ 24511 ⁷⁸	24483XP ⁷⁹	3	N/S		58122 - 6 Spd. 58136 - 5 Spd.
V8 5.7L 5663cc 345 CID Flex	3URFBE		57041	57041XP	WA10085	24483 ⁷⁹ 24511 ⁷⁸	24483XP ⁷⁹	3	N/S		58122 - 6 Spd. 58136 - 5 Spd.

VENZA

L4 2.7L 2672cc 163 CID	1ARFE	E	57047	57047XP	49223	24483 ⁷⁹ 24511 ⁷⁸	24483XP ⁷⁹	3	N/S		N/S
V6 3.5L 3456cc	2GRFE	K	57047	57047XP	49172	24483 ⁷⁹ 24511 ⁷⁸	24483XP ⁷⁹	3	N/S		N/A

YARIS

L4 1.5L 1497cc	1NZFE		51394 ⁵³	51394XP	49104	24483 ⁷⁹ 24511 ⁷⁸	24483XP ⁷⁹	3	N/S		58324
----------------	-------	--	---------------------	---------	-------	--	-----------------------	---	-----	--	-------

2013
4 RUNNER

V6 4.0L 3956cc 241 CID	1GRFE	U	57173		49350	24483 ⁷⁹ 24511 ⁷⁸	24483XP ⁷⁹	3	N/S		58136
------------------------	-------	---	-------	--	-------	--	-----------------------	---	-----	--	-------

AVALON

V6 3.5L 3456cc	2GRFE	K	57047	57047XP	49430	24483	24483XP	3	N/S		N/A
----------------	-------	---	-------	---------	-------	-------	---------	---	-----	--	-----

AVALON HYBRID

L4 2.5L 2494cc Electric/Gas	2ARFXE	K	57047	57047XP	49310	24483 ⁷⁹ 24511 ⁷⁸	24483XP ⁷⁹	3	N/S		N/S
-----------------------------	--------	---	-------	---------	-------	--	-----------------------	---	-----	--	-----

AVANZA

L4 1.5L 1495cc (Mex.)			51394 ⁵³	51394XP	N/A	N/A			N/S		
-----------------------	--	--	---------------------	---------	-----	-----	--	--	-----	--	--

CAMRY

L4 2.5L 2494cc	2ARFE	F	57047	57047XP	49223	24483 ⁷⁹ 24511 ⁷⁸	24483XP ⁷⁹	3	N/S		N/A
V6 3.5L 3456cc	2GRFE	K	57047	57047XP	49430	24483 ⁷⁹ 24511 ⁷⁸	24483XP ⁷⁹	3	N/S		58010

CAMRY HYBRID

L4 2.5L 2494cc Electric/Gas	2ARFXE	D	57047	57047XP	49310	24483 ⁷⁹ 24511 ⁷⁸	24483XP ⁷⁹	3	N/S		N/S
-----------------------------	--------	---	-------	---------	-------	--	-----------------------	---	-----	--	-----

N/A = Not Available N/R = Not Required N/S = Not Serviceable For cabin and fuel filter locator, see pages 5-15 See pages 16-19 for footnotes

N/A = Non disponible N/R = Non nécessaire N/S = Non réparable Para la ubicación de los filtros de aire de la cabina y de combustible, ver las páginas 5-15 Voir pages 16-19 pour des notes

N/A = No disponible N/R = No requiere N/S = No servible Voir les tableaux de repérage des filtres d'habitacle et à carburant aux pages 5-15 Ver las páginas 16-19 para las notas al pie de página

Italicized Part Numbers May Not Be Available. Wix XP Oil Filters Have Fully Synthetic Media.

Las piezas con números en *italicas* pueden no estar disponibles. Los filtros de aceite WIX XP son completamente de media sintética. Les numéros de pièce en *italiques* peuvent ne pas être disponibles. Les filtres à huile XP Wix contiennent un matériau 100 % synthétique.

Year/Año/Année Model/Modelo/Modèle Engine/Motor/Moteur	Eng. Code Código de motor Code moteur	VIN NIV NIV	Oil Aceite Huile	Oil XP Aceite XP Huile XP	Air Aire Air	Cabin Air Cabina Aire Cabine Air	Cabin Air XP Cabina Aire XP Cabine Air XP	Loc. Cabin Air Cabina Aire Cabine Air	Fuel Combustible Carburant	Loc. Fuel Combustible Carburant	Transmission Transmisión Transmission
--	---	-------------------	------------------------	---------------------------------	--------------------	--	---	--	----------------------------------	--	---

TOYOTA (Cont'd/Suite)

2013 (Cont'd/Suite)

COROLLA

L4 1.8L 1798cc	2ZRFE	L	57064	57064XP	49104	24483 ⁷⁹ 24511 ⁷⁸	24483XP ⁷⁹	3	N/S		58324
L4 2.4L 2362cc (Mex.)			57145	57145XP	49104	24483	24483XP		N/S		

FJ CRUISER

V6 4.0L 3956cc 241 CID	1GRFE	U	57173		49350	24875		3	N/A		58136
------------------------	-------	---	-------	--	-------	-------	--	---	-----	--	-------

HIACE

L4 2.7L 2694cc (Mex.)			51348 ⁵³	51348XP	WA6118	N/A			N/S		
-----------------------	--	--	---------------------	---------	--------	-----	--	--	-----	--	--

HIGHLANDER

L4 2.7L 2672cc 163 CID	1ARFE	A	57047	57047XP	46673	24483 ⁷⁹ 24511 ⁷⁸	24483XP ⁷⁹	3	N/S		N/A
V6 3.5L 3456cc	2GRFE	K	57047	57047XP	46673	24483 ⁷⁹ 24511 ⁷⁸	24483XP ⁷⁹	3	N/S		58010 - U151E

HIGHLANDER HYBRID

V6 3.5L 3456cc Electric/Gas	2GRFXE	C	57047	57047XP	WA10313	24483 ⁷⁹ 24511 ⁷⁸	24483XP ⁷⁹	3	N/S		58618
-----------------------------	--------	---	-------	---------	---------	--	-----------------------	---	-----	--	-------

HILUX

L4 2.5L 2494cc (2KDFTV) Diesel (Mex.)			51348 ⁵³	51348XP	WA9644	24483 ⁷⁹ 24160 ⁷⁸ 24511 ⁷⁸	24483XP ⁷⁹		WF8429		
L4 2.7L 2694cc (Mex.)			51348 ⁵³	51348XP	WA9644	N/A			N/A		
L4 2.7L 2694cc (2TRFE) (Mex.)			51348 ⁵³	51348XP	N/A				N/A		
L4 3.0L (1KDFTV) Diesel (Mex.)			51348 ⁵³	51348XP	WA9644	24483 ⁷⁹ 24511 ⁷⁸	24483XP ⁷⁹		WF8429		

LAND CRUISER

V8 4.6L 4608cc (Mex.)	1URFE		N/A		N/A	24483 ⁷⁹ 24511 ⁷⁸	24483XP ⁷⁹		N/A		
V8 5.7L 5663cc 345 CID	3URFE		57041	57041XP	49030	24483 ⁷⁹ 24511 ⁷⁸	24483XP ⁷⁹	3	N/S		58122

MATRIX

L4 1.8L 1798cc	2ZRFE	U	57064	57064XP	49104	24483 ⁷⁹ 24511 ⁷⁸	24483XP ⁷⁹	3	N/S		58324
L4 2.4L 2362cc	2AZFE	E	57145	57145XP	49172	24483 ⁷⁹ 24511 ⁷⁸	24483XP ⁷⁹	3	N/S		58010 - U250E 58618 - U140F

PRIUS

L4 1.8L 1798cc 110 CID Electric/Gas	2ZRFXE	N	57064	57064XP	49320	24483 ⁷⁹ 24511 ⁷⁸	24483XP ⁷⁹	3	N/S		N/S
--	--------	---	-------	---------	-------	--	-----------------------	---	-----	--	-----

PRIUS C

L4 1.5L 1497cc 91 CID Electric/Gas	1NZFXE		51394 ⁵³	51394XP	WA10000	24483 ⁷⁹ 24511 ⁷⁸	24483XP ⁷⁹	3	N/S		N/S
---------------------------------------	--------	--	---------------------	---------	---------	--	-----------------------	---	-----	--	-----

PRIUS PLUG-IN

L4 1.8L 1798cc 110 CID Electric/Gas	2ZRFXE		57064	57064XP	49320	24483 ⁷⁹ 24511 ⁷⁸	24483XP ⁷⁹	3	N/S		N/R
--	--------	--	-------	---------	-------	--	-----------------------	---	-----	--	-----

PRIUS V

L4 1.8L 1798cc 110 CID Electric/Gas	2ZRFXE	N	57064	57064XP	49320	24160		3	N/S		N/S
--	--------	---	-------	---------	-------	-------	--	---	-----	--	-----

RAV4

L4 2.5L 2494cc	2ARFE	F	57047	57047XP	49310	24160		3	N/S		N/A
----------------	-------	---	-------	---------	-------	-------	--	---	-----	--	-----

SEQUOIA

V8 5.7L 5663cc 345 CID	3URFE	Y	57041	57041XP	49010	24483 ⁷⁹ 24511 ⁷⁸	24483XP ⁷⁹	3	N/S		58122 - AB60
V8 5.7L 5663cc 345 CID Flex	3URFBE	W	57041	57041XP	49010	24483 ⁷⁹ 24511 ⁷⁸	24483XP ⁷⁹	3	N/S		58122 - AB60

SIENNA

L4 2.7L 2672cc 163 CID	1ARFE	A	57047	57047XP	49430	24483 ⁷⁹ 24511 ⁷⁸	24483XP ⁷⁹	3	N/S		N/A
V6 3.5L 3456cc	2GRFE	K	57047	57047XP	49430	24483 ⁷⁹ 24511 ⁷⁸	24483XP ⁷⁹	3	N/S		N/A

N/A = Not Available N/R = Not Required N/S = Not Serviceable For cabin and fuel filter locator, see pages 5-15 See pages 16-19 for footnotes
 N/A = Non disponible N/R = Non nécessaire N/S = Non réparable Para la ubicación de los filtros de aire de la cabina y de combustible, ver las páginas 5-15 Voir pages 16-19 pour des notes
 N/A = No disponible N/R = No requiere N/S = No servible Voir les tableaux de repérage des filtres d'habitacle et à carburant aux pages 5-15 Ver las páginas 16-19 para las notas al pie de página

Italicized Part Numbers May Not Be Available. Wix XP Oil Filters Have Fully Synthetic Media.
 Las piezas con números en *italicas* pueden no estar disponibles. Los filtros de aceite WIX XP son completamente de media sintética.
 Les numéros de pièce en *italiques* peuvent ne pas être disponibles. Les filtres à huile Wix contiennent un matériau 100 % synthétique.

TOYOTA 2013-2012
Pass Car/Light Truck

Year/Año/Année Model/Modelo/Modèle Engine/Motor/Moteur	Eng. Code Código de motor Code moteur	VIN NIV NIV	Oil Aceite Huile	Oil XP Aceite XP Huile XP	Air Aire Air	Cabin Air Cabina Aire Cabine Air	Cabin Air XP Cabina Aire XP Cabine Air XP	Loc. Cabin Air Cabina Aire Cabine Air	Fuel Combustible Carburant	Loc. Fuel Combustible Carburant	Transmission Transmisión Transmission
--	---	-------------------	------------------------	---------------------------------	--------------------	--	---	--	----------------------------------	--	---

TOYOTA (Cont'd/Suite)
2013 (Cont'd/Suite)
TACOMA

L4 2.7L 2694cc	2TRFE	X	51348 ⁵³	51348XP	49155	49358		3	N/S		58030 - A340E 58136 - A750
V6 4.0L 3956cc 241 CID	1GRFE	U	51348 ⁵³	51348XP	46888	49358		3	N/S		58136 - A750

TUNDRA

V6 4.0L 3956cc 241 CID	1GRFE	U	51348 ⁵³ - Spin-on 57173 ⁵³ - Cartridge	51348XP - Spin-on	49010	24483 ⁷⁹ 24511 ⁷⁸	24483XP ⁷⁹	3	N/S		58136 - A750 58122 - AB60
V8 4.6L 4608cc	1URFE	M	57041	57041XP	49010	24483 ⁷⁹ 24511 ⁷⁸	24483XP ⁷⁹	3	N/S		58136 - A750 58122 - AB60
V8 5.7L 5663cc 345 CID	3URFE	Y	57041	57041XP	49010	24483 ⁷⁹ 24511 ⁷⁸	24483XP ⁷⁹	3	N/S		58122 - AB60 58136 - A750
V8 5.7L 5663cc 345 CID Flex	3URFBE		57041	57041XP	49010	24483 ⁷⁹ 24511 ⁷⁸	24483XP ⁷⁹	3	N/S		58122 - AB60 58136 - A750

VENZA

L4 2.7L 2672cc 163 CID	1ARFE	E	57047	57047XP	49223	24483 ⁷⁹ 24511 ⁷⁸	24483XP ⁷⁹	3	N/S		N/S
V6 3.5L 3456cc	2GRFE	K	57047	57047XP	49172	24483 ⁷⁹ 24511 ⁷⁸	24483XP ⁷⁹	3	N/S		N/S

YARIS

L4 1.5L 1497cc	1NZFE		51394 ⁵³	51394XP	49104	24483 ⁷⁹ 24511 ⁷⁸	24483XP ⁷⁹	3	N/S		58324
----------------	-------	--	---------------------	---------	-------	--	-----------------------	---	-----	--	-------

2012
4 RUNNER

V6 4.0L 3956cc 241 CID	1GRFE		57173		49350	24483 ⁷⁹ 24511 ⁷⁸	24483XP ⁷⁹	3	N/S		58136
------------------------	-------	--	-------	--	-------	--	-----------------------	---	-----	--	-------

AVALON

V6 3.5L 3456cc	2GRFE	K	57047	57047XP	49172	24483 ⁷⁹ 24511 ⁷⁸	24483XP ⁷⁹	3	N/S		N/A
----------------	-------	---	-------	---------	-------	--	-----------------------	---	-----	--	-----

AVANZA

L4 1.5L 1495cc (Mex.)			51394 ⁵³	51394XP	N/A	N/A			N/S		
-----------------------	--	--	---------------------	---------	-----	-----	--	--	-----	--	--

CAMRY

L4 2.5L 2494cc	2ARFE	F	57047	57047XP	49223	24483 ⁷⁹ 24511 ⁷⁸	24483XP ⁷⁹	3	N/S		N/A
V6 3.5L 3456cc	2GRFE	K	57047	57047XP	49430	24483 ⁷⁹ 24511 ⁷⁸	24483XP ⁷⁹	3	N/S		58010

CAMRY HYBRID

L4 2.5L 2494cc Electric/Gas	2ARFXE	D	57047	57047XP	49310	24483 ⁷⁹ 24511 ⁷⁸	24483XP ⁷⁹	3	N/S		N/S
-----------------------------	--------	---	-------	---------	-------	--	-----------------------	---	-----	--	-----

COROLLA

L4 1.8L 1798cc	2ZRFE	L,U	57064	57064XP	49104	24483 ⁷⁹ 24511 ⁷⁸	24483XP ⁷⁹	3	N/S		58324
L4 2.4L 2362cc	2AZFE	E	57145	57145XP	49172	24483 ⁷⁹ 24511 ⁷⁸	24483XP ⁷⁹	3	N/S		58010

FJ CRUISER

V6 4.0L 3956cc 241 CID	1GRFE	U	57173		49350	24875		3	N/A		58136
------------------------	-------	---	-------	--	-------	-------	--	---	-----	--	-------

HIACE

L4 2.7L 2694cc (Mex.)			51348 ⁵³	51348XP	N/A	N/A			N/S		
-----------------------	--	--	---------------------	---------	-----	-----	--	--	-----	--	--

HIGHLANDER

L4 2.7L 2672cc 163 CID	1ARFE	A	57047	57047XP	46673	24483 ⁷⁹ 24511 ⁷⁸	24483XP ⁷⁹	3	N/S		58010 - U151E
V6 3.5L 3456cc	2GRFE	K	57047	57047XP	46673	24483 ⁷⁹ 24511 ⁷⁸	24483XP ⁷⁹	3	N/S		58010 - U151E

HIGHLANDER HYBRID

V6 3.5L 3456cc Electric/Gas	2GRFXE	C	57047	57047XP	WA10313	24483 ⁷⁹ 24511 ⁷⁸	24483XP ⁷⁹	3	N/S		58010 - U151E
-----------------------------	--------	---	-------	---------	---------	--	-----------------------	---	-----	--	---------------

N/A = Not Available N/R = Not Required N/S = Not Serviceable For cabin and fuel filter locator, see pages 5-15 See pages 16-19 for footnotes

N/A = Non disponible N/R = Non nécessaire N/S = Non réparable Para la ubicación de los filtros de aire de la cabina y de combustible, ver las páginas 5-15 Voir pages 16-19 pour des notes

N/A = No disponible N/R = No requiere N/S = No servible Voir les tableaux de repérage des filtres d'habitacle et à carburant aux pages 5-15 Ver las páginas 16-19 para las notas al pie de página

Italicized Part Numbers May Not Be Available. Wix XP Oil Filters Have Fully Synthetic Media.

Las piezas con números en *italicas* pueden no estar disponibles. Los filtros de aceite WIX XP son completamente de media sintética. Les numéros de pièce en *italiques* peuvent ne pas être disponibles. Les filtres à huile XP Wix contiennent un matériau 100 % synthétique.

Year/Año/Année Model/Modelo/Modèle Engine/Motor/Moteur	Eng. Code Código de motor Code moteur	VIN NIV NIV	Oil Aceite Huile	Oil XP Aceite XP Huile XP	Air Aire Air	Cabin Air Cabina Aire Cabine Air	Cabin Air XP Cabina Aire XP Cabine Air XP	Loc. Cabin Air Cabina Aire Cabine Air	Fuel Combustible Carburant	Loc. Fuel Combustible Carburant	Transmission Transmisión Transmission
--	--	-------------------	------------------------	---------------------------------	--------------------	--	---	--	----------------------------------	--	---

TOYOTA (Cont'd/Suite)
2012 (Cont'd/Suite)
HILUX

L4 2.5L 2494cc (2KDFTV) Diesel (Mex.)			51348 ⁵³	51348XP	WA9644	24483 ⁷⁹ 24160 ⁷⁸ 24511 ⁷⁸	24483XP ⁷⁹		WF8429		
L4 2.7L 2694cc (Mex.)			51348 ⁵³	51348XP	WA9644	N/A			N/A		
L4 2.7L 2694cc (2TRFE) (Mex.)			51348 ⁵³	51348XP	N/A				N/A		
L4 3.0L (1KDFTV) Diesel (Mex.)			51348 ⁵³	51348XP	WA9644	24483 ⁷⁹ 24511 ⁷⁸	24483XP ⁷⁹		WF8429		

LAND CRUISER

V8 4.6L 4608cc (Mex.)	1URFE		N/A		N/A	24483 ⁷⁹ 24511 ⁷⁸	24483XP ⁷⁹		N/A		
-----------------------	-------	--	-----	--	-----	--	-----------------------	--	-----	--	--

MATRIX

L4 1.8L 1798cc	2ZRFE	U	57064	57064XP	49104	24483 ⁷⁹ 24511 ⁷⁸	24483XP ⁷⁹	3	N/S		58324
L4 2.4L 2362cc	2AZFE	E	57145	57145XP	49172	24483 ⁷⁹ 24511 ⁷⁸	24483XP ⁷⁹	3	N/S		58010 - U250E 58618 - U140F

PRIUS

L4 1.8L 1798cc 110 CID Electric/Gas	2ZRFXE	N	57064	57064XP	49320	24483 ⁷⁹ 24511 ⁷⁸	24483XP ⁷⁹	3	N/S		N/S
-------------------------------------	--------	---	-------	---------	-------	--	-----------------------	---	-----	--	-----

PRIUS C

L4 1.5L 1497cc 91 CID Electric/Gas	1NZFXE		51394 ⁵³	51394XP	WA10000	24160		3	N/S		N/S
------------------------------------	--------	--	---------------------	---------	---------	-------	--	---	-----	--	-----

PRIUS PLUG-IN

L4 1.8L 1798cc 110 CID Electric/Gas	2ZRFXE		57064	57064XP	49320	24483 ⁷⁹ 24511 ⁷⁸	24483XP ⁷⁹	3	N/S		N/R
-------------------------------------	--------	--	-------	---------	-------	--	-----------------------	---	-----	--	-----

PRIUS V

L4 1.8L 1798cc 110 CID Electric/Gas	2ZRFXE	N	57064	57064XP	49320	24160		3	N/S		N/S
-------------------------------------	--------	---	-------	---------	-------	-------	--	---	-----	--	-----

RAV4

L4 2.5L 2494cc	2ARFE	F	57047	57047XP	49172	24483 ⁷⁹ 24511 ⁷⁸	24483XP ⁷⁹	3	N/S		58618
V6 3.5L 3456cc	2GRFE	K	57047	57047XP	49172	24483 ⁷⁹ 24511 ⁷⁸	24483XP ⁷⁹	3	N/S		58010

SEQUOIA

V8 4.6L 4608cc	1URFE	M	57041	57041XP	49010	24483 ⁷⁹ 24511 ⁷⁸	24483XP ⁷⁹	3	N/S		58122 - AB60
V8 5.7L 5663cc 345 CID	3URFE	Y	57041	57041XP	49010	24483 ⁷⁹ 24511 ⁷⁸	24483XP ⁷⁹	3	N/S		58122 - AB60
V8 5.7L 5663cc 345 CID Flex	3URFBE	W	57041	57041XP	49010	24483 ⁷⁹ 24511 ⁷⁸	24483XP ⁷⁹	3	N/S		58122 - AB60

SIENNA

L4 2.7L 2672cc 163 CID	1ARFE	A	57047	57047XP	49430	24483 ⁷⁹ 24511 ⁷⁸	24483XP ⁷⁹	3	N/S		N/A
V6 3.5L 3456cc	2GRFE	K	57047	57047XP	49430	24483 ⁷⁹ 24511 ⁷⁸	24483XP ⁷⁹	3	N/S		N/A

TACOMA

L4 2.7L 2693cc	2TRFE	X	51348 ⁵³	51348XP	49155	49358		3	N/S		58030 - A340E 58136 - A750
V6 4.0L 3956cc 241 CID	1GRFE	U	51348 ⁵³	51348XP	46888	49358		3	N/S		58030 - A340E 58136 - A750

TUNDRA

V6 4.0L 3956cc 241 CID	1GRFE	U	51348 ⁵³ - Spin-on 57173 ⁵³ - Cartridge	51348XP - Spin-on	49010	24483 ⁷⁹ 24511 ⁷⁸	24483XP ⁷⁹	3	N/S		58136 - A750 58122 - AB60
V8 4.6L 4608cc	1URFE	M	57041	57041XP	49010	24483 ⁷⁹ 24511 ⁷⁸	24483XP ⁷⁹	3	N/S		58136 - A750 58122 - AB60
V8 5.7L 5663cc 345 CID	3URFE	Y	57041	57041XP	49010	24483 ⁷⁹ 24511 ⁷⁸	24483XP ⁷⁹	3	N/S		58122 - AB60 58136 - A750
V8 5.7L 5663cc 345 CID Flex	3URFBE		57041	57041XP	49010	24483 ⁷⁹ 24511 ⁷⁸	24483XP ⁷⁹	3	N/S		58122 - AB60 58136 - A750

N/A = Not Available N/R = Not Required N/S = Not Serviceable For cabin and fuel filter locator, see pages 5-15 See pages 16-19 for footnotes

N/A = Non disponible N/R = Non nécessaire N/S = Non réparable Para la ubicación de los filtros de aire de la cabina y de combustible, ver las páginas 5-15 Voir pages 16-19 pour des notes

N/A = No disponible N/R = No requiere N/S = No servible Voir les tableaux de repérage des filtres d'habitacle et à carburant aux pages 5-15 Ver las páginas 16-19 para las notas al pie de página

Italicized Part Numbers May Not Be Available. Wix XP Oil Filters Have Fully Synthetic Media.

Las piezas con números en *italicas* pueden no estar disponibles. Los filtros de aceite WIX XP son completamente de media sintética.

Les numéros de pièce en *italiques* peuvent ne pas être disponibles. Les filtres à huile XP Wix contiennent un matériau 100 % synthétique.

TOYOTA 2012-2011
Pass Car/Light Truck

Year/Año/Année Model/Modelo/Modèle Engine/Motor/Moteur	Eng. Code Código de motor Code moteur	VIN NIV NIV	Oil Aceite Huile	Oil XP Aceite XP Huile XP	Air Aire Air	Cabin Air Cabina Aire Cabine Air	Cabin Air XP Cabina Aire XP Cabine Air XP	Loc. Cabin Air Cabina Aire Cabine Air	Fuel Combustible Carburant	Loc. Fuel Combustible Carburant	Transmission Transmisión Transmission
--	---	-------------------	------------------------	---------------------------------	--------------------	--	---	--	----------------------------------	--	---

TOYOTA (Cont'd/Suite)
2012 (Cont'd/Suite)
VENZA

L4 2.7L 2672cc 163 CID	1ARFE	E	57047	57047XP	49223	24483 ⁷⁹ 24511 ⁷⁸	24483XP ⁷⁹	3	N/S		N/S
V6 3.5L 3456cc	2GRFE	K	57047	57047XP	49172	24483 ⁷⁹ 24511 ⁷⁸	24483XP ⁷⁹	3	N/S		N/S

YARIS

L4 1.5L 1497cc	1NZFE		51394 ⁵³	51394XP	49104	24483 ⁷⁹ 24511 ⁷⁸	24483XP ⁷⁹	3	N/S		58324
----------------	-------	--	---------------------	---------	-------	--	-----------------------	---	-----	--	-------

2011
4 RUNNER

V6 4.0L 3956cc 241 CID	1GRFE	U	57173		49350	24483 ⁷⁹ 24511 ⁷⁸	24483XP ⁷⁹	3	N/S		58136
------------------------	-------	---	-------	--	-------	--	-----------------------	---	-----	--	-------

AVALON

V6 3.5L 3456cc	2GRFE	K	57047	57047XP	49172	24483 24511	24483XP	3	N/S		N/A
----------------	-------	---	-------	---------	-------	----------------	---------	---	-----	--	-----

AVANZA

L4 1.5L 1495cc (Mex.)			51394 ⁵³	51394XP	N/A	N/A			N/S		
L4 1.5L 1500cc (Mex.)			51394 ⁵³	51394XP	N/A	N/A			N/S		

CAMRY

L4 2.4L 2362cc (Mex.)			57145	57145XP	49223	24883	24883XP		N/R		
L4 2.5L 2494cc	2ARFE	F	57047	57047XP	49223	24483 ⁷⁹ 24511 ⁷⁸	24483XP ⁷⁹	3	N/S		N/A
V6 3.5L 3456cc	2GRFE	K	57047	57047XP	49172	24483 ⁷⁹ 24511 ⁷⁸	24483XP ⁷⁹	3	N/S		58010

CAMRY HYBRID

L4 2.4L 2362cc Electric/Gas	2AZFXE	B	57145	57145XP	46673	24483 ⁷⁹ 24511 ⁷⁸	24483XP ⁷⁹	3	N/S		N/S
-----------------------------	--------	---	-------	---------	-------	--	-----------------------	---	-----	--	-----

COROLLA

L4 1.8L 1798cc	2ZRFE	L,U	57064	57064XP	49104	24483 ⁷⁹ 24511 ⁷⁸	24483XP ⁷⁹	3	N/S		58324
L4 2.4L 2362cc	2AZFE		57145	57145XP	49172	24483 ⁷⁹ 24511 ⁷⁸	24483XP ⁷⁹	3	N/S		58010

FJ CRUISER

V6 4.0L 3956cc 241 CID	1GRFE	U	57173		49350	24875		3	N/A		58136
------------------------	-------	---	-------	--	-------	-------	--	---	-----	--	-------

HIACE

L4 2.7L 2694cc (Mex.)			51348 ⁵³	51348XP	WA6134	N/A			N/S		
-----------------------	--	--	---------------------	---------	--------	-----	--	--	-----	--	--

HIGHLANDER

L4 2.7L 2672cc 163 CID	1ARFE	A	57047	57047XP	46673	24483 ⁷⁹ 24511 ⁷⁸	24483XP ⁷⁹	3	N/S		58010 - U151E
V6 3.5L 3456cc	2GRFE	K	57047	57047XP	46673	24483 ⁷⁹ 24511 ⁷⁸	24483XP ⁷⁹	3	N/S		58010 - U151E

HIGHLANDER HYBRID

V6 3.5L 3456cc Electric/Gas	2GRFXE	C	57047	57047XP	WA10313	24483 ⁷⁹ 24511 ⁷⁸	24483XP ⁷⁹	3	N/S		58010 - U151E
-----------------------------	--------	---	-------	---------	---------	--	-----------------------	---	-----	--	---------------

HILUX

L4 2.5L 2494cc (2KDFTV) Diesel (Mex.)			51348 ⁵³	51348XP	WA9644	24483 ⁷⁹ 24160 ⁷⁸ 24511 ⁷⁸	24483XP ⁷⁹		WF8429		
L4 2.7L 2694cc (Mex.)			51348 ⁵³	51348XP	WA9644	N/A			N/A		
L4 2.7L 2694cc (2TRFE) (Mex.)			51348 ⁵³	51348XP	WA9644				N/A		
L4 3.0L (1KDFTV) Diesel (Mex.)			51348 ⁵³	51348XP	WA9644	24483 ⁷⁹ 24511 ⁷⁸	24483XP ⁷⁹		WF8429		

LAND CRUISER

V8 5.7L 5663cc 345 CID	3URFE	Y	57041	57041XP	49030	24483 ⁷⁹ 24511 ⁷⁸	24483XP ⁷⁹	3	N/S		58122
------------------------	-------	---	-------	---------	-------	--	-----------------------	---	-----	--	-------

N/A = Not Available N/R = Not Required N/S = Not Serviceable For cabin and fuel filter locator, see pages 5-15 See pages 16-19 for footnotes

N/A = Non disponible N/R = Non nécessaire N/S = Non réparable Para la ubicación de los filtros de aire de la cabina y de combustible, ver las páginas 5-15 Voir pages 16-19 pour des notes

N/A = No disponible N/R = No requiere N/S = No servible Voir les tableaux de repérage des filtres d'habitacle et à carburant aux pages 5-15 Ver las páginas 16-19 para las notas al pie de página

Italicized Part Numbers May Not Be Available. Wix XP Oil Filters Have Fully Synthetic Media.

Las piezas con números en *italicas* pueden no estar disponibles. Los filtros de aceite WIX XP son completamente de media sintética. Les numéros de pièce en *italiques* peuvent ne pas être disponibles. Les filtres à huile XP Wix contiennent un matériau 100 % synthétique.

Year/Año/Année Model/Modelo/Modèle Engine/Motor/Moteur	Eng. Code Código de motor Code moteur	VIN NIV	Oil Aceite Huile	Oil XP Aceite XP Huile XP	Air Aire Air	Cabin Air Cabina Aire Cabine Air	Cabin Air XP Cabina Aire XP Cabine Air XP	Loc. Cabin Air Cabina Aire Cabine Air	Fuel Combustible Carburant	Loc. Fuel Combustible Carburant	Transmission Transmisión Transmission
--	--	------------	------------------------	---------------------------------	--------------------	--	---	--	----------------------------------	--	---

TOYOTA (Cont'd/Suite)

2011 (Cont'd/Suite)

MATRIX

L4 1.8L 1798cc	2ZRFE	U	57064	57064XP	49104	24483 ⁷⁹ 24511 ⁷⁸	24483XP ⁷⁹	3	N/S		58324
L4 2.4L 2362cc	2AZFE	E	57145	57145XP	49172	24483 ⁷⁹ 24511 ⁷⁸	24483XP ⁷⁹	3	N/S		58010 - U250E 58618 - U140F

PRIUS

L4 1.8L 1798cc 110 CID Electrio/Gas	2ZRFXE	N	57064	57064XP	49320	24483 ⁷⁹ 24511 ⁷⁸	24483XP ⁷⁹	3	N/S		N/S
--	--------	---	-------	---------	-------	--	-----------------------	---	-----	--	-----

RAV4

L4 2.5L 2494cc	2ARFE	F	57047	57047XP	49172	24483 ⁷⁹ 24511 ⁷⁸	24483XP ⁷⁹	3	N/S		58618
V6 3.5L 3456cc	2GRFE	K	57047	57047XP	49172	24483 ⁷⁹ 24511 ⁷⁸	24483XP ⁷⁹	3	N/S		58010

SEQUOIA

V8 4.6L 4608cc	1URFE	M	57041	57041XP	49010	24483 ⁷⁹ 24511 ⁷⁸	24483XP ⁷⁹	3	N/S		58122 - AB60
V8 5.7L 5663cc 345 CID	3URFE	Y	57041	57041XP	49010	24483 ⁷⁹ 24511 ⁷⁸	24483XP ⁷⁹	3	N/S		58122 - AB60
V8 5.7L 5663cc 345 CID Flex	3URFBE	W	57041	57041XP	49010	24483 ⁷⁹ 24511 ⁷⁸	24483XP ⁷⁹	3	N/S		58122 - AB60

SIENNA

L4 2.7L 2672cc 163 CID	1ARFE	A	57047	57047XP	49430	24483 ⁷⁹ 24511 ⁷⁸	24483XP ⁷⁹	3	N/S		N/A
V6 3.5L 3456cc	2GRFE	K	57047	57047XP	49430	24483 ⁷⁹ 24511 ⁷⁸	24483XP ⁷⁹	3	N/S		N/A

TACOMA

L4 2.7L 2693cc	2TRFE	X	51348 ⁵³	51348XP	49155	49358		3	N/S		58030 - A340E 58136 - A750
V6 4.0L 3956cc 241 CID	1GRFE	U	51348 ⁵³	51348XP	46888	49358		3	N/S		58030 - A340E 58136 - A750

TUNDRA

V6 4.0L 3956cc 241 CID	1GRFE	U	51348 ⁵³ - Spin-on 57041 ⁵³ - Cartridge	51348XP - Spin-on 57041XP - Cartridge	49010	24483 ⁷⁹ 24511 ⁷⁸	24483XP ⁷⁹	3	N/S		58136 - A750 58122 - AB60
V8 4.6L 4608cc	1URFE	M	57041	57041XP	49010	24483 ⁷⁹ 24511 ⁷⁸	24483XP ⁷⁹	3	N/S		58136 - A750 58122 - AB60
V8 5.7L 5663cc 345 CID	3URFE	Y	57041	57041XP	49010	24483 ⁷⁹ 24511 ⁷⁸	24483XP ⁷⁹	3	N/S		58122 - AB60 58136 - A750
V8 5.7L 5663cc 345 CID Flex	3URFBE		57041	57041XP	49010	24483 ⁷⁹ 24511 ⁷⁸	24483XP ⁷⁹	3	N/S		58122 - AB60 58136 - A750

VENZA

L4 2.7L 2672cc 163 CID	1ARFE	E	57047	57047XP	49223	24483 ⁷⁹ 24511 ⁷⁸	24483XP ⁷⁹	3	N/S		N/S
V6 3.5L 3456cc	2GRFE	K	57047	57047XP	49172	24483 ⁷⁹ 24511 ⁷⁸	24483XP ⁷⁹	3	N/S		N/S

YARIS

L4 1.5L 1497cc	1NZFE		51394 ⁵³	51394XP	49104	24483 ⁷⁹ 24511 ⁷⁸	24483XP ⁷⁹	3	N/S		58324
----------------	-------	--	---------------------	---------	-------	--	-----------------------	---	-----	--	-------

2010

4 RUNNER

L4 2.7L 2693cc	2TRFE	X	51348 ⁵³	51348XP	42476	49358		3	N/S		58030
V6 4.0L 3956cc 241 CID	1GRFE	U	57173		49350	24483 ⁷⁹ 24511 ⁷⁸	24483XP ⁷⁹	3	N/S		58136

AVALON

V6 3.5L 3456cc	2GRFE	K	57047	57047XP	49172	24483 ⁷⁹ 24511 ⁷⁸	24483XP ⁷⁹	3	N/S		N/A
----------------	-------	---	-------	---------	-------	--	-----------------------	---	-----	--	-----

AVANZA

L4 1.5L 1495cc (Mex.)			51394 ⁵³	51394XP	N/A	N/A			N/S		
-----------------------	--	--	---------------------	---------	-----	-----	--	--	-----	--	--

CAMRY

L4 2.4L 2362cc (Mex.)			57145	57145XP	49223	24883	24883XP		N/R		
-----------------------	--	--	-------	---------	-------	-------	---------	--	-----	--	--

N/A = Not Available N/R = Not Required N/S = Not Serviceable For cabin and fuel filter locator, see pages 5-15 See pages 16-19 for footnotes

N/A = Non disponible N/R = Non nécessaire N/S = Non réparable Para la ubicación de los filtros de aire de la cabina y de combustible, ver las páginas 5-15 Voir pages 16-19 pour des notes

N/A = No disponible N/R = No requiere N/S = No servible Voir les tableaux de repérage des filtres d'habitacle et à carburant aux pages 5-15 Ver las páginas 16-19 para las notas al pie de página

Italicized Part Numbers May Not Be Available. Wix XP Oil Filters Have Fully Synthetic Media.

Las piezas con números en *italicas* pueden no estar disponibles. Los filtros de aceite WIX XP son completamente de media sintetica.

Les numéros de pièce en *italiques* peuvent ne pas être disponibles. Les filtres à huile Wix contiennent un matériau 100 % synthétique.

TOYOTA 2010
Pass Car/Light Truck

Year/Año/Année Model/Modelo/Modèle Engine/Motor/Moteur	Eng. Code Código de motor Code moteur	VIN NIV NIV	Oil Aceite Huile	Oil XP Aceite XP Huile XP	Air Aire Air	Cabin Air Cabina Aire Cabine Air	Cabin Air XP Cabina Aire XP Cabine Air XP	Loc. Cabin Air Cabina Aire Cabine Air	Fuel Combustible Carburant	Loc. Fuel Combustible Carburant	Transmission Transmisión Transmission
--	---	-------------------	------------------------	---------------------------------	--------------------	--	---	--	----------------------------------	--	---

TOYOTA (Cont'd/Suite)
2010 (Cont'd/Suite)
CAMRY (Cont'd/Suite)

L4 2.5L 2494cc	2ARFE	F	57047	57047XP	49223	24483 ⁷⁹ 24511 ⁷⁸	24483XP ⁷⁹	3	N/S		N/A
V6 3.5L 3456cc	2GRFE	K	57047	57047XP	49172	24483 ⁷⁹ 24511 ⁷⁸	24483XP ⁷⁹	3	N/S		58010

CAMRY HYBRID

L4 2.4L 2362cc Electric/Gas	2AZFXE	B	57145	57145XP	46673	24483 ⁷⁹ 24511 ⁷⁸	24483XP ⁷⁹	3	N/S		N/S
-----------------------------	--------	---	-------	---------	-------	--	-----------------------	---	-----	--	-----

COASTER

L6 4.2L (1HZ) Diesel (Mex.)			51348	51348XP							
-----------------------------	--	--	-------	---------	--	--	--	--	--	--	--

COROLLA

L4 1.8L 1798cc	2ZRFE	L,U	57064	57064XP	49104	24483 ⁷⁹ 24511 ⁷⁸	24483XP ⁷⁹	3	N/S		58324
L4 2.4L 2362cc	2AZFE	E	57145	57145XP	49172	24483 ⁷⁹ 24511 ⁷⁸	24483XP ⁷⁹	3	N/S		58010

DYNA

L4 2.5L 2494cc (2KDFTV) Diesel (Mex.)			51348	51348XP							
---------------------------------------	--	--	-------	---------	--	--	--	--	--	--	--

FJ CRUISER

V6 4.0L 3956cc 241 CID	1GRFE	U	57173		49350	24875		3	N/A		58136
------------------------	-------	---	-------	--	-------	-------	--	---	-----	--	-------

FORTUNER

L4 2.7L 2694cc (2TRFE) (Mex.)			51348 ⁵³	51348XP							
L4 3.0L (1KDFTV) Diesel (Mex.)			51348	51348XP							
L4 4.0L Diesel (Mex.)			51348	51348XP							

HIACE

L4 2.5L 2494cc (2KDFTV) Diesel (Mex.)			51348 ⁵³	51348XP	WA6118				33138		
L4 2.7L (Mex.)			51348	51348XP	N/A	N/S			N/S		N/S
L4 3.0L (1KDFTV) Diesel (Mex.)			51348	51348XP							

HIGHLANDER

L4 2.7L 2672cc 163 CID	1ARFE	A	57047	57047XP	46673	24483 ⁷⁹ 24511 ⁷⁸	24483XP ⁷⁹	3	N/S		58010 - U151E
V6 3.5L 3456cc	2GRFE	K	57047	57047XP	46673	24483 ⁷⁹ 24511 ⁷⁸	24483XP ⁷⁹	3	N/S		58010 - U151E

HIGHLANDER HYBRID

V6 3.3L 3300cc Electric/Gas	3MZFE	W	51348 ⁵³	51348XP	49185	24483 ⁷⁹ 24511 ⁷⁸	24483XP ⁷⁹	3	N/S		N/S
-----------------------------	-------	---	---------------------	---------	-------	--	-----------------------	---	-----	--	-----

HILUX

L4 2.5L 2494cc (2KDFTV) Diesel (Mex.)			51348 ⁵³	51348XP	WA9644	24483 ⁷⁹ 24160 ⁷⁸ 24511 ⁷⁸	24483XP ⁷⁹		WF8429		
L4 2.7L 2694cc (Mex.)			51348 ⁵³	51348XP	WA9644	N/A			N/A		
L4 2.7L 2694cc (2TRFE) (Mex.)			51348 ⁵³	51348XP	WA9644				N/A		
L4 3.0L (1KDFTV) Diesel (Mex.)			51348 ⁵³	51348XP	WA9644	24483 ⁷⁹ 24511 ⁷⁸	24483XP ⁷⁹		WF8429		

LAND CRUISER

L6 4.2L (1HZ) Diesel (Mex.)			51348	51348XP							
L6 4.5L (1FZFE) (Mex.)			51515	51515XP							
V6 4.0L (1GRFE) (Mex.)			51348	51348XP							
V8 5.7L 5663cc 345 CID	3URFE	Y	57041	57041XP	49030	24483 ⁷⁹ 24511 ⁷⁸	24483XP ⁷⁹	3	N/S		58122

MATRIX

L4 1.8L 1798cc	2ZRFE	U	57064	57064XP	49104	24483 ⁷⁹ 24511 ⁷⁸	24483XP ⁷⁹	3	N/S		58324
----------------	-------	---	-------	---------	-------	--	-----------------------	---	-----	--	-------

N/A = Not Available N/R = Not Required N/S = Not Serviceable For cabin and fuel filter locator, see pages 5-15 See pages 16-19 for footnotes

N/A = Non disponible N/R = Non nécessaire N/S = Non réparable Para la ubicación de los filtros de aire de la cabina y de combustible, ver las páginas 5-15 Voir pages 16-19 pour des notes

N/A = No disponible N/R = No requiere N/S = No servible Voir les tableaux de repérage des filtres d'habitacle et à carburant aux pages 5-15 Ver las páginas 16-19 para las notas al pie de página

Italicized Part Numbers May Not Be Available. Wix XP Oil Filters Have Fully Synthetic Media.

Las piezas con números en *italicas* pueden no estar disponibles. Los filtros de aceite WIX XP son completamente de media sintética. Les numéros de pièce en *italiques* peuvent ne pas être disponibles. Les filtres à huile XP Wix contiennent un matériau 100 % synthétique.

Year/Año/Année Model/Modelo/Modèle Engine/Motor/Moteur	Eng. Code Código de motor Code moteur	VIN NIV NIV	Oil Aceite Huile	Oil XP Aceite XP Huile XP	Air Aire Air	Cabin Air Cabina Aire Cabine Air	Cabin Air XP Cabina Aire XP Cabine Air XP	Loc. Cabin Air Cabina Aire Cabine Air	Fuel Combustible Carburant	Loc. Fuel Combustible Carburant	Transmission Transmisión Transmission
--	---	-------------------	------------------------	---------------------------------	--------------------	--	---	--	----------------------------------	--	---

TOYOTA (Cont'd/Suite)

2010 (Cont'd/Suite)

MATRIX (Cont'd/Suite)

L4 2.4L 2362cc	2AZFE	E	57145	57145XP	49172	24483 ⁷⁹ 24511 ⁷⁸	24483XP ⁷⁹	3	N/S		58010 - U250E 58618 - U140F
----------------	-------	---	-------	---------	-------	--	-----------------------	---	-----	--	--------------------------------

PRADO

L4 2.7L 2694cc (2TRFE) (Mex.)			51348	51348XP							
L4 3.0L (1KDFTV) Diesel (Mex.)			51348	51348XP							
V6 4.0L (1GRFE) (Mex.)			51348	51348XP							

PRIUS

L4 1.8L 1798cc 110 CID Electric/Gas	2ZRFXE	N	57064	57064XP	49320	24483 ⁷⁹ 24511 ⁷⁸	24483XP ⁷⁹	3	N/S		N/S
-------------------------------------	--------	---	-------	---------	-------	--	-----------------------	---	-----	--	-----

RAV4

L4 2.5L 2494cc	2ARFE	F	57047	57047XP	49172	24483 ⁷⁹ 24511 ⁷⁸	24483XP ⁷⁹	3	N/S		58618
V6 3.5L 3456cc	2GRFE	K	57047	57047XP	49172	24483 ⁷⁹ 24511 ⁷⁸	24483XP ⁷⁹	3	N/S		58010

SEQUOIA

V8 4.6L 4608cc	1URFE	M	57041	57041XP	49010	24483 ⁷⁹ 24511 ⁷⁸	24483XP ⁷⁹	3	N/S		58122 - AB60
V8 5.7L 5663cc 345 CID	3URFE	Y	57041	57041XP	49010	24483 ⁷⁹ 24511 ⁷⁸	24483XP ⁷⁹	3	N/S		58122 - AB60
V8 5.7L 5663cc 345 CID Flex	3URFBE	W	57041	57041XP	49010	24483 ⁷⁹ 24511 ⁷⁸	24483XP ⁷⁹	3	N/S		58122 - AB60

SIENNA

V6 3.5L 3456cc	2GRFE	K	57047	57047XP	46673	24883	24883XP	3	N/S		58010 - U151E
----------------	-------	---	-------	---------	-------	-------	---------	---	-----	--	---------------

TACOMA

L4 2.7L 2693cc	2TRFE	X	51348 ⁵³	51348XP	49155	49358		3	N/S		58030 - A340E 58136 - A750
V6 4.0L 3956cc 241 CID	1GRFE	U	51348 ⁵³	51348XP	46888	49358		3	N/S		58030 - A340E 58136 - A750

TUNDRA

V6 4.0L 3956cc 241 CID	1GRFE	U	51348 ⁵³	51348XP	46888	24483 ⁷⁹ 24511 ⁷⁸	24483XP ⁷⁹	3	N/S		58136 - A750 58122 - AB60
V8 4.6L 4608cc	1URFE	M	57041	57041XP	49010	24483 ⁷⁹ 24511 ⁷⁸	24483XP ⁷⁹	3	N/S		58136 - A750 58122 - AB60
V8 5.7L 5663cc 345 CID	3URFE	Y	57041	57041XP	49010	24483 ⁷⁹ 24511 ⁷⁸	24483XP ⁷⁹	3	N/S		58122 - AB60 58136 - A750
V8 5.7L 5663cc 345 CID Flex	3URFBE		57041	57041XP	49010	24483 ⁷⁹ 24511 ⁷⁸	24483XP ⁷⁹	3	N/S		58122 - AB60 58136 - A750

VENZA

L4 2.7L 2672cc 163 CID	1ARFE	E	57047	57047XP	49223	24483 ⁷⁹ 24511 ⁷⁸	24483XP ⁷⁹	3	N/S		N/S
V6 3.5L 3456cc	2GRFE	K	57047	57047XP	49172	24483 ⁷⁹ 24511 ⁷⁸	24483XP ⁷⁹	3	N/S		N/S

YARIS

L4 1.5L 1497cc	1NZFE		51394 ⁵³	51394XP	49104	24483 ⁷⁹ 24511 ⁷⁸	24483XP ⁷⁹	3	N/S		58324
----------------	-------	--	---------------------	---------	-------	--	-----------------------	---	-----	--	-------

2009

4 RUNNER

V6 4.0L 3956cc 241 CID	1GRFE	U	51348 ⁵³	51348XP	46888	24875		3	N/S		58136
V8 4.7L 4663cc	2UZFE	T	51348 ⁵³	51348XP	42476	24875		3	N/S		58136

AVALON

V6 3.5L 3456cc	2GRFE	K	57047	57047XP	49172	24483 ⁷⁹ 24511 ⁷⁸	24483XP ⁷⁹	3	N/S		N/A
----------------	-------	---	-------	---------	-------	--	-----------------------	---	-----	--	-----

CAMRY

L4 2.4L 2362cc	2AZFE	E	57145	57145XP	49223	24483 ⁷⁹ 24511 ⁷⁸	24483XP ⁷⁹	3	N/S		58010
----------------	-------	---	-------	---------	-------	--	-----------------------	---	-----	--	-------

N/A = Not Available N/R = Not Required N/S = Not Serviceable For cabin and fuel filter locator, see pages 5-15 See pages 16-19 for footnotes

N/A = Non disponible N/R = Non nécessaire N/S = Non réparable Para la ubicación de los filtros de aire de la cabina y de combustible, ver las páginas 5-15 Voir pages 16-19 pour des notes

N/A = No disponible N/R = No requiere N/S = No servible Voir les tableaux de repérage des filtres d'habitacle et à carburant aux pages 5-15 Ver las páginas 16-19 para las notas al pie de página

Italicized Part Numbers May Not Be Available. Wix XP Oil Filters Have Fully Synthetic Media.

Las piezas con números en *italicas* pueden no estar disponibles. Los filtros de aceite WIX XP son completamente de media sintética.

Les numéros de pièce en *italiques* peuvent ne pas être disponibles. Les filtres à huile XP Wix contiennent un matériau 100 % synthétique.

TOYOTA 2009
Pass Car/Light Truck

Year/Año/Année Model/Modelo/Modèle Engine/Motor/Moteur	Eng. Code Código de motor Code moteur	VIN NIV NIV	Oil Aceite Huile	Oil XP Aceite XP Huile XP	Air Aire Air	Cabin Air Cabina Aire Cabine Air	Cabin Air XP Cabina Aire XP Cabine Air XP	Loc. Cabin Air Cabina Aire Cabine Air	Fuel Combustible Carburant	Loc. Fuel Combustible Carburant	Transmission Transmisión Transmission
--	---	-------------------	------------------------	---------------------------------	--------------------	--	---	--	----------------------------------	--	---

TOYOTA (Cont'd/Suite)
2009 (Cont'd/Suite)
CAMRY (Cont'd/Suite)

V6 3.5L 3456cc	2GRFE	K	57047	57047XP	49172	24483 ⁷⁹ 24511 ⁷⁸	24483XP ⁷⁹	3	N/S	58010
----------------	-------	---	-------	---------	-------	--	-----------------------	---	-----	-------

CAMRY HYBRID

L4 2.4L 2362cc Electric/Gas	2AZFXE	B	57145	57145XP	46673	24483 ⁷⁹ 24511 ⁷⁸	24483XP ⁷⁹	3	N/S	N/S
-----------------------------	--------	---	-------	---------	-------	--	-----------------------	---	-----	-----

COROLLA

L4 1.8L 1798cc	2ZRFE	L,U	57064	57064XP	49104	24483 ⁷⁹ 24511 ⁷⁸	24483XP ⁷⁹	3	N/S	58324
L4 2.4L 2362cc	2AZFE	E	57145	57145XP	49172	24483 ⁷⁹ 24511 ⁷⁸	24483XP ⁷⁹	3	N/S	58010

FJ CRUISER

V6 4.0L 3956cc 241 CID	1GRFE	U	51348 ⁵³	51348XP	46888	24875		3	N/A	58136
------------------------	-------	---	---------------------	---------	-------	-------	--	---	-----	-------

HIACE

L4 2.5L 2494cc (2KDFTV) Diesel (Mex.)			51348 ⁵³	51348XP	WA6118				33138	
L4 2.7L 2694cc (Mex.)			51348 ⁵³	51348XP	WA6134				N/S	N/A

HIGHLANDER

L4 2.7L 2672cc 163 CID	1ARFE	A	57047	57047XP	46673	24483 ⁷⁹ 24511 ⁷⁸	24483XP ⁷⁹	3	N/S	58010 - U151E
V6 3.5L 3456cc	2GRFE	S	57047	57047XP	46673	24483 ⁷⁹ 24511 ⁷⁸	24483XP ⁷⁹	3	N/S	58010 - U151E

HIGHLANDER HYBRID

V6 3.3L 3300cc Electric/Gas	3MZFE	W	51348 ⁵³	51348XP	49185	24483 ⁷⁹ 24511 ⁷⁸	24483XP ⁷⁹	3	N/S	N/S
-----------------------------	-------	---	---------------------	---------	-------	--	-----------------------	---	-----	-----

HILUX

L4 2.5L 2494cc (2KDFTV) Diesel (Mex.)			51348 ⁵³	51348XP	WA9644	24483 ⁷⁹ 24160 ⁷⁸ 24511 ⁷⁸	24483XP ⁷⁹		WF8429	
L4 2.7L 2694cc (Mex.)			51348 ⁵³	51348XP	WA9644	N/A			N/A	
L4 2.7L 2694cc (2TRFE) (Mex.)			51348 ⁵³	51348XP	WA9644				N/A	
L4 3.0L (1KDFTV) Diesel (Mex.)			51348 ⁵³	51348XP	WA9644	24483 ⁷⁹ 24511 ⁷⁸	24483XP ⁷⁹		WF8429	

LAND CRUISER

V8 5.7L 5663cc 345 CID	3URFE	Y	57041	57041XP	49030	24483 ⁷⁹ 24511 ⁷⁸	24483XP ⁷⁹	3	N/S	58122
------------------------	-------	---	-------	---------	-------	--	-----------------------	---	-----	-------

MATRIX

L4 1.8L 1798cc	2ZRFE	U	57064	57064XP	49104	24483 ⁷⁹ 24511 ⁷⁸	24483XP ⁷⁹	3	N/S	58324
L4 2.4L 2362cc	2AZFE	E	57145	57145XP	49172	24483 ⁷⁹ 24511 ⁷⁸	24483XP ⁷⁹	3	N/S	58010

PRIUS

L4 1.5L 1497cc Electric/Gas	1NZFXE		51394 ⁵³	51394XP	49116	24875		3	N/S	N/S
-----------------------------	--------	--	---------------------	---------	-------	-------	--	---	-----	-----

RAV4

L4 2.5L 2494cc	2ARFE	F	57047	57047XP	49172	24483 ⁷⁹ 24511 ⁷⁸	24483XP ⁷⁹	3	N/S	58618
V6 3.5L 3456cc	2GRFE	K	57047	57047XP	49172	24483 ⁷⁹ 24511 ⁷⁸	24483XP ⁷⁹	3	N/S	58010

SEQUOIA

V8 4.7L 4663cc	2UZFE	T	51348 ⁵³	51348XP	49010	24483 ⁷⁹ 24511 ⁷⁸	24483XP ⁷⁹	3	33410	58122 - AB60
V8 5.7L 5663cc 345 CID	3URFE	Y	57041	57041XP	49010	24483 ⁷⁹ 24511 ⁷⁸	24483XP ⁷⁹	3	N/S	58122 - AB60
V8 5.7L 5663cc 345 CID Flex	3URFBE	W	57041	57041XP	49010	24483 ⁷⁹ 24511 ⁷⁸	24483XP ⁷⁹	3	N/S	58122 - AB60

SIENNA

V6 3.5L 3456cc	2GRFE	K	57047	57047XP	46673	24883	24883XP	3	N/S	58010 - U151E
----------------	-------	---	-------	---------	-------	-------	---------	---	-----	---------------

N/A = Not Available N/R = Not Required N/S = Not Serviceable For cabin and fuel filter locator, see pages 5-15 See pages 16-19 for footnotes

N/A = Non disponible N/R = Non nécessaire N/S = Non réparable Para la ubicación de los filtros de aire de la cabina y de combustible, ver las páginas 5-15 Voir pages 16-19 pour des notes

N/A = No disponible N/R = No requiere N/S = No servible Voir les tableaux de repérage des filtres d'habitacle et à carburant aux pages 5-15 Ver las páginas 16-19 para las notas al pie de página

Italicized Part Numbers May Not Be Available. Wix XP Oil Filters Have Fully Synthetic Media.

Las piezas con números en *italicas* pueden no estar disponibles. Los filtros de aceite WIX XP son completamente de media sintética. Les numéros de pièce en *italiques* peuvent ne pas être disponibles. Les filtres à huile XP Wix contiennent un matériau 100 % synthétique.

Year/Año/Année Model/Modelo/Modèle Engine/Motor/Moteur	Eng. Code Código de motor Code moteur	VIN NIV NIV	Oil Aceite Huile	Oil XP Aceite XP Huile XP	Air Aire Air	Cabin Air Cabina Aire Cabine Air	Cabin Air XP Cabina Aire XP Cabine Air XP	Loc. Cabin Air Cabina Aire Cabine Air	Fuel Combustible Carburant	Loc. Fuel Combustible Carburant	Transmission Transmisión Transmission
--	--	-------------------	------------------------	---------------------------------	--------------------	--	---	--	----------------------------------	--	---

TOYOTA (Cont'd/Suite)
2009 (Cont'd/Suite)
TACOMA

L4 2.7L 2694cc	2TRFE		51348 ⁵³	51348XP	49155	49358		3	N/S		58030 - A340E 58136 - A750
V6 4.0L 3956cc 241 CID	1GRFE	U	51348 ⁵³	51348XP	46888	49358		3	N/S		58030 - A340E 58136 - A750

TUNDRA

V6 4.0L 3956cc 241 CID	1GRFE	U	51348 ⁵³	51348XP	46888	24483 ⁷⁹ 24511 ⁷⁸	24483XP ⁷⁹	3	N/S		58136 - A750 58122 - AB60
V8 4.7L 4663cc	2UZFE	T	51348 ⁵³	51348XP	49010	24483 ⁷⁹ 24511 ⁷⁸	24483XP ⁷⁹	3	N/S	F	58136 - A750 58122 - AB60
V8 5.7L 5663cc 345 CID	3URFE		57041	57041XP	49010	24483 ⁷⁹ 24511 ⁷⁸	24483XP ⁷⁹	3	N/S		58136 - A750 58122 - AB60
V8 5.7L 5663cc 345 CID Flex	3URFBE		57041	57041XP	49010	24483 ⁷⁹ 24511 ⁷⁸	24483XP ⁷⁹	3	N/S		58136 - A750 58122 - AB60

VENZA

L4 2.7L 2672cc 163 CID	1ARFE	E	57047	57047XP	49223	24483 ⁷⁹ 24511 ⁷⁸	24483XP ⁷⁹	3	N/S		N/S
V6 3.5L 3456cc	2GRFE	K	57047	57047XP	49172	24483 ⁷⁹ 24511 ⁷⁸	24483XP ⁷⁹	3	N/S		N/S

YARIS

L4 1.5L 1497cc	1NZFE		51394 ⁵³	51394XP	49104	24483 ⁷⁹ 24511 ⁷⁸	24483XP ⁷⁹	3	N/S		58324
----------------	-------	--	---------------------	---------	-------	--	-----------------------	---	-----	--	-------

2008
4 RUNNER

V6 4.0L 3956cc 241 CID	1GRFE	U	51348 ⁵³	51348XP	46888	24875		3	N/S		58136
V8 4.7L 4663cc	2UZFE	T	51348 ⁵³	51348XP	42476	24875		3	N/S		58136

AVALON

V6 3.5L 3456cc	2GRFE	K	57047	57047XP	49172	24483 ⁷⁹ 24511 ⁷⁸	24483XP ⁷⁹	3	N/S		N/A
----------------	-------	---	-------	---------	-------	--	-----------------------	---	-----	--	-----

CAMRY

L4 2.4L 2362cc	2AZFE	E	57145	57145XP	49223	24483 ⁷⁹ 24511 ⁷⁸	24483XP ⁷⁹	3	N/S		58010
V6 3.5L 3456cc	2GRFE	K	57047	57047XP	49172	24483 ⁷⁹ 24511 ⁷⁸	24483XP ⁷⁹	3	N/S		58010

CAMRY HYBRID

L4 2.4L 2362cc Electric/Gas	2AZFXE	B	57145	57145XP	46673	24483 ⁷⁹ 24511 ⁷⁸	24483XP ⁷⁹	3	N/S		N/S
-----------------------------	--------	---	-------	---------	-------	--	-----------------------	---	-----	--	-----

COROLLA

L4 1.8L 1794cc	1ZZFE	R	51394 ⁵³	51394XP	46834	24873		3	N/S		58040 - FWD
----------------	-------	---	---------------------	---------	-------	-------	--	---	-----	--	-------------

DYNA

L4 4.0L (15B) Diesel (Mex.)			51348	51348XP							
-----------------------------	--	--	-------	---------	--	--	--	--	--	--	--

FJ CRUISER

V6 4.0L 3956cc 241 CID	1GRFE	U	51348 ⁵³	51348XP	46888	24875		3	N/A		58136
------------------------	-------	---	---------------------	---------	-------	-------	--	---	-----	--	-------

FORTUNER

L4 3.0L (1KDFTV) Diesel (Mex.)			51348	51348XP							
--------------------------------	--	--	-------	---------	--	--	--	--	--	--	--

HIACE

L4 2.5L 2494cc (2KDFTV) Diesel (Mex.)			51348 ⁵³	51348XP	WA6118				33138		
L4 2.7L 2694cc (Mex.)			51348 ⁵³	51348XP	WA6134				N/S		N/A

HIGHLANDER

V6 3.5L 3456cc	2GRFE	S	57047	57047XP	46673	24483 ⁷⁹ 24511 ⁷⁸	24483XP ⁷⁹	3	N/S		58010 - U151E
----------------	-------	---	-------	---------	-------	--	-----------------------	---	-----	--	---------------

HIGHLANDER HYBRID

V6 3.3L 3300cc Electric/Gas	3MZFE	W	51348 ⁵³	51348XP	49185	24483 ⁷⁹ 24511 ⁷⁸	24483XP ⁷⁹	3	N/S		N/S
-----------------------------	-------	---	---------------------	---------	-------	--	-----------------------	---	-----	--	-----

N/A = Not Available N/R = Not Required N/S = Not Serviceable For cabin and fuel filter locator, see pages 5-15 See pages 16-19 for footnotes

N/A = Non disponible N/R = Non nécessaire N/S = Non réparable Para la ubicación de los filtros de aire de la cabina y de combustible, ver las páginas 5-15 Voir pages 16-19 pour des notes

N/A = No disponible N/R = No requiere N/S = No servible Voir les tableaux de repérage des filtres d'habitacle et à carburant aux pages 5-15 Ver las páginas 16-19 para las notas al pie de página

Italicized Part Numbers May Not Be Available. Wix XP Oil Filters Have Fully Synthetic Media.

Las piezas con números en *italicas* pueden no estar disponibles. Los filtros de aceite WIX XP son completamente de media sintética.

Les numéros de pièce en *italiques* peuvent ne pas être disponibles. Les filtres à huile Wix contiennent un matériau 100 % synthétique.

TOYOTA 2008-2007
Pass Car/Light Truck

Year/Año/Année Model/Modelo/Modèle Engine/Motor/Moteur	Eng. Code Código de motor Code moteur	VIN NIV NIV	Oil Aceite Huile	Oil XP Aceite XP Huile XP	Air Aire Air	Cabin Air Cabina Aire Cabine Air	Cabin Air XP Cabina Aire XP Cabine Air XP	Loc. Cabin Air Cabina Aire Cabine Air	Fuel Combustible Carburant	Loc. Fuel Combustible Carburant	Transmission Transmisión Transmission
--	---	-------------------	------------------------	---------------------------------	--------------------	--	---	--	----------------------------------	--	---

TOYOTA (Cont'd/Suite)
2008 (Cont'd/Suite)
HILUX

L4 2.5L 2494cc (2KDFTV) Diesel (Mex.)			51348 ⁵³	51348XP	WA9644	24483 ⁷⁹ 24160 ⁷⁸ 24511 ⁷⁸	24483XP ⁷⁹		WF8429		
L4 2.7L 2694cc (Mex.)			51348 ⁵³	51348XP	WA9644				N/A		58030
L4 2.7L 2694cc (2TRFE) (Mex.)			51348 ⁵³	51348XP	WA9644				N/A		
L4 3.0L (1KDFTV) Diesel (Mex.)			51348 ⁵³	51348XP	WA9644	24483 ⁷⁹ 24511 ⁷⁸	24483XP ⁷⁹		WF8429		

LAND CRUISER

L6 4.2L (1HZ) Diesel (Mex.)			51348	51348XP							
V8 5.7L 5663cc 345 CID	3URFE	Y	57041	57041XP	49030	24483 ⁷⁹ 24511 ⁷⁸	24483XP ⁷⁹	3	N/S		58122

MATRIX

L4 1.8L 1794cc	1ZZFE	R	51394 ⁵³	51394XP	46834	24873		3	N/S		58040 - FWD
----------------	-------	---	---------------------	---------	-------	-------	--	---	-----	--	-------------

PRIUS

L4 1.5L 1497cc Electric/Gas	1NZFXE		51394 ⁵³	51394XP	49116	24875		3	N/S		N/S
-----------------------------	--------	--	---------------------	---------	-------	-------	--	---	-----	--	-----

RAV4

L4 2.4L 2362cc	2AZFE	D	57145	57145XP	49172	24483 ⁷⁹ 24511 ⁷⁸	24483XP ⁷⁹	3	N/S		58618
V6 3.5L 3456cc	2GRFE	K	57047	57047XP	49172	24483 ⁷⁹ 24511 ⁷⁸	24483XP ⁷⁹	3	N/S		58010

SEQUOIA

V8 4.7L 4663cc	2UZFE	T	51348 ⁵³	51348XP	42479	N/R			33410		58136 - A750 58122 - AB60
V8 5.7L 5663cc 345 CID	3URFE	Y	57041	57041XP	49010	24483 ⁷⁹ 24511 ⁷⁸	24483XP ⁷⁹	3	N/S		58136 - A750 58122 - AB60

SIENNA

V6 3.5L 3456cc	2GRFE	K	57047	57047XP	46673	24883	24883XP	3	N/S		58010 - U151E
----------------	-------	---	-------	---------	-------	-------	---------	---	-----	--	---------------

SOLARA

L4 2.4L 2362cc	2AZFE	E	57145	57145XP	46673	24883	24883XP	3	N/S		58010
V6 3.3L 3300cc	3MZFE	A	51348 ⁵³	51348XP	46673	24883	24883XP	3	N/S		58010

TACOMA

L4 2.7L 2693cc	2TRFE	X	51348 ⁵³	51348XP	49155	49358		3	N/S		58030 - A340E 58136 - A750
V6 4.0L 3956cc 241 CID	1GRFE	U	51348 ⁵³	51348XP	46888	49358		3	N/S		58030 - A340E 58136 - A750

TACOMA X-RUNNER

V6 4.0L 3956cc 241 CID	1GRFE	U	51348 ⁵³	51348XP	46888	24871	24871XP	3	N/S		MT ⁷²
------------------------	-------	---	---------------------	---------	-------	-------	---------	---	-----	--	------------------

TUNDRA

V6 4.0L 3956cc 241 CID	1GRFE	U	51348 ⁵³	51348XP	46888	24483 ⁷⁹ 24511 ⁷⁸	24483XP ⁷⁹	3	N/S		58136 - A750 58122 - AB60
V8 4.7L 4663cc	2UZFE	T	51348 ⁵³	51348XP	49010	24483 ⁷⁹ 24511 ⁷⁸	24483XP ⁷⁹	3	N/S	F	58136 - A750 58122 - AB60
V8 5.7L 5663cc 345 CID	3URFE	V	57041	57041XP	49010	24483 ⁷⁹ 24511 ⁷⁸	24483XP ⁷⁹	3	N/S		58136 - A750 58122 - AB60

YARIS

L4 1.5L 1497cc	1NZFE		51394 ⁵³	51394XP	49104	24483 ⁷⁹ 24511 ⁷⁸	24483XP ⁷⁹	3	N/S		58324
----------------	-------	--	---------------------	---------	-------	--	-----------------------	---	-----	--	-------

2007
4 RUNNER

V6 4.0L 3956cc 241 CID	1GRFE	U	51348 ⁵³	51348XP	46888	24875		3	N/S		58136
V8 4.7L 4663cc	2UZFE	T	51348 ⁵³	51348XP	42476	24875		3	N/S		58136

AVALON

V6 3.5L 3456cc	2GRFE	K	57047	57047XP	49172	24483 ⁷⁹ 24511 ⁷⁸	24483XP ⁷⁹	3	N/S		58010
----------------	-------	---	-------	---------	-------	--	-----------------------	---	-----	--	-------

N/A = Not Available N/R = Not Required N/S = Not Serviceable For cabin and fuel filter locator, see pages 5-15 See pages 16-19 for footnotes

N/A = Non disponible N/R = Non nécessaire N/S = Non réparable Para la ubicación de los filtros de aire de la cabina y de combustible, ver las páginas 5-15 Voir pages 16-19 pour des notes

N/A = No disponible N/R = No requiere N/S = No servible Voir les tableaux de repérage des filtres d'habitacle et à carburant aux pages 5-15 Ver las páginas 16-19 para las notas al pie de página

Italicized Part Numbers May Not Be Available. Wix XP Oil Filters Have Fully Synthetic Media.

Las piezas con números en *italicas* pueden no estar disponibles. Los filtros de aceite WIX XP son completamente de media sintética. Les numéros de pièce en *italiques* peuvent ne pas être disponibles. Les filtres à huile XP Wix contiennent un matériau 100 % synthétique.

Year/Año/Année Model/Modelo/Modèle Engine/Motor/Moteur	Eng. Code Código de motor Code moteur	VIN NIV NIV	Oil Aceite Huile	Oil XP Aceite XP Huile XP	Air Aire Air	Cabin Air Cabina Aire Cabine Air	Cabin Air XP Cabina Aire XP Cabine Air XP	Loc. Cabin Air Cabina Aire Cabine Air	Fuel Combustible Carburant	Loc. Fuel Combustible Carburant	Transmission Transmisión Transmission
--	---	-------------------	------------------------	---------------------------------	--------------------	--	---	--	----------------------------------	--	---

TOYOTA (Cont'd/Suite)
2007 (Cont'd/Suite)
CAMRY

L4 2.4L 2362cc	2AZFE	E	57145	57145XP	49223	24483 ⁷⁹ 24511 ⁷⁸	24483XP ⁷⁹	3	N/S		58010
V6 3.5L 3456cc	2GRFE	K	57047	57047XP	49172	24483 ⁷⁹ 24511 ⁷⁸	24483XP ⁷⁹	3	N/S		58010

CAMRY HYBRID

L4 2.4L 2362cc Electric/Gas	2AZFXE	B	57145	57145XP	46673	24483 ⁷⁹ 24511 ⁷⁸	24483XP ⁷⁹	3	N/S		N/S
-----------------------------	--------	---	-------	---------	-------	--	-----------------------	---	-----	--	-----

COASTER

L6 4.0L (15B) Diesel (Mex.)			51348	51348XP							
L6 4.2L (1HZ) Diesel (Mex.)			51348	51348XP							

COROLLA

L4 1.8L 1794cc	1ZZFE	R	51394 ⁵³	51394XP	46834	24873		3	N/S		58040 - FWD
----------------	-------	---	---------------------	---------	-------	-------	--	---	-----	--	-------------

DYNA

L4 4.0L (15B) Diesel (Mex.)			51348	51348XP							
-----------------------------	--	--	-------	---------	--	--	--	--	--	--	--

FJ CRUISER

V6 4.0L 3956cc 241 CID	1GRFE	U	51348 ⁵³	51348XP	46888	24875		3	N/A		58136
------------------------	-------	---	---------------------	---------	-------	-------	--	---	-----	--	-------

FORTUNER

L4 3.0L (1KDFTV) Diesel (Mex.)			51348	51348XP							
--------------------------------	--	--	-------	---------	--	--	--	--	--	--	--

HIACE

L4 2.5L 2494cc (2KDFTV) Diesel (Mex.)			51348 ⁵³	51348XP	WA6118				33138		
L4 2.7L 2694cc (Mex.)			51348 ⁵³	51348XP	WA6134				N/A		N/A

HIGHLANDER

L4 2.4L (Mex.)			57145	57145XP	46673	24901		3	N/S		58618 - U241E
L4 2.4L 2362cc	2AZFE	D	57145	57145XP	46673	24901		3	N/S		58618 - U140F
V6 3.3L (Mex.)			51348 ⁵³	51348XP	46673	24901		3	N/S		58010 - U151E 58618 - U140F
V6 3.3L 3300cc	3MZFE	P	51348 ⁵³	51348XP	46673	24901		3	N/S		58010 - U151E 58618 - U140F

HIGHLANDER HYBRID

V6 3.3L 3300cc Electric/Gas	3MZFE	W	51348 ⁵³	51348XP	49185	24901		3	N/S		N/S
-----------------------------	-------	---	---------------------	---------	-------	-------	--	---	-----	--	-----

HILUX

L4 2.5L 2494cc (2KDFTV) Diesel (Mex.)			51348 ⁵³	51348XP	WA9644	24483 ⁷⁹ 24160 ⁷⁸ 24511 ⁷⁸	24483XP ⁷⁹		WF8429		
L4 2.7L 2694cc (Mex.)			51348 ⁵³	51348XP	WA9644				N/A		58030
L4 2.7L 2694cc (2TRFE) (Mex.)			51348 ⁵³	51348XP	WA9644				N/A		
L4 3.0L (1KDFTV) Diesel (Mex.)			51348 ⁵³	51348XP	WA9644	24483 ⁷⁹ 24511 ⁷⁸	24483XP ⁷⁹		WF8429		

LAND CRUISER

L6 4.2L (1HZ) Diesel (Mex.)			51348	51348XP							
V8 4.7L 4663cc	2UZFE	T	51348 ⁵³	51348XP	42476	24908		3	33875 ³⁹ 33526 ³⁸	F F	58136

MATRIX

L4 1.8L 1794cc	1ZZFE	R	51394 ⁵³	51394XP	46834	24873		3	N/S		58040 - FWD
----------------	-------	---	---------------------	---------	-------	-------	--	---	-----	--	-------------

PRIUS

L4 1.5L 1497cc Electric/Gas	1NZFXE		51394 ⁵³	51394XP	49116	24875		3	N/S		N/S
-----------------------------	--------	--	---------------------	---------	-------	-------	--	---	-----	--	-----

RAV4

L4 2.4L 2362cc	2AZFE	D	57145	57145XP	49172	24483 ⁷⁹ 24511 ⁷⁸	24483XP ⁷⁹	3	N/S		58618
V6 3.5L 3456cc	2GRFE	K	57047	57047XP	49172	24483 ⁷⁹ 24511 ⁷⁸	24483XP ⁷⁹	3	N/S		58010

SEQUOIA

V8 4.7L 4663cc	2UZFE	T	51348 ⁵³	51348XP	42479	N/R			33410		58136 - A750
----------------	-------	---	---------------------	---------	-------	-----	--	--	-------	--	--------------

N/A = Not Available N/R = Not Required N/S = Not Serviceable For cabin and fuel filter locator, see pages 5-15 See pages 16-19 for footnotes

N/A = Non disponible N/R = Non nécessaire N/S = Non réparable Para la ubicación de los filtros de aire de la cabina y de combustible, ver las páginas 5-15 Voir pages 16-19 pour des notes

N/A = No disponible N/R = No requiere N/S = No servible Voir les tableaux de repérage des filtres d'habitacle et à carburant aux pages 5-15 Ver las páginas 16-19 para las notas al pie de página

Italicized Part Numbers May Not Be Available. Wix XP Oil Filters Have Fully Synthetic Media.

Las piezas con números en *italicas* pueden no estar disponibles. Los filtros de aceite WIX XP son completamente de media sintética.

Les numéros de pièce en *italiques* peuvent ne pas être disponibles. Les filtres à huile Wix contiennent un matériau 100 % synthétique.

TOYOTA 2007-2006

Pass Car/Light Truck

Year/Año/Année Model/Modelo/Modèle Engine/Motor/Moteur	Eng. Code Código de motor Code moteur	VIN NIV NIV	Oil Aceite Huile	Oil XP Aceite XP Huile XP	Air Aire Air	Cabin Air Cabina Aire Cabine Air	Cabin Air XP Cabina Aire XP Cabine Air XP	Loc. Cabin Air Cabina Aire Cabine Air	Fuel Combustible Carburant	Loc. Fuel Combustible Carburant	Transmission Transmisión Transmission
--	---	-------------------	------------------------	---------------------------------	--------------------	--	---	--	----------------------------------	--	---

TOYOTA (Cont'd/Suite)

2007 (Cont'd/Suite)

SIENNA

V6 3.5L 3456cc	2GRFE	K	57047	57047XP	46673	24883	24883XP	3	N/S		58010 - U151E
----------------	-------	---	-------	---------	-------	-------	---------	---	-----	--	---------------

SOLARA

L4 2.4L 2362cc	2AZFE	E	57145	57145XP	46673	24883	24883XP	3	N/S		58010
V6 3.3L 3300cc	3MZFE	A	51348 ⁵³	51348XP	46673	24883	24883XP	3	N/S		58010

TACOMA

L4 2.7L 2693cc	2TRFE	X	51348 ⁵³	51348XP	49155	24871	24871XP	3	N/S		58030 - A340E 58136 - A750
V6 4.0L 3956cc 241 CID	1GRFE	U	51348 ⁵³	51348XP	46888	24871	24871XP	3	N/S		58030 - A340E 58136 - A750

TACOMA X-RUNNER

V6 4.0L 3956cc 241 CID	1GRFE	U	51348 ⁵³	51348XP	46888	24871	24871XP	3	N/S		MT ⁷²
------------------------	-------	---	---------------------	---------	-------	-------	---------	---	-----	--	------------------

TUNDRA

V6 4.0L 3956cc 241 CID	1GRFE	U	51348 ⁵³	51348XP	46888	24483 ⁷⁹ 24511 ⁷⁸	24483XP ⁷⁹	3	N/S		58136 - A750 58122 - AB60
V8 4.7L 4663cc	2UZFE	T	51348 ⁵³	51348XP	49010	24483 ⁷⁹ 24511 ⁷⁸	24483XP ⁷⁹	3	N/S	F	58136 - A750 58122 - AB60
V8 5.7L 5663cc 345 CID	3URFE		57041	57041XP	49010	24483 ⁷⁹ 24511 ⁷⁸	24483XP ⁷⁹	3	N/S		58136 - A750 58122 - AB60

YARIS

L4 1.5L 1497cc	1NZFE		51394 ⁵³	51394XP	49104	24483 ⁷⁹ 24511 ⁷⁸	24483XP ⁷⁹	3	N/S		58324
----------------	-------	--	---------------------	---------	-------	--	-----------------------	---	-----	--	-------

2006

4 RUNNER

V6 4.0L 3956cc 241 CID	1GRFE	U	51348 ⁵³	51348XP	46888	24875		3	N/S		58136
V8 4.7L 4663cc	2UZFE	T	51348 ⁵³	51348XP	42476	24875		3	N/S		58136

AVALON

V6 3.5L 3456cc	2GRFE	K	57047	57047XP	49172	24483 ⁷⁹ 24511 ⁷⁸	24483XP ⁷⁹	3	N/S		58010
----------------	-------	---	-------	---------	-------	--	-----------------------	---	-----	--	-------

CAMRY

L4 2.4L 2362cc	2AZFE	E	57145	57145XP	46673	24883	24883XP	3	N/S		58010
V6 3.0L 2995cc	1MZFE	F	51348 ⁵³	51348XP	46673	24883	24883XP	3	N/S		58010
V6 3.3L 3300cc	3MZFE	A	51348 ⁵³	51348XP	46673	24883	24883XP	3	N/S		58010

COASTER

L6 4.0L (15B) Diesel (Mex.)			51348	51348XP							
L6 4.2L (1HZ) Diesel (Mex.)			51348	51348XP							

COROLLA

L4 1.8L 1794cc	1ZZFE	R	51394 ⁵³	51394XP	46834	24873		3	N/S		58040
L4 1.8L 1795cc	2ZZGE		57145	57145XP	46834	24873		3	N/S		N/S

DYNA

L4 4.0L (15B) Diesel (Mex.)			51348	51348XP							
-----------------------------	--	--	-------	---------	--	--	--	--	--	--	--

FORTUNER

L4 3.0L (1KDFTV) Diesel (Mex.)			51348	51348XP							
--------------------------------	--	--	-------	---------	--	--	--	--	--	--	--

HIACE

L4 2.5L 2494cc (2KDFTV) Diesel (Mex.)			51348 ⁵³	51348XP	WA6118				33138		
L4 2.7L 2694cc (Mex.)			51348 ⁵³	51348XP	WA6134				N/A		N/A
L4 3.0L (1KDFTV) Diesel (Mex.)			51348	51348XP							

HIGHLANDER

L4 2.4L (Mex.)			57145	57145XP	46673	24901		3	N/S		58618 - U241E
L4 2.4L 2362cc	2AZFE		57145	57145XP	46673	24901		3	N/S		58618 - U140F
V6 3.3L (Mex.)			51348 ⁵³	51348XP	46673	24901		3	N/S		58010 - U151E 58618 - U140F
V6 3.3L 3300cc	3MZFE	P	51348 ⁵³	51348XP	46673	24901		3	N/S		58010 - U151E 58618 - U140F

N/A = Not Available N/R = Not Required N/S = Not Serviceable For cabin and fuel filter locator, see pages 5-15 See pages 16-19 for footnotes

N/A = Non disponible N/R = Non nécessaire N/S = Non réparable Para la ubicación de los filtros de aire de la cabina y de combustible, ver las páginas 5-15 Voir pages 16-19 pour des notes

N/A = No disponible N/R = No requiere N/S = No servible Voir les tableaux de repérage des filtres d'habitacle et à carburant aux pages 5-15 Ver las páginas 16-19 para las notas al pie de página

Italicized Part Numbers May Not Be Available. Wix XP Oil Filters Have Fully Synthetic Media.

Las piezas con números en *italicas* pueden no estar disponibles. Los filtros de aceite WIX XP son completamente de media sintética. Les numéros de pièce en *italiques* peuvent ne pas être disponibles. Les filtres à huile XP Wix contiennent un matériau 100 % synthétique.

Year/Año/Année Model/Modelo/Modèle Engine/Motor/Moteur	Eng. Code Código de motor Code moteur	VIN NIV NIV	Oil Aceite Huile	Oil XP Aceite XP Huile XP	Air Aire Air	Cabin Air Cabina Aire Cabine Air	Cabin Air XP Cabina Aire XP Cabine Air XP	Loc. Cabin Air Cabina Aire Cabine Air	Fuel Combustible Carburant	Loc. Fuel Combustible Carburant	Transmission Transmisión Transmission
--	---	-------------------	------------------------	---------------------------------	--------------------	--	---	--	----------------------------------	--	---

TOYOTA (Cont'd/Suite)
2006 (Cont'd/Suite)
HIGHLANDER HYBRID

V6 3.3L 3300cc Electric/Gas	3MZFE	W	51348 ⁵³	51348XP	49185	24901		3	N/S		N/S
-----------------------------	-------	---	---------------------	---------	-------	-------	--	---	-----	--	-----

HILUX

L4 2.5L 2494cc (2KDFTV) Diesel (Mex.)			51348 ⁵³	51348XP	WA9644	24483 ⁷⁹ 24160 ⁷⁸ 24511 ⁷⁸	24483XP ⁷⁹		WF8429		
L4 2.7L 2694cc (Mex.)			51348 ⁵³	51348XP	WA9644				N/A		58030
L4 2.7L 2694cc (2TRFE) (Mex.)			51348 ⁵³	51348XP	WA9644				N/A		
L4 3.0L (1KDFTV) Diesel (Mex.)			51348	51348XP	WA9644	N/A			WF8429		

LAND CRUISER

L6 4.2L (1HZ) Diesel (Mex.)			51348	51348XP							
V8 4.7L 4663cc	2UZFE	T	51348 ⁵³	51348XP	42476	24908		3	33875 ¹³⁹ 33526 ¹³⁸	F F	58136

MATRIX

L4 1.8L 1794cc	1ZZFE	R	51394 ⁵³	51394XP	46834	24873		3	N/S		58324 - AWD 58040 - FWD MT ⁷²
L4 1.8L 1795cc	2ZZGE	Y	57145	57145XP	46834	24873		3	N/S		

MR-2 SPYDER

L4 1.8L 1794cc (Mex.)	1ZZFE		51394 ⁵³	51394XP	46242	N/A			N/S		N/A ⁷²
-----------------------	-------	--	---------------------	---------	-------	-----	--	--	-----	--	-------------------

PRADO

L4 3.0L (1KDFTV) Diesel (Mex.)			51348	51348XP							
L4 3.0L (1KZ) Diesel (Mex.)			51348	51348XP							

PRIUS

L4 1.5L 1497cc Electric/Gas	1NZFXE		51394 ⁵³	51394XP	49116	24875		3	N/S		N/S
-----------------------------	--------	--	---------------------	---------	-------	-------	--	---	-----	--	-----

RAV4

L4 2.4L 2362cc	2AZFE	K	57145	57145XP	49172	24483 ⁷⁹ 24511 ⁷⁸	24483XP ⁷⁹	3	N/S		58618
V6 3.5L 3456cc	2GRFE	D	57047	57047XP	49172	24483 ⁷⁹ 24511 ⁷⁸	24483XP ⁷⁹	3	N/S		58010

SEQUOIA

V8 4.7L 4663cc	2UZFE	T	51348 ⁵³	51348XP	42479	N/R			33410		58136 - A750
----------------	-------	---	---------------------	---------	-------	-----	--	--	-------	--	--------------

SIENNA

V6 3.3L 3300cc	3MZFE	A	51348 ⁵³	51348XP	46673	24883	24883XP	3	N/S		58010
----------------	-------	---	---------------------	---------	-------	-------	---------	---	-----	--	-------

SOLARA

L4 2.4L 2362cc	2AZFE	E	57145	57145XP	46673	24883	24883XP	3	N/S		58010 - U151E 58618 - U241E
V6 3.3L 3300cc	3MZFE	A	51348 ⁵³	51348XP	46673	24883	24883XP	3	N/S		58010

TACOMA

L4 2.7L 2693cc	2TRFE	X	51348 ⁵³	51348XP	49155	24871	24871XP	3	N/S		58030 - A340E 58136 - A750
V6 4.0L 3956cc 241 CID	1GRFE	U	51348 ⁵³	51348XP	46888	24871	24871XP	3	N/S		58030 - A340E 58136 - A750

TACOMA X-RUNNER

V6 4.0L 3956cc 241 CID	1GRFE	U	51348 ⁵³	51348XP	46888	24871	24871XP		N/S		MT ⁷²
------------------------	-------	---	---------------------	---------	-------	-------	---------	--	-----	--	------------------

TUNDRA

V6 4.0L 3956cc 241 CID	1GRFE	U	51348 ⁵³	51348XP	46888	N/R			N/S		58136 - A750
V8 4.7L 4663cc	2UZFE	T	51348 ⁵³	51348XP	42479	N/R			N/S	F	58136 - A750

YARIS

L4 1.5L 1497cc	5EFE	T	51394 ⁵³	51394XP	49104	24483 ⁷⁹ 24511 ⁷⁸	24483XP ⁷⁹	3	N/S		58324
L4 1.5L 1497cc (Mex.)	5EFE	T	51394 ⁵³	51394XP	49104	24483 ⁷⁹ 24511 ⁷⁸	24483XP ⁷⁹	3	N/S		58324

N/A = Not Available N/R = Not Required N/S = Not Serviceable For cabin and fuel filter locator, see pages 5-15 See pages 16-19 for footnotes

N/A = Non disponible N/R = Non nécessaire N/S = Non réparable Para la ubicación de los filtros de aire de la cabina y de combustible, ver las páginas 5-15 Voir pages 16-19 pour des notes

N/A = No disponible N/R = No requiere N/S = No servible Voir les tableaux de repérage des filtres d'habitacle et à carburant aux pages 5-15 Ver las páginas 16-19 para las notas al pie de página

Italicized Part Numbers May Not Be Available. Wix XP Oil Filters Have Fully Synthetic Media.

Las piezas con números en *italicas* pueden no estar disponibles. Los filtros de aceite WIX XP son completamente de media sintética.

Les numéros de pièce en *italiques* peuvent ne pas être disponibles. Les filtres à huile Wix contiennent un matériau 100 % synthétique.

TOYOTA 2005
Pass Car/Light Truck

Year/Año/Année Model/Modelo/Modèle Engine/Motor/Moteur	Eng. Code Código de motor Code moteur	VIN NIV NIV	Oil Aceite Huile	Oil XP Aceite XP Huile XP	Air Aire Air	Cabin Air Cabina Aire Cabine Air	Cabin Air XP Cabina Aire XP Cabine Air XP	Loc. Cabin Air Cabina Aire Cabine Air	Fuel Combustible Carburant	Loc. Fuel Combustible Carburant	Transmission Transmisión Transmission
--	---	-------------------	------------------------	---------------------------------	--------------------	--	---	--	----------------------------------	--	---

TOYOTA (Cont'd/Suite)
2005
4 RUNNER

V6 4.0L 3956cc 241 CID	1GRFE	U	51348 ⁵³	51348XP	46888	24875		3	N/S		58136
V8 4.7L 4663cc	2UZFE	T	51348 ⁵³	51348XP	42476	24875		3	N/S		58136

AVALON

V6 3.5L 3456cc	2GRFE	K	57047	57047XP	49172	24483 ⁷⁹ 24511 ⁷⁸	24483XP ⁷⁹	3	N/S		58010
----------------	-------	---	-------	---------	-------	--	-----------------------	---	-----	--	-------

CAMRY

L4 2.4L 2362cc	2AZFE	E	57145	57145XP	46673	24883	24883XP	3	N/S		58618 - U240E 58010 - U151E
V6 3.0L 2995cc	1MZFE	F	51348 ⁵³	51348XP	46673	24883	24883XP	3	N/S		58010
V6 3.3L 3300cc	3MZFE	A	51348 ⁵³	51348XP	46673	24883	24883XP	3	N/S		58010

CELICA

L4 1.8L 1794cc	1ZZFE	R	51394 ⁵³	51394XP	46242	24875		3	N/S		58324
L4 1.8L 1795cc	2ZZGE		57145	57145XP	46242	24875		3	N/S		58618

COASTER

L6 4.0L (15B) Diesel (Mex.)			51348	51348XP							
L6 4.2L (1HZ) Diesel (Mex.)			51348	51348XP							

COROLLA

L4 1.8L 1794cc	1ZZFE	R	51394 ⁵³	51394XP	46834	24873		3	N/S		58040
L4 1.8L 1795cc	2ZZGE		57145	57145XP	46834	24873		3	N/S		N/S

DYNA

L4 4.0L (15B) Diesel (Mex.)			51348	51348XP							
-----------------------------	--	--	-------	---------	--	--	--	--	--	--	--

ECHO

L4 1.5L 1497cc	1NZFE		51394 ⁵³	51394XP	46646	24900		3	N/S		58324
----------------	-------	--	---------------------	---------	-------	-------	--	---	-----	--	-------

HIACE

L4 3.0L (5L) Diesel (Mex.)			51348	51348XP							
----------------------------	--	--	-------	---------	--	--	--	--	--	--	--

HIGHLANDER

L4 2.4L (Mex.)			57145	57145XP	46673	24901		3	N/S		58618 - U241E
L4 2.4L 2362cc	2AZFE	D	57145	57145XP	46673	24901		3	N/S		58618 - U140F
V6 3.3L 3300cc	3MZFE		51348 ⁵³	51348XP	46673	24901		3	N/S		58618 - U140F 58010 - U151E

HILUX

L4 2.5L 2494cc (2KDFTV) Diesel (Mex.)			51384		WA9644	24483 ⁷⁹ 24160 ⁷⁸ 24511 ⁷⁸	24483XP ⁷⁹		WF8429		
L4 2.7L 2694cc (Mex.)			51348	51348XP	N/A				N/A		58030
L4 2.7L 2694cc (2TRFE) (Mex.)			51348 ⁵³	51348XP	WA9644				N/A		
L4 2.8L (3L) Diesel (Mex.)			51515	51515XP							
L4 3.0L (1KDFTV) Diesel (Mex.)			51348	51348XP	WA9644	N/A			WF8429		

LAND CRUISER

L6 4.2L (1HZ) Diesel (Mex.)			51348	51348XP							
V8 4.7L 4663cc	2UZFE		51348 ⁵³	51348XP	42476	N/R			33875 ¹³⁹ 33526 ¹³⁸	F F	58136

MATRIX

L4 1.8L 1794cc	1ZZFE	R	51394 ⁵³	51394XP	46834	24873		3	N/S		58324 - AWD 58040 - FWD
L4 1.8L 1795cc	2ZZGE	Y	57145	57145XP	46834	24873		3	N/S		MT ⁷²

MR-2 SPYDER

L4 1.8L 1794cc	1ZZFE		51394 ⁵³	51394XP	46242	N/R			N/S		MT ⁷²
----------------	-------	--	---------------------	---------	-------	-----	--	--	-----	--	------------------

PRADO

L4 3.0L (1KZ) Diesel (Mex.)			51348	51348XP							
-----------------------------	--	--	-------	---------	--	--	--	--	--	--	--

PRIUS

L4 1.5L 1497cc Electric/Gas	1NZFXE		51394 ⁵³	51394XP	49116	24875		3	N/S		N/A
-----------------------------	--------	--	---------------------	---------	-------	-------	--	---	-----	--	-----

N/A = Not Available N/R = Not Required N/S = Not Serviceable For cabin and fuel filter locator, see pages 5-15 See pages 16-19 for footnotes

N/A = Non disponible N/R = Non nécessaire N/S = Non réparable Para la ubicación de los filtros de aire de la cabina y de combustible, ver las páginas 5-15 Voir pages 16-19 pour des notes

N/A = No disponible N/R = No requiere N/S = No servible Voir les tableaux de repérage des filtres d'habitacle et à carburant aux pages 5-15 Ver las páginas 16-19 para las notas al pie de página

Italicized Part Numbers May Not Be Available. Wix XP Oil Filters Have Fully Synthetic Media.

Las piezas con números en *italicas* pueden no estar disponibles. Los filtros de aceite WIX XP son completamente de media sintética. Les numéros de pièce en *italiques* peuvent ne pas être disponibles. Les filtres à huile XP Wix contiennent un matériau 100 % synthétique.

Year/Año/Année Model/Modelo/Modèle Engine/Motor/Moteur	Eng. Code Código de motor Code moteur	VIN NIV NIV	Oil Aceite Huile	Oil XP Aceite XP Huile XP	Air Aire Air	Cabin Air Cabina Aire Cabine Air	Cabin Air XP Cabina Aire XP Cabine Air XP	Loc. Cabin Air Cabina Aire Cabine Air	Fuel Combustible Carburant	Loc. Fuel Combustible Carburant	Transmission Transmisión Transmission
--	--	-------------------	------------------------	---------------------------------	--------------------	--	---	--	----------------------------------	--	---

TOYOTA (Cont'd/Suite)

2005 (Cont'd/Suite)

RAV4

L4 2.4L 2362cc	2AZFE		57145	57145XP	46322	24900		3	N/S		58618
----------------	-------	--	-------	---------	-------	-------	--	---	-----	--	-------

SEQUOIA

V8 4.7L 4663cc	2UZFE	T	51348 ⁵³	51348XP	42479	N/R			33410		58136 - A750
----------------	-------	---	---------------------	---------	-------	-----	--	--	-------	--	--------------

SIENNA

V6 3.3L 3300cc	3MZFE	A	51348 ⁵³	51348XP	46673	24883 ¹⁷⁵ 24875 ¹⁷⁶	24883XP ¹⁷⁵	3	N/S		58010
----------------	-------	---	---------------------	---------	-------	--	------------------------	---	-----	--	-------

SOLARA

L4 2.4L 2362cc	2AZFE	E	57145	57145XP	46673	24883	24883XP	3	N/S		58618
V6 3.3L 3300cc	3MZFE	A	51348 ⁵³	51348XP	46673	24883	24883XP	3	N/S		58010

TACOMA

L4 2.7L 2693cc	2TRFE	X	51348 ⁵³	51348XP	49155	24871	24871XP		N/S		58030 - A340E 58136 - A750
V6 4.0L 3956cc 241 CID	1GRFE	U	51348 ⁵³	51348XP	46888	24871	24871XP		N/S		58030 - A340E 58136 - A750

TACOMA X-RUNNER

V6 4.0L 3956cc 241 CID	1GRFE	U	51348 ⁵³	51348XP	46888	24871	24871XP		N/S		MT ²
------------------------	-------	---	---------------------	---------	-------	-------	---------	--	-----	--	-----------------

TUNDRA

V6 4.0L 3956cc 241 CID	1GRFE	U	51348 ⁵³	51348XP	46888	N/R			N/S		58136 - A750
V8 4.7L 4663cc	2UZFE	T	51348 ⁵³	51348XP	42479	N/R			N/S	F	58136 - A750

YARIS

L4 1.3L 1298cc (Mex.)			51394 ⁵³	51394XP	WA6664	24875 24900			N/S		
L4 1.3L 1298cc 2SZFE (Mex.)			51394 ⁵³	51394XP	WA6664	24875 24900			N/S		

2004

4 RUNNER

V6 4.0L 3956cc 241 CID	1GRFE	U	51348 ⁵³	51348XP	46888	24875		3	N/S		58030
V8 4.7L 4663cc	2UZFE	T	51348 ⁵³	51348XP	42476	24875		3	N/S		58030

AVALON

V6 3.0L 2995cc	1MZFE	F	51348 ⁵³	51348XP	46017	24883	24883XP	3	33581 ¹³⁸		58614
----------------	-------	---	---------------------	---------	-------	-------	---------	---	----------------------	--	-------

CAMRY

L4 2.4L 2362cc	2AZFE	E	57145	57145XP	46673	24883	24883XP	3	N/S		58618 - U241E 58010 - U151E
V6 3.0L 2995cc	1MZFE	F	51348 ⁵³	51348XP	46673	24883	24883XP	3	N/S		58010
V6 3.3L 3300cc	3MZFE	A	51348 ⁵³	51348XP	46673	24883	24883XP	3	N/S		58010

CELICA

L4 1.8L 1794cc	1ZZFE	R	51394 ⁵³	51394XP	46242	24875		3	N/S		58324
L4 1.8L 1795cc	2ZZGE		57145	57145XP	46242	24875		3	N/S		58618

COASTER

L6 4.0L (15B) Diesel (Mex.)			51348	51348XP							
L6 4.2L (1HZ) Diesel (Mex.)			51348	51348XP							

COROLLA

L4 1.8L 1794cc	1ZZFE	R	51394 ⁵³	51394XP	46834	24873		3	N/S		58040
----------------	-------	---	---------------------	---------	-------	-------	--	---	-----	--	-------

DYNA

L4 4.0L (15B) Diesel (Mex.)			51348	51348XP							
-----------------------------	--	--	-------	---------	--	--	--	--	--	--	--

ECHO

L4 1.5L 1497cc	1NZFE		51394 ⁵³	51394XP	46646	24900		3	N/S		58324
----------------	-------	--	---------------------	---------	-------	-------	--	---	-----	--	-------

HIACE

L4 3.0L (5L) Diesel (Mex.)			51348	51348XP							
----------------------------	--	--	-------	---------	--	--	--	--	--	--	--

HIGHLANDER

L4 2.4L 2362cc	2AZFE	D	57145	57145XP	46673	24901		3	N/S		58618 - U241E
V6 3.3L 3300cc	3MZFE		51348 ⁵³	51348XP	46673	24901		3	N/S		58010 - U151E 58618 - U140F

N/A = Not Available N/R = Not Required N/S = Not Serviceable For cabin and fuel filter locator, see pages 5-15 See pages 16-19 for footnotes

N/A = Non disponible N/R = Non nécessaire N/S = Non réparable Para la ubicación de los filtros de aire de la cabina y de combustible, ver las páginas 5-15 Voir pages 16-19 pour des notes

N/A = No disponible N/R = No requiere N/S = No servible Voir les tableaux de repérage des filtres d'habitacle et à carburant aux pages 5-15 Ver las páginas 16-19 para las notas al pie de página

Italicized Part Numbers May Not Be Available. Wix XP Oil Filters Have Fully Synthetic Media.

Las piezas con números en *italicas* pueden no estar disponibles. Los filtros de aceite WIX XP son completamente de media sintética.

Les numéros de pièce en *italiques* peuvent ne pas être disponibles. Les filtres à huile Wix contiennent un matériau 100 % synthétique.

TOYOTA 2004-2003

Pass Car/Light Truck

Year/Año/Année Model/Modelo/Modèle Engine/Motor/Moteur	Eng. Code Código de motor Code moteur	VIN NIV NIV	Oil Aceite Huile	Oil XP Aceite XP Huile XP	Air Aire Air	Cabin Air Cabina Aire Cabine Air	Cabin Air XP Cabina Aire XP Cabine Air XP	Loc. Cabin Air Cabina Aire Cabine Air	Fuel Combustible Carburant	Loc. Fuel Combustible Carburant	Transmission Transmisión Transmission
--	---	-------------------	------------------------	---------------------------------	--------------------	--	---	--	----------------------------------	--	---

TOYOTA (Cont'd/Suite)

2004 (Cont'd/Suite)

HILUX

L4 2.4L (2L) 2446cc Diesel (Mex.)			51515	51515XP							
L4 2.5L 2494cc (2KDFTV) Diesel (Mex.)			51348	51348XP							
L4 2.7L 2694cc (Mex.)			51348 ⁵³	51348XP	N/A				N/A		58030
L4 2.8L (3L) Diesel (Mex.)			51515	51515XP							
L4 3.0L (1KDFTV) Diesel (Mex.)			51348	51348XP							

LAND CRUISER

L6 4.2L (1HZ) Diesel (Mex.)			51348	51348XP							
V8 4.7L 4663cc	2UZFE		51348 ⁵³	51348XP	42476	N/R			33875 ¹³⁹ 33526 ¹³⁸	F F	58136

MATRIX

L4 1.8L 1794cc	1ZZFE	R	51394 ⁵³	51394XP	46834	24873		3	N/S		58324 - AWD 58040 - FWD MT ⁷²
L4 1.8L 1795cc	2ZZGE	Y	57145	57145XP	46834	24873		3	N/S		

MR-2 SPYDER

L4 1.8L 1794cc	1ZZFE		51394 ⁵³	51394XP	46242	N/R			N/S		MT
----------------	-------	--	---------------------	---------	-------	-----	--	--	-----	--	----

PRADO

L4 3.0L (1KZ) Diesel (Mex.)			51348	51348XP							
-----------------------------	--	--	-------	---------	--	--	--	--	--	--	--

PRIUS

L4 1.5L 1497cc Electric/Gas	1NZFXE		51394 ⁵³	51394XP	49116	24875		3	N/S		N/A
-----------------------------	--------	--	---------------------	---------	-------	-------	--	---	-----	--	-----

RAV4

L4 2.4L 2362cc	2AZFE		57145	57145XP	46322	24900		3	N/S		58618
----------------	-------	--	-------	---------	-------	-------	--	---	-----	--	-------

SEQUOIA

V8 4.7L 4663cc	2UZFE	T	51348 ⁵³	51348XP	42479	N/R			33410		58030
----------------	-------	---	---------------------	---------	-------	-----	--	--	-------	--	-------

SIENNA

V6 3.3L 3300cc	3MZFE	A	51348 ⁵³	51348XP	46673	24875 ¹⁷⁶ 24883 ¹⁷⁵	24883XP ¹⁷⁵	3	N/S		58010
----------------	-------	---	---------------------	---------	-------	--	------------------------	---	-----	--	-------

SOLARA

L4 2.4L 2362cc	2AZFE	E	57145	57145XP	46673	24883	24883XP	5	N/S		58618 - U241E 58010 - U151E
V6 3.3L 3300cc	3MZFE	A	51348 ⁵³	51348XP	46673	24883	24883XP	5	N/S		58618 - U241E 58010 - U151E

TACOMA

L4 2.4L 2438cc	2RZFE	L	51348 ⁵³	51348XP	46162	N/R			33687	F	N/A - 2WD 58030 - 4WD
L4 2.7L 2693cc	3RZFE	M	51348 ⁵³	51348XP	46162	N/R			33687	F	58030
V6 3.4L 3378cc	5VZFE	N	51348 ⁵³	51348XP	46109	N/R			33319 ¹³⁸	F	58030

TUNDRA

V6 3.4L 3378cc	5VZFE	N	51348 ⁵³	51348XP	42479	N/R			33236 ¹³⁹	F	58020
V8 4.7L 4663cc	2UZFE	T	51348 ⁵³	51348XP	42479	N/R			33236 ¹³⁹	F	58030

YARIS

L4 1.3L 1298cc 2SZFE (Mex.)			51394 ⁵³	51394XP	WA6664	24875 24900			N/S		
-----------------------------	--	--	---------------------	---------	--------	----------------	--	--	-----	--	--

2003

4 RUNNER

V6 4.0L 3956cc 241 CID	1GRFE	U	51348 ⁵³	51348XP	46888	24875		3	N/S		58030
V8 4.7L 4663cc	2UZFE	T	51348 ⁵³	51348XP	42476	24875		3	N/S		58030

AVALON

V6 3.0L 2995cc	1MZFE	F	51348 ⁵³	51348XP	46017	24883	24883XP	3	33581 ¹³⁸		58614
----------------	-------	---	---------------------	---------	-------	-------	---------	---	----------------------	--	-------

CAMRY

L4 2.4L 2362cc	2AZFE	E	57145	57145XP	46673	24883	24883XP	3	N/S		58618 - U241E 58010 - U151E
V6 3.0L 2995cc	1MZFE	F	51348 ⁵³	51348XP	46673	24883	24883XP	3	N/S		58010

N/A = Not Available N/R = Not Required N/S = Not Serviceable For cabin and fuel filter locator, see pages 5-15 See pages 16-19 for footnotes
 N/A = Non disponible N/R = Non nécessaire N/S = Non réparable Para la ubicación de los filtros de aire de la cabina y de combustible, ver las páginas 5-15 Voir pages 16-19 pour des notes
 N/A = No disponible N/R = No requiere N/S = No servible Voir les tableaux de repérage des filtres d'habitacle et à carburant aux pages 5-15 Ver las páginas 16-19 para las notas al pie de página

Italicized Part Numbers May Not Be Available. Wix XP Oil Filters Have Fully Synthetic Media.

Las piezas con números en *italicas* pueden no estar disponibles. Los filtros de aceite WIX XP son completamente de media sintética.
 Les numéros de pièce en *italiques* peuvent ne pas être disponibles. Les filtres à huile XP Wix contiennent un matériau 100 % synthétique.

Year/Año/Année Model/Modelo/Modèle Engine/Motor/Moteur	Eng. Code Código de motor Code moteur	VIN NIV NIV	Oil Aceite Huile	Oil XP Aceite XP Huile XP	Air Aire Air	Cabin Air Cabina Aire Cabine Air	Cabin Air XP Cabina Aire XP Cabine Air XP	Loc. Cabin Air Cabina Aire Cabine Air	Fuel Combustible Carburant	Loc. Fuel Combustible Carburant	Transmission Transmisión Transmission
--	---	-------------------	------------------------	---------------------------------	--------------------	--	---	--	----------------------------------	--	---

TOYOTA (Cont'd/Suite)
2003 (Cont'd/Suite)
CELICA

L4 1.8L 1794cc	1ZZFE	R	51394 ⁵³	51394XP	46242	24875		3	N/S		58324
L4 1.8L 1795cc	2ZZGE		57145	57145XP	46242	24875		3	N/S		58618

COASTER

L6 4.0L (15B) Diesel (Mex.)			51348	51348XP							
L6 4.2L (1HZ) Diesel (Mex.)			51348	51348XP							

COROLLA

L4 1.8L 1794cc	1ZZFE	R	51394 ⁵³	51394XP	46834	24873		3	N/S		58040
----------------	-------	---	---------------------	---------	-------	-------	--	---	-----	--	-------

DYNA

L4 4.0L (15B) Diesel (Mex.)			51348	51348XP							
-----------------------------	--	--	-------	---------	--	--	--	--	--	--	--

ECHO

L4 1.5L 1497cc	1NZFE		51394 ⁵³	51394XP	46646	24900		3	N/S		58324
----------------	-------	--	---------------------	---------	-------	-------	--	---	-----	--	-------

HIACE

L4 3.0L (5L) Diesel (Mex.)			51348	51348XP							
----------------------------	--	--	-------	---------	--	--	--	--	--	--	--

HIGHLANDER

L4 2.4L 2362cc	2AZFE		57145	57145XP	46673	24901		3	N/S		
V6 3.0L 2995cc	1MZFE		51348 ⁵³	51348XP	46673	24901		3	N/S		58618

HILUX

L4 2.4L (2L) 2446cc Diesel (Mex.)			51515	51515XP							
L4 2.5L 2494cc (2KDFTV) Diesel (Mex.)			51348	51348XP							
L4 2.8L (3L) Diesel (Mex.)			51515	51515XP							
L4 3.0L (1KDFTV) Diesel (Mex.)			51348	51348XP							

LAND CRUISER

L6 4.2L (1HZ) Diesel (Mex.)			51348	51348XP							
V8 4.7L 4663cc	2UZFE		51348 ⁵³	51348XP	42476	N/R			33875 ¹³⁹ 33526 ¹³⁸	F F	58136

MATRIX

L4 1.8L 1794cc	1ZZFE	R	51394 ⁵³	51394XP	46834	24873		3	N/S		58324 - AWD 58040 - FWD
L4 1.8L 1795cc	2ZZGE	Y	57145	57145XP	46834	24873		3	N/S		58618

MR-2 SPYDER

L4 1.8L 1794cc	1ZZFE		51394 ⁵³	51394XP	46242	N/R			N/S		MT
----------------	-------	--	---------------------	---------	-------	-----	--	--	-----	--	----

PRADO

L4 3.0L (1KZ) Diesel (Mex.)			51348	51348XP							
-----------------------------	--	--	-------	---------	--	--	--	--	--	--	--

PRIUS

L4 1.5L 1497cc Electric/Gas	1NZFXE		51394 ⁵³	51394XP	42306	24875		3	N/S		N/A
-----------------------------	--------	--	---------------------	---------	-------	-------	--	---	-----	--	-----

RAV4

L4 2.0L 1998cc	1AZFE	H	57145	57145XP	46322	24900		3	N/S		58618
----------------	-------	---	-------	---------	-------	-------	--	---	-----	--	-------

SEQUOIA

V8 4.7L 4663cc	2UZFE	T	51348 ⁵³	51348XP	42479	N/R			33410		58030
----------------	-------	---	---------------------	---------	-------	-----	--	--	-------	--	-------

SIENNA

V6 3.0L 2995cc	1MZFE	F	51348 ⁵³	51348XP	46017	24875		3	N/S	F	58614
----------------	-------	---	---------------------	---------	-------	-------	--	---	-----	---	-------

SOLARA

L4 2.4L 2362cc	2AZFE	E	57145	57145XP	46017	24883	24883XP	5	33502 ¹⁵⁶ 33581 ¹⁵⁰	F F	58614 - A541E 58618 - U241E
V6 3.0L 2995cc	1MZFE	F	51348 ⁵³	51348XP	46017	24883	24883XP	5	33581	F	58614

TACOMA

L4 2.4L 2438cc	2RZFE	L	51348 ⁵³	51348XP	46162	N/R			33687	F	N/A - 2WD 58030 - 4WD
L4 2.7L 2693cc	3RZFE	M	51348 ⁵³	51348XP	46162	N/R			33687	F	58030
V6 3.4L 3378cc	5VZFE	N	51348 ⁵³	51348XP	46109	N/R			33319 ¹³⁸	F	58030

TUNDRA

V6 3.4L 3378cc	5VZFE	N	51348 ⁵³	51348XP	42479	N/R			33236 ¹³⁹	F	58020
----------------	-------	---	---------------------	---------	-------	-----	--	--	----------------------	---	-------

N/A = Not Available N/R = Not Required N/S = Not Serviceable For cabin and fuel filter locator, see pages 5-15 See pages 16-19 for footnotes
 N/A = Non disponible N/R = Non nécessaire N/S = Non réparable Para la ubicación de los filtros de aire de la cabina y de combustible, ver las páginas 5-15 Voir pages 16-19 pour des notes
 N/A = No disponible N/R = No requiere N/S = No servible Voir les tableaux de repérage des filtres d'habitacle et à carburant aux pages 5-15 Ver las páginas 16-19 para las notas al pie de página

Italicized Part Numbers May Not Be Available. Wix XP Oil Filters Have Fully Synthetic Media.

Las piezas con números en *italicas* pueden no estar disponibles. Los filtros de aceite WIX XP son completamente de media sintetica.
 Les numéros de pièce en *italiques* peuvent ne pas être disponibles. Les filtres à huile Wix contiennent un matériau 100 % synthétique.

TOYOTA 2003-2002
Pass Car/Light Truck

Year/Año/Année Model/Modelo/Modèle Engine/Motor/Moteur	Eng. Code Código de motor Code moteur	VIN NIV NIV	Oil Aceite Huile	Oil XP Aceite XP Huile XP	Air Aire Air	Cabin Air Cabina Aire Cabine Air	Cabin Air XP Cabina Aire XP Cabine Air XP	Loc. Cabin Air Cabina Aire Cabine Air	Fuel Combustible Carburant	Loc. Fuel Combustible Carburant	Transmission Transmisión Transmission
--	---	-------------------	------------------------	---------------------------------	--------------------	--	---	--	----------------------------------	--	---

TOYOTA (Cont'd/Suite)
2003 (Cont'd/Suite)
TUNDRA (Cont'd/Suite)

V8 4.7L 4663cc	2UZFE	T	51348 ⁵³	51348XP	42479	N/R			33236 ¹³⁹	F	58030
----------------	-------	---	---------------------	---------	-------	-----	--	--	----------------------	---	-------

YARIS

L4 1.3L 1298cc (Mex.)			51394 ⁵³	51394XP	WA6664	24875 24900			N/S		
L4 1.3L 1298cc 2SZFE (Mex.)			51394 ⁵³	51394XP	WA6664	24875 24900			N/S		

2002
4 RUNNER

V6 3.4L 3378cc	5VZFE	N	51348 ⁵³	51348XP	46109	N/R			33319 ¹³⁸	B	58020 - 2WD 58030 - 4WD
----------------	-------	---	---------------------	---------	-------	-----	--	--	----------------------	---	----------------------------

AVALON

V6 3.0L 2995cc	1MZFE	F	51348 ⁵³	51348XP	46017	24883	24883XP	3	33581 ¹³⁸		58614
----------------	-------	---	---------------------	---------	-------	-------	---------	---	----------------------	--	-------

CAMRY

L4 2.4L 2362cc	2AZFE	E	57145	57145XP	46673	24883	24883XP	3	N/S		58618
V6 3.0L 2995cc	1MZFE	F	51348 ⁵³	51348XP	46673	24883	24883XP	3	N/S		58618

CELICA

L4 1.8L 1794cc	1ZZFE	R	51394 ⁵³	51394XP	46242	24875		3	N/S		58324
L4 1.8L 1795cc	2ZZGE		57145	57145XP	46242	24875		3	N/S		58618

COASTER

L6 4.0L (15B) Diesel (Mex.)			51348	51348XP							
L6 4.2L (1HZ) Diesel (Mex.)			51348	51348XP							

COROLLA

L4 1.8L 1794cc	1ZZFE	R	51394 ⁵³	51394XP	46273	24873		3	N/S		58994 - 3 Spd. 58605 - 4 Spd.
----------------	-------	---	---------------------	---------	-------	-------	--	---	-----	--	----------------------------------

DYNA

L4 4.0L (15B) Diesel (Mex.)			51348	51348XP							
-----------------------------	--	--	-------	---------	--	--	--	--	--	--	--

ECHO

L4 1.5L 1497cc	1NZFE		51394 ⁵³	51394XP	46646	24900		3	N/S		58324
----------------	-------	--	---------------------	---------	-------	-------	--	---	-----	--	-------

HIACE

L4 3.0L (5L) Diesel (Mex.)			51348	51348XP							
----------------------------	--	--	-------	---------	--	--	--	--	--	--	--

HIGHLANDER

L4 2.4L 2362cc	2AZFE		57145	57145XP	46673	24901		3	N/S		N/A
V6 3.0L 2995cc	1MZFE		51348 ⁵³	51348XP	46673	24901		3	N/S		N/A

HILUX

L4 2.4L (2L) 2446cc Diesel (Mex.)			51515	51515XP							
L4 2.5L 2494cc (2KDFTV) Diesel (Mex.)			51348	51348XP							
L4 2.8L (3L) Diesel (Mex.)			51515	51515XP							
L4 3.0L (1KDFTV) Diesel (Mex.)			51348	51348XP							

LAND CRUISER

L6 4.2L (1HZ) Diesel (Mex.)			51348	51348XP							
V8 4.7L 4663cc	2UZFE		51348 ⁵³	51348XP	42476	N/R			33875 ¹³⁹ 33526 ¹³⁸	F F	58030

MR-2 SPYDER

L4 1.8L 1794cc	1ZZFE		51394 ⁵³	51394XP	46242	N/R			N/S		MT ⁷²
----------------	-------	--	---------------------	---------	-------	-----	--	--	-----	--	------------------

PRADO

L4 3.0L (1KZ) Diesel (Mex.)			51348	51348XP							
-----------------------------	--	--	-------	---------	--	--	--	--	--	--	--

PRIUS

L4 1.5L 1497cc Electric/Gas	1NZFXE		51394 ⁵³	51394XP	42306	24875		3	N/S		N/A
-----------------------------	--------	--	---------------------	---------	-------	-------	--	---	-----	--	-----

RAV4

L4 2.0L 1998cc	1AZFE	H	57145	57145XP	46322	24900		3	N/S		N/A
----------------	-------	---	-------	---------	-------	-------	--	---	-----	--	-----

N/A = Not Available N/R = Not Required N/S = Not Serviceable For cabin and fuel filter locator, see pages 5-15 See pages 16-19 for footnotes

N/A = Non disponible N/R = Non nécessaire N/S = Non réparable Para la ubicación de los filtros de aire de la cabina y de combustible, ver las páginas 5-15 Voir pages 16-19 pour des notes

N/A = No disponible N/R = No requiere N/S = No servible Voir les tableaux de repérage des filtres d'habitacle et à carburant aux pages 5-15 Ver las páginas 16-19 para las notas al pie de página

Italicized Part Numbers May Not Be Available. Wix XP Oil Filters Have Fully Synthetic Media.

Las piezas con números en *italicas* pueden no estar disponibles. Los filtros de aceite WIX XP son completamente de media sintética. Les numéros de pièce en *italiques* peuvent ne pas être disponibles. Les filtres à huile XP Wix contiennent un matériau 100 % synthétique.

Year/Año/Année Model/Modelo/Modèle Engine/Motor/Moteur	Eng. Code Código de motor Code moteur	VIN NIV NIV	Oil Aceite Huile	Oil XP Aceite XP Huile XP	Air Aire Air	Cabin Air Cabina Aire Cabine Air	Cabin Air XP Cabina Aire XP Cabine Air XP	Loc. Cabin Air Cabina Aire Cabine Air	Fuel Combustible Carburant	Loc. Fuel Combustible Carburant	Transmission Transmisión Transmission
--	---	-------------------	------------------------	---------------------------------	--------------------	--	---	--	----------------------------------	--	---

TOYOTA (Cont'd/Suite)
2002 (Cont'd/Suite)
SEQUOIA

V8 4.7L 4663cc	2UZFE	T	51348 ⁵³	51348XP	42479	N/R			33410		58030
----------------	-------	---	---------------------	---------	-------	-----	--	--	-------	--	-------

SIENNA

V6 3.0L 2995cc	1MZFE	F	51348 ⁵³	51348XP	46017	N/R			N/S	F	58614
----------------	-------	---	---------------------	---------	-------	-----	--	--	-----	---	-------

SOLARA

L4 2.4L 2362cc	2AZFE	E	57145	57145XP	46017	24883	24883XP	5	33502 ¹⁵⁶ 33581 ¹⁵⁰	F F	58614 - A541E 58618 - U241E
V6 3.0L 2995cc	1MZFE	F	51348 ⁵³	51348XP	46017	24883	24883XP	5	33581 ¹³⁸	F	58614 - A541E 58618 - U241E

TACOMA

L4 2.4L 2438cc	2RZFE	L	51348 ⁵³	51348XP	46162	N/R			33687	F	58945
L4 2.7L 2693cc	3RZFE	M	51348 ⁵³	51348XP	46162	N/R			33687	F	58030
V6 3.4L 3378cc	5VZFE	N	51348 ⁵³	51348XP	46109	N/R			33319 ¹³⁸	F	58030

TUNDRA

V6 3.4L 3378cc	5VZFE	N	51348 ⁵³	51348XP	42479	N/R			33236 ¹³⁹	F	58020
V8 4.7L 4663cc	2UZFE	T	51348 ⁵³	51348XP	42479	N/R			33236 ¹³⁹	F	58030

VOLKSWAGEN
2021
ARTEON

L4 2.0L 2000CC 122CID Turbo			WL10024 ⁶¹ WL10396 ¹⁹⁴		WA10268	WP10159			N/S		N/S
-----------------------------	--	--	---	--	---------	---------	--	--	-----	--	-----

Atlas

L4 2.0L 1984cc 121 CID Turbo			WL10024 ⁶¹ WL10396 ¹⁹⁴		WA10778	WP10159			N/S		N/S
V6 3.6L	CDVC		57462		WA10778	WP10159			N/S		N/S

Atlas Cross Sport

L4 2.0L 1984cc 121 CID Turbo			WL10024 ⁶¹ WL10396 ¹⁹⁴		WA10778	WP10159			N/S		N/S
V6 3.6L	CDVC		57462		WA10778	WP10159			N/S		N/S

EGOLF

(E-Golf EAGA Electric Volkswagen) Electric	E-Golf EAGA		N/R		N/A	WP10159			N/R		N/A
---	-------------	--	-----	--	-----	---------	--	--	-----	--	-----

GOLF

L4 1.4L 1400CC 85CID Turbo			WL7503		WA10268	WP10159			N/S		N/S
----------------------------	--	--	--------	--	---------	---------	--	--	-----	--	-----

GOLF SportWagen

L4 1.4L 1400CC 85CID Turbo			WL7503		WA10268	WP10159			N/S		N/S
----------------------------	--	--	--------	--	---------	---------	--	--	-----	--	-----

GTI

L4 2.0L 1984cc 121 CID Turbo			WL10024 ⁶¹ WL10396 ¹⁹⁴		WA10268	WP10159 ⁷⁸		4	N/S		N/A
------------------------------	--	--	---	--	---------	-----------------------	--	---	-----	--	-----

JETTA

L4 1.4L 1400CC 85CID Turbo			WL7503		WA11003	WP10159			N/S		N/S
----------------------------	--	--	--------	--	---------	---------	--	--	-----	--	-----

JETTA GLI

L4 2.0L 1984cc Turbo			WL10024 ⁶¹ WL10396 ¹⁹⁴		WA11003	WP10159			N/S		N/S
----------------------	--	--	---	--	---------	---------	--	--	-----	--	-----

PASSAT

L4 2.0L 1984cc Turbo			WL10024 ⁶¹ WL10396 ¹⁹⁴		49020	24489	24489XP	4	N/S		N/S
----------------------	--	--	---	--	-------	-------	---------	---	-----	--	-----

TIGUAN

L4 2.0L 1984cc Turbo			WL10024 ⁶¹ WL10396 ¹⁹⁴		WA10268	WP10159 ⁷⁸		4	N/S		N/S
----------------------	--	--	---	--	---------	-----------------------	--	---	-----	--	-----

2020
ARTEON

L4 2.0L 2000CC 122CID Turbo			WL10024 ⁶¹ WL10396 ¹⁹⁴		WA10268	WP10159			N/S		N/S
-----------------------------	--	--	---	--	---------	---------	--	--	-----	--	-----

N/A = Not Available N/R = Not Required N/S = Not Serviceable For cabin and fuel filter locator, see pages 5-15 See pages 16-19 for footnotes

N/A = Non disponible N/R = Non nécessaire N/S = Non réparable Para la ubicación de los filtros de aire de la cabina y de combustible, ver las páginas 5-15 Voir pages 16-19 pour des notes

N/A = No disponible N/R = No requiere N/S = No servible Voir les tableaux de repérage des filtres d'habitacle et à carburant aux pages 5-15 Ver las páginas 16-19 para las notas al pie de página

Italicized Part Numbers May Not Be Available. Wix XP Oil Filters Have Fully Synthetic Media.

Las piezas con números en *italicas* pueden no estar disponibles. Los filtros de aceite WIX XP son completamente de media sintética.

Les numéros de pièce en *italiques* peuvent ne pas être disponibles. Les filtres à huile Wix contiennent un matériau 100 % synthétique.

VOLKSWAGEN 2020-2019
Pass Car/Light Truck

Year/Año/Année Model/Modelo/Modèle Engine/Motor/Moteur	Eng. Code Código de motor Code moteur	VIN NIV NIV	Oil Aceite Huile	Oil XP Aceite XP Huile XP	Air Aire Air	Cabin Air Cabina Aire Cabine Air	Cabin Air XP Cabina Aire XP Cabine Air XP	Loc. Cabin Air Cabina Aire Cabine Air	Fuel Combustible Carburant	Loc. Fuel Combustible Carburant	Transmission Transmisión Transmission
--	---	-------------------	------------------------	---------------------------------	--------------------	--	---	--	----------------------------------	--	---

VOLKSWAGEN (Cont'd/Suite)
2020 (Cont'd/Suite)
Atlas

L4 2.0L 1984cc 121 CID Turbo			WL10024 ⁶¹ WL10396 ¹⁹⁴		WA10778	WP10159			N/S		N/S
V6 3.6L	CDVC		57462		WA10778	WP10159			N/S		N/S

Atlas Cross Sport

L4 2.0L 1984cc 121 CID Turbo			WL10024 ⁶¹ WL10396 ¹⁹⁴		WA10778	WP10159			N/S		N/S
V6 3.6L	CDVC		57462		WA10778	WP10159			N/S		N/S

EGOLF

(E-Golf EAGA Electric Volkswagen) Electric	E-Golf EAGA		N/R		N/A	WP10159			N/R		N/A
---	-------------	--	-----	--	-----	---------	--	--	-----	--	-----

GOLF

L4 1.4L 1400CC 85CID Turbo			WL7503		WA10268	WP10159			N/S		N/S
----------------------------	--	--	--------	--	---------	---------	--	--	-----	--	-----

GOLF SportWagen

L4 1.4L 1400CC 85CID Turbo			WL7503		WA10268	WP10159			N/S		N/S
----------------------------	--	--	--------	--	---------	---------	--	--	-----	--	-----

GOLF SPORTWAGEN

L4 1.8L Turbo			WL10024 ⁶¹ WL10396 ¹⁹⁴		49020	WP10159			N/S		N/S
---------------	--	--	---	--	-------	---------	--	--	-----	--	-----

GTI

L4 2.0L 1984cc 121 CID Turbo			WL10024 ⁶¹ WL10396 ¹⁹⁴		WA10268	WP10159 ⁷⁸		4	N/S		N/A
------------------------------	--	--	---	--	---------	-----------------------	--	---	-----	--	-----

JETTA

L4 1.4L 1400CC 85CID Turbo			WL7503		WA11003	WP10159			N/S		N/S
----------------------------	--	--	--------	--	---------	---------	--	--	-----	--	-----

JETTA GLI

L4 2.0L 1984cc Turbo			WL10024 ⁶¹ WL10396 ¹⁹⁴		WA11003	WP10159			N/S		N/S
----------------------	--	--	---	--	---------	---------	--	--	-----	--	-----

PASSAT

L4 2.0L 1984cc Turbo			WL10024 ⁶¹ WL10396 ¹⁹⁴		49020	24489	24489XP	4	N/S		N/S
----------------------	--	--	---	--	-------	-------	---------	---	-----	--	-----

TIGUAN

L4 2.0L 1984cc Turbo			WL10024 ⁶¹ WL10396 ¹⁹⁴		WA10268	WP10159 ⁷⁸		4	N/S		N/S
----------------------	--	--	---	--	---------	-----------------------	--	---	-----	--	-----

2019
ARTEON

L4 2.0L 2000CC 122CID Turbo			WL10024 ⁶¹ WL10396 ¹⁹⁴		WA10268	WP10159			N/S		N/S
-----------------------------	--	--	---	--	---------	---------	--	--	-----	--	-----

Atlas

L4 2.0L 1984cc 121 CID Turbo			WL10024 ⁶¹ WL10396 ¹⁹⁴		WA10778	WP10159			N/S		N/S
V6 3.6L	CDVC		57462		WA10778	WP10159			N/S		N/S

BEETLE

L4 2.0L 1984cc Turbo			WL10024 ⁶¹ WL10396 ¹⁹⁴		49020	24489 ⁷⁸	24489XP ⁷⁸	4	33833 ¹⁵⁴		WL10384
----------------------	--	--	---	--	-------	---------------------	-----------------------	---	----------------------	--	---------

EGOLF

(E-Golf EAGA Electric Volkswagen) Electric	E-Golf EAGA		N/R		N/A	WP10159			N/R		N/A
---	-------------	--	-----	--	-----	---------	--	--	-----	--	-----

GOLF

L4 1.4L 1400CC 85CID Turbo			WL7503		WA10268	WP10159			N/S		N/S
L4 1.8L Turbo			WL10024 ⁶¹ WL10396 ¹⁹⁴		WA10268	WP10159		4	N/S		N/S

GOLF ALLTRACK

L4 1.8L Turbo			WL10024 ⁶¹ WL10396 ¹⁹⁴		WA10268	WP10159		4	N/S		N/S
---------------	--	--	---	--	---------	---------	--	---	-----	--	-----

Golf R

L4 2.0L 1984cc Turbo			WL10024 ⁶¹ WL10396 ¹⁹⁴		WA10268	WP10159			N/S		N/S
----------------------	--	--	---	--	---------	---------	--	--	-----	--	-----

N/A = Not Available N/R = Not Required N/S = Not Serviceable For cabin and fuel filter locator, see pages 5-15 See pages 16-19 for footnotes

N/A = Non disponible N/R = Non nécessaire N/S = Non réparable Para la ubicación de los filtros de aire de la cabina y de combustible, ver las páginas 5-15 Voir pages 16-19 pour des notes

N/A = No disponible N/R = No requiere N/S = No servible Voir les tableaux de repérage des filtres d'habitacle et à carburant aux pages 5-15 Ver las páginas 16-19 para las notas al pie de página

Italicized Part Numbers May Not Be Available. Wix XP Oil Filters Have Fully Synthetic Media.

Las piezas con números en *italicas* pueden no estar disponibles. Los filtros de aceite WIX XP son completamente de media sintética. Les numéros de pièce en *italiques* peuvent ne pas être disponibles. Les filtres à huile XP Wix contiennent un matériau 100 % synthétique.

Year/Año/Année Model/Modelo/Modèle Engine/Motor/Moteur	Eng. Code Código de motor Code moteur	VIN NIV NIV	Oil Aceite Huile	Oil XP Aceite XP Huile XP	Air Aire Air	Cabin Air Cabina Aire Cabine Air	Cabin Air XP Cabina Aire XP Cabine Air XP	Loc. Cabin Air Cabina Aire Cabine Air	Fuel Combustible Carburant	Loc. Fuel Combustible Carburant	Transmission Transmisión Transmission
--	---	-------------------	------------------------	---------------------------------	--------------------	--	---	--	----------------------------------	--	---

VOLKSWAGEN (Cont'd/Suite)
2019 (Cont'd/Suite)
GOLF SportWagen

L4 1.4L 1400CC 85CID Turbo		WL7503			WA10268	WP10159			N/S		N/S
----------------------------	--	--------	--	--	---------	---------	--	--	-----	--	-----

GOLF SPORTWAGEN

L4 1.4L 1400CC 85CID Turbo		WL7503			WA10268	WP10159			N/S		N/S
L4 1.8L Turbo		WL10024 ⁶¹ WL10396 ¹⁹⁴			49020	WP10159			N/S		N/S

GTI

L4 2.0L 1984cc 121 CID Turbo		WL10024 ⁶¹ WL10396 ¹⁹⁴			WA10268	WP10159 ⁷⁸		4	N/S		N/A
------------------------------	--	---	--	--	---------	-----------------------	--	---	-----	--	-----

JETTA

L4 1.4L 1400CC 85CID Turbo		WL7503			WA11003	WP10159			N/S		N/S
----------------------------	--	--------	--	--	---------	---------	--	--	-----	--	-----

JETTA GLI

L4 2.0L 1984cc Turbo		WL10024 ⁶¹ WL10396 ¹⁹⁴			WA11003	WP10159			N/S		N/S
----------------------	--	---	--	--	---------	---------	--	--	-----	--	-----

PASSAT

L4 2.0L 1984cc Turbo		WL10024 ⁶¹ WL10396 ¹⁹⁴			49020	24489	24489XP	4	N/S		N/S
----------------------	--	---	--	--	-------	-------	---------	---	-----	--	-----

TIGUAN

L4 2.0L 1984cc Turbo		WL10024 ⁶¹ WL10396 ¹⁹⁴			WA10268	WP10159 ⁷⁸		4	N/S		N/S
----------------------	--	---	--	--	---------	-----------------------	--	---	-----	--	-----

Tiguan Limited

L4 2.0L 1984cc Turbo		57561			49020	24489 ⁷⁸	24489XP ⁷⁸	4	N/S		N/S
----------------------	--	-------	--	--	-------	---------------------	-----------------------	---	-----	--	-----

2018
AMAROK

L4 2.0L 1968cc (Mex.)		57262			N/S	24631			N/S		N/S
V6 3.0L 2967CC 181CID (Mex.)		N/S			N/S	24631			N/S		N/S

Atlas

L4 2.0L 1984cc 121 CID Turbo		WL10024 ⁶¹ WL10396 ¹⁹⁴			WA10778	WP10159			N/S		N/S
V6 3.6L	CDVC	57462			WA10778	WP10159			N/S		N/S

BEETLE

L4 2.0L 1984cc Turbo		WL10024 ⁶¹ WL10396 ¹⁹⁴			49020	24489 ⁷⁸	24489XP ⁷⁸	4	33833 ¹⁵⁴		WL10384
L5 2.5L 2480CC 151CID (Mex.)		57187	57187XP		49186	24489	24489XP		N/S		N/S

CADDY

L4 1.6 L (Mex.)		51348	51348XP		N/S	24489	24489XP		N/S		N/S
-----------------	--	-------	---------	--	-----	-------	---------	--	-----	--	-----

CARIBE

L4 1.6 L (Mex.)		51393	51393XP		WA6176 ⁶¹	N/S			33116		N/S
-----------------	--	-------	---------	--	----------------------	-----	--	--	-------	--	-----

EGOLF

(E-Golf EAGA Electric Volkswagen) Electric	E-Golf EAGA	N/R			N/A	WP10159			N/R		N/A
--	-------------	-----	--	--	-----	---------	--	--	-----	--	-----

GOL

L4 1.6L 1598cc (Mex.)		WL7203			WA6687	WP9037 ⁷⁸ WP9036 ⁷⁹			WF8034		N/A
-----------------------	--	--------	--	--	--------	--	--	--	--------	--	-----

GOLF

L4 1.8L Turbo		WL10024 ⁶¹ WL10396 ¹⁹⁴			WA10268	WP10159		4	N/S		N/S
---------------	--	---	--	--	---------	---------	--	---	-----	--	-----

GOLF ALLTRACK

L4 1.8L Turbo		WL10024 ⁶¹ WL10396 ¹⁹⁴			WA10268	WP10159		4	N/S		N/S
---------------	--	---	--	--	---------	---------	--	---	-----	--	-----

Golf R

L4 2.0L 1984cc Turbo		WL10024 ⁶¹ WL10396 ¹⁹⁴			WA10268	WP10159			N/S		N/S
----------------------	--	---	--	--	---------	---------	--	--	-----	--	-----

N/A = Not Available N/R = Not Required N/S = Not Serviceable For cabin and fuel filter locator, see pages 5-15 See pages 16-19 for footnotes

N/A = Non disponible N/R = Non nécessaire N/S = Non réparable Para la ubicación de los filtros de aire de la cabina y de combustible, ver las páginas 5-15 Voir pages 16-19 pour des notes

N/A = No disponible N/R = No requiere N/S = No servible Voir les tableaux de repérage des filtres d'habitacle et à carburant aux pages 5-15 Ver las páginas 16-19 para las notas al pie de página

Italicized Part Numbers May Not Be Available. Wix XP Oil Filters Have Fully Synthetic Media.

Las piezas con números en *italicas* pueden no estar disponibles. Los filtros de aceite WIX XP son completamente de media sintética.

Les numéros de pièce en *italiques* peuvent ne pas être disponibles. Les filtres à huile Wix contiennent un matériau 100 % synthétique.

VOLKSWAGEN 2018-2017
Pass Car/Light Truck

Year/Año/Année Model/Modelo/Modèle Engine/Motor/Moteur	Eng. Code Código de motor Code moteur	VIN NIV NIV	Oil Aceite Huile	Oil XP Aceite XP Huile XP	Air Aire Air	Cabin Air Cabina Aire Cabine Air	Cabin Air XP Cabina Aire XP Cabine Air XP	Loc. Cabin Air Cabina Aire Cabine Air	Fuel Combustible Carburant	Loc. Fuel Combustible Carburant	Transmission Transmisión Transmission
--	---	-------------------	------------------------	---------------------------------	--------------------	--	---	--	----------------------------------	--	---

VOLKSWAGEN (Cont'd/Suite)
2018 (Cont'd/Suite)
GOLF SPORTWAGEN

L4 1.8L Turbo			WL10024 ⁶¹ WL10396 ¹⁹⁴		49020	WP10159				N/S	N/S
---------------	--	--	---	--	-------	---------	--	--	--	-----	-----

GTI

L4 2.0L 1984cc 121 CID Turbo			WL10024 ⁶¹ WL10396 ¹⁹⁴		49020	WP10159 ⁷⁸		4		N/S	N/A
------------------------------	--	--	---	--	-------	-----------------------	--	---	--	-----	-----

JETTA

L4 1.4L 1395cc 85 Turbo			WL7503		WA10072	24489 ⁷⁸	24489XP ⁷⁸			N/S	N/S
L4 1.8L 1798cc 110 CID Turbo			WL10024 ⁶¹ WL10396 ¹⁹⁴		49020	24489	24489XP	4		N/S	N/S
L4 2.0L 1984cc Turbo			WL10024 ⁶¹ WL10396 ¹⁹⁴		49020	24489	24489XP	4		N/S	N/S

PASSAT

L4 2.0L 1984cc Turbo			WL10024 ⁶¹ WL10396 ¹⁹⁴		49020	24489	24489XP	4		N/S	N/S
L5 2.5L 2480CC 151CID (Mex.)			57187	57187XP	49186	24489	24489XP			N/S	N/S
V6 3.6L 3597cc 219 CID			57462		WA10307	24489	24489XP	4		N/S	N/S

POLO

L4 1.6L 1598CC 98CID (Mex.)			51348	51348XP	N/S	N/S				N/S	N/S
--------------------------------	--	--	-------	---------	-----	-----	--	--	--	-----	-----

TIGUAN

L4 2.0L 1984cc Turbo			WL10024 ⁶¹ WL10396 ¹⁹⁴		WA10268	WP10159 ⁷⁸		4		N/S	N/S
----------------------	--	--	---	--	---------	-----------------------	--	---	--	-----	-----

Tiguan Limited

L4 2.0L 1984cc Turbo			57561		49020	24489 ⁷⁸	24489XP ⁷⁸	4		N/S	N/S
----------------------	--	--	-------	--	-------	---------------------	-----------------------	---	--	-----	-----

TRANSPORTER

L4 2.0L TDI 1968cc Turbo Diesel (Mex.)			57262		WA9449	24631			WF8358		
---	--	--	-------	--	--------	-------	--	--	--------	--	--

UP

L3 1.0L 999CC 61CID (Mex.)			51348	51348XP	WA9744 ⁶¹	N/S				N/S	N/S
----------------------------	--	--	-------	---------	----------------------	-----	--	--	--	-----	-----

VENTO

L4 1.6L 1598cc (Mex.)			WL7494		WA9545	N/A			33833 ¹⁵⁴		
L4 1.6L 1598CC Turbo Diesel (Mex.)			57262		WA9645	WP9036			N/S		N/S

2017
AMAROK

L4 2.0L 1968cc (Mex.)			57262		N/S	24631				N/S	N/S
-----------------------	--	--	-------	--	-----	-------	--	--	--	-----	-----

BEETLE

L4 1.8L Turbo			WL10024 ⁶¹ WL10396 ¹⁹⁴		49020	24489 ⁷⁸	24489XP ⁷⁸	4	33814		N/A
L4 2.0L 1984cc Turbo			WL10024 ⁶¹ WL10396 ¹⁹⁴		49020	24489 ⁷⁸	24489XP ⁷⁸	4	33833 ¹⁵⁴		WL10384
L5 2.5L 2480CC 151CID (Mex.)			57187	57187XP	49186	N/S			33833		N/S

CADDY

L4 1.2L 1197cc TSI Turbo (Mex.)			WL7494		49013	24489	24489XP		33814		
------------------------------------	--	--	--------	--	-------	-------	---------	--	-------	--	--

CC

L4 2.0L 1984cc 121 CID Turbo	CBFA		57561		49020	24489	24489XP			N/S	N/S
	CCTA		57561		49020	24489	24489XP			N/S	N/S
V6 3.6L 3597cc 219 CID	CNNA		57462		49122	24489 ⁷⁸	24489XP ⁷⁸	4		N/S	N/A

EGOLF

(E-Golf EAGA Electric Volkswagen) Electric	E-Golf EAGA		N/R		N/A	WP10159				N/R	N/A
--	-------------	--	-----	--	-----	---------	--	--	--	-----	-----

N/A = Not Available N/R = Not Required N/S = Not Serviceable For cabin and fuel filter locator, see pages 5-15 See pages 16-19 for footnotes

N/A = Non disponible N/R = Non nécessaire N/S = Non réparable Para la ubicación de los filtros de aire de la cabina y de combustible, ver las páginas 5-15 Voir pages 16-19 pour des notes

N/A = No disponible N/R = No requiere N/S = No servible Voir les tableaux de repérage des filtres d'habitacle et à carburant aux pages 5-15 Ver las páginas 16-19 para las notas al pie de página

Italicized Part Numbers May Not Be Available. Wix XP Oil Filters Have Fully Synthetic Media.

Las piezas con números en *italicas* pueden no estar disponibles. Los filtros de aceite WIX XP son completamente de media sintética. Les numéros de pièce en *italiques* peuvent ne pas être disponibles. Les filtres à huile XP Wix contiennent un matériau 100 % synthétique.

Year/Año/Année Model/Modelo/Modèle Engine/Motor/Moteur	Eng. Code Código de motor Code moteur	VIN NIV NIV	Oil Aceite Huile	Oil XP Aceite XP Huile XP	Air Aire Air	Cabin Air Cabina Aire Cabine Air	Cabin Air XP Cabina Aire XP Cabine Air XP	Loc. Cabin Air Cabina Aire Cabine Air	Fuel Combustible Carburant	Loc. Fuel Combustible Carburant	Transmission Transmisión Transmission
--	---	-------------------	------------------------	---------------------------------	--------------------	--	---	--	----------------------------------	--	---

VOLKSWAGEN (Cont'd/Suite)

2017 (Cont'd/Suite)

GOL

L4 1.6L 1598cc (Mex.)			WL7203		WA6687	WP9037 ⁷⁸ WP9036 ⁷⁹			WF8034		N/A
-----------------------	--	--	--------	--	--------	--	--	--	--------	--	-----

GOLF

L4 1.4L 1390cc Turbo			WL7494		49020	24489	24489XP		33814		
L4 1.8L Turbo			WL10024 ⁶¹ WL10396 ¹⁹⁴		WA10418	WP10159 ⁷⁸		4	N/S		N/S
L4 2.0L 1968cc 120 CID Turbo Diesel			WL10056		WA10268	WP10159		4	WF8477		N/S
L4 2.0L 1984cc 121 CID Turbo			WL10024 ⁶¹ WL10396 ¹⁹⁴		WA10268	WP10159 ⁷⁸		4	N/S		N/A

GOLF ALLTRACK

L4 1.8L Turbo			WL10024 ⁶¹ WL10396 ¹⁹⁴		WA10418	WP10159			N/S		N/S
---------------	--	--	---	--	---------	---------	--	--	-----	--	-----

Golf R

L4 2.0L 1984cc Turbo			WL10024 ⁶¹ WL10396 ¹⁹⁴		WA10268	WP10159			N/S		N/S
----------------------	--	--	---	--	---------	---------	--	--	-----	--	-----

GOLF SPORTWAGEN

L4 1.8L Turbo			WL10024 ⁶¹ WL10396 ¹⁹⁴		WA10418	WP10159			N/S		N/S
---------------	--	--	---	--	---------	---------	--	--	-----	--	-----

GTI

L4 2.0L 1984cc 121 CID Turbo			WL10024 ⁶¹ WL10396 ¹⁹⁴		WA10418	WP10159 ⁷⁸		4	N/S		N/A
------------------------------	--	--	---	--	---------	-----------------------	--	---	-----	--	-----

JETTA

L4 1.4L 1395cc 85 Turbo			WL7503		WA10072	24489 ⁷⁸	24489XP ⁷⁸		N/S		N/S
L4 1.8L 1798cc 110 CID Turbo			WL10024 ⁶¹ WL10396 ¹⁹⁴		49020	24489	24489XP	4	N/S		N/S
L4 2.0L 1984cc Turbo			WL10024 ⁶¹ WL10396 ¹⁹⁴		49013	24489	24489XP	4	N/S		N/S
L5 2.5L 2480CC 151CID (Mex.)			57187	57187XP	49186	24489	24489XP		33833		N/S

PASSAT

L4 1.8L 1798cc 110 CID Turbo			WL10024 ⁶¹ WL10396 ¹⁹⁴		49020	24489	24489XP	4	N/S		N/S
L5 2.5L 2480cc (Mex.)			57187	57187XP	49186	24489 ⁷⁸	24489XP ⁷⁸		33833 ¹⁵⁴		N/S
V6 3.6L 3597cc 219 CID			57462		WA10307	24489	24489XP	4	N/S		N/S

POLO

L4 1.2L 1197cc TSI Turbo (Mex.)			WL7494		WA9645	WP2086 ⁷⁹			33814		
L4 1.6 L (Mex.)			WL7494		WA9545	WP9036			33833		N/S
L4 1.8L 1798CC 110CID (Mex.)			WL10024 ⁶¹ WL10396 ¹⁹⁴		N/S	N/S			N/S		N/S

SAVEIRO

L4 1.6 L (Mex.)			WL7203		WA6687	N/S			WF8034		N/S
-----------------	--	--	--------	--	--------	-----	--	--	--------	--	-----

TIGUAN

L4 1.4L 1390cc Turbo (Mex.)			WL7494		49020	24489	24489XP		N/S		
L4 2.0L 1984cc (Mex.)			57561		49020	24489	24489XP		N/S		
L4 2.0L 1984cc Turbo			57561		49020	24489 ⁷⁸	24489XP ⁷⁸	4	N/S		N/S

TOUAREG

V6 3.6L 3597cc 219 CID	CGRA		57462		49920 ⁴²³ 42859 ¹⁵⁵	24631		4	N/S		N/A
V8 4.2L 4163CC 254CID (Mex.)			N/S		N/S	24631			N/S		N/S

TOUAREG HYBRID

V6 3.0L 2995cc Super Charged Electric/Gas	CGFA		57204		42859 ¹⁵⁵ 49920 ⁴²³	24631		4	33833 ¹⁵⁴		N/A
---	------	--	-------	--	--	-------	--	---	----------------------	--	-----

TOUAREG TDI

V6 3.0L 2967cc 181 CID Turbo Diesel	CNRB		WL10008		49920 ⁴²³ 42859 ¹⁵⁵	24631		4	WF10120		N/A
-------------------------------------	------	--	---------	--	--	-------	--	---	---------	--	-----

N/A = Not Available N/R = Not Required N/S = Not Serviceable For cabin and fuel filter locator, see pages 5-15 See pages 16-19 for footnotes
 N/A = Non disponible N/R = Non nécessaire N/S = Non réparable Para la ubicación de los filtros de aire de la cabina y de combustible, ver las páginas 5-15 Voir pages 16-19 pour des notes
 N/A = No disponible N/R = No requiere N/S = No servible Voir les tableaux de repérage des filtres d'habitacle et à carburant aux pages 5-15 Ver las páginas 16-19 para las notas al pie de página

Italicized Part Numbers May Not Be Available. Wix XP Oil Filters Have Fully Synthetic Media.
 Las piezas con números en *italicas* pueden no estar disponibles. Los filtros de aceite WIX XP son completamente de media sintética.
 Les numéros de pièce en *italiques* peuvent ne pas être disponibles. Les filtres à huile XP Wix contiennent un matériau 100 % synthétique.

VOLKSWAGEN 2017-2016
Pass Car/Light Truck

Year/Año/Année Model/Modelo/Modèle Engine/Motor/Moteur	Eng. Code Código de motor Code moteur	VIN NIV NIV	Oil Aceite Huile	Oil XP Aceite XP Huile XP	Air Aire Air	Cabin Air Cabina Aire Cabine Air	Cabin Air XP Cabina Aire XP Cabine Air XP	Loc. Cabin Air Cabina Aire Cabine Air	Fuel Combustible Carburant	Loc. Fuel Combustible Carburant	Transmission Transmisión Transmission
--	---	-------------------	------------------------	---------------------------------	--------------------	--	---	--	----------------------------------	--	---

VOLKSWAGEN (Cont'd/Suite)
2017 (Cont'd/Suite)
TRANSPORTER

L4 2.0L TDI 1968cc Turbo Diesel (Mex.)			57262		WA9449	24631			WF8358		
--	--	--	-------	--	--------	-------	--	--	--------	--	--

UP

1.0i (Mex.)			WL7503		WA9744 ⁶¹	N/S			N/S		N/S
-------------	--	--	--------	--	----------------------	-----	--	--	-----	--	-----

VENTO

L4 1.6L 1598cc (Mex.)			WL7494		WA9545	N/A			33833 ¹⁵⁴		
-----------------------	--	--	--------	--	--------	-----	--	--	----------------------	--	--

2016
AMAROK TDI

L4 2.0L 1968cc Turbo Diesel (Mex.)			57561		N/A	24631			WF8465		
------------------------------------	--	--	-------	--	-----	-------	--	--	--------	--	--

BEETLE

L4 1.8L Turbo			WL10024 ⁶¹ WL10396 ¹⁹⁴		49020	24489 ⁷⁸	24489XP ⁷⁸	4	33814		N/A
L4 2.0L 1984cc Turbo			WL10024 ⁶¹ WL10396 ¹⁹⁴		49020	24489 ⁷⁸	24489XP ⁷⁸	4	33833 ¹⁵⁴		WL10384
L5 2.5L 2480CC 151CID (Mex.)			57187	57187XP	49186	N/S			33833		N/S

BEETLE TDI

L4 1.9L 1896CC 116CID Turbo Diesel			WL10056		49020	24489	24489XP	4	33832 ²⁴¹		WL10384
------------------------------------	--	--	---------	--	-------	-------	---------	---	----------------------	--	---------

CADDY

L4 1.2L 1197cc TSI Turbo (Mex.)			WL7494		49013	24489	24489XP		33814		
---------------------------------	--	--	--------	--	-------	-------	---------	--	-------	--	--

CC

L4 2.0L 1984cc Turbo			57561		49020	24489	24489XP	4	N/S		N/A
V6 3.6L 3597cc 219 CID	CNNA		57462		49122	24489 ⁷⁹	24489XP ⁷⁹	4	N/S		N/A

CRAFTER

L4 2.0L 1968cc (Mex.)			57262		49876	N/S			N/S		N/S
-----------------------	--	--	-------	--	-------	-----	--	--	-----	--	-----

CROSSFOX

L4 1.6 L (Mex.)			WL7203		WA6688	WP9036			WF10419		N/S
-----------------	--	--	--------	--	--------	--------	--	--	---------	--	-----

EGOLF

(E-Golf EAGA Electric Volkswagen) Electric	E-Golf EAGA		N/R		N/A	WP10159			N/R		N/A
---	-------------	--	-----	--	-----	---------	--	--	-----	--	-----

EOS

L4 2.0L Turbo Diesel<>			57561		49020	24489 ⁷⁸	24489XP ⁷⁸	4	33814		WL10384
------------------------	--	--	-------	--	-------	---------------------	-----------------------	---	-------	--	---------

GOL

L4 1.6L 1598cc (Mex.)			WL7203		WA6687	WP9037 ⁷⁸ WP9036 ⁷⁹			WF8034		N/A
-----------------------	--	--	--------	--	--------	--	--	--	--------	--	-----

GOLF

L4 1.4L 1390cc Turbo (Mex.)			WL7494		49020	24489	24489XP		33814		
L4 1.8L Turbo			WL10024 ⁶¹ WL10396 ¹⁹⁴		WA10418	WP10159 ⁷⁸		4	N/S		N/A
L4 2.0L 1968cc 120 CID Turbo Diesel			WL10056		WA10268	WP10159		4	WF8477		N/S
L4 2.0L 1984cc 121 CID Turbo			WL10024 ⁶¹ WL10396 ¹⁹⁴		WA10268	WP10159 ⁷⁸		4	N/S		N/A

Golf R

L4 2.0L 1984cc Turbo			WL10024 ⁶¹ WL10396 ¹⁹⁴		WA10268	WP10159			N/S		WL10384
----------------------	--	--	---	--	---------	---------	--	--	-----	--	---------

GOLF SPORTWAGEN

L4 1.8L Turbo	CXBB		WL10024 ⁶¹ WL10396 ¹⁹⁴		WA10418	WP10159			N/S		N/A
L4 2.0L Turbo Diesel			WL10056		WA10317	WP10159			N/A		N/S

GTI

L4 2.0L 1984cc 121 CID Turbo			WL10024 ⁶¹ WL10396 ¹⁹⁴		WA10418	WP10159 ⁷⁸		4	N/S		N/A
------------------------------	--	--	---	--	---------	-----------------------	--	---	-----	--	-----

N/A = Not Available N/R = Not Required N/S = Not Serviceable For cabin and fuel filter locator, see pages 5-15 See pages 16-19 for footnotes

N/A = Non disponible N/R = Non nécessaire N/S = Non réparable Para la ubicación de los filtros de aire de la cabina y de combustible, ver las páginas 5-15 Voir pages 16-19 pour des notes

N/A = No disponible N/R = No requiere N/S = No servible Voir les tableaux de repérage des filtres d'habitacle et à carburant aux pages 5-15 Ver las páginas 16-19 para las notas al pie de página

Italicized Part Numbers May Not Be Available. Wix XP Oil Filters Have Fully Synthetic Media.

Las piezas con números en *italicas* pueden no estar disponibles. Los filtros de aceite WIX XP son completamente de media sintética. Les numéros de pièce en *italiques* peuvent ne pas être disponibles. Les filtres à huile XP Wix contiennent un matériau 100 % synthétique.

Year/Año/Année Model/Modelo/Modèle Engine/Motor/Moteur	Eng. Code Código de motor Code moteur	VIN NIV NIV	Oil Aceite Huile	Oil XP Aceite XP Huile XP	Air Aire Air	Cabin Air Cabina Aire Cabine Air	Cabin Air XP Cabina Aire XP Cabine Air XP	Loc. Cabin Air Cabina Aire Cabine Air	Fuel Combustible Carburant	Loc. Fuel Combustible Carburant	Transmission Transmisión Transmission
--	---	-------------------	------------------------	---------------------------------	--------------------	--	---	--	----------------------------------	--	---

VOLKSWAGEN (Cont'd/Suite)
2016 (Cont'd/Suite)
JETTA

L4 1.4L 1395cc 85 Turbo	CTHD		WL7503		WA10072	24489 ⁷⁸	24489XP ⁷⁸		N/S		N/S
L4 1.4L 1395cc 85 Turbo	CAXA CMSB		WL7503		WA10072	24489 ⁷⁸	24489XP ⁷⁸		N/S		N/S
	CZTA		WL7503		WA10072	24489 ⁷⁸	24489XP ⁷⁸		N/S		N/S
L4 1.8L 1798cc 110 CID Turbo	CPKA		WL10024 ⁶¹ WL10396 ¹⁹⁴		49020	24489	24489XP	4	33814		N/A
L4 2.0L 1968cc Turbo Diesel (Mex.)	CFFB		57262		49020	24489	24489XP		33832		
L4 2.0L 1984cc 121 CID (Mex.)			51393	51393XP	49013	24489	24489XP	4	33833 ¹⁵⁴		N/S
L4 2.0L 1984cc Turbo			WL10024 ⁶¹ WL10396 ¹⁹⁴		49020	24489	24489XP	4	N/S		N/A
L5 2.5L 2481cc (Mex.)			57187	57187XP	49186	24489	24489XP		33833 ¹⁵⁴		

JETTA HYBRID

L4 1.4L 1395cc 85 CID Turbo Electric/Gas	CNLA		WL7503		WA10072	24489 ⁷⁸	24489XP ⁷⁸		33833 ¹⁵⁴		N/A
--	------	--	--------	--	---------	---------------------	-----------------------	--	----------------------	--	-----

LUPO

L4 1.0L 999cc 8V (Mex.)					WA6688				33078		
-------------------------	--	--	--	--	--------	--	--	--	-------	--	--

PASSAT

L4 1.8L 1798cc 110 CID Turbo			WL10024 ⁶¹ WL10396 ¹⁹⁴		49020	24489	24489XP	4	N/S		N/A
L5 2.5L 2480cc (Mex.)			57187	57187XP	49186	24489 ⁷⁸	24489XP ⁷⁸		33833 ¹⁵⁴		
V6 3.6L 3597cc 219 CID	CDVB		57462		WA10307	24489	24489XP	4	N/S		WL10384

POLO

L4 1.2L 1197cc TSI Turbo (Mex.)			WL7494		WA9645	WP2086 ⁷⁹			33814		
L4 1.6L 1598cc (Mex.)			WL7494		WA9545	WP2086			33833 ¹⁵⁴		

SAVEIRO

L4 1.6 L (Mex.)			WL7203		WA6687	N/S			WF8034		N/S
-----------------	--	--	--------	--	--------	-----	--	--	--------	--	-----

TIGUAN

L4 1.4L 1390cc Turbo (Mex.)			WL7494		49020	24489	24489XP		N/S		
L4 2.0L 1984cc 121 CID Turbo	CCTA		57561		49020	24489 ⁷⁸	24489XP ⁷⁸	4	N/S		N/S

TOUAREG

V6 3.6L 3597cc 219 CID	CGRA		57462		49920 ⁴²³ 42859 ¹⁵⁵	24631		4	N/S		N/A
V8 4.2L 4163CC 254CID (Mex.)			N/S		N/S	24631			N/S		N/S

TOUAREG HYBRID

V6 3.0L 2995cc Super Charged Electric/Gas	CGFA		57204		42859 ¹⁵⁵ 49920 ⁴²³	24631		4	33833 ¹⁵⁴		N/A
---	------	--	-------	--	--	-------	--	---	----------------------	--	-----

TOUAREG TDI

V6 3.0L 2967cc 181 CID Turbo Diesel	CNRB		WL10008		49920 ⁴²³ 42859 ¹⁵⁵	24631		4	WF10120		N/A
-------------------------------------	------	--	---------	--	--	-------	--	---	---------	--	-----

TRANSPORTER

L4 2.0L TDI 1968cc Turbo Diesel (Mex.)			57262		WA9449	24631			WF8358		
--	--	--	-------	--	--------	-------	--	--	--------	--	--

UP

1.0i (Mex.)			WL7503		WA9744 ⁶¹	N/S			N/S		N/S
-------------	--	--	--------	--	----------------------	-----	--	--	-----	--	-----

VENTO

L4 1.5L (Mex.)			N/S		N/S	WP9036			N/S		N/S
L4 1.6L 1598cc (Mex.)			WL7494		WA9545	N/A			33833 ¹⁵⁴		

2015
AMAROK

L4 2.0L TDI 1968cc Turbo Diesel (Mex.)			57262		WA9721	24631			WF8465		
--	--	--	-------	--	--------	-------	--	--	--------	--	--

N/A = Not Available N/R = Not Required N/S = Not Serviceable For cabin and fuel filter locator, see pages 5-15 See pages 16-19 for footnotes

N/A = Non disponible N/R = Non nécessaire N/S = Non réparable Para la ubicación de los filtros de aire de la cabina y de combustible, ver las páginas 5-15 Voir pages 16-19 pour des notes

N/A = No disponible N/R = No requiere N/S = No servible Voir les tableaux de repérage des filtres d'habitacle et à carburant aux pages 5-15 Ver las páginas 16-19 para las notas al pie de página

Italicized Part Numbers May Not Be Available. Wix XP Oil Filters Have Fully Synthetic Media.

Las piezas con números en *italicas* pueden no estar disponibles. Los filtros de aceite WIX XP son completamente de media sintética.

Les numéros de pièce en *italiques* peuvent ne pas être disponibles. Les filtres à huile XP Wix contiennent un matériau 100 % synthétique.

VOLKSWAGEN 2015
Pass Car/Light Truck

Year/Año/Année Model/Modelo/Modèle Engine/Motor/Moteur	Eng. Code Código de motor Code moteur	VIN NIV NIV	Oil Aceite Huile	Oil XP Aceite XP Huile XP	Air Aire Air	Cabin Air Cabina Aire Cabine Air	Cabin Air XP Cabina Aire XP Cabine Air XP	Loc. Cabin Air Cabina Aire Cabine Air	Fuel Combustible Carburant	Loc. Fuel Combustible Carburant	Transmission Transmisión Transmission
--	---	-------------------	------------------------	---------------------------------	--------------------	--	---	--	----------------------------------	--	---

VOLKSWAGEN (Cont'd/Suite)
2015 (Cont'd/Suite)
BEETLE

L4 1.8L 1798cc 110 CID Turbo	CPKA		WL10024 ⁶¹ WL10396 ¹⁹⁴		49020	24489	24489XP	4	N/A		N/S
L4 2.0L 1984cc 121 CID Turbo/Intercooled	CPPA		WL10024 ⁶¹ WL10396 ¹⁹⁴		49020	24489	24489XP	4	33833 ¹⁵⁴		WL10384
L5 2.5L 2480CC 151CID (Mex.)			57187	57187XP	49186	N/S			33833		N/S

BEETLE TDI

L4 2.0L 1968cc 120 CID Turbo Diesel	CVCA		WL10056		49020	24489	24489XP	4	33832 ³⁴¹		WL10384
--	------	--	---------	--	-------	-------	---------	---	----------------------	--	---------

CADDY

L4 1.2L 1197cc TSI Turbo (Mex.)			WL7494		49013	24489	24489XP		33814		
------------------------------------	--	--	--------	--	-------	-------	---------	--	-------	--	--

CC

L4 2.0L 1984cc 121 CID Turbo	CBFA		57561		49020	24489	24489XP	4	N/S		N/A
	CCTA		57561		49020	24489	24489XP	4	N/S		N/A
V6 3.6L 3597cc 219 CID	CNNA		57462		49122	24489	24489XP	4	N/S		N/A

CLASICO

L4 2.0L 1984cc (Mex.)			51393	51393XP	42472	24322			33521		
-----------------------	--	--	-------	---------	-------	-------	--	--	-------	--	--

CRAFTER

L4 2.0L 1968cc Turbo Diesel (Mex.)			57262		49876	WP9330					
---------------------------------------	--	--	-------	--	-------	--------	--	--	--	--	--

CROSSFOX

L4 1.6L 1598cc (Mex.)			WL7203		WA6688	WP9036			WF10419		
-----------------------	--	--	--------	--	--------	--------	--	--	---------	--	--

EOS

L4 2.0L 1984cc 121 CID Turbo	CBFA		57561		49020	24489	24489XP	4	33814		WL10384
	CCTA		57561		49020	24489	24489XP	4	33814		WL10384

GOL

L4 1.6L 1598cc (Mex.)			WL7203		WA6687	WP9037 ⁷⁵ WP9036 ⁷⁹			WF8034		N/A
-----------------------	--	--	--------	--	--------	--	--	--	--------	--	-----

GOLF

L4 1.4L 1390cc Turbo (Mex.)			WL7494		49020	24489	24489XP		33814		
L4 1.8L 1798cc 110 CID Turbo			WL10024 ⁶¹ WL10396 ¹⁹⁴		WA10268	WP10159		4	N/S		N/S
L4 2.0L 1984cc 121 CID Turbo			WL10024 ⁶¹ WL10396 ¹⁹⁴		WA10268	WP10159		4	N/S		N/A

Golf R

L4 2.0L 1984cc Turbo			WL10024 ⁶¹ WL10396 ¹⁹⁴		WA10268	WP10159			N/S		WL10384
----------------------	--	--	---	--	---------	---------	--	--	-----	--	---------

GOLF SPORTWAGEN

L4 1.8L 1798CC 110CID Turbo			WL10024 ⁶¹ WL10396 ¹⁹⁴		WA10268	WP10159			N/S		N/S
L4 2.0L 1968CC 120CID Turbo Diesel			WL10056		WA10418	WP10159			WF8477		N/S

GOLF TDI

L4 2.0L 1968cc 120 CID Turbo Diesel			WL10056		WA10317	WP10159		4	WF8477		WL10384
--	--	--	---------	--	---------	---------	--	---	--------	--	---------

GTI

L4 2.0L 1984cc 121 CID Turbo			WL10024 ⁶¹ WL10396 ¹⁹⁴		WA10268	WP10159		4	N/S		N/A
------------------------------	--	--	---	--	---------	---------	--	---	-----	--	-----

JETTA

L4 1.8L 1798cc 110 CID Turbo	CPKA		WL10024 ⁶¹ WL10396 ¹⁹⁴		49020	24489	24489XP	4	33814		N/S
L4 2.0L 1968cc Turbo Diesel (Mex.)			57262		49020	24489	24489XP		33037		
L4 2.0L 1984cc 121 CID			51393	51393XP	49013	24489	24489XP	4	33833 ¹⁵⁴		N/S
L4 2.0L 1984cc Turbo			WL10024 ⁶¹ WL10396 ¹⁹⁴		49020	24489	24489XP	4	N/S		N/A

N/A = Not Available N/R = Not Required N/S = Not Serviceable For cabin and fuel filter locator, see pages 5-15 See pages 16-19 for footnotes

N/A = Non disponible N/R = Non nécessaire N/S = Non réparable Para la ubicación de los filtros de aire de la cabina y de combustible, ver las páginas 5-15 Voir pages 16-19 pour des notes

N/A = No disponible N/R = No requiere N/S = No servible Voir les tableaux de repérage des filtres d'habitacle et à carburant aux pages 5-15 Ver las páginas 16-19 para las notas al pie de página

Italicized Part Numbers May Not Be Available. Wix XP Oil Filters Have Fully Synthetic Media.

Las piezas con números en *italicas* pueden no estar disponibles. Los filtros de aceite WIX XP son completamente de media sintética. Les numéros de pièce en *italiques* peuvent ne pas être disponibles. Les filtres à huile XP Wix contiennent un matériau 100 % synthétique.

Year/Año/Année Model/Modelo/Modèle Engine/Motor/Moteur	Eng. Code Código de motor Code moteur	VIN NIV NIV	Oil Aceite Huile	Oil XP Aceite XP Huile XP	Air Aire Air	Cabin Air Cabina Aire Cabine Air	Cabin Air XP Cabina Aire XP Cabine Air XP	Loc. Cabin Air Cabina Aire Cabine Air	Fuel Combustible Carburant	Loc. Fuel Combustible Carburant	Transmission Transmisión Transmission
--	---	-------------------	------------------------	---------------------------------	--------------------	--	---	--	----------------------------------	--	---

VOLKSWAGEN (Cont'd/Suite)
2015 (Cont'd/Suite)
JETTA (Cont'd/Suite)

L5 2.5L 2481cc (Mex.)			57187	57187XP	49186	24489	24489XP		33833 ¹⁵⁴		
-----------------------	--	--	-------	---------	-------	-------	---------	--	----------------------	--	--

JETTA HYBRID

L4 1.4L 1395cc 85 CID Turbo Electric/Gas	CNLA		WL7503		WA10072	24489	24489XP		33833 ¹⁵⁴		N/A
--	------	--	--------	--	---------	-------	---------	--	----------------------	--	-----

JETTA TDI

L4 2.0L 1968cc 120 CID Turbo Diesel	CJAA		WL10056		49020	24489	24489XP	4	WF8477		WL10384
-------------------------------------	------	--	---------	--	-------	-------	---------	---	--------	--	---------

LUPO

L4 1.0L 999cc 8V (Mex.)					WA6688				33078		
-------------------------	--	--	--	--	--------	--	--	--	-------	--	--

PASSAT

L4 1.8L 1798cc 110 CID Turbo			WL10024 ⁶¹ WL10396 ¹⁹⁴		49020	24489	24489XP	4	N/S		N/S
------------------------------	--	--	---	--	-------	-------	---------	---	-----	--	-----

L5 2.5L 2480cc (Mex.)			57187	57187XP	49186	24489 ⁷⁸	24489XP ⁷⁸		33833 ¹⁵⁴		
V6 3.6L 3597cc 219 CID	CDVB		57462		49122	24489	24489XP	4	N/A		WL10384

PASSAT TDI

L4 2.0L 1968cc 120 CID Turbo Diesel			WL10056		N/A	24489	24489XP	4	WF8477		WL10384
-------------------------------------	--	--	---------	--	-----	-------	---------	---	--------	--	---------

POLO

L4 1.2L 1197cc TSI Turbo (Mex.)			WL7494		WA9645	WP2086 ⁷⁹			33814		
---------------------------------	--	--	--------	--	--------	----------------------	--	--	-------	--	--

L4 1.6L 1598cc (Mex.)			WL7494		WA9545	WP2086			33833 ¹⁵⁴		
-----------------------	--	--	--------	--	--------	--------	--	--	----------------------	--	--

SAVEIRO

L4 1.6L 1598cc (Mex.)			WL7203		WA6687	WP9037			WF8034		
-----------------------	--	--	--------	--	--------	--------	--	--	--------	--	--

TIGUAN

L4 1.4L 1390cc Turbo (Mex.)			WL7494		49020	24489	24489XP		N/S		
-----------------------------	--	--	--------	--	-------	-------	---------	--	-----	--	--

L4 2.0L 1984cc 121 CID Turbo	CCTA		57561		49020	24489	24489XP	4	N/S		N/A
------------------------------	------	--	-------	--	-------	-------	---------	---	-----	--	-----

TOUAREG

V6 3.6L 3597cc 219 CID	CGRA		57462		49920 ⁴²³ 42859 ¹⁵⁵	24631		4	WF10120		N/A
------------------------	------	--	-------	--	--	-------	--	---	---------	--	-----

V8 4.2L 4163CC 254CID (Mex.)			N/S		N/S	24631			N/S		N/S
------------------------------	--	--	-----	--	-----	-------	--	--	-----	--	-----

TOUAREG HYBRID

V6 3.0L 2995cc Super Charged Electric/Gas	CGFA		57204		42859 ¹⁵⁵ 49920 ⁴²³	24631		4	33833 ¹⁵⁴		N/A
---	------	--	-------	--	--	-------	--	---	----------------------	--	-----

TOUAREG TDI

V6 3.0L 2967cc 181 CID Turbo Diesel	CNRB		WL10008		49920 ⁴²³ 42859 ¹⁵⁵	24631		4	WF10120		N/A
-------------------------------------	------	--	---------	--	--	-------	--	---	---------	--	-----

TRANSPORTER

L4 2.0L TDI 1968cc Turbo Diesel (Mex.)			57262		WA9449	24631			WF8358		
--	--	--	-------	--	--------	-------	--	--	--------	--	--

VENTO

L4 1.6L 1598cc (Mex.)			WL7494		WA9545	N/A			33833 ¹⁵⁴		
-----------------------	--	--	--------	--	--------	-----	--	--	----------------------	--	--

L4 1.6L 1598CC Turbo Diesel (Mex.)			57262		WA9645	WP9036			N/S		N/S
------------------------------------	--	--	-------	--	--------	--------	--	--	-----	--	-----

2014
AMAROK

L4 2.0L 1984cc Turbo (Mex.)			57561		WA9721	24631			33814		
-----------------------------	--	--	-------	--	--------	-------	--	--	-------	--	--

L4 2.0L TDI 1968cc Turbo Diesel (Mex.)			57262		WA9721	24631			WF8465		
--	--	--	-------	--	--------	-------	--	--	--------	--	--

AMAROK TDI

L4 2.0L 1968cc Turbo Diesel (Mex.)			57561		N/A	24631			WF8465		
------------------------------------	--	--	-------	--	-----	-------	--	--	--------	--	--

BETLE

L4 1.8L 1798cc 110 CID Turbo			WL10024 ⁶¹ WL10396 ¹⁹⁴		49020	24489	24489XP	4	N/S		N/S
------------------------------	--	--	---	--	-------	-------	---------	---	-----	--	-----

N/A = Not Available N/R = Not Required N/S = Not Serviceable For cabin and fuel filter locator, see pages 5-15 See pages 16-19 for footnotes

N/A = Non disponible N/R = Non nécessaire N/S = Non réparable Para la ubicación de los filtros de aire de la cabina y de combustible, ver las páginas 5-15 Voir pages 16-19 pour des notes

N/A = No disponible N/R = No requiere N/S = No servible Voir les tableaux de repérage des filtres d'habitacle et à carburant aux pages 5-15 Ver las páginas 16-19 para las notas al pie de página

Italicized Part Numbers May Not Be Available. Wix XP Oil Filters Have Fully Synthetic Media.

Las piezas con números en *italicas* pueden no estar disponibles. Los filtros de aceite WIX XP son completamente de media sintética.

Les numéros de pièce en *italiques* peuvent ne pas être disponibles. Les filtres à huile Wix contiennent un matériau 100 % synthétique.

VOLKSWAGEN 2014
Pass Car/Light Truck

Year/Año/Année Model/Modelo/Modèle Engine/Motor/Moteur	Eng. Code Código de motor Code moteur	VIN NIV NIV	Oil Aceite Huile	Oil XP Aceite XP Huile XP	Air Aire Air	Cabin Air Cabina Aire Cabine Air	Cabin Air XP Cabina Aire XP Cabine Air XP	Loc. Cabin Air Cabina Aire Cabine Air	Fuel Combustible Carburant	Loc. Fuel Combustible Carburant	Transmission Transmisión Transmission
--	---	-------------------	------------------------	---------------------------------	--------------------	--	---	--	----------------------------------	--	---

VOLKSWAGEN (Cont'd/Suite)
2014 (Cont'd/Suite)
BEETLE (Cont'd/Suite)

L4 2.0L 1984cc 121 CID Turbo/Intercooled	CPLA		WL10024 ⁶¹ WL10396 ¹⁹⁴		49020	24489	24489XP	4	33833 ¹⁵⁴		WL10384
	CPPA		WL10024 ⁶¹ WL10396 ¹⁹⁴		49020	24489	24489XP	4	33833 ¹⁵⁴		WL10384
L5 2.5L 2480cc 151 CID	CBTA		57187	57187XP	49186	24489	24489XP	4	33833		WL10384
	CBUA		57187	57187XP	49186	24489	24489XP	4	33833		WL10384

BEETLE TDI

L4 2.0L 1968cc 120 CID Turbo Diesel	CJAA		57083		49020	24489	24489XP	4	33832 ³⁴¹		WL10384
-------------------------------------	------	--	-------	--	-------	-------	---------	---	----------------------	--	---------

CADDY

L4 1.2L 1197cc TSI Turbo (Mex.)			WL7494		49013	24489	24489XP		33814		
---------------------------------	--	--	--------	--	-------	-------	---------	--	-------	--	--

CC

L4 2.0L 1984cc 121 CID Turbo	CBFA		57561		49020	24489	24489XP	4	N/S		N/A
	CCTA		57561		49020	24489	24489XP	4	N/S		N/A
V6 3.6L 3597cc 219 CID	CNNA		57462		49122	24489	24489XP	4	N/S		N/A

CLASICO

L4 2.0L 1984cc (Mex.)			51393	51393XP	42472		N/A		33521		
-----------------------	--	--	-------	---------	-------	--	-----	--	-------	--	--

CRAFTER

L4 2.0L 1968cc Turbo Diesel (Mex.)			57262		49876	WP9330					
------------------------------------	--	--	-------	--	-------	--------	--	--	--	--	--

CROSSFOX

L4 1.6L 1598cc (Mex.)			WL7203		WA6688	WP9036			WF10419		
-----------------------	--	--	--------	--	--------	--------	--	--	---------	--	--

EOS

L4 2.0L 1984cc 121 CID Turbo	CBFA		57561		49020	24489	24489XP	4	33814		WL10384
	CCTA		57561		49020	24489	24489XP	4	33814		WL10384

GOL

L4 1.6L 1598cc (Mex.)			WL7203		WA6687	WP9037 ⁷⁸ WP9036 ⁷⁹			WF8034		N/A
-----------------------	--	--	--------	--	--------	--	--	--	--------	--	-----

GOLF

L5 2.5L 2480cc 151 CID	CBTA		57187	57187XP	49186	24489	24489XP	4	33833 ¹⁵⁴		WL10384
	CBUA		57187	57187XP	49186	24489	24489XP	4	33833 ¹⁵⁴		WL10384

GOLF TDI

L4 2.0L 1968cc 120 CID Turbo Diesel	CJAA		57083		49020	24489	24489XP	4	33832 ³⁴¹		WL10384
-------------------------------------	------	--	-------	--	-------	-------	---------	---	----------------------	--	---------

GTI

L4 2.0L 1984cc 121 CID Turbo	CBFA		57561		49020	24489	24489XP	4	33814		WL10384
	CCTA		57561		49020	24489	24489XP	4	33814		WL10384

JETTA

L4 1.8L 1798cc 110 CID Turbo	CPKA		WL10024 ⁶¹ WL10396 ¹⁹⁴		49020	24489	24489XP	4	33814		N/S
	CPRA		WL10024 ⁶¹ WL10396 ¹⁹⁴		49020	24489	24489XP	4	33814		N/S
L4 2.0L 1984cc 121 CID	CBPA		51393	51393XP	49013	24489	24489XP	4	33833		N/S
L5 2.5L 2480cc 151 CID	CBTA		57187	57187XP	49186	24489	24489XP	4	33833 ¹⁵⁴		WL10384
	CBUA		57187	57187XP	49186	24489	24489XP	4	33833 ¹⁵⁴		WL10384

JETTA GLI

L4 2.0L 1984cc 121 CID Turbo	CPLA		57561 ⁴²⁵ WL10024 ⁶¹ WL10396 ¹⁹⁴		49020	24489	24489XP	4	33833 ¹⁵⁴		WL10384
	CPPA		57561 ⁴²⁵ 57083 ³²		49020	24489	24489XP	4	33833 ¹⁵⁴		WL10384

JETTA HYBRID

L4 1.4L 1395cc 85 CID Turbo Electric/Gas	CNLA		WL7503		WA10072	24489	24489XP		33833 ¹⁵⁴		N/A
--	------	--	--------	--	---------	-------	---------	--	----------------------	--	-----

N/A = Not Available N/R = Not Required N/S = Not Serviceable For cabin and fuel filter locator, see pages 5-15 See pages 16-19 for footnotes

N/A = Non disponible N/R = Non nécessaire N/S = Non réparable Para la ubicación de los filtros de aire de la cabina y de combustible, ver las páginas 5-15 Voir pages 16-19 pour des notes

N/A = No disponible N/R = No requiere N/S = No servible Voir les tableaux de repérage des filtres d'habitacle et à carburant aux pages 5-15 Ver las páginas 16-19 para las notas al pie de página

Italicized Part Numbers May Not Be Available. Wix XP Oil Filters Have Fully Synthetic Media.

Las piezas con números en *italicas* pueden no estar disponibles. Los filtros de aceite WIX XP son completamente de media sintética. Les numéros de pièce en *italiques* peuvent ne pas être disponibles. Les filtres à huile XP Wix contiennent un matériau 100 % synthétique.

Year/Año/Année Model/Modelo/Modèle Engine/Motor/Moteur	Eng. Code Código de motor Code moteur	VIN NIV NIV	Oil Aceite Huile	Oil XP Aceite XP Huile XP	Air Aire Air	Cabin Air Cabina Aire Cabine Air	Cabin Air XP Cabina Aire XP Cabine Air XP	Loc. Cabin Air Cabina Aire Cabine Air	Fuel Combustible Carburant	Loc. Fuel Combustible Carburant	Transmission Transmisión Transmission
--	---	-------------------	------------------------	---------------------------------	--------------------	--	---	--	----------------------------------	--	---

VOLKSWAGEN (Cont'd/Suite)
2014 (Cont'd/Suite)
JETTA TDI

L4 2.0L 1968cc 120 CID Turbo Diesel	CJAA	57083			49020	24489	24489XP	4	33832 ³⁴¹ 33037 ³⁴⁰		WL10384
-------------------------------------	------	-------	--	--	-------	-------	---------	---	--	--	---------

LUPO

L4 1.0L 999cc 8V (Mex.)					WA6688				33078		
-------------------------	--	--	--	--	--------	--	--	--	-------	--	--

PASSAT

L4 1.8L 1798cc 110 CID Turbo/Intercooled	CPKA	WL10024 ⁶¹ WL10396 ¹⁹⁴			49020	24489	24489XP	4	33814		N/S
	CPRA	WL10024 ⁶¹ WL10396 ¹⁹⁴			49020	24489	24489XP	4	33814		N/S
L5 2.5L 2480cc 151 CID	CBTA	57187	57187XP		49186	24489	24489XP	4	33833 ¹⁵⁴		N/A
	CBUA	57187	57187XP		49186	24489	24489XP	4	33833 ¹⁵⁴		WL10384
V6 3.6L 3597cc 219 CID	CDVB	57462			49122	24489	24489XP	4	N/A		WL10384

PASSAT TDI

L4 2.0L 1968cc 120 CID Turbo Diesel	CKRA	57262			49020	24489	24489XP	4	WF10114		WL10384
-------------------------------------	------	-------	--	--	-------	-------	---------	---	---------	--	---------

POLO

L4 1.2L 1197cc TSI Turbo (Mex.)		WL7494			WA9645	WP2086 ⁷⁹			33814		
L4 1.4L 1390cc Turbo (Mex.)		WL7494			WA9645	WP2086			33814		

ROUTAN

V6 3.6L 3604cc 220 CID Flex	CJRA	WL10010	WL10010XP		49737	24479	24479XP	3	N/S		58128
-----------------------------	------	---------	-----------	--	-------	-------	---------	---	-----	--	-------

SAVEIRO

L4 1.6L 1598cc (Mex.)		WL7203			WA6687	WP9037			WF8034		
-----------------------	--	--------	--	--	--------	--------	--	--	--------	--	--

TIGUAN

L4 1.4L 1390cc Turbo (Mex.)		WL7494			49020	24489	24489XP		N/S		
L4 2.0L 1984cc 121 CID Turbo	CCTA	57561			49020	24489	24489XP	4	N/S		N/A

TOUAREG

V6 3.6L 3597cc 219 CID	CGRA	57462			49920 ⁴²³ 42859 ¹⁵⁵	24631		4	WF10120		N/A
V8 4.2L 4163cc FSI (Mex.)		57330			42859	24631			N/S		

TOUAREG HYBRID

V6 3.0L 2995cc Super Charged Electric/Gas	CGFA	57204			42859 ¹⁵⁵ 49920 ⁴²³	24631		4	33833 ¹⁵⁴		N/A
---	------	-------	--	--	--	-------	--	---	----------------------	--	-----

TOUAREG TDI

V6 3.0L 2967cc 181 CID Turbo Diesel	CNRB	WL10008			49920 ⁴²³ 42859 ¹⁵⁵	24631		4	WF10120		N/A
-------------------------------------	------	---------	--	--	--	-------	--	---	---------	--	-----

TRANSPORTER

L4 2.0L TDI 1968cc Turbo Diesel (Mex.)		57262			WA9449	24631			WF8358		
--	--	-------	--	--	--------	-------	--	--	--------	--	--

VENTO

L4 1.6L 1598cc (Mex.)		WL7494			WA9545	N/A			33833 ¹⁵⁴		
L4 1.6L 1598CC Turbo Diesel (Mex.)		57262			WA9645	WP9036			N/S		N/S

2013
AMAROK

L4 2.0L TDI 1968cc Turbo Diesel (Mex.)		57262			WA9721	24631			WF8465		
--	--	-------	--	--	--------	-------	--	--	--------	--	--

AMAROK TDI

L4 2.0L 1968cc Turbo Diesel (Mex.)		57561			N/A	24631			WF8465		
------------------------------------	--	-------	--	--	-----	-------	--	--	--------	--	--

BEETLE

L4 2.0L 1984cc 121 CID Turbo	CBFA	57561			49020	24489	24489XP	4	N/S		N/S
	CCTA	57561			49020	24489	24489XP	4	N/S		N/S
L4 2.0L 1984cc 121 CID Turbo/Intercooled	CPLA	57561			49020	24489	24489XP	4	N/S		N/S
	CPPA	57561			49020	24489	24489XP	4	N/S		N/S

N/A = Not Available N/R = Not Required N/S = Not Serviceable For cabin and fuel filter locator, see pages 5-15 See pages 16-19 for footnotes

N/A = Non disponible N/R = Non nécessaire N/S = Non réparable Para la ubicación de los filtros de aire de la cabina y de combustible, ver las páginas 5-15 Voir pages 16-19 pour des notes

N/A = No disponible N/R = No requiere N/S = No servible Voir les tableaux de repérage des filtres d'habitacle et à carburant aux pages 5-15 Ver las páginas 16-19 para las notas al pie de página

Italicized Part Numbers May Not Be Available. Wix XP Oil Filters Have Fully Synthetic Media.

Las piezas con números en *italicas* pueden no estar disponibles. Los filtros de aceite WIX XP son completamente de media sintética.

Les numéros de pièce en *italiques* peuvent ne pas être disponibles. Les filtres à huile Wix contiennent un matériau 100 % synthétique.

VOLKSWAGEN 2013
Pass Car/Light Truck

Year/Año/Année Model/Modelo/Modèle Engine/Motor/Moteur	Eng. Code Código de motor Code moteur	VIN NIV NIV	Oil Aceite Huile	Oil XP Aceite XP Huile XP	Air Aire Air	Cabin Air Cabina Aire Cabine Air	Cabin Air XP Cabina Aire XP Cabine Air XP	Loc. Cabin Air Cabina Aire Cabine Air	Fuel Combustible Carburant	Loc. Fuel Combustible Carburant	Transmission Transmisión Transmission
--	---	-------------------	------------------------	---------------------------------	--------------------	--	---	--	----------------------------------	--	---

VOLKSWAGEN (Cont'd/Suite)
2013 (Cont'd/Suite)
BEETLE (Cont'd/Suite)

L5 2.5L 2480cc 151 CID	CBTA		57187	57187XP	49186	24489	24489XP	4	N/S		WL10384
	CBUA		57187	57187XP	49186	24489	24489XP	4	N/S		WL10384

BEETLE TDI

L4 2.0L 1968cc 120 CID Turbo Diesel	CJAA		57083		49020	24489	24489XP	4	33832 ³⁴¹ 33037 ³⁴⁰		WL10384
-------------------------------------	------	--	-------	--	-------	-------	---------	---	--	--	---------

CC

L4 2.0L 1984cc 121 CID Turbo	CBFA		57561		49020	24489	24489XP	4	N/S		N/S
	CCTA		57561		49020	24489	24489XP	4	N/S		N/S
V6 3.6L 3597cc 219 CID	CNNA		57462		49122	24489	24489XP	4	N/S		N/S

CLASICO

L4 2.0L 1984cc (Mex.)			51393	51393XP	49013	N/A			33521		
-----------------------	--	--	-------	---------	-------	-----	--	--	-------	--	--

CRAFTER

L4 2.0L 1968cc Turbo Diesel (Mex.)			57262		49876	WP9330					
------------------------------------	--	--	-------	--	-------	--------	--	--	--	--	--

CROSSFOX

L4 1.6L 1598cc (Mex.)			WL7203		WA6688	WP9036			WF10419		
-----------------------	--	--	--------	--	--------	--------	--	--	---------	--	--

EOS

L4 2.0L 1984cc 121 CID Turbo	CBFA		57561		49020	24489	24489XP	4	33814		N/S
	CCTA		57561		49020	24489	24489XP	4	33814		N/S

GOL

L4 1.6L 1598cc (Mex.)			WL7203		WA6687	WP9037 ⁷⁸ WP9036 ⁷⁹			WF8034		N/A
-----------------------	--	--	--------	--	--------	--	--	--	--------	--	-----

GOLF

L4 1.4L 1390cc Turbo (Mex.)			WL7494		49020	24489	24489XP		33814		
L5 2.5L 2480cc 151 CID	CBTA		57187	57187XP	49186	24489	24489XP	4	33833 ¹⁵⁴		WL10375
	CBUA		57187	57187XP	49186	24489	24489XP	4	33833 ¹⁵⁴		WL10375

GOLF R

L4 2.0L 1984cc 121 CID Turbo	CRZA		57561 - Spin-on 57187 - Cartridge	57187XP - Cartridge	49843	24489	24489XP	4	33814		N/A
------------------------------	------	--	--------------------------------------	---------------------	-------	-------	---------	---	-------	--	-----

GOLF SPORTWAGEN

L5 2.5L 2480cc 151CID (Mex.)			57187	57187XP	49186	24489	24489XP		33833		N/S
------------------------------	--	--	-------	---------	-------	-------	---------	--	-------	--	-----

GOLF TDI

L4 2.0L 1968cc 120 CID Turbo Diesel	CJAA		57083		49020	24489	24489XP	4	33832 ³⁴¹ 33037 ³⁴⁰		WL10384
-------------------------------------	------	--	-------	--	-------	-------	---------	---	--	--	---------

GTI

L4 2.0L 1984cc 121 CID Turbo	CBFA		57561		49020	24489	24489XP	4	33814		WL10384
	CCTA		57561		49020	24489	24489XP	4	33814		WL10384

JETTA

L4 2.0L 1984cc 121 CID	CBPA		51393	51393XP	49013	24489	24489XP	4	33833 ¹⁵⁴		WL10384
L5 2.5L 2480cc 151 CID	CBTA		57187	57187XP	49186	24489	24489XP	4	N/S		WL10384
	CBUA		57187	57187XP	49186	24489	24489XP	4	N/S		WL10384

JETTA GLI

L4 2.0L 1984cc 121 CID Turbo	CBFA		57561 ¹⁴²⁵ 57083 ³²		49020	24489	24489XP	4	33814		WL10384
	CCTA		57561 ¹⁴²⁵ 57083 ³²		49020	24489	24489XP	4	33814		WL10384
	CPLA		57561 ¹⁴²⁵ 57083 ³²		49020	24489	24489XP	4	33814		WL10384
	CPPA		57561 ¹⁴²⁵ 57083 ³²		49020	24489	24489XP	4	33814		WL10384

JETTA HYBRID

L4 1.4L 1395cc 85 CID Turbo Electric/Gas	CNLA		WL7503		WA10072	24489	24489XP		N/S		N/A
--	------	--	--------	--	---------	-------	---------	--	-----	--	-----

N/A = Not Available N/R = Not Required N/S = Not Serviceable For cabin and fuel filter locator, see pages 5-15 See pages 16-19 for footnotes

N/A = Non disponible N/R = Non nécessaire N/S = Non réparable Para la ubicación de los filtros de aire de la cabina y de combustible, ver las páginas 5-15 Voir pages 16-19 pour des notes

N/A = No disponible N/R = No requiere N/S = No servible Voir les tableaux de repérage des filtres d'habitacle et à carburant aux pages 5-15 Ver las páginas 16-19 para las notas al pie de página

Italicized Part Numbers May Not Be Available. Wix XP Oil Filters Have Fully Synthetic Media.

Las piezas con números en *italicas* pueden no estar disponibles. Los filtros de aceite WIX XP son completamente de media sintética. Les numéros de pièce en *italiques* peuvent ne pas être disponibles. Les filtres à huile XP Wix contiennent un matériau 100 % synthétique.

Year/Año/Année Model/Modelo/Modèle Engine/Motor/Moteur	Eng. Code Código de motor Code moteur	VIN NIV NIV	Oil Aceite Huile	Oil XP Aceite XP Huile XP	Air Aire Air	Cabin Air Cabina Aire Cabine Air	Cabin Air XP Cabina Aire XP Cabine Air XP	Loc. Cabin Air Cabina Aire Cabine Air	Fuel Combustible Carburant	Loc. Fuel Combustible Carburant	Transmission Transmisión Transmission
--	--	-------------------	------------------------	---------------------------------	--------------------	--	---	--	----------------------------------	--	---

VOLKSWAGEN (Cont'd/Suite)
2013 (Cont'd/Suite)
JETTA TDI

L4 2.0L 1968cc 120 CID Turbo Diesel	CJAA	57083			49020	24489	24489XP	4	33832 ³⁴¹ 33037 ³⁴⁰		WL10384
-------------------------------------	------	-------	--	--	-------	-------	---------	---	--	--	---------

LUPO

L4 1.0L 999cc 8V (Mex.)					WA6688				33078		
-------------------------	--	--	--	--	--------	--	--	--	-------	--	--

PASSAT

L5 2.5L 2480cc 151 CID	CBTA	57187	57187XP	49186	24489	24489XP	4	N/S			WL10384
	CBUA	57187	57187XP	49186	24489	24489XP	4	N/S			WL10384
V6 3.6L 3597cc 219 CID	CDVB	57462		49122	24489	24489XP	4	N/A			WL10384

PASSAT TDI

L4 2.0L 1968cc 120 CID Turbo Diesel	CKRA	57262			49020	24489	24489XP	4	WF10114		WL10384
-------------------------------------	------	-------	--	--	-------	-------	---------	---	---------	--	---------

POLO

L4 1.2L 1197cc TSI Turbo (Mex.)		WL7494			WA9645	WP2086			33814		
L4 1.4L 1390CC 85CID (Mex.)		WL7494			N/S	N/S			N/S		N/S

ROUTAN

V6 3.6L 3604cc 220 CID Flex	CJRA	57526	57526XP	49737	24479	24479XP	3	N/S			58128
-----------------------------	------	-------	---------	-------	-------	---------	---	-----	--	--	-------

SAVEIRO

L4 1.6L 1598cc (Mex.)		WL7203			WA6687	WP9037			WF8034		
-----------------------	--	--------	--	--	--------	--------	--	--	--------	--	--

TIGUAN

L4 1.4L 1390cc Turbo (Mex.)		WL7494			49020	24489	24489XP		N/S		
L4 2.0L 1984cc 121 CID Turbo	CCTA	57561			49020	24489	24489XP	4	N/S		N/A

TOUAREG

V6 3.6L 3597cc 219 CID	CGRA	57462			42859	24631		4	N/S		N/A
V8 4.2L 4163cc FSI (Mex.)		57330			42859	24631			N/S		

TOUAREG HYBRID

V6 3.0L 2995cc Super Charged Electric/Gas	CGFA	57204			49920	24631		4	N/S		N/A
---	------	-------	--	--	-------	-------	--	---	-----	--	-----

TOUAREG TDI

V6 3.0L 2967cc 181 CID Turbo Diesel	CNRB	WL10008			42859	24631		4	33434		N/A
-------------------------------------	------	---------	--	--	-------	-------	--	---	-------	--	-----

TRANSPORTER

L4 2.0L TDI 1968cc Turbo Diesel (Mex.)		57262			WA9449	24631			WF8358		
--	--	-------	--	--	--------	-------	--	--	--------	--	--

2012
AMAROK

L4 2.0L 1984cc Turbo (Mex.)		57561			WA9721	24631			33814		
L4 2.0L TDI 1968cc Turbo Diesel (Mex.)		57262			WA9721	24631			WF8465		

AMAROK TDI

L4 2.0L 1968cc Turbo Diesel (Mex.)		57561			N/A	24631			WF8465		
------------------------------------	--	-------	--	--	-----	-------	--	--	--------	--	--

BETLE

L4 2.0L 1984cc 121 CID Turbo	CBFA	57561			49020	24489	24489XP	4	N/S		N/S
	CCTA	57561			49020	24489	24489XP	4	N/S		N/S
L5 2.5L 2480cc 151 CID	CBTA	57187	57187XP	49186	24489	24489XP	4	N/S			WL10384
	CBUA	57187	57187XP	49186	24489	24489XP	4	N/S			WL10384

CC

L4 2.0L 1984cc 121 CID Turbo	CBFA	57561			49020	24489	24489XP	4	N/S		N/S
	CCTA	57561			49020	24489	24489XP	4	N/S		N/S
V6 3.6L 3597cc 219 CID	CNNA	57083			49122	24489	24489XP	4	N/S		N/S

CLASICO

L4 1.8L 1781cc (Mex.)		51393	51393XP	49013		N/A			33521		
L4 2.0L 1984cc (Mex.)		51393	51393XP	49013		N/A			33521		

N/A = Not Available N/R = Not Required N/S = Not Serviceable For cabin and fuel filter locator, see pages 5-15 See pages 16-19 for footnotes

N/A = Non disponible N/R = Non nécessaire N/S = Non réparable Para la ubicación de los filtros de aire de la cabina y de combustible, ver las páginas 5-15 Voir pages 16-19 pour des notes

N/A = No disponible N/R = No requiere N/S = No servible Voir les tableaux de repérage des filtres d'habitacle et à carburant aux pages 5-15 Ver las páginas 16-19 para las notas al pie de página

Italicized Part Numbers May Not Be Available. Wix XP Oil Filters Have Fully Synthetic Media.

Las piezas con números en *italicas* pueden no estar disponibles. Los filtros de aceite WIX XP son completamente de media sintética.

Les numéros de pièce en *italiques* peuvent ne pas être disponibles. Les filtres à huile Wix contiennent un matériau 100 % synthétique.

VOLKSWAGEN 2012
Pass Car/Light Truck

Year/Año/Année Model/Modelo/Modèle Engine/Motor/Moteur	Eng. Code Código de motor Code moteur	VIN NIV NIV	Oil Aceite Huile	Oil XP Aceite XP Huile XP	Air Aire Air	Cabin Air Cabina Aire Cabine Air	Cabin Air XP Cabina Aire XP Cabine Air XP	Loc. Cabin Air Cabina Aire Cabine Air	Fuel Combustible Carburant	Loc. Fuel Combustible Carburant	Transmission Transmisión Transmission
--	---	-------------------	------------------------	---------------------------------	--------------------	--	---	--	----------------------------------	--	---

VOLKSWAGEN (Cont'd/Suite)
2012 (Cont'd/Suite)
CRAFTER

L4 2.0L 1968cc Turbo Diesel (Mex.)			57210		49876	WP9330			WF8466		
L5 2.5L 2459CC 150CID (Mex.)			N/S		N/S	49366			N/S		N/S

CROSSFOX

L4 1.6L 1598cc (Mex.)			WL7203		WA6688	WP9036			WF10419		
-----------------------	--	--	--------	--	--------	--------	--	--	---------	--	--

EOS

L4 2.0L 1984cc 121 CID Turbo	CBFA		57561		49020	24489	24489XP	4	33814		N/S
	CCTA		57561		49020	24489	24489XP	4	33814		N/S

GOL

L4 1.6L 1598cc (Mex.)			WL7203		WA6687	WP9037 ⁷⁶ WP9036 ⁷⁹			WF8034		N/A
-----------------------	--	--	--------	--	--------	--	--	--	--------	--	-----

GOLF

L4 2.0L 1984cc 121 CID Turbo (Mex.)	CBFA		57561		49020	24489	24489XP		33833 ¹⁵⁴		N/A
L5 2.5L 2480cc 151 CID	CBTA		57187	57187XP	49186	24489	24489XP	4	33833 ¹⁵⁴		WL10375
	CBUA		57187	57187XP	49186	24489	24489XP	4	33833 ¹⁵⁴		WL10375

GOLF R

L4 2.0L 1984cc 121 CID Turbo	CRZA		57561 - Spin-on 57187 - Cartridge	57187XP - Cartridge	49843	24489	24489XP	4	33814		N/A
------------------------------	------	--	--------------------------------------	---------------------	-------	-------	---------	---	-------	--	-----

GOLF SPORTWAGEN

L5 2.5L 2480CC 151CID (Mex.)			57187	57187XP	49186	24489	24489XP		33833		N/S
------------------------------	--	--	-------	---------	-------	-------	---------	--	-------	--	-----

GOLF TDI

L4 2.0L 1968cc 120 CID Turbo Diesel	CJAA		57083		49020	24489	24489XP	4	33832		WL10384
-------------------------------------	------	--	-------	--	-------	-------	---------	---	-------	--	---------

GTI

L4 2.0L 1984cc 121 CID Turbo	CBFA		57561		49020	24489	24489XP	4	33814		WL10384
	CCTA		57561		49020	24489	24489XP	4	33814		WL10384

JETTA

L4 2.0L 1984cc 121 CID	CBPA		51393	51393XP	49013	24489	24489XP	4	33833 ¹⁵⁴		WL10384
L4 2.0L 1984cc 121 CID Turbo	CBFA		57561		49020	24489	24489XP	4	33814		WL10384
	CCTA		57561		49020	24489	24489XP	4	33814		WL10384
L5 2.5L 2480cc 151 CID	CBTA		57187	57187XP	49186	24489	24489XP	4	N/S		WL10384
	CBUA		57187	57187XP	49186	24489	24489XP	4	N/S		WL10384

JETTA TDI

L4 2.0L 1968cc 120 CID Turbo Diesel	CJAA		57083		49020	24489	24489XP	4	33832 ³⁴¹ 33037 ³⁴⁰		WL10384
-------------------------------------	------	--	-------	--	-------	-------	---------	---	--	--	---------

LUPO

L4 1.0L 999cc 8V (Mex.)					WA6688				33078		
-------------------------	--	--	--	--	--------	--	--	--	-------	--	--

PASSAT

L4 2.0L 1968cc TDI Turbo Diesel (Mex.)	BUZ		57083		49020	24489	24489XP		33256		
L5 2.5L 2480cc 151 CID	CBTA		57187	57187XP	49186	24489	24489XP	4	N/S		WL10384
	CBUA		57187	57187XP	49186	24489	24489XP	4	N/S		WL10384
V6 3.6L 3597cc 219 CID	CDVB		57462		49122	24489	24489XP	4	N/S		N/S

PASSAT TDI

L4 2.0L 1968cc 120 CID Turbo Diesel	CKRA		57262		49020	24489	24489XP	4	WF10114		WL10384
-------------------------------------	------	--	-------	--	-------	-------	---------	---	---------	--	---------

ROUTAN

V6 3.6L 3604cc 220 CID Flex	CJRA		57526	57526XP	49737	24479	24479XP	3	N/S		58128
-----------------------------	------	--	-------	---------	-------	-------	---------	---	-----	--	-------

SAVEIRO

L4 1.6L 1598cc (Mex.)			WL7203		WA6687	WP9037			WF8034		
-----------------------	--	--	--------	--	--------	--------	--	--	--------	--	--

TIGUAN

L4 2.0L 1984cc 121 CID Turbo	CCTA		57561		49020	24489	24489XP	4	N/S		N/A
------------------------------	------	--	-------	--	-------	-------	---------	---	-----	--	-----

N/A = Not Available N/R = Not Required N/S = Not Serviceable For cabin and fuel filter locator, see pages 5-15 See pages 16-19 for footnotes

N/A = Non disponible N/R = Non nécessaire N/S = Non réparable Para la ubicación de los filtros de aire de la cabina y de combustible, ver las páginas 5-15 Voir pages 16-19 pour des notes

N/A = No disponible N/R = No requiere N/S = No servible Voir les tableaux de repérage des filtres d'habitacle et à carburant aux pages 5-15 Ver las páginas 16-19 para las notas al pie de página

Italicized Part Numbers May Not Be Available. Wix XP Oil Filters Have Fully Synthetic Media.

Las piezas con números en *italicas* pueden no estar disponibles. Los filtros de aceite WIX XP son completamente de media sintética. Les numéros de pièce en *italiques* peuvent ne pas être disponibles. Les filtres à huile XP Wix contiennent un matériau 100 % synthétique.

Year/Año/Année Model/Modelo/Modèle Engine/Motor/Moteur	Eng. Code Código de motor Code moteur	VIN NIV NIV	Oil Aceite Huile	Oil XP Aceite XP Huile XP	Air Aire Air	Cabin Air Cabina Aire Cabine Air	Cabin Air XP Cabina Aire XP Cabine Air XP	Loc. Cabin Air Cabina Aire Cabine Air	Fuel Combustible Carburant	Loc. Fuel Combustible Carburant	Transmission Transmisión Transmission
--	---	-------------------	------------------------	---------------------------------	--------------------	--	---	--	----------------------------------	--	---

VOLKSWAGEN (Cont'd/Suite)
2012 (Cont'd/Suite)
TOUAREG

V6 3.6L 3597cc 219 CID	CGRA		57462		42859	24631		4	N/S		N/A
V8 4.2L 4163cc FSI (Mex.)			57330		42859	24631			N/S		

TOUAREG HYBRID

V6 3.0L 2995cc Super Charged Electric/Gas	CGFA		57204		49920	24631		4	N/S		N/A
---	------	--	-------	--	-------	-------	--	---	-----	--	-----

TOUAREG TDI

V6 3.0L 2967cc 181 CID Turbo Diesel	CATA		57161		42859	24631		4	WF10120		N/A
-------------------------------------	------	--	-------	--	-------	-------	--	---	---------	--	-----

TRANSPORTER

L4 2.0L TDI 1968cc Turbo Diesel (Mex.)			57262		WA9449	24631			WF8358		
--	--	--	-------	--	--------	-------	--	--	--------	--	--

2011
AMAROK

L4 2.0L 1984cc Turbo (Mex.)			57561		WA9721	24631			33814		
L4 2.0L TDI 1968cc Turbo Diesel (Mex.)			57262		WA9721	24631			WF8465		

AMAROK TDI

L4 2.0L 1968cc Turbo Diesel (Mex.)			57561		N/A	24631			WF8465		
------------------------------------	--	--	-------	--	-----	-------	--	--	--------	--	--

BEETLE

L4 2.0L 1984cc (Mex.)	CCZA		57561		49020	24489	24489XP		33833 ¹⁵⁴		
L4 2.0L 1984cc 121 CID Turbo (Mex.)	CBFA		57561		49020	24489	24489XP		33833 ¹⁵⁴		
	CCTA		57561		49020	24489	24489XP		33833 ¹⁵⁴		
L5 2.5L 2480cc (Mex.)			57187	57187XP	49186	24489	24489XP		N/A		

BORA

L4 2.0L 1984cc Turbo (Mex.)			57187	57187XP	49013	24489	24489XP		33814		
-----------------------------	--	--	-------	---------	-------	-------	---------	--	-------	--	--

CC

L4 2.0L 1984cc 121 CID Turbo	CBFA		57561		49020	24489	24489XP	4	N/S		N/S
	CCTA		57561		49020	24489	24489XP	4	N/S		N/S
V6 3.6L 3597cc 219 CID	BLV		57083		49122	24489	24489XP	4	N/S		N/S

CLASICO

L4 1.8L 1781cc (Mex.)			51393	51393XP	49013	N/A			33521		
L4 2.0L 1984cc (Mex.)			51393	51393XP	49013	N/A			33521		

CRAFTER

2.5TDI (Mex.)			57210		49876	49366 ⁷⁸ WP9330 ⁷⁹			WF8392		
L4 2.0L 1968cc Turbo Diesel (Mex.)			57210		49876	WP9330			WF8466		

CROSSFOX

L4 1.6L 1598cc (Mex.)			WL7203		WA6688	WP9036			WF10419		
-----------------------	--	--	--------	--	--------	--------	--	--	---------	--	--

EOS

L4 2.0L 1984cc 121 CID Turbo	CBFA		57561		49020	24489	24489XP	4	33814		N/S
	CCTA		57561		49020	24489	24489XP	4	33814		N/S

GOL

L4 1.6L 1598cc (Mex.)			WL7203		WA6687	WP9036 ⁷⁹ WP9037 ⁷⁸			WF8034		N/A
-----------------------	--	--	--------	--	--------	--	--	--	--------	--	-----

GOLF

L4 2.0L 1984cc 121 CID Turbo (Mex.)	CBFA		57561		49020	24489	24489XP		N/A		N/A
L5 2.5L 2480cc 151 CID	CBTA		57187	57187XP	49186	24489	24489XP	4	33833 ¹⁵⁴		WL10375
	CBUA		57187	57187XP	49186	24489	24489XP	4	33833 ¹⁵⁴		WL10375

GOLF SPORTWAGEN

L5 2.5L 2480CC 151CID (Mex.)			57187	57187XP	49186	24489	24489XP		33833		N/S
------------------------------	--	--	-------	---------	-------	-------	---------	--	-------	--	-----

N/A = Not Available N/R = Not Required N/S = Not Serviceable For cabin and fuel filter locator, see pages 5-15 See pages 16-19 for footnotes

N/A = Non disponible N/R = Non nécessaire N/S = Non réparable Para la ubicación de los filtros de aire de la cabina y de combustible, ver las páginas 5-15 Voir pages 16-19 pour des notes

N/A = No disponible N/R = No requiere N/S = No servible Voir les tableaux de repérage des filtres d'habitacle et à carburant aux pages 5-15 Ver las páginas 16-19 para las notas al pie de página

Italicized Part Numbers May Not Be Available. Wix XP Oil Filters Have Fully Synthetic Media.

Las piezas con números en *italicas* pueden no estar disponibles. Los filtros de aceite WIX XP son completamente de media sintética.

Les numéros de pièce en *italiques* peuvent ne pas être disponibles. Les filtres à huile Wix contiennent un matériau 100 % synthétique.

VOLKSWAGEN 2011-2010
Pass Car/Light Truck

Year/Año/Année Model/Modelo/Modèle Engine/Motor/Moteur	Eng. Code Código de motor Code moteur	VIN NIV NIV	Oil Aceite Huile	Oil XP Aceite XP Huile XP	Air Aire Air	Cabin Air Cabina Aire Cabine Air	Cabin Air XP Cabina Aire XP Cabine Air XP	Loc. Cabin Air Cabina Aire Cabine Air	Fuel Combustible Carburant	Loc. Fuel Combustible Carburant	Transmission Transmisión Transmission
--	---	-------------------	------------------------	---------------------------------	--------------------	--	---	--	----------------------------------	--	---

VOLKSWAGEN (Cont'd/Suite)
2011 (Cont'd/Suite)
GOLF TDI

L4 2.0L 1968cc 120 CID Turbo Diesel	CJAA		57083		49020	24489	24489XP	4	33832		WL10384
-------------------------------------	------	--	-------	--	-------	-------	---------	---	-------	--	---------

GTI

L4 2.0L 1984cc 121 CID Turbo	CBFA		57561		49020	24489	24489XP	4	33814		WL10384
	CCTA		57561		49020	24489	24489XP	4	33814		WL10384

JETTA

L4 2.0L 1984cc 121 CID	CBPA		51393	51393XP	49013	24489	24489XP	4	33833 ¹⁵⁴		WL10384
L4 2.0L 1984cc 121 CID Turbo	BPY		57561		49020	24489	24489XP	4	33814		WL10384
L5 2.5L 2480cc 151 CID	CBTA		57187	57187XP	49186	24489	24489XP	4	33833 ¹⁵⁴		WL10375
	CBUA		57187	57187XP	49186	24489	24489XP	4	33833 ¹⁵⁴		WL10375

JETTA TDI

L4 2.0L 1968cc 120 CID Turbo Diesel	CJAA		57083		49020	24489	24489XP	4	33832 ³⁴¹ 33037 ³⁴⁰		WL10384
-------------------------------------	------	--	-------	--	-------	-------	---------	---	--	--	---------

LUPO

L4 1.0L 999cc 8V (Mex.)					WA6688				33078		
-------------------------	--	--	--	--	--------	--	--	--	-------	--	--

PASSAT

L4 2.0L 1984cc 121 CID Turbo	CBFA		57561		49020	24489	24489XP	4	N/S		N/S
V6 3.6L 3597cc	BWS		57462		49122	24489	24489XP		N/A		N/A
V6 3.6L 3597cc (Mex.)	BWS		57462		49122	24489	24489XP		N/A		N/A

ROUTAN

V6 3.6L 3604cc 220 CID Flex	CJRA		57526	57526XP	49737	24479	24479XP	3	N/S		58128
-----------------------------	------	--	-------	---------	-------	-------	---------	---	-----	--	-------

SAVEIRO

L4 1.6L 1598cc (Mex.)			WL7203		WA6687	WP9037			WF8034		
-----------------------	--	--	--------	--	--------	--------	--	--	--------	--	--

TIGUAN

L4 2.0L 1984cc 121 CID Turbo	CCTA		57561		49020	24489	24489XP	4	N/S		N/A
------------------------------	------	--	-------	--	-------	-------	---------	---	-----	--	-----

TOUAREG

V6 3.6L 3597cc 219 CID	CGRA		51212		42859	24631		4	N/S		N/A
V8 4.2L 4163CC 254CID (Mex.)			N/S		N/S	24631			N/S		N/S

TOUAREG HYBRID

V6 3.0L 2995cc Super Charged Electric/Gas	CGFA		57204		49920	24631		4	N/S		N/A
---	------	--	-------	--	-------	-------	--	---	-----	--	-----

TOUAREG TDI

V6 3.0L 2967cc 181 CID Turbo Diesel	CATA		57161		42859	24631		4	33434		N/A
-------------------------------------	------	--	-------	--	-------	-------	--	---	-------	--	-----

TRANSPORTER

L4 2.0L 1968cc (Mex.)			57083		WA9449	N/A			WF8358		
L4 2.0L TDI 1968cc Turbo Diesel (Mex.)			57262		WA9449	24631			WF8358		

2010
AMAROK

L4 2.0L TDI 1968cc Turbo Diesel (Mex.)			57262		WA9721	24631			WF8465		
--	--	--	-------	--	--------	-------	--	--	--------	--	--

AMAROK TDI

L4 2.0L 1968cc Turbo Diesel (Mex.)			57561		N/A	24631			WF8465		
------------------------------------	--	--	-------	--	-----	-------	--	--	--------	--	--

BEETLE

L4 2.0L 1984cc (Mex.)			51393	51393XP	42472	24322			33521		
L5 2.5L 2480cc 151 CID	BPR		57187	57187XP	42472	24322 ¹⁵		1	33521 ¹⁵⁵ 33833 ¹⁵³	D D	N/S
	BPS		57187	57187XP	42472	24322 ¹⁵		1	33521 ¹⁵⁵ 33833 ¹⁵⁴	D D	N/S

BORA

L4 1.9L 1896cc Turbo Diesel (Mex.)	BXE		57083		49020	24489	24489XP		33037		
------------------------------------	-----	--	-------	--	-------	-------	---------	--	-------	--	--

N/A = Not Available N/R = Not Required N/S = Not Serviceable For cabin and fuel filter locator, see pages 5-15 See pages 16-19 for footnotes

N/A = Non disponible N/R = Non nécessaire N/S = Non réparable Para la ubicación de los filtros de aire de la cabina y de combustible, ver las páginas 5-15 Voir pages 16-19 pour des notes

N/A = No disponible N/R = No requiere N/S = No servible Voir les tableaux de repérage des filtres d'habitacle et à carburant aux pages 5-15 Ver las páginas 16-19 para las notas al pie de página

Italicized Part Numbers May Not Be Available. Wix XP Oil Filters Have Fully Synthetic Media.

Las piezas con números en *italicas* pueden no estar disponibles. Los filtros de aceite WIX XP son completamente de media sintética. Les numéros de pièce en *italiques* peuvent ne pas être disponibles. Les filtres à huile XP Wix contiennent un matériau 100 % synthétique.

Year/Año/Année Model/Modelo/Modèle Engine/Motor/Moteur	Eng. Code Código de motor Code moteur	VIN NIV NIV	Oil Aceite Huile	Oil XP Aceite XP Huile XP	Air Aire Air	Cabin Air Cabina Aire Cabine Air	Cabin Air XP Cabina Aire XP Cabine Air XP	Loc. Cabin Air Cabina Aire Cabine Air	Fuel Combustible Carburant	Loc. Fuel Combustible Carburant	Transmission Transmisión Transmission
--	---	-------------------	------------------------	---------------------------------	--------------------	--	---	--	----------------------------------	--	---

VOLKSWAGEN (Cont'd/Suite)

2010 (Cont'd/Suite)

BORA (Cont'd/Suite)

L4 2.0L 1984cc (Mex.)	BBY		57187	57187XP	49843					33814	
L5 2.5L 2480cc (Mex.)			57187	57187XP	49186	24489	24489XP			33833 ¹⁵⁴	

CC

L4 2.0L 1984cc 121 CID Turbo	CBFA		57561		49020	24489	24489XP	4	N/S		N/S
	CCTA		57561		49020	24489	24489XP	4	N/S		N/S
V6 3.6L 3597cc 219 CID	BLV		57083		49122	24489	24489XP	4	N/S		N/S

CITY GOLF

L4 2.0L 1984cc	BEV		51393	51393XP	42472	24489	24489XP		N/A		N/A
----------------	-----	--	-------	---------	-------	-------	---------	--	-----	--	-----

CRAFTER

2.5TDI (Mex.)			57210		49876	49366 ⁷⁸ WP9330 ⁷⁹			WF8392		
L4 2.0L 1968cc Turbo Diesel (Mex.)			57210		49876	WP9330			WF8466		

CROSSFOX

L4 1.6L 1598cc (Mex.)			WL7203		WA6688	WP9036			WF10419		
-----------------------	--	--	--------	--	--------	--------	--	--	---------	--	--

EOS

L4 2.0L 1984cc 121 CID Turbo	CBFA		57561		49020	24489	24489XP	4	33814		WL10384
	CCTA		57561		49020	24489	24489XP	4	33814		WL10384

GLI

L4 2.0L 1984cc Turbo (Mex.)			N/A		49020				N/A		
-----------------------------	--	--	-----	--	-------	--	--	--	-----	--	--

GOL

L4 1.6L 1598cc (Mex.)			WL7203		WA6687	WP9037 ⁷⁸ WP9036 ⁷⁹			WF8034		N/A
-----------------------	--	--	--------	--	--------	--	--	--	--------	--	-----

GOLF

L4 1.8L 1781cc (Mex.)	AUQ		51393	51393XP	42472	24322			33521		
L4 2.0L 1984cc 121 CID Turbo (Mex.)	CBFA		57561		49020	24489	24489XP		N/A		N/A
L5 2.5L 2480cc 151 CID	CBTA		57187	57187XP	49186	24489	24489XP	4	33833 ¹⁵⁴		WL10375
	CBUA		57187	57187XP	49186	24489	24489XP	4	33833 ¹⁵⁴		WL10375

GOLF SPORTWAGEN

L5 2.5L 2480CC 151CID (Mex.)			57187	57187XP	49186	24489	24489XP		33833		N/S
------------------------------	--	--	-------	---------	-------	-------	---------	--	-------	--	-----

GOLF TDI

L4 2.0L 1968cc 120 CID Turbo Diesel	CJAA		57083		49020	24489	24489XP	4	33832		WL10384
-------------------------------------	------	--	-------	--	-------	-------	---------	---	-------	--	---------

GTI

L4 2.0L 1984cc 121 CID Turbo	CBFA		57561		49020	24489	24489XP	4	33814		WL10384
	CCTA		57561		49020	24489	24489XP	4	33814		WL10384

JETTA

L4 1.8L 1781CC 109CID (Mex.)			N/S		N/S	24489	24489XP		N/S		N/S
L4 1.9L 1896cc Diesel (Mex.)			57083		49122	24489	24489XP		33832		
L4 1.9L 1896cc Turbo Diesel (Mex.)			57083		49020	24489	24489XP		33832		
L4 2.0L 1968cc Turbo Diesel	CFFB		57262		49020	24489	24489XP		33832		N/A
L4 2.0L 1968cc Turbo Diesel (Mex.)	CFFB		57262		49020	24489	24489XP		33832		N/A
L4 2.0L 1984cc	CBPA		51393	51393XP	49013	24489	24489XP		33833 ¹⁵⁴ 33814 ¹⁵⁵		
	CCZA		57561		49020	24489	24489XP		33833 ¹⁵⁴ 33814 ¹⁵⁵		N/A
L4 2.0L 1984cc 121 CID	EA113		51393	51393XP	42472	24489	24489XP		33521		N/A
L4 2.0L 1984cc 121 CID Turbo	CBFA		57561		49020	24489	24489XP	4	33814		WL10384
	CCTA		57561		49020	24489	24489XP	4	33814		WL10384
L5 2.5L 2480cc 151 CID	CBTA		57187	57187XP	49186	24489	24489XP		33833 ¹⁵⁴		N/A
	CBTA		57187	57187XP	49186	24489	24489XP	4	33833 ¹⁵⁴		WL10375

N/A = Not Available N/R = Not Required N/S = Not Serviceable For cabin and fuel filter locator, see pages 5-15 See pages 16-19 for footnotes

N/A = Non disponible N/R = Non nécessaire N/S = Non réparable Para la ubicación de los filtros de aire de la cabina y de combustible, ver las páginas 5-15 Voir pages 16-19 pour des notes

N/A = No disponible N/R = No requiere N/S = No servible Voir les tableaux de repérage des filtres d'habitacle et à carburant aux pages 5-15 Ver las páginas 16-19 para las notas al pie de página

Italicized Part Numbers May Not Be Available. Wix XP Oil Filters Have Fully Synthetic Media.

Las piezas con números en *italicas* pueden no estar disponibles. Los filtros de aceite WIX XP son completamente de media sintética.

Les numéros de pièce en *italiques* peuvent ne pas être disponibles. Les filtres à huile Wix contiennent un matériau 100 % synthétique.

VOLKSWAGEN 2010-2009
Pass Car/Light Truck

Year/Año/Année Model/Modelo/Modèle Engine/Motor/Moteur	Eng. Code Código de motor Code moteur	VIN NIV NIV	Oil Aceite Huile	Oil XP Aceite XP Huile XP	Air Aire Air	Cabin Air Cabina Aire Cabine Air	Cabin Air XP Cabina Aire XP Cabine Air XP	Loc. Cabin Air Cabina Aire Cabine Air	Fuel Combustible Carburant	Loc. Fuel Combustible Carburant	Transmission Transmisión Transmission
--	---	-------------------	------------------------	---------------------------------	--------------------	--	---	--	----------------------------------	--	---

VOLKSWAGEN (Cont'd/Suite)
2010 (Cont'd/Suite)
JETTA (Cont'd/Suite)

L5 2.5L 2480cc 151 CID	CBUA		57187	57187XP	49186	24489	24489XP	4	33833 ¹⁵⁴		WL10375
------------------------	------	--	-------	---------	-------	-------	---------	---	----------------------	--	---------

JETTA TDI

L4 2.0L 1968cc 120 CID Turbo Diesel	CJAA		57083		49020	24489	24489XP	4	33832 ³⁴¹ 33037 ³⁴⁰		WL10384
-------------------------------------	------	--	-------	--	-------	-------	---------	---	--	--	---------

LUPO

L4 1.6L 1598cc (Mex.)			WL7203		WA6688				WF10419		
-----------------------	--	--	--------	--	--------	--	--	--	---------	--	--

NEW BEETLE

L4 1.4L 1390cc (Mex.)	BCA		WL7203		46141	24322			33521 ¹⁵⁵ 33833 ¹⁵⁴		N/A
L4 1.6L 1588cc (Mex.)	AYD		51393	51393XP	42472	24322			33521 ¹⁵⁵ 33833 ¹⁵⁴		58609
L4 1.8L 1781cc (Mex.)			51393	51393XP	42472	24322			33521 ¹⁵⁵ 33833 ¹⁵⁴		N/A
L4 2.0L 1984cc (Mex.)	AVH		51393	51393XP	42472	24322			33521 ¹⁵⁵ 33833 ¹⁵⁴		N/A

PASSAT

L4 2.0L 1984cc (Mex.)	BLR		57187	57187XP	49013	24489	24489XP		N/A		N/A
L4 2.0L 1984cc 121 CID Turbo	CBFA		57561		49020	24489	24489XP	4	N/S		N/S
	CCTA		57561		49020	24489	24489XP	4	N/S		N/S
V6 3.6L 3597cc	BLV	U	57083		49122	24489	24489XP	4	N/S		N/S

POINTER TRUCK

L4 1.8L 1781CC 109CID (Mex.)			51393	51393XP	42827	N/S			WF10419		N/S
------------------------------	--	--	-------	---------	-------	-----	--	--	---------	--	-----

ROUTAN

V6 3.8L 3778cc 231 CID	CGUA	1	51348 ⁵³	51348XP	42389	24479	24479XP	3	N/S		58128
V6 4.0L 3952cc 241 CID	CGVA	X	57060 ⁵³	57060XP	42389	24479	24479XP	3	N/S		58128

SAVEIRO

L4 1.6L 1598cc (Mex.)			WL7203		WA6687	WP9037			WF8034		
-----------------------	--	--	--------	--	--------	--------	--	--	--------	--	--

SPORT VAN

L4 1.6L 1598cc (Mex.)			WL7203		WA6688	N/A			33833 ¹⁵⁴		
-----------------------	--	--	--------	--	--------	-----	--	--	----------------------	--	--

TIGUAN

L4 2.0L 1984cc 121 CID Turbo	CCTA		57561		49020	24489	24489XP	4	N/S		N/A
------------------------------	------	--	-------	--	-------	-------	---------	---	-----	--	-----

TOUAREG

V6 3.6L 3597cc 219 CID	BHK		51212		42859	24631 ⁷⁸		4	N/S		WL10380
V8 4.2L 4163cc	BAR		57330		42859	24631 ⁷⁸		4	N/S		WL10380

TOUAREG TDI

V6 3.0L 2967cc 181 CID Turbo Diesel	CATA		57161		42859	24631 ⁷⁸		4	33434		WL10381
-------------------------------------	------	--	-------	--	-------	---------------------	--	---	-------	--	---------

TRANSPORTER

L4 2.0L TDI 1968cc Turbo Diesel (Mex.)			57262		WA9449	24631			WF8358		
--	--	--	-------	--	--------	-------	--	--	--------	--	--

2009
BEETLE

L4 2.0L 1984cc (Mex.)			51393	51393XP	42472	24322			33521		
L5 2.5L 2480cc 151 CID	BPR		57187	57187XP	42472	24322 ⁷⁸		1	33521 ¹⁵⁵ 33833 ¹⁵³	D D	N/S
	BPS		57187	57187XP	42472	24322 ⁷⁸		1	33521 ¹⁵⁵ 33833 ¹⁵⁴	D D	N/S

BORA

L4 1.9L 1896cc Turbo Diesel (Mex.)	BXE		57083		49020	24489	24489XP		33037		
L4 2.0L 1984cc (Mex.)	BWA		57187	57187XP	49843				33814		
L5 2.5L 2480cc (Mex.)			57187	57187XP	49186	24489	24489XP		33833 ¹⁵⁴		

CC

L4 2.0L 1984cc 121 CID Turbo	CCTA		57561		49020	24489	24489XP	4	N/S		N/S
------------------------------	------	--	-------	--	-------	-------	---------	---	-----	--	-----

N/A = Not Available N/R = Not Required N/S = Not Serviceable For cabin and fuel filter locator, see pages 5-15 See pages 16-19 for footnotes

N/A = Non disponible N/R = Non nécessaire N/S = Non réparable Para la ubicación de los filtros de aire de la cabina y de combustible, ver las páginas 5-15 Voir pages 16-19 pour des notes

N/A = No disponible N/R = No requiere N/S = No servible Voir les tableaux de repérage des filtres d'habitacle et à carburant aux pages 5-15 Ver las páginas 16-19 para las notas al pie de página

Italicized Part Numbers May Not Be Available. Wix XP Oil Filters Have Fully Synthetic Media.

Las piezas con números en *italicas* pueden no estar disponibles. Los filtros de aceite WIX XP son completamente de media sintética. Les numéros de pièce en *italiques* peuvent ne pas être disponibles. Les filtres à huile XP Wix contiennent un matériau 100 % synthétique.

Year/Año/Année Model/Modelo/Modèle Engine/Motor/Moteur	Eng. Code Código de motor Code moteur	VIN NIV NIV	Oil Aceite Huile	Oil XP Aceite XP Huile XP	Air Aire Air	Cabin Air Cabina Aire Cabine Air	Cabin Air XP Cabina Aire XP Cabine Air XP	Loc. Cabin Air Cabina Aire Cabine Air	Fuel Combustible Carburant	Loc. Fuel Combustible Carburant	Transmission Transmisión Transmission
--	---	-------------------	------------------------	---------------------------------	--------------------	--	---	--	----------------------------------	--	---

VOLKSWAGEN (Cont'd/Suite)
2009 (Cont'd/Suite)
CC (Cont'd/Suite)

V6 3.6L 3597cc 219 CID	BLV		57083		49122	24489	24489XP	4	N/S		N/S
------------------------	-----	--	-------	--	-------	-------	---------	---	-----	--	-----

CITY GOLF

L4 2.0L 1984cc	BEV		51393	51393XP	42472	24489	24489XP		N/A		N/A
----------------	-----	--	-------	---------	-------	-------	---------	--	-----	--	-----

CITY JETTA

L4 2.0L 1984cc	BEV		51393	51393XP	42472	24489	24489XP		N/A		N/A
----------------	-----	--	-------	---------	-------	-------	---------	--	-----	--	-----

CRAFTER

2.5TDI (Mex.)			57210		49876	49366 ⁷⁸ WP9330 ⁷⁹			WF8392		
L4 2.0L 1968cc Turbo Diesel (Mex.)			57210		49876	WP9330			WF8466		

CROSSFOX

L4 1.6L 1598cc (Mex.)			WL7203		WA6688	WP9036			WF10419		
-----------------------	--	--	--------	--	--------	--------	--	--	---------	--	--

DERBY

L4 1.6L 1588cc (Mex.)			57301		WA6704 ⁶¹	N/A			33199		N/A
L4 1.8L 1781cc (Mex.)			51342		WA6704 ⁶¹				33078		
L4 1.9L 1896cc Turbo Diesel (Mex.)			57210			N/A					N/A

EOS

L4 2.0L 1984cc 121 CID Turbo	BPY		57187	57187XP	49843	24489	24489XP	6	33814		WL10384
	CBFA		57561		49020	24489	24489XP	4	33814		WL10384
	CCTA		57561		49020	24489	24489XP	4	33814		WL10384

EUROVAN

L4 1.9L 1896cc Turbo Diesel (Mex.)			57083		N/A	N/A			WF8358		
------------------------------------	--	--	-------	--	-----	-----	--	--	--------	--	--

GLI

L4 2.0L 1984cc Turbo (Mex.)			N/A		49122				N/A		
-----------------------------	--	--	-----	--	-------	--	--	--	-----	--	--

GOL

L4 1.6L 1598cc (Mex.)			WL7203		WA6687	WP9037 ⁷⁸ WP9036 ⁷⁹			WF8034		N/A
-----------------------	--	--	--------	--	--------	--	--	--	--------	--	-----

GOLF

L4 1.8L 1781cc (Mex.)	AUQ		51393	51393XP	42472	24322			33521		
L4 1.8L 1781cc Turbo (Mex.)			51393	51393XP	42472				N/A		
L4 2.0L 1984cc	CCZB		57561		49020	24489	24489XP		N/A		N/A
L4 2.0L 1984cc (Mex.)	CCZB		57561		49020	24489	24489XP		N/A		N/A
V6 2.8L 2792cc (Mex.)	AQP		N/A		42472	24322			33521		

GTI

L4 2.0L 1984cc 121 CID Turbo	CBFA		57561		49020	24489	24489XP	4	33814		WL10384
	CCTA		57561		49020	24489	24489XP	4	33814		WL10384

JETTA

L4 1.9L 1896 cc Diesel (Mex.)			57083		49020	24489	24489XP		33832		
L4 2.0L 1984cc 121 CID Turbo	BPY		57187	57187XP	49843	24489	24489XP	4	33814		WL10384
	CBFA		57561		49020	24489	24489XP	4	33814		WL10384
	CCTA		57561		49020	24489	24489XP	4	33814		WL10384
L5 2.5L 2480cc 151 CID	CBTA		57187	57187XP	49186	24489	24489XP	4	33833 ¹⁵⁴		WL10375
	CBUA		57187	57187XP	49186	24489	24489XP	4	33833 ¹⁵⁴		WL10375

JETTA TDI

L4 2.0L 1968cc 120 CID Turbo Diesel	CBEA		57083		49020	24489	24489XP	4	33832 ³⁴¹ 33037 ³⁴⁰		WL10384
-------------------------------------	------	--	-------	--	-------	-------	---------	---	--	--	---------

LUPO

L4 1.6L 1598cc (Mex.)			WL7203		WA6688	WP9036			WF10419		
-----------------------	--	--	--------	--	--------	--------	--	--	---------	--	--

NEW BEETLE

L4 1.4L 1390cc (Mex.)	BCA		WL7203		46141	24322			33521 ¹⁵⁵ 33833 ¹⁵⁴		N/A
L4 1.6L 1588cc (Mex.)	AYD		51393	51393XP	42472	24322			33521 ¹⁵⁵ 33833 ¹⁵⁴		58609

N/A = Not Available N/R = Not Required N/S = Not Serviceable For cabin and fuel filter locator, see pages 5-15 See pages 16-19 for footnotes

N/A = Non disponible N/R = Non nécessaire N/S = Non réparable Para la ubicación de los filtros de aire de la cabina y de combustible, ver las páginas 5-15 Voir pages 16-19 pour des notes

N/A = No disponible N/R = No requiere N/S = No servible Voir les tableaux de repérage des filtres d'habitacle et à carburant aux pages 5-15 Ver las páginas 16-19 para las notas al pie de página

Italicized Part Numbers May Not Be Available. Wix XP Oil Filters Have Fully Synthetic Media.

 Las piezas con números en *italicas* pueden no estar disponibles. Los filtros de aceite WIX XP son completamente de media sintética.

 Les numéros de pièce en *italiques* peuvent ne pas être disponibles. Les filtres à huile Wix contiennent un matériau 100 % synthétique.

VOLKSWAGEN 2009-2008
Pass Car/Light Truck

Year/Año/Année Model/Modelo/Modèle Engine/Motor/Moteur	Eng. Code Código de motor Code moteur	VIN NIV NIV	Oil Aceite Huile	Oil XP Aceite XP Huile XP	Air Aire Air	Cabin Air Cabina Aire Cabine Air	Cabin Air XP Cabina Aire XP Cabine Air XP	Loc. Cabin Air Cabina Aire Cabine Air	Fuel Combustible Carburant	Loc. Fuel Combustible Carburant	Transmission Transmisión Transmission
--	---	-------------------	------------------------	---------------------------------	--------------------	--	---	--	----------------------------------	--	---

VOLKSWAGEN (Cont'd/Suite)
2009 (Cont'd/Suite)
NEW BEETLE (Cont'd/Suite)

L4 1.8L 1781cc (Mex.)			51393	51393XP	42472	24322			33521 ¹⁵⁵ 33833 ¹⁵⁴		N/A
L4 1.9L 1896cc Diesel (Mex.)	BSW		57210		42472	N/A			33897		N/A
L4 2.0L 1984cc (Mex.)	AVH		51393	51393XP	42472	24322			33521 ¹⁵⁵ 33833 ¹⁵⁴		N/A
L5 2.5 2480cc (Mex.)	CBTA		57187	57187XP	42472	N/A			33521		N/A

NEW BEETLE CABRIO

L4 1.4L 1390cc (Mex.)	BCA		WL7203		46141	N/A			33521		N/A
L4 1.6L 1588cc (Mex.)			57301		42472				33833 ¹⁵⁴		N/A
L4 1.8L 1781cc Turbo (Mex.)			57301		42472				33833 ¹⁵⁴		N/A
L4 1.9L 1896 cc Diesel (Mex.)			57210		42472				33619		N/A

PASSAT

L4 2.0L 1968cc TDI Turbo Diesel (Mex.)	BUZ		57083		49020	24489	24489XP		33256		N/A
L4 2.0L 1984cc (Mex.)	BVZ		57187	57187XP	49013	24489	24489XP				N/A
L4 2.0L 1984cc 121 CID Turbo	CCTA		57561		49020	24489	24489XP	4	N/S		N/S
V6 3.6L 3597cc	BLV	U	57083		49122	24489	24489XP	4	N/S		N/S

POINTER

L4 1.6L 1588cc (Mex.)			57301		WA10030	N/A			WF10419		N/A
L4 1.8L 1781cc (Mex.)			51088		WA10030				33179		N/A
L4 1.9L 1896cc Diesel (Mex.)	BGG		51191		N/A	N/A					N/A
L4 2.0 L 1985cc (Mex.)			57301		WA10030	N/A			WF10419		N/A

POINTER PICKUP

L4 1.8L 1780cc (Mex.)			51393	51393XP	WA10030				N/A		N/A
L4 1.9L 1896cc Diesel (Mex.)	BGG		51191		N/A	N/A					N/A

POLO

L4 2.0L 1984cc (Mex.)			51393	51393XP	WA6688	24322			N/A		N/A
-----------------------	--	--	-------	---------	--------	-------	--	--	-----	--	-----

RABBIT

L5 2.5L 2480cc 151 CID	CBTA		57187	57187XP	49186	24489	24489XP	4	33833 ¹⁵⁴		WL10375
	CBUA		57187	57187XP	49186	24489	24489XP	4	33833 ¹⁵⁴		WL10375

ROUTAN

V6 3.8L 3778cc 231 CID	CGUA	1	51348 ⁵³	51348XP	42389	24479	24479XP	3	N/S		58128
V6 4.0L 3952cc 241 CID	CGVA	X	57060 ⁵³	57060XP	42389	24479	24479XP	3	N/S		58128

SHARAN

L4 1.8L 1781cc Turbo (Mex.)			51393	51393XP	WA6673	WP6849			33179		N/A
-----------------------------	--	--	-------	---------	--------	--------	--	--	-------	--	-----

SPORT VAN

L4 1.6L 1598cc (Mex.)			WL7203		WA6688	N/A			33833 ¹⁵⁴		N/A
-----------------------	--	--	--------	--	--------	-----	--	--	----------------------	--	-----

TIGUAN

L4 2.0L 1984cc 121 CID Turbo	CCTA		57561		49020	24489	24489XP	4	N/S		N/A
------------------------------	------	--	-------	--	-------	-------	---------	---	-----	--	-----

TOUAREG

V6 3.6L 3597cc 219 CID	BHK		51212		42859	24631 ^{7B}		4	N/S		WL10380
V8 4.2L 4163cc	BAR		57330		42859	24631 ^{7B}		4	N/S		WL10380

TOUAREG TDI

V6 3.0L 2967cc 181 CID Turbo Diesel	CATA		57161		42859	24631 ^{7B}		4	33434		WL10381
-------------------------------------	------	--	-------	--	-------	---------------------	--	---	-------	--	---------

VAN

L4 1.8L 1780cc (Mex.)			WL7217		42827	24322			33078		N/A
-----------------------	--	--	--------	--	-------	-------	--	--	-------	--	-----

2008
BEETLE

L4 2.0L 1984cc (Mex.)			51393	51393XP	42472	24322			33521		N/A
L5 2.5L 2480cc 151 CID	BPR		57187	57187XP	42472	24322 ^{7B}		1	33521 ¹⁵⁵ 33833 ¹⁵³	D	N/S
	BPS		57187	57187XP	42472	24322 ^{7B}		1	33521 ¹⁵⁵ 33833 ¹⁵⁴	D	N/S

N/A = Not Available N/R = Not Required N/S = Not Serviceable For cabin and fuel filter locator, see pages 5-15 See pages 16-19 for footnotes

N/A = Non disponible N/R = Non nécessaire N/S = Non réparable Para la ubicación de los filtros de aire de la cabina y de combustible, ver las páginas 5-15 Voir pages 16-19 pour des notes

N/A = No disponible N/R = No requiere N/S = No servible Voir les tableaux de repérage des filtres d'habitacle et à carburant aux pages 5-15 Ver las páginas 16-19 para las notas al pie de página

Italicized Part Numbers May Not Be Available. Wix XP Oil Filters Have Fully Synthetic Media.

Las piezas con números en *italicas* pueden no estar disponibles. Los filtros de aceite WIX XP son completamente de media sintética. Les numéros de pièce en *italiques* peuvent ne pas être disponibles. Les filtres à huile XP Wix contiennent un matériau 100 % synthétique.

Year/Año/Année Model/Modelo/Modèle Engine/Motor/Moteur	Eng. Code Código de motor Code moteur	VIN NIV NIV	Oil Aceite Huile	Oil XP Aceite XP Huile XP	Air Aire Air	Cabin Air Cabina Aire Cabine Air	Cabin Air XP Cabina Aire XP Cabine Air XP	Loc. Cabin Air Cabina Aire Cabine Air	Fuel Combustible Carburant	Loc. Fuel Combustible Carburant	Transmission Transmisión Transmission
--	--	-------------------	------------------------	---------------------------------	--------------------	--	---	--	----------------------------------	--	---

VOLKSWAGEN (Cont'd/Suite)

2008 (Cont'd/Suite)

BORA

L4 1.9L 1896cc Turbo Diesel (Mex.)	BKC		57083		49020	24489	24489XP		33037		
L4 2.0L 1984cc (Mex.)	BWA		57187	57187XP	49843				33814		
L5 2.5L 2480cc (Mex.)			57187	57187XP	49186	24489	24489XP		33833 ¹⁵⁴		

CITY GOLF

L4 2.0L 1984cc	BEV		51393	51393XP	42472	24489	24489XP		N/A		N/A
----------------	-----	--	-------	---------	-------	-------	---------	--	-----	--	-----

CITY JETTA

L4 2.0L 1984cc	BEV		51393	51393XP	42472	24489	24489XP		N/A		N/A
----------------	-----	--	-------	---------	-------	-------	---------	--	-----	--	-----

CRAFTER

2.5TDI (Mex.)			57210		49876	49366 ⁷⁸ WP9330 ⁷⁹			WF8392		
L4 2.0L 1968cc Turbo Diesel (Mex.)			57210		49876	WP9330			WF8466		

CROSSFOX

L4 1.6L 1598cc (Mex.)			WL7203		WA6688	WP9036			WF10419		
-----------------------	--	--	--------	--	--------	--------	--	--	---------	--	--

DERBY

L4 1.6L 1588cc (Mex.)			57301		WA6704 ⁶¹	N/A			33199		N/A
L4 1.8L 1781cc (Mex.)			51342		WA6704 ⁶¹	N/A			33078		N/A
L4 1.9L 1896cc Turbo Diesel (Mex.)			57210			N/A					N/A

EOS

L4 2.0L 1984cc 121 CID Turbo	BPY		57187	57187XP	49843	24489	24489XP	4	33814		WL10384
V6 3.2L 3189cc	BUB		57083		49122	24489	24489XP	4	33833 ¹⁵⁴		WL10384
V6 3.2L 3197cc 195 CID	CBRA		57083		49122	24489	24489XP	4	33814		WL10384

EUROVAN

L4 1.9L 1896cc Turbo Diesel (Mex.)			57083		WA9449	N/A					N/A
------------------------------------	--	--	-------	--	--------	-----	--	--	--	--	-----

GLI

L4 2.0L 1984cc Turbo (Mex.)			57187	57187XP	49843				N/A		
-----------------------------	--	--	-------	---------	-------	--	--	--	-----	--	--

GOL

L4 1.6L 1598cc (Mex.)			WL7203		WA6687	WP9037			N/A		N/A
-----------------------	--	--	--------	--	--------	--------	--	--	-----	--	-----

GOLF

L4 1.6L 1595cc (Mex.)	BSE		51393	51393XP	49013	24489	24489XP		33833 ¹⁵⁴		N/A
L4 1.8L 1781cc (Mex.)	AUM		51393	51393XP	42472	24322			33521		58609
L4 1.9L 1896cc Turbo Diesel (Mex.)	BXE		57083		49020	N/A			33832		N/A
	BXF		57083		49020	24489	24489XP		33832		
L4 2.0L 1984cc (Mex.)	AXW		57187	57187XP	49013	24489	24489XP		N/A		N/A

GTI

L4 2.0L 1984cc 121 CID Turbo	BPY		57187	57187XP	49843	24489	24489XP	4	33814		WL10384
	CBFA		57561		49020	24489	24489XP	4	33814		WL10384
	CCTA		57561		49020	24489	24489XP	4	33814		WL10384

JETTA

L4 1.9L 1896cc Turbo Diesel (Mex.)			57210		42472	24322			33619		
L4 2.0L 1984cc (Mex.)			51393	51393XP	42472	24322			33521		
L4 2.0L 1984cc 121 CID Turbo	BPY		57187	57187XP	49843	24489	24489XP	4	33814		WL10384
	CBFA		57561		49020	24489	24489XP	4	33814		WL10384
	CCTA		57561		49020	24489	24489XP	4	33814		WL10384
L5 2.5L 2480cc 151 CID	CBTA		57187	57187XP	49186	24489	24489XP	4	33833 ¹⁵⁴		WL10375
	CBUA		57187	57187XP	49186	24489	24489XP	4	33833 ¹⁵⁴		WL10375

JETTA TDI

L4 2.0L 1968cc Turbo Diesel (Mex.)	BKD		57083		49020	24489	24489XP	4	33832		WL10384
------------------------------------	-----	--	-------	--	-------	-------	---------	---	-------	--	---------

N/A = Not Available N/R = Not Required N/S = Not Serviceable For cabin and fuel filter locator, see pages 5-15 See pages 16-19 for footnotes

N/A = Non disponible N/R = Non nécessaire N/S = Non réparable Para la ubicación de los filtros de aire de la cabina y de combustible, ver las páginas 5-15 Voir pages 16-19 pour des notes

N/A = No disponible N/R = No requiere N/S = No servible Voir les tableaux de repérage des filtres d'habitacle et à carburant aux pages 5-15 Ver las páginas 16-19 para las notas al pie de página

Italicized Part Numbers May Not Be Available. Wix XP Oil Filters Have Fully Synthetic Media.

Las piezas con números en *italicas* pueden no estar disponibles. Los filtros de aceite WIX XP son completamente de media sintética.

Les numéros de pièce en *italiques* peuvent ne pas être disponibles. Les filtres à huile Wix contiennent un matériau 100 % synthétique.

VOLKSWAGEN 2008
Pass Car/Light Truck

Year/Año/Année Model/Modelo/Modèle Engine/Motor/Moteur	Eng. Code Código de motor Code moteur	VIN NIV NIV	Oil Aceite Huile	Oil XP Aceite XP Huile XP	Air Aire Air	Cabin Air Cabina Aire Cabine Air	Cabin Air XP Cabina Aire XP Cabine Air XP	Loc. Cabin Air Cabina Aire Cabine Air	Fuel Combustible Carburant	Loc. Fuel Combustible Carburant	Transmission Transmisión Transmission
--	---	-------------------	------------------------	---------------------------------	--------------------	--	---	--	----------------------------------	--	---

VOLKSWAGEN (Cont'd/Suite)
2008 (Cont'd/Suite)
LUPU

L4 1.6L 1598cc (Mex.)			WL7203		WA6688	WP9036			WF10419		
-----------------------	--	--	--------	--	--------	--------	--	--	---------	--	--

NEW BEETLE

L4 1.4L 1390cc (Mex.)	BCA		WL7203		46141	24322			33521 ¹⁵⁵ 33833 ¹⁵⁴		N/A
L4 1.6L 1588cc (Mex.)	BFS		51393	51393XP	42472	24322			33521 ¹⁵⁵ 33833 ¹⁵⁴	58609	
L4 1.8L 1781cc (Mex.)			51393	51393XP	42472	24322			33521 ¹⁵⁵ 33833 ¹⁵⁴		N/A
L4 1.9L 1896cc Diesel (Mex.)	BSW		57210		42472	N/A			33897		N/A
L4 2.0L 1984cc (Mex.)	AVH		51393	51393XP	42472	24322			33521 ¹⁵⁵ 33833 ¹⁵⁴		N/A
L5 2.5L 2480cc (Mex.)	CBUA		57187	57187XP	42472	N/A			33521		N/A

NEW BEETLE CABRIO

L4 1.4L 1390cc (Mex.)	BCA		WL7203		46141	N/A			33521		N/A
L4 1.6L 1588cc (Mex.)			57301		42472				33833 ¹⁵⁴		
L4 1.8L 1781cc Turbo (Mex.)			57301		42472				33833 ¹⁵⁴		
L4 1.9L 1896 cc Diesel (Mex.)			57210		42472				33619		

PASSAT

L4 2.0L 1968cc TDI Turbo Diesel (Mex.)	BUZ		57083		49020	24489	24489XP		33256		
L4 2.0L 1984cc (Mex.)	BLR		57187	57187XP	49013	24489	24489XP		N/A		N/A
L4 2.0L 1984cc 121 CID Turbo	BPY		57187	57187XP	49843	24489	24489XP	4	N/S		N/S
	CCTA		57561		49020	24489	24489XP	4	N/S		N/S
V6 3.6L 3597cc 219 CID	BLV		57083		49122	24489	24489XP	4	N/S		N/S

PICKUP

L4 1.8L 1781cc (Mex.)			51393	51393XP	WA10030	N/A			WF10419		
-----------------------	--	--	-------	---------	---------	-----	--	--	---------	--	--

POINTER

L4 1.6L 1588cc (Mex.)			57301		WA10030	N/A			WF10419		N/A
L4 1.8L 1781cc (Mex.)			51088		WA10030				33179		
L4 1.9L 1896cc Diesel (Mex.)	BGG		51191		N/A	N/A					N/A
L4 2.0 L 1985cc (Mex.)			57301		WA10030	N/A			WF10419		N/A

POINTER PICKUP

L4 1.8L 1780cc (Mex.)			51393	51393XP	WA10030				N/A		N/A
L4 1.9L 1896cc Diesel (Mex.)	BGG		51191		N/A	N/A					N/A

POLO

L4 2.0L 1984cc (Mex.)			51393	51393XP	WA6688	24322			N/A		
-----------------------	--	--	-------	---------	--------	-------	--	--	-----	--	--

R32

V6 3.2L 3189cc 195 CID	CBRA		57083		49122	24489	24489XP	4	33833		WL10384
------------------------	------	--	-------	--	-------	-------	---------	---	-------	--	---------

RABBIT

L5 2.5L 2480cc 151 CID	CBTA		57187	57187XP	49186	24489	24489XP	4	33833 ¹⁵⁴		WL10375
	CBUA		57187	57187XP	49186	24489	24489XP	4	33833 ¹⁵⁴		WL10375

SHARAN

L4 1.8L 1781cc Turbo (Mex.)			51393	51393XP	WA6673	WP6849			33179		
-----------------------------	--	--	-------	---------	--------	--------	--	--	-------	--	--

SPORT VAN

L4 1.6L 1598cc (Mex.)			WL7203		WA6688	N/A			33833 ¹⁵⁴		
-----------------------	--	--	--------	--	--------	-----	--	--	----------------------	--	--

TIGUAN

L4 2.0L 1984cc Turbo (Mex.)		V	57561		49020	24489	24489XP	4	N/A		N/A
-----------------------------	--	---	-------	--	-------	-------	---------	---	-----	--	-----

TOUAREG

V6 3.6L 3597cc 219 CID	BHK		51212		42859	24631 ⁷⁸		4	N/S		WL10380
V8 4.2L 4163cc	BAR		57330		42859	24631 ⁷⁸		4	N/S		WL10380

TOUAREG TDI

V10 5.0L 4921cc 300 CID Turbo Diesel	BWF		57162		42859	24631 ⁷⁸		4	N/A		WL10380
--------------------------------------	-----	--	-------	--	-------	---------------------	--	---	-----	--	---------

VAN

L4 1.8L 1780cc (Mex.)			51393	51393XP	N/A	24322			33199		
-----------------------	--	--	-------	---------	-----	-------	--	--	-------	--	--

N/A = Not Available N/R = Not Required N/S = Not Serviceable For cabin and fuel filter locator, see pages 5-15 See pages 16-19 for footnotes

N/A = Non disponible N/R = Non nécessaire N/S = Non réparable Para la ubicación de los filtros de aire de la cabina y de combustible, ver las páginas 5-15 Voir pages 16-19 pour des notes

N/A = No disponible N/R = No requiere N/S = No servible Voir les tableaux de repérage des filtres d'habitacle et à carburant aux pages 5-15 Ver las páginas 16-19 para las notas al pie de página

Italicized Part Numbers May Not Be Available. Wix XP Oil Filters Have Fully Synthetic Media.

Las piezas con números en *italicas* pueden no estar disponibles. Los filtros de aceite WIX XP son completamente de media sintética. Les numéros de pièce en *italiques* peuvent ne pas être disponibles. Les filtres à huile XP Wix contiennent un matériau 100 % synthétique.

Year/Año/Année Model/Modelo/Modèle Engine/Motor/Moteur	Eng. Code Código de motor Code moteur	VIN NIV NIV	Oil Aceite Huile	Oil XP Aceite XP Huile XP	Air Aire Air	Cabin Air Cabina Aire Cabine Air	Cabin Air XP Cabina Aire XP Cabine Air XP	Loc. Cabin Air Cabina Aire Cabine Air	Fuel Combustible Carburant	Loc. Fuel Combustible Carburant	Transmission Transmisión Transmission
--	---	-------------------	------------------------	---------------------------------	--------------------	--	---	--	----------------------------------	--	---

VOLKSWAGEN (Cont'd/Suite)
2007
BEETLE

L4 2.0L 1984cc (Mex.)			51393	51393XP	42472	24322			33521		
L5 2.5L 2480cc 151 CID	BPR		57187	57187XP	42472	24322 ⁷⁸		1	33521 ¹⁵⁵ 33833 ¹⁵³	D D	N/S
	BPS		57187	57187XP	42472	24322 ⁷⁸		1	33521 ¹⁵⁵ 33833 ¹⁵⁴	D D	N/S

BORA

L4 1.9L 1896cc Turbo Diesel (Mex.)	BKC		57083		49020	24489	24489XP		33037		
L4 2.0L 1984cc (Mex.)	BBY		57187	57187XP	49843				33814		
L5 2.5L 2480cc (Mex.)			57187	57187XP	49186	24489	24489XP		33833 ¹⁵⁴		

CITY GOLF

L4 2.0L 1984cc	BEV		51393	51393XP	42472	24322 ⁷⁸			33833 ¹⁵⁴		N/A
----------------	-----	--	-------	---------	-------	---------------------	--	--	----------------------	--	-----

CITY JETTA

L4 2.0L 1984cc	BEV		51393	51393XP	42472	24322 ⁷⁸			33521		N/A
----------------	-----	--	-------	---------	-------	---------------------	--	--	-------	--	-----

CRAFTER

2.5TDI (Mex.)			57210		49876	49366 ⁷⁸ WP9330 ⁷⁹			WF8392		
---------------	--	--	-------	--	-------	---	--	--	--------	--	--

CROSSFOX

L4 1.6L 1598cc (Mex.)			WL7203		WA6688	WP9036			WF10419		
-----------------------	--	--	--------	--	--------	--------	--	--	---------	--	--

DERBY

L4 1.6L 1588cc (Mex.)			57301		WA6704 ⁸¹	N/A			33199		N/A
L4 1.8L 1781cc (Mex.)			51393	51393XP	WA6704 ⁸¹	24322			33078		N/A
L4 1.9L 1896cc Turbo Diesel (Mex.)			57210			N/A					N/A

EOS

L4 2.0L 1984cc 121 CID Turbo	BPY		57187	57187XP	49843	24489	24489XP	4	33814		WL10384
V6 3.2L 3189cc	BUB		57083		49122	24489	24489XP	4	33833 ¹⁵⁴		WL10384

EUROVAN

L4 1.9L 1896cc Turbo Diesel (Mex.)			57083		WA9449	N/A					N/A
------------------------------------	--	--	-------	--	--------	-----	--	--	--	--	-----

GLI

L4 2.0L 1984cc Turbo (Mex.)			57187	57187XP	N/A				N/A		
-----------------------------	--	--	-------	---------	-----	--	--	--	-----	--	--

GOLF

L4 1.6L 1595cc (Mex.)	BSE		51393	51393XP	49013	24489	24489XP		33833 ¹⁵⁴		N/A
L4 1.8L 1781cc (Mex.)			51393	51393XP	42472	24322			33521		N/A
L4 2.0L 1984cc (Mex.)			57187	57187XP	49013	24489	24489XP		N/A		N/A
L4 2.0L 1984cc Turbo			57187	57187XP		N/A			N/A		
L4 2.0L 1984cc Turbo (Mex.)			57187	57187XP		N/A			N/A		
L5 2.5L 2487cc			57187	57187XP	49186				N/A		
L5 2.5L 2487cc (Mex.)			57187	57187XP	49186				N/A		

GTI

L4 2.0L 1984cc 121 CID Turbo	BPY		57187	57187XP	49843	24489	24489XP	4	33814		WL10384
------------------------------	-----	--	-------	---------	-------	-------	---------	---	-------	--	---------

JETTA

L4 1.8L 1781cc Turbo (Mex.)			51393	51393XP	42472	24322			33521		
L4 1.9L 1896cc Turbo Diesel (Mex.)			57210		42472	24322			33619		
L4 2.0L 1984cc (Mex.)			51393	51393XP	42472	24322			33521		
L4 2.0L 1984cc 121 CID Turbo	BPY		57187	57187XP	49843	24489	24489XP	4	33814		WL10384
L5 2.5L 2480cc	CCCA		57187	57187XP	49186	24489	24489XP		33833 ¹⁵⁴		N/A
L5 2.5L 2480cc 151 CID	BGP		57187	57187XP	49186	24489	24489XP	4	33833 ¹⁵⁴		WL10375
	BGQ		57187	57187XP	49186	24489	24489XP	4	33833 ¹⁵⁴		WL10375

JETTA TDI

L4 2.0L 1968cc 120 CID Turbo Diesel (Mex.)	CJAA		57083		49020	24489	24489XP	4	33832		WL10384
--	------	--	-------	--	-------	-------	---------	---	-------	--	---------

N/A = Not Available N/R = Not Required N/S = Not Serviceable For cabin and fuel filter locator, see pages 5-15 See pages 16-19 for footnotes

N/A = Non disponible N/R = Non nécessaire N/S = Non réparable Para la ubicación de los filtros de aire de la cabina y de combustible, ver las páginas 5-15 Voir pages 16-19 pour des notes

N/A = No disponible N/R = No requiere N/S = No servible Voir les tableaux de repérage des filtres d'habitacle et à carburant aux pages 5-15 Ver las páginas 16-19 para las notas al pie de página

Italicized Part Numbers May Not Be Available. Wix XP Oil Filters Have Fully Synthetic Media.

Las piezas con números en *italicas* pueden no estar disponibles. Los filtros de aceite WIX XP son completamente de media sintética.

Les numéros de pièce en *italiques* peuvent ne pas être disponibles. Les filtres à huile Wix contiennent un matériau 100 % synthétique.

VOLKSWAGEN 2007
Pass Car/Light Truck

Year/Año/Année Model/Modelo/Modèle Engine/Motor/Moteur	Eng. Code Código de motor Code moteur	VIN NIV NIV	Oil Aceite Huile	Oil XP Aceite XP Huile XP	Air Aire Air	Cabin Air Cabina Aire Cabine Air	Cabin Air XP Cabina Aire XP Cabine Air XP	Loc. Cabin Air Cabina Aire Cabine Air	Fuel Combustible Carburant	Loc. Fuel Combustible Carburant	Transmission Transmisión Transmission
--	---	-------------------	------------------------	---------------------------------	--------------------	--	---	--	----------------------------------	--	---

VOLKSWAGEN (Cont'd/Suite)
2007 (Cont'd/Suite)
LUPU

L4 1.6L 1598cc (Mex.)			WL7203		WA6688	WP9036				WF10419	
-----------------------	--	--	--------	--	--------	--------	--	--	--	---------	--

NEW BEETLE

L4 1.4L 1390cc (Mex.)	BCA		WL7203		46141	24322				33521 ¹⁵⁵ 33833 ¹⁵⁴	N/A
L4 1.6L 1588cc (Mex.)	AYD		51393	51393XP	42472	24322				33521 ¹⁵⁵ 33833 ¹⁵⁴	58609
	BFS		51393	51393XP	42472	24322				33521 ¹⁵⁵ 33833 ¹⁵⁴	58609
L4 1.8L 1781cc (Mex.)	AWU		51393	51393XP	42472	24322				33521 ¹⁵⁵ 33833 ¹⁵⁴	N/A
L4 1.9L 1896cc Diesel (Mex.)	BSW		57210		42472	N/A				33897	N/A
L4 2.0L 1984cc (Mex.)			51393	51393XP	42472	24322				33521 ¹⁵⁵ 33833 ¹⁵⁴	N/A
L5 2.5L 2480cc (Mex.)	CBUA		57187	57187XP	42472	N/A				33521	N/A

NEW BEETLE CABRIO

L4 1.4L 1390cc (Mex.)	BCA		WL7203		46141	N/A				33521	N/A
L4 1.6L 1588cc (Mex.)			57301		42472					33833 ¹⁵⁴	
L4 1.8L 1781cc Turbo (Mex.)			57301		42472					33833 ¹⁵⁴	
L4 1.9L 1896cc Diesel (Mex.)			57210		42472					33619	

PASSAT

L4 2.0L 1968cc TDI Turbo Diesel (Mex.)	BUZ		57083		49020	24489	24489XP			33256	
L4 2.0L 1984cc (Mex.)	BVZ		57187	57187XP	49013	24489	24489XP				N/A
L4 2.0L 1984cc 121 CID Turbo	BPY		57187	57187XP	49843	24489	24489XP	4		N/S	N/S
V6 3.6L 3597cc 219 CID	BLV		57083		49122	24489	24489XP	4		N/S	N/S

POINTER

L4 1.6L 1588cc (Mex.)			51088 ³⁷⁶ 57301 ³⁷⁷		WA10030	N/A				WF10419	N/A
L4 1.8L 1781cc (Mex.)			51088		WA10030					33179	
L4 1.9L 1896cc Diesel (Mex.)	BGG		51191		N/A	N/A					N/A
L4 2.0L 1985cc (Mex.)			51088 ³⁷⁶ 57301 ³⁷⁷		WA10030	N/A				WF10419	N/A

POINTER PICKUP

L4 1.8L 1800cc (Mex.)			51342		WA10030					WF10419	
L4 1.8L 1780cc (Mex.)			51393	51393XP	WA10030					N/A	N/A
L4 1.9L 1896cc Diesel (Mex.)	BGG		51191		N/A	N/A					N/A

POINTER TRUCK

L4 1.8L 1780cc (Mex.)			51393	51393XP	WA10030	N/A				WF10419	
-----------------------	--	--	-------	---------	---------	-----	--	--	--	---------	--

POLO

L4 1.6L (Mex.)			WL7203		WA6688	N/S				33833 - w/o pressure regulator 33521 - w/o pressure regulator	
L4 2.0L 1984cc (Mex.)			51393	51393XP	WA6688 WA6702	24322				N/A	

RABBIT

L5 2.5L 2480cc 151 CID	BGP		57187	57187XP	49186	24489	24489XP	4		33814	WL10375
	BGQ		57187	57187XP	49186	24489	24489XP	4		33814	WL10375

SHARAN

L4 1.8L 1781cc (Mex.)			51393	51393XP	WA6673	N/A				33179	
L4 1.8L 1781cc Turbo (Mex.)			51393	51393XP	WA6673	WP6849				33179	

SPORT VAN

L4 1.6L 1598cc (Mex.)			WL7203		WA6688	N/A				33833 ¹⁵⁴	
-----------------------	--	--	--------	--	--------	-----	--	--	--	----------------------	--

TOUAREG

V10 4.9L 4921CC 300CID (Mex.)			51212		42859	24631				N/S	N/S
V6 3.6L 3597cc 219 CID	BHK		51212		42859	24631 ⁷⁸		4		N/S	WL10380
V8 4.2L 4163cc	BAR		57330		42859	24631 ⁷⁸		4		N/S	WL10380

N/A = Not Available N/R = Not Required N/S = Not Serviceable For cabin and fuel filter locator, see pages 5-15 See pages 16-19 for footnotes

N/A = Non disponible N/R = Non nécessaire N/S = Non réparable Para la ubicación de los filtros de aire de la cabina y de combustible, ver las páginas 5-15 Voir pages 16-19 pour des notes

N/A = No disponible N/R = No requiere N/S = No servible Voir les tableaux de repérage des filtres d'habitacle et à carburant aux pages 5-15 Ver las páginas 16-19 para las notas al pie de página

Italicized Part Numbers May Not Be Available. Wix XP Oil Filters Have Fully Synthetic Media.

Las piezas con números en *italicas* pueden no estar disponibles. Los filtros de aceite WIX XP son completamente de media sintética. Les numéros de pièce en *italiques* peuvent ne pas être disponibles. Les filtres à huile XP Wix contiennent un matériau 100 % synthétique.

Year/Año/Année Model/Modelo/Modèle Engine/Motor/Moteur	Eng. Code Código de motor Code moteur	VIN NIV NIV	Oil Aceite Huile	Oil XP Aceite XP Huile XP	Air Aire Air	Cabin Air Cabina Aire Cabine Air	Cabin Air XP Cabina Aire XP Cabine Air XP	Loc. Cabin Air Cabina Aire Cabine Air	Fuel Combustible Carburant	Loc. Fuel Combustible Carburant	Transmission Transmisión Transmission
--	---	-------------------	------------------------	---------------------------------	--------------------	--	---	--	----------------------------------	--	---

VOLKSWAGEN (Cont'd/Suite)
2007 (Cont'd/Suite)
TOUAREG (Cont'd/Suite)

V8 4.2L 4172cc	AXQ		57563		42859	24631 ⁷⁸		4	N/S		WL10380
----------------	-----	--	-------	--	-------	---------------------	--	---	-----	--	---------

TOUAREG TDI

V10 5.0L 4921cc 300 CID Turbo Diesel	BWF		57162		42859	24631 ⁷⁸		4	N/A		WL10380
---	-----	--	-------	--	-------	---------------------	--	---	-----	--	---------

VAN

L4 1.8L 1780cc (Mex.)			WL7217		42827	24322			33078		
L4 1.8L 1780cc (Mex.)			51393	51393XP	N/A	24322			33199		

2006
BEETLE

L4 1.9L 1896cc 116 CID Turbo Diesel	BEW	R	57210		42472	24322 ⁷⁸		1	33619	D	58609
L4 2.0L 1984cc (Mex.)			51393	51393XP	42472	24322			33521		
L5 2.5L 2480cc 151 CID	BPR		57187	57187XP	42472	24322 ⁷⁸		1	33521 ¹⁵⁵ 33833 ¹⁵³	D D	N/A
	BPS		57187	57187XP	42472	24322 ⁷⁸		1	33521 ¹⁵⁵ 33833 ¹⁵⁴	D D	N/A

BORA

L4 1.9L 1896cc Turbo Diesel (Mex.)	BKC		57083		49020	24489	24489XP		33037		
L4 2.0L 1984cc (Mex.)	BWA		57187	57187XP	49843				33814		
L5 2.5L 2480cc (Mex.)			57187	57187XP	49186	24489	24489XP		33833 ¹⁵⁴		

CRAFTER

2.5TDI (Mex.)			57210		49876	49366 ⁷⁸ WP9330 ⁷⁹			WF8392		
---------------	--	--	-------	--	-------	---	--	--	--------	--	--

CROSSFOX

L4 1.6L 1598cc (Mex.)			WL7203		WA6688	WP9036			WF10419		
-----------------------	--	--	--------	--	--------	--------	--	--	---------	--	--

DERBY

L4 1.6L 1588cc (Mex.)			57301		WA6704 ⁶¹	N/A			33199		N/A
L4 1.8L 1781cc (Mex.)			51393	51393XP	WA6704 ⁶¹	24322			33078		N/A
L4 1.9L 1896cc Turbo Diesel (Mex.)			57210			N/A					N/A

EUROVAN

L4 1.9L 1896cc Turbo Diesel (Mex.)			57083		N/A	N/A			WF8358		
------------------------------------	--	--	-------	--	-----	-----	--	--	--------	--	--

GOLF

L4 1.6L 1595cc (Mex.)	BSE		51393	51393XP	49013	24489	24489XP		33833 ¹⁵⁴		N/A
L4 1.8L 1781cc (Mex.)			51393	51393XP	42472	24322			33521		58609
L4 1.9L 1896cc 116 CID Turbo Diesel	BEW	R	57210		42472	24489	24489XP	4	33619	B	58609
L4 1.9L 1896cc Turbo Diesel (Mex.)	BXE		57083		49020	N/A			33832		N/A
L4 2.0L 1984cc (Mex.)	BVZ		57187	57187XP	49013	24489	24489XP		N/A		N/A
L4 2.0L 1984cc 121 CID	BEV		51393	51393XP	42472	24322 ⁷⁸		1	33521 ¹⁵⁵ 33833 ¹⁵³	N N	58609
V6 3.2L 3189cc (Mex.)	CBRA		N/A		49122	24489	24489XP		N/A		N/A

GOLF GTI

L4 1.8L 1781cc Turbo	AWP		51393	51393XP	42472	24322 ⁷⁸		1	33521	N	58108
----------------------	-----	--	-------	---------	-------	---------------------	--	---	-------	---	-------

GTI

L4 2.0L 1984cc 121 CID Turbo	BPY		57187	57187XP	49843	24489	24489XP	4	33814		WL10384
------------------------------	-----	--	-------	---------	-------	-------	---------	---	-------	--	---------

JETTA

L4 1.8L 1781cc Turbo (Mex.)			51393	51393XP	42472	24322			33521		
L4 1.9L 1896cc 116 CID Turbo Diesel	BRM		57083		49020	24489	24489XP	4	33037 ³⁴² 33832 ³⁴³	B B	WL10384
L4 2.0L 1984cc (Mex.)			51393	51393XP	42472	24322			33521		
L4 2.0L 1984cc 121 CID Turbo	BPY		57187	57187XP	49843	24489	24489XP	4	33814		WL10384
L5 2.5L 2480cc 151 CID	BGP		57187	57187XP	49186	24489	24489XP	4	33833 ¹⁵⁴		WL10375

N/A = Not Available N/R = Not Required N/S = Not Serviceable For cabin and fuel filter locator, see pages 5-15 See pages 16-19 for footnotes

N/A = Non disponible N/R = Non nécessaire N/S = Non réparable Para la ubicación de los filtros de aire de la cabina y de combustible, ver las páginas 5-15 Voir pages 16-19 pour des notes

N/A = No disponible N/R = No requiere N/S = No servible Voir les tableaux de repérage des filtres d'habitacle et à carburant aux pages 5-15 Ver las páginas 16-19 para las notas al pie de página

Italicized Part Numbers May Not Be Available. Wix XP Oil Filters Have Fully Synthetic Media.

Las piezas con números en *italicas* pueden no estar disponibles. Los filtros de aceite WIX XP son completamente de media sintética.

Les numéros de pièce en *italiques* peuvent ne pas être disponibles. Les filtres à huile Wix contiennent un matériau 100 % synthétique.

VOLKSWAGEN 2006
Pass Car/Light Truck

Year/Año/Année Model/Modelo/Modèle Engine/Motor/Moteur	Eng. Code Código de motor Code moteur	VIN NIV NIV	Oil Aceite Huile	Oil XP Aceite XP Huile XP	Air Aire Air	Cabin Air Cabina Aire Cabine Air	Cabin Air XP Cabina Aire XP Cabine Air XP	Loc. Cabin Air Cabina Aire Cabine Air	Fuel Combustible Carburant	Loc. Fuel Combustible Carburant	Transmission Transmisión Transmission
--	---	-------------------	------------------------	---------------------------------	--------------------	--	---	--	----------------------------------	--	---

VOLKSWAGEN (Cont'd/Suite)
2006 (Cont'd/Suite)
JETTA (Cont'd/Suite)

L5 2.5L 2480cc 151 CID	BGQ		57187	57187XP	49186	24489	24489XP	4	33833 ¹⁵⁴		WL10375
------------------------	-----	--	-------	---------	-------	-------	---------	---	----------------------	--	---------

JETTA TDI

L4 2.0L 1968cc Turbo Diesel (Mex.)	CBEA		57083		49020	24489	24489XP	4	33037		WL10384
------------------------------------	------	--	-------	--	-------	-------	---------	---	-------	--	---------

LUPO

L4 1.6L 1598cc (Mex.)			WL7203		WA6688	WP9036			WF10419		
-----------------------	--	--	--------	--	--------	--------	--	--	---------	--	--

NEW BEETLE

L4 1.4L 1390cc (Mex.)	BCA		WL7203		46141	24322			33521 ¹⁵⁵ 33833 ¹⁵⁴		N/A
L4 1.6L 1588cc (Mex.)			51393	51393XP	42472	24322			33521 ¹⁵⁵ 33833 ¹⁵⁴	58609	
L4 1.8L 1781cc (Mex.)			51393	51393XP	42472	24322			33521 ¹⁵⁵ 33833 ¹⁵⁴		N/A
L4 1.9L 1896cc Diesel (Mex.)	BSW		57210		42472	N/A			33897		N/A
L4 2.0L 1984cc (Mex.)	BEV		51393	51393XP	42472	24322			33521 ¹⁵⁵ 33833 ¹⁵⁴		N/A
L5 2.5 2480cc (Mex.)	CBTA		57187	57187XP	42472	N/A			33521		N/A

NEW BEETLE CABRIO

L4 1.4L 1390cc (Mex.)	BCA		WL7203		46141	N/A			33521		N/A
L4 1.6L 1588cc (Mex.)			57301		42472				33833 ¹⁵⁴		
L4 1.8L 1781cc Turbo (Mex.)			57301		42472				33833 ¹⁵⁴		
L4 1.9L 1896 cc Diesel (Mex.)			57210		42472				33619		

PASSAT

L4 2.0L 1968cc Turbo Diesel (Mex.)			57083		49020	24489	24489XP		33256		
L4 2.0L 1984cc (Mex.)	BLY		57187	57187XP	49013	24489	24489XP				N/A
L4 2.0L 1984cc 121 CID Turbo	BPY		57187	57187XP	49843	24489	24489XP	4	N/S		N/S
V6 3.6L 3597cc 219 CID	BLV		57083		49122	24489	24489XP	4	N/S		N/S

PHAETON

V8 4.2L 4172cc	BGH		57329		N/A - Left N/A - Right	N/A			33521		N/A - 5 Spd. WL10376 - 6 Spd.
W12 6.0L 5998cc 366 CID	BRP		51212		N/A - Left N/A - Right	N/A			33521		N/A - 5 Spd. WL10376 - 6 Spd.

POINTER

L4 1.8L 1781cc (Mex.)			51088		WA10030				33179		
L4 1.9L 1896cc Diesel (Mex.)	BGG		51191		N/A	N/A					N/A

POINTER PICKUP

L4 1.8 L 1800cc (Mex.)			51342		WA10030				WF10419		
L4 1.8L 1780cc (Mex.)			51393	51393XP	WA10030				N/A		N/A
L4 1.9L 1896cc Diesel (Mex.)	BGG		51191		N/A	N/A					N/A

POINTER TRUCK

L4 1.8L 1780cc (Mex.)			51393	51393XP	WA10030	N/A			WF10419		
-----------------------	--	--	-------	---------	---------	-----	--	--	---------	--	--

POLO

L4 1.6L 1588cc (Mex.)			WL7203		WA6688				N/A		
L4 1.9L 1896 cc Diesel (Mex.)			57083		WA9465				WF8269		
L4 2.0L 1984cc (Mex.)			51393	51393XP	WA6688 WA6702	24322			N/A		

RABBIT

L5 2.5L 2480cc 151 CID	BGP		57187	57187XP	49186	24489	24489XP	4	33833		WL10375
	BGQ		57187	57187XP	49186	24489	24489XP	4	33833		WL10375

SHARAN

L4 1.8L 1781cc (Mex.)			51393	51393XP	WA6673	WP6849			33179		
L4 1.8L 1781cc Turbo (Mex.)			51393	51393XP	WA6673	WP6849			33179		

TOUAREG

V6 3.2L 3189cc 195 CID	BMX		51212		42859	24631 ¹⁸		4	N/S		WL10380
V8 4.2L 4172cc	AXQ		57563		42859	24631 ¹⁸		4	N/S		WL10380

N/A = Not Available N/R = Not Required N/S = Not Serviceable For cabin and fuel filter locator, see pages 5-15 See pages 16-19 for footnotes
 N/A = Non disponible N/R = Non nécessaire N/S = Non réparable Para la ubicación de los filtros de aire de la cabina y de combustible, ver las páginas 5-15 Voir pages 16-19 pour des notes
 N/A = No disponible N/R = No requiere N/S = No servible Voir les tableaux de repérage des filtres d'habitacle et à carburant aux pages 5-15 Ver las páginas 16-19 para las notas al pie de página

Italicized Part Numbers May Not Be Available. Wix XP Oil Filters Have Fully Synthetic Media.

Las piezas con números en *italicas* pueden no estar disponibles. Los filtros de aceite WIX XP son completamente de media sintética.
 Les numéros de pièce en *italiques* peuvent ne pas être disponibles. Les filtres à huile XP Wix contiennent un matériau 100 % synthétique.

Year/Año/Année Model/Modelo/Modèle Engine/Motor/Moteur	Eng. Code Código de motor Code moteur	VIN NIV NIV	Oil Aceite Huile	Oil XP Aceite XP Huile XP	Air Aire Air	Cabin Air Cabina Aire Cabine Air	Cabin Air XP Cabina Aire XP Cabine Air XP	Loc. Cabin Air Cabina Aire Cabine Air	Fuel Combustible Carburant	Loc. Fuel Combustible Carburant	Transmission Transmisión Transmission
--	---	-------------------	------------------------	---------------------------------	--------------------	--	---	--	----------------------------------	--	---

VOLKSWAGEN (Cont'd/Suite)
2006 (Cont'd/Suite)
TOUAREG TDI

V10 5.0L 4921cc 300 CID Turbo Diesel	BWF		57162		42859	24631		4	WF10489		WL10380
---	-----	--	-------	--	-------	-------	--	---	---------	--	---------

VAN

L4 1.8L 1780cc (Mex.)			WL7217		42827	24322			33078		
L4 1.8L 1780cc (Mex.)			51393	51393XP	N/A	24322			33199		

2005
BEETLE

L4 1.8L 1781cc Turbo	BKF		51393	51393XP	42472	24322 ⁷⁸		1	33521 ¹⁵⁵ 33833 ¹⁵³	N N	58609
L4 1.9L 1896cc 116 CID Turbo Diesel	BEW		57210		42472	24322 ⁷⁸		1	33619	D	58609
L4 2.0L 1984cc 121 CID	BEV		51393	51393XP	42472	24322 ⁷⁸		1	33521 ¹⁵⁵ 33833 ¹⁵³	N N	58609
	BGD		51393	51393XP	42472	24322 ⁷⁸		1	33521 ¹⁵⁵ 33833 ¹⁵⁴	N N	58609

BORA

L4 1.9L 1896cc Turbo Diesel (Mex.)	BXE		57083		49020	24489	24489XP		33037		
L4 2.0L 1984cc (Mex.)	BBY		57187	57187XP	49843				33814		
L5 2.5L 2480cc (Mex.)	BTK		57187	57187XP	49186	24489	24489XP		33833 ¹⁵⁴		

DERBY

L4 1.8L 1781cc (Mex.)			51393	51393XP	42827	24322			33078		
-----------------------	--	--	-------	---------	-------	-------	--	--	-------	--	--

GOLF

L4 1.6L 1595cc (Mex.)	BGU		51393	51393XP	49013	24489	24489XP		33833 ¹⁵⁴		N/A
	BSE		51393	51393XP	49013	24489	24489XP		33833 ¹⁵⁴		N/A
L4 1.8L 1781cc (Mex.)			51393	51393XP	42472	24322			33521		58609
L4 1.9L 1896cc 116 CID Turbo Diesel	BEW		57210		42472	24322 ⁷⁸		1	33619	D	58609 - 4 Spd. 58108 - 5 Spd.
L4 1.9L 1896cc Turbo Diesel (Mex.)			57083		49020	24489	24489XP		33832		
L4 2.0L 1984cc 121 CID	BEV		51393	51393XP	42472	24322 ⁷⁸		1	33521 ¹⁵⁵ 33833 ¹⁵³	N N	58609
V6 2.8L 2792cc (Mex.)			57083		42472	24322			33521		
V6 3.2L 3189cc (Mex.)	BUB		N/A		49122	24489	24489XP		33833 ¹⁵⁴ 33814 ¹⁵⁵		N/A

GOLF GTI

L4 1.8L 1781cc Turbo	AWP		51393	51393XP	42472	24322 ⁷⁸		1	33521	N	58108
V6 2.8L 2792cc	BDF		57083		42472	24322 ⁷⁸		1	33521	N	58609

JETTA

L4 1.8L 1781cc Turbo	AWP		51393	51393XP	42472	24322 ⁷⁸		1	33521 ¹⁵⁵	N	58108 - 5 Spd. 58609 - 4 Spd.
L4 1.9L 1896cc 116 CID Turbo Diesel	BEW		57210		42472	24322 ⁷⁸		1	33619	D	58609 - 4 Spd. 58108 - 5 Spd.
	BRM		57083		49020	24322 ⁷⁸		1	33037 ³⁴² 33833 ³⁴³	D D	58609 - 4 Spd. 58108 - 5 Spd.
L4 2.0L 1984cc (Mex.)			51393	51393XP	42472	24322		1	33521	N	58609
L4 2.0L 1984cc 121 CID	BBW		51393	51393XP	42472	24322 ⁷⁸		1	33521 ¹⁵⁵	N	58609
	BEV		51393	51393XP	42472	24322 ⁷⁸		1	33521 ¹⁵⁵	N	58609
L5 2.5L 2480cc 151 CID	BGP		57187	57187XP	49186	24489	24489XP	4	33833 ¹⁵⁴		MT ⁷²
	BGQ		57187	57187XP	49186	24489	24489XP	4	33833 ¹⁵⁴		MT ⁷²

JETTA TDI

L4 2.0L 1968cc Turbo Diesel (Mex.)	BKD		57083		49020	24489	24489XP	4	33037		WL10384
---------------------------------------	-----	--	-------	--	-------	-------	---------	---	-------	--	---------

LUPO

L4 1.6L 1598cc			WL7203		WA6688	24322			WF10419		
L4 1.6L 1598cc (Mex.)			WL7203		WA6688	24322			WF10419		

N/A = Not Available N/R = Not Required N/S = Not Serviceable For cabin and fuel filter locator, see pages 5-15 See pages 16-19 for footnotes

N/A = Non disponible N/R = Non nécessaire N/S = Non réparable Para la ubicación de los filtros de aire de la cabina y de combustible, ver las páginas 5-15 Voir pages 16-19 pour des notes

N/A = No disponible N/R = No requiere N/S = No servible Voir les tableaux de repérage des filtres d'habitacle et à carburant aux pages 5-15 Ver las páginas 16-19 para las notas al pie de página

Italicized Part Numbers May Not Be Available. Wix XP Oil Filters Have Fully Synthetic Media.

Las piezas con números en *italicas* pueden no estar disponibles. Los filtros de aceite WIX XP son completamente de media sintética.

Les numéros de pièce en *italiques* peuvent ne pas être disponibles. Les filtres à huile Wix contiennent un matériau 100 % synthétique.

VOLKSWAGEN 2005
Pass Car/Light Truck

Year/Año/Année Model/Modelo/Modèle Engine/Motor/Moteur	Eng. Code Código de motor Code moteur	VIN NIV NIV	Oil Aceite Huile	Oil XP Aceite XP Huile XP	Air Aire Air	Cabin Air Cabina Aire Cabine Air	Cabin Air XP Cabina Aire XP Cabine Air XP	Loc. Cabin Air Cabina Aire Cabine Air	Fuel Combustible Carburant	Loc. Fuel Combustible Carburant	Transmission Transmisión Transmission
--	---	-------------------	------------------------	---------------------------------	--------------------	--	---	--	----------------------------------	--	---

VOLKSWAGEN (Cont'd/Suite)
2005 (Cont'd/Suite)
NEW BEETLE

L4 1.4L 1390cc (Mex.)	BCA		WL7203		46141	24322			33521 ¹⁵⁵ 33833 ¹⁵⁴		N/A
L4 1.6L 1588cc (Mex.)			51393	51393XP	42472	24322			33521 ¹⁵⁵ 33833 ¹⁵⁴		58609
L4 1.8L 1781cc (Mex.)			51393	51393XP	42472	24322			33521 ¹⁵⁵ 33833 ¹⁵⁴		N/A
L4 1.9L 1896 cc Diesel (Mex.)	ALH		57210		42472	N/A			33897		N/A
L4 2.0L 1984cc (Mex.)	AZJ		51393	51393XP	42472	24322			33521 ¹⁵⁵ 33833 ¹⁵⁴		N/A
L5 2.3L 2319cc (Mex.)	AQN		57083		42472	N/A			33521		N/A

NEW BEETLE CABRIO

L4 1.4L 1390cc (Mex.)	BCA		WL7203		46141	N/A			33521		N/A
L4 1.6L 1588cc (Mex.)			57301		42472				33521		
L4 1.8L 1781cc Turbo (Mex.)			57301		42472				33521		
L4 1.9L 1896 cc Diesel (Mex.)			57210		42472				33619		

PASSAT

L4 1.8L 1781cc (Mex.)			51191		42295	24774 ¹⁹⁷ 24322 ¹⁹⁸			33179		58108
L4 1.8L 1781cc Turbo	AWM		51191		42295	24322 ¹⁹⁸		1	33179	N	58609 - 4 Spd. 58108 - 5 Spd.
L4 1.8L 1781cc Turbo (Mex.)			51393	51393XP	42295	24774			33179		58609
L4 1.9L 1896cc Turbo Diesel (Mex.)	AVB		57210		42295	24322			33619		58609
L4 2.0L 1968cc 120 CID Turbo Diesel	BHW		57210		42295	24322 ¹⁹⁸		1	33619		58609
L4 2.0L 1984cc (Mex.)	BLR		57187	57187XP	49013	24489	24489XP		N/A		N/A
V6 2.8L 2771cc	ATQ	H	51355		42295	24322 ¹⁹⁸		1	33179	N	58108
V8 4.0L 3999cc (Mex.)	BDN BDP		51212 51212		42295 42295	24322 24322			33156 33156		58108 58108

PHAETON

V8 4.2L 4172cc	BGH		57329		N/A - Left N/A - Right	N/A			33521		N/A - 5 Spd. WL10376 - 6 Spd.
W12 6.0L 5998cc	BAP		57562		N/A - Left N/A - Right	N/A			33521		N/A - 5 Spd. WL10376 - 6 Spd.

POINTER

L4 1.8L 1781cc (Mex.)			51088		WA10030				33179		
L4 1.9L 1896cc Diesel (Mex.)	BGG		51191		N/A	N/A					N/A

POINTER PICKUP

L4 1.8L 1780cc (Mex.)			51393	51393XP	WA10030				N/A		N/A
L4 1.9L 1896cc Diesel (Mex.)	BGG		51191		N/A	N/A					N/A

POINTER TRUCK

L4 1.8L 1780cc (Mex.)			51393	51393XP	WA10030	N/A			WF10419		
-----------------------	--	--	-------	---------	---------	-----	--	--	---------	--	--

POINTER WAGON

L4 1.8L 1780cc (Mex.)			51342		WA10030				WF10419		
-----------------------	--	--	-------	--	---------	--	--	--	---------	--	--

POLO

L4 1.6L 1588cc (Mex.)			WL7203		WA6688				N/A		
L4 1.9L 1896 cc Diesel (Mex.)			57083		WA9465				WF8269		
L4 2.0L 1984cc (Mex.)			51393	51393XP	WA6688 WA6702	24322			N/A		

SHARAN

L4 1.8L 1781cc (Mex.)			51393	51393XP	WA6673	WP6849			33179		
L4 1.8L 1781cc Turbo (Mex.)			51393	51393XP	WA6673	WP6849			33179		

TOUAREG

V6 3.2L 3189cc 195 CID	BMX		51212		42859	24631 ¹⁹⁸		4	N/S		WL10380
V6 3.2L 3200cc 195 CID	BAA		51212		42859	24631		4	N/S		WL10380
V8 4.2L 4172cc	AXQ		57563		42859	24631		4	N/S		WL10380

N/A = Not Available N/R = Not Required N/S = Not Serviceable For cabin and fuel filter locator, see pages 5-15 See pages 16-19 for footnotes

N/A = Non disponible N/R = Non nécessaire N/S = Non réparable Para la ubicación de los filtros de aire de la cabina y de combustible, ver las páginas 5-15 Voir pages 16-19 pour des notes

N/A = No disponible N/R = No requiere N/S = No servible Voir les tableaux de repérage des filtres d'habitacle et à carburant aux pages 5-15 Ver las páginas 16-19 para las notas al pie de página

Italicized Part Numbers May Not Be Available. Wix XP Oil Filters Have Fully Synthetic Media.

Las piezas con números en *italicas* pueden no estar disponibles. Los filtros de aceite WIX XP son completamente de media sintética. Les numéros de pièce en *italiques* peuvent ne pas être disponibles. Les filtres à huile XP Wix contiennent un matériau 100 % synthétique.

Year/Año/Année Model/Modelo/Modèle Engine/Motor/Moteur	Eng. Code Código de motor Code moteur	VIN NIV NIV	Oil Aceite Huile	Oil XP Aceite XP Huile XP	Air Aire Air	Cabin Air Cabina Aire Cabine Air	Cabin Air XP Cabina Aire XP Cabine Air XP	Loc. Cabin Air Cabina Aire Cabine Air	Fuel Combustible Carburant	Loc. Fuel Combustible Carburant	Transmission Transmisión Transmission
--	---	-------------------	------------------------	---------------------------------	--------------------	--	---	--	----------------------------------	--	---

VOLKSWAGEN (Cont'd/Suite)

2005 (Cont'd/Suite)

TOUAREG TDI

V10 5.0L 4921cc Turbo Diesel	BKW		57162		42859	24631		4	WF10489		WL10380
------------------------------	-----	--	-------	--	-------	-------	--	---	---------	--	---------

VAN

L4 1.8L 1780cc (Mex.)			WL7217		42827	24322			33078		
L4 1.8L 1780cc (Mex.)			51393	51393XP	N/A	24322			33199		

2004

BEETLE

L4 1.8L 1781cc Turbo	AWP		51393	51393XP	42472	24322 ⁷⁸		1	33521 ¹⁵⁵ 33833 ¹⁵³	N N	58609
	AWV		51393	51393XP	42472	24322 ⁷⁸		1	33521 ¹⁵⁵ 33833 ¹⁵³	N N	MT ⁷²
L4 1.9L 1896cc 116 CID Turbo Diesel	ALH		57210		42472	24322 ⁷⁸		1	33619	D	58609
	BEW		57210		42472	24322 ⁷⁸		1	33619	D	58609
L4 2.0L 1984cc 121 CID	BEV		51393	51393XP	42472	24322 ⁷⁸		1	33521 ¹⁵⁵ 33833 ¹⁵³	N N	58609
	BGD		51393	51393XP	42472	24322 ⁷⁸		1	33521 ¹⁵⁵ 33833 ¹⁵⁴	N N	58609

BORA

L4 2.0L 1984cc (Mex.)	AQY		51393	51393XP	42472	24322			33521		58609
-----------------------	-----	--	-------	---------	-------	-------	--	--	-------	--	-------

DERBY

L4 1.8L 1781cc (Mex.)			51393	51393XP	42827	24322			33078		
-----------------------	--	--	-------	---------	-------	-------	--	--	-------	--	--

EUROVAN

L5 2.5L 2461cc 150 CID (Mex.)			51773 ³⁵		42485	N/A			33179		
-------------------------------	--	--	---------------------	--	-------	-----	--	--	-------	--	--

GOLF

L4 1.6L 1595cc (Mex.)	BGU		51393	51393XP	49013	24489	24489XP		33814 ¹⁵⁵ 33833 ¹⁵⁴		N/A
L4 1.8L 1781cc Turbo	AWP		51393	51393XP	42472	24322 ⁷⁸		1	33521	N	58609
L4 1.9L 1896cc 116 CID Turbo Diesel	ALH		57210		42472	24322 ⁷⁸		1	33619	D	58609
	BEW		57210		42472	24322 ⁷⁸		1	33619	D	58609
L4 1.9L 1896cc Turbo Diesel (Mex.)	BXF		57083		49020	24489	24489XP		33832		
L4 2.0L 1984cc 121 CID	BEV		51393	51393XP	42472	24322 ⁷⁸		1	33521 ¹⁵⁵ 33833 ¹⁵³	N N	58609
V6 2.8L 2792cc (Mex.)			N/A		42472	24322			33521		
V6 3.2L 3189cc (Mex.)	BUB		N/A		49122	24489	24489XP		33833 ¹⁵⁴ 33814 ¹⁵⁵		N/A

GOLF GTI

L4 1.8L 1781cc Turbo	AWP		51393	51393XP	42472	24322 ⁷⁸		1	33521	N	58609
V6 2.8L 2792cc	BDF		57083		42472	24322 ⁷⁸		1	33521	N	58609

GOLF R32

V6 3.2L 3189cc	BJS		57083		42472	24322 ⁷⁸		1	33521		N/A
----------------	-----	--	-------	--	-------	---------------------	--	---	-------	--	-----

JETTA

L4 1.8L 1781cc Turbo	AWP		51393	51393XP	42472	24322 ⁷⁸		1	33521 ¹⁵⁵	N	58609
L4 1.9L 1896cc 116 CID Turbo Diesel	ALH		57210		42472	24322 ⁷⁸		1	33619	D	58609
	BEW		57210		42472	24322 ⁷⁸		1	33619	D	58609
L4 2.0L 1984cc			51393	51393XP	42472	24322 ⁷⁸		1	33521 ¹⁵⁵	N	58609
V6 2.8L 2792cc	BDF		57083		42472	24322 ⁷⁸		1	33521 ¹⁵⁵	N	58609

NEW BEETLE

L4 1.4L 1390cc (Mex.)	BCA		WL7203		46141	24322			33521 ¹⁵⁵ 33833 ¹⁵⁴		N/A
L4 1.6L 1588cc (Mex.)			51393	51393XP	42472	24322			33521 ¹⁵⁵ 33833 ¹⁵⁴		58609
L4 1.8L 1781cc (Mex.)			51393	51393XP	42472	24322			33521 ¹⁵⁵ 33833 ¹⁵⁴		N/A

N/A = Not Available N/R = Not Required N/S = Not Serviceable For cabin and fuel filter locator, see pages 5-15 See pages 16-19 for footnotes
 N/A = Non disponible N/R = Non nécessaire N/S = Non réparable Para la ubicación de los filtros de aire de la cabina y de combustible, ver las páginas 5-15 Voir pages 16-19 pour des notes
 N/A = No disponible N/R = No requiere N/S = No servible Voir les tableaux de repérage des filtres d'habitacle et à carburant aux pages 5-15 Ver las páginas 16-19 para las notas al pie de página

Italicized Part Numbers May Not Be Available. Wix XP Oil Filters Have Fully Synthetic Media.

Las piezas con números en *italicas* pueden no estar disponibles. Los filtros de aceite WIX XP son completamente de media sintética.
 Les numéros de pièce en *italiques* peuvent ne pas être disponibles. Les filtres à huile Wix contiennent un matériau 100 % synthétique.

VOLKSWAGEN 2004
Pass Car/Light Truck

Year/Año/Année Model/Modelo/Modèle Engine/Motor/Moteur	Eng. Code Código de motor Code moteur	VIN NIV NIV	Oil Aceite Huile	Oil XP Aceite XP Huile XP	Air Aire Air	Cabin Air Cabina Aire Cabine Air	Cabin Air XP Cabina Aire XP Cabine Air XP	Loc. Cabin Air Cabina Aire Cabine Air	Fuel Combustible Carburant	Loc. Fuel Combustible Carburant	Transmission Transmisión Transmission
--	---	-------------------	------------------------	---------------------------------	--------------------	--	---	--	----------------------------------	--	---

VOLKSWAGEN (Cont'd/Suite)
2004 (Cont'd/Suite)
NEW BEETLE (Cont'd/Suite)

L4 1.9L 1896 cc Diesel (Mex.)	ALH		57210		42472	N/A			33897		N/A
L4 2.0L 1984cc (Mex.)	BDC		51393	51393XP	42472	24322			33521 ¹⁵⁵ 33833 ¹⁵⁴		N/A
L5 2.3L 2319cc (Mex.)	AQN		57083		42472	N/A			33521		N/A

NEW BEETLE CABRIO

L4 1.4L 1390cc (Mex.)	BCA		WL7203		46141	N/A			33521		N/A
L4 1.6L 1588cc (Mex.)			57301		42472				33521		
L4 1.8L 1781cc Turbo (Mex.)			57301		42472				33521		
L4 1.9L 1896 cc Diesel (Mex.)			57210		42472				33619		

PASSAT

L4 1.8L 1781cc Turbo	AWM		51191		42295	24322 ⁷⁸		1	33179	N	58609
L4 1.8L 1781cc Turbo (Mex.)			51393	51393XP	42295	24774			33179		58609
L4 1.9L 1896cc Turbo Diesel (Mex.)	AVB		57210		42295	24322			33619		58609
L4 2.0L 1968cc 120 CID Turbo Diesel	BHW	E	57210		42295	24322 ⁷⁸		1	33619	D	58609
L4 2.0L 1984cc (Mex.)	AZM		51393	51393XP	42295	24322			33179		58609
V6 2.8L 2771cc	ATQ	H	51355		42295	24322 ⁷⁸		1	33179 - FWD 33156 - AWD	N N	58108
V8 4.0L 3999cc (Mex.)	BDP		51212		42295	24322			33156		58108
W8 4.0L 3999cc 244 CID	BDP		51212		42295	24322 ⁷⁸		1	33156	N	58609

PHAETON

V8 4.2L 4172cc	BGH		57329		N/A - Left N/A - Right	N/A			33521		N/A
W12 6.0L 6000cc			57562		N/A ⁸⁷ - Left N/A ⁸⁸ - Right WA10949 ⁸⁹ - Left WA10950 ⁹⁰ - Right	N/A			33521		WL10376

POINTER

L4 1.8L 1781cc (Mex.)			51088		WA10030				33179		
L4 1.9L 1896cc Diesel (Mex.)	BGG		51191		N/A	N/A					N/A

POINTER PICKUP

L4 1.8 L 1800cc (Mex.)			51342		WA10030				WF10419		
L4 1.8L 1780cc (Mex.)			51393	51393XP	WA10030				N/A		N/A
L4 1.9L 1896cc Diesel (Mex.)	BGG		51191		N/A	N/A					N/A

POINTER TRUCK

L4 1.8L 1780cc (Mex.)			51393	51393XP	WA10030	N/A			WF10419		
-----------------------	--	--	-------	---------	---------	-----	--	--	---------	--	--

POINTER WAGON

L4 1.8L 1780cc (Mex.)			51342		WA10030				WF10419		
-----------------------	--	--	-------	--	---------	--	--	--	---------	--	--

POLO

L4 1.6L 1588cc (Mex.)			WL7203		WA6688				N/A		
L4 1.9L 1896 cc Diesel (Mex.)			57083		WA9465				WF8269		
L4 2.0L 1984cc (Mex.)			51393	51393XP	WA6688 WA6702	24322			N/A		

R32

V6 3.2L 3189cc 195 CID	CBRA		57083		42472	24322		4	33521		N/R
------------------------	------	--	-------	--	-------	-------	--	---	-------	--	-----

SEDAN

L4 1.6L 1584cc (Mex.)			51393	51393XP	42170				33179		
-----------------------	--	--	-------	---------	-------	--	--	--	-------	--	--

SHARAN

L4 1.8L 1781cc (Mex.)			51393	51393XP	WA6673	N/A			33179		
-----------------------	--	--	-------	---------	--------	-----	--	--	-------	--	--

TOUAREG

V6 3.2L 3200cc 195 CID	BAA		51212		42859	24631		4	33521		WL10380
V8 4.2L 4172cc	AXQ		57563		42859	24631		4	33521		WL10380

TOUAREG TDI

V10 4.9L 4921cc 300 CID Turbo Diesel	BKW		57162		42859	24631		4	WF10489		WL10380
--------------------------------------	-----	--	-------	--	-------	-------	--	---	---------	--	---------

N/A = Not Available N/R = Not Required N/S = Not Serviceable For cabin and fuel filter locator, see pages 5-15 See pages 16-19 for footnotes

N/A = Non disponible N/R = Non nécessaire N/S = Non réparable Para la ubicación de los filtros de aire de la cabina y de combustible, ver las páginas 5-15 Voir pages 16-19 pour des notes

N/A = No disponible N/R = No requiere N/S = No servible Voir les tableaux de repérage des filtres d'habitacle et à carburant aux pages 5-15 Ver las páginas 16-19 para las notas al pie de página

Italicized Part Numbers May Not Be Available. Wix XP Oil Filters Have Fully Synthetic Media.

Las piezas con números en *italicas* pueden no estar disponibles. Los filtros de aceite WIX XP son completamente de media sintética. Les numéros de pièce en *italiques* peuvent ne pas être disponibles. Les filtres à huile XP Wix contiennent un matériau 100 % synthétique.

Year/Año/Année Model/Modelo/Modèle Engine/Motor/Moteur	Eng. Code Código de motor Code moteur	VIN NIV NIV	Oil Aceite Huile	Oil XP Aceite XP Huile XP	Air Aire Air	Cabin Air Cabina Aire Cabine Air	Cabin Air XP Cabina Aire XP Cabine Air XP	Loc. Cabin Air Cabina Aire Cabine Air	Fuel Combustible Carburant	Loc. Fuel Combustible Carburant	Transmission Transmisión Transmission
--	---	-------------------	------------------------	---------------------------------	--------------------	--	---	--	----------------------------------	--	---

VOLKSWAGEN (Cont'd/Suite)
2004 (Cont'd/Suite)
VAN

L4 1.8L 1780cc (Mex.)			WL7217		42827	24322			33078		
L4 1.8L 1780cc (Mex.)			51393	51393XP	N/A	24322			33199		

2003
BEETLE

L4 1.6L (Mex.)	ACD		N/A		42170	N/A			N/A		N/A
L4 1.8L 1781cc Turbo	AWP		51393	51393XP	42472	24322 ⁷⁸		1	33521 ¹⁵⁵ 33833 ¹⁵³	N N	58609
	AWV		51393	51393XP	42472	24322 ⁷⁸		1	33521 ¹⁵⁵ 33833 ¹⁵³	N N	MT ⁷²
L4 1.9L 1896cc 116 CID Turbo Diesel	ALH		57210		42472	24322 ⁷⁸		1	33619	D	58609
L4 2.0L 1984cc 121 CID	AVH		51393	51393XP	42472	24322 ⁷⁸		1	33521 ¹⁵⁵ 33833 ¹⁵³	N N	58609
	AZG		51393	51393XP	42472	24322 ⁷⁸		1	33521 ¹⁵⁵ 33833 ¹⁵³	N N	58609
	BDC		51393	51393XP	42472	24322 ⁷⁸		1	33521 ¹⁵⁵ 33833 ¹⁵³	N N	58609

BORA

L4 2.0L 1984cc (Mex.)	AQY		51393	51393XP	42472	24322			33521		58609
-----------------------	-----	--	-------	---------	-------	-------	--	--	-------	--	-------

DERBY

L4 1.8L 1781cc (Mex.)			51393	51393XP	42827	24322			33078		
L4 2.0 L 1985cc (Mex.)			51088		42827	24322			33199		

EUROVAN

L5 2.5L 2461cc 150 CID (Mex.)			51773 ⁵³		42485	N/A			33179		
V6 2.8L 2792cc	AXK		57083		42485	WP6874			33179	N	58609

GOLF

L4 1.6L 1595cc (Mex.)			51393	51393XP	42472	24322			33521		58609
L4 1.6L 1598cc (Mex.)			N/A		N/A	24322			33521		
L4 1.8L 1781cc Turbo	AWP		51393	51393XP	42472	24322 ⁷⁸		1	33521	N	58609
L4 1.9L 1896cc 116 CID Turbo Diesel	ALH		57210		42472	24322 ⁷⁸		1	33619	D	58609
L4 2.0L 1984cc 121 CID	AVH		51393	51393XP	42472	24322 ⁷⁸		1	33521 ¹⁵⁵ 33833 ¹⁵³	N N	58609
V6 2.8L 2792cc (Mex.)			N/A		42472	24322			33521		
V6 3.2L 3189cc (Mex.)			57083		49122	24489	24489XP		33833 ¹⁵⁴ 33814 ¹⁵⁵		N/A

GOLF GTI

L4 1.8L 1781cc Turbo	AWP		51393	51393XP	42472	24322 ⁷⁸		1	33521	N	58609
V6 2.8L 2792cc	BDF		57083		42472	24322 ⁷⁸		1	33521	N	58609

GTI

L4 2.0L 1984cc (Mex.)			51393	51393XP	42472	24322			33521		
-----------------------	--	--	-------	---------	-------	-------	--	--	-------	--	--

JETTA

L4 1.8L 1781cc Turbo	AWP		51393	51393XP	42472	24322 ⁷⁸		1	33521 ¹⁵⁵	N	58609
L4 1.9L 1896cc 116 CID Turbo Diesel	ALH		57210		42472	24322 ⁷⁸		1	33619	D	58609
L4 2.0L 1984cc 121 CID	AVH		51393	51393XP	42472	24322 ⁷⁸		1	33521 ¹⁵⁵	N	58609
	AZG		51393	51393XP	42472	24322 ⁷⁸		1	33521 ¹⁵⁵	N	58609
V6 2.8L 2792cc	AFP		51212		42472	24322 ⁷⁸		1	33521 ¹⁵⁵	N	58609
	BDF		57083		42472	24322 ⁷⁸		1	33521 ¹⁵⁵	N	58609

NEW BEETLE

L4 1.4L 1390cc (Mex.)	BCA		WL7203		46141	24322			33521 ¹⁵⁵ 33833 ¹⁵⁴		N/A
L4 1.6L 1588cc (Mex.)			51393	51393XP	42472	24322			33521 ¹⁵⁵ 33833 ¹⁵⁴		58609
L4 1.8L 1781cc (Mex.)			51393	51393XP	42472	24322			33521 ¹⁵⁵ 33833 ¹⁵⁴		N/A

N/A = Not Available N/R = Not Required N/S = Not Serviceable For cabin and fuel filter locator, see pages 5-15 See pages 16-19 for footnotes

N/A = Non disponible N/R = Non nécessaire N/S = Non réparable Para la ubicación de los filtros de aire de la cabina y de combustible, ver las páginas 5-15 Voir pages 16-19 pour des notes

N/A = No disponible N/R = No requiere N/S = No servible Voir les tableaux de repérage des filtres d'habitacle et à carburant aux pages 5-15 Ver las páginas 16-19 para las notas al pie de página

Italicized Part Numbers May Not Be Available. Wix XP Oil Filters Have Fully Synthetic Media.

Las piezas con números en *italicas* pueden no estar disponibles. Los filtros de aceite WIX XP son completamente de media sintética.

Les numéros de pièce en *italiques* peuvent ne pas être disponibles. Les filtres à huile Wix contiennent un matériau 100 % synthétique.

VOLKSWAGEN 2003-2002
Pass Car/Light Truck

Year/Año/Année Model/Modelo/Modèle Engine/Motor/Moteur	Eng. Code Código de motor Code moteur	VIN NIV NIV	Oil Aceite Huile	Oil XP Aceite XP Huile XP	Air Aire Air	Cabin Air Cabina Aire Cabine Air	Cabin Air XP Cabina Aire XP Cabine Air XP	Loc. Cabin Air Cabina Aire Cabine Air	Fuel Combustible Carburant	Loc. Fuel Combustible Carburant	Transmission Transmisión Transmission
--	---	-------------------	------------------------	---------------------------------	--------------------	--	---	--	----------------------------------	--	---

VOLKSWAGEN (Cont'd/Suite)
2003 (Cont'd/Suite)
NEW BEETLE (Cont'd/Suite)

L4 1.9L 1896 cc Diesel (Mex.)	ALH		57210		42472	N/A			33897		N/A
L4 2.0L 1984cc (Mex.)	BEV		51393	51393XP	42472	24322			33521 ¹⁵⁵ 33833 ¹⁵⁴		N/A
L5 2.3L 2319cc (Mex.)	AQN		57083		42472	N/A			33521		N/A

NEW BETTLE CABRIO

L4 1.4L 1390cc (Mex.)	BCA		WL7203		46141	N/A			33521		N/A
L4 1.6L 1588cc (Mex.)			57301		42472				33521		
L4 1.8L 1781cc Turbo (Mex.)			57301		42472				33521		
L4 1.9L 1896 cc Diesel (Mex.)			57210		42472				33619		
L4 2.0L 1984cc (Mex.)			57301		42472				33521		

PASSAT

L4 1.8L 1781cc Turbo	AWM		51393	51393XP	42295	24322 ¹⁸		1	33179	N	58609
L4 1.9L 1896cc Turbo Diesel (Mex.)	AVB		57210		42295	24322			33619		58609
L4 2.0L 1984cc (Mex.)	AZM		51393	51393XP	42295	24322			33179		58609
V6 2.8L 2771cc	ATQ	H	51355		42295	24322 ¹⁸		1	33179 - FWD 33156 - AWD	N N	58108
V8 4.0L 3999cc (Mex.)	BDP		51212		42295	24322			33156		58108
W8 4.0L 3999cc 244 CID	BDP		51212		42295	24322 ¹⁸		1	33156	N	58609

POINTER

L4 1.8L 1781cc (Mex.)			51088		WA10030				33179		
L4 1.9L 1896cc Diesel (Mex.)	BGG		51191		N/A	N/A					N/A

POINTER GTI

L4 2.0L 1985cc (Mex.)			51088		WA10030				WF10419		
-----------------------	--	--	-------	--	---------	--	--	--	---------	--	--

POINTER PICKUP

L4 1.8 L 1800cc (Mex.)			51342		WA10030				WF10419		
L4 1.8L 1780cc (Mex.)			51393	51393XP	WA10030				N/A		N/A
L4 1.9L 1896cc Diesel (Mex.)	BGG		51191		N/A	N/A					N/A

POINTER TRUCK

L4 1.8L 1780cc (Mex.)			51393	51393XP	WA10030	N/A			WF10419		
-----------------------	--	--	-------	---------	---------	-----	--	--	---------	--	--

POINTER WAGON

L4 1.8L 1780cc (Mex.)			51342		WA10030				WF10419		
-----------------------	--	--	-------	--	---------	--	--	--	---------	--	--

POLO

L4 1.6L 1588cc (Mex.)			WL7203		WA6688				N/A		
L4 1.9L 1896 cc Diesel (Mex.)			57083		WA9465				WF8269		
L4 2.0L 1984cc (Mex.)			51393	51393XP	WA6688 WA6702	24322			N/A		

SEDAN

L4 1.6L 1584cc (Mex.)			51393	51393XP	42170				33179		
-----------------------	--	--	-------	---------	-------	--	--	--	-------	--	--

SHARAN

L4 1.8L 1781cc (Mex.)			51393	51393XP	WA6673	N/A			33179		
-----------------------	--	--	-------	---------	--------	-----	--	--	-------	--	--

VAN

L4 1.8L 1780cc			51393	51393XP	N/A	24322			33199		
L4 1.8L 1780cc (Mex.)			WL7217		42827	24322			33078		
L4 1.8L 1780cc (Mex.)			51393	51393XP	N/A	24322			33199		

2002
BEETLE

L4 1.6L (Mex.)	ACD		N/A		42170	N/A			N/A		N/A
L4 1.8L 1781cc Turbo	AWP		51393	51393XP	42472	24322 ¹⁸		1	33521 ¹⁵⁵ 33833 ¹⁵³	N N	58609
	AWV		51393	51393XP	42472	24322 ¹⁸		1	33521 ¹⁵⁵ 33833 ¹⁵³	N N	MT ⁷²
L4 1.9L 1896cc 116 CID Turbo Diesel	ALH		57210		42472	24322 ¹⁸		1	33619	D	58609

N/A = Not Available N/R = Not Required N/S = Not Serviceable For cabin and fuel filter locator, see pages 5-15 See pages 16-19 for footnotes

N/A = Non disponible N/R = Non nécessaire N/S = Non réparable Para la ubicación de los filtros de aire de la cabina y de combustible, ver las páginas 5-15 Voir pages 16-19 pour des notes

N/A = No disponible N/R = No requiere N/S = No servible Voir les tableaux de repérage des filtres d'habitacle et à carburant aux pages 5-15 Ver las páginas 16-19 para las notas al pie de página

Italicized Part Numbers May Not Be Available. Wix XP Oil Filters Have Fully Synthetic Media.

Las piezas con números en *italicas* pueden no estar disponibles. Los filtros de aceite WIX XP son completamente de media sintética. Les numéros de pièce en *italiques* peuvent ne pas être disponibles. Les filtres à huile XP Wix contiennent un matériau 100 % synthétique.

Year/Año/Année Model/Modelo/Modèle Engine/Motor/Moteur	Eng. Code Código de motor Code moteur	VIN NIV NIV	Oil Aceite Huile	Oil XP Aceite XP Huile XP	Air Aire Air	Cabin Air Cabina Aire Cabine Air	Cabin Air XP Cabina Aire XP Cabine Air XP	Loc. Cabin Air Cabina Aire Cabine Air	Fuel Combustible Carburant	Loc. Fuel Combustible Carburant	Transmission Transmisión Transmission
--	---	-------------------	------------------------	---------------------------------	--------------------	--	---	--	----------------------------------	--	---

VOLKSWAGEN (Cont'd/Suite)

2002 (Cont'd/Suite)

BEETLE (Cont'd/Suite)

L4 2.0L 1984cc 121 CID	AVH		51393	51393XP	42472	24322 ⁷⁸		1	33521 ¹⁵⁵ 33833 ¹⁵³	N N	58609
	AZG		51393	51393XP	42472	24322 ⁷⁸		1	33521 ¹⁵⁵ 33833 ¹⁵³	N N	58609

BORA

L4 2.0L 1984cc (Mex.)	AQY		51393	51393XP	42472	24322			33521		58609
-----------------------	-----	--	-------	---------	-------	-------	--	--	-------	--	-------

CABRIO

L4 2.0L 1984cc 121 CID	ABA		51393	51393XP	46327	24322 ⁷⁸		1	33179	N	58609
------------------------	-----	--	-------	---------	-------	---------------------	--	---	-------	---	-------

COMBI

L4 1.8L 1781cc (Mex.)			51393	51393XP	46415				33179		
-----------------------	--	--	-------	---------	-------	--	--	--	-------	--	--

DERBY

L4 1.8L 1781cc (Mex.)			51393	51393XP	42827	24322			33078		
L4 2.0L 1985cc (Mex.)			51088		42827	24322			33199		

EUROVAN

L5 2.5L 2461cc 150 CID (Mex.)			51773 ⁵³		42485	N/A			33179		
V6 2.8L 2792cc	AES		51212		42485	WP6874			33179	N	58609
	AXK		57083		42485	WP6874			33179	N	58609

GOLF

L4 1.6L 1595cc (Mex.)			51393	51393XP	42472	24322			33521		58609
L4 1.6L 1598cc (Mex.)			N/A		N/A	24322			33521		
L4 1.8L 1781cc Turbo	AWP		51393	51393XP	42472	24322 ⁷⁸		1	33521	N	58609 - 4 Spd.
L4 1.9L 1896cc 116 CID Turbo Diesel	ALH		57210		42472	24322 ⁷⁸		1	33619	D	58609
L4 2.0L 1984cc 121 CID	AVH		51393	51393XP	42472	24322 ⁷⁸		1	33521	N	58609
	AZG		51393	51393XP	42472	24322 ⁷⁸		1	33521	N	58609
V6 2.8L 2792cc (Mex.)			N/A		42472	24322			33521		

GOLF GTI

L4 1.8L 1781cc Turbo	AWP		51393	51393XP	42472	24322 ⁷⁸		1	33521	N	58609 - 4 Spd.
V6 2.8L 2792cc	AFP		51212		42472	24322 ⁷⁸		1	33521	N	58609
	BDF		57083		42472	24322 ⁷⁸		1	33521 ¹⁵⁵	N	58609

GTI

L4 2.0L 1984cc (Mex.)			51393	51393XP	42472	24322			33521		
-----------------------	--	--	-------	---------	-------	-------	--	--	-------	--	--

JETTA

L4 1.8L 1781cc Turbo	AWP		51393	51393XP	42472	24322 ⁷⁸		1	33521 ¹⁵⁵	N	58609
L4 1.9L 1896cc 116 CID Turbo Diesel	ALH		57210		42472	24322 ⁷⁸		1	33619	D	58609
L4 2.0L 1984cc 121 CID	AVH		51393	51393XP	42472	24322 ⁷⁸		1	33521 ¹⁵⁵	N	58609
	AZG		51393	51393XP	42472	24322 ⁷⁸		1	33521 ¹⁵⁵	N	58609
V6 2.8L 2792cc	AFP		51212		42472	24322 ⁷⁸		1	33521 ¹⁵⁵	N	58609
	BDF		57083		42472	24322 ⁷⁸		1	33521 ¹⁵⁵	N	58609

NEW BEETLE

L4 1.4L 1390cc (Mex.)	BCA		WL7203		46141	N/A			33521		N/A
L4 1.6L 1588cc (Mex.)			51393	51393XP	42472	24322			33521 ¹⁵⁵ 33833 ¹⁵⁴		58609
L4 1.8L 1781cc (Mex.)			51393	51393XP	42472	24322			33521 ¹⁵⁵ 33833 ¹⁵⁴		N/A
L4 1.9L 1896 cc Diesel (Mex.)	ALH		57210		42472	N/A			33897		N/A
L4 2.0L 1984cc (Mex.)	AZJ		51393	51393XP	42472	24322			33521 ¹⁵⁵ 33833 ¹⁵⁴		N/A
L5 2.3L 2319cc (Mex.)	AQN		57083		42472	N/A			33521		N/A

PASSAT

L4 1.8L 1781cc Turbo	AWM		51393	51393XP	42295	24774 ¹⁹⁷ 24322 ⁷⁸		1	33179	N	58609
L4 1.9L 1896cc Turbo Diesel (Mex.)	AVB		57210		42295	24322			33619		58609

N/A = Not Available N/R = Not Required N/S = Not Serviceable For cabin and fuel filter locator, see pages 5-15 See pages 16-19 for footnotes

N/A = Non disponible N/R = Non nécessaire N/S = Non réparable Para la ubicación de los filtros de aire de la cabina y de combustible, ver las páginas 5-15 Voir pages 16-19 pour des notes

N/A = No disponible N/R = No requiere N/S = No servible Voir les tableaux de repérage des filtres d'habitacle et à carburant aux pages 5-15 Ver las páginas 16-19 para las notas al pie de página

Italicized Part Numbers May Not Be Available. Wix XP Oil Filters Have Fully Synthetic Media.

Las piezas con números en *italicas* pueden no estar disponibles. Los filtros de aceite WIX XP son completamente de media sintética.

Les numéros de pièce en *italiques* peuvent ne pas être disponibles. Les filtres à huile Wix contiennent un matériau 100 % synthétique.

VOLKSWAGEN 2002 — VOLVO 2021
Pass Car/Light Truck

Year/Año/Année Model/Modelo/Modèle Engine/Motor/Moteur	Eng. Code Código de motor Code moteur	VIN NIV NIV	Oil Aceite Huile	Oil XP Aceite XP Huile XP	Air Aire Air	Cabin Air Cabina Aire Cabine Air	Cabin Air XP Cabina Aire XP Cabine Air XP	Loc. Cabin Air Cabina Aire Cabine Air	Fuel Combustible Carburant	Loc. Fuel Combustible Carburant	Transmission Transmisión Transmission
--	--	-------------------	------------------------	---------------------------------	--------------------	--	---	--	----------------------------------	--	---

VOLKSWAGEN (Cont'd/Suite)
2002 (Cont'd/Suite)
PASSAT (Cont'd/Suite)

L4 2.0L 1984cc (Mex.)			51393	51393XP	42295	24322					58609
V6 2.8L 2771cc	ATQ	H	51355		42295	24774 ⁹⁷ 24322 ⁹⁸		1	33179 33179 - FWD 33156 - AWD	N N	58108
V8 4.0L 3999cc (Mex.)	BDP		51212		42295	24322			33156		58108
W8 4.0L 3999cc 244 CID	BDP		51212		42295	24774 ⁹⁷ 24322 ⁷⁸		1	33156	N	58609

POINTER

L4 1.6L 1600cc Diesel (Mex.)			51088		42170	N/A					N/A
L4 1.8L 1781cc (Mex.)			51088		WA10030				33179		
L4 1.9L 1896cc Diesel (Mex.)	AAZ		51088		WA10030	N/A					N/A
L4 2.0L 1984cc (Mex.)			51393	51393XP	WA10030	N/A			WF10419		

POINTER GTI

L4 2.0L 1985cc (Mex.)			51088		WA10030				WF10419		
-----------------------	--	--	-------	--	---------	--	--	--	---------	--	--

POINTER PICKUP

L4 1.6L 1595cc Diesel (Mex.)			51088		42170	N/A					N/A
L4 1.8 L 1800cc (Mex.)			51342		WA10030				WF10419		
L4 1.8L 1780cc (Mex.)			51393	51393XP	WA10030				N/A		N/A
L4 1.9 1896cc Diesel (Mex.)			51088		WA10030	N/A					N/A

POINTER TRUCK

L4 1.8L 1780cc (Mex.)			51393	51393XP	WA10030	N/A			WF10419		
-----------------------	--	--	-------	---------	---------	-----	--	--	---------	--	--

POINTER WAGON

L4 1.8L 1780cc (Mex.)			51342		WA10030				WF10419		
-----------------------	--	--	-------	--	---------	--	--	--	---------	--	--

POLO

L4 1.9L 1896cc Diesel (Mex.)			57210		N/A	24322			N/A		
L4 2.0L 1984cc (Mex.)	ADC		51393	51393XP	N/A	24322			33078		58609

SEDAN

L4 1.6L 1584cc (Mex.)			51393	51393XP	42170				33179		
-----------------------	--	--	-------	---------	-------	--	--	--	-------	--	--

SHARAN

L4 1.8L 1781cc (Mex.)			51393	51393XP	WA6673	N/A			33179		
-----------------------	--	--	-------	---------	--------	-----	--	--	-------	--	--

VAN

L4 1.8L 1780cc (Mex.)			51393	51393XP	N/A	24322			33199		
-----------------------	--	--	-------	---------	-----	-------	--	--	-------	--	--

VOLVO
2021
S60

L4 2.0L 1969cc Turbo/Super Charged			WL10241		WA10297	WP2153			N/A		N/R
------------------------------------	--	--	---------	--	---------	--------	--	--	-----	--	-----

S90 T8 Hybrid

L4 2.0L 1969CC 120.2CID T/S Turbo/Super Charged	B4204T28		WL10241		WA10360	WP2153			N/A - In-Line		N/S
---	----------	--	---------	--	---------	--------	--	--	---------------	--	-----

V60

L4 2.0L 2000CC 122CID B4204T26 Turbo	B4204T26		WL10241		WA10360	WP10279			N/S		N/S
--------------------------------------	----------	--	---------	--	---------	---------	--	--	-----	--	-----

V60 Cross Country

L4 2.0L 1969cc Turbo	B4204T11		WL10241		WA10297	49355 ⁷⁹ WP9309 ⁸⁰			N/S		N/S
----------------------	----------	--	---------	--	---------	---	--	--	-----	--	-----

V90

L4 2.0L 2000CC 122CID Turbo/Supercharged	B4204T27		WL10241		WA10360	WP2153			N/S		N/S
--	----------	--	---------	--	---------	--------	--	--	-----	--	-----

XC40

L4 2.0L 1969cc Turbo	B4204T11		WL10241		WA9861	WP10430			N/S		N/S
----------------------	----------	--	---------	--	--------	---------	--	--	-----	--	-----

XC40 ReCharge

0 Electric			N/S		N/S	WP10430			N/S		N/S
------------	--	--	-----	--	-----	---------	--	--	-----	--	-----

XC60

L4 2.0L 2000CC 122CID Turbo			WL10241		WA10360	WP2153			N/S		N/S
-----------------------------	--	--	---------	--	---------	--------	--	--	-----	--	-----

N/A = Not Available N/R = Not Required N/S = Not Serviceable For cabin and fuel filter locator, see pages 5-15 See pages 16-19 for footnotes

N/A = Non disponible N/R = Non nécessaire N/S = Non réparable Para la ubicación de los filtros de aire de la cabina y de combustible, ver las páginas 5-15 Voir pages 16-19 pour des notes

N/A = No disponible N/R = No requiere N/S = No servible Voir les tableaux de repérage des filtres d'habitacle et à carburant aux pages 5-15 Ver las páginas 16-19 para las notas al pie de página

Italicized Part Numbers May Not Be Available. Wix XP Oil Filters Have Fully Synthetic Media.

Las piezas con números en *italicas* pueden no estar disponibles. Los filtros de aceite WIX XP son completamente de media sintética. Les numéros de pièce en *italiques* peuvent ne pas être disponibles. Les filtres à huile XP Wix contiennent un matériau 100 % synthétique.

Year/Año/Année Model/Modelo/Modèle Engine/Motor/Moteur	Eng. Code Código de motor Code moteur	VIN NIV NIV	Oil Aceite Huile	Oil XP Aceite XP Huile XP	Air Aire Air	Cabin Air Cabina Aire Cabine Air	Cabin Air XP Cabina Aire XP Cabine Air XP	Loc. Cabin Air Cabina Aire Cabine Air	Fuel Combustible Carburant	Loc. Fuel Combustible Carburant	Transmission Transmisión Transmission
--	---	-------------------	------------------------	---------------------------------	--------------------	--	---	--	----------------------------------	--	---

VOLVO (Cont'd/Suite)
2021 (Cont'd/Suite)
XC60 (Cont'd/Suite)

L4 2.0L 2000CC 122CID Turbo/Super Charged			WL10241		WA10360	WP2153			N/S		N/S
---	--	--	---------	--	---------	--------	--	--	-----	--	-----

XC90

L4 2.0L 1969cc Turbo/Super Charged Electric/Gas/	B4204T23/B4204T28		WL10241		WA10360	WP10279 ⁷⁹ WP2153 ⁷⁸			N/A		N/A
L4 2.0L 2000CC 122CID Turbo			WL10241		WA10360	WP2153			N/S		N/S

2020
S60

L4 2.0L 1969cc Turbo/Super Charged			WL10241		WA10297	WP2153			N/A		N/R
------------------------------------	--	--	---------	--	---------	--------	--	--	-----	--	-----

S90

L 4 2.0L Turbo			WL10241			WP2153			N/A		N/S
----------------	--	--	---------	--	--	--------	--	--	-----	--	-----

S90 T6

L4 2.0L 1969CC 120.2CID T/S Turbo/Super Charged	B4204T28		WL10241		WA10360	WP2153			N/A - In-Line		N/S
---	----------	--	---------	--	---------	--------	--	--	---------------	--	-----

S90 T8 Hybrid

L4 2.0L 1969CC 120.2CID T/S Turbo/Super Charged	B4204T28		WL10241		WA10360	WP2153			N/A - In-Line		N/S
---	----------	--	---------	--	---------	--------	--	--	---------------	--	-----

V60

L4 2.0L 2000CC 122CID B4204T26 Turbo	B4204T26		WL10241		WA10360	WP10279			N/S		N/S
--------------------------------------	----------	--	---------	--	---------	---------	--	--	-----	--	-----

V60 Cross Country

L4 2.0L 1969cc Turbo	B4204T11		WL10241		WA10297	49355 ⁷⁹ WP9309 ⁷⁸			N/S		N/S
----------------------	----------	--	---------	--	---------	---	--	--	-----	--	-----

V90

L4 2.0L 1969cc Turbo			WL10241		WA10360	WP2153			N/S		N/S
----------------------	--	--	---------	--	---------	--------	--	--	-----	--	-----

V90 Cross Country

L4 2.0L 1969cc Turbo			WL10241		WA10360	WP2153			N/S		N/S
----------------------	--	--	---------	--	---------	--------	--	--	-----	--	-----

XC40

L4 2.0L 1969cc Turbo	B4204T11		WL10241		WA9861	WP10430			N/S		N/S
----------------------	----------	--	---------	--	--------	---------	--	--	-----	--	-----

XC40 ReCharge

0 Electric			N/S		N/S	WP10430			N/S		N/S
------------	--	--	-----	--	-----	---------	--	--	-----	--	-----

XC60

L4 2.0L 2000CC 122CID Turbo			WL10241		WA10360	WP2153			N/S		N/S
L4 2.0L 2000CC 122CID Turbo/Super Charged			WL10241		WA10360	WP2153			N/S		N/S

XC90

L4 2.0L 1969cc Turbo/Super Charged Electric/Gas/	B4204T23/B4204T28		WL10241		WA10360	WP10279 ⁷⁹ WP2153 ⁷⁸			N/A		N/A
L4 2.0L 2000CC 122CID Turbo			WL10241		WA10360	WP2153			N/S		N/S

2019
S60

L4 2.0L 1969cc Turbo/Super Charged			WL10241		WA10297	49355 ⁴⁷⁵ WP9309 ⁴⁷⁴			N/A		N/R
------------------------------------	--	--	---------	--	---------	---	--	--	-----	--	-----

S60 CROSS COUNTRY

L4 2.0L 1969cc Turbo			WL10241		WA10297	49355 ⁴⁷⁵ WP9309 ⁴⁷⁴			N/A		N/S
----------------------	--	--	---------	--	---------	---	--	--	-----	--	-----

S60 Hybrid

L4 2.0L 1969cc Turbo/Super Charged			WL10241		WA10297	49355 ⁴⁷⁵ WP9309 ⁴⁷⁴			N/A		N/R
------------------------------------	--	--	---------	--	---------	---	--	--	-----	--	-----

S90

L 4 2.0L Turbo			WL10241			WP2153			N/A		N/S
----------------	--	--	---------	--	--	--------	--	--	-----	--	-----

S90 T8 Hybrid

L4 2.0L 1969CC 120.2CID T/S Turbo/Super Charged	B4204T28		WL10241		WA10360	WP2153			N/A - In-Line		N/S
---	----------	--	---------	--	---------	--------	--	--	---------------	--	-----

N/A = Not Available N/R = Not Required N/S = Not Serviceable For cabin and fuel filter locator, see pages 5-15 See pages 16-19 for footnotes

N/A = Non disponible N/R = Non nécessaire N/S = Non réparable Para la ubicación de los filtros de aire de la cabina y de combustible, ver las páginas 5-15 Voir pages 16-19 pour des notes

N/A = No disponible N/R = No requiere N/S = No servible Voir les tableaux de repérage des filtres d'habitacle et à carburant aux pages 5-15 Ver las páginas 16-19 para las notas al pie de página

Italicized Part Numbers May Not Be Available. Wix XP Oil Filters Have Fully Synthetic Media.

Las piezas con números en *italicas* pueden no estar disponibles. Los filtros de aceite WIX XP son completamente de media sintética.

Les numéros de pièce en *italiques* peuvent ne pas être disponibles. Les filtres à huile Wix contiennent un matériau 100 % synthétique.

VOLVO 2019-2018
Pass Car/Light Truck

Year/Año/Année Model/Modelo/Modèle Engine/Motor/Moteur	Eng. Code Código de motor Code moteur	VIN NIV NIV	Oil Aceite Huile	Oil XP Aceite XP Huile XP	Air Aire Air	Cabin Air Cabina Aire Cabine Air	Cabin Air XP Cabina Aire XP Cabine Air XP	Loc. Cabin Air Cabina Aire Cabine Air	Fuel Combustible Carburant	Loc. Fuel Combustible Carburant	Transmission Transmisión Transmission
--	---	-------------------	------------------------	---------------------------------	--------------------	--	---	--	----------------------------------	--	---

VOLVO (Cont'd/Suite)
2019 (Cont'd/Suite)
V60

L4 2.0L 2000CC 122CID B4204T26 Turbo	B4204T26		WL10241		WA10360	WP10279			N/S		N/S
---	----------	--	---------	--	---------	---------	--	--	-----	--	-----

V60 AWD

L4 2.0L 2000CC 122CID B4204T29 Turbo	B4204T29		WL10241		WA10360	WP10279			N/S		
---	----------	--	---------	--	---------	---------	--	--	-----	--	--

V60 Cross Country

L4 2.0L 1969cc Turbo	B4204T11		WL10241		WA10297	49355 ⁷⁹ WP9309 ⁷⁸			N/S		N/S
----------------------	----------	--	---------	--	---------	---	--	--	-----	--	-----

V90

L4 2.0L 1969cc Turbo			WL10241		WA10360	WP2153			N/S		N/S
----------------------	--	--	---------	--	---------	--------	--	--	-----	--	-----

V90 Cross Country

L4 2.0L 1969cc Turbo			WL10241		WA10360	WP2153			N/S		N/S
----------------------	--	--	---------	--	---------	--------	--	--	-----	--	-----

XC40

L4 2.0L 1969cc Turbo	B4204T11		WL10241		WA9861	WP10430			N/S		N/S
----------------------	----------	--	---------	--	--------	---------	--	--	-----	--	-----

XC60

L 4 2.0L B4204TS Turbo	B4204TS		WL10241		WA10360	WP2153			N/S		N/S
------------------------	---------	--	---------	--	---------	--------	--	--	-----	--	-----

XC60 T8 Hybrid

L4 2.0L 1969CC 120.2CID T/S Turbo/Super Charged	B4204T28		WL10241		WA10360	WP2153			N/A - In-Line		N/S
--	----------	--	---------	--	---------	--------	--	--	---------------	--	-----

XC90

L4 2.0L 1969cc Turbo/Super Charged Electric/Gas/	B4204T23/B4204T28		WL10241		WA10360	WP10279 ⁷⁹ WP2153 ⁷⁹			N/A		N/A
L4 2.0L 2000CC 122CID Turbo			WL10241		WA10360	WP2153			N/S		N/S

2018
S60

L4 2.0L 1969cc Turbo/Super Charged			WL10241		WA10297	49355 ⁷⁵ WP9309 ⁷⁴			N/A		N/R
---------------------------------------	--	--	---------	--	---------	---	--	--	-----	--	-----

S60 CROSS COUNTRY

L4 2.0L 1969cc Turbo			WL10241		WA10297	49355 ⁷⁵ WP9309 ⁷⁴			N/A		N/S
----------------------	--	--	---------	--	---------	---	--	--	-----	--	-----

S90

L 4 2.0L Turbo			WL10241		WA10360	WP10279 WP2153 ⁷⁸			N/A		N/S
----------------	--	--	---------	--	---------	---------------------------------	--	--	-----	--	-----

S90 T8 Hybrid

L4 2.0L 1969CC 120.2CID T/S Turbo/Super Charged	B4204T28		WL10241		WA10360	WP10279 ⁷⁹ WP2153 ⁷⁸			N/A - In-Line		N/S
--	----------	--	---------	--	---------	---	--	--	---------------	--	-----

V60

L4 2.0L 1969cc Turbo			WL10241		WA10297	49355 ⁷⁹ WP9309 ⁷⁸			N/A		N/S
L4 2.0L 1969cc Turbo/Super Charged			WL10241		WA10297	49355 ⁷⁹ WP9309 ⁷⁸			N/A		N/S

V60 Cross Country

L4 2.0L 1969cc Turbo	B4204T11		WL10241		WA10297	49355 ⁷⁹ WP9309 ⁷⁸			N/S		N/S
----------------------	----------	--	---------	--	---------	---	--	--	-----	--	-----

V90

L4 2.0L 1969cc Turbo			WL10241		WA10360	WP2153			N/S		N/S
----------------------	--	--	---------	--	---------	--------	--	--	-----	--	-----

V90 Cross Country

L4 2.0L 1969cc Turbo			WL10241		WA10360	WP2153			N/S		N/S
----------------------	--	--	---------	--	---------	--------	--	--	-----	--	-----

XC40

L4 2.0L 1969cc Turbo	B4204T11		WL10241		WA9861	WP10430			N/S		N/S
----------------------	----------	--	---------	--	--------	---------	--	--	-----	--	-----

XC60

L 4 2.0L B4204TS Turbo	B4204TS		WL10241		WA10360	WP2153			N/A		N/S
------------------------	---------	--	---------	--	---------	--------	--	--	-----	--	-----

XC60 T8 Hybrid

L4 2.0L 1969CC 120.2CID T/S Turbo/Super Charged	B4204T28		WL10241		WA10360	WP10279 ⁷⁹ WP2153 ⁷⁸			N/A - In-Line		
--	----------	--	---------	--	---------	---	--	--	---------------	--	--

N/A = Not Available N/R = Not Required N/S = Not Serviceable For cabin and fuel filter locator, see pages 5-15 See pages 16-19 for footnotes

N/A = Non disponible N/R = Non nécessaire N/S = Non réparable Para la ubicación de los filtros de aire de la cabina y de combustible, ver las páginas 5-15 Voir pages 16-19 pour des notes

N/A = No disponible N/R = No requiere N/S = No servible Voir les tableaux de repérage des filtres d'habitacle et à carburant aux pages 5-15 Ver las páginas 16-19 para las notas al pie de página

Italicized Part Numbers May Not Be Available. Wix XP Oil Filters Have Fully Synthetic Media.

Las piezas con números en *italicas* pueden no estar disponibles. Los filtros de aceite WIX XP son completamente de media sintética. Les numéros de pièce en *italiques* peuvent ne pas être disponibles. Les filtres à huile XP Wix contiennent un matériau 100 % synthétique.

Year/Año/Année Model/Modelo/Modèle Engine/Motor/Moteur	Eng. Code Código de motor Code moteur	VIN NIV NIV	Oil Aceite Huile	Oil XP Aceite XP Huile XP	Air Aire Air	Cabin Air Cabina Aire Cabine Air	Cabin Air XP Cabina Aire XP Cabine Air XP	Loc. Cabin Air Cabina Aire Cabine Air	Fuel Combustible Carburant	Loc. Fuel Combustible Carburant	Transmission Transmisión Transmission
--	---	-------------------	------------------------	---------------------------------	--------------------	--	---	--	----------------------------------	--	---

VOLVO (Cont'd/Suite)

2018 (Cont'd/Suite)

XC90

L4 2.0L 1969cc Turbo/Super Charged Electric/Gas/	B4204T23/B4204T28		WL10241		WA10360	WP10279 ⁷⁹ WP2153 ⁷⁹			N/A		N/A
--	-------------------	--	---------	--	---------	---	--	--	-----	--	-----

2017

S60

L4 2.0L 1969cc Turbo	B4204T11		WL10241		WA10297	49355 ⁴⁷⁵ WP9309 ⁴⁷⁴			N/A		N/R
L4 2.0L 1969cc Turbo/Super Charged			WL10241		WA10297	49355 ⁴⁷⁵ WP9309 ⁴⁷⁴			N/A		N/R

S60 CROSS COUNTRY

L4 2.0L 1969cc Turbo			WL10241		WA10297	49355 ⁴⁷⁵ WP9309 ⁴⁷⁴			N/A		N/S
----------------------	--	--	---------	--	---------	---	--	--	-----	--	-----

S90

L4 2.0L Turbo			WL10241		WA10360	WP2153			N/A		N/S
L4 2.0L 1969cc Turbo/Super Charged			WL10241		WA10360	WP2153			N/A		N/S

V60

L4 2.0L 1969cc Turbo			WL10241		WA10297	49355 ⁷⁹ WP9309 ⁷⁸			N/A		N/S
L4 2.0L 1969cc Turbo/Super Charged			WL10241		WA10297	49355 ⁷⁹ WP9309 ⁷⁸			N/A		N/S

V60 Cross Country

L4 2.0L 1969cc Turbo	B4204T11		WL10241		WA10297	49355 ⁷⁹ WP9309 ⁷⁸			N/S		N/S
----------------------	----------	--	---------	--	---------	---	--	--	-----	--	-----

V90

L4 2.0L 1969cc Turbo			WL10241		WA10360	WP10279			N/S		N/S
----------------------	--	--	---------	--	---------	---------	--	--	-----	--	-----

XC60

L4 2.0L 1969cc Turbo	B4204T11		WL10241		WA10297	49355			N/S		N/S
L4 2.0L Turbo/Super Charged	B4204T9		WL10241		WA10297	49355			N/S		N/S

XC90

L4 2.0L 1969cc Turbo/Super Charged Electric/Gas/	B4204T23/B4204T28		WL10241		WA10360	WP10279 ⁷⁹ WP2153 ⁷⁹			N/A		N/A
L4 2.0L 2000CC 122CID Turbo/Supercharged	B4204T27		WL10241		WA10360	WP2153			N/S		N/S

2016

S60

L4 2.0L 1969cc Turbo			WL10241		WA10297	49355 ⁷⁹ WP9309 ⁷⁸			N/A		N/R
L4 2.0L Turbo/Super Charged	B4204T9		WL10241		WA10297	49355 ⁷⁹ WP9309 ⁷⁸			N/S		N/S
L5 2.5L 2521cc Turbo	B5254T12		57186	57186XP	46938	49355 ⁷⁹ WP9309 ⁷⁸		3	N/A		N/S
L6 3.0L 2953cc Turbo	B6304T4	90	57806		49344	49355 ⁷⁹ WP9309 ⁷⁸		6	N/A		N/S

S60 CROSS COUNTRY

L5 2.5L 2521cc Turbo	B5254T12		57186	57186XP	46938	WP9309 ⁷⁸ 49355 ⁷⁹		3	N/A		N/S
----------------------	----------	--	-------	---------	-------	---	--	---	-----	--	-----

S80

L4 2.0L 1969cc Turbo			WL10241		WA10297	49355 ⁷⁹ WP9309 ⁷⁹			N/A		N/A
----------------------	--	--	---------	--	---------	---	--	--	-----	--	-----

V40

L4 2.0L 1990cc (Mex.)			57021	57021XP	42897				33603		
-----------------------	--	--	-------	---------	-------	--	--	--	-------	--	--

V60

L4 2.0L 1969cc Turbo			WL10241		WA10297	49355 ⁷⁹ WP9309 ⁷⁸			N/A		N/S
L5 2.5L 2521cc Turbo	B5254T12		57186	57186XP	46938	WP9309 ¹⁹² 49355 ⁴⁹³		3	N/A		N/S

N/A = Not Available N/R = Not Required N/S = Not Serviceable For cabin and fuel filter locator, see pages 5-15 See pages 16-19 for footnotes
 N/A = Non disponible N/R = Non nécessaire N/S = Non réparable Para la ubicación de los filtros de aire de la cabina y de combustible, ver las páginas 5-15 Voir pages 16-19 pour des notes
 N/A = No disponible N/R = No requiere N/S = No servible Voir les tableaux de repérage des filtres d'habitacle et à carburant aux pages 5-15 Ver las páginas 16-19 para las notas al pie de página

Italicized Part Numbers May Not Be Available. Wix XP Oil Filters Have Fully Synthetic Media.
 Las piezas con números en *italicas* pueden no estar disponibles. Los filtros de aceite WIX XP son completamente de media sintética.
 Les numéros de pièce en *italiques* peuvent ne pas être disponibles. Les filtres à huile XP Wix contiennent un matériau 100 % synthétique.

VOLVO 2016-2015
Pass Car/Light Truck

Year/Año/Année Model/Modelo/Modèle Engine/Motor/Moteur	Eng. Code Código de motor Code moteur	VIN NIV NIV	Oil Aceite Huile	Oil XP Aceite XP Huile XP	Air Aire Air	Cabin Air Cabina Aire Cabine Air	Cabin Air XP Cabina Aire XP Cabine Air XP	Loc. Cabin Air Cabina Aire Cabine Air	Fuel Combustible Carburant	Loc. Fuel Combustible Carburant	Transmission Transmisión Transmission
--	---	-------------------	------------------------	---------------------------------	--------------------	--	---	--	----------------------------------	--	---

VOLVO (Cont'd/Suite)
2016 (Cont'd/Suite)
V60 (Cont'd/Suite)

L6 3.0L 2953cc Turbo	B6304T4	90	57806		49344	49355 ⁷⁹ WP9309 ⁷⁸		6	N/A - Lifetime	N/S
----------------------	---------	----	-------	--	-------	---	--	---	----------------	-----

V60 Cross Country

L5 2.5L 2521cc Turbo	B5254T12		57186	57186XP	46938	49355		3	N/A	N/S
----------------------	----------	--	-------	---------	-------	-------	--	---	-----	-----

XC60

L4 2.0L 1969cc Turbo			WL10241		WA10297	49355 ⁷⁹ WP9309 ⁷⁸			N/S	N/S
L5 2.5L 2521cc Turbo	B5254T12		57186	57186XP	46938	49355 ⁷⁹ WP9309 ⁴⁹² 49355 ⁴⁹³		3	N/A	N/S
L6 3.0L 2953cc Turbo	B6304T4	90	57806		49344	49355 ⁷⁹ WP9309 ⁷⁸		6	N/S	N/S

XC70

L4 2.0L 1969cc Turbo < >			WL10241		WA10297	49355 ⁷⁹ WP9309 ⁷⁸			N/S	N/S
L5 2.5L 2521cc Turbo	B5254T12		57186	57186XP	46938	49355 ⁷⁹ WP9309 ⁷⁸ 49355 ⁷⁹		3	N/A	N/S

XC90

L4 2.0L 1969cc Turbo/Super Charged P*			WL10241		WA10360	WP10279 ⁴⁷⁵ WP2153 ⁴⁷⁵			N/A	N/A
--	--	--	---------	--	---------	---	--	--	-----	-----

2015
S60

L4 1.6L 1596cc (Mex.)			WL10241		WA10297	49355				
L4 2.0L 1969cc Turbo			WL10241		WA10297	49355			N/S	
L5 2.5L 2521cc Turbo	B5254T12		57186	57186XP	46938	49355		3	N/S	N/S
L6 3.0L 2953cc Turbo	B6304T4	90	57806		49344	49355 ⁷⁹ WP9309 ⁷⁸		6	N/A	N/S

S80

L4 2.0L 1969cc Turbo			WL10241		WA10297	49355			N/S	
L6 3.0L 2953cc Turbo	B6304T4	90	57806		49344	49355 ⁷⁹ WP9309 ⁷⁸		6	N/A	N/S

V40

L4 2.0L 1990cc (Mex.)			57021	57021XP	42897				33603	
-----------------------	--	--	-------	---------	-------	--	--	--	-------	--

V60

L4 2.0L 1969cc Turbo			WL10241		WA10297	49355			N/S	
L5 2.5L 2521cc Turbo	B5254T12		57186	57186XP	46938	49355		3	N/S	N/S
L6 3.0L 2953cc Turbo	B6304T4	90	57806		49344	49355 ⁷⁹ WP9309 ⁷⁸		6	N/A	N/S

V60 Cross Country

L5 2.5L 2521cc Turbo	B5254T12		57186	57186XP	46938	49355		3	N/A	N/S
----------------------	----------	--	-------	---------	-------	-------	--	---	-----	-----

XC60

L4 2.0L 1969cc Turbo			WL10241		WA10297	49355			N/S	
L5 2.5L 2521cc Turbo	B5254T12		57186	57186XP	46938	49355 ⁷⁹ WP9309 ⁷⁸		3	N/A	N/S
L6 3.0L 2953cc Turbo	B6304T4	90	57806		49344	49355 ⁷⁹ WP9309 ⁷⁸		6	N/A	N/S
L6 3.2L 3192cc	B6324S4	94	57806		49344	49355 ⁷⁹ WP9309 ⁷⁸		6	N/A	N/S
	B6324S5	95	57806		49344	49355 ⁷⁹ WP9309 ⁷⁸		6	N/A	N/S

XC70

L4 2.0L 1969cc Turbo			WL10241		WA10297	49355			N/S	
L6 3.0L 2953cc Turbo	B6304T4	90	57806		49344	49355 ⁷⁹ WP9309 ⁷⁸		6	N/A	N/S
L6 3.2L 3192cc	B6324S5	95	57806		49344	49355 ⁷⁹ WP9309 ⁷⁸		6	N/A	N/S

N/A = Not Available N/R = Not Required N/S = Not Serviceable For cabin and fuel filter locator, see pages 5-15 See pages 16-19 for footnotes

N/A = Non disponible N/R = Non nécessaire N/S = Non réparable Para la ubicación de los filtros de aire de la cabina y de combustible, ver las páginas 5-15 Voir pages 16-19 pour des notes

N/A = No disponible N/R = No requiere N/S = No servible Voir les tableaux de repérage des filtres d'habitacle et à carburant aux pages 5-15 Ver las páginas 16-19 para las notas al pie de página

Italicized Part Numbers May Not Be Available. Wix XP Oil Filters Have Fully Synthetic Media.

Las piezas con números en *italicas* pueden no estar disponibles. Los filtros de aceite WIX XP son completamente de media sintética. Les numéros de pièce en *italiques* peuvent ne pas être disponibles. Les filtres à huile XP Wix contiennent un matériau 100 % synthétique.

Year/Año/Année Model/Modelo/Modèle Engine/Motor/Moteur	Eng. Code Código de motor Code moteur	VIN NIV NIV	Oil Aceite Huile	Oil XP Aceite XP Huile XP	Air Aire Air	Cabin Air Cabina Aire Cabine Air	Cabin Air XP Cabina Aire XP Cabine Air XP	Loc. Cabin Air Cabina Aire Cabine Air	Fuel Combustible Carburant	Loc. Fuel Combustible Carburant	Transmission Transmisión Transmission
--	---	-------------------	------------------------	---------------------------------	--------------------	--	---	--	----------------------------------	--	---

VOLVO (Cont'd/Suite)
2014
S60

L4 1.6L 1596cc (Mex.)			WL10241		WA10297	49355					
L6 3.0L 2953cc Turbo	B6304T4	90	57806		49344	49355 ⁷⁹ WP9309 ⁷⁸		6	N/A		N/S

S60 T5

L5 2.5L 2521cc Turbo	B5254T12		57186	57186XP	46938	49355 ⁷⁹ WP9309 ⁷⁸		3	WF8373		N/S
----------------------	----------	--	-------	---------	-------	---	--	---	--------	--	-----

S80

L6 3.0L 2953cc Turbo	B6304T4	90	57806		49344	49355 ⁷⁹ WP9309 ⁷⁸		6	N/A		N/S
L6 3.2L 3192cc	B6324S4	94	57806		49344	49355 ⁷⁹ WP9309 ⁷⁸		6	N/A		N/S
	B6324S5	95	57806		49344	49355 ⁷⁹ WP9309 ⁷⁸		6	N/A		N/S

V40

L4 2.0L 1990cc (Mex.)			57021	57021XP	42897				33603		
-----------------------	--	--	-------	---------	-------	--	--	--	-------	--	--

XC60

L6 3.0L 2953cc Turbo	B6304T4	90	57806		49344	49355 ⁷⁹ WP9309 ⁷⁸		6	N/A		N/S
L6 3.2L 3192cc	B6324S4	94	57806		49344	49355 ⁷⁹ WP9309 ⁷⁸		6	N/A		N/S
	B6324S5	95	57806		49344	49355 ⁷⁹ WP9309 ⁷⁸		6	N/A		N/S

XC70

L6 3.0L 2953cc Turbo	B6304T4	90	57806		49344	49355 ⁷⁹ WP9309 ⁷⁸		6	N/A		N/S
L6 3.2L 3192cc	B6324S4	94	57806		49344	49355 ⁷⁹ WP9309 ⁷⁸		6	N/A		N/S
	B6324S5	95	57806		49344	49355 ⁷⁹ WP9309 ⁷⁸		6	N/A		N/S

XC90

L5 2.5L 2521cc Turbo (Mex.)			57021	57021XP	42823				33605		N/S
L6 3.2L 3192cc	B6324S5	95	57806		49293	49355 ⁷⁹		7	33004		N/S

XC90 R-DESIGN

L6 3.2L 3192cc	B6324S5	95	57806		49293	49355		7	33004		N/S
----------------	---------	----	-------	--	-------	-------	--	---	-------	--	-----

2013
C30 T5

L5 2.5L 2521cc Turbo	B5254T7		57186	57186XP	46938	24688 ⁷⁹ 49354 ⁷⁸		3	WF8373		N/S
----------------------	---------	--	-------	---------	-------	--	--	---	--------	--	-----

C30 T5 R-DESIGN

L5 2.5L 2521cc Turbo	B5254T7		57186	57186XP	46938	24688 ⁷⁹ 49354 ⁷⁸		3	WF8373		N/S
----------------------	---------	--	-------	---------	-------	--	--	---	--------	--	-----

C70 T5

L5 2.5L 2521cc Turbo	B5254T7		57186	57186XP	46938	24688 ⁷⁹ 49354 ⁷⁸		3	WF8373		N/S
----------------------	---------	--	-------	---------	-------	--	--	---	--------	--	-----

S60

L4 1.6L 1596cc (Mex.)			WL10241		WA10297	49355					
L6 3.0L 2953cc Turbo	B6304T4	90	57806		49344	49355 ⁷⁹ WP9309 ⁷⁸		6	N/S		N/S

S60 T5

L5 2.5L 2521cc Turbo	B5254T12		57186	57186XP	46938	49355 ⁷⁹ WP9309 ⁷⁸		3	WF8373		N/S
----------------------	----------	--	-------	---------	-------	---	--	---	--------	--	-----

S80

L6 3.0L 2953cc Turbo	B6304T4	90	57806		49344	49355 ⁷⁹ WP9309 ⁷⁸		6	N/A		N/S
L6 3.2L 3192cc	B6324S4	94	57806		49344	49355 ⁷⁹ WP9309 ⁷⁸		6	N/A		N/S

N/A = Not Available N/R = Not Required N/S = Not Serviceable For cabin and fuel filter locator, see pages 5-15 See pages 16-19 for footnotes

N/A = Non disponible N/R = Non nécessaire N/S = Non Serviceable Para la ubicación de los filtros de aire de la cabina y de combustible, ver las páginas 5-15 Voir pages 16-19 pour des notes

N/A = No disponible N/R = No requiere N/S = No servible Voir les tableaux de repérage des filtres d'habitacle et à carburant aux pages 5-15 Ver las páginas 16-19 para las notas al pie de página

Italicized Part Numbers May Not Be Available. Wix XP Oil Filters Have Fully Synthetic Media.

Las piezas con números en *italicas* pueden no estar disponibles. Los filtros de aceite WIX XP son completamente de media sintética.

Les numéros de pièce en *italiques* peuvent ne pas être disponibles. Les filtres à huile Wix contiennent un matériau 100 % synthétique.

VOLVO 2013-2012
Pass Car/Light Truck

Year/Año/Année Model/Modelo/Modèle Engine/Motor/Moteur	Eng. Code Código de motor Code moteur	VIN NIV NIV	Oil Aceite Huile	Oil XP Aceite XP Huile XP	Air Aire Air	Cabin Air Cabina Aire Cabine Air	Cabin Air XP Cabina Aire XP Cabine Air XP	Loc. Cabin Air Cabina Aire Cabine Air	Fuel Combustible Carburant	Loc. Fuel Combustible Carburant	Transmission Transmisión Transmission
--	---	-------------------	------------------------	---------------------------------	--------------------	--	---	--	----------------------------------	--	---

VOLVO (Cont'd/Suite)
2013 (Cont'd/Suite)
S80 (Cont'd/Suite)

L6 3.2L 3192cc	B6324S5	95	57806		49344	49355 ⁷⁹ WP9309 ⁷⁸		6	N/A		N/S
----------------	---------	----	-------	--	-------	---	--	---	-----	--	-----

V40

L4 2.0L 1990cc (Mex.)			57021	57021XP	42897				33603		
-----------------------	--	--	-------	---------	-------	--	--	--	-------	--	--

XC60

L6 3.0L 2953cc Turbo	B6304T4	90	57806		49344	49355 ⁷⁹ WP9309 ⁷⁸		6	N/A		N/S
L6 3.2L 3192cc	B6324S4	94	57806		49344	49355 ⁷⁹ WP9309 ⁷⁸		6	N/A		N/S
	B6324S5	95	57806		49344	49355 ⁷⁹ WP9309 ⁷⁸		6	N/A		N/S

XC70

L6 3.0L 2953cc Turbo	B6304T4	90	57806		49344	49355 ⁷⁹ WP9309 ⁷⁸		6	N/A		N/S
L6 3.2L 3192cc	B6324S4	94	57806		49344	49355 ⁷⁹ WP9309 ⁷⁸		6	N/A		N/S
	B6324S5	95	57806		49344	49355 ⁷⁹ WP9309 ⁷⁸		6	N/A		N/S

XC90

L5 2.5L 2521cc Turbo (Mex.)			57021	57021XP	42823				33605		N/S
L6 3.2L 3192cc	B6324S5	95	57806		49293	24818 ⁷⁹		7	33004		N/S

XC90 R-DESIGN

L6 3.2L 3192cc	B6324S5	95	57806		49293	24818 ⁷⁹		7	33004		N/S
----------------	---------	----	-------	--	-------	---------------------	--	---	-------	--	-----

2012
C30

L4 1.6L 1560CC 95CID (Mex.)			N/S		N/S	24688			N/S		N/S
-----------------------------	--	--	-----	--	-----	-------	--	--	-----	--	-----

C30 R-DESIGN

L5 2.5L 2521cc Turbo	B5254T7		57186	57186XP	46938	24688 ⁷⁹ 49354 ⁷⁸		3	WF8373		N/S
----------------------	---------	--	-------	---------	-------	--	--	---	--------	--	-----

C30 T5

L5 2.5L 2521cc Turbo	B5254T7		57186	57186XP	46938	24688 ⁷⁹ 49354 ⁷⁸		3	WF8373		N/S
----------------------	---------	--	-------	---------	-------	--	--	---	--------	--	-----

C70 T5

L5 2.5L 2521cc Turbo	B5254T7		57186	57186XP	46938	24688 ⁷⁹ 49354 ⁷⁸		3	WF8373		N/S
----------------------	---------	--	-------	---------	-------	--	--	---	--------	--	-----

S60

L4 1.6L 1596cc (Mex.)			WL10241		WA10297	49355					
L6 3.0L 2953cc Turbo	B6304T4	90	57806		49344	49355		6	N/S		N/S

S60 T5

L5 2.5L 2521cc Turbo	B5254T5		57186	57186XP	46938	24688 ⁷⁹ 49354 ⁷⁸		3	WF8373		N/S
----------------------	---------	--	-------	---------	-------	--	--	---	--------	--	-----

S80

L4 2.0L 1999CC 122CID (Mex.)			N/S		N/S	49355			N/S		N/S
L6 3.0L 2953cc Turbo	B6304T4	90	57806		49344	49355 ⁷⁹		6	N/A		N/S
L6 3.2L 3192cc	B6324S4	94	57806		49344	49355 ⁷⁹		6	N/A		N/S
	B6324S5	95	57806		49344	49355 ⁷⁹		6	N/A		N/S

XC60

L4 2.0L 1999cc (Mex.)			N/A		N/A	49355			N/A		N/S
L6 3.0L 2953cc Turbo	B6304T4	90	57806		49344	49355 ⁷⁹		6	N/A		N/S
L6 3.2L 3192cc	B6324S4	94	57806		49344	49355 ⁷⁹		6	N/A		N/S
	B6324S5	95	57806		49344	49355 ⁷⁹		6	N/A		N/S

XC70

L6 3.0L 2953cc Turbo	B6304T4	90	57806		49344	24818		6	N/A		N/S
----------------------	---------	----	-------	--	-------	-------	--	---	-----	--	-----

N/A = Not Available N/R = Not Required N/S = Not Serviceable For cabin and fuel filter locator, see pages 5-15 See pages 16-19 for footnotes

N/A = Non disponible N/R = Non nécessaire N/S = Non réparable Para la ubicación de los filtros de aire de la cabina y de combustible, ver las páginas 5-15 Voir pages 16-19 pour des notes

N/A = No disponible N/R = No requiere N/S = No servible Voir les tableaux de repérage des filtres d'habitacle et à carburant aux pages 5-15 Ver las páginas 16-19 para las notas al pie de página

Italicized Part Numbers May Not Be Available. Wix XP Oil Filters Have Fully Synthetic Media.

Las piezas con números en *italicas* pueden no estar disponibles. Los filtros de aceite WIX XP son completamente de media sintética. Les numéros de pièce en *italiques* peuvent ne pas être disponibles. Les filtres à huile XP Wix contiennent un matériau 100 % synthétique.

Year/Año/Année Model/Modelo/Modèle Engine/Motor/Moteur	Eng. Code Código de motor Code moteur	VIN NIV NIV	Oil Aceite Huile	Oil XP Aceite XP Huile XP	Air Aire Air	Cabin Air Cabina Aire Cabine Air	Cabin Air XP Cabina Aire XP Cabine Air XP	Loc. Cabin Air Cabina Aire Cabine Air	Fuel Combustible Carburant	Loc. Fuel Combustible Carburant	Transmission Transmisión Transmission
--	---	-------------------	------------------------	---------------------------------	--------------------	--	---	--	----------------------------------	--	---

VOLVO (Cont'd/Suite)

2012 (Cont'd/Suite)

XC70 (Cont'd/Suite)

L6 3.2L 3192cc	B6324S4	94	57806		49344	49355 ⁷⁹ WP9309 ⁷⁸		6	N/A		N/S
	B6324S5	95	57806		49344	49355 ⁷⁹ WP9309 ⁷⁸		6	N/A		N/S

XC90

L5 2.5L 2521cc Turbo (Mex.)			57021	57021XP	42823				33605		N/S
L6 3.2L 3192cc	B6324S5	95	57806		49293	24818 ⁷⁹		7	33004		N/S

2011

C30

2.4 (Mex.)			57186	57186XP	46938	24688			WF8373		N/S
L5 2.5L 2435cc (Mex.)			57186	57186XP	46938	49354			WF8373		N/S

C30 R-DESIGN

L5 2.5L 2521cc Turbo	B5254T7		57186	57186XP	46938	24688 ⁷⁹ 49354 ⁷⁸		3	WF8373		N/S
----------------------	---------	--	-------	---------	-------	--	--	---	--------	--	-----

C30 T5

L5 2.5L 2521cc Turbo	B5254T7		57186	57186XP	46938	24688 ⁷⁹ 49354 ⁷⁸		3	WF8373		N/S
----------------------	---------	--	-------	---------	-------	--	--	---	--------	--	-----

C70 T5

L5 2.5L 2521cc Turbo	B5254T7		57186	57186XP	46938	24688 ⁷⁹ 49354 ⁷⁸		3	WF8373		N/S
----------------------	---------	--	-------	---------	-------	--	--	---	--------	--	-----

S40

L4 2.0L 1997cc Diesel (Mex.)			57512		WA9408	49354			WF8321		
L5 2.4L 2435cc (Mex.)			57186	57186XP	46938	49354			WF8373		

S40 D5

L5 2.4L 2400cc Diesel (Mex.)			57186	57186XP	46938	N/A			N/S		
------------------------------	--	--	-------	---------	-------	-----	--	--	-----	--	--

S40 T5

L5 2.5L 2521cc Turbo	B5254T7		57186	57186XP	46938	24688 ⁷⁹ 49354 ⁷⁸		3	WF8373		N/S
----------------------	---------	--	-------	---------	-------	--	--	---	--------	--	-----

S40 T5 R-DESIGN

L5 2.5L 2521cc Turbo	B5254T7		57186	57186XP	46938	24688 ⁷⁹ 49354 ⁷⁸		3	WF8373		N/S
----------------------	---------	--	-------	---------	-------	--	--	---	--------	--	-----

S60

L6 3.0L 2953cc Turbo	B6304T4	90	57806		49344	49355		6	N/S		N/S
----------------------	---------	----	-------	--	-------	-------	--	---	-----	--	-----

S80

L6 3.0L 2953cc Turbo	B6304T4	90	57806		49344	49355 ⁷⁹		6	N/A		N/S
L6 3.2L 3192cc	B6324S4	94	57806		49344	49355 ⁷⁹		6	N/A		N/S
	B6324S5	95	57806		49344	49355 ⁷⁹		6	N/A		N/S

V50 T5

L5 2.5L 2521cc Turbo	B5254T7		57186	57186XP	46938	24688 ⁷⁹ 49354 ⁷⁸		3	N/S		N/S
----------------------	---------	--	-------	---------	-------	--	--	---	-----	--	-----

V50 T5 R-DESIGN

L5 2.5L 2521cc Turbo	B5254T7		57186	57186XP	46938	24688 ⁷⁹ 49354 ⁷⁸		3	N/S		N/S
----------------------	---------	--	-------	---------	-------	--	--	---	-----	--	-----

XC60

L6 3.0L 2953cc Turbo	B6304T4	90	57806		49344	49355 ⁷⁹		6	N/A		N/S
L6 3.2L 3192cc	B6324S4	94	57806		49344	49355 ⁷⁹		6	N/A		N/S
	B6324S5	95	57806		49344	49355 ⁷⁹		6	N/A		N/S

XC70

L6 3.0L 2953cc Turbo	B6304T4	90	57806		49344	24818		6	N/A		N/S
L6 3.2L 3192cc	B6324S4	94	57806		49344	49355 ⁷⁹ WP9309 ⁷⁸		6	N/A		N/S
	B6324S5	95	57806		49344	49355 ⁷⁹ WP9309 ⁷⁸		6	N/A		N/S

N/A = Not Available N/R = Not Required N/S = Not Serviceable For cabin and fuel filter locator, see pages 5-15 See pages 16-19 for footnotes
 N/A = Non disponible N/R = Non nécessaire N/S = Non réparable Para la ubicación de los filtros de aire de la cabina y de combustible, ver las páginas 5-15 Voir pages 16-19 pour des notes
 N/A = No disponible N/R = No requiere N/S = No servible Voir les tableaux de repérage des filtres d'habitacle et à carburant aux pages 5-15 Ver las páginas 16-19 para las notas al pie de página

Italicized Part Numbers May Not Be Available. Wix XP Oil Filters Have Fully Synthetic Media.
 Las piezas con números en *italicas* pueden no estar disponibles. Los filtros de aceite WIX XP son completamente de media sintética.
 Les numéros de pièce en *italiques* peuvent ne pas être disponibles. Les filtres à huile Wix contiennent un matériau 100 % synthétique.

P
A
S
S
C
A
R
L
I
G
H
T
T
R
U
C
K

VOLVO 2011-2009
Pass Car/Light Truck

Year/Año/Année Model/Modelo/Modèle Engine/Motor/Moteur	Eng. Code Código de motor Code moteur	VIN NIV NIV	Oil Aceite Huile	Oil XP Aceite XP Huile XP	Air Aire Air	Cabin Air Cabina Aire Cabine Air	Cabin Air XP Cabina Aire XP Cabine Air XP	Loc. Cabin Air Cabina Aire Cabine Air	Fuel Combustible Carburant	Loc. Fuel Combustible Carburant	Transmission Transmisión Transmission
--	---	-------------------	------------------------	---------------------------------	--------------------	--	---	--	----------------------------------	--	---

VOLVO (Cont'd/Suite)
2011 (Cont'd/Suite)
XC90

L5 2.5L 2521CC 154CID (Mex.)			N/S		N/S	24818			N/S		N/S
L6 3.2L 3192cc	B6324S5	95	57806		49293	24818 ⁷⁹		7	33004		N/S
V8 4.4L 4414cc 269 CID	B8444S		57021	57021XP	49242	24818 ⁷⁹		7	33004		N/S

2010
C30

2.4			57186	57186XP	46938	24688			WF8373		N/S
2.4 (Mex.)			57186	57186XP	46938	24688			WF8373		N/S

C30 T5

L5 2.5L 2521cc Turbo	B5254T7		57186	57186XP	46938	24688 ⁷⁹ 49354 ⁷⁸		3	WF8373		N/S
----------------------	---------	--	-------	---------	-------	--	--	---	--------	--	-----

C70 T5

L5 2.5L 2521cc Turbo	B5254T7		57186	57186XP	46938	24688 ⁷⁹ 49354 ⁷⁸		3	WF8373		N/S
----------------------	---------	--	-------	---------	-------	--	--	---	--------	--	-----

S40

L5 2.4L 2435cc	B5244S4		57186	57186XP	46938	24688 ⁷⁹ 49354 ⁷⁸		3	WF8373		N/S
	B5244S7		57186	57186XP	46938	24688 ⁷⁹ 49354 ⁷⁸		3	WF8373		N/S

S40 T5 R-DESIGN

L5 2.5L 2521cc Turbo	B5254T7		57186	57186XP	46938	24688 ⁷⁹ 49354 ⁷⁸		3	WF8373		N/S
----------------------	---------	--	-------	---------	-------	--	--	---	--------	--	-----

S80

L6 3.0L 2953cc Turbo	B6304T2		57806		49344	49355 ⁷⁹		6	N/A		N/S
L6 3.2L 3192cc	B6324S	98	57806		49344	49355 ⁷⁹		6	N/A		N/S
	B6324S2		57806		49344	49355 ⁷⁹		6	N/A		N/S
V8 4.4L 4414cc 269 CID	B8444S		57021	57021XP	49212	49355 ⁷⁹		6	N/A		N/S

V50

L5 2.4L 2435cc	B5244S4		57186	57186XP	46938	24688 ⁷⁹ 49354 ⁷⁸		3	WF8373		N/S
	B5244S7		57186	57186XP	46938	24688 ⁷⁹ 49354 ⁷⁸		3	WF8373		N/S

V50 T5 R-DESIGN

L5 2.5L 2521cc Turbo	B5254T7		57186	57186XP	46938	24688 ⁷⁹ 49354 ⁷⁸		3	N/S		N/S
----------------------	---------	--	-------	---------	-------	--	--	---	-----	--	-----

V70

L6 3.2L 3192cc	B6324S	98	57806		49344	49355 ⁷⁹		6	N/A		N/S
	B6324S2		57806		49344	49355 ⁷⁹		6	N/A		N/S

XC60

L6 3.0L 2953cc Turbo	B6304T2		57806		49344	49355 ⁷⁹		6	N/A		N/S
L6 3.2L 3192cc	B6324S	98	57806		49344	49355 ⁷⁹		6	N/A		N/S
	B6324S2		57806		49344	49355 ⁷⁹		6	N/A		N/S

XC70

L6 3.0L 2953cc Turbo	B6304T2		57806		49344	49355 ⁷⁵ WP9309 ⁴⁷⁴		6	N/A		N/S
L6 3.2L 3192cc	B6324S	98	57806		49344	49355 ⁷⁹ WP9309 ⁷⁸		6	N/A		N/S
	B6324S2		57806		49344	49355 ⁷⁹ WP9309 ⁷⁸		6	N/A		N/S

XC90

L6 3.2L 3192cc	B6324S	98	57806		49293	24818 ⁷⁹		7	33004		N/S
V8 4.4L 4414cc 269 CID	B8444S		57021	57021XP	49242	24818 ⁷⁹		7	33004		N/S

2009
C30

2.4			57186	57186XP	46938	24688			WF8373		N/S
-----	--	--	-------	---------	-------	-------	--	--	--------	--	-----

N/A = Not Available N/R = Not Required N/S = Not Serviceable For cabin and fuel filter locator, see pages 5-15 See pages 16-19 for footnotes

N/A = Non disponible N/R = Non nécessaire N/S = Non réparable Para la ubicación de los filtros de aire de la cabina y de combustible, ver las páginas 5-15 Voir pages 16-19 pour des notes

N/A = No disponible N/R = No requiere N/S = No servible Voir les tableaux de repérage des filtres d'habitacle et à carburant aux pages 5-15 Ver las páginas 16-19 para las notas al pie de página

Italicized Part Numbers May Not Be Available. Wix XP Oil Filters Have Fully Synthetic Media.

Las piezas con números en *italicas* pueden no estar disponibles. Los filtros de aceite WIX XP son completamente de media sintética. Les numéros de pièce en *italiques* peuvent ne pas être disponibles. Les filtres à huile XP Wix contiennent un matériau 100 % synthétique.

Year/Año/Année Model/Modelo/Modèle Engine/Motor/Moteur	Eng. Code Código de motor Code moteur	VIN NIV NIV	Oil Aceite Huile	Oil XP Aceite XP Huile XP	Air Aire Air	Cabin Air Cabina Aire Cabine Air	Cabin Air XP Cabina Aire XP Cabine Air XP	Loc. Cabin Air Cabina Aire Cabine Air	Fuel Combustible Carburant	Loc. Fuel Combustible Carburant	Transmission Transmisión Transmission
--	---	-------------------	------------------------	---------------------------------	--------------------	--	---	--	----------------------------------	--	---

VOLVO (Cont'd/Suite)
2009 (Cont'd/Suite)
C30 (Cont'd/Suite)

2.4 (Mex.)			57186	57186XP	46938	24688			WF8373		N/S
------------	--	--	-------	---------	-------	-------	--	--	--------	--	-----

C30 T5

L5 2.5L 2521cc Turbo	B5254T7		57186	57186XP	46938	24688 ⁷⁹ 49354 ⁷⁸		3	WF8373		N/S
----------------------	---------	--	-------	---------	-------	--	--	---	--------	--	-----

C70 T5

L5 2.5L 2521cc Turbo	B5254T7		57186	57186XP	46938	24688 ⁷⁹ 49354 ⁷⁸		3	WF8373		N/S
----------------------	---------	--	-------	---------	-------	--	--	---	--------	--	-----

S40

L5 2.4L 2435cc	B5244S4		57186	57186XP	46938	24688 ⁷⁹ 49354 ⁷⁸		3	WF8373		N/S
	B5244S7		57186	57186XP	46938	24688 ⁷⁹ 49354 ⁷⁸		3	WF8373		N/S

S40 T5

L5 2.5L 2521cc Turbo	B5254T7		57186	57186XP	46938	24688 ⁷⁹ 49354 ⁷⁸		3	WF8373		N/S
----------------------	---------	--	-------	---------	-------	--	--	---	--------	--	-----

S60

L5 2.5L 2521cc Turbo	B5254T2		57021	57021XP	42412	24818 ⁷⁹		7	33605 ¹⁴⁴ 33603 ¹⁴³		N/S
----------------------	---------	--	-------	---------	-------	---------------------	--	---	--	--	-----

S60 T5

L5 2.4L 2435cc Turbo	B5244T5		57021	57021XP	42412 - Panel 42829 - Round	24818 ⁷⁹		7	33603 ¹⁴³ 33605 ¹⁴⁴		MT ⁷²
----------------------	---------	--	-------	---------	--------------------------------	---------------------	--	---	--	--	------------------

S80

L6 3.0L 2953cc Turbo	B6304T2		57806		49344	49355 ⁷⁹		6	N/A		N/S
L6 3.2L 3192cc	B6324S	98	57806		49344	49355 ⁷⁹		6	N/A		N/S
V8 4.4L 4414cc 269 CID	B8444S		57021	57021XP	49212	49355 ⁷⁹		6	N/A		N/S

V50

L5 2.4L 2435cc	B5244S4		57186	57186XP	46938	24688 ⁷⁹ 49354 ⁷⁸		3	WF8373		N/S
	B5244S7		57186	57186XP	46938	24688 ⁷⁹ 49354 ⁷⁸		3	WF8373		N/S

V50 T5

L5 2.5L 2521cc Turbo	B5254T7		57186	57186XP	46938	24688 ⁷⁹ 49354 ⁷⁸		3	WF8373		N/S
----------------------	---------	--	-------	---------	-------	--	--	---	--------	--	-----

V70

L6 3.2L 3192cc	B6324S	98	57806		49344	49355 ⁷⁹		6	N/A		N/S
----------------	--------	----	-------	--	-------	---------------------	--	---	-----	--	-----

XC70

L6 3.0L 2953cc Turbo	B6304T2		57806		49344	24818		6	N/A		N/S
L6 3.2L 3192cc	B6324S	98	57806		49344	49355 ⁷⁹ WP9309 ⁷⁹		6	N/A		N/S

XC90

L6 3.2L 3192cc	B6324S	98	57806		49293	24818 ⁷⁹		7	33004		N/S
V8 4.4L 4414cc 269 CID	B8444S		57021	57021XP	49242	24818 ⁷⁹		7	33004		N/S

2008
C30

2.4 (Mex.)			57186	57186XP	46938	24688			WF8373		N/S
------------	--	--	-------	---------	-------	-------	--	--	--------	--	-----

C30 T5

L5 2.5L 2521cc Turbo	B5254T7		57186	57186XP	46938	24688 ⁷⁹ 49354 ⁷⁸		3	WF8373		N/S
----------------------	---------	--	-------	---------	-------	--	--	---	--------	--	-----

C70 T5

L5 2.5L 2521cc Turbo	B5254T7		57186	57186XP	46938	24688 ⁷⁹ 49354 ⁷⁸		3	WF8373		N/S
----------------------	---------	--	-------	---------	-------	--	--	---	--------	--	-----

S40

L5 2.4L 2435cc	B5244S4		57186	57186XP	46938	24688 ⁷⁹ 49354 ⁷⁸		3	WF8373		N/S
	B5244S7		57186	57186XP	46938	24688 ⁷⁹ 49354 ⁷⁸		3	WF8373		N/S

N/A = Not Available N/R = Not Required N/S = Not Serviceable For cabin and fuel filter locator, see pages 5-15 See pages 16-19 for footnotes

N/A = Non disponible N/R = Non nécessaire N/S = Non réparable Para la ubicación de los filtros de aire de la cabina y de combustible, ver las páginas 5-15 Voir pages 16-19 pour des notes

N/A = No disponible N/R = No requiere N/S = No servible Voir les tableaux de repérage des filtres d'habitacle et à carburant aux pages 5-15 Ver las páginas 16-19 para las notas al pie de página

Italicized Part Numbers May Not Be Available. Wix XP Oil Filters Have Fully Synthetic Media.

Las piezas con números en *italicas* pueden no estar disponibles. Los filtros de aceite WIX XP son completamente de media sintética.

Les numéros de pièce en *italiques* peuvent ne pas être disponibles. Les filtres à huile XP Wix contiennent un matériau 100 % synthétique.

VOLVO 2008-2007
Pass Car/Light Truck

Year/Año/Année Model/Modelo/Modèle Engine/Motor/Moteur	Eng. Code Código de motor Code moteur	VIN NIV NIV	Oil Aceite Huile	Oil XP Aceite XP Huile XP	Air Aire Air	Cabin Air Cabina Aire Cabine Air	Cabin Air XP Cabina Aire XP Cabine Air XP	Loc. Cabin Air Cabina Aire Cabine Air	Fuel Combustible Carburant	Loc. Fuel Combustible Carburant	Transmission Transmisión Transmission
--	---	-------------------	------------------------	---------------------------------	--------------------	--	---	--	----------------------------------	--	---

VOLVO (Cont'd/Suite)
2008 (Cont'd/Suite)
S40 T5

L5 2.5L 2521cc Turbo	B524T7		57186	57186XP	46938	24688 ⁷⁹ 49354 ⁷⁸		3	WF8373		N/S
----------------------	--------	--	-------	---------	-------	--	--	---	--------	--	-----

S60

L5 2.4L 2435cc	B5244S		57021	57021XP	42412	24818 ⁷⁹		7	33605 ¹⁴⁴ 33603 ¹⁴³		N/S
L5 2.5L 2521cc Turbo	B5254T2		57021	57021XP	42412	24818 ⁷⁹		7	33605 ¹⁴⁴ 33603 ¹⁴³		N/S

S60 T5

L5 2.4L 2435cc Turbo	B5244T5		57021	57021XP	42412 - Panel 42829 - Round	24818 ⁷⁹		7	33603 ¹⁴³ 33605 ¹⁴⁴		MT ⁷²
----------------------	---------	--	-------	---------	--------------------------------	---------------------	--	---	--	--	------------------

S80

L6 3.0L 2953cc Turbo	B6304T2		57806		49344	49355 ⁷⁹		6	N/A		N/S
L6 3.2L 3192cc	B6324S	98	57806		49344	49355 ⁷⁹		6	N/A		N/S
V8 4.4L 4414cc 269 CID	B8444S		57021	57021XP	49212	49355 ⁷⁹		6	N/A		N/S

V50

L5 2.4L 2435cc	B5244S4		57186	57186XP	46938	24688 ⁷⁹ 49354 ⁷⁸		3	WF8373		N/S
	B5244S7		57186	57186XP	46938	24688 ⁷⁹ 49354 ⁷⁸		3	WF8373		N/S

V50 T5

L5 2.5L 2521cc Turbo	B5254T7		57186	57186XP	46938	24688 ⁷⁹ 49354 ⁷⁸		3	WF8373		N/S
----------------------	---------	--	-------	---------	-------	--	--	---	--------	--	-----

V70

L6 3.2L 3192cc	B6324S	98	57806		49344	49355 ⁷⁹		6	N/A		N/S
----------------	--------	----	-------	--	-------	---------------------	--	---	-----	--	-----

XC70

L6 3.2L 3192cc	B6324S	98	57806		49344	49355 ⁷⁹ WP9309 ⁷⁹		6	N/A		N/S
----------------	--------	----	-------	--	-------	---	--	---	-----	--	-----

XC90

L6 3.2L 3192cc	B6324S	98	57806		49293	24818 ⁷⁹		7	33004		N/S
V8 4.4L 4414cc 269 CID	B8444S		57021	57021XP	49242	24818 ⁷⁹		7	33004		N/S

2007
C30

2.4			57186	57186XP	46938	24688			WF8373		N/S
2.4 (Mex.)			57186	57186XP	46938	24688			WF8373		N/S

C30 T5

L5 2.5L 2521cc Turbo	B5254T7		57186 57186	57186XP 57186XP	46938 46938	24688 ⁷⁹ 24688 ⁷⁹ 49354 ⁷⁸ 49354 ⁷⁸		3	WF8373 WF8373		N/S N/S
----------------------	---------	--	----------------	--------------------	----------------	--	--	---	------------------	--	------------

C70 T5

L5 2.5L 2521cc Turbo	B5254T3		57186	57186XP	46938	24688 ⁷⁹ 49354 ⁷⁸		3	33605		N/S
----------------------	---------	--	-------	---------	-------	--	--	---	-------	--	-----

S40

L5 2.4L 2435cc	B5244S4		57186	57186XP	46938	24688 ⁷⁹ 49354 ⁷⁸		3	WF8373		N/S
	B5244S7		57186	57186XP	46938	24688 ⁷⁹ 49354 ⁷⁸		3	WF8373		N/S

S40 T5

L5 2.5L 2521cc Turbo	B5254T3		57186	57186XP	46938	24688 ⁷⁹ 49354 ⁷⁸		3	WF8373		N/S
----------------------	---------	--	-------	---------	-------	--	--	---	--------	--	-----

S60

L5 2.5L 2521cc Turbo	B5254T2		57021	57021XP	42412	24818		7	33605 ¹⁴⁴ 33603 ¹⁴³		N/S
----------------------	---------	--	-------	---------	-------	-------	--	---	--	--	-----

S60 R

L5 2.5L 2521cc Turbo	B5254T4		57021	57021XP	42829	24818 ⁷⁹		7	33603 ¹⁴³ 33605 ¹⁴⁴		N/S
----------------------	---------	--	-------	---------	-------	---------------------	--	---	--	--	-----

N/A = Not Available N/R = Not Required N/S = Not Serviceable For cabin and fuel filter locator, see pages 5-15 See pages 16-19 for footnotes

N/A = Non disponible N/R = Non nécessaire N/S = Non réparable Para la ubicación de los filtros de aire de la cabina y de combustible, ver las páginas 5-15 Voir pages 16-19 pour des notes

N/A = No disponible N/R = No requiere N/S = No servible Voir les tableaux de repérage des filtres d'habitacle et à carburant aux pages 5-15 Ver las páginas 16-19 para las notas al pie de página

Italicized Part Numbers May Not Be Available. Wix XP Oil Filters Have Fully Synthetic Media.

Las piezas con números en *italicas* pueden no estar disponibles. Los filtros de aceite WIX XP son completamente de media sintética. Les numéros de pièce en *italiques* peuvent ne pas être disponibles. Les filtres à huile XP Wix contiennent un matériau 100 % synthétique.

Year/Año/Année Model/Modelo/Modèle Engine/Motor/Moteur	Eng. Code Código de motor Code moteur	VIN NIV NIV	Oil Aceite Huile	Oil XP Aceite XP Huile XP	Air Aire Air	Cabin Air Cabina Aire Cabine Air	Cabin Air XP Cabina Aire XP Cabine Air XP	Loc. Cabin Air Cabina Aire Cabine Air	Fuel Combustible Carburant	Loc. Fuel Combustible Carburant	Transmission Transmisión Transmission
--	---	-------------------	------------------------	---------------------------------	--------------------	--	---	--	----------------------------------	--	---

VOLVO (Cont'd/Suite)

2007 (Cont'd/Suite)

S60 T5

L5 2.4L 2435cc Turbo	B5244T5		57021	57021XP	42412 - Panel 42829 - Round	24818 ⁷⁹		7	33603 ¹⁴³ 33605 ¹⁴⁴		MT ⁷²
----------------------	---------	--	-------	---------	--------------------------------	---------------------	--	---	--	--	------------------

S80

L6 3.2L 3192cc	B6324S	98	57806		49344	49355 ⁷⁹		6	N/A		N/S
V8 4.4L 4414cc 269 CID	B8444S		57021	57021XP	49212	49355 ⁷⁹		6	N/A		N/S

V50

L5 2.4L 2435cc	B5244S4		57186	57186XP	46938	24688 ⁷⁹ 49354 ⁷⁸		3	WF8373		N/S
	B5244S7		57186	57186XP	46938	24688 ⁷⁹ 49354 ⁷⁸		3	WF8373		N/S

V50 T5

L5 2.5L 2521cc Turbo	B5254T3		57186	57186XP	46938	24688 ⁷⁹ 49354 ⁷⁸		3	WF8373		N/S
----------------------	---------	--	-------	---------	-------	--	--	---	--------	--	-----

V70

L5 2.4L 2435cc	B5244S		57021	57021XP	42412	24818 ⁷⁹		7	33603 ¹⁴³ 33605 ¹⁴⁴		N/S
L5 2.5L 2521cc Turbo	B5254T2		57021	57021XP	42412	24818 ⁷⁹		7	33603 ¹⁴³ 33605 ¹⁴⁴		N/S

V70 R

L5 2.5L 2521cc Turbo	B5254T4		57021	57021XP	42829	24818 ⁷⁹		7	33603 ¹⁴³ 33605 ¹⁴⁴		N/S
----------------------	---------	--	-------	---------	-------	---------------------	--	---	--	--	-----

XC70

L5 2.5L 2521cc Turbo	B5254T2		57021	57021XP	42412	24818 ⁷⁹		7	33603 ¹⁴³ 33605 ¹⁴⁴		N/S
L5 2.5L 2521cc Turbo (Mex.)			57021	57021XP	42412				N/A		

XC90

L6 3.2L 3192cc	B6324S	98	57806		49293	24818 ⁷⁹		7	33605		N/S
V8 4.4L 4414cc 269 CID	B8444S		57021	57021XP	49242	24818 ⁷⁹		7	33603 ¹⁴³ 33605 ¹⁴⁴		N/S

2006

C70 T5

L5 2.5L 2521cc Turbo	B5254T3		57186	57186XP	46938	24688		3	33605		N/S
----------------------	---------	--	-------	---------	-------	-------	--	---	-------	--	-----

S40

L5 2.4L 2435cc	B5244S4		57186	57186XP	46938	24688 ⁷⁹ 49354 ⁷⁸		3	WF8373		N/S
	B5244S7		57186	57186XP	46938	24688 ⁷⁹ 49354 ⁷⁸		3	WF8373		N/S

S40 T5

L5 2.5L 2521cc Turbo	B5254T3		57186	57186XP	46938	24688 ⁷⁹ 49354 ⁷⁸		3	WF8373		N/S
----------------------	---------	--	-------	---------	-------	--	--	---	--------	--	-----

S60

L5 2.5L 2521cc Turbo	B5254T2		57021	57021XP	42412	24818		7	33603 ¹⁴³ 33605 ¹⁴⁴		N/S
----------------------	---------	--	-------	---------	-------	-------	--	---	--	--	-----

S60 R

L5 2.5L 2521cc Turbo	B5254T4		57021	57021XP	42829	24818		7	33603 ¹⁴³ 33605 ¹⁴⁴		N/A
----------------------	---------	--	-------	---------	-------	-------	--	---	--	--	-----

S60 T5

L5 2.4L 2435cc Turbo	B5244T5		57021	57021XP	42412 - Panel 42829 - Round	24818		7	33605 ¹⁴⁴ 33603 ¹⁴³		N/S
----------------------	---------	--	-------	---------	--------------------------------	-------	--	---	--	--	-----

S80

L5 2.5L 2521cc Turbo	B5254T2		57021	57021XP	42749 ⁹³ 42412 ⁹⁹	24818		7	33605		MT ⁷²
----------------------	---------	--	-------	---------	--	-------	--	---	-------	--	------------------

S80 T6

L6 2.9L 2917cc Turbo (Mex.)	B6294T	91	57021	57021XP	42749	24818		7	33603 ¹⁴³ 33605 ¹⁴⁴		N/S
-----------------------------	--------	----	-------	---------	-------	-------	--	---	--	--	-----

N/A = Not Available N/R = Not Required N/S = Not Serviceable For cabin and fuel filter locator, see pages 5-15 See pages 16-19 for footnotes
 N/A = Non disponible N/R = Non nécessaire N/S = Non réparable Para la ubicación de los filtros de aire de la cabina y de combustible, ver las páginas 5-15 Voir pages 16-19 pour des notes
 N/A = No disponible N/R = No requiere N/S = No servible Voir les tableaux de repérage des filtres d'habitacle et à carburant aux pages 5-15 Ver las páginas 16-19 para las notas al pie de página

Italicized Part Numbers May Not Be Available. Wix XP Oil Filters Have Fully Synthetic Media.
 Las piezas con números en *italicas* pueden no estar disponibles. Los filtros de aceite WIX XP son completamente de media sintética.
 Les numéros de pièce en *italiques* peuvent ne pas être disponibles. Les filtres à huile XP Wix contiennent un matériau 100 % synthétique.

VOLVO 2006-2005
Pass Car/Light Truck

Year/Año/Année Model/Modelo/Modèle Engine/Motor/Moteur	Eng. Code Código de motor Code moteur	VIN NIV NIV	Oil Aceite Huile	Oil XP Aceite XP Huile XP	Air Aire Air	Cabin Air Cabina Aire Cabine Air	Cabin Air XP Cabina Aire XP Cabine Air XP	Loc. Cabin Air Cabina Aire Cabine Air	Fuel Combustible Carburant	Loc. Fuel Combustible Carburant	Transmission Transmisión Transmission
--	---	-------------------	------------------------	---------------------------------	--------------------	--	---	--	----------------------------------	--	---

VOLVO (Cont'd/Suite)
2006 (Cont'd/Suite)
V50

L5 2.4L 2435cc	B5244S4		57186	57186XP	46938	24688 ⁷⁹ 49354 ⁷⁸		3	WF8373		N/A
	B5244S7		57186	57186XP	46938	24688 ⁷⁹ 49354 ⁷⁸		3	WF8373		N/A

V50 T5

L5 2.5L 2521cc Turbo	B5254T3		57186	57186XP	46938	24688 ⁷⁹ 49354 ⁷⁸		3	WF8373		N/A
----------------------	---------	--	-------	---------	-------	--	--	---	--------	--	-----

V70

L5 2.4L 2435cc	B5244S		57021	57021XP	42412	24818		7	33603 ¹⁴³ 33605 ¹⁴⁴		N/A
	B5244S6		57021	57021XP	42412	24818		7	33603 ¹⁴³ 33605 ¹⁴⁴		N/A
L5 2.5L 2521cc Turbo	B5254T2		57021	57021XP	42412	24818		7	33603 ¹⁴³ 33605 ¹⁴⁴		N/A

V70 R

L5 2.5L 2521cc Turbo	B5254T4		57021	57021XP	42829	24818		7	33603 ¹⁴³ 33605 ¹⁴⁴		N/A
----------------------	---------	--	-------	---------	-------	-------	--	---	--	--	-----

XC70

L5 2.5L 2521cc Turbo	B5254T2		57021	57021XP	42412	24818		7	33603 ¹⁴³ 33605 ¹⁴⁴		N/S
L5 2.5L 2521cc Turbo (Mex.)			57021	57021XP	42412				N/A		

XC90

L5 2.5L 2521cc Turbo	B5254T2		57021	57021XP	42823	24818		7	33605		MT ⁷²
L6 2.9L 2917cc Turbo	B6294T	91	57021	57021XP	42823	24818		7	33603 ¹⁴³ 33605 ¹⁴⁴		MT ⁷²
V8 4.4L 4414cc 269 CID	B8444S		57021	57021XP	49242	24818		7	33603 ¹⁴³ 33605 ¹⁴⁴		N/S

2005
S40

L5 2.4L 2435cc	B5244S4		57186	57186XP	46938	24688 ⁷⁹ 49354 ⁷⁸		3	WF8373		N/S
	B5244S7		57186	57186XP	46938	24688 ⁷⁹ 49354 ⁷⁸		3	WF8373		N/S

S40 T5

L5 2.5L 2521cc Turbo	B5254T3		57186	57186XP	46938	24688 ⁷⁹ 49354 ⁷⁸		3	WF8373		N/S
----------------------	---------	--	-------	---------	-------	--	--	---	--------	--	-----

S60

L5 2.3L 2319CC (Mex.)			N/S		N/S	24818			N/S		N/S
L5 2.4L 2435cc	B5244S		57021	57021XP	42412	24818		7	33603 ¹⁴³ 33605 ¹⁴⁴		MT ⁷²
	B5244S6	64	57021	57021XP	42412	24818		7	33603 ¹⁴³ 33605 ¹⁴⁴		MT ⁷²
L5 2.5L 2521cc Turbo	B5254T2		57021	57021XP	42412	24818		7	33603 ¹⁴³ 33605 ¹⁴⁴		N/S

S60 R

L5 2.5L 2521cc Turbo	B5254T4		57021	57021XP	42829	24818		7	33603 ¹⁴³ 33605 ¹⁴⁴		N/S
----------------------	---------	--	-------	---------	-------	-------	--	---	--	--	-----

S60 T5

L5 2.4L 2435cc Turbo	B5244T5		57021	57021XP	42412 - Panel 42829 - Round	24818		7	33603 ¹⁴³ 33605 ¹⁴⁴		MT ⁷²
----------------------	---------	--	-------	---------	--------------------------------	-------	--	---	--	--	------------------

S80

L5 2.5L 2521cc Turbo	B5254T2		57021	57021XP	42749 ³ 42412 ⁵⁹⁹	24818		7	33603 ¹⁴³ 33605 ¹⁴⁴		N/S
L6 2.9L 2917cc Turbo	B6294T	91	57021	57021XP	42749	24818		7	33603 ¹⁴³ 33605 ¹⁴⁴		N/S

V50

L5 2.4L 2435cc	B5244S4		57186	57186XP	46938	24688 ⁷⁹ 49354 ⁷⁸		3	WF8373		N/S
----------------	---------	--	-------	---------	-------	--	--	---	--------	--	-----

N/A = Not Available N/R = Not Required N/S = Not Serviceable For cabin and fuel filter locator, see pages 5-15 See pages 16-19 for footnotes

N/A = Non disponible N/R = Non nécessaire N/S = Non réparable Para la ubicación de los filtros de aire de la cabina y de combustible, ver las páginas 5-15 Voir pages 16-19 pour des notes

N/A = No disponible N/R = No requiere N/S = No servible Voir les tableaux de repérage des filtres d'habitacle et à carburant aux pages 5-15 Ver las páginas 16-19 para las notas al pie de página

Italicized Part Numbers May Not Be Available. Wix XP Oil Filters Have Fully Synthetic Media.

Las piezas con números en *italicas* pueden no estar disponibles. Los filtros de aceite WIX XP son completamente de media sintética. Les numéros de pièce en *italiques* peuvent ne pas être disponibles. Les filtres à huile XP Wix contiennent un matériau 100 % synthétique.

Year/Año/Année Model/Modelo/Modèle Engine/Motor/Moteur	Eng. Code Código de motor Code moteur	VIN NIV NIV	Oil Aceite Huile	Oil XP Aceite XP Huile XP	Air Aire Air	Cabin Air Cabina Aire Cabine Air	Cabin Air XP Cabina Aire XP Cabine Air XP	Loc. Cabin Air Cabina Aire Cabine Air	Fuel Combustible Carburant	Loc. Fuel Combustible Carburant	Transmission Transmisión Transmission
--	---	-------------------	------------------------	---------------------------------	--------------------	--	---	--	----------------------------------	--	---

VOLVO (Cont'd/Suite)

2005 (Cont'd/Suite)

V50 (Cont'd/Suite)

L5 2.4L 2435cc	B5244S7		57186	57186XP	46938	24688 ⁷⁹ 49354 ⁷⁸		3	WF8373		N/S
----------------	---------	--	-------	---------	-------	--	--	---	--------	--	-----

V50 T5

L5 2.5L 2521cc Turbo	B5254T3		57186	57186XP	46938	24688 ⁷⁹ 49354 ⁷⁸		3	WF8373		N/S
----------------------	---------	--	-------	---------	-------	--	--	---	--------	--	-----

V70

L5 2.4L 2435cc	B5244S	64	57021	57021XP	42412	24818		7	33603 ¹⁴³ 33605 ¹⁴⁴		N/S
	B5244S6		57021	57021XP	42412	24818		7	33603 ¹⁴³ 33605 ¹⁴⁴		N/S
L5 2.5L 2521cc Turbo	B5254T2		57021	57021XP	42412	24818		7	33603 ¹⁴³ 33605 ¹⁴⁴		N/S

V70 R

L5 2.5L 2521cc Turbo	B5254T4		57021	57021XP	42829	24818		7	33603 ¹⁴³ 33605 ¹⁴⁴		N/S
----------------------	---------	--	-------	---------	-------	-------	--	---	--	--	-----

V70 T5

L5 2.4L 2435cc Turbo	B5244T5		57021	57021XP	42412 - Panel 42829 - Round	24818		7	33603 ¹⁴³ 33605 ¹⁴⁴		MT ⁷²
----------------------	---------	--	-------	---------	--------------------------------	-------	--	---	--	--	------------------

XC70

L5 2.5L 2521cc Turbo	B5254T2		57021	57021XP	42412	24818		7	33603 ¹⁴³ 33605 ¹⁴⁴		N/S
L5 2.5L 2521cc Turbo (Mex.)			57021	57021XP	42412				N/A		

XC90

L5 2.5L 2521cc Turbo	B5254T2		57021	57021XP	42823	24818		7	33603 ¹⁴³ 33605 ¹⁴⁴		MT ⁷²
L6 2.9L 2917cc Turbo	B6294T	91	57021	57021XP	42823	24818		7	33603 ¹⁴³ 33605 ¹⁴⁴		MT ⁷²
V8 4.4L 4414cc 269 CID	B8444S		57021	57021XP	49242	24818		7	33603 ¹⁴³ 33605 ¹⁴⁴		N/S

2004

C70

L5 2.3L 2319cc Turbo	B5234T9	62	57021	57021XP	42177	24818		7	33596	P	
L5 2.4L 2435cc Turbo	B5244T7	63	57021	57021XP	42177	24818		7	33596	M	N/A

S40

L4 1.9L 1948cc Turbo	B4204T4		57021	57021XP	42897	24904		4	33605		N/A
L5 2.4L 2435cc	B5244S4		57186	57186XP	46938	24688 ⁷⁹ 49354 ⁷⁸		3	WF8373		N/S

S40 T5

L5 2.5L 2521cc Turbo	B5254T3	68	57186	57186XP	46938	24688 ⁷⁹ 49354 ⁷⁸		3	WF8373		N/S
----------------------	---------	----	-------	---------	-------	--	--	---	--------	--	-----

S60

L5 2.0L 1984 (Mex.)			N/S		N/S	24818			N/S		N/S
L5 2.3L 2319cc Turbo	B5234T3		57021	57021XP	42412	24818		7	33603 ¹⁴³ 33605 ¹⁴⁴		MT ⁷²
L5 2.4L 2435cc	B5244S		57021	57021XP	42412	24818		7	33603 ¹⁴³ 33605 ¹⁴⁴		MT ⁷²
L5 2.5L 2521cc Turbo	B5254T2		57021	57021XP	42412	24818		7	33603 ¹⁴³ 33605 ¹⁴⁴		N/S

S60 R

L5 2.5L 2521cc Turbo	B5254T4		57021	57021XP	42829	24818		7	33603 ¹⁴³ 33605 ¹⁴⁴		N/S
----------------------	---------	--	-------	---------	-------	-------	--	---	--	--	-----

S80

L5 2.5L 2521cc Turbo	B5254T2		57021	57021XP	42749 ³ 42412 ³⁹⁹	24818		7	33603 ¹⁴³ 33605 ¹⁴⁴		N/S
L6 2.9L 2917cc	B6294S2	92	57021	57021XP	42749	24818		7	33603 ¹⁴³ 33605 ¹⁴⁴		N/A

N/A = Not Available N/R = Not Required N/S = Not Serviceable For cabin and fuel filter locator, see pages 5-15 See pages 16-19 for footnotes
 N/A = Non disponible N/R = Non nécessaire N/S = Non réparable Para la ubicación de los filtros de aire de la cabina y de combustible, ver las páginas 5-15 Voir pages 16-19 pour des notes
 N/A = No disponible N/R = No requiere N/S = No servible Voir les tableaux de repérage des filtres d'habitacle et à carburant aux pages 5-15 Ver las páginas 16-19 para las notas al pie de página

Italicized Part Numbers May Not Be Available. Wix XP Oil Filters Have Fully Synthetic Media.
 Las piezas con números en *italicas* pueden no estar disponibles. Los filtros de aceite WIX XP son completamente de media sintética.
 Les numéros de pièce en *italiques* peuvent ne pas être disponibles. Les filtres à huile Wix contiennent un matériau 100 % synthétique.

VOLVO 2004-2003
Pass Car/Light Truck

Year/Año/Année Model/Modelo/Modèle Engine/Motor/Moteur	Eng. Code Código de motor Code moteur	VIN NIV NIV	Oil Aceite Huile	Oil XP Aceite XP Huile XP	Air Aire Air	Cabin Air Cabina Aire Cabine Air	Cabin Air XP Cabina Aire XP Cabine Air XP	Loc. Cabin Air Cabina Aire Cabine Air	Fuel Combustible Carburant	Loc. Fuel Combustible Carburant	Transmission Transmisión Transmission
--	---	-------------------	------------------------	---------------------------------	--------------------	--	---	--	----------------------------------	--	---

VOLVO (Cont'd/Suite)
2004 (Cont'd/Suite)
S80 T6

L6 2.9L 2917cc Turbo	B6294T	91	57021	57021XP	42749	24818			7	33603 ¹⁴³ 33605 ¹⁴⁴		N/A
----------------------	--------	----	-------	---------	-------	-------	--	--	---	--	--	-----

V40

L4 1.9L 1948cc Turbo	B4204T4		57021	57021XP	42897	24904			4	33605		N/A
----------------------	---------	--	-------	---------	-------	-------	--	--	---	-------	--	-----

V70

L5 2.3L 2319cc Turbo	B5234T3		57021	57021XP	42412	24818			7	33603 ¹⁴³ 33605 ¹⁴⁴		MT ⁷²
L5 2.4L 2435cc	B5244S		57021	57021XP	42412	24818			7	33603 ¹⁴³ 33605 ¹⁴⁴		MT ⁷²
L5 2.5L 2521cc Turbo	B5254T2		57021	57021XP	42412	24818			7	33603 ¹⁴³ 33605 ¹⁴⁴		N/A

V70 R

L5 2.5L 2521cc Turbo	B5254T4		57021	57021XP	42829	24818			7	33603 ¹⁴³ 33605 ¹⁴⁴		N/A
----------------------	---------	--	-------	---------	-------	-------	--	--	---	--	--	-----

XC70

L5 2.5L 2521cc Turbo	B5254T2		57021	57021XP	42412	24818			7	N/A 33603 ¹⁴³ 33605 ¹⁴⁴		N/A
L5 2.5L 2521cc Turbo (Mex.)			57021	57021XP	42412					N/A		

XC90

L5 2.5L 2521cc Turbo	B5254T2		57021	57021XP	42823	24818			7	33603 ¹⁴³ 33605 ¹⁴⁴		N/A
L6 2.9L 2917cc Turbo	B6294T		57021	57021XP	42823	24818			7	33603 ¹⁴³ 33605 ¹⁴⁴		MT ⁷²

2003
C70

L5 2.3L 2319cc Turbo	B5234T9	62	57021	57021XP	42177	24818			7	33596	P	
L5 2.4L 2435cc Turbo	B5244T7	63	57021	57021XP	42177	24818			7	33596	M	N/A

S40

L4 1.9L 1855cc Turbo (Mex.)			57021	57021XP	N/A					N/A		
L4 1.9L 1948cc Turbo	B4204T3		57021	57021XP	42897	24904			4	33605		N/A
	B4204T4		57021	57021XP	42897	24904			4	33605		N/A

S60

L5 2.0L 1984 (Mex.)			57021	57021XP	42412					33603 ¹⁴³		
L5 2.3L 2319cc Turbo	B5234T3		57021	57021XP	42412	24818			7	33603 ¹⁴³ 33605 ¹⁴⁴		
L5 2.4L 2435cc	B5244S		57021	57021XP	42412	24818			7	33603 ¹⁴³ 33605 ¹⁴⁴		
	B5244S6		57021	57021XP	42412	24818			7	33603 ¹⁴³ 33605 ¹⁴⁴		
L5 2.4L 2435cc Turbo	B5244T3		57021	57021XP	42412	24818			7	33603 ¹⁴³ 33605 ¹⁴⁴		
L5 2.5L 2521cc Turbo	B5254T2		57021	57021XP	42412	24818			7	33603 ¹⁴³ 33605 ¹⁴⁴		

S80

L6 2.9L 2917cc	B6294S		57021	57021XP	42749	24818			7	33605		N/A
L6 2.9L 2917cc Turbo	B6294T	91	57021	57021XP	42749	24818			7	33605		N/A

S80 T6

L6 2.8L 2783cc Turbo (Mex.)			57021	57021XP	42749	24818			7	33603		N/A
-----------------------------	--	--	-------	---------	-------	-------	--	--	---	-------	--	-----

V40

L4 1.9L 1948cc Turbo	B4204T3		57021	57021XP	42897	24904			4	33605		N/A
	B4204T4		57021	57021XP	42897	24904			4	33605		N/A

V70

L5 2.3L 2319cc Turbo	B5234T3		57021	57021XP	42412	24818			7	33603 ¹⁴³ 33605 ¹⁴⁴		N/A
----------------------	---------	--	-------	---------	-------	-------	--	--	---	--	--	-----

N/A = Not Available N/R = Not Required N/S = Not Serviceable For cabin and fuel filter locator, see pages 5-15 See pages 16-19 for footnotes

N/A = Non disponible N/R = Non nécessaire N/S = Non réparable Para la ubicación de los filtros de aire de la cabina y de combustible, ver las páginas 5-15 Voir pages 16-19 pour des notes

N/A = No disponible N/R = No requiere N/S = No servible Voir les tableaux de repérage des filtres d'habitacle et à carburant aux pages 5-15 Ver las páginas 16-19 para las notas al pie de página

Italicized Part Numbers May Not Be Available. Wix XP Oil Filters Have Fully Synthetic Media.

Las piezas con números en *italicas* pueden no estar disponibles. Los filtros de aceite WIX XP son completamente de media sintética. Les numéros de pièce en *italiques* peuvent ne pas être disponibles. Les filtres à huile XP Wix contiennent un matériau 100 % synthétique.

Year/Año/Année Model/Modelo/Modèle Engine/Motor/Moteur	Eng. Code Código de motor Code moteur	VIN NIV NIV	Oil Aceite Huile	Oil XP Aceite XP Huile XP	Air Aire Air	Cabin Air Cabina Aire Cabine Air	Cabin Air XP Cabina Aire XP Cabine Air XP	Loc. Cabin Air Cabina Aire Cabine Air	Fuel Combustible Carburant	Loc. Fuel Combustible Carburant	Transmission Transmisión Transmission
--	---	-------------------	------------------------	---------------------------------	--------------------	--	---	--	----------------------------------	--	---

VOLVO (Cont'd/Suite)
2003 (Cont'd/Suite)
V70 (Cont'd/Suite)

L5 2.4L 2435cc	B5244S		57021	57021XP	42412	24818		7	33603 ¹⁴³ 33605 ¹⁴⁴	M M	N/A
	B5244S6		57021	57021XP	42412	24818		7	33603 ¹⁴³ 33605 ¹⁴⁴	M M	N/A
L5 2.4L 2435cc Turbo	B5244T3		57021	57021XP	42412	24818		7	33603 ¹⁴³ 33605 ¹⁴⁴	M M	N/A
L5 2.5L 2521cc Turbo	B5254T2		57021	57021XP	42412	24818		7	33603 ¹⁴³ 33605 ¹⁴⁴	M M	N/A

XC70 CROSS COUNTRY

L5 2.5L 2521cc Turbo	B5254T2		57021	57021XP	42412	24818		7	33603 ¹⁴³ 33605 ¹⁴⁴		N/A
----------------------	---------	--	-------	---------	-------	-------	--	---	--	--	-----

XC90

L5 2.5L 2521cc Turbo	B5254T2		57021	57021XP	42823	24818		7	33605		
L6 2.9L 2917cc Turbo	B6294T		57021	57021XP	42823	24818		7	33605		N/A

2002
C70

L5 2.3L 2319cc Turbo	B5234T3		57021	57021XP	42177	24821		1	33596	M	N/A
L5 2.4L 2435cc Turbo	B5244T		57021	57021XP	42177	24821		1	33596	M	N/A

S40

L4 1.9L 1855cc Turbo (Mex.)			57021	57021XP	N/A				N/A		
L4 1.9L 1948cc Turbo	B4204T3		57021	57021XP	42897	24904		4	33605		N/A

S60

L5 2.0L 1984 (Mex.)			57021	57021XP	42412				33603 ¹⁴³		
L5 2.3L 2319cc Turbo	B5234T3		57021	57021XP	42412	24818		7	33603 ¹⁴³ 33605 ¹⁴⁴		N/A
L5 2.4L 2435cc	B5244S		57021	57021XP	42412	24818		7	33603 ¹⁴³ 33605 ¹⁴⁴		N/A
L5 2.4L 2435cc Turbo	B5244T3		57021	57021XP	42412	24818		7	33603 ¹⁴³ 33605 ¹⁴⁴		N/A

S80

L6 2.8L 2783cc Turbo			57021	57021XP	42749	24818		7	33603		N/A
L6 2.9L 2917cc	B6294S		57021	57021XP	42749	24818		7	33603		N/A
L6 2.9L 2917cc Turbo	B6294T	91	57021	57021XP	42749	24818		7	33603		N/A

V40

L4 1.9L 1855cc Turbo (Mex.)			57021	57021XP	N/A				N/A		
L4 1.9L 1948cc Turbo	B4204T3		57021	57021XP	42897	24904		4	33603		N/A

V70

L5 2.3L 2319cc Turbo	B5234T3		57021	57021XP	42412	24818		7	33603 ¹⁴³ 33605 ¹⁴⁴	M M	N/A
L5 2.4L 2435cc	B5244S		57021	57021XP	42412	24818		7	33603 ¹⁴³ 33605 ¹⁴⁴	M M	N/A

V70 CROSS COUNTRY

L5 2.4L 2435cc Turbo	B5244T3		57021	57021XP	42412	24818		7	33603 ¹⁴³ 33605 ¹⁴⁴		N/A
----------------------	---------	--	-------	---------	-------	-------	--	---	--	--	-----

VPG
2013
MV-1

V8 4.6L 281 CID			51372 ⁵³	51372XP	49883 ¹⁵⁵ 49883FR ¹⁶⁰	N/R			N/S		58955
-----------------	--	--	---------------------	---------	--	-----	--	--	-----	--	-------

2012
MV-1

V8 4.6L 281 CID			51372 ⁵³	51372XP	49883 ¹⁵⁵ 49883FR ¹⁶⁰	N/R			N/S		58955
-----------------	--	--	---------------------	---------	--	-----	--	--	-----	--	-------

N/A = Not Available N/R = Not Required N/S = Not Serviceable For cabin and fuel filter locator, see pages 5-15 See pages 16-19 for footnotes

N/A = Non disponible N/R = Non nécessaire N/S = Non réparable Para la ubicación de los filtros de aire de la cabina y de combustible, ver las páginas 5-15 Voir pages 16-19 pour des notes

N/A = No disponible N/R = No requiere N/S = No servible Voir les tableaux de repérage des filtres d'habitacle et à carburant aux pages 5-15 Ver las páginas 16-19 para las notas al pie de página

Italicized Part Numbers May Not Be Available. Wix XP Oil Filters Have Fully Synthetic Media.

Las piezas con números en *italicas* pueden no estar disponibles. Los filtros de aceite WIX XP son completamente de media sintética.

Les numéros de pièce en *italiques* peuvent ne pas être disponibles. Les filtres à huile Wix contiennent un matériau 100 % synthétique.

VPG 2011

Pass Car/Light Truck

Year/Año/Année Model/Modelo/Modèle Engine/Motor/Moteur	Eng. Code Código de motor Code moteur	VIN NIV NIV	Oil Aceite Huile	Oil XP Aceite XP Huile XP	Air Aire Air	Cabin Air Cabina Aire Cabine Air	Cabin Air XP Cabina Aire XP Cabine Air XP	Loc. Cabin Air Cabina Aire Cabine Air	Fuel Combustible Carburant	Loc. Fuel Combustible Carburant	Transmission Transmisión Transmission
--	---	-------------------	------------------------	---------------------------------	--------------------	--	---	--	----------------------------------	--	---

VPG (Cont'd/Suite)

2011

MV-1

V8 4.6L 281 CID			51372 ⁵³	51372XP	49883 ¹⁵⁵ 49883FR ³⁶⁰	N/R			N/S		58955
-----------------	--	--	---------------------	---------	--	-----	--	--	-----	--	-------

N/A = Not Available N/R = Not Required N/S = Not Serviceable For cabin and fuel filter locator, see pages 5-15 See pages 16-19 for footnotes
 N/A = Non disponible N/R = Non nécessaire N/S = Non réparable Para la ubicación de los filtros de aire de la cabina y de combustible, ver las páginas 5-15 Voir pages 16-19 pour des notes
 N/A = No disponible N/R = No requiere N/S = No servible Voir les tableaux de repérage des filtres d'habitacle et à carburant aux pages 5-15 Ver las páginas 16-19 para las notas al pie de página

P
A
S
S

C
A
R

L
I
G
H
T

T
R
U
C
K

Italicized Part Numbers May Not Be Available. Wix XP Oil Filters Have Fully Synthetic Media.

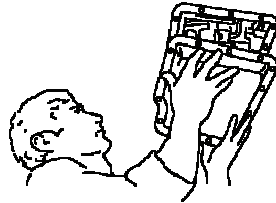
Las piezas con números en *itálicas* pueden no estar disponibles. Los filtros de aceite WIX XP son completamente de media sintética.
 Les numéros de pièce en *italiques* peuvent ne pas être disponibles. Les filtres à huile XP Wix contiennent un matériau 100 % synthétique.

Helpful Hints For Transmission Filter Installation

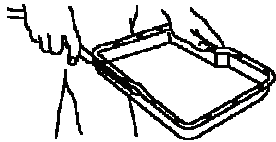
1 NO SPECIAL TOOLS REQUIRED. These are the simple tools required to do most normal replacement: •Speed Wrench • $\frac{1}{2}$ " Socket •Screwdriver • $\frac{7}{16}$ " Open End Wrench. No mechanical or hydraulic components in the transmission are disturbed during the change. The filter is simply removed with a screwdriver in just a few seconds and replaced in the same short time.

2 POSITION TRANSPAN, @DRAIN FLUID, REMOVE BOLTS AND DROP PAN.

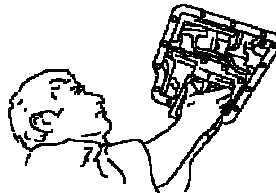
Start removing bolts at one corner, alternating from side to side, allowing pan to gradually tilt downward in one direction for easy draining.



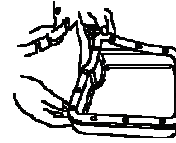
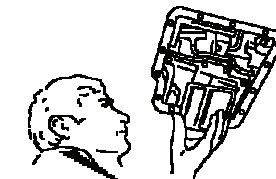
3 SCRAPE OFF OLD GASKET AND CLEAN PAN and case. Clean the pan inside and outside. Straighten pan around bolt holes.



4 REMOVE OLD FILTER. The filters are either held in place with bolts, screws or simply slip in and out.

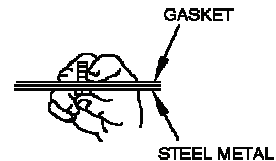


5 POSITION NEW FILTER AND REPLACE SCREWS. Everything you need to replace the filter is included in the filter kit, filter, pan gasket and "O" ring (when required).



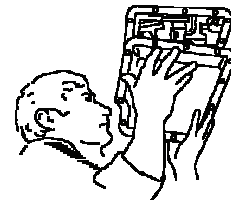
6 INSTALL NEW GASKET. Unfold gasket and place on top of the clean and dry sheet metal surface. **DO NOT USE ADHESIVE-SEALANTS.**

Align the GRIPPER™ gasket with the sheet metal. Then pass the bolt through the sheet metal and continue to press the bolt through the gasket material which has slightly undersize bolt holes. This procedure will retain the gasket to the sheet metal pan. Repeat this procedure until all bolts are in position. Wipe excess oil from the transmission flange. Avoid oil accumulation on pan gasket at time of assembly. Place transmission pan gasket assembly in alignment with transmission and install bolts.



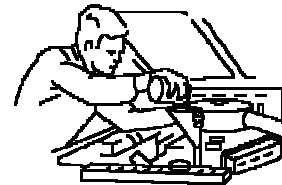
7 POSITION PAN TO CASE AND REPLACE BOLTS.

- (A) Hand tighten or use power tools with proper torque setting capabilities.
- (B) Snug up bolts. Start in center of pan; then continue to the opposite side, criss-crossing and working towards outer end of pan.
- (C) Tighten to 80 inch-pounds using the same sequence. (Based on 5/16-18 (NC) fastener)
- (D) Then apply final torque of 120 inch-pounds, repeating the bolt tightening sequence.



8* REFILL TRANSMISSION. Lower car.

Remove dipstick from oil filler tube, add transmission fluid as recommended by car manufacturer. Apply parking brakes, start engine in park, **DO NOT RACE ENGINE.**



Move control lever through each range. Immediately check fluid level with selector lever in park, engine running and vehicle on level surface. Add additional fluid to bring level to $\frac{1}{4}$ " below the "add" mark on dipstick.

NOTE: DO NOT OVERFILL
*USE PROPER FLUID-CHECK OWNER'S MANUAL

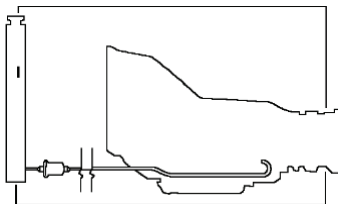
Magnetic In-Line Transmission Filter

58953 (7/16") / 58964 (5/16")

The Auxiliary In-Line Filter from WIX is specifically designed to remove contaminants commonly found in automatic transmission fluid.

Contaminated transmission fluid can cause premature transmission failure. The WIX Magnetic In-Line Transmission Filter extracts both ferrous and non-ferrous particles from transmission fluid, providing low cost added protection of the hydraulic and lubrication systems.

The WIX Auxiliary Filter features double-action full-flow filtration. A powerful plastic magnet attracts and holds ferrous wear material suspended in the passing fluid flow. It works in tandem with a sturdy paper element, reinforced by a steel sleeve, which taps the remaining non-ferrous contaminants as small as 25 microns. If the paper element becomes clogged with contaminants, a pressure relief valve assures continuous fluid flow, while the magnet continues to filter metallic particles from the fluid.



The Auxiliary In-Line Filter is engineered to withstand the extreme conditions an automatic transmission may undergo.

This WIX filter is built to perform in the harshest environments. They perform in the desert heat, as well as the polar cold. They also withstand under constant pressures of as much as 200 psi, as well as the pressure surges that can dredge up contaminants. In addition, it's built to handle the sudden impacts and severe vibrations even normal driving conditions can provide.

58963 (7/16") / 58964 (5/16")

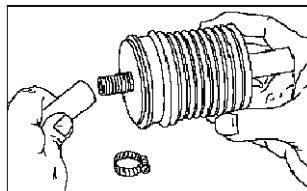
- ◆ WIX In-Line Transmission Filter takes only minutes to install in the transmission cooling line.

The In-line Auxiliary Transmission Filter Specially Designed For Today's Automatic Transmissions

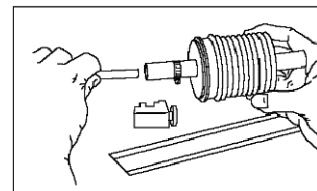
Efficient: In independent testing, this WIX magnetic in-line filter removed over 95% of all metallic impurities introduced into the transmission fluid.

Durable: It continues to filter out contaminants even under the harshest conditions. In temperatures up to 350°F, the in-line filter's rugged construction can withstand constant pressures as high as 200 psi and intermittent short surges of even higher pressure. It is also shock and vibration resistant.

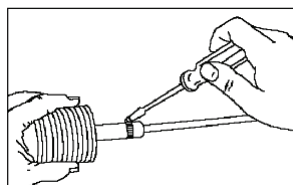
Easy to Install: The WIX magnetic in-line auxiliary transmission filter can be installed in less than ten minutes.... and replaced in less that five. Here's how:



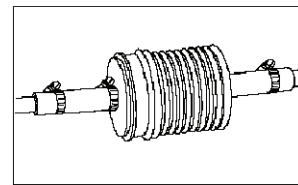
1. Insert short lengths of suitable hose onto filter couplings and firmly clamp.



2. Insert hose ends onto end of gap cut into cooling line, taking care to see that filter is properly oriented to fluid flow as indicated by flow arrow on filter.



3. Secure all clamps on the cooling line.

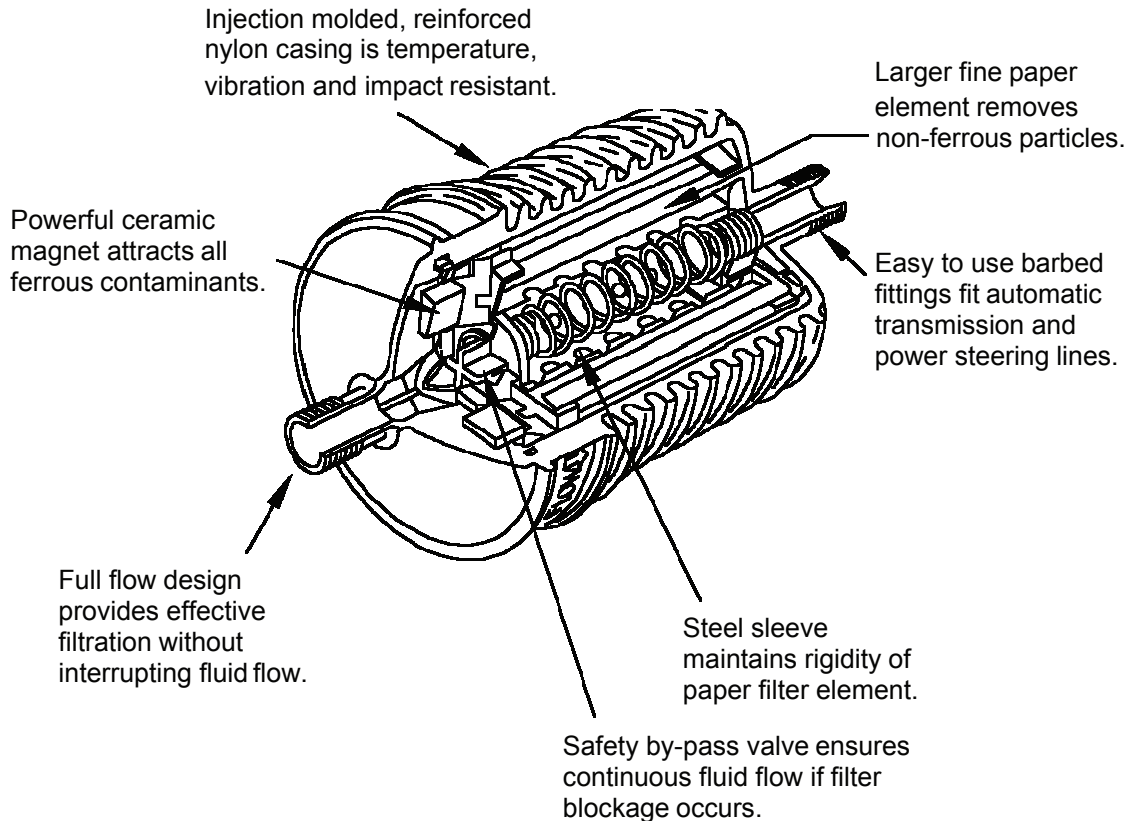


4. And you're finished.

It's the perfect preventive maintenance product, and it's from WIX.

Universal In-Line Transmission Filter (Can Also Be Used On Power Steering)

Note: On vehicles which have not experienced transmission failures, install into the cooler inlet line to protect cooler and transmission from contaminants. After an overhaul, install into cooler return line to trap contaminants that may remain in the cooler.



Includes 2 Adapter Hoses and 4 Hose Clamps

Warning: When used on power steering, install only on return side (Low Pressure Side).

Application	Transmission Type	Return Line Location	Application	Transmission Type	Return Line Location
GM, Isuzu, Opel	125	Top Line	Chrysler, Dodge, Plymouth, Some Mitsubishi	404	Top Line
GM, Opel, Rover	180	Rear Line	Plymouth Colt, Champ	KM170	Outer Line
GM, Isuzu Truck, Opel	200	Bottom Line	Ford, Mercury, Datsun, Nissan, Mazda	JATCO	Rear Line
GM	200 R-4	Bottom Line	Some Toyota	Toyota 2SP	Rear Line
GM	325	Top Line	Some Toyota	Toyota 3SP	Rear Line
GM	325-4L	Top Line	Subaru	Subaru	Case Line
GM	350	Top Line	Some Toyota	A40	Rear Line
GM, Some Jeep, Jaguar	400	Top Line	Some AMC, Some Chrysler, Datsun, Fiat, Ford, Isuzu, Mazda, Mitsubishi, Datsun/Nissan, Rover, Simca, Triumph, Volvo	T35	Rear Line
GM	425	Outer Line	BMW, Peugeot	ZF22	Driver's Side Line
Ford, Lincoln, Mercury	C3	Rear Line	Mercedes	Mercedes	Front Line
Ford, Mercury	ATX	Pump End	GM	300	Top Line
Ford, Lincoln, Mercury	A0D	Bottom Line			
Ford, Mercury	FMX	Rear Line			
Some Chrysler, Dodge, Plymouth	T6	Rear Line			
Some Chrysler, Dodge, Plymouth	T8	Rear Line			

Transmission Filter Illustrations

AMC, Chrysler, Ram, Jeep, Mitsubishi

TRANSMISSION FILTERS

42RLE (4 Speed)

Includes pan gasket

42RLE (4 velocidades)
Incluye la junta del cárter.

42RLE (4 vitesses)
Comprend le joint de carter.



WIX - 58013

Various Chrysler, Mitsubishi (2003-12)
Varios Chrysler, Mitsubishi (2003-12)
Divers Chrysler et Mitsubishi (2003-12)

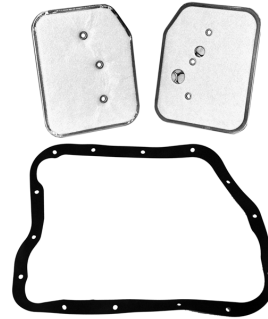
O.E. 52852913AB

904 (Early)

Left rear corner (driver) of pan is cut off

"904" (modelo antiguo)
La esquina trasera izquierda (lado del conductor) del cárter está cortada.

"904" (ancien modèle)
Le coin arrière gauche (conducteur) du carter est découpé.



WIX - 58656

Chrysler (1963-74)

O.E. 3621456

62TE, A604X, A6F440



WIX - 58128

Chrysler, VW (2007-)

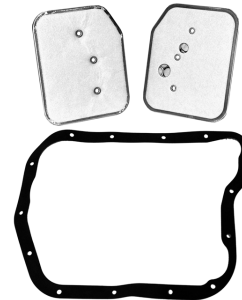
O.E. 05078555AA

727 (Early)

Drain plug is on the left rear side (driver) of pan. Right forward corner of pan bulges out.

"727" (modelo antiguo)
El tapón de drenaje se encuentra en el lado trasero izquierdo (conductor) del cárter. La esquina delantera derecha del cárter es abultada.

"727" (ancien modèle)
Le bouchon de vidange est sur le côté arrière gauche (conducteur) du carter. Le coin avant droit du carter est bombé.



WIX - 58658

Chrysler (1960-74)

O.E. 3621456

42, 44, 46, 47 RE



WIX - 58613

Dodge Trucks, Jeep (1998-09)
Camiones Dodge, Jeep (1998-09)
Camions Dodge, Jeep (1998-09)

O.E. 52118789

404 DEEP PAN

Shallow (2 1/4") Pan Includes Filter Gasket

"404" CÁRTER PROFUNDO
Cárter poco profundo de 57 mm (2 1/4 pulg.) Incluye la junta del filtro.

"404" (CARTER PROFOND)
Carter peu profond, de 57 mm (2,25 po). Comprend le joint de filtre.



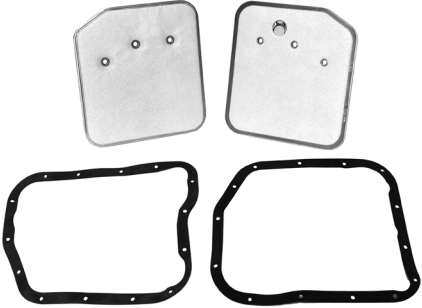
WIX - 58705

Chrysler (1982-07)

O.E. 4269649

AMC, Chrysler, Ram, Jeep, Mitsubishi (cont'd/suite)


727, 904, 500, 518
Includes two gaskets – torque 6 and torque 8



WIX - 58707

AMC, Dodge, Jeep (1966–02) O.E. 3515996, J8121065

722.6 – 5 Speed
Includes gasket



WIX - 58845

Mercedes (1995–on), Chrysler (2005–on) O.E. 1402770095, 52108325AA

MITSUBISHI KM175, KM177
Chrysler Imports Both Pan Gaskets Included (12 Hole and 13 Hole)



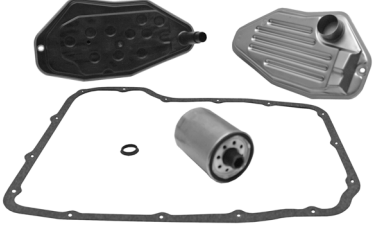
WIX - 58804

Dodge, Eagle, Hyundai, Mitsubishi (1989–99) O.E. MD737840, 4632136010

45RFE, 55RFE (2WD)
Includes pan filter, pan gasket + spin-on

45RFE, 55RFE (2x2)
Incluye el filtro del cárter, la junta del cárter y el filtro "spin-on".

45RFE, 55RFE (2RM)
Comprend le filtre de carter, le joint de carter et le filtre amovible.




WIX - 58846

Dodge Trucks, Jeep (1999–) Camiones Dodge, Jeep (1999–) Camions Dodge, Jeep (1999–) O.E. 5015267AC (pan filter), 4799662AB (spin-on) O.E. 5015267AC (filtro de cárter), 4799662AB (spin-on) O.E. 5015267AC (filtre de carter), 4799662AB (amovible)

45RFE, 55RFE (4WD)
Includes pan filter, pan gasket + spin-on

45RFE, 55RFE (4x4)
Incluye el filtro del cárter, la junta del cárter y el filtro "spin-on".

45RFE, 55RFE (4RM)
Comprend le filtre de carter, le joint de carter et le filtre amovible.



WIX - 58843

Dodge Trucks, Jeep (1999–) Camiones Dodge, Jeep (1999–) Camions Dodge, Jeep (1999–) O.E. 5013470AC (pan filter), 4799662AB (spin-on) O.E. 5013470AC (filtro de cárter), 4799662AB (spin-on) O.E. 5013470AC (filtre de carter), 4799662AB (amovible)

604
Includes O-Ring



WIX - 58934

Chrysler, Dodge (1982–) O.E. 4504048

Transmission Filter Illustrations

AMC, Chrysler, Ram, Jeep, Mitsubishi (cont'd/suite)

T
R
A
N
S
M
I
S
S
I
O
N

F
I
L
T
E
R
S

AW4



WIX - 58936

Jeep (1987-01)

O.E. 83504032

R4A51, V4A51, V5A51



WIX - WL10374

Mitsubishi Montero (1999-06)

O.E. MR528836

JATCO (4N71B)

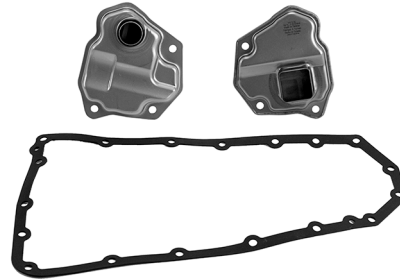


WIX - 58948

Mazda, Mitsubishi, Nissan, Chrysler
(1983-96)

O.E. 31728-X8600, M0610736

F1CJA



WIX - WL10386

Various Mitsubishi (2011-on)

O.E. 2824A007

A606/42LE
Includes O-Ring



WIX - 58993

Chrysler (1993-04)

O.E. 4626449

CVT

Image Not Available

WIX - WL10390

Chrysler, Dodge, Jeep (2007-15)

O.E. 5191890AA

AMC, Chrysler, Ram, Jeep, Mitsubishi (cont'd/suite)

45RFE, 545RFE, 68RFE

Spin-on only – does not include the pan style filter – 58843 or 58846 includes the pan style filter and the spin-on together as one unit



WIX - WL10394

Ram Trucks (2014-on)

O.E. 05179267AC

Aisin AS68-RC-T



WIX - WL10415

Dodge, Ram Trucks (2008-on)

O.E. 68019688AA

Transmission Filter Illustrations
Ford, Lincoln, Mercury, Mazda

T
R
A
N
S
M
I
S
S
I
O
N

F
I
L
T
E
R
S

R5
Cartridge By-Pass Unit



WIX - 57702

Ford Trucks & Vans (2003-10)
Camiones y furgonetas Ford (2003-10)
Camions et camionnettes Ford (2003-10)

O.E. 3C3Z7B155BA

5R55N



WIX - 58117

Ford, Lincoln, Jaguar (2000-08)

O.E. XW4Z7A098BB

6R80
Includes Pan Gasket



WIX - 58099

Various Ford (2006-)
Varios Ford (2006-)
Divers Ford (2006-)

O.E. 7L1Z7A098A

CFT30



WIX - 58118

Ford, Mercury (2005-07)

O.E. 5F9Z7A098B

FNR5, J13R

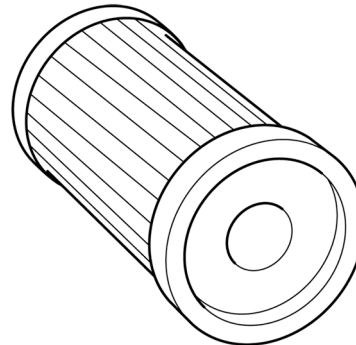


WIX - 58113

Mazda (2003-)

O.E. FNC121500

CVT, CFT30
Cartridge Style



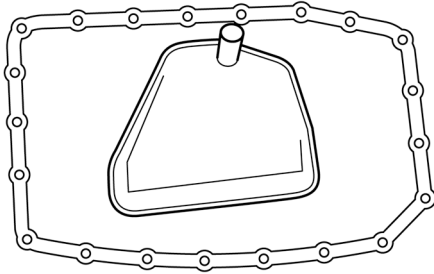
WIX - 58121

Ford, Mercury (2005-07)

O.E. 5F9Z7Z155AA

Ford, Lincoln, Mercury, Mazda (cont'd/suite)

6R60, 6R75, 6R80



WIX - 58127

Ford, Mercury (2006-07)

O.E. 6L2Z7A098AA

4F27E

Includes Pan Gasket



WIX - 58617

Ford, Mazda (1999-)

O.E. FN0121500

5R110W Torqshift

Includes Pan Gasket



WIX - 58180

Ford Trucks & Vans (2007-)
Camiones y furgonetas Ford (2007-)
Camions et camionnettes Ford (2007-)

O.E. 8C3Z-7A098-D

5R110W

Includes Pan Gasket

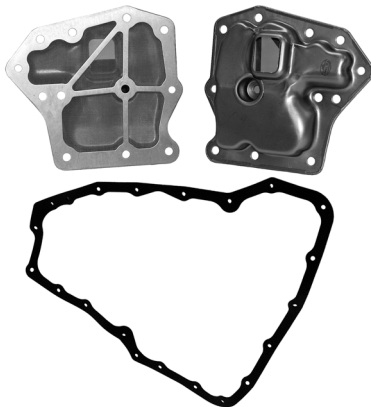


WIX - 58624

Ford Trucks & Vans (2003-10)
Camiones y furgonetas Ford (2003-10)
Camions et camionnettes Ford (2003-10)

O.E. 3C3Z7A098AA

RE4F04A



WIX - 58602

Mercury Villager, Nissan, Infiniti (1992-06)

O.E. F3XY7A098A, 3172880X03

AX4S



WIX - 58815

Ford, Mercury (1995-07)

O.E. F6DZ-7A098A

Ford, Lincoln, Mercury, Mazda (cont'd/suite)

TRANSMISSION FILTERS

AX4N



WIX - 58822

Ford, Lincoln (1994-07)

O.E. F5DZ-7A098A

ATX



WIX - 58842

Ford Aspire (1994-97)

O.E. F4BZ7A098A

A4LD (2WD)

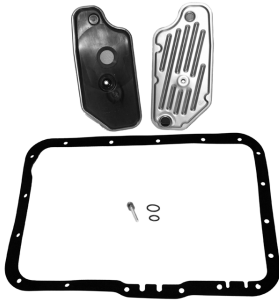
Includes 2 O-Rings & Bolt

A4LD (2x2)

Incluye 2 juntas tóricas y perno.

A4LD (2RM)

Comprend 2 joints toriques et boulon.



WIX - 58840

Ford Trucks, Mazda Trucks (1989-11)
Camiones Ford, Camiones Mazda (1989-11)
Camions Ford, camions Mazda (1989-11)

O.E. F5TZ-7A098A

5R55-S

Pan Gasket Reusable - Not Included



WIX - 58844

Lincoln, Ford Mustang, Ford T-Bird (2005-10)

O.E. 3W4Z7A098AA (FT142)

A4LD (4WD)

Includes 2 O-Rings & Bolt

A4LD (4x4)

Incluye 2 juntas tóricas y perno.

A4LD (4RM)

Comprend 2 joints toriques et boulon.



WIX - 58841

Ford & Mercury Trucks & Vans (1986-11)
Camiones y furgonetas Ford y Mercury (1986-11)
Camions et camionnettes Ford et Mercury (1986-11)

O.E. F5TZ-7A098B

4EAT

Includes O-Ring



WIX - 58875

Ford, Mazda (1987-02)

O.E. F32Z-7A-098A

Ford, Lincoln, Mercury, Mazda (cont'd/suite)

TRANSMISSION FILTERS

AODE



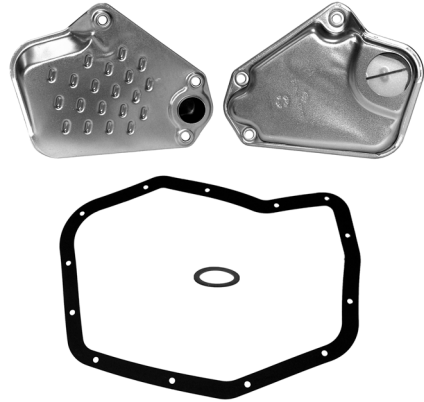
WIX - 58877

Ford (1991-01)

O.E. F2VY-7A-098A

ATX

Includes O-Ring



WIX - 58921

Ford, Mercury (1981-95)

O.E. E9FZ7A098A

5R55W
Revised Deep Pan



WIX - 58898

Ford, Lincoln, Mercury (2002-10)

O.E. 1L2Z7A098AC

C-4 ALUMINUM



WIX - 58922

Ford (1964-65)

O.E. C4AZ7A098A

C-6 (Early)

Inludes Filter Gasket The pan is "S" shaped at the rear edge.
"C-6" (modelo antiguo) Incluye la junta del filtro. El cárter tiene forma de "S" en el borde trasero.
"C-6" (ancien modèle) Comprend le joint de filtre. Carter en S sur le bord arrière.



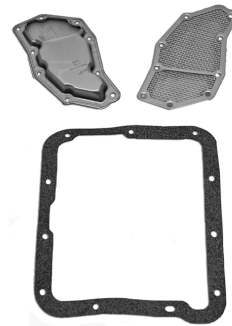
WIX - 58920

Ford, Lincoln, Mercury (1959-74)

O.E. (Kit) C6AZ-7A098B, (Filter) C6AZ-7A098A
 O.E. (Juego) C6AZ-7A098B, (Filtro) C6AZ-7A098A
 O.E. (Trousse) C6AZ-7A098B, (Filtre) C6AZ-7A098A

C-4

Top right corner or pan bulges, 11 bolts in pan.



WIX - 58923

Ford, Mercury (1964-70)

O.E. (Kit) C5AZ-7A098D, (Filter) C5AZ-7A098C
 O.E. (Juego) C5AZ-7A098D, (Filtro) C5AZ-7A098C
 O.E. (Trousse) C5AZ-7A098D, (Filtre) C5AZ-7A098C

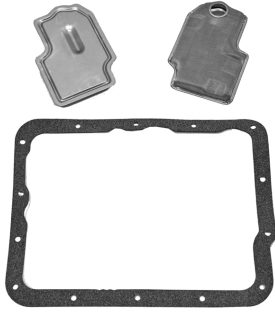
Transmission Filter Illustrations

Ford, Lincoln, Mercury, Mazda (cont'd/suite)

TRANSMISSION FILTERS

FMX

Filler tube on 1963-68 models goes into pan. After 1968 the filler tube goes into the case.



WIX - 58926

O.E. (Kit) D0AZ-7A098B, (Filter) C8AZ7A098A
 O.E. (Juego) D0AZ-7A098B, (Filtro) C8AZ-7A098A
 O.E. (Trousse) DOAZ-7A098B, (Filtre) C8AZ7A098A

Ford, Mercury (1963-78)

C-6 (Deep Pan)

Includes Filter Gasket

"C-6" (cárter profundo)
 Incluye la junta del filtro.

"C-6" (carter profond)
 Comprend le joint de filtre.



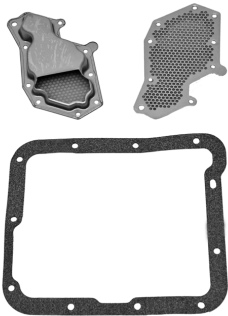
WIX - 58937

Ford Light Trucks (1974-97)
 Camionetas Ford (1974-97)
 Camions légers Ford (1974-97)

O.E. D3TZ-7A098A

C-4

Top right corner or pan bulges, 11 bolts in pan.



WIX - 58927

O.E. (Kit) D0DZ-7A098C, (Filter) D0DZ-7A098B
 O.E. (Juego) D0DZ-7A098C, (Filtro) D0DZ-7A098B
 O.E. (Trousse) DOAZ-7A098C, (Filtre) D0DZ-7A098B

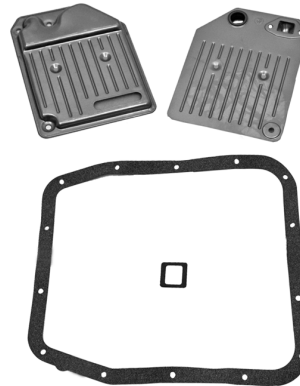
Ford, Mercury (1968-84)

AOT/AOD (Auto. Overdrive)

Includes Filter Gasket

AOT/AOD (sobremarcha aut.)
 Incluye la junta del filtro.

AOT/AOD (vit. surmult. autom.)
 Comprend le joint de filtre.



WIX - 58939

Ford, Mercury (1976-94)

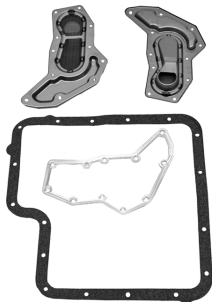
O.E. E0AZ-7A098A, E1AZ7A098A

C-6 (Late)

The pan is "S" shaped at the rear edge. Deeper than early model C-6 transmissions.

"C-6" (modelo reciente)
 El cárter tiene forma de "S" en el borde trasero. Más profundo que las transmisiones C-6 de los modelos antiguos.

"C-6" (modèle récent)
 Le carter est en forme de S sur le bord arrière. Carter plus profond que les anciens modèles de boîte C-6.



WIX - 58929

Ford, Lincoln, Mercury (1975-97)

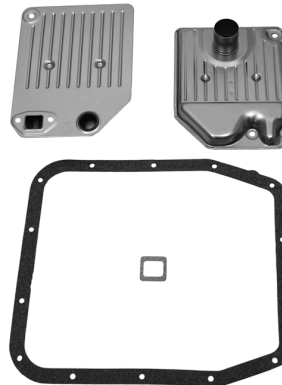
O.E. D5AZ-7A098AA

AOT/AOD (Overdrive)

Includes Filter Gasket

AOT/AOD (sobremarcha)
 Incluye la junta del filtro.

AOT/AOD (vit. surmult.)
 Comprend le joint de filtre.



WIX - 58949

Ford (1985-94)

O.E. E4TP-7F003AA

Ford, Lincoln, Mercury, Mazda (cont'd/suite)

TRANSMISSION FILTERS

AODE (4WD Trucks)
AODE (camiones 4x4) AODE (camions 4RM)



WIX - 58955

Ford, Mercury (1994-) O.E. F4TZ-7A-098A, F6AZ-7A-098A

E4OD (4WD)
E4OD (4x4) E4OD (4RM)



WIX - 58968

Ford & Lincoln Trucks & Vans (1990-09)
Camiones y furgonetas Ford y Lincoln (1990-09)
Camions et camionnettes Ford et Lincoln (1990-09) O.E. E9TZ-7A098B

AXOD-E
Includes Bolt & Bracket



WIX - 58956

Ford (1984-96) O.E. E6DZ-7A098A

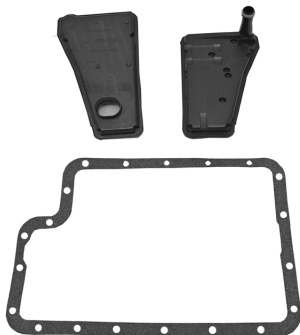
4EAT-F
Includes O-Ring



WIX - 58995

Ford, Kia, Mazda, Mercury (1990-05) O.E. F1CZ-7A-098A

E4OD (2WD)
E4OD (2x2) E4OD (2RM)



WIX - 58967

Ford Trucks & Vans (1990-09)
Camiones y furgonetas Ford (1990-09)
Camions et camionnettes Ford (1990-09) O.E. E9TZ-7A098A (FT88)

6R140



WIX - WL10373

Ford Trucks & Vans (2011-on) O.E. BC3Z7A098B

Transmission Filter Illustrations

Ford, Lincoln, Mercury, Mazda (cont'd/suite)

6R80

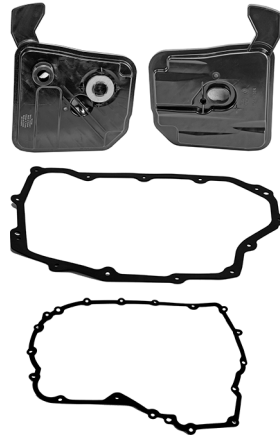


WIX - WL10377

Various Ford (2011-on)

O.E. BL3Z7A098A

6F35

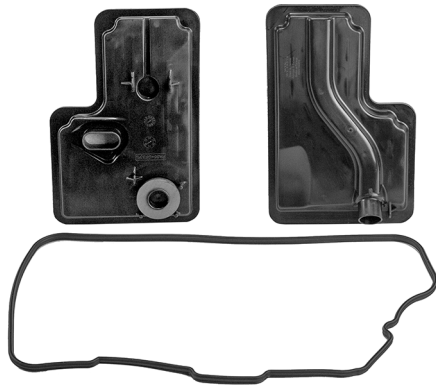


WIX - WL10387

Various Ford (2016-on)

O.E. 9L8Z7A098E (FT193)

6F50N, 6T70-E, 6T75-E



WIX - WL10378

Ford, Lincoln, Mercury (2007-on)

O.E. 7T4Z7A098B (FT172)

SkyActivDrive



WIX - WL10379

Mazda (2014-on)

O.E. FZ0121500

T
R
A
N
S
M
I
S
S
I
O
N

F
I
L
T
E
R
S

General Motors

TAAT



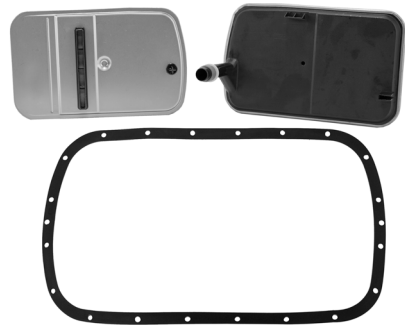
WIX - 57101

Saturn (1991-02)

O.E. 21003298 (TF298)

5L40E, 6L50E

Deep Pan With Outlet Tube Spacer and Plastic Shroud



WIX - 58135

Cadillac, BMW (2001-07)

O.E. 24722200 (GM), 24117533700 (BMW)

Allison 1000



WIX - 57701

Chevrolet/GMC Trucks (1991-)
Camiones Chevrolet/GMC (1991-)
Camions Chevrolet/GMC (1991-)

O.E. 29539579

4L60E

Include Pan Gasket



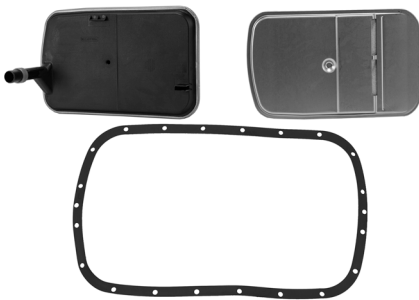
WIX - 58323

GM, Isuzu, Hummer (2004-12)

O.E. 24225323

5L40E, 6L50E

Deep Pan With Outlet Tube Spacer



WIX - 58116

Cadillac, Pontiac, BMW (2000-11)

O.E. 24722100 (GM), 24117533699 (BMW)

6L80, 6L90



WIX - 58369

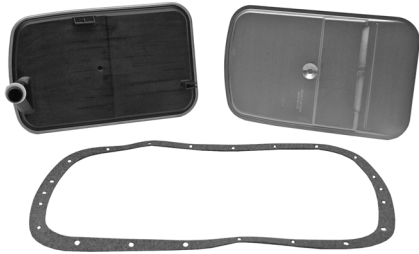
Various GM (2006-)
Varios GM (2006-)
Divers GM (2006-)

O.E. 24236519, 24236933

Transmission Filter Illustrations
General Motors (cont'd/suite)

TRANSMISSION FILTERS

5L40E
 With Outlet Tube Spacer



WIX - 58545

Cadillac, Pontiac, BMW (2000-11)

O.E. 96042545

4T40E



WIX - 58611

GM, Saturn, Chevrolet, Pontiac (1995-11)

O.E. 24203770 (TF316)

4L60E
 Includes Pan Gasket



WIX - 58574

Chevrolet Corvette (1997-07)

O.E. 24208574

4L80E – Shallow Pan

Includes Pan Gasket Same as 58917 w/ gasket

4L80E – Carter poco profundo
 Incluye la junta del cárter. Igual que el 58917 con junta.

4L80E – Carter peu profond
 Comprend le joint de carter. Semblable à 58917 avec joint.



WIX - 58836

Chevrolet/GMC Trucks (1991-96)
 Camiones Chevrolet/GMC (1991-96)
 Camions Chevrolet/GMC (1991-96)

O.E. 8678757

4L80E – Deep Pan

Pan Gasket Reusable – Not Included

4L80E – Carter profundo
 Junta del cárter reutilizable. No se incluye.

4L80E – Carter profond
 Joint de carter réutilisable – Non fourni.



WIX - 58608

Various GM, Bluebird, Champion buses (1992-11)
 Varios autobuses GM, Bluebird y Champion (1992-11)
 Divers autobus GM, Bluebird et Champion (1992-11)

O.E. 24210956 (TF329)

4T60E, 4T65E

Includes Pan Gasket Same as 58918 w/ gasket



WIX - 58837

GM Family of Cars (1990-11)
 Familia de vehiculos GM (1990-11)
 Gamme des voitures GM (1990-11)

O.E. 8682472

Transmission Filter Illustrations
General Motors (cont'd/suite)

4L60E – Deep Pan



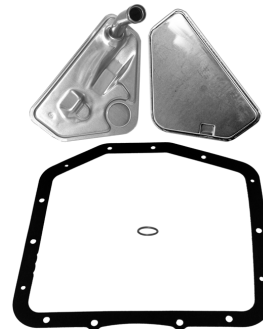
WIX - 58847

GM/Chevrolet Trucks (1993–)
Camiones Chevrolet/GM (1993–)
Camions GM/Chevrolet (1993–)

O.E. 24208576

"300"

Right (passenger) side of pan had large protruding section. Includes O-Ring



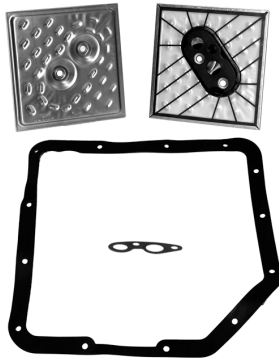
WIX - 58880

GM Vehicles (1965–69)
Vehículos GM (1965–69)
Véhicules GM (1965–69)

O.E. (Kit) 6438817, (Filter) 1374649 (TF170)
O.E. (Juego) 6438817, (Filtro) 1374649 (TF170)
O.E. (Trousse) 6438817, (Filtre) 1374649 (TF170)

THM 250, 350 (M31) (MV-4)

Chevrolet Built Right rear corner (passenger) of pan has been cut off.



WIX - 58878

GM Cars & Trucks (1962–90)
Automóviles y camiones GM (1962–90)
Voitures et camions GM (1962–90)

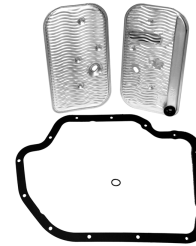
O.E. (Kit) 8641910, (Filter) 6261412
O.E. (Juego) 8641910, (Filtro) 6261412
O.E. (Trousse) 8641910, (Filtre) 6261412

3L80 (Late 400, M40)

Paper Media Pan has only 2 dimples on late 1967 to 1981 models.

3L80 ("400" modelo reciente, M40)
Medio de papel El cárter tiene sólo 2 hoyuelos en los modelos de fines de 1967 hasta 1981.

3L80 (modèle récent "400", M40)
Matériau en papier. Carter avec 2 creux seulement sur les modèles de fin 1967 à 1981.



WIX - 58881

GM Cars & Trucks, Jaguar, Jeep (1965–98)
Automóviles y camiones GM, Jaguar, Jeep (1965–98)
Voitures et camions GM, Jaguar, Jeep (1965–98)

O.E. (Kit) 6259423, (Filter) 6438348 (TF231)
O.E. (Juego) 6259423, (Filtro) 6438348 (TF231)
O.E. (Trousse) 6259423, (Filtre) 6438348 (TF231)

Early 400

Right (passenger) side of oil pan is shaped like "S". 1964 to early 1967 have a heel print and 3 dimples on pan. Includes O-Ring

"400" modelo antiguo

El lado derecho (pasajero) del cárter tiene forma de "S". Los modelos desde 1964 hasta principios de 1967 tienen una impresión de talón y 3 hoyuelos en el cárter. Incluye la junta tórica.

"400" (ancien modèle)

Côté droit (passager) du carter en S. Sur modèles de 1964 à début de 1967, empreinte de talon et 3 creux sur le carter. Comprend le joint torique.



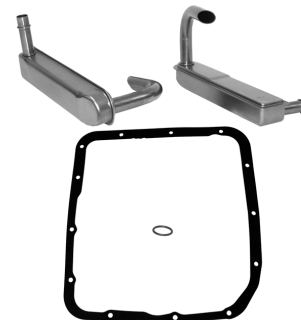
WIX - 58879

GM Vehicles (1963–67)
Vehículos GM (1963–67)
Véhicules GM (1963–67)

O.E. 5579822 (TF237)

425 (M40)

FWD Cadillac and Oldsmobile only use this pan. Includes O-Ring



WIX - 58882

Cadillac Eldorado, Oldsmobile Toronado (1966–78)

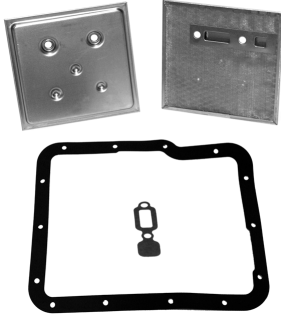
O.E. (Kit) 6438336, (Filter) 6435766 (TF169)
O.E. (Juego) 6438336, (Filtro) 6435766 (TF169)
O.E. (Trousse) 6438336, (Filtre) 6435766 (TF169)

Transmission Filter Illustrations
General Motors (cont'd/suite)

TRANSMISSION FILTERS

Powerglide

The word "Powerglide" is embossed on the case. Includes Filter Gasket
 La palabra "Powerglide" está grabada sobre la caja. Incluye la junta del filtro.
 Le mot Powerglide est gravé sur le boîtier. Comprend le joint de filtre.



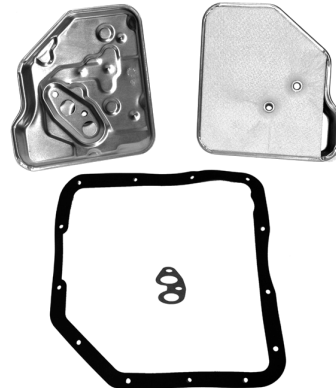
WIX - 58883

GM Vehicles (1960-74)
 Vehículos GM (1960-74)
 Véhicules GM (1960-74)

O.E. 3849968 (TF172)

THM 350, 350B, 375B (M33) (MX2)

Corner of oil pan cut off on rear passenger side. Includes Filter Gasket



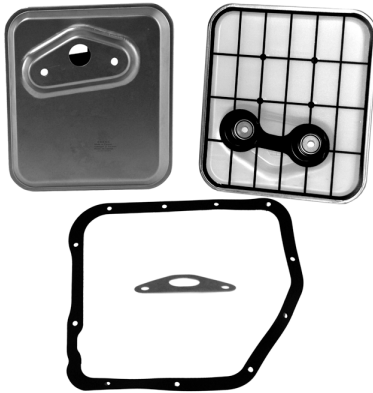
WIX - 58894

GM Vehicles (1965-83)
 Vehículos GM (1965-83)
 Véhicules GM (1965-83)

O.E. 6439945 (TF213)

THM 200 (MV-9)

Deep (2 9/16") Pan Includes Filter Gasket



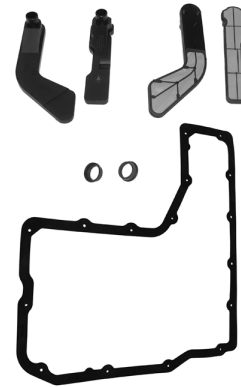
WIX - 58886

GM Vehicles (1978-87)
 Vehículos GM (1978-87)
 Véhicules GM (1978-87)

O.E. 8630789 (TF233)

4T80E

Includes 2 O-Rings Includes right and left side filters



WIX - 58895

GM Vehicles (1993-11)
 Vehículos GM (1993-11)
 Véhicules GM (1993-11)

O.E. 8979416/8680700 (TF305)

3L30 (THM 180)
 (GM, Geo, Suzuki)



WIX - 58889

GM, Geo, Fiat, Opel, Suzuki (1969-98)

O.E. 5258130 (TF204)

THM - 200 4R (MW-9)



WIX - 58896

GM Vehicles (1980-90)
 Vehículos GM (1980-90)
 Véhicules GM (1980-90)

O.E. 8634223 (TF234)

Transmission Filter Illustrations
General Motors (cont'd/suite)

TRANSMISSION FILTERS

4L60 (THM 700 R4, MO-8)

WIX - 58897

GM Cars & Trucks (1965-94)
Automóviles y camiones GM (1965-94)
Voitures et camions GM (1965-94)

O.E. 8667689 (TF235)

4T60E, 4T65E
Reusable Gasket GM #8676250 No Gasket Included / Aucun joint inclus / Sin junta incluida

WIX - 58918

GM/Chevrolet/Buick (1990-11)

O.E. 8651651 (TF304)

4L60E – Shallow Pan
Includes Lip Seal

4L60E – Cárter poco profundo
Incluye sellado de labio.

4L60E – Carter peu profond
Comprend le joint à lèvres.

WIX - 58904

GM/Chevrolet, Saab (1993-)

O.E. 24200796 (TF289)

6L50, 6L80

WIX - 58931

Various GM (2006-)
Varios GM (2006-)
Divers GM (2006-)

O.E. 24236931

4L80E – Shallow Pan
Reusable Gasket GM #8677743 No Gasket Included / Aucun joint inclus / Sin junta incluida

4L80E – Cárter poco profundo
Junta reutilizable GM n° 8677743 If pan gasket needed, use 58836 / En cas de joint de carter nécessaire, utiliser le 58836./En caso de requerir junta del cárter, usar 58836.

4L80E – Carter peu profond
Joint GM réutilisable n° 8677743. Pickup Tube Attached / Tube d'aspiration fixé./ Tubo captador sujeto

WIX - 58917

GM/Chevrolet Trucks & Vans (1991-96)
Camiones y furgonetas GM/Chevrolet (1991-96)
Camions et camionnettes GM/Chevrolet (1991-96)

O.E. 8684221 (TF249)

4T60 (THM 440 T4)
Includes Lip Seal

WIX - 58942

GM Vehicles (1984-94)
Vehiculos GM (1984-94)
Véhicules GM (1984-94)

O.E. 8682471 (TF236)

Transmission Filter Illustrations
General Motors (cont'd/suite)

T
R
A
N
S
M
I
S
S
I
O
N

F
I
L
T
E
R
S

3T40 (THM 125C)
Includes Lip Seal



WIX - 58952

GM Vehicles (1980-02)
Vehiculos GM (1980-02)
Véhicules GM (1980-02)

O.E. 8660100 (TF230)

6L80, X13R



WIX - WL10385

GM Vehicles (2009-17)

O.E. 24252158

Allison 1000, 2000, 2000MH, 2400
Includes Pan Gasket



WIX - 58966

GM Medium Duty Trucks (1991-)
Camiones de carga mediana GM (1991-)
Camions légers GM (1991-)

O.E. 29537966

4HP-16

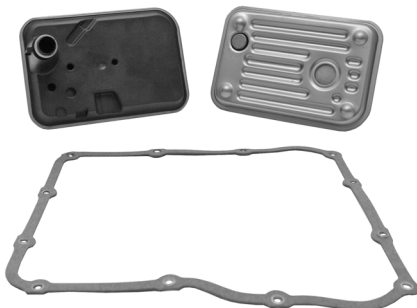


WIX - WL10389

Chev, Suzuki (2004-08)

O.E. 2644086Z00

Allison 1000, 2000, 2400
Shallow Pan



WIX - 58970

Various GM Trucks (1991-)
Varios camiones GM (1991-)
Divers camions GM (1991-)

O.E. 29547965

AW81-40LE, U-440



WIX - WL10418

Chev, Pontiac G3 (2004-11)

O.E. 93741509

Transmission Filter Illustrations
Imported Cars / Véhicules importés

F4A41/42/51/F5A51
Spin-on



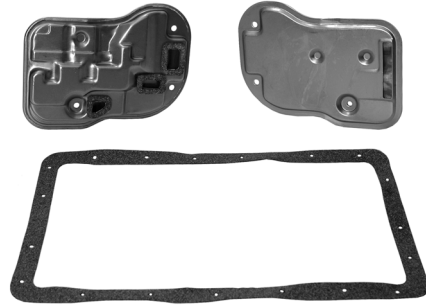
WIX - 51064

Hyundai, Mitsubishi, Kia (1984-)

O.E. MD752072

A341E (2WD)

A341E (2RM)



WIX - 58020

Various Lexus, Toyota (1993-04)
Varios Lexus, Toyota (1993-04)
Divers Lexus et Toyota (1993-04)

O.E. 35330-30020

4EAT/R4AX-EL
Spin-on



WIX - 51365

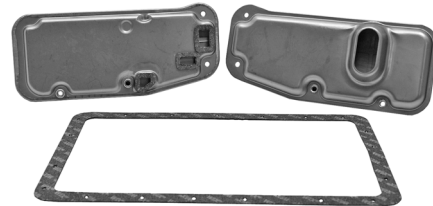
Subaru (1999-)

O.E. 38325-AA032

A343F (4WD)
Includes Pan Gasket

Incluye la junta del cárter.

A343F (4RM)
Comprend le joint de carter.



WIX - 58030

Various Lexus, Toyota (1998-)
Varios Lexus, Toyota (1998-)
Divers Lexus et Toyota (1998-)

O.E. 35330-60030

U150E/U151E/F
Includes Pan Gasket & O-Ring



WIX - 58010

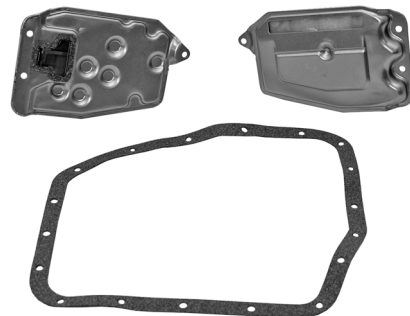
Various Lexus, Toyota (2003-)
Varios Lexus, Toyota (2003-)
Divers Lexus et Toyota (2003-)

O.E. 35330-08010

A245E ("Late")
Includes Pan Gasket

A245E (modelo reciente)
Incluye la junta del cárter.

A245E (modèle récent)
Comprend le joint de carter.



WIX - 58040

GMC/Toyota (2003-08)

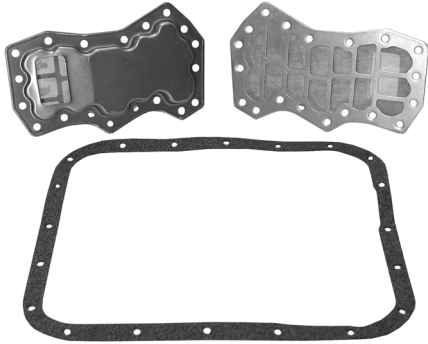
O.E. 35330-12040

Imported Cars / Véhicules importés (cont'd/suite)

TRANSMISSION FILTERS

R4AX-EL

Includes Pan Gasket

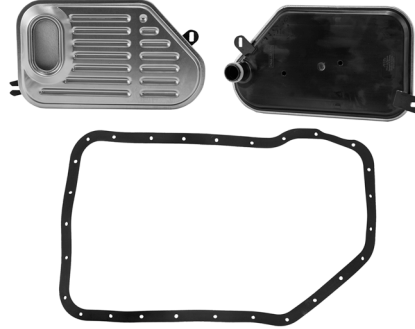


WIX - 58050

Various Subaru (1999-03)
 Varios Subaru (1999-03)
 Divers Subaru (1999-03)

O.E. 31728-AA050

ZF5HP19/FL



WIX - 58108

Various Audi, VW, Porsche (1996-06)
 Varios Audi, VW, Porsche (1996-06)
 Divers Audi, VW et Porsche (1996-06)

O.E. 01V325429

A650E

Includes Pan Gasket



WIX - 58070

Various Lexus (1997-05)
 Varios Lexus (1997-05)
 Divers Lexus (1997-05)

O.E. 35330-30070

ZF5HP24

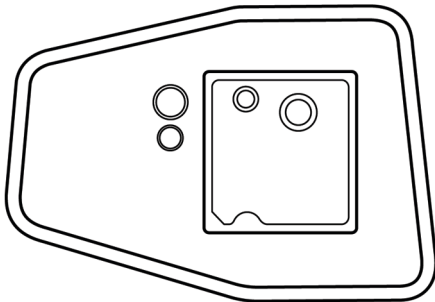


WIX - 58109

Various BMW (1996-00)
 Varios BMW (1996-00)
 Divers BMW (1996-00)

O.E. 1L325429

ZFHP22



WIX - 58100

Land Rover (1985-04)

O.E. RTC4653

A761E



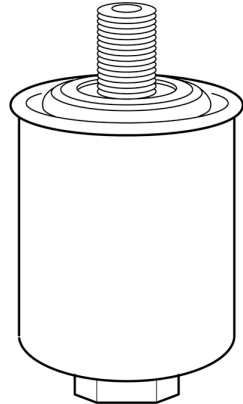
WIX - 58122

Various Toyota, Lexus (2006-)
 Varios Toyota, Lexus (2006-)
 Divers Toyota et Lexus (2006-)

O.E. 3533050020

Imported Cars / Véhicules importés (cont'd/suite)

MPJA, MDWA (in-line)
MPJA, MDWA (en línea)

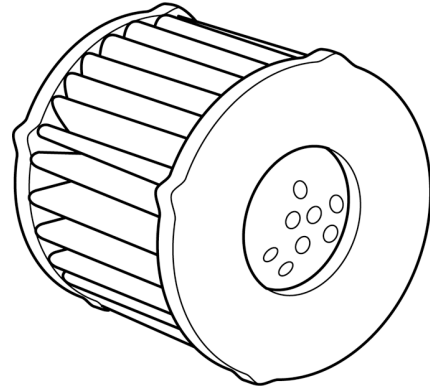


WIX - 58129

Various Honda, Acura (2000-08)
Varios Honda, Acura (2000-08)
Divers Honda et Acura (2000-08)

O.E. 25450P7W003

BAYA, MAYA, BGRA, BVGA (cartridge)
BAYA, MAYA, BGRA, BVGA
(cartucho) BAYA, MAYA, BGRA, BVGA
(cartouche)

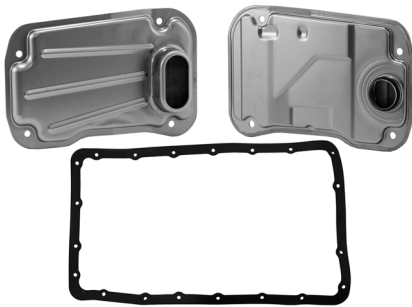


WIX - 58139

Honda/Acura (2003-06)

O.E. 25450RAY003

A750E/F



WIX - 58136

Various Toyota, Lexus (2003-)
Varios Toyota, Lexus (2003-)
Divers Toyota et Lexus (2003-)

O.E. 3533060050

RE4F04B

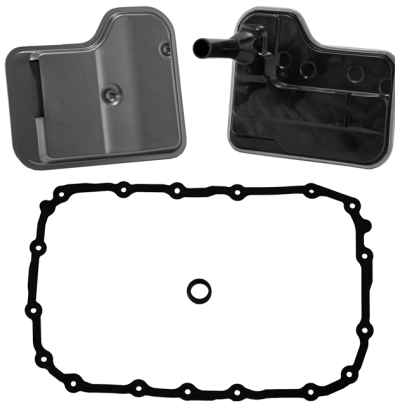


WIX - 58140

Various Nissan (2002-)
Varios Nissan (2002-)
Divers Nissan (2002-)

O.E. 3172885X0A

6J45E



WIX - 58137

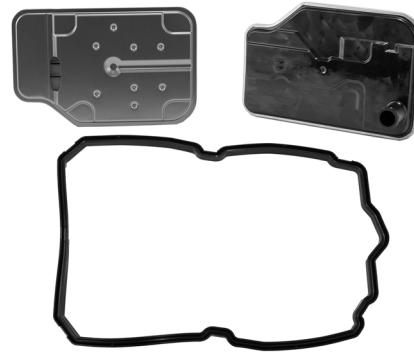
Various BMW (2007-)
Varios BMW (2007-)
Divers BMW (2007-)

O.E. 24236595

722.9 Nag II - 7 Speed

722.9 Nag II - 7 velocidades

722.9 Nag II - 7 vitesses



WIX - 58144

Various Mercedes-Benz (2007-)
Varios Mercedes-Benz (2007-)
Divers Mercedes-Benz (2007-)

O.E. 2202770305

Imported Cars / Véhicules importés (cont'd/suite)

TRANSMISSION FILTERS

U340E/U341E

Includes Pan Gasket & O-Ring



WIX - 58324

Various Toyota, Scion, Pontiac
(2000-)
Varios Toyota, Scion, Pontiac (2000-)
Divers Toyota, Scion et Pontiac
(2000-)

O.E. 35330-0W020

A341E

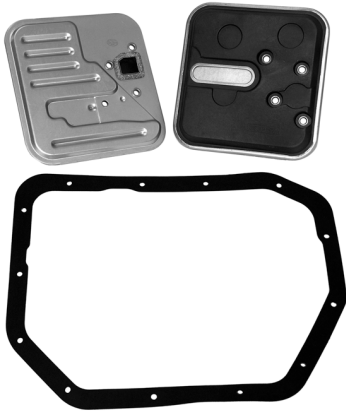


WIX - 58603

Toyota, Lexus, Volvo (1990-98)

O.E. 35330-50010

F4A32



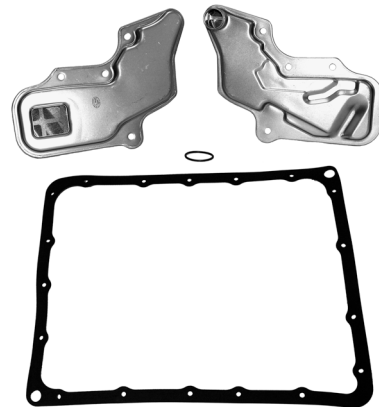
WIX - 58601

Various Hyundai (1993-99)
Varios Hyundai (1993-99)
Divers Hyundai (1993-99)

O.E. 46321-22020

RL4R01A

Includes O-Ring

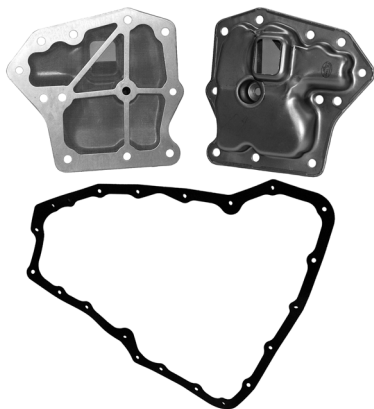


WIX - 58604

Nissan, Suzuki (1994-13)

O.E. 31728-48X00

RE4F04A

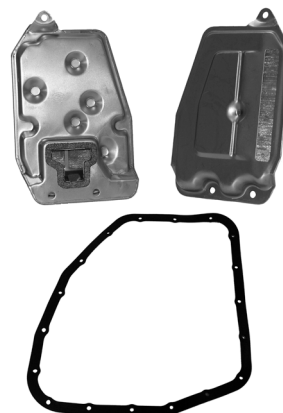


WIX - 58602

Nissan, Infiniti, Mercury Villager
(1992-06)

O.E. 3172880X04

A245E, A246E



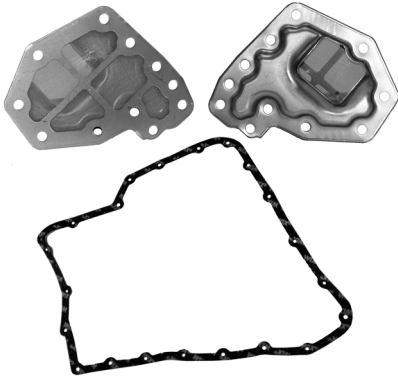
WIX - 58605

GM, Geo, Toyota (1993-02)

O.E. 35330-12030

Imported Cars / Véhicules importés (cont'd/suite)

JF403E

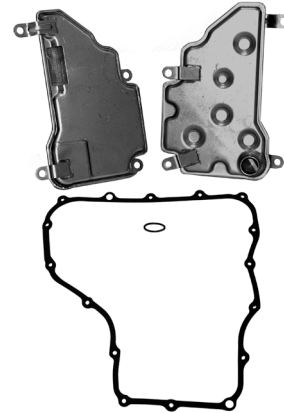


WIX - 58606

Mazda (1995-02)

O.E. FX01-19-815

MPWA



WIX - 58612

Acura (1992-98)

O.E. 25420-PW4-010

AG4

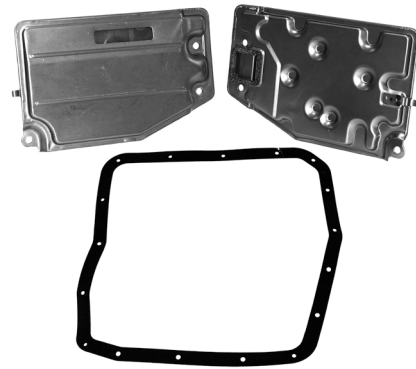


WIX - 58609

Audi, Volkswagen (1990-00)

O.E. 01M325429

A541E



WIX - 58614

Lexus, Toyota (1994-04)

O.E. 35303-33030

A340, A343F

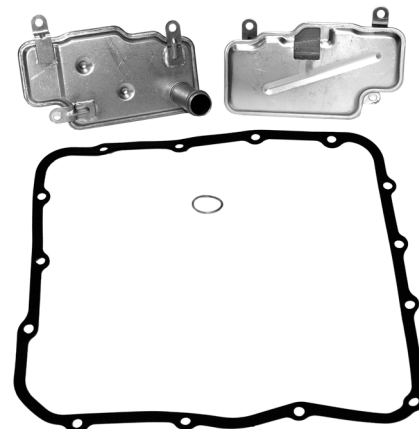


WIX - 58610

Toyota (1995-00)

O.E. 35330-60020

M5HA, MPYA, M5DA
Includes O-Ring



WIX - 58615

Acura (1991-04)

O.E. 25420-PY4-000

Imported Cars / Véhicules importés (cont'd/suite)

TRANSMISSION FILTERS

A340F



WIX - 58616

Various Toyota Trucks (1995-98)
 Varios camiones Toyota (1995-98)
 Divers camions Toyota (1995-98)

O.E. 35330-22010

R4A51, R5A51, V4A51, V5A51



WIX - 58710

Mitsubishi (1999-01)

O.E. MR357710

U140E/140F/U240E/241E (2WD & 4WD)

Includes Pan Gasket

U140E/140F/U240E/241E
 (2x2 y 4x4)
 Incluye la junta del cárter.

U140E/140F/U240E/241E
 (2RM et 4RM)
 Comprend le joint de carter.



WIX - 58618

Various Toyota, Lexus, Scion (1999-)
 Divers Toyota, Lexus et Scion (1999-)

O.E. 3533006010

F4A32/A4AF-3

Includes Pan Gasket



WIX - 58731

Hyundai Accent/Elantra (1999-11)

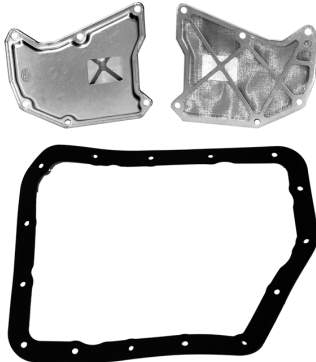
O.E. 46321-22731

MX-17 Transaxle (3 Spd.)

Sprint, Metro, GM Imports

MX-17 Transeje (3 velocidades)
 Vehículos Sprint, Geo y GM importados

Boîte-pont MX-17 (3 vitesses)
 Véhicules Sprint, Metro et GM importés.



WIX - 58701

GM Vehicles, Suzuki (1985-01)
 Véhicules GM et Suzuki (1985-01)

O.E. 96053975 (TF276)

4MVA-CVT

Includes Pan Gasket, Cartridge Style Filter



WIX - 58732

Honda Civic (1996-)

O.E. 25450-P4V013

Imported Cars / Véhicules importés (cont'd/suite)


MITSUBISHI KM175, KM177
Chrysler Imports Both Pan Gaskets (12 Hole & 13 Hole) Included



WIX - 58804

Dodge, Hyundai, Eagle, Mitsubishi (1989-99) O.E. MD737840, 46321-36010


4EAT
Includes O-Ring



WIX - 58875

Ford Probe, Mazda (1987-02) O.E. F32Z-7A-098A


TOYOTA A340E



WIX - 58805

Lexus, Toyota (1985-00) O.E. 35330-30010

4L30E (Isuzu)
Includes Filter Gasket




WIX - 58876

Acura, Isuzu, Honda (1989-04) O.E. 8-96015-062-0

722.6 - 5 Speed
Includes Gasket

722.6 - 5 velocidades
Incluye la junta.

722.6 - 5 vitesses
Comprend le joint.

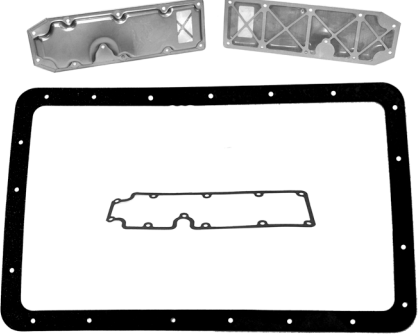


WIX - 58845

Chrysler, Dodge, Jeep, Mercedes-Benz, Sprinter Vans (1995-)
Furgonetas Chrysler, Dodge, Jeep, Mercedes-Benz y Sprinter (1995-)
Camionnettes Chrysler, Dodge, Jeep, Mercedes-Benz et Sprinter (1995-)

O.E. 1402770095, 52108325AA

TOYOTA A340H
Includes Filter Gasket



WIX - 58884

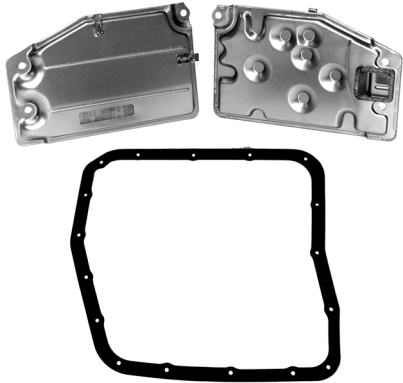
Isuzu, Toyota, Mitsubishi (1976-02) O.E. 35303-35010

Imported Cars / Véhicules importés (cont'd/suite)

T
R
A
N
S
M
I
S
S
I
O
N

F
I
L
T
E
R
S

TOYOTA A540E



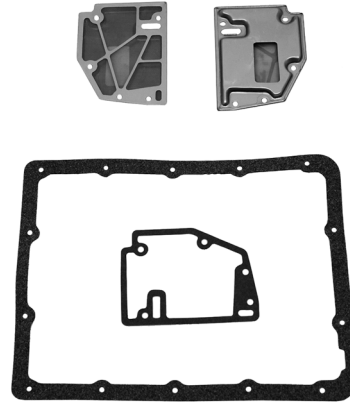
WIX - 58888

Toyota, Lexus (1988-00)

O.E. 35330-32030

TOYOTA A42D, A43D (AW70 Volvo)

Includes Filter Gasket



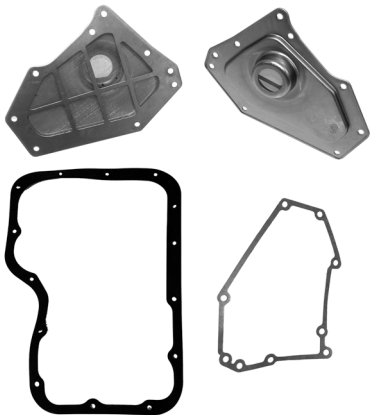
WIX - 58945

Isuzu, Toyota, Volvo (1981-02)

O.E. 35303-30050

R3F01A

Includes Filter Gasket



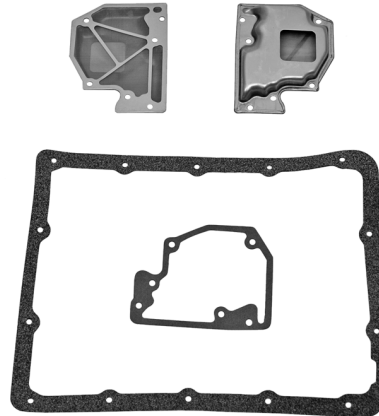
WIX - 58891

Nissan (1987-92)

O.E. 31728-01X10

TOYOTA A43DL, A44DL

Includes Filter Gasket



WIX - 58946

Toyota, Isuzu, Mazda, Mitsubishi,
Volvo (1984-96)

O.E. 35303-14010, 3549200-8

RE4R01A (Nissan, Mazda, Infiniti)

Includes O-Ring

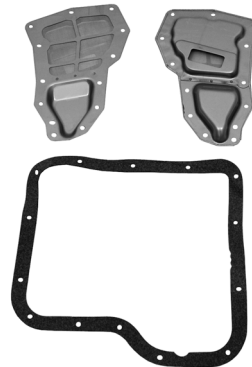


WIX - 58906

Nissan, Mazda, Infiniti (1987-)

O.E. 31728-41X01

JATCO (4N71B)



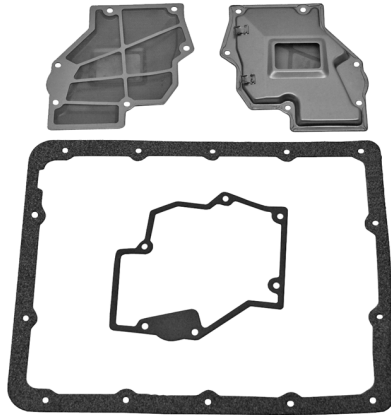
WIX - 58948

Mazda, Mitsubishi, Nissan, Chrysler
(1983-96)

O.E. 31728-X8600, MD610736

Imported Cars / Véhicules importés (cont'd/suite)

TOYOTA A43DE, 46DE
Includes Filter Gasket

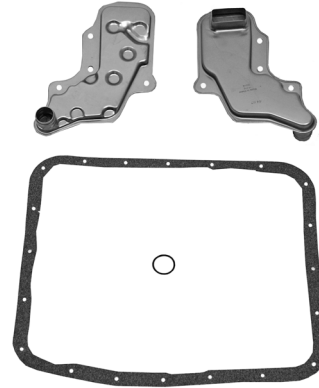


WIX - 58951

Chevrolet, Kia, Toyota, Suzuki
(1982-05)

O.E. 35303-30060 (TF282)

4EAT (Subaru)
Includes O-Ring



WIX - 58969

Subaru (1990-99)

O.E. 31728-AA011, 31728-AA010

HONDA

Magnetic In-line w/ 7/16" Connections - Includes 2 Clamps

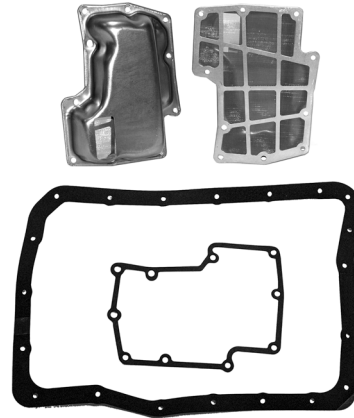


WIX - 58953

Honda (1980-96)

O.E. TF101M

TOYOTA A440F
Includes Filter Gasket

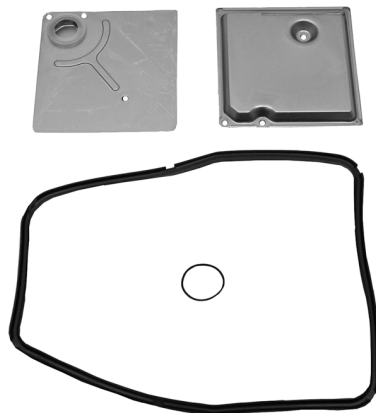


WIX - 58973

Toyota (1983-92)

O.E. 35303-60010

ZF-4HP-22 (BMW/Volvo)
Includes O-Ring

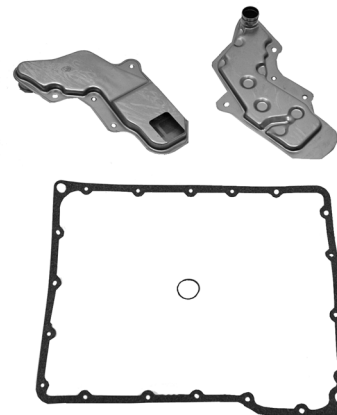


WIX - 58962

Volvo, BMW, Jaguar, Lincoln
(1982-97)

O.E. 24341215544

RE4R03A (Infiniti, Nissan)
Includes O-Ring



WIX - 58974

Infiniti, Nissan (1990-99)

O.E. 31728-51X02

Transmission Filter Illustrations

Imported Cars / Véhicules importés (cont'd/suite)

T
R
A
N
S
M
I
S
S
I
O
N

F
I
L
T
E
R
S

RE4R01A (Infiniti, Nissan)
Includes O-Ring

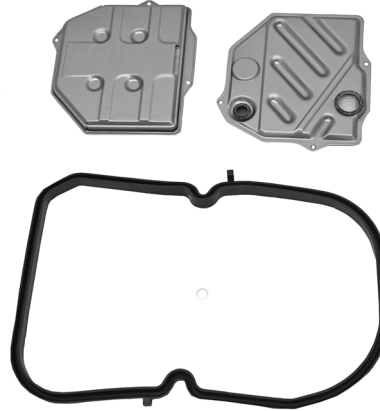


WIX - 58978

Infiniti, Nissan (1989-05)

O.E. 31728-41X00

W4A020 (Mercedes)
Includes Washer



WIX - 58990

Mercedes-Benz (1984-96)

O.E. 126-277-0295

4L30E (BMW)

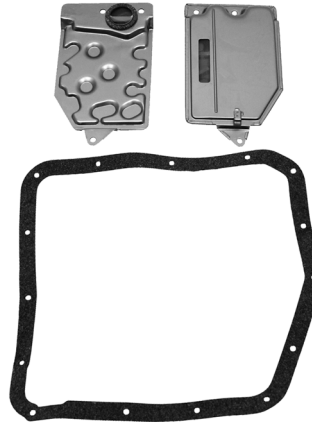


WIX - 58983

BMW, Cadillac Catera (1991-01)

O.E. 24111218899

TOYOTA A140E



WIX - 58994

Toyota, Chevrolet, Geo (1985-02)

O.E. 35330-32022

W4A04 (Mercedes)
Includes Washer



WIX - 58987

Mercedes-Benz, Porsche (1981-96)

O.E. 126-277-0295

4EAT-F
Includes O-Ring



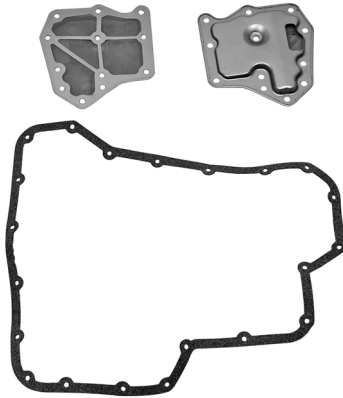
WIX - 58995

Ford, Kia, Mazda, Mercury (1990-05)

O.E. F1CZ-7A-098A

Imported Cars / Véhicules importés (cont'd/suite)

RL4F03A (Infiniti, Nissan)



WIX - 58996

Infiniti, Nissan (1991-)

O.E. 31728-31X01

F4A33-1 (Chrysler Imports, Mitsubishi)

Includes Bolts

F4A33-1 (Vehic. Importados Chrysler y Mitsubishi)
Incluye los pernos.

F4A33-1 (Véh. importés Chrysler et Mitsubishi)
Comprend les boulons.



WIX - 58997

Chrysler & Mitsubishi Imports (1989-01)
Vehiculos importados Chrysler y Mitsubishi (1989-01)
Véhicules importés Chrysler et Mitsubishi (1989-01)

O.E. MD735572

Imported Cars (Allison) / Véhicules importés

Allison 1000



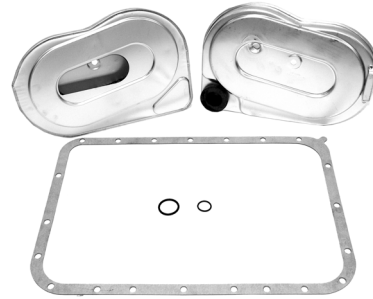
WIX - 57701

Chevrolet/GMC Trucks (1991-)
Camiones Chevrolet/GMC (1991-)
Camions Chevrolet/GMC (1991-)

O.E. 29539579

MT640, 644, 650

Same as 58892 – has rigid gasket



WIX - 58901

Heavy-Duty Miscellaneous (1977-11)
Varios equipos pesados (1977-11)
Divers poids lourds (1977-11)

O.E. 2301920

AT-540

Square, rectangular pan Stainless Steel Media / Matériau en acier inoxydable



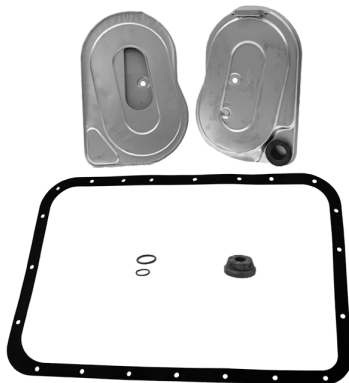
WIX - 58890

Heavy-Duty Miscellaneous (1969-11)
Varios equipos pesados (1969-11)
Divers poids lourds (1969-11)

O.E. 12353218 (TF250)

MT 640, 644, 650

Same as 58901 – has flexible gasket – Includes 2 O-Rings



WIX - 58892

Heavy-Duty Miscellaneous (1977-11)
Varios equipos pesados (1977-11)
Divers poids lourds (1977-11)

O.E. 12339138 (TF178)

T
R
A
N
S
M
I
S
S
I
O
N

F
I
L
T
E
R
S

Transmission Filter Illustrations
Imported Cars / Véhicules importés

TRANSMISSION FILTERS

Type 01J or 09G



WIX - WL10375

Audi, VW (2003-13)

O.E. 09G325429

ZF6HP26 Tiptronic



WIX - WL10381

Audi, VW (2005-17)

O.E. 09E325429

ZF6HP26 Tiptronic



WIX - WL10376

Audi, VW (2004-16)

O.E. 09L325429

DSG/S-Tronic



WIX - WL10384

Audi, VW (2004-on)

O.E. 02E305051C

TR60SN

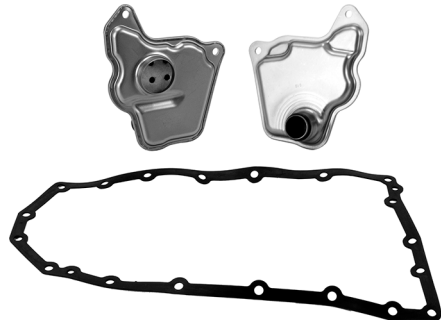


WIX - WL10380

Audi, VW (2004-17)

O.E. 09D325429

Jatco CVT7, Xtronic CVT JF015E



WIX - WL10402

Nissan (2015-on)

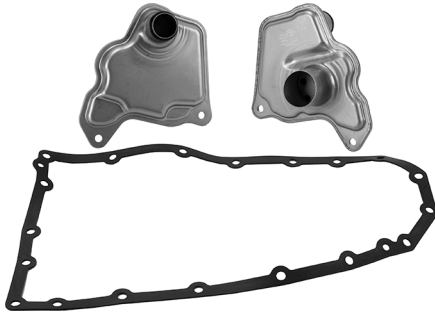
O.E. 3172828X0A

Imported Cars / Véhicules importés (cont'd/suite)

T
R
A
N
S
M
I
S
S
I
O
N

F
I
L
T
E
R
S

Jatco C0T8, Xtronic CVT JF016E



WIX - WL10403

Nissan (2015-on)

O.E. 3172829X0D

F4A42-2, F5A51



WIX - WL10417

Kia, Hyundai (2003-13)

O.E. 4632139010

A6LF1



WIX - WL10405

Kia, Hyundai (2016-on)

O.E. 463213B000

GA6F21WA

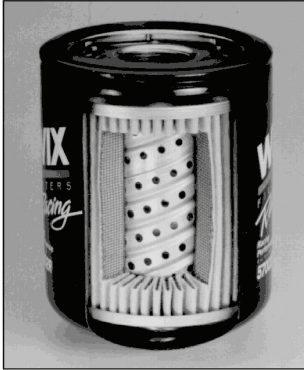


WIX - WL10416

Mini Cooper (2007-16)

O.E. 24347551087

WIX Racing Oil Filters



WIX provides two very different and distinct racing filters – **Advanced Performance Filters (T-10)** and **High Efficiency Endurance Filters (T-71)**.

Advanced Performance Oil Filters use a media (T-10) that is rated at a Frazier air flow of approximately 267 CFM and is wire-backed. The unique wire-backing provides a very stable base for a media blend of fiberglass, polyester and cellulose. This media is resistant to high temperatures and water levels in the oil that can plug standard media types. Our **Advanced Performance media (T-10)** is designed to provide a positive oil flow with low restriction (*see chart, next page*).

WIX Advanced Performance (T-10) Oil Filter Part Numbers are:

51268 57003R* 57007R

**Remote Mount Adapters Are Required (see pages 7 & 9).*

Additional Oil Filter Features Include:

- A. Heavy-walled can and cover to withstand the extreme burst pressures (up to 500 psi).
- B. High temperature nitrile components (up to 300°F)...Anti-drainback valve (when included) and base plate gaskets to withstand extremely high racing temperatures.
- C. Zinc chromate plated base plate...Low surface friction and corrosion-free.
- D. Spiral wound center tube provides increased collapse pressure and enhanced flow pattern.
- E. Metal end caps provide element strength and prevent filtering bypass.
- F. Individually sealed to protect against contamination by environmental dust or dirt.

These are the WIX recommended oil filters for maximum horsepower increase, to be used primarily on concrete or asphalt tracks.

**For optimum performance, use our
Advanced Performance Oil Filters with our
Advanced Performance Air Filters.**

WIX Racing Oil Filters



High Efficiency Endurance Oil Filters use a media (T-71) rated at a Frazier air flow of approximately 75 CFR. This media contains a higher resin content than our **Advanced Performance Filters** to trap and hold smaller contaminants and provide higher efficiency.

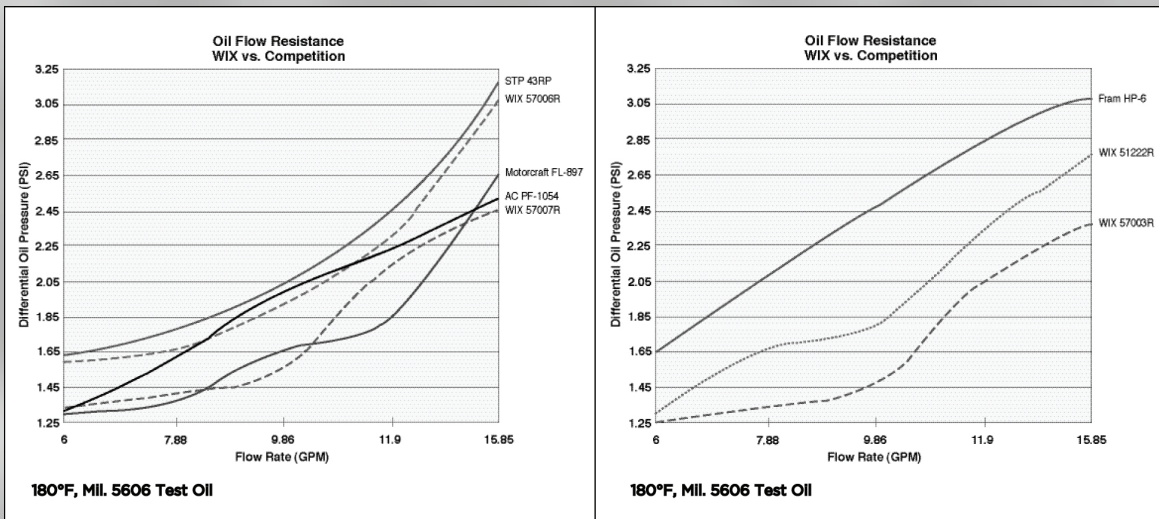
Our **High Efficiency Endurance Filters** also include the same component features as the **Advanced Performance Filters**: high burst pressure can, high temperature rubber components, zinc chromate base plate, metal end caps and spiral center tubes.

WIX High Efficiency Endurance (T-71) Oil Filter Part Numbers are:

51060R 51061R 51069R 51222R 51515R 51794R

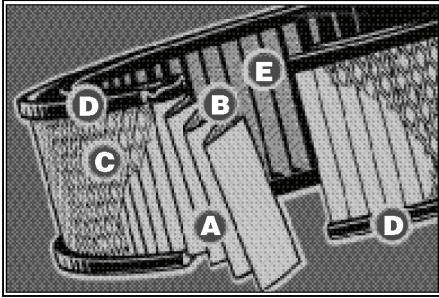
These are the WIX recommended oil filters for better efficiency needed on dirt, clay or off-road tracks.

For better protection, use our High Efficiency Endurance Oil Filters with our High Efficiency Endurance Air Filters.



CAUTION: Not intended for street use.

WIX Racing Air Filters



Advanced Performance Air Filters use a unique patent-pending design. Our wire-backed gauze **Reemay®** media (**T-66**) allows maximum air flow while minimizing restriction to boost horsepower. With a Frazier air flow of approximately 410 CFM, these air filters have the lowest restriction of any racing filter available (*see chart, next page*).

WIX Advanced Performance (T-66) Air Filter Part Numbers are:

46940R	46944R	46945R	46948R	46949R
46941R	46928R	46974R	46927R	46926R

Additional Air Filter Features Include:

- A. High performance media is designed to provide increased air flow.
- B. Wire mesh gauze media support (when included) contributes to rigid filter construction by assuring consistently stable pleats at high air flow volumes.
- C. Outer screen of expanded metal protects the filter media and supports the filter assembly.
- D. Molded plastisol top and bottom assures a positive seal between the filter and the air intake housing.
- E. Inner screen of epoxy-coated steel wire withstands corrosion and insures stability of the filter element.

These are the WIX recommended air filters for *maximum horsepower increase* used primarily on concrete or asphalt tracks of Nextel Cup, Busch, SuperTruck or ARCA.

**For optimum performance, use our
Advanced Performance Air Filters with our
Advanced Performance Oil Filters.**

WIX Racing Air Filters



High Efficiency Endurance Air Filters use a media (T-88) specifically developed to filter out harmful contaminants while providing low restriction. With a Frazier air flow of approximately 73 CFM, this is an ideal air filter for the Late Model, Sportsman and Modified racers who run primarily on dirt tracks.

Our **High Efficiency Endurance Air Filters** also share the same exclusive component features as the **Advanced Performance Air Filters**.

WIX High Efficiency Endurance (T-88) Air Filter Part Numbers are:

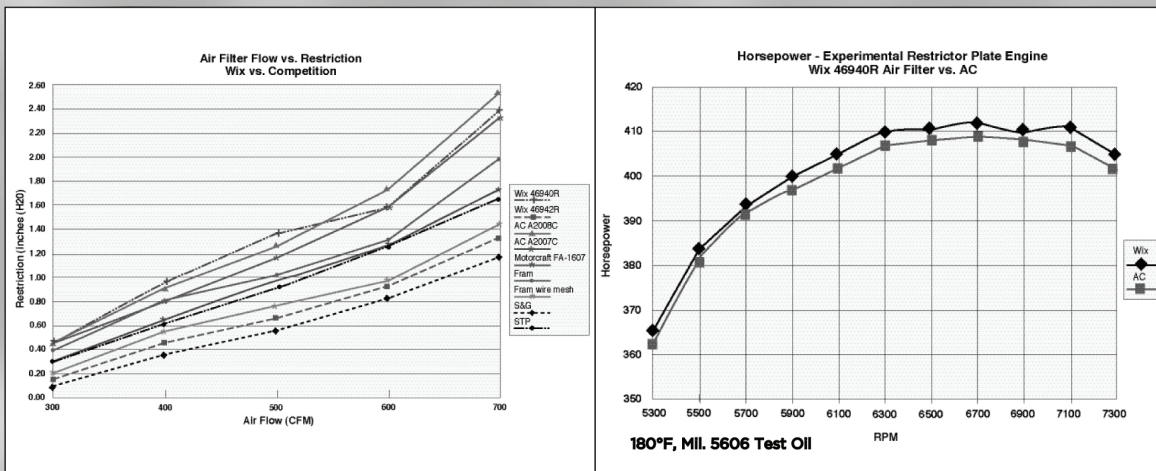
42095R

42096R

46946R

These are the WIX recommended air filters for better efficiency needed on dirt, clay or off-road tracks.

For better protection, use our High Efficiency Endurance Air Filters with our High Efficiency Endurance Oil Filters.



CAUTION: Not intended for street use.

WIX Racing Oil and Air Filter Specifications

Oil Filters

Filter Number	Thread Size	Filter Height	Filter OD	Media Type	Flow Rate GPM	Bypass Valve Setting*	Anit-Drain Back Valve
51060R	13/16-16	5.17	3.6	T-71	28	None	Yes
51061R	13/16-16	5.17	3.6	T-71	28	None	No
51069R	13/16-16	4.33	3.6	T-71	28	None	No
51268R	1-1/8-16	5.21	3.6	T-10	30	None	No
51222R	1-1/2-12	6.21	4.6	T-71	28	8-11 PSI	No
51515R	3/4-16	5.17	3.6	T-71	28	Yes*	Yes
51794R	13/16-16	7.82	3.6	T-71	28	None	No
57003R	1-1/2-12	6.21	4.6	T-10	30	Yes*	No
57007R	1-1/2-16	5.90	4.6	T-10	30	Yes*	No

*Note: The bypass valve is an 18-22 psi differential pressure relief valve that will provide sufficient oil flow should the media become plugged.

Air Filters

Filter Number	Filter Height	Filter OD	Filter ID	Media Type	Flow CFM
42095R	3.04	13.875	11.625	T-88	600
42096R	4.05	13.875	11.625	T-88	600
46940R	4.01	16.000	13.750	T-66	1000+
46942R*	4.01	16.000	13.750	T-17*	1000+
46944R	4.01	14.000	12.250	T-66	1000+
46945R	3.01	14.000	12.250	T-66	1000+
46946R	4.01	14.000	12.250	T-88	1000+
46948R	3.51	14.000	12.250	T-66	1000+
46949R	3.51	16.000	13.750	T-66	1000+
46941R	3.76	16.000	13.750	T-66	1000+
46928R	3.26	16.000	13.750	T-66	1000+
46974R	3.01	16.000	13.750	T-66	1000+
46927R	3.76	14.000	12.250	T-66	1000+
46926R	3.26	14.000	12.250	T-66	1000+

*Approved for Craftsman Truck Series

Stock OEM Location and Application

Chrysler Corporation Engines

Engine Types	Part No.
All 6 Cylinder Engines	51515R
All Small Block V-8 273, 300, 318, 340 and 360	51515R
All Big Block V-8 383, 400, 413, 426 and 440	51515R

Ford Motor Company Engines

Engine Types	Part No.
All 4 Cylinder 140 2.3L	51515R
All V-6 232 3.8L	51515R
All Small Block V-8 302 5.0L	51515R
All 6 Cylinder	51515R
All Small Block V-8 221, 255, 260, 289, 292, 302 and 351C, W or M	51515R
All Big Block V-8 352, 390, 400, 406, 427, 428, 429, 430 and 460	51515R

General Motors / Chevrolet Engines

Engine Types	Part No.
All 6 Cylinder	
4½" Ht.	51069R
5½" Ht.	51060R*
5½" Ht.	51061R
7¾" Ht.	51794R
All Small Block V-8 262, 267, 302, 305, 307, 327 and 350	
4½" Ht.	51069R
5½" Ht.	51060R*
5½" Ht.	51061R
7¾" Ht.	51794R
All Big Block V-8 396, 400, 402, 427 and 454	
4½" Ht.	51069R
5½" Ht.	51060R*
5½" Ht.	51061R
7¾" Ht.	51794R

*With Anti-Drain Back Valve

CAUTION: Racing performance parts are sold "as is" without any warranty. There is not implied warranty for fitness or merchantability. The buyer assumes all risks related to the use of this product. New vehicle and equipment warranties are voided when this product is used in competitive racing or modified high performance engines.

Over Pressurized Lube Oil Filters

From time to time every filter manufacturer has had a filter that has been severely over pressurized returned from a customer. Often the deformed filter is the only sign the car owner has that a problem existed in their lube oil system.

It's possible that the damaged filter was not noticed until it was removed during the next scheduled oil change. However, if the pressure was sufficient to blow out the gasket or unroll the lockseam, the car owner may have experienced immediate and costly problems.

With the "evidence" in their hands, they tend to put the blame on the damaged filter. It's not surprising that they are more than a little aggravated when the filter manufacturer denies any responsibility for the damage. What, then, has caused the over pressurization?

A look at how a lube oil system functions will show that oil pressure is created by the oil pump. The upper limit of this pressure is controlled by a pressure regulating valve which is usually an integral part of the pump. Figure 1 is a simplified diagram of the lube oil system showing the pump, regulating valve, filter and bearings.

The pump supplies sufficient flow to lubricate the bearings and other moving parts of the engine. This oil must be under pressure if it is to properly separate the highly loaded parts of an engine and prevent excessive wear. The purpose of the regulating valve is to provide this pressure which on most passenger cars is between 40 PSI (280 kPa) and 60 PSI (410 kPa).

The regulating valve is made up of a ball or plunger which regulates pressure with the aid of a spring. The spring is calibrated so that the plunger will lift off its seat when the oil pressure reaches the desired amount. Once the valve is open, the pressure remains fairly constant with only small changes occurring as the engine speed varies.

The filter and all other components in the lube system are subjected to the pressure established by the regulating valve. If this pressure is excessive, filter damage may occur. This is the point that many people who are not familiar with lube systems fail to realize.

What can cause the pressure in the system to exceed the regulating valve setting? The answer is that either the valve must be stuck in the closed position or it is sluggish and slow to move to the open position after the engine has started.

Over Pressurized Lube Oil Filters

Normal operating pressure causes no permanent deformation of the filter body. When the system pressure reaches 150 PSI (1,000 kPa) due to a faulty regulating valve, most filters become permanently deformed. At this pressure the gasket usually will not blow out and the lockseam will remain sound.

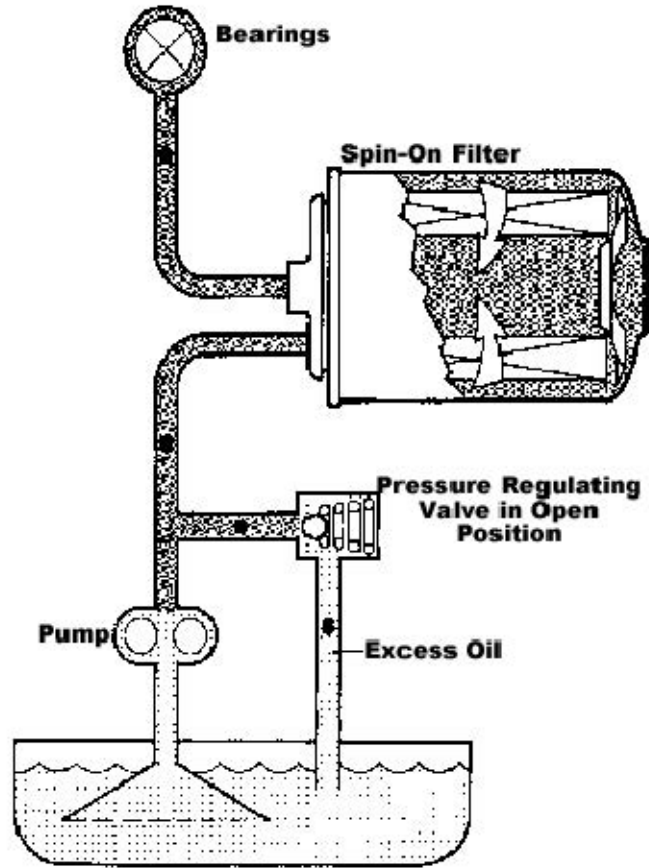
If the regulating valve still remains stuck, the pressure will increase further and the gasket between the filter and the base can be blown out. This will probably cause the loss of all the oil in the system. If the filter has been installed on the tight side, the gasket may not blow out and the lockseam will unwind as the pressure continues to rise. The main point is that the deformed filter is not the cause of this excessive pressure, but is the victim of a faulty regulating valve.

If the customer is alert and shuts the engine off at the first sign of trouble (red light on or reduced oil pressure) they can limit their loss to a tow job, oil change, new filter and oil pressure regulating valve inspection. If the vehicle continues to be driven, engine failure is probable.

The customer may ask if a plugged filter could have caused the over pressurized condition. The answer is no; if the regulating valve is functioning properly it will maintain the pressure on the filter at 40 PSI (280 kPa) or 60 PSI (410 kPa) even if the filter is plugged.

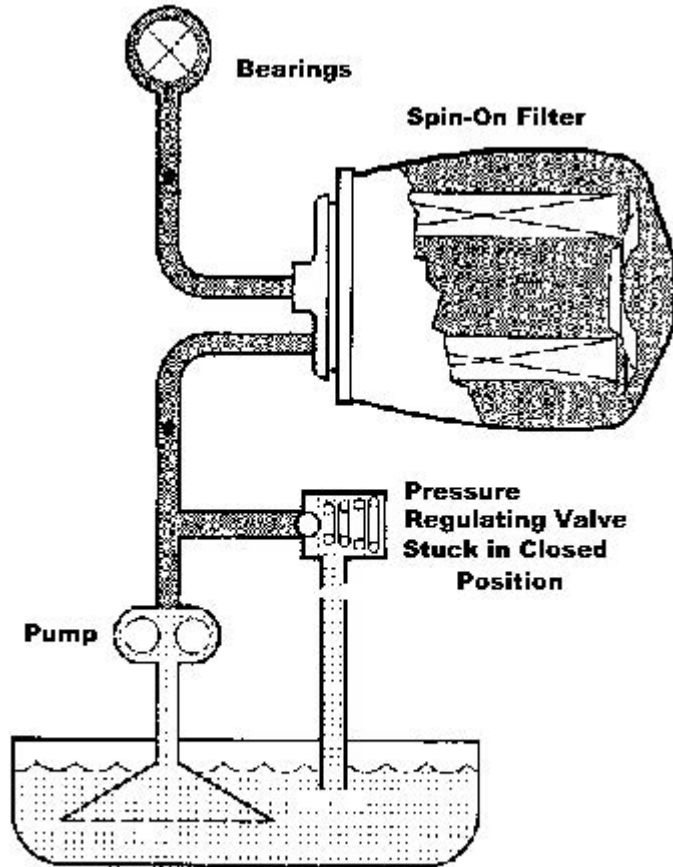
In summary, if a lube filter distorts due to excessive pressure in the system, the fault lies with the oil pump pressure regulating valve and not with the filter.

Over Pressurized Lube Oil Filters



NORMAL PRESSURE
FIG. 1

Over Pressurized Lube Oil Filters



EXCESSIVE PRESSURE

FIG. 2